

TWOSE FLAIL HEAD

- 12HDLF5LH2R -

1.2M Belt-Drive Head
with Hydraulic Roller

Parts Manual

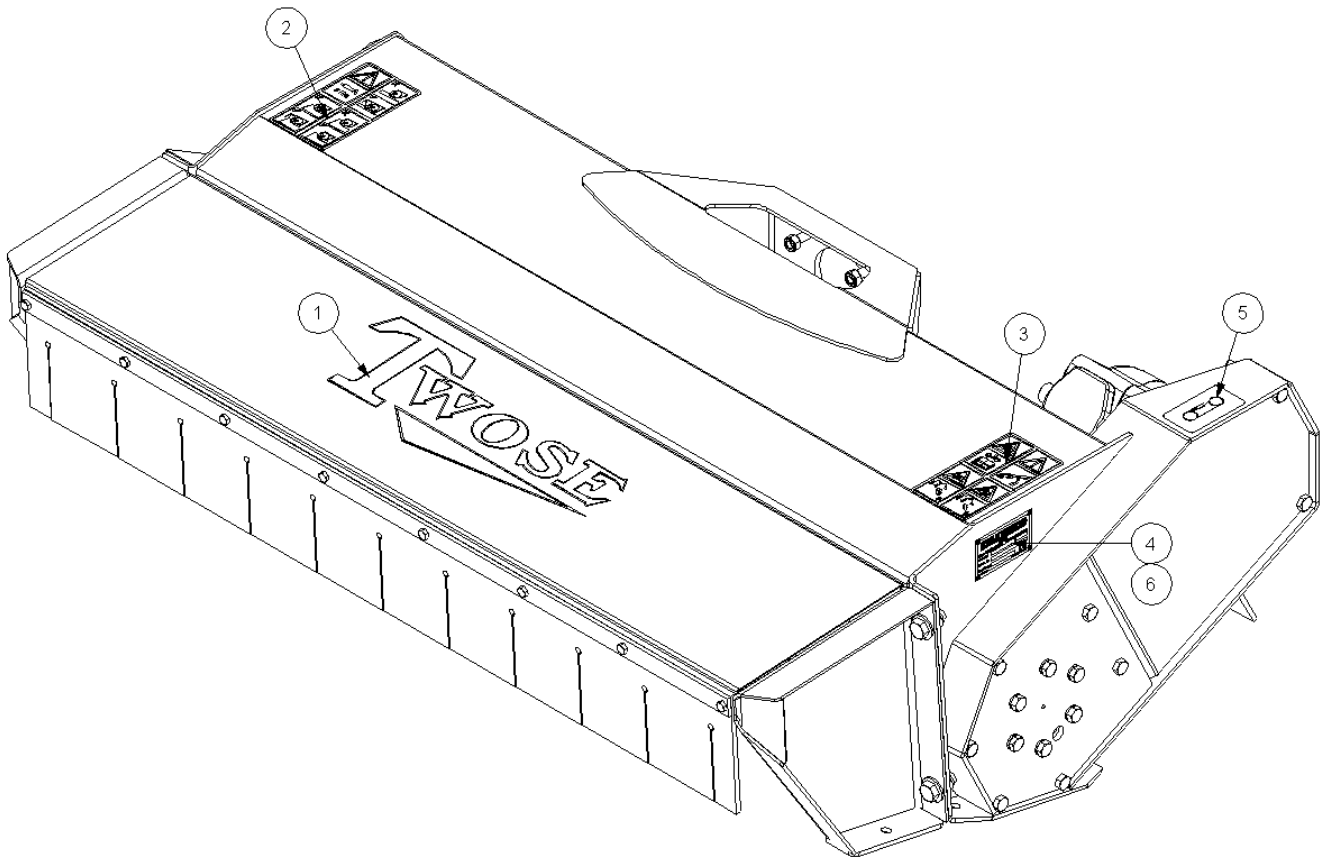
September 2014

CONTENTS

Page No	Schedule No	Schedule Description
2	184.615.900	STICKER KIT - TWOSE
4	184.715D	MOTOR MODULE
6	S180039.01	1.2M CASING
8	S180039.03	HYD ROLLER MODULE
10	S180039.05	DRIVE MODULE
12	S180039.09	RAM AND HYDRAULICS
14	S184.712A	ROTOR SCHEDULE
16	184.712A	ROTOR ASSY
18	S184.799	ADAPTOR

* optional component

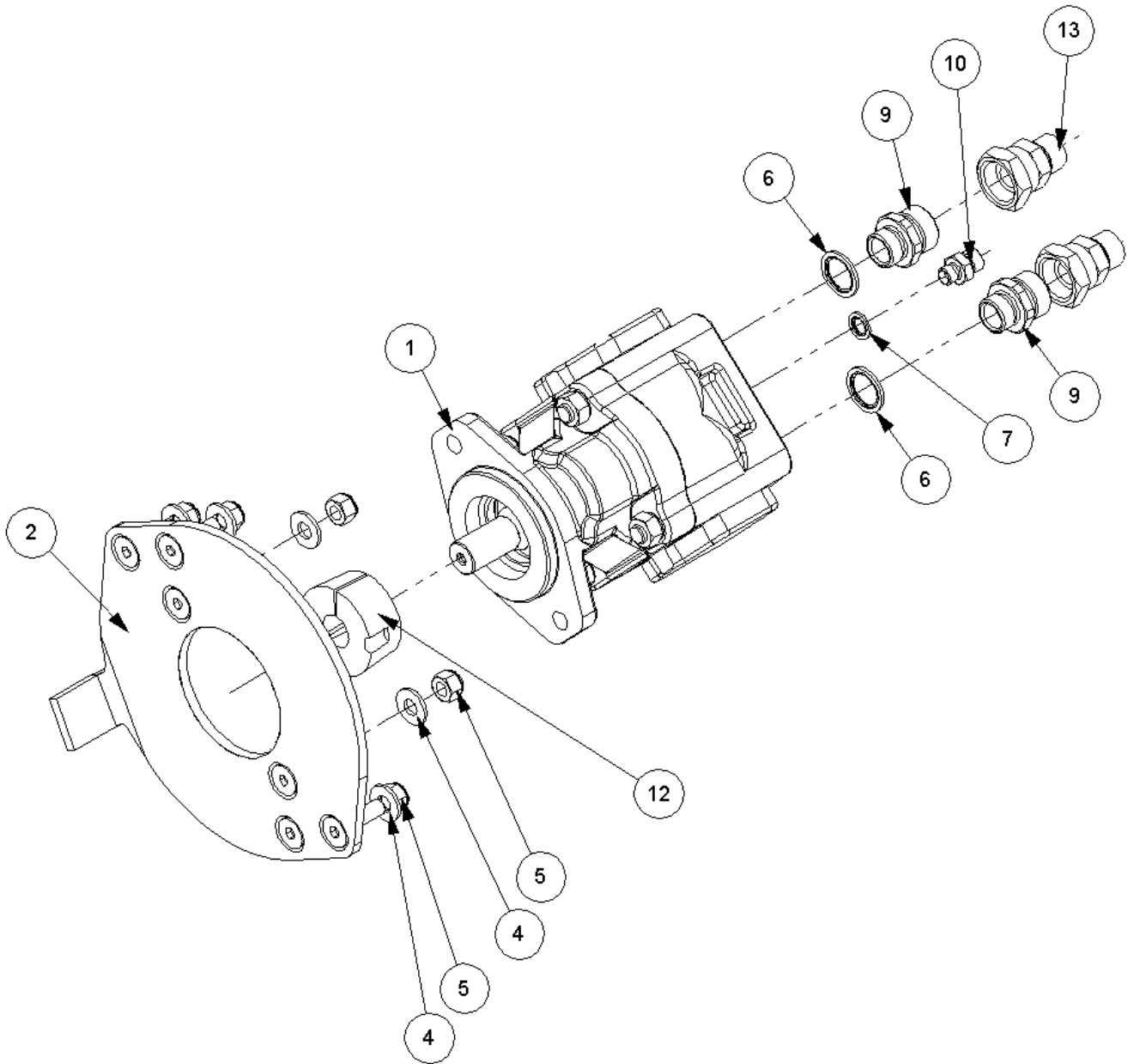
184.615.900 C - STICKER KIT - TWOSE



184.615.900 C - STICKER KIT - TWOSE

Ref	Part No	Description	Qty
1	200.043	DECAL	1
2	1290738	DECAL	1
3	09.821.35	DECAL	1
4	45429.01	S/N PLATE	1
5	1290070	DECAL	1
6	7103230	RIVET	4

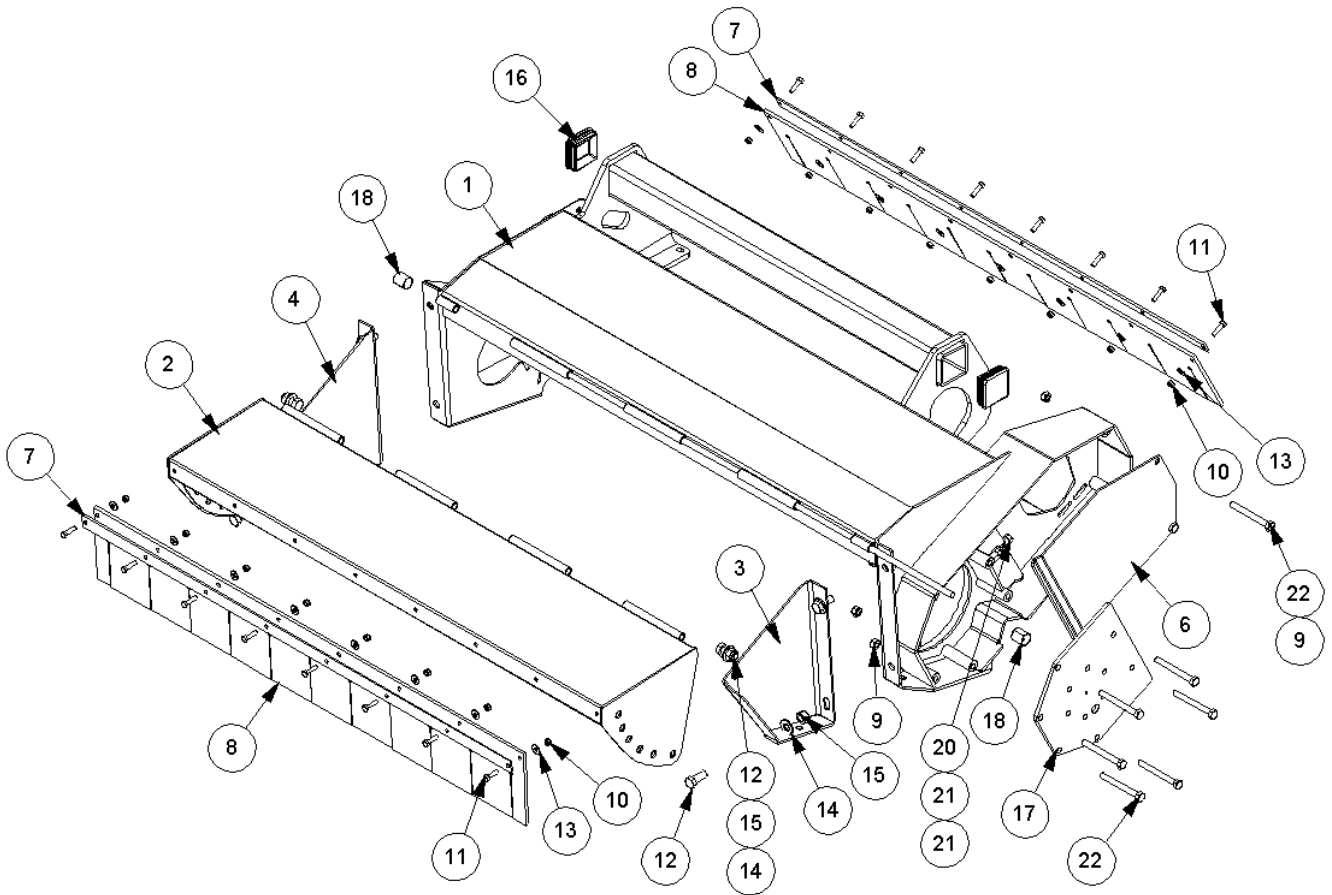
184.715D - MOTOR MODULE



184.715D - MOTOR MODULE

Ref	Part No	Description	Qty
1	8301315	MOTOR	1
4	2770436	FLAT WASHER	6
6	8650106	SEAL	2
7	8650102	SEAL	1
9	8002086	ADAPTOR	2
10	01.099.01	ADAPTOR	1
12	05.424.08	TAPERLOCK	1
12	181256	NUT	6
13	02.714.05	ADAPTER	2
13	181254	MOTOR PLATE	1
14	181255	STUD	6

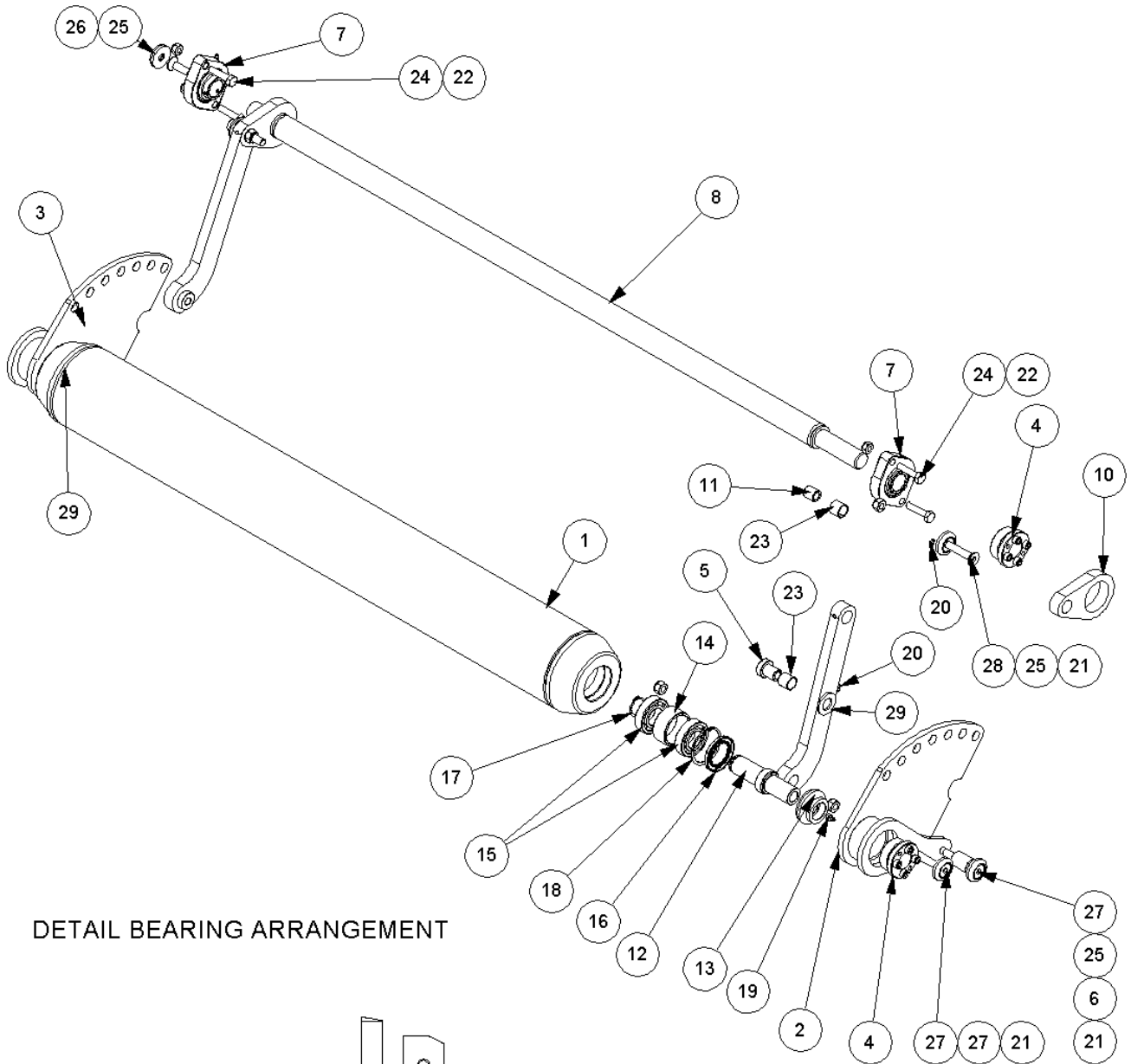
S180039.01 - 1.2M CASING



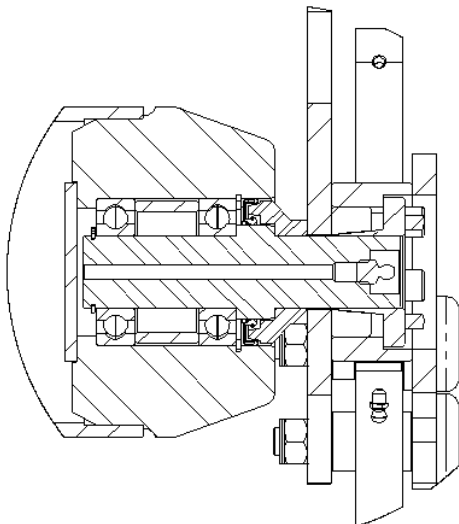
S180039.01 - 1.2M CASING

Ref	Part No	Description	Qty
1	181200	1.2M CASING	1
2	181202	1.2M HOOD W/A	1
3	181204	LH HOOD SIDE W/A	1
4	181205	RH HOOD SIDE W/A	1
5	181209	HOOD PIVOT PIN	1
6	181257	COVER	1
7	184.617A	CLAMP STRIP	2
8	1840476F	CURTAIN	2
9	2770417	NUT	8
10	2770416	NUT	16
11	05.264.03	SETSCREW	16
12	05.264.34	SETSCREW	6
13	2770432	WASHER	16
14	0100106	WASHER	6
15	2770447	NYLOCK NUT	6
16	41580.01	PLUG	2
17	184.708	PLATE	1
18	G2410504	BUSH	2
19	2770467	GREASE NIPPLE	2
20	05.291.19	BOLT	1
21	05.286.17	M10 NUT NOT PLATED	2
22	05.292.24	BOLT	8
23	1800182	T7000 LIFTING EYE	2

S180039.03 - HYD ROLLER MODULE



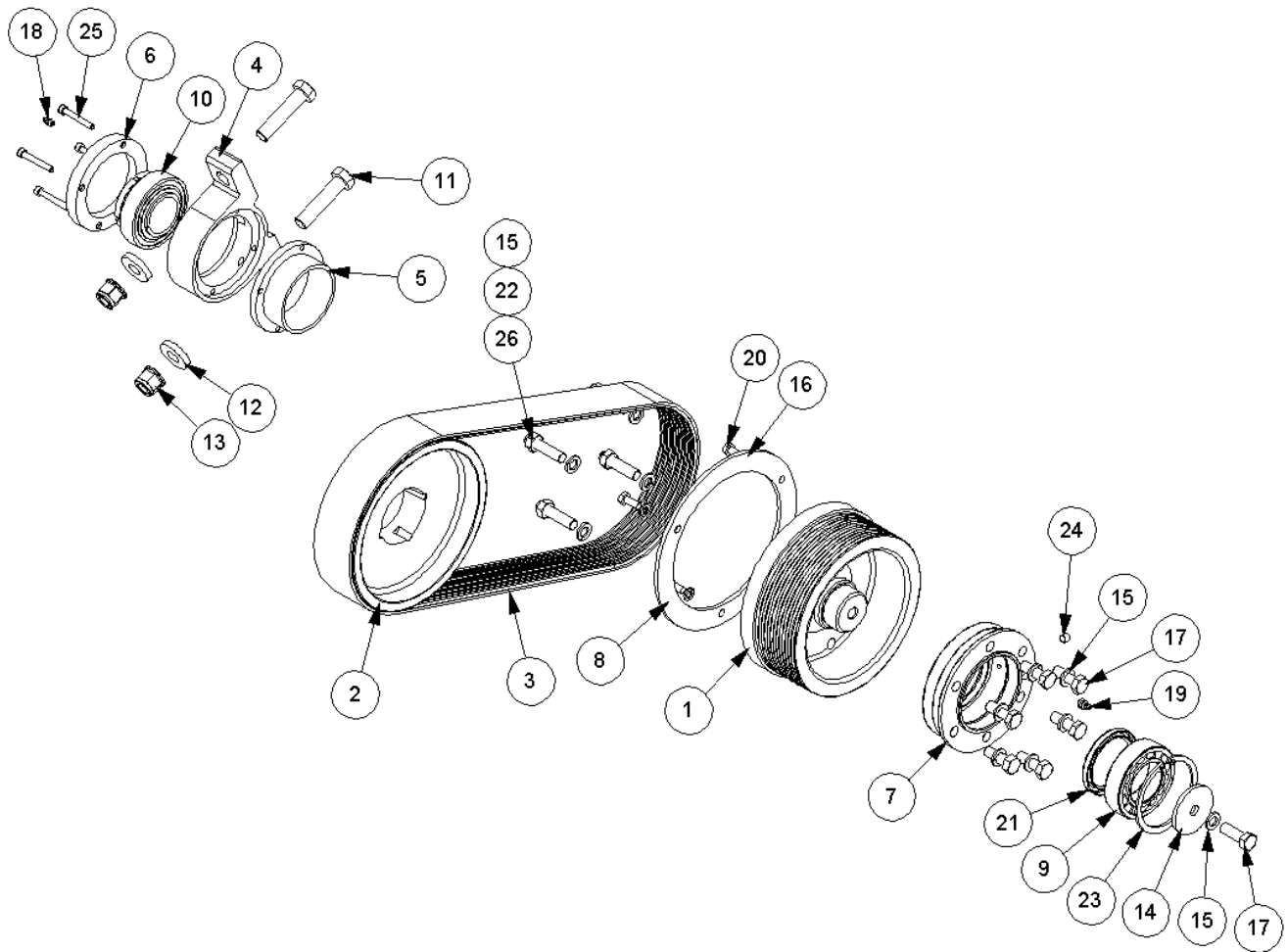
DETAIL BEARING ARRANGEMENT



S180039.03 - HYD ROLLER MODULE

Ref	Part No	Description	Qty
1	181210	1.2M ROLLER	1
2	181212	ROLLER BRACKET	1
3	181213	ROLLER BRACKET	1
4	181214	LOCKING DEVICE	2
5	181215	BOSS	4
6	181216	BOSS	2
7	181218	ROLLER SHAFT	1
8	181219	ROLLER ROD	2
9	181220	ROCKER W/A	1
10	181226	BUSH	4
11	181344	BUSH SUPPORT	2
12	181251	20MM RAM PIN	1
13	184.702	SHAFT	2
14	184.704	SHIELD	2
15	21523.31	SPACER	2
16	0600111	BEARING	4
17	8629254	SEAL	2
18	0401230	CIRCLIP	2
19	0411262	CIRCLIP	2
20	01.070.04	GREASE NIPPLE	2
22	2770417	NUT	6
25	1777209	RETAINING WASHER	8
26	2770506	SKT CSK SCREW	1
27	2770333	M12X80 SKT CSKSCREW	6
28	05.291.15	BOLT	4
29	05.281.02	WASHER	4
30	2770398	SCREW	1
31	42654.01	BUSH	2
32	2770497	GREASE NIPPLE	2
33	2770412	NUT	4
34	181366	SHIM - 2MM	1
35	181367	SHIM - 5MM	1

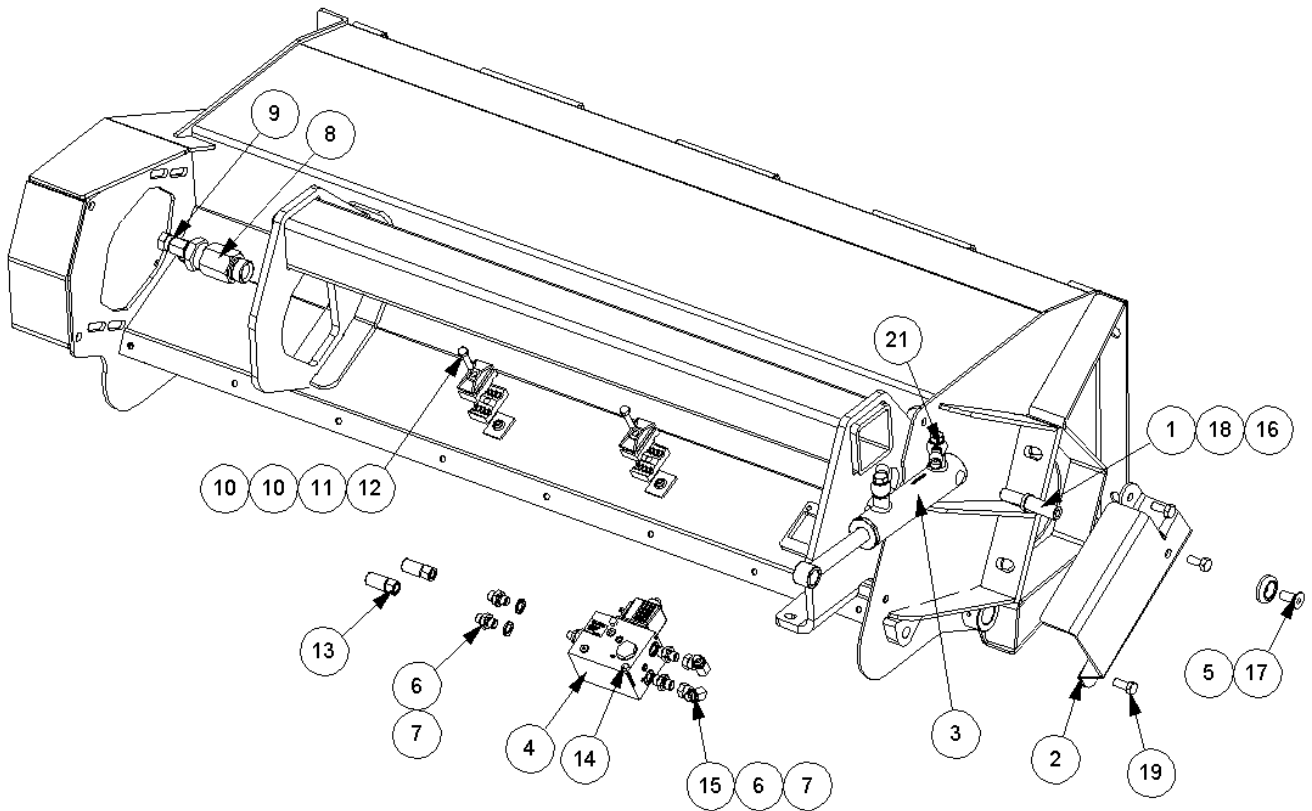
S180039.05 B - DRIVE MODULE



S180039.05 B - DRIVE MODULE

Ref	Part No	Description	Qty
1	181222	PULLEY	1
2	181223	PULLEY	1
3	181224	BELT	1
4	192.024	HOUSING	1
5	192.026	SHIELD	1
6	192.025	CAP	1
7	184.705	BEARING HOUSING	1
8	184.636	RING	1
9	T7840	BEARING	1
10	T7941	BEARING	1
11	9200070	BOLT	2
12	7390005	SPACER	2
13	9100024	NUT	2
14	184.461	WASHER	1
15	2770442	WASHER	11
16	2770433	SPRING WASHER	3
17	T7855	SCREW	7
18	2770467	GREASE NIPPLE	1
19	01.070.04	GREASE NIPPLE	1
20	2770402	SETSCREWS	3
21	T7790	SEAL	1
22	04.282.06	STUD	6
23	0411290	CIRCLIP	1
24	8582041	PLUG	1
25	T6985	SCREW	4
26	05.287.03	NUT	6

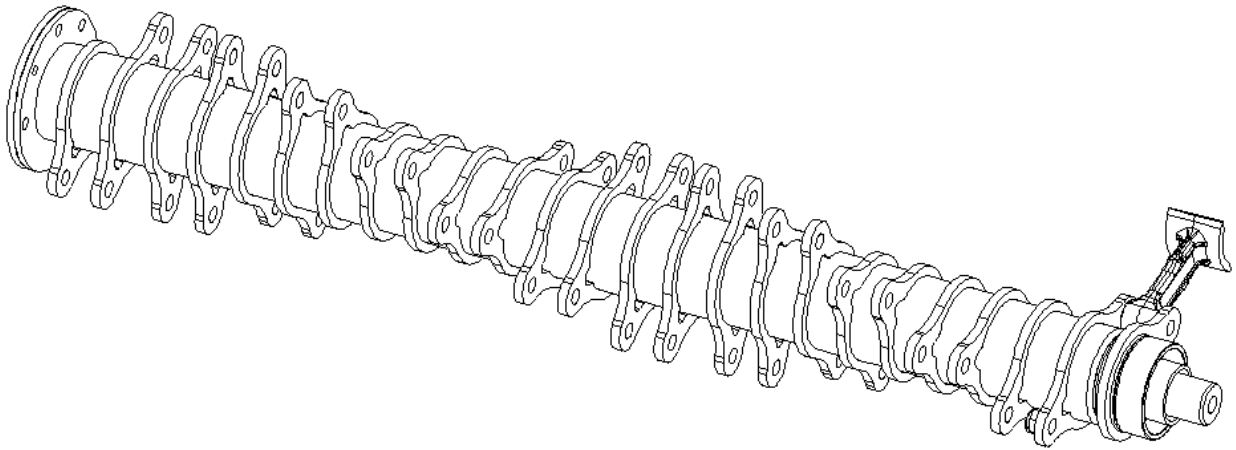
S180039.09 D - RAM AND HYDRAULICS



S180039.09 D - RAM AND HYDRAULICS

Ref	Part No	Description	Qty
1	181228	UPPER RAM PIN	1
2	181250	RAM COVER PRESSING	1
3	3580664WH	HYDRAULIC RAM	1
4	3610082	HYD ROLLER VALVE	1
3610082 - HYD ROLLER VALVE			
Ref	Part No	Description	Qty
1	3610030A	12 VOLT COIL	1
2	3610048	CONNECTOR	1
3	3610054	CHECK VALVE	1
4	3610082/1	SOLENOID VALVE	1
5	3610082/3	PRESS REDUCING VALVE	1
5	1777209	RETAINING WASHER	1
6	05.129.01	ADAPTOR	4
7	05.290.02	BONDED SEAL 1/4" BSP	4
8	04.056.33	ADAPTOR	1
9	04.056.16	ADAPTOR	1
10	5351.2	CLAMP	4
11	5351.1	PLATE	2
12	05.291.02	BOLT	2
13	10.002.17	HOSE	2
14	30.068.93	BOLT M6 X 70 Z/P	2
15	8581190	ADAPTOR	2
16	2770447	NYLOCK NUT	1
17	2770506	SKT CSK SCREW	1
18	0100106	WASHER	1
19	05.264.12	M10 SETSCREW	3
20	2770412	NUT	3
21	3760131	HOSE:	2
22	8770654	LOOM	1
23	8770786	CONVERSION LOOM	1

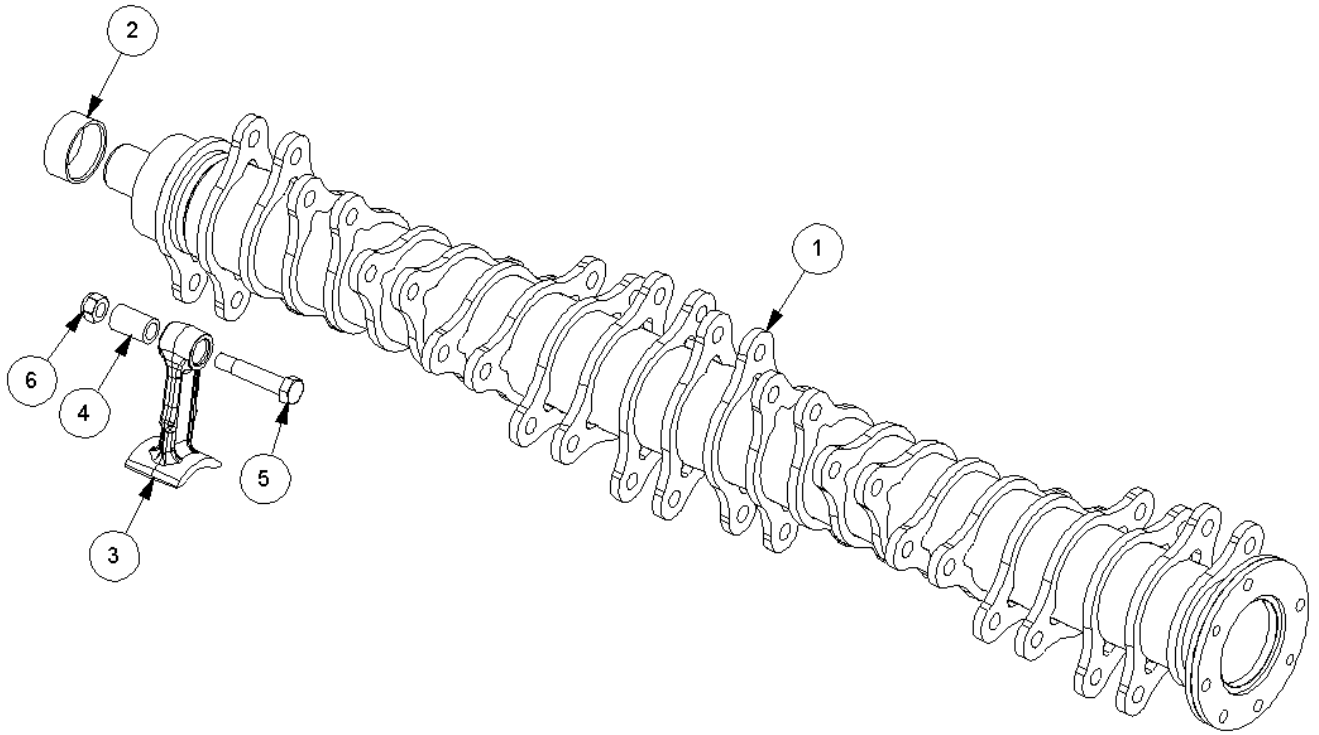
S184.712A - ROTOR SCHEDULE



S184.712A - ROTOR SCHEDULE

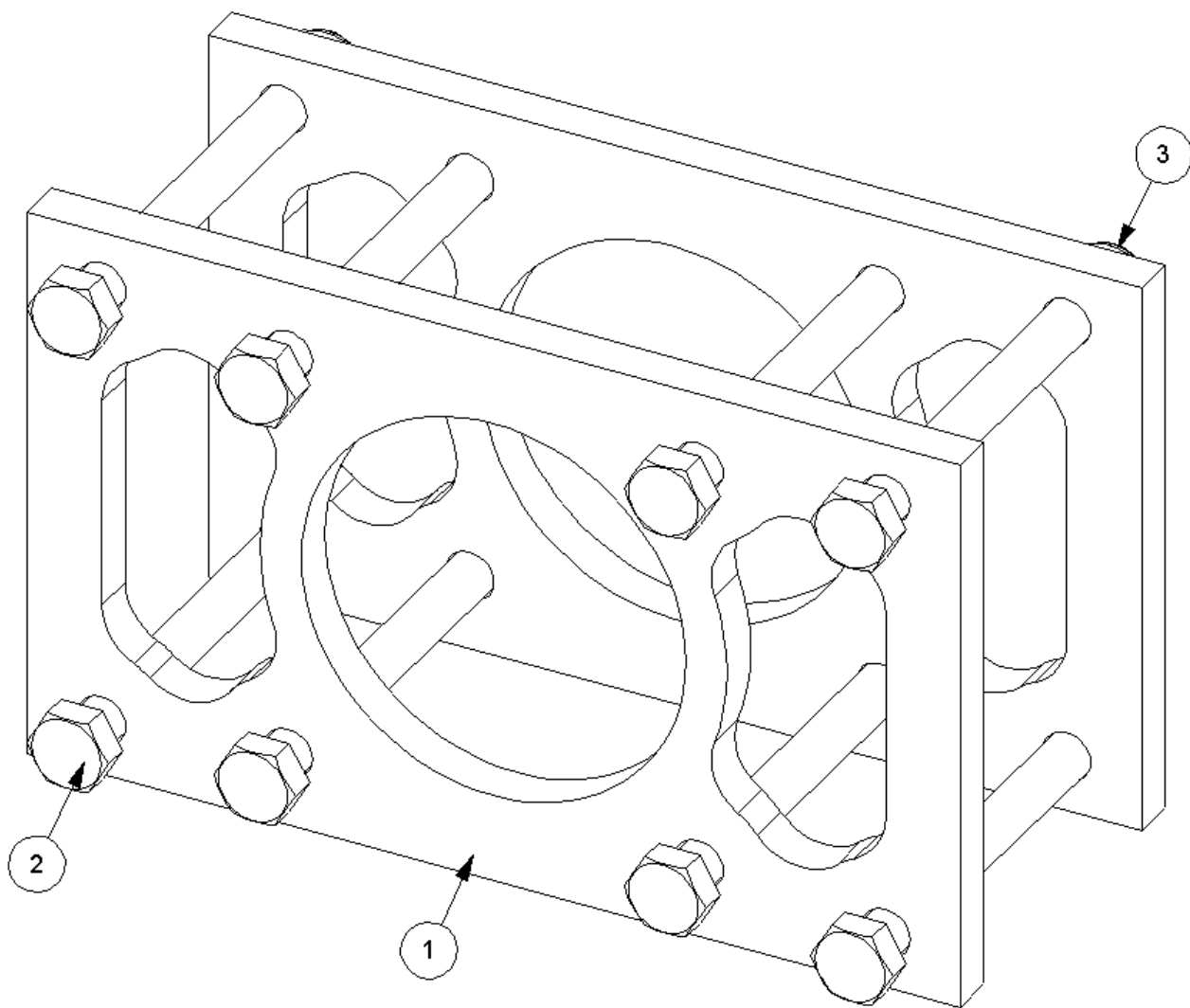
Ref	Part No	Description	Qty
1	184.712A	ROTOR ASSY	1

184.712A C - ROTOR ASSY



184.712A C - ROTOR ASSY

Ref	Part No	Description	Qty
1	184.701A	ROTOR WDMT	1
2	184.729	SPACER	1
3	1840093C	FLAIL	24
4	184.106	SPACER	24
5	T7943	BOLT	24
6	T7942	NUT	24



S184.799 - ADAPTOR

Ref	Part No	Description	Qty
1	184.401	PRESSING	2
2	9213266	BOLT	8
3	9163006	NUT	8