

**TWOSE**  
**TP Series Hedgecutters**  
**540C / 550 / 600 / 600C / 625T**  
**- 2010 Models onwards -**  
**Parts Manual**

Revised: 25.11.15



# INDEX

---

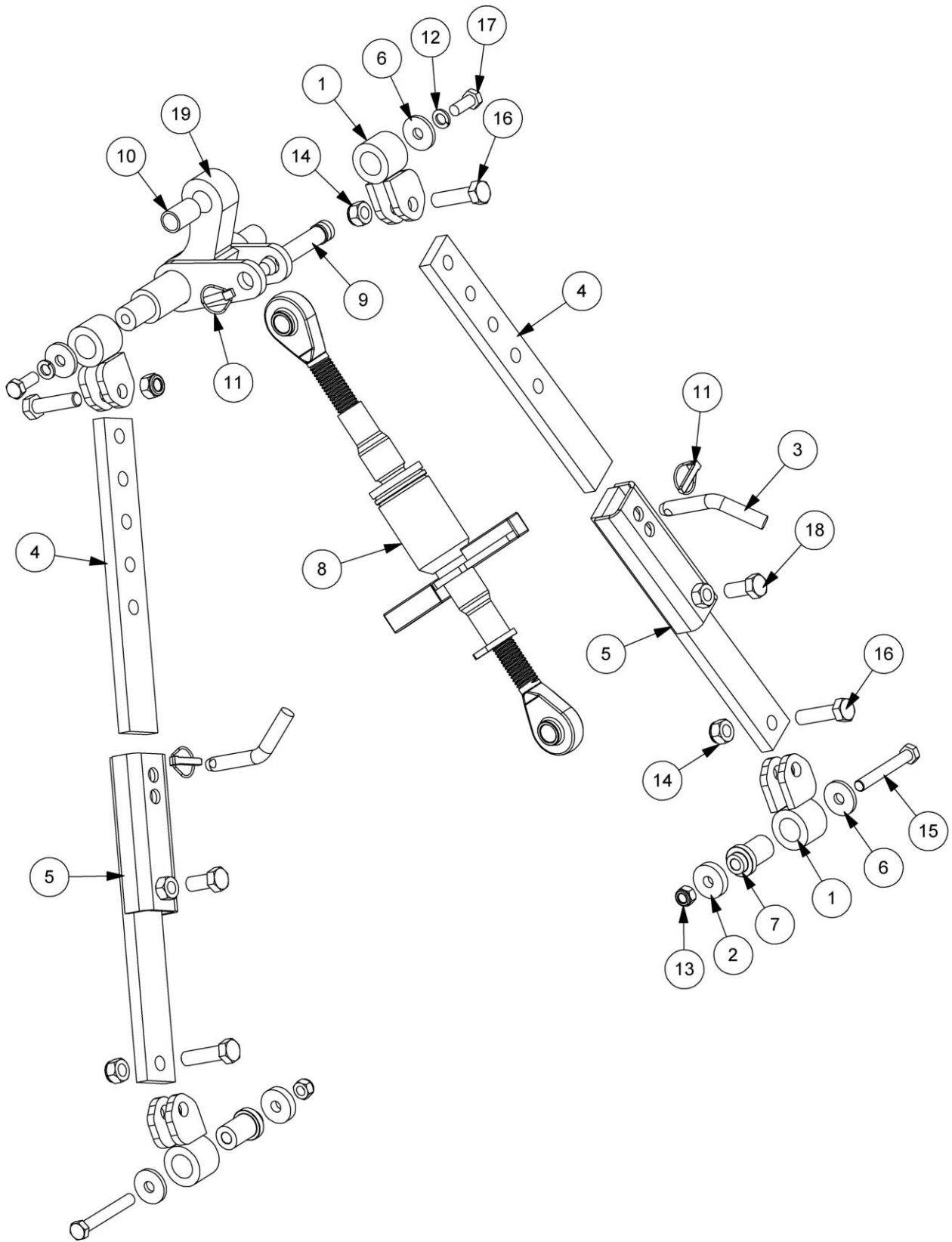
	Page No.
Stabilizer Assembly	1
Mainframe Assembly	3
Hydraulic Tank Assembly	5
Pillar Assembly	7
Rocker Assembly	9
Main Arm Assembly	11
Tension Link Assembly	13
Standard Dipper Arm Assembly	15
Cranked Dipper Arm Assemblies	17
Tele Dipper Arm Assembly	21
Cowl Assembly	23
Pump & Gearbox Assembly – <i>Builds to 11/13</i>	25
Pump & Gearbox Assembly – <i>Builds 11/13 onwards</i>	27
Cable Rotor Control Valve Assembly	29
Cable Control Valve Assembly	31
Cable Control Valve Assembly – <i>TP540C Cranked Arm Models</i>	33
Low Pressure Control Valve Assembly	35
Low Pressure Control Valve Adaptors	37
Low Pressure Control Valve Assembly – <i>TP540C &amp; TP600C Models</i>	39
Low Pressure Control Valve Assembly – <i>TP625T Models</i>	41
Joystick Control (Low Pressure)	43
Lift Ram Assembly – <i>TP550 &amp; TP600 Models</i>	45
Lift Ram Assembly – <i>TP540C, TP600C &amp; TP625T Models</i>	46
Slew Ram Assembly	47
Reach Ram Assembly – <i>TP540C, TP550, TP600C &amp; TP625T Models</i>	48
Reach Ram Assembly – <i>TP600 Models</i>	49
Angling Ram Assembly	50
Breakback Ram Assembly – <i>TP540C &amp; TP600C Models</i>	51
Tele Ram Assembly – <i>TP625T Models</i>	52
Hose Kits – <i>Cable Models</i>	53
Hose Kits – <i>Low Pressure Standard Arm Models</i>	54
Hose Kit – <i>TP540C Models</i>	55
Hose Kit – <i>TP600C Models</i>	57
Hose Kit – <i>TP625T Models</i>	59
Lift Float Kit – <i>Cable Models (Optional Extra)</i>	61
Lift Float Kit – <i>Low Pressure Models (Optional Extra)</i>	63
Lift Float & Electric Switch Kit – <i>Cable Models (Optional Extra)</i>	65
Cooler Kit Assembly	67
Rear Covers Assembly	69
Rear Lighting Kit	70
Decal Kits – <i>TP540C</i>	72
Decal Kits – <i>TP550 &amp; TP600</i>	73
Flail Head Builds & Assemblies	74

# STABILIZER ASSEMBLY

Modules:

MK520S0200 – Standard Build

MK520SF0200 – French Build



**STABILIZER ASSEMBLY**

REF.	QTY.	PART No.	DESCRIPTION
		<b>MK520S0200</b>	<b>STABILISER - Standard Build</b>
		<b>MK520SF0200</b>	<b>STABILISER - French Build</b>
1	4	184.430	ANCHOR BRACKET
2	2	184.436	WASHER - SPECIAL
3	2	184.437	PIN
4	2	184.671	SLIDE ARM INNER
5	2	184.672	SLIDE BOX
6	4	185-096	WASHER - SPECIAL
7	2	187.053A	LIFT PIN STABILISER
8	1	199.213	TOP LINK ASSEMBLY
9	1	T2584	LINKAGE PIN
10	1	T7956	TOP LINK SLEEVE (CAT. 2-3)
11	3	0431217	LINCH PIN
12	2	9100207	SPRING WASHER
13	2	9163007	NYLOC NUT
14	4	9163008	NYLOC NUT
15	2	9213247	BOLT
16	4	T2705	BOLT
17	2	9213087	SETSCREW
18	2	9213098	SETSCREW
19	1	199.371	* TOP LINK COUPLER (STD.)
	1	199.372	** TOP LINK COUPLER (NARROW)

\* *Standard build only*

\*\* *French build only*

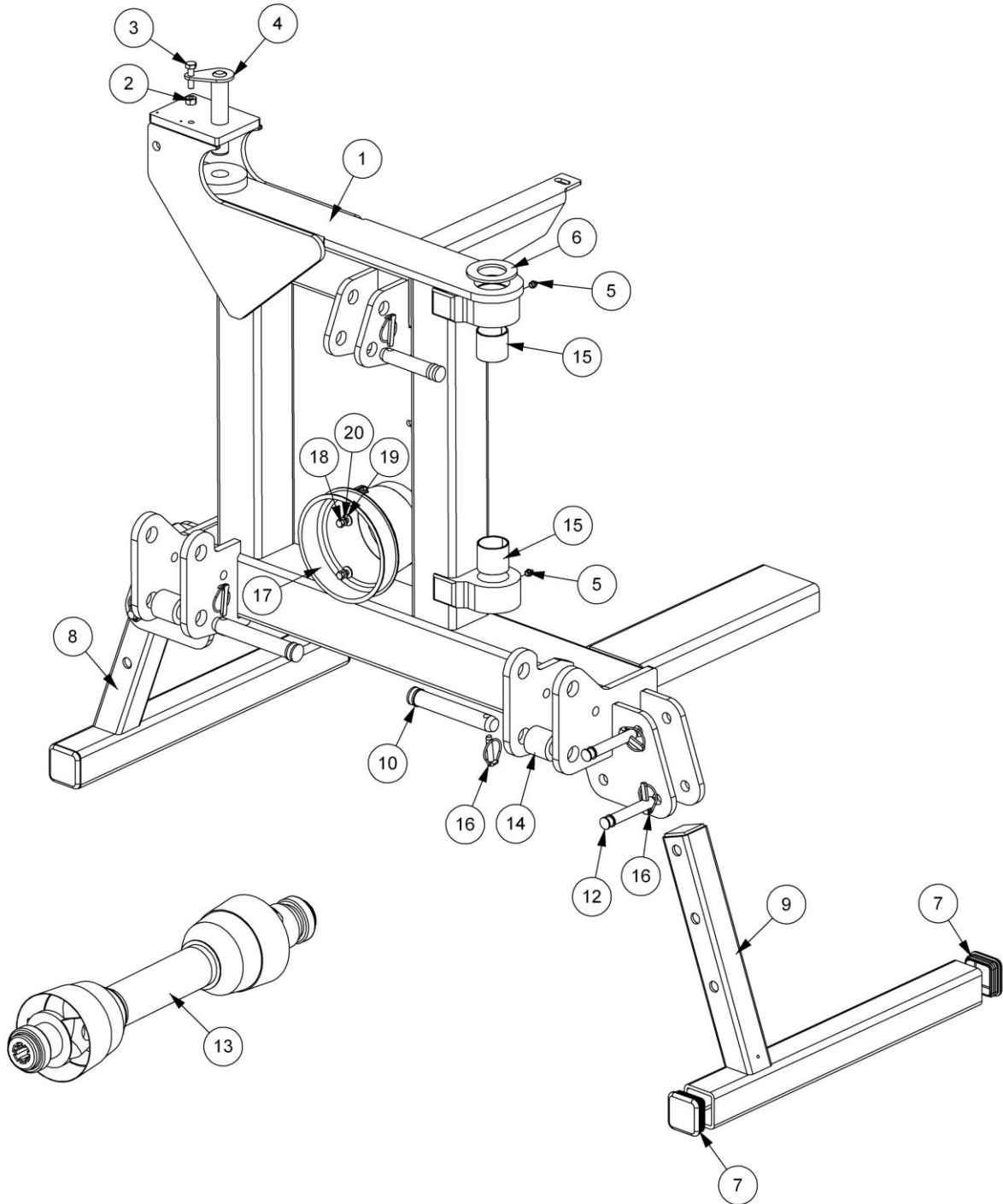
# MAINFRAME ASSEMBLY

Modules:

199.413 – L/H Build

199.414 – R/H Build

*Illustrated in Left-Hand build*



**MAINFRAME ASSEMBLY**

REF.	QTY.	PART No.	DESCRIPTION
		<b>199.413</b>	<b>MAIN FRAME ASSEMBLY - L/H Build</b>
		<b>199.414</b>	<b>MAIN FRAME ASSEMBLY - R/H Build</b>
1	1	213.021	MAINFRAME - L/H Build
	1	213.020	MAINFRAME - R/H Build
2	1	9143005	SELF-LOCKING NUT
3	1	9213085	BOLT
4	1	199.040	SLEW PIN
5	2	05.953.03	GREASE NIPPLE
6	1	7560056	THRUST WASHER
7	4	45210.01	PLASTIC PLUG
8	1	199.011L	SUPPORT LEG - LEFT
9	1	199.011R	SUPPORT LEG - RIGHT
10	2	212.028	PIN
11	1	41267.06	PIN
12	4	T1657	LINKAGE PIN
13	1	T7749	PTO SHAFT
14	2	184.308	SPACER
15	2	7560050	BUSH
16	7	0431217	LINCH PIN
17	1	1469001	PTO GUARD
18	2	9313044	SETSCREW
19	2	9100104	FLAT WASHER
20	2	9100204	SPRING WASHER

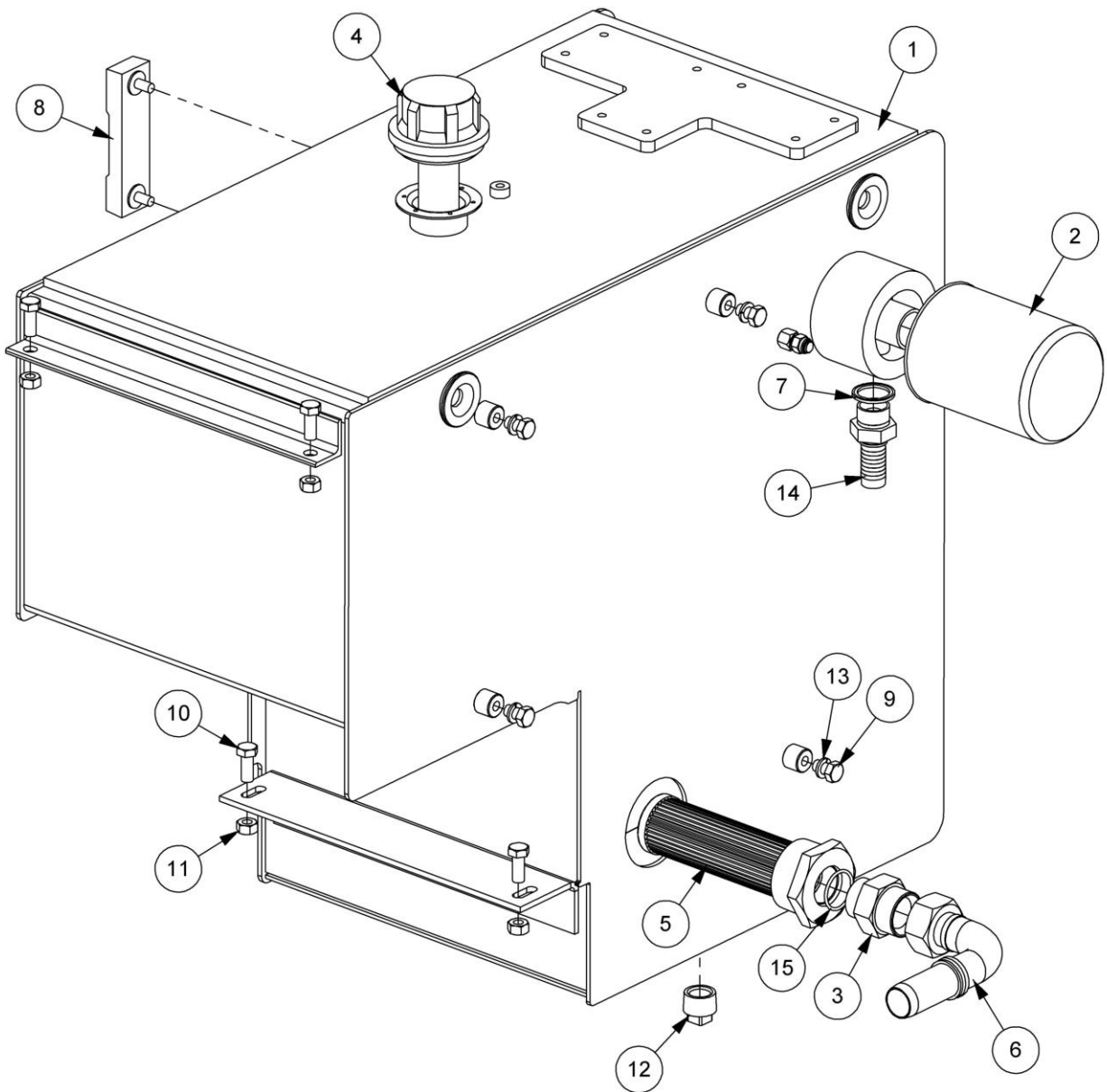
# HYDRAULIC TANK ASSEMBLY

Modules:

199.409 – L/H Build

199.410 – R/H Build

*Illustrated in Left-Hand build*





## HYDRAULIC TANK ASSEMBLY

REF.	QTY.	PART No.	DESCRIPTION
		<b>199.409</b>	<b>HYDRAULIC TANK ASSEMBLY - L/H Build</b>
		<b>199.410</b>	<b>HYDRAULIC TANK ASSEMBLY - R/H Build</b>
1	1	199.356	* TANK - L/H Build
	1	199.368	* TANK - R/H Build
2	1	8401041	FILTER ELEMENT
3	1	05.640.01	ADAPTOR
4	1	06.966.02	FILLER BREATHER CAP & STRAINER
5	1	8401091	* SUCTION STRAINER (NPT Thread) ► <b>04/09</b>
		8401097	* SUCTION STRAINER (BSP Thread) <b>04/09</b> ►
6	1	212.027	ADAPTOR - 90° SWEPT
7	1	05.290.07	BONDED SEAL
8	1	8401048	LEVEL GAUGE
9	4	9313046	SETSCREW
10	4	9313066	SETSCREW
11	4	9163006	SELF-LOCKING NUT
12	1	8581203	TAPER PLUG
13	4	9100206	SPRING WASHER
14	1	199.387	ADAPTOR
15	1	8700784	O RING

\* Note:

Tanks on machines manufactured up to 04/09 feature a strainer boss with a 2½" NPT thread for matching fitment with NPT threaded Strainers (Part No. 8401091).

Tanks on machines manufactured from 04/09 onwards feature a strainer boss with a 2½" BSP thread for matching fitment with a BSP threaded Strainers (Part No. 8401097).

Replacement tanks 199.356 and 199.368 supplied after 04/09 will have a BSP threaded boss and will therefore use the BSP threaded Strainers only - the Strainers are not inter-changeable.

For identification purposes part numbers are marked on the base of the strainers.

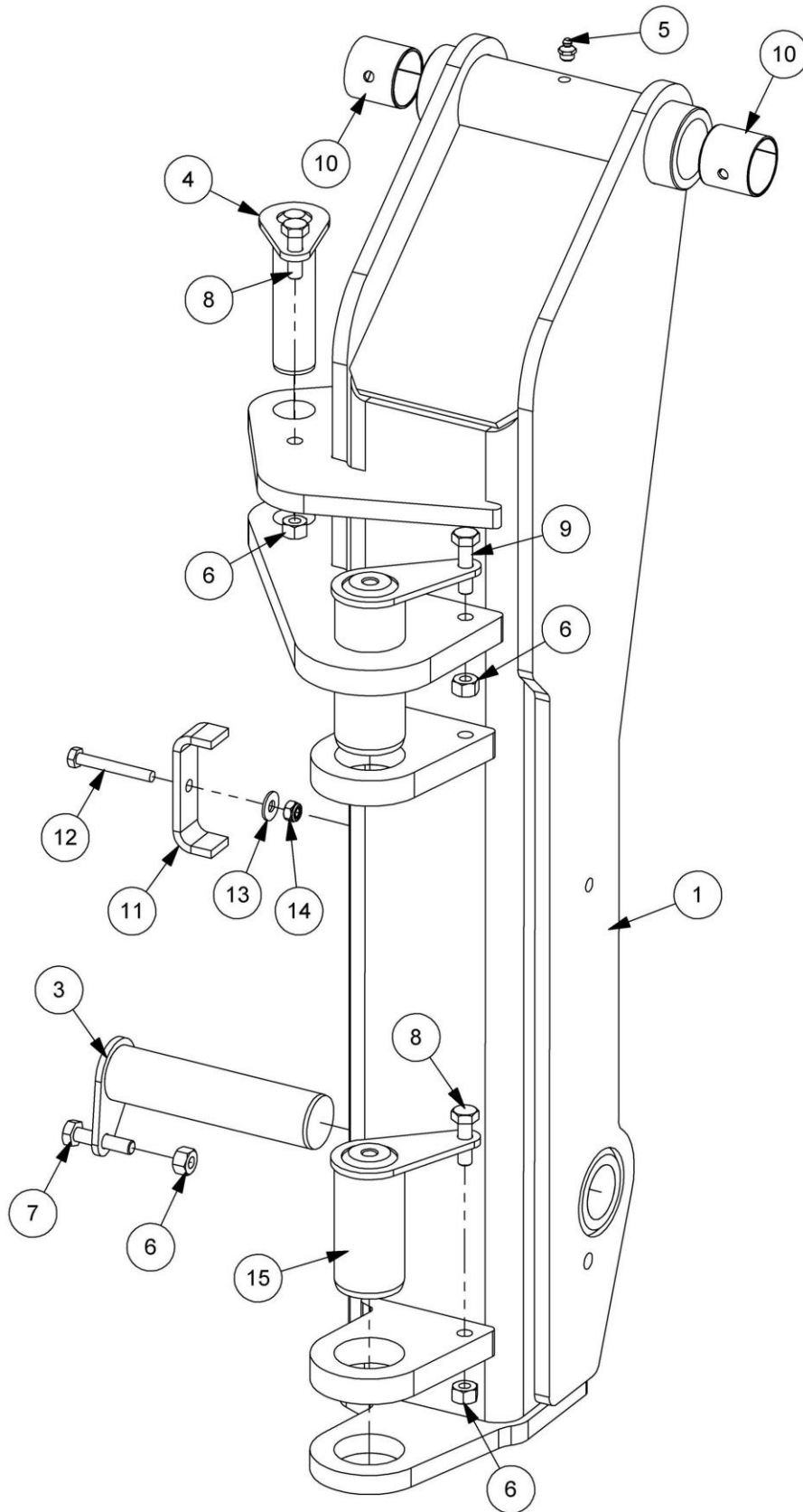
# PILLAR ASSEMBLY

Modules:

199.106 – L/H Build

199.135 – R/H Build

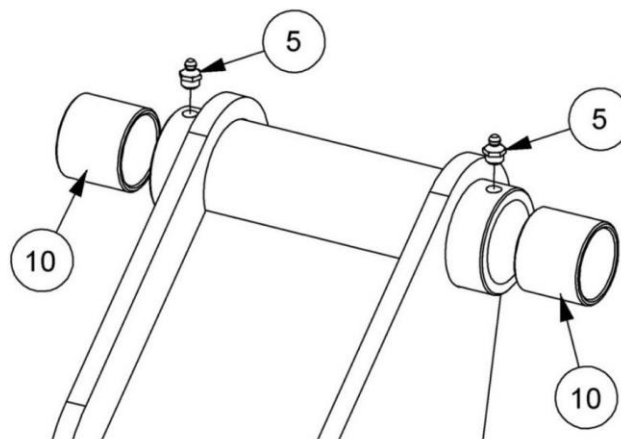
*Illustrated in Left-Hand build*



## PILLAR ASSEMBLY

REF.	QTY.	PART No.	DESCRIPTION
		<b>199.106</b>	<b>PILLAR ASSEMBLY - L/H Build</b>
		<b>199.135</b>	<b>PILLAR ASSEMBLY - R/H Build</b>
1	1	199.002	PILLAR - L/H Build
	1	199.052	PILLAR - R/H Build
2	1	199.023	PIVOT PIN
3	1	199.041	PIN
4	1	199.025	PIVOT PIN
5	2	05.953.03	GREASE NIPPLE - <b>Builds ▶ 24/04/12</b>
	1	05.953.03	GREASE NIPPLE - <b>Builds 25/04/12 ▶</b>
6	4	9163005	SELF-LOCKING NUT
7	1	9213095	BOLT
8	2	9213075	BOLT
9	1	9213085	BOLT
10	2	08.297.02	BUSH - <b>Builds ▶ 24/04/12</b>
	2	7115208	BUSH - <b>Builds 25/04/12 ▶</b>
11	1	187.059	PIPE CLAMP
12	1	9313124	SETSCREW
13	1	9100104	FLAT WASHER
14	1	9163004	NYLOC NUT
15	1	199.090	PIVOT PIN

**NOTE:** Bushes 08.297.02 & 7115208 are not interchangeable, bushes 7115208 will not fit pillars manufactured prior to 25/04/12 and visa-versa.

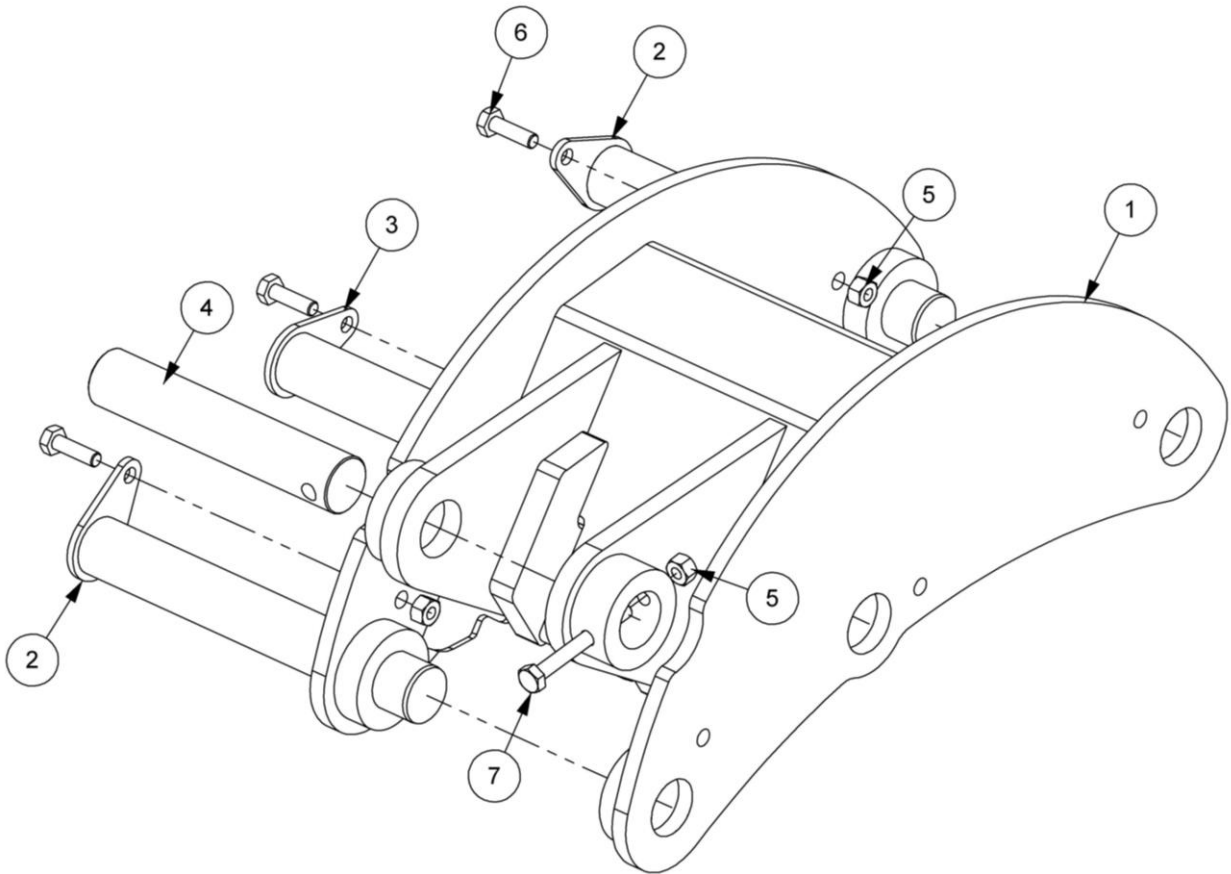


**Builds prior to 24/04/12 (Twin grease points & Bushes 08.297.02)**

**NOTE:** When replacing bushes (#10), remove grease nipples (#5), fit bushes and drill a Ø6mm hole before refitting grease nipples. Take care when drilling to avoid damaging the thread in the boss.

# ROCKER ASSEMBLY

Module:  
199.220



**ROCKER ASSEMBLY**

<b>REF.</b>	<b>QTY.</b>	<b>PART No.</b>	<b>DESCRIPTION</b>
		<b>199.220</b>	<b>ROCKER ASSEMBLY</b>
1	1	199.061	ROCKER ASSEMBLY
2	2	199.112	PIVOT PIN
3	1	199.021	PIVOT PIN (LIFT RAM)
4	1	199.066	TENSION LINK PIN
5	4	9143005	SELF-LOCKING NUT
6	3	9213075	BOLT
7	1	9213185	BOLT

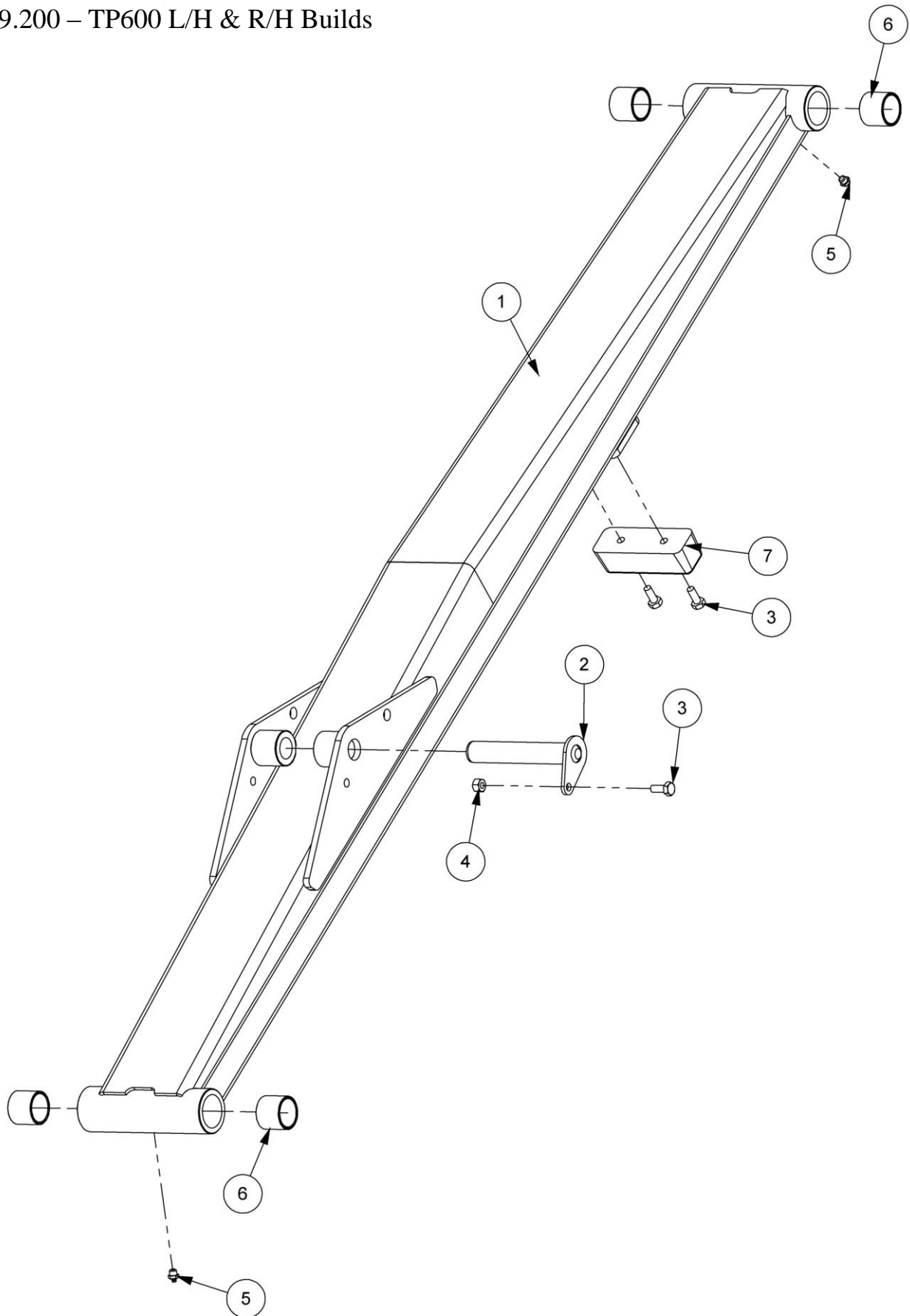
# MAIN ARM ASSEMBLIES

Modules:

199.222 – TP550, TP600C & TP625T L/H & R/H Builds

199.200 – TP600 L/H & R/H Builds

*Illustrated in Left-Hand build*



**MAIN ARM ASSEMBLIES**

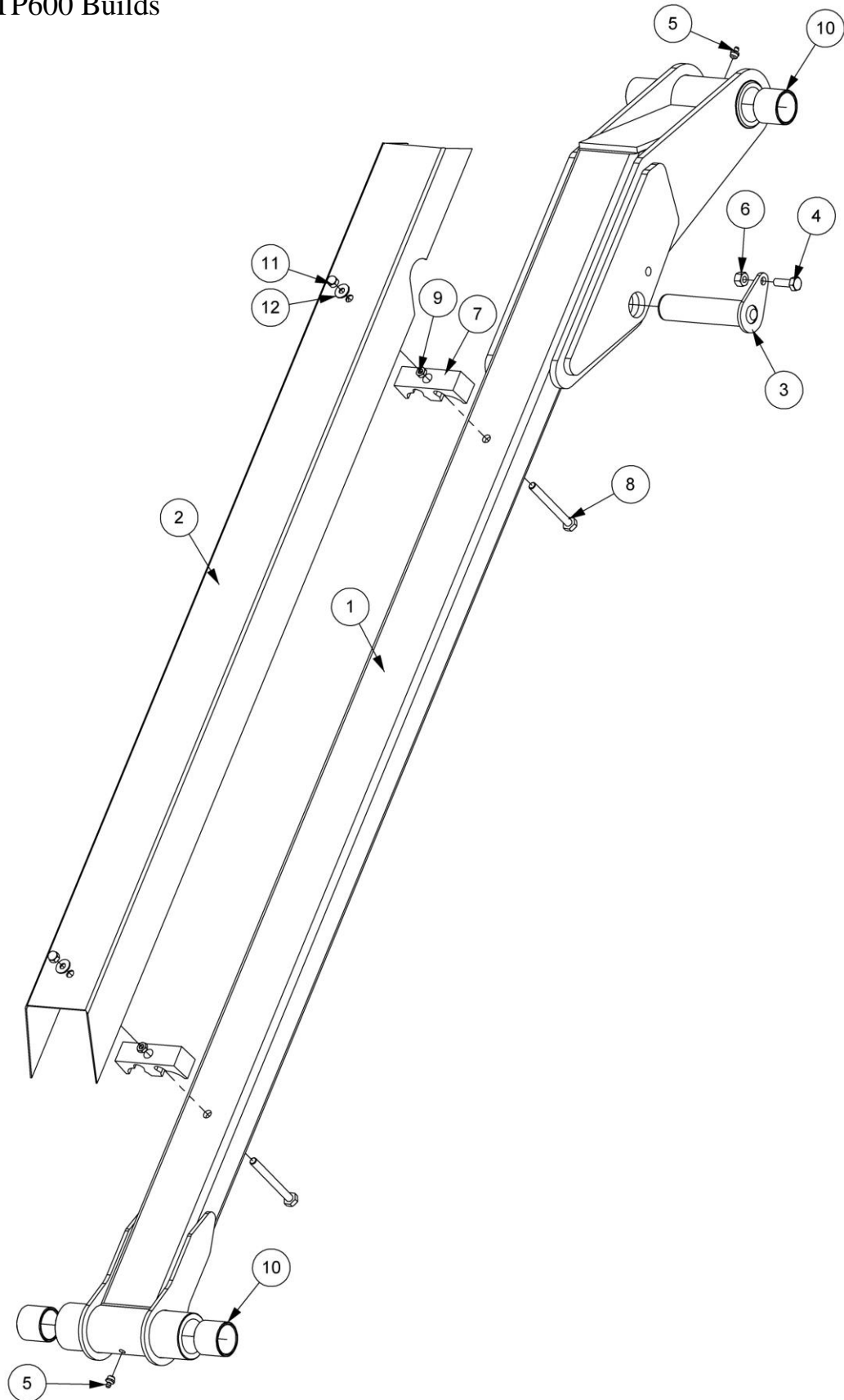
REF.	QTY.	PART No.	DESCRIPTION
		<b>199.222</b>	<b>MAIN ARM - TP550, TP600C &amp; TP625T Builds</b>
		<b>199.200</b>	<b>MAIN ARM - TP600 Builds</b>
1	1	199.063	MAIN ARM - TP550, TP600C & TP625T Builds
	1	199.070	MAIN ARM - TP600 Builds
2	1	199.020	PIVOT PIN - TP550, TP600C & TP625T Builds
	1	199.074	PIVOT PIN - TP600 Builds
3	3	9313055	SETSCREW
4	1	9143005	SELF-LOCKING NUT
5	2	05.953.03	GREASE NIPPLE
6	4	08.297.02	BUSH
7	1	T7879	RUBBER BUFFER

# TENSION LINK ASSEMBLY

Modules:

199.224 – TP550 & TP600C Builds

199.202 – TP600 Builds





**TENSION LINK ASSEMBLY**

<b>REF.</b>	<b>QTY.</b>	<b>PART No.</b>	<b>DESCRIPTION</b>
		<b>199.224</b>	<b>TENSION LINK - TP550 &amp; TP600C Builds</b>
		<b>199.202</b>	<b>TENSION LINK - TP600 Builds</b>
1	1	199.064	TENSION LINK - TP550 & TP600C Builds
	1	199.072	TENSION LINK - TP600 Builds
2	1	199.062	TENSION LINK COVER - TP550 & TP600C Builds
	1	199.073	TENSION LINK COVER - TP600 Builds
3	1	199.111	PIVOT PIN LIFT RAM
4	1	9313065	SETSCREW
5	2	05.953.03	GREASE NIPPLE
6	1	9143005	SELF-LOCKING NUT
7	2	45630.01	HOSE CLAMP - PLASTIC
8	2	9213205	BOLT
9	2	9133004	SELF-LOCKING NUT
10	4	08.297.02	BUSH
11	2	9100031	DOMED NUT - PLATED
12	2	9100104	FLAT WASHER

# STANDARD DIPPER ARM ASSEMBLY

Modules:

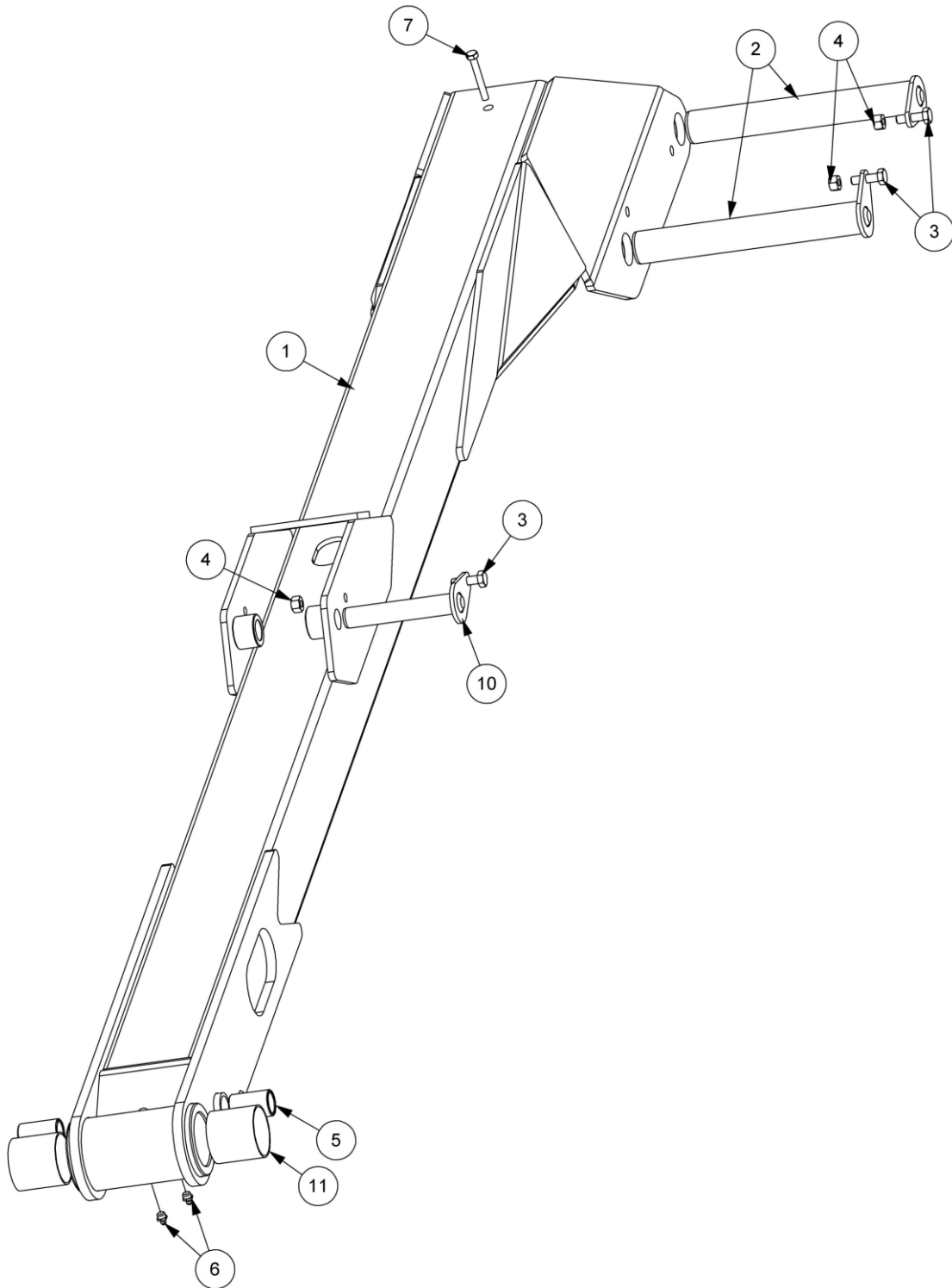
199.425 – TP550 L/H Build

199.426 – TP600 L/H Build

199.433 – TP550 R/H Build

199.434 – TP600 R/H Build

*Illustrated in Left-Hand build*

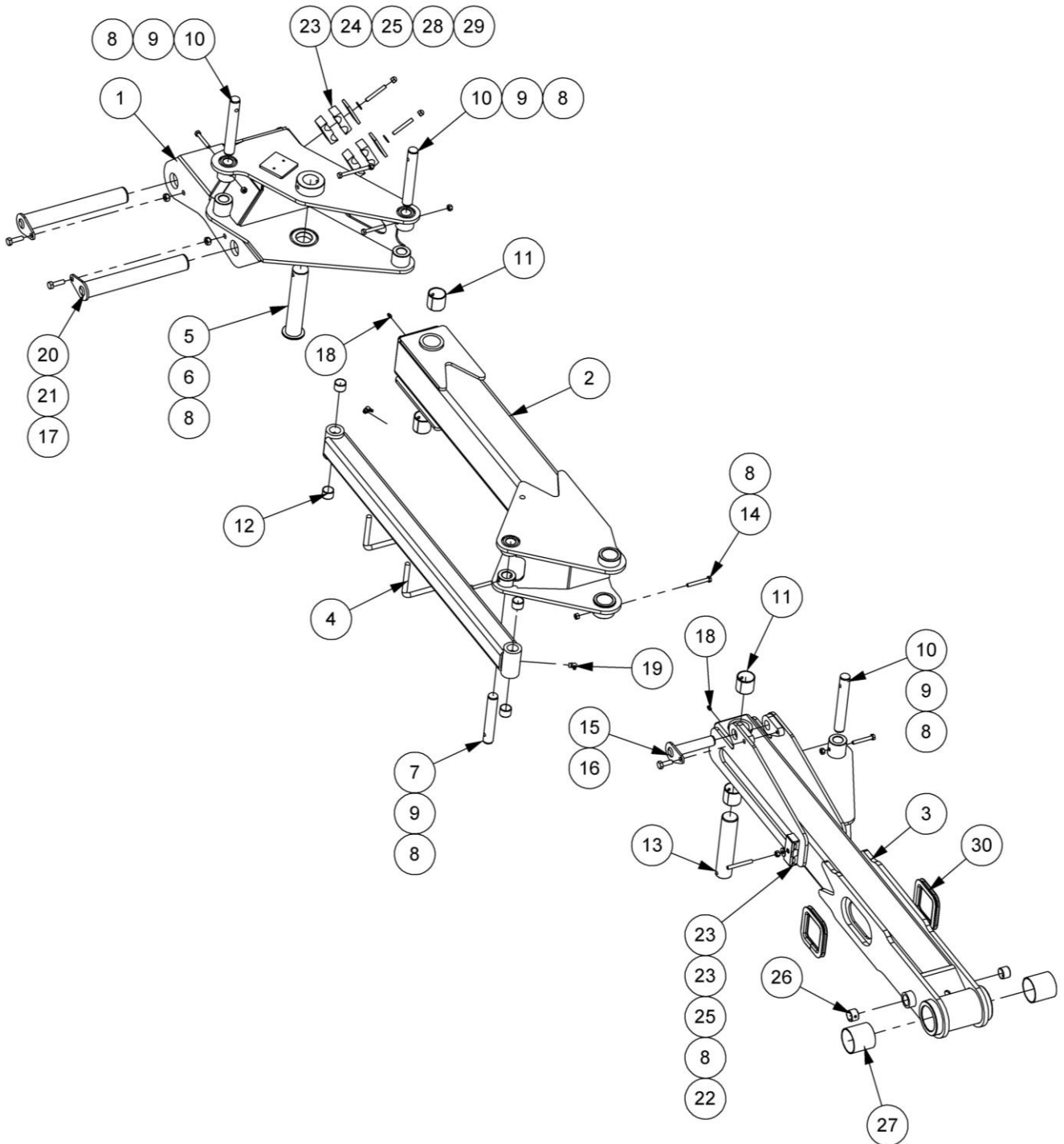


**STANDARD DIPPER ARM ASSEMBLY**

REF.	QTY.	PART No.	DESCRIPTION
		<b>199.425</b>	<b>DIPPER ARM ASSEMBLY - TP550 L/H Build</b>
		<b>199.426</b>	<b>DIPPER ARM ASSEMBLY - TP600 L/H Build</b>
		<b>199.433</b>	<b>DIPPER ARM ASSEMBLY - TP550 R/H Build</b>
		<b>199.434</b>	<b>DIPPER ARM ASSEMBLY - TP600 R/H Build</b>
1	1	199.377	DIPPER ARM - TP550 L/H Build
	1	199.375	DIPPER ARM - TP600 L/H Build
	1	199.388	DIPPER ARM - TP550 R/H Build
	1	199.389	DIPPER ARM - TP600 R/H Build
2	2	199.018	PIVOT PIN
3	3	9213075	BOLT
4	3	9143005	SELF-LOCKING NUT
5	2	08.297.09	BUSH
6	2	05.953.03	GREASE NIPPLE
7	1	9313124	SETSCREW
8	1	9163004	NYLOC NUT
9	1	187.048	CLAMP PLATE
10	1	199.017	PIVOT PIN
11	2	T7860	BUSH

# CRANKED DIPPER ARM ASSEMBLY - TP540C Model

Module:  
216.210 – TP540C L/H Build



**CRANKED DIPPER ARM ASSEMBLY - TP540C Model**

REF.	QTY.	PART No.	DESCRIPTION
		<b>216.210</b>	<b>TP540 CRANKED DIPPER - L/H Build</b>
1	1	216.011	INNER 2nd BOOM - L/H Build
2	1	216.006	CENTRAL BOOM - L/H Build
3	1	216.003	LOWER ARM - L/H Build
4	1	194.073	PARALLEL ARM
5	1	216.013	PIN
6	1	9213164	BOLT
7	1	216.018	RAM PIN
8	7	9163004	NYLOC NUT
9	4	9213114	BOLT
10	3	194.077	PIN
11	4	7115208	GLACIER BUSH
12	4	T8039	BUSH
13	1	194.079	PIN
14	1	9213124	BOLT
15	1	194.152	ANGLE RAM PIN
16	1	9213065	BOLT
17	2	9163005	NYLOC NUT
18	4	901161	GREASE NIPPLE
19	2	T2944	GREASE NIPPLE
20	2	199.018	PIVOT PIN
21	2	9213075	BOLT
22	1	212.059	STUD
23	6	7198078	PIPE CLAMP (HALF)
24	3	7198093	CLAMP PLATE
25	3	9100104	FLAT WASHER
26	2	21649.07	GLACIER BUSH
27	2	T7860	BUSH
28	2	04.282.29	STUD
29	2	9100031	DOMED NUT
30	2	22277.34	EDGING STRIP (300mm)

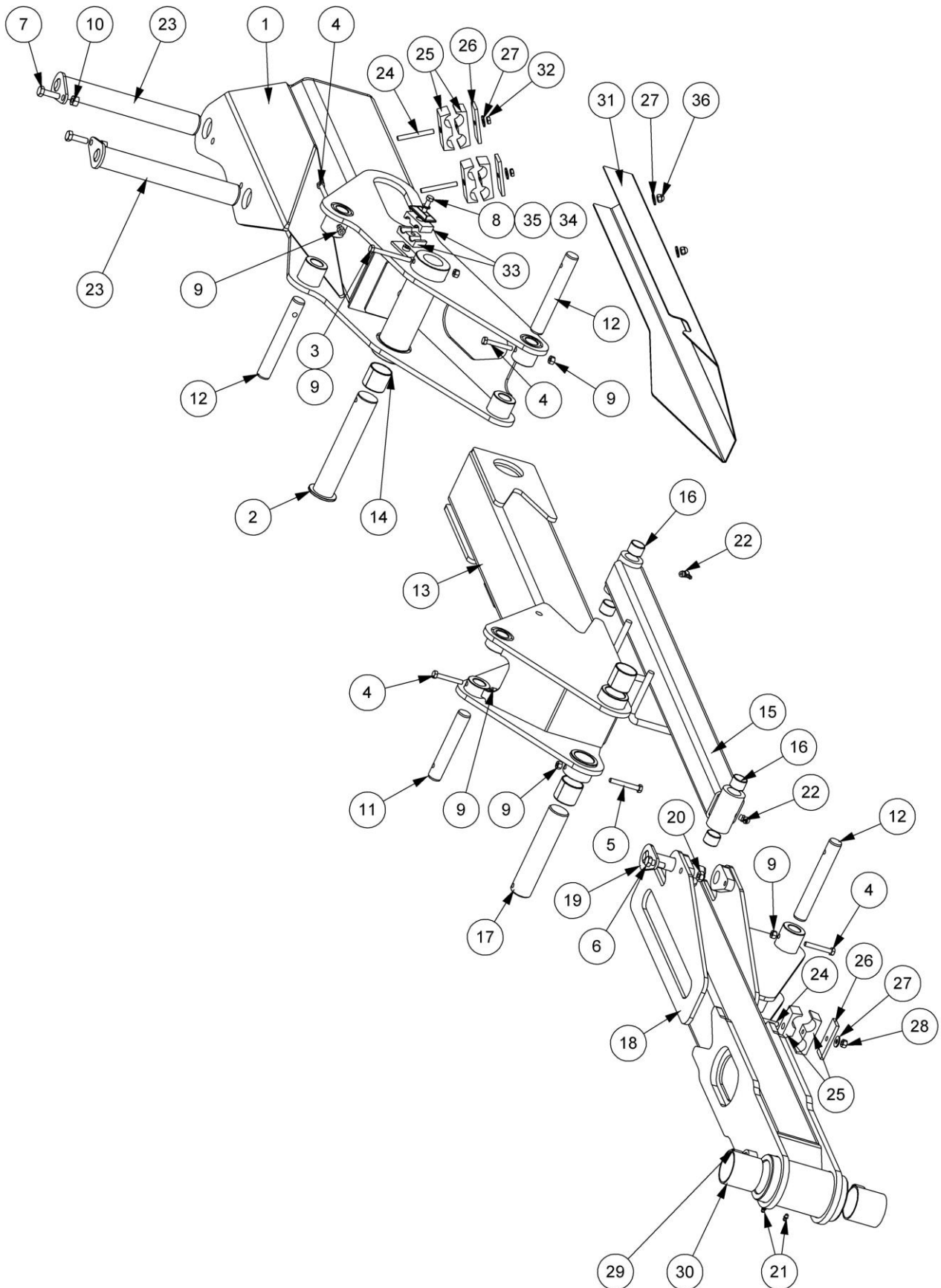
**CRANKED DIPPER ARM ASSEMBLY - TP600C Models**

Modules:

216.200 – TP600C L/H Build

216.201 – TP600C R/H Build

*Illustrated in Left-Hand build*



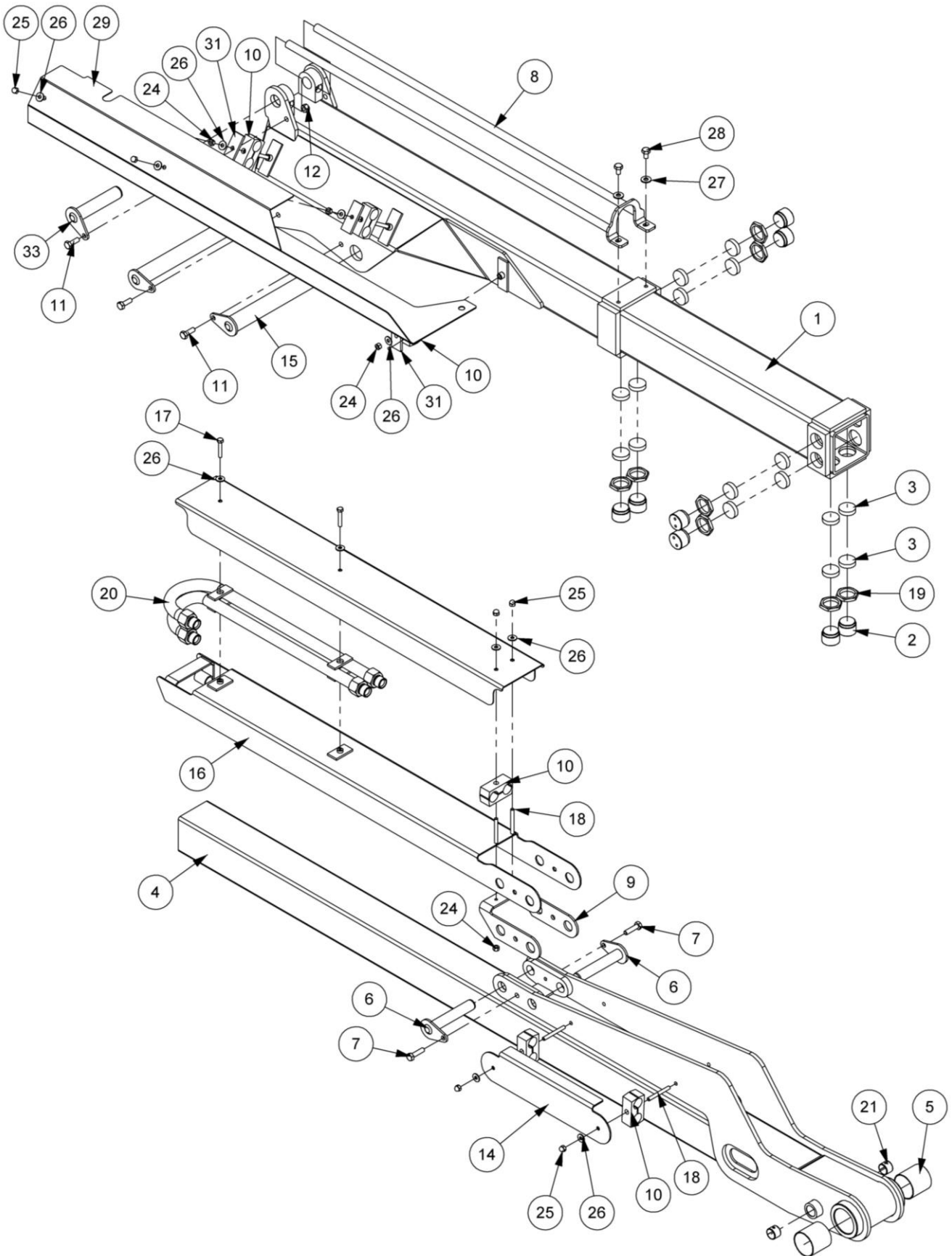
**CRANKED DIPPER ARM ASSEMBLY - TP600C Models**

REF.	QTY.	PART No.	DESCRIPTION
		<b>216.200</b>	<b>TP600 CRANKED DIPPER - L/H Build</b>
		<b>216.201</b>	<b>TP600 CRANKED DIPPER - R/H Build</b>
1	1	216.001	INNER 2nd BOOM - L/H Build
	1	216.002	INNER 2nd BOOM - R/H Build
2	1	194.075	PIN
3	1	9213164	BOLT
4	4	9213114	BOLT
5	1	9213124	BOLT
6	1	9213065	BOLT
7	2	9213075	BOLT
8	1	9213084	BOLT
9	6	9163004	CLEVELOC
10	2	9163005	CLEVELOC
11	1	216.018	RAM PIN
12	3	194.077	PIN
13	1	216.006	CENTRAL BOOM - L/H Build
	1	216.005	CENTRAL BOOM - R/H Build
14	4	7115208	GLACIER BUSH
15	1	194.073	PARALLEL ARM
16	4	T8039	BUSH
17	1	194.079	PIN
18	1	216.003	LOWER ARM - L/H Build
	1	216.004	LOWER ARM - R/H Build
19	1	194.152	ANGLE RAM PIN
20	1	9163005	NYLOC NUT
21	4	901161	GREASE NIPPLE
22	2	T2944	GREASE NIPPLE
23	2	199.018	PIVOT PIN
24	3	212.059	STUD
25	6	7198078	PIPE CLAMP (HALF)
26	3	7198093	CLAMP PLATE
27	5	9100104	FLAT WASHER
28	1	9113004	NUT
29	2	21649.07	GLACIER BUSH
30	2	T7860	BUSH
31	1	216.008	HOSE COVER - L/H Builds
	1	216.007	HOSE COVER - R/H Builds
32	2	9133004	SELF-LOCKING NUT
33	1	7193065	HOSE CLAMP (x2)
34	1	7193066	CLAMP PLATE
35	1	9100204	SPRING WASHER
36	2	9100031	DOMED NUT
37	1	43468.24	COVER EDGING STRIP (2380mm)
38	1	03.231.14	RUBBER EDGING (1080mm)

# TELE DIPPER ARM ASSEMBLY

Module:  
214.200 – R/H Build  
214.201 – L/H Build

*Illustrated in Right-Hand build*





**TELE DIPPER ARM ASSEMBLY**

REF.	QTY.	PART No.	DESCRIPTION
		<b>214.200</b>	<b>TELE DIPPER ARM - R/H Build</b>
		<b>214.201</b>	<b>TELE DIPPER ARM - L/H Build</b>
1	1	214.001	UPPER TELE ARM - R/H Build
	1	214.016	UPPER TELE ARM - L/H Build
2	8	214.004	TELE ARM ADJUSTER
3	16	214.005	SLIDER BEARING
4	1	214.002	LOWER TELE ARM
5	2	T7860	BUSH
6	2	199.017	PIVOT PIN
7	2	9213085	BOLT
8	1	214.003	SLIDER RAIL
9	1	214.007	SUPPORT SPACER
10	6	7198077	PIPE CLAMP
11	3	9213065	BOLT
12	3	9143005	SELF-LOCKING NUT
13	1	214.008	TOP COVER
14	1	214.009	FRONT HOSE COVER
15	2	199.018	PIVOT PIN
16	1	214.006	SLIDER ASSEMBLY
17	2	9213094	BOLT
18	7	212.059	STUD
19	8	214.010	ADJUSTER LOCK NUT
20	1	214.014	RIGID PIPE ASSEMBLY - R/H Build
	1	214.015	RIGID PIPE ASSEMBLY - L/H Build
21	2	21649.07	GLACIER BUSH
22	1	9373045	BUTTON HEAD BOLT
23	1	9100207	SPRING WASHER
24	5	9113004	NUT
25	6	9100031	DOMED NUT
26	12	9100104	FLAT WASHER
27	2	9100105	FLAT WASHER
28	2	9313035	SETSCREW
29	1	214.017	REAR HOSE COVER TRAY - R/H Build
	1	214.019	REAR HOSE COVER TRAY - L/H Build
30	1	03.231.01	RUBBER EDGE MOLDING
31	3	7198093	CLAMP PLATE
32	1	0100106	FLAT WASHER
33	1	199.040	SLEW PIN

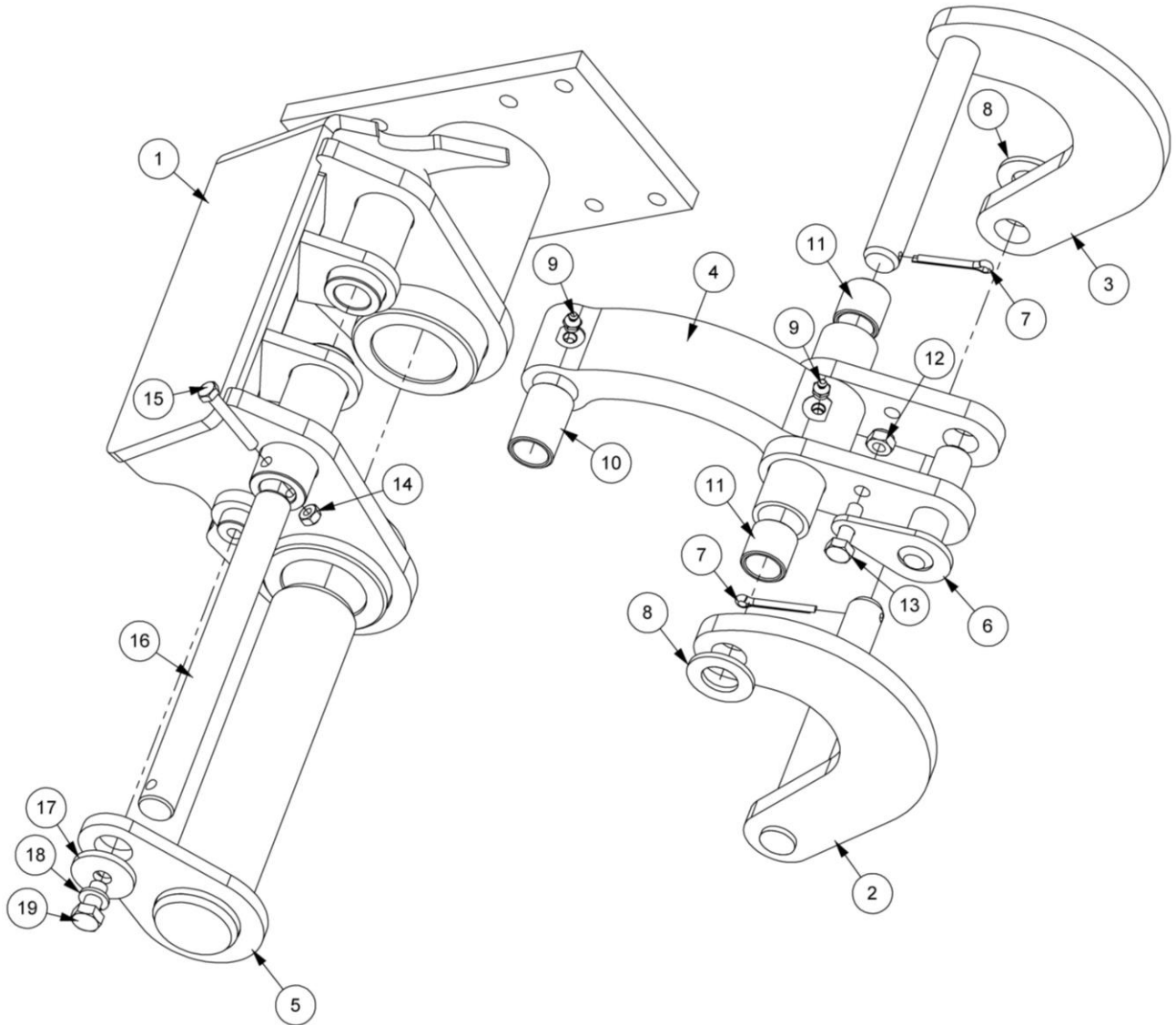
**COWL ASSEMBLY (HEAD ANGLING MECHANISM)**

Modules:

212.210 – L/H Build

212.211 – R/H Build

*Illustrated in Left-Hand build*



**COWL ASSEMBLY (HEAD ANGLING MECHANISM)**

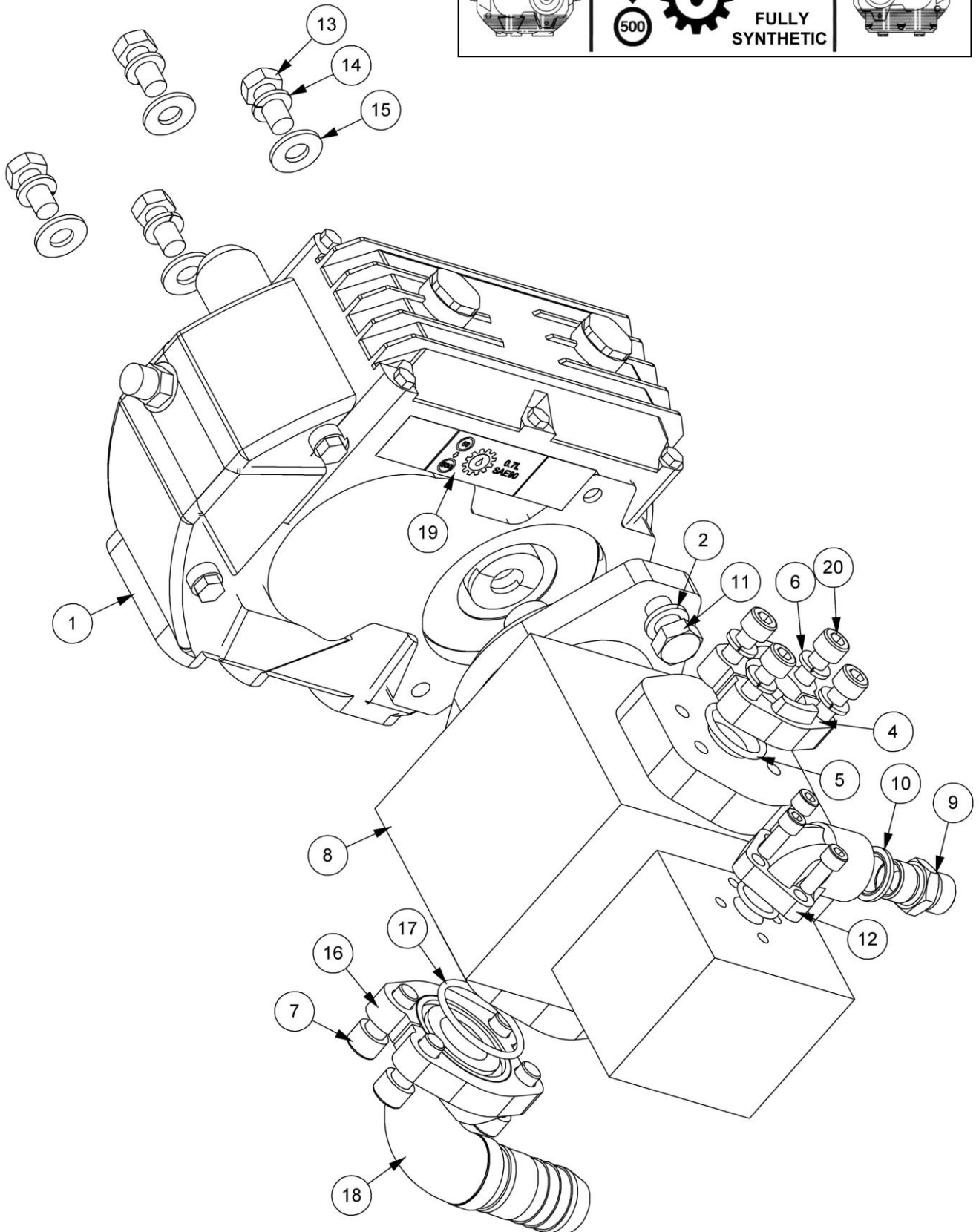
REF.	QTY.	PART No.	DESCRIPTION
		<b>212.210</b>	<b>COWL ASSEMBLY - L/H Build</b>
		<b>212.211</b>	<b>COWL ASSEMBLY - R/H Build</b>
1	1	212.080	COWL BRACKET - L/H Build
	1	212.081	COWL BRACKET - R/H Build
2	1	199.169	RADIUS ARM - OUTER
3	1	199.170	RADIUS ARM - INNER
4	1	199.007	SLAVE LINK
5	1	212.018	COWL PIVOT PIN
6	1	199.016	ANGLE PIN
7	2	05.284.14	SPLIT COTTER
8	2	05.281.16	FLAT WASHER
9	2	05.953.03	GREASE NIPPLE
10	1	08.297.09	BUSH
11	2	30.207.70	BUSH
12	1	9143005	CLEVELOK NUT
13	1	9313075	SETSCREW
14	1	05.287.01	SELF-LOCKING NUT
15	1	05.291.06	BOLT
16	1	212.026	PIN
17	1	05.234.01	WASHER
18	1	05.282.03	SPRING WASHER
19	1	05.264.22	SETSCREW

**PUMP & GEARBOX ASSEMBLY (HP) Builds ▶ 11/13**

Modules:  
199.407 – L/H Build  
199.408 – R/H Build

*Illustrated in Left-Hand build*

50  
500  
SAE75W90  
0.7L  
FULLY SYNTHETIC

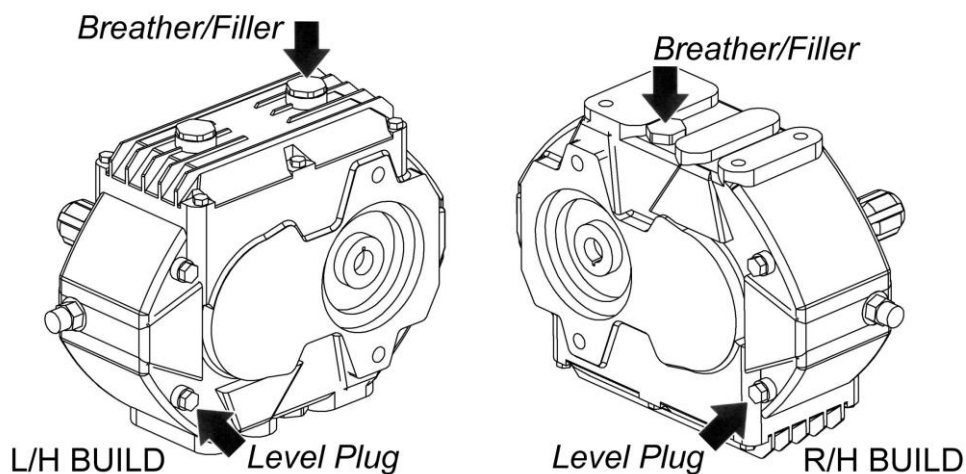


**PUMP & GEARBOX ASSEMBLY (HP) Builds ► 11/13**

REF.	QTY.	PART No.	DESCRIPTION
		<b>199.407</b>	<b>PUMP &amp; GEARBOX ASSEMBLY - L/H Build</b>
		<b>199.408</b>	<b>PUMP &amp; GEARBOX ASSEMBLY - R/H Build</b>
1	1	8013514	GEARBOX
2	2	05.282.08	SPRING WASHER
3	1	7550316	GASKET
4	2	7988.1	SPLIT FLANGE
5	1	8600123	O RING
6	4	9100205	SPRING WASHER
7	4	9343066	CAPSCREW
8	1	199.355	TANDEM PUMP ASSEMBLY
9	1	8581110	ADAPTOR
10	1	8650104	BONDED SEAL
11	2	05.839.01	BOLT
12	1	199.358	FLANGE ADAPTOR KIT c/o:
	1	199.358.01	FLANGE ADAPTOR
	3	199.358.02	CAPSCREW
	1	199.358.03	O RING
13	4	9313056	SETSCREW
14	4	9100206	SPRING WASHER
15	4	9100106	FLAT WASHER
16	1	41.294.01	SPLIT FLANGE
17	1	8600303	O RING
18	1	199.363	HOSE TAIL
19	1	1290092	GEARBOX DECAL
20	4	9343065	CAPSCREW

**NOTE:**

L/H & R/H builds comprise of identical components and differ only in their assembled orientation.



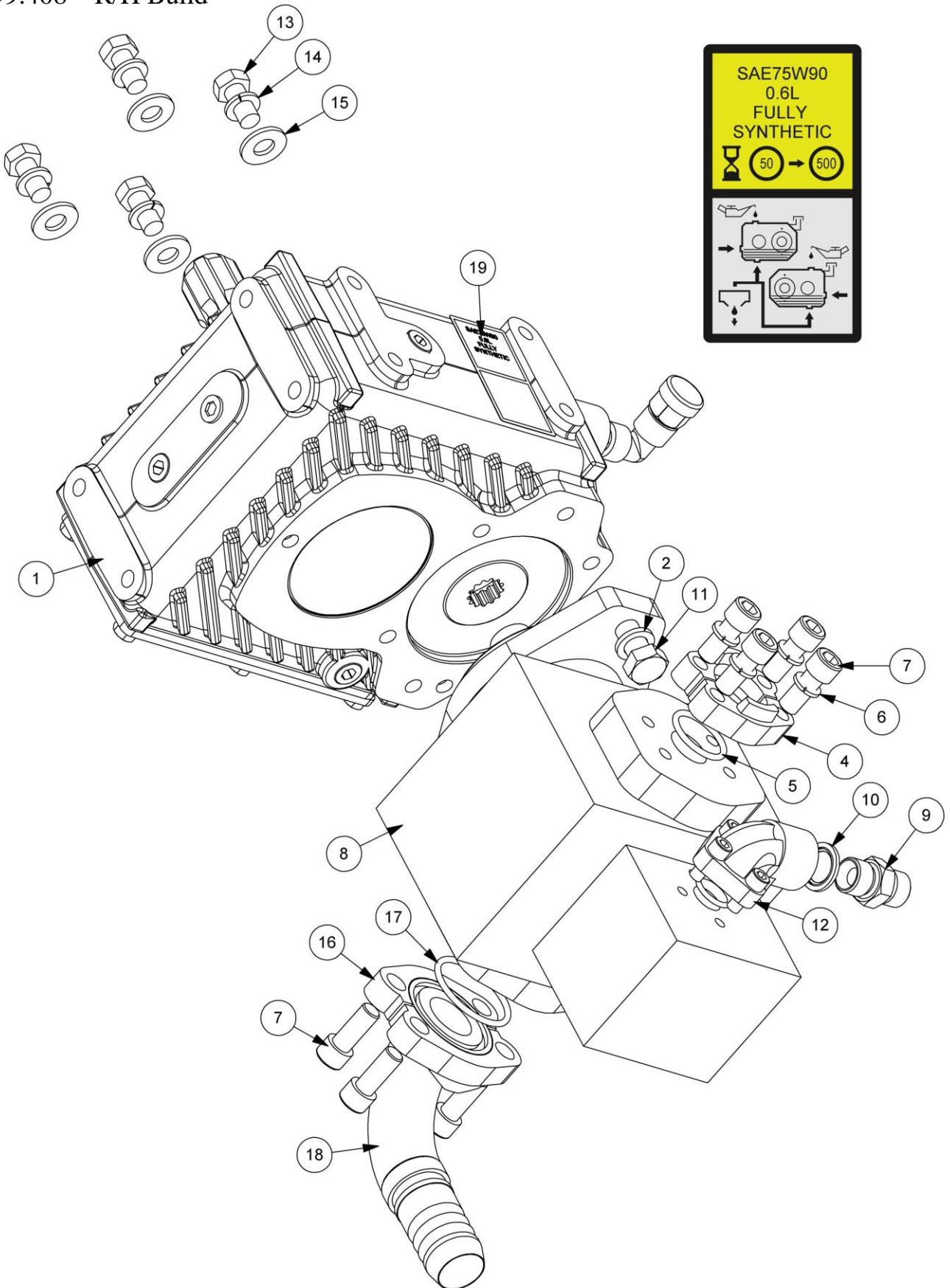
**PUMP & GEARBOX ASSEMBLY (HP) Builds 11/13**

Modules:

199.407 – L/H Build

199.408 – R/H Build

*Illustrated in Left-Hand build*

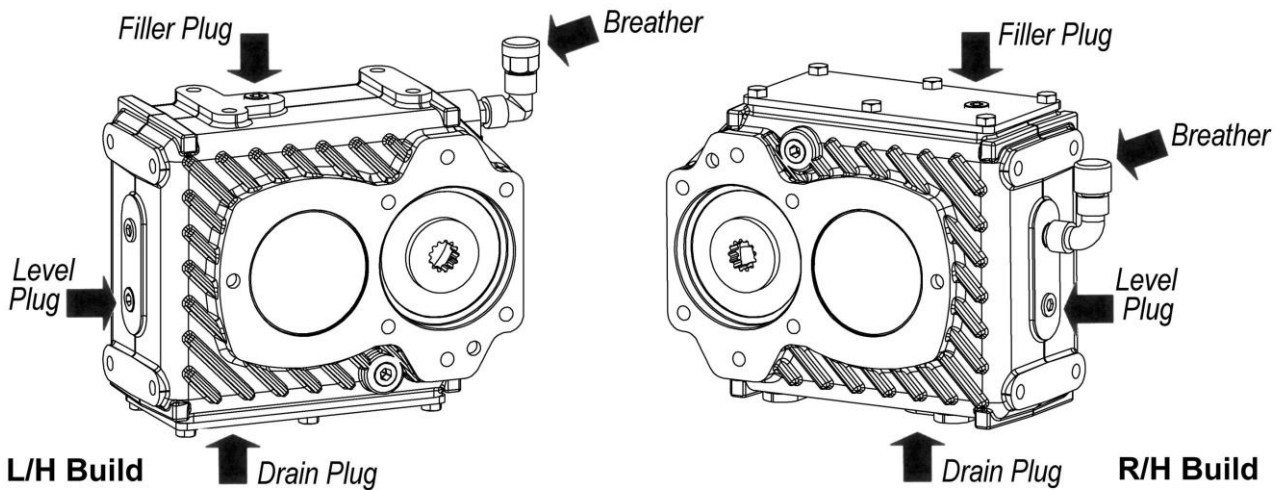


**PUMP & GEARBOX ASSEMBLY (HP) Builds 11/13 ▶**

REF.	QTY.	PART No.	DESCRIPTION
		<b>199.407</b>	<b>PUMP &amp; GEARBOX ASSEMBLY - L/H Build</b>
		<b>199.408</b>	<b>PUMP &amp; GEARBOX ASSEMBLY - R/H Build</b>
1	1	22927.09	GEARBOX
2	2	05.282.08	SPRING WASHER
3	1	7550316	GASKET
4	2	7988.1	SPLIT FLANGE
5	1	8600123	O RING
6	4	9100205	SPRING WASHER
7	4	9343066	CAPSCREW
8	1	199.355	TANDEM PUMP ASSEMBLY
9	1	8581110	ADAPTOR
10	1	8650104	BONDED SEAL
11	2	05.839.01	BOLT
12	1	199.358	FLANGE ADAPTOR KIT c/o:
	1	199.358.01	FLANGE ADAPTOR
	3	199.358.02	CAPSCREW
	1	199.358.03	O RING
13	4	9313056	SETSCREW
14	4	9100206	SPRING WASHER
15	4	9100106	FLAT WASHER
16	1	41.294.01	SPLIT FLANGE
17	1	8600303	O RING
18	1	199.363	HOSE TAIL
19	1	1291025	GEARBOX DECAL
20	4	9343065	CAPSCREW

**NOTE:**

L/H & R/H builds comprise of identical components and differ only in their assembled orientation.



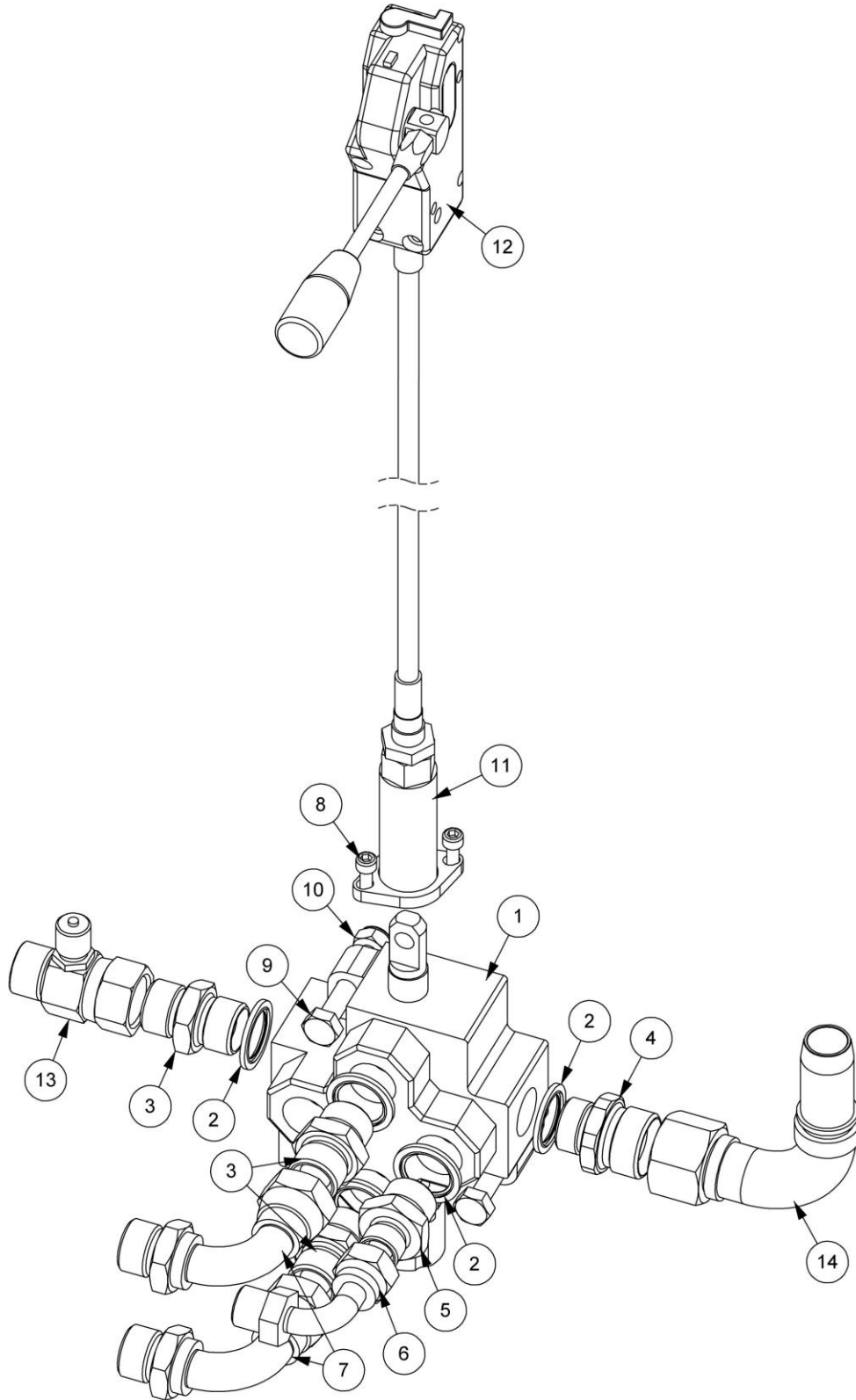
# CABLE ROTOR CONTROL VALVE ASSEMBLY

Modules:

199.421 – L/H Build

199.422 – R/H Build

*Illustrated in Left-Hand build*





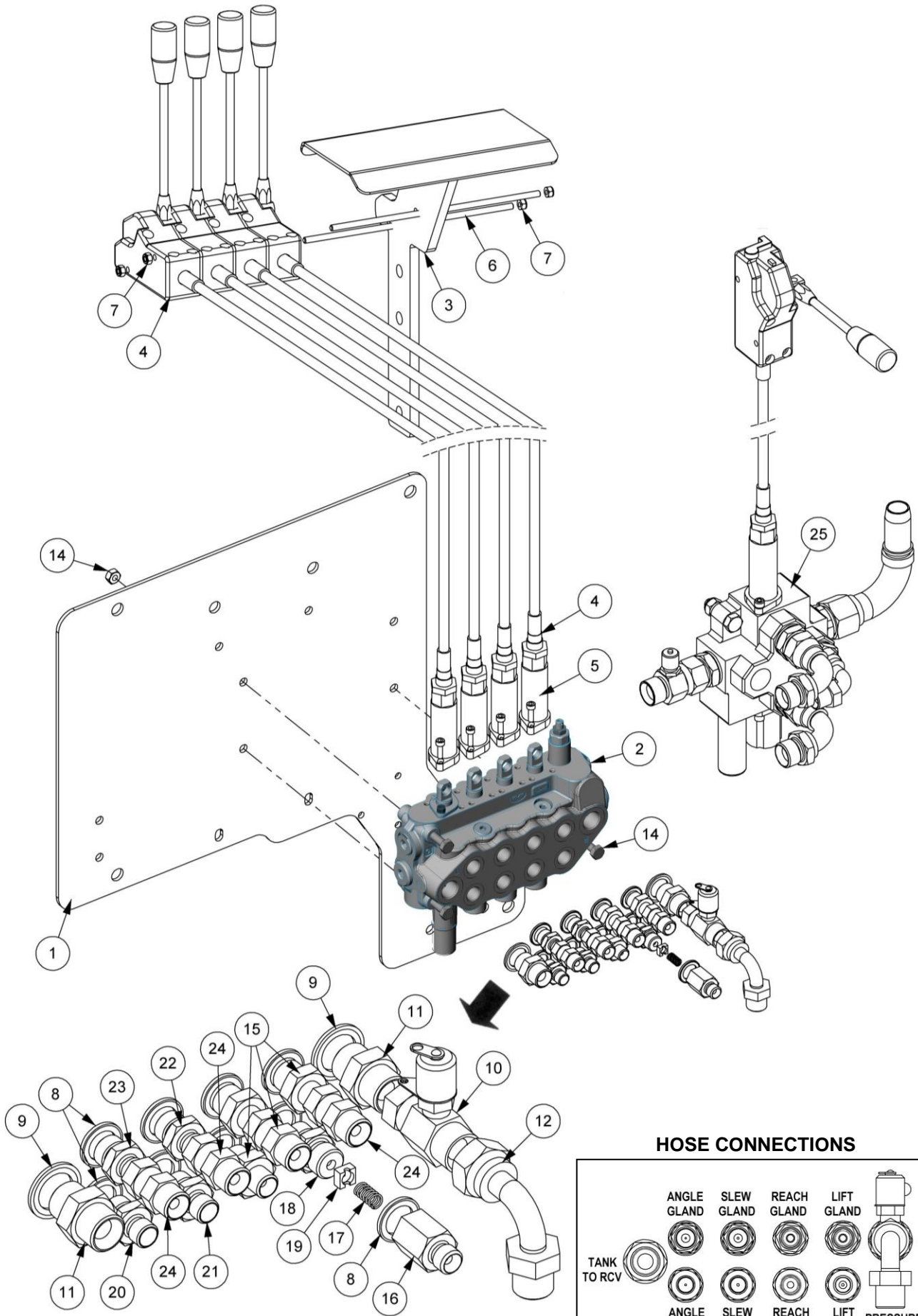
**CABLE ROTOR CONTROL VALVE ASSEMBLY**

REF.	QTY.	PART No.	DESCRIPTION
		<b>199.421</b>	<b>ROTOR CONTROL VALVE - L/H Build</b>
		<b>199.422</b>	<b>ROTOR CONTROL VALVE - R/H Build</b>
1	1	8125423	ROTOR VALVE (250BAR) - L/H Build
	1	8125422	ROTOR VALVE (250BAR) - R/H Build
2	5	8650106	BONDED SEAL
3	3	8581136	ADAPTOR
4	1	8002086	ADAPTOR
5	1	8581130	ADAPTOR
6	1	8581215	90° SWEPT ADAPTOR
7	2	T3400	90° SWEPT ADAPTOR
8	2	9343033	CAPSCREW
9	2	9213085	BOLT
10	2	9163005	NYLOC NUT
11	1	47539.01	CABLE FIXING KIT
12	1	47531.08	CONTROL HEAD & CABLE (3.5M)
13	1	T7810	TEST POINT
14	1	7114005	ADAPTOR ELBOW

# CABLE CONTROL VALVE ASSEMBLY

Modules: 199.423 – L/H Build, 199.424 – R/H Build.

*Illustrated in Left-Hand build*

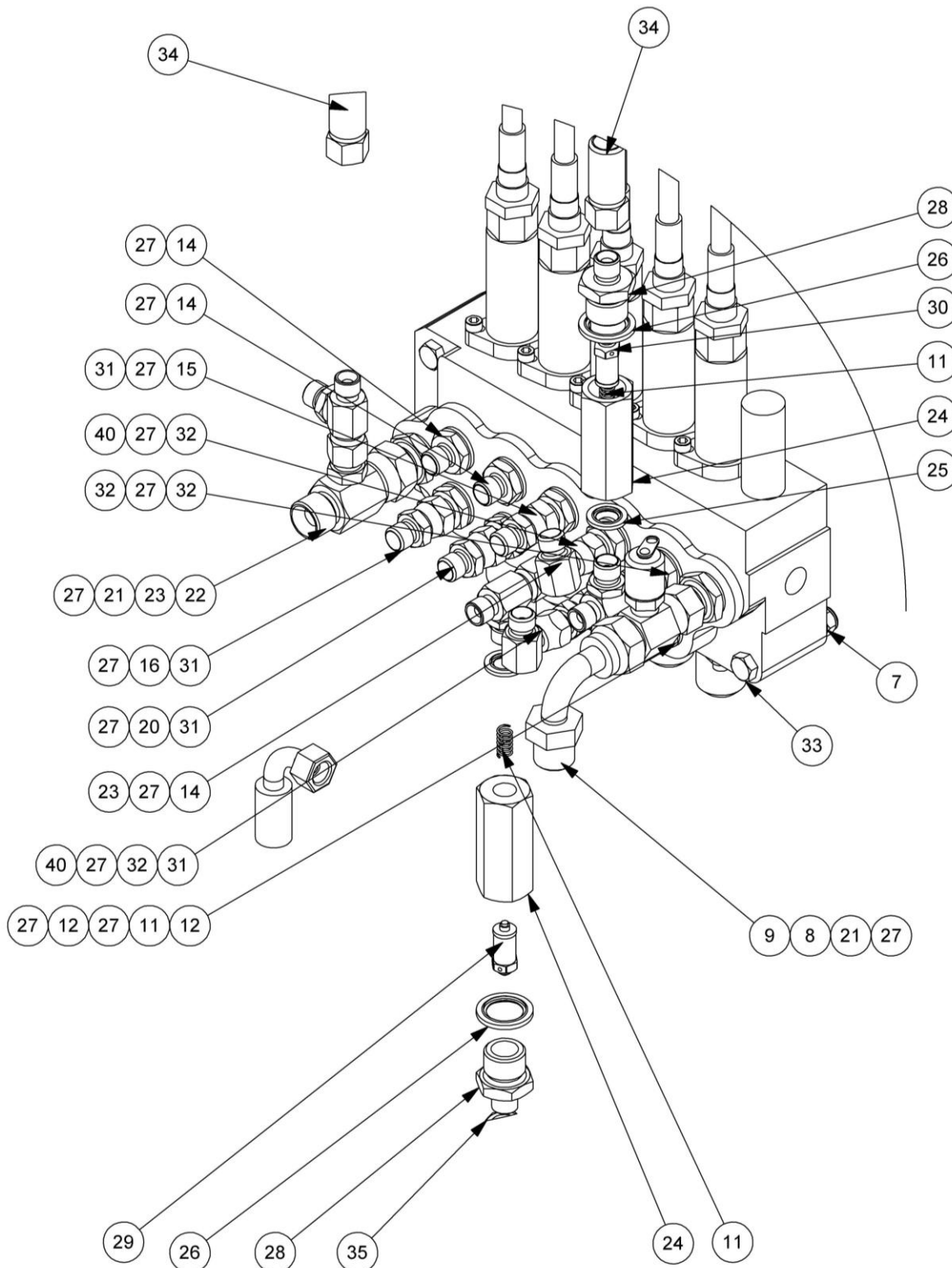
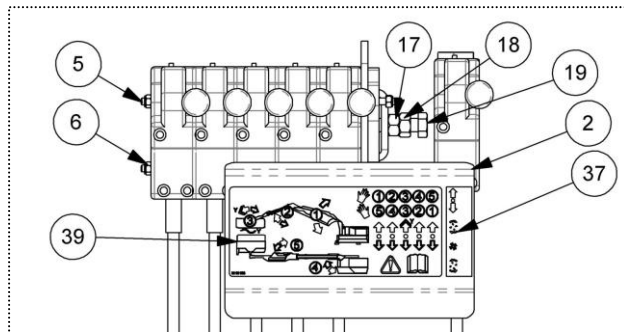


**CABLE CONTROL VALVE ASSEMBLY**

REF.	QTY.	PART No.	DESCRIPTION
		<b>199.423</b>	<b>CABLE CONTROL ASSEMBLY - L/H Build</b>
		<b>199.424</b>	<b>CABLE CONTROL ASSEMBLY - R/H Build</b>
1	1	199.338	VALVE PLATE
2	1	199.392	CONTROL VALVE
3	1	199.378	MOUNTING BRACKET (5 CABLE)
4	4	47531.12	CABLE CONTROL HEAD - 3.2M (BLACK KNOB)
5	4	47540.01	CABLE FIXING KIT
6	2	04.282.71	STUD
7	4	9163003	NYLOC NUT
8	9	05.290.04	BONDED SEAL
9	2	05.290.05	BONDED SEAL
10	1	8131009	TEST UNION
11	2	05.122.01	ADAPTOR
12	1	8581215	90° SWEPT ADAPTOR
13	3	05.291.09	BOLT
14	3	05.287.01	SELF-LOCKING NUT
15	3	01.099.01	ADAPTOR
16	1	8581214	RESTRICTOR ADAPTER
17	1	8116011	SPRING
18	1	8581209	ADAPTER
19	1	8123044	RESTRICTOR DISC - 1.8MM
20	1	8130048	RESTRICTOR - 1.3 C
21	1	8130047	RESTRICTOR - 1.8 B
22	1	8130046	RESTRICTOR - 1.5 A
23	1	8130066	RESTRICTOR - 1.15 M
24	4	02.714.11	SWIVEL ADAPTOR
25	1	199.421	ROTOR CONTROL VALVE ASSEMBLY - L/H Build
	1	199.422	ROTOR CONTROL VALVE ASSEMBLY - R/H Build

# CABLE VALVE ASSEMBLY – TP540C Cranked Arm

Module:  
216.214



**CABLE VALVE ASSEMBLY – TP540C Cranked Arm**

REF.	QTY.	PART No.	DESCRIPTION
		<b>216.214</b>	<b>CABLE CONTROL VALVE</b>
1	1	214.013	VALVE MOUNTING PLATE
2	1	199.378	MOUNTING BRACKET
3	5	47531.12	3.2M CABLE
4	5	47540.01	CABLE FIXING KIT
5	2	04.282.71	STUD
6	4	9163003	NYLOC NUT
7	3	9163004	NYLOC NUT
8	1	8131009	TEST UNION
9	1	8581215	SWEPT ADAPTOR 90°
10	1	8581214	RESTRICTOR BODY
11	3	8116011	SPRING
12	1	8581209	ADAPTER
13	1	8123044	RESTRICTOR DISC - 1.8MM
14	3	8130048	RESTRICTOR - 1.3 C
15	1	8130068	RESTRICTOR - 0.9
16	1	8130066	RESTRICTOR - 1.15 M
17	1	184.257	FIXING BRACKET
18	1	9113006	NUT
19	1	9313076	SETSCREW
20	1	8130046	RESTRICTOR - 1.5 A
21	2	6000112	ADAPTOR
22	1	04.056.25	ADAPTOR TEE
23	3	8581254	ADAPTOR TEE
24	2	8130156	RELIEF VALVE HOUSING
25	2	8650102	BONDED SEAL
26	2	8650104	BONDED SEAL
27	13	8650103	BONDED SEAL
28	2	8130083	ADAPTOR RELIEF BODY
29	1	8130030	RELIEF VALVE (210BAR)
30	1	8130164	RELIEF VALVE (50BAR)
31	4	8581309	SWIVEL ADAPTOR
32	3	8581115	ADAPTOR
33	3	9213124	BOLT
34	1	10.001.08	HOSE - 1/4" BSP FS/FS x 400mm
35	1	10.002.08	HOSE - 1/4" BSP FS/F90 x 400mm
36	1	8130632	5 PORT VALVE
37	1	41.083.01	CABLE CONTROL STICKER
38	1	09.916.01	RCV DECAL
39	1	1290933	CONTROL DECAL - CABLE 5 SERVICE
40	2	8581190	ADAPTOR ELBOW 90°
41	1	199.421	LH RCV ASSEMBLY

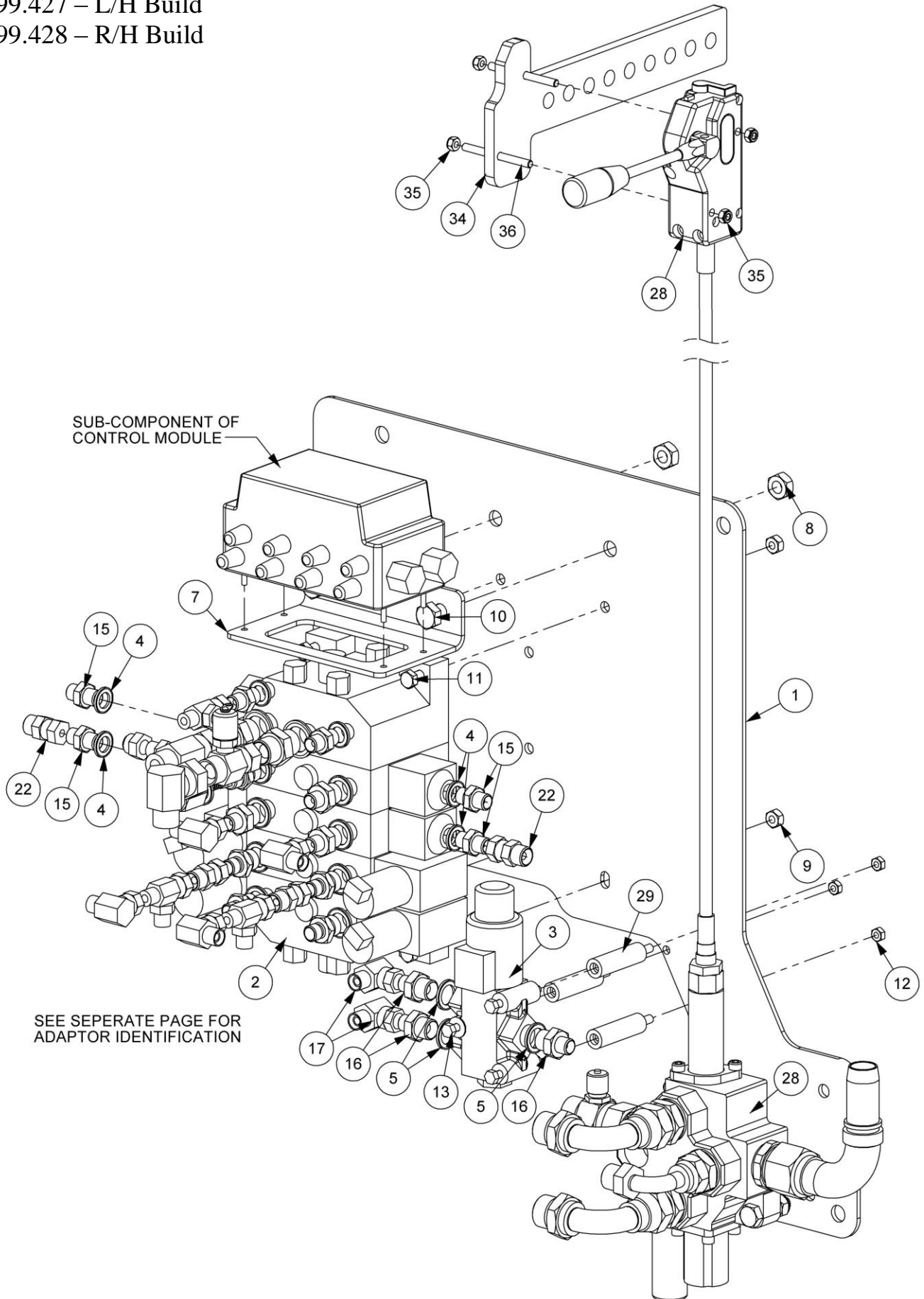
# LOW PRESSURE CONTROL VALVE - Standard Models

Modules:

199.427 – L/H Build

199.428 – R/H Build

*Illustrated in Left-Hand build*



**LOW PRESSURE CONTROL VALVE - Standard Models**

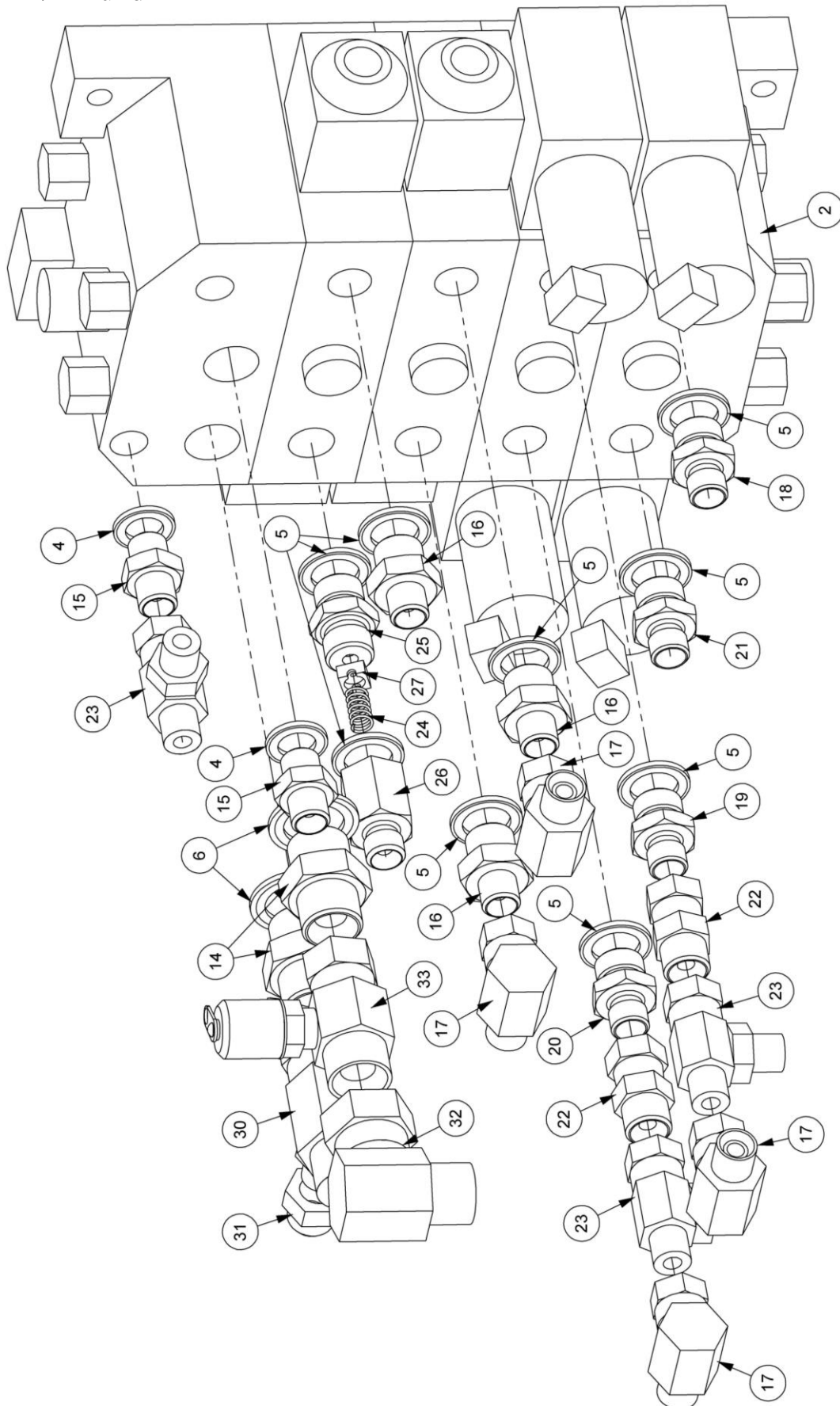
REF.	QTY.	PART No.	DESCRIPTION
		<b>199.427</b>	<b>LOW PRESSURE CONTROL VALVE - L/H Build</b>
		<b>199.428</b>	<b>LOW PRESSURE CONTROL VALVE - R/H Build</b>
1	1	199.338	LOW PRESSURE VALVE PLATE
2	1	199.336	LOW PRESSURE VALVE 4 PORT
3	1	199.334	3 WAY SOLENOID DIVERTER
4	6	05.290.02	BONDED SEAL
5	12	05.290.04	BONDED SEAL
6	2	05.290.05	BONDED SEAL
7	1	199.341	JUNCTION BOX BRACKET
8	2	05.287.03	SELF-LOCKING NUT
9	4	05.287.01	SELF-LOCKING NUT
10	2	05.264.21	SETSCREW
11	4	05.291.03	BOLT
12	3	30.070.64	SELF-LOCKING NUT
13	3	30.068.90	BOLT
14	2	05.122.01	ADAPTOR
15	6	05.129.01	ADAPTOR
16	6	01.099.01	ADAPTOR
17	6	05.835.04	90° SWIVEL ADAPTOR
18	1	8130046	RESTRICTOR - 1.5 A
19	1	8130066	RESTRICTOR - 1.15 M
20	1	8130048	RESTRICTOR - 1.3 C
21	1	8130047	RESTRICTOR - 1.8 B
22	4	02.714.11	SWIVEL ADAPTOR
23	3	04.056.10	TEE ADAPTOR
24	1	8116011	SPRING
25	1	8581209	ADAPTER
26	1	8581214	RESTRICTOR ADAPTER
27	1	8123044	RESTRICTOR DISC - 1.8MM
28	1	199.421	ROTOR CONTROL VALVE ASSEMBLY - L/H Build
	1	199.422	ROTOR CONTROL VALVE ASSEMBLY - R/H Build
29	3	199.343	SPACER
30	1	04.056.25	TEE ADAPTOR
31	1	05.433.07	BLANKING CAP
32	1	05.835.05	90° SWIVEL ADAPTOR
33	1	8131009	TEST UNION
34	1	212.057	MOUNTING PLATE
35	4	9163003	NYLOC NUT
36	2	04.282.58	STUD

# LOW PRESSURE CONTROL VALVE ADAPTORS

Modules:

199.427 – L/H Build

199.428 – R/H Build



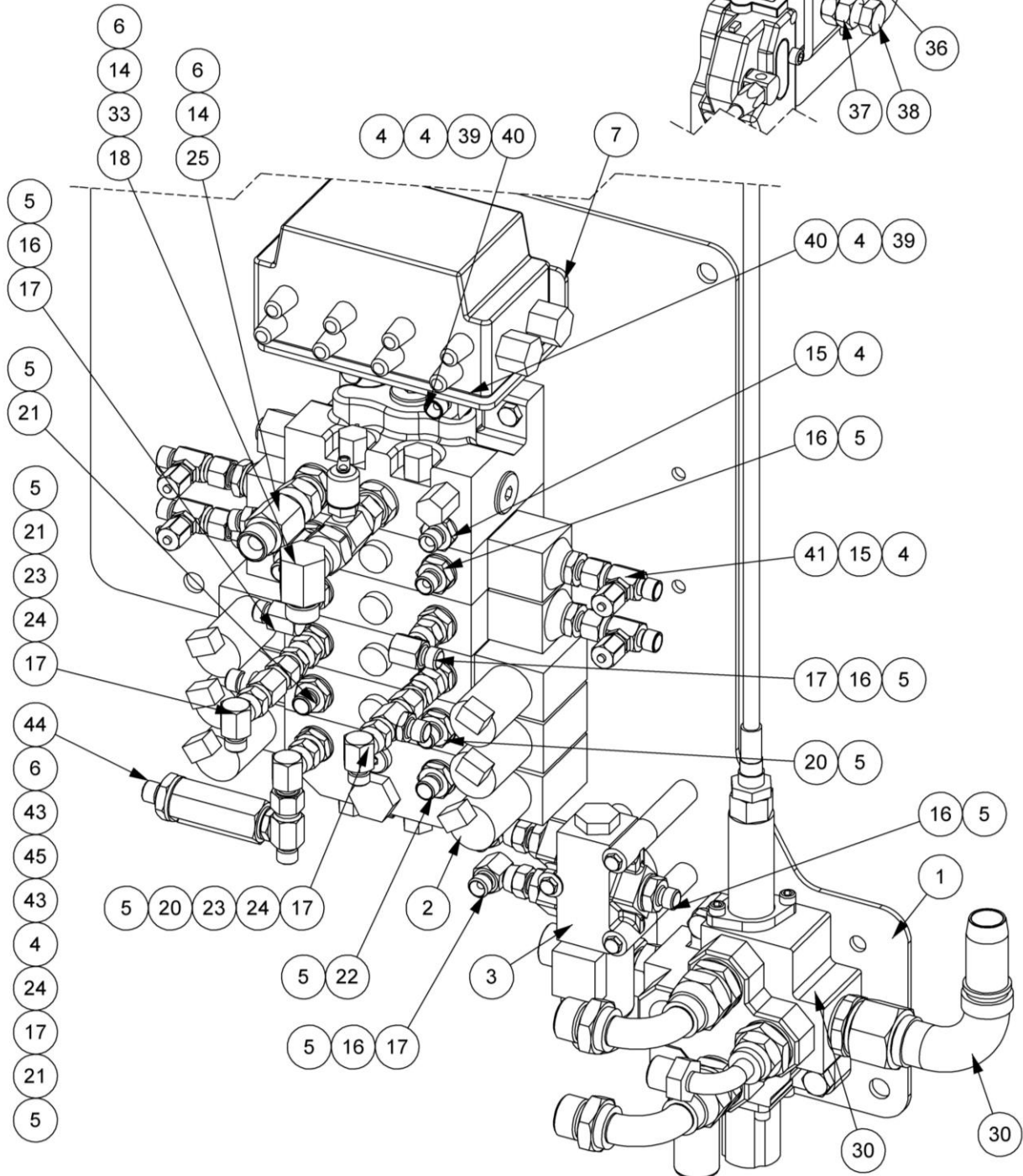
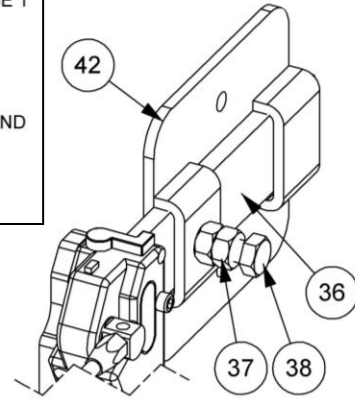
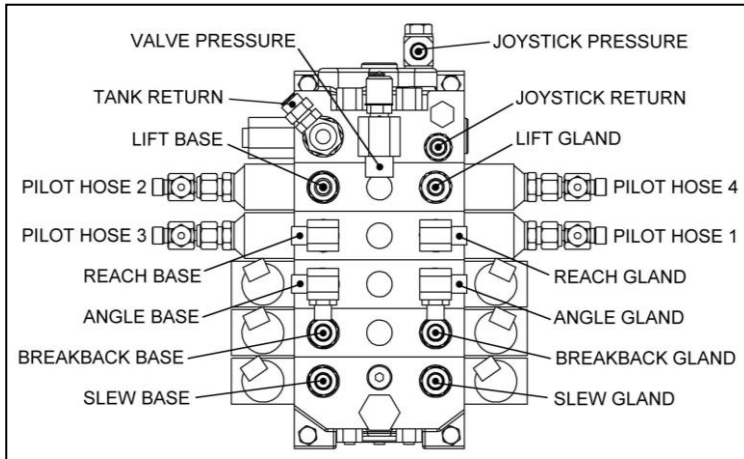


**LOW PRESSURE CONTROL VALVE - Standard Models**

REF.	QTY.	PART No.	DESCRIPTION
		<b>199.427</b>	<b>LOW PRESSURE CONTROL VALVE - L/H Build</b>
		<b>199.428</b>	<b>LOW PRESSURE CONTROL VALVE - R/H Build</b>
1	1	199.338	LOW PRESSURE VALVE PLATE
2	1	199.336	LOW PRESSURE VALVE 4 PORT
3	1	199.334	3 WAY SOLENOID DIVERTER
4	6	05.290.02	BONDED SEAL
5	12	05.290.04	BONDED SEAL
6	2	05.290.05	BONDED SEAL
7	1	199.341	JUNCTION BOX BRACKET
8	2	05.287.03	SELF-LOCKING NUT
9	4	05.287.01	SELF-LOCKING NUT
10	2	05.264.21	SETSCREW
11	4	05.291.03	BOLT
12	3	30.070.64	SELF-LOCKING NUT
13	3	30.068.90	BOLT
14	2	05.122.01	ADAPTOR
15	6	05.129.01	ADAPTOR
16	6	01.099.01	ADAPTOR
17	6	05.835.04	90° SWIVEL ADAPTOR
18	1	8130046	RESTRICTOR - 1.5 A
19	1	8130066	RESTRICTOR - 1.15 M
20	1	8130048	RESTRICTOR - 1.3 C
21	1	8130047	RESTRICTOR - 1.8 B
22	4	02.714.11	SWIVEL ADAPTOR
23	3	04.056.10	TEE ADAPTOR
24	1	8116011	SPRING
25	1	8581209	ADAPTER
26	1	8581214	RESTRICTOR ADAPTER
27	1	8123044	RESTRICTOR DISC - 1.8MM
28	1	199.421	ROTOR CONTROL VALVE ASSEMBLY - L/H Build
	1	199.422	ROTOR CONTROL VALVE ASSEMBLY - R/H Build
29	3	199.343	SPACER
30	1	04.056.25	TEE ADAPTOR
31	1	05.433.07	BLANKING CAP
32	1	05.835.05	90° SWIVEL ADAPTOR
33	1	8131009	TEST UNION
34	1	212.057	MOUNTING PLATE
35	4	9163003	NYLOC NUT
36	2	04.282.58	STUD

**LOW PRESSURE CONTROL VALVE – TP600C Models**

Module:  
216.204



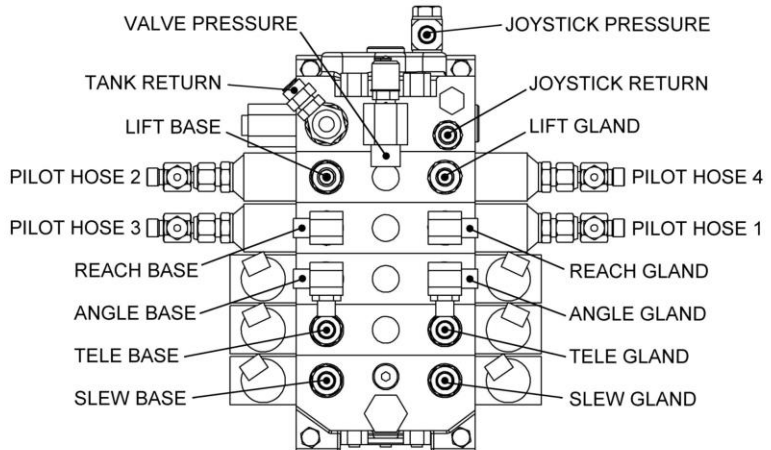
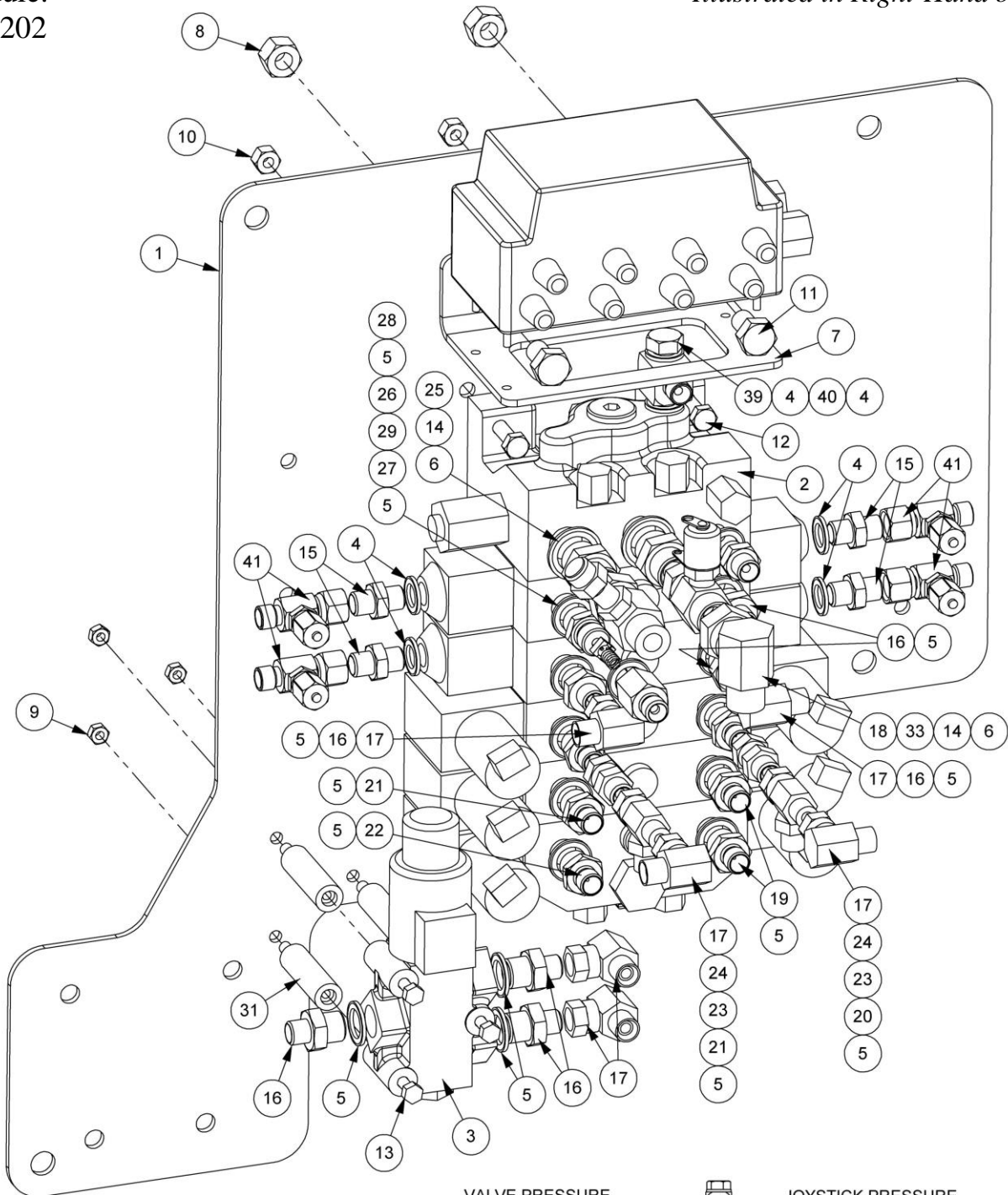
**LOW PRESSURE CONTROL VALVE – TP600C Models**

REF.	QTY.	PART No.	DESCRIPTION
		<b>216.204</b>	<b>LP VALVE ASSEMBLY - L/H Build</b>
1	1	214.013	VALVE MOUNTING PLATE
2	1	199.337	LOW PRESSURE VALVE (5 PORT)
3	1	199.334	3 WAY SOLENOID DIVERTER
4	8	8650102	BONDED SEAL
5	13	8650103	BONDED SEAL
6	3	8650104	BONDED SEAL
7	1	199.341	JUNCTION BOX BRACKET
8	2	9143006	SELF-LOCKING NUT
9	5	9163003	NYLOC NUT
10	4	9143004	SELF-LOCKING NUT
11	2	9313046	SETSCREW
12	4	9213084	BOLT
13	3	9213113	BOLT
14	2	8581110	ADAPTOR
15	5	8581169	ADAPTOR
16	6	8581115	ADAPTOR
17	7	8581190	ADAPTOR ELBOW
18	1	G5200331	ADAPTOR ELBOW (SHORT)
19	1	8130068	RESTRICTOR - 0.9
20	2	8130066	RESTRICTOR - 1.15 M
21	3	8130048	RESTRICTOR - 1.3 C
22	2	8581309	SWIVEL ADAPTOR
23	3	8581254	ADAPTOR TEE
24	1	04.056.25	ADAPTOR TEE
25	2	8116011	SPRING
26	1	8581209	ADAPTER
27	1	8581214	RESTRICTOR BODY
28	1	8123044	RESTRICTOR DISC - 1.8MM
29	1	199.421	ROTOR CONTROL VALVE - L/H Build
30	3	199.343	SPACER
31	1	8131009	TEST UNION
32	2	9243123	CAPSCREW
33	1	212.057	CABLE MOUNTING PLATE
34	1	9113006	NUT
35	1	9313076	SETSCREW
36	1	8581257	BANJO BOLT
37	1	8581258	BANJO BODY
38	4	T7814	TEST POINT
39	1	184.257	FIXING BRACKET
40	1	8130156	RELIEF VALVE HOUSING
41	1	8130083	ADAPTOR RELIEF BODY
42	1	8130030	RELIEF VALVE - 210BAR

**LOW PRESSURE CONTROL VALVE – TP625T Models**

Module:  
214.202

*Illustrated in Right-Hand build*



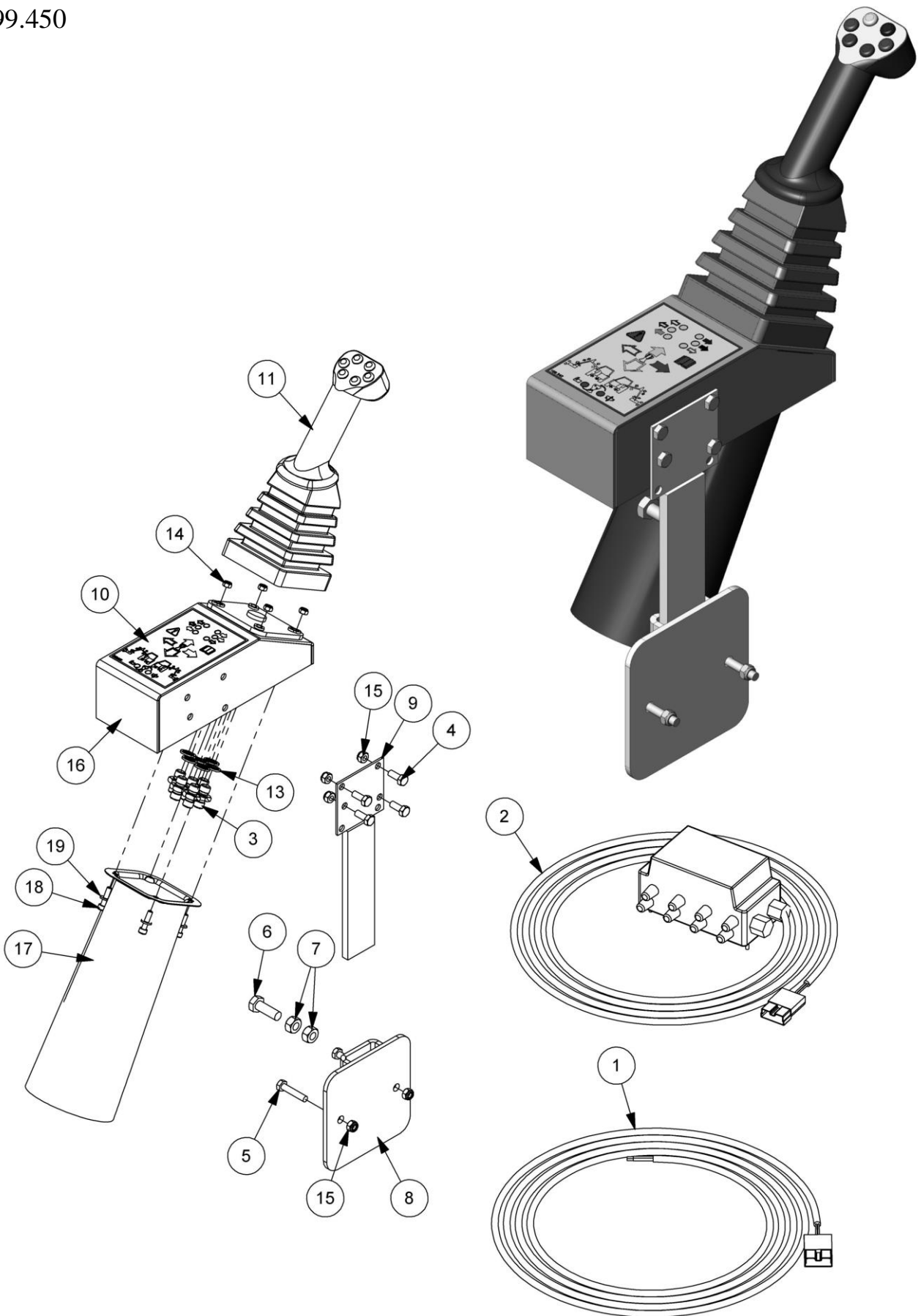
**LOW PRESSURE CONTROL VALVE – TP625T Models**

REF.	QTY.	PART No.	DESCRIPTION
		<b>214.202</b>	<b>5 SERVICE LP VALVE ASSEMBLY</b>
1	1	214.013	VALVE MOUNTING PLATE
2	1	199.337	LOW PRESSURE VALVE 5 PORT
3	1	199.334	3 WAY SOLENOID DIVERTER
4	7	05.290.02	BONDED SEAL
5	14	05.290.04	BONDED SEAL
6	2	05.290.05	BONDED SEAL
7	1	199.341	JUNCTION BOX BRACKET
8	2	9143006	SELF-LOCKING NUT
9	3	30.070.64	SELF-LOCKING NUT
10	4	9143004	SELF-LOCKING NUT
11	2	05.264.21	SETSCREW
12	4	05.291.03	BOLT
13	3	30.068.90	BOLTS
14	2	05.122.01	ADAPTOR
15	5	05.129.01	ADAPTOR
16	6	01.099.01	ADAPTOR
17	6	05.835.04	90° SWIVEL ADAPTOR
18	1	05.835.05	90° SWIVEL ADAPTOR
19	2	8130046	RESTRICTOR - 1.5 A
20	1	8130066	RESTRICTOR - 1.15 M
21	2	8130048	RESTRICTOR - 1.3 C
22	1	8130047	RESTRICTOR - 1.8 B
23	2	02.714.11	SWIVEL ADAPTOR
24	2	04.056.10	TEE ADAPTOR
25	1	04.056.25	TEE ADAPTOR
26	1	8116011	SPRING
27	1	8581209	ADAPTER
28	1	8581214	RESTRICTOR ADAPTER
29	1	8123044	RESTRICTOR DISC - 1.8MM
30	1	199.422	* ROTOR CONTROL VALVE
31	3	199.343	SPACER
32	1	05.433.07	BLANKING CAP
33	1	8131009	TEST UNION
34	2	04.282.58	STUD
35	4	9163003	NYLOC NUT
36	1	212.057	MOUNTING PLATE
37	1	9113006	NUT
38	1	9313076	SETSCREW
39	1	8581257	BANJO BOLT
40	1	8581258	BANJO BODY
41	4	T7814	TEST POINT
42	1	184.257	FIXING BRACKET

\* Not shown - see specific RCV page

# JOYSTICK CONTROL (4 PORT LOW PRESSURE)

Module:  
199.450

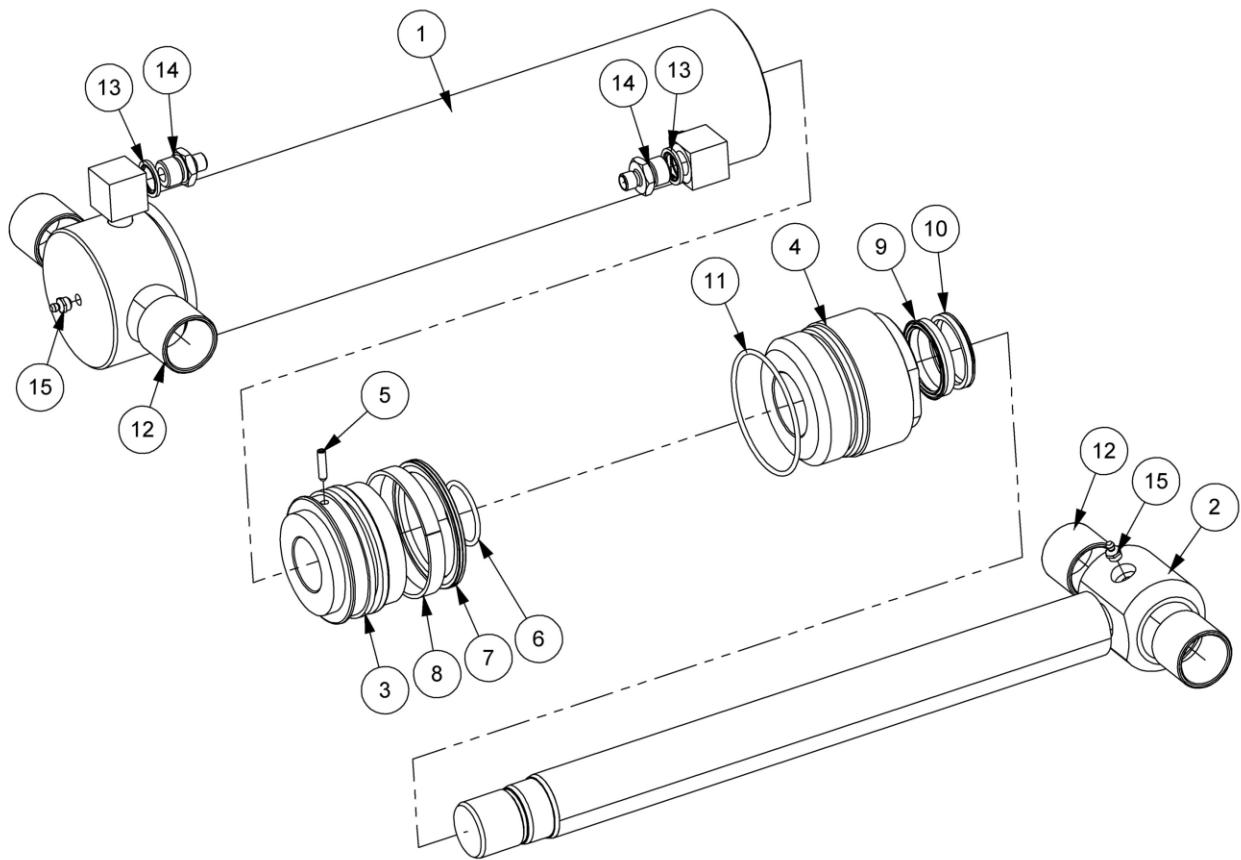


**JOYSTICK CONTROL (4 PORT LOW PRESSURE)**

REF.	QTY.	PART No.	DESCRIPTION
		<b>199.450</b>	<b>JOYSTICK - 4 PORT (LOW PRESSURE)</b>
1	1	8402237	LOOM - POWER SUPPLY
2	1	199.373	WIRING HARNESS
3	6	8581169	ADAPTOR
4	4	9313044	SETSCREW
5	2	9313084	SETSCREW
6	1	9313076	SETSCREW
7	1	9113006	NUT
8	1	184.257	FIXING BRACKET
9	1	184.258	CONTROL MOUNTING BRACKET
10	1	199.342	DECAL - LOW PRESSURE JOYSTICK
11	1	199.330	LP JOYSTICK ASSEMBLY - <b>Builds ► 06/12</b>
	1	199.600	LP JOYSTICK ASSEMBLY - <b>Builds 06/12►</b>
12	1	00999588	HOSE SLEEVING ( <i>not illustrated</i> )
13	6	8650102	BONDED SEAL
14	4	9163003	NYLOC NUT
15	6	9163004	NYLOC NUT
16	1	199.331	JOYSTICK BRACKET
17	1	22974.06	HOSE SLEEVING - 300mm ( <i>not illustrated</i> )
18	4	9343053	CAPSCREW
19	4	9100103	FLAT WASHER

**LIFT RAM ASSEMBLY – TP550/600**

Module:  
199.122

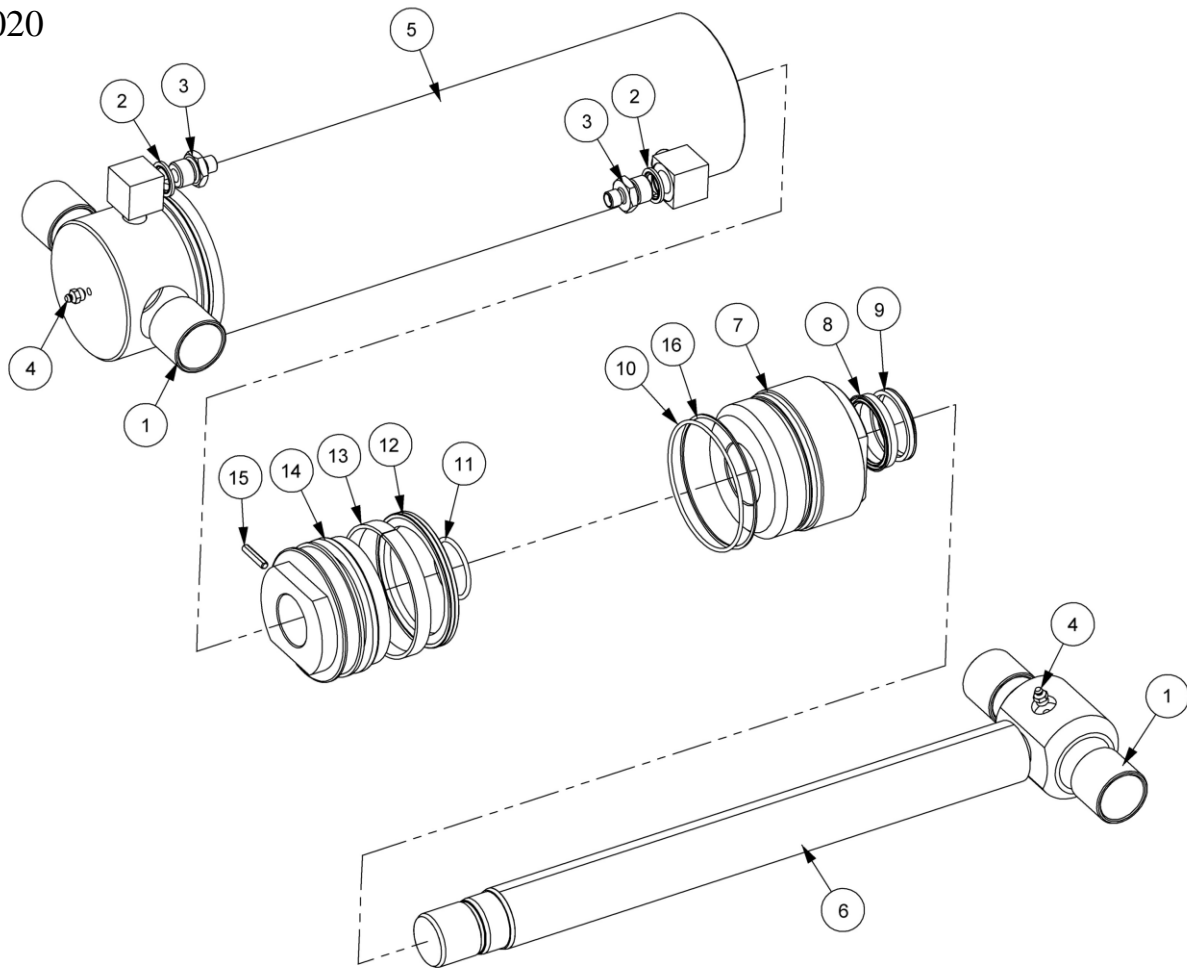


REF.	QTY.	PART No.	DESCRIPTION
		<b>199.122</b>	<b>LIFT RAM ASSEMBLY</b>
1	1	199.122.31	BARREL
2	1	199.122.34	PISTON ROD
3	1	42655.31	PISTON
4	1	42655.48	GLAND HOUSING
5	1	42775.01	DOWEL
6	1	8600302	O RING
7	1	8629182	PISTON SEAL
8	1	8629183	BEARING RING
9	1	8629184	SEAL
10	1	8629227	SEAL (ROD SCRAPER)
11	1	8600317	O RING
12	4	08.297.02	BUSH
13	2	8650104	BONDED SEAL
14	2	8581172	ADAPTOR
15	2	0901121	GREASE NIPPLE
		<b>21094.02</b>	<b>SEAL KIT</b>



**LIFT RAM ASSEMBLY – TP540C/600C/625T**

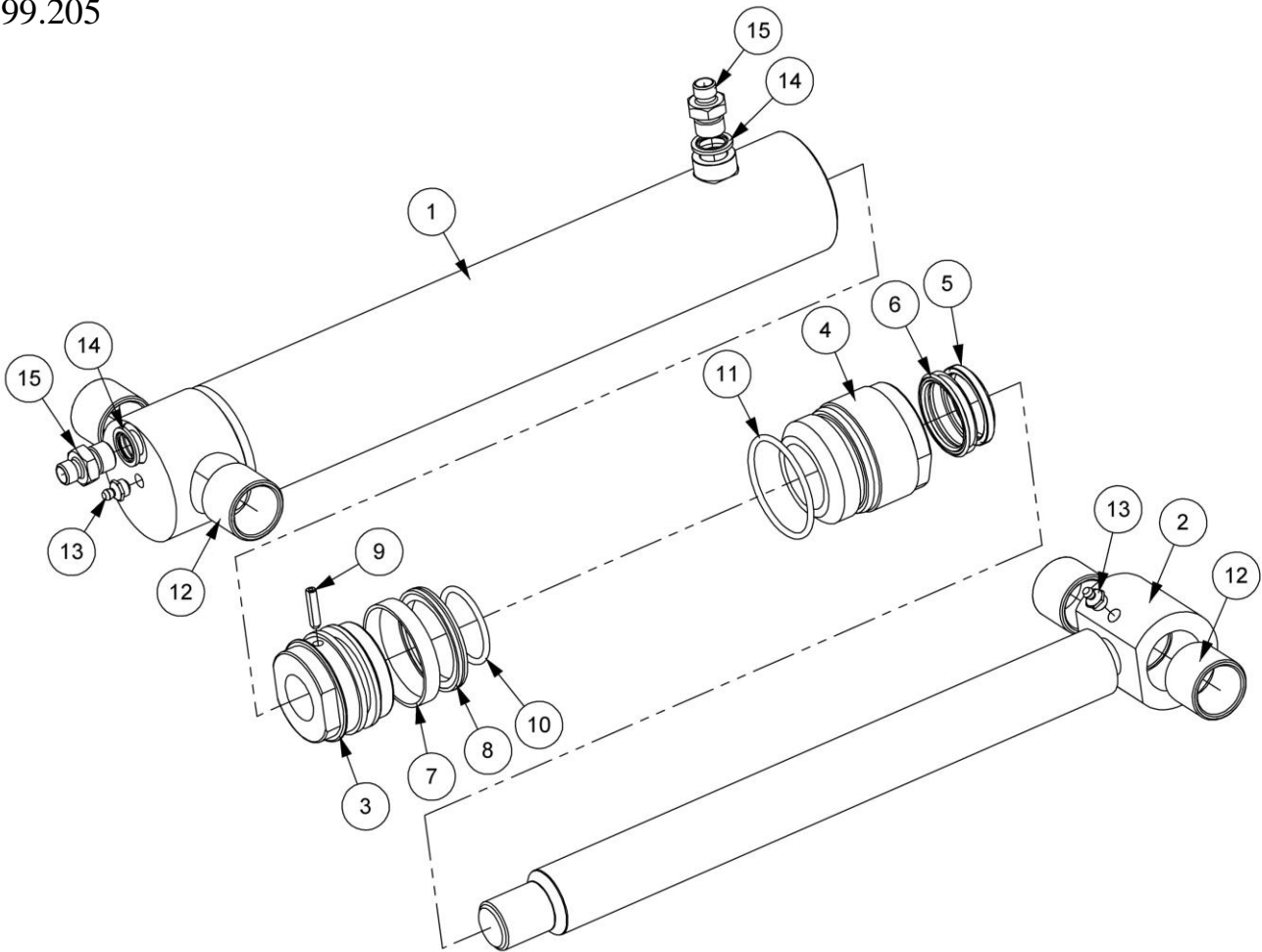
Module:  
214.020



REF.	QTY.	PART No.	DESCRIPTION
		<b>214.020</b>	<b>LIFT RAM ASSEMBLY</b>
		<b>214.020P</b>	<b>BASIC RAM (PAINTED)</b>
1	1	08.297.02	BUSH
2	4	8650104	BONDED SEAL
3	2	8581172	ADAPTOR
4	2	0901121	GREASE NIPPLE
5	2	214.020.01	RAM BARREL
6	1	199.122.34	PISTON ROD
7	1	42655.55	GLAND HOUSING
8	1	8629184	SEAL
9	1	8629227	SEAL
10	1	8700746	O RING
11	1	8600302	O RING
12	1	8629252	PISTON SEAL
13	1	8629253	WEAR RING
14	1	42655.56	PISTON
15	1	42775.04	DOWEL
16	1	8709746	BACK UP RING
		<b>42655.08</b>	<b>SEAL KIT</b>

**SLEW RAM ASSEMBLY**

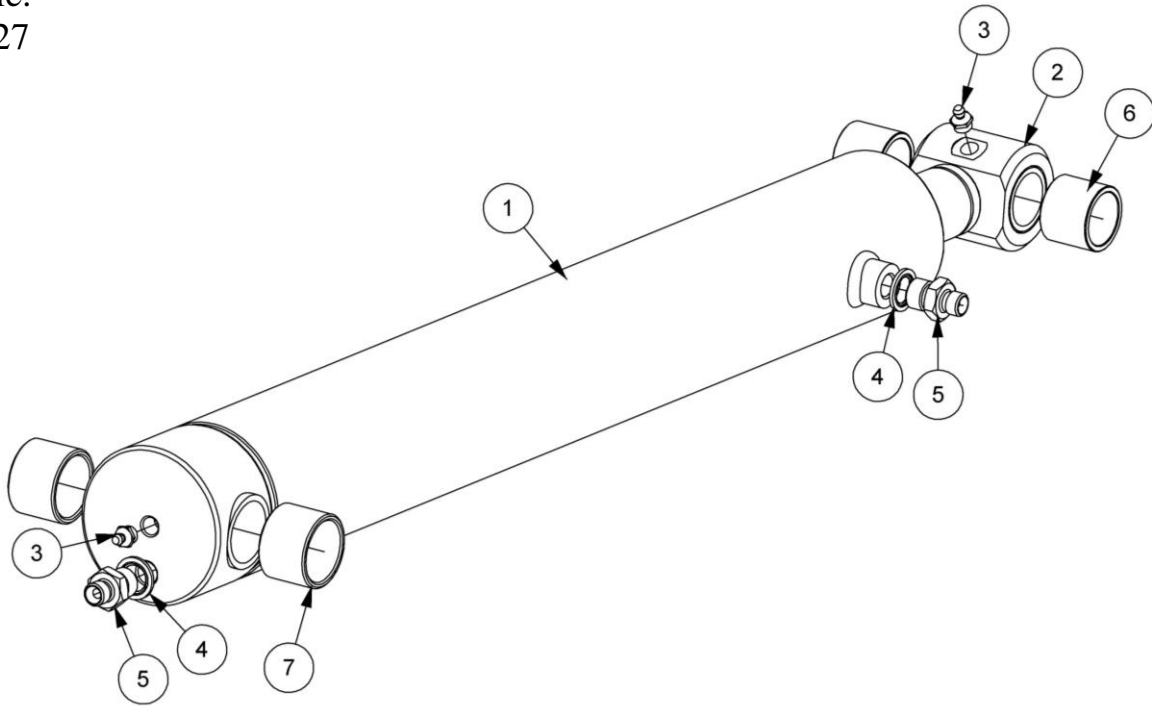
Module:  
199.205



REF.	QTY.	PART No.	DESCRIPTION
		<b>199.205</b>	<b>SLEW RAM ASSEMBLY</b>
1 - 4		199.205AP	RAM ASSEMBLY
5	1	8629230	SCRAPER RING
6	1	8629229	GLAND SEAL
7	1	8629190	GUIDE RING
8	1	8629189	PISTON SEAL
9	1	42775.01	DOWEL
10	1	8600125	O RING
11	1	8600429	O RING
12	4	08.297.04	BUSH
13	2	0901121	GREASE NIPPLE
14	2	8650103	BONDED SEAL
15	2	8581115	ADAPTOR
		<b>8699258</b>	<b>SEAL KIT</b>

**REACH RAM ASSEMBLY – TP540C/550/600C/625T**

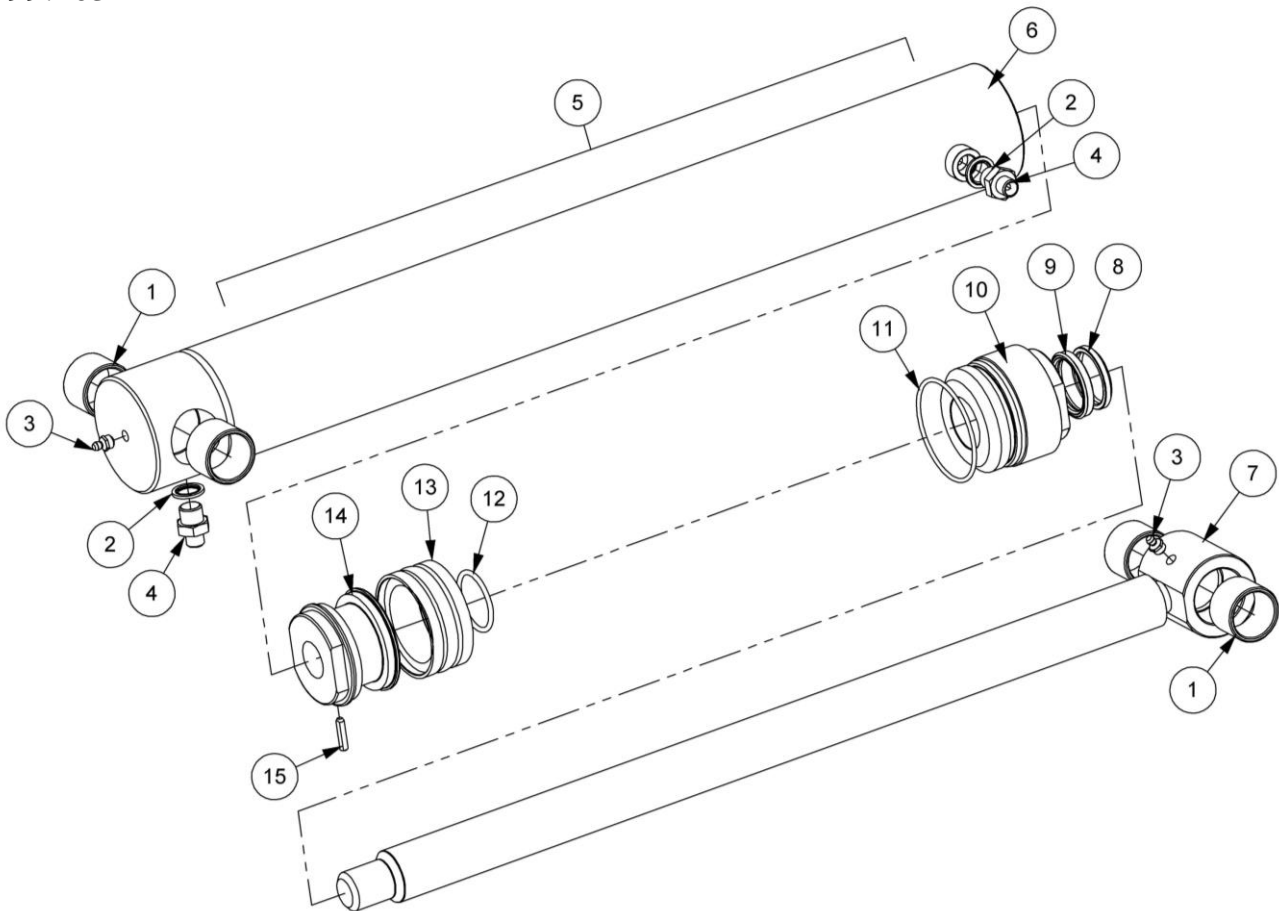
Module:  
199.227



REF.	QTY.	PART No.	DESCRIPTION
		<b>199.227</b>	<b>REACH RAM ASSEMBLY</b>
1	1	199.227.01	RAM BORE
2	1	199.227.02	RAM ROD
3	2	0901121	GREASE NIPPLE
4	2	8650103	BONDED SEAL
5	2	8581115	ADAPTOR
6	2	08.297.04	BUSH
7	2	08.297.05	BUSH

**REACH RAM ASSEMBLY – TP600**

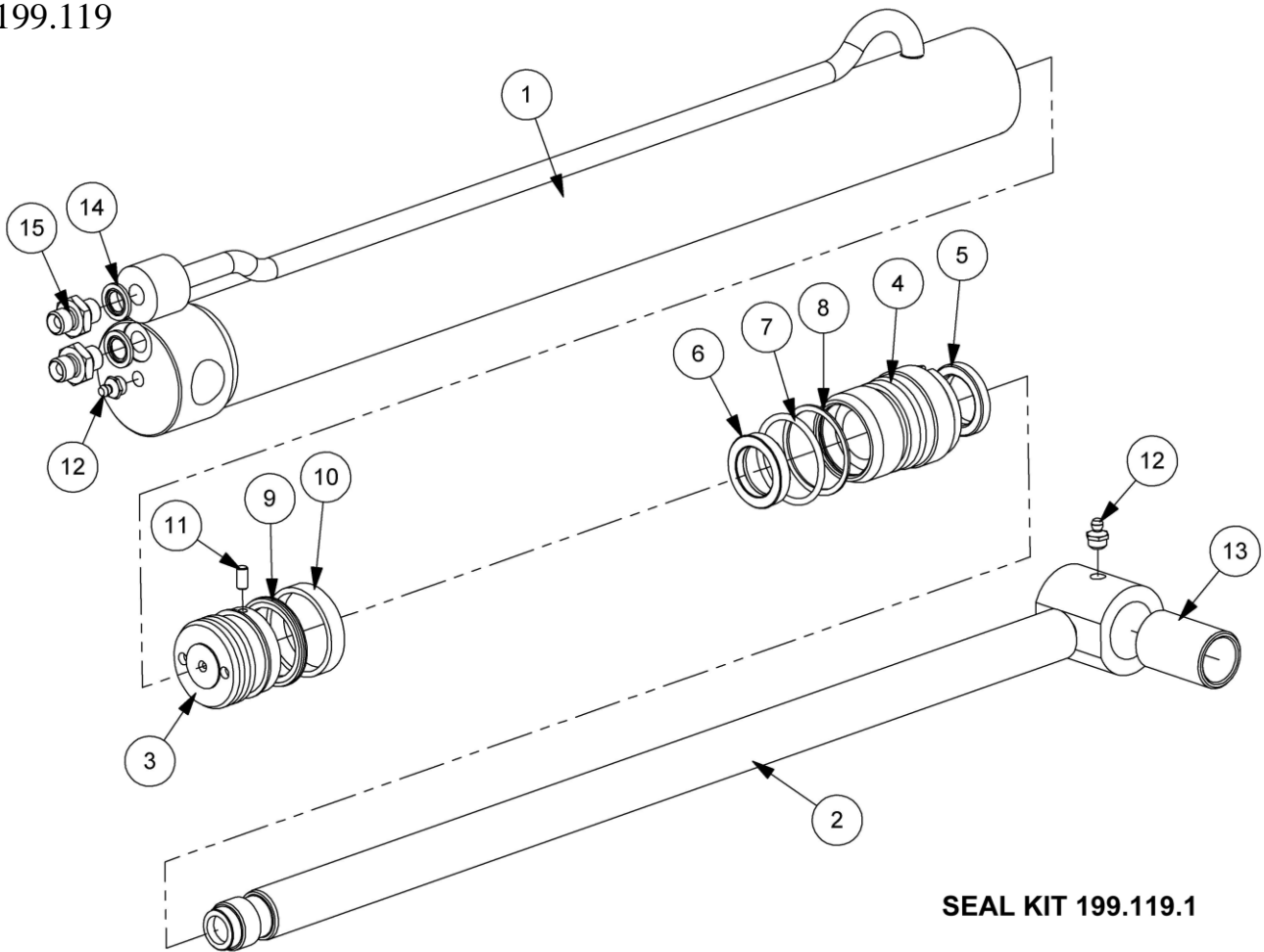
Module:  
199.203



REF.	QTY.	PART No.	DESCRIPTION
		<b>199.203</b>	<b>REACH RAM ASSEMBLY</b>
1	4	08.297.05	BUSH
2	2	8650103	BONDED SEAL
3	2	0901121	GREASE NIPPLE
4	2	01.099.01	ADAPTOR
5	1	199.203AP	REACH RAM COMPLETE c/o:
6	1	199.075.01	REACH RAM - BARREL
7	1	199.076	REACH RAM - W/A PISTON ROD
8	1	8629208	SCRAPER RING
9	1	8629225	GLAND SEAL
10	1	43316.32	GLAND HOUSING
11	1	8700740	O RING
12	1	8600301	O RING
13	1	8638740	PISTON SEAL
14	1	43316.31	PISTON
15	1	42775.01	DOWEL
		<b>43316.01</b>	<b>SEAL KIT</b>

**ANGLING RAM ASSEMBLY**

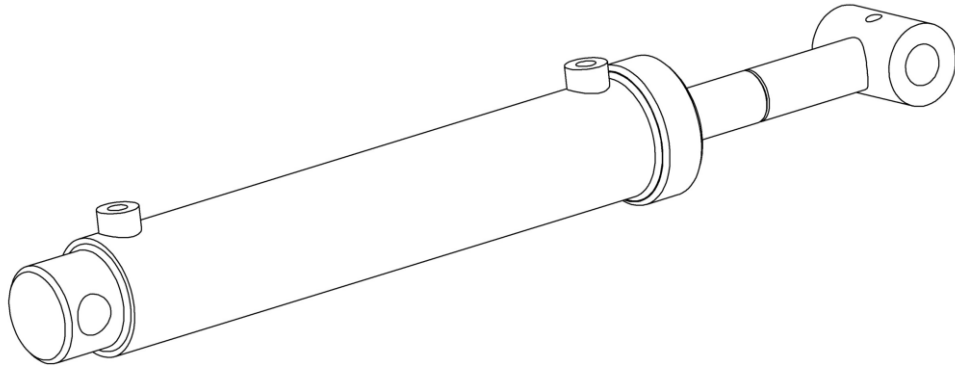
Modules:  
199.119



**SEAL KIT 199.119.1**

REF.	QTY.	PART No.	DESCRIPTION
		<b>199.119</b>	<b>ANGLING RAM ASSEMBLY</b>
1	1	199.119.31	RAM BARREL
2	1	199.119.34	PISTON ROD
3	1	7560095	PISTON
4	1	7135291	GLAND HOUSING
5	1	8629149	SCRAPER RING
6	1	8629148	GLAND SEAL
7	1	8600302	O RING
8	1	8609302	AE RING
9	1	8629187	PISTON SEAL
10	1	8629188	GUIDE RING
11	1	9363023	GRUB SCREW
12	2	0901121	GREASE NIPPLE
13	1	21149.04	BUSH
14	2	8650102	BONDED SEAL
15	2	8581169	ADAPTOR
		<b>199.119.1</b>	<b>SEAL KIT</b>

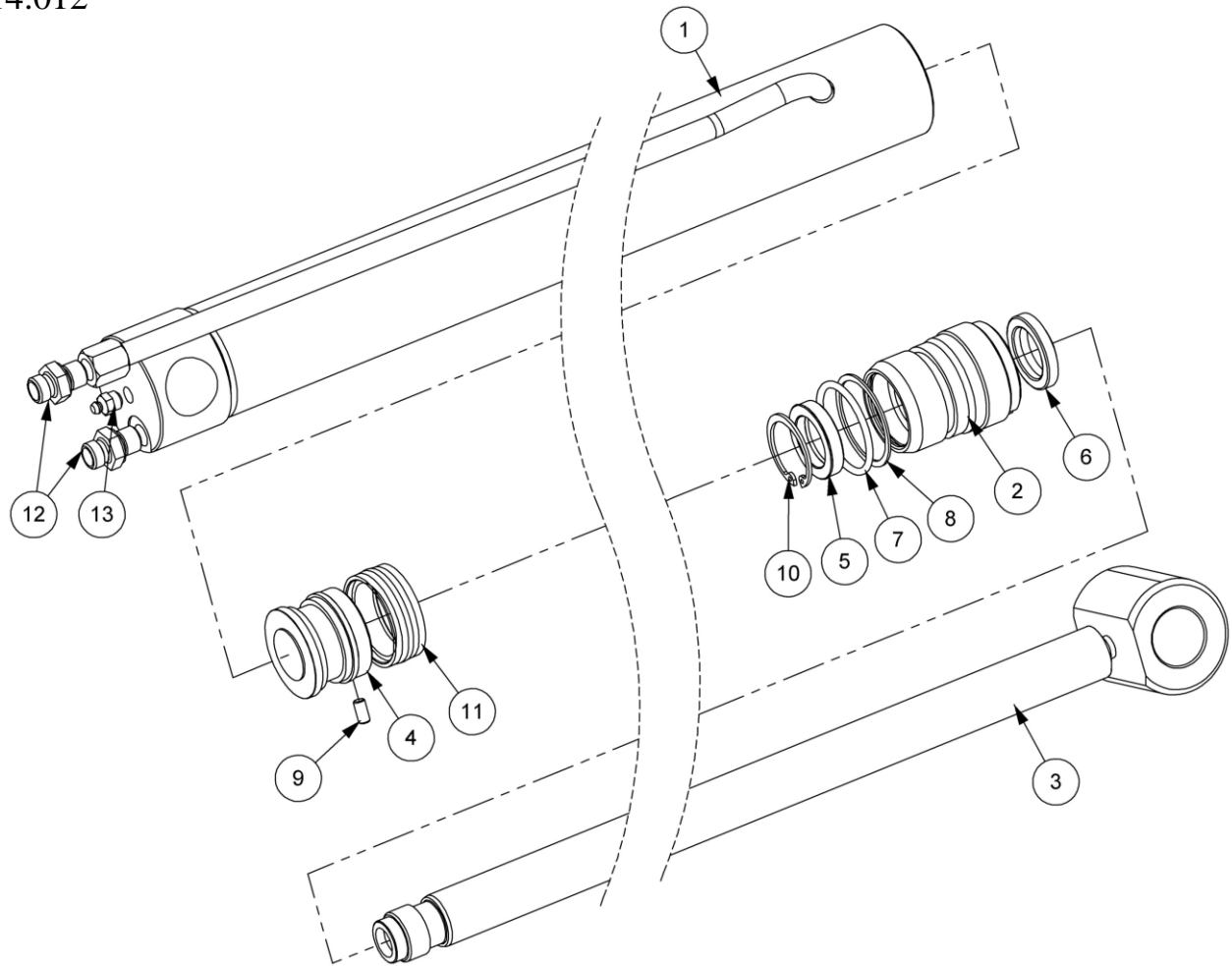
**BREAKBACK RAM ASSEMBLY – TP540C/600C**



- T1840493 BREAKBACK RAM ASSEMBLY
- 1840493.01 SEAL KIT
- 1840493.02 ROD COMPLETE
- 1840493.03 GLAND NUT

**TELE RAM ASSEMBLY – TP625T**

Module:  
214.012



REF.	QTY.	PART No.	DESCRIPTION
		<b>214.012</b>	<b>TELE RAM ASSEMBLY</b>
1	1	21081.01	RAM BARREL
2	1	7135291	GLAND HOUSING
3	1	21082.01	PISTON ROD
4	1	7135008	PISTON
5	1	8629148	GLAND SEAL
6	1	8629149	SCRAPER RING
7	1	8600302	O RING
8	1	8609302	AE RING
9	1	9363023	GRUB SCREW
10	1	0416200	INTERNAL CIRCLIP
11	1	8638788	PISTON SEAL
12	2	8581374	ADAPTOR
13	1	0901121	GREASE NIPPLE
		<b>8699188</b>	<b>SEAL KIT</b>

**HYDRAULIC HOSE KITS – Cable Models**

REF.	QTY.	PART No.	DESCRIPTION
		<b>199.7300</b>	<b>HOSE KIT - TP550 Cable L/H Build</b>
		<b>199.7301</b>	<b>HOSE KIT - TP550 Cable R/H Build</b>
1	2	10.002.48	HOSE - 1/4" BSP ST/90 x 3800mm
2	2	10.001.75	HOSE - 1/4" BSP FS/FS x 6500mm
3	2	10.009.93	HOSE - 3/4" BSP FS/FS x 8300mm
4	1	10.021.15	HOSE - 3/4" x 700mm
5	1	10.006.16	HOSE - 1/2" BSP ST/90 x 800mm
6	1	10.006.10	HOSE - 1/2" BSP ST/90 x 500mm
7	2	10.002.26	HOSE - 1/4" BSP ST/90 x 1600mm
8	1	10.002.30	HOSE - 1/4" BSP ST/90 x 2000mm
9	1	10.002.27	HOSE - 1/4" BSP ST/90 x 1700mm
10	1	10.034.01	HOSE - 1/4" BSP FS/FS x 9400mm

REF.	QTY.	PART No.	DESCRIPTION
		<b>199.7304</b>	<b>HOSE KIT - TP600 Cable L/H Build</b>
		<b>199.7305</b>	<b>HOSE KIT - TP600 Cable R/H Build</b>
1	2	10.021.19	HOSE - 3/4" BSP FS/FS x 9200mm
2	1	10.021.15	HOSE - 3/4" x 700mm
3	1	10.006.10	HOSE - 1/2" BSP ST/90 x 500mm
4	1	10.006.16	HOSE - 1/2" BSP ST/90 x 800mm
5	2	10.001.82	HOSE - 1/4" BSP FS/FS x 7200mm
6	2	10.002.48	HOSE - 1/4" BSP ST/90 x 3800mm
7	2	10.002.26	HOSE - 1/4" BSP ST/90 x 1600mm
8	1	10.002.30	HOSE - 1/4" BSP ST/90 x 2000mm
9	1	10.002.27	HOSE - 1/4" BSP ST/90 x 1700mm
10	1	10.034.01	HOSE - 1/4" BSP FS/FS x 9400mm

**Hose Locations**

- 1 Reach Base & Gland
- 2 Angle Base & Gland
- 3 Flail Hoses
- 4 Pump to RCV
- 5 Pump to ACV
- 6 ACV to RCV Return
- 7 Lift Base & Gland
- 8 Slew Base
- 9 Slew Gland
- 10 Drainline



**HYDRAULIC HOSE KITS – TP550 & TP600 LP Models**

REF.	QTY.	PART No.	DESCRIPTION
		<b>199.7302</b>	<b>HOSE KIT - TP550 LOW PRESSURE - L/H Build</b>
		<b>199.7303</b>	<b>HOSE KIT - TP550 LOW PRESSURE - R/H Build</b>
1	1	10.002.10	HOSE - 1/4" BSP FS/F90 x 500mm
2	2	10.002.08	HOSE - 1/4" BSP SF/90 x 400mm
3	2	10.002.06	HOSE - 1/4" BSP FS/F90 x 300mm
4	1	10.002.28	HOSE - 1/4" BSP ST/90 x 1800mm
5	2	10.002.29	HOSE - 1/4" BSP FS/F90 x 1900mm
6	1	10.002.26	HOSE - 1/4" BSP ST/90 x 1600mm
7	1	10.006.12	HOSE - 1/2" BSP ST/90 x 600mm
8	1	10.006.16	HOSE - 1/2" BSP ST/90 x 800mm
9	1	10.021.15	HOSE - 3/4" x 700mm
10	2	10.009.93	HOSE - 3/4" BSP FS/FS x 8300mm
11	2	10.001.75	HOSE - 1/4" BSP FS/FS x 6500mm
12	1	10.001.99	HOSE - 1/4" BSP ST/ST x 8900mm
13	2	10.002.50	HOSE - 1/4" BSP FS/F90 x 4000mm

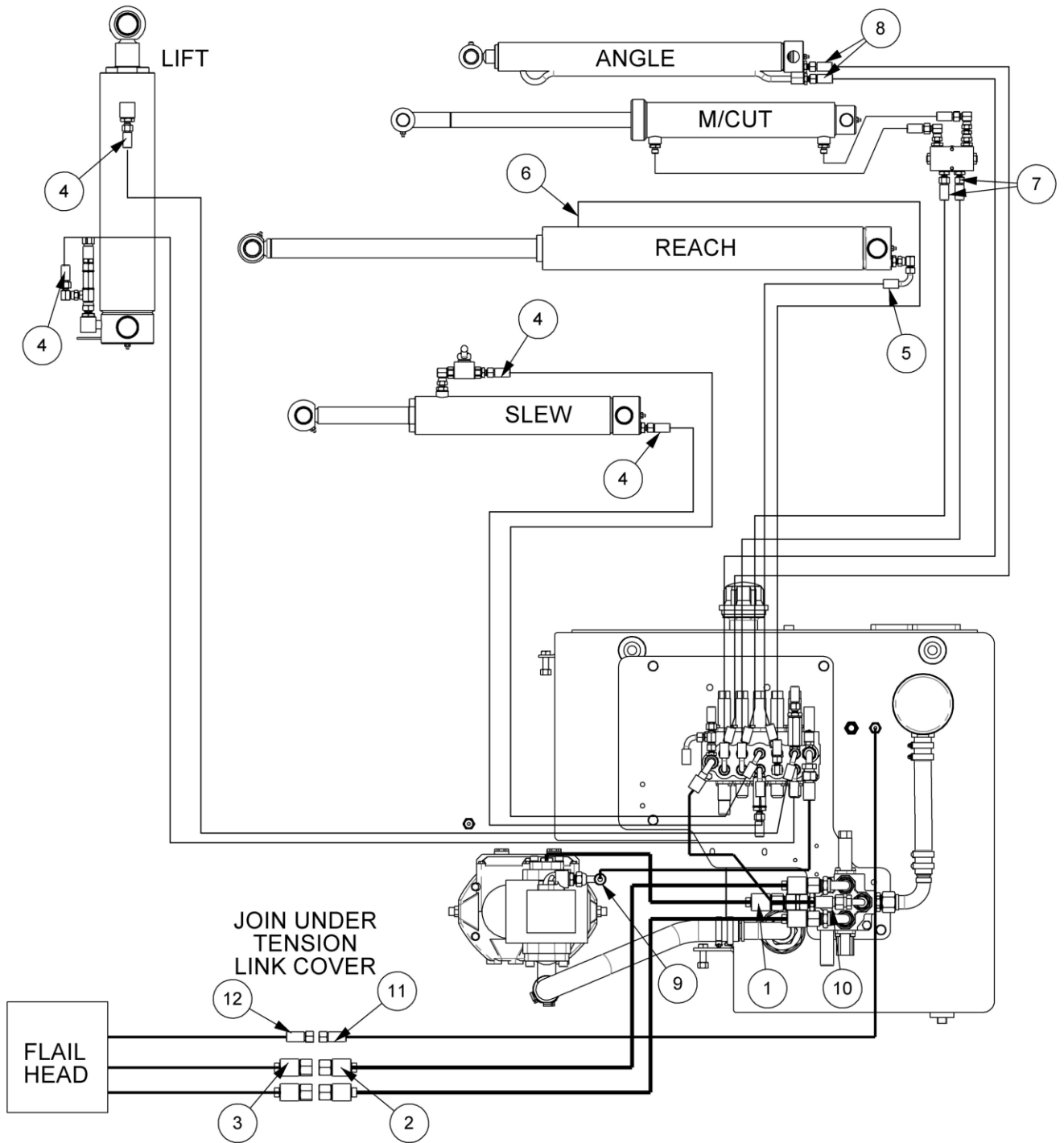
REF.	QTY.	PART No.	DESCRIPTION
		<b>199.7306</b>	<b>HOSE KIT - TP600 LOW PRESSURE - L/H Build</b>
		<b>199.7307</b>	<b>HOSE KIT - TP600 LOW PRESSURE - R/H Build</b>
1	1	10.002.10	HOSE - 1/4" BSP FS/F90 x 500mm
2	2	10.002.08	HOSE - 1/4" BSP SF/90 x 400mm
3	2	10.002.06	HOSE - 1/4" BSP FS/F90 x 300mm
4	1	10.002.29	HOSE - 1/4" BSP FS/F90 x 1900mm
5	2	10.002.30	HOSE - 1/4" BSP FS/F90 x 2000mm
6	1	10.002.27	HOSE - 1/4" BSP ST/90 x 1700mm
7	1	10.006.12	HOSE - 1/2" BSP ST/90 x 600mm
8	1	10.006.16	HOSE - 1/2" BSP ST/90 x 800mm
9	1	10.021.15	HOSE - 3/4" x 700mm
10	2	10.021.19	HOSE - 3/4" BSP FS/FS x 9200mm
11	2	10.001.82	HOSE - 1/4" BSP FS/FS x 7200mm
12	1	10.034.01	HOSE - 1/4" BSP FS/FS x 9400mm
13	2	10.002.50	HOSE - 1/4" BSP FS/F90 x 4000mm

**Hose Locations**

- |   |                                      |    |                    |
|---|--------------------------------------|----|--------------------|
| 1 | Lift Float                           | 8  | Pump to ACV        |
| 2 | Lift Float Gland / LP Return to Tank | 9  | Pump to RCV        |
| 3 | Lift Float Tee on Angle Port         | 10 | Flail Hoses        |
| 4 | Lift Base & Gland                    | 11 | Angle Base & Gland |
| 5 | Slew Gland                           | 12 | Drainline          |
| 6 | Slew Base                            | 13 | Reach Base & Gland |
| 7 | ACV to RCV Return                    |    |                    |

**HYDRAULIC HOSE KIT – TP540C Models**

Module:  
216.212

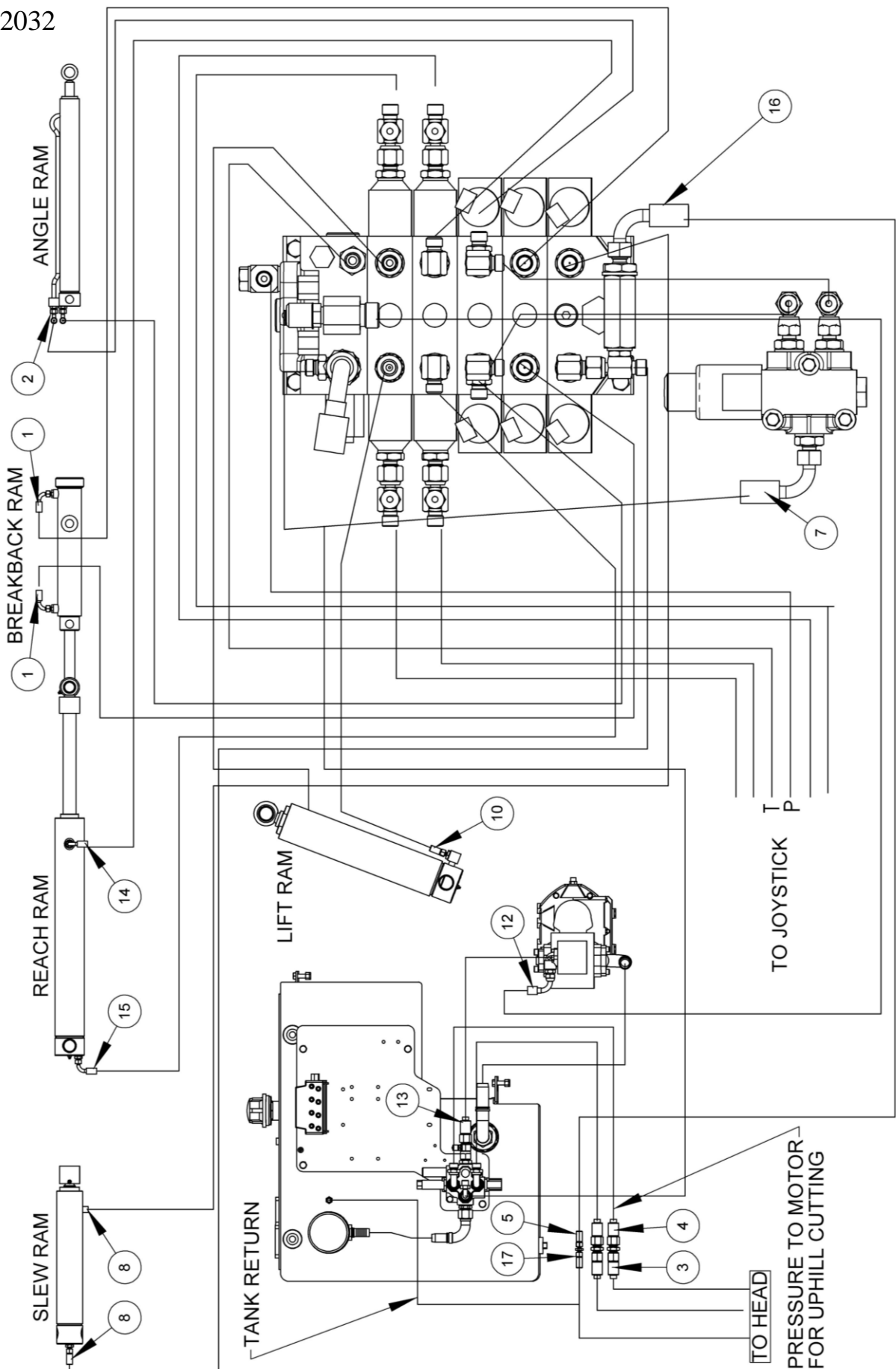


**HYDRAULIC HOSE KIT – TP540C Models**

<b>REF.</b>	<b>QTY.</b>	<b>PART No.</b>	<b>DESCRIPTION</b>
		<b>216.212</b>	<b>TP540C HOSE KIT</b>
1	1	10.021.15	HOSE - 3/4" BSP x 700Lmm FS/1"SAE
2	2	10.009.49	HOSE - 3/4" BSP FS/FS x 3900mm
3	2	10.009.53	HOSE - 3/4" BSP FS/FS x 4300mm
4	4	10.002.29	HOSE - 1/4" BSP FS/F90 x 1900mm
5	1	10.002.50	HOSE - 1/4" BSP FS/F90 x 4000mm
6	1	10.002.48	HOSE - 1/4" BSP FS/F90 x 3800mm
7	2	10.002.65	HOSE - 1/4" BSP FS/F90 x 5500mm
8	2	10.002.78	HOSE - 1/4" BSP FS/F90 x 6800mm
9	1	10.006.16	HOSE - 1/2" BSP FS/F90 x 800mm
10	1	10.006.10	HOSE - 1/2" BSP FS/F90 x 500mm
11	1	10.003.55	HOSE - 3/8" BSP FS/FS x 4500mm
12	1	10.003.53	HOSE - 3/8" BSP FS/FS x 4300mm

# HYDRAULIC HOSE KIT – TP600C Models

Module:  
216.2032



**HYDRAULIC HOSE KIT – TP600C Models**

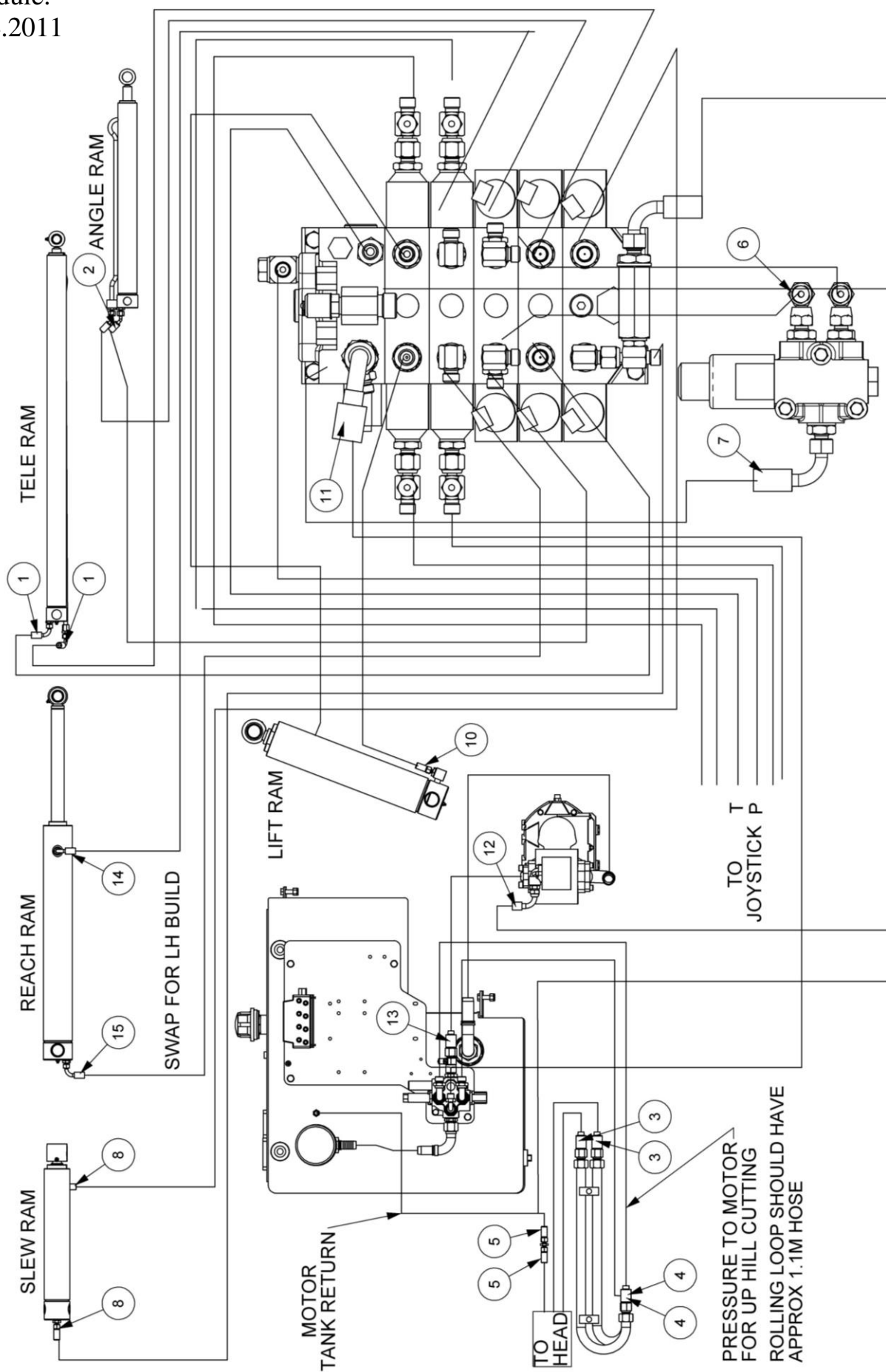
REF.	QTY.	PART No.	DESCRIPTION
		<b>216.2032</b>	<b>TP600C HOSE KIT (Low Pressure)</b>
1	2	10.002.68	HOSE - 1/4" BSP FS/F90 x 5800mm
2	2	10.002.81	HOSE - 1/4" BSP FS/F90 x 7100mm
3	2	10.009.45	HOSE - 3/4" BSP FS/FS x 3500mm
4	2	10.009.64	HOSE - 3/4" BSP FS/FS x 5400mm
5	1	10.001.70	HOSE - 1/4" BSP FS/FS x 6000mm
6	2	10.002.08	HOSE - 1/4" BSP FS/F90 x 400mm
7	1	10.002.06	HOSE - 1/4" BSP FS/F90 x 300mm
8	2	10.002.29	HOSE - 1/4" BSP FS/F90 x 1900mm
9	1	10.002.26	HOSE - 1/4" BSP FS/F90 x 1600mm
10	1	10.002.24	HOSE - 1/4" BSP FS/F90 x 1400mm
11	1	10.006.12	HOSE - 1/2" BSP FS/F90 x 600mm
12	1	10.006.16	HOSE - 1/2" BSP FS/F90 x 800mm
13	1	10.021.15	HOSE - 3/4" BSP FS/1" SAE x 700mm
14	1	10.002.50	HOSE - 1/4" BSP FS/F90 x 4000mm
15	1	10.002.48	HOSE - 1/4" BSP FS/F90 x 3800mm
16	1	10.002.10	HOSE - 1/4" BSP FS/F90 x 500mm
17	1	10.001.45	HOSE - 1/4" BSP FS/FS x 3500mm

**Hose Locations**

- 1 Breakback Base & Gland
- 2 Angle Base & Gland
- 3 Flail Hoses
- 4 Flail Hoses
- 5 Drainline
- 6 Lift Float Gland / LP Return to Tank
- 7 Lift Float Tee on Angle Port
- 8 Slew Base & Gland
- 9 Lift Gland
- 10 Lift Base
- 11 ACV to RCV Return
- 12 Pump to ACV
- 13 Pump to RCV
- 14 Reach Gland
- 15 Reach Base
- 16 Lift Float
- 17 Drainline

# HYDRAULIC HOSE KIT – PA625T Models

Module:  
214.2011



**HYDRAULIC HOSE KIT – PA625T Models**

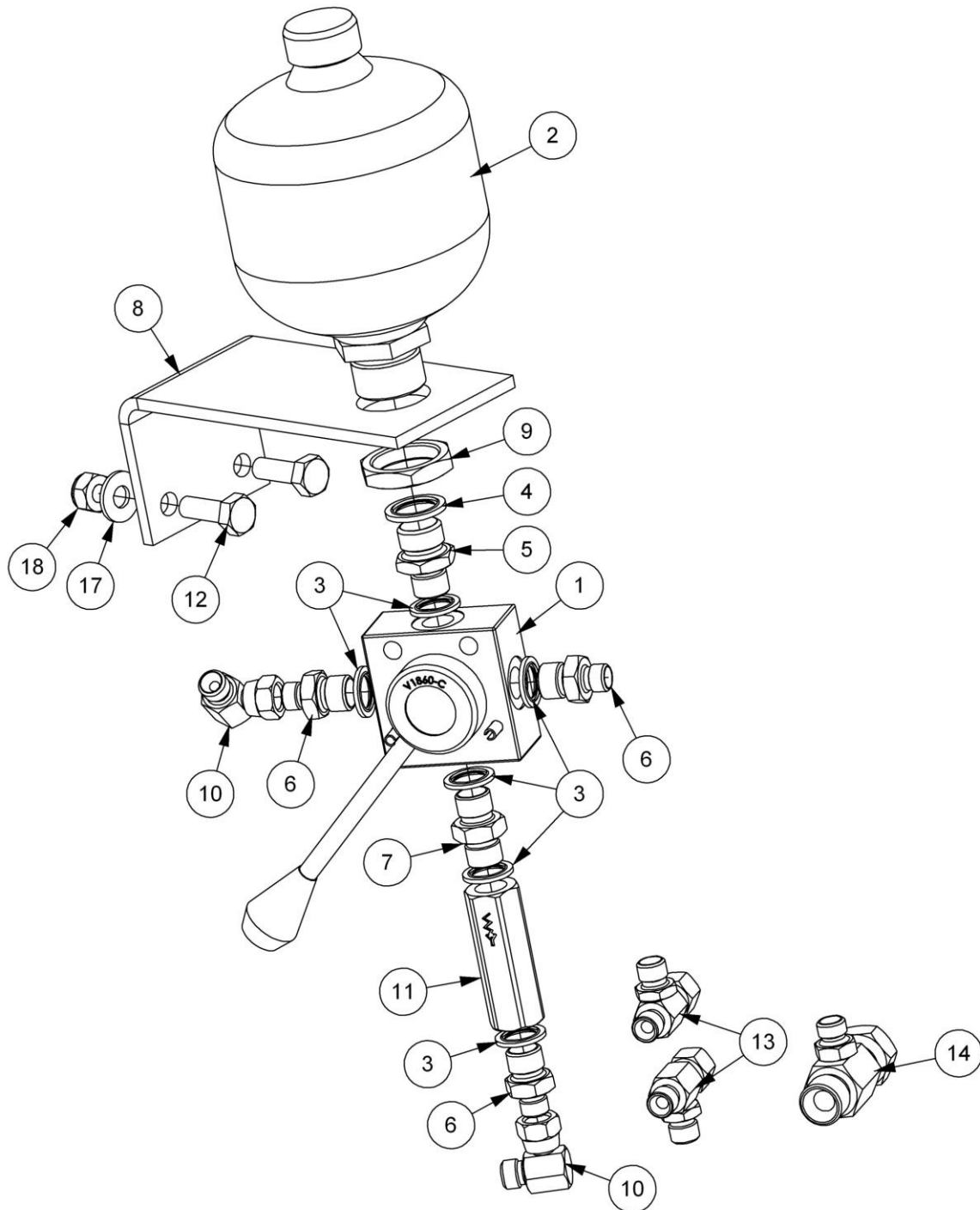
REF.	QTY.	PART No.	DESCRIPTION
		<b>214.2011</b>	<b>TP625T HOSE KIT (Low Pressure)</b>
1	2	10.002.68	HOSE - 1/4" BSP FS/F90 x 5800mm
2	2	10.017.93	HOSE - 1/4" BSP FS/F135 x 8300mm
3	2	10.009.36	HOSE - 3/4" BSP FS/FS x 2600mm
4	2	10.009.81	HOSE - 3/4" BSP FS/FS x 7100mm
5	2	10.001.64	HOSE - 1/4" BSP FS/FS x 5400mm
6	2	10.002.08	HOSE - 1/4" BSP FS/F90 x 400mm
7	1	10.002.06	HOSE - 1/4" BSP FS/F90 x 300mm
8	2	10.002.29	HOSE - 1/4" BSP FS/F90 x 1900mm
9	1	10.002.26	HOSE - 1/4" BSP FS/F90 x 1600mm
10	1	10.002.24	HOSE - 1/4" BSP FS/F90 x 1400mm
11	1	10.006.12	HOSE - 1/2" BSP FS/F90 x 600mm
12	1	10.006.16	HOSE - 1/2" BSP FS/F90 x 800mm
13	1	10.021.15	HOSE - 3/4" BSP FS/1" SAE x 700mm
14	1	10.002.50	HOSE - 1/4" BSP FS/F90 x 4000mm
15	1	10.002.48	HOSE - 1/4" BSP FS/F90 x 3800mm
16	1	10.002.10	HOSE - 1/4" BSP FS/F90 x 500mm

**Hose Locations**

- 1 Tele Base & Gland
- 2 Angle Base & Gland
- 3 Flail Hoses
- 4 Flail Hoses
- 5 Drainline
- 6 Lift Float Gland / LP Return to Tank
- 7 Lift Float Tee on Angle Port
- 8 Slew Base & Gland
- 9 Lift Gland
- 10 Lift Base
- 11 ACV to RCV Return
- 12 Pump to ACV
- 13 Pump to RCV
- 14 Reach Gland
- 15 Reach Base
- 16 Lift Float

# LIFT FLOAT KIT – Cable Machines (Optional Extra)

Module:  
ZACC4





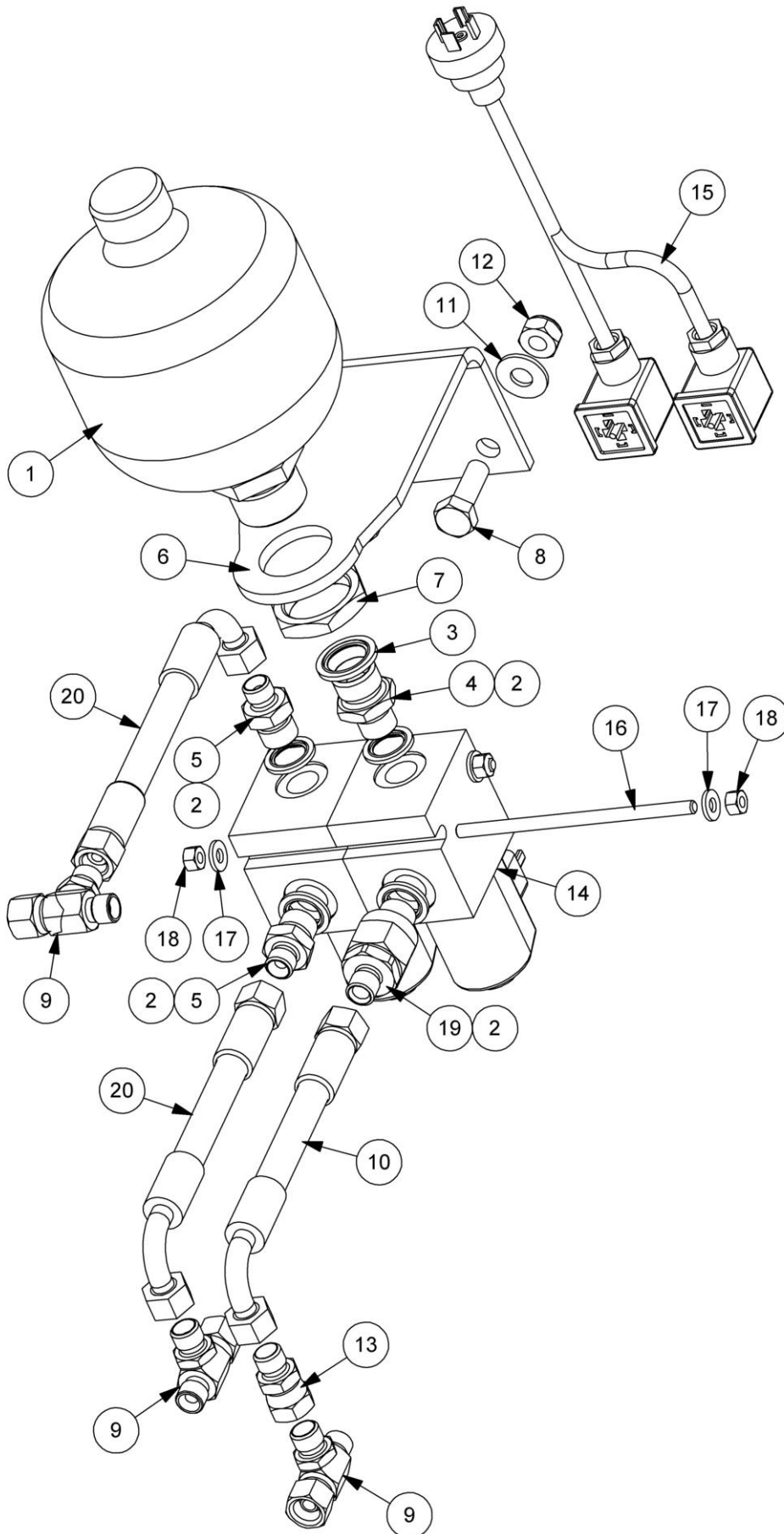
**LIFT FLOAT KIT – Cable Machines (Optional Extra)**

REF.	QTY.	PART No.	DESCRIPTION
		<b>ZACC4</b>	<b>LIFT FLOAT KIT</b>
1	1	T8200	VALVE (4 PORT-2 POSITION)
2	1	41451.02	ACCUMULATOR
3	6	8650103	BONDED SEAL
4	1	8650104	BONDED SEAL
5	1	6000112	ADAPTOR
6	3	8581115	ADAPTOR
7	1	6000113	ADAPTOR
8	1	184.683	ACCUMULATOR BRACKET
9	1	8126035	BULKHEAD NUT
10	2	8581190	ADAPTOR ELBOW - 90°
11	1	T6986	CHECK VALVE
12	2	9313065	SETSCREW
13	2	8581254	ADAPTOR TEE
14	1	04.056.25	ADAPTOR TEE
15	2	10.002.21	* HOSE - 1/4"BSP FS/F90 x 1100mm
16	1	10.002.23	* HOSE - 1/4"BSP FS/F90 x 1300mm
17	2	9100105	FLAT WASHER
18	2	9163005	NYLOC NUT

\* *Not illustrated*

LIFT FLOAT KIT – LP Machines (Optional Extra)

Module:  
ZACC7

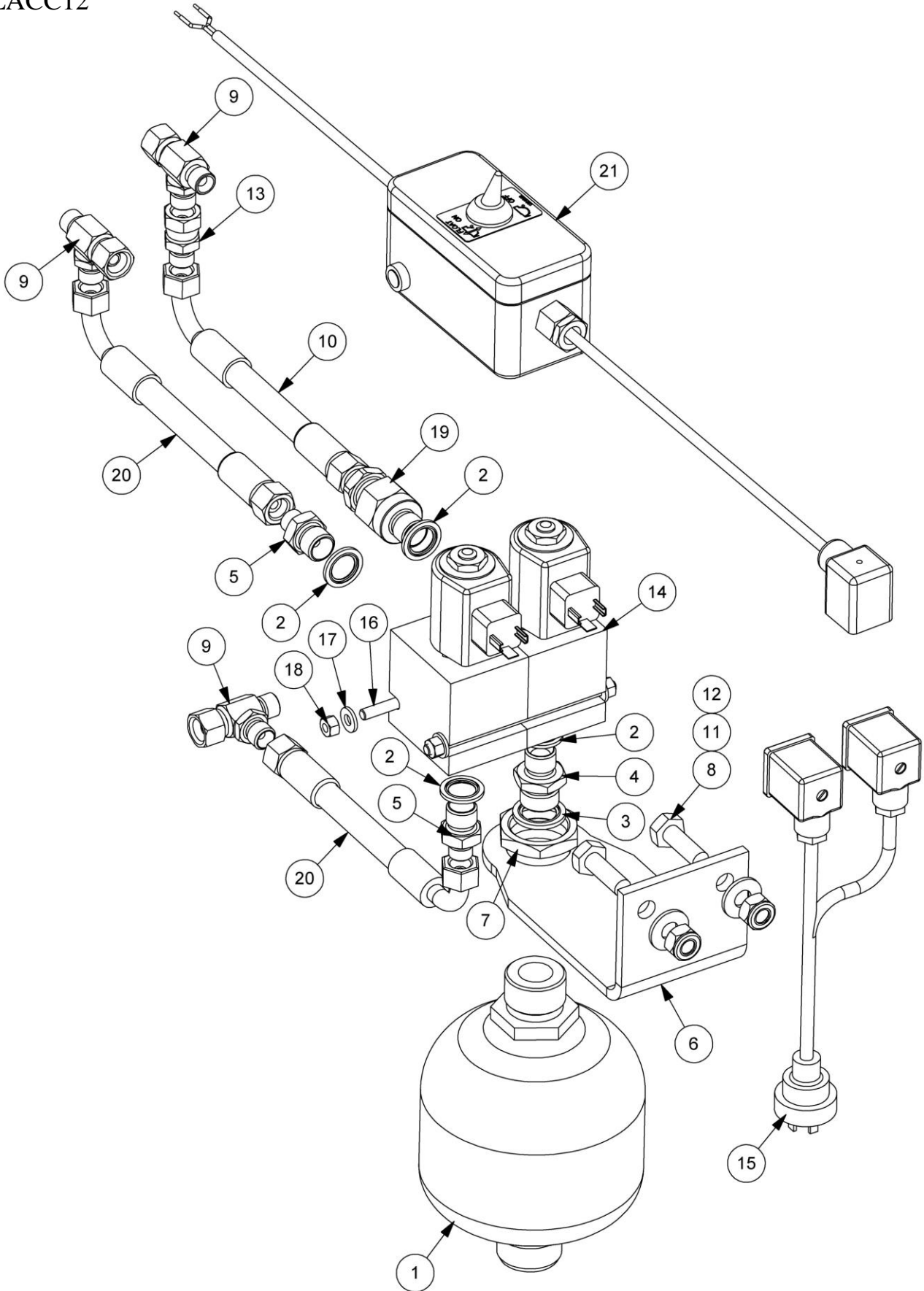


**LIFT FLOAT KIT – LP Machines (Optional Extra)**

REF.	QTY.	PART No.	DESCRIPTION
		<b>ZACC7</b>	<b>LIFT FLOAT KIT ASSEMBLY</b>
1	1	41451.02	ACCUMULATOR
2	4	8650103	BONDED SEAL
3	1	8650104	BONDED SEAL
4	1	6000112	ADAPTOR
5	2	8581115	ADAPTOR
6	1	184.683	ACCUMULATOR BRACKET
7	1	8126035	BULKHEAD NUT
8	2	9313065	SETSCREW
9	3	8581254	ADAPTOR TEE
10	1	10.002.18	HOSE - 1/4" BSP FS/F90 x 900mm
11	2	9100105	FLAT WASHER
12	2	9163005	NYLOC NUT
13	1	8581309	SWIVEL ADAPTOR
14	2	08.619.10	VALVE POPPET ON/OFF
15	1	43177.73	LOOM
16	2	04.282.59	STUD
17	4	9100103	FLAT WASHER
18	4	9163003	NYLOC NUT
19	1	8123096	RESTRICTOR UNION
20	2	10.002.22	HOSE - 1/4" BSP FS/F90 x 1200mm

# LIFT FLOAT & SWITCH KIT (Optional Extra)

Module:  
ZACC12

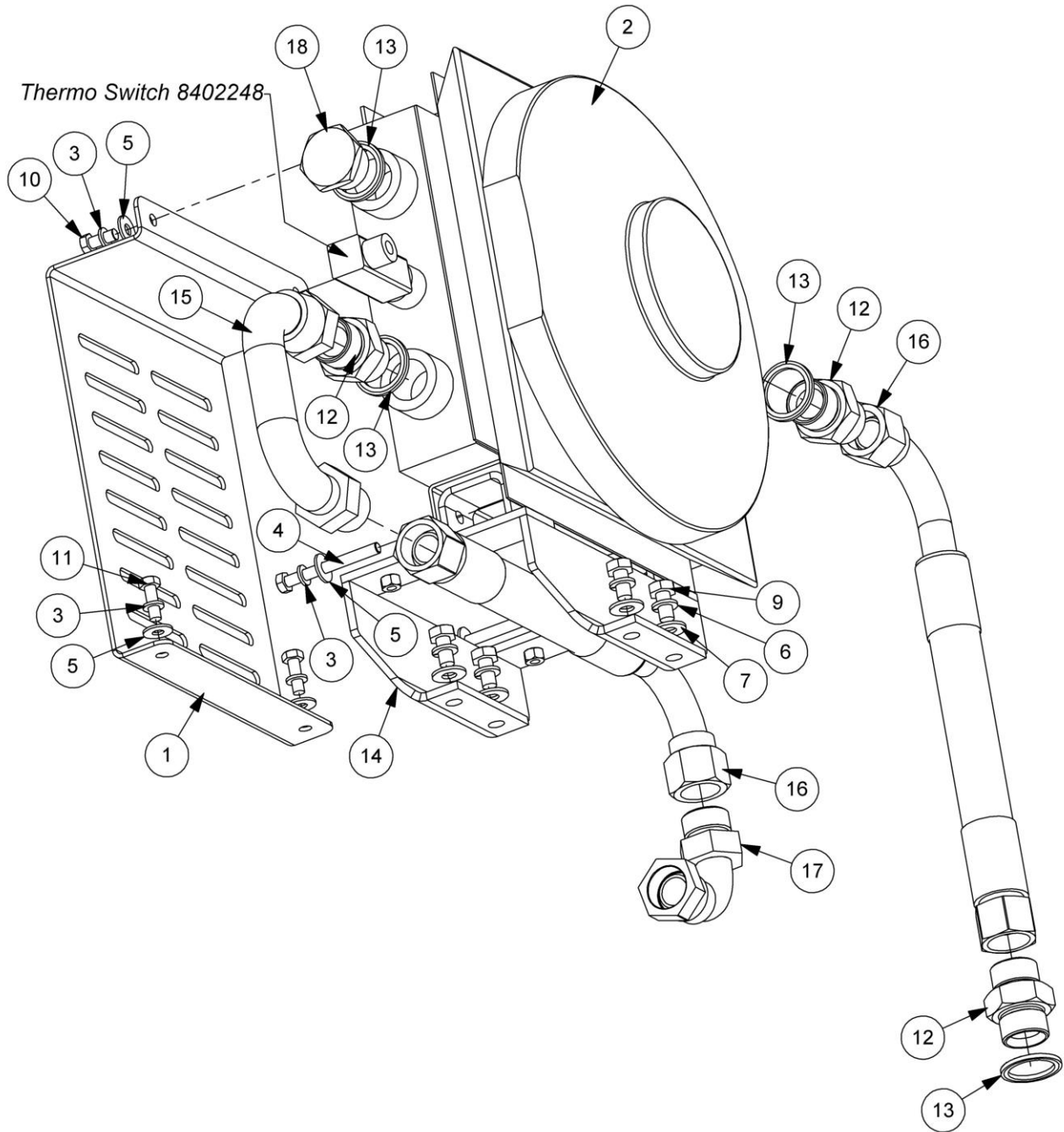


**LIFT FLOAT & SWITCH KIT (Optional Extra)**

REF.	QTY.	PART No.	DESCRIPTION
		<b>ZACC12</b>	<b>LIFT FLOAT KIT ASSEMBLY</b>
1	1	41451.02	ACCUMULATOR
2	4	8650103	BONDED SEAL
3	1	8650104	BONDED SEAL
4	1	6000112	ADAPTOR
5	2	8581115	ADAPTOR
6	1	184.683	ACCUMULATOR BRACKET
7	1	8126035	BULKHEAD NUT
8	2	9313065	SETSCREW
9	3	8581254	ADAPTOR TEE
10	1	10.002.18	HOSE - 1/4" BSP FS/F90 x 900mm
11	2	9100105	FLAT WASHER
12	2	9163005	NYLOC NUT
13	1	8581309	SWIVEL ADAPTOR
14	2	08.619.10	POPPET VALVE (ON/OFF)
15	1	43177.73	FLOAT LOOM
16	2	04.282.59	STUD
17	4	9100103	FLAT WASHER
18	4	9163003	NYLOC NUT
19	1	8123096	RESTRICTOR UNION
20	2	10.002.22	HOSE - 1/4" BSP FS/F90 x 1200mm
21	1	22073.22	SWITCH BOX

# COOLER KIT ASSEMBLY

Module:  
194.917



**COOLER KIT ASSEMBLY**

<b>REF.</b>	<b>QTY.</b>	<b>PART No.</b>	<b>DESCRIPTION</b>
		<b>194.917</b>	<b>COOLER ASSEMBLY</b>
1	1	199.351	COOLER GUARD
2	1	8402380	OIL COOLER
3	6	9100204	SPRING WASHER
4	2	05.291.10	BOLT
5	6	9100104	FLAT WASHER
6	4	9100205	SPRING WASHER
7	4	9100105	FLAT WASHER
8	4	9113004	NUT
9	4	9313045	SETSCREW
10	2	9313044	SETSCREW
11	2	9313054	SETSCREW
12	3	05.434.01	ADAPTOR
13	4	05.290.07	BONDED SEAL
14	1	199.390	OIL COOLER BRACKET
15	1	46127.02	HYDRAULIC PIPE
16	2	10.012.35	HOSE - 1" BSP FS/F90 x 2500mm
17	1	8581264	ADAPTOR - SWEPT 90°
18	1	8581159	BLANKING PLUG

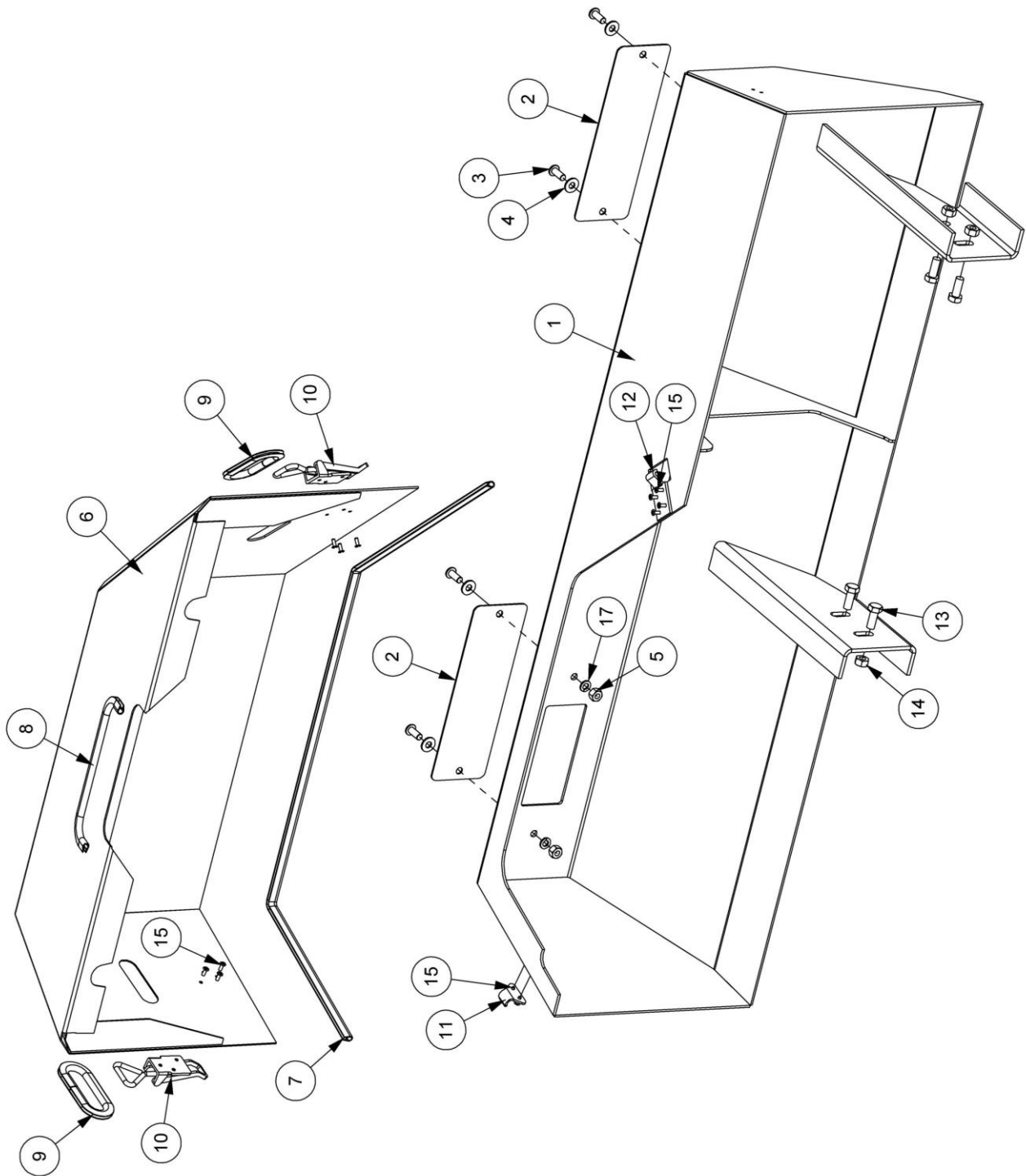
# REAR COVERS ASSEMBLY

Modules:

199.129 – L/H Build

199.141 – R/H Build

*Illustrated in Left-Hand build*



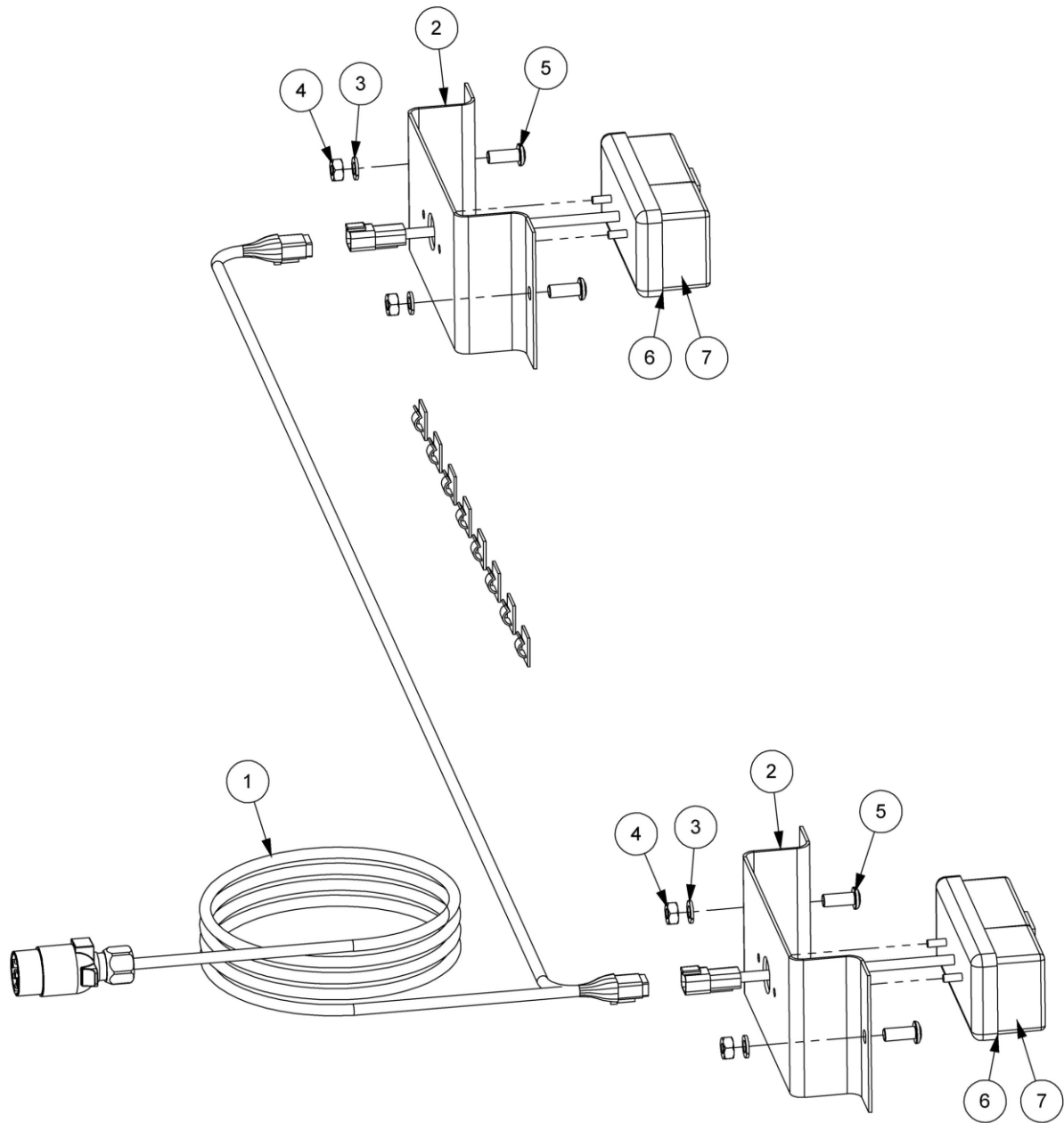


**REAR COVERS ASSEMBLY**

REF.	QTY.	PART No.	DESCRIPTION
		<b>199.129</b>	<b>REAR COVERS ASSEMBLY - L/H Builds</b>
		<b>199.141</b>	<b>REAR COVERS ASSEMBLY - R/H Builds</b>
1	1	199.029	REAR COVER - L/H Build
	1	199.054	REAR COVER - R/H Build
2	2	199.043	BLANKING PLATE
3	4	9300154	BUTTON HEAD SOCKET SCREW
4	4	9100105	FLAT WASHER
5	4	9143005	SELF-LOCKING NUT
6	1	199.027	VALVE COVER - L/H Build
	1	199.055	VALVE COVER - R/H Build
7	1	43468.07	EDGING STRIP (1315mm)
8	1	43468.08	EDGING STRIP (480mm)
9	2	43468.03	EDGING STRIP (230mm)
10	2	43449.01	OVERCENTRE FASTENER
11	1	46007.03	HOOK-OVERCENTRE FASTENER
12	1	46007.02	HOOK (LARGE)
13	4	9313066	SETSCREW
14	4	9143006	SELF-LOCKING NUT
15	12	1069088	POP RIVET
16	1	03.231.01	RUBBER EDGE MOLDING
17	4	9100205	SPRING WASHER

**REAR LIGHTING KIT**

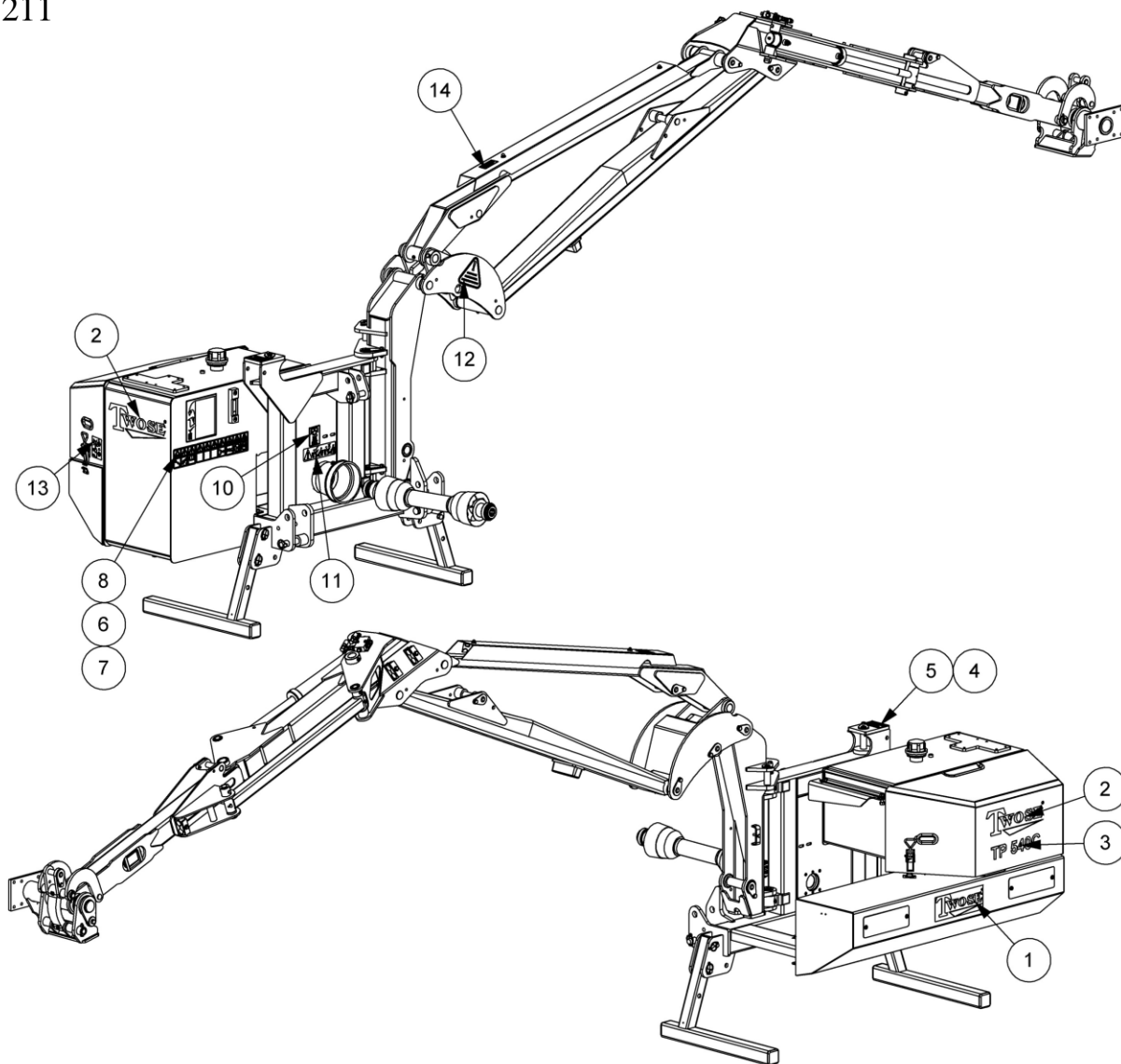
Module:  
199.130



REF.	QTY.	PART No.	DESCRIPTION
		<b>199.130</b>	<b>REAR LIGHTING KIT</b>
1	1	45900.01	LIGHTING KIT - RECTANGULAR
2	2	199.044	MOUNTING
3	4	9100205	SPRING WASHER
4	4	9113005	PLAIN NUT
5	4	9300154	BUTTON HEAD SOCKET SCREW
6	2	45642.01	TAIL LAMP ASSEMBLY (REPLACEMENT)
7	2	45642.39	TAIL LAMP LENS (REPLACEMENT)

**DECAL KIT – TP540C Models**

Module:  
216.211



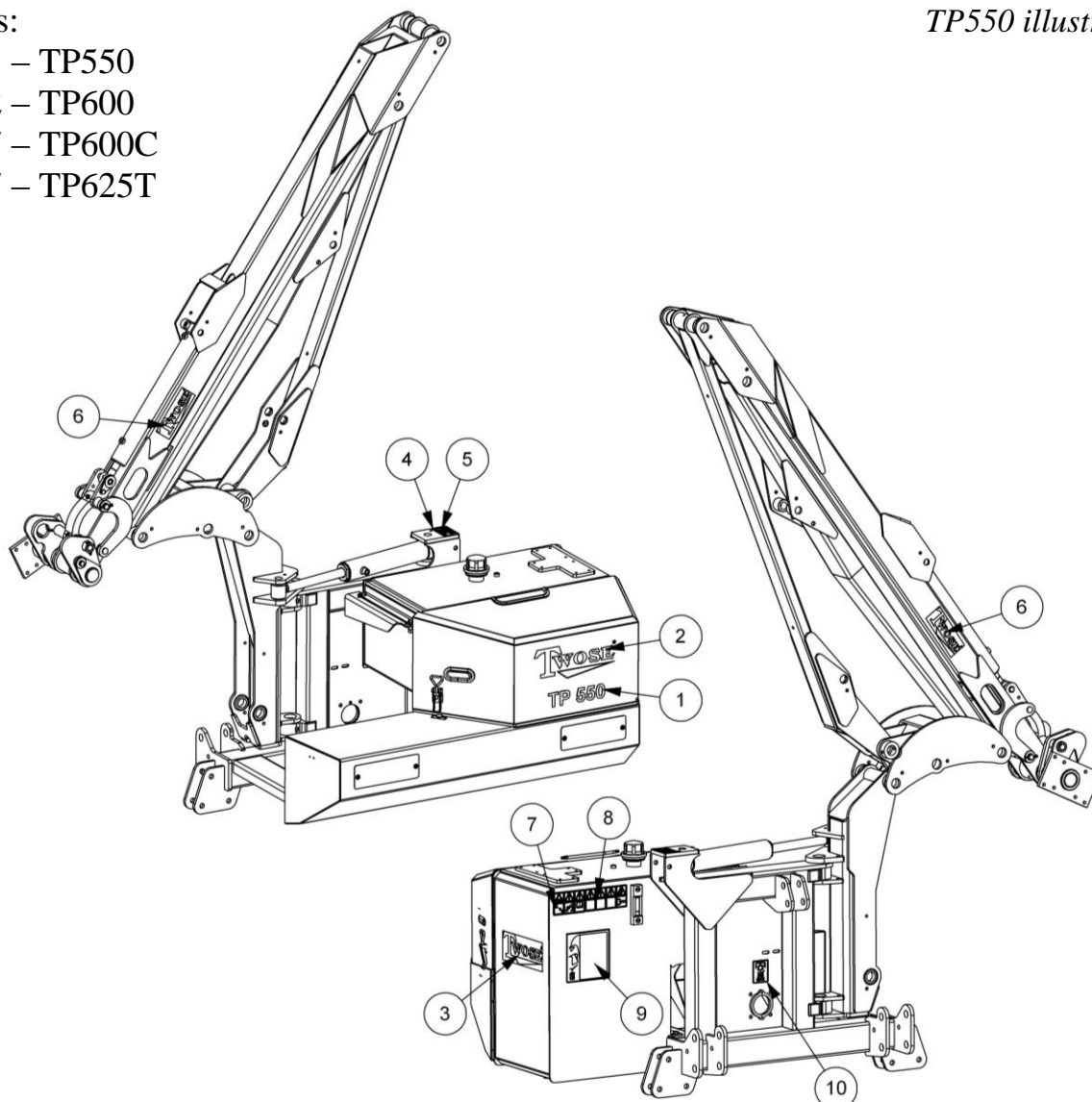
REF.	QTY.	PART No.	DESCRIPTION
		<b>216.211</b>	<b>DECAL KIT - TP540C Models</b>
1	1	200.006	DECAL - TWOSE (BLACK)
2	2	200.029	DECAL - TWOSE (WHITE)
3	1	200.034.06	DECAL - TP540C (WHITE)
4	4	7103230	POP RIVET
5	1	45429.01	SERIAL No. PLATE
6	1	09.821.28	DECAL - MINI EURO
7	1	09.821.32	DECAL - EURO DECAL MINI
8	1	09.821.34	DECAL - COMBINED EURODECAL
9	1	09.845.01	DECAL - APPROVED OILS
10	1	09.811.04	DECAL - 540 MAX ACW
11	1	7135295	DECAL - TIGHTEN CHECK CHAINS
12	1	T1840209	DECAL - TRANSFER CLOSE BOOM
13	1	1290023	DECAL - FILTER CHANGE
14	1	1290745	DECAL - CAB CLEARANCE WARNING

**DECAL KITS – TP550 & TP600 Models**

Modules:

- 199.451 – TP550
- 199.452 – TP600
- 216.207 – TP600C
- 214.207 – TP625T

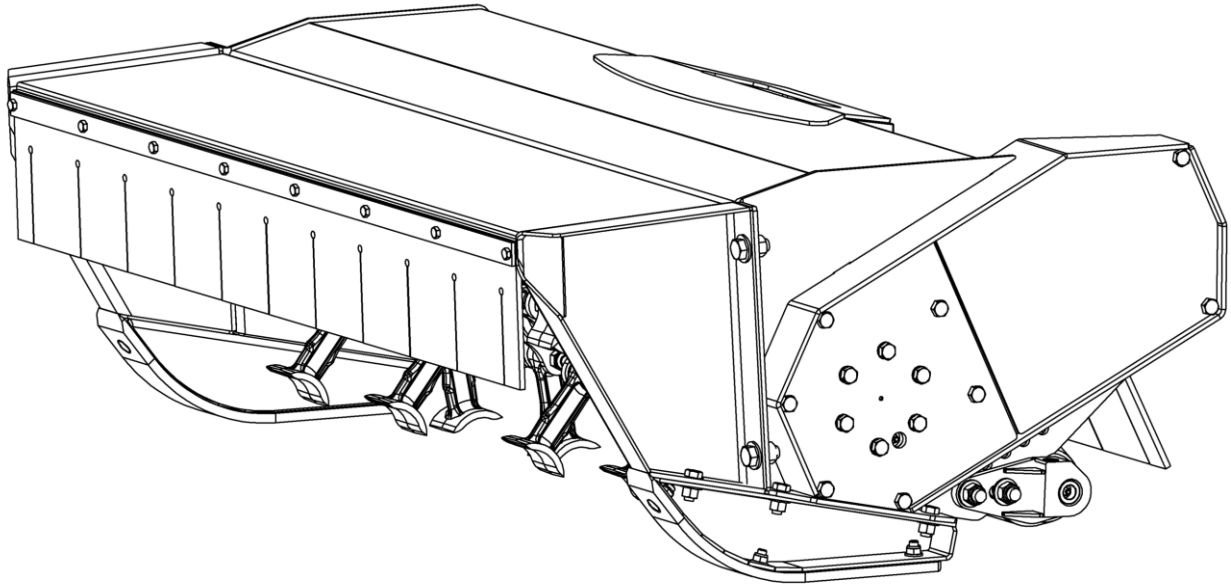
*TP550 illustrated*



REF.	QTY.	PART No.	DESCRIPTION
		<b>199.451</b>	<b>DECAL KIT - TP550 Models</b>
		<b>199.452</b>	<b>DECAL KIT - TP600 Models</b>
		<b>216.207</b>	<b>DECAL KIT - TP600C Models</b>
		<b>214.207</b>	<b>DECAL KIT - TP625T Models</b>
1	1	200.034.02	DECAL - TP550 (WHITE)
	1	200.034.03	DECAL - TP600 (WHITE)
	1	200.034.05	DECAL - TP600C (WHITE)
	1	200.034.04	DECAL - TP625T (WHITE)
2	1	200.029	DECAL - TWOSE (WHITE)
3	1	200.006	DECAL - TWOSE (BLACK)
4	4	7103230	POP RIVET
5	1	45429.01	SERIAL No. PLATE
6	2	200.007	DECAL - TWOSE (BLACK)
7	1	09.821.34	DECAL - COMBINED EURODECAL
8	1	09.821.28	DECAL - MINI EURO
9	1	09.845.01	DECAL - APPROVED OILS
10	1	09.811.04	DECAL - 540 MAX (ACW)

## FLAILHEADS

**FLAILHEAD BUILDS**



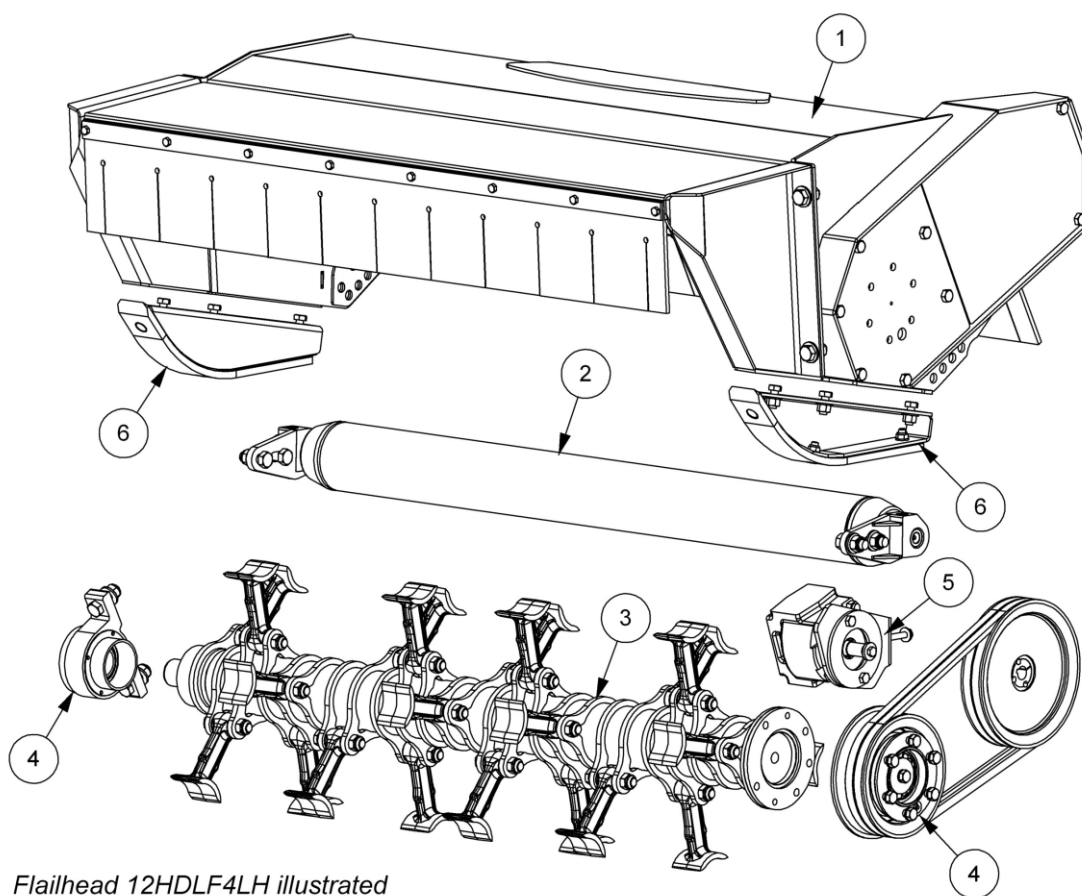
**STANDARD POWER HEADS**

<b>PART No.</b>	<b>SPECIFICATION</b>	
12HDLF4LH	1.2M FLAILHEAD (LUMP FLAIL) 4" ROLLER	L/H Build
12HDLF4RH	1.2M FLAILHEAD (LUMP FLAIL) 4" ROLLER	R/H Build
12HDCF4LH	1.2M FLAILHEAD (COMP. FLAIL) 4" ROLLER	L/H Build
12HDBB4LH	1.2M FLAILHEAD (GRASS FLAIL) 4" ROLLER	L/H Build
12HDBB4RH	1.2M FLAILHEAD (GRASS FLAIL) 4" ROLLER	R/H Build
12HDBB5LH	1.2M FLAILHEAD (GRASS FLAIL) 5½" ROLLER	L/H Build
12HDBB5RH	1.2M FLAILHEAD (GRASS FLAIL) 5½" ROLLER	R/H Build
12HDBF4LH	1.2M FLAILHEAD (BOOT FLAIL) 4" ROLLER	L/H Build
12HDRC4RH	1.2M ROLLICOUP FLAILHEAD 4" ROLLER	R/H Build

**HIGH POWER HEADS**

<b>PART No.</b>	<b>SPECIFICATION</b>	
12HDLF4LH2	1.2M HP FLAILHEAD (LUMP FLAIL) 4" ROLLER	L/H Build
12HDLF4RH2	1.2M HP FLAILHEAD (LUMP FLAIL) 4" ROLLER	R/H Build
15HDLF4LH2	1.5M HP FLAILHEAD (LUMP FLAIL) 4" ROLLER	L/H Build
15HDLF4RH2	1.5M HP FLAILHEAD (LUMP FLAIL) 4" ROLLER	R/H Build
12HDCF4LH2	1.2M HP FLAILHEAD (COMP. FLAIL) 4" ROLLER	L/H Build
12HDBB4LH2	1.2M HP FLAILHEAD (GRASS FLAIL) 4" ROLLER	L/H Build
12HDBB4RH2	1.2M HP FLAILHEAD (GRASS FLAIL) 4" ROLLER	R/H Build
12HDBB5LH2	1.2M HP FLAILHEAD (GRASS FLAIL) 5½" ROLLER	L/H Build
12HDBB5RH2	1.2M HP FLAILHEAD (GRASS FLAIL) 5½" ROLLER	R/H Build
15HDBB4LH2	1.5M HP FLAILHEAD (GRASS FLAIL) 4" ROLLER	L/H Build
15HDBB4RH2	1.5M HP FLAILHEAD (GRASS FLAIL) 4" ROLLER	R/H Build
12HDRC4RH2	1.2M HP ROLLICOUP FLAILHEAD 4" ROLLER	R/H Build

# FLAILHEAD MODULES



Flailhead 12HDLF4LH illustrated

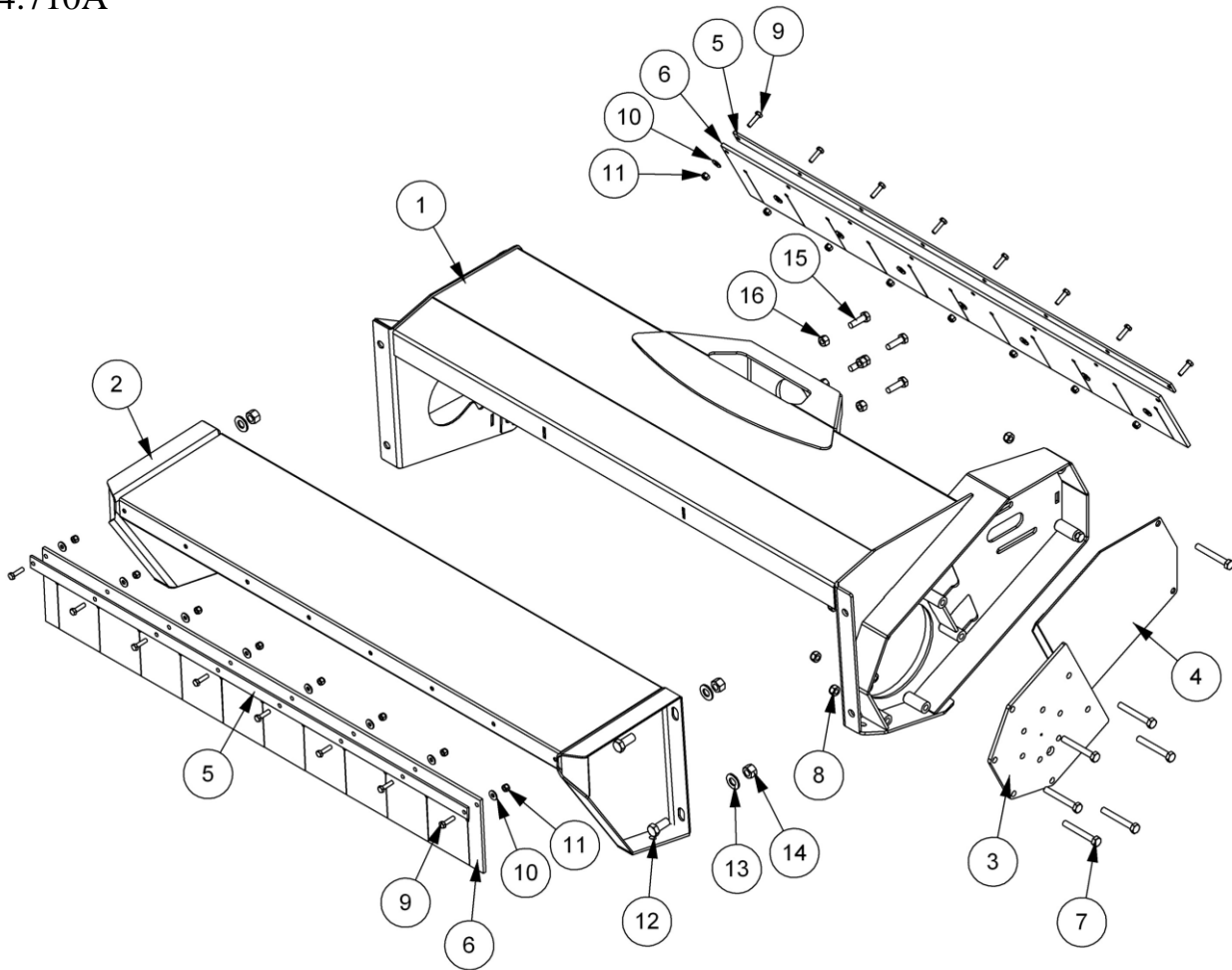
REF.	QTY.	PART No.	DESCRIPTION
1	1	184.710A	1.2M CASING MODULE
		184.710B	1.5M CASING MODULE
2	1	184.711A	1.2M ROLLER MODULE (4")
		184.711B	1.5M ROLLER MODULE (4")
		184.711C	1.2M ROLLER MODULE (5½")
3	1	184.712AS	1.2M ROTOR ASSEMBLY (LUMP FLAIL)
		184.712BS	1.5M ROTOR ASSEMBLY (LUMP FLAIL)
		184.712CS	1.2M ROTOR ASSEMBLY (COMPETITION FLAIL)
		184.732S	1.2M ROTOR ASSEMBLY (GRASS FLAIL)
		184.734S	1.5M ROTOR ASSEMBLY (GRASS FLAIL)
		184.733S	1.2M ROTOR ASSEMBLY (BOOT FLAIL)
		184.620S	1.2M ROLLICOUP ROTOR ASSEMBLY
4	1	184.714	DRIVE MODULE
5	1	184.715A	MOTOR MODULE - Standard Power Builds
		184.715B	MOTOR MODULE - High Power Builds
6	1	184.717	SKID KIT MODULE
7	*	184.615.900	DECAL KIT
8	*	184.716A	R/H CONVERSION KIT - Standard Power Builds
		184.716B	R/H CONVERSION KIT - High Power Builds

\* Not Shown

**Note: Modules cannot be purchased as an item.**

# 1.2M HEAD CASING ASSEMBLY

Module:  
184.710A

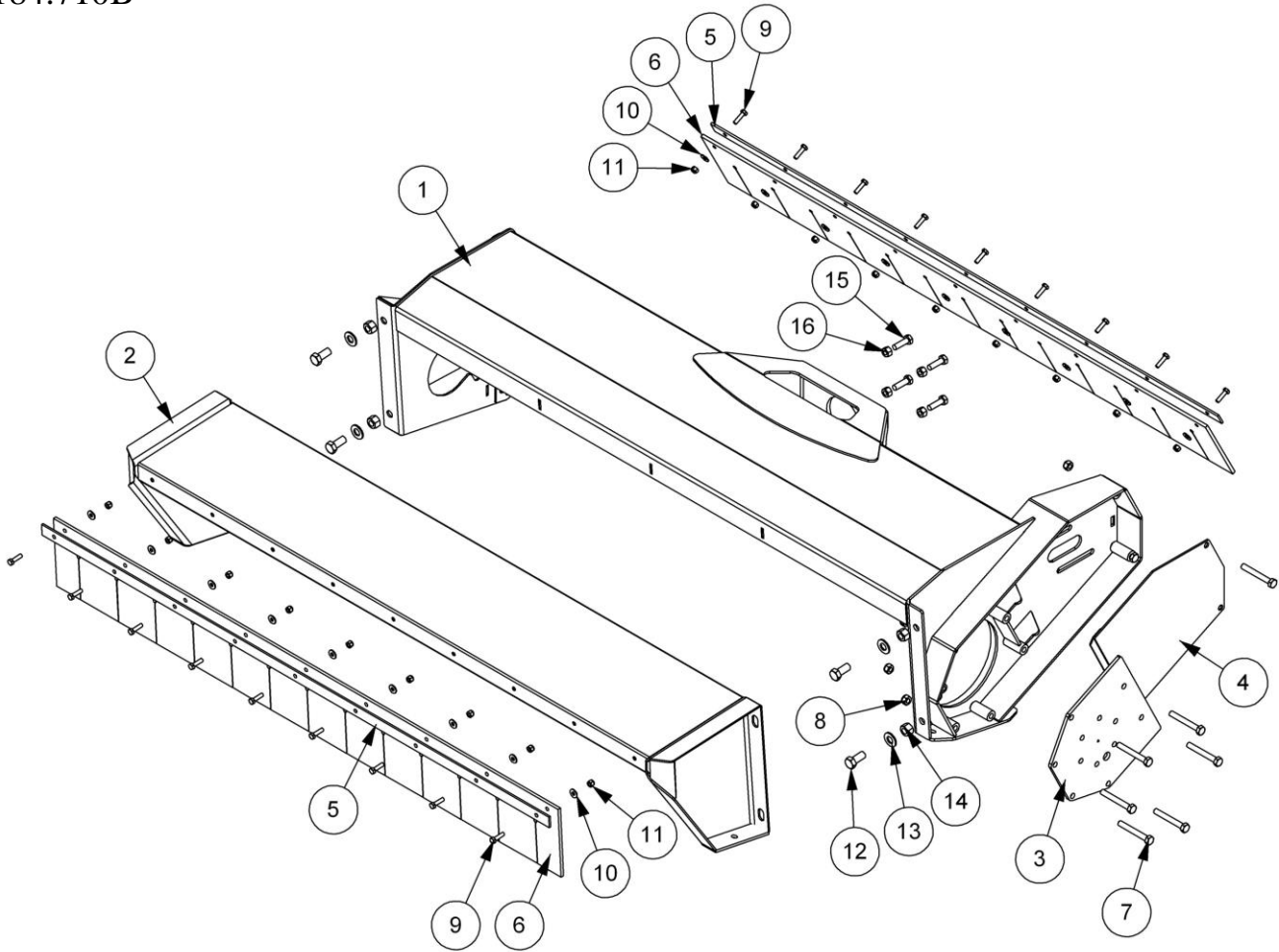


REF.	QTY.	PART No.	DESCRIPTION
		<b>184.710A</b>	<b>1.2M CASING ASSEMBLY</b>
1	1	184.706A	1.2M CASING (BELT DRIVE)
2	1	184.707E	HOOD (1.2M HEAD)
3	1	184.708	BEARING MOUNTING PLATE
4	1	184.723	BELT DRIVE COVER
5	2	184.617A	CLAMP STRIP (1.2M HEAD)
6	2	1840476F	CURTAIN (1.2M HEAD)
7	8	9213186	BOLT
8	8	9163006	NYLOC NUT
9	16	9313064	SETSCREW
10	16	9100104	FLAT WASHER
11	16	9163004	NYLOC NUT
12	4	9313077	SETSCREW
13	4	0100106	FLAT WASHER
14	4	9143007	SELF-LOCKING NUT
15	4	9313086	SETSCREW
16	4	9143006	SELF-LOCKING NUT



# 1.5M HEAD CASING ASSEMBLY

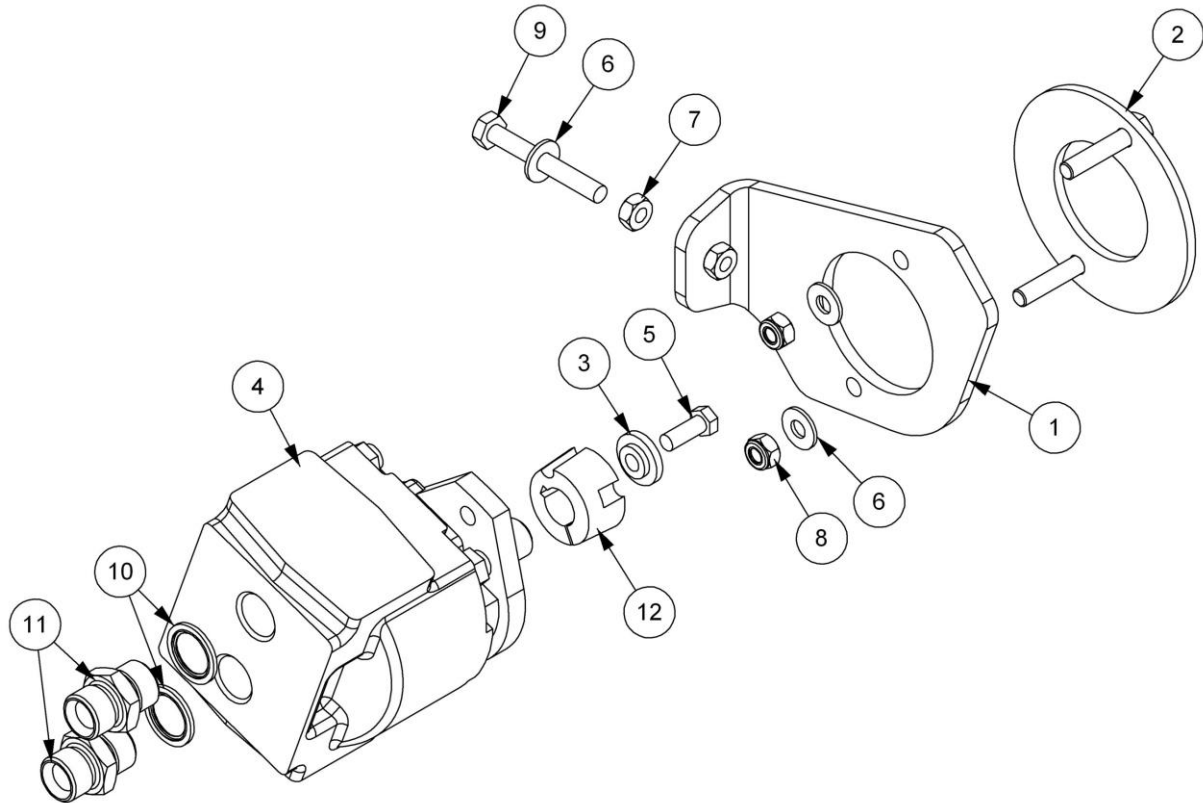
Module:  
184.710B



REF.	QTY.	PART No.	DESCRIPTION
		<b>184.710B</b>	<b>1.5M CASING ASSEMBLY</b>
1	1	184.706B	1.5M CASING (BELT DRIVE)
2	1	184.707F	HOOD (1.5M HEAD)
3	1	184.708	BEARING MOUNTING PLATE
4	1	184.723	BELT DRIVE COVER
5	2	184.617B	CLAMP STRIP (1.5M HEAD)
6	2	1840581	CURTAIN - (1.5M HEAD)
7	8	9213186	BOLT
8	8	9163006	NYLOC NUT
9	18	9313064	SETSCREW
10	18	9100104	FLAT WASHER
11	18	9163004	NYLOC NUT
12	4	9313077	SETSCREW
13	4	0100106	FLAT WASHER
14	4	9143007	SELF-LOCKING NUT
15	4	9313086	SETSCREW
16	4	9143006	SELF-LOCKING NUT

**MOTOR ASSEMBLY – Standard Power**

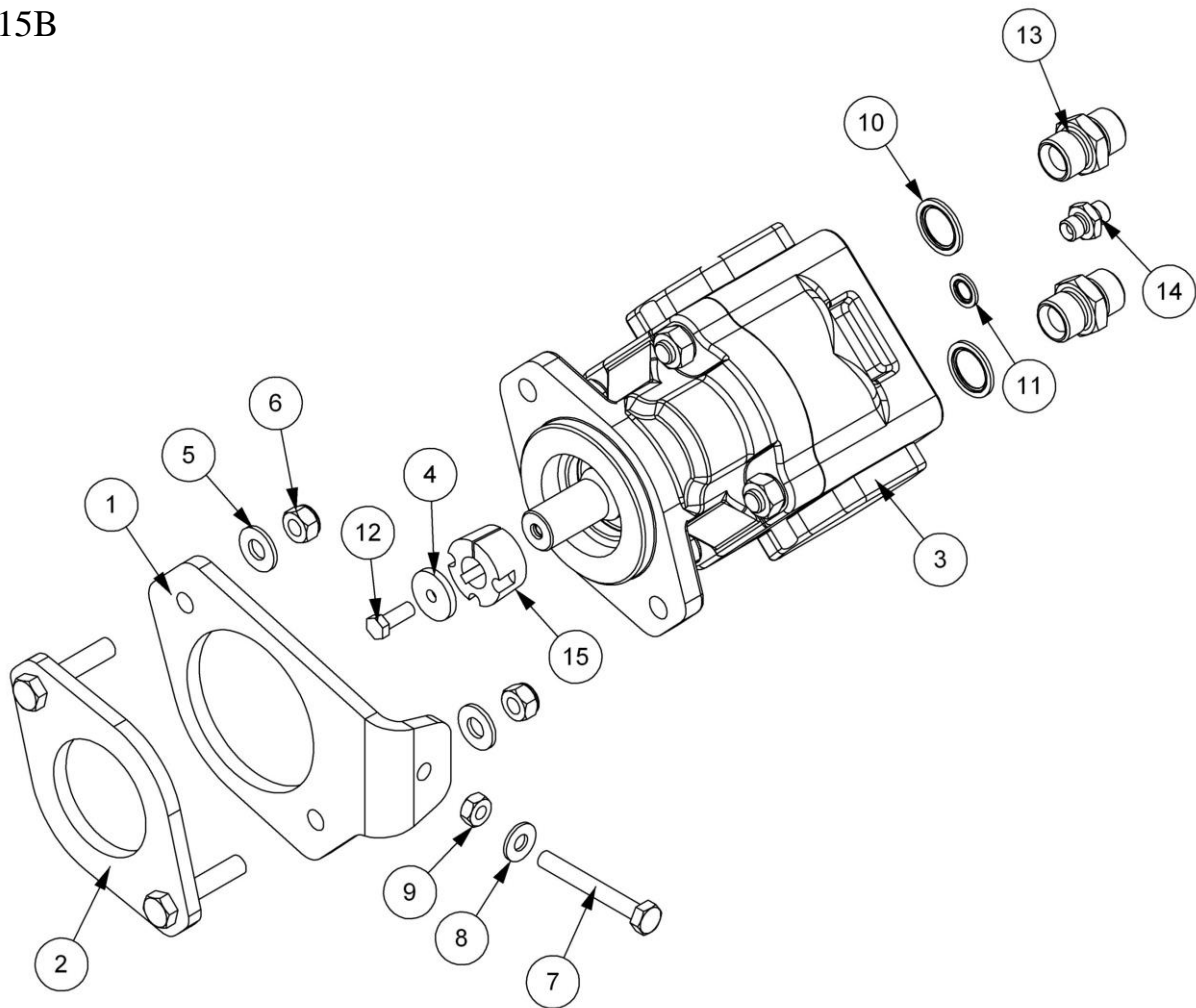
Module:  
184.715A



REF.	QTY.	PART No.	DESCRIPTION
		<b>184.715A</b>	<b>MOTOR MODULE</b>
1	1	184.724A	MOTOR PLATE
2	1	184.463	MOTOR DISC
3	1	199.300	WASHER
4	1	T8027	HYDRAULIC GEAR MOTOR
5	1	0311083	SCREW
6	3	9100105	FLAT WASHER
7	1	9113005	PLAIN NUT
8	2	9163005	NYLOC NUT
9	1	T8172	SETSCREW
10	2	8650106	BONDED SEAL
11	2	8581136	ADAPTOR
12	1	184.691	TAPERLOCK

**MOTOR MODULE – High Power**

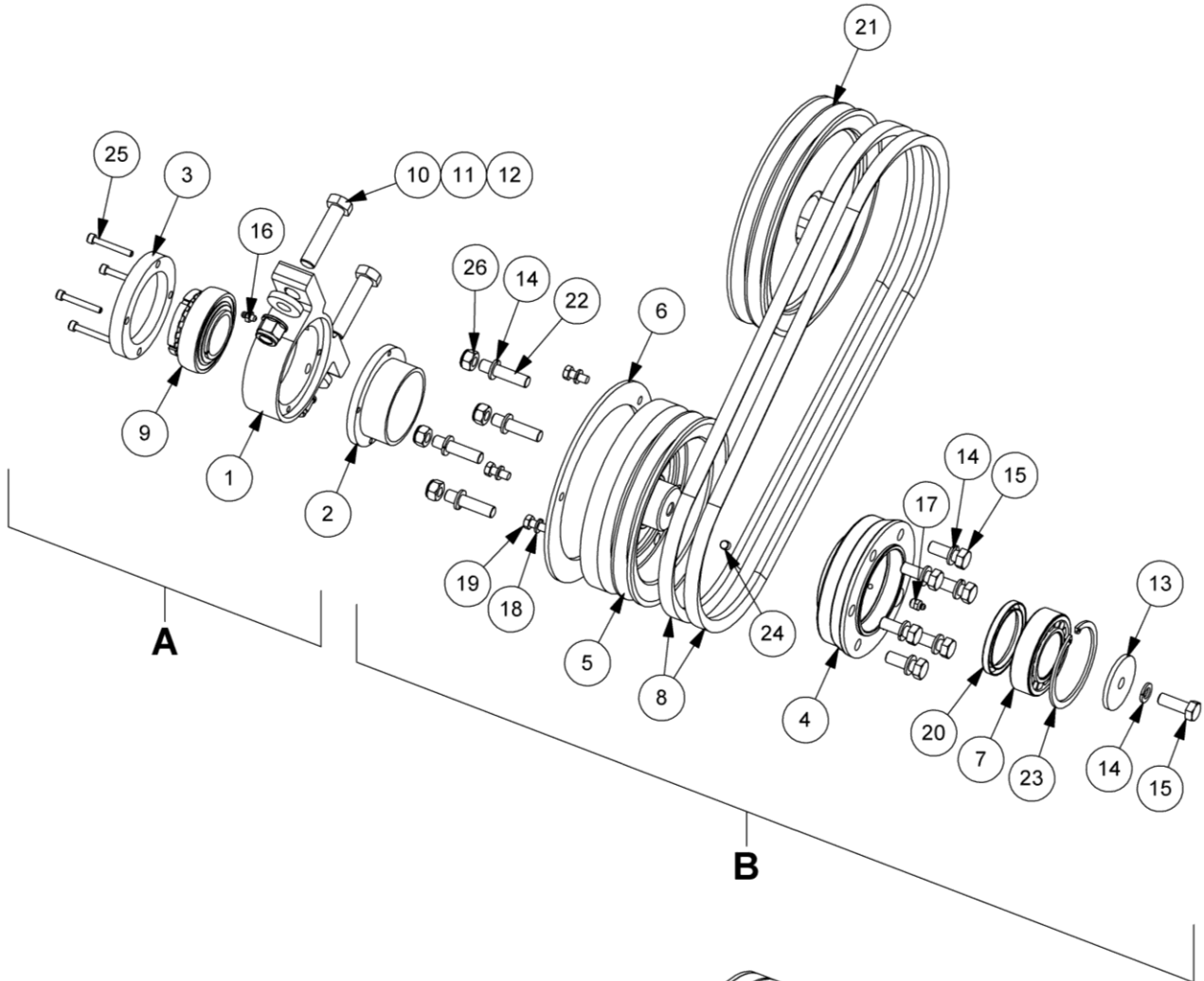
Module:  
184.715B



REF.	QTY.	PART No.	DESCRIPTION
		<b>184.715B</b>	<b>MOTOR MODULE (HP)</b>
1	1	184.724B	MOTOR PLATE
2	1	184.725B	CLAMP PLATE
3	1	8301315	HYDRAULIC MOTOR (HP)
4	1	184.603	RETAINING WASHER
5	2	9100106	FLAT WASHER
6	2	9163006	NYLOC NUT
7	1	T8172	SETSCREW
8	1	9100105	FLAT WASHER
9	1	9113005	PLAIN NUT
10	2	8650106	BONDED SEAL
11	1	8650102	BONDED SEAL
12	1	0311083	SCREW
13	2	8581136	ADAPTOR
14	1	8581169	ADAPTOR
15	1	7990.2	TAPERLOCK
		<b>8699263</b>	<b>MOTOR SEAL KIT</b>

# BELT DRIVE ASSEMBLY

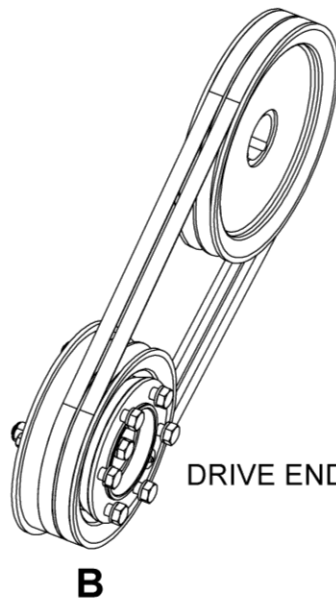
Module:  
184.714



FREE END



DRIVE END

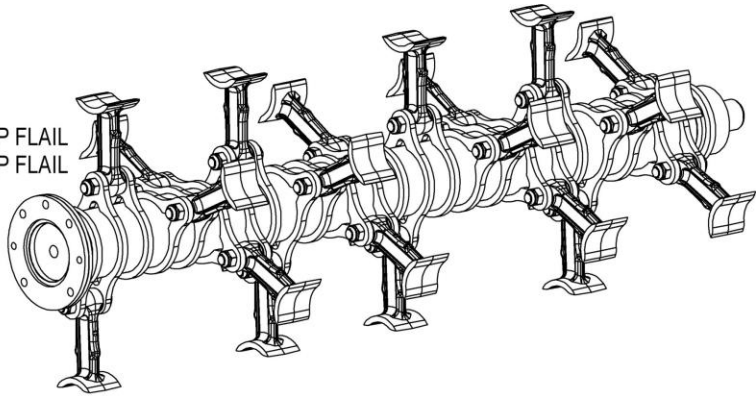


**BELT DRIVE ASSEMBLY**

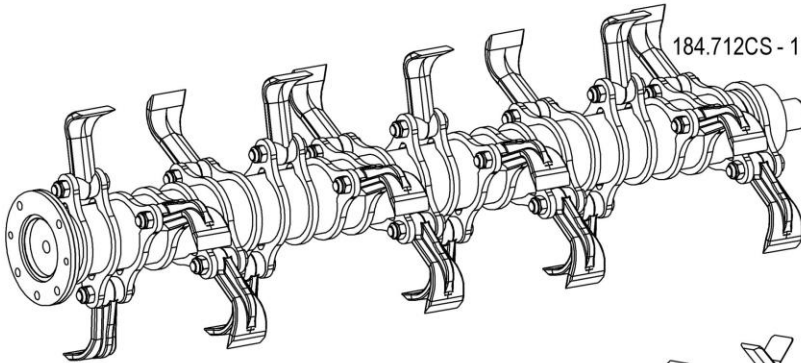
REF.	QTY.	PART No.	DESCRIPTION
		<b>184.714</b>	<b>DRIVE MODULE (BELT DRIVE)</b>
1	1	192.024	BEARING HOUSING
2	1	192.026	BEARING SHIELD
3	1	192.025	BEARING CAP
4	1	184.705	BEARING HOUSING
5	1	184.726	ROTOR PULLEY
6	1	184.636	GRASS RING
7	1	T7840	BEARING
8	2	T7692	VEE BELT
9	1	T7941	SELF-LUBE BEARING C/W SLEEVE
10	2	9200070	BOLT
11	2	7390005	SPACER
12	2	9100024	NYLOC NUT
13	1	184.461	WASHER
14	11	9100206	SPRING WASHER
15	7	T7855	BOLT
16	1	0901161	GREASE NIPPLE
17	1	0901121	GREASE NIPPLE
18	3	9100204	SPRING WASHER
19	3	9313044	SETSCREW
20	1	T7790	OIL SEAL RING
21	1	188.061	MOTOR PULLEY
22	1	04.282.06	STUD
23	1	0411290	INTERNAL CIRCLIP
24	1	8582041	TAPER PLUG
25	4	T6985	CAPSCREW
26	4	9163006	NYLOC NUT

# ROTOR ASSEMBLIES

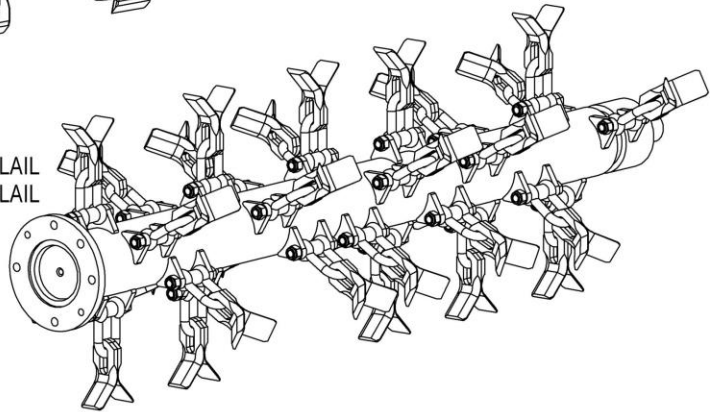
184.712AS - 1.2M ROTOR (24 STATION) LUMP FLAIL  
184.712BS - 1.5M ROTOR (30 STATION) LUMP FLAIL



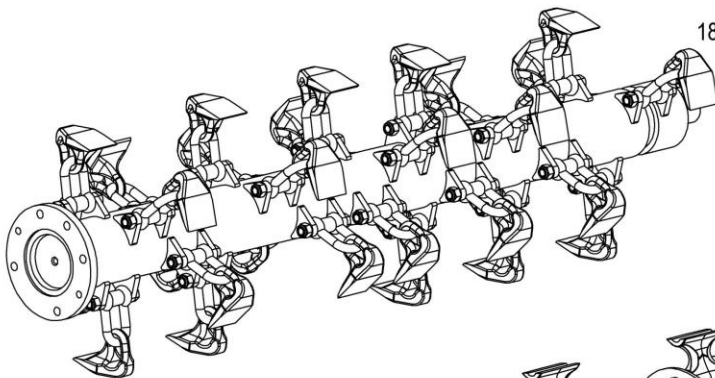
184.712CS - 1.2M ROTOR (24 STATION) COMP. FLAIL



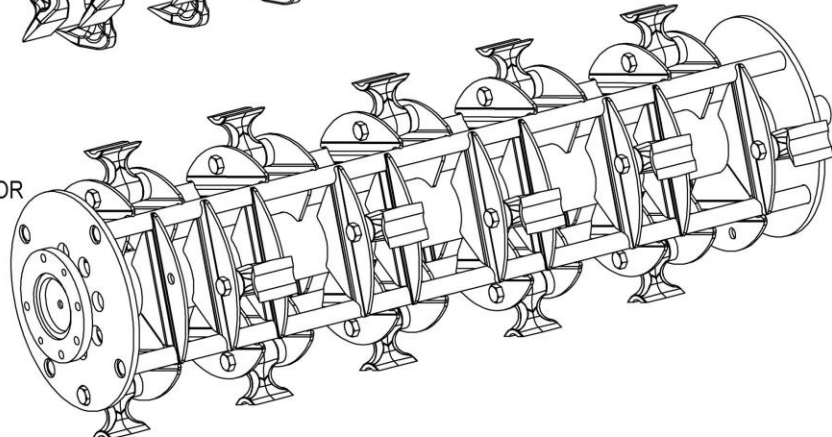
184.732S - 1.2M ROTOR (30 STATION) GRASS FLAIL  
184.734S - 1.5M ROTOR (36 STATION) GRASS FLAIL



184.733S - 1.2M ROTOR (30 STATION) BOOT FLAIL



184.620S - 1.2M ROLLICOUP ROTOR  
(20 STATION) ROLLICOUP FLAIL



**ROTOR ASSEMBLIES**

REF.	QTY.		PART No.	DESCRIPTION
			<b>184.712AS</b>	<b>1.2M ROTOR (24 STATION) LUMP FLAIL</b>
			<b>184.712BS</b>	<b>1.5M ROTOR (30 STATION) LUMP FLAIL</b>
	<b>1.2m</b>	<b>1.5m</b>		
1	1	-	184.701A	1.2M ROTOR (WRAP AROUND)
	-	1	184.701B	1.5M ROTOR (WRAP AROUND)
2	24	30	T7943	BOLT
3	24	30	T7942	NYLOC NUT
4	24	30	184.106	FLAIL SPACER
5	24	30	1840093C	HEAVY DUTY FLAIL
			<b>184.712CS</b>	<b>1.2M ROTOR (24 STATION) COMP. FLAIL</b>
1	1	-	184.701A	1.2M ROTOR (WRAP AROUND)
2	24	-	T7943	BOLT
3	24	-	T7942	NYLOC NUT
4	24	-	184.106	FLAIL SPACER
5	24	-	7390276	SINGLE EDGED FLAIL
			<b>184.732S</b>	<b>1.2M ROTOR (30 STATION) GRASS FLAIL</b>
			<b>184.734S</b>	<b>1.5M ROTOR (36 STATION) GRASS FLAIL</b>
1	1	-	184.618.100A	1.2M ROTOR
	-	1	184.618.100B	1.5M ROTOR
2	30	36	T1920052	SHACKLE
3	60	72	199.999	GRASS FLAIL (BACK TO BACK)
4	30	36	192.053	SPACER
5	30	36	1920069	BOLT
6	30	36	8095	NYLOC NUT
			<b>184.733S</b>	<b>1.2M ROTOR (30 STATION) BOOT FLAIL</b>
1	1	-	184.618.100A	1.2M ROTOR
2	30	-	T1920052	SHACKLE
3	30	-	192.053	SPACER
4	30	-	1920069	BOLT
5	30	-	8095	NYLOC NUT
6	30	-	09.902.01	BOOT FLAIL
			<b>184.620S</b>	<b>1.2M ROLLICOUP ROTOR (20 STATION)</b>
1	1	-	184.620.100	1.2M ROLLICOUPE ROTOR
2	20	-	1840572	ROLLICOUP FLAIL
3	20	-	184.571	SPACER
4	20	-	0892U	BOLT
5	20	-	9163007	NYLOC NUT

# FLAILS & FIXINGS

## LATE ROTORS WITH 16MM FIXINGS

**Lump Flail**  
 Heavy duty reversible lump flail for hedging and occasional mowing - this flail is fitted as standard unless otherwise stated.

Flail 1840093C  
 Nut T7942  
 Spacer 184.106  
 Bolt T7943

**Competition Flail**  
 All-round flail for professional hedgecutting and verge mowing.

Flail 7390276  
 Nut T7942  
 Spacer 184.106  
 Bolt T7943

**Grass Flail**  
 Back to Back reversible grass flails - flails attach to the rotor lugs directly.

Flail 7190315  
 Nut T7942  
 Spacer 184.500  
 Bolt T7943

**Heavy Duty Grass Flail**  
 Heavy duty grass and hedging flail - cuts in one direction only.

Flail T1840330  
 Nut T7942  
 Spacer 184.106  
 Bolt T7943

**Rollicoup Flail**  
 Double edge flail for use on Rollicoup Rotors only.

Flail T1840572  
 Nut 9163007  
 Spacer 184.571  
 Bolt 8092U

**Boot Flail**  
 Cast boot flail for mowing or hedging in one direction only - attaches to the rotor with a shackle.

Flail 09.902.01  
 Shackle 7190175  
 Nut T7942  
 Spacer 184.106  
 Bolt T7943

## EARLY ROTORS WITH 12MM FIXINGS

**Boot Flail**  
 Cast boot flail for mowing or hedging in one direction only - attaches to the rotor with a shackle.

Flail 09.902.01  
 Shackle T1920052  
 Nut T8095  
 Spacer 192.053  
 Bolt T1920069

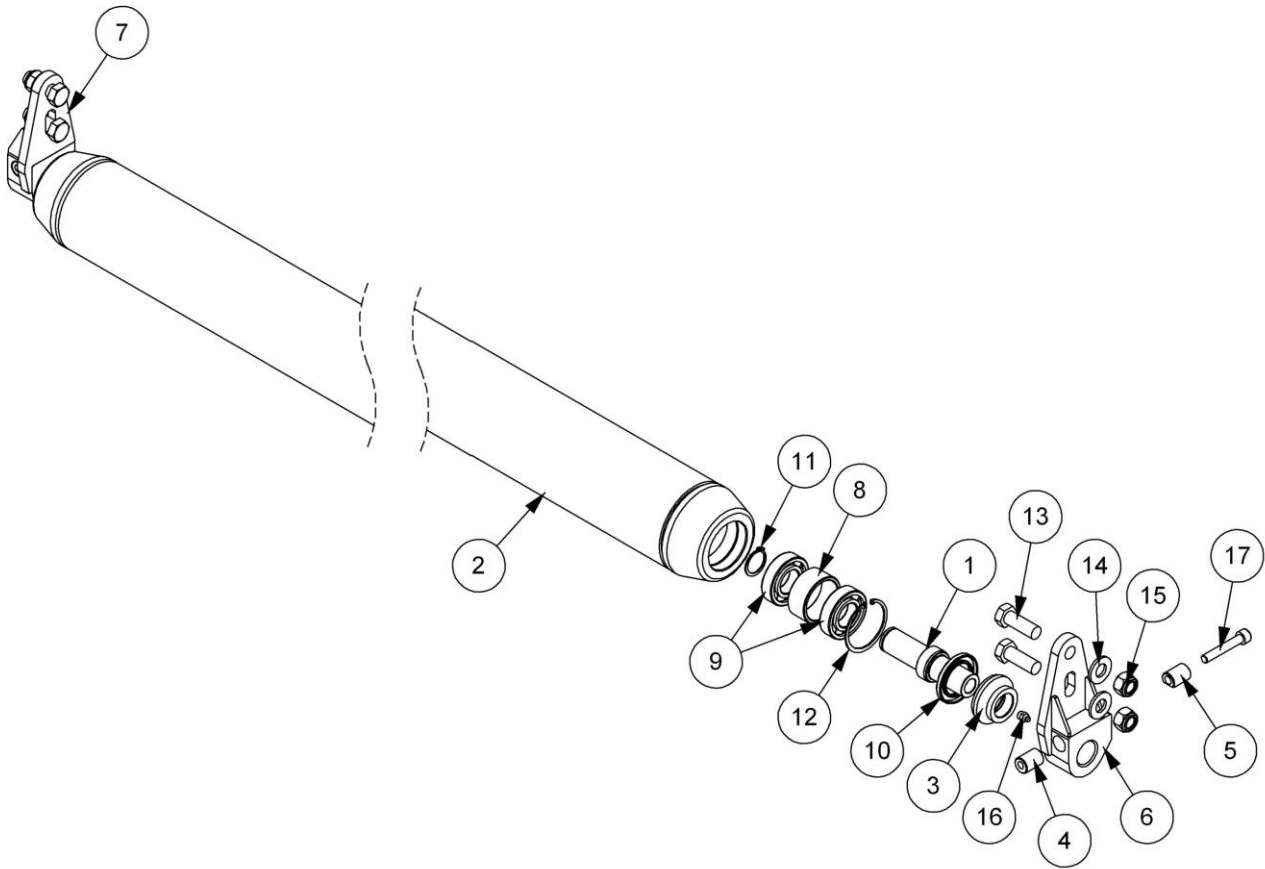
**Grass Flail**  
 Back to Back reversible grass flails - attaches to the rotor with a shackle.

Flail 199.999  
 Shackle T1920052  
 Nut T8095  
 Spacer 192.053  
 Bolt T1920069



**1.2M ROLLER ASSEMBLY (4")**

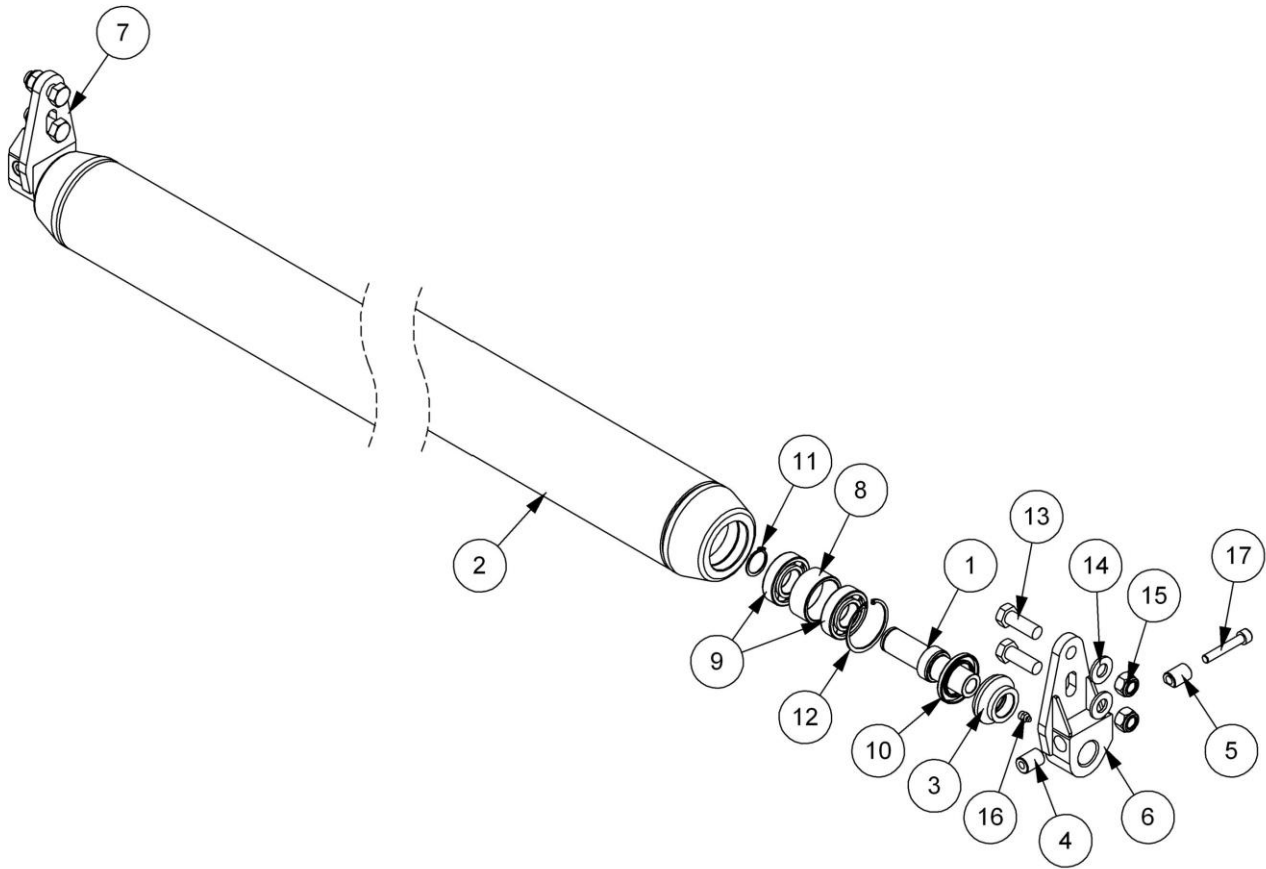
Module:  
184.711A



REF.	QTY.	PART No.	DESCRIPTION
		<b>184.711A</b>	<b>1.2M ROLLER ASSEMBLY (4")</b>
1	2	184.702	SHAFT STUB
2	1	184.703A	1.2M ROLLER (4")
3	2	184.704	SHIELD
4	2	184.727A	CLAMP BUSH
5	2	184.727B	CLAMP BUSH
6	1	184.728L	ROLLER BRACKET - L/H
7	1	184.728R	ROLLER BRACKET - R/H
8	2	21523.31	BEARING SPACER
9	4	0600111	BALL BEARING
10	2	8629254	ROTARY SHAFT SEAL
11	2	0401230	EXTERNAL CIRCLIP
12	2	0411262	INTERNAL CIRCLIP
13	4	9313097	SETSCREW
14	4	0100106	WASHER
15	4	9163007	NYLOC NUT
16	2	0901121	GREASE NIPPLE
17	2	9243125	CAPSCREW

**1.5M ROLLER ASSEMBLY (4")**

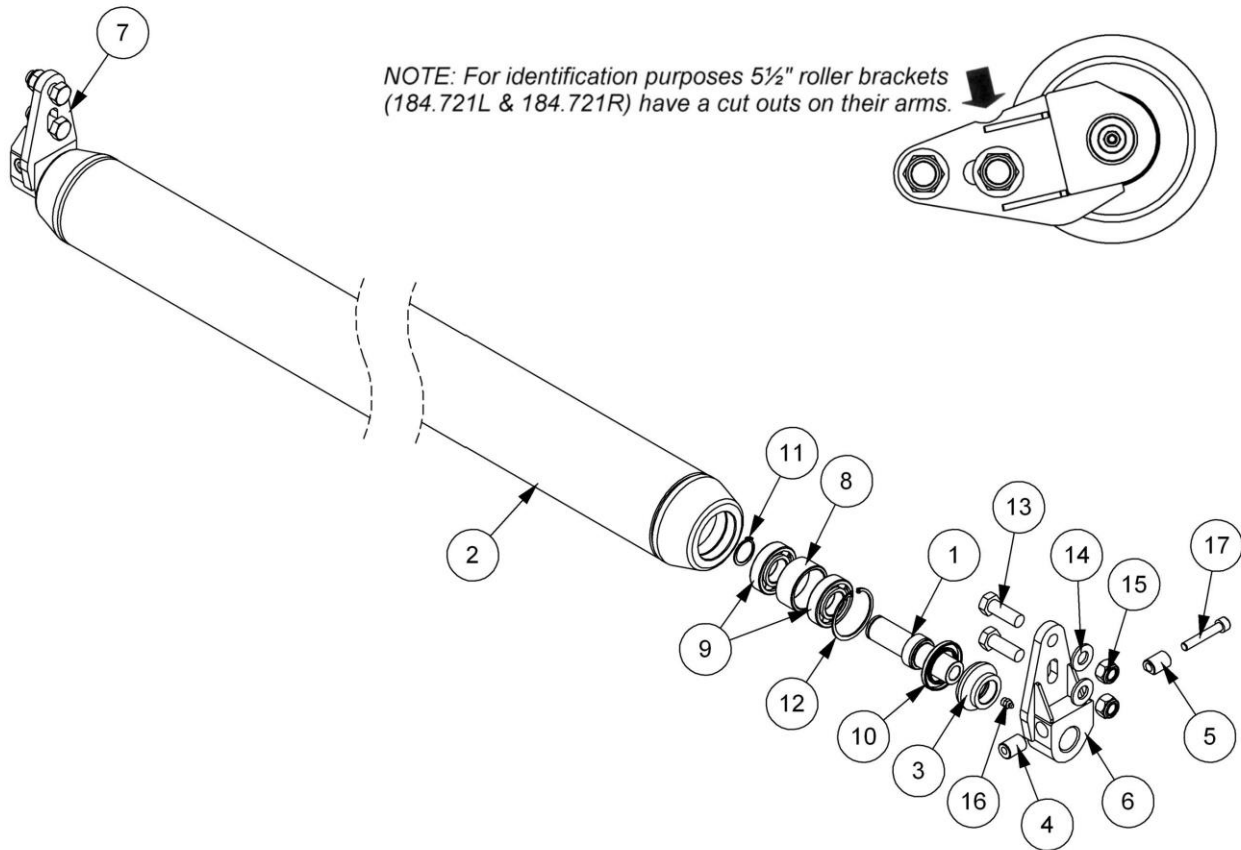
Module:  
184.711B



REF.	QTY.	PART No.	DESCRIPTION
		<b>184.711B</b>	<b>1.5M ROLLER ASSEMBLY (4")</b>
1	2	184.702	SHAFT STUB
2	1	184.703B	1.5M ROLLER (4")
3	2	184.704	SHIELD
4	2	184.727A	CLAMP BUSH
5	2	184.727B	CLAMP BUSH
6	1	184.728L	ROLLER BRACKET - L/H
7	1	184.728R	ROLLER BRACKET - R/H
8	2	21523.31	BEARING SPACER
9	4	0600111	BALL BEARING
10	2	8629254	ROTARY SHAFT SEAL
11	2	0401230	EXTERNAL CIRCLIP
12	2	0411262	INTERNAL CIRCLIP
13	4	9313097	SETSCREW
14	4	0100106	WASHER
15	4	9163007	NYLOC NUT
16	2	0901121	GREASE NIPPLE
17	2	9243125	CAPSCREW

**1.2M ROLLER ASSEMBLY (5½")**

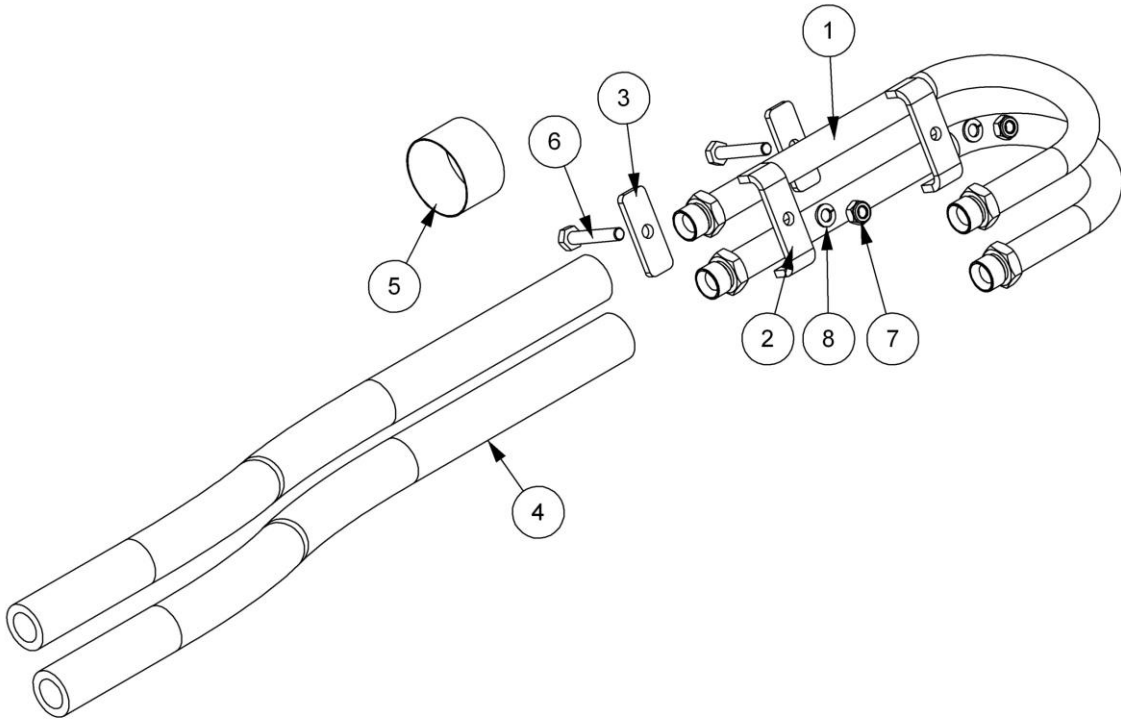
Module:  
184.711C



REF.	QTY.	PART No.	DESCRIPTION
		<b>184.711C</b>	<b>1.2M ROLLER ASSEMBLY (5½")</b>
1	2	184.702	SHAFT STUB
2	1	184.720A	1.2M ROLLER (5½")
3	2	184.704	SHIELD
4	2	184.727A	CLAMP BUSH
5	2	184.727B	CLAMP BUSH
6	1	184.721L	ROLLER BRACKET - L/H
7	1	184.721R	ROLLER BRACKET - R/H
8	2	21523.31	BEARING SPACER
9	4	0600111	BALL BEARING
10	2	8629254	ROTARY SHAFT SEAL
11	2	0401230	EXTERNAL CIRCLIP
12	2	0411262	INTERNAL CIRCLIP
13	4	9313097	SETSCREW
14	4	0100106	WASHER
15	4	9163007	NYLOC NUT
16	2	0901121	GREASE NIPPLE
17	2	9243125	CAPSCREW

**R/H CONVERSION KIT – Standard Power Builds**

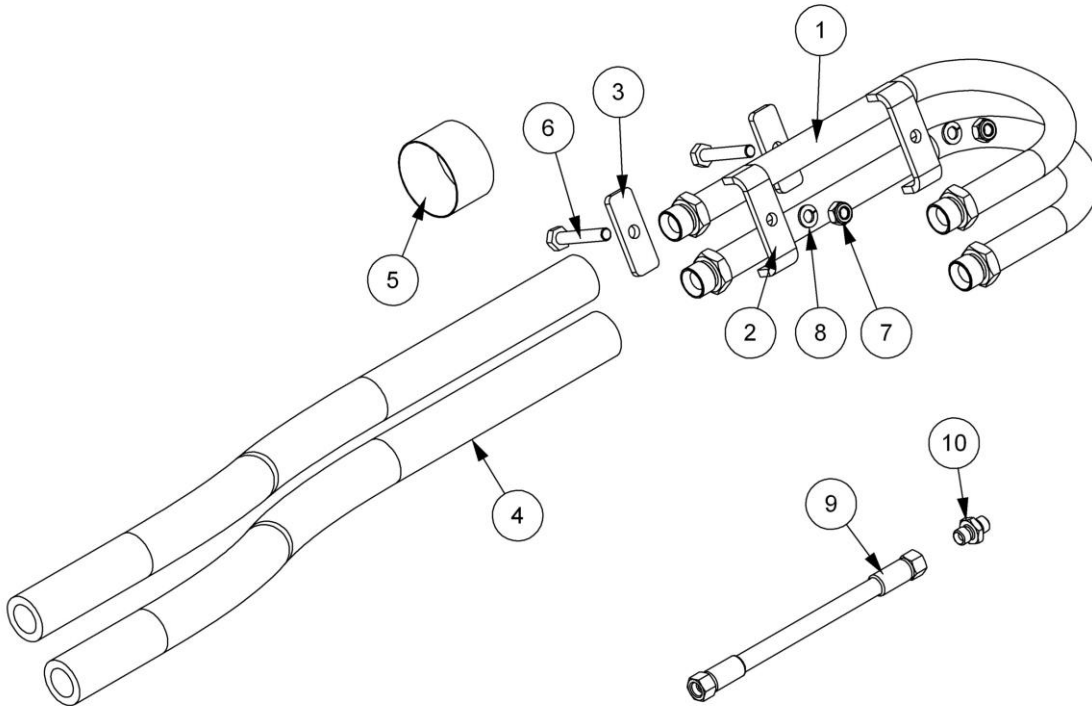
Module:  
184.716A



REF.	QTY.	PART No.	DESCRIPTION
		<b>184.716A</b>	<b>R/H CONVERSION KIT</b>
1	2	186.058	HYDRAULIC STEEL PIPE
2	2	184.517	PIPE CLAMP
3	2	184.731	CLAMP PLATE
4	2	004.442	HOSE - 3/4" BSP ST/ST x 655mm
5	1	T7947	HOSE SLEEVING
6	2	9213125	BOLT
7	2	9163005	NYLOC NUT
8	2	9100205	SPRING WASHER

**R/H CONVERSION KIT – High Power Builds**

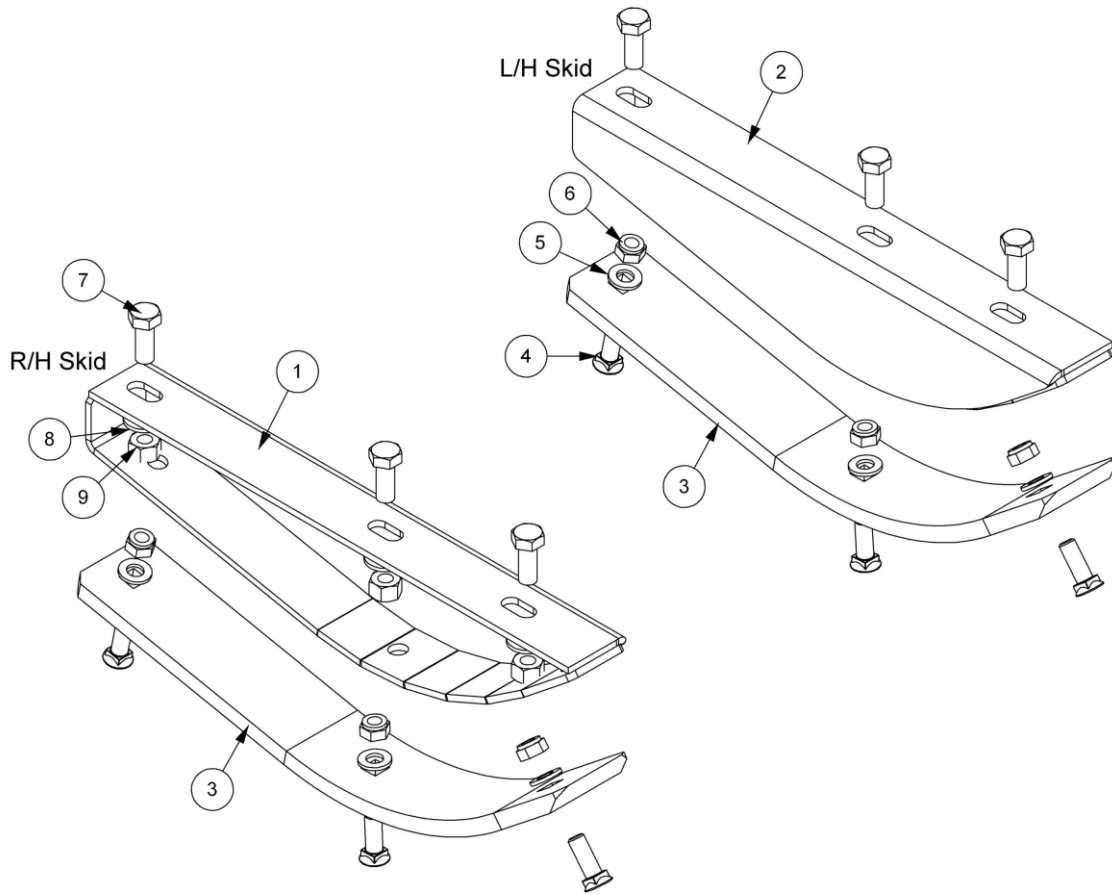
Module:  
184.716B



REF.	QTY.	PART No.	DESCRIPTION
		<b>184.716B</b>	<b>R/H CONVERSION KIT (HP)</b>
1	2	186.058	HYDRAULIC STEEL PIPE
2	2	184.517	PIPE CLAMP
3	2	184.731	CLAMP PLATE
4	2	004.442	HOSE - 3/4" BSP ST/ST x 655mm
5	1	T7947	HOSE SLEEVING
6	2	9213125	BOLT
7	2	9163005	NYLOC NUT
8	2	9100205	SPRING WASHER
9	1	10.001.24	HOSE - 1/4" BSP FS/FS x 1400mm
10	1	8581169	ADAPTOR

**SKID KIT ASSEMBLY**

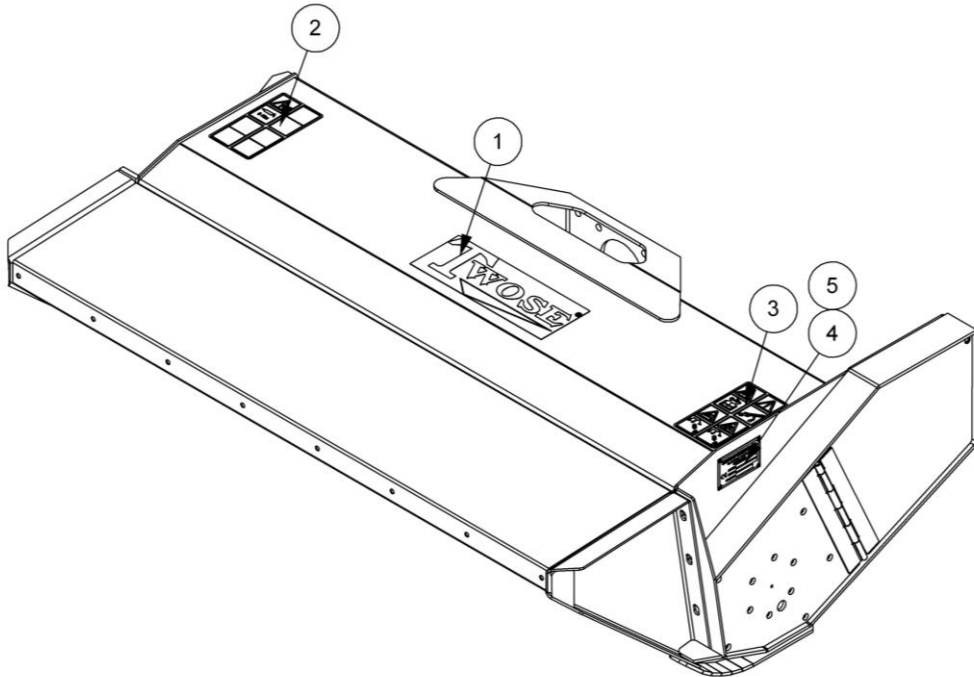
Module:  
184.717



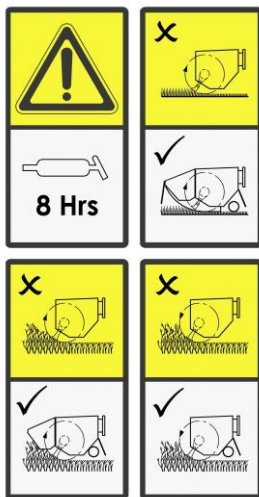
REF.	QTY.	PART No.	DESCRIPTION
		<b>184.717</b>	<b>SKID KIT ASSEMBLY</b>
1	1	184.709R	SKID - R/H
2	1	184.709L	SKID - L/H
3	2	7290391	SKID SHOE (REPLACEABLE)
4	6	6012034	PLOUGH BOLT
5	6	0100104	FLAT WASHER
6	6	0141004	UNF CLEVELOC NUT
7	6	9313066	SETSCREW
8	6	9100106	FLAT WASHER
9	6	9143006	SELF-LOCKING NUT

**DECAL KIT**

Module:  
184.615.900



REF.	QTY.	PART No.	DESCRIPTION
		<b>184.615.900</b>	<b>DECAL KIT (FLAILHEAD)</b>
1	1	200.006	DECAL - TWOSE
2	1	1290738	DECAL - FLAILHEAD
3	1	09.821.35	DECAL - COMBINED EURO
4	1	45429.01	SERIAL No. PLATE
5	4	7103230	POP RIVET



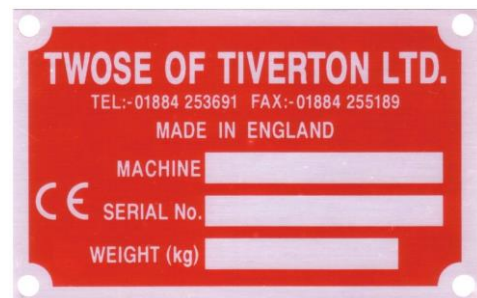
2.



3.



1.



4.

