

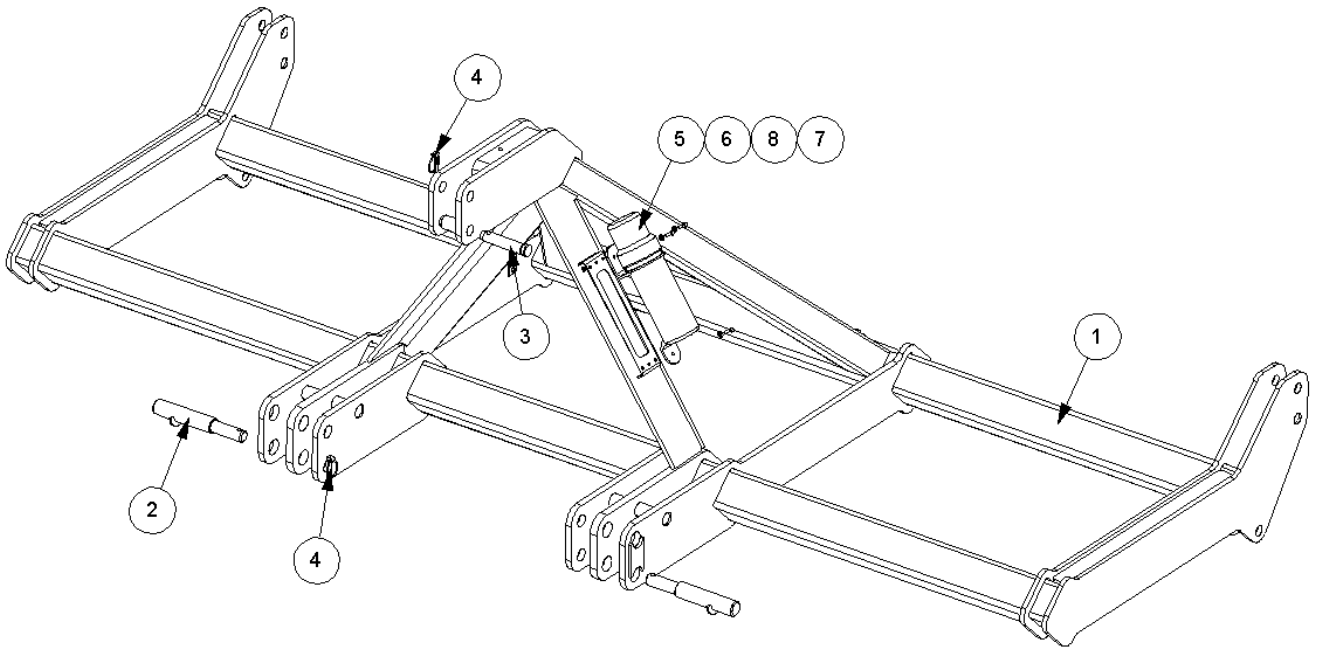
Parts Manual for
WGC No: SS300G5S
3.0M SUBSOILER

CONTENTS

Page No	Schedule No	Schedule Description
2	221.201	MAINFRAME MODULE
4	221.204	SHEARBOLT LEG MODULE
6	221.209	DECAL MODULE
8	221.225	SLITTER MODULE
10	T8170T	HUB
12	22675.17	SUB SOILER OPS MAN'L

* optional component

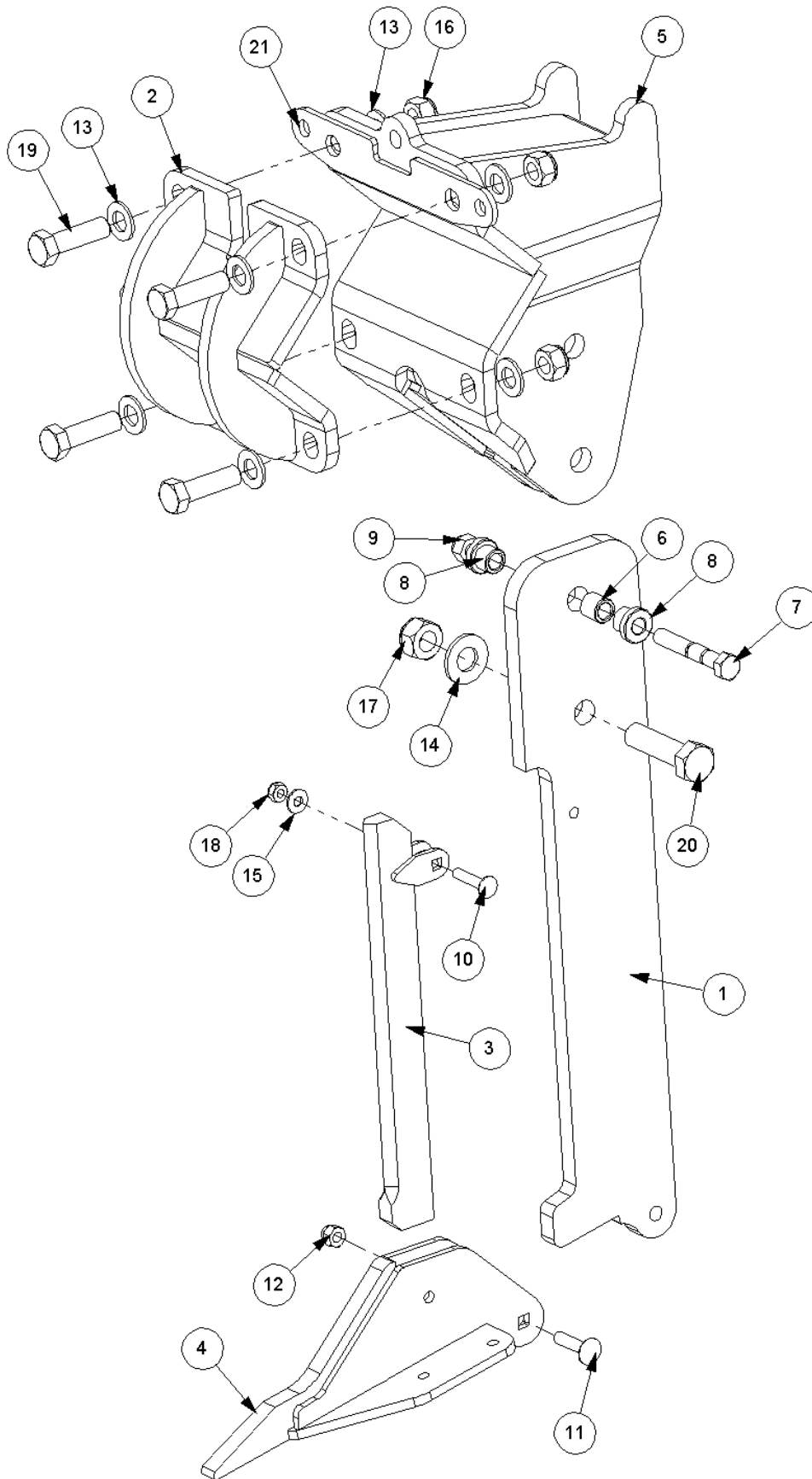
221.201 - MAINFRAME MODULE



221.201 - MAINFRAME MODULE

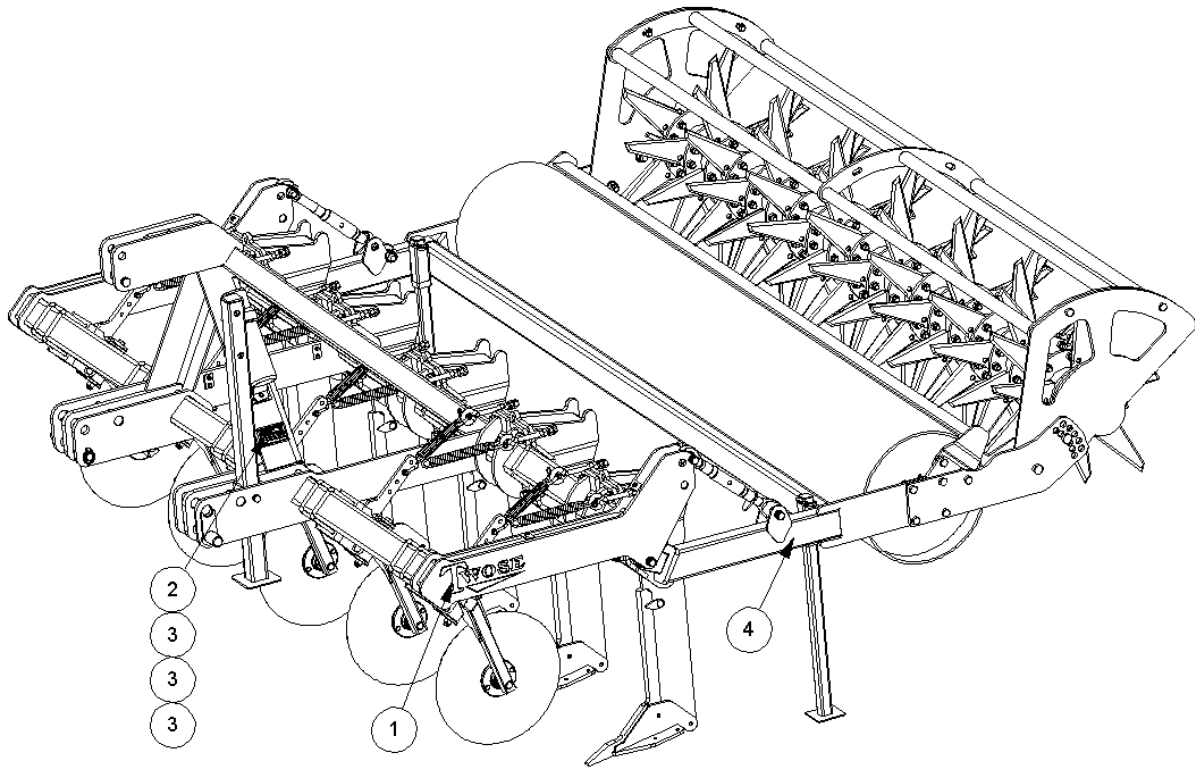
Ref	Part No	Description	Qty
1	221.002	FRAME	1
2	221.012	PIN	2
3	212.030	PIN 25.4 x 97	1
4	00.372.01	LINCH PIN	4
5	46505.01	HOLDER	1
6	9313043	SCREW	3
7	30.070.64	NUT	3
8	05.281.10	WASHER	3
9	T7956	SLEEVE	1
11	03.874.01	PIN	1
11	221.064	SUB SOILER STAND	1

221.204 - SHEARBOLT LEG MODULE



221.204 - SHEARBOLT LEG MODULE

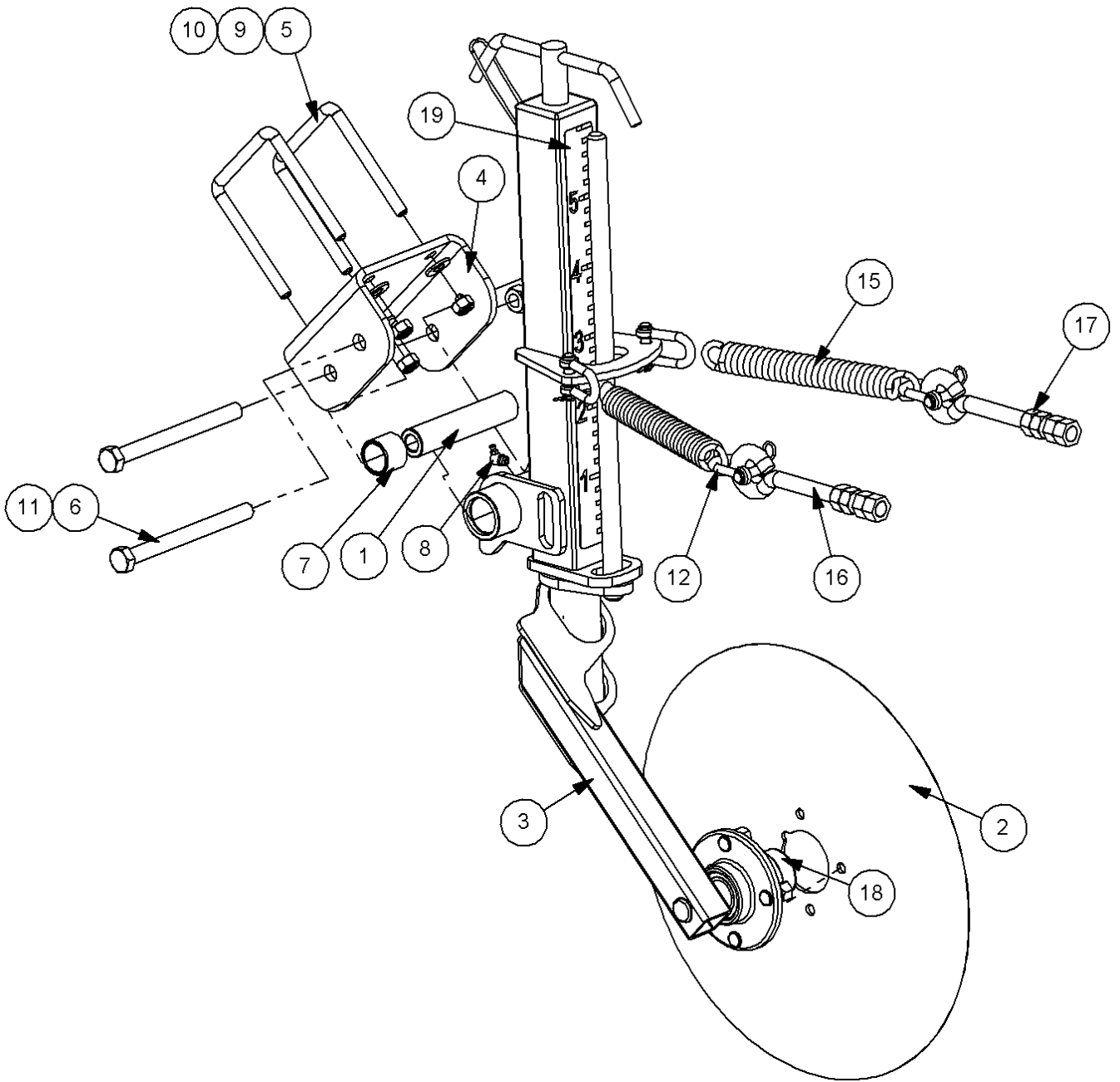
Ref	Part No	Description	Qty
1	221.005	LEG	1
2	221.006	LEG CLAMP	1
3	221.007	SHIN	1
4	221.008	POINT	1
5	221.010	LEG BRACKET	1
6	221.011	BUSH	1
7	221.024	SHEAR BOLT	1
8	221.025	BUSH	2
9	0141006	NUT	1
10	05.839.24	BOLT	1
11	0422824	SPRING DOWL	1
13	05.281.05	WASHER	8
14	9100109	WASHER	1
15	05.281.02	WASHER	1
16	05.287.05	SELF-LOCKING NUT	4
17	05.287.06	NUT	1
18	30.070.66	NUT	1
19	05.291.49	BOLT	4
20	05.285.03	BOLT	1
21	221.035	PLATE	1



221.209 - DECAL MODULE

Ref	Part No	Description	Qty
1	200.041	TWOSE DECAL 2012	2
2	45429.01	S/N PLATE	1
3	7103230	RIVET	4
4	200.055.02	DECAL	2

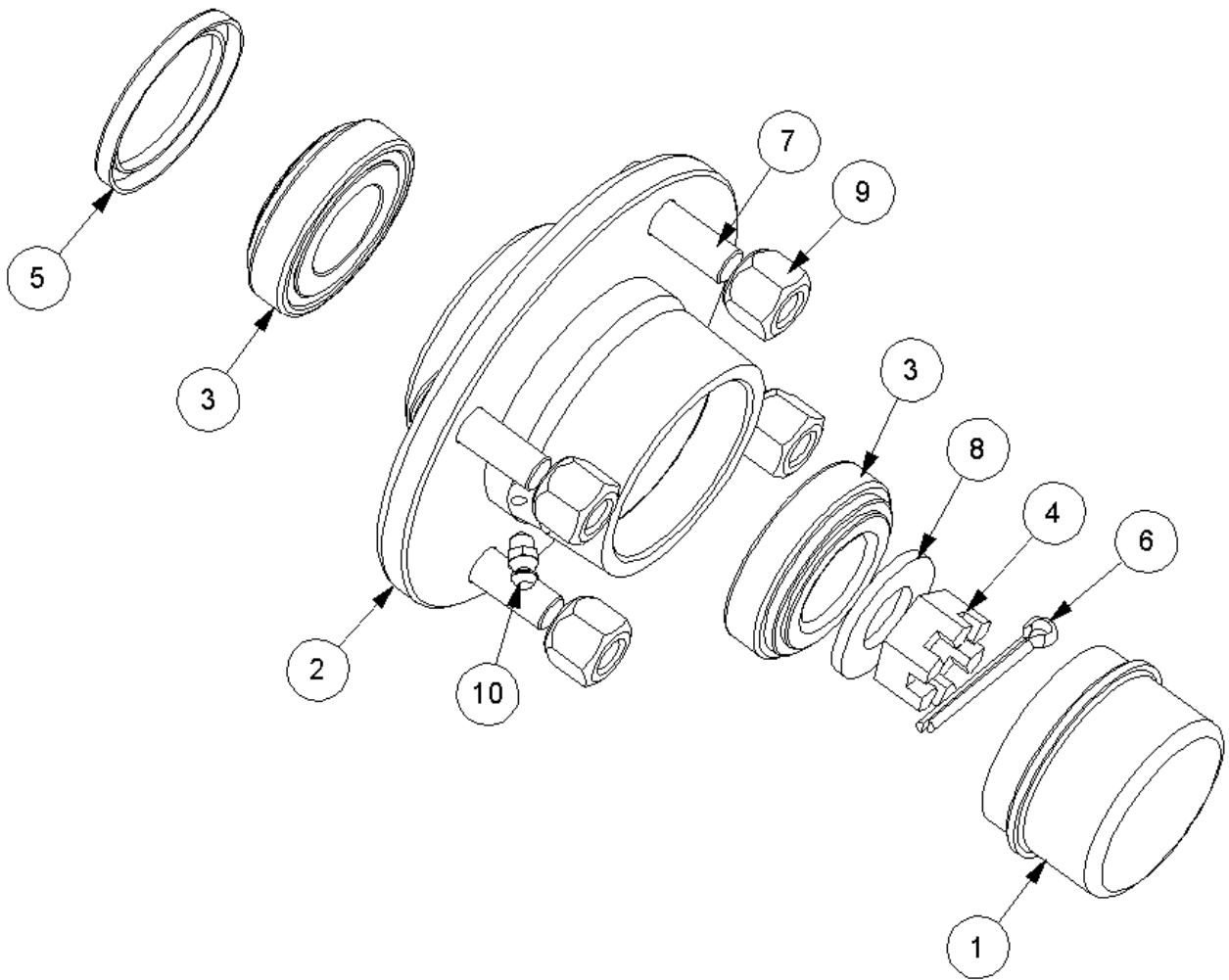
221.225 C - SLITTER MODULE



221.225 C - SLITTER MODULE

Ref	Part No	Description	Qty
1	221.015	PIN	1
2	221.020	SLITTER DISC	1
3	221.055	ARM	1
4	221.056	PRESSING	1
5	42072.08	U BOLT	2
6	05.292.39	M16 BOLT	2
7	08.297.04	BUSH	2
8	0901124	GREASER	1
9	05.281.03	WASHER	4
10	9163006	NUT	4
11	9163007	NUT	2
12	T2433	SHACKLE	4
15	T8110	SPRING	2
16	T8111	EYEBOLT	2
17	05.286.04	NUT	4
18	T8170T	HUB	1
19	1291128	DECAL	1

T8170T B - HUB



T8170T B - HUB

Ref	Part No	Description	Qty
1	T8170T.01	HUB CAP	1
2	T8170T.02	HUB	1
3	T8170T.03	BEARING	2
4	T8170T.04	NUT	1
5	T8170T.05	SEAL	1
6	T8170T.06	SPLIT PIN	1
7	T8170T.07	STUD	4
8	T8170T.08	WHEEL NUT	4
9	T8170T.09	WASHER	1
10	T0811	G/NIPPLE 1/4IN DRIVE	1



