

3597 Shaft Seal for 3396 Motor - BIN CCS

3537 = SHAFT SEAL (FOR 3058)
BIN CCS

PARTS LIST FOR

276 FLAIL
HEDGE TRIMMER
MK.II

NOVEMBER 1979

PLUS AMENDA SHEET FOR 1979

MODEL
AND

TWOSE OF TIVERTON LTD.

MODIFICATION

TIVERTON, DEVON, ENGLAND

SHOWN

Telephone: Tiverton 3491

Cable & Telegram: Tivertv
Tiverton 3491

64

(79)



PLEASE

HELP US TO GIVE YOU THE EFFICIENT SPARES SERVICE YOU NEED.

ALWAYS CLEARLY STATE THE PART NUMBER(S) OF THE ITEM(S) YOU REQUIRE, NOT THE REFERENCE LETTER.

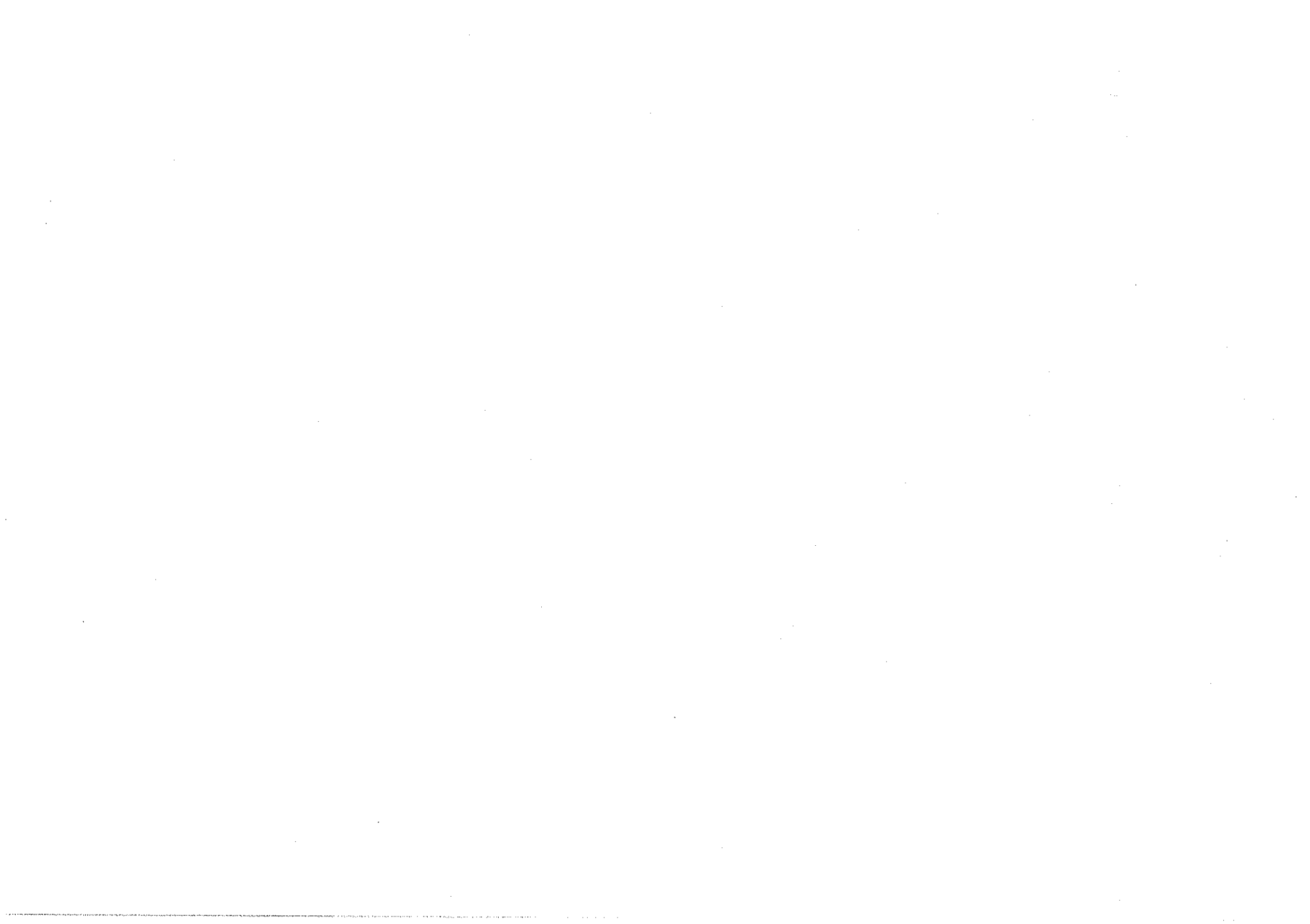
ALWAYS MAKE SURE THAT YOU HAVE ORDERED A SUFFICIENT QUANTITY TO COMPLETE THE JOB.

ALWAYS MAKE SURE THAT YOU HAVE ORDERED THE CORRECT PARTS. IN SOME INSTANCES (e.g. HYDRAULIC RAMS) PARTS OR ASSEMBLIES ARE, IN THE COURSE OF TIME, MODIFIED DUE TO THE INTRODUCTION OF NEW MATERIALS, OR IMPROVED DESIGN.

ALWAYS STATE BY WHAT MEANS YOU WISH THE GOODS TO BE SENT. IN THE ABSENCE OF SPECIFIC INSTRUCTIONS CONSIGNMENTS WILL BE SENT BY POST OR RAILWAY GOODS SERVICE IF IT IS NOT POSSIBLE TO DELIVER BY OUR OWN TRANSPORT.

ALWAYS STATE THE NUMBER OF OUR INVOICE OR SALES SLIP, AND THE REASON FOR RETURN SHOULD IT BECOME NECESSARY TO RETURN ANY ITEMS FOR EXCHANGE OR CREDIT.

REMEMBER THAT WE OPERATE A SERVICE DEPARTMENT FOR HYDRAULIC EQUIPMENT WHICH MEANS THAT WE CAN NORMALLY SUPPLY, BY RETURN, COMPLETELY SERVICED AND TESTED REPLACEMENTS.



I N D E X

FIGURE 1	Tractor Fittings for Tractors with standard Safety Cab
FIGURE 2	Tractor Fittings for Tractors with Quiet Cab
FIGURE 3	Attachment Beam
FIGURE 4	Safety Screen and Support Brackets
FIGURE 5	Hydraulic Controls and Valve Mounting
FIGURE 6	Tank Assembly
FIGURE 7	Main Boom Assembly
FIGURE 8	Second Boom Assembly
FIGURE 9	Upper Boom Assembly
FIGURE 10	Flail Head Assembly 1.2 metre
FIGURE 11	Rotor Assembly 1.2 metre
FIGURE 12	Belt and Pulley Guard for Flail Head
FIGURE 13	Sawhead Attachment Drive Box
FIGURE 14	Sawhead Attachment Drive Unit
FIGURE 15	Pump and Gearbox Assembly
FIGURE 16	Relief and anti-cavitation Valve
FIGURE 17	Control Valve
FIGURE 18	Boom Ram
FIGURE 19	Head Angling Ram
FIGURE 20	Hydraulic Pressure supply and return fittings
FIGURE 21	Hydraulic Hoses
FIGURE 22	37" Flail Head - Main Frame
FIGURE 23	Front Guard
FIGURE 24	Rotor Bearing Assembly
FIGURE 25	Drive Assembly
FIGURE 26	Rotor Assembly

FIGURE 1

TRACTOR FITTINGS FOR TRACTORS WITH STANDARD SAFETY CABS

<u>Ref.</u>	<u>Part No.</u>	<u>Description</u>	<u>No. Off</u>
<u>FORD 4000, 4100 and 4600 with FORD SAFETY CAB</u>			
A	710300R	Rear Axle Bracket - Right Hand	1
*	710300L	Rear Axle Bracket - Left Hand	1
*	310765	'U' Bolt (for 710300 L/R)	2
*	0286	Bolt 8" x $\frac{5}{8}$ " U.N.F. Hex.Hd. H.T. (for 710300 L/R and 310765)	4
*	0956	Stiffnut $\frac{5}{8}$ " U.N.F. (for 0286 and 310765)	8
*	710307A	Support Bracket for Valve and Safety Screen	1
<u>FORD 5000, 5600, 6600 and 7000 with FORD SAFETY CAB</u>			
A	710300R	Rear Axle Bracket - Right Hand	1
*	710300L	Rear Axle Bracket - Left Hand	1
*	2356	Bolt 10 $\frac{1}{4}$ " x $\frac{5}{8}$ " U.N.F. Hex.Hd. H.T. (for 710300 L/R)	4
*	1300	Washer $\frac{5}{8}$ " H.P. Bright Flat (for 2356)	4
*	0956	Stiffnut $\frac{5}{8}$ " U.N.F. (for 2356)	4
*	710307A	Support Bracket for Valve and Safety Screen	1
<u>M.F. 165, 168, 175, 178, 185 and 188 with Sq. AXLES M.F. SAFETY CAB</u>			
<u>and BOMP on STABILIZERS</u>			
A	710300R	Rear Axle Bracket - Right Hand	1
*	710300L	Rear Axle Bracket - Left Hand	1
*	2904	Bolt 10" x $\frac{5}{8}$ " U.N.F. Hex. Hd. H.T. (for 710300 L/R)	4
*	1300	Washer $\frac{5}{8}$ " Bright Flat H.P. (for 2904)	4
*	0956	Stiffnut $\frac{5}{8}$ " U.N.F. (for 2904)	4
*	710307A	Support Bracket for Valve and Safety Screen	1

* Denotes parts not illustrated

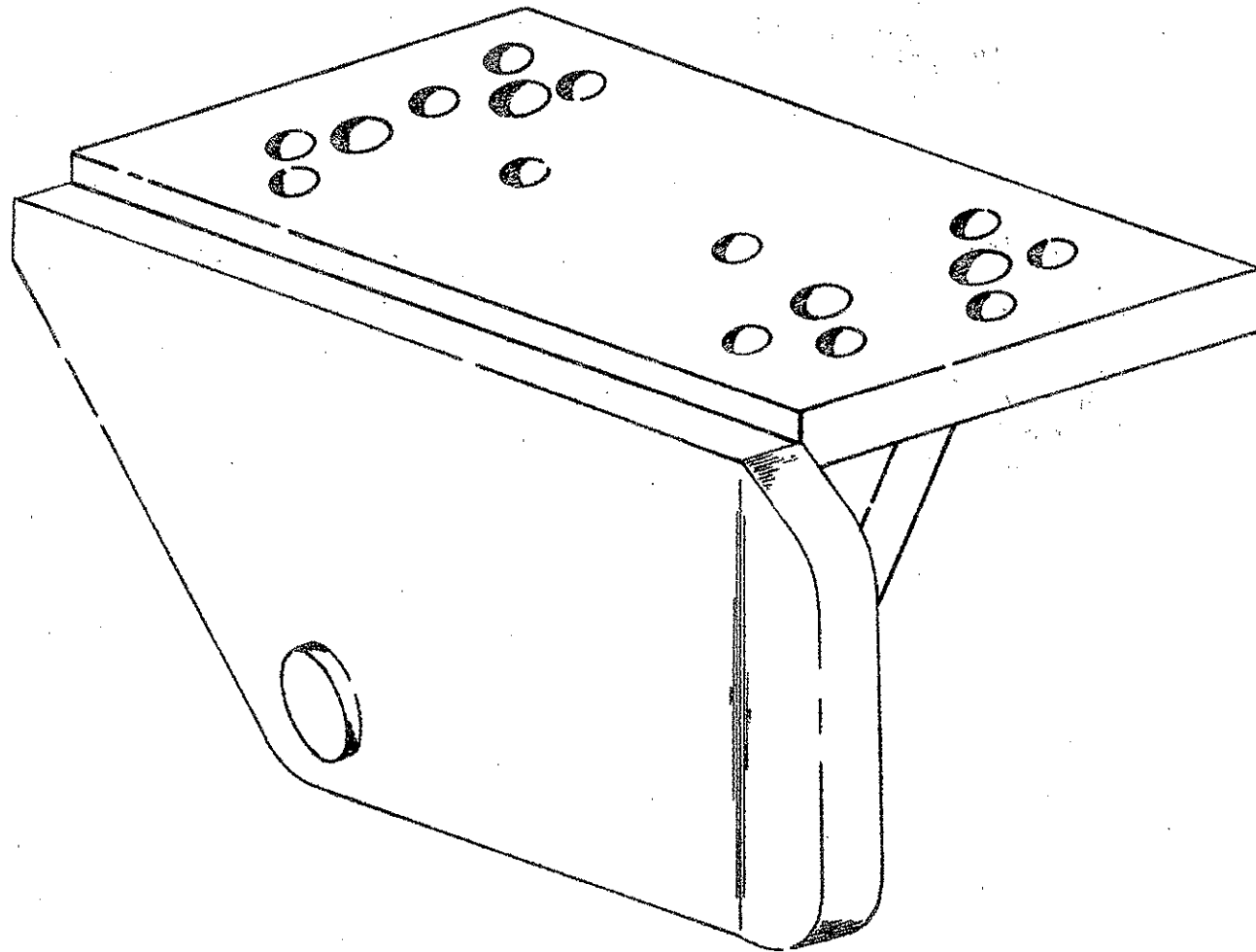


FIGURE 1

FIGURE 1INTERNATIONAL 454, 474, 475, 574, 654 and 674with INTERNATIONAL SAFETY CAB

<u>Ref.</u>	<u>Part No.</u>	<u>Description</u>	<u>No. Off</u>
A	710300R	Rear Axle Bracket - Right Hand	1
*	710300L	Rear Axle Bracket - Left Hand	1
*	710491	Spacing Strip (for 710300L/R)	2
*	2291	Bolt 8" x 3/4" BSF hex hd H.T. (for 710300L/R & 710491)	8
*	0831	Washer 3/4" Spring (for 2291)	8
*	0836	Stiffnut 3/4" BSF (for 2291)	8
*	710307A	Support Bracket for Valve and Safety Screen	1

INTERNATIONAL 634 with CAB CRAFT SAFETY CAB

<u>Ref.</u>	<u>Part No.</u>	<u>Description</u>	<u>No. Off</u>
*	710596A	Rear Axle Bracket	1
*	710596B	Rear Axle Bracket	1
*	2904	Bolt 10" x 5/8" UNF hex hd H.T. (for 710596A/B)	4
*	1300	Washer 5/8" H.P Bright Flat (for 2904)	4
*	0956	Stiffnut 5/8" UNF (for 2904)	4
*	710307B	Support Bracket for Valve and Safety Screen	1

* Denotes part not illustrated

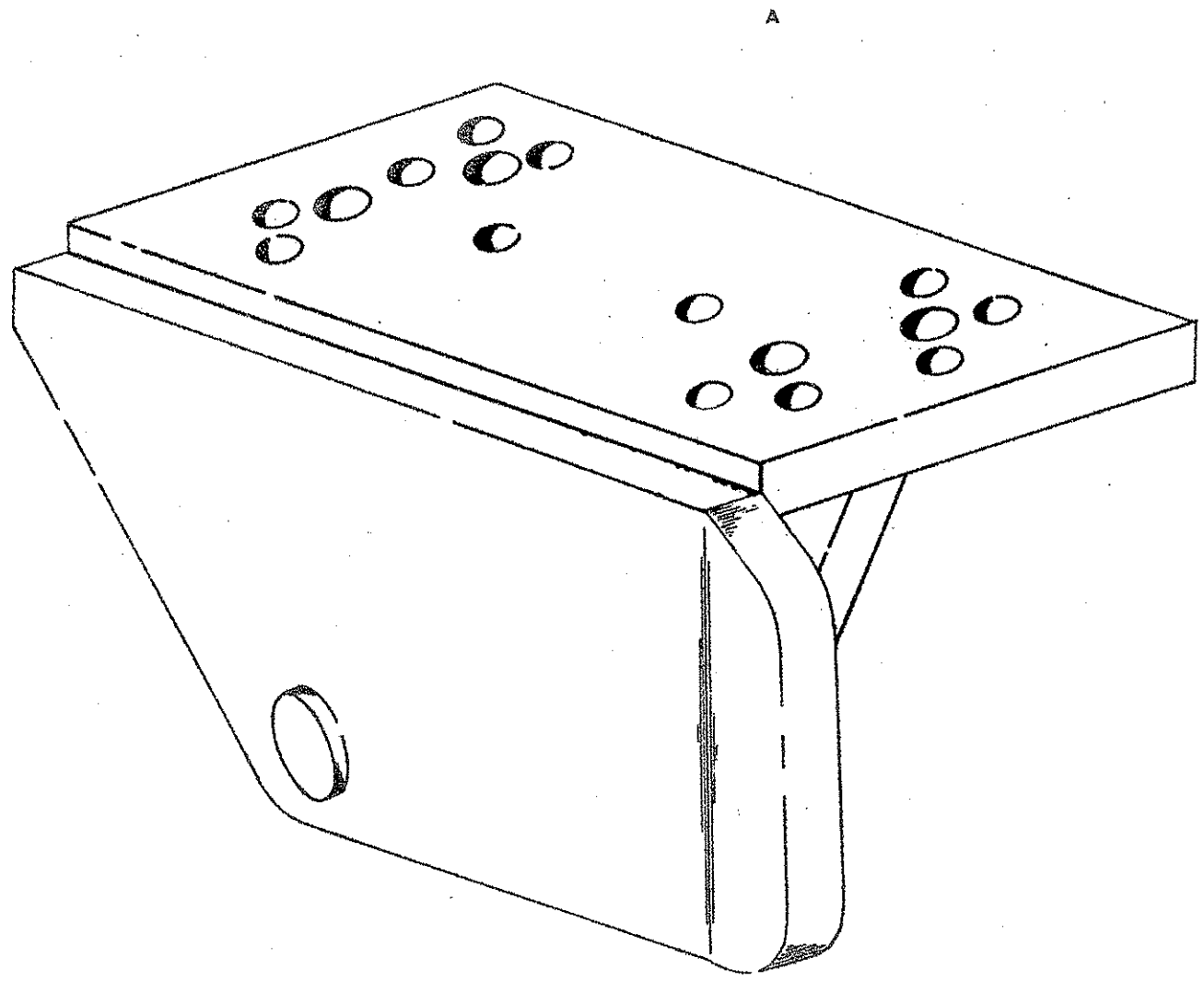


FIGURE 1

FIGURE 1

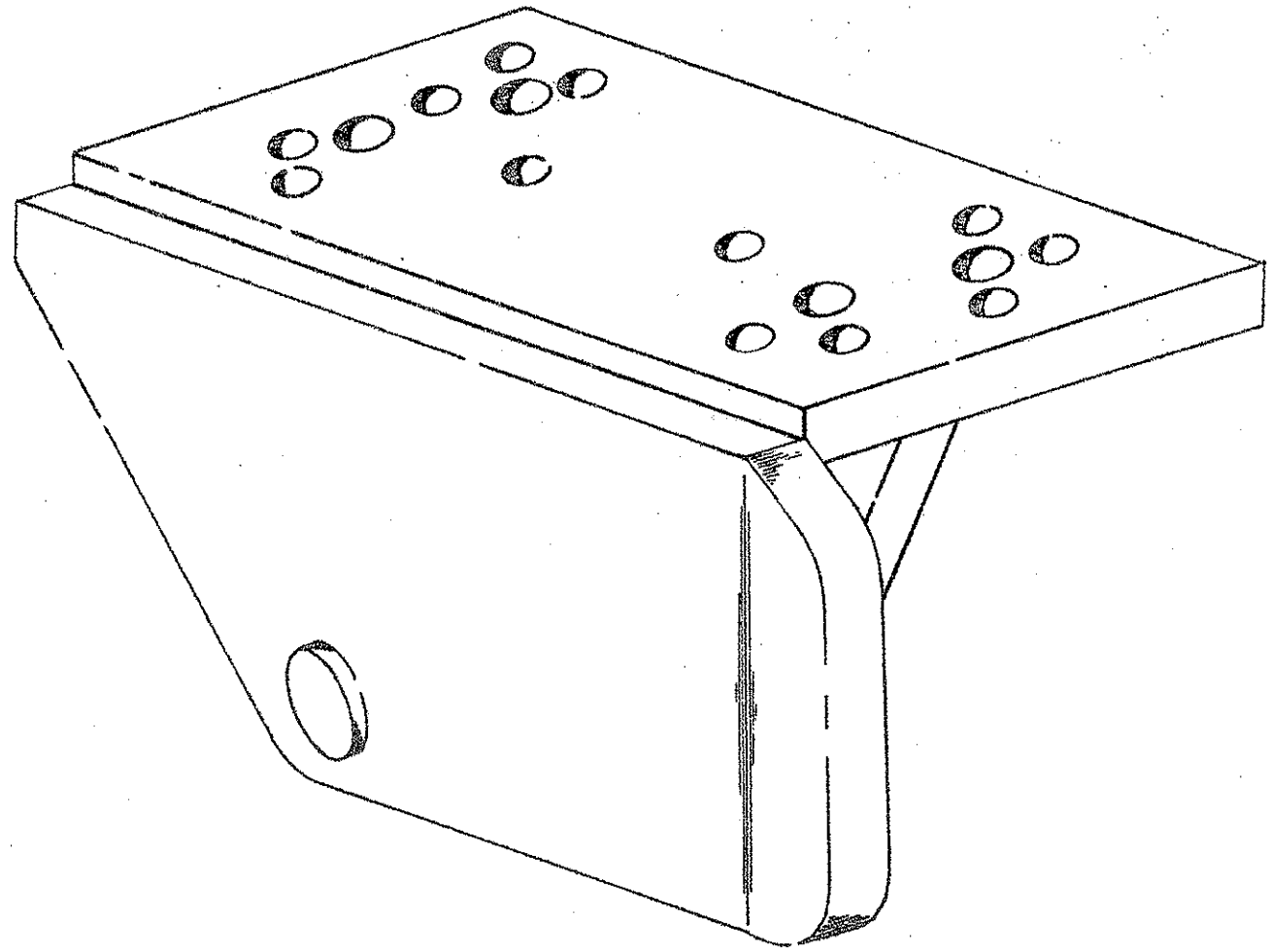
LEYLAND, 245, 253, 255, 270, 344 and 384 with LEYLAND SAFETY CAB

<u>Ref.</u>	<u>Part No.</u>	<u>Description</u>	<u>No. Off</u>
*	710414R	Rear Axle Bracket - Right Hand	1
*	710414L	Rear Axle Bracket - Left Hand	1
*	0850	Bolt 3" x 3/4" BSF hex hd H.T. (for 710414L/R)	8
*	0836	Stiffnut 3/4" BSF (for 0850)	8
*	710487	Short Top Link Assembly Complete	1
COMPRISING :			
*	710488	Centre Tube complete with Tommy Bar	1
*	710489	Ball End Cat I - Left Hand	1
*	710490	Ball End Cat II - Right Hand	1
*	2694	Locking Ring	1
*	710307A	Support Bracket for Valve and Safety Screen	1

NUFFIELD 3/45, 4/65, 10/42 and 10/60 with NUFFIELD SAFETY CAB

*	710414R	Rear Axle Bracket - Right Hand	1
*	710414L	Rear Axle Bracket - Left Hand	1
*	0850	Bolt 3" x 3/4" BSF hex hd H.T. (for 710414L/R)	8
*	0836	Stiffnut 3/4" BSF (for 0850)	8
*	710487	Short Top Link Assembly Complete	1
COMPRISING :			
*	710488	Centre Tube Complete with Tommy Bar	1
*	710489	Ball End Cat I - Left Hand	1
*	710490	Ball End Cat II - Right Hand	1
*	2694	Locking Ring	1
*	710307A	Support Bracket for Valve and Safety Screen	1

* Denotes parts not illustrated



A

FIGURE 1

FIGURE 1ZETOR CRYSTAL 8011 and 8045 with ZETOR SAFETY CAB

<u>Ref.</u>	<u>Part No.</u>	<u>Description</u>	<u>No. Off</u>
A	710300R	Rear Axle Bracket - Right Hand	1
*	710300L	Rear Axle Bracket - Left Hand	1
*	710477R	Spacer - Right Hand (for 710300R)	1
*	710477L	Spacer - Left Hand (for 710300L)	1
*	2356	Bolt 10.3/4" x 5/8" U.N.F. hex hd H.T. (for 710300L/R & 710477L/R)	8
*	2877	Bolt 2" x 5/8" hex hd H.T. (for 710300L/R & 710477L/R)	8
*	0956	Stiffnut 5/8" U.N.F. (for 2356 & 2877)	16
*	710307B	Support Bracket for Valve and Safety Screen	1

ZETOR 5711, 5718, 5745, 5748, 6711, 6718 and 6748 with ZETOR SAFETY CAB

<u>Ref.</u>	<u>Part No.</u>	<u>Description</u>	<u>No. Off</u>
*	710471R	Rear Axle Bracket - Right Hand	1
*	710471L	Rear Axle Bracket - Left Hand	1
*	3188	Setscrew M14 x 4 (8.8) (for 710471L/R)	6
*	3189	Washer M14 Spring (for 3188)	6
*	3190	Washer M14 Flat 'Form A' (for 3188)	6
*	710307A	Support Bracket for Valve and Safety Screen	1

* Denotes parts not illustrated

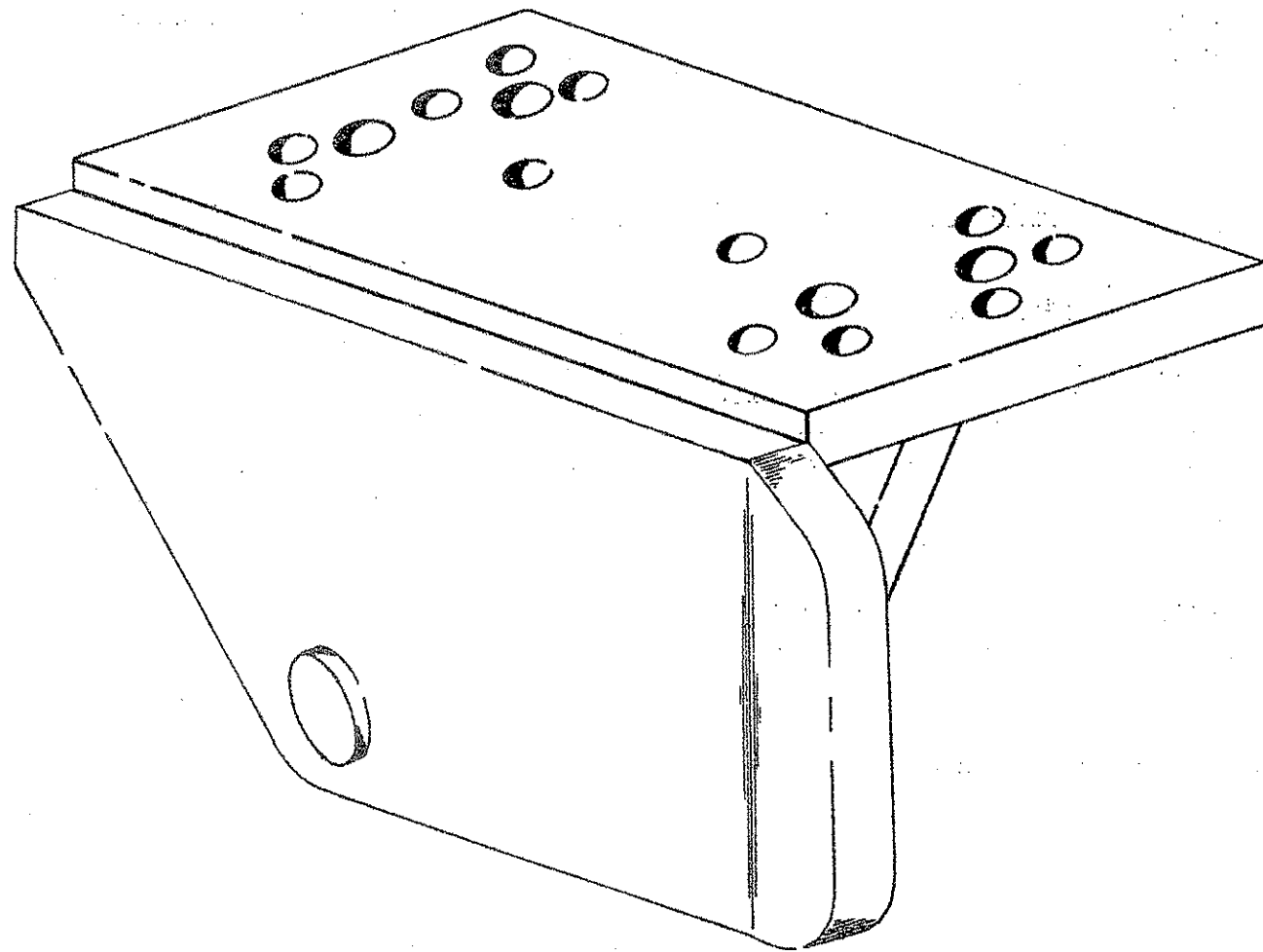


FIGURE 1

FIGURE 1DAVID BROWN 990, 995, and 996 with DAVID BROWN SAFETY CAB

<u>Ref.</u>	<u>Part No.</u>	<u>Description</u>	<u>No. Off</u>
*	710455R	Rear Axle Bracket - Right Hand	1
*	710455L	Rear Axle Bracket - Left Hand	1
*	710499	Pin (for 710455L/R)	2
*	0806	'R' Clip (for 710499)	2
*	1472	Setscrew 1.1/2" x 1/2" U.N.C. hex hd H.T. (710455L/R to Tractor)	6
*	1572	Washer 1/2" H.P. Bright Flat (for 1472)	6
*	0824	Washer 1/2" Spring (for 1472)	6
*	710307A	Support Bracket for Valve and Safety Screen	1

DAVID BROWN 1200, 1210, 1212 with DAVID BROWN SAFETY CAB

<u>Ref.</u>	<u>Part No.</u>	<u>Description</u>	<u>No. Off</u>
*	710455R	Rear Axle Bracket - Right Hand	1
*	710455L	Rear Axle Bracket - Left Hand	1
*	710500	Pin (for 710455L/R)	2
*	0806	'R' Clip (for 710500)	2
*	710501	Spacer	6
*	3230	Bolt 3.1/2" x 5/8" U.N.C. hex hd H.T.	6
*	1546	Washer 5/8" L.P. Bright Flat	6
*	0821	Washer 5/8" Spring	6
*	710307A	Support Bracket for Valve and Safety Screen	1

* Denotes parts not illustrated

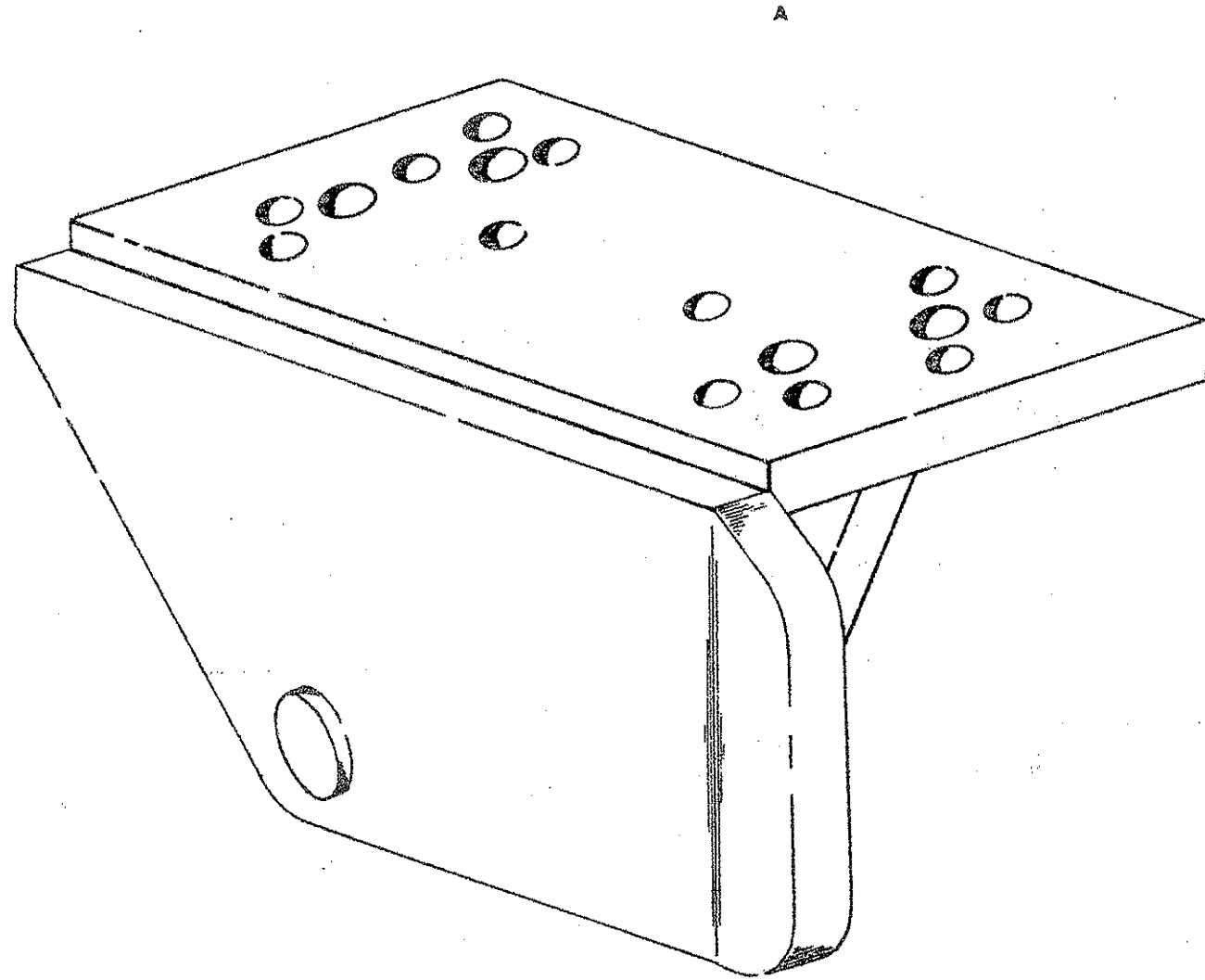


FIGURE 1

FIGURE 1

FIAT 640 with LAMBOURNE SAFETY CAB

<u>Ref.</u>	<u>Part No.</u>	<u>Description</u>	<u>No. Off</u>
*	710300R	Rear Axle Bracket - Right Hand	1
*	710300L	Rear Axle Bracket - Left Hand	1
*	2291	Bolt 8" x 3/4" BSF hex hd H.T. (for 710300L/R)	4
*	0831	Washer 3/4" Spring	4
*	0836	Stiffnut 3/4" BSF	4
*	710492	Attachment Beam for Tank Base - Left Hand	1
*	710494	Attachment Beam for Tank Base - Right Hand	1
*	710307A	Support Bracket for Valve and Safety Screen	1

BELARUS M.T.2.52 with DUNCAN SAFETY CAB

*	710596R	Rear Axle Bracket - Right Hand	1
*	710596L	Rear Axle Bracket - Left Hand	1
*	1472	Setscrew 1.1/2" x 1/2" UNC hex hd H.T. (for 710596L/R)	6
*	1572	Washer 1/2" Bright Flat (for 1472)	6
*	0824	Washer 1/2" Spring (for 1472)	6
*	710492	Attachment Beam for Tank Base - Left Hand	1
*	710494	Attachment Beam for Tank Base - Right Hand	1
*	710307B	Support Bracket for Valve and Safety Screen	1

JOHN DEERE 2020, 2030, 2130 and 3130 with JOHN DEERE SAFETY CAB

*	710452R	Rear Axle Bracket - Right Hand	1
*	710452L	Rear Axle Bracket - Left Hand	1
*	2674	Bolt 9" x 3/4" BSF hex hd H.T. (for 710452L/R)	8
*	0831	Washer 3/4" Spring (for 2674)	8
*	0893	Fullnut 3/4" BSF (for 2674)	8
*	710307A	Support Bracket for Valve and Safety Screen	1

* Denotes Parts not illustrated

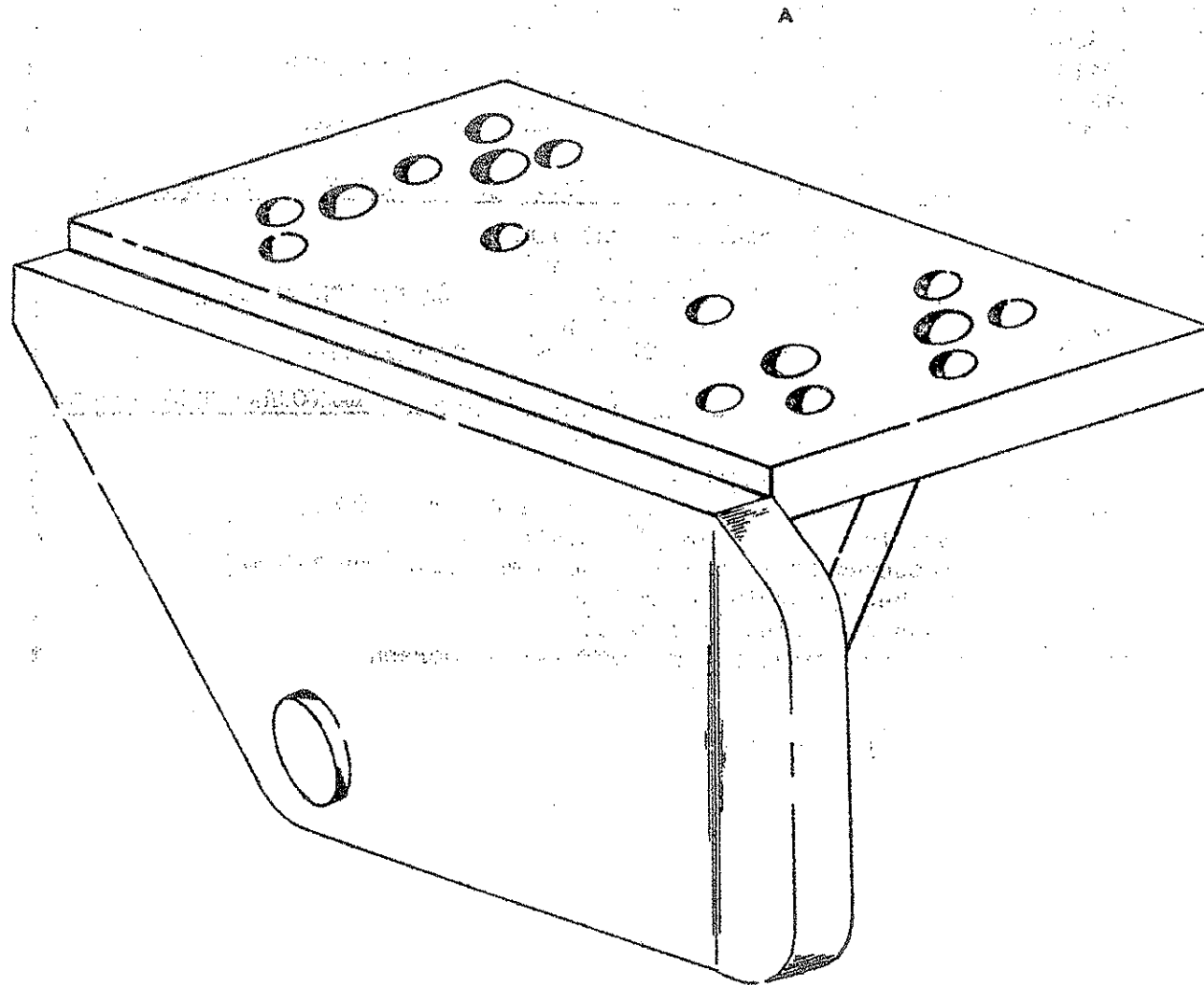


FIGURE 1

FIGURE 2

TRACTOR FITTINGS FOR TRACTORS WITH "QUIET" CABS

<u>Ref.</u>	<u>Part No.</u>	<u>Description</u>	<u>No. Off</u>
<u>FORD 4100 and 4600 WITH FORD QUIET CAB</u>			
A	710300R	Rear Axle Bracket - Right Hand	1
*	710300L	Rear Axle Bracket - Left Hand	1
*	2113	Bolt 8" x $\frac{3}{8}$ " B.S.W. Hex. head H.T. (for 710300 L/R)	4
*	1265	Stiffnut $\frac{3}{8}$ " B.S.W. (for 2113)	4
*	710307A	Support Bracket for Valve and Safety Screen	1
<u>FORD 5600, 6600 and 6700 WITH FORD "QUIET" CAB OR FLAT DECK CAB</u>			
A	710300R	Rear Axle Bracket - Right Hand	1
*	710300L	Rear Axle Bracket - Left Hand	1
*	3181	Bolt 8 $\frac{1}{2}$ " x $\frac{1}{2}$ " U.N.C. Hex. head H.T. (for 710300 L/R)	4
*	1265	Stiffnut $\frac{1}{2}$ " B.S.W. (for 3181)	4
*	710307B	Support Bracket for Valve and Safety Screen	1
<u>FORD COUNTY 6600, and 6600 FOUR WHEEL DRIVE WITH LAMBOURNE "QUIET" CAB</u>			
A	710300R	Rear Axle Bracket - Right Hand	1
*	710614	Rear Axle Bracket - Left Hand	1
*	3181	Bolt 8 $\frac{1}{2}$ " x $\frac{1}{2}$ " U.N.C. Hex. head H.T. (for 710300)	2
*	1265	Stiffnut $\frac{1}{2}$ " B.S.W. (for 3181)	2
*	1259	Setscrew 2" x $\frac{5}{8}$ " B.S.W. Hex. head H.T. (for 710614)	4
*	0821	Washer $\frac{5}{8}$ " Spring (for 1259)	4
*	1546	Washer $\frac{5}{8}$ " Flat (for 1259)	4
*	710307A	Support Bracket for Valve Safety Screen	1

* Denotes parts not illustrated

A

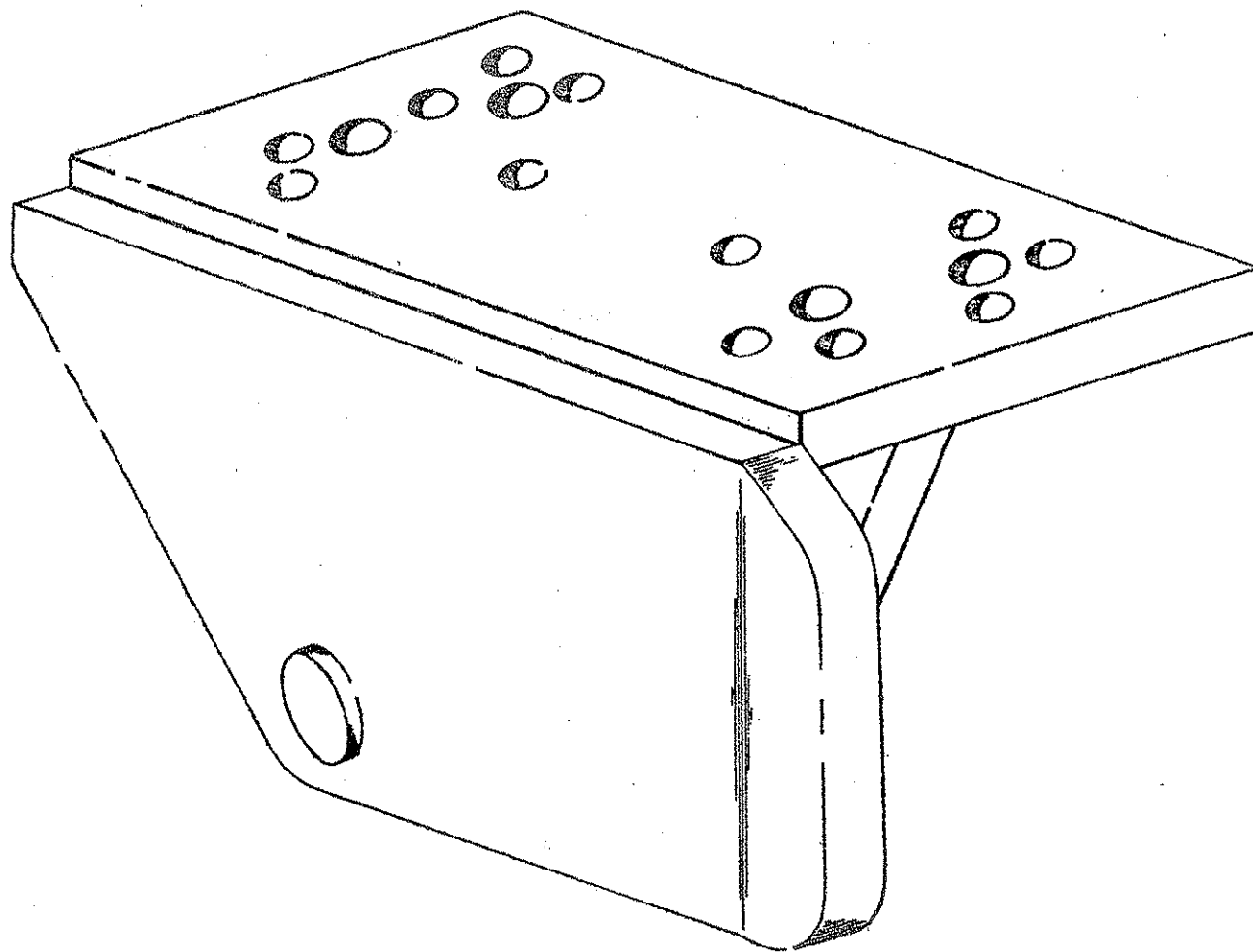


FIGURE 1

FIGURE 2 N.F. 565, 575, 590, 595 and 590, FOUR WHEEL DRIVE WITH N.F. "QUIET" CAB

<u>Ref.</u>	<u>Part No.</u>	<u>Description</u>	<u>No. Off</u>
A	710300R	Rear Axle Bracket - Right Hand	1
*	710300L	Rear Axle Bracket - Left Hand	1
*	710307A	Support Bracket for Valve	1
*	0298	Setscrew $1\frac{1}{2}$ " x $\frac{1}{4}$ " B.S.W. Hex.head H.T. (Safety Screen to Cab)	4
*	2638	Stiffnut $\frac{1}{2}$ " B.S.W. (for 0298)	4

INTERNATIONAL 454, 474, 475, 574, 654 and 674 WITH I.S.O. "QUIET" CAB

A	710300R	Rear Axle Bracket - Right Hand	1
*	710300L	Rear Axle Bracket - Left Hand	1
*	0286	Bolt 8" x $\frac{11}{8}$ " U.N.F. Hex.head H.T. (for 710300 L/R)	4
*	0821	Washer $\frac{5}{8}$ " Spring (for 0286)	4
*	0956	Stiffnut $\frac{5}{8}$ " U.N.F. (for 0286)	4
*	710592	Clamp Plate (for 710300 L/R)	2
*	2291	Bolt 8" x $\frac{5}{8}$ " B.S.F. hex.head H.T. (for 710592)	4
*	0831	Washer $\frac{5}{8}$ " Spring (for 2291)	4
*	710307A	Support Bracket for Valve and Safety Screen	1

LEYLAND 262 and 272 WITH LEYLAND "QUIET" CAB

*	710414R	Rear Axle Bracket - Right Hand	1
*	710414L	Rear Axle Bracket - Left Hand	1
*	0850	Bolt 3" x $\frac{5}{8}$ " B.S.F. hex.head H.T. (for 710414 L/R)	8
*	0836	Stiffnut $\frac{5}{8}$ " B.S.F. (for 0850)	8
*	710487	Special Top Ling Assembly Complete	1
	COMPRISING:		
*	710488	Short Centre Tube with Tommy Bar	1
*	710489	Ball End Cat. I - Left Hand	1
*	710490	Ball End Cat. II - Right Hand	1
*	2694	Locking Ring	1
*	710307A	Support Bracket for Valve and Safety Screen	1

* Denotes parts not illustrated.

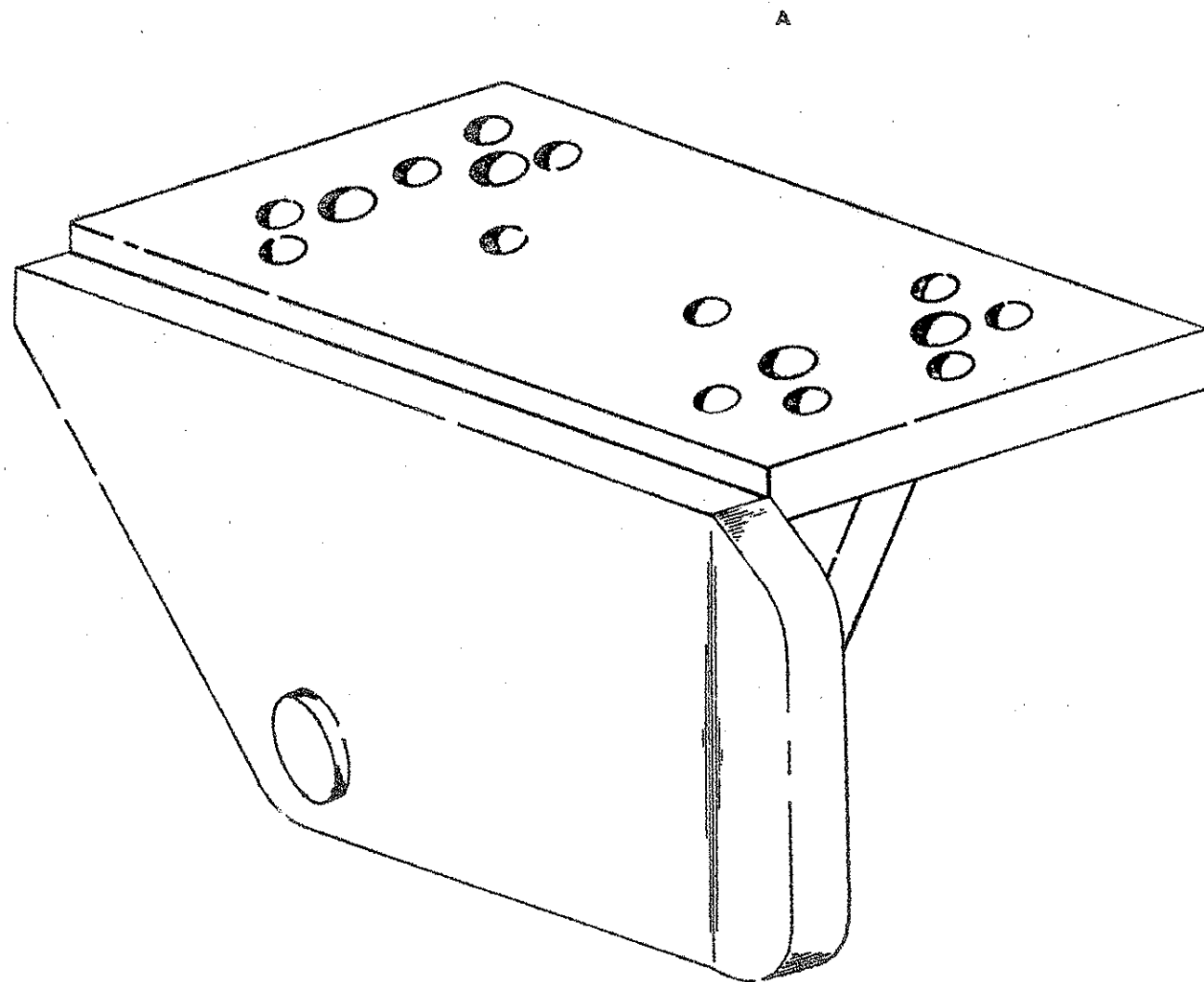


FIGURE 1

FIGURE 2

UNIVERSAL 550 WITH DUNCAN "QUIET" CAB

<u>Ref</u>	<u>Part No.</u>	<u>Description</u>	<u>No. Off</u>
*	710414R	Rear Axle Bracket - Right Hand	1
*	710414L	Rear Axle Bracket - Left Hand	1
*	710494	Attachment Beam for Tank Base - Right Hand	1
*	710492	Attachment Beam for Tank Base - Left Hand	1
*	710307A	Support Bracket for Valve and Safety Screen	1
<u>DEUTZ 6806, 7206 and 7206A WITH "KEP" QUIET CAB</u>			
*	710577R	Rear Axle Bracket - Right Hand	1
*	710577L	Rear Axle Bracket - Left Hand	1
*	710579	Support Bracket for Valve and Handle Pivot	1
*	710587	Linkage Arm	3
*	710582	Control Handle	3
*	710552	Clevis	3
*	710588	Clevis	3
*	0867	Nut $\frac{3}{8}$ " B.S.W.	3
*	2766	Fullnut MB	6
*	0884D	Plastic Knob - Black	1
*	0884B	Plastic Knob - Green	1
*	0884C	Plastic Knob - Blue	1
*	710307A	Support Bracket for Valve and Safety Screen	1

* Denotes parts not illustrated.

A

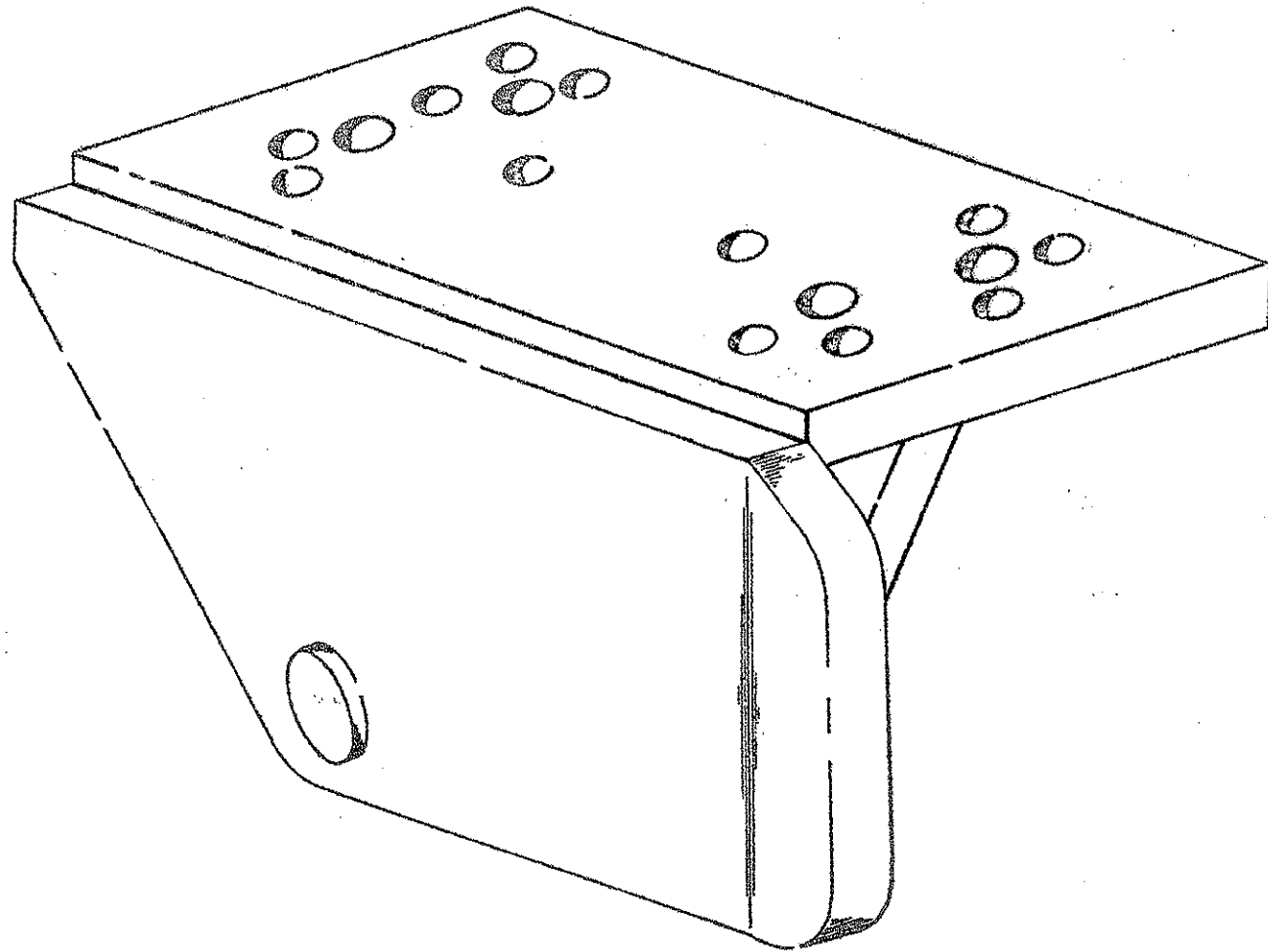


FIGURE 1

FIGURE 2

FIAT 780 and 880 WITH SICURCAB "QUIET" CAB

<u>Ref</u>	<u>Part No.</u>	<u>Description</u>	<u>No. Off</u>
*	710452R	Rear Axle Bracket - Right Hand	1
*	710452L	Rear Axle Bracket - Left Hand	1
*	0852	Bolt 9" x $\frac{5}{8}$ " B.S.F. hex.head H.T. (for 710452 L/R)	8
*	0843	Stiffnut $\frac{5}{8}$ " B.S.F. (for 0852)	8
*	710603	Spacing Plate (for rear axle housing - underside)	2
*	710604	Clamp Plate (for rear axle housing - top side)	4
*	710307B	Support Bracket for Valve and Safety Screen	1
*	710579	Support Bracket for Valve and Handle Pivot	1
*	710587	Linkage Arm	3
*	710582	Control Handle	3
*	710552	Clevis	3
*	710588	Clevis	3
*	0867	Nut $\frac{3}{8}$ " B.S.W.	3
*	2766	Fullnut M8	6
*	0884D	Plastic Knob - Black	1
*	0884B	Plastic Knob - Green	1
*	0884C	Plastic Knob - Blue	1
*	710487	Special Top Link Assembly Complete	1
	COMPRISING:		
*	710488	Short Centre Tube with Tommy Bar	1
*	710489	Ball End Cat. I - Left Hand	1
*	710490	Ball End Cat. II - Right Hand	1
*	2694	Locking Ring	1
*	710605	Rear Window Stay	1
*	710606	Lever Lock	1
*	3367	Self Tapping Screw No.12 x $\frac{3}{4}$ " Par head Type 2 (for 710606)	2

A

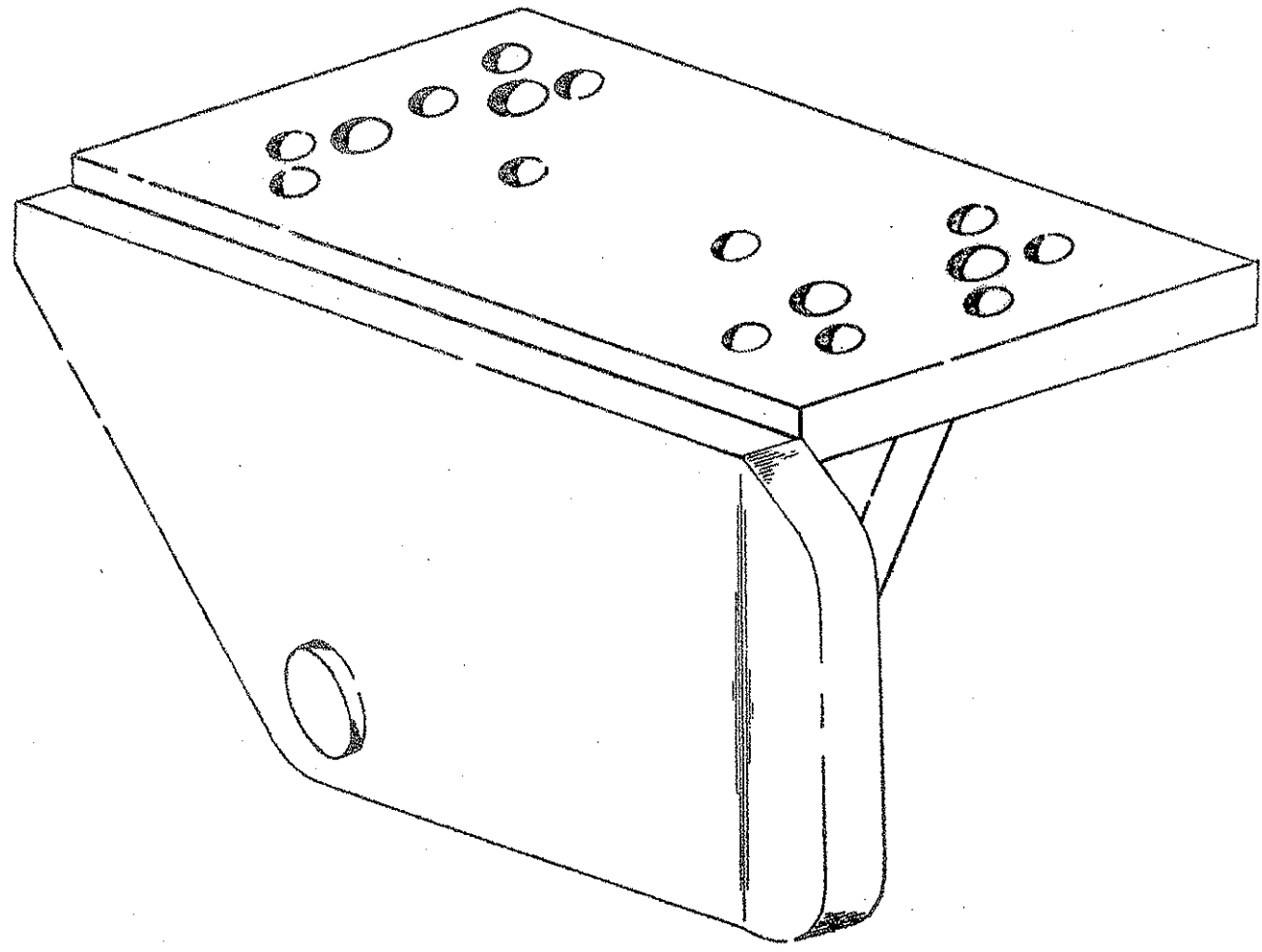


FIGURE 1

FIGURE 3

ATTACHMENT BEAMS

<u>Ref.</u>	<u>Part No.</u>	<u>Description</u>	<u>No. Off</u>
A	710639	Attachment Beam	1
B	710647A	Attachment Beam - for L.H. cut machines (All models except Ford County 6600 with Lambourne Safety Cab.)	1
*	710647B	Attachment Beam - for R.H. cut machines (all models except Ford County 6600 with Lambourne Safety Cab.)	1
*	710617	Attachment Beam - Left Hand (Ford County 6600 with Lambourne Safety Cab. Only)	1
C	2704	Bolt M16 x 50 (8.8) (for 710647A and 710639 to Tank)	8
D	2867	Washer M16 Flat (for 2704)	4
E	2722	Stiffnut M16 (for 2704)	8
F	710433	Stand Leg (for 710647A and 710639)	2
G	0806	Spring Clip (for 710433)	2
H	710256B	Securing Arm (for 710639 and 710647A) - All Models except Ford County 6600 with Lambourne Safety Cab	2
*	710619	Securing Arm (for 710617) Ford 6600 with Lambourne Safety Cab Only	1
J	3062	Washer M20 Flat (for 710256B)	2
K	2957	Fullnut M20 (for 710256B)	2
L	2726	Locknut M20 (for 710256B)	2
M	710511	Handle for Securing Arm	2
N	2700	Bolt M12 x 45 (71/647A to Safety Screen Support Bracket)	2
P	2716	Washer M12 Flat (for 2700)	3
Q	2720	Stiffnut M12 (for 2700)	2

* Denotes parts not illustrated

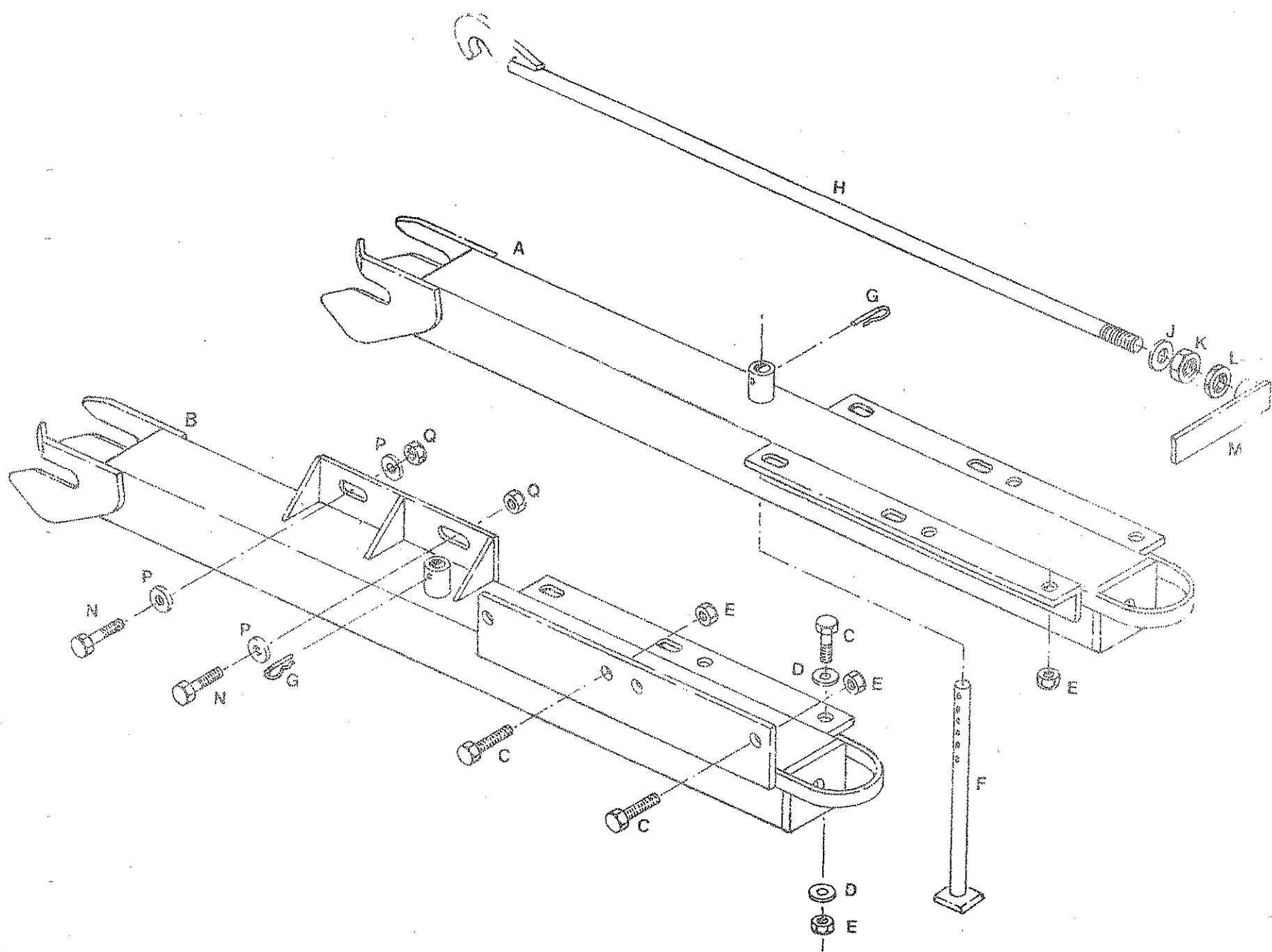


Fig. 3

FIGURE 4

SAFETY SCREEN and SUPPORT BRACKET

<u>Ref.</u>	<u>Part No.</u>	<u>Description</u>	<u>No. Off</u>
A	710307A	Support Bracket for Valve and safety screen (See Figure 1 and 2	1
*	710307B	Support Bracket for Valve and safety screen for tractor fitting)	1
B	710305	Support Stand for Valve Block	1
C	2699	Bolt M10 x 70 (8.8) (for 710307, 710305 and 710317)	3
D	2732	Stiffnut M10 (for 2699)	3
E	710322	Support Stand for safety screen (all models except MF 565, 575, 590 with MF New Cab and Zetor 57 and 67 range)	1
*	710568	Support Stand for safety screen (Zetor 57 and 67 range only)	1
F	710317	Frame for safety screen (all models except MF 565, 575 and 590 with MF New Cab)	1
G	710721	Safety Screen (all model except MF 565, 575 and 590 with MF New Cab	1
*	710600	Safety Screen	1
*	710601	Spacer	1
*	0298	Setscrew 1.1/4" x 1/4" BSW hex hd H.T.	4
*	2638	Stiffnut 1/4" BSW (for 0298)	4
H	3450	Setscrew 1" x 2BA (710721 to 710317)	4
J	3438	Setscrew 1.3/4" x 2A (710721 to 710317)	2
K	3439	Washer M5 (for 3450 and 3438)	4
L	3440	Rubber Grommet (for 3450 and 3438)	12
M	0388	Stiffnut 2BA (for 3450 and 3438)	6
			6

* Denotes parts not illustrated

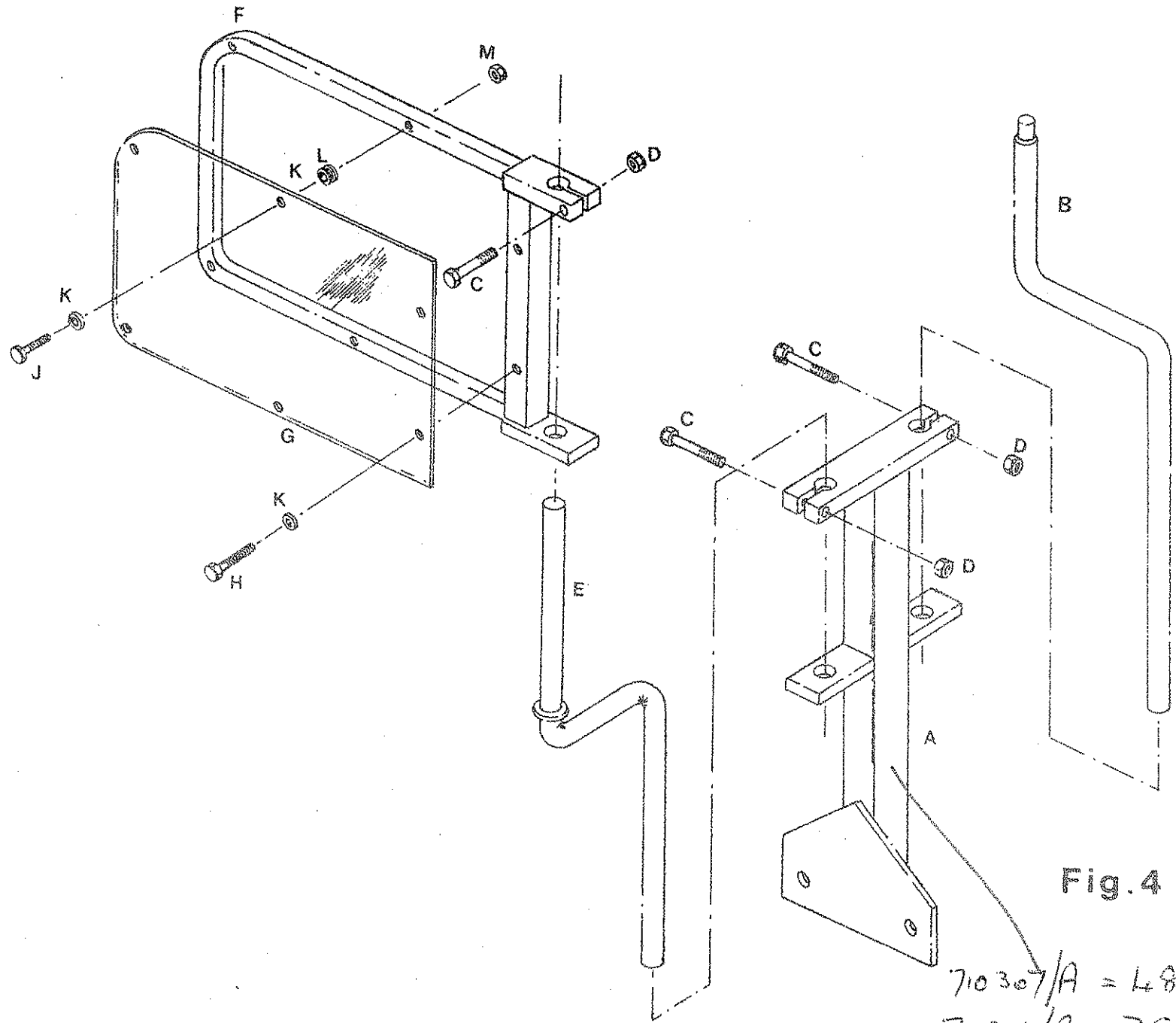


Fig. 4

FIGURE 5

HYDRAULIC CONTROL AND MOUNTING

<u>Ref.</u>	<u>Part No.</u>	<u>Description</u>	<u>No.Off.</u>
A	710036	Support Bracket for Control Handle	1
B	710510 ^A	Control Handle	1
C	3139	Bolt M10 x 140 (8.8) (710510 to 710036)	1
D	2732	Stiffnut M10 (for 3139)	1
E	710595	Control Rod - Inner	3
F	3350	Clevis Pin NB250 (for 710595)	3
G	3336	Clip (for 3350)	3
H	710553	Control Rod - Outer	3
J	0330	Socket Setscrew $\frac{1}{4}$ " x $\frac{1}{4}$ " BSW cup (710553 to 710595)	3
K	3348	Clevis Pin - Short	3
L	3349	Clip SL 187 (for 3348)	3
M	710030	Support Bracket for Valve Block	1
N	2950	Setscrew M12 x 30 (8.8) (710030 to 710036)	1
P	2736	Locknut M12 (for 2950 and 2748)	2
W	2748	Setscrew M12 x 40 (8.8) (710030 to 710305)	1
K	2765	Bolt M8 x 70 (8.8)	2
S	3186	Washer M8 Flat Bright Form 'C' (for 2765)	1
T	2719	Stiffnut M8 (for 2765)	2
U	710174	Direction Plate	1
V	0460	Drive Screw $\frac{1}{2}$ " x No. 6 Type U (for 710174)	

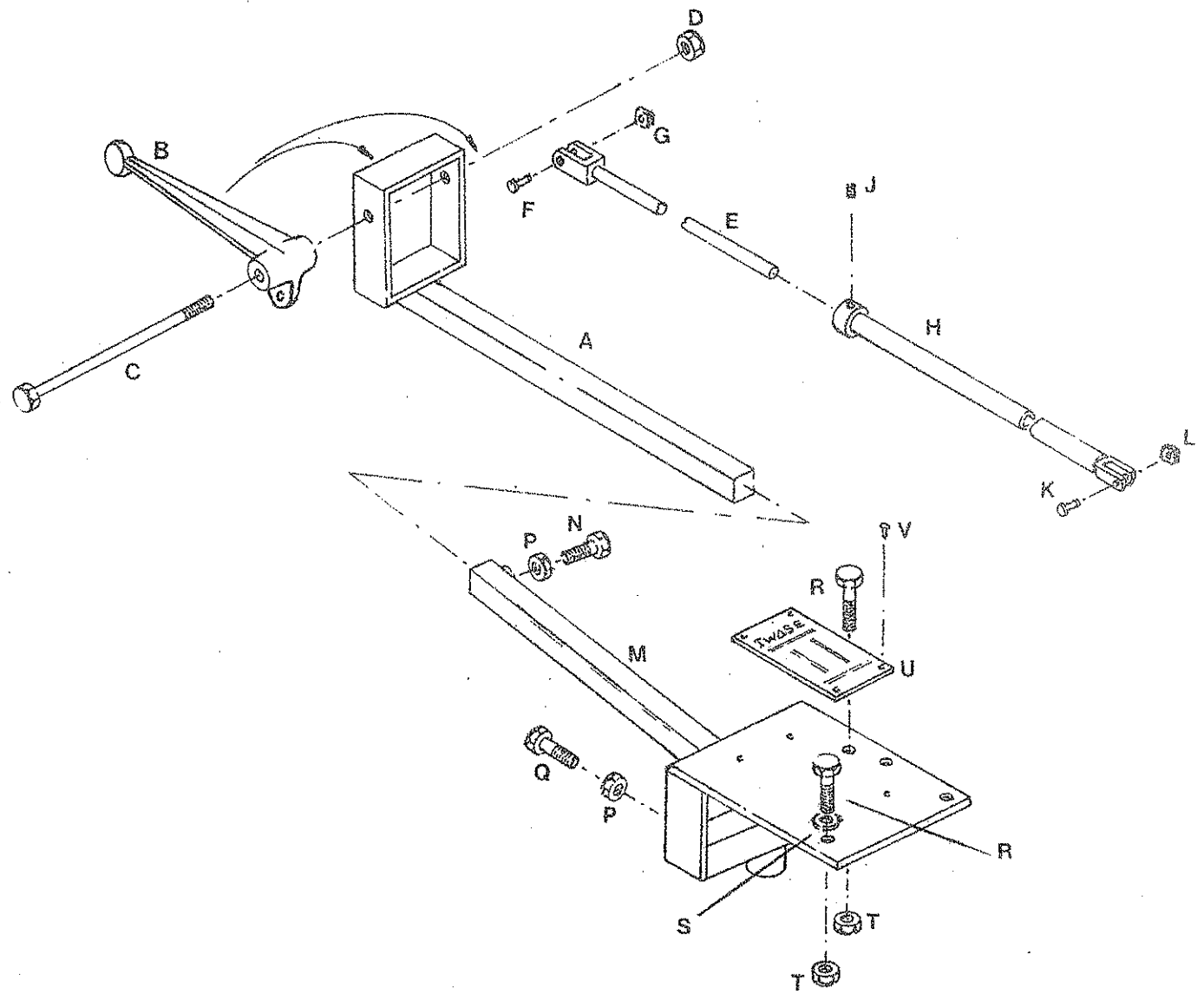


Fig. 5

FIGURE 6

TANK ASSEMBLY

<u>Ref.</u>	<u>Part No.</u>	<u>Description</u>	<u>No. Off</u>
A	710655	Main Frame	1
B	710651	Ram Pin (Main Boom Ram to Tank)	1
(79) C	1350	Groverlock Pin 2" x 1/2" (for 710652 and 710363A) (79)	1
FF	0806	Spring Clip	1
D	3131	Adaptor 1/2" B.S.P.T. x 1" B.S.P. (for 710655 and 3414)	2
E	3414	Gate Valve	1
(79) F	710363A	Pin (Main Boom to Tank)	1
G	3127	Oil Level Gauge Complete	1
H	1657	1/2" Diameter Pin, Chain, Linch Pin & Ring (for 710655)	1
J	190050	Conversion Bush Cat I (for 1657)	1
K	310078	Pipe Clamp (for 710655)	3
L	2710	Setscrew M10 x 30 (8.8) (310078 to 710655)	3
M	2728	Washer M10 Spring (for 2710)	3
N	3327	Locknut 1/2" B.S.P. (for 710655)	1
P	3132	Elbow 1/2" B.S.P. Male/Female 90° (for 710655)	1
Q	1181	Dowty Seal 1/2" B.S.P. (for 1823)	1
R	1823	Adaptor 1/2" B.S.P. x 1/2" B.S.P. (for 710655)	1
S	3125	Oil Filler Cap Complete	1
T	710541	Stand Leg - Tubular (for 710655)	1
U	710438	Pin (710541 to 710655)	1
V	1498	Linch Pin and Ring 1/2" (for 710438)	1
W	3437	Plug 1/2" B.S.P.T. Sq.Hd. (for 710655)	1
X	2712	Setscrew M12 x 35 (8.8) (for 710655)	2
Y	0909	Dowty Seal 1/2" (for 2712)	2
	NOTE:	The following items are available as an optional extra only:-	
Z	710325	Extension Weight Frame	1
AA	1561	Washer 1" L.P. Flat (for 710325)	2
BB	1352	Cotter Pin 2" x 3/16" (710325 to Tank)	2
CC	2729	Washer M12 Spring (for 2931)	1
DD	2931	Setscrew M12 x 25 (8.8) Caphead	1
EE	710358	Pin (for 710325)	1

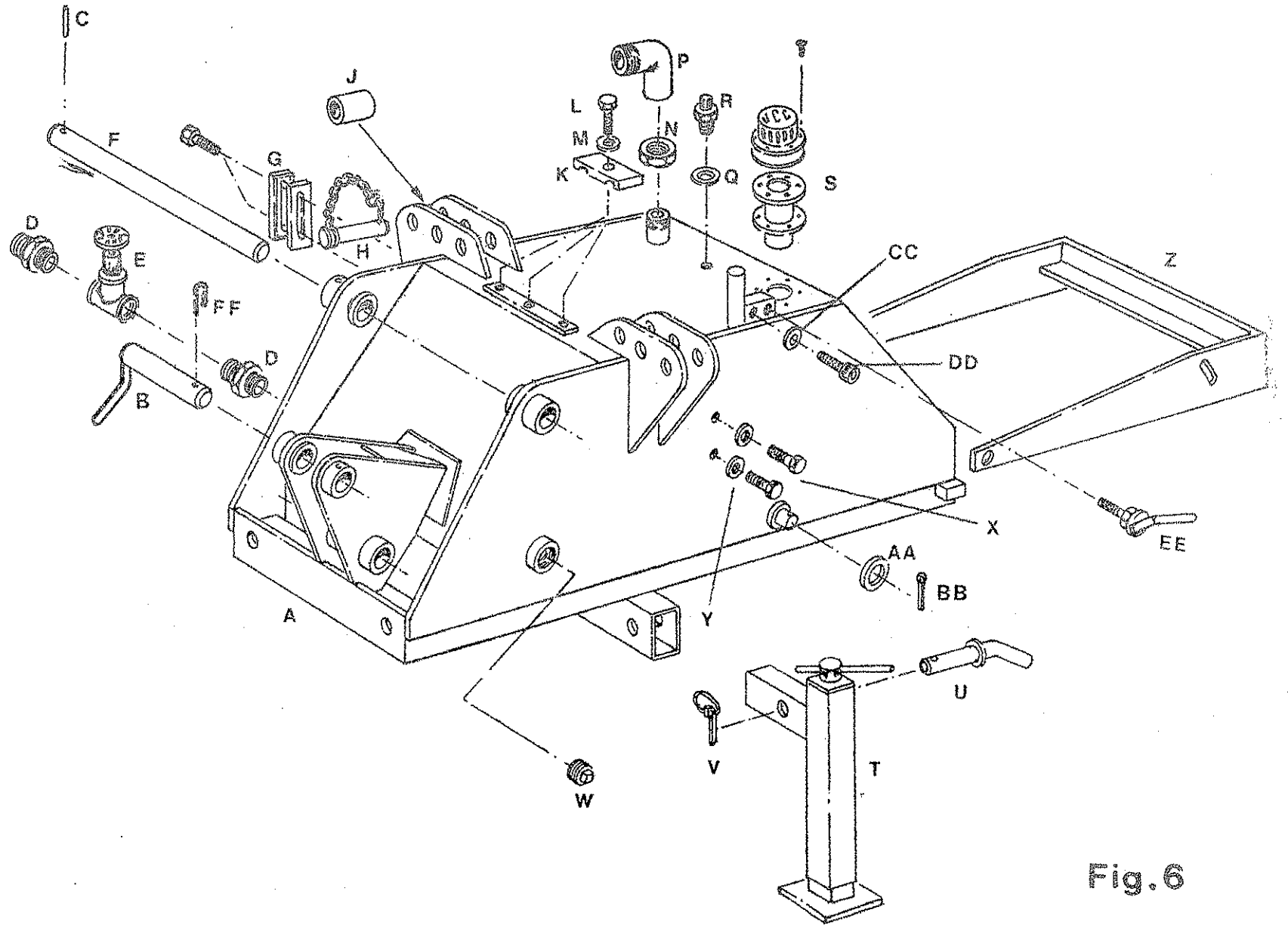


Fig. 6

FIGURE 2

MAIN BOOM ASSEMBLY



<u>Ref.</u>	<u>Part No.</u>	<u>Description</u>	<u>No. Off</u>
A	710289	Main Boom	1
B	710363B	Pin (710289 to Second Boom)	1
C	1350	Groverlock Pin 2" x 1/4" (for 710363B, 710364A and 710364C)	3
D	710397A	Pipe Clamp (for 710289)	2 (79)
E	3055	Bolt M10 x 100 (8.8) (710397A to 710289)	1 (79)
F	3137	Bolt M10 x 50 (8.8) (710397A to 710289)	1
G	2728	Washer M10 Spring (for 3055, 3137 and 2710)	5 (79)
H	2722	Stiffnut M10 (for 3055)	1
J	2944	Grease Nipple M10 x 1.5 90° (for 710289)	1
K	3124	Bush 3040m (for 710289)	2
L	310078	Pipe Clamp (for 710289)	2
M	2710	Setscrew M10 x 30 (8.8) (310078 to 710289)	2
N	710364C	Pin (710289 to Second Boom Ram)	1
P	710364A	Pin (710289 to Main Boom Ram)	1

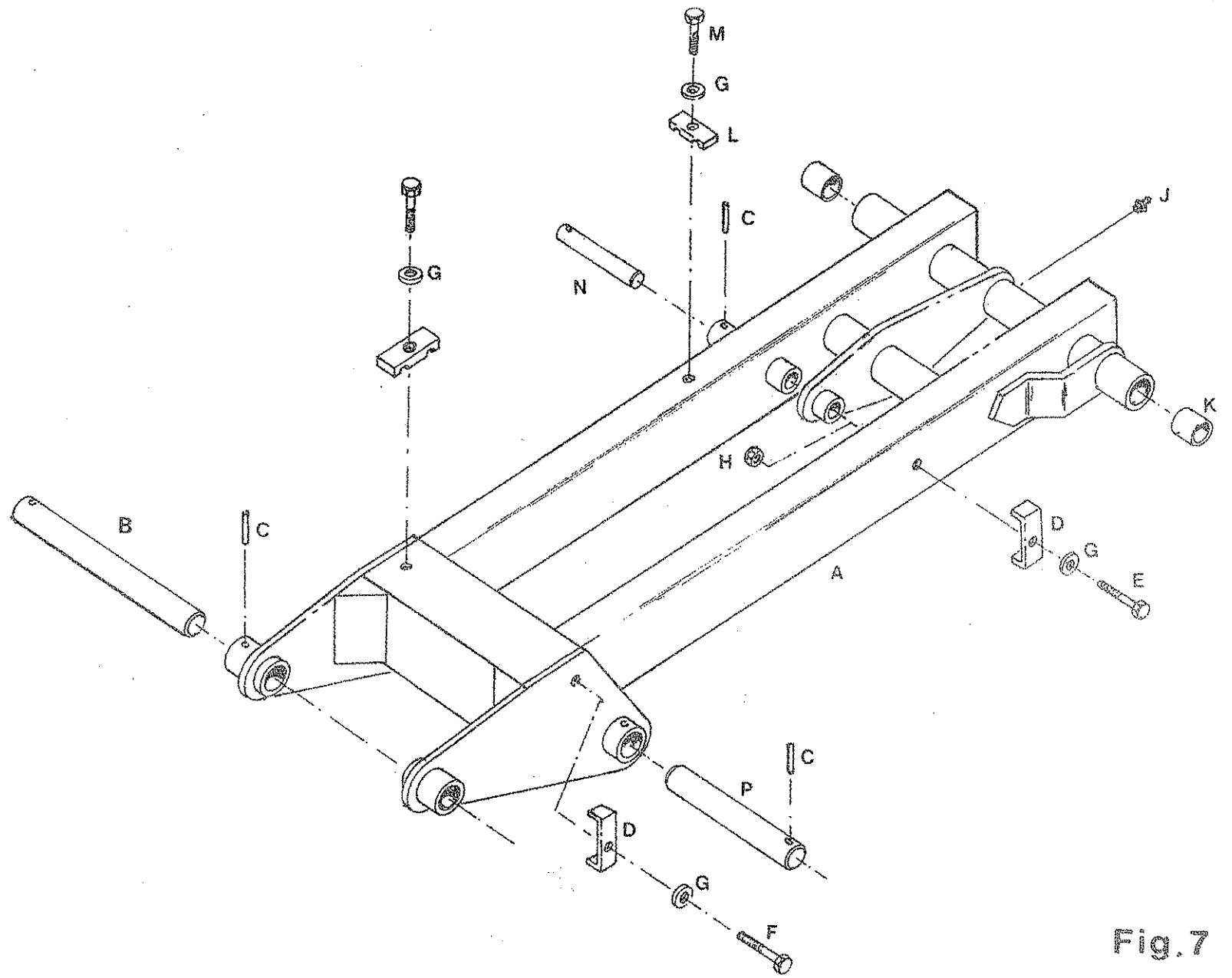


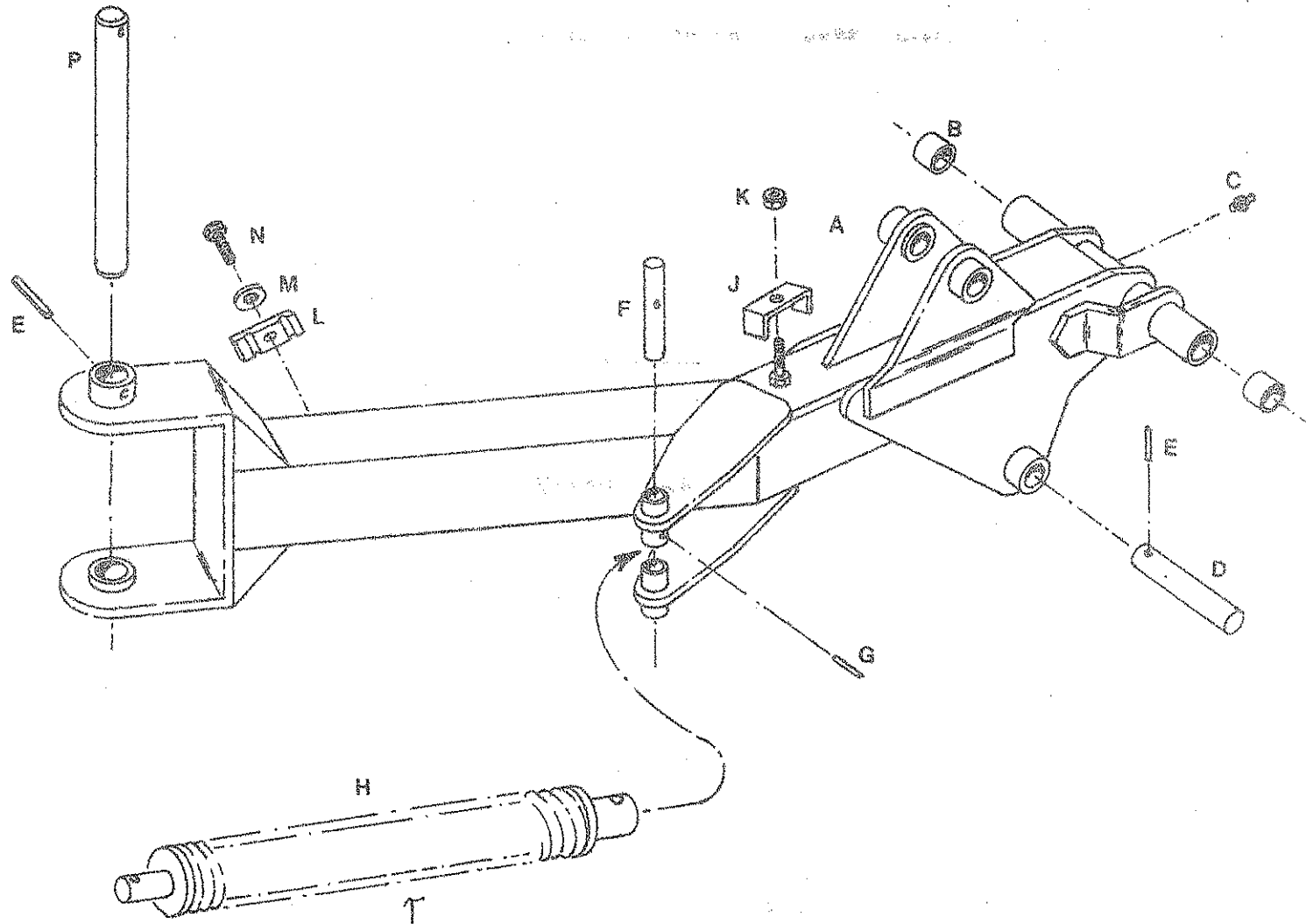
Fig. 7

FIGURE 8

SECOND BOOM ASSEMBLY

<u>Ref.</u>	<u>Part No.</u>	<u>Description</u>	<u>No. Off</u>
(79) A	710682	Second Boom	1
B	3124	Bush 3040m (for 710682)	2
C	2923	Grease Nipple M10 x 1.5 (for 710682)	1
D	710364A	Pin (710682 to Second Boom Ram)	1
(79) E	1350	Groverlock Pin 2" x 1/4" (for 710364A and 7103630)	2
(79) F	710722	Pin (710682 to breakaway spring)	1
G	0862	Groverlock Pin 1.1/2" x 1/4" (for 710722)	1
H	710557	Breakaway Spring (for 710682)	1
J	710397A	Pipe Clamp (for 710682)	1
K	2732	Stiffnut M10 (710397A to 710682)	1
L	310078	Pipe Clamp (for 710682)	1
M	2728	Washer M10 Spring (for 2917)	1
N	2917	Setscrew M10 x 25 (8.8) (310078 to 710682)	1
(79) P	7103630	Pin (710682 to Outer Boom)	1

* ²⁰⁶⁶ ~~2711~~ M16x50 Bolt (Replaces 710722) 1
 * 2722 M16 Stiffnut (For 2911) 1



710564 = 1 IN ϕ 5/2 UNIT

Fig. 8

FIGURE 9

OUTER BOOM ASSEMBLY

Ref.	Part No.	Description	No. Off
A	710688	Outer Boom	1
B	3124	Bush 3040m (for 710688)	4
C	710365	Pin (710688 to Head Angling Ram)	1
D	1350	Groverlock Pin 2" x 1/4" (for 710365 and 710713)	2
(79) E	710722	Pin ^{now 2866 16 x 140 + 2722 NOT}	1
F	0862	Groverlock Pin 1 1/2" x 1/4" (710722 to breakaway ram)	1
(79) G	710699	Pivot Plate (for 710688 and 710698)	2
H	710711	Pivot Boss	1
J	2923	Grease Nipple M10 x 1.5 (for 710688)	3
K	2042	Bolt 6 1/4" x 3/4" BSF hex hd. H.T. (710699 to 710698)	1
(79) L	3441	Bolt M20 x 160 (8.8) (710699 to 710688)	1
M	0836	Stiffnut 3/4" BSF (for 2042)	1
(79) N	2749	Stiffnut M20 (for 3441)	1
P	710698	Head Angling Ling (for 710692)	1
Q	0811	Grease Nipple 1/4" Drive Fit (for 710698)	2
R	1984	Bush L1212 BG (for 710698)	1
(79) S	710692L	Support Bracket for Cutting Head(L.H. Cutting Machines Only)	1
* T	710692R	Support Bracket for Cutting Head(R.H. Cutting Machines Only)	1
U	1965	Bolt 3" x 3/4" BSW hex hd. H.T. (710698 to 710692)	1
V	1283	Stiffnut 3/4" BSW (for 1965)	1
(79) W	710713	Pin (710692 to 710688) ^{now 710777}	1
X	710082	Clamp Plate (for 710692)	1
Y	3000	Bolt M24 x 110 (8.8) (710082 to 710692)	2
Z	2992	Stiffnut M24 Nyloc (for 3000)	2
AA	710397A	Pipe Clamp	1
	2732	Stiffnut M10 (for 710397A)	1

* Denotes parts not illustrated.

* 2295 Groverlock Pin 3/8 x 2" (For 710377)
 * 710798 SPACER (FOR 710795) REPLACES 710745 ON FIG 19.

* ~~241~~ ²⁸⁶⁶ M16 x ~~150~~ ¹⁴⁰ Bolt
 * 2722 M16 Stiffnut

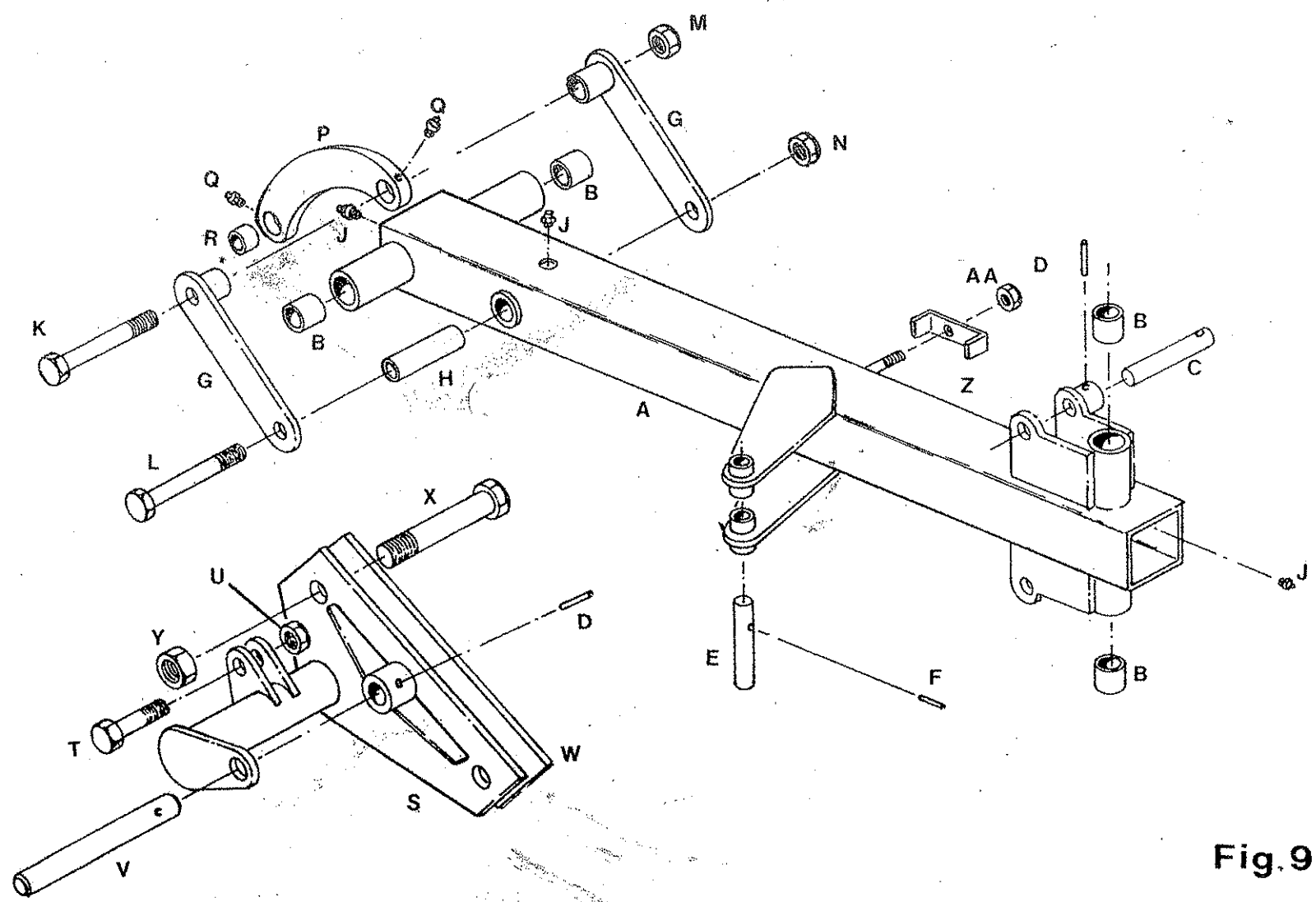


Fig. 9

FIGURE 10

FLAIL HEAD ASSEMBLY 1.2 METRE

<u>Ref.</u>	<u>Part No.</u>	<u>Description</u>	<u>No. Off</u>
A	710676L	Head Assembly (Left Hand Cutting Machines Only)	1
*	710676R	Head Assembly (Right Hand Cutting Machines Only)	1
B	710702	Bearing Plate (for 710676)	1
C	2950	Setscrew M12 x 30 (8.8) (710702 to 710676)	3
D	2720	Stiffnut M12 (for 2950)	3
E	3442	Flanged Bearing (for 710702)	2
F	2929	Bolt M16 x 45 (8.8) (3442 to 710702)	8
G	2722	Stiffnut M16 (for 2929)	8
H	710727	Cover Plate (for 3442)	1
J	710714	Cover Plate (for 3442)	1
K	710718	Roller Bracket - Fixed	1
L	710717	Roller Shaft (for 710718)	1
M	0862	Groverlock Pin $1\frac{1}{2}$ " x $\frac{1}{4}$ " (710717 to 710718)	1
N	710715	Roller	1
P	2919	Bearing (for 710715)	2
Q	710720	Roller Bracket - Adjustable	1
R	2962	Setscrew M12 x 35 (8.8) (710718 and 710720 to 710676)	4
S	3192	Washer M12 Black H.P. Form 'C' (for 2962)	4
T	2720	Stiffnut M12 (for 2962)	4
U	0819	Washer - Spring Disc (for 710715)	2

* Denotes parts not illustrated

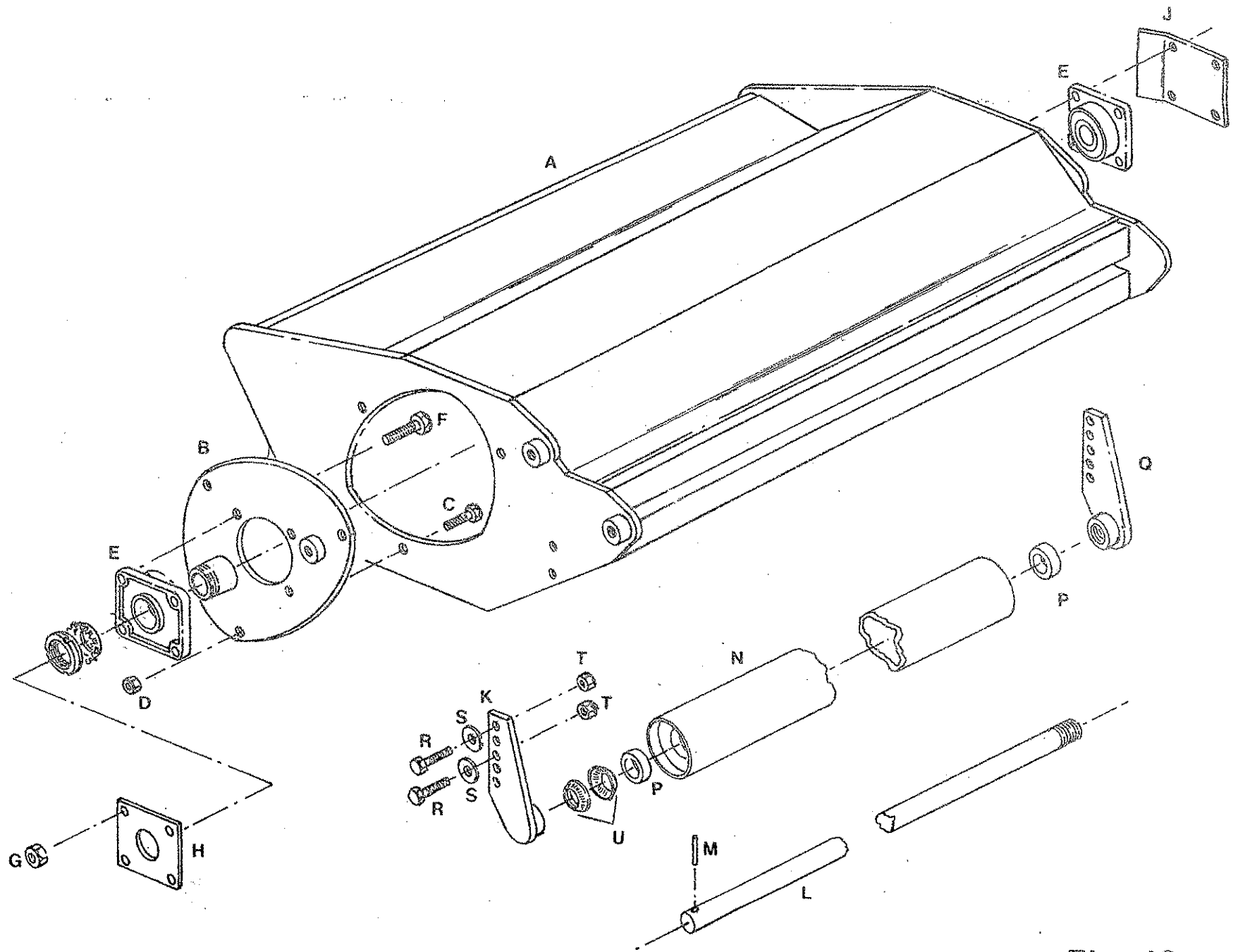


Fig. 10

FIGURE 11

ROTOR ASSEMBLY 1.2 METRE

<u>Ref.</u>	<u>Part No.</u>	<u>Description</u>	<u>No. Off</u>
A	710680L	Rotor (Left Hand cutting machines only)	1
*	710680R	Rotor (Right Hand cutting machines only)	1
B	710384	Twisted Flail	33
C	710467	Spacer (for 710384)	33
D	3329	Bolt 1.3/4" x 1/2" UNF hex hd H.T. (710384 to 710680R)	33
E	3330	Stiffnut 1/2" UNF Nyloc (for 3329)	33
F	3009	Pulley 3DA112 (for 710680L/R)	1
G	3010	Bush 1610 x 1.1/4" taperlock (3009 to 710680L/R)	1
*	3220	Socket Setscrew 5/8" x 3/8" BSW round point (for 3010)	3
H	3079	Key 1.1/4" x 1/4" x 5/16" (for 3009 and 3011)	2
J	2983	Belt SPA1060 (for 3009 and 3011)	3
K	3011	Pulley 3DA125 (for 3394)	1
L	3393	Bush 2012 x 1.1/8" taperlock (3011 to 3394)	1
*	3493	Socket Setscrew 7/8" x 7/16" BSW round point (for 3393)	3
M	3394	Piston Motor	1
N	710710	Motor Plate	1
P	3399	Setscrew M12 x 45 Countersunk Socket (3394 to 710710)	2
Q	3082	Stiffnut M12 Nyloc (for 3399)	2
R	2748	Setscrew M12 x 40 (8.8) (710710 to Flail Head)	3
S	2729	Washer M12 Spring (for 2748)	3
T	3192	Washer M12 Flat Form 'C' (For 2748)	3

* Denotes parts not illustrated

* 3397 Shaft Seal for 3394

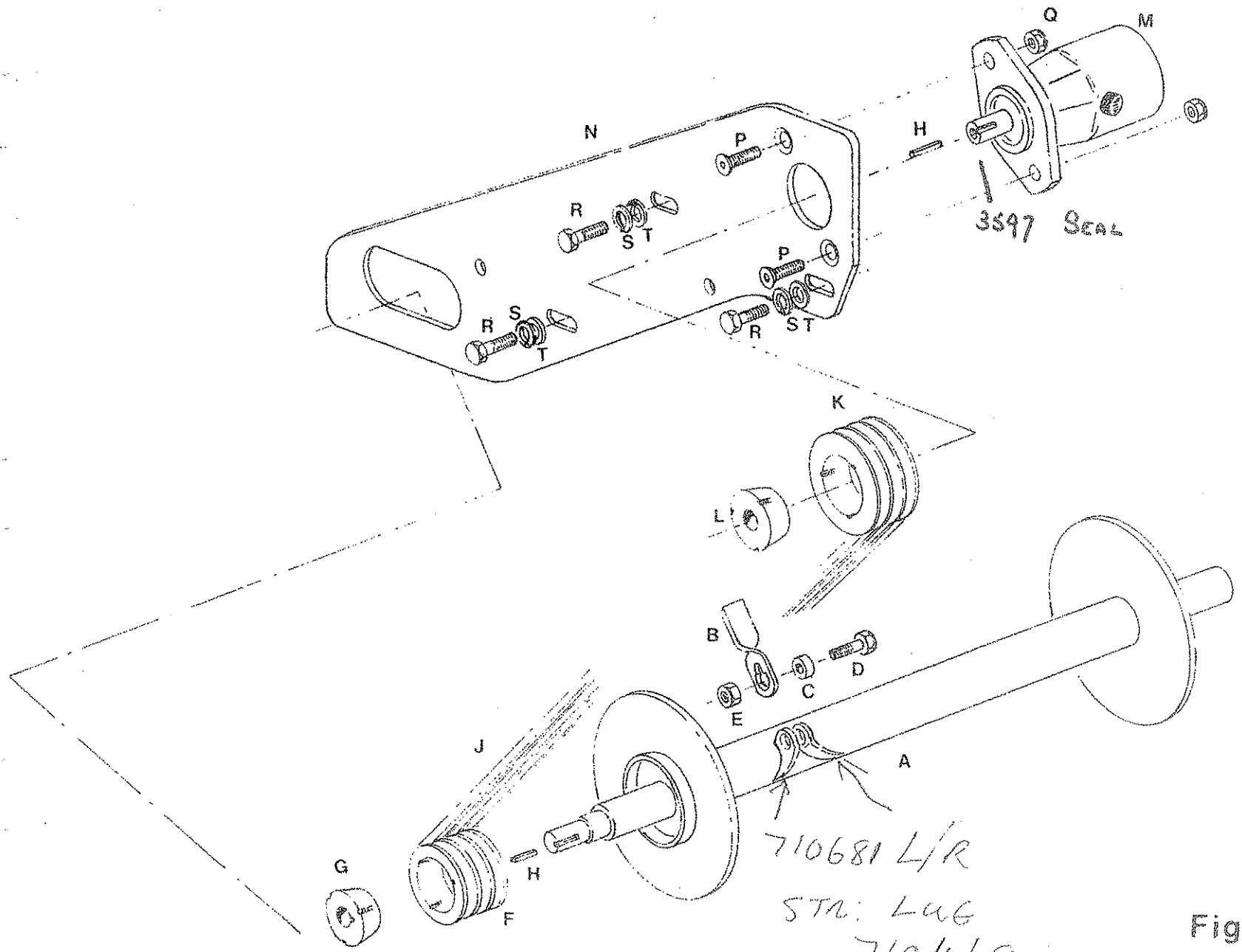


Fig. II

FIGURE 12FLAIL HEAD BELT and PULLEY GUARD

<u>Ref.</u>	<u>Part No.</u>	<u>Description</u>	<u>No. Off</u>
A	710416	Guard for Flail Head Belt	1
B	710417A	Spacer - Hexagonal Short (For 710416)	1
C	2730	Spring Washer M16 (For 2892 and 2948)	4
D	2892	Setscrew M16 x 40 (8.8) (For 710417A)	1
E	710417B	Spacer - Hexagonal Long (For 710416)	1
F	2948	Setscrew M16 x 30 (8.8) (For 710416)	3
G	2867	Washer M16 Bright Flat (For 2948)	2

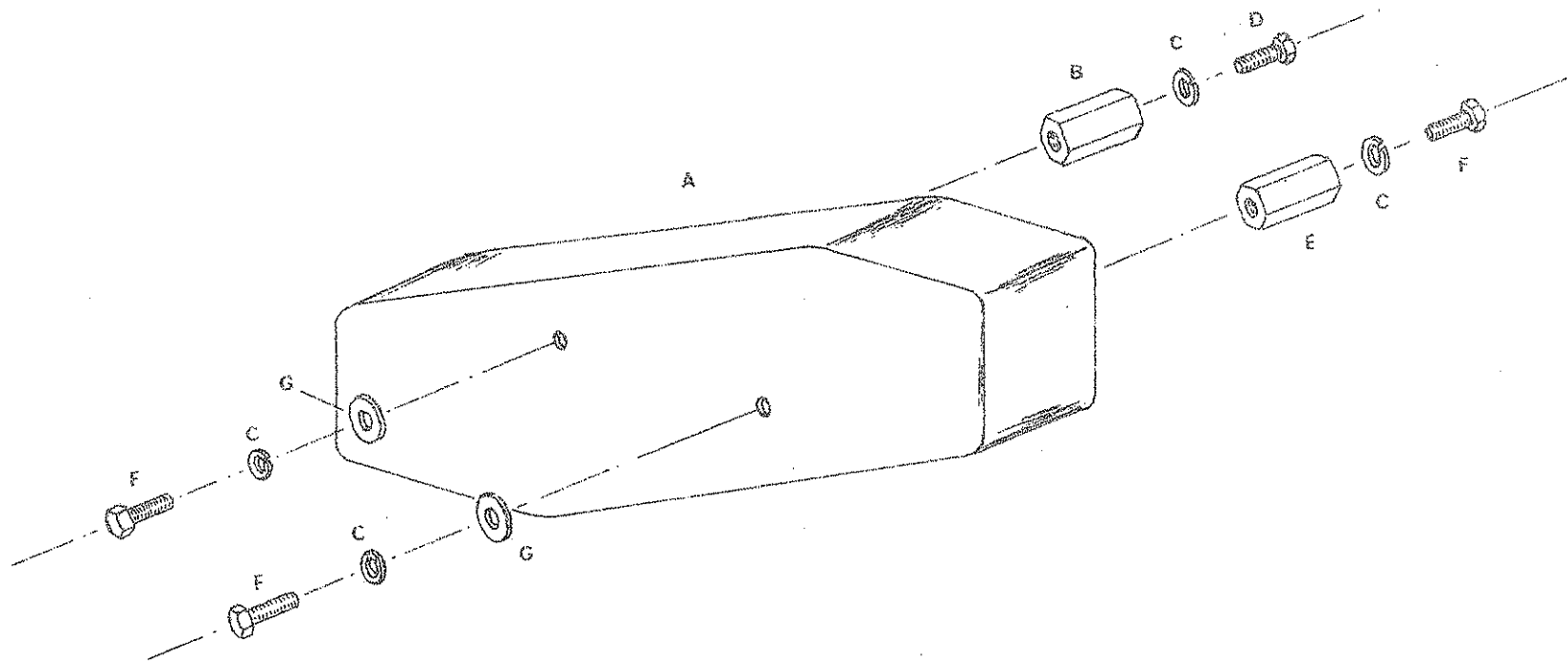


FIG. 12

FIGURE 13SAWHEAD ATTACHMENT DRIVE BOX

<u>Ref.</u>	<u>Part No.</u>	<u>Description</u>	<u>No. Off</u>
A	710637	Main Drive Box	1
B	3389	Gearbox (for 710637)	1
C	710191	Slasher Blade	1
ALTERNATIVELY :			
*	710223	Saw Blade	1
D	710667	Clamp Washer (710191 to 3389)	1
E	3370	Setscrew M10 x 50 (8.8) Countersunk (710667 to 3389)	6
F	2732	Stiffnut M10 (for 3370)	6
G	0956	Stiffnut 5/8" UNF (3389 to 710637)	4
H	1984	Bush (for 710637)	2
J	2923	Grease Nipple M10 x 1.5 Straight (for 710637)	2
K	710663	Pin (710637 to Outer Boom)	1
L	0832	Linch Pin and Ring 7/16" (710663 to 710637)	1
M	3076	Groverlock Pin 1.1/2" x 3/8" (710663 to 710637)	1
N	710646	Cover (for 710637)	1
P	2917	Setscrew M10 x 25 (8.8) (710646 to 710637)	4
Q	2728	Spring Washer M10 (for 2917)	4

* Denotes parts not illustrated.

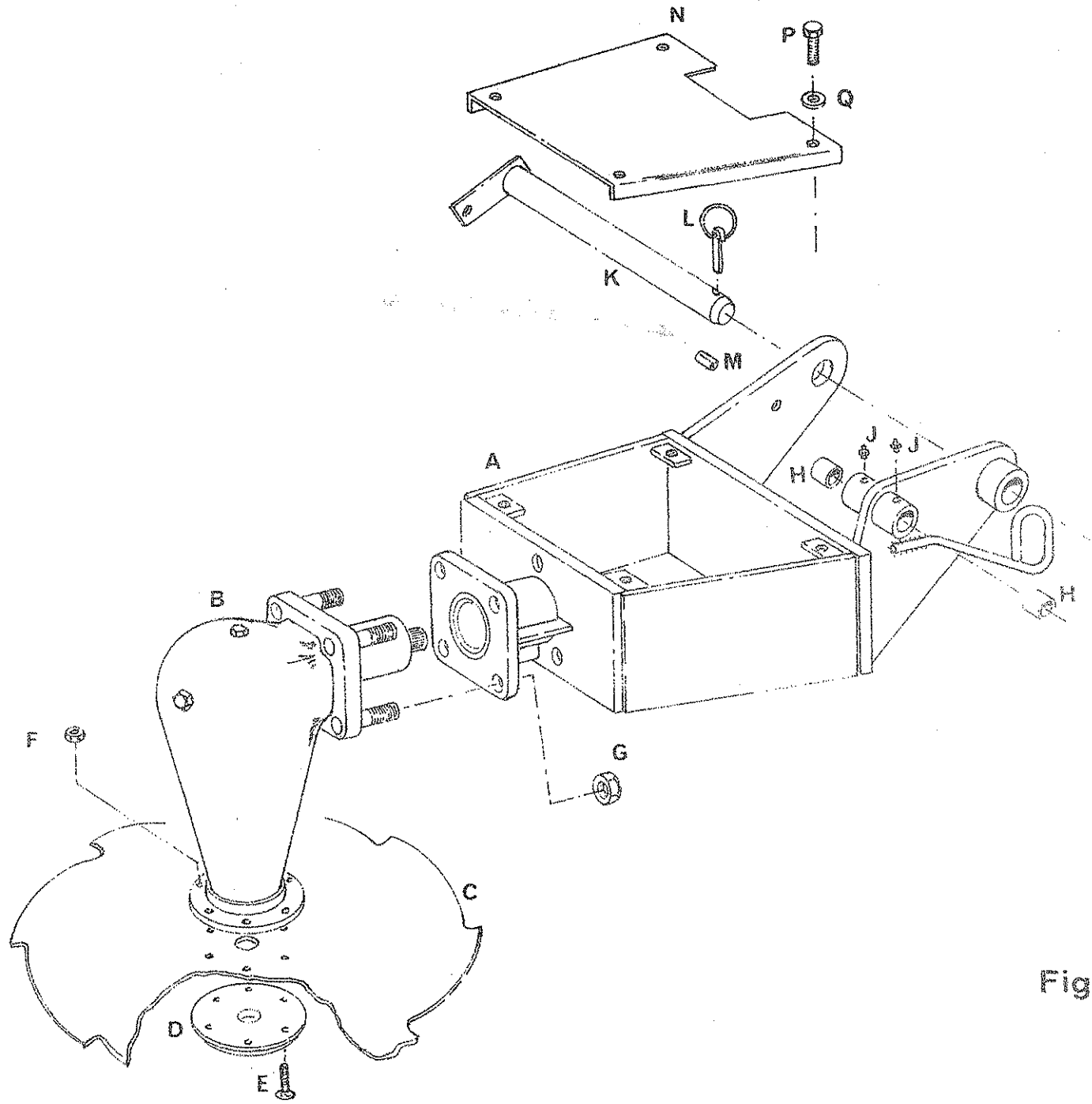


Fig. 13

FIGURE 14

SAWHEAD DRIVE UNIT

<u>Ref.</u>	<u>Part No.</u>	<u>Description</u>	<u>No. Off</u>
A	3039	Motor GM72 ← 3334 Seal Sp	1
B	0934	Dowty Seal 3/4" BSP (for 0935 and 710389)	2
C	0935	Adaptor 3/4" BSP Parallel (for 3039)	1
D	710389	Adaptor 1" BSP x 3/4" BSP (for 3039)	1
E	710634	Motor Plate (for 3039)	1
F	710635	Spacer (for 710634)	3
G	3387	Setscrew M12 x 30 Countersunk Socket (710634 to 710635)	1
H	2950	Setscrew M12 x 30 (8.8) (for 710637 and 710634)	5
J	2729	Washer M12 Spring (for 2950)	5
K	3388	Setscrew M10 x 45 Socket Caphead (3039 to 710634)	4
L	2732	Stiffnut M10 (for 3388)	4
M	710218	Drive Coupling	2
N	3205	Metalastic Coupling (for 710218)	1
F	3208	Bolt 2.5/8" x 7/16" (MF. 353 572 x 1) (3205 to 710218)	6
Q	3209	Stiffnut 7/16" (MF 376 763 x 1) for 3208	6
R	710636	Spacer (Between 710218 and Gearbox)	1

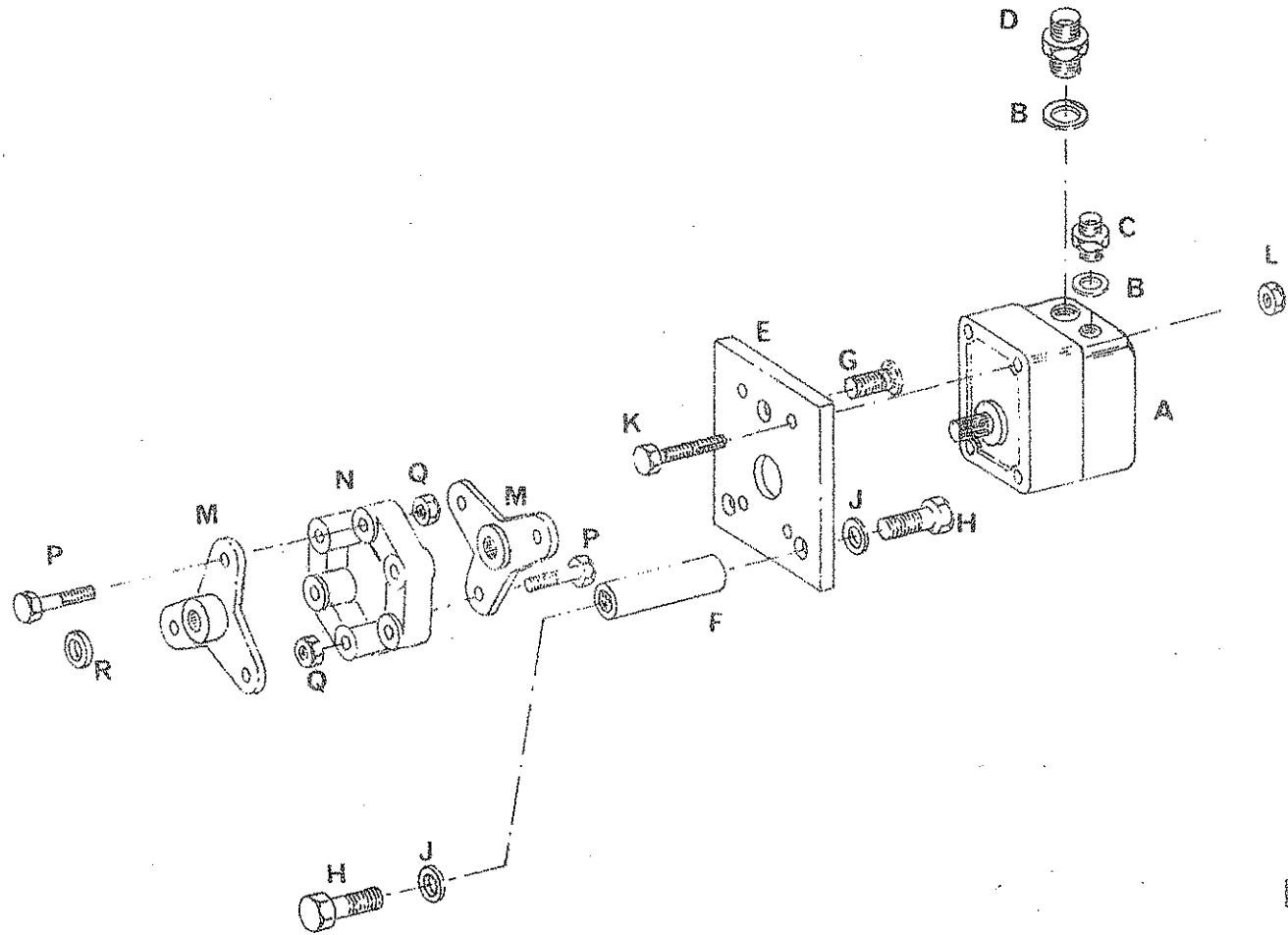


Fig. 14

FIGURE 15

PUMP AND GEARBOX ASSEMBLY

Ref	Part No.	Description	No. Off
A	3058	Pump Assembly	1
B	2111	Bolt 2 1/8" x 1/2" B.S.F. Hex. Hd. H.P. (3058 to 2979)	2
C	0824	Washer 1/2" Spring (for 2111)	2
D	2085	Fullnut 1/2" B.S.F. (for 2111)	2
E	3055	Flange Kit Complete C.A.E. 16 P.A.	1
F	710638	Connector 3/4" B.S.P. Straight Male (for 3058)	1
G	1263	Setcrew 1" x 3/8" B.S.W. Socket Caphead (710638 to 3058)	4
H	0872	Washer 3/8" Spring (for 1263)	4
J	2981	Splint Plate Assembly	1
K	2980	Quill Shaft	1
L	2979	Gearbox Complete	1
COMPRISING:			
II	3224	'O' Ring 3 1/2" x 3 7/16" x 3/32"	1
*	3263	Housing - Output Side	1
*	3269	Fibre Washer 11/16" x 1" x 3/32"	1
*	3270	Filler Plug	1
*	3212	Bearing 50 x 90 x 20	2
*	3272	Circlip 1 1/2" Internal	1
*	3273	Bung	1
*	3274	'O' Ring 1 5/16" x 1 1/2" x 3/32"	1
*	3275	Gear 77T	1
*	3276	Output - Shaft	1
III	3277	'O' Ring	1
*	3278	Housing - Input Side	1
*	3279	Circlip 50mm External	1
*	3200	Spring	1
*	3281	Ball	3
*	3282	Ball Retainer	1
*	3284	Bolt 3" x 5/16" U.W.F. Hex. Hd. H.T.	7
*	1260	Washer 5/16" Spring	7
*	3285	Fullnut 5/16" U.W.F.	7
*	3213	Bearing 90 x 40 x 23	2
*	3287	Gear 18T	1

* Denotes parts not illustrated

* NOW L EACH 3L55 S/S, 0872 WASHER, 0865 FULLNUT

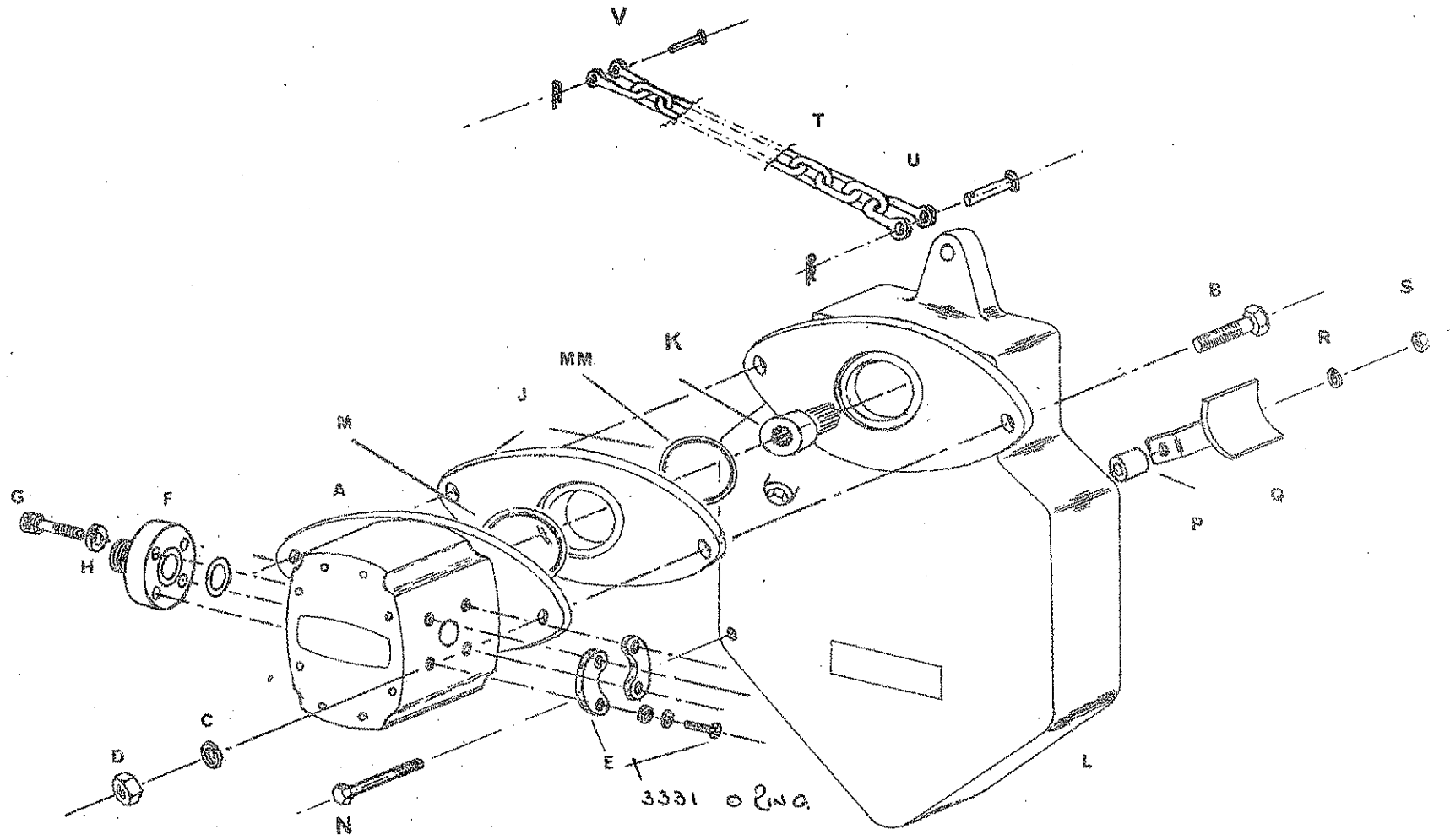


FIG. 15

FIGURE 15 (Cont'd)

PUMP AND GEARBOX ASSEMBLY

<u>Ref</u>	<u>Part No.</u>	<u>Description</u>	<u>No. Off</u>
*	3283	Circlip $\frac{3}{4}$ " Internal	1
*	3288	Insert $\frac{3}{8}$ " B.S.P.	1
*	3289	Insert $\frac{7}{16}$ " U.N.C.	2
*	3290	Insert $\frac{1}{2}$ " U.N.F.	2
N	2505	Bolt $3\frac{1}{2}$ " x $\frac{5}{16}$ " B.S.F. hex.head H.T. (for 310753)	1
P	650035	Spacer (for 310753)	1
Q	310753	P.T.O. Pump Guard (for 2979)	1
T	150025	Pump Chain 17 Links Long	1
R	1260	Washer $\frac{5}{16}$ " Spring (for 2505)	1
S	2083	Fullnut $\frac{5}{16}$ " B.S.F. (for 2505)	1
U	3074	'D' Shackle Complete $\frac{7}{16}$ "	1
V	2433	'D' Shackle Complete $\frac{1}{2}$ "	1

* Denotes parts not illustrated.

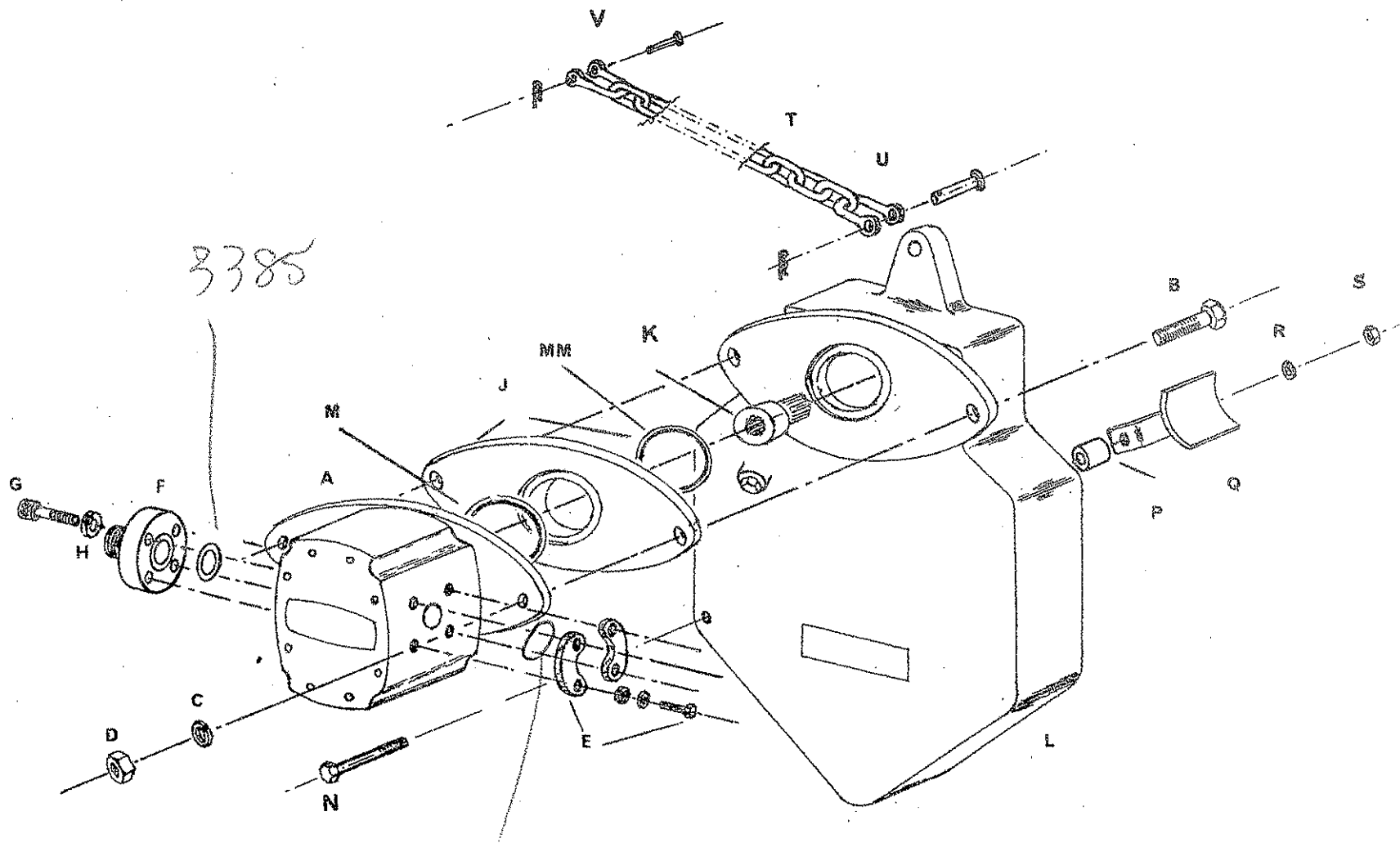


FIG. 15

FIGURE 16

RELIEF and ANTI-CAVITATION VALVE

<u>Ref.</u>	<u>Part No.</u>	<u>Description</u>	<u>No. Off</u>
A	3154	Valve (Bare)	1
B	710418	Banjo Bolt (for 3154)	1
C	3155	Dowty Seal 1.1/4" (for 710418)	2
D	1934	Dowty Seal 1" (for 2450)	1
E	2450	Adaptor 1" B.S.P. x 1" B.S.P. (for 3154)	1
F	0934	Dowty Seal (for 0935)	2
G	0935	Adaptor 3/4" B.S.P. x 3/4" B.S.P. (for 3154)	2
H	3126	Oil Filter Complete	1
COMPRISING :			
*	3345	Body	1
*	3346	Housing Complete with element	1
J	3164	Relief Cartridge	1

* Denotes parts not illustrated

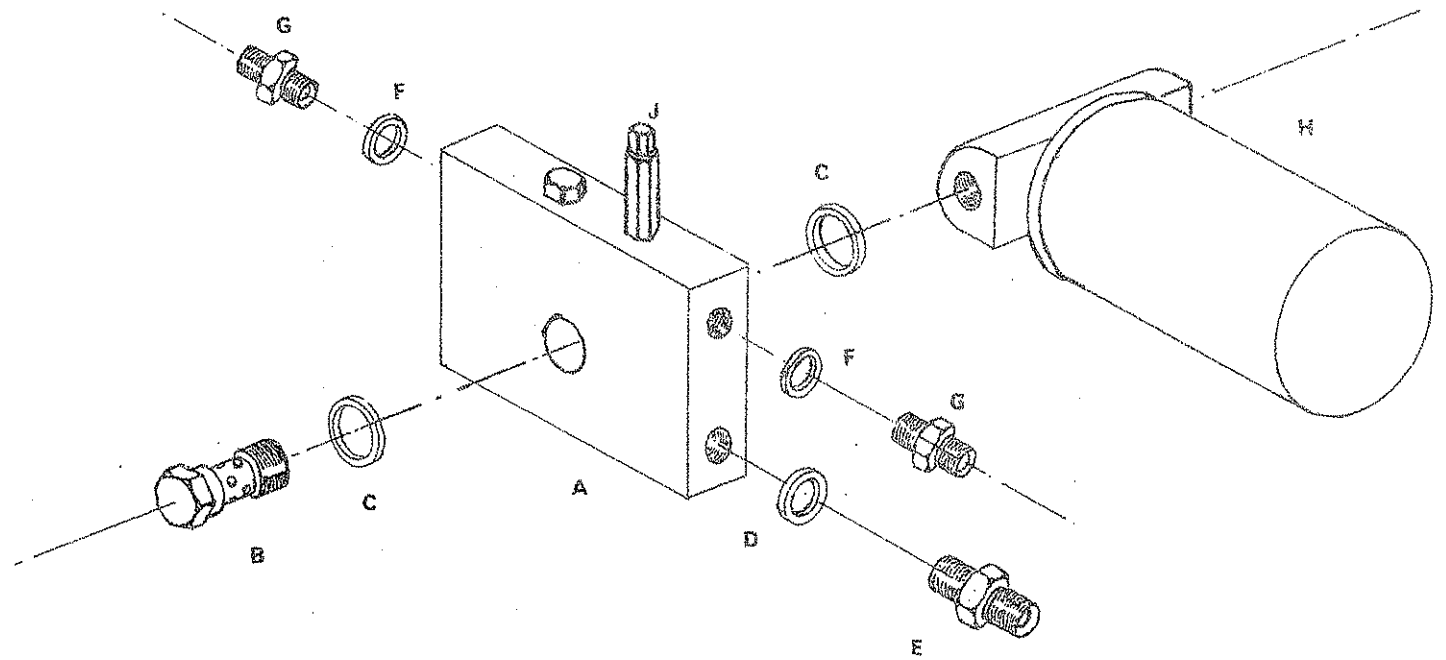


FIG. 16

FIGURE 17

CONTROL VALVE ASSEMBLY

<u>Ref</u>	<u>Part No.</u>	<u>Description</u>	<u>No. Off</u>
*	3196	Control Valve Complete less fittings(All Models except John Deere range)	1
*	710570	Control Valve Complete less fittings(All Models except John Deere range)	1
*	3356	Adaptor Plug (for 710570 John Deere range only)	1
A	3295	Body and Spools - not available as spares	1
B	3294	'O' Ring	3
C	3296	'O' Ring	3
D	3297	Washer	6
E	3299	Spring	3
F	3298	Spacer	3
G	3300	Circlip	3
H	3301	Circlip	3
J	3357	Singlehurst Fitting $\frac{3}{4}$ " - 16 J.I.C. x $\frac{1}{2}$ " Hose	1
K	3302	Plug	3
L	3293	Backup Washer	6
M	3324	'O' Ring (for 3302)	6
N	3307	Spring	6
P	3305	Poppet	6
Q	3304	Seat	6
R	3325	'O' Ring (for 3304)	6
S	3303	Plunger	3
T	3306	Spacer	3
U	3309	Adaptor Plug	3
V	1401	Adaptor $\frac{3}{4}$ " S.A.E. x $\frac{1}{4}$ " B.S.P. complete with 'O' Ring	6
W	3308	Plug	1
X	0923	Adaptor $\frac{3}{4}$ " S.A.E. x $\frac{3}{8}$ " B.S.P. complete with 'O' Ring	1
Y	0922	'O' Ring (for 0923, 1401 and 3308)	8
Z	3532	Plug (All Models except John Deere range)	1
*	Denotes parts not illustrated		

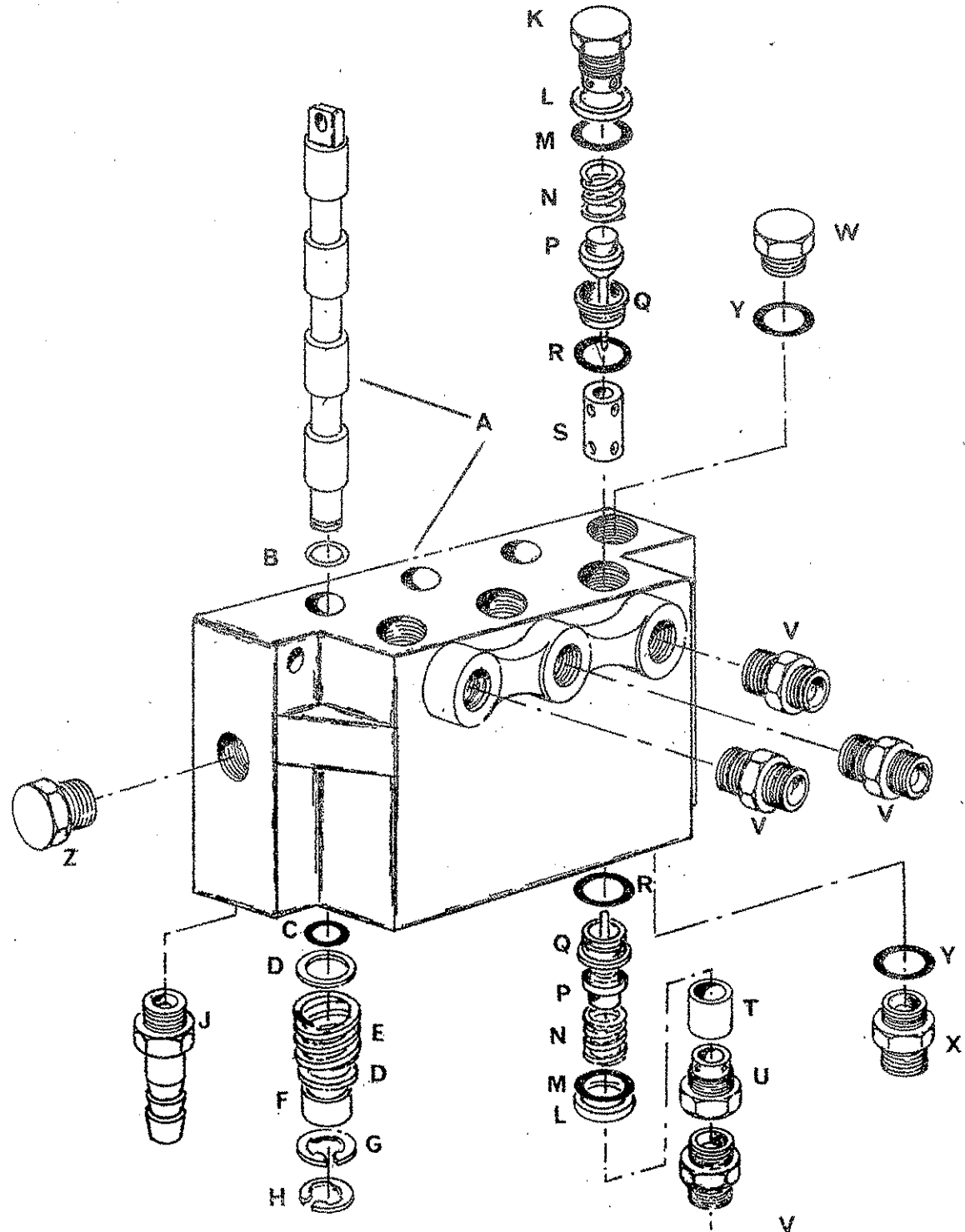


Fig.17

FIGURE 18BOOM RAM

<u>Ref.</u>	<u>Part No.</u>	<u>Description</u>	<u>No. Off</u>
*	3497	Ram Complete	2
A	3498	Cylinder	1
B	2923	Grease Nipple	2
C	3501	Piston Head	1
D	3233	Seal Set (not Serviced Separately)	1
E	3234	'O' Ring	1
F	3235	Anti-extrusion Ring	1
G	3500	Gland	1
H	3237	'O' Ring	1
J	3238	Anti-extrusion Ring	1
K	3239	Wiper Seal	1
L	3499	End Cap	1
M	3502	Piston Rod	1
*	3291	Seal Set Complete	1

* Denotes parts not illustrated

New Ram 3233/34/35/39

Plus 8S00416 O Ring →

8S0588 Seal → 3636

(Replaces 3237/38)

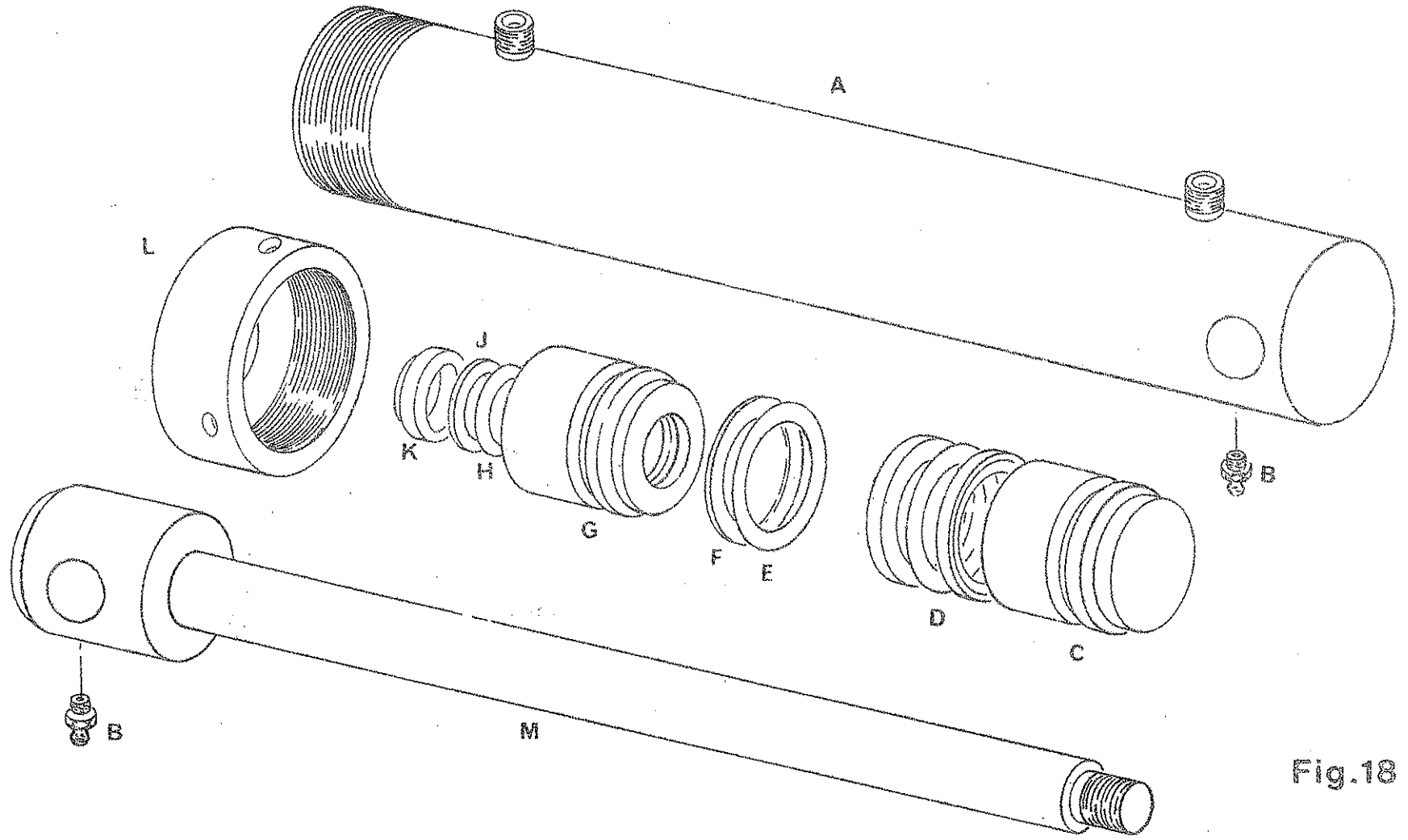


Fig.18

FIGURE 19

HEAD ANGLING RAM

<u>Ref.</u>	<u>Part No.</u>	<u>Description</u>	<u>No.Off</u>
*	710769	Ram Complete	1
A.	3526	Cylinder	1
B	0229	Grease Nipple	1
C	3527	Piston Head	1
D	3244	Seal Set (not serviced separately)	1
E	3245	'O' Ring	1
F	3246	Anti Extrusion Ring	1
G	3529	Gland	1
H	3248 3530	Wiper Seal	1
J	3249	Anti Extrusion Ring	1
K	3250	Wiper Seal	1
L	3531	End Cap	1
M	710771	Piston Rod	1
N	710745	Spacer	1
*	3292	Seal Set Complete	1

* Denotes parts not illustrated.

See now 710810
 for 779

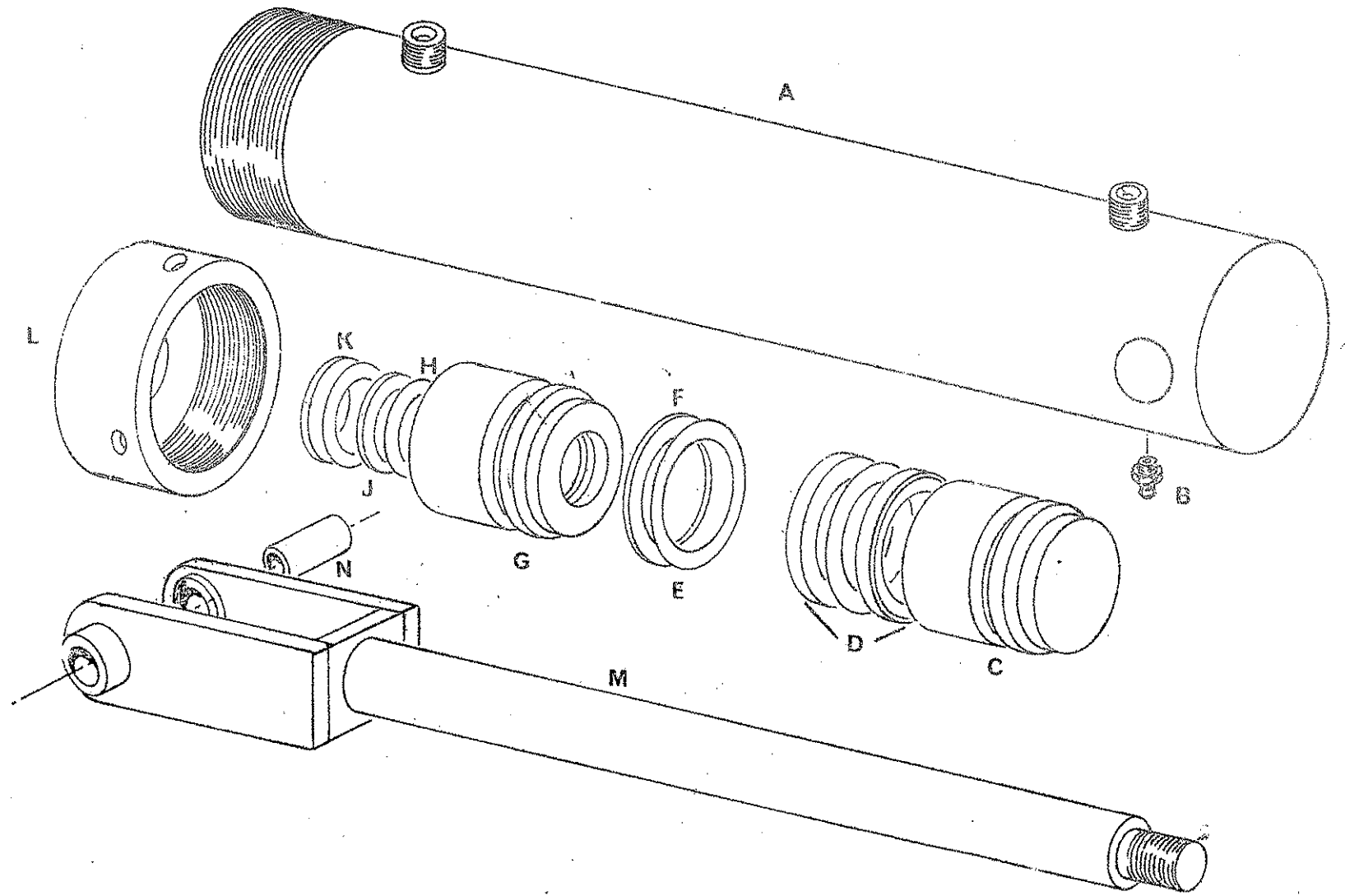


Fig.19

FIGURE 20

HYDRAULIC PRESSURE SUPPLY AND RETURN FITTINGS
FOR TRACTORS WITH STANDARD OR "QUIET" CABS

<u>Ref</u>	<u>Part No.</u>	<u>Description</u>	<u>No. Off</u>
<u>ALL TRACTORS</u>			
J	0669	Return Fitting $\frac{3}{8}$ " B.S.P. x $\frac{1}{2}$ " Hose	1
T	0919	Hose Clip Size '0'	2
<u>FORD 4000, 4100 and 4600</u>			
D	0911	Adaptor 9/16" U.N.F. x $\frac{3}{8}$ " B.S.P. with 'O' Ring	1
E	0912	'O' Ring (for 0911)	*
L	15815	Reducing Bush $1\frac{1}{8}$ " S.A.E. x $\frac{3}{8}$ " B.S.P.	1
<u>FORD 5000, 5600, 6600 and 7000</u>			
D	0911	Adaptor 9/16" U.N.F. x $\frac{3}{8}$ " B.S.P. with 'O' Ring	1
E	0912	'O' Ring (for 0911)	*
M	100040	Reducing Bush $1\frac{1}{8}$ " S.A.E. x $\frac{3}{8}$ " B.S.P.	1
<u>MASSEY FERGUSON TRACTORS</u>			
F	1824	Adaptor $\frac{3}{8}$ " B.S.P. x $\frac{3}{8}$ " B.S.P.T.	1
<u>INTERNATIONAL 454, 474, 475, 574, 654 and 674</u>			
H	0914	Adaptor $\frac{1}{2}$ " B.S.P. x $\frac{3}{8}$ " B.S.P.	1
A	0909	Seal for $\frac{1}{2}$ " B.S.P.	1
S	0679	Reducing Bush $1\frac{1}{2}$ " B.S.P. x $\frac{3}{8}$ " B.S.P.	1
<u>LEYLAND 245, 253, 255, 262, 270, 272, 344 and 384</u>			
H	0914	Adaptor $\frac{1}{2}$ " B.S.P. x $\frac{3}{8}$ " B.S.P.	1
A	0909	Seal for $\frac{1}{2}$ " B.S.P.	1
S	0679	Reducing Bush $1\frac{1}{2}$ " B.S.P. x $\frac{3}{8}$ " B.S.P.	1
<u>DAVID BROWN 995, 996, 1200, 1210 and 1212 SELECTAMATIC</u>			
U	0923	Adaptor $\frac{3}{4}$ " S.A.E. x $\frac{3}{8}$ " B.S.P. with 'O' Ring	1
V	0922	'O' Ring (for 0923)	*
W	310066	Adaptor Bush $\frac{7}{8}$ " S.A.E. x $\frac{3}{8}$ " B.S.P. with 'O' Ring	1
X	1107	'O' Ring (for 310066)	*

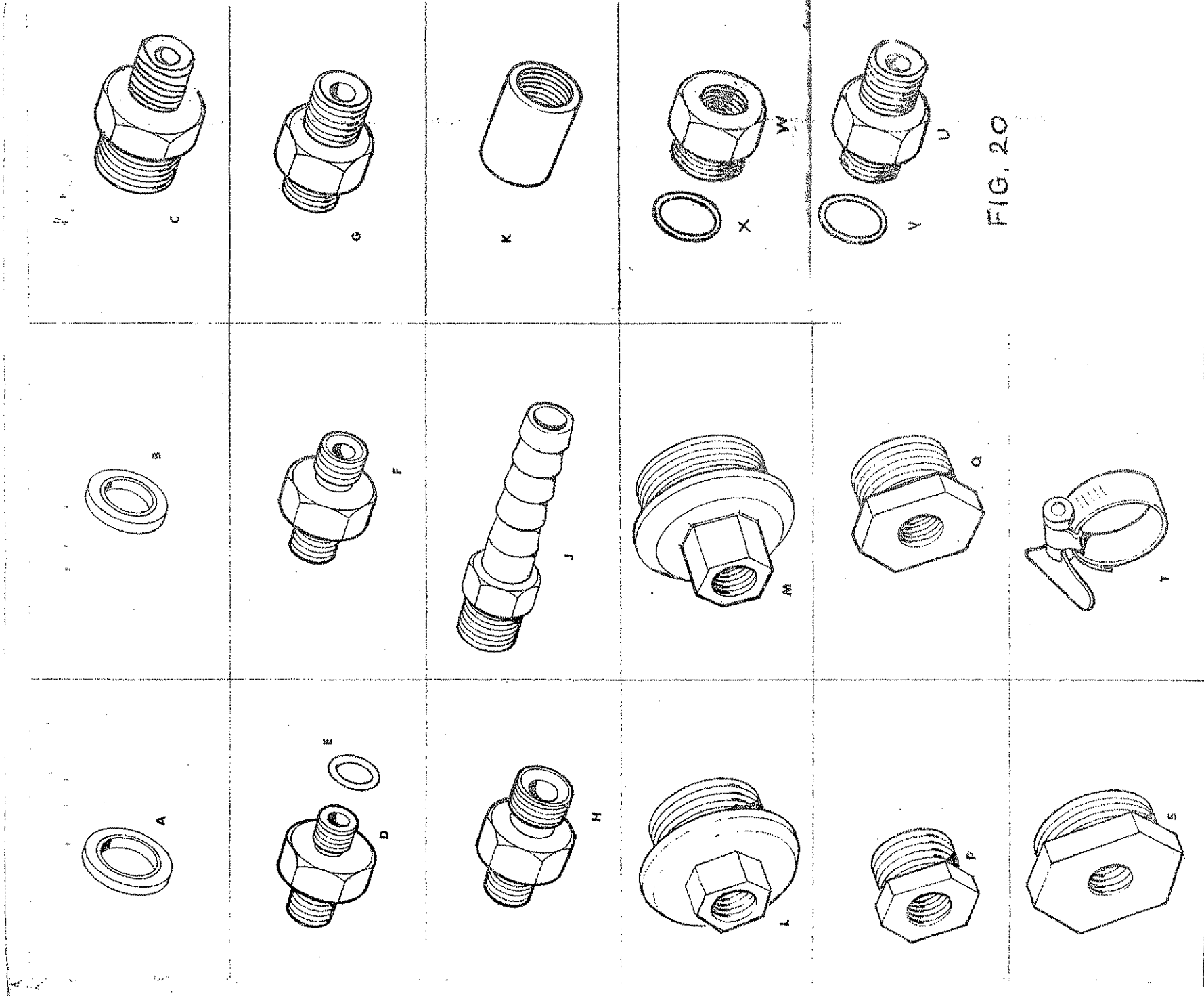


FIG. 20

FIGURE 20 (CONT'D)

HYDRAULIC PRESSURE SUPPLY AND RETURN FITTINGS
FOR TRACTORS WITH STANDARD OR "QUINT" CABS

<u>Ref</u>	<u>Part No.</u>	<u>Description</u>	<u>No. Off</u>
		<u>DAVID BROWN 1410 and 1412</u>	
U	0923	Adaptor $\frac{3}{4}$ " S.A.E. x $\frac{3}{4}$ " B.S.P. with 'O' Ring	1
V	0922	'O' Ring (for 0923)	*
T	310066	Adaptor Bush $\frac{3}{4}$ " S.A.E. x $\frac{3}{4}$ " B.S.P. with 'O' Ring	1
X	1107	'O' Ring (for 310066)	*
*	1288	Elbow $\frac{3}{4}$ " Male/Female	1
		<u>JOHN DEERE 2020, 2030 and 2130</u>	
		Special Pressure and Return Fittings not supplied by Those	
		<u>ZETOR 5711, 5718, 5745, 5748, 6718, 6748 and CRYSTAL 8011</u>	
		Special Pressure and Return Fittings not supplied by Those	
		<u>UNIVERSAL 550</u>	
		Special Pressure and Return Fittings not supplied by Those	
		<u>FIAT 640, 780 and 880</u>	
		Special Pressure and Return Fittings not supplied by Those	
		<u>DEUTZ 6806, 7206 and 7205A</u>	
		Special Pressure and Return Fittings not supplied by Those	
		<u>BEIARUS M.T.Z. 52</u>	
		Special Pressure and Return Fittings not supplied by Those	

* Denotes parts not illustrated

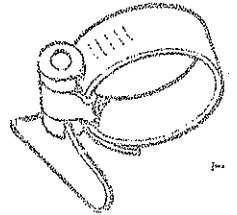
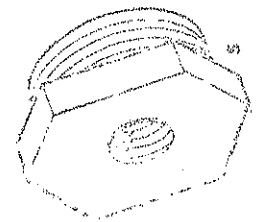
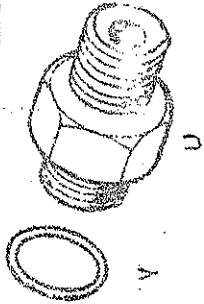
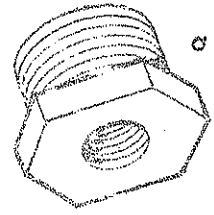
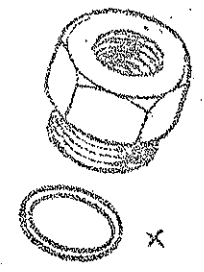
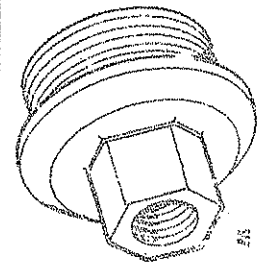
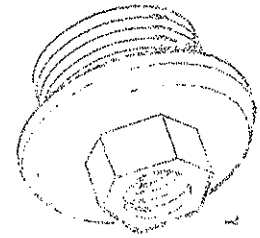
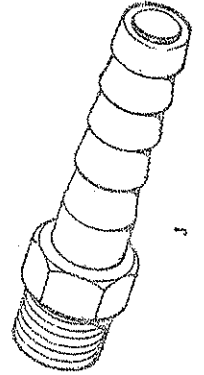
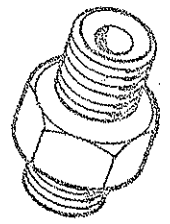
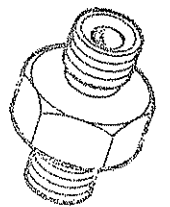
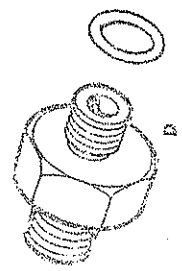
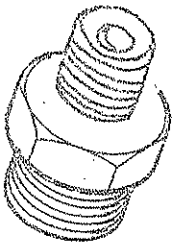


FIG. 20

FIGURE 21

HYDRAULIC HOSES

<u>Part No.</u>	<u>Description</u>	<u>Hose Length</u>	<u>Connecting No.</u>
710650	Hose Assembly	0.915m	1 - 2
710672	Hose Assembly	5.130m	3 - 4
710673	Hose Assembly	5.130m	5 - 6
710428	Hose Assembly	0.915m	7 - 8
710573A	Hose Assembly	1.830m	9 - 10
710425B	Hose Assembly	2.590m	11 - 12
710573B	Hose Assembly	2.005m	13 - 14
710425A	Hose Assembly	2.770m	15 - 16
710573C	Hose Assembly	4.440m	17 - 18
710424	Hose Assembly	4.460m	19 - 20
410107C	Hose Assembly	1.270m	23 - 24
710432	Hose Assembly	1.220m	25 - Tractor Return
710674	Hose Assembly	5.260m	26 - Tractor Pressure
710746	Hose Assembly	1.220m	27 - 28

1 - 2
 3 - 4
 5 - 6
 7 - 8
 9 - 10
 11 - 12
 13 - 14
 15 - 16
 17 - 18
 19 - 20
 23 - 24
 25 - Tractor Return
 26 - Tractor Pressure
 27 - 28
 (Replaces 710650 on right hand cutting machines only).

Handwritten notes:
 - Checkmark over 1-2
 - 4-8 with arrow pointing to 5-6
 - 7-8 circled
 - 7-9 circled
 - 7-9 circled
 - "Checking" written across the top right

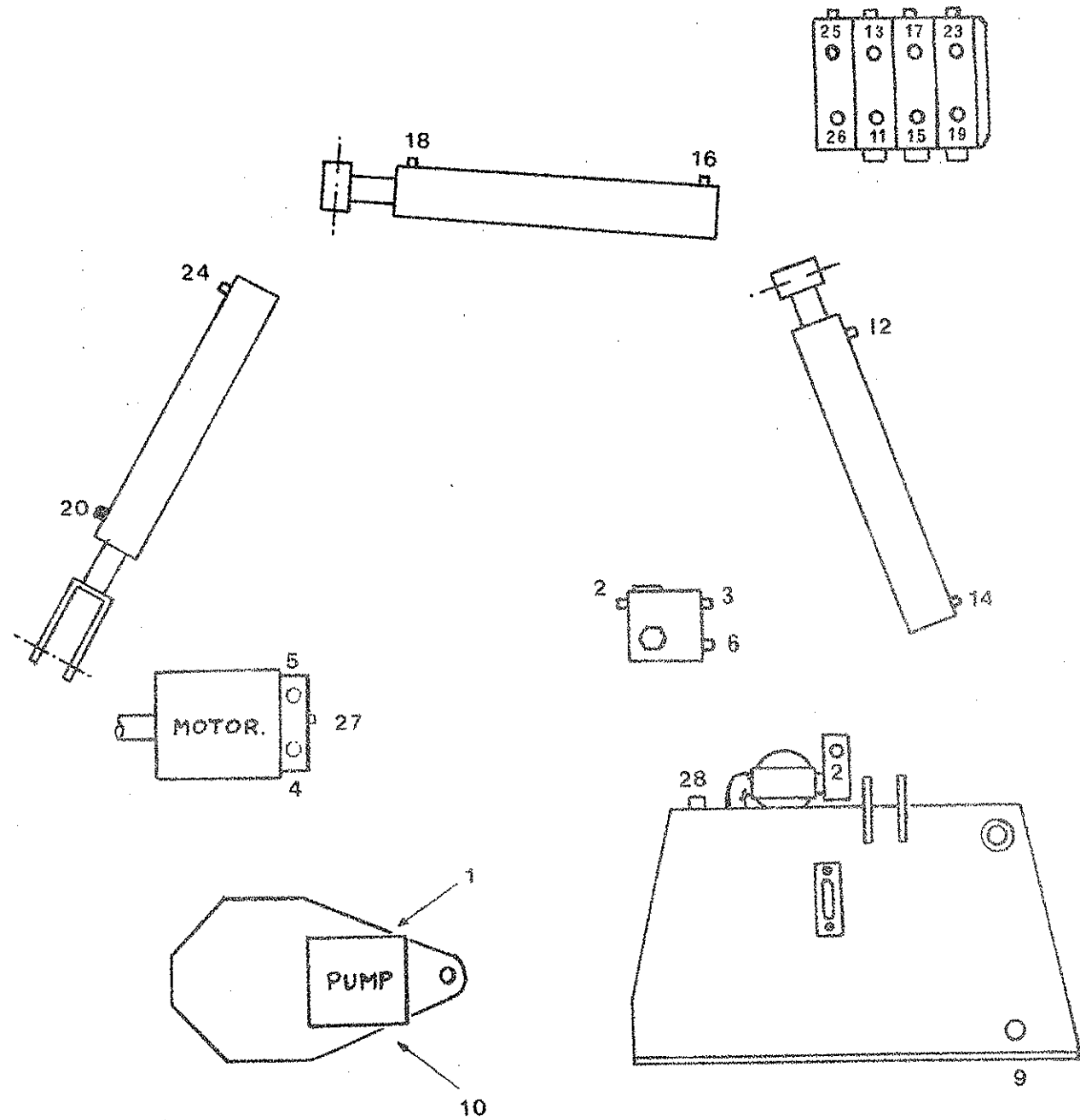


Fig 21

FIGURE 22

37" FLAIL HEAD - MAIN FRAME

<u>Ref.</u>	<u>Part No.</u>	<u>Description</u>	<u>No. Off</u>
A	710527	Main Frame	1
B	710532	Cover Guard (for 710527)	2
C	2712	Setscrew M12 x 25 (8.8) (710532 to 710527)	8
D	2720	Stiffnut M12 (for 2712 and 2962)	12
E	710537	Spacer for Drive Guard Back Plate (for 710527)	1
F	2950	Setscrew M12 x 30 (8.8) (710537 to 710527)	1
G	2716	Washer M12 Flat (for 2962)	4
H	2729	Washer M12 Spring (for 2950)	1
J	710536	Spacing Plate (for 710527)	1
K	710740	Roller (for 710527)	1
L	2919	Bearing (for 710740)	2
M	0819	Washer - Disc Locking (for 710740)	2
N	710718	Roller Bracket - Fixed (for 710527)	1
P	0862	Groverlock Pin 1 $\frac{1}{2}$ " x $\frac{1}{4}$ " (710718 to 710742)	1
Q	710742	Roller Shaft (for 710740)	1
R	710720	Roller Bracket - Adjustable	1
S	2962	Setscrew M12 x 35 (8.8) (710718 and 710720 to 710527)	4
T	3533	Dust Cover for Head Bearing	

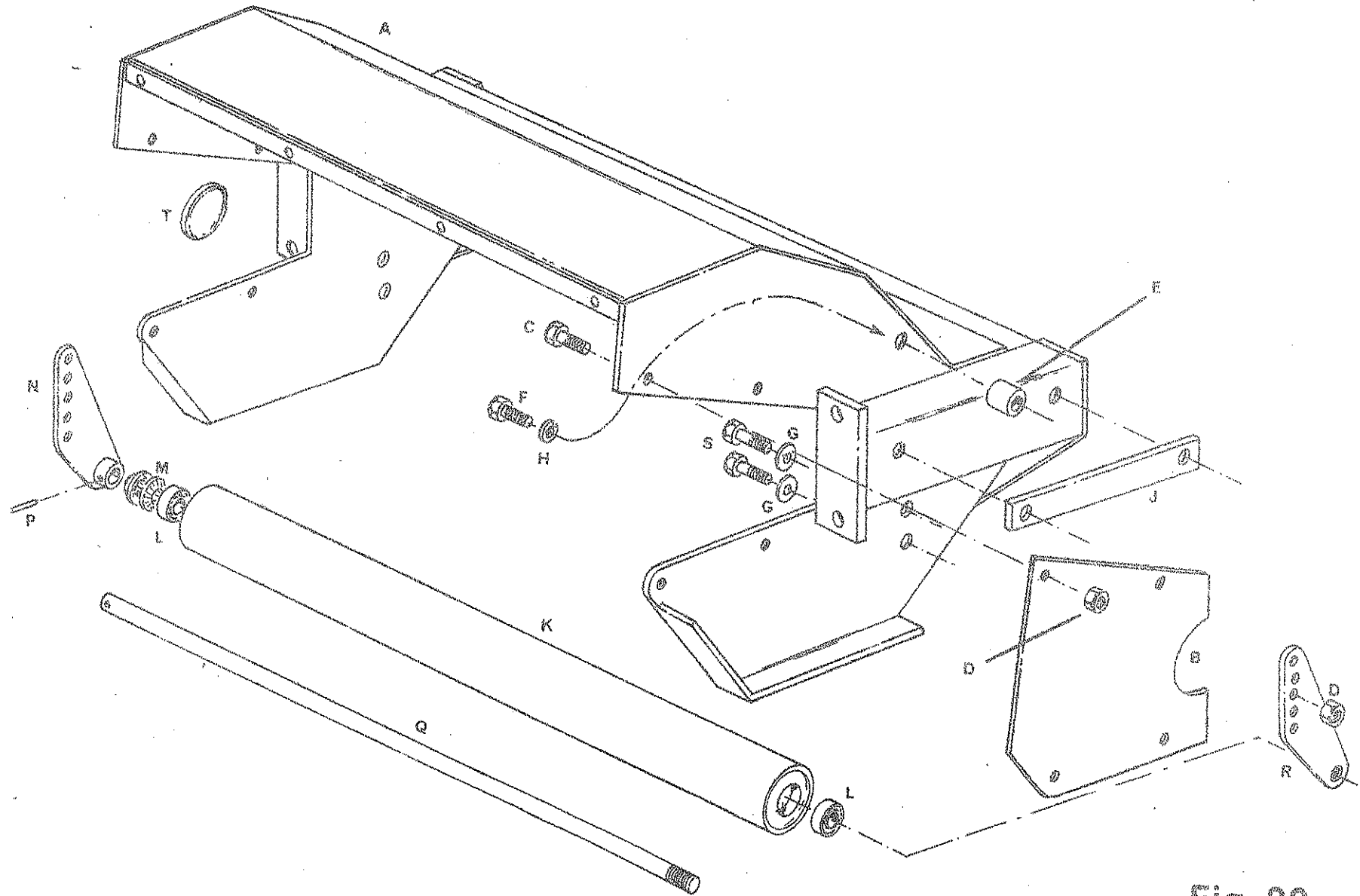


Fig. 22

FIGURE 23

FRONT GUARD

<u>Ref.</u>	<u>Part No.</u>	<u>Description</u>	<u>No. Off</u>
A	710734	Guard	1
B	2698	Bolt M10 x 40 (8.8) (for 710734)	4
C	2732	Stiffnut M10 (for 2698)	4

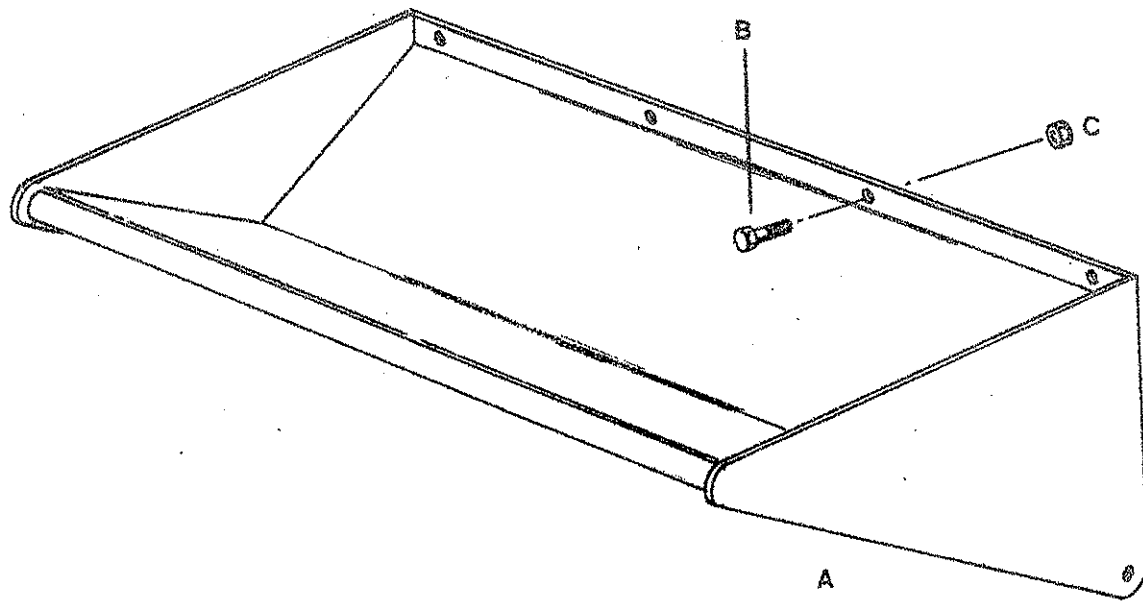


Fig. 23

FIGURE 24

ROTOR BEARING ASSEMBLY

<u>Ref.</u>	<u>Part No.</u>	<u>Description</u>	<u>No. Off</u>
*	3008 3003	Bearing - Flummer Block Complete	2
Each Comprising:			
A	3005	Bearing Housing	1
B	3003	Bearing	1
C	3006	Locking Ring	3
D	3004	Sleeve Complete with Nut and Washer	1
E	3007	Seal (See Note Below)	2

Note: The Bearing Assembly fitted to the non drive end of the rotor requires 1 off parts no. 3007 only.

* Denotes parts not illustrated.

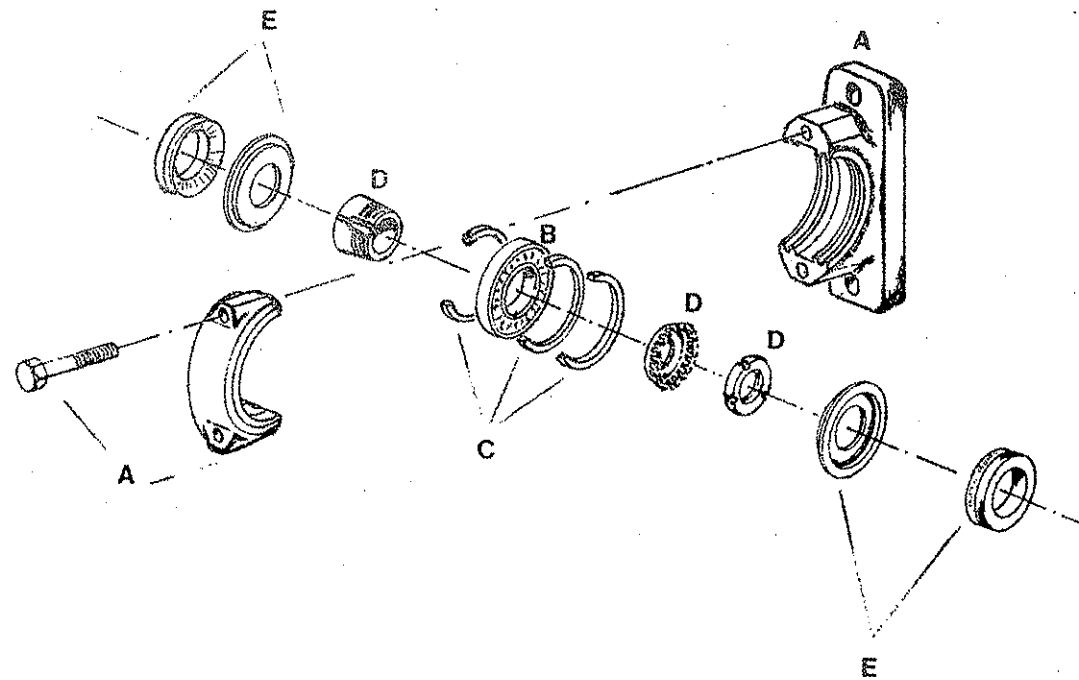


Fig. 24

FIGURE 25

DRIVE ASSEMBLY

<u>Ref</u>	<u>Part No.</u>	<u>Description</u>	<u>No. Off</u>
A	710768	Backplate for Drive Guard	1
B	3394	Piston Motor c/w Key (for 710768)	1
C	3534	Key	1
D	3399	Setscrew M12 x 45 (8.8) Countersunk (3394 to 710768)	2
E	3082	Stiffnut M12 Nyloc (for 3399)	2
F	2748	Setscrew M12 x 40 (8.8) (710768 to Flail Head)	3
G	2729	Washer M12 Spring (for 2748)	3
H	2716	Washer M12 Flat (for 2748)	3
J	3011	Pulley 3 D.A.125 (for 3394)	1
K	3393	Bush 2012 x 1 $\frac{3}{8}$ " Taperlock (3011 to 3394)	1
L	3009	Pulley 3 D.A. 112 (for Rotor)	1
M	3010	Bush 1610 x 1 $\frac{1}{2}$ " Taperlock (3009 to Rotor)	1
N	2983	Belt SPA 1060 (for 3009 and 3011)	3
P	710416	Belt Guard (for 710768)	1
Q	710417A	Hexagonal Spacer (for 710768)	1
R	2948	Setscrew M16 x 30 (8.8) (for 710416 and 710417A)	3
S	2730	Washer M16 Spring (for 2948)	3
T	2867	Washer M16 Flat (for 2948)	3
U	1838	Adaptor 1/4" B.S.P. x 9/16" S.A.E. c/w 'O' Ring	1
V	3396	Adaptor 3/4" B.S.P. x 1.1/16" S.A.E. c/w 'O' Ring	1
W	3397	Adaptor 1" B.S.P. x 1.1/16" S.A.E. c/w 'O' Ring	1