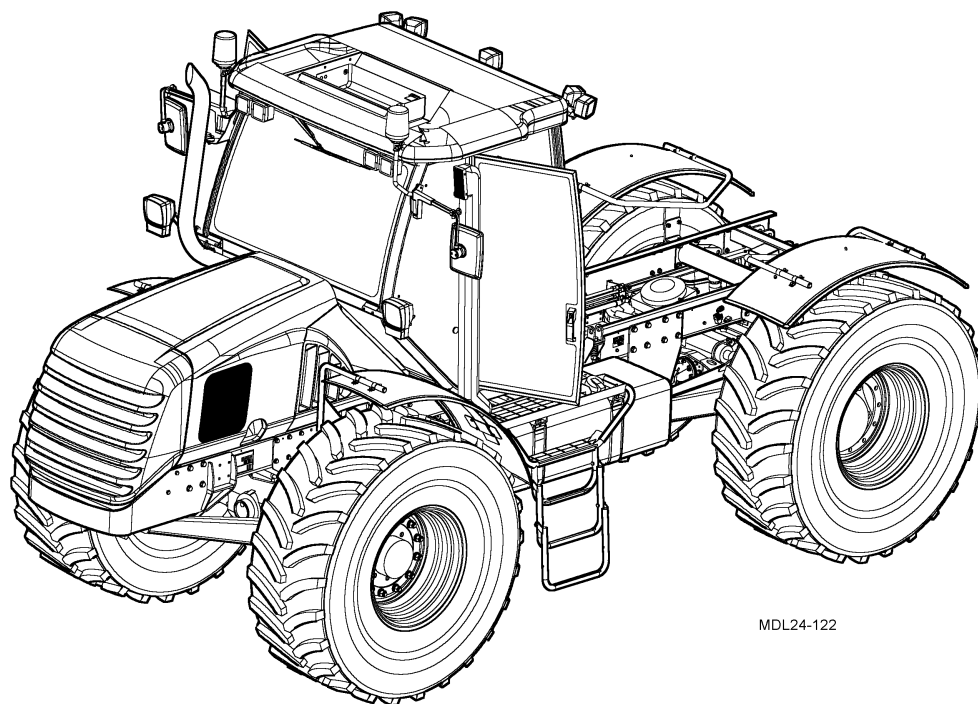




# TRACTOR 2001

**3.5M Wheel Base Tractor**  
**3.8M Wheel Base Tractor**  
**4.2M Wheel Base Tractor**



MDL24-122

## ILLUSTRATED PARTS CATALOGUE

**COPYRIGHT**

The copyright in the document is vested in Multidrive Ltd and the document is issued in confidence for the purpose only for which it is supplied. It must not be used for tendering or manufacturing purposes except under an agreement with Multidrive Ltd, and then only on the condition that this notice is included in any such reproduction

**© Multidrive Limited 2004**



**AMENDMENT RECORD**

<b>Amdt No.</b>	<b>Incorporated By (Signature)</b>	<b>Date</b>
1		
2		
3		
4		
5		
6		
7		
8		
9		
10		
11		
12		
13		
14		
15		
16		
17		
18		
19		
20		
21		
22		
23		
24		
25		
26		
27		
28		
29		
30		
31		

<b>Amdt No.</b>	<b>Incorporated By (Signature)</b>	<b>Date</b>
32		
33		
34		
35		
36		
37		
38		
39		
40		
41		
42		
43		
44		
45		
46		
47		
48		
49		
50		
51		
52		
53		
54		
55		
56		
57		
58		
59		
60		
61		
62		







# CONTENTS

<b>PRELIMINARY MATERIAL</b>	Page
Title page (front cover) .....	(i)/(ii)
Amendment record .....	(iii)/(iv)
Contents (this page) .....	(v)
Preface .....	(vi)
Introduction .....	(vi)
Equipment identity .....	(vi)
Comments on this publication .....	(vi)
Amendments .....	(vi)
Publication structure .....	(vii)
Related publications .....	(vii)
Quantities .....	(vii)
Demands .....	(vii)
Annotations .....	(vii)
Abbreviations .....	(vii)
Indentations .....	(viii)
Orientation .....	(viii)
Scope of publication .....	(viii)
Additional information .....	(viii)
Manufactures information .....	(viii)
List of abbreviations .....	(ix)
Frontispiece .....	(x)
Table 1 The dot system of indentation .....	(vii)
Table 2 Manufactures information .....	(viii)

## CHAPTER

1	Index of Main Assemblies and Illustrations
2	Parts List
2-1	Engine
2-2	Transmission
2-3	Cab and Engine Cover
2-4	Chassis
2-5	Axles
2-6	Suspension
2-7	Controls
2-8	Electrical Systems
2-9	Hydraulic Systems
2-10	Pneumatic Systems
2-11	Pick Up Hitch and Draw Bar
2-12	Air Conditioning
2-13	Miscellaneous and Optional Extras
3	Index of Part Numbers



## PREFACE

### INTRODUCTION

1 This Illustrated Parts Catalogue (IPC) is designed as an aid to the identification of component parts or assemblies of the equipment, and to provide information necessary for demanding spares.

2 This IPC may list some or all of the parts comprising the equipment concerned, but only those parts assigned a Manufactures Part Number, Service Catalogue or Reference Number will normally be available as spares. Should there be a requirement for an item not assigned a number, demands may be submitted quoting the Code Number of the publication, Figure Reference, Item Number, and Item Name. Where a manufacturer's reference is known, this should also be quoted.

### EQUIPMENT IDENTITY

3 Designation:

3.1 MD49686V10A. 3.5M Wheel base Tractor.

3.2 MD52201V10A. 3.8M Wheel base Tractor.

3.3 MD55045V10A. 4.2M Wheel base Tractor.

### COMMENTS ON THIS PUBLICATION

4 Users of this publication should forward any comments through the appropriate channels.

5 If clarification is required on any aspect of this publication on the technical content or spare parts data, queries should be sent to the following:

Product Support  
Multidrive Limited  
Thirsk Industrial Park  
York Raod  
Thirsk  
England YO7 3BX

### AMENDMENTS

6 Amendments to the catalogue will be published as and when necessary. They will be numbered consecutively, and the Amendment Record Sheet is to be completed for each Amendment List issued.

7 Each page bears the date. Subsequent amendments to the initial issue will bear the date, amendment number and margin side lining indicating the area of change.



## **PUBLICATION STRUCTURE**

8 This publication has been structured as a vehicle Illustrated Parts Catalogue, to provide the spare parts data required by the user to demand those spare component parts or assemblies of the equipment necessary to repair and maintain the vehicle in a serviceable and operational condition.

### **Related publications**

9 The related publications for the subject equipment consist of the following:

John Deere Powertech 4.5L 6.8L Electronically controlled Operation and Maintenance Manual.	OMRG 333-24, Issue 19/6/02.
ZF Service Spare Parts Catalogue – 6WG-160.	Parts list 465 605 60 26.
Multidrive 4140 and 6185 Tractor Operators Manual.	
RDS “SAM200” Speed Area Meter Calibration and Operation Manual.	<a href="http://www.rdstec.com">www.rdstec.com</a> .

## **QUANTITIES**

10 The figure in the “Qty” column specifies the quantity for the unit (of assembly, sub-assembly etc.) it does not indicate the quantity to be demanded.

## **DEMANDS**

11 When demanding Spare Parts the following particulars must be quoted:

- 11.1 Item Name.
- 11.2 Part No. / Drawing No.
- 11.3 Names of Equipment for which the part is required.
- 11.4 Manufacturer’s Reference, if known.

### **NOTE**

Alternatives quoted apply only to the equipment covered by this IPC.

## **ANNOTATIONS**

12 The following notations are used in this publication:

- 12.1 AR – As Required.
- 12.2 NI – When appearing in the ‘FIG ITEM’ column indicates that the item is not illustrated.

## **ABBREVIATIONS**

13 Abbreviations, and Symbols used in this IPC have been approved and are listed separately.



## INDENTATIONS

14 Items are listed in a logical assembly order and are indented by the "Dot System" in which each 'dot' depicts the relationship of the item to the main assembly.

**TABLE 1 THE DOT SYSTEM OF INDENTATION**

(1)	MAIN ASSEMBLY Attaching parts for main assembly.
(2)	.FIRST LEVEL OF BREAKDOWN (sub-assembly or detail part of main assembly) .Attaching parts for first level.
(3)	..SECOND LEVEL OF BREAKDOWN (sub-sub-assembly or detail part sub-assembly) ..Attaching parts for second level.
(4)	...THIRD LEVEL OF BREAKDOWN (sub-sub-sub-assembly or detail part of sub-sub-assembly). ...Attaching parts for third level.
(5)	....FOURTH LEVEL OF BREAKDOWN (sub-sub-sub-sub-assembly or detail part of sub-sub-sub-assembly) ....Attaching parts for fourth level.

## ORIENTATION

15 Reference may be made throughout the text to the 'left-hand' (LH) and 'right-hand' (RH) side of the vehicle, rather than the 'near-side' or 'off-side'. The left-hand is that to the left hand when the vehicle is viewed from the rear.

## SCOPE OF THIS PUBLICATION

16 This IPC does not cover all the component parts of the engine, transmission/ transfer box, winch or specific bought in items, as these items are adequately covered by their respective manufactures parts catalogues. However, this publication covers the parts necessary to assemble and install the main assemblies into the vehicle.

## ADDITIONAL INFORMATION

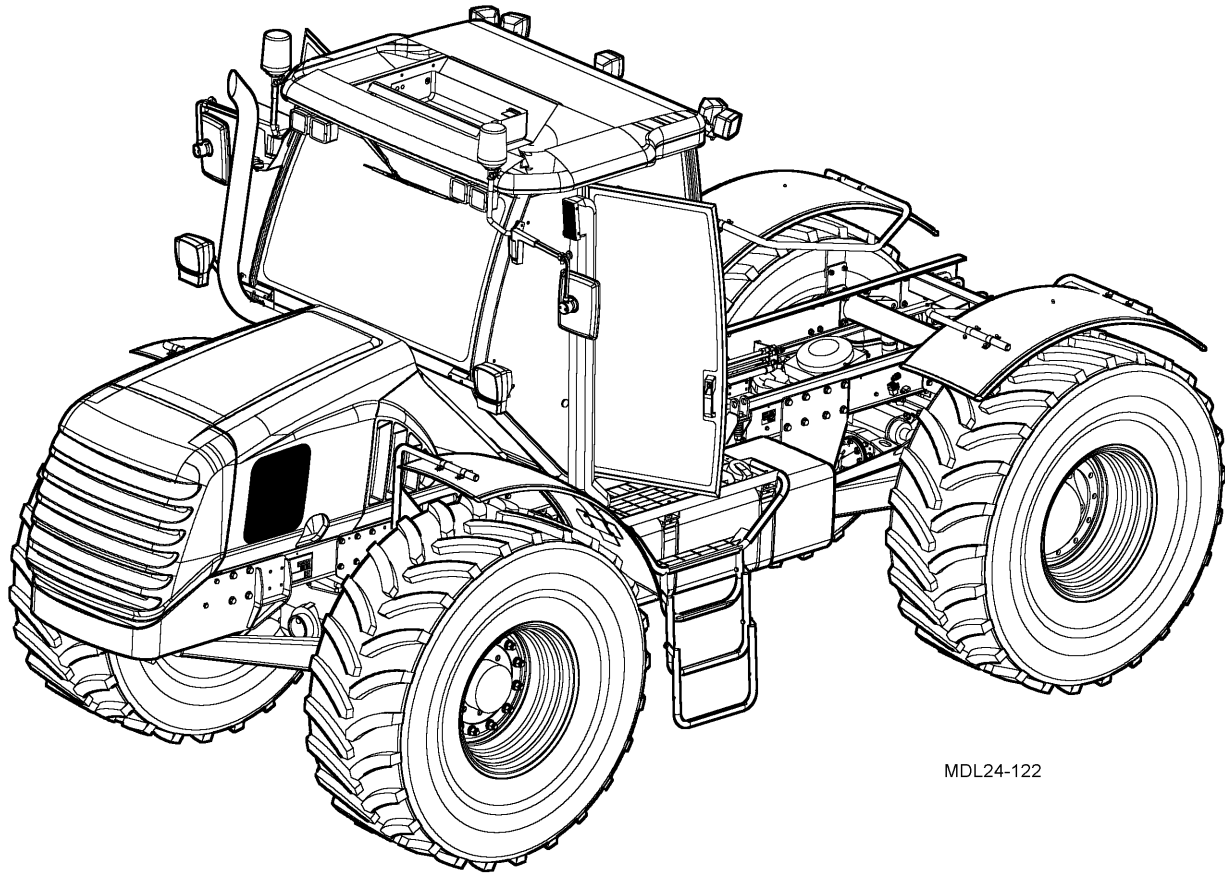
### MANUFACTURES INFORMATION

17 Additional manufactures literature and information required to support Tractor 2001 has been supplied as either stand alone publications or included at the rear of the relevant chapter.

**LIST OF ABBREVIATIONS**

18 The following abbreviations are listed and included at the discretion of the publication authority:

A/F	.....	Across Flats
Al	.....	Aluminium
BA	.....	British Association
Be Cu	.....	Beryllium Copper
Cd	.....	Cadmium
cont	.....	Continued
cres	.....	Corrosion Resistant Steel
csk	.....	Countersunk
dia	.....	Diameter
fil	.....	Fillister
h	.....	High
hex	.....	Hexagon
hd	.....	Head
id	.....	Inside Diameter
in	.....	Inch
int	.....	Internal
lg	.....	Long
mag	.....	Magnetic
Mm	.....	Millimetre
Ni	.....	Nickel
No.	.....	Number
o/a	.....	Overall
od	.....	Outside Diameter
Phos B	.....	Phosphor Bronze
rd	.....	Round
scr	.....	Screwed
skt	.....	Socket
SWG	.....	Standard Wire Gauge
thd	.....	Thread
thk	.....	Thick
TPI	.....	Thread Per Inch
w	.....	Width
Whit	.....	Whitworth



MDL24-122

**Tractor – 3.5M (three quarter front view)**



**CHAPTER 1**  
**INDEX OF MAIN ASSEMBLIES AND ILLUSTRATIONS**  
**TO**  
**CHAPTER AND FIGURE NUMBERS**



<b>Illustration Title</b>	<b>Chapter</b>	<b>Figure No.</b>
2/4WD Valve Assembly	2-9	37
60cc Pump	2-9	11
Accumulator Charge Valve	2-9	14
Air Conditioning Assembly	2-12	1
Air Intake Pipe Sub Assembly	2-1-4	1
Axle (10 Ton) Axle Housing	2-5-2	3
Axle (10 Ton) Brake Assembly	2-5-2	4
Axle (10 Ton) Differential Assembly	2-5-2	2
Axle (10 Ton) Differential Housing	2-5-2	1
Axle (10 Ton) Steering System	2-5-2	5
Axle (6 Ton) Axle Epicyclic	2-5-1	3
Axle (6 Ton) Brake Assembly	2-5-1	4
Axle (6 Ton) Differential Assembly	2-5-1	2
Axle (6 Ton) Differential Housing	2-5-1	1
Axle (6 Ton) Steering Cylinder	2-5-1	5
Battery Assembly	2-8	2
Bonnet Nose Sub Assembly	2-3	2
Brake Accumulators	2-9	12
Brake Foot Valve	2-9	13
Brake Pedal Sub Assembly	2-7-3	1
Bredal Spreader K65	2-13	6
Bredal Spreader K75/K85	2-13	7
Cab Door Assembly, LH	2-3	9
Cab Door Assembly, RH	2-3	10
Cab Electrics	2-8	3
Cab Main Frame	2-3	5
Cab Mounting Sub Assembly	2-4	3
Cab Roof Sub Assembly	2-3	8
Cab Sub Assembly – 2001 Tractor	2-3	4
Cab Trim	2-3	6
Charge Air Cooler 6 Cyl, 185 HP and 4 Cyl, 140 HP	2-1-2	2
Chassis Air Sub Assembly	2-10	2
Chassis Engine Mount Sub Assembly	2-4	4
Chassis Sub Assembly – 3.5 WB	2-4	1
Chassis Sub Assembly – 4.2 and 3.8 WB	2-4	2
Compressed Air Sub Assembly (4 and 6 Cylinder Engine)	2-10	1
Cooling System, 6 Cyl, 185 HP and 4 Cyl, 140 HP	2-1-2	1
Decals	2-13	5
Diff Lock Pedal Assembly	2-7-1	1
Diff Lock Valve	2-9	31
Driveshaft Matrix	2-2-1	2
Driveshaft Sub Assy, 3.5 Chassis, 4 Cyl 140 HP Engine, 6 Ton Rear Axle	2-2-1	3
Driveshaft Sub Assy, 3.5 Chassis, 6 Cyl 185 HP Engine, 10 Ton Rear Axle	2-2-1	8





<b>Illustration Title</b>	<b>Chapter</b>	<b>Figure No.</b>
Driveshaft Sub Assy, 3.5 Chassis, 6 Cyl 185 HP Engine, 6 Ton Rear Axle	2-2-1	6
Driveshaft Sub Assy, 3.8 Chassis, 4 Cyl 140 HP Engine, 6 Ton Rear Axle	2-2-1	4
Driveshaft Sub Assy, 3.8 Chassis, 6 Cyl 185 HP Engine, 10 Ton Rear Axle	2-2-1	9
Driveshaft Sub Assy, 3.8 Chassis, 6 Cyl 185 HP Engine, 6 Ton Rear Axle	2-2-1	7
Driveshaft Sub Assy, 4.2 Chassis, 4 Cyl & 6 Cyl Engine, 10 Ton Rear Axle	2-2-1	5
Electrical Cabinet	2-8	8
Engine Air Intake System	2-1-4	2
Engine Cover	2-3	1
Engine Mount Sub Assemblies	2-1-1	3
Engine Throttle Assembly	2-7-1	3
Exhaust Muffler Assembly	2-1-4	3
Exhaust Pipe Sub Assembly	2-1-4	4
Fixed Drawbar Assembly	2-11	2
Flow Divider Valve, Tandem Gear Pump	2-9	24
Front Mudwings Assembly	2-13	1
Front Steer Sense Sub Assembly	2-7-2	2
Front Suspension Sub Assembly, 4 Cylinder	2-6	1
Front Suspension Sub Assembly, 6 Cylinder	2-6	2
Front Suspension Sub Assembly, Early 4 and 6 Cylinder	2-6	3
Front Windscreen Wiper Assembly	2-8	6
Fuel Tank Assembly	2-1-3	1
Harness Assemblies	2-8	1
Hoses - 60cc Pump Schematic	2-9	4
Hoses - Tandem Gear Pump Schematic	2-9	2
Hoses - Tandem Load Sense Schematic	2-9	1
Hoses - Triple Pump Schematic	2-9	3
Hydraulic Shelf Assembly	2-9	34
Hydraulic Tank, Tandem Gear Pump	2-9	6
Hydraulic Tank, Tandem Load Sense and 60cc Pump	2-9	5
Hydraulic Tank, Triple Pump	2-9	7
Lamps and Sockets	2-8	4
Manifold Rail, Tandem Gear Pump	2-9	29
Manifold Rail, Tandem Load Sense and 60cc Pump	2-9	28
Manifold Rail, Triple Pump	2-9	30
Mirror Assemblies	2-3	11
Oil Cooler Assembly	2-1-2	4
Park Brake Valve	2-9	15
Pick Up Hitch	2-11	1
Power Unit, 4 Cyl, 140 HP	2-1-1	1
Power Unit, 6 Cyl, 185 HP	2-1-1	2
PTO Motor 14hp	2-9	25
PTO Motor 23hp	2-9	22
PTO Motor 33hp	2-9	27
PTO Oil Cooler Sub Assembly (23hp)	2-9	35



<b>Illustration Title</b>	<b>Chapter</b>	<b>Figure No.</b>
PTO Oil Cooler Sub Assembly (33hp)	2-9	36
PTO PVG Valve, Tandem Load Sense, Triple Pump and 60cc Pump	2-9	21
PTO Solenoid Valve, Tandem Gear Pump	2-9	23
Rear Mudwing, Long Sub Assembly	2-13	3
Rear Mudwing, Standard Sub Assembly	2-13	2
Rear Mudwing, Wide Sub Assembly	2-13	4
Rear Steer Sense Sub Assembly	2-7-2	3
Rear Suspension Sub Assembly 10 ton	2-6	5
Rear Suspensions Sub Assembly 6 ton	2-6	4
Rear Windscreen Wiper Assembly	2-8	7
Relief Valve Sub Assembly	2-9	33
RLH and RRH Bonnet Seat	2-3	3
Seats	2-3	7
Shuttle Valve	2-9	18
Spool Valve	2-9	26
Steel Pipe and Fittings (Steering, Brakes and Diff Lock)	2-9	39
Steel Pipe and Fittings Assembly	2-9	38
Steer Lock Valve	2-9	17
Steering Column Assembly	2-7-2	1
Steering Electrical Components	2-7-2	4
Steering Motor	2-9	19
Steering Priority Valve	2-9	16
Steering PVG Valve	2-9	20
Suction Fan Assembly	2-1-2	3
Tandem Gear Pumps	2-9	9
Tandem Load Sense Pumps	2-9	8
Throttle Assemblies	2-7-1	2
Trailer Brake Valve	2-9	32
Transmission Sub Assembly	2-2-1	1
Triple Pumps	2-9	10
Washer Bottle Assembly	2-8	5
ZF Gearbox	2-2-2	-



## CHAPTER 2-1-1

### POWER UNITS

#### CONTENTS

Para		Page
1	John Deere Engine information	2
2	Engine Option Codes for Multidrive 4140 Tractor 4045HF275	3
3	Engine Option Codes for Multidrive 6185 Tractor 6068HF150	4
4	Engine Option Codes for Multidrive 6185 Tractor 6068HF275	5

Fig	
1	Power Unit, 4 Cyl, 140 HP
2	Power Unit, 6 Cyl, 185 HP
3	Engine Mount Sub Assemblies



## 1 JOHN DEERE ENGINE INFORMATION

The Multidrive 4140 & 6185 tractors are fitted with the following John Deere engines.

Multidrive 4140 Tractor -----**4045HF275** used from MD serial no. SA9AT41403T096251

Multidrive 6185 Tractor-----**6068TF150** used up to MD serial no. SA9AT61852T096253

Multidrive 6185 Tractor-----**6068HF275** used from MD serial no. SA9AT61852T096255

The John Deere engine is built & supplied from the Saran engine factory to Multidrive to a series of '**OPTION BUILD CODES**'.

It is essential the John Deere parts department is aware of these codes as they identify the correct component build of the above engines, in turn they are able to supply you the Multidrive tractor user with the correct parts.

A decal was fixed from new onto the rocker cover of the engine in the Multidrive tractor this displays all the engine build codes used to complete the engine. It will also be most useful as a reference if a full engine serial number is available. This can be found on the rear offside of the engine block

**i.e. CD4045H-123456**

Your local John Deere dealer will look after any service, warranty or parts back-up that may be required. Any warranty problems relating to the John Deere Engine will be dealt with, by your dealer who is able to send any warranty claims DIRECT to the John Deere branch office of the country you reside in.

The dealer is in a position to source parts from the John Deere computerised parts system within his dealership. There are several options available for the major components, e.g. alternators; starter motors, turbochargers etc., each having a unique 'BUILD CODE'.

**The list of codes on the following pages will assist in ensuring the correct part is identified.**

### **NOTE:**

Several of the engine parts i.e. sender units, are purchased separately from John Deere and are shown with a Multidrive part number along with a cross reference to the John Deere part number.

**2 ENGINE OPTION CODES – 4045HF275**

Engine Base Code: 172DCD

<b>Option Code</b>	<b>Description</b>
1103	Rocker arm cover
1202	Oil filler inlet
1327	Crankshaft pulley
1407	Flywheel housing
1513	Flywheel
163G	Fuel injection pump
1784	Air intake
1923	Oil pan
2101	Thermostat cover
2313	Fan drive
2496	Fan belt JD-L114292
2599	Fan
2699	Engine coolant heater
2802	Exhaust manifold
2922	Ventilator system
3012	Starter motor
3140	Alternator
35BW	Fuel filter
3702	Mechanical fuel pump
4001	Dipstick
4199	Aux drive pulley
4399	Starting Aid
5001	Oil pump
5204	Aux gear drive
5307	Fuel heater
5607	Paint option
5722	Water pump inlet
6099	Add on pulley
6203	Alternator mount bkt.
6315	Low pressure fuel line
6499	Exhaust elbow
65EY	Turbocharger
6698	Temperature switch
6710	Electronic sensors
6895	Crankshaft damper
7262	ECU software option
7402	Air Con compressor
7635	Oil pressure switch
7899	Air compressor
8126	Water/Fuel separator
8320	Performance software
8407	Electric wiring harness
8604	Fan pulley
8701	Belt tensioner
8843	Oil filter



### 3 ENGINE OPTION CODES – 6068TF150

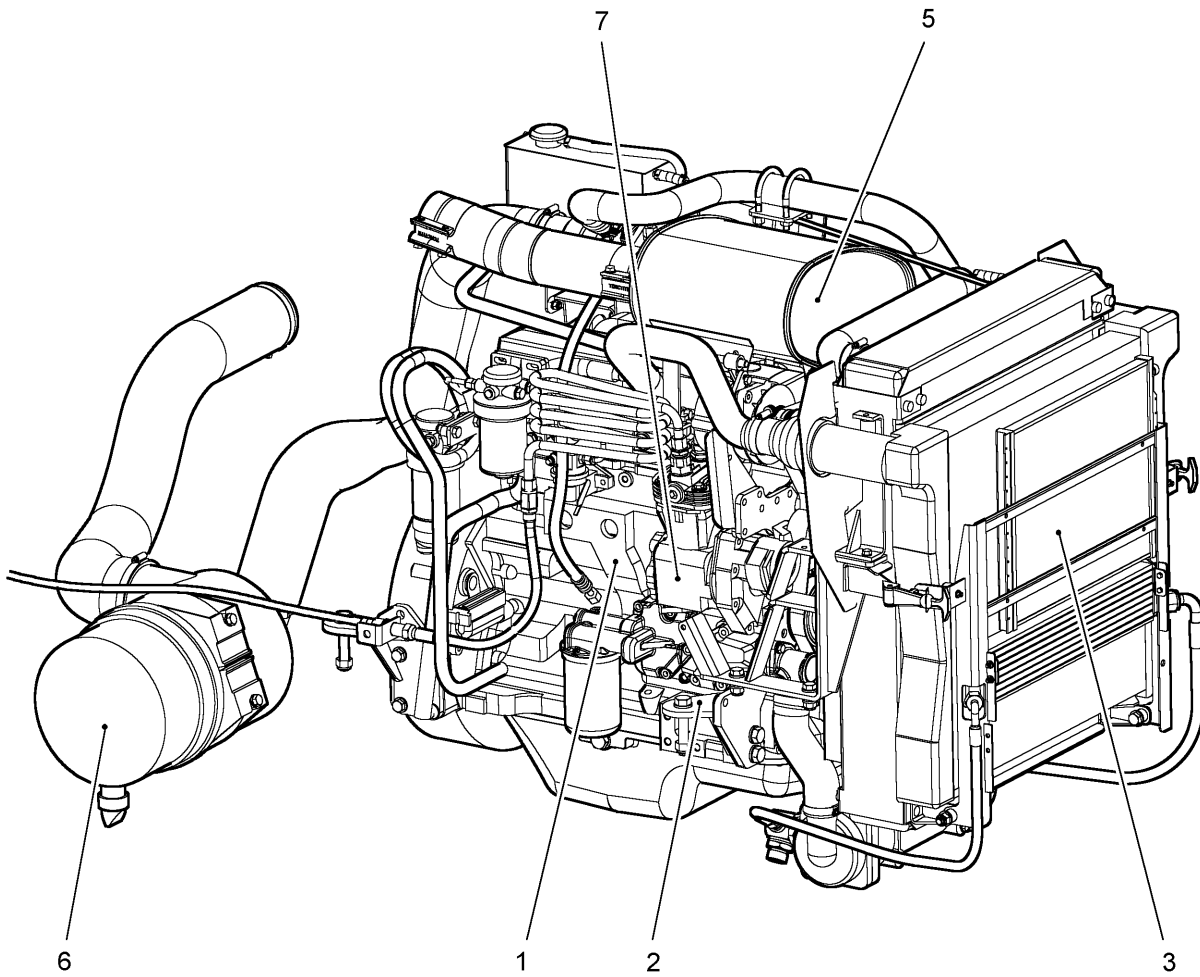
Engine Base Code: 159AE

Option Code	Description
1104	Rocker Arm Cover
1202	Oil Filler Neck
1305	Crankshaft Pulley
1407	Flywheel Housing
1543	Flywheel
1696	Fuel Injection Pump
1706	Air Inlet
1909	Oil Pan
2001	Water Pump
2101	Thermostat Cover
2201	Thermostat
2313	Fan Drive
2433	Fan Belt
2699	Engine Coolant Heater
2808	Exhaust Manifold
2904	Ventilator System
3013	Starting Motor
3107	Alternator
3518	Fuel Filter
3602	Front Plate
3702	Fuel Transfer Pump
4002	Oil Dipstick
4199	Belt Driven Front Auxiliary Drive
4399	Starting Aid
4404	Timing Gear Cover with Gears
4603	Cylinder Block with Liners & Camshaft
4702	Crankshaft and Bearings
4807	Connecting Rods and Pistons
4902	Valve Actuating Mechanisms
5001	Oil Pump
5107	Cylinder Head with Valves
5204	Auxiliary Gear Drive
5601	Paint Option
5701	Water Pump Inlet
5902	Oil Cooler
6099	Add-on Auxiliary Drive Pulley
6202	Alternator Mounting
6499	Exhaust Elbow
6522	Turbocharger
6799	Electronic Tachometer Sensor
6901	Engine Serial Number Plate
7406	Air Conditioner Compressor Mounting
8610	Fan Pulley
8701	Automatic Belt Tensioner
8802	Oil Filter

4 **ENGINE OPTION CODES – 6068HF275**

Engine Base Code: 160CCD

<b>Option Code</b>	<b>Description</b>
1104	Rocker Cover
1202	Oil filler inlet
1320	Crankshaft pulley
1407	Flywheel housing
1513	Flywheel
16YS	Fuel injection pump
1784	Air Inlet
1909	Oil pan
2101	Thermostat cover
2313	Fan drive
2496	Fan belt JD-L114292
2599	Fan
2699	Engine coolant heater
2808	Exhaust manifold
2922	Vent tube
3013	Starter motor
3140	Alternator
35BR	Fuel filter
3799	Fuel transfer
4001	Dipstick
4199	Aux drive pulley
4399	Starting aid
5001	Oil pump
5204	Aux gear drive
5399	Fuel heater
5607	Paint option
5722	Water pump inlet
6099	Add-on drive pulley
6203	Alternator mounting
6308	Low pressure fuel line
6499	Exhaust elbow
65CJ	Turbocharger
6698	Temperature switch
6709	Electronic sensors
6895	Crankshaft damper
7205	ECU software
7402	Air Con compressor
7635	Oil pressure switch
7899	Air compressor
8121	Fuel/Water separator
8303	Performance software
8403	Electric wiring harness
8604	Fan pulley
8701	Belt tensioner
8843	Oil filter



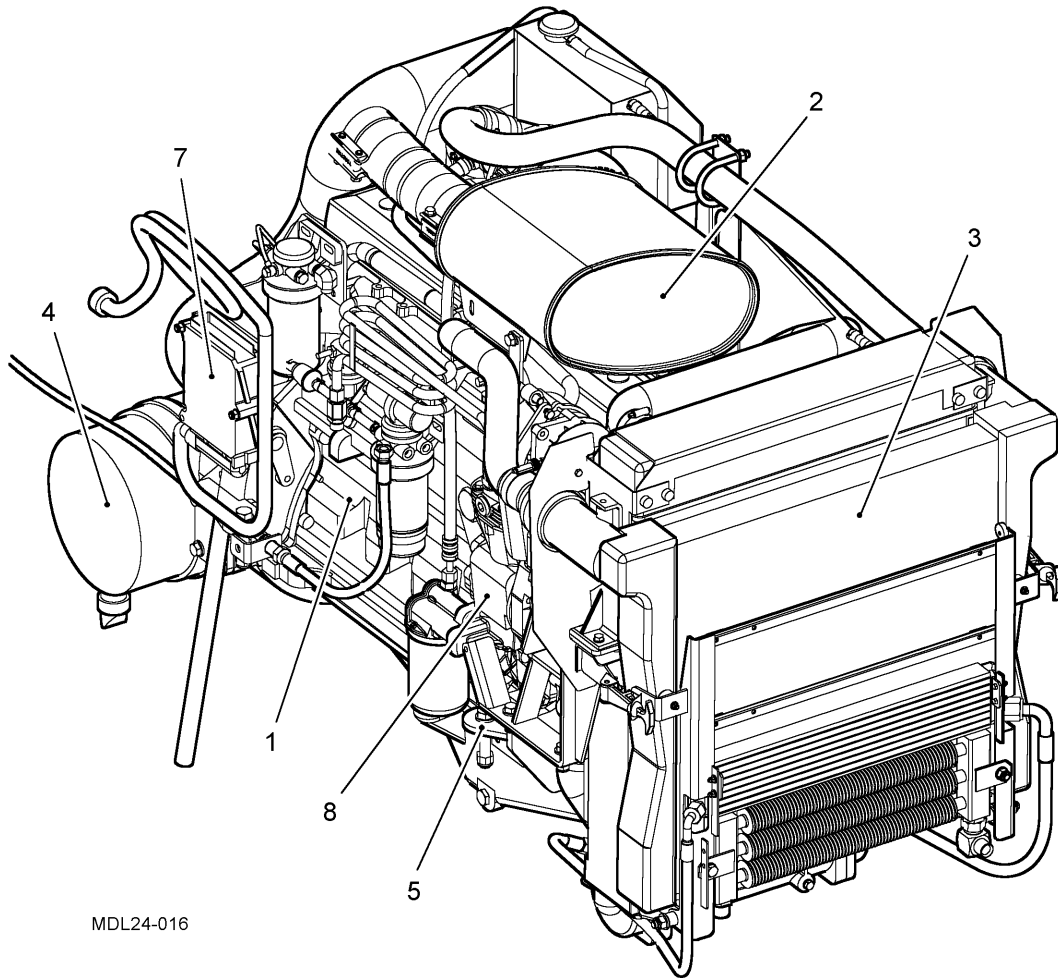
MDL24-014

Figure 1 Power Unit, 4 Cyl, 140 HP





Fig 1 Item	Item Name and Description	Part No. / Drawing No.	Qty	Remarks
REF	<b>POWER UNIT, 4 CYL, 140 HP TIER 2</b>	MD49522V15A	1	
1	. ENGINE, 140 HP -TIER 2 104KW	MD53121E10A	1	
2	. ENGINE MOUNT SUB ASSEMBLY 4 CYL	MD53154E40A	1	See Fig 2
3	. ENGINE COOLING PACK, 4 CYLINDER	MD53768P00A	1	See Chap 2-1-2
NI 4	. FAN SUB ASSEMBLY	MD52620E30A	1	See Chap 2-1-2
5	. MUFFLER SUB ASSEMBLY, 4 CYLINDER	MD58328H00A	1	See Chap 2-1-4
6	. 4 CYLINDER ENGINE AIR INTAKE	MD53598J00A	1	See Chap 2-1-4
7	. COMPRESSED AIR SUB ASSEMBLY 4 CYL	MD52073L00A	1	See Chap 2-10
NI 8	ENGINE OIL FILTER	-	AR	JDRE504836
NI 9	PRIMARY FUEL FILTER	-	AR	JDRE517181
NI 10	SECONDARY FUEL FILTER	-	AR	JDRE509031

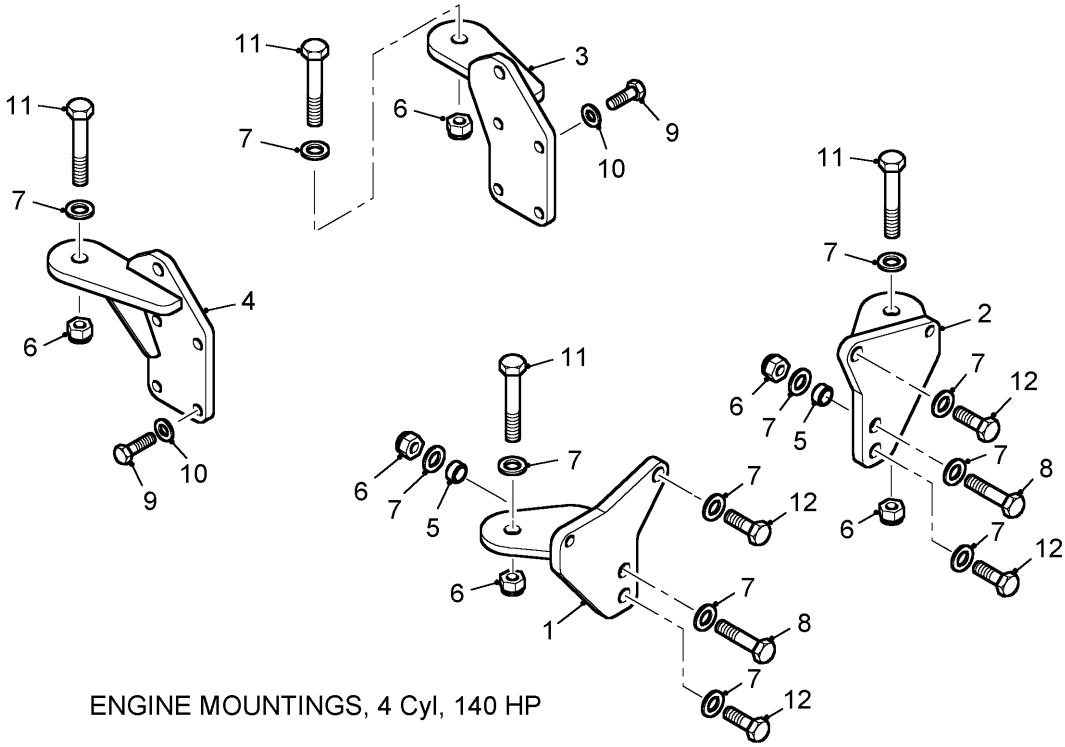


MDL24-016

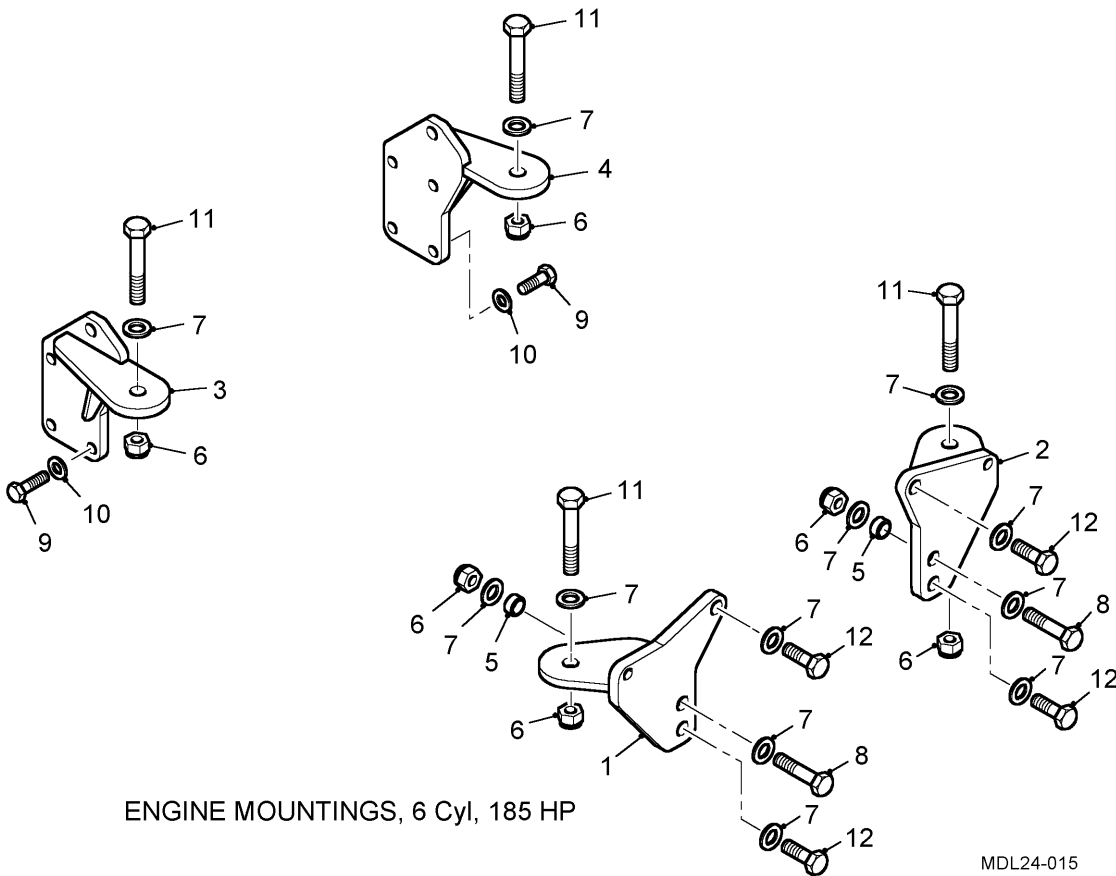
Figure 2 Power Unit, 6 Cyl, 185 HP



Fig 2 Item	Item Name and Description	Part No. / Drawing No.	Qty	Remarks
REF	<b>POWER UNIT, 6 CYL 185 HP TIER 2</b>	MD53723V15A	1	
1	. ENGINE, 185 HP - TIER 2 138kW @ 2400RPM	MD54086E10A	1	
2	. MUFFLER ASSEMBLY, 6 CYLINDER	MD58443H20A	1	See Chap 2-1-4
3	. ENGINE COOLING PACK, 6 CYLINDER – CHARGE AIR	MD53156P00A	1	See Chap 2-1-2
4	. ENGINE AIR INTAKE SYSTEM, 6 CYLINDER	MD50227J00A	1	See Chap 2-1-4
5	. ENGINE MOUNT SUB ASSEMBLY, 6 CYLINDER	MD50550E40A	1	See Fig 2
NI 6	. FAN SUB ASSEMBLY	MD52620E30A	1	See Chap 2-1-2
7	. ENGINE ECU	MD54679N32A	1	
8	. COMPRESSED AIR SUB ASSEMBLY, 6 CYLINDER ENGINE	MD59987L00A	1	See Chap 2-10
NI 9	. ENGINE HARNESS SUB ASSEMBLY	MD54625E60A	1	See Chap 2-8
NI 10	ENGINE OIL FILTER	-	AR	JDRE504836
NI 11	PRIMARY FUEL FILTER	-	AR	JDRE509208
NI 12	SECONDARY FUEL FILTER	-	AR	JDRE67901



ENGINE MOUNTINGS, 4 Cyl, 140 HP



ENGINE MOUNTINGS, 6 Cyl, 185 HP

MDL24-015

Figure 3 Engine Mount Sub Assemblies



Fig 3 Item	Item Name and Description	Part No. / Drawing No.	Qty	Remarks
REF	. ENGINE MOUNT SUB ASSEMBLY, 4 CYL 140 HP	MD53154E40A	1	
	. ENGINE MOUNT SUB ASSEMBLY, 6 CYL 185 HP	MD50550E40A	1	
1	. . ENGINE MOUNT, FRH (FRONT R/HAND)	MD50529E40A	1	
2	. . ENGINE MOUNT, FLH (FRONT L/HAND)	MD50533E40A	1	
3	. . REAR ENGINE MOUNT, RLH	MD50543E40A	1	UP TO BUILD 351
	REAR ENGINE MOUNT, RLH	MD60854E40A	1	BUILD 352 ON
4	. . REAR ENGINE MOUNT, RRH	MD50544E40A	1	UP TO BUILD 351
	REAR ENGINE MOUNT, RRH	MD60853E40A	1	BUILD 352 ON
5	. . BUSHING, ENGINE MOUNT	MD44994E40P	2	
6	. . NUT, NYLOC, M16, GR: 10.9 ZINC PLATE	MD40019X20S	6	
7	. . WASHER, M16, ZINC PLATED HARDENED	MD40029X30S	12	
8	. . BOLT, M16 X 60, HEX HD, ZINC PLATED	MD43846X10S	2	
9	. . SCREW, M12 X 40, HEX HD	MD40448X00S	8	
10	. . WASHER, M12, HARDENED	MD40663X30S	8	
11	. . BOLT, M16 X 90, HEX HD, GR: 10.9	MD40681X10S	4	
12	. . BOLT, M16 X 40, HEX HD GR: 10.9	MD40675X10S	4	



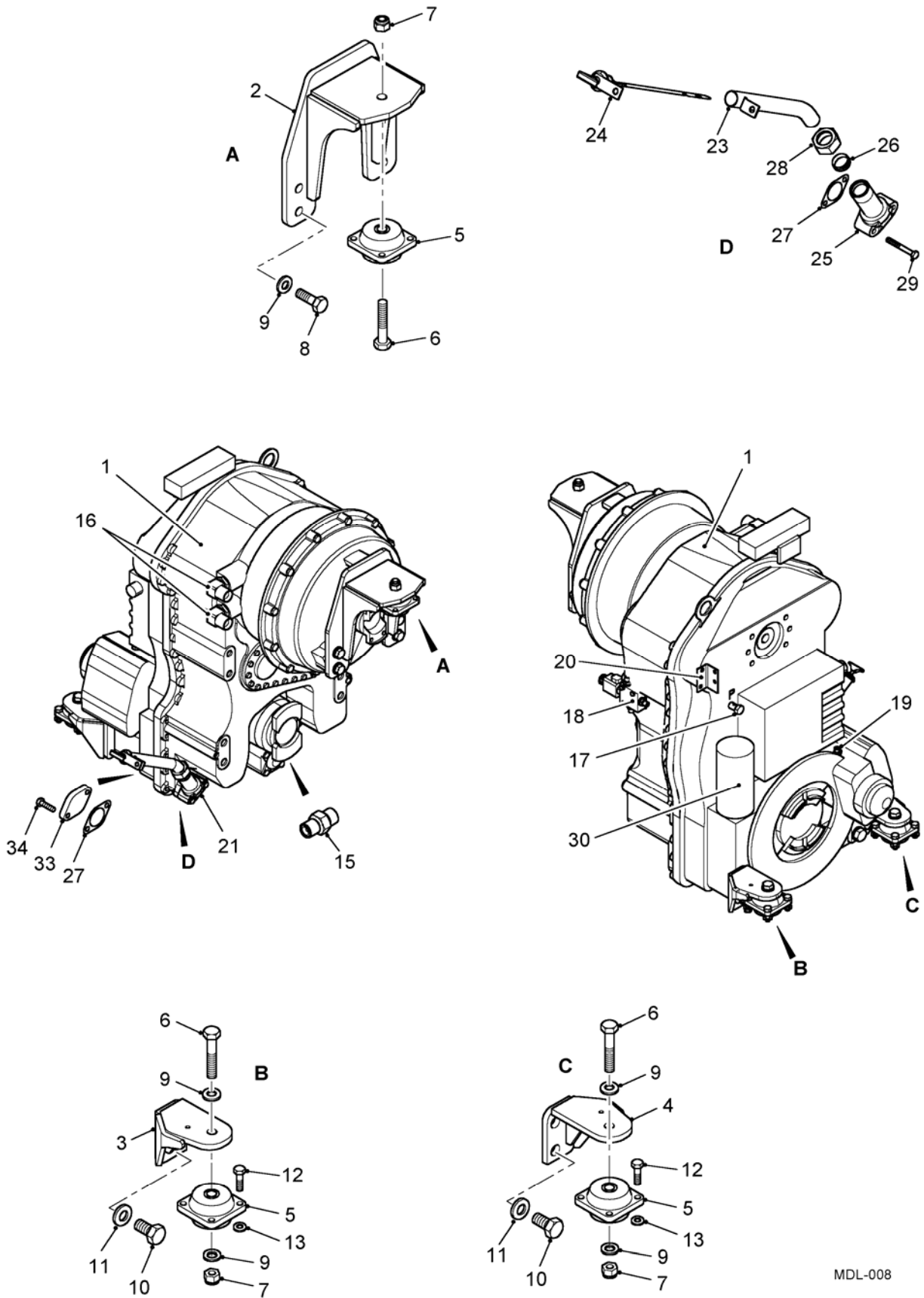
## CHAPTER 2-2-1

### POWER TRAIN

#### CONTENTS

Fig

- 1 Transmission Sub Assembly
- 2 Driveshaft Matrix
- 3 Driveshaft Sub Assembly, 3.5 Chassis, 4 Cyl 140 HP Engine, 6 Ton Rear Axle
- 4 Driveshaft Sub Assembly, 3.8 Chassis, 4 Cyl 140 HP Engine, 6 Ton Rear Axle
- 5 Driveshaft Sub Assembly, 4.2 Chassis, 4 Cyl and 6 Cyl Engine, 10 Ton Rear Axle
- 6 Driveshaft Sub Assembly, 3.5 Chassis, 6 Cyl 185 HP Engine, 6 Ton Rear Axle
- 7 Driveshaft Sub Assembly, 3.8 Chassis, 6 Cyl 185 HP Engine, 6 Ton Rear Axle
- 8 Driveshaft Sub Assembly, 3.5 Chassis, 6 Cyl 185 HP Engine, 10 Ton Rear Axle
- 9 Driveshaft Sub Assembly, 3.8 Chassis, 6 Cyl 185 HP Engine, 10 Ton Rear Axle
- 10 Driveshaft Sub Assembly, 4.2 Chassis, 6 Cyl 185 HP Engine, 12 Ton Rear Axle



MDL-008

Figure 1 Transmission Sub Assembly



Fig 1 Item	Item Name and Description	Part No. / Drawing No.	Qty	Remarks
REF	<b>TRANSMISSION SUB-ASSEMBLY</b>	MD49746F10A	1	
1	. ZF-WG160 POWERSHIFT TRANSMISSION	MD49745F00P	1	
2	. FRONT TRANSMISSION BRACKET	MD50847F30A	1	
3	. TRANS MOUNT, REAR LH	MD50908F30A	1	
4	. TRANS MOUNT, REAR RH	MD50909F30A	1	
5	. FRONT ENGINE ANTI-VIBRATION MOUNTING	MD43379E40P	3	
6	. BOLT, M16 X 90, HEX HD, GR:10.9	MD40681X10S	3	
7	. NUT, NYLOC, M16 GR:10, ZINC PLATE	MD40019X20S	3	
8	. BOLT, M16 X 40, HEX HEAD, GR: 10.9	MD40675X10S	4	
9	. WASHER, M16, ZINC PLATED	MD40029X30S	8	
10	. BOLT, M20 X 30, HEX HEAD	MD52837X10S	4	
11	. WASHER M20, ZINC PLATED.	MD40556X30S	4	
12	. BOLT, M10 X 35, HEX HEAD	MD52836X10S	8	
13	. WASHER, M10, HARDENED	MD40656X30S	8	
NI 14	. NUT, NYLOC, M10, GR:10, ZINC PLATED	MD40017X20S	1	
15	. MALE REDUCING ADAPTOR M12 MALE 1/4" BSP	MD47742X60S	1	
16	. ADJUSTABLE ELBOW - 21/16" UNF-1" BSP	MD50959T30P	2	
17	. DOUBLE BANJO BOLT	MD52503T30P	2	
18	. 2/4 WD VALVE SUB ASSEMBLY	MD51782T30A	1	See Chap 2-6
19	. M/M ADAPTOR, M10 X 1.0P X 1/4" BSP	MD53544X60S	1	
20	. LOCK-UP VALVE BRACKET	MD53146F10C	1	
21	. TRANSMISSION DIPSTICK SUBASSEMBLY	MD53151F10A	1	
NI 22	. . OIL TUBE ADAPTOR KIT	MD51492F12P	1	
23	. . OIL FILLER TUBE	MD53152F10C	1	
24	. . DIPSTICK	MD53153F10P	1	
25	. . DIPSTICK HOUSING	MD53148F10P	1	
26	. . BEZEL	MD53150F10P	1	
27	. . GASKET	MD52543F12S	1	
28	. . SECURING NUT	MD53149F10P	2	
29	. . BOLT, HEX HEAD	MD50884X10S	2	
30	. OIL FILTER	MD52679F12P	1	
NI 31	. GEAR SHIFT LEVER	MD51255F20P	1	
NI 32	. SCREW, SKT BUTTON HD, M6 X 20	MD43367X10S	4	
33	. PLATE COVER	4644301014	1	
34	. SCREW, HEX HEAD	0636015225H	2	
NI	. Transmission control unit 6 cyl engine	MD52651F00P	1	
NI	. Transmission control unit 4 cyl engine	MD52653F00P	1	





Wheel Base (meters)	4 Cyl 140 HP Engine		6 Cyl 185 HP Engine				
	6T rear axle	10T rear axle	6T rear axle	10T rear axle	12T rear axle	6x6 10T rear	
3.5	Fig 3		Fig 6	Fig 8			
3.8	Fig 4		Fig 7	Fig 9			
4.2		Fig 5		Fig 5	Fig10		

Figure 2 Driveshaft Matrix



Fig 2 Item	Item Name and Description	Part No. / Drawing No.	Qty	Remarks
REF	<b>DRIVESHAFT MATRIX</b>	-	NP	
1	DRIVESHAFT SUB ASSEMBLY, 3.5 CHASSIS, 4 CYL 140 HP ENGINE, 6 TON REAR AXLE	MD54045F50A	1	See Fig 3
2	DRIVESHAFT SUB ASSEMBLY, 3.8 CHASSIS, 4 CYL 140 HP ENGINE, 6 TON REAR AXLE	MD54046F50A	1	See Fig 4
3	DRIVESHAFT SUB ASSEMBLY, 4.2 CHASSIS, 4 CYL 140 HP ENGINE, 10 TON REAR AXLE	NP	1	See Fig 5
4	DRIVESHAFT SUB ASSEMBLY, 3.5 CHASSIS, 6 CYL 185 HP ENGINE, 6 TON REAR AXLE	MD53023F50A	1	See Fig 6
5	DRIVESHAFT SUB ASSEMBLY, 3.8 CHASSIS, 6 CYL 185 HP ENGINE, 6 TON REAR AXLE	MD51464F50A	1	See Fig 7
6	DRIVESHAFT SUB ASSEMBLY, 3.5 CHASSIS, 6 CYL 185 HP ENGINE, 10 TON REAR AXLE	MD50178F50A	1	See Fig 8
7	DRIVESHAFT SUB ASSEMBLY, 3.8 CHASSIS, 6 CYL 185 HP ENGINE, 10 TON REAR AXLE	MD52832F50A	1	See Fig 9
8	DRIVESHAFT SUB ASSEMBLY, 4.2 CHASSIS, 6 CYL 185 HP ENGINE, 10 TON REAR AXLE	MD55056F50A	1	See Fig 5
10	DRIVESHAFT SUB ASSEMBLY, 4.2 CHASSIS, 6 CYL 185 HP ENGINE, 12 TON REAR AXLE		1	See Fig 10

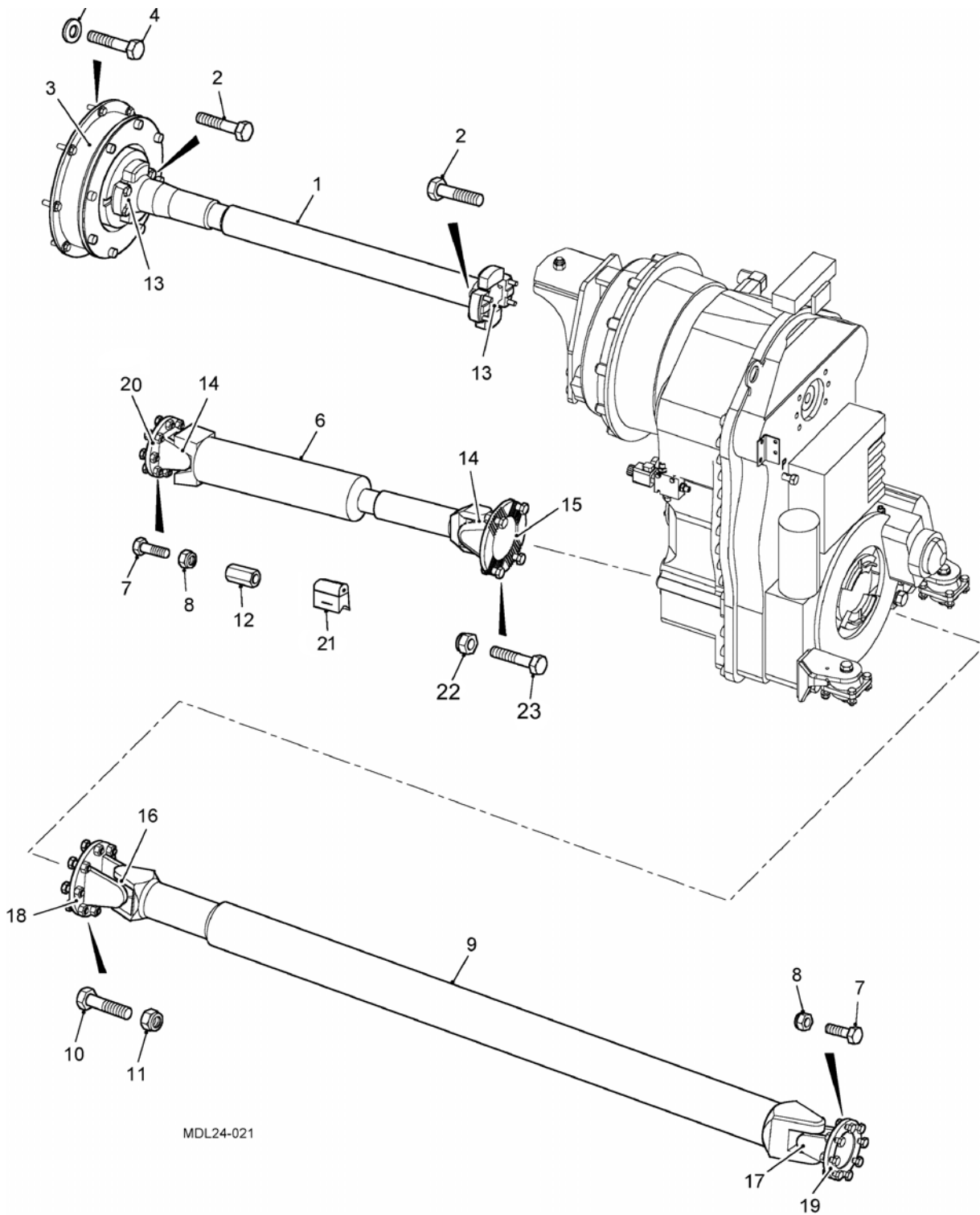


Figure 3 Driveshaft Sub Assembly, 3.5 Chassis, 4 Cyl 140 BHP Engine, 6 Ton Rear Axle



Fig 3 Item	Item Name and Description	Part No. / Drawing No.	Qty	Remarks
REF	<b>DRIVESHAFT SUB ASSEMBLY, 3.5 CHASSIS, 4 CYL 140 HP ENGINE, 6 TON REAR AXLE</b>	MD54045F50A	1	
1	. PRIMARY DRIVESHAFT (4 cyl engine)	MD54044F50C	1	
2	. BOLT, 3/8" - UNF X 40	MD51670X10S	8	
3	. TORSIONAL DAMPER-CENTAX COUPLING/SAE10 FLYWHEEL	MD50259F50P	1	
4	. BOLT, HEX HD, 3/8" - UNC X 1 1/4"	MD46232X10S	8	
5	. WASHER, M10, HARDENED	MD40656X30S	8	
6	. FRONT DRIVESHAFT	MD50258F50C	1	
7	. PROPSHAFT BOLT, M10 X 30	MD51456X10S	16	
8	. PROPSHAFT NUT, M10	MD51458X20S	15	
9	. REAR DRIVESHAFT, 3.5M WB	MD53024F50C	1	
10	. PROPSHAFT BOLT, M12 X 35, GR: 10.9	MD51374X10S	12	
11	. PROPSHAFT NUT, M12	MD51460X20S	8	
12	. RDS NUT, M10 X 30	221800	1	
13	. CROSS KITS	MD60327F50P	2	
14	. CROSS KITS	MD59275F50P	2	
15	. FLANGE YOKE		1	Din 150 KV
16	. CROSS KIT	MD59276F50P	1	
17	. CROSS KIT	MD59275F50P	1	
18	. FLANGE YOKE	MD60332F50P	1	
19	. FLANGE YOKE	MD60333F50P	1	
20	. FLANGE YOKE	MD60331F50P	1	Din 120
21	. SADDLE MAGNET	MD52419N00P	1	
NI	. HOSE CLIP 22MM		1	
22	. M12 x 1.5 LOCK NUT	MD51458X20S	4	
23	. M12 HEX Bolt x 1.5 pitch	ZF0636021083	4	See chap 2-2-2, P28

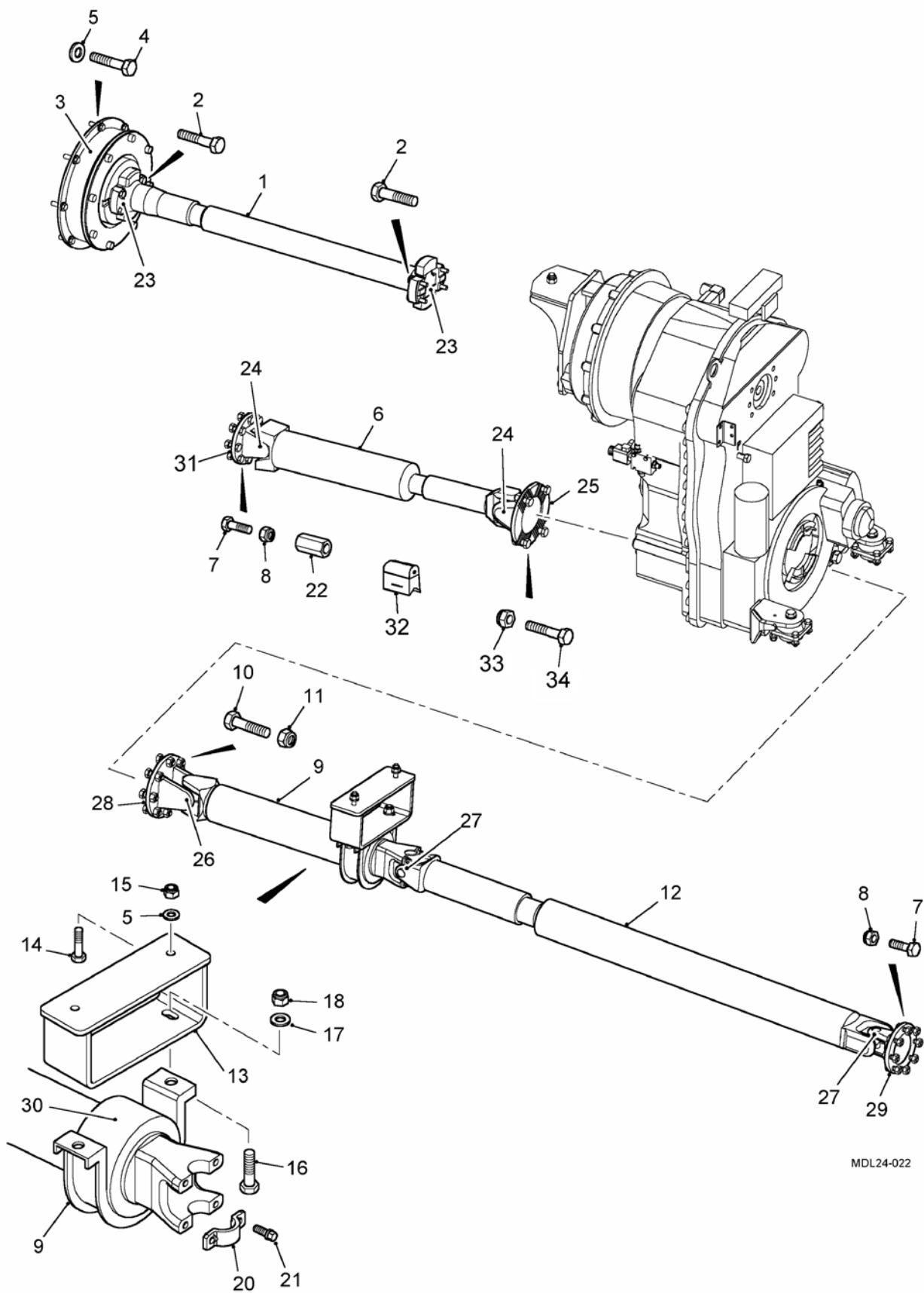
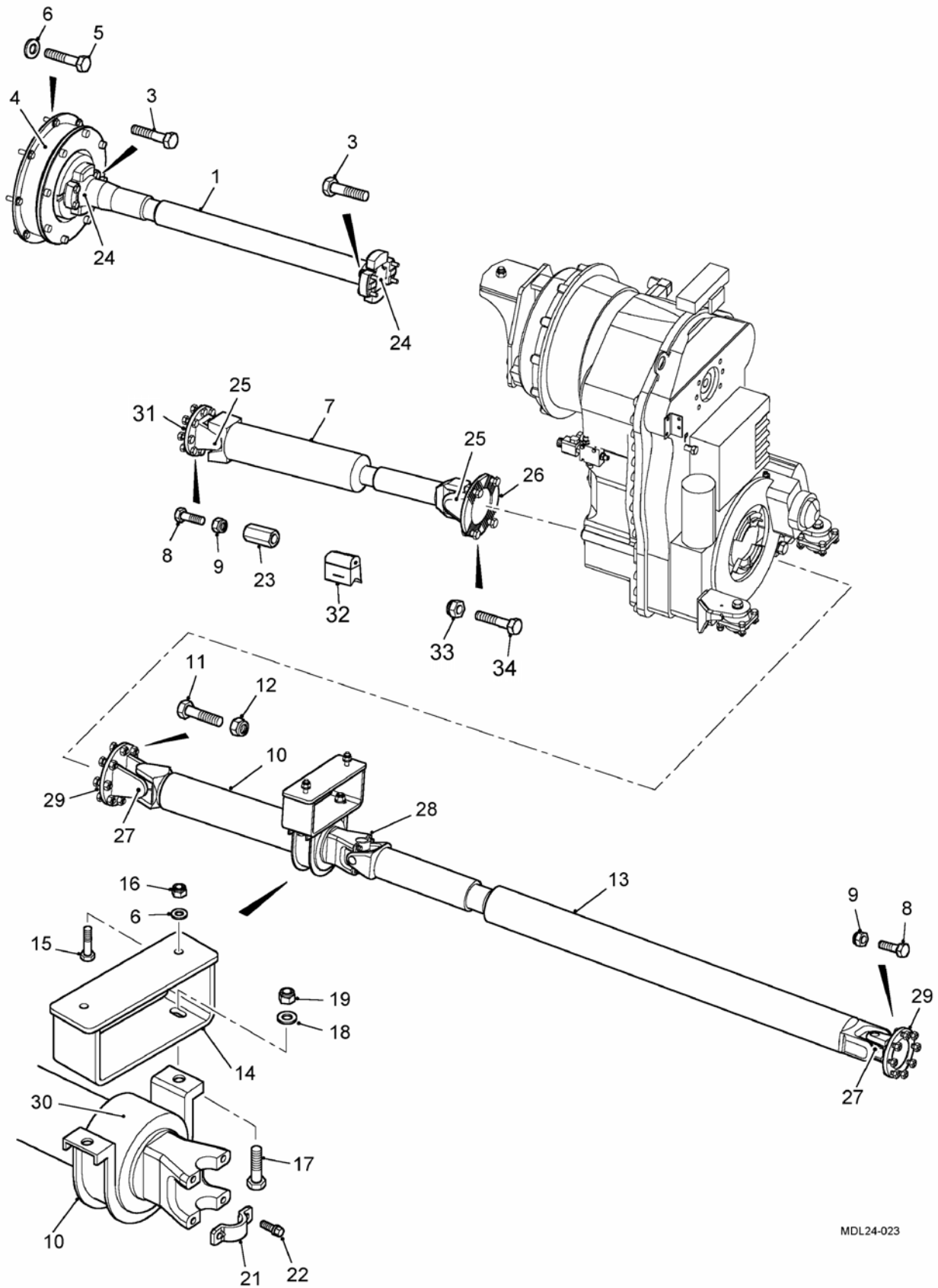


Figure 4 Driveshaft Sub Assembly, 3.8 Chassis, 4 Cyl 140 BHP Engine, 6 Ton Rear Axle



Fig 4 Item	Item Name and Description	Part No. / Drawing No.	Qty	Remarks
REF	<b>DRIVESHAFT SUB ASSEMBLY, 3.8 CHASSIS, 4 CYL 140 HP ENGINE, 6 TON REAR AXLE</b>	MD54046F50A	1	
1	. PRIMARY DRIVESHAFT (4 cyl engine)	MD54044F50C	1	
2	. PROPSHAFT BOLT, 3/8" 24 UNF X 40	MD51670X10S	8	
3	. TORSIONAL DAMPER-CENTAX COUPLING SAE10 FLYWHEEL	MD50259F50P	1	
4	. BOLT, HEX HD, UNC 3/8" X 1.25"	MD46232X10S	8	
5	. WASHER, M10, HARDENED.	MD40656X30S	10	
6	. FRONT DRIVESHAFT	MD50258F50C	1	
7	. PROPSHAFT BOLT, M10 X 30	MD51456X10S	16	
8	. PROPSHAFT NUT, M10	MD51458X20S	16	
9	. REAR INTERMEDIATE PROPSHAFT	MD51463F50C	1	
10	. PROPSHAFT BOLT, M12 X 35 GR: 10.9	MD51374X10S	12	
11	. PROPSHAFT NUT, M12	MD51460X20S	12	
12	. REAR DRIVESHAFT, 3.8 WB - 212	MD52821F50C	1	
13	. BEARING CARRIER BRACKET	MD50978B10A	1	
14	. BOLT, HEX HD, M10 X 45mm LG, GR: 10.9	MD41184X10S	2	
15	. NUT, NYLOC, M10 GR: 10, ZINC PLATED	MD40017X20S	2	
16	. SET SCREW, M12 X 30, HEX HD	MD40534X10S	2	
17	. WASHER, M12, HARDENED	MD40663X30S	2	
18	. NUT, M12, NYLOC, SELF LOCKING, GR: 10	MD40018X20S	2	
NI 19	. END YOKE FIXING KIT	MD52970F50A	2	
20	. . SADDLE	MD52971F50S	2	
21	. . BOLT	MD52972F50S	4	
22	. RDS NUT, M10 X 30	221800	1	
23	. CROSS KITS	MD60327F50P	2	
24	. CROSS KITS	MD59275F50P	2	
25	. FLANGE YOKE		1	DIN 150 KV
26	. CROSS KITS	MD59276F50P	1	
27	. CROSS KITS	MD59275F50P	2	
28	. FLANGE YOKE	MD60332F50P	1	
29	. FLANGE YOKE	MD60333F50P	1	
30	. CENTER BEARING AND NUT	MD60329F50P	1	
31	. FLANGE YOKE	MD60331F50P	1	Din 120
32	. SADDLE MAGNET	MD52419N00P	1	
NI	. HOSE CLIP 22MM		1	
33	. M12 x 1.5 LOCK NUT	MD51458X20S	4	
34	. M12 HEX Bolt x 1.5 pitch	ZF0636021083	4	See chap 2-2-2, P28



MDL24-023

Figure 5 Driveshaft Sub Assembly, 4.2 Chassis, 4 Cyl and 6 Cyl Engine, 10 Ton Rear Axle



Fig 5 Item	Item Name and Description	Part No. / Drawing No.	Qty	Remarks
REF	<b>DRIVESHAFT SUB ASSEMBLY, 4.2 CHASSIS, 4 CYL 140 HP ENGINE, 10 TON REAR AXLE</b>	-	NP	
	<b>DRIVESHAFT SUB ASSEMBLY, 4.2 CHASSIS, 6 CYL 185 HP ENGINE, 10 TON REAR AXLE</b>	MD55056F50A	1	
1	. PRIMARY DRIVESHAFT (4 cyl engine)	MD54044F50C	1	
NI 2	. PRIMARY DRIVESHAFT (6 cyl engine)	MD50257F50C	1	
3	. BOLT, PROPSHAFT, 3/8" 24 UNF X 40	MD51670X10S	8	
4	. TORSIONAL DAMPER-CENTAX COUPLING SAE10 FLYWHEEL	MD50259F50P	1	
5	. BOLT, HEX HD, UNC 3/8" X 1.25"	MD46232X10S	8	
6	. WASHER, M10, HARDENED.	MD40656X30S	10	
7	. FRONT DRIVESHAFT	MD50258F50C	1	
8	. PROPSHAFT BOLT, M10 X 30	MD51456X10S	16	
9	. PROPSHAFT NUT, M10	MD51458X20S	16	
10	. REAR INTERMEDIATE PROPSHAFT	MD51463F50C	1	
11	. PROPSHAFT BOLT, M12 X 35 GR: 10.9	MD51374X10S	12	
12	. PROPSHAFT NUT, M12	MD51460X20S	12	
13	. REAR DRIVESHAFT, 4.2 WB	MD55057F50C	1	
14	. BEARING CARRIER BRACKET	MD50978B10A	1	
15	. BOLT, HEX HD, M10 X 45mm LG, GR: 10.9	MD41184X10S	2	
16	. NUT, NYLOC, M10 GR: 10.9, ZINC PLATED	MD40017X20S	2	
17	. SET SCREW, M12 X 30, HEX HD	MD40534X10S	2	
18	. WASHER, M12, HARDENED	MD40663X30S	2	
19	. NUT, M12, NYLOC, SELF LOCKING, GR: 10	MD40018X20S	2	
NI 20	. END YOKE FIXING KIT	MD52970F50A	2	
21	. . SADDLE	MD52971F50S	2	
22	. . BOLT	MD52972F50S	4	
23	. RDS NUT, M10 X 30	221800	1	
24	. CROSS KITS	MD60327F50P	2	
25	. CROSS KITS	MD59275F50P	2	
26	. FLANGE YOKE		1	Din 150 KV
27	. CROSS KITS	MD59276F50P	2	
28	. CROSS KIT	MD59275F50P	1	
29	. FLANGE YOKE	MD60332F50P	2	
30	. CENTER BEARING AND NUT	MD60329F50P	1	
31	. FLANGE YOKE	MD60331F50P	1	Din 120
32	. SADDLE MAGNET	MD52419N00P	1	
NI	. HOSE CLIP 22MM		1	
33	. M12 x 1.5 LOCK NUT	MD51458X20S	4	
34	. M12 HEX Bolt x 1.5 pitch	ZF0636021083	4	See chap 2-2-2, P28



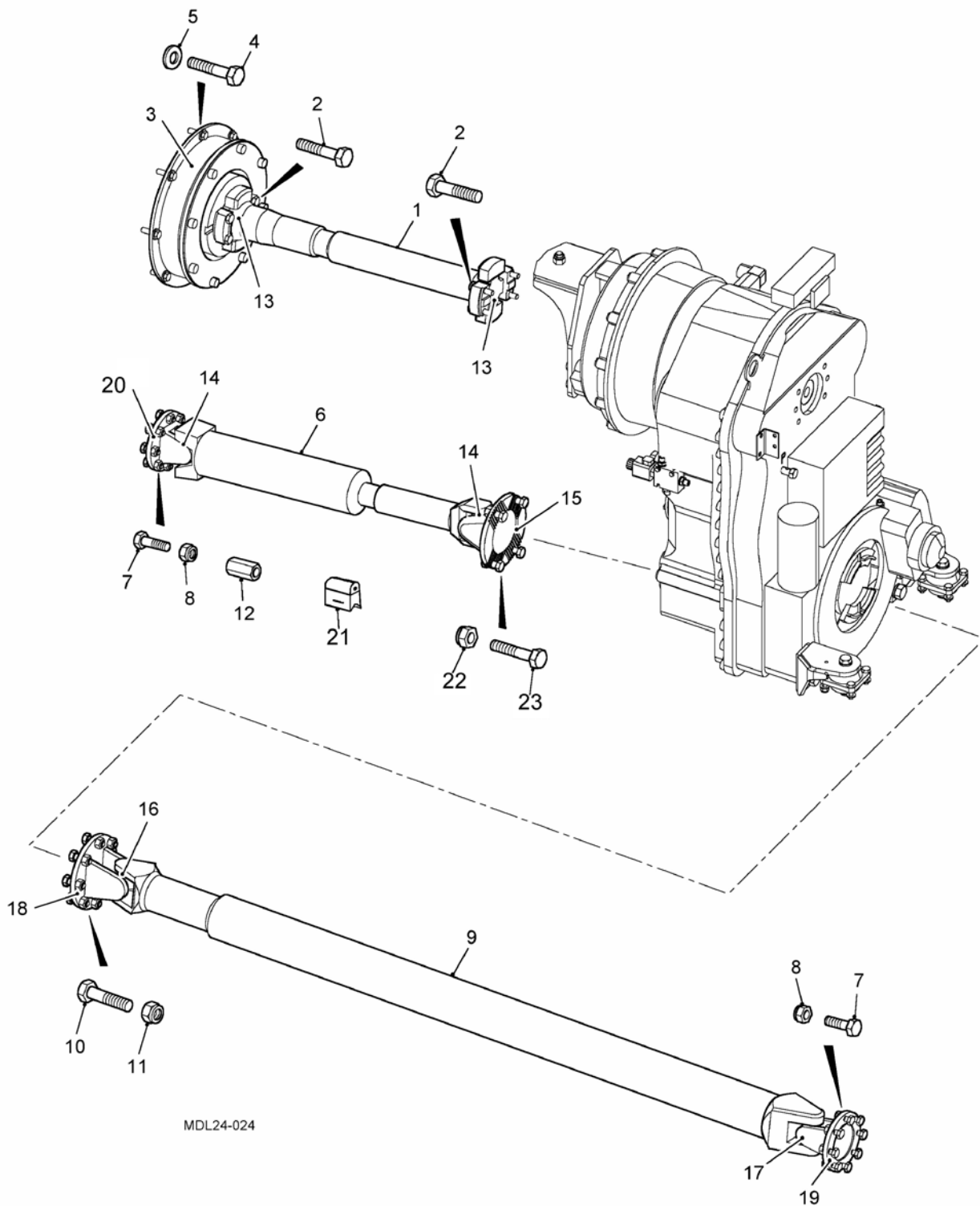


Figure 6 Driveshaft Sub Assembly, 3.5 Chassis, 6 Cyl 185 BHP Engine, 6 Ton Rear Axle



Fig 6 Item	Item Name and Description	Part No. / Drawing No.	Qty	Remarks
REF	<b>DRIVESHAFT SUB ASSEMBLY, 3.5 CHASSIS, 6 CYL 185HP ENGINE, 6 TON REAR AXLE</b>	MD53023F50A	1	
1	. PRIMARY DRIVESHAFT (6 cyl engine)	MD50257F50C	1	
2	. PROPSHAFT BOLT, 3/8" - UNF X 40	MD51670X10S	8	
3	. TORSIONAL DAMPER-CENTAX COUPLING/SAE10 FLYWHEEL	MD50259F50P	1	
4	. BOLT, HEX HD, 3/8" - UNC X 1 1/4"	MD46232X10S	8	
5	. WASHER, M10, HARDENED	MD40656X30S	8	
6	. FRONT DRIVESHAFT	MD50258F50C	1	
7	. PROPSHAFT BOLT, M10 X 30	MD51456X10S	16	
8	. PROPSHAFT NUT, M10	MD51458X20S	15	
9	. REAR DRIVESHAFT, 3.5M WB	MD53024F50C	1	
10	. PROPSHAFT BOLT, M12 X 35, GR: 10.9	MD51374X10S	12	
11	. PROPSHAFT NUT, M12	MD51460X20S	12	
12	. RDS NUT, M10 X 30	221800	1	
13	. CROSS KITS	MD60327F50P	2	
14	. CROSS KITS	MD59275F50P	2	
15	. FLANGE YOKE		1	DIN 150 KV
16	. CROSS KITS	MD59276F50P	1	
17	. CROSS KITS	MD59275F50P	1	
18	. FLANGE YOKE	MD60332F50P	1	
19	. FLANGE YOKE	MD60333F50P	1	
20	. FLANGE YOKE	MD60331F50P	1	Din 120
21	. SADDLE MAGNET	MD52419N00P	1	
NI	. HOSE CLIP 22MM		1	
22	. M12 x 1.5 LOCK NUT	MD51458X20S	4	
23	. M12 HEX Bolt x 1.5 pitch	ZF0636021083	4	See chap 2-2-2, P28

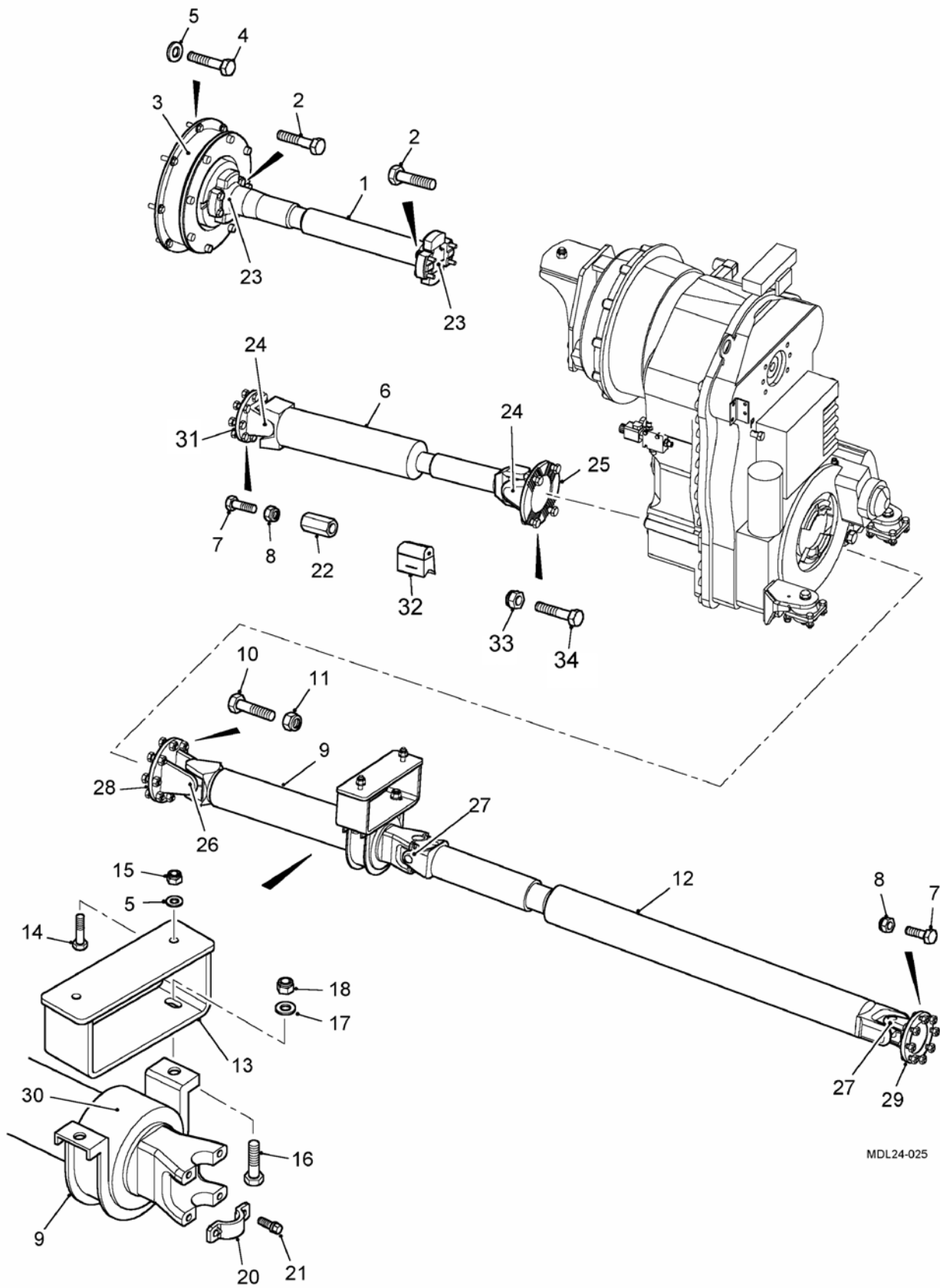
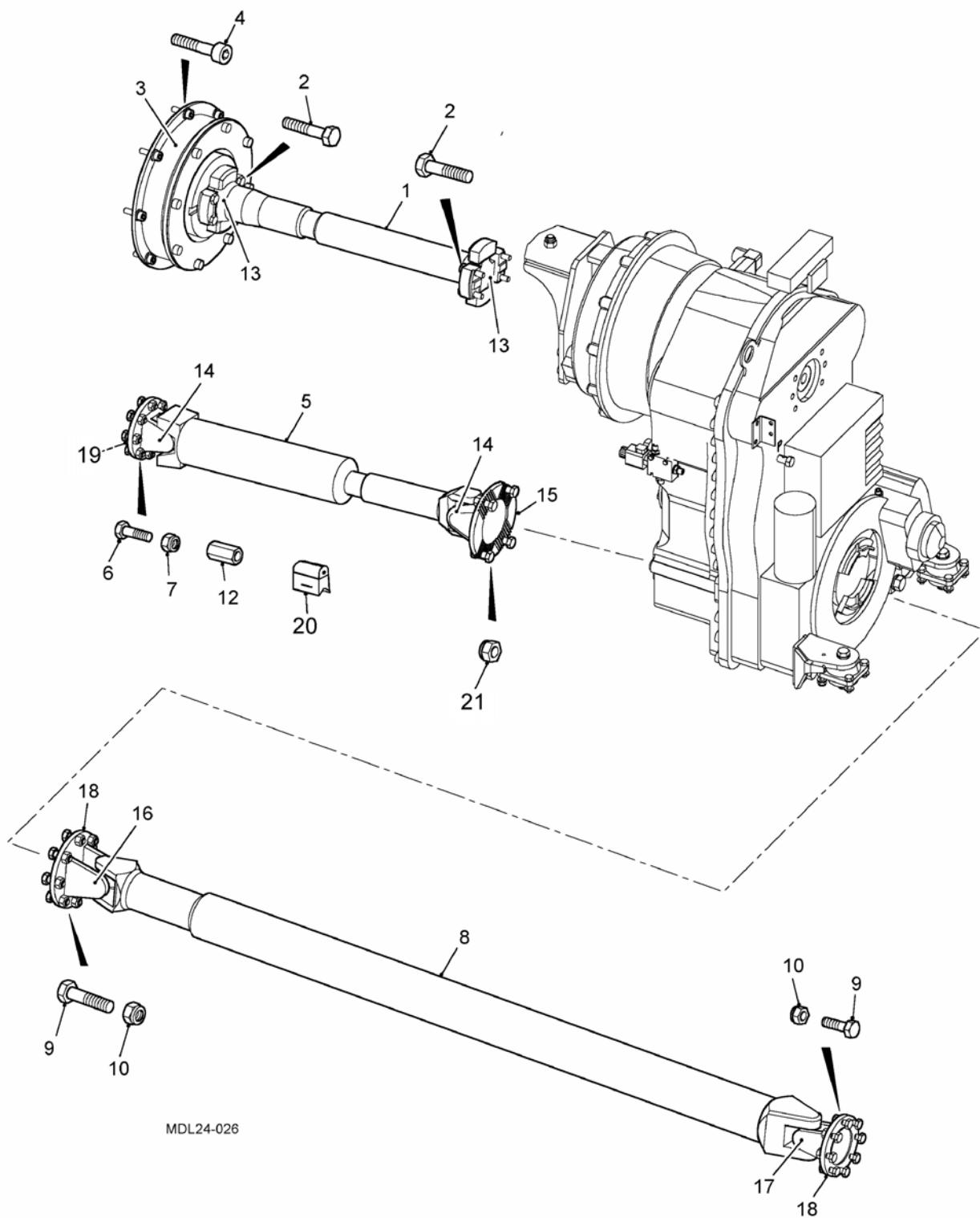


Figure 7 Driveshaft Sub Assembly, 3.8 Chassis, 6 Cyl 185 BHP Engine, 6 Ton Rear Axle



Fig 7 Item	Item Name and Description	Part No. / Drawing No.	Qty	Remarks
REF	<b>DRIVESHAFT SUB ASSEMBLY, 3.8 CHASSIS, 6 CYL 185 HP ENGINE, 6 TON REAR AXLE</b>	MD51464F50A	1	
1	. PRIMARY DRIVESHAFT (6 cyl engine)	MD50257F50C	1	
2	. PROPSHAFT BOLT, 3/8" 24 UNF X 40	MD51670X10S	8	
3	. TORSIONAL DAMPER-CENTAX COUPLING SAE10 FLYWHEEL	MD50259F50P	1	
4	. BOLT, HEX HD, UNC 3/8" X 1.25"	MD46232X10S	8	
5	. WASHER, M10, HARDENED.	MD40656X30S	10	
6	. FRONT DRIVESHAFT	MD50258F50C	1	
7	. PROPSHAFT BOLT, M10 X 30	MD51456X10S	16	
8	. PROPSHAFT NUT, M10	MD51458X20S	16	
9	. REAR INTERMEDIATE PROPSHAFT	MD51463F50C	1	
10	. PROPSHAFT BOLT, M12 X 35 GR: 10.9	MD51374X10S	12	
11	. PROPSHAFT NUT, M12	MD51460X20S	12	
12	. REAR DRIVESHAFT, 3.8 WB - 212	MD52821F50C	1	
13	. BEARING CARRIER BRACKET	MD50978B10A	1	
14	. BOLT, HEX HD, M10 X 45mm LG, GR: 10.9	MD41184X10S	2	
15	. NUT, NYLOC, M10 GR: 10.9, ZINC PLATED	MD40017X20S	2	
16	. SET SCREW, M12 X 30, HEX HD	MD40534X10S	2	
17	. WASHER, M12, HARDENED	MD40663X30S	2	
18	. NUT, M12, NYLOC, SELF LOCKING, GR:10.9	MD40018X20S	2	
NI 19	. END YOKE FIXING KIT	MD52970F50A	2	
20	. . SADDLE	MD52971F50S	2	
21	. . BOLT	MD52972F50S	4	
22	. RDS NUT, M10 X 30	221800	1	
23	. CROSS KITS	MD60327F50P	2	
24	. CROSS KITS	MD59275F50P	2	
25	. FLANGE YOKE		1	Din 150 KV
26	. CROSS KITS	MD59276F50P	1	
27	. CROSS KITS	MD59275F50P	2	
28	. FLANGE YOKE	MD60332F50P	1	
29	. FLANGE YOKE	MD60333F50P	1	
30	. CENTER BEARING AND NUT	MD60329F50P	1	
31	. FLANGE YOKE	MD60331F50P	1	Din 120
32	. SADDLE MAGNET	MD52419N00P	1	
NI	. HOSE CLIP		1	
33	. M12 x 1.5 LOCK NUT	MD51458X20S	4	
34	. M12 HEX Bolt x 1.5 pitch	ZF0636021083	4	See chap 2-2-2, P28



MDL24-026

Figure 8 Driveshaft Sub Assembly, 3.5 Chassis, 6 Cyl 185 BHP Engine, 10 Ton Rear Axle



Fig 8 Item	Item Name and Description	Part No. / Drawing No.	Qty	Remarks
REF	<b>DRIVESHAFT SUB ASSEMBLY, 3.5 CHASSIS, 6 CYL 185 HP ENGINE, 10 TON REAR AXLE</b>	MD50178F50A	1	
1	. PRIMARY DRIVESHAFT (6 cyl engine)	MD50257F50C	1	
2	. PROPSHAFT BOLT, 3/8" - UNF X 40	MD51670X10S	8	
3	. TORSIONAL DAMPER-CENTAX COUPLING/SAE10 FLYWHEEL	MD50259F50P	1	
4	. SCREW, SOCKET HD, 3/8" - UNC X 1" LG	MD53182X10S	8	
5	. FRONT DRIVESHAFT	MD50258F50C	1	
6	. PROPSHAFT BOLT, M10 X 30	MD51456X10S	8	
7	. PROPSHAFT NUT, M10	MD51458X20S	8	
8	. REAR DRIVESHAFT, 3.5M WB	MD50331F50C	1	
9	. PROPSHAFT BOLT, M12 X 35, GR: 10.9	MD51374X10S	16	
10	. PROPSHAFT NUT, M12	MD51460X20S	16	
11	. PROPSHAFT NUT, M12 X 1.5P, GR:10	MD53177X20S	4	
12	. RDS NUT, M10 X 30	221800	1	
13	. CROSS KITS	MD60327F50P	2	
14	. CROSS KITS	MD59275F50P	2	
15	. FLANGE YOKE		1	Din 150 KV
16	. CROSS KITS	MD59276F50P	1	
17	. CROSS KITS	MD60328F50P	1	
18	. FLANGE YOKE	MD60332F50P	2	
19	. FLANGE YOKE	MD60331F50P	1	Din 120
20	. SADDLE MAGNET	MD52419N00P	1	
NI	. HOSE CLIP 22MM		1	
21	. M12 x 1.5 LOCK NUT	MD51458X20S	4	

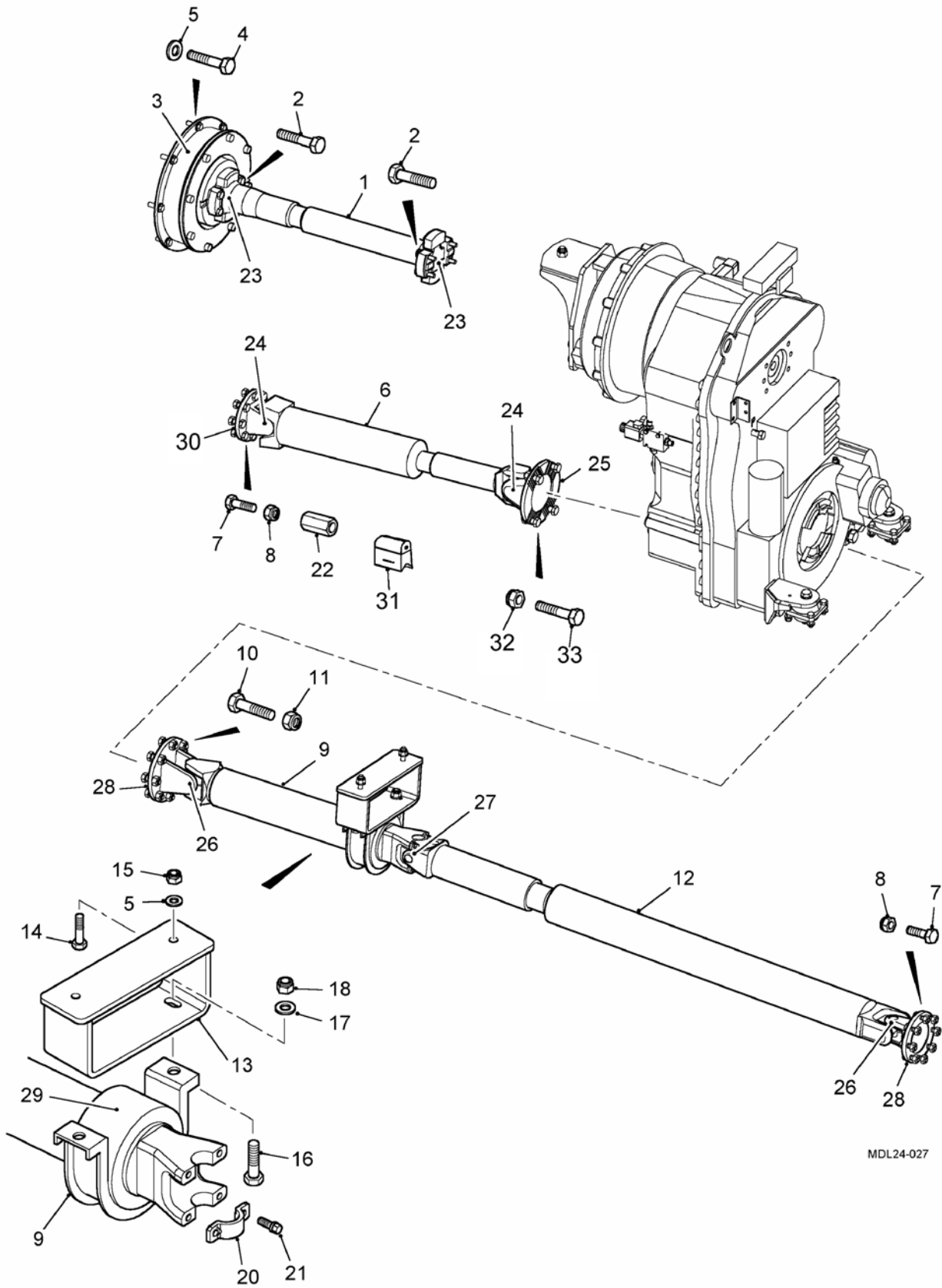
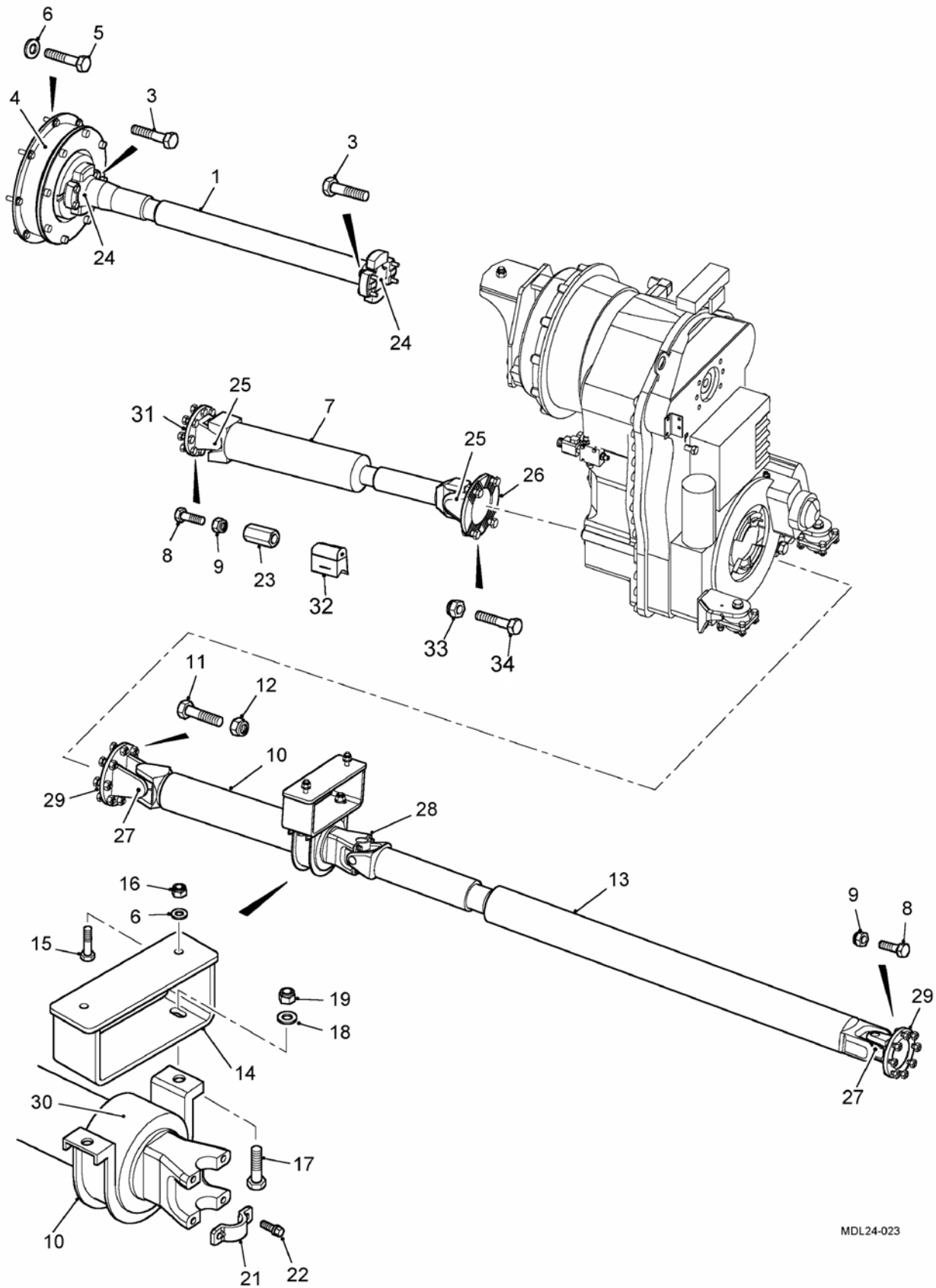


Figure 9 Driveshaft Sub Assembly, 3.8 Chassis, 6 Cyl 185 BHP Engine, 10 Ton Rear Axle



Fig 9 Item	Item Name and Description	Part No. / Drawing No.	Qty	Remarks
REF	<b>DRIVESHAFT SUB ASSEMBLY, 3.8 CHASSIS, 6 CYL 185 HP ENGINE, 10 TON REAR AXLE</b>	MD52832F50A	1	
1	. PRIMARY DRIVESHAFT (6 cyl engine)	MD50257F50C	1	
2	. PROPSHAFT BOLT, 3/8" 24 UNF X 40	MD51670X10S	8	
3	. TORSIONAL DAMPER-CENTAX COUPLING SAE10 FLYWHEEL	MD50259F50P	1	
4	. BOLT, HEX HD, UNC 3/8" X 1.25"	MD46232X10S	8	
5	. WASHER, M10, HARDENED.	MD40656X30S	10	
6	. FRONT DRIVESHAFT	MD50258F50C	1	
7	. PROPSHAFT BOLT, M10 X 30	MD51456X10S	16	
8	. PROPSHAFT NUT, M10	MD51458X20S	16	
9	. REAR INTERMEDIATE PROPSHAFT	MD51463F50C	1	
10	. PROPSHAFT BOLT, M12 X 35 GR: 10.9	MD51374X10S	12	
11	. PROPSHAFT NUT, M12	MD51460X20S	12	
12	. REAR DRIVESHAFT, 3.8 WB - 276	MD52831F50C	1	
13	. BEARING CARRIER BRACKET	MD50978B10A	1	
14	. BOLT, HEX HD, M10 X 45mm LG GR: 10.9	MD41184X10S	2	
15	. NUT, NYLOC, M10 GR: 10.9, ZINC PLATED	MD40017X20S	2	
16	. SET SCREW, M12 X 30, HEX HD	MD40534X10S	2	
17	. WASHER, M12, HARDENED	MD40663X30S	2	
18	. NUT, M12, NYLOC, SELF LOCKING, GR: 10.9	MD40018X20S	2	
NI 19	. END YOKE FIXING KIT	MD52970F50A	2	
20	. . SADDLE	MD52971F50S	2	
21	. . BOLT	MD52972F50S	4	
22	. RDS NUT, M10 X 30	221800	1	
23	. CROSS KITS	MD60327F50P	2	
24	. CROSS KITS	MD59275F50P	2	
25	. FLANGE YOKE		1	Din 150 KV
26	. CROSS KITS	MD59276F50P	2	
27	. CROSS KITS	MD59275F50P	1	
28	. FLANGE YOKE	MD60332F50P	2	
29	. CENTER BEARING AND NUT	MD60329F50P	1	
30	. FLANGE YOKE	MD60331F50P	1	Din 120
31	. SADDLE MAGNET	MD52419N00P	1	
NI	. HOSE CLIP 22MM		1	
32	. M12 x 1.5 LOCK NUT	MD51458X20S	4	
33	. M12 HEX Bolt x 1.5 pitch	ZF0636021083	4	See chap 2-2-2, P28





MDL24-023

Figure 10 Driveshaft Sub Assembly, 4.2 Chassis, 6 Cyl Engine, 12 Ton Rear Axle



Fig 5 Item	Item Name and Description	Part No. / Drawing No.	Qty	Remarks
	<b>DRIVESHAFT SUB ASSEMBLY, 4.2 CHASSIS, 6 CYL 185 HP ENGINE, 12 TON REAR AXLE</b>		1	
1	. PRIMARY DRIVESHAFT (4 cyl engine)	MD54044F50C	1	
NI 2	. PRIMARY DRIVESHAFT (6 cyl engine)	MD50257F50C	1	
3	. BOLT, PROPSHAFT, 3/8" 24 UNF X 40	MD51670X10S	8	
4	. TORSIONAL DAMPER-CENTAX COUPLING SAE10 FLYWHEEL	MD50259F50P	1	
5	. BOLT, HEX HD, UNC 3/8" X 1.25"	MD46232X10S	8	
6	. WASHER, M10, HARDENED.	MD40656X30S	10	
7	. FRONT DRIVESHAFT	MD61436F50C	1	(223 8T front axle)
8	. PROPSHAFT BOLT, M10 X 30	MD51456X10S	16	
9	. PROPSHAFT NUT, M10	MD51458X20S	16	
10	. REAR INTERMEDIATE PROPSHAFT	MD51463F50C	1	
11	. PROPSHAFT BOLT, M12 X 35 GR: 10.9	MD51374X10S	12	
12	. PROPSHAFT NUT, M12	MD51460X20S	12	
13	. REAR DRIVESHAFT, 4.2 WB	MD61437F50C	1	(213 12T rear axle)
14	. BEARING CARRIER BRACKET	MD50978B10A	1	
15	. BOLT, HEX HD, M10 X 45mm LG, GR: 10.9	MD41184X10S	2	
16	. NUT, NYLOC, M10 GR: 10.9, ZINC PLATED	MD40017X20S	2	
17	. SET SCREW, M12 X 30, HEX HD	MD40534X10S	2	
18	. WASHER, M12, HARDENED	MD40663X30S	2	
19	. NUT, M12, NYLOC, SELF LOCKING, GR: 10	MD40018X20S	2	
NI 20	. END YOKE FIXING KIT	MD52970F50A	2	
21	. . SADDLE	MD52971F50S	2	
22	. . BOLT	MD52972F50S	4	
23	. RDS NUT, M10 X 30	221800	1	
24	. CROSS KITS	MD60327F50P	2	
25	. CROSS KITS	MD59275F50P	2	
26	. FLANGE YOKE		1	Din 150 KV
27	. CROSS KITS	MD59276F50P	2	
28	. CROSS KIT	MD59275F50P	1	
29	. FLANGE YOKE	MD60332F50P	2	
30	. CENTER BEARING AND NUT	MD60329F50P	1	
31	. FLANGE YOKE	MD60331F50P	1	Din 120
32	. SADDLE MAGNET	MD52419N00P	1	
NI	. HOSE CLIP 22MM		1	
33	. M12 x 1.5 LOCK NUT	MD51458X20S	4	
34	. M12 HEX Bolt x 1.5 pitch	ZF0636021083	4	See chap 2-2-2, P28



**CHAPTER 2-2-2**

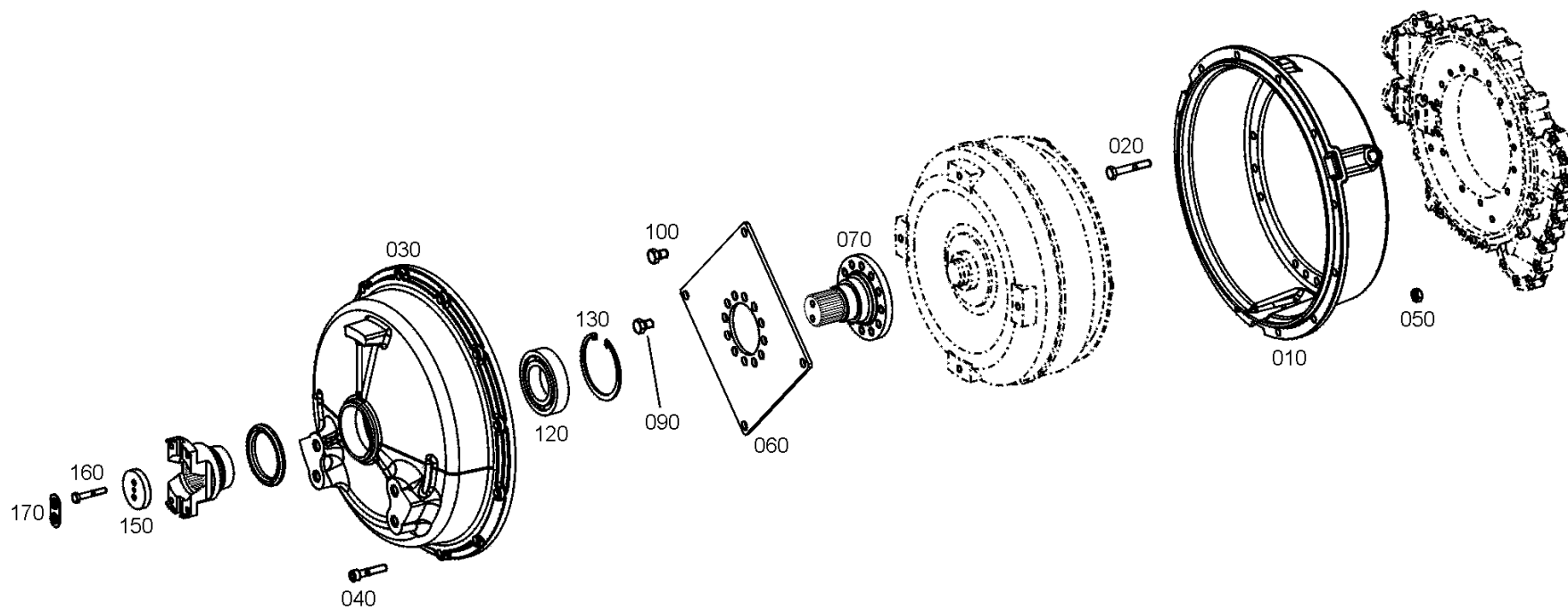
**ZF POWERSHIFT TRANSMISSION**

**Manufacturers Information**

parts list: 4656 056 026 6 WG-160 / / MULTIDRIVE

figure: 4656 130 007 01 ENGINE CONNECT.

\* depending on parts list no.

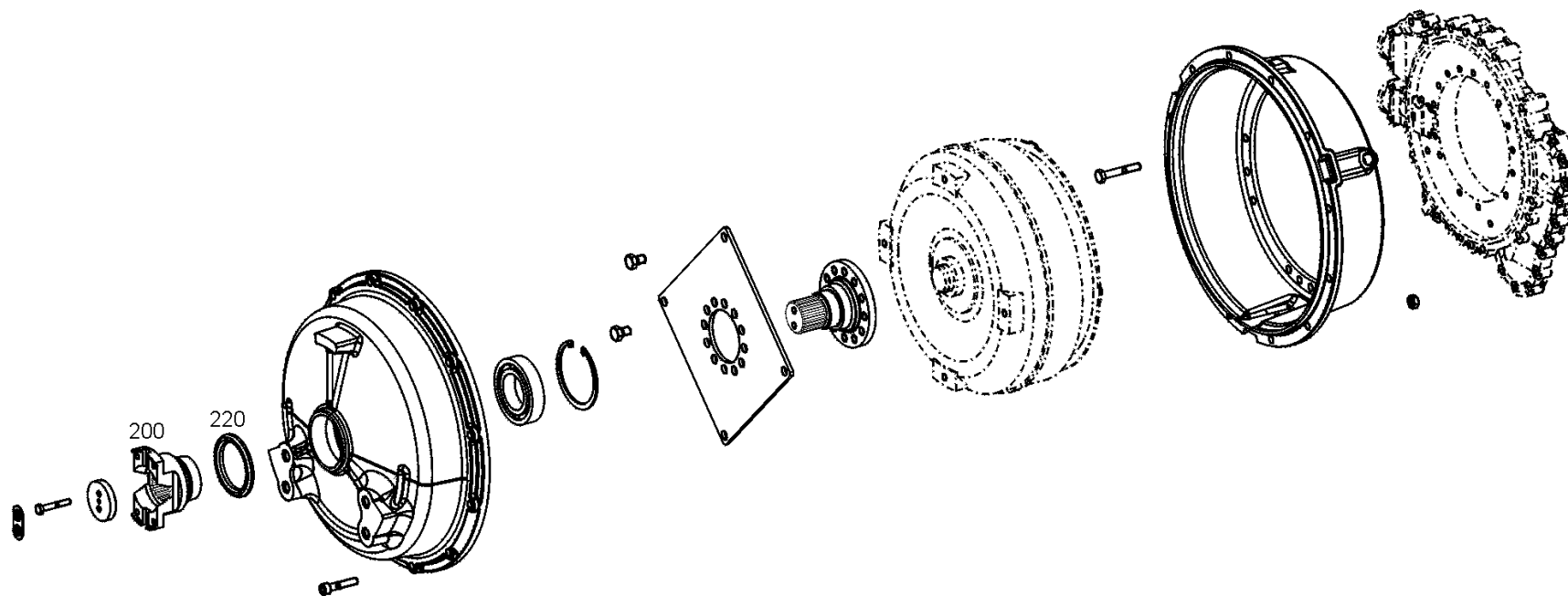




parts list: 4656 056 026 6 WG-160 / / MULTIDRIVE

figure: 4656 130 007 02 ENGINE CONNECT.

\* depending on parts list no.

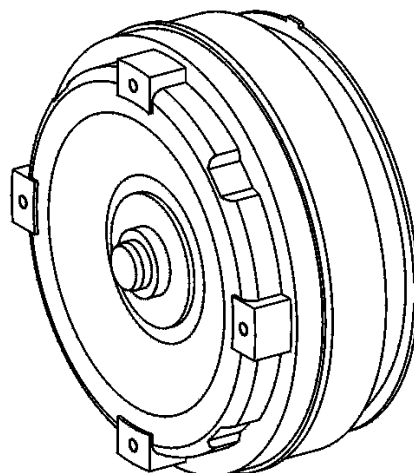




parts list: 4656 056 026 6 WG-160 / / MULTIDRIVE

figure: 4166 034 003 00 CONVERTER

\* depending on parts list no.



010

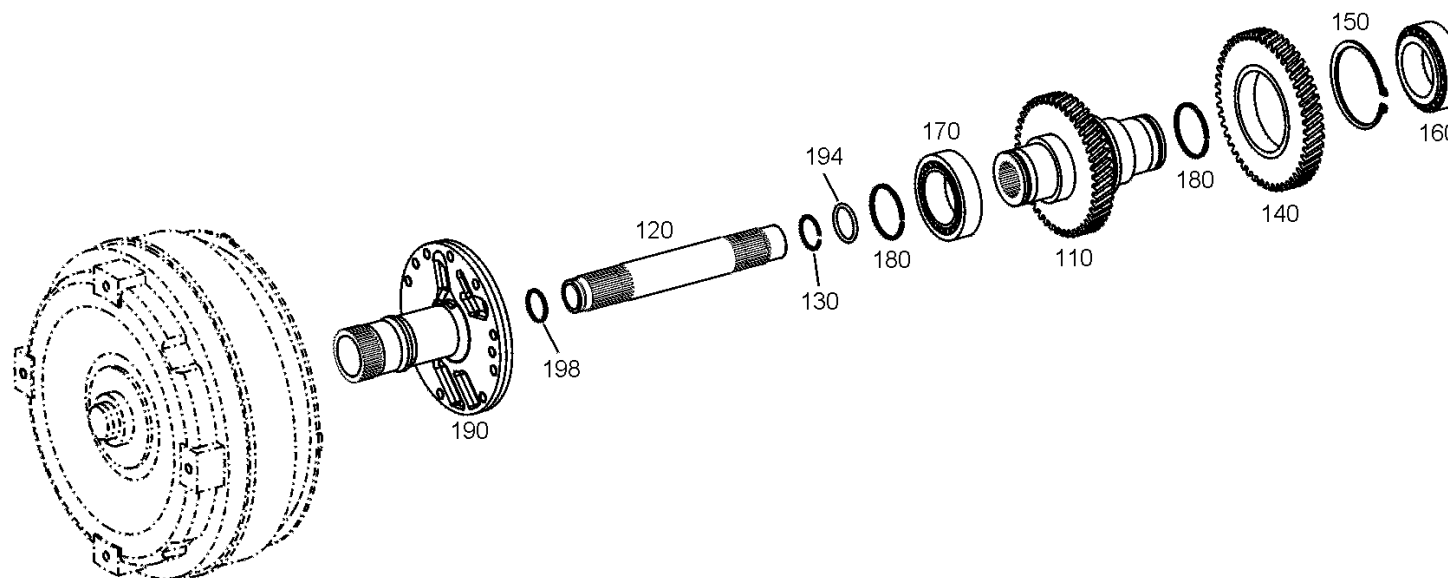




parts list: 4656 056 026 6 WG-160 / / MULTIDRIVE

figure: 4656 102 008 00 INPUT

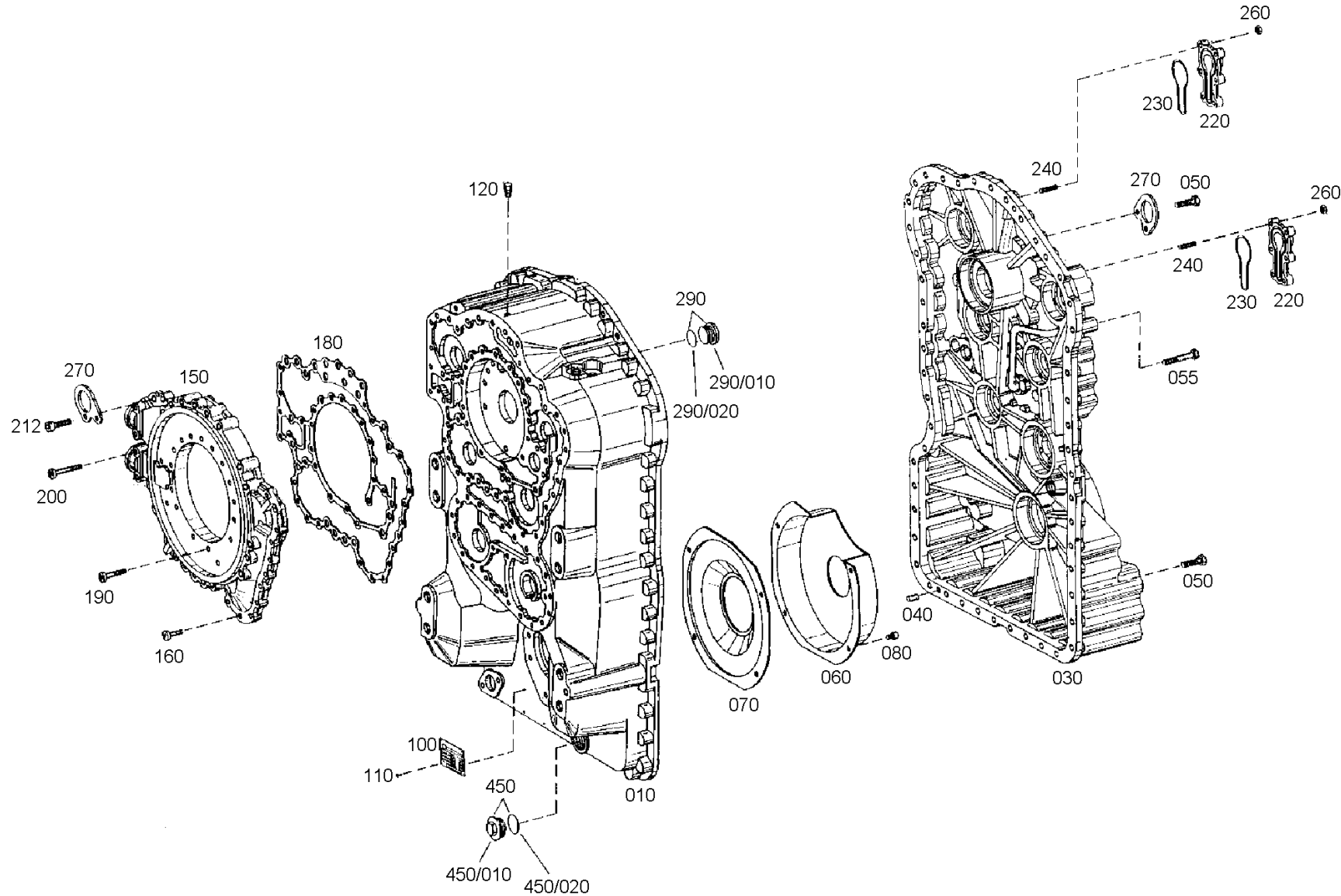
\* depending on parts list no.





parts list: 4656 056 026 6 WG-160 / / MULTIDRIVE  
figure: 4656 101 006 01 GEARBOX HOUSING

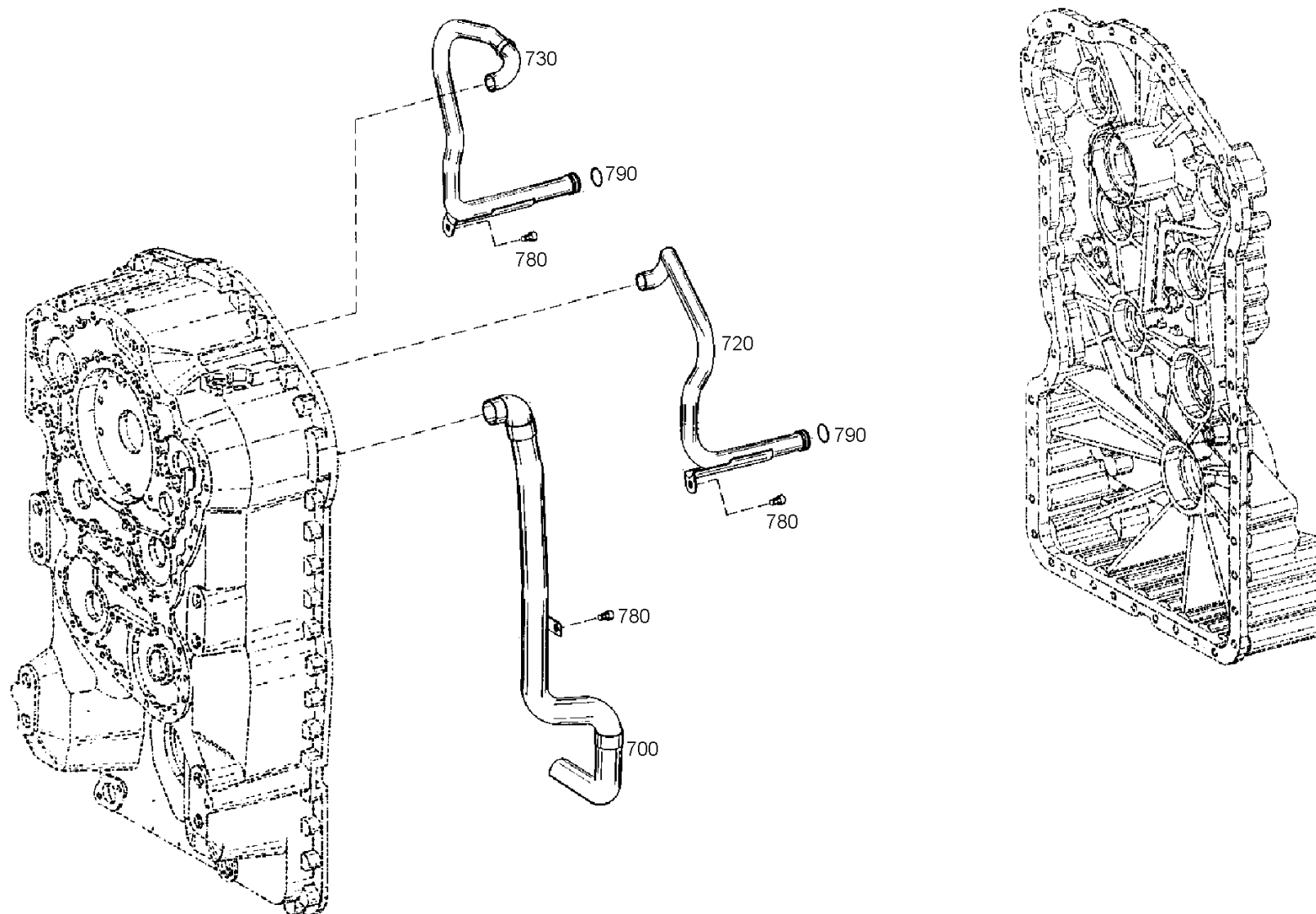
\* depending on parts list no.



parts list: 4656 056 026 6 WG-160 / / MULTIDRIVE

figure: 4656 101 006 02 GEARBOX HOUSING

\* depending on parts list no.

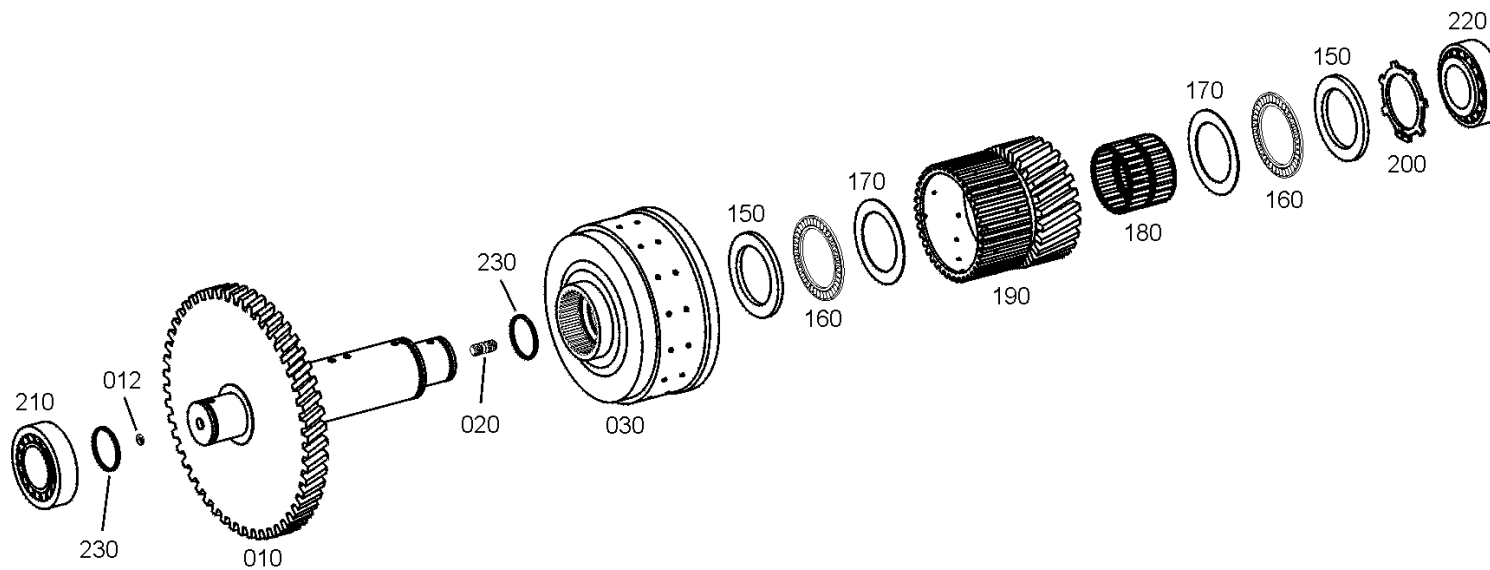




parts list: 4656 056 026 6 WG-160 / / MULTIDRIVE

figure: 4656 171 010 00 COUPLING

\* depending on parts list no.



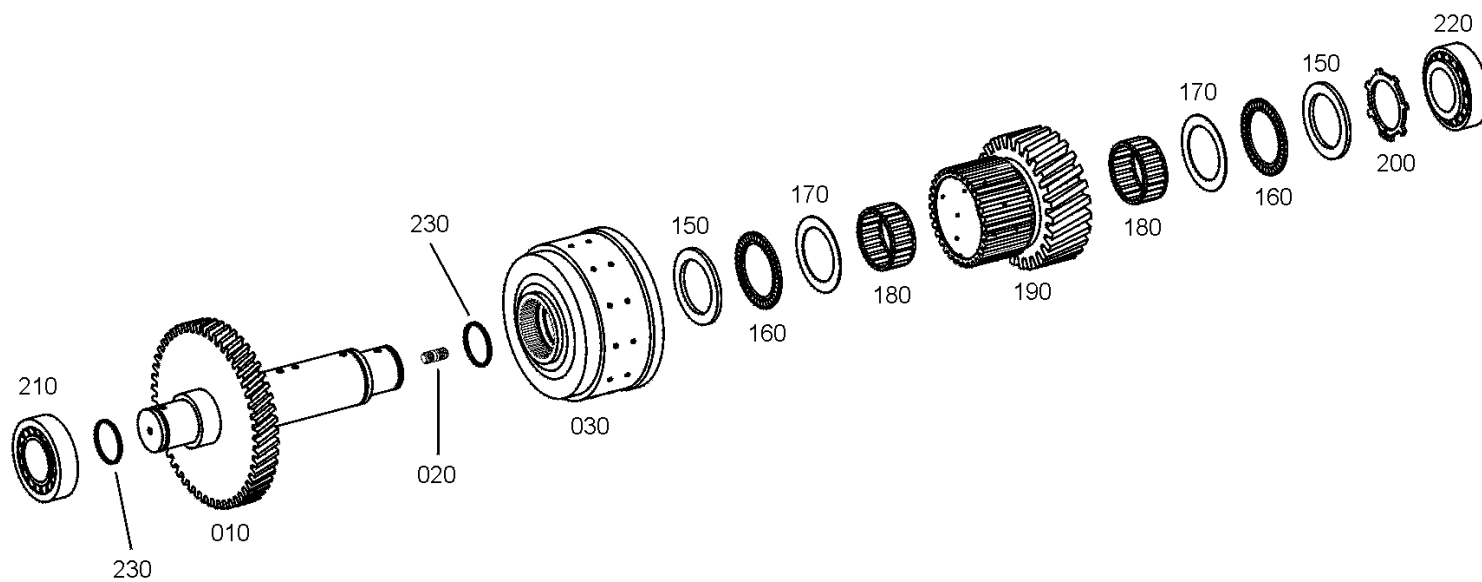




parts list: 4656 056 026 6 WG-160 / / MULTIDRIVE

figure: 4656 172 003 00 COUPLING

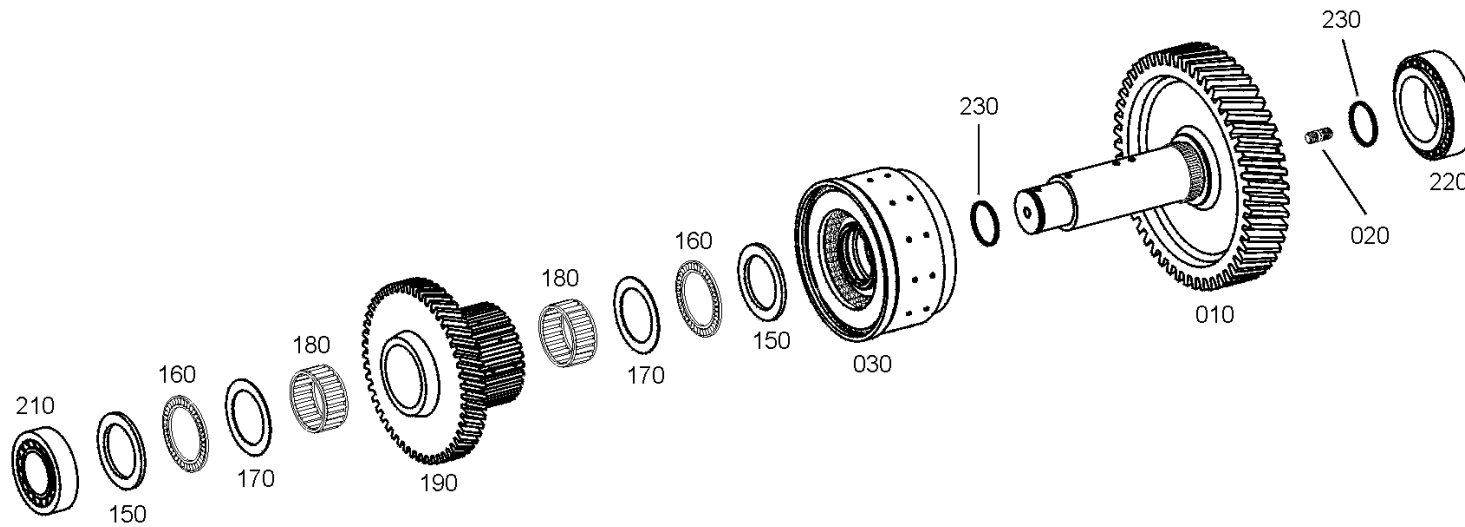
\* depending on parts list no.





parts list: 4656 056 026 6 WG-160 / / MULTIDRIVE  
figure: 4656 173 004 00 COUPLING

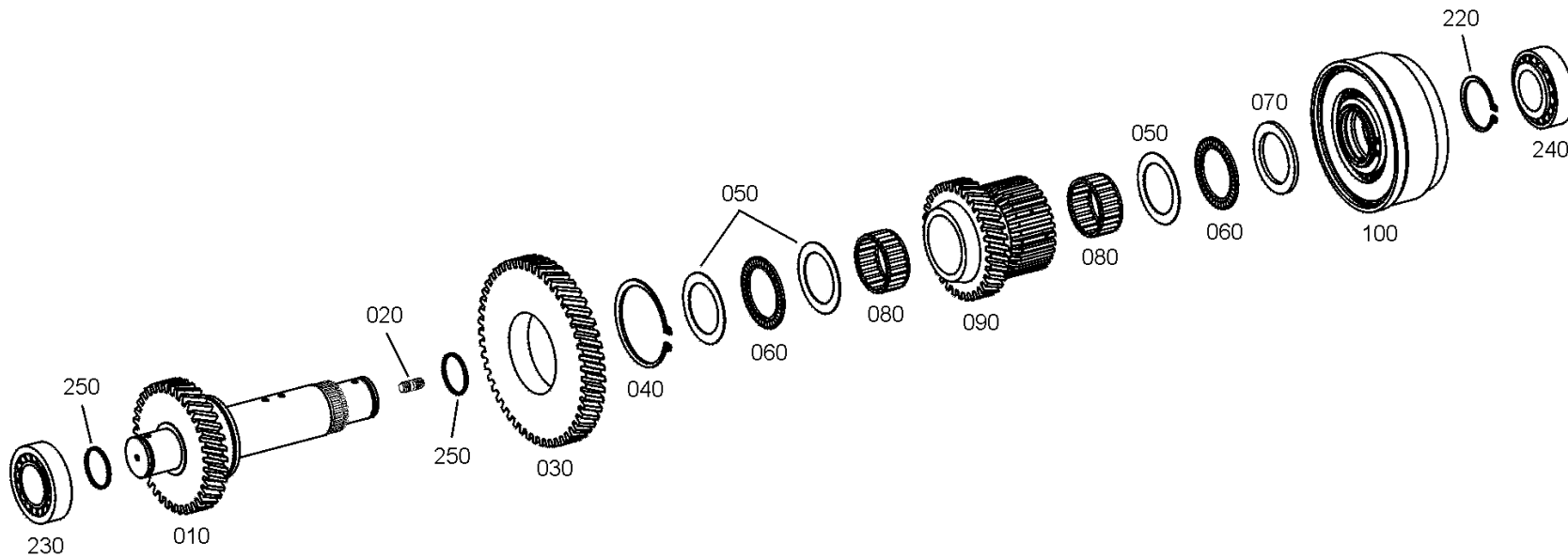
\* depending on parts list no.





parts list: 4656 056 026 6 WG-160 / / MULTIDRIVE  
figure: 4656 174 004 00 COUPLING

\* depending on parts list no.

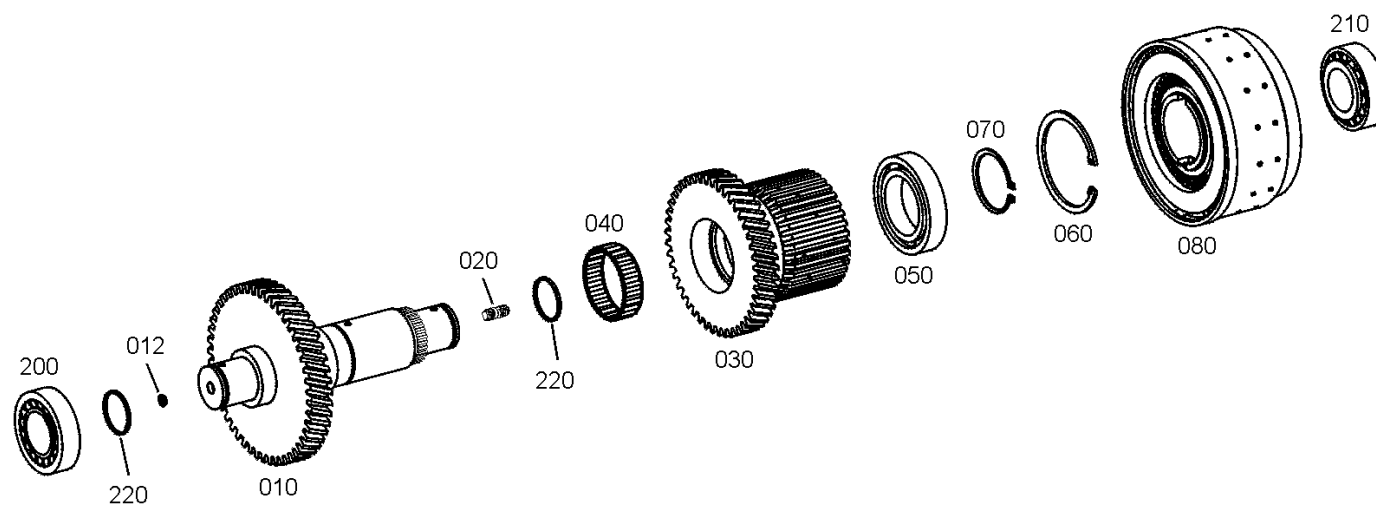




parts list: 4656 056 026 6 WG-160 / / MULTIDRIVE

figure: 4656 175 006 00 COUPLING

\* depending on parts list no.



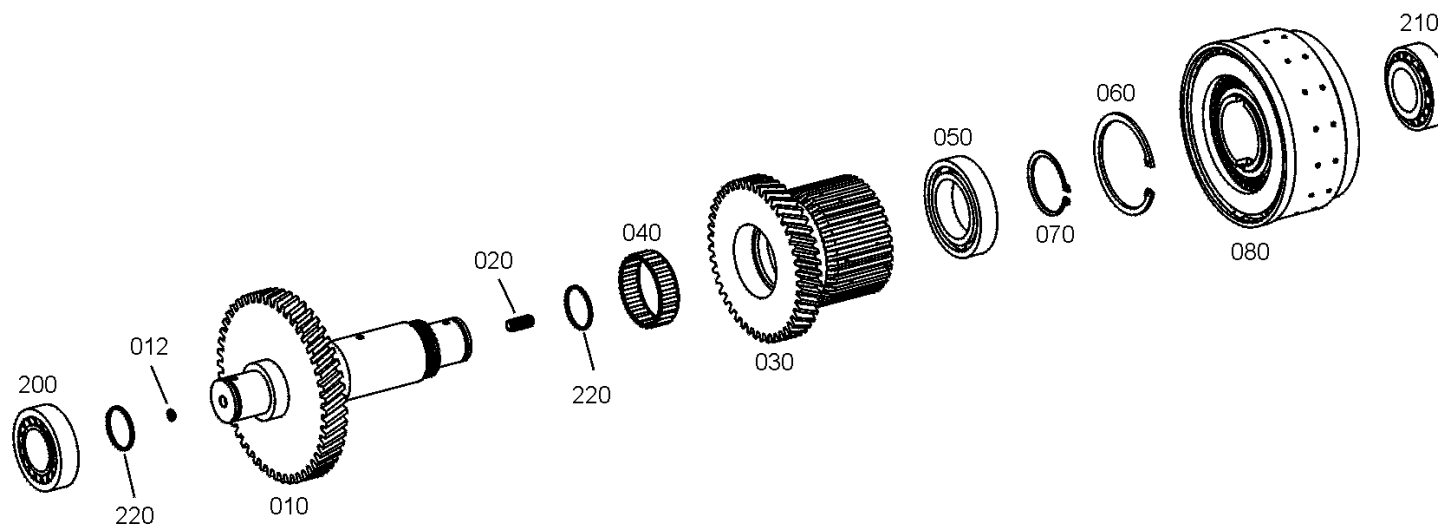




parts list: 4656 056 026 6 WG-160 / / MULTIDRIVE

figure: 4656 176 006 00 COUPLING

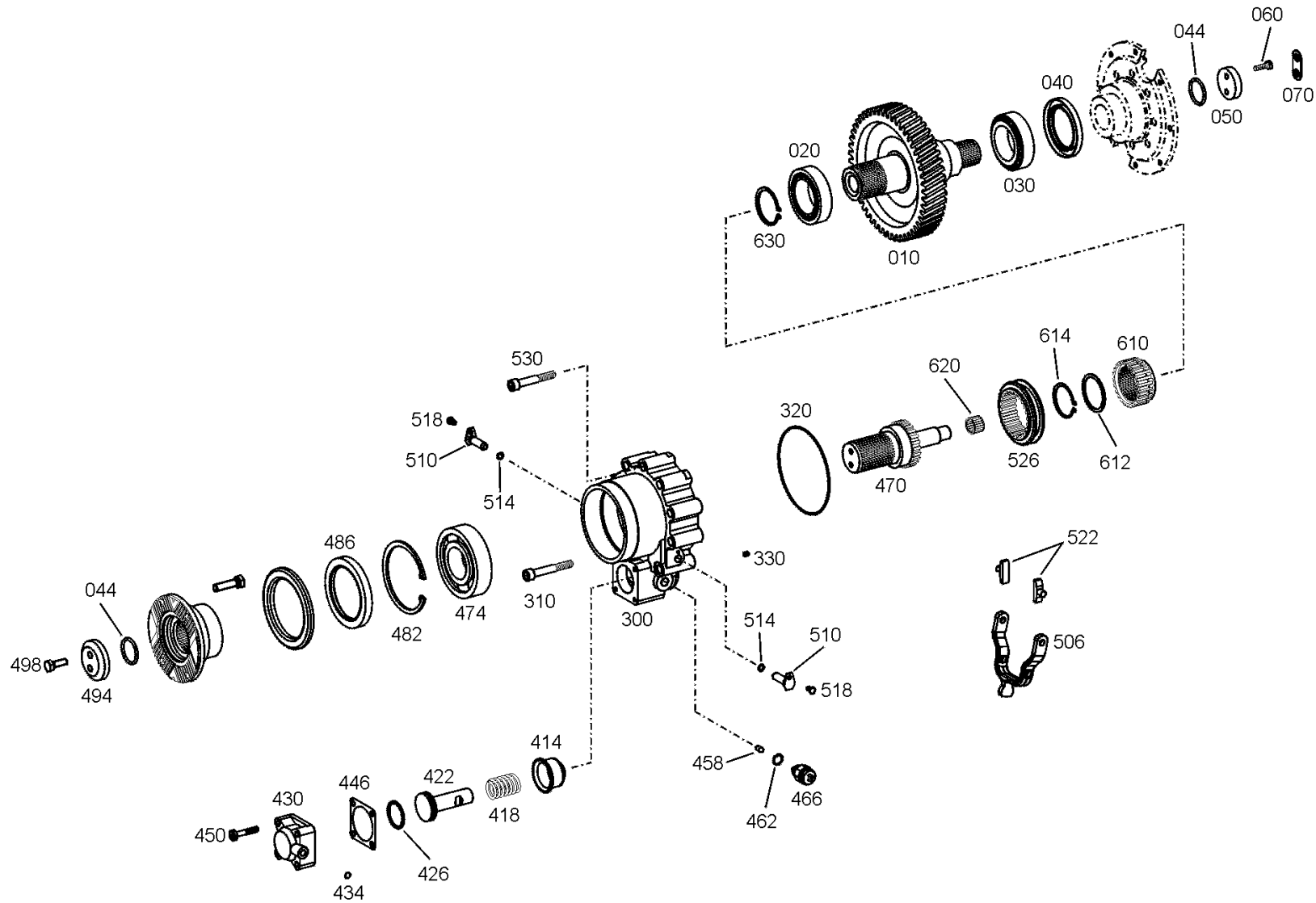
\* depending on parts list no.





parts list: 4656 056 026 6 WG-160 / / MULTIDRIVE  
figure: 4656 105 006 01 DISCONNECTION

\* depending on parts list no.



ZF-ELCAT parts list

CD 4/2001 09.04.2002  
sheet 26

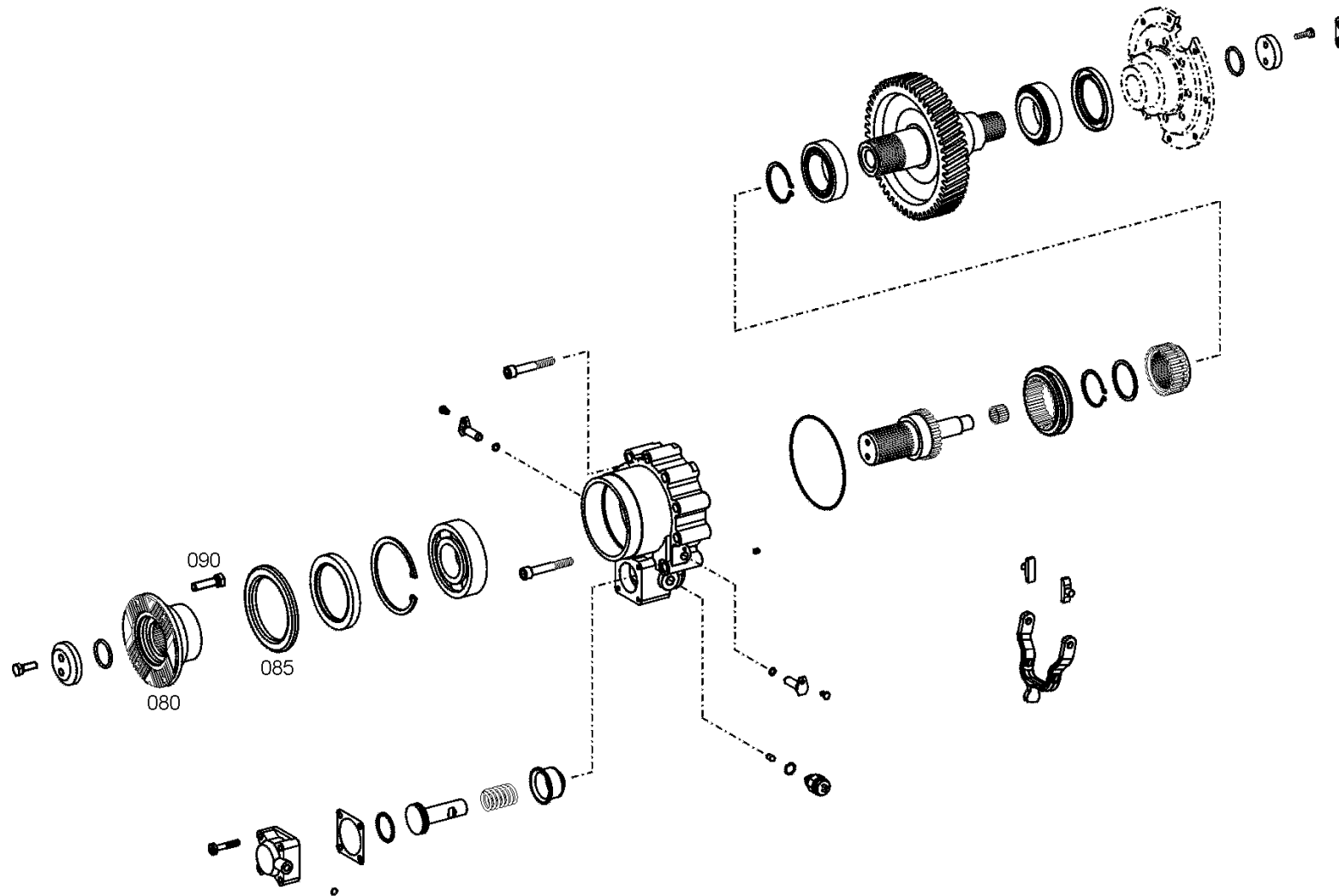
parts list: 4656 056 026 6 WG-160 / / MULTIDRIVE  
figure: 4656 105 006 01 DISCONNECTION (4656 105 009)

item	part no.	OCF	description	mod. no.	mod. intr.	technical information	opt.	customer's code no.	weight	suppl.plant
010	4656 303 012	1	OUTPUT SHAFT							
020	0735 371 722 H	1	ROLLER BEARING							
030	0735 371 722 H	1	ROLLER BEARING							
040	MD57587F00P	1	SHAFT SEAL							
044	0634 306 328	2	O-RING							
050	0730 002 713	1	WASHER							
060	0636 015 416	2	HEXAGON SCREW							
070	0730 749 184	1	TAB WASHER							
300	4656 305 002	1	HOUSING							
310	0636 101 079	2	CAP SCREW							
320	0734 313 111 H	1	O-RING							
330	0631 610 015	1	SET SCREW							
414	1269 339 006	1	FEDERTOPF							
418	0732 040 807	1	COMPR.SPRING							
422	1269 339 013	1	PISTON							
426	0634 305 003	1	PISTON RING							
430	1269 339 008	1	CYLINDER							
434	0632 611 020	1	LIMITATION DISC							
446	1269 339 061	1	GASKET							
450	0736 101 334	4	CAP SCREW							
458	0731 208 058	1	LOCKING PIN							
462	MD57584F00P	1	O-RING							
466	MD57583F00P	1	SWITCH							
470	4656 303 013	1	OUTPUT SHAFT							
474	0750 116 134 H	1	BALL BEARING							
482	0630 502 048	1	RETAINING RING							
486	MD57585F00P	1	SHAFT SEAL							
494	4644 303 259	1	WASHER							
498	0636 015 386	2	HEXAGON SCREW							
506	4644 205 001 H	1	GEAR SHIFT FORK							
506	4644 305 058	1	GEAR SHIFT FORK							
510	1037 206 005	2	PIN							
514	0634 306 174	2	O-RING							
518	0636 015 032 H	2	HEXAGON SCREW							
522	1249 306 121	2	SLIDING PAD							
526	4644 305 010	1	SLIDING SLEEVE							
530	0636 101 127	7	CAP SCREW							



parts list: 4656 056 026 6 WG-160 / / MULTIDRIVE  
figure: 4656 105 006 02 DISCONNECTION

\* depending on parts list no.

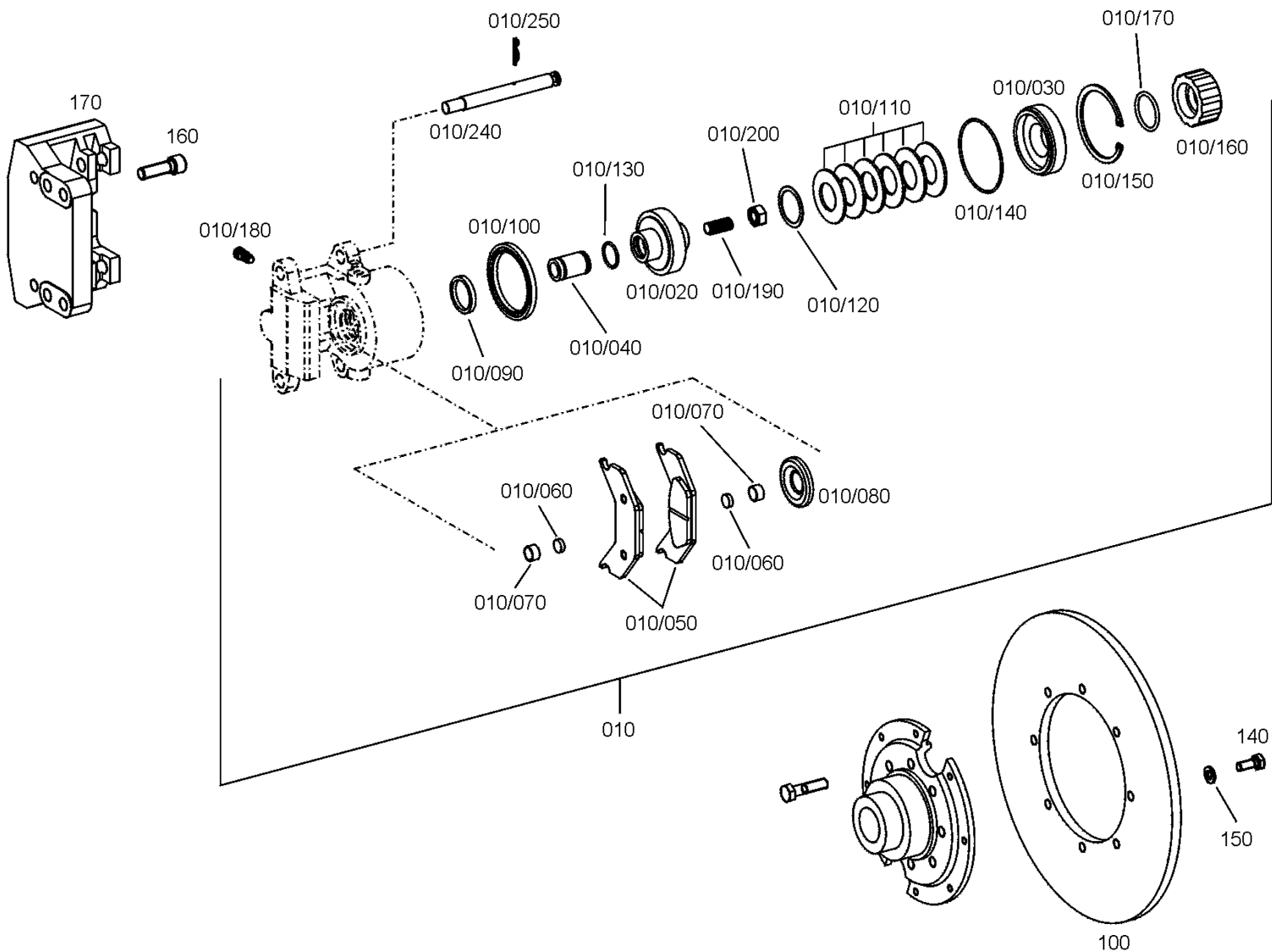




parts list: 4656 056 026 6 WG-160 / / MULTIDRIVE

figure: 4656 109 001 01 PARKING BRAKE

\* depending on parts list no.



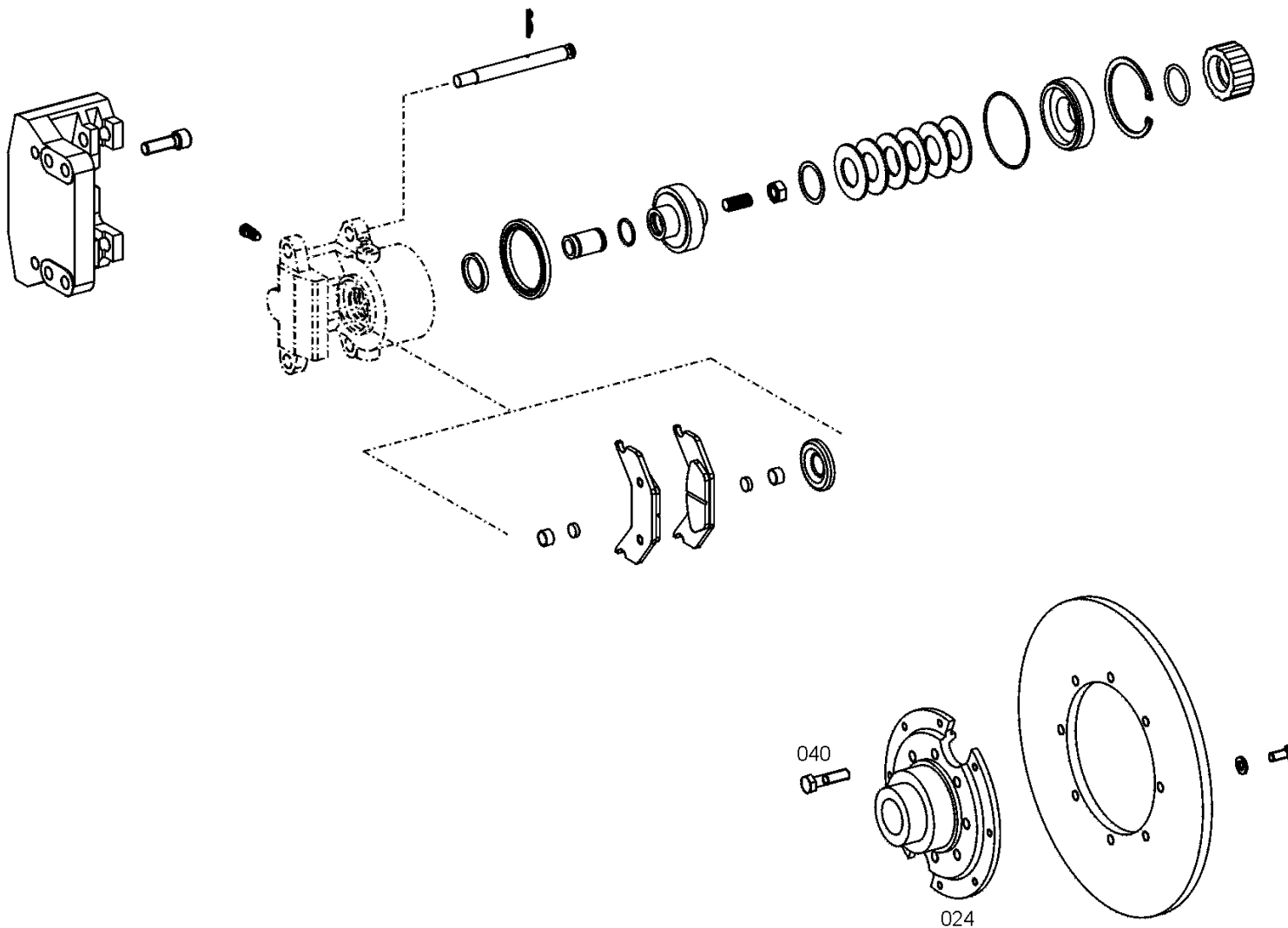




parts list: 4656 056 026 6 WG-160 / / MULTIDRIVE

figure: 4656 109 001 02 PARKING BRAKE

\* depending on parts list no.

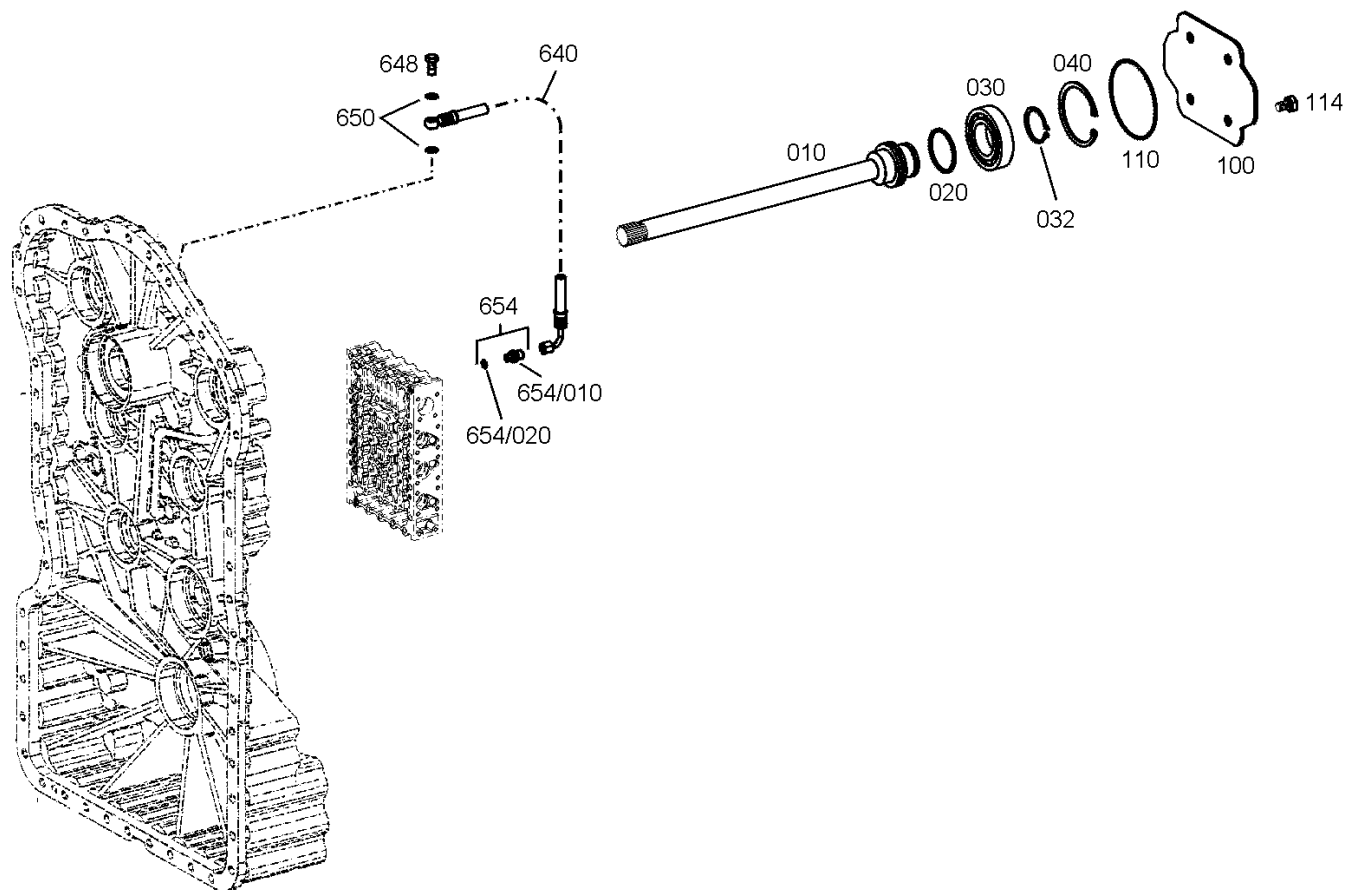




parts list: 4656 056 026 6 WG-160 / / MULTIDRIVE

figure: 4656 154 004 00 POWER TAKE-OFF

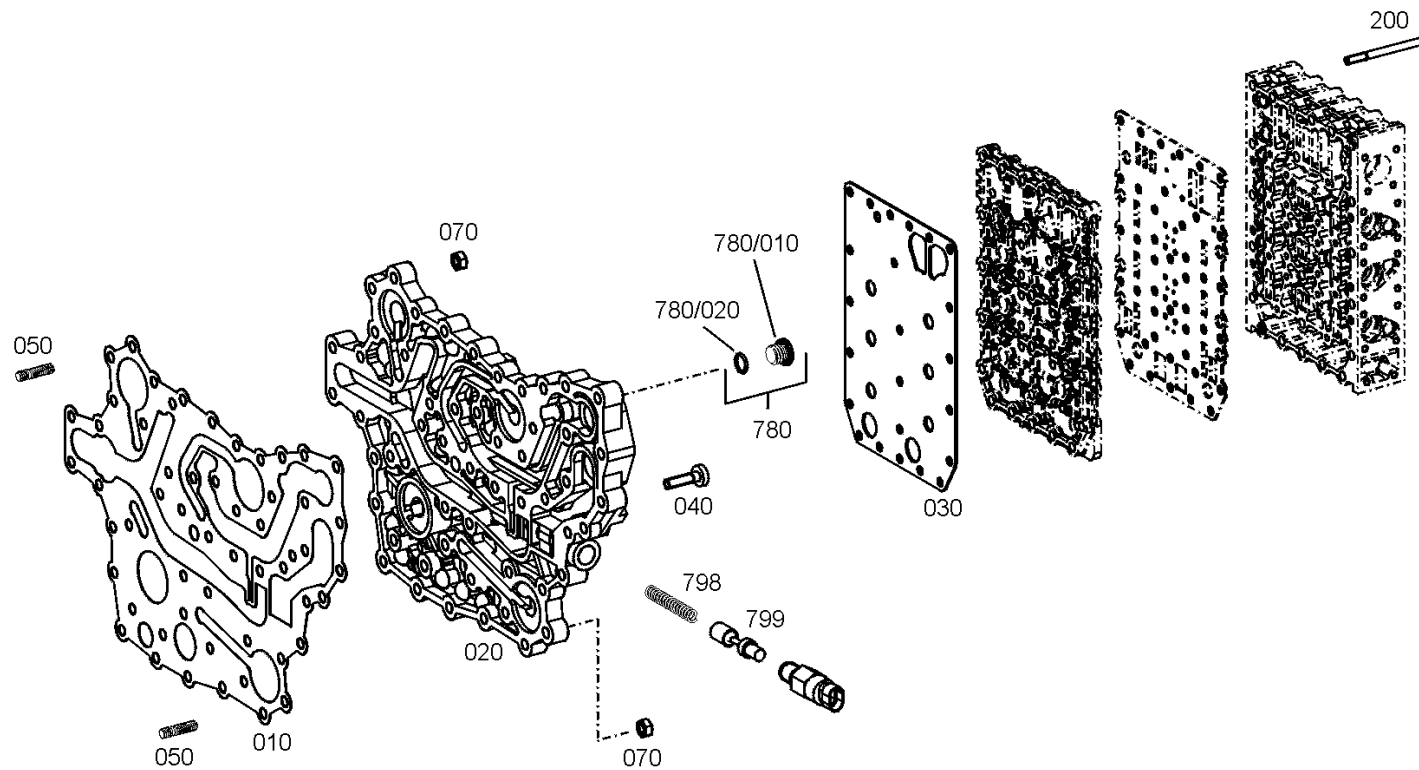
\* depending on parts list no.





parts list: 4656 056 026 6 WG-160 / / MULTIDRIVE  
figure: 4656 106 009 01 GEARSHIFT SYST.

\* depending on parts list no.

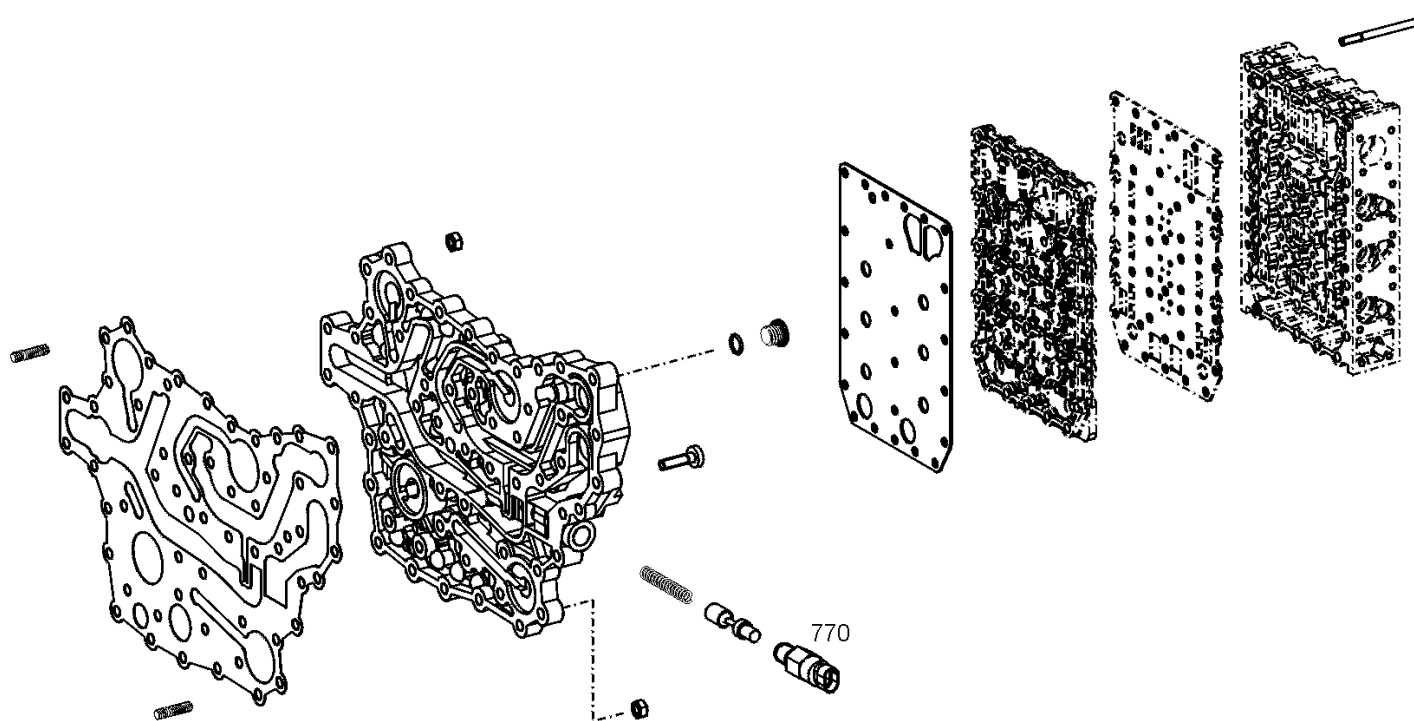




parts list: 4656 056 026 6 WG-160 / / MULTIDRIVE

figure: 4656 106 009 02 GEARSHIFT SYST.

\* depending on parts list no.





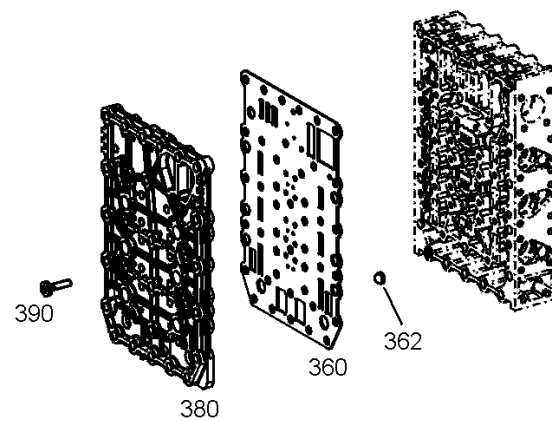




parts list: 4656 056 026 6 WG-160 / / MULTIDRIVE  
figure: 4656 159 008 42 GEARSHIFT SYST.

---

\* depending on parts list no.



ZF-ELCAT parts list

CD 4/2001 09.04.2002  
sheet 42

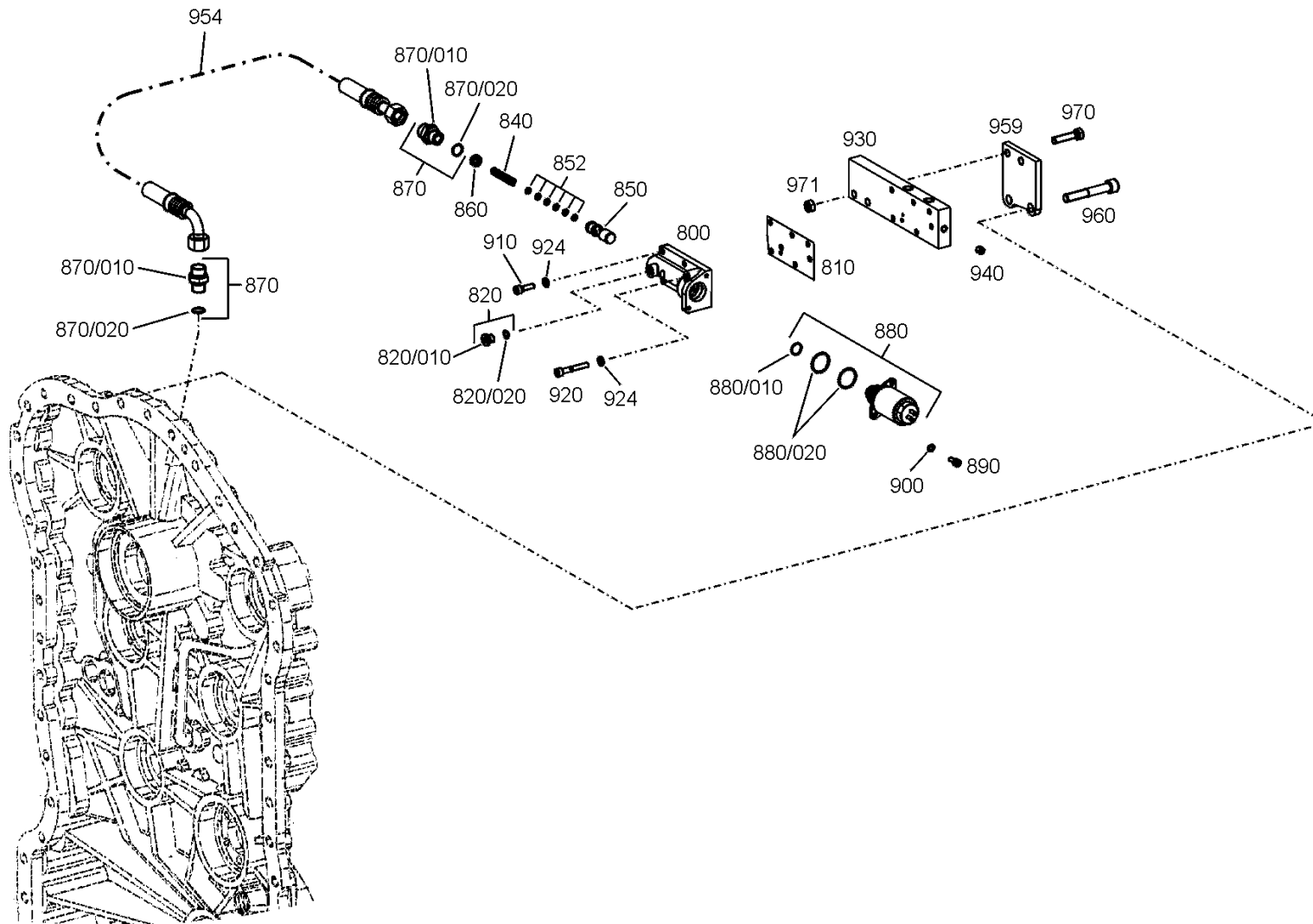
parts list: 4656 056 026 6 WG-160 / / MULTIDRIVE  
figure: 4656 159 008 41 GEARSHIFT SYST. (4656 159 010)  
4656 159 008 42 GEARSHIFT SYST. (4656 159 010)

item	part no.	OCF	description	mod. no.	mod. intr.	technical information	opt.	customer's code no.	weight	suppl.plant
010	4656 306 112 H	1	VALVE BLOCK							
012		8	SCREW PLUG							
/010	0636 302 053 H	8	SCREW PLUG							
/020	0634 303 280 H	8	O-RING							
020	0730 361 070 H	6	ORIFICE							
030	4656 306 095 H	6	PISTON							
040	0732 042 538	6	COMPR.SPRING							
050	4656 306 013	6	PISTON							
060	0732 042 539	6	COMPR.SPRING							
070	4656 306 074	1	PISTON							
080	0732 042 631	1	COMPR.SPRING							
090	4656 306 123	1	CONTROL PISTON							
110	0732 042 719	1	COMPR.SPRING							
150	4656 306 140	1	GASKET							
160	4656 306 116 H	1	HOUSING							
170	0736 101 257	18	CAP SCREW							
180	0501 314 770 H	3	PRESS.REGULATOR							
/010	0734 313 134 H	3	O-RING							
190	1043 326 045	3	FIXING PLATE							
200	0736 101 094	3	CAP SCREW							
210	4656 306 140	1	GASKET							
220	4656 306 116 H	1	HOUSING							
230	0736 101 257	18	CAP SCREW							
240	0501 314 770 H	3	PRESS.REGULATOR							
/010	0734 313 134 H	3	O-RING							
250	1043 326 045	3	FIXING PLATE							
260	0736 101 094	3	CAP SCREW							
270	4656 206 006	1	WIRING HARNESS							
280	4656 306 138	1	GASKET							
290	4656 306 054 H	1	COVER							
300	0736 101 257	14	CAP SCREW							
310	4656 306 138	1	GASKET							
320	4656 306 055 H	1	COVER							
330	1058 327 026	1	RETAINING CLAMP							
340	0736 101 257	14	CAP SCREW							
360	4656 306 133	1	INTERM.SHEET							
362	0501 316 715	6	SCREEN							



parts list: 4656 056 026 6 WG-160 / / MULTIDRIVE  
figure: 4656 123 002 01 CONTROL UNIT

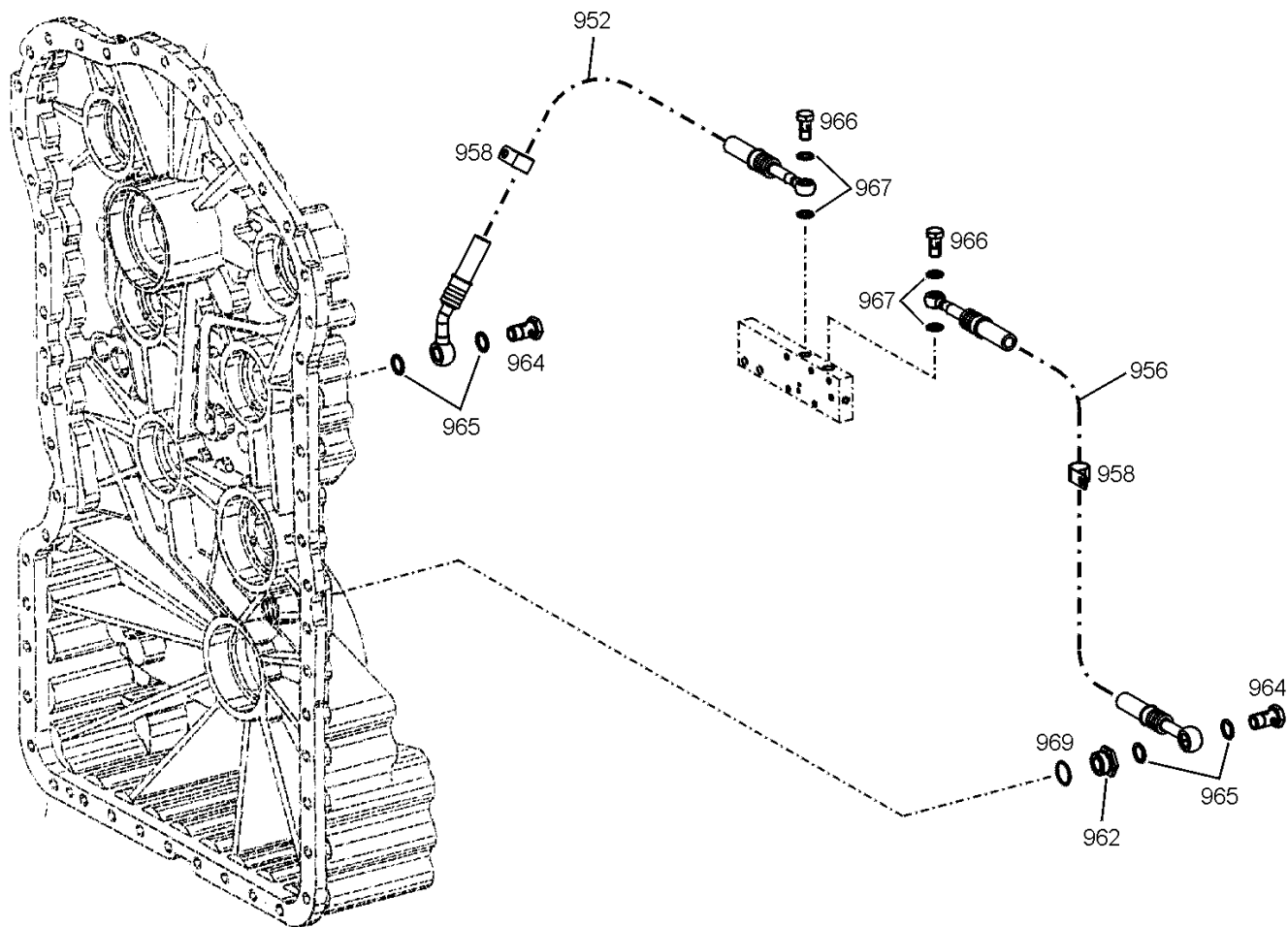
\* depending on parts list no.



parts list: 4656 056 026 6 WG-160 / / MULTIDRIVE

figure: 4656 123 002 02 CONTROL UNIT

\* depending on parts list no.



ZF-ELCAT parts list

CD 4/2001 09.04.2002  
sheet 46

parts list: 4656 056 026 6 WG-160 / / MULTIDRIVE  
figure: 4656 123 002 01 CONTROL UNIT (4656 123 001)  
4656 123 002 02 CONTROL UNIT (4656 123 001)

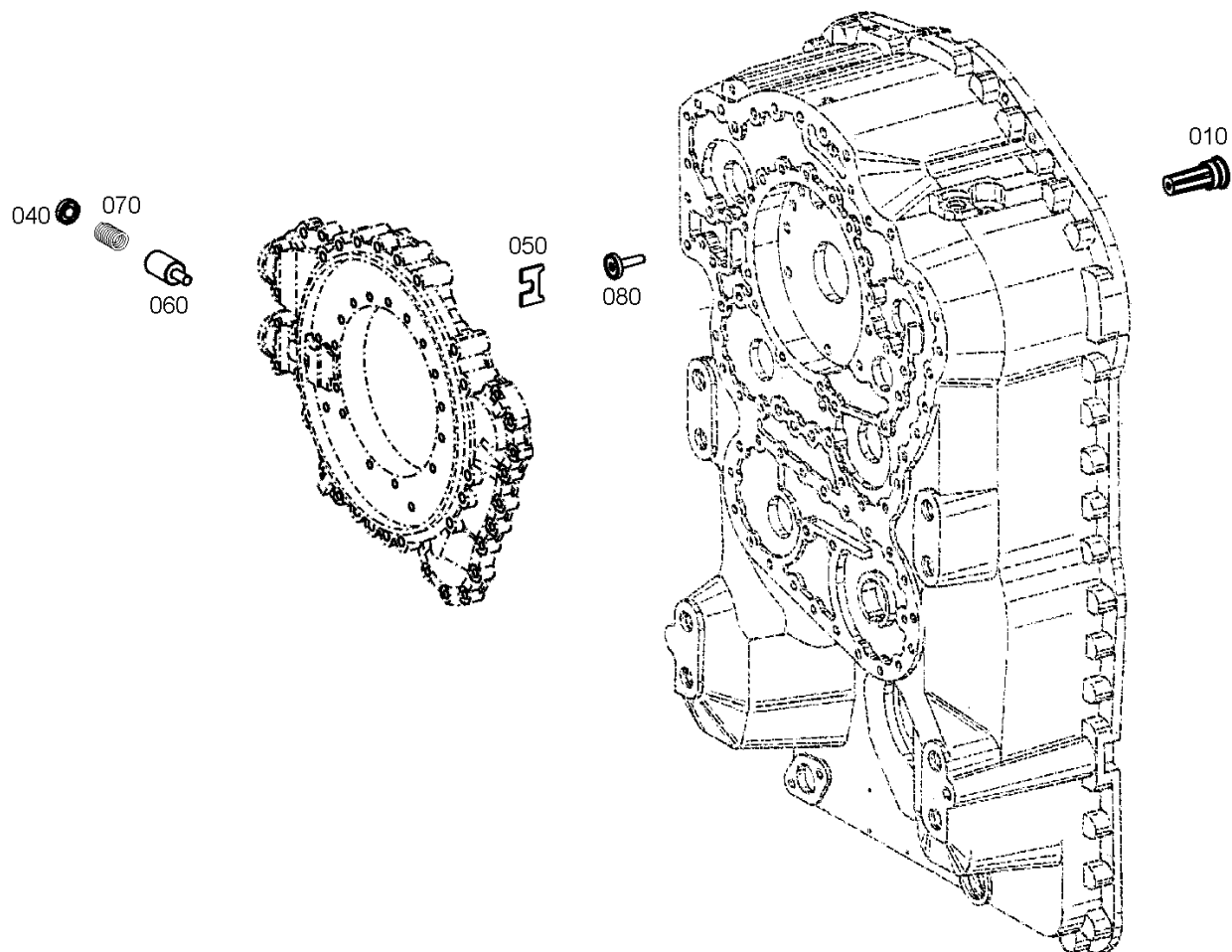
item	part no.	OCF	description	mod. no.	mod. intr.	technical information	opt.	customer's code no.	weight	suppl.plant
800	4644 306 424	1	G.SHIFT HOUSING							
810	0899 317 069	1	GASKET							
820		1	SCREW PLUG							
/010	0636 302 053 H	1	SCREW PLUG							
/020	0634 303 280 H	1	O-RING							
840	0732 042 025	1	COMPR.SPRING							
850	4644 306 516	1	PISTON							
852	0630 004 252	6	SHIM RING							
860	4644 306 552	1	STOP							
870		2	SCREW-IN SLEEVE							
/010	0637 842 509	2	SCREW-IN SLEEVE							
/020	0634 306 523 H	2	O-RING							
880	0501 310 470	1	SOLENOID VALVE							
/010	0634 314 427 H	1	O-RING							
/020	0634 314 396 H	2	O-RING							
890	0636 101 129	2	CAP SCREW							
900	0630 305 012	2	SPRING WASHER							
910	0636 101 012 H	4	CAP SCREW							
920	0636 101 019	1	CAP SCREW							
924	0630 003 004	5	WASHER							
930	0899 317 070	1	COVER							
940	0631 610 114	1	SET SCREW							
952	MD57579M00P	1	HOSE PIPE							
954	MD57582M00P	1	HOSE PIPE							
956	MD57580M00P	1	HOSE PIPE							
958	0501 209 985	2	HOSE CLAMP							
959	4657 323 004	1	PLATE							
960	0636 115 004	2	CAP SCREW							
962	4644 301 189	1	THREADED BUSH							
964	MD52503T30P	2	UNION SCREW							
965	0634 801 050	4	SEALING RING							
966	0637 835 026	2	UNION SCREW							
967	0634 801 033 H	4	SEALING RING							
968	0634 316 523	1	O-RING							
969	0634 303 233 H	1	O-RING							
970	0636 010 072	2	HEXAGON SCREW							
971	0637 006 018 H	2	HEXAGON NUT							



parts list: 4656 056 026 6 WG-160 / / MULTIDRIVE

figure: 4656 120 002 00 PRESS.REGULATOR

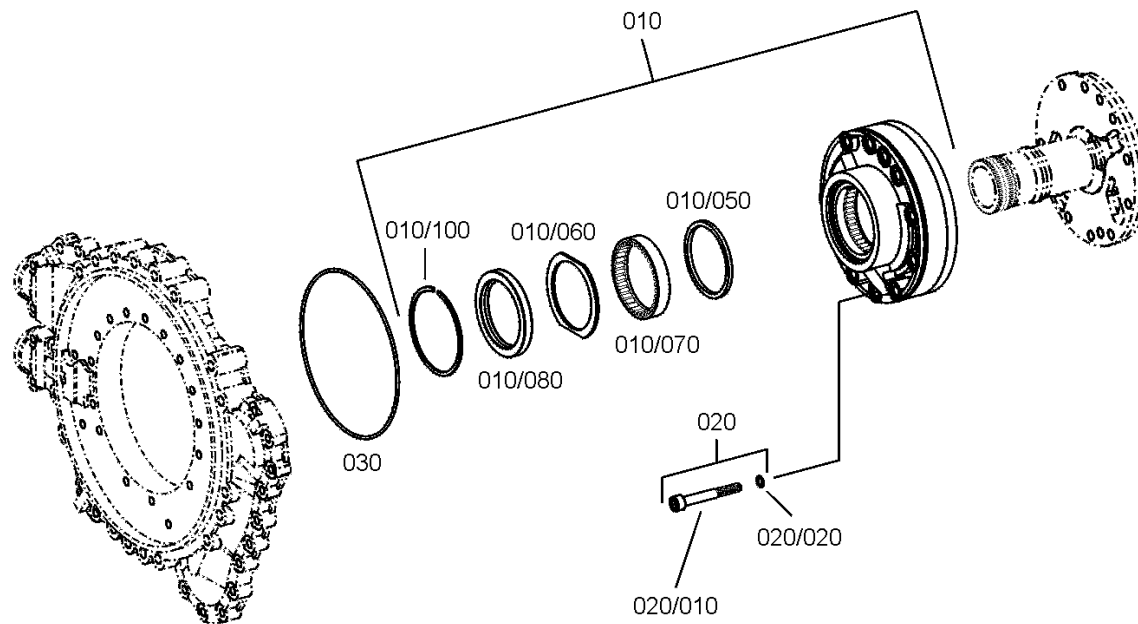
\* depending on parts list no.





parts list: 4656 056 026 6 WG-160 / / MULTIDRIVE  
figure: 4656 122 001 00 PRESS.OIL PUMP

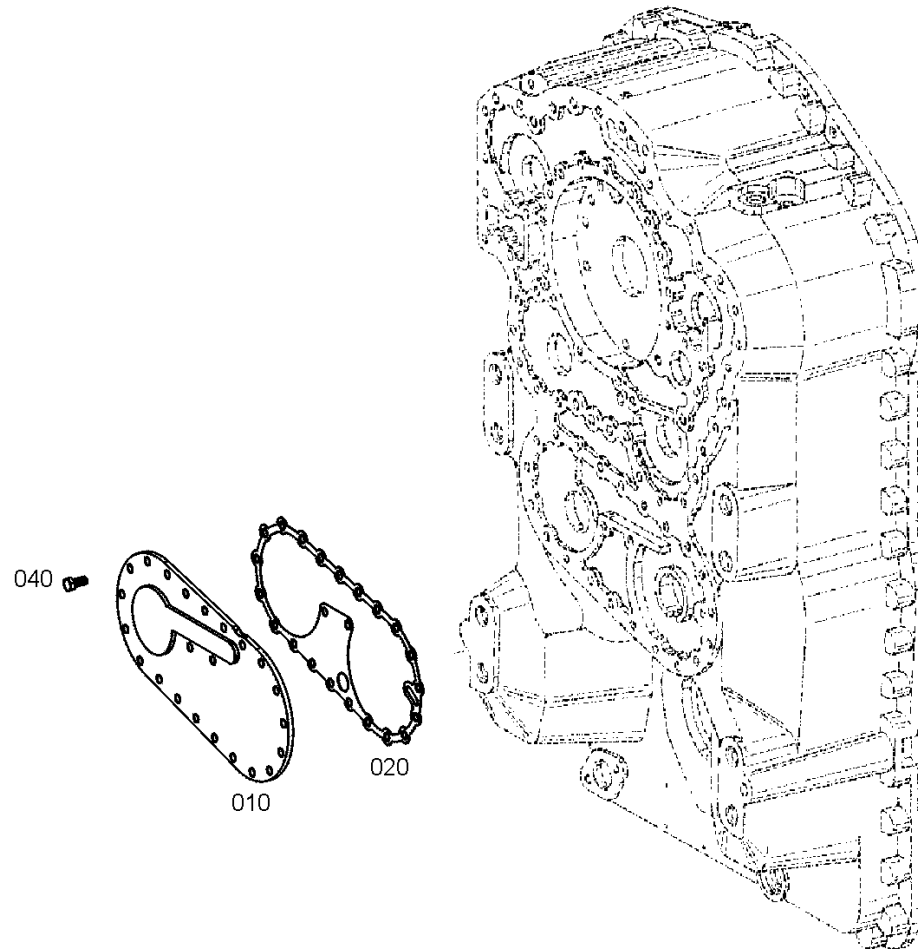
\* depending on parts list no.





parts list: 4656 056 026 6 WG-160 / / MULTIDRIVE  
figure: 4656 137 001 00 EMCY.STEER.PUMP

\* depending on parts list no.

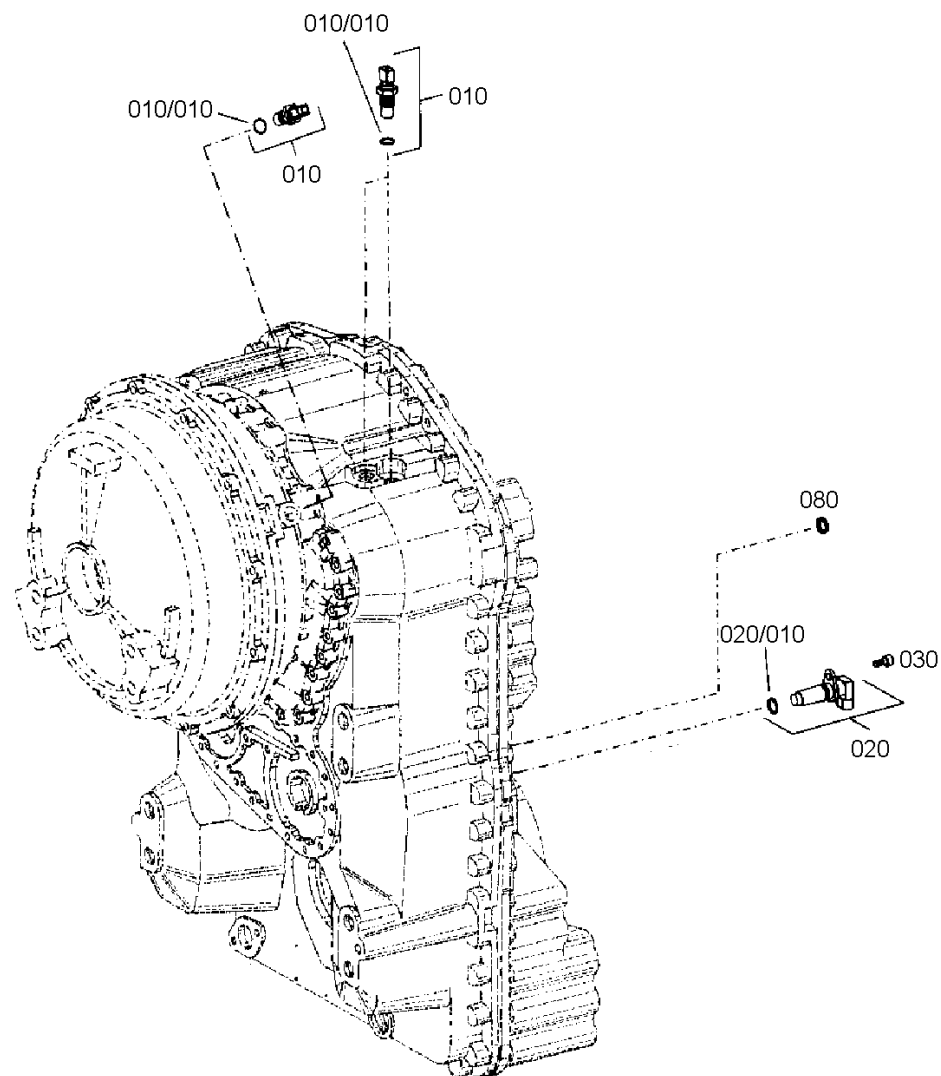




parts list: 4656 056 026 6 WG-160 / / MULTIDRIVE

figure: 4656 125 004 00 IND.TRANSMITTER

\* depending on parts list no.



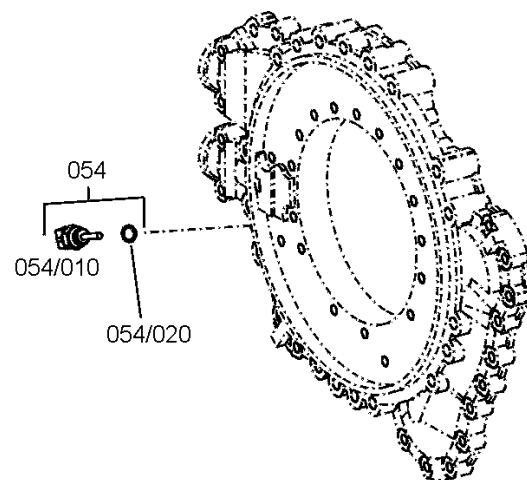




parts list: 4656 056 026 6 WG-160 / / MULTIDRIVE

figure: 4656 124 002 00 TEMP.SENSOR

\* depending on parts list no.

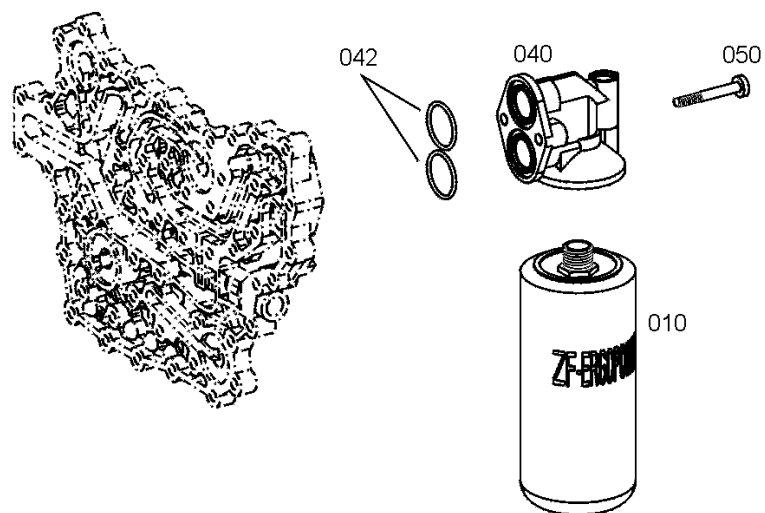




parts list: 4656 056 026 6 WG-160 / / MULTIDRIVE

figure: 4656 138 001 00 FILTER

\* depending on parts list no.

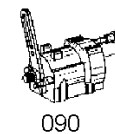
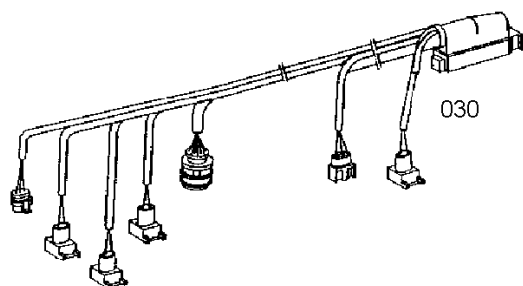
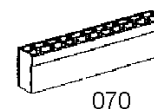
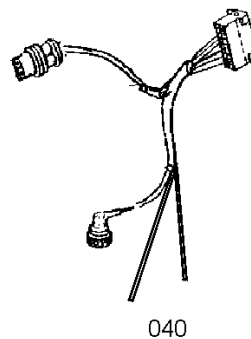
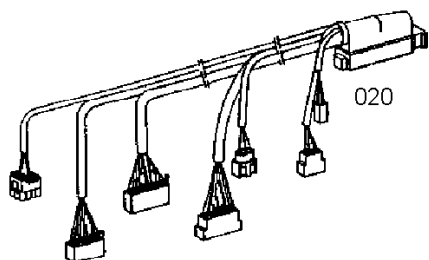
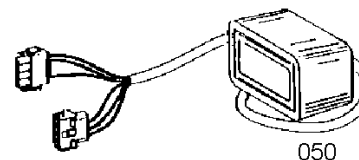
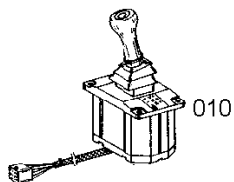




parts list: 4656 056 026 6 WG-160 / / MULTIDRIVE

figure: 4656 183 022 00 LOOSE PARTS

\* depending on parts list no.



ZF-ELCAT parts list

parts list: 4656 056 026 6 WG-160 / / MULTIDRIVE  
figure: 4656 183 022 00 LOOSE PARTS (4656 183 046)

item	part no.	OCF	description	mod. no.	mod. intr.	technical information	opt.	customer's code no.	weight	suppl.plant
010	6006 035 006 H	1	RANGE SELECTOR							
020	6029 205 417	1	CABLE CONNECT.							
030	6029 205 420	1	CABLE CONNECT.							
040	6029 205 419	1	CABLE CONNECT.							
050	6007 203 236	1	DISPLAY							
060	6029 199 008	1	PLUG							
070	6029 199 043	1	PLUG							
090	MD51659F20P	1	LOAD SENSOR							
						**** END ****				



**CHAPTER 2-3**

**CAB AND ENGINE COVER**

**CONTENTS**

Fig

- 1 Engine Cover
- 2 Bonnet Nose Sub Assembly
- 3 RLH and RRH Bonnet Seat
- 4 Cab Sub Assembly – 2001 Tractor
- 5 Cab Main Frame
- 6 Cab Trim
- 7 Seats
- 8 Cab Roof Sub Assembly
- 9 Cab Door Assembly, LH
- 10 Cab Door Assembly, RH
- 11 Mirror Assemblies

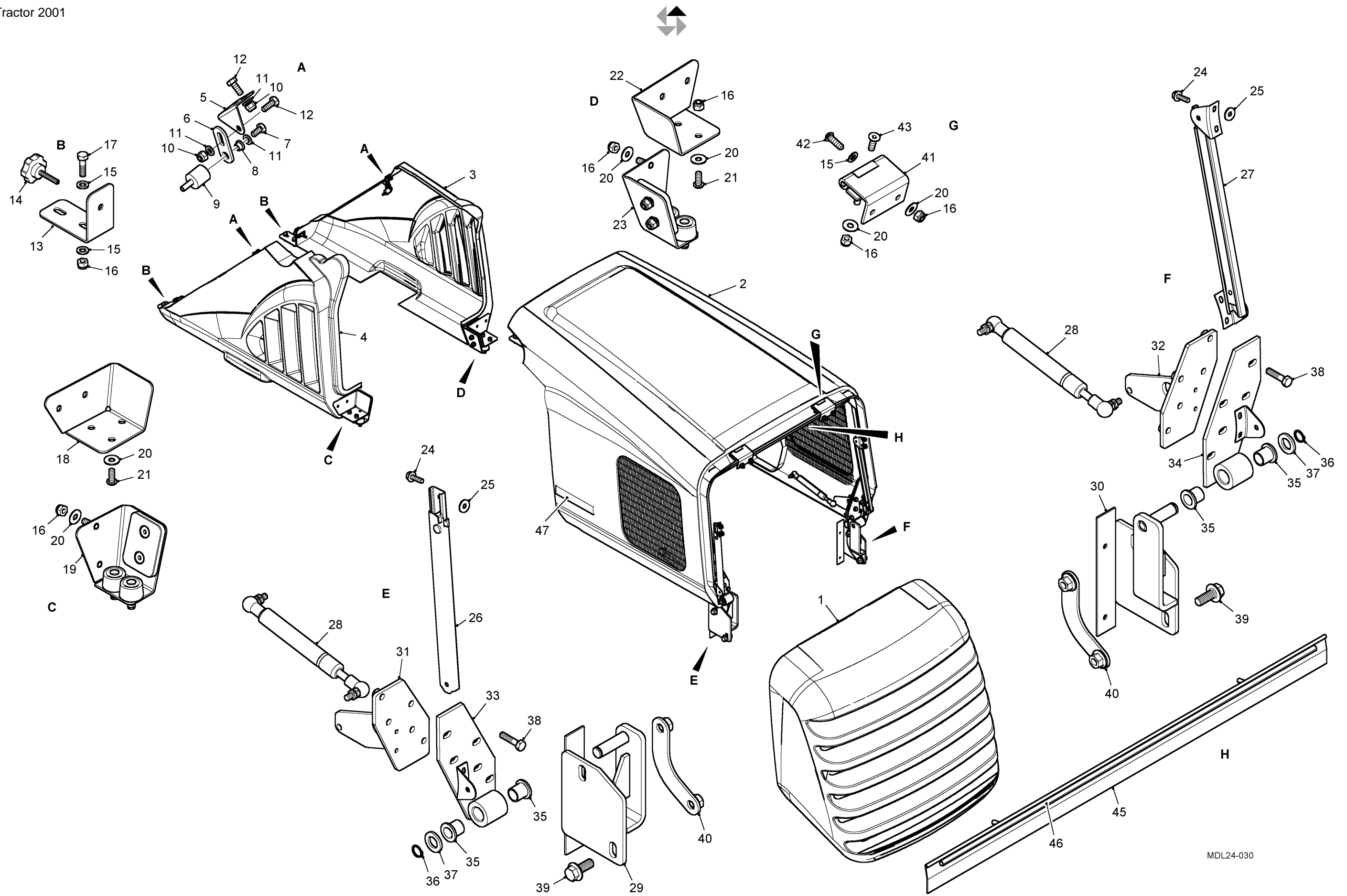


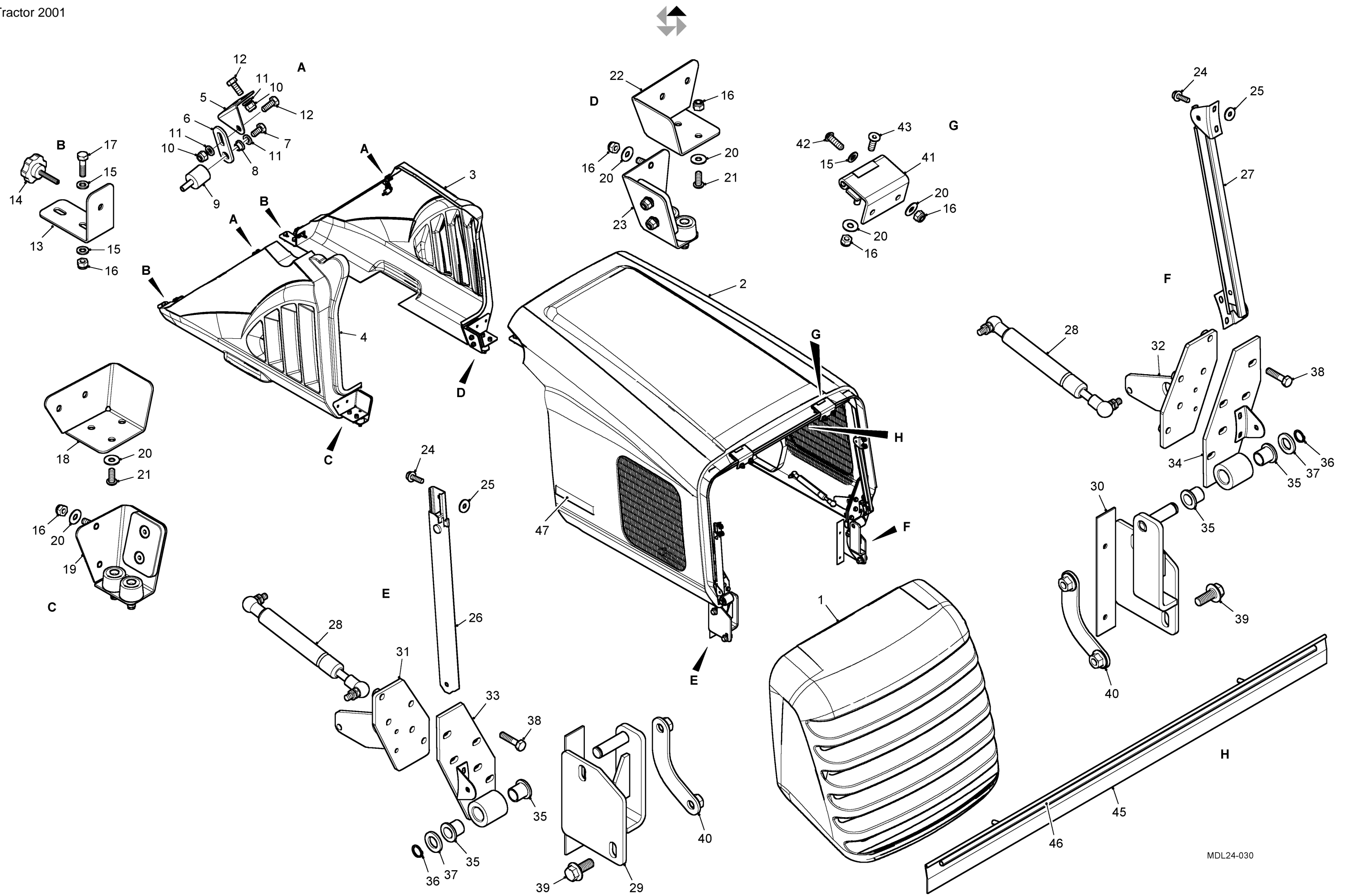
Figure 1 Engine Cover

MDL24-030





Fig 1 Item	Item Name and Description	Part No. / Drawing No.	Qty	Remarks
REF	<b>ENGINE COVER</b>	MD50005A80A	1	Yellow
	<b>ENGINE COVER</b>	MD59787A80A	1	White/Gray
1	. BONNET NOSE SUB ASSEMBLY	MD52355A80A	1	See Fig 2, Yellow
	. BONNET NOSE SUB ASSEMBLY	MD59788A80A	1	See Fig 2, White/Gray
2	. ENGINE COVER ASSEMBLY	MD52449A80A	1	Yellow
	. ENGINE COVER ASSEMBLY	MD59789A80A	1	White/Gray
3	. BONNET, LH QTR PANEL	MD50971A80C	1	Yellow
	. BONNET, LH QTR PANEL	MD59790A80C	1	White/Gray
4	. BONNET, RH QTR PANEL	MD50972A80C	1	Yellow
	. BONNET, RH QTR PANEL	MD59791A80C	1	White/Gray
5	. BRACKET	MD50706A80P	2	
6	. TOP QUARTER PANEL BRACKET	MD50756A80C	2	
7	. SCREW, M6 X 12 LG HEX HD	MD45409X10S	2	
8	. SLIDE BEARING	MD58951A80P	2	
9	. FLEXIBLE MOUNTING, M6	MD48812A80P	2	
10	. NUT, M6 NYLOC	MD40645X20S	12	
11	. WASHER, M6 HARDENED	MD40646X30S	10	
12	. BOLT, M6 X 16 HEX HEAD	MD41890X10S	6	
13	. REAR QUARTER PANEL BRACKET	MD50755A80C	2	
14	. HANDWHEEL, M6 MALE SR1580 BLACK	MD52516X00S	2	
15	. WASHER, M8	MD40651X30S	23	
16	. NUT, SELF LOCKING, M8 NYLOC, GR: 10.9 ZINC PLATED	MD40016X20S	22	
17	. BOLT, M8 X 30, HEX HD GR:10.9	MD40649X10S	4	
18	. RLH BONNET GUIDE	MD50753A80C	1	
19	. RLH BONNET SEAT	MD50757A80A	1	See Fig 3
20	. M8 OVERSIZE WASHER	MD40397A50S	16	
21	. SCREW, M8 X 20MM, BUTTON HD SKT GR: 12.9	MD42180X10S	4	
22	. RRH BONNET GUIDE	MD50754A80C	1	
23	. RRH BONNET SEAT	MD50758A80A	1	See Fig 3
24	. BOLT, M6 X 20MM HEX FLANGE HD, GR: 10.9	MD46607X10S	4	
25	. WASHER, M6 FLAT, LARGE DIA.	MD45050X30S	8	

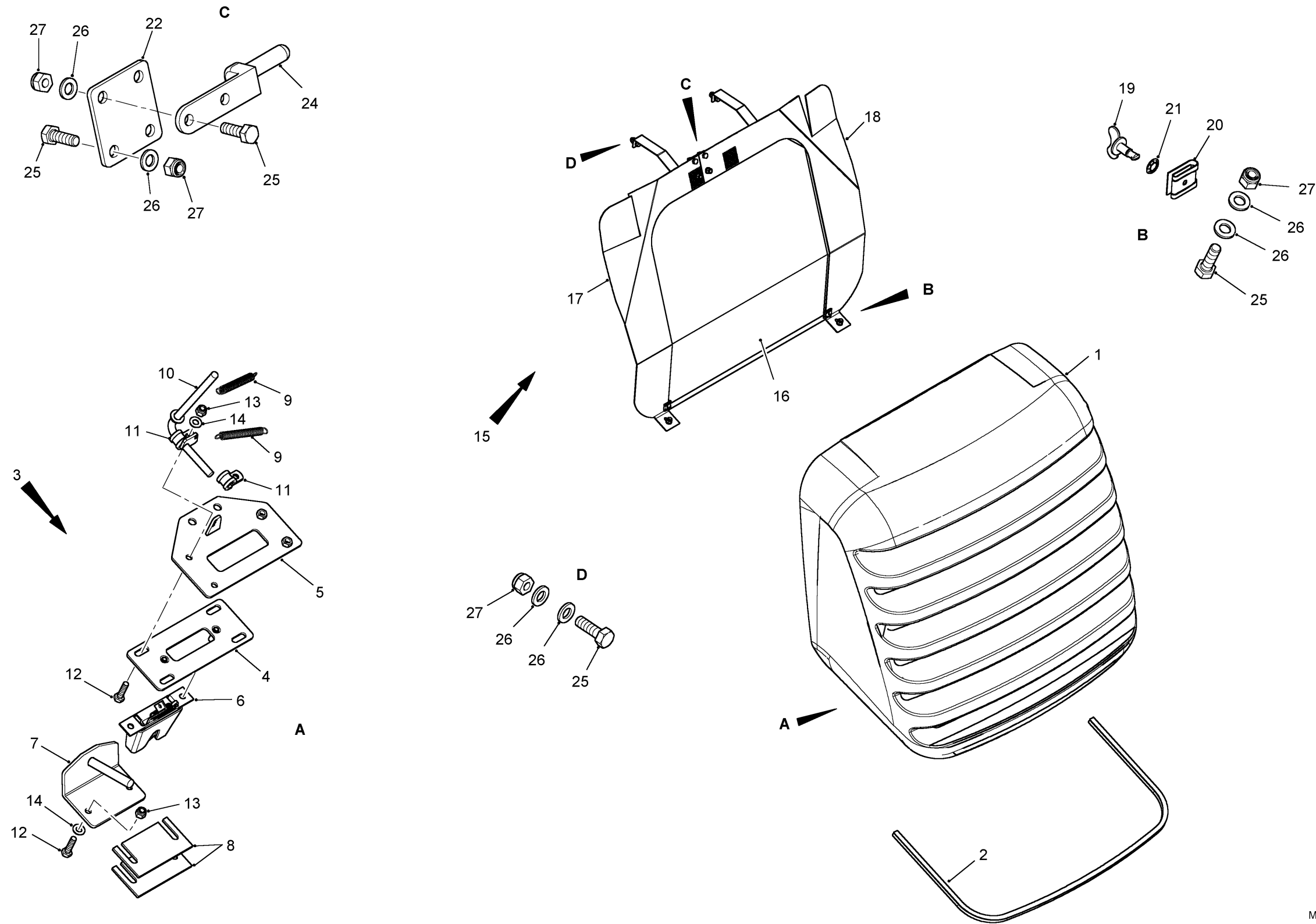


MDL24-030

Figure 1 Engine Cover



Fig 1 Item	Item Name and Description	Part No. / Drawing No.	Qty	Remarks
REF	<b>ENGINE COVER (CONT)</b>	MD50005A80A	1	
26	. SUPPORT STAY, SAFETY CATCH	MD54496A80P	1	
27	. SUPPORT STAY, STAR WHEEL	MD54497A80P	1	
28	. MAIN GAS STRUT	MD50282A75P	2	
29	. HINGE PIVOT BRACKET, RH	MD50818A80A	1	
30	. HINGE PIVOT BRACKET, LH	MD50723A80A	1	
31	. BONNET STRUT BRACKET, RH	MD54383A80A	1	
32	. BONNET STRUT BRACKET, LH	MD54384A80A	1	
33	. HINGE PLATE, RH	MD54386A80A	1	
34	. HINGE PLATE, LH	MD54381A80A	1	
35	. BUSH, NYLON	MD43647F10C	4	
36	. CIRCLIP, 16 EXTERNAL	MD52515X25S	2	
37	. WASHER, M16, ZINC PLATED HARDENED	MD40029X30S	2	
38	. BOLT, M8 X 35MM HEX HD	MD46444X10S	10	
39	. BOLT, M12 X 30MM HEX FLANGE HD GR: 10.9	MD50654X10S	4	
40	. STRAP NUT	MD52510A80A	2	
41	. BONNET HINGE	MD50790A80P	2	
42	. SCREW, M8 X 25MM BUTTON HD SKT GR: 12.9	MD42181X10S	4	
43	. SCREW, M8 X 25 HEX SKT C'SK	MD40349A50S	4	
NI 44	. BOLT, M8 X 25 HEX HD GR: 10.9	MD40648X10S	1	
45	. BONNET RUBBER	MD54925A80P	1	
46	. BONNET RUBBER	MD54995A80A	1	
47	. MULTIDRIVE ANODISED NAMEPLATE	MD59962Z10C	2	

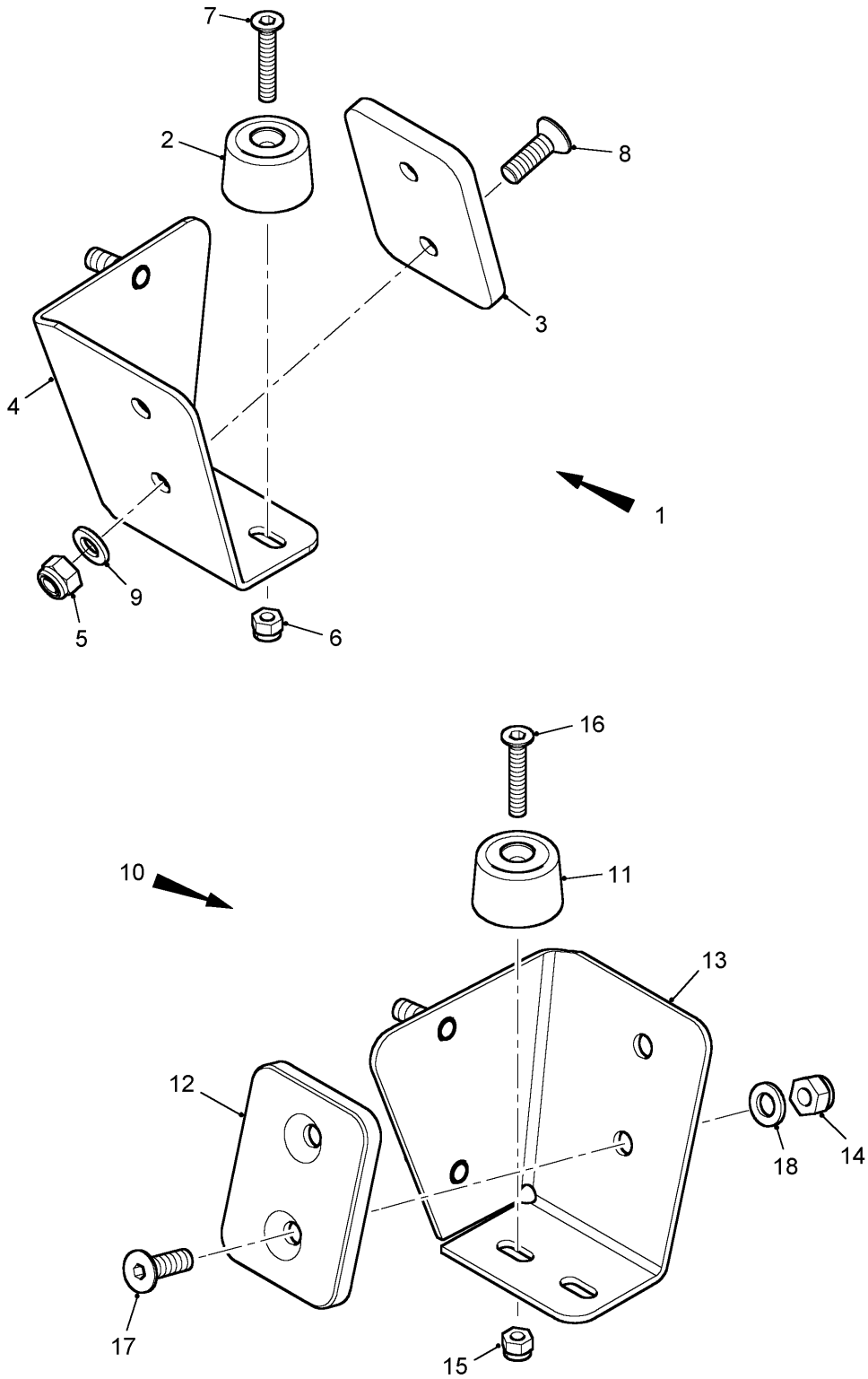


MDL24-031

Figure 2 Bonnet Nose Sub Assembly



Fig 2 Item	Item Name and Description	Part No. / Drawing No.	Qty	Remarks
REF	. <b>BONNET NOSE SUB ASSEMBLY</b>	MD52355A80A	1	See Fig 1, Yellow
	. <b>BONNET NOSE SUB ASSEMBLY</b>	MD59788A80A	1	White/Gray
1	. . BONNET NOSE	MD50974A80C	1	Yellow
	. . BONNET NOSE	MD59792A80C	1	White/Gray
2	. . RUBBER SEAL	MD52382P10C	1	
3	. . BONNET CATCH SUBASSEMBLY	MD52427A80A	1	
4	. . . LATCH PLATE	MD52430A80A	1	
5	. . . CLAMP PLATE	MD52428A80A	1	
6	. . . CLAW LATCH	MD52433A80P	1	
7	. . . LATCH PIN	MD52434A80A	1	
8	. . . SHIM	MD52437A80C	2	
9	. . . EXTENSION SPRING	MD52438A80P	2	
10	. . . RELEASE LEVER	MD52439A80A	1	
11	. . . P-CLIP, 8 DIA.	MD52447X27P	2	
12	. . . BOLT, M6 X 25 HEX HD GR:10.9	MD40643X10S	6	
13	. . . NUT, M6 NYLOC	MD40645X20S	6	
14	. . . WASHER, M6 HARDENED	MD40646X30S	12	
15	. . CHAFF GUARD SUBASSEMBLY - T2	MD59370P10A	1	
16	. . . CHAFF SCREEN	MD59367P10A	1	
17	. . . CHAFF HOUSING, RH	MD59371P10A	1	
18	. . . CHAFF HOUSING, LH	MD59372P10A	1	
19	. . . QUARTER TURN FASTENER STUD	MD54634X80P	2	
20	. . . QUARTER TURN FASTENER RECEPTACLE, LARGE	MD54635X80P	2	
21	. . . QUARTER TURN FASTENER RETAINER, MEDIUM	MD54637X80P	2	
22	. . . JOINER PIECE	MD53541P10C	1	
NI 23	. . . CLIP ON EDGE GUARD	MD52381P10C	1	
24	. . . BOLT ON GUDGEON	MD52375P10P	1	
25	. . . BOLT, M8 X 25 HEX HD GR: 8.8	MD53552X10S	8	
26	. . . WASHER, M8	MD40651X30S	12	
27	. . . NUT SELF LOCKING M8 NYLOC GR:10.9 ZINC PLATED	MD40016X20S	8	



MDL24-032

Figure 3 RLH and RRH Bonnet Seat



Fig 3 Item	Item Name and Description	Part No. / Drawing No.	Qty	Remarks
REF	<b>RLH AND RRH BONNET SEAT</b>	-	NP	
1	. <b>RLH BONNET SEAT</b>	MD50757A80A	1	See Fig 1
2	. . RUBBER BUFFER	MD50761A80P	2	
3	. . WEAR PAD	MD50760A80C	1	
4	. . BUCKET, LH FAB	MD50957A80A	1	
5	. . NUT, SELF LOCKING, M8 NYLOC GR:10.9 ZINC PLATED	MD40016X20S	2	
6	. . NUT, M6 NYLOC	MD40645X20S	2	
7	. . BOLT, M6 X 35MM LG, HEX HD	MD42178X10S	2	
8	. . SCREW, M8 X 25MM, CSK SKT HD GR: 12.9	MD40349A50S	2	
9	. . WASHER, M8	MD40651X30S	2	
10	. <b>RRH BONNET SEAT</b>	MD50758A80A	1	See Fig 1
11	. . RUBBER BUFFER	MD50761A80P	2	
12	. . WEAR PAD	MD50760A80C	1	
13	. . BUCKET, RH FAB	MD50956A80A	1	
14	. . NUT, SELF LOCKING, M8 NYLOC GR:10.9 ZINC PLATED	MD40016X20S	2	
15	. . NUT, M6 NYLOC	MD40645X20S	2	
16	. . BOLT, M6 X 35MM LG, HEX HD	MD42178X10S	2	
17	. . SCREW, M8 X 25MM, CSK SKT HD GR: 12.9	MD40349A50S	2	
18	. . WASHER, M8	MD40651X30S	2	

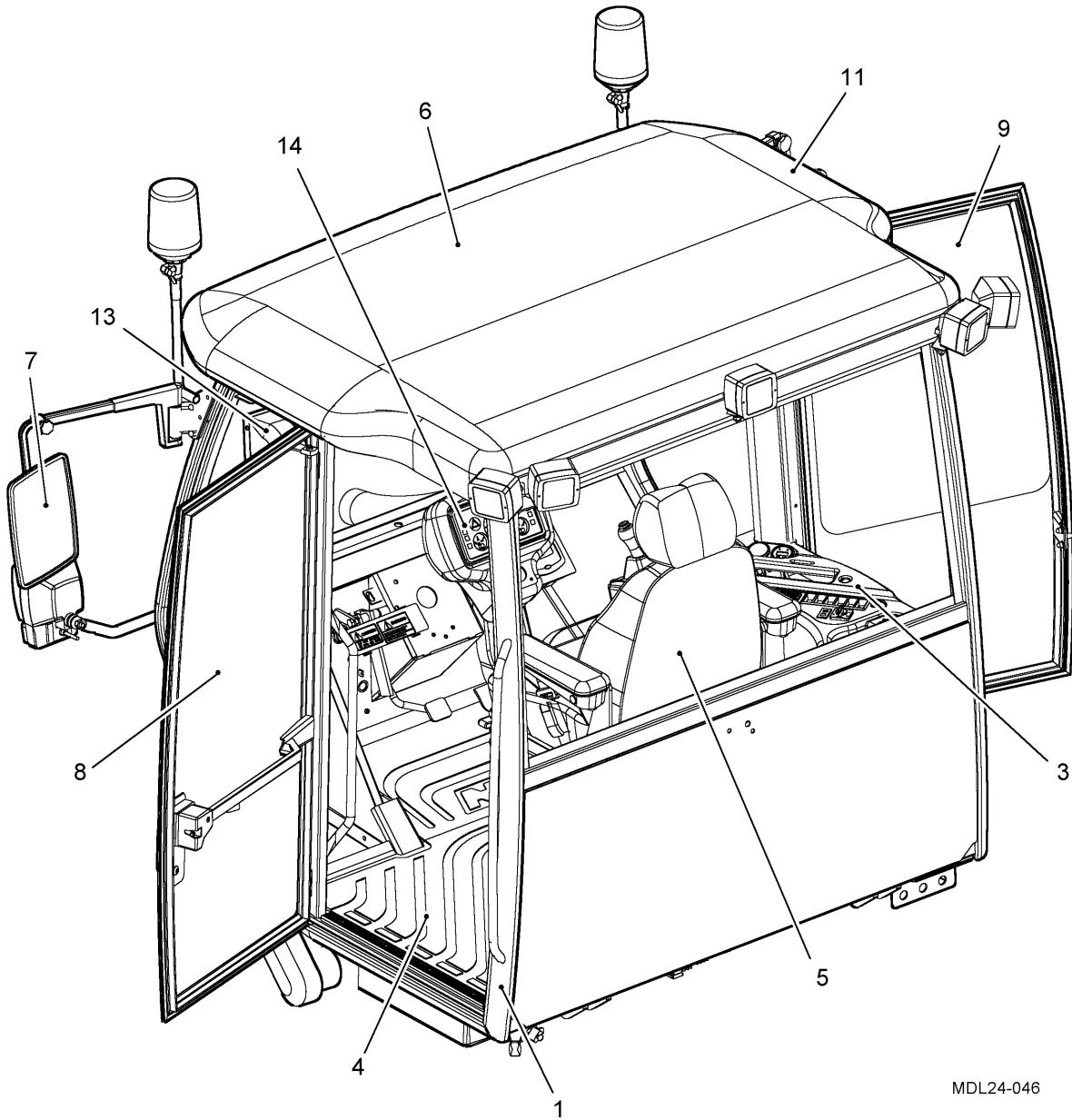
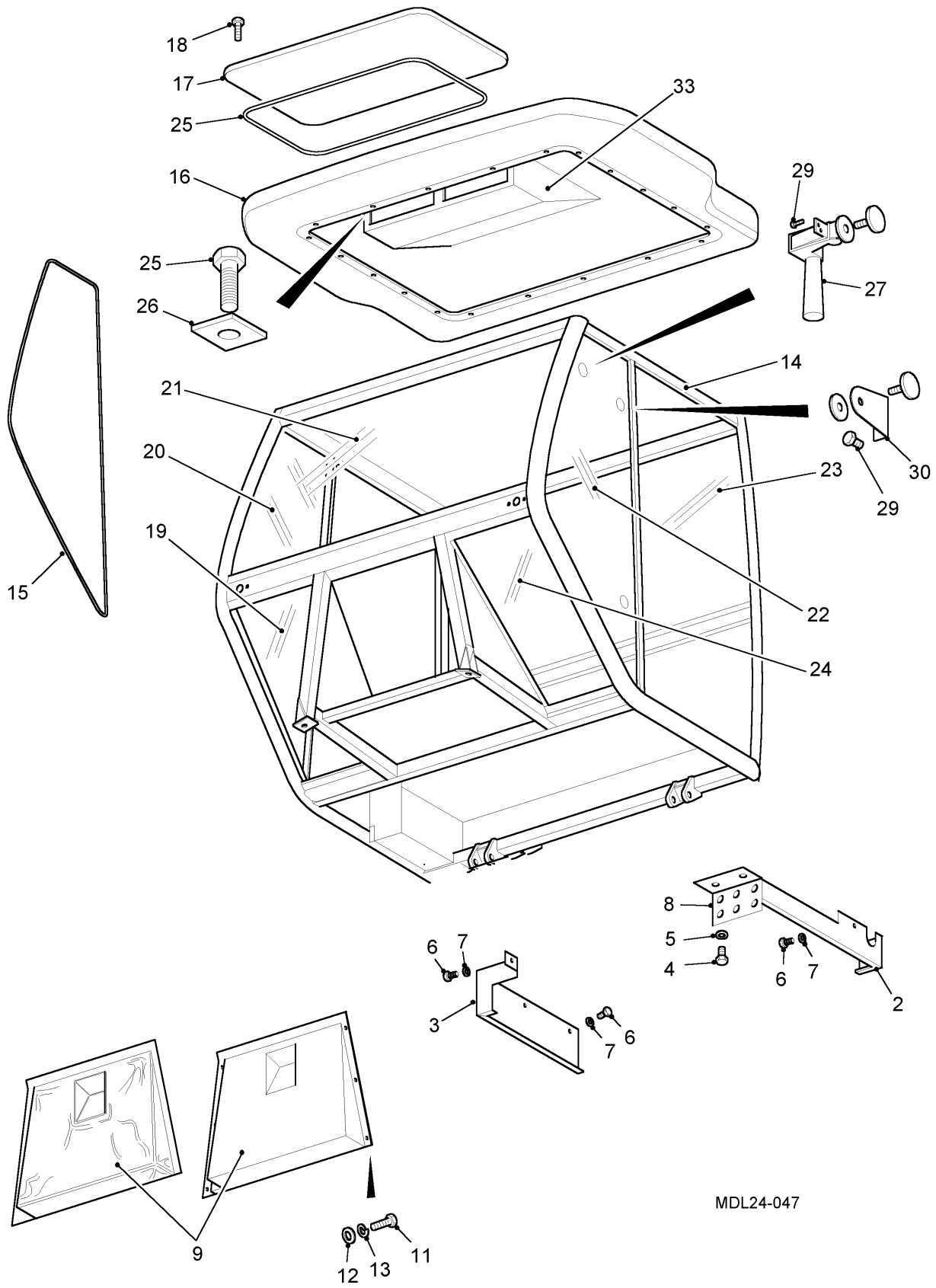


Figure 4 Cab Sub Assembly – 2001 Tractor





Fig 4 Item	Item Name and Description	Part No. / Drawing No.	Qty	Remarks
REF	<b>CAB SUB ASSEMBLY – 2001 TRACTOR</b>	MD49688A10A	1	
1	. CAB OUTER BODYWORK	MD52600A60A	1	See Fig 5
NI 2	. CAB FRONT BULKHEAD SUBASSEMBLY	MD47559A14A	1	See Fig 5
3	. CAB TRIM SUB ASSEMBLY	MD52598A55A	1	See Fig 6
4	. FLOOR TRIM ASSEMBLY	MD46467A14A	1	See Fig 6
5	. DRIVER SEAT SUB ASSEMBLY	MD51257A48A	1	See Fig 7
6	. CAB ROOF SUB ASSEMBLY	MD47567A10A	1	See Fig 8
7	. MIRROR ASSEMBLY	MD47568A60A	1	See Fig 11
8	. CAB DOOR ASSEMBLY, LH	MD47561A50A	1	See Fig 9
9	. CAB DOOR ASSEMBLY, RH	MD47562A50A	1	See Fig 10
NI 10	. ROPS PLATE	MD42570Z10C	1	
11	. CAB STRUCTURE ASSEMBLY	MD44008A10A	1	
NI 12	. WIPER ASSEMBLY, FRONT	MD44554A25A	1	See Chap 2-8
13	. AIR INTAKE PIPE SUB ASSEMBLY	MD50627J30A	1	See Chap 2-1-4
14	. CAB ELECTRIC SUB ASSEMBLY	MD51582N00A	1	See Chap 2-8
NI 15	. DIFFERENTIAL LOCK PEDAL SUB ASSEMBLY	MD52648C25A	1	See Chap 2-7
NI 16	. BRAKE PEDAL SUB ASSEMBLY	MD52650L30A	1	See Chap 2-7
NI 17	. THROTTLE ASSEMBLY,	MD53695A42A	1	T2 Remote Option See Chap 2-7
NI 18	. ECU BRACKET FABRICATION	MD54850F20A	1	
NI 19	. ECU CONTROLLER SUB ASSEMBLY	MD51583F20A	1	See Chap 2-8
NI 20	. EXHAUST PIPE SUB ASSEMBLY	MD58380H10A	1	See Chap 2-1-4

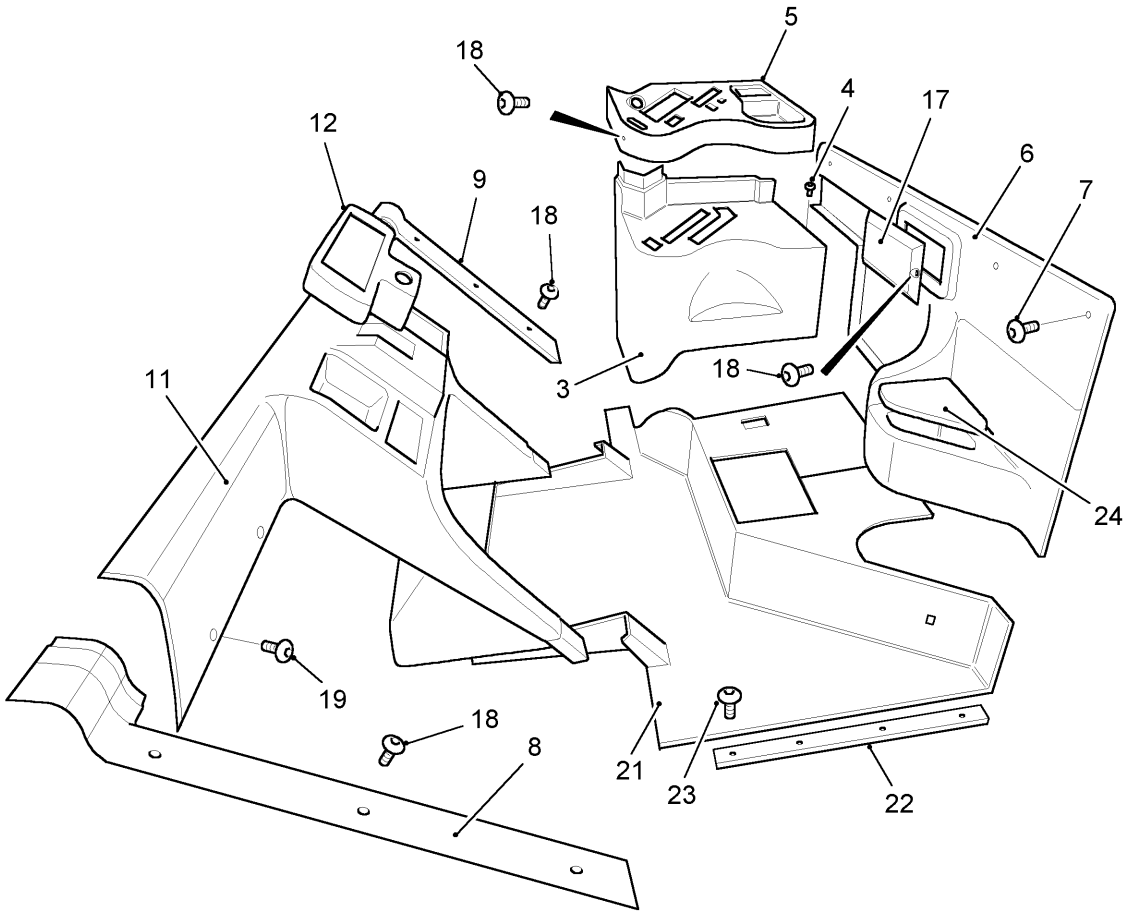


MDL24-047

Figure 5 Cab Main Frame



Fig 5 Item	Item Name and Description	Part No. / Drawing No.	Qty	Remarks
REF	<b>CAB MAIN FRAME</b>	-	NP	
NI 1	<b>. CAB OUTER BODYWORK</b>	MD52600A60A	1	See Fig 4
2	. . CAB SKIRT ASSEMBLY, RH	MD44031A14A	1	
3	. . CAB SKIRT ASSEMBLY, LH	MD44030A14C	1	
4	. . BOLT, M8 X 20 HEX HD, GR: 10.9	MD40647X10S	2	
5	. . WASHER, M8	MD40651X30S	2	
6	. . M6 X 16 Hex HEAD BOLT	MD41890X10S	5	
7	. . WASHER, M6 HARDENED	MD40646X30S	5	
8	. . HYDRAULIC BULKHEAD BRACKET	MD57490A14C	1	
9	<b>. CAB FRONT BULKHEAD SUB ASSEMBLY</b>	MD47559A14A	1	See Fig 4
NI 10	. . 17 PART KIT OF NOISE/HEAT SHIELD MATERIAL	MD54727A10A	1	
11	. . SETSCREW, M8 X 20MM	F18M08020	6	
12	. . WASHER, PLAIN 8MM	F31M08	6	
13	. . WASHER, SPRING 8MM	F33M08	6	
14	FRAME ASSEMBLY, MODS	MD43715A14A	1	
15	DOOR WINDOW SEAL, LH/RH	061320	A/R	
16	CAB ROOF	200500	1	
17	ROOF LID	200520	1	
18	FLANGE BUTTON HEAD	F05M06035	10	
19	FLOOR GLASS, RH	150502	1	
20	SIDE GLASS, RH	150201	1	
21	GLASS, FRONT WINDSCREEN	150101	1	
22	SIDE GLASS, LH	150202	1	
23	GLASS, REAR WINDSCREEN	150401	1	
24	FLOOR GLASS, LH	150501	1	
25	SETSCREW, M12 X 25MM	F18M12025	4	
26	ROOF FIXING PLATE	060824	4	
27	SIDE WINDOW CATCH, LH	160120	2	
NI 28	SIDE WINDOW CATCH, RH	160121	2	
29	SCREW, C/SUNK, M5 X 16MM	F09M05016SS	2	
30	SIDE WINDOW HINGE, LH AND RH	160111	4	
NI 31	LIGHT BAR, BRITAX	MD57570N24C	1	Optional Extra
NI 32	BRITEX, MOUNTING PLATE	MD60022N24C	1	Needed For Item 31
33	AIR CONDITIONING, FILTER ASSEMBLY	MD47574A30A	1	

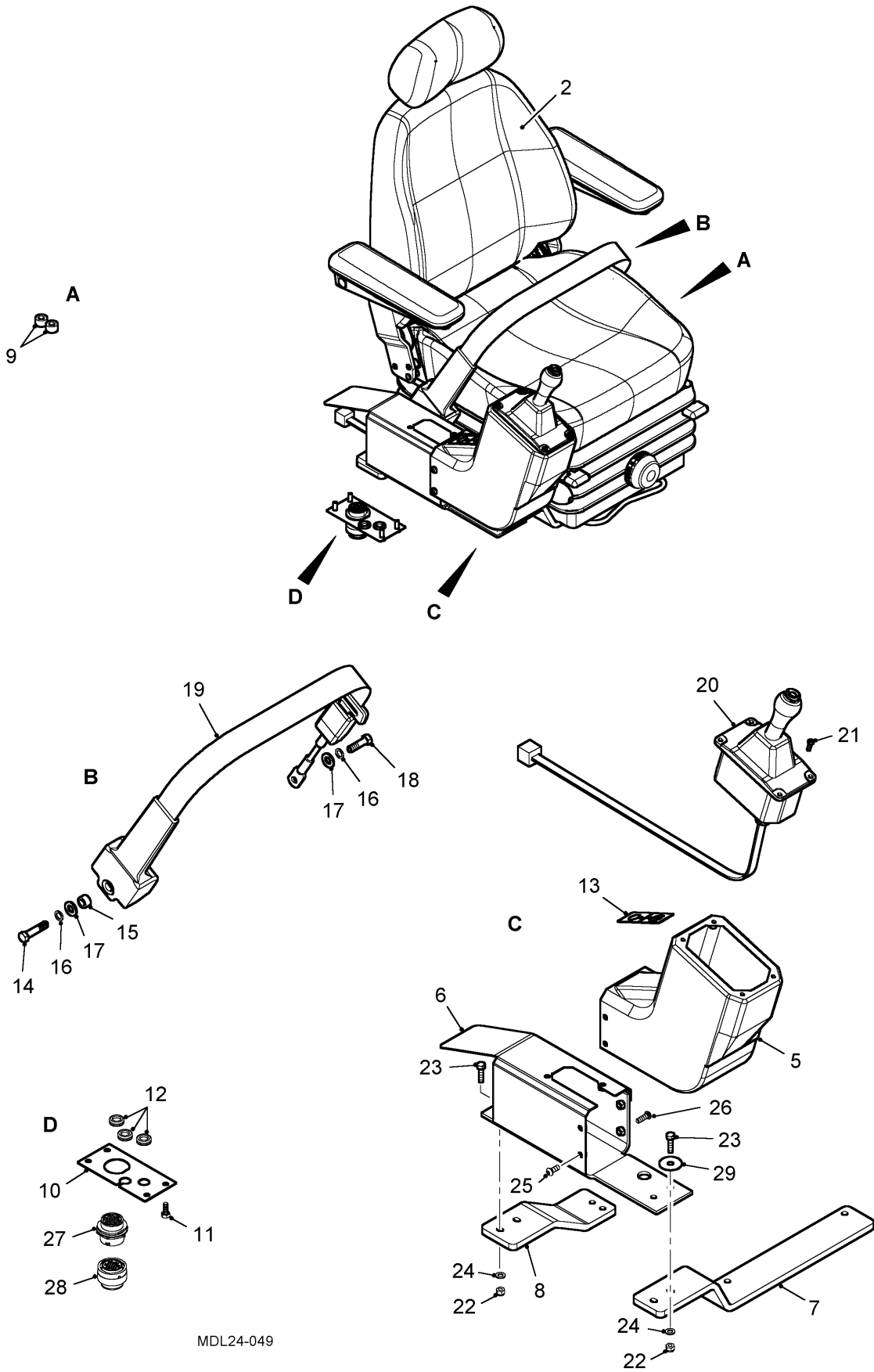


MDL24-048

Figure 6 Cab Trim



Fig 6 Item	Item Name and Description	Part No. / Drawing No.	Qty	Remarks
REF	<b>CAB TRIM</b>	-	NP	
NI 1	. <b>CAB TRIM SUB ASSEMBLY</b>	MD52598A55A	1	See Fig 4
NI 2	. . CAB NOISE INSULATION KIT	MD56756A55A	1	
3	. . LOWER SIDE PANEL	081025	1	
4	. . SCRIVET TRIM FASTENER	060124	3	
5	. . UPPER SIDE PANEL	MD47274A12C	1	
6	. . REAR INNER PANEL	081005	1	
7	. . PAN HEAD, SELF TAP, 10 X ½"	F14U10008	2	
8	. . LOWER L/H TRIM	081051	1	
9	. . LOWER R/H TRIM	081041	1	
NI 10	. . TRIM PRESS FASTENER	MD52109X10S	6	
11	. . CENTRE CONSOLE - LOWER	081210	1	
12	. . CENTRE INSTRUMENT PANEL	081260	1	
NI 13	. . CAB FOAM - CENTRE CONSOLE	360640	1	
NI 14	. . SUNBLIND, ROLLER TYPE KIT	060506	1	
NI 15	. . BRACKET SIDE FACIA	060727	1	
NI 16	. . CONSOLE BRACKET	060806	1	
17	. . WIPER MOTOR COVER	081006	1	
18	. . SCRIVET TRIM FASTENER	060124	AR	
19	. . SOCKET SCREW, CAP HEAD	F05M06030	4	
NI 20	. <b>FLOOR TRIM ASSEMBLY</b>	MD46467A14A	1	See Fig 4
21	. . CAB FLOOR MAT	MD55191A80C	1	
22	. . STAIR TREAD	MD46462A90C	1	
23	. . SCREW, M6 X 12MM BUTTON HD SKT GR: 12.9	MD41453X10S	4	
24	. CAB PASSENGER SEAT SUB ASSEMBLY	MD47566A48A	1	



MDL24-049

Figure 7 Seats



Fig 7 Item	Item Name and Description	Part No. / Drawing No.	Qty	Remarks
REF	<b>SEATS</b>	-	NP	
NI 1	. DRIVER SEAT SUB ASSEMBLY	MD51257A48A	1	See Fig 4
2	. . CAB MAIN SEAT ASSEMBLY	MD47565A48A	1	
NI 3	. . . CAB SEAT – KAB 515	MD46315A48P	1	
NI 4	. . . SCREW, CAP HEAD SOCKET, M8 X 20, GR:10.9	F15M08020	4	
5	. . SEAT SIDE CONSOLE	MD51254A48C	1	
6	. . VALVE HOUSING	MD51322A48A	1	
7	. . FRONT POD HOLDER	MD51326A48C	1	
8	. . REAR POD HOLDER	MD51327A48C	1	
9	. . SPACER	MD51328A48C	2	
10	. . BLANKING PLATE	MD51336A95C	1	
11	. . BOLT, M8 X 20 HEX HD GR: 10.9	MD40647X10S	4	
12	. . GROMMET, 19 DIA, BLIND	MD53099X35S	3	
13	. . PARK BRAKE DECAL	MD53736Z10C	1	
14	. . BOLT, HEX HD 7/16 INCH UNF X 2 INCH ZINC PLATED	MD59378X10S	1	Req For Item 19
15	. . SPACER, TO SUIT 10MM BOLT X 11MM LG	MD59377B20C	1	Req For Item 19
16	. . WASHER, SPRING M12	MD51561X30S	2	Req For Item 19
17	. . WASHER, FLAT M12, HARDENED	MD40663X30S	2	Req For Item 19
18	. . BOLT, HEX HD 7/16 INCH UNF X 1.1/2 INCH ZINC PLATED	MD53102X10S	1	Req For Item 19
19	. . RETRACTOR REEL BELT	MD50835A48P	1	Optional
20	. . SHIFT LEVER	MD51255F20P	1	
21	. . SCREW, M6 X 20 HEX SKT BUTTON HD	MD43367X10S	4	
22	. . NUT, M8, NYLOC, GR:10	MD40016X20S	4	
23	. . BOLT, M8 X 30 HEX HD	MD40649X10S	4	
24	. . WASHER, FLAT M8	MD40651X30S	4	
25	. . SCREW, M8 X 20, HEX SKT BUTTON HD, GR:12.9	MD42180 X10S	2	
26	. . SCREW, M8 X 25 HEX SKT BUTTON HD, GR:12.9	MD42181 X10S	2	
27	. . HEAVY DUTY BULKHEAD CONNECTOR	MD41224N50P	1	Male
28	. . HEAVY DUTY BULKHEAD CONNECTOR	MD41225 N50P	1	Female
29	. . BODY WASHER, 3/8"	MD51421X30S	2	
NI 30	. CAB PASSENGER SEAT SUB ASSEMBLY	MD47566A48A	1	See Fig 6
NI 31	. . PASSENGER SEAT	071710	1	
NI 32	. . FLANGE BUTTON HEAD	F05M08016	3	

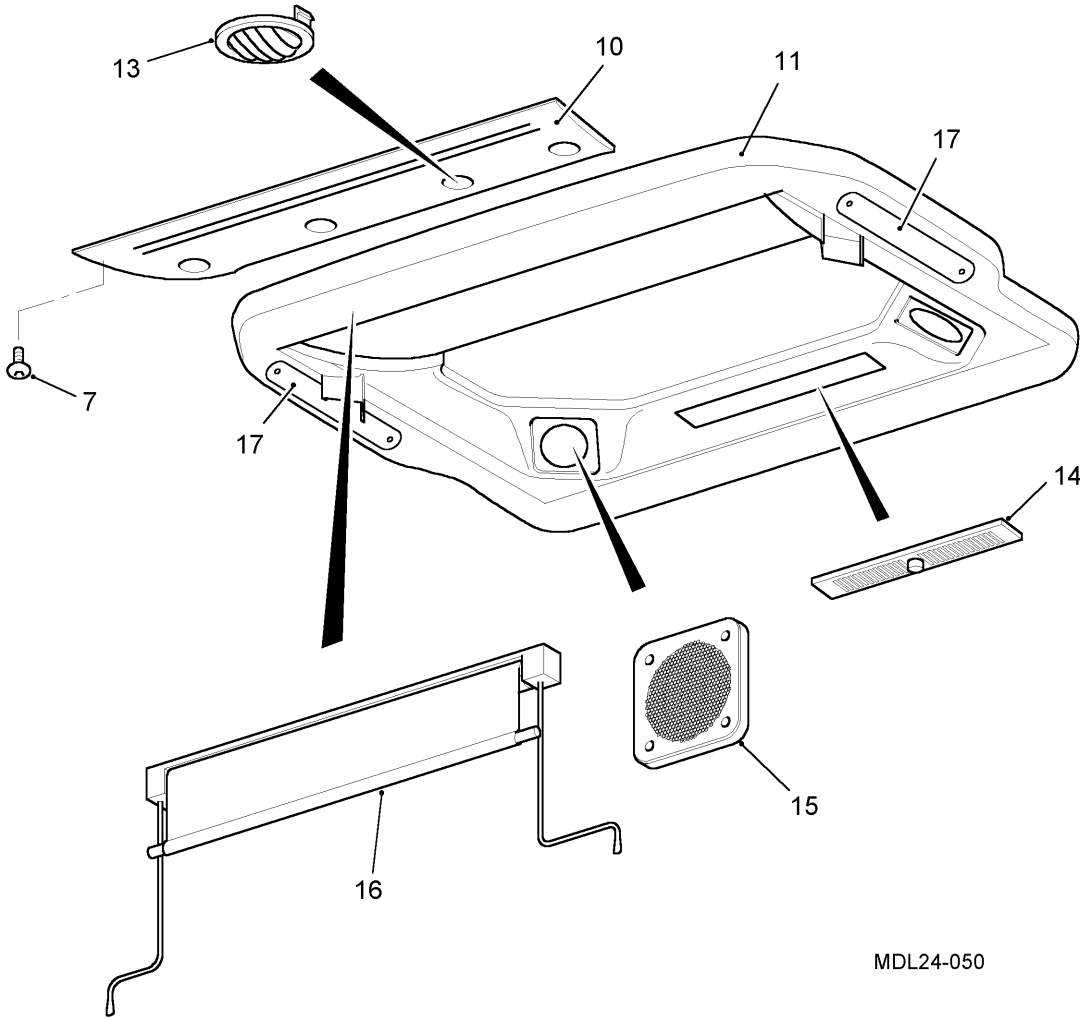
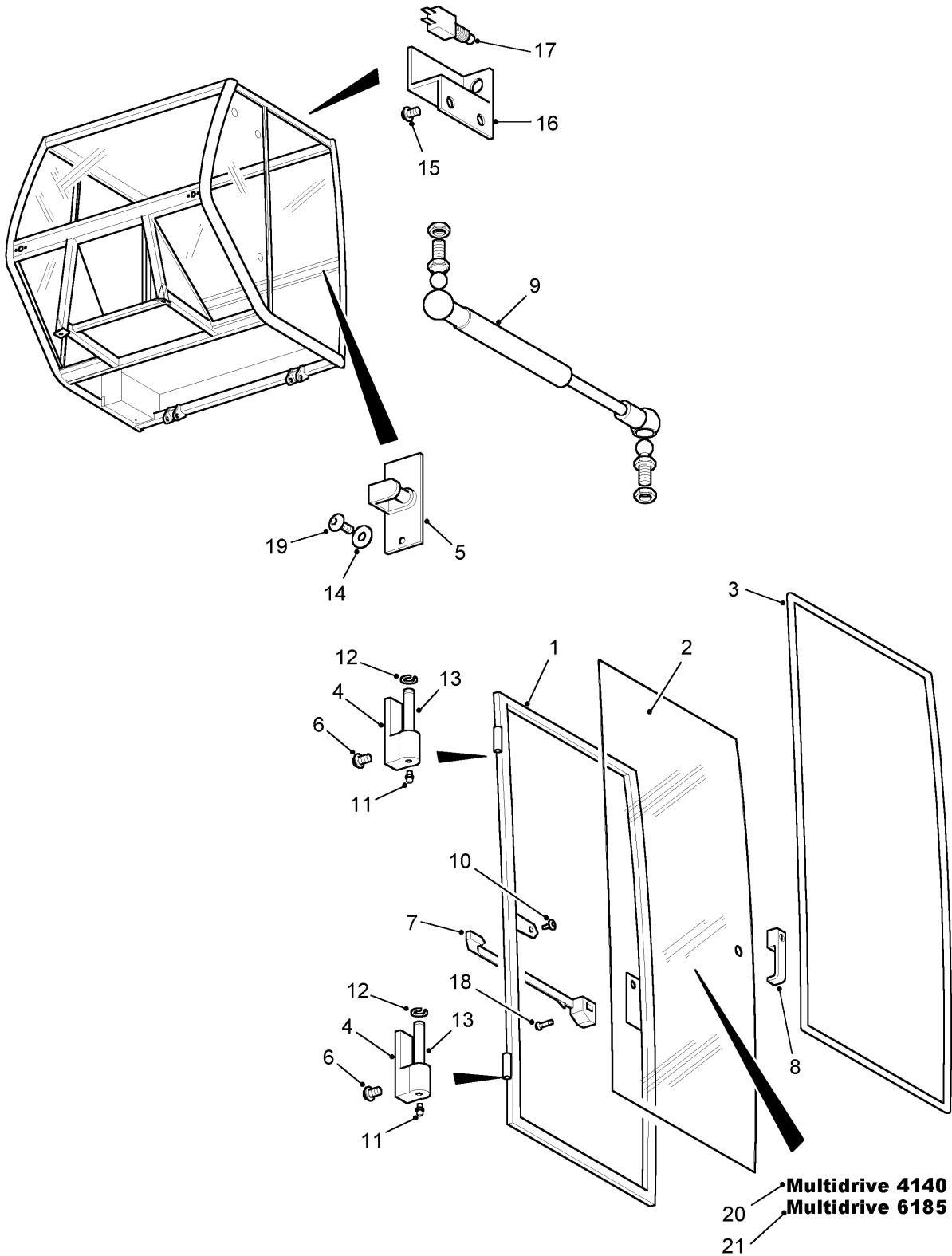


Figure 8 Cab Roof Sub Assembly





Fig 8 Item	Item Name and Description	Part No. / Drawing No.	Qty	Remarks
REF	<b>. CAB ROOF SUB ASSEMBLY</b>	MD47567A10A	1	See Fig 4
NI 1	. . CAB ROOF	200500	1	
NI 2	. . SETSCREW M12 X 25MM, GRADE 8.8	F18M12025	4	
NI 3	. . ROOF FIXING PLATE	060824	4	
NI 4	. . FOAM STRIP	061260	3	
NI 5	. . ROOF LID	200520	1	
NI 6	. . FOAM STRIP SA - 8m COIL (per meter)	061250	3.5M	
7	. . FLANGE BUTTON HEAD	F05M06035	10	
NI 8	. . SEALING WASHER	280900	10	
NI 9	. . SEALING WASHER COVER	280901	10	
10	. . ROOF INNER PANEL	200510	1	
11	. . MOULDED ROOF HEADLINER	200505	1	
NI 12	. . RADIO BLANKING PLUG	MD54716N90P	1	
13	ADJUSTABLE AIR VENT	060501	4	
14	AIR VENT, NORMAL TWINSET, C/W FIXINGS	060502	1	
15	SPEAKER ASSEMBLY, C/W FIXINGS	062032	6	
16	SUNBLIND, ROLLER TYPE KIT, C/W FIXINGS	060506	1	
17	GRILL	220902	2	



20 • **Multidrive 4140**  
21 • **Multidrive 6185**

MDL24-051

Figure 9 Cab Door Assembly, LH



Fig 9 Item	Item Name and Description	Part No. / Drawing No.	Qty	Remarks
REF	. CAB DOOR ASSEMBLY, LH	MD47561A50A	1	See Fig 4
1	. . DOOR FRAME L/H	060725	1	
2	. . GLASS – DOOR L/H	150601	1	
3	. . WINDOW SEAL	061320	AR	
4	. . DOOR HINGE	070223	1	
5	. . STRIKER PLATE	070222	1	
6	. . FLANGE, BUTTON HEAD SCREW	F05M08040	1	
7	. . DOOR HANDLE, INNER L/H	070220	1	
8	. . DOOR HANDLE, OUTER, L/H	070221	1	
9	. . GAS STRUT	040211	1	
10	. . FLANGE, BUTTON HEAD SCREW	F05M06030	4	
11	. . GREASE NIPPLE	MD44966A50P	2	
12	. . SPRING CLIP	MD44969A50P	2	
13	. . HINGE PIN	MD44967A50P	2	
14	. . WASHER, PLAIN 6MM	F31M06	2	
15	. . FLANGE, BUTTON HEAD SCREW	F05M06015	2	
16	. . DOOR SWITCH HOLDER	MD46122N70A	1	
17	. . DOOR SWITCH	MD46125N70P	1	
18	. . FLANGE, BUTTON HEAD SCREW	F05M06030	1	
19	. . FLANGE, BUTTON HEAD SCREW	F05M06015	2	
20	. . DOOR LABEL, 4140, WHITE	MD59780Z10C	2	
21	. . DOOR LABEL, 6185, WHITE	MD59779Z10C	2	

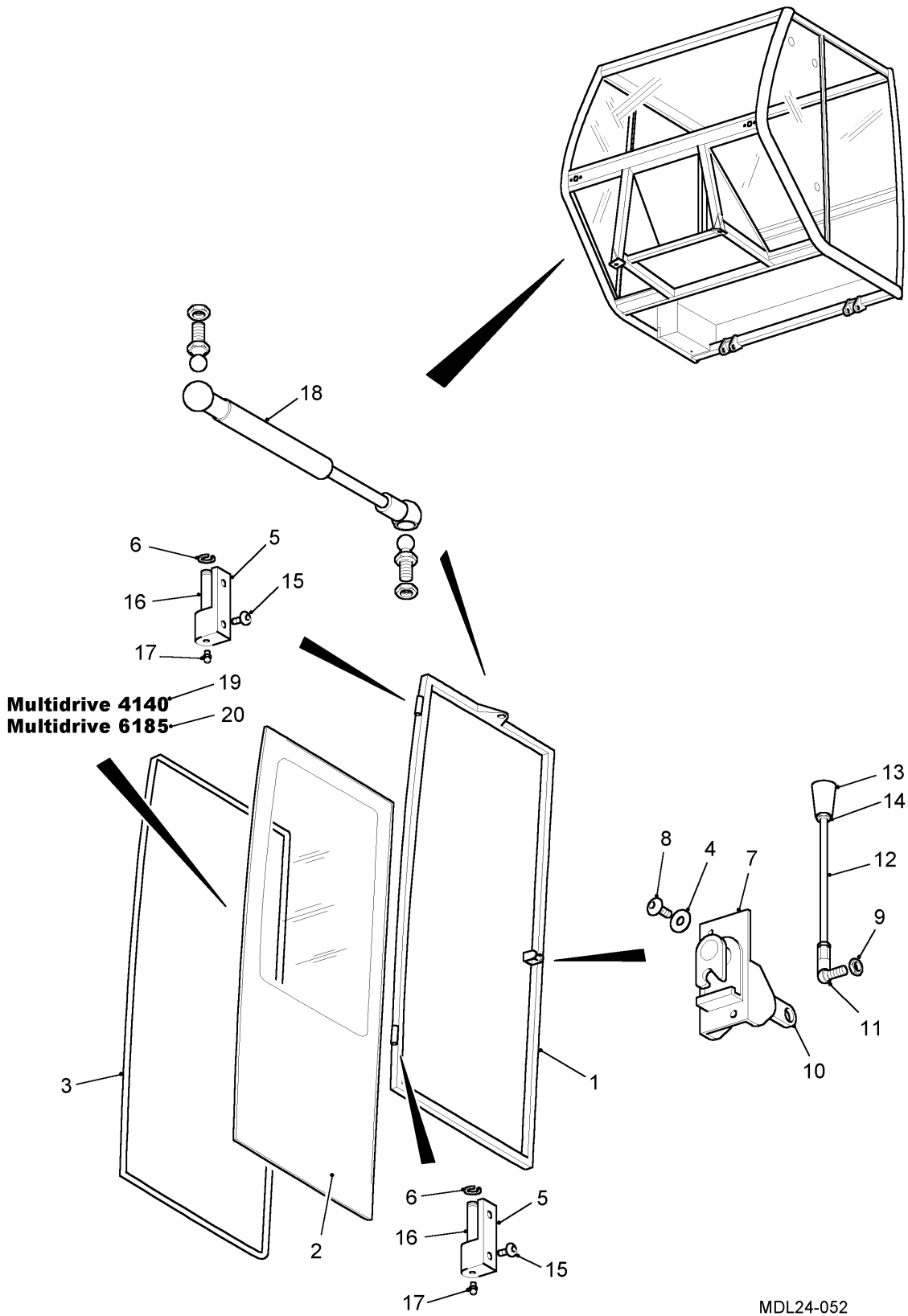
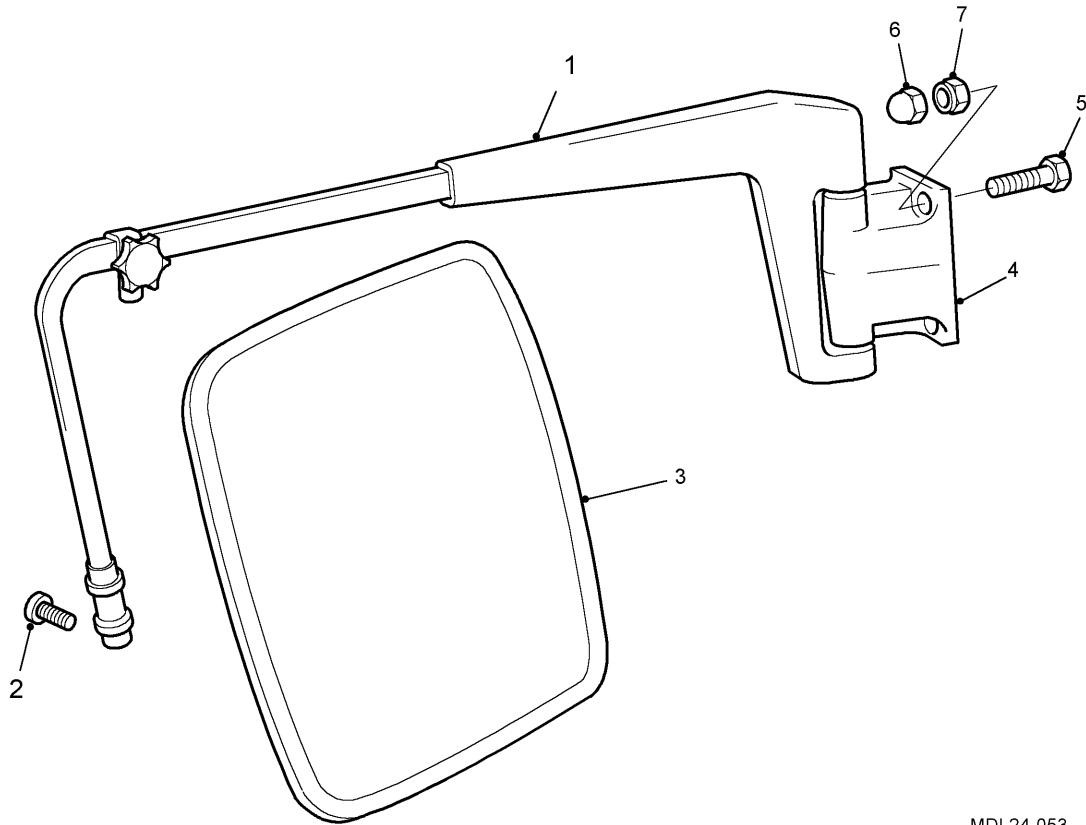


Figure 10 Cab Door Assembly, RH



Fig 10 Item	Item Name and Description	Part No. / Drawing No.	Qty	Remarks
REF	. CAB DOOR ASSEMBLY, RH	MD47562A50A	1	See Fig 4
1	. . DOOR FRAME, R/H	060724	1	
2	. . GLASS- DOOR R/H	150301	1	
3	. . WINDOW SEAL	061320	1	
4	. . WASHER, PLAIN 6MM	F31M06	2	
5	. . DOOR HINGE	070225	1	
6	. . SPRING CLIP	MD44969A50P	1	
7	. . DOOR CATCH/LATCH, R/H	070222	1	
8	. . SOCKET SCREW, BUTTON HEAD, M6 X 16MM	F07M06016	2	
9	. . NUT, NYLOC, 6 MM	F22M06	1	
10	. . DOOR CATCH LEVER	060726	1	
11	. . BALL JOINT	MD51668E60P	1	
12	. . CONNECTING ROD, R/H DOOR	060707	1	
13	. . KNOB, ACCESS DOOR	071801	1	
14	. . NUT, 6 MM, COURSE, GR:8	F20M06	1	
15	. . FLANGE, BUTTON HEAD SCREW	F05M08040	4	
16	. . HINGE PIN	MD44967A50P	2	
17	. . GREASE NIPPLE	MD44966A50P	2	
18	. . GAS STRUT	040211	1	
19	. . DOOR LABEL, 4140, WHITE	MD59780Z10C	2	
20	. . DOOR LABEL, 6185, WHITE	MD59779Z10C	2	

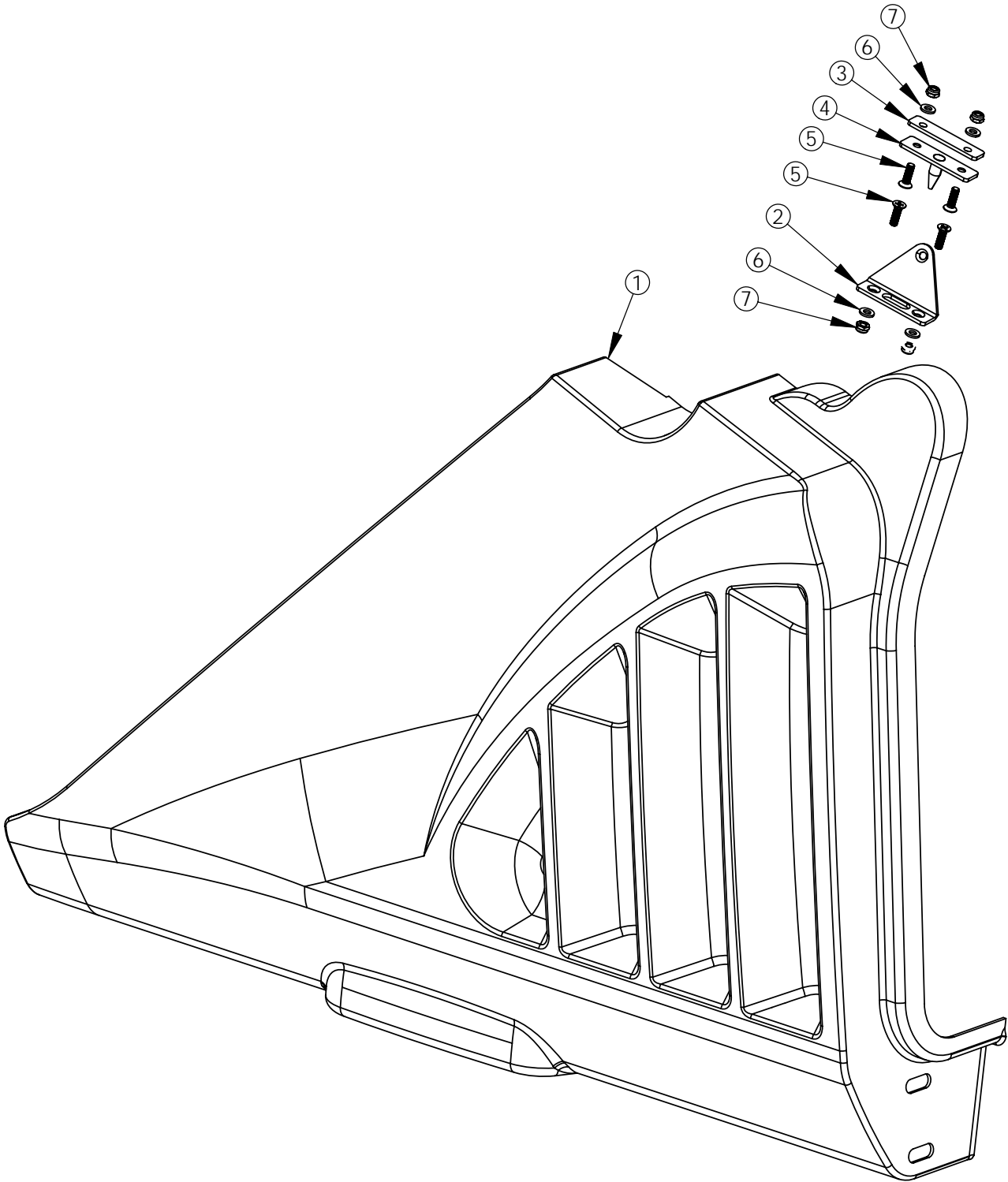


MDL24-053

Figure 11 Mirror Assemblies



Fig 11 Item	Item Name and Description	Part No. / Drawing No.	Qty	Remarks
REF	<b>. MIRROR ASSEMBLIES</b>	MD47568A60A	1	See Fig 4
1	. . MIRROR ARM, LH	MD56876A60P	1	
2	. . SCREW, M6 X 30MM BUTTON HD SKT GR: 12.9	MD43369X10S	4	
3	. . MIRROR	MD56875A60P	2	
4	. . MIRROR BRACKET, LH	MD44852A60C	1	
5	. . BOLT, M8 X 25 HEX HD GR: 8.8	MD53552X10S	4	
6	. . PLASTIC CAP, M8 BLACK	MD56886X00S	4	
7	. . NUT, SELF LOCKING M8 NYLOC GR:10.9 ZINC PLATED	MD40016X20S	4	
NI 8	. . MIRROR ARM, RH	MD44213A60P	1	



NB Same parts also required for RHS

Fig 12 Quarter panel fastener assy  
MD61455A80A





Fig 1 Item	Item Name and Description	Part No. / Drawing No.	Qty	Remarks
	Quarter panel fastener assy	MD61455A80A		Nov 2006 onwards
1	Quarter panel assy - RH	MD50972A80C	1	
2	Bonnet peg locating plate	MD61080A80C	1	
3	Bonnet peg backing plate	MD61079A80C	1	
4	1/4 panel locating peg assy	MD61081A80A	1	
5	M6 x 20 CS screw	M6 x 20 screw	4	
6	M6 Flat washer	M6 flat washer	4	
7	M6 Nylok	MD40645X20S	4	



## CHAPTER 2-4

### CHASSIS

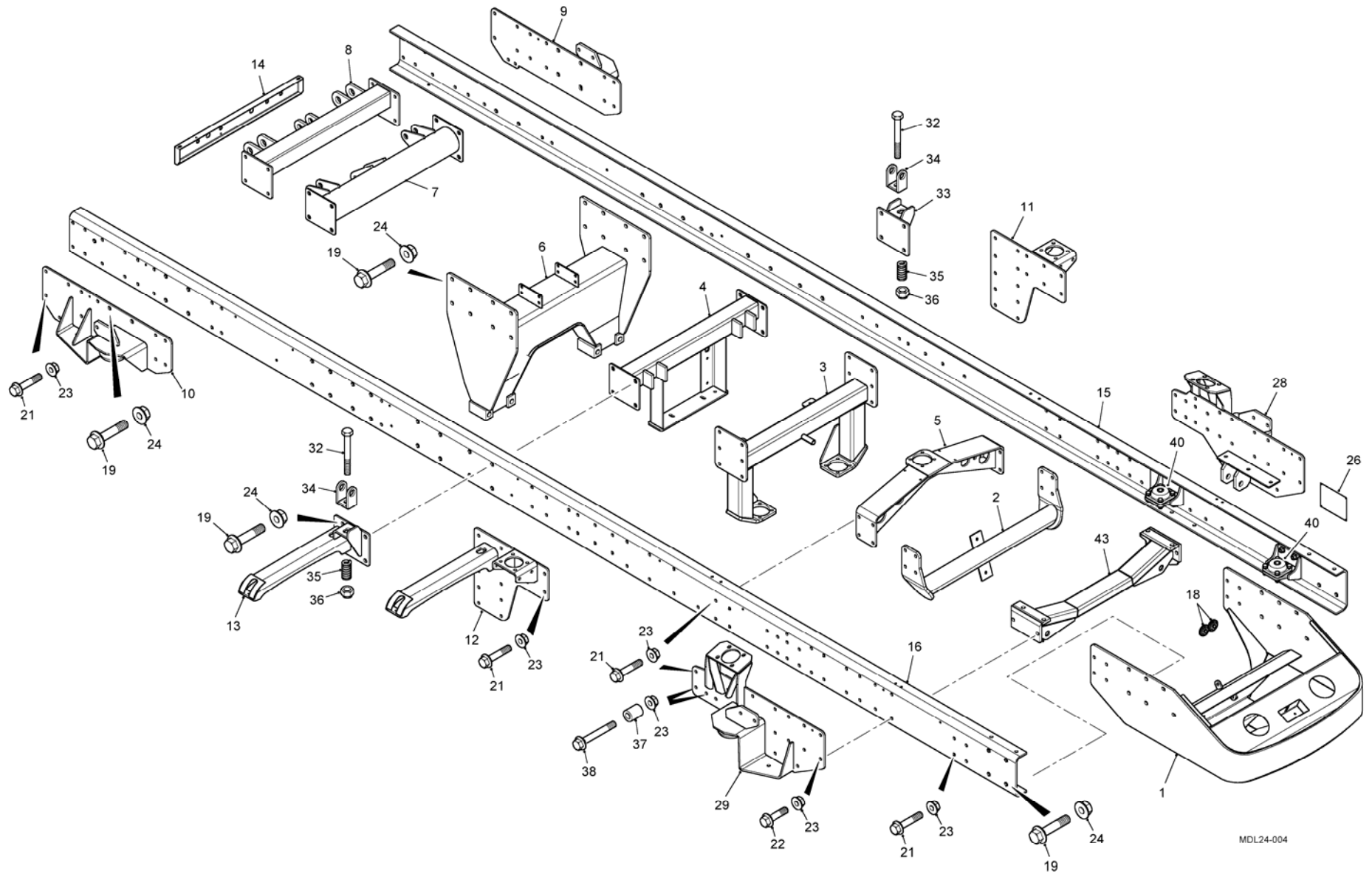
### CONTENTS

Fig

- 1 Chassis Sub Assembly – 3.5 WB
- 2 Chassis Sub Assembly – 4.2 and 3.8 WB
- 3 Cab Mounting Sub Assembly
- 4 Chassis Engine Mount Sub Assembly

Note:

Flange head nuts and bolts are specified. However, equivalent grade 10.9 hex head fasteners with hardened washers at both sides of the application are also used. In this case the length of the bolt should be increased to accommodate the additional thickness of the hardened washers.

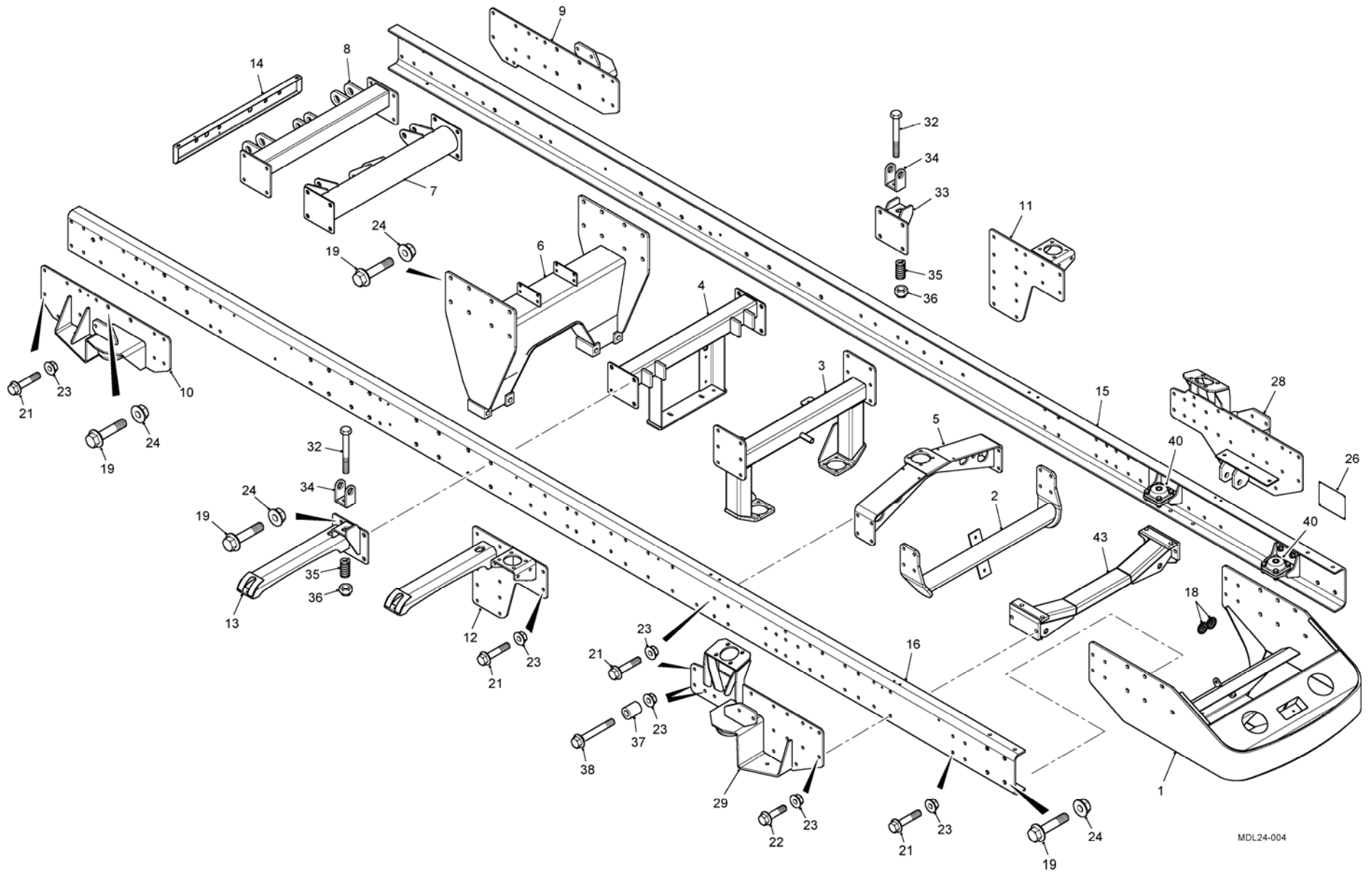


MDL24-004

Figure 1 Chassis Sub Assembly – 3.5 WB



Fig 1 Item	Item Name and Description	Part No. / Drawing No.	Qty	Remarks
REF	<b>CHASSIS SUBASSEMBLY – 3.5 WB</b>	MD49687B10A	1	
1	. FRONT BUMPER	MD52110T10A	1	
2	. CROSSMEMBER - NO. 2	MD50369B10A	1	
3	. TRANSMISSION CROSSMEMBER	MD50854B20A	1	
4	. FRONT IMPLEMENT X-MEMBER	MD61447B10A	1	
5	. FRONT TRANSMISSION CROSSMEMBER	MD50864B20A	1	
6	. REAR H-FRAME CROSSMEMBER	MD60873B10A	1	
7	. 6TH X-MEMBER - RIGID	MD51212B10A	1	
8	. SEVENTH CROSSMEMBER	MD51228B10A	1	
9	. REAR LH UPPER SUSPENSION BRACKET	MD46562B10A	1	
10	. REAR RH UPPER SUSPENSION BRACKET	MD46596B10A	1	
11	. RLH CAB MOUNT	MD50929A70A	1	
12	. RRH CAB MOUNT	MD50930A70A	1	
13	. HYDRAULIC TANK BRACKET	MD50991B20A	1	
14	. REAR SERVICES CARRIER	MD44732B10C	1	
15	. CHASSIS RAIL - LH 3.5 WB DOMEX 700	MD50615B10C	1	
16	. CHASSIS RAIL - RH 3.5 WB DOMEX 700	MD50616B10C	1	
NI 17	. WASHER, M8	MD40651X30S	2	
18	. GROMMET - PASSAGE UNIVERSAL	MD50484X35P	2	
19	. BOLT, M16 X 45, HEX FLANGE HD, GR:10.9	MD40614X10S	40	
	. BOLT, M16 X 50, HEX HD, GR:10.9, Z/Y PASS	MD40027X10S	A/R	Alternative item
NI 20	. BOLT, M8 X 25, HEX HD GR. 10.9	MD40648X10S	2	
21	. BOLT, M12 X 40, HEX FLANGE HD, GR:10.9	MD46950X10S	12	
	. BOLT, M12 X 45, HEX HD, GR:10.9, Z/Y PASS	MD40659X10S	A/R	Alternative item
22	. BOLT, M12 X 30, HEX FLANGE HD, GR:10.9	MD50654X10S	87	
	. BOLT, M12 X 35, HEX HD, GR:10.9, Z/Y PASS	MD40968X10S	A/R	Alternative item
23	. NUT, M12, FLANGED HEAD, GR:10.9 PLATED	MD41610X20S	106	
	. NUT, M12, GR:10.9, Z/Y PASS	MD40924X20S	A/R	Alternative item
24	. NUT, M16, FLANGE HEAD, GR:10.9, Z/Y PASSISVATED	MD41612X20S	40	
	. NUT, M16, GR:10.9, Z/Y PASS	MD40926X20S	A/R	Alternative item
NI 25	. NUT, SELF LOCKING M8 NYLOC GR: 10.9 ZINC PLATED	MD40016X20S	2	

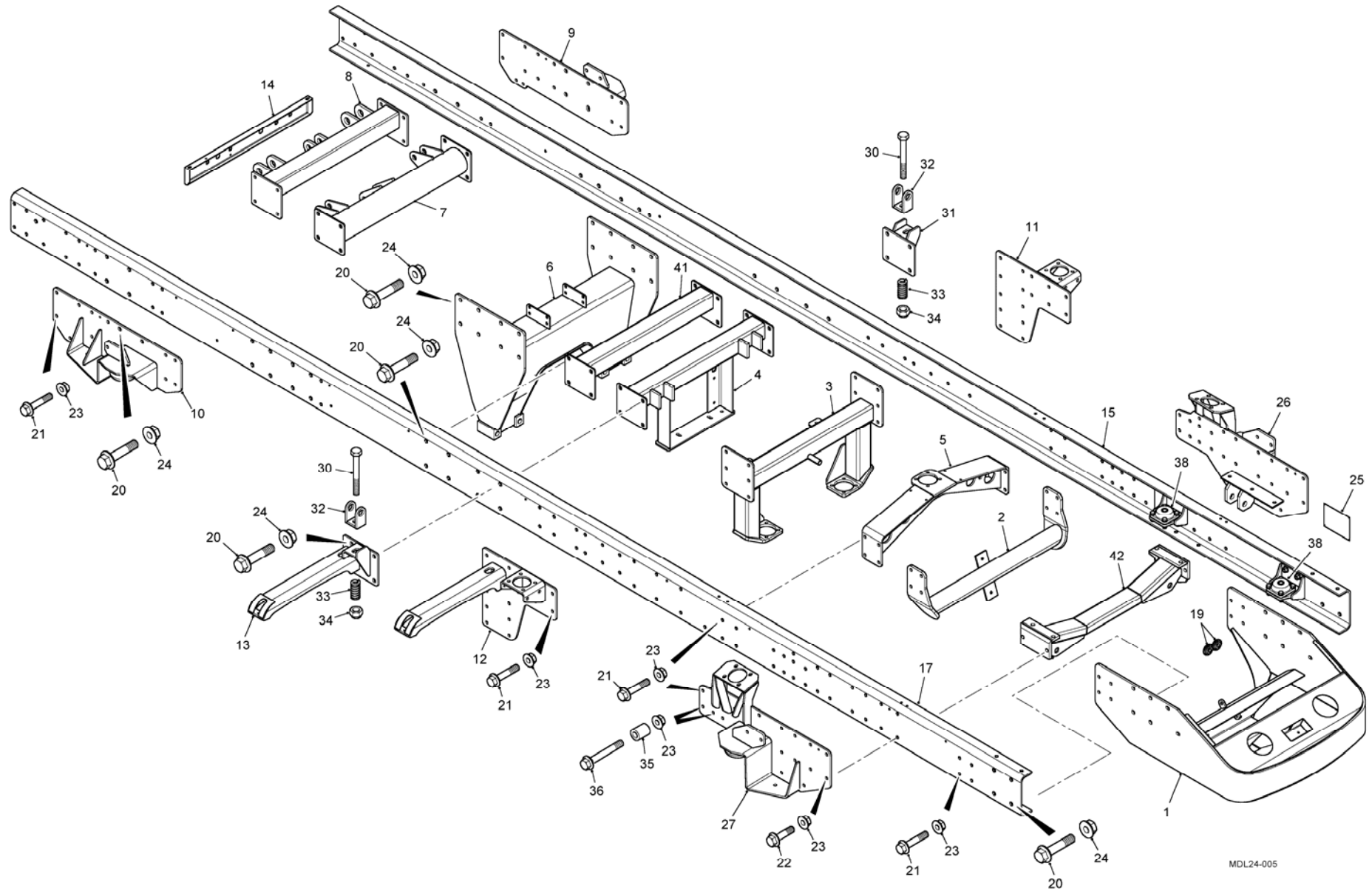


MDL24-004

Figure 1 Chassis Sub Assembly – 3.5 WB



Fig 1 Item	Item Name and Description	Part No. / Drawing No.	Qty	Remarks
REF	<b>CHASSIS SUBASSEMBLY – 3.5 WB (CONT)</b>			
26	. TIN PLATE - 6185 - 6TE	MD53111Z10C	1	
NI 27	. . T.I.N. Plate	MD42467Z10C	1	
28	. FRH, UPPER SUSPENSION	MD55210B10A	1	Up to build 351
28	. FRH, UPPER SUSPENSION	MD61399B10A	1	From build 352
29	. FLH, UPPER SUSPENSION	MD55206B10A	1	Up to build 351
29	. FLH, UPPER SUSPENSION	MD61432B10A	1	From build 352
NI 30	. PL. SOCKET-REAR CHASSIS	062040	1	
NI 31	. SOCKET SEAL SET	062045	1	
32	. . BOLT, HEX HD M20 x 120MM	F19M20120	2	
33	. . IMPLEMENT BRACKET	MD51401B20A	1	
34	. . IMPLEMENT ATTACHMENT BRACKET	MD51406B20A	2	
35	. . DIE SPRING	MD51410B20P	2	
36	. . NUT, NYLOC M20 GR:10.9 ZINC PLATE	MD40020X20S	2	
37	. BOLT, M12 X 25MM LG. SPACER TUBE, PLATED	MD44147B10C	4	
38	. BOLT, M12 X 75 FLANGED HD	MD42209X10S	4	
	. BOLT, M12 X 80, HEX HD, Z/Y PASS	MD40661X10S	A/R	Alternative item
NI 39	. CAB MOUNTING SUB ASSY	MD52599A70A	1	See Fig 3
40	. CHASSIS ENGINE MOUNT SUB ASSY	MD50456E40A	1	See Fig 4
NI 41	. FRONT MUDWINGS ASSY	MD51837B20A	1	See Fig 5
NI 42	. REAR MUDWINGS ASSY	MD51838B20A	1	See Fig 6
43	. CROSSMEMBER – NO. 1	MD60320B10A	1	6 Cyl Engine Only
NI	Shim – Engine X member / Upper susp LH 2mm	MD61411B10C	1	Std
NI	Shim – Engine X member / Upper susp LH 1.5mm	MD61434B10C		Alternative
NI	Shim – Engine X member / Upper susp LH 1mm	MD61435B10C		Alternative
NI	Shim – Engine X member / Upper susp RH 2mm	MD61440B10C	1	Std
NI	Shim – Engine X member / Upper susp RH 1.5mm	MD61441B10C		Alternative
NI	Shim – Engine X member / Upper susp RH 1mm	MD61442B10C		Alternative



MDL24-005

Figure 2 Chassis Sub Assembly – 4.2 and 3.8 WB



Fig 2 Item	Item Name and Description	Part No. / Drawing No.	Qty	Remarks
REF	<b>CHASSIS SUBASSEMBLY – 4.2 WB</b>	MD55046B10A	1	
	<b>CHASSIS SUBASSEMBLY – 3.8 WB</b>	MD52198B10A	1	
1	. FRONT BUMPER	MD52110T10A	1	
2	. CROSSMEMBER - NO. 2	MD50369B10A	1	
3	. TRANSMISSION CROSSMEMBER	MD50854B20A	1	
4	. FRONT IMPLEMENT X-MEMBER	MD61447B10A	1	
5	. FRONT TRANSMISSION CROSSMEMBER	MD50864B20A	1	
6	. REAR H-FRAME CROSSMEMBER	MD60873B10A	1	
7	. 6TH X-MEMBER - RIGID	MD51212B10A	1	
8	. SEVENTH CROSSMEMBER	MD51228B10A	1	
9	. REAR LH UPPER SUSPENSION BRACKET	MD46562B10A	1	
10	. REAR RH UPPER SUSPENSION BRACKET	MD46596B10A	1	
11	. RLH CAB MOUNT	MD50929A70A	1	
12	. RRRH CAB MOUNT	MD50930A70A	1	
13	. HYDRAULIC TANK BRACKET	MD50991B20A	1	
14	. REAR SERVICES CARRIER	MD44732B10C	1	
15	. CHASSIS RAIL - LH 4.2 WB DOMEX 700	MD55047B10C	1	
NI 16	. CHASSIS RAIL - LH 3.8 WB DOMEX 700	MD52199B10C	1	
17	. CHASSIS RAIL - RH 4.2 WB DOMEX 700	MD55048B10C	1	
NI 18	. CHASSIS RAIL - RH 3.8 WB DOMEX 700	MD52200B10C	1	
19	. GROMMET - PASSAGE UNIVERSAL	MD50484X35P	2	
20	. BOLT, M16 X 45MM, HEX FLANGE HD, GR:10.9	MD40614X10S	40/48	
	. BOLT, M16 X 50, HEX HD, GR:10.9, Z/Y PASS	MD40027X10S	A/R	Alternative item
21	. BOLT, M12 X 40MM, HEX FLANGE HD, GR:10.9	MD46950X10S	12	
	. BOLT, M12 X 45, HEX HD, GR:10.9, Z/Y PASS	MD40659X10S	A/R	Alternative item
22	. BOLT, M12 X 30MM, HEX FLANGE HD, GR:10.9	MD50654X10S	82	
	. BOLT, M12 X 35, HEX HD, GR:10.9, Z/Y PASS	MD40968X10S	A/R	Alternative item
23	. NUT, M12, FLANGED HEAD, GR:10.9 PLATED	MD41610X20S	97/98	
	. NUT, M12, GR:10.9, Z/Y PASS	MD40924X20S	A/R	Alternative item
24	. NUT, M16, FLANGE HEAD, GR: 10.9 Z/Y PASSIVATED	MD41612X20S	40/48	
	. NUT, M16, GR:10.9, Z/Y PASS	MD40926X20S	A/R	Alternative item
25	. TIN PLATE, 4.2 WB HD	MD42467Z10C	1	



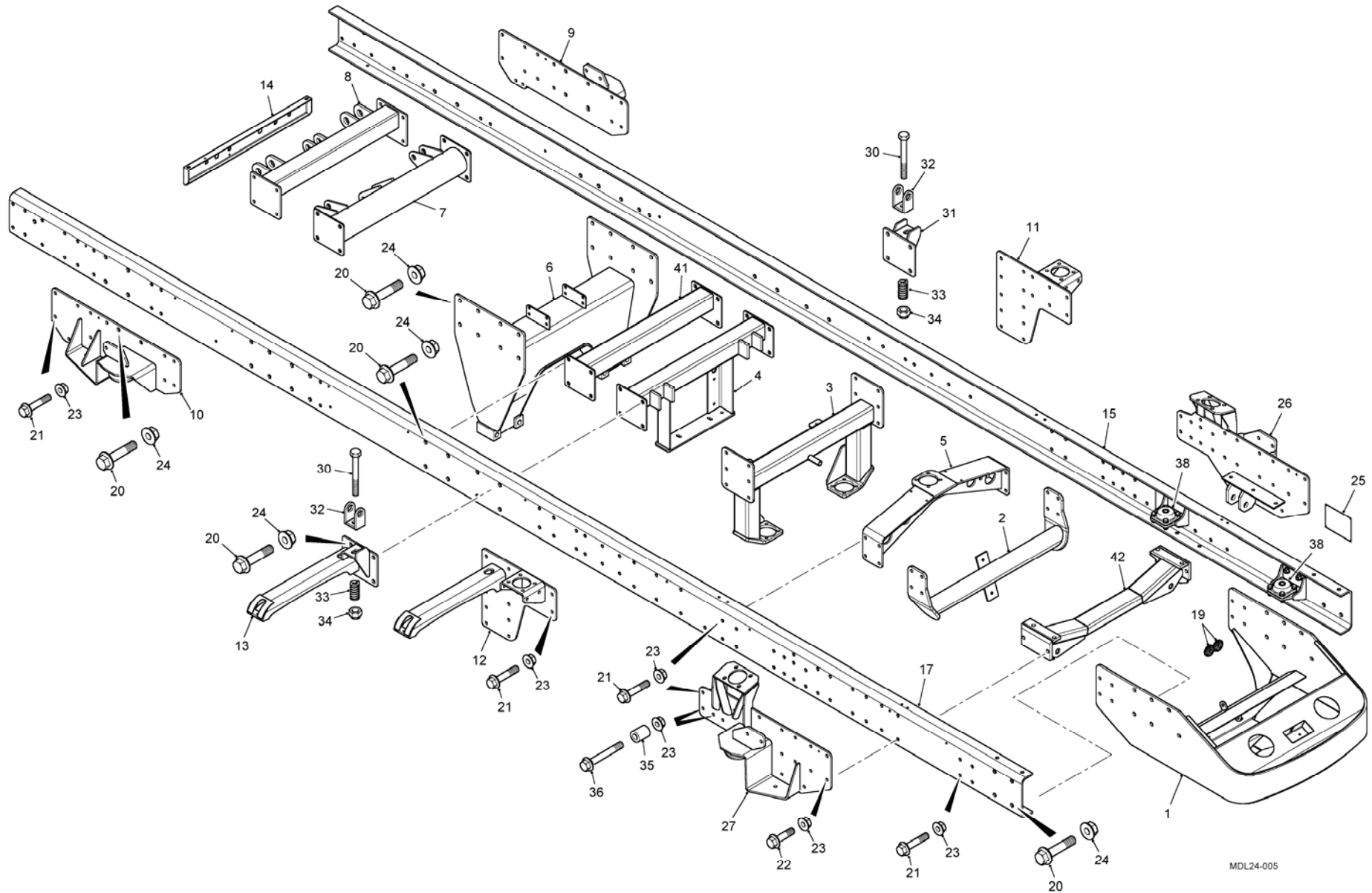
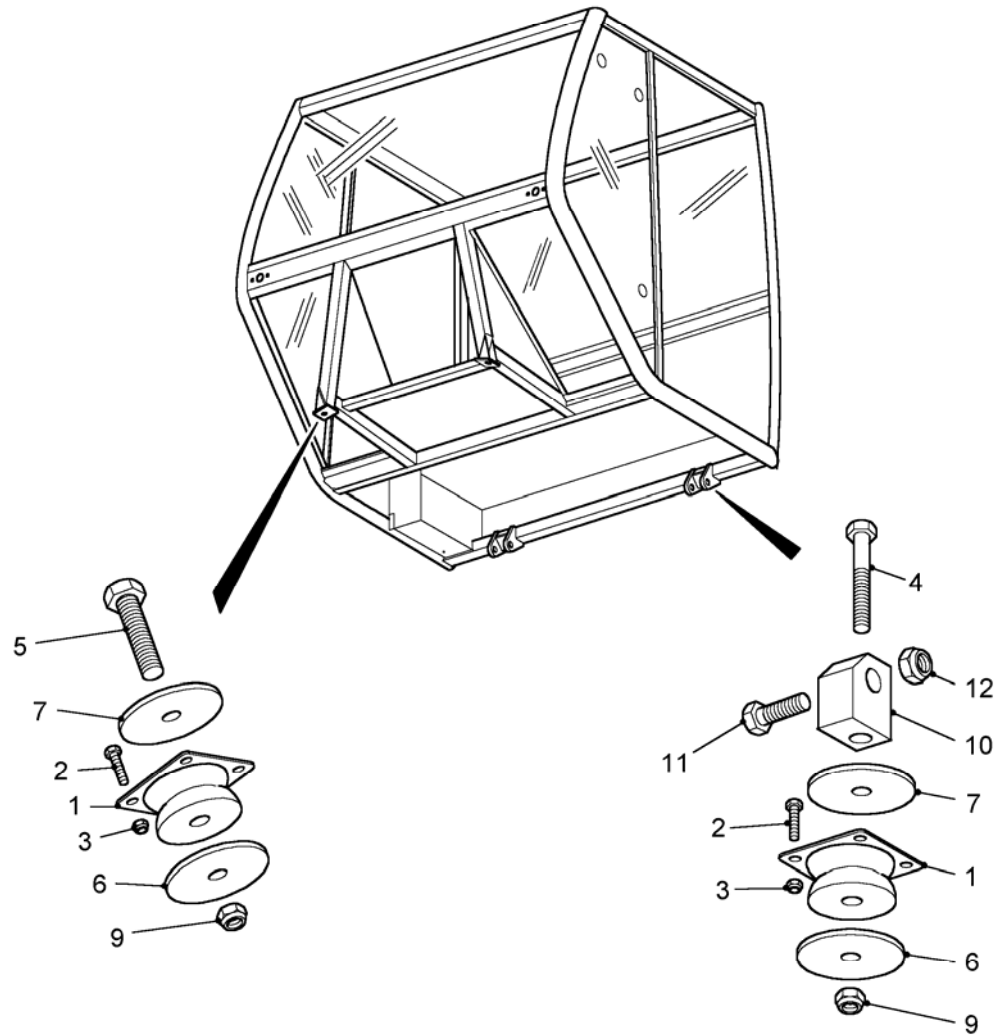


Figure 2 Chassis Sub Assembly – 4.2 and 3.8 WB



Fig 2 Item	Item Name and Description	Part No. / Drawing No.	Qty	Remarks
REF	<b>CHASSIS SUBASSEMBLY – 4.2 WB (CONT)</b>	MD55046B10A	1	
	<b>CHASSIS SUBASSEMBLY – 3.8 WB (CONT)</b>	MD52198B10A	1	
26	. FRH, UPPER SUSPENSION	MD55210B10A	1	Up to build 351
26	. FRH, UPPER SUSPENSION	MD61399B10A	1	From build 352
27	. FLH, UPPER SUSPENSION	MD55206B10A	1	Up to build 351
27	. FLH, UPPER SUSPENSION	MD61432B10A	1	From build 352
NI 28	. PL. SOCKET-REAR CHASSIS	062040	1	
NI 29	. SOCKET SEAL SET	062045	1	
30	. BOLT, HEX HD M20 x 130MM	MD46452X10S	2	
31	. IMPLEMENT BRACKET	MD51401B20A	1	
32	. IMPLEMENT ATTACHMENT BRACKET	MD51406B20A	2	
33	. DIE SPRING	MD51410B20P	2	
34	. NUT, NYLOC M20 GR: 10.9 ZINC PLATE	MD40020X20S	2	
35	. BOLT, M12 X 25MM LG. SPACER TUBE, PLATED	MD44147B10C	4	
36	. BOLT, M12 X 75 FLANGED HD	MD42209X10S	4	
NI 37	. CAB MOUNTING SUB ASSY	MD52599A70A	1	See Fig 3
38	. CHASSIS ENGINE MOUNT SUB ASSY	MD50456E40A	1	See Fig 4
NI 39	. FRONT MUDWINGS ASSY	MD51837B20A	1	See Fig 5
NI 40	. REAR MUDWINGS ASSY	MD51838B20A	1	See Fig 6
41	. AUXILIARY CROSSMEMBER	MD 55418B10A	1	4.2 WB HD Only
42	. CROSSMEMBER – NO. 1 – 212/6T front axle	MD60320B10A	1	6 Cyl Engine Only
42	. CROSSMEMBER – NO. 1 - 223/8T front axle	MD61402B10A	1	6 Cyl Engine Only
NI	Shim – Engine X member / Upper susp LH 2mm	MD61411B10C	1	Std
NI	Shim – Engine X member / Upper susp LH 1.5mm	MD61434B10C		Alternative
NI	Shim – Engine X member / Upper susp LH 1mm	MD61435B10C		Alternative
NI	Shim – Engine X member / Upper susp RH 2mm	MD61440B10C	1	Std
NI	Shim – Engine X member / Upper susp RH 1.5mm	MD61441B10C		Alternative
NI	Shim – Engine X member / Upper susp RH 1mm	MD61442B10C		Alternative



MDL23-019

Figure 3 Cab Mounting Sub Assembly



Fig 3 Item	Item Name and Description	Part No. / Drawing No.	Qty	Remarks
REF	. CAB MOUNTING SUB ASSY	MD52599A70A	1	See Fig 1 and 2
1	. . FLEXIBLE MOUNT - CAB	MD43974A70P	4	
2	. . SETSCREW, M10 x 30MM	F18M10030	16	
3	. . NUT, NYLOC, 10MM, COARSE	F22M10	16	
4	. . BOLT, HEX HD, M16 X 90MM	F19M16090	2	
5	. . BOLT, HEX HD, M16 X 100MM	F19M16100	2	
6	. . OVERLOAD WASHER	MD43975A70P	4	
7	. . REBOUND WASHER	MD43976A70P	4	
8	. . WASHER, SPECIAL, 16MM	F31M16S	6	
9	. . NUT, NYLOC, 16MM COARSE	F22M16	4	
10	. . PIVOT BLOCK - CAB HINGE	MD42732A70C	2	
11	. . CAB MOUNTING BOLT	MD43136A70C	2	
12	. . NUT, NYLOC	MD40020X20S	2	

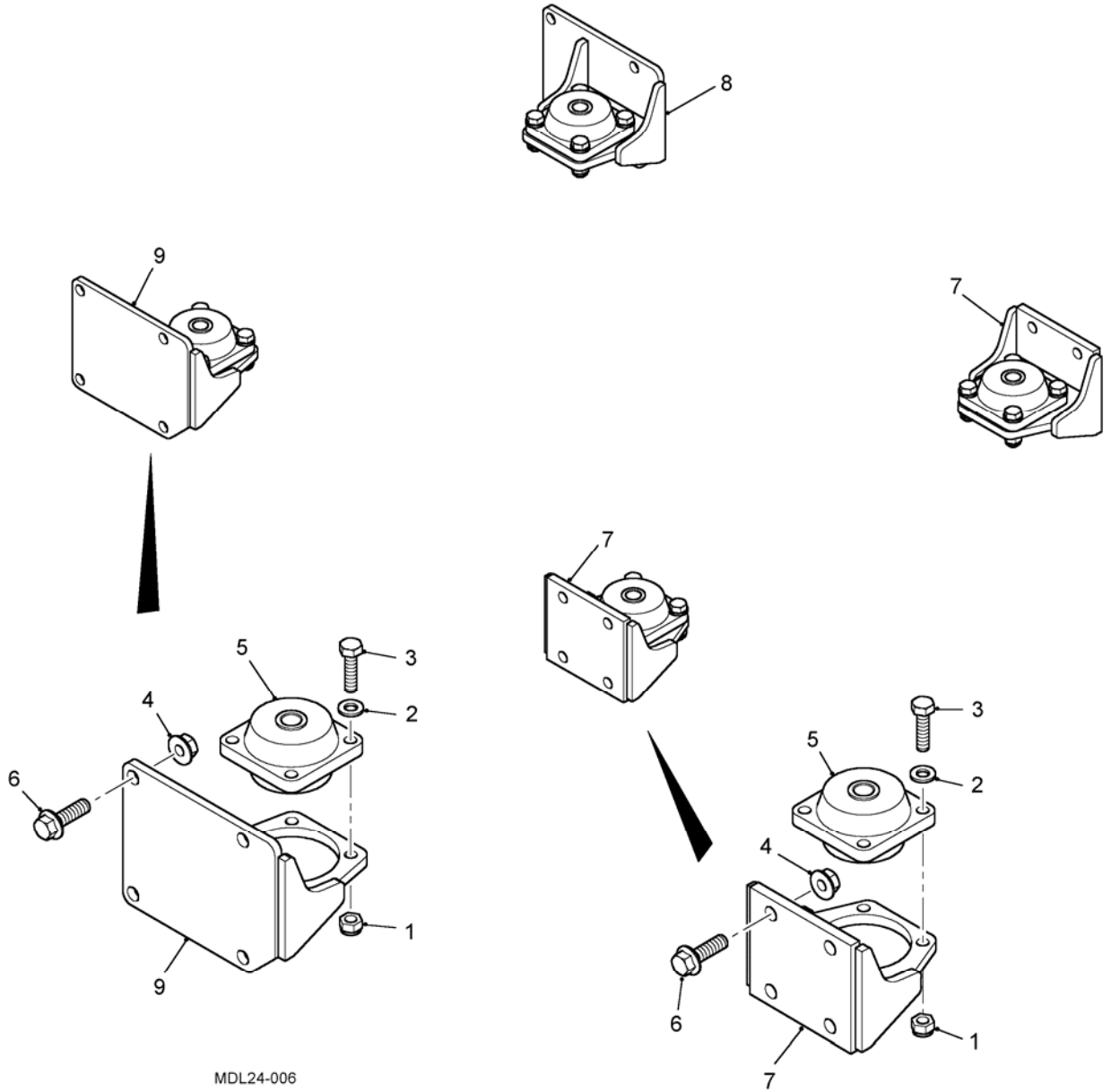


Figure 4 Chassis Engine Mount Sub Assembly



Fig 4 Item	Item Name and Description	Part No. / Drawing No.	Qty	Remarks
REF	. CHASSIS ENGINE MOUNT SUB ASSY	MD50456E40A	1	See Fig 1 and 2
1	. . NUT, NYLOC, M10, GR: 10.9 ZINC PLATED	MD40017X20S	16	
2	. . WASHER, M10, HARDENED	MD40656X30S	16	
3	. . BOLT, HEX HD, M10 X 45MM LG, GR: 10.9	MD41184X10S	16	
4	. . NUT, M12, FLANGED HEAD, GR: 10.9 PLATED	MD41610X20S	16	
	. . NUT, M12, Z/Y PASS	MD40924X20S	A/R	Alternative item
5	. . FRONT ENGINE ANTI-VIBRATION MOUNTING	MD43379E40P	4	
6	. . BOLT, M12 X 40MM, HEX FLANGE HD, GR: 10.9	MD46950X10S	16	
	. . BOLT, M12 X 45, HEX HD, GR:10.9, Z/Y PASS	MD40659X10S	A/R	Alternative item
7	. . CHASSIS ENGINE MOUNT, FRONT	MD50535E40A	2	
8	. . RLH CHASSIS ENGINE MOUNT	MD50555E40A	1	
9	. . RRH CHASSIS ENGINE MOUNT	MD50556E40A	1	



## CHAPTER 2-5-1

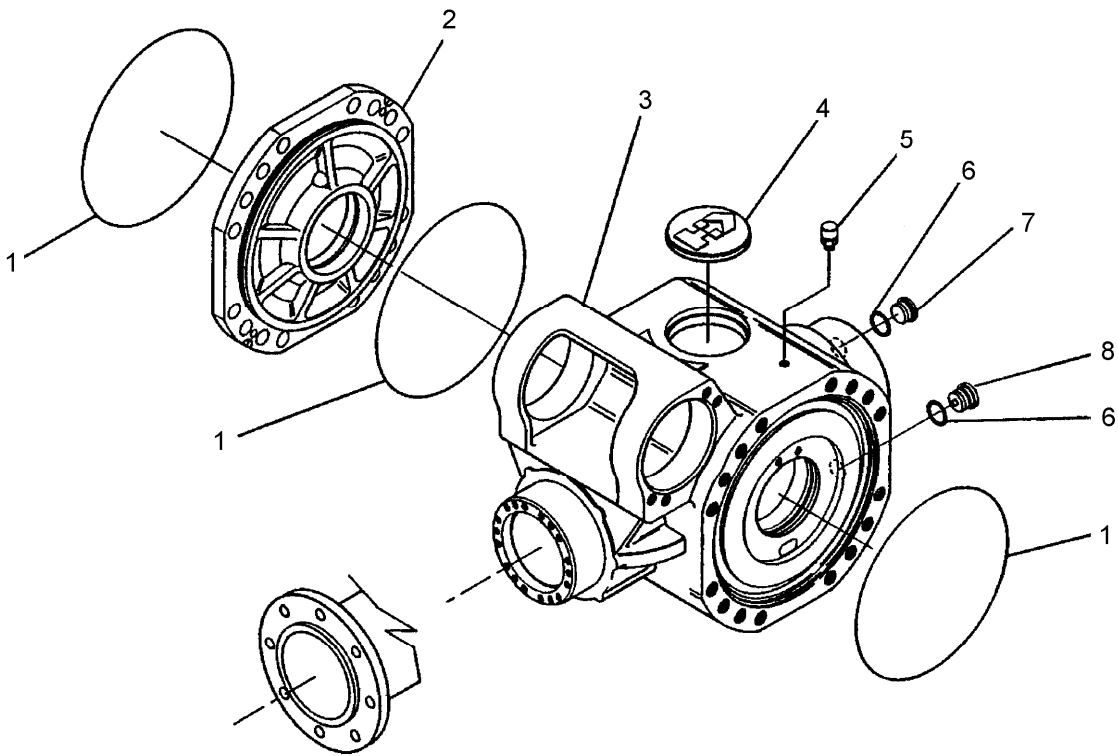
### AXLE 212/368 AND 212/303 (6 TON)

#### CONTENTS

Fig

- 1 Differential Housing
- 2 Differential Assembly
- 3 Axle Epicyclic
- 4 Brake Assembly
- 5 Steering Cylinder

The 212/368 axle has superseded the 212/303 axle, all parts and part numbers are identical. The only difference between the two is that the 212/368 has the crown wheel in the differential mounted on the opposing side. This catalogue and its illustrations show the 212/303 axle.



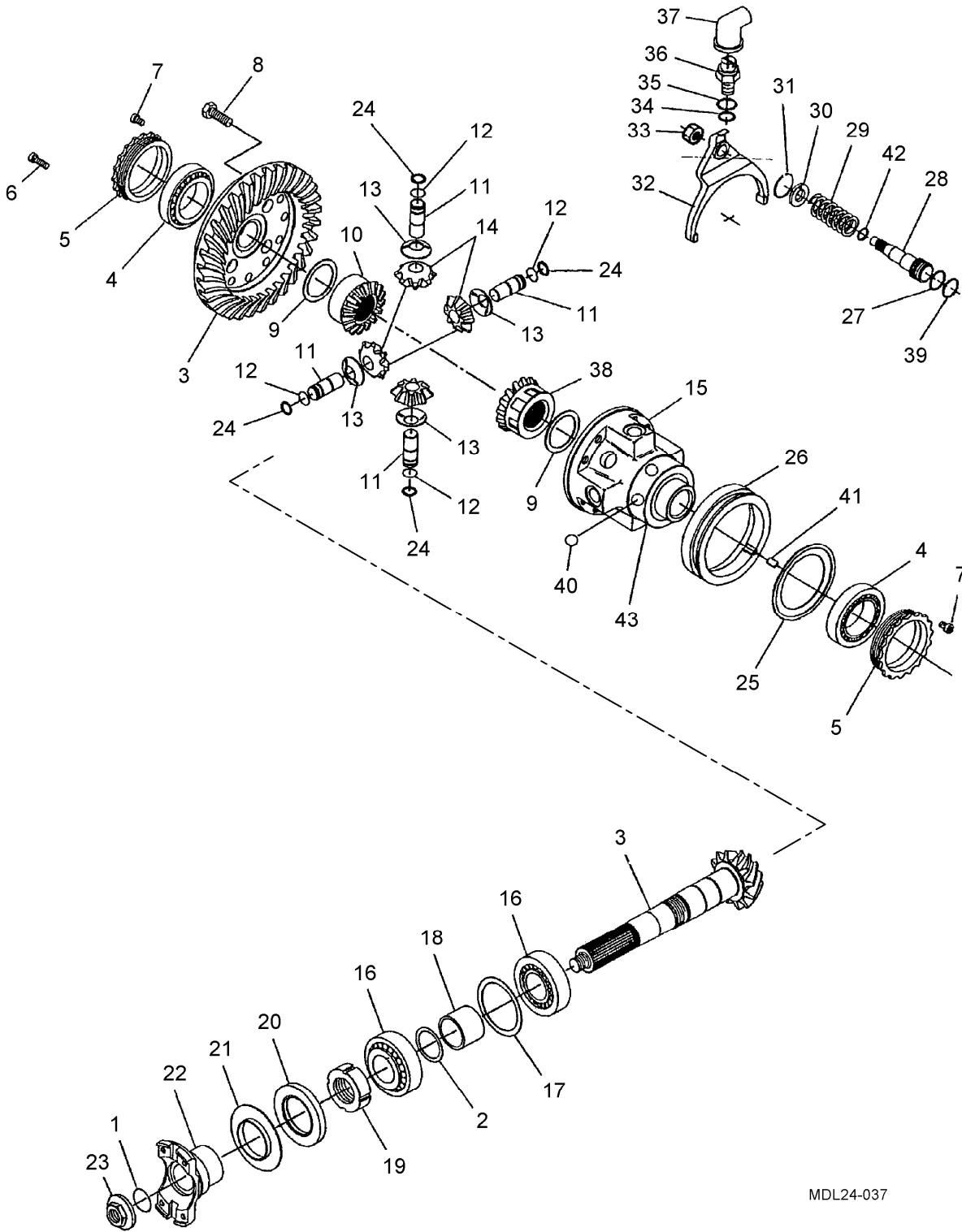
MDL24-036

Figure 1 Differential Housing





Fig 1 Item	Item Name and Description	Part No. / Drawing No.	Qty	Remarks
REF	<b>DIFFERENTIAL HOUSING</b>	-	NP	
1	. O RING	MD46759C00P	3	
2	. INTERMEDIATE COVER	MD46760C00P	1	
3	. HOUSING	MD46793C00P	1	
4	. COVER	MD46794C00P	1	
5	. VENT	MD46795C00P	1	
6	. SEAL WASHER	MD46796C00P	2	
7	. PLUG	MD52224C00P	1	
8	. MAGNET PLUG	MD52225C00P	1	

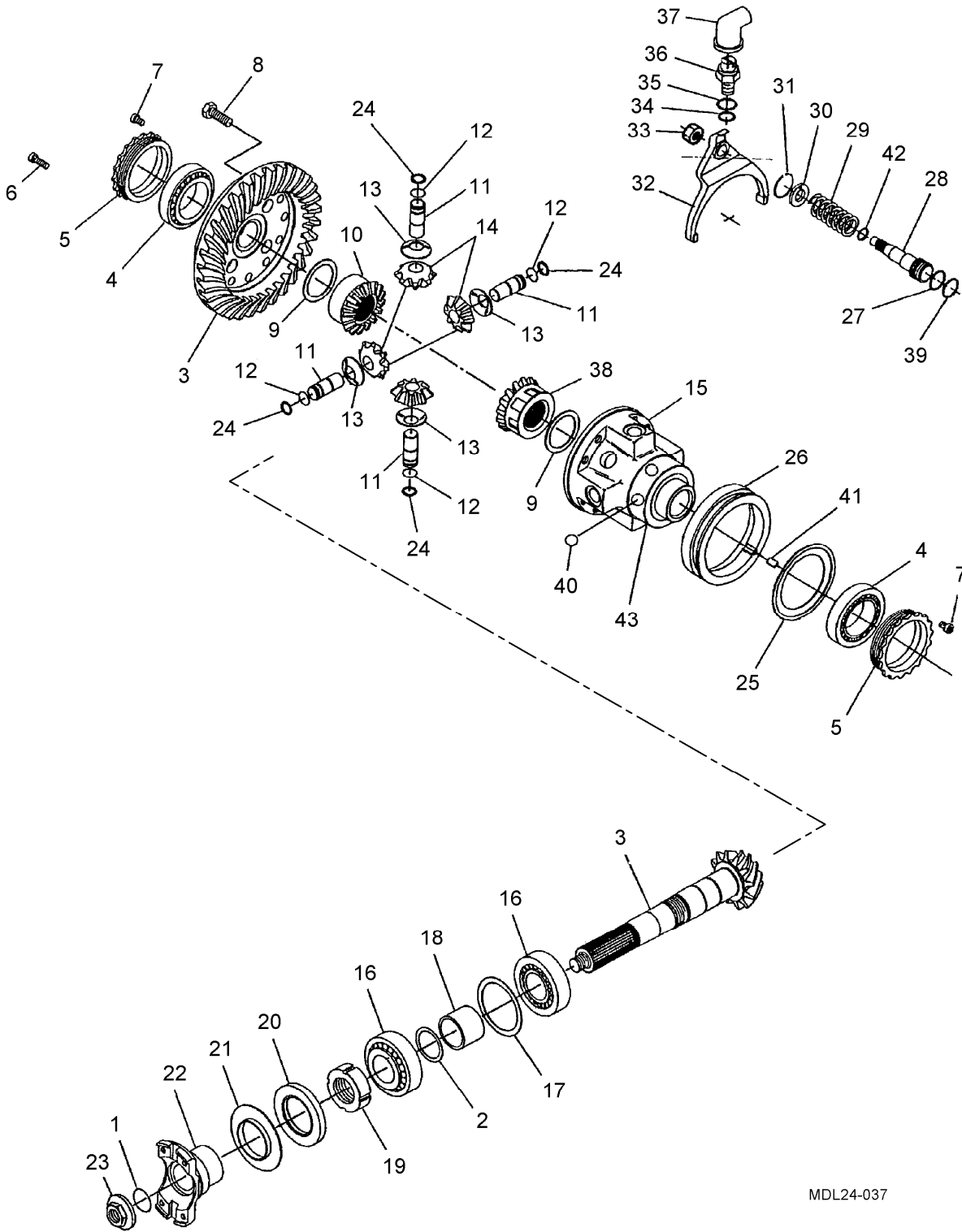


MDL24-037

Figure 2 Differential Assembly



Fig 2 Item	Item Name and Description	Part No. / Drawing No.	Qty	Remarks
REF	<b>DIFFERENTIAL ASSEMBLY</b>	-	NP	
1	. O RING	MD46799C00P	1	
2A	. SHIM	MD46800C00P	1	
2B	. SHIM	MD47941C00P	1	
2C	. SHIM	MD47942C00P	1	
2D	. SHIM	MD47943C00P	1	
2E	. SHIM	MD47944C00P	1	
3	. BEVEL GEAR SET	MD52226C00P	1	
4	. TAPER ROLLER BEARING	MD46802C00P	2	
5	. RING NUT	MD46803C00P	2	
6	. CYLINDER BOLT	MD46804C00P	4	
7	. CYLINDER BOLT	MD46805C00P	2	
8	. BOLT	MD46806C00P	12	
9	. FRICTION WASHER	MD46807C00P	2	
10	. DIFFERENTIAL SIDE GEAR	MD46808C00P	1	
11	. PIN	MD46809C00P	4	
12	. CIRCLIP	MD46810C00P	4	
13	. FRICTION WASHER	MD46811C00P	4	
14	. BEVEL GEAR SET	MD46812C00P	4	
15	. DIFFERENTIAL CARRIER	MD46813C00P	1	
16	. TAPER ROLLER BEARING	MD46814C00P	2	
17A	. SHIM	MD46815C00P	1	
17B	. SHIM	MD47945C00P	1	
17C	. SHIM	MD47946C00P	1	
17D	. SHIM	MD47947C00P	1	
18	. SPACER	MD46816C00P	1	
19	. RING NUT	MD46817C00P	1	
20	. SEAL	MD46818C00P	1	

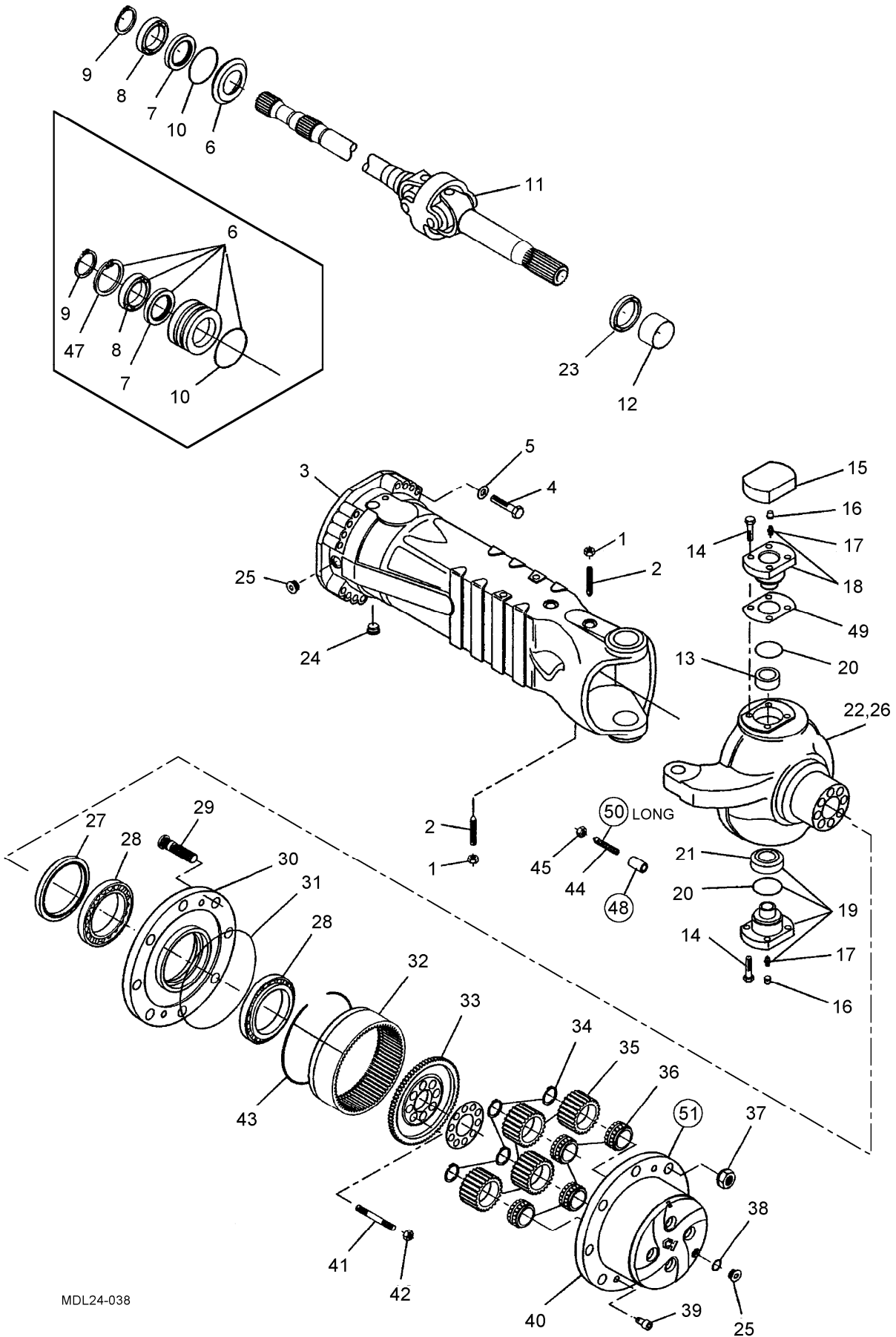


MDL24-037

Figure 2 Differential Assembly



Fig 2 Item	Item Name and Description	Part No. / Drawing No.	Qty	Remarks
REF	<b>DIFFERENTIAL ASSEMBLY (CONT)</b>	-	NP	
21	. COVER PLATE	MD46819C00P	1	
22	. FLANGE	MD46820C00P	1	
23	. NUT	MD46821C00P	1	
24	. CIRCLIP	MD46822C00P	4	
25	. SHEET	MD46823C00P	1	
26	. SELECTOR	MD46824C00P	1	
27	. O RING	MD46825C00P	1	
28	. PISTON	MD46826C00P	1	
29	. SPRING	MD46827C00P	1	
30	. PLUG	MD46828C00P	1	
31	. CIRCLIP	MD46829C00P	1	
32	. SELECTOR FORK	MD46830C00P	1	
33	. NUT	MD46831C00P	1	
34	. O RING	MD46832C00P	1	
35	. SEAL WASHER	MD46833C00P	1	
36	. SECURITY SWITCH	MD46834C00P	1	
37	. BOOT	MD46835C00P	1	
38	. DIFFERENTIAL SIDE GEAR	MD46836C00P	1	
39	. RING	MD46837C00P	1	
40	. DETEND BALL	MD46838C00P	6	
41	. KEY	MD46839C00P	1	
42	. CIRCLIP	MD46840C00P	1	
43	. DIFFERENTIAL	MD46841C00P	1	

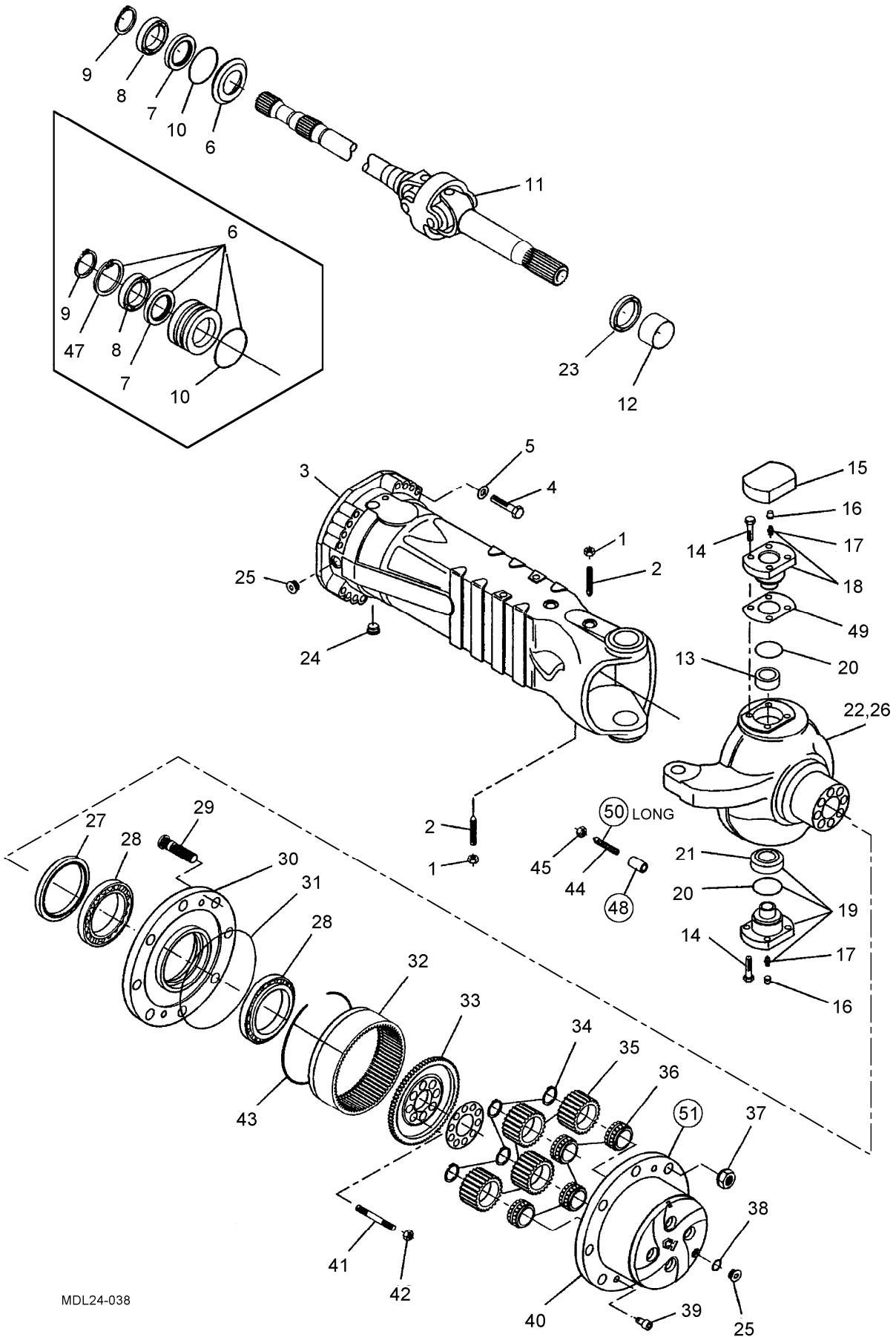


MDL24-038

Figure 3 Axle Epicyclic



Fig 3 Item	Item Name and Description	Part No. / Drawing No.	Qty	Remarks
REF	<b>AXLE EPICYCLIC</b>	-	NP	
1	. NUT	MD46842C00P	2	
2	. STEERING ADJUST BOLT	MD46843C00P	2	
3	. AXLE CASE	MD52227C00P	2	
4	. BOLT	MD46845C00P	32	
5	. WASHER	MD46846C00P	32	
6	. REDUCTION BUSHING	MD46848C00P	2	
7	. SEAL	MD46849C00P	2	Was CH-480127
8	. BALL BEARING	MD46850C00P	2	Was CH-480128
9	. CIRCLIP	MD46851C00P	2	
10	. O RING	MD46852C00P	2	
11	. JOINT	MD52228C00P	2	
12	. THRUST BUSHING	MD46854C00P	2	Was CH-480110
13	. BUSHING	MD52229C00P	2	
14	. BOLT	MD46856C00P	20	
15	. COVER	MD46857C00P	2	
16	. PLUG	MD46858C00P	4	
17	. GREASE FITTING	MD46859C00P	2	
18	. PIVOT PIN - DRILLED	MD46860C00P	2	Offside drilled to take potentiometer (See MD51342)
19	. PIVOT PIN ASSY	MD46861C00P	2	
20	. SEAL	MD46862C00P	2	
21	. ARTICULATION	MD46863C00P	2	
22	. STEERING CASE RH FRONT, LH REAR	MD52230C00P	1	
23	. SEAL - DRIVE SHAFT	MD52231C00P	2	
24	. MAGNET PLUG	MD52225C00P	2	
25	. PLUG	MD52224C00P	4	
26	. STEERING CASE LH FRONT, RH REAR	MD52234C00P	1	
27	. HUB SEAL	MD46875C00P	2	
28	. BEARING	MD46876C00P	3	
29	. WHEEL STUD	MD46877C00P	16	
30	. WHEEL HUB	MD46878C00P	2	



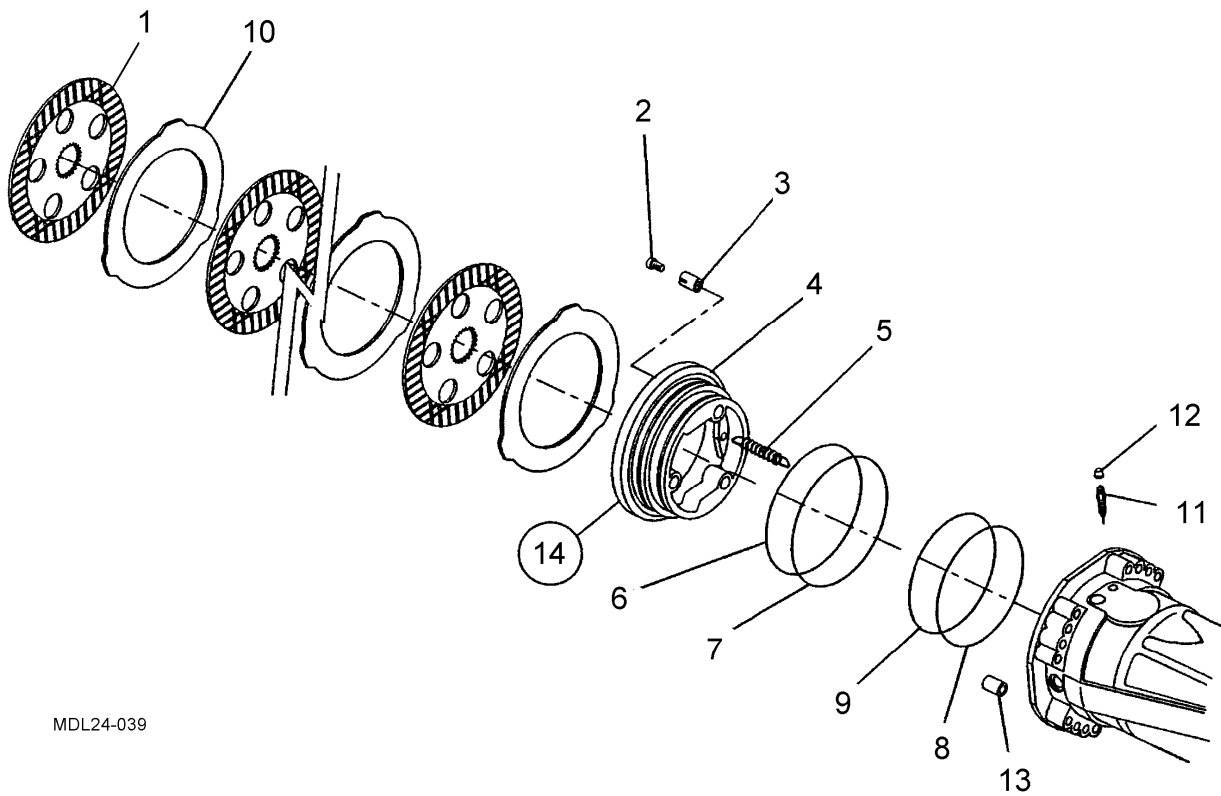
MDL24-038

Figure 3 Axle Epicyclic





Fig 3 Item	Item Name and Description	Part No. / Drawing No.	Qty	Remarks
REF	<b>AXLE EPICYCLIC (CONT)</b>	-	NP	
31	. O RING	MD46879C00P	2	
32	. RING GEAR	MD46880C00P	2	
33	. RING GEAR SUPPORT	MD46881C00P	2	
34	. CIRCLIP	MD46882C00P	8	
35	. PLANET GEAR	MD46886C00P	8	
36	. BEARING	MD46887C00P	8	
37	. WHEEL NUT, 22MM	MD46888C00P	16	
38	. SEAL WASHER	MD46889C00P	6	
39	. COUNTERSUNK BOLT	MD46890C00P	4	
40	. PLANET GEAR CARRIER	MD52235C00P	2	
41	. STUD	MD46892C00P	16	
42	. NUT	MD46893C00P	16	
43	. CIRCLIP	MD46894C00P	2	
44	. ADJUSTING BOLT	MD52236C00P	2	
45	. NUT	MD46896C00P	4	
NI 46	. LOCKING PLATE	MD46897C00P	2	
47	. CIRCLIP	MD46898C00P	2	
48	. SPACER	MD46899C00P	2	
49A	. SHIM	MD46900C00P	2	
49B	. SHIM	MD47952C00P	2	
49C	. SHIM	MD47953C00P	2	
50	. ADJUSTING BOLT	MD46901C00P	2	
51	. PLANET GEAR CARRIER	MD52237C00P	2	Includes items 33-37,41 and 44



MDL24-039

Figure 4 Brake Assembly



Fig 4 Item	Item Name and Description	Part No. / Drawing No.	Qty	Remarks
REF	<b>BRAKE ASSEMBLY</b>	-	NP	
1	. BRAKE DISC	MD46903C00P	8	
2	. ADJUSTING BOLT	MD46904C00P	6	
3	. SPRING	MD52238C00P	6	
4	. PISTON	MD52239C00P	2	
5	. SPRING	MD46907C00P	6	
6	. BACK UP RING	MD46908C00P	2	
7	. O RING	MD46909C00P	2	
8	. BACK UP RING	MD46910C00P	2	
9	. O RING	MD46911C00P	2	
10	. INTERMEDIATE BRAKE DISC	MD46912C00P	10	
11	. BLEEDING BOLT	MD46913C00P	2	
12	. PLUG	MD46914C00P	2	
13	. DOWEL	MD46915C00P	2	
14	. PISTON	MD52240C00P	2	Includes items 4-9

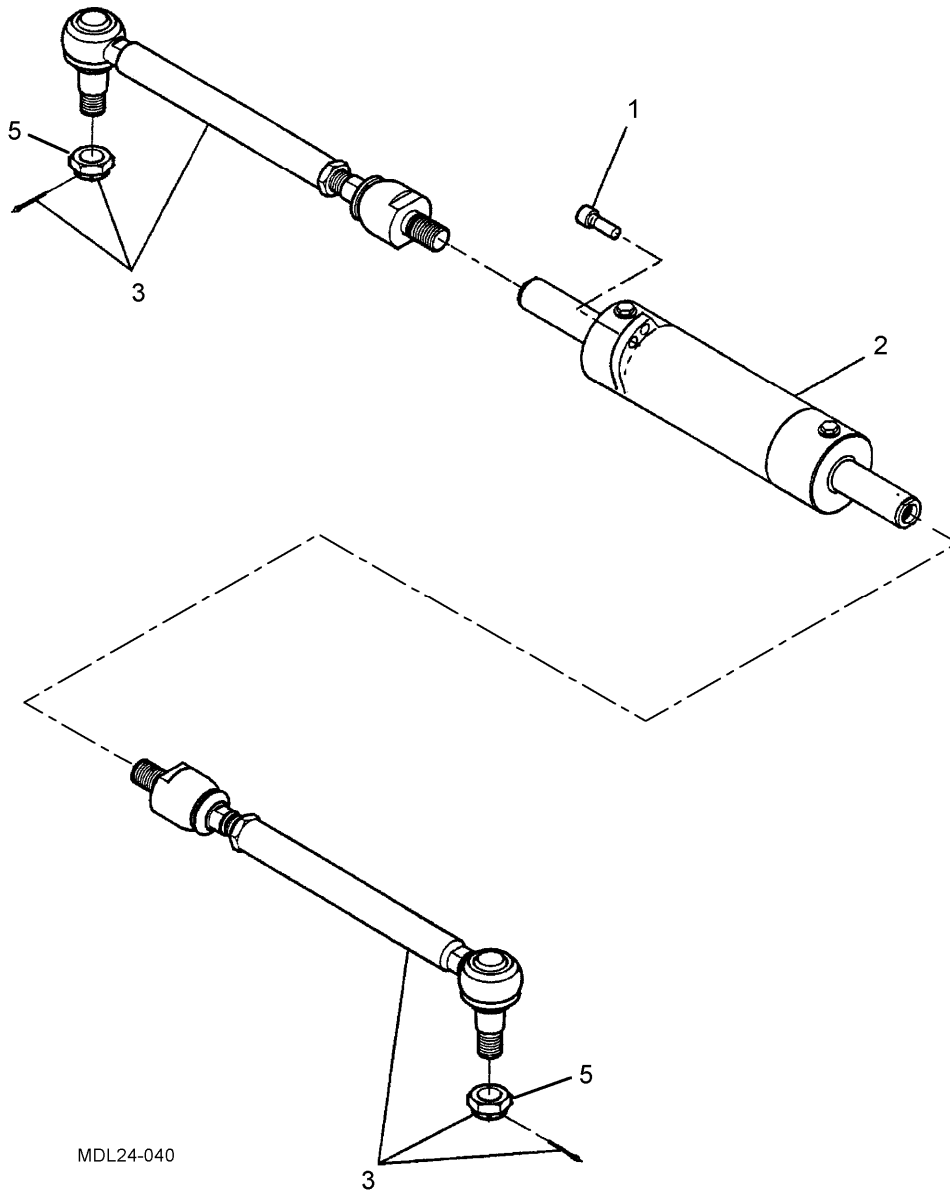


Figure 5 Steering Cylinder



<b>Fig 5 Item</b>	<b>Item Name and Description</b>	<b>Part No. / Drawing No.</b>	<b>Qty</b>	<b>Remarks</b>
REF	<b>STEERING CYLINDER</b>	-	NP	
1	. CYLINDER BOLT	MD46917C00P	4	
2	. CYLINDER	MD46918C00P	1	
3	. ARTICULATED TIE ROD	MD52241C00P	2	
NI 4	. STEERING SEAL KIT	MD49092C00P	1	
5	. CASTLE NUT	MD58593C00P	2	



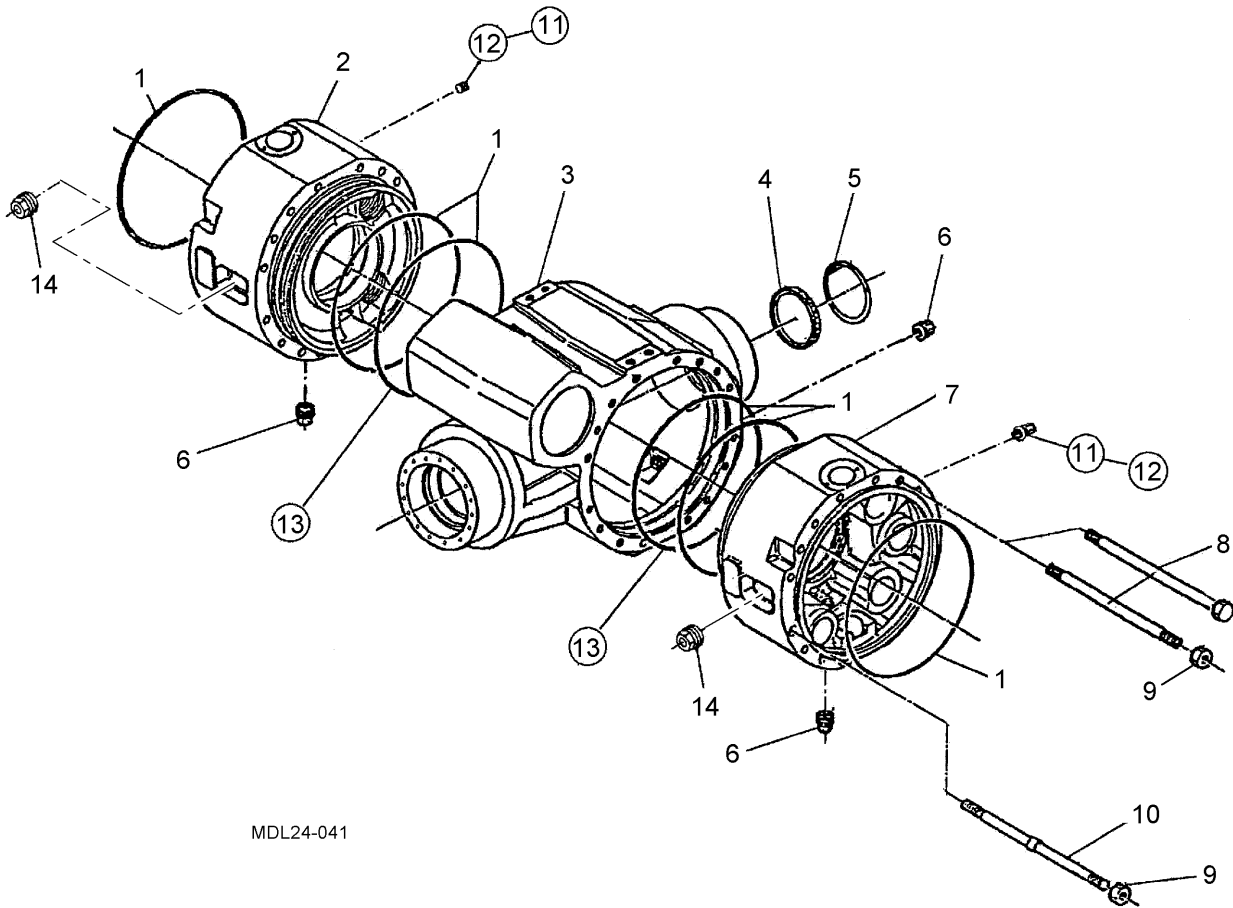
**CHAPTER 2-5-2**

**AXLE 276/148 (10 TON)**

**CONTENTS**

Fig

- 1 Differential Housing
- 2 Differential Assembly
- 3 Axle Housing
- 4 Brake Assembly
- 5 Steering System



MDL24-041

Figure 1 Differential Housing



Fig 1 Item	Item Name and Description	Part No. / Drawing No.	Qty	Remarks
REF	<b>DIFFERENTIAL HOUSING</b>	-	NP	
1	. O RING	MD52866C00P	2	
2	. INTERMEDIATE COVER, RH	MD52858C00P	1	
3	. HOUSING	MD52859C00P	1	
4	. PLUG	MD52860C00P	1	
5	. CIRCLIP	MD46898C00P	1	
6	. MAGNET PLUG	MD53060C00P	1	
7	. INTERMEDIATE COVER, LH	MD52862C00P	1	
8	. BOLT	MD52863C00P	28	
9	. NUT	MD52940C00P	4	
10	. STUD	MD52864C00P	4	
11	. VENT	MD52865C00P	1	Breather to be mounted on opposite side
12	. PLUG	MD52867C00P	1	of bevel crown wheel
13	. O RING	MD52868C00P	2	Optional
14	. PLUG	MD53048C00P	4	



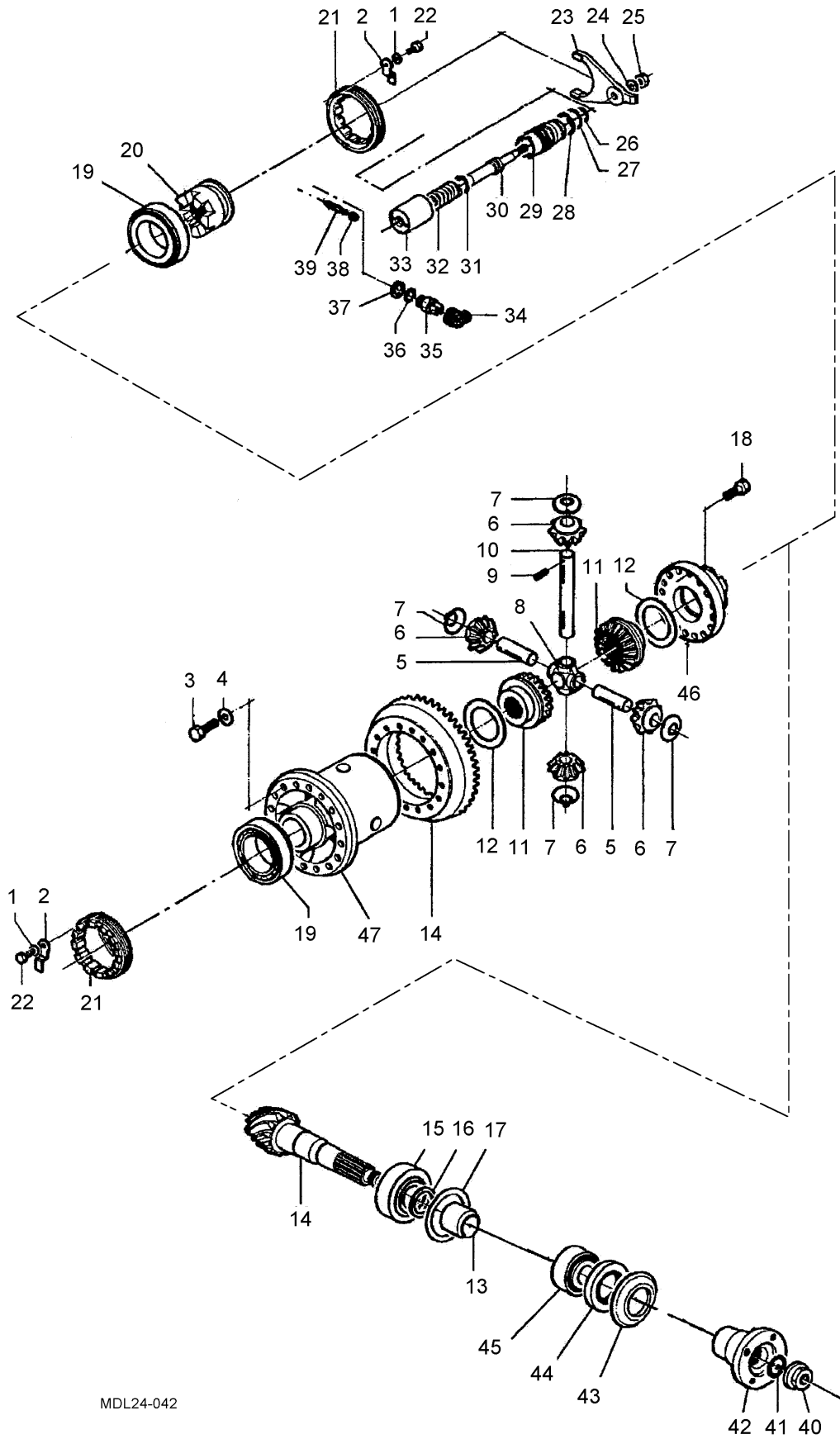


Figure 2 Differential Assembly



Fig 2 Item	Item Name and Description	Part No. / Drawing No.	Qty	Remarks
REF	<b>DIFFERENTIAL ASSEMBLY</b>	-	NP	
1	. LOCK WASHER	MD52869C00P	2	
2	VLOCKING PLATE	MD52870C00P	2	
3	. HEXAGON BOLT	MD52871C00P	16	
4	. SPRING WASHER	MD52872C00P	16	
5	. PIN	MD52873C00P	2	
6	. DIFFERENTIAL PINION	MD52874C00P	4	
7	. FRICTION WASHER	MD52875C00P	4	
8	. SHAFT RETAINER	MD52876C00P	1	
9	. ROLL PIN	MD52877C00P	3	
10	. PIN	MD52878C00P	1	
11	. DIFFERENTIAL SIDE GEAR	MD52926C00P	2	
12	. FRICTION WASHER	MD52927C00P	2	
13	. SPACER	MD52928C00P	1	
14	. BEVEL GEAR SET	MD52929C00P	1	
15	. TAPER ROLLER BEARING	MD52930C00P	1	
16A	. SHIM	MD52931C00P	5	
16B	. SHIM	MD52950C00P	3	
16C	. SHIM	MD53049C00P	1	
16D	. SHIM	MD53061C00P	1	
16E	. SHIM	MD53074C00P	1	
17A	. SHIM	MD52932C00P	1	
17B	. SHIM	MD53075C00P	1	
17C	VSHIM	MD53178C00P	1	
17D	. SHIM	MD53179C00P	1	
18	. HEXAGON BOLT	MD52933C00P	16	
19	. TAPER ROLLER BEARING	MD52934C00P	1	
20	. CHANGE SELECTOR	MD52935C00P	1	

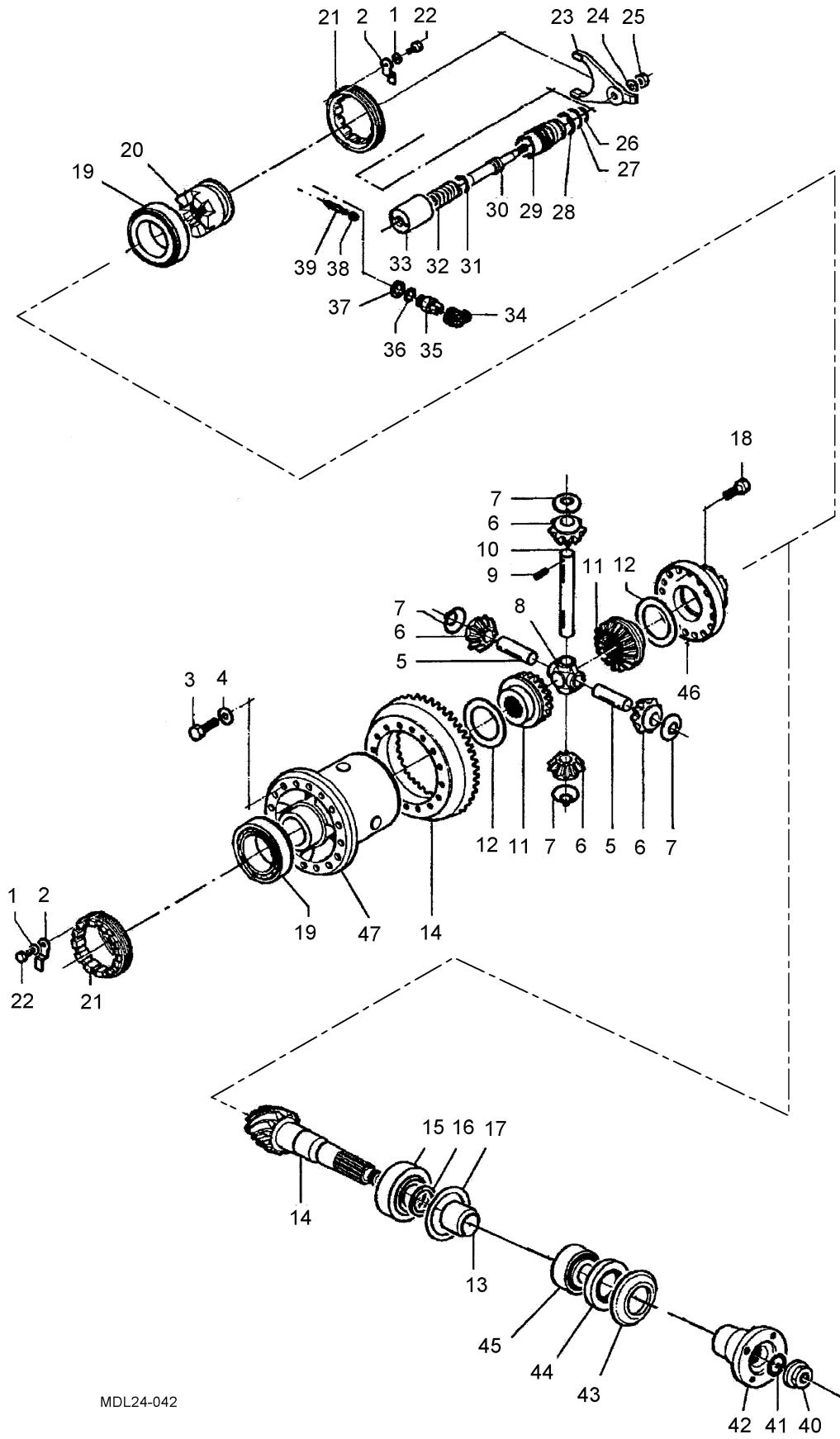
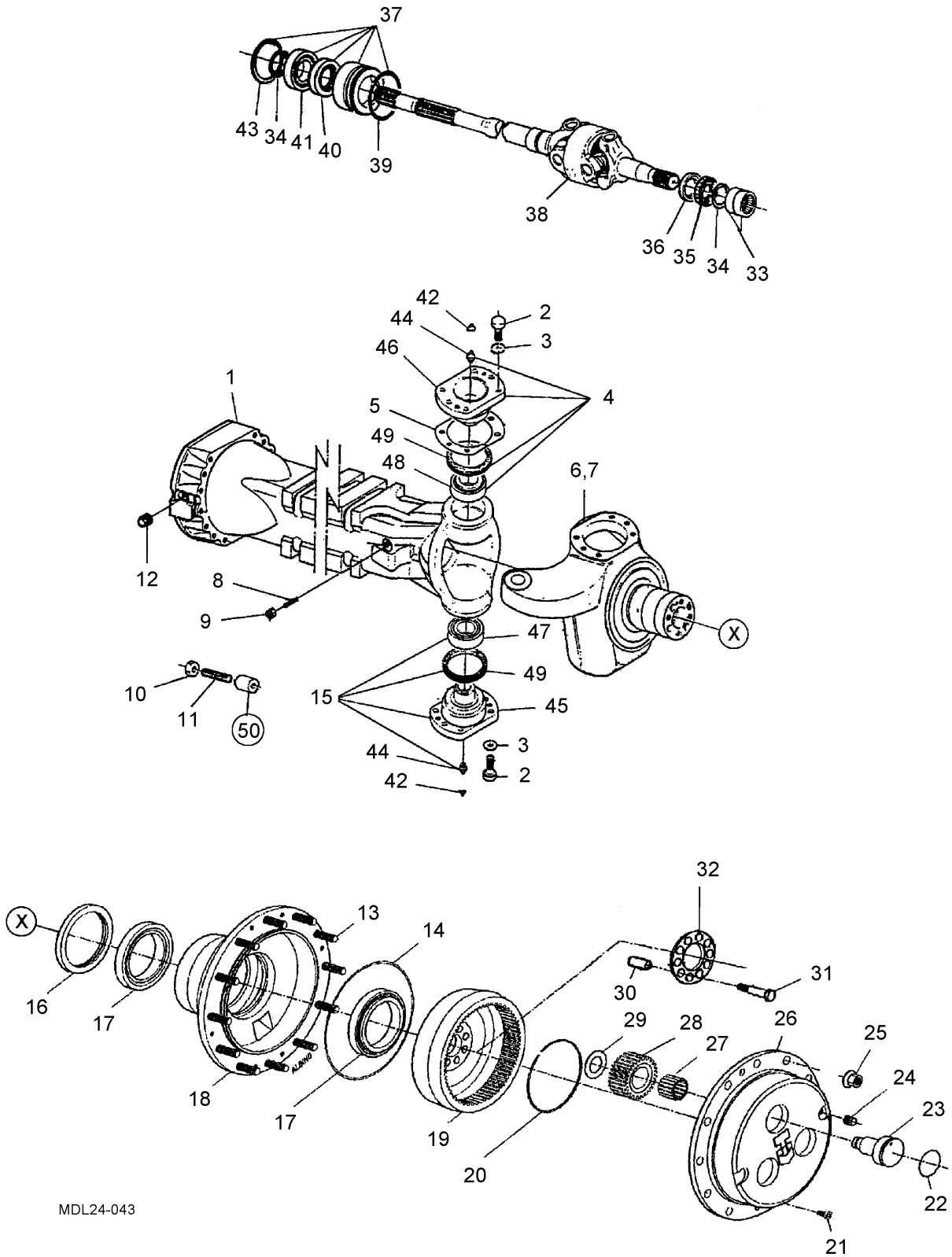


Figure 2 Differential Assembly



Fig 2 Item	Item Name and Description	Part No. / Drawing No.	Qty	Remarks
REF	<b>DIFFERENTIAL ASSEMBLY (CONT)</b>	-	NP	
21	. RING NUT	MD52936C00P	2	
22	. BOLT	MD52937C00P	2	
23	. LEVER	MD52938C00P	1	
24	. SPRING WASHER	MD52939C00P	1	
25	. NUT	MD46893C00P	1	
26	. O RING	MD52941C00P	1	
27	. O RING	MD52942C00P	1	
28	. O RING	MD52943C00P	1	
29	. CYLINDER	MD52944C00P	1	
30	. PISTON	MD52845C00P	1	
31	. O RING	MD52946C00P	1	
32	. SPRING	MD52947C00P	1	
33	. RING NUT	MD52948C00P	1	
34	. BOOT	MD46835C00P	1	
35	. SECURITY SWITCH	MD46834C00P	1	
36	. O RING	MD46832C00P	1	
37	. SEAL WASHER	MD46833C00P	1	
38	. PLUG	MD46751C00P	1	
39	. BLEEDING BOLT	MD52954C00P	1	
40	. NUT	MD52955C00P	1	
41	. O RING	MD52956C00P	1	
42	. FLANGE	MD52957C00P	1	
43	. COVER PLATE	MD52958C00P	1	
44	. SEAL	MD52959C00P	1	
45	. TAPER ROLLER BEARING	MD52960C00P	1	
46	. COVER	MD52961C00P	1	
47	. DIFFERENTIAL CARRIER	MD52962C00P	1	

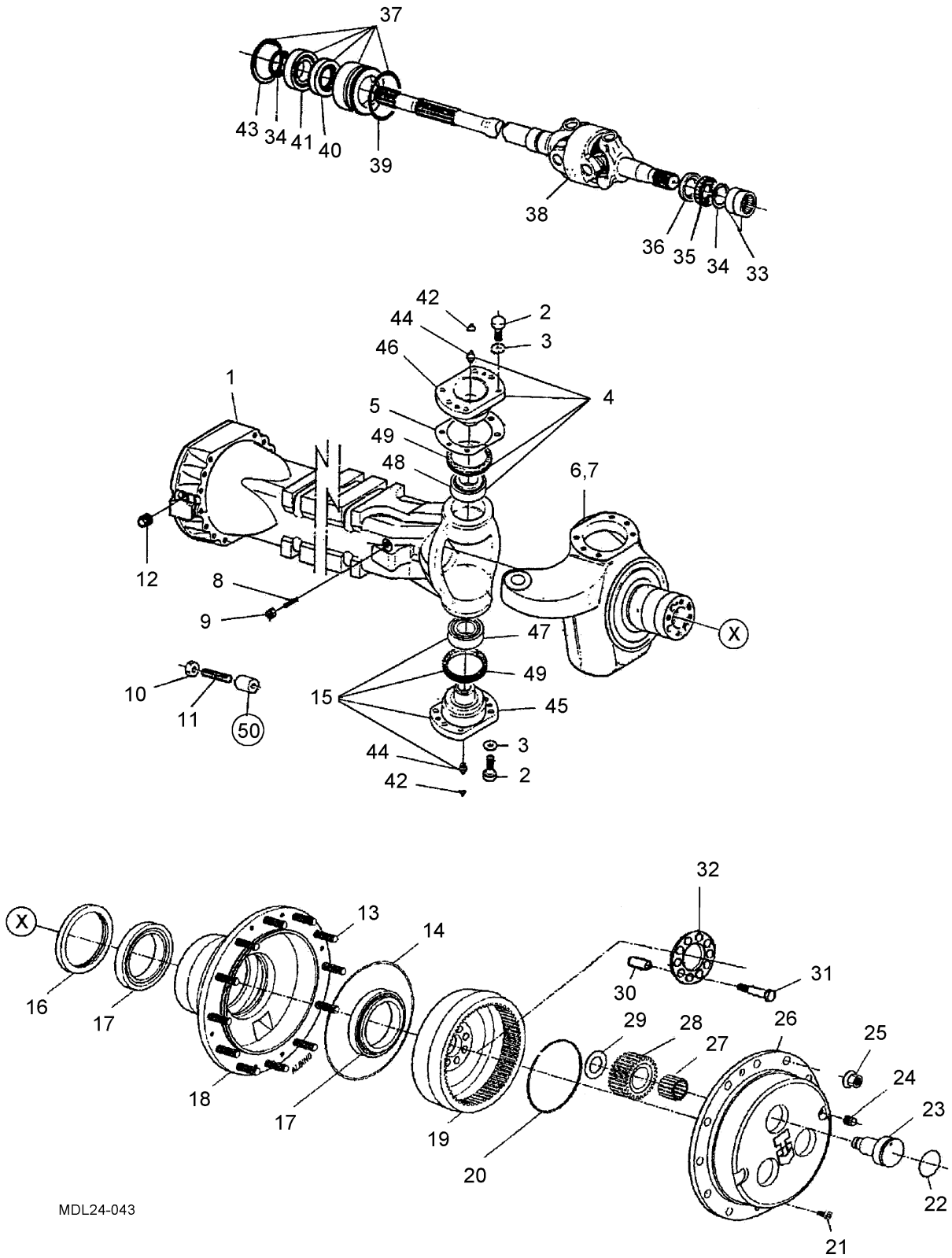


MDL24-043

Figure 3 Axle Housing



Fig 3 Item	Item Name and Description	Part No. / Drawing No.	Qty	Remarks
REF	<b>AXLE HOUSING</b>	-	NP	
1	. AXLE CASE	MD52963COOP	2	
2	. HEXAGON BOLT	MD52964C00P	24	
3	. SPRING WASHER	MD52965C00P	24	
4	. PIVOT PIN	MD52966C00P	2	
5A	. SHIM	MD52967C00P	8	
5B	. SHIM	MD52952C00P	2	
5C	. SHIM	MD52953C00P	2	
6	. STEERING CASE LH	MD52968C00P	1	
7	. STEERING CASE RH	MD52969C00P	1	
8	. GRUB BOLT	MD53046C00P	4	
9	. NUT	MD53047C00P	4	
10	. NUT	MD46896C00P	4	
11	. ADJUSTING BOLT	MD46895C00P	4	
12	. PLUG	MD53048C00P	2	
13	. WHEEL STUD	MD46877C00P	24	
14	. O RING	MD53050C00P	2	
15	. PIVOT PIN	MD53051C00P	2	
16	. SEAL	MD53052C00P	2	
17A	. BEARING	MD54487C00P	4	
17B	. BEARING	MD54488C00P	4	
18	. WHEEL HUB	MD53054C00P	2	
19	. RING GEAR	MD53055C00P	2	
20	. CIRCLIP	MD53056C00P	2	
21	. CYLINDER BOLT	MD53057C00P	4	
22	. O RING	MD53058C00P	6	
23	. PIN	MD53059C00P	6	
24	. MAGNET PLUG	MD53060C00P	2	
25	. WHEEL NUT	MD46888C00P	24	



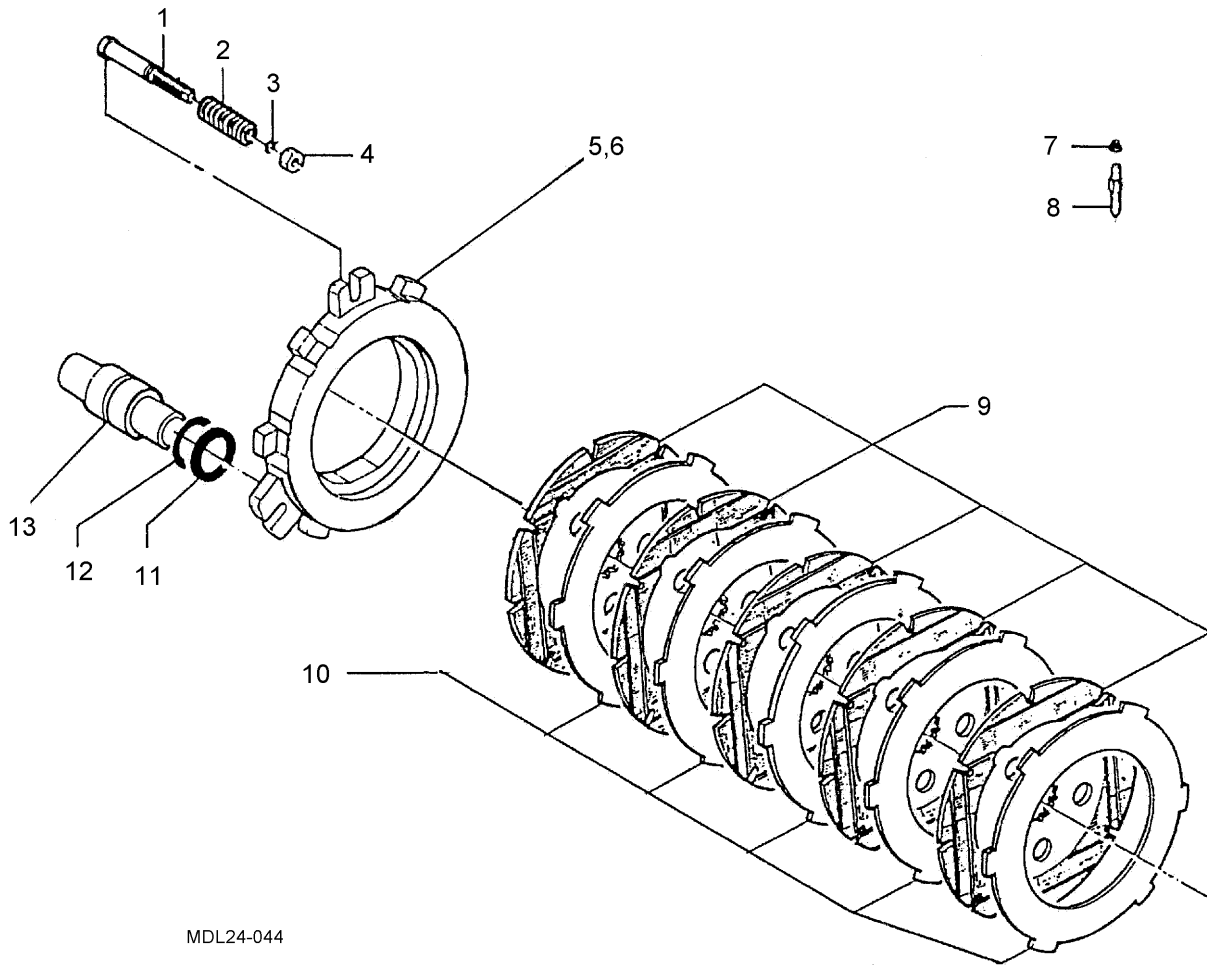
MDL24-043

Figure 3 Axle Housing



Fig 3 Item	Item Name and Description	Part No. / Drawing No.	Qty	Remarks
REF	<b>AXLE HOUSING (CONT)</b>	-	NP	
26	. PLANET GEAR CARRIER	MD53062C00P	2	
27	. NEEDLE BEARING	MD53063C00P	6	
28	. PLANET GEAR	MD53064C00P	6	
29	. FRICTION WASHER	MD53065C00P	6	
30	. REDUCTION BUSHING	MD53066C00P	20	
31	. BOLT	MD53067C00P	20	
32	. LOCKING PLATE	MD53068C00P	2	
33	. THRUST BUSHING	MD53069C00P	2	
34	. CIRCLIP	MD46851C00P	2	
35	. SEAL	MD53070C00P	2	
36	. DUST EXCLUDER	MD53071C00P	2	
37	. REDUCTION BUSHING	MD53072C00P	2	
38	. JOINT	MD53073C00P	2	
39	. O RING	MD52951C00P	2	
40	. SEAL	MD46849C00P	2	
41	. BALL BEARING	MD46850C00P	2	
42	. PLUG	MD46751C00P	4	
43	. CIRCLIP	MD46898C00P	2	
44	. GREASE FITTING	MD46859C00P	2	
45	. PIVOT PIN	MD53076C00P	2	
46	. PIVOT PIN	MD53077C00P	2	
47	. TAPER ROLLER BEARING	MD53078C00P	2	
48	. TAPER ROLLER BEARING	MD53079C00P	2	
49	. SEAL	MD53080C00P	2	
50	. SPACER	MD46899C00P	2	



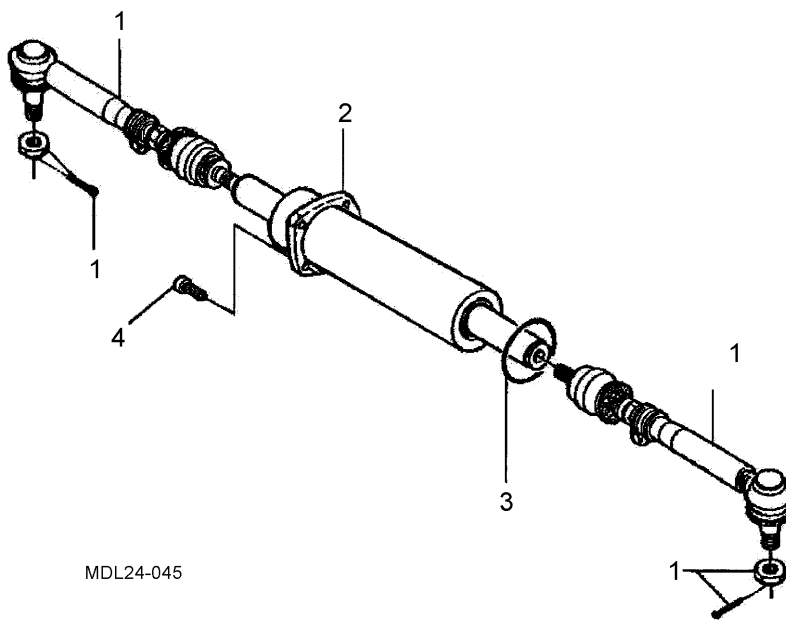


MDL24-044

Figure 4 Brake Assembly



Fig 4 Item	Item Name and Description	Part No. / Drawing No.	Qty	Remarks
REF	<b>BRAKE ASSEMBLY</b>	-	NP	
1	. ADJUSTING BOLT	MD53081C00P	6	
2	. SPRING	MD53082C00P	6	
3	. O RING	MD53083C00P	6	
4	. NUT	MD53084C00P	6	
5	. DISC RH	MD53085C00P	1	
6	. DISC LH	MD53086C00P	1	
7	. PLUG	MD46858C00P	2	
8	. BLEEDING BOLT	MD53087C00P	2	
9	. BRAKE DISC	MD46903C00P	10	
10	. BRAKE DISC	MD53088C00P	10	
11	. BACK UP RING	MD53089C00P	6	
12	. O RING	MD53090C00P	6	
13	. PISTON	MD53091C00P	6	



MDL24-045

Figure 5 Steering System



Fig 5 Item	Item Name and Description	Part No. / Drawing No.	Qty	Remarks
REF	<b>STEERING SYSTEM</b>	-	NP	
1	. ARTICULATED TIE ROD	MD53092C00P	2	
2	. CYLINDER	MD52949C00P	1	
3	. O RING	MD53093C00P	2	
4	. CYLINDER BOLT	MD53094C00P	5	
NI 5	. CYLINDER SEAL KIT	MD56513C00P	1	



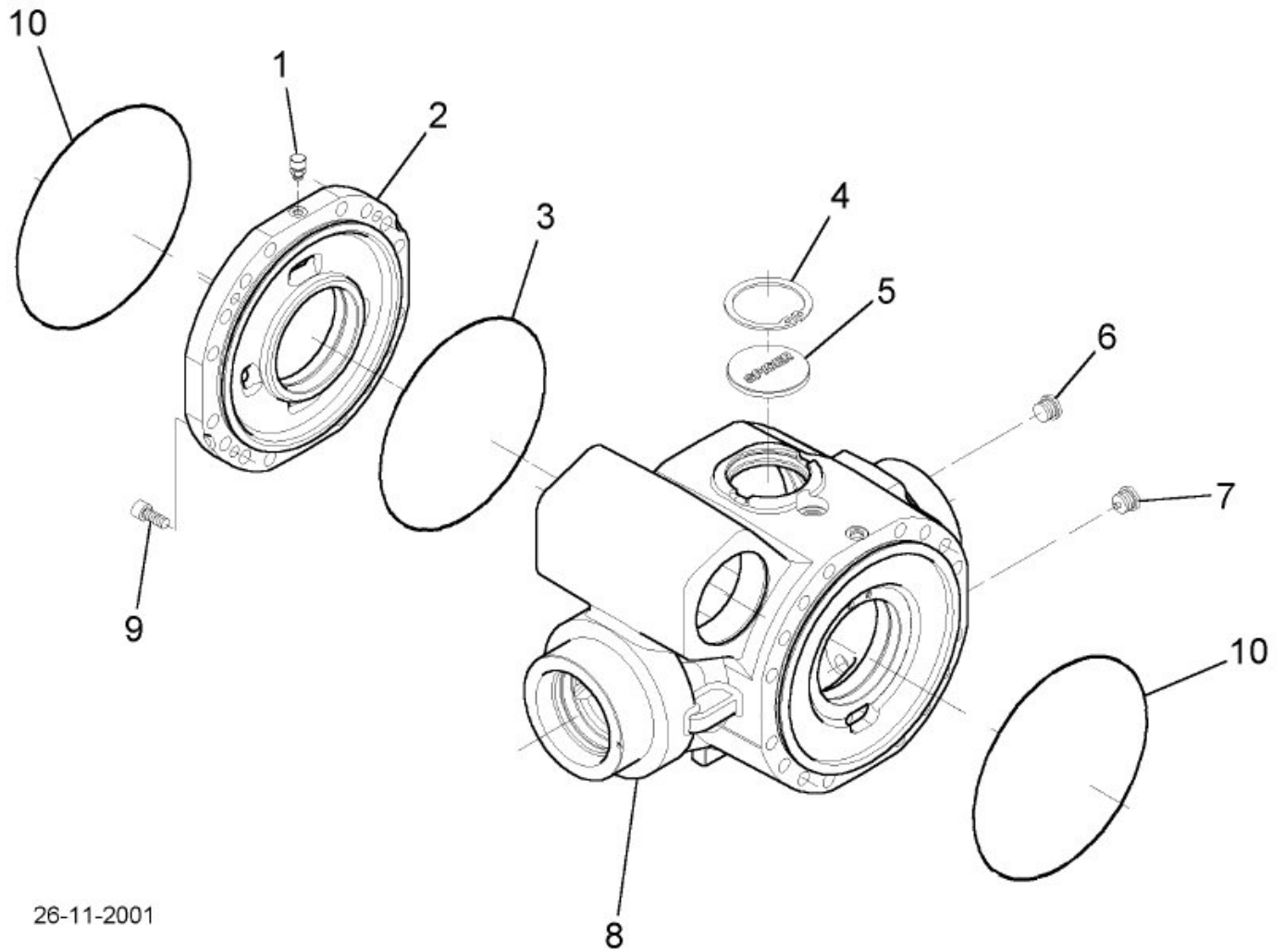
**CHAPTER 2-5-3**

**AXLE 223/73 (8 TON)**

**CONTENTS**

Fig

- 1 Differential housing
- 2 Differential assembly
- 3 Axle hub/epicyclic
- 4 Brake assembly
- 5 Steering cylinder

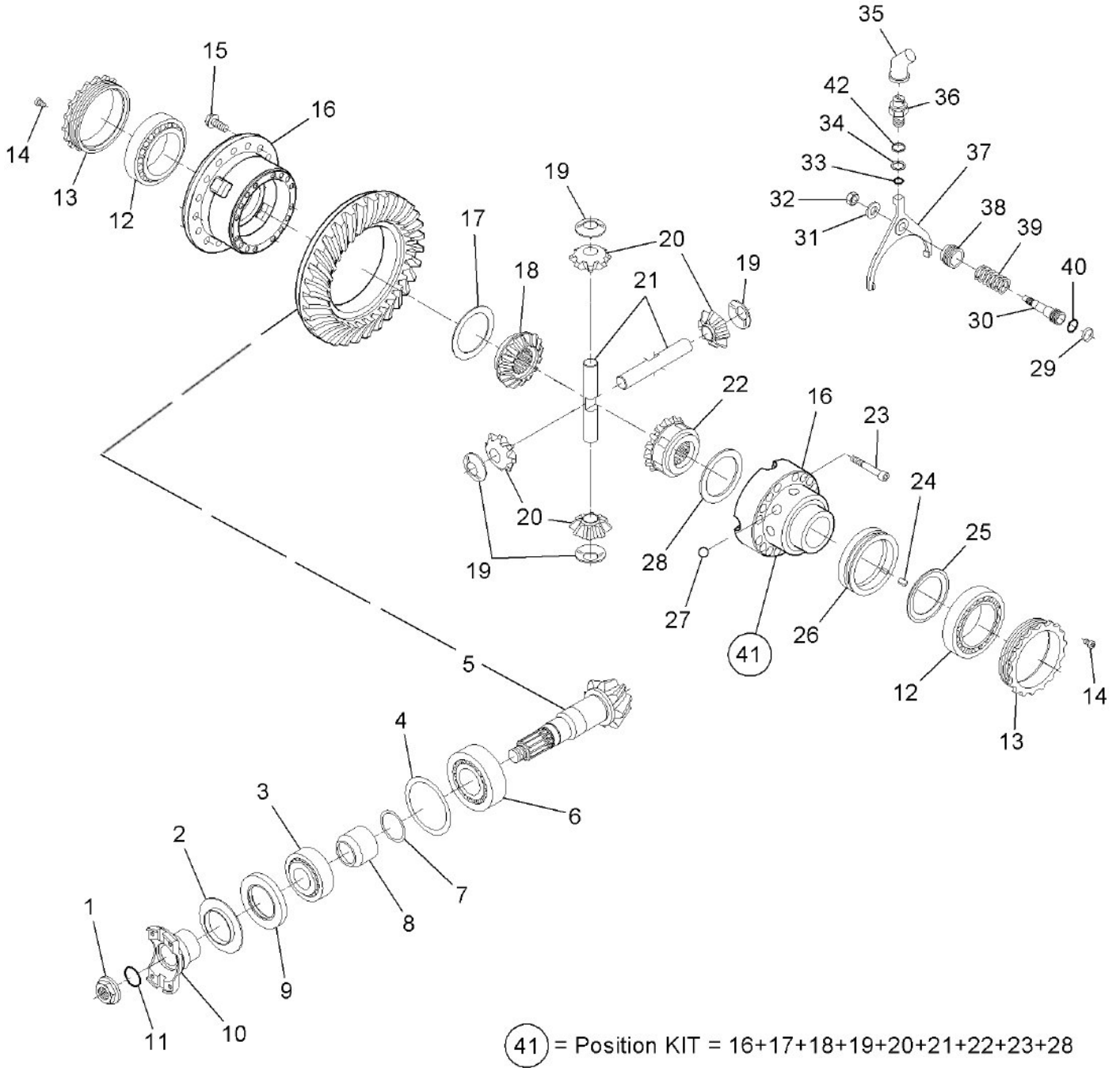


26-11-2001

Figure 1 Differential Housing  
223/73 (8 Ton) axle



Fig 1 Item	Item Name and Description	Part No. / Drawing No.	Qty	Remarks
REF	<b>Differential Housing 223/73 (8 Ton) axle</b>			
1	Vent	MD46795C00P	1	
2	Intermediate cover	MD61686C00P	1	
3	O Ring	MD52866C00P	1	
4	Circlip	CH-450010	1	
5	Plug	MD61687C00P	1	
6	Plug	MD61556C00P	1	
7	Magnetic Plug	MD61557C00P	1	
8	Housing	MD61688C00P	1	
9	Bolt	MD61689C00P	2	
10	O'Ring	MD61558C00P	2	



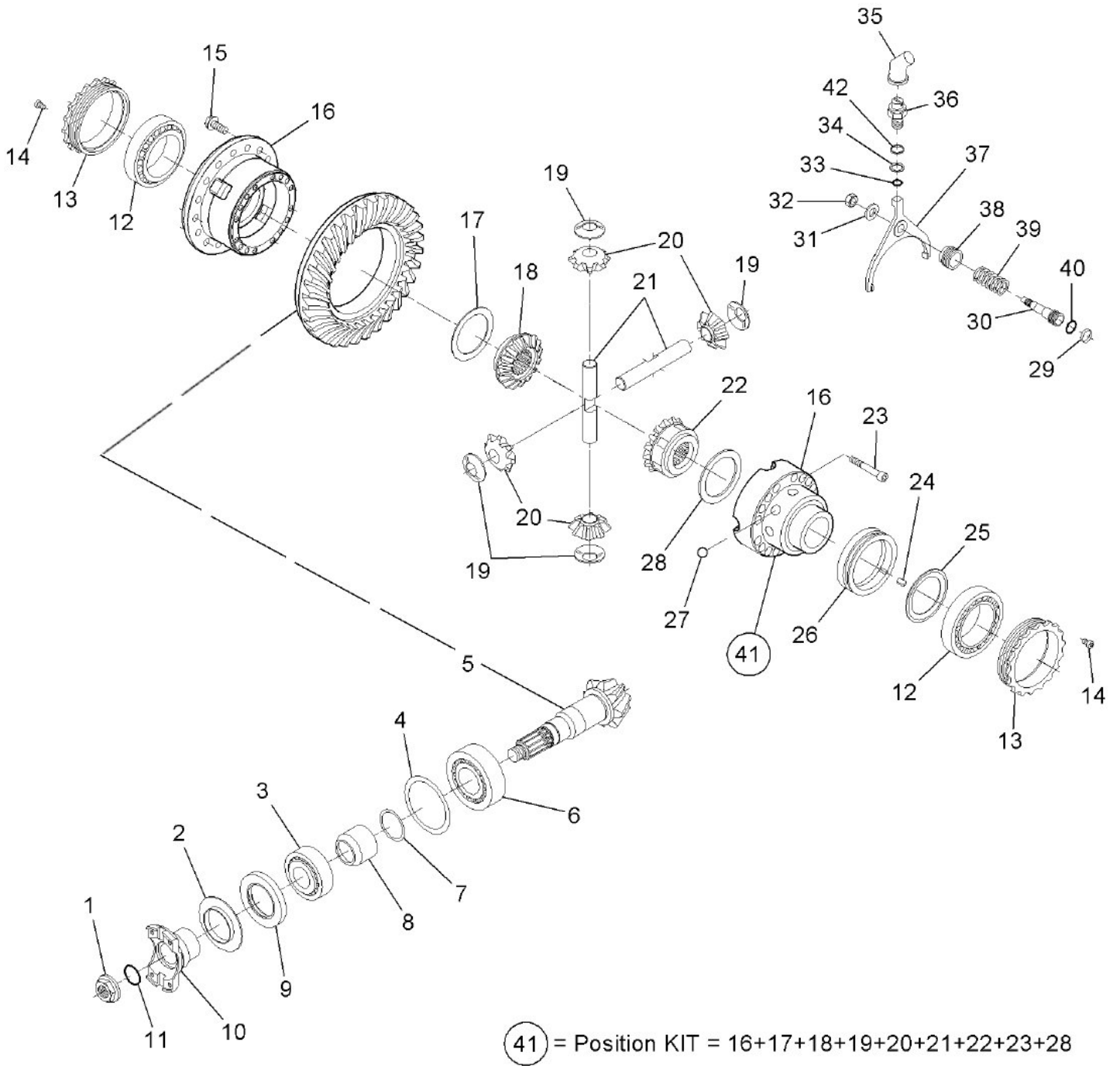
23-10-2006

Figure 2 - Differential assembly  
223/73 (8 Ton) axle





Fig 1 Item	Item Name and Description	Part No. / Drawing No.	Qty	Remarks
REF	<b>Differential assembly 223/73 axle (8 Ton)</b>			
1	Nut	MD52955C00P	1	
2	Cover plate	MD61690C00P	1	
3	Taper roller brg	MD61691C00P	1	
4A	Shim	CH-460081	1	
4B	Shim	CH-460082	1	
4C	Shim	CH-460083	1	
4D	Shim	MD61692C00P	1	
5	Bevel gear set	MD61693C00P	1	
6	Taper roller brg	MD61694C00P	1	
7A	Shim	MD61695C00P	1	
7B	Shim	MD52950C00P	1	
7C	Shim	MD61696C00P	1	
7D	Shim	MD53061C00P	1	
7E	Shim	MD61626C00P	1	
8	Spacer	MD61697C00P	1	
9	Seal	MD52959C00P	1	
10	Flange	MD61698C00P	1	
11	O'Ring	MD52956C00P	1	
12	Taper roller brg	MD61699C00P	2	
13	Ring nut	MD61700C00P	2	
14	Cylinder bolt	MD61701C00P	2	
15	Bolt	MD61609C00P	16	
16	Differential carrier	MD61702C00P	1	
17	Friction washer	MD61612C00P	1	
18	Differential side gear	MD61703C00P	1	
19	Friction washer	MD61704C00P	4	
20	Differential pinion	MD61705C00P	4	
21	Pin	MD61706C00P	2	
22	Differential side gear	MD61707C00P	1	
23	Bolt	MD61616C00P	15	
24	Key	MD61708C00P	1	
25	Friction washer	MD61709C00P	1	
26	Selector	MD61710C00P	1	
27	Detent ball	MD61711C00P	8	
28	Friction washer	MD61712C00P	1	
29	Gasket	MD61713C00P	1	
30	Piston	MD61714C00P	1	
31	Spring washer	MD61715C00P	1	
32	Nut	MD61716C00P	1	
33	O Ring	MD61717C00P	1	
34	Seal washer	MD61718C00P	1	
35	Boot	MD61719C00P	1	
36	Security switch	MD61720C00P	1	



23-10-2006

Figure 2 - Differential assembly  
223/73 (8 Ton) axle



Fig 1 Item	Item Name and Description	Part No. / Drawing No.	Qty	Remarks
REF	<b>Differential assembly 223/73 axle (8 Ton)</b>			
37	Selector fork	MD61721C00P	1	
38	Ring nut	MD61722C00P	1	
39	Spring	MD61723C00P	1	
40	O Ring	MD61724C00P	1	
41	Differential	MD61725C00P	1	
42	Seal washer	MD61726C00P	1	

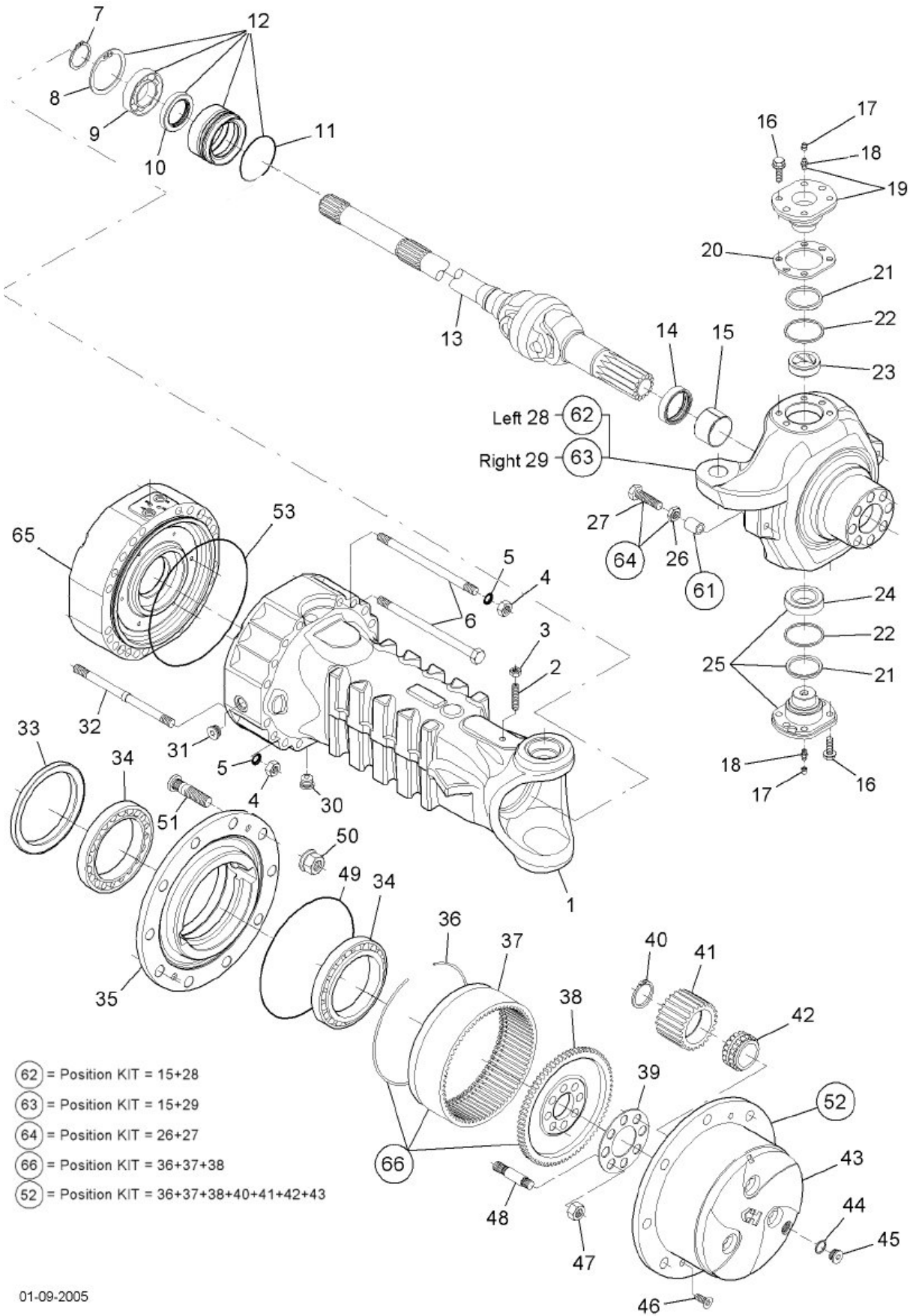
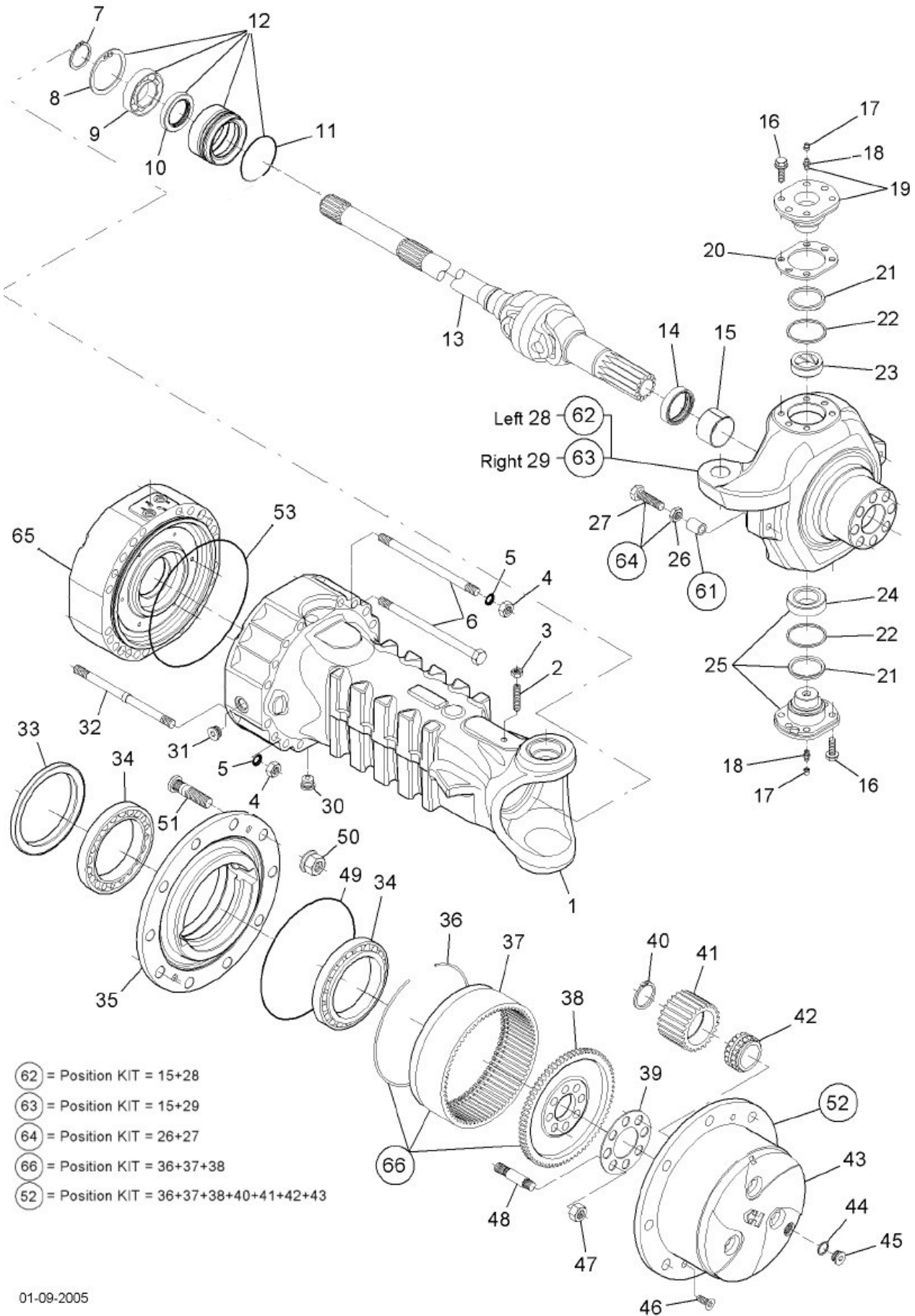


Figure 3 - Axle hub / epicyclic assembly  
 223/73 axle (8 Ton)



Fig 1 Item	Item Name and Description	Part No. / Drawing No.	Qty	Remarks
REF	<b>Axle hub/epicyclic assy - 223/73 axle (8T)</b>			
1	Axle case	MD61727C00P	2	
2	Bolt	MD61728C00P	2	
3	Nut	CH-480045	2	
4	Nut	MD61730C00P	8	
5	Washer	MD61729C00P	8	
6	Bolt	MD61731C00P	24	
7	Circlip	CH-480131	2	
8	Circlip	CH-450010	2	
9	Bearing	CH-480128	2	
10	Seal	CH-480127	2	
11	O Ring	MD46852C00P	2	
12	Reduction bushing	MD61630C00P	2	
13	Joint	MD61562C00P	2	
14	Seal	MD61563C00P	2	
15	Thrust Bush	MD61564C00P	1	
16	Bolt	MD61609C00P	24	
18	Grease fitting	CH-450080	2	
19	Pivot pin	MD61732C00P	2	
20A	Shim	MD61733C00P	2	
20B	Shim	MD61734C00P	2	
20C	Shim	MD61735C00P	2	
21	Dust excluder	MD61655C00P	2	
23	Bushing	MD61736C00P	2	
24	Bearing	MD61623C00P	2	
25	Pivot pin	MD61737C00P	2	
26	Nut	CH-480139	4	
27	Bolt	MD52236C00P	4	
30	Magnetic Plug	MD61557C00P	2	
31	Plug	MD61556C00P	2	
32	Stud	MD61738C00P	8	
33	Seal	MD61566C00P	2	
34	Bearing	MD61567C00P	4	
35	Wheel hub	MD61625C00P	2	
36	Circlip	MD61571C00P	2	
37	Ring Gear	MD61572C00P	2	
38	Ring Gear Support	MD61573C00P	2	
39	Locking plate	MD61664C00P	2	
40	Circlip	MD61574C00P	6	
41	Planet Gear	MD61575C00P	6	
42	Bearing	MD61576C00P	6	
43	Planet Gear Carrier	MD61577C00P	2	
45	Plug	MD52224C00P	2	
46	Bolt	MD46890C00P	4	

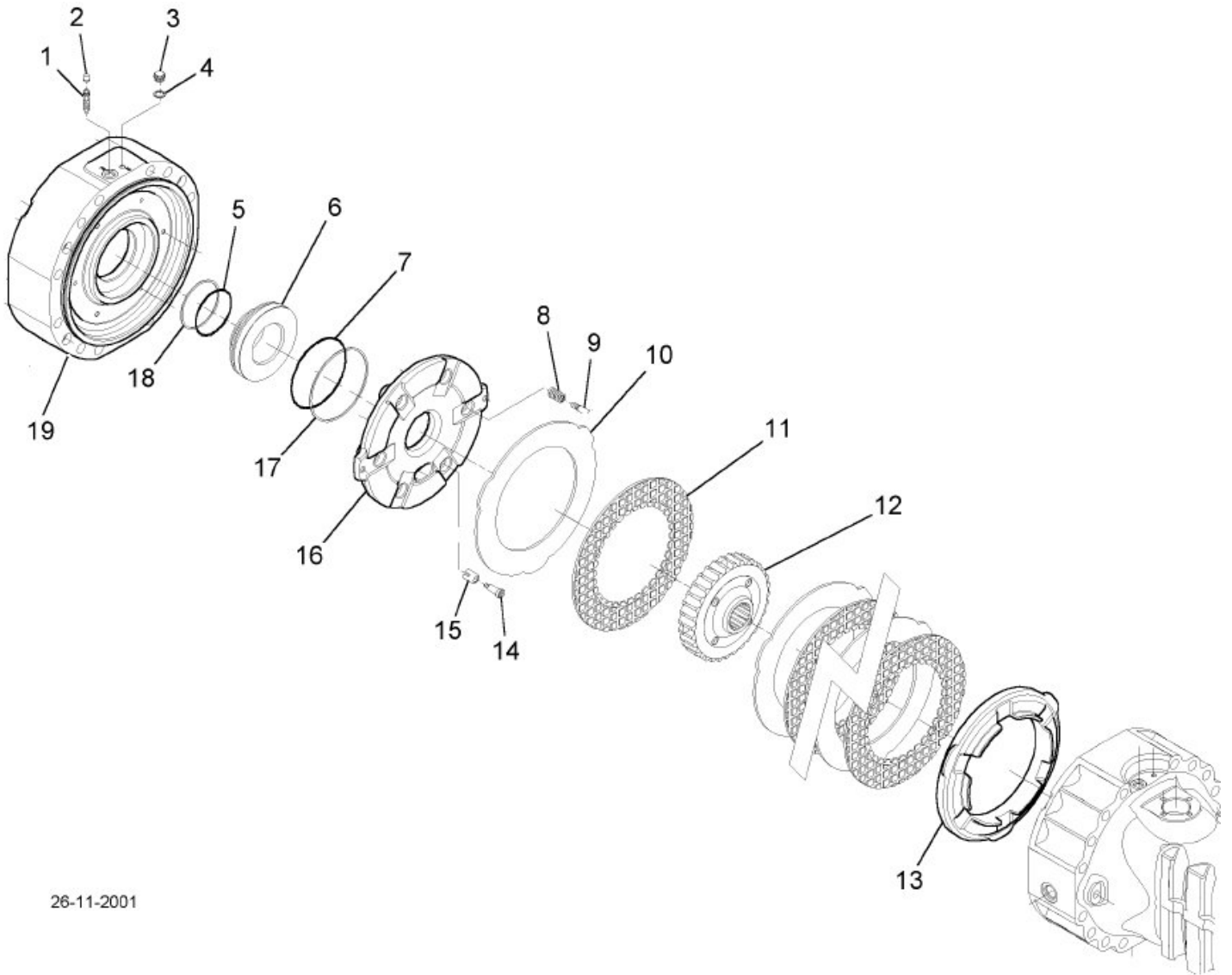


01-09-2005

Figure 3 - Axle hub / epicyclic assembly  
 223/73 axle (8 Ton)



Fig 1 Item	Item Name and Description	Part No. / Drawing No.	Qty	Remarks
REF	<b>Axle hub/epicyclic assy - 223/73 axle (8T)</b>			
47	Nut	MD61568C00P	16	
48	Stud	MD61569C00P	16	
49	O'Ring	MD61570C00P	2	
50	Wheel nut	MD61663C00P	20	
51	Wheel stud	CH-450178	20	
52	Planet gear carrier	MD61739C00P	2	
53	O'Ring	MD61558C00P	2	
61	Spacer	MD61671C00P	4	
62	Steering case	MD61740C00P	1	
63	Steering case	MD61741C00P	1	
64	Steering adjust bolt	MD61742C00P	4	
66	Ring gear support	MD61670C00P	2	
47	Nut	MD61568C00P	16	
48	Stud	MD61569C00P	16	
49	O'Ring	MD61570C00P	2	
50	Wheel nut	MD61663C00P	20	
51	Wheel stud	CH-450178	20	
52	Planet gear carrier	MD61739C00P	2	



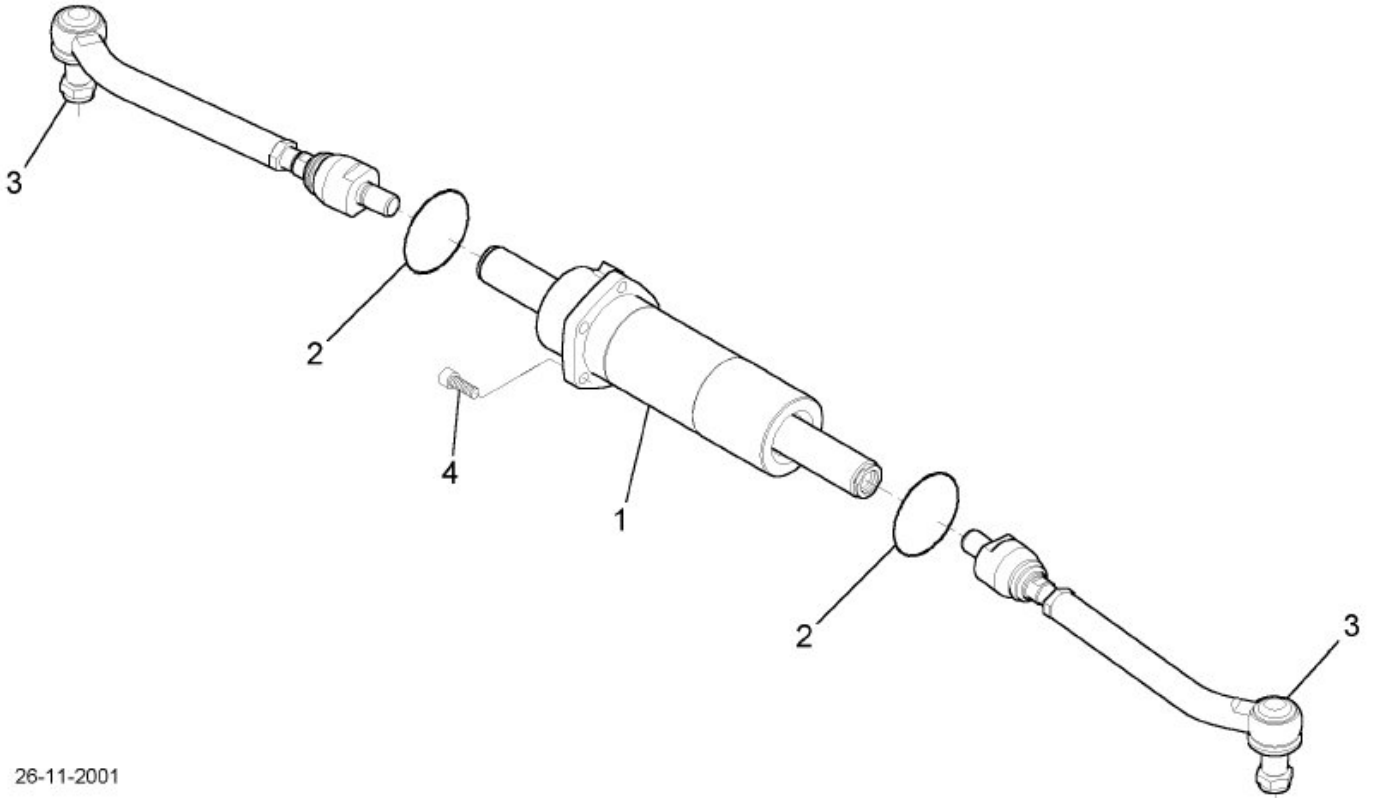
26-11-2001

Figure 4 - Brake assembly  
223/73 axle (8 Ton)





Fig 1 Item	Item Name and Description	Part No. / Drawing No.	Qty	Remarks
REF	<b>Brake assembly - 223/73 axle (8T)</b>			
1	Bleed bolt	CH-450067	2	
2	Plug	MD46751C00P	2	
3	Bolt	MD61679C00P	2	
4	Seal washer	MD61680C00P	2	
5	O'Ring	MD61580C00P	2	
6	Piston	MD61743C00P	2	
7	O'Ring	MD61582C00P	2	
8	Spring	CH-450057/01	6	
9	Adjusting bolt	MD61676C00P	6	
10	Intermediate Brake Disc	MD61578C00P	6	
11	Brake Disc	MD61579C00P	6	
12	Reduction bushing	MD61673C00P	2	
13	Spacer	MD61744C00P	2	
14	Adjusting bolt	MD61674C00P	6	
15	Spring	MD61675C00P	6	
16	Intermediate brake disc	MD61745C00P	2	
17	Back Up Ring	MD61583C00P	2	
18	Back Up Ring	MD61581C00P	2	
19	Cover	MD61746C00P	2	



26-11-2001

Figure 5 – Steering cylinder  
223/73 axle (8 Ton)



Fig 1 Item	Item Name and Description	Part No. / Drawing No.	Qty	Remarks
REF	<b>Steering cylinder - 223/73 axle (8T)</b>			
1	Steering cylinder	MD61683C00P	1	
2	O'Ring	MD61585C00P	2	
3	Articulated Tie Rod	MD61584C00P	2	
4	Cylinder bolt	MD61682C00P	5	



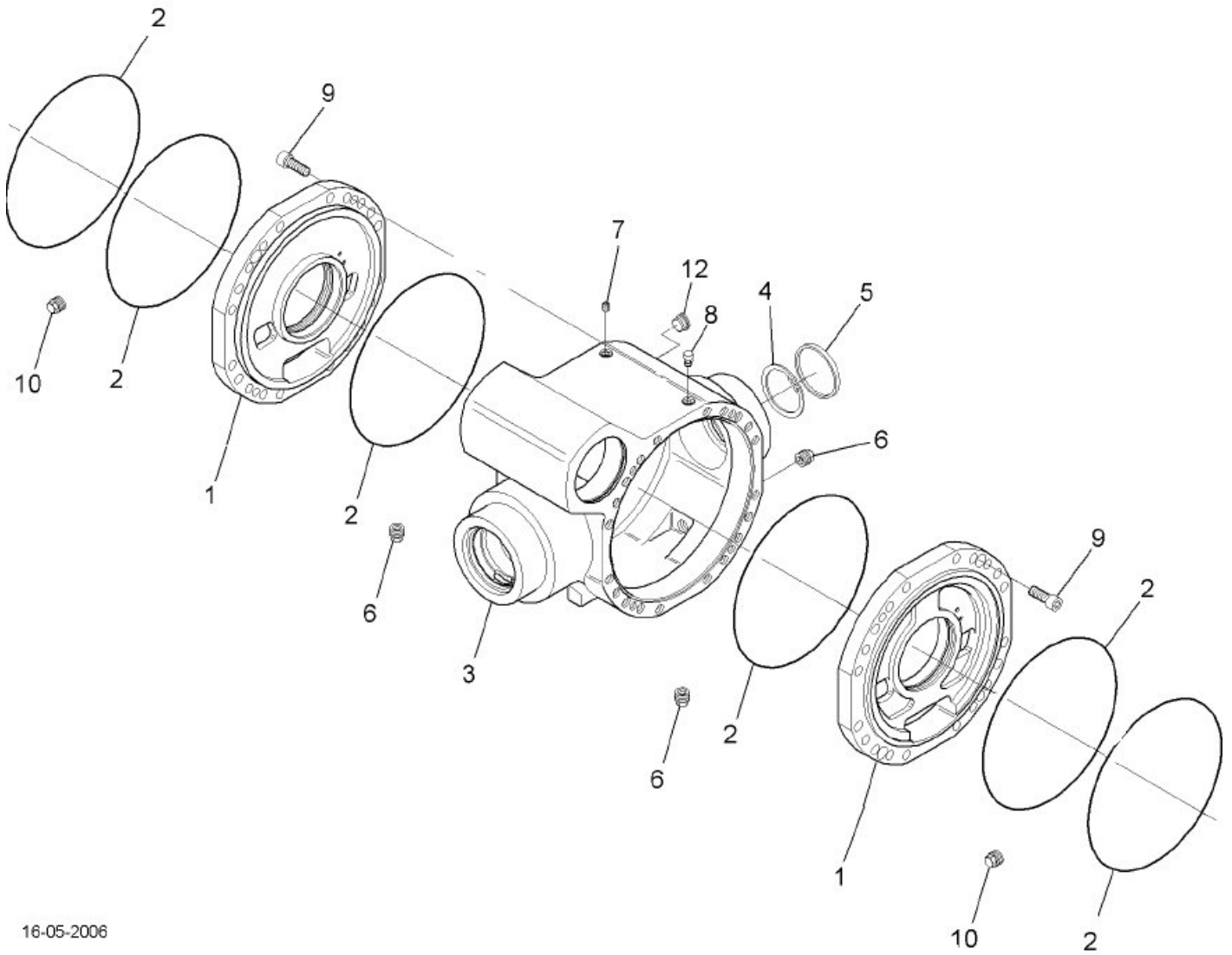
**CHAPTER 2-5-4**

**AXLE 213/152 (12T)**

**CONTENTS**

Fig

- 1 Differential housing
- 2 Differential assembly
- 3 Axle hub / epicyclic assembly
- 4 Brake assembly
- 5 Steering cylinder

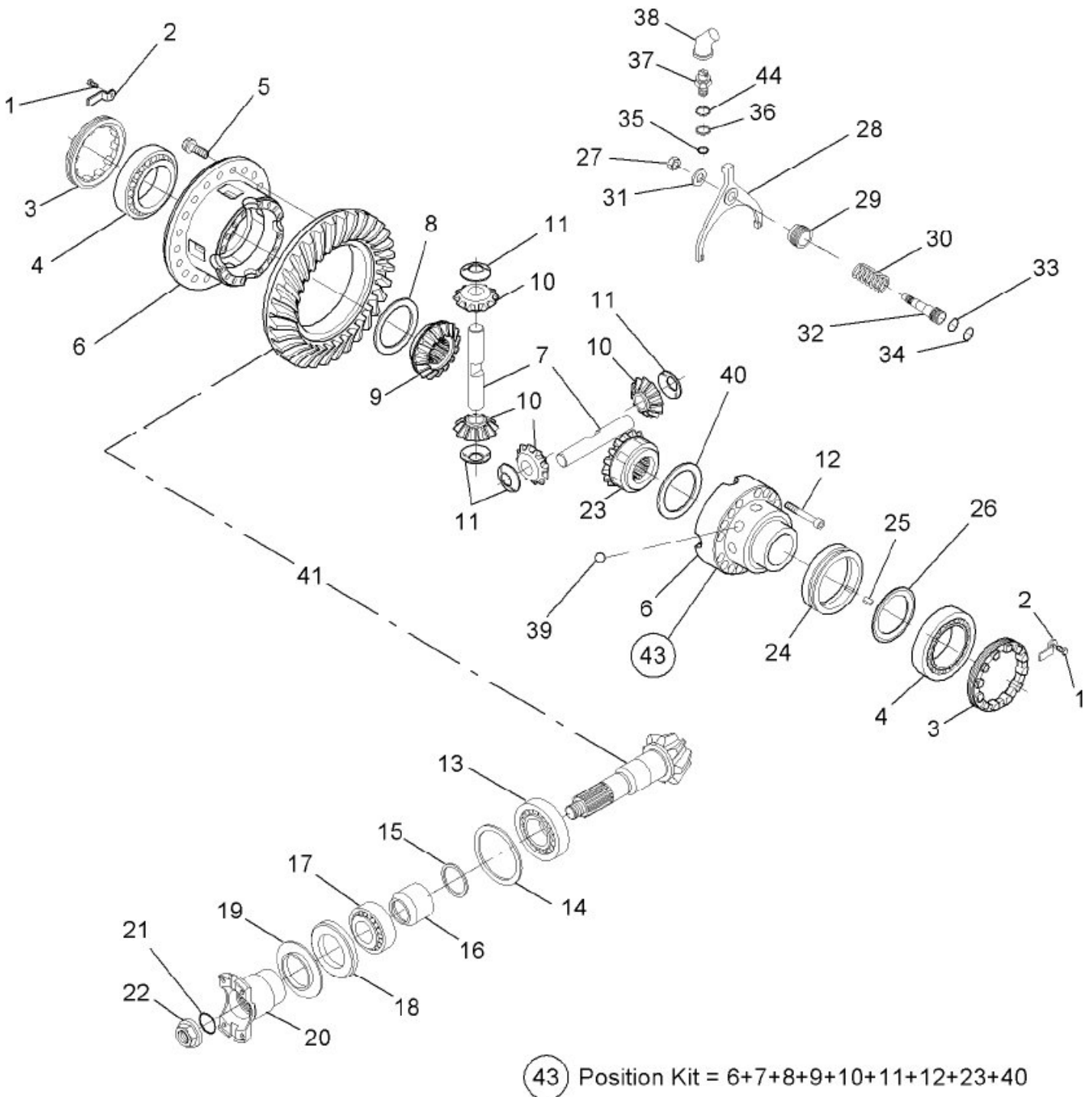


16-05-2006

Figure 1 - Differential Housing  
213/152 axle (12T)



Fig 1 Item	Item Name and Description	Part No. / Drawing No.	Qty	Remarks
REF	<b>Differential Housing – 213/152 axle (12T)</b>			
1	Intermediate cover	MD61598C00P	1	
2	O'Ring	MD61586C00P	4	
3	Housing	MD61599C00P	1	
4	Circlip	CH-450010	2	
5	Plug	MD61601C00P	1	
6	Magnetic plug	CH-460004	1	
7	Plug	MD61602C00P	1	
8	Vent	MD46795C00P	1	
9	Cylinder bolt	MD61603C00P	4	
11	Intermediate cover	MD61604C00P	1	
12	Plug	MD52224C00P	1	



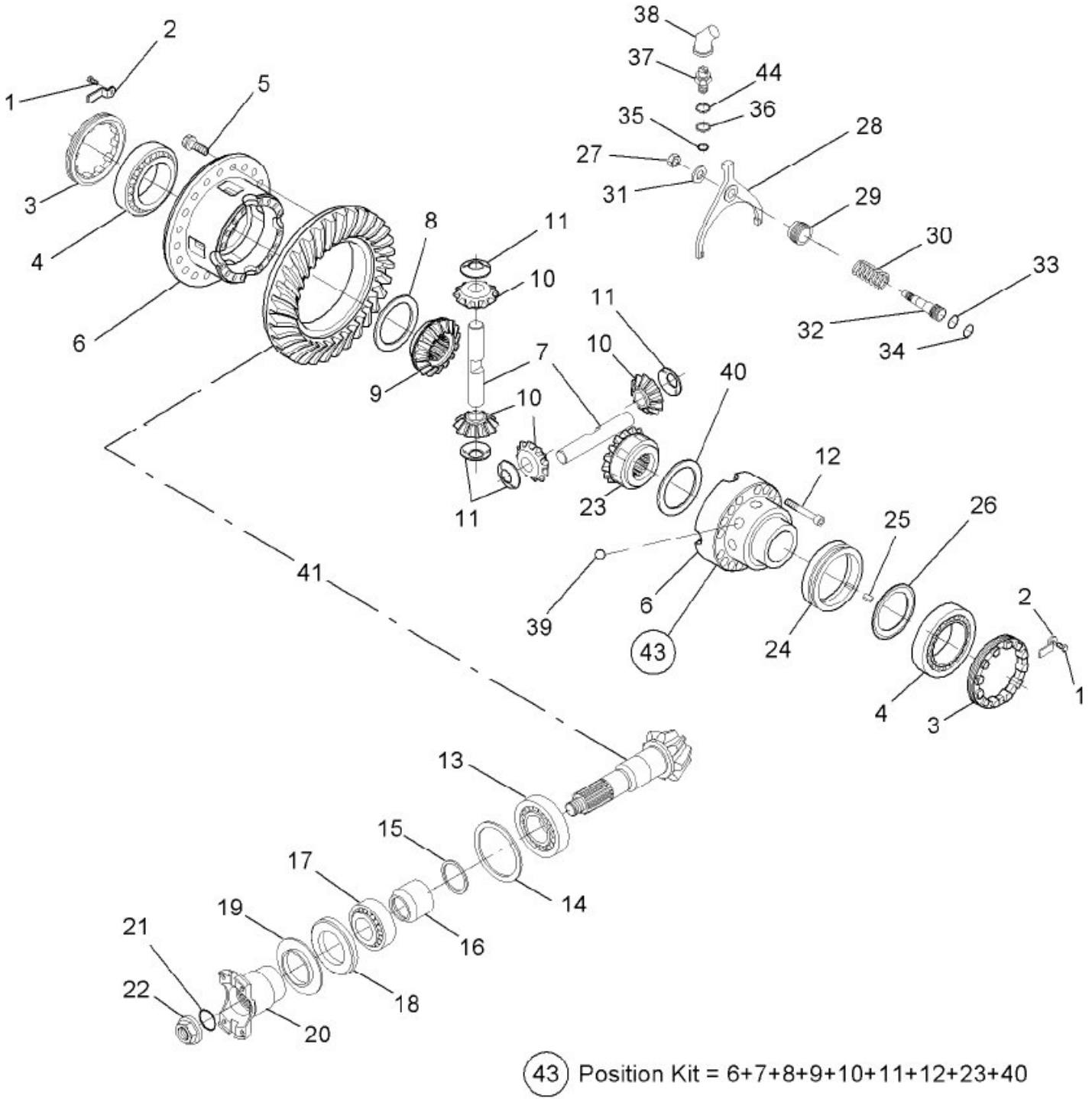
16-05-2006

Figure 2 – Differential assembly  
213/152 axle (12T)



Fig 1 Item	Item Name and Description	Part No. / Drawing No.	Qty	Remarks
REF	<b>Differential assembly – 213/152 axle (12T)</b>			
1	Hexagon bolt	MD61605C00P	2	
2	Locking plate	MD61606C00P	2	
3	Ring nut	MD61607C00P	2	
4	Taper roller brg	MD61608C00P	2	
5	Bolt	MD61609C00P	20	
6	Differential	MD61610C00P	1	
7	Pin	MD61611C00P	2	
8	Friction washer	MD61612C00P	1	
9	Differential side gear	MD61613C00P	1	
10	Differential pinion	MD61614C00P	4	
11	Friction washer	MD61615C00P	4	
12	Bolt	MD61616C00P	15	
13	Taper roller brg	MD52930C00P	1	
14A	Shim	MD61618C00P	1	
14B	Shim	MD61619C00P	1	
14C	Shim	MD61620C00P	1	
14D	Shim	MD61621C00P	1	
15A	Shim	MD52931C00P	1	
15B	Shim	MD52950C00P	1	
15C	Shim	MD61624C00P	1	
15D	Shim	MD53061C00P	1	
15E	Shim	MD61626C00P	1	
16	Spacer	MD61627C00P	1	
17	Taper roller brg	MD52960C00P	1	
18	Seal	MD52959C00P	1	
19	Cover plate	MD52958C00P	1	
20	Flange	MD52957C00P	1	
21	O'Ring	MD52956C00P	1	
22	Nut	MD52955C00P	1	
23	Differential side gear	MD61631C00P	1	
24	Selector	MD61632C00P	1	
25	Key	MD61633C00P	1	
26	Friction washer	MD61634C00P	1	
27	Nut	MD61635C00P	1	
28	Selector fork	MD61636C00P	1	
29	Ring nut	MD61637C00P	1	
30	Spring	MD61638C00P	1	
31	Spring washer	MD61639C00P	1	
32	Piston	MD61640C00P	1	
33	O Ring	MD61641C00P	1	
34	Gasket	MD61642C00P	1	
35	O Ring	MD61643C00P	1	



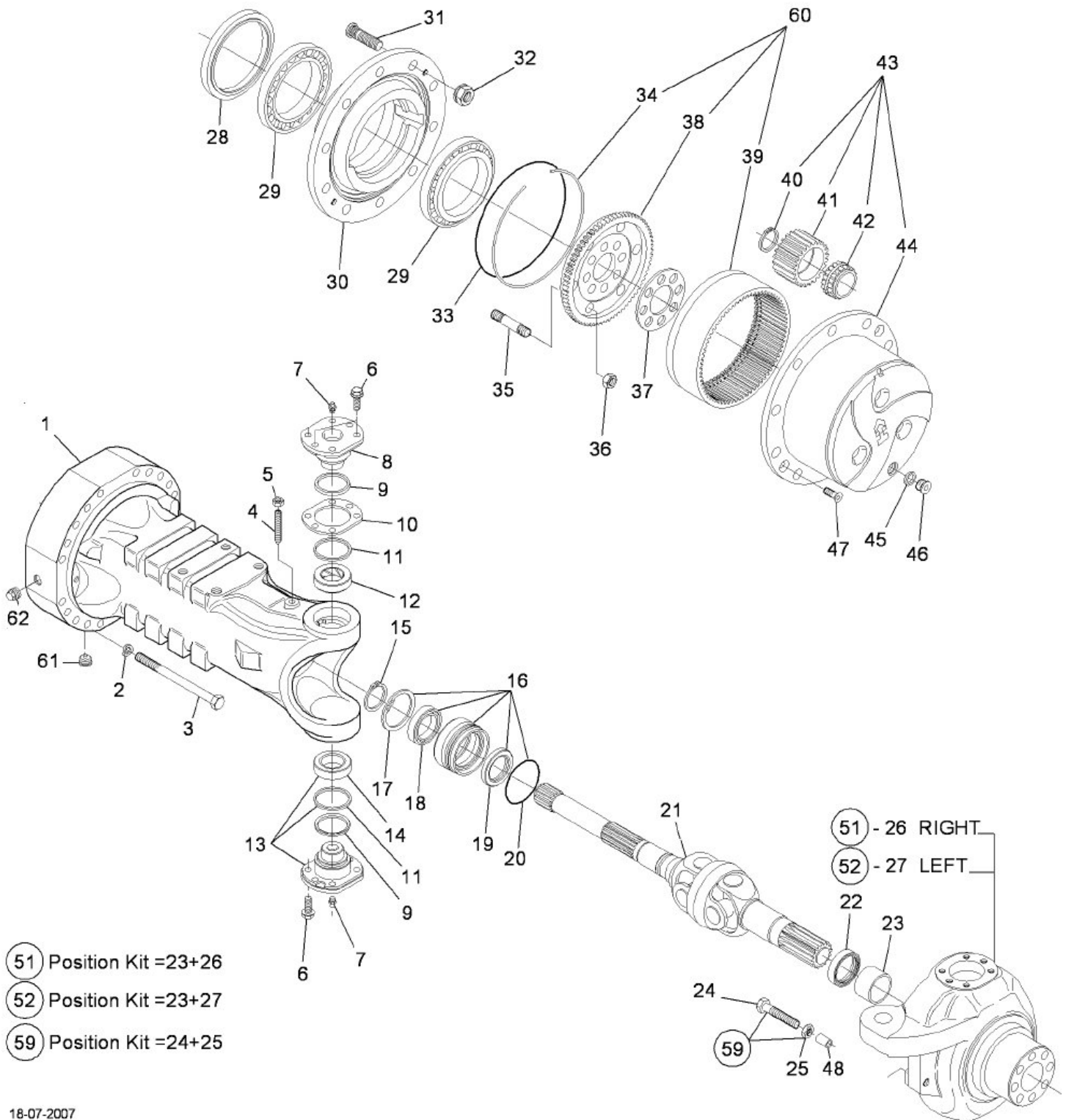


16-05-2006

Figure 2 – Differential assembly  
213/152 axle (12T)



Fig 1 Item	Item Name and Description	Part No. / Drawing No.	Qty	Remarks
REF	<b>Differential assembly – 213/152 axle (12T)</b>			
36	Seal washer	MD61644C00P	1	
37	Security switch	MD61645C00P	1	
38	Boot	MD61646C00P	1	
39	Detent ball	MD61647C00P	8	
40	Friction washer	MD61648C00P	1	
41	Bevel gear set	MD61649C00P	1	
43	Differential	MD61650C00P	1	
44	Seal washer	MD61651C00P	1	



18-07-2007

Figure 3 – Axle hub / epicyclic assembly  
213/152 axle (12T)



Fig 1 Item	Item Name and Description	Part No. / Drawing No.	Qty	Remarks
REF	<b>Axle hub/epicyclic assy - 213/152 axle (12T)</b>			
1	Axle case	MD61652C00P	2	
3	Bolt	MD61653C00P	40	
4	Bolt	MD61654C00P	2	
5	Nut	MD46842C00P	2	
6	Bolt	MD61609C00P	24	
7	Grease fitting	MD61656C00P	4	
8	Pivot pin	MD61657C00P	2	
10A	Shim	MD61658C00P	2	
10B	Shim	MD61659C00P	2	
10C	Shim	MD61660C00P	2	
11	Dust excluder	MD61655C00P	2	
12	Bushing	MD61617C00P	2	
13	Pivot pin	MD61622C00P	2	
14	Bearing	MD61623C00P	2	
15	Circlip	CH-480131	2	
16	Reduction bushing	MD61630C00P	2	
17	Circlip	CH-450010	2	
18	Bearing	CH-480128	2	
19	Seal	MD61629C00P	2	
20	O Ring	MD46852C00P	2	
21	Joint	MD61587C00P	2	
22	Seal	MD61563C00P	2	
23	Thrust Bush	MD61564C00P	1	
24	Steering adjust bolt	MD61628C00P	4	
25	Nut	CH-480139	4	
28	Seal	MD61566C00P	2	
29	Bearing	MD61567C00P	4	
30	Wheel hub	MD61625C00P	2	
31	Wheel sud	MD61662C00P	20	
32	Wheel nut	MD61663C00P	20	
33	O'Ring	MD61570C00P	2	
34	Circlip	MD61571C00P	2	
35	Stud	MD61569C00P	16	
36	Nut	MD61568C00P	16	
37	Locking plate	MD61664C00P	2	
38	Ring Gear Support	MD61573C00P	2	
39	Ring Gear	MD61572C00P	2	
40	Circlip	MD61574C00P	8	
41	Planet Gear	MD61575C00P	8	
42	Bearing	MD61576C00P	8	
43	Planet gear carrier	MD61665C00P	2	
44	Planet gear carrier	MD61559C00P	2	

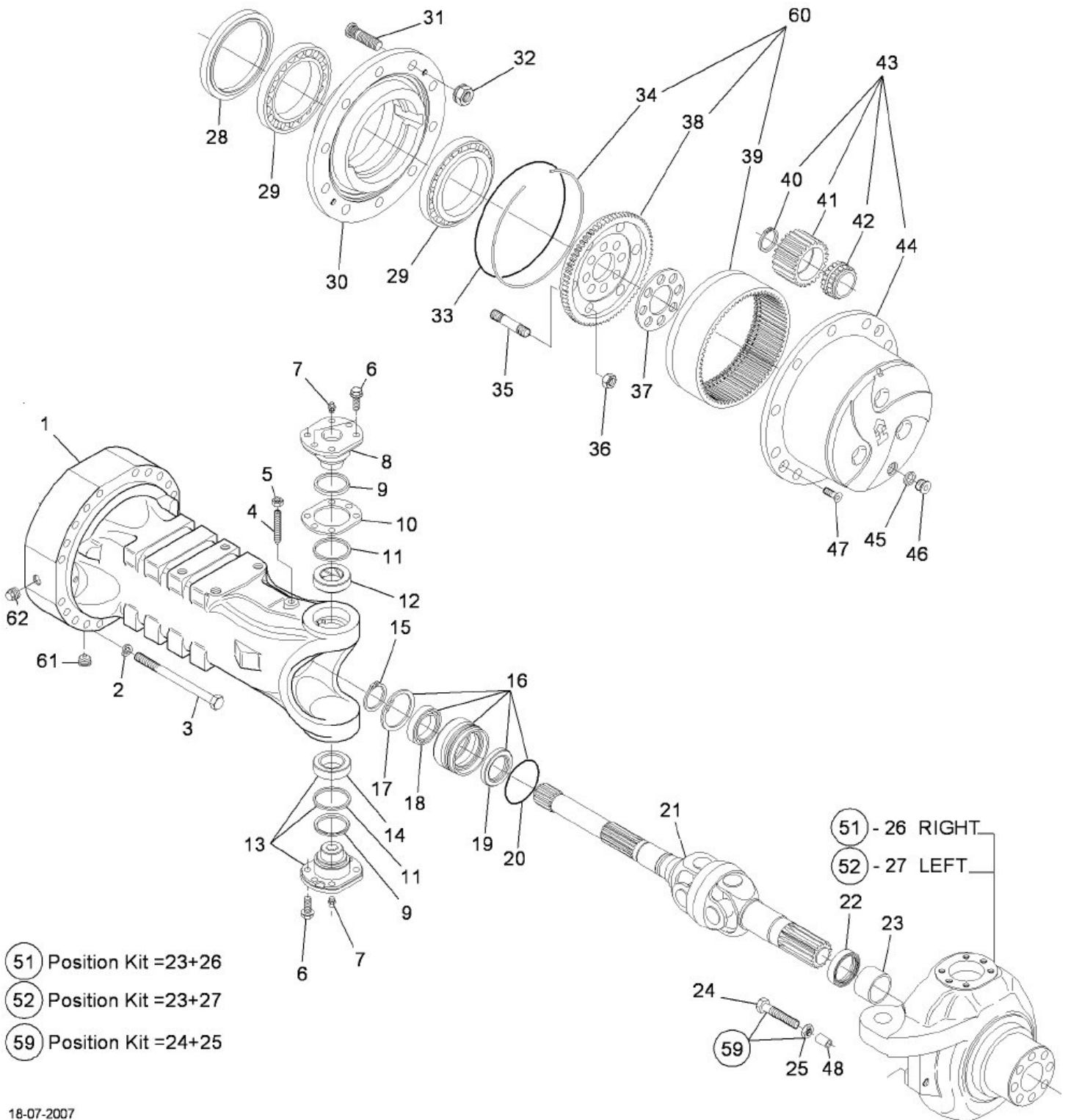
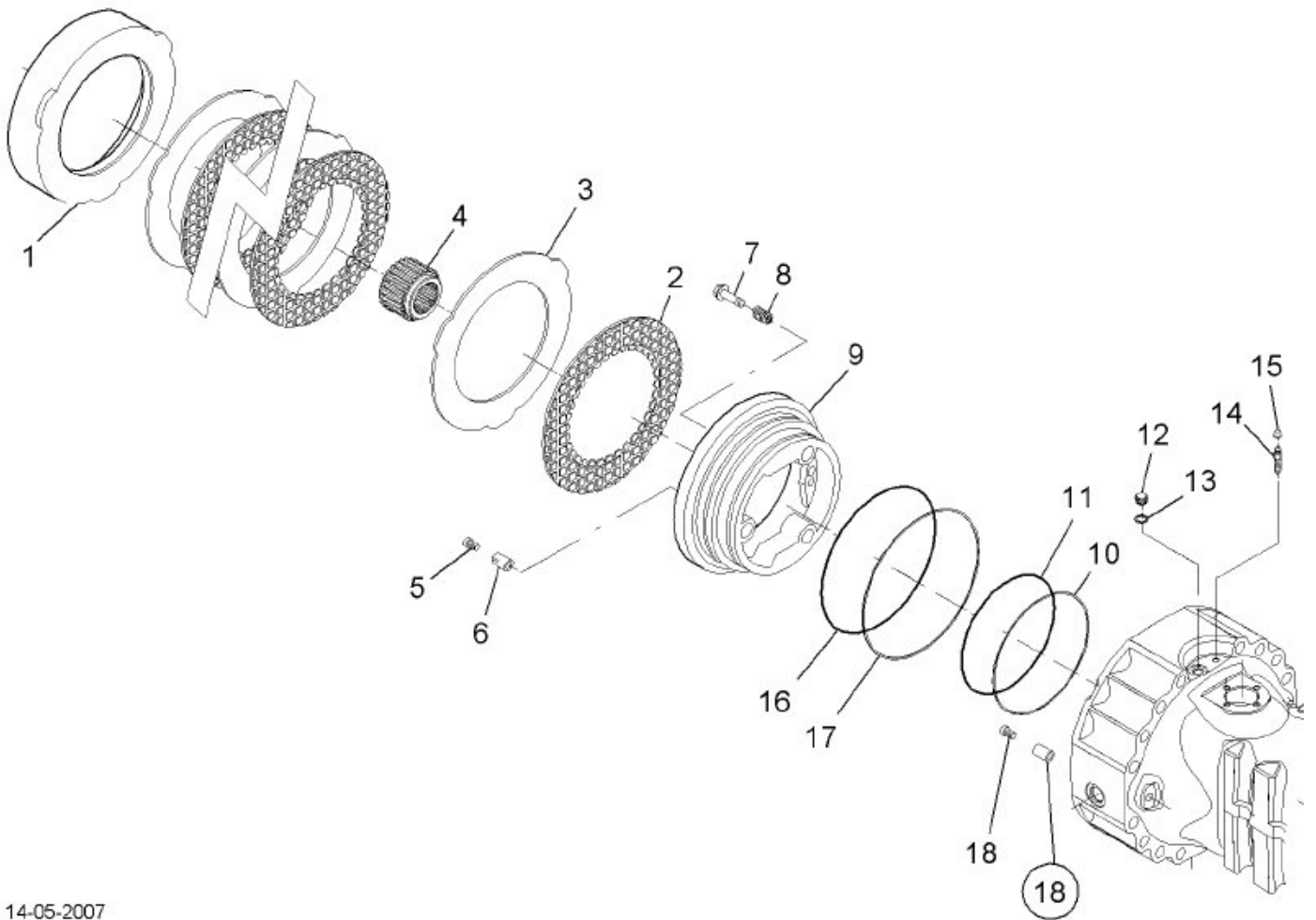


Figure 3 – Axle hub / epicyclic assembly  
213/152 axle (12T)



Fig 1 Item	Item Name and Description	Part No. / Drawing No.	Qty	Remarks
REF	<b>Axle hub/epicyclic assy - 213/152 axle (12T)</b>			
46	Plug	MD61560C00P	2	
47	Countersunk bolt	MD61666C00P	4	
48	Spacer	MD61667C00P	2	
51	Steering case	MD61668C00P	1	
52	Steering case	MD61669C00P	1	
60	Ring gear support	MD61670C00P	2	
61	Magnetic Plug	MD61557C00P	2	
62	Plug	MD61556C00P	2	
63	Spacer	MD61671C00P	2	



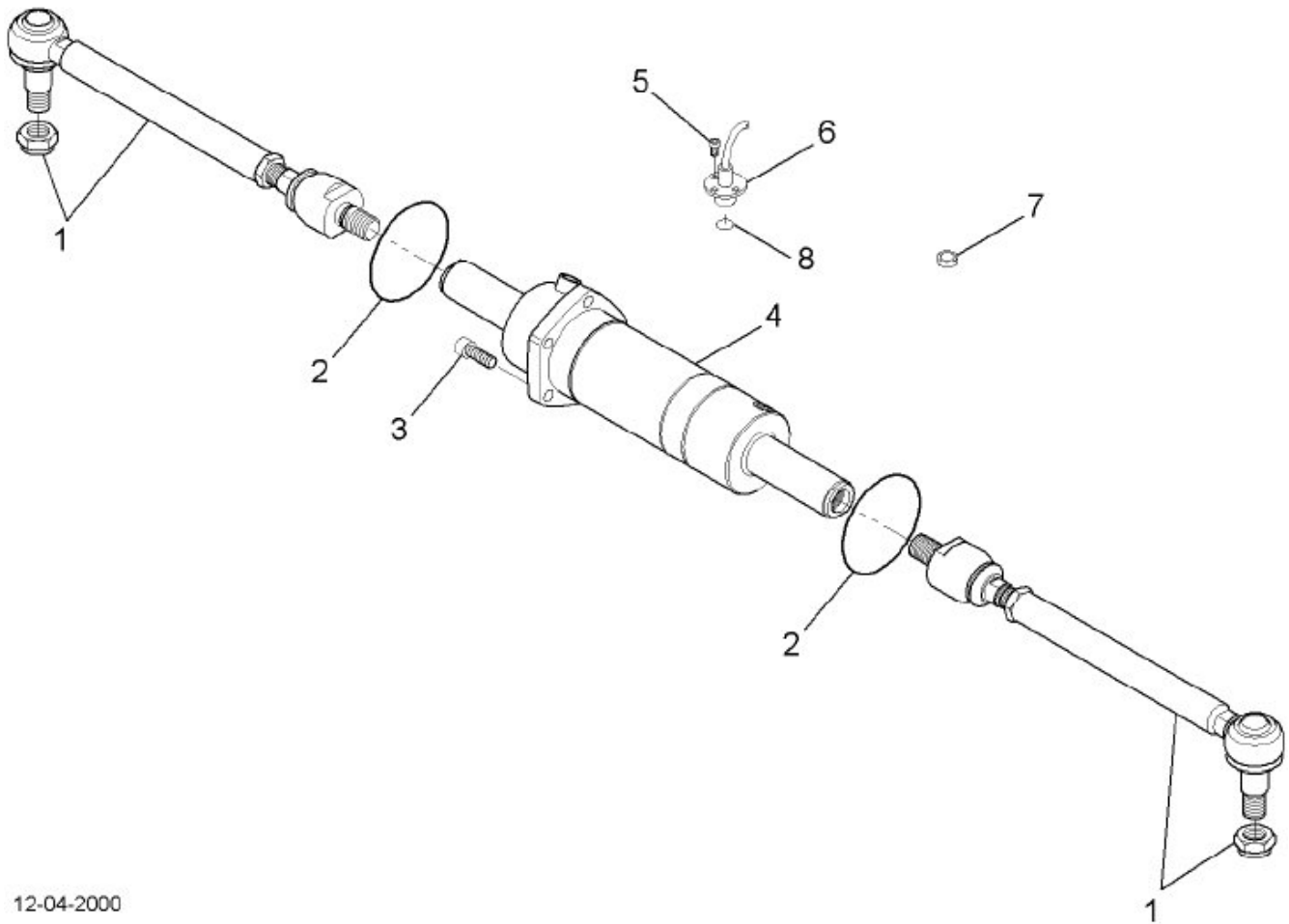
14-05-2007

Figure 4 – Brake assembly  
213/152 axle (12T)



Fig 1 Item	Item Name and Description	Part No. / Drawing No.	Qty	Remarks
REF	<b>Brake assembly - 213/152 axle (12T)</b>			
1	Spacer	MD61672C00P	2	
2	Brake Disc	MD61579C00P	6	
3	Intermediate Brake Disc	MD61578C00P	6	
4	Reduction bushing	MD61673C00P	2	
5	Adjusting bolt	MD61674C00P	6	
6	Spring	MD61675C00P	6	
7	Adjusting bolt	MD61676C00P	6	
8	Spring	CH-450057/01	6	
9	Piston	MD61678C00P	2	
11	O'Ring	MD61589C00P	2	
12	Bolt	MD61679C00P	2	
13	Seal washer	MD61680C00P	2	
14	Bleed bolt	CH-450128	2	
15	Plug	MD46751C00P	2	
16	O'Ring	MD61590C00P	2	
17	Back Up Ring	MD61591C00P	2	
18	Pilot bolt	MD61681C00P	2	





12-04-2000

Figure 5 – Steering cylinder  
213/152 axle (12T)



Fig 1 Item	Item Name and Description	Part No. / Drawing No.	Qty	Remarks
REF	<b>Steering cylinder - 213/152 axle (12T)</b>			
1	Articulated Tie Rod	MD61584C00P	2	
2	O'Ring	MD61585C00P	2	
3	Cylinder bolt	MD61682C00P	5	
4	Steering cylinder	MD61683C00P	1	
5	Bolt	MD61684C00P	3	
7	Plug	MD61685C00P	1	



## CHAPTER 2-6

### SUSPENSION

#### CONTENTS

Para		Page
1	Engine Type and Front Suspension Guide	2

#### Fig

- 1 Front Suspension Sub Assembly, 4 Cylinder
- 2 Front Suspension Sub Assembly, 6 Cylinder
- 3 Front Suspension Sub Assembly, Early 4 and 6 Cylinder
- 4 Rear Suspensions Sub Assembly 6 ton
- 5 Rear Suspension Sub Assembly 10 ton
- 6 Rear Suspension Sub Assembly 213 axle, 12T
- 7 Front Suspension Sub Assembly 223 axle, 8T



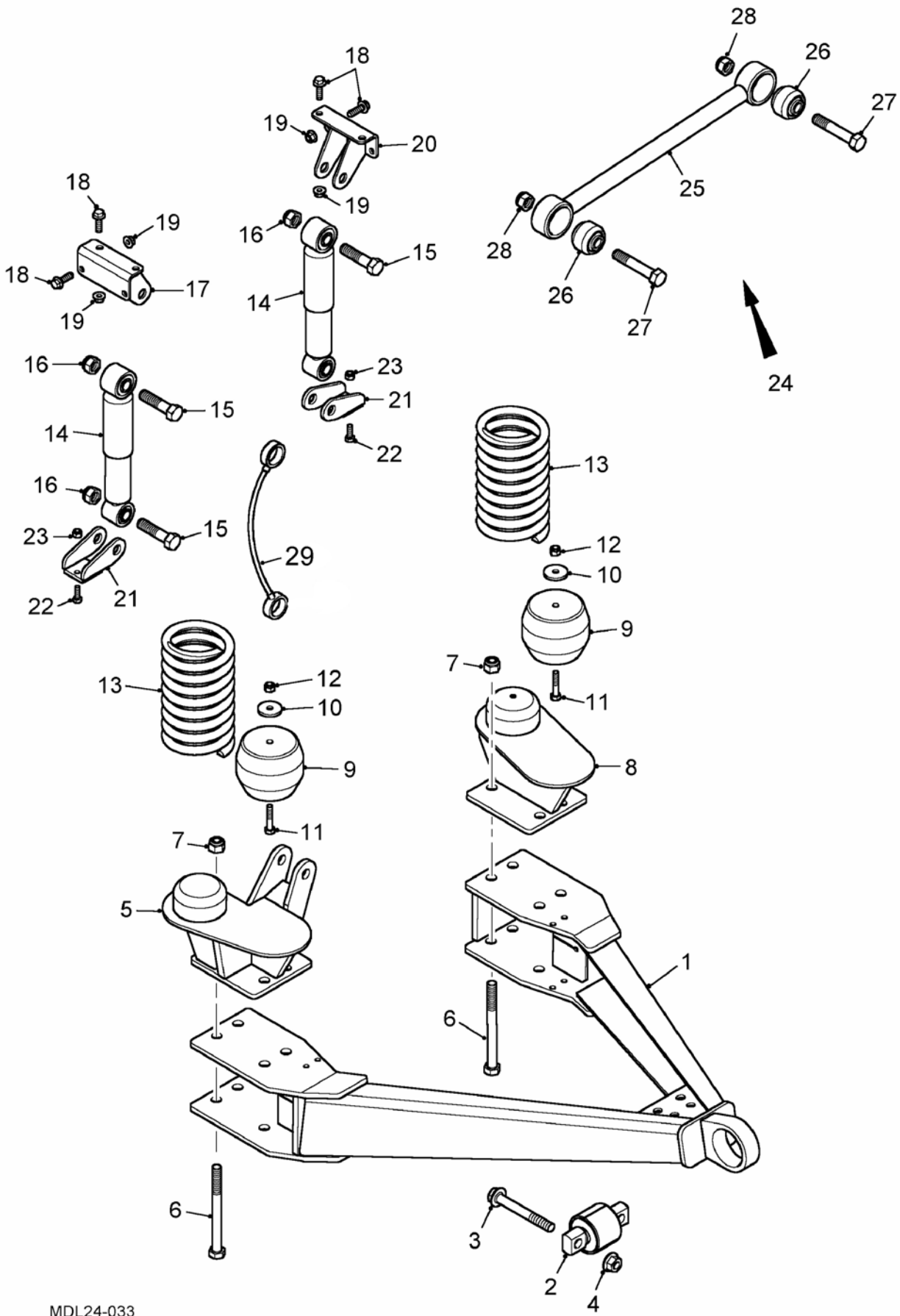
## 1 ENGINE TYPE AND FRONT SUSPENSION GUIDE

The following list helps to identify the correct front suspension assembly.

Serial Number	Front Suspension Assy Number	Figure Number
96225	MD49689C20A	Fig 3
96233	MD49689C20A	Fig 3
96243	MD55233D12A	Fig 1/2
96244	MD49689C20A	Fig 3
96245	MD49689C20A	Fig 3
96246	MD49689C20A	Fig 3
96249	MD55233D12A	Fig 1/2
96251	MD49689C20A	Fig 3
96250	MD49689C20A	Fig 3
96252	MD49689C20A	Fig 3
96253	MD49689C20A	Fig 3
96254	MD49689C20A	Fig 3
96255	MD49689C20A	Fig 3
96256	MD49689C20A	Fig 3
96259	MD49689C20A	Fig 3
96260	MD49689C20A	Fig 3
96261	MD49689C20A	Fig 3
96269	MD49689C20A	Fig 3
96271	MD49689C20A	Fig 3
96272	MD49689C20A	Fig 3
96273	MD55233D12A	Fig 1/2
96270	MD49689C20A	Fig 3
96274	MD49689C20A	Fig 3
96275	MD49689C20A	Fig 3
96276	MD49689C20A	Fig 3
96277	MD49689C20A	Fig 3
96278	MD55233D12A	Fig 1/2
96280	MD49689C20A	Fig 3
96281	MD55233D12A	Fig 1/2
96285	MD55233D12A	Fig 1/2
96285	MD55233D12A	Fig 1/2
96286	MD55233D12A	Fig 1/2
96287	MD55233D12A	Fig 1/2
96289	MD55233D12A	Fig 1/2
96290	MD55233D12A	Fig 1/2
96291	MD55233D12A	Fig 1/2



<b>Serial Number</b>	<b>Front Suspension Assy Number</b>	<b>Figure Number</b>
96295	MD55233D12A	Fig 1/2
96296	MD55233D12A	Fig 1/2
96298	MD55233D12A	Fig 1/2
96297	MD55233D12A	Fig 1/2
96300	MD55233D12A	Fig 1/2
96299	MD55233D12A	Fig 1/2
96307	MD55233D12A	Fig 1/2
96308	MD55233D12A	Fig 1/2
96301	MD55233D12A	Fig 1/2
96305	MD55233D12A	Fig 1/2
96306	MD55233D12A	Fig 1/2
96311	MD55233D12A	Fig 1/2
96309	MD55233D12A	Fig 1/2
96310	MD55233D12A	Fig 1/2
96312	MD55233D12A	Fig 1/2
96313	MD55233D12A	Fig 1/2
96314	MD55233D12A	Fig 1/2
96302	MD55233D12A	Fig 1/2
96319	MD55233D12A	Fig 1/2
96321	MD55233D12A	Fig 1/2

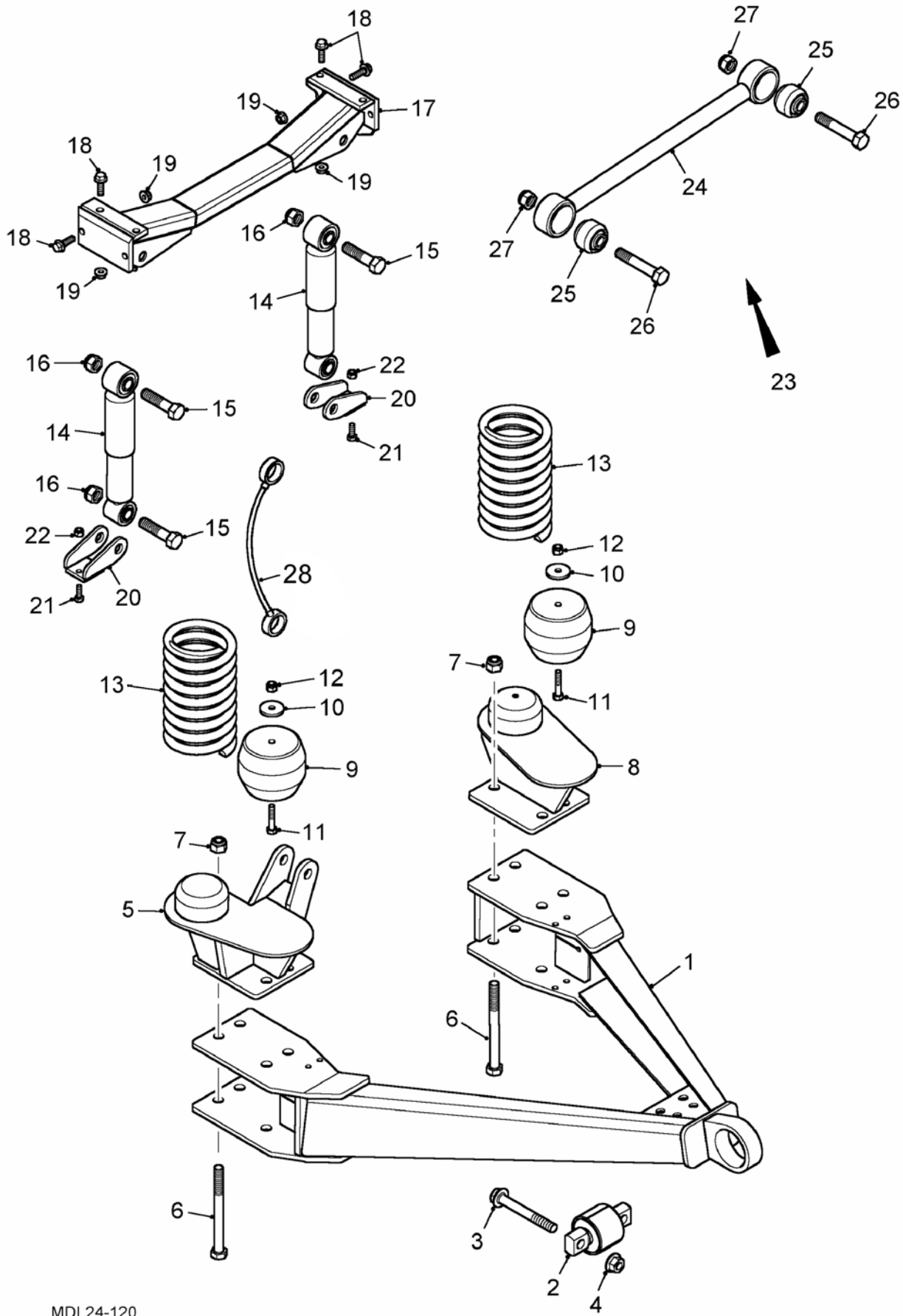


MDL24-033

Figure 1 Front Suspension Sub Assembly, 4 Cylinder



Fig 1 Item	Item Name and Description	Part No. / Drawing No.	Qty	Remarks
REF	<b>FRONT SUSPENSION SUB-ASSEMBLY – 212, 4 CYLINDER</b>	MD55233D12A	1	
1	. FRONT A-FRAME 212	MD55267D12A		
2	. BEARING, SPHERICAL	MD40054D10P	1	
3	. BOLT,M20 X 160MM, HEX FLANGE HD, GR:10.9	MD50821X10S	2	
4	. NUT, FLANGE HEAD, M20, CLASS 10 Z/Y PASSIVATED	MD41613X20S	2	
5	. FRONT RH LOWER SUSPENSION	MD55195D12A	1	Up to build 351
	. FRONT RH LOWER SUSPENSION	MD61384D12A	1	From build 352
6	. BOLT, HEX HD, M20 X 220, GR:10.9	MD46453X10S	8	
7	. NUT, NYLOC, M20, GR:10.9, ZINC PLATE	MD40020X20S	8	
8	. FRONT LH LOWER SUSPENSION	MD55196D12A	1	Up to build 351
	. FRONT LH LOWER SUSPENSION	MD61380D12A	1	From build 352
9	. RUBBER SPRING	MD42591D24P	2	
10	. RETAINING WASHER	MD54613D14P	2	
11	. BOLT, M12, HEX HD	MD41024X10S	2	
12	. NUT, NYLOC, M12, SELF LOCKING, GR:10.9, ZINC PLATED.	MD40018X20S	2	
13	. SPRING COIL	MD60421B10P	2	Up to build 344
	. SPRING COIL	MD60421B10P	2	From build 345
14	. SHOCK ABSORBER	MD44829B10P	2	
15	. BOLT, HEX, M22 X 90, GR:8.8	MD52839X10S	4	
16	. NUT, NYLOC, 22MM, COARSE	MD45028X20S	4	
17	. UPPER FRONT RH DAMPER BRACKET	MD55236D12A	1	
18	. BOLT, HEX FLANGE HD, M12 X 40MM, GR:10.9	MD46950X10S	8	
19	. NUT, FLANGED HEAD, M12, GR:10.9, PLATED	MD41610X20S	8	
20	. UPPER FRONT LH DAMPER BRACKET	MD55238D12A	1	
21	. LOWER DAMPER BRACKET	MD55188D12A	2	
22	. BOLT, HEX HD, M10 x 30, GR:8.8	MD50605X10S	4	
23	. NUT, NYLOC, M10 GR 10.9, ZINC PLATED	MD40017X20S	4	
24	. PANHARD ROD ASSY, REAR	MD45133D22A	1	
25	. . PANHARD ROD	MD50928B10A	1	
26	. . BEARING, BONDED RUBBER	MD45023B10P	2	
27	. . BOLT, HEX HD, M22 x 120, GR:8.8 ZN P	MD45027X10S	2	
28	. . NUT, NYLOC, 22MM, COARSE	MD45028X20S	2	
29	. WIRE STROP	MD60168D24C	2	From build 345



MDL24-120

Figure 2 Front Suspension Sub Assembly, 6 Cylinder





Fig 2 Item	Item Name and Description	Part No. / Drawing No.	Qty	Remarks
REF	<b>FRONT SUSPENSION SUB-ASSEMBLY – 212, 6 CYLINDER</b>	MD55233D12A	1	
1	. FRONT A-FRAME 212	MD55267D12A		
2	. BEARING, SPHERICAL	MD40054D10P	1	
3	. BOLT,M20 X 160MM, HEX FLANGE HD, GR:10.9	MD50821X10S	2	
4	. NUT, FLANGE HEAD, M20, CLASS 10 Z/Y PASSIVATED	MD41613X20S	2	
5	. FRONT RH LOWER SUSPENSION	MD55195D12A	1	Up to build 351
	. FRONT RH LOWER SUSPENSION	MD61384D12A	1	From build 352
6	. BOLT, HEX HD, M20 X 220, GR:10.9	MD46453X10S	8	
7	. NUT, NYLOC, M20, GR:10.9, ZINC PLATE	MD40020X20S	8	
8	. FRONT LH LOWER SUSPENSION	MD55196D12A	1	Up to build 351
	. FRONT LH LOWER SUSPENSION	MD61380D12A	1	From build 352
9	. RUBBER SPRING	MD42591D24P	2	
10	. RETAINING WASHER	MD54613D14P	2	
11	. BOLT, M12, HEX HD	MD41024X10S	2	
12	. NUT, NYLOC, M12, SELF LOCKING, GR:10.9, ZINC PLATED.	MD40018X20S	2	
13	. SPRING COIL	MD44869B10P	2	Up to build 344
	. SPRING COIL	MD60421B10P	2	From build 345
14	. SHOCK ABSORBER	MD44829B10P	2	
15	. BOLT, HEX, M22 X 90, GR:8.8	MD52839X10S	4	
16	. NUT, NYLOC, 22MM, COARSE	MD45028X20S	4	
17	. CROSSMEMBER WITH INTEGRAL DAMPER BRACKETS	MD60320B10A	1	
18	. BOLT, HEX FLANGE HD, M12 X 40MM, GR:10.9	MD46950X10S	8	
19	. NUT, FLANGED HEAD, M12, GR:10.9, PLATED	MD41610X20S	8	
20	. LOWER DAMPER BRACKET	MD55188D12A	2	
21	. BOLT, HEX HD, M10 x 30, GR. 8.8	MD50605X10S	4	
22	. NUT, NYLOC, M10 GR 10.9, ZINC PLATED	MD40017X20S	4	
23	. PANHARD ROD ASSY, REAR	MD45133D22A	1	
24	. . PANHARD ROD	MD50928B10A	1	
25	. . BEARING, BONDED RUBBER	MD45023B10P	2	
26	. . BOLT, HEX HD, M22 x 120, GR:8.8 ZN P	MD45027X10S	2	
27	. . NUT, NYLOC, 22MM, COARSE	MD45028X20S	2	
28	. WIRE STROP	MD60168D24C	2	From build 345

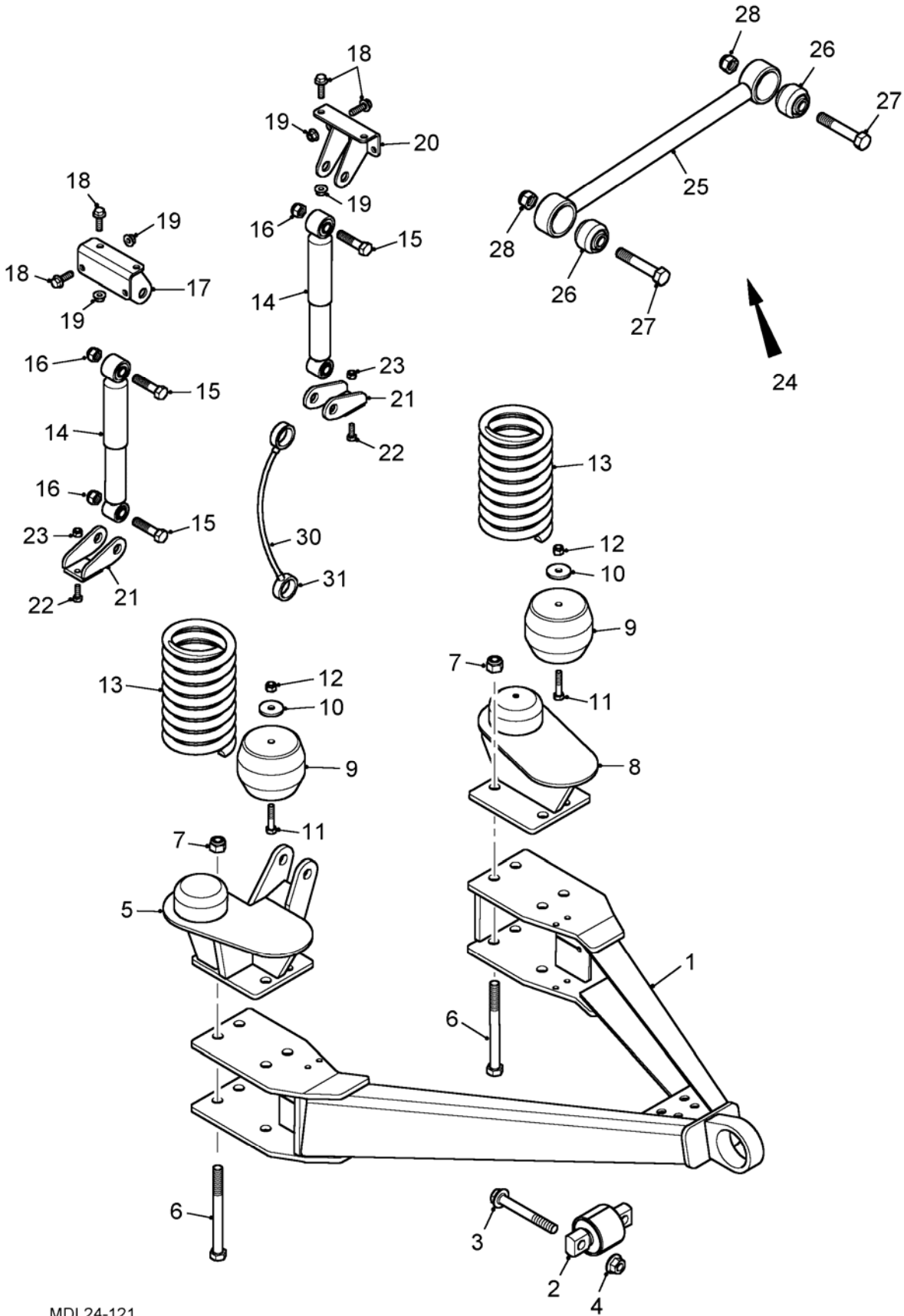
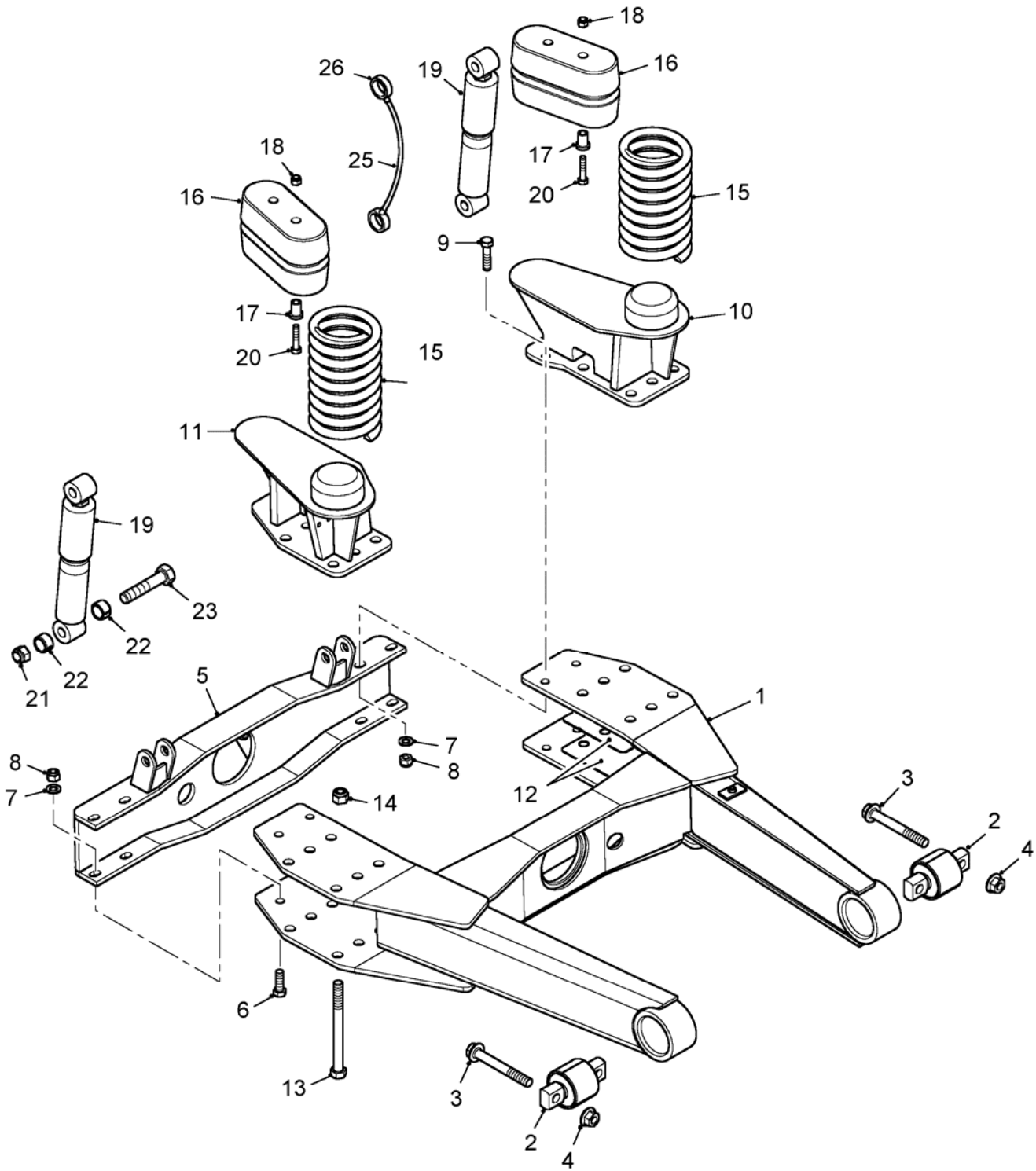


Figure 3 Front Suspension Sub Assembly, Early 4 and 6 Cylinder



Fig 3 Item	Item Name and Description	Part No. / Drawing No.	Qty	Remarks
REF	<b>FRONT SUSPENSION SUB-ASSEMBLY – 212, EARLY 4 AND 6 CYLINDER</b>	MD49689C20A	1	
1	. FRONT A-FRAME 212	MD55267D12A		
2	. BEARING, SPHERICAL	MD40054D10P	1	
3	. BOLT,M20 X 160MM, HEX FLANGE HD, GR:10.9	MD50821X10S	2	
4	. NUT, FLANGE HEAD, M20, CLASS 10 Z/Y PASSIVATED	MD41613X20S	2	
5	. FRONT RH LOWER SUSPENSION	MD50500D22A	1	
6	. BOLT, HEX HD, M20 X 220, GR:10.9	MD46453X10S	8	
7	. NUT, NYLOC, M20, GR:10.9, ZINC PLATE	MD40020X20S	8	
8	. FRONT LH LOWER SUSPENSION	MD45311D12A	1	
9	. RUBBER SPRING	MD42591D24P	2	
10	. RETAINING WASHER	MD54613D14P	2	
11	. BOLT, M12, HEX HD	MD41024X10S	2	
12	. NUT, NYLOC, M12, SELF LOCKING, GR:10.9, ZINC PLATED.	MD40018X20S	2	
13	. SPRING COIL	MD60421D12C	2	
14	. SHOCK ABSORBER, LIGHT DUTY	MD42886D14A	2	
15	. BOLT, HEX, M12 X 90, GR:8.8	MD40904X10S	4	
16	. NUT, NYLOC, M12, COARSE	MD40018X20S	4	
17	. UPPER FRONT RH DAMPER BRACKET	MD55236D12A	1	
18	. BOLT, HEX FLANGE HD, M12 X 40MM, GR:10.9	MD46950X10S	8	
19	. NUT, FLANGED HEAD, M12, GR:10.9, PLATED	MD41610X20S	8	
20	. UPPER FRONT LH DAMPER BRACKET	MD55238D12A	1	
21	. LOWER DAMPER BRACKET	MD55188D12A	2	
22	. BOLT, HEX HD, M10 x 30, GR:8.8	MD50605X10S	4	
23	. NUT, NYLOC, M10 GR 10.9, ZINC PLATED	MD40017X20S	4	
24	. PANHARD ROD ASSY, REAR	MD45133D22A	1	
25	. . PANHARD ROD	MD50928B10A	1	
26	. . BEARING, BONDED RUBBER	MD45023B10P	2	
27	. . BOLT, HEX HD, M22 x 120, GR:8.8 ZN P	MD45027X10S	2	
28	. . NUT, NYLOC, 22MM, COARSE	MD45028X20S	2	
30	. WIRE STROP ASSEMBLY	MD60168D24C	2	

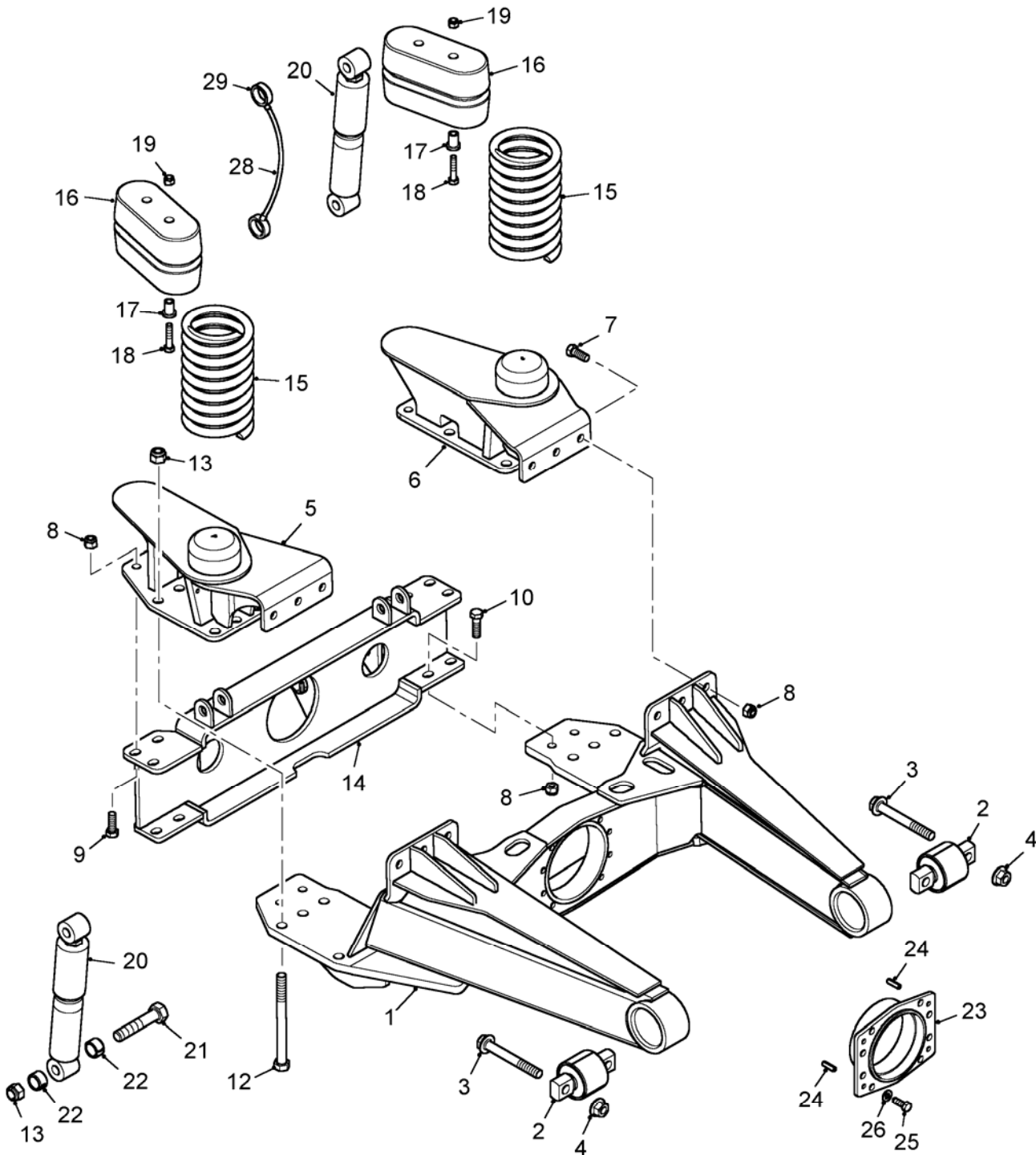


MDL24-034

Figure 4 Rear Suspension Sub Assembly 6 ton



Fig 4 Item	Item Name and Description	Part No. / Drawing No.	Qty	Remarks
REF	<b>REAR SUSPENSION SUB ASSEMBLY - 6 TON</b>	MD52662C20A		
1	. REAR A FRAME - 212 RIGID	MD52666D22A	1	
2	. BEARING SPHERICAL	MD40054D10P	2	
3	. BOLT, M20 X 160MM, HEX FLANGE HD, GR:10.9	MD50821X10S	4	
4	. NUT, M20, FLANGE HEAD, CLASS10	MD41613X20S	4	
5	. REAR AXLE HANGER, 6 TON AXLE	MD52783D22A	1	
6	. BOLT, M16 X 45MM, GR:10.9 HEX	MD40026X10S	4	
7	. WASHER, M16, ZINC PLATED	MD40029X30S	8	
8	. NUT, NYLOC, M16, GR: 10.9 ZINC	MD40019X20S	8	
9	. BOLT, M16 X 65, HEX, GR:8.8	MD52919X10S	4	
10	. REAR LH LOWER SUSPENSION BRACKET	MD52804D22A	1	
11	. REAR RH LOWER SUSPENSION BRACKET	MD52808D22A	1	
12	. AXLE SHIM, 3MM	MD53141D22C	4	
13	. BOLT, M20 X230, HEX HD, GR:8.8	MD45334X10S	12	
14	. NYLOC NUT, M20, GR:10.9 ZINC	MD40020X20S	12	
15	. SPRING COIL	MD44869B10P	2	Up to build 344
	. SPRING COIL	MD60421D12C	2	From build 345
16	. RUBBER SPRING	MD46537D24P	2	
17	. SPRING CLAMP	MD46655D24C	2	
18	. NUT, NYLOC, M12, SELF LOCKING, GR:10	MD40018X20S	4	
19	. SHOCK ABSORBER	MD44829B10P	2	
20	. BOLT, M12 X 60, HEX	MD41024X10S	4	
21	. NUT, NYLOC, 22MM COARSE	MD45028X20S	4	
22	. TENSION BUSH	MD48775B10P	4	
23	. BOLT, M22 X 90, HEX HD, GR:8.8	MD52839X10S	4	
25	. WIRE STROP ASSEMBLY	MD60168D24C	2	Where fitted



MDL24-035

Figure 5 Rear Suspension Sub Assembly 10 ton



Fig 5 Item	Item Name and Description	Part No. / Drawing No.	Qty	Remarks
REF	<b>REAR SUSPENSION SUB ASSEMBLY - 10 TON</b>	MD50177C20A		
1	. REAR 276 H-FRAME	MD54561D22A	1	
2	. BEARING SPHERICAL	MD40054D10P	2	
3	. BOLT, M20 X 160MM, HEX FLANGE HD	MD50821X10S	4	
4	. NUT, M20, FLANGE HEAD, CLASS10	MD41613X20S	4	
5	. REAR LOW RH SUSP BRACKET, 10 TON	MD54762D22A	1	
6	. REAR LOW LH SUSP BRACKET, 10 TON	MD54761D22A	1	
7	. BOLT, M16 X 40, HEX HEAD, GR:10.9.	MD40675X10S	6	
8	. NUT, NYLOC, M16, GR:10.9, ZINC PLATE	MD40019X20S	6	
9	. BOLT M16 X 45MM LG, GR:10.9	MD40026X10S	6	
10	. BOLT, M16 X 55, HEX, ZINC PLATED	MD51367X10S	4	
NI 11	. STEER AXLE, 276HD/148, 10 TON	-		See Chap 2-5
12	. BOLT, M20 X 250 LG, HEX HD, AINC PL GR: 10.9	MD49449X10S	12	
13	. NUT, NYLOC, M20, GR:10.9, ZINC PLATE	MD40020X20S	14	
14	. REAR AXLE HANGER, FOR 10 TON AXLE	MD51100D22A	1	
15	. SPRING COIL SUSPENSION	MD44869B10P	2	Up to build 344
	. SPRING COIL SUSPENSION	MD60421D12C	2	From build 345
16	. RUBBER SPRING	MD46537D24P	2	
17	. SPRING CLAMP	MD46655D24C	2	
18	. BOLT, M12, HEX HD	MD41024X10S	4	
19	. NUT, NYLOC, M12, GR:10, ZINC PLATED.	MD40018X20S	4	
20	. SHOCK ABSORBER	MD44829B10P	2	
21	. BOLT, M20 X 90, HEX HEAD, GR:10.9	MD44862X10S	2	
22	. TENSION BUSH	MD48775B10P	4	
23	. TRUNNION CLAMP, FOR 10 TON AXLE ASSY	MD51174D22A	1	
24	. SPIROL SPRING PIN 10 DIA X 35 LONG	MD51375X40S	2	
25	. BOLT, M12 X 35MM, GR:10.9, HEX HD	MD40968X10S	4	
26	. WASHER, M12, HARDENED	MD40663X30S	4	
28	. WIRE STROP ASSEMBLY	MD60168D24C	2	

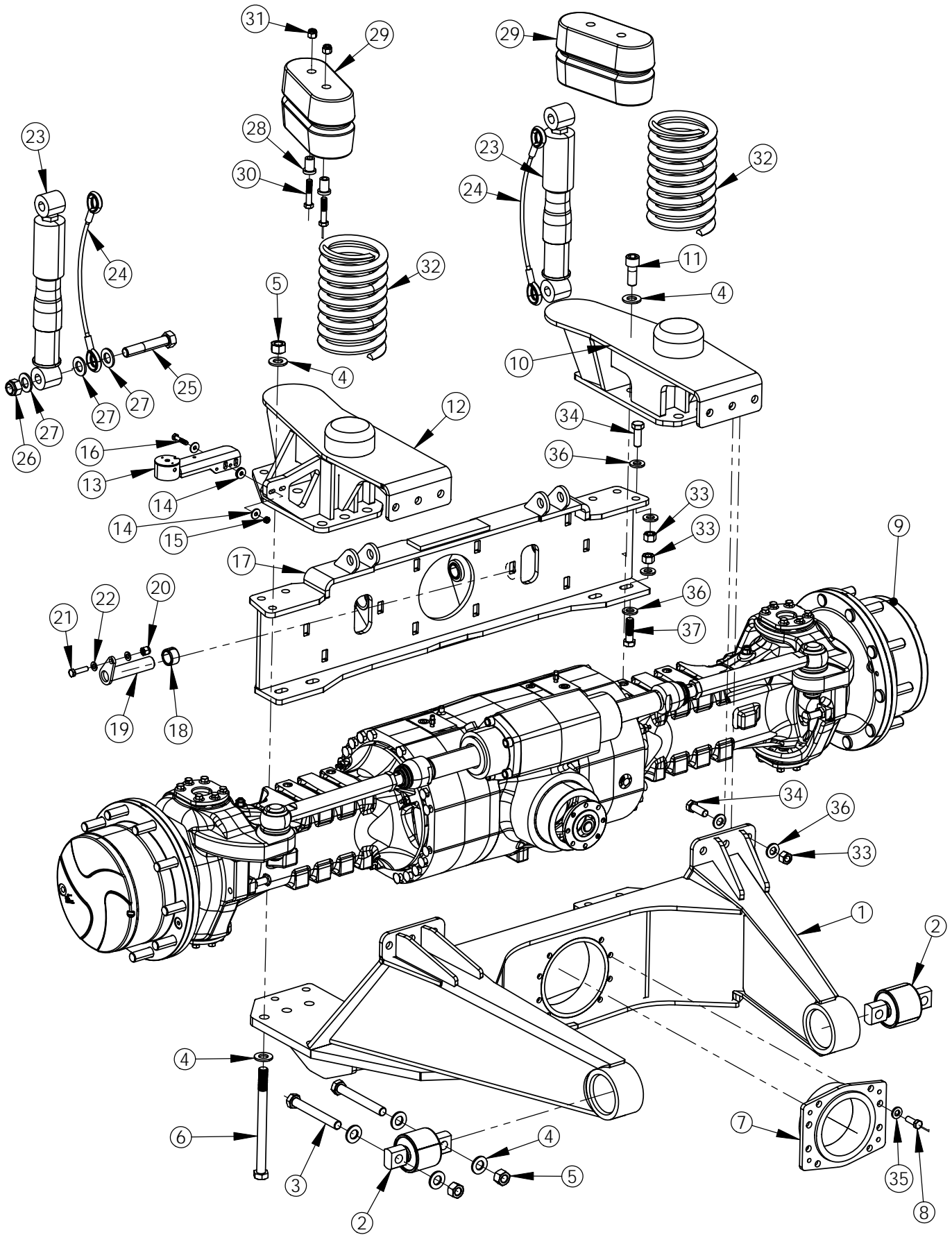


Fig 6 Rear Suspension/axle assy - 213 12T axle  
Assy No. MD61320D22A





Fig 1 Item	Item Name and Description	Part No. / Drawing No.	Qty	Remarks
	<b>Rear suspension/axle assy – 213, (12T)</b>	MD61320D22A		
1	213 H frame assy	MD61333D22A	1	
2	Suspension pivot rubber	MD40054D10P	2	
3	M20 x 160 x 10.9 Bolt	MD60112X10S	4	
4	M20 hardened washer	MD60257X30S	32	
5	M20 10.9 nylok	MD40020X20S	16	
6	M20 x 260 Bolt	MD59718X10S	12	
7	Trunion clamp assy	MD51174D22A	1	
8	M12 x 35 bolt	MD40968X10S	8	
9	213 Rear axle assy (12T)	MD61318C00P	1	See chap 2-5
10	213 lower suspension LH	MD61335D22A	1	
11	M20 x 50 capscrew	MD61444X00S	4	
12	213 Lower suspension RH	MD61344D22A	1	
13	4ws sensor mtg brkt - rear	MD61055C20C	1	See chap 2-7-2 P12
14	8mm flat washer	MD40354X30S	10	
15	M8 nylok	MD40016X20S	2	
16	M8 x 40 bolt	MD41850X10S	2	
17	213 Axle hangar assembly	MD61350D22A	1	
18	Tension Bush	MD48775B10P	8	
19	Tow hitch pin assy (213 axle)	MD61362T25A	2	
20	M10 nylok	MD40017X20S	2	
21	M10 x 40 bolt	MD41184X10S	2	
22	M10 flat washer	MD40656X30S	4	
23	Shock Absorber	MD44829B10P	2	
24	Wire strop	MD60168D24C	2	
25	M22 x 120 bolt	MD45027X10S	2	
26	M22 Nylok	MD45028X20S	2	
27	M22 washer	MD46347X30S	6	
28	Clamp - rubber spring	MD46655D24C	4	
29	Rubber spring	MD46537D24P	2	
30	M12 x 60 bolt	MD41024X10S	4	
31	M12 Nylok	MD40018X20S	4	
32	Coil spring - suspension	MD60421D12C	2	
33	M16 10.9 nut	MD40019X20S	16	
34	M16 x 45 x 10.9 bolt	MD40026X10S	12	
35	M12 hardened washer	MD40663X30S	8	
36	M16 hardened washer	MD40029X30S	32	
37	M16 x 55 x 10.9 bolt	MD51367X10S	4	

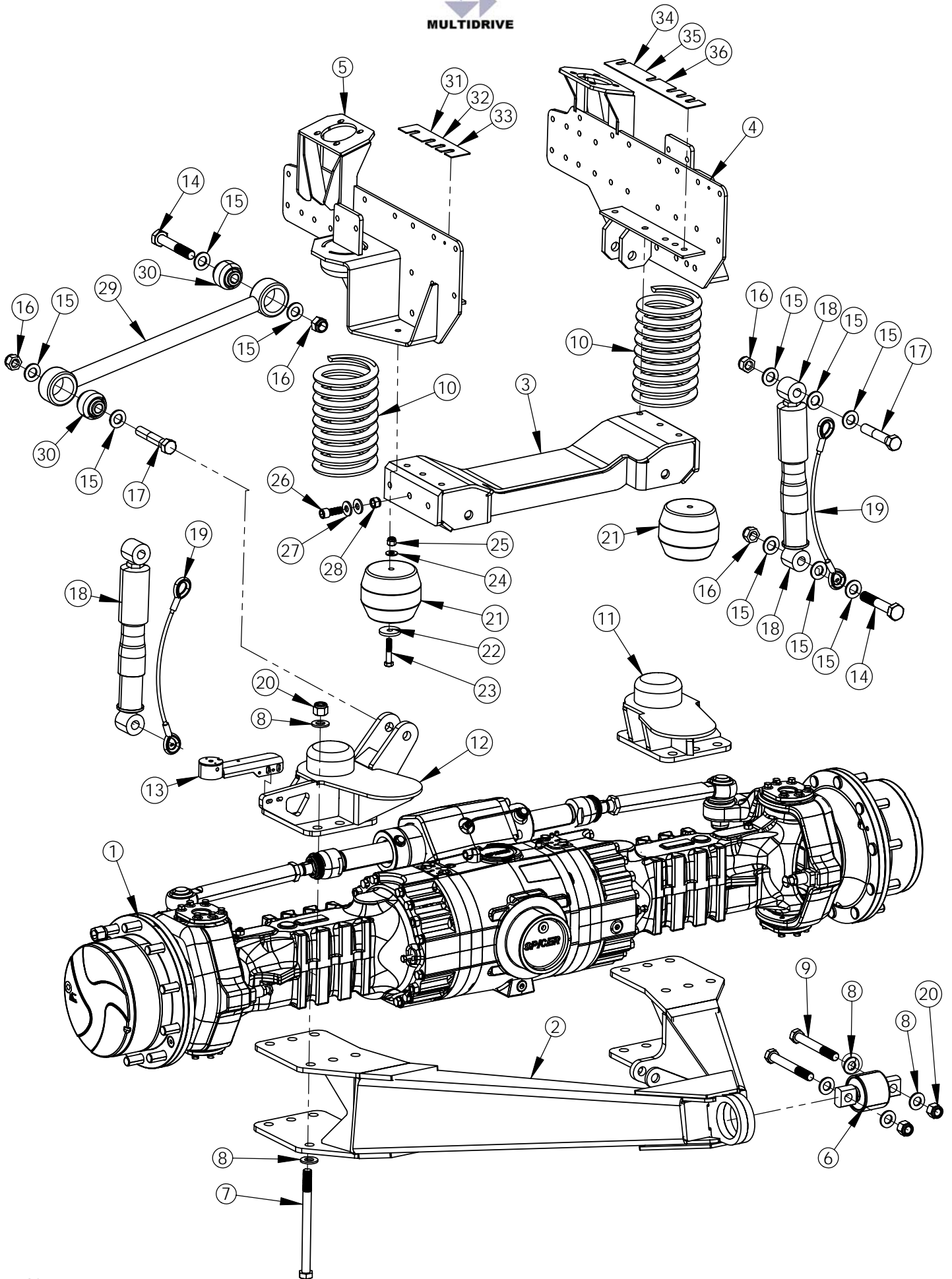


Fig 7 Front suspension assy - 223 8T axle  
Assy no. MD61379D12A



Fig 1 Item	Item Name and Description	Part No. / Drawing No.	Qty	Remarks
	Front axle/suspension assy – 223 8T axle HD	MD61379D12A		
1	223 Front axle (8T)	MD61319C00P	1	See chap 2-5
2	223 A frame assy	MD61386D12A	1	
3	Engine Xmem - 223 axle	MD61402B10A	1	
4	Frnt upper Suspension LH 03/06>	MD61399B10A	1	
5	Frnt upper Suspension - RH	MD61432B10A	1	
6	Suspension pivot rubber	MD40054D10P	1	
7	M20 x 260 x 10.9 bolt	MD59718X10S	12	
8	M20 hardened washer	MD60257X30S	28	
9	M20x160x10.9 bolt	MD60113X10S	2	
10	Coil spring - suspension	MD60421D12C	2	
11	223 lower susp LH	MD61412D2A	1	
12	223 axle - Frnt low susp RH	MD61419D12A	1	
13	4ws sensor mtg brkt - rear	MD61055C20C	1	
14	M22 x 130 bolt	MD61148X10S	3	
15	M22 washer	MD46347X30S	16	
16	M22 Nylok	MD45028X20S	6	
17	M22 x 120 bolt	MD45027X10S	3	
18	Shock Absorber	MD44829B10P	2	
19	Wire strop	MD60168D24C	2	
20	M20 Nylok 10.9	MD40020X20S	14	
21	Rubber suspension spring	MD42591D24P	2	
22	Spring retaining washer	MD54613D14P	2	
23	M12 x 60 bolt	MD41024X10S	2	
24	M12 washer	MD40663X30S	2	
25	M12 nylok	MD40018X20S	2	
26	M14 socket capscrew	MD61445X00S	12	
27	M14 hardened washer	MD61447X30S	24	
28	M14 Nylok 10.9	MD61446X20S	12	
29	Panhard Rod	MD50928B10A	1	
30	Bonded rubber bearing	MD45023B10P	2	
31	Frnt upper susp RH shim 2mm	MD61440B10C	1	
32	Frnt upper susp RH shim 1.5mm	MD61441B10C		
33	Frnt upper susp RH shim 1mm	MD61442B10C		
34	Eng Xmem shim 2mm	MD61411B10C	1	
35	Eng Xmem shim 1.5mm	MD61434B10C		
36	Eng Xmem shim 1mm	MD61435B10C		



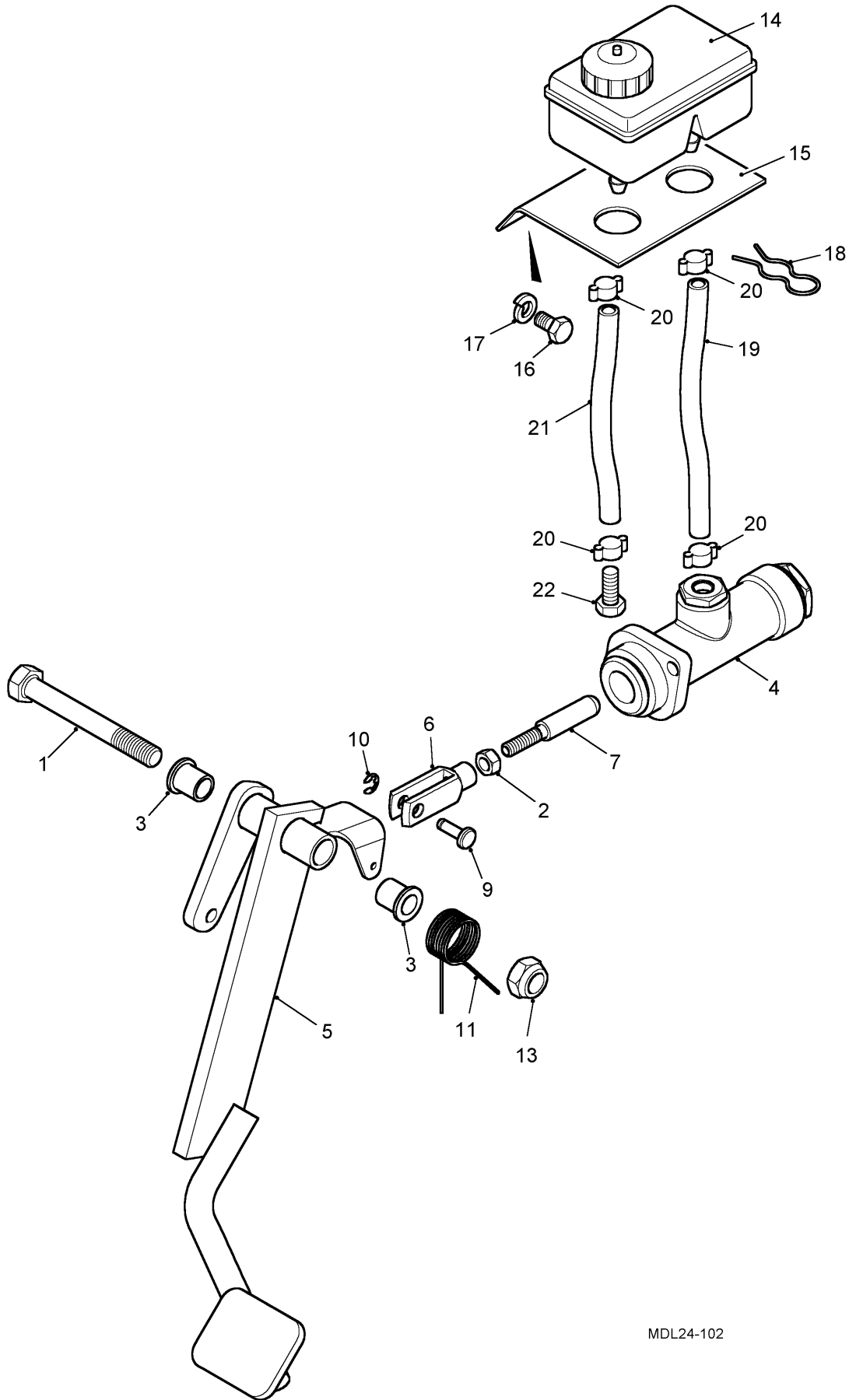
## CHAPTER 2-7-1

### ENGINE AND AXLES

#### CONTENTS

Fig

- 1 Diff Lock Pedal Assembly
- 2 Throttle Assemblies
- 3 Engine Throttle Assembly



MDL24-102

Figure 1 Dif Lock Pedal Assembly



Fig 1 Item	Item Name and Description	Part No. / Drawing No.	Qty	Remarks
REF	<b>DIFF LOCK PEDAL ASSY</b>	MD52648C25A	1	
1	. BOLT, M12 X 100, HEX HD.	MD40452X10S	1	
2	. NUT, M8, PLAIN	MD40922X20S	1	
3	. BUSH, NYLON	MD43678F10C	2	
4	. DIFF LOCK MASTER CYLINDER	MD50916F15P	1	See Chap 2-9
5	. DIFF LOCK PEDAL	MD53000C25A	1	
6	. SHORT CLEVIS, M8	340103	1	
7	. PUSH ROD, DIFF LOCK	MD53013C25C	1	
NI 8	. BOLT, HEX HD, M8 X 45MM LG	MD42179X10S	1	
9	. CLEVIS PIN	MD45391X26P	1	
10	. RETAINING CLIP, 8MM	MD45392X26P	1	
11	. TENSION SPRING, 4 INCH X 0.625 INCH	MD59403X00P	1	
NI 12	. BOLT, M12 X 45, HEX HD	MD43494X10S	1	
13	. NUT, SELF LOCKING, M12, NYLOC, GR 10, ZINC PLATED.	MD40018X20S	1	
14	. RESERVOIR	080324	1	
15	. RESERVOIR BRACKET	172501	1	
16	. BOLT, HEX HD, M6 X 20, GR:10.9	MD40642X10S	2	
17	. WASHER, SPRING, M6	MD52527X30S	2	
18	. 'R' CLIP, M3	-	1	
19	. HOSE, 6MM INTERNAL X 110MM LENGTH	-	A/R	
20	. 'O' CLIP, 13MM	MD53255X27P	4	
21	. HOSE, 6MM INTERNAL X 80MM LENGTH	-	A/R	
22	. BOLT, HEX HD, M8 X 45MM LG	MD42179X10S	1	

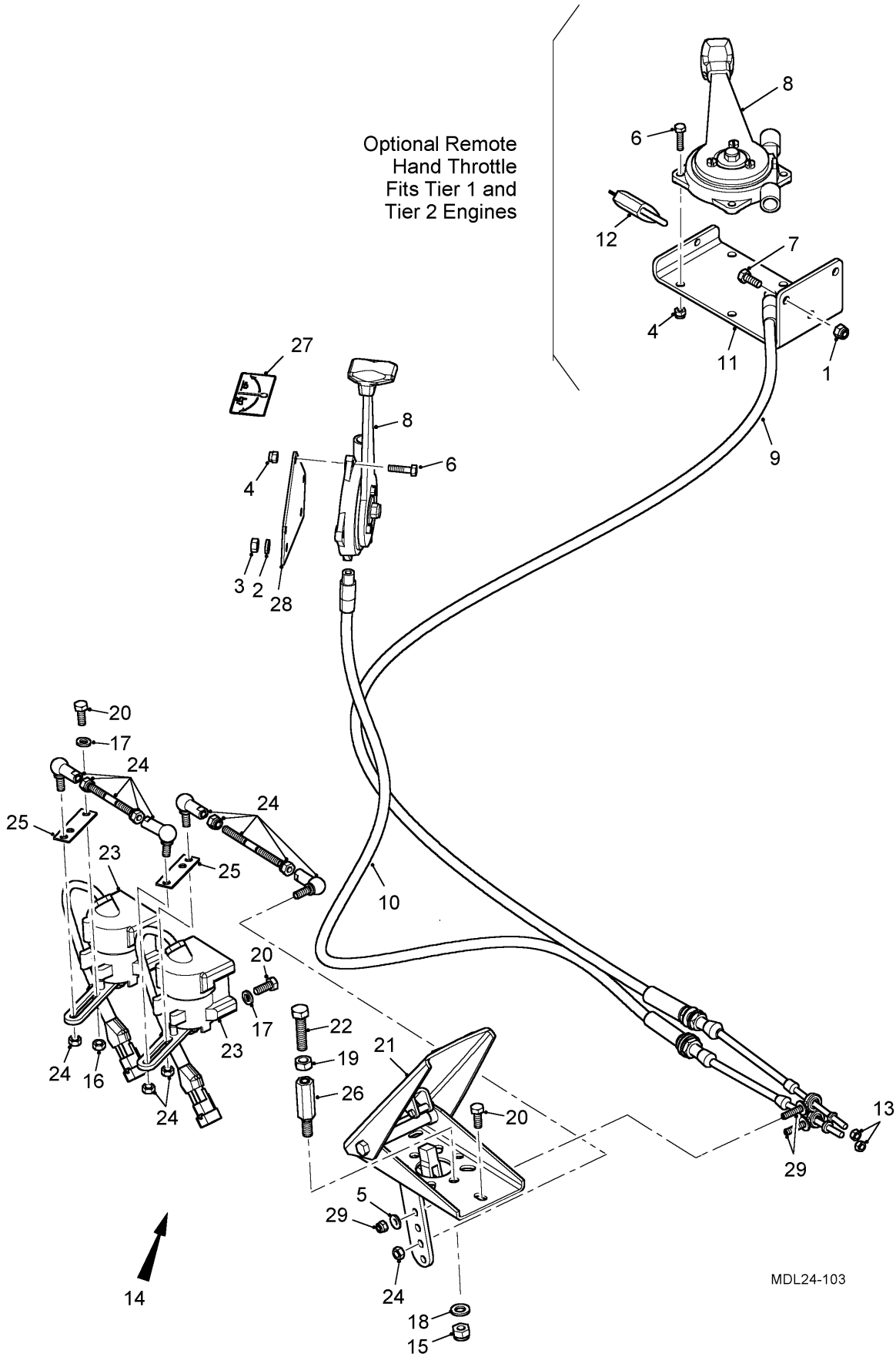


Figure 2 Tier 2 Engine Throttle Assembly with Remote Hand Throttle (Fits Tier 1 and Tier 2 Engines)



Fig 2 Item	Item Name and Description	Part No. / Drawing No.	Qty	Remarks
REF	<b>TIER 2 ENGINE THROTTLE ASSEMBLY (WITH REMOTE HAND THROTTLE)</b>	MD53695A42A	1	
1	. NUT, M6, NYLOC	MD40645X20S	3	
2	. WASHER, M6, HARDENED	MD40646X30S	2	
3	. NUT, M6, PLAIN	MD40921X20S	2	
4	. NUT, M5, NYLOC	MD41235X20S	9	
5	. WASHER, PLAIN, EM5	MD41236X30S	2	
6	. BOLT, M5, PLAIN, 20MM LG HEX, HD. ZINC PLATED	MD41237X10S	7	
7	. . BOLT, M6 X 16, HEX HEAD	MD41890X10S	3	
8	. HAND THROTTLE LEVER	MD46003A42P	2	
9	. HAND THROTTLE CABLE, EXT.	MD46007A42P	1	
10	. HAND THROTTLE CABLE, STANDARD	MD46040A42P	1	
11	. REMOTE HAND THROTTLE BRACKET	MD46048T30C	1	
12	. PADLOCK, ABUS 85 / 30	MD46343X80P	1	
13	. NUT, M5, PLAIN, HEX. HD	MD47980X20S	2	
14	. THROTTLE PEDAL, SUB ASSY	MD53710A42A	1	
15	. . NUT, SELF LOCKING, M8, NYLOC, GR:10.9, ZINC PLATED	MD40016X20S	1	
16	. . NUT, M6, NYLOC	MD40645X20S	1	
17	. . WASHER, M6, HARDENED	MD40646X30S	9	
18	. . WASHER, M8	MD40651X30S	1	
19	. . NUT M8, PLAIN	MD40922X20S	1	
20	. . BOLT, M6 X 16, HEX HEAD	MD41890X10S	12	
21	. . THROTTLE PEDAL	MD46004A42P	1	
22	. . BOLT, M8 X 35MM, HEX	MD46444X10S	1	
23	. . THROTTLE POSITION SENSOR	MD51659F20P	2	
24	. . TPS LINK ASSEMBLY	MD51666E60A	2	
25	. . THROTTLE SET PLATE	MD54049A42C	2	
26	. . THROTTLE PEDAL STOP	MD54537A42C	1	
27	. THROTTLE, DECAL	MD54306A42P	1	
28	. THROTTLE PLATE	MD54984A14C	1	
29	. . ROSE JOINT	MD44924X10S	2	



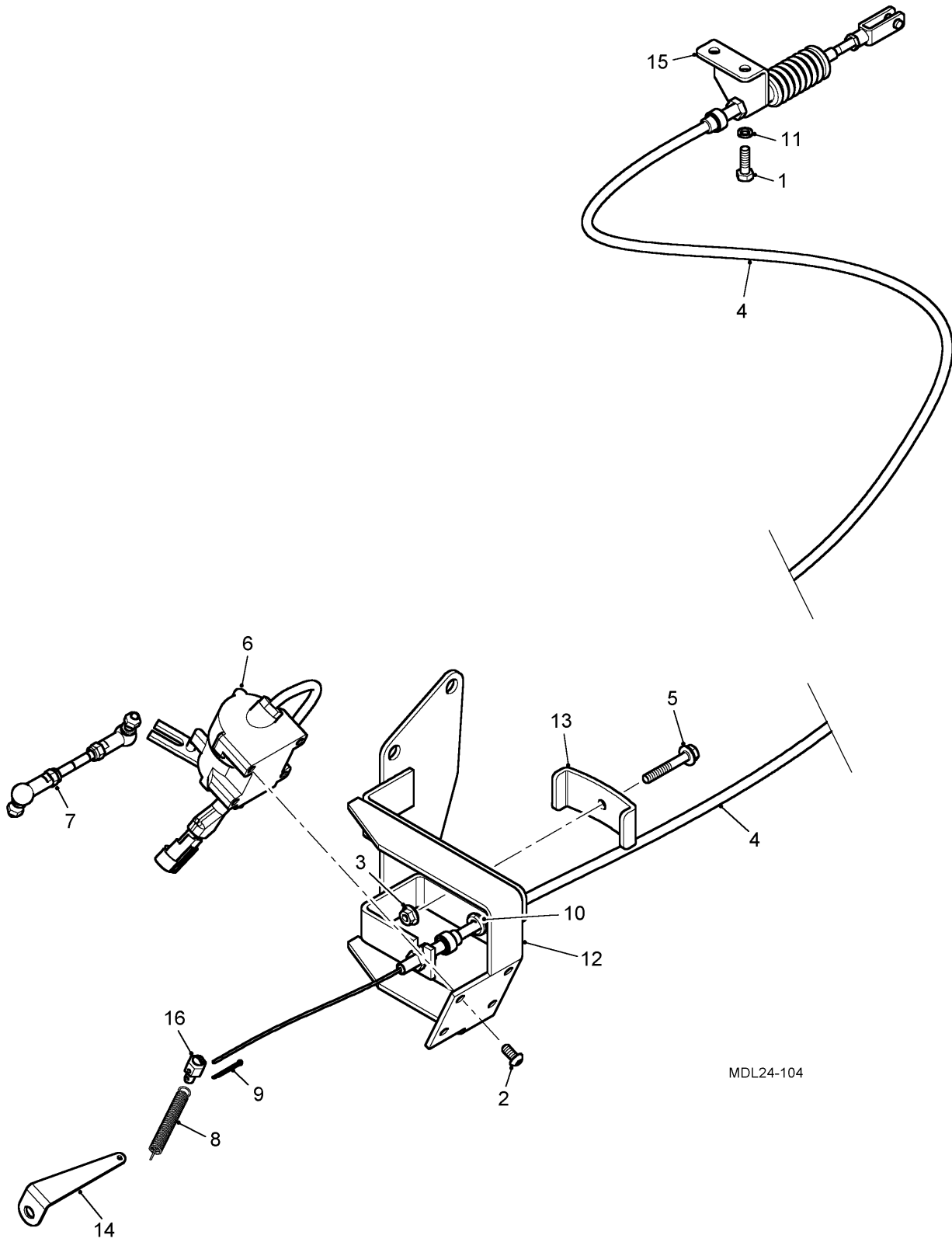


Figure 3 Tier 1 Engine Throttle Assembly



Fig 3 Item	Item Name and Description	Part No. / Drawing No.	Qty	Remarks
REF	<b>TIER 1 ENGINE THROTTLE ASSEMBLY</b>	MD52528A42C	1	
1	. BOLT, M6 X 20, HEX HD, GR:10.9	MD40642X10S	2	
2	. SCREW, M6 X 12, HEX SKT BUTTON HD	MD41453X10S	4	
3	. NUT, M6, FLANGE HD, NUT CLASS 10 Z/Y PASS	MD41607X20S	1	
4	. THROTTLE CABLE, FOOT CONTROL	MD45530A40P	1	
5	. BOLT, M6 X 40MM, FLANGE HEAD, GR:10.9	MD46976X10S	1	
6	. THROTTLE POSITION SENSOR	MD51659F20P	1	
7	. TPS LINK ASSEMBLY	MD51666E60A	1	
8	. THROTTLE EXTENSION SPRING	MD52438A80P	1	
9	. COTTER PIN, SPLIT, 2.0 DIA X 20	MD52525X40S	1	
10	. OPEN GROMMET 11.1 DIA	MD52526X35P	1	
11	. WASHER, M6, SPRING	MD52527X30S	2	
12	. THROTTLE MOUNTING BRACKET	MD52529A42A	1	
13	. AIR COND, PIPE CLAMP	MD52534A42C	1	
14	. THROTTLE RETURN SPRING RETAINER	MD52536A42C	1	
15	. FOOT THROTTLE CAB CABLE SUPPORT	MD52537A42C	1	
16	. THROTTLE CABLE END FITTING	MD52538A42C	1	



## CHAPTER 2-7-2

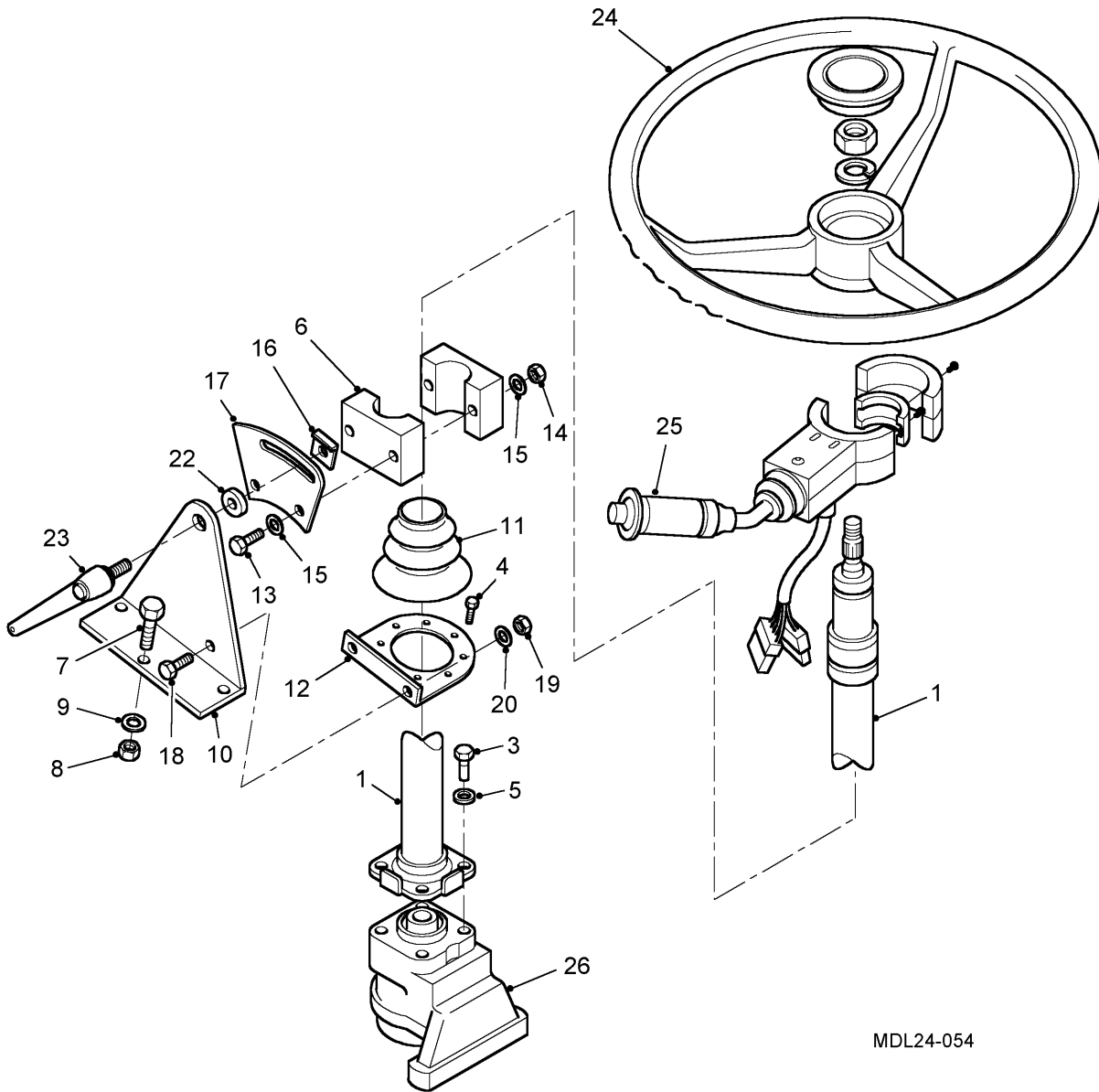
### STEERING

### CONTENTS

Fig

- 1 Steering Column Assembly
- 2 Front Steer Sensor Sub Assembly
- 3 Rear Steer Sensor Sub Assembly
- 4 Steering Electrical Components
- 5 Front steering sensor / mtg (Build 364 onwards)
- 6 Rear steering sensor / mtg (Build 364 onwards)

For hydraulic steering components see Chapter 2-9 hydraulics.  
For the steering rams and track rods see Chapter 2-5 axles.

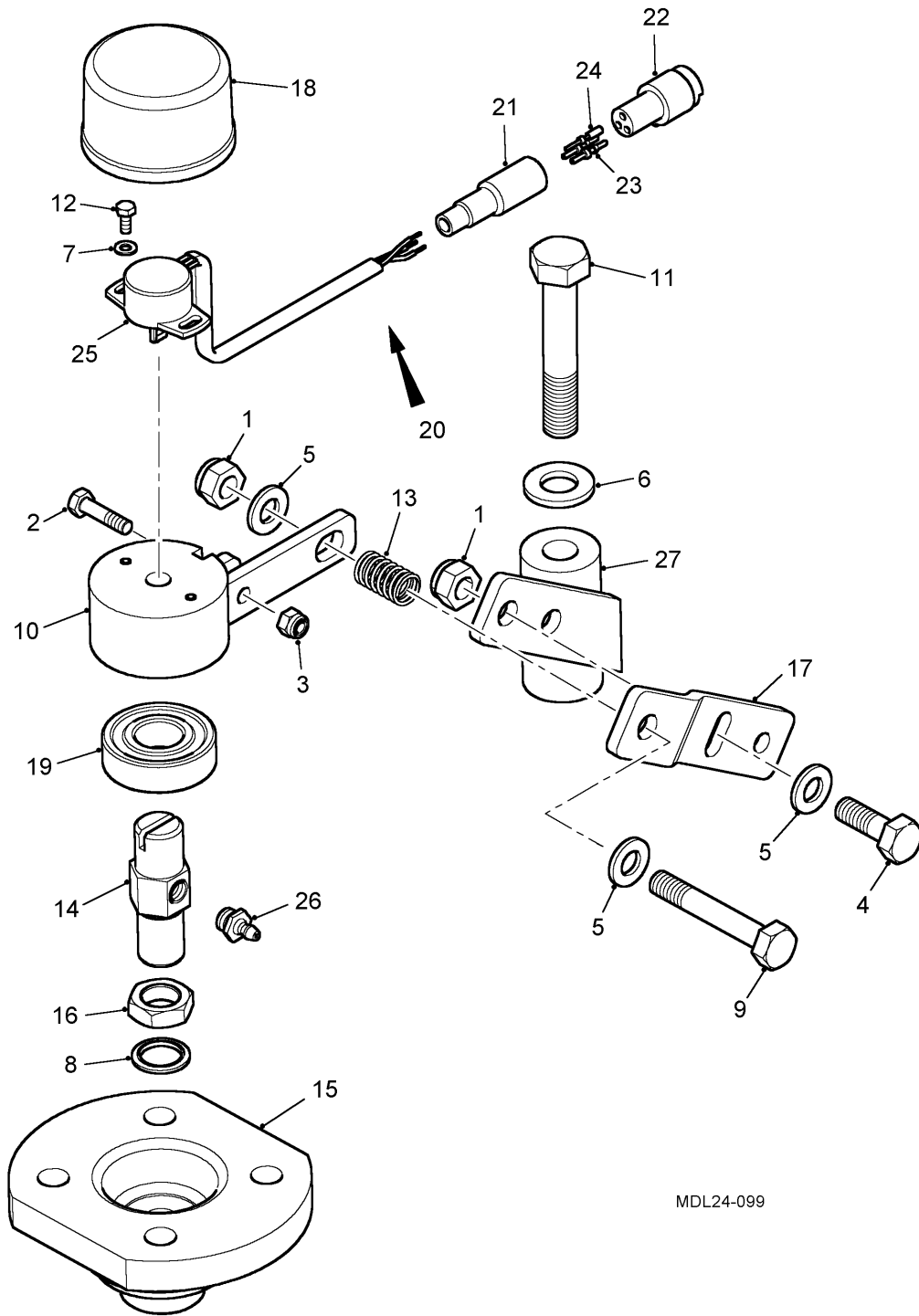


MDL24-054

Figure 1 Steering Column Sub Assembly



Fig 1 Item	Item Name and Description	Part No. / Drawing No.	Qty	Remarks
REF	<b>STEERING COLUMN SUB ASSEMBLY</b>	MD52615K10A	1	
1	. STEERING COLUMN	350610	1	
NI 2	. STEERING COLUMN HINGE	MD60383K10C	1	
3	. SCREW, C /SUNK HEAD SOCKET M10 X 30MM	F08M10030	4	
4	. SETSCREW, M8 X 25 MM	MD53552X10S	3	
5	. WASHER, PLAIN 8 MM	F31M08	3	
6	. BUSH, NYLON	MD43678F10C	4	
7	. BOLT, HEX HD, M12 x 110 MM	F19M12110	1	
8	. NUT, NYLOC, 12 MM COARSE	F22M12	1	
9	. WASHER, PLAIN, 12 MM	F31M12	2	
10	. STEERING COLUMN BRACE	MD60375K10C	1	
11	. GAITER	061600	1	
12	. GAITER CLAMP, STEER COL.	060808	1	
13	. SETSCREW, M6 X 20 MM	F18M06020	2	
14	. NUT, NYLOC, 6 MM COARSE	F22M06	2	
15	. WASHER, PLAIN, 6 MM	F31M06	4	
16	. STEERING COLUMN CLAMP	MD60378K10A	2	
17	. STEERING COLUMN GUIDE	MD60387K10C	1	
18	. BOLT, HEX HD, M10 X 90 MM	F19M10090	2	
19	. NUT, NYLOC, 10 MM COARSE	F22M10	2	
20	. WASHER, PLAIN, 10 MM	F31M10	4	
NI 21	. STEERING COLUMN BOLT	060804	2	
22	. COLUMN CLAMP SPACER	MD60388K10C	2	
23	. INDEXING CLAMP HANDLE	071802	1	
24	. STEERING WHEEL, 400 MM	080200	1	
25	. STEERING COLUMN SWITCH	062011	1	
26	. STEERING MOTOR ASSEMBLY			See Chap 2-9

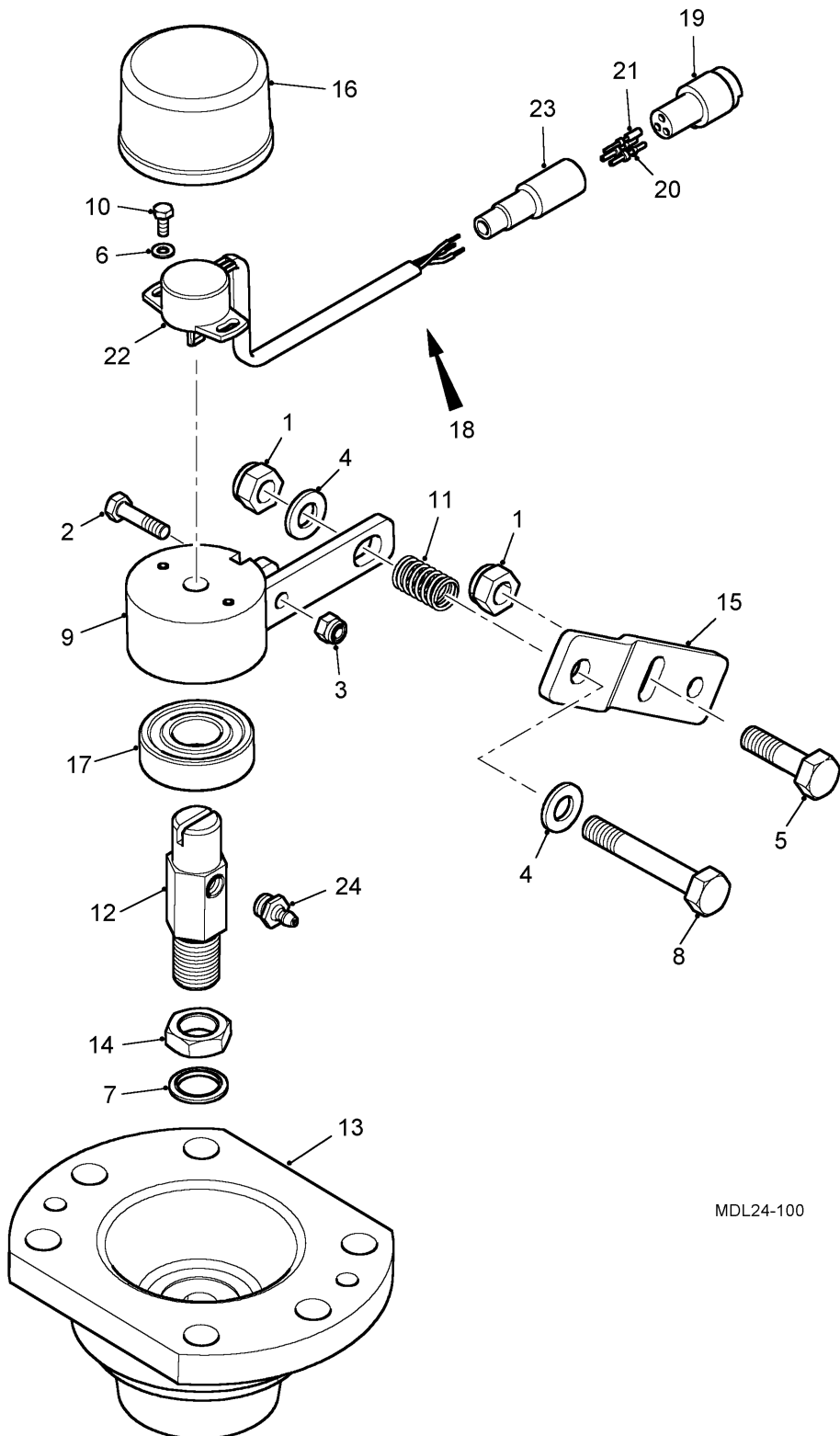


MDL24-099

Figure 2 Front Steer Sense Sub Assembly



Fig 2 Item	Item Name and Description	Part No. / Drawing No.	Qty	Remarks
REF	<b>FRONT STEER SENSE SUBASSY</b>	MD50587C10A	1	
1	. NUT, M10, NYLOC, GR: 10 ZINC PLATED	MD40017X20S	3	
2	. BOLT, M6 x 25, Hex HD, GR:.10.9	MD40643X10S	1	
3	. NUT, M6, NYLOC	MD40645X20S	1	
4	. BOLT, M10 X 30 MM, HEX , GR: 10.9	MD40654X10S	2	
5	. WASHER, M10, HARDENED.	MD40656X30S	4	
6	. WASHER, M14, FLAT HARDENED	MD40665X30S	1	
7	. WASHER, M4, ZINC PLATED	MD41361X30S	2	
8	. SEAL, BONDED, 3/8" BSP	MD41703X50S	1	
9	. BOLT, M10 X 65MM, HEX	MD44146X10S	1	
10	. STEERING SENSOR RETAINER	MD46375K50C	1	
11	. BOLT, M14 X 80 LONG	MD49460X10P	1	
12	. BOLT, M4 X 10MM LG, HEX HD	MD49563X10S	2	
13	. COMPRESSOR SPRING	MD49635X00S	1	
14	. STEER SENSE PICK UP STUD, 212 AXLE	MD51340C20C	1	
15	. KINGPIN CAP MODIFIED, 212 AXLE	MD51342C20C	1	
16	. LOCKNUT, 3/8" BSP	MD51360L20P	1	
17	. STEER SENSOR PLATE	MD51365C10C	1	
18	. PROTECTIVE CAP	MD57104C10P	1	
19	. BALL BEARING	MD57105X45S	1	
20	. POTENTIOMETER SUBASSEMBLY	MD57109N70A	1	
21	. . ITT SURE SEAL CONNECTOR CABLE BOOT	MD57557N50S	1	
22	. . SOCKET, 3 WAY FEMALE	MD57108N50S	1	
23	. . TERMINAL, MALE SURESEAL	MD57106N50S	2	
24	. . TERMINAL, FEMALE SURESEAL	MD57107N50S	1	
25	. . ROTARY POTENTIOMETER	MD46064N80P	1	
26	. GREASE NIPPLE, 1/8" BSPT	MD57129X60P	1	
27	. STEER SENSOR BRACKET	MD57328C10A	1	
NI 28	. LOCTITE 641 BEARING ADHESIVE	MD57264X70S	AR	



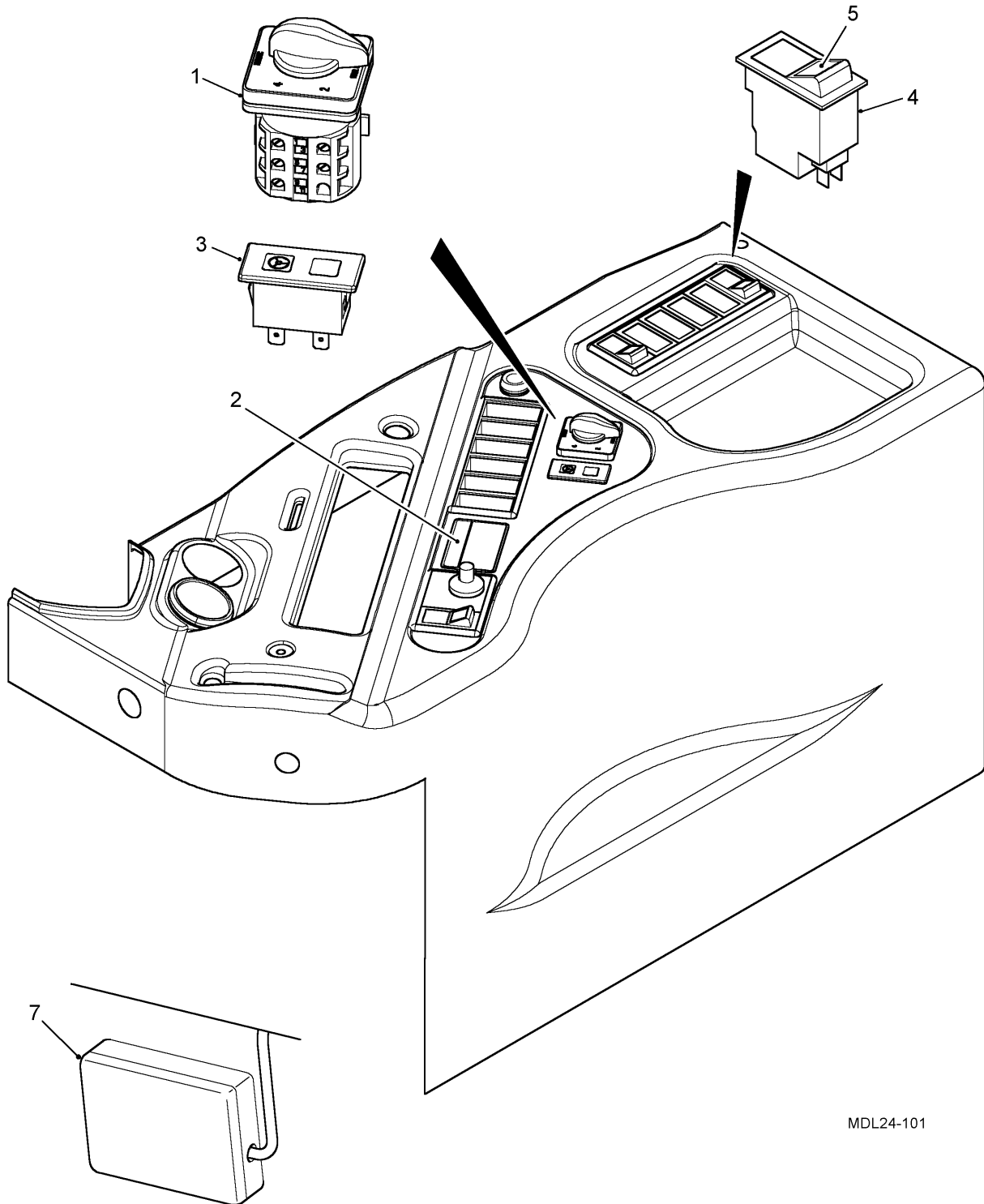
MDL24-100

Figure 3 Rear Steer Sense Sub Assembly





Fig 3 Item	Item Name and Description	Part No. / Drawing No.	Qty	Remarks
REF	<b>REAR STEER SENSE SUB ASSY</b>	MD51366C10A	1	
1	. NUT, M10, NYLOC, GR: 10 ZINC PLATED	MD40017X20S	1	
2	. BOLT M6 X 25, HEX HD, GR:10.9	MD40643X10S	1	
3	. NUT, M6, NYLOC	MD40645X20S	1	
4	. WASHER, M10, HARDENED.	MD40656X30S	2	
5	. BOLT, M10 X 45, HEX HD, GR: 10.9	MD41184X10S	1	
6	. WASHER, M4, ZINC PLATED	MD41361X30S	2	
7	. BONDED SEAL, 3/8" BSP	MD41703X50S	1	
8	. BOLT, M10 X 65MM, HEX	MD44146X10S	1	
9	. STEERING SENSOR RETAINER	MD46375K50C	1	
10	. BOLT, M4 X 10MM LG, HEX HD	MD49563X10S	2	
11	. COMPRESSOR SPRING	MD49635X00S	1	
12	. STEER SENSE PICK UP STUD, 276 AXLE	MD51341C20C	1	
13	. KING PIN CAP MODIFIED, 276 AXLE	MD51343C20C	1	
14	. LOCKNUT, 3/8" BSP	MD51360L20P	1	
15	. STEER SENSOR PLATE	MD51365C10C	1	
16	. PROTECTIVE CAP	MD57104C10P	1	
17	. BALL BEARING	MD57105X45S	1	
18	. POTENTIOMETER SUBASSEMBLY	MD57109N70A	1	
19	. . 3 WAY FEMALE SOCKET	MD57108N50S	1	
20	. . MALE SURESEAL TERMINAL	MD57106N50S	2	
21	. . FEMALE SURESEAL TERMINAL	MD57107N50S	1	
22	. . ROTARY POTENTIOMETER	MD46064N80P	1	
23	. . ITT SURE-SEAL CONNECTOR CABLE BOOT	MD57557N50S	1	
24	. GREASE NIPPLE, 1/8" BSPT	MD57129X60P	1	
NI 25	. LOCTITE 641 BEARING ADHESIVE	MD57264X70S	AR	



MDL24-101

Figure 4 Steering Electrical Components



Fig 4 Item	Item Name and Description	Part No. / Drawing No.	Qty	Remarks
REF	<b>STEERING ELECTRICAL COMPONENTS</b>			
1	. STEERING SELECT SWITCH, 5 POSITION	MD43644K30P	1	
2	. DECAL, STEER MODE WARNING	MD47336Z10C	1	
3	. SUPPLEMENTAL STEERING/WARNING LAMP	MD47350N75P	1	
4	. REAR STEER DISABLE SWITCH GEAR	MD53755N70A	1	
5	. . DECAL, DISABLE STEER SWITCH	MD54769N70P	1	
6	. HARNESS	-	1	See Chap 2-8
7	. VX2 ELECTRONIC STEER MODULE	063410	1	

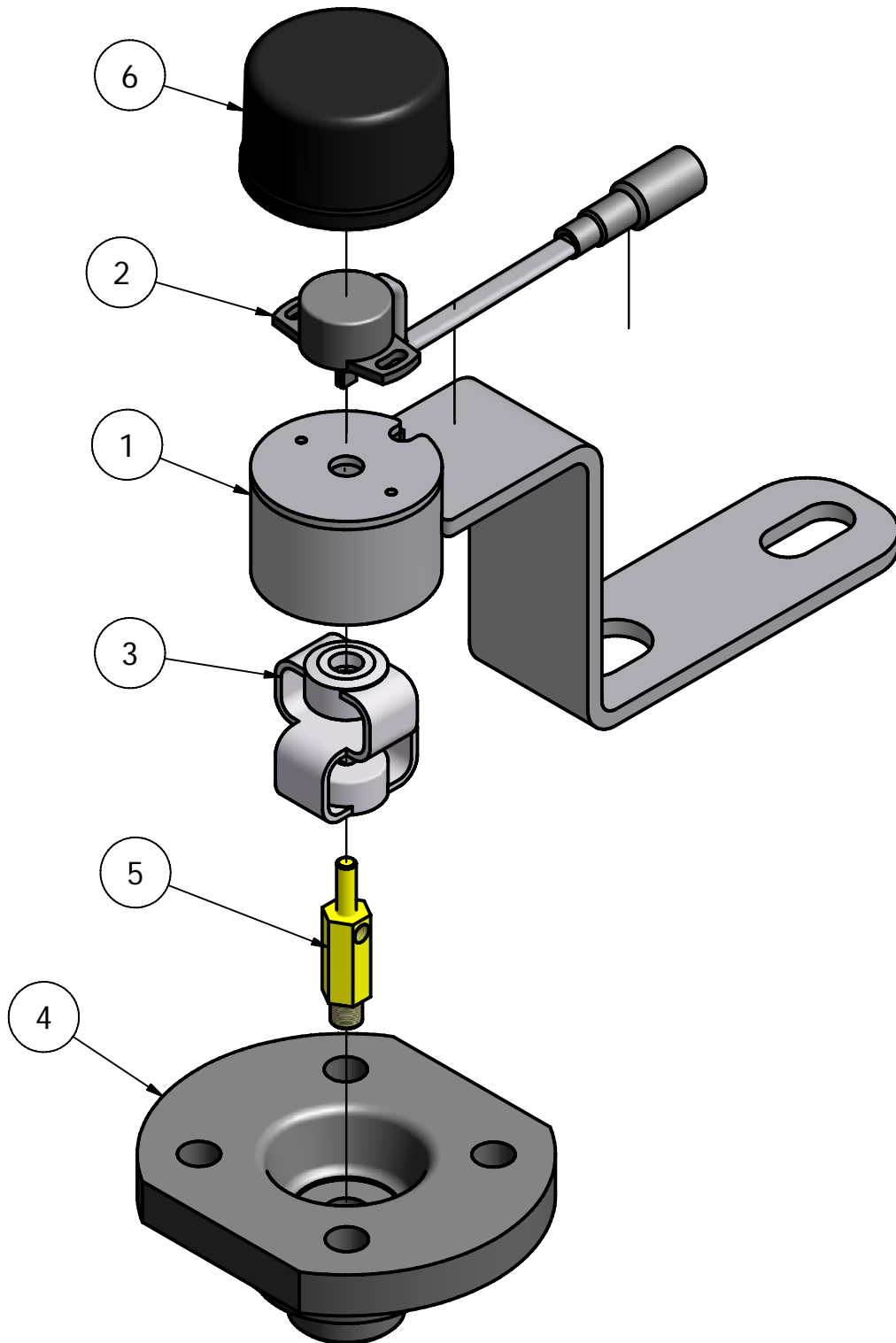


Figure 5 - Steering sensor / mtg - front (Build 364 >)



Fig 1 Item	Item Name and Description	Part No. / Drawing No.	Qty	Remarks
REF	<b>4WS STEERING SENSOR ASSY (FRONT) (FROM BUILD 364 ONWARDS)</b>	MD61052C20A	1	
1	. 4WS SENSOR MTG BRACKET ASSY FRONT	MD61051C20A	1	
2	. STEERING ROTARY POTENTIOMETER ASSY	MD61062N00A	1	
	. . ROTARY POTENTIOMETER	MD61074N00P	1	
	. . AMP 3W SS PLUG	MD61065N00P	1	
	. . AMP SS FEM TERMINAL 22-20 AWG	MD61067N00P	3	
	. . AMP WIRE SEAL 2.6-3.3MM	MD61070N00P	3	
	. . 3.2Mm ADHESIVE LINED HEATSHRINK	MD61075N00P	1	
	. . HEATSHRINK 6/2	MD61077N00P	1	
	. . PVC SLEEVING 4MM RED	MD61076N00P	1	
3	. 4WS SENSOR DRIVE COUPLING	MD61049C20P	1	
4	. 4WS SENSOR DRIVE PIN	MD61050C20C	1	
5	. PROTECTIVE CAP	MD57104C10P	1	
6	. KINGPIN CAP (STD) 212	MD46860C00P	1	
NI	POTENTIOMETER BRACKET SETUP TOOL	MD61063C20C		

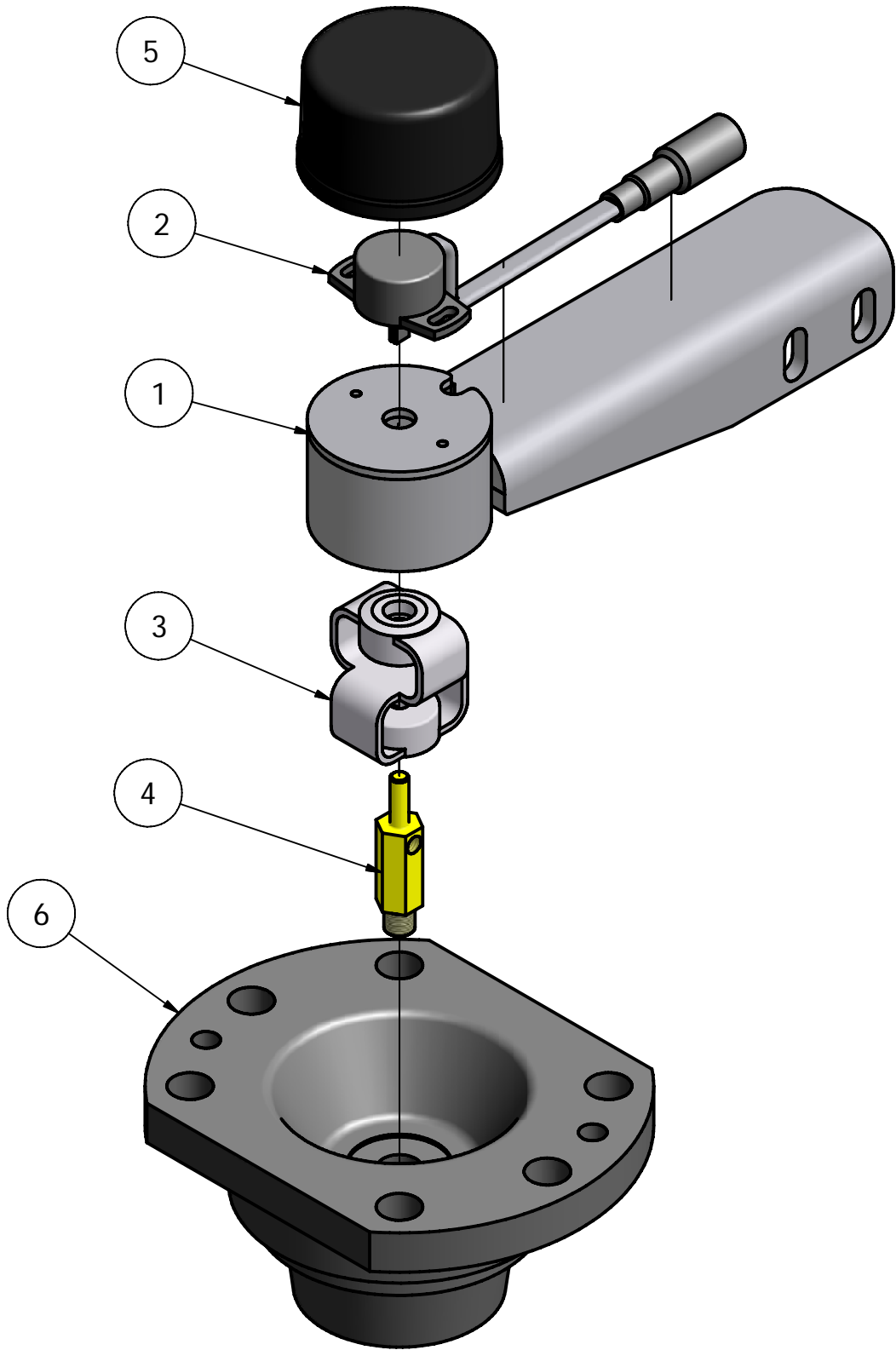


Figure 6 - Steering sensor / mtg - rear (Build 364 >)



Fig 1 Item	Item Name and Description	Part No. / Drawing No.	Qty	Remarks
REF	<b>4WS STEERING SENSOR ASSY (REAR)</b> <b>(Build 364 onwards)</b>	MD61054C20A	1	
1	. 4WS SENSOR MTG BRACKET REAR	MD61055C20A	1	
2	. STEERING ROTARY POTENTIOMETER ASSY	MD61062N00A	1	
	. . ROTARY POTENTIOMETER	MD61074N00P	1	
	. . AMP 3W SS PLUG	MD61065N00P	1	
	. . AMP SS FEM TERMINAL 22-20 AWG	MD61067N00P	3	
	. . AMP WIRE SEAL 2.6-3.3MM	MD61070N00P	3	
	. . 3.2Mm ADHESIVE LINED HEATSHRINK	MD61075N00P	1	
	. . HEATSHRINK 6/2	MD61077N00P	1	
	. . PVC SLEEVING 4MM RED	MD61076N00P	1	
3	. 4WS SENSOR DRIVE COUPLING	MD61049C20P	1	
4	. 4WS SENSOR DRIVE PIN	MD61050C20C	1	
5	. PROTECTIVE CAP	MD57104C10P	1	
6	. KINGPIN CAP (STD) 276	MD53077C00P	1	
NI	POTENTIOMETER BRACKET SETUP TOOL	MD61063C20C		



## CHAPTER 2-7-3

### BRAKES

### CONTENTS

Fig

- 1 Brake Pedal Sub Assembly (up to build 359)
- 2 Brake Pedal Sub Assembly (Build 360 onwards -Jun2006)

For hydraulic brake components see Chapter 2-9 hydraulics.



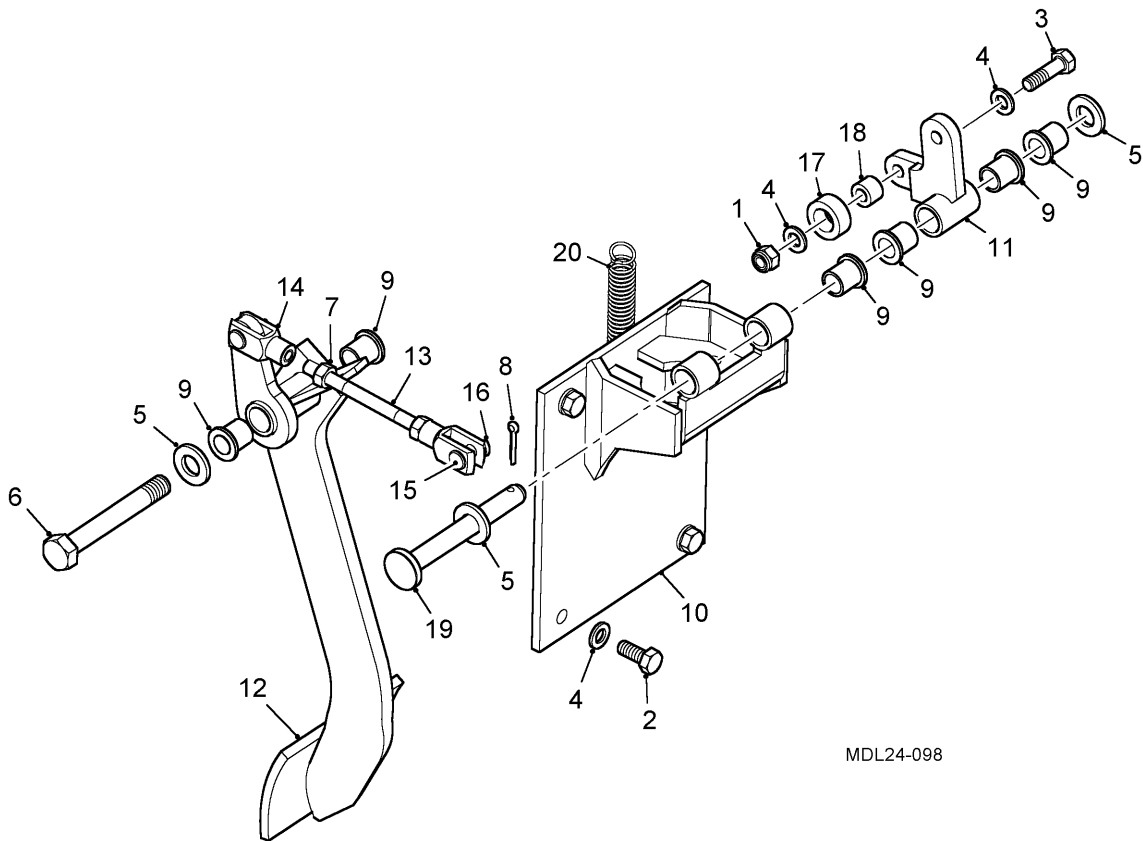


Figure 1 Brake Pedal Sub Assembly



Fig 1 Item	Item Name and Description	Part No. / Drawing No.	Qty	Remarks
REF	<b>BRAKE PEDAL SUB ASSEMBLY</b>	MD52650L30A	1	Up to build 359
1	. NUT, SELF LOCKING, M8, NYLOC, GR: 10 ZINC PLATED	MD40016X20S	1	
2	. BOLT, M8 X20, HEX HD, GR. 10.9	MD40647X10S	4	
3	. BOLT, M8 X30, HEX HD, GR. 10.9	MD40649X10S	1	
4	. WASHER, M8	MD40651X30S	8	
5	. WASHER, M12, HARDENED	MD40663X30S	3	
6	. BOLT, M12 X 90, HEX HEAD.	MD40904X10S	1	
7	. NUT, M8, PLAIN	MD40922X20S	2	
8	. COTTER PIN, SPLIT 3.2 DIA X 20	MD41014X40S	1	
9	. BUSH, NYLON	MD43678F10C	2	
10	. BRACKET, POWER BRAKE VALVE	MD44233L30A	1	
11	. POWER BRAKE BELLCRANK	MD44246L30A	1	
12	. BRAKE PEDAL	MD45370A40A	1	
13	. BRAKE CONNECTING ROD	MD45372A40C	1	
14	. SHORT CLEVIS, M8	MD45390X26P	2	
15	. CLEVIS PIN, M8	MD45391X26P	2	
16	. RETAINING CLIP, 8MM	MD45392X26P	2	
17	. BRAKE CAM FOLLOWER	MD45394A40C	1	
18	. CAM FOLLOWER CENTRE	MD45395A40C	1	
19	. BRAKE SPINDLE	MD59392L30C	1	
20	. TENSION SPRING, 4" X 0.625	MD59403X00P	1	

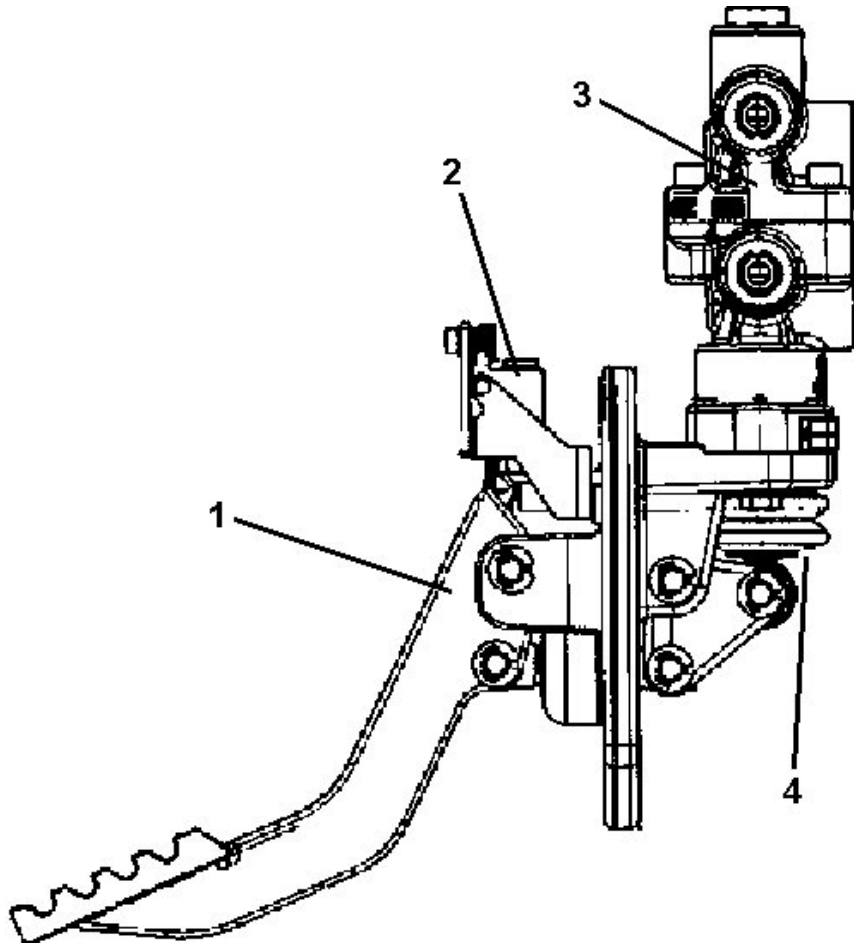


Figure 2 Brake pedal assembly – Build 360 onwards



Fig 1 Item	Item Name and Description	Part No. / Drawing No.	Qty	Remarks
	<b>Brake pedal/master cylinder assembly</b>	<b>MD60984T30A</b>	<b>1</b>	<b>Build 360 onwards</b>
1	. Pedal assembly			
2	. Brake light switch	MD61172L30P	1	
3	. Power brake valve (Master cylinder)	MD61169L30P	1	
4	. Boot kit	MD61171L30P	1	
NI	. Valve repair kit	MD61170L30P		



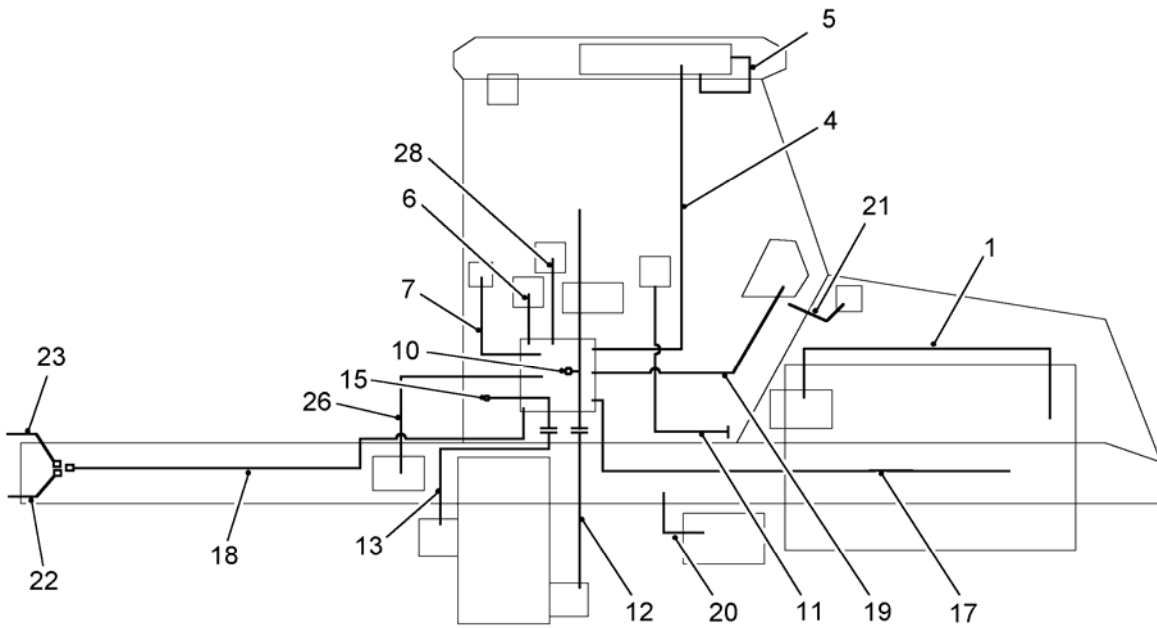
## CHAPTER 2-8

### ELECTRICS

### CONTENTS

Fig

- 1 Harness Assemblies
- 2 Battery Assembly
- 3 Cab Electrics
- 4 Lamps and Sockets
- 5 Washer Bottle Assembly
- 6 Front Windscreen Wiper Assembly
- 7 Rear Windscreen Wiper Assembly
- 8 Electrical Cabinet

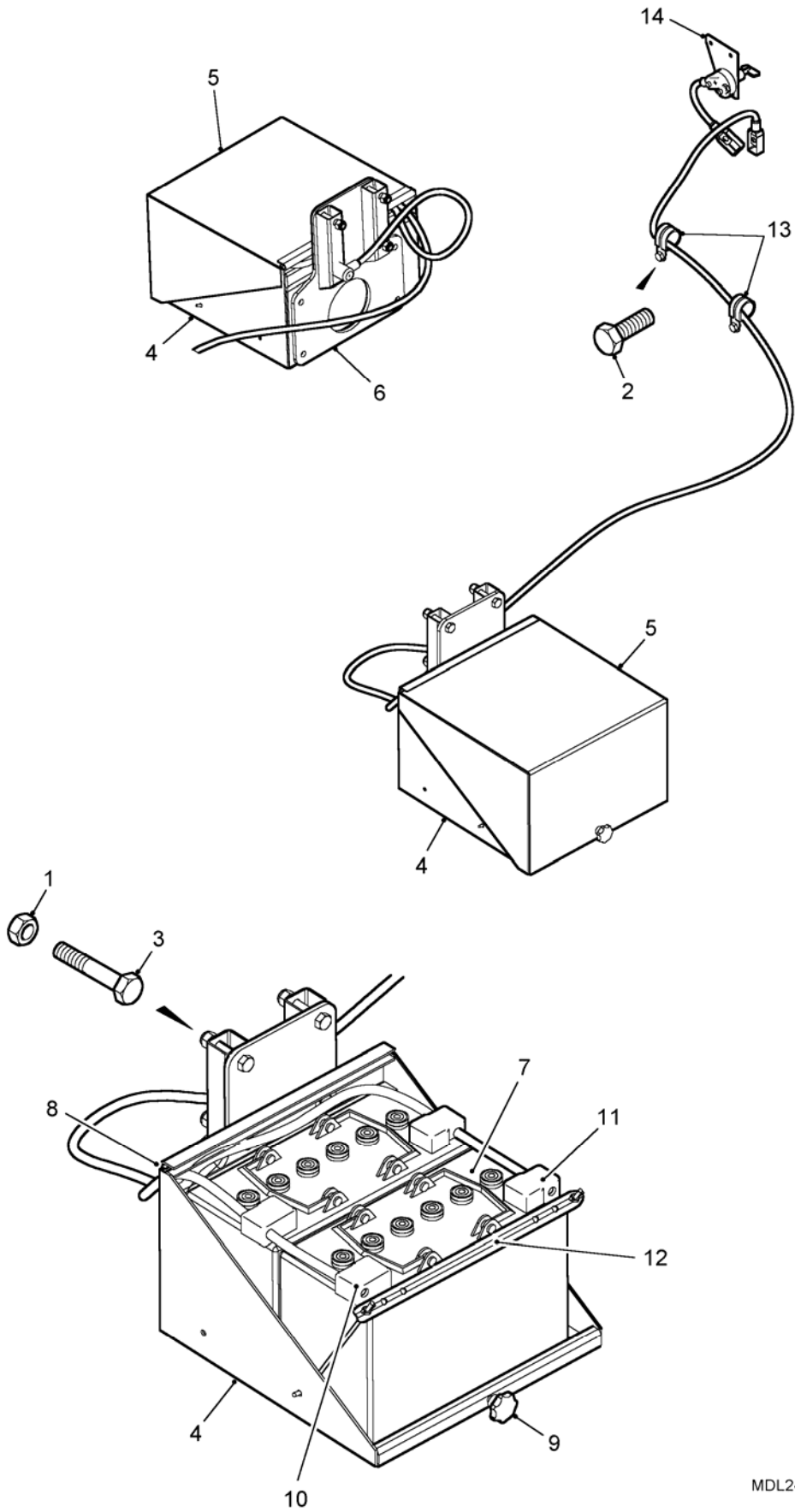


MDL24-112

Figure 1 Harness Assemblies



Fig 1 Item	Item Name and Description	Part No. / Drawing No.	Qty	Remarks
REF	<b>HARNES ASSEMBLY</b>	MD52073L00A	1	
1	. ENGINE 6 CYLINDER TIER 2	MD59616N32A	1	
	. ENGINE 4 CYLINDER TIER 2	MD54890N32P	1	
NI 2	. PTO REMOTE BREAK IN HARNES	MD45688N30A	1	
NI 3	. PTO STANDARD HARNES	MD43189N30P	1	
4	. ROOF HARNES	MD45763N30A	1	
5	. AIRCON HARNES	MD45765N30A	1	
6	. STEERING SWITCH	MD45839N30A	1	
7	. REMOTE LINK LEAD	MD46063N34A	1	
NI 8	. PTO VALVE I HARNES	MD46183N30A	1	
NI 9	. PTO VARIABLE POTENTIOMETER	MD46239N30A	1	
10	. RELAY PANEL HARNES	MD45764N30A	1	
11	. ENGINE INTERFACE	MD54749N50A	1	
12	. ZF MODIFICATION 2/4WD	MD53183N30A	1	
13	. MODIFICATION TO ZF TRANSMISSION	MD53546N33C	1	
NI 14	. SPLICE - POWERSHIFT	MD52611N33A	1	
15	. SHORTEN (CAP)- MODIFICATION TO HARNES	MD53547N33C	1	
NI 16	. 6 CYLINDER ENGINE MOD	MD54697N32A	1	
17	. ENGINE FRONT CHASSIS - POWERTECH	MD43178N32P	1	
18	. REAR CHASSIS HARNES	MD43181N36P	1	
19	. FRONT PANEL HARNES	MD43183N30P	1	
20	. BATTERY EARTH	MD5231 I NO5P	1	
21	. HORN AND BRAKE	MD43182N30P	1	
22	. RRH LIGHTS	MD43190N30P	1	
23	. RLH LIGHTS	MD43201N30P	1	
NI 24	. RH FRONT LIGHT	MD43203N30P	1	
NI 25	. LH FRONT LIGHT	MD43204N30P	1	
26	. PTO SOLENOID VALVE 1	MD43204N30P	1	
NI 27	. STARTER MOTOR HARNES	MD43180N32P	1	
28	. STEER DISABLE SWITCH GEAR	MD53755N70A	1	
NI 29	. EXCITER WIRE, STARTER	-	1	
NI 30	. BATTERY POWER HARNES	MD52310N05P	1	



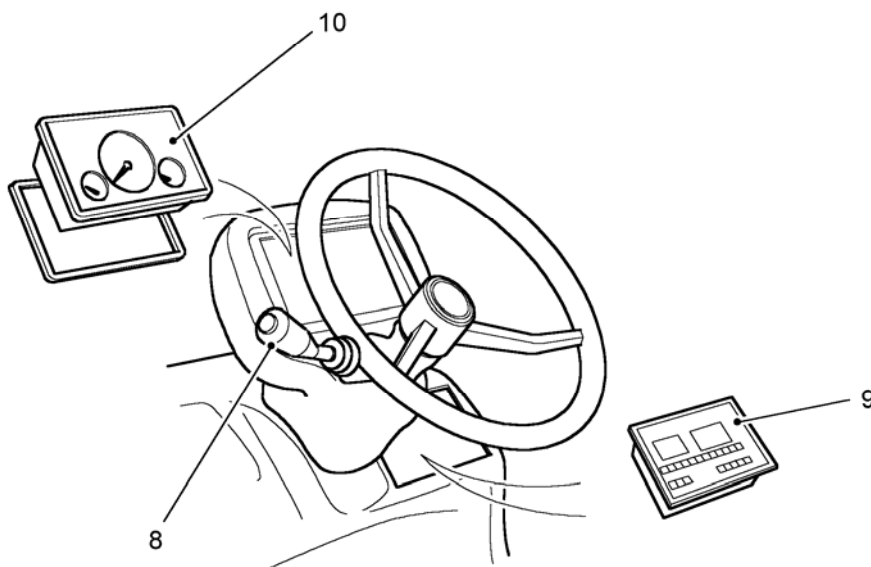
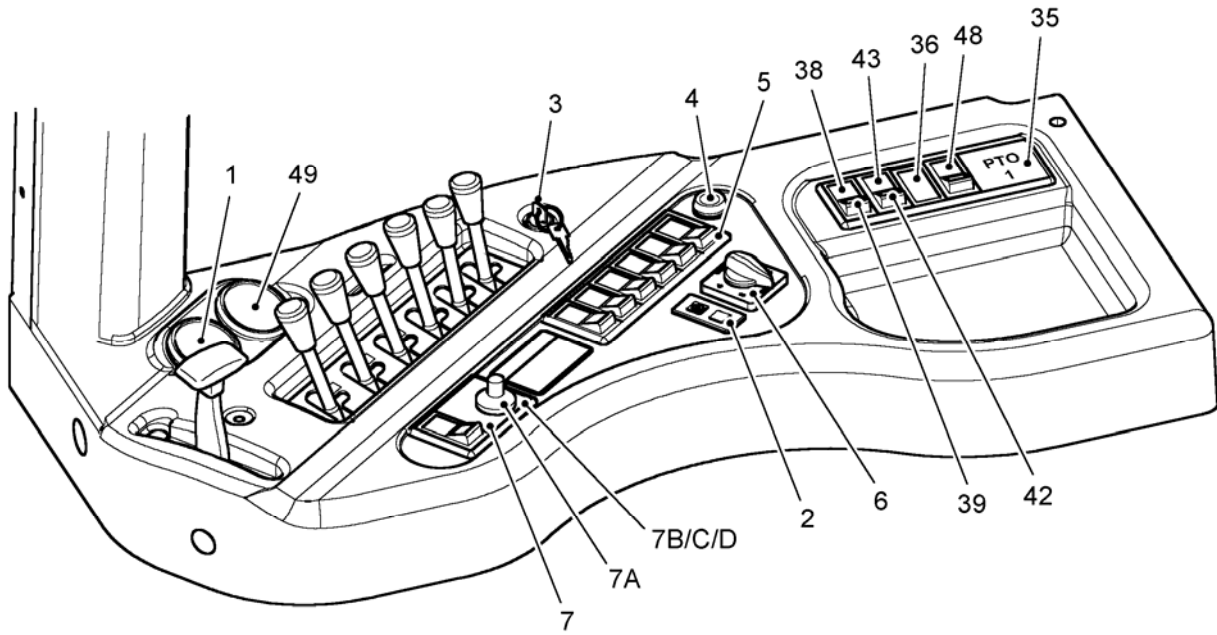
MDL24-113

Figure 2 Battery Assembly





Fig 2 Item	Item Name and Description	Part No. / Drawing No.	Qty	Remarks
REF	<b>BATTERY ASSEMBLY</b>	MD49995N10A	1	
1	. NUT M12 NYLOC, GR,10	MD40018X205	4	
2	. M10X12 HEX BOLT ZINC PLATED	MD48297X10S	2	
3	. M12X70 HEX BOLT ZINC PLATED	MD50822X10S	4	
4	. BATTERY TRAY	MD52096N10A	1	
5	. BATTERY BOX LID	MD52187N10A	1	
6	. BATTERY CARRIER	MD52192N10A	1	
7	. BATTERY 105 AMP	MD52268N10P	2	
8	. RUBBER SEAL - BATTERY BOX	MD52301N10P	1	
9	. HEAVY DUTY HANDWHEEL KNOB	MD52309X005	1	
10	. BATTERY POWER HARNESS	MD52310N05P	1	
11	. BATTERY EARTH HARNESS	MD52311N05P	1	
12	. BATTERY HOLD DOWN KIT	MD52312N56P	1	
13	. 34 DIA 'P' CLIP	MD52343X27P	1	
14	. BATTERY ISOLATOR SUBASSEMBLY	MD53715N15A	1	

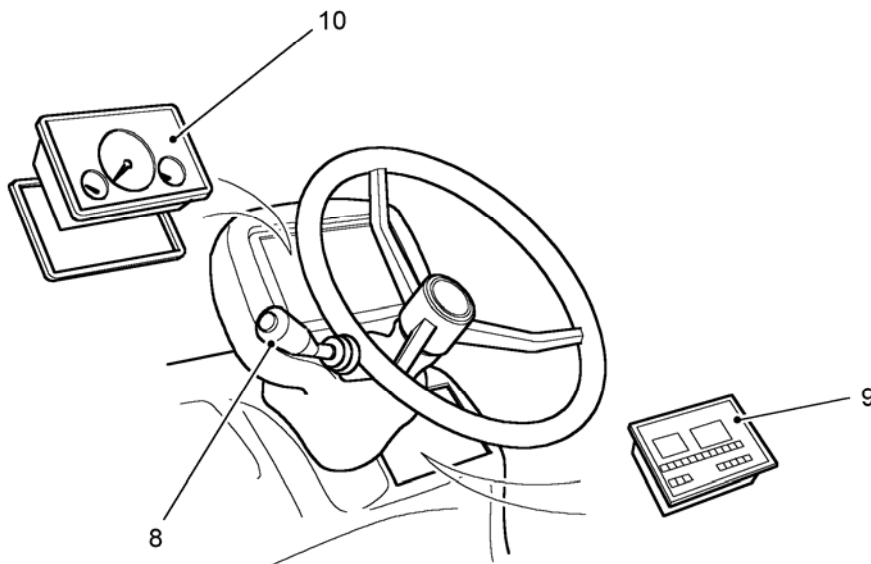
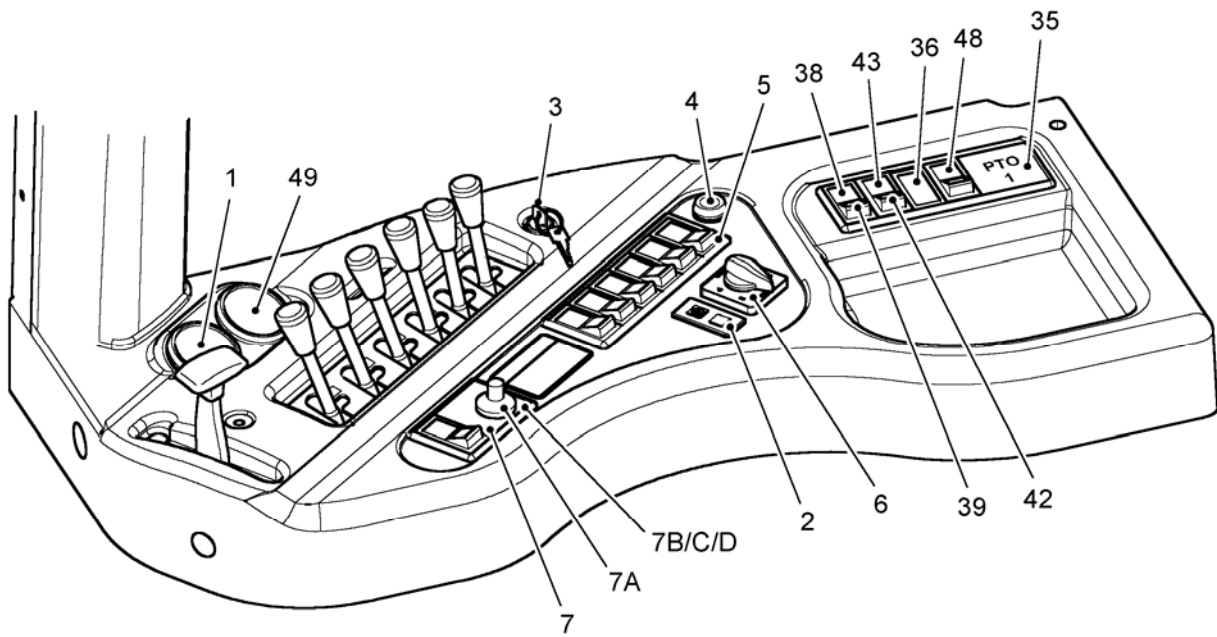


MDL24-114

Figure 3 Cab Electrics



Fig 3 Item	Item Name and Description	Part No. / Drawing No.	Qty	Remarks
REF	<b>CAB ELECTRICS</b>	-	1	
1	. AIR PRESSURE GAUGE	MD46320N80A	1	
2	. WARNING LAMP, 2/4 STEERING	MD47350N75P	1	
3	. STARTER SWITCH	062023	1	
NI 3A	. KEY/BARREL	063019	1	
4	. BRAKE WARNING LIGHT	MD47305N75P	1	
NI 4A	. BULB FOR WARNING LIGHT	MD47306N75P	1	
5	. SWITCH BANK 6 WAY	MD46356N70P	1	
6	. 2/4 STEERING SWITCH	MD43644K30P	1	
7	. PTO SPEED CONTROL POTENTIOMETER	320316	1	
7A	. PTO SILVER DRAL	MD46238A45P	1	
7B	. PTO ON/OFF VARIABLE (METAL BACKPLATE)	060822	1	
7C	. PTO ON/OFF REMOTE (METAL BACKPLATE)	MD46238A45P	1	
7D	. PTO ON/OFF DECAL (METAL BACKPLATE)	060828	1	
8	. COLUMN SWITCH	062011	1	
9	. SAM 200	MD52325N00P	1	
10	. INSTRUMENT PANEL	322106	1	
NI 11	. WARNING BUZZER	320517	1	
NI 12	. ECU CONTROLLER SUBASSEMBLY	MD51583F20A	1	
NI 13	. ECU BRACKET FABRICATION	MD54850F20A	1	
NI 14	. EST UNIT - 185HP TIER 2	MD52651F00P	1	
NI 14A	. EST UNIT - 185HP TIER 1	MD54681F20P	1	
NI 14B	. EST UNIT - 140HP TIER 2	MD52653F00P	1	
NI 15	. BOLT, M6 X 20 Hex HD Gr. 10.9	MD40642X10S	3	
NI 16	. BOLT, M6 X 30 HEX HD GR.10.9	MD40644X10S	2	
NI 17	. NUT, M6 NYLOC	MD40645X20S	5	
NI 18	. WASHER, M6 HARDENED	MD40646X30S	4	
NI 19	. M5 NYLOC NUT	MD41235X20S	1	
NI 20	. EM5 PLAIN WASHER	MD41236X30S	1	
NI 21	. BOLT, M5 PLAIN 20mm LG Hex. HD. ZINC PLATED	MD41237X10S	1	
NI 22	. VOLTAGE CONVERTER ASSEMBLY	MD54617N95A	1	
NI 23	. VOLTAGE CONVERTER (12V/24V) WITH TIMER FITTED	MD54616N95P	1	

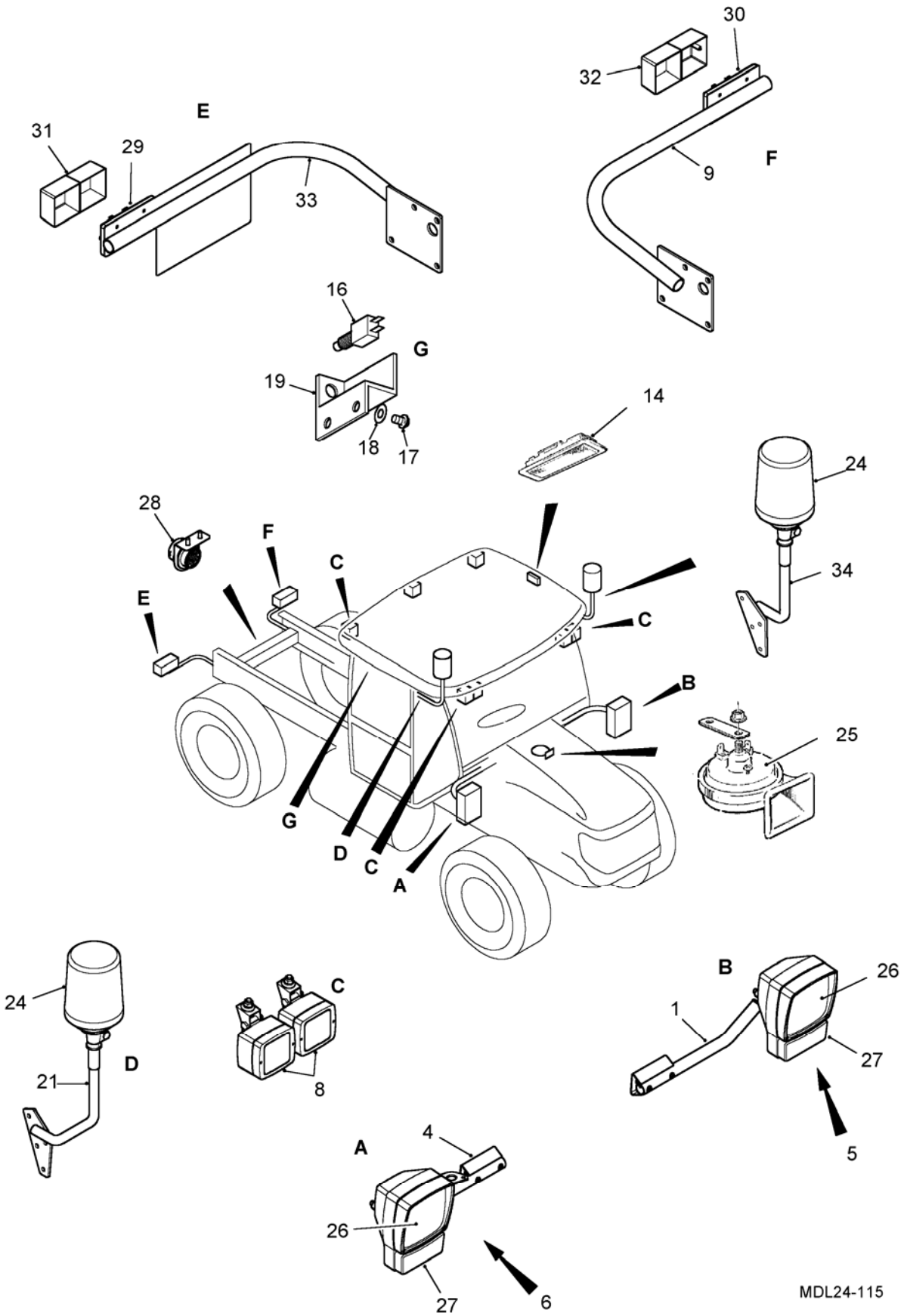


MDL24-114

Figure 3 Cab Electrics



Fig 3 Item	Item Name and Description	Part No. / Drawing No.	Qty	Remarks
REF	<b>CAB ELECTRICS (CONT)</b>	-	1	
NI 23	. VOLTAGE CONVERTER (12V/24V) WITH TIMER FITTED	MD54616N95P	1	
NI 24	. FRONT INSTRUMENTATION ASSY	MD52612N80A	1	
NI 25	. INSTRUMENT CLUSTER	322106	1	
NI 26	. PTO 1 , ON/OFF, (METAL BACKPLATE)	171200	1	
NI 27	. GRUB SOCKET SCREW	F16M06006C	2	
NI 28	. RDS DRESSED ASSY	MD51595N00A	1	
NI 29	. MOUNTING BRACKET	MD51588N25C	1	
NI 30	. PTO CONTROLS ASSY (VARIABLE)	MD46235T20A	1	
NI 31	. SWITCH SINGLE POLE - ILLUMINATED	MD45684N95A	1	Location on passenger seat side facia
NI 32	. PTO REMOTE SELECT SW ASSY (VARIABLE)	MD46236T20A	1	
NI 33	. PTO 1 ELECTRONIC HARNESS	MD43187N30P	1	
NI 34	. DECAL STEER MODE WARNING	MD47336Z10C	1	
35	. SWITCH HOLDER 6 BANK	MD47348A45P	1	
36	. BLANKING PLATE	MD47349A45P	5	
NI 37	. SUPPLEMENTAL STEERING WARNING LAMP	MD47350N75P	1	
38	. ROCKER SWITCH	MD52081N70P	1	
39	. SWITCH DECAL - AWD	MD52082N70P	1	
NI 40	. ELECTRICAL SOCKET	062067	1	
NI 41	. VX2 ELECT STEER - MODULE	063410	1	
42	. SWITCH DECAL - 4WS	MD54769N70P	1	
43	. ROCKER SWITCH	MD52081N70P	1	
NI 44	. DECAL - DISABLE STEER WARNING	MD53759Z10C	1	
NI 45	. SWITCH BANK 6 WAY	MD46356N70P	1	
NI 46	. DECAL - TOP GEAR LOCKOUT	MD53191F20C	1	
NI 47	. ELECTRIC PANEL HOLDER	060723	1	
48	. PTO 1 ROCKER SWITCH	MD34684N95A	1	
49	. ENGINE DIAGNOSTIC GAUGE	MD54159N80P	1	Tier 2 engines only

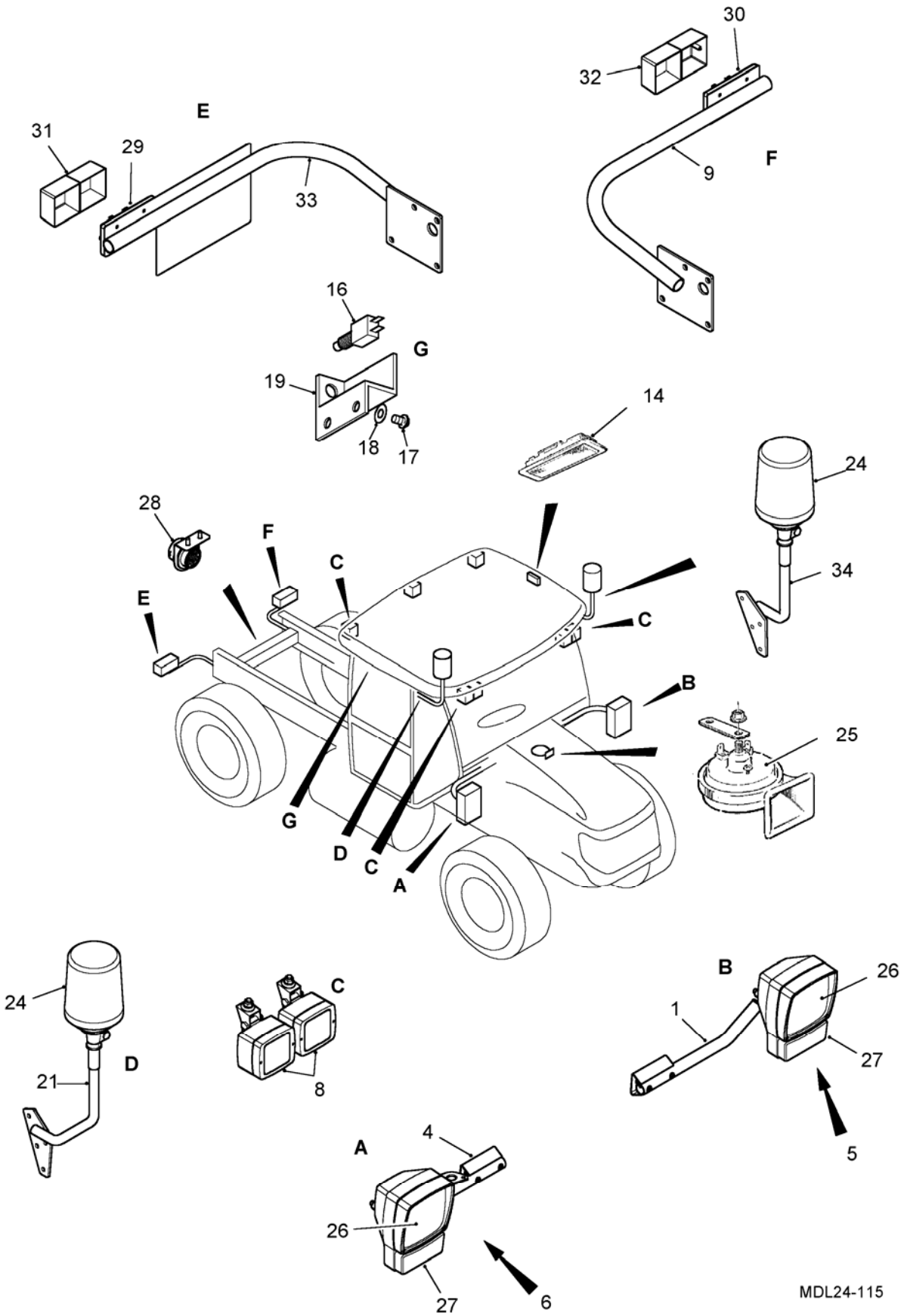


MDL24-115

Figure 4 Lamps and Sockets



Fig 4 Item	Item Name and Description	Part No. / Drawing No.	Qty	Remarks
REF	<b>LAMPS AND SOCKETS</b>			
1	. FRONT LIGHT BRACKET LH	060705	1	
NI 2	. SETSCREW M8 X 20MM	F18M08020	4	
NI 3	. GROMMET - 19 DIA BLIND PV405A	MD53099X35S	8	
4	. FRONT LIGHT BRACKET RH	060704	1	
5	. INTEGRATED HEADLAMP RH	MD58815N21P	1	
6	. INTEGRATED HEADLAMP LH	MD58816N21P	1	
NI 7	. CONNECTING PLUG AND TERMINALS	MD58817N50P	2	
8	. WORKLAMPS ASSY.	MD47546N20A	1	
9	. REAR LIGHT BRACKET, LH	MD59528N22A	1	
NI 10	. SETSCREW M10 X 20MM	F18M10020	2	
NI 11	. WASHER PLAIN 10MM	F31M10	2	
NI 12	. GROMMET OPEN 5MM	F70M03005	7	
NI 13	. LAMP - FLOOD 12v/55w (Square)	MD46145N20P	7	
14	. INTERIOR LIGHT ASSEMBLY	MD47547N95A	1	
NI 15	. INTERIOR LAMP	062022	1	
16	. SWITCH - DOOR/INT LIGHT	MD46125N70P	1	
17	. SETSCREW M5 x 10MM	F18M05010	2	
18	. WASHER PLAIN 5MM	F31M05	2	
19	. DOOR SWITCH HOLDER	MD46122N70A	1	
NI 20	. BEACON ASSEMBLY	MD47555N75A	1	



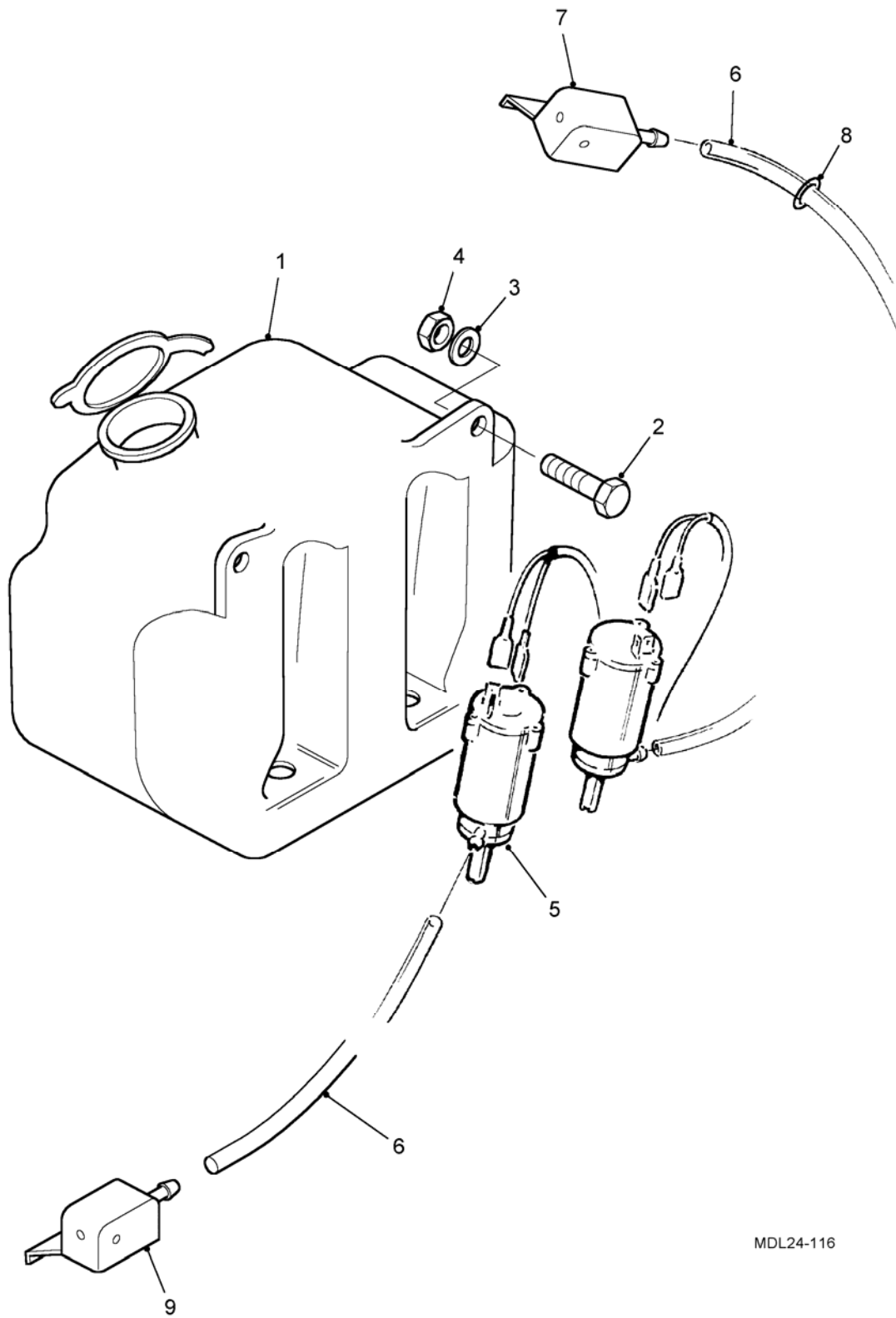
MDL24-115

Figure 4 Lamps and Sockets





Fig 4 Item	Item Name and Description	Part No. / Drawing No.	Qty	Remarks
REF	<b>LAMPS AND SOCKETS</b>			
21	. BEACON MOUNTING BRACKET, RH	MD44197N25A	1	
NI 22	. ADAPTOR SOCKET AND TUBE	MD44200N25P	1	
NI 23	. GROMMET - 19 DIA BLIND PV405A	MD53099X35S	1	
24	. FLASHING BEACON	MD44196N75P	1	
25	. HORN ASSEMBLY	MD47552N40A	1	
26	. HEADLAMP	MD44189N20P	2	
NI 26A	. INTEGRATED HEADLAMP RH	MD58815N12P	1	
NI 26B	. INTEGRATED HEADLAMP LH	MD58816N12P	1	
27	. LENS, INDICATOR	062071	2	
28	. SOCKET, 7 PIN	062040	1	
29	. REAR LAMP LH	062009	1	
30	. REAR LAMP RH	062010	1	
31	. LENS, REAR LAMP RH	062075	1	
32	. LENS, REAR LAMP LH	062074	1	
33	. REAR LIGHT BRACKET, RH	MD59527N22A	1	
34	. BEACON MOUNTING BRACKET, LH	MD48652N25A	1	

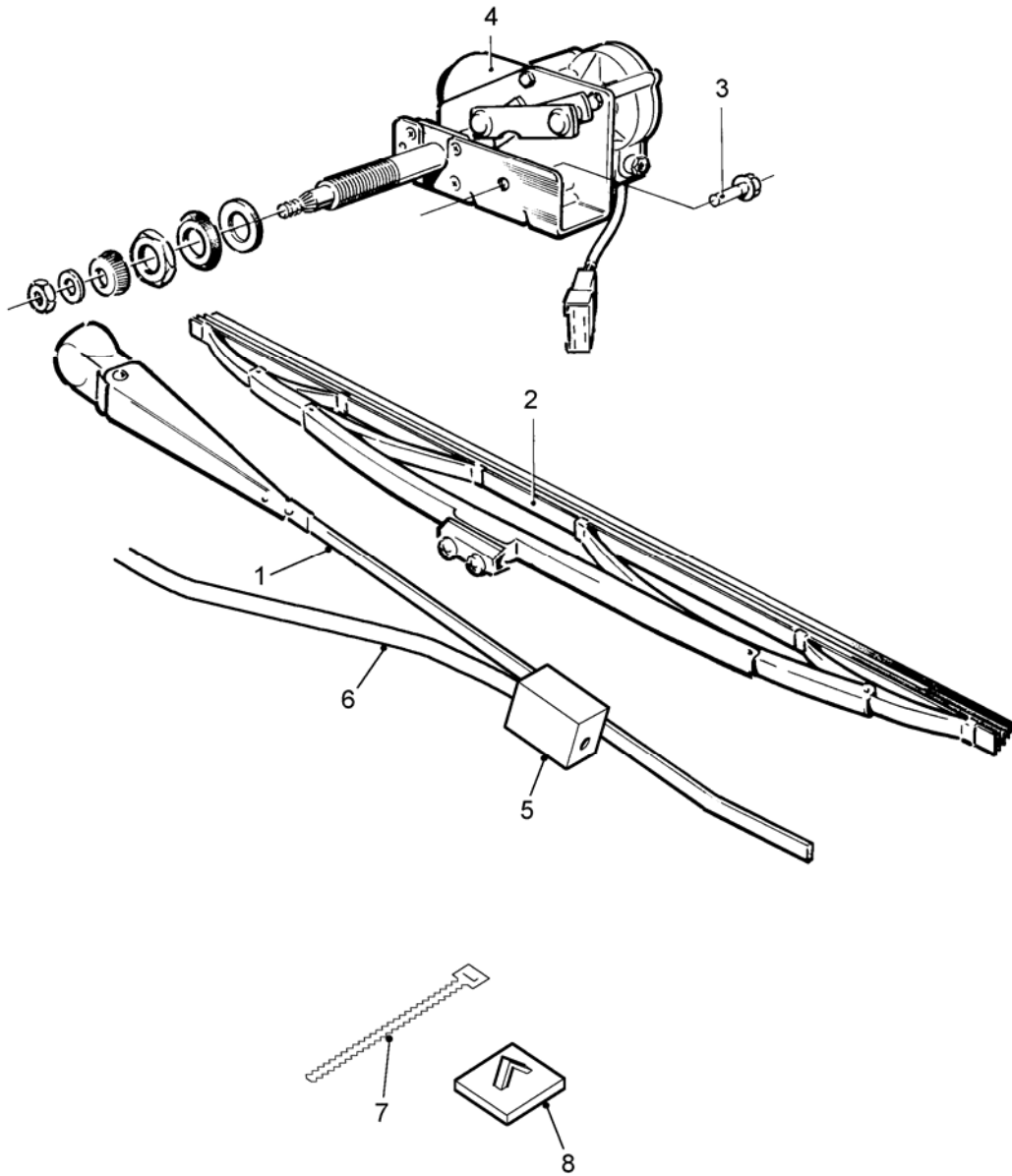


MDL24-116

Figure 5 Washer Bottle Assembly



Fig 5 Item	Item Name and Description	Part No. / Drawing No.	Qty	Remarks
REF	<b>WASHER BOTTLE ASSEMBLY</b>	-		
1	. WASHER BOTTLE ASSEMBLY	062036	1	Includes one 12V pump
2	. SETSCREW, M10 X 20	F18M10020	2	
3	. WASHER, PLAIN, 10MM	F31M10	2	
4	. NUT, NYLOC, 10MM	F22M10	2	
5	. PUMP, WASHER, 12V	062063	2	
6	. TUBING, WINDSCREEN, WASHER	MD44565A25P	A/R	
7	. WASHER JET	MD44564A25P	1	
8	. GROMMET, OPEN, 7MM	F70M03007	1	
9	. WASHER JET, FRONT, 3 HOLE	062024	1	

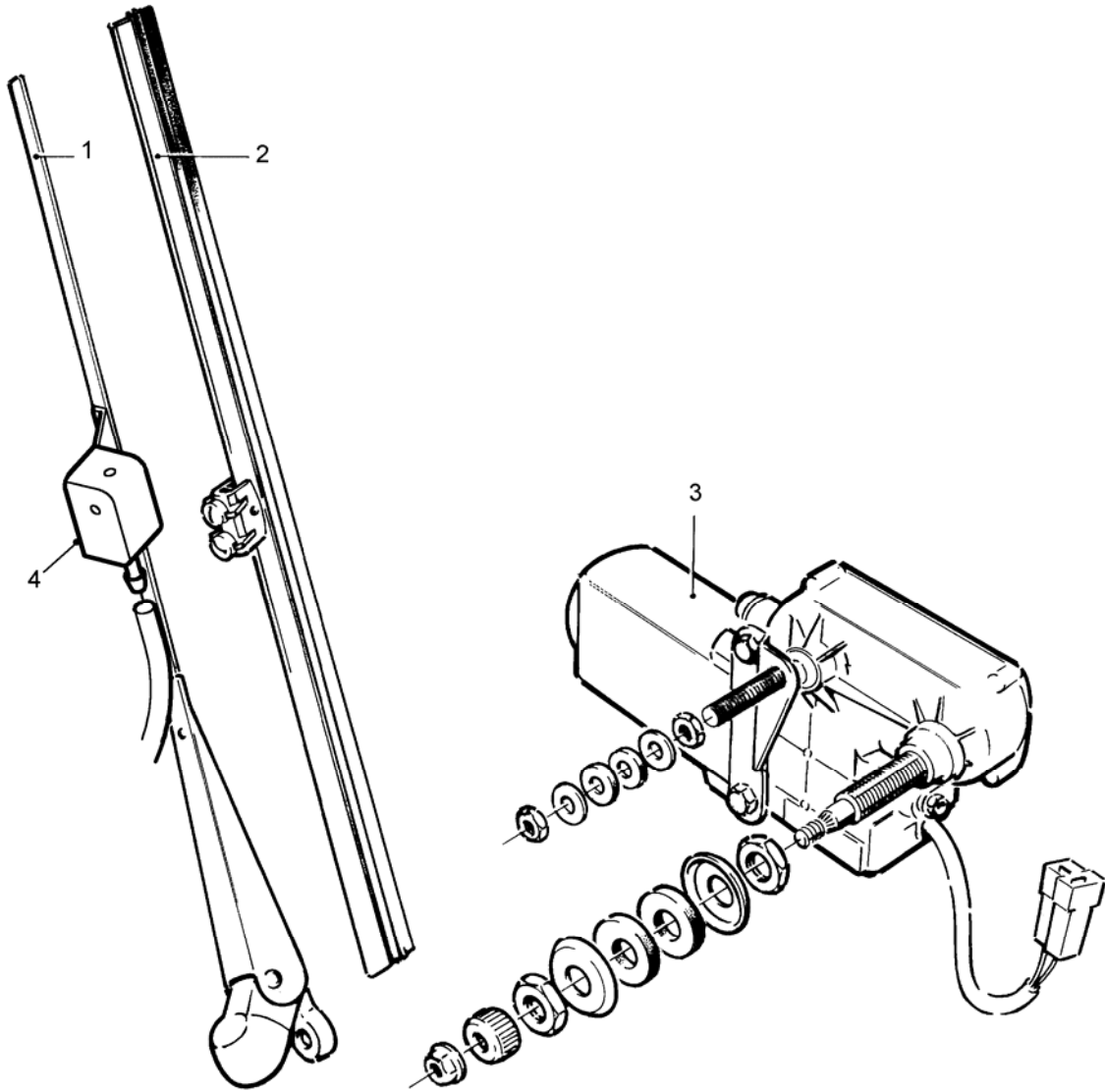


MDL24-117

Figure 6 Front Windscreen Wiper Assembly



<b>Fig 6 Item</b>	<b>Item Name and Description</b>	<b>Part No. / Drawing No.</b>	<b>Qty</b>	<b>Remarks</b>
REF	<b>FRONT WINDSCREEN WIPER ASSEMBLY</b>			
1	. WIPER ARM	MD44562A25P	1	
2	. WIPER BLADE	MD44563A25P	1	
3	. SETSCREW M8 X 20	F18M08020	1	
4	. WIPER MOTOR	MD44541A25P	1	
5	. WASHER JET	MD44564A25P	1	
6	. TUBING, WINDSCREEN WASH	MD44565A2JP	AR	
7	. CABLE TIE - SHORT	MD53455X00P	AR	
8	. CABLE TIE HOLDER	020805	AR	



MDL24-118

Figure 7 Rear Windscreen Wiper Assembly



Fig 7 Item	Item Name and Description	Part No. / Drawing No.	Qty	Remarks
REF	<b>REAR WINDSCREEN WIPER ASSEMBLY</b>			
1	. WIPER ARM	061404	1	
2	. WIPER BLADE	061403	1	
3	. WIPER MOTOR	061401	1	
4	. REAR WASHER NOZZLE	06024	1	

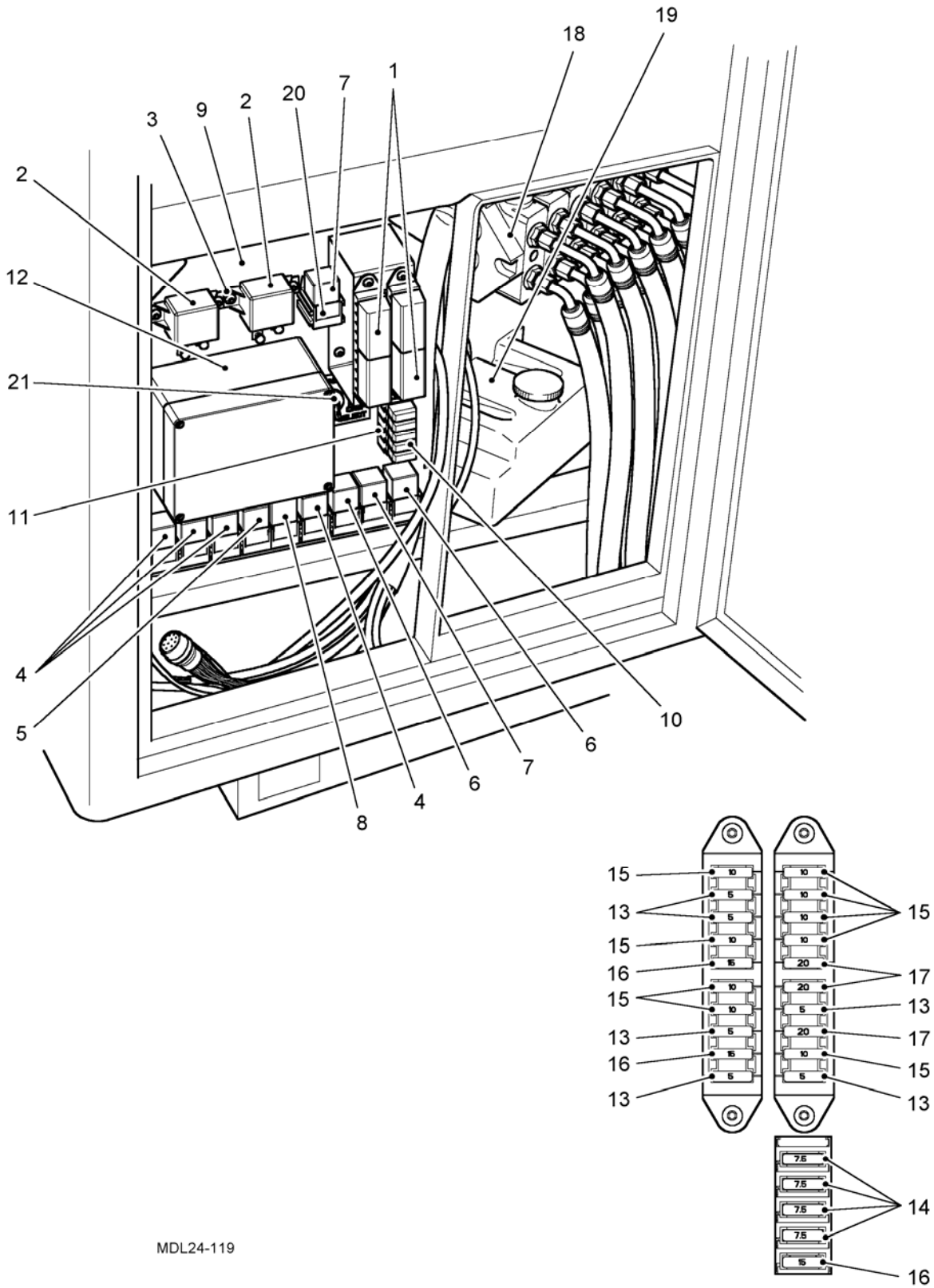


Figure 8 Electrical Cabinet





Fig 8 Item	Item Name and Description	Part No. / Drawing No.	Qty	Remarks
REF	<b>ELECTRICAL CABINET</b>			
1	. MULTIPLE FUSE COVER, TRANSPARENT	MD60413N65P	4	
2	. RELAY 75 AMP	MD60370N60P	2	
3	. SCREW, M6 X 12, HEX SKT BUTTON HEAD	MD41453X10S	4	
4	. HELLA RELAY 4RD, 003 520-13	MD60406N60P	4	
5	. HELLA RELAY 4RM, 005 698-01	MD60407N60P	1	
6	. HELLA RELAY 4RD, 003 520-15	MD60408N60P	2	
7	. HELLA RELAY 4RD, 007 794-02	MD60409N60P	2	
8	. RELAY, INTERMITTENT WIPER	MD60410N60P	1	
9	. DISTRIBUTION BOARD SUBASSEMBLY	MD60412N85A	1	
10	. FUSE COVER, TRANSPARENT	MD59819N65P	5	
11	. FUSE HOLDER – BLADE TYPE	MD59818N65P	5	
12	. PENTRONIC STEERING UNIT	063410	1	
13	. AUTOMOTIVE FUSE 5 AMP, TAN	MD59807N65P	6	
14	. AUTOMOTIVE FUSE 7.5 AMP, BROWN	MD59808N65P	4	
15	. AUTOMOTIVE FUSE 10 AMP, RED	MD59809N65P	9	
16	. AUTOMOTIVE FUSE 15 AMP, BLUE	MD59810N65P	3	
17	. AUTOMOTIVE FUSE 20 AMP, YELLOW	MD59811N65P	3	
18	. TOP GEAR LOCKOUT SWITCH	218-2334	1	
19	. WASHER BOTTLE ASSEMBLY	062036	1	See Fig 5
20	. RELAY SOCKET BASE	MD41092N60P	1	
21	. TOP GEAR LOCKOUT SWITCH	218-2334	1	
	<b>PLUS 1 STEERING CONTROLLER</b> Fitted from build no 360 (Jun 2006)			
NI	PLUS 1 STEERING CONTROLLER	MD61040N00P	1	
NI	PLUS 1 CONTROLLER MTG BRACKET	MD60938A10C	1	
	STEERING SET-UP BOX	MD61042N00P		
	CG150 CANBUS CONNECTOR	MD61043N00P		
	CANBUS-SERIAL CONNECTOR LEAD	MD61044N00P		
	(Above 2 items + software required for diagnostics)			
	RETROFIT ADAPTOR LOOM	MD61041N00P		
	IPD SERIES GREY CONNECTOR	MD61035N00P		
	IPD SERIES BLACK CONNECTOR	MD61036N00P		
	IPD SERIES SOCKET CONTACT SIZE 20	MD61037N00P		
	IPD SERIES WEDGELOCK	MD61038N00P		
	IPD SERIES SEALING PLUG	MD61039N00P		





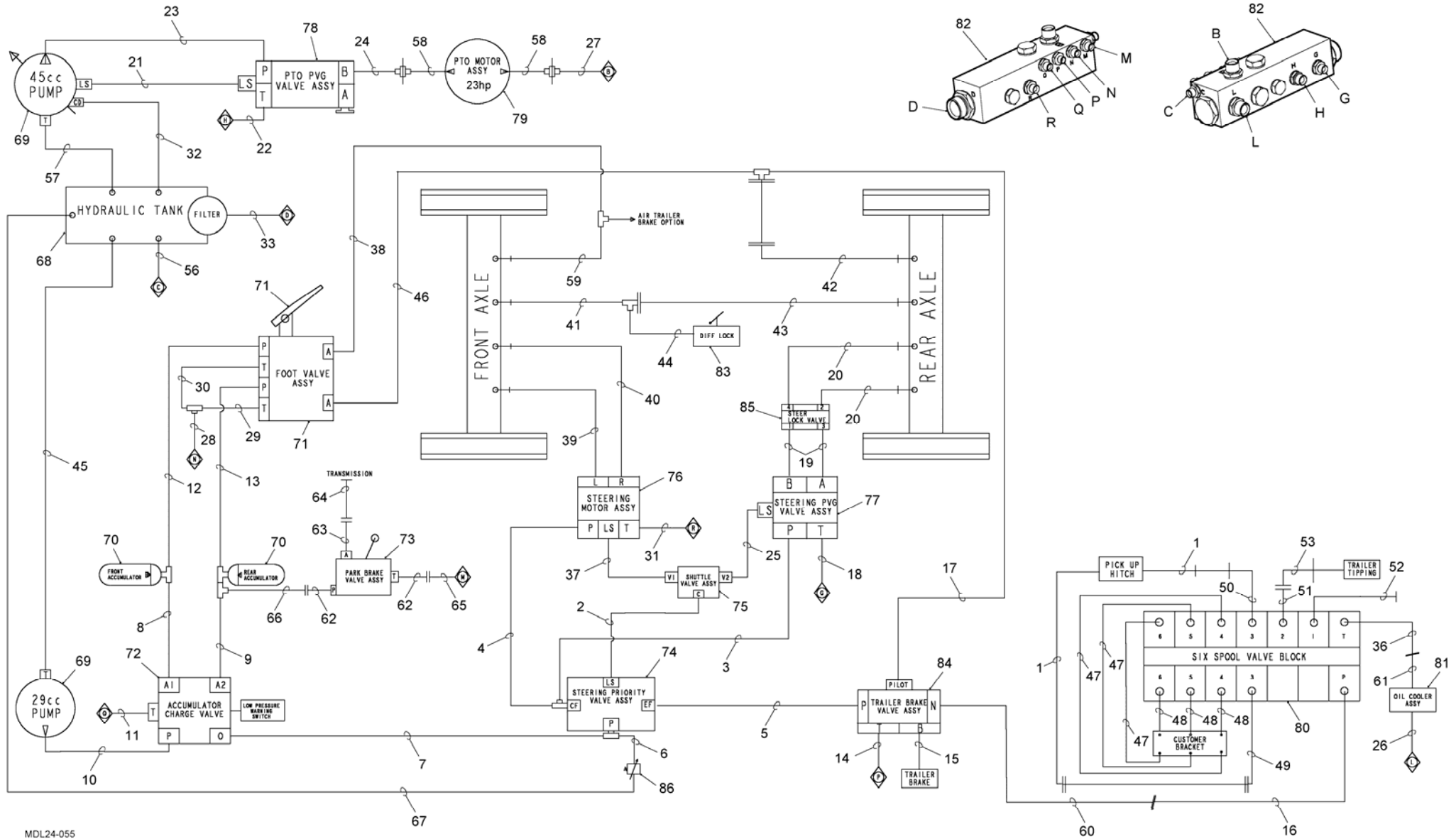
## CHAPTER 2-9

### HYDRAULICS

#### CONTENTS

Fig

1	Hoses - Tandem Load Sense Schematic (Up to Build 363)
2	Hoses - Tandem Gear Pump Schematic
3	Hoses - Triple Pump Schematic
4	Hoses - 60cc Pump Schematic
5	Hydraulic Tank, Tandem Load Sense and 60cc Pump
6	Hydraulic Tank, Tandem Gear Pump
7	Hydraulic Tank, Triple Pump
7A	Hydraulic Tank, 170L
8	Tandem Load Sense Pumps
9	Tandem Gear Pumps
10	Triple Pumps
11	60cc Pump
12	Brake Accumulators
13	Brake Foot Valve
14	Accumulator Charge Valve
15	Park Brake Valve
16	Steering PVG Valve
17	Steer Lock Valve
18	Shuttle Valve
19	Steering Motor
20	Steering Priority Valve
21	PTO PVG Valve, Tandem Load Sense, Triple Pump and 60cc Pump
22	PTO Motor 23hp
23	PTO Solenoid Valve, Tandem Gear Pump
24	Flow Divider Valve, Tandem Gear Pump
25	PTO Motor 14hp
26	Spool Valve
27	PTO Motor 33hp
28	Manifold Rail, Tandem Load Sense and 60cc Pump
29	Manifold Rail, Tandem Gear Pump
30	Manifold Rail, Triple Pump
31	Diff Lock Valve
32	Trailer Brake Valve
33	Relief Valve Sub Assembly
34	Hydraulic Shelf Assembly
35	PTO Oil Cooler Sub Assembly (23hp)
36	PTO Oil Cooler Sub Assembly (33hp)
37	2/4WD Valve Assembly
38	Steel Pipe and Fittings Assembly
39	Steel Pipe and Fittings (Steering, Brakes and Diff Lock)
40	Hoses/Components - Main hyd system Schematic (Build 364 on)
41	Hoses/Components – Pumps, PTOs & Coolers (Build 364 onwards)
42	Hoses/Components – Transmission – (Build 364 onwards)
43	Hydraulic pump cover assembly
44	Brand PTO valve assy

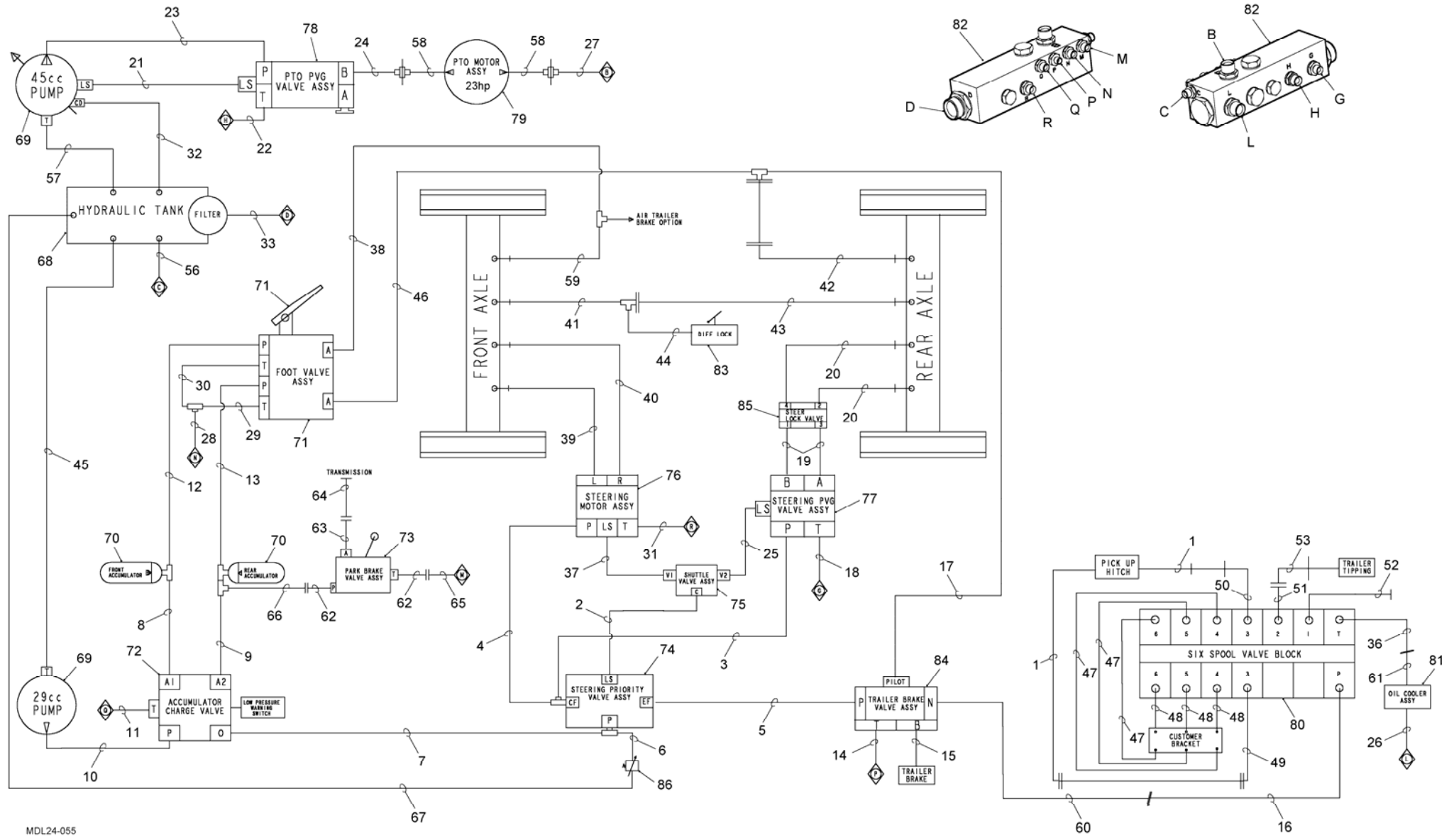


MDL24-055

Figure 1 Tandem Load Sense Schematic and Hoses



Fig 1 Item	Item Name and Description	Part No. / Drawing No.	Qty	Remarks
REF	<b>TANDEM LOAD SENSE SCHEMATIC AND HOSES</b>	MD51822T30A	1	
1	. HOSE - PICK UP HITCH - PICK UP HITCH STEEL	MD43362T30P	2	
2	. HOSE - PRIORITY - SHUTTLE VALVE	MD43536T30A	1	
3	. HOSE - STEER PRIORITY VALVE (CF) PVG VALVE (P)	MD51828T30P	1	
4	. HOSE - STEER PRIORITY VALVE - STEERING MOTOR ASSY	MD51829T30P	1	
5	. HOSE - STEER PRIORITY VALVE - TRAILER BRAKE VALVE	MD51830T30P	1	
6	. HOSE - STEER PRIORITY VALVE (P) - MANIFOLD VALVE RELIEF	MD51831T30P	1	
7	. HOSE -STEER PRIORITY VALVE - ACCUMULATOR CHARGE VALVE (OUT)	MD51832T30P	1	
8	. HOSE - ACCUMULATOR CHARGE VALVE (A2) TO ACCUMULATOR FRONT	MD52013T30P	1	
9	. HOSE - ACCUMULATOR CHARGE VALVE (A2) TO ACCUMULATOR REAR	MD52014T30P	1	
10	. HOSE - ACCUMULATOR CHARGE VALVE (P) TO STEERING LEFT	MD52015T30P	1	
11	. HOSE - ACCUMULATOR CHARGE VALVE (T) TO MANIFOLD RAIL	MD52016T30P	1	
12	. HOSE - ACCUMULATOR FRONT TO FOOT VALVE (P)	MD52017T30P	1	
13	. HOSE - ACCUMULATOR REAR TO FOOT VALVE (T)	MD52018T30P	1	
14	. HOSE – TRAILER BRAKE VALVE (T) TO MANIFOLD	MD52030T30P	1	
15	. HOSE - TRAILER BRAKE VALVE (B) TO TRAILER BRAKE (3.5M WB)	MD52031T30P	1	
15	. HOSE - TRAILER BRAKE VALVE (B) TO TRAILER BRAKE (3.8M WB)	MD53213T30P	1	
15	. HOSE - TRAILER BRAKE. VALVE (B) TO TRAILER BRAKE (4.2M WB)	MD55975T30P	1	
16	. HOSE - TRAILER BRAKE VALVE (N) TO CAB SPOOL VALVE (P)	MD52032T30P	1	
17	. HOSE - TRAILER BRAKE VALVE (PILOT) TO RUNNING TEE	MD52033T30P	1	
18	. HOSE - STEER PVG VALVE (T) TO MANIFOLD RAIL	MD52215T30P	1	
19	. HOSE - PVG TO STEER LOCK VALVE 3.5WB	MD59010T30A	2	
19	. HOSE - PVG TO STEER LOCK VALVE 3.8WB	MD59011T30A	2	
19	. HOSE - PVG TO STEER LOCK VALVE 4.2WB	MD59012T30P	2	

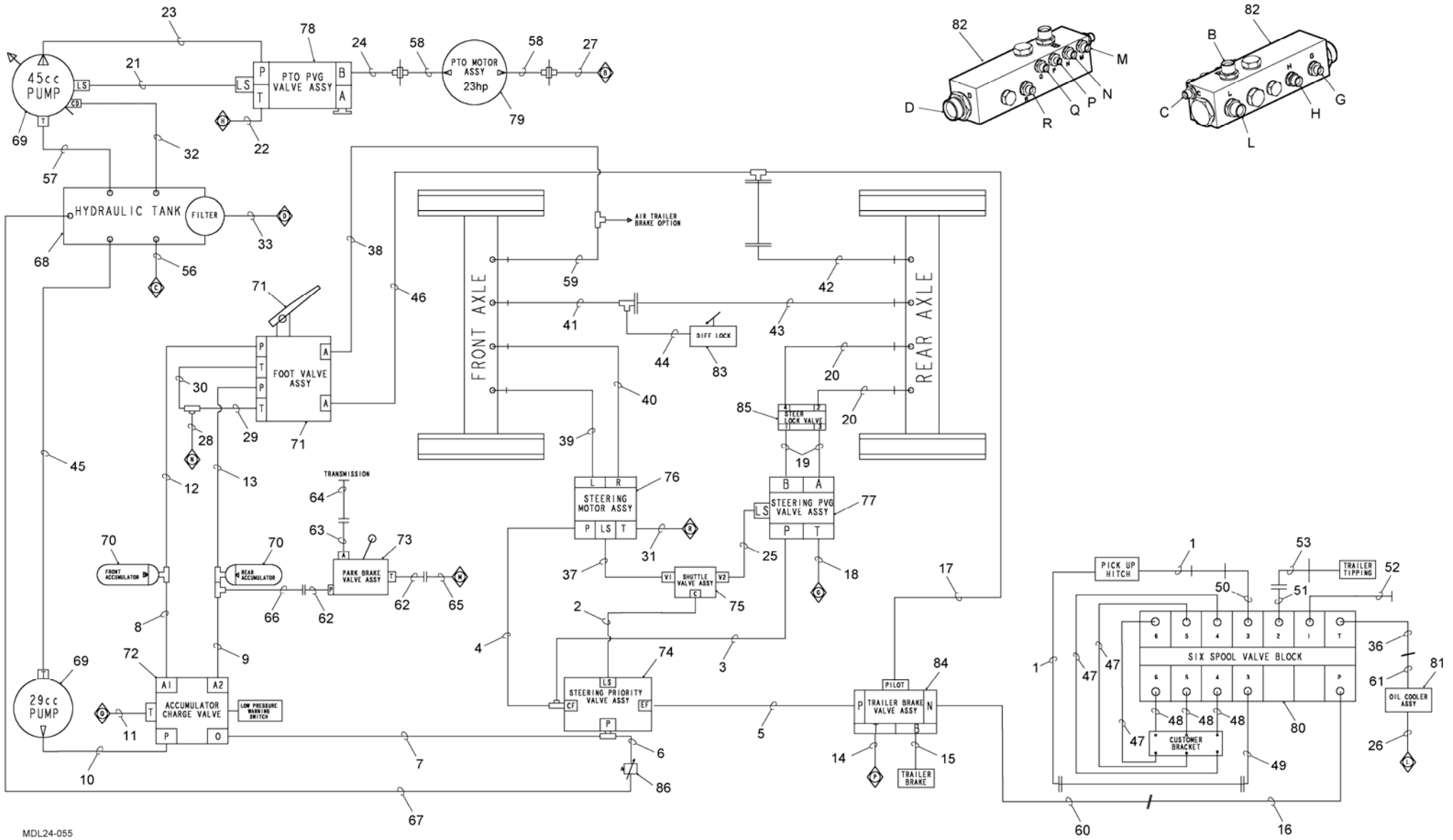


MDL24-055

Figure 1 Tandem Load Sense Schematic and Hoses



Fig 1 Item	Item Name and Description	Part No. / Drawing No.	Qty	Remarks
REF	<b>TANDEM LOAD SENSE SCHEMATIC AND HOSES (CONT)</b>	MD51822T30A	1	
20	. HOSE - VALVE TO 212 AXLE STEER	MD59013T30P	2	
20	. HOSE - VALVE TO 276 AXLE LH STEER	MD59014T30P	1	
20	. HOSE - VALVE TO 276 AXLE RH STEER	MD59015T30P	1	
21	. HOSE - PTO PVG VALVE (LS) - 45CC PUMP (LS)	MD52218T30P	1	
22	. HOSE - PTO PVG VALVE (T) - MANIFOLD RAIL (H)	MD52219T30P	1	
23	. HOSE - PTO PVG VALVE (LS) PUMP IN	MD52220T30P	1	
24	. HOSE - PTO PVG VALVE (P) PTO BULKHEAD	MD52221T30P	1	
25	. HOSE STEER PVG VALVE (LS) SHUTTLE VALVE	MD52242T30P	1	
26	. HOSE PTO MANIFOLD RETURN – MANIFOLD RAIL	MD52243T30P	1	
27	. HOSE - MANIFOLD RAIL - PTO BULKHEAD	MD52244T30P	1	
28	. HOSE - MANIFOLD TO MALE TEE	MD52246T30P	1	
29	. HOSE - TEE - FOOT VALVE ASSY	MD52247T30P	1	
30	. HOSE - TEE - FOOT VALVE ASSY	MD52248T30P	1	
31	. HOSE - MANIFOLD RAIL - STEERING MOTOR	MD52250T30P	1	
32	. HOSE - MANIFOLD RAIL - PUMP (C) CASE DRAIN	MD52251T30P	1	
33	. HOSE - MANIFOLD RAIL - FILTER ON HYD TANK	MD52260T30P	1	
34	. HOSE - TRANSMISSION FEED - TRANSMISSION OIL COOLER	MD54231T30P	1	
35	. HOSE – TRANSMISSION RETURN - TRANSMISSION OIL COOLER	MD54232T30P	1	
36	. HOSE - OIL COOLER -(CAB KIT)	MD52265T30P	1	
37	. HOSE - SHUTTLE VALVE – STEER MOTOR	MD52266T30P	1	
38	. HOSE - BRAKE FRONT AXLE - FOOT VALVE	MD52272T30P	1	
39	. HOSE - FRONT STEERING LEFT - STEERING MOTOR (L)	MD52273T30P	1	
40	. HOSE - FRONT STEERING RIGHT - STEERING MOTOR (R)	MD52274T30P	1	



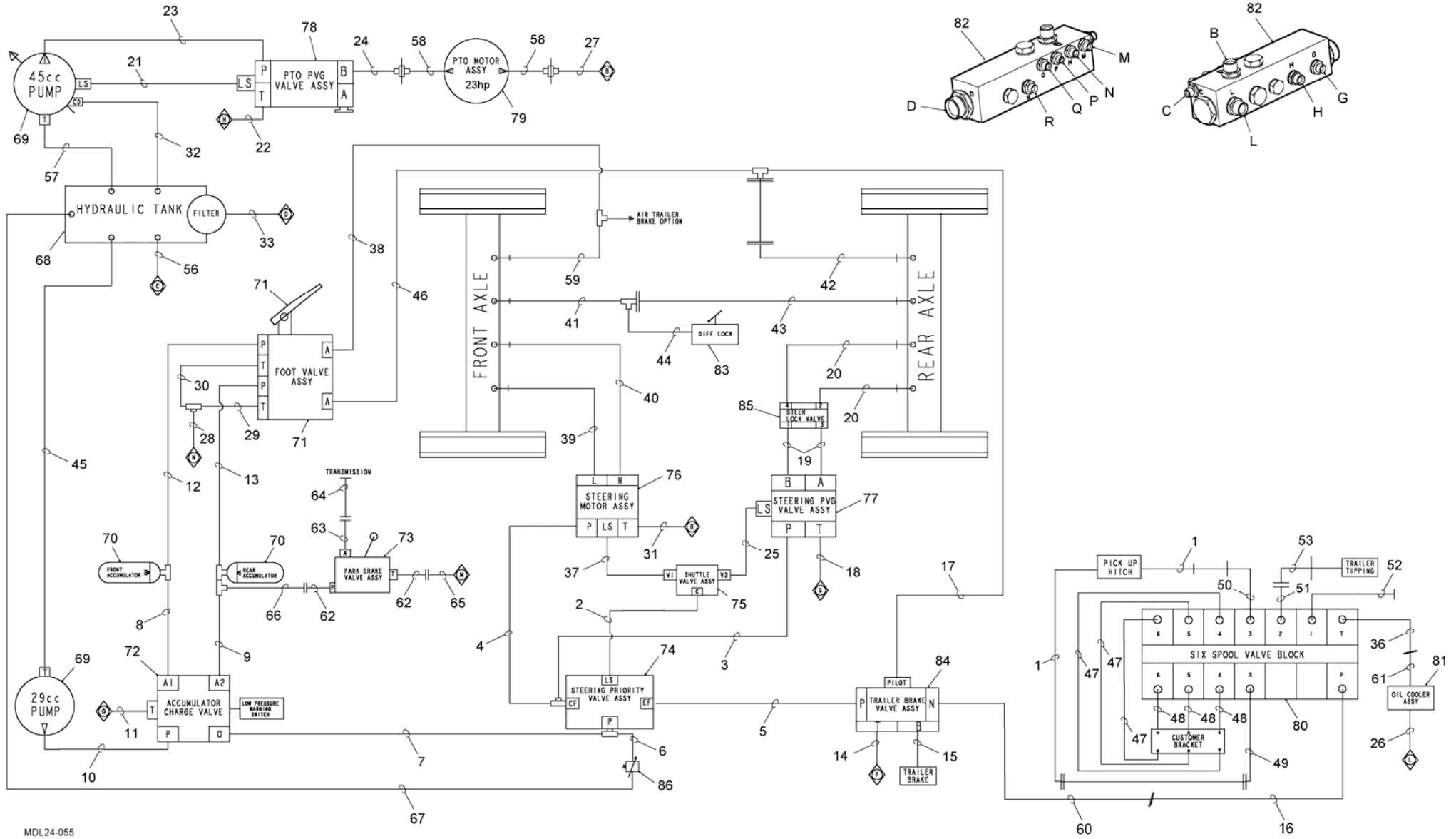
MDL24-055

Figure 1 Tandem Load Sense Schematic and hoses





Fig 1 Item	Item Name and Description	Part No. / Drawing No.	Qty	Remarks
REF	<b>TANDEM LOAD SENSE SCHEMATIC AND HOSES (CONT)</b>	MD51822T30A	1	
41	. HOSE - DIFF LOCK FRONT - FRONT AXLE	MD52275T30P	1	
42	. HOSE - BRAKES REAR - BULKHEAD	MD52283T30P	1	
43	. HOSE - DIFF LOCK REAR - BULKHEAD (3.5 M WB)	MD52284T30P	1	
43	. HOSE - DIFF LOCK REAR – BULKHEAD (3.8 M WB)	MD53212T30P	1	
43	. HOSE - DIFF LOCK REAR – BULKHEAD (4.2M WB)	MD55976T30P	1	
44	. HOSE - DIFF LOCK BULKHEAD TEE - DIFF LOCK	MD52285T30P	1	
45	. HOSE - 29CC - HYDRAULIC TANK	MD52314T30P	1	
46	. HOSE - 8S TEE BULKHEAD (REAR BRAKES – FOOT VALVE (A)	MD52344T30P	1	
47	. HOSE - SIX SPOOL VALVE BLOCK -(CAB KIT)	MD52455T30P	3	
48	. HOSE - SIX SPOOL VALVE BLOCK - (CAB KIT)	MD52456T30P	3	
49	. HOSE - SIX SPOOL VALVE BLOCK - PICK UP (CAB KIT)	MD52457T30P	1	
50	. HOSE - SIX SPOOL VALVE BLOCK - PICK UP HITCH (CAB KIT)	MD52458T30P	1	
51	. HOSE - SIX SPOOL VALVE BLOCK - PICK UP (CAB KIT)	MD52459T30P	1	
52	. HOSE - SIX SPOOL VALVE BLOCK - PICK UP H (CAB KIT)	MD52460T30P	1	
53	. HOSE - SIX SPOOL VALVE BLOCK – TRAILER TIPPING	MD52461T30P	1	
54	. HOSE - SOLENOID VALVE - TRANSMISSION (P&T LINES)	MD52501T30P	2	
55	. HOSE - SOLENOID VALVE - ACTUATOR TRANSMISSION	MD52502T30P	1	
56	. HOSE - MANIFOLD RAIL (E) - HYDRAULIC TANK	MD52574T30P	1	
57	. HOSE - 45CC PUMP - HYDRAULIC TANK	MD52584T30P	1	
58	. HOSE - PTO BULKHEAD - PTO MOTOR	MD52663T30P	2	
59	. HOSE - FOOT VALVE (A1) BRAKES FRONT (8S TEE)	MD52996T30P	1	
60	. HOSE - TRAILER BRAKE VALVE (N) - SPOOL VALVE (P)	MD53692T30P	1	
61	. HOSE - SPOOL VALVE (T) - OIL COOLER	MD53693T30P	1	



MDL24-055

Figure 1 Tandem Load Sense Schematic and hoses



Fig 1 Item	Item Name and Description	Part No. / Drawing No.	Qty	Remarks
REF	<b>TANDEM LOAD SENSE SCHEMATIC AND HOSES (CONT)</b>	MD51822T30A	1	
62	. HOSE - PARK BRAKE (T&P) - BULKHEAD (CAB KIT)*	MD53696T30P	2	
63	. HOSE - PARK BRAKE (A) BULKHEAD (MANIFOLD) (CAB KIT)*	MD53697T30P	1	
64	. HOSE - TRANSMISSION BRAKE - PARK BRAKE	MD53698T30P	1	
65	. HOSE - PARK BRAKE (T) - MANIFOLD RAIL (N)	MD53699T30P	1	
66	. HOSE - PARK BRAKE (P) - REAR ACCUMULATOR TEE	MD53700T30P	1	
67	. HOSE - RELIEF TO HYDRAULIC TANK	MD59020T30P	1	See Fig 5
69	. TANDEM LOAD SENSE PUMPS			See Fig 8
70	. BRAKE ACCUMULATORS			See Fig 12
71	. BRAKE FOOT VALVE	MD52606T30A	1	See Fig 13
72	. ACCUMULATOR CHARGE VALVE	MD51999T30P	1	See Fig 14
73	. PARK BRAKE VALVE	MD52596T30A	1	See Fig 15
74	. STEERING PRIORITY VALVE	MD51827T30A	1	See Fig 16
75	. SHUTTLE VALVE	MD52249T30A	1	See Fig 18
76	. STEERING MOTOR	MD52356T30A	1	See Fig 19
77	. STEERING PVG VALVE	MD55023T30A	1	See Fig 20
78	. PTO PVG VALVE	MD52035T30A	1	See Fig 21
79	. PTO MOTOR (23HP)	MD53520T30A	1	See Fig 22
80	. SPOOL VALVE	MD47663T30A	1	See Fig 26
81	. OIL COOLER 3 BANK	MD552625T30P	1	
82	. MANIFOLD RAIL AND VALVE ADAPTORS	MD51835T30A	1	See Fig 28
83	. DIFF LOCK VALVE	MD50921T30A	1	See Fig 31
84	. TRAILER BRAKE VALVE	MD52000T30A	1	See Fig 32
85	. STEER LOCK VALVE			See Fig 17
86	. RELIEF VALVE			See Fig 33

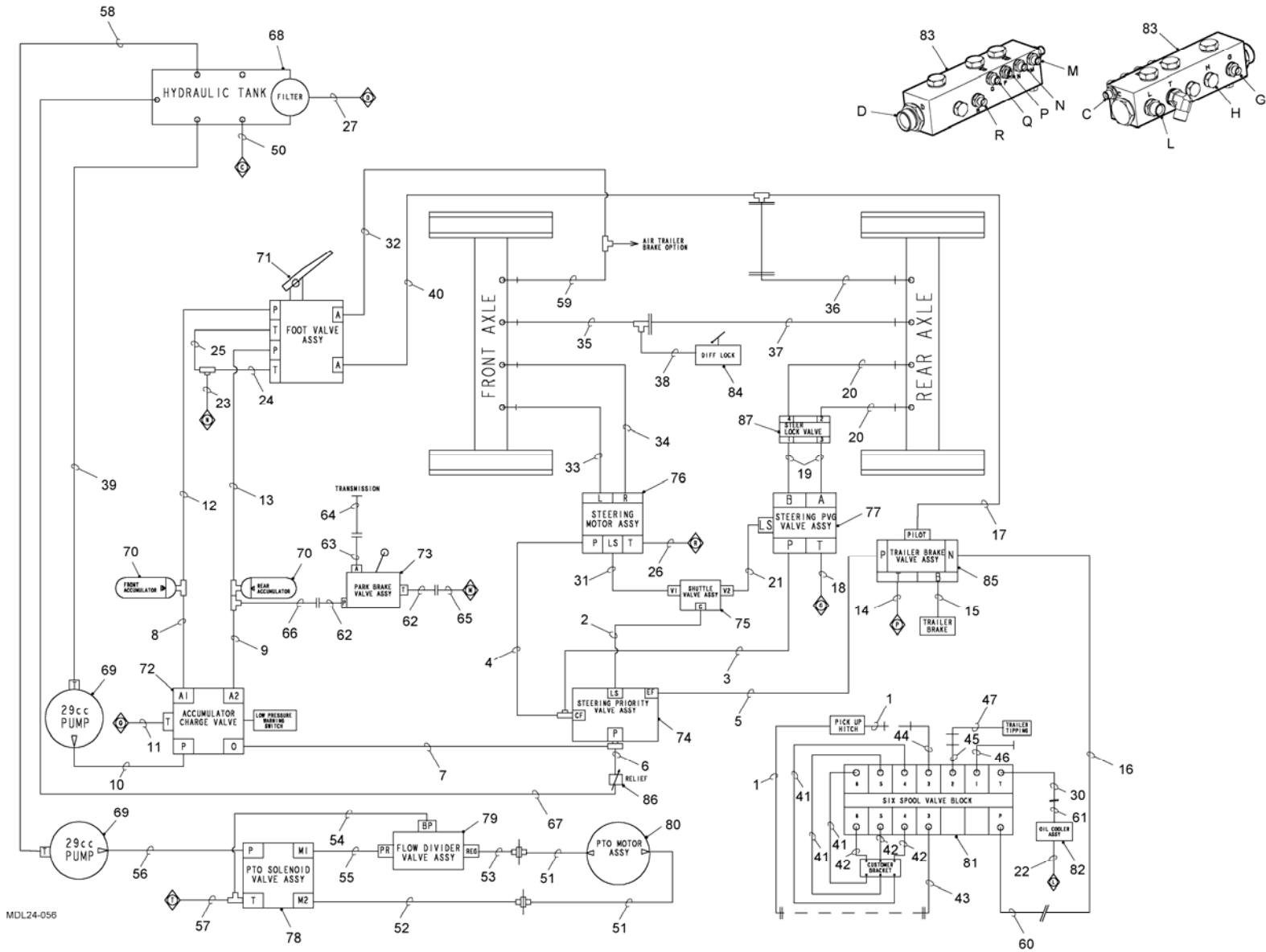


Figure 2 Tandem Gear Pump Schematic and Hoses



Fig 2 Item	Item Name and Description	Part No. / Drawing No.	Qty	Remarks
REF	<b>HOSE ASSY - TANDEM GEAR PUMP</b>	MD52855T30A	1	
1	. HYDRAULIC HOSE - PICK UP HITCH - PICK UP HITCH STEEL	MD43362T30P	2	
2	. HOSE: PRIORITY - STEERING SHUTTLE VALVE	MD43536T30A	1	
3	. HOSE - STEER PRIORITY VALVE (CF) PVG VALVE (P)	MD51828T30P	1	
4	. HOSE - STEER PRIORITY VALVE - STEERING	MD51829T30P	1	
5	. HOSE - STEER PRIORITY VALVE - TRAILER BRAKE VALVE	MD51830T30P	1	
6	. HOSE - STEER PRIORITY. VALVE (P) - MANIFOLD VALVE RELIEF	MD51831T30P	1	
7	. HOSE -STEER PRIORITY VALVE - ACCUMULATOR CHARGE VALVE (OUT)	MD51832T30P	1	
8	. HOSE - ACCUMULATOR CHARGE VALVE (A2) TO ACCUMULATOR FRONT	MD52013T30P	1	
9	. HOSE - ACCUMULATOR CHARGE VALVE (A2) TO ACCUMULATOR REAR	MD52014T30P	1	
10	. HOSE - ACCUMULATOR CHARGE VALVE (P) TO STEERING LEFT	MD52015T30P	1	
11	. HOSE - ACCUMULATOR CHARGE VALVE (T) TO MANIFOLD RAIL	MD52016T30P	1	
12	. HOSE - ACCUMULATOR FRONT TO FOOT VALVE (P)	MD52017T30P	1	
13	. HOSE - ACCUMULATOR REAR TO FOOT VALVE (T)	MD52018T30P	1	
14	. HOSE - TRAILER BRAKE VALVE (T) TO MANIFOLD	MD52030T30P	1	
15	. HOSE - TRAILER BRAKE VALVE (B) TO TRAILER BRAKE (3.5M WB)	MD52031T30P	1	
15	. HOSE - TRAILER BRAKE VALVE (B) TO TRAILER BRAKE (3.8M WB)	MD53213T30P	1	
15	. HOSE - TRAILER BRAKE VALVE (B) TO TRAILER BRAKE (4.2M WB)	MD55975T30P	1	
16	. HOSE - TRAILER BRAKE VALVE (N) TO CAB SPOOL VALVE (P)	MD52032T30P	1	
17	. HOSE - TRAILER BRAKE VALVE (PILOT) TO RUNNING TEE	MD52033T30P	1	
18	. HOSE - STEER PVG VALVE (T) TO MANIFOLD RAIL	MD52215T30P	1	
19	. HOSE - PVG TO STEER LOCK VALVE 3.5WB	MD59010T30A	2	
19	. HOSE - PVG TO STEER LOCK VALVE 3.8WB	MD59011T30A	2	
19	. HOSE - PVG TO STEER LOCK VALVE 4.2WB	MD59012T30P	2	
20	. HOSE - VALVE TO 212 AXLE STEER	MD59013T30P	2	
20	. HOSE - VALVE TO 276 AXLE LH STEER	MD59014T30P	1	

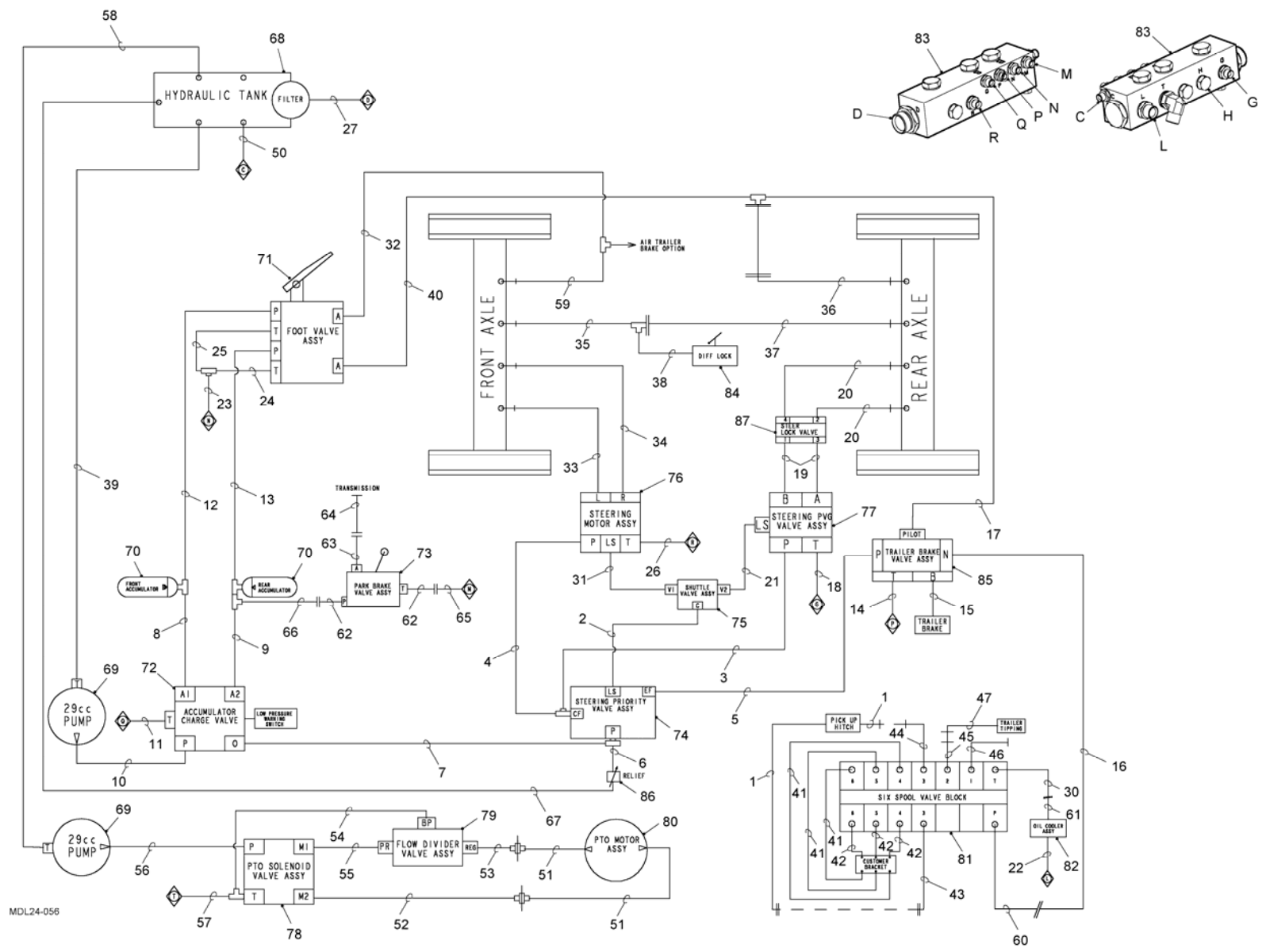


Figure 2 Tandem Gear Pump Schematic and Hoses



Fig 2 Item	Item Name and Description	Part No. / Drawing No.	Qty	Remarks
REF	<b>HOSE ASSY - TANDEM GEAR PUMP (CONT)</b>	MD52855T30A	1	
20	. HOSE – STEER LOCK VALVE TO 276 AXLE RH STEER	MD59015T30P	1	
21	. HOSE - STEER PVG VALVE (LS) SHUTTLE VALVE	MD52242T30P	1	
22	. HOSE PTO MANIFOLD RETURN - MANIFOLD RAIL	MD52243T30P	1	
23	. HOSE - MANIFOLD TO MALE TEE	MD52246T30P	1	
24	. HOSE - TEE - FOOT VALVE ASSY	MD52247T30P	1	
25	. HOSE - TEE - FOOT VALVE ASSY	MD52248T30P	1	
26	. HOSE - MANIFOLD RAIL - STEERING MOTOR	MD52250T30P	1	
27	. HOSE - MANIFOLD RAIL - FILTER ON HYD TANK	MD52260T30P	1	
28	. HOSE - TRANSMISSION FEED - TRANSMISSION OIL COOLER	MD54231T30P	1	
29	. HOSE - TRANSMISSION RETURN - TRANSMISSION OIL COOLER	MD54232T30P	1	
30	. HOSE - OIL COOLER - 6 SPOOL VALVE BLOCK (T)	MD52265T30P	1	
31	. HOSE - SHUTTLE VALVE - CAB	MD52266T30P	1	
32	. HOSE - BRAKE FRONT AXLE - FOOT VALVE	MD52272T30P	1	
33	. HOSE - FRONT AXLE STEERING LEFT - STEERING MOTOR (L)	MD52273T30P	1	
34	. HOSE - FRONT AXLE STEERING RIGHT - STEERING MOTOR (R)	MD52274T30P	1	
35	. HOSE - DIFF LOCK FRONT - BULKHEAD	MD52275T30P	1	
36	. HOSE - BRAKES REAR - BULKHEAD	MD52283T30P	1	
37	. HOSE - DIFF LOCK REAR - BULKHEAD (3.5 M WB)	MD52284T30P	1	
37	. HOSE - DIFF LOCK REAR - BULKHEAD (3.8 M WB)	MD53212T30P	1	
37	. HOSE - DIFF LOCK REAR - BULKHEAD (4.2M WB)	MD55976T30P	1	
38	. HOSE - DIFF LOCK BULKHEAD TEE - DIFF LOCK	MD52285T30P	1	
39	. HOSE - 29CC PUMP - HYDRAULIC TANK	MD52314T30P	1	
40	. HOSE - 8S TEE BULKHEAD (REAR BRAKES - FOOT VALVE (A)	MD52344T30P	1	
41	. HOSE - SIX SPOOL VALVE BLOCK -(CAB KIT)	MD52455T30P	3	
42	. HOSE - SIX SPOOL VALVE BLOCK - (CAB KIT)	MD52456T30P	3	

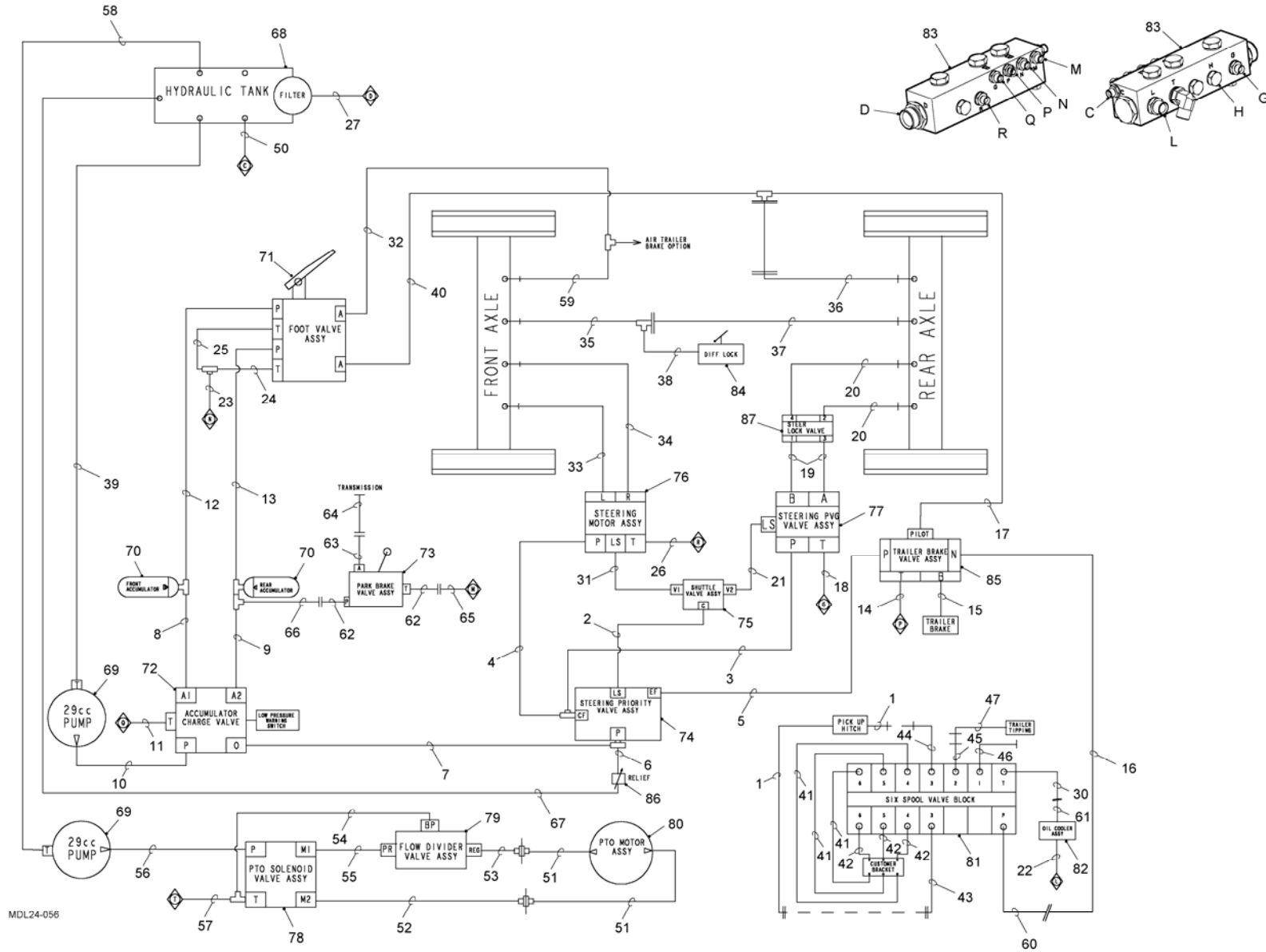


Figure 2 Tandem Gear Pump Schematic and Hoses





Fig 2 Item	Item Name and Description	Part No. / Drawing No.	Qty	Remarks
REF	<b>HOSE ASSY - TANDEM GEAR PUMP (CONT)</b>	MD52855T30A	1	
43	. HOSE - SIX SPOOL VALVE BLOCK - PICK UP (CAB KIT) - STEEL PIPE	MD52457T30P	1	
44	. HOSE - SIX SPOOL VALVE BLOCK - PICK UP HITCH (CAB KIT)	MD52458T30P	1	
45	. HOSE - SIX SPOOL VALVE BLOCK - PICK UP (CAB KIT) - TRAILER TIPPING STEEL	MD52459T30P	1	
46	. HOSE - SIX SPOOL VALVE BLOCK - PICK UP H (CAB KIT)	MD52460T30P	1	
47	. HOSE - SIX SPOOL VALVE BLOCK - TRAILER TIPPING	MD52461T30P	1	
48	. HOSE - SOLENOID VALVE ACTUATOR - TRANSMISSION (P&T LINES)	MD52501T30P	2	
49	. HOSE - SOLENOID VALVE ACTUATOR - TRANSMISSION	MD52502T30P	1	
50	. HOSE - MANIFOLD RAIL (E) - HYDRAULIC TANK	MD52574T30P	1	
51	. HOSE - PTO BULKHEAD - PTO MOTOR	MD52663T30P	2	
52	. HOSE - PTO BULKHEAD - PTO MOTOR (M2)	MD52885T30P	1	
53	. HOSE - PTO MOTOR - FLOW CONTROL (REG)	MD52886T30P	1	
54	. HOSE - FLOW CONTROL (BP) - MANIFOLD RAIL	MD52887T30P	1	
55	. HOSE - PTO VALVE (MI) - FLOW CONTROL (PR)	MD52888T30P	1	
56	. HOSE - 29CC PUMP (PTO) - PTO VALVE (P)	MD52889T30P	1	
57	. HOSE - PTO VALVE (T) - MANIFOLD RAIL	MD52890T30P	1	
58	. HOSE - 29CC PUMP (PTO) - HYDRAULIC TANK	MD52909T30P	1	
59	. HOSE - BRAKES FRONT (8S TEE) - FOOT VALVE (AI)	MD52996T30P	1	
60	. HOSE - TRAILER BRAKE VALVE (N) - SPOOL VALVE (P)	MD53692T30P	1	
61	. HOSE - SPOOL VALVE (T) - OIL COOLER	MD53693T30P	1	
62	. HOSE - PARK BRAKE (T&P) - BULKHEAD (CAB KIT)*	MD53696T30P	2	
63	. HOSE - PARK BRAKE (A) BULKHEAD (MANIFOLD) (CAB KIT)	MD53697T30P	1	
64	. HOSE - TRANSMISSION BRAKE - PARK BRAKE	MD53698T30P	1	
65	. HOSE - PARK BRAKE (T) - MANIFOLD RAIL (N)	MD53699T30P	1	
66	. HOSE - PARK BRAKE (P) - REAR ACCUMULATOR TEE	MD53700T30P	1	
67	. HOSE - RELIEF TO TANK	MD59020T30P	1	

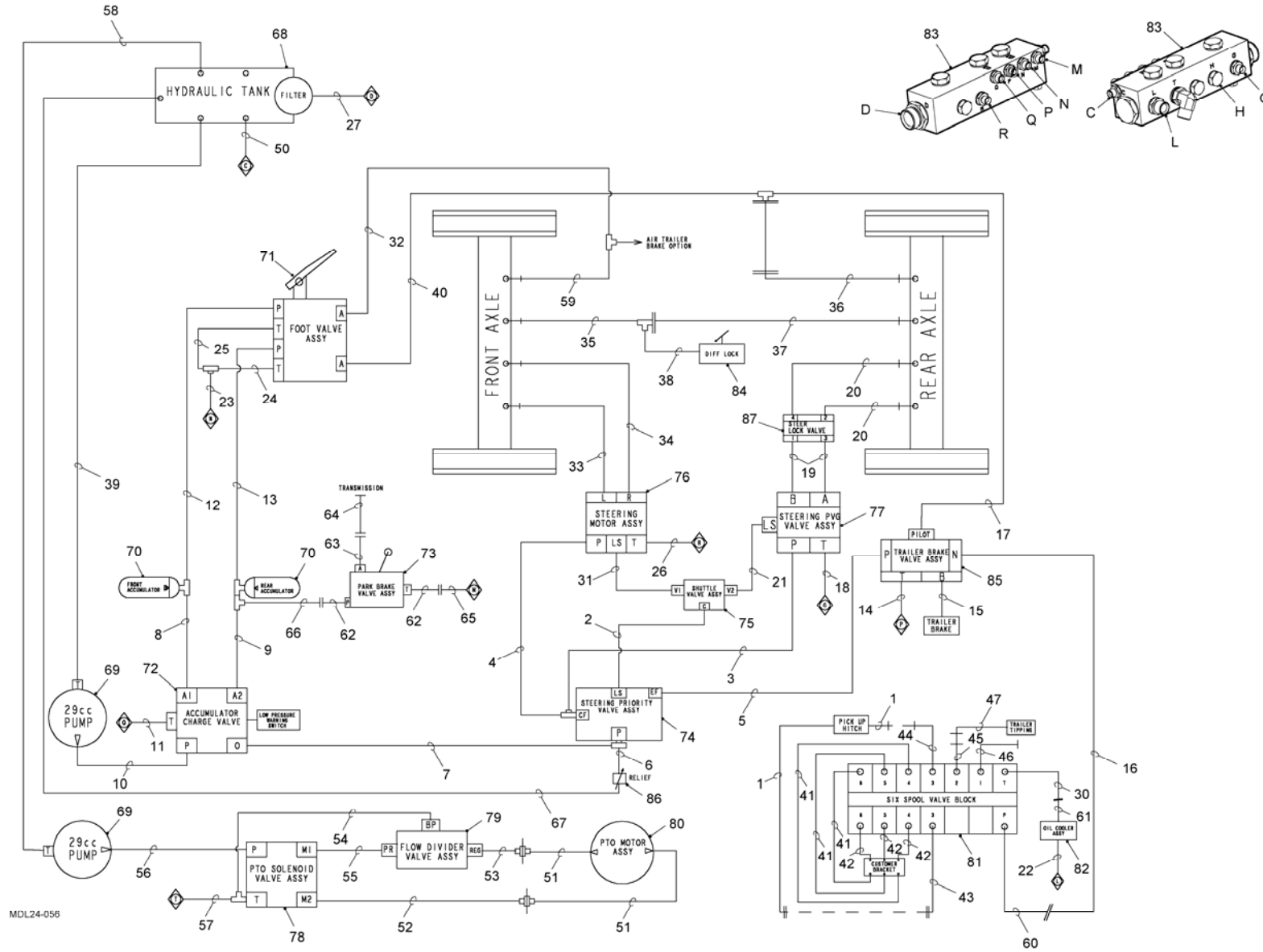


Figure 2 Tandem Gear Pump Schematic and Hoses



Fig 2 Item	Item Name and Description	Part No. / Drawing No.	Qty	Remarks
REF	<b>HOSE ASSY - TANDEM GEAR PUMP (CONT)</b>	MD52855T30A	1	
68	. HYDRAULIC TANK (TANDEM GEAR)	MD52913T30A	1	See Fig 6
69	. TANDEM GEAR PUMPS ASSY			See Fig 9
70	. BRAKE ACCUMULATORS			See Fig 12
71	. BRAKE FOOT VALVE	MD52606T30A	1	See Fig 13
72	. DUAL ACCUMULATOR CHARGE VALVE	MD51999T30P	1	See Fig 14
73	. PARK BRAKE VALVE	MD52596T30A	1	See Fig 15
74	. STEERING PRIORITY VALVE AND ADAPTORS	MD51827T30A	1	See Fig 16
75	. SHUTTLE VALVE	MD52249T30A	1	See Fig 18
76	. STEERING MOTOR	MD52356T30A	1	See Fig 19
77	. STEERING PVG VALVE	MD52034T30A	1	See Fig 20
78	. PTO SOLENOID VALVE	MD53775T30A	1	See Fig 23
79	. FLOW DIVIDER VALVE	MD52881T30A	1	See Fig 24
80	. PTO MOTOR 14.5HP	MD47661T30A	1	See Fig 25
81	. SPOOL VALVE	MD47663T30A	1	See Fig 26
82	. OIL COOLER 3 BANK	MD52625T30P	1	
83	. MANIFOLD RAIL - TANDEM GEAR	MD52900T30A	1	See Fig 29
84	. DIFF LOCK VALVE	MD50921T30A	1	See Fig 31
85	. TRAILER BRAKE VALVE	MD52000T30A	1	See Fig 32
86	. RELIEF VALVE	MD59022T30A	1	See Fig 33
87	. STEER LOCK VALVE ASSEMBLY	MD58878T30A	1	See Fig 17

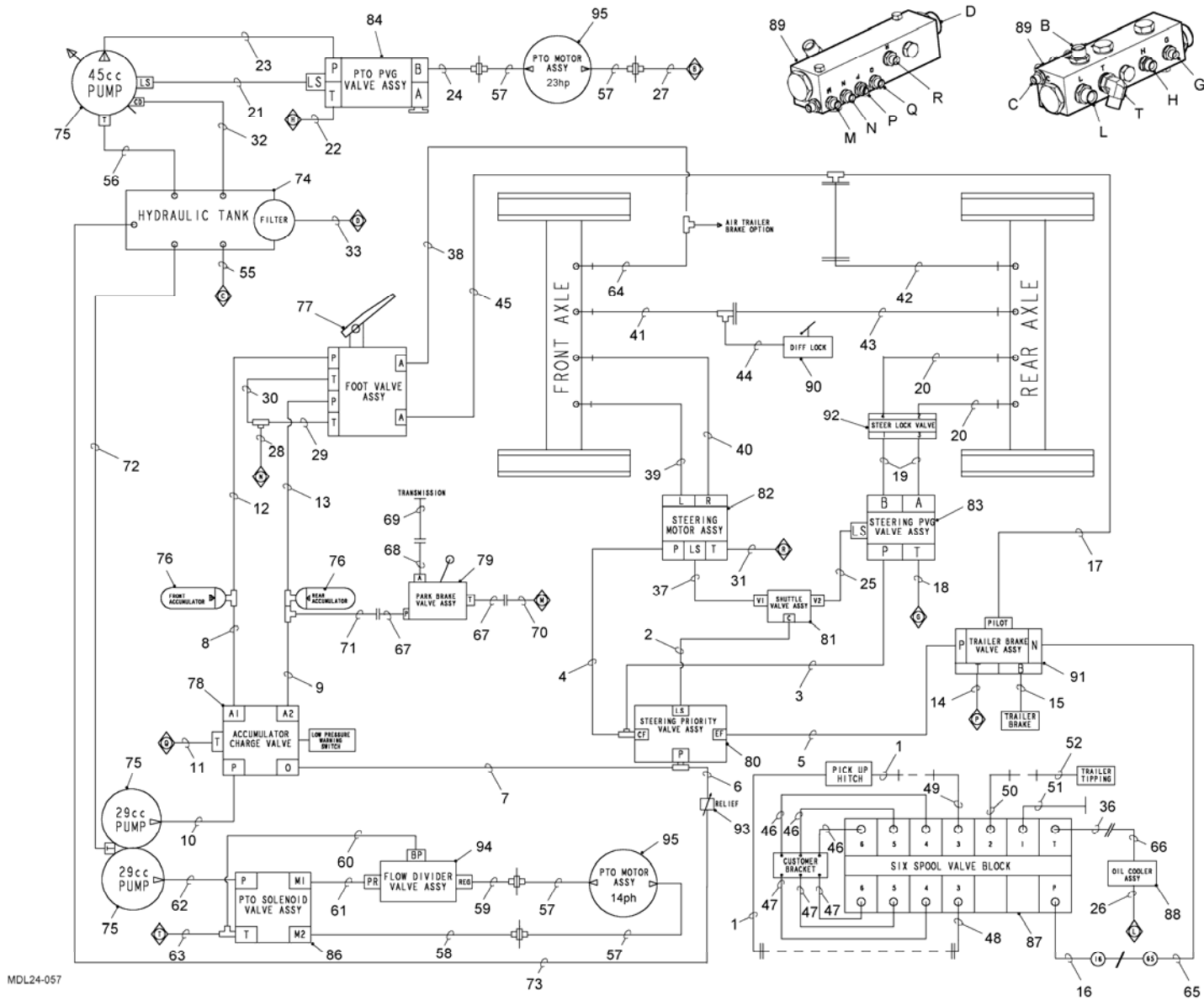


Figure 3 Hose Assembly – Triple Pump Schematic



Fig 3 Item	Item Name and Description	Part No. / Drawing No.	Qty	Remarks
REF	<b>HOSE ASSY - TRIPLE PUMP</b>	MD52856T30A	1	
1	. HOSE - PICK UP HITCH - PICK UP HITCH STEEL	MD43362T30P	2	
2	. HOSE: PRIORITY - SHUTTLE VALVE	MD43536T30A	1	
3	. HOSE - STEER PRIORITY VALVE (CF) PVG VALVE (P)	MD51828T30P	1	
4	. HOSE - STEER PRIORITY VALVE - STEERING	MD51829T30P	1	
5	. HOSE - STEER PRIORITY VALVE - STEERING	MD51830T30P	1	
6	. HOSE - STEER P. VALVE (P) - MANIFOLD VALVE RELIEF	MD51831T30P	1	
7	. HOSE -STEER PRIORITY VALVE - ACCUMULATOR CHARGE VALVE (OUT)	MD51832T30P	1	
8	. HOSE - ACCUMULATOR CHARGE VALVE (A2) TO ACCUMULATOR FRONT	MD52013T30P	1	
9	. HOSE - ACCUMULATOR CHARGE VALVE (A2) TO ACCUMULATOR REAR	MD52014T30P	1	
10	. HOSE - ACCUMULATOR CHARGE VALVE (P) TO STEERING LEFT	MD52015T30P	1	
11	. HOSE - ACCUMULATOR CHARGE VALVE (T) TO MANIFOLD RAIL	MD52016T30P	1	
12	. HOSE - ACCUMULATOR FRONT TO FOOT VALVE (P)	MD52017T30P	1	
13	. HOSE - ACCUMULATOR REAR TO FOOT VALVE (T)	MD52018T30P	1	
14	. HOSE - TRAILER BRAKE VALVE (T) TO MANIFOLD	MD52030T30P	1	
15	. HOSE - TRAILER BRAKE VALVE (B) TO TRAILER BRAKE (3.5M WB)	MD52031T30P	1	
15	. HOSE - TRAILER BRAKE VALVE (B) TO TRAILER BRAKE (3.8M WB)	MD53213T30P	1	
15	. HOSE - TRAILER BRAKE VALVE (B) TO TRAILER BRAKE (4.2M WB)	MD55975T30P	1	
16	. HOSE - TRAILER BRAKE VALVE (N) TO CAB SPOOL VALVE (P)	MD52032T30P	1	
17	. HOSE - TRAILER BRAKE VALVE (PILOT) TO RUNNING TEE	MD52033T30P	1	
18	. HOSE - STEER PVG VALVE (T) TO MANIFOLD RAIL	MD52215T30P	1	
19	. HOSE - PVG TO STEER LOCK VALVE 3.5WB	MD59010T30A	2	
19	. HOSE - PVG TO STEER LOCK VALVE 3.8WB	MD59011T30A	2	
19	. HOSE - PVG TO STEER LOCK VALVE 4.2WB	MD59012T30P	2	
20	. HOSE - VALVE TO 212 AXLE STEER	MD59013T30P	2	
20	. HOSE - VALVE TO 276 AXLE LH STEER	MD59014T30P	1	

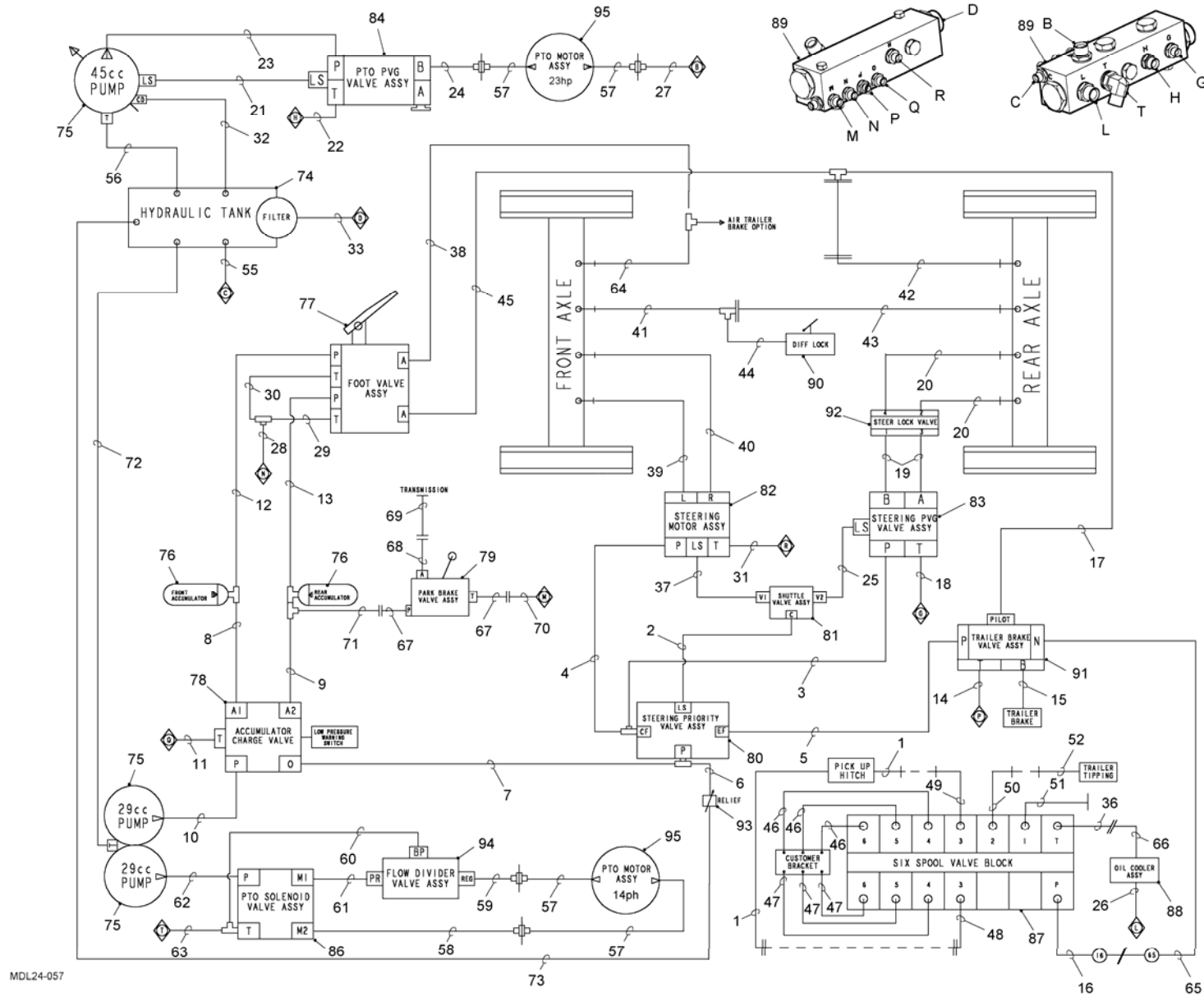
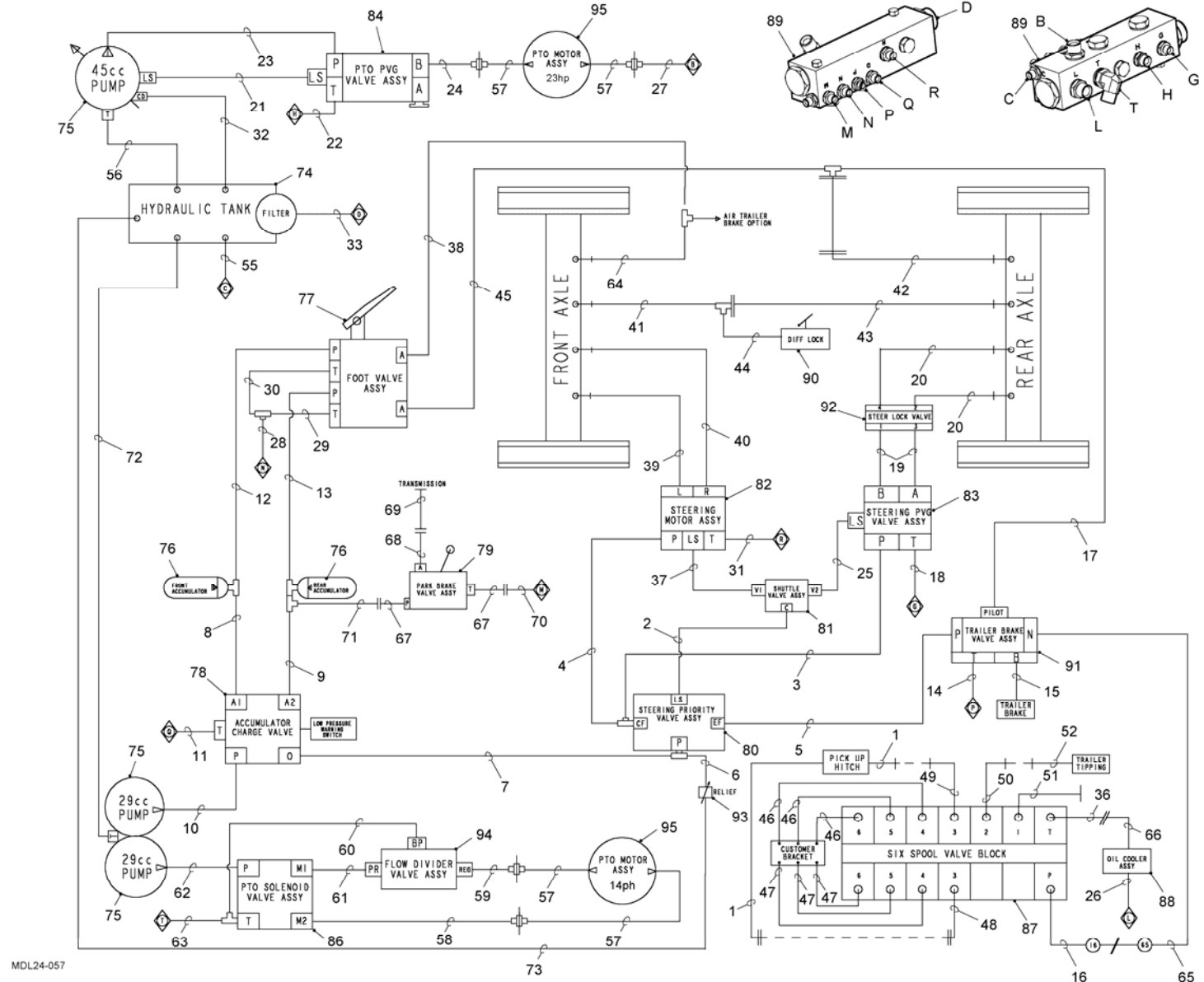


Figure 3 Hose Assembly – Triple Pump Schematic



Fig 3 Item	Item Name and Description	Part No. / Drawing No.	Qty	Remarks
REF	<b>HOSE ASSY - TRIPLE PUMP (CONT)</b>	MD52856T30A	1	
20	. HOSE - VALVE TO 276 AXLE RH STEER	MD59015T30P	1	
21	. HOSE - PTO PVG VALVE (B) PTO OUT - 45CC PUMP	MD52218T30P	1	
22	. HOSE - PTO PVG VALVE (T) MANIFOLD RAIL	MD52219T30P	1	
23	. HOSE - PTO PVG VALVE (LS) PUMP IN	MD52220T30P	1	
24	. HOSE - PTO PVG VALVE (P) PTO BULKHEAD	MD52221T30P	1	
25	. HOSE STEER PVG VALVE (LS) SHUTTLE VALVE	MD52242T30P	1	
26	. HOSE PTO MANIFOLD RETURN - MANIFOLD RAIL	MD52243T30P	1	
27	. HOSE - MANIFOLD RAIL - PTO BULKHEAD	MD52244T30P	1	
28	. HOSE - MANIFOLD TO MALE TEE	MD52246T30P	1	
29	. HOSE - TEE - FOOT VALVE ASSY	MD52247T30P	1	
30	. HOSE - TEE - FOOT VALVE ASSY	MD52248T30P	1	
31	. HOSE - MANIFOLD RAIL - STEERING MOTOR	MD52250T30P	1	
32	. HOSE - HYDRAULIC TANK - PUMP (C) CASE DRAIN	MD52251T30P	1	
33	. HOSE - MANIFOLD RAIL - FILTER ON HYD TANK	MD52260T30P	1	
34	. HOSE - TRANSMISSION FEED - TRANSMISSION OIL COOLER	MD54231T30P	1	
35	. HOSE - TRANSMISSION RETURN - TRANSMISSION OIL COOLER	MD54232T30P	1	
36	. HOSE - OIL COOLER -(CAB KIT)	MD52265T30P	1	
37	. HOSE - SHUTTLE VALVE - CAB	MD52266T30P	1	
38	. HOSE - BRAKE FRONT AXLE - FOOT VALVE	MD52272T30P	1	
39	. HOSE - STEERING LEFT - STEERING MOTOR (L)	MD52273T30P	1	
40	. HOSE - STEERING RIGHT - STEERING MOTOR (R)	MD52274T30P	1	
41	. HOSE - DIFF LOCK FRONT - BULKHEAD	MD52275T30P	1	
42	. HOSE - BRAKES REAR - BULKHEAD	MD52283T30P	1	
43	. HOSE - DIFF LOCK REAR - BULKHEAD (3.5 M WB)	MD52284T30P	1	
43	. HOSE - DIFF LOCK REAR - BULKHEAD (3.8 M WB)	MD53212T30P	1	



MDL24-057

Figure 3 Hose Assembly – Triple Pump Schematic





Fig 3 Item	Item Name and Description	Part No. / Drawing No.	Qty	Remarks
REF	<b>HOSE ASSY - TRIPLE PUMP (CONT)</b>	MD52856T30A	1	
43	. HOSE - DIFF LOCK REAR - BULKHEAD (4.2M WB)	MD55976T30P	1	
44	. HOSE - DIFF LOCK BULKHEAD TEE - DIFF LOCK	MD52285T30P	1	
45	. HOSE - 8S TEE BULKHEAD (REAR BRAKES – FOOT VALVE (A))	MD52344T30P	1	
46	. HOSE - SIX SPOOL VALVE BLOCK -(CAB KIT)	MD52455T30P	3	
47	. HOSE - SIX SPOOL VALVE BLOCK - (CAB KIT)	MD52456T30P	3	
48	. HOSE - SIX SPOOL VALVE BLOCK - PICK UP (CAB KIT)	MD52457T30P	1	
49	. HOSE - SIX SPOOL VALVE BLOCK - PICK UP HITCH (CAB KIT)	MD52458T30P	1	
50	. HOSE - SIX SPOOL VALVE BLOCK - PICK UP (CAB KIT)	MD52459T30P	1	
51	. HOSE - SIX SPOOL VALVE BLOCK - PICK UP H (CAB KIT)	MD52460T30P	1	
52	. HOSE - SIX SPOOL VALVE BLOCK - TRAILER TIPPING	MD52461T30P	1	
53	. HOSE - SOLENOID VALVE - TRANSMISSION (P&T LINES)	MD52501T30P	2	
54	. HOSE - SOLENOID VALVE - ACTUATOR TRANSMISSION	MD52502T30P	1	
55	. HOSE - MANIFOLD RAIL (E) - HYDRAULIC TANK	MD52574T30P	1	
56	. HOSE - 45CC PUMP - HYDRAULIC TANK	MD52584T30P	1	
57	. HOSE - PTO BULKHEAD – PTO MOTOR	MD52663T30P	2	
58	. HOSE - PTO BULKHEAD - PTO MOTOR (M2)	MD52885T30P	1	
59	. HOSE - PTO MOTOR - FLOW CONTROL (REG)	MD52886T30P	1	
60	. HOSE - FLOW CONTROL (BP) - MANIFOLD RAIL	MD52887T30P	1	
61	. HOSE - PTO VALVE (MI) - FLOW CONTROL (PR)	MD52888T30P	1	
62	. HOSE - 29CC PUMP (PTO) - PTO VALVE (P)	MD52889T30P	1	
63	. HOSE - PTO VALVE (T) - MANIFOLD RAIL	MD52890T30P	1	
64	. HOSE - FOOT VALVE (A1) BRAKES FRONT (8S TEE)	MD52996T30P	1	
65	. HOSE - TRAILER BRAKE VALVE (N) - SPOOL VALVE (P)	MD53692T30P	1	
66	. HOSE - SPOOL VALVE (T) - OIL COOLER	MD53693T30P	1	
67	. HOSE - PARK BRAKE (T&P) – BULKHEAD (CAB KIT)*	MD53696T30P	2	





Fig 3 Item	Item Name and Description	Part No. / Drawing No.	Qty	Remarks
REF	<b>HOSE ASSY - TRIPLE PUMP (CONT)</b>	MD52856T30A	1	
68	. HOSE - PARK BRAKE (A) BULKHEAD (MANIFOLD) (CAB KIT)*	MD53697T30P	1	
69	. HOSE - TRANSMISSION BRAKE - PARK BRAKE	MD53698T30P	1	
70	. HOSE - PARK BRAKE (T) - MANIFOLD RAIL (N)	MD53699T30P	1	
71	. HOSE - PARK BRAKE (P) - REAR ACCUMULATOR TEE	MD53700T30P	1	
72	. HOSE - 29CC PUMP - HYDRAULIC TANK	MD53716T30P	1	
73	. HOSE - RELIEF TO TANK	MD59020T30P	1	
74	. HYDRAULIC TANK	MD52918T30A	1	See Fig 7
75	. TRIPLE PUMPS ASSY			See Fig 10
76	. BRAKE ACCUMULATORS			See Fig 12
77	. BRAKE FOOT VALVE	MD52606T30A	1	See Fig 13
78	. ACCUMULATOR CHARGE VALVE	MD51999T30P	1	See Fig 14
79	. PARK BRAKE VALVE	MD52596T30A	1	See Fig 15
80	. STEERING PRIORITY VALVE	MD52034T30A	1	See Fig 16
81	. SHUTTLE VALVE	MD52249T30A	1	See Fig 18
82	. STEERING MOTOR	MD52356T30A	1	See Fig 19
83	. STEERING PVG VALVE	MD52034T30A	1	See Fig 20
84	. PTO PVG VALVE	MD52035T30A	1	See Fig 21
85	. PTO MOTOR (14.5HP)	MD47661T30A	1	See Fig 22
86	. PTO MOTOR SOILENOID VALVE	MD47661T30A	1	See Fig 23
87	. SPOOL VALVE	MD47663T30A	1	See Fig 26
88	. OIL COOLER 3 BANK	MD52625T30P	1	
89	. MANIFOLD RAIL TRIPLE PUMP	MD52901T30A	1	See Fig 30
90	. DIFF LOCK VALVE	MD50921T30A	1	See Fig 31
91	. TRAILER BRAKE VALVE	MD52000T30A	1	See Fig 32
92	. STEER LOCK VALVE	MD58878T30A	1	See Fig 17
93	. RELEIF VALVE SUB ASSEMBLY	MD59022T30A	1	See Fig 33
94	. FLOW DIVIDER	MD52881T30A	1	See Fig 24
95	. PTO MOTOR (23HP)	MD53519T30A	1	See Fig 25

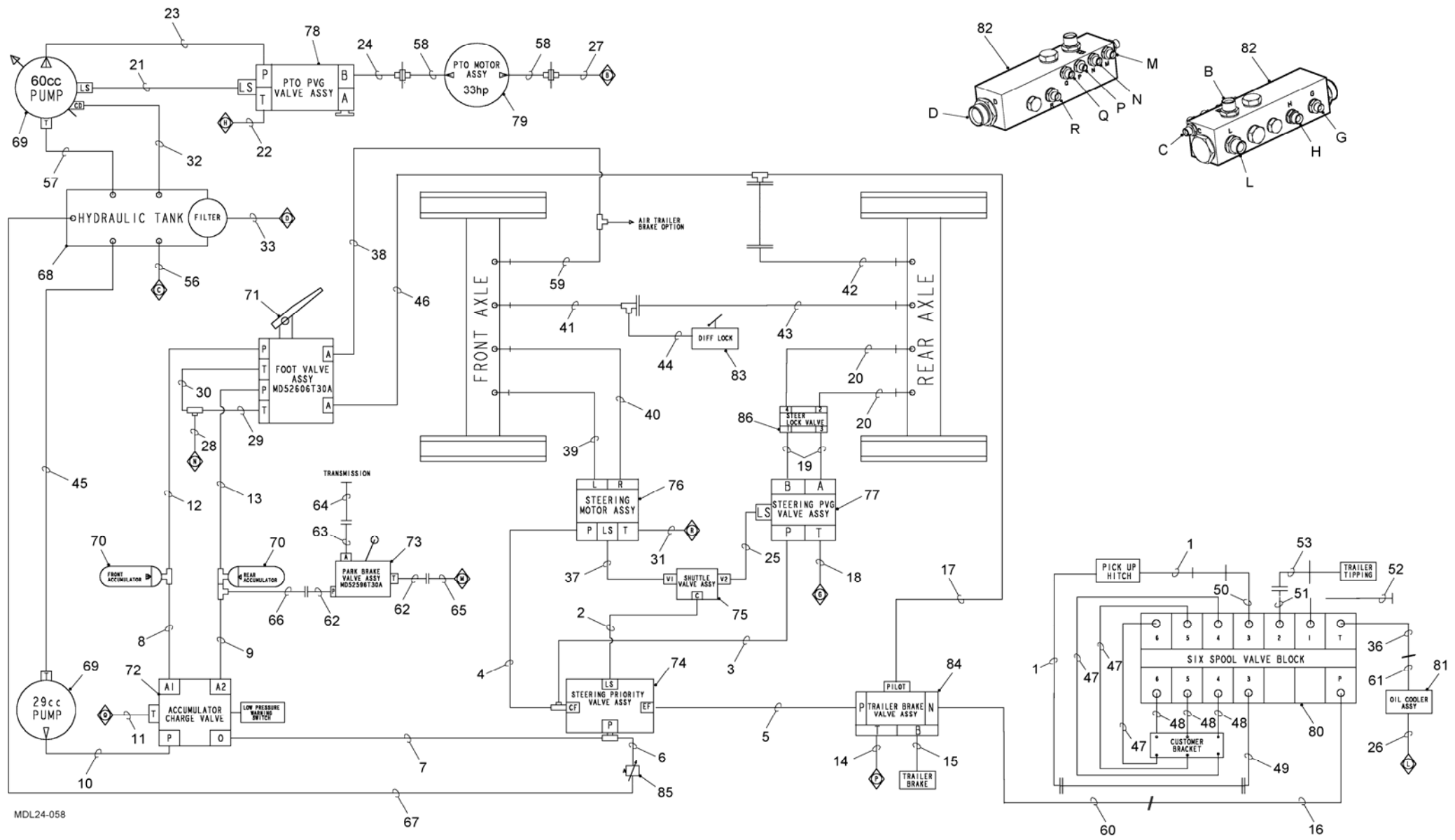


Figure 4 Hose Assembly – 60cc Pump – Tandem LS



Fig 4 Item	Item Name and Description	Part No. / Drawing No.	Qty	Remarks
REF	<b>HOSE ASSY - 60CC PUMP - TANDEM LS</b>	MD51822T30A	1	
1	. HOSE - PICK UP HITCH - PICK UP HITCH STEEL	MD43362T30P	2	
2	. HOSE: PRIORITY - SHUTTLE VALVE	MD43536T30A	1	
3	. HOSE – STEER PRIORITY VALVE (CF) PVG VALVE (P)	MD51828T30P	1	
4	. HOSE – STEER PRIORITY VALVE - STEERING	MD51829T30P	1	
5	. HOSE - STEER PRIORITY VALVE - STEERING	MD51830T30P	1	
6	. HOSE - STEER P. VALVE (P) - MANIFOLD VALVE RELIEF	MD51831T30P	1	
7	. HOSE -STEER PRIORITY VALVE - ACCUMULATOR CHARGE VALVE (OUT)	MD51832T30P	1	
8	. HOSE - ACCUMULATOR CHARGE VALVE (A2) TO ACCUMULATOR FRONT	MD52013T30P	1	
9	. HOSE - ACCUMULATOR CHARGE VALVE (A2) TO ACCUMULATOR REAR	MD52014T30P	1	
10	. HOSE - ACCUMULATOR CHARGE VALVE (P) TO STEERING LEFT	MD52015T30P	1	
11	. HOSE - ACCUMULATOR CHARGE VALVE (T) TO MANIFOLD RAIL	MD52016T30P	1	
12	. HOSE - ACCUMULATOR FRONT TO FOOT VALVE (P)	MD52017T30P	1	
13	. HOSE - ACCUMULATOR REAR TO FOOT VALVE (T)	MD52018T30P	1	
14	. HOSE - TRAILER BRAKE VALVE (T) TO MANIFOLD	MD52030T30P	1	
15	. HOSE - TRAILER BRAKE VALVE (B) TO TRAILER BRAKE (3.5M WB)	MD52031T30P	1	
15	. HOSE - TRAILER BRAKE VALVE (B) TO TRAILER BRAKE (3.8M WB)	MD53213T30P	1	
15	. HOSE - TRAILER BRAKE VALVE (B) TO TRAILER BRAKE (4.2M WB)	MD55975T30P	1	
16	. HOSE - TRAILER BRAKE VALVE (N) TO CAB SPOOL VALVE (P)	MD52032T30P	1	
17	. HOSE - TRAILER BRAKE VALVE (PILOT) TO RUNNING TEE	MD52033T30P	1	
18	. HOSE - STEER PVG VALVE (T) TO MANIFOLD RAIL	MD52215T30P	1	
19	. HOSE - PVG TO VALVE 3.5WB	MD59010T30A	2	
19	. HOSE - PVG TO VALVE 3.8WB	MD59011T30A	2	
19	. HOSE - PVG TO VALVE 4.2WB	MD59012T30P	2	
20	. HOSE - VALVE TO 212 AXLE STEER	MD59013T30P	2	

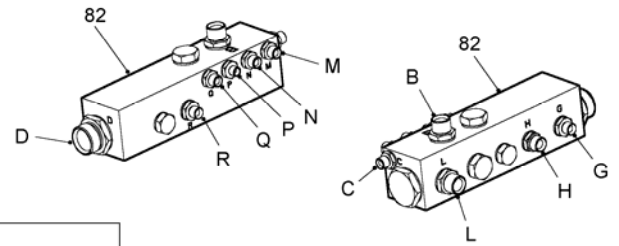
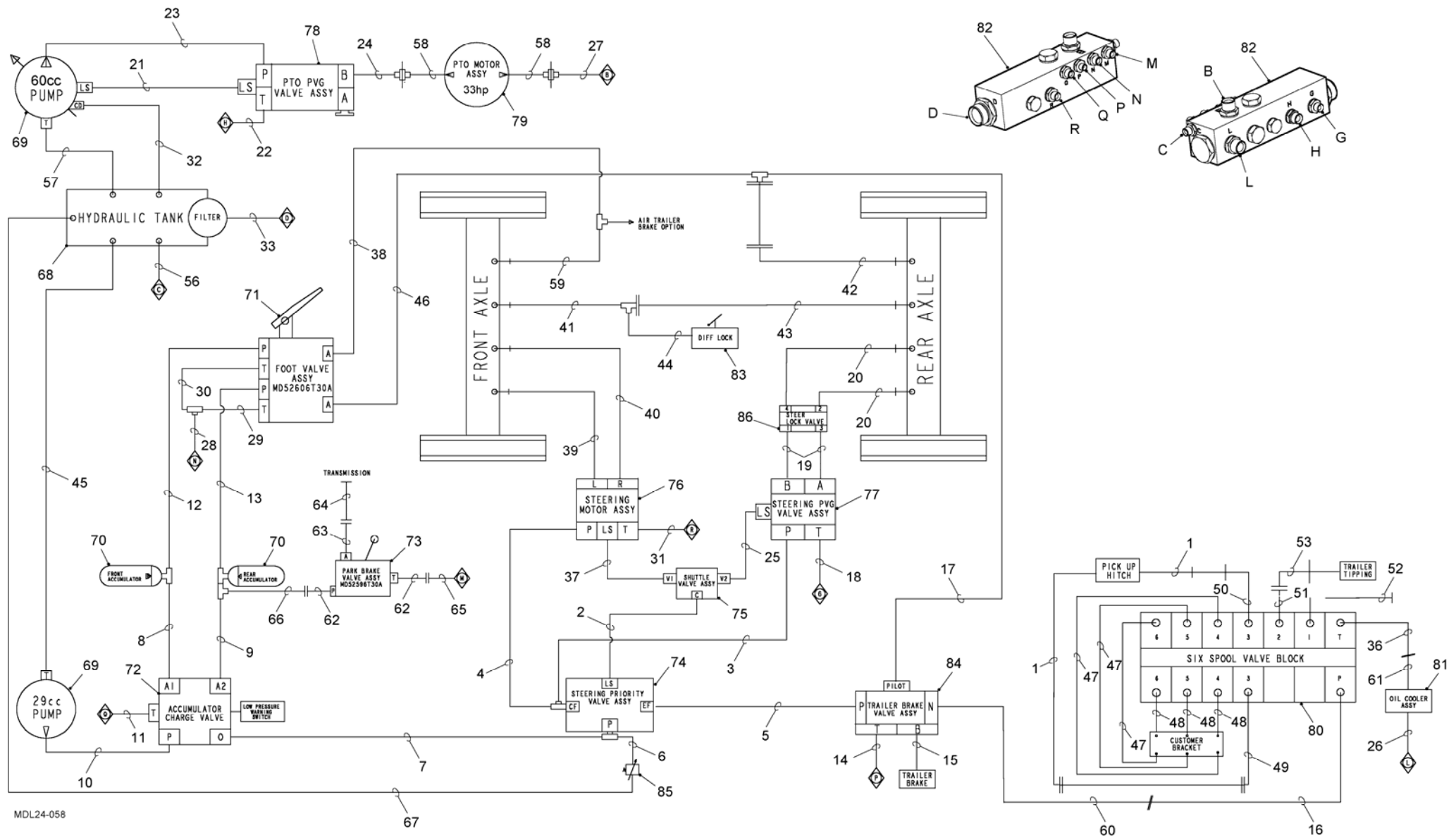


Figure 4 Hose Assembly – 60cc Pump – Tandem LS



Fig 4 Item	Item Name and Description	Part No. / Drawing No.	Qty	Remarks
REF	<b>HOSE ASSY – 60CC PUMP - TANDEM LS (CONT)</b>	MD51822T30A	1	
20	. HOSE - VALVE TO 276 AXLE LH STEER	MD59014T30P	1	
20	. HOSE - VALVE TO 276 AXLE RH STEER	MD59015T30P	1	
21	. HOSE - PTO PVG VALVE (B) PTO OUT - 60CC PUMP	MD52218T30P	1	
22	. HOSE - PTO PVG VALVE (T) MANIFOLD RAIL	MD52219T30P	1	
23	. HOSE - PTO PVG VALVE (LS) PUMP IN	MD52220T30P	1	
24	. HOSE - PTO PVG VALVE (P) PTO BULKHEAD	MD52221T30P	1	
25	. HOSE STEER PVG VALVE (LS) SHUTTLE VALVE	MD52242T30P	1	
26	. HOSE PTO MANIFOLD RETURN - MANIFOLD RAIL	MD52243T30P	1	
27	. HOSE - MANIFOLD RAIL - PTO BULKHEAD	MD52244T30P	1	
28	. HOSE - MANIFOLD TO MALE TEE	MD52246T30P	1	
29	. HOSE - TEE – FOOT VALVE	MD52247T30P	1	
30	. HOSE - TEE – FOOT VALVE	MD52248T30P	1	
31	. HOSE - MANIFOLD RAIL - STEERING MOTOR	MD52250T30P	1	
32	. HOSE - MANIFOLD RAIL - PUMP (C) CASE DRAIN	MD52251T30P	1	
33	. HOSE - MANIFOLD RAIL - FILTER ON HYD TANK	MD52260T30P	1	
34	. HOSE - TRANSMISSION FEED - TRANSMISSION OIL COOLER	MD54231T30P	1	
35	. HOSE – TRANSMISSION RETURN - TRANSMISSION OIL COOLER	MD54232T30P	1	
36	. HOSE - OIL COOLER -(CAB KIT)	MD52265T30P	1	
37	. HOSE - SHUTTLE VALVE - CAB	MD52266T30P	1	
38	. HOSE - BRAKE FRONT AXLE - FOOT VALVE	MD52272T30P	1	
39	. HOSE - STEERING LEFT - STEERING MOTOR (L)	MD52273T30P	1	
40	. HOSE - STEERING RIGHT - STEERING MOTOR (R)	MD52274T30P	1	
41	. HOSE - DIFF LOCK FRONT - BULKHEAD	MD52275T30P	1	
42	. HOSE - BRAKES REAR - BULKHEAD	MD52283T30P	1	
43	. HOSE - DIFF LOCK REAR - BULKHEAD (3.5 M WB)	MD52284T30P	1	

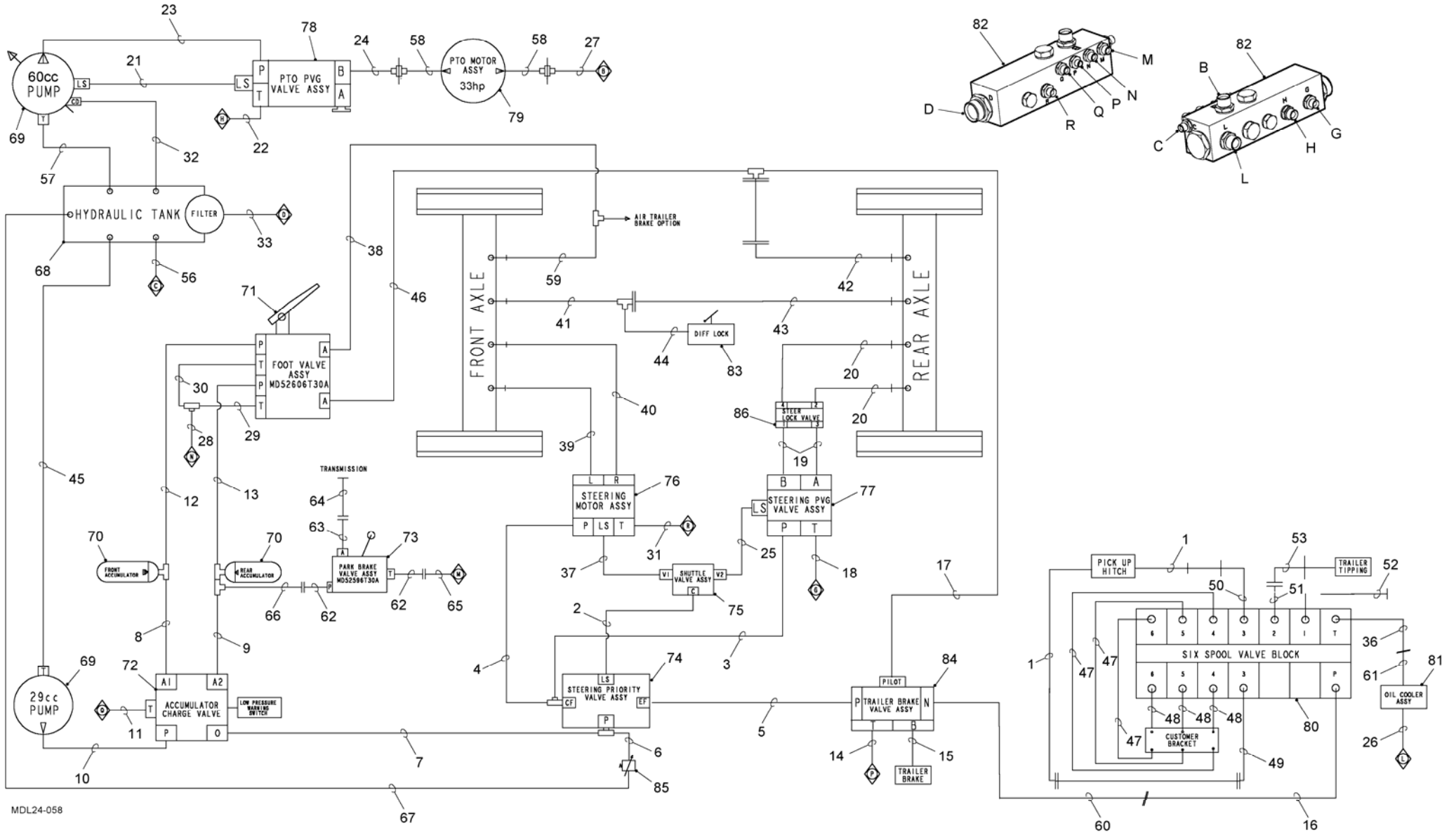
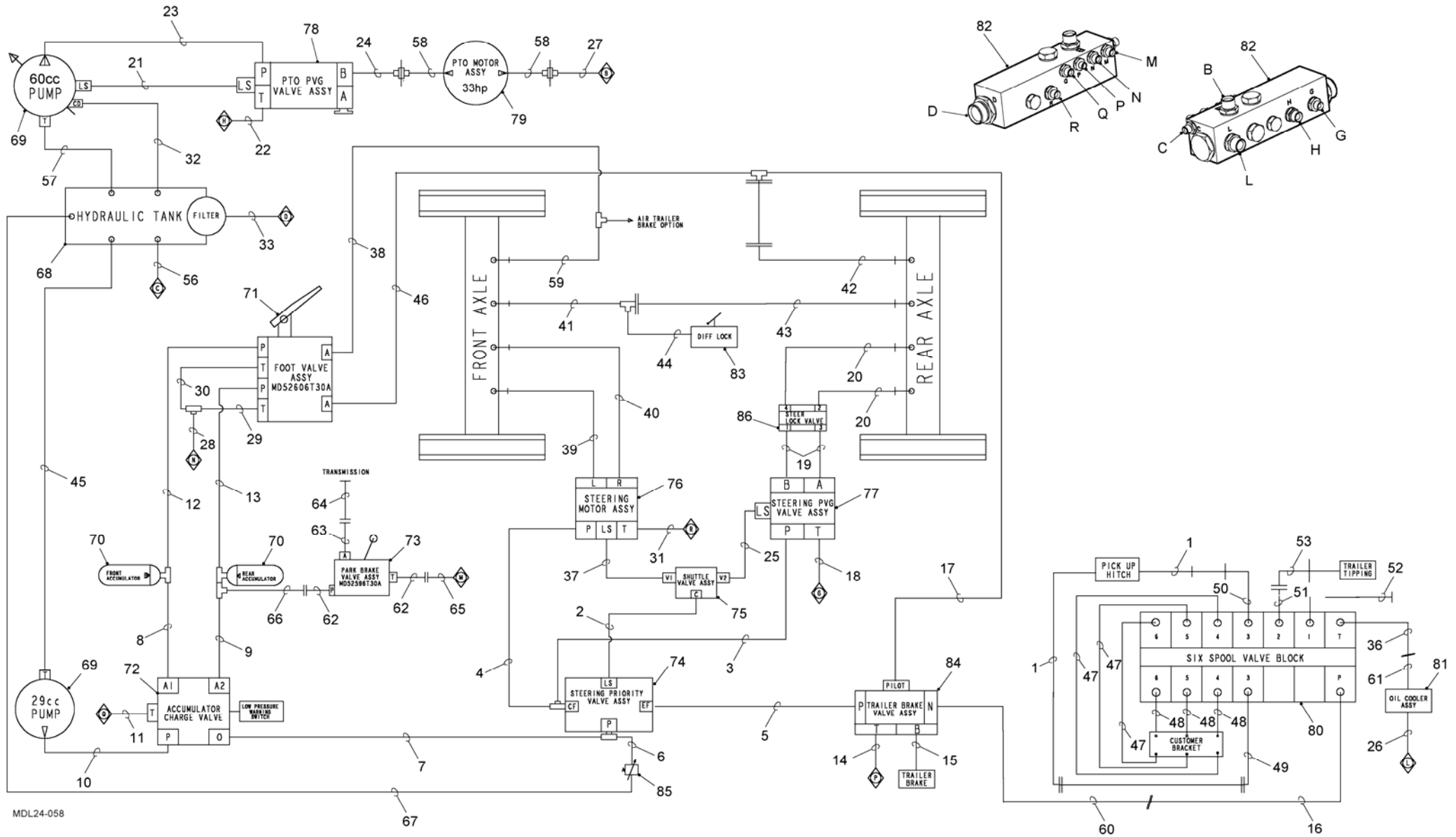


Figure 4 Hose Assembly – 60cc Pump – Tandem LS





Fig 4 Item	Item Name and Description	Part No. / Drawing No.	Qty	Remarks
REF	<b>HOSE ASSY – 60CC PUMP - TANDEM LS (CONT)</b>	MD51822T30A	1	
43	. HOSE - DIFF LOCK REAR – BULKHEAD (3.8 M WB)	MD53212T30P	1	
43	. HOSE - DIFF LOCK REAR – BULKHEAD (4.2M WB)	MD55976T30P	1	
44	. HOSE - DIFF LOCK BULKHEAD TEE - DIFF LOCK	MD52285T30P	1	
45	. HOSE - 29CC - HYDRAULIC TANK	MD52314T30P	1	
46	. HOSE - 8S TEE BULKHEAD (REAR BRAKES – FOOT VALVE (A))	MD52344T30P	1	
47	. HOSE - SIX SPOOL VALVE BLOCK -(CAB KIT)	MD52455T30P	3	
48	. HOSE - SIX SPOOL VALVE BLOCK - (CAB KIT)	MD52456T30P	3	
49	. HOSE - SIX SPOOL VALVE BLOCK - PICK UP (CAB KIT)	MD52457T30P	1	
50	. HOSE - SIX SPOOL VALVE BLOCK - PICK UP HITCH (CAB KIT)	MD52458T30P	1	
51	. HOSE - SIX SPOOL VALVE BLOCK - TRAILER TIPPING (CAB KIT)	MD52459T30P	1	
52	. HOSE - SIX SPOOL VALVE BLOCK - PICK UP H (CAB KIT)	MD52460T30P	1	
53	. HOSE - SIX SPOOL VALVE BLOCK - TRAILER TIPPING	MD52461T30P	1	
54	. HOSE - SOLENOID VALVE - TRANSMISSION (P&T LINES)	MD52501T30P	2	
55	. HOSE - SOLENOID VALVE - ACTUATOR TRANSMISSION	MD52502T30P	1	
56	. HOSE - MANIFOLD RAIL (E) - HYDRAULIC TANK	MD52574T30P	1	
57	. HOSE - 45CC PUMP - HYDRAULIC TANK	MD52584T30P	1	
57	. HOSE - 60CC PUMP - HYDRAULIC TANK	MD58319T30P	1	
58	. HOSE - PTO BULKHEAD – PTO MOTOR	MD52663T30P	2	
59	. HOSE - FOOT VALVE (A1) BRAKES FRONT (8S TEE)	MD52996T30P	1	
60	. HOSE - TRAILER BRAKE VALVE (N) - SPOOL VALVE (P)	MD53692T30P	1	
61	. HOSE - SPOOL VALVE (T) - OIL COOLER	MD53693T30P	1	
62	. HOSE - PARK BRAKE (T&P) – BULKHEAD (CAB KIT)*	MD53696T30P	2	
63	. HOSE - PARK BRAKE (A) BULKHEAD (MANIFOLD) (CAB KIT)*	MD53697T30P	1	
64	. HOSE - TRANSMISSION BRAKE - PARK BRAKE	MD53698T30P	1	

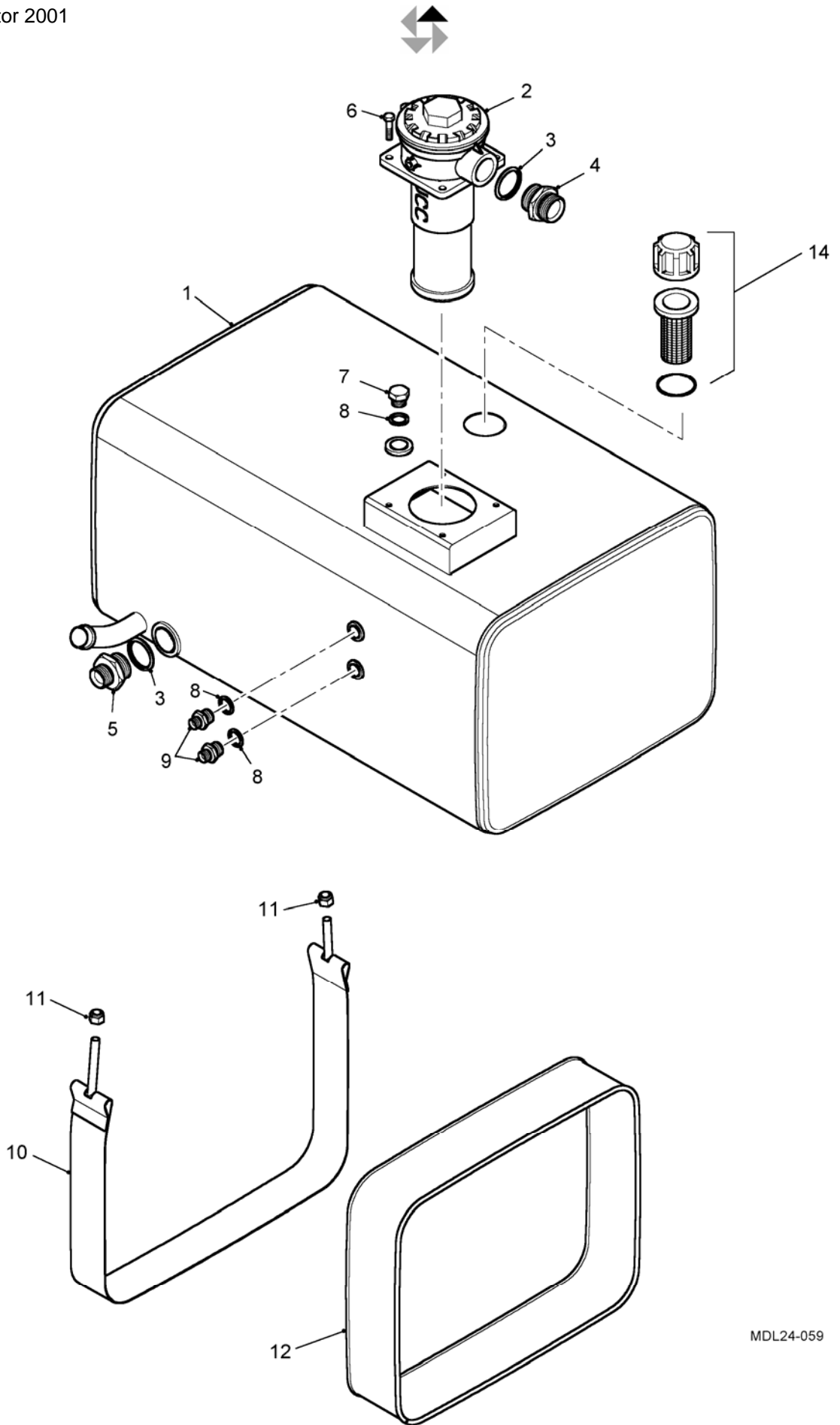


MDL24-058

Figure 4 Hose Assembly – 60cc Pump – Tandem LS



Fig 4 Item	Item Name and Description	Part No. / Drawing No.	Qty	Remarks
REF	<b>HOSE ASSY – 60CC PUMP - TANDEM LS (CONT)</b>	MD51822T30A	1	
65	. HOSE - PARK BRAKE (T) - MANIFOLD RAIL (N)	MD53699T30P	1	
66	. HOSE - PARK BRAKE (P) - REAR ACCUMULATOR TEE	MD53700T30P	1	
67	. HOSE - RELIEF TO TANK	MD59020T30P	1	
68	. HYDRAULIC TANK, TANDEM LOAD SENSE AND 60CC PUMP	MD49991T30A	1	See Fig 5
69	. 60CC PUMP ASSY	MD59674T30A	1	See Fig 11
70	. BRAKE ACCUMULATORS		1	See Fig 12
71	. BRAKE FOOT VALVE	MD52606T30A	1	See Fig 13
72	. DUAL ACCUMULATOR CHARGE VALVE	MD51999T30P	1	See Fig 14
73	. PARK BRAKE VALVE	MD52596T30A	1	See Fig 15
74	. STEERING PRIORITY VALVE AND ADAPTORS	MD51827T30A	1	See Fig 16
75	. SHUTTLE VALVE	MD52249T30A	1	See Fig 18
76	. STEERING MOTOR	MD52356T30A	1	See Fig 19
77	. STEERING PVG VALVE	MD52034T30A	1	See Fig 20
78	. PTO PVG VALVE	MD52035T30A	1	See Fig 21
79	. PTO MOTOR 23HP	MD53520T30A	1	See Fig 27
80	. SPOOL VALVE	MD47663T30A	1	See Fig 26
81	. OIL COOLER 3 BANK	MD52625T30P	1	
82	. MANIFOLD RAIL	MD51835T30A	1	See Fig 28
83	. DIFF LOCK VALVE	MD50921T30A	1	See Fig 31
84	. TRAILER BRAKE VALVE	MD52000T30A	1	See Fig 32
85	. RELIEF VALVE SUB ASSEMBLY	MD59022T30A	1	See Fig 33
86	. STEER LOCK VALVE	MD58878T30A	1	See Fig 17



MDL24-059

Figure 5 Hydraulic Tank, Tandem Load Sense and 60cc Pump



Fig 5 Item	Item Name and Description	Part No. / Drawing No.	Qty	Remarks
REF	<b>HYDRAULIC TANK SUB ASSY</b>	MD49991T30A	1	
1	. HYDRAULIC TANK	MD49990T30C	1	
2	. OIL FILTER ASSEMBLY	MD50917T30P	1	
3	. SEAL BONDED, 1 1/4"BSP	MD47355X50S	2	
4	. ADAPTOR MALE, 1 1/4"BSP	MD47053T30P	1	
5	. ADAPTOR, MALE REDUCING, 1" X 1.1/4" BSP	MD47726X60S	1	
6	. BOLT, M8 X30, HEX HD GR;10.9	MD40649X10S	4	
7	. PLUG, BLANKING, 1/2 BSP PAR HEX HD	MD41125X60S	1	
8	. SEAL BONDED, 1/2" BSP	MD41126X50S	3	
9	. ADAPTER M/M 3/8" BSP X 1/2 BSP	MD41953W00P	2	
10	. STRAP, FUEL TANK	MD53521G10P	2	
11	. NUT, NYLOC, M12, SELF LOCKING GR:10	MD40017X20S	4	
12	. RUBBER STRAP, TANK	MD53522G10P	2	
NI 13	. LEVEL GAUGE - HYD. TANK	190310	1	
NI 14	. FILLER BREATHER	350703	1	
NI 15	. HYDRAULIC FILTER PRESSURE SWITCH (Fitted from build 360 onwards)	MD61053T30P	1	
NI	Hydraulic filter (single part) 25 micron <b>NB above filter superceded by 2 part filter below</b>	350753	1	
NI	Hydraulic filter assembly – 10 micron	MD60318T30P	1	
NI	Hydraulic filter inner cartridge – 10 micron	MD60317T30P	1	

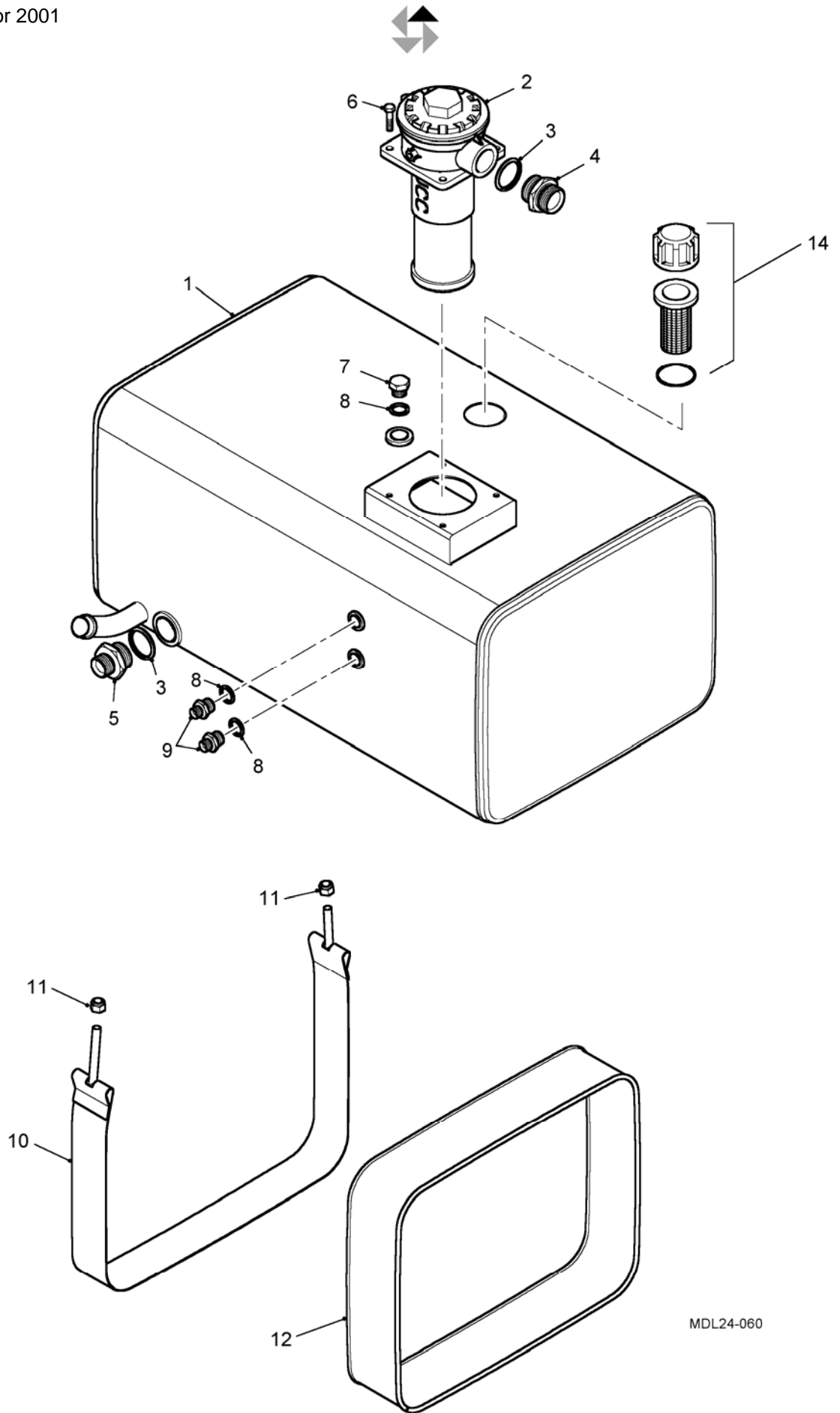
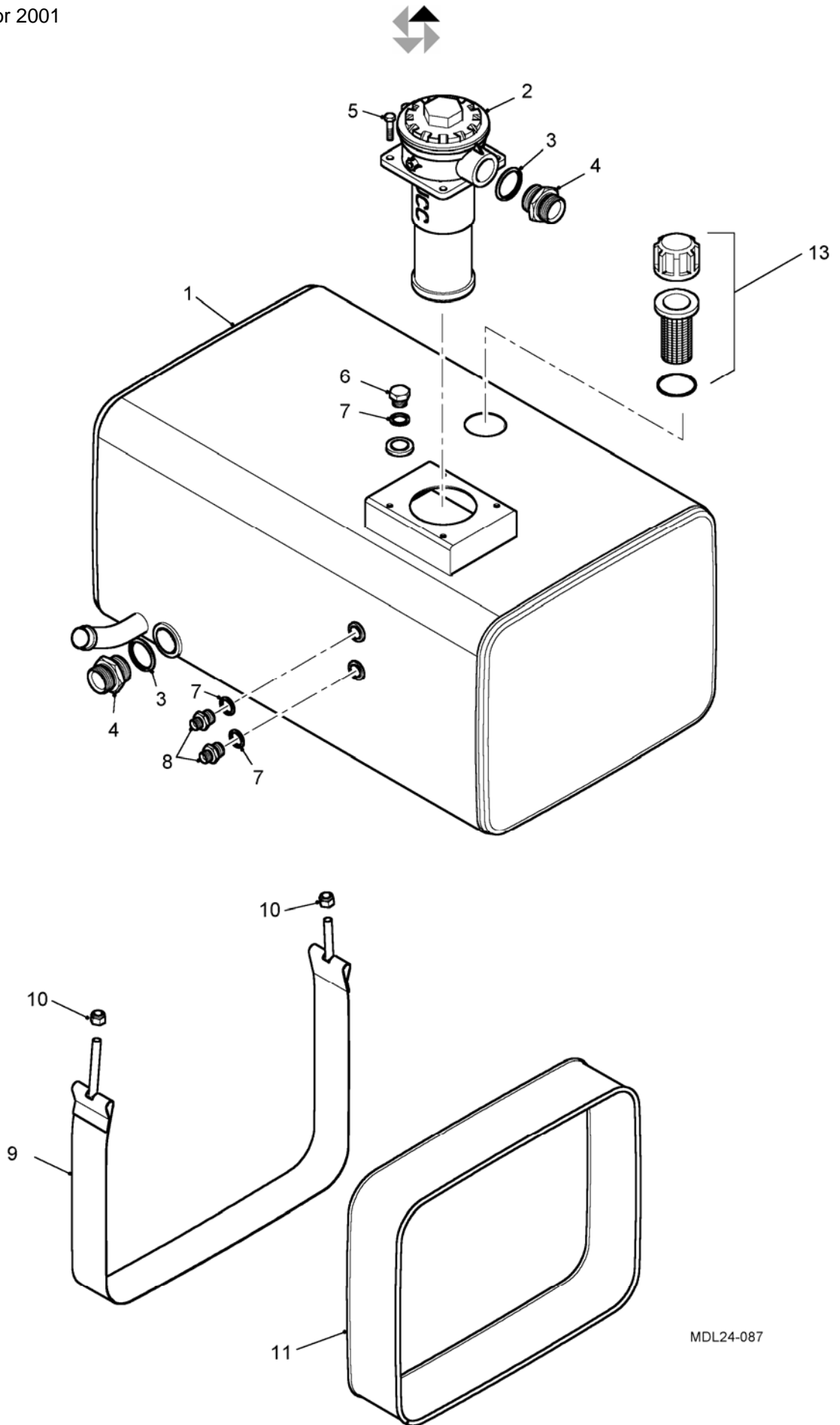


Figure 6 Hydraulic Tank, Tandem Gear Pump



Fig 6 Item	Item Name and Description	Part No. / Drawing No.	Qty	Remarks
REF	<b>HYDRAULIC TANK SUB ASSY - TANDEM GEAR PUMP</b>	MD52913T30A	1	
1	. HYDRAULIC TANK	MD49990T30C	1	
2	. OIL FILTER ASSEMBLY	MD50917T30P	1	
3	. SEAL BONDED, 1 1/4"BSP	MD47355X50S	2	
4	. ADAPTOR MALE, 1 1/4"BSP	MD47053T30P	1	
5	. ADAPTOR MALE REDUCING, 1" X 1.1/4" BSP	MD47726X60S	1	
6	. BOLT, M8 X30 HEX HD GR:10.9	MD40649X10S	4	
7	. PLUG BLANKING, 1/2 BSP PAR HEX HD	MD41125X60S	1	
8	. 1 SEAL, BONDED, 1/2" BSP	MD41126X50S	3	
9	. ADAPTER M/M 3/8" BSP X 1/2 BSP	MD41953W00P	2	
10	. STRAP FUEL TANK	MD53521G10P	2	
11	. NUT, NYLOC, M12, SELF LOCKING GR:10	MD40017X20S	4	
12	. RUBBER STRAP, TANK	MD53522G10P	2	
NI 13	. LEVEL GAUGE - HYD. TANK	190310	1	
NI 14	. FILLER BREATHER	350703	1	
NI 15	. HYDRAULIC FILTER PRESSURE SWITCH (Fitted from build 360 onwards)	MD61053T30P	1	
NI	Hydraulic filter (single part) 25 micron <b>NB above filter superceded by 2 part filter below</b>	350753	1	
NI	Hydraulic filter assembly – 10 micron	MD60318T30P	1	
NI	Hydraulic filter inner cartridge – 10 micron	MD60317T30P	1	



MDL24-087

Figure 7 Hydraulic Tank, Triple Pump





Fig 7 Item	Item Name and Description	Part No. / Drawing No.	Qty	Remarks
REF	<b>HYDRAULIC TANK SUB ASSEMBLY - TRIPLE PUMP</b>	MD52918T30A	1	
1	. HYDRAULIC TANK	MD49990T30C	1	
2	. OIL FILTER ASSEMBLY	MD50917T30P	1	
3	. SEAL BONDED, 1 1/4"BSP	MD47355X50S	2	
4	. ADAPTOR MALE, 1 1/4"BSP	MD47053T30P	2	
5	. BOLT, M8 X30, HEX HD, GR:10.9	MD40649X10S	4	
6	. PLUG BLANKING, 1/2 BSP PAR HEX HD	MD41125X60S	1	
7	. SEAL BONDED,.1/2" BSP	MD41126X50S	3	
8	. ADAPTER M/M 3/8" BSP X 1/2 BSP.	MD41953W00P	2	
9	. FUEL TANK STRAP	MD53521G10P	2	
10	. NUT, NYLOC, M12, SELF LOCKING GR:10	MD40017X20S	4	
11	. RUBBER STRAP, TANK	MD53522G10P	2	
NI 12	. LEVEL GAUGE - HYD. TANK	190310	1	
N13	. FILLER BREATHER	350703	1	
NI 15	. HYDRAULIC FILTER PRESSURE SWITCH (Fitted from build 360 onwards)	MD61053T30P	1	
NI	Hydraulic filter (single part) 25 micron <b>NB above filter superceded by 2 part filter below</b>	350753	1	Up to 2006
NI	Hydraulic filter assembly – 10 micron	MD60318T30P	1	Up to 2006
NI	Hydraulic filter inner cartridge – 10 micron	MD60317T30P	1	Up to 2006
NI	Hydraulic filter spacer	MD61365T30A	1	From 2007
NI	Hyd filter element (high capacity single part) 10#	MD61454T30P	1	From 2007

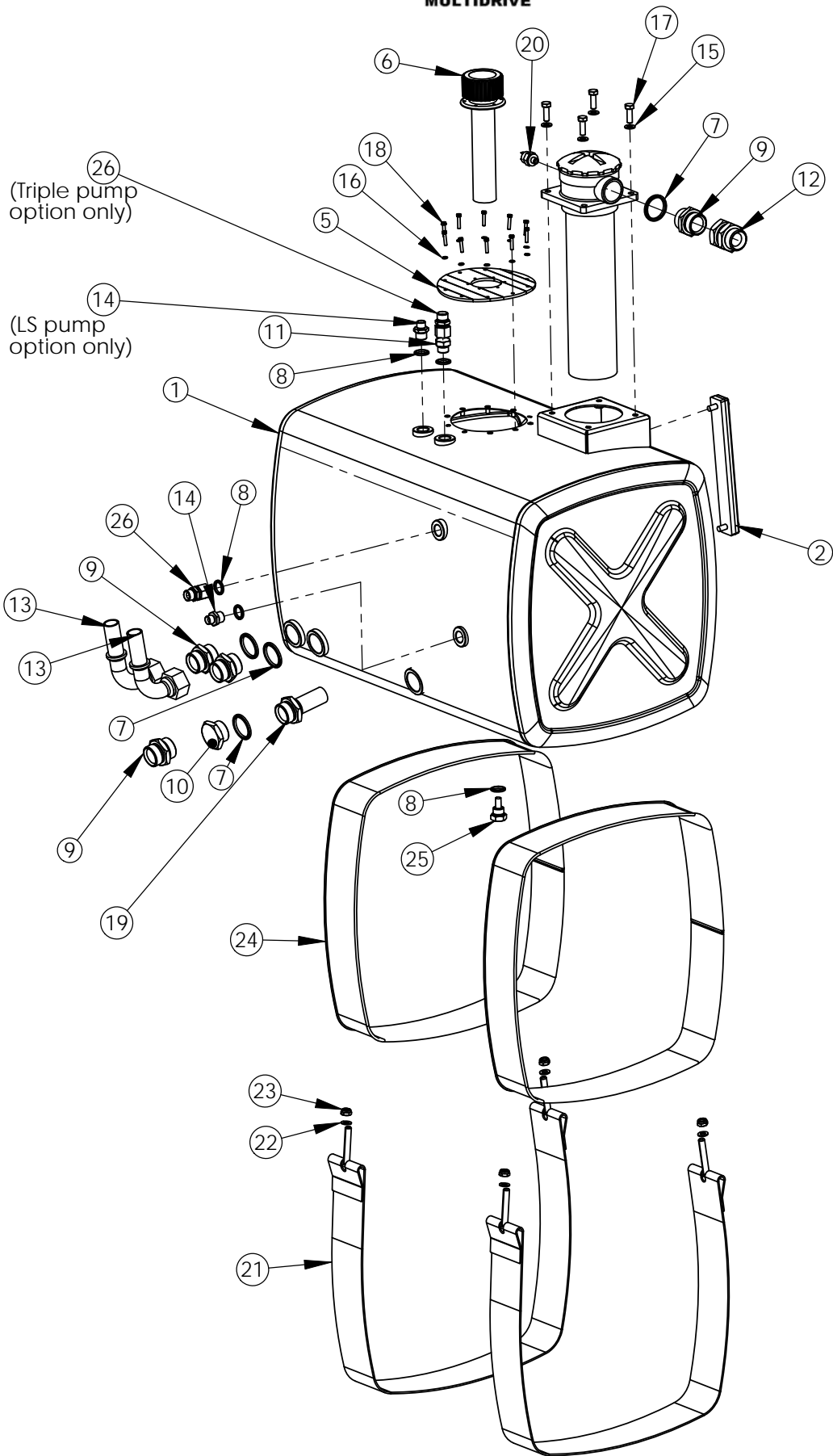


Fig 7A Hydraulic tank assy - 170L  
MD62270T30A



MD62270T30A Hydraulic tank assy - 170L

ITEM	DESCRIPTION	PART NUMBER	QTY	Notes
1	Hydraulic tank assy 170l	MD62267T30C	1	
2	Hydraulic oil level/temp gauge	MD62269T30P	1	
3	Hydraulic return line filter	MD62268T30P	1	
4	Filter element 10 micron	MD62280T30P		
5	Hydraulic tank lid	MD62271T30C	1	
6	Hyd tank filler/breather assy	MD62272T30P	1	
7	Bonded seal - 1 1/4"	MD47355X50S	4	
8	Bonded seal - 1/2"	MD41126X50S	5	
9	M/M Adaptor - 1 1/4" BSP	md47053t30p	4	
10	Flat plug - 1 1/4" BSP	md51462x60s	1	
11	Flat plug - 1/2" BSP	md41125x60s	1	
12	M/F Adapter - 1 1/4" BSP	MD47356X60S	1	
13	1 1/4in BSP pipe insert	MD61847T30P	2	
14	M/M Adaptor - 1/2" BSP	MD61289T30P	2	
15	M/M Adaptor - 1/2" x 3/8" BSP	MD41953W00P	2	
16	Flat washer - M10	Washer ISO 7091 - 10	4	
17	Flat washer - M5	Washer ISO 7091 - 5	10	
18	Plated set screw - M10x30	ISO 4018 - M10 x 30-WN	4	
19	Plated set screw - M5x25	ISO 4018 - M5 x 25-WN	10	
20	1 1/4" Fem sw 90 pipe insert (Triple pump option only)	MD61847T30P	1	
21	Hyd filter pressure switch	MD62279T30P	1	
22	Tank strap - 300L	MD62265G10A	2	
23	Flat washer M10	Washer ISO 7089 - 10	4	
24	Nylok - M12	ISO 10511-M12- N	4	
25	Tank strap rubber	MD53522G10P	2	
26	Magnetic plug 1/2 BSP	MD62281T30P	1	

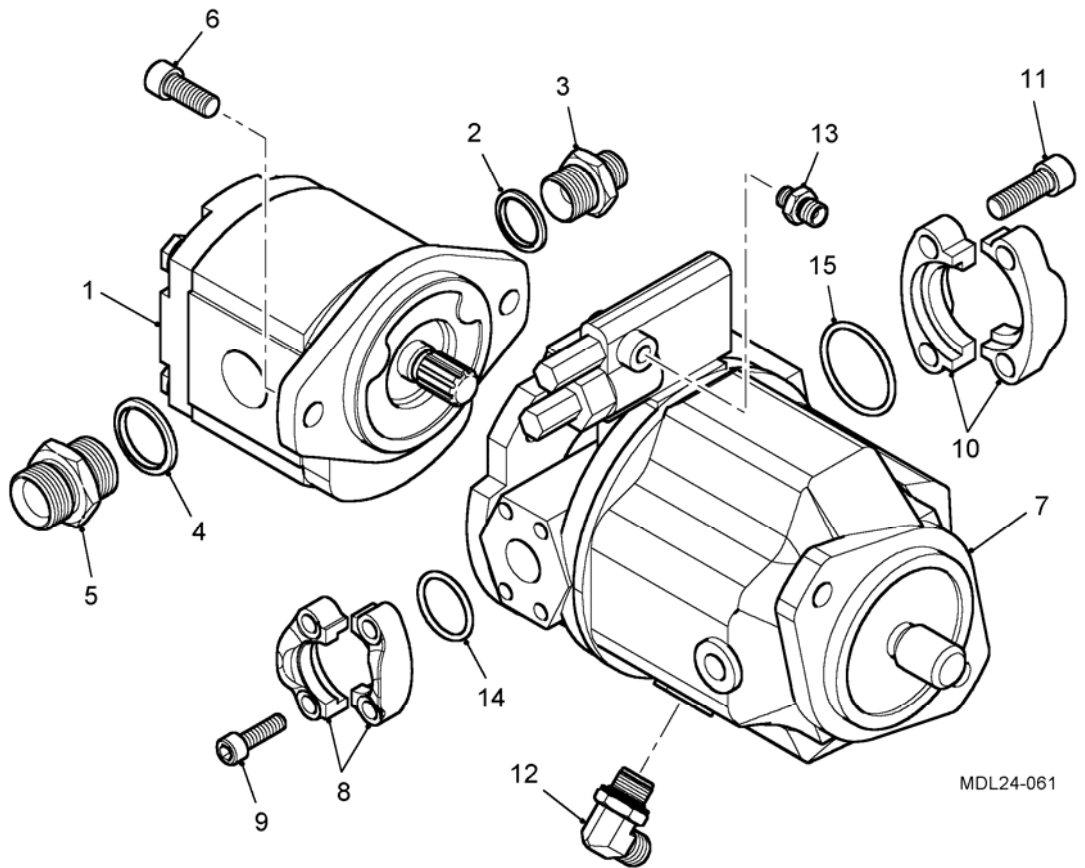


Figure 8 Tandem Load Sense Pumps



Fig 8 Item	Item Name and Description	Part No. / Drawing No.	Qty	Remarks
REF	<b>TANDEM LOAD SENSE SAE 'B' PUMP ASSY</b>	MD51781T30A	1	
1	. GEAR PUMP 29CC SAE B	MD51750T30P	1	
2	. SEAL BONDED, 3/4" BSP	MD41696X50S	1	
3	. ADAPTOR, M/M 3/4 X 1/2" BSP	MD51247X60S	1	
4	. SEAL BONDED, 1 BSP	MD41129X50S	1	
5	. ADAPTOR, MALE 1" BSP	MD45290X60S	1	
6	. SCREW, M12 X 30MM, SKT HD CAP	MD51768X10S	2	
7	. PUMP 45CC LOAD SENSE	MD51747T30P	1	
8	. FLANGE SPLIT 1" SAE	MD51814T30P	2	
9	. SCREW, CAP HEAD SOCKET - 3/8" X 1.1/4" UNC	MD52810X10S	4	
10	. FLANGE SPLIT HALVES, 1.1/2"	MD51813T30P	2	
11	. SCREW, CAP HEAD SOCKET - 1.1/2 X 1/2" UNC	MD52809X10S	4	
12	. ELBLW COMPACT, 90 M/M -1/2" BSP X 7/8 UNF ADJ	MD53218X60S	1	
13	. M/M ADAPTOR, 1/4" BSP X 7/16" UNF	MD52671T30P	1	

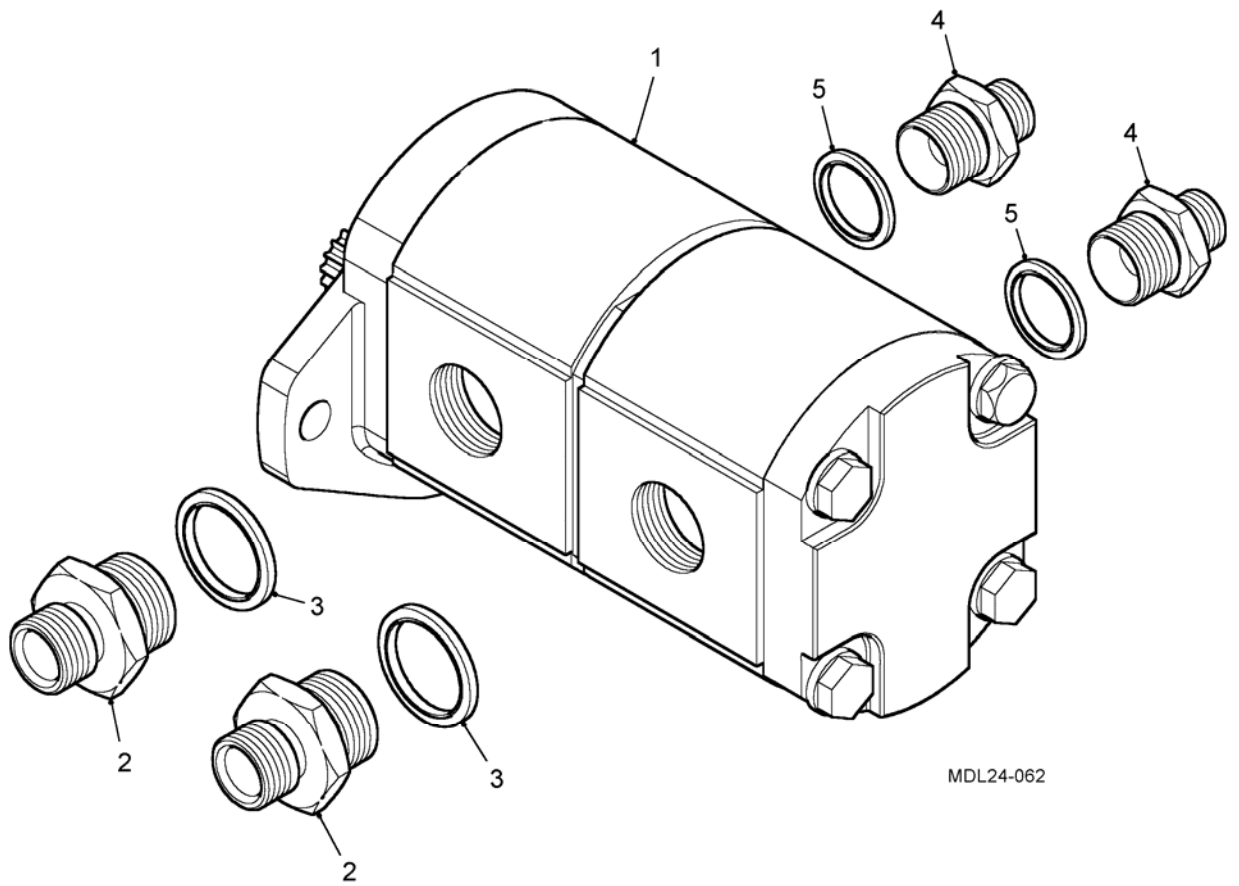


Figure 9 Tandem Gear Pump Assembly 29cc/29cc SAE B



Fig 9 Item	Item Name and Description	Part No. / Drawing No.	Qty	Remarks
REF	<b>TANDEM GEAR PUMP ASSEMBLY 29CC/29CC SAE B</b>	MD51759T30A	1	
1	. TANDEM GEAR PUMP, 29CC/29CC	MD51759T30A	1	
2	. ADAPTOR, 3/4 X 1/2" BSP M/M	MD51247X60S	2	
3	. BONDED SEAL, 3/4" BSP	MD41696X50S	2	
4	. BONDED SEAL, 3/4" BSP	MD47047X30P	2	
5	. BONDED SEAL, 1 BSP	MD41129X50S	2	

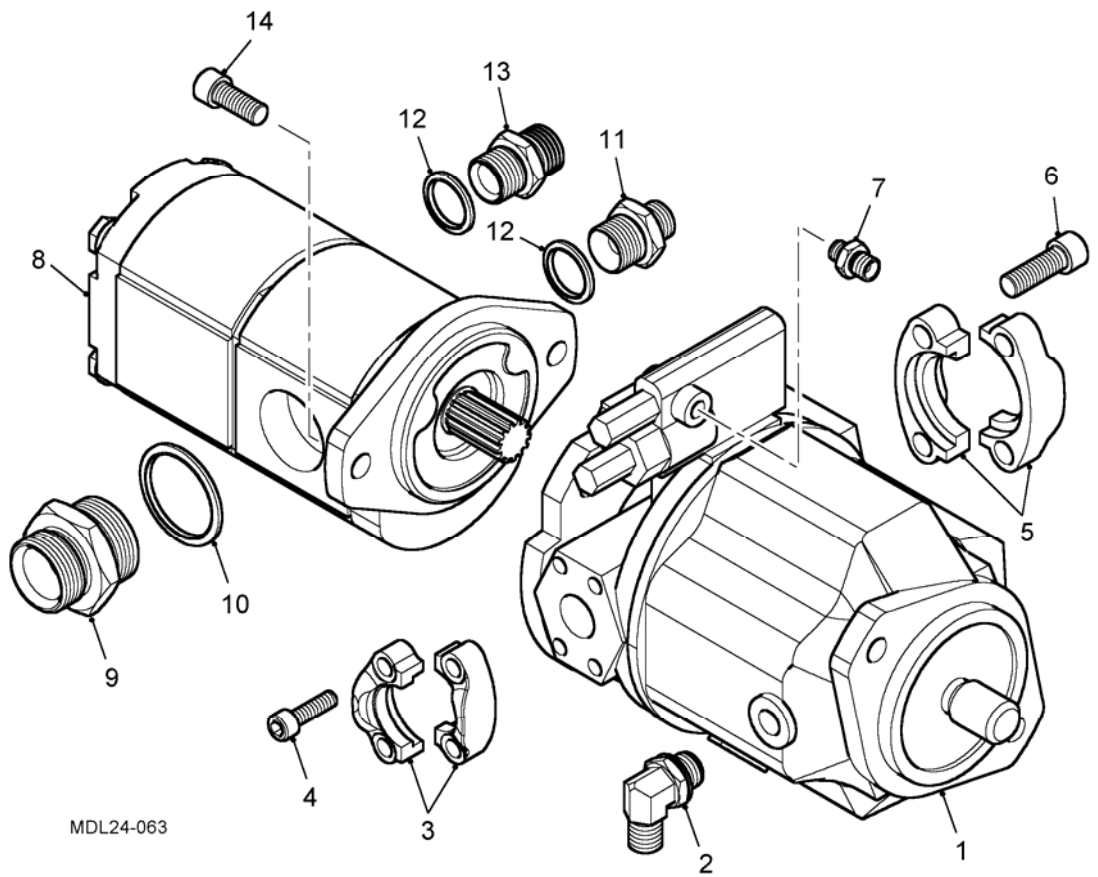


Figure 10 Triple Pump Assembly





Fig 10 Item	Item Name and Description	Part No. / Drawing No.	Qty	Remarks
REF	<b>TRIPLE PUMP ASSEMBLY 29CC/29CC SAE B</b>	MD51759T30A	1	
1	. PUMP 45CC, LOAD SENSE HYDRAULIC SAE B OUTLET	MD51748T30P	1	
2	. COMPACT ELBOW, M/M 90-1/2" BSP X 7/8 UNF ADJ	MD53218X60S	1	
3	. FLANGE SPLIT, 1" SAE	MD51814T30P	2	
4	. SCREW, CAP HEAD SOCKET - 3/8" X 1.1/4" UNC	MD52810X10S	4	
5	. 1 FLANGE.1/2" SPLIT FLANGE HALVE	MD51813T30P	2	
6	. SCREW, CAP HEAD SOCKET - 1.1/2 X 1/2" UNC	MD52809X10S	4	
7	. ADAPTOR, M/M 1/4" BSP X 7/16" UNF	MD52671T30P	1	
8	. PUMP TANDEM GEAR 29CC/29CC COMMON OUTLET	MD51749T30P	1	
9	. 1.1/4" X 1.1/2" BSP MALE REDUCING ADAPTOR	MD53741X60S	1	
10	. SEAL BONDED, 1 1/2"BSP	MD41130X50S	1	
11	. ADAPTOR, M/M 3/4 X 1/2 BSP			
12	. SEAL BONDED, 3/4"BSP	MD51247X60S	2	
13	. ADAPTOR, CONED M/M 3/4 BSP	MD44445T30P	1	
14	. SCREW, M12 X 30MM, SKT HD CAP	MD51768X10S	2	
NI	Shaft adaptor to enable fitting of MD51759T30A pump assembly (SAE B, 15 spline 1")	MD61450T30P		

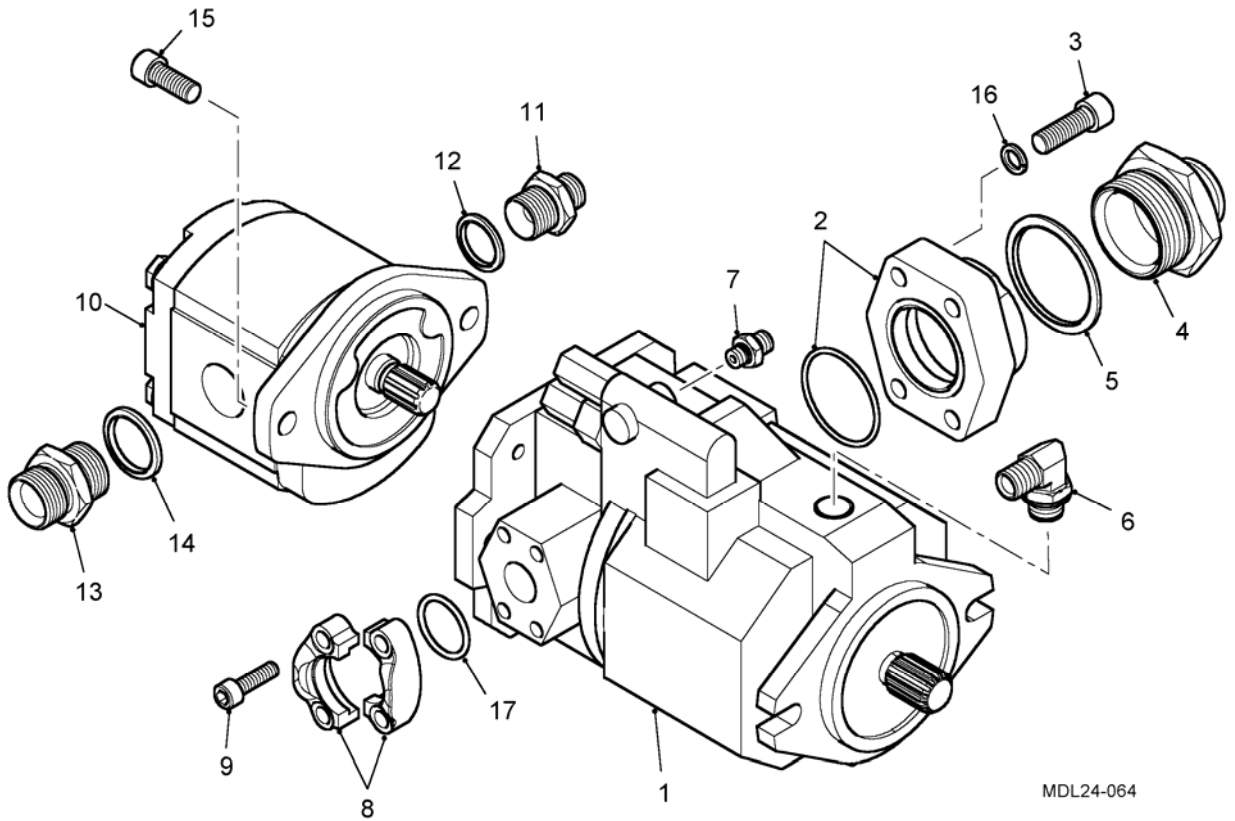
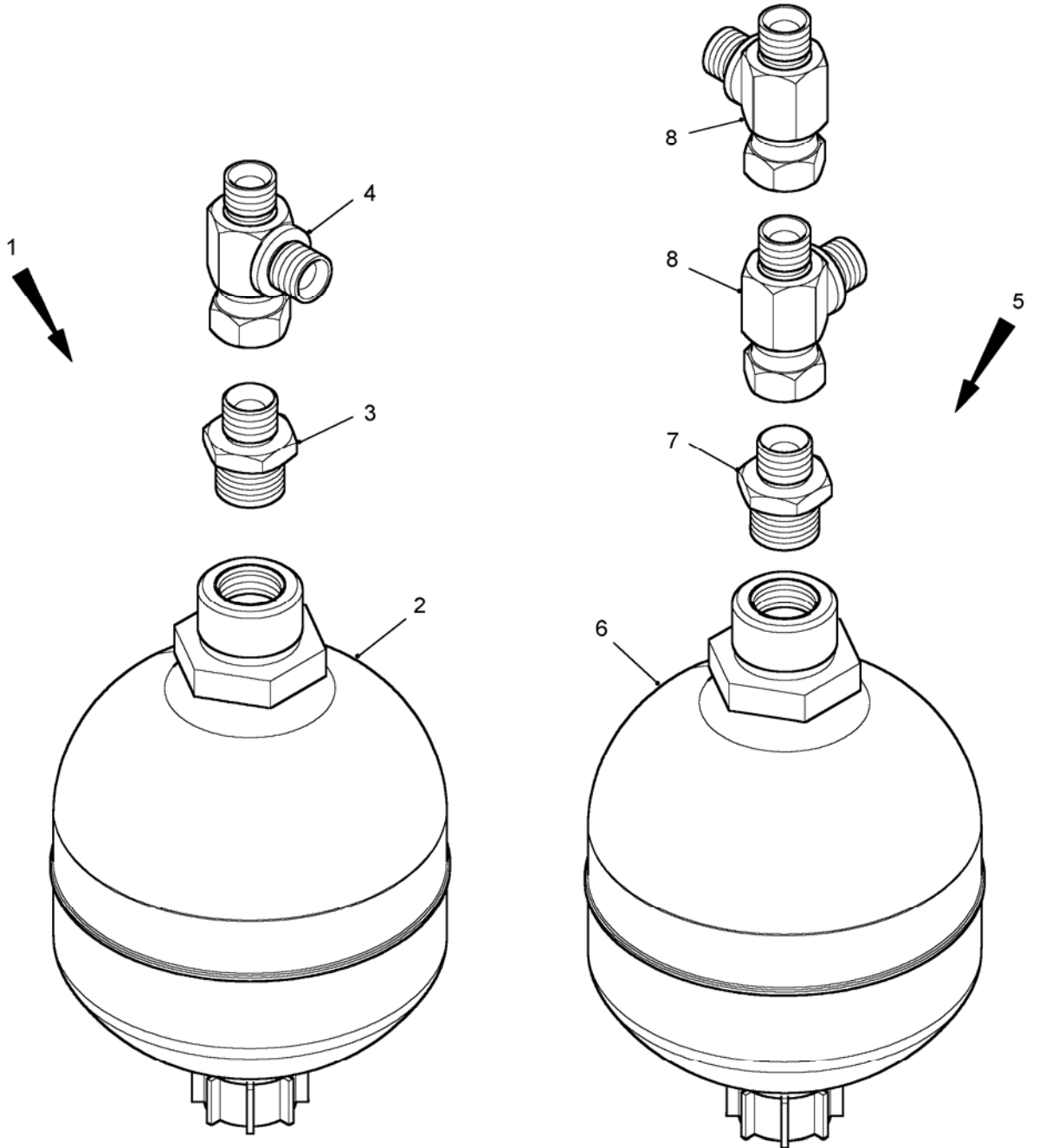


Figure 11 Tandem Load Sense SAE 'B' Pump Assembly 60/29cc



Fig 11 Item	Item Name and Description	Part No. / Drawing No.	Qty	Remarks
REF	<b>TANDEM LOAD SENSE ASSY 60CC/29CC SAE B</b>	MD55279T30A	1	
1	. PUMP 60CC LS HYDRAULIC SAE B	MD54745T30P	1	
2	. ADAPTOR KIT -2" SAE TO 1/4" BSPF	MD55924T30P	1	
3	. SCREW, CAP HEAD SOCKET	MD52809X10S	4	
4	. ADAPTOR, 1-1/4" TO 2" BSP MALE REDUCER	MD55922X60S	1	
5	. SEAL BONDED, 2" BSP	MD48060X50S	1	
6	. ELBOW COMPACT, 90M/M -1/2" BSP X 7/8" UNF - ADJ	MD53218X60S	1	
7	. ADAPTOR, M/M 1/4" BSP X 7/16"	MD52671T30P	1	
8	. FLANGE SPLIT 1" SAE	MD51814T30P	2	
9	. SCREW, CAP HEAD SOCKET 3/8"	MD52810X10S	4	
10	. PUMP 29CC GEAR SAE B	MD51750T30P	1	
11	. ADAPTER, M/M 3/4 X 1/2" BSP	MD51247X60S	1	
12	. SEAL BONDED, 3/4" BSP	MD41696X50S	1	
13	. ADAPTER, MALE 1" BSP	MD45290X60S	1	
14	. SEAL BONDED, 1" BSP	MD41129X50S	1	
15	. SCREW, M12 X 30MM, SKT HD CAP	MD51768X10S	2	
NI	Shaft adaptor to enable fitting of MD51759T30A pump assembly (SAE B, 15 spline 1")	MD61451T30P		



MDL24-065

Figure 12 Brake Accumulators



Fig 12 Item	Item Name and Description	Part No. / Drawing No.	Qty	Remarks
REF	<b>BRAKE ACCUMULATOR ASSEMBLYS</b>			
1	<b>FRONT BRAKE ACCUMULATOR ASSEMBLY</b>	MD52023T30A	1	
2	. BRAKE ACCUMULATOR	MD50903L20P	1	
3	. 3/8" BSP X 1/2" BSP M/M ADAPTOR	MD41953W00P	1	
4	. TEE 3/8" BSP FEMALE/MALE/MALE	MD52024X60S	1	
			1	
5	<b>REAR BRAKE ACCUMULATOR ASSEMBLY</b>	MD52594T30A		
6	. BRAKE ACCUMULATOR	MD50903L20P	1	
7	. 3/8" BSP X 1/2" BSP M/M ADAPTOR	MD41953W00P	1	
8	. TEE 3/8" BSP FEMALE/MALE	MD52024X60S	2	

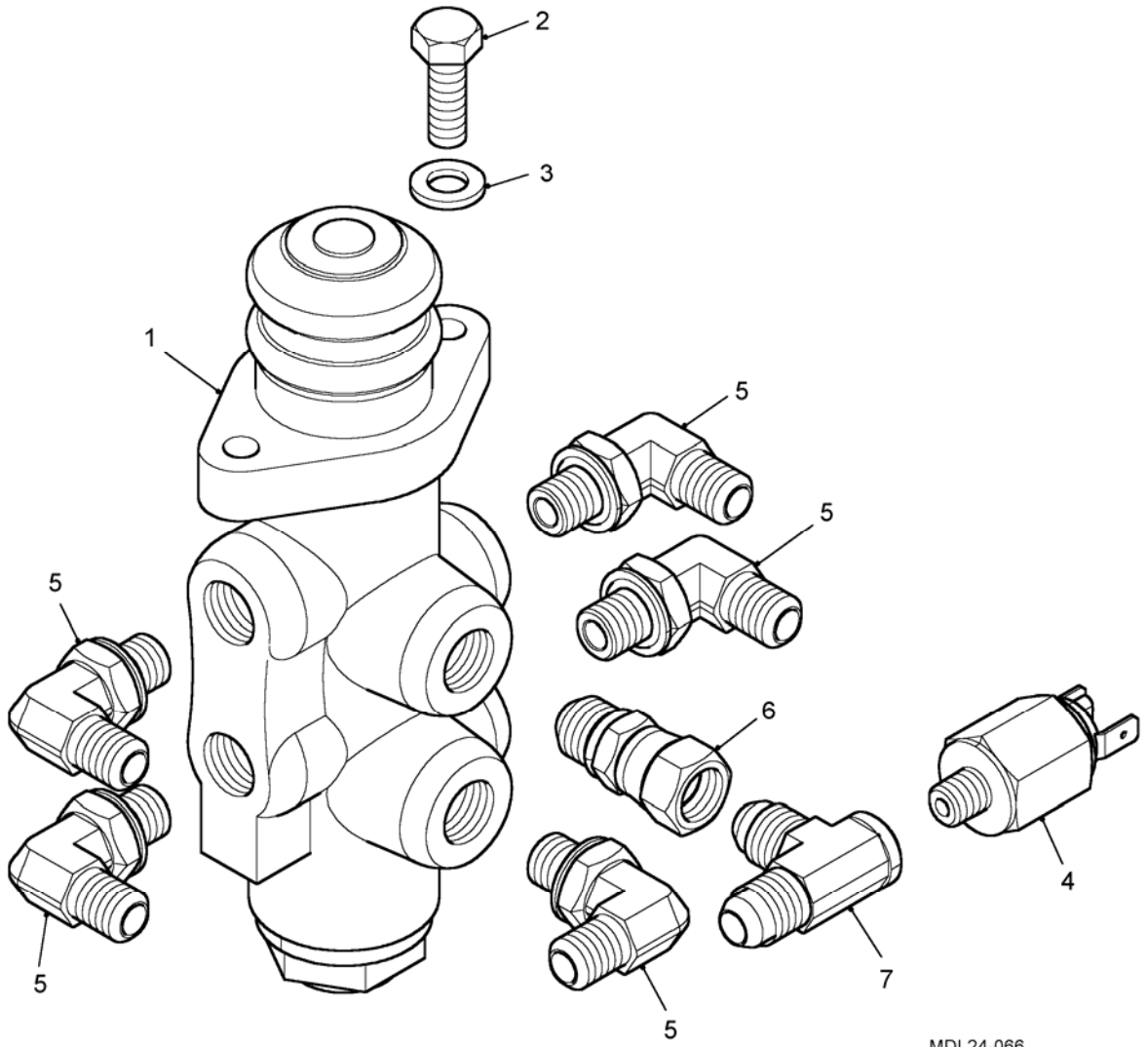


Figure 13 Brake Foot Valve Assembly



Fig 13 Item	Item Name and Description	Part No. / Drawing No.	Qty	Remarks
REF	<b>BRAKE FOOT VALVE ASSEMBLY</b>	MD52606T30A	1	
1	. HYDRAULIC POWER BRAKE VALVE Superceeded by: HYDRAULIC POWER BRAKE VALVE	MD44239L30P MD60779L30P MD61169L30P	1 1 1	Up to build 359 Build 360 onwards
2	. BOLT, HEX - 5/16 INCH UNC X 1 INCH	MD59404X10P	2	
3	. WASHER, M8	MD40651X30S	2	
4	. PRESSURE SWITCH	MD51789L30P	1	
5	. ADAPTOR ELBOW, COMPACT 90 UNEQUAL 9/16 JIC X 9/16 UNF	MD52608X60S	5	
6	. ADAPTOR, M/F JIC 9/16"	MD52629X60S	1	
7	. TEE - 1/8 NPT/Mx9/16JIC/Mx9/16" JIC	MD52630X60S	1	

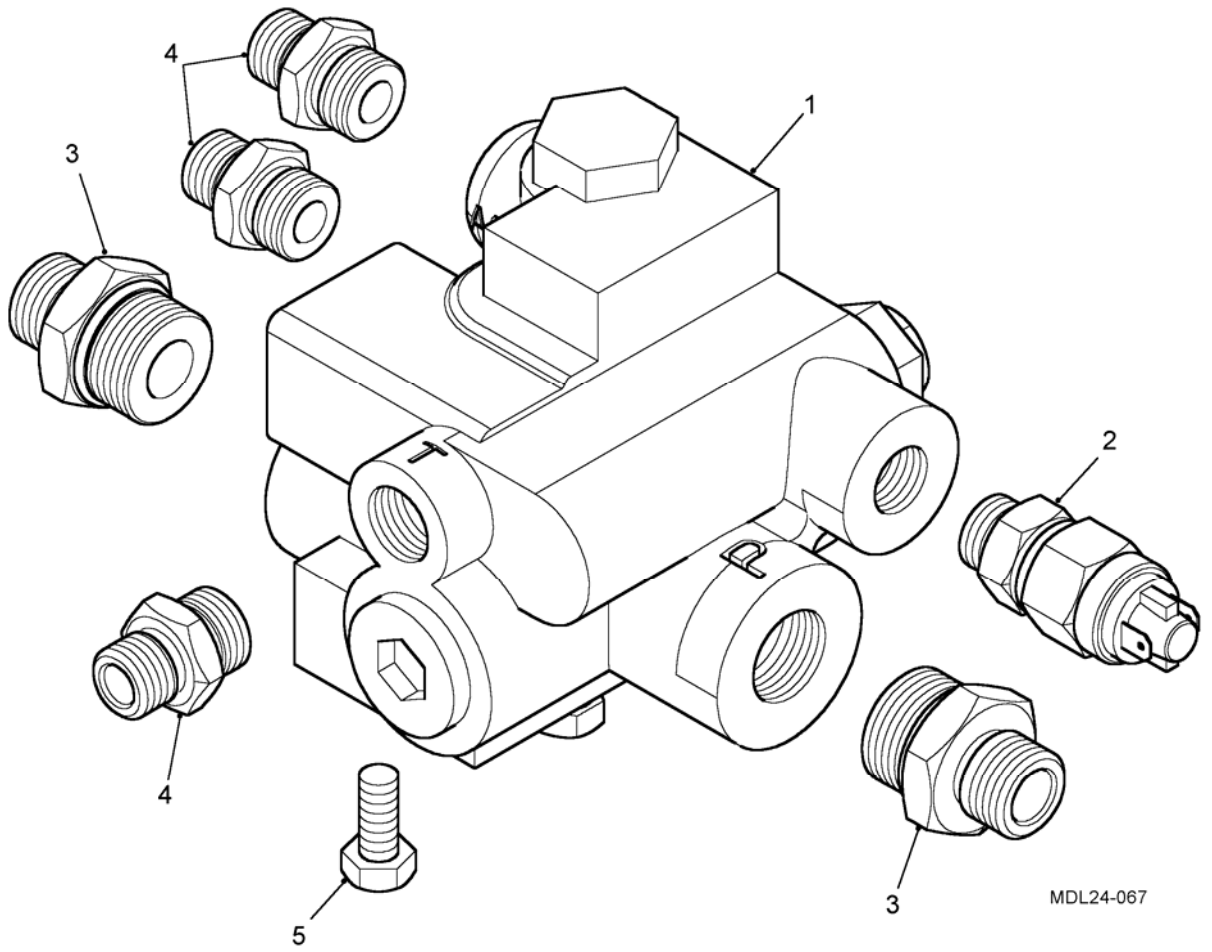


Figure 14 Duel Accumulator Charge Valve





Fig 14 Item	Item Name and Description	Part No. / Drawing No.	Qty	Remarks
REF	<b>DUAL ACCUMULATOR CHARGE VALVE</b>	MD51999T30A	1	
1	. DUAL ACCUMULATOR CHARGE VALVE	MD50900L20P	1	
2	. LOW PRESSURE WARNING SWITCH C/W . ADAPTOR.	MD52005T30P	1	
3	. 1.1/16" UNF 'O' RING 1/2" BSP M/M ADAPTOR	MD52007X60P	2	
4	. 3/4" UNF 'O' RING 3/8" BSP M/M ADAPTOR	MD52008X60P	3	
5	. 3/8" X 1" UNC BOLT (GRADE S ZINC PLATED)	MD52795X10S	2	

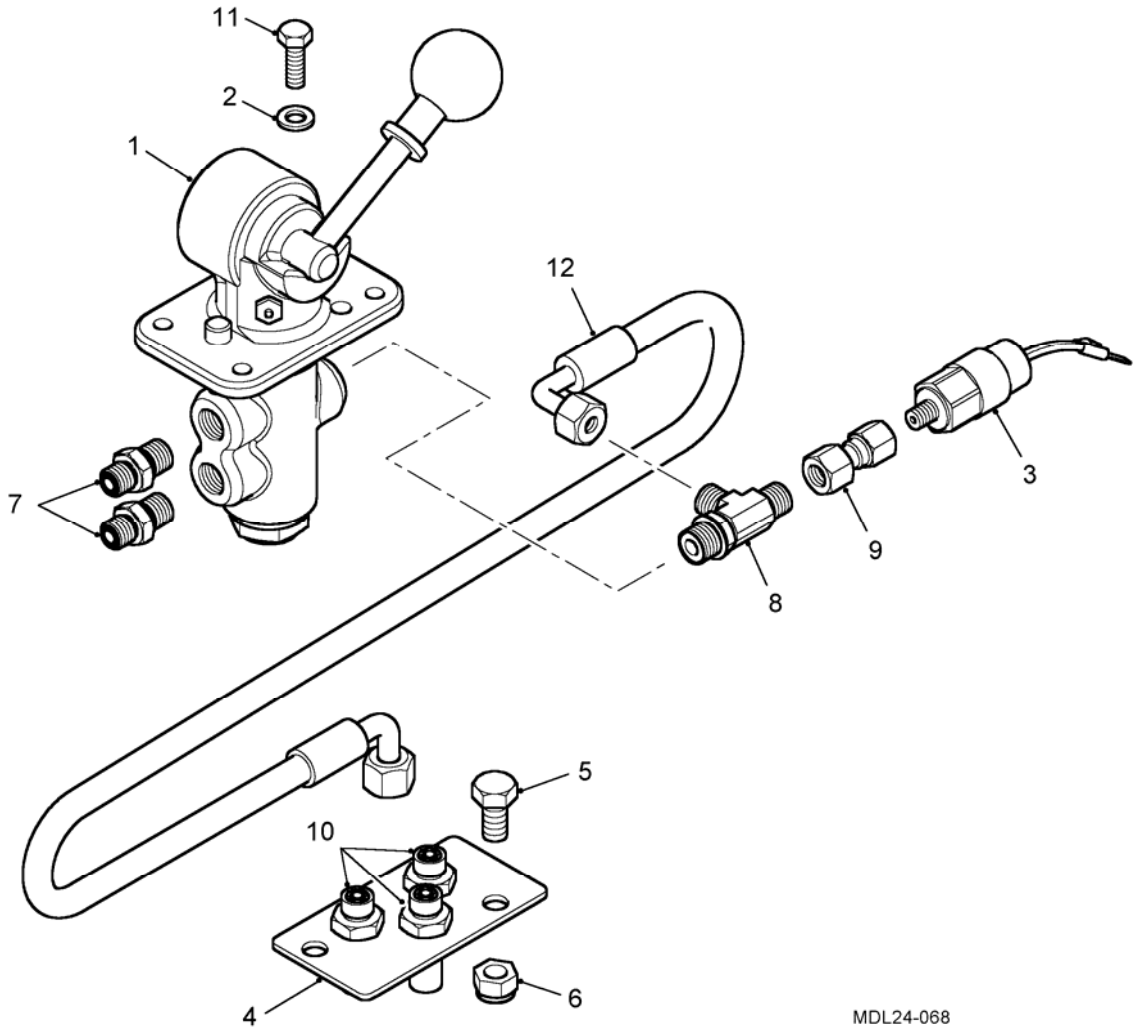
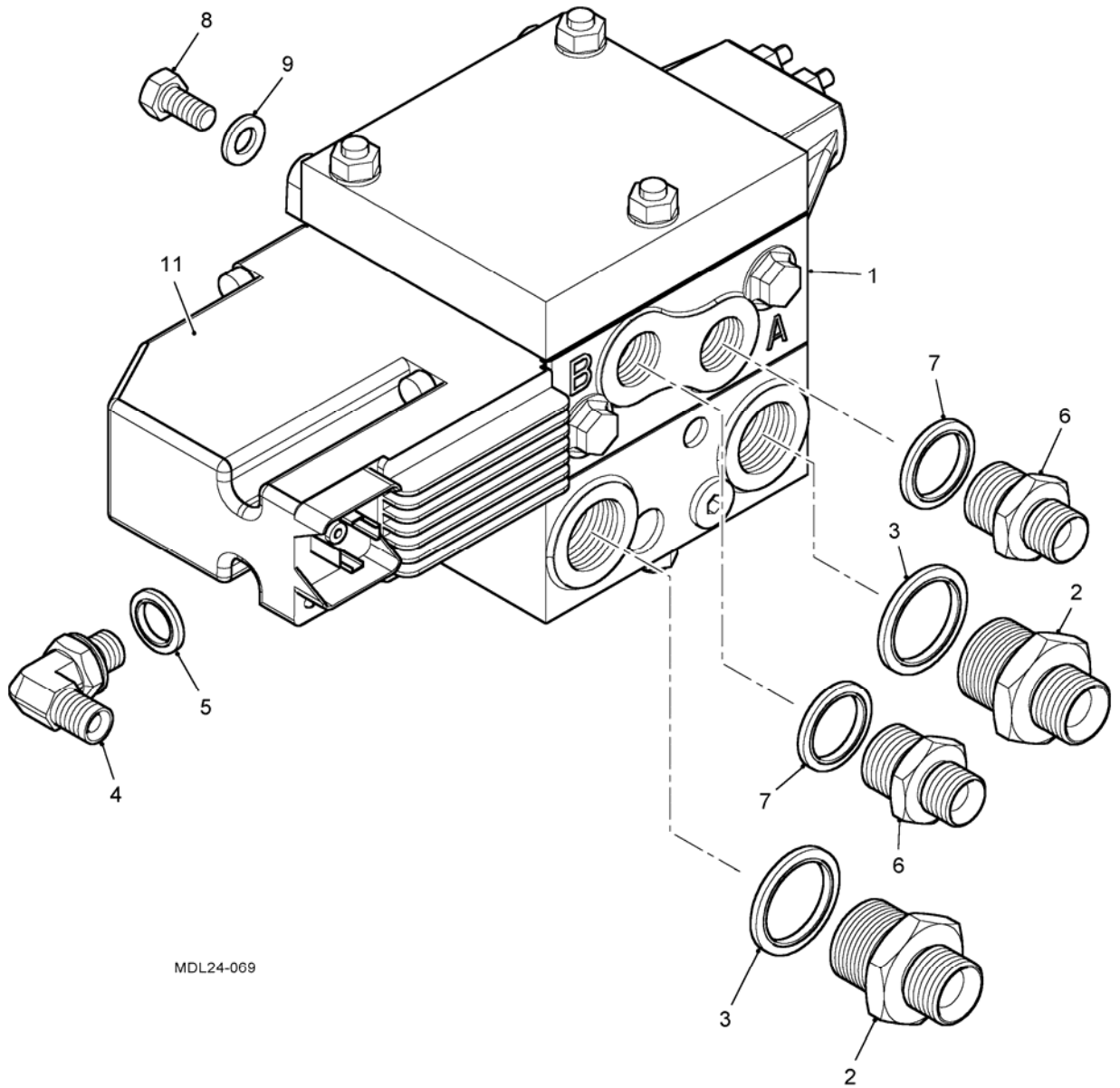


Figure 15 Park Brake Valve



Fig 15 Item	Item Name and Description	Part No. / Drawing No.	Qty	Remarks
REF	<b>PARK BRAKE VALVE ASSEMBLY</b>	MD52596T30A	1	
1	. PARK BRAKE VALVE	MD51256L30P	1	
2	. WASHER, M8	MD40651X30S	2	
3	. PRESSURE SWITCH, 24v	MD52387L30P	1	
4	. BULKHEAD PLATE	MD51335T30C	1	
5	. BOLT, M10 X 20, HEX HD, GR:10.9	MD40652X10S	2	
6	. NUT, NYLOC, M10, GR:10.9, ZINC PLATED	MD40017X20S	2	
7	. ADAPTOR M/M - 9/16 ORFS	MD53704T30P	2	
8	. TEE M/M/M - 9/16 UNF X 6/16 ORFS X 9/16 ORFS	MD53705X60S	1	
9	. ADAPTOR F/F - 1/8 NPTF X 9/16 ORFS	MD53706X60S	1	
10	. BULKHEAD - 9/16 ORFS WITH LOCKNUT	MD53707X60S	3	
11	. BOLT, M8 X 20, HEX, GR:10.9	MD40647X10S	2	
12	. HOSE – PARK BRAKE (A) - TRANSMISSION	MD53697T30P	1	



MDL24-069

Figure 16 Steering PVG Valve



Fig 16 Item	Item Name and Description	Part No. / Drawing No.	Qty	Remarks
REF	<b>STEERING PVG VALVE</b>	MD52034T30A	1	
1	. PVG PROPORTIONAL VALVE - SINGLE- STEERING	MD43749T30P	1	
2	. ADAPTOR M/M 3/4 X 1/2" BSP	MD51247X60S	2	
3	. SEAL BONDED 3/4" BSP	MD41696X50S	2	
4	. ELBOW COMPACT, M/M 1/4 BSP 90 DEG	MD51998X60S	1	
5	. SEAL BONDED	MD44502X50S	1	
6	. ADAPTER, M/M 3/8" BSP X 1/2 BSP	MD41953W00P	2	
7	. SEAL BONDED, 1/2" BSP	MD41126X50S	2	
8	. BOLT, M8 X 16 LG, HEX HEAD	MD50528X10S	4	
9	. WASHER, M8	MD40651X30S	4	
10	. SEALANT, SIKAFLEX-221	MD59044X70P	AR	
11	. PTEH CONTROLLER	MD51218T30P	1	
NI	PVG VALVE COVER PLATE	MD61489T30P	1	

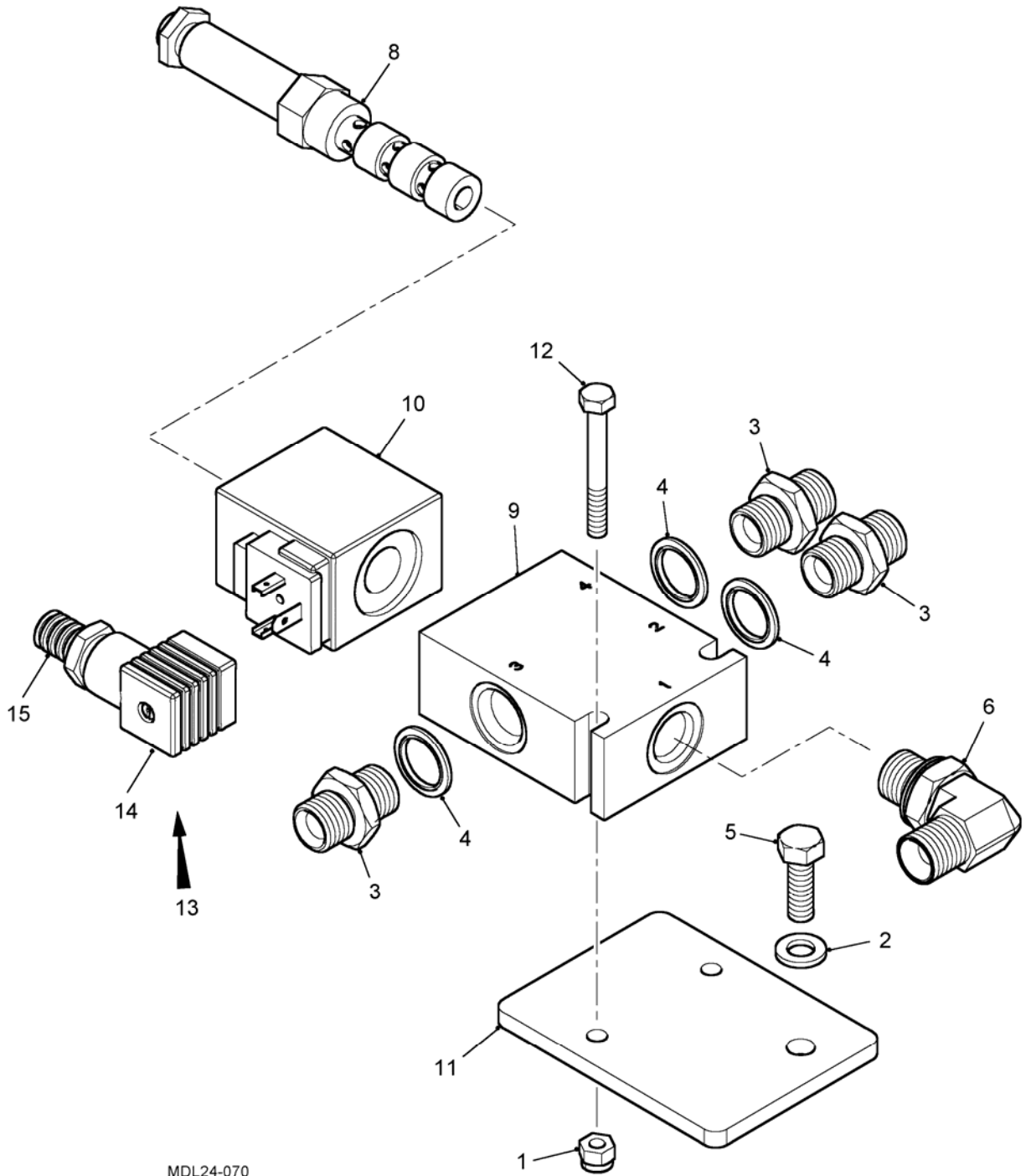


Figure 17 Steering lock valve assembly



Fig 17 Item	Item Name and Description	Part No. / Drawing No.	Qty	Remarks
REF	<b>STEER LOCK VALVE ASSEMBLY (Up to build no 363)</b>	MD58878T30A	1	
1	. NUT, M6, NYLOC	MD40645X20S	2	
2	. WASHER, M8	MD40651X30S	1	
3	. ADAPTOR, M/M 3/8" BSP X 3/8" BSP	MD40801W00S	3	
4	. SEAL BONDED, 3/8" BSP	MD41703X50S	4	
5	. BOLT, M8 X 25, HEX HD, GR:8.8	MD53552X10S	1	
6	. ELBOW COMPACT, M/M 3/8" BSP 90 DEG	MD54229X60S	1	
7	. CARTRIDGE VALVE ASSEMBLY	MD58879T30A	1	
8	. . VALVE CARTRIDGE	MD58880T30P	1	
9	. . VALVE BODY	MD58881T30P	1	
10	. . VALVE COIL, 12V 20 WATT	MD58882T30P	1	
11	. VALVE MOUNTING PLATE	MD58973T30C	1	
12	. BOLT, M6 X 50, HEX, GR:8.8	MD59031X10S	2	
13	. STEER LOCK VALVE HARNESS	MD58974N36A	1	
14	. . HIRSCHMANN GDM TYPE	MD54247N50P	1	
15	. . CONDUIT NON SPLIT NW10	MD57700N50P	3	
	<b>STEER LOCK VALVE ASSEMBLY (Build no 363 onwards)</b>	MD58878T30A	1	
7	. CARTRIDGE VALVE ASSEMBLY	MD61057T30A	1	
8	. . VALVE CARTRIDGE	MD61059T30P	1	
9	. . VALVE BODY	MD58881T30P	1	
10	. . VALVE COIL, 12V 20 WATT	MD61058T30P	1	
14	. . HIRSCHMANN GDM TYPE	MD54247N50P	1	

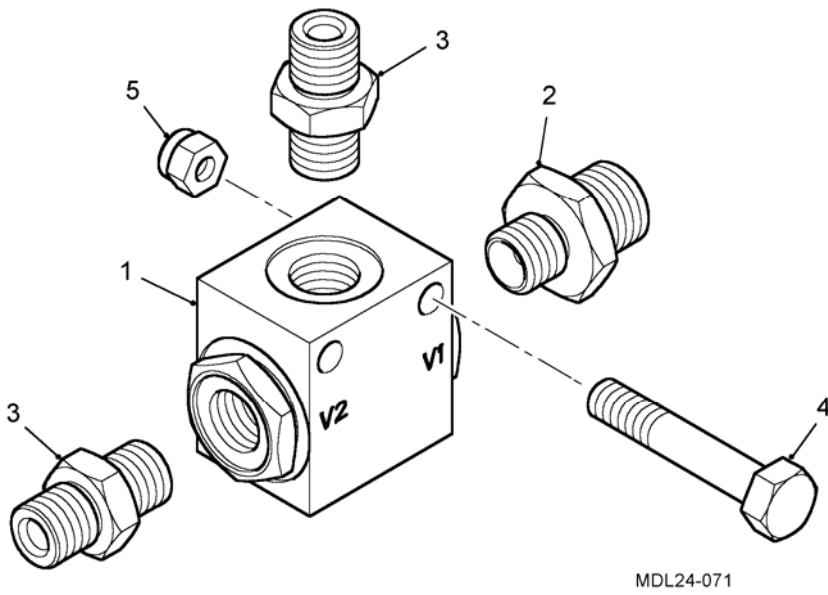


Figure 18 Shuttle Valve Assembly





Fig 18 Item	Item Name and Description	Part No. / Drawing No.	Qty	Remarks
REF	<b>SHUTTLE VALVE ASSEMBLY</b>	MD52249T30A	1	
1	. SHUTTLE VALVE	MD52269T30P	1	
2	. MALE REDUCING ADAPTOR, 1/4" X 3/8 BSP	MD47722X60S	1	
3	. MALE-MALE ADAPTER, 1/4" BSP	MD47721X60S	2	
4	. BOLT, HEX HD , M8 X 45MM LG	MD42179X10S	2	
5	. NUT, M6, NYLOC, GR: 10	MD40645X20S	2	

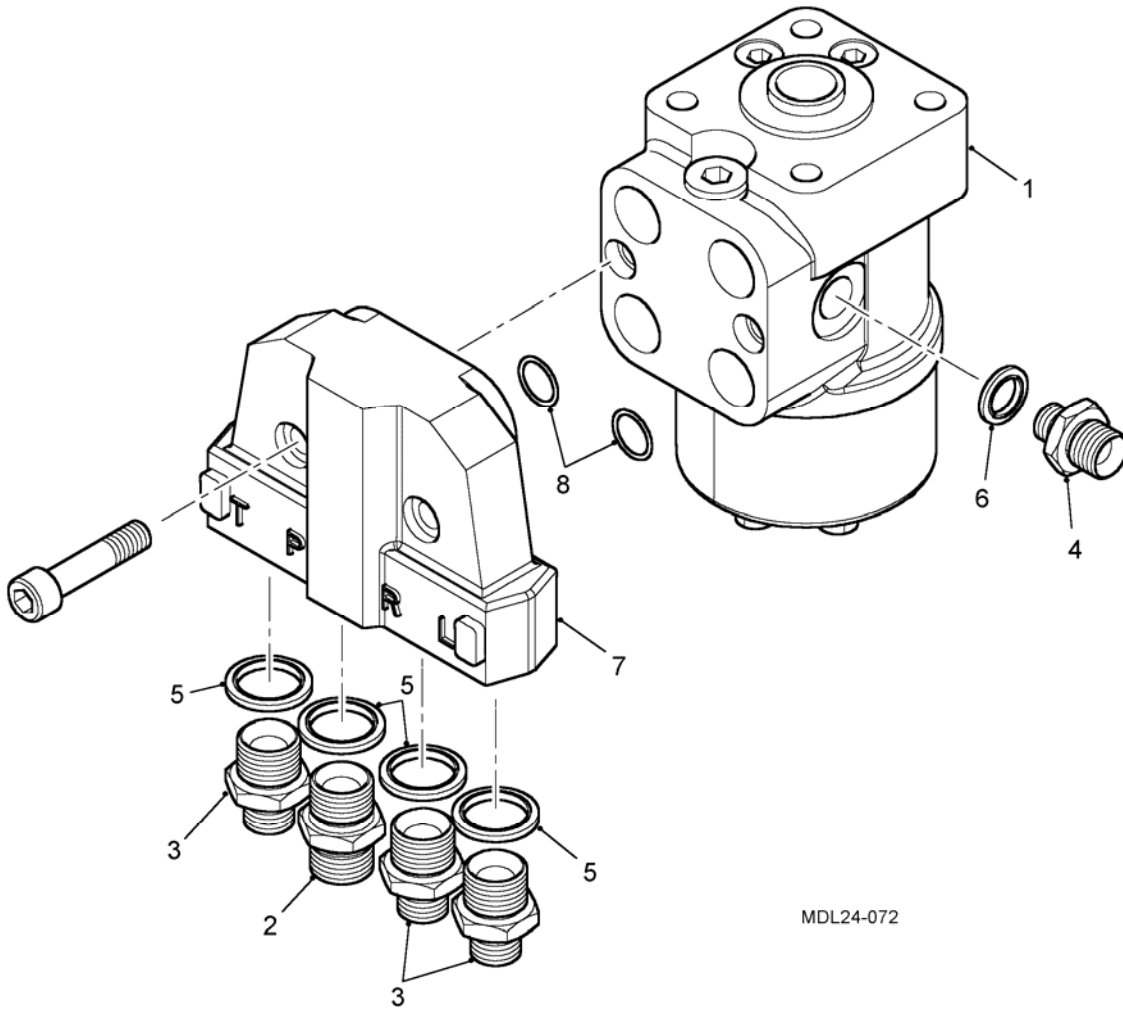
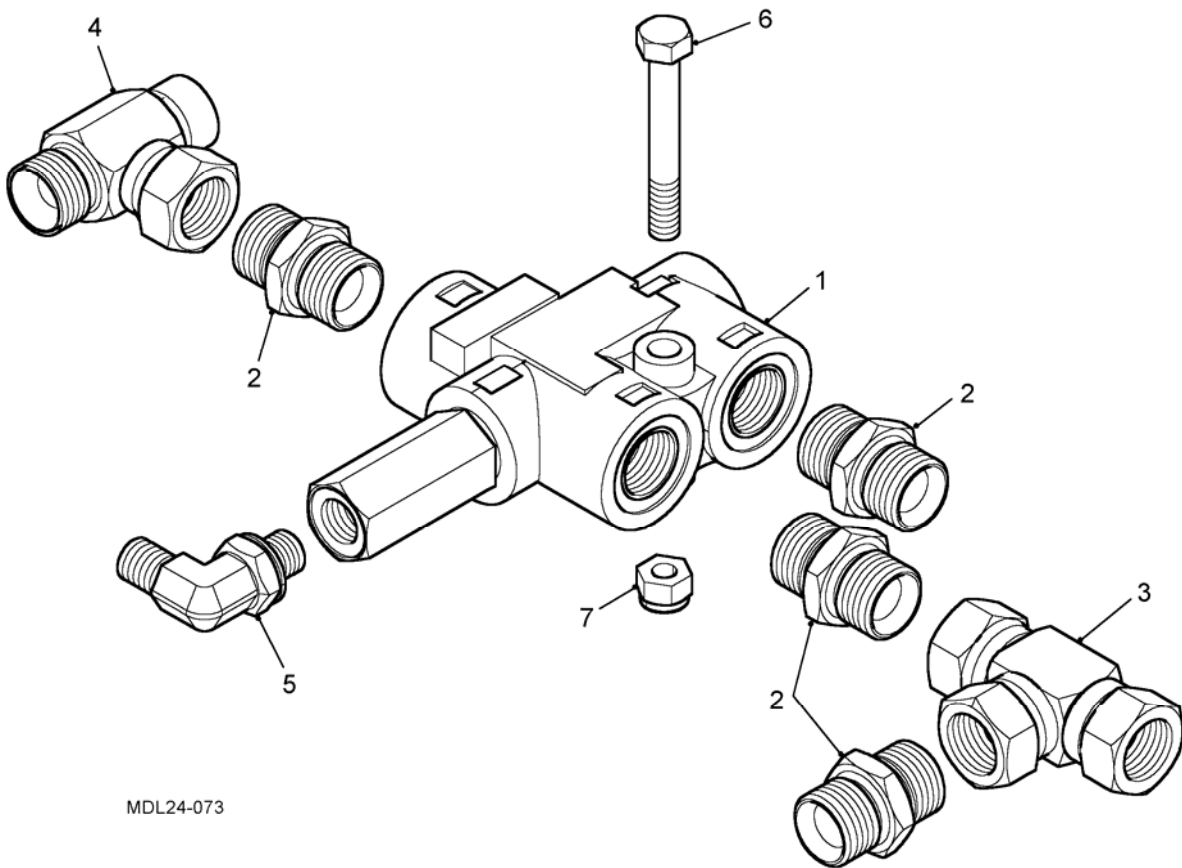


Figure 19 Steering Motor Assembly



Fig 19 Item	Item Name and Description	Part No. / Drawing No.	Qty	Remarks
REF	<b>STEERING MOTOR ASSEMBLY</b>	MD52356T30A	1	
1	. STEERING MOTOR	MD50352T30P	1	
2	. MALE ADAPTOR, 1/2" BSP	MD45514X60S	1	
3	. ADAPTER, 3/8" BSP X 1/2 BSP M/M	MD41953W00P	3	
4	. MALE REDUCING ADAPTOR, 1/4 X 3/8 BSP	MD47722X60S	1	
5	. BONDED SEAL, 1/2" BSP	MD41126X50S	4	
6	. BONDED SEAL	MD44502X50S	1	
7	. STEERING MOTOR, MANIFOLD	MD53220T30P	1	
8	. 'O' RING KIT	MD60335T30P	1	



MDL24-073

Figure 20 Steering Priority Valve Assembly



Fig 20 Item	Item Name and Description	Part No. / Drawing No.	Qty	Remarks
REF	<b>STEERING PRIORITY VALVE ASSEMBLY</b>	MD51827K30A	1	
1	. STEERING PRIORITY VALVE	MD50351T30P	1	Up to October 2006
1	. STEERING PRIORITY VALVE	MD61161t30A	1	From October 2006
2	. MALE ADAPTOR, 1/2" BSP	MD45514X60S	4	
3	. FEMALE TEE SWIVEL, 1/2" BSP	MD51730X60S	1	
4	. MALE/MALE/FEMALE, 1/2" BSP TEE	MD51985X60S	1	
5	. COMPACT 90 DEG ELBOW, 1/4" BSP M/M	MD51998X60S	1	
6	. BOLT, HEX HEAD, M8 X 60	MD50884X10S	1	
7	. NUT, SELF LOCKING, M8, NYLOC GR:10 ZINC PLATED	MD40016X20S	1	

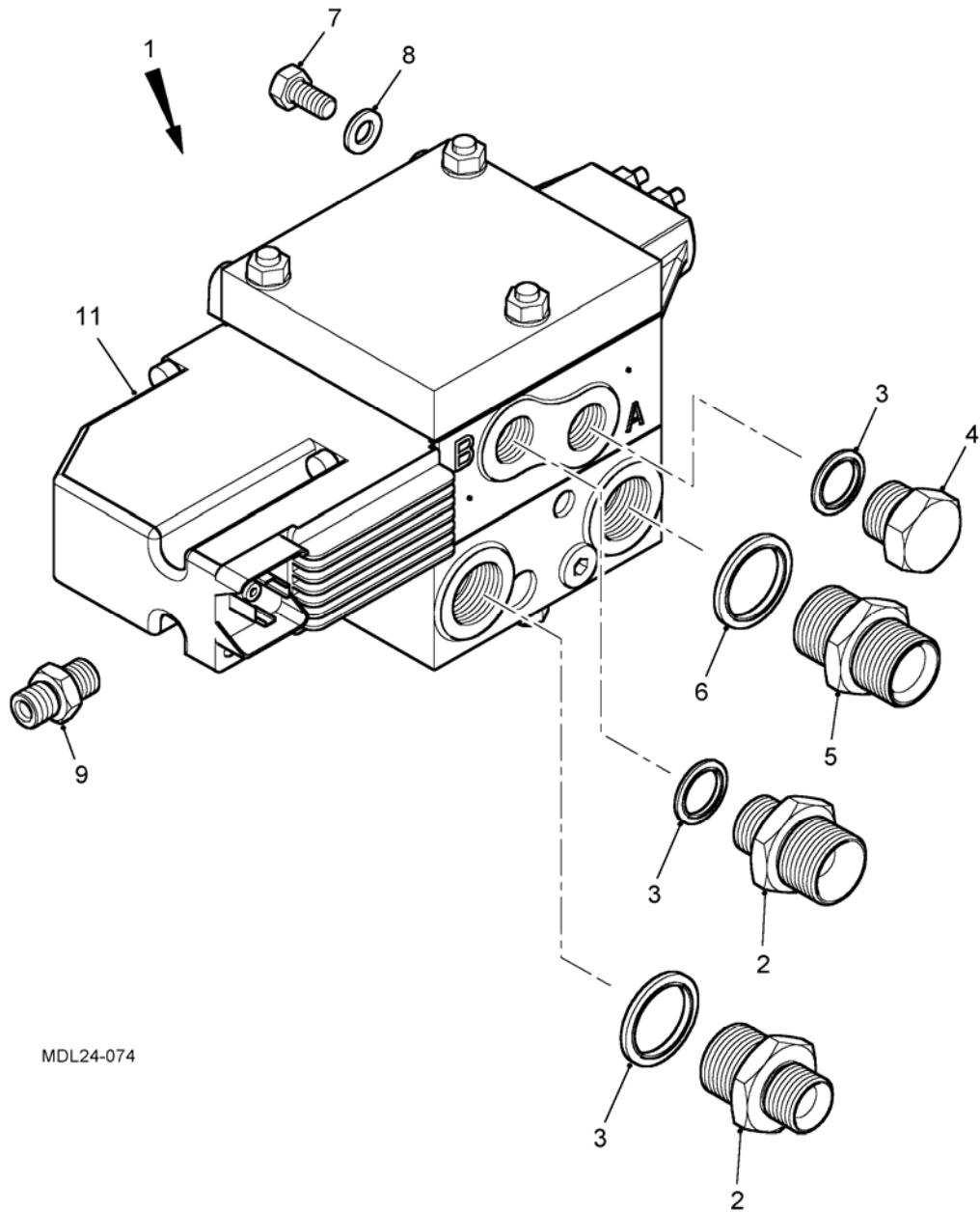


Figure 21 PTO PVG Valve Assembly



Fig 21 Item	Item Name and Description	Part No. / Drawing No.	Qty	Remarks
REF	<b>PTO PVG VALVE ASSEMBLY</b>	MD52035T30A	1	
1	. PVG PROPORTIONAL VALVE, PTO	MD55023T30P	1	Includes item 11
2	. ADAPTOR, 3/4 X 1/2" BSP M/M	MD51247X60S	2	
3	. BONDED SEAL, 3/8" BSP	MD41703X50S	4	
4	. BLANKING PLUG, HEX HD, 1/2 BSP PAR	MD41125X60S	1	
5	. CONED ADAPTOR, 3/4 BSP M/M	MD44445T30P	2	
6	. BONDED SEAL, 3/4" BSP	MD41696X50S	2	
7	. BOLT, HEX HEAD, M8 X 16 LG GR:10.9	MD50528X10S	4	
8	. WASHER, M8	MD40651X30S	4	
9	. MALE-MALE ADAPTOR, 1/4" BSP	MD47721X60S	1	
10	. SEALANT, SIKAFLEX-221	MD59044X70P	AR	
11	. PVEH CONTROLLER	MD51218T30P	1	
NI	PVG VALVE COVER PLATE	MD61489T30P	1	

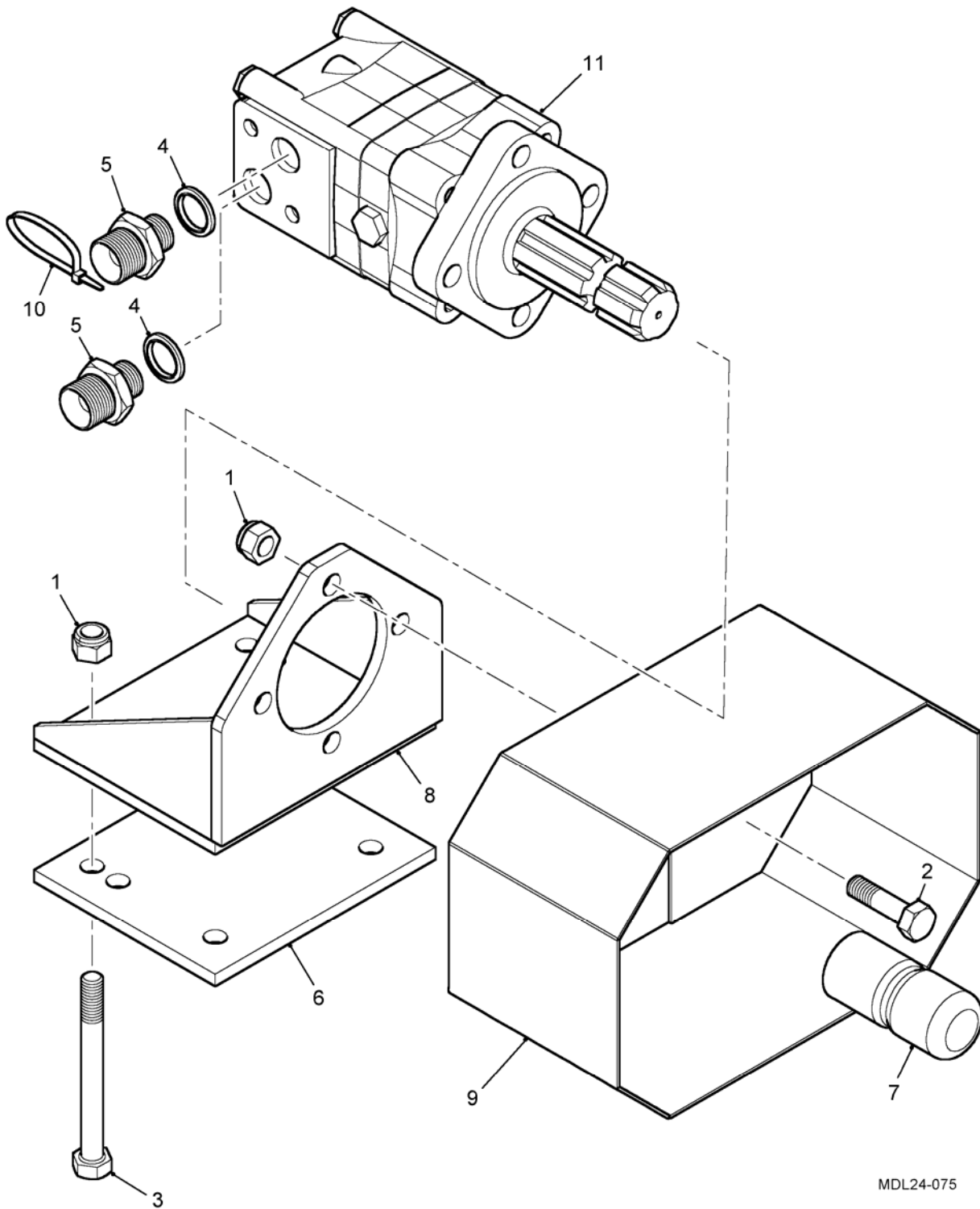


Figure 22 PTO Motor (23hp) Assembly (Tandem Load Sense and Triple Pump)





Fig 22 Item	Item Name and Description	Part No. / Drawing No.	Qty	Remarks
REF	<b>PTO MOTOR ASSEMBLY 23 HP</b>	MD53520T30A	1	
1	. NUT, SELF LOCKING, M12, NYLOC	MD40018X20S	8	
2	. BOLT, HEX. HD, M12 X45 GR:10.9	MD40659X10S	4	
3	. BOLT HEX HD, M12 X120 GR:10.9	MD40662X10S	4	
4	. BONDED SEAL, 1/2" BSP	MD41126X50S	2	
5	. ADAPTOR, 3/4" X 1/2" BSP M/M	MD51247X60S	2	
6	. PTO CLAMP	MD53259T30C	1	
7	. SAFETY COVER	MD53261T30C	1	
8	. PTO MOTOR STAND	MD53264T30A	1	
9	. PTO GUARD FAB (SIZE 80)	MD53267T30A	1	
10	. CABLE TIE, SHORT	MD53455X00P	1	
11	. PTO MOTOR, 23HP	MD53519T30P	1	

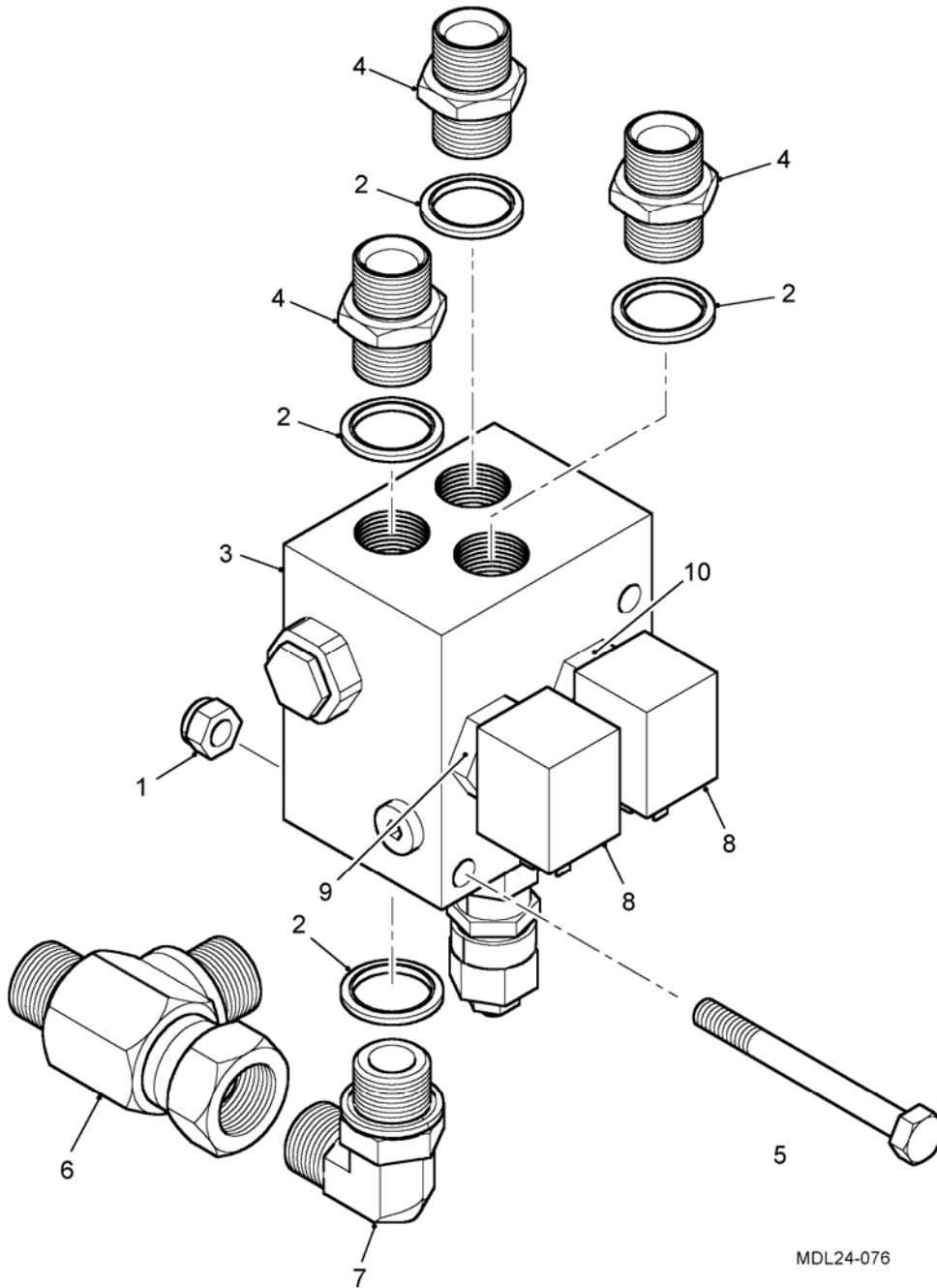


Figure 23 PTO Solenoid Valve Assembly (Tandem Gear and Triple Pump)



Fig 23 Item	Item Name and Description	Part No. / Drawing No.	Qty	Remarks
REF	<b>PTO SOLENOID VALVE ASSEMBLY</b>	MD53775T30A	1	
1	. NUT, M10, NYLOC, GR:10	MD40017X20S	2	
2	. BONDED SEAL, 3/4" BSP	MD41696X50S	4	
3	. SOLENOID VALVE, PTO	MD43630T30P	1	
4	. ADAPTOR, 3/4" BSP M/M CONED ADAPTOR	MD44445T30P	3	
5	. BOLT, M10X100, HEX HOLT ZINC PLATED	MD44859X10S	2	
6	. TEE, 3/4" BSP FEMALE/MALE/MALE	MD53740X60S	1	
7	. ELBOW, 3/4" BSP ADJ 90 DEG.	MD53756X60S	1	
8	. COIL 120	MD48936T30P	2	
9	. SOLENOID, (NORMALLY OPEN)	MD48937T30P	1	
10	. SOLENOID, (NORMALLY CLOSED)	MD48938T30P	1	

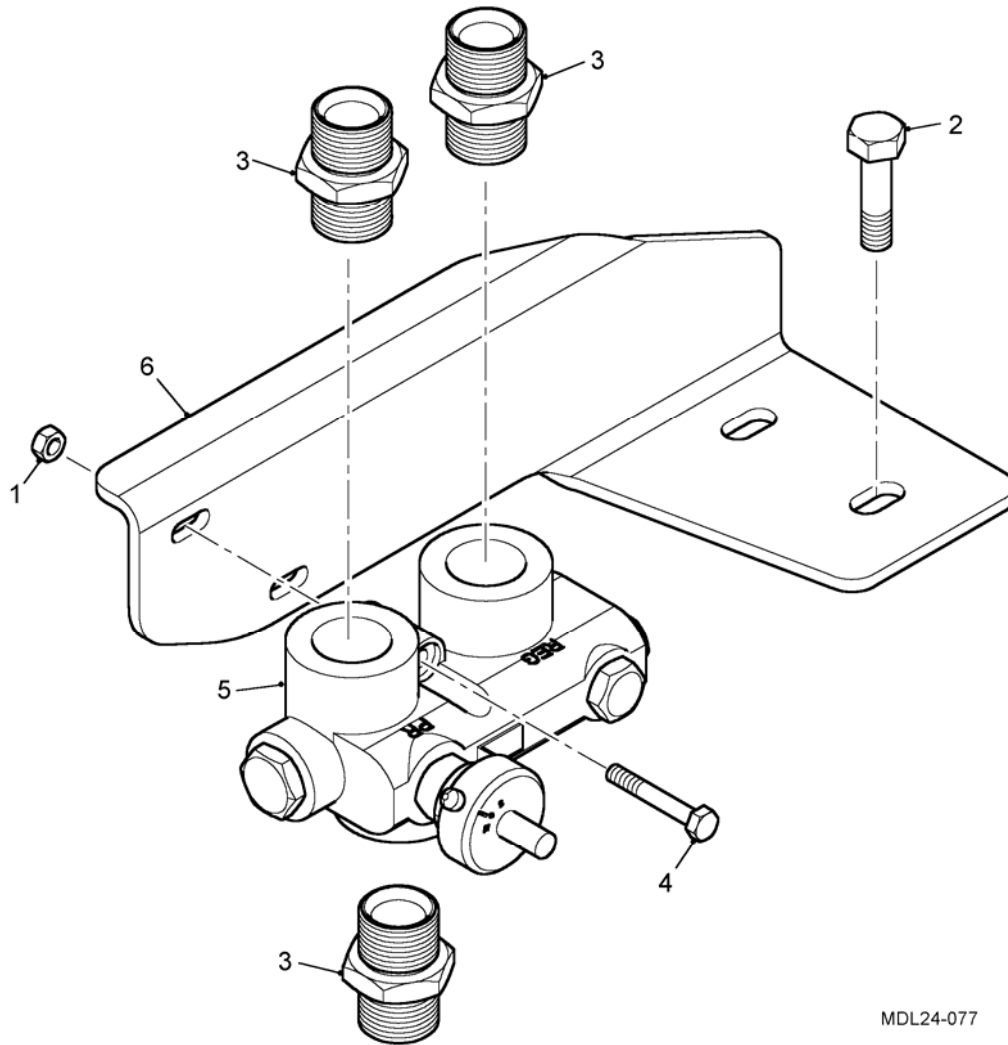


Figure 24 Flow Control Valve Assembly



Fig 24 Item	Item Name and Description	Part No. / Drawing No.	Qty	Remarks
REF	<b>FLOW CONTROL VALVE ASSEMBLY</b>	MD52881T30A	1	
1	. NUT, M6, PLAIN	MD40921X20S	2	
2	. BOLT, HEX HD, M10 X 45mm LG, GR:10.9	MD41184X10S	2	
3	. CONED ADAPTOR, 3/4" BSP M/M	MD44445T30P	3	
4	. BOLT, HEX PLATED, M6 X 40MM	MD44643X10S	2	
5	. FLOW CONTROL VALVE	MD52880T30P	1	
6	. FLOW CONTROL VALVE BRACKET	MD52899T30C	1	

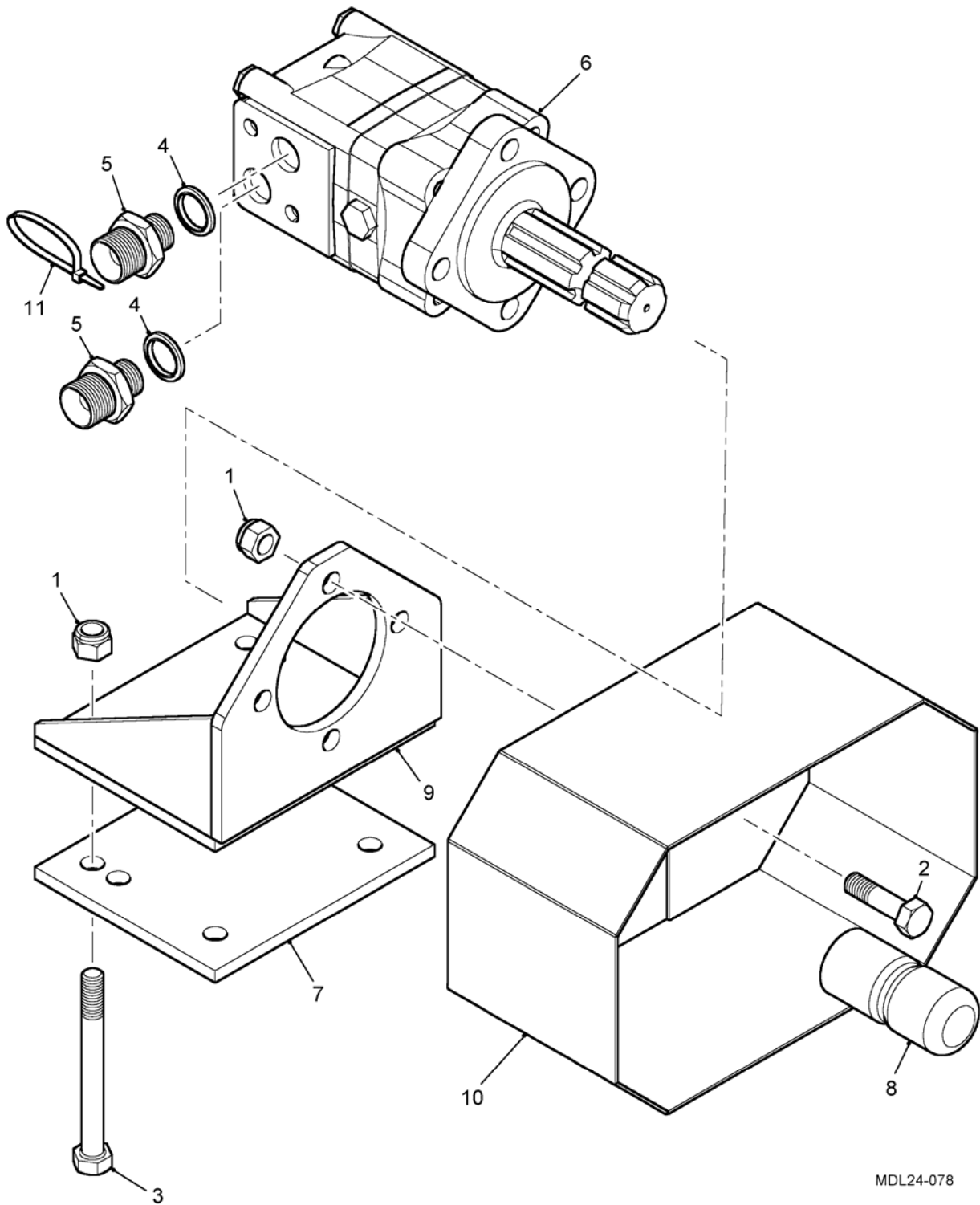
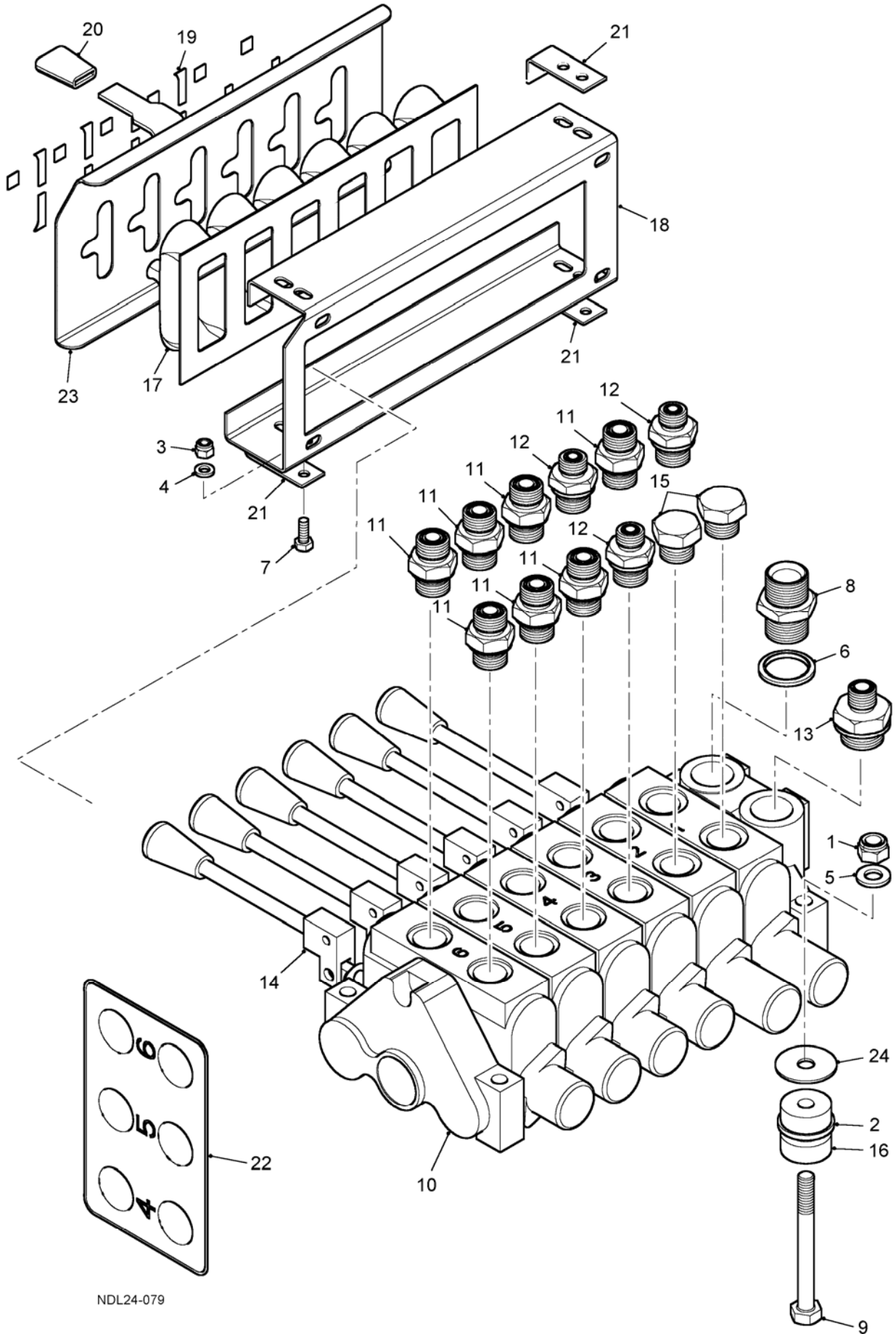


Figure 25 PTO Motor (14hp) Assembly (Tandem Gear Pump and Triple Pump)



Fig 25 Item	Item Name and Description	Part No. / Drawing No.	Qty	Remarks
REF	<b>PTO MOTOR ASSEMBLY 14 HP</b>	MD47661T30A	1	
1	. NUT, M12, NYLOC, SELF LOCKING, GR:10	MD40018X20S	8	
2	. BOLT, M12 X45, HEX. HD GR:10.9	MD40659X10S	4	
3	. BOLT, M12 X120, HEX HD GR:10.9	MD40662X10S	4	
4	. BONDED SEAL, 1/2" BSP	MD41126X50S	2	
5	. ADAPTOR, 3/4" X 1/2" BSP M/M	MD51247X60S	2	
6	. PTO MOTOR, 14HP	MD53257T30P	1	
7	. PTO CLAMP	MD53259T30C	1	
8	. SAFETY COVER	MD53261T30C	1	
9	. PTO MOTOR STAND	MD53264T30A	1	
10	. PTO GUARD FAB, (SIZE 80)	MD53267T30A	1	
11	. CABLE TIE, SHORT	MD53455X00P	1	



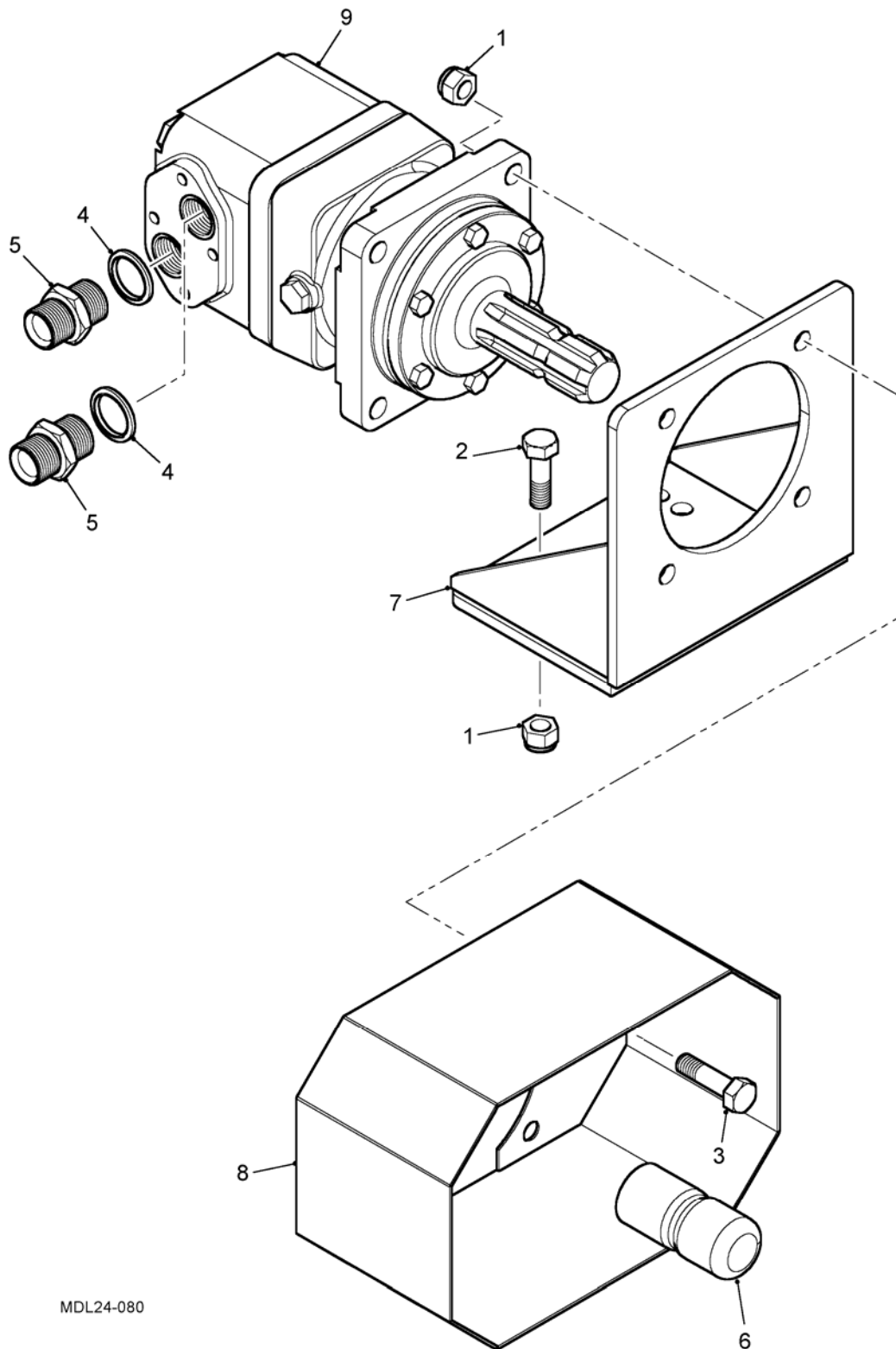
NDL24-079

Figure 26 6 Port Spool Valve Assembly





Fig 26 Item	Item Name and Description	Part No. / Drawing No.	Qty	Remarks
REF	<b>SPOOL VALVE ASSEMBLY</b>	MD47663T30A	1	
1	. NUT, M10, NYLOC	MD40017X20S	3	
2	. WASHER, M20, ZINC PLATED	MD40556X30S	3	
3	. NUT, M6, NYLOC	MD40645X20S	8	
4	. WASHER, M6, FLAT HARDENED	MD40646X30S	8	
5	. WASHER, M10, FLAT HARDENED	MD40656X30S	3	
6	. BONDED SEAL, 3/4" BSP	MD41696X50S	1	
7	. BOLT, M6X16, HEX, ZINC PLATED	MD41890X10S	8	
8	. CONED ADAPTOR, 3/4 BSP M/M	MD44445T30P	1	
9	. BOLT, M10X100 HEX, ZINC PLATED	MD44485X10S	3	
10	. 6 PORT SPOOL VALVE	MD52517T30P	1	
11	. MALE ADAPTOR, 1/2" BSP X B/16" ORFS	MD52539X60S	7	
12	. MALE ADAPTOR, 1/2" BSP X 11/16" ORFS	MD52540X60S	3	
13	. MALE ADAPTOR, 3/4" BSP X 13/16" ORFS	MD52541X60S	1	
14	. SPOOL VALVE TOP	MD52542T30C	6	
15	. PLUG, 1/2" BSP CONED	MD52544X60S	2	
16	. VIBRATION ISOLATOR	MD53192T30P	3	
17	. GAITER, 6 SPOOL VALVE	MD53193T30P	1	
18	. SPOOL GAITER CLAMP	MD53194T30P	1	UP TO MARCH 2006
	. SPOOL GAITER CLAMP	MD60919T30P	1	FROM MARCH 2006
19	. DECAL, HYD SERVICES IN	MD53196T30P	1	
20	. KNOB, SPOOL STOP	MD53197T30P	1	
21	. SPOOL STOP STRAP	MD53198T30P	4	
22	. DECAL, HYD SERVICES OUT	MD53199T30P	1	
23	. SPOOL LEVER STOP FAB	MD53206T30A	1	
24	. WASHER, M10 NON STD	MD53215X30S	3	
NI 25	. DETENT KIT	340441	A/R	



MDL24-080

Figure 27 PTO Motor (33hp) Assembly (60cc Pump)



Fig 27 Item	Item Name and Description	Part No. / Drawing No.	Qty	Remarks
REF	<b>PTO MOTOR ASSEMBLY 33 HP</b>	MD59703T25A	1	
1	. NUT, M12, NYLOC, SELF LOCKING	MD40018X20S	8	
2	. BOLT, M12 X 40 HEX HD GR	MD40448X10S	4	
3	. BOLT, M12 X 45 HEX HD GR	MD40659X10S	4	
4	. BONDED SEAL, 3/4" BSP	MD41696X50S	2	
5	. ADAPTOR, 3/4" BSP M/M	MD44445X60S	2	
6	. SAFETY COVER, PTO SHAFT	MD53261T30C	1	
7	. PTO MOTOR STAND FAB	MD59699T25A	1	
8	. PTO GUARD FAB	MD59699T25A	1	
9	. MOTOR, 33HP	MD59698T30P	1	

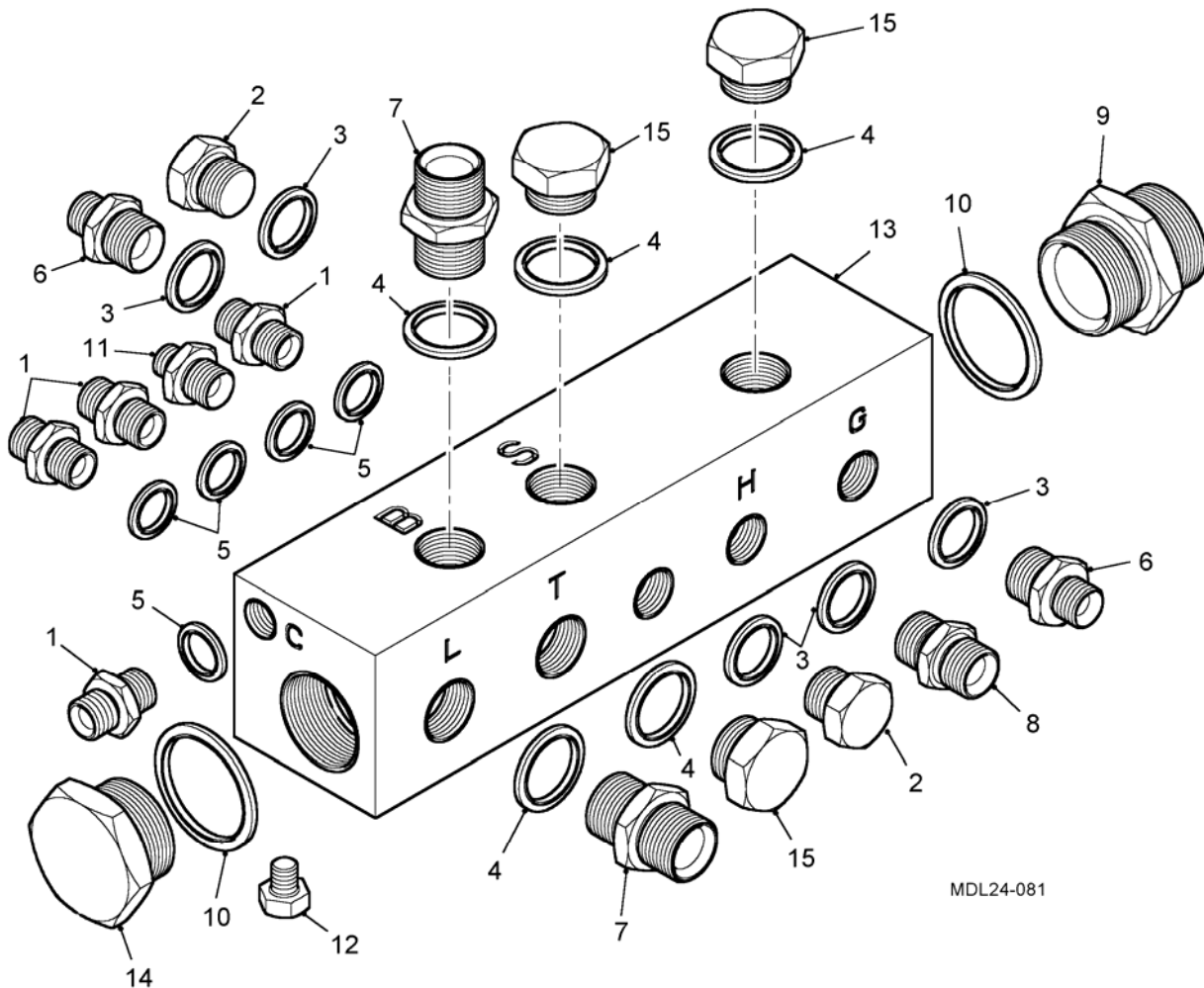


Figure 28 Manifold Rail, Valve & Adaptor Assembly



Fig 28 Item	Item Name and Description	Part No. / Drawing No.	Qty	Remarks
REF	<b>MANIFOLD RAIL, VALVE &amp; ADAPTOR ASSY</b>	MD51835T30A	1	
1	. ADAPTOR, 3/8" BSP X 3/8" BSP M/M	MD40801W00S	4	
2	. BLANKING PLUG, 1/2" BSP PAR, HEX HD	MD41125X60S	2	
3	. BONDED SEAL, 1/2" BSP	MD41126X50S	5	
4	. BONDED SEAL, 3/4" BSP	MD41696X50S	5	
5	. BONDED SEAL, M16	MD41697X50S	5	
6	. ADAPTOR, 3/8" BSP X 1/2" BSP M/M	MD41953W00P	2	
7	. CONED ADAPTOR, 3/4" BSP M/M	MD44445T30P	2	
8	. MALE ADAPTOR, 1/2" BSP	MD45514X60S	1	
9	. MALE ADAPTOR, 1 1/4" BSP	MD47053T30P	1	
10	. BONDED SEAL, 1 1/4" BSP	MD47355X50S	2	
11	. MALE REDUCING ADAPTOR, 1/4" X 3/8" BSP	MD47722X60S	1	
12	. BOLT, M10 X 12, HEX HEAD	MD48297X10S	2	
13	. MANIFOLD RAIL	MD51442T30C	1	
14	. BLANKING PLUG, 1-1/4" BSP	MD51462X60S	1	
15	. BLANKING PLUG, 3/4" BSP	MD51465X60S	3	

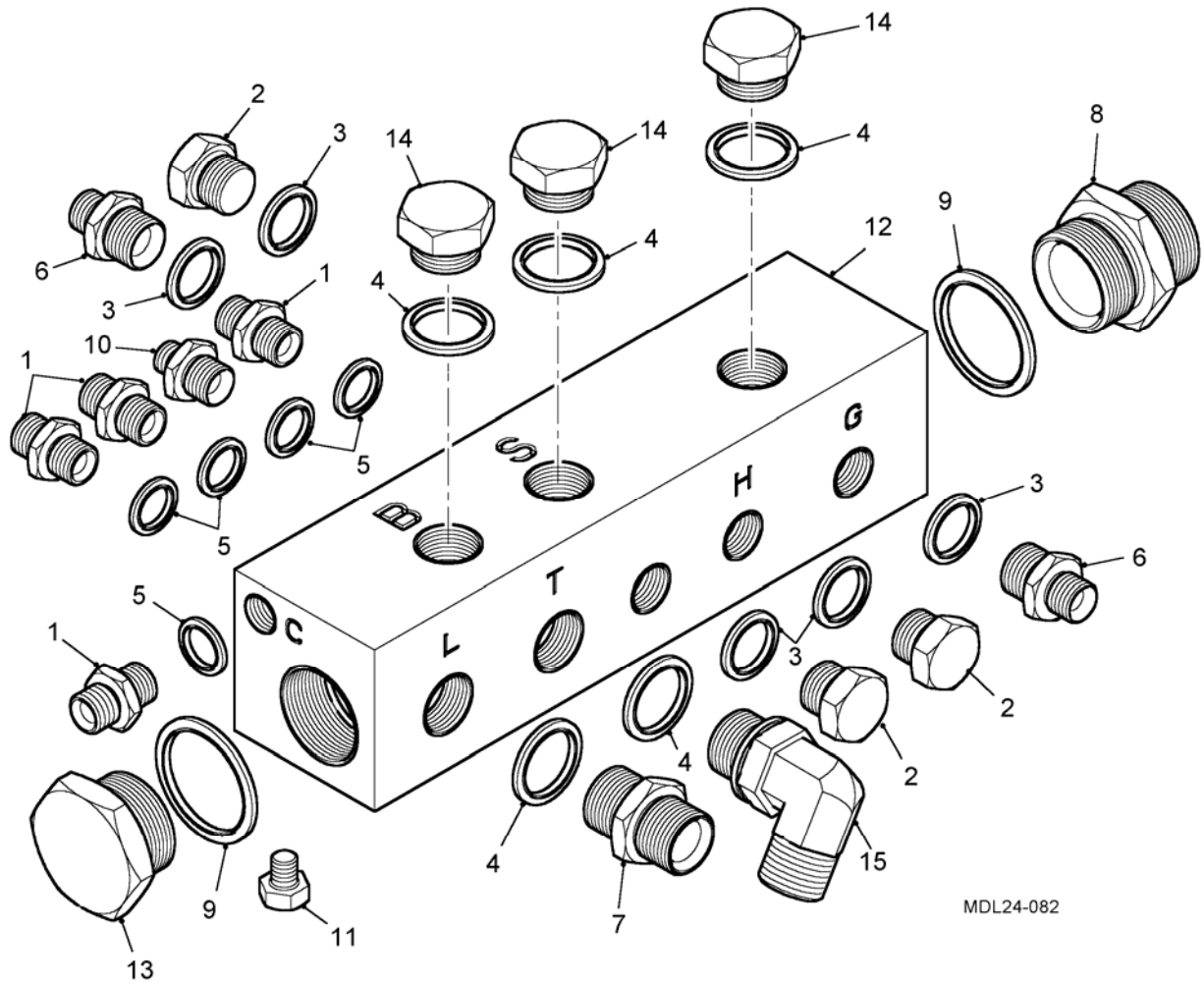


Figure 29 Manifold Rail, Assembly (Tandem Gear Pump)



Fig 29 Item	Item Name and Description	Part No. / Drawing No.	Qty	Remarks
REF	<b>MANIFOLD RAIL, ASSY (TANDEM GEAR PUMP)</b>	MD52900T30A	1	
1	. ADAPTOR, 3/8" BSP X 3/8" BSP M/M	MD40801W00S	4	
2	. BLANKING PLUG, 1/2" BSP PAR HEX HD	MD41125X60S	3	
3	. BONDED SEAL, 1/2" BSP	MD41126X50S	5	
4	. BONDED SEAL, 3/4" BSP	MD41696X50S	5	
5	. BONDED SEAL, M16	MD41697X50S	5	
6	. ADAPTOR, 3/8" BSP X 1/2" BSP M/M	MD41953W00P	2	
7	. CONED ADAPTOR, 3/4" BSP M/M	MD44445T30P	1	
8	. MALE ADAPTOR, 1 1/4" BSP	MD47053T30P	1	
9	. BONDED SEAL, 1 1/4" BSP	MD47355X50S	2	
10	. MALE REDUCING ADAPTOR, 1/4" X 3/8" BSP	MD47722X60S	1	
11	. BOLT, M10 X 12, HEX HEAD	MD48297X10S	2	
12	. MANIFOLD RAIL	MD51442T30C	1	
13	. BLANKING PLUG, 1-1/4" BSP	MD51462X60S	1	
14	. BLANKING PLUG, 3/4" BSP	MD51465X60S	3	
15	. ADJ 90 DEG ELBOW, 3/4" BSP	MD53756X60S	1	

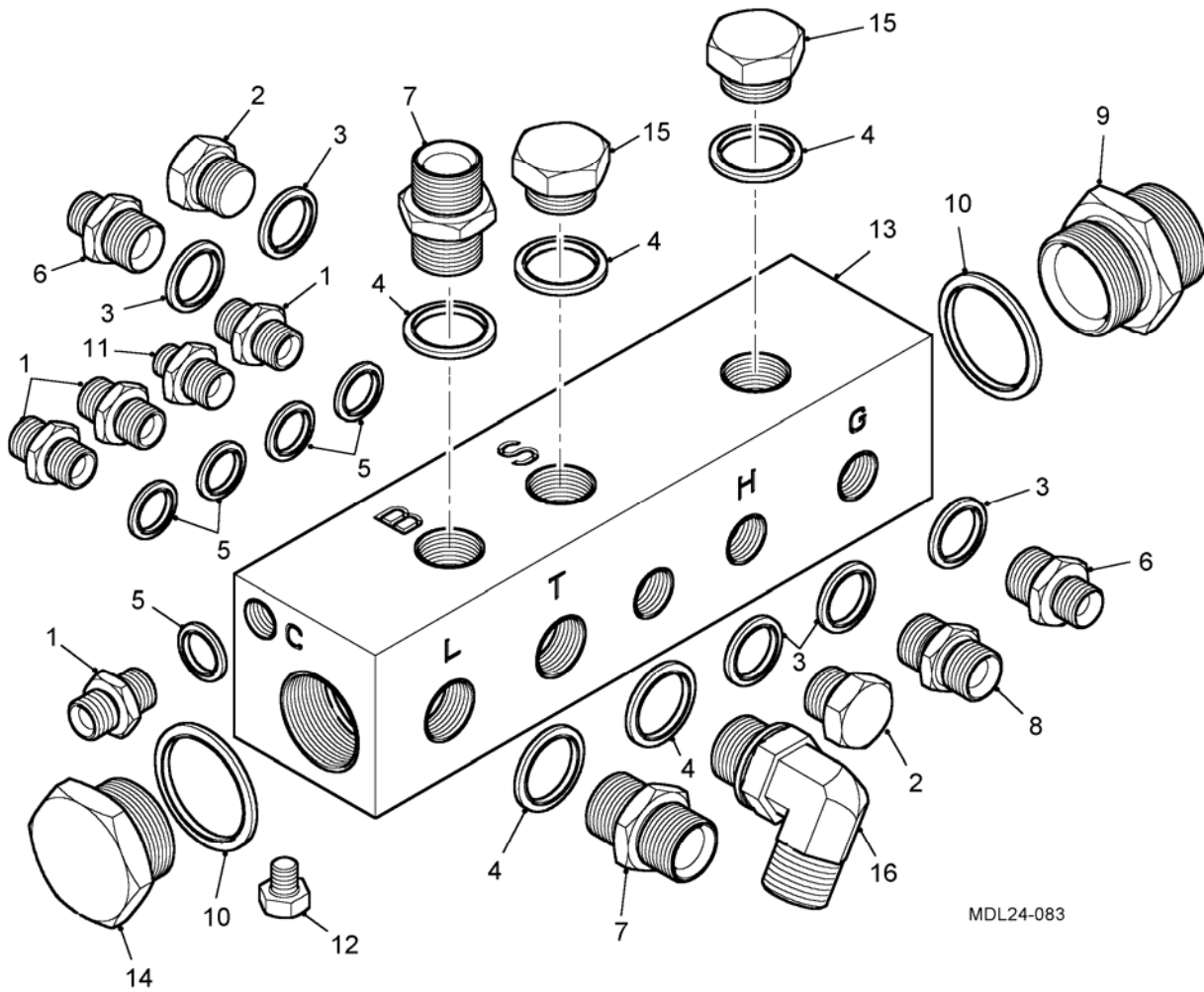
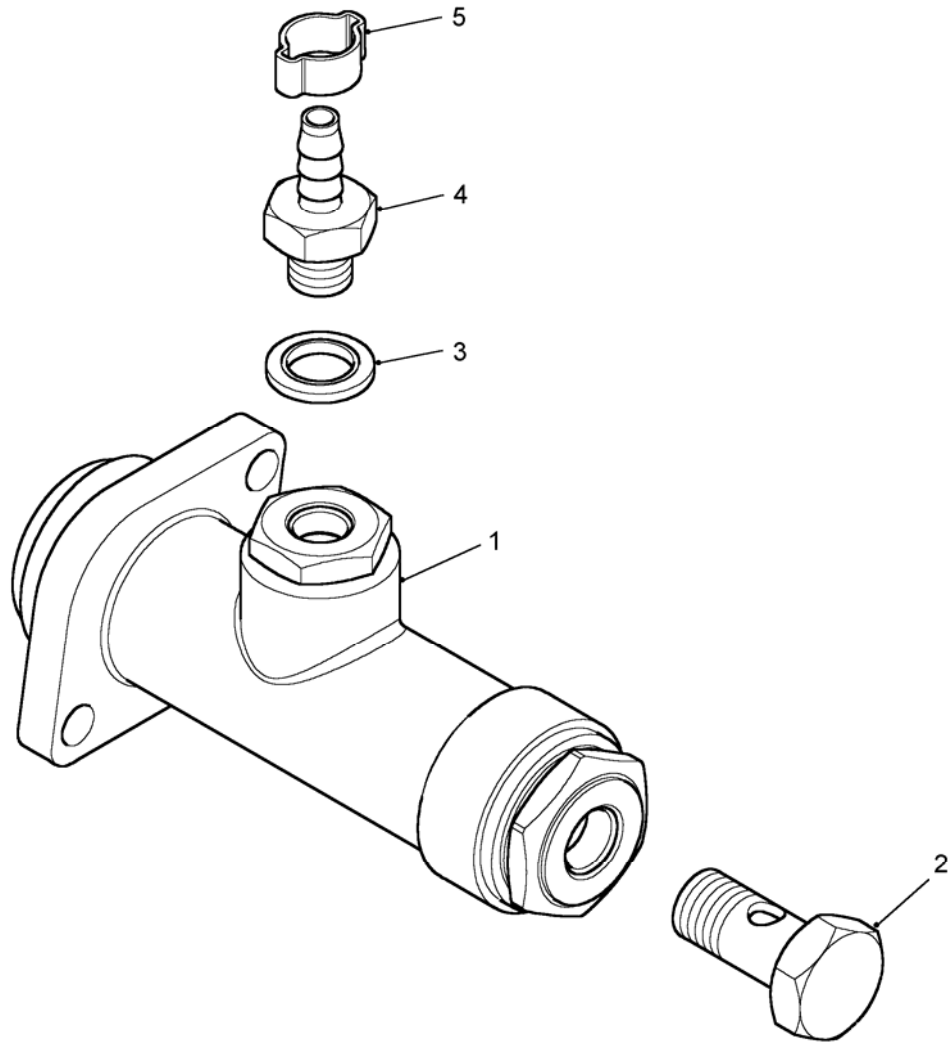


Figure 30 Manifold Rail, Assembly (Triple Pump)





Fig 30 Item	Item Name and Description	Part No. / Drawing No.	Qty	Remarks
REF	<b>MANIFOLD RAIL, ASSY (TRIPLE PUMP)</b>	MD52901T30A	1	
1	. ADAPTOR, 3/8" BSP X 3/8" BSP M/M	MD40801W00S	4	
2	. BLANKING PLUG, 1/2" BSP PAR, HEX HD	MD41125X60S	2	
3	. BONDED SEAL, 1/2" BSP	MD41126X50S	5	
4	. BONDED SEAL, 3/4" BSP	MD41696X50S	5	
5	. BONDED SEAL, M16	MD41697X50S	5	
6	. ADAPTOR, 3/8" BSP X 1/2" BSP M/M	MD41953W00P	2	
7	. CONED ADAPTOR, 3/4" BSP M/M	MD44445T30P	2	
8	. MALE ADAPTOR	MD45514X60S	1	
9	. MALE ADAPTOR, 1 1/4" BSP	MD47053T30P	1	
10	. BONDED SEAL, 1 1/4" BSP	MD47355X50S	2	
11	. MALE REDUCING ADAPTOR, 1/4" X 3/8" BSP	MD47722X60S	1	
12	. BOLT, M10 X 12, HEX HEAD	MD48297X10S	2	
13	. MANIFOLD RAIL	MD51442T30C	1	
14	. BLANKING PLUG, 1-1/4" BSP	MD51462X60S	1	
15	. BLANKING PLUG, 3/4" BSP	MD51465X60S	2	
16	. ADJ 90 DEG ELBOW, 3/4" BSP	MD53756X60S	1	

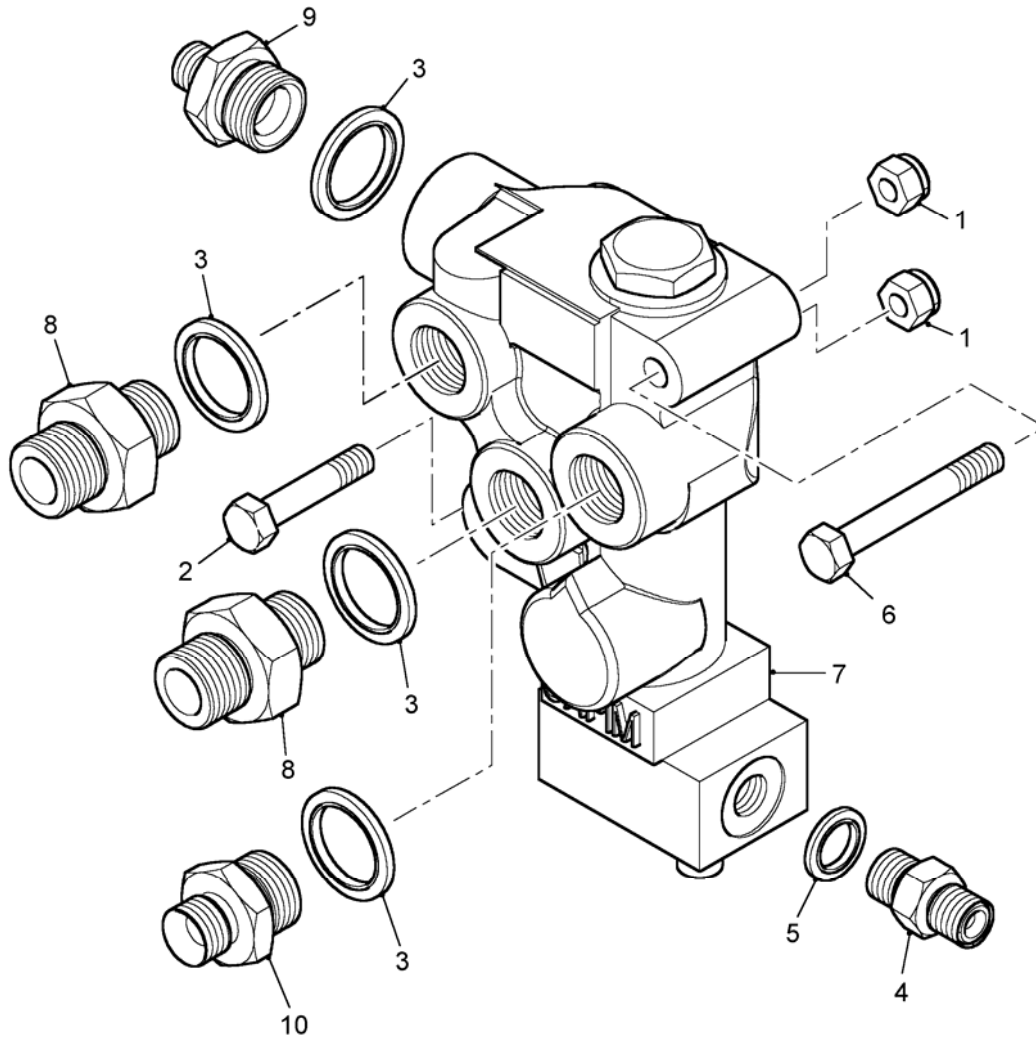


MDL24-084

Figure 31 Diff Lock Valve



Fig 31 Item	Item Name and Description	Part No. / Drawing No.	Qty	Remarks
REF	<b>DIFF LOCK VALVE ASSEMBLY</b>	MD50921C25A	1	
1	. DIFF LOCK MASTER CYLINDER	MD50916F15P	1	
2	. BANJO BOLT, M14, SINGLE	MD52614T30P	1	
3	. BONDED SEAL, M12	MD53253X50S	1	
4	. HOSE TAIL, M12 X 1.5P X 5MM I. DIA	MD53254C25P	1	
5	. O-CLIP, NO 13-15	MD53255X27P	1	
NI 6	. SEAL KIT	080340	1	

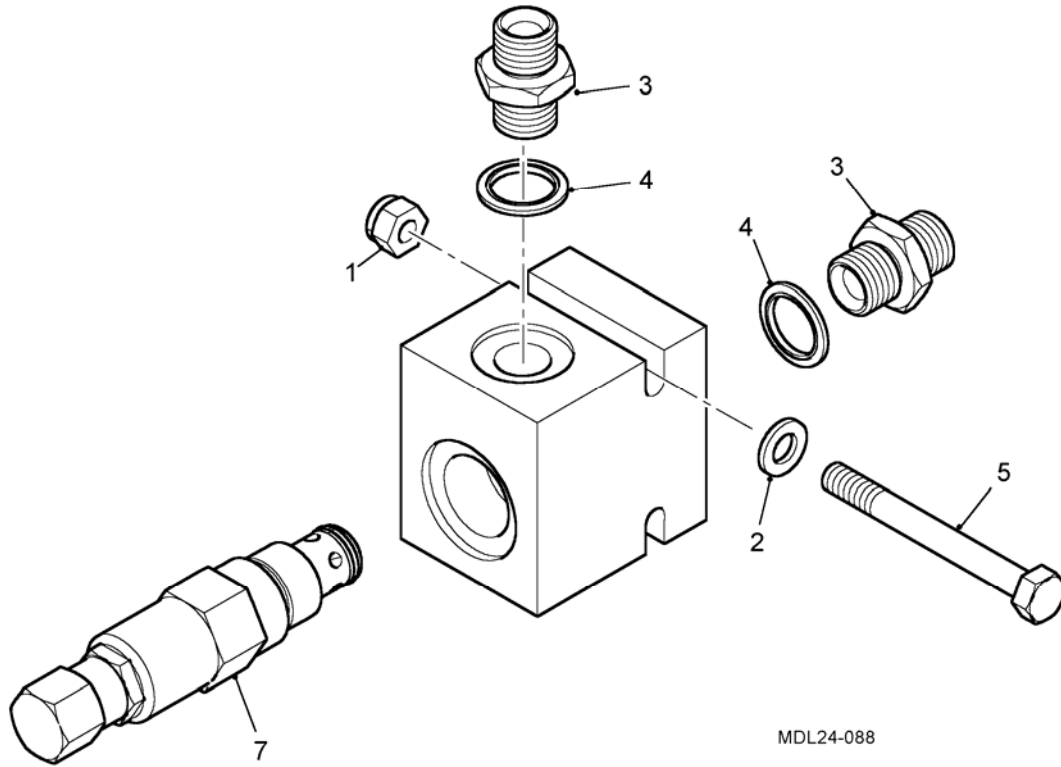


MDL24-085

Figure 32 Trailer Brake Valve



Fig 32 Item	Item Name and Description	Part No. / Drawing No.	Qty	Remarks
REF	<b>TRAILER BRAKE VALVE ASSEMBLY</b>	MD52000T30A	1	
1	. NUT, SELF LOCKING, M8, NYLOC, GR:10, ZINC PLATED	MD40016X20S	2	
2	. BOLT, M8 X 40, HEX HD	MD41850X10S	1	
3	. SEAL BONDED, M22, DOWTY	MD44244X50S	4	
4	. ADAPTOR, M12, MALE 1/4" BSP MALE REDUCING	MD47742X60S	1	
5	. SEAL, BONDED, 12MM	MD47746X50S	1	
6	. BOLT, M8 X 60, HEX HEAD	MD50884X10S	1	
7	. VALVE TRAILER BRAKE	MD50902L20P	1	
8	. ADAPTOR, M/M M22 X 1/2" BSP	MD52027X60S	2	
9	. ADAPTOR, M/M M22 X 1/4" BSP	MD52028X60S	1	
10	. ADAPTOR, M22 M/M X 3/8" BSP	MD52029X60S	1	

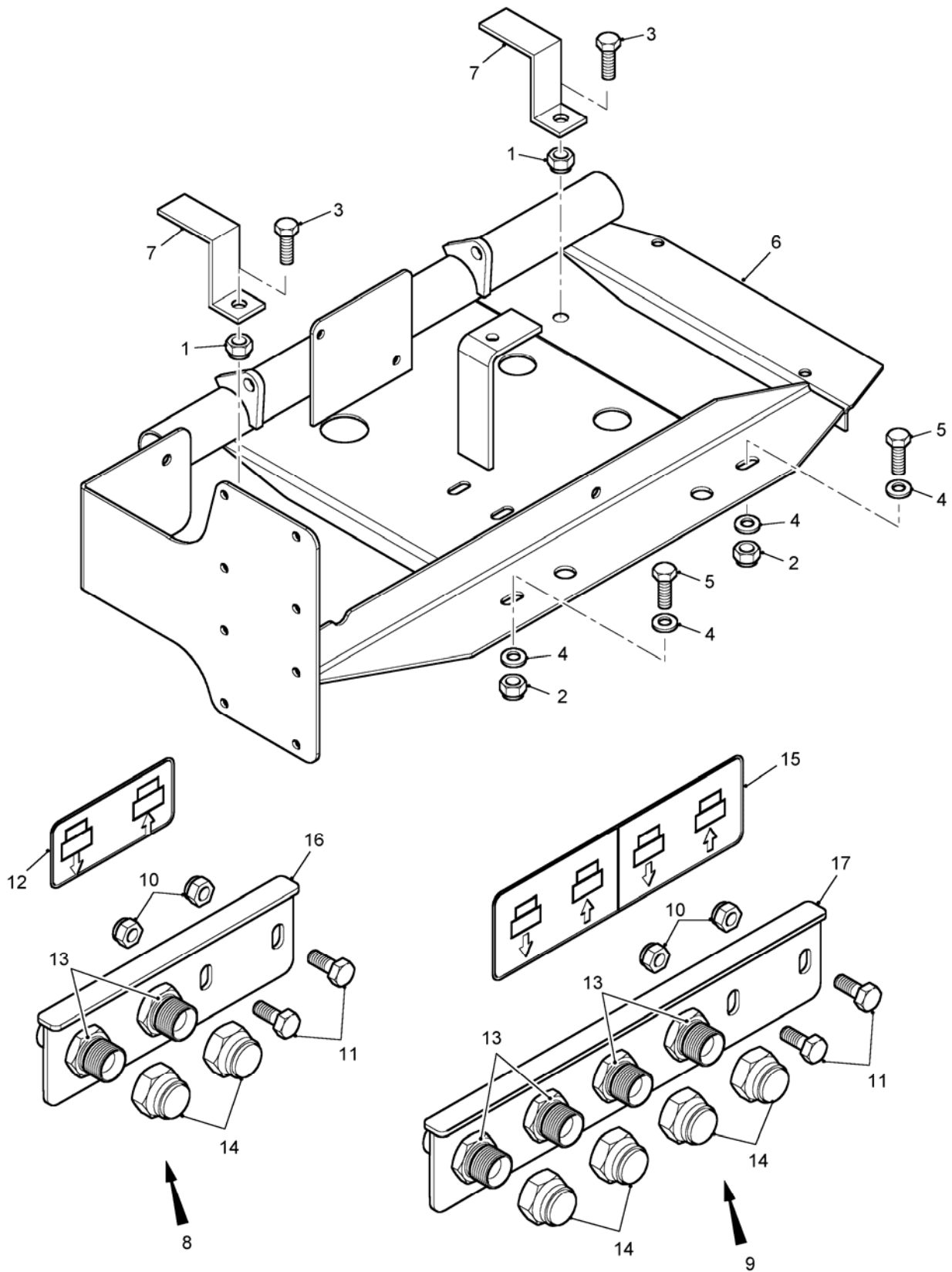


MDL24-088

Figure 33 Relief Valve Subassembly



Fig 33 Item	Item Name and Description	Part No. / Drawing No.	Qty	Remarks
REF	<b>RELIEF VALVE SUBASSEMBLY UP TO 362</b>	MD59022T30A	1	
1	. NUT, SELF LOCKING, M8, NYLOC, GR:10, ZINC PLATED	MD40016X20S	2	
2	. WASHER, M8	MD40651X30S	2	
3	. ADAPTOR, 3/8" BSP X 3/8" BSP M/M	MD40801W00S	2	
4	. BONDED SEAL, 3/8" BSP .	MD41703X50S	2	
5	. BOLT, M8 X 75MM, HEX. HD, PLTD.	MD42923X10S	2	
6	. RELIEF VALVE BLOCK	MD59023T30P	1	
7	. RELIEF CARTRIDGE VALVE	MD59754T30P	1	
REF	<b>RELIEF VALVE SUBASSEMBLY FROM BUILD NUMBER 362</b>	MD61045T30P	1	



MDL24-089

Figure 34 Hydraulic Shelf Assembly





Fig 34 Item	Item Name and Description	Part No. / Drawing No.	Qty	Remarks
REF	<b>HYDRAULIC SHELF ASSEMBLY</b>	MD51766T30A	1	
1	. NUT, NYLOC, M8, GR:10 Z/Y	MD40016X20S	2	
2	. NUT, NYLOC, M10, GR:10 Z/Y	MD40017X20S	2	
3	. BOLT, M8 X 25, HEX HD, GR:10.9	MD40648X10S	2	
4	. WASHER, PLAIN, M10, HARDENED	MD40656X30S	4	
5	. BOLT, M10 X 35MM, HEX HD, GR:10.9	MD44859X10S	2	
6	. HYDRAULIC SHELF BRACKET	MD51361T30A	1	UP TO OCT 06
	. HYDRAULIC SHELF BRACKET	MD60996T30C	1	FROM NOV 06
7	. CLAMP	MD51441T30C	2	
8	. CUSTOMER SERVICES PLATE PTO (SINGLE)	MD52975T30A	1	
9	. CUSTOMER SERVICES PLATE PTO (DOUBLE)	MD52982T30A	1	
10	. . NUT, M10, NYLOC, GR:10	MD40017X20S	2	
11	. . BOLT, M10 X 25 HEX HD, GR:10	MD40653X10S	2	
12	. . 2 <sup>ND</sup> PTO DECAL	MD47196Z10C	1	
13	. . BULKHEAD ADAPTOR, 3/4" BSP	MD52976T30P	2	4 off for double PTO
14	. . END CAP, 3/4" BSP	MD52977T30P	2	4 off for double PTO
15	. . DOUBLE PTO DECAL	MD52978T30C	1	
16	. . CUSTOMER SERVICE PLATE, FAB, PTO	MD61083T30C	1	
17	. . CUSTOMER SERVICE PLATE, FAB, DOUBLE PTO	MD61316T30P	1	
NI	SERVICE BULKHEAD PLATE – EXT LS	MD62091T30P		

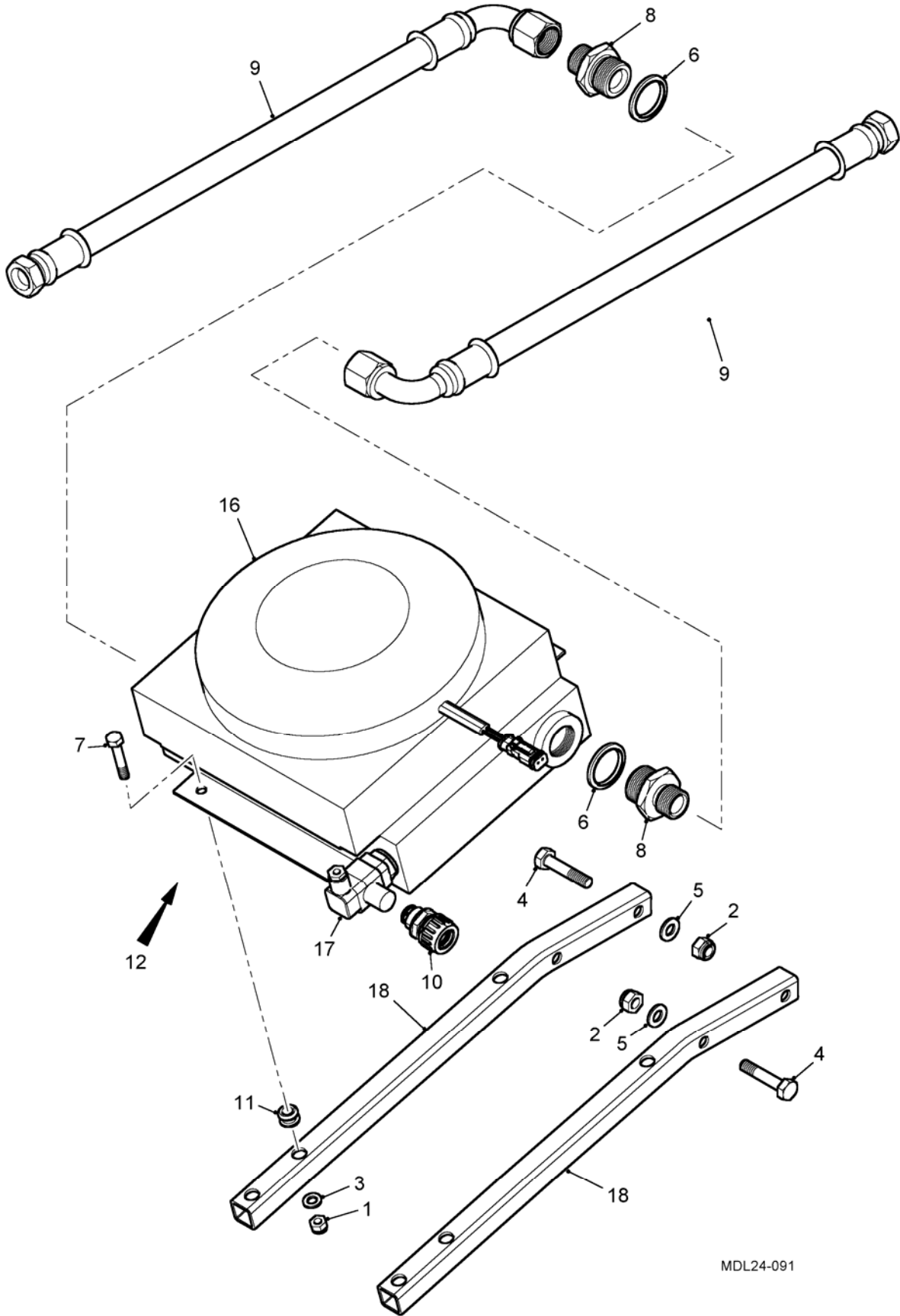


Figure 35 PTO Oil Cooler Subassembly (23hp)



Fig 35 Item	Item Name and Description	Part No. / Drawing No.	Qty	Remarks
REF	<b>PTO OIL COOLER SUBASSEMBLY (23HP)</b>	MD60160T30A	1	
1	. NUT, M8, NYLOC, GR:10 Z/Y PASS	MD40016X20S	4	
2	. NUT, M10, NYLOC, GR:10	MD40017X20S	4	
3	. WASHER, M8, FLAT	MD40651X30S	4	
4	. BOLT, M10 X 50, HEX GR:10.9	MD40655X 10S	4	
5	. WASHER, M10, FLAT, HARDENED	MD40656X30S	4	
6	. BONDED SEAL, 1" BSP	MD41129X50S	2	
7	. BOLT, M8 X 45, HEX, GR	MD42179X10S	4	
8	. REDUCING ADAPTOR, 1", 3/4" BSP M/M	MD47047T30P	2	
9	. HOSE, MANIFOLD RAIL (B), PTO BULKHEAD	MD52244T30P	2	
10	. PTO COOLER HARNESS	MD60155N31A	1	See Chap 2-8
11	GROMMET, 12.7/9.5 X 6.4	MD60156X35P	4	
12	. OIL COOLER (PTO) SUB ASSEMBLY 23HP	MD60161T30P	1	
NI13	. . SOCKET CONTACT	MD42152N50P	2	
NI14	. . LOCKING WEDGE SOCKET 2 WAY	MD42166N50P	1	
NI15	. . DEUTSCH DTO6-25-CEI3	MD53021N50P	1	
16	. . OIL COOLER (PTO)	MD60060T30P	1	
17	. . THERMOSTAT SWITCH	MD60138T30P	1	
18	. . MOUNTING BRACKET	MD60135B10C	2	

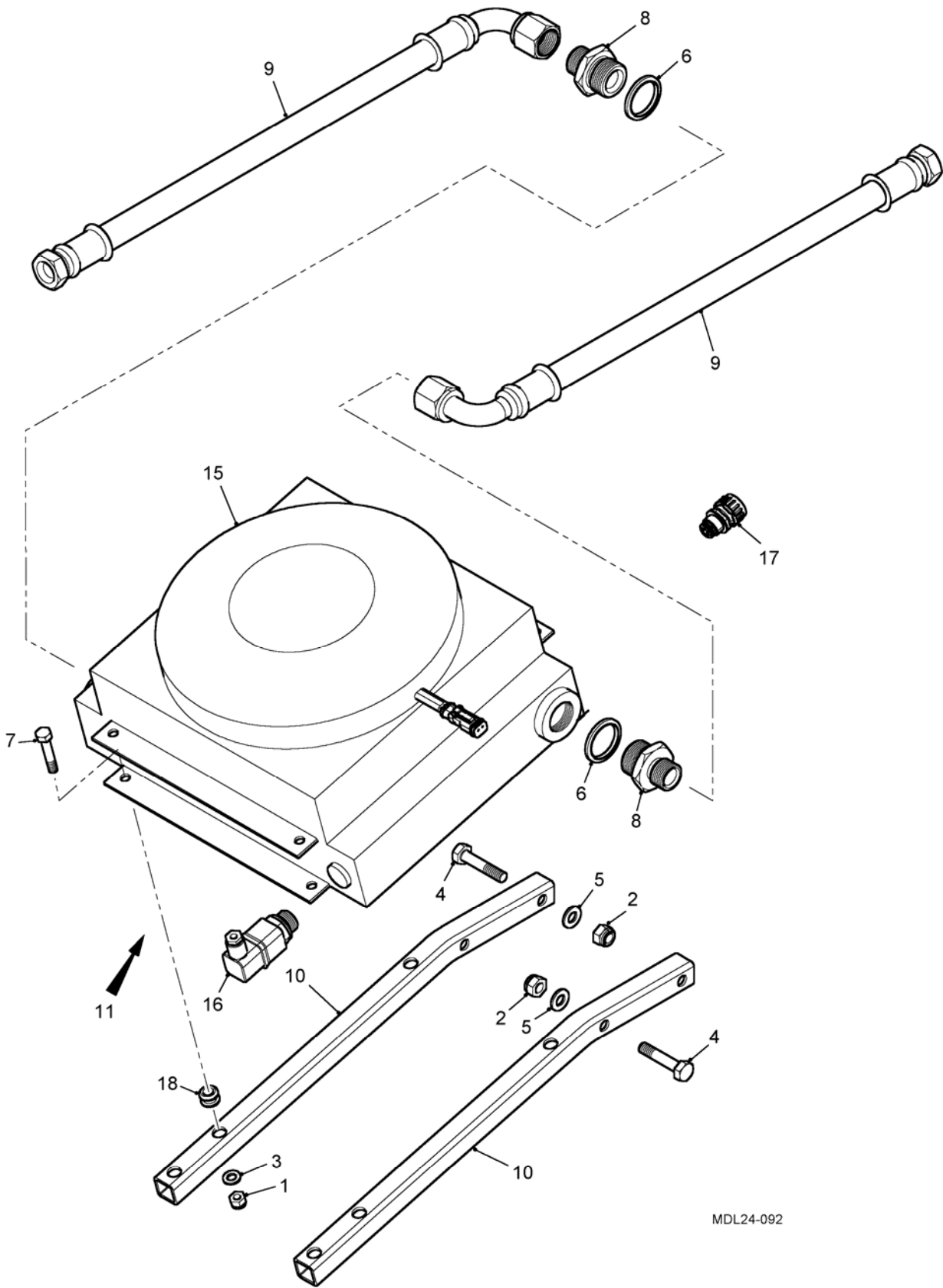
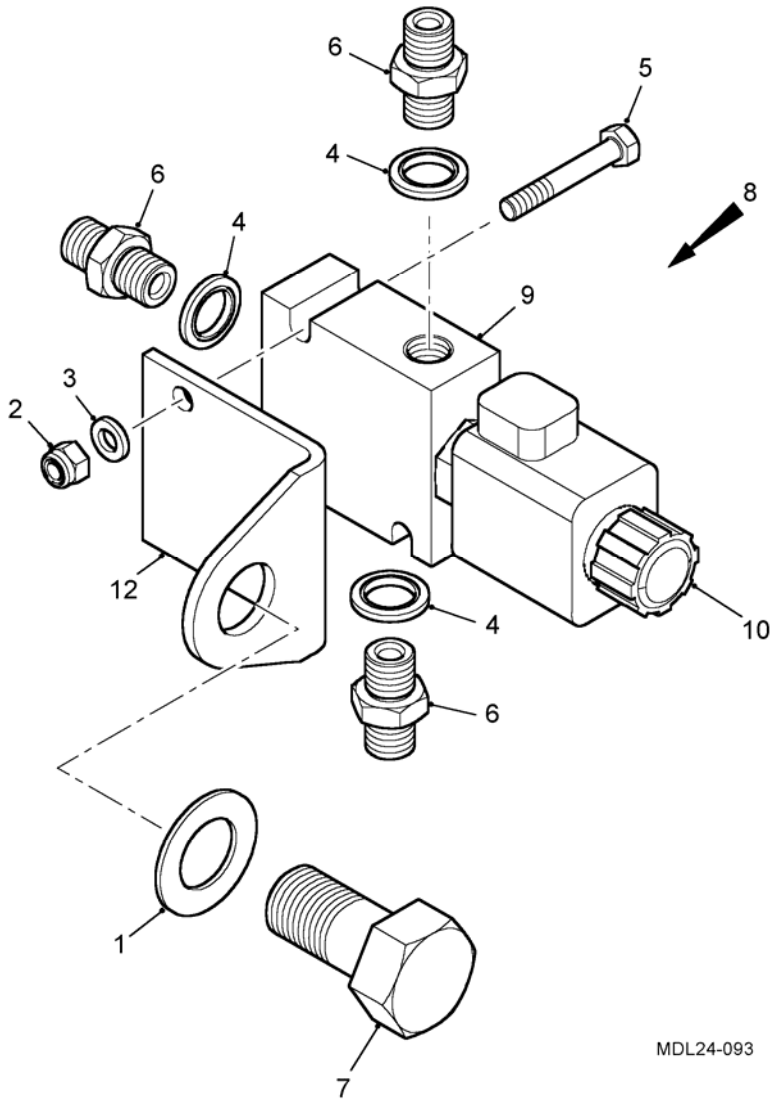


Figure 36 PTO Oil Cooler Subassembly (33hp)



Fig 36 Item	Item Name and Description	Part No. / Drawing No.	Qty	Remarks
REF	<b>PTO OIL COOLER SUBASSEMBLY (33HP)</b>	MD60139T30A	1	
1	. NUT, M8, NYLOC	MD40016X20S	4	
2	. NUT, M10, NYLOC	MD40017X20S	4	
3	. WASHER, M8, FLAT	MD40651X30S	4	
4	. BOLT, M10 X 50, HEX GR	MD40655X 10S	4	
5	. WASHER, M10, FLAT HARDENED	MD40656X30S	4	
6	. BONDED SEAL, 1" BSP	MD41129X50S	2	
7	. BOLT, M8 X 45, HEX GR	MD42179X10S	4	
8	. REDUCING ADAPTOR, 1", 3/4" BSP M/M	MD47047T30P	2	
9	. HOSE, MANIFOLD RAIL (B), PTO BULKHEAD	MD52244T30P	2	
10	. OIL COOLER BRACKET	MD60135B10C	2	
11	. OIL COOLER SUBASSEMBLY	MD60136T30A	1	
NI12	. . SOCKET CONTACT	MD42152N50P	2	
NI13	. . LOCKING WEDGE SOCKET 2 WAY	MD42166N50P	1	
NI14	. . DEUSCH DT06-25 WAY	MD53021N50P	1	
15	. . OIL COOLER (PTO)	MD60137T30P	1	
16	. . THERMOSTAT SWITCH	MD60138T30P	1	
17	. PTO COOLER HARNESS	MD60155N31A	1	See Chap 2-8
18	. GROMMET, 12.7/9.5 X 6.4	MD60156X35P	4	
NI	OIL COOLER ASSY (AKG)	MD61748T30P		
NI	OIL COOLER COVER (AKG)	MD61747T30C		



MDL24-093

Figure 37 2/4 Wheel Drive Valve Subassembly



Fig 37 Item	Item Name and Description	Part No. / Drawing No.	Qty	Remarks
REF	<b>2/4 WHEEL DRIVE VALVE SUBASSEMBLY</b>	MD51782T30A	1	
1	. WASHER, M16, ZINC PLATED	MD40029X30S	1	
2	. NUT, M6, NYLOC	MD40645X20S	2	
3	. WASHER, M6, HARDENED	MD40646X30S	2	
4	. BONDED SEAL	MD44502X50S	3	
5	. BOLT, M6 X 40MM HEX, PLATED	MD44643X10S	2	
6	. MALE-MALE ADAPTOR, 1/4" BSP	MD47721X60S	3	
7	. BOLT, M16 X 25MM, HEX, ZINC PLATED	MD48876X10S	1	
8	. DIRECTIONAL CONTROL VALVE	MD51424T30A	1	
9	. . ALUMINIUM PORT BODY, 1/4" BSP	MD51417T30P	1	
10	. . CARTRIDGE VALVE-DIRECTION CONTROL	MD51422T30P	1	
NI 11	. . COIL HEAVY DUTY	MD51423T30P	1	
12	. BRACKET, 2/4 WD VALVE	MD51780T30C	1	

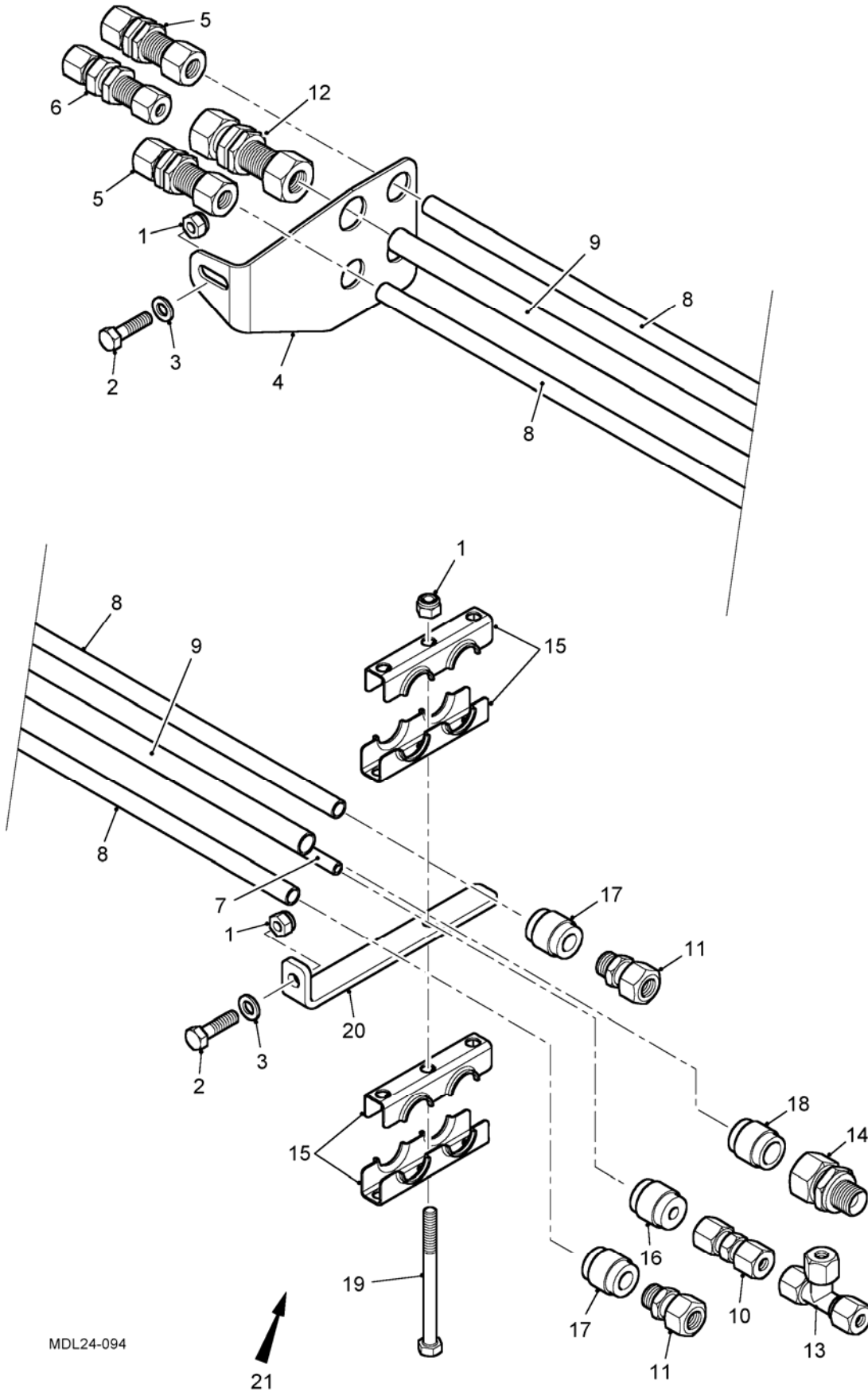
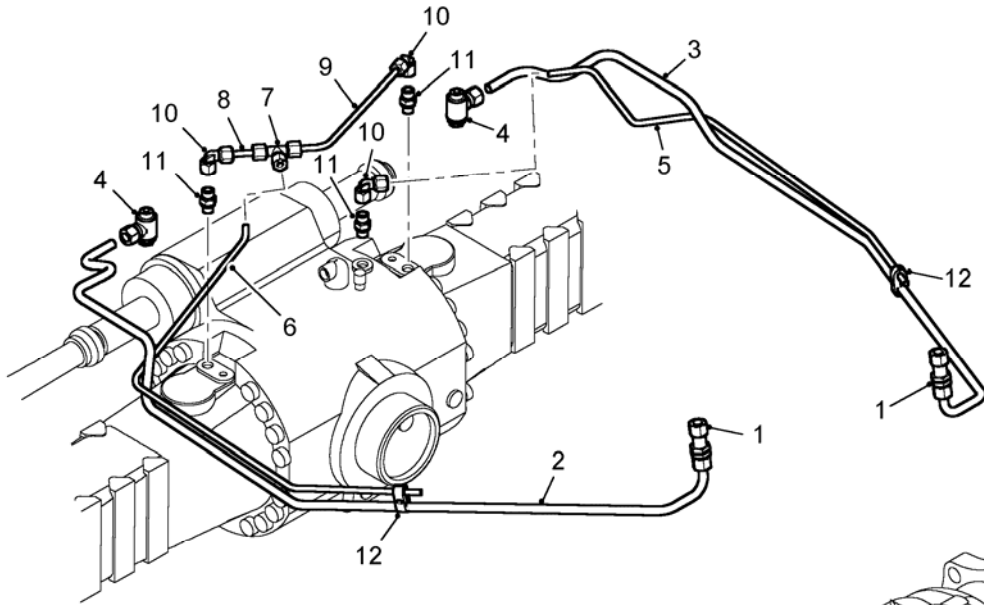


Figure 38 Steel Pipe and Fittings Assembly

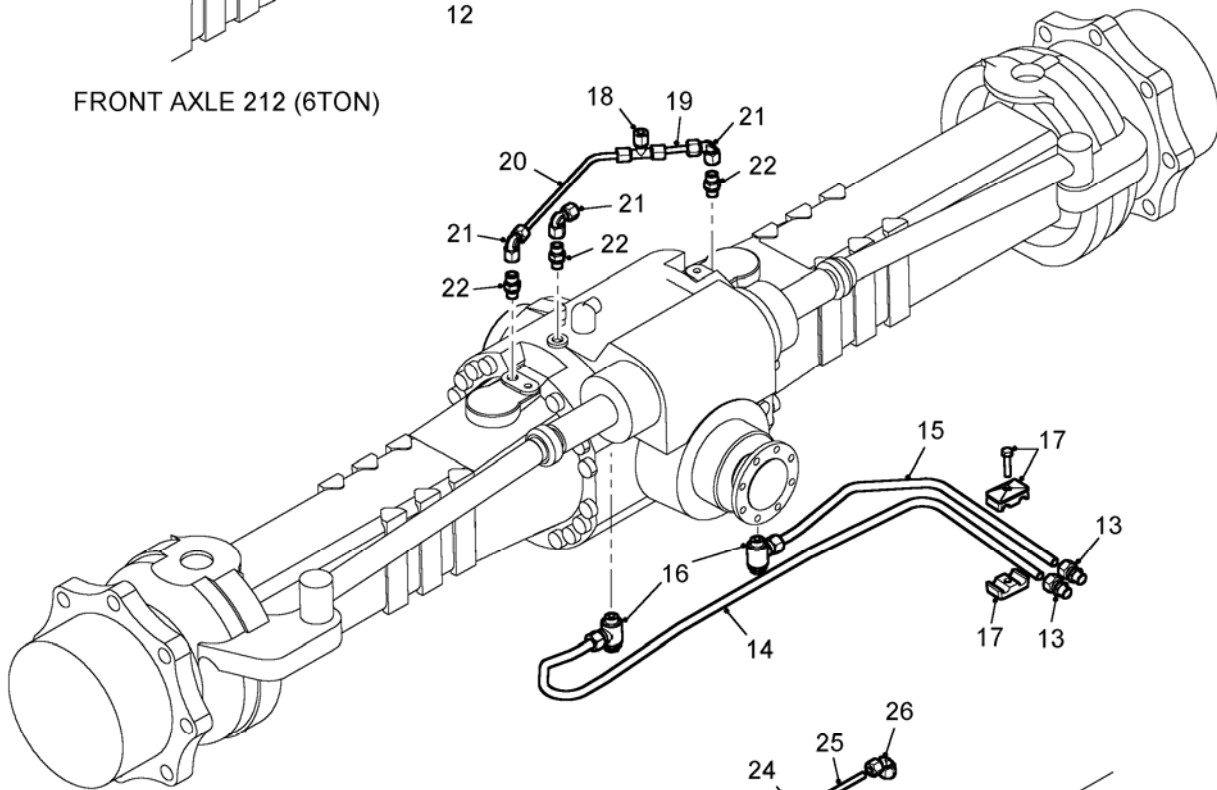




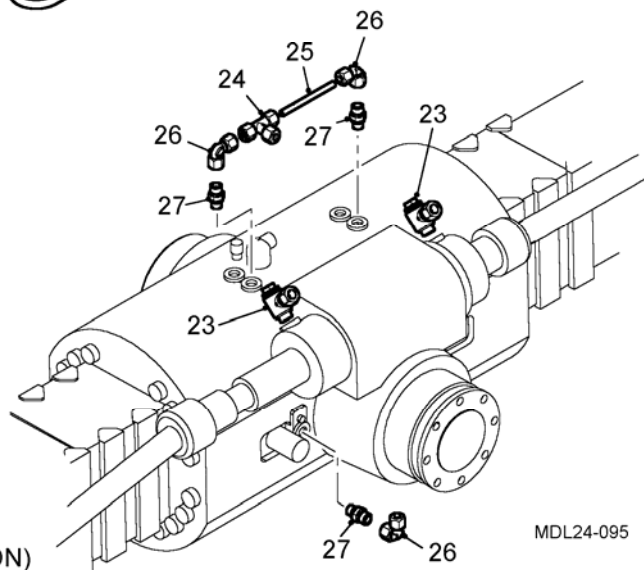
Fig 38 Item	Item Name and Description	Part No. / Drawing No.	Qty	Remarks
REF	<b>STEEL PIPE AND FITTINGS ASSEMBLY 3.5m WB</b>	MD52711T30A	1	
REF	<b>STEEL PIPE AND FITTINGS ASSEMBLY 3.8m WB</b>	MD53163T30A	1	
REF	<b>STEEL PIPE AND FITTINGS ASSEMBLY 4.2m WB</b>	MD55959T30A	1	
1	. NUT, SELF LOCKING, M8, NYLOC, GR:10, ZINC PLATED	MD40016X20S	3	
2	. BOLT, M8 X30, Hex HD Gr. 10.9	MD40649X10S	2	
3	. WASHER, M8	MD40651X30S	2	
4	. BRACKET, STEEL PIPES, R/H	MD45072B10C	1	
5	. BULKHEAD ADAPTOR (EXTENDED) 12L to 3/8BSP	MD45107T30P	2	
6	. BULKHEAD ADAPTOR	MD50851T30P	1	
7	. BRAKE, STEEL PIPE, 3.5M WB	MD52708T30C	1	
7	. BRAKE, STEEL PIPE, 3.8M WB	MD53160T30C	1	
7	. BRAKE, STEEL PIPE, 4.2M WB	MD55960T30C	1	
8	. PICK UP HITCH, STEEL PIPE, 3.5M WB	MD52709T30C	2	
8	. PICK UP HITCH, STEEL PIPE, 3.8M WB	MD53161T30C	2	
8	. PICK UP HITCH, STEEL PIPE, 4.2M WB	MD55961T30C	2	
9	. TRAILER TIPPING, STEEL PIPE, 3.5M WB	MD52710T30C	1	
9	. TRAILER TIPPING - STEEL PIPE 3.8M WB	MD53162T30C	1	
9	. TRAILER TIPPING, STEEL PIPE, 4.2M WB	MD55962T30C	1	
10	. COUPLER, 8S	MD52712T30P	1	
11	. COUPLER, 12L	MD52713T30P	2	
12	. BULKHEAD, 15L	MD52714T30P	1	
13	. RUNNING TEE, 8S	MD52715T30P	1	
14	. ADAPTOR, 15L X 1/2" BSP M/M	MD52716T30P	1	
15	. STEEL PIPE CLAMP, DUAL MC10.2	MD52721T30P	4	
16	. PIPE BUSH, 8MM RUBBER	MD52722T30P	1	
17	. PIPE BUSH, 12MM RUBBER	MD52723T30P	2	
18	. PIPE BUSH, 15MM RUBBER	MD52724T30P	1	
19	. BOLT, M8 X 100, HEX HEAD	MD52729X10S	1	
20	. REAR STEEL PIPE CLAMP SUPPORT	MD52739T30C	1	
21	. HYDRAULIC HOSE CLAMP ASSEMBLY	MD52750T30A	1	



FRONT AXLE 212 (6TON)



REAR AXLE 212 (6TON)



REAR AXLE 276 (10 TON)

MDL24-095

Figure 39 Steel Pipe and Fittings (Steering, Brakes and Diff Lock)



Fig 39 Item	Item Name and Description	Part No. / Drawing No.	Qty	Remarks
REF	<b>STEEL PIPES AND FITTINGS (STEERING, BRAKES AND DIFF LOCK)</b>			
	FRONT AXLE 212			
1	. BULKHEAD ADAPTOR (EXTENDED) 12L to 3/8BSP	MD45107T30P	2	
2	. STEERING PIPE, LEFT	MD50824K50C	1	
3	. STEERING PIPE, RIGHT	MD50825K50C	1	
4	. BANJO, FITTING 12L X 18MM (1.5) ZINC PASSIVATED	MD50830X60P	2	
5	. DIFF LOCK PIPE	MD50829L20C	1	
6	. BRAKE PIPE MAIN	MD50828L20C	1	
7	. EQUAL TEE 8S	MD46309T30P	1	
8	. BRAKE PIPE, LEFT	MD50826L20C	1	
9	. BRAKE PIPE, RIGHT	MD50827L20C	1	
10	. ELBOW 8S STAND PIPE 90 DEG	MD50831X60P	3	
11	. MALE STUD COUPLING, 14/16	MD46246T30P	3	
12	. DOUBLE PIPE CLAMP ASSEMBLY, 8MM & 12MM DIA	MD51579T30P	2	
	REAR AXLE 212			
13	. COUPLER, 12L	MD52713T30P	2	
14	. STEERING PIPE STEEL, RIGHT HAND	MD53458T30C	1	
15	. STEERING PIPE STEEL, LEFT HAND	MD53459T30C	1	
16	. BANJO, 12L X 18MM (1.5) ZINC	MD50830X60P	2	
17	. TWIN PIPE CLAMP, 12.7/12.7	MD53460T30A	1	
18	. EQUAL TEE, 8S	MD46309T30P	1	
19	. BRAKE PIPE, LEFT	MD50826L20C	1	
20	. BRAKE PIPE, RIGHT	MD50827L20C	1	
21	. ELBOW, 8S STAND PIPE 90 DEGREES	MD50831X60P	3	
22	. MALE STUD COUPLING, 14/16	MD46246T30P	3	
	REAR AXLE 276			
23	. BANJO FITTING, 12L X 18MM (1.5) ZINC PASSIVATED	MD50830X60P	2	
24	. RUNNING TEE, 08S 16 M/M	MD51661X60P	1	
25	. BRAKE PIPE, (REAR AXLE)	MD51660L20C	1	
26	. ELBOW, 8S STAND PIPE 90 DEG	MD50831X60P	3	
27	. MALE STUD COUPLING, 14/16	MD46246T30P	3	

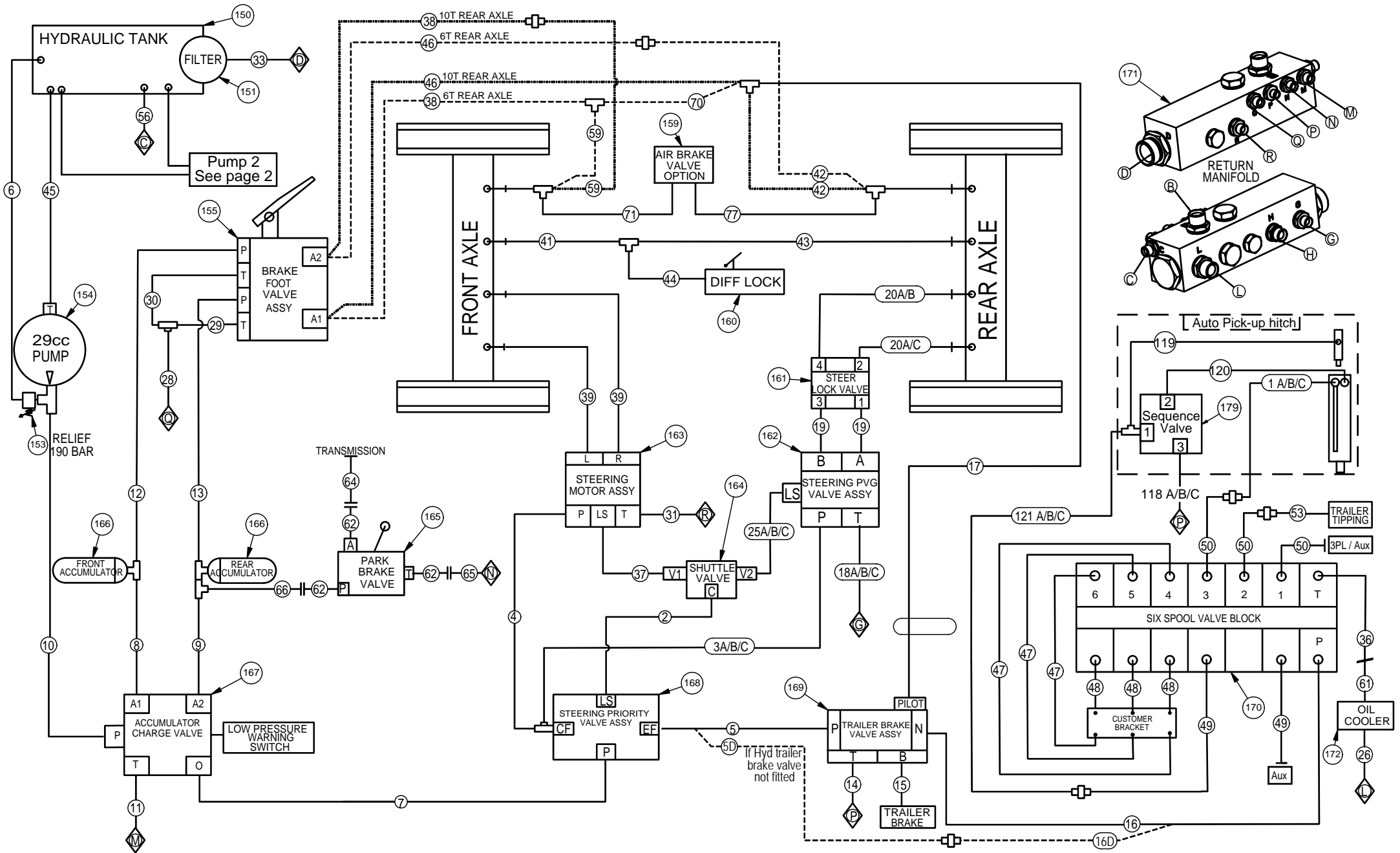


Figure 40 - Hyd System Schematic & Hoses  
 Scheme MD61141T30A - Build no 364 onwards  
 Page 1 of 3 - Main system



Item	Description	Part number	Qty	Wheelbase	Notes
	<b>Main Hyd System - Build 364 onwards (Main system - hoses)</b>	<b>MD 61141 T30A</b>			
1 A	Pickup hitch - ram end	MD61084T30A	1	3.5m	2 req for std hitch
1 B	Pickup hitch - ram end	MD61085T30A	1	3.8m	2 req for std hitch
1 C	Pickup hitch - ram end	MD61086T30A	1	4.2m	2 req for std hitch
2	Shuttle valve - Steer priority valve LS	MD61087T30A	1	All	
3 A	Steer priority CF - PVG valve P	MD61088T30A	1	3.5m	
3 B	Steer priority CF - PVG valve P	MD61089T30A	1	3.8m	
3 C	Steer priority CF - PVG valve P	MD61090T30A	1	4.2m	
4	Steer priority CF - Steering motor P	MD61091T30A	1	All	
5	Steer priority EF - Tra'r brake valve P	MD61092T30A	1	All	
5 D	Steer priority EF - Hose 16D	MD61483T30A	1	All	
6	Relief valve - Tank	MD61093T30A	1	All	
7	Steer priority P-Acc charge valve O	MD61094T30A	1	All	
8	Acc charge A1 - Front accumulator	MD61095T30A	1	All	
9	Acc charge A2 - Rear accumulator	MD61096T30A	1	All	
10	Acc charge P - 29cc Pump	MD61097T30A	1	All	
11	Acc charge T - Manifold Q	MD61098T30A	1	All	
12	Accumulator front - Foot valve P1	MD52017T30A	1	All	
13	Accumulator rear - Foot valve P2	MD52018T30A	1	All	
14	TB Valve T - Manifold P	MD61099T30A	1	All	
15 A	TB valve B - Trailer brake	MD52031T30A	1	3.5m	
15 B	TB valve B - Trailer brake	MD53213T30A	1	3.8m	
15 C	TB valve B - Trailer brake	MD55975T30A	1	4.2m	
16	TB valve N - spool valve P	MD61165T30A	1	All	
16 D	Hose 5D- spool valve P	MD61484T30A	1	All	
17 A	TB valve Pilot - running tee	MD61100T30A	1	All	
18 A	Steer PVG T - Manifold	MD61101T30A	1	3.5m	
18 B	Steer PVG T - Manifold	MD61102T30A	1	3.8m	
18 C	Steer PVG T - Manifold	MD61103T30A	1	4.2m	
19	Steer PVG A & B - Lock valve	MD60747T30A	2	All	
20 A	Lock valve - 212 steer	MD59013T30A	2	All	
20 B	Lock valve - 276 LH steer	MD59014T30A	1	All	
20 C	Lock valve - 276 RH steer	MD59015T30A	1	All	
25 A	Steer PVG LS - Shuttle V2	MD61107T30A	1	4.2m	
25 B	Steer PVG LS - Shuttle V2	MD61108T30A	1	3.8m	
25 C	Steer PVG LS - Shuttle V2	MD61109T30A	1	3.5m	
26	Manifold L - Oil cooler	MD60340T30A	1	All	
28	Manifold N - Foot valve tee	MD61110T30A	1	All	
29	Tee - Foot valve T	MD52247T30A	1	All	
30	Tee - Foot valve T	MD52248T30A	1	All	
31	Manifold - Steering motor	MD61111T30A	1	All	
33	Manifold rail D - hydraulic tank	MD61113T30A	1	All	

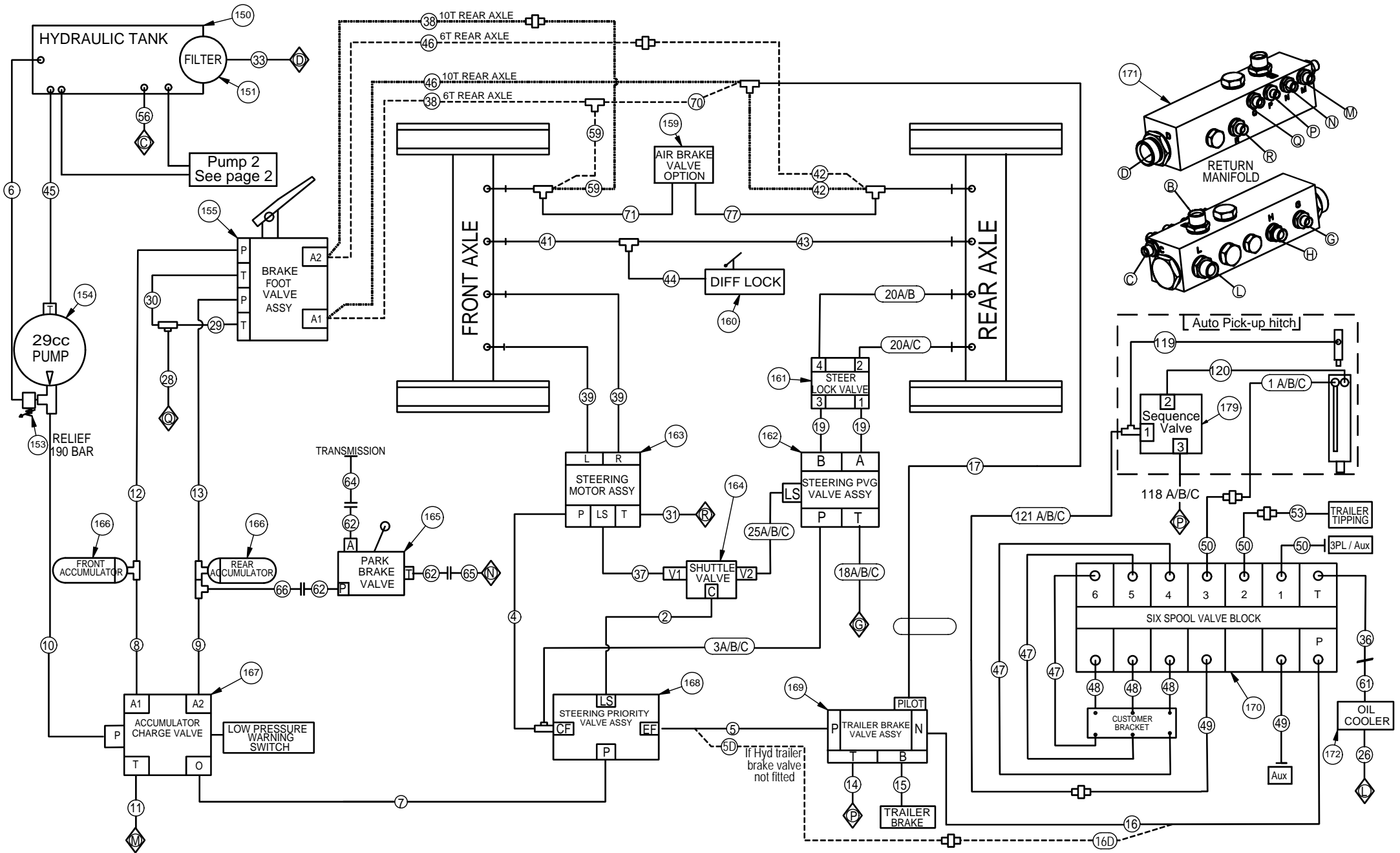


Figure 40 - Hyd System Schematic & Hoses  
 Scheme MD61141T30A - Build no 364 onwards  
 Page 1 of 3 - Main system



Item	Description	Part number	Qty	Wheelbase	Notes
	<b>Main Hyd System - Build 364 onwards (Main system - hoses)</b>	<b>MD 61141 T30A</b>			
36	Spool valve - Oil cooler bulkhead	MD52265T30A	1	All	
37	Shuttle valve V1 - steer motor LS	MD61114T30A	1	All	
38	Brakes front BH - Foot valve	MD61115T30A	1	All	
39	Steer left/right - steer motor L/R	MD52273T30A	2	All	
41	Diff lock front - Running tee	MD61116T30A	1	All	
42 A	Running tee - Brakes rear	MD61117T30A	1	3.5m	
42 B	Running tee - Brakes rear	MD61118T30A	1	3.8m	
42 C	Running tee - Brakes rear	MD61119T30A	1	4.2m	
43 A	Running tee - Diff lock rear	MD61120T30A	1	3.5m	
43 B	Running tee - Diff lock rear	MD61121T30A	1	3.8m	
43 C	Running tee - Diff lock rear	MD61122T30A	1	4.2m	
44	Running tee - Diff lock master cyl	MD61123T30A	1	All	
45	29cc pump suction - hyd tank	MD61124T30A	1	All	
46	Foot valve - Running tee	MD61125T30A	1	All	
47	Spool 4-6 top - ISO conns top	MD52455T30A	3	All	
48	Spool 4-6 Bot - ISO conns Bot	MD52456T30A	3	All	
49	Spool 1-3 Bot - PUH/Aux	MD61127T30A	1	All	
50	Spool 1-3 Top - PUH/Tip/3PL/Aux	MD61128T30A	3	All	
53 A	Trailer tipping	MD61129T30A	1	3.5m	
53 B	Trailer tipping	MD61130T30A	1	3.8m	
53 C	Trailer tipping	MD61131T30A	1	4.2m	
56	Manifold C - Hyd tank	MD61132T30A	1	All	
59	Running tee A - Front brakes	MD61133T30A	1	All	
61	Spool bulkhead - Hyd oil cooler	MD60341T30A	1	All	
62	Parkbrake P & T - Bulkhead	MD61134T30A	3	All	
65	Parkbrake BH T - Manifold N	MD61136T30A	1	All	
66	Parkbrake BH P - Rear acc'r	MD61137T30A	1	All	
70	TB Valve - Running T - Running T	MD61138T30A	1	All	
71	Brake running T - Air valve	MD61139T30A	1	All	
77	Brake running T - Air valve	MD61140T30A	1	All	
118 A	Sequence valve -Manifold 3.5	MD61770T30A	1	3.5m	
118 B	Sequence valve -Manifold 3.8	MD61771T30A	1	3.8m	
118 C	Sequence valve -Manifold 4.2	MD61772T30A	1	4.2m	
119	Sequence valve - Link ram	MD61773T30A	1	All	
120	Sequence valve - Lift ram	MD61774T30A	1	All	
121 A	Pickup hitch - ram end	MD61780T30A	1	3.5m	
121 B	Pickup hitch - ram end	MD61781T30A	1	3.8m	
121 C	Pickup hitch - ram end	MD61782T30A	1	4.2m	

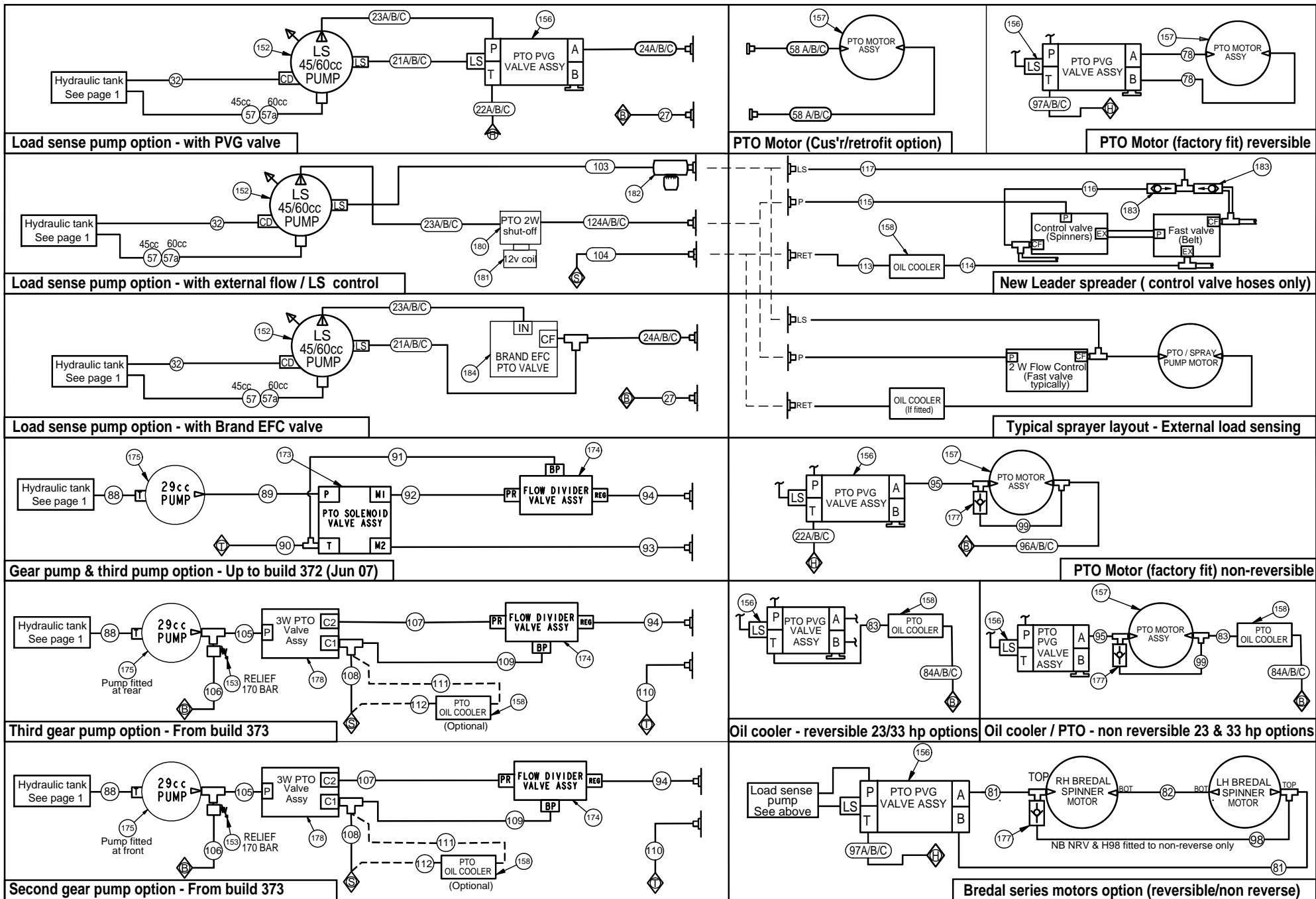


Figure 41 - Hyd System Schematic & Hoses  
 Scheme MD61141T30A - Build no 364 onwards  
 Page 2 of 3 - Pump & PTO options





Item	Description	Part number	Qty	Wheelbase	Notes
	<b>Main Hyd System - Build 364 onwards (Pumps, PTOs, Coolers, Options - Hoses</b>	<b>MD 61141 T30A</b>			
21 A	PTO PVG LS - 45cc Pump LS	MD60731T30A	1	4.2m	
21 B	PTO PVG LS - 45cc Pump LS	MD60766T30A	1	3.8m	
21 C	PTO PVG LS - 45cc Pump LS	MD60767T30A	1	3.5m	
22 A	PTO PVG T - Manifold H	MD61104T30A	1	4.2m	
22 B	PTO PVG T - Manifold H	MD61105T30A	1	3.8m	
22 C	PTO PVG T - Manifold H	MD61106T30A	1	3.5m	
23 A	PTO PVG P - 45/60cc pump IN	MD60733T30A	1	4.2m	
23 B	PTO PVG P - 45/60cc pump IN	MD60768T30A	1	3.8m	
23 C	PTO PVG P - 45/60cc pump IN	MD60769T30A	1	3.5m	
24 A	PTO PVG B - PTO bulkhead	MD60759T30A	1	4.2m	
24 B	PTO PVG B - PTO bulkhead	MD60760T30A	1	3.8m	
24 C	PTO PVG B - PTO bulkhead	MD60761T30A	1	3.5m	
27	PTO Bulkhead - Manifold B	MD52244T30A	1	All	
32	Case drain - LS pump 45CC	MD61112T30A	1	All	
32 A	Case drain - LS pump 60CC	MD61311T30A	1	All	
57	45cc pump suction - hyd tank	MD61162T30A	1	All	
57 A	60cc pump suction - hyd tank	MD61163T30A	1	All	
58 A	PTO Motor - Bulkhead	MD61142T30A	2	3.5m	
58 B	PTO Motor - Bulkhead	MD61143T30A	2	3.8m	
58 C	PTO Motor - Bulkhead	MD61144T30A	2	4.2m	
78	PVG - PTO motor	MD61160T30A	2	All	
81	PTO PVG A - Bredal NRV	MD61152T30A	2	All	
82	Bredal motor - Bredal motor	MD61153T30A	1	All	
83	PVG - Oil cooler	MD61145T30A	1	All	
84 A	Oil cooler - manifold B	MD61146T30A	1	3.5m	
84 B	Oil cooler - manifold B	MD61147T30A	1	3.8m	
84 C	Oil cooler - manifold B	MD61148T30A	1	4.2m	
88	3rd pump suction - hyd tank	MD61164T30A	1	All	
89	29cc Pump - PTO sol valve	MD61307T30A	1	All	
90	PTO sol valve T - Manifold T	MD61305T30A	1	All	
91	Flow divider BY - PTO Valve T	MD61306T30A	1	All	
92	PTO sol M1 - Flow divider PR	MD61304T30A	1	All	
93	PTO sol M2 - PTO bulkhead	MD61303T30A	1	All	
94	Flow divider Reg - PTO BH	MD52886T30A	1	All	
95	PTO PVG - PTO motor	MD61155T30A	1	All	
96 A	PTO Motor - Manifold B	MD61157T30A	1	3.5m	
96 B	PTO Motor - Manifold B	MD61158T30A	1	3.8m	
96 C	PTO Motor - Manifold B	MD61159T30A	1	4.2m	
97 A	PTO PVG - Manifold H	MD61149T30A	1	3.5m	
97 B	PTO PVG - Manifold H	MD61150T30A	1	3.8m	
97 C	PTO PVG - Manifold H	MD61151T30A	1	4.2m	

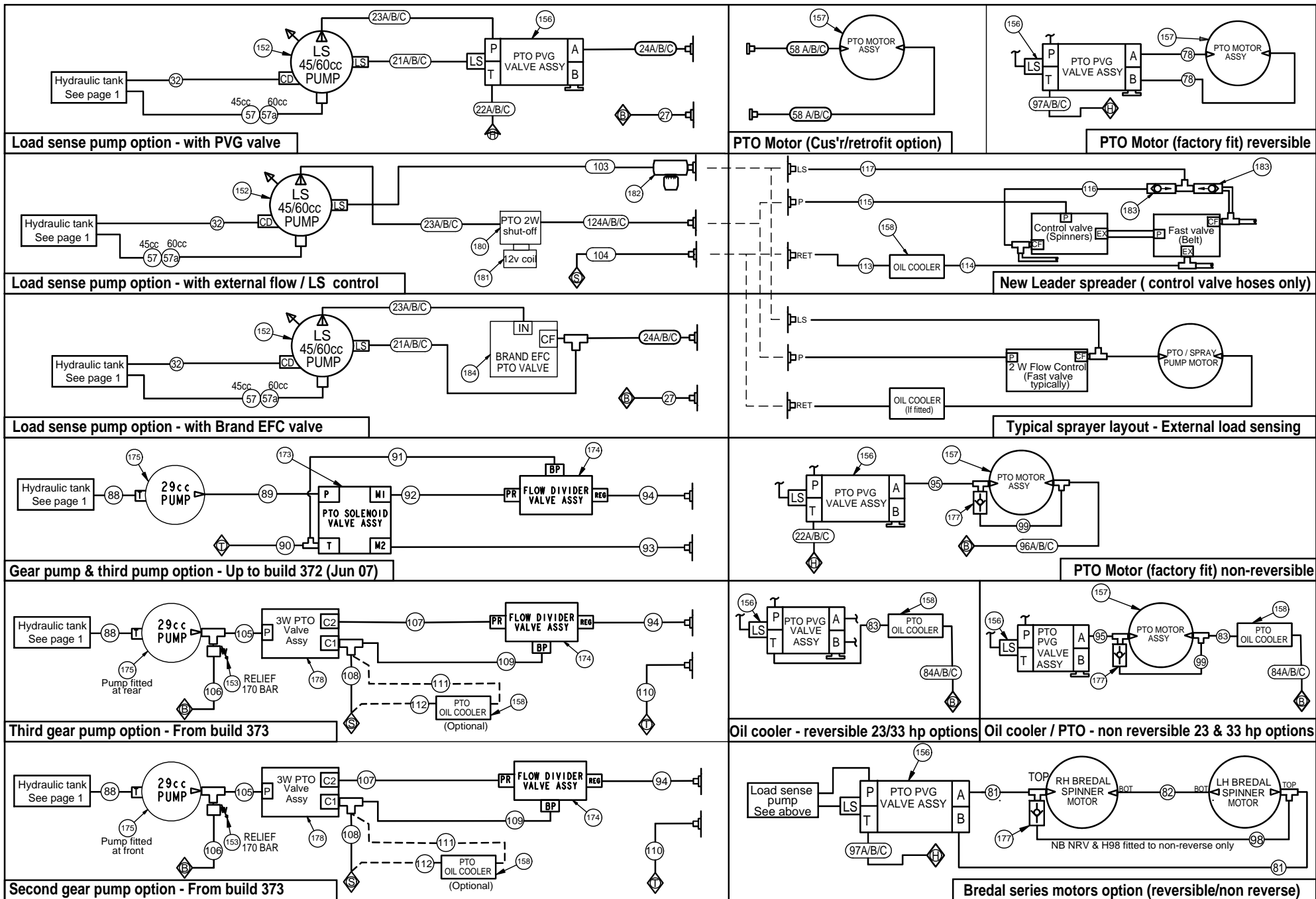


Figure 41 - Hyd System Schematic & Hoses  
 Scheme MD61141T30A - Build no 364 onwards  
 Page 2 of 3 - Pump & PTO options



Item	Description	Part number	Qty	Wheelbase	Notes
	<b>Main Hyd System - Build 364 onwards (Pumps, PTOs, Coolers, Options - Hoses</b>	<b>MD 61141 T30A</b>			
98	Bredal motor return - NRV	MD61154T30A	1	All	
99	PTO motor return - Motor NRV	MD61156T30A	1	All	
100 A	Oil cooler - Manifold T 3.5	MD61313T30A	1	3.8m	
100 B	Oil cooler - Manifold T 3.8	MD61312T30A	1	4.2m	
100 C	Oil cooler - Manifold T 4.2	MD61314T30A	1	3.5m	
102	LS Pump - Bulkhead	MD61750T30A	1	All	
103	LS pump LS - Bulkhead	MD61752T30A	1	All	
104	Bulkhead - Manifold	MD61751T30A	1	All	
105	Pump - PTO solenoid valve	MD61759T30A	1	All	
106	Relief valve - Hyd tank	MD61763T30A	1	All	
107	PTO solenoid - Flow control - P	MD61762T30A	1	All	
108	PTO solenoid - Manifold	MD61760T30A	1	All	
109	PTO solenoid - Flow control - R	MD61761T30A	1	All	
110	Bulkhead - Manifold	MD61758T30A	1	All	
111 A	PTO valve - Oil cooler 3.5	MD61764T30A	1	3.5m	
111 B	PTO valve - Oil cooler 3.8	MD61766T30A	1	3.8m	
111 C	PTO valve - Oil cooler 4.2	MD61767T30A	1	4.2m	
112 A	Oil cooler - manifold 3.5	MD61765T30A	1	3.5m	
112 B	Oil cooler - manifold 3.8	MD61768T30A	1	3.8m	
112 C	Oil cooler - manifold 4.2	MD61769T30A	1	4.2m	
113	NL Oil cooler - Bulkhead	MD61755T30A	1	All	
114	NL Fast valve - Oil cooler	MD61754T30A	1	All	
115	NL control valve - Bulkhead	MD61753T30A	1	All	
116	NL shuttle valve - control LS	MD61756T30A	1	All	
117	NL shuttle - Bulkhead LS	MD61757T30A	1	All	
122	Pump - PTO solenoid valve	MD62082T30A	1	All	
123	Relief valve - Hyd tank	MD62083T30A	1	All	
124 A	2W PTO shut-off - Bulkhead	MD62086T30A	1	4.2m	
124 B	2W PTO shut-off - Bulkhead	MD62087T30A	1	3.8m	
124 C	2W PTO shut-off - Bulkhead	MD62088T30A	1	3.5m	

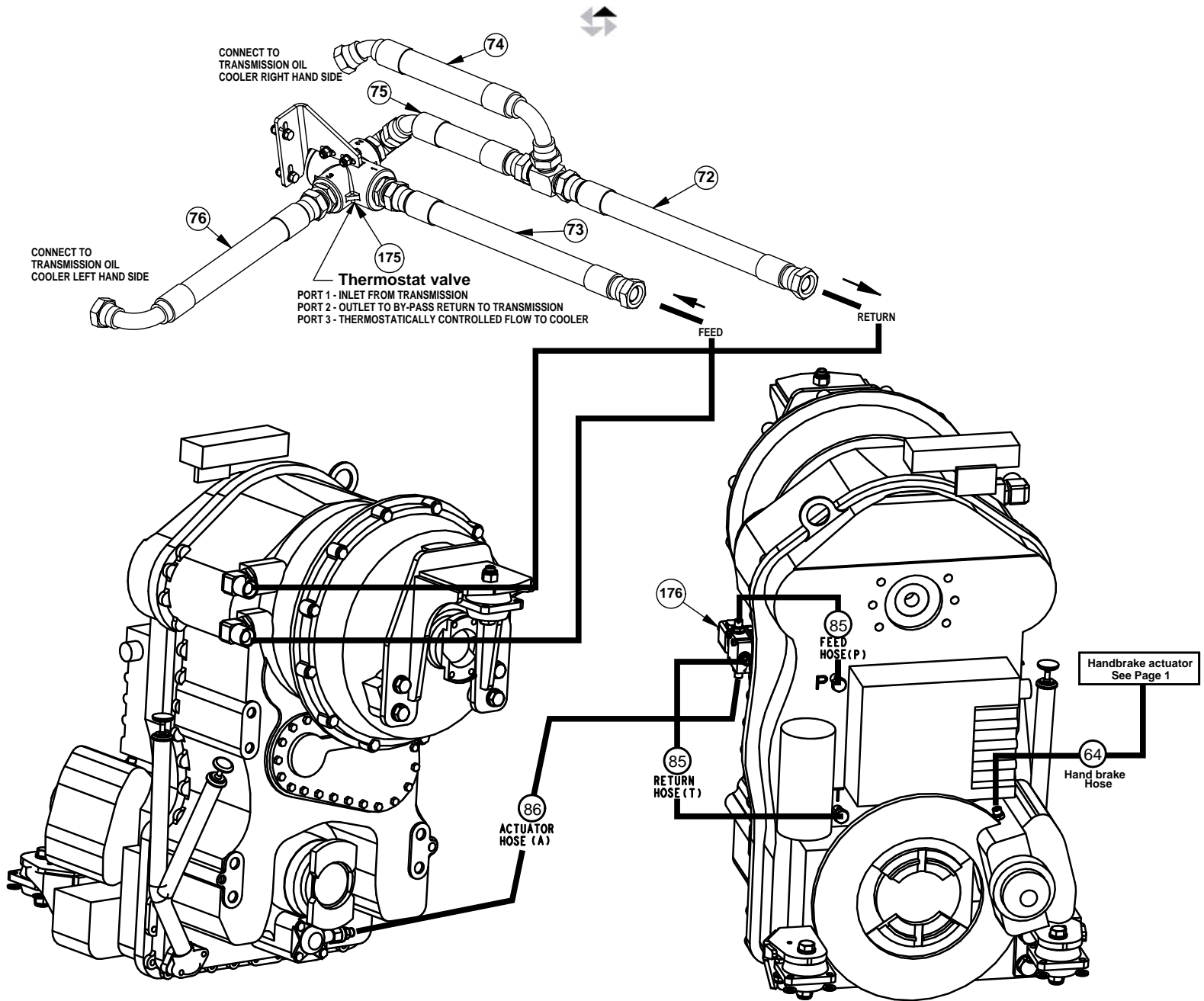


Figure 42 - Hyd System Schematic & Hoses  
 Scheme MD61141T30A - Build no 364 onwards  
 Page 3 of 3 - Transmission



Item	Description	Part number	Qty	Wheelbase	Notes
	<b>Main Hyd System - Build 364 onwards (Transmission - Hoses )</b>	<b>MD 61141 T30A</b>			
64	Parkbrake BH - Trans brake	MD61135T30A	1	All	
72	Trans oil cooler return	MD60338T30A	1	All	
73	Transmission - trans thermostat	MD60339T30A	1	All	
74	Trans cooler RH - Tee	MD60660T30A	1	All	
75	Trans tee - trans thermostat	MD60661T30A	1	All	
76	Trans cooler LH - thermostat	MD60659T30A	1	All	
85	Solenoid - Transmission P & T	MD52501T30A	2	All	
86	Solenoid - Transmission	MD52502T30A	1	All	

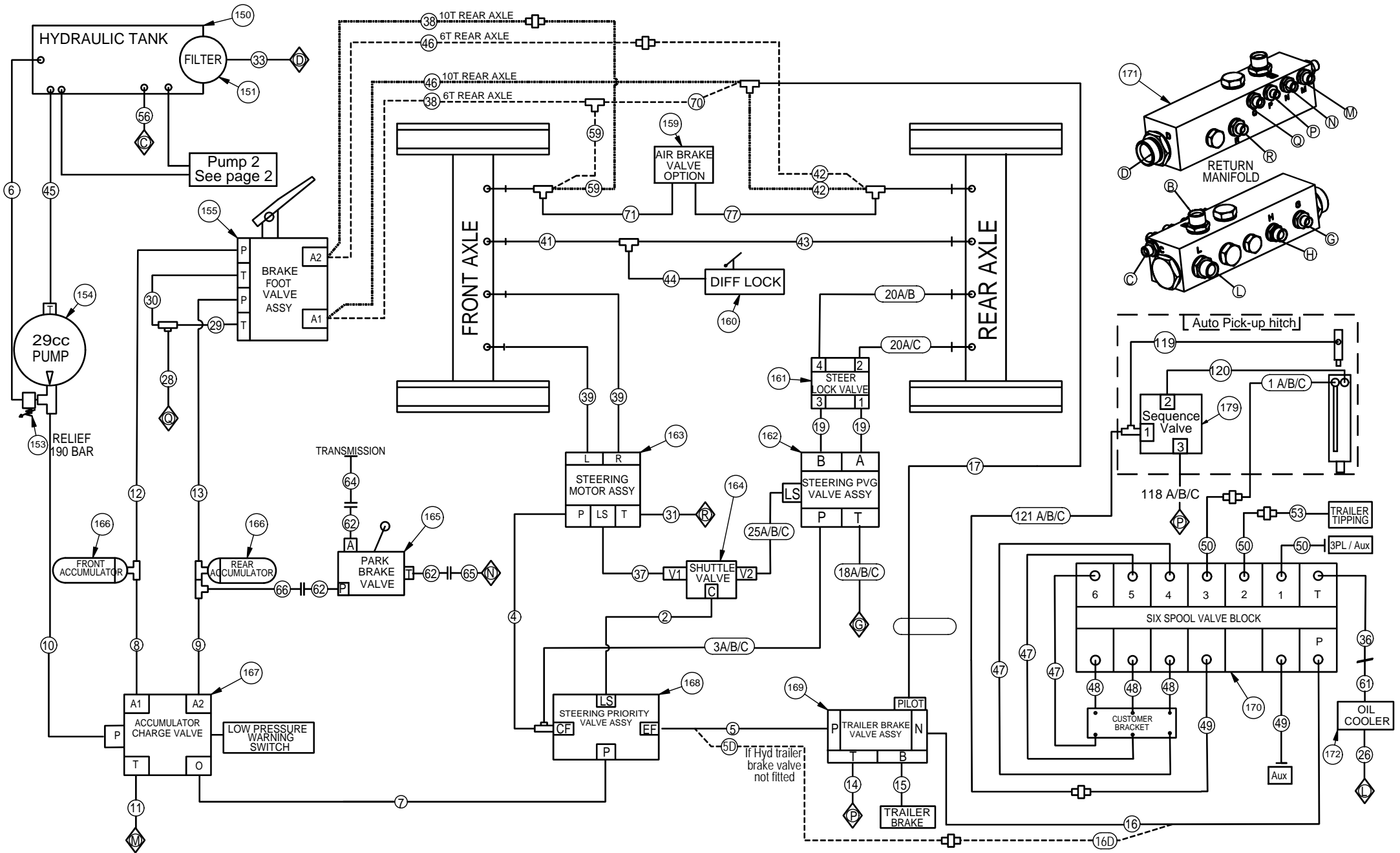


Figure 40 - Hyd System Schematic & Hoses  
 Scheme MD61141T30A - Build no 364 onwards  
 Page 1 of 3 - Main system



Item	Item Name and Description	Part No. / Drawing No.	Qty	Remarks
	<b>Main Hydraulic System – Build 364 onwards (Main system – Components)</b>	MD61141T30A		
150	Hydraulic tank sub assy			See fig 5, Page 34
151	Oil filter assy			See fig 5, Page 34
153	Relief valve assy			See fig 33, Page 90
155	Foot brake valve			See fig 13, Page 50
159	Air brake option			See Chap 2-10
160	Diff lock valve			See fig 31, Page 86
161	Rear steering lock valve			See fig 17, Page 58
162	Rear steering PVG valve			See fig 16, Page 56
163	Steering motor assy			See fig 19, Page 62
164	Steering load sense shuttle valve			See fig 18, Page 60
165	Hand brake valve			See fig 15, Page 54
166	Brake accumulators			See fig 12, Page 48
167	Brake accumulator charge valve			See fig 14, Page 52
168	Steering priority valve assy			See fig 20, Page 64
169	Trailer brake valve			See fig 32, Page 88
170	Spool valve assy			See fig 26, Page 76
171	Return manifold - Load sense			See fig 28, Page 80
	Return manifold - Tandem pump			See fig 29, Page 82
	Return manifold - Triple pump			See fig 30, Page 84
172	System oil cooler			See Chap 2-1-2
179	Sequence valve	MD61486T30P		

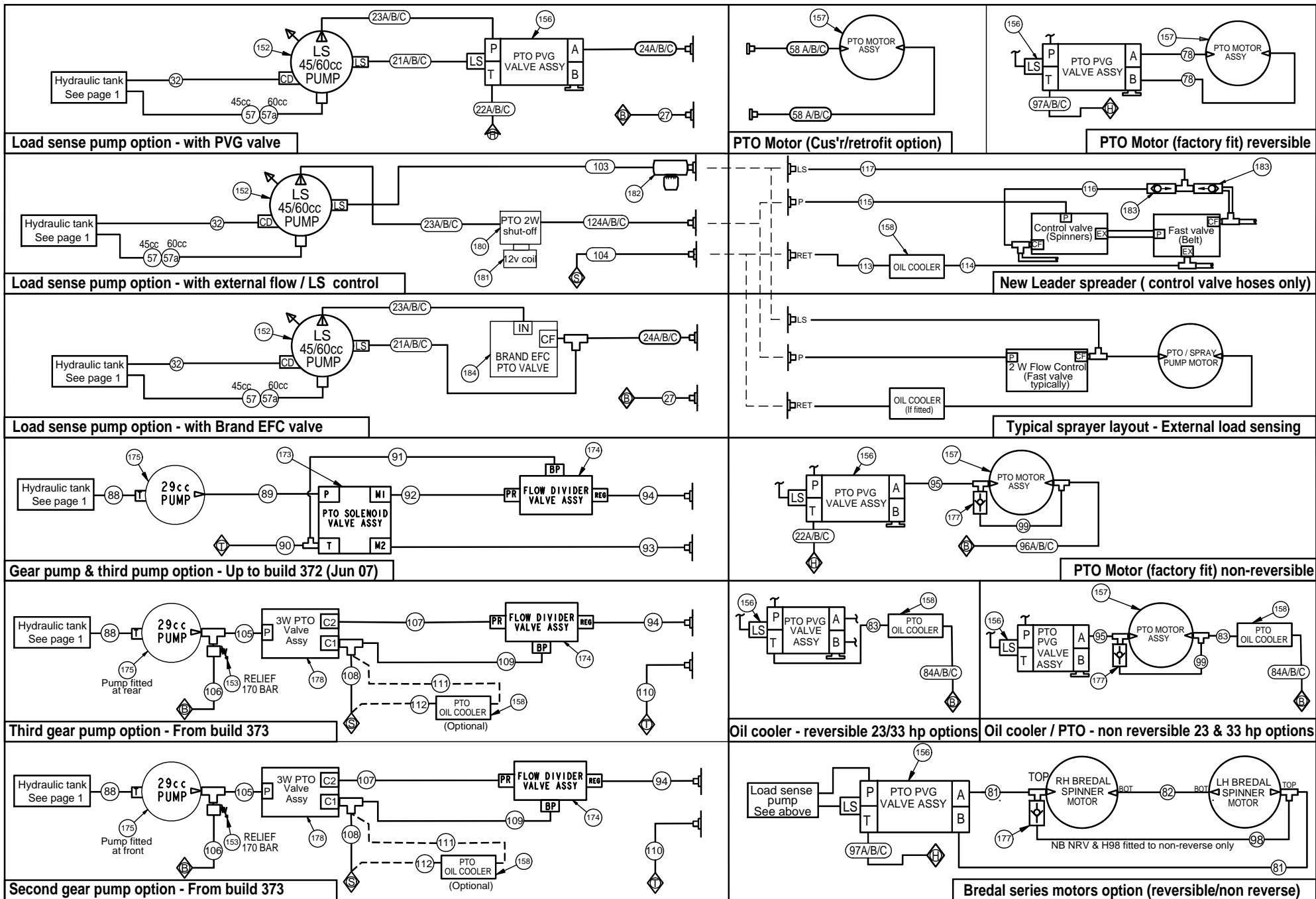


Figure 41 - Hyd System Schematic & Hoses  
 Scheme MD61141T30A - Build no 364 onwards  
 Page 2 of 3 - Pump & PTO options





Item	Item Name and Description	Part No. / Drawing No.	Qty	Remarks
	<b>Main Hydraulic System – Build 364 onwards (Pumps, PTOs &amp; Coolers – Components)</b>	MD61141T30A		
152	Tandem load sense pump assy 45/29cc Tandem load sense pump assy 60/29cc Tandem gear pump assy Triple pump assy			See fig 8, Page 40 See fig 11, Page 46 See fig 9, Page 42 See fig 10, Page 44
154	Gear pump			See fig 8, Page 40
156	PTO PVG valve			See fig 21, Page 66
157	PTO motor assy 14hp PTO motor assy 23hp PTO motor assy 33hp			See fig 25, Page 74 See fig 22, Page 68 See fig 27, Page 78
158	PTO Oil cooler 23hp PTO oil cooler 33hp			See fig 35, Page 94 See fig 36, Page 96
173	PTO solenoid valve assy (Tandem gear & triple pumps)			See fig 23, Page 70
174	Flow control valve assy (2 <sup>nd</sup> PTO system)			See fig 24, Page 72
175	Gear pump assy - Tandem - Triple			See fig 9, Page 42 See fig 10, Page 44
177	Non return valve ½"	MD61168T30C		
178	PTO Solenoid valve assy	MD61492T30P		
180	2W PTO valve assy (less coil)	MD62084T30P		
181	12v coil for 2W PTO valve	MD62085T30P		
182	Needle valve assy	MD62092T30P		
183	Non return valve ¼" Bsp	MD62328T30P		
184	Brand PTO flow control Valve	MD62416T30P		

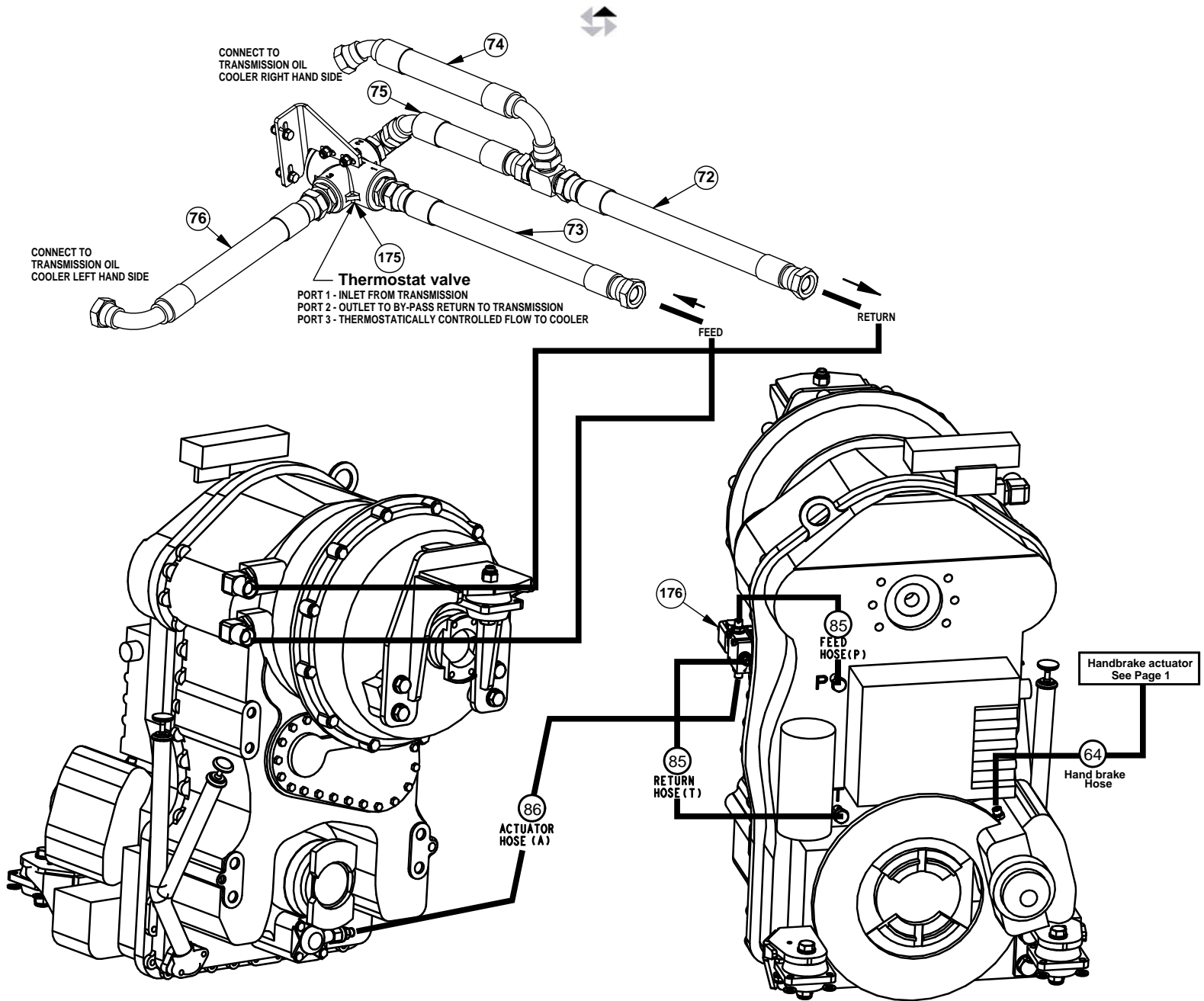


Figure 42 - Hyd System Schematic & Hoses  
 Scheme MD61141T30A - Build no 364 onwards  
 Page 3 of 3 - Transmission



Item	Item Name and Description	Part No. / Drawing No.	Qty	Remarks
	<b>Main Hydraulic System – Build 364 onwards (Transmission – Components)</b>	MD61141T30A		
175	Thermostat valve	MD60579T30P	1	See fig 37, Page 98
176	2/4WD valve			

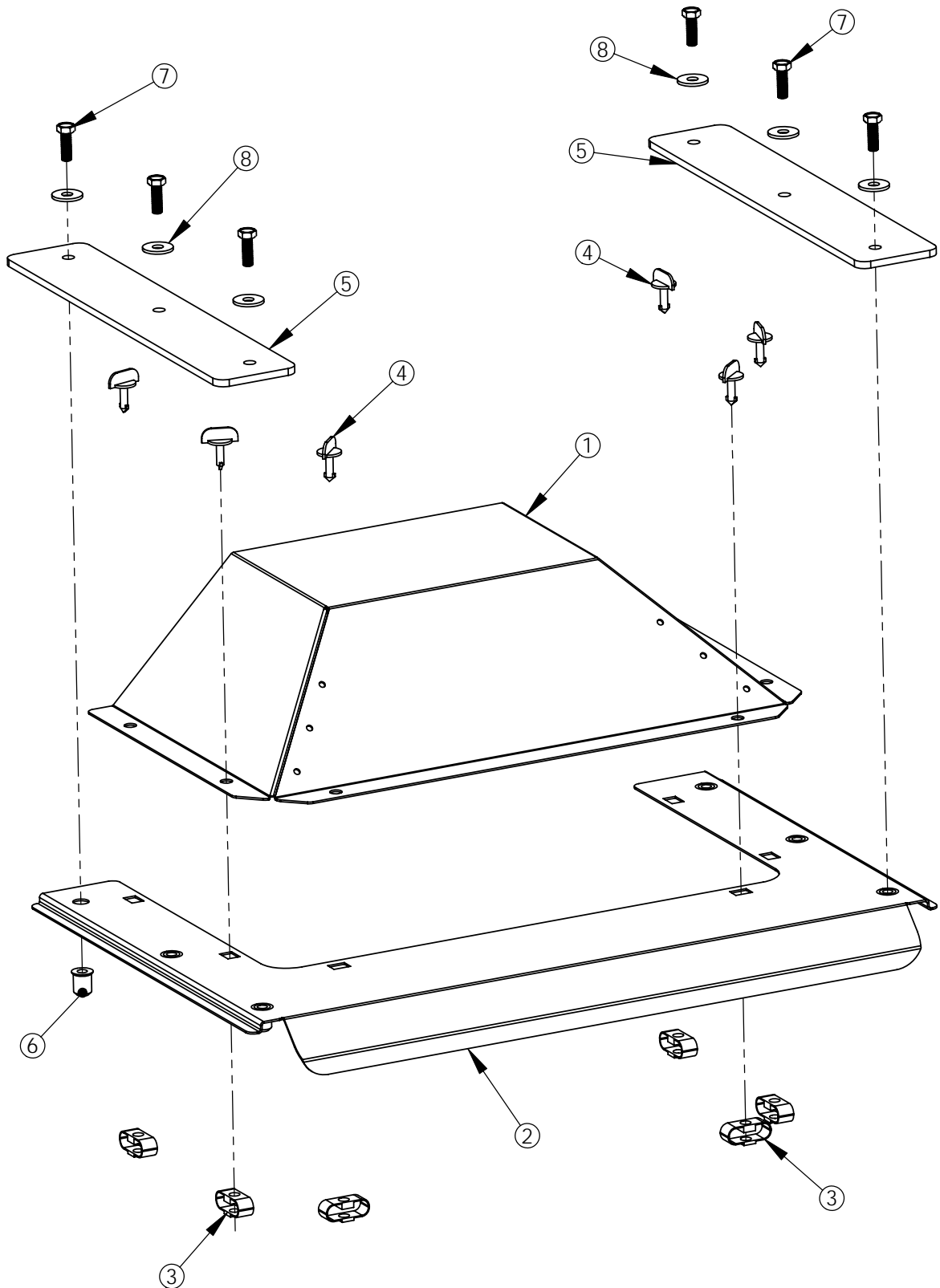


Fig 43 MD52181T30A Hydraulic pump cover assy Rear ... etc



Fig 1 Item	Item Name and Description	Part No. / Drawing No.	Qty	Remarks
	Hydraulic pump cover assembly	MD52181T30A		
1	. Hydraulic pump cover - Upper	MD61167T30C	1	
2	. Hydraulic pump cover - lower	MD61166T30C	1	
3	. Dart receptacle	MD61452X05P	6	
4	. Dart stud	MD61453X05P	6	
5	. Hyd pump cover clamp plate	MD52183T30C	2	
6	. M8 Clinch nut	MD42516A50S	6	
7	. M8 x 25 set screw	MD60398X10S	6	
8	. M8 flat washer	MD40354A50S	6	

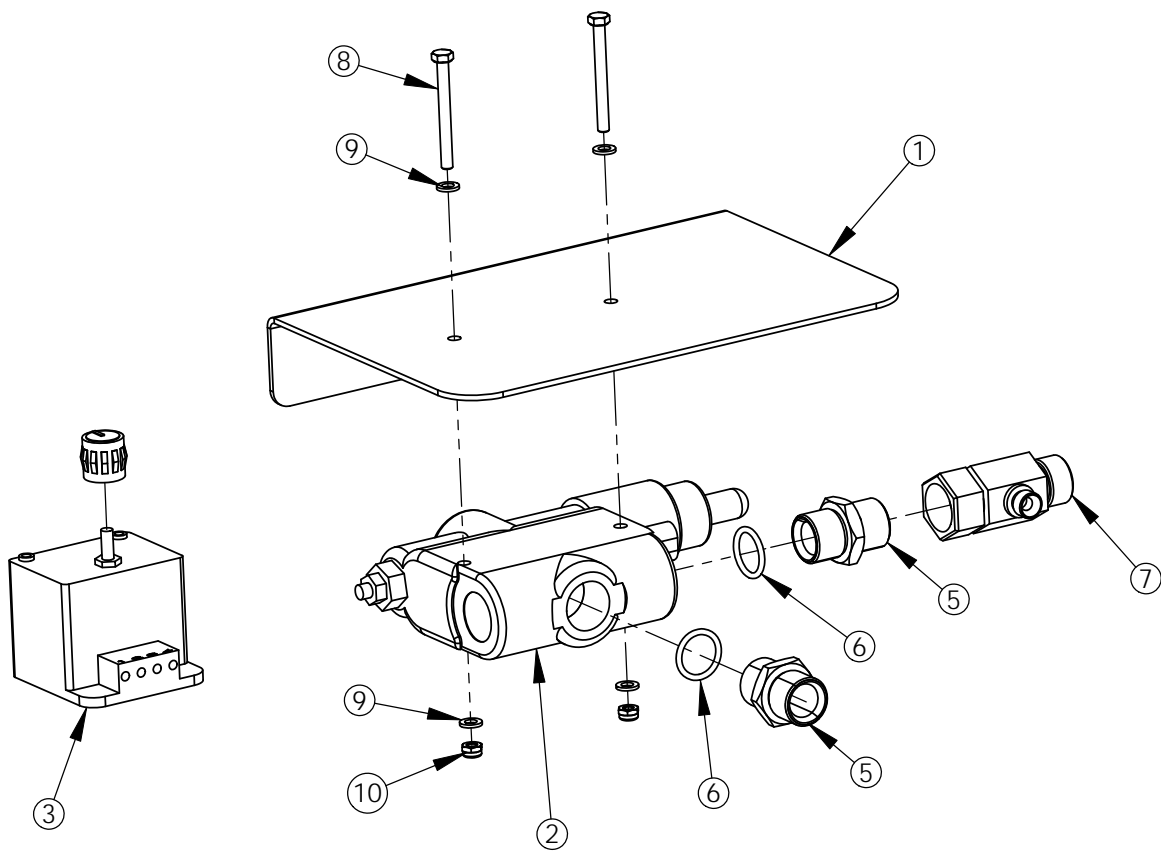


Fig 44 Brand PTO valve assy  
MD62421T30A



## MD62421T30A Brand PTO valve assy

ITEM	DESCRIPTION	PART NUMBER	QTY	Notes
1	Brand EFC valve Mtg plate	MD62420T30P	1	
2	Brand EFC PTO flow control	MD62416T30P	1	
3	Electronic control - Brand valve	MD62417T30P	1	
4	Lockable knob 1/4 shaft	MD62418N00P	1	
5	1 1/16in (O ring) x 3/4" BSP adaptor	MD62419T30P	2	
6	O Ring 22mm ID x 3mm	MD61293T30P	2	
7	BSP Tee 3/4F-3/4M-1/4M branch	MD62422T30P	1	
8	M6 x 60 plated bolt 8.8	M6x60x18-WN	2	
9	M6 plated flat washer	Wshr ISO7091-6	4	
10	M6 plated nylok	ISO10511-M6-N	2	



## **CHAPTER 2-10**

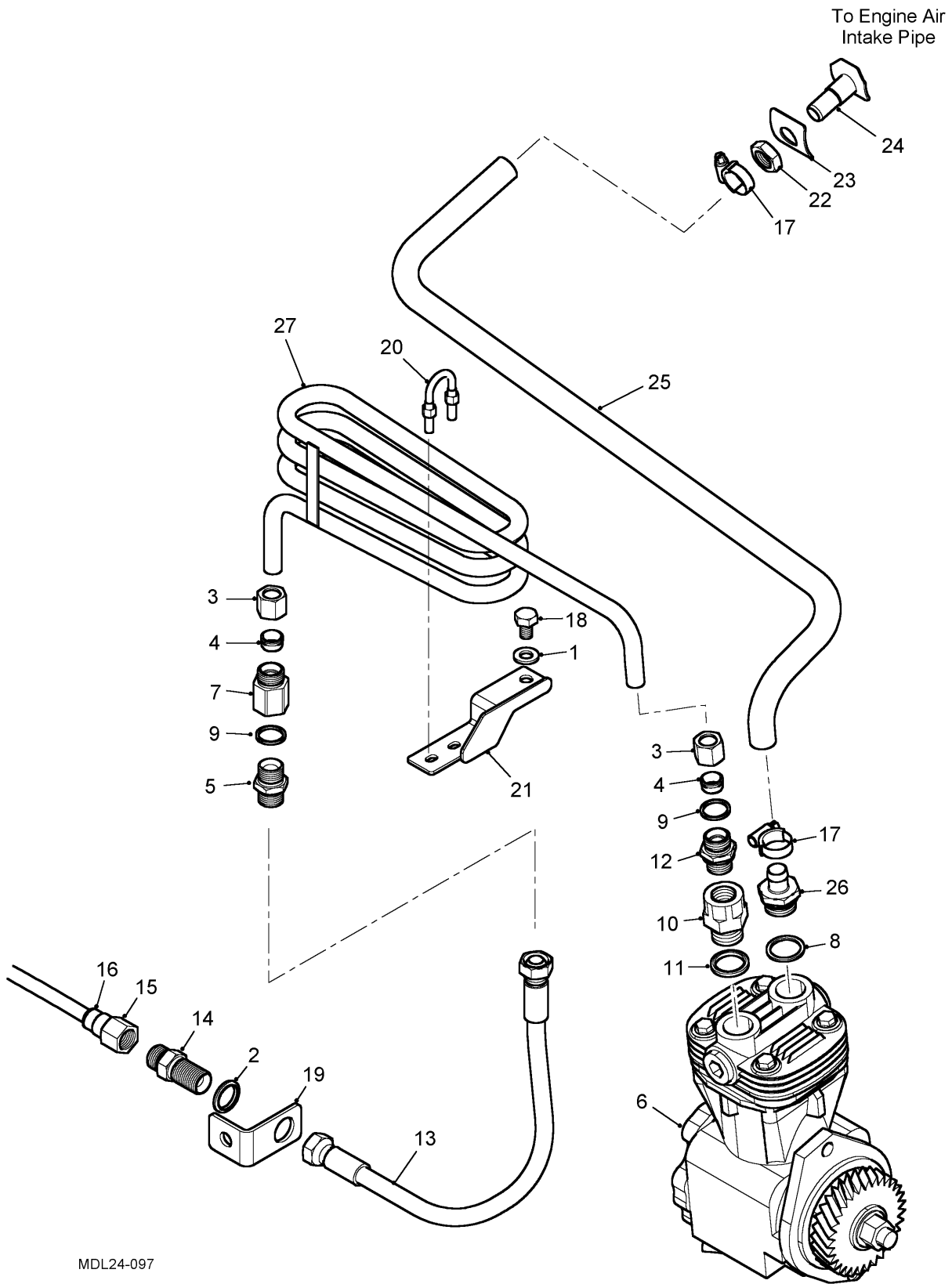
### **PNEUMATICS**

#### **CONTENTS**

Fig

- 1 Compressed Air Sub Assembly (4 and 6 Cylinder Engine)
- 2 Chassis Air Sub Assembly



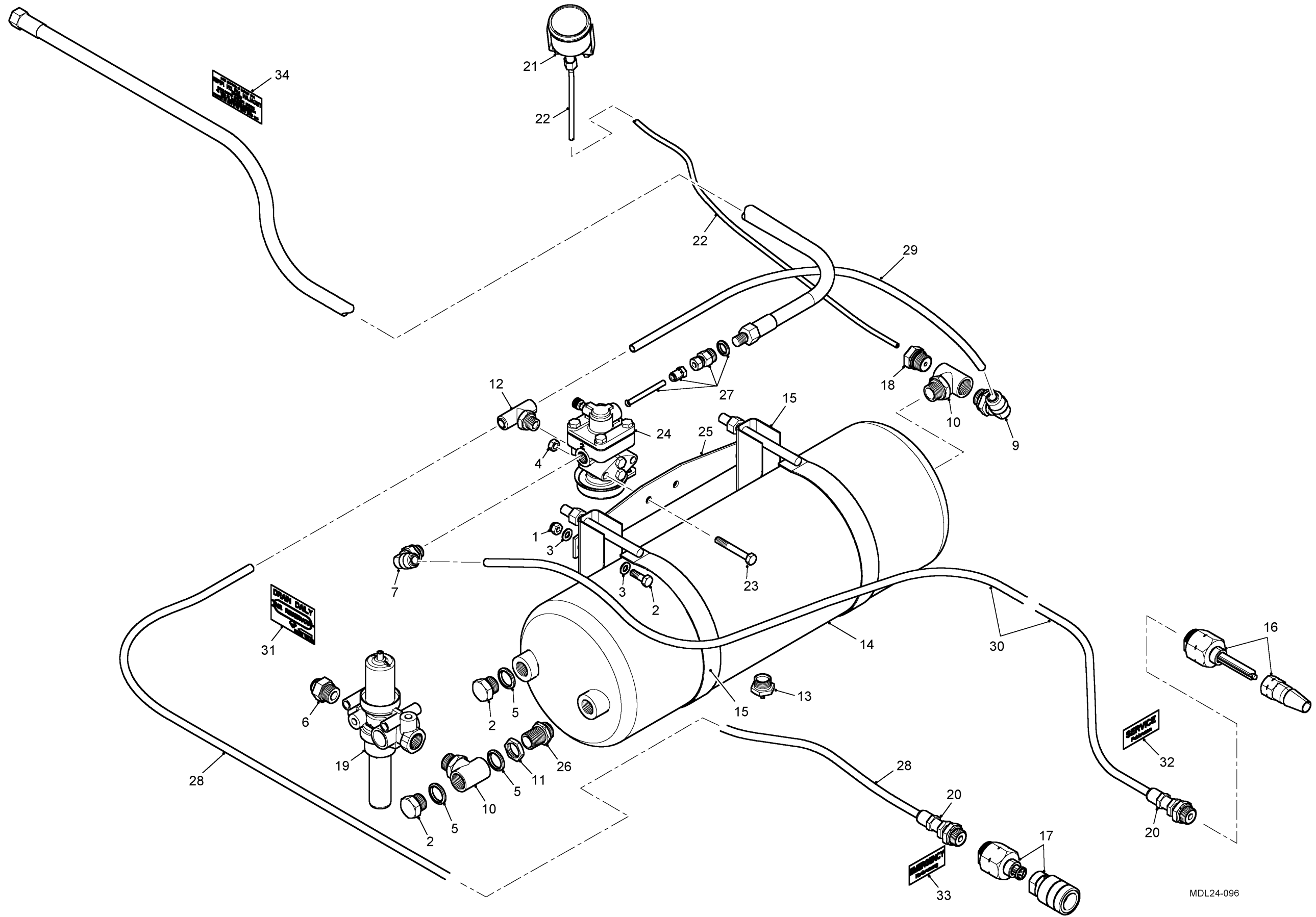


MDL24-097

Figure 1 Compressed Air Sub Assembly



Fig 1 Item	Item Name and Description	Part No. / Drawing No.	Qty	Remarks
REF	<b>COMPRESSED AIR SUB ASSY - 4CYL ENGINE</b> <b>COMPRESSED AIR SUB ASSY - 6CYL ENGINE</b>	MD52073L00A MD59987L00A	1	
1	. WASHER, M10, HARDENED.	MD40656X30S	1	
2	. SEAL, BONDED, 1/2" BSP	MD41126X50S	1	
3	. NUT OLIVE, 15L	MD45353T30P	2	
4	. OLIVE, 15MM (12L)	MD45354T30P	2	
5	. MALE ADAPTOR, 1/2" BSP	MD45514X60S	1	
6	. AIR COMPRESSOR, 7.5 CFM	MD46099L00P	1	
7	. ADAPTOR, 1/2" BSP, 15L F/M	MD47386T30P	1	
8	. WASHER, COPPER	MD47387T30P	1	
9	. WASHER, 1/2" BSP, COPPER	MD47388T30P	2	
10	. ADAPTOR, M26, M/F - 1/2" BSP	MD47459T30P	1	
11	. RING SEALING, M26	MD47460L20P	1	
12	. ADAPTOR, 1/2" BSP, 15L M/M	MD47461T30P	1	
13	. PIPE BRAIDED FLEXIBLE AIR	MD47462L20C	1	
14	. ADAPTOR, BULKHEAD, 1/2" BSP	MD47463T30P	1	
15	. PUSH-IN FITTING, 12MM	MD47464L20P	1	
16	. TUBE, NYLON AIR	MD47490L20C	1	
17	. CLIP, NARROW WORM DRIVE, 16-25MM HC16-25	MD50662X00P	2	
18	. BOLT, M10 X 16, HEX HEAD	MD51563X10S	1	
19	. BRACKET, UNLOADER VALVE	MD52072L20C	1	
20	. U BOLT, 1/2"	MD54271X11S	1	
21	. BRACKET FAB, COMPRESSOR COOLING COIL	MD54276L20A	1	
22	. NUT, M18, PLAIN, 1.5P	MD58518L20P	1	
23	. STRAP FITTING	MD58519L20P	1	
24	. UNION FITTING	MD58520L20P	1	
25	. HOSE, AIR COMPRESSOR INLET	MD58521L20C	1	
26	. FITTING, M26, UNION	MD58522L20P	1	
27	. COIL COOLING - 4 CYL	MD46168L20C	1	
27	. COIL COOLING - 6 CYL	MD59988L20C	1	



MDL24-096

Figure 2 Chassis Air Sub Assembly



Fig 2 Item	Item Name and Description	Part No. / Drawing No.	Qty	Remarks
REF	<b>CHASSIS AIR SUB ASSEMBLY</b>	MD51373L10A	1	
1	. NUT, SELF LOCKING, M8, NYLOC, GR:10 ZINC PLATED	MD40016X20S	4	
2	. BOLT, M8 X 25, Hex HD, GR:10.9	MD40648X10S	4	
3	. WASHER, M8	MD40651X30S	8	
4	. NUT, M8, PLAIN	MD40922X20S	2	
5	. SEAL, BONDED, 1/2" BSP.	MD41126X50S	3	
6	. ADAPTOR, 12 DIA X M22, STRAIGHT	MD41622L20P	1	
7	. CONNECTOR ELBOW, 10 DIA X M16, SWIVEL	MD41627L20P	1	
8	. PLUG, M22, THREADED	MD41645L20P	1	
9	. ADAPTOR, 10 DIA X M22, HOBBS ELBOW.	MD41648L20P	1	
10	. ADAPTER, M22, SPECIAL HOBBS TEE	MD41655L20P	1	
11	. LOCKNUT, M22	MD42299L20P	1	
12	. TEE, M16, HOBBS	MD43245L20P	1	
13	. DRAIN VALVE	MD43757L20P	1	
14	. AIR TANK, 20L	MD44165L10P	1	
15	. AIR RESERVOIR CLAMP	MD44166L10P	2	
16	. COUPLING, MALE, C AIR LINE - FX5	MD44201L20P	1	
17	. COUPLING, FEMALE, C AIRLINE - CX5	MD44202L20P	1	
	. ADAPTOR, M22 X M16, MALE, BULKHEAD.	MD44243L20P	1	
18	. ADAPTOR, M22 X 1.5, STRAIGHT	MD44976L90P	1	
19	. VALVE AIR, UNLOADER	MD46164L20P	1	
20	. FITTING, M16 X 10, B /HEAD	MD46286L20P	2	
21	. GAUGE, AIR PRESS	MD46320N80P	1	
22	. AIR GAUGE, TUBE 6MM, YELLOW 2300 LONG	MD46323N80P	1	
23	. BOLT, M8 X 60, HEX HEAD	MD50884X10S	2	
24	. TRAILER CONTROL VALVE	MD51357L20P	1	
25	. BRACKET, TRAILER CONTROL VALVE	MD52025L20C	1	
26	. FITTING, M22, AIR BULKHEAD	MD52078L20P	1	
27	. PILOT LINE SUB ASSEMBLY	MD52079L20A	1	
28	. CONTROL LINE AIR PIPE, 10MM, RED 2200MM LONG	MD52902L20C	1	
29	. SUPPLY LINE, LINK AIR PIPE, 600 LONG	MD52903L20C	1	
30	. SUPPLY LINE, AIR PIPE, 10MM, RED, 2200MM LONG	MD52904L20C	1	





Fig 2 Item	Item Name and Description	Part No. / Drawing No.	Qty	Remarks
REF	<b>CHASSIS AIR SUB ASSEMBLY (CONT)</b>	MD51373L10A	1	
31	. DECAL, RESERVOIR DRAIN	MD52905L20P	1	
32	. DECAL, SERVICE BRAKE	MD52906L20P	1	
33	. DECAL, EMERGENCY BRAKE	MD52907L20P	1	
34	. DECAL, NYLON PIPES WARNING	MD52908L20P	1	
35	. HOSE, FOOT VALVE, A1 (8S TEE), AIR TRAILER	MD52997T30P	1	
NI36	. COUPLER, 6S - 12MM	MD53033T30P	1	
NI37	. ADAPTOR, FEMALE, 1/4" O/D TUBE X 1/4" BSP	MD53655T30P	1	
NI38	. PILOT TUBE	MD52080L20C	1	
NI39	. COUPLER, 8S	MD52712T30P	1	



## CHAPTER 2-11

### PICK UP HITCH AND DRAW BAR

#### CONTENTS

Fig

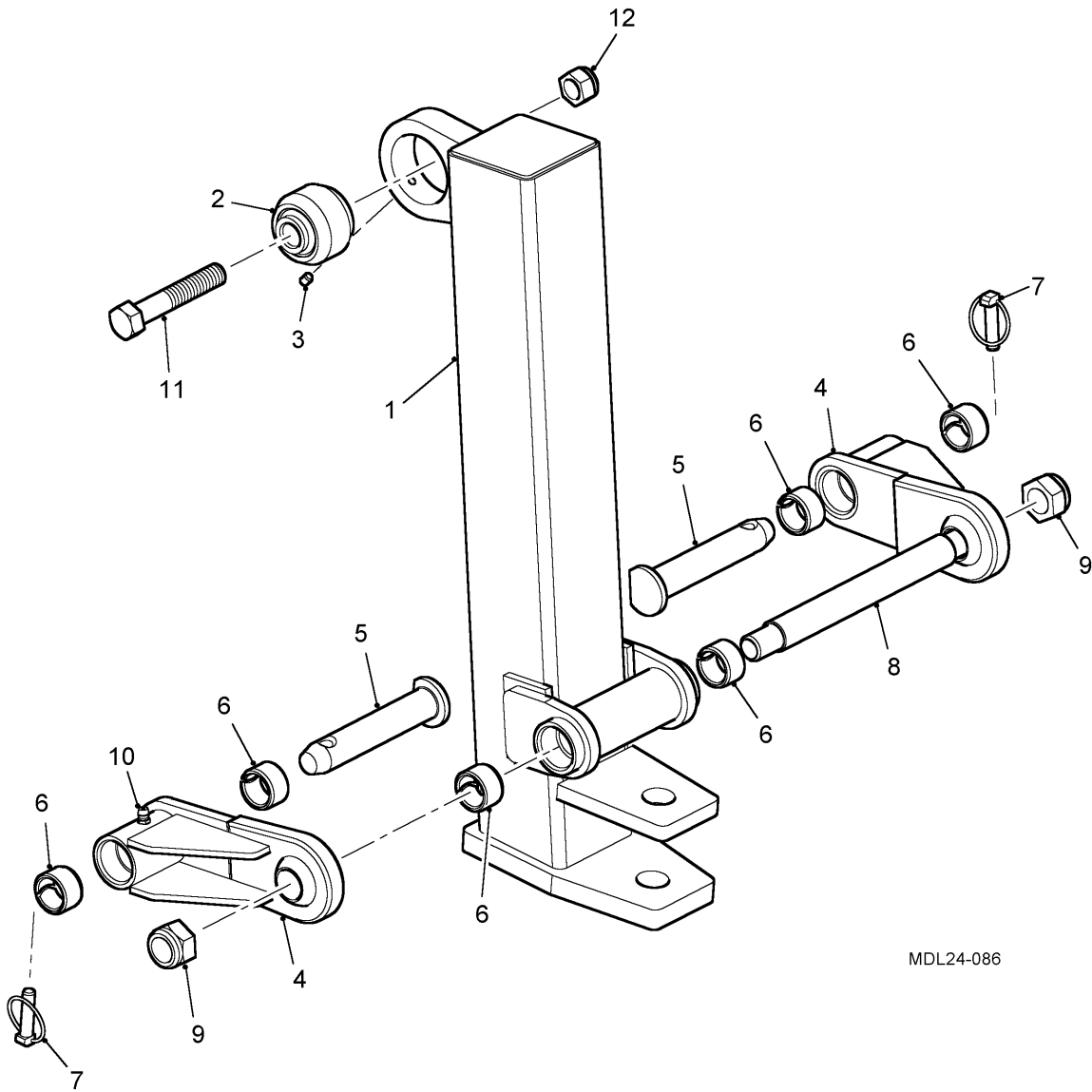
- 1 Pick Up Hitch
- 2 Fixed Drawbar Assembly
- 3 Automatic Pick Up Hitch Assy (8/07 onwards)







Fig 1 Item	Item Name and Description	Part No. / Drawing No.	Qty	Remarks
REF	<b>PICK UP HITCH ASSEMBLY</b>	MD48756B10A	1	
1	. HITCH BODY	MD48757B10A	1	
NI 2	. HITCH BODY, LOW HITCH HEIGHT	MD57013B10A	1	Low hitch height for row crop wheels
3	. HITCH LEG	MD48762B10A	1	
4	. TENSION BUSH	MD48775B10P	4	
5	. HITCH LINK	MD48769B10A	1	
6	. HITCH PIN	MD48770B10C	1	
7	. PIN HITCH, LONG LINK	MD48800B10C	1	
8	. PIN HITCH, SHORT	MD48799B10C	1	
9	. HITCH STABILISING LINK	MD48771B10A	1	
10	. HYD.CYLINDER - PICKUP HITCH	MD44873B10P	1	
11	. NUT, M24, NYLOC, SELF LOCKING, GR: 10	MD40021X20S	2	
12	. GREASE NIPPLE, 6MM X 1.5	MD45017X60S	3	
13	. BEARING, BONDED RUBBER	MD45023B10P	1	
14	. BOLT, HEX HD, M22 X 120, GR: 8.8 ZNP	MD45027X10S	1	
15	. NUT, M22, NYLOC, COARSE	MD45028X20S	1	
16	. GRUB SCREW, FLAT POINT, M8X10	MD45032X10S	1	
17	. PIN, TOP LINK, 1" X 142	MD45035B10P	1	
18	. LYNCH PIN, 11MM	MD45038B10P	3	
19	. PIN HITCH BOW BOTTOM	MD45031B10A	1	
20	. BOLT, HEX HD, M8 X 20, GR: 10.9	MD40647X10S	1	
21	. WASHER, SHAKEPROOF, M8	MD44399X30S	1	
22	. HITCH PIN (C/W LYNCH) - 1" X 6"	MD57016B10P	1	
23	. DECAL, TOW HITCH PIN	MD45143B10C	1	
24	. HYDRAULIC HOSE - PICK UP HITCH	MD43362T30P	2	



MDL24-086

Figure 2 Fixed Drawbar Assembly



Fig 2 Item	Item Name and Description	Part No. / Drawing No.	Qty	Remarks
REF	<b>FIXED DRAW BAR ASSEMBLY</b>	MD45134B10A	1	
1	. DRAWBAR ASSEMBLY, FIXED	MD45125B10A	1	
2	. BEARING, BONDED RUBBER	MD45023B10P	1	
3	. GRUB SCREW, M8 X 10, FLAT	MD45032X10S	1	
4	. HITCH STABILISING LINK	MD48771B10A	2	
5	. PIN HITCH, LONG LINK	MD48800B10C	2	
6	. BUSH, SPRING TENSION	MD48775B10P	6	
7	. LYNCH PIN, 11MM	MD45038B10P	2	
8	. PIN HITCH, THREADED ENDS	MD48770B10C	1	
9	. NUT, M24, NYLOC, SELF LOCKING, GR: 10	MD40021X20S	2	
10	. GREASE NIPPLE, 6MM X 1.5MM	MD45017X60S	2	
11	. BOLT, HEX HD, M22 X 120, GR: 8.8 ZNP	MD45027X10S	1	
12	. NUT, NYLOC, 22MM COARSE	MD45028X20S	1	

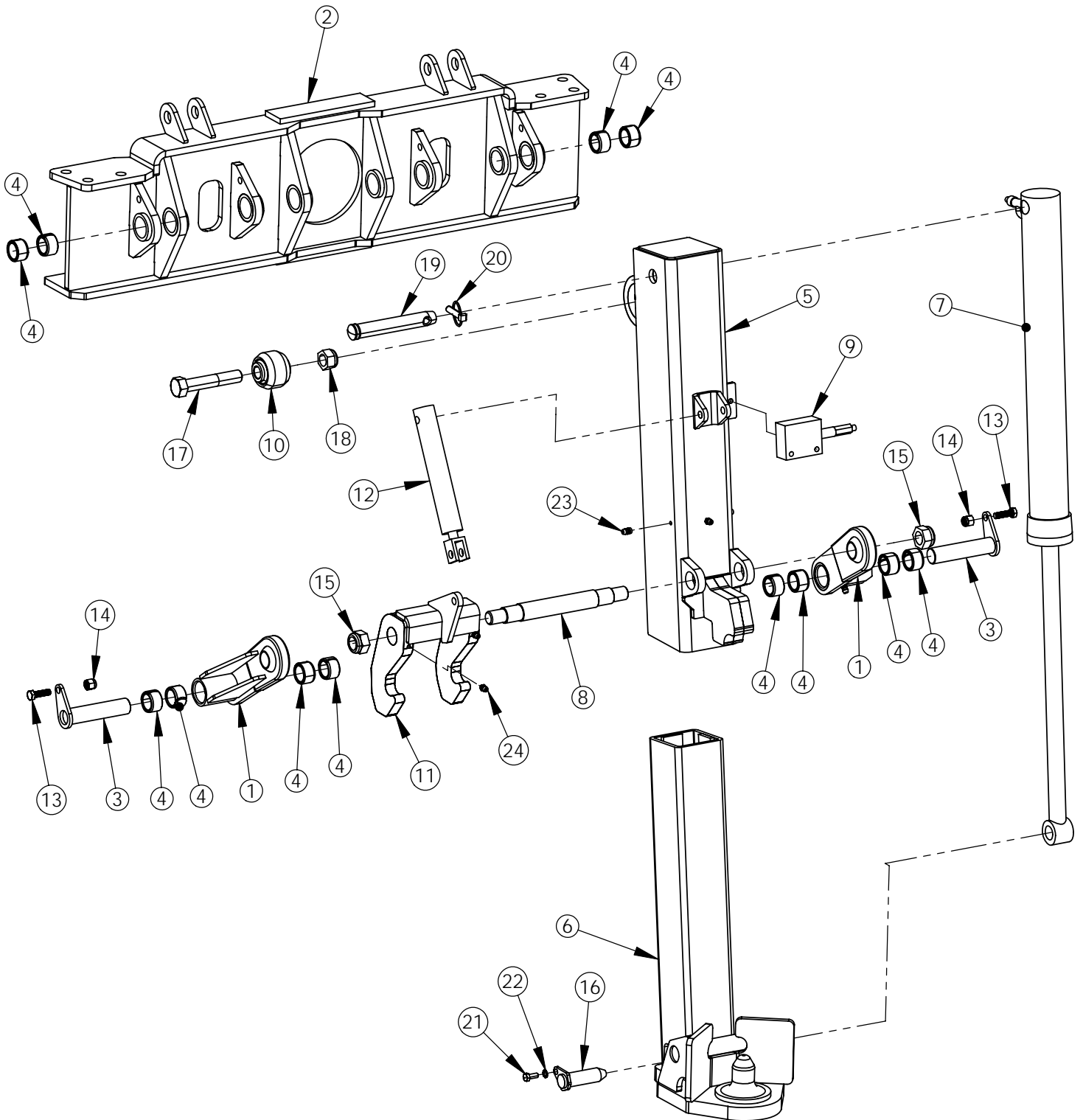


Fig 3 Automatic pick-up hitch assy  
MD61459B10A



Fig 1 Item	Item Name and Description	Part No. / Drawing No.	Qty	Remarks
	Automatic Pick-up hitch assy	MD61459B10A		
1	Swinging link assy	MD48771B10A	2	
2	213 Axle hangar assembly	MD61350D22A	1	
3	Tow hitch pin assy (213 axle)	MD61362T25A	2	
4	Tension Bush	MD48775B10P	12	
5	Auto pick-up hitch outer	MD61460B10A	1	
6	Auto hitch - inner	MD61466B10C	1	
7	Pickup hitch ram	MD44873B10P	1	
8	Autohitch hook pivot pin	MD61481B10C	1	
9	Autohitch sequence valve	MD61486T30P	1	
10	Bonded rubber bearing	MD45023B10P	1	
11	Autohitch hook assy	MD61479B10C	1	
12	Autohitch - linkage ram assy	MD61482B10c	1	
13	M10 x 35 Bolt	MD52836X10S	2	
14	M10 nylok	MD40017X20S	2	
15	M24x3 Nylok	MD40021X20S	2	
16	Pin - Pickup hitch bottom	MD45031B10A	1	
17	M22 x 120 bolt	MD45027X10S	1	
18	M22 Nylok	MD45028X20S	1	
19	Top link pin	MD45035B10P	1	
20	11mm linch pin	MD45038B10P	1	
21	M8 x 20 set screw	MD40647X10S	1	
22	M8 Shakeproof washer	MD44399X30S	1	
23	Grease nipple - 1/8 BSPT	MD57129X60S	3	
24	M6 grease nipple	MD44966A50P	2	



**CHAPTER 2-12**  
**AIR CONDITIONING**  
**CONTENTS**

Fig

1 Air Conditioning Assembly

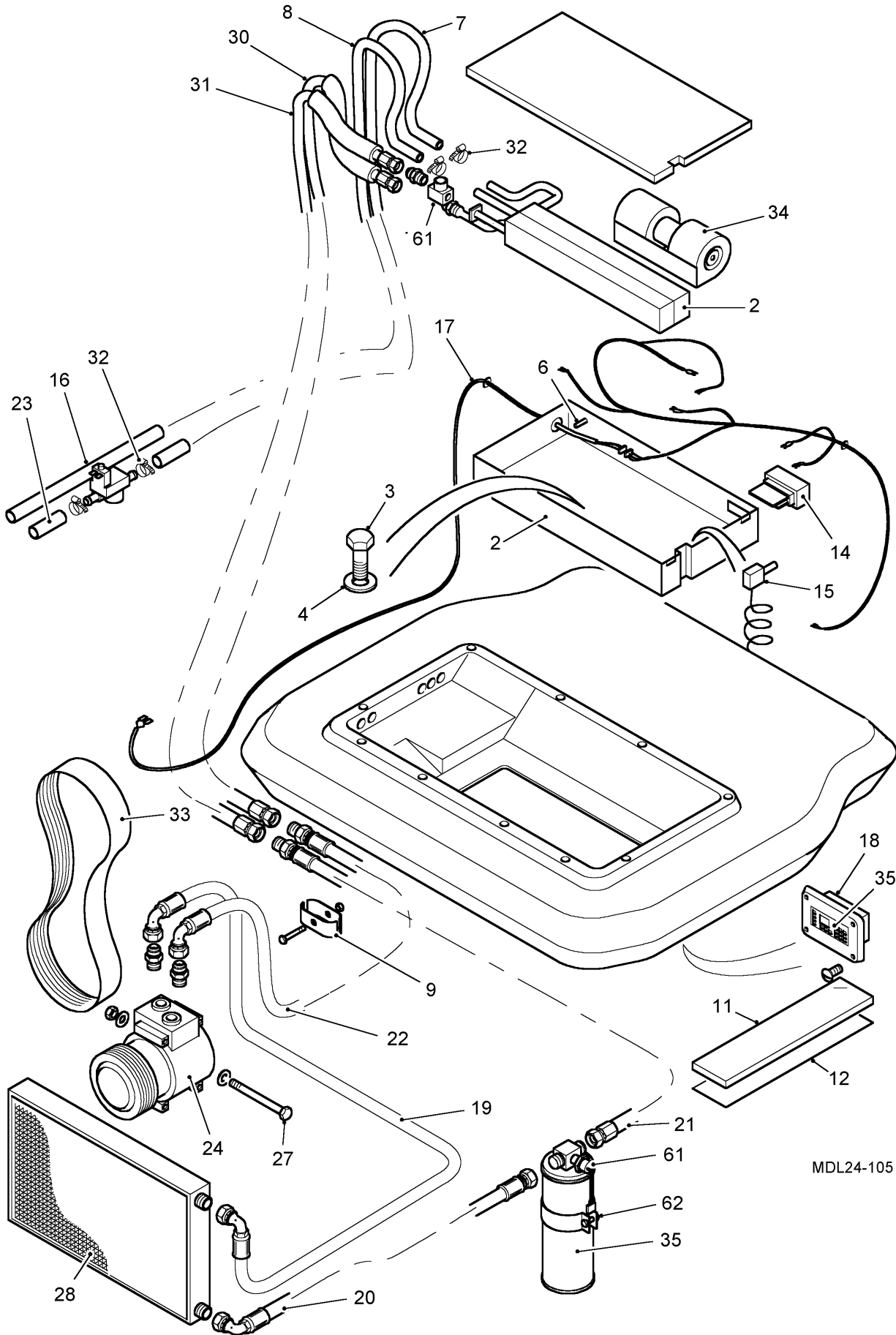
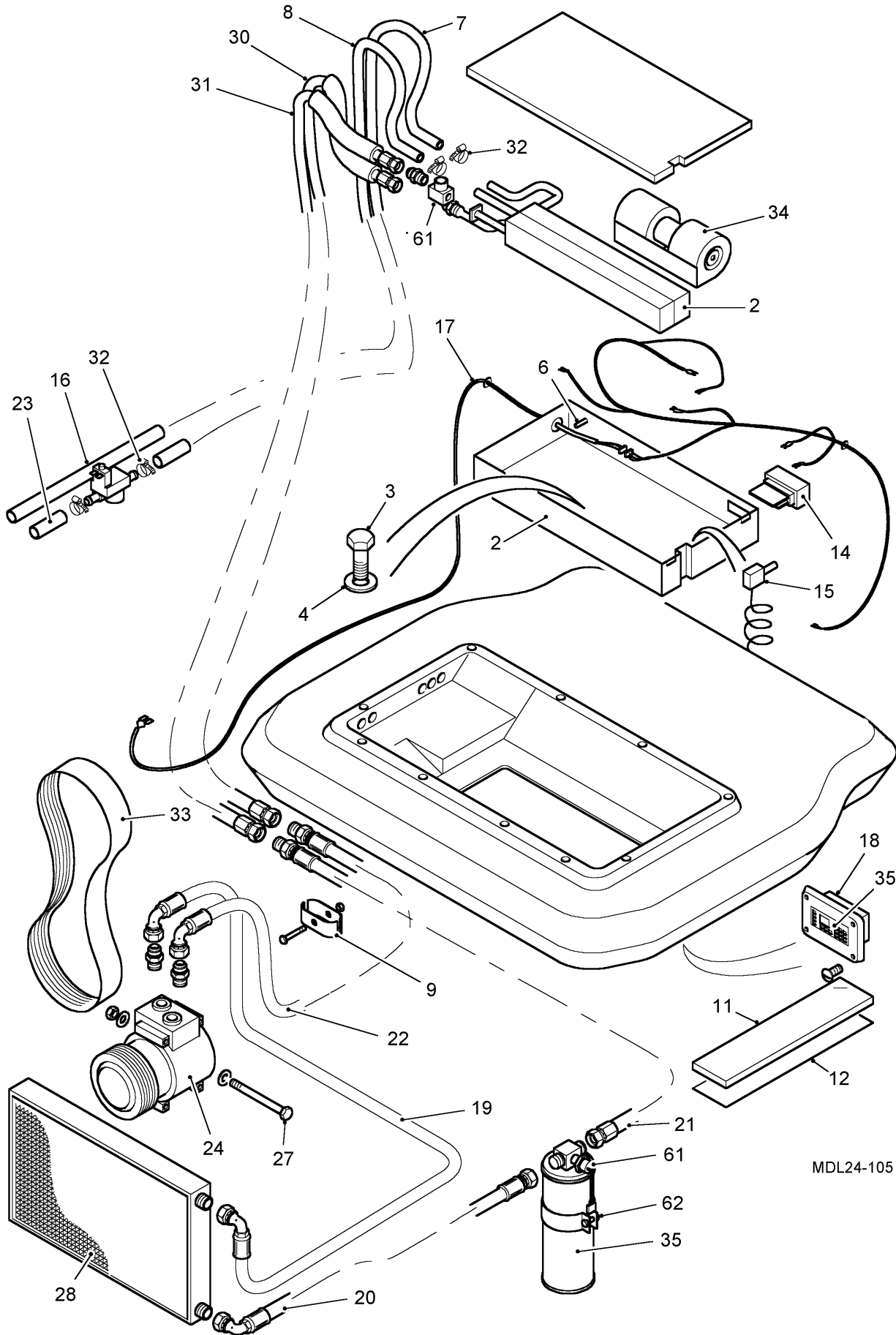


Figure 1 Air Conditioning Assembly



Fig 1 Item	Item Name and Description	Part No. / Drawing No.	Qty	Remarks
REF	<b>AIR CONDITIONING ASSEMBLY</b>	MD52619A30A	1	Up to chassis 377
	<b>AIR CONDITIONING ASSEMBLY</b>	MD45264A30P	1	From chassis 378
NI 1	. HEATER/EVAPORATOR SUB ASSEM.	MD47576A30A	1	
2	. HEATER/EVAPORATOR AIR CON. UNIT	MD45264A30P	1	
3	. SETSCREW M8 X 12MM	F18M08012	2	
4	. WASHER PLAIN 8MM	F31M08	2	
NI 5	. SILICONE SEAL – CLEAR	063100	1	
6	. MIXED AIR SENSOR	MD49093A30P	1	
7	. HOSE - 10MM (3/8") Y1/LU/H0806	H06M1002	1	
8	. HOSE - 13MM(1/2")	H06M1303	1	
9	. DUAL PIPE CLAMP	H942020	3	
NI 10	. AIRCON FILTER ASSEMBLY	MD47574A30A	1	
11	. CAB FILTER ELEMENT - CARBON	MD47081A30P	2	Optional
12	. CAB FILTER ELEMENT - PAPER	040195	2	
NI 13	. RELAY	061511	1	
14	. FAN CONTROLLER	MD50341A30P	1	
15	. AIRCON THERMAL SWITCH	061526	1	
16	. WATER VALVE	MD48917A30P	1	
17	. HARNESS - AIRCON (ECS CONVERSION)	MD45765N30A	1	
18	. MOUNTING PLATE - AIRCON CONTROL UNIT	MD46089A30C	1	
19	. A/C HOSE COMP TO COND.	061523	1	
20	. A/C HOSE COND TO DRIER	061522	1	
21	. A/C HOSE DRIER TO 061517	061518	1	
22	. A/C HOSE 061516 TO COMP.	061520	1	
23	. WATER INLET EXTENSION	MD47188P20C	1	
24	. AIRCON COMPRESSOR	RE46609	1	
25	. COMPRESSOR BRACKET	040098	1	
26	. GASKET AUX DRIVE	040099	1	
27	. HEX BOLT M8 X 90MM	F19M08090	4	
28	. CONDENSER	061502	1	
NI 29	. AIRCON HOSE SUB ASSEMBLY	MD47577A30A	1	
30	. A/C HOSE 06151800 TO EVAP	061517	1	





MDL24-105

Figure 1 Air Conditioning Assembly



Fig 1 Item	Item Name and Description	Part No. / Drawing No.	Qty	Remarks
REF	<b>AIR CONDITIONING ASSEMBLY (CONT)</b>	MD52619A30A	1	Up to chassis 377
	<b>AIR CONDITIONING ASSEMBLY (CONT)</b>	MD45264A30P	1	From chassis 378
31	. A/C HOSE EVAP TO 061520	061516	1	
NI 32	. 16-25MM HC16-25 NARROW WORM DRIVE CLIP	MD50662X00P	8	
33	. ENGINE DRIVE BELT	N/A	1	See Engine option code
34	. BLOWER MOTOR	MD54248A30P	1	
35	. RECEIVER DRYER	060330	1	
NI 36	. AIRCON CONDENSOR ASSY..	MD47572A30A	1	
NI 37	. CLAMP BRACKET: CONDENSOR	172400	4	
NI 38	. SCREW M8 X 16MM HEX HD	F18M08016	4	
NI 39	. WASHER SPRING 8MM	F33M08	4	
NI 40	. AIRCON RECEIVER DRIER 6CYL SUB ASSY	MD47573A30A	1	
NI 41	. SCREW M6 X 16MM HEX HD	F18M06016	3	
NI 42	. NYLOC NUT 6MM COARSE	F22M06	3	
NI 43	. BRACKET - RECEIVER/DRIER	MD45491A30C	1	
NI 44	. SCREW M12 X 30MM HEX HD	F18M12030	2	
NI 45	. WASHER SPRING 12MM	F33M12	2	
NI 46	. SCREW M6 X 30MM HEX HD	F18M06030	3	
NI 47	. WASHER PLAIN 6MM	F31M06	3	
NI 48	. NUT 6MM COARSE	F20M06	3	
NI 49	. BUTTON HEAD SOCKET SCREW	F07M06016	4	
NI 50	. SCREW M5 X 10MM HEX HD	F18M05010	1	
NI 51	. TRIM PRESS FASTENER	MD52109X10S	4	
NI 52	. GROMMET BLIND	F71M04019	4	
NI 53	. SELF ADHESIVE CLIP BASE	071750	20	
NI 54	. CABLE TIE SHORT	MD53455X00P	8	
NI 55	. BOLT M6 X 45MM HEX	F19M06045	3	
NI 56	. WASHER PLAIN 6MM	F31M06	1	
NI 57	. NUT M6 NYLOC COARSE	F22M06	1	
NI 58	. HEATER/AIRCON HOSE ASSEMBLY	MD47578A30A	1	
NI 59	. DUAL PIPE CLAMP	H942020	1	
NI 60	. NUT M6 NYLOC COARSE	F22M06	2	
61	. DIRECTIONAL CONTROL VALVE	MD52424A30P	1	
62	. RECEIVER DRYER BRACKET	060341	1	



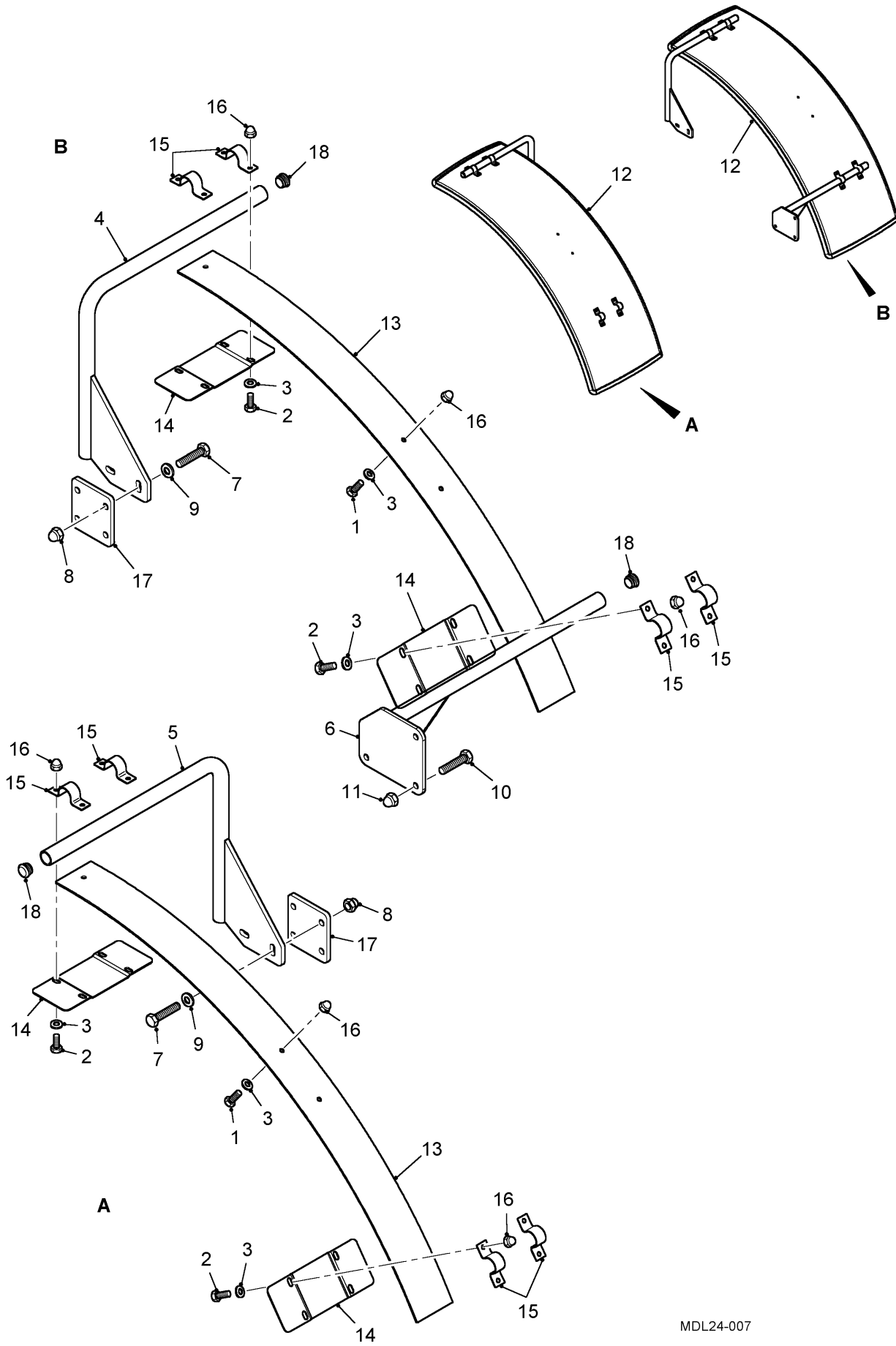
## CHAPTER 2-13

### MISCELLANEOUS AND OPTIONS

#### CONTENTS

Fig

- 1 Front Mudwings Assembly
- 2 Rear Mudwing, Standard Sub Assembly
- 3 Rear Mudwing, Long Sub Assembly
- 4 Rear Mudwing, Wide Sub Assembly
- 5 Decals
- 6 Bredal Spreader K65
- 7 Bredal Spreader K75/K85
- 8 Steps / Handrail Assy – New Leader Spreader

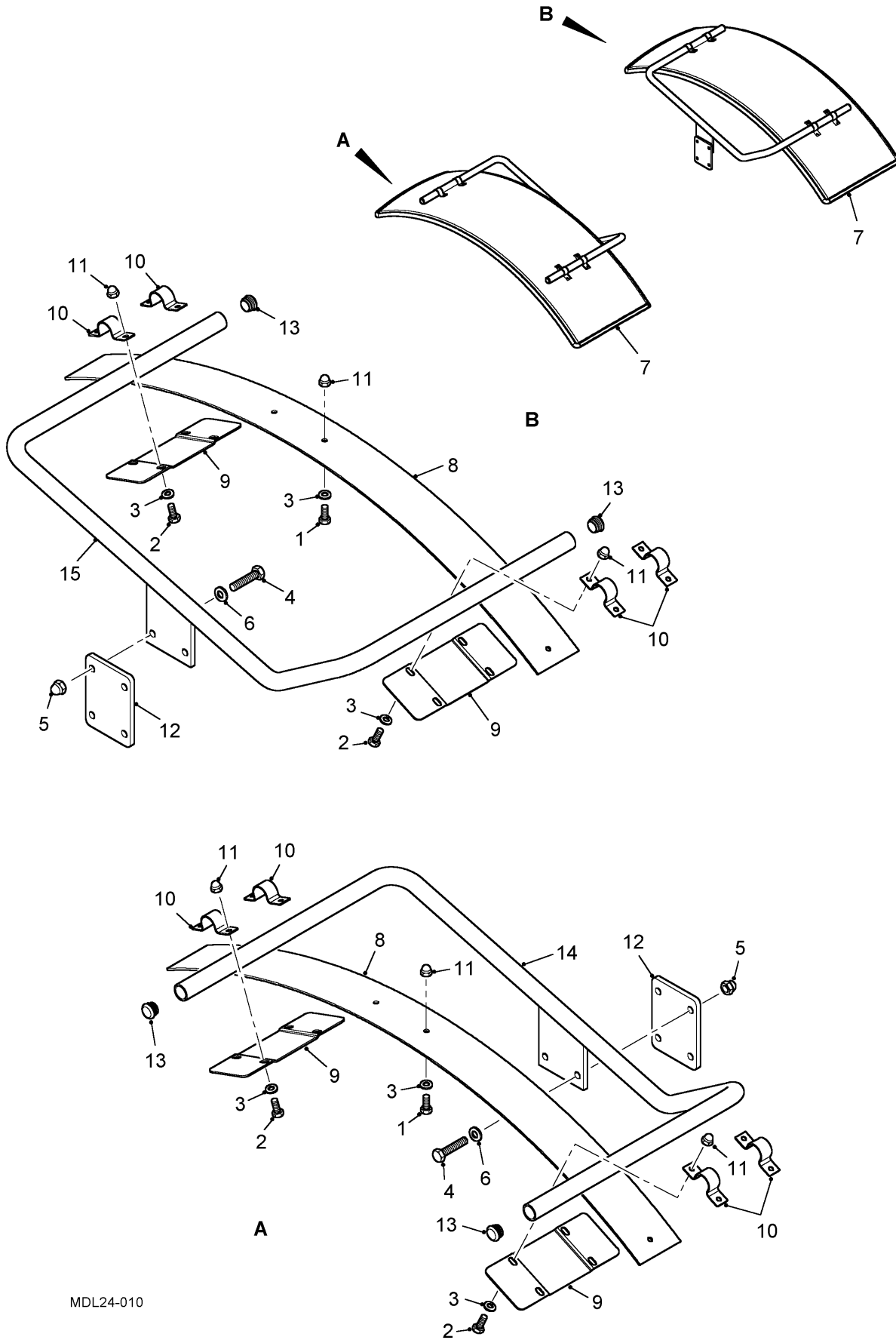


MDL24-007

Figure 1 Front Mudwings Assembly



Fig 1 Item	Item Name and Description	Part No. / Drawing No.	Qty	Remarks
REF	<b>. FRONT MUDWINGS ASSEMBLY</b>	MD51837B20A	1	
1	. . BOLT, M8 X 16 LG, HEX HEAD, GR: 10.9	MD50528X10S	4	
2	. . BOLT, M8 X 20 HEX HD, GR: 10.9	MD40647X10S	16	
3	. . WASHER, M8	MD40651X30S	20	
4	. . BRACKET, MUDWING RH	MD45718B20A	1	
5	. . BRACKET, MUDWING LH	MD45717B20A	1	
6	. . MUDWING SUPPORT	MD52001B20A	1	
7	. . BOLT, M12 X 35MM, HEX HD, GR: 10.9	MD40968X10S	8	
8	. . NUT, M12, NYLOC SELF LOCKING, GR: 10.9 ZINC PLATED	MD40018X20S	8	
9	. . WASHER, M12, HARDENED	MD40663X30S	8	
10	. . BOLT, M12 X 30MM HEX FLANGE HD, GR: 10.9	MD50654X10S	3	
11	. . NUT, M12, FLANGED HEAD, GR: 10.9 PLATED	MD41610X20S	3	
12	. . MUDWING	MD50344B20P	2	
13	. . INNER PLATE MUDWING	MD51839B20C	2	
14	. . CLAMP PLATE	MD51840B20C	4	
15	. . SADDLE CLAMP	MD51841B20C	8	
16	. . NUT, M8, DOME HEAD	MD52695X20S	20	
17	. . MUDGUARD SPACER 120MM	MD52706B20C	2	
18	. . PVC END PLUG	MD52697X60S	3	

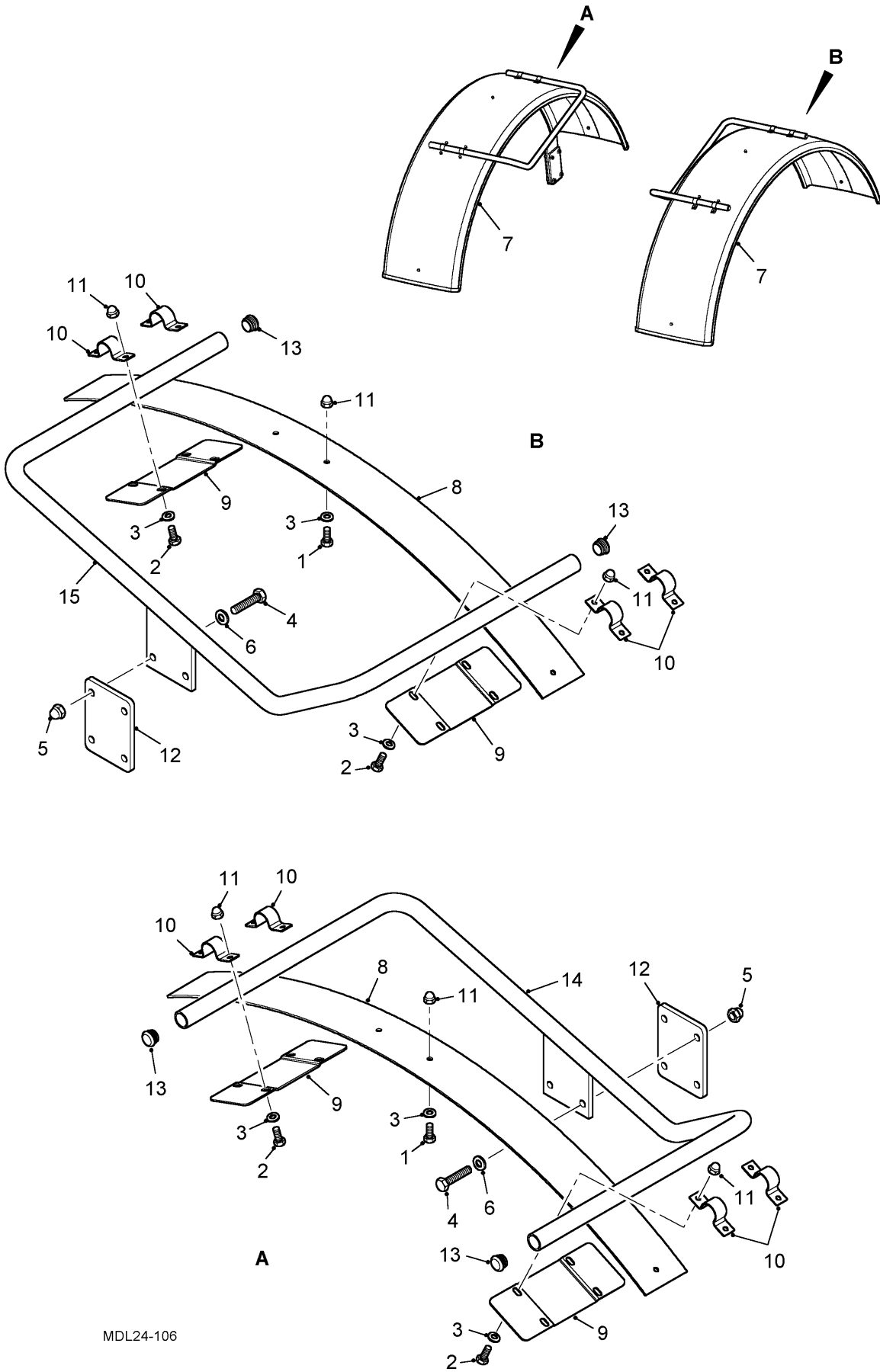


MDL24-010

Figure 2 Rear Mudwing, Standard Sub Assembly



Fig 2 Item	Item Name and Description	Part No. / Drawing No.	Qty	Remarks
REF	. REAR MUDWING, STANDARD SUB ASSEMBLY	MD51838B20A	1	
1	. . BOLT, M8 X 16 LG, HEX HEAD, GR 10.9	MD50528X10S	2	
2	. . BOLT, M8 X 20, HEX HD GR: 10.9	MD40647X10S	16	
3	. . WASHER, M8	MD40651X30S	18	
4	. . BOLT, M12 X 35MM, HEX HD, GR: 10.9	MD40968X10S	8	
5	. . NUT, M12, NYLOC SELF LOCKING, GR: 10.9 ZINC PLATED	MD40018X20S	8	
6	. . WASHER, M12, HARDENED	MD40663X30S	8	
7	. . MUDWING	MD50344B20P	2	
8	. . INNER PLATE MUDWING	MD51839B20C	2	
9	. . CLAMP PLATE	MD51840B20C	4	
10	. . SADDLE CLAMP	MD51841B20C	8	
11	. . NUT, M8, DOME HEAD	MD52695X20S	18	
12	. . MUDGUARD SPACER	MD52696B20C	2	
13	. . PVC END PLUG	MD52697X60S	4	
14	. . MUDWING BRACKET ASSEMBLY, LH	MD52796B20A	1	
15	. . MUDWING BRACKET ASSEMBLY, RH	MD52797B20A	1	



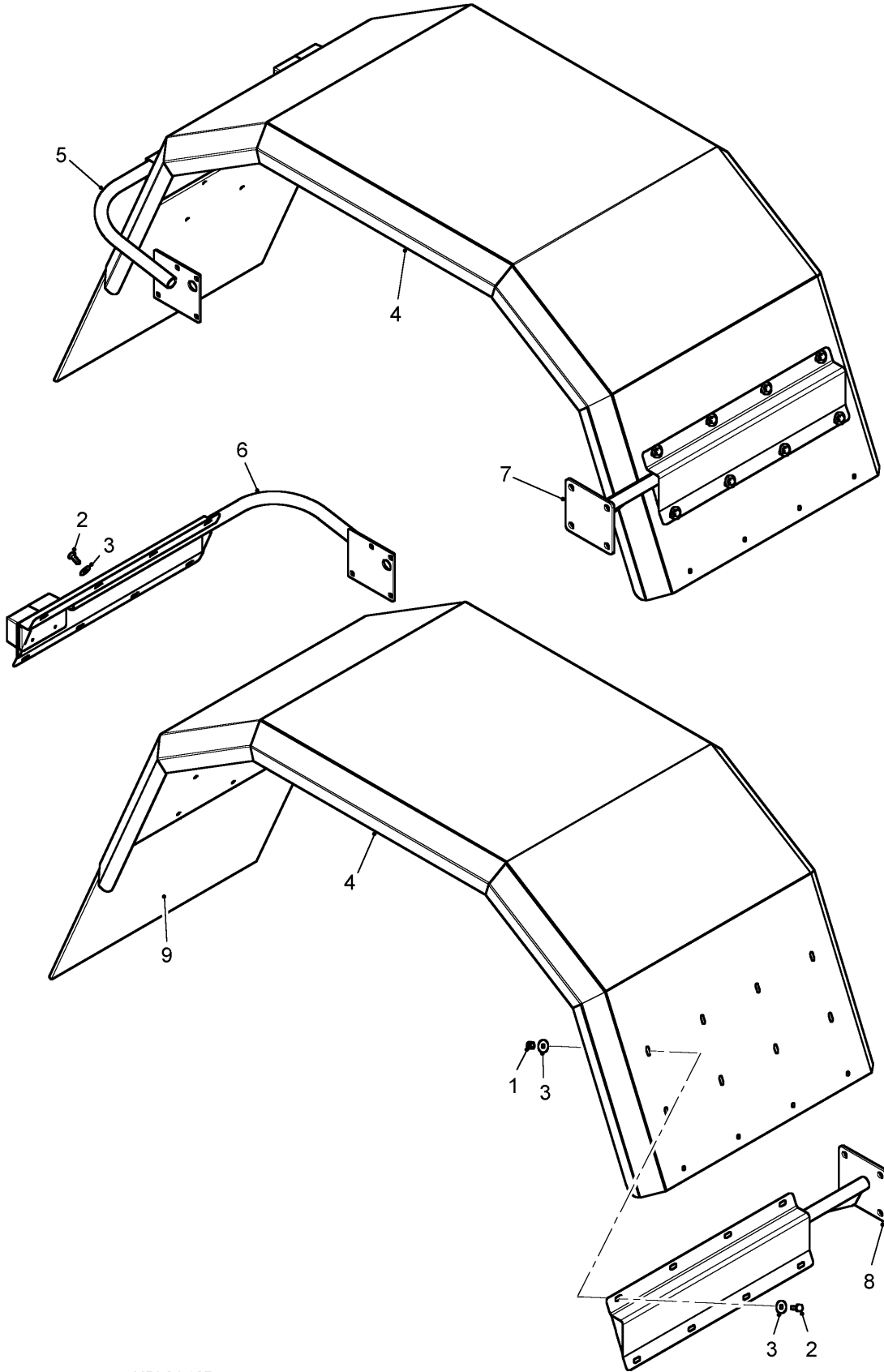
MDL24-106

Figure 3 Rear Mudwing, Long Sub Assembly





Fig 3 Item	Item Name and Description	Part No. / Drawing No.	Qty	Remarks
REF	<b>REAR MUDWING, LONG SUB ASSEMBLY</b>	MD57614B20A	1	
1	. . BOLT, M8 X 16 LG, HEX HEAD, GR 10.9	MD50528X10S	2	
2	. . BOLT, M8 X 20, HEX HD GR: 10.9	MD40647X10S	16	
3	. . WASHER, M8	MD40651X30S	18	
4	. . BOLT, M12 X 50MM, HEX HD, GR: 10.9	MD40660X10S	8	
5	. . NUT, M12, NYLOC SELF LOCKING, GR: 10.9 ZINC PLATED	MD40018X20S	8	
6	. . WASHER, M12, HARDENED	MD40663X30S	8	
7	. . MUDWING	MD57563B20P	2	
8	. . INNER PLATE MUDWING	MD57713B20C	2	
9	. . CLAMP PLATE	MD51840B20C	4	
10	. . SADDLE CLAMP	MD51841B20C	8	
11	. . NUT, M8, DOME HEAD	MD52695X20S	18	
12	. . MUDGUARD SPACER, STANDARD	MD57619B20C	2	
12a	. . MUDGUARD SPACER, 100MM	MD52696B20C	2	
12b	. . MUDGUARD SPACER, 120MM	MD52706B20C	2	
13	. . PVC END PLUG	MD52697X60S	4	
14	. . MUDWING BRACKET ASSEMBLY, LH	MD52796B20A	1	
15	. . MUDWING BRACKET ASSEMBLY, RH	MD52797B20A	1	



MDL24-107

Figure 4 Rear Mudwing, Wide Sub Assembly



Fig 4 Item	Item Name and Description	Part No. / Drawing No.	Qty	Remarks
REF	<b>REAR MUDWING, WIDE SUB ASSEMBLY</b>	MD59586B20A	1	
1	. NUT, M10, NYLOC, GR:10	MD40017X20S	32	
2	. BOLT, HEX HD, M10 X 25, GR:10.9	MD40653X10S	32	
3	. WASHER, M10, FLAT, LARGE	MD44468X30S	64	
4	. REAR MUDWING	MD59587B20C	2	
5	. REAR RH LIGHT BRACKET	MD59588N22A	1	
6	. REAR LH LIGHT BRACKET	MD59591N22A	1	
7	. REAR RH MUDWING BRACKET	MD59592B20A	1	
8	. REAR LH MUDWING BRACKET	MD59601B20A	1	
9	. RUBBER 750 WIDE MUDFLAP	MD59752H40C	1	

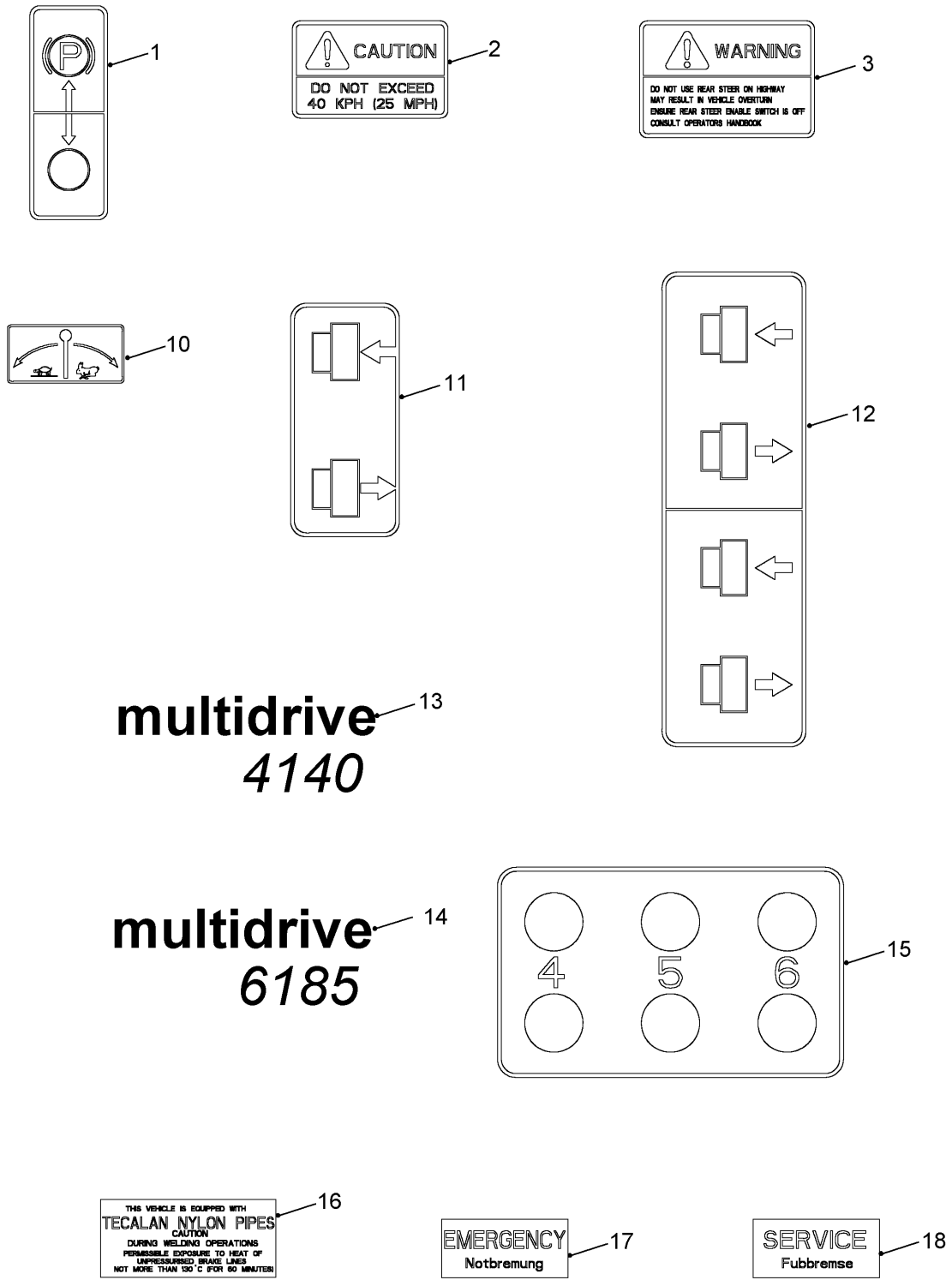
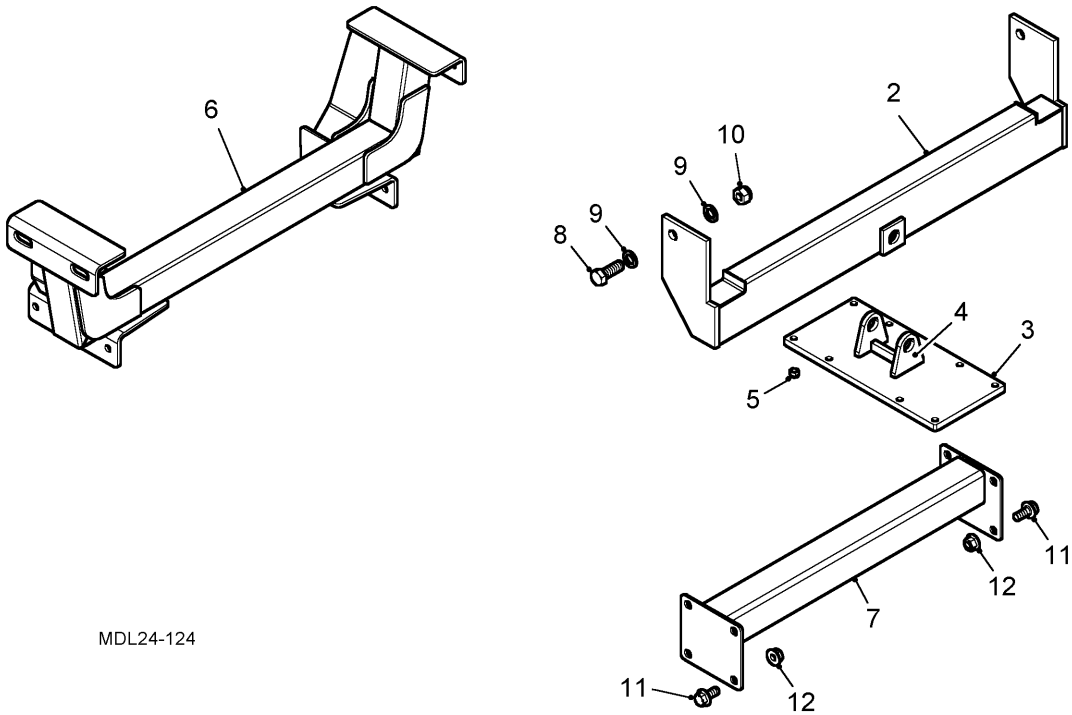
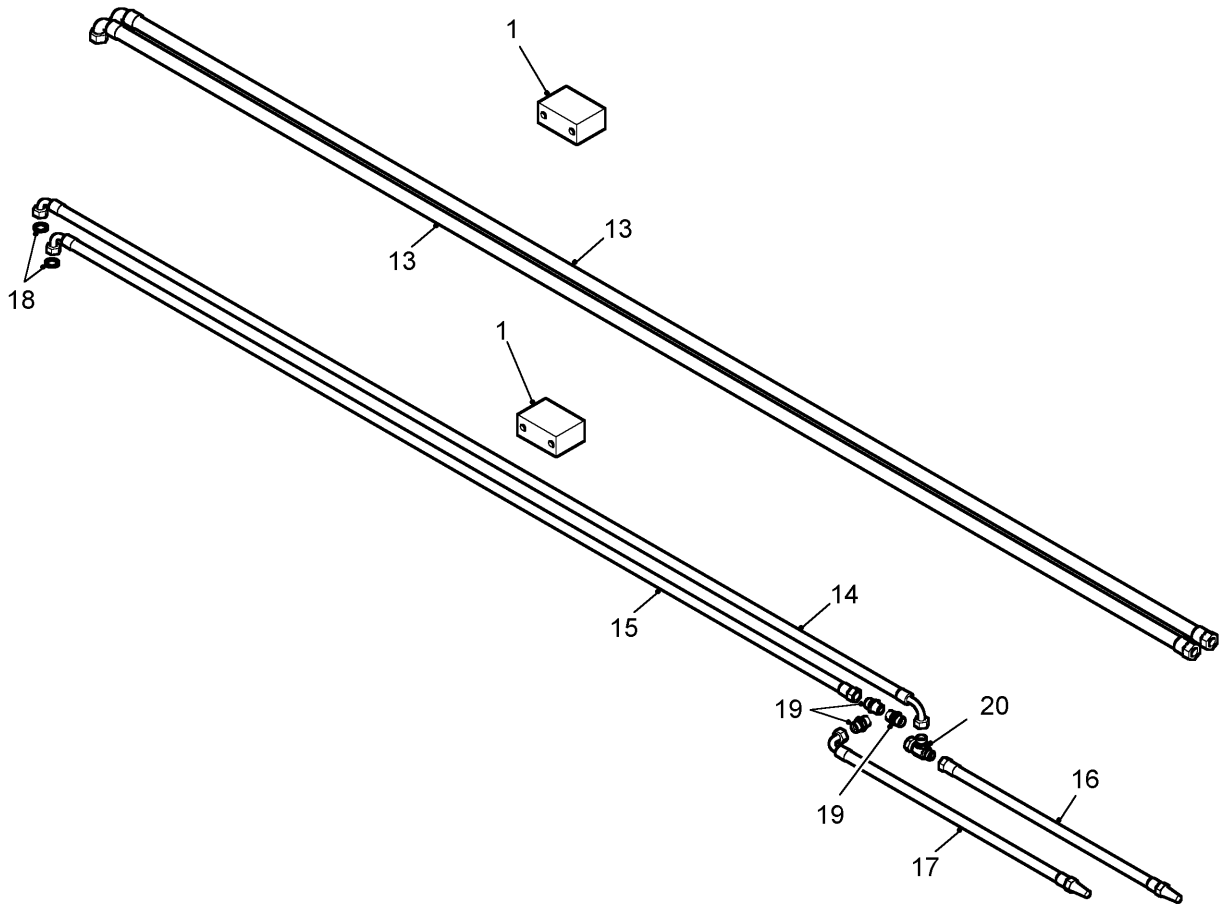


Figure 5 Decals



Fig 5 Item	Item Name and Description	Part No. / Drawing No.	Qty	Remarks
REF	<b>DECALS</b>			
1	. PARK BRAKE DECAL	MD53736Z10C	1	Cab
2	. SPEED CAUTION DECAL	MD60187Z10C	1	Cab
3	. REAR STEER DISABLE DECAL	MD60186Z10C	2	Cab
NI 4	. HYDRAULIC SERVICES IN DECAL	MD53196T30P	1	Cab dash
NI 5	. THROTTLE DECAL	MD54306A42P	1	Cab dash
NI 6	. STOP DECAL	150806	1	Cab dash
NI 7	. , ROTATING PARTS	150835	1	Engine bay offside chassis rail
NI 8	. TURN ENGINE OFF DECAL	150836	1	Nearside engine cover
NI 9	. DRAIN DAILY DECAL	MD52908L20P		Nearside chassis rail
10	. THROTTLE DECAL	MD54306A42P	1	Offside cab rear
11	. PTO 1 DECAL	MD47196Z10C	1	Offside cab rear
12	. DOUBLE PTO DECAL	MD52978T30C	1	Offside cab rear
13	. MULTIDRIVE 4140 DECAL	MD59780Z10C	2	Cab door LH, RH
14	. MULTIDRIVE 6185 DECAL	MD59779Z10C	2	Cab door LH, RH
15	. HYDRAULIC SERVICES OUT DECAL	MD53199T30P	1	Nearside cab rear
16	. TECALAN NYLON PIPES DECAL	MD52908L20P	1	Offside chassis rail
17	. EMERGENCY LINE	MD52907L20P	1	Nearside rear services carrier
18	. SERVICE LINE	MD52906L20P	1	Nearside rear services carrier
NI 19	. TOP GEAR LOCKOUT DECAL	MD53191F20C	1	Behind rear RH door
NI 20	. DIESEL TANK DECAL	150836	1	Nearside
NI 21	. HYDRAULIC OIL TANK DECAL	150827	1	Offside
NI 22	. HYDRAULIC HITCH LOCK PIN	150834	1	Hydraulic Hitch



MDL24-124

Figure 6 Bredal Spreader K65 Mounting Kit



Fig 6 Item	Item Name and Description	Part No. / Drawing No.	Qty	Remarks
REF	<b>BREDAL SPREADER K65 MOUNTING KIT</b>			
1	. MUDWING SPACER PLATE	MD55649B20C	2	
2	. FRONT BREDAL ADAPTOR	MD55555T25A	1	
3	. FRONT BREDAL MOUNT	MD55550T25A	1	
4	. LUG	MD55551T25C	?	
5	. NUT, NYLOC M10, ZINC	MD40017X20S	2	
6	. REAR BREDAL MOUNT	MD55448T25A	1	
7	. AUXILIARY CROSS MEMBER	MD55418B10A	1	
8	. BOLT, HEX HD, M20 X 55	MD40712X10S	2	
9	. WASHER, M20, ZINC PLATED	MD40556X30S	4	
10	. NUT, NYLOC, M20, GR:10.9 ZINC	MD40020X20S	2	
11	. BOLT, M16 X 35MM, HEX FLANGE HD GR:10.9	MD49164X10S	8	
12	. NUT, FLANGE HD, M16	MD41612X20S	8	
13	. HYDRAULIC HOSE – REAR PTO	MD55618T30A	2	
14	. HYDRAULIC HOSE – BREDAL	MD55619T30A	1	
15	. HYDRAULIC HOSE – BREDAL	MD55620T30A	1	
16	. HYDRAULIC HOSE – BREDAL	MD55621T30A	1	
17	. HYDRAULIC HOSE – BREDAL	MD55622T30A	1	
18	. BONDED SEAL, ½” BSP	MD41126X50S	2	
19	. ADAPTOR, ½” BSP/BSPT	MD55617X60P	3	
20	. TEE PIECE, ½” BSP F/M/M	MD55624X60S	1	

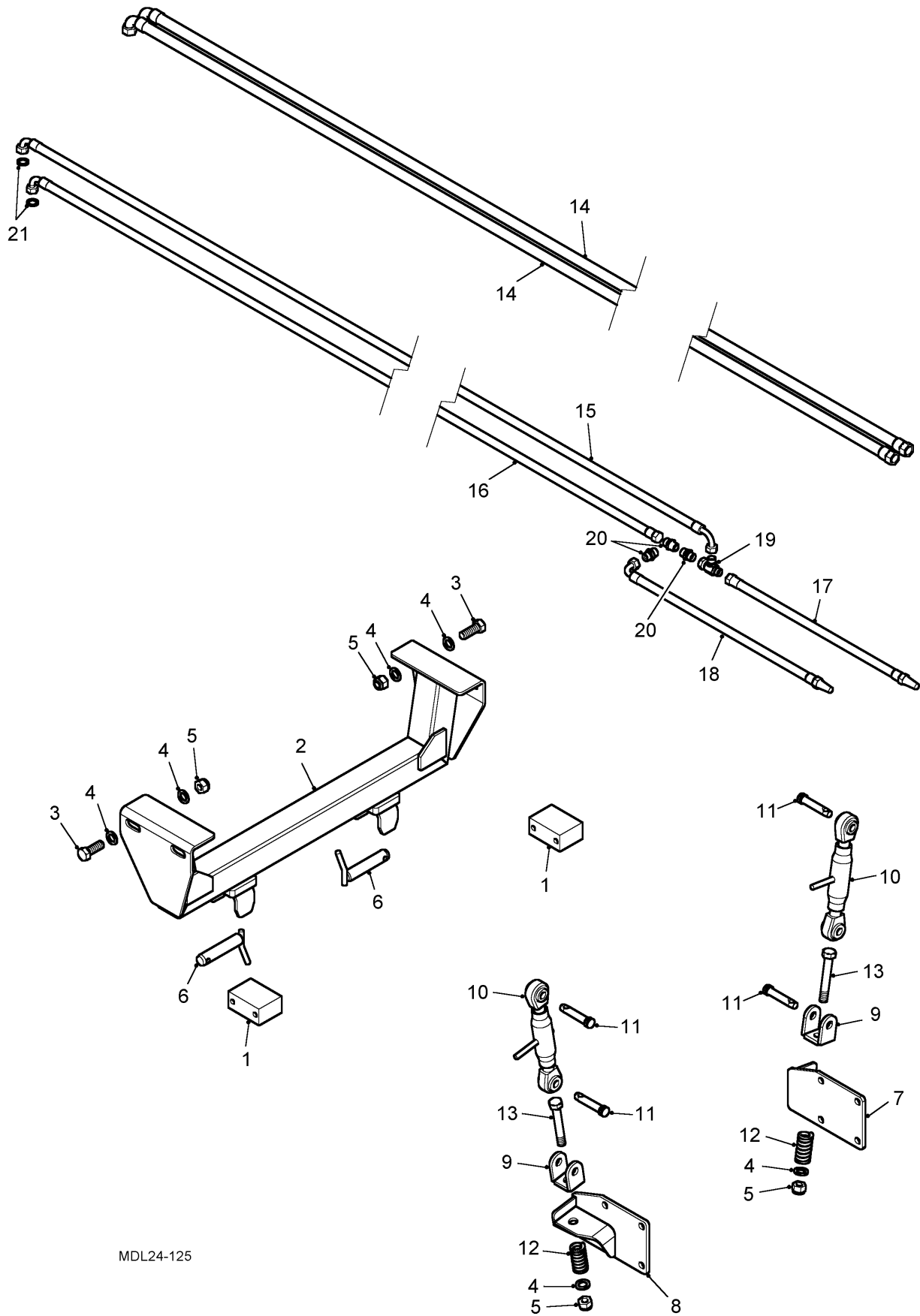


Figure 7 Bredal Spreader K75/K85 Mounting Kit





Fig 7 Item	Item Name and Description	Part No. / Drawing No.	Qty	Remarks
REF	<b>BREDAL SPREADER K75/K85 MOUNTING KIT</b>			
1	. MUDWING SPACER PLATE	MD55649B20C	2	
2	. FRONT BREDAL MOUNT	MD56710T25A	1	
3	. BOLT, HEX HD, M20 X 55	MD40712X10S	2	
4	. WASHER, M20, ZINC PLATED	MD40556X30S	12	
5	. NUT, NYLOC, M20, GR:10 ZINC	MD40020X20S	6	
6	. IMPLEMENT ATTACHMENT PIN	MD55571T25P	2	
7	. BREDAL MOUNT, LH	MD56675T25A	1	
8	. BREDAL MOUNT, RH	MD56676T25A	1	
9	. IMPLEMENT ATTACHMENT BRACKET	MD56701T25A	2	
10	. LINK BAR	MD56719T25P	2	
11	. PIN, 3/4"	MD56708T25P	4	
12	. DIE SPRING	MD51410B20P	2	
13	. BOLT, HEX HD, M20 X 130, GR:10.9	MD46452X10S	2	
14	. HYDRAULIC HOSE – REAR PTO	MD58076T30A	2	
15	. HYDRAULIC HOSE – BREDAL	MD58077T30A	1	
16	. HYDRAULIC HOSE – BREDAL	MD58078T30A	1	
17	. HYDRAULIC HOSE – BREDAL	MD55621T30A	1	
18	. HYDRAULIC HOSE – BREDAL	MD55622T30A	1	
19	. TEE PIECE, 1/2" BSP F/M/M	MD55624X60S	1	
20	. ADAPTOR, 1/2" BSP/BSPT	MD55617X60P	2	
21	. BONDED SEAL, 1/2" BSP	MD41126X50S	2	

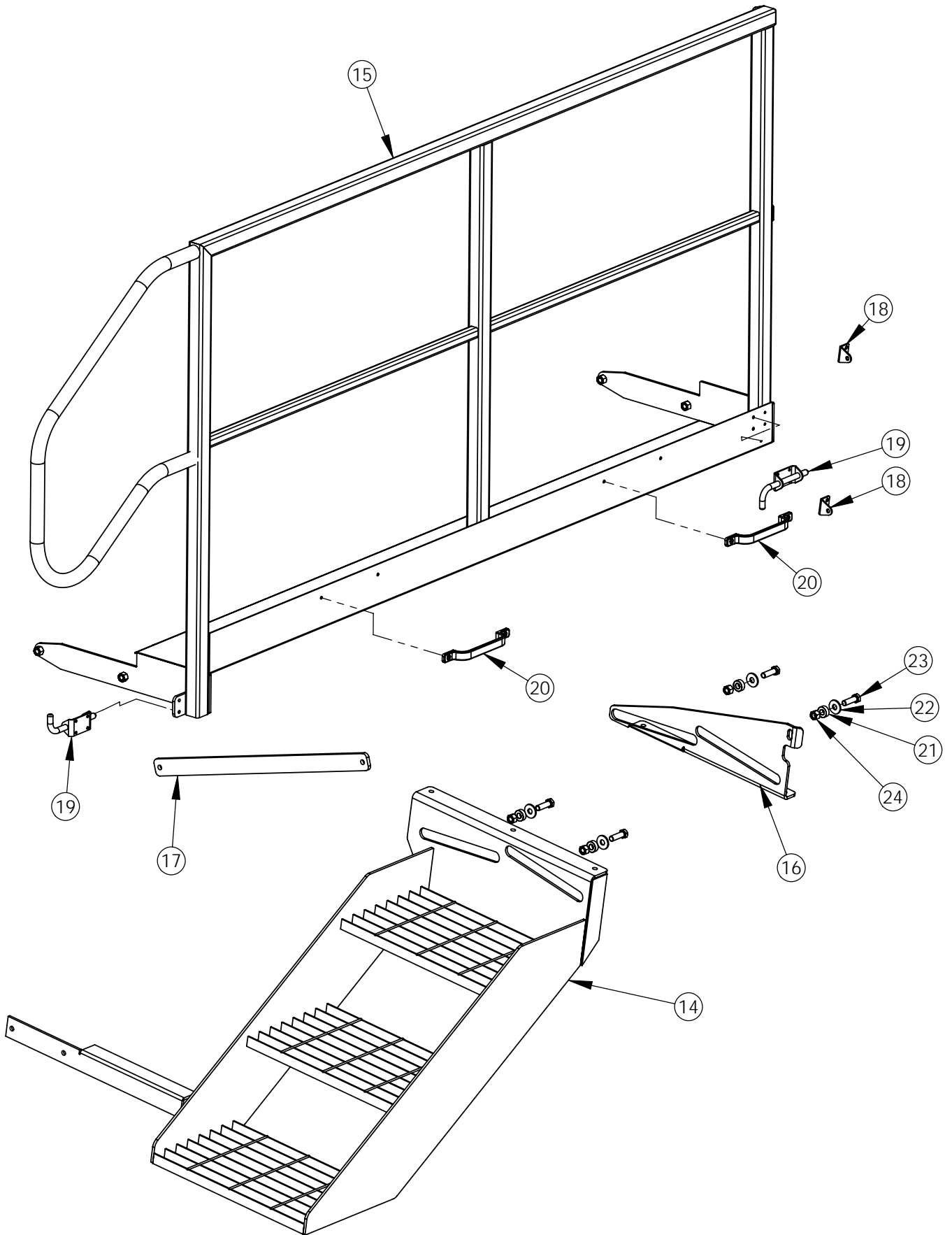




Fig 1 Item	Item Name and Description	Part No. / Drawing No.	Qty	Remarks
	Step & handrail assy – New Leader Spreader	MD61529Z40A		
14	NL Step assy	MD61509Z40A	1	
15	NL Handrail	MD61511Z40P	1	
16	Walkway rear camplate	MD61515Z40P	1	
17	Mudwing support	MD61523Z40P	1	
18	Safety chain anchor plate 2	MD61524Z40P	2	
19	Spring bolt	MD61525X00	2	
20	Plastic grab handle	MD61527X00	2	
21	Walkway roller	MD61528Z40P	4	
22	12 x 32 x 3 washer	-	4	
23	M12 x 40 Bolt		4	
24	M12 Plain nut		4	



**CHAPTER 3**  
**INDEX OF MANUFACTURES' PART/DRAWING NUMBERS**  
**TO**  
**CHAPTER, FIGURE AND ITEM NUMBERS**  
**CONTENTS**



**INDEX OF MANUFACTURES' PART/DRAWING NUMBERS****TO****CHAPTER, FIGURE AND ITEM NUMBERS**

<b>Manufactures Part or Dwg Numbers</b>	<b>Chapter 2- Sub-Chap</b>	<b>Fig &amp; Item</b>	<b>Manufactures Part or Dwg Numbers</b>	<b>Chapter 2- Sub-Chap</b>	<b>Fig &amp; Item</b>
010410	2-1-3	1-NI 12	060824	2-3	5-26
020805	2-8	6-8	060824	2-3	8-NI 3
020850	2-1-3	1-14	060828	2-8	3-7D
040098	2-12	1-25	061250	2-3	8-NI 6
040099	2-12	1-26	061260	2-3	8-NI 4
040195	2-12	1-12	061320	2-3	5-15
040211	2-3	9-9	061320	2-3	9-3
040211	2-3	10-18	061320	2-3	10-3
060124	2-3	6-4	061401	2-8	7-3
060124	2-3	6-18	061403	2-8	7-2
06024	2-8	7-4	061404	2-8	7-1
060330	2-12	1-35	061502	2-12	1-28
060341	2-12	1-62	061511	2-12	1-NI 13
060501	2-3	8-13	061516	2-12	1-31
060502	2-3	8-14	061517	2-12	1-30
060506	2-3	6-NI 14	061518	2-12	1-21
060506	2-3	8-16	061520	2-12	1-22
060702	2-7-2	1-NI 2	061522	2-12	1-20
060704	2-8	4-4	061523	2-12	1-19
060705	2-8	4-1	061526	2-12	1-15
060707	2-3	10-12	061600	2-7-2	1-11
060723	2-8	3-NI 47	062009	2-8	4-29
060724	2-3	10-1	062010	2-8	4-30
060725	2-3	9-1	062011	2-7-2	1-25
060726	2-3	10-10	062011	2-8	3-8
060727	2-3	6-NI 15	062022	2-8	4-NI 15
060801	2-7-2	1-10	062023	2-8	3-3
060802	2-7-2	1-17	062024	2-8	5-9
060803	2-7-2	1-16	062032	2-3	8-15
060804	2-7-2	1-NI 21	062036	2-8	5-1
060805	2-7-2	1-22	062036	2-8	8-19
060806	2-3	6-NI 16	062040	2-4	1-NI 30
060808	2-7-2	1-12	062040	2-4	2-NI 28
060813	2-8	4-9	062040	2-8	4-28
060822	2-8	3-7B	062045	2-4	NI 31



<b>Manufactures Part or Dwg Numbers</b>	<b>Chapter 2- Sub-Chap</b>	<b>Fig &amp; Item</b>	<b>Manufactures Part or Dwg Numbers</b>	<b>Chapter 2- Sub-Chap</b>	<b>Fig &amp; Item</b>
062045	2-4	2-NI 29	150827	2-13	5-NI 21
062063	2-8	5-5	150834	2-13	5-NI 22
062067	2-8	3-NI 40	150835	2-13	5-NI 7
062071	2-8	4-27	150836	2-13	5-NI 8
062074	2-8	4-32	150836	2-13	5-NI 20
062075	2-8	4-31	160111	2-3	5-30
063019	2-8	3-NI 3A	160120	2-3	5-27
063100	2-12	1-NI 5	160121	2-3	5-NI 28
063410	2-7-2	4-7	171200	2-8	3-NI 26
063410	2-8	3-NI 41	172400	2-12	1-NI 37
063410	2-8	8-12	172501	2-7-1	1-15
0636015225H	2-2-1	1-34	190310	2-9	5-NI 13
070220	2-3	9-7	190310	2-9	6-NI 13
070221	2-3	9-8	190310	2-9	7-NI 12
070222	2-3	9-5	190410	2-1-3	1-26
070222	2-3	10-7	200500	2-3	5-16
070223	2-3	9-4	200500	2-3	8-NI 1
070225	2-3	10-5	200505	2-3	8-11
071710	2-3	7-NI 31	200510	2-3	8-10
071750	2-12	1-NI 53	200520	2-3	5-17
071801	2-3	10-13	200520	2-3	8-NI 5
071802	2-7-2	1-23	218-2334	2-8	8-18
080200	2-7-2	1-24	218-2334	2-8	8-21
080324	2-7-1	1-14	220902	2-3	8-17
080340	2-9	31-NI 6	221800	2-2-1	3-12
081005	2-3	6-6	221800	2-2-1	4-22
081006	2-3	6-17	221800	2-2-1	5-23
081025	2-3	6-3	221800	2-2-1	6-12
081041	2-3	6-9	221800	2-2-1	7-22
081051	2-3	6-8	221800	2-2-1	8-12
081210	2-3	6-11	221800	2-2-1	9-22
081260	2-3	6-12	280900	2-3	8-NI 8
150101	2-3	5-21	280901	2-3	8-NI 9
150201	2-3	5-20	320316	2-8	3-7
150202	2-3	5-22	320517	2-8	3-NI 11
150301	2-3	10-2	322100	2-1-3	1-13
150401	2-3	5-23	322106	2-8	3-10
150501	2-3	5-24	322106	2-8	3-NI 25
150502	2-3	5-19	332121	2-1-3	1-17
150601	2-3	9-2	334000	2-1-3	1-24
150806	2-13	5-NI 6	334001	2-1-3	1-23



Manufactures Part or Dwg Numbers	Chapter 2-Sub-Chap	Fig & Item	Manufactures Part or Dwg Numbers	Chapter 2-Sub-Chap	Fig & Item
340103	2-7-1	1-6	F19M06045	2-12	1-NI 55
340441	2-9	26-NI 25	F19M08090	2-12	1-27
350610	2-7-2	1-1	F19M10090	2-1-2	3-3
350703	2-9	5-NI 14	F19M10090	2-7-2	1-18
350703	2-9	6-NI 14	F19M12110	2-7-2	1-7
350703	2-9	7-N13	F19M16090	2-4	3-4
360640	2-3	6-NI 13	F19M16100	2-4	3-5
4644301014	2-2-1	1-33	F19M20120	2-4	1-32
F05M06015	2-3	9-15	F20M06	2-3	10-14
F05M06015	2-3	9-19	F20M06	2-12	1-NI 48
F05M06030	2-3	6-19	F22M06	2-3	10-9
F05M06030	2-3	9-10	F22M06	2-7-2	1-14
F05M06030	2-3	9-18	F22M06	2-12	1-NI 42
F05M06035	2-3	5-18	F22M06	2-12	1-NI 57
F05M06035	2-3	8-7	F22M06	2-12	1-NI 60
F05M08016	2-3	7-NI 32	F22M10	2-4	3-3
F05M08040	2-3	9-6	F22M10	2-7-2	1-19
F05M08040	2-3	10-15	F22M10	2-8	5-4
F07M06016	2-3	10-8	F22M12	2-7-2	1-8
F07M06016	2-12	1-NI 49	F22M16	2-4	3-9
F08M10030	2-7-2	1-3	F31M05	2-8	4-18
F09M05016SS	2-3	5-29	F31M06	2-3	9-14
F14U10008	2-3	6-7	F31M06	2-3	10-4
F15M08020	2-3	7-NI 4	F31M06	2-7-2	1-15
F16M06006C	2-8	3-NI 27	F31M06	2-12	1-NI 47
F18M05010	2-8	4-17	F31M06	2-12	1-NI 56
F18M05010	2-12	1-NI 50	F31M08	2-3	5-12
F18M06016	2-12	1-NI 41	F31M08	2-7-2	1-5
F18M06020	2-7-2	1-13	F31M08	2-12	1-4
F18M06030	2-12	1-NI 46	F31M10	2-7-2	1-20
F18M08012	2-12	1-3	F31M10	2-8	4-NI 11
F18M08016	2-12	1-NI 38	F31M10	2-8	5-3
F18M08020	2-3	5-11	F31M12	2-7-2	1-9
F18M08020	2-8	4-NI 2	F31M16S	2-4	3-8
F18M08020	2-8	6-3	F33M08	2-3	5-13
F18M10020	2-8	4-NI 10	F33M08	2-12	1-NI 39
F18M10020	2-8	5-2	F33M12	2-12	1-NI 45
F18M10030	2-4	3-2	F35M12030	2-1-2	1-59
F18M12025	2-3	5-25	F41M07015	2-1-3	1-21
F18M12025	2-3	8-NI 2	F41M07017	2-1-3	1-20
F18M12030	2-12	1-NI 44	F70M03005	2-8	4-NI 12





<b>Manufactures Part or Dwg Numbers</b>	<b>Chapter 2- Sub-Chap</b>	<b>Fig &amp; Item</b>	<b>Manufactures Part or Dwg Numbers</b>	<b>Chapter 2- Sub-Chap</b>	<b>Fig &amp; Item</b>
F70M03007	2-8	5-8	MD40017X20S	2-6	2-22
F71M04019	2-12	1-NI 52	MD40017X20S	2-6	3-23
H06M1002	2-12	1-7	MD40017X20S	2-7-2	2-1
H06M1303	2-12	1-8	MD40017X20S	2-7-2	3-1
H07M0603	2-1-3	1-22	MD40017X20S	2-9	5-11
H69B08	2-1-3	1-15	MD40017X20S	2-9	6-v11
H70B08	2-1-3	1-16	MD40017X20S	2-9	7-10
H942020	2-12	1-9	MD40017X20S	2-9	15-6
H942020	2-12	1-NI 59	MD40017X20S	2-9	23-1
MD 55418B10A	2-4	2-41	MD40017X20S	2-9	26-1
MD34684N95A	2-8	3-48	MD40017X20S	2-9	34-2
MD40016X20S	2-1-2	1-48	MD40017X20S	2-9	34-10
MD40016X20S	2-1-4	1-4	MD40017X20S	2-9	35-2
MD40016X20S	2-3	1-16	MD40017X20S	2-9	36-2
MD40016X20S	2-3	2-27	MD40017X20S	2-13	4-1
MD40016X20S	2-3	3-5	MD40017X20S	2-13	6-5
MD40016X20S	2-3	3-14	MD40018X20S	2-8	2-1
MD40016X20S	2-3	7-22	MD40018X20S	2-1-2	1-4
MD40016X20S	2-3	11-7	MD40018X20S	2-1-2	1-25
MD40016X20S	2-4	1-NI 25	MD40018X20S	2-1-2	1-35
MD40016X20S	2-7-1	2-15	MD40018X20S	2-1-3	1-9
MD40016X20S	2-7-3	1-1	MD40018X20S	2-2-1	4-18
MD40016X20S	2-9	20-7	MD40018X20S	2-2-1	5-19
MD40016X20S	2-9	32-1	MD40018X20S	2-2-1	7-18
MD40016X20S	2-9	33-1	MD40018X20S	2-2-1	9-18
MD40016X20S	2-9	34-1	MD40018X20S	2-6	1-12
MD40016X20S	2-9	35-1	MD40018X20S	2-6	2-12
MD40016X20S	2-9	36-1	MD40018X20S	2-6	3-12
MD40016X20S	2-9	38-1	MD40018X20S	2-6	3-16
MD40016X20S	2-10	2-1	MD40018X20S	2-6	4-18
MD40017X20S	2-1-2	2-18	MD40018X20S	2-6	5-19
MD40017X20S	2-1-3	1-4	MD40018X20S	2-7-1	1-13
MD40017X20S	2-1-4	2-4	MD40018X20S	2-9	22-1
MD40017X20S	2-1-4	3-6	MD40018X20S	2-9	25-1
MD40017X20S	2-2-1	1-NI 14	MD40018X20S	2-9	27-1
MD40017X20S	2-2-1	4-15	MD40018X20S	2-13	1-8
MD40017X20S	2-2-1	5-16	MD40018X20S	2-13	2-5
MD40017X20S	2-2-1	7-15	MD40018X20S	2-13	3-5
MD40017X20S	2-2-1	9-15	MD40019X20S	2-1-1	3-6
MD40017X20S	2-4	4-1	MD40019X20S	2-2-1	1-7
MD40017X20S	2-6	1-23	MD40019X20S	2-6	4-8



<b>Manufactures Part or Dwg Numbers</b>	<b>Chapter 2- Sub-Chap</b>	<b>Fig &amp; Item</b>	<b>Manufactures Part or Dwg Numbers</b>	<b>Chapter 2- Sub-Chap</b>	<b>Fig &amp; Item</b>
MD40019X20S	2-6	5-8	MD40556X30S	2-13	7-4
MD40020X20S	2-4	1-36	MD40614X10S	2-4	1-19
MD40020X20S	2-4	2-34	MD40614X10S	2-4	2-20
MD40020X20S	2-4	3-12	MD40642X10S	2-7-1	1-16
MD40020X20S	2-6	1-7	MD40642X10S	2-7-1	3-1
MD40020X20S	2-6	2-7	MD40642X10S	2-8	3-NI 15
MD40020X20S	2-6	3-7	MD40643X10S	2-3	2-12
MD40020X20S	2-6	4-14	MD40643X10S	2-7-2	2-2
MD40020X20S	2-6	5-13	MD40643X10S	2-7-2	3-2
MD40020X20S	2-13	6-10	MD40644X10S	2-8	3-NI 16
MD40020X20S	2-13	7-5	MD40645X20S	2-1-2	66
MD40021X20S	2-11	1-11	MD40645X20S	2-1-4	4-12
MD40021X20S	2-11	2-9	MD40645X20S	2-3	1-10
MD40026X10S	2-6	4-6	MD40645X20S	2-3	2-13
MD40026X10S	2-6	5-9	MD40645X20S	2-3	3-6
MD40027X10S	2-4	1-19	MD40645X20S	2-3	3-15
MD40027X10S	2-4	2-20	MD40645X20S	2-7-1	2-1
MD40029X30S	2-1-1	3-7	MD40645X20S	2-7-1	2-16
MD40029X30S	2-2-1	1-9	MD40645X20S	2-7-2	2-3
MD40029X30S	2-3	1-37	MD40645X20S	2-7-2	3-3
MD40029X30S	2-6	4-7	MD40645X20S	2-8	3-NI 17
MD40029X30S	2-9	37-1	MD40645X20S	2-9	17-1
MD40054D10P	2-6	1-2	MD40645X20S	2-9	18-5
MD40054D10P	2-6	2-2	MD40645X20S	2-9	26-3
MD40054D10P	2-6	3-2	MD40645X20S	2-9	37-2
MD40054D10P	2-6	4-2	MD40646X30S	2-1-2	1-30
MD40054D10P	2-6	5-2	MD40646X30S	2-1-2	67
MD40349A50S	2-3	1-43	MD40646X30S	2-1-4	4-11
MD40349A50S	2-3	3-8	MD40646X30S	2-3	1-11
MD40349A50S	2-3	3-17	MD40646X30S	2-3	2-14
MD40397A50S	2-3	1-20	MD40646X30S	2-3	5-5-7
MD40448X00S	2-1-1	3-9	MD40646X30S	2-7-1	2-2
MD40448X10S	2-9	27-2	MD40646X30S	2-7-1	2-17
MD40452X10S	2-7-1	1-1	MD40646X30S	2-8	3-NI 18
MD40534X10S	2-2-1	4-16	MD40646X30S	2-9	26-4
MD40534X10S	2-2-1	5-17	MD40646X30S	2-9	37-3
MD40534X10S	2-2-1	7-16	MD40647X10S	2-1-2	1-60
MD40534X10S	2-2-1	9-16	MD40647X10S	2-1-4	4-10
MD40556X30S	2-2-1	1-11	MD40647X10S	2-3	5-5-4
MD40556X30S	2-9	26-2	MD40647X10S	2-3	7-11
MD40556X30S	2-13	6-9	MD40647X10S	2-7-3	1-2



<b>Manufactures Part or Dwg Numbers</b>	<b>Chapter 2- Sub-Chap</b>	<b>Fig &amp; Item</b>	<b>Manufactures Part or Dwg Numbers</b>	<b>Chapter 2- Sub-Chap</b>	<b>Fig &amp; Item</b>
MD40647X10S	2-9	15-11	MD40651X30S	2-13	1-3
MD40647X10S	2-11	1-20	MD40651X30S	2-13	2-3
MD40647X10S	2-13	1-2	MD40651X30S	2-13	3-3
MD40647X10S	2-13	2-2	MD40652X10S	2-1-2	68
MD40647X10S	2-13	3-2	MD40652X10S	2-9	15-5
MD40648X10S	2-3	1-NI 44	MD40653X10S	2-1-4	3-8
MD40648X10S	2-4	1-NI 20	MD40653X10S	2-9	34-11
MD40648X10S	2-9	34-3	MD40653X10S	2-13	4-2
MD40648X10S	2-10	2-2	MD40654X10S	2-7-2	2-4
MD40649X10S	2-1-2	1-50	MD40655X 10S	2-9	35-4
MD40649X10S	2-1-2	2-8	MD40655X 10S	2-9	36-4
MD40649X10S	2-3	1-17	MD40655X10S	2-1-3	1-3
MD40649X10S	2-3	7-23	MD40656X30S	2-1-2	63
MD40649X10S	2-7-3	1-3	MD40656X30S	2-1-2	3-4
MD40649X10S	2-9	5-6	MD40656X30S	2-1-4	2-5
MD40649X10S	2-9	6-6	MD40656X30S	2-1-4	3-7
MD40649X10S	2-9	7-5	MD40656X30S	2-2-1	1-13
MD40649X10S	2-9	38-2	MD40656X30S	2-2-1	3-5
MD40651X30S	2-1-2	1-16	MD40656X30S	2-2-1	4-5
MD40651X30S	2-1-2	1-49	MD40656X30S	2-2-1	5-6
MD40651X30S	2-1-4	1-3	MD40656X30S	2-2-1	6-5
MD40651X30S	2-1-4	4-9	MD40656X30S	2-2-1	7-5
MD40651X30S	2-3	1-15	MD40656X30S	2-2-1	9-5
MD40651X30S	2-3	2-26	MD40656X30S	2-4	4-2
MD40651X30S	2-3	3-9	MD40656X30S	2-7-2	2-5
MD40651X30S	2-3	3-18	MD40656X30S	2-7-2	3-4
MD40651X30S	2-3	5-5-5	MD40656X30S	2-9	26-5
MD40651X30S	2-3	7-24	MD40656X30S	2-9	34-4
MD40651X30S	2-4	1-NI 17	MD40656X30S	2-9	35-5
MD40651X30S	2-7-1	2-18	MD40656X30S	2-9	36-5
MD40651X30S	2-7-3	1-4	MD40656X30S	2-10	1-1
MD40651X30S	2-9	13-3	MD40659X10S	2-4	1-21
MD40651X30S	2-9	15-2	MD40659X10S	2-4	2-21
MD40651X30S	2-9	16-9	MD40659X10S	2-4	4-6
MD40651X30S	2-9	17-2	MD40659X10S	2-9	22-2
MD40651X30S	2-9	21-8	MD40659X10S	2-9	25 -2
MD40651X30S	2-9	33-2	MD40659X10S	2-9	27-3
MD40651X30S	2-9	35-3	MD40660X10S	2-13	3-4
MD40651X30S	2-9	36-3	MD40661X10S	2-4	1-38
MD40651X30S	2-9	38-3	MD40662X10S	2-9	22-3
MD40651X30S	2-10	2-3	MD40662X10S	2-9	25-3



<b>Manufactures Part or Dwg Numbers</b>	<b>Chapter 2- Sub-Chap</b>	<b>Fig &amp; Item</b>	<b>Manufactures Part or Dwg Numbers</b>	<b>Chapter 2- Sub-Chap</b>	<b>Fig &amp; Item</b>
MD40663X30S	2-1-1	3-10	MD40926X20S	2-4	2-24
MD40663X30S	2-1-2	1-5	MD40968X10S	2-1-2	1-6
MD40663X30S	2-1-2	1-26	MD40968X10S	2-1-2	1-37
MD40663X30S	2-1-2	1-36	MD40968X10S	2-1-4	3-9
MD40663X30S	2-1-4	3-10	MD40968X10S	2-4	1-22
MD40663X30S	2-2-1	4-17	MD40968X10S	2-4	2-22
MD40663X30S	2-2-1	5-18	MD40968X10S	2-6	5-25
MD40663X30S	2-2-1	7-17	MD40968X10S	2-13	1-7
MD40663X30S	2-2-1	9-17	MD40968X10S	2-13	2-4
MD40663X30S	2-3	7-17	MD41014X40S	2-7-3	1-8
MD40663X30S	2-6	5-26	MD41024X10S	2-6	1-11
MD40663X30S	2-7-3	1-5	MD41024X10S	2-6	2-11
MD40663X30S	2-13	1-9	MD41024X10S	2-6	3-11
MD40663X30S	2-13	2-6	MD41024X10S	2-6	4-20
MD40663X30S	2-13	3-6	MD41024X10S	2-6	5-18
MD40665X30S	2-7-2	2-6	MD41092N60P	2-8	8-20
MD40675X10S	2-1-1	3-12	MD41125X60S	2-9	5-7
MD40675X10S	2-2-1	1-8	MD41125X60S	2-9	6-7
MD40675X10S	2-6	5-7	MD41125X60S	2-9	7-6
MD40681X10S	2-1-1	3-11	MD41125X60S	2-9	21-4
MD40681X10S	2-2-1	1-6	MD41125X60S	2-9	28-2
MD40712X10S	2-13	6-8	MD41125X60S	2-9	29-2
MD40712X10S	2-13	7-3	MD41125X60S	2-9	30-2
MD40801W00S	2-1-2	4-9	MD41126X50S	2-9	5-8
MD40801W00S	2-9	17-3	MD41126X50S	2-9	6-8
MD40801W00S	2-9	28-1	MD41126X50S	2-9	7-7
MD40801W00S	2-9	29-1	MD41126X50S	2-9	16-7
MD40801W00S	2-9	30-1	MD41126X50S	2-9	19-5
MD40801W00S	2-9	33-3	MD41126X50S	2-9	22-4
MD40904X10S	2-6	3-15	MD41126X50S	2-9	25-4
MD40904X10S	2-7-3	1-6	MD41126X50S	2-9	28-3
MD40921X20S	2-7-1	2-3	MD41126X50S	2-9	29-3
MD40921X20S	2-9	24-1	MD41126X50S	2-9	30-3
MD40922X20S	2-7-1	1-2	MD41126X50S	2-10	1-2
MD40922X20S	2-7-1	2-19	MD41126X50S	2-10	2-5
MD40922X20S	2-7-3	1-7	MD41126X50S	2-13	6-18
MD40922X20S	2-10	2-4	MD41126X50S	2-13	7-21
MD40924X20S	2-4	1-23	MD41129X50S	2-1-2	4-8
MD40924X20S	2-4	2-23	MD41129X50S	2-9	8-4
MD40924X20S	2-4	4-4	MD41129X50S	2-9	9-5
MD40926X20S	2-4	1-24	MD41129X50S	2-9	11-14



<b>Manufactures Part or Dwg Numbers</b>	<b>Chapter 2- Sub-Chap</b>	<b>Fig &amp; Item</b>	<b>Manufactures Part or Dwg Numbers</b>	<b>Chapter 2- Sub-Chap</b>	<b>Fig &amp; Item</b>
MD41129X50S	2-9	35-6	MD41612X20S	2-4	2-24
MD41129X50S	2-9	36-6	MD41612X20S	2-13	6-12
MD41130X50S	2-9	10-10	MD41613X20S	2-6	1-4
MD41184X10S	2-2-1	4-14	MD41613X20S	2-6	2-4
MD41184X10S	2-2-1	5-15	MD41613X20S	2-6	3-4
MD41184X10S	2-2-1	7-14	MD41613X20S	2-6	4-4
MD41184X10S	2-2-1	9-14	MD41613X20S	2-6	5-4
MD41184X10S	2-4	4-3	MD41622L20P	2-10	2-6
MD41184X10S	2-7-2	3-5	MD41627L20P	2-10	2-7
MD41184X10S	2-9	24-2	MD41645L20P	2-10	2-8
MD41224N50P	2-3	7-27	MD41648L20P	2-10	2-9
MD41225 N50P	2-3	7-28	MD41655L20P	2-10	2-10
MD41235X20S	2-1-2	1-20	MD41676X50S	2-9	23-2
MD41235X20S	2-1-2	1-45	MD41696X50S	2-9	8-2
MD41235X20S	2-7-1	2-4	MD41696X50S	2-9	9-3
MD41235X20S	2-8	3-NI 19	MD41696X50S	2-9	11-12
MD41236X30S	2-1-2	1-21	MD41696X50S	2-9	16-3
MD41236X30S	2-1-2	1-46	MD41696X50S	2-9	21-6
MD41236X30S	2-7-1	2-5	MD41696X50S	2-9	26-6
MD41236X30S	2-8	3-NI 20	MD41696X50S	2-9	27-4
MD41237X10S	2-1-2	1-22	MD41696X50S	2-9	28-4
MD41237X10S	2-7-1	2-6	MD41696X50S	2-9	29-4
MD41237X10S	2-8	3-NI 21	MD41696X50S	2-9	30-4
MD41361X30S	2-1-2	1-41	MD41697X50S	2-9	28-5
MD41361X30S	2-7-2	2-7	MD41697X50S	2-9	29-5
MD41361X30S	2-7-2	3-6	MD41697X50S	2-9	30-5
MD41362X20S	2-1-2	1-42	MD41703X50S	2-1-2	4-10
MD41363X10S	2-1-2	1-43	MD41703X50S	2-7-2	2-8
MD41453X10S	2-3	6-23	MD41703X50S	2-7-2	3-7
MD41453X10S	2-7-1	3-2	MD41703X50S	2-9	17-4
MD41453X10S	2-8	8-3	MD41703X50S	2-9	21-3
MD41607X20S	2-7-1	3-3	MD41703X50S	2-9	33-4
MD41610X20S	2-1-3	1-6	MD41850X10S	2-9	32-2
MD41610X20S	2-4	1-23	MD41890X10S	2-1-2	65
MD41610X20S	2-4	2-23	MD41890X10S	2-1-4	4-8
MD41610X20S	2-4	4-4	MD41890X10S	2-3	1-12
MD41610X20S	2-6	1-19	MD41890X10S	2-3	5-5-6
MD41610X20S	2-6	2-19	MD41890X10S	2-7-1	2-7
MD41610X20S	2-6	3-19	MD41890X10S	2-7-1	2-20
MD41610X20S	2-13	1-11	MD41890X10S	2-9	26-7
MD41612X20S	2-4	1-24	MD41953W00P	2-9	5-9



<b>Manufactures Part or Dwg Numbers</b>	<b>Chapter 2- Sub-Chap</b>	<b>Fig &amp; Item</b>	<b>Manufactures Part or Dwg Numbers</b>	<b>Chapter 2- Sub-Chap</b>	<b>Fig &amp; Item</b>
MD41953W00P	2-9	6-9	MD43180N32P	2-8	1-NI 27
MD41953W00P	2-9	7-8	MD43181N36P	2-8	1-18
MD41953W00P	2-9	12-3	MD43182N30P	2-8	1-21
MD41953W00P	2-9	12-7	MD43183N30P	2-8	1-19
MD41953W00P	2-9	16-6	MD43187N30P	2-8	3-NI 33
MD41953W00P	2-9	19-3	MD43189N30P	2-8	1-NI 3
MD41953W00P	2-9	28-6	MD43190N30P	2-8	1-22
MD41953W00P	2-9	29-6	MD43201N30P	2-8	1-23
MD41953W00P	2-9	30-6	MD43203N30P	2-8	1-NI 24
MD42152N50P	2-9	35-NI13	MD43204N30P	2-8	1-NI 25
MD42152N50P	2-9	36-NI12	MD43204N30P	2-8	1-26
MD42166N50P	2-9	35-NI14	MD43245L20P	2-10	2-12
MD42166N50P	2-9	36-NI13	MD43352G10C	2-1-3	1-2
MD42178X10S	2-3	3-7	MD43362T30P	2-9	1-1
MD42178X10S	2-3	3-16	MD43362T30P	2-9	2-1
MD42179X10S	2-7-1	1-NI 8	MD43362T30P	2-9	3-1
MD42179X10S	2-7-1	1-22	MD43362T30P	2-9	4-1
MD42179X10S	2-9	18-4	MD43362T30P	2-11	1-24
MD42179X10S	2-9	35-7	MD43366X10S	2-1-4	1-7
MD42179X10S	2-9	36-7	MD43367X10S	2-2-1	1-NI 32
MD42180 X10S	2-3	7-25	MD43367X10S	2-3	7-21
MD42180X10S	2-3	1-21	MD43369X10S	2-3	11-2
MD42181 X10S	2-3	7-26	MD43379E40P	2-2-1	1-5
MD42181X10S	2-3	1-42	MD43379E40P	2-4	4-5
MD42209X10S	2-4	1-38	MD43479F10C	2-1-2	2-9
MD42209X10S	2-4	2-36	MD43494X10S	2-7-1	1-NI 12
MD42299L20P	2-10	2-11	MD43536T30A	2-9	1-2
MD42467Z10C	2-4	1-NI 27	MD43536T30A	2-9	2-2
MD42467Z10C	2-4	2-25	MD43536T30A	2-9	3-2
MD42570Z10C	2-3	4-NI 10	MD43536T30A	2-9	4-2
MD42591D24P	2-6	1-9	MD43630T30P	2-9	23-3
MD42591D24P	2-6	2-9	MD43644K30P	2-7-2	4-1
MD42591D24P	2-6	3-9	MD43644K30P	2-8	3-6
MD42732A70C	2-4	3-10	MD43647F10C	2-3	1-35
MD42886D14A	2-6	3-14	MD43678F10C	2-1-2	1-33
MD42886D14A	2-6	3-30	MD43678F10C	2-1-2	2-7
MD42886D14A	2-6	4-25	MD43678F10C	2-7-1	1-3
MD42886D14A	2-6	5-28	MD43678F10C	2-7-2	1-6
MD42923X10S	2-9	33-5	MD43678F10C	2-7-3	1-9
MD43136A70C	2-4	3-11	MD43715A14A	2-3	5-14
MD43178N32P	2-8	1-17	MD43749T30P	2-9	16-1



<b>Manufactures Part or Dwg Numbers</b>	<b>Chapter 2- Sub-Chap</b>	<b>Fig &amp; Item</b>	<b>Manufactures Part or Dwg Numbers</b>	<b>Chapter 2- Sub-Chap</b>	<b>Fig &amp; Item</b>
MD43757L20P	2-10	2-13	MD44485X10S	2-9	26-9
MD43846X10S	2-1-1	3-8	MD44502X50S	2-1-2	1-52
MD43974A70P	2-4	3-1	MD44502X50S	2-9	16-5
MD43975A70P	2-4	3-6	MD44502X50S	2-9	19-6
MD43976A70P	2-4	3-7	MD44502X50S	2-9	37-4
MD44008A10A	2-3	4-11	MD44541A25P	2-8	6-4
MD44030A14C	2-3	5-5-3	MD44554A25A	2-3	4-NI 12
MD44031A14A	2-3	5-5-2	MD44562A25P	2-8	6-1
MD44146X10S	2-7-2	2-9	MD44563A25P	2-8	6-2
MD44146X10S	2-7-2	3-8	MD44564A25P	2-8	5-7
MD44147B10C	2-4	1-37	MD44564A25P	2-8	6-5
MD44147B10C	2-4	2-35	MD44565A25P	2-8	5-6
MD44161H20P	2-1-4	4-7	MD44565A2JP	2-8	6-6
MD44162H20C	2-1-4	4-6	MD44643X10S	2-9	24-4
MD44163H20C	2-1-4	4-5	MD44643X10S	2-9	37-5
MD44165L10P	2-10	2-14	MD44732B10C	2-4	1-14
MD44166L10P	2-10	2-15	MD44732B10C	2-4	2-14
MD44189N20P	2-8	4-26	MD44829B10P	2-6	1-14
MD44196N75P	2-8	4-24	MD44829B10P	2-6	2-14
MD44197N25A	2-8	4-21	MD44829B10P	2-6	4-19
MD44200N25P	2-8	4-NI 22	MD44829B10P	2-6	5-20
MD44201L20P	2-10	2-16	MD44852A60C	2-3	11-4
MD44202L20P	2-10	2-17	MD44859X10S	2-9	23-5
MD44213A60P	2-3	11-NI 8	MD44859X10S	2-9	34-5
MD44233L30A	2-7-3	1-10	MD44862X10S	2-6	5-21
MD44239L30P	2-9	13-1	MD44869B10P	2-6	1-13
MD44243L20P	2-10	2-17	MD44869B10P	2-6	2-13
MD44244X50S	2-9	32-3	MD44869B10P	2-6	3-13
MD44246L30A	2-7-3	1-11	MD44869B10P	2-6	4-15
MD44345H20C	2-1-4	4-4	MD44869B10P	2-6	5-15
MD44399X30S	2-11	1-21	MD44873B10P	2-11	1-10
MD44445T30P	2-9	10-13	MD44924X10S	2-7-1	2-29
MD44445T30P	2-9	21-5	MD44965X10S	2-1-2	1-27
MD44445T30P	2-9	23-4	MD44966A50P	2-3	9-11
MD44445T30P	2-9	24-3	MD44966A50P	2-3	10-17
MD44445T30P	2-9	26-8	MD44967A50P	2-3	9-13
MD44445T30P	2-9	28-7	MD44967A50P	2-3	10-16
MD44445T30P	2-9	29-7	MD44969A50P	2-3	9-12
MD44445T30P	2-9	30-7	MD44969A50P	2-3	10-6
MD44445X60S	2-9	27-5	MD44976L90P	2-10	2-18
MD44468X30S	2-13	4-3	MD44994E40P	2-1-1	3-5



<b>Manufactures Part or Dwg Numbers</b>	<b>Chapter 2- Sub-Chap</b>	<b>Fig &amp; Item</b>	<b>Manufactures Part or Dwg Numbers</b>	<b>Chapter 2- Sub-Chap</b>	<b>Fig &amp; Item</b>
MD45017X60S	2-11	1-12	MD45311D12A	2-6	3-8
MD45017X60S	2-11	2-10	MD45334X10S	2-6	4-13
MD45023B10P	2-6	1-26	MD45353T30P	2-10	1-3
MD45023B10P	2-6	2-25	MD45354T30P	2-10	1-4
MD45023B10P	2-6	3-26	MD45370A40A	2-7-3	1-12
MD45023B10P	2-11	1-13	MD45372A40C	2-7-3	1-13
MD45023B10P	2-11	2-2	MD45390X26P	2-7-3	1-14
MD45027X10S	2-6	1-27	MD45391X26P	2-7-1	1-9
MD45027X10S	2-6	2-26	MD45391X26P	2-7-3	1-15
MD45027X10S	2-6	3-27	MD45392X26P	2-7-1	1-10
MD45027X10S	2-11	1-14	MD45392X26P	2-7-3	1-16
MD45027X10S	2-11	2-11	MD45394A40C	2-7-3	1-17
MD45028X20S	2-6	1-16	MD45395A40C	2-7-3	1-18
MD45028X20S	2-6	1-28	MD45409X10S	2-1-2	1-31
MD45028X20S	2-6	2-16	MD45409X10S	2-3	1-7
MD45028X20S	2-6	2-27	MD45491A30C	2-12	1-NI 43
MD45028X20S	2-6	3-28	MD45514X60S	2-9	19-2
MD45028X20S	2-6	4-21	MD45514X60S	2-9	20-2
MD45028X20S	2-11	1-15	MD45514X60S	2-9	28-8
MD45028X20S	2-11	2-12	MD45514X60S	2-9	30-8
MD45031B10A	2-11	1-19	MD45514X60S	2-10	1-5
MD45032X10S	2-11	1-16	MD45530A40P	2-7-1	3-4
MD45032X10S	2-11	2-3	MD45684N95A	2-8	3-NI 31
MD45035B10P	2-11	1-17	MD45688N30A	2-8	1-NI 2
MD45038B10P	2-11	1-18	MD45717B20A	2-13	1-5
MD45038B10P	2-11	2-7	MD45718B20A	2-13	1-4
MD45050X30S	2-3	1-25	MD45763N30A	2-8	1-4
MD45072B10C	2-9	38-4	MD45764N30A	2-8	1-10
MD45107T30P	2-9	38-5	MD45765N30A	2-8	1-5
MD45107T30P	2-9	39-1	MD45765N30A	2-12	1-17
MD45125B10A	2-11	2-1	MD45839N30A	2-8	1-6
MD45133D22A	2-6	1-24	MD46003A42P	2-7-1	2-8
MD45133D22A	2-6	2-23	MD46004A42P	2-7-1	2-21
MD45133D22A	2-6	3-24	MD46007A42P	2-7-1	2-9
MD45134B10A	2-11	2	MD46040A42P	2-7-1	2-10
MD45143B10C	2-11	1-23	MD46048T30C	2-7-1	2-11
MD45264A30P	2-12	1	MD46063N34A	2-8	1-7
MD45264A30P	2-12	1-2	MD46064N80P	2-7-2	2-25
MD45290X60S	2-1-2	4-7	MD46064N80P	2-7-2	3-22
MD45290X60S	2-9	8-5	MD46089A30C	2-12	1-18
MD45290X60S	2-9	11-13	MD46099L00P	2-10	1-6





<b>Manufactures Part or Dwg Numbers</b>	<b>Chapter 2- Sub-Chap</b>	<b>Fig &amp; Item</b>	<b>Manufactures Part or Dwg Numbers</b>	<b>Chapter 2- Sub-Chap</b>	<b>Fig &amp; Item</b>
MD46122N70A	2-3	9-16	MD46462A90C	2-3	6-22
MD46122N70A	2-8	4-19	MD46467A14A	2-3	4-4
MD46125N70P	2-3	9-17	MD46467A14A	2-3	6-NI 20
MD46125N70P	2-8	4-16	MD46537D24P	2-6	4-16
MD46145N20P	2-8	4-NI 13	MD46537D24P	2-6	5-16
MD46164L20P	2-10	2-19	MD46562B10A	2-4	1-9
MD46168L20C	2-10	1-27	MD46562B10A	2-4	2-9
MD46183N30A	2-8	1-NI 8	MD46596B10A	2-4	1-10
MD46232X10S	2-2-1	3-4	MD46596B10A	2-4	2-10
MD46232X10S	2-2-1	4-4	MD46607X10S	2-3	1-24
MD46232X10S	2-2-1	5-5	MD46655D24C	2-6	4-17
MD46232X10S	2-2-1	6-4	MD46655D24C	2-6	5-17
MD46232X10S	2-2-1	7-4	MD46751C00P	2-5-2	2-38
MD46232X10S	2-2-1	9-4	MD46751C00P	2-5-2	3-42
MD46235T20A	2-8	3-NI 30	MD46759C00P	2-5-1	1-1
MD46236T20A	2-8	3-NI 32	MD46760C00P	2-5-1	1-2
MD46238A45P	2-8	3-7A	MD46793C00P	2-5-1	1-3
MD46238A45P	2-8	3-7C	MD46794C00P	2-5-1	1-4
MD46239N30A	2-8	1-NI 9	MD46795C00P	2-5-1	1-5
MD46246T30P	2-9	39-11	MD46796C00P	2-5-1	1-6
MD46246T30P	2-9	39-22	MD46799C00P	2-5-1	2-1
MD46246T30P	2-9	39-27	MD46800C00P	2-5-1	2-2A
MD46286L20P	2-10	2-20	MD46802C00P	2-5-1	2-4
MD46309T30P	2-9	39-7	MD46803C00P	2-5-1	2-5
MD46309T30P	2-9	39-18	MD46804C00P	2-5-1	2-6
MD46315A48P	2-3	7-NI 3	MD46805C00P	2-5-1	2-7
MD46320N80A	2-8	3-1	MD46806C00P	2-5-1	2-8
MD46320N80P	2-10	2-21	MD46807C00P	2-5-1	2-9
MD46323N80P	2-10	2-22	MD46808C00P	2-5-1	2-10
MD46343X80P	2-7-1	2-12	MD46809C00P	2-5-1	2-11
MD46356N70P	2-8	3-5	MD46810C00P	2-5-1	2-12
MD46356N70P	2-8	3-NI 45	MD46811C00P	2-5-1	2-13
MD46375K50C	2-7-2	2-10	MD46812C00P	2-5-1	2-14
MD46375K50C	2-7-2	3-9	MD46813C00P	2-5-1	2-15
MD46444X10S	2-3	1-38	MD46814C00P	2-5-1	2-16
MD46444X10S	2-7-1	2-22	MD46815C00P	2-5-1	2-17A
MD46452X10S	2-4	2-30	MD46816C00P	2-5-1	2-18
MD46452X10S	2-13	7-13	MD46817C00P	2-5-1	2-19
MD46453X10S	2-6	1-6	MD46818C00P	2-5-1	2-20
MD46453X10S	2-6	2-6	MD46819C00P	2-5-1	2-21
MD46453X10S	2-6	3-6	MD46820C00P	2-5-1	2-22



<b>Manufactures Part or Dwg Numbers</b>	<b>Chapter 2- Sub-Chap</b>	<b>Fig &amp; Item</b>	<b>Manufactures Part or Dwg Numbers</b>	<b>Chapter 2- Sub-Chap</b>	<b>Fig &amp; Item</b>
MD46821C00P	2-5-1	2-23	MD46858C00P	2-5-2	4-7
MD46822C00P	2-5-1	2-24	MD46859C00P	2-5-1	3-17
MD46823C00P	2-5-1	2-25	MD46859C00P	2-5-2	3-44
MD46824C00P	2-5-1	2-26	MD46860C00P	2-5-1	3-18
MD46825C00P	2-5-1	2-27	MD46861C00P	2-5-1	3-19
MD46826C00P	2-5-1	2-28	MD46862C00P	2-5-1	3-20
MD46827C00P	2-5-1	2-29	MD46863C00P	2-5-1	3-21
MD46828C00P	2-5-1	2-30	MD46875C00P	2-5-1	3-27
MD46829C00P	2-5-1	2-31	MD46876C00P	2-5-1	3-28
MD46830C00P	2-5-1	2-32	MD46877C00P	2-5-1	3-29
MD46831C00P	2-5-1	2-33	MD46877C00P	2-5-2	3-13
MD46832C00P	2-5-1	2-34	MD46878C00P	2-5-1	3-30
MD46832C00P	2-5-2	2-36	MD46879C00P	2-5-1	3-31
MD46833C00P	2-5-1	2-35	MD46880C00P	2-5-1	3-32
MD46833C00P	2-5-2	2-37	MD46881C00P	2-5-1	3-33
MD46834C00P	2-5-1	2-36	MD46882C00P	2-5-1	3-34
MD46834C00P	2-5-2	2-35	MD46886C00P	2-5-1	3-35
MD46835C00P	2-5-1	2-37	MD46887C00P	2-5-1	3-36
MD46835C00P	2-5-2	2-34	MD46888C00P	2-5-1	3-37
MD46836C00P	2-5-1	2-38	MD46888C00P	2-5-2	3-25
MD46837C00P	2-5-1	2-39	MD46889C00P	2-5-1	3-38
MD46838C00P	2-5-1	2-40	MD46890C00P	2-5-1	3-39
MD46839C00P	2-5-1	2-41	MD46892C00P	2-5-1	3-41
MD46840C00P	2-5-1	2-42	MD46893C00P	2-5-1	3-42
MD46841C00P	2-5-1	2-43	MD46893C00P	2-5-2	2-25
MD46842C00P	2-5-1	3-1	MD46894C00P	2-5-1	3-43
MD46843C00P	2-5-1	3-2	MD46895C00P	2-5-2	3-11
MD46845C00P	2-5-1	3-4	MD46896C00P	2-5-1	3-45
MD46846C00P	2-5-1	3-5	MD46896C00P	2-5-2	3-10
MD46848C00P	2-5-1	3-6	MD46897C00P	2-5-1	3-NI 46
MD46849C00P	2-5-1	3-7	MD46898C00P	2-5-1	3-47
MD46849C00P	2-5-2	3-40	MD46898C00P	2-5-2	1-5
MD46850C00P	2-5-1	3-8	MD46898C00P	2-5-2	3-43
MD46850C00P	2-5-2	3-41	MD46899C00P	2-5-1	3-48
MD46851C00P	2-5-1	3-9	MD46899C00P	2-5-2	3-50
MD46851C00P	2-5-2	3-34	MD46900C00P	2-5-1	3-49A
MD46852C00P	2-5-1	3-10	MD46901C00P	2-5-1	3-50
MD46854C00P	2-5-1	3-12	MD46903C00P	2-5-1	4-1
MD46856C00P	2-5-1	3-14	MD46903C00P	2-5-2	4-9
MD46857C00P	2-5-1	3-15	MD46904C00P	2-5-1	4-2
MD46858C00P	2-5-1	3-16	MD46907C00P	2-5-1	4-5



<b>Manufactures Part or Dwg Numbers</b>	<b>Chapter 2- Sub-Chap</b>	<b>Fig &amp; Item</b>	<b>Manufactures Part or Dwg Numbers</b>	<b>Chapter 2- Sub-Chap</b>	<b>Fig &amp; Item</b>
MD46908C00P	2-5-1	4-6	MD47355X50S	2-9	5-3
MD46909C00P	2-5-1	4-7	MD47355X50S	2-9	6-3
MD46910C00P	2-5-1	4-8	MD47355X50S	2-9	7-3
MD46911C00P	2-5-1	4-9	MD47355X50S	2-9	28-10
MD46912C00P	2-5-1	4-10	MD47355X50S	2-9	29-9
MD46913C00P	2-5-1	4-11	MD47355X50S	2-9	30-10
MD46914C00P	2-5-1	4-12	MD47386T30P	2-10	1-7
MD46915C00P	2-5-1	4-13	MD47387T30P	2-10	1-8
MD46917C00P	2-5-1	5-1	MD47388T30P	2-10	1-9
MD46918C00P	2-5-1	5-2	MD47459T30P	2-10	1-10
MD46950X10S	2-4	1-21	MD47460L20P	2-10	1-11
MD46950X10S	2-4	2-21	MD47461T30P	2-10	1-12
MD46950X10S	2-4	4-6	MD47462L20C	2-10	1-13
MD46950X10S	2-6	1-18	MD47463T30P	2-10	1-14
MD46950X10S	2-6	2-18	MD47464L20P	2-10	1-15
MD46950X10S	2-6	3-18	MD47490L20C	2-10	1-16
MD46976X10S	2-7-1	3-5	MD47546N20A	2-8	4-8
MD47047T30P	2-9	35-8	MD47547N95A	2-8	4-14
MD47047T30P	2-9	36-8	MD47552N40A	2-8	4-25
MD47047X30P	2-9	9-4	MD47555N75A	2-8	4-NI 20
MD47053T30P	2-9	5-4	MD47559A14A	2-3	4-NI 2
MD47053T30P	2-9	6-4	MD47559A14A	2-3	5-9
MD47053T30P	2-9	7-4	MD47561A50A	2-3	4-8
MD47053T30P	2-9	28-9	MD47561A50A	2-3	9
MD47053T30P	2-9	29-8	MD47562A50A	2-3	4-9
MD47053T30P	2-9	30-9	MD47562A50A	2-3	10
MD47081A30P	2-12	1-11	MD47565A48A	2-3	7-2
MD47188P20C	2-12	1-23	MD47566A48A	2-3	6-24
MD47196Z10C	2-9	34-12	MD47566A48A	2-3	7-NI 30
MD47196Z10C	2-13	5-11	MD47567A10A	2-3	4-6
MD47274A12C	2-3	6-5	MD47567A10A	2-3	8
MD47305N75P	2-8	3-4	MD47568A60A	2-3	4-7
MD47306N75P	2-8	3-NI 4A	MD47568A60A	2-3	11
MD47336Z10C	2-7-2	4-2	MD47572A30A	2-12	1-NI 36
MD47336Z10C	2-8	3-NI 34	MD47573A30A	2-12	1-NI 40
MD47348A45P	2-8	3-35	MD47574A30A	2-3	5-33
MD47349A45P	2-8	3-36	MD47574A30A	2-12	1-NI 10
MD47350N75P	2-7-2	4-3	MD47576A30A	2-12	1-NI 1
MD47350N75P	2-8	3-2	MD47577A30A	2-12	1-NI 29
MD47350N75P	2-8	3-NI 37	MD47578A30A	2-12	1-NI 58
MD47355X50S	2-1-2	4-6	MD47661T30A	2-9	2-80



<b>Manufactures Part or Dwg Numbers</b>	<b>Chapter 2- Sub-Chap</b>	<b>Fig &amp; Item</b>	<b>Manufactures Part or Dwg Numbers</b>	<b>Chapter 2- Sub-Chap</b>	<b>Fig &amp; Item</b>
MD47661T30A	2-9	3-85	MD48762B10A	2-11	1-3
MD47661T30A	2-9	3-86	MD48769B10A	2-11	1-5
MD47661T30A	2-9	25	MD48770B10C	2-11	1-6
MD47663T30A	2-9	1-80	MD48770B10C	2-11	2-8
MD47663T30A	2-9	2-81	MD48771B10A	2-11	1-9
MD47663T30A	2-9	3-87	MD48771B10A	2-11	2-4
MD47663T30A	2-9	4-80	MD48775B10P	2-6	4-22
MD47663T30A	2-9	26	MD48775B10P	2-6	5-22
MD47721X60S	2-9	18-3	MD48775B10P	2-11	1-4
MD47721X60S	2-9	21-9	MD48775B10P	2-11	2-6
MD47721X60S	2-9	37-6	MD48799B10C	2-11	1-8
MD47722X60S	2-9	18-2	MD48800B10C	2-11	1-7
MD47722X60S	2-9	19-4	MD48800B10C	2-11	2-5
MD47722X60S	2-9	28-11	MD48812A80P	2-3	1-9
MD47722X60S	2-9	29-10	MD48876X10S	2-9	37-7
MD47722X60S	2-9	30-11	MD48917A30P	2-12	1-16
MD47726X60S	2-9	5-5	MD48936T30P	2-9	23-8
MD47726X60S	2-9	6-5	MD48937T30P	2-9	23-9
MD47742X60S	2-2-1	1-15	MD48938T30P	2-9	23-10
MD47742X60S	2-9	32-4	MD49092C00P	2-5-1	5-NI 4
MD47746X50S	2-9	32-5	MD49093A30P	2-12	1-6
MD47884P20P	2-1-2	2-13	MD49164X10S	2-13	6-11
MD47913P20P	2-1-2	2-4	MD49342X10S	2-1-2	1-47
MD47941C00P	2-5-1	2-2B	MD49449X10S	2-6	5-12
MD47942C00P	2-5-1	2-2C	MD49460X10P	2-7-2	2-11
MD47943C00P	2-5-1	2-2D	MD49522V15A	2-1-1	1
MD47944C00P	2-5-1	2-2E	MD49563X10S	2-7-2	2-12
MD47945C00P	2-5-1	2-17B	MD49563X10S	2-7-2	3-10
MD47946C00P	2-5-1	2-17C	MD49635X00S	2-7-2	2-13
MD47947C00P	2-5-1	2-17D	MD49635X00S	2-7-2	3-11
MD47952C00P	2-5-1	3-49B	MD49687B10A	2-4	1
MD47953C00P	2-5-1	3-49C	MD49688A10A	2-3	4
MD47980X20S	2-7-1	2-13	MD49689C20A	2-6	3
MD48060X50S	2-9	11-5	MD49745F00P	2-2-1	1-1
MD48297X10S	2-8	2-2	MD49746F10A	2-2-1	1
MD48297X10S	2-9	28-12	MD49956E30A	2-1-2	3-1
MD48297X10S	2-9	29-11	MD49957E30P	2-1-2	3-2
MD48297X10S	2-9	30-12	MD49988G10A	2-1-3	1
MD48652N25A	2-8	4-34	MD49989G10C	2-1-3	1-11
MD48756B10A	2-11	1	MD49990T30C	2-9	5-1
MD48757B10A	2-11	1-1	MD49990T30C	2-9	6-1



Manufactures Part or Dwg Numbers	Chapter 2-Sub-Chap	Fig & Item	Manufactures Part or Dwg Numbers	Chapter 2-Sub-Chap	Fig & Item
MD49990T30C	2-9	7-1	MD50259F50P	2-2-1	6-3
MD49991T30A	2-9	4-68	MD50259F50P	2-2-1	7-3
MD49991T30A	2-9	5	MD50259F50P	2-2-1	8-3
MD49995N10A	2-8	2	MD50259F50P	2-2-1	9-3
MD50005A80A	2-3	1	MD50282A75P	2-3	1-28
MD50058P10C	2-1-2	1-7	MD50307J30P	2-1-4	2-2
MD50059P10C	2-1-2	1-51	MD50331F50C	2-2-1	8-8
MD50060P10P	2-1-2	1-1	MD50341A30P	2-12	1-14
MD50063P30P	2-1-2	2-1	MD50344B20P	2-13	1-12
MD50087P40P	2-1-2	1-15	MD50344B20P	2-13	2-7
MD50087P40P	2-1-2	4-11	MD50351T30P	2-9	20-1
MD50091P20C	2-1-2	1-13	MD50352T30P	2-9	19-1
MD50092P20C	2-1-2	1-14	MD50369B10A	2-4	1-2
MD50101P20C	2-1-2	1-10	MD50369B10A	2-4	2-2
MD50159P10A	2-1-2	1-2	MD50419X00P	2-1-4	2-6
MD50160P10A	2-1-2	1-3	MD50420X00P	2-1-4	2-7
MD50173P10A	2-1-2	1-32	MD50421X00P	2-1-4	2-8
MD50173P10A	2-1-2	2-6	MD50436X00P	2-1-2	1-11
MD50177C20A	2-6	5	MD50437X00P	2-1-2	1-12
MD50178F50A	2-2-1	2-6	MD50456E40A	2-4	1-40
MD50178F50A	2-2-1	8	MD50456E40A	2-4	2-38
MD50203G10A	2-1-3	1-1	MD50456E40A	2-4	4
MD50227J00A	2-1-1	2-4	MD50484X35P	2-4	1-18
MD50227J00A	2-1-4	2	MD50484X35P	2-4	2-19
MD50228J10P	2-1-4	2-13	MD50500D22A	2-6	3-5
MD50230J30C	2-1-4	2-1	MD50528X10S	2-9	16-8
MD50257F50C	2-2-1	5-NI 2	MD50528X10S	2-9	21-7
MD50257F50C	2-2-1	6-1	MD50528X10S	2-13	1-1
MD50257F50C	2-2-1	7-1	MD50528X10S	2-13	2-1
MD50257F50C	2-2-1	8-1	MD50528X10S	2-13	3-1
MD50257F50C	2-2-1	9-1	MD50529E40A	2-1-1	3-1
MD50258F50C	2-2-1	3-6	MD50533E40A	2-1-1	3-2
MD50258F50C	2-2-1	4-6	MD50535E40A	2-4	4-7
MD50258F50C	2-2-1	5-7	MD50543E40A	2-1-1	3-3
MD50258F50C	2-2-1	6-6	MD50544E40A	2-1-1	3-4
MD50258F50C	2-2-1	7-6	MD50550E40A	2-1-1	2-5
MD50258F50C	2-2-1	8-5	MD50550E40A	2-1-1	3
MD50258F50C	2-2-1	9-6	MD50555E40A	2-4	4-8
MD50259F50P	2-2-1	3-3	MD50556E40A	2-4	4-9
MD50259F50P	2-2-1	4-3	MD50587C10A	2-7-2	2
MD50259F50P	2-2-1	5-4	MD50605X10S	2-1-4	2-3



<b>Manufactures Part or Dwg Numbers</b>	<b>Chapter 2- Sub-Chap</b>	<b>Fig &amp; Item</b>	<b>Manufactures Part or Dwg Numbers</b>	<b>Chapter 2- Sub-Chap</b>	<b>Fig &amp; Item</b>
MD50605X10S	2-6	1-22	MD50822X10S	2-8	2-3
MD50605X10S	2-6	2-21	MD50824K50C	2-9	39-2
MD50605X10S	2-6	3-22	MD50825K50C	2-9	39-3
MD50615B10C	2-4	1-15	MD50826L20C	2-9	39-8
MD50616B10C	2-4	1-16	MD50826L20C	2-9	39-19
MD50626J30A	2-1-4	1-1	MD50827L20C	2-9	39-9
MD50627J30A	2-1-4	1	MD50827L20C	2-9	39-20
MD50627J30A	2-3	4-13	MD50828L20C	2-9	39-6
MD50630J30A	2-1-4	1-2	MD50829L20C	2-9	39-5
MD50632X10S	2-1-4	1-5	MD50830X60P	2-9	39-4
MD50646J30A	2-1-4	1-6	MD50830X60P	2-9	39-16
MD50654X10S	2-1-3	1-5	MD50830X60P	2-9	39-23
MD50654X10S	2-3	1-39	MD50831X60P	2-9	39-10
MD50654X10S	2-4	1-22	MD50831X60P	2-9	39-21
MD50654X10S	2-4	2-22	MD50831X60P	2-9	39-26
MD50654X10S	2-13	1-10	MD50835A48P	2-3	7-19
MD50662X00P	2-10	1-17	MD50847F30A	2-2-1	1-2
MD50662X00P	2-12	1-NI 32	MD50851T30P	2-9	38-6
MD50706A80P	2-3	1-5	MD50854B20A	2-4	1-3
MD50723A80A	2-3	1-30	MD50854B20A	2-4	2-3
MD50753A80C	2-3	1-18	MD50864B20A	2-4	1-5
MD50754A80C	2-3	1-22	MD50864B20A	2-4	2-5
MD50755A80C	2-3	1-13	MD50884X10S	2-2-1	1-29
MD50756A80C	2-3	1-6	MD50884X10S	2-9	20-6
MD50757A80A	2-3	1-19	MD50884X10S	2-9	32-6
MD50757A80A	2-3	3-1	MD50884X10S	2-10	2-23
MD50758A80A	2-3	1-23	MD50900L20P	2-9	14-1
MD50758A80A	2-3	3-10	MD50902L20P	2-9	32-7
MD50760A80C	2-3	3-3	MD50903L20P	2-9	12-2
MD50760A80C	2-3	3-12	MD50903L20P	2-9	12-6
MD50761A80P	2-1-2	1-44	MD50908F30A	2-2-1	1-3
MD50761A80P	2-3	3-2	MD50909F30A	2-2-1	1-4
MD50761A80P	2-3	3-11	MD50916F15P	2-7-1	1-4
MD50790A80P	2-3	1-41	MD50916F15P	2-9	31-1
MD50818A80A	2-3	1-29	MD50917T30P	2-9	5-2
MD50821X10S	2-6	1-3	MD50917T30P	2-9	6-2
MD50821X10S	2-6	2-3	MD50917T30P	2-9	7-2
MD50821X10S	2-6	3-3	MD50921C25A	2-9	31
MD50821X10S	2-6	4-3	MD50921T30A	2-9	1-83
MD50821X10S	2-6	5-3	MD50921T30A	2-9	2-84
MD50822X10S	2-1-2	1-34	MD50921T30A	2-9	3-90



<b>Manufactures Part or Dwg Numbers</b>	<b>Chapter 2- Sub-Chap</b>	<b>Fig &amp; Item</b>	<b>Manufactures Part or Dwg Numbers</b>	<b>Chapter 2- Sub-Chap</b>	<b>Fig &amp; Item</b>
MD50921T30A	2-9	4-83	MD51255F20P	2-2-1	1-NI 31
MD50928B10A	2-6	1-25	MD51255F20P	2-3	7-20
MD50928B10A	2-6	2-24	MD51256L30P	2-9	15-1
MD50928B10A	2-6	3-25	MD51257A48A	2-3	4-5
MD50929A70A	2-4	1-11	MD51257A48A	2-3	7-NI 1
MD50929A70A	2-4	2-11	MD51322A48A	2-3	7-6
MD50930A70A	2-4	1-12	MD51326A48C	2-3	7-7
MD50930A70A	2-4	2-12	MD51327A48C	2-3	7-8
MD50942B10A	2-4	1-4	MD51328A48C	2-3	7-9
MD50942B10A	2-4	2-4	MD51329P40P	2-1-2	4-1
MD50956A80A	2-3	3-13	MD51335T30C	2-9	15-4
MD50957A80A	2-3	3-4	MD51336A95C	2-3	7-10
MD50959T30P	2-2-1	1-16	MD51340C20C	2-7-2	2-14
MD50971A80C	2-3	1-3	MD51341C20C	2-7-2	3-12
MD50972A80C	2-3	1-4	MD51342C20C	2-7-2	2-15
MD50974A80C	2-3	2-1	MD51343C20C	2-7-2	3-13
MD50978B10A	2-2-1	4-13	MD51357L20P	2-10	2-24
MD50978B10A	2-2-1	5-14	MD51360L20P	2-7-2	2-16
MD50978B10A	2-2-1	7-13	MD51360L20P	2-7-2	3-14
MD50978B10A	2-2-1	9-13	MD51361T30A	2-9	34-6
MD50991B20A	2-4	1-13	MD51365C10C	2-7-2	2-17
MD50991B20A	2-4	2-13	MD51365C10C	2-7-2	3-15
MD51100D22A	2-6	5-14	MD51366C10A	2-7-2	3
MD51144B10A	2-4	1-6	MD51367X10S	2-6	5-10
MD51144B10A	2-4	2-6	MD51373L10A	2-10	2
MD51174D22A	2-6	5-23	MD51374X10S	2-2-1	3-10
MD51212B10A	2-4	1-7	MD51374X10S	2-2-1	4-10
MD51212B10A	2-4	2-7	MD51374X10S	2-2-1	5-11
MD51218T30P	2-9	16-11	MD51374X10S	2-2-1	6-10
MD51218T30P	2-9	21-11	MD51374X10S	2-2-1	7-10
MD51228B10A	2-4	1-8	MD51374X10S	2-2-1	8-9
MD51228B10A	2-4	2-8	MD51374X10S	2-2-1	9-10
MD51247X60S	2-9	8-3	MD51375X40S	2-6	5-24
MD51247X60S	2-9	9-2	MD51401B20A	2-4	1-33
MD51247X60S	2-9	10-12	MD51401B20A	2-4	2-31
MD51247X60S	2-9	11-11	MD51406B20A	2-4	1-34
MD51247X60S	2-9	16-2	MD51406B20A	2-4	2-32
MD51247X60S	2-9	21-2	MD51410B20P	2-4	1-35
MD51247X60S	2-9	22-5	MD51410B20P	2-4	2-33
MD51247X60S	2-9	25-5	MD51410B20P	2-13	7-12
MD51254A48C	2-3	7-5	MD51417T30P	2-9	37-9



<b>Manufactures Part or Dwg Numbers</b>	<b>Chapter 2- Sub-Chap</b>	<b>Fig &amp; Item</b>	<b>Manufactures Part or Dwg Numbers</b>	<b>Chapter 2- Sub-Chap</b>	<b>Fig &amp; Item</b>
MD51421X30S	2-3	7-29	MD51477X60S	2-1-2	1-53
MD51422T30P	2-9	37-10	MD51492F12P	2-2-1	1-NI 22
MD51423T30P	2-9	37-NI 11	MD51527P10P	2-1-2	1-38
MD51424T30A	2-9	37-8	MD51533P10A	2-1-2	1-39
MD51441T30C	2-9	34-7	MD51561X30S	2-3	7-16
MD51442T30C	2-9	28-13	MD51563X10S	2-1-2	64
MD51442T30C	2-9	29-12	MD51563X10S	2-10	1-18
MD51442T30C	2-9	30-13	MD51564X10S	2-1-2	1-17
MD51456X10S	2-2-1	3-7	MD51579T30P	2-9	39-12
MD51456X10S	2-2-1	4-7	MD51582N00A	2-3	4-14
MD51456X10S	2-2-1	5-8	MD51583F20A	2-3	4-NI 19
MD51456X10S	2-2-1	6-7	MD51583F20A	2-8	3-NI 12
MD51456X10S	2-2-1	7-7	MD51588N25C	2-8	3-NI 29
MD51456X10S	2-2-1	8-6	MD51595N00A	2-8	3-NI 28
MD51456X10S	2-2-1	9-7	MD51659F20P	2-7-1	2-23
MD51458X20S	2-2-1	3-8	MD51659F20P	2-7-1	3-6
MD51458X20S	2-2-1	4-8	MD51660L20C	2-9	39-25
MD51458X20S	2-2-1	5-9	MD51661X60P	2-9	39-24
MD51458X20S	2-2-1	6-8	MD51666E60A	2-7-1	2-24
MD51458X20S	2-2-1	7-8	MD51666E60A	2-7-1	3-7
MD51458X20S	2-2-1	8-7	MD51668E60P	2-3	10-11
MD51458X20S	2-2-1	9-8	MD51670X10S	2-2-1	3-2
MD51460X20S	2-2-1	3-11	MD51670X10S	2-2-1	4-2
MD51460X20S	2-2-1	4-11	MD51670X10S	2-2-1	5-3
MD51460X20S	2-2-1	5-12	MD51670X10S	2-2-1	6-2
MD51460X20S	2-2-1	6-11	MD51670X10S	2-2-1	7-2
MD51460X20S	2-2-1	7-11	MD51670X10S	2-2-1	8-2
MD51460X20S	2-2-1	8-10	MD51670X10S	2-2-1	9-2
MD51460X20S	2-2-1	9-11	MD51682P20A	2-1-2	61
MD51462X60S	2-9	28-14	MD51687P20C	2-1-2	62
MD51462X60S	2-9	29-13	MD51730X60S	2-9	20-3
MD51462X60S	2-9	30-14	MD51747T30P	2-9	8-7
MD51463F50C	2-2-1	4-9	MD51747T30P	2-9	10-1
MD51463F50C	2-2-1	5-10	MD51749T30P	2-9	10-8
MD51463F50C	2-2-1	7-9	MD51750T30P	2-9	8-1
MD51463F50C	2-2-1	9-9	MD51750T30P	2-9	11-10
MD51464F50A	2-2-1	2-5	MD51759T30A	2-9	9
MD51464F50A	2-2-1	7	MD51759T30A	2-9	9-1
MD51465X60S	2-9	28-15	MD51759T30A	2-9	10
MD51465X60S	2-9	29-14	MD51766T30A	2-9	34
MD51465X60S	2-9	30-15	MD51768X10S	2-9	8-6





Manufactures Part or Dwg Numbers	Chapter 2-Sub-Chap	Fig & Item	Manufactures Part or Dwg Numbers	Chapter 2-Sub-Chap	Fig & Item
MD51768X10S	2-9	10-14	MD51837B20A	2-4	1-NI 41
MD51768X10S	2-9	11-15	MD51837B20A	2-4	2-NI 39
MD51780T30C	2-9	37-12	MD51837B20A	2-13	1
MD51781T30A	2-9	8	MD51838B20A	2-4	1-NI 42
MD51782T30A	2-2-1	1-18	MD51838B20A	2-4	2-NI 40
MD51782T30A	2-9	37	MD51838B20A	2-13	2
MD51789L30P	2-9	13-4	MD51839B20C	2-13	1-13
MD51813T30P	2-9	8-10	MD51839B20C	2-13	2-8
MD51813T30P	2-9	10-5	MD51840B20C	2-13	1-14
MD51814T30P	2-9	8-8	MD51840B20C	2-13	2-9
MD51814T30P	2-9	10-3	MD51840B20C	2-13	3-9
MD51814T30P	2-9	11-8	MD51841B20C	2-13	1-15
MD51822T30A	2-9	1	MD51841B20C	2-13	2-10
MD51822T30A	2-9	4	MD51841B20C	2-13	3-10
MD51827K30A	2-9	20	MD51985X60S	2-9	20-4
MD51827T30A	2-9	1-74	MD51998X60S	2-9	16-4
MD51827T30A	2-9	2-74	MD51998X60S	2-9	20-5
MD51827T30A	2-9	4-74	MD51999T30A	2-9	14
MD51828T30P	2-9	1-3	MD51999T30P	2-9	1-72
MD51828T30P	2-9	2-3	MD51999T30P	2-9	2-72
MD51828T30P	2-9	3-3	MD51999T30P	2-9	3-78
MD51828T30P	2-9	4-3	MD51999T30P	2-9	4-72
MD51829T30P	2-9	1-4	MD52000T30A	2-9	1-84
MD51829T30P	2-9	2-4	MD52000T30A	2-9	2-85
MD51829T30P	2-9	3-4	MD52000T30A	2-9	3-91
MD51829T30P	2-9	4-4	MD52000T30A	2-9	4-84
MD51830T30P	2-9	1-5	MD52000T30A	2-9	32
MD51830T30P	2-9	2-5	MD52001B20A	2-13	1-6
MD51830T30P	2-9	3-5	MD52005T30P	2-9	14-2
MD51830T30P	2-9	4-5	MD52007X60P	2-9	14-3
MD51831T30P	2-9	1-6	MD52008X60P	2-9	14-4
MD51831T30P	2-9	2-6	MD52013T30P	2-9	1-8
MD51831T30P	2-9	3-6	MD52013T30P	2-9	2-8
MD51831T30P	2-9	4-6	MD52013T30P	2-9	3-8
MD51832T30P	2-9	1-7	MD52013T30P	2-9	4-8
MD51832T30P	2-9	2-7	MD52014T30P	2-9	1-9
MD51832T30P	2-9	3-7	MD52014T30P	2-9	2-9
MD51832T30P	2-9	4-7	MD52014T30P	2-9	3-9
MD51835T30A	2-9	1-82	MD52014T30P	2-9	4-9
MD51835T30A	2-9	4-82	MD52015T30P	2-9	1-10
MD51835T30A	2-9	28	MD52015T30P	2-9	2-10



<b>Manufactures Part or Dwg Numbers</b>	<b>Chapter 2- Sub-Chap</b>	<b>Fig &amp; Item</b>	<b>Manufactures Part or Dwg Numbers</b>	<b>Chapter 2- Sub-Chap</b>	<b>Fig &amp; Item</b>
MD52015T30P	2-9	3-10	MD52034T30A	2-9	16
MD52015T30P	2-9	4-10	MD52035T30A	2-9	1-78
MD52016T30P	2-9	1-11	MD52035T30A	2-9	3-84
MD52016T30P	2-9	2-11	MD52035T30A	2-9	4-78
MD52016T30P	2-9	3-11	MD52035T30A	2-9	21
MD52016T30P	2-9	4-11	MD52072L20C	2-10	1-19
MD52017T30P	2-9	1-12	MD52073L00A	2-1-1	1-7
MD52017T30P	2-9	2-12	MD52073L00A	2-8	1
MD52017T30P	2-9	3-12	MD52073L00A	2-10	1
MD52017T30P	2-9	4-12	MD52078L20P	2-10	2-26
MD52018T30P	2-9	1-13	MD52079L20A	2-10	2-27
MD52018T30P	2-9	2-13	MD52080L20C	2-10	2-NI38
MD52018T30P	2-9	3-13	MD52081N70P	2-8	3-38
MD52018T30P	2-9	4-13	MD52081N70P	2-8	3-43
MD52023T30A	2-9	12-1	MD52082N70P	2-8	3-39
MD52024X60S	2-9	12-4	MD52096N10A	2-8	2-4
MD52024X60S	2-9	12-8	MD52109X10S	2-3	6-NI 10
MD52025L20C	2-10	2-25	MD52109X10S	2-12	1-NI 51
MD52027X60S	2-9	32-8	MD52110T10A	2-4	1-1
MD52028X60S	2-9	32-9	MD52110T10A	2-4	2-1
MD52029X60S	2-9	32-10	MD52187N10A	2-8	2-5
MD52030T30P	2-9	1-14	MD52192N10A	2-8	2-6
MD52030T30P	2-9	2-14	MD52198B10A	2-4	2
MD52030T30P	2-9	3-14	MD52199B10C	2-4	2-NI 16
MD52030T30P	2-9	4-14	MD52200B10C	2-4	2-NI 18
MD52031T30P	2-9	1-15	MD52211P20C	2-1-2	1-57
MD52031T30P	2-9	2-15	MD52212P20C	2-1-2	1-56
MD52031T30P	2-9	3-15	MD52213P20C	2-1-2	1-58
MD52031T30P	2-9	4-15	MD52214P20C	2-1-2	1-54
MD52032T30P	2-9	1-16	MD52214P20C	2-1-3	1-19
MD52032T30P	2-9	2-16	MD52215T30P	2-9	1-18
MD52032T30P	2-9	3-16	MD52215T30P	2-9	2-18
MD52032T30P	2-9	4-16	MD52215T30P	2-9	3-18
MD52033T30P	2-9	1-17	MD52215T30P	2-9	4-18
MD52033T30P	2-9	2-17	MD52218T30P	2-9	1-21
MD52033T30P	2-9	3-17	MD52218T30P	2-9	3-21
MD52033T30P	2-9	4-17	MD52218T30P	2-9	4-21
MD52034T30A	2-9	2-77	MD52219T30P	2-9	1-22
MD52034T30A	2-9	3-80	MD52219T30P	2-9	3-22
MD52034T30A	2-9	3-83	MD52219T30P	2-9	4-22
MD52034T30A	2-9	4-77	MD52220T30P	2-9	1-23



<b>Manufactures Part or Dwg Numbers</b>	<b>Chapter 2- Sub-Chap</b>	<b>Fig &amp; Item</b>	<b>Manufactures Part or Dwg Numbers</b>	<b>Chapter 2- Sub-Chap</b>	<b>Fig &amp; Item</b>
MD52220T30P	2-9	3-23	MD52247T30P	2-9	1-29
MD52220T30P	2-9	4-23	MD52247T30P	2-9	2-24
MD52221T30P	2-9	1-24	MD52247T30P	2-9	3-29
MD52221T30P	2-9	3-24	MD52247T30P	2-9	4-29
MD52221T30P	2-9	4-24	MD52248T30P	2-9	1-30
MD52224C00P	2-5-1	1-7	MD52248T30P	2-9	2-25
MD52224C00P	2-5-1	3-25	MD52248T30P	2-9	3-30
MD52225C00P	2-5-1	1-8	MD52248T30P	2-9	4-30
MD52225C00P	2-5-1	3-24	MD52249T30A	2-9	1-75
MD52226C00P	2-5-1	2-3	MD52249T30A	2-9	2-75
MD52227C00P	2-5-1	3-3	MD52249T30A	2-9	3-81
MD52228C00P	2-5-1	3-11	MD52249T30A	2-9	4-75
MD52229C00P	2-5-1	3-13	MD52249T30A	2-9	18
MD52230C00P	2-5-1	3-22	MD52250T30P	2-9	1-31
MD52231C00P	2-5-1	3-23	MD52250T30P	2-9	2-26
MD52234C00P	2-5-1	3-26	MD52250T30P	2-9	3-31
MD52235C00P	2-5-1	3-40	MD52250T30P	2-9	4-31
MD52236C00P	2-5-1	3-44	MD52251T30P	2-9	1-32
MD52237C00P	2-5-1	3-51	MD52251T30P	2-9	3-32
MD52238C00P	2-5-1	4-3	MD52251T30P	2-9	4-32
MD52239C00P	2-5-1	4-4	MD52260T30P	2-9	1-33
MD52240C00P	2-5-1	4-14	MD52260T30P	2-9	2-27
MD52241C00P	2-5-1	5-3	MD52260T30P	2-9	3-33
MD52242T30P	2-9	1-25	MD52260T30P	2-9	4-33
MD52242T30P	2-9	2-21	MD52265T30P	2-9	1-36
MD52242T30P	2-9	3-25	MD52265T30P	2-9	2-30
MD52242T30P	2-9	4-25	MD52265T30P	2-9	3-36
MD52243T30P	2-9	1-26	MD52265T30P	2-9	4-36
MD52243T30P	2-9	2-22	MD52266T30P	2-9	1-37
MD52243T30P	2-9	3-26	MD52266T30P	2-9	2-31
MD52243T30P	2-9	4-26	MD52266T30P	2-9	3-37
MD52244T30P	2-9	1-27	MD52266T30P	2-9	4-37
MD52244T30P	2-9	3-27	MD52268N10P	2-8	2-7
MD52244T30P	2-9	4-27	MD52269T30P	2-9	18-1
MD52244T30P	2-9	35-9	MD52272T30P	2-9	1-38
MD52244T30P	2-9	36-9	MD52272T30P	2-9	2-32
MD52245X27P	2-1-2	1-55	MD52272T30P	2-9	3-38
MD52246T30P	2-9	1-28	MD52272T30P	2-9	4-38
MD52246T30P	2-9	2-23	MD52273T30P	2-9	1-39
MD52246T30P	2-9	3-28	MD52273T30P	2-9	2-33
MD52246T30P	2-9	4-v28	MD52273T30P	2-9	3-39



Manufactures Part or Dwg Numbers	Chapter 2-Sub-Chap	Fig & Item	Manufactures Part or Dwg Numbers	Chapter 2-Sub-Chap	Fig & Item
MD52273T30P	2-9	4-39	MD52356T30A	2-9	3-82
MD52274T30P	2-9	1-40	MD52356T30A	2-9	4-76
MD52274T30P	2-9	2-34	MD52356T30A	2-9	19
MD52274T30P	2-9	3-40	MD52375P10P	2-3	2-24
MD52274T30P	2-9	4-40	MD52381P10C	2-3	2-NI 23
MD52275T30P	2-9	1-41	MD52382P10C	2-3	2-2
MD52275T30P	2-9	2-35	MD52387L30P	2-9	15-3
MD52275T30P	2-9	3-41	MD52424A30P	2-12	1-61
MD52275T30P	2-9	4-41	MD52427A80A	2-3	2-3
MD52283T30P	2-9	1-42	MD52428A80A	2-3	2-5
MD52283T30P	2-9	2-36	MD52430A80A	2-3	2-4
MD52283T30P	2-9	3-42	MD52433A80P	2-3	2-6
MD52283T30P	2-9	4-42	MD52434A80A	2-3	2-7
MD52284T30P	2-9	1-43	MD52437A80C	2-3	2-8
MD52284T30P	2-9	2-37	MD52438A80P	2-3	2-9
MD52284T30P	2-9	3-43	MD52438A80P	2-7-1	3-8
MD52284T30P	2-9	4-43	MD52439A80A	2-3	2-10
MD52285T30P	2-9	1-44	MD52447X27P	2-3	2-11
MD52285T30P	2-9	2-38	MD52449A80A	2-3	1-2
MD52285T30P	2-9	3-44	MD52455T30P	2-9	1-47
MD52285T30P	2-9	4-44	MD52455T30P	2-9	2-41
MD52301N10P	2-8	2-8	MD52455T30P	2-9	3-46
MD52309X005	2-8	2-9	MD52455T30P	2-9	4-47
MD5231 I NO5P	2-8	1-20	MD52456T30P	2-9	1-48
MD52310N05P	2-8	1-NI 30	MD52456T30P	2-9	2-42
MD52310N05P	2-8	2-10	MD52456T30P	2-9	3-47
MD52311N05P	2-8	2-11	MD52456T30P	2-9	4-48
MD52312N56P	2-8	2-12	MD52457T30P	2-9	1-49
MD52314T30P	2-9	1-45	MD52457T30P	2-9	2-43
MD52314T30P	2-9	2-39	MD52457T30P	2-9	3-48
MD52314T30P	2-9	4-45	MD52457T30P	2-9	4-49
MD52325N00P	2-8	3-9	MD52458T30P	2-9	1-50
MD52343X27P	2-8	2-13	MD52458T30P	2-9	2-44
MD52344T30P	2-9	1-46	MD52458T30P	2-9	3-49
MD52344T30P	2-9	2-40	MD52458T30P	2-9	4-50
MD52344T30P	2-9	3-45	MD52459T30P	2-9	1-51
MD52344T30P	2-9	4-46	MD52459T30P	2-9	2-45
MD52355A80A	2-3	1-1	MD52459T30P	2-9	3-50
MD52355A80A	2-3	2	MD52459T30P	2-9	4-51
MD52356T30A	2-9	1-76	MD52460T30P	2-9	1-52
MD52356T30A	2-9	2-76	MD52460T30P	2-9	2-46



<b>Manufactures Part or Dwg Numbers</b>	<b>Chapter 2- Sub-Chap</b>	<b>Fig &amp; Item</b>	<b>Manufactures Part or Dwg Numbers</b>	<b>Chapter 2- Sub-Chap</b>	<b>Fig &amp; Item</b>
MD52460T30P	2-9	3-51	MD52584T30P	2-9	4-57
MD52460T30P	2-9	4-52	MD52594T30A	2-9	12-5
MD52461T30P	2-9	1-53	MD52596T30A	2-9	1-73
MD52461T30P	2-9	2-47	MD52596T30A	2-9	2-73
MD52461T30P	2-9	3-52	MD52596T30A	2-9	3-79
MD52461T30P	2-9	4-53	MD52596T30A	2-9	4-73
MD52501T30P	2-9	1-54	MD52596T30A	2-9	15
MD52501T30P	2-9	2-48	MD52598A55A	2-3	4-3
MD52501T30P	2-9	3-53	MD52598A55A	2-3	6-NI 1
MD52501T30P	2-9	4-54	MD52599A70A	2-4	1-NI 39
MD52502T30P	2-9	1-55	MD52599A70A	2-4	2-NI 37
MD52502T30P	2-9	2-49	MD52599A70A	2-4	3
MD52502T30P	2-9	3-54	MD52600A60A	2-3	4-1
MD52502T30P	2-9	4-55	MD52600A60A	2-3	5-NI 1
MD52503T30P	2-2-1	1-17	MD52606T30A	2-9	1-71
MD52510A80A	2-3	1-40	MD52606T30A	2-9	2-71
MD52515X25S	2-3	1-36	MD52606T30A	2-9	3-77
MD52516X00S	2-3	1-14	MD52606T30A	2-9	4-71
MD52517T30P	2-9	26-10	MD52606T30A	2-9	13
MD52525X40S	2-7-1	3-9	MD52608X60S	2-9	13-5
MD52526X35P	2-7-1	3-10	MD52611N33A	2-8	1-NI 14
MD52527X30S	2-7-1	1-17	MD52612N80A	2-8	3-NI 24
MD52527X30S	2-7-1	3-11	MD52614T30P	2-9	31-2
MD52528A42C	2-7-1	3	MD52615K10A	2-7-2	1
MD52529A42A	2-7-1	3-12	MD52619A30A	2-12	1
MD52534A42C	2-7-1	3-13	MD52620E30A	2-1-1	1-NI 4
MD52536A42C	2-7-1	3-14	MD52620E30A	2-1-1	2-NI 6
MD52537A42C	2-7-1	3-15	MD52620E30A	2-1-2	3
MD52538A42C	2-7-1	3-16	MD52625T30P	2-9	2-82
MD52539X60S	2-9	26-11	MD52625T30P	2-9	3-88
MD52540X60S	2-9	26-12	MD52625T30P	2-9	4-81
MD52541X60S	2-9	26-13	MD52629X60S	2-9	13-6
MD52542T30C	2-9	26-14	MD52630X60S	2-9	13-7
MD52543F12S	2-2-1	1-27	MD52648C25A	2-3	4-NI 15
MD52544X60S	2-9	26-15	MD52648C25A	2-7-1	1
MD52574T30P	2-9	1-56	MD52650L30A	2-3	4-NI 16
MD52574T30P	2-9	2-50	MD52650L30A	2-7-3	1
MD52574T30P	2-9	3-55	MD52651F00P	2-8	3-NI 14
MD52574T30P	2-9	4-56	MD52653F00P	2-8	3-NI 14B
MD52584T30P	2-9	1-57	MD52662C20A	2-6	4
MD52584T30P	2-9	3-56	MD52663T30P	2-9	1-58



<b>Manufactures Part or Dwg Numbers</b>	<b>Chapter 2- Sub-Chap</b>	<b>Fig &amp; Item</b>	<b>Manufactures Part or Dwg Numbers</b>	<b>Chapter 2- Sub-Chap</b>	<b>Fig &amp; Item</b>
MD52663T30P	2-9	2-51	MD52797B20A	2-13	2-15
MD52663T30P	2-9	3-57	MD52797B20A	2-13	3-15
MD52663T30P	2-9	4-58	MD52804D22A	2-6	4-10
MD52666D22A	2-6	4-1	MD52808D22A	2-6	4-11
MD52671T30P	2-9	8-13	MD52809X10S	2-9	8-11
MD52671T30P	2-9	10-7	MD52809X10S	2-9	10-6
MD52671T30P	2-9	11-7	MD52809X10S	2-9	11-3
MD52679F12P	2-2-1	1-30	MD52810X10S	2-9	8-9
MD52695X20S	2-13	1-16	MD52810X10S	2-9	10-4
MD52695X20S	2-13	2-11	MD52810X10S	2-9	11-9
MD52695X20S	2-13	3-11	MD52821F50C	2-2-1	4-12
MD52696B20C	2-13	2-12	MD52821F50C	2-2-1	7-12
MD52696B20C	2-13	3-12a	MD52831F50C	2-2-1	9-12
MD52697X60S	2-1-3	1-7	MD52832F50A	2-2-1	2-7
MD52697X60S	2-13	1-18	MD52832F50A	2-2-1	9
MD52697X60S	2-13	2-13	MD52836X10S	2-1-2	2-19
MD52697X60S	2-13	3-13	MD52836X10S	2-2-1	1-12
MD52706B20C	2-13	1-17	MD52837X10S	2-2-1	1-10
MD52706B20C	2-13	3-12b	MD52839X10S	2-6	1-15
MD52708T30C	2-9	38-7	MD52839X10S	2-6	2-15
MD52709T30C	2-9	38-8	MD52839X10S	2-6	4-23
MD52710T30C	2-9	38-9	MD52845C00P	2-5-2	2-30
MD52711T30A	2-9	38	MD52855T30A	2-9	2
MD52712T30P	2-9	38-10	MD52856T30A	2-9	3
MD52712T30P	2-10	2-NI39	MD52858C00P	2-5-2	1-2
MD52713T30P	2-9	38-11	MD52859C00P	2-5-2	1-3
MD52713T30P	2-9	39-13	MD52860C00P	2-5-2	1-4
MD52714T30P	2-9	38-12	MD52862C00P	2-5-2	1-7
MD52715T30P	2-9	38-13	MD52863C00P	2-5-2	1-8
MD52716T30P	2-9	38-14	MD52864C00P	2-5-2	1-10
MD52721T30P	2-9	38-15	MD52865C00P	2-5-2	1-11
MD52722T30P	2-9	38-16	MD52866C00P	2-5-2	1-1
MD52723T30P	2-9	38-17	MD52867C00P	2-5-2	1-12
MD52724T30P	2-9	38-18	MD52868C00P	2-5-2	1-13
MD52729X10S	2-9	38-19	MD52869C00P	2-5-2	2-1
MD52739T30C	2-9	38-20	MD52870C00P	2-5-2	2-2
MD52750T30A	2-9	38-21	MD52871C00P	2-5-2	2-3
MD52783D22A	2-6	4-5	MD52872C00P	2-5-2	2-4
MD52795X10S	2-9	14-5	MD52873C00P	2-5-2	2-5
MD52796B20A	2-13	2-14	MD52874C00P	2-5-2	2-6
MD52796B20A	2-13	3-14	MD52875C00P	2-5-2	2-7



<b>Manufactures Part or Dwg Numbers</b>	<b>Chapter 2- Sub-Chap</b>	<b>Fig &amp; Item</b>	<b>Manufactures Part or Dwg Numbers</b>	<b>Chapter 2- Sub-Chap</b>	<b>Fig &amp; Item</b>
MD52876C00P	2-5-2	2-8	MD52926C00P	2-5-2	2-11
MD52877C00P	2-5-2	2-9	MD52927C00P	2-5-2	2-12
MD52878C00P	2-5-2	2-10	MD52928C00P	2-5-2	2-13
MD52880T30P	2-9	24-5	MD52929C00P	2-5-2	2-14
MD52881T30A	2-9	2-79	MD52930C00P	2-5-2	2-15
MD52881T30A	2-9	3-94	MD52931C00P	2-5-2	2-16A
MD52881T30A	2-9	24	MD52932C00P	2-5-2	2-17A
MD52885T30P	2-9	2-52	MD52933C00P	2-5-2	2-18
MD52885T30P	2-9	3-58	MD52934C00P	2-5-2	2-19
MD52886T30P	2-9	2-53	MD52935C00P	2-5-2	2-20
MD52886T30P	2-9	3-59	MD52936C00P	2-5-2	2-21
MD52887T30P	2-9	2-54	MD52937C00P	2-5-2	2-22
MD52887T30P	2-9	3-60	MD52938C00P	2-5-2	2-23
MD52888T30P	2-9	2-55	MD52939C00P	2-5-2	2-24
MD52888T30P	2-9	3-61	MD52940C00P	2-5-2	1-9
MD52889T30P	2-9	2-56	MD52941C00P	2-5-2	2-26
MD52889T30P	2-9	3-62	MD52942C00P	2-5-2	2-27
MD52890T30P	2-9	2-57	MD52943C00P	2-5-2	2-28
MD52890T30P	2-9	3-63	MD52944C00P	2-5-2	2-29
MD52899T30C	2-9	24-6	MD52946C00P	2-5-2	2-31
MD52900T30A	2-9	2-83	MD52947C00P	2-5-2	2-32
MD52900T30A	2-9	29	MD52948C00P	2-5-2	2-33
MD52901T30A	2-9	3-89	MD52949C00P	2-5-2	5-2
MD52901T30A	2-9	30	MD52950C00P	2-5-2	2-16B
MD52902L20C	2-10	2-28	MD52951C00P	2-5-2	3-39
MD52903L20C	2-10	2-29	MD52952C00P	c	3-5B
MD52904L20C	2-10	2-30	MD52953C00P	2-5-2	3-5C
MD52905L20P	2-10	2-31	MD52954C00P	2-5-2	2-39
MD52906L20P	2-10	2-32	MD52955C00P	2-5-2	2-40
MD52906L20P	2-13	5-18	MD52956C00P	2-5-2	2-41
MD52907L20P	2-10	2-33	MD52957C00P	2-5-2	2-42
MD52907L20P	2-13	5-17	MD52958C00P	2-5-2	2-43
MD52908L20P	2-10	2-34	MD52959C00P	2-5-2	2-44
MD52908L20P	2-13	5-NI 9	MD52960C00P	2-5-2	2-45
MD52908L20P	2-13	5-16	MD52961C00P	2-5-2	2-46
MD52909T30P	2-9	2-58	MD52962C00P	2-5-2	2-47
MD52913T30A	2-9	2-68	MD52963COOP	2-5-2	3-1
MD52913T30A	2-9	6	MD52964C00P	2-5-2	3-2
MD52918T30A	2-9	3-74	MD52965C00P	2-5-2	3-3
MD52918T30A	2-9	7	MD52966C00P	2-5-2	3-4
MD52919X10S	2-6	4-9	MD52967C00P	2-5-2	3-5A



<b>Manufactures Part or Dwg Numbers</b>	<b>Chapter 2- Sub-Chap</b>	<b>Fig &amp; Item</b>	<b>Manufactures Part or Dwg Numbers</b>	<b>Chapter 2- Sub-Chap</b>	<b>Fig &amp; Item</b>
MD52968C00P	2-5-2	3-6	MD53050C00P	2-5-2	3-14
MD52969C00P	2-5-2	3-7	MD53051C00P	2-5-2	3-15
MD52970F50A	2-2-1	4-NI 19	MD53052C00P	2-5-2	3-16
MD52970F50A	2-2-1	5-NI 20	MD53054C00P	2-5-2	3-18
MD52970F50A	2-2-1	7-NI 19	MD53055C00P	2-5-2	3-19
MD52970F50A	2-2-1	9-NI 19	MD53056C00P	2-5-2	3-20
MD52971F50S	2-2-1	4-20	MD53057C00P	2-5-2	3-21
MD52971F50S	2-2-1	5-21	MD53058C00P	2-5-2	3-22
MD52971F50S	2-2-1	7-20	MD53059C00P	2-5-2	3-23
MD52971F50S	2-2-1	9-20	MD53060C00P	2-5-2	1-6
MD52972F50S	2-2-1	4-21	MD53060C00P	2-5-2	3-24
MD52972F50S	2-2-1	5-22	MD53061C00P	2-5-2	2-16D
MD52972F50S	2-2-1	7-21	MD53062C00P	2-5-2	3-26
MD52972F50S	2-2-1	9-21	MD53063C00P	2-5-2	3-27
MD52974T30C	2-9	34-16	MD53064C00P	2-5-2	3-28
MD52975T30A	2-9	34-8	MD53065C00P	2-5-2	3-29
MD52976T30P	2-9	34-13	MD53066C00P	2-5-2	3-30
MD52977T30P	2-9	34-14	MD53067C00P	2-5-2	3-31
MD52978T30C	2-9	34-15	MD53068C00P	2-5-2	3-32
MD52978T30C	2-13	5-12	MD53069C00P	2-5-2	3-33
MD52981T30A	2-9	34-17	MD53070C00P	2-5-2	3-35
MD52982T30A	2-9	34-9	MD53071C00P	2-5-2	3-36
MD52996T30P	2-9	1-59	MD53072C00P	2-5-2	3-37
MD52996T30P	2-9	2-59	MD53073C00P	2-5-2	3-38
MD52996T30P	2-9	3-64	MD53074C00P	2-5-2	2-16E
MD52996T30P	2-9	4-59	MD53075C00P	2-5-2	2-17B
MD52997T30P	2-10	2-35	MD53076C00P	2-5-2	3-45
MD53000C25A	2-7-1	1-5	MD53077C00P	2-5-2	3-46
MD53013C25C	2-7-1	1-7	MD53078C00P	2-5-2	3-47
MD53021N50P	2-9	35-NI15	MD53079C00P	2-5-2	3-48
MD53021N50P	2-9	36-NI14	MD53080C00P	2-5-2	3-49
MD53023F50A	2-2-1	2-4	MD53081C00P	2-5-2	4-1
MD53023F50A	2-2-1	6	MD53082C00P	2-5-2	4-2
MD53024F50C	2-2-1	3-9	MD53083C00P	2-5-2	4-3
MD53024F50C	2-2-1	6-9	MD53084C00P	2-5-2	4-4
MD53033T30P	2-10	2-NI36	MD53085C00P	2-5-2	4-5
MD53046C00P	2-5-2	3-8	MD53086C00P	2-5-2	4-6
MD53047C00P	2-5-2	3-9	MD53087C00P	2-5-2	4-8
MD53048C00P	2-5-2	1-14	MD53088C00P	2-5-2	4-10
MD53048C00P	2-5-2	3-12	MD53089C00P	2-5-2	4-11
MD53049C00P	2-5-2	2-16C	MD53090C00P	2-5-2	4-12





<b>Manufactures Part or Dwg Numbers</b>	<b>Chapter 2- Sub-Chap</b>	<b>Fig &amp; Item</b>	<b>Manufactures Part or Dwg Numbers</b>	<b>Chapter 2- Sub-Chap</b>	<b>Fig &amp; Item</b>
MD53091C00P	2-5-2	4-13	MD53206T30A	2-9	26-23
MD53092C00P	2-5-2	5-1	MD53207E10A	2-1-2	2-2
MD53093C00P	2-5-2	5-3	MD53212T30P	2-9	1-43
MD53094C00P	2-5-2	5-4	MD53212T30P	2-9	2-37
MD53099X35S	2-3	7-12	MD53212T30P	2-9	3-43
MD53099X35S	2-8	4-NI 3	MD53212T30P	2-9	4-43
MD53099X35S	2-8	4-NI 23	MD53213T30P	2-9	1-15
MD53102X10S	2-3	7-18	MD53213T30P	2-9	2-15
MD53111Z10C	2-4	1-26	MD53213T30P	2-9	3-15
MD53121E10A	2-1-1	1-1	MD53213T30P	2-9	4-15
MD53141D22C	2-6	4-12	MD53215X30S	2-9	26-24
MD53146F10C	2-2-1	1-20	MD53218X60S	2-9	8-12
MD53148F10P	2-2-1	1-25	MD53218X60S	2-9	10-2
MD53149F10P	2-2-1	1-28	MD53218X60S	2-9	11-6
MD53150F10P	2-2-1	1-26	MD53220T30P	2-9	19-7
MD53151F10A	2-2-1	1-21	MD53253X50S	2-9	31-3
MD53152F10C	2-2-1	1-23	MD53254C25P	2-9	31-4
MD53153F10P	2-2-1	1-24	MD53255X27P	2-7-1	1-20
MD53154E40A	2-1-1	1-2	MD53255X27P	2-9	31-5
MD53154E40A	2-1-1	3	MD53257T30P	2-9	25-6
MD53156P00A	2-1-1	2-3	MD53259T30C	2-9	22-6
MD53160T30C	2-9	38-7	MD53259T30C	2-9	25-7
MD53161T30C	2-9	38-8	MD53261T30C	2-9	22-7
MD53162T30C	2-9	38-9	MD53261T30C	2-9	25-8
MD53163T30A	2-9	38	MD53261T30C	2-9	27-6
MD53177X20S	2-2-1	8-11	MD53264T30A	2-9	22-8
MD53178C00P	2-5-2	2-17C	MD53264T30A	2-9	25-9
MD53179C00P	2-5-2	2-17D	MD53267T30A	2-9	22-9
MD53182X10S	2-2-1	8-4	MD53267T30A	2-9	25-10
MD53183N30A	2-8	1-12	MD53455X00P	2-8	6-7
MD53191F20C	2-8	3-NI 46	MD53455X00P	2-9	22-10
MD53191F20C	2-13	5-NI 19	MD53455X00P	2-9	25-11
MD53192T30P	2-9	26-16	MD53455X00P	2-12	1-NI 54
MD53193T30P	2-9	26-17	MD53458T30C	2-9	39-14
MD53194T30P	2-9	26-18	MD53459T30C	2-9	39-15
MD53196T30P	2-9	26-19	MD53460T30A	2-9	39-17
MD53196T30P	2-13	5-NI 4	MD53519T30A	2-9	3-95
MD53197T30P	2-9	26-20	MD53519T30P	2-9	22-11
MD53198T30P	2-9	26-21	MD53520T30A	2-9	1-79
MD53199T30P	2-9	26-22	MD53520T30A	2-9	4-79
MD53199T30P	2-13	5-15	MD53520T30A	2-9	22



<b>Manufactures Part or Dwg Numbers</b>	<b>Chapter 2- Sub-Chap</b>	<b>Fig &amp; Item</b>	<b>Manufactures Part or Dwg Numbers</b>	<b>Chapter 2- Sub-Chap</b>	<b>Fig &amp; Item</b>
MD53521G10P	2-1-3	1-8	MD53697T30P	2-9	15-12
MD53521G10P	2-9	5-10	MD53698T30P	2-9	1-64
MD53521G10P	2-9	6-10	MD53698T30P	2-9	2-64
MD53521G10P	2-9	7-9	MD53698T30P	2-9	3-69
MD53522G10P	2-1-3	1-10	MD53698T30P	2-9	4-64
MD53522G10P	2-9	5-12	MD53699T30P	2-9	1-65
MD53541P10C	2-3	2-22	MD53699T30P	2-9	2-65
MD53544X60S	2-2-1	1-19	MD53699T30P	2-9	3-70
MD53546N33C	2-8	1-13	MD53699T30P	2-9	4-65
MD53547N33C	2-8	1-15	MD53700T30P	2-9	1-66
MD53552G10P	2-9	6-12	MD53700T30P	2-9	2-66
MD53552G10P	2-9	7-11	MD53700T30P	2-9	3-71
MD53552X10S	2-3	2-25	MD53700T30P	2-9	4-66
MD53552X10S	2-3	11-5	MD53704T30P	2-9	15-7
MD53552X10S	2-7-2	1-4	MD53705X60S	2-9	15-8
MD53552X10S	2-9	17-5	MD53706X60S	2-9	15-9
MD53595J30P	2-1-4	2-11	MD53707X60S	2-9	15-10
MD53596J30C	2-1-4	2-12	MD53710A42A	2-7-1	2-14
MD53598J00A	2-1-1	1-6	MD53715N15A	2-8	2-14
MD53598J00A	2-1-4	2	MD53716T30P	2-9	3-72
MD53655T30P	2-10	2-NI37	MD53723V15A	2-1-1	2
MD53664J30C	2-1-2	2-3	MD53736Z10C	2-3	7-13
MD53691E10C	2-1-2	2-15	MD53736Z10C	2-13	5-1
MD53692T30P	2-9	1-60	MD53737E10A	2-1-2	2-11
MD53692T30P	2-9	2-60	MD53740X60S	2-9	23-6
MD53692T30P	2-9	3-65	MD53741X60S	2-9	10-9
MD53692T30P	2-9	4-60	MD53753X11S	2-1-2	2-14
MD53693T30P	2-9	1-61	MD53755N70A	2-7-2	4-4
MD53693T30P	2-9	2-61	MD53755N70A	2-8	1-28
MD53693T30P	2-9	3-66	MD53756X60S	2-9	23-7
MD53693T30P	2-9	4-61	MD53756X60S	2-9	29-15
MD53695A42A	2-3	4-NI 17	MD53756X60S	2-9	30-16
MD53695A42A	2-7-1	2	MD53759Z10C	2-8	3-NI 44
MD53696T30P	2-9	1-62	MD53762E10C	2-1-2	2-10
MD53696T30P	2-9	2-62	MD53768P00A	2-1-1	1-3
MD53696T30P	2-9	3-67	MD53775T30A	2-9	2-78
MD53696T30P	2-9	4-62	MD53775T30A	2-9	23
MD53697T30P	2-9	1-63	MD53798J30C	2-1-2	2-16
MD53697T30P	2-9	2-63	MD53804P10A	2-1-2	1-24
MD53697T30P	2-9	3-68	MD53805P10C	2-1-2	1-28
MD53697T30P	2-9	4-63	MD53808P10A	2-1-2	1-19



<b>Manufactures Part or Dwg Numbers</b>	<b>Chapter 2- Sub-Chap</b>	<b>Fig &amp; Item</b>	<b>Manufactures Part or Dwg Numbers</b>	<b>Chapter 2- Sub-Chap</b>	<b>Fig &amp; Item</b>
MD53829P10A	2-1-2	1-23	MD54306A42P	2-7-1	2-27
MD53830P10C	2-1-2	70	MD54306A42P	2-13	5-NI 5
MD53836P10A	2-1-2	1-40	MD54306A42P	2-13	5-10
MD54036P10C	2-1-2	1-29	MD54329A80A	2-1-2	1-8
MD54044F50C	2-2-1	3-1	MD54331A80A	2-1-2	1-9
MD54044F50C	2-2-1	4-1	MD54354J30P	2-1-4	2-10
MD54044F50C	2-2-1	5-1	MD54381A80A	2-3	1-34
MD54045F50A	2-2-1	2-1	MD54383A80A	2-3	1-31
MD54045F50A	2-2-1	3	MD54384A80A	2-3	1-32
MD54046F50A	2-2-1	2-2	MD54386A80A	2-3	1-33
MD54046F50A	2-2-1	4	MD54387J20P	2-1-4	2-17
MD54049A42C	2-7-1	2-25	MD54392H20P	2-1-4	4-3
MD54071H20C	2-1-4	3-4	MD54393H20C	2-1-4	4-2
MD54086E10A	2-1-1	2-1	MD54455J30C	2-1-4	2-9
MD54118P30P	2-1-2	2-5	MD54480J20P	2-1-4	2-14
MD54127J30C	2-1-2	2-12	MD54481J20P	2-1-4	2-15
MD54149X60S	2-1-2	4-4	MD54487C00P	2-5-2	3-17A
MD54159N80P	2-8	3-49	MD54488C00P	2-5-2	3-17B
MD54163P40A	2-1-2	1-18	MD54496A80P	2-3	1-26
MD54163P40A	2-1-2	4	MD54497A80P	2-3	1-27
MD54170T30P	2-1-2	4-2	MD54537A42C	2-7-1	2-26
MD54172L20P	2-1-2	4-5	MD54561D22A	2-6	5-1
MD54229X60S	2-1-2	4-3	MD54588J20P	2-1-4	2-NI 16
MD54229X60S	2-9	17-6	MD54613D14P	2-6	1-10
MD54231T30P	2-9	1-34	MD54613D14P	2-6	2-10
MD54231T30P	2-9	2-28	MD54613D14P	2-6	3-10
MD54231T30P	2-9	3-34	MD54616N95P	2-8	3-NI 23
MD54231T30P	2-9	4-34	MD54617N95A	2-8	3-NI 22
MD54232T30P	2-9	1-35	MD54625E60A	2-1-1	2-NI 12
MD54232T30P	2-9	2-29	MD54634X80P	2-3	2-19
MD54232T30P	2-9	3-35	MD54635X80P	2-3	2-20
MD54232T30P	2-9	4-35	MD54637X80P	2-3	2-21
MD54247N50P	2-9	17-14	MD54679N32A	2-1-1	2-7
MD54248A30P	2-12	1-34	MD54681F20P	2-8	3-NI 14A
MD54271X11S	2-10	1-20	MD54697N32A	2-8	1-NI 16
MD54276L20A	2-10	1-21	MD54716N90P	2-3	8-NI 12
MD54277P10A	2-1-2	69	MD54727A10A	2-3	5-NI 10
MD54288D14C	2-6	3-31	MD54745T30P	2-9	11-1
MD54288D14C	2-6	4-26	MD54749N50A	2-8	1-11
MD54288D14C	2-6	5-29	MD54761D22A	2-6	5-6
MD54295E10A	2-1-2	2-17	MD54762D22A	2-6	5-5



<b>Manufactures Part or Dwg Numbers</b>	<b>Chapter 2- Sub-Chap</b>	<b>Fig &amp; Item</b>	<b>Manufactures Part or Dwg Numbers</b>	<b>Chapter 2- Sub-Chap</b>	<b>Fig &amp; Item</b>
MD54769N70P	2-7-2	4-5	MD55550T25A	2-13	6-3
MD54769N70P	2-8	3-42	MD55551T25C	2-13	6-4
MD54850F20A	2-3	4-NI 18	MD55555T25A	2-13	6-2
MD54850F20A	2-8	3-NI 13	MD55571T25P	2-13	7-6
MD54890N32P	2-8	1-1	MD55617X60P	2-13	6-19
MD54925A80P	2-3	1-45	MD55617X60P	2-13	7-20
MD54984A14C	2-7-1	2-28	MD55618T30A	2-13	6-13
MD54995A80A	2-3	1-46	MD55619T30A	2-13	6-14
MD55023T30A	2-9	1-77	MD55620T30A	2-13	6-15
MD55023T30P	2-9	21-1	MD55621T30A	2-13	6-16
MD55046B10A	2-4	2	MD55621T30A	2-13	7-17
MD55047B10C	2-4	2-15	MD55622T30A	2-13	6-17
MD55048B10C	2-4	2-17	MD55622T30A	2-13	7-18
MD55056F50A	2-2-1	2-8	MD55624X60S	2-13	6-20
MD55056F50A	2-2-1	5	MD55624X60S	2-13	7-19
MD55057F50C	2-2-1	5-13	MD55649B20C	2-13	6-1
MD55188D12A	2-6	1-21	MD55649B20C	2-13	7-1
MD55188D12A	2-6	2-20	MD55862H20C	2-1-4	3-1
MD55188D12A	2-6	3-21	MD55864H20C	2-1-4	3-12
MD55191A80C	2-3	6-21	MD55865H10P	2-1-4	3-2
MD55195D12A	2-6	1-5	MD55922X60S	2-9	11-4
MD55195D12A	2-6	2-5	MD55924T30P	2-9	11-2
MD55196D12A	2-6	1-8	MD55959T30A	2-9	38
MD55196D12A	2-6	2-8	MD55960T30C	2-9	38-7
MD55206B10A	2-4	1-29	MD55961T30C	2-9	38-8
MD55206B10A	2-4	2-27	MD55962T30C	2-9	38-9
MD55210B10A	2-4	1-28	MD55975T30P	2-9	1-15
MD55210B10A	2-4	2-26	MD55975T30P	2-9	2-15
MD55233D12A	2-6	1	MD55975T30P	2-9	3-15
MD55233D12A	2-6	2	MD55975T30P	2-9	4-15
MD55236D12A	2-6	1-17	MD55976T30P	2-9	1-43
MD55236D12A	2-6	3-17	MD55976T30P	2-9	2-37
MD55238D12A	2-6	1-20	MD55976T30P	2-9	3-43
MD55238D12A	2-6	3-20	MD55976T30P	2-9	4-43
MD552625T30P	2-9	1-81	MD56513C00P	2-5-2	5-NI 5
MD55267D12A	2-6	1-1	MD56675T25A	2-13	7-7
MD55267D12A	2-6	2-1	MD56676T25A	2-13	7-8
MD55267D12A	2-6	3-1	MD56701T25A	2-13	7-9
MD55279T30A	2-9	11	MD56708T25P	2-13	7-11
MD55418B10A	2-13	6-7	MD56710T25A	2-13	7-2
MD55448T25A	2-13	6-6	MD56719T25P	2-13	7-10



<b>Manufactures Part or Dwg Numbers</b>	<b>Chapter 2- Sub-Chap</b>	<b>Fig &amp; Item</b>	<b>Manufactures Part or Dwg Numbers</b>	<b>Chapter 2- Sub-Chap</b>	<b>Fig &amp; Item</b>
MD56756A55A	2-3	6-NI 2	MD58424H20C	2-1-4	3-3
MD56875A60P	2-3	11-3	MD58442H10C	2-1-4	3-11
MD56876A60P	2-3	11-1	MD58443H20A	2-1-1	2-2
MD56886X00S	2-3	11-6	MD58443H20A	2-1-4	3
MD57013B10A	2-11	1-NI 2	MD58518L20P	2-10	1-22
MD57016B10P	2-11	1-22	MD58519L20P	2-10	1-23
MD57104C10P	2-7-2	2-18	MD58520L20P	2-10	1-24
MD57104C10P	2-7-2	3-16	MD58521L20C	2-10	1-25
MD57105X45S	2-7-2	2-19	MD58522L20P	2-10	1-26
MD57105X45S	2-7-2	3-17	MD58593C00P	2-5-1	5-5
MD57106N50S	2-7-2	2-23	MD58815N12P	2-8	4-NI 26A
MD57106N50S	2-7-2	3-20	MD58815N21P	2-8	4-5
MD57107N50S	2-7-2	2-24	MD58816N12P	2-8	4-NI 26B
MD57107N50S	2-7-2	3-21	MD58816N21P	2-8	4-6
MD57108N50S	2-7-2	2-22	MD58817N50P	2-8	4-NI 7
MD57108N50S	2-7-2	3-19	MD58878T30A	2-9	2-87
MD57109N70A	2-7-2	2-20	MD58878T30A	2-9	3-92
MD57109N70A	2-7-2	3-18	MD58878T30A	2-9	4-86
MD57129X60P	2-7-2	2-26	MD58878T30A	2-9	17
MD57129X60P	2-7-2	3-24	MD58879T30A	2-9	17-7
MD57264X70S	2-7-2	2-NI 28	MD58880T30P	2-9	17-8
MD57264X70S	2-7-2	3-NI 25	MD58881T30P	2-9	17-9
MD57328C10A	2-7-2	2-27	MD58882T30P	2-9	17-10
MD57490A14C	2-3	5-5-8	MD58951A80P	2-3	1-8
MD57557N50S	2-7-2	2-21	MD58973T30C	2-9	17-11
MD57557N50S	2-7-2	3-23	MD58974N36A	2-9	17-13
MD57563B20P	2-13	3-7	MD59010T30A	2-9	1-19
MD57570N24C	2-3	5-NI 31	MD59010T30A	2-9	2-19
MD57614B20A	2-13	3	MD59010T30A	2-9	3-19
MD57619B20C	2-13	3-12	MD59010T30A	2-9	4-19
MD57700N50P	2-9	17-15	MD59011T30A	2-9	1-19
MD57713B20C	2-13	3-8	MD59011T30A	2-9	2-19
MD58076T30A	2-13	7-14	MD59011T30A	2-9	3-19
MD58077T30A	2-13	7-15	MD59011T30A	2-9	4-19
MD58078T30A	2-13	7-16	MD59012T30P	2-9	1-19
MD58319T30P	2-9	4-57	MD59012T30P	2-9	2-19
MD58328H00A	2-1-1	1-5	MD59012T30P	2-9	3-19
MD58328H00A	2-1-4	3	MD59012T30P	2-9	4-19
MD58371H10A	2-1-4	4-1	MD59013T30P	2-9	1-20
MD58380H10A	2-1-4	4	MD59013T30P	2-9	2-20
MD58380H10A	2-3	4-NI 20	MD59013T30P	2-9	3-20



<b>Manufactures Part or Dwg Numbers</b>	<b>Chapter 2- Sub-Chap</b>	<b>Fig &amp; Item</b>	<b>Manufactures Part or Dwg Numbers</b>	<b>Chapter 2- Sub-Chap</b>	<b>Fig &amp; Item</b>
MD59013T30P	2-9	4-20	MD59367P10A	2-3	2-16
MD59014T30P	2-9	1-20	MD59370P10A	2-3	2-15
MD59014T30P	2-9	2-20	MD59371P10A	2-3	2-17
MD59014T30P	2-9	3-20	MD59372P10A	2-3	2-18
MD59014T30P	2-9	4-20	MD59377B20C	2-3	7-15
MD59015T30P	2-9	1-20	MD59378X10S	2-3	7-14
MD59015T30P	2-9	2-20	MD59392L30C	2-7-3	1-19
MD59015T30P	2-9	3-20	MD59403X00P	2-7-1	1-11
MD59015T30P	2-9	4-20	MD59403X00P	2-7-3	1-20
MD59020T30P	2-9	1-67	MD59404X10P	2-9	13-2
MD59020T30P	2-9	2-67	MD59586B20A	2-13	4
MD59020T30P	2-9	3-73	MD59587B20C	2-13	4-4
MD59020T30P	2-9	4-67	MD59588N22A	2-13	4-5
MD59022T30A	2-9	2-86	MD59591N22A	2-13	4-6
MD59022T30A	2-9	3-93	MD59592B20A	2-13	4-7
MD59022T30A	2-9	4-85	MD59601B20A	2-13	4-8
MD59022T30A	2-9	33	MD59616N32A	2-8	1-1
MD59023T30P	2-9	33-6	MD59674T30A	2-9	4-69
MD59031X10S	2-9	17-12	MD59698T30P	2-9	27-9
MD59044X70P	2-9	16-10	MD59699T25A	2-9	27-7
MD59044X70P	2-9	21-10	MD59699T25A	2-9	27-8
MD59275F50P	2-2-1	3-14	MD59703T25A	2-9	27
MD59275F50P	2-2-1	3-17	MD59752H40C	2-13	4-9
MD59275F50P	2-2-1	4-24	MD59754T30P	2-9	33-7
MD59275F50P	2-2-1	4-27	MD59779Z10C	2-3	9-21
MD59275F50P	2-2-1	5-25	MD59779Z10C	2-3	10-20
MD59275F50P	2-2-1	5-28	MD59779Z10C	2-13	5-14
MD59275F50P	2-2-1	6-14	MD59780Z10C	2-3	9-20
MD59275F50P	2-2-1	6-17	MD59780Z10C	2-3	10-19
MD59275F50P	2-2-1	7-24	MD59780Z10C	2-13	5-13
MD59275F50P	2-2-1	7-27	MD59787A80A	2-3	1
MD59275F50P	2-2-1	8-14	MD59788A80A	2-3	1-1
MD59275F50P	2-2-1	9-24	MD59788A80A	2-3	2
MD59275F50P	2-2-1	9-27	MD59789A80A	2-3	1-2
MD59276F50P	2-2-1	3-16	MD59790A80C	2-3	1-3
MD59276F50P	2-2-1	4-26	MD59791A80C	2-3	1-4
MD59276F50P	2-2-1	5-27	MD59792A80C	2-3	2-1
MD59276F50P	2-2-1	6-16	MD59807N65P	2-8	8-13
MD59276F50P	2-2-1	7-26	MD59808N65P	2-8	8-14
MD59276F50P	2-2-1	8-16	MD59809N65P	2-8	8-15
MD59276F50P	2-2-1	9-26	MD59810N65P	2-8	8-16



Manufactures Part or Dwg Numbers	Chapter 2-Sub-Chap	Fig & Item	Manufactures Part or Dwg Numbers	Chapter 2-Sub-Chap	Fig & Item
MD59811N65P	2-8	8-17	MD60327F50P	2-2-1	9-23
MD59818N65P	2-8	8-11	MD60328F50P	2-2-1	8-17
MD59819N65P	2-8	8-10	MD60329F50P	2-2-1	4-30
MD59874B10A	2-4	1-43	MD60329F50P	2-2-1	5-30
MD59874B10A	2-4	2-42	MD60329F50P	2-2-1	7-30
MD59874B10A	2-6	2-17	MD60329F50P	2-2-1	9-29
MD59962Z10C	2-3	1-47	MD60331F50P	2-2-1	3-15
MD59980P20P	2-1-3	1-18	MD60331F50P	2-2-1	4-25
MD59987L00A	2-1-1	2-8	MD60331F50P	2-2-1	5-26
MD59987L00A	2-10	1	MD60331F50P	2-2-1	6-15
MD59988L20C	2-10	1-27	MD60331F50P	2-2-1	7-25
MD60022N24C	2-3	5-NI 32	MD60331F50P	2-2-1	8-15
MD60060T30P	2-9	35-16	MD60331F50P	2-2-1	9-25
MD60135B10C	2-9	35-18	MD60332F50P	2-2-1	3-18
MD60135B10C	2-9	36-10	MD60332F50P	2-2-1	4-28
MD60136T30A	2-9	36-11	MD60332F50P	2-2-1	5-29
MD60137T30P	2-9	36-15	MD60332F50P	2-2-1	6-18
MD60138T30P	2-9	35-17	MD60332F50P	2-2-1	7-28
MD60138T30P	2-9	36-16	MD60332F50P	2-2-1	8-18
MD60139T30A	2-9	36	MD60332F50P	2-2-1	9-28
MD60155N31A	2-9	35-10	MD60333F50P	2-2-1	3-19
MD60155N31A	2-9	36-17	MD60333F50P	2-2-1	4-29
MD60156X35P	2-9	35-11	MD60333F50P	2-2-1	6-19
MD60156X35P	2-9	36-18	MD60333F50P	2-2-1	7-29
MD60160T30A	2-9	35	MD60335T30P	2-9	19-8
MD60161T30P	2-9	35-12	MD60370N60P	2-8	8-2
MD60168D24C	2-6	3-NI 29	MD60406N60P	2-8	8-4
MD60168D24C	2-6	4-NI 24	MD60407N60P	2-8	8-5
MD60168D24C	2-6	5-NI 27	MD60408N60P	2-8	8-6
MD60186Z10C	2-13	5-3	MD60409N60P	2-8	8-7
MD60187Z10C	2-13	5-2	MD60410N60P	2-8	8-8
MD60191G20P	2-1-3	1-25	MD60412N85A	2-8	8-9
MD60192G20P	2-1-3	1-27	MD60413N65P	2-8	8-1
MD60194X00S	2-1-3	1-28	N/A	2-12	1-33
MD60224H20P	2-1-4	3-5	RE46609	2-12	1-24
MD60327F50P	2-2-1	3-13			
MD60327F50P	2-2-1	4-23			
MD60327F50P	2-2-1	5-24			
MD60327F50P	2-2-1	6-13			
MD60327F50P	2-2-1	7-23			
MD60327F50P	2-2-1	8-13			



McConnel Limited, Temeside Works, Ludlow, Shropshire SY8 1JL. England.  
Telephone: 01584 873131. Facsimile: 01584 876463. [www.mcconnel.com](http://www.mcconnel.com)