

CAB MAIN FRAME

ILLUST. NO. 136

ITEM	PART NO	QTY	DESCRIPTION
1	060100	1	CAB BASIC
2	150100	1	WINDSCREEN
3	061110	1	GASKET
4	150400	1	REAR WINDSCREEN
5	061105	1	GASKET
6	150200	1	GLASS L/H FRONT
7	061309	1	GASKET
8	150200	1	GLASS R/H FRONT
9	150309	1	GASKET
10	150300	1	GLASS R/H HALF WINDOW
11	061313	1	GASKET
12	150500	2	GLASS FRONT DOOR
13	150000	1	ADHESIVE KIT FOR 150500
14		1	DOOR PART OF 060100
15	061317	1	GASKET
16	070212	1	LOCK
17		1	LOCK EXTENSION ROD PART OF 070212
18	071800	1	KNOB
19			
20	F19M16110	4	BOLT M16 X 110
21	F31M16S	4	WASHER
22	043605	4	WASHER
23	043610	4	WASHER
24	043600	4	MOUNT
25	F22M16	4	NYLOCK NUT M16
26	F31M16S	4	WASHER
27	F18M10025	16	BOLT M10 X 25
28	F22M10	16	NYLOCK NUT M10
29			
30	160100	6	WINDOW WASHER
31	060125	11	WINDOW BUSH
32	060101	22	WINDOW SEAL
33			
34	F09M05016SS	6	SCREW
35	160110	4	HINGE
36	F13M06015	8	SCREW
37			
38	060120	3	STAY ASSEMBLY L/H INCLUDES 39-40
38A	060121	2	STAY R/H INCLUDES 39-40
39	060125	5	BUSH
40	060101	10	WASHER

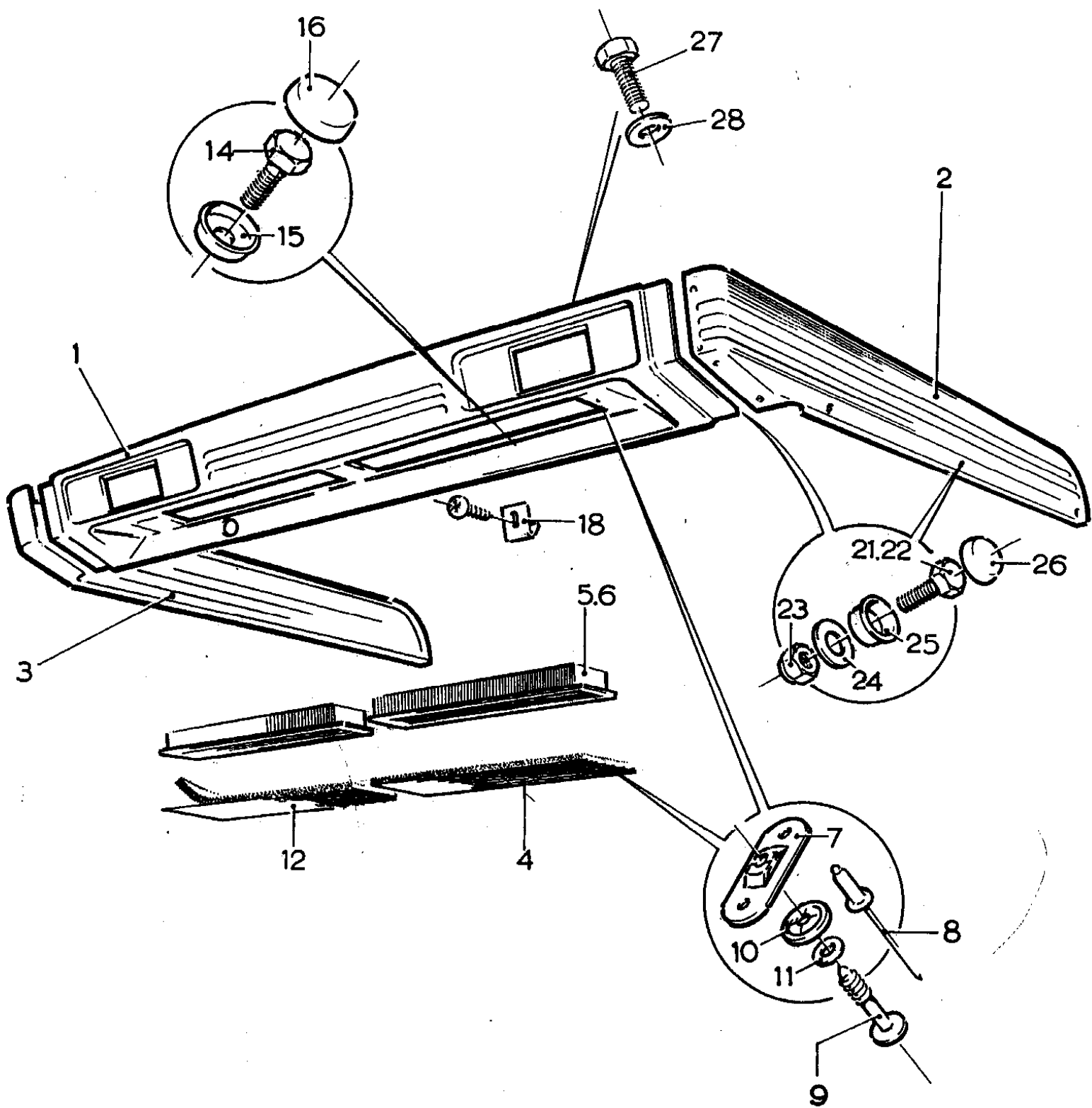
NB Used on M/C Nos. 0201 - 0357
(A) Seat Damper. Part No 060203

CAB MAIN FRAME

ILLUST. NO. 136

ITEM	PART NO	QTY	DESCRIPTION
41	160115	5	RIVET
42	060200	1	SUSPENSION (A)
43	071700	1	SEAT ASSEMBLY INCLUDES 44-46
44	071900	1	CUSHION
45	071701	1	FRAME
46	F14U10012	4	SCREW
47			
48			
49			
50	F18M08025	4	BOLT M8 X 25
51			
52	081300	2	MIRROR
53	131600	1	BRACKET LH
54	131700	1	BRACKET RH
55	F18M08025	4	BOLT M8 X 25
56	F22M08	8	NYLOCK NUT M8
57			
58	192800	1	LEVER COVER S/N 0201-0230
	192850	1	LEVER COVER S/N 0231-0357
59	192900	1	LEVER COVER FRAME S/N 0201-0230
	192950	1	LEVER COVER FRAME S/N 0231-0292
	192951	1	LEVER COVER FRAME S/N 0293-0357
60	F14U10012	4	SCREW
61	340125	3	GAITER
62	F57M04006	6	RIVET
63	F18M06025	2	BOLT M6 X 25
64	F22M06		
65	F70M06010	1	GROMMET
66	F08M08035	1	SCREW
67	010510	1	IDENTIFICATION PLATE
68	F55M03008	4	RIVET
69	F19M08035	2	BOLT M8 X 35

NB Used on M/C Nos. 0201 - 0357
 (A) Seat Damper. Part No 060203



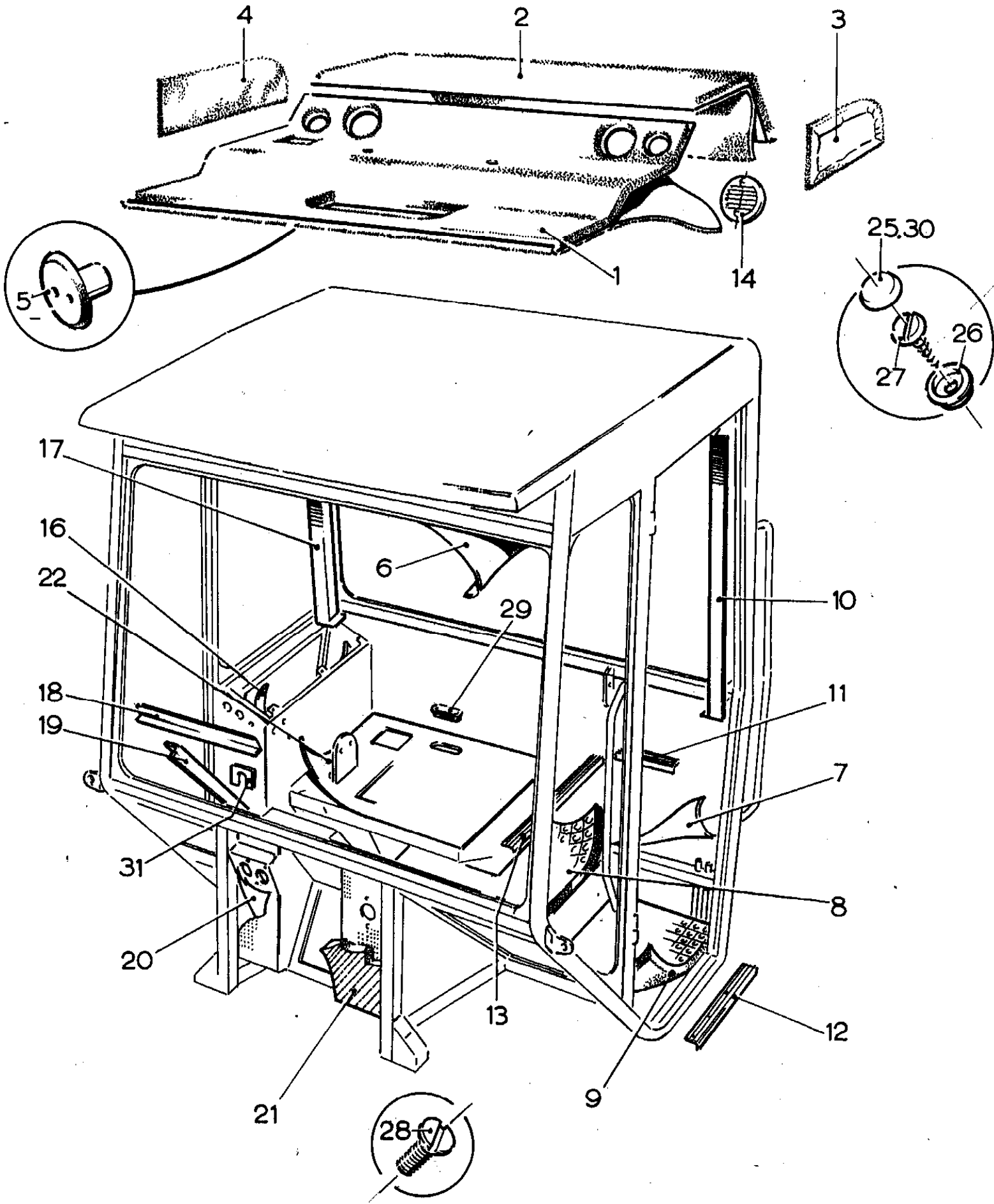
EXTERNAL CAB TRIM

ILLUST. NO. 125

ITEM	PART NO	QTY	DESCRIPTION
1	200200	1	EXTERNAL TRIM
2	200400	1	EXTERNAL TRIM
3	200300	1	EXTERNAL TRIM
4	220900	1	GRILL L/H
5	040195	2	CAB FILTER PAPER (A)
6			
7	060535	4	RETAINER
8	F56M03030	8	RIVET
9	060510	4	SCREW
10	060525	4	WASHER
11		4	WASHER
12	221000	1	GRILL R/H INCLUDED IN 9
13			
14	F06M05030SS	5	SCREW
15	020880	5	WASHER
16	020870	5	CAP
17	061255	A/R	FOAM EDGE STRIP
18	193100	2	CLIP
19			
20			
21	F06M050030SS	6	SCREW
22	F06M050030SS	6	SCREW
23	F22M05	16	NYLOCK NUT M5
24	F31M06	16	WASHER
25	020880	16	WASHER
26	020870	16	COVER
27	F13M06015	2	BOLT M6 X 15
28	F31M06	2	WASHER

NB Used on M/C Nos. 0201 - 0357

(A) Carbon Filter use 040197



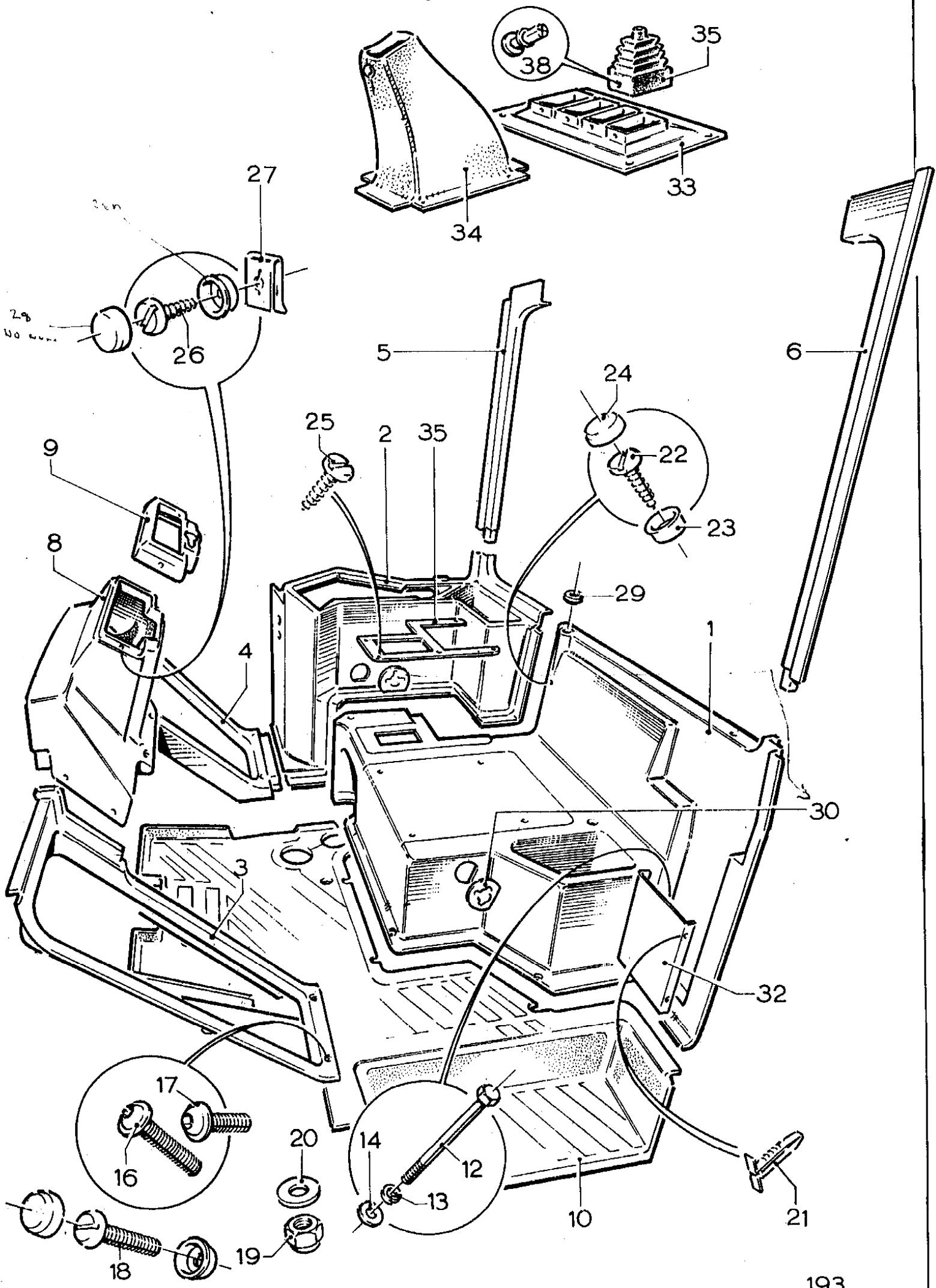
CAB INTERIOR TRIM

ILLUST. NO. 138

ITEM	PART NO	QTY	DESCRIPTION
1	360800	1	ROOF LINING
2	360700	1	ROOF LINING
3	360900	1	ROOF LINING
4	361000	1	ROOF LINING
5	060125	2	BOLT
6	360400	A/R	SOUND PROOFING MATERIAL
	360401	A/R	SOUND PROOFING MATERIAL
7	250210	1	COVERING
8	350105	1	CARPET
9	250110	1	CARPET
10	192700	1	HOSE COVER
11	160137	1	TRIM
12	160135	1	TRIM
13	160133	1	TRIM
14	060500	2	VENT
15			
16	132000	1	CLIP
17	192700	1	HOSE
18	192500	1	TRIM
19	192600	1	TRIM
20	360400	A/R	SOUND PROOFING MATERIAL
21	360401	A/R	SOUND PROOFING MATERIAL
21	360500	A/R	HEAT SHIELD KIT
	360501	A/R	HEAT SHIELD KIT
22	250205	1	COVERING
23	020720	1	PLASTIC PLUG
24			
25	020870	15	CAP SCREW
26	020880	15	WASHER
27	F14U10012	15	SCREW
28	F09M06020SS	10	SCREW
29	020770	1	PLASTIC PLUG
30	020810	1	PLASTIC PLUG
31			
32	020760	5	CAP SCREW

NB

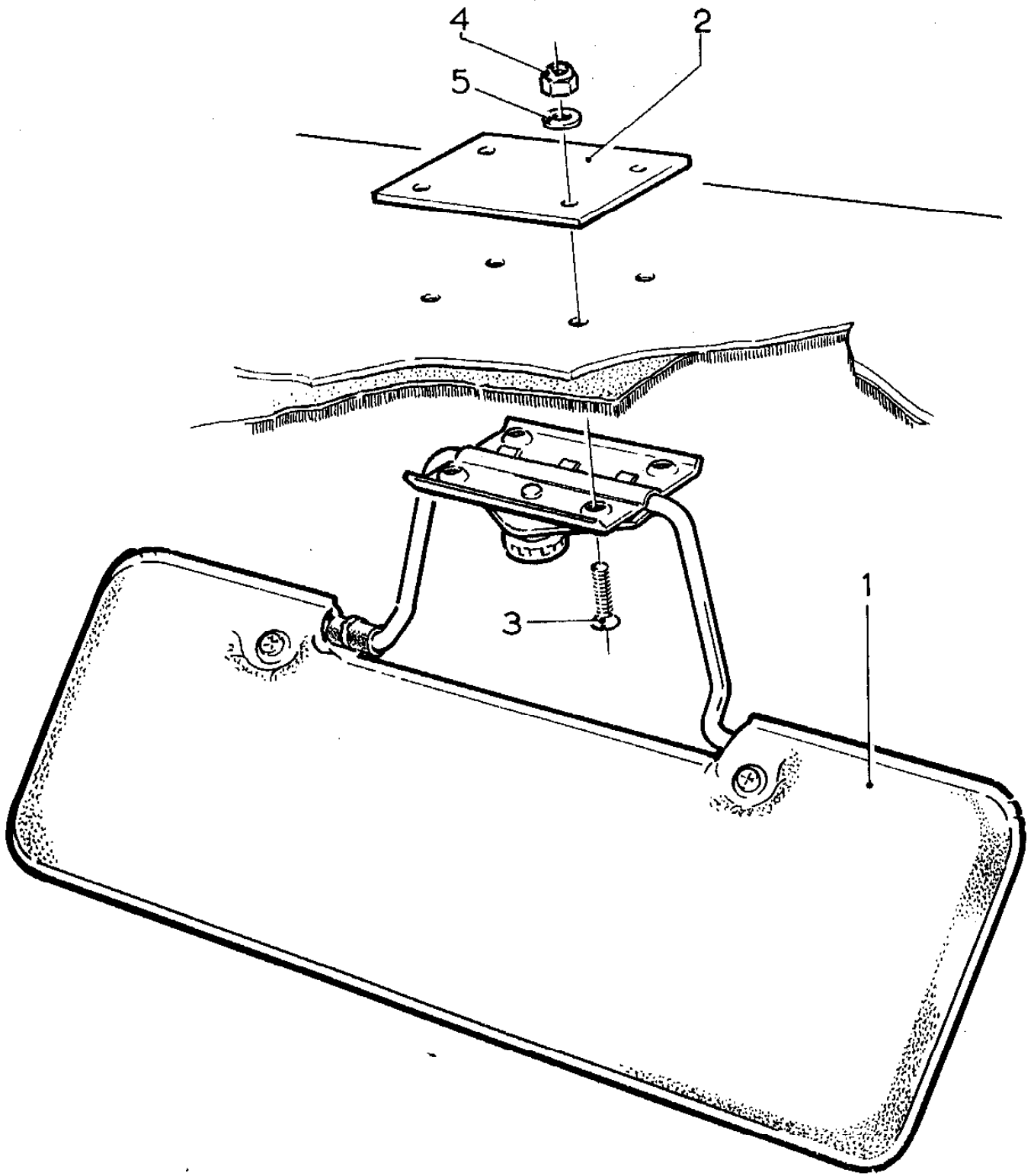
M/C Nos. 0201 - 0293



CAB INTERIOR - 0293-0357

ILLUST. NO. 193

ITEM	PART NO	QTY	DESCRIPTION
1	081000	1	SEAT PLINTH
2	081020	1	SIDE CONSOLE
3	081050	1	COVER LH WINDOW
4	081040	1	COVER RH WINDOW
5	081060	1	REAR RH PILLAR COVER
6	081070	1	REAR RH PILLAR COVER
7			
8	081201	1	CENTRE CONSOLE
9	081251	1	COVER CONSOLE
10	080900	1	FLOOR MAT
11			
12	F19M06045	1	BOLT M6 X 45
13	F33M06	1	SPRING
14	F31M06	1	WASHER
15			
16	F05M06035	A/R	BOLT M6 X 35
17	F05M06030	A/R	BOLT M6 X 30
18			
19			
20			
21	060123	A/R	PANEL SPRING
22	F14U1008	A/R	SCREW
23	0208800	A/R	PLASTIC INSERT
24	020870	A/R	SCREW
25	F14U14012	6	SCREW
26	F14U14012	2	SCREW
27	060515	2	CAPTIVE NUT
28	020780 & 02750	2	PLASTIC CAP & INSERT
29	F70M03007	1	GROMMET
30	060111	2	COVER
31			
32	060122	1	DOCUMENT HOLDER
33	192850	1	PLASTIC FRAME
34	060402	4	HANDBRAKE GAITER
35	340125	4	DUST COVER
36	192951	1	METAL FRAME (WITH 060402)
37			
38	F57M04006	8	RIVET

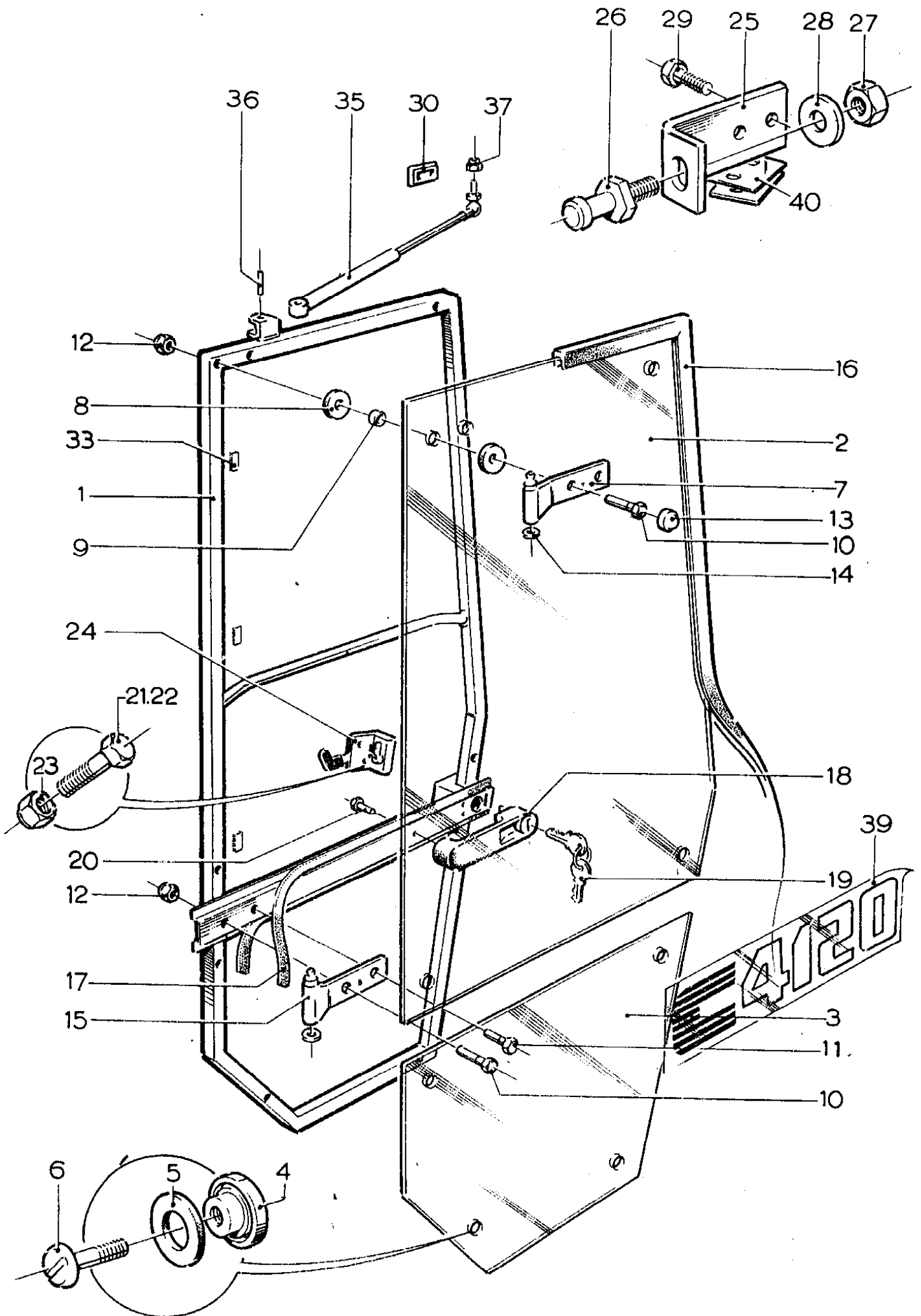


CAB SUN VISOR

ILLUST. NO. 168

ITEM	PART NO	QTY	DESCRIPTION
1	060505	1	SUN VISOR
2	071726	1	SUPPORT PLATE
3	F09M06025SS	4	SCREW
4	F22M06	4	NYLOCK NUT 6MM
5	F31M06	4	WASHER

NB Available for M/C Nos. 0201 - 0358 as field fit kit



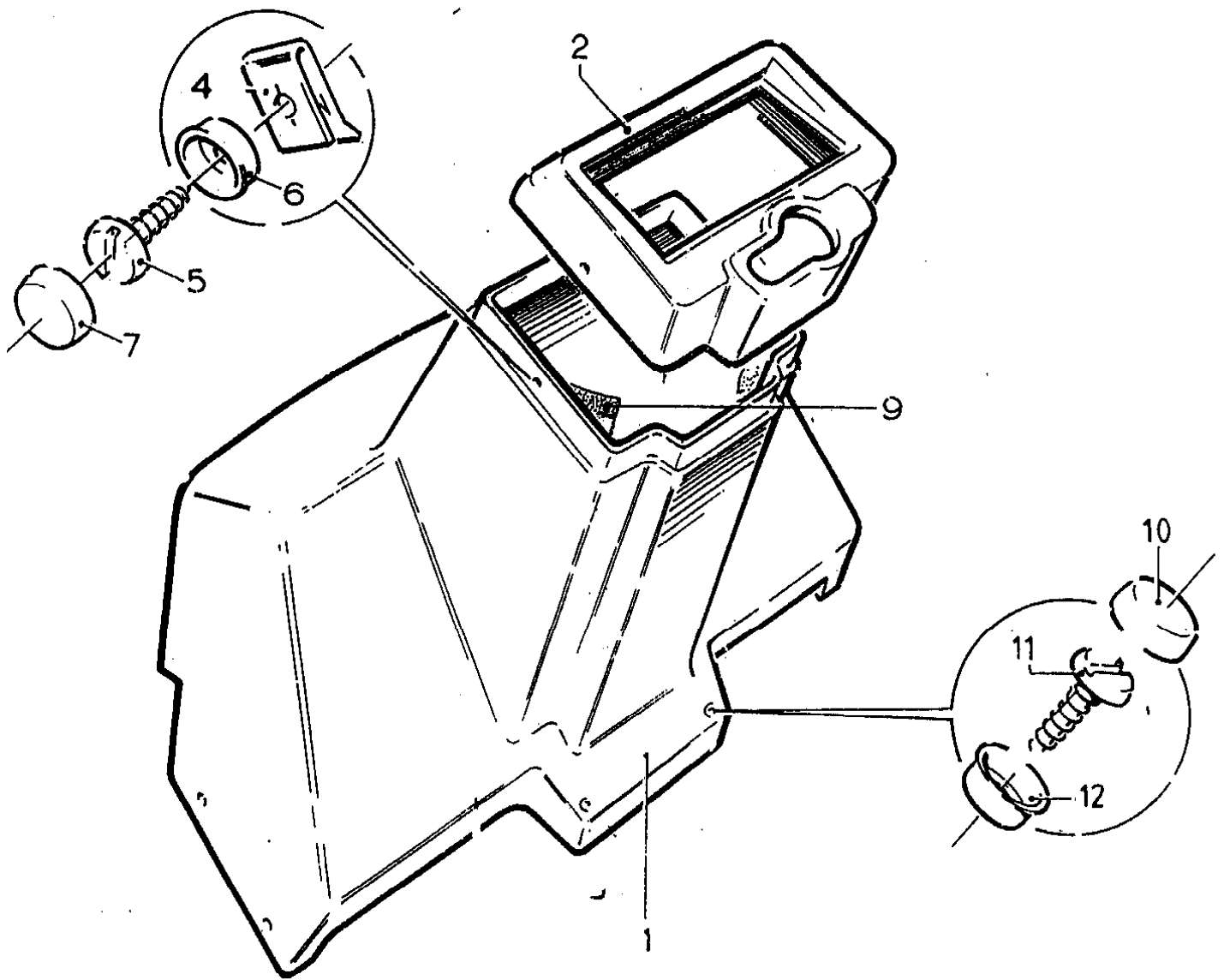
CAB DOOR ASSEMBLY

ILLUS NO 137

ITEM	PART NO	QTY	DESCRIPTION	
1	POA	1	DOOR FRAME	
2	150600	1	DOOR GLASS	
3	150700	1	DOOR GLASS	
4	060125	6	BUSH	
5	060101	14	SEAL	
6	F06M05030SS	7	SCREW M5 X 30	
7	071100	1	HINGE	
8	060101	1	WASHER	
9	040140	2	BUSH	L62001
10	F19M08060	1	BOLT M8 X 60	
11	F18M08030	1	BOLT M8 X 30	
12	F2M08	4	NYLOCK NUT M8	
13	020700	8	CAP	
14	071110	2	WASHER	
15	071100	1	BOTTOM HINGE	
16	061305	1	GASKET	
17	061265	2	FOAM STRIP	
18	070210	1	HANDLE	
19	070211	A/R	KEY	
20	F18M06015	3	BOLT M6 X 15	
21	F18M06025	2	BOLT M6 X 15	
22	F19M06030	1	BOLT M6 X 30	
23	F22M06	3	NYLOCK NUT M6	
24	070205	1	LOCK	
25	070206	1	BRACKET	
26	070207	1	STRIKER	
27	F20M12	1	NUT M12	
28	F31M12	1	WASHER	
29	F1306015	2	BOLT	
30	020720	1	PLUG	
31				
32				
33	061260	A/R	FOAM STRIP	
34				
35	040210	1	DOOR CLOSER	JD-AL60324
36	F60M08020	1	ROLL PIN	
37	F22M08	1	NYLOCK NUT M8	
38				
39	150851	1	DECAL	4090
	150800	1	DECAL	4105
	150861	1	DECAL	4120
40	132500	A/R	SHIM	

NB

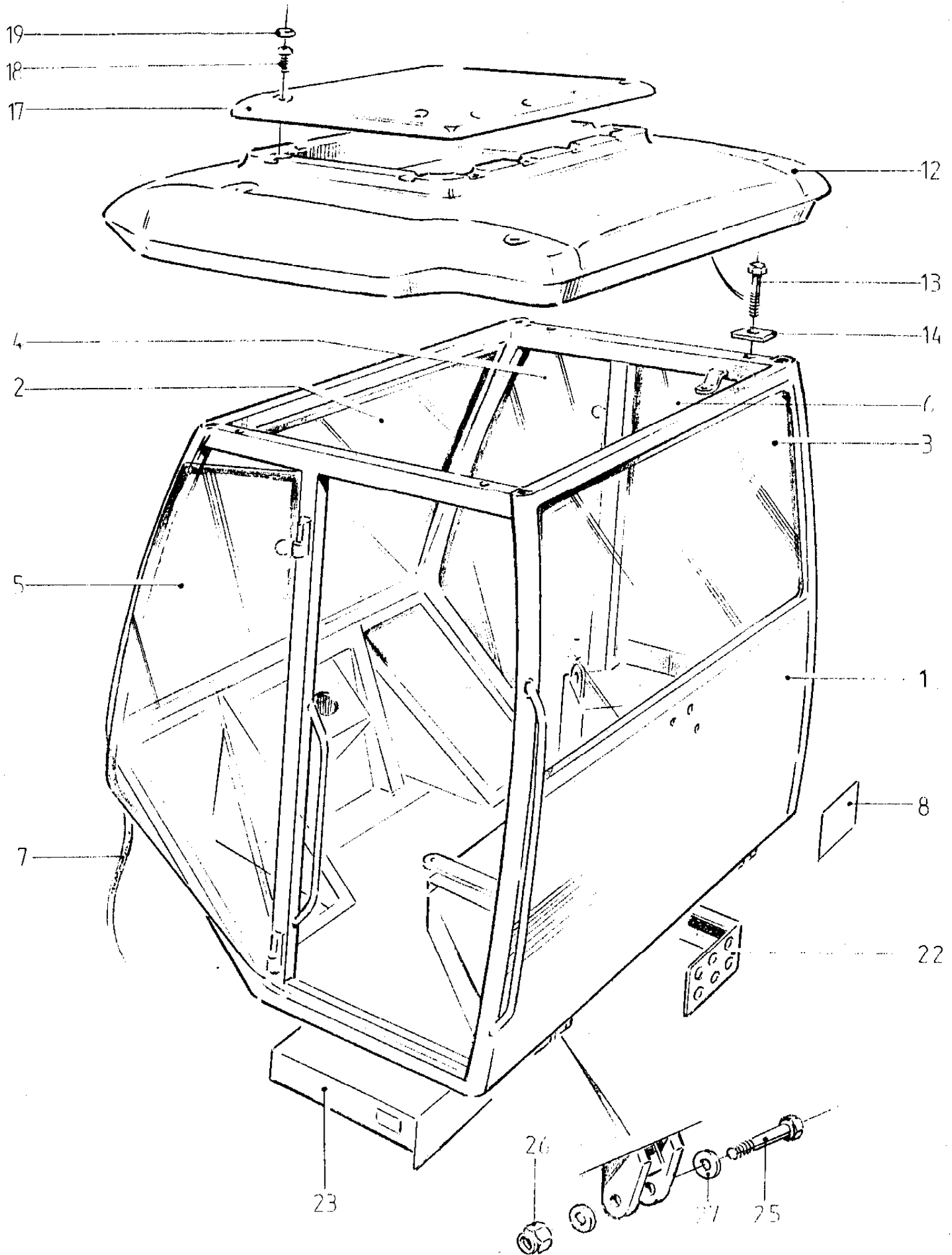
M/C Nos. 0201 - 0357



FRONT CONSOLE - CAB

ILLUST. NO. 124A

ITEM	PART NO	QTY	DESCRIPTION	
1	081200	1	CENTRE CONSOLE STEERING	S/N 0201-0292
	081201	1	CENTRE CONSOLE	S/N 0293-0357
2	081250	1	CONSOLE COVER	S/N 0201-0292
	081251	1	CONSOLE COVER	S/N 0293-0357
4	060515	2	CAPTIVE NUT	
5	F14U14012	2	SELF TAPPING SCREW	
6	020750	2	WASHER	
7	020780	2	CAP	
8	360624	A/R	FOAM PADDING	
9				
10	020780	6	CAP	
11	F14U10012	6	SCREW	
12	0208800	6	WASHER	



6000 CAB - MAIN FRAME

ILLUS NO 6000A

ITEM	PART NO	QTY	DESCRIPTION	
1	060699	1	CAB BASIC	(A)
2	150101	1	GLASS F/WINDSCREEN	
3	150401	1	GLASS R/WINDSCREEN	
4	150201	1	SIDE GLASS RH	
5	150202	1	SIDE GLASS LH	
6	150301	1	GLASS DOOR RH	
7	150501	1	FRONT GLASS LH	
7A	150502	1	FRONT GLASS RH	
8	060102	1	ACCESS PANEL	(B)
9				
10				
11				
12	200500	1	CAB ROOF	
13	F19M12025	4	HEX BOLT	
14	060824	4	FIXING PLATE	
15				
16				
17	200520	1	ROOF LID	
18	F05M06030	10	CAP SCREW M6 X 30	
19	060130	10	WATERPROOF CAP	
20				
21				
22	060719	1	CAB SKIRT RH	
23	060720	1	CAB SKIRT LH	
24				
25	F19M20120	2	HEX BOLT M20 X 120	
26	F22M20	2	NYLOCK NUT M20	
27	F31M20	A/R	PLAIN WASHER	
	060725	1	DOOR FRAME LH	
	150601	1	DOOR FRAME LH	

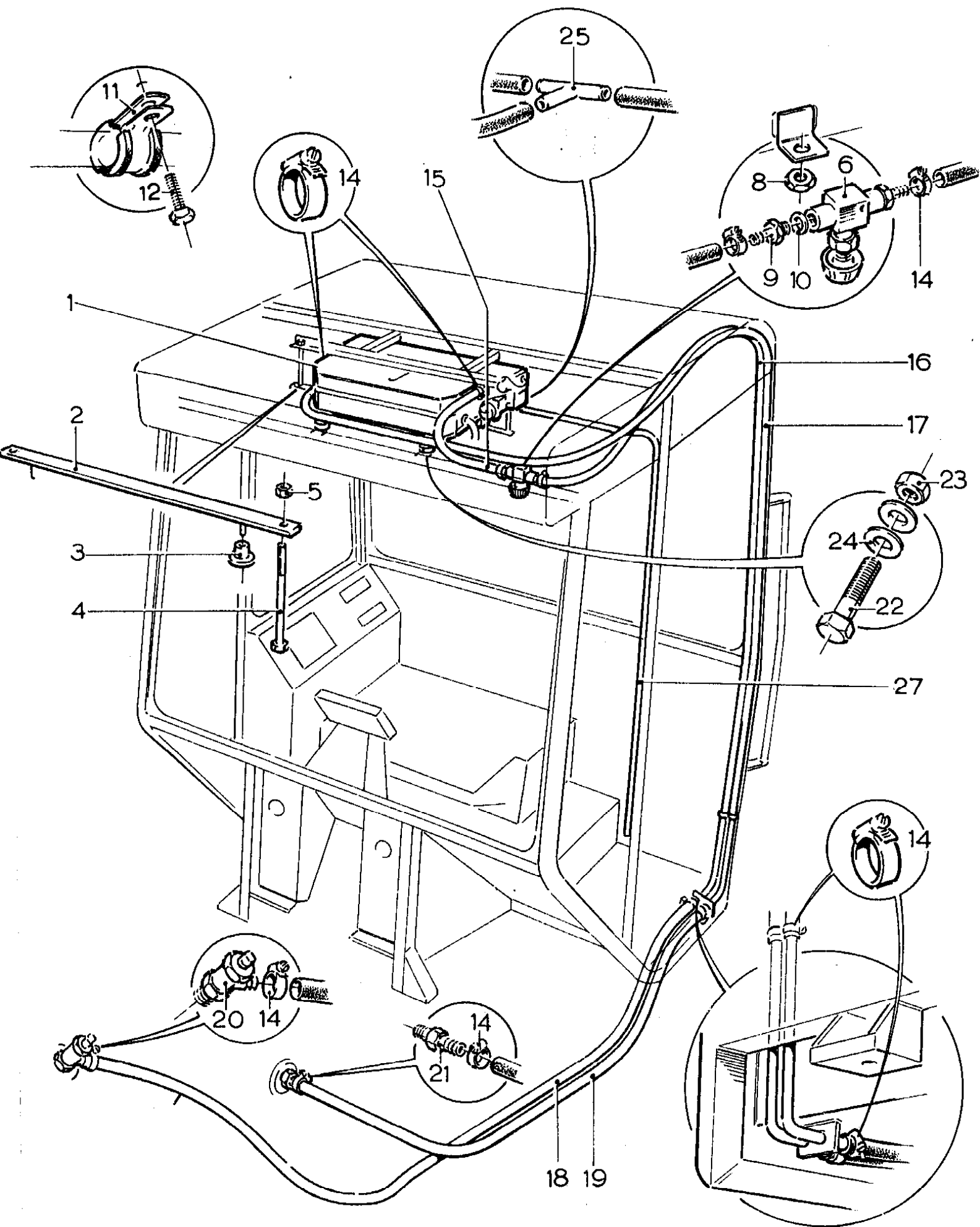
(A) Fully glazed

(B) Export model only

6000 CAB - PARTS NOT SHOWN

ILLUST. NO. 6000B

ITEM	PART NO	QTY	DESCRIPTION
1	060725	1	DOORFRAME LH
2	150601	1	DOOR GLASS LH
3	061320	A/R	CAB DOOR SEAL
4	070223	1	DOOR HINGE LOWER LH
5	070224	1	DOOR HINGE UPPER LH
6	F05M078040	4	BOLT M8 X 40 (BUTTON HEAD)
7	070220	1	INNER DOOR CATCH
8	070221	1	OUTER DOOR HANDLE
9	040211	1	GAS STRUT
10			
11			
12	060724	1	DOOR FRAME RH
13	150301	1	DOOR GLASS RH
14	061320	5 MT	CAB DOOR SEAL
15	070225	1	DOOR HINGE LOWER RH
16	070226	1	DOOR HINGE UPPER RH
17	F05M08040	4	BOLT M8 X 40 (BUTTON HEAD)
18	070220	1	INNER DOOR CATCH
19	F05M06016	1	BOLT M6 X 16
20	F22M06	1	NYLOCK NUT M6
21	060726	1	DOOR CATCH LEVER
22	340110	1	BALL END
23	F22M06	1	NYLOCK NUT M6
24	060707	1	DOOR CATCH RELEASE ROD
25	070801	1	RELEASE KNOB
26	F20M06	1	NUT M6
27	F70M02006	1	OPEN GROMMET
28	061210	1.5 MT	SEAL STRIP (HYDRAULIC AREA)
29	040211	1	GAS STRUT
30	160111	4	WINDOW HINGE
31	F05M06016	8	SCREW M6 X 16 (BUTTON HEAD)
32	060125	4	WINDOW BUSH
33	060101	12	WINDOW SEAL WASHER
34	060101	4	WINDOW HINGE WASHER
35	F09M050016SS	R	SCREW M5 X 16 (CSK HEAD)
36	0613220	A/R	WINDOW SEAL STRIP
37	060120	2	WINDOW CATCH LH
38	060121	2	WINDOW CATCH RH
39	160115	4	RIVET
40			



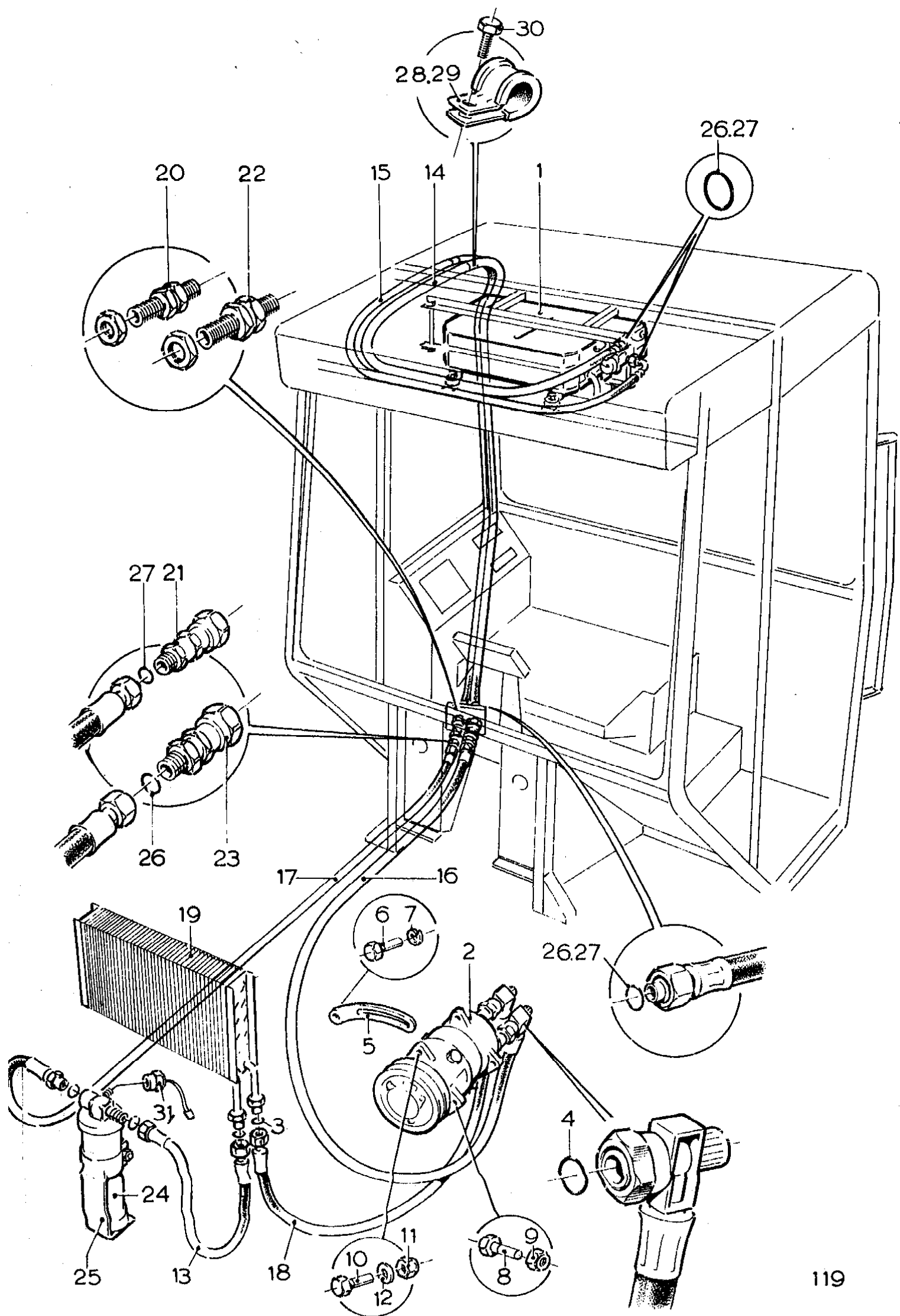
CAB HEATER SYSTEM

ILLUST. NO. 116

ITEM	PART NO	QTY	DESCRIPTION
1	060305	1	HEATER UNIT
2	140600	1	BRACKET
3	060125	2	SPECIAL NUT
4	F19M06140	2	BOLT M6 X 140
5	F22M06	2	NYLOCK NUT M6
6	060346	1	HEATER CONTROL (INCLUDES 8,9,10)
7			
8		1	NUT
9		2	ADAPTOR
10	060314	2	SEAL
11	F37M13021	A/R	CLIP
12	F18M06016	A/R	SCREW
13			
14	F35M10020	10	CLAMP
15	060384	1	HOSE
16	060382	1	HOSE
17	060380	1	HOSE
18	060376	11	HOSE
19	060378	1	HOSE
20	041022	1	STOPCOCK
21	040120	1	ADAPTOR
22	F18M06030	2	BOLT M6 X30
23	F22M06	2	NYLOCK NUT M6
24	F31N206	4	WASHER
25	060316	1	TEE
27	060317	1	HOSE

FAN SWITCH C/W RESISTOR 060345

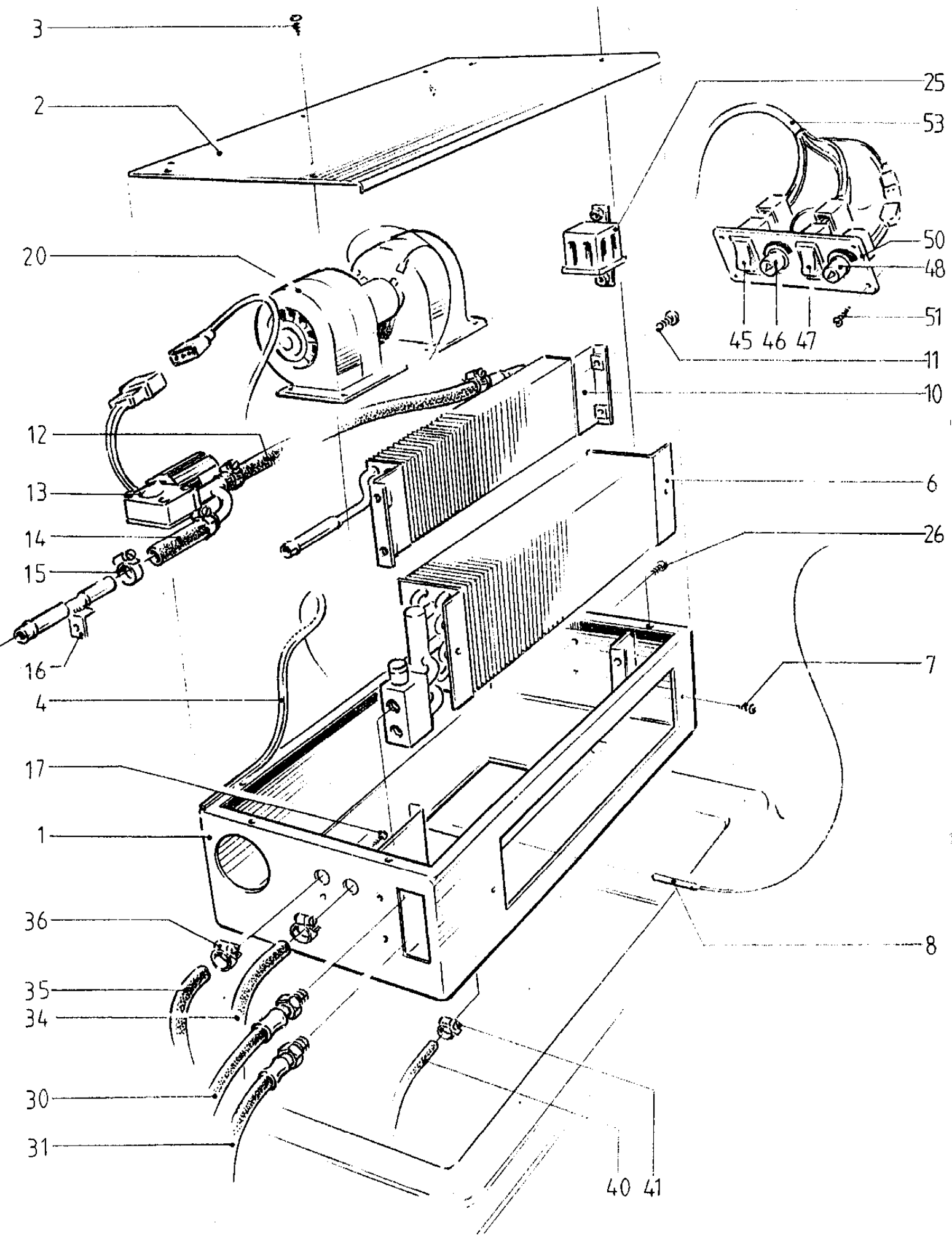
THERMOSTAT C/W TEMPERATURE CONTROL 060361



CAB AIR CONDITIONING SYSTEM

ILLUST. NO. 119

ITEM	PART NO	QTY	DESCRIPTION	
1	060301	1	HEATER EVAPORATOR UNIT	S/N 0201-0232
	060300	1	AIR CON KIT R134A	S/N 0233-0357
2	060308	1	COMPRESSOR	
3		A/R	O RING	
4		A/R	O RING	
5	140600	1	BRACKET	
6		1	BOLT	PART OF ENGINE W/PUMP
7		1	WASHER	PART OF ENGINE W/PUMP
8	F18M10035	2	BOLT M10 X 35	
9	F22M10	2	NYLOCK NUT M10	
10	F18M10035	1	BOLT M10 X 35	
11	F22M10	1	NYLOCK NUT M10	
12	F31M10	2	WASHER	
13	HAC003	1	HOSE	
14	HAC006	1	HOSE	
15	HAC001	1	HOSE	
16	HAC005	1	HOSE	
17	HAC002	1	HOSE	
18	HAC004	1	HOSE	
19	060336	1	CONDENSER	
20	H99AC08M	1	QUICK COUPLER	
21	H99AC08F	1	QUICK COUPLER	
22	H99AC12M	1	QUICK COUPLER	
23	H99AC12F	1	QUICK COUPLER	
24	060330	1	DRIER	
25	060331	1	BRACKET	
26		A/R	O RING	
27		A/R	O RING	
28	F37M13021	A/R	P CLIP	
29	F37M13016	A/R	P CLIP	
30	F18M06020	A/R	SCREW	
31	060332	1	SWITCH	



HEATER/AIR CON UNIT

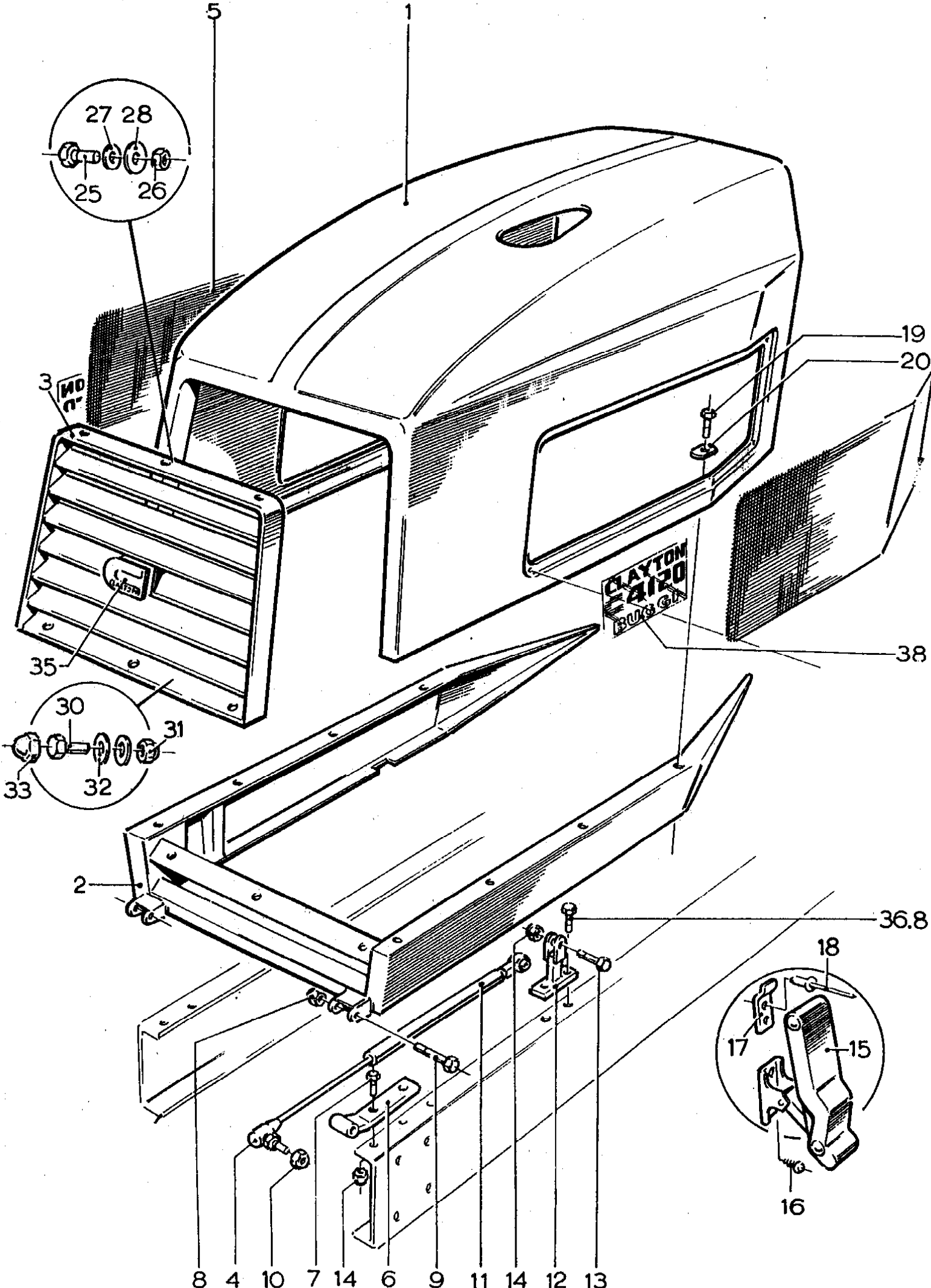
ILLUST. NO. HEATER

ITEM	PART NO	QTY	DESCRIPTION	
1	061550	1	AIR CON KIT	POWERTECH ENGINES
2		1	PART OF 061550	
3	F18M05010	7	BOLT M5 X10	
4	061260	A/R	FOAM STRIP	
5				
6	061501	1	EVAPORATOR	
7	F14U1008	A/R	SELF TAPPING SCREW	
8			PART OF PT NO 48	
9				
10	061528	1	HEATER CORE	
11	F14U1008	A/R	SELF TAPPING SCREW	
12		A/R	HEATER HOSE	
13	061510	1	WATER VALVE	
14		A/R	HEATER HOSE	
15	F35M10020	A/R	HOSE CLIP	
16		1	PART OF 061550	
17	F14U1008	A/R	SELF TAPPING SCREW	
18				
19				
20	061527	1	BLOWER MOTOR	
21				
22				
23				
24				
25	061511	1	RELAY	
26	F14U1008	A/R	SELF TAPPING SCREW	
27				
28				
29				
30	061517	1	AIR CON HOSE	
31	061516	1	AIR CON HOSE	
32				
33				
34	H06M1303	A/R	HEATER HOSE	
35	H06M1303	A/R	HEATER HOSE	
36	F35M10020	A/R	HOSE CLIP	
37				
38				
39				
40	061506	A/R		
41			NOT REQUIRED	
42				
43				

HEATER/AIR CON UNIT

ILLUST. NO. HEATER

ITEM	PART NO	QTY	DESCRIPTION
44			
45	062038	1	FAN SWITCH C/W 062065
46	320516	1	WATER TEMPERATURE CONTROL SWITCH
46A	062092	1	KNOB FOR 320516
47	062038	1	AIR CON SWITCH C/W 062066
48	061526	1	AIR CON THERMO SWITCH
48A	062091	1	KNOB FOR 061526
49			
50	060816	1	FASCIA PLATE
51	F14U1008	4	SELF TAPPING SCREW
52			
53	320515	1	WIRING HARNESS
54			



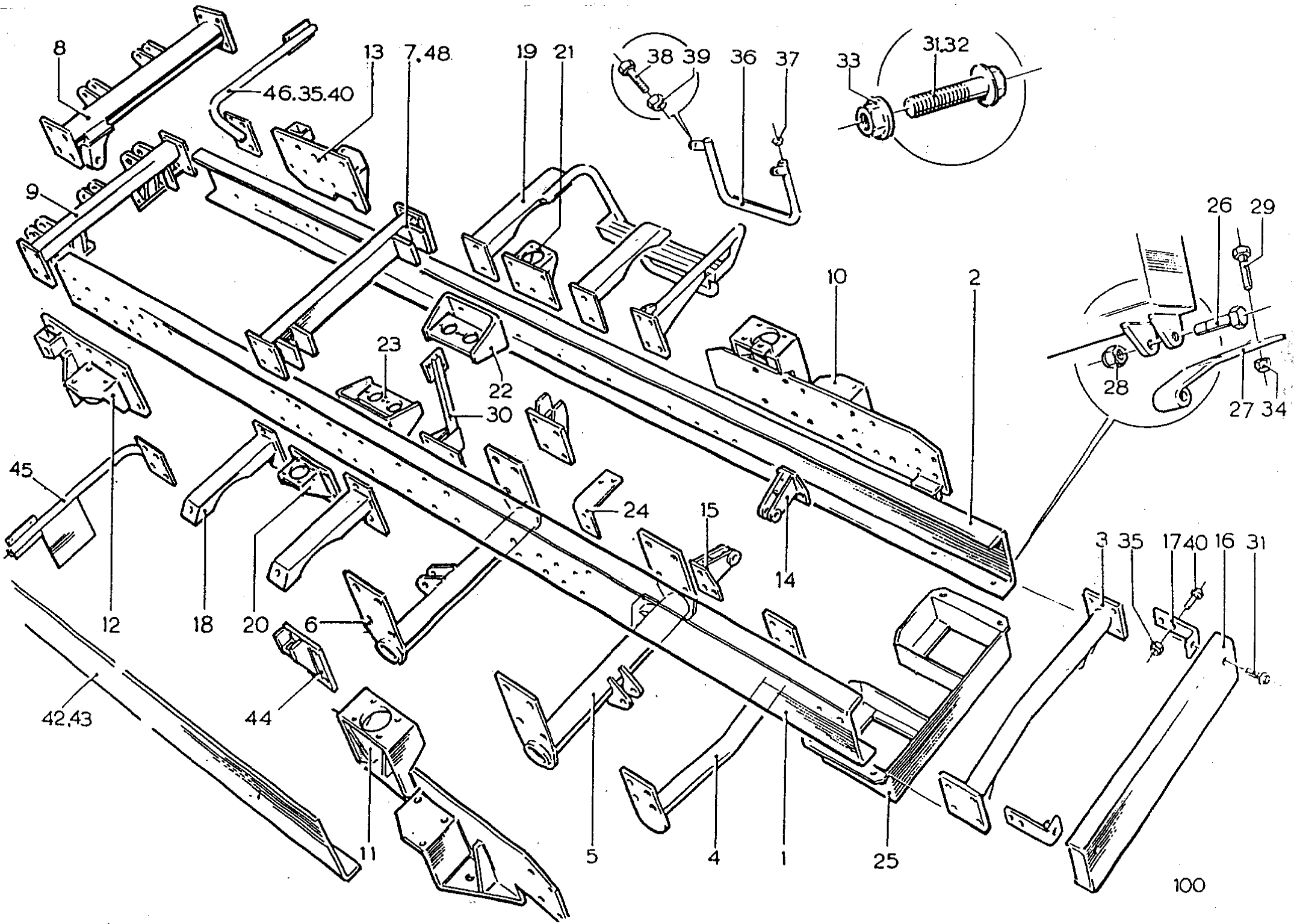
ENGINE HOOD AND GRILL

ILLUST. NO. 108

ITEM	PART NO	QTY	DESCRIPTION	
1	200100	1	ENGINE COVER	GREY
	200110	1	ENGINE COVER	YELLOW
	200120	1	ENGINE COVER	ORANGE
2	210101	1	SUB FRAME	GREY
	210102	1	SUB FRAME	YELLOW
	210104	1	SUB FRAME	ORANGE
3	210200	1	FRONT GRILLE	
4	040180	2	BALL STUD	(B)
5	210301	1	SIDE VENT	RH
	210302	1	SIDE VENT	LH
6	171800	2	HINGE	
7	F18M08020	4	BOLT M8 X 20	
8	F22M08	4	NYLOCK NUT M8	
9	F19M10065	2	BOLT M10 X 65	
10	F22M10	2	NYLOCK NUT M10	
11	040155	2	LIFT CYLINDER	(C)
12	174800	2	BRACKET	
13	F19M08030	2	BOLT M8 X 30	
14	F22M08	2	NYLOCK NUT M8	
15	060540	2	LATCH	(A) INCLUDES 16-18
16	F06M05030SS	4	SCREW	
17		2	CATCH	
18	F56M03030	4	RIVET	
19	F18M08016	8	BOLT	
20	F32U06	8	WASHER	
25	19M08020	3	BOLT M8 X 20	
26	F22M08	3	NYLOCK NUT M8	
27	F31M08	3	WASHER	
28	F32U06	3	WASHER	
30	F18M08020	3	BOLT M8 X 20	
31	F22M08	3	NYLOCK NUT M8	
32	F31M08	6	WASHER	
33	020700	3	DUST CAP	
35	221900	1	BADGE	
36	F18M10025	4	BOLT M10 X 25	
38	150850	2	BONNET DECAL	C4090
	150860	2	BONNET DECAL	C4120
	150804	2	BONNET DECAL	C4105

(B) JD-L26272

(C) JD-AL68211



CHASSIS

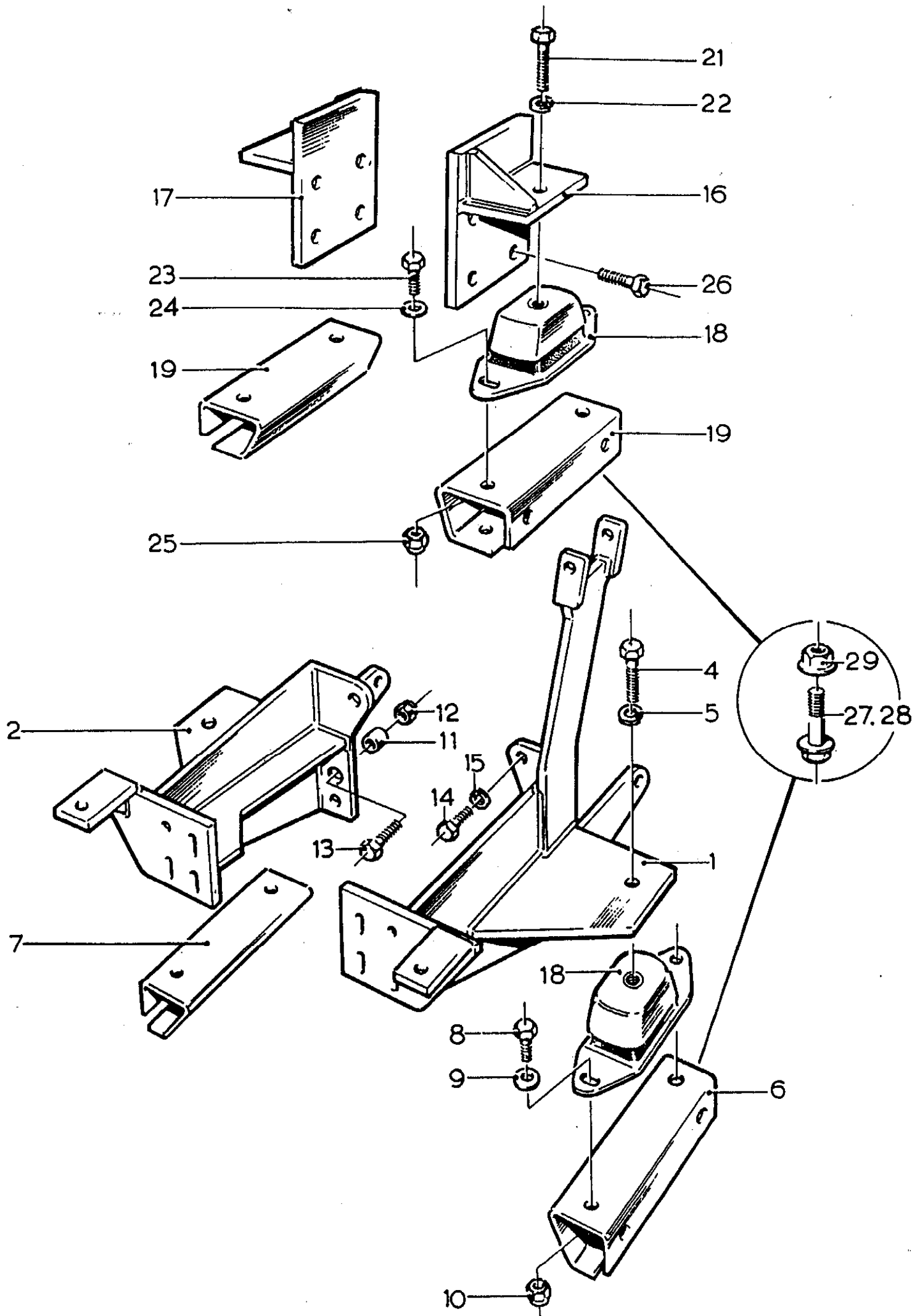
ILLUST. NO. 100

ITEM	PART NO.	QTY	DESCRIPTION
1a	O20201	1	CHASSIS RAIL HL 3000 WB
1b	O20601	1	CHASSIS RAIL LH 3400 WB
1c	O20401	1	CHASSIS RAIL LH 3700 WB
2a	O20101	1	CHASSIS RAIL RH 3000 WB
2b	O20501	1	CHASSIS RAIL RH 3400 WB
2c	O20301	1	CHASSIS RAIL RH 3400 WB
2d	O20650	1	UPPER (FLITCH RH 3400 WB)
2e	O20550	1	FLITCH RH 3400 WB
2f	O20450	1	FLITCH LH 3700 WB
2g	O20350	1	FLITCH RH 3700 WB
3	110100	1	FIRST CROSSMEMBER
4	110200	1	SECOND CROSSMEMBER
5a	110300/1	1	THIRD CROSSMEMBER
5b	110350/1	1	UPPER(THIRD CROSSMEMBER FLITCHED CHASSIS)
6a	110401	1	FOURTH CROSSMEMBER
6b	110451	1	FOURTH CROSSMEMBER FLITCHED CHASSIS
7a	110500	1	FIFTH CROSSMEMBER FOR 3400 WB
7b	110550	1	FIFTH CROSSMEMBER EXTRA FOR 3700 WB
8a	110600	1	SIXTH CROSSMEMBER
8b	110650	1	SIXTH CROSSMEMBER HEAVY DUTY
9	110701	1	SEVENTH CROSSMEMBER
10	110800	1	FRONT SUSPENSION BRACKET LH
11	110900	1	FRONT SUSPENSION BRACKET RH
12	111001	1	REAR SUSPENSION BRACKET RH
13	111101	1	REAR SUSPENSION BRACKET LH
14	111200	1	BRACKET S/ABSORBER TOP LH
15	111300	1	BRACKET S/ABSORBER TOP RH
16	172200	1	FRONT BUMPER
17	172300	2	BUMPER BRACKET
18	180300	3	HANGING BRACKET TANK
19	180500	1	BRACKET - STEP & TANK ASSEMBLY
20a	111500	1	REAR CAB MOUNT BRACKET RH
20b	111550	1	REAR CAB MOUNT BRACKET RH FLITCHED CHASSIS
21a	111400	1	REAR CAB MOUNT BRACKET LH
21b	111450	1	REAR CAB MOUNT BRACKET LH FLITCHED CHASSIS
22	180600	1	TRANSFER BOX BRACKET LH
23	131200	1	TRANSFER BOX BRACKET RH
24	180401	1	BRACKET STEERING VALVE
25	141700	1	BATTERY TRAY
26	F19M10065	2	BOLT M10 X 65
27	171900	2	BUMPER HINGE
28	F22M10	2	NUT M10
29	F19M08025	4	BOLT M8 X 25

CHASSIS

P1
ILLUST. NO. 100

ITEM	PART NO.	QTY	DESCRIPTION
30	180100	1	Bracket Hydraulic Valve Block
31a	F17M12025	A/R	Flanged Bolt
31b	F17M12035	A/R	Flanged Bolt
31c	F17M12045	A/R	Flanged Bolt
32a	F17M16035	A/R	Flanged Bolt
32b	F17M16045	A/R	Flanged Bolt
32c	F17M16050	A/R	Flanged Bolt
33a	F28M12	A/R	Flanged Bolt
33b	F28M16	A/R	Flanged Bolt
34	F22M08	4	Nut
35	F22M12	4	Nut
36	182000	1	Extra Step
37	O20800	2	PVC Plug
38	F19M10065	2	Bolt
39	F22M10	2	Nut
40	F19M12030	4	Bolt
41			
42			
43			
44	110460	2	Implement Bracket
45			
46	191100	1	Light Bracket LH
47	191200	1	Light Bracket RH

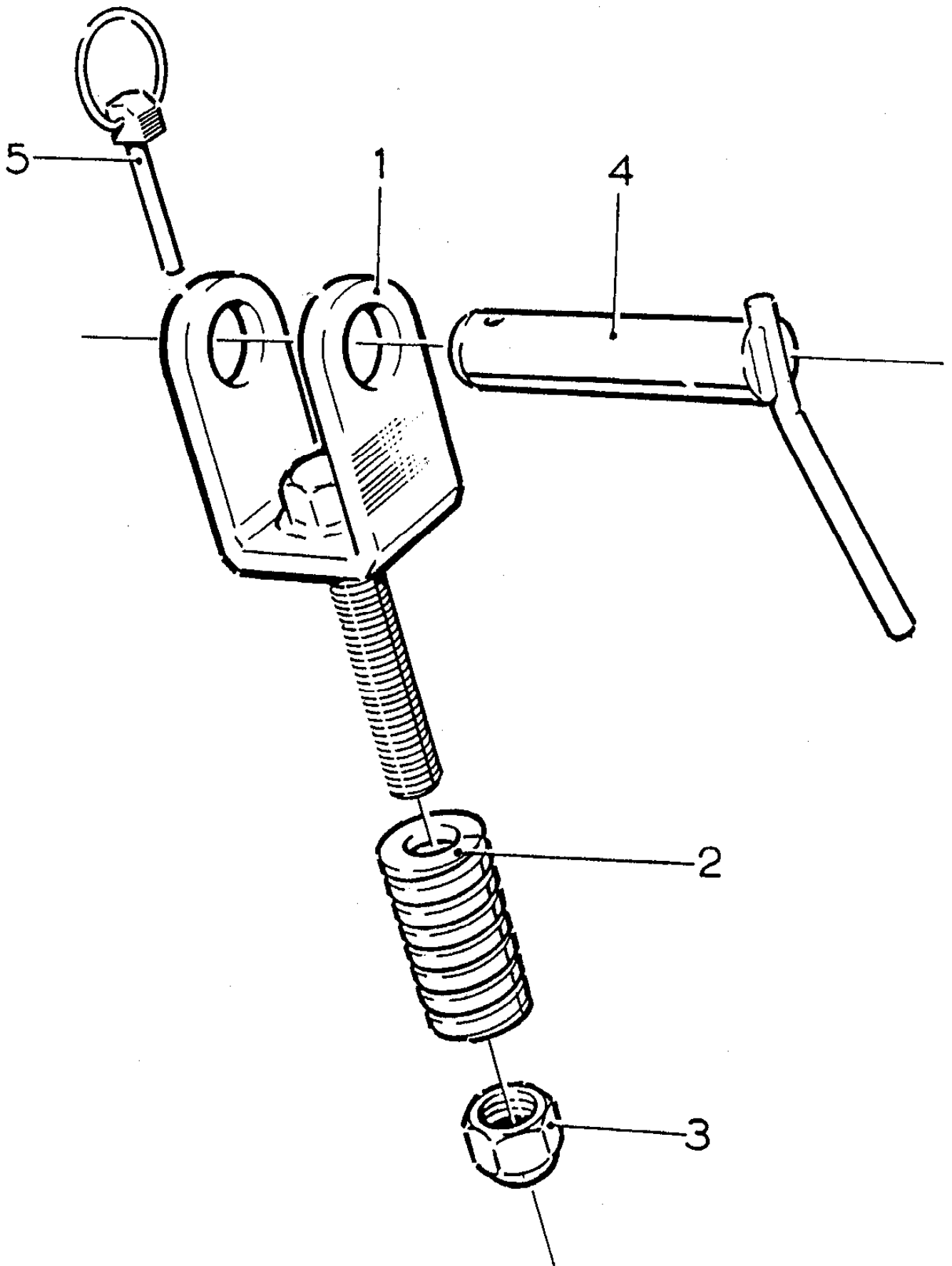


ENGINE MOUNTING BRACKETS

ILLUST. NO. 111

ITEM	PART NO.	QTY	DESCRIPTION	
1	141400	1	BRACKET	ENGINE LH
1A	141402	1	BRACKET LH USED FOR 50 HP PTO PUMP	
1B	141403	1	BRACKET LH USED FOR 50 HP PTO PUMP	
2	131000	1	BRACKET	ENGINE RH
3				
4	F19M16040	2	BOLT M16	
5	F33M16	2	WASHER - SPRING	
6	173600	1	BRACKET	ENGINE MOUNT LH
7	173400	1	BRACKET	ENGINE MOUNT RH
8	F19M12030	4	BOLT M12	
9	F31M12	4	WASHER - PLAIN	
10	F22M12	4	NYLOCK NUT M12	
11	O40143	2	SPECIAL BUSHING	(1)
12	F22M16	2	NYLOCK NUT M16	
13	F19M16060	2	BOLT M16	
14	F19M10012	2	BOLT M10	
15	F33M16	4	BOLT M16	
16	170700	1	BRACKET	ENGINE
17	170700	1	BRACKET	ENGINE
18	O43800	4	FLEXIBLE MOUNT	
19	173500	2	BRACKET	ENGINE
20				
21	F19M16040	2	BOLT M16	
22	F33M16	2	WASHER - SPRING	
23	F19M12035	4	BOLT M12	
24	F31M12	4	WASHER - PLAIN	
25	F22M12	4	NYLOCK NUT M12	
26	F19M08010	8	STUD	
27	F17M12025	8	FLANGE BOLT M12 X 25	
28	F17M12035	8	FLANGE BOLT M12 X 35	
29	F28M12	16	FLANGE NUT	
30	F33M12	8	WASHER - SPRING	
31				
32				
33				
34				
35				

(1) T26929



FRONT IMPLEMENT MOUNTING CLEVIS

ILLUST. NO. 150

ITEM	PART NO.	QTY	DESCRIPTION
1	171300	2	IMPLEMENT CLEVIS
2	170100	2	DI E SPRING
3	F22M20	2	NUT
4	O51770	4	PIN
5	O51705	4	LYNCH PIN
6			
7			
8			
9			
10			
11			
12			
13			
14			
15			
16			
17			
18			
19			
20			
21			
22			
23			
24			
25			
26			
27			
28			
29			
30			
31			
32			
33			
34			
35			
36			
37			
38			
39			
40			

Steering Axle Sensors

Date: 19th August 02

Clayton 4090/4105/4120 machines

320701 Rear Axle proximity switch

320800 Front Axle proximity switch

Used on machines serial no. 0201- 0248

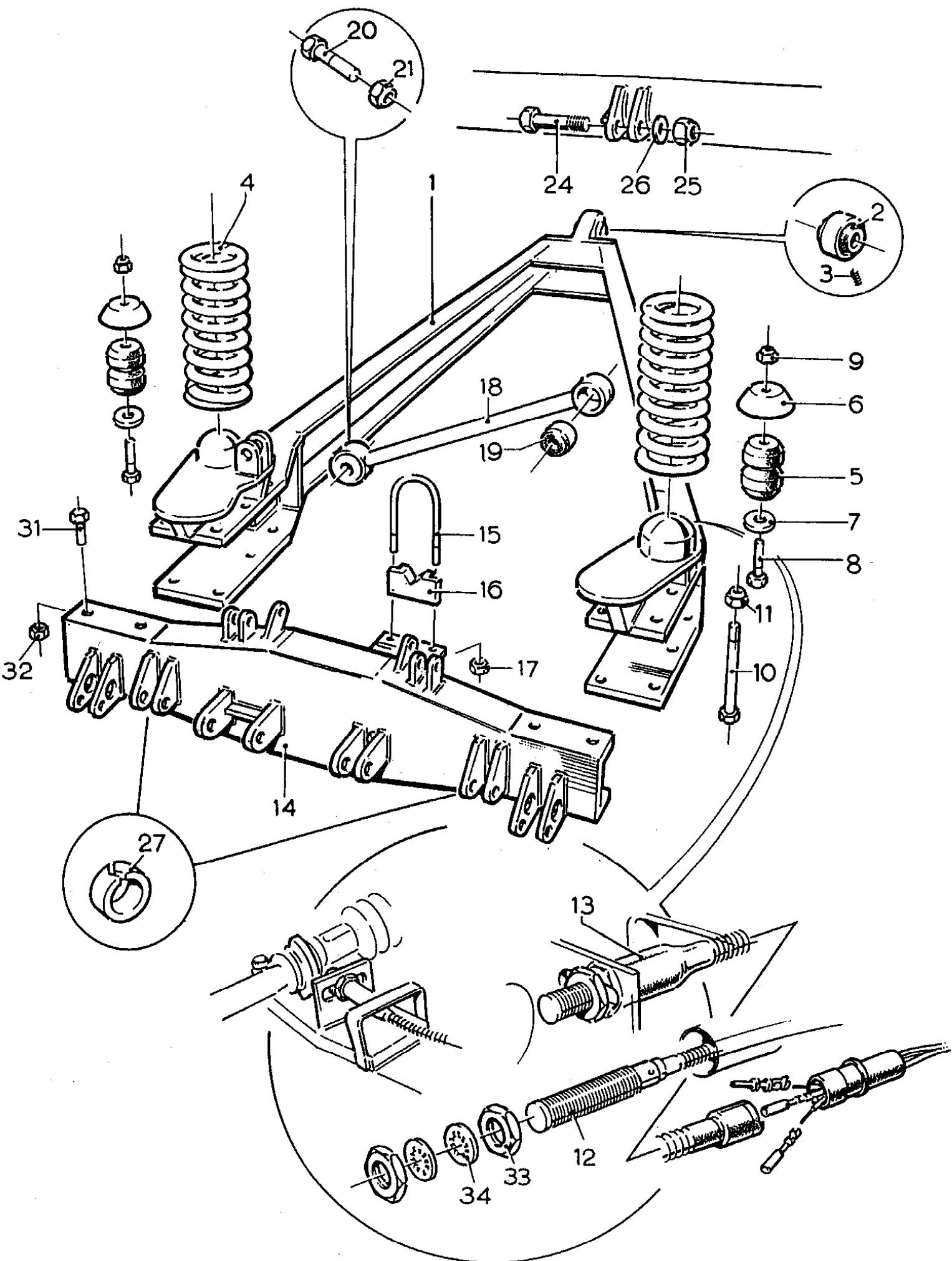
CH-480181 Rear axle cylinder sensor

CH-480182 Front axle cylinder sensor

Used on machines from serial no. 0249 – 0314

320914 Potentiometer

Used on machines from serial no. 0315 onward



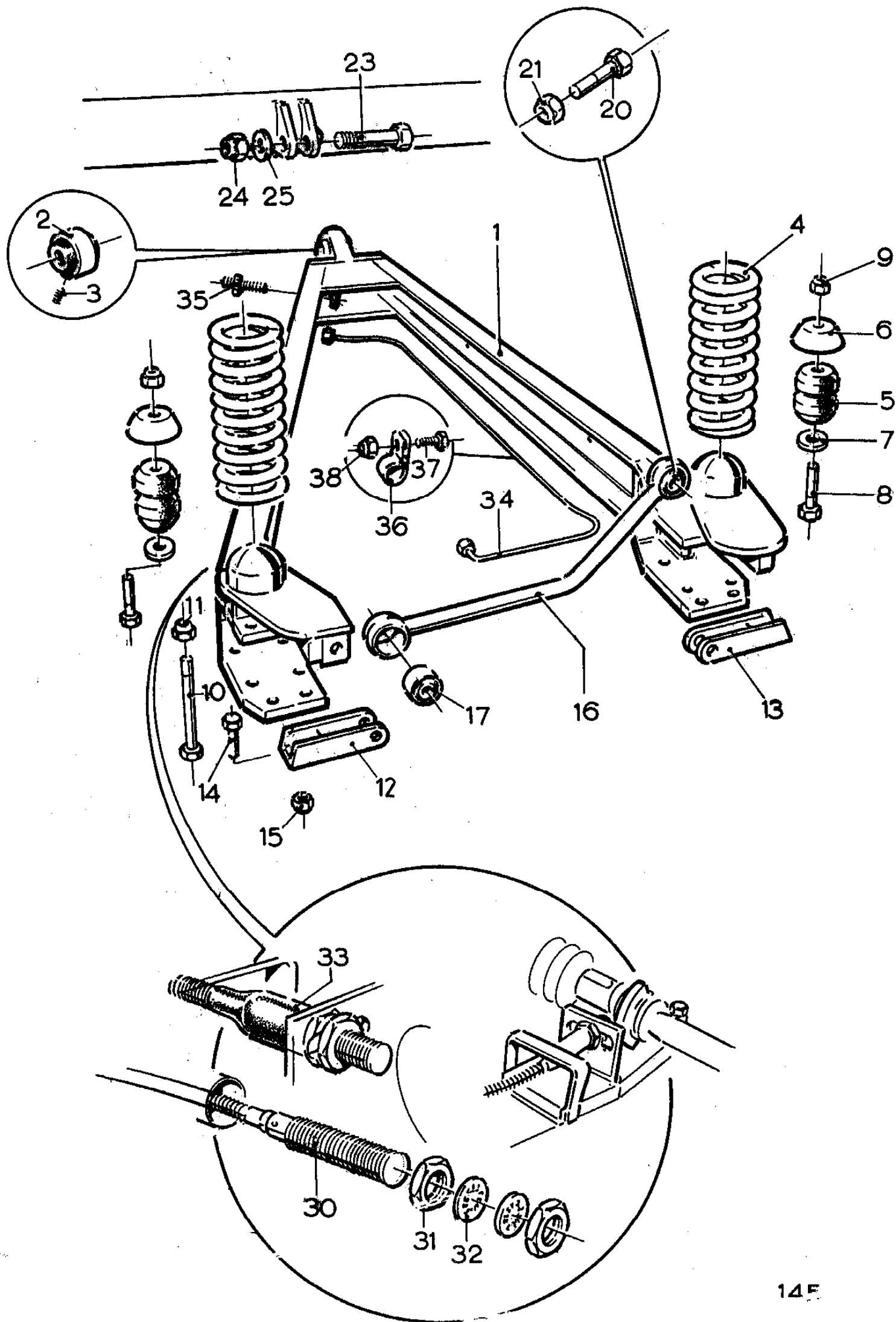
A' FRAME - REAR AXLE 4105 ONLY

ILLUST. NO. 128

ITEM	PART NO.	QTY	DESCRIPTION	
1A	120200	1	A FRAME - REAR	
1B	120300	1	A FRAME - REAR	S/N O234-
2A	170350	3	BONDED BEARING	
2B	120340	1	BONDED BEARING	S/N O234-
3	F16M0801C	1	SOCKET SETSCREW M8 X 10	
4	O41100	2	COIL SPRING	
5	O41250	2	RUBBER SPRING - REAR	
5A	O41300	* 2	RUBBER SPRING	(A)
6	O41205	2	OVERLOAD CAP	
7	F19M12060	2	BOLT M12 X 60	
8	F22M12	2	NYLOCK NUT M12	
9	O41210	2	OVERLOAD WASHER	
10A	F19M14056	8	BOLT 7/8" X 7"	
10B	F19M20200	8	BOLT M20 X 200	S/N O234-
11A	F22M14	8	NYLOCK NUT M14	
11B	F22M20	8	NUT M20	S/N O234-
12	320701	2	PROXIMITY SENSOR	REAR AXLE
13	320810	2	SVC SHROUD - PROXIMITY SWITCH	
14A	173700	1	LINKAGE CARRIER - REAR AXLE	
14B	173701	1	LINKAGE CARRIER - REAR AXLE	
14C	173702	1	LINKAGE CARRIER - REAR AXLE	
15	173900	1	U BOLT	
16	173800	1	CHOCK	
17	F22M12	1	NYLOCK NUT M12	
18	170400	1	PANHARD ROD	
19	170350	2	BONDED BEARING	
20	F19M22110	3	BOLT M22 X 120	
21	F22M22	3	NYLOCK NUT M22	
22				
23				
24	F19U18044	1	BOLT	
25	F22U18	1	NUT M18	
26				
27	173740	4	TENSION BUSH	
28				
29				
30				
31	F19M16050	8	BOLT M16 X 50	
32	F22M16	8	NYLOCK NUT M16	
33	F24M18	4	THIN NUT M18	
34	F29M18	4	SERRATED WASHER M18	

(A) Used on 4120 rear suspension

* Superseded to MD42591D24P

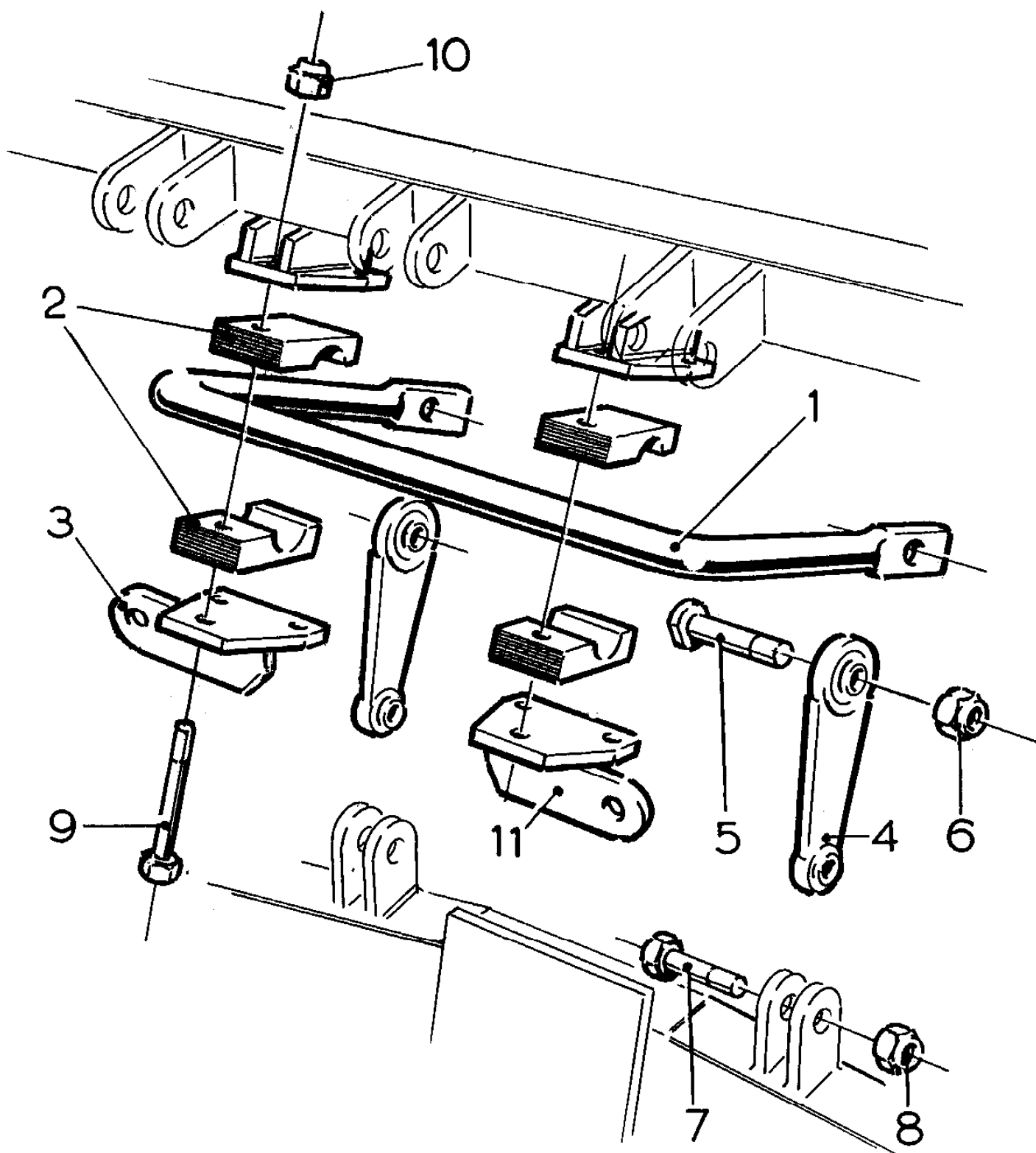


A' FRAME FRONT AXLE

ILLUST. NO. 145

ITEM	PART NO.	QTY	DESCRIPTION	
1	120100	1	FRONT A FRAME	S/N O201-0282
1A	120101	1	FRONT A FRAME	S/N O283-
1B	120102	1	FRONT A FRAME	WIDE AXLE
2	170350	1	BEARING	
3	F16M08010	1	GRUB SCREW	
4	O41100	2	COIL SPRING	(A)
5	O41250	2	RUBBER SPRING	
6	O41205	2	OVERLOAD CUP	
7	O41210	2	OVERLOAD WASHER	
8	F19M12060	2	BOLT M12 x 60	
9	F22M12	2	NYLOCK NUT M12	
10	F19M14056	8	BOLT M12 x 56	
11	F22M14	8	NYLOCK NUT M14	
12	120400	1	DAMPER BRACKET RH	
13	120500	1	DAMPER BRACKET LH	
14	F19M12035	4	BOLT M12 x 35	
15	F22M12	4	NYLOCK NUT M12	
16	170300	1	FRONT PANHARD ROD	
17	170350	2	BEARING	
18				
19				
20	F19M22110	2	BOLT M22 x 110	
21	F22M22	2	NYLOCK NUT M22	
22				
23	F19M22110	1	BOLT M22 x 110	
24	F22M22	1	NYLOCK NUT M22	
25	F31M22	1	WASHER	
26				
27				
28				
29				
30	320800	1	FRONT STEERING SENSOR	
31		2	THIN NUT M18	
32		2	STAR WASHER - 18mm diam	
33	320810	1	PVC SHROUD	
34	357084	1	STEEL BRAKE LINE	
35				
36	F37M4010	1	P CLIP	
37	F19M06016	1	BOLT M6 x 16	
38	F22M06	1	NYLOCK NUT M6	
39				
40				

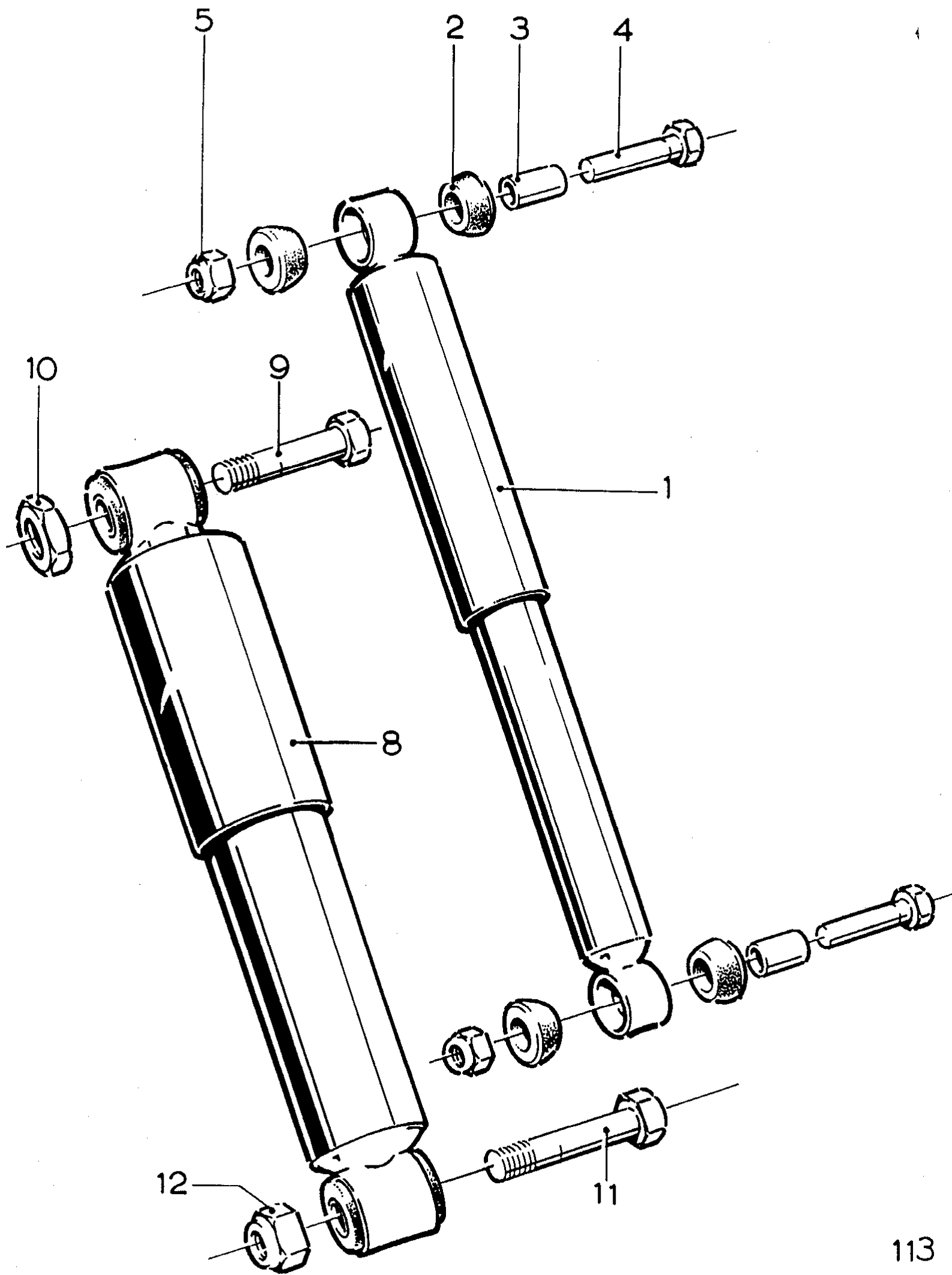
(A) O41100 now superseded by O41102



REAR ANTI ROLL BAR - 4105 & 4120

ILLUST NO 149

ITEM	PART NO	QTY	DESCRIPTION
1	191300	1	REAR ANTI-ROLL BAR
2	112100	2	(pairs) NYLON SPLIT BEARING
3a	112001	1	CLAMP A.R.B (LH) (S/N -0232)
3b	112051	1	CLAMP A.R.B(LH) M/C 33- (S/N 0233-)
4a	181700	2	A.R.B LINK
5	181750	2	PIN A.R.B. LINK
6	F2212	2	NUT 3/4"
7	F1912028	2	BOLT 3/4" x 3 1/2"
8	F2212	2	NUT 3/4"
9	F19M12090	6	BOLT M12 x 90
10	F22M12	6	NUT M12
11a	112000	1	CLAMP A.R.B. (RH) (S/N -0232)
11b	1122050	1	CLAMP A.R.B.(RH) M/C 33- (S/N 0233-)
12			
13			
14			
15			
16			
17			
18			
19			
20			
21			
22			
23			
24			
25			
26			
27			
28			
29			
30			
31			
32			
33			
34			
35			
36			
37			
38			
39			
40			

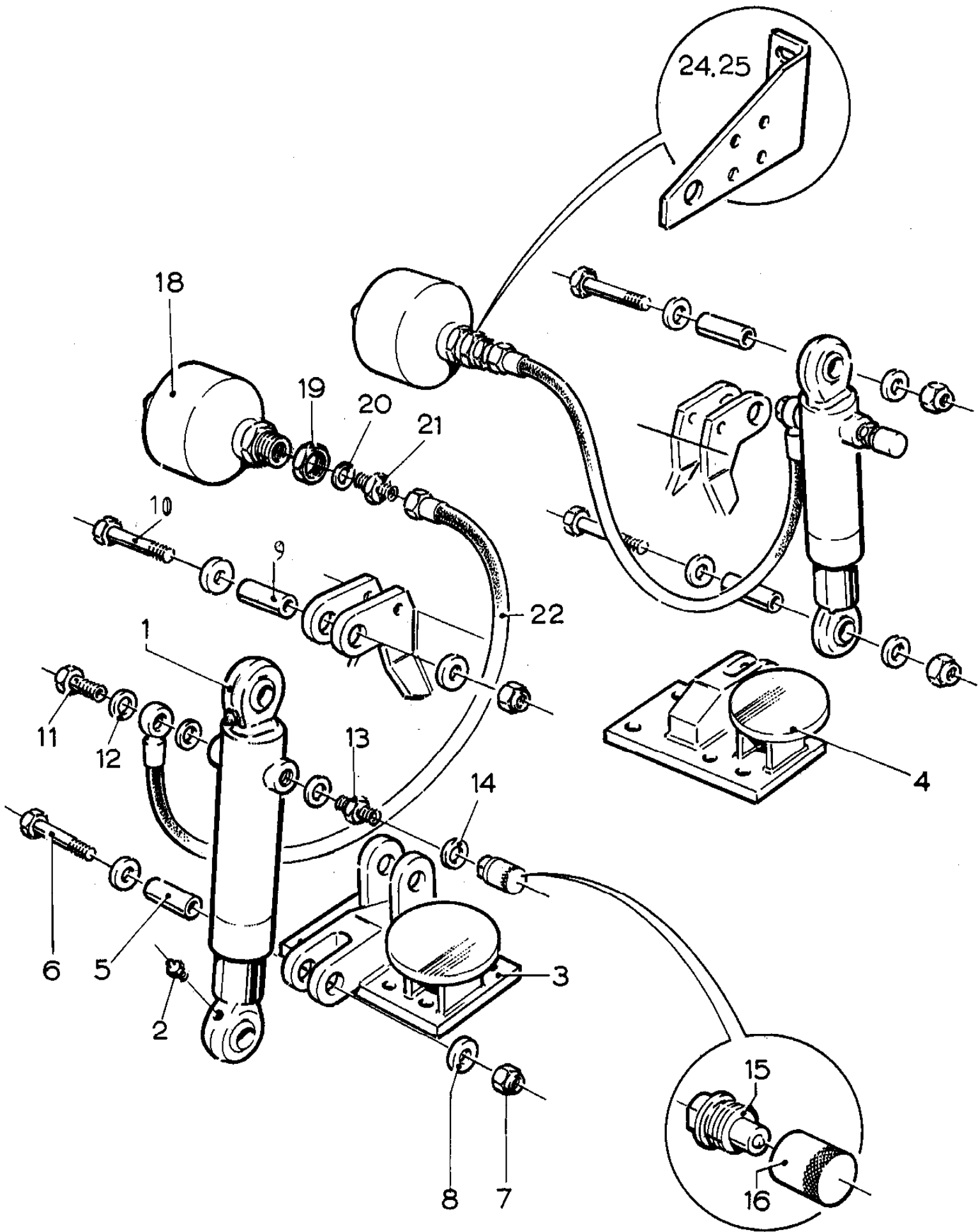


SHOCK ABSORBERS

ILLUST. NO. 113

ITEM	PART NO.	QTY	DESCRIPTION
1	O41000	2	SHOCK ABSORBER - FRONT
2	O41004	2	RUBBER BUSH (PAIR)
3	O41002	2	STEEL BUSH
4	F19M16090	4	BOLT - M16 x 90
5	F22M16	4	NYLOCK NUT
6			
7			
8	O41006	2	* SHOCK ABSORBER - REAR
9	F19M220805	2	* BOLT - M22
10	F24M22	2	* THIN NUT
11	F19M22110	2	* BOLT - M22
12	F22M22	2	* NYLOCK NUT
13			
14			
15			
16			
17			
18			
19			
20			
21			
22			
23			
24			
25			
26			
27			
28			
29			
30			
31			
32			
33			
34			
35			
36			
37			
38			
39			
40			

* Not 4090



4120 REAR SUSPENSION

ILLUST. NO. 161

ITEM	PART NO.	QTY	DESCRIPTION
1	O50701	2	SUSPENSION CYLINDER
	O50702	A/R	SEAL KIT FOR O50701
2	O63236	4	GREASE NIPPLE
3	120303	1	LH SUSPENSION BRACKET (A)
4	120304	1	RH SUSPENSION BRACKET (B)
5	112602	2	BUSH (BOTTOM)
6	F19M16100	4	HEX BOLT M16 x 100mm
7	F22M16	4	NYLOCK NUT M16
8	F31M16S	8	SPECIAL WASHER
9	112601	2	BUSH (TOP)
10	F19M16090	2	HEX BOLT M16 x 90mm
11		2	PART OF H00013
12	H70B06	6	BONDED SEAL
13	H61B04MB06M	2	ADAPTOR
14	H70B04	2	BONDED SEAL
15	H8014	2	COUPLER
16	H8015	2	PROTECTIVE CAP
17			
18	O50731	2	ACCUMULATOR
19	F24M33	2	HEX THIN NUT M33
20	H70B08	2	BONDED SEAL
21	H61B06MB08M	2	ADAPTOR
22	H00013	2	HOSE - HYDRAULIC SUSPENSION
23			
24	182400	1	PIPE & ACCUMULATOR MOUNTING BRACKET RH
25	182401	1	PIPE & ACCUMULATOR MOUNTING BRACKET LH

IMPORTANT NOTE – JOHN DEERE ENGINES

Your local John Deere dealer will look after any service, warranty or parts back-up you require. Any warranty problems relating to the John Deere Engine will be dealt with by your dealer who will then send any warranty claim DIRECT to the John Deere branch office of the country you reside in.

The John Deere engine is supplied to Lucassen Young Ltd to a series of 'BUILD CODES'. It is essential that your dealer is aware of these codes as he needs them in order to identify correct part numbers. He will be in possession of a microfiche showing the various parts, e.g. alternators, starter motors, exhaust outlets etc., each have a 'Build Code'. The list of codes on the following page will assist in ensuring the correct one is identified/

Note several of the engine parts, e.g. sender units, are purchased separately from John Deere and carry the normal John Deere six months 'parts' warranty. These parts can be identified by the fact the Lucassen Young Ltd part number advises the John Deere number as a cross reference.

ENGINE OPTION CODES - CD4039T Engine Base Code: 1485F

Option Codes	Description	Option Codes	Description
1102	Rocker arm cover	4006	Dipstick
1202	Oil filler	4101	Belt driven front auxiliary drive
1301	Crankshaft pulley	4399	Air inlet heater
1421	Flywheel housing	4499	Timing gear cover with gears
1527	Flywheel	4502	Balancers for 4 cylinder engines
1602	Injection pump	4601	Cylinder block with liners and camshaft
1713	Air inlet	4710	Crankshaft and bearings
18		4803	Connecting rods and pistons
1908	Oil pan	4901	Valve actuating mechanisms
2005	Water pump	5002	Oil pumps
2101	Thermostat cover	5101	Cylinder head with valves
2208	Thermostat	5299	Auxiliary gear drive
23		5512	Shipping stand
2402	Fan belt	5601	Paint option
25	Fan	5921	Oil cooler and filter
27	Radiator	6219	Alternator mounting
2803	Exhaust manifold	6499	Exhaust elbow
2902	Ventilator system	6521	Turbocharger
3007	Starting motor	6699	Temperature switch
3115	Alternator	6904	Engine serial no plate
32		75	

ENGINE OPTION CODES - CD4039T Engine Base Code: 1485F

Option Codes	Description	Option Codes	Description
3506	Fuel filter	76	
3602	Front plate	9104	Special equipment (factory installed)
3712	Fuel transfer pump	97	
3906	Thermostat housing	9801	Shipping

ENGINE OPTION CODES - CD4045TF 001 Engine Base Code: 1575F

Option Codes	Description	Option Codes	Description
1102	Rocker arm cover	4003	Dipstick
1202	Oil filler	4101	Belt drive front auxiliary
1301	Crankshaft pulley	4399	Air inlet heater
1421	Flywheel housing	4499	Timing gear cover with gears
1527	Flywheel	4502	Balancers for 4 cylinder engines
1602	Injection pump	4601	Cylinder block with liners and camshaft
1713	Air inlet	4704	Crankshaft and bearings
18	Air cleaner		
1908	Oil pan	4902	Valve actuating mechanisms
2017	Water pump	5010	Oil pumps
2101	Thermostat cover	5101	Cylinder head with valves
2208	Thermostat	5299	Auxiliary gear drive
23	Fan drive	5515	Shipping stand
2408	Fan belt	5601	Paint option
25	Fan	5921	Oil cooler and filter
27	Radiator	6219	Alternator mounting
2803	Exhaust manifold	6499	Exhaust elbow
2902	Ventilator system	6521	Turbocharger
3007	Starting motor	6699	Temperature switch
3115	Alternator	6904	Engine serial no plate
32	Instrument panel	75	Air restriction indicator
3506	Fuel filter	76	Oil pressure switch

ENGINE OPTION CODES - CD4045TF 001 Engine Base Code: 1575F

Option Codes	Description	Option Codes	Description
3602	Front plate	9104	Special equipment (factory installed)
3712	Fuel transfer pump	97	Special equipment (field installed)
3906	Thermostat housing	9801	Shipping

ENGINE OPTION CODES - 6068TF150

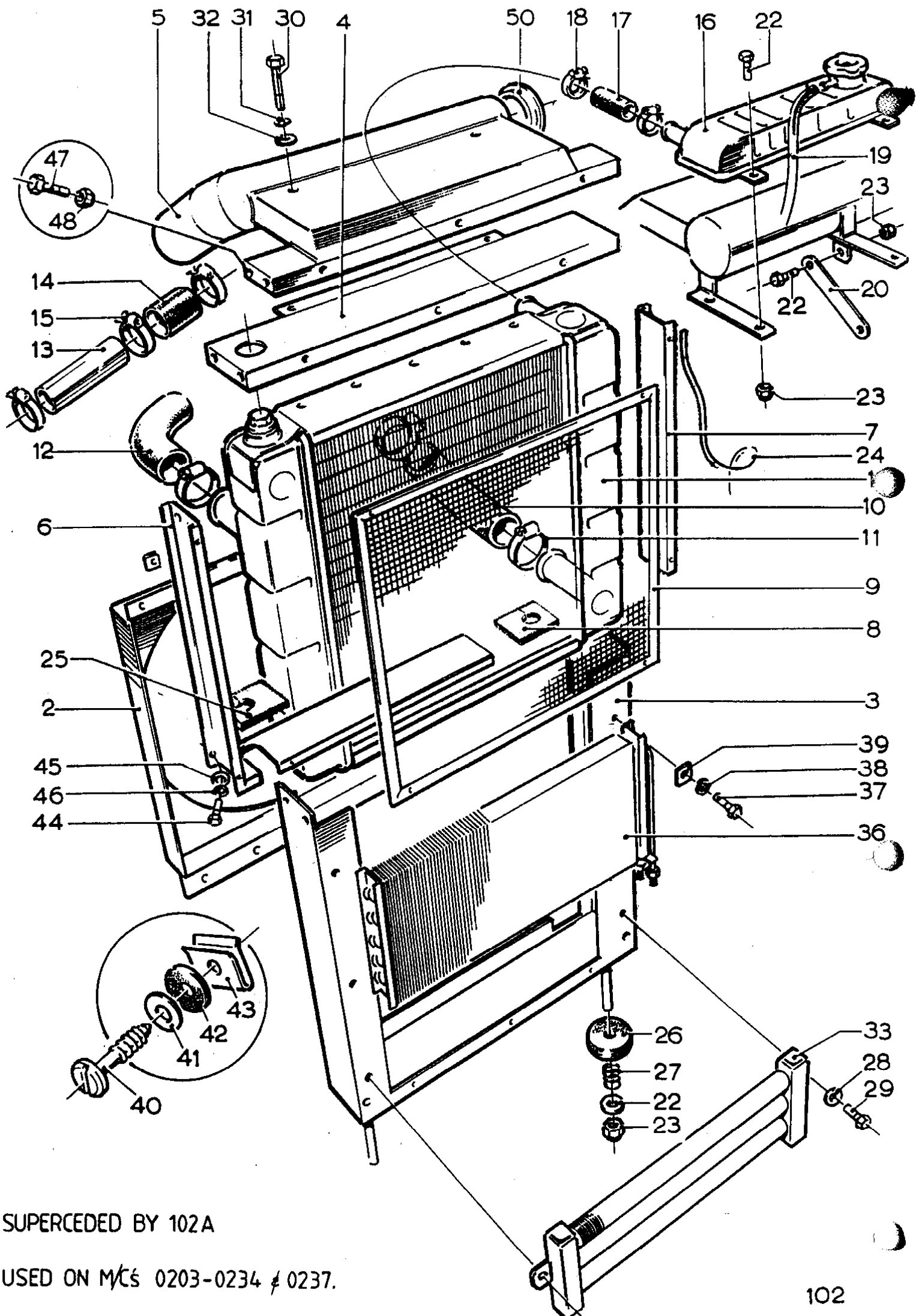
Option Codes	Description	Option Codes	Description
1104	Rocker Arm Cover	4399	Starting Aid
1202	Oil Filler Neck	4404	Timing Gear Cover with Gears
1305	Crankshaft Pulley	4603	Cylinder Block with Liners & Camshaft
1407	Flywheel Housing	4702	Crankshaft and Bearings
1543	Flywheel	4807	Connecting Rods and Pistons
1696	Fuel Injection Pump	4902	Valve Actuating Mechanisms
1706	Air Inlet	5001	Oil Pump
1909	Oil Pan	5107	Cylinder Head with Valves
2001	Water Pump	5204	Auxiliary Gear Drive
2101	Thermostat Cover	5515	Shipping Stand
2201	Thermostat	5601	Paint Option
2313	Fan Drive	5701	Water Pump Inlet
2433	Fan Belt	5902	Oil Cooler
2699	Engine Coolant Heater	6099	Add-on Auxiliary Drive Pulley
2808	Exhaust Manifold	6202	Alternator Mounting
2904	Ventilator System	6499	Exhaust Elbow
3013	Starting Motor	6522	Turbocharger
3107	Alternator	6799	Electronic Tachometer Sensor
3518	Fuel Filter	6901	Engine Serial Number Plate
3602	Front Plate	7406	Air Conditioner Compressor Mounting
3702	Fuel Transfer Pump	8610	Fan Pulley
4002	Oil Dipstick	8701	Automatic Belt Tensioner
4199	Belt Driven Front Auxiliary Drive	8802	Oil Filter

JOHN DEERE ENGINE OPTION BUILD CODES

DESCRIPTION	4045T OPTION CODES	4039T OPTION CODES	4045D OPTION CODES
ROCKER ARM COVER	1102	1102	1102
OIL FILLER	1202	1202	1202
CRANKSHAFT PULLEY	1301	1301	1301
FLYWHEEL HOUSING (SAE 3)	1502	1502	1502
INJECTION PUMP	1602	1602	1602
AIR INLET	1713	1713	1703
OIL PAN	1908	1908	1908
WATER PUMP	2017	2005	2017
THERMOSTAT COVER	2101	2101	2101
THERMOSTAT	2208	2208	2204
FAN BELT	2410	2402	2410
EXHAUST MANIFOLD	2803	2803	2803
VENT SYSTEM	2902	2902	2902
STARTER MOTOR	3007	3007	3007
ALTERNATOR	3115	3115	3115
THERMOSTAT HOUSING	3906	3906	3901
OIL DIPSTICK	4003	4006	4003
AUXILIARY DRIVE PULLEY	4101	4101	4101
TIMING COVER	4499	4499	4499
EXHAUST	6499	6499	
TURBO CHARGER	6521	6501	

Buggi Engine fitments -

Model 4090	4045D	Standard
	4039T	Optional
Model 4105	4039T	Standard
	4045T	Optional
Model 4120	4045T	Standard



SUPERCEDED BY 102A

USED ON M/Cs 0203-0234 & 0237.

***RADIATOR / AIR INTAKE**

ILLUST. NO. 102

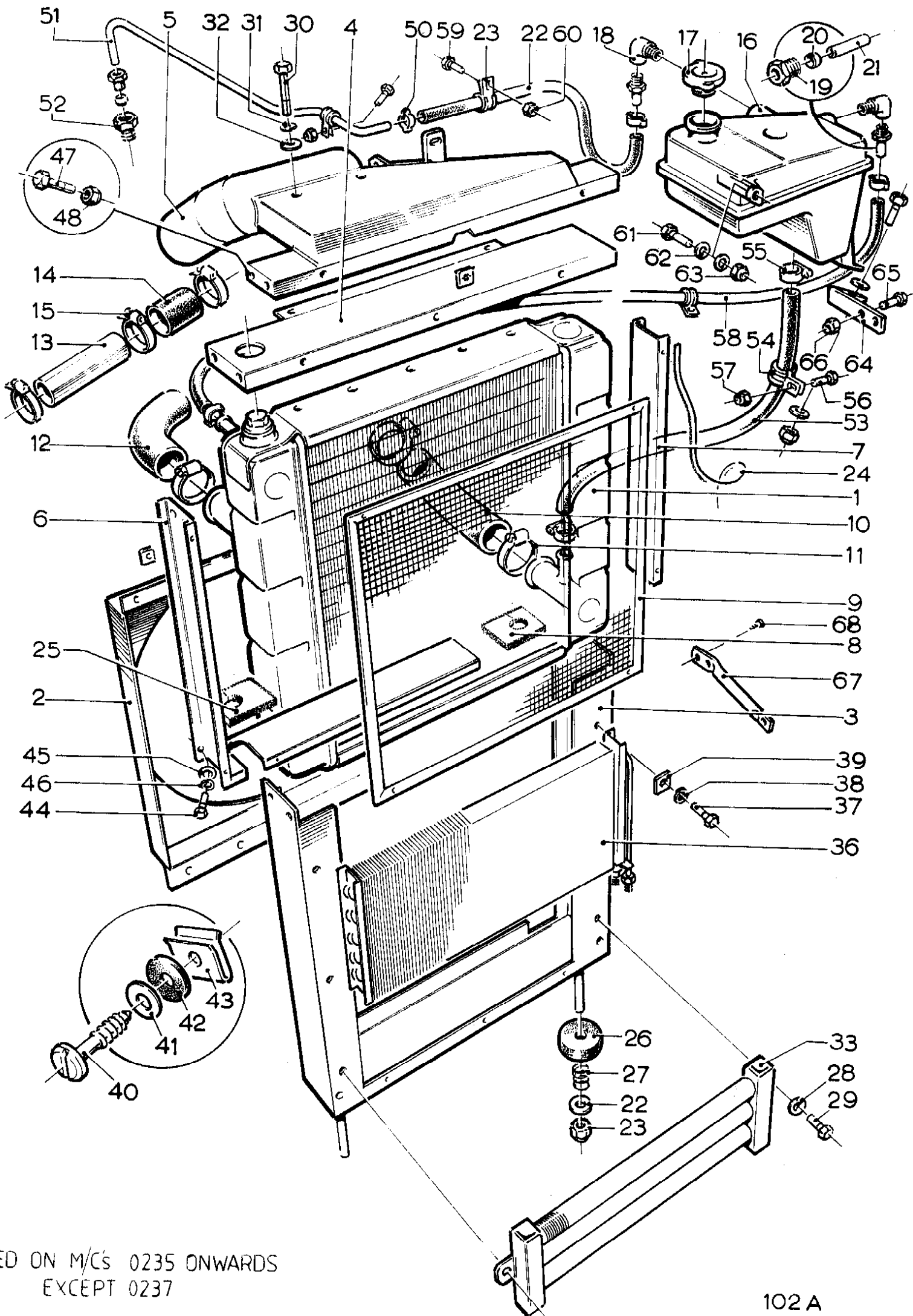
ITEM	PART NO	QTY	DESCRIPTION
1	O10100	1	RADIATOR
2	O10120	1	FAN HOUSING
3	220600	1	RADIATOR HOUSING (INCLUDES 2 & 4)
4	O10121	1	RADIATOR HOUSING
5	220300	1	AIR INTAKE (INCLUDES 6 & 7)
6	220600	1	HOLDER RADIATOR GRILL (INCLUDES 7)
7			
8	360600	1	FILL IN PIECE ONLY
9	220500	1	MESH GRILL
10	O40116	1	BOTTOM HOSE
11	F3555	2	HOSE CLAMP
12	O40117	1	TOP HOSE
13	160145	1	EXTENSION HOSE
14	O40118	1	HOSE
15	F3545	4	HOSE CLAMP
16	O10200	1	HEADER TANK
17	O40125	1	HOSE - HEADER TANK
18	F3535	2	HOSE CLAMP
19	O40127	1	HOSE - OVERFLOW
20	191500	1	STAY
21	F19M08020	2	BOLT - 8M X 20
22	F19M08025	2	BOLT - 8M X 25
23	F22M08	5	NYLOCK NUT
24	O61255	A/R	FOAM STRAP
25	360600	1	FILL IN PIECE ONLY
26	O10300	2	MOUNTING PAD
27	O10400	2	SPRING
28	F31M08	4	WASHER
29	F1908016	2	STUD
30	F19M08060	4	STUD
31	F33M08	4	SPRING WASHER
32	F31M08	4	WASHER
33	352000	1	OIL COOLER
34			
35			
36	O60313	1	CONDENSER
37	F19M08016	4	STUD

***RADIATOR / AIR INTAKE**

ILLUST. NO. 102

ITEM NO	PART NO	QTY	DESCRIPTION
38	F33M08	4	WASHER
39	172400	4	SPECIAL WASHER
40	O60512	7	SCREW
41	O065025	7	WASHER (COMES WITH ITEM 40)
42	O60525	7	RETAINER
43	O60530	7	CAPTIVE NUT
44	F19M08016	4	STUD
45	F31M08	8	WASHER - PLAIN
46	F33M08	4	WASHER - SPRING
47	F19M08020	4	STUD
48	F22M08	4	NUT
49			
50	O20790	1	PLASTIC END CAP
51			
52			
53			
54			
55			
56			
57			
58			
59			
60			

* Used on machines up to 234 plus machine 237



USED ON M/C's 0235 ONWARDS
EXCEPT 0237

***RADIATOR / AIR INTAKE**

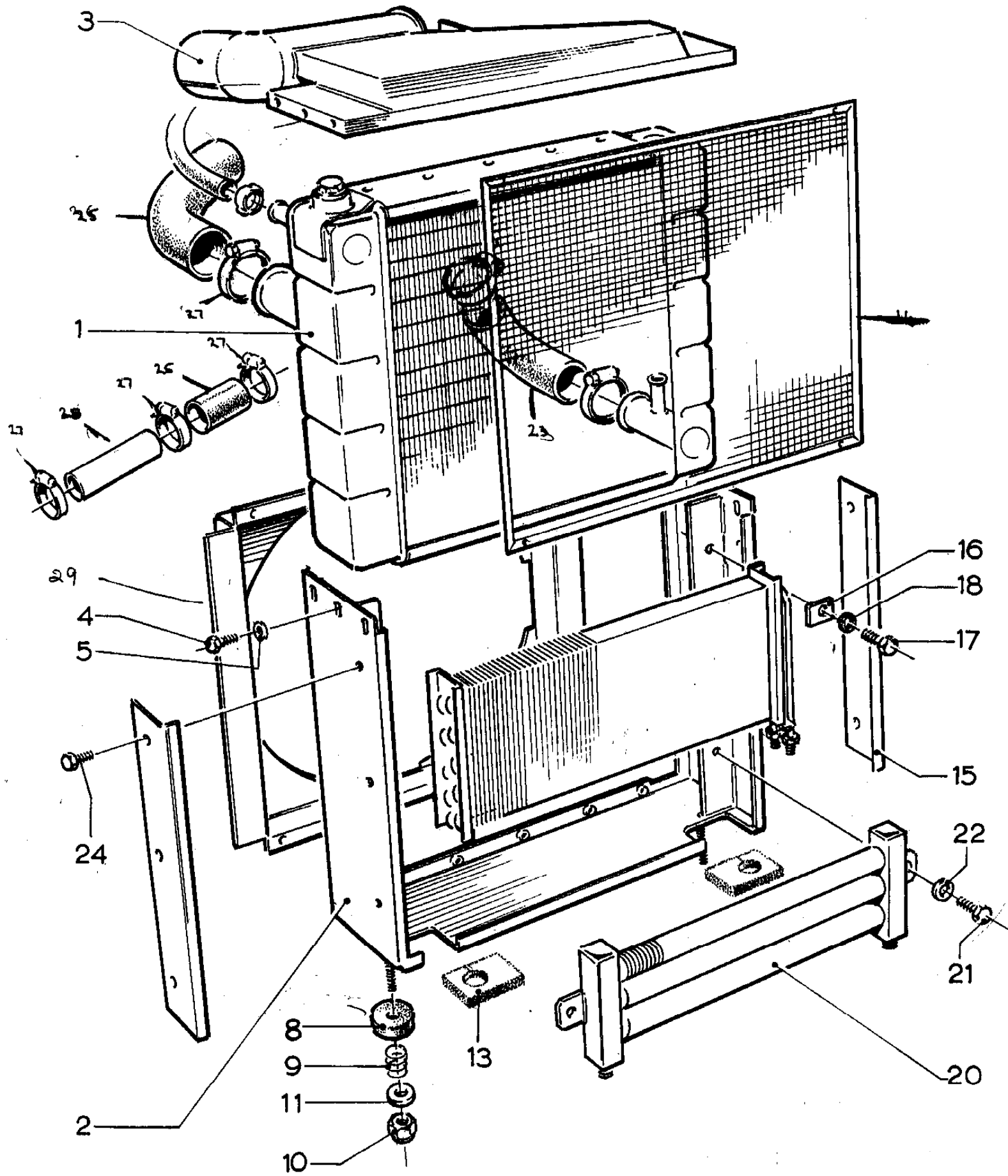
ILLUST. NO. 102A

ITEM	PART NO	QTY	DESCRIPTION
1	O10101	1	RADIATOR
2	O10120	1	FAN HOUSING
3	220600	1	RADIATOR HOUSING (INCLUDES 2 & 4)
4	O10121	1	RADIATOR HOUSING
5	220301	1	AIR INTAKE (INCLUDES 6 & 7)
6	220600	1	HOLDER RADIATOR GRILL (INCLUDES 7)
7			
8	360600	1	FILL IN PIECE ONLY
9	220500	1	MESH GRILL
10	O40116	1	BOTTOM HOSE
11	F3555	2	HOSE CLAMP
12	O40117	1	TOP HOSE
13	160145	1	EXTENSION HOSE
14	O40118	1	HOSE
15	F3545	4	HOSE CLAMP
16	O10250	1	HEADER TANK
17	O10270	1	FILLER CAP (7 psi)
18	H64B0290	2	ELBOW
19	H64N08	3	TUBE NUT
20	H64M08	3	OLIVE
21	H64M08TA	2	BOLT 8M x 20
22	H7M0804	1	ENGINE VENT HOSE
23	F22M08	5	NYLOCK NUT
24	061255	A/R	FOAM STRAP
25	360600	1	FILL IN PIECE ONLY
26	010300	2	MOUNTING PAD
27	010400	2	SPRING
28	F31M08	4	WASHER
29	F19M08016	2	STUD
30	F19M08060	2	STUD
31	F33M08	2	SPRING WASHER
32	F31M08	2	WASHER
33	352000	1	OIL COOLER
34			
35			
36	060313	1	CONDENSER
37	F19M08016	4	STUD

***RADIATOR / AIR INTAKE**

ILLUST. NO. 102A

ITEM NO	PART NO	QTY	DESCRIPTION
38	F33M08	4	WASHER
39	172400	4	SPECIAL WASHER
40	060512	7	SCREW
41	065025	7	WASHER (COMES WITH ITEM 40)
42	060525	7	RETAINER
43	060530	7	CAPTIVE NUT
44	F18M08016	4	STUD
45	F31M08	8	WASHER - PLAIN
46	F33M08	4	WASHER - SPRING
47	F19M08020	4	STUD
48	F22M08	4	NUT
49			
50	F41M4414	1	HOSE CLAMP
51			
52	H64B0408	1	ADAPTOR
53	H06M1904	1	HOSE - FAST FILL
54	F37M4021	1	P CLIP
55	F3525	2	HOSE CLIP
56	F19M06020	1	BOLT
57	F22M06	2	NUT
58	H0605	1	RADIATOR VENT HOSE
59	F19M06020	2	BOLT
60	F22M06	2	NUT
61	F19M08025	3	BOLT
62	F31M08	3	WASHER
63	F22M08	3	NUT
64	143200	1	BRACKET
65	F10M06020	2	BOLT
66	F22M06	2	NUT
67	143300	1	BRACKET

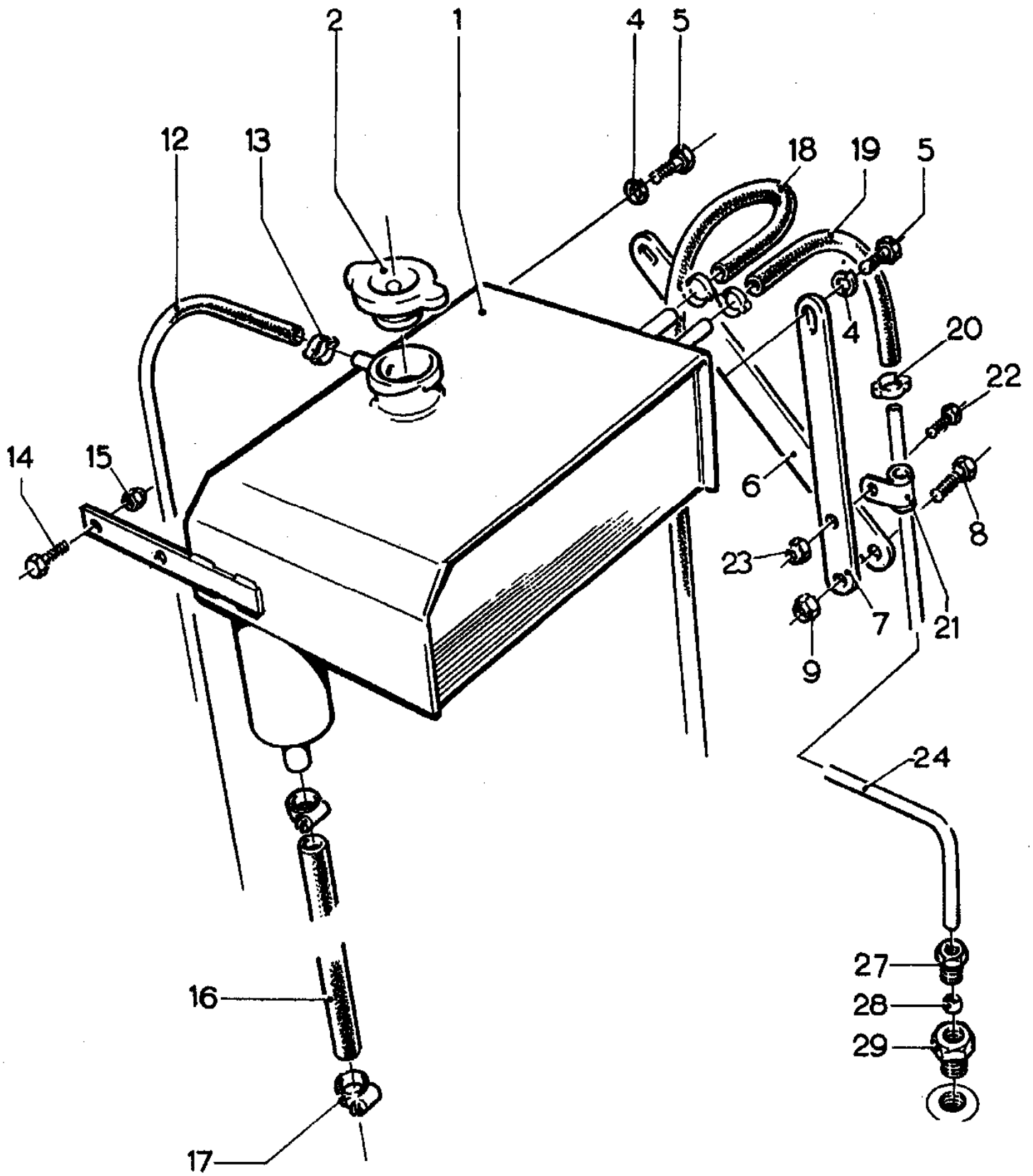


RADIATOR/AIR INTAKE

ILLUST. NO. 191

ITEM	PART NO	QTY	DESCRIPTION
1	O10111	1	RADIATOR ASSEMBLY
2	220601	1	FRAME
3	O10122	1	AIR INTAKE
4	F18M08016	15	HEX BOLT M8 X 16mm
5	F31M08	24	WASHER PLAIN M8
6	220504	1	BOTTOM PLATE
7	220502	1	RADIATOR GRILLE
8	O10300	2	RUBBER PAD
9	O10400	2	SPRING RADIATOR BOLT
10	F22M08	2	NYLOCK NUT M8
11	F31M08	6	WASHER PLAIN M8
12	061260	2.5M	FOAM SURROUND
13			FOAM PAD MADE ON SITE
14	220502	1	RADIATOR GRILLE
15	220503	2	CLAMP RADIATOR SIDE
16	172400	4	SPACER
17	F18M08016	4	HEX BOLT M8 X 16mm
18	F33M08	4	SPRING WASHER M8
19	220504	1	ANGLE CLAMP
20	352000	1	OIL COOLER RADIATOR
21	F18M08016	2	HEX BOLT M8 X 16mm
22	F33M08	8	WASHER SPRING M8
23	O40116	1	BOTTOM HOSE
24	F18M08016	6	HEX BOLT M8 X 16mm
25	O40117	1	HOSE (A)
	O40118	1	
26	160145	1	INSERT
27	F35M12050	4	HOSE CONNECTOR CLIPS
28			
29	O10120	1	FAN HOUSING
	O10116	1	FAN HOUSING (LARGE HYDRAULIC PUMP)

(A) Order O40117 when replacing O40118

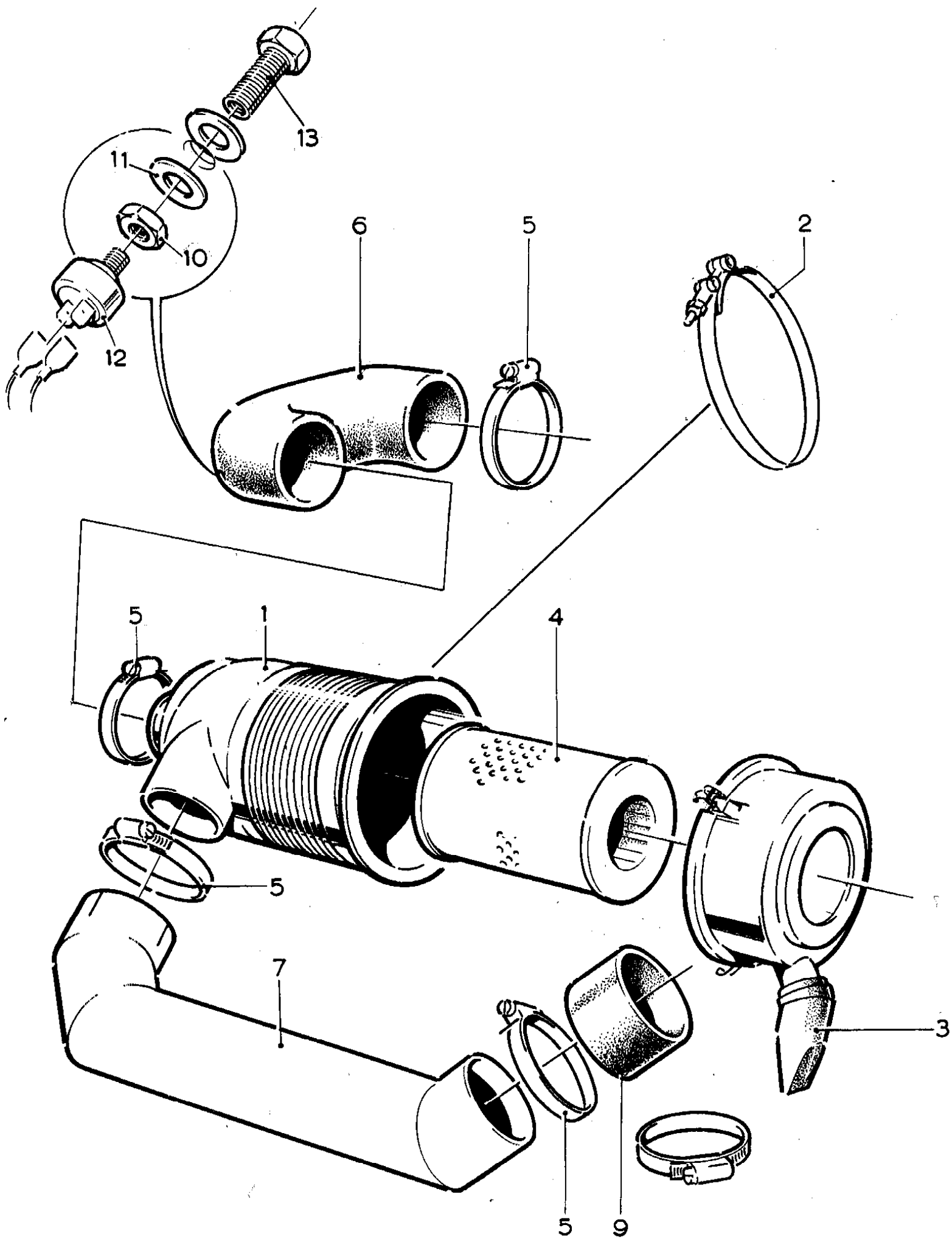


HEADER TANK

ILLUST. NO. 158

ITEM	PART NO.	QTY	DESCRIPTION
1	O10251	1	TANK
2	O10270	1	CAP
3			
4	F31M08	2	WASHER
5	F18M08025	2	BOLT M8 X 25
6	191501	1	STAY
7	191502	1	STAY
8	F18M08035	1	BOLT M8 X 35
9	F22M08	1	NYLOCK NUT
10			
11			
12		A/R	PIPE
13			CLIP
14	F18M08016	1	BOLT M8 X 16
15	F22M08	1	NYLOCK NUT M8
16	H06M1904	0.5M	HOSE
17	F35M12030	2	CLAMP
18	H07M0804	1.0M	HOSE
19	H07M0804	1.0M	HOSE
20	F41M07015	4	CLAMP
21	F37M13010	1	P CLIP
22	F18M06020	1	BOLT M6 X 20
23	F22M06	1	NYLOCK NUT M6
24		A/R	PIPE
25			
26			
27	OH64N08	1	NUT
28	OH64M08	1	OLIVE
29	OH64B0408	1	ADAPTOR

Used on 4105 and 4120 machines from M/C No. O284 onwards



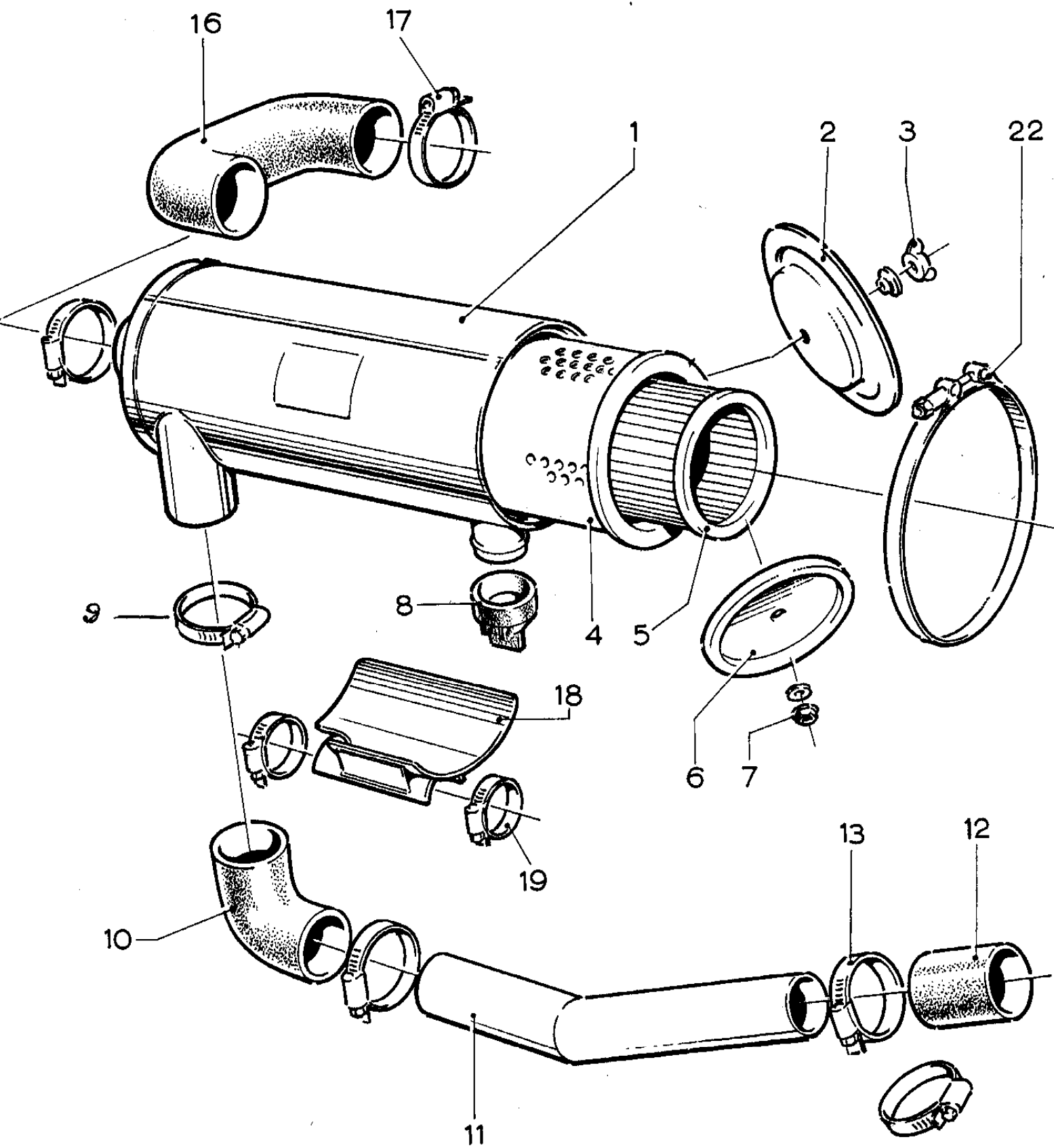
AIR INTAKE ASSEMBLY

ILLUST. NO. 127

ITEM	PART NO.	QTY	DESCRIPTION
1	O40104	1	AIR FILTER - COMPLETE
2	O40109	1	CLAMP - AIR CLEANER
3	O40108	1	DUMP VALVE
4A	O40103	1	FILTER ELEMENT OUTER
4B	O40101	1	FILTER ELEMENT INNER
5	F35M13100	2	HOSE CLAMP
6	O40110	1	HOSE - ENGINE AIR INTAKE
7	220400	1	AIR INTAKE PIPE
8	F35M13100	3	HOSE CLAMP
9	O40112	1	HOSE - CONNECTOR
10	H51B04	1	NUT
11	O63220	2	WASHER - PLAIN
12	O40190	1	SENDER UNIT (1)
13	332132	1	NIPPLE
14			
15			
16			
17			
18			
19			
20			

NB Fitted to 4039T/4039D engines

-1 AL59882

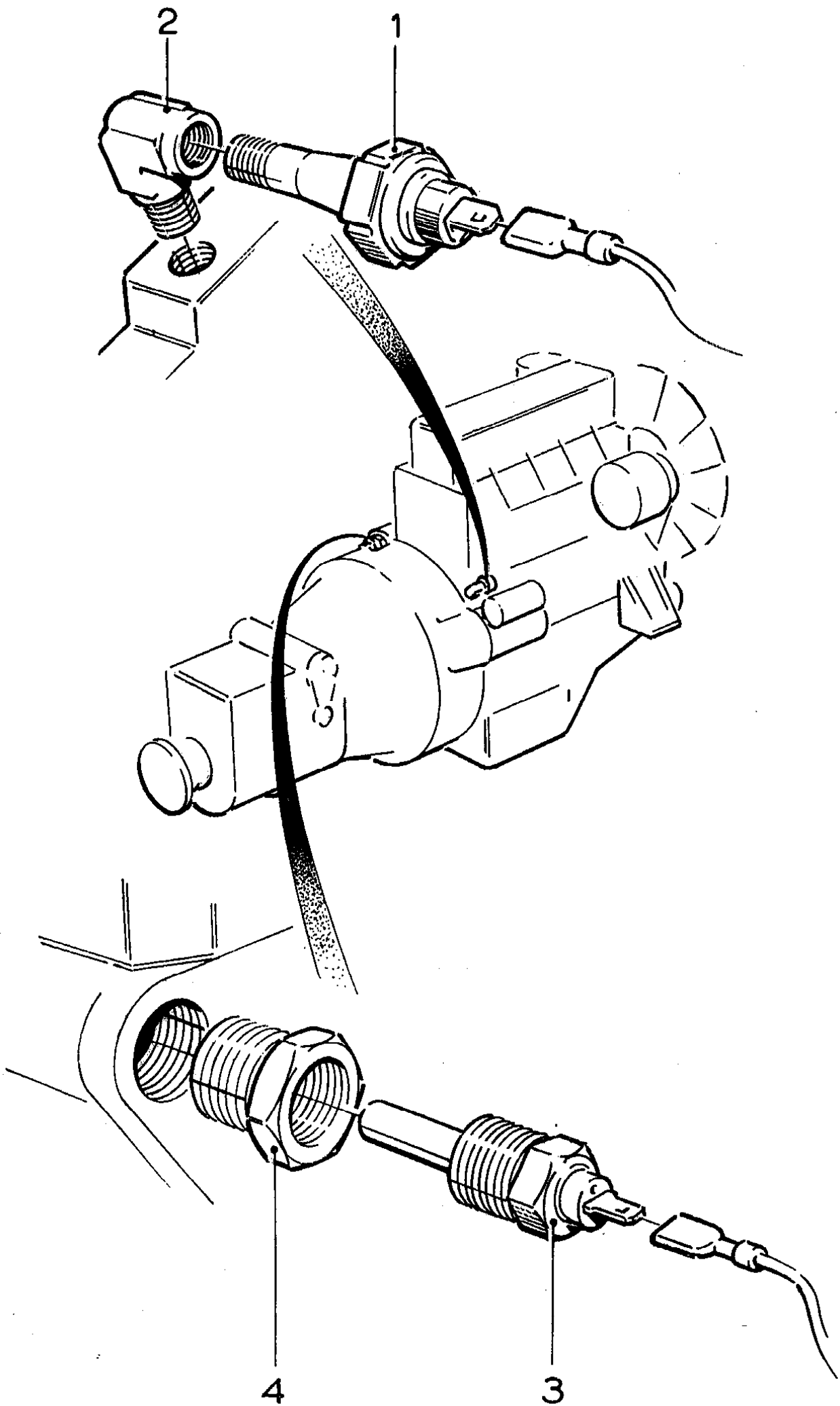


AIR INTAKE ASSEMBLY

ILLUST. NO. 176

ITEM	PART NO.	QTY	DESCRIPTION
1	O40152	1	AIR CLEANER COMPLETE
2		N/A	PART OF PRIMARY ELEMENT
3			7/16" UNC WING NUT
4	O40153	1	PRIMARY ELEMENT
5	O40154	1	SAFETY ELEMENT
6		N/A	PART OF SAFETY ELEMENT
7			7/16" UNC NYLOCK NUT
8			DUST VALVE
9	F35M13100	2	JUBILEE CLIP
10	O40119	1	RUBBER BEND
11	O40159	1	PIPE
12	O40118	1	RUBBER COUPLER
13	F35M13100	2	JUBILEE CLIP
14			
15			
16	O40128	1	OUTLET PIPE
17	F35M13100	2	JUBILEE CLIP
18	O40158		SUPPORT CRADLE
19	F35M12055	2	JUBILEE CLIP

NB Fitted to 4045T engine only

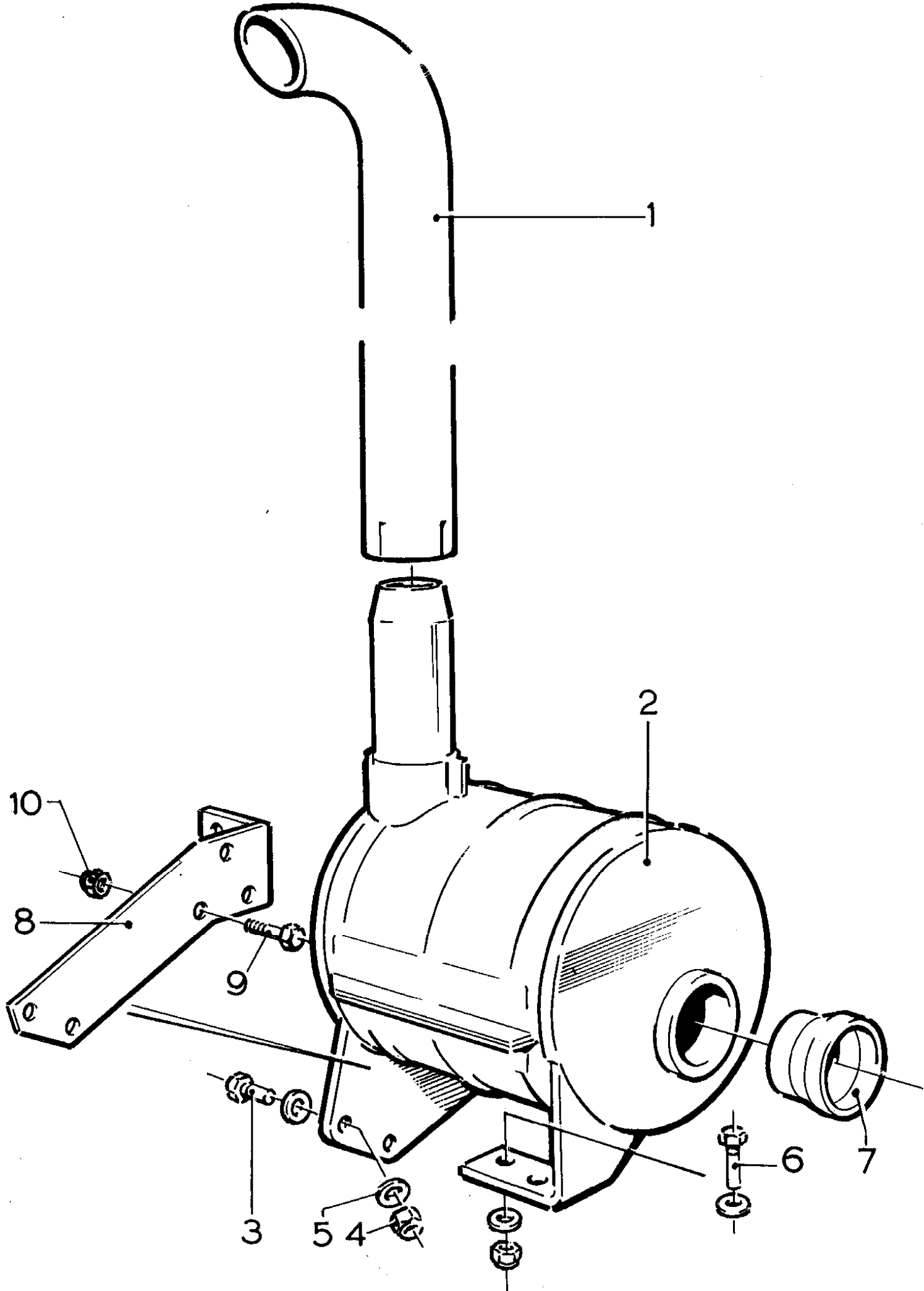


ENGINE SENSOR UNITS

ILLUST. NO. 155

<u>ITEM</u>	<u>PART NO</u>	<u>QTY</u>	<u>DESCRIPTION</u>
1	O40170	1	SENDER OIL PRESSURE (A)
2	O40205	1	ELBOW (B)
3	O40175	1	SENDER TEMPERATURE (C)
4	O40230	1	ADAPTOR
5			
6			
7			
8			
9			
10			
11			
12			
13			
14			
15			
16			
17			
18			
19			
20			

-
- (A) AT85174
(B) F2136R
(C) RE51774



EXHAUST SYSTEM - 4105 & 4120

ILLUST. NO. 112

ITEM	PART NO	QTY	DESCRIPTION	
1	O40138	1	EXHAUST PIPE	(1)
1A	O40166	1	EXHAUST 1200mm LONG	(C)
1B	O40167	1	RAIN CAP	
2	O40136	1	MUFFLER	(2)
3	F19M08030	2	BOLT M8 X 30	
4	F22M08	4	NYLOCK NUT M8	
5	F31M08	4	PLAIN WASHER	
6	F19M08035	2	BOLT M8 X 35	
7	O40134	1	TURBO ADAPTOR	(3)
8	190100	1	SILENCER BRACKET	(A)
8A	190101	1	SILENCER BRACKET	(B)
9	F19M08020	3	BOLT M8 X 20	
10	F22M08	3	NYLOCK NUT M8	
11				
12				
13				
14				
15				
16				
17				
18				
19				
20				

(1) AL61139

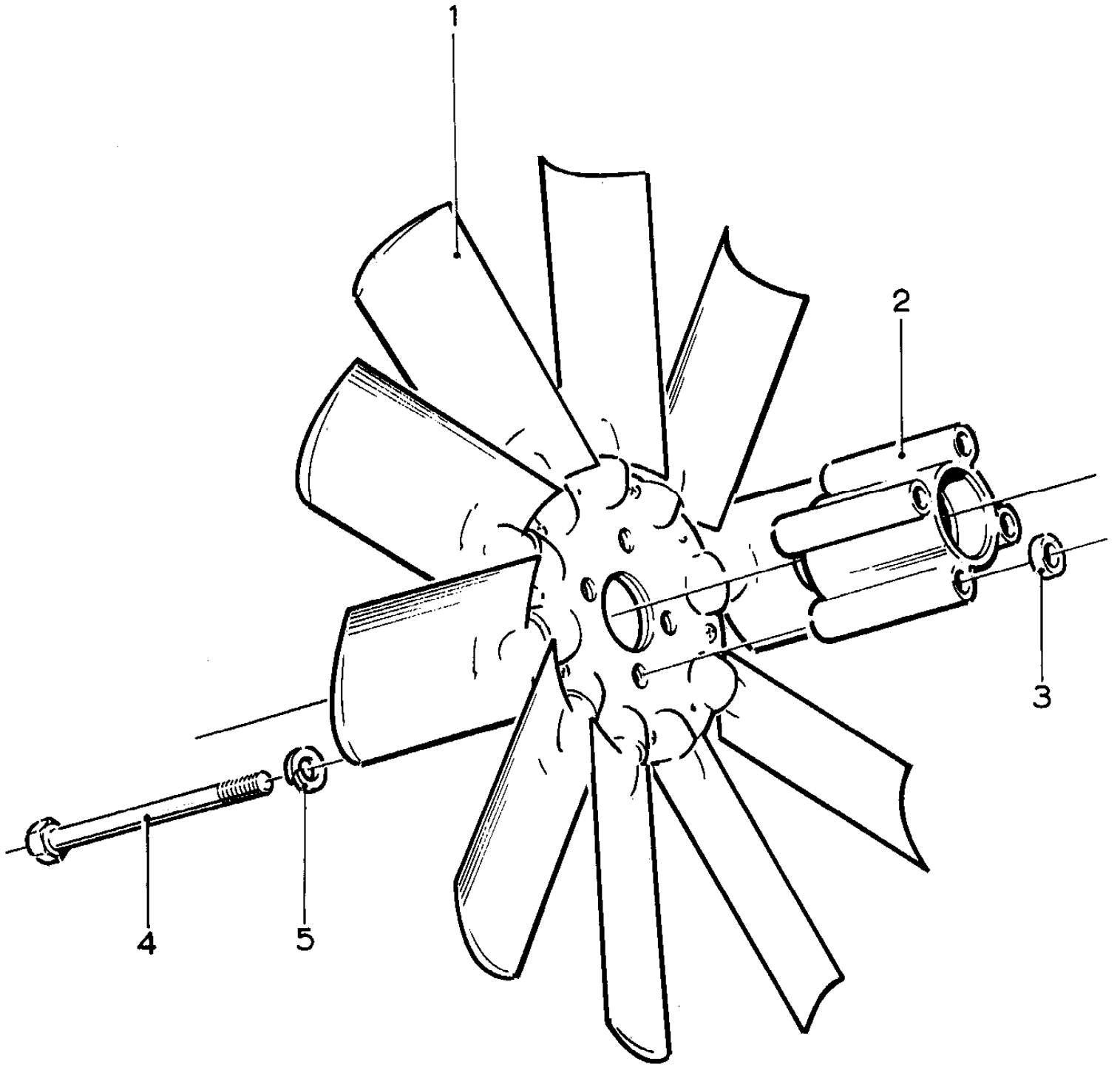
(2) AL35753

(3) R73531

(A) 4039T Engine

(B) 4045T Engine

(C) Replaces O40138 on 4045T engine

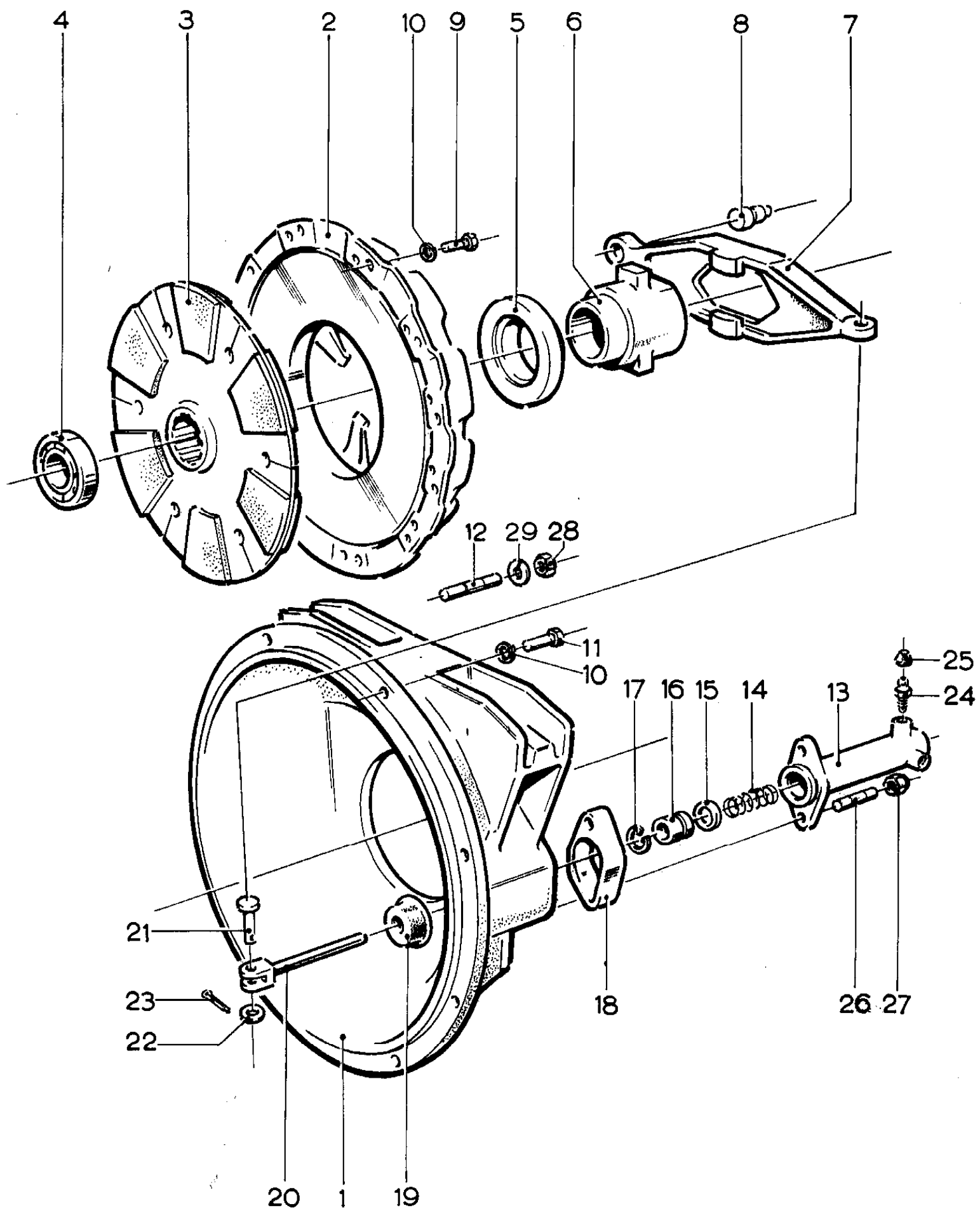


COOLING FAN

ILLUST. NO. 144

ITEM	PART NO	QTY	DESCRIPTION	
1	O40145	1	COOLING FAN	
2	O40146	1	SPACER	-1
3	F31M10	4	SHIMS (AS REQUIRED	
4	F1906028	4	BOLT 3/8" x 3 1/2"	
5	F33M10	4	SPRING WASHERS	
6				
7				
8				
9				
10				
11				
12				
13				
14				
15				
16				
17				
18				
19				
20				
21				
22				
23				
24				
25				
26				
27				
28				

(1) R81911

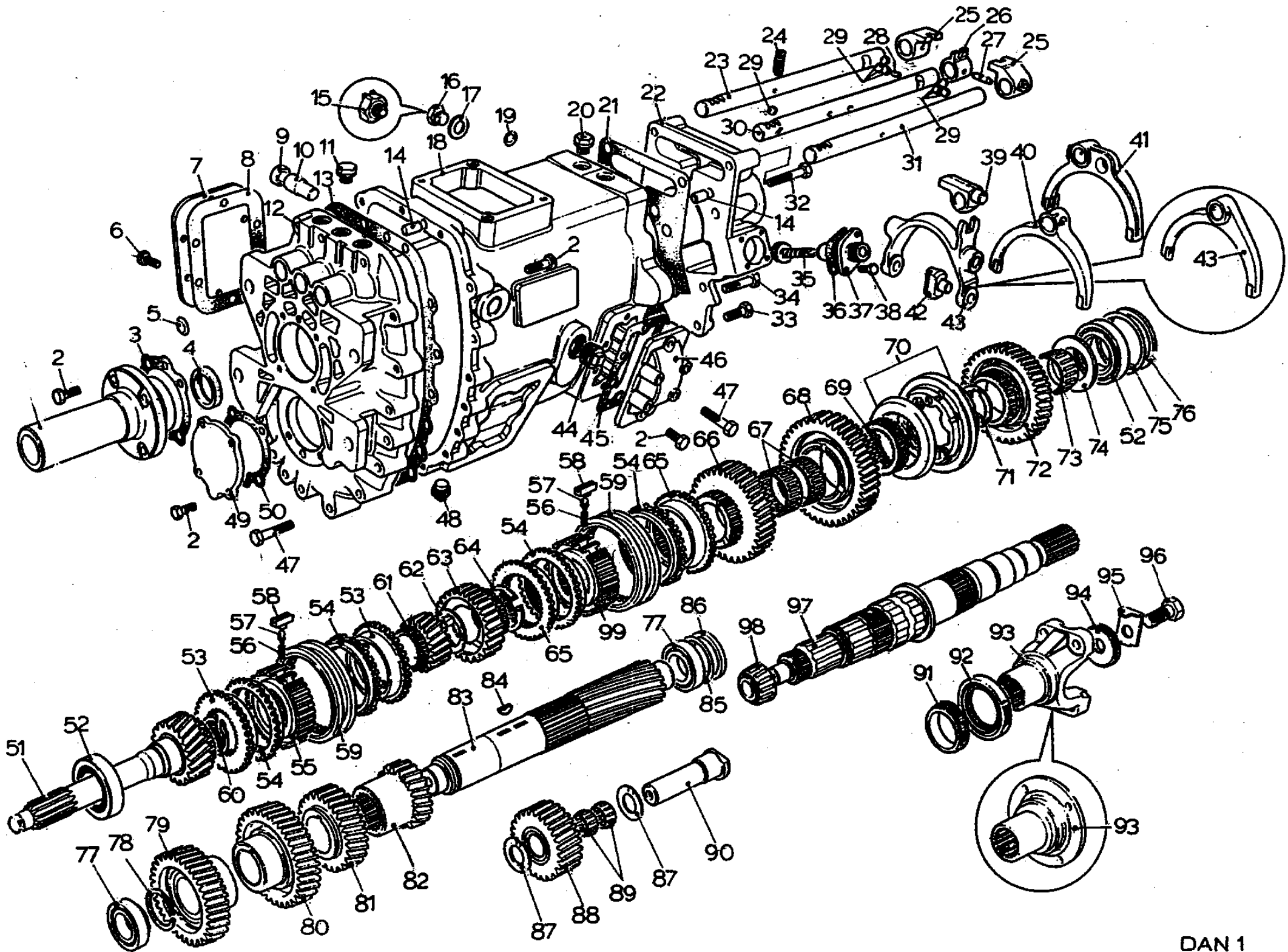


CLUTCH MECHANISM

ILLUST. NO. 101

ITEM	PART NO	QTY	DESCRIPTION
1	042500	1	CLUTCH HOUSING
2		}	REPLACED BY 042400 (CLUTCH KIT)
3			
4	042100	1	CLUTCH SPIGOT BEARING
5	* 044100	1	CLUTCH RELEASE BEARING
6	043900	1	CLUTCH BEARING SLEEVE
7	042600	1	CLUTCH RELEASE LEVER (INC 8)
8	042601	1	PIVOT
9	F1906008	12	STUD - 3/8" X 1"
10	F33M10	22	WASHER - SPRING
11	F1906010	10	STUD
12	040150	2	SPECIAL STUD
13	044000	1	CLUTCH CYLINDER (INC 14,15,16)
14			
15	S044002	1	SEAL
16			
17			
18	042420	1	SPACER
19	044003	1	BOOT
20	042405	1	PUSH ROD
21	042415	1	PIN
22	F31M10	1	WASHER
23	F6508008	1	SPLIT PIN
24	044004	1	BLEED NIPPLE
25	044005	2	BOOT
26	042422	2	STUD
27	F33M08	2	NUT
28	F2206F	2	NYLOCK NUT
29	F31M10	2	WASHER - PLAIN
30			
31			
32			
33			
34			
35			
36			
37			
38			
39			
40			

* Superseded by MD45154F15P



5 SPEED GEARBOX - OVERDRIVE VERSION (1)

ILLUST. NO. DAN1

ITEM	PART NO	QTY	DESCRIPTION
1	470007	1	DRIVE GEAR BEARING HOUSING
2	470008	13	SCREW
3	470002	1	GASKET
4	470001	1	OIL SEAL
5	470009	6	EXPANSION PLUG
6	470012	1	SCREW
7	470013	1	PTO COVER
8	470015	1	GASKET
9	470018	2	PLUG
10	470019	2	O/DRIVE PIVOT PIN
11	470020	3	BLANKING PLUG
12	470023	1	FRONT COVER
13	470025	1	GASKET
14	470027	4	DOWEL
15			
16	470030	1	PLUG
17	470033	1	WASHER
18	470039	1	CASE KIT
19	470040	1	EXPANSION PLUG
20	470041	2	BLANKING PLUG
21	470043	1	GASKET
22	470044	1	END COVER
23	470045	1	1/REV SHIFT ROD
24	470047	3	SPRING
25	470049	2	1/REV, 4/5 SHIFT ROD
26	470051	1	2/3 SHIFT LUG
27	470052	6	TENSION PIN
28	470054	1	INTERLOCK PIN
29	470055	9	BALL
30	470058	1	2/3 SHIFT ROD
31	470059	1	4/5 SHIFT ROD
32	470062	4	SCREW
33	470063	3	SCREW
34	470064	1	SCREW
35	470065	1	SPEEDO DRIVEN GEAR
36	470067	1	GASKET
37	470069	1	SPEEDO HOUSING
38	470070	2	SCREW
39	470071	1	O/D DRIVING LUG
40	470074	1	2/3 SHIFT FORK
41	470076	1	1 REV SHIFT FORK
42	470078	2	SHOE
43	470080	1	4/5 SHIFT FORK
44	470081	1	GASKET
45	470082	1	GASKET

5 SPEED GEARBOX - OVERDRIVE VERSION (1)

ILLUST. NO. DAN1

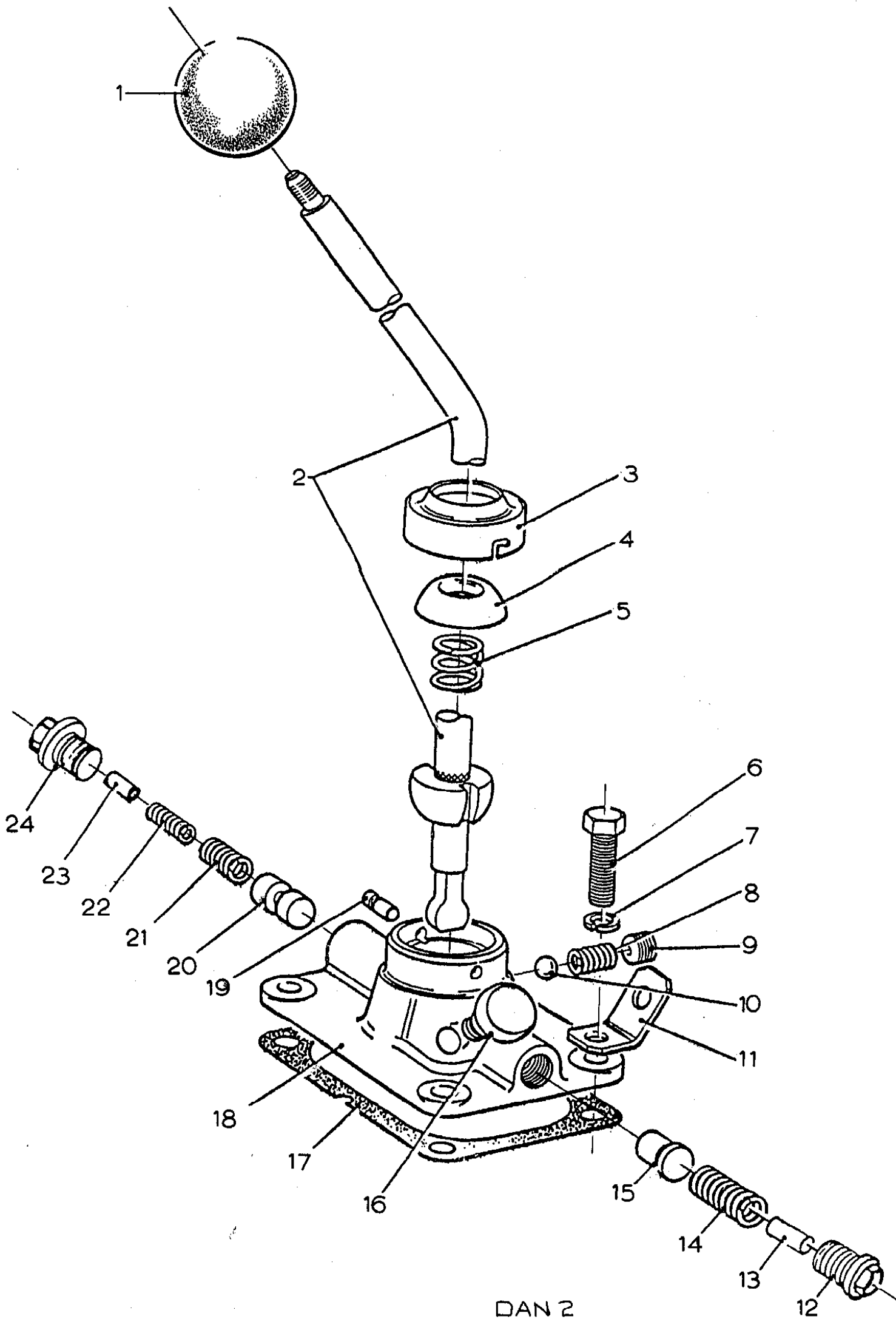
ITEM	PART NO	QTY	DESCRIPTION
46	470083	1	REV.IDLER COUNTER
47	470084	4	SCREW
48	470086	1	DRAIN PLUG
49	470087	1	C/SHAFT BEARING CAP
50	470088	1	GASKET
51	470089	1	MAIN DRIVE GEAR
52	470092	2	MAIN SHAFT BEARING
53	470094	1	4/5 SYNCHRO ASSY
54	NOT SERVICED SEPARATELY - SEE ASSEMBLY		
55	NOT SERVICED SEPARATELY - SEE ASSEMBLY		
56	NOT SERVICED SEPARATELY - SEE ASSEMBLY		
57	NOT SERVICED SEPARATELY - SEE ASSEMBLY		
58	NOT SERVICED SEPARATELY - SEE ASSEMBLY		
59	NOT SERVICED SEPARATELY - SEE ASSEMBLY		
60	470095	1	CIRCLIP
61	470097	1	MAIN SHAFT 5TH GEAR
62	470098	1	INTERLOCK RING
63	470099	1	MAIN SHAFT 3RD GEAR
64	470100	1	CIRCLIP
65	470101	1	2/3 SYNCRO ASSY
66	470103	1	MAIN SHAFT 2ND GEAR
67	470104	2	1ST GEAR BEARING
68	470107	1	MAIN SHAFT 1ST GEAR
69	470108	1	SHIFT HUB SLEEVE
70	470110	1	1/REV SYNCRO ASSY
71	470111	1	INTERLOCKING RING
72	470113	1	MAIN SHAFT REV GEAR
73	470115	1	REV GEAR BEARING
74	470117	1	SPACER
75A	470120	A/R	MAIN SHAFT SHIM
75B	470121	A/R	MAIN SHAFT SHIM .002
75C	470122	A/R	MAIN SHAFT SHIM .007
75D	470123	A/R	MAIN SHAFT SHIM .020
76	470124	1	DISTANCE RING
77	470127	2	C/SHAFT BEARING
78	470130	1	SNAP RING
79	470131	1	C/SHAFT DRIVE GEAR
80	470132	1	C/SHAFT 5TH GEAR
81	470133	1	C/SHAFT 3RD GEAR
82	470134	1	C/SHAFT 2ND GEAR
83	470135	1	COUNTERSHAFT
84	470138	3	C/SHAFT KEY
85A	470140	A/R	C/SHAFT SHIM .002
85B	470141	A/R	C/SHAFT SHIM .003
85C	470142	A/R	C/SHAFT SHIM .005

5 SPEED GEARBOX - OVERDRIVE VERSION (1)

ILLUST. NO. DAN1

ITEM	PART NO	QTY	DESCRIPTION
85D	470143	A/R	C/SHAFT SHIM .007
85E	470144	A/R	C/SHAFT SHIM .015
85F	470145	A/R	C/SHAFT SHIM .020
86	470146	1	SPACER
87	470149	2	THRUST WASHER
88	470150	1	REV IDLER GEAR
89	470153	2	REV IDLER BEARING
90	470154	1	REV IDLER SHAFT
91	470157	1	SPEEDO DRIVE GEAR
92	470003	1	OIL SEAL
93	470159	1	OUTPUT SEALING
94	470162	1	WASHER
95	470163	1	TAB WASHER
96	470166	1	SCREW
97	470167	1	MAIN SHAFT
98	470170	1	SPIGOT BEARING

(1) Fitted to machine S/N 0201-0233



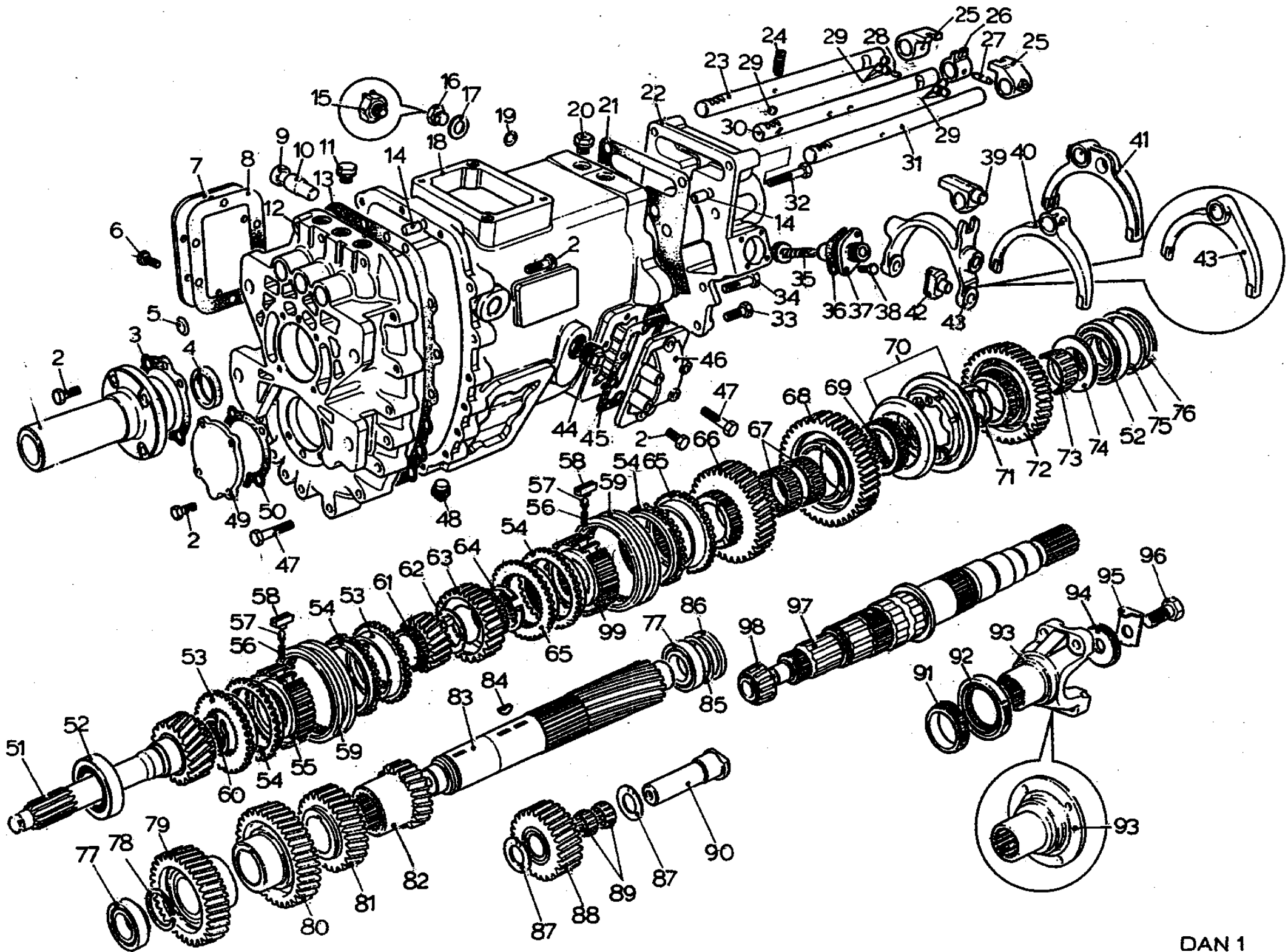
DAN 2

GEAR LEVER & COVER - CENTRE SHIFT (1)

ILLUS NO DAN 2

ITEM	PART NO	QTY	DESCRIPTION
1	042704	1	KNOB
2		1	GEAR LEVER
3	470191	1	RETAINER
4	470192	1	CAP
5	470193	1	GEAR LEVER SPRING
6	470196	4	SCREW
7	F33M10	4	SPRING WASHER
8	470198	1	SPRING
9	470199	1	PLUG
10	470200	1	BALL
11	470204	1	BRACKET
12	470206	1	4/5 STOP PIN
13	470207	1	4/5 BAULK PLUG
14	470208	1	4/5 BAULK PLUG SPRING
15	470210	1	PLUNGER
16	470212	1	BREATHER
17	470213	1	GASKET
18	470214	1	CONTROL HOUSING
19	470216	2	PIN
20	470217	1	1/REV BBL PLUNGER
21	470218	1	OUTER RETURN SPRING
22	470219	1	INNER RETURN SPRING
23	470222	1	1/REV BAULK PLUG
24	470224	1	1/REV STOP PIN
25			
26			
27			
28			
29			
30			
31			
32			
33			
34			
35			
36			
37			
38			
39			
40			

(1) Fitted to machines S/N 0201 - 0233



5 SPEED GEARBOX - DIRECT TOP SPEED (1)

ILLUST. DAN 1

ITEM	PART NO	QTY	DESCRIPTION
1	470007	1	DRIVE GEAR BEARING HOUSING
2	470008	13	SCREW
3	470002	1	GASKET
4	470001	1	OIL SEAL
5	470009	6	EXPANSION PLUG
6	470012	1	SCREW
7	470013	1	PTO COVER
8	470015	1	GASKET
9	470018	2	PLUG
10	470019	2	O/DRIVE PIVOT PIN
11	470020	3	BLANKING PLUG
12	470023	1	FRONT COVER
13	470025	1	GASKET
14	470027	4	DOWEL
15	470032	1	REV LIGHT SWITCH
16	470251	1	SPACER
17	470033	1	WASHER
18A	470253	1	CASE KIT
18B	470256	1	CASE ASM FRONT/REAR
19	470040	1	EXPANSION PLUG
20	470041	2	BLANKING PLUG
21	470043	1	GASKET
22	470044	1	END COVER
23	470045	1	1/REV SHIFT ROD
24	470047	3	SPRING
25	470049	2	1/REV, 4/5 SHIFT ROD
26	470051	1	2/3 SHIFT LUG
27	470052	6	TENSION PIN
28	470054	1	INTERLOCK PIN
29	470055	9	BALL
30	470058	1	2/3 SHIFT ROD
31	470258	1	4/5 SHIFT ROD
32	470062	4	SCREW
33	470063	3	SCREW
34	470064	1	SCREW
35	470065	1	SPEEDO DRIVEN GEAR
36	470067	1	GASKET
37	470069	1	SPEEDO HOUSING
38	470070	1	SCREW
39	470071	1	O/D DRIVING LUG
40	470074	1	2/3 SHIFT FORK
41	470076	1	1/REV SHIFT FORK
42	470078	2	SHOE
43	470262	1	4/5 SHIFT FORK

(1) Fitted to machines up to S/N 0201 - 0233

5 SPEED GEARBOX - DIRECT TOP SPEED (1)

ILLUST. DAN 1

ITEM	PART NO	QTY	DESCRIPTION
44	470081	1	FILLER PLUG
45	470082	1	GASKET
46	470083	1	REV.IDLER COUNTER
47	470084	4	SCREW
48	470086	1	DRAIN PLUG
49	470087	1	C/SHAFT BEARING CAP
50	470088	1	GASKET
51	470323	1	MAIN DRIVE GEAR
52	470092	2	MAIN SHAFT BEARING
53	470094	1	4/5 SYNCHRO ASSY
54	NOT SERVICED SEPARATELY - SEE ASSEMBLY		
55	NOT SERVICED SEPARATELY - SEE ASSEMBLY		
56	NOT SERVICED SEPARATELY - SEE ASSEMBLY		
57	NOT SERVICED SEPARATELY - SEE ASSEMBLY		
58	NOT SERVICED SEPARATELY - SEE ASSEMBLY		
59	NOT SERVICED SEPARATELY - SEE ASSEMBLY		
60	470095	1	CIRCLIP
61	470264	1	MAIN SHAFT 5TH GEAR
62	470098	1	INTERLOCK RING
63	470099	1	MAIN SHAFT 3RD GEAR
64	470100	1	CIRCLIP
65	470101	1	2/3 SYNCHRO ASSY
66	470103	1	MAIN SHAFT 2ND GEAR
67	470104	2	1ST GEAR BEARING
68	470267	1	MAIN SHAFT 1ST GEAR
69	470108	1	SHIFT HUB SLEEVE
70	470110	1	1/REV SYNCHRO ASSY
71	470111	1	INTERLOCKING RING
72	470269	1	MAIN SHAFT REV GEAR
73	470115	1	REV GEAR BEARING
74	470117	1	SPACER
75A	470120	A/R	MAIN SHAFT SHIM
75B	470121	A/R	MAIN SHAFT .002
75C	470122	A/R	MAIN SHAFT .007
75D	470123	A/R	MAIN SHAFT .020
76	470124	1	DISTANCE RING
77	470127	2	C/SHAFT BEARING
78	470130	1	SNAP RING
79	470271	1	C/SHAFT DRIVE GEAR
80	470273	1	C/SHAFT 5TH GEAR
81	470133	1	C/SHAFT 3RD GEAR
82	470134	1	C/SHAFT 2ND GEAR
83	470274	1	COUNTERSHAFT
84	470138	3	C/SHAFT KEY

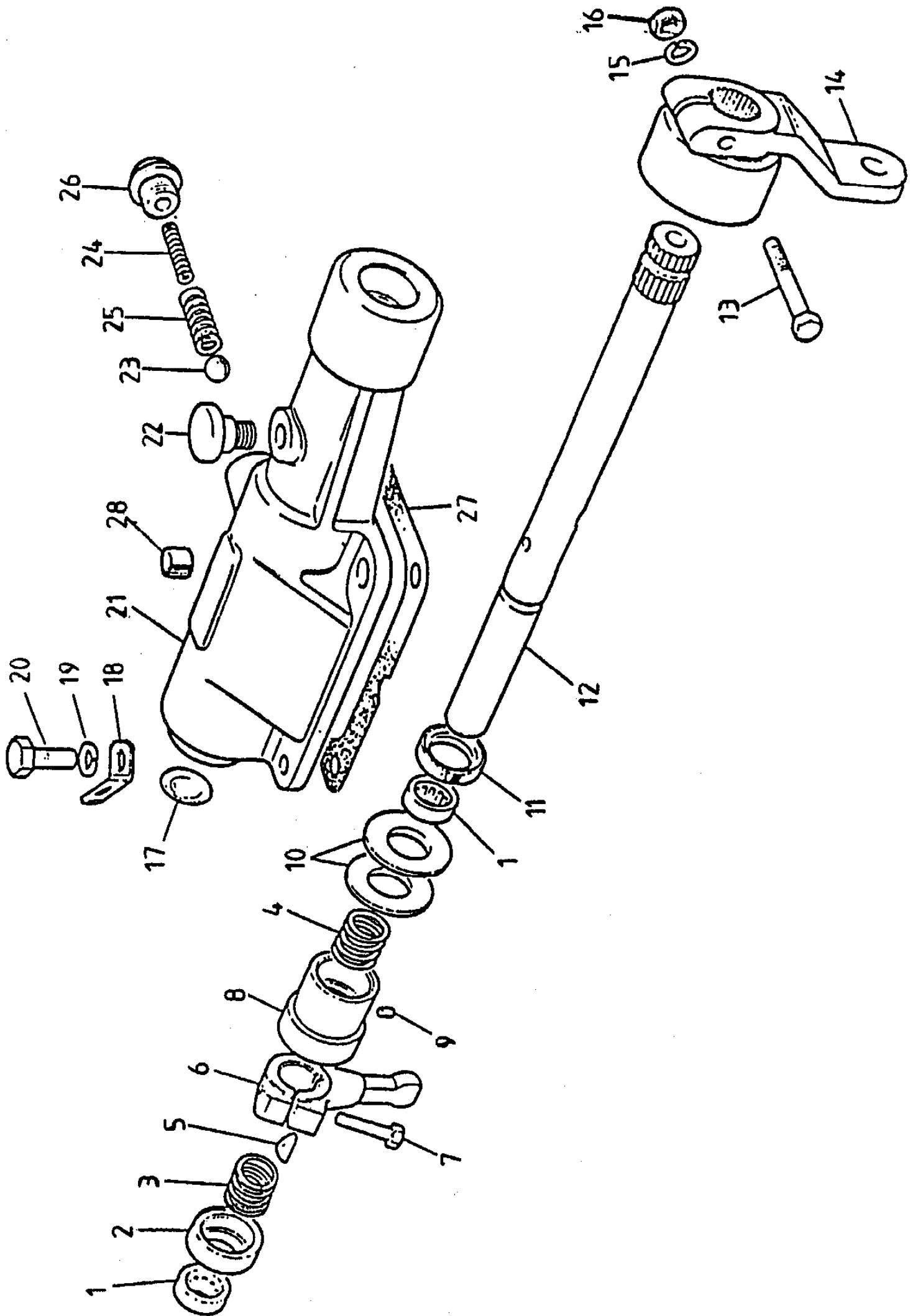
(1) Fitted to machines up to S/N 0201 - 0233

5 SPEED GEARBOX - DIRECT TOP SPEED (1)

ILLUS DAN 1

ITEM	PART NO	QTY	DESCRIPTION
85A	470140	A/R	C/SHAFT SHIM .002
85B	470141	A/R	C/SHAFT SHIM .003
85C	470142	A/R	C/SHAFT SHIM .005
85D	470143	A/R	C/SHAFT SHIM .007
85E	470144	A/R	C/SHAFT SHIM .015
85F	470145	A/R	C/SHAFT SHIM .020
86	470146	1	SPACER
87	470277	2	THRUST WASHER
88	470279	1	REV IDLER GEAR
89	470153	2	REV IDLER BEARING
90	470154	1	REV IDLER SHAFT
91	470157	1	SPEEDO DRIVE GEAR
92	470003	1	OIL SEAL
93	470159	1	OUTPUT COUPLING
94	470162	1	WASHER
95	470163	1	TAB WASHER
96	470166	1	SCREW
97	470167	1	MAIN SHAFT
98	470170	1	SPIGOT BEARING

(1) Fitted to machines up to S/N 0201 - 0233



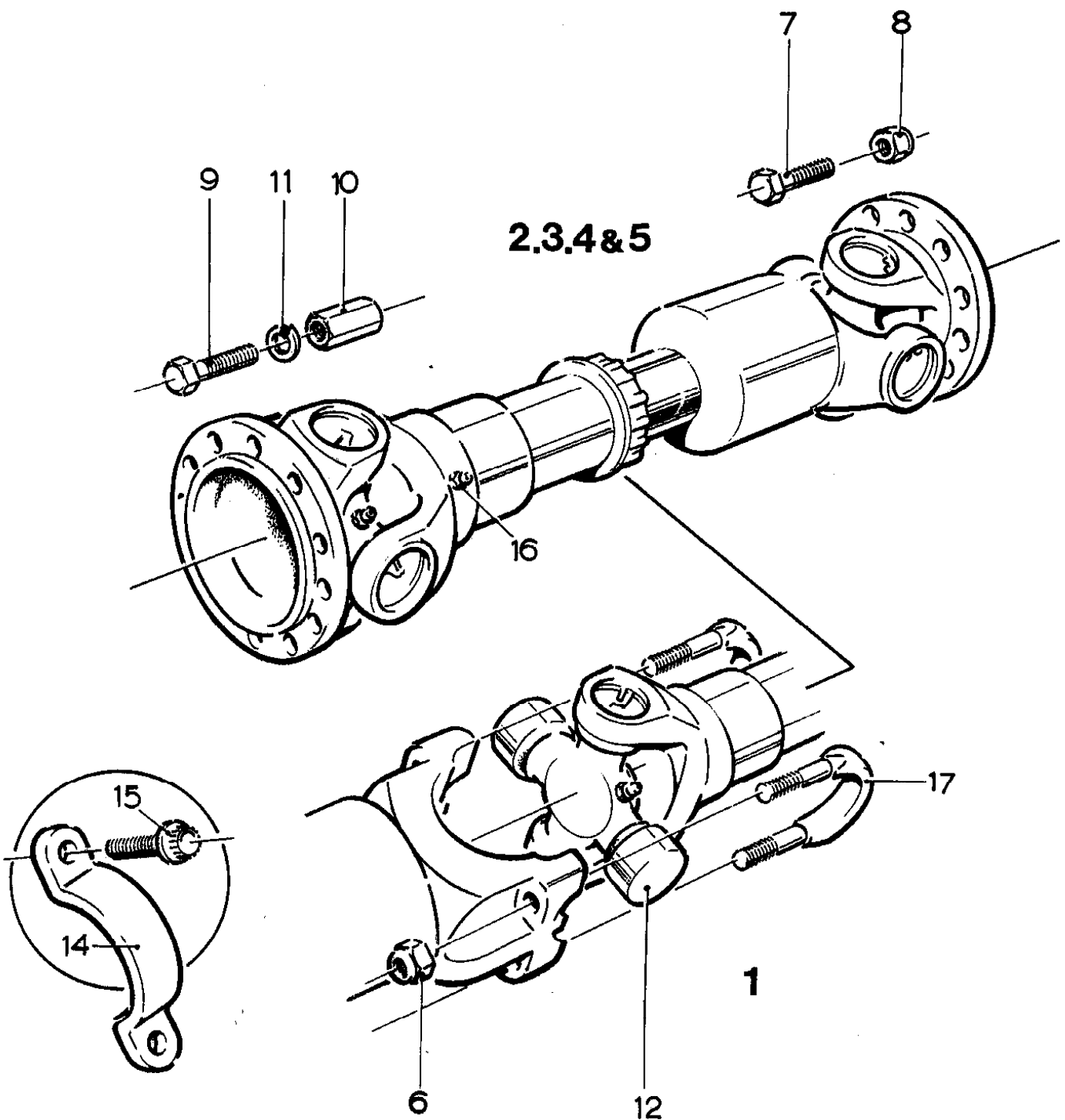
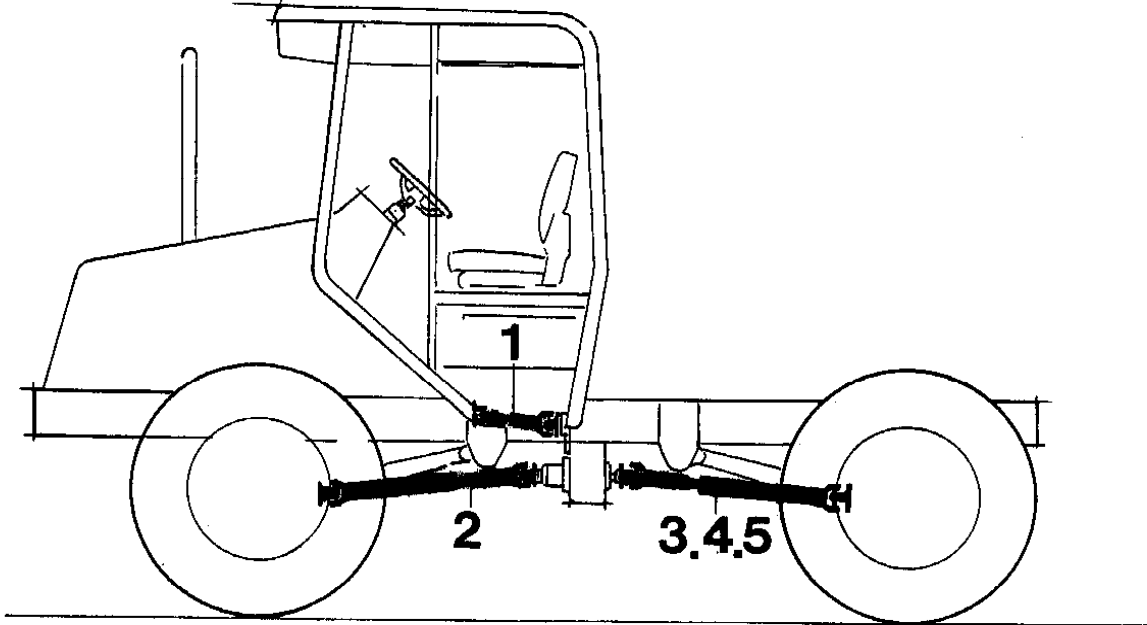
5 SPEED GEARBOX - TOP COVER ASSEMBLY SIDE SHIFT (1)

ILLUS NO. DAN 3

ITEM	PART NO	QTY	DESCRIPTION
1	470281	1	BEARING
2	470284	1	CROSS GATE STOP
3	470286	1	CENTERING SPRING
4	470288	1	CENTERING SPRING
5	470289	1	KEY
6	470290	1	OFFSET SHIFT LEVER
7	470292	1	SCREW
8	470293	1	REVERSE BAULK HOUSING
9	470296	1	GRUB SCREW
10	470297	1	WASHER
11	470298	1	OIL SEAL
12	470299	1	SHIFT ROD
13	470300	1	SCREW
14	470301	1	DRIVE ARM ASSEMBLY
15	470303	1	SPRING WASHER
16	470304	1	NUT
17	460305	1	EXPANSION PLUG
18	470307	1	LIFT HOOK
19			
20	470309	1	SCREW
21	470310	1	SHIFT HOUSING
22	470312	1	BREATHER
23	470313	1	BALL
24	470314	1	SPRING
25	470316	1	SPRING
26	470318	1	BLANKING PLUG
27	470320	1	GASKET
28	470322	1	DOWEL
29			
30			
31			
32			
33			
34			
35			
36			
37			
38			
39			
40			

(1)

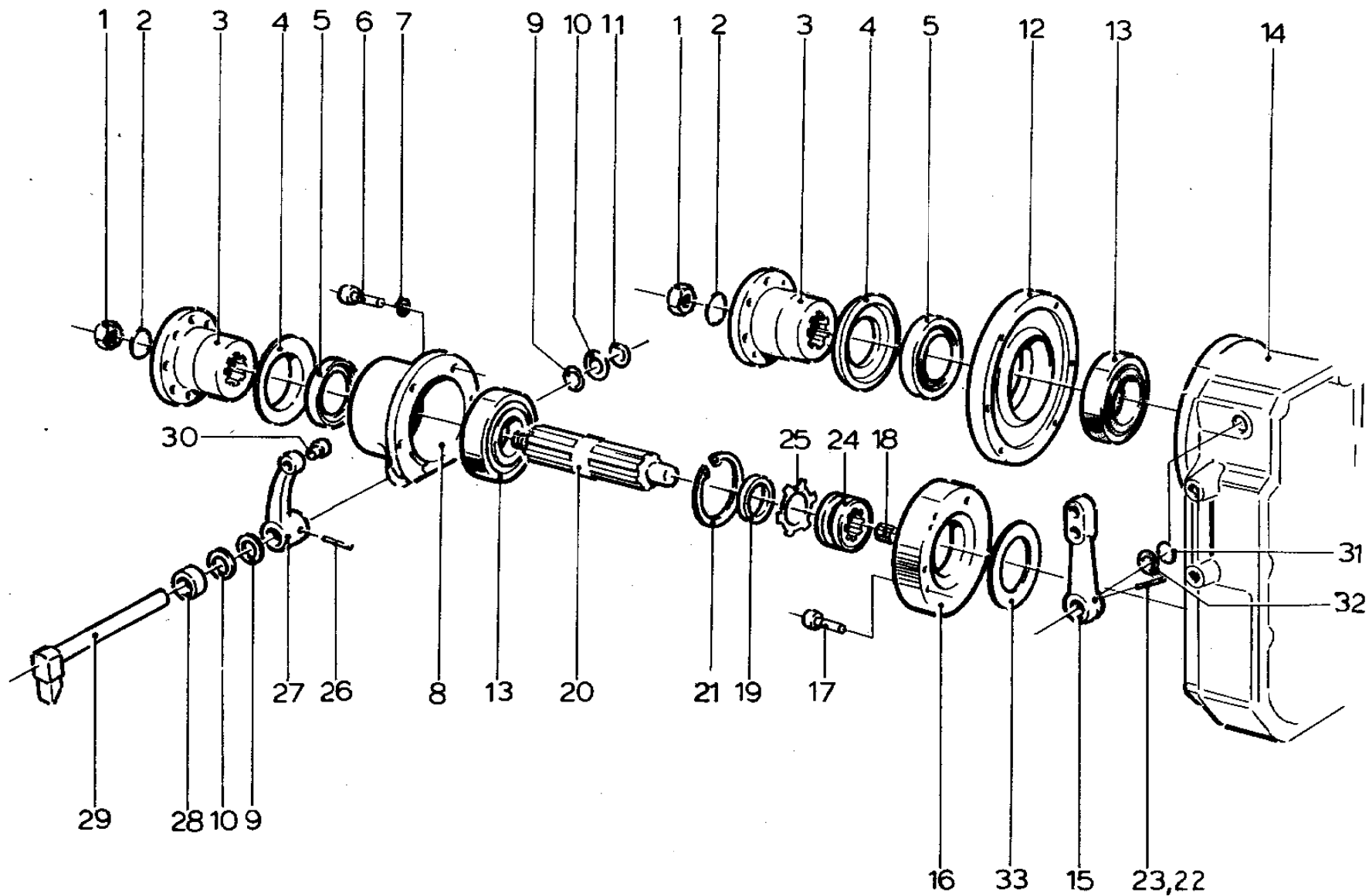
Fitted to machines from S/N 0223 onwards



DRIVE SHAFTS

ILLUST. NO. 122

ITEM	PART NO	QTY	DESCRIPTION
1	042800	1	PRIMARY DRIVE SHAFT
2	042900	1	FRONT DRIVE SHAFT
3	043000	1	REAR DRIVE SHAFT (OPTION 3000 WB)
4	043550	1	REAR DRIVE SHAFT (OPTION 3400 WB)
4A	043551	1	REAR DRIVE SHAFT (OPTION 3400 WB)
5	043500	1	REAR DRIVE SHAFT (OPTION 3700 WB)
5B	043501	1	REAR DRIVE SHAFT (OPTION 3700 WB)
6	F2207F	4	NUT (EARLY TYPE)
7	F13M10030	40	SPECIAL PROPSHAFT BOLT
8	F20M1012	39	SPECIAL PROPSHAFT NUT
9	F17M10030		(INCLUDED IN ITEM 7)
10	221800	1	NUT DRIVE SHAFT SENSOR
11	F33M10	1	SPRING WASHER
12A	042810	1	UNIVERSAL JOINT - FLANGE END (PRIMARY DRIVESHAFT)
12B	042811	1	UNIVERSAL JOINT - SLIDING END (PRIMARY DRIVESHAFT)
12C	042810	2	UNIVERSAL JOINT - FLANGE END (FRONT DRIVESHAFT)
12D	042812	2	UNIVERSAL JOINT - SLIDING END (REAR DRIVESHAFT)
13			
14	042711	2	U-BOLT CLAMP
15	042715	2	SPECIAL BOLT
16	042717	9	GREASE NIPPLE
17	042710	2	U-BOLT CLAMP
18			
19			
20			
21			
22			
23			
24			
25			

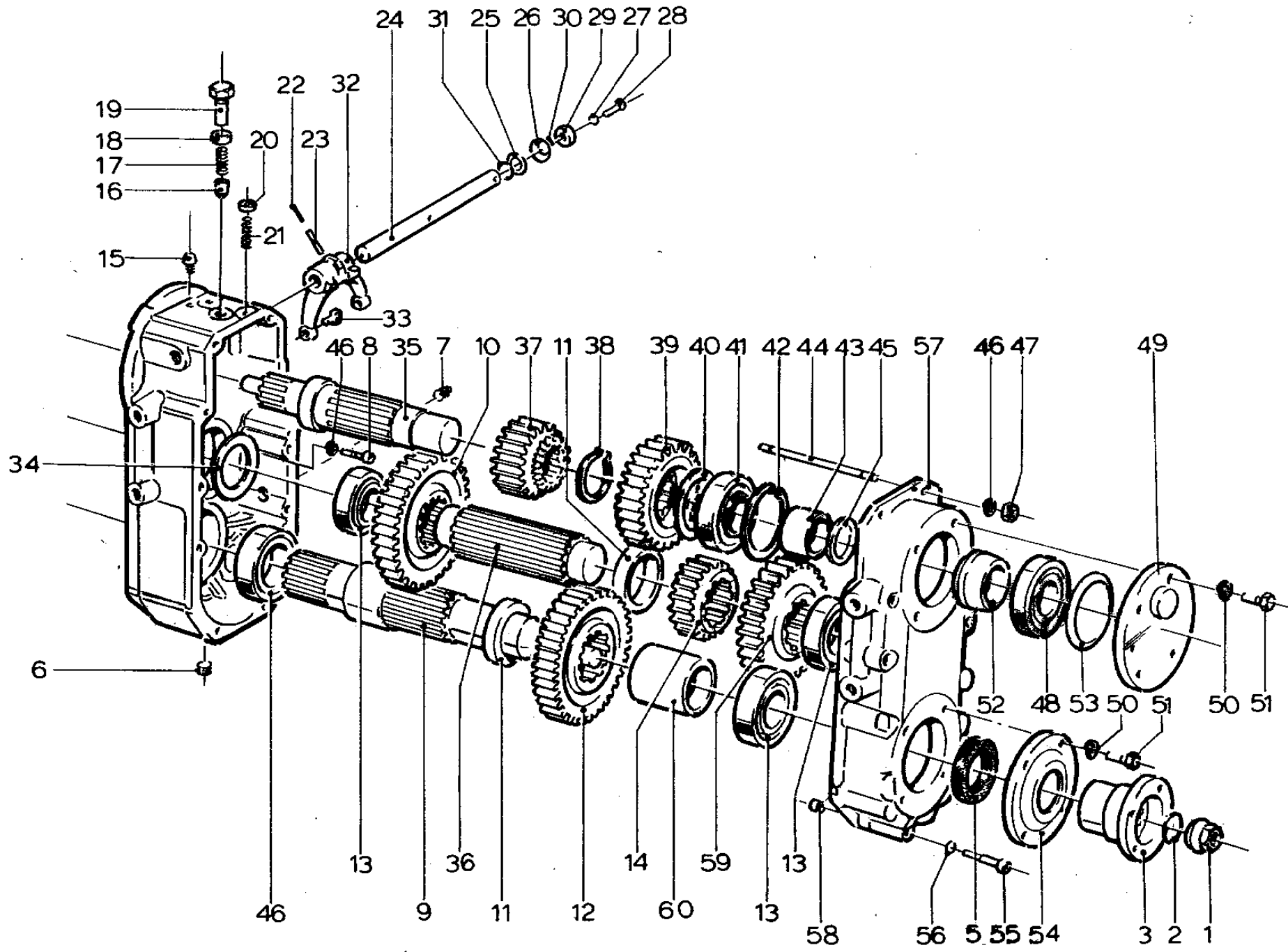


TRANSFER BOX (PART)

ILLUST. NO. 180

ITEM	PART NO	QTY	DESCRIPTION
1	460025	1	NUT
2	460033	1	RING
3	460032	3	FLANGE
4	460034	1	COVERPLATE
5	460017	1	RING
6	460035	5	BOLT
7	460036	4	WASHER
8	460037	1	COVER
9	460038	2	RING
10	460039		SHIM
11	460040	1	RING
12	460041	1	COVER
13	460018	1	BEARING (A)
14	460042	1	COVER
15	460043	1	LEVER
16	460044	1	COVER
17	460026	4	BOLT
18	460045	1	NEEDLE BEARING
19	460046	1	SPACER
20	460047	1	INPUT SHAFT
21	460045	1	RING
22	460048	2	ROLL PIN
23	460049	2	ROLL PIN
24	460050	1	CHANGE SELECTOR
25	460051	1	RING
26	460052	1	ROLL PIN
27	460053	1	LEVER
28	460054	1	SPACER
29	460055	1	SPACER
30	460056	1	SLIDING PIN
31	460057	2	RING
32	460058	A/R	SHIM
33A	460059	A/R	SHIM
33B	460060	A/R	SHIM
33C	460061	A/R	SHIM

(A) Use 460111 on lower shafts



TRANSFER BOX (PART)

ILLUST. NO. 181

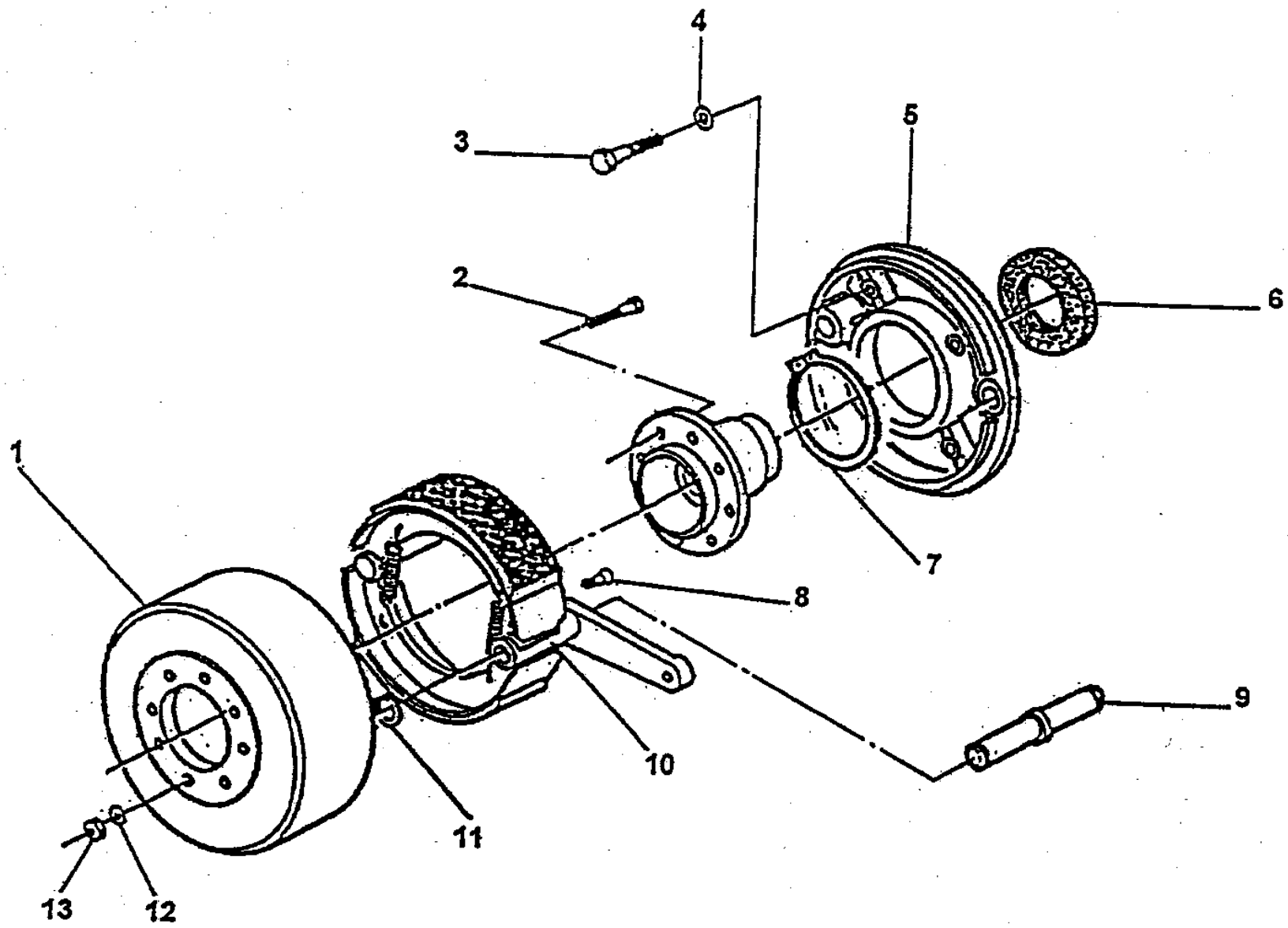
ITEM	PART NO	QTY	DESCRIPTION
1	460025	1	NUT
2	460033	1	RING
3	460032	3	FLANGE
4			
5	460017	1	RING
6	460004	1	MAGNET PLUG
7	460062	1	PLUG
8	460063	4	BOLT
9	460064	1	OUTPUT SHAFT
10	460065	1	GEAR
11	460022	2	SPACER
12	460001	1	GEAR
13	460111	3	ROLLER BEARING (A)
14	460020	1	GEAR
15	460003	1	COVER
16	460027	1	PUSHER
17	460028	1	SPRING
18	460029	1	SPACER
19	460030	1	BOLT
20	460066	2	NUT
21	460031	2	GRUB BOLT
22	460048	2	ROLL PIN
23	460049	2	ROLL PIN
24	460067	1	PIN
25	460068	1	SPACER
26	460069	1	SPRING
27	460070	1	WASHER
28	460071	1	BOLT
29	460055	1	SPACER
30A	460072	1	SHIM
30B	460073	1	SHIM
30C	460074	1	SHIM
31	460057	1	RING
32	460024	1	SELECTOR FORK
33	460023	2	SLIDING PIN
34A	460059	2	SHIM
34B	460060	2	SHIM
34C	460061	2	SHIM
35	460016	1	INPUT SHAFT
36	460015	1	SHAFT

(A) Replaces 460018 Bearing

TRANSFER BOX (PART)

ILLUST. NO. 181

ITEM NO	PART NO	QTY	DESCRIPTION
37	460014	1	GEAR
38	460013	1	RING
39	460012	1	GEAR
40	460011	1	SHIM
41	460010	1	BALL BEARING
42	460005	1	RING
43	460009	1	INNER RACE
44	460075	2	STUD
45	460008	1	SHIM
46	460076	6	WASHER
47	460077	2	NUT
48	460006	1	BALL BEARING
49	460078	1	COVER
50	460079	4	WASHER
51	460080	4	BOLT
52	460007	1	REDUCTION BUSHING
53A	460081	1	SHIM
53B	460082	1	SHIM
53C	460083	1	SHIM
54	460084	1	COVER
55	460085	10	BOLT
56	460086	10	WASHER
57	460087	1	HOUSING
58	460088	2	REDUCTION BUSHING
59	460019	1	GEAR
60	460089	1	SPACER
61			
62			
63			
64			
65			
66			
67			
68			
69			
70			
71			
72			
73			
74			
75			

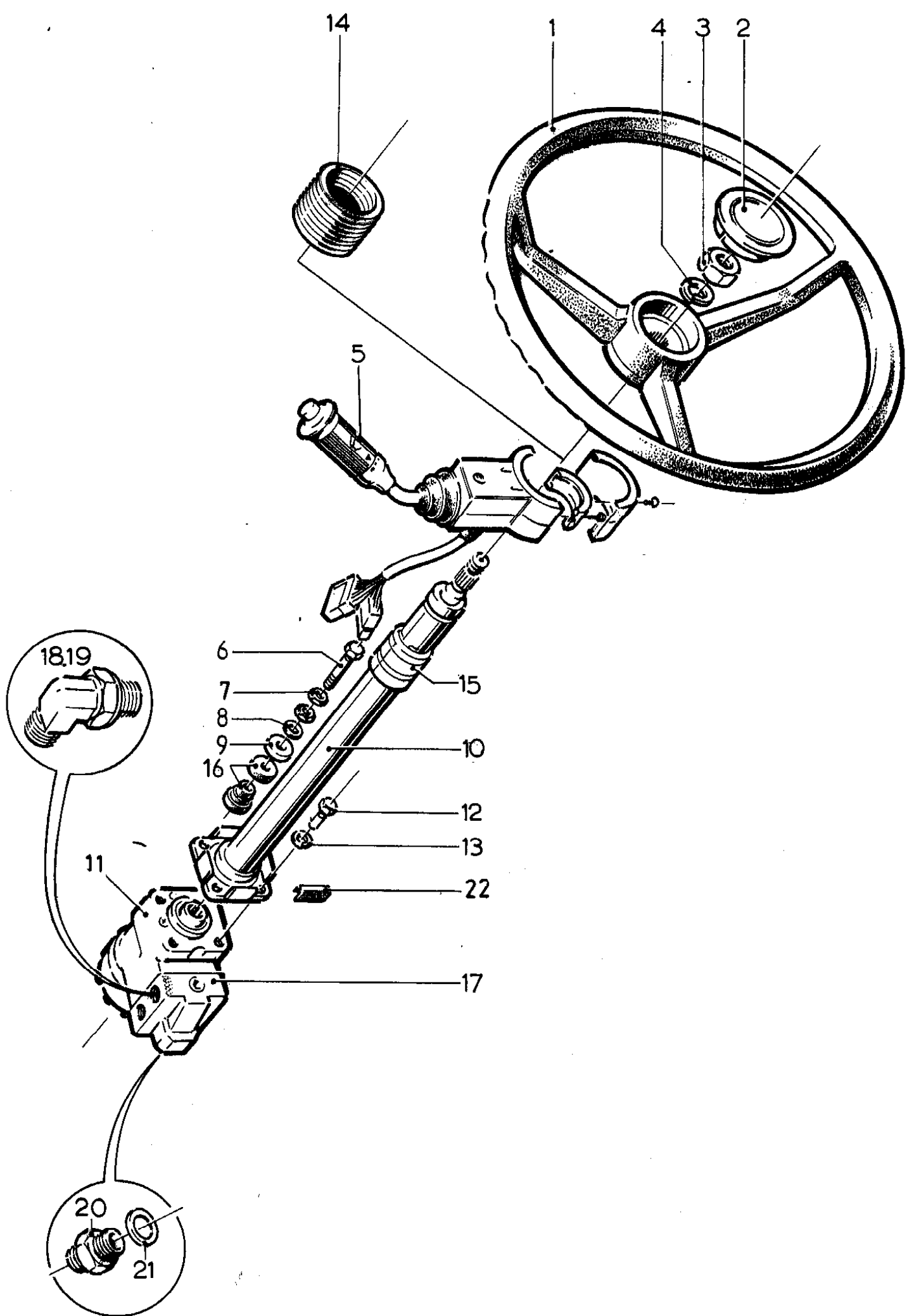


TRANSFER BOX - PARK BRAKE

ILLUST. NO. 181B

ITEM	PART NO	QTY	DESCRIPTION	
1	460091	1	BRAKE DRUM	
2	460092	8	BOLT	
3	460093	4	BOLT	
4	460079	4	WASHER	
5	460094	1	COVER	
6	460090	1	SEAL	
7	460095	1	RING	
8	460096	2	BOLT	
9	460097	1	PIN	
10	460098	2	BRAKE SHOES	(A)
11	460099	2	CIRCLIP	
12	460036	8	WASHER	
13	460066	8	NUT	

(A) Use LY-460100 Brake Shoes
Use from Serial No 0234 onwards

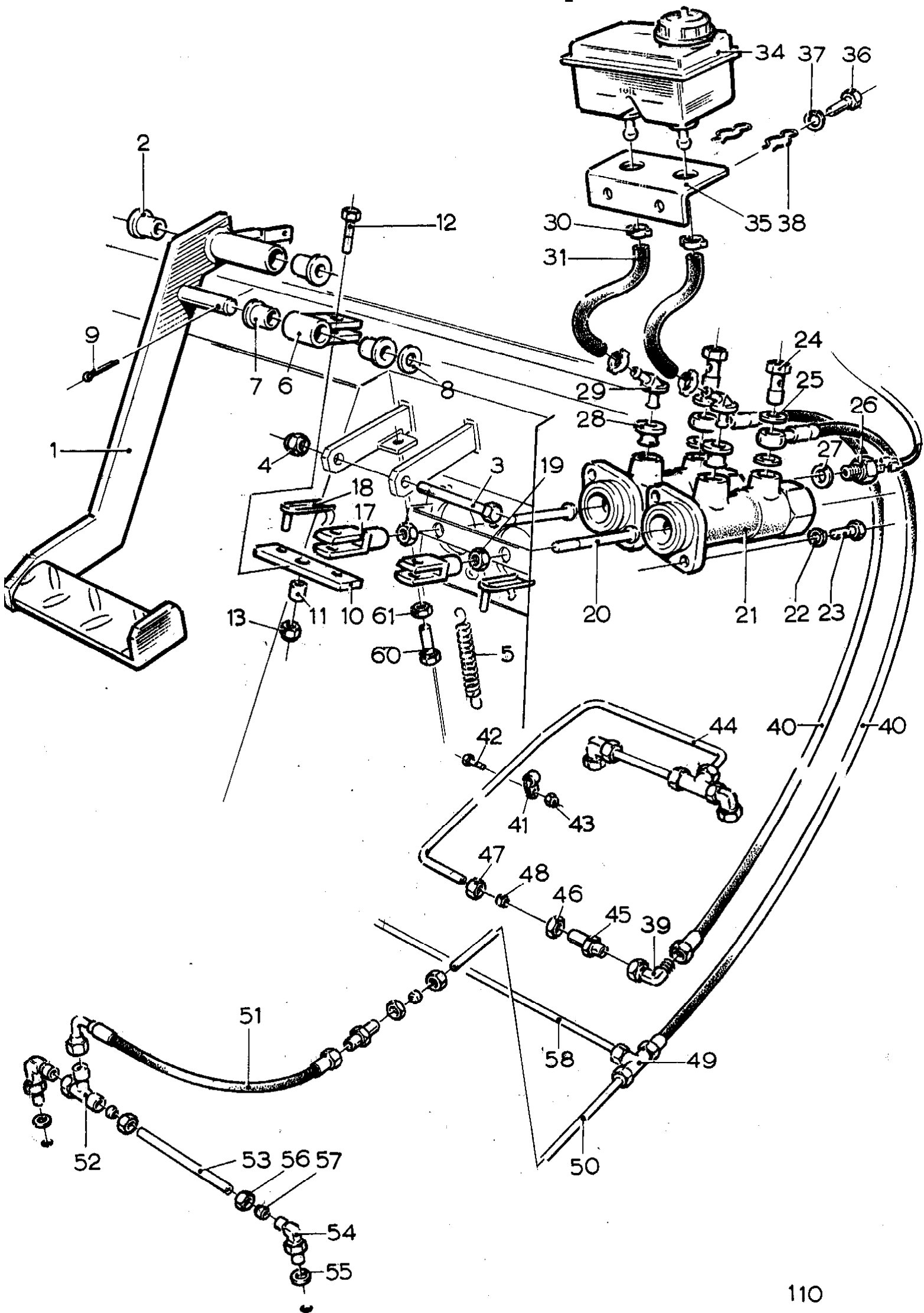


STEERING COLUMN

ILLUST. NO. 109

ITEM	PART NO	QTY	DESCRIPTION	
1	080200	1	STEERING WHEEL	
2	080204	1	CENTRE PLUG	
3	080206	1	NUT	
4	080207	1	WASHER	
5	062011	1	SWITCH	
6	F19M10080	2	BOLT M10 X 80	
7	F20M10	2	NUT M10	
8	F31M10	2	WASHER	
9	F31M16S	2	WASHER	
10	350610	1	STEERING COLUMN	
11	350600	1	STEERING MOTOR	S/N - 0240
	350602	1	STEERING MOTOR	S/N 0241
	350609	1	STEERING MOTOR	(A)
12	F19M10016	2	BOLT M10 X 16	(A)
13	F33M10	2	WASHER	
14	333051	1	SHROUD	
15	171200	1	BUSH	WELDED TO COLUMN
16	221650	2	VIBRATOR ISOLATOR	
17	350601	1	PRIORITY FLOW VALVE	S/N - 0240
	350603	1	PRIORITY FLOW VALVE	S/N 0241
18	H75B06MM	3	ADAPTOR	
19	H75B08MM	1	ADAPTOR	
20	H60B08MM	1	ADAPTOR	
21	H70B08	1	ADAPTOR	

(A) Used with 90mm steering cylinders



DUAL BRAKING SYSTEM

ILLUS NO 110

ITEM NO	PART NO	QTY	DESCRIPTION
1	190700	1	PEDAL
2	020830	2	BUSH
3	F19M12100	1	BOLT M12 X 100
4	F22M12	1	NYLOCK NUT M12
5	171401	1	SPRING
6	190600	1	CLEVIS
7	020832	2	BUSH
8	F31M16	1	WASHER
9	F65U08020	1	SPLIT PIN
10	191000	1	BRAKE BALANCE BEAM
11	020834	1	BUSH
12	F19M08030	1	BOLT M8 X 30
13	F22M08	1	NYLOCK NUT M8
17	340610	1	CLEVIS
18	340615	2	SPRING
19	F20M08	2	NUT
20	171500	2	PUSHROD
21	080301	2	MASTER CYLINDER
22	F33M08	4	WASHER
23	F19M08025	4	BOLT M8 X 25
24	H6708LMM12M	2	BANJO BOLT
25	H70M12	4	BONDED SEAL
26	063018	1	PRESSURE SWITCH (D)
27	H70M12	1	BONDED SEAL
28	080311	1	RUBBER SEAL
29	080312	2	INLET NIPPLE
30	F41M07015	4	CLAMP
31	333005	2	HOSE
34	080324	1	RESERVOIR
35	172500	1	BRACKET
36	F07M06016	2	CAPSCREW
37	F31M06	2	WASHER
38	063225	2	CLIP
39	H4808LFM	1	ELBOW
40	H00035	2	HOSE
41	F37M13010	1	CLAMP
42	F18M06020	1	BOLT M6 X 20
43	F22M06	1	NYLOCK NUT M6

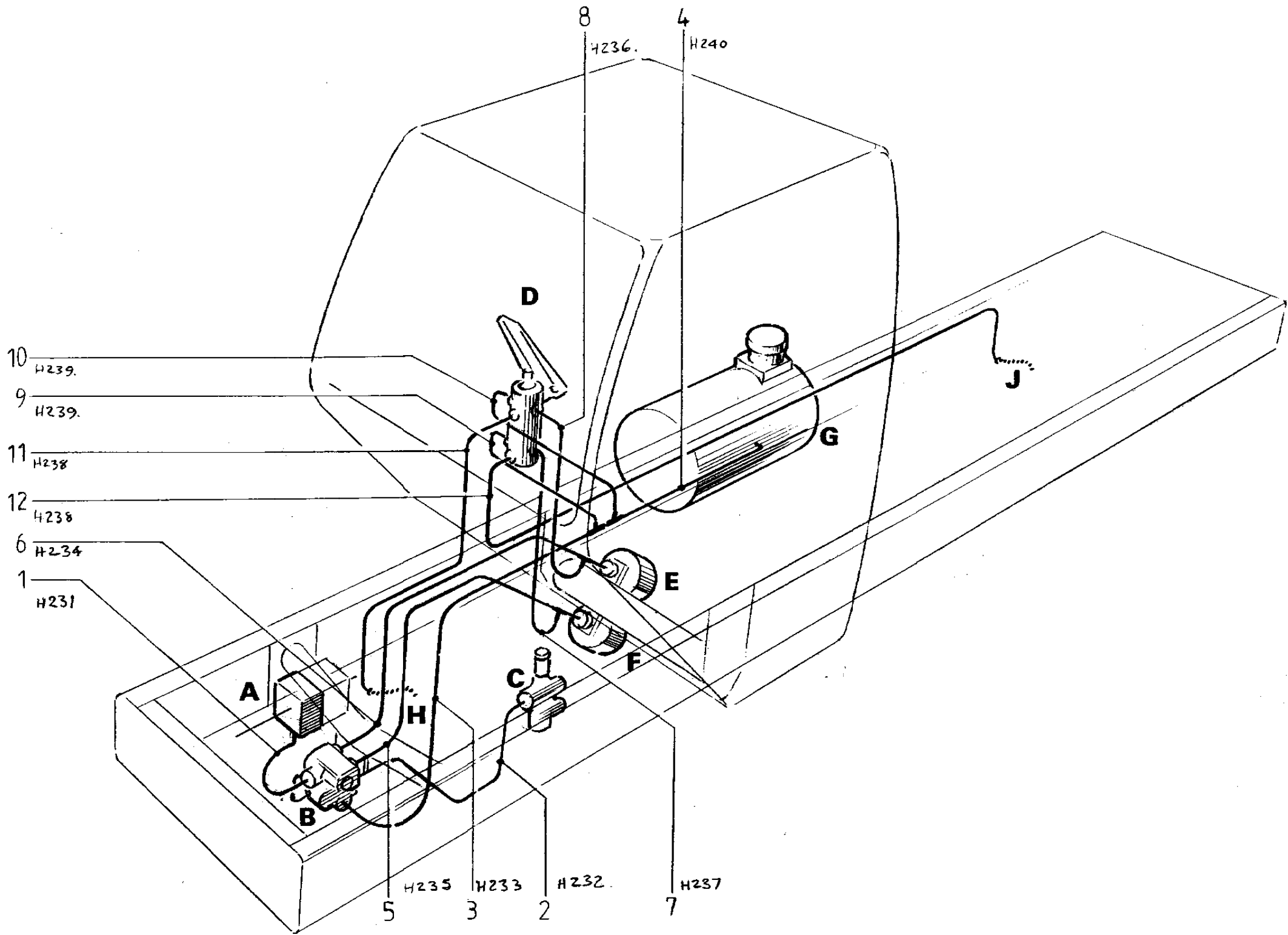
- (A) Parts shown on illustration as 45 to 48 come as a complete unit part no H61M0808
(B) Parts shown on illustration as 54 to 57 come as a complete unit part no H62M1408S
(C) Used on M/C 0210 - 0251
Later M/Cs use H357085 & H357087
(D) JD-AL67715

DUAL BRAKING SYSTEM

ILLUST NO 110

ITEM NO	PART NO	QTY	DESCRIPTION
44	H357084	1	PIPE (C)
45	H5308S	1	ADAPTOR (A)
46		1	LOCKNUT (A)
47	H49M08	A/R	NUT (A)
48	H50M08	A/R	OLIVE (A)
49	H6708S	A/R	TEE
50	H357083	A/R	PIPE
51	H00019	A/R	HOSE
52	H4308S	2	TEE
53	H35708S	A/R	PIPE
54	OH62M1408S	4	ELBOW (B)
55		1	LOCKING NUT (B)
56	H49M08	A/R	NUT (B)
57	H50M08	A/R	OLIVE (B)
58	H6708S	1	TEE

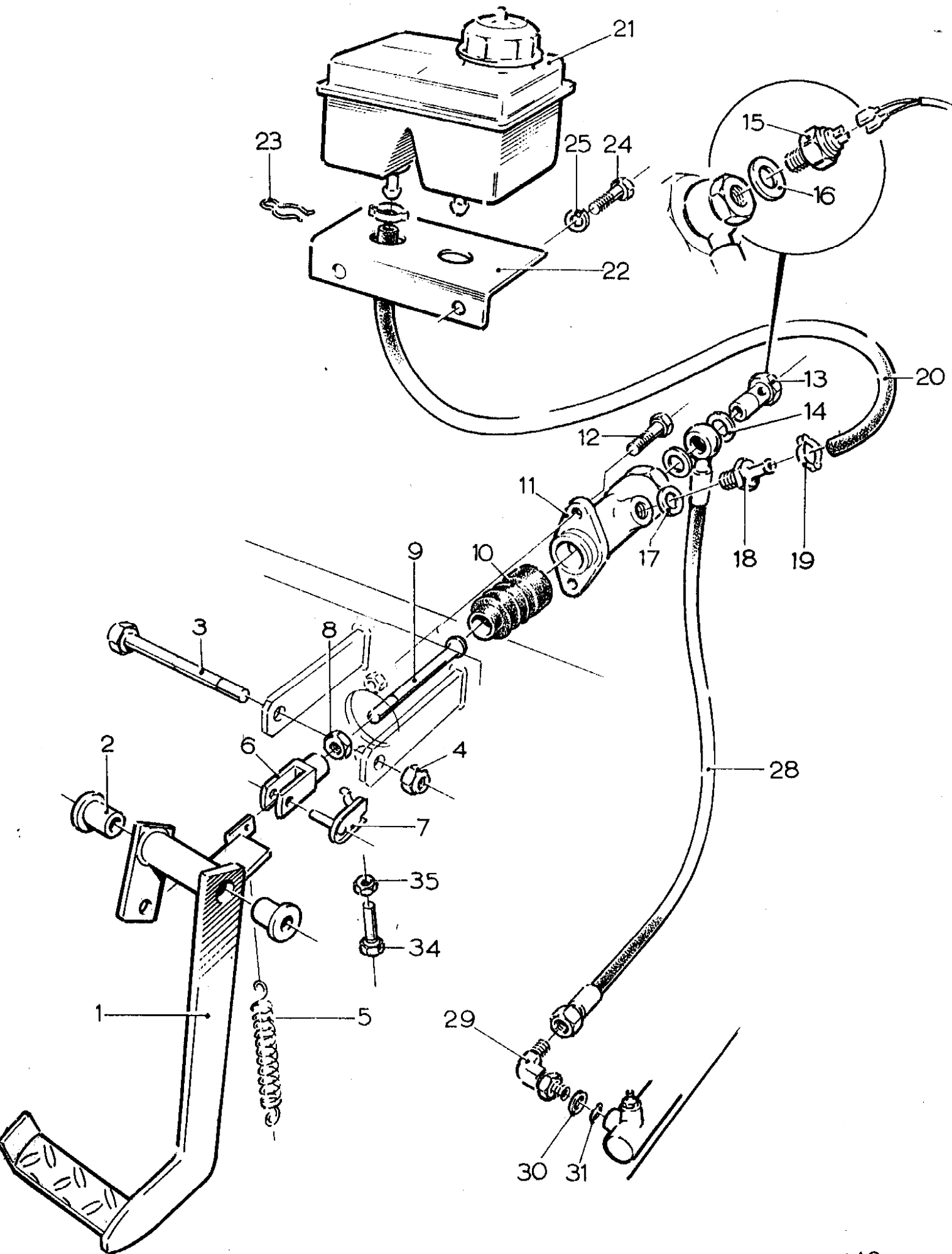
-
- (A) Parts shown on illustration as 45 to 48 come as a complete unit part no H61M0808
(B) Parts shown on illustration as 54 to 57 come as a complete unit part no H62M1408S
(C) Used on M/C 0210 - 0251
Later M/Cs use H357085 & H357087
(D) JD-AL67715



POWER BRAKE SYSTEM

ILLUS NO POWER BRAKE

ITEM	PART NO	QTY	DESCRIPTION
A			PL PUMP
B	080381	1	ACCUMULATOR CHARGE VALVE
C	350603	1	PRIORITY VALVE
D	080380	1	BRAKE PRESSURE VALVE
E	080385	1	ACCUMULATOR
F	080835	1	ACCUMULATOR
G			HYDRAULIC TANK
H			FRONT AXLE
J			REAR AXLE
<hr/>			
1	H00231	1	IPL PUMP - ACC CHARGE VALVE 'PORT P'
2	H00232	1	ACC CHARGE VALVE 'PORT O' - PRIORITY VALVE PORT P
3	H00233	1	ACC CHARGE VALVE 'PORT T' - RETURN HOSE TEE PIECE
4	H00240	1	RETURN HOSE TEE PIECE - HYDRAULIC TANK RETURN PORT
5	H00235	1	ACC CHARGE VALVE - ACCUMULATOR 'PORT A2'
6	H00234	1	ACC CHARGE VALVE - ACCUMULATOR 'PORT A1'
7	H00237	1	BRAKE VALVE 'PORT P' - ACCUMULATOR
8	H00236	1	BRAKE VALVE 'PORT P' - ACCUMULATOR
9 & 10	H00239	2	BRAKE VALVE 'PORT T' - RETURN HOSE TEE PIECE
11	H00238	1	BRAKE VALVE 'PORT A1' TOP - ELBOW FRONT AXLE BRAKE PIPE
12	H00238	1	BRAKE VALVE 'PORT A1' BOTTOM - STEEL PIPE TO REAR AXLE
13	080383 NOW SHOWN		BRAKE LIGHT SWITCH - FITTED IN UNION ON HOSE H00238
14	080384		ACCUMULATOR LOW PRESSURE WARNING SWITCH FITTED TO ACCUMULATOR CHARGE VALVE



CLUTCH SYSTEM

ILLUST. NO. 142

ITEM	PART NO	QTY	DESCRIPTION
1	190800	1	PEDAL
2	020830	2	BUSH
3	F19M12100	1	BOLT M12 X 100
4	F22M12	1	NYLOCK NUT M12
5	171401	1	SPRING
6	340610	1	CLEVIS
7	340615	1	SPRING
8	F20M08	1	NUT 8MM
9	171500	1	PUSH ROD S/N 0345 Use 171501
	171501	1	PUSH ROD S/N 0346
10	080309	1	RUBBER BOOT
11	080308	1	MASTER CYLINDER 1" S/N 0345 Use 080316 (A)
	080316	* 1	MASTER CYLINDER 3/4"
12	F18M08025	1	BOLT M8 X 25
13	H63M14	1	BANJO UNION S/N 0345 1" cylinder supplied with hose
		1	BANJO UNION S/N 0346 3/4" cylinder supplied with hose
14	H70M12	3	BONDED SEAL S/N 0345 with 1" cylinder
		3	BONDED SEAL S/N 0346 with 3/4" cylinder
15	063018	1	SWITCH (B) AL67715
16	H70B02	1	BONDED SEAL
17	H70M10	1	BONDED SEAL
18	080310	A	INLET NIPPLE
19	F41M07015	2	CLAMP
20	333003	1	HOSE
21	080324	1	RESERVOIR
22	172500	1	BRACKET
23	063225	1	CLIP
24	F18M06020	2	BOLT M6 X 20
25	F33M06	2	WASHER
26	080317	1	GAITER
28	H00036	1	HOSE S/N 0345 With 1" cylinder
	H00212	1	HOSE S/N 0346 With 3/4" cylinder
29	H75J07MJ09M	1	ELBOW Includes 30 and 31
30		1	WASHER
31		1	O RING
34	F19M08045	1	BOLT M8 X 45
35	F2008	1	NUT M8

(A) Part Numbers 080316, 171501, H00212, 080317 to be retro' fitted when required

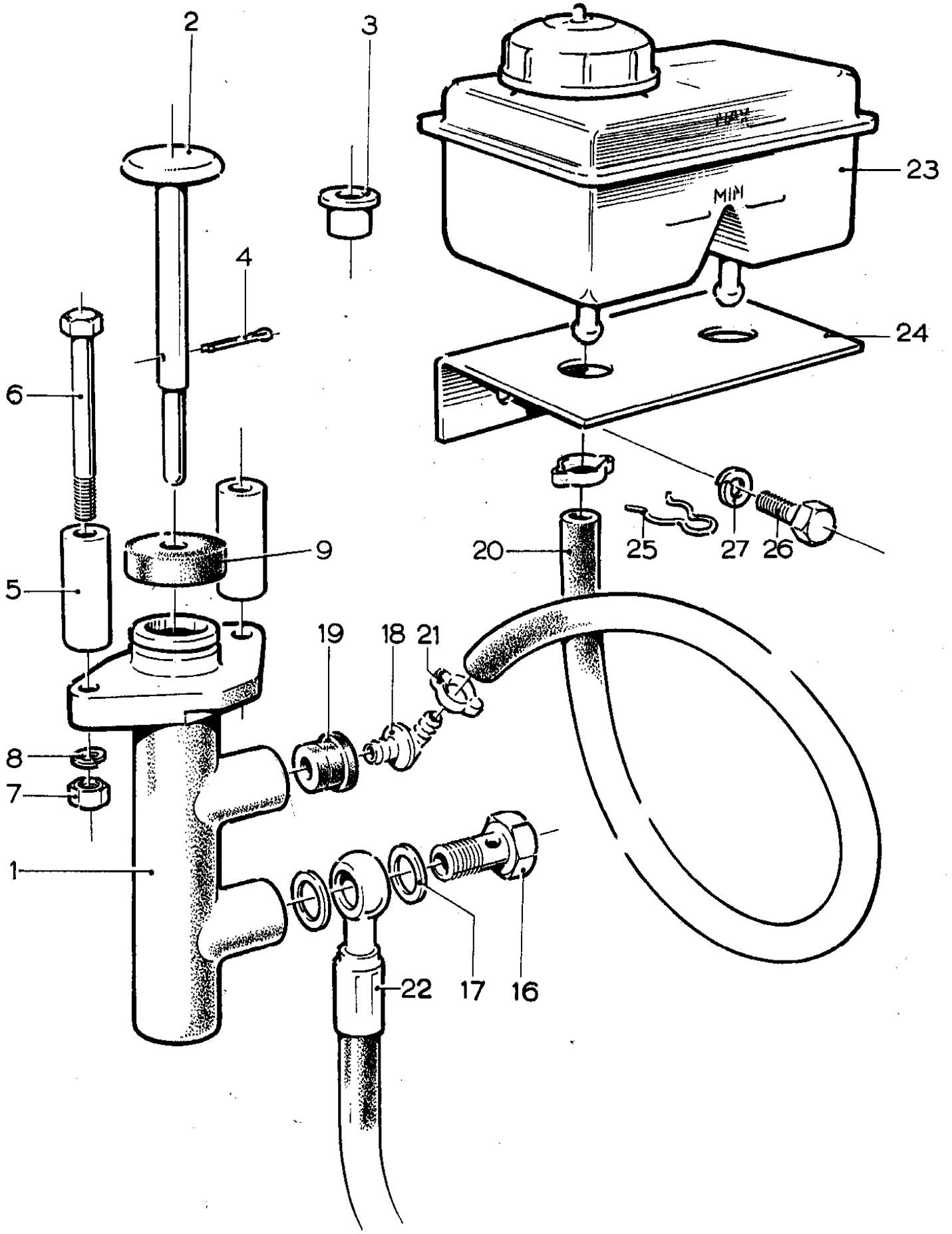
(B) John Deere part AL67715

(C) Illustration number 29,30,31 come as a complete unit part number H62J07J09

(D) Seal kit for 080308 use 080340

(E) Seal kit for 080316 use 080362

* Now superseded to part no MD44157F15P



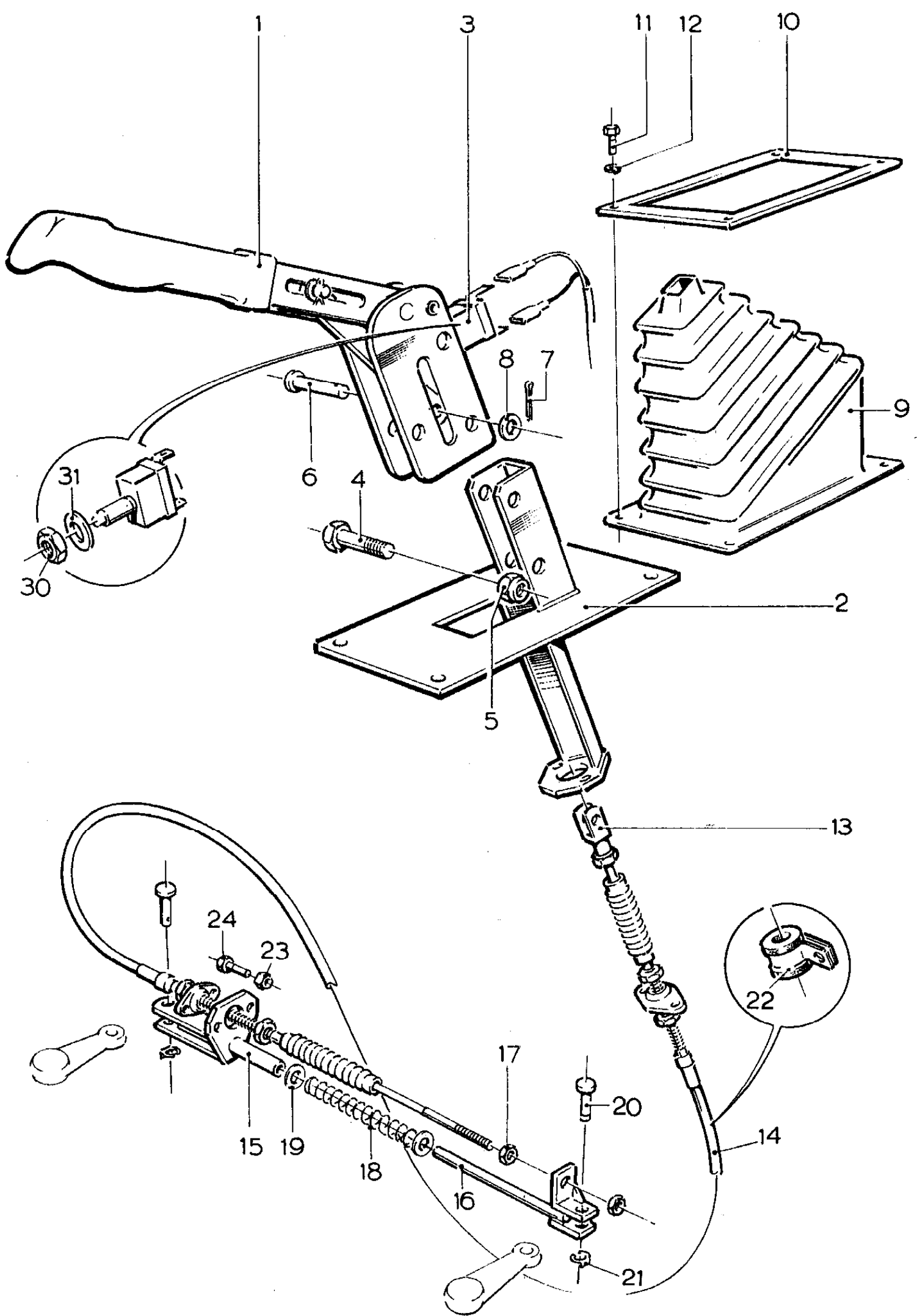
DIFFERENTIAL LOCK CONTROL

ILLUS NO 133

ITEM	PART NO	QTY	DESCRIPTION	
1	080316	1	MASTER CYLINDER	(A)
2	171600	1	PLUNGER	
3	020830	1	BUSH	
4	F65U10012	1	PIN	
5	171700	2	SPACER	
6	F19M08080	2	BOLT M8 X 80	
7	F22M08	2	NYLOCK NUT M8	
8	F33M08	2	WASHER	
9	030863	1	DUST COVER	
16	H6708LMM12M	1	BANJO BOLT	
17	H70M12	2	BONDED SEAL	
18	080310	1	ELBOW	
19	080366	1	SEAL	
20	333004	1	HOSE	
21	F41M07015	2	CLAMP	
22	H00033	1	HOSE	
23	080324	1	RESERVOIR	
24	172500	1	BRACKET	
25	063225	2	CLIP	
26	F18M06020	2	BOLT M6 X 20	
27	F33M06	2	WASHER	
28	080362	1	SEAL KIT	Differential lock Master Cylinder

NB Used on M/C Nos 0201 - 0357

(A) Use seal kit 080362



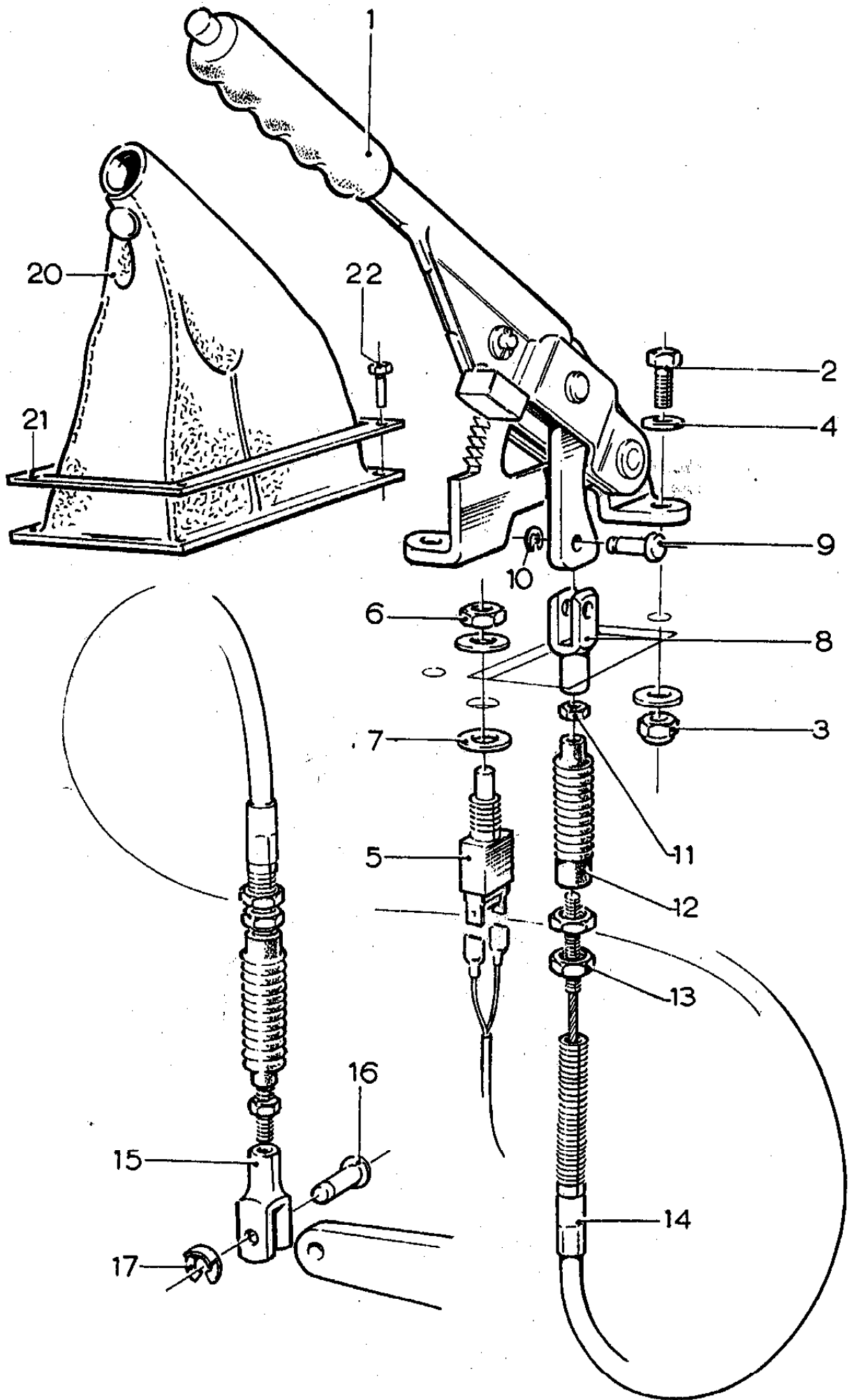
PARKING BRAKE(*)

ILLUST. NO. 114

ITEM	PART NO	QTY	DESCRIPTION	
1	060400	1	HANDBRAKE LEVER	(A)
2		1	BRACKET	
3	060406	1	SWITCH	S/N 0203-0233
4	F19M10045	2	BOLT M10 X 45	
5	F22M10	2	NYLOCK NUT M10	
7	F65U08008	1	PIN	
8	F31M10	1	WASHER	
9	060401	1	GAITER	
10	06050	1	FRAME	
11	F18M05020	4	BOLT M5 X 20	
12	F33M05	4	WASHER	
13	340130	1	CABLE	
14	340130	1	CABLE	3.0m WHEELBASE
	340130	1	CABLE	3.4m WHEELBASE
	340137	1	CABLE	3.7m WHEELBASE
15	172100	1	CLEVIS	LH
16	172000	1	CLEVIS	RH
17	F20M08	2	NUT M8	
18	060410	1	SPRING	
19	F31M10	2	WASHER	
20	340600	2	PIN	
21	340605	2	RETAINER	
22	F37M13011	2	CLIP	
23	F22M06	2	NYLOCK NUT M6	
24	F18M06020	2	BOLT M6 X 20	
25		N/A		
26		N/A		
27	F19M06075	4	BOLT M6 X 75	
28	F31M06	4	WASHER	
30	F24M12	1	NUT M12	
31	F31M12	1	WASHER	

(A) Includes part 2 on illustration

(*) This parking brake is used only on machines S/N 0201 - 0233 excluding 0211, 0225, 0227, 0231



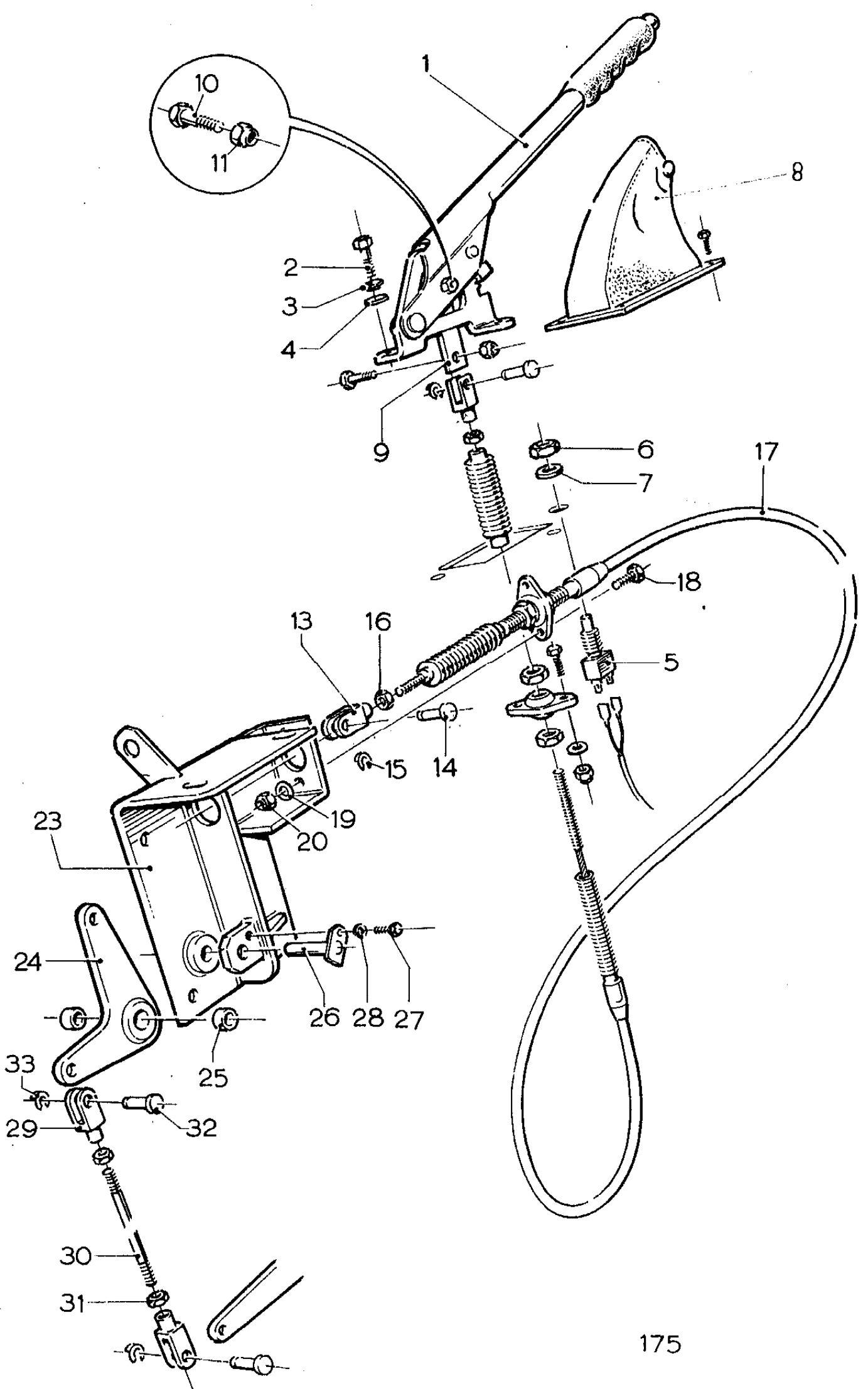
PARKING BRAKE(*)

ILLUST. NO. 154

ITEM	PART NO	QTY	DESCRIPTION
1	343000	1	HANDBRAKE LEVER
2	F18M10020	2	BOLT M10 X 20
3	F22M10	2	NYLOCK NUT M10
4	F31M10	2	WASHER
5	060407	1	SWITCH
6	F24M12F	1	NUT M12
7	F20M12	2	WASHER
8	340103	1	CLEVIS
9	340107	1	PIN
10	340109	1	RETAINER
11	F20M08	2	NUT M8
12	340150	2	GAITER
13	F20M12	4	NUT M12
14	340140	1	CABLE
15	340105	1	CLEVIS
16	340600	1	PIN
17	340606	1	RETAINER
20	060402	1	GAITER
21	060403	1	FRAME
22	F18M05020	4	BOLT M5 X 20
24	132600	1	TAILPIECE
25	F1806012	1	BOLT M6 X 12
26	F22M06	1	NYLOCK NUT M6

FITTED TO 343000

(*) Used on machines serial no. 0234 onwards

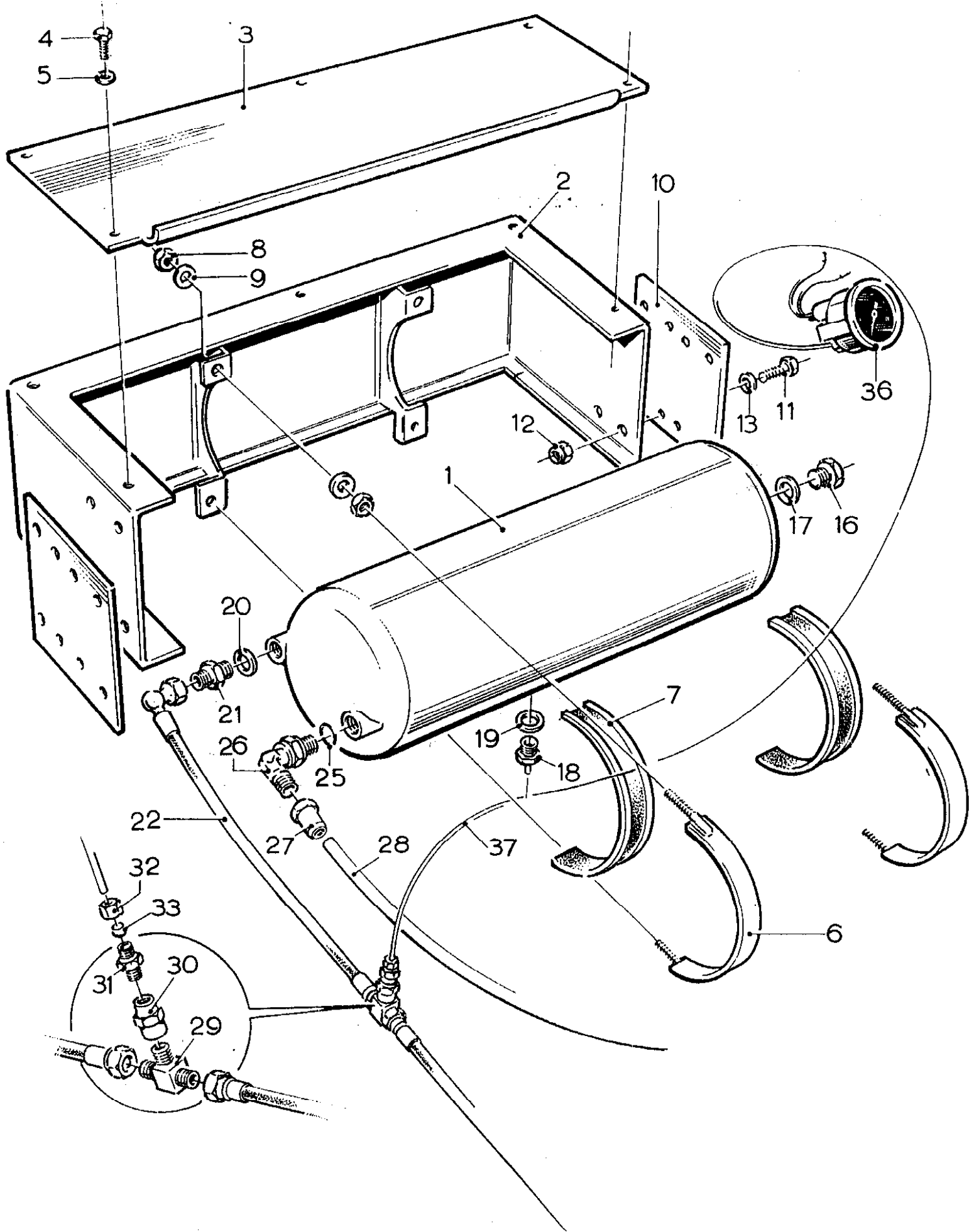


BELL CRANK HANDBRAKE

ILLUST. NO. 175

ITEM	PART NO	QTY	DESCRIPTION
1	343000	1	LEVER
2	F18M10020	2	BOLT
3	F33M10	2	WASHER
4	F31M10	2	WASHER
5	60407	1	SWITCH
6	F24M12F	1	NUT M12
7	F31M12	1	WASHER
8	60411	1	GAITER
9	132600	1	TAIL PIECE
10	F19U06014	1	BOLT 3/8" X 13/4"
11	F22U06F	1	NUT
12			
13	340103	1	CLEVIS
14	340107	1	PIN
15	340109	1	CLIP
16	F20M08	1	NUT M8
17	340141	1	CABLE
18	F18M06020	2	BOLT M6 X 20
19	F31M06	2	WASHER
20	F22M06	2	NYLOCK NUT M6
21			
22			
23	131801	1	BRACKET
24	130805	1	LEVER
25	020825	2	BEARING
26	130806	1	PIN
27	F18M08020	1	BOLT M8
28	F31M08	1	WASHER
29	34200	2	CLEVIS
30	130807	1	RAKE ROD
31	F22M10	2	NYLOCK NUT
32	3406000	2	PIN
33	340605	2	CLIP

Only fitted as standard on machines for European market



AIR RECEIVER TANK (FRONT MOUNTED)

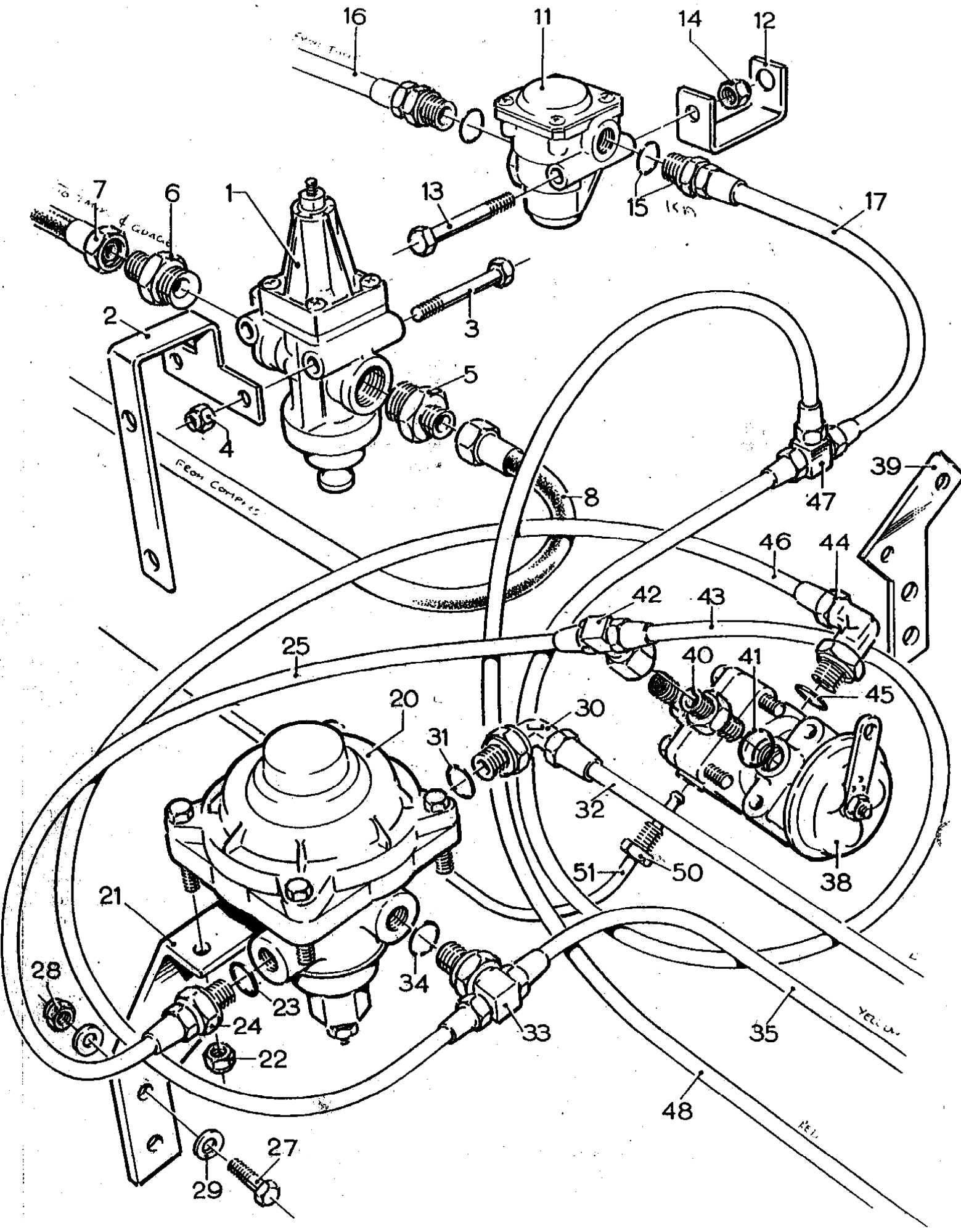
ILLUST. NO. 164

ITEM	PART NO	QTY	DESCRIPTION
1	040636	1	AIR TANK
2	172250	1	BUMPER EXTENDED
3	191450	1	PLATE
4	F18M08016	5	BOLT M8 X 16
5	F31M08	5	WASHER
6	040637	2	SADDLE
7	190340	A/R	STRAP
8	F22M08	4	NYLOCK NUT M8
9	F31M08	4	WASHER
10	172270	2	BRACKET
11	F18M12030	16	BOLT M12 X 30
12	F22M12	16	NYLOCK NUT M12
13	F31M12	16	WASHER
16	040231	1	PLUG
17	H70M22	1	SEAL
18	040606	1	VALVE
19	H70M22	1	SEAL
20	H7022	1	SEAL
21	H61B06MM22M	1	ADAPTOR
22	H00150	1	HOSE
25	H70M22	1	SEAL
26	040621	1	ADAPTOR
28	040619	A/R	PIPE
29	H72B06MMF	1	TEE
30	H61B02MB06M	1	ADAPTOR
32			NUT (A)
			OLIVE (A)
36	040607	1	GAUGE
37	040625	1	GAUGE LINE

(A)

Complete with 040625 engine.

From machine S/N 0292 Air Tank is mounted on chassis and requires Brackets 180415 & 180416 and has no need of extended bumper 172250.



AIR TRAILER BRAKE

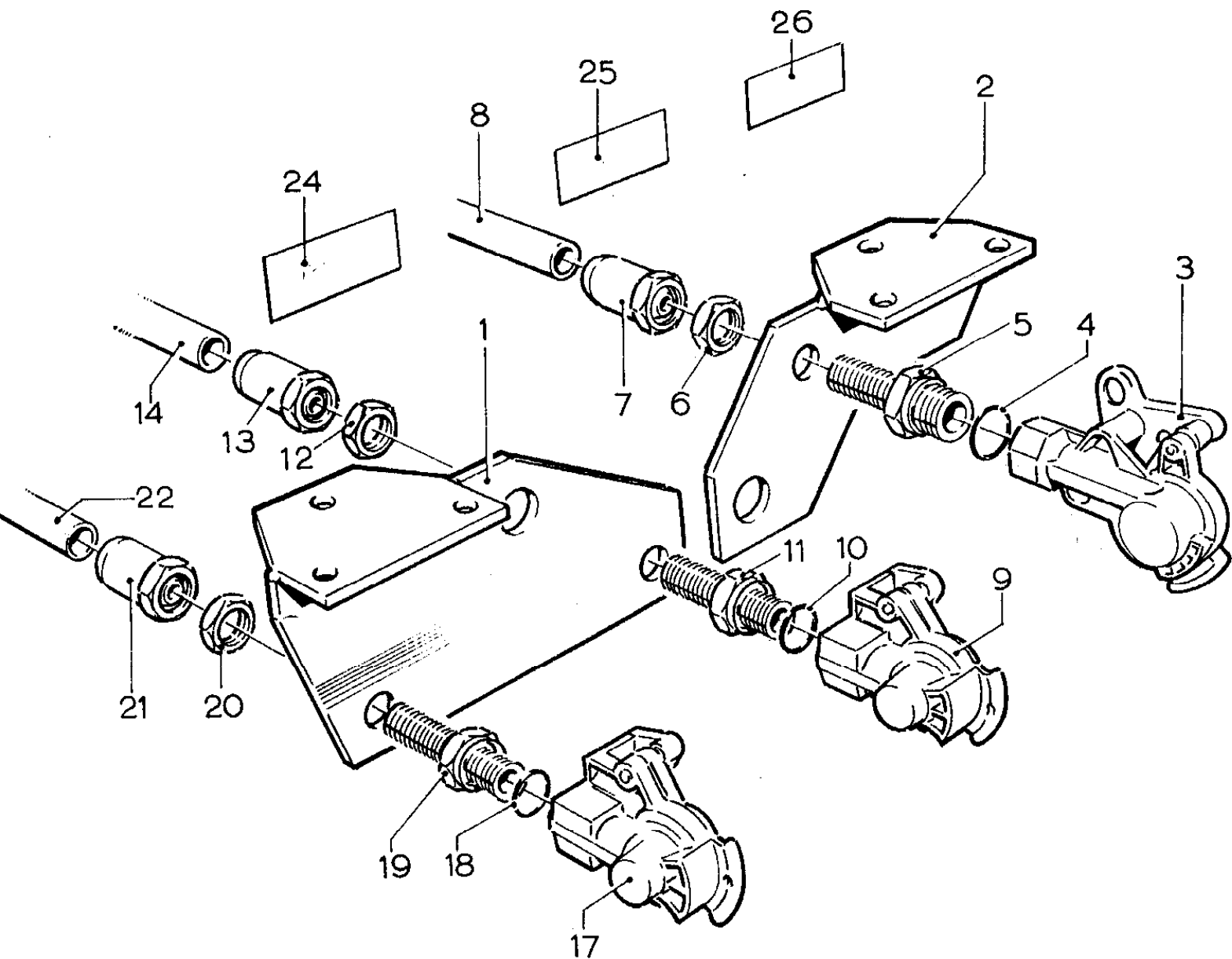
ILLUST. NO. 166

ITEM	PART NO	QTY	DESCRIPTION
1	040604	1	VALVE
2	180410	1	BRACKET
3	F19M08075	2	BOLT M8 X 75
4	F22M08	2	NYLOCK NUT M8
5	H61B06MB12M	1	ADAPTOR
6	H61B06MB12M	1	ADAPTOR
7	H00136	1	HOSE (A)
8	H00130	1	HOSE
9			
10			
11	040608	1	VALVE
12	180413	1	BRACKET
13	F19M08075	1	BOLT M8 X 75
14	F22M08	1	NYLOCK NUT M8
15	040622	2	MALE STUD M16 X 10MM
16	040619	A/R	NYLON TUBE
17	040619	A/R	NYLON TUBE
18	040619	A/R	NYLON TUBE
19	040619	A/R	NYLON TUBE
20	040609	1	VALVE
21	180411	1	BRACKET
22	F22M08	2	NYLOCK NUT M8
23			
24	040622	1	CONNECTOR
25	040619	A/R	TUBE
26			
27	F19M08035	2	BOLT M8 X 35
28	F22M08	2	NYLOCK NUT M8
29	F31M08	4	WASHER
30	040634	1	ELBOW
31			PART OF 040634
32	040619	A/R	NYLON TUBE
33	040623	2	TEE
34			PART OF 040623
35	040619	A/R	NYLON TUBE
36			
37			
38	040613	1	VALVE
39	180414	1	BRACKET
40	040631	1	TEE
41			
42			
43	040631	A/R	NYLON TUBE

AIR TRAILER BRAKE

ILLUST. NO. 166

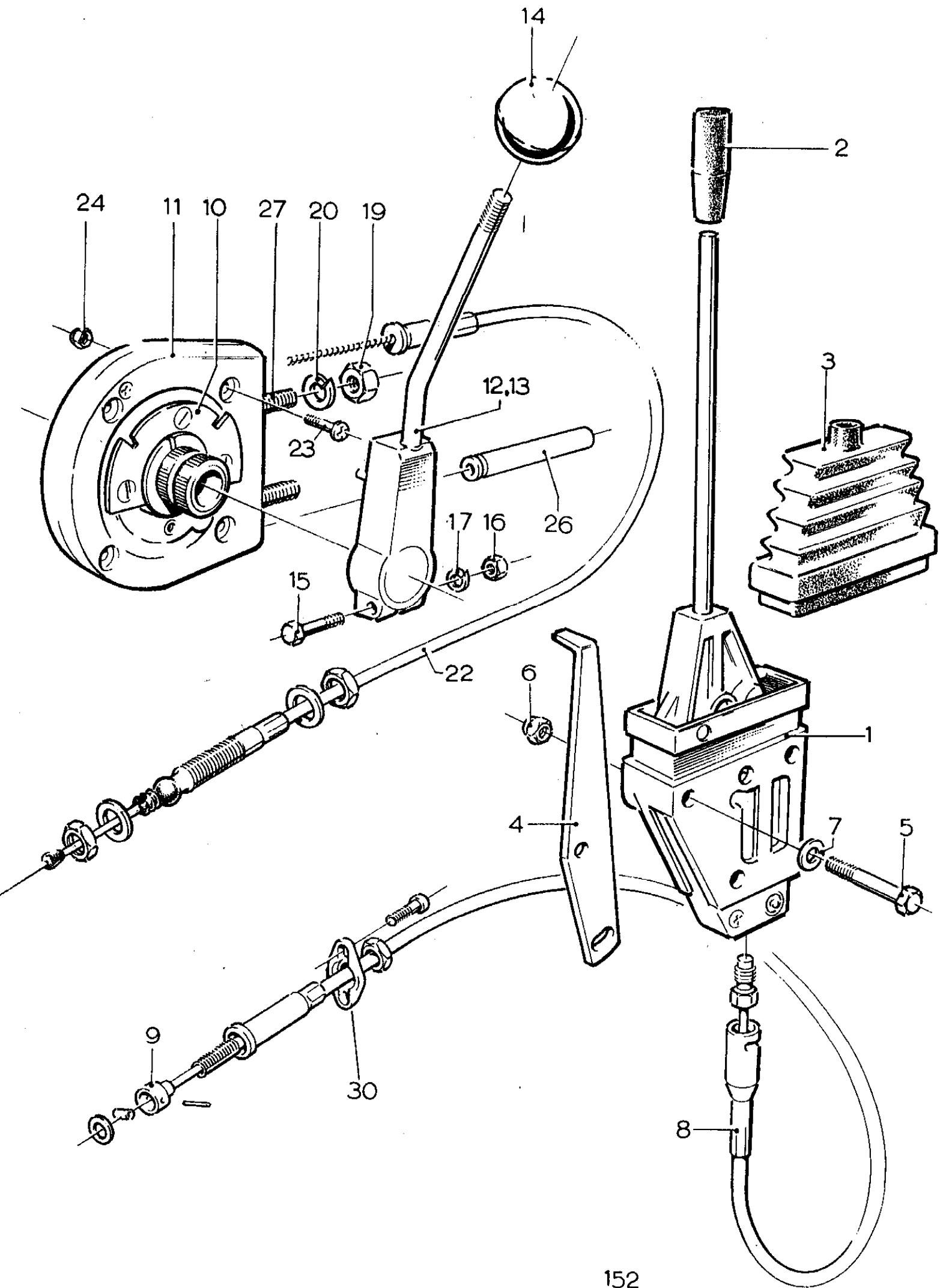
ITEM	PART NO	QTY	DESCRIPTION
44	040634	1	ELBOW
45			
46	040619	A/R	NYLON TUBE
47	040630	1	TEE
48	040619	1	NYLON TUBE
49			
50	040627	1	TUBE NUT 8MM
51	040632	1	KUNIFER TUBE



AIR TRAILER BRAKE CONNECTION

ILLUST. NO. 167

ITEM	PART NO	QTY	DESCRIPTION	
1	112053	1	BRACKET	
2	112054	1	BRACKET	
3	040612	1	COUPLING	
4		1	O RING	BLACK
5	040628	1	COUPLING	INCLUDES 4,6,7
6		1	NUT	
7		1	NUT	
8	040619	A/R	NYLON TUBE	
9	040611	1	COUPLING	YELLOW
10		1	O RING	
11	040628	1	COUPLING	INCLUDES 10,12,13
12		1	NUT	
13		1	NUT	
14	040619	A/R	NYLON TUBE	
17	040610	1	COUPLING	RED
18		1	O RING	
19	040628	1	COUPLING	INLCUDES 18,20,21
20		1	NUT	
21		1	NUT	
22	040619	A/R	NYLON TUBE	
23				
24	150838	1	DECAL	RED
25	150840	1	DECAL	YELLOW
26	150839	1	DECAL	BLUE
27	080348	1	SEAL KIT	TRAILER BRAKE

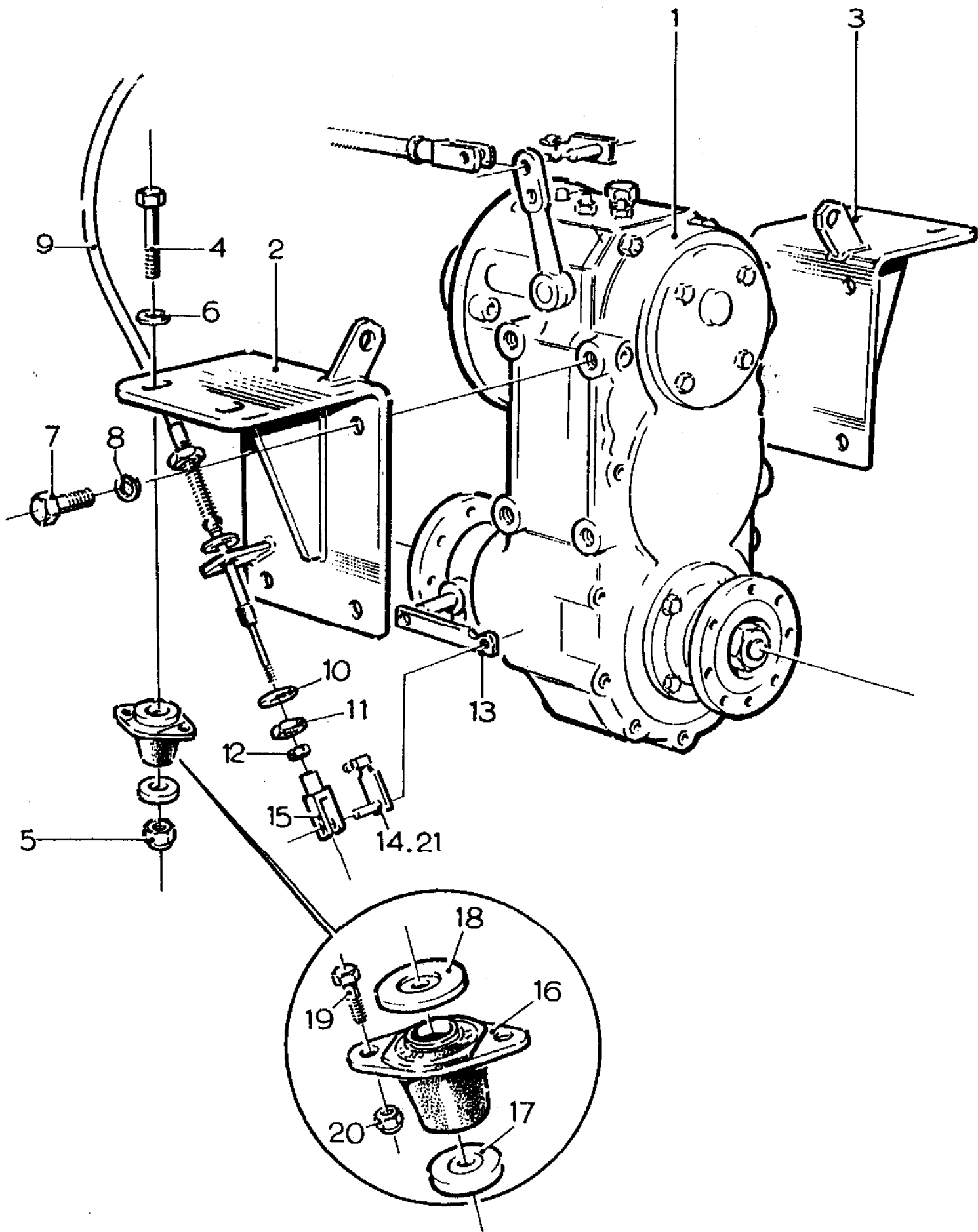


CABLE CONTROL 2/4 WHEEL DRIVE & HYDRAULIC LEVER OPTION

ILLUST. NO. 152

ITEM	PART NO	QTY	DESCRIPTION	
1	340501	1	LEVER	
2	340120	1	KNOB	
3	340125	1	GAITER	
4	132400	1	STOP	
5	F19M08060	3	BOLT M8 X 60	
6	F22M08	3	NYLOCK NUT M8	
7	F31M08	3	WASHER	
8	340508	1	CABLE	
9	340507	1	ADAPTOR	
10	340207	2	TWO WAY GATE	
11	340503	2	GEAR CHANGER	
12	340204	1	LEVER	
13	340204	1	LEVER	
14	340408	2	KNOB	
15	F18M06030	2	BOLT M6 X 30	
16	F20M08	2	NUT M8	
17	F33M06	2	WASHER	
19	F20M08	2	NUT M8	
20	F33M08	2	WASHER	
22	340201	1	CABLE	
22A	340502	1	CABLE	(A)
23	F06M05030SS	6	BOLT	
24	F20M05	6	NUT M5	
26	340510	2	CABLE GUARD	
27	F18M08020	2	BOLT M8 X 20	
30	340506	1	ADAPTOR KIT	INCLUDES 340507

(A) For operation of PTO valve

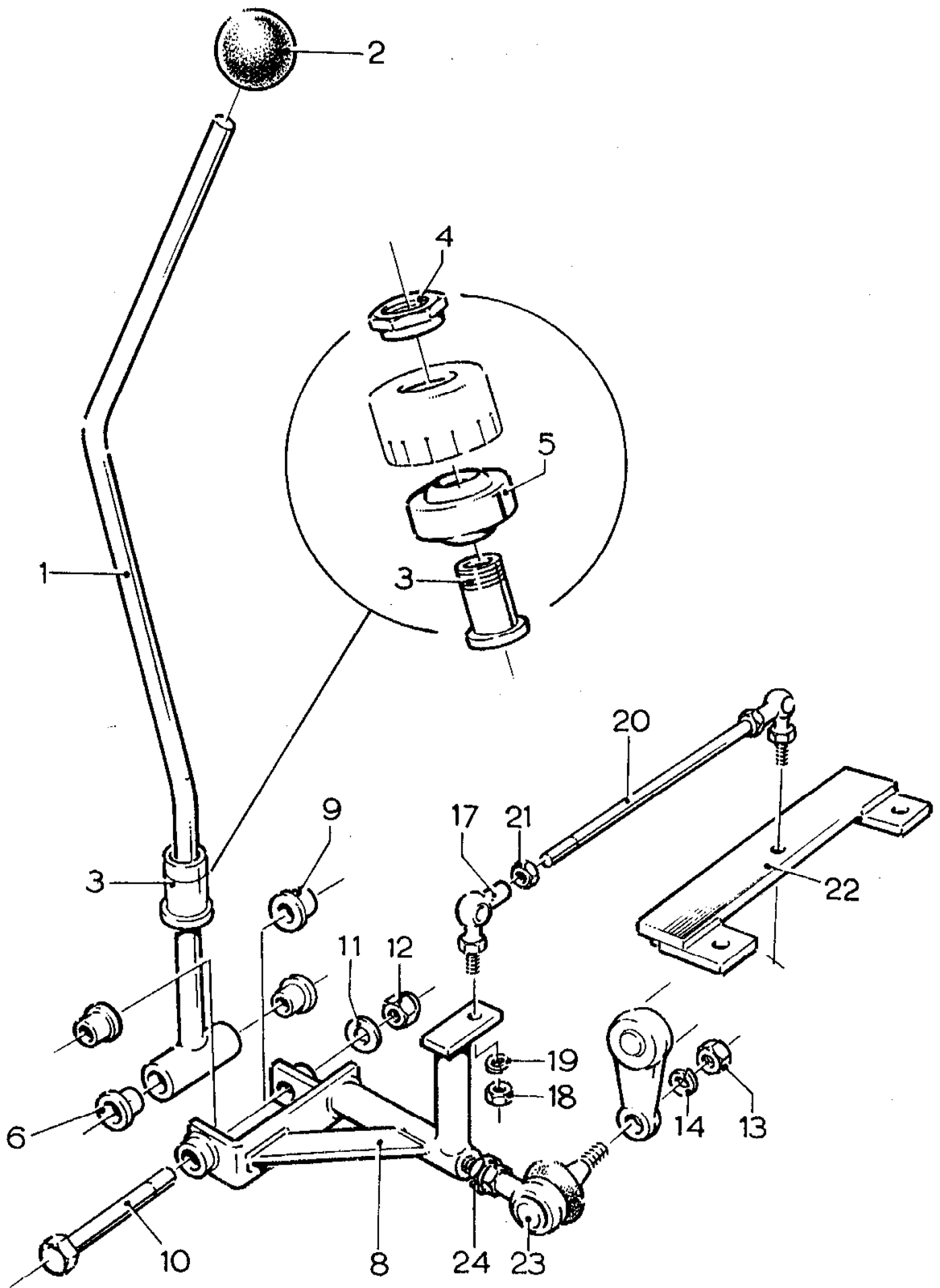


TRANSFER BOX FITTINGS

ILLUS NO 105

ITEM NO	PART NO	QTY	DESCRIPTION	
1	043101	1	TRANSFER BOX	
2	130900	1	BRACKET LH	
3	130800	1	BRACKET RH	
	130801	1	BRACKET RH	BELL CRANK HANDBRAKE
4	F19M12080	4	BOLT M12 X 80	
5	F22M12	4	NYLOCK NUT M12	
6	F31M12	4	WASHER	
7	F18M14025	8	BOLT M14 X 25	
8	F33M14	8	WASHER	
9	340201	1	CABLE	(A) INCLUDES 10 TO 12
10	340210	2	WASHER	
11	340210	2	NUT	
12	F20M06	1	NUT M6	
13	130700	1	LEVER	
14	340106	1	PIN	
15	340104	1	CLEVIS	
16	043700	4	MOUNT	
17	043710	4	WASHER	
18	043705	4	WASHER	
19	F18M10030	8	BOLT M10 X 30	
20	F22M10	8	NYLOCK NUT M10	
21	340108	1	CLIP	

(A) Comes as a complete unit



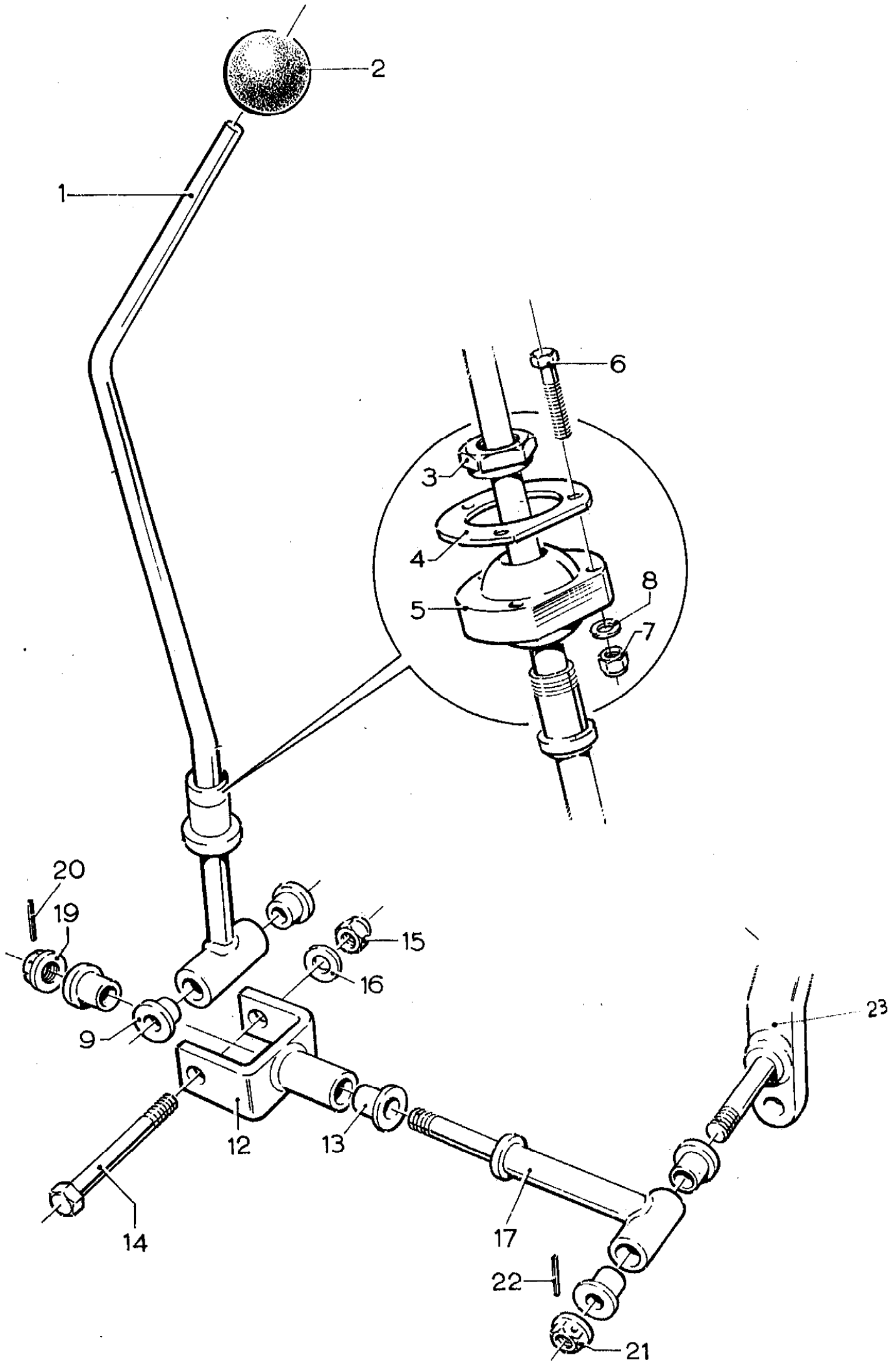
GEAR SHIFT ASSEMBLY

ILLUST. NO. 153

ITEM	PART NO	QTY	DESCRIPTION	
1	142600	1	GEAR LEVER	
2	042704	1	KNOB	
3	S124600A	1	SLEEVE	(A)
4	S124600B	1	NUT	(A)
5	060420	1	BEARING	
6	020830	4	BUSH	
8	142700	1	LINK ROD	(B) S/N 0252
	142701	1	LINK ROD	(B) 0253-0289
	142702	1	LINK ROD	(B) UPGRADE
	142703	1	LINK ROD	S/N 0290
				FITTED WITH PART NO 142720
10	F19M12110	1	BOLT M12 X 110	(B)
11	F33M12	1	WASHER	(B)
12	F22M12	1	NYLOCK NUT M12	(B)
13	F20U07F	1	NUT	(B)
14	F31M12	1	WASHER	(B)
17	142950	2	BALL END	(B)
18	F22M08	2	NYLOCK NUT M8	(B)
19	F33M08	2	WASHER	(B)
20	142900	1	ROD	S/N 0252
	142901	1	ROD	S/N 0253
21	F20M08	2	NYLOCK NUT M8	(B)
22	142800	1	BRACKET	(B)
23	S142700A	1	BALL JOINT	(A)

(A) Parts S142600A, S142600B, S142700A are not available for general sale, but come complete with the gear lever.

(B) All these parts are now obsolete and are replaced by the new linkage, part number 142703.

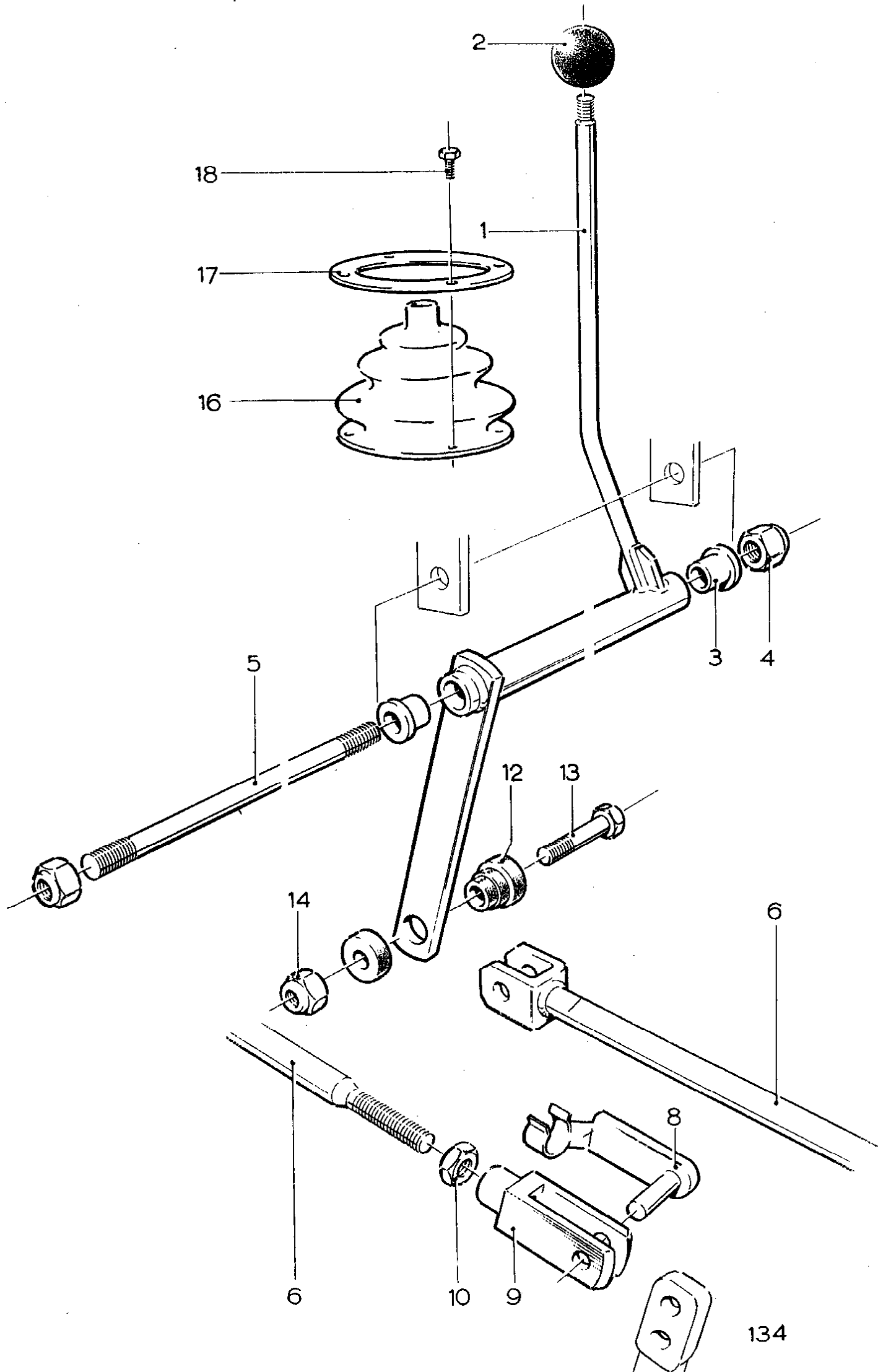


GEAR LEVER

ILLUST. NO. 177

ITEM	PART NO	QTY	DESCRIPTION	
1	142601	1	GEAR LEVER	
2	042704	1	KNOB	
3	S142600B	1	NUT	
4	143600	1	KEEP PLATE	(A) S/N 0222-0343
5	060421	1	BEARING HOUSING	
6	F18M08030	3	BOLT	
7	F22M08	3	NYLOCK NUT M8	
8	F31M08	3	WASHER	
9	020832	4	BUSH	
10				
11				
12	142720	1	CLEVIS	
13	020832	1	BUSH	
14	F19M12090	1	BOLT	
15	F22M12	1	NYLOCK NUT M12	
16	F31M12	1	WASHER	
17	142703	1	LINK ROD	
18				
19	F28M12	1	FLANGED NUT M12	
20	F60M03020	2	PIN	
21	F28M12	1	FLANGED NUT M12	
22	F60M03020	2	PIN	
23	142731	1	GEARSHIFT	

(A) Part numbers 143600, 143700 have been replaced by a complete unit, number 060421, starting with machine serial number 0344

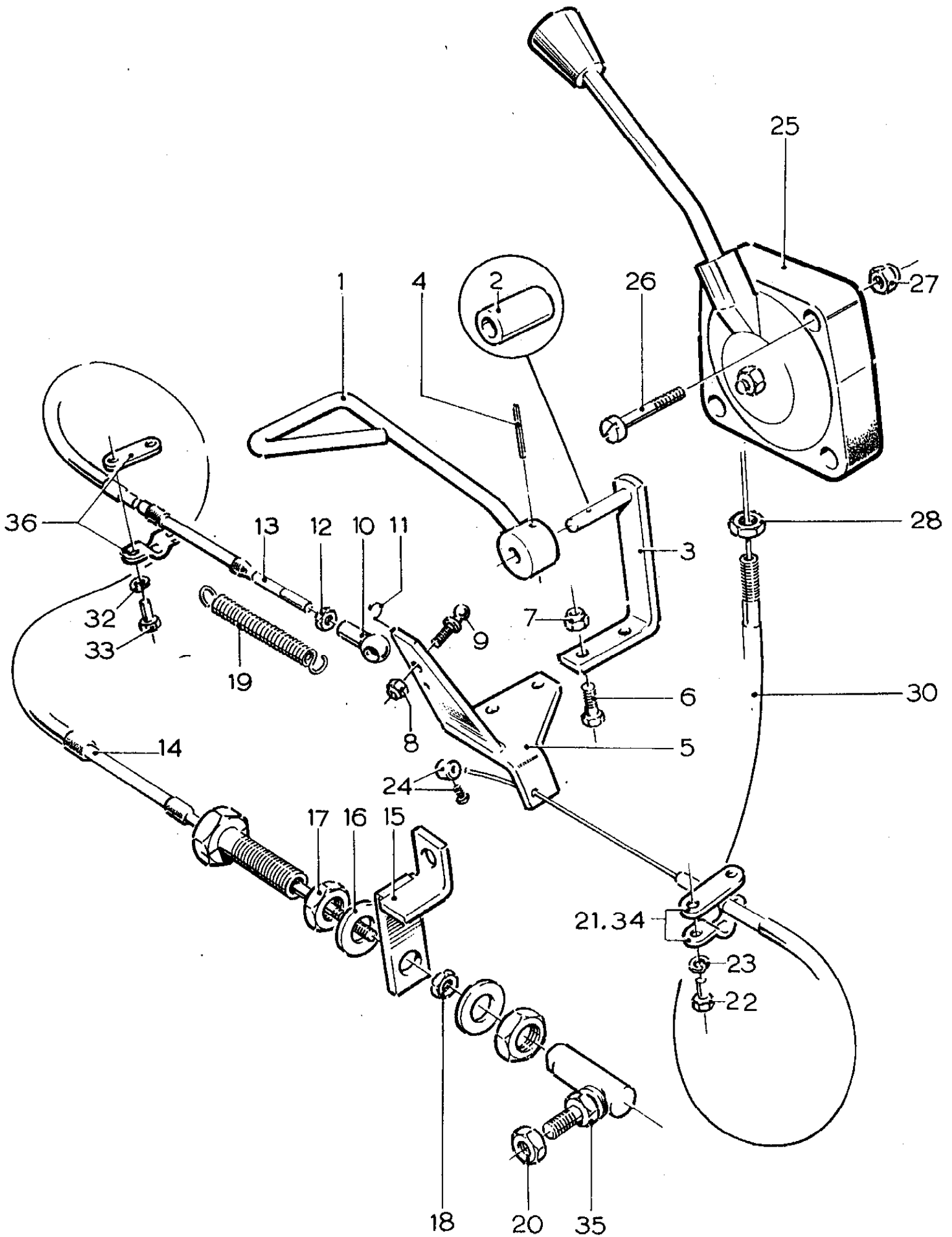


TRANSFER BOX HIGH/LOW GEAR GEAR LEVER ASSEMBLY

ILLUST. NO. 134

ITEM	PART NO	QTY	DESCRIPTION
1	172601	1	GEAR LEVER
2	042706	1	KNOB
3	020830	2	BUSH
4	F22M12	2	NYLOCK NUT M12
5	172800	1	SHAFT
6	172700	1	CONNECTING ROD
7			
8	342005	1	CLEVIS PIN
9	34000	1	CLEVIS
10	F20M10	1	LOCK NUT
11			
12	221605	1	VIBRATION ISOLATOR
13	F19M10065	1	BOLT M10 X 65
14	F22M10	1	NYLOCK NUT M10
16	061600	1	GAITER
17	194000	1	SECURING RING
18	F18M05016	4	SCREW M5 X 16
19			
20			

NB M/C NUMBERS 0201 - 0357

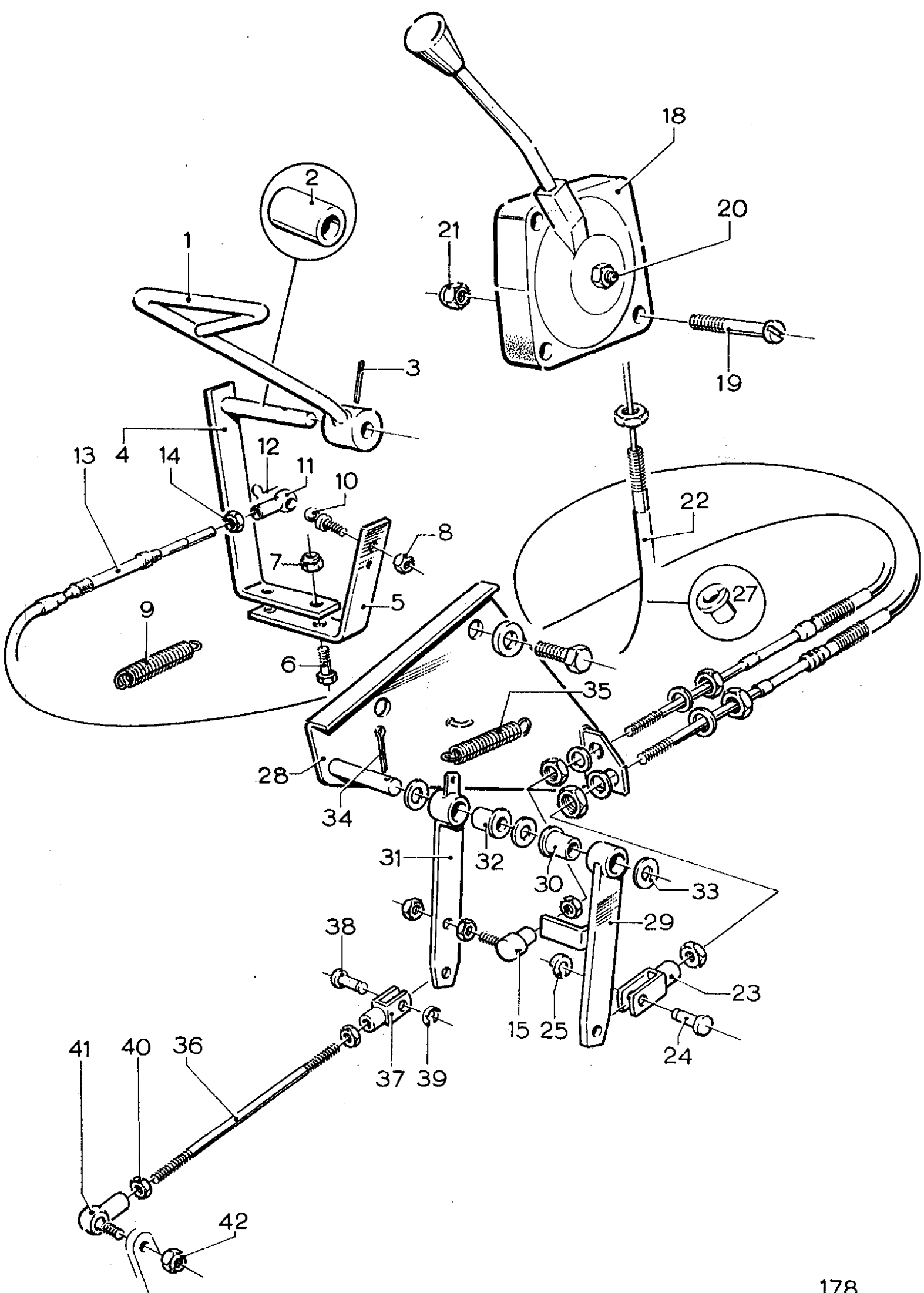


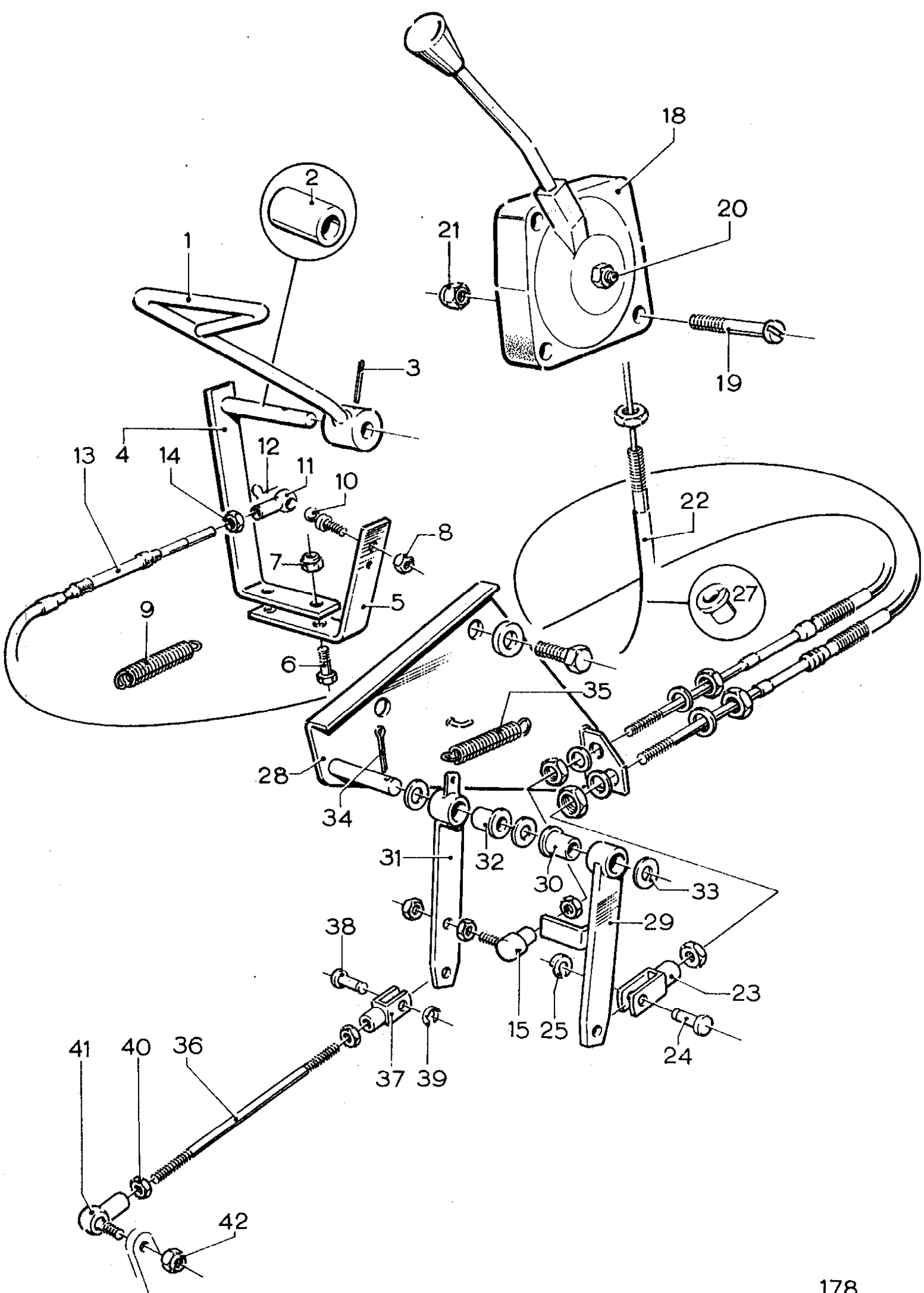
THROTTLE LINKAGE

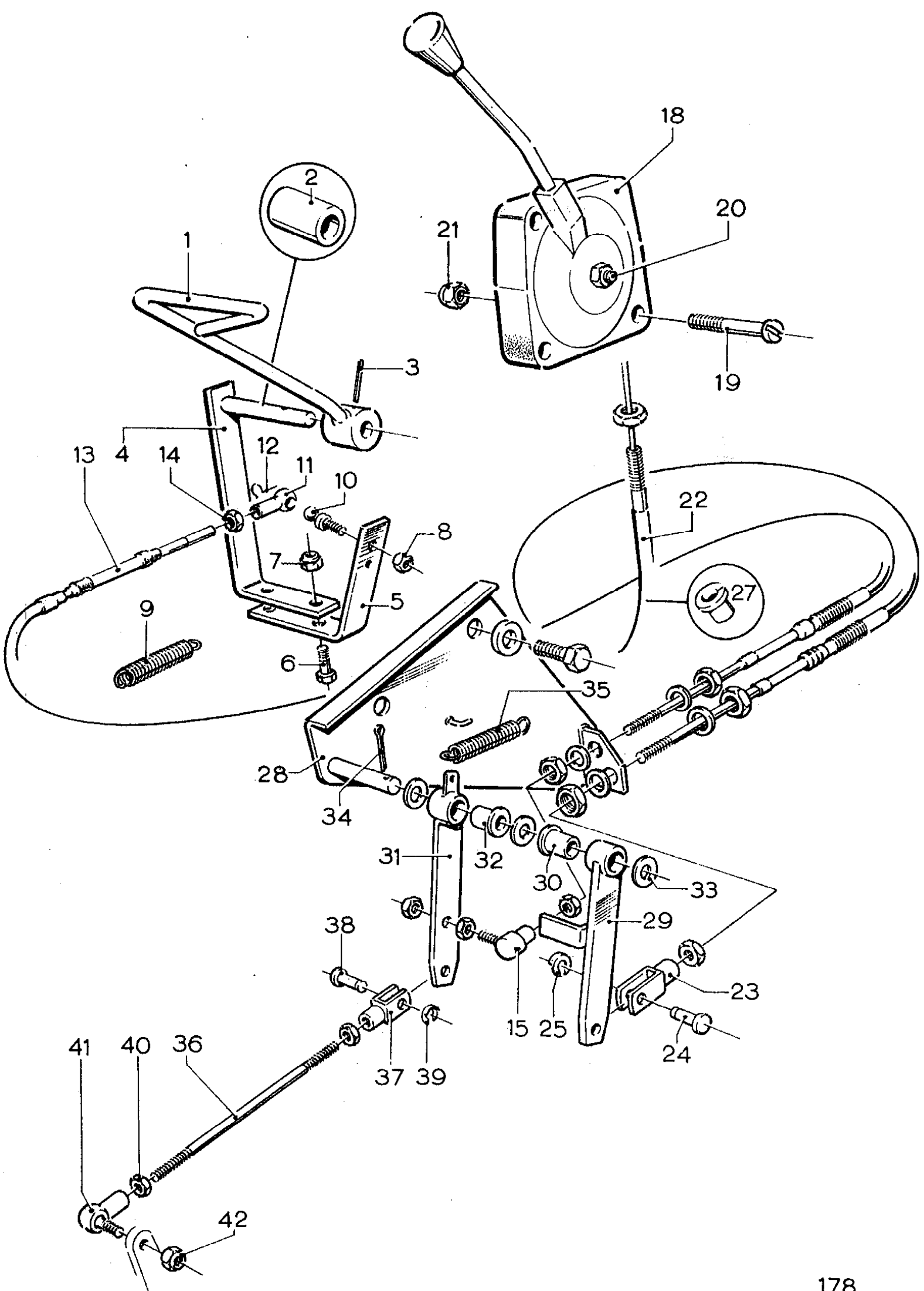
ILLUST. NO. 115

ITEM	PART NO	QTY	DESCRIPTION	
1	140400	1	FOOT THROTTLE LEVER	
2	140360	1	BUSH	
3	140300	1	THROTTLE LEVER ARM	
4	F60M03020	1	ROLL PIN	
5	140500	1	BRACKET	S/N 0292
	140501	1	BRACKET	S/N 0293
6	F18M06020	1	BOLT M6 X 20	
7	F22M06	1	NYLOCK NUT M6	
8	F22M05	1	NYLOCK NUT M5	
9	040130	1	BALL STUD	(A) INCLUDES 10 & 11
10	040131	1	BALL JOINT STUD	
11	040132	1	BALL JOINT RETAINER	
12	F20M05	1	NUT M5	
13	340306	1	CABLE	FOOT
14				
15	142301	1	BRACKET	
	142302	1	BRACKET	S/N 0293 - 4039T
	142370	1	BRACKET	S/N 0292 - 4045T
	142371	1	BRACKET	S/N 0293 - 4045T
16	F31M12	1	WASHER	
17	F20M12	1	NUT M12	
18	F20M05	1	NUT M5	
19	171405	1	SPRING	
20	F20M05	1	NUT M5	
21	340308	2	CLAMP	
22	F19M05016	4	BOLT M5 X 16	
23	F33M05	4	WASHER	
24	340302	1	NIPPLE	
25	340301	1	THROTTLE LEVER ASSEMBLY	
26	F09M06030	1	SCREW	COUNTERSUNK
27	F22M06	1	NYLOCK NUT M6	
28	F22M08	1	NYLOCK NUT M8	
29	340307	1	BALL JOINT	
30	340307	1	CABLE	S/N 0292 HAND
	340310	1	CABLE	S/N 0293
32	F33M05	2	WASHER	
33	M18M05016	2	BOLT M5 X 16	
34	3403040	1	SHIM	
35	340307	1	BALL JOINT	
36	340303	1	CLAMP	

(A) Comes as a complete part, can be broken down for spares.







FOOT/HAND THROTTLE

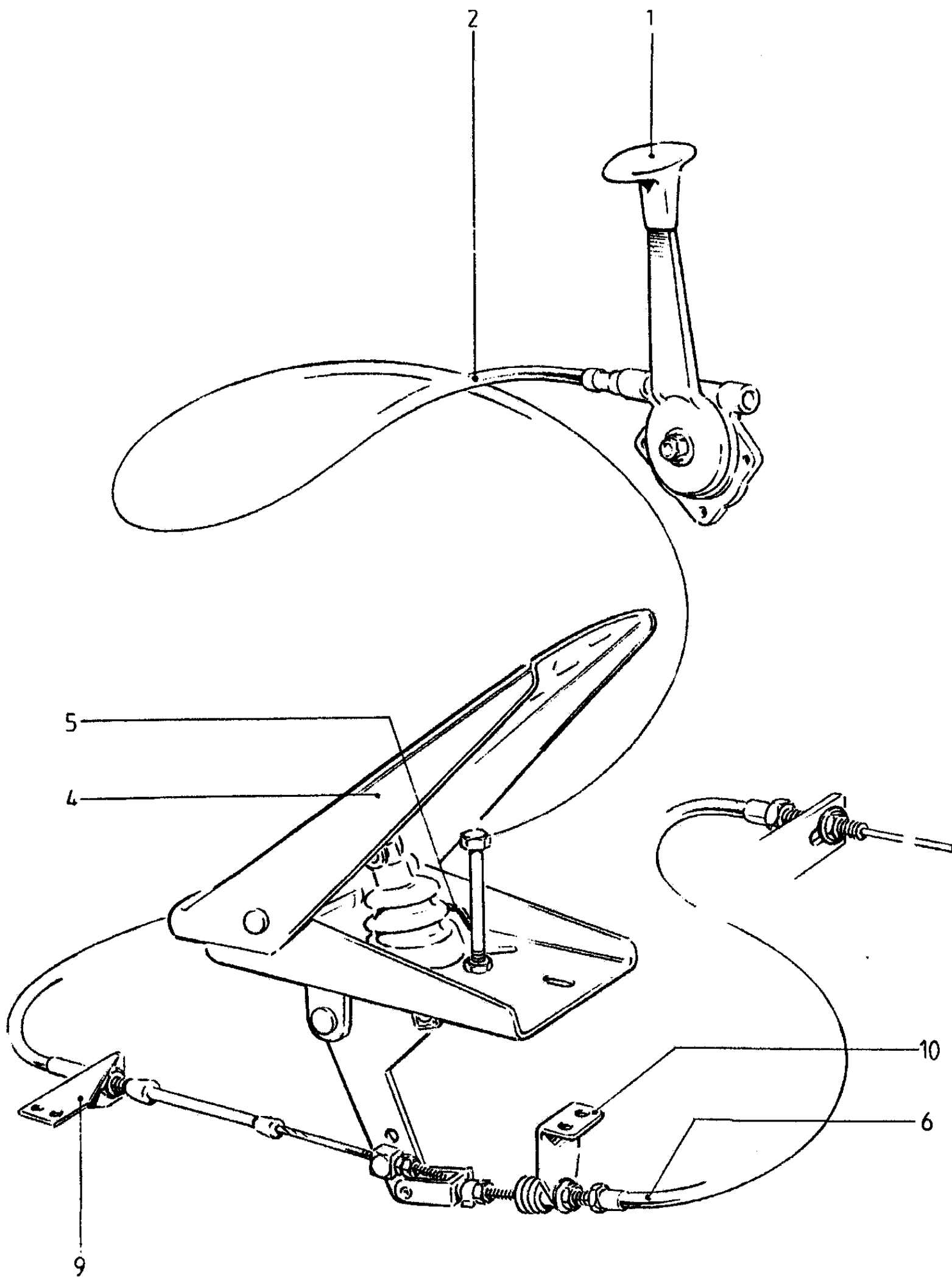
ILLUST. NO. 178

ITEM NO	PART NO	QTY	DESCRIPTION
1	140400	1	FOOT PEDAL
2	140360	1	BUSH
3	F60M03020	1	ROLL PIN
4	140300	1	LEVER ARM
5	140500	1	BRACKET
6	F18M06020	2	BOLT M6 X 20
7	F22M06	2	NYLOCK NUT 6MM
8	F22M05	2	NYLOCK NUT 5MM
9	171405	1	SPRING
10	040130	1	STUD
11	040131	1	SOCKET
12	040132	1	RETAINER
13	340306	1	CABLE
14	F20M05	1	NUT 5MM
15	340307	1	BALL END JOINT
16	340308	1	CLAMP FITTED TO ITEM 13
17	F18M05016	2	BOLT M5 X 16
18	340301	1	LEVER
19	F09M06025SS	4	SCREW M6 X 25
20	F22M06	1	NYLOCK NUT 6MM
21	F22M06	4	NYLOCK NUT 5MM
22	340309	1	CABLE HAND
23	340104	1	CLEVIS
24	340106	1	CLEVIS PIN
25	340108	1	CLIP
27	020830	1	BUSH
28	142302	1	BRACKET (A)
	142371	1	BRACKET (B)
29	142373	1	LEVER
30	020830	1	BUSH
31	142372	1	LEVER
32	020830	1	BUSH
33	F31M12	1	WASHER
34	F65U05006	1	SPLIT PIN
35	171405	1	SPRING
36	142374	1	CONNECTION
37	340104	1	CLEVIS
38	340106	1	CLEVIS PIN
39	340105	1	CLIP
40	F20M06	2	NUT M6
41	340110	1	BALL JOINT
42	F20M06	1	NUT 6MM

(A) 4039T Engine (105 HP)

(B) 4045T Engine (120 HP)

NB Used on M/C S/N 0292 - 0357

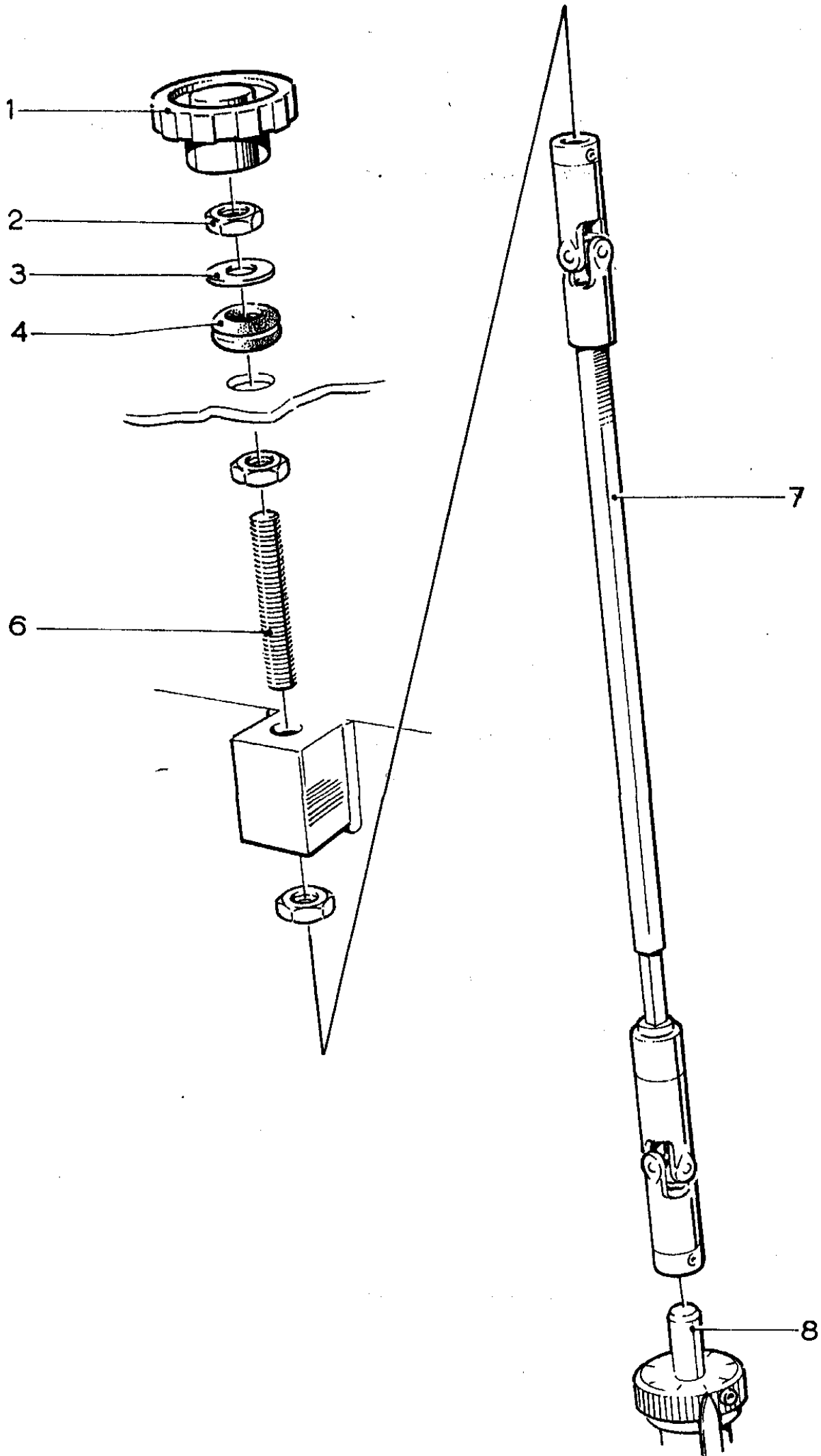


THROTTLE LINKAGE - 6000 SERIES CAB

ILLUS NO 6000C

ITEM	PART NO	QTY	DESCRIPTION
1	340331	1	HAND THROTTLE LEVER ASSY
2	340336	1	HAND THROTTLE CABLE
3			
4	140401		THROTTLE PEDAL ASSY
5	F19M06075		BOLT M6 X 75
6	340333		FOOT THROTTLE CABLE
7			
8			
9	140502		BRACKET
10	140510		BRACKET

NB. Check type of throttle fitted

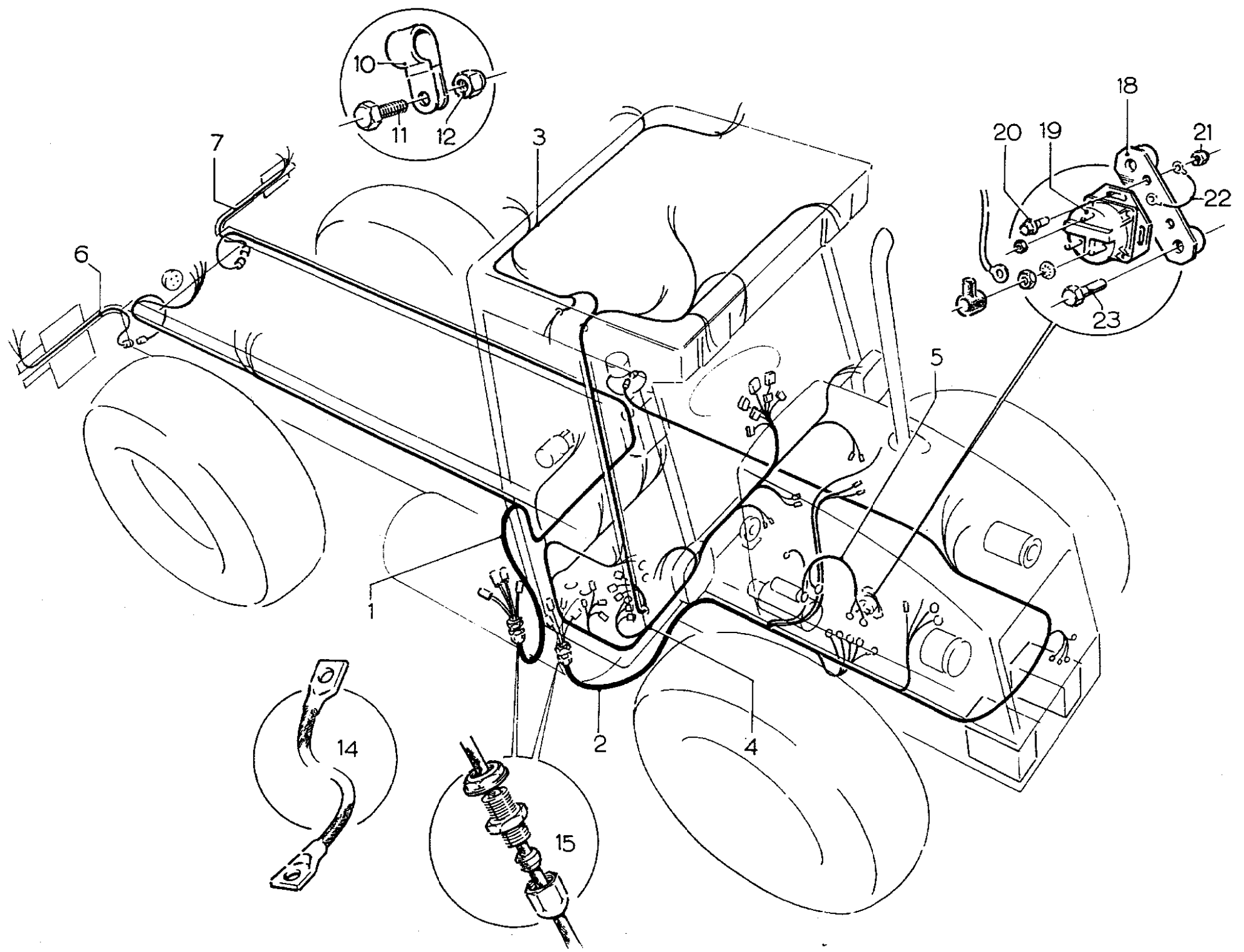


PTO SPEED CONTROL

ILLUS NO 190

ITEM	PART NO	QTY	DESCRIPTION
1	060113	1	KNOB
2	F22M10	3	NUT 10MM
3	F31M10	2	WASHER
5	F70M06010	1	GROMMETT
6	F19M10120	1	BOLT
7	060117	1	SHAFT PTO
8	305201	1	FLOW CONTROL VALVE (A)

(A) Used from M/C Nos 0293 - 0357



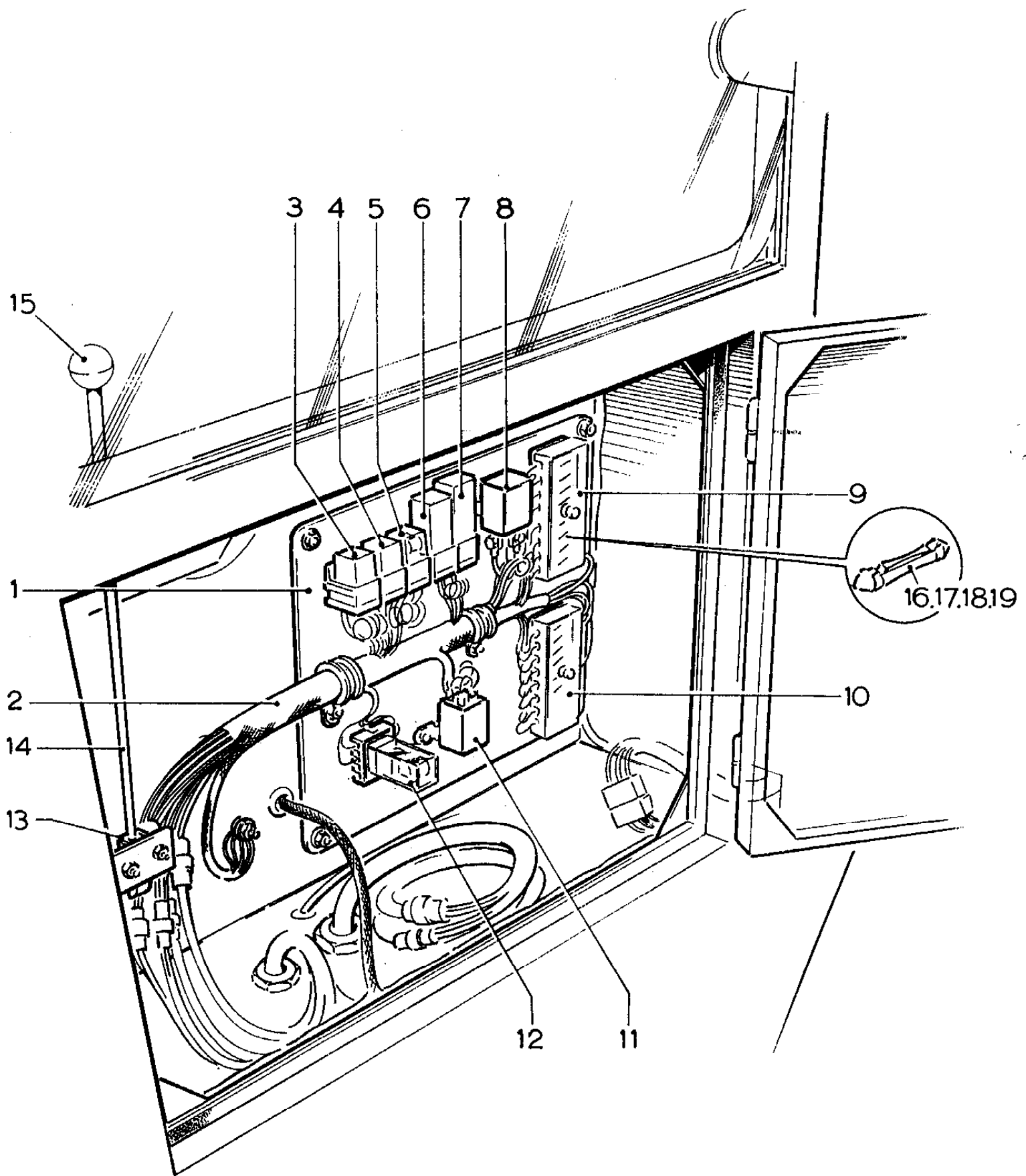
WIRING HARNESS

ILLUST. NO. 151

ITEM	PART NO.	QTY	DESCRIPTION	
1	320450	1	HARNESS - REAR CHASSIS	3.0M WHEELBASE 3.4M WHEELBASE 3.7M WHEELBASE
2	320101	1	HARNESS	FRONT CHASSIS
3	320500	1	HARNESS	CAB
4	320300	1	HARNESS	STARTER RELAY
5	320200	1	HARNESS	REAR LIGHT RH (UK)
6	320440	1	HARNESS	REAR LIGHT LH (UK)
7	320445	1	HARNESS	
8				
9				
10	F37M13008	A/R	CLIP	
	F37M13010	A/R	CLIP	
	F37M13011	A/R	CLIP	
	F37M13016	A/R	CLIP	
	F37M13030	A/R	CLIP	
11	F18M06020	15	BOLT M6 x 20	
	F18M06025	15	BOLT M6 x 25	
12	F22M06	15	NYLOCK NUT M6	
13				
14	321800	2	EARTH STRAP	
15	320110	1	FITTING	FRONT BULKHEAD
	320410	1	FITTING	REAR BULKHEAD
16				
17				
18	131300	1	BRACKET	(A) (B)
19	040185	1	RELAY	
20	F13M06015	2	BOLT	
21	F22M06	2	NYLOCK NUT M6	
22		A/R	EARTH STRAP	
23	F19U06014	2	BOLT	

(A) 131300 - For 4039T engine

(B) 131350 - For 4045T engine

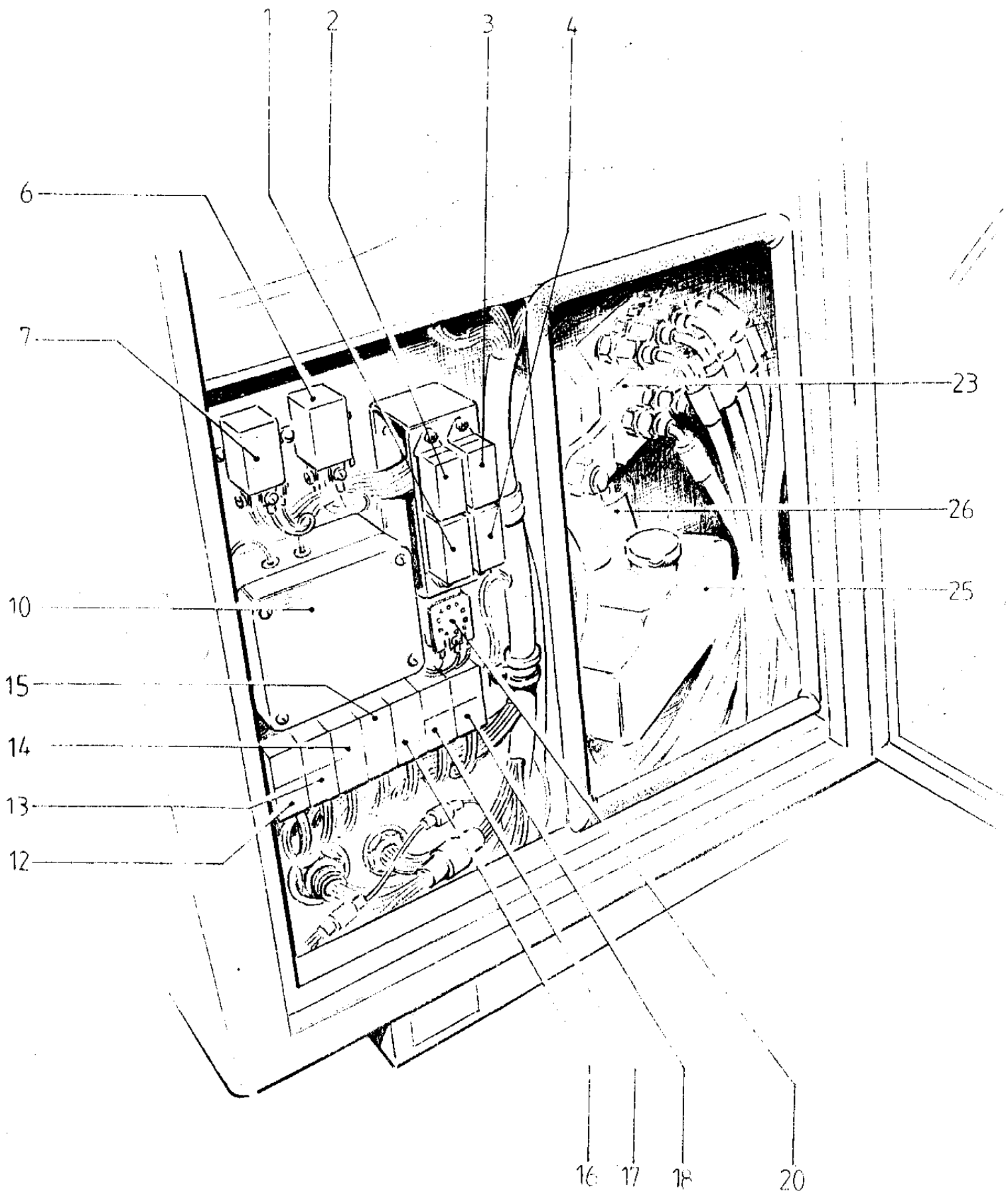


ELECTRICAL CABINET (UP TO SERIAL NO. 0357)

ILLUST. NO. 123

ITEM	PART NO.	QTY	DESCRIPTION	
1	320150	1	FUSE PANEL ASSEMBLY	
2	320151	1	HARNESS	
3	063005	1	RELAY	INCLUDES 4 & 5
4				
5				
6	063015	1	FLASHER UNIT	
7	063004	1	WIPER DELAY UNIT	
8	063001	1	RELAY	
9	063008	1	FUSE BOX	INCLUDES 10
10				
11	063001	1	RELAY	
12	063021	1	RELAY	2/4 WHEEL STEER
13	070212	1	DOOR CATCH	
14	570212	1	ROD	
15	071800	1	KNOB	
16	063006	1	FUSE LINK	
17	063010	A/R	FUSE	25 AMP
18	063011	A/R	FUSE	8 AMP
19	063012	A/R	FUSE	5 AMP

NB Used on Serial Nos. up to 0357

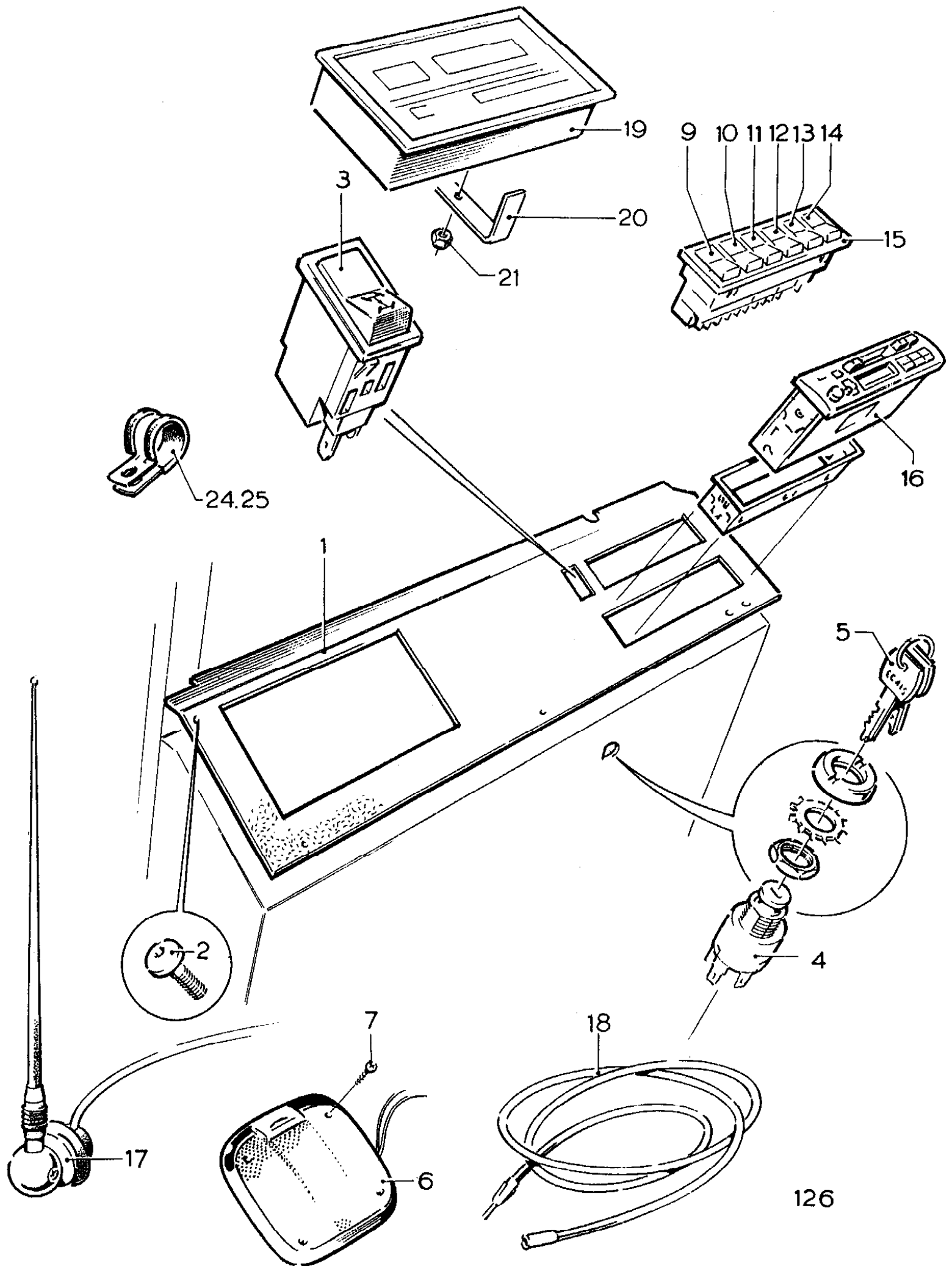


ELECTRICAL CABINET - SERIAL NO. 0358 ONWARDS

ILLUST. NO. 6000D

ITEM	PART NO.	QTY	DESCRIPTION	
1		1	FUSE BOX ASSEMBLY	(A)
2		1	FUSE BOX ASSEMBLY	(A)
3		1	FUSE BOX ASSEMBLY	(A)
4		1	FUSE BOX ASSEMBLY	(A)
5				
6	063001	1	RELAY	
7	063001	1	RELAY	
8				
9				
10	063410	1	PENTRONIC STEERING UNIT	
11				
12	063005	1	RELAY	
13	063005	1	RELAY	
14	063005	1	RELAY	
15	063015	1	FLASHER UNIT	
16	063004	1	INTERMITTENT WIPE UNIT	
17	063005	1	RELAY	
18	063005	1	RELAY	
19				
20	063023	1	RELAY BASE FOR NON PENTRONIC STEERING RELAY	
21				
22				
23	350440	1	6 SPOOL VALVE BLOCK	
24				
25	062036	1	WASHER BOTTLE ASSEMBLY	
26	062063	2	WASHER PUMP	

(A) Part of Fuse Panel Assembly 320165

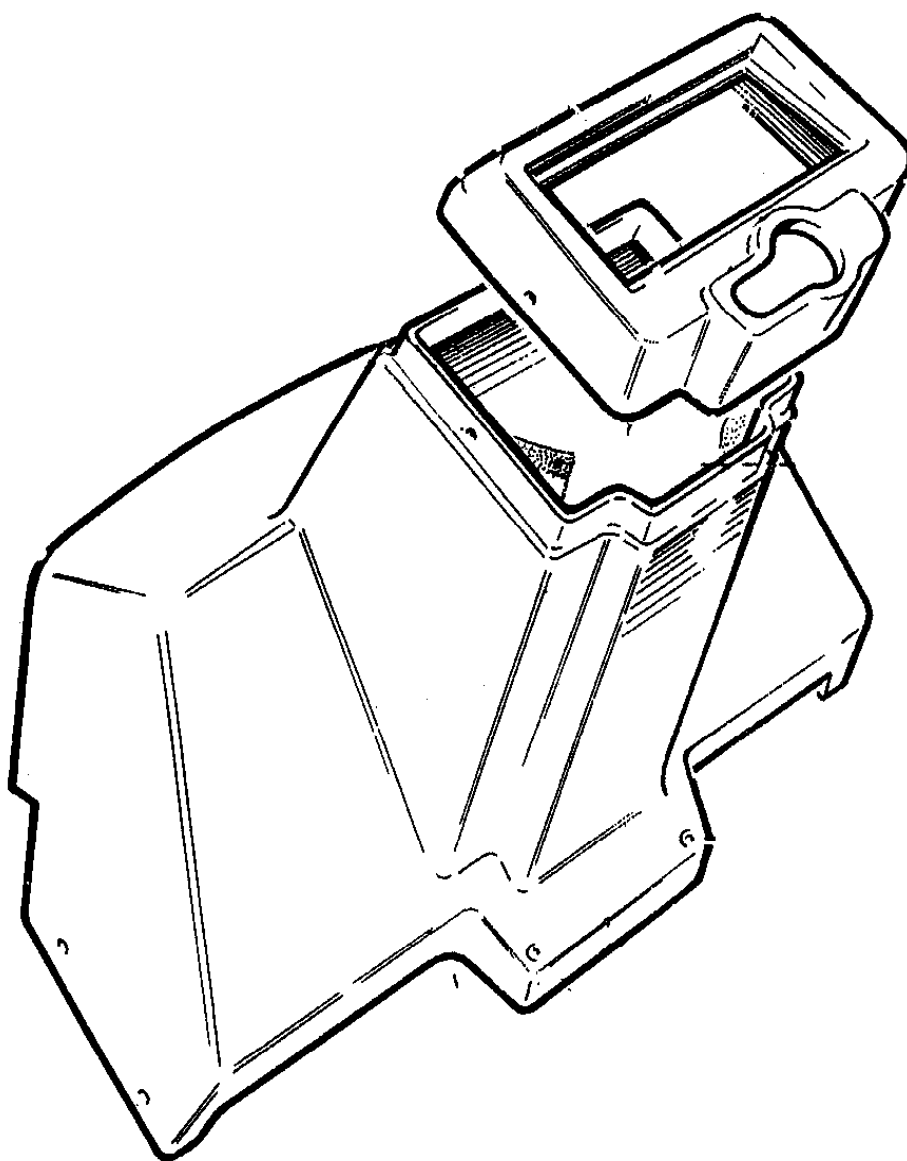
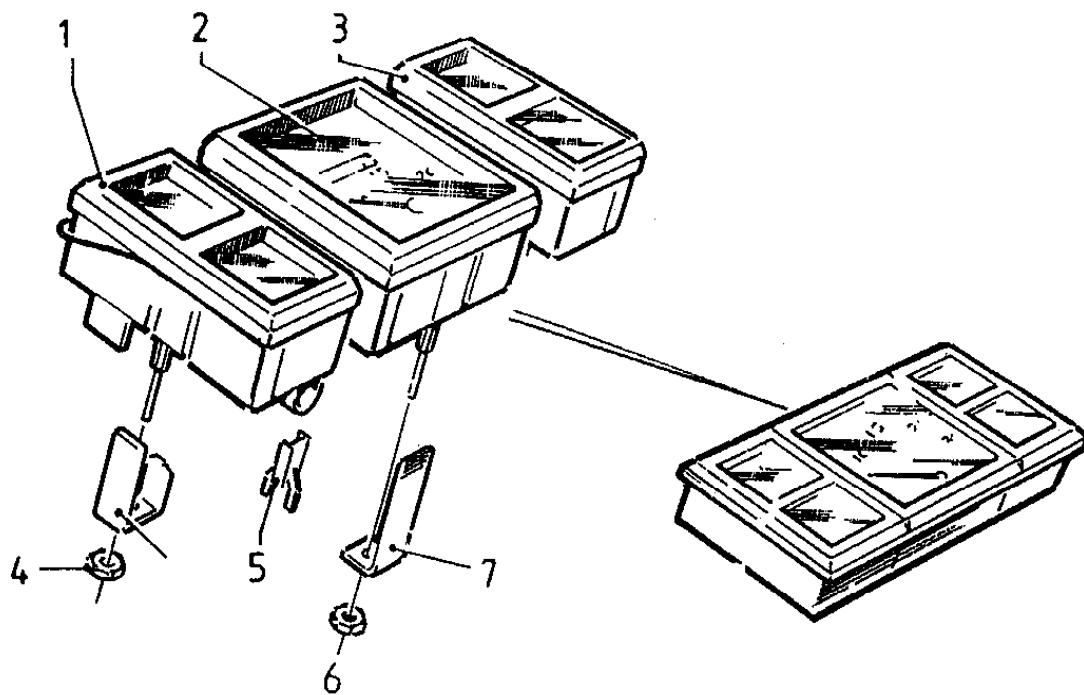


SIDE INSTRUMENT PANEL

ILLUST. NO. 126

ITEM	PART NO.	QTY	DESCRIPTION
1	221100	1	INSTRUMENT PANEL
2	F07M06016	6	SCREW M6 x 16
3	062029	1	SWITCH 2/4 WHEEL STEER
4	062023	1	SWITCH STARTER SWITCH
5	063019	1	KEY & BARREL
6	062032	1	SPEAKER SOLD IN PAIRS
7		8	SCREW SOLD WITH 062032
8	062095	8	CLIP SOLD WITH 062032
9		1	SWITCH
10		1	SWITCH
11		1	SWITCH
12		1	SWITCH
13		1	SWITCH
14		1	SWITCH
15	062033	1	SWITCH BANK INCLUDES ITEMS 9 -14
		1	
16	063200	A/R	RADIO
17	063205	1	AERIAL
18	063210	1	LEAD
19	063300	1	METER
20	131400	1	BRACKET
21	F22M08	2	NYLOCK NUT M8
22			
23			
24	F37M13016	A/R	CLIP
25	F37M13025	A/R	CLIP

NB Used on Serial Nos. 0203 - 0292



FRONT CONSOLE

ILLUST. NO. 124B

ITEM	PART NO.	QTY	DESCRIPTION
1	322115	1	GAUGE
2	322105	1	TACHOMETER
3	322110	1	WARNING LIGHT
4	F20M05	4	NUT M5
5	322215	2	CLAMP
6	322200	1	CONNECTOR
7	322210	2	CLAMP

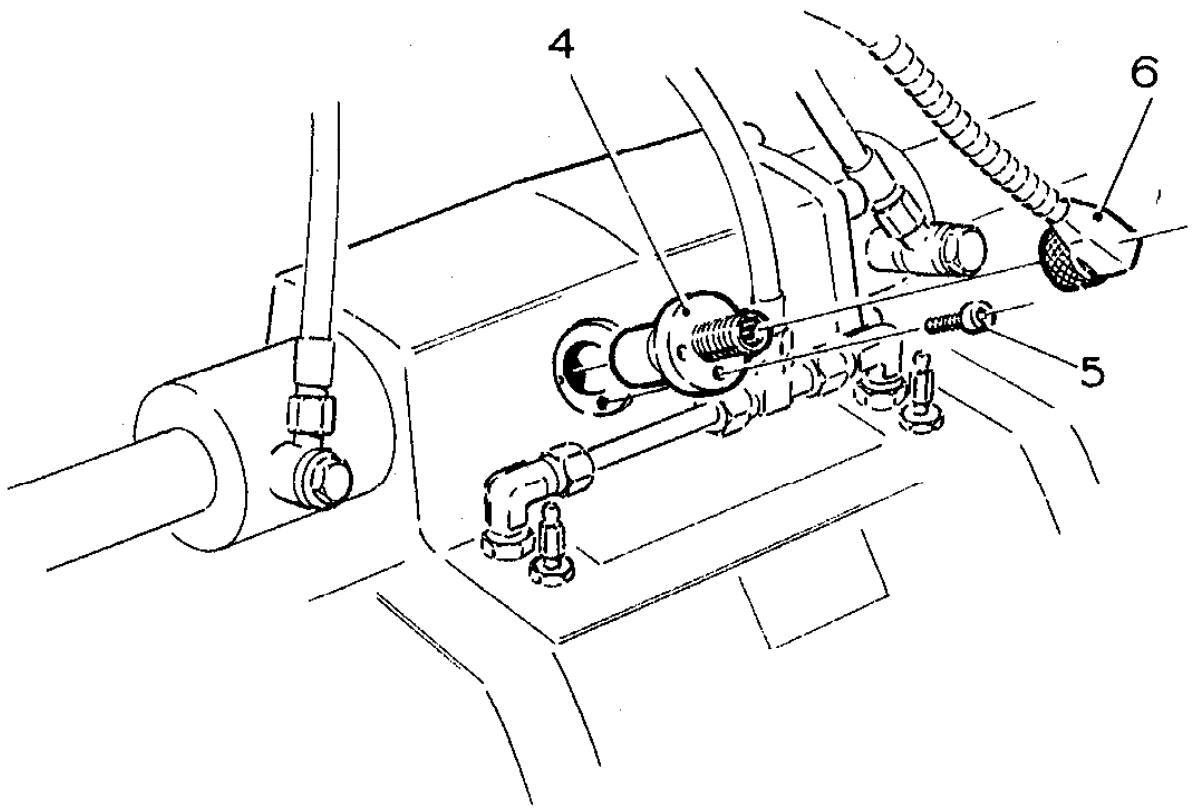
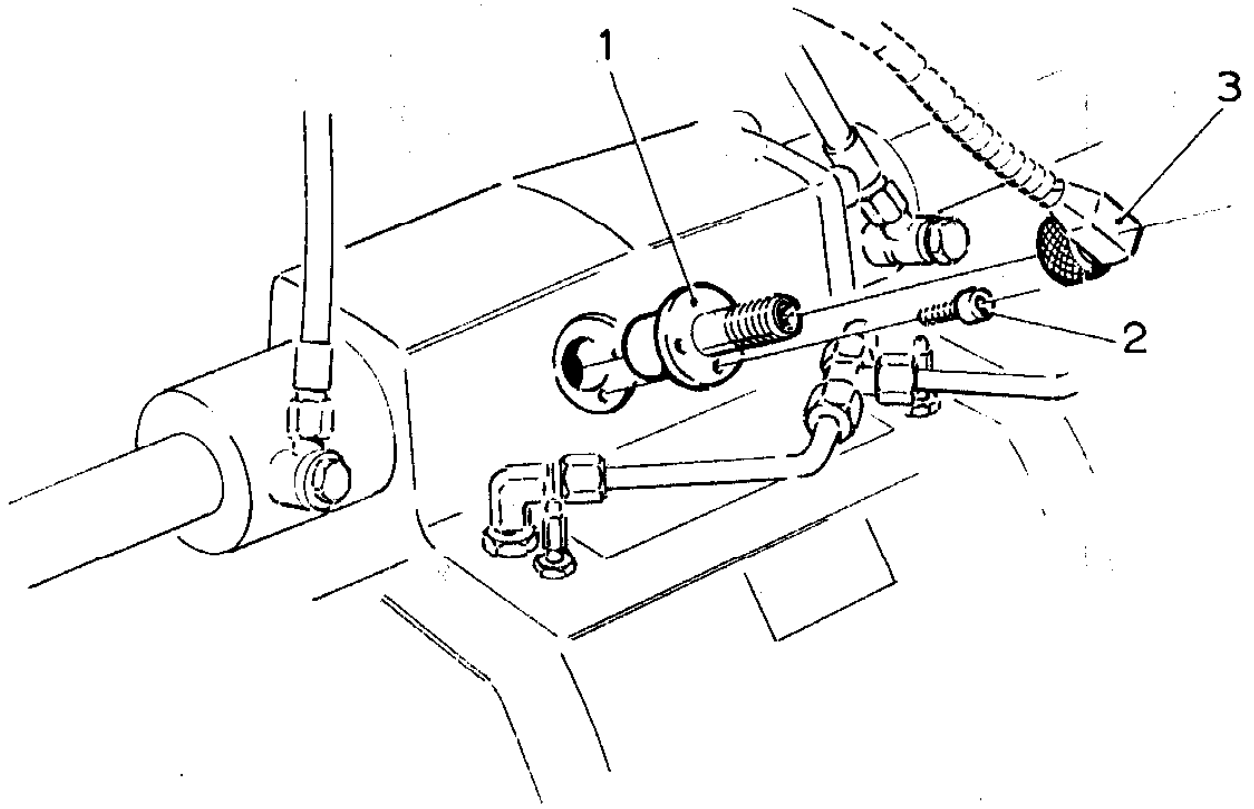
NB Items 5,6 and 7 not supplied separately.
Used on Serial No. Machines 0230 - 0357

CAB INSTRUMENT PANEL

ILLUST NO. 194

ITEM	PART NO.	QTY	DESCRIPTION
1	221101	1	INSTRUMENT PANEL
2			
3	F05M06030	1	SCREW M6 x 30
4	F22M06	1	NYLOCK NUT M6
5	F31M06	1	WASHER
6	020750	1	WASHER PLASTIC
7	020780	1	CAP
8			
9	063031	1	SWITCH FRAME
10			
11			
12			
13	062033	1	6 BANK SWITCH
14			
15			
16			
17	062029	1	SWITCH 2/4 WHEEL STEER
18	062028	1	SWITCH INSERT 2/4 WHEEL STEER
19	063019	1	LOCK & BARREL
20	062023	1	SWITCH
21			
22			
23			
24			COVER
25	063030	1	SWITCH COVER

Items 10 - 15 supplied separately.

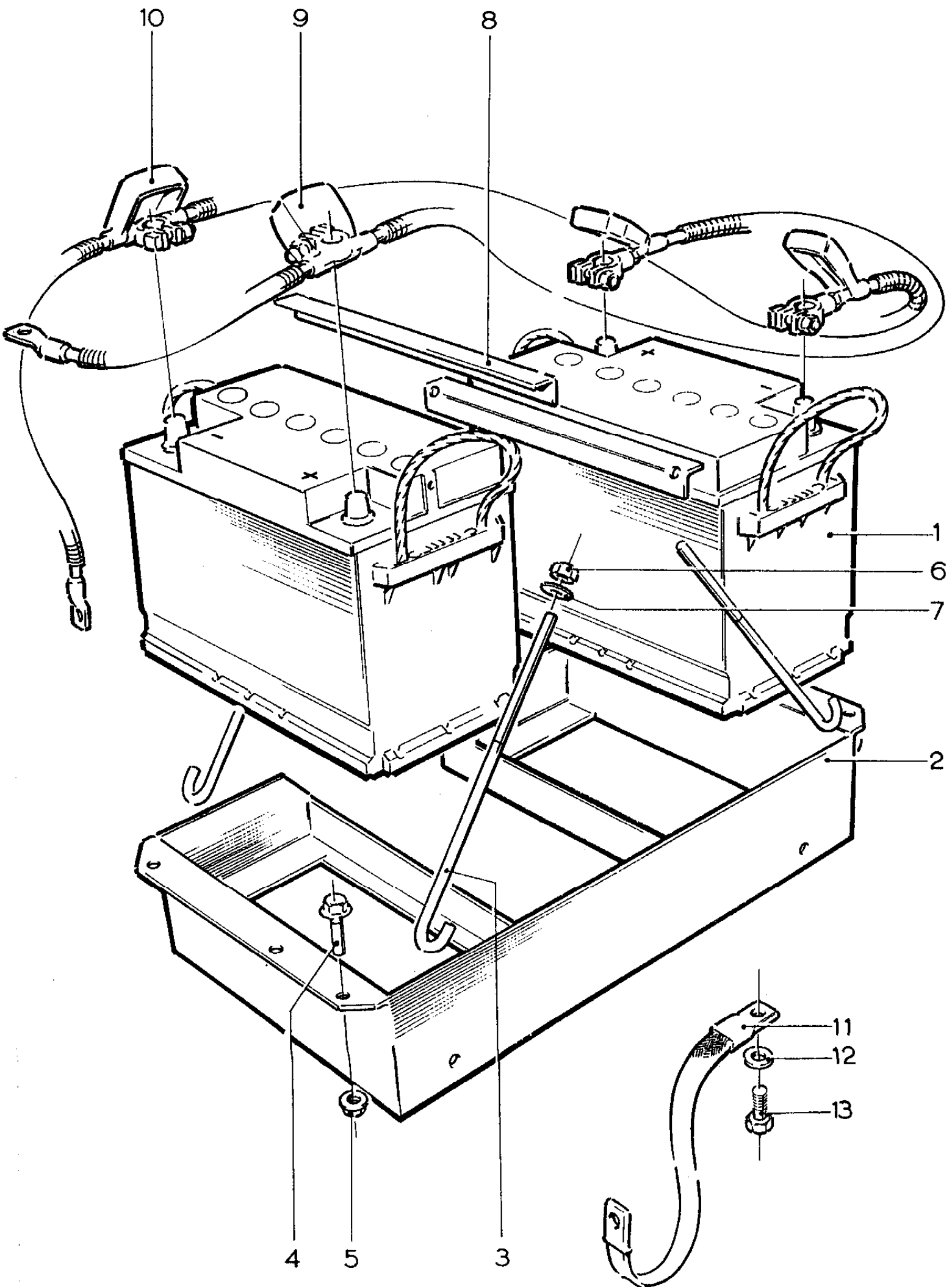


HYDRAULIC CYLINDER STEERING SENSORS

ILLUST. NO. 162

ITEM	PART NO.	QTY	DESCRIPTION
1	480182	1	SENSOR FRONT
2	F15M05016		SCREW M5 x 16 SOCKET
3	063024		SENSOR HEAD
4	480181		SENSOR REAR
5	F15M05016		SCREW M5 x 16 SOCKET
6	063024		SENSOR HEAD

Fitted to Machine Serial Nos. 0249 - 0314

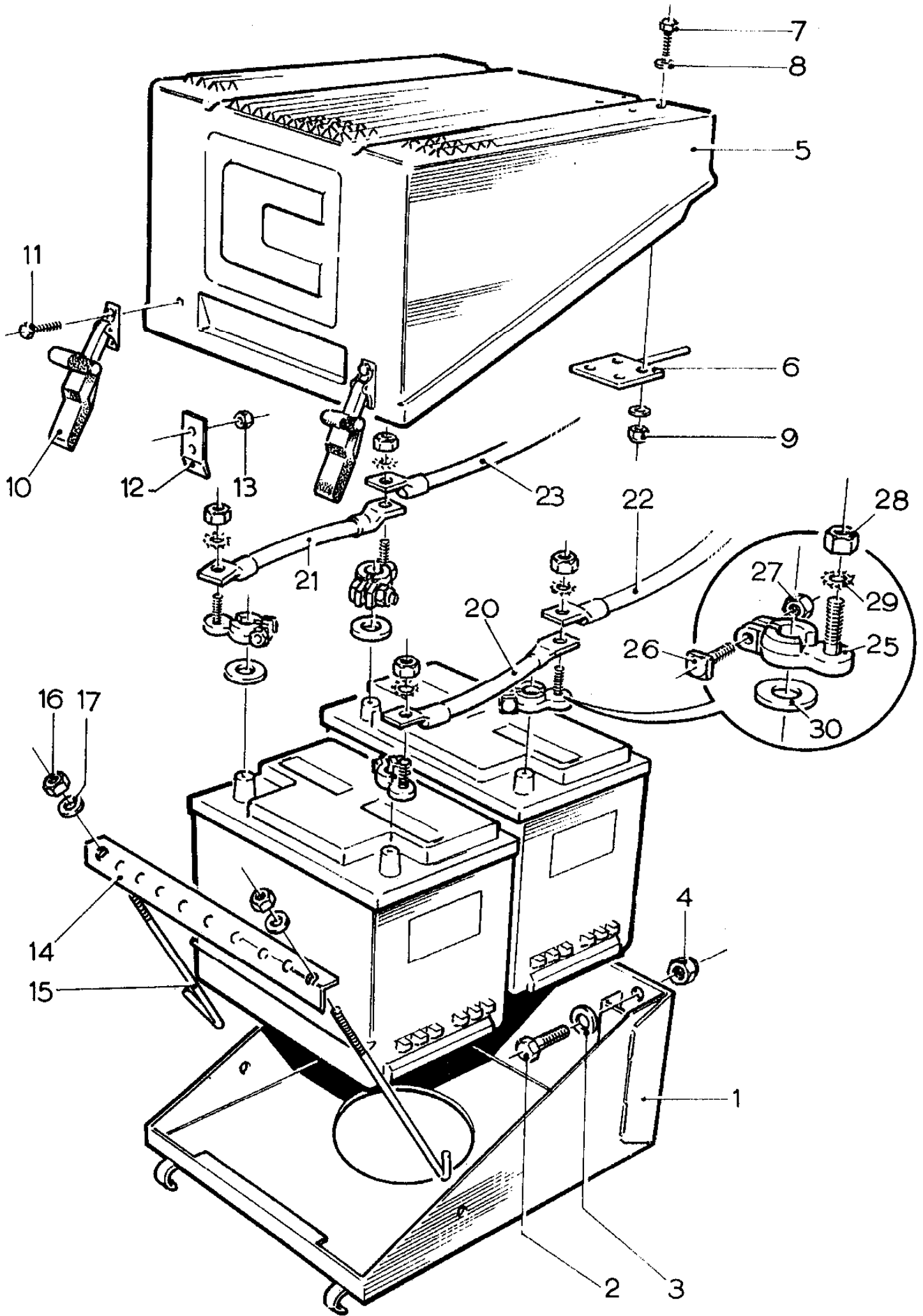


BATTERY TRAY

ILLUST. NO. 120

ITEM	PART NO.	QTY	DESCRIPTION	
1	040160	2	BATTERY	
2	141700	1	TRAY	
3	141701	4	STAY	INCLUDES 6 - 8
4	F18M08025	6	BOLT M8 x 25	
5	F22M08	6	NYLOCK NUT M8	
6	F22M06	4	NYLOCK NUT M6	
7	F31M06	4	WASHER	
8		2	STRAP	
9	321600	1	LEAD	
10	321700	1	LEAD	
11	321810	2	EARTH STRAP	
12	F31M10	1	WASHER	
13		1	BOLT	ON ENGINE SUMP

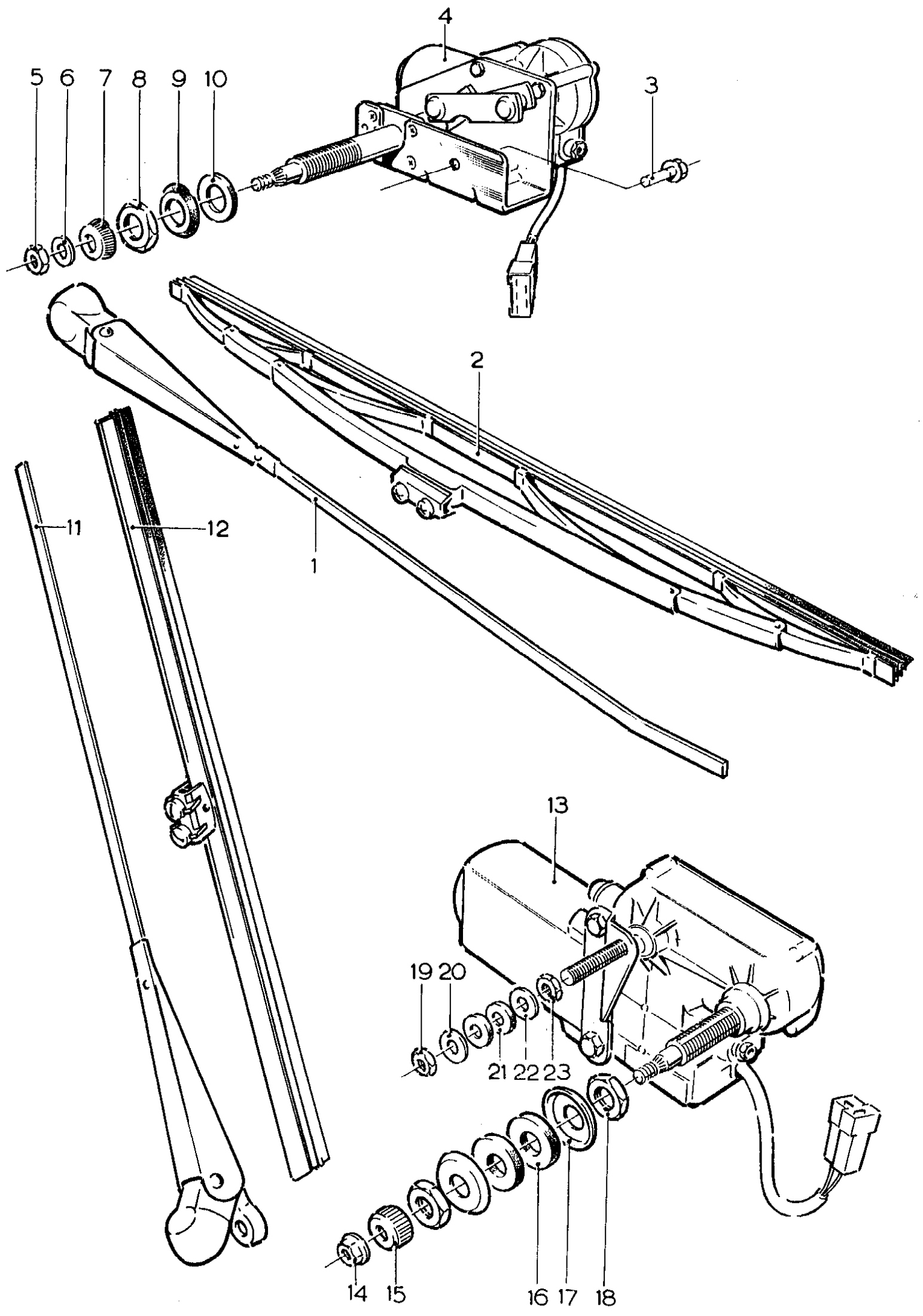
NB Used on Machine Serial Nos. 0201 - 0226



BATTERY BOX

ILLUST. NO. 159

ITEM	PART NO.	QTY	DESCRIPTION
1	141751	1	BATTERY BOX
2	F18M12030	4	BOLT M12 x 30
3	F31M12	4	WASHER
4	F22M12	4	NYLOCK NUT M12
5	201000	1	LID
6	141760	1	RETAINER
7	F18M06025	4	BOLT M6 x 25
8	F31M06	8	WASHER
9	F22M06	4	NYLOCK NUT
10	060540	1	LATCH
11	F18M05016	4	M5 x 16
12		1	RETAINER
13	F22M05	1	NYLOCK NUT M5
14	141701	1	BATTERY CLAMP KIT
15			INCLUDED IN 141701
16	F22M06	2	NYLOCK NUT M6
17	F31M06	2	WASHER
18			
19			
20/22	321650	1	LEAD -
21/23	321750	1	LEAD +
25/30		1	BATTERY FITTINGS PART OF BATTERY LEADS



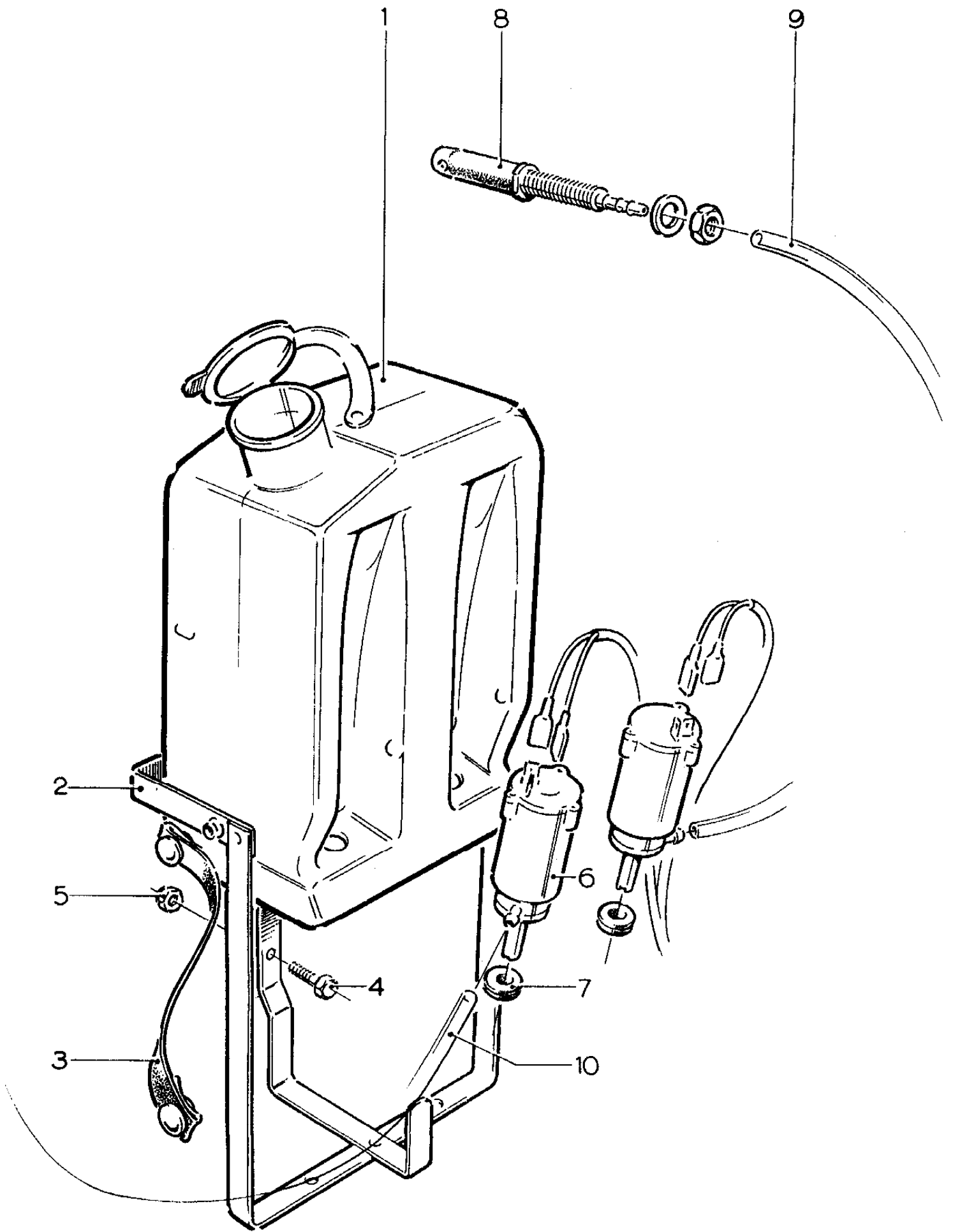
WINDSCREEN WIPER

ILLUST. NO. 117

ITEM	PART NO.	QTY	DESCRIPTION
1	061302	1	WIPER ARM
2	061303	1	BLADE FRONT
3	F19M08016	1	STUD FRONT
4	061301	1	MOTOR (A) INCLUDES 5 - 10
5		1	NUT
6	061480	1	WASHER
7	061481	1	DRIVER
8	061482	1	NUT
9	061483	1	WASHER
10	061484	1	WASHER
11	061402	1	WIPER ARM REAR
12	061403	1	BLADE REAR
13	061401	1	MOTOR (B) INCLUDES 14 - 23
14	061485	1	NUT
15		1	DRIVER
16	061486	1	SEAL
17	061487	1	RETAINER
18	061486	1	SEAL
19	061488	1	NUT
20	061490	1	WASHER
21	061491	1	SEAL
22	061492	1	RETAINER
23	061493	1	NUT

(A) Complete unit - not separate for spares

(B) Complete unit - not separate for spares

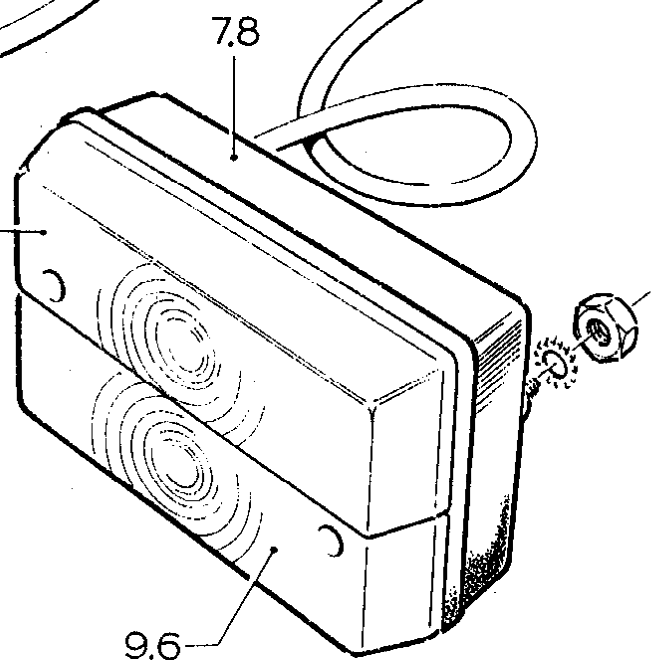
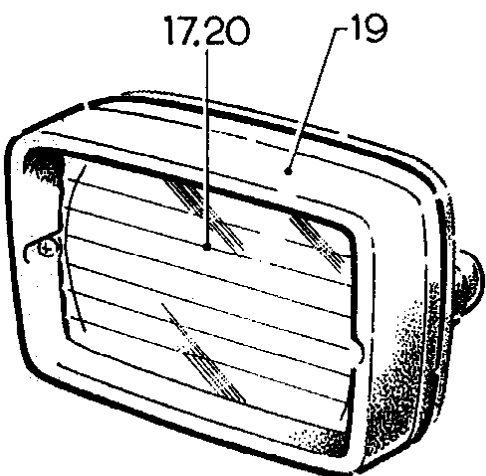
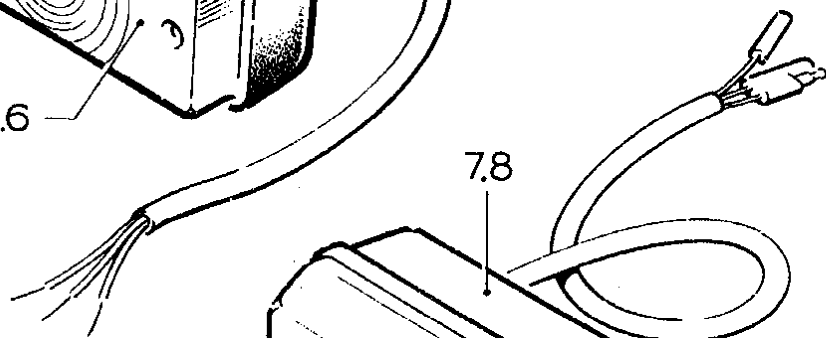
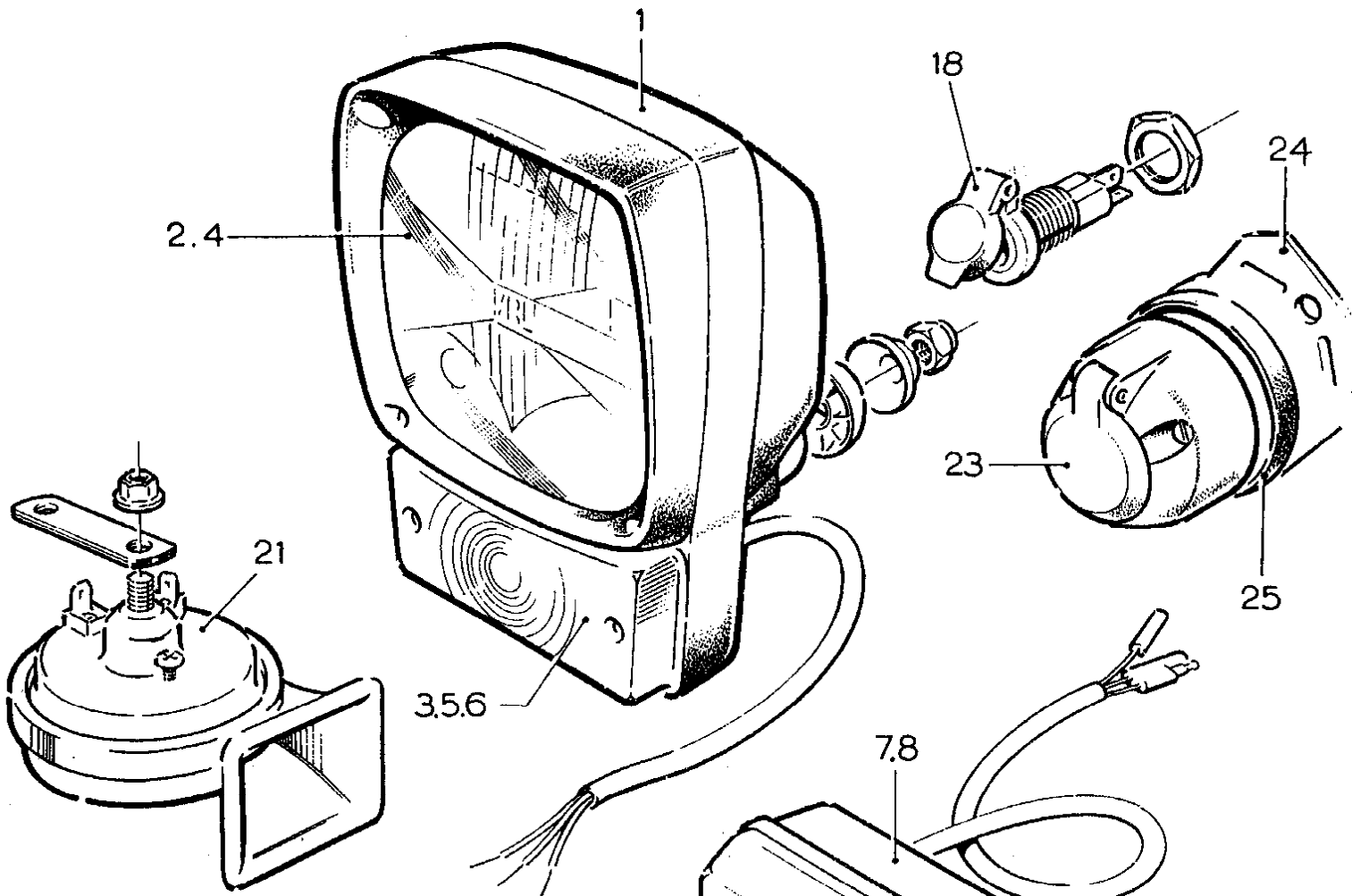
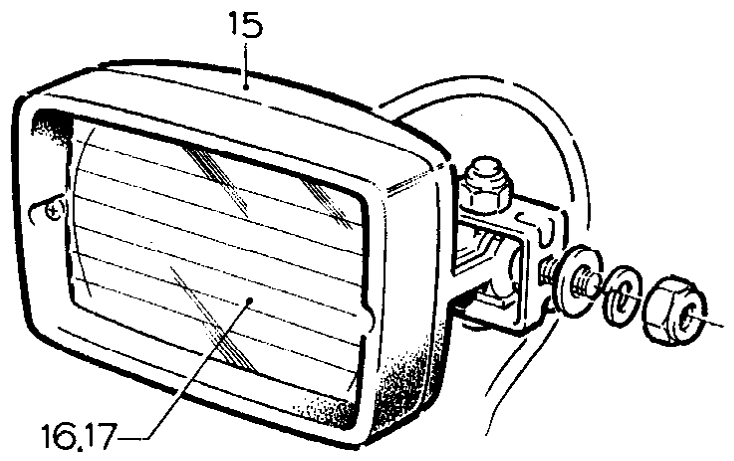
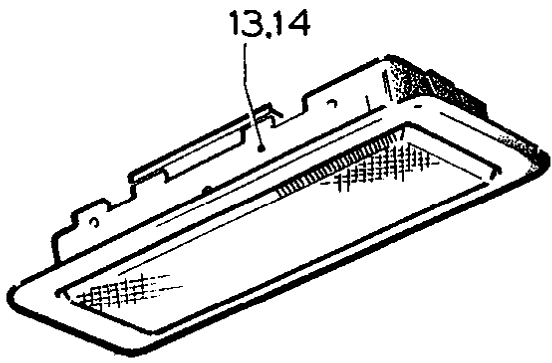


WINDSCREEN WASHER

ILLUST. NO. 118

ITEM	PART NO.	QTY	DESCRIPTION	
1	062060	1	BOTTLE	
2	062061	1	HOLDER	
3	062062	1	STRAP	
4	F18M06020	2	BOLT M6 x 20	
5	F22M06	2	NUT M6	
6	062063	2	PUMP	
7	062064	2	SEAL	
8	062026	2	JET	
9	062053	A/R	TUBE	3.6M LONG
10	062055	A/R	TUBE	1.3M LONG

NB Used on Machine Serial Nos 0201 - 0358

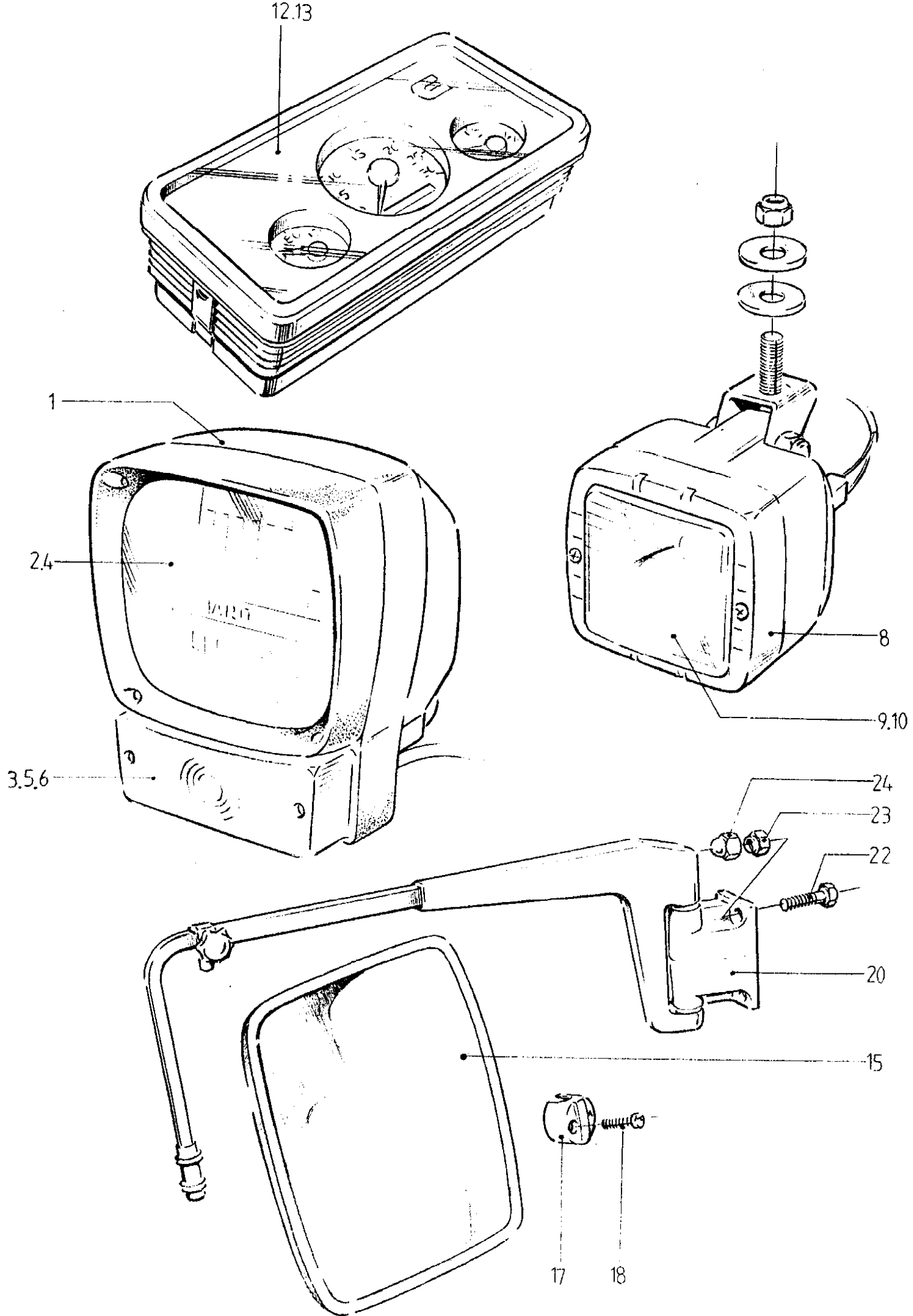


ELECTRICAL FITTINGS

ILLUST. NO. 121

ITEM	PART NO.	QTY	DESCRIPTION	
1	062007	2	HEADLIGHT	SIDE
2	062070	2	LENS	
3	062071	2	LENS	
4	062072	2	BULB	Headlight
5	062073	2	BULB	Sidelight
6	062016	4	BULB	Indicator
7	062009	1	REAR LIGHT	RH
8	062010	1	REAR LIGHT	LH
9	062074	1	LENS	Rear LH
10	062017	2	BULB	Stop Light
11	062075	1	LENS	Rear Light
12				
13	062015	1	INTERIOR LIGHT	
14	062076	1	BULB	
15	062005	1	WORKLAMP	LH
	062006	1	WORKLAMP	RH
16	062077	3	LENS	Worklamp
17	062078	5	BULB	Worklamp
18	062030	3	SOCKET	
19	062000	2	WORKLAMP	Front
20	062077	2	LENS	
21	062021	1	HORN	
22				
23	062040	1	SOCKET	
24	191900	1	BRACKET	
25	062045	1	SEAL KIT	

NB Unused on Machine Serial Nos 0201 - 0358



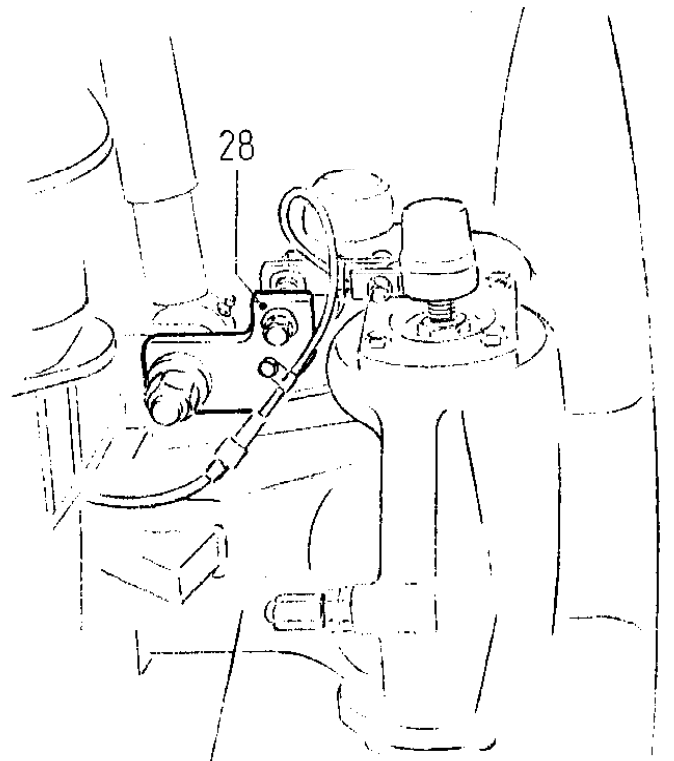
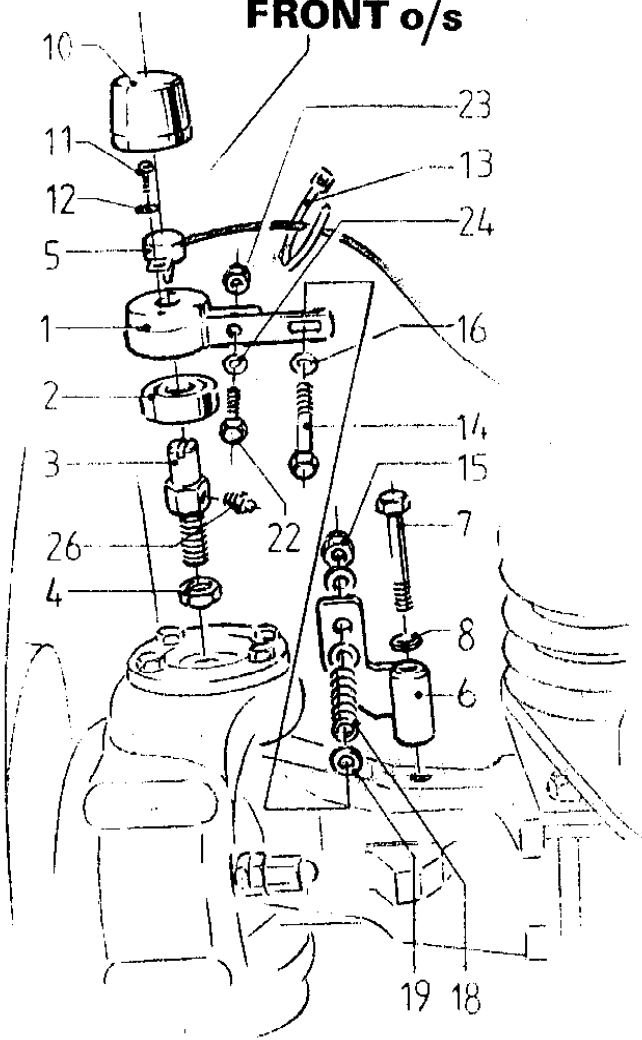
CAB MISCELLANEOUS FITTINGS

ILLUST. NO.

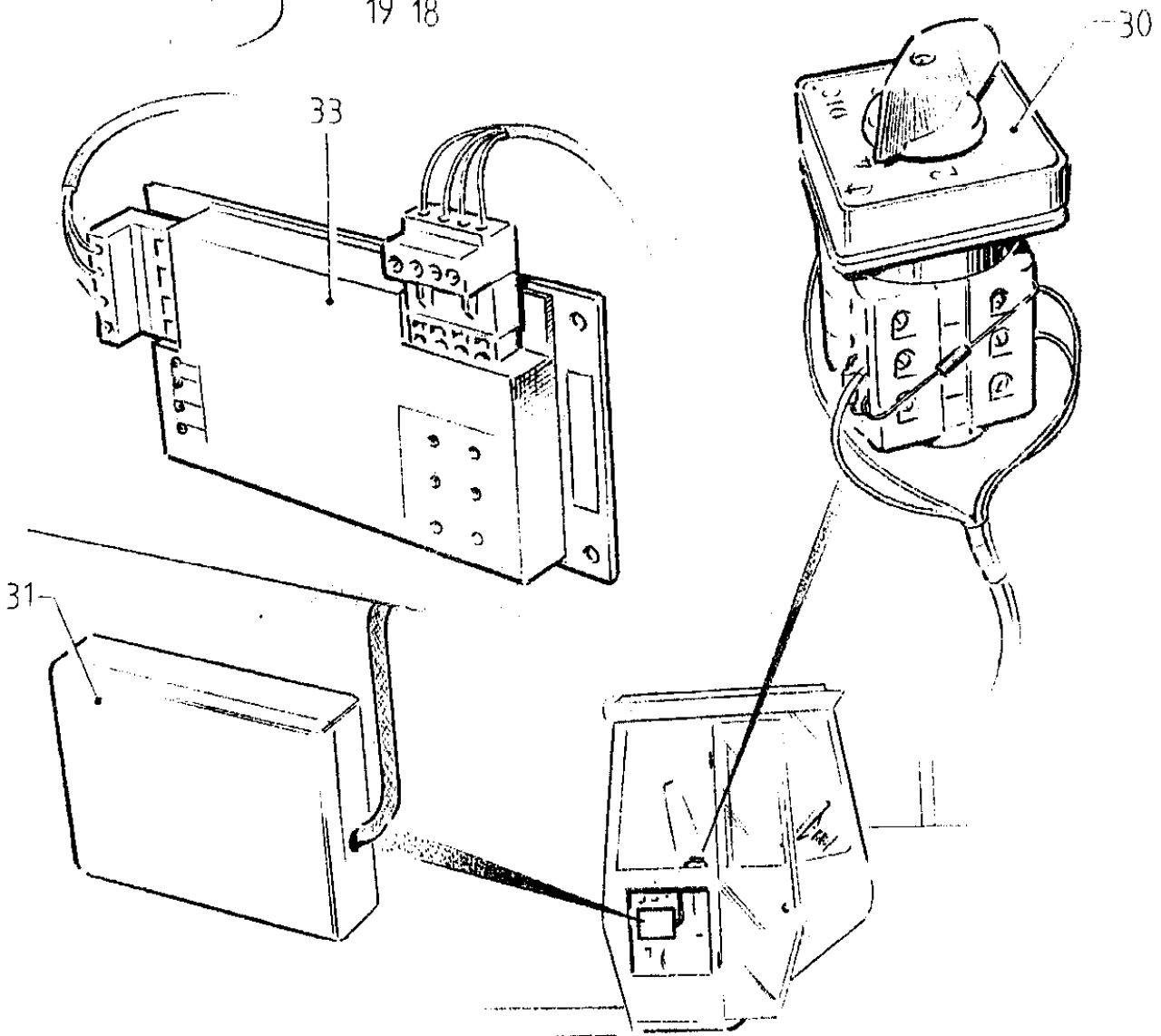
ITEM	PART NO.	QTY	DESCRIPTION
1	062007	2	HEADLAMP
2	062070	2	HEADLAMP LENS
3	062071	2	INDICATOR GLASS
4	062072	2	HEADLIGHT BULB
5	062073	2	SIDELIGHT BULB
6	062016	2	INDICATOR BULB
7			
8	063250	7	WORKLAMP, INCLUDES 9 & 10
9			
10			
11			
12	322106	1	INSTRUMENT PANEL
13		A/R	INSTRUMENT ILLUMINATION BULB
14			
15	081304	2	MIRROR HEAD, INCLUDES 17 & 18
16			
17			CLAMP
18			SCREW
19			
20	081302	1	MIRROR ARM LH
21	081303	1	MIRROR ARM RH
22	F18M08025	4	HEX BOLT M8
23	F22M08	4	NYLOCK NUT M8
24	020700	4	PLASTIC CAP

NB Used on Machine Serial Nos 0357 onwards

FRONT o/s



REAR o/s



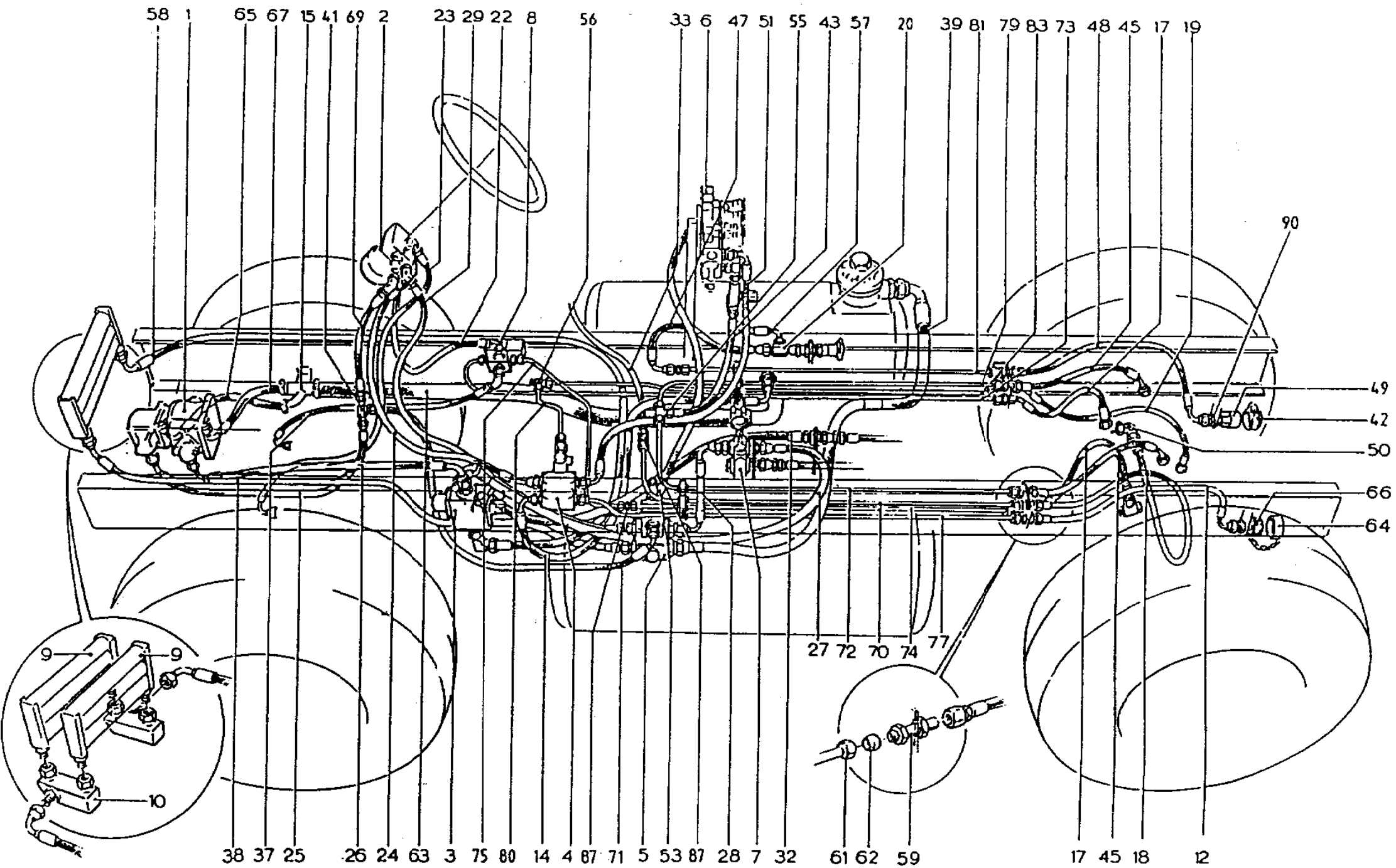
2/4 STEERING CONTROL (SERIAL NOS 0315-0357)

ILLUST. NO. STEERING

ITEM	PART NO.	QTY	DESCRIPTION	
1	320900	2	STEERING SENSOR RETAINER	
2	320915	2	BEARING	
3	320910	2	STEERING BEARING POST	
4	F24B06	2	THIN NUT 3/8" BSP	
5	320914	2	POTENTIOMETER	
6	120131	2	RE-ACTION BRACKET AXLE MOUNTING	
7	F19M12090	2	BOLT M12 x 90	
8	F33M12	2	SPRING WASHER	
9				
10	320916	2	PLASTIC COVER	
11	F18M04010	4	SCREW M4 x 10	
12	F3M04	4	WASHER	
13			CABLE TIE	
14	F19M10065	2	BOLT M10 x 65	
15	F22M10	2	NYLOCK NUT M10	
16	F31M10	2	PLAIN WASHER	
17				
18	010400	2	COMPRESSION SPRING	
19	F31M10	6	PLAIN WASHER	
20				
21				
22	F18M06030	1	BOLT M6 x 30	
23	F22M06	1	NYLOCK NUT M6	
24	F31M06	1	PLAIN WASHER	
25				
26	063236	2	GREASE NIPPLE 6 x 16	
27				
28	120310	1	RE-ACTION BRACKET REAR AXLE (4120)	
29	062035	1	DIODE	
30	062034	1	5 MODE SELECTOR SWITCH	(A)
31	063410	1	PENTRONIC CONTROL BOX	(A)
32				
33	063400	1	ANALOGUE BOARD	(B)
34	S450047	1	278 AXLE KING PIN	
35	S480046	1	279 AXLE KING PIN	
36				
37	321910	2	3 WAY FEMALE SOCKET	} INCLUDED WITH 320914
38	321920	4	MALE TERMINAL	
39	321900	2	FEMALE TERMINAL	
40				
41				

(A) Used on Machine Serial Nos 0358 onwards

(B) Used on 2/4 Wheel Steering System up to Serial No 0351



HYDRAULIC HOSES

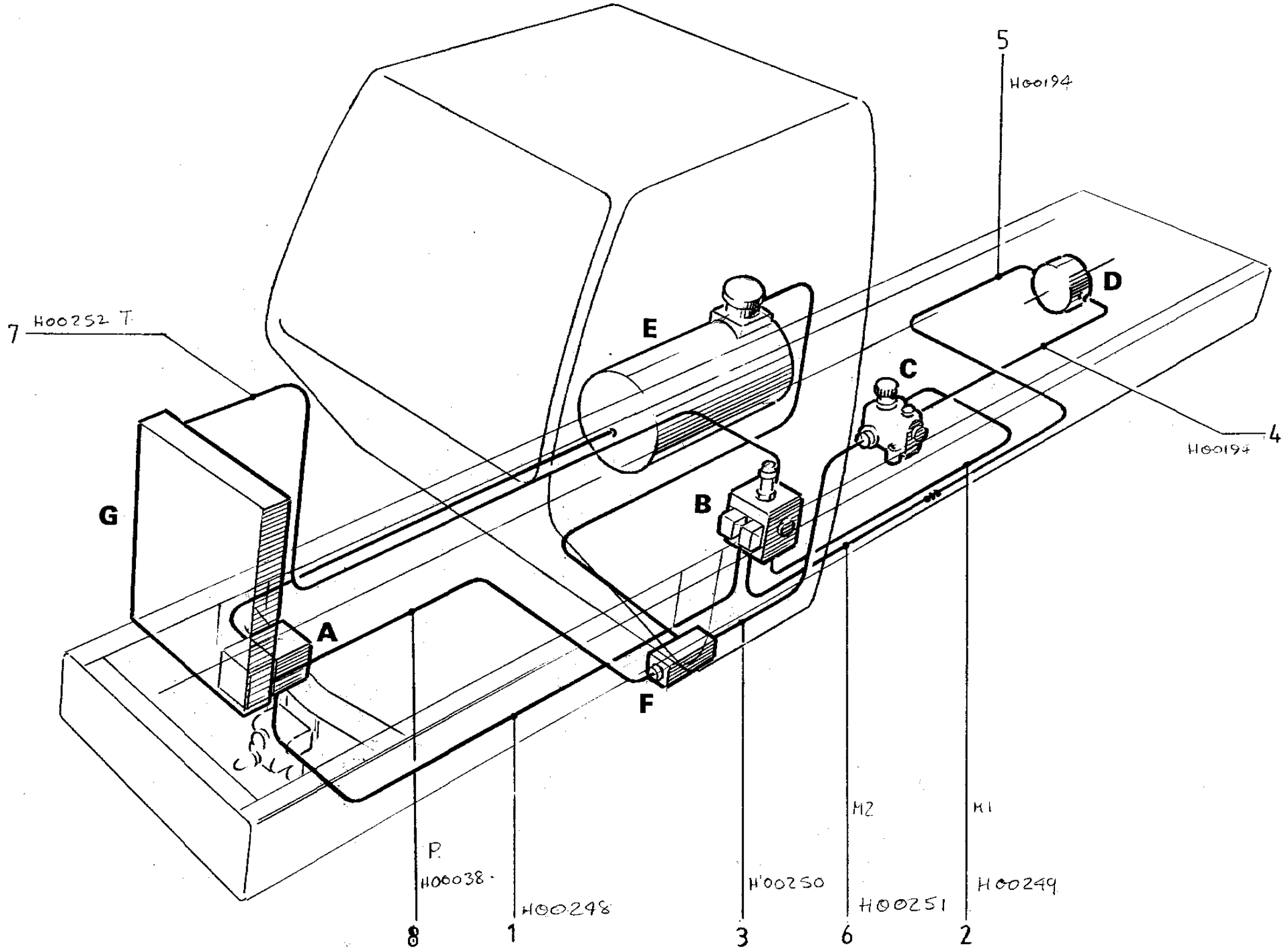
ILLUST. NO. 140

ITEM	PART NO.	QTY	DESCRIPTION
1		1	HYDRAULIC PUMP
2		1	STEERING UNIT
3		1	POWER TAKE OFF VALVE (PTO)
4		1	TRAILER BRAKE VALVE
5		1	RETURN OIL MANIFOLD
6		1	MAIN HYDRAULIC VALVE BLOCK
7		1	FLOW CONTROL VALVE - PTO
8		1	2/4 WHEEL STEERING CONTROL
9	352000	A/R	OIL COOLER
10	182100	1	MANIFOLD
11			
12	H00012	1	HOSE-BULKHEAD TO REAR BRAKE COUPLER
13			
14	H00014	1	HOSE-TRAILER BRAKE VALVE 'T' TO TANK
15A	190901	1	SPECIAL TEE - 1.5 "
15B	190950	1	SPECIAL TEE - 2"
16			
17	H00017	2	HOSE-STEERING -BULKHEAD TO REAR AXLE
18	H00018	1	HOSE-BULKHEAD TO REAR AXLE DIFFERENTIAL
19	H00019	1	HOSE-BULKHEAD TO REAR AXLE BRAKE TEE
20	H68B08MFM	1	HYDRAULIC TEE
21			
22	H00022	1	HOSE-STEERING UNIT 'R' TO 2/4 STEER
23	H00023	1	HOSE - STEERING UNIT 'L' TO FRONT AXLE
24	H00024	1	HOSE - STEERING UNIT 'EF' TO TRAILER BRAKE
25A	H00025	1	HOSE - PUMP TO STEERING UNITS TO S/N 236
25B	H00068	1	HOSE - PUMP TO TEE S/N 237 ONWARDS
26	H00026	1	HOSE - PUMP TO PTO VALVE
27	H00027	1	HOSE - PTO VALVE TO VARIABLE FLOW VALVE
28	H00028	1	HOSE - FLOW VALVE TO MANIFOLD
29	H00029	1	HOSE - STEERING VALVE TO 'T' MANIFOLD
30			
31			
32	H00032	1	HOSE - PTO BULKHEAD RETURN TO PTO VALVE
33	H00033	1	HOSE - DIFFERENTIAL LOCK TO STEEL PIPE
34	H9006	A/R	DUST PLUG - ISO COUPLER
35	H9008	A/R	DUST PLUG - ISO COUPLER
36	H9012	A/R	DUST PLUG - ISO COUPLER
37	H00037	1	HOSE - 2/4 STEER VALVE 'P' TO FRONT AXLE
38	H00038	1	HOSE - OIL COOLER TO MANIFOLD
39	H00039	1	HOSE - MANIFOLD TO TANK
40	H9206	A/R	DUST COVER - ISO COUPLER - SNAP ON 3/8"
41	H68B08FFF	1	HYDRAULIC TEE
42	H9208	A/R	DUST COVER - ISO COUPLER - SNAP ON 1/2"
43	H00043	1	HOSE - FLOW CONTROL VALVE TO TEE
44	H8006	A/R	ISO COUPLER - 3/8" BSP
45	H00045	2	HOSE - LINKAGE CYLINDERS TO BULKHEAD
46	H9212	A/R	DUST COVER - ISO COUPLER - SNAP ON 1/2"
47A	H00047	1	HOSE - TEE TO STEEL LINE TO ISO (up to Ser/No 222)
47B	H00050	1	HOSE - TEE TO STEEL LINE TO ISO (Ser/No 222 onwards)
48A	H00048	1	HOSE - REAR HYDRAULIC COUPLER TO BULKHEAD
48B	H00049	1	HOSE - REAR HYDRAULIC COUPLER TO BULKHEAD
49	H8008	A/R	ISO COUPLER - 1/2" BSP

HYDRAULIC HOSES

ILLUST. NO. 140

ITEM	PART NO.	QTY	DESCRIPTION
48A	H00048	1	HOSE - REAR HYDRAULIC COUPLER TO BULKHEAD
48B	H00049	1	HOSE - REAR HYDRAULIC COUPLER TO BULKHEAD
49	H8008	A/R	ISO COUPLER - 1/2" BSP
50	H62M1408S	1	ELBOW
51A	H00051	1	HOSE - TRAILER BRAKE VALVE 'N' VALVE TO VALVE
51B	H00052	1	HOSE - TRAILER BRAKE VALVE 'N' VALVE TO VALVE
52	H8012	A/R	ISO COUPLER - 3/4" BSP
53	H00053	1	HOSE - VALVE TO MANIFOLD
54	H6715L	1	TEE - 22MM (15L)
55	H6712L	1	TEE - 18MM (12L)
56	H6708S	1	TEE - 14MM (8S)
57A	H00055	1	HOSE - VALVE BLOCK TO ISO TEE (when no linkage fitted)
57B	H00054	1	HOSE - VALVE BLOCK TO ISO TEE (when linkage is fitted)
58	H00058	1	HOSE - PTO VALVE OUTLET TO OIL COOLER
59A	H6115L	A/R	BULKHEAD ADAPTOR 22MM (15L)
59B	H6112L	A/R	BULKHEAD ADAPTOR 18MM (12L)
59C	H6108S	A/R	BULKHEAD ADAPTOR 14MM (8S)
60			
61A	H51M15	A/R	COMPRESSION NUT 22MM (15L)
61B	H51M12	A/R	COMPRESSION NUT 18MM (12L)
61C	H51M08	A/R	COMPRESSION NUT 14MM (8S)
62A	H50M15	A/R	OLIVE 22MM (15L)
62B	H50M12	A/R	OLIVE 18MM (12L)
62C	H50M08	A/R	OLIVE 14MM (8S)
63	H00063	1	SUCTION HOSE - HYDRAULIC TANK TO TEE
64	H8984F	1	DUST COVER - BRAKE COUPLER
65	H00065	1	SUCTION HOSE - HYDRAULIC PUMP TO TEE
66	H80M91	1	TRAILER BRAKE COUPLER - MALE
67	H00067	1	SUCTION HOSE - HYDRAULIC PUMP TO TEE
68		1	
69	H00069	1	HOSE - TEE TO STEERING UNIT
70	H00070	1	STEEL LINE - DIFFERENTIAL LOCK
71	H00105	1	HOSE - STEERING TEE TO RELIEF VALVE
72	H357072	1	STEEL LINE - LH LINKAGE
73	H357086	1	STEEL LINE - RH STEERING
74	H357075	1	STEEL LINE - LH STEERING - REAR PART
75	H357074	1	STEEL LINE - LH STEERING - FRONT PART
76			
77	H357077	1	STEEL LINE - TRAILER BRAKE
78			
79	H357073	1	STEEL LINE - RH LINKAGE
80	H357078	1	STEEL LINE - TRAILER BRAKE PILOT LINE
81	H357081	1	STEEL LINE - REAR HYDRAULIC OUTLET
82			
83	H357083	1	STEEL LINE - REAR BRAKE PIPE
84		1	
85	H4515L	1	COUPLER - 22MM (15L)
86	H4512L	1	COUPLER - 18MM (12L)
87	H45085	1	COUPLER - 14MM (8S)
88	H61B04	A/R	BULKHEAD ADAPTOR - 1/4" BSP
89	H61B06	A/R	BULKHEAD ADAPTOR - 3/8" BSP
90	H61B08	A/R	BULKHEAD ADAPTOR - 1/2" BSP
91	H61B12	A/R	BULKHEAD ADAPTOR - 3/4" BSP



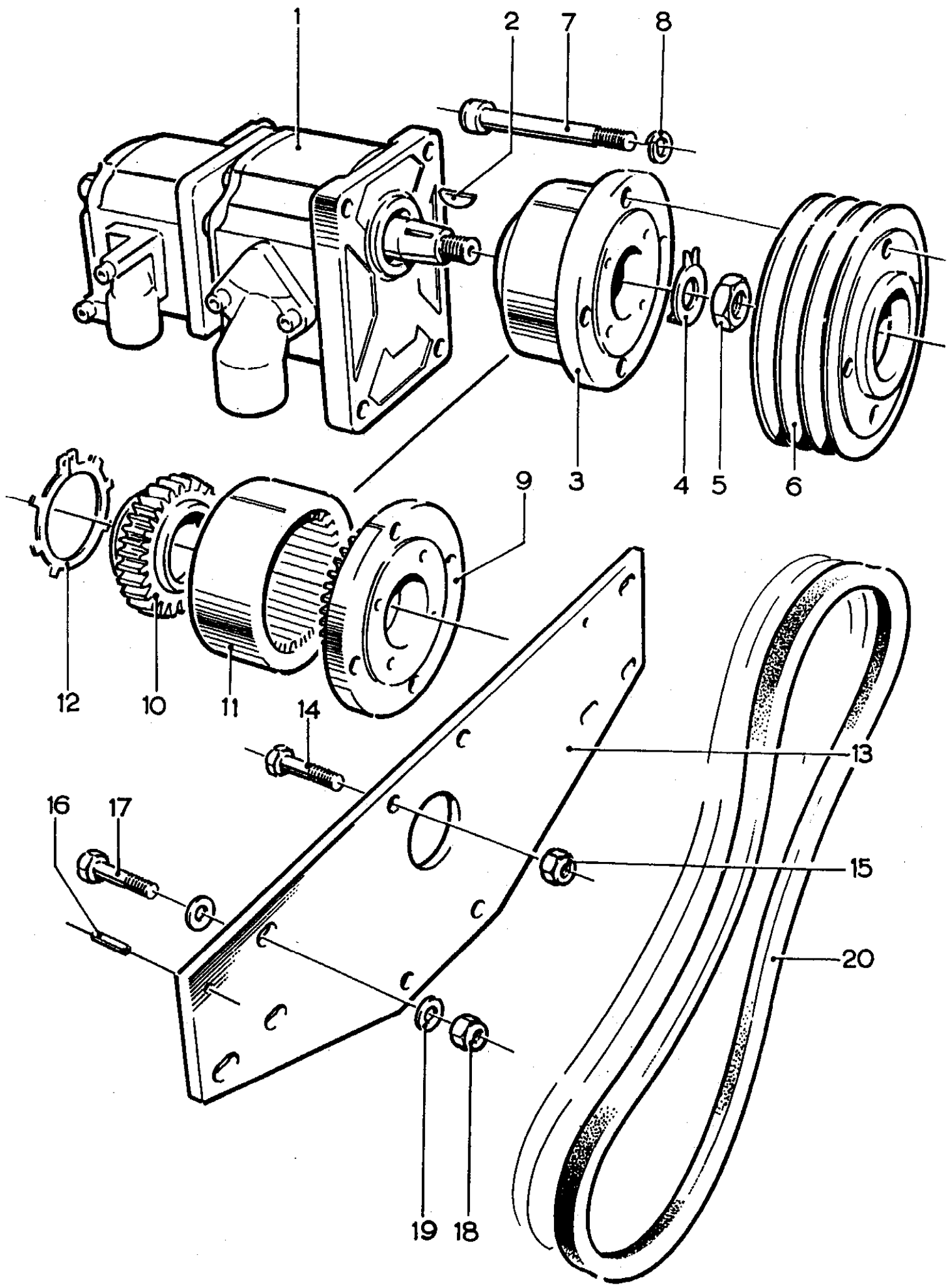
PTO CIRCUIT FOR FIXED GEAR PUMP SYSTEM

ILLUST. NO. PTO CIRCUIT

ITEM	PART NO.	QTY	DESCRIPTION
A	045090	1	DUAL HYDRAULIC PUMP 14.5 HP
	045146	1	DUAL HYDRAULIC PUMP 23 HP
B	350310	1	PTO SOLENOID VALVE
	320414	1	ELECTRICAL HARNESS PTO CONTROL
C	350201	1	FLOW CONTROL VALVE
D	350500	1	PTO MOTOR 14.5 HP
	350510	1	PTO MOTOR 23 HP
E	190358	1	HYDRAULIC TANK
F	180802	1	RETURN MANIFOLD
G	352000	1	OIL COOLER

1	H00248	1	HOSE 2PL PUK - PTO VALVE 'PORT P'
2	H00249	1	HOSE PTO VALVE 'PORT M1' - FLOW CONTROL VALVE 'PORT PR'
3	H00250	1	HOSE FLOW CONTROL VALVE 'PORT BP' - RETURN MANIFOLD
4	H00194	1	HOSE FLOW CONTROL VALVE 'PORT REG' - PTO MOTOR
5	H00194	1	HOSE PTO MOTOR - JOINER ON HOSE H00251
6	H00251	1	HOSE JOINER ON HOSE H00194
7	H00252	1	HOSE PTO VALVE 'PORT T' - OIL COOLER
8	H00038	1	HOSE OIL COOLER - RETURN MANIFOLD

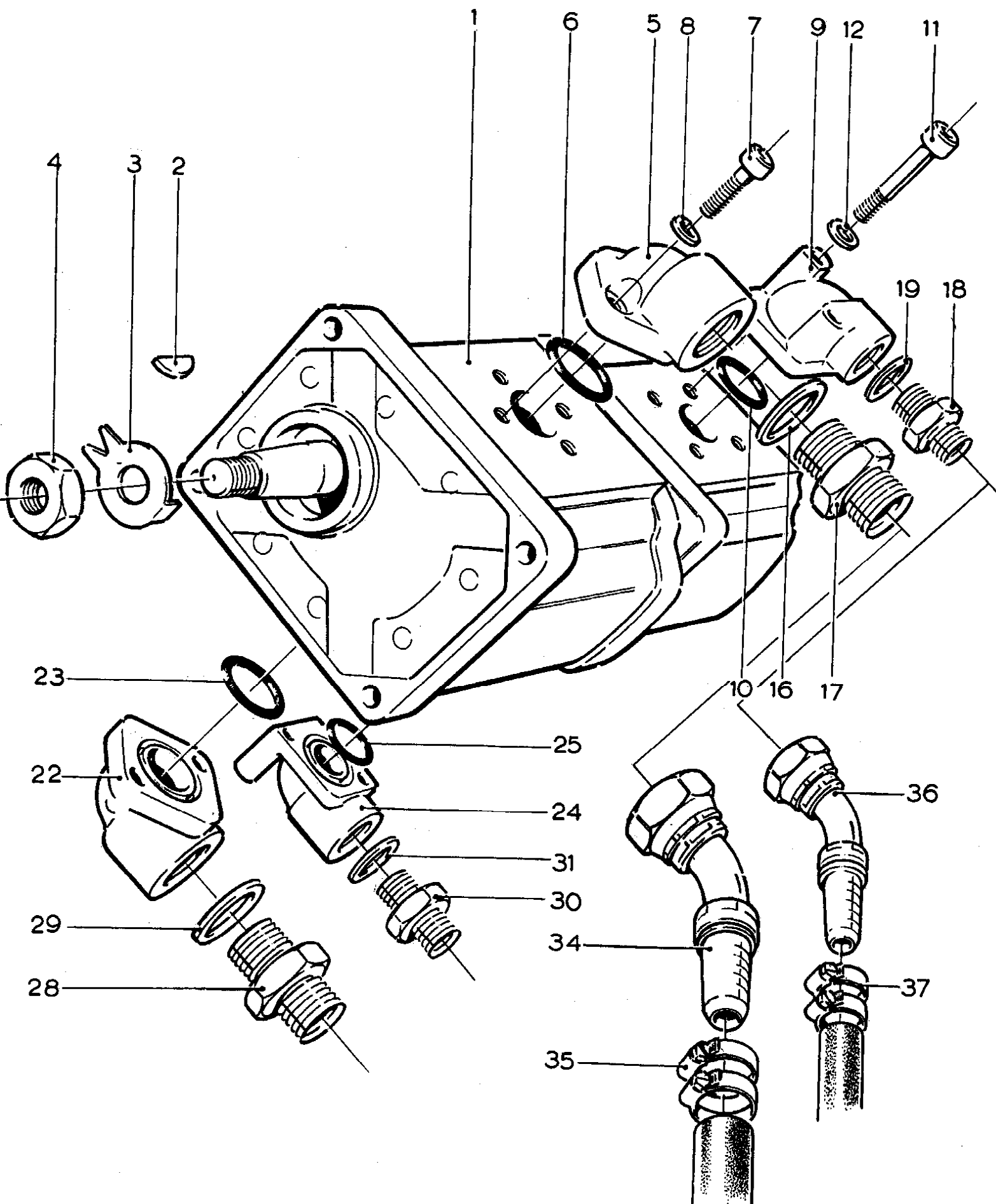
NB Also used on variable displacement pump system where extra PTO is required



HYDRAULIC PUMP AND DRIVE

ILLUST. NO. 106

ITEM	PART NO.	QTY	DESCRIPTION
1	045090	1	PUMP 14.5 HP
	045146	1	PUMP 23.0 HP
2	045100	1	WOODRUFF KEY
3	040400	1	COUPLING SER. NO. 0201-0243 INCLUDES 3,9,10,11,12
	040450	1	COUPLING (SER.NO. 0244 - SPECIAL FLANGE
	040451	1	COUPLING 15 TEETH 24.9 DIAM.
4	045101	1	LOCK TAB
5	045102	1	NUT
6	130200	1	TRIPLE PULLEY
7	F15U06024	4	SCREW
8	F33M10	4	WASHER
9	045103	1	PLATE
10	045104	1	COUPLING GEAR
11	045105	1	COUPLING ADAPTOR
12	045106	1	LOCK WASHER
13	130600	1	BRACKET
14	F19M08040	4	BOLT
15	F22M08	4	NYLOCK NUT M8
16	F60M10020	2	ROLL PIN
17	F18M10035	6	BOLT M10 X 35
18	F22M10	6	NYLOCK NUT M10
19	F31M10	12	WASHER
20	130300	2	BELT

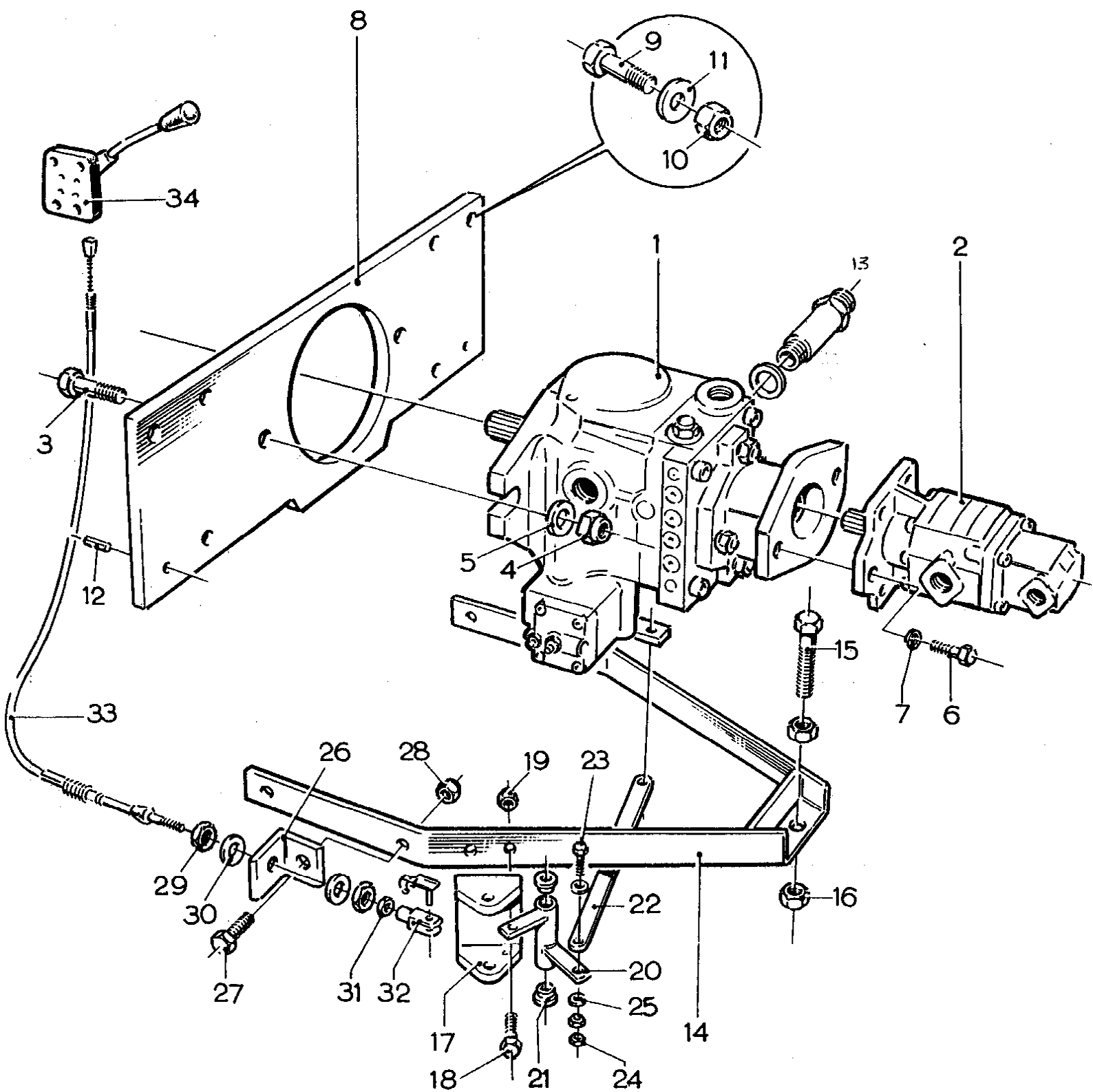


HYDRAULIC PUMPS

ILLUST. NO. 107

ITEM	PART NO.	QTY	DESCRIPTION
1	045090		PUMP (A) 14.5 HP
	045146		PUMP (B) 23.0 HP
	045204		PUMP (C) TRIPLE PUMP
2	045100		WOODRUFF KEY
3	045101		LOCKING TAP
4	045102		NUT
5	046150		ELBOW
6	046110		O RING
7	046111		SCREW
8	F33M08		WASHER
9	046300		ELBOW
10	046210		O RING
11	046211		SCREW
12	F33M08		WASHER
13			
14			
15			
16	H70B20		BONDED SEAL
17	H60B20MM		ADAPTOR
18	H61B12MB16M		ADAPTOR
19	H70B12		BONDED SEAL
20			
21			
22	046200		ELBOW
23	046210		O RING
24	046400		ELBOW
25	046410		O RING
26			
27			
28	H60B12MM		ADAPTOR
29	H70B12		BONDED SEAL
30	H60B08MM		ADAPTOR
31	H70B08		BONDED SEAL
32			
33			

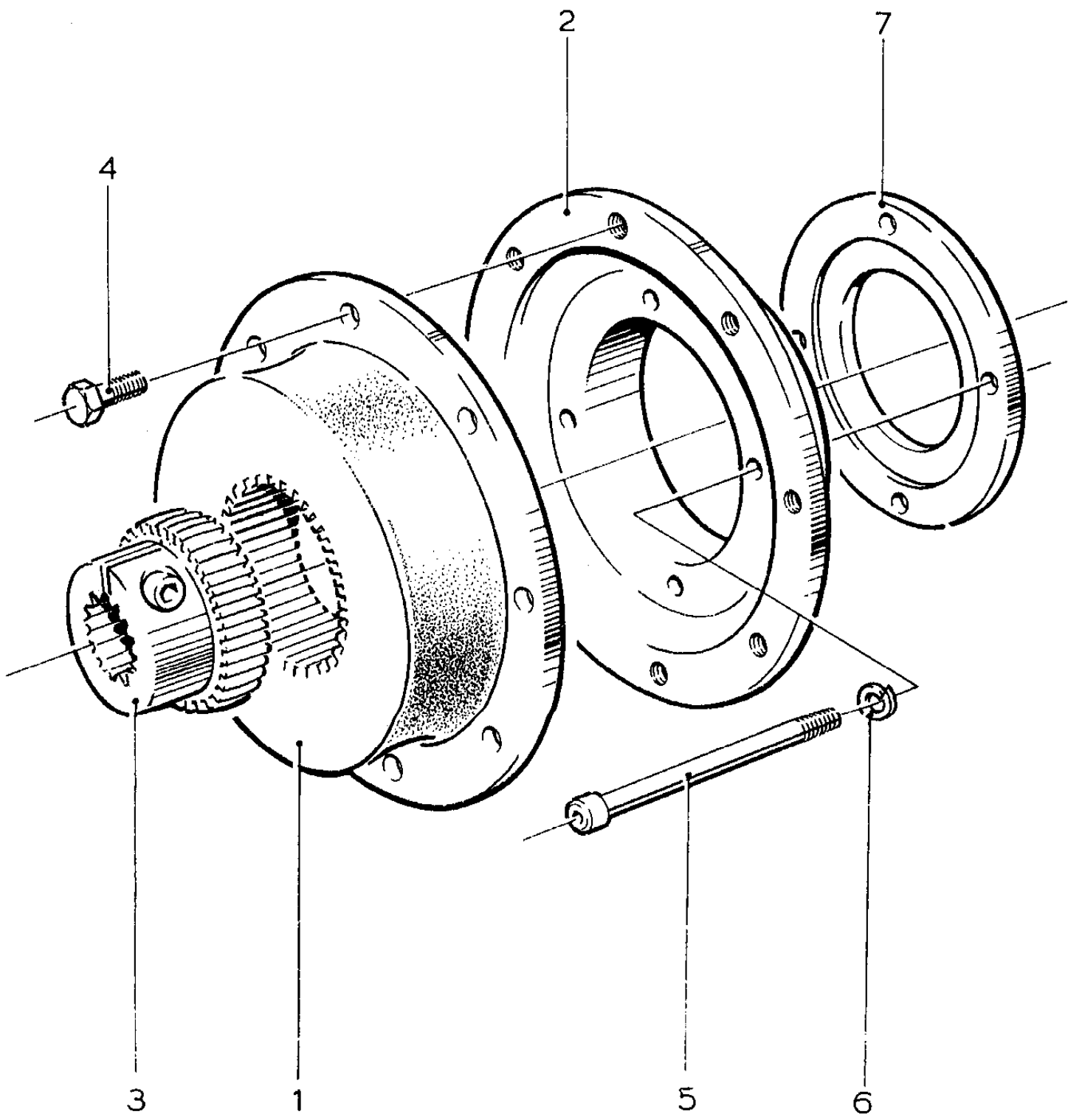
-
- (A) For pump overhaul use O ring kit 046500
(B) For pump overhaul use O ring kit 046500
(C) Triple pump special



50HP PUMP

ILLUST. NO. 169

ITEM	PART NO.	QTY	DESCRIPTION	
1	045200	1	DISPLACEMENT PUMP	
2	034201	1	TANDEM PUMP	
3	F19M12060	2	BOLT M12 X 60	
4	F22M12	2	NYLOCK NUT M12	
5	F31M12	2	WASHER M12	
6	F19M10045	2	BOLT M10 X 45	
7	F33M10	2	WASHER	
8	130601	1	MOUNT	
9	F19M12050	6	BOLT M12 X 50	
10	F22M12	6	NYLOCK NUT M12	
11	F31M12	12	WASHER	
12	F60M10035	2	ROLL PIN	
13	350704	1	ADAPTOR	PUMP RETURN
14	130650	1	SUPPORT	
15	F19M20120	1	BOLT M20 X 120	
16	F22M20	2	NYLOCK NUT M20	
17	190751	1	BRACKET	
18	F19M08045	2	BOLT M8 X 45	
19	F22M08	1	NYLOCK NUT M8	
20	190752	1	LINK	
21	020820	2	BUSH	
22	190750	1	LEVER	
23	F18M06025	2	BOLT M6 X 25	
24	F22M06	2	NYLOCK NUT M6	
25	F31M06	4	WASHER	
26	192000	1	CABLE	
27	F19M12045	1	BOLT M12 X 45	
28	F22M12	1	NYLOCK NUT M12	
29				
30				
31				
32				
33	340320	1	CABLE	(INCLUDES 29 - 33)
34	340301	1	HAND CONTROL	

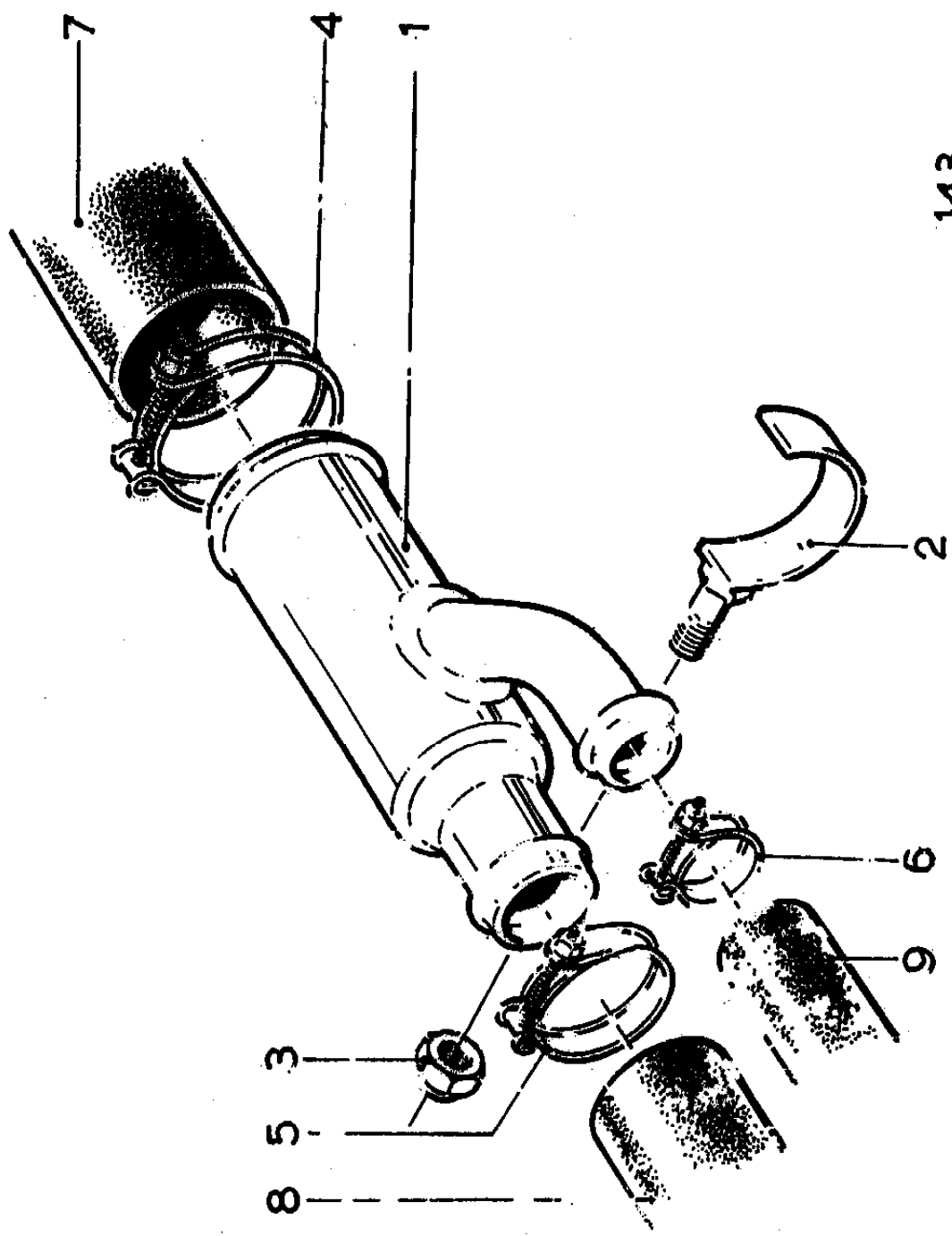


HYDRAULIC PUMP COUPLING

ILLUST. NO. 173

ITEM	PART NO.	QTY	DESCRIPTION	
1	MD43972T30P	1	COUPLER RUBBER JOINT	(D)
2	MD43973T30P	1	COUPLER ADAPTOR PLATE	
3	MD44549E50P	1	COUPLER HUB 14 TOOTH	(A)
3A	MD43388E50P	1	COUPLER HUB 13 TOOTH	(B)
3B	040450	1	COUPLER HUB	(C)
4	F18M06025	8	BOLT M6 x 25	
4A	F22M06	8	NYLOC NUT	
5	F15U06024	4	UNC SOCKET SCREW	
6	F33M10	4	SPRING WASHER	
7	040452	1	SPACER	

-
- (A) USED WHEN FITTED WITH L/S PUMP
 - (B) USED FOR TANDEM GEAR PUMP SPLINED SHAFT
 - (C) USED FOR TANDEM GEAR PUMP TAPERED SHAFT
 - (D) USED FROM M/C No 0244 ONWARDS

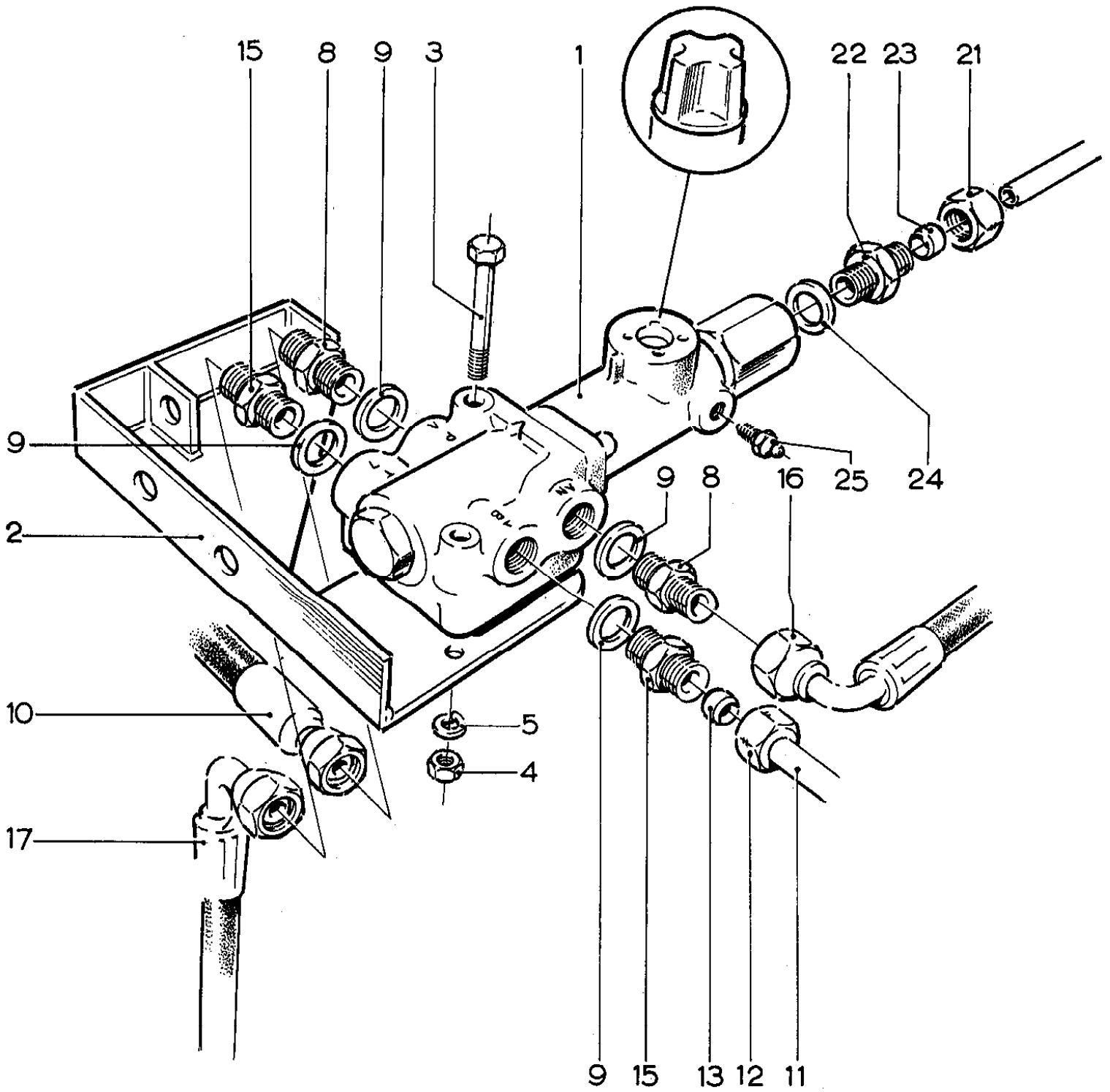


HYDRAULIC Y BRANCH

ILLUST. NO. 143

ITEM	PART NO.	QTY	DESCRIPTION	
1	190901	1	Y BRANCH	(A)
	190940	1	Y BRANCH	(B)
	190942	1	Y BRANCH	(C)
	190950	1	Y BRANCH	(D)
	190960	1	Y BRANCH	(E)
	190961	1	Y BRANCH	(F)
2	191800	1	CLAMP	Serial No 0201-0251
	191801	1	CLAMP	Serial No 0252-
3	F22M12	1	NYLOCK NUT M12	
4	F35M13065	4	HOSE CLIP	
5	F35M12045	4	HOSE CLIP	
6	F35M12035	4	HOSE CLIP	
7	H00063	1	HOSE	
	H00064	1	HOSE	
	H00117	1	HOSE	
8	H00067	1	HOSE	Serial No - 0251
	H00070	1	HOSE	Serial No 0252-
9	H00065	1	HOSE	Serial No -0251
	H00066	1	HOSE	Serial No 0252-

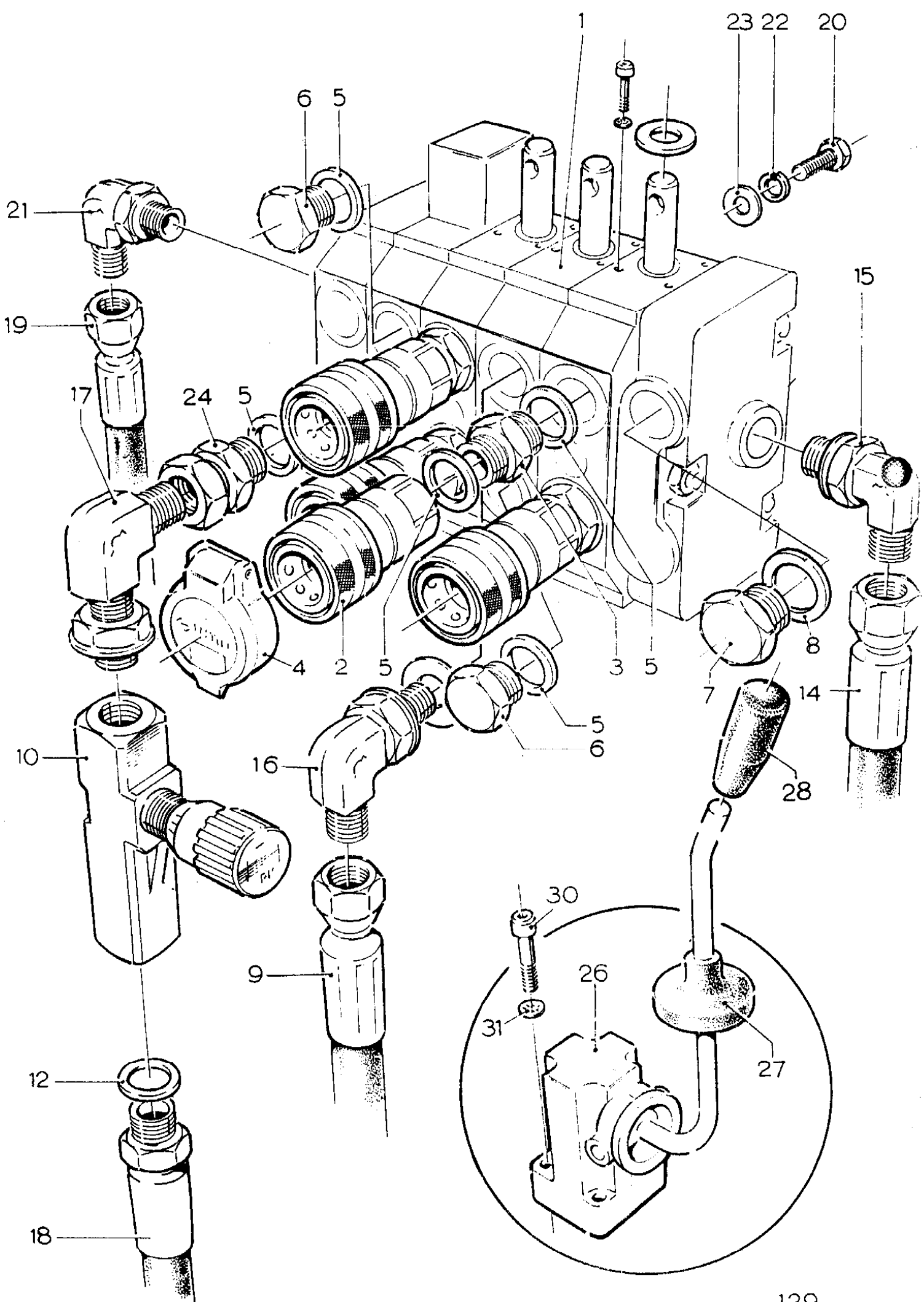
-
- (A) Inlet 38mm dia. Outlet 25mm and 19mm dia.
(B) Inlet 50.8mm dia. Outlet 50.8mm and 32mm dia.
(C) Inlet 50.8mm dia. Outlet 50.8mm and 25.4mm dia.
(D) Inlet 50mm dia. Outlet 38mm and 25mm dia.
(E) Inlet 50mm dia. Outlet 31.76mm and 25mm dia.
(F) Inlet 50.8mm dia. Outlet 31.75mm and 25mm dia.



TRAILER BRAKE VALVE

ILLUST. NO. 130

ITEM	PART NO.	QTY	DESCRIPTION
1	080332		VALVE
2	191700		BRACKET Serial No. 0203 - 0357
2A	192050		BRACKET
3	F19M08060		BOLT M8 x 60
4	F22M08		NYLOCK NUT M8
5	F33M08		WASHER
6			
7			
8	H61B08MM18M	2	ADAPTOR
9	H70M18	4	BONDED SEAL
10	H00024	1	HOSE Serial No. -0240
		1	HOSE Serial No. 0241 -
11	H357077	1	PIPE
12	H49M12	2	NUT M12
13	H50M12	2	OLIVE
14			
15	H5412LMM18M	2	ADAPTOR
16	H00051	1	HOSE
	H00052	1	HOSE From 1.8.94
17	H00116	1	HOSE Serial No - 0254
			USE HOSE H00147 WHEN
			4 WAY ADAPTOR IS FITTED
			IN HYDRAULIC TANK
	H00016	1	HOSE Serial No 0201 - 0205
18			
19			
20			
21	H40M08	1	NUT M8
22	H5408SMM14M	1	ADAPTOR
23	H50M08	1	OLIVE



HYDRAULIC VALVE BLOCK UP TO SERIAL NO. 0237

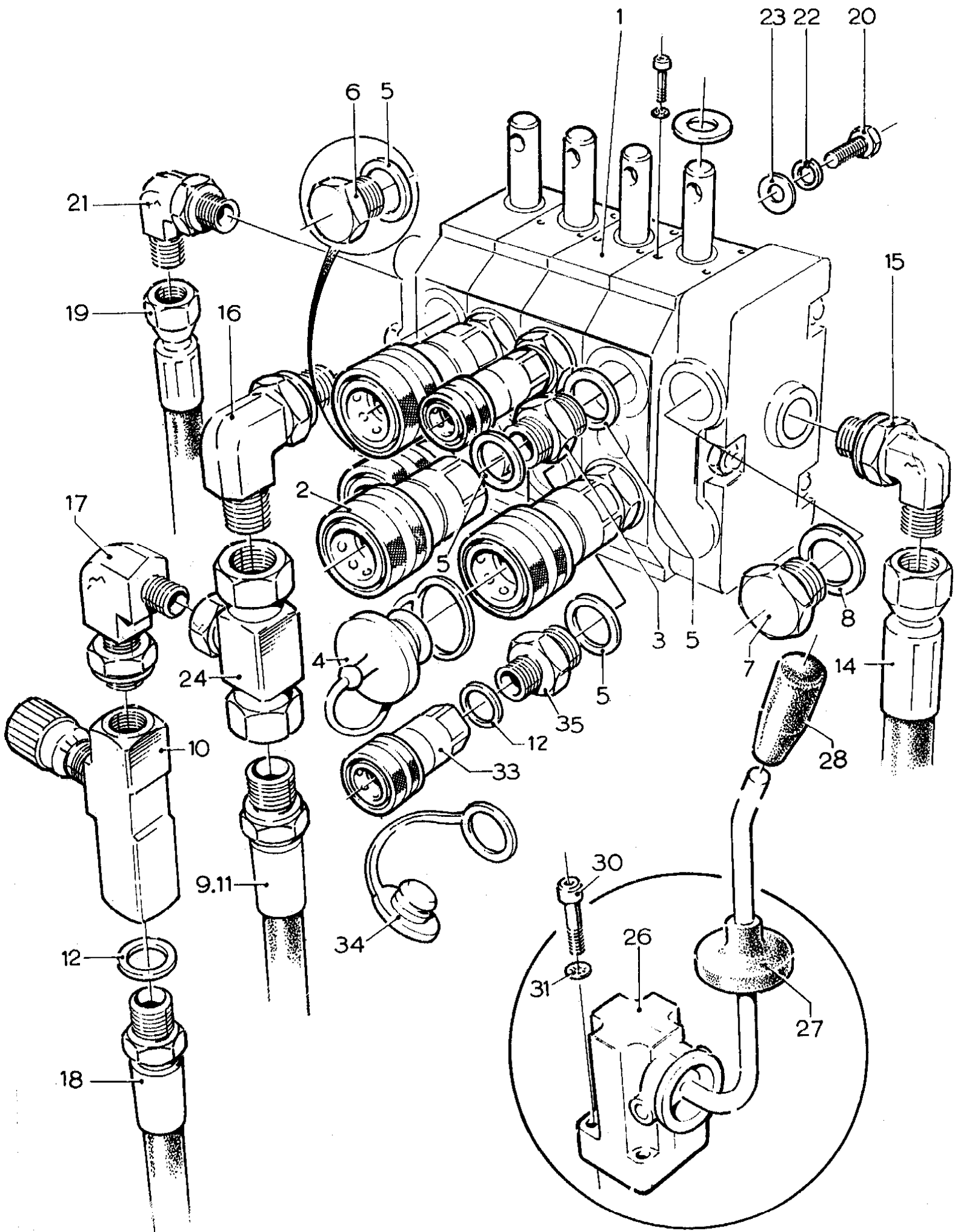
ILLUST. NO. 129

ITEM	PART NO.	QTY	DESCRIPTION
1	350400	1	VALVE
2	H8008	4	COUPLER
3	H60B08MM	5	ADAPTOR
4	H9208	4	COVER
5	H70B08	13	BONDED SEAL
6	H69B08	1	PLUG
7	H69B12	1	PLUG
8	H70B12	1	BONDED SEAL
9	H00054	1	HOSE
10	350611	1	VALVE
11			
12	H70B06	5	BONDED SEAL
13			
14	H00053	1	HOSE
15	H75B12MM	1	ADAPTOR
16	H75B08MM	1	ADAPTOR
17	H75B06MM	1	ADAPTOR
18	H00043	1	HOSE
19	H00051	1	HOSE
	H00052	1	HOSE
20	F18M08016	3	BOLT M8 x 16
21	H75B08MM	1	ADAPTOR
22	F33M08	3	WASHER
23	F31M08	3	WASHER
24	H61B06F08M	1	ADAPTOR
25			
26	142500	4	LEVER
27		4	GAITER
28	340120	4	KNOB
29			
30	350628	12	BOLT
31	350629	12	BOLT

FROM 01.08.94

PART OF 142500

NB Fitted to machines up to serial number 0237

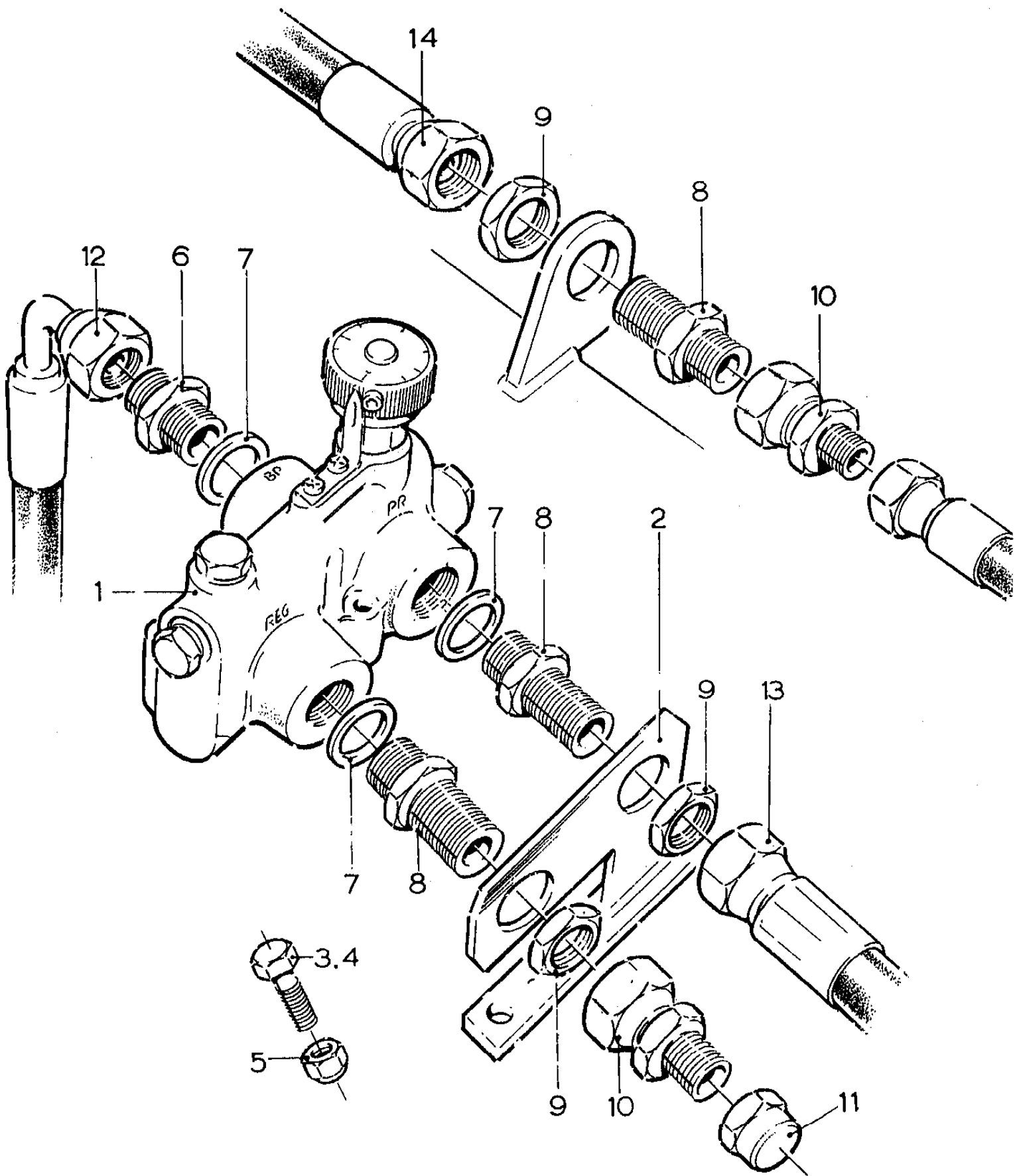


HYDRAULIC VALVE BLOCK FROM SERIAL NOS. 0238 - 0357

ILLUST. NO. 129A

ITEM	PART NO.	QTY	DESCRIPTION	
1	350401	1	VALVE	SEAL KIT (SLICE) 270010
2	H8008	4	COUPLER	
3	H60B08MM	5	ADAPTOR	
4	H9008	4	COVER	
5	H70B08	13	BONDED SEAL	
6	H69B08	1	PLUG	
7	H69B12	1	PLUG	
8	H70B12	1	BONDED SEAL	
9	H00054	1	HOSE	
10	350611	1	VALVE	
11	H00055	1	HOSE	NO LINKAGE OPTION
12	H70B06	5	BONDED SEAL	
13				
14	H00053	1	HOSE	
15	H75B12MM	1	ADAPTOR	
16	H75B08MM	1	ADAPTOR	
17	H75B06MM	1	ADAPTOR	
18	H00043	1	HOSE	
19	H00051	1	HOSE	
	H00052	1	HOSE	
20	F18M08016	3	BOLT M8 x 16	
21	H75B08MM	1	ADAPTOR	
22	F33M08	3	WASHER	
23	F31M08	3	WASHER	
24	H61B08F06FF	1	ADAPTOR	
25				
26	142500	4	LEVER	
27		4	GAITER	PART OF 142500
28	340120	4	KNOB	
29				
30	350628	12	BOLT	
31	350629	12	BOLT ? — WASHER.	
32				
33	H8006	4	COUPLER	
34	H9008	4	DUST COVER	
35	H61B06MB08M	4	ADAPTOR	

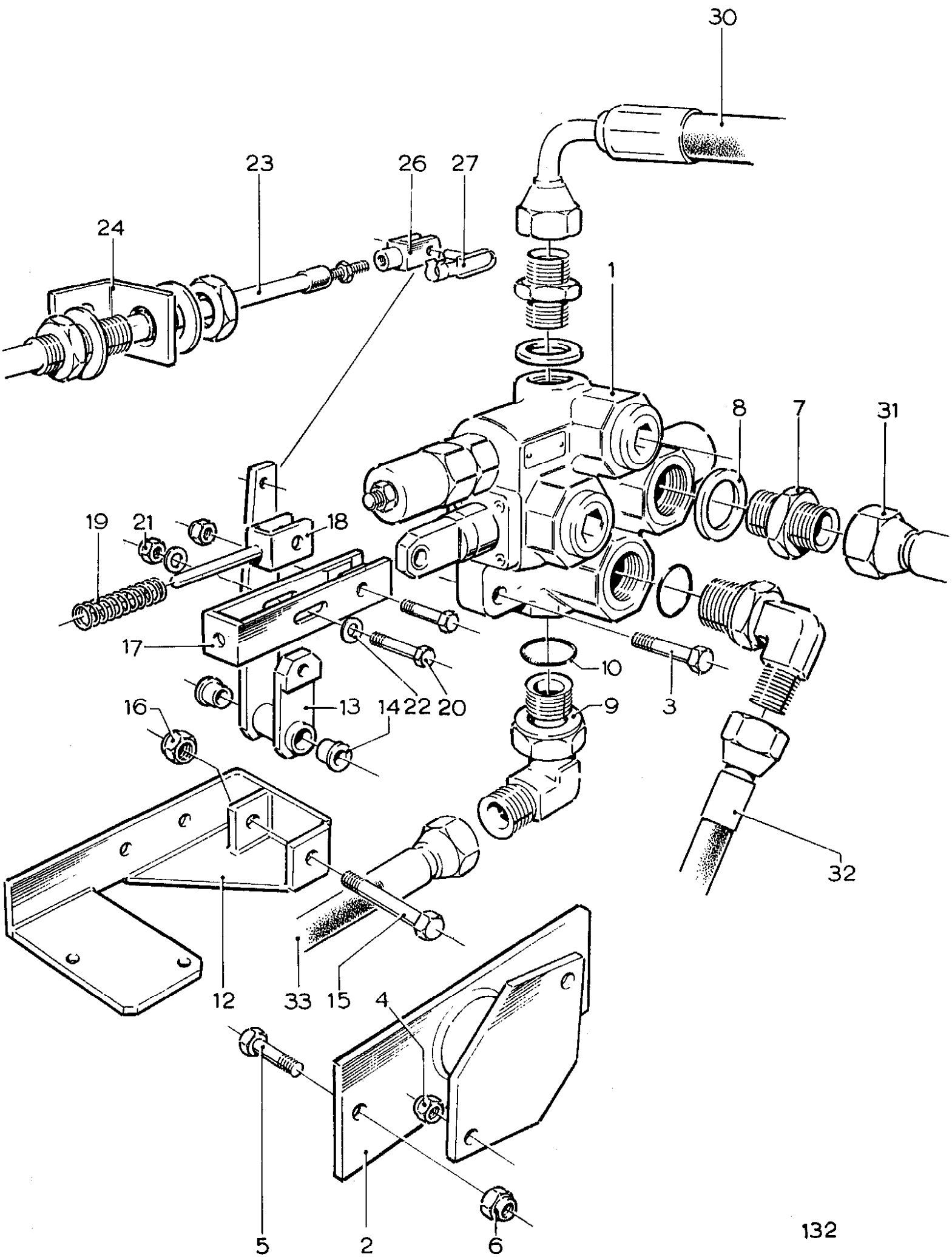
NB Fitted to machines after and including serial number 0238



PRIORITY FLOW VALVE

ILLUST. NO. 131

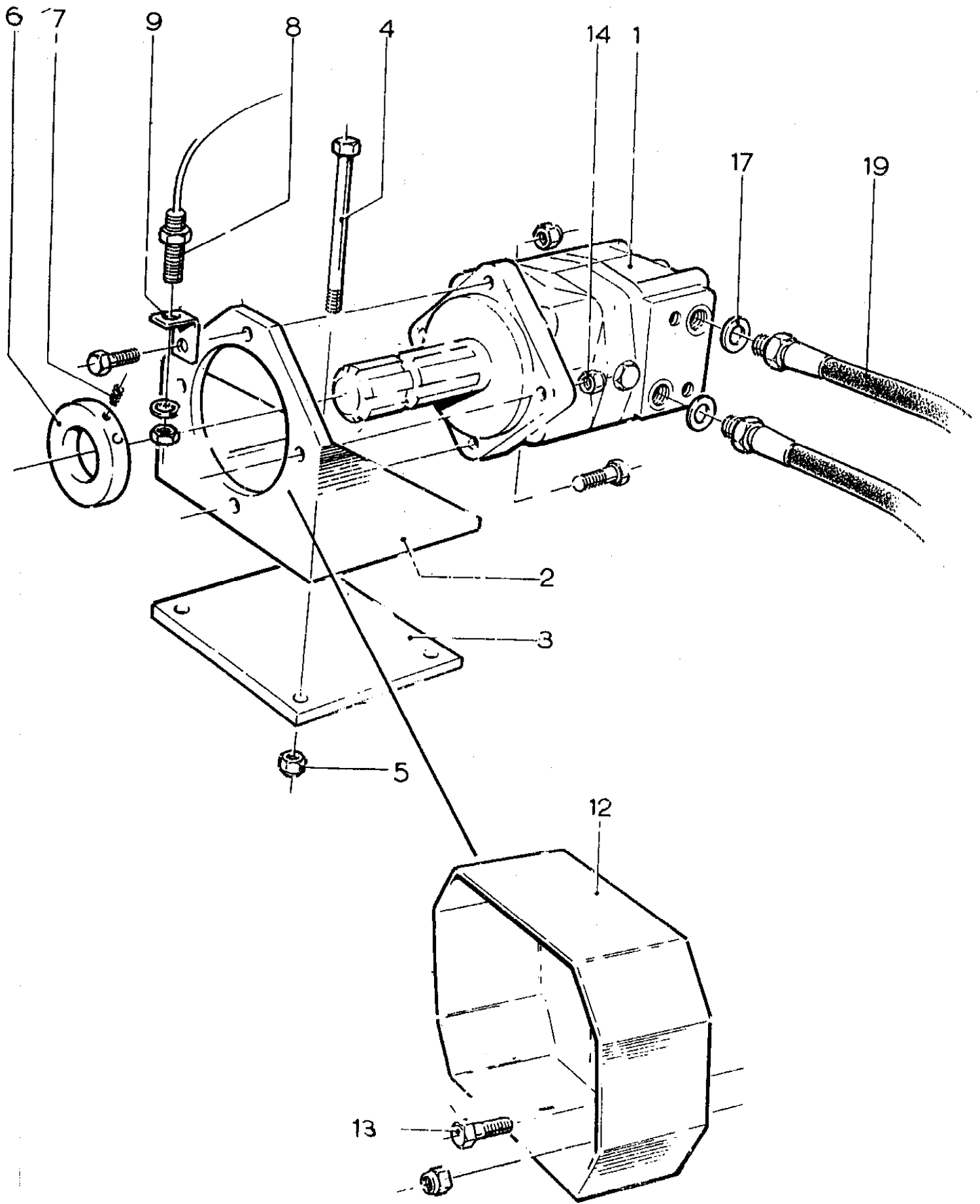
ITEM	PART NO.	QTY	DESCRIPTION
1	350200	1	PRIORITY FLOW VALVE Serial No. 0201 - 0292
	350201	1	PRIORITY FLOW VALVE Serial No. 0293 -
2	131800	1	BRACKET Serial No. 0201 - 0357
	131801	1	BRACKET (Vegetable Harvester)
	131804	1	BRACKET Serial No. 0357 -
3	F18M10030	1	BOLT M10 x 30
4	F18M10035	1	BOLT M10 x 35
5	F22M10	2	NUT
6	H60B12MM	1	ADAPTOR
7	H70B12	3	BONDED SEAL
8	H66B12MM	3	ADAPTOR
9		N/A	NUT
10	H61B08MB12F	2	ADAPTOR
11	H68B08	A/R	CAP
12	H00028	1	HOSE
13	H00027	1	HOSE
14	H00032	1	HOSE



POWER TAKE OFF VALVE

ILLUST. NO. 132

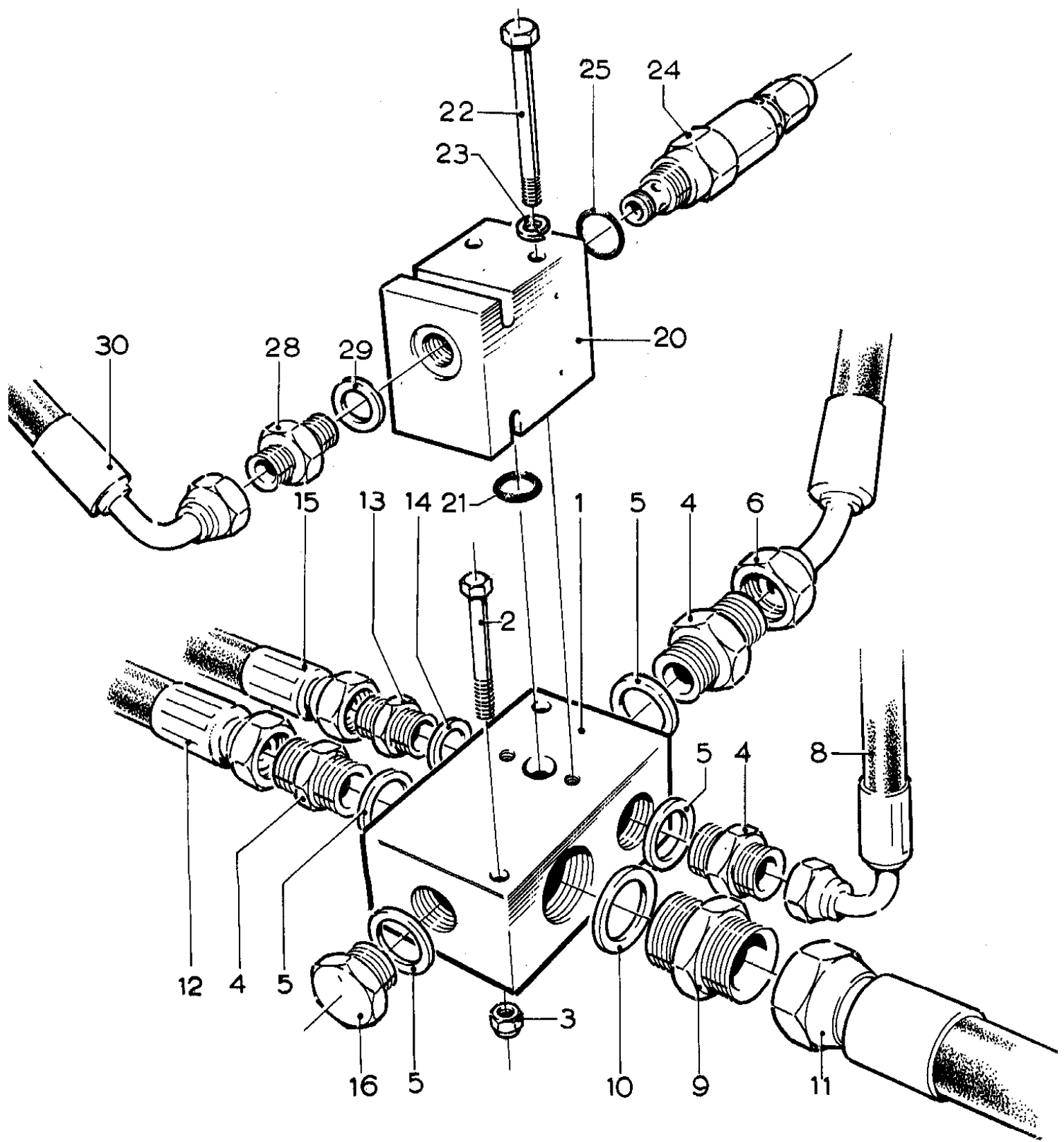
ITEM	PART NO.	QTY	DESCRIPTION	
1	350300	1	VALVE BLOCK	Used on Serial No. 0203 - 0357
2	141300	1	BRACKET	
3	F19M10045	1	BOLT M12 x 45	
4	F22M12	2	NYLOCK NUT M12	
5	F18M12030	2	BOLT M12 x 30	
6	F22M12	2	NYLOCK NUT M12	
7	H60B12MM	2	ADAPTOR	
8	H70B12	2	BONDED SEAL	
9	H75B12MM	2	ADAPTOR	
10		2	O RING	Part of H75B12MM
11				
12	191700	1	BRACKET	
13	192100	1	LEVER	
14	020830	2	BUSH	
15	F19M12090	1	BOLT M12 x 90	
16	F22M12	1	NYLOCK NUT M12	
17	192200	1	LINK	
18	192300	1	LINK ROD	
19	170120	1	SPRING	
20	F19M10045	2	BOLT M10 x 45	
21	F22M10	2	NYLOCK NUT M10	
22	F31M10	2	WASHER	
23	340502	1	CABLE	
24	192000	1	BRACKET	
25				
26	340104	1	CLEVIS	
27	340106	1	CLEVIS PIN	
28	340108	1	RETAINER	
29				
30	H00026	1	HOSE	
31	H00027	1	HOSE	
32	H00032	1	HOSE	
33	H00058	1	HOSE	



POWER TAKE OFF MOTOR

ILLUST. NO. 135

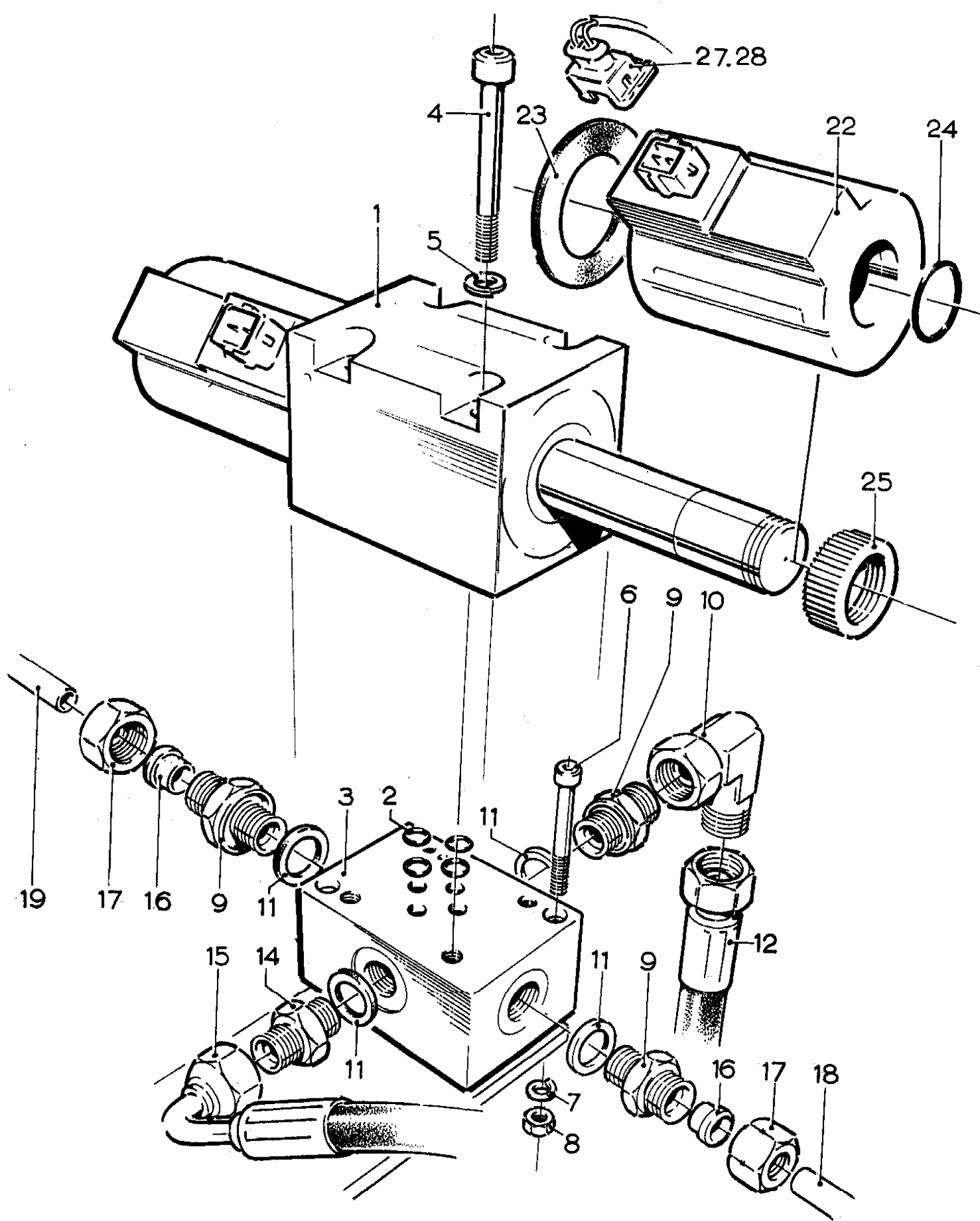
ITEM	PART NO.	QTY	DESCRIPTION	
1	350500	1	HYDRAULIC PTO MOTOR	14.5 HP
	350510	1	HYDRAULIC PTO MOTOR	23.0 HP
2	132100	1	STAND	
3	132200	1	CLAMP	
4	F19M12120	4	BOLT M12 x 120	
5	F22M12	4	NYLOCK NUT M12	
6	63323	1	TARGET	
7	63322	1	GRUB SCREW	
8	63320	1	SENSOR	
9	63324	1	BRACKET	
10				
11				
12	132300	1	GUARD	
13	19M12045	1	BOLT M12 x 45	
14	F22M12	4	NYLOCK NUT M12	
15				
16				
17	H70B08	2	BONDED SEAL	
18	H61B08FB12M	2	ADAPTOR	
19	H00194	2	HOSE	



RETURN OIL MANIFOLD RELIEF VALVE

ILLUST. NO. 139

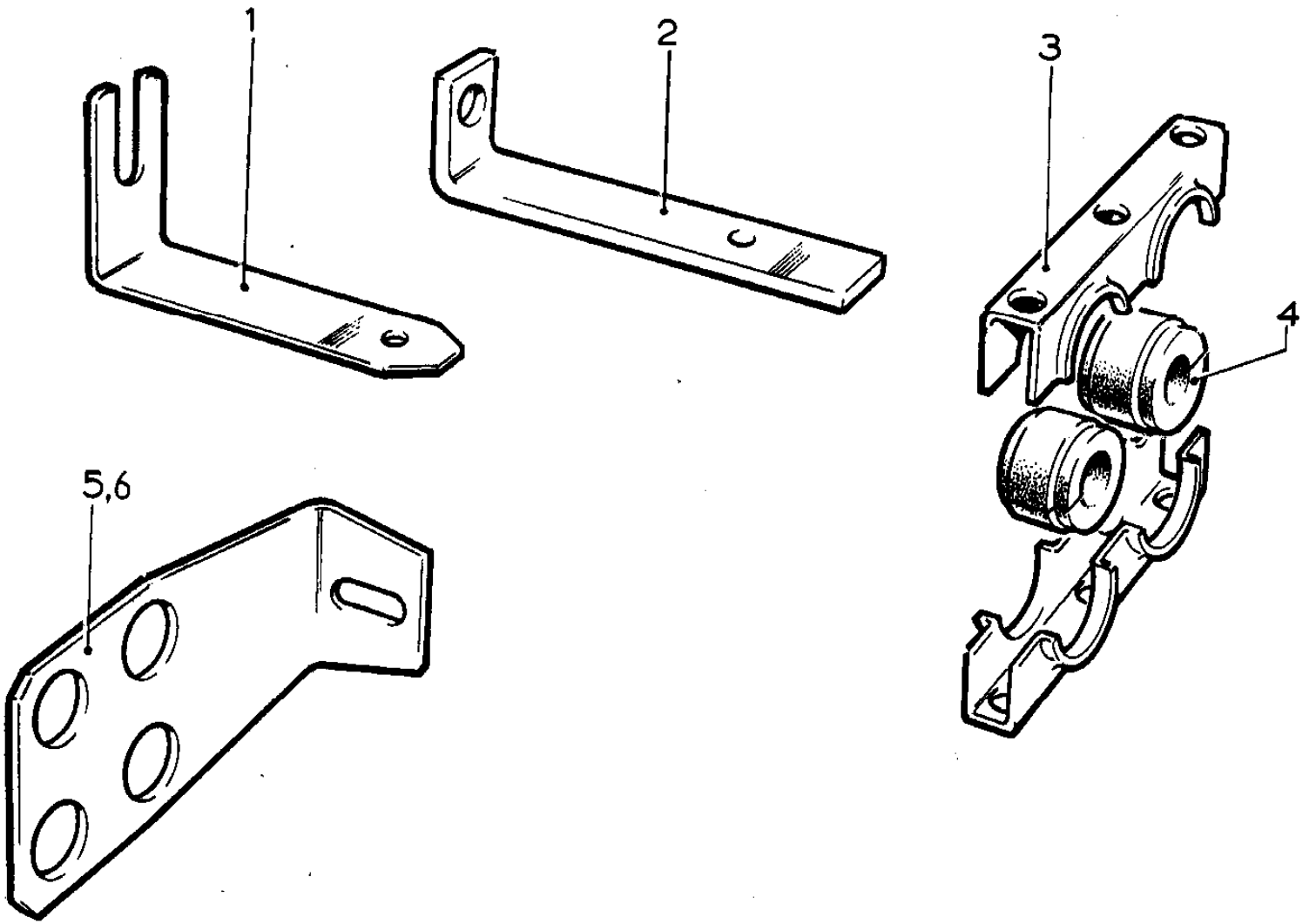
ITEM	PART NO.	QTY	DESCRIPTION
1	180802	1	RETURN MANIFOLD
2	F19M08065	2	BOLT M6 x 65
3	F22M08	2	NUT M8
4	H60B12MM	3	ADAPTOR
5	H70B12	4	BONDED SEAL
6	H00053	1	HOSE
7			
8	H00028	1	HOSE
9	H60B16MM	1	ADAPTOR
10	H70B16	1	BONDED SEAL
11	H00039	1	HOSE
12	H00038	1	HOSE
13	H61B06MB08M	1	ADAPTOR
14	H00038	1	HOSE
15	H00029	1	HOSE
16	H69B12	1	PLUG
17			
18			
19			
20	350130	1	RELIEF VALVE
21	H8126.8	1	O RING
22	F19M08075	2	BOLT M8 x 75
23	F33M08	2	WASHER
24	350120	1	RELIEF VALVE
25			
26			
27			
28	H61B06MB08M	1	ADAPTOR
29	H7006	1	SEAL



2/4 WHEEL STEERING VALVE AND SUB-PLATE

ILLUST. NO. 141

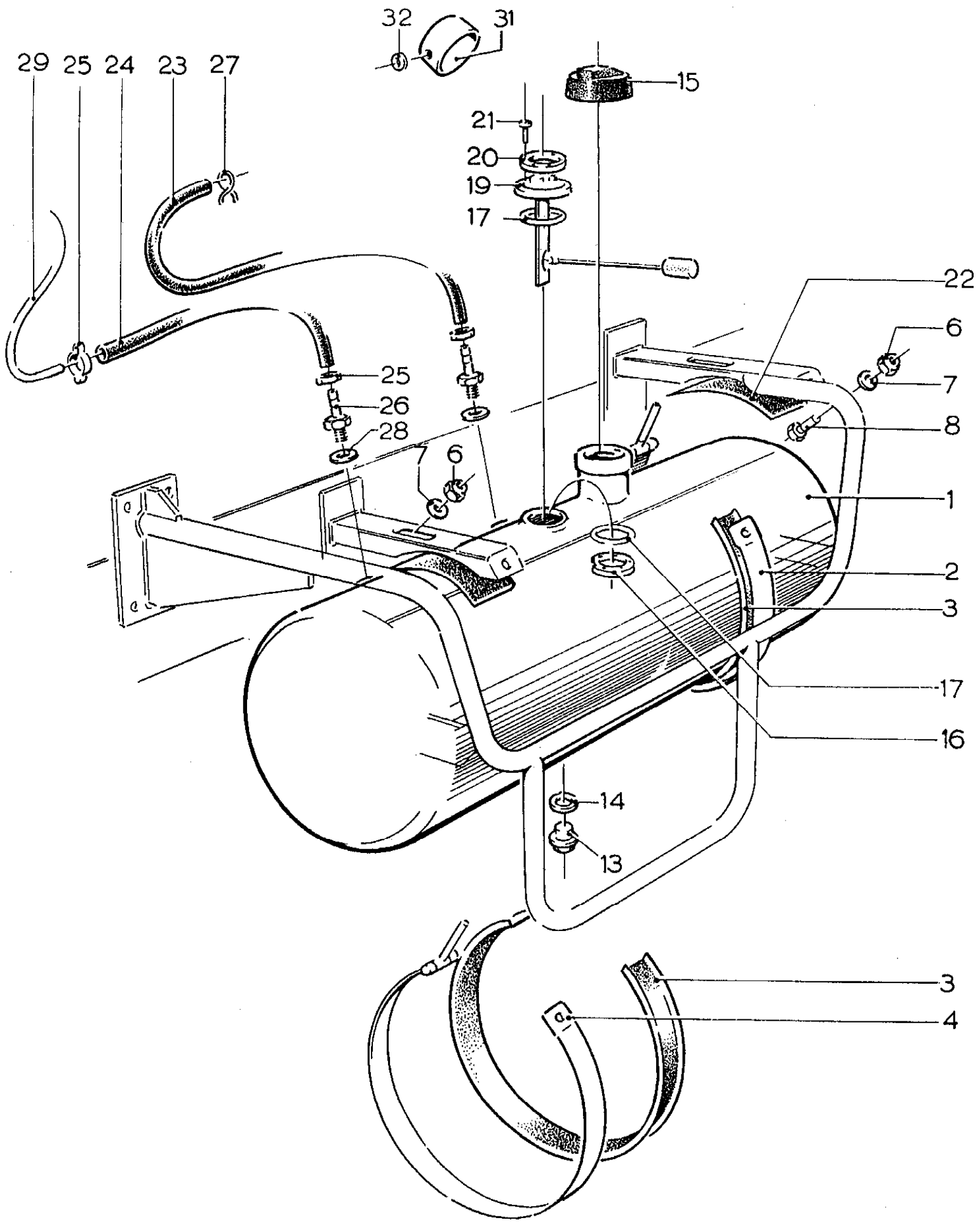
ITEM	PART NO.	QTY	DESCRIPTION	
1	350613	1	VALVE DETENTED	(A)
2	350618	4	O RING	
3	350630	1	SIDE ENTRY SUB PLATE	(B)
4	F15M05030	4	SCREW	
5	F33M05	4	WASHER	
6	F15M05050	2	SCREW	
7	F33M05	2	WASHER	
8	F22M05	2	NUT	
9	H5412LMB06M	3	ADAPTOR	
10	H4812LFM	1	ELBOW	
11	H70B06	A/R	BONDED SEAL	
12	H00037	1	HOSE	
13				
14	H60B06MM	1	ADAPTOR	
15	H00022	1	HOSE	
16	H50M12	2	OLIVE	
17	H40M12	2	NUT	
18	H357086	1	STEEL PIPE	
19	H357074	1	STEEL PIPE	
20				
21				
22	350620	2	SOLENOID	
23	350625	2	WASHER	
24	350626	2	O RING	
25	350627	2	NUT	
26				
27	350626	2	PLUG	
28	350659	4	TERMINAL	



MISCELLANEOUS BRACKETS/FIXINGS

ILLUST. NO. 156

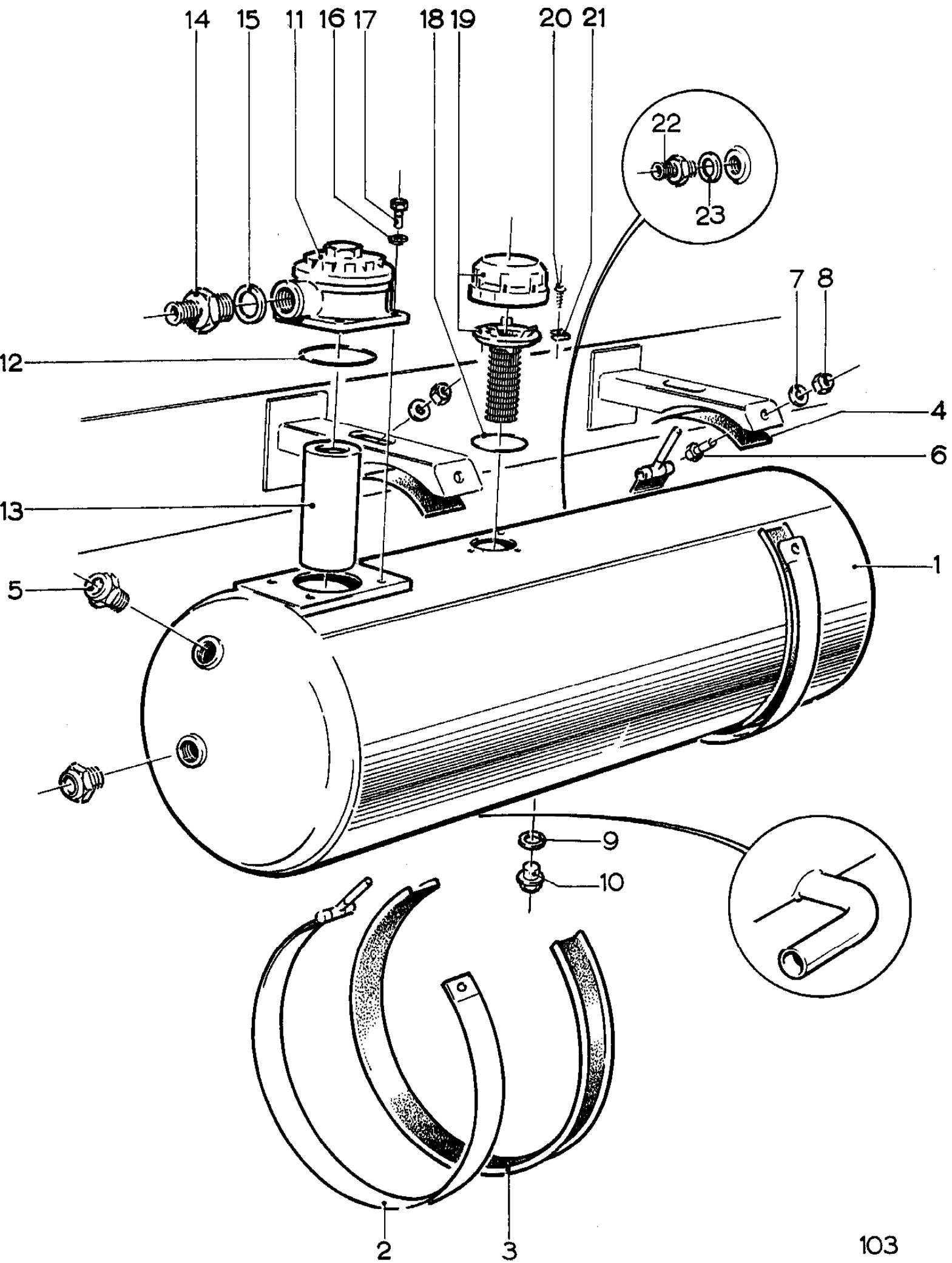
ITEM	PART NO.	QTY	DESCRIPTION	
1	140700	1	STEEL PIPE BRACKET	
2	141000	2	STEEL PIPE BRACKET	
3	H9402	10	CLAMP	
4A	H9415	3	BUSHING 15mm DIA.	
4B	H9412	15	BUSHING 12mm DIA.	
4C	H9408	6	BUSHING 8mm DIA.	
5	140900	1	STEEL PIPE BRACKET	(LEFT REAR)
6	140950	1	STEEL PIPE BRACKET	(RIGHT SIDE)
7				
8				
9				
10				
11				
12				
13				
14				
15				
16				
17				
18				
19				
20				
21				
22				
23				
24				
25				
26				
27				
28				
29				
30				
31				
32				
33				
34				
35				
36				
37				
38				
39				
40				



FUEL TANK

ILLUST. NO. 104

ITEM	PART NO	QTY	DESCRIPTION	
1	190400	1	FUEL TANK	380 DIA X 1050MM
	190401	1	FUEL TANK	401 DIA X 1480MM
	190450	1	FUEL TANK	380 DIA X 2250MM
2	181000	1	TANK STRAP	975MM
3	190345	1MT	PACKING	
4	180900	1	TANK STRAP	1000MM
	180901	1	TANK STRAP	1070MM
6	F22M12	4	NYLOCK NUT M12	
7	F31M12	6	WASHER	
8	F18M12030	2	BOLT	
13	H69B08	1	PLUG	
14	H70B08	1	PLUG SEAL	
15	190410	1	FUEL CAP	
16	190411	1	LOCK RING	
17	190412	2	SEAL	
19	322100	1	SENDER	INCLUDES 16,17,20,21
20	322103	1	LOCK RING	
21	322104	5	SETSCREW	
22	10410	A/R	PACKING	
23	333001	1	HOSE	
24	333002	1	HOSE	
25	F41M07015	3	CLAMP	
26	332121	1	ADAPTOR	RETURN SUPPLY
26A	332122	1	ADAPTOR	
27	F41M07017	1	CLAMP	
28	H70B04	2	SEAL	
29	334001	1	PIPE	
31	20850	2	CAP	
32	F70M03007	1	GROMMET	

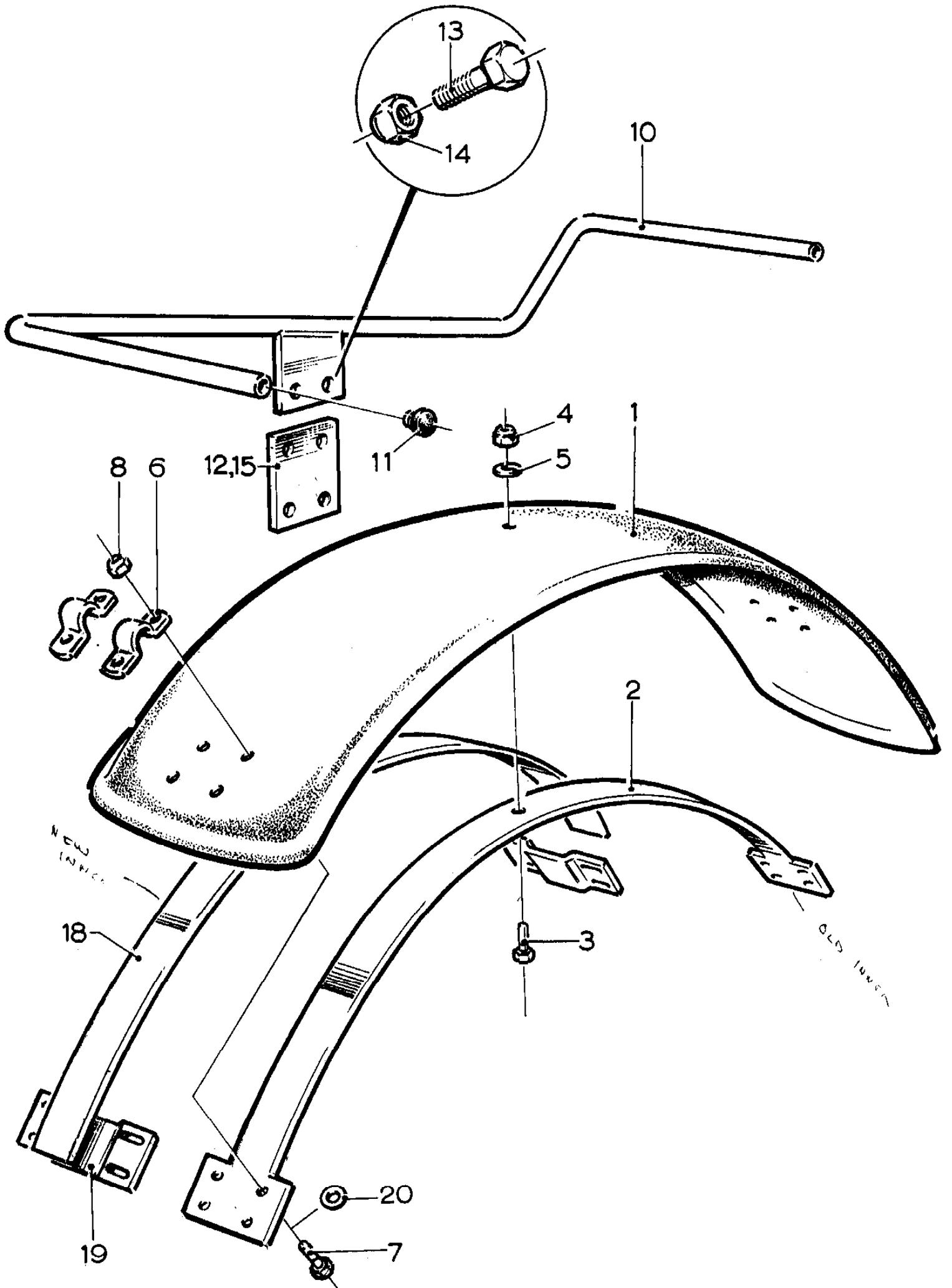


HYDRAULIC TANK

ILLUST. NO. 103

ITEM	PART NO	QTY	DESCRIPTION
1	190300	1	HYDRAULIC OIL TANK
2	180900	2	TANK STRAP - LONG
3	190345	2	TANK PACKING STRAP
4	010410	2	PACKING
5	190310	2	SIGHT GAUGE
6	F19M12030	2	BOLT - M12 X 30
7	F31M12	6	WASHER - PLAIN
8	F22M12	4	NYLOCK NUT
9	H7008	1	PLUG SEAL
10	B69B08P0	1	PLUG
11	350700	1	FILTER ASSEMBLY
12	350751	1	SEALING RING
13	350750	1	FILTER ELEMENT
14	H602071	1	ADAPTOR
15	H7020	1	SEAL
16	F33M08	4	WASHER - SPRING
17	F19M08025	4	BOLT M8 X 25
18	350710	1	SEAL
19	350703	1	FILLER CAP & STRAINER INCLUDES 20&21
20	350715	3	SELF TAPPING SCREW
21	350716	3	RETAINER
22	H54B0812L	1	ADAPTOR
23	H7008	1	SEAL
24			
25			
26			
27			
28			
29			
30			
31			
32			
33			
34			
35			
36			
37			
38			
39			
40			

Latest filter 350753

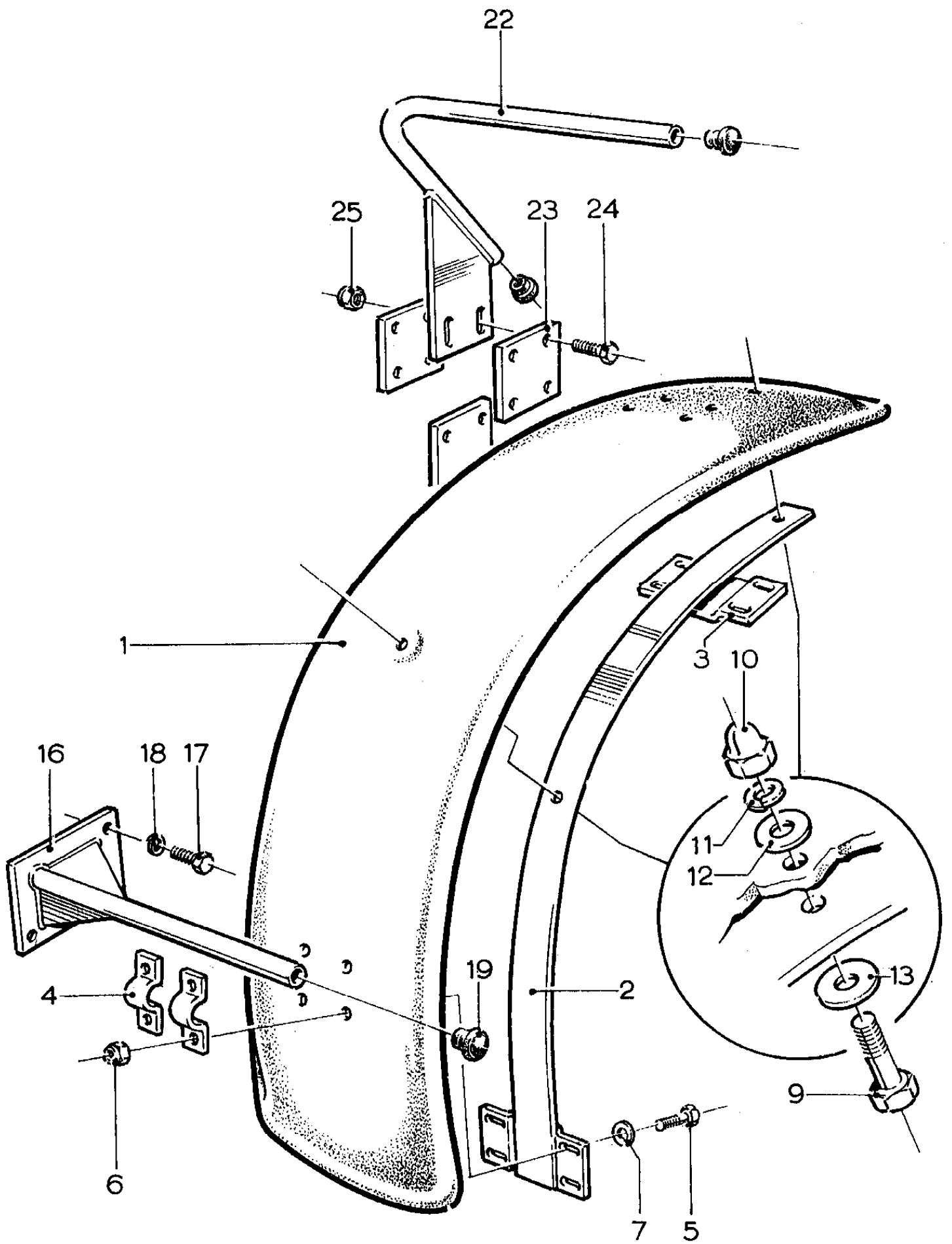


REAR MUDGUARD

ILLUST. NO. 148

ITEM	PART NO	QTY	DESCRIPTION	
1	140176	1	MUDWING 3400	
2	130100	1	INNER PLATE	(C)
3	F18M08020	10	HEX BOLT M8 X 20	
4	F25M08	10	DOMED NUT M8	
5	F31M08	10	WASHER	
6	160125	4	CLAMP	
7	F18M08020		HEX BOLT M8 X 20	
8	F25M08	1	DOMED NUT M8	
10	140100	1	STAY	(A) LH
	140102	1	STAY	(B) LH
	140200	1	STAY	(C) RH
	140101	1	STAY	(B) RH
11	020880	2		
12	130102	1	PLATE	(D)
13	F19M12045	4	BOLT M12 x 45	
14	F22M12	4	NYLOCK NUT M12	
15	140110	1	PLATE	(E)
16				
17				
18	130101	1	INNER PLATE	
19				
20	F31M08		WASHER	
21	140171	2	BRACKET	NOT SHOWN (B)
22	F19M10080	4	BOLT M10 x 80	NOT SHOWN (B)
23	F22M10	4	NYLOCK NUT M10	NOT SHOWN (B)

-
- (A) With spring suspension
 - (B) With hydraulic suspension
 - (C) Used up to S/N 0295
 - (D) Use with standard wheels only
 - (E) Use with rowcrop wheels

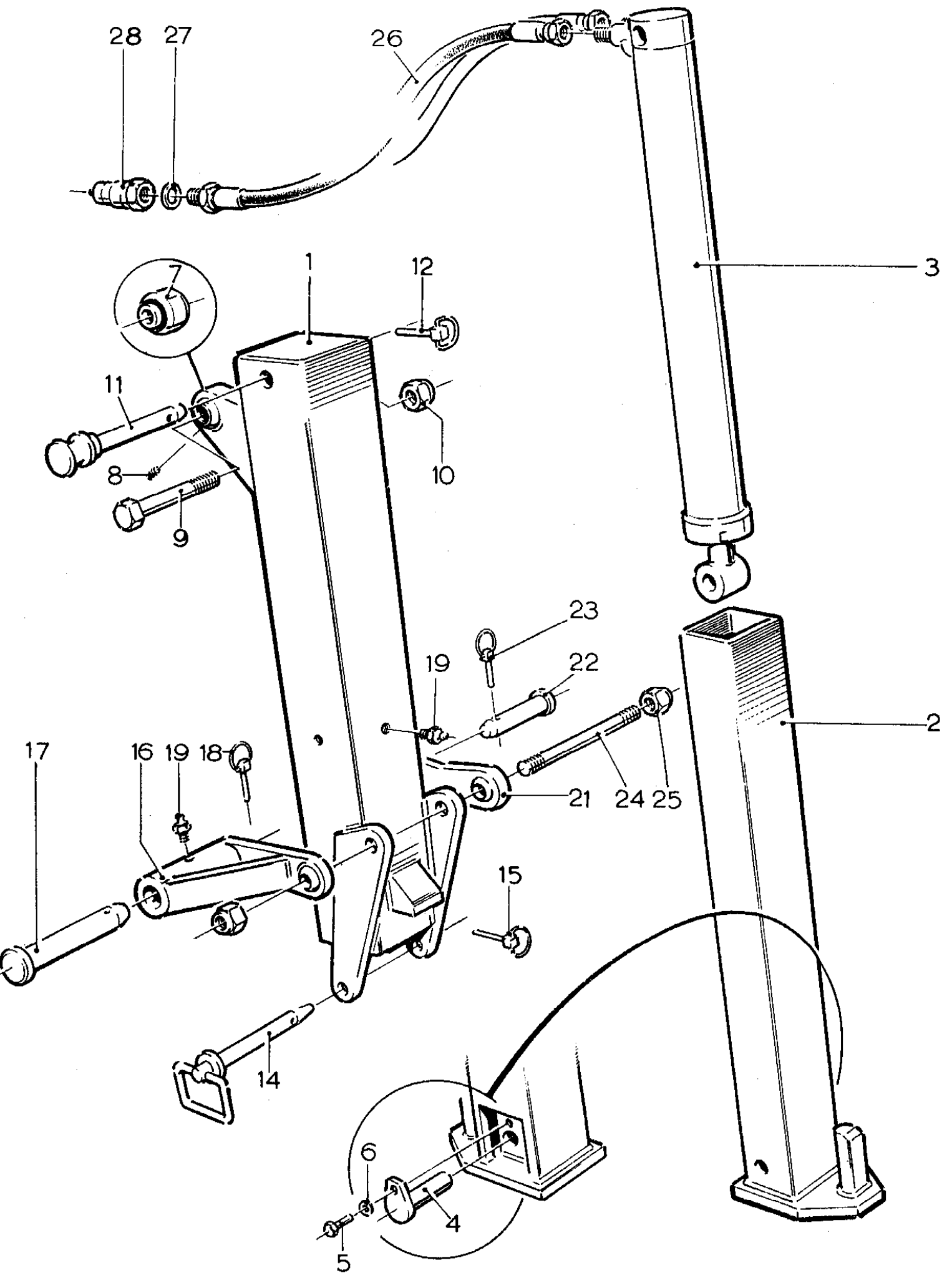


FRONT MUDWING

ILLUST. NO. 192

ITEM	PART NO	QTY	DESCRIPTION
1	140176	1	MUDWING 3400
2	130101	1	INNER PLATE
3	130102	2	CLAMP PLATE
4	160125	4	CLAMP
5	F18M08020	10	BOLT M8 X 20
6	F25M08	10	DOMED NUT M8
7	F31M08	10	WASHER
9	F1808020	1	BOLT M8 X 20
10	F25M08	1	DOMED NUT M8
11	F33M08	1	WASHER
12	F31M08	1	WASHER
13	F31M08	1	WASHER
16	140105	1	SUPPORT
17	F17M12035	3	FLANGED BOLT M12 X 35
18	F28M12	3	FLANGED NUT M12
19	020800	3	PLUG
22	140103	1	BRACKET R/H
	140104	1	BRACKET L/H
23		2	SPACER/CLAMP
23A	140110	2	SPACER/CLAMP
			USE FOR 11.2 X 48 ROWCROP WHEELS
24	F19M12045	4	HEX BOLT M12 X 45
25	F22M12	4	NYLOCK NUT M12

NB Used on machines S/N 0293 - 0378

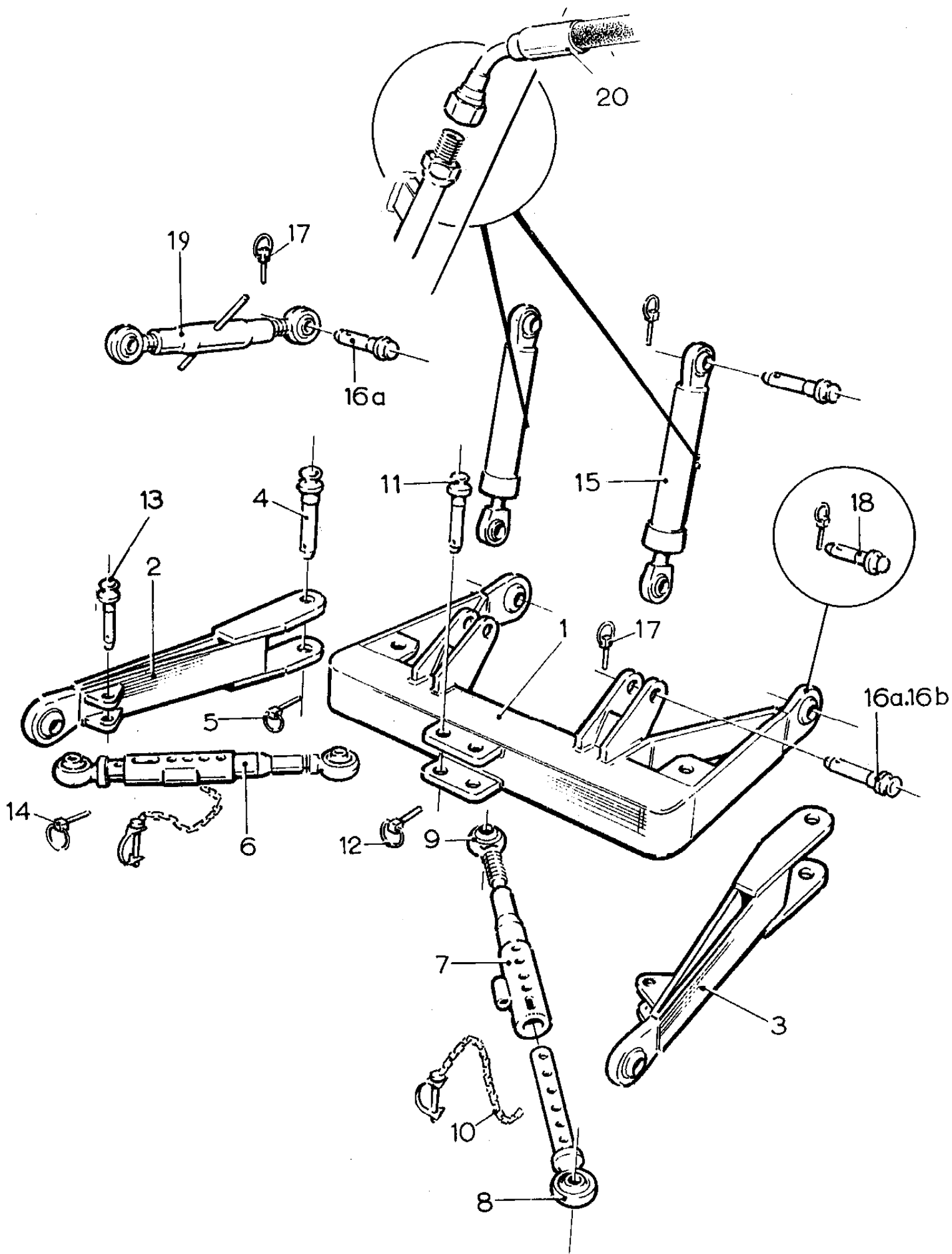


PICK UP HITCH ASSEMBLY

ILLUST. NO. 146

ITEM	PART NO	QTY	DESCRIPTION
1	173000	1	HITCH BODY
	173050	1	HITCH BODY EXTENDED
2	173100	1	HITCH LEG
3	050600	1	HYDRAULIC CYLINDER
4	051600	1	PIN
5	F18M08020	1	BOLT M8 X 20
6	F33M08	1	WASHER
7	170350	1	BEARING
8	F16M08010	1	SCREW
9	F19M22120	1	BOLT M22 X 120
10	F22M22	1	NYLOCK NUT M22
11	051740	1	PIN
12	051750	1	LYNCH PIN
13			
14	051760	1	PIN
15	051705	1	LYNCH PIN
16	173200	1	HITCH STABILISING LINK
17	051400	1	PIN
18	051705	1	PIN
19	006235	4	GREASE NIPPLE
20			
21	173300	1	HITCH LINK
22	051500	1	PIN
23	051705	1	LYNCH PIN
24	0517000	1	PIN
25	F22M20	2	NYLOCK NUT M20
26	H00081	2	HOSE *3.0M WHEELBASE
	H00083	2	HOSE *3.4M WHEELBASE
	H00085	2	HOSE *3.7M WHEELBASE
27	H70B08	2	SEAL
28	H8005	2	COUPLER *MALE 1/2" BSP
31	050605	A/R	SEAL KIT HYD HITCH CYLINDER

* M/C from 0358 - All chassis wheelbases 2 off H00256 and do not require part no.28



THREE POINT LINKAGE ASSEMBLY

ILLUST. NO. 147

ITEM	PART NO	QTY	DESCRIPTION
1	174050	1	LOWER LINKAGE FRAME (A)
	174000	1	LOWER LINKAGE FRAME (B) S/N 0203-0214
	174001	1	LOWER LINKAGE FRAME (B) S/N 0214-0222
	174002	1	LOWER LINKAGE FRAME (B) S/N 0223 -
2	174100	1	LINKAGE ARM LH
3	174101	1	LINKAGE ARM RH
4	051710	2	PIN
5	051705	2	LYNCH PIN
6	500100	2	STABILISER KIT ASSEMBLY (C) INCLUDED
			8 TO 13
7	500102	2	TUBE
8	500103	2	PLAIN HOLED END
9	500101	2	BALL END
10	500104	2	PIN
11	500106	2	PIN
12	051705	4	LYNCH PIN
13	051705	2	LYNCH PIN
14	051705	2	LYNCH PIN
15	050200	2	CYLINDER (D)
	050250	2	CYLINDER (E)
16	051720	4	PIN (A)
	051730	4	PIN (B)
17	051705	4	LYNCH PIN
18	051720	2	PIN
19	500250	1	TOP LINK
20	H00045	2	HOSE

(A) Heavy duty linkage

(B) Standard linkage

(C) Can be purchased as a complete unit 500100 or individual parts

(D) Seal kit no. 050205 required for standard lift cylinder

(E) Seal kit no. 050255 required for heavy duty lift cylinder