

Publication 928  
January 2019  
Part No. 24214.28



# McCONEl

## AGRIBUGGY A280

### Low Ground Pressure Vehicle

### Parts Manual



# CONTENTS

---

ENGINE & TRANSMISSION ASSEMBLY .....	1
ENGINE ASSEMBLY .....	2
COOLING SYSTEM ASSEMBLY .....	4
FUEL SYSTEM ASSEMBLY .....	6
AIR CLEANER ASSEMBLY .....	7
EXHAUST SYSTEM ASSEMBLY.....	8
DEF TANK ASSEMBLY .....	10
TRANSMISSION ASSEMBLY .....	12
GEAR ACTUATOR ASSEMBLY (Mk1) .....	14
GEAR ACTUATOR ASSEMBLY (Mk2).....	15
TRANSFER BOX – REAR OUTPUT .....	16
HANDBRAKE ASSEMBLY .....	17
TRANSFER BOX – MAIN GEARS .....	18
TRANSFER BOX – FRONT OUTPUT.....	20
PROPSHAFT ASSEMBLY .....	24
HYD. COMPRESSOR DRIVE ASSEMBLY (Mk2).....	26
HYD. COMPRESSOR DRIVE ASSEMBLY (Mk3).....	28
FRONT BRAKE ASSEMBLY (Euro builds only) .....	30
REAR BRAKE ASSEMBLY (Euro builds only) .....	31
FRONT AXLE ASSEMBLY.....	32
REAR AXLE ASSEMBLY .....	34
REAR AXLE ASSEMBLY .....	34
STEERING AXLES FRONT & REAR ASSEMBLIES .....	36
STEERING HUBS .....	38
INPUT FITTING.....	40
HOSE KIT.....	41
HYDRAULIC ASSEMBLY .....	42
STEERING SAFETY SYSTEM.....	44
PNEUMATICS ASSEMBLY.....	45
PNEUMATIC FITTINGS – MAIN TANK.....	46
PNEUMATIC FITTINGS – PURGE TANK.....	47
HANDBRAKE ASSEMBLY .....	48
BASIC CHASSIS ASSEMBLY .....	49
CAB MOUNTING ASSEMBLY .....	50
STEP ASSEMBLY.....	51
FRONT MUDGUARDS ASSEMBLY .....	52
REAR MUDGUARDS ASSEMBLY .....	53

FRONT GRILLE ASSEMBLY .....	55
BODYWORK ASSEMBLY .....	56
ENGINE COVER - UPPER N/S ASSEMBLY .....	58
ENGINE COVER - UPPER O/S ASSEMBLY .....	60
BASIC CAB .....	61
CAB SEAT ASSEMBLY .....	62
CAB GLASS .....	64
DOOR ASSEMBLY .....	66
HVAC ASSEMBLY .....	68
BRAKE PEDAL ASSEMBLY .....	70
BRAKE MASTER CYLINDER ASSEMBLY .....	71
BRAKE SAFETY ACCUMULATOR.....	72
CAB ELECTRICS .....	74
CONSOLE ASSEMBLY.....	76
INTERNAL CAB TRIM.....	78
EXTERNAL CAB TRIM .....	80
CLEAN WATER LEVEL ASSEMBLY .....	82
TAP & DRAIN FITTINGS.....	83
CONDENSATE DRAIN HOSE KIT.....	84
DECAL KIT - CAB .....	86
DECAL KIT - CHASSIS .....	88
PLUS+1 HARNESS.....	89
CONTROL PANEL HARNESS - Switch Handbrake.....	90
CONTROL PANEL HARNESS - Keypad Handbrake .....	91
THROTTLE HARNESS .....	92
ENGINE HARNESS .....	93
FRONT CHASSIS HARNESS .....	94
REAR CHASSIS HARNESS .....	95
BATTERY LEADS .....	96

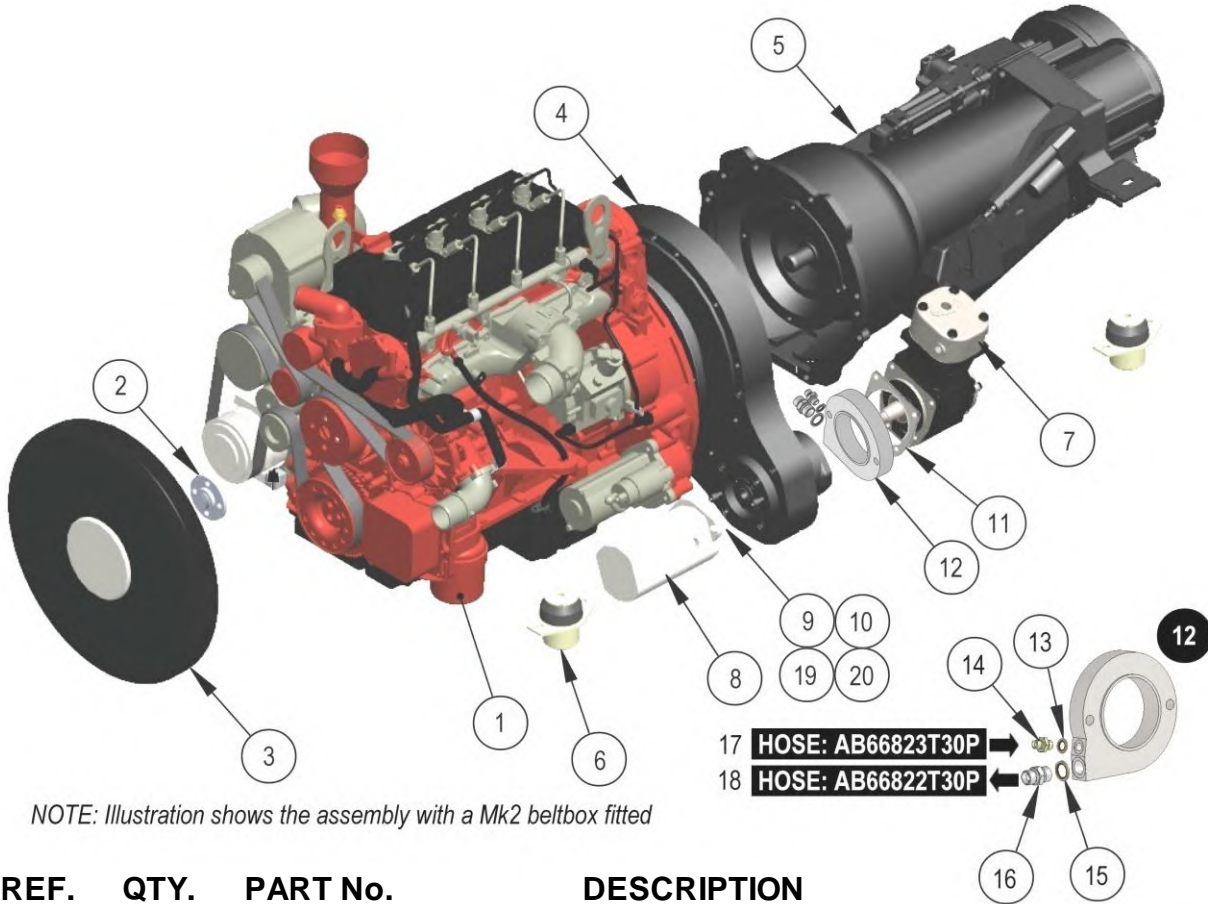




# ENGINE & TRANSMISSION ASSEMBLY

# McCONNEL

Module(s): AB65816V15A



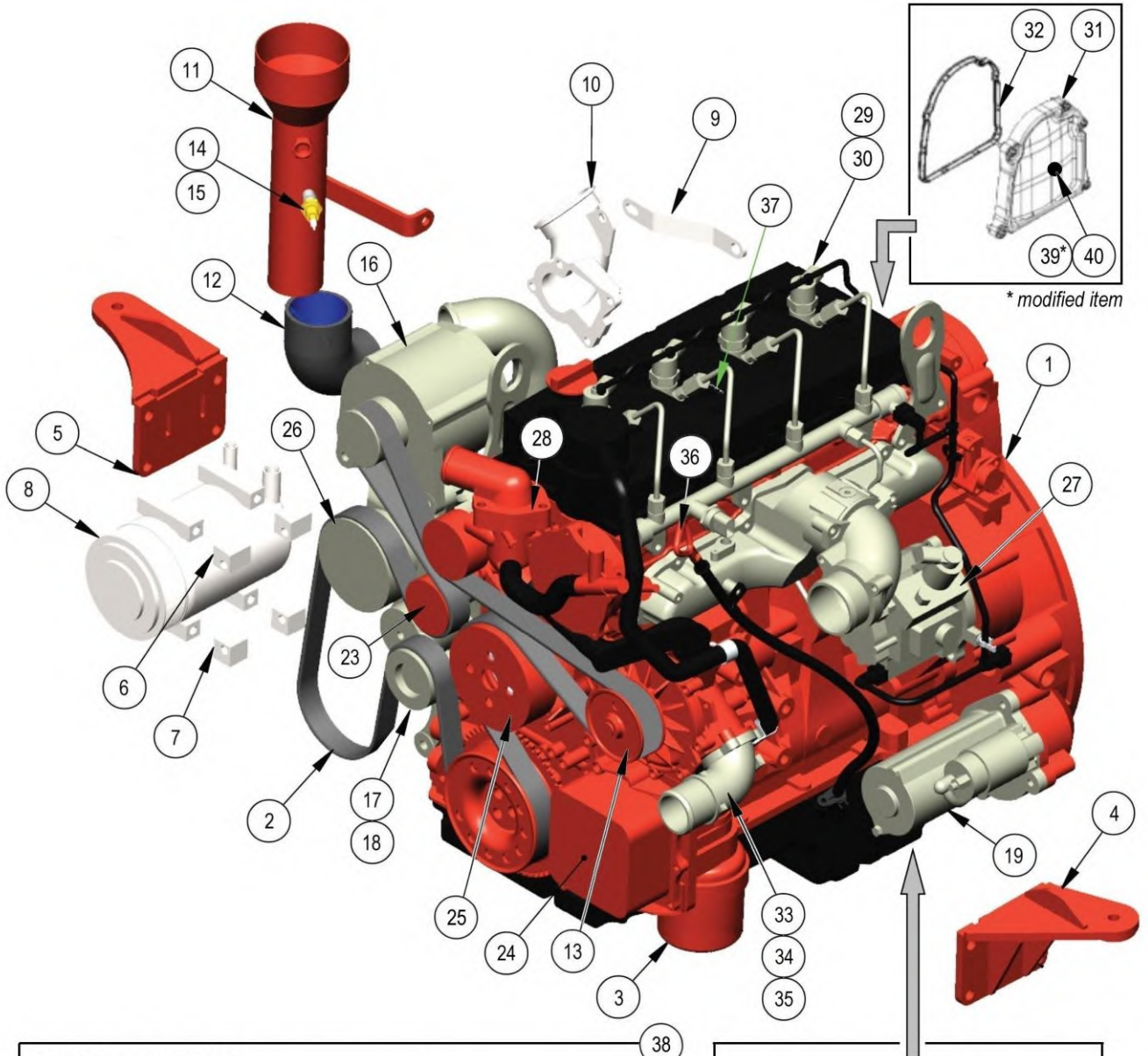
NOTE: Illustration shows the assembly with a Mk2 beltbox fitted

REF.	QTY.	PART No.	DESCRIPTION
		<b>AB65816V15A</b>	<b>ENGINE &amp; TRANSMISSION ASSEMBLY</b>
1	1	AB02848E10A	ENGINE ASSEMBLY
2	1	AB02661E20C	FAN DRIVE ADAPTOR
3	1	AB02662E30P	VISCOUS FAN ASSEMBLY
4	1	AB66955E50P	HYD. COMPRESSOR DRIVE ASSY (Mk2)
	1	AB68281E50P	HYD. COMPRESSOR DRIVE ASSY (Mk3)
5	1	AB02854F00P	TRANSMISSION ASSEMBLY
6	4	AB72297E00P	ENGINE MOUNT
7	1	AB66763L90P	AIR COMPRESSOR
8	1	HYD472/B	TANDEM HYDRAULIC PUMP (Mk3) 14cc/19cc
9	1	HYD470-DC	DRIVE COUPLING 14 SPLINE
10	1	AB69743T30P	WOODRUFF KEY (HEAVY DUTY)
11	1	AB72856L90P	COMPRESSOR GASKET
12	1	AB66765L10C	COMPRESSOR OIL FEED BLOCK
13	1	HYD103	BONDED SEAL
14	1	HYD150	ADAPTOR
15	1	HYD106A	BONDED SEAL
16	1	HYD169E	ADAPTOR
17	1	AB66823T30P	HOSE - OIL FEED
18	1	AB66822T30P	HOSE - OIL RETURN
19	1	AB73885T30P	NUT
20	1	AB73886T30P	LOCKING WASHER
21	1	AB68926E15P	BELT ADJUSTER
22	1	AB68909E00P	FLANGE HEAD BOLT

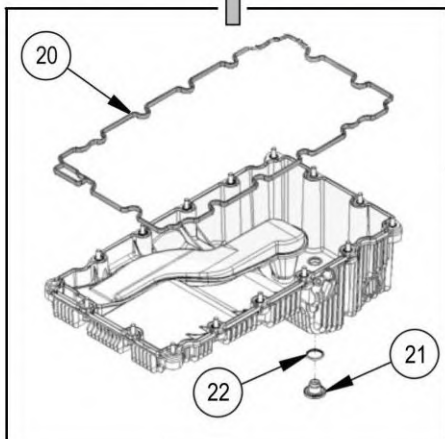
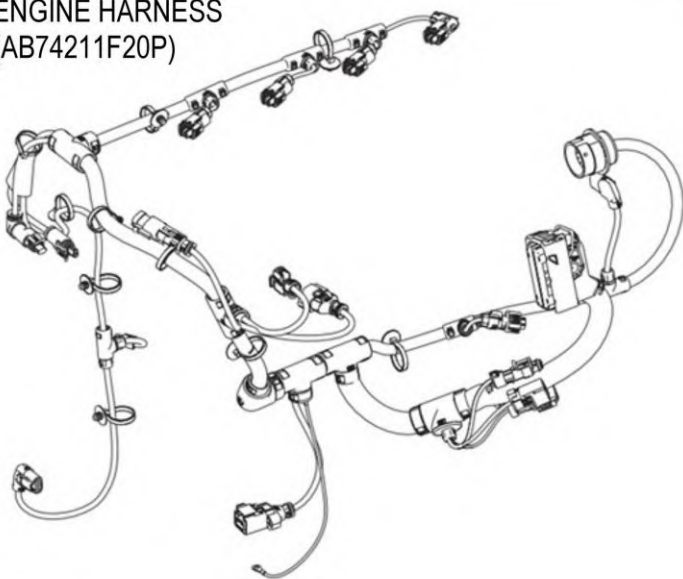
# ENGINE ASSEMBLY

Module(s): AB02848E10A

# McCONNEL



ENGINE HARNESS  
(AB74211F20P)



## ENGINE ASSEMBLY

**McCONNEL**

Module(s): AB02848E10A

REF.	QTY.	PART No.	DESCRIPTION
		<b>AB02848E10A</b>	<b>ENGINE ASSEMBLY</b>
1	1	AB02848E10A	ENGINE (2.8L)
2	1	AB66773E15P-XL	BELT
3	1	AB66033E15P	ENGINE OIL FILTER
4	1	AB02572E40A	ENGINE MOUNTING (LH)
5	1	AB02573E40A	ENGINE MOUNTING (RH)
6	2	AB02595E20C	COMPRESSOR MOUNTING BLOCK (TOP)
7	2	AB02594E20C	COMPRESSOR MOUNTING BLOCK (BOTTOM)
8	1	AB68403A30P	A/C COMPRESSOR
9	1	AB02603H20C	TURBO OUTLET STAY
10	1	AB02472H10A	TURBO OUTLET ASSEMBLY
11	1	AB02677J30A	FILTER (TURBO PIPE)
12	1	AB65942J30C	TURBO INLET HOSE
13	1	AB68940E15P	WATER PUMP
14	1	AB68914E00P	PRESSURE TEMPERATURE SENSOR
15	1	AB68915E00P	O-RING SEAL
16	1	AB68934E15P	ALTERNATOR
17	1	AB68926E15P	BELT TENSIONER
18	1	AB68909E00P	HEX FLANGE HEAD BOLT
19	1	AB68942E15P	STARTER MOTOR
20	1	AB76925E00P	SUMP GASKET
21	1	AB68920E15P	SUMP PLUG
22	1	AB68921E00P	D-RING SEAL (SUMP PLUG)
23	1	AB68922E00P	IDLER PULLEY
24	1	AB68929E15P	SEAL (OIL COOLER HOUSING)
25	1	AB68927E00P	FAN SUPPORT ASSEMBLY
26	1	AB68933E15P	POWER BRAKE BOOST PUMP
27	1	AB68239G00P	FUEL PUMP
28	1	AB68941E15P	THERMOSTAT
29	4	AB68937E00P	FUEL INJECTOR
30	4	AB68935E15P	COPPER WASHER (FUEL INJECTOR)
31	1	AB68931E00P	CHAIN DRIVE COVER c/w SEAL
32	1	AB68930E00P	SEAL (CHAIN DRIVE COVER)
33	1	AB74238E00P	WATER INLET CONNECTION
34	1	AB74237E00P	O-RING SEAL
35	3	AB74240E00P	HEX FLANGE HEAD CAPSCREW
36	1	AB76926E00P	DIPSTICK
37	1	DECAL261	DECAL (FLEXIBILITY SCHEME)
38	1	AB74211F20P	ENGINE HARNESS
39*	1	HYD253	BULKHEAD FITTING c/w LOCKNUT (MODIFIED)
40	1	HYD105	DOWTY SEAL

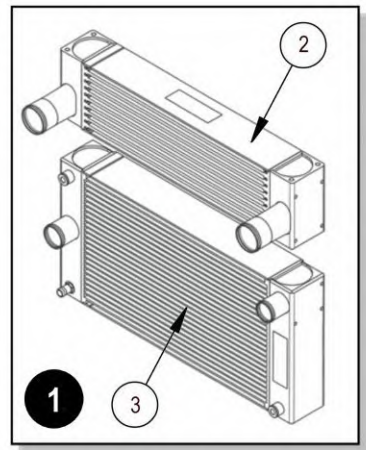
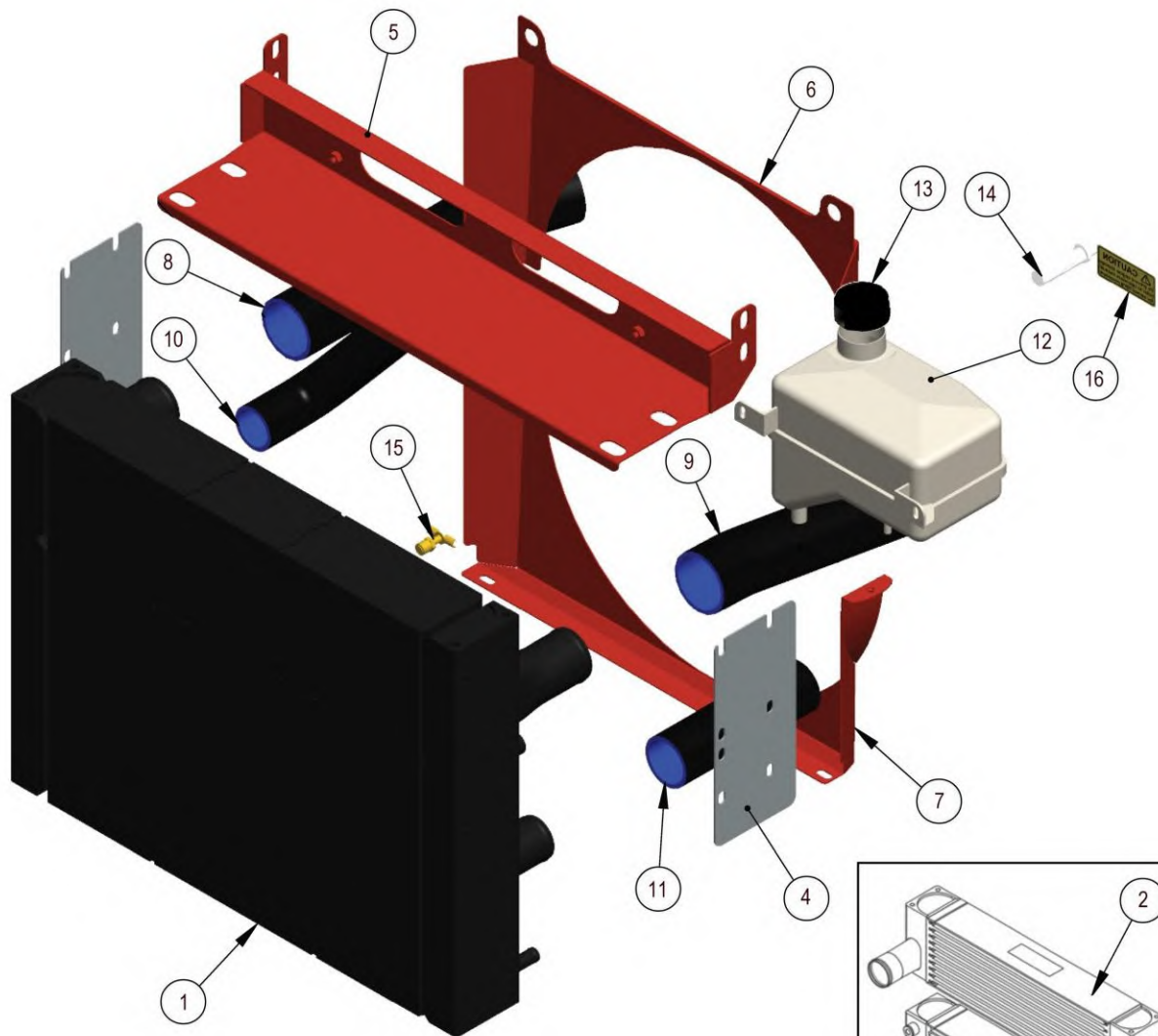
\* Item 39 is modified for use in this application



# COOLING SYSTEM ASSEMBLY

**McCONNEL**

Module(s):

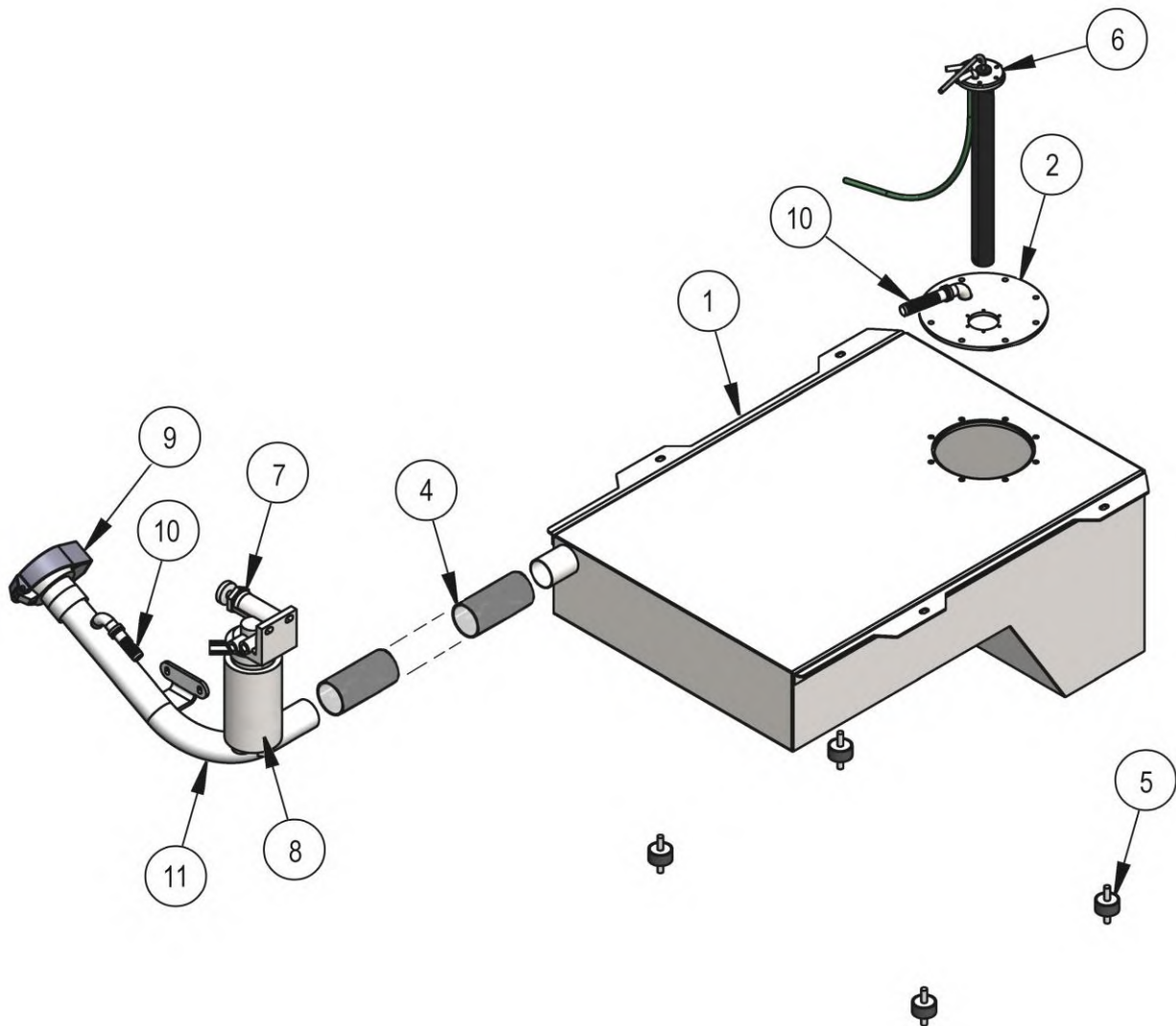


**COOLING SYSTEM ASSEMBLY****McCONNEL**

Module(s):

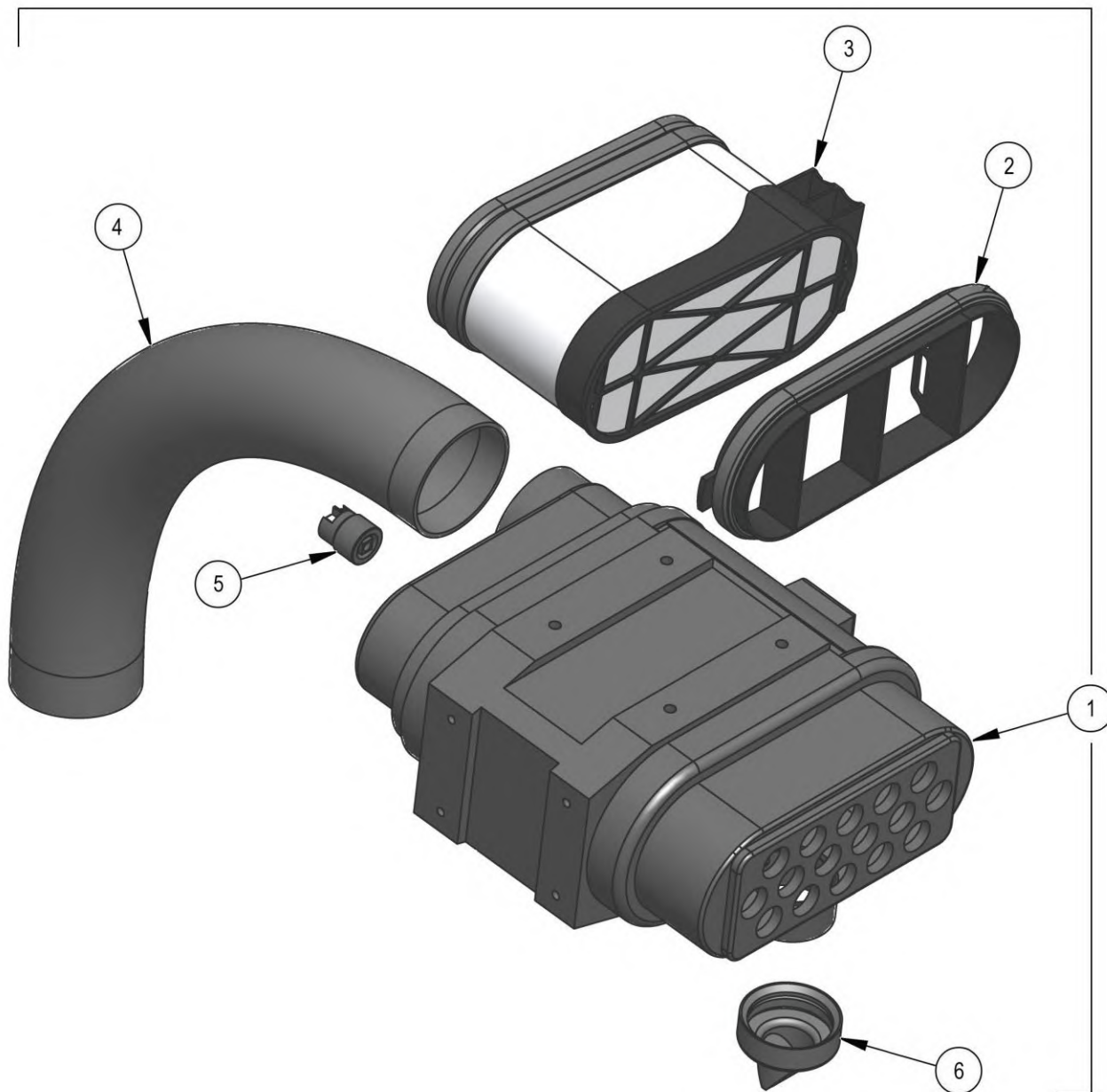
<b>REF.</b>	<b>QTY.</b>	<b>PART No.</b>	<b>DESCRIPTION</b>
			<b>COOLER ASSEMBLY</b>
1	1	AB67829P00A	RADIATOR ASSEMBLY c/o
2	1	AB68094P00P	INTERCOOLER
3	1	AB68095P00P	RADIATOR
4	2	AB02658P10C	RADIATOR JOINING PLATE
5	1	AB02654P10A	RADIATOR CLAMP PLATE
6	1	AB02665E30A	UPPER FAN COWLING
7	1	AB02663E30A	LOWER FAN COWLING
8	1	AB02804J30P	HOSE (TURBO TO CAC)
9	1	AB02803J30P	HOSE (CAC TO AIR INTAKE)
10	1	AB02801P20C	TOP HOSE
11	1	AB02802P20C	BOTTOM HOSE
12	1	AB72287P20P	HEADER TANK
13	1	AB72286G00P	CAP FOR HEADER TANK
14	1	AB72322P00P	HORIZONTAL FLOAT LEVEL
15	1	-	RADIATOR DRAIN TAP
16	1	DECAL260	DECAL - COOLANT FILL
17	12 Ltr	XP140	ANTI-FREEZE (1 LITRE)

Module(s):



REF.	QTY.	PART No.	DESCRIPTION
			<b>FUEL SYSTEM ASSEMBLY</b>
1	1	AB02726G10A	FUEL TANK (120 LITRE)
2	1	AB02730G10A	FUEL TANK LID
3	1	AB02672G20A	FILLER PIPE
4	1	HC249	FUEL HOSE
5	4	AB72382N00P	RUBBER MOUNT
6	1	AB72174G00P	FUEL SENDER / SUCTION / RETURN
7	1	AB68932E15P	FUEL FILTER ASSEMBLY
8	1	AB66034E15P	FUEL FILTER
9	1	HYD420	FUEL CAP/BREATHER ASSEMBLY
10	1	HC256	BREATHER HOSE (2.75M)
11	1	AB02672G20A	FUEL FILLER PIPE

Module(s):

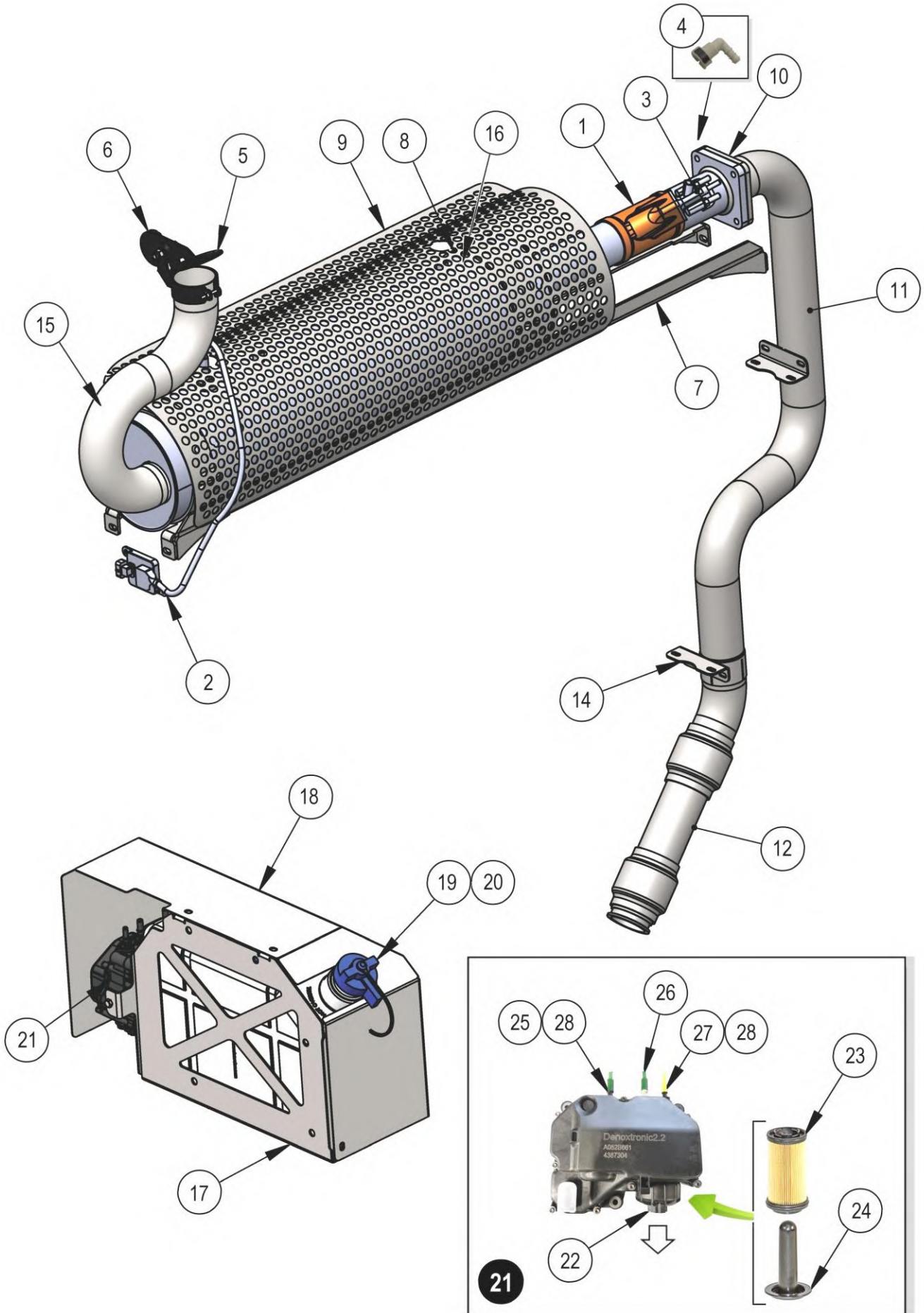


REF.	QTY.	PART No.	DESCRIPTION
1	1	AB72159D70P	<b>AIR CLEANER ASSEMBLY</b> AIR CLEANER ASSEMBLY
2	1	AB69399E15P	SAFETY FILTER ELEMENT
3	1	AB69402E15P	FILTER ELEMENT
4	1	HC273	AIR DUCTING
5	1	AB72160N00P	RESTRICTOR SENSOR
6	1	-	VACUATOR

# EXHAUST SYSTEM ASSEMBLY

**McCONNEL**

Module(s):



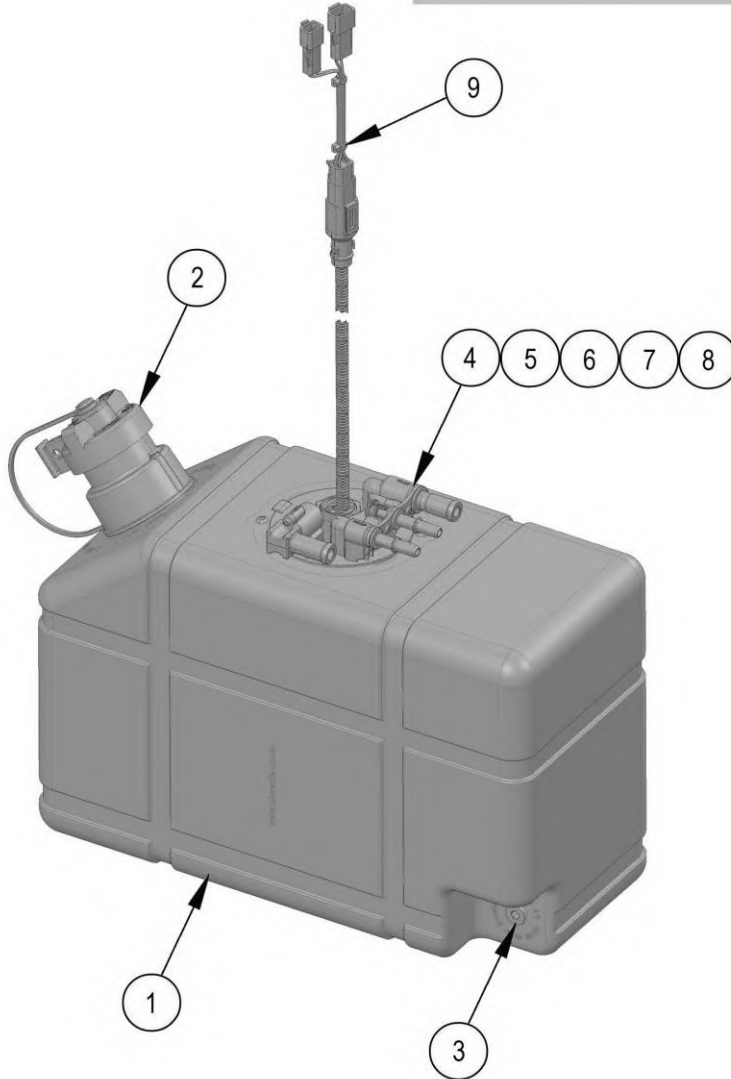
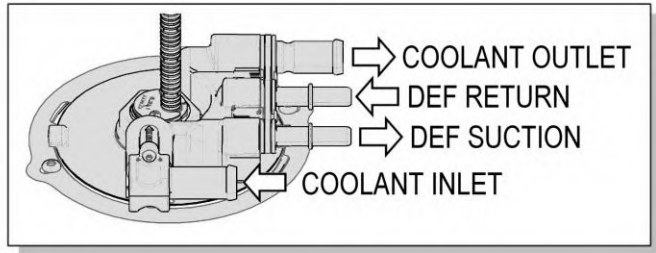
## EXHAUST SYSTEM ASSEMBLY

**McCONNEL**

Module(s):

REF.	QTY.	PART No.	DESCRIPTION
			<b>EXHAUST SYSTEM ASSEMBLY</b>
1	1	AB66050H20A	SCR & TAILPIPE
2	1	AB68905E00P	SENSOR
3	1	AB68902E00P	INJECTOR DOSER UNIT
	1	AB68903E00P	DOSER VALVE GASKET
4	2	AB72300P00P	COOLANT ELBOW (90°)
5	1	AB65963H20P	WEATHER CAP
6	1	MD67428H20C	EXHAUST CAP COUNTERBALANCE
7	1	AB02583H20A	SUPPORT ASSEMBLY
8	2	AB02747H20A	TOP CLAMP PLATE
9	1	AB65821H30A	EXHAUST GUARD
10	1	AB02590H10C	PIPE CLAMP PLATE
11	1	AB02256H10A	EXHAUST PIPE ASSEMBLY (UPPER)
12	1	AB02596H10A	EXHAUST PIPE ASSEMBLY (LOWER)
13	2	XP200-WRAP	EXHAUST WRAP
14	1	AB02559H10C	EXHAUST CLAMP BRACKET
15	1	AB02600H20A	EXHAUST TAIL PIPE
16	1	AB74241E00P	TEMPERATURE SENSOR (DPF)
17	2	AB02620G10A	DEF TANK MOUNT
18	1	AB02631G10A	DEF TANK COVER
19	1	AB68158H00A	DEF TANK ASSEMBLY (5 GALLON)
20	1	AB67570H00P	ADBLUE TANK FILTER ELEMENT
21	1	AB73113G10P	DEF SUPPLY MODULE
22	1	AB73117G10P	FILLER CAP
23	1	AB67569H00P	PUMP FILTER ELEMENT
24	1	AB73119G10P	FILTER SUPPORT
25	1	AB73114G10P	FEMALE CONNECTOR
26	1	AB73118G10P	MALE CONNECTOR
27	1	AB73116G10P	FEMALE CONNECTOR
28	2	AB73115G10P	O-RING SEAL
29	1	AB02795G00A	* PRESSURE HOSE ASSEMBLY
30	2	AB02796G00A	* SUCTION HOSE ASSEMBLY
31	1	AB66862G00A	* RETURN HOSE ASSEMBLY

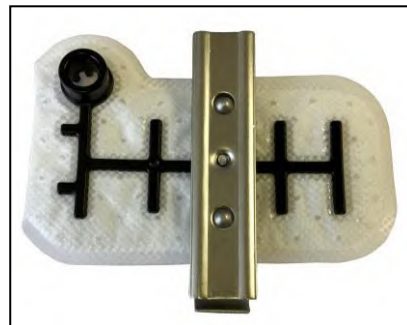
\* *not illustrated*



**Adblue Flat Filters: Identification**



Mk4 Filter (AB67570H00P)



Mk5 Filter (AB73101G10P)

Module(s): AB68158H00A

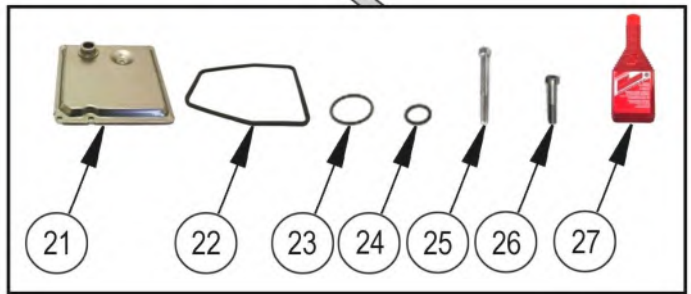
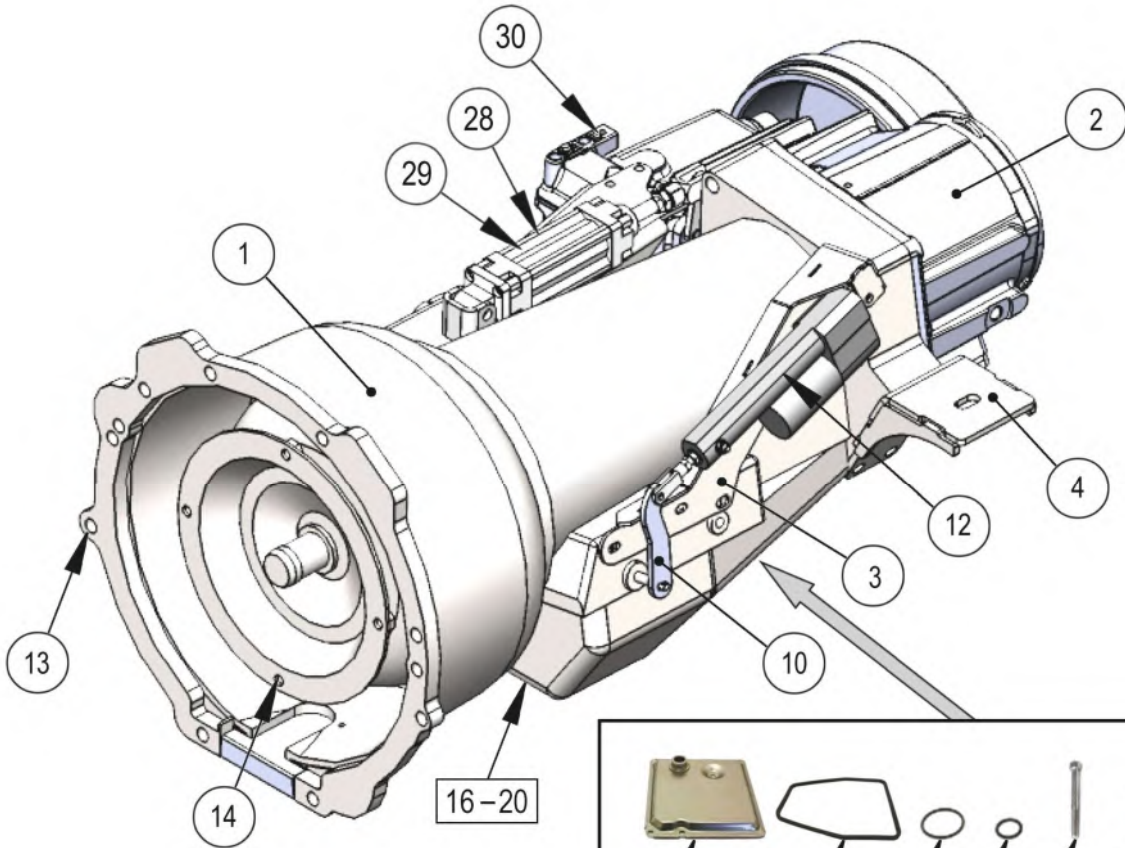
REF.	QTY.	PART No.	DESCRIPTION
		<b>AB68158H00A</b>	<b>DEF TANK ASSEMBLY (01/18 ▶)</b>
1	1	AB73102G10P	TANK AND ADAPTER DEF
2	1	AB73103G10P	DEF TANK CAP
3	1	AB73104G10P	DEF TANK DRAIN PLUG
4	1	-	MULTIFUNCTION HEAD
5	1	AB73099G10P	MULTIFUNCTION HEAD O-RING
6	1	AB73105G10P	MULTIFUNCTION HEAD SCREW KIT
7	1	AB73100G10P	SENSOR KIT DEF TANK
8	1	AB67570H00P	ADBLUE FLAT FILTER Mk4 ( <b>Builds ▶ 12/17</b> )
	1	AB73101G10P	ADBLUE FLAT FILTER Mk5 ( <b>Builds 01/18▶</b> )
9	1	AB73106G10P	ELECTRICAL ADAPTER DEF TANK



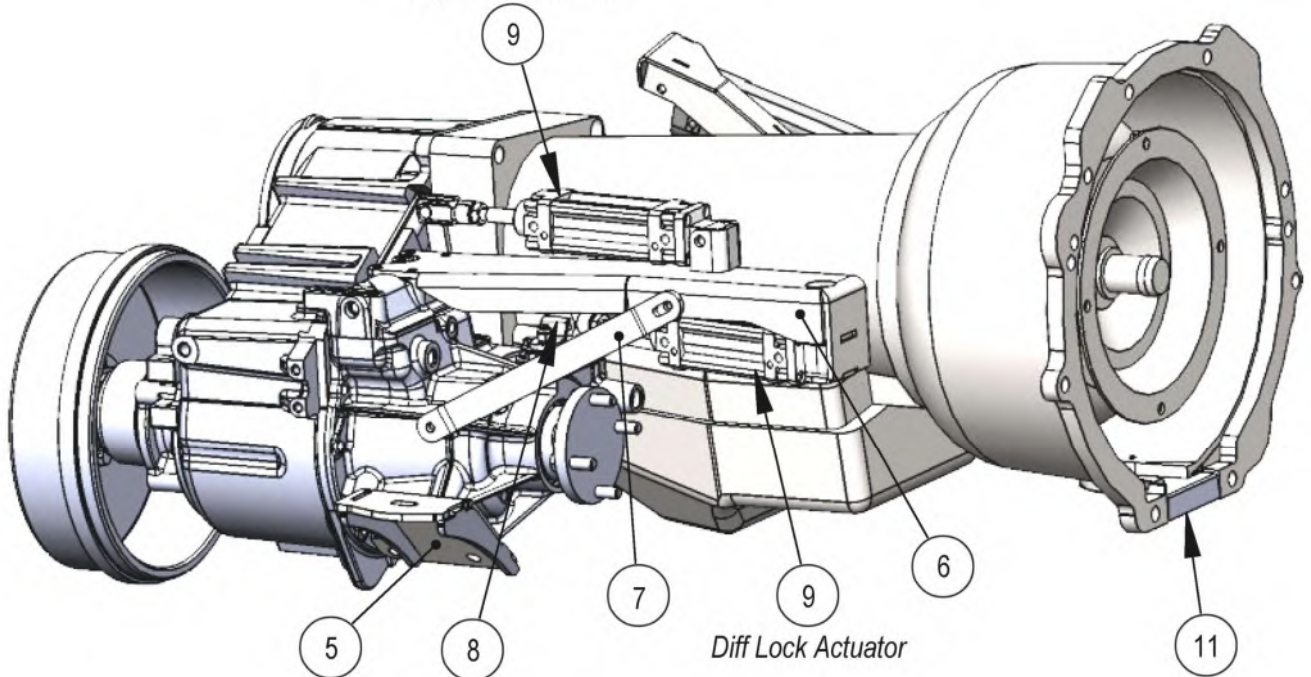
# TRANSMISSION ASSEMBLY

**McCONNEL**

Module(s): AB02847F10A



*High/Low Actuator*



*Diff Lock Actuator*

## TRANSMISSION ASSEMBLY

**McCONNEL**

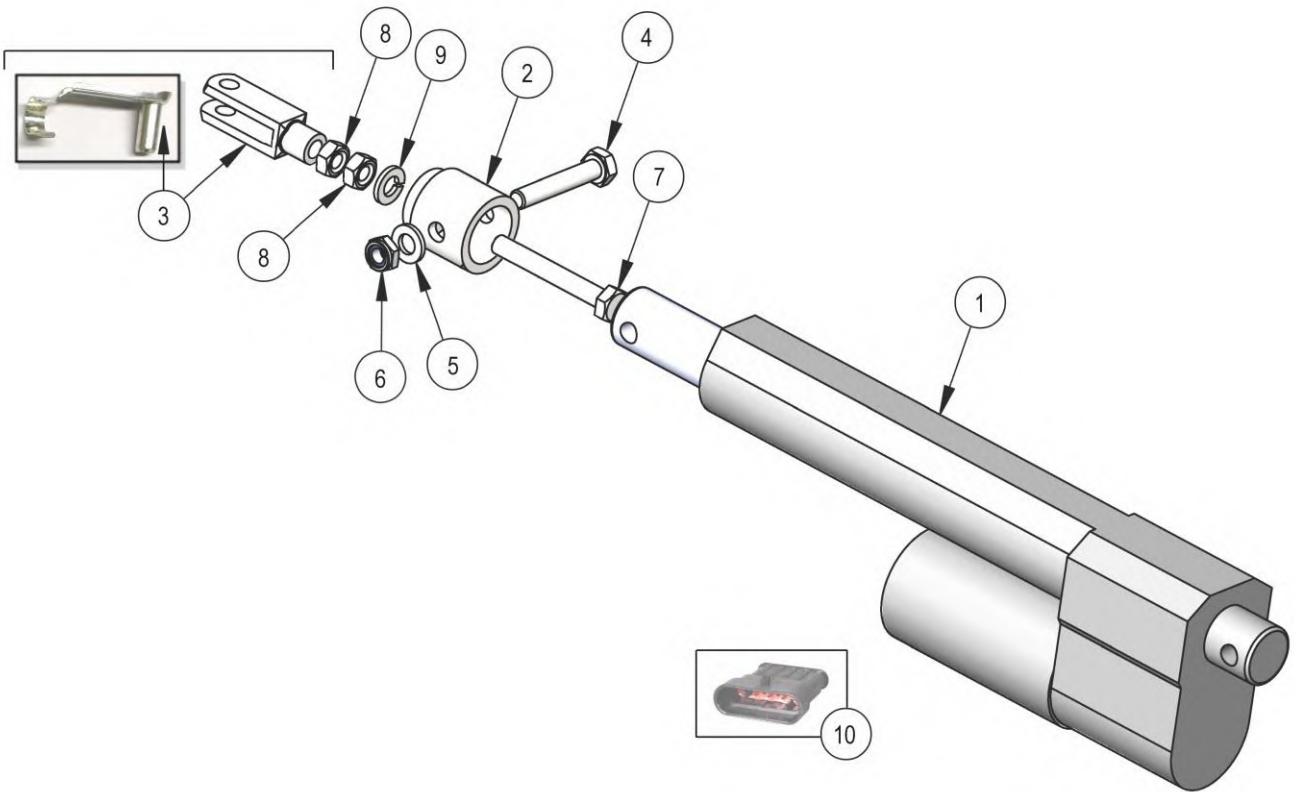
Module(s): AB02847F10A

REF.	QTY.	PART No.	DESCRIPTION
		<b>AB02847F10A</b>	<b>TRANSMISSION ASSEMBLY</b>
1	1	AB02854F00P	AUTO TRANSMISSION ASSEMBLY
2	1	AB72283F70P	TRANSFER BOX 1.4:1
3	1	AB02626B00A	GEAR ACTUATOR BRACKET
4	1	AB02577F30A	MOUNTING ASSEMBLY (LH)
5	1	AB02576F30A	MOUNTING ASSEMBLY (RH)
6	1	AB02851F75A	DIFF/RANGE BRACKET ASSEMBLY
7	1	AB02489B00C	DIFF/RANGE BRACKET BRACE
8	1	AB02850F75C	DIFF LOCK LEVER
9	2	AB68266F10P	AIR CYLINDER - DIFF/RANGE
10	1	AB02829F00C	AUTO GEARBOX LEVER
11	1	AB65822F10C	ACCESS PLATE (TORQUE CONVERTER)
12	1	AB02835F00P	GEAR ACTUATOR ASSEMBLY
13	7	M12X50CA	CAP HEAD SCREW
14	4	AB72280X00P	TORQUE BOLT
15	1	AB76006F12P	GEARBOX SUMP PLUG
		1	WASHER FOR AB76008F12P
16	1	AB76004F12P	AUTOBOX OIL DRAIN PLUG
		1	THIN WASHER FOR AB76004F12P
		1	THICK WASHER FOR AB76004F12P
17	1	AB76008F12P	AUTOBOX SUMP PLUG (LONG)
	<i>opt.</i>	AB76010F12P	COPPER WASHER FOR AB76008F12P
	<i>opt.</i>	AB76011F12P	ALUMINIUM WASHER FOR AB76008F12P
18	1	AB76009F12P	AUTOBOX OIL: SUMP PLUG
	<i>opt.</i>	AB76010F12P	COPPER WASHER FOR AB76009F12P
	<i>opt.</i>	AB76011F12P	ALUMINIUM WASHER FOR AB76009F12P
19	1	AB76012F12P	FILLER/LEVEL PLUG
20	1	AB70891E00P	SUMP PLUG (AUTOBOX)
21	1	AB70873E00P	TRANSMISSION FILTER
22	1	AB70870F00P	TRANSMISSION SUMP GASKET
23	1	AB70871E00P	O-RING
24	1	AB70878F00P	O-RING
25	1	AB70652X00P	BOLT
26	2	AB70651X00P	BOLT
27	2	XP136	LUBE GUARD
28	1	AB70866F00P	DIFF LOCK SENSOR
29	1	AB76392N00P	PNEUMATIC CYLINDER REED SWITCH
30	1	AB72918F00P	DIFF LOCK SWITCH
31	5 Ltr.	XP106A	AUTOMATIC TRANSMISSION FLUID
32	4 Ltr.	XP112	GEAR OIL (TRANSFER BOX)
33	-	XP136A	KOOLER KLEEN (392ML CAN)

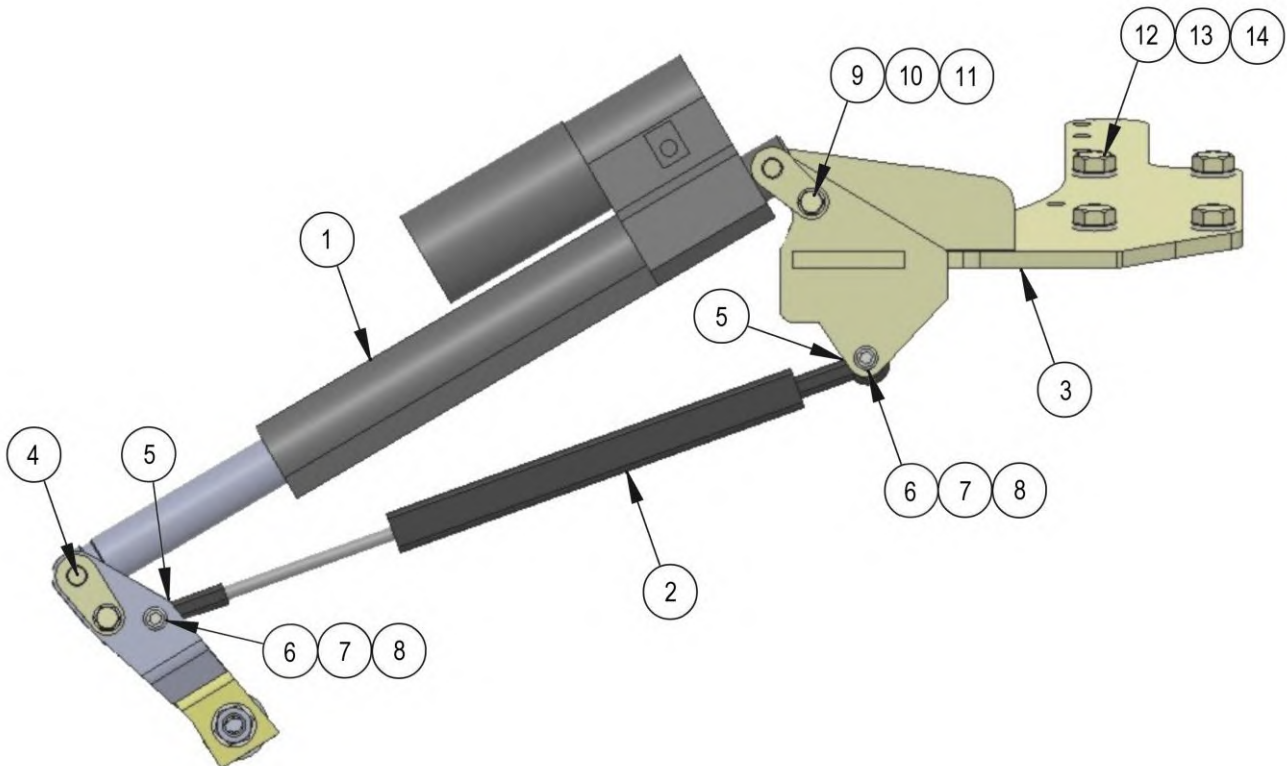
# GEAR ACTUATOR ASSEMBLY (Mk1 Version)

**McCONNEL**

Module(s): AB02835F00A



REF.	QTY.	PART No.	DESCRIPTION
		<b>AB02835F00A</b>	<b>GEAR ACTUATOR ASSEMBLY</b>
1	1	AB02830F00P	GEAR POSITION ACTUATOR
2	1	AB66751F00A	GEAR ACTUATOR ADAPTOR
3	1	AB71302N00P	CLEVIS
4	1	M6X35HB	BOLT
5	2	M6W	WASHER
6	1	M6LN	NYLOC NUT
7	1	M6X50SS	BOLT
8	2	M6FN	NUT
9	1	M6SW	SPRING WASHER
10	1	AB69333N00P	5-WAY SOCKET

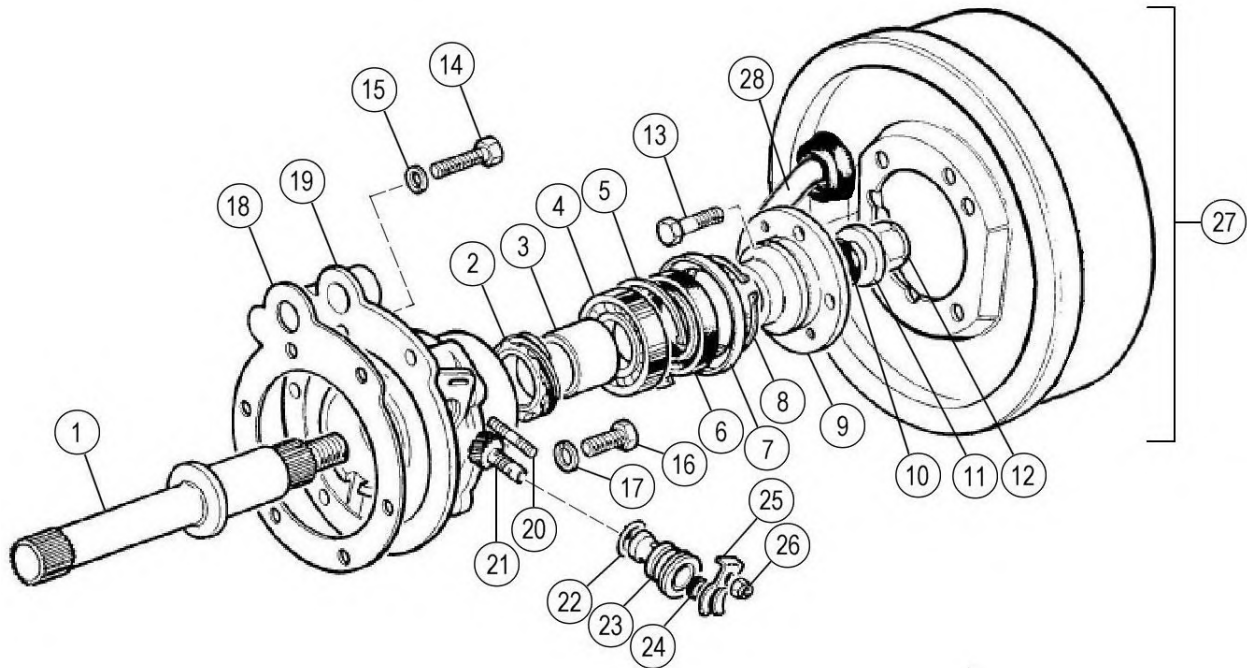


REF.	QTY.	PART No.	DESCRIPTION
		<b>AB73635F12K</b>	<b>GEAR ACTUATOR ASSEMBLY (Mk2)</b>
1	1	AB72619F00P	LINEAR ACTUATOR
2	1	AB72629N00P	LINEAR POTENTIOMETER
3	1	AB71962F00A	GEAR SELECTOR BRACKET
4	2	AB71951F00A	PIN
5	4	AB72781X12P	SPACER
6	2	MD51810X10S	CAPSCREW
7	4	AB72238X00P	WASHER
8	2	AB70605X00P	NYLOC NUT
9	2	AB70629X00P	SETSCREW
10	2	AB72242X00P	WASHER
11	2	AB72240X00P	NYLOC NUT
12	4	AB72255X00P	BOLT
13	4	AB72250X00P	WASHER
14	4	AB70656X00P	SPRING WASHER

# TRANSFER BOX – REAR OUTPUT

**McCONNEL**

Module(s): AB72283F70P

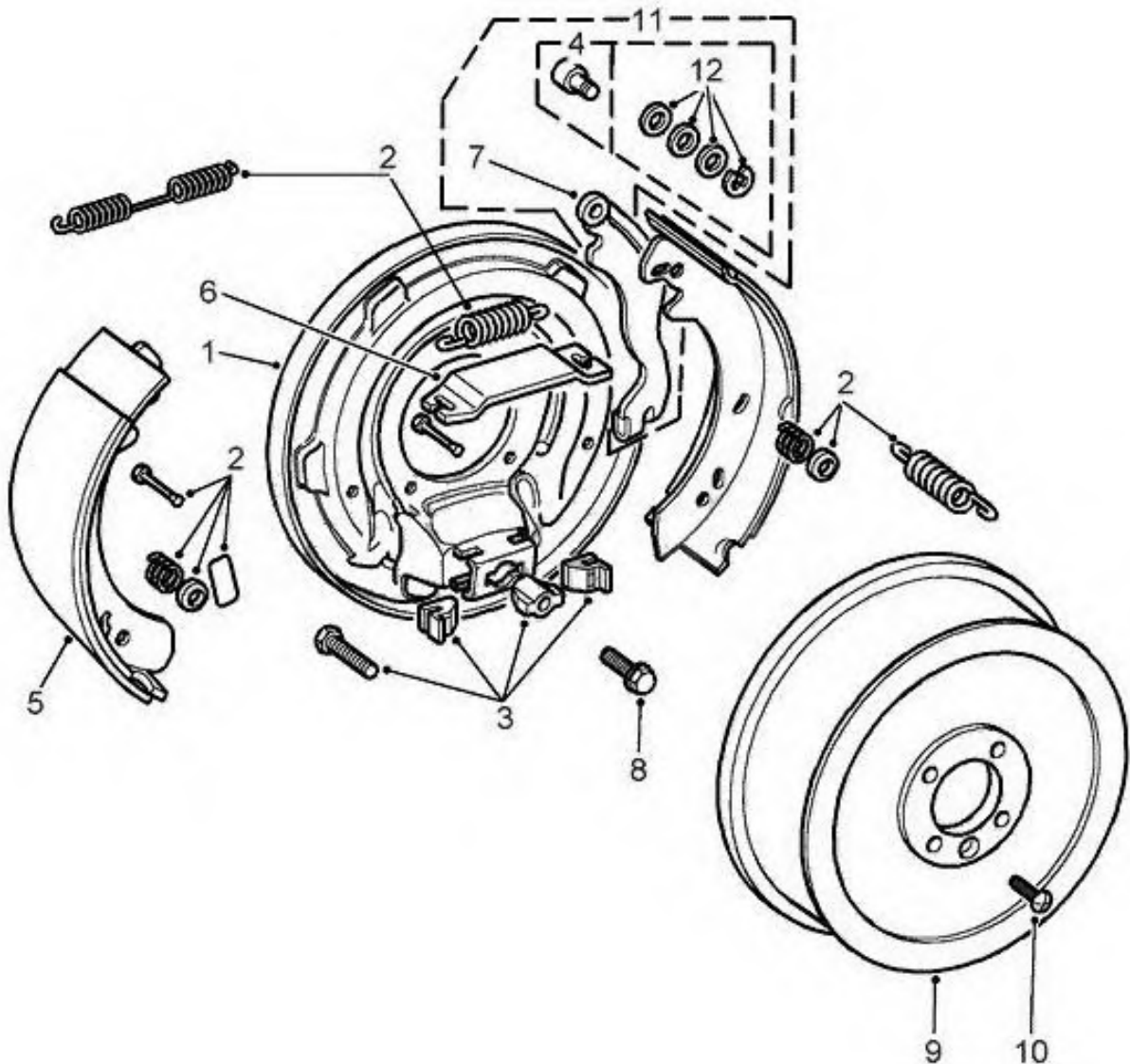


REF.	PART No.	DESCRIPTION
	<b>AB72283F70P</b>	<b>TRANSFER BOX (REAR OUTPUT)</b>
1	AB68329F70P	REAR OUTPUT SHAFT
2	AB68330F70P	WORM - SPEEDO
3	AB68331F70P	SPACER
4	AB68332X45P	BEARING
5	AB68333X25P	CIRCLIP
6	AB68324X50P	OIL SEAL
7	AB68334F70P	SHIELD – OIL
8	AB68335X25P	CIRCLIP
9	AB70888F00P	REAR OUTPUT FLANGE
10	AB68337X50P	SEALING WASHER
11	AB68338X50P	WASHER
12	AB68339X20P	NUT
13	AB68340X10P	BOLT
14	AB68341X10P	BOLT
15	AB68342X50P	WASHER
16	AB68343X10P	BOLT
17	AB68344X50P	WASHER
18	-	SEALANT
19	AB68345F70P	SPEEDO HOUSING
20	AB68346F70P	STUD
21	AB68325F70P	GEAR – SPEEDO DRIVE
22	AB68326X50P	O-RING
23	AB68327F70P	HOUSING
24	AB68328X50P	OIL SEAL
25	AB68347F70P	RETAINING PLATE
26	AB68348X20P	NUT
27	AB68349F70P	HANDBRAKE ASSEMBLY
28	AB72289L00P	CABLE (SHORT)
29	AB70888F00P	OUTPUT FLANGE REAR KIT (Incl. 6,7,9,10,11,12)

# HANDBRAKE ASSEMBLY

**McCONNEL**

Module(s): AB68349F70P

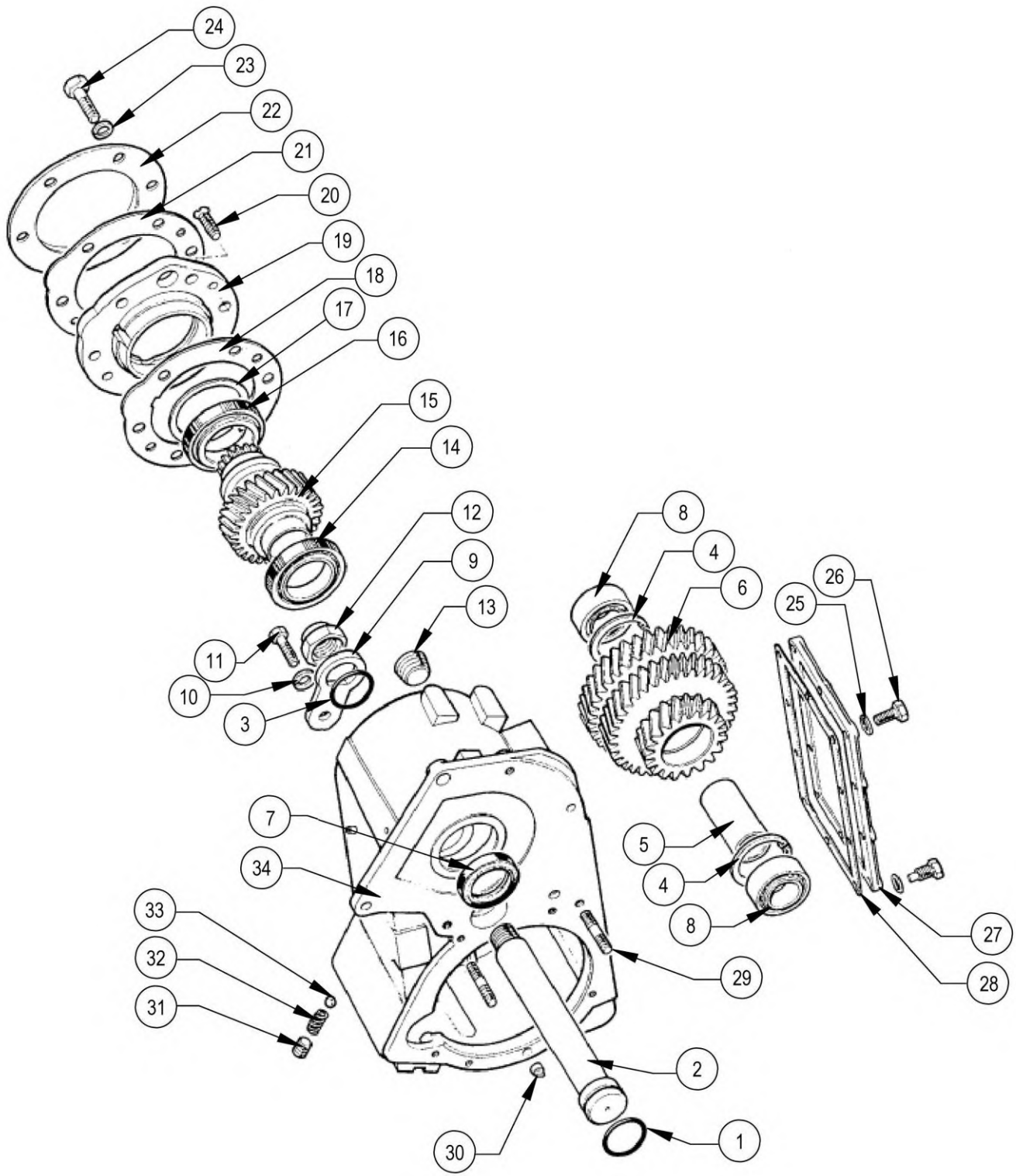


REF.	PART No.	DESCRIPTION
	<b>AB68349F70P</b>	<b>HANDBRAKE ASSEMBLY</b>
1	AB68318F70P	PARKING BRAKE BACKPLATE
2	AB68319F70P	SHOE RETENTION KIT
3	AB68311F70P	PARKING BRAKE ADJUSTER ASSY.
4	N/A	N/A
5	AB72282L00P	BRAKE SHOES KIT
6	N/A	N/A
7	N/A	N/A
8	N/A	N/A
9	AB70833L00P	BRAKE DRUM
10	2770435	COUNTERSUNK SCREW
11	AB68322F70P	REAR BRAKE LEVER KIT
12	AB68323F70P	SHOE RETENTION WASHER KIT

# TRANSFER BOX – MAIN GEARS

**McCONNEL**

Module(s): AB72283F70P



Module(s): AB72283F70P

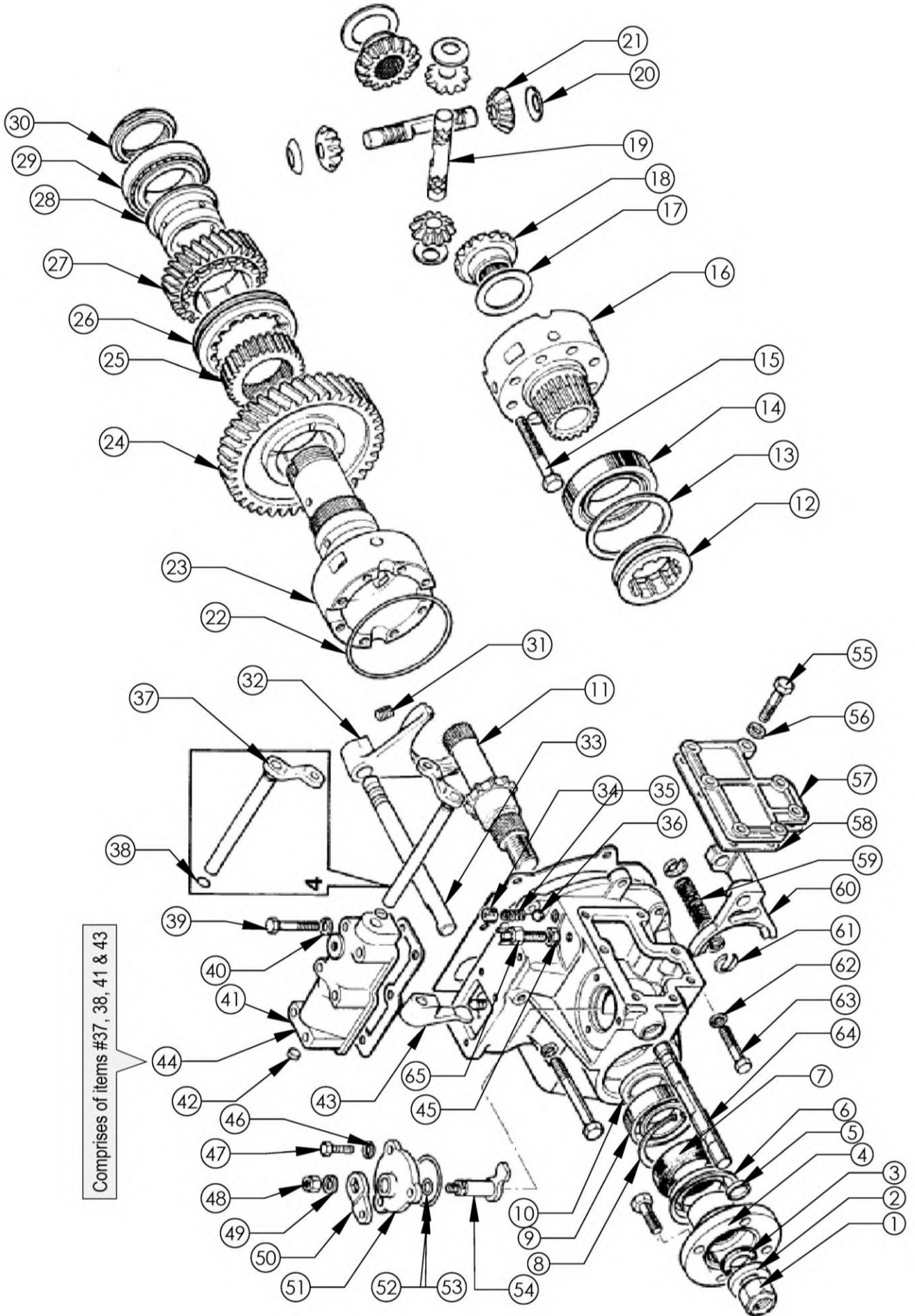
REF.	PART No.	DESCRIPTION
	<b>AB72283F70P</b>	<b>TRANSFER BOX - MAIN GEARS</b>
1	AB77227F70P	O-RING
2	AB77224F70P	INTERMEDIATE SHAFT
3	AB77228F70P	O-RING
4	-	CIRCLIP
5	-	SPACER
6	-	INTERMEDIATE GEAR
7	AB70846F00P	OIL SEAL
8	AB77225F70P	BEARING
9	-	PLATE
10	-	WASHER
11	-	BOLT
12	AB77226F70P	NUT
13	-	PLUG
14	-	BEARING
15	-	GEAR
16	-	BEARING
17	-	SHIM (Various - 3.15-4mm)
18	-	LIQUID GASKET ONLY
19	-	HOUSING
20	-	SCREW
21	-	LIQUID GASKET ONLY
22	-	COVER
23	-	SPRING WASHER
24	-	BOLT
25	-	WASHER
26	-	BOLT
27	-	BOTTOM COVER
28	-	LIQUID GASKET ONLY
29	-	STUD
30	-	DOWEL
31	-	DETENT - PLUG
32	-	DETENT - SPRING
33	-	DETENT - BALL
34	-	HOUSING



# TRANSFER BOX – FRONT OUTPUT

**McCONEL**

Module(s): AB72283F70P



Comprises of items #37, 38, 41 & 43

## TRANSFER BOX – FRONT OUTPUT

**McCONNEL**

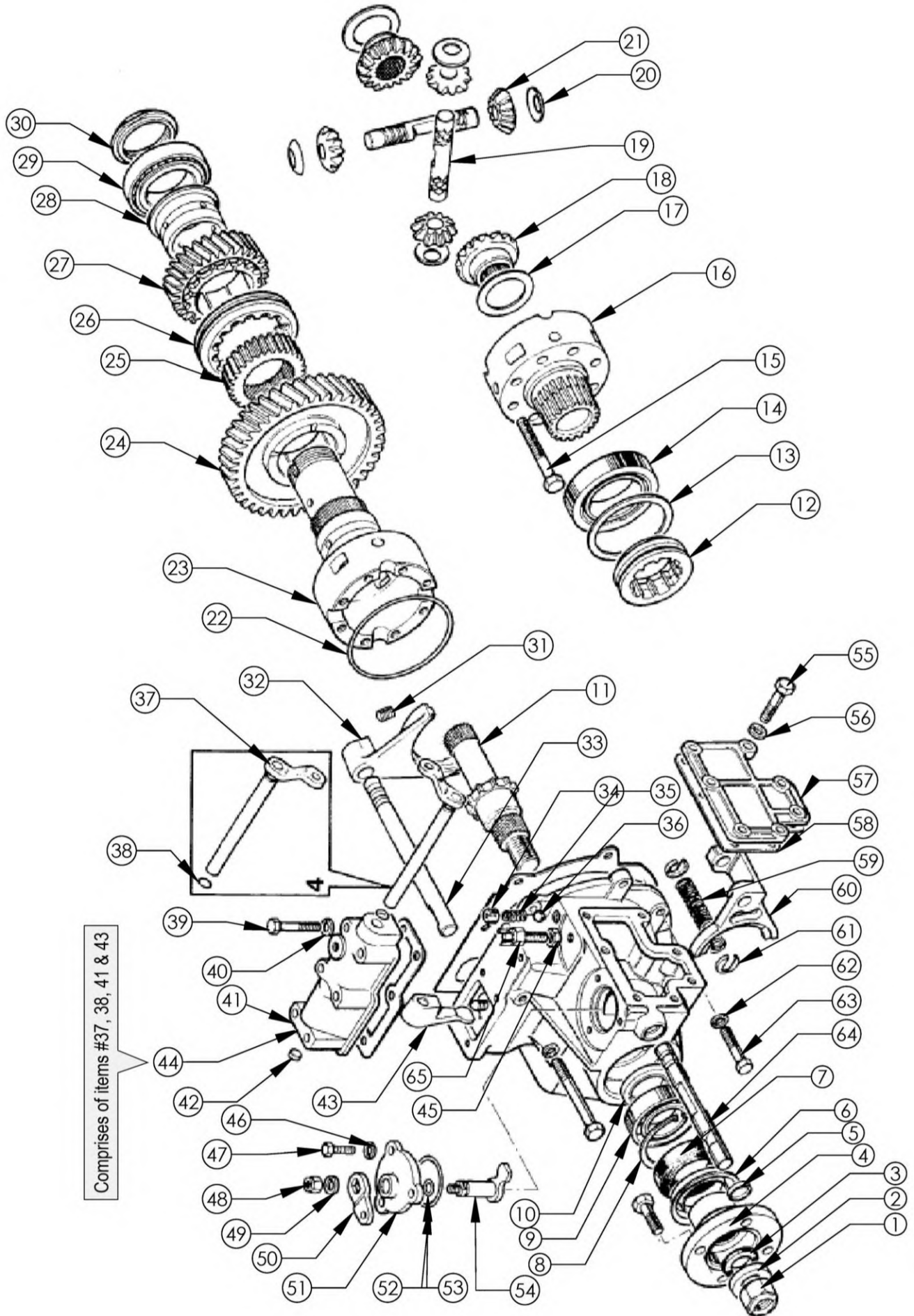
Module(s): AB72283F70P

REF.	PART No.	DESCRIPTION
	<b>AB72283F70P</b>	<b>TRANSFER BOX - FRONT OUTPUT</b>
1	277040	NUT
2	-	WASHER
3	-	SEALING WASHER
4	AB75964F00P	FRONT OUTPUT FLANGE
5	-	PLUG
6	-	MUD SHIELD
7	AB70840F00P	OIL SEAL
8	-	CIRCLIP
9	-	BEARING
10	-	SPACER
11	-	FRONT OUTPUT SHAFT
12	-	COLLAR
13	-	WASHER
14	-	BEARING
15	-	BOLT
16	-	FRONT DIFFERENTIAL UNIT
17	-	RETAINING RING
18	-	BEVEL GEAR
19	-	PINION SHAFT
20	-	DISH WASHER
21	-	PINION GEAR
22	-	O-RING
23	-	REAR DIFFERENTIAL UNIT
24	-	GEAR
25	-	H/LO HUB
26	-	H/LO SLEEVE
27	-	GEAR
28	-	BUSH
29	-	BEARING
30	-	NUT
31	AB76649F00P	GRUB SCREW
32	AB70837E00P	SELECTOR FORK
33	AB76342F70P	SELECTOR SHAFT
34	-	DETENT - PLUG
35	-	DETENT - SPRING
36	-	DETENT - BALL
37	AB76651F00P	OPERATING ARM
38	-	O-RING
39	-	BOLT
40	-	WASHER
41	-	HOUSING
42	-	GRUB SCREW
43	AB76650F00P	SELECTOR FORK
44	AB70851F00P	HIGH/LOW SELECT ASSEMBLY (Incl. 37, 38, 41 & 43)

# TRANSFER BOX – FRONT OUTPUT

**McCONEL**

Module(s): AB72283F70P



Comprises of items #37, 38, 41 & 43

## TRANSFER BOX – FRONT OUTPUT

**McCONNEL**

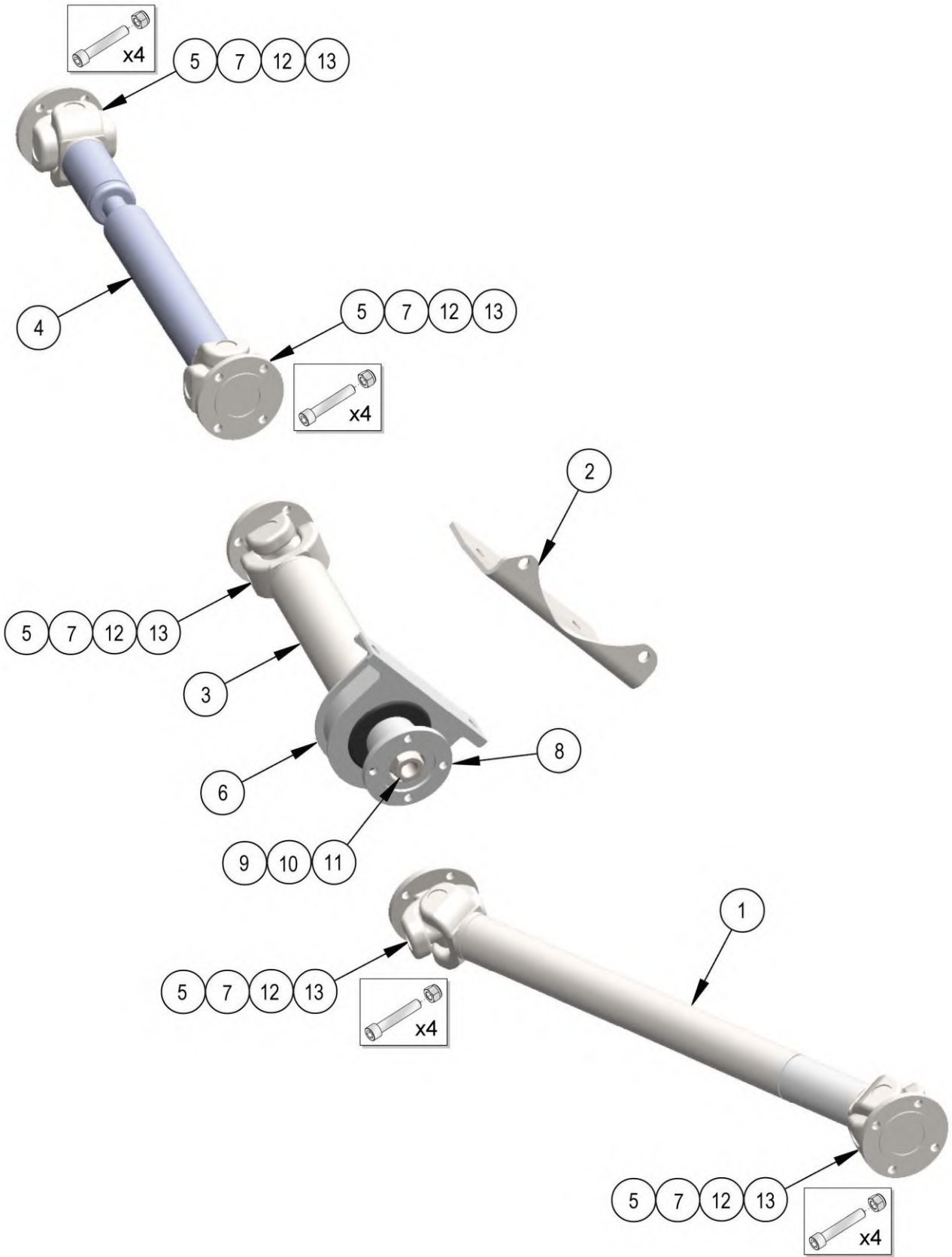
Module(s): AB72283F70P

REF.	PART No.	DESCRIPTION
	<b>AB72283F70P</b>	<b>TRANSFER BOX - FRONT OUTPUT (Con'd)</b>
45	-	NUT
46	-	WASHER
47	-	BOLT
48	-	NUT
49	-	WASHER
50	-	LEVEL
51	-	HOUSING
52	-	O-RING
53	-	O-RING
54	-	PIVOT SHAFT
55	-	BOLT
56	-	WASHER
57	-	COVER
58	-	LIQUID GASKET ONLY
59	-	DIFF LOCK SPRING
60	-	SELECTOR FORK
61	-	CLIP
62	-	WASHER
63	-	BOLT
64	-	SELECTOR SHAFT
65	AB70866F00P	SWITCH (DIFF LOCK)

# PROPSHAFT ASSEMBLY

**McCONNEL**

Module(s):



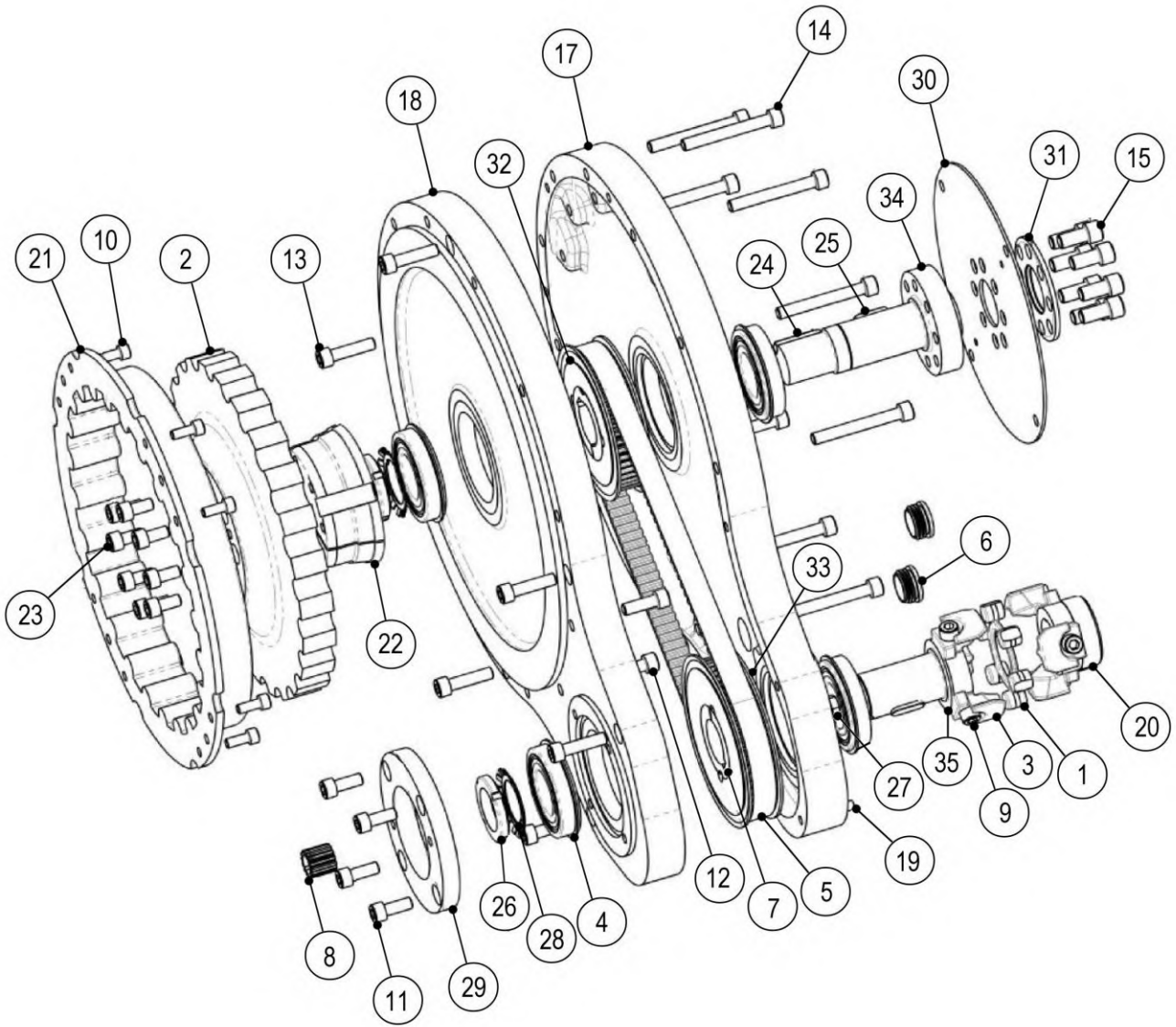
Module(s):

REF.	QTY.	PART No.	DESCRIPTION
			<b>PROPSHAFT ASSEMBLY</b>
1	1	AB02222F50A	FRONT PROPSHAFT
2	1	AB02683F60C	PROP BEARING BRACKET
3	1	AB02213F50A	CENTRE PROPSHAFT
4	1	AB02604F50A	REAR PROPSHAFT
5	5	AB68461E00P	U JOINT ( WIDE ANGLE )
6	1	AB67576F50P	CENTRE PROPSHAFT BEARING
7	5	AB68304F50P	PROPSHAFT FLANGE
8	1	AB68305F50P	CENTRE PROPSHAFT FRONT FLANGE
9	1	AB68306X20P	PROPSHAFT FLANGE NUT
10	1	AB68307X30P	PROPSHAFT FLANGE WASHER
11	1	AB68308X40P	COTTER PIN
12	16	AB68309X10P	SOCKET HEAD CAPSCREW
13	16	AB68310X20P	NYLOC NUT

# HYD. COMPRESSOR DRIVE ASSEMBLY (Mk2)

Module(s): AB66955E50P

**McCONEL**



Module(s): AB66955E50P

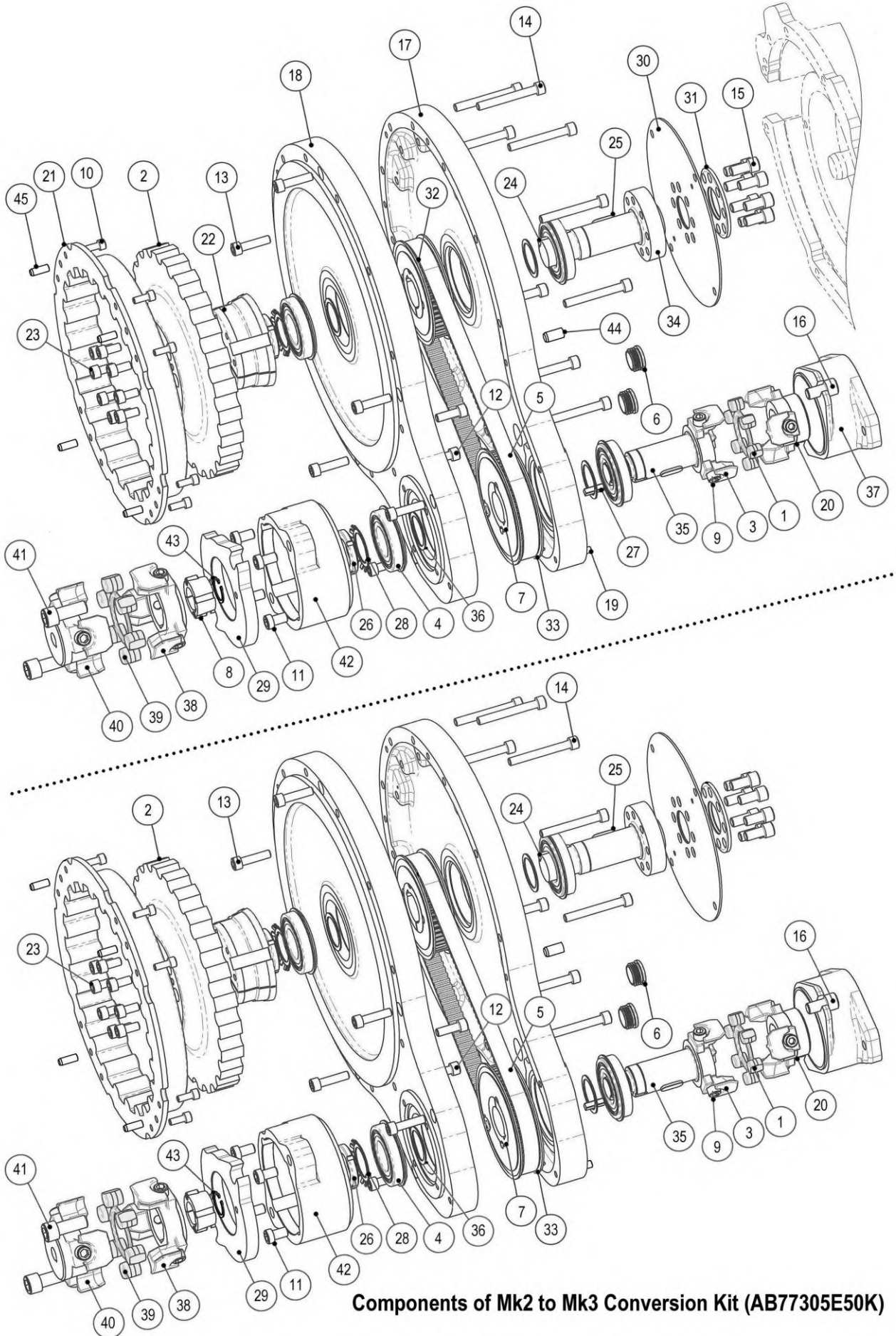
REF.	QTY.	PART No.	DESCRIPTION
		<b>AB66955E50P</b>	<b>BELT BOX ASSEMBLY (Mk2)</b>
1	1	AB66796L10P	CENTAFLEX-B-098 HYTREL ELEMENT
2	1	AB76023F00P	CM-800 ELEMENT
3	3	AB72403E50P	CF-B-98 RADIAL DOG
4	4	AB74116F00P	BEARING
5	1	AB74119F00P	BELT
6	2	AB76022F00P	PLASTIC PLUG
7	2	AB74115F00P	TAPER LOCK PULLEY BUSH
8	1	-	SPLINED BUSH
9	3	AB72404E50P	CAPSCREW
10	8	-	CAPSCREW
11	4	-	CAPSCREW
12	2	-	CAPSCREW
13	6	AB76020F00P	CAPSCREW
14	9	AB76021F00P	CAPSCREW
15	8	-	CAPSCREW
16	2	-	CAPSCREW
17	1	-	TRANSMISSION SIDE BELTBOX CASTING
18	1	-	ENGINE SIDE BELTBOX CASTING
19	2	-	DOWEL PIN
20	1	-	CENTAFLEX-B HUB
21	1	-	FLANGE
22	1	AB76019F00P	HUB
23	8	-	CAPSCREW
24	1	AB74110F00P	PARALLEL KEY (ROUNDED ONE END)
25	2	AB74109F00P	PARALLEL KEY (ROUNDED BOTH ENDS)
26	2	AB74112F00P	LOCKING NUT
27	1	AB77264F00P	PARALLEL KEY
28	2	AB74118F00P	LOCKING WASHER
29	1	-	PUMP ADAPTOR PLATE
30	1	AB66761F00P	FLEX PLATE (10 Hole) Builds to 26/07/16
		AB67630F00P	FLEX PLATE (8 Hole) Builds 27/07/16 onward
31	1	AB77267F00P	CLAMP PLATE
32	1	-	50T PULLEY
33	1	-	56T PULLEY
34	1	AB77266F00P	SHAFT (ENGINE SHAFT)
35	1	AB74178F00P	SHAFT (PUMP/COMPRESSOR SIDE)
36	*	AB67631F00P	SHIM 1.2mm - Qty. as req'd in multiples of 2
	*	AB67632F00P	SHIM 2.0mm - Qty. as req'd in multiples of 2
37	1	AB77407F00P	HOUSING/SPACER



# HYD. COMPRESSOR DRIVE ASSEMBLY (Mk3)

Module(s): AB68281E50P

# McCONEL



Components of Mk2 to Mk3 Conversion Kit (AB77305E50K)

## HYD. COMPRESSOR DRIVE ASSEMBLY (Mk3)

**McCONNEL**

Module(s): AB68281E50P

REF.	QTY.	PART No.	DESCRIPTION
		<b>AB68281E50P</b>	<b>BELT BOX ASSEMBLY (Mk3)</b>
1	1	AB66796L10P	CENTAFLEX-B-098 HYTREL ELEMENT
2	1	AB76023F00P	CM-800 ELEMENT
3	6	AB72403E50P	CF-B-98 RADIAL DOG
4	4	AB74116F00P	BEARING
5	1	AB74119F00P	BELT
6	2	AB76022F00P	PLASTIC PLUG
7	2	AB74115F00P	TAPER LOCK PULLEY BUSH
8	1	AB74061F00P	TAPER BUSH
9	6	AB72404E50P	CAPSCREW
10	8	-	CAPSCREW
11	4	AB77035F00P	CAPSCREW
12	2	-	CAPSCREW
13	6	AB76020F00P	CAPSCREW
14	9	AB76021F00P	CAPSCREW
15	8	-	CAPSCREW
16	2	-	CAPSCREW
17	1	-	TRANSMISSION SIDE BELTBOX CASTING
18	1	-	ENGINE SIDE BELTBOX CASTING
19	2	-	DOWEL PIN
20	1	-	CENTAFLEX-B HUB
21	1	-	FLANGE
22	1	AB76019F00P	HUB
23	8	-	CAPSCREW
24	1	AB74110F00P	PARALLEL KEY (ROUNDED ONE END)
25	2	AB74109F00P	PARALLEL KEY (ROUNDED BOTH ENDS)
26	2	AB74112F00P	LOCKING NUT
27	1	AB77264F00P	PARALLEL KEY
28	2	AB77265F00P	LOCKING WASHER
29	1	AB77034F00P	PUMP ADAPTOR PLATE
30	1	AB66761F00P	FLEX PLATE (10 Hole) <b>Builds to 26/07/16</b>
	1	AB67630F00P	FLEX PLATE (8 Hole) <b>Builds 27/07/16 onward</b>
31	1	AB77267F00P	CLAMP PLATE
32	1	-	50T PULLEY
33	1	-	56T PULLEY
34	1	AB77266F00P	SHAFT (ENGINE SHAFT)
35	1	AB74113F00P	SHAFT (PUMP/COMPRESSOR SIDE)
36	*	AB67631F00P	SHIM 1.2mm - Qty. as req'd in multiples of 2
	*	AB67632F00P	SHIM 2.0mm - Qty. as req'd in multiples of 2
37	1	AB77407F00P	HOUSING/SPACER
38	1	AB74062F00P	HUB & JAWS (TAPER BUSH)
39	1	AB74063F00P	ELEMENT FOR CF-B-120
40	1	AB76696F00P	HUB & JAWS 1:5 TAPER
41	2	AB77036F00P	CAPSCREW
42	1	AB77033F00P	PUMP SPACER
43	1	-	EXTERNAL CIRCLIP
44	2	-	HARDENED DOWEL
45	4	-	HARDENED DOWEL

# FRONT BRAKE ASSEMBLY (Euro builds only)

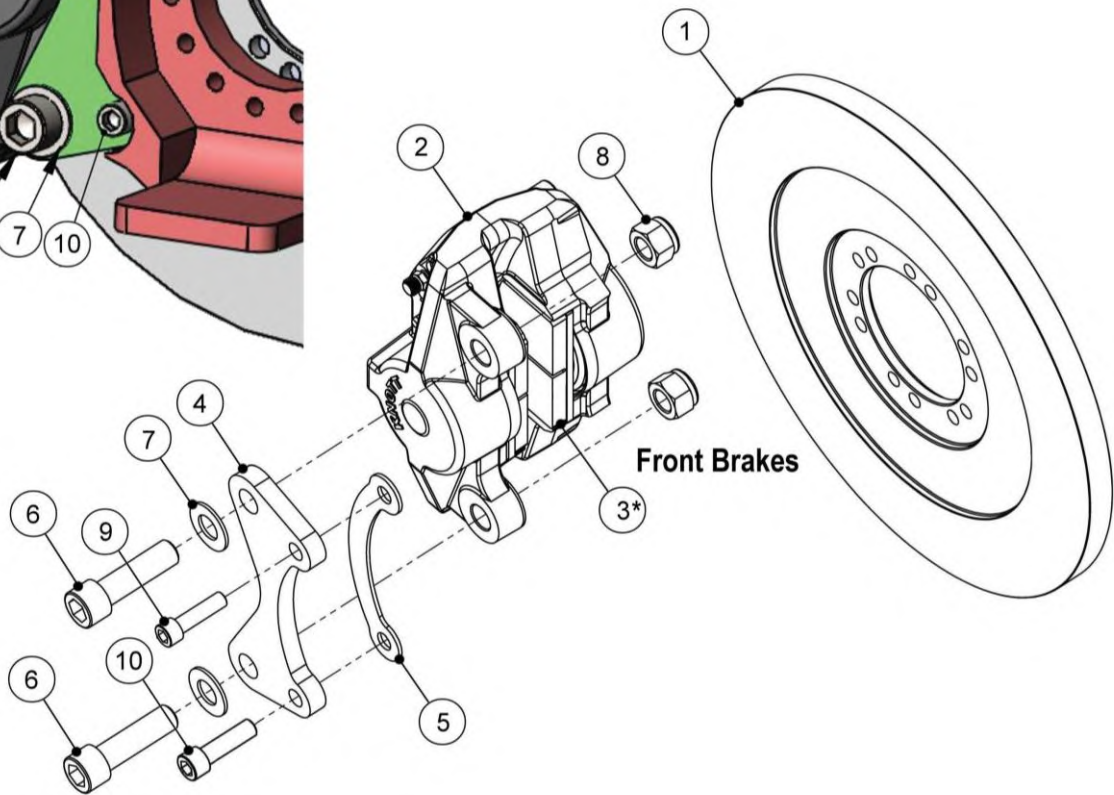
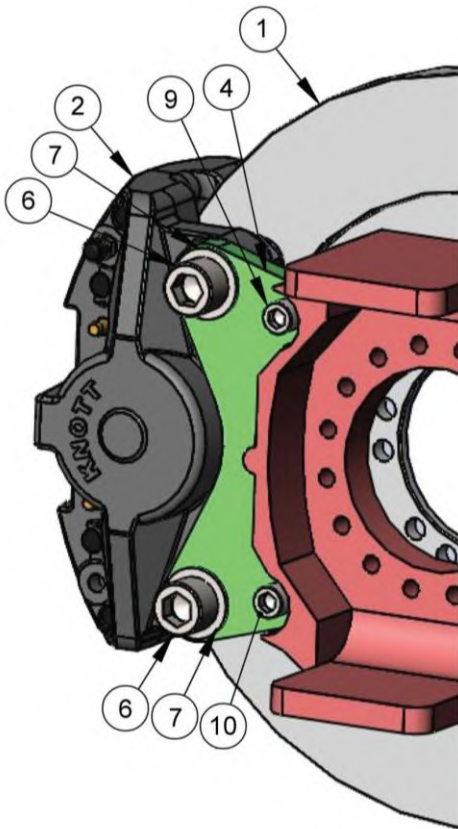
**McCONNEL**

Module(s): AB66283C00A



**EURO builds only**  
 Brake components for UK builds are shown on Axle & Steering Hub pages.

\* Front brake pads: 2 per wheel / 4 per axle  
 Part Number AB67593L30P is a single pad



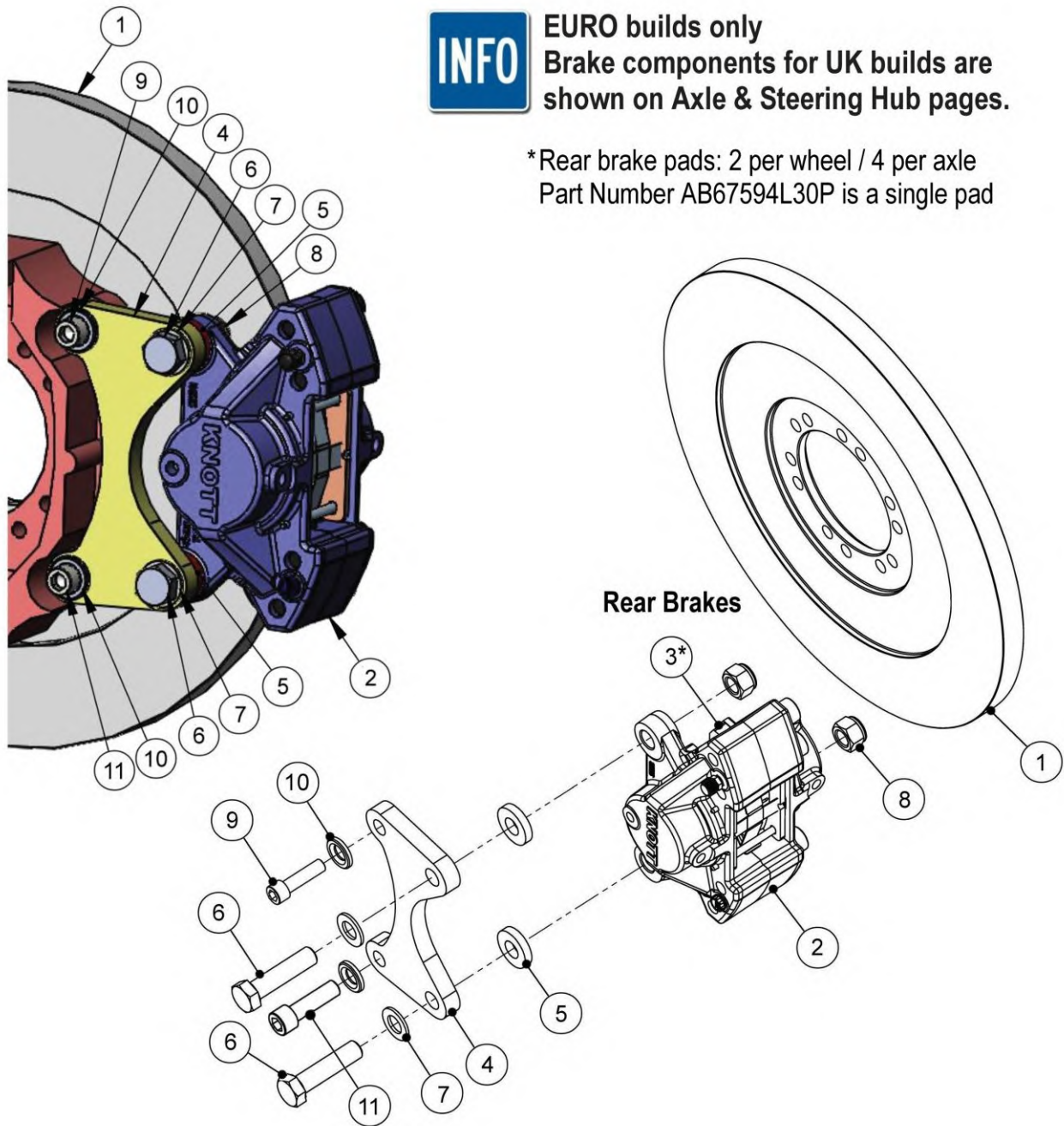
REF.	QTY.	PART No.	DESCRIPTION
		<b>AB66283C00A</b>	<b>FRONT BRAKE ASSEMBLY (EURO VERSION)</b>
1	1	AB66278C00C	BRAKE DISC (EURO 425mm)
2	1	AB66284C00P	FRONT BRAKE CALIPER (EURO)
3	1	AB67593L30P	FRONT BRAKE PAD SET (EURO)
4	1	AB66279C00C	CALIPER ADAPTOR PLATE
5	1	AB66281C00C	CALIPER ADAPTOR SHIM
6	2	MD66275X00S	SOCKET CAP SCREW
7	2	MD40556X30S	WASHER
8	2	MD40020X20S	NYLOC NUT
9	1	AB72730X00P	CAPHEAD BOLT
10	1	AB72731X00P	CAPHEAD BOLT
11	1	AB68215L00P	BRAKE HOSE ( <i>not illustrated</i> )

Module(s): AB66284C00A (R)



**EURO builds only**  
 Brake components for UK builds are shown on Axle & Steering Hub pages.

\*Rear brake pads: 2 per wheel / 4 per axle  
 Part Number AB67594L30P is a single pad

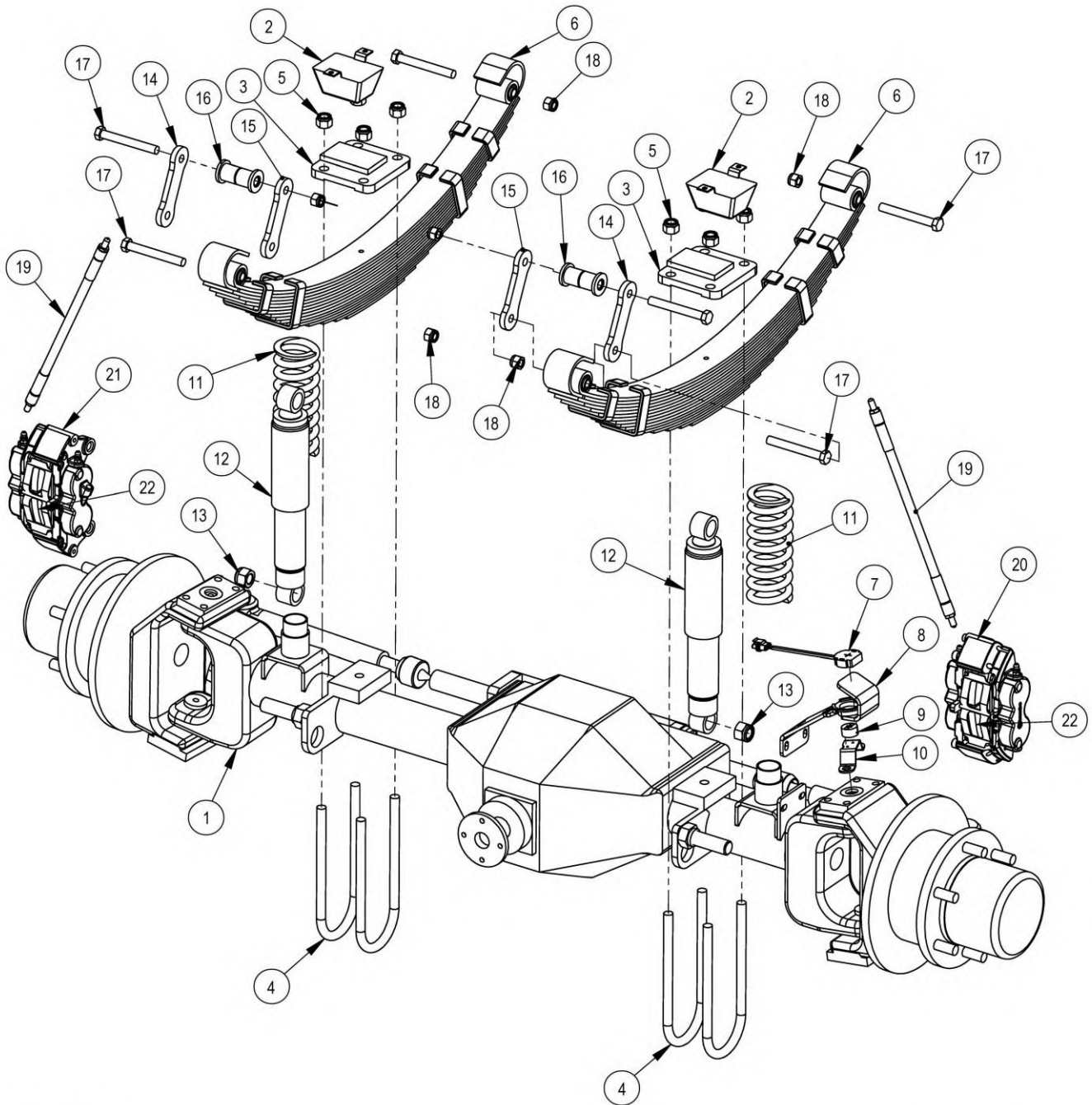


REF.	QTY.	PART No.	DESCRIPTION
		<b>AB66284C00A</b>	<b>REAR BRAKE ASSEMBLY (EURO VERSION)</b>
1	1	AB66278C00C	BRAKE DISC (EURO 425mm)
2	1	AB66285C00P	REAR BRAKE CALIPER (EURO)
3	1	AB67594L30P	REAR BRAKE PAD SET (EURO)
4	1	AB66280C00C	CALIPER ADAPTOR PLATE
5	2	AB66282C00C	CALIPER SPACER
6	2	MD66273X10C	BOLT
7	2	MD62557X30S	WASHER
8	2	MD40019X20S	NYLOC NUT
9	1	AB72730X00P	CAPHEAD BOLT
10	2	MD62309X30S	HARDENED WASHER
11	1	AB72731X00P	CAPHEAD BOLT
12	1	AB68215L00P	BRAKE HOSE (not illustrated)

# FRONT AXLE ASSEMBLY

Module(s): AB65811C20A

**McCONEL**



Brake components here are for UK build machines only - for EURO build brake components refer to the specific EURO Front brake page Module: AB66283C00A

# FRONT AXLE ASSEMBLY

# McCONNEL

Module(s): AB65811C20A

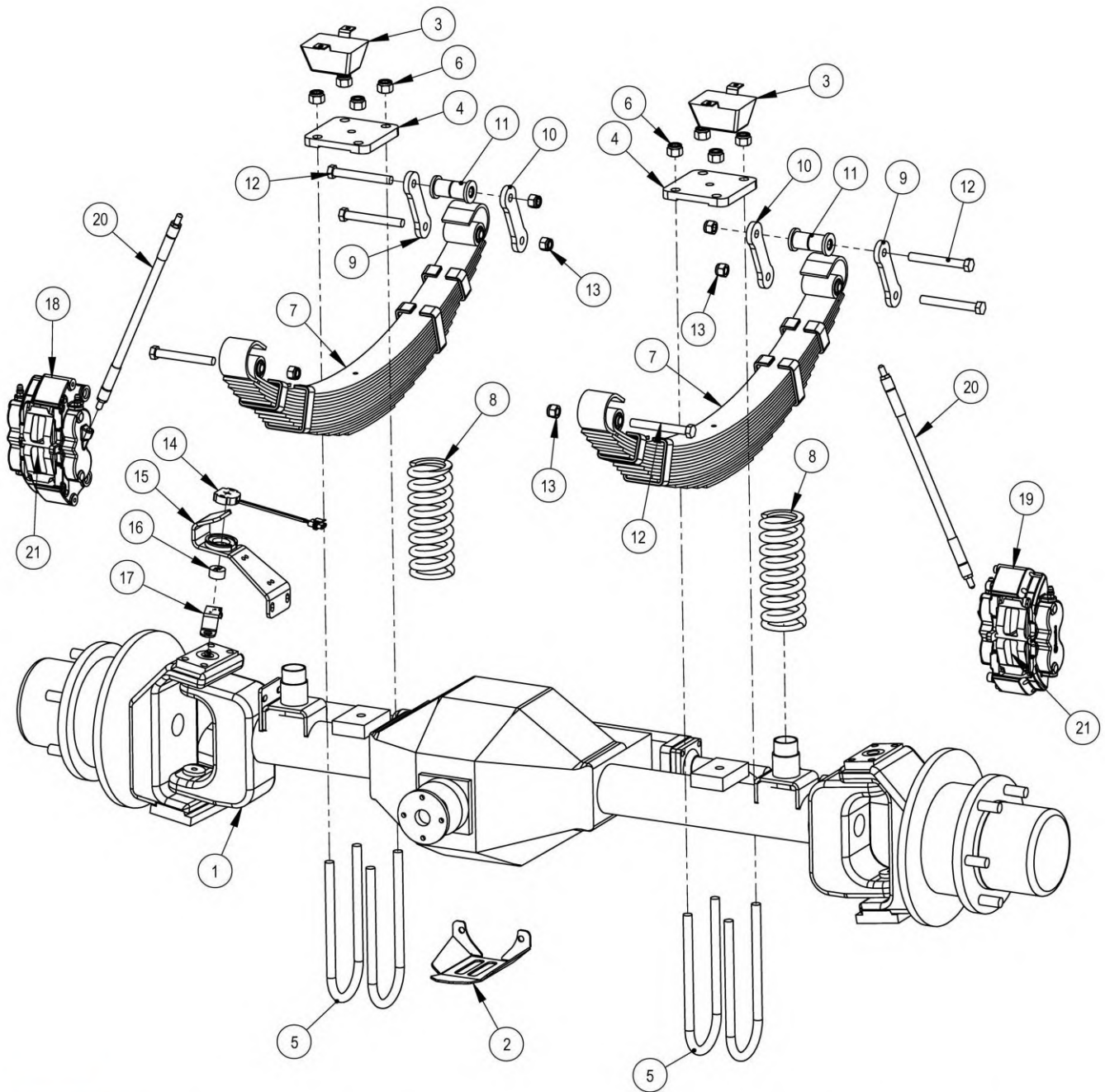
REF.	QTY.	PART No.	DESCRIPTION
		<b>AB65811C20A</b>	<b>FRONT AXLE ASSEMBLY</b>
1	1	AB02350C00A	FRONT AXLE ASSEMBLY (PREPARED)
2	2	AB72268C00P	BUMP STOP
3	2	AB01617B20A	LEAF SPRING CLAMP PLATE
4	4	SPR-16LFHD-UB	U-BOLT
5	8	M16LN10.9	NUT (FINE)
6	2	SPR-16LFHD	LEAF SPRING
7	1	MD61843N80P	ANGLE SENSOR ASSEMBLY
8	1	AB02748C20A	MAGNETIC SENSOR FABRICATION
9	1	MD61844N80P	MAGNETIC POSITION MARKER
10	1	AB02752C20C	4WS MAGNET PLATE
11	2	SPR-XHDAS	ASSISTER SPRING
12	2	AB72288D80P	SHOCK ABSORBER KIT
13	2	M34LN	LOCK NUT
14	2	AB72270C00P	SWINGING SHACKLE PLATE (PLAIN)
15	2	AB72272C00P	SWINGING SHACKLE PLATE (THREADED)
16	4	AB72274C00P	POLYBUSH KIT (YELLOW)
17	6	AB72273C00P	SHACKLE BOLT
18	6	AB72269C00P	NUT
19	2	AB72285L00P	FLEXIBLE BRAKE HOSE
20	1	AB68987C00P	* BRAKE CALIPER (OSF/NSR)
21	1	AB68986C00P	* BRAKE CALIPER (NSF/OSR)
22	1	AB68989C00P	* BRAKE PAD KIT (FULL AXLE)
23	1	AB72086C00P	MELO - FRONT STEERED AXLE
24	1	AB02070C00A	LOWER SHOCKER RH
25	1	AB02069C00A	LOWER SHOCKER LH
26	2	AB01598C00A	ASSISTER SPRING MOUNT
27	1	AB01559C00C	POTENTIOMETER BRACKET

\* Brake components listed here are fitted to UK build machines only - for Euro build machines refer to specific EURO Front brake page - Module: AB66283C00A

# REAR AXLE ASSEMBLY

Module(s): AB65812C20A

# McCONNEL



Brake components here are for UK build machines only - for EURO build brake components refer to the specific EURO Rear brake page Module: AB66284C00A

# REAR AXLE ASSEMBLY

# McCONNEL

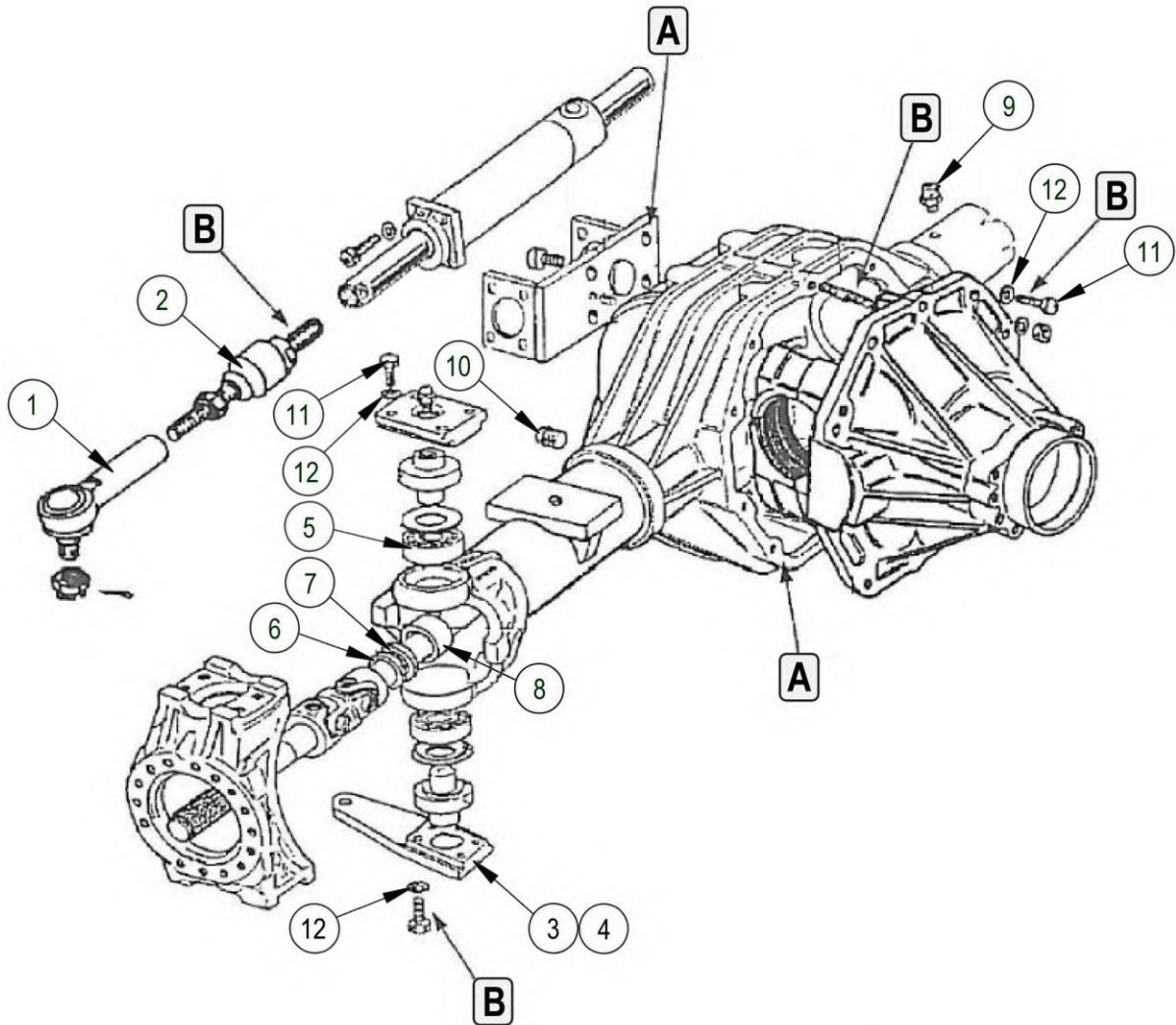
Module(s): AB65812C20A

REF.	QTY.	PART No.	DESCRIPTION
		<b>AB65812C20A</b>	<b>REAR AXLE ASSEMBLY</b>
1	1	AB02352C00A	REAR AXLE ASSEMBLY (PREPARED)
2	1	AB01298C00A	DIFF/PROPSHAFT GUARD ASSEMBLY
3	2	AB72268C00P	BUMP STOP
4	2	AB66337C00C	LEAF SPRING CLAMP PLATE
5	4	SPR-16LFHD-UB	U-BOLT
6	8	M16LN10.9	NUT (FINE)
7	2	SPR-16LFHD	16 LEAF HD SPRING
8	2	SPR-XHDAS	ASSISTER SPRING
9	2	AB72270C00P	SWINGING SHACKLE PLATE (PLAIN)
10	2	AB72272C00P	SWINGING SHACKLE PLATE (THREADED)
11	4	AB72274C00P	POLYBUSH KIT (YELLOW)
12	6	AB72273C00P	SHACKLE BOLT
13	6	AB72269C00P	NUT
14	1	MD61843N80P	ANGLE SENSOR ASSEMBLY (TOUCHLESS)
15	1	AB02748C20A	MAGNETIC SENSOR FABRICATION
16	1	MD61844N80P	MAGNETIC POSITION MARKER
17	1	AB02752C20C	4WS MAGNET PLATE
18	1	AB68986C00P	* BRAKE CALIPER (NSF/OSR)
19	1	AB68987C00P	* BRAKE CALIPER (OSF/NSR)
20	2	AB72285L00P	FLEXIBLE BRAKE HOSE
21	1	AB68989C00P	* BRAKE PAD KIT (FULL AXLE)
22	2	AB01598C00A	ASSISTER SPRING MOUNT
23	1	AB01559C00C	POTENTIOMETER BRACKET
24	1	AB02247C00C	REAR TIEDOWN PLATE
25	1	AB72087C00P	REAR STEERED AXLE

\* Brake components listed here are fitted to UK build machines only - for Euro build machines refer to specific EURO Rear brake page - Module: AB66284C00A



Module(s): AB72086C00P, AB72087C00P



**A:** Surface sealing (Loctite 518)    **B:** Medium thread lock (Loctite 243)

**STEERING AXLES FRONT & REAR ASSEMBLIES****McCONNEL**

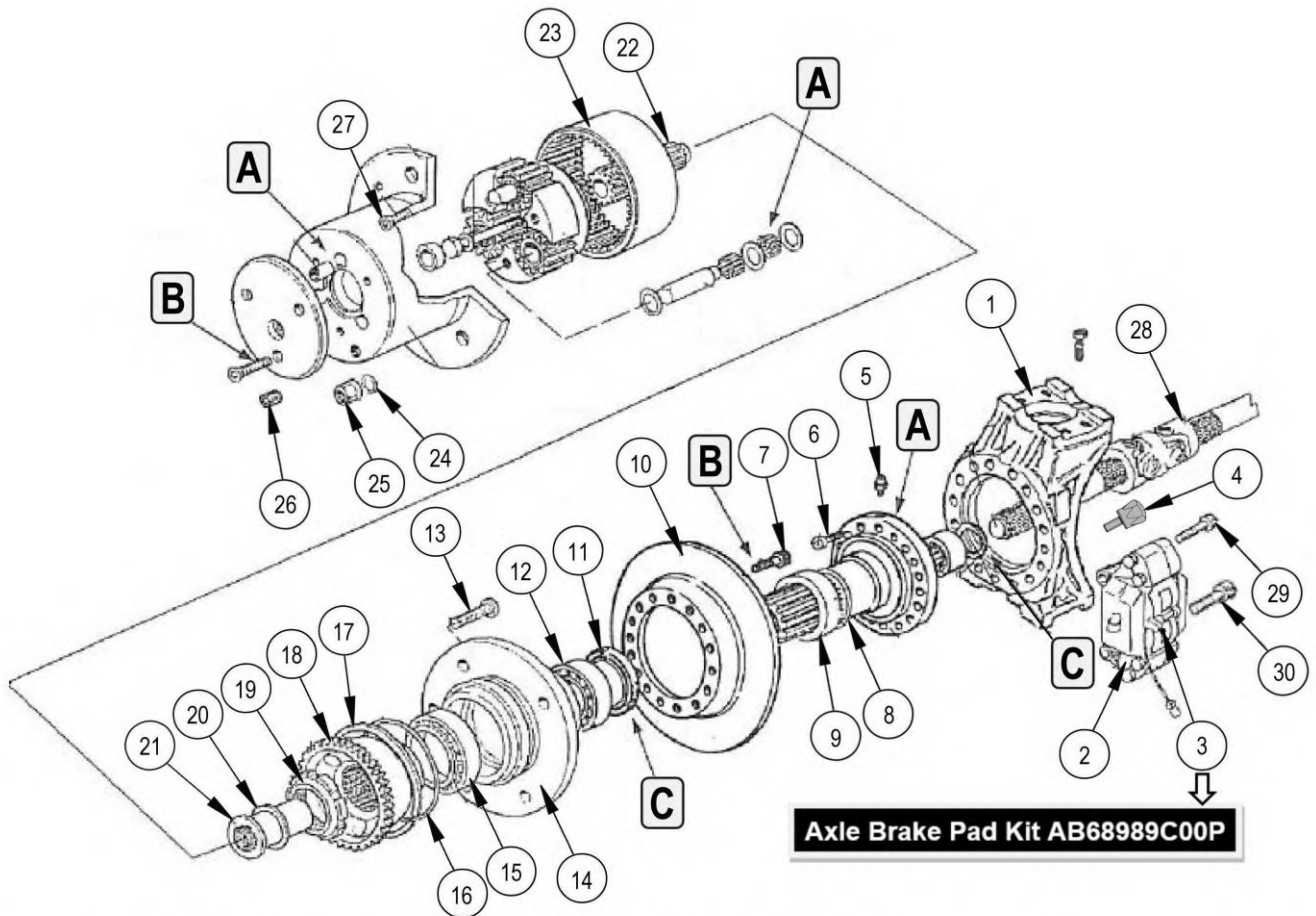
Module(s): AB72086C00P, AB72087C00P

<b>REF.</b>	<b>QTY.</b>	<b>PART No.</b>	<b>DESCRIPTION</b>
		<b>AB72086C00P</b>	<b>FRONT STEERING AXLE ASSEMBLY</b>
		<b>AB72087C00P</b>	<b>REAR STEERING AXLE ASSEMBLY</b>
1	2	AB68998C00P	TRACK ROD STEERING END
2	2	AB68999C00P	TIE ROD END c/w RUBBER BOOT
3	1	AB68958C00P	STEERING LINK LEVER (LH FRONT / RH REAR)
4	1	AB68959C00P	STEERING LINK LEVER (RH FRONT / LH REAR)
5	4	AB68979C00P	SWIVEL BEARING
6	2	AB68964C00P	HALF SHAFT DUST COVER
7	2	AB68972C00P	OIL SEAL
8	2	AB68981C00P	DRIVE SHAFT NEEDLE BEARING
9	1	AB68994C00P	BLEED VALVE
10	2	AB68996C00P	DRAIN PLUG
11	17	AB69004C00P	BOLT
12	26	AB68991C00P	SPRING WASHER

# STEERING HUBS

**McCONNEL**

Module(s): 4950.007.750 (N/S-F & O/S-R), 4950.008.750 (O/S-F & N/S-R)



**A:** Surface sealing (Loctite 518)   **B:** Medium thread lock (Loctite 243)   **C:** Grease (Polimer 400)

**INFO**

Brake components are for UK build machines only - for EURO build brake components refer to specific EURO brake pages Modules AB66283C00A & AB66284C00A

# STEERING HUBS

# McCONNEL

Module(s): 4950.007.750 (N/S-F & O/S-R), 4950.008.750 (O/S-F & N/S-R)

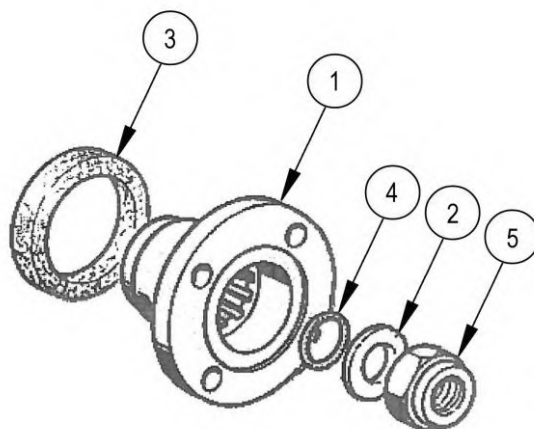
REF.	QTY.	PART No.	DESCRIPTION
		<b>4950.007.750</b>	<b>STEERING HUB - N/S Front &amp; O/S Rear</b>
		<b>4950.008.750</b>	<b>STEERING HUB - O/S Front &amp; N/S Rear</b>
1	1	AB73086C00P	RH ARTICULATION BOX - <b>N/S Front &amp; O/S Rear</b>
	1	AB68965C00P	LH ARTICULATION BOX - <b>O/S Front &amp; N/S Rear</b>
2	1	AB68986C00P	* RH BRAKE CALIPER - <b>N/S Front &amp; O/S Rear</b>
	1	AP68987C00P	* LH BRAKE CALIPER - <b>O/S Front &amp; N/S Rear</b>
3	1	AB68989C00P	* BRAKE PAD KIT
4	1	AB71985C20C	AXLE STOP
5	1	AB68994C00P	BLEEDER PLUG
6	16	AB69003C00P	SOCKET HEAD SCREW
7	12	AB73095C00P	HEX HEAD SCREW
8	1	AB68976C00P	O-RING
9	1	AB68967C00P	SPACER
10	1	AB68960C00P	* BRAKE DISC
11	1	AB68974C00P	OIL SEAL
12	1	AB68982C00P	TAPER ROLLER BEARING
13	6	AB69005C00P	SOCKET HEAD SCREW
14	1	AB73085C00P	WHEEL HUB
15	1	AB68983C00P	TAPER ROLLER BEARING
16	1	AB68977C00P	O-RING
17	1	AB73090C00P	INTERNAL RETAINING RING
18	1	AB73089C00P	FLANGED GEAR
19	1	AB72085C00P	LOCK NUT
20	1	AB68993C00P	SHIM KIT
21	1	AB68968C00P	SPLINED BUSHING
22	1	AB73083C00P	SUN GEAR
23	1	AB73082C00P	RING GEAR
24	6	AB68992C00P	LIMES WASHER
25	6	AB68984C00P	NUT
26	1	AB68996C00P	MAGNETIC DRAIN PLUG
27	1	AB69002C00P	HEX HEAD SCREW
28	1	AB68963C00P	UNIVERSAL JOINT
29	1	AB72730X00P	CAPHEAD BOLT
30	1	AB72731X00P	CAPHEAD BOLT

\* Brake components listed here are fitted to UK build machines only - for Euro build machines refer to the specific EURO brake pages - Modules: AB66283C00A & AB66284C00A

# INPUT FITTING

**McCONNEL**

Module(s): 4905.136.004

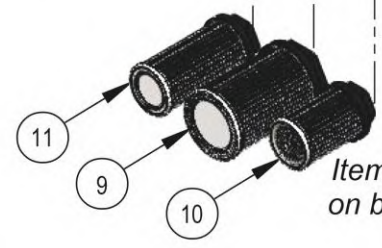
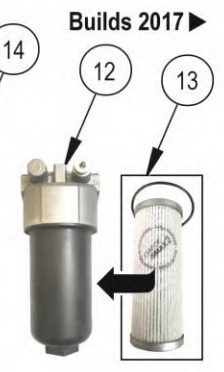
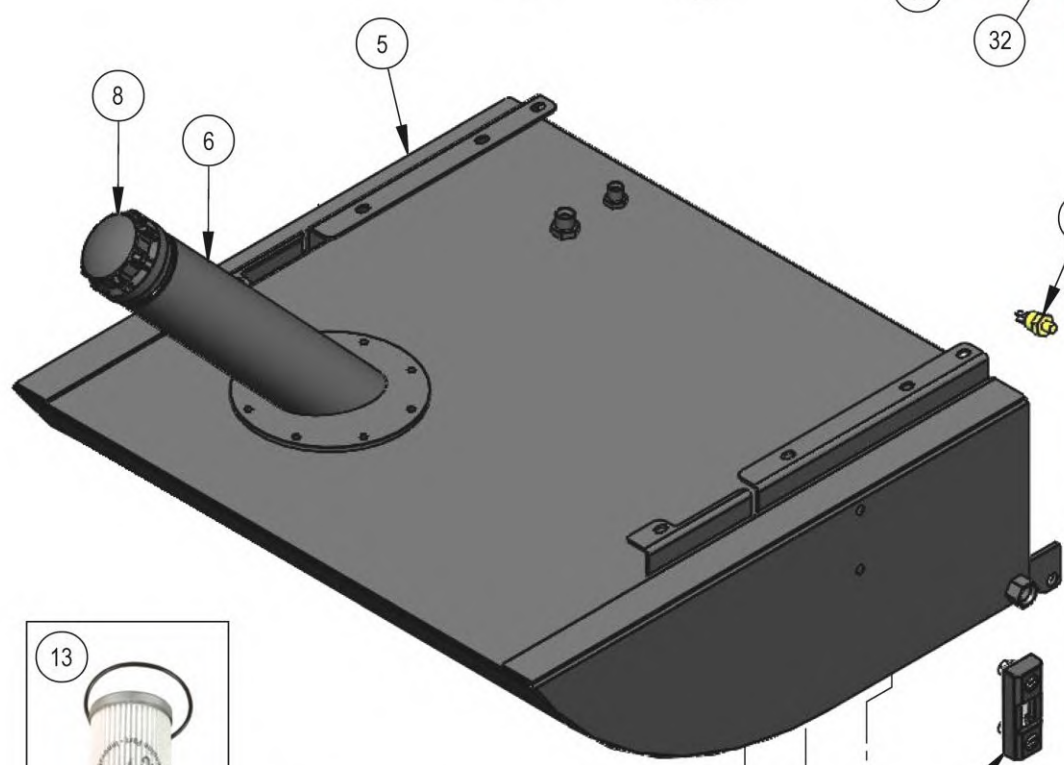
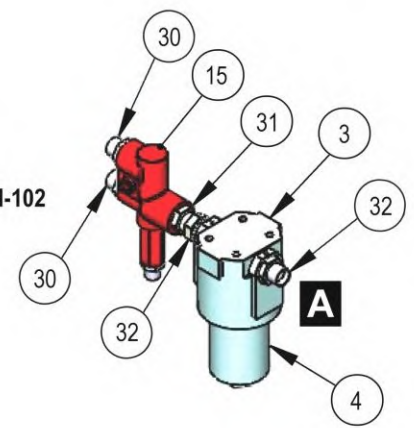
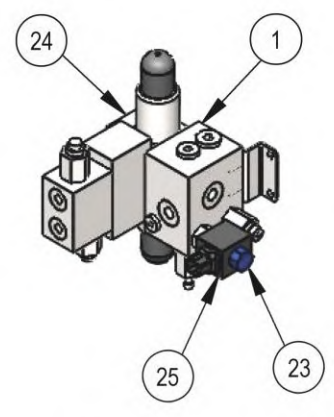
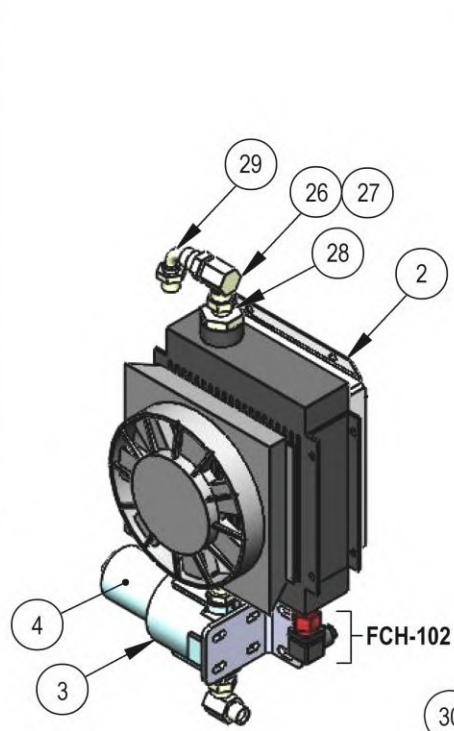
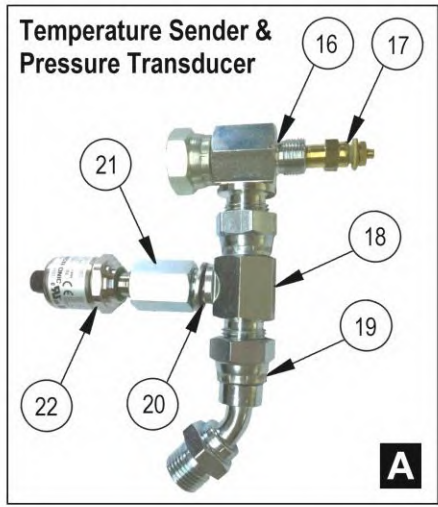


REF.	QTY.	PART No.	DESCRIPTION
		<b>4905.136.004</b>	<b>INPUT FITTING</b>
1	1	AB68956C00P	FLANGE
2	1	AB68961C00P	WASHER
3	1	AB68973C00P	OIL SEAL
4	1	AB68975C00P	O-RING
5	1	AB68985C00P	NUT

Module(s): AB66703T30A

REF.	QTY.	PART No.	DESCRIPTION
		<b>AB66703T30A</b>	<b>HOSE KIT - A280 TRACTOR 4WS</b>
1	1	AB66661T30P	HOSE ASSEMBLY STEER LS > BULKHEAD
2	1	AB66662T30P	HOSE ASSEMBLY STEER PR > BULKHEAD
3	1	AB66663T30P	HOSE ASSEMBLY QUICK RELEASE > PRV
4	1	AB66664T30P	HOSE ASSEMBLY PTO FC > 4WS PR
5	1	AB66665T30P	HOSE ASSEMBLY QR LINK > PRV
6	1	AB66666T30P	HOSE ASSEMBLY STEER FC EF > SPOOL QRC
7	1	AB66667T30P	HOSE ASSEMBLY STEER TA > TANK
8	1	AB66668T30P	HOSE ASSEMBLY QRC BYPASS > PRV
9	1	AB66669T30P	HOSE ASSEMBLY STEER FC CF > BULKHEAD
10	1	AB66670T30P	HOSE ASSEMBLY STEER FC LS > BULKHEAD
11	1	AB66671T30P	HOSE ASSEMBLY 4WS T > TANK
12	1	AB66672T30P	HOSE ASSEMBLY 4WS B > NS RAM
13	1	AB66673T30P	HOSE ASSEMBLY 4WS A > OS RAM
14	2	AB66674T30P	HOSE ASSEMBLY PAS LOWER OS/NS
15	2	AB66675T30P	HOSE ASSEMBLY PAS UPPER
16	1	AB66677T30P	HOSE ASSEMBLY BRAKE CYL > ACCUM
17	1	AB66678T30P	HOSE ASSEMBLY PAS PUMP > BRAKE CYL
18	1	AB66679T30P	HOSE ASSEMBLY PTO VALVE CF > QRC
19	1	AB66680T30P	HOSE ASSEMBLY PUMP FR > HP FILTER
20	1	AB66681T30P	HOSE ASSEMBLY TRANS OIL COOLER PR
21	1	AB66682T30P	HOSE ASSEMBLY PUMP REAR > PTO FC
22	1	AB66683T30P	HOSE ASSEMBLY PTO VALVE EF > TANK
23	1	AB66684T30P	HOSE ASSEMBLY TRANS OIL COOLER RET'N
24	1	AB66685T30P	HOSE ASSEMBLY RETURN LINE
25	1	AB66686T30P	HOSE ASSEMBLY COMPRESSOR > DRYER

Module(s):



*Item #10: only fitted on builds up to 2016*

Module(s):

REF.	QTY.	PART No.	DESCRIPTION
			<b>HYDRAULIC ASSEMBLY</b>
1	1	HYD415-2814	4 WHEEL STEERING VALVE
2	1	AB67620P40P	TRANSMISSION OIL COOLER - <b>Builds 2017 on</b>
	1	FCH-101	TRANSMISSION OIL COOLER - <b>Builds to 2017</b>
	1	FCH-102	OIL COOLER SWITCH FOR FCH-101
	1	AB70751E30P	12v SUCTION FAN UNIT FOR FCH-101
3	1	HYD478	MAIN HYDRAULIC OIL FILTER
4	1	HYD479	FILTER ELEMENT
5	1	AB67750T30A	HYDRAULIC TANK ASSEMBLY
6	2	AB01614B20A	HYDRAULIC TANK LID FILLER
7	2	HYD419	LEVEL GAUGE
8	1	HYD418/B	FILLER / BREATHER
9	1	HYD422	SUCTION ELEMENT
10	1	HYD446 > 2016	FILTER ELEMENT - <b>Builds to 2016 only</b>
11	1	HYD447	SUCTION FILTER ELEMENT

**Early Filter Type (Builds to 2017)**

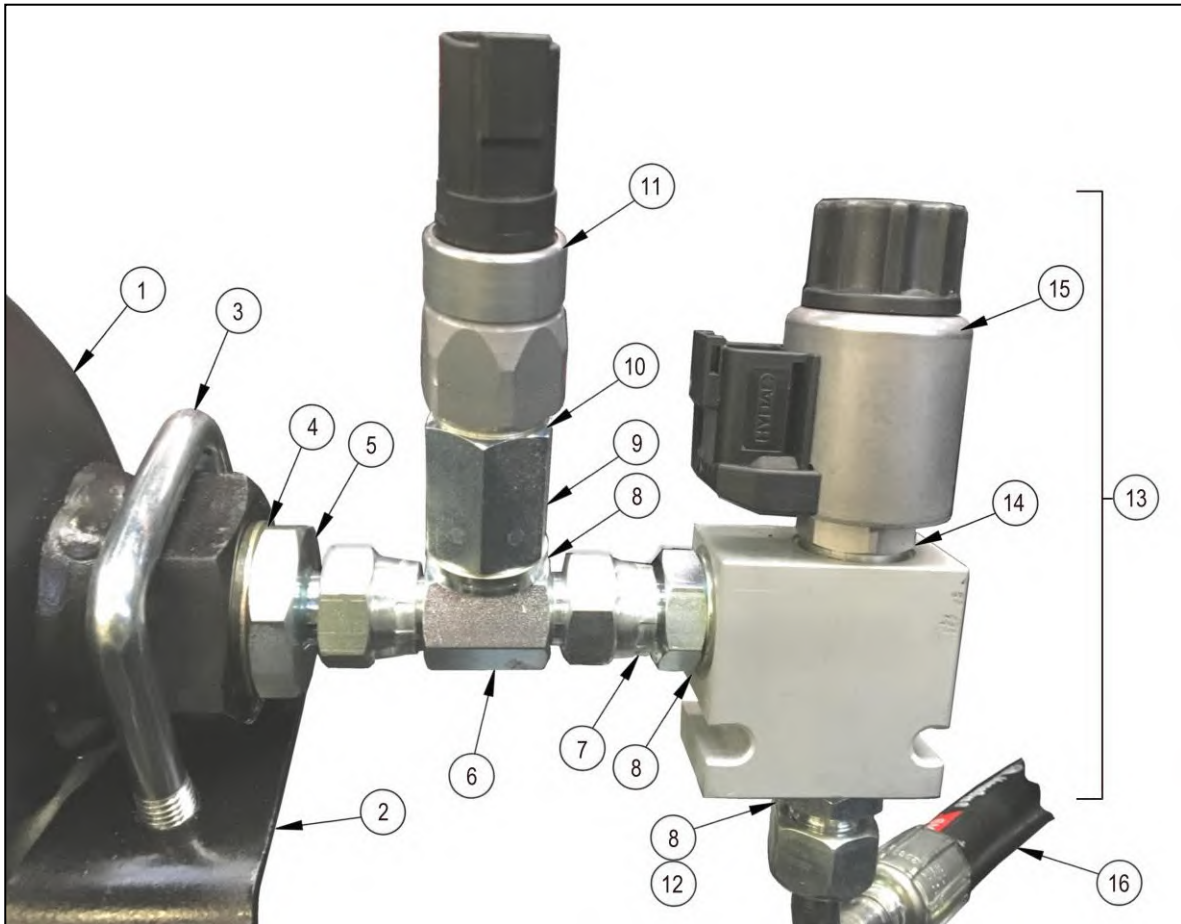
12	1	HYD421-25	RETURN FILTER ASSEMBLY
13	1	AB69732T30P	FILTER CARTRIDGE for HYD421-25

**Current Filter Type (Builds 2017 on)**

12	1	HYD421/B	RETURN FILTER ASSEMBLY
13	1	HYD421/B-ELE	FILTER ELEMENT for HYD421/B
14	1	AB68102T30P	RETURN FILTER PRESSURE SWITCH (2017)
15	1	HYD442	PRIORITY VALVE
16	1	AB66312T30C	TEE ADAPTOR
17	1	AB72307N00P	TEMPERATURE SENDER
18	1	HYD232	TEE ADAPTOR
19	1	HYD207	SWEPT ADAPTOR (45°)
20	1	HYD104	SEAL
21	1	HYD190A	ADAPTOR
22	1	AB66792T20P	PRESSURE TRANSDUCER
23	1	HYD415-VALVE-A	CARTRIDGE VALVE
24	1	HYD415-COIL-A	COIL (DIRECTIONAL VALVE)
25	1	HYD415-COIL-B	COIL (VALVE UNLOADER)
26	2	HYD204	ELBOW (90°)
27	1	AB66312T30C	TEMPERATURE SENSOR TEE
28	2	HYD158	ADAPTOR
29	1	HYD275	SWEPT ELBOW (90°)
30	6	HYD157	ADAPTOR
31	5	HYD105	SEAL
32	2	HYD179	ADAPTOR
33	1	HYD401	REAR STEERING FIXED FLOW CONTROL

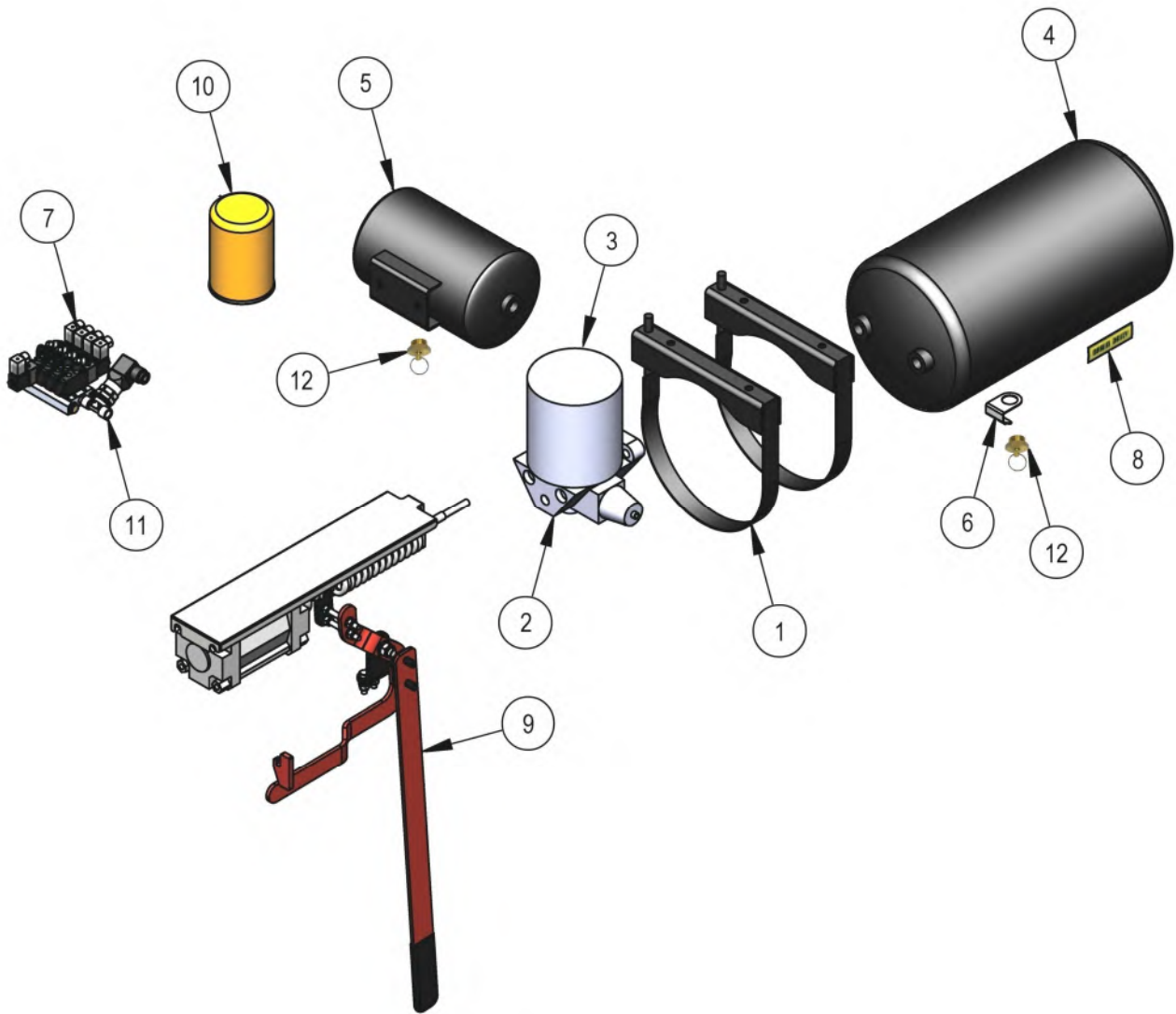


Module(s):



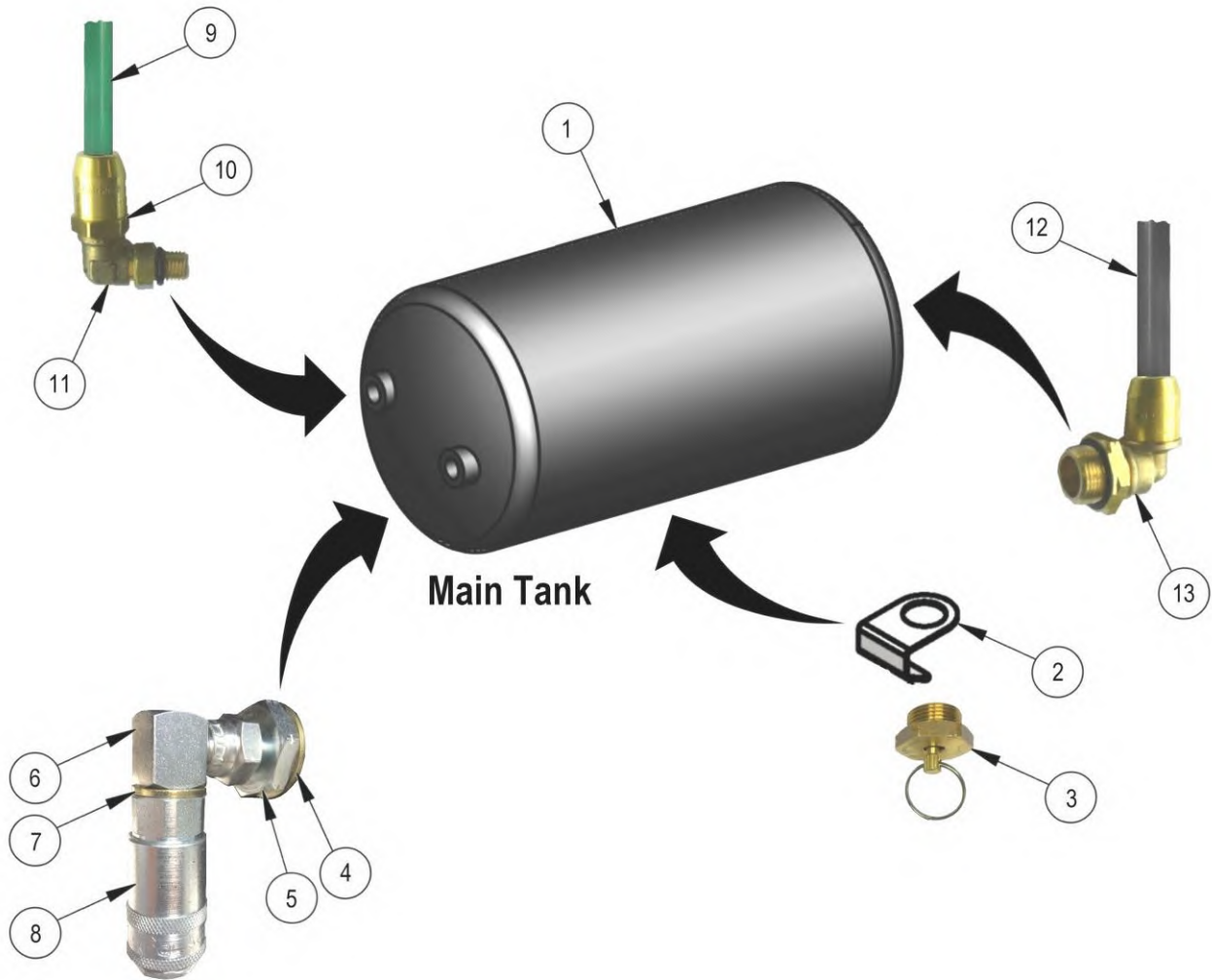
REF.	QTY.	PART No.	DESCRIPTION
			<b>STEERING SAFETY SYSTEM</b>
1	1	AB66790T30P	ACCUMULATOR (80 BAR)
2	1	AB66925T30P	ACCUMULATOR BRACKET
3	1	AB72164X00P	U-BOLT
4	1	HYD106	BONDED SEAL
5	1	HYD156	ADAPTOR
6	1	HYD233	TEE (F/M/M)
7	1	HYD176	ADAPTOR
8	1	HYD104	BONDED SEAL
9	1	HYD190A	ADAPTOR
10	1	HYD103	BONDED SEAL
11	1	AB66929T30P	PRESSURE SWITCH
12	1	HYD154	ADAPTOR
13	1	AB66789T30P	SOLENOID VALVE
14	1	-	VALVE CARTRIDGE
15	1	-	SOLENOID COIL
16	1	-	HYDRAULIC HOSE

Module(s):



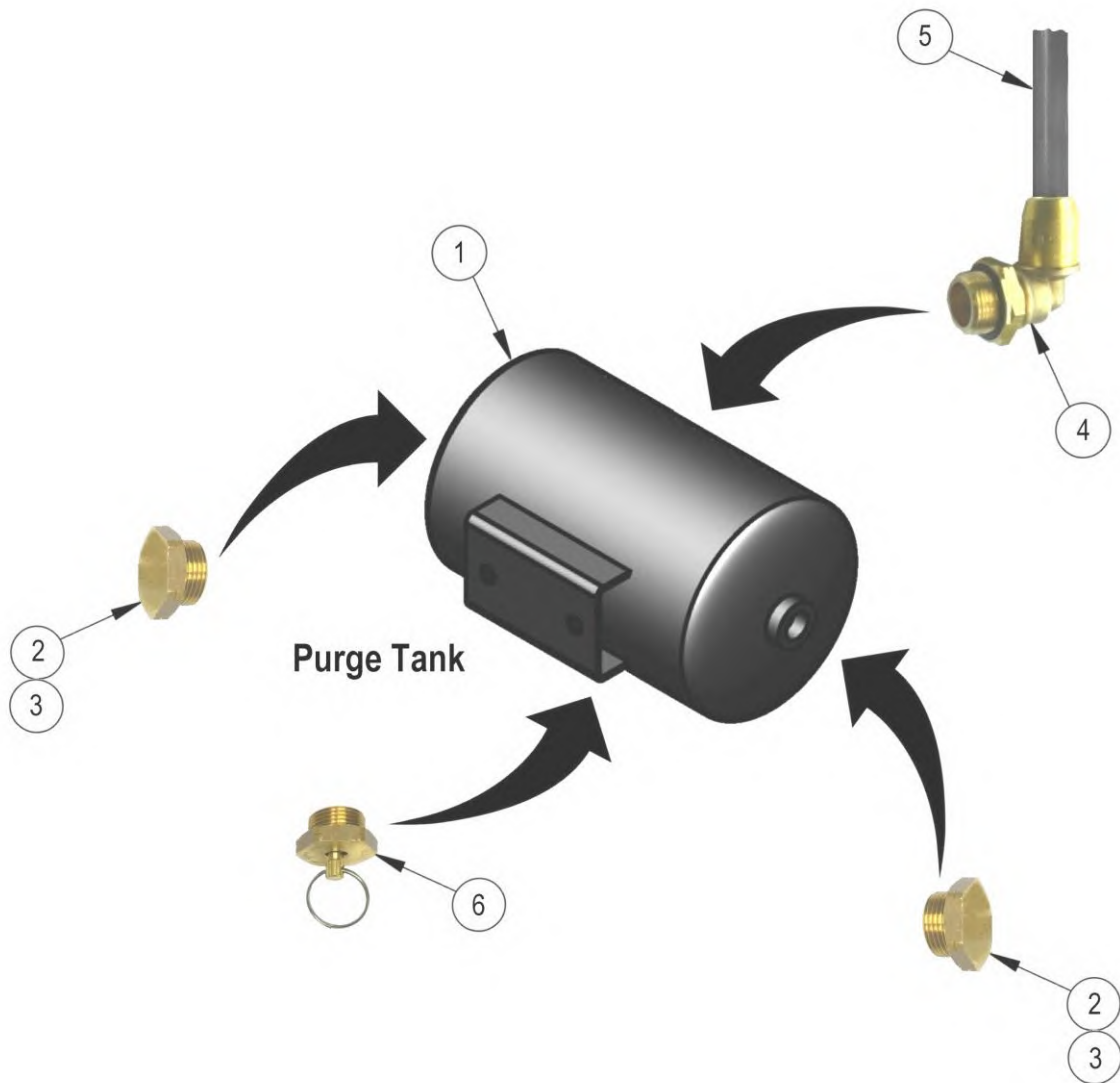
REF.	QTY.	PART No.	DESCRIPTION
<b>PNEUMATICS</b>			
1	2	MD41426L10P	AIR TANK STRAP
2	1	XP740	AIR FILTER/DRYER
3	1	AB73992L90P	AIR DRYER FILTER
4	1	MD58103L10P	LARGE AIR TANK (Inc. Straps & Fittings)
5	1	MD64009L10P	PURGE TANK (Inc. Fittings)
6	1	AB66104L10C	DRAIN VALVE PROTECTOR
7	1	AB67043L10P	PNEUMATIC SERVICES MANIFOLD
8	1	AB66774Z10C	DECAL - DRAIN DAILY
9	1	AB67609L55A	HANDBRAKE ASSEMBLY
10	1	XP615	COMPRESSOR AIR BREATHER FILTER
11	1	MD62412N74P	PRESSURE TRANSDUCER
12	2	XP762	DRAIN VALVE

Module(s):



REF.	QTY.	PART No.	DESCRIPTION
<b>MAIN TANK FITTINGS</b>			
1	1	MD58103L10P	MAIN AIR TANK (Inc. Straps & Fittings)
2	1	AB66104L10C	DRAIN VALVE PROTECTOR
3	1	XP762	DRAIN VALVE
4	1	HYD106A	SEAL
5	1	HYD169C	ADAPTOR
6	1	HYD202	ELBOW 90°
7	1	HYD103	SEAL
8	1	HYD310	QR COUPLING
9	1	MD64863L20C	FEED HOSE (GREEN 10mm)
10	1	TBA	HOSE FITTING
11	1	TBA	HOSE FITTING
12	1	HC290-B	DRYER HOSE (BLACK 12mm)
13	1	TBA	HOSE FITTING

Module(s):

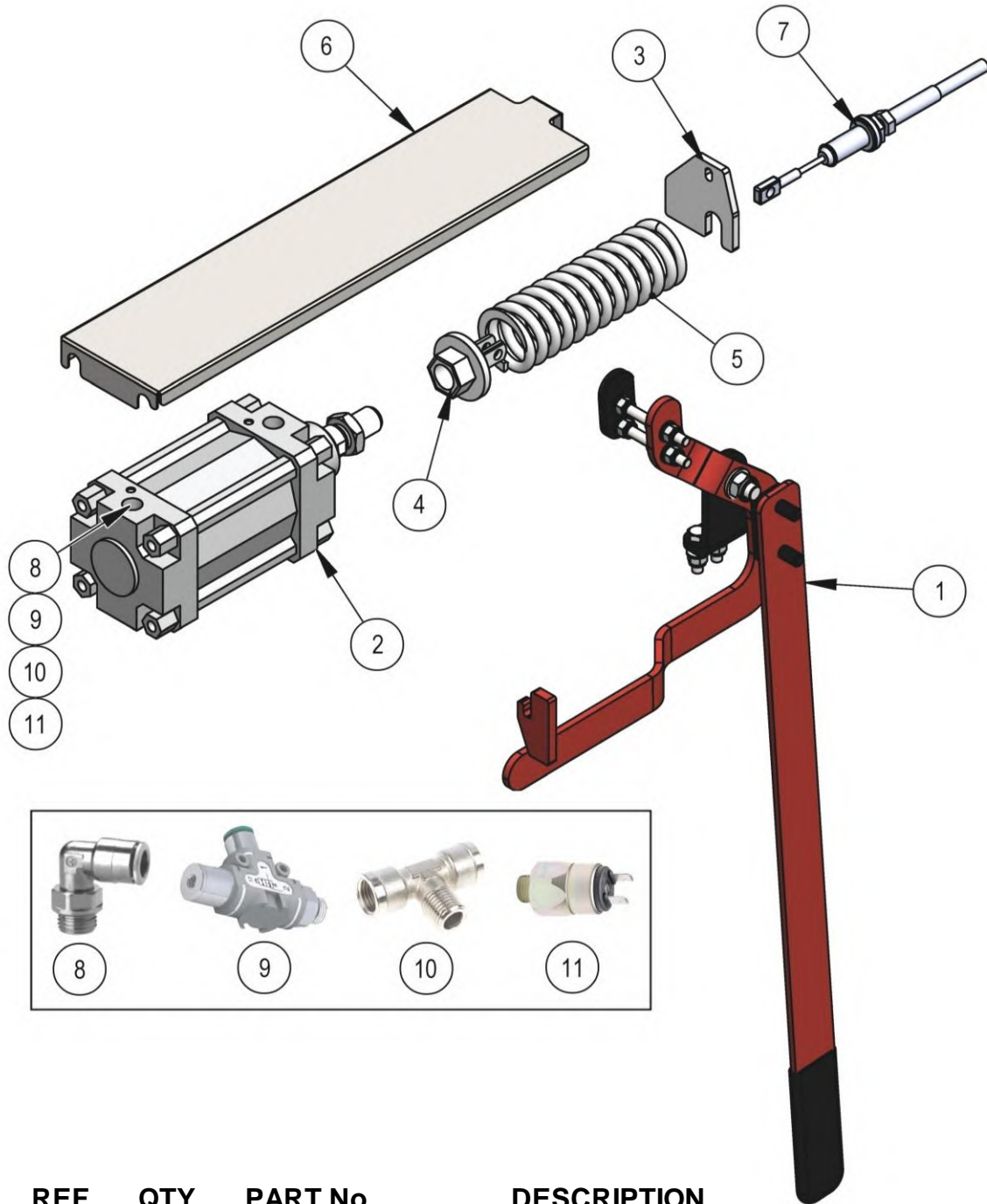


REF.	QTY.	PART No.	DESCRIPTION
			<b>PURGE TANK FITTINGS</b>
1	1	MD64009L10P	PURGE TANK (Inc. Fittings)
2	2	MD41645L20P	BLANKING PLUG
3	2	HYD106A	SEAL
4	1	TBA	HOSE FITTING
5	1	HC292-B	HOSE (BLACK 6mm)
6	1	XP762	DRAIN VALVE

# HANDBRAKE ASSEMBLY

**McCONNEL**

Module(s): AB67609L55A

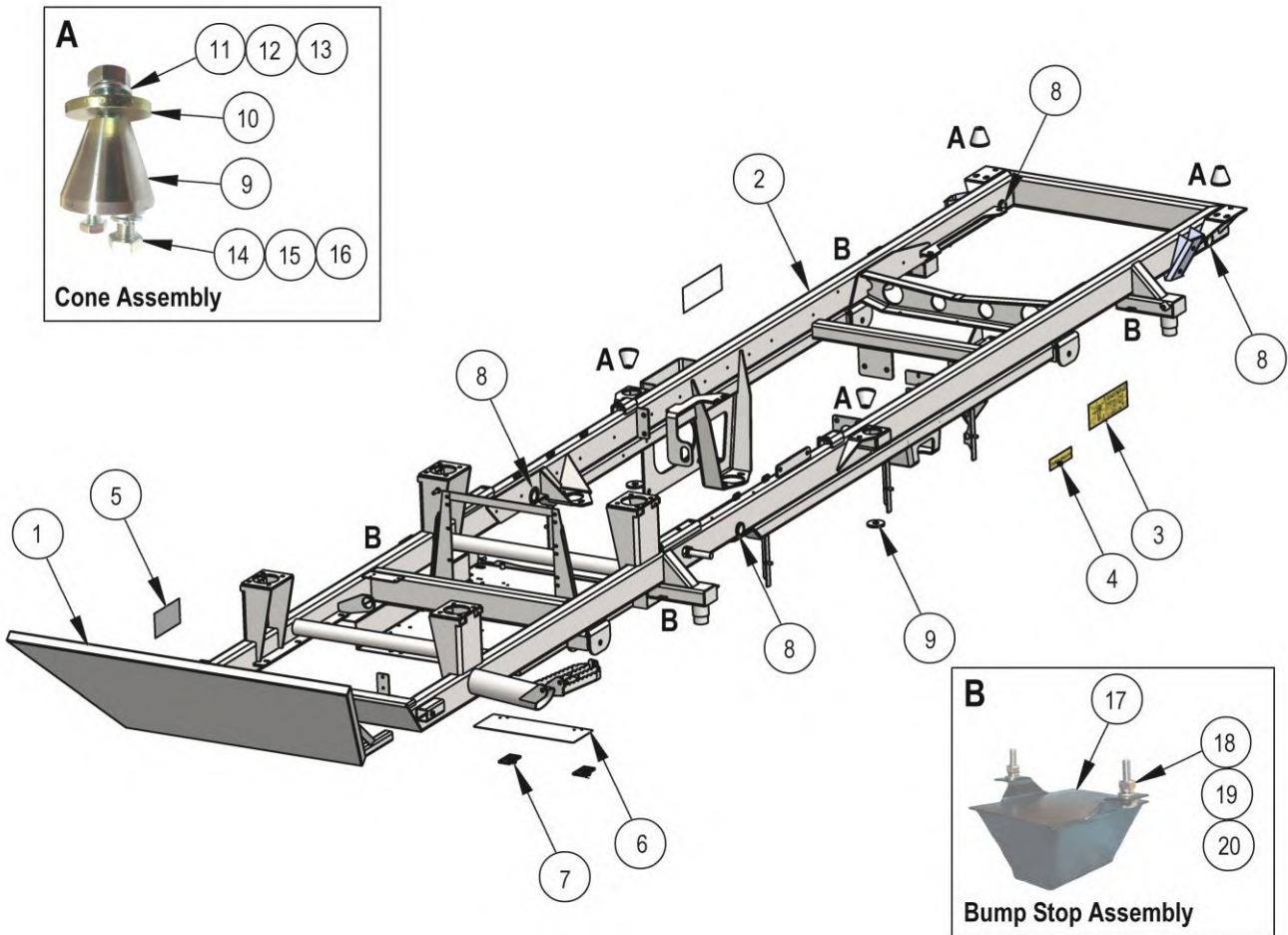


REF.	QTY.	PART No.	DESCRIPTION
		<b>AB67609L55A</b>	<b>HANDBRAKE ASSEMBLY</b>
1	1	AB66953L00A	HANDBRAKE RELEASE ASSEMBLY
2	1	AB02818L55P	AIR CYLINDER
3	1	AB02822B20C	CABLE RETAINER PLATE
4	1	AB02819L55A	ACTUATOR ADAPTOR
5	1	AB72296L00P	HANDBRAKE SPRING
6	1	AB02493B00C	HANDBRAKE CYLINDER COVER
7	1	AB72289L00P	HANDBRAKE CABLE (SHORT)
8	1	AB76430L20P	PUSH FIT ELBOW
9	1	AB68196L20P	PNEUMATIC BLOCKING VALVE
10	1	AB76376L20P	FEMALE TEE
11	1	AB66930L00P	PRESSURE SWITCH

# BASIC CHASSIS ASSEMBLY

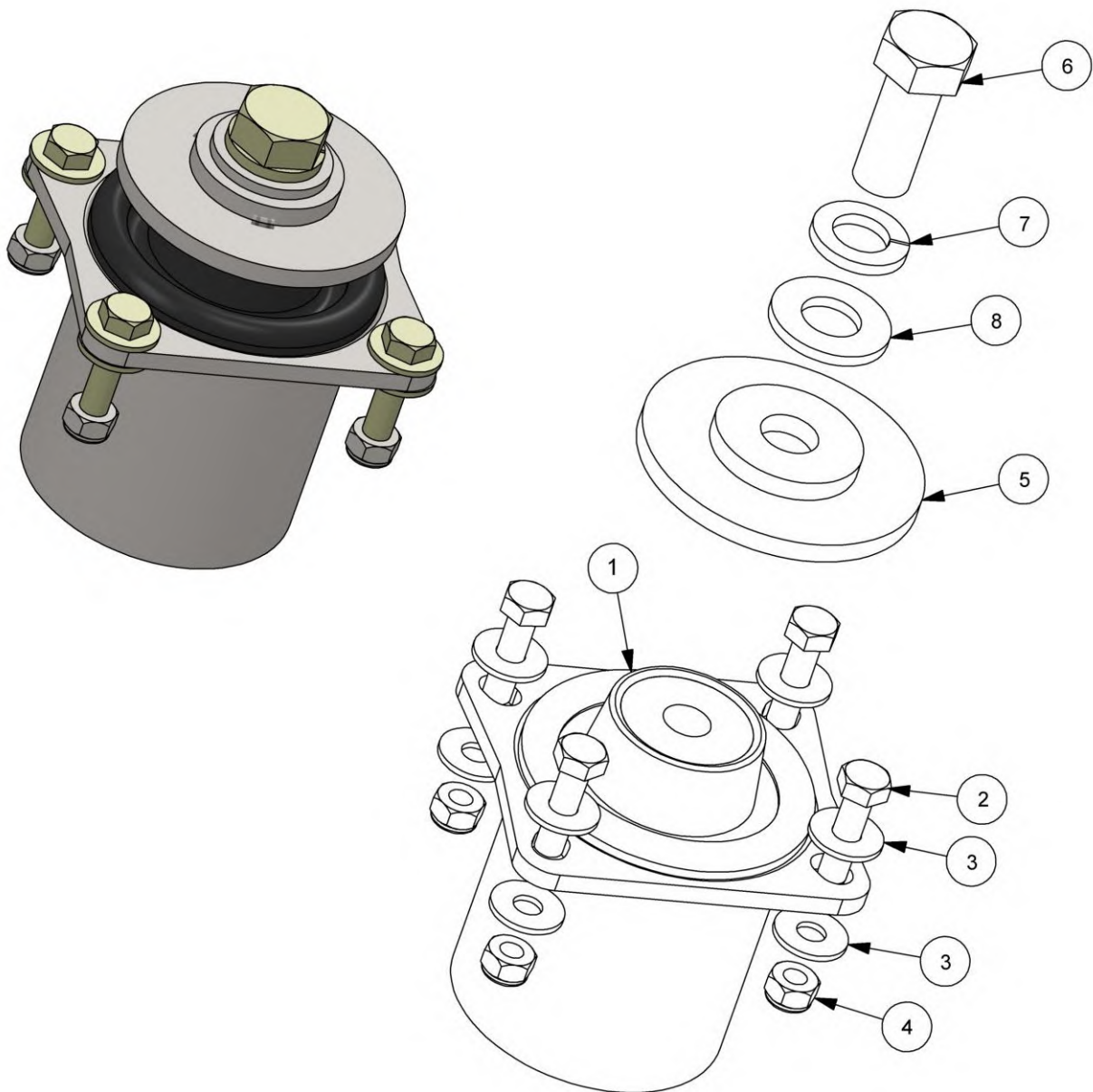
**McCONNEL**

Module(s):



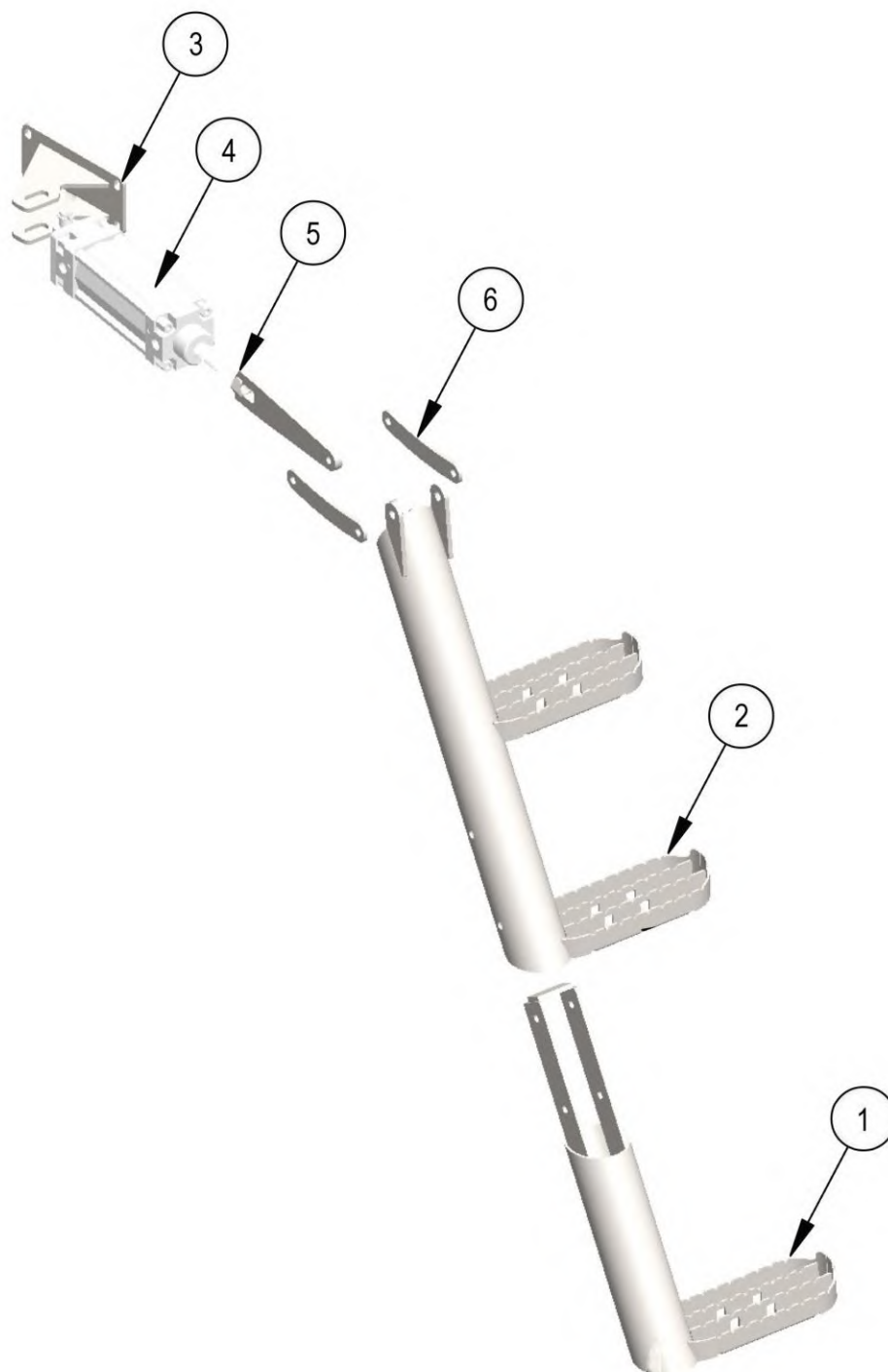
REF.	QTY.	PART No.	DESCRIPTION
<b>BASIC CHASSIS ASSEMBLY</b>			
1	1	AB01601B20A	CROP DEFLECTOR
2	1	AB02118B10A	2.8 CHASSIS ASSEMBLY
3	2	AB72665Z10P	DECAL - CRUSH ZONE
4	1	AB72666Z10P	DECAL - TANK DRAIN
5	1	AB66390Z10C	SERIAL No. PLATE
6	1	AB02735B20C	AIR DUCT ACCESS PLATE
7	2	AB65813P10P	HINGE
8	4	AB72274C00P	POLY BUSH (YELLOW)
9	4	AB01420B20C	DE-MOUNT CONE
10	4	AB01415B20C	CONE MOUNTING WASHER
11	4	M16W	WASHER
12	4	AB70556X00P	SPRING WASHER
13	4	AB72234X00P	BOLT
14	8	M8X25SS	BOLT
15	8	M8SW	SPRING WASHER
16	8	M8W	WASHER
17	4	AB72268C00P	BUMP STOP
18	8	M8x20SS	BOLT
19	8	M8W	WASHER
20	8	M8LN	LOCKNUT

Module(s):



REF.	QTY.	PART No.	DESCRIPTION
			<b>CAB MOUNTING</b>
1	4	AB65818A70P	CAB MOUNT
2	16	M8X30SS	SETSCREW
3	32	M8W	WASHER
4	16	M8LN	LOCKNUT
5	4	AB02782B20A	CAB SPACER
6	4	M16X40SS	SETSCREW
7	4	M16SW	SPRING WASHER
8	4	M16W	WASHER

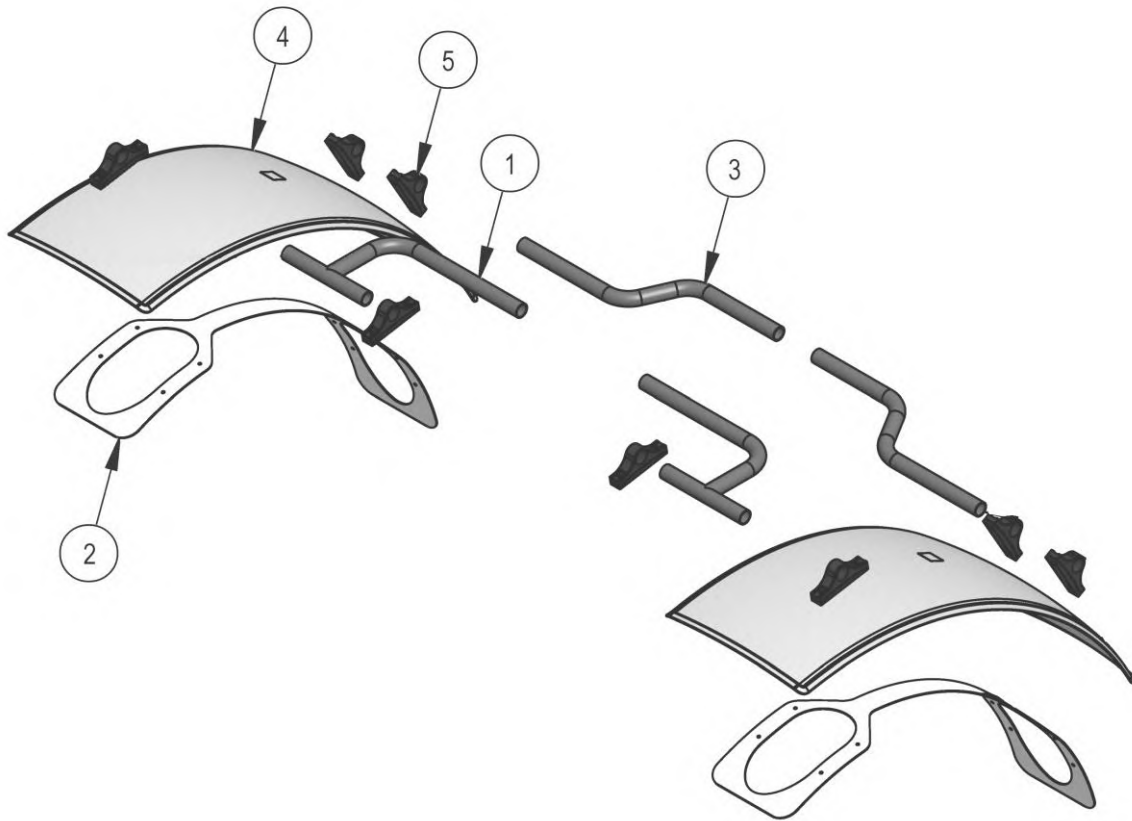
Module(s):



REF.	QTY.	PART No.	DESCRIPTION
			<b>STEP ASSEMBLY</b>
1	1	AB02054B20A	STEP EXTENSION
2	1	AB02065B20A	CENTRE STEP ASSEMBLY
3	1	AB02624B00A	STEP AIR CYLINDER MOUNT
4	1	AB66732-002	STEP AIR CYLINDER
5	1	AB02732B10A	STEP LINKAGE
6	2	AB02825B20C	STEP LINKAGE BANANA PLATE

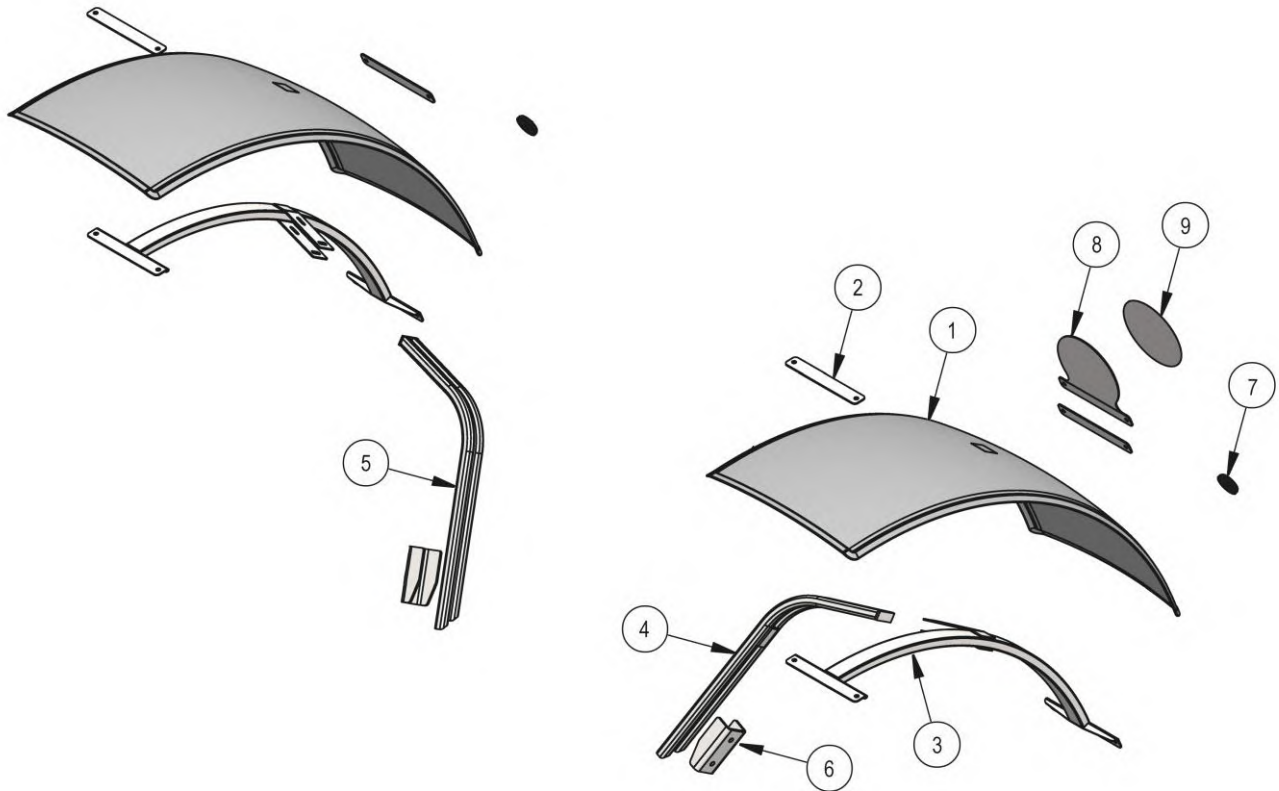


Module(s):



REF.	QTY.	PART No.	DESCRIPTION
			<b>FRONT MUDGUARDS ASSEMBLY</b>
1	2	AB02506H40A	FRONT MUDGUARD FABRICATION
2	2	AB02536H40C	MUDGUARD STIFFENER
3	2	AB02505H40C	MUDGUARD ARM
4	2	MD50344B20P	MUDGUARD
5	2	MD62224H40P	CLAMP ASSEMBLY (BOX OF 4)

Module(s):



REF.	QTY.	PART No.	DESCRIPTION
<b>REAR MUDGUARDS ASSEMBLY</b>			
1	2	MD50344B20P	MUDGUARD
2	4	AB01555H40C	MUDGUARD SECURING PLATE
3	2	AB02428B20A	MUDGUARD SUPPORT
4	1	AB02429B20A	MUDGUARD ARM LH
5	1	AB02430B20A	MUDGUARD ARM RH
6	2	AB01557H40C	CLAMP
7	2	AB72351N20P	CIRCULAR REFLECTOR (RED)
8	1	AB66973H40C	DECAL MOUNTING PLATE
9	1	AB66936Z10C	DECAL - SPEED 40km/h

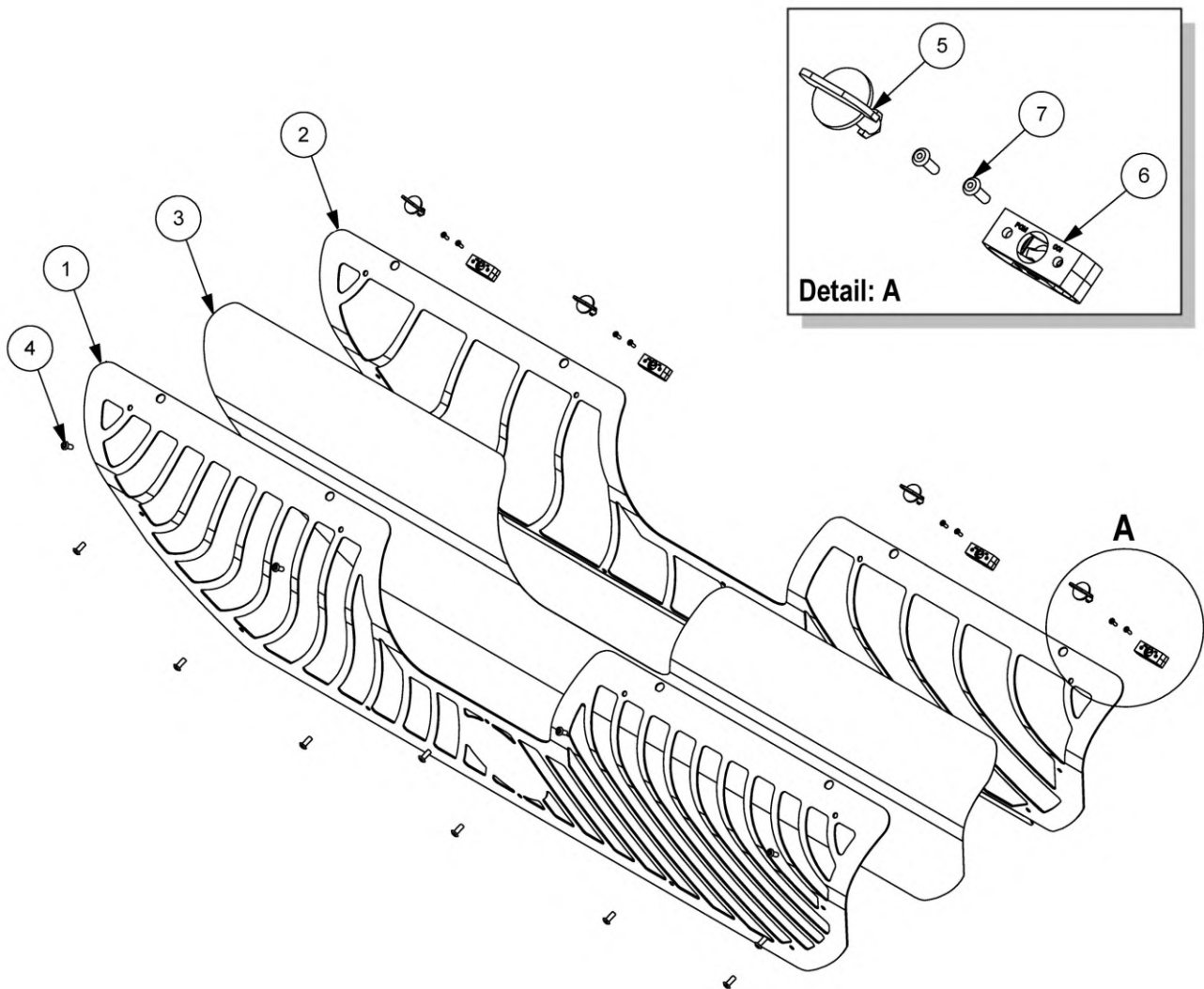
Module(s):

*This page is intentionally blank*

# FRONT GRILLE ASSEMBLY

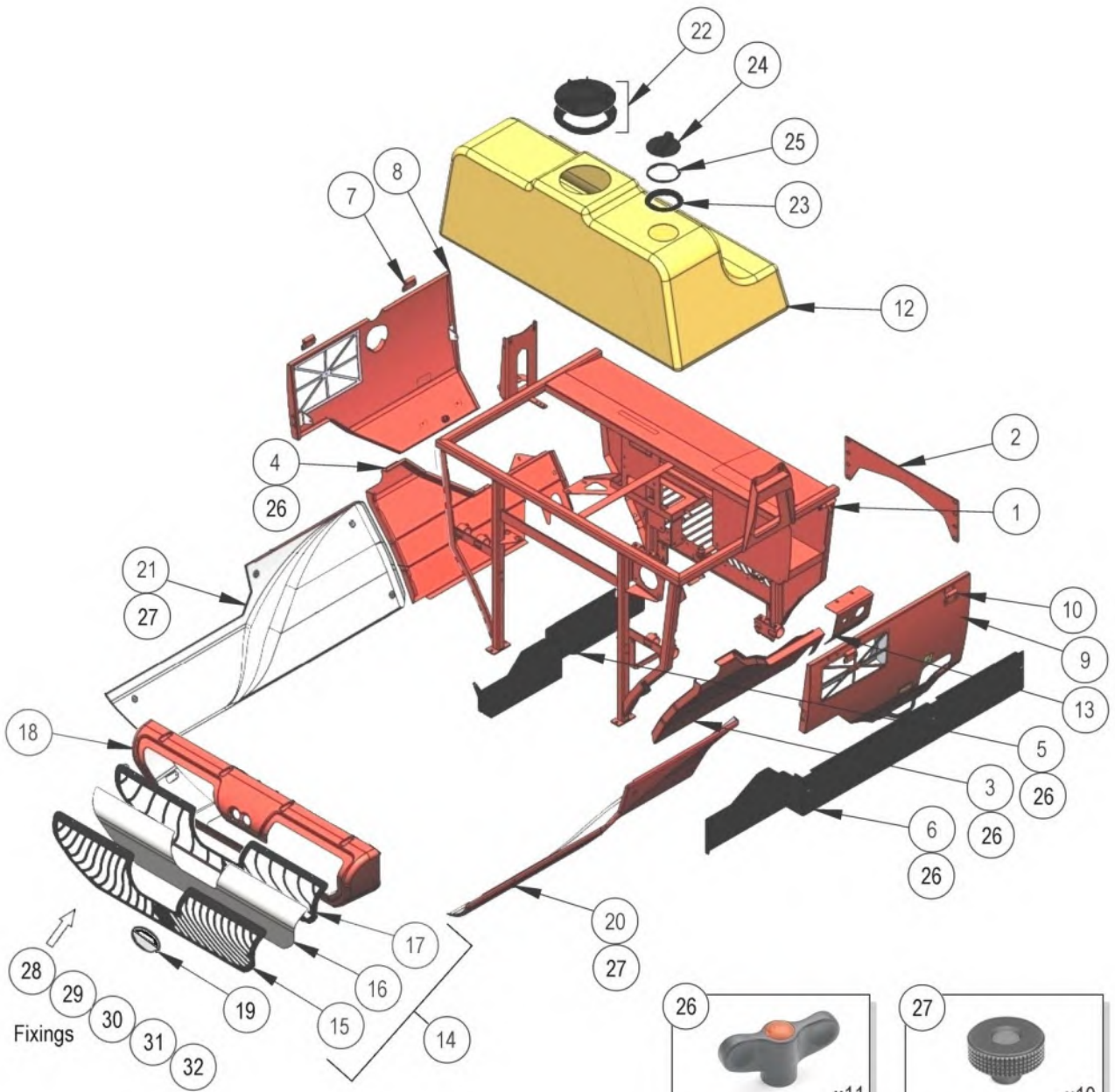
**McCONNEL**

Module(s): AB74102A15A



REF.	QTY.	PART No.	DESCRIPTION
		<b>AB74102A15A</b>	<b>FRONT GRILLE ASSEMBLY</b>
1	1	AB02550A15C	OUTER GRILLE
2	1	AB02549A15C	INNER GRILLE
3	1	MD65178A15C	GRILLE MESH
4	12	MD64045X00S	POP RIVET
5	4	MD61531X05P	DART STUD
6	4	MD61452X05P	DART RECEPTACLE
7	8	MD64044X00P	POP RIVET

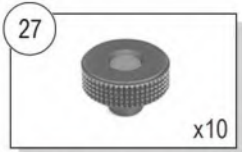
Module(s):



Fixings



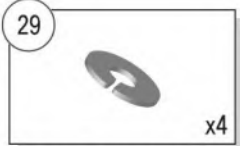
Metal Panel Fixing x11



Fibreglass Panel Fixing x10



x4



x4



x4

Front Grille Fixings

Module(s):

REF.	QTY.	PART No.	DESCRIPTION
			<b>BODYWORK ASSEMBLY</b>
1	1	AB67624B00A	ENGINE COVER FRAME
2	1	AB01410B20C	CHASSIS CROSS-MEMBER PLATE
3	1	AB02520A80A	N/S LOWER FABRICATION
4	1	AB02649A80A	O/S LOWER FABRICATION
5	1	AB02639B20C	O/S DIRT SHIELD
6	1	AB02659H40C	N/S DIRT SHIELD
7	2	AB02020B00A	COVER HINGE PLATE ASSEMBLY RH
8	1	AB65824A80A	O/S UPPER ENGINE COVER
9	1	AB65823A80A	N/S UPPER ENGINE COVER
10	2	AB02019B00A	COVER HINGE PLATE ASSEMBLY LH
11	4	MD64853A50P	BULLET HINGE BEARING WASHER
12	1	TANK-FG300	CLEAN WATER HANDWASH TANK
13	1	AB02504A80C	TAP & KILL SWITCH PLATE
14	1	AB74102A15A	FRONT GRILLE ASSEMBLY (incl. fixings)
15	1	AB02550A15C	OUTER GRILLE
16	1	MD65178A15C	GRILLE MESH
17	1	AB02549A15C	INNER GRILLE
18	1	AB72083A12P	NOSE CONE (YELLOW)
	1	AB02553A12C	NOSE CONE (RED)
19	1	AB71971Z10P	DECAL - McCONNEL ROUNDEL
20	1	ABT-65042	* N/S LOWER SIDE PANEL (Standard Wheel Builds)
	1	AB02811A12A	** N/S LOWER SIDE PANEL (Rowcrop Wheel Builds)
21	1	ABT-65041	* O/S LOWER SIDE PANEL (Standard Wheel Builds)
	1	AB02812A12A	** O/S LOWER SIDE PANEL (Rowcrop Wheel Builds)
22	1	AS72218S30P	8" TANK LID & NECK RING
23	1	AS72196S30P	NECK RING
24	1	AS72195S30P	AIR VENT
25	1	AS72197S30P	GASKET
26	11	AB72155X00P	PANEL WING NUT WITHOUT INSERT CAP
		AB72156X00P	RED INSERT CAP FOR PANEL WING NUT
27	10	AB72157x00P	PANEL KNOB (KNURLED)
28	4	MD61531X05P	DART WING STUD
29	4	MD61532X05P	WASHER
30	4	MD61533X05P	DART RECEPTACLE
31	12	MD64045X00S	POP RIVET
32	8	MD64044X00P	POP RIVET

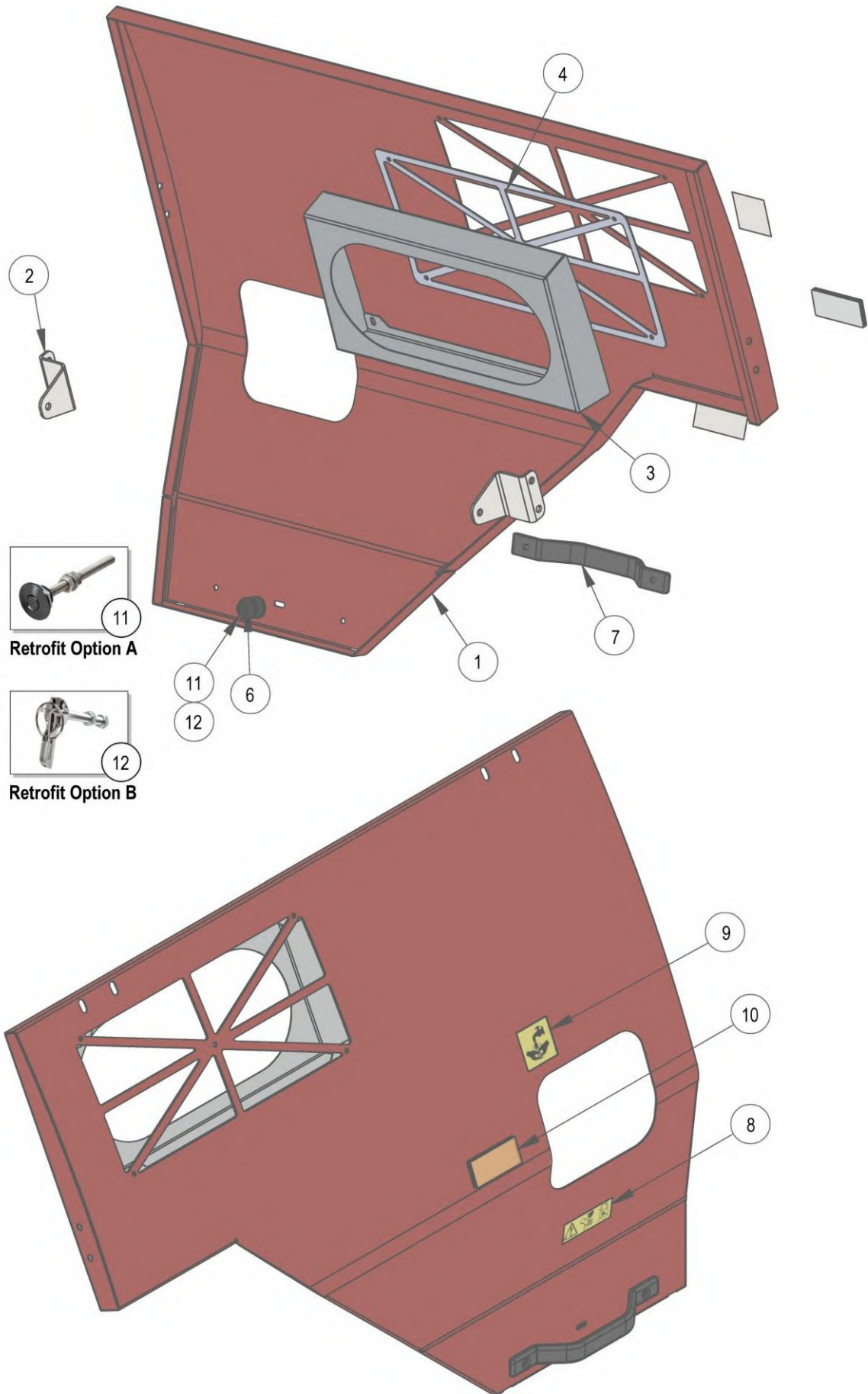
\* Panel Material : GRP Plastic

\*\* Panel Material : Steel

# ENGINE COVER - UPPER N/S ASSEMBLY

**McCONNEL**

Module(s): AB65823A80A



ENGINE COVER - UPPER N/S ASSEMBLY



Module(s): AB65823A80A

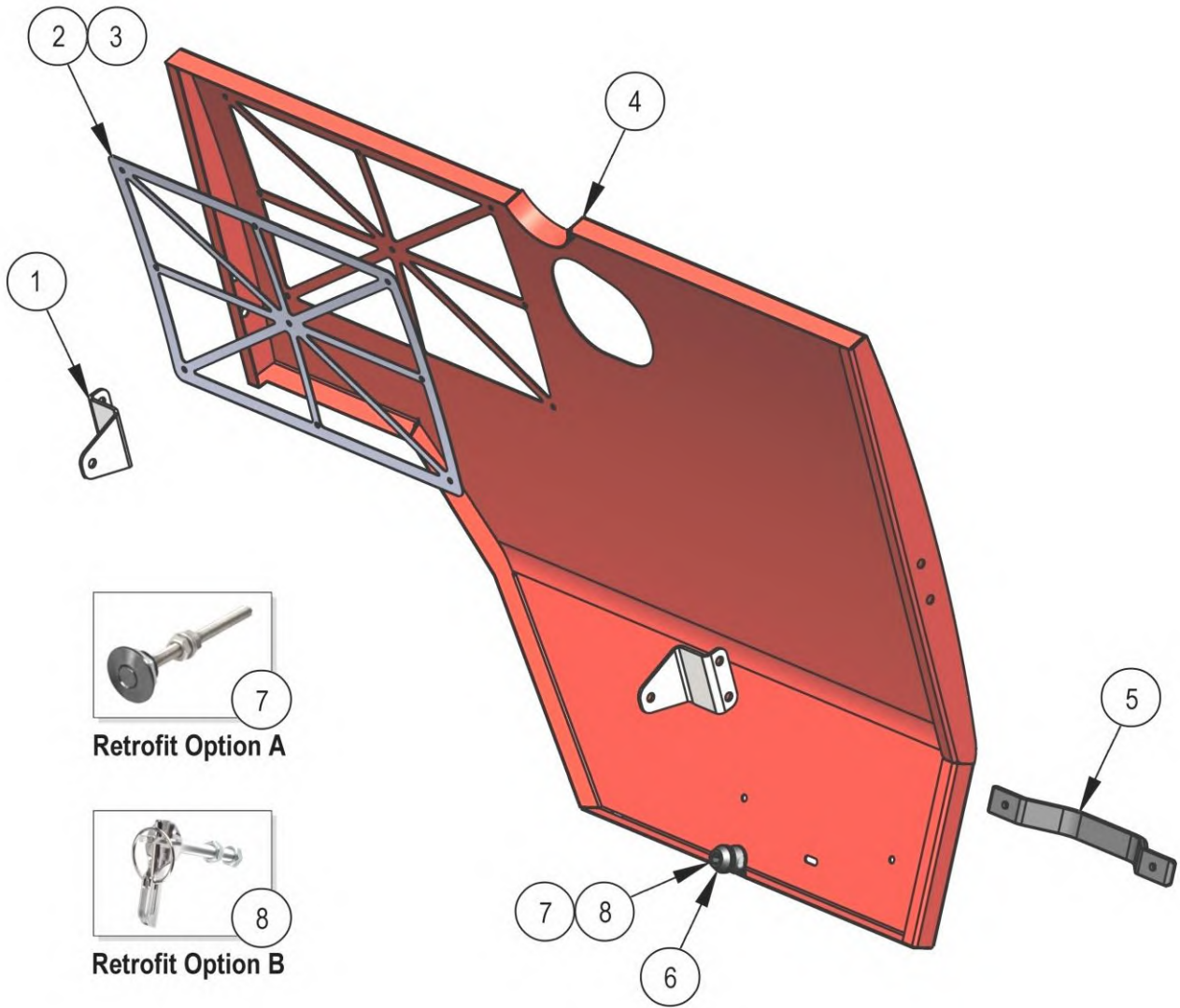
REF.	QTY.	PART No.	DESCRIPTION
		<b>AB65823A80A</b>	<b>ENGINE COVER - UPPER NEARSIDE</b>
1	1	AB02644A80A	N/S UPPER FABRICATION
2	2	AB01478E00C	GAS STRUT BRACKET
3	1	AB02641J10A	AIR COWLING
4	1	AB02643J10C	N/S AIR MESH SUPPORT
5	1	PLA-MS1.06-0.22	N/S MESH
6	1	AB72178X80P	SLAM CATCH (MALE)
7	1	WES-HAN	BONNET HANDLE
8	1	AB72667Z10P	DECAL - FINGER INJURY WARNING
9	1	AB66780Z10C	DECAL - HAND WASH
10	1	AB72393N00P	AUTO REFLECTOR
11	1	AB73764T00P	QR CLIP PUSH BUTTON - <b>Option A</b>
	1	AB76788A80P	BONNET PIN (PAIR) - <b>Option B</b>



# ENGINE COVER - UPPER O/S ASSEMBLY

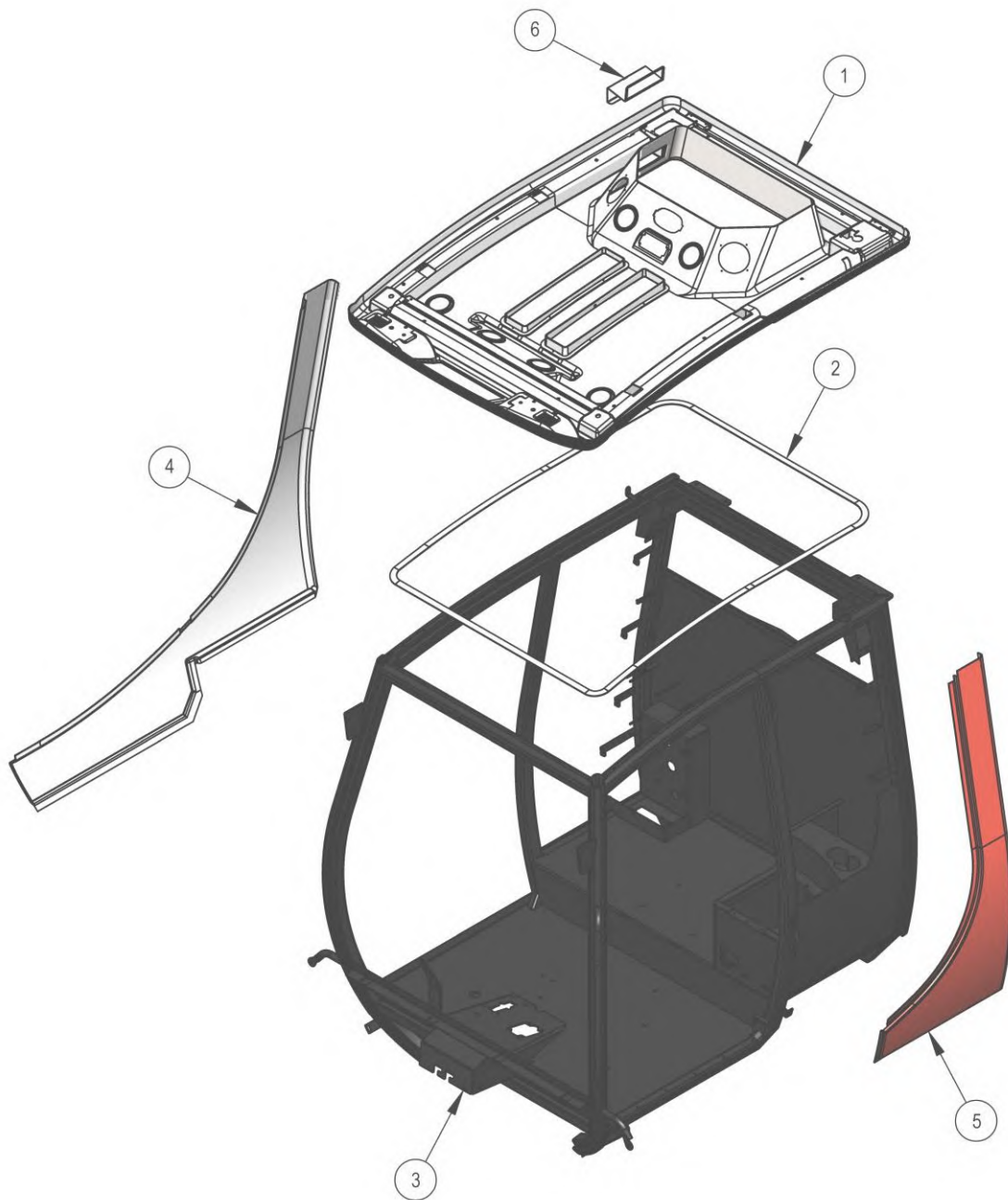
**McCONNEL**

Module(s): AB65824A80A



REF.	QTY.	PART No.	DESCRIPTION
		<b>AB65824A80A</b>	<b>ENGINE COVER - UPPER OFFSIDE</b>
1	2	AB01478E00C	GAS STRUT BRACKET
2	1	AB02642J10C	O/S AIR MESH SUPPORT
3	1	PLA-MS1.06-0.22	O/S MESH
4	1	AB02646A80A	O/S UPPER FABRICATION
5	1	WES-HAN	BONNET HANDLE
6	1	AB72178X80P	SLAM CATCH (MALE)
7	1	AB73764T00P	QR CLIP PUSH BUTTON - <b>Option A</b>
8	1	AB76788A80P	BONNET PIN (PAIR) - <b>Option B</b>
9	1	AB72667Z10P	* DECAL - FINGER INJURY WARNING
10	1	AB72393N00P	* AUTO REFLECTOR
			* <i>Not illustrated</i>

Module(s):



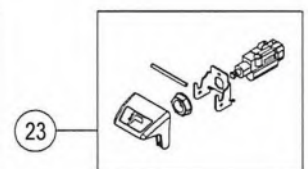
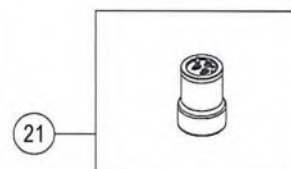
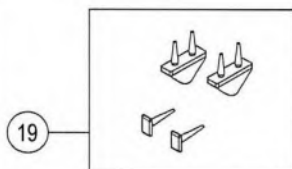
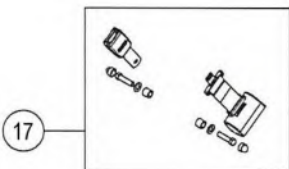
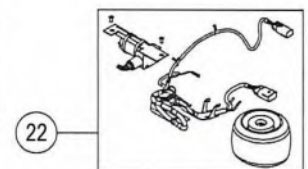
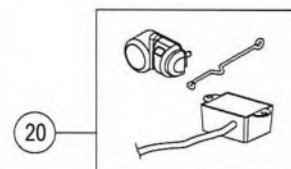
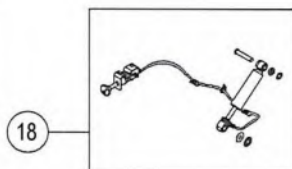
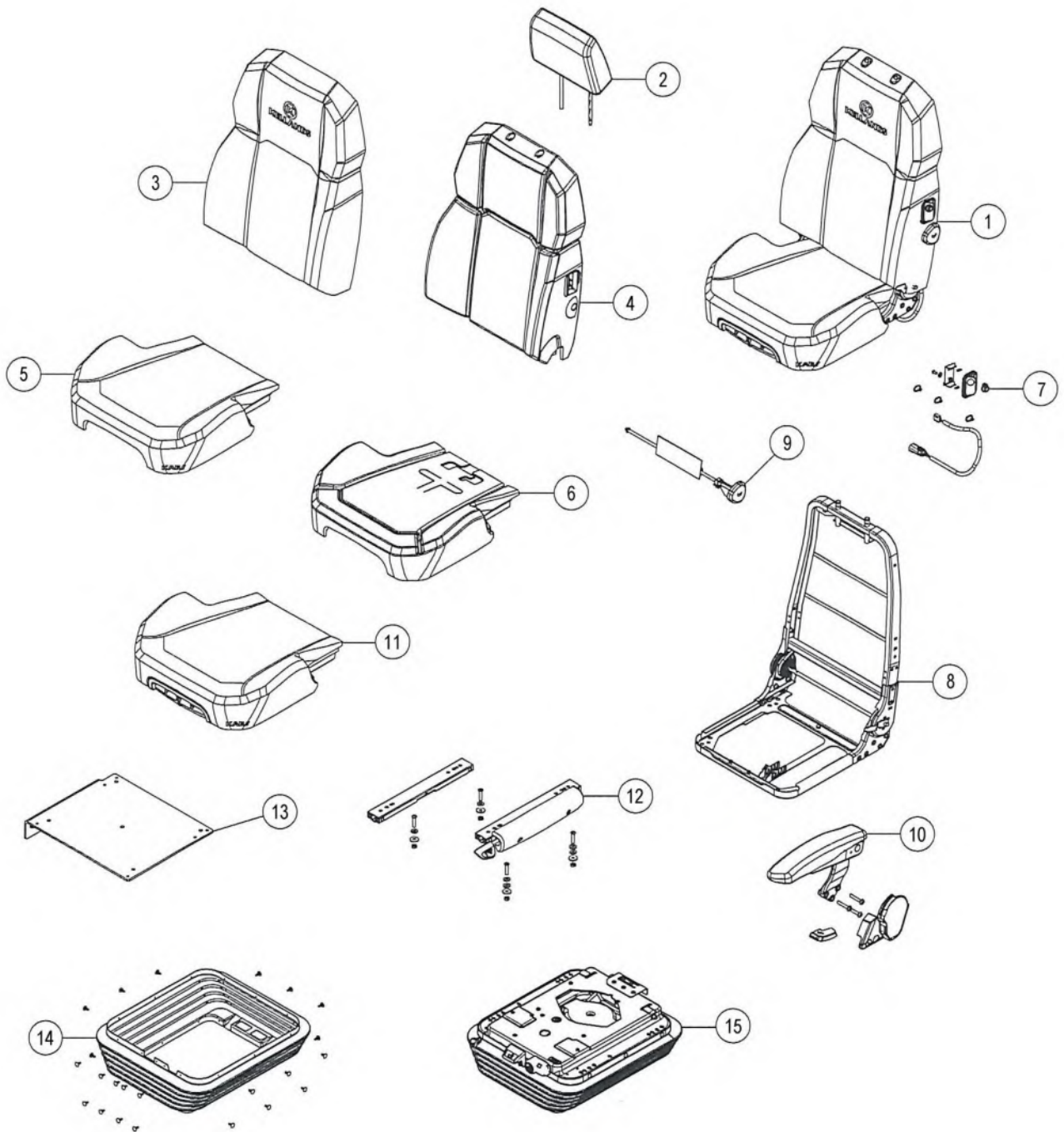
REF.	QTY.	PART No.	DESCRIPTION
<b>BASIC CAB</b>			
1	1	MD64880A12A	LOWER ROOF SECTION
2	1	MD65511A55C	ROOF FOAM
3	1	MD64683A14A	CAB STRUCTURE
4	1	MD64762A12C	O/S FIBREGLASS PANEL
5	1	MD64763A12C	N/S FIBREGLASS PANEL
6	1	MD65033A12C	RADIO SUPPORT
7	1	MD67892A25P	* WIPER BLADE
8	1	MD67312A60P	* LH ELECTRIC MIRROR HEAD (N/S)
9	1	MD65185A60P	* LH ELECTRIC MIRROR ARM (N/S)
10	1	MD65184A60P	* RH ELECTRIC MIRROR HEAD (O/S)
11	1	MD65186A60P	* RH ELECTRIC MIRROR ARM (O/S)

\* *Not illustrated*

# CAB SEAT ASSEMBLY

# McCONEL

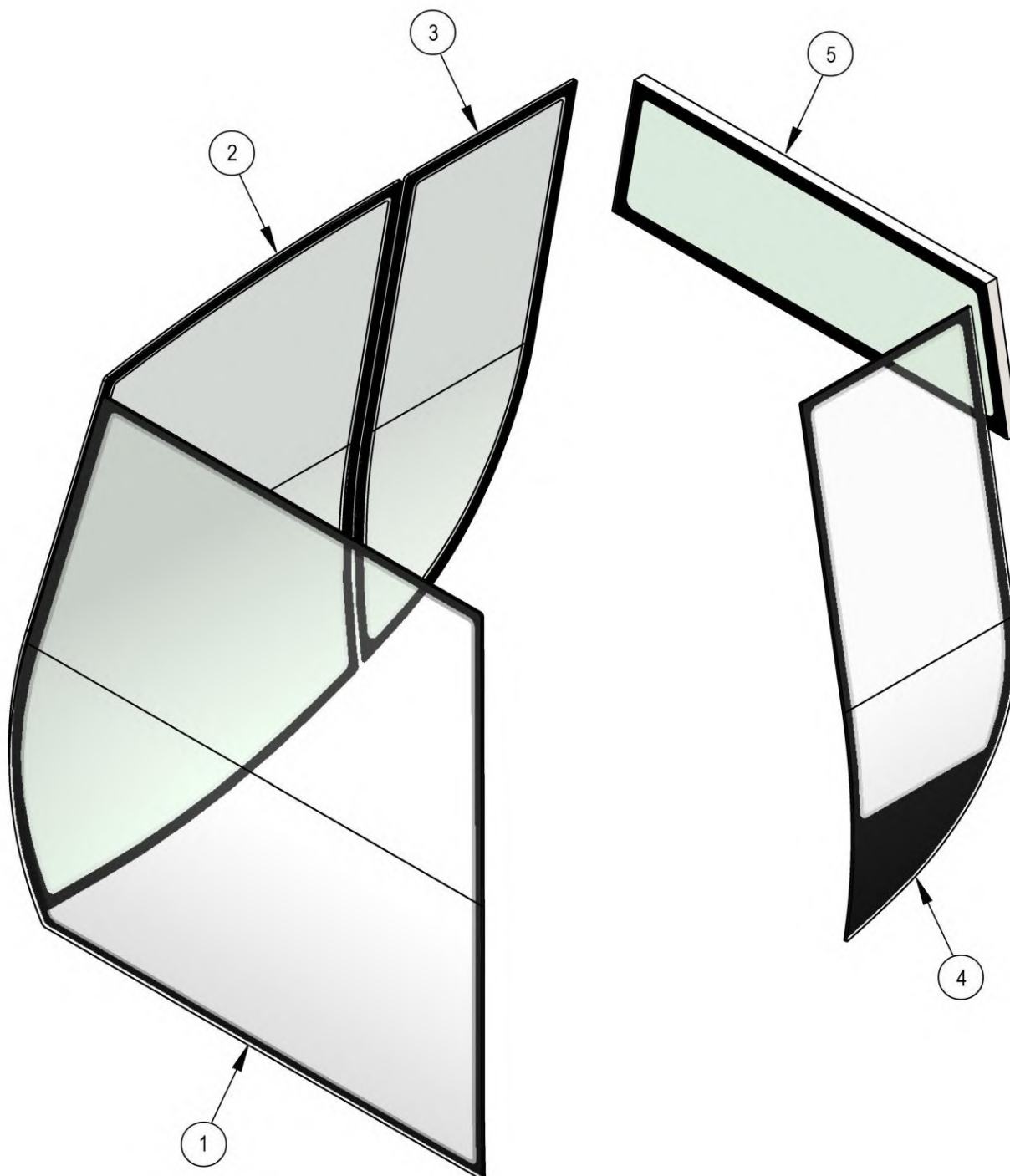
Module(s):



Module(s):

REF.	QTY.	PART No.	DESCRIPTION
			<b>CAB SEAT ASSEMBLY</b>
1	1	AB73151A48P	UPPER SEAT KIT
2	1	AB73152A48P	SEAT HEADREST KIT
3	1	AB73153A48P	BACK COVER KIT
4	1	AB73154A48P	BACK FOAM & HEATER KIT
5	1	AB73155A48P	SEAT COVER KIT
6	1	AB73156A48P	SEAT FOAM & HEATER KIT
7	1	AB73157A48P	HEATER SWITCH KIT
8	1	AB73158A48P	FRAME KIT
9	1	AB73159A48P	LUMBAR KIT
10	1	AB73160A48P	ARMREST KIT
11	1	AB73161A48P	SEAT CUSHION KIT
12	1	AB73162A48P	FORE / AFT ADJUSTER KIT
13	1	AB73163A48P	ADAPTOR PLATE KIT
14	1	AB73164A48P	SUSPENSION COVER KIT
15	1	AB73165A48P	SUSPENSION KIT
16	1	AB73166A48P	PLASTIC PARTS KIT
17	1	AB73167A48P	SEAT BELT KIT
18	1	AB73168A48P	DAMPER KIT
19	1	AB73169A48P	UPSTOP / BUMSTOP KIT
20	1	AB73170A48P	OTR SENSOR KIT
21	1	AB73171A48P	AIR SPRING KIT
22	1	AB73172A48P	AIR SYSTEM KIT
23	1	AB73173A48P	VALVE KIT

Module(s):



REF.	QTY.	PART No.	DESCRIPTION
1	1	MD64768A20C	CAB GLASS WINDSCREEN
2	1	MD65068A20C	FRONT OFFSIDE GLASS
3	1	MD64766A20C	OFFSIDE WINDOW
4	1	MD64767A20C	NEARSIDE WINDOW
5	1	MD64765A20C	REAR WINDOW

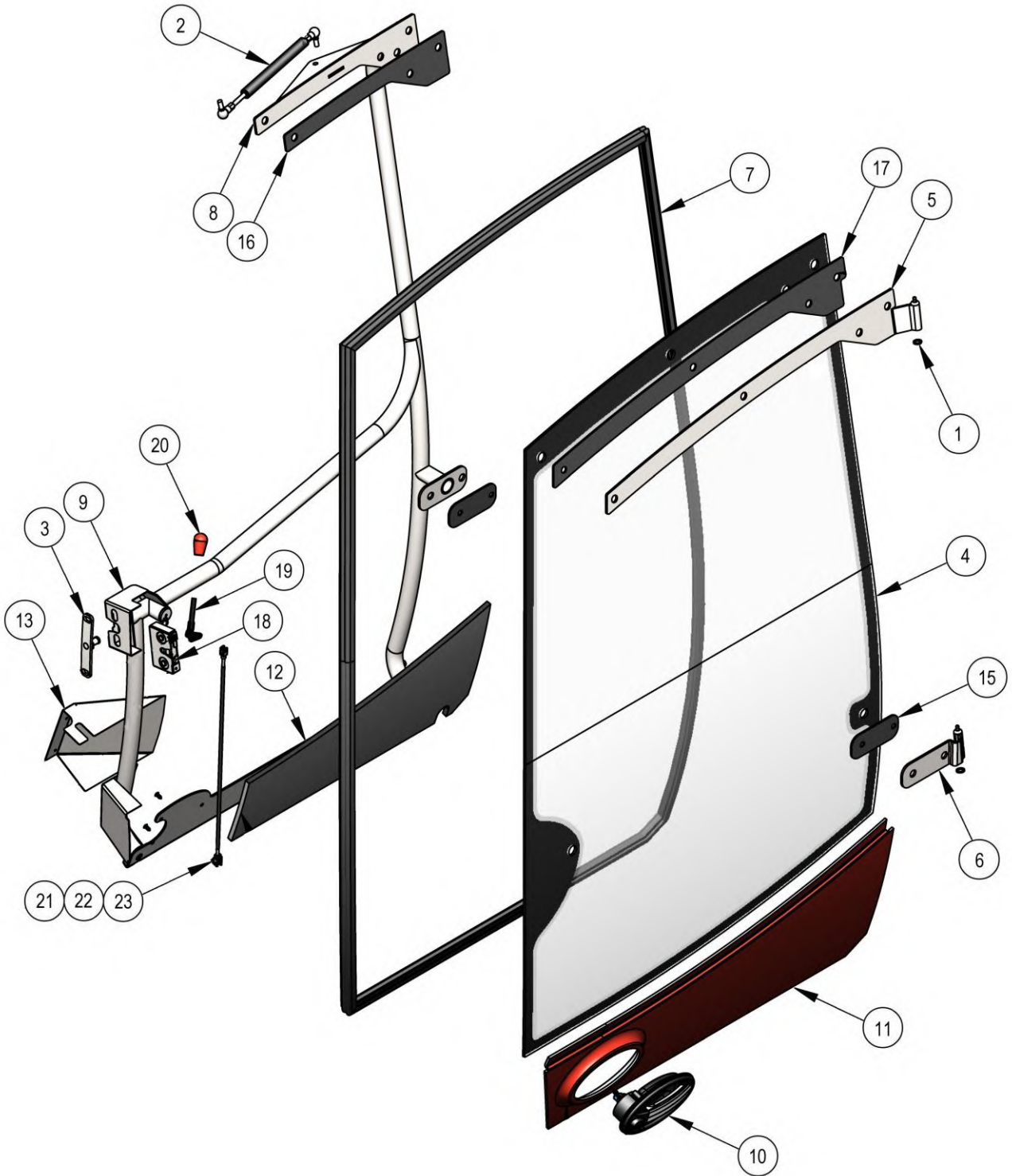
Module(s):

*This page is intentionally blank*

# DOOR ASSEMBLY

**McCONNEL**

Module(s): MD64839A50A



## DOOR ASSEMBLY

**McCONNEL**

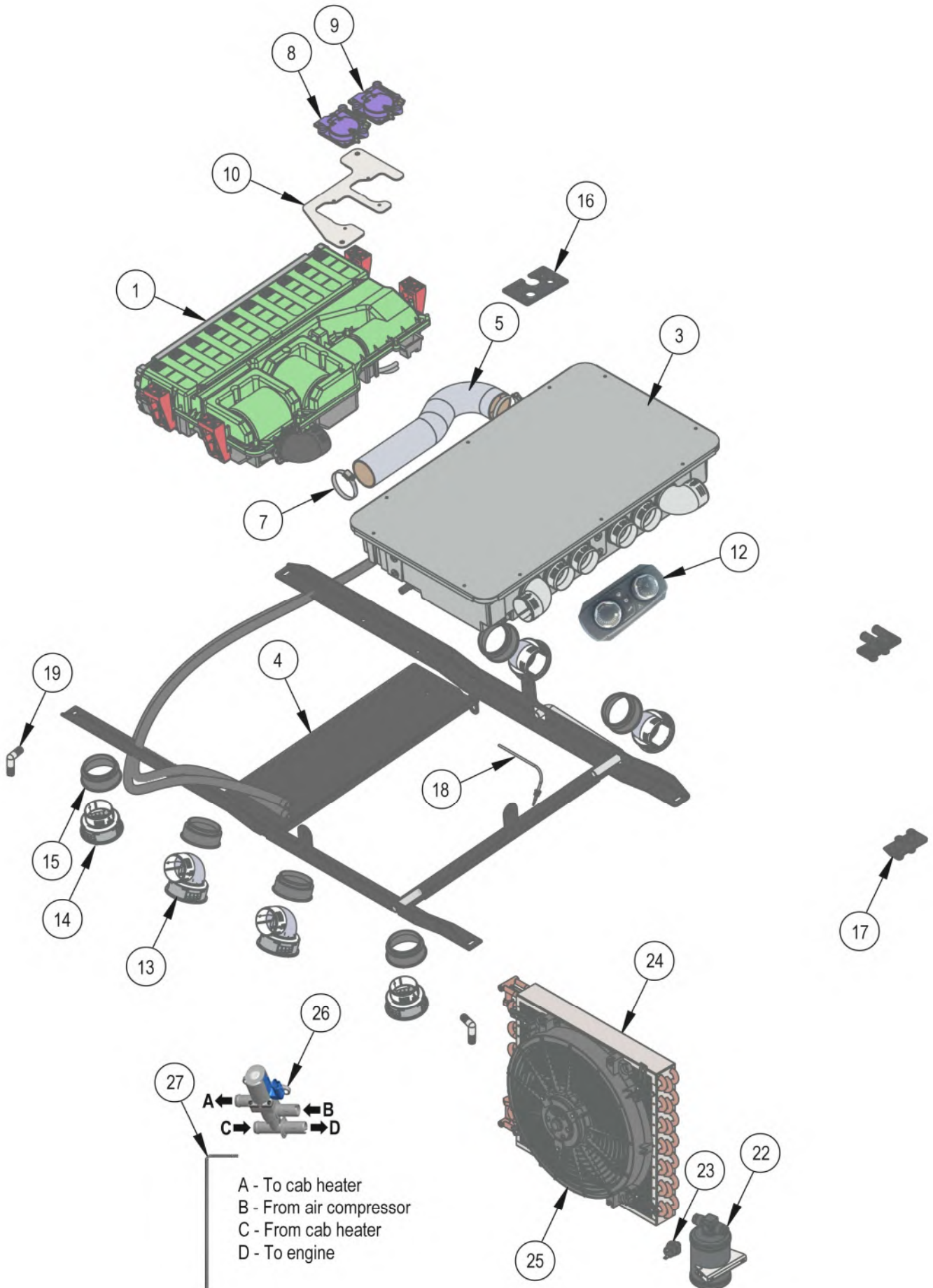
Module(s): MD64839A50A

REF.	QTY.	PART No.	DESCRIPTION
		<b>MD64839A50A</b>	<b>DOOR ASSEMBLY</b>
1	2	MD64853A50P	BULLET HINGE BEARING WASHER
2	1	MD65501A50P	DOOR GAS SPRING
3	1	MD65506A50A	FLOATING PIN
4	1	MD64864A50C	DOOR GLASS
5	1	MD64877A50A	UPPER DOOR HINGE
6	1	MD64875A50A	LOWER DOOR HINGE
7	1	MD64879A50C	DOOR SEAL
8	1	MD64870A50A	DOOR FRAME
9	1	MD64907A50C	DOOR CATCH COVER
10	1	MD65066A50P	EXTERNAL DOOR HANDLE
11	1	MD64874A50C	<i>i</i> LOWER DOOR FIBREGLASS
12	1	MD65067A50C	DOOR TRIM
13	1	MD65060A50C	DOOR HANDLE COVER
14	2	MD65018X21P	BARBED PUSH FASTENER
15	2	MD65381A50C	GASKET - LOWER HINGE
16	1	MD65383A50C	INNER GASKET - UPPER HINGE
17	1	MD65382A50C	OUTER GASKET - UPPER HINGE
18	1	MD65065A50P	DOOR CATCH
19	1	MD65499A95A	DOOR CATCH LEVER ASSEMBLY
20	1	MD65493A95P	KNOB (RED)
21	1	MD65496A95P	CLEVIS
22	1	MD65497A95C	DOOR CATCH LINKAGE
23	1	MD65498A95P	HEATSHRINK

*i Please specify colour: RED or BLACK*



Module(s):



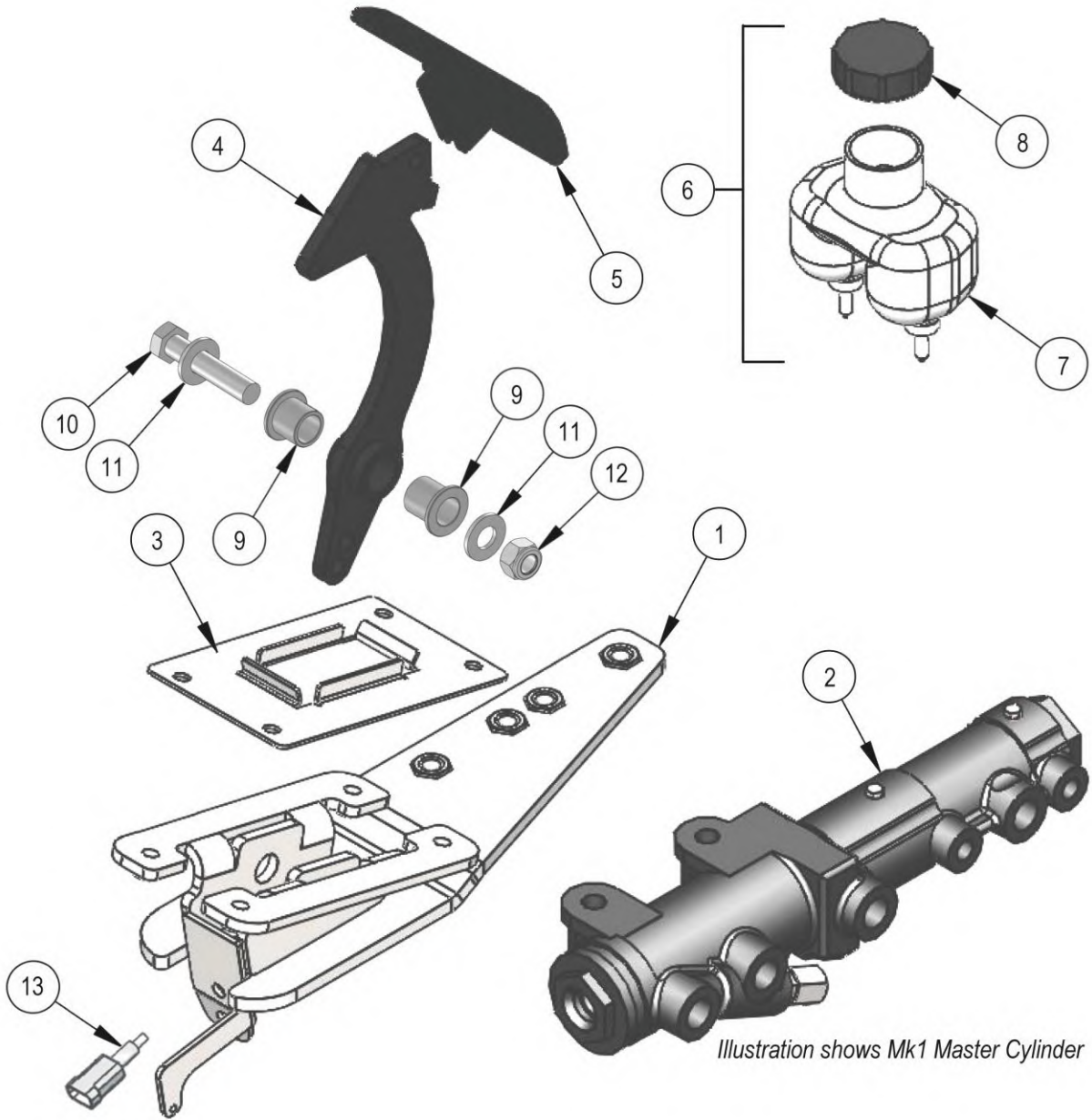
Module(s):

REF.	QTY.	PART No.	DESCRIPTION
			<b>HVAC ASSEMBLY</b>
1	1	MD64709A30P	CAB PRESSURISATION UNIT
2	1	CF006	CARBON AIR FILTER
3	1	AB68405A30P	HVAC UNIT
4	1	MD64882A30A	FRONT HVAC MOUNT
5	1	MD64893A30P	HVAC CONNECTION PIPE
6	1	AB67585A30P	HVAC SOUND ABSORBER
7	2	MD50437X00P	JUBILEE CLIP
8	1	MD66038A30P	FLOW SENSOR
9	1	MD65151A30C	PRESSURISATION SENSOR
10	1	MD65052A30C	SENSOR PLATE
11	1	MD65150A30C	DRAIN PIPE
12	1	AB68409A30P	CONTROL PANEL
13	4	MD64972A30P	SWIVEL VENT (90° ELBOW)
14	2	MD65155A30P	SWIVEL VENT (STRAIGHT)
15	6	MD65156A30P	SEALING SLEEVE
16	1	MD65472A30C	A/C HOSE PLATE
17	2	MD65143A30P	BULKHEAD FITTING - ST/90
18	1	MD65481A30P	AIR FLOW SENSOR
19	2	AS69154S30P	90° ELBOW
20	2	M8W	WASHER
21	2	MD40922X20S	PLAIN NUT
22	1	AB67105A30P	RECEIVER DRIER
23	1	AB67106A30P	BINARY SWITCH
24	1	AB67104A30P	HVAC CONDENSER KIT
25	1	AB68422A30P	AIR CONDENSER FAN (BLOWER)
26	1	AB67634A30P	HEATER VALVE 4-WAY
27	1	AB68195A30C	HEATER VALVE BRACKET
28	1	AB02703A30P	A/C HOSE (No.6) B/HEAD-COMP
29	1	AB02702A30P	A/C HOSE (No.10) B/HEAD-COMP

# BRAKE PEDAL ASSEMBLY

**McCONNEL**

Module(s):



*Illustration shows Mk1 Master Cylinder*

REF.	QTY.	PART No.	DESCRIPTION
<b>BRAKE PEDAL ASSEMBLY</b>			
1	1	AB02547A14A	BRAKE MOUNT
2	1	AB70743L00P	MASTER CYLINDER ASSEMBLY (Mk1)
	1	AB71990L00P	MASTER CYLINDER ASSEMBLY (Mk2)
3	1	AB72084A40P	PEDAL GAITER PLATE
4	1	AB01334L25A	BRAKE PEDAL ASSEMBLY
5	1	AB01335L25A	BRAKE PEDAL PAD
6	1	AB72265L00P	BRAKE RESERVOIR & CAP
7	1	AB70741L00P	RESERVOIR
8	1	AB70744L00P	CAP
9	2	AB72014A40P	PEDAL BUSH
10	1	M16X80CA	CAP HEAD BOLT
11	2	M16W	WASHER
12	1	M16LN	LOCK NUT
13	1	AB67589N70P	BRAKE LIGHT SWITCH (Early builds only)

# BRAKE MASTER CYLINDER ASSEMBLY

**McCONNEL**

Module(s):

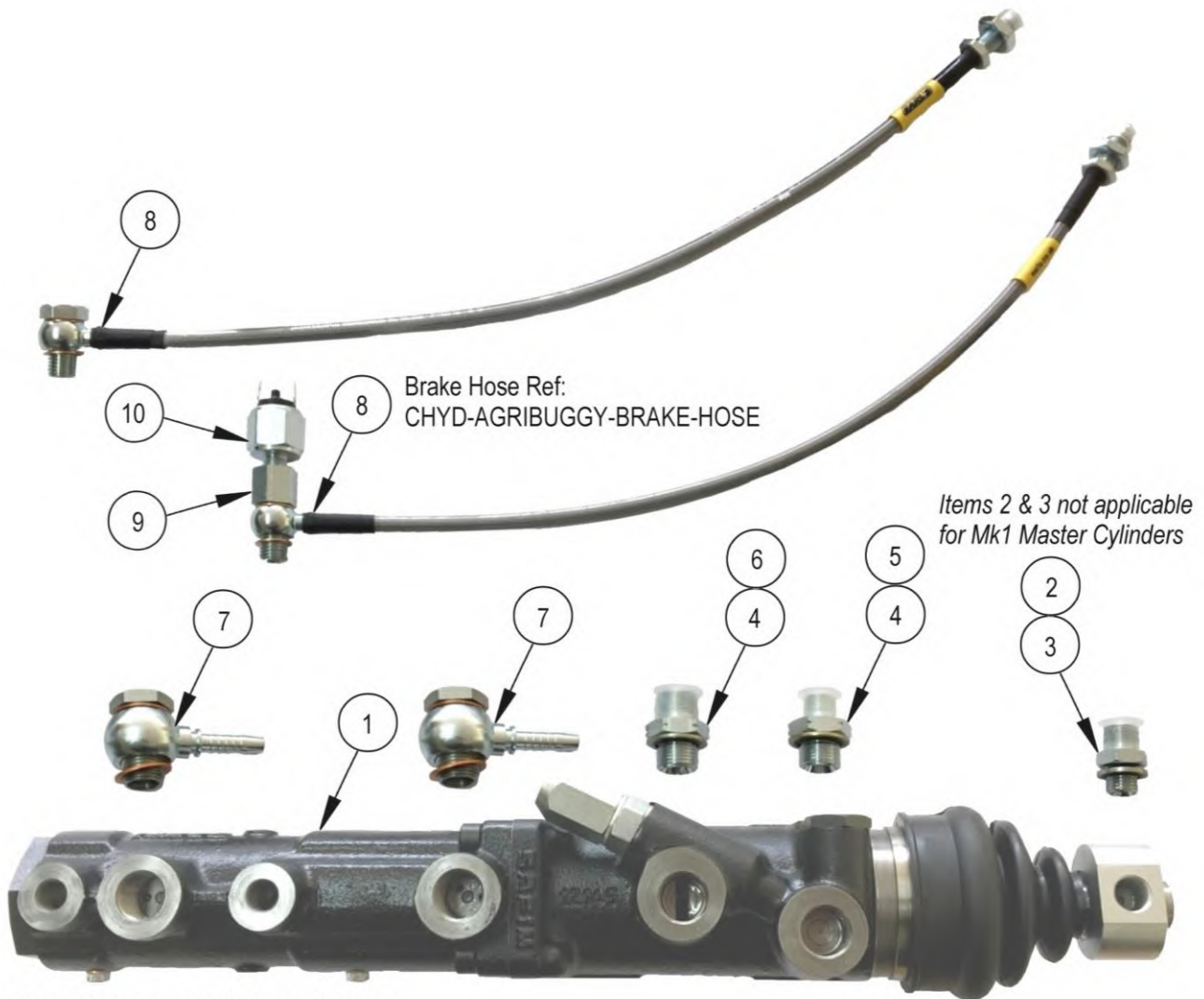
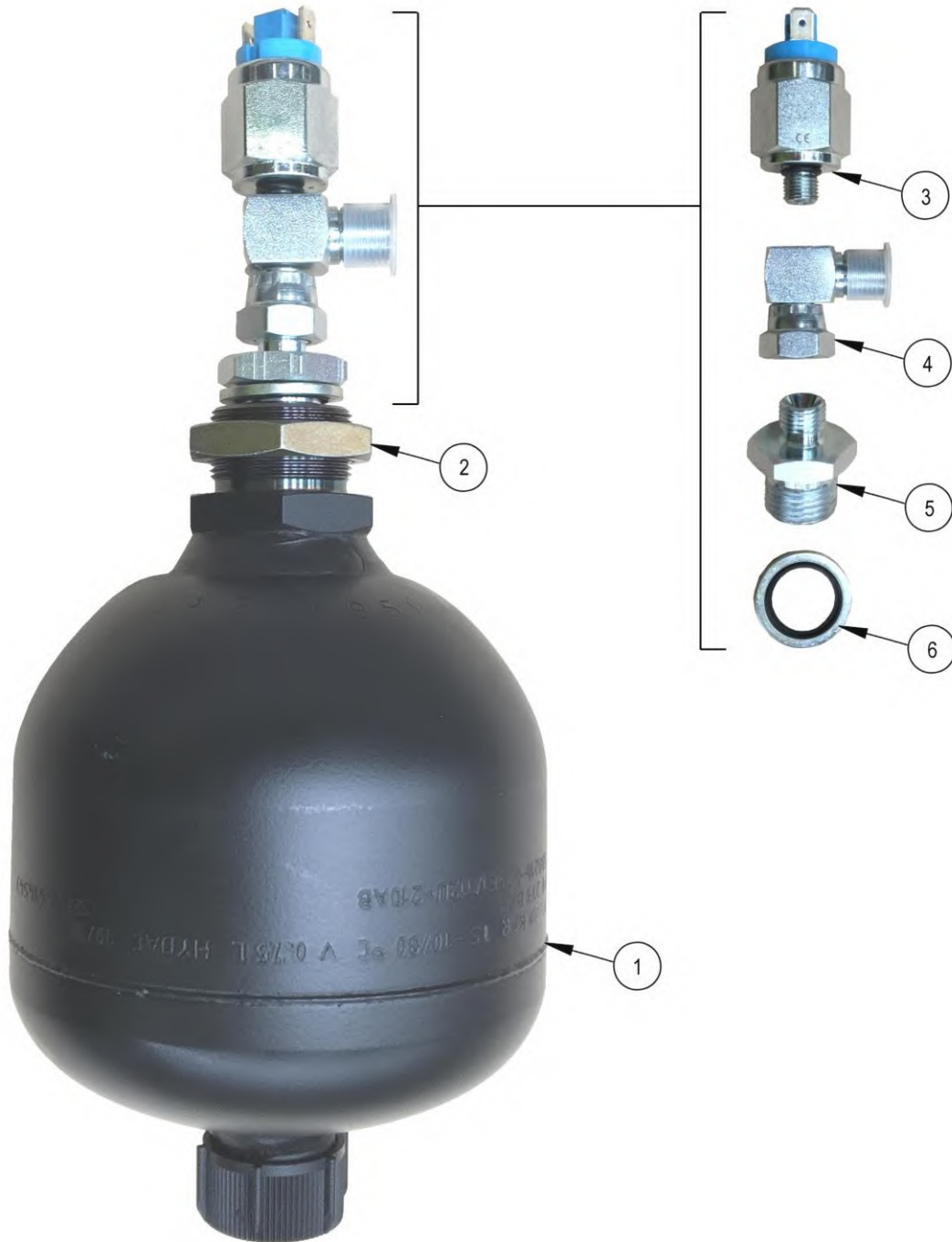


Illustration shows Mk2 Master Cylinder

REF.	QTY.	PART No.	DESCRIPTION
			<b>MASTER CYLINDER ASSEMBLY</b>
1	1	AB70743L00P	MASTER CYLINDER ASSEMBLY (Mk1)
	1	AB71990L00P	MASTER CYLINDER ASSEMBLY (Mk2)
2	1	HYD103	* SEAL
3	1	HYD150	* ADAPTOR
4	2	HYD105A	SEAL
5	1	HYD169A	ADAPTOR
6	1	HYD169B	ADAPTOR
7	2	AB66499L30P	BANJO FITTING c/w WASHERS
		AB66500L30P	BANJO WASHER (REPLACEMENT)
8	2	Refer to drawing	BRAKE HOSE
9	1	AB67894L30P	BANJO BOLT
10	1	MD-51789L30P	BRAKE LIGHT SWITCH

\* Applicable to Mk2 Master Cylinder only

Module(s):

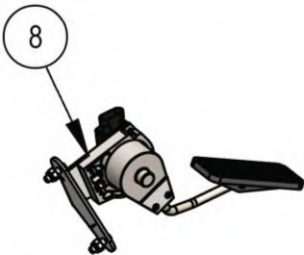
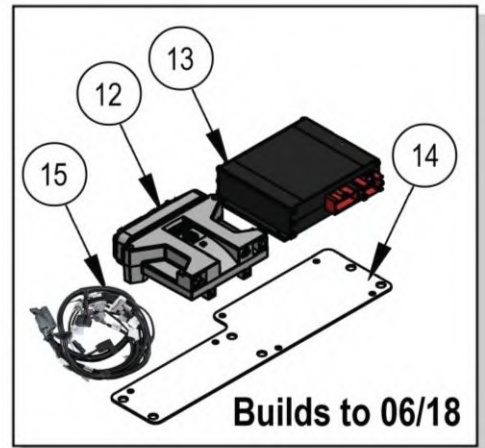
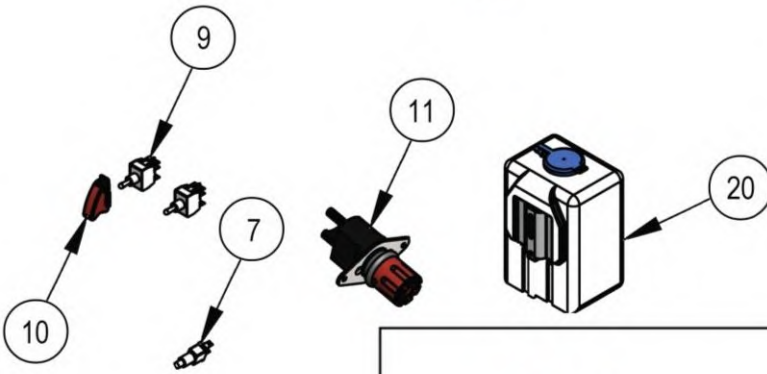
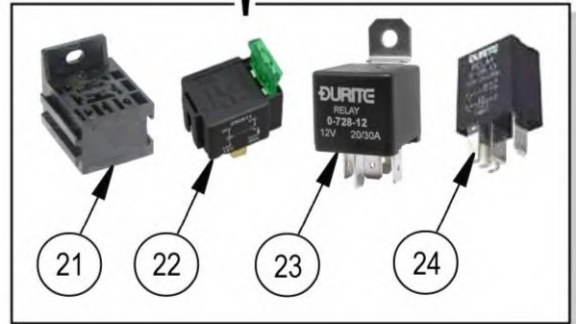
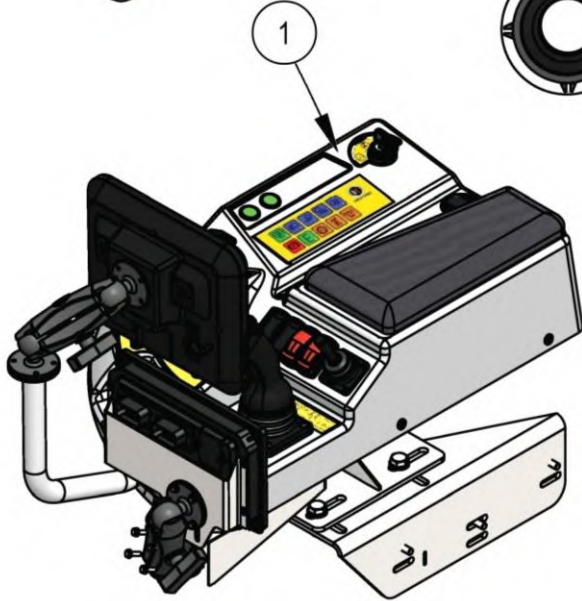
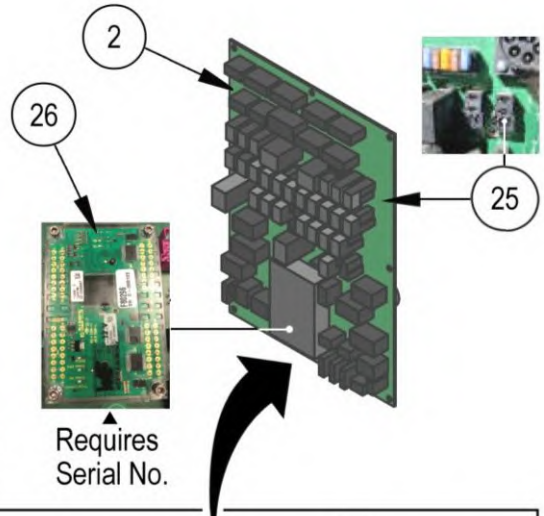
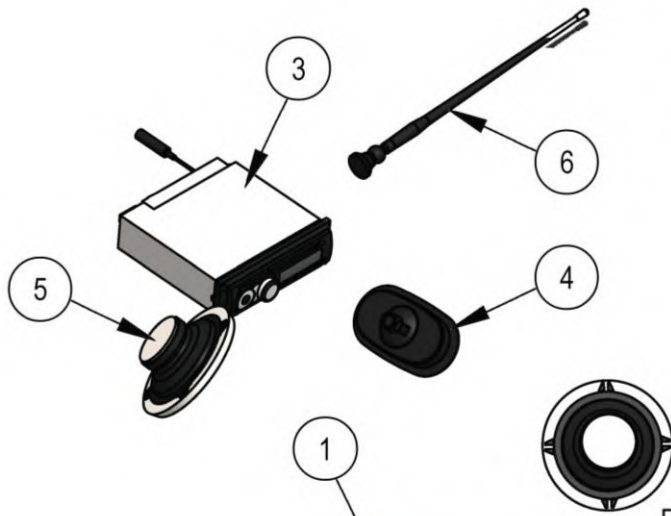


REF.	QTY.	PART No.	DESCRIPTION
			<b>BRAKE SAFETY ACCUMULATOR</b>
1	1	AB66768L20P	ACCUMULATOR
2	1	AB66768L20P-LN	LOCKNUT
3	1	AB72266L00P	PRESSURE SWITCH
4	1	AB66313L00C	SENSOR ELBOW
5	1	HYD152	ADAPTOR (M-M)
6	1	HYD105	SEAL

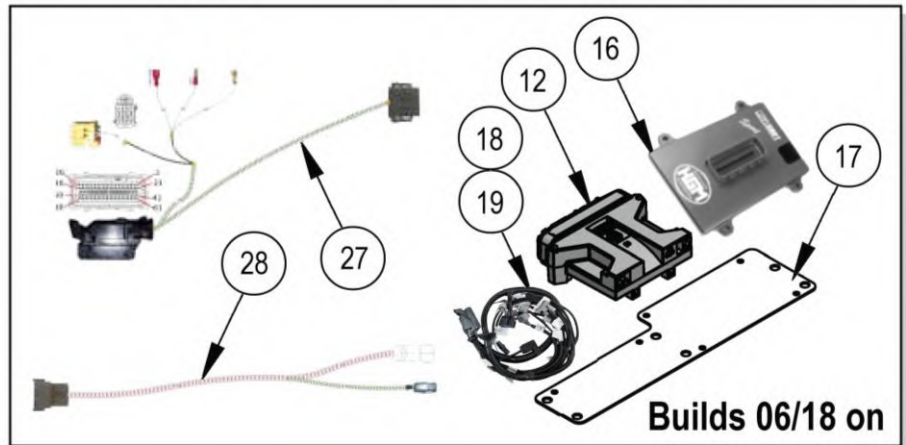
Module(s):

*This page is intentionally blank*

Module(s):



*Pedal shown is the early angle plate mounted type*



Module(s):

REF.	QTY.	PART No.	DESCRIPTION
			<b>CAB ELECTRICS</b>
1	1	MD64980A45A	CONSOLE ASSEMBLY
2	1	AB72395N00P	CIRCUIT BOARD
3	1	AB68118N90P	DAB RADIO WITH BLUETOOTH
4	1	MD66225N24P	INTERIOR LIGHT
5	2	AB68119N90P	KENWOOD SPEAKERS
6	1	MD47554N90A	RADIO AERIAL
7	1	AB72082L00P	DOOR SWITCH
8	1	AB72301A40P	PEDAL & SENSOR Builds ► 07/18
	1	AB68233A40P	PEDAL & SENSOR Builds 07/18 ►
9	2	MD63544N70P	SWITCH
10	1	AB72152N00P	SWITCH COVER
11	1	AB72391N00P	BATTERY ISOLATOR
12	1	MD64953N00P	CONTROLLER
13	1	AB72291F00P	COMPUSHIFT 2 KIT (Incl. items 14 & 15)
14	1	AB02717F20C	ECU & TCU MOUNTING BRACKET
15	1	AB66082N30A	COMPUSHIFT 2 WIRING HARNESS
16	1	AB68251F20P	COMPUSHIFT 3 TCU UNIT
17	1	AB72759F20C	ECU & TCU MOUNTING BRACKET
18	1	AB72732N30A	COMPUSHIFT 3 POWER HARNESS
19	1	AB72733N30A	COMPUSHIFT 3 TRANS HARNESS
20	1	AB72150N00P	WINDSCREEN WASHER BOTTLE
21	5	AB71899N00P	SOCKET BASE FLASHER / RELAY
22	2	AS72194S30P	RELAY 12V <> 30A c/w 30A FUSE
23	5	AB71898N00P	RELAY 12V <> 70A
24	1	AB72153N00P	RELAY 12V MICRO 3 PIN
25	1	AB71438N00P	PR02 RESISTOR
26	1	AB77099N86C	PROGRAMMED CONTROLLER (S/No. Req'd)
27	1	AB72732N30A	COMPUSHIFT 3 POWER-CB HARNESS
28	1	AB72733N30A	COMPUSHIFT 3 TRANS HARNESS

**PEDAL & SENSOR IDENTIFICATION**

Builds ► 07/18 : Angle Plate Mounted

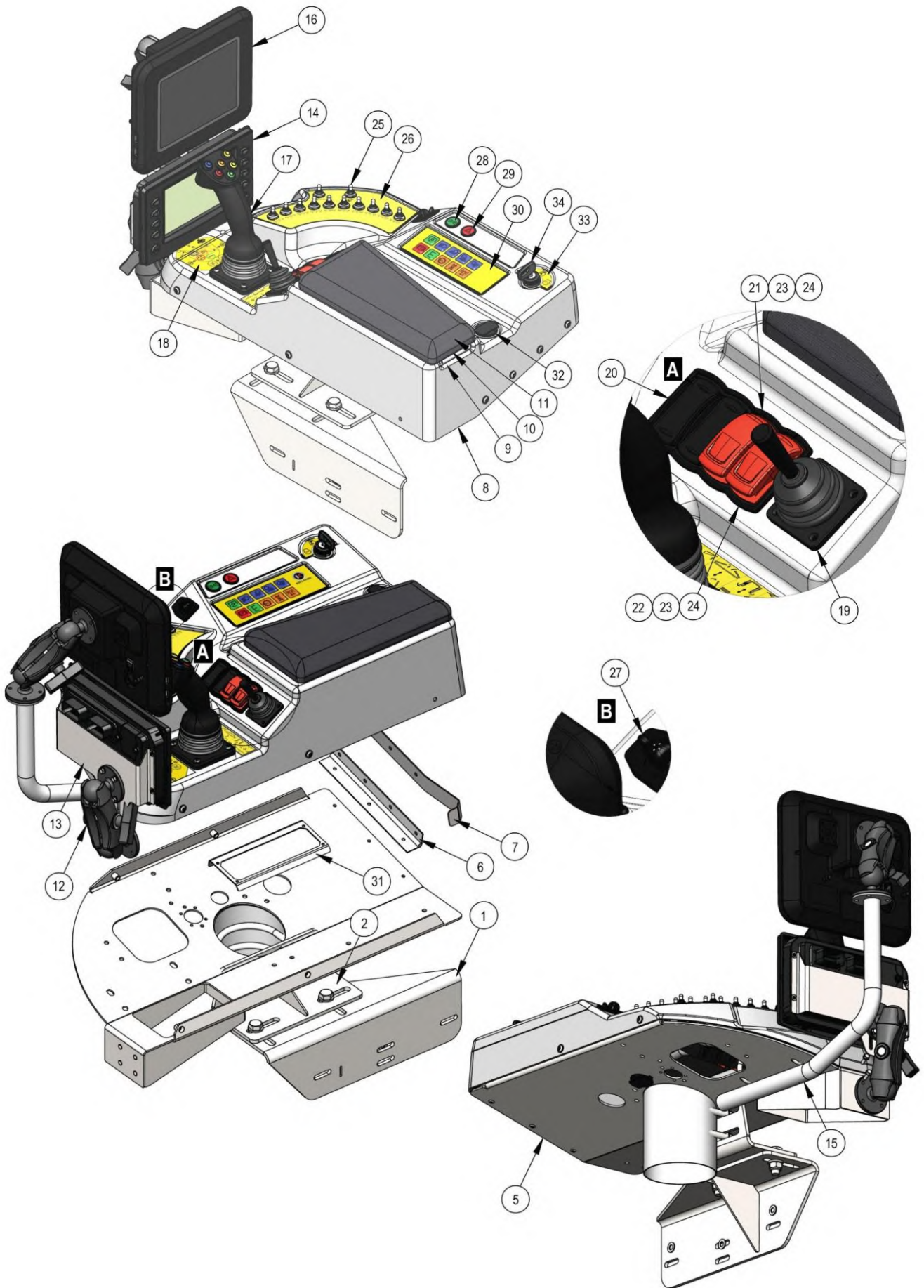
Builds 07/18 ► : Floor Mounted



# CONSOLE ASSEMBLY

Module(s): MD64980A45A

# McCONNEL



**CONSOLE ASSEMBLY****McCONNEL**

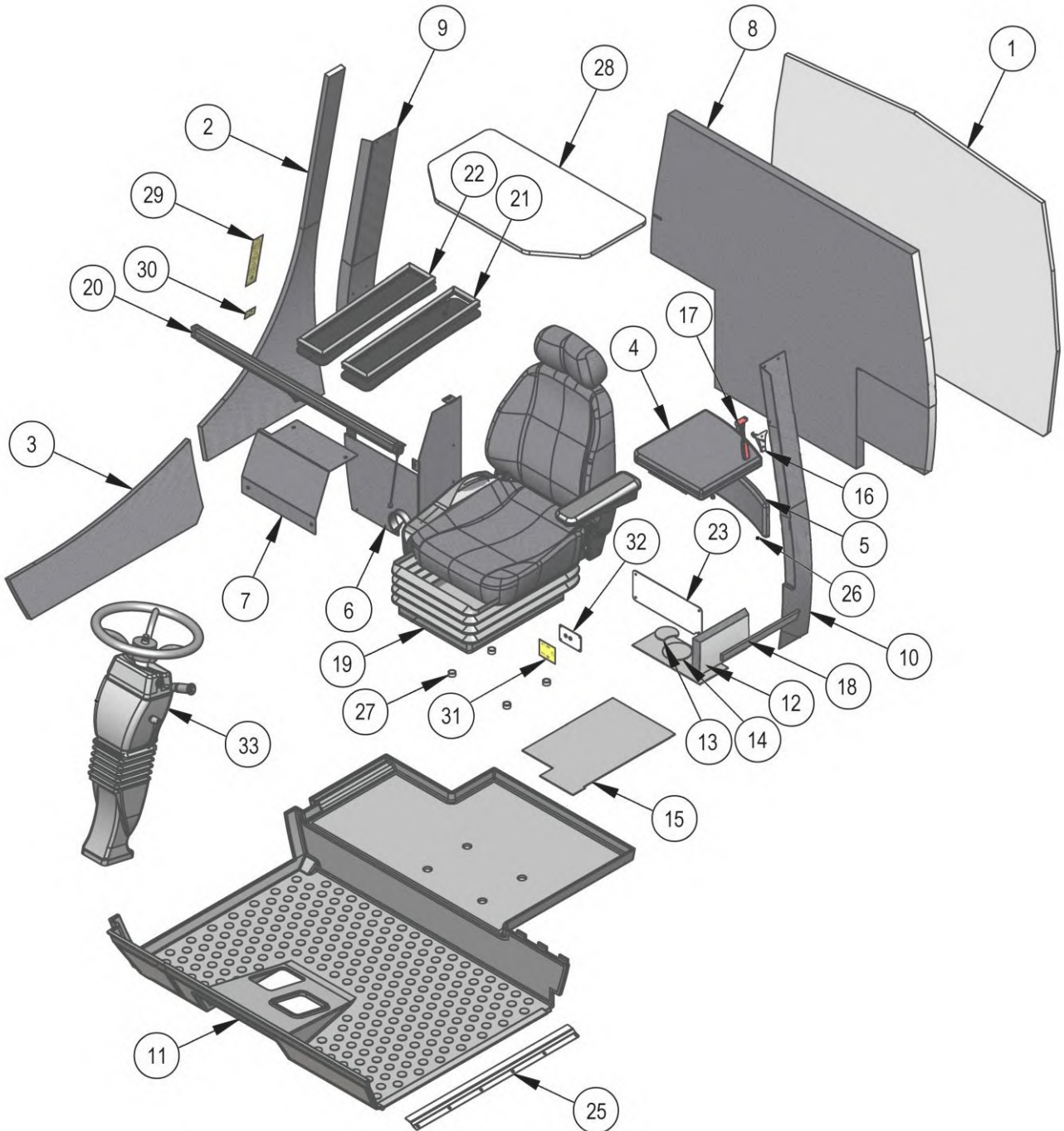
Module(s): MD64980A45A

<b>REF.</b>	<b>QTY.</b>	<b>PART No.</b>	<b>DESCRIPTION</b>
		<b>MD64980A45A</b>	<b>CONSOLE ASSEMBLY</b>
1	1	AB02742A45A	CONSOLE MOUNTING
2	1	AB02745A45A	CONSOLE MOUNTING BRACKET
3	2	EXC412	CLAMP
4	2	EXC118	CLAMP
5	1	MD64977A45A	CONSOLE BASE
6	1	MD64644A80P	CONSOLE HINGE
7	1	MD66719A45C	CONTROL PANEL SUPPORT
8	1	MD64981A45C	CONSOLE SEAT
9	1	MD65384A45P	ARMREST HINGE
10	1	AB02860A45C	ARMREST BACKING PLATE
11	1	ABT-02861	ARMREST
12	2	AS72365S30P	MOUNTING ARM
13	1	AB02737A45C	BRACKET
14	1	RDS-PV780	POWERVERVIEW
15	1	AB66344A45A	AEROS MOUNTING BRACKET
16	1	-	AEROS 9040
17	1	EP2200	MULTIFUNCTION JOYSTICK UNIT
18	1	DECAL254	JOYSTICK DECAL
19	1	EP2109	JOYSTICK (8000 SERIES)
20	2	EP2213	BLANKING PLUG BEZEL
21	2	EP2212	MIDDLE MOUNTING BEZEL
22	2	EP2211	END MOUNTING BEZEL
23	2	EP2210	ROCKER SWITCH (WITHOUT COVER)
24	2	EP2210-D	ROCKER SWITCH COVER (RED)
25	12	EP2106	3-WAY TOGGLE SWITCH
26	1	DECAL250	SPRAYER CONTROL PANEL DECAL
27	1	KE67133N70P	MIRROR SWITCH
28	1	EP2221	SIDE LIGHT SWITCH
29	1	EP2220	HAZARD WARNING LIGHT SWITCH
30	1	AB72396N00P	SWITCH PANEL ASSEMBLY
31	1	MD66721A45C	CONTROL PANEL SUPPORT PLATE
32	1	MD61496N00P	AUXILIARY POWER SOCKET
33	1	DECAL251	IGNITION SWITCH DECAL
34	1	AB72148N00P	IGNITION SWITCH

# INTERNAL CAB TRIM

**McCONNEL**

Module(s):



## INTERNAL CAB TRIM

**McCONNEL**

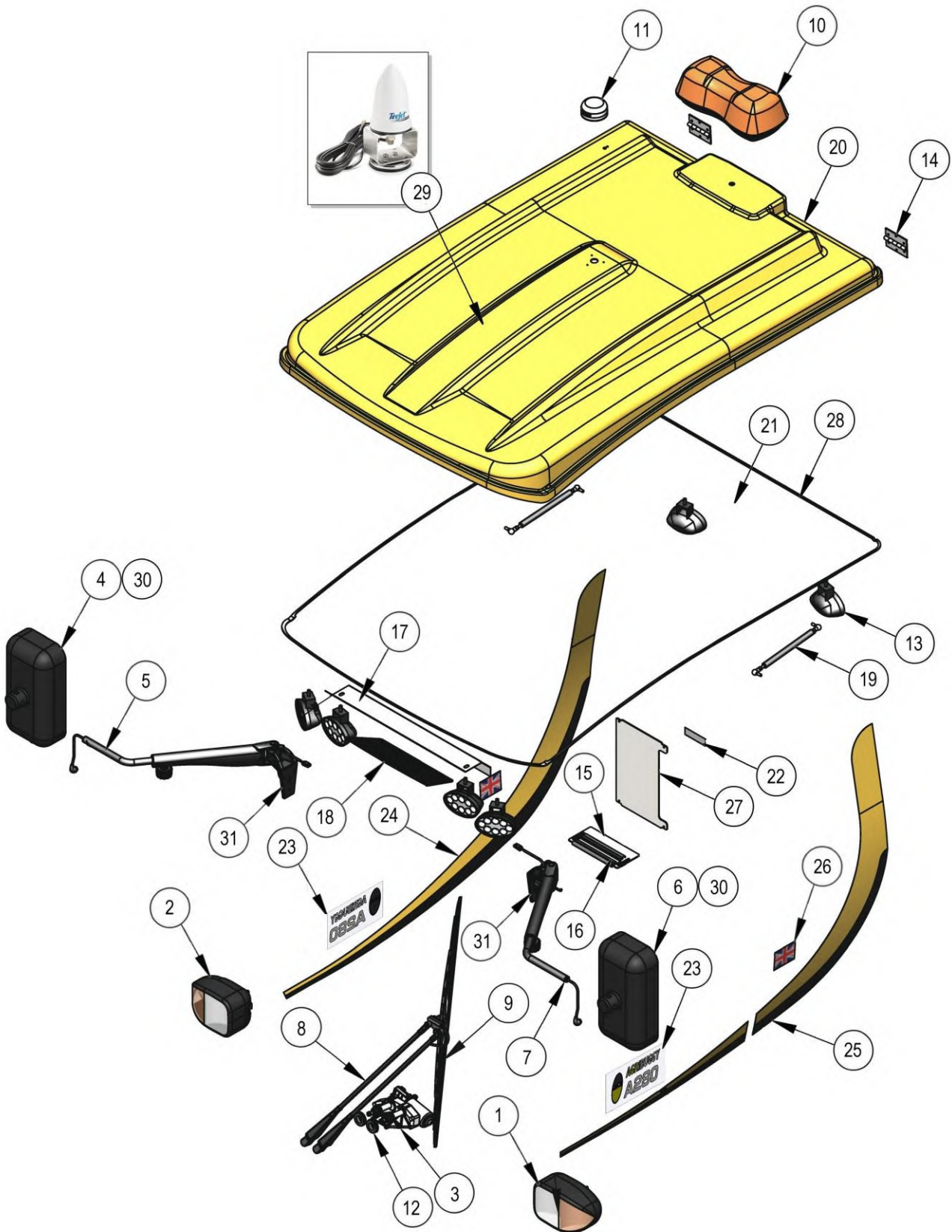
Module(s):

REF.	QTY.	PART No.	DESCRIPTION
			<b>INTERNAL CAB TRIM</b>
1	1	MD65087A60C	REAR CAB TRIM
2	1	MD65089A55C	REAR OFFSIDE TRIM
3	1	MD65088A55C	FRONT OFFSIDE TRIM
4	1	MD65078A48A	PASSENGER SEAT BASE ASSEMBLY
5	1	MD65077A48C	PASSENGER SEAT BACK
6	1	MD65075A12A	CONNECTOR COVER PANEL
7	1	MD65126A12C	ACCESS PANEL
8	1	MD64927A55C	REAR PANEL
9	1	MD64923A12A	OFFSIDE PIPE COVER
10	1	MD64925A12A	NEARSIDE PIPE COVER
11	1	ABT-65040-MAT	A280 FLOOR MAT KIT
12	1	MD65090A55C	NEARSIDE TRIM
13	1	MD65487A55C	LITTLE CUP TRIM
14	1	MD65488A55C	BIG CUP TRIM
15	1	MD65490A55C	SEAT BOX FLOOR TRIM
16	1	MD64935A95P	HAMMER HOLSTER
17	1	MD64934A95P	GLASS HAMMER
18	1	MD65512A55C	PASSENGER SEAT FOAM
19	1	MD65214A48P	CAB SEAT
20	1	MD65112A55P	SUN VISOR
21	2	MD65524A15A	INTERNAL CAB GRILLE
22	2	MD65100A30C	HVAC ROOF SEAL
23	1	MD65085A12C	COVER PLATE
24	1	MD65489A55C	FOLDER HOLDER TRIM
25	1	MD65096A55C	KICK PLATE
26	2	MD52109X10S	BLIND GROMMET
27	4	MD65114A14C	REAR SUNNER SUPPORT
28	1	MD65035A12C	ROOF INSERT
29	1	AB02703Z10C	GENERAL WARNINGS DECAL
30	1	AB66783Z10C	DECAL - CHECK WHEEL NUTS DAILY
31	1	AB02284Z10C	DECAL - REMOTE PTO CONTROL PANEL
32	1	AB02699A55C	REMOTE PTO BLANK PLATE
33	1	AB72175K00P	STEERING COLUMN & WHEEL ASSEMBLY
	1	AB69752K10P	TILT HANDLE
	1	AB69753K10P	TILT HANDLE BOLT

# EXTERNAL CAB TRIM

# McCONNEL

Module(s):



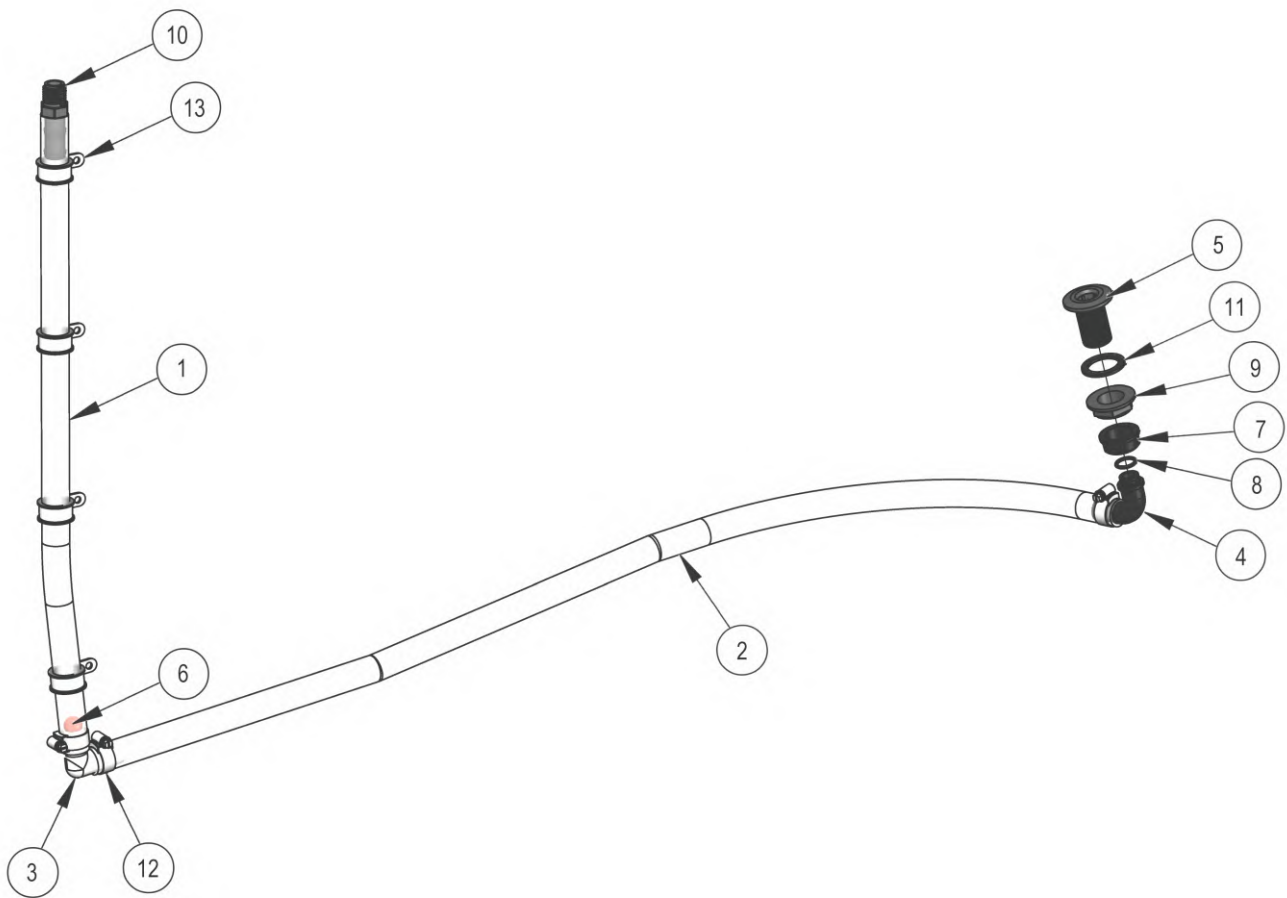
Module(s):

REF.	QTY.	PART No.	DESCRIPTION
			<b>EXTERNAL CAB TRIM</b>
1	1	MD58816N21P	INTEGRATED HEADLAMP - LH
2	1	MD58815N21P	INTEGRATED HEADLAMP - RH
3	1	MD65187A25P	WIPER MOTOR
4	1	MD65184A60P	MIRROR HEAD - RH (OFFSIDE)
5	1	MD65186A60P	MIRROR ARM - RH (OFFSIDE)
6	1	MD67312A60P	MIRROR HEAD - LH (NEARSIDE)
7	1	MD65185A60P	MIRROR ARM - LH (NEARSIDE)
8	1	MD65188A25P	WIPER ARMS ASSEMBLY
9	1	MD67892A25P	WIPER BLADE (900mm)
10	1	MD57570N24P	LIGHT BAR (AMBER LENS)
11	1	MD65163N90P	GARMIN GPS RECEIVER
12	2	AB72008X35P	OPEN GROMMET
13	6	MD65135N20C	LED WORKLIGHT
14	2	MD65032A75P	CAB ROOF HINGE
15	1	MD65169A12C	COVER PLATE
16	2	AB72187A55P	EDGE SEAL TRIM
17	1	MD65128A15C	DEFLECTION PLATE
18	1	MD65153A15A	FRONT GRILL FABRICATION
19	2	MD64942A50P	ROOF GAS SPRING
20	1	MD65129A12C	UPPER CAB ROOF (FIBREGLASS)
21	1	MD64880A12A	LOWER ROOF SECTION
22	1	DECAL130	DECAL - DO NOT HIGH PRESSURE WASH
23	2	AB71972Z10P	CAB DOOR DECAL (McCONNEL A280)
24	1	DECAL248	CAB DECAL O/S
25	1	DECAL249	CAB DECAL N/S
26	2	DECAL263	UNION JACK DECAL
27	1	MD65091A12C	CONNECTOR COVER
28	1	AB72337X70P	SEALING STRIP (10 METRES)
29	1	AS71613S60P	ANTENNA c/w CABLE
30	2	MD68062A60P	MIRROR GLASS (REPLACEMENT)
31	6	AB72254X00P	BUTTON HEAD SCREW

# CLEAN WATER LEVEL ASSEMBLY

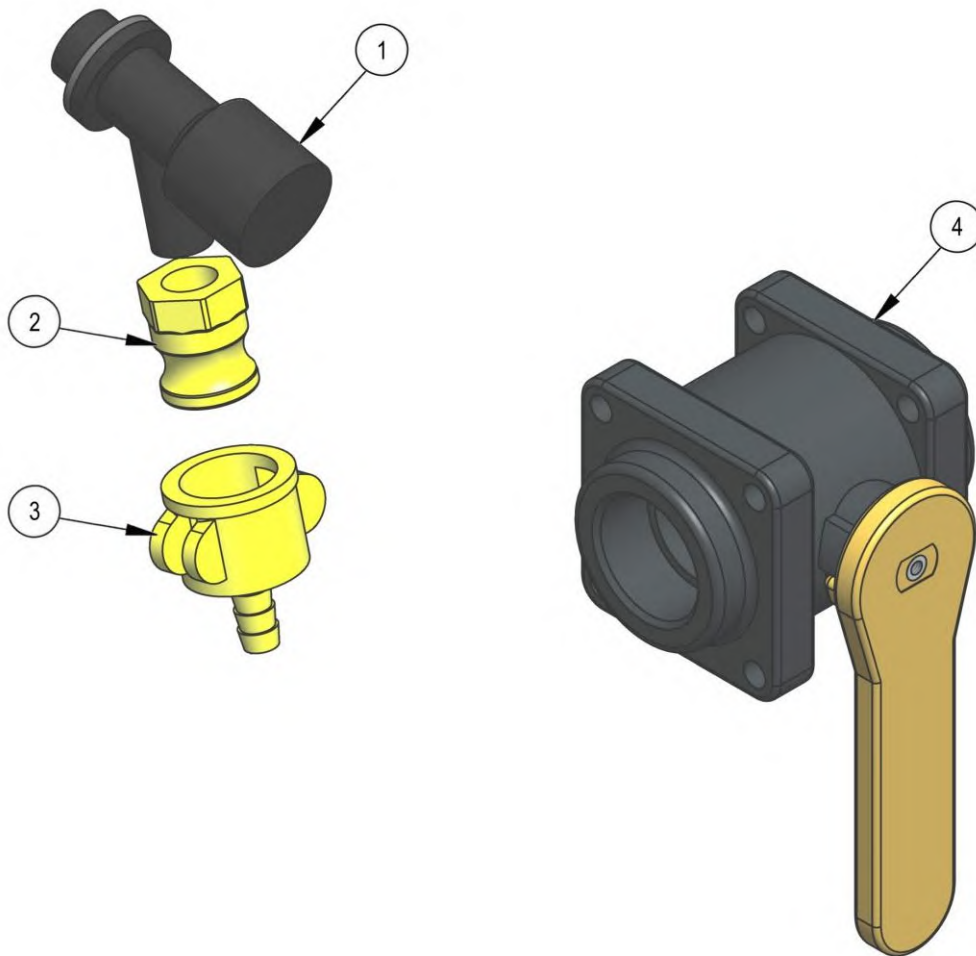
**McCONNEL**

Module(s): MD67310A10A



REF.	QTY.	PART No.	DESCRIPTION
		<b>MD67310A10A</b>	<b>CLEAN WATER LEVEL ASSEMBLY</b>
1	1	HC224	3/4" S/GAUGE HOSE
2	1	HC224	3/4" S/GAUGE HOSE
3	1	AS72110S30P	3/4" BARB HOSE TAIL ELBOW
4	1	AS72029S30P	3/4" FLY - 3/4" HOSETAIL 90 DEG
5	1	AS72051S30P	3/4" TANK OUTLET
6	1	AS72171S30P	FLOAT BALL " RED " - SIGHT GAUGE
7	1	AS72040S30P	3/4" FLY NUT
8	1	AS72069S30P	3/4" HOSETAIL O' RING
9	1	AS72045S30P	BACK NUT
10	1	AS69272S30P	1/2" MALE X 3/8" FEMALE
11	1	AS72079S30P	3/8" M X 3/4" F GASKET
12	3	HC025SS	JUBILEE CLIP
13	4	AB72262X27P	STAINLESS STEEL 'P' CLIP

Module(s):



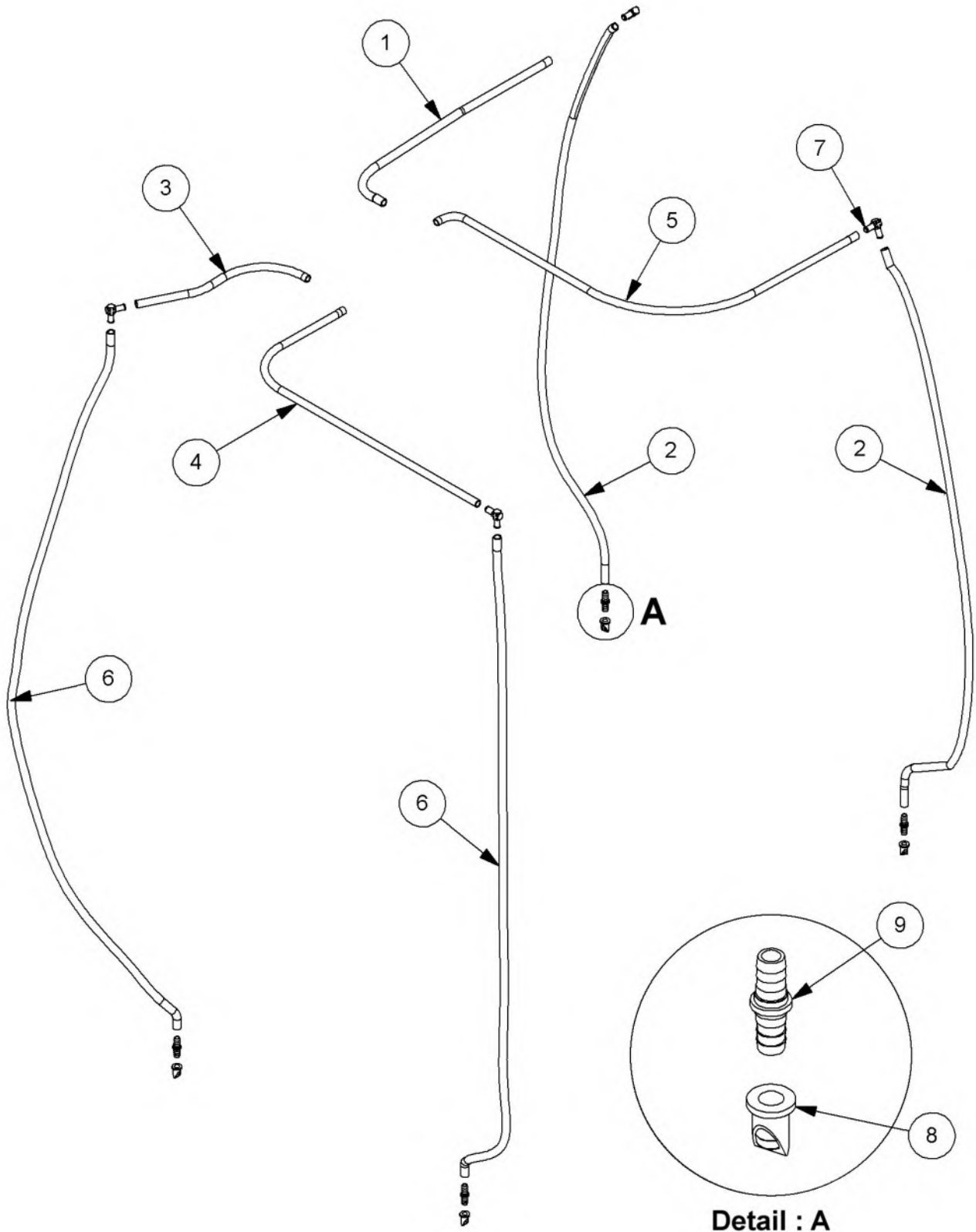
REF.	QTY.	PART No.	DESCRIPTION
1	1	AB72342A30P	ON / OFF TAP
2	1	AS72089S30P	ADAPTOR
3	1	AS72092S30P	COUPLER - HOSE TAIL
4	1	AS72133S30P	BANJO TAP (BOLTED TYPE)



# CONDENSATE DRAIN HOSE KIT

**McCONNEL**

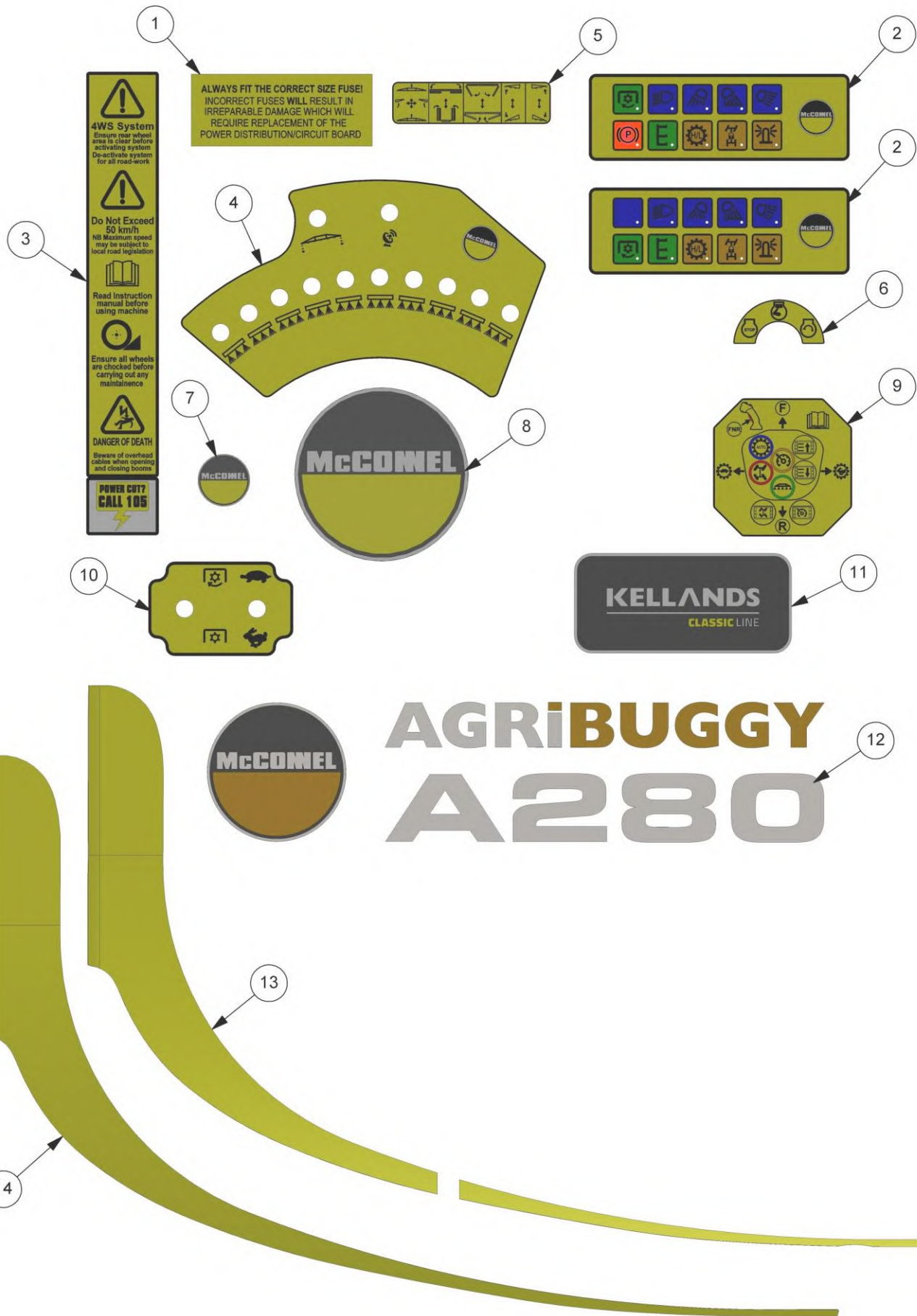
Module(s): AB74479A00K



**CONDENSATE DRAIN HOSE KIT****McCONNEL**

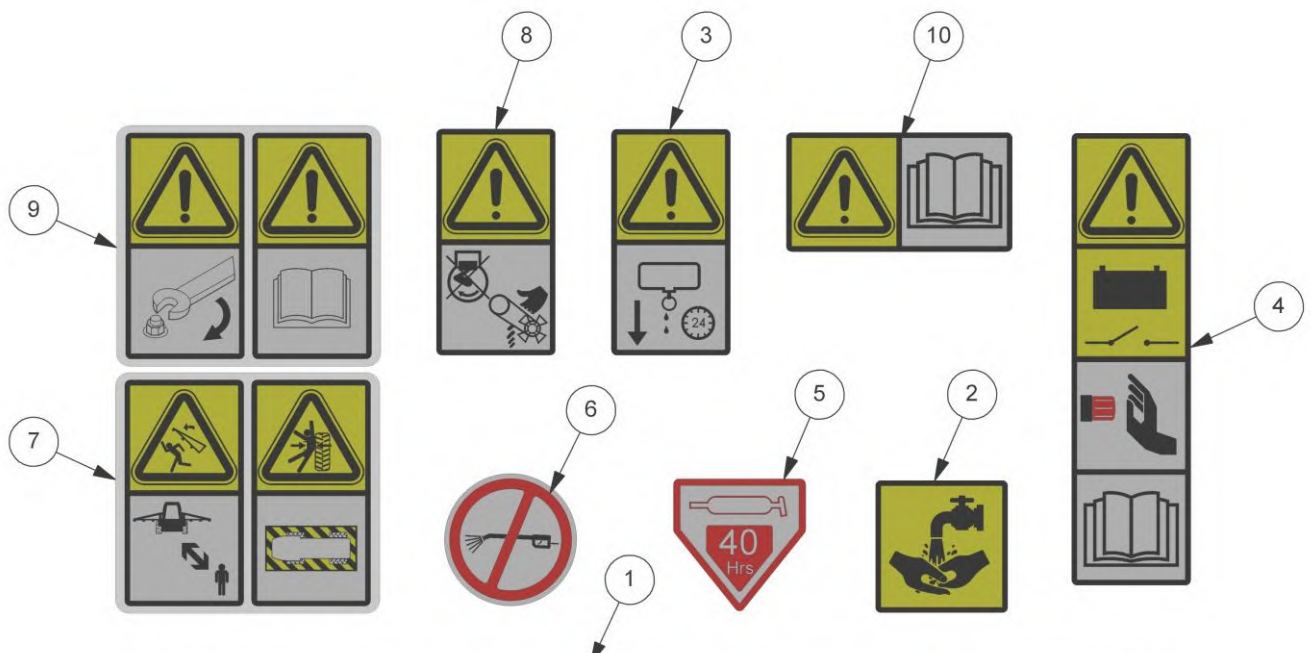
Module(s): AB74479A00K

<b>REF.</b>	<b>QTY.</b>	<b>PART No.</b>	<b>DESCRIPTION</b>
		<b>AB74479A00K</b>	<b>CONDENSATE DRAIN HOSE KIT</b>
1	1	AB73924A30P	DRAIN HOSE 1
2	2	AB73925A30P	DRAIN HOSE 2
3	1	AB73926A30P	DRAIN HOSE 3
4	1	AB73927A30P	DRAIN HOSE 4
5	1	AB74084A30P	DRAIN HOSE 5
6	2	AB74085A30P	DRAIN HOSE 6
7	4	AB68194A30P	ELBOW CONNECTION
8	4	AB68136A30P	DUCK BILL VALVE
9	4	AS69217S30P	HOSETAIL JOINER



Module(s): AB72647Z10A

REF.	QTY.	PART No.	DESCRIPTION
		<b>AB72647Z10A</b>	<b>DECAL KIT - CAB</b>
1	1	AB67788Z10C	DECAL - RELAY LAYOUT
2	1	DECAL257	DECAL - SWITCH PANEL ► February 2019
	1	AB72630Z10P	DECAL - SWITCH PANEL March 2019 ►
3	1	AB02703Z10C	DECAL - GENERAL WARNINGS
4	1	AB02857Z10C	DECAL - SPRAYER CONTROLS
5	1	AB65829Z10C	DECAL - BOOM HYDRAULIC CONTROLS
6	1	AB65831Z10C	DECAL - IGNITION SWITCH
7	1	AB71977Z10P	DECAL - McCONNEL ROUNDEL
8	1	AB71971Z10P	DECAL - McCONNEL ROUNDEL
9	1	AB65830Z10C	DECAL - JOYSTICK DECAL
10	1	AB66784Z10C	DECAL - REMOTE PTO CONTROL PANEL
11	2	AB71979Z10P	DECAL - KELLANDS CLASSIC LINE
12	2	AB71972Z10P	DECAL - McCONNEL ROUNDEL & A280
13	1	AB71973Z10P	DECAL - YELLOW CAB STRIPE L/H
14	1	AB71974Z10P	DECAL - YELLOW CAB STRIPE R/H

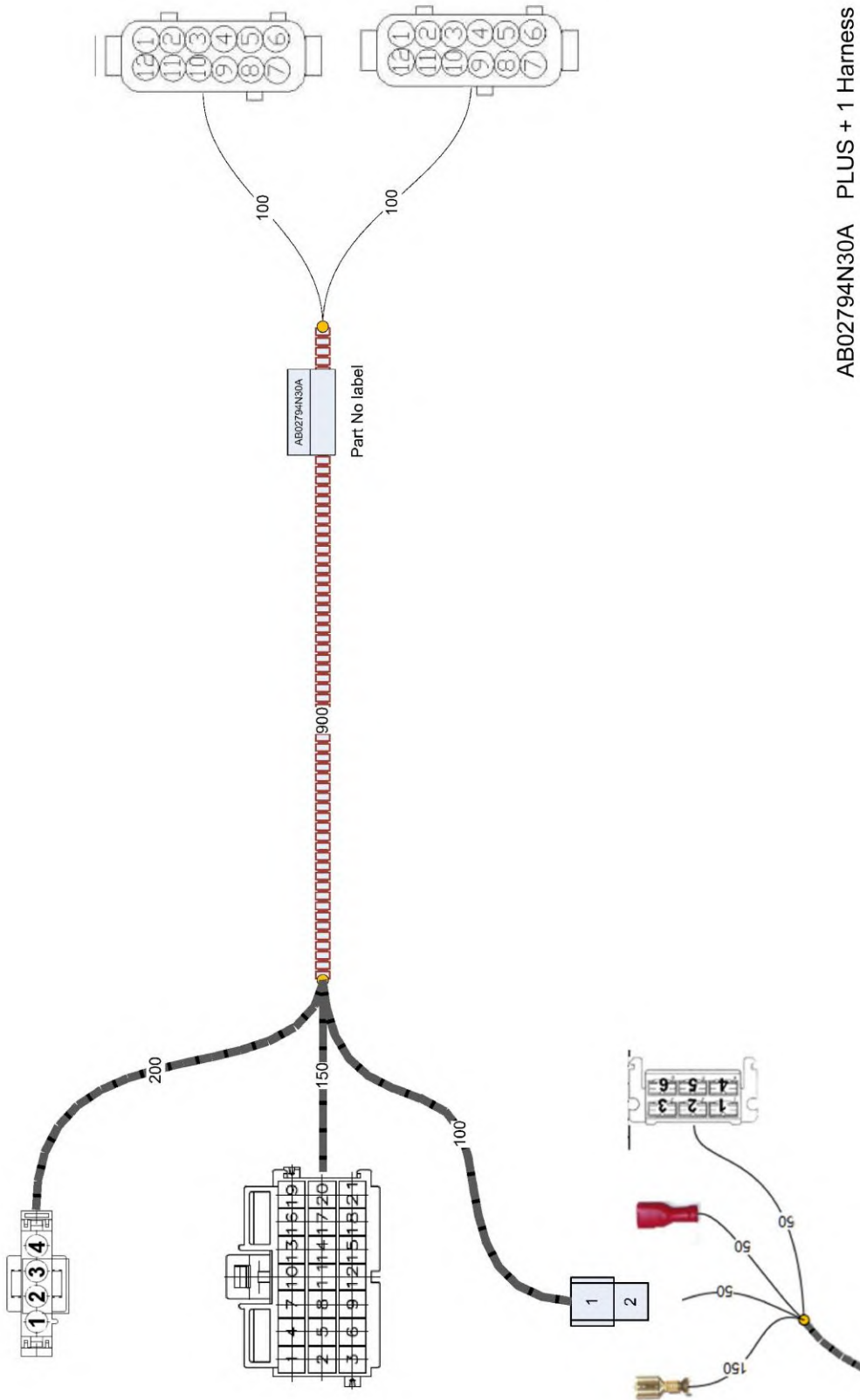


REF.	QTY.	PART No.	DESCRIPTION
		<b>AB72648Z10A</b>	<b>DECAL KIT - CHASSIS</b>
1	1	AB71970Z10P	DECAL - AGRIBUGGY (CAB GUARD)
2	1	AB66780Z10C	DECAL - HAND WASH
3	2	AB72666Z10P	DECAL - DRAIN DAILY
4	1	AB72668Z10P	DECAL - BATTERY ISOLATOR
5	5	09.810.02	DECAL - GREASE 40 HRS
6	2	1291134	DECAL - NO JET WASH
7	2	AB72665Z10P	DECAL - CRUSH ZONE WARNING
8	2	AB72667Z10P	DECAL - WARNING FAN CUT OFF
9	4	AB72664Z10P	DECAL - CHECK WHEEL NUTS DAILY
10	2	AB72675Z10P	DECAL - READ MANUAL

# PLUS+1 HARNESS

Module(s): AB02794N30A

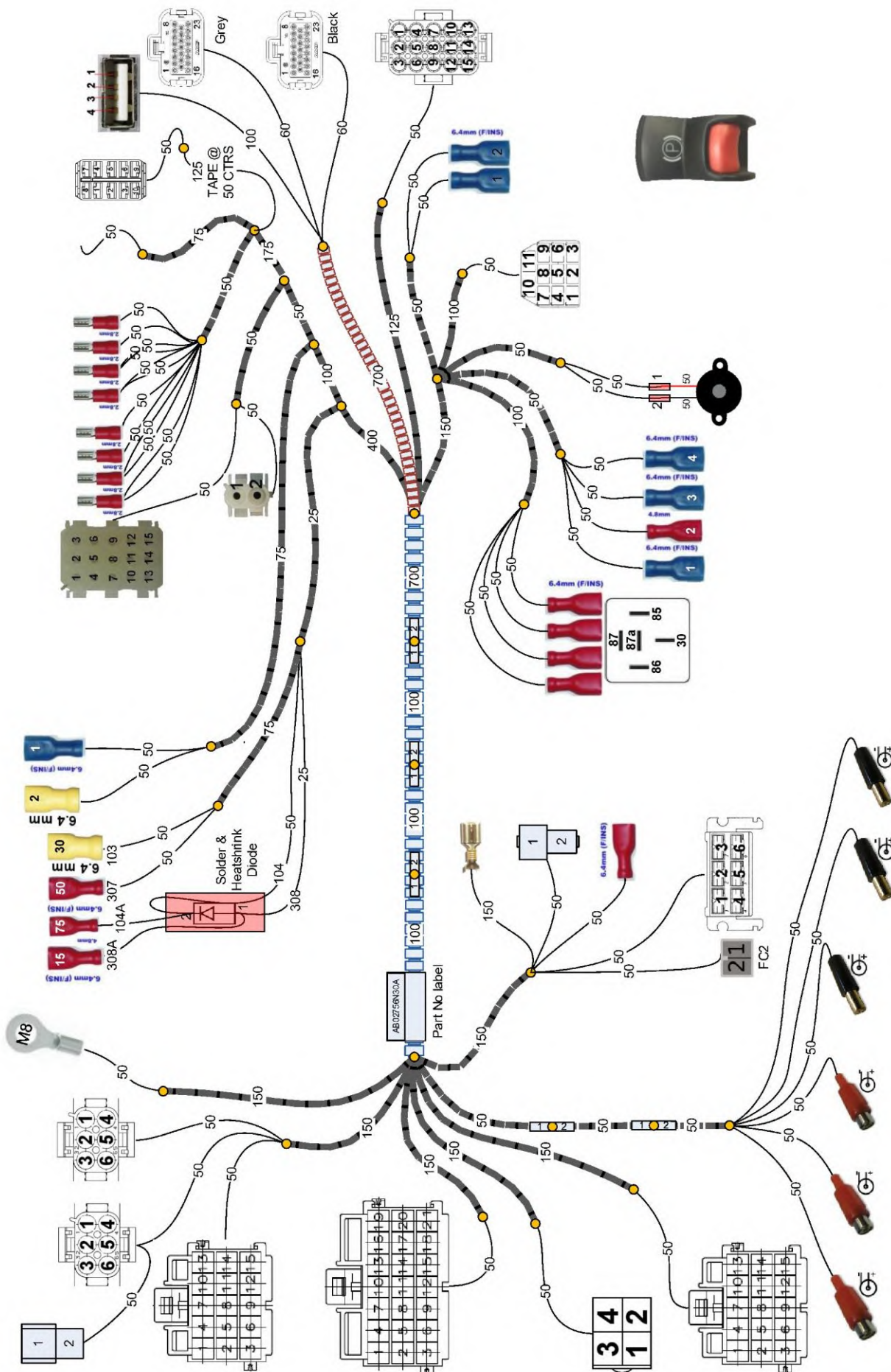
# McCONNEL



AB02794N30A PLUS + 1 Harness

# CONTROL PANEL HARNESS - Switch Handbrake

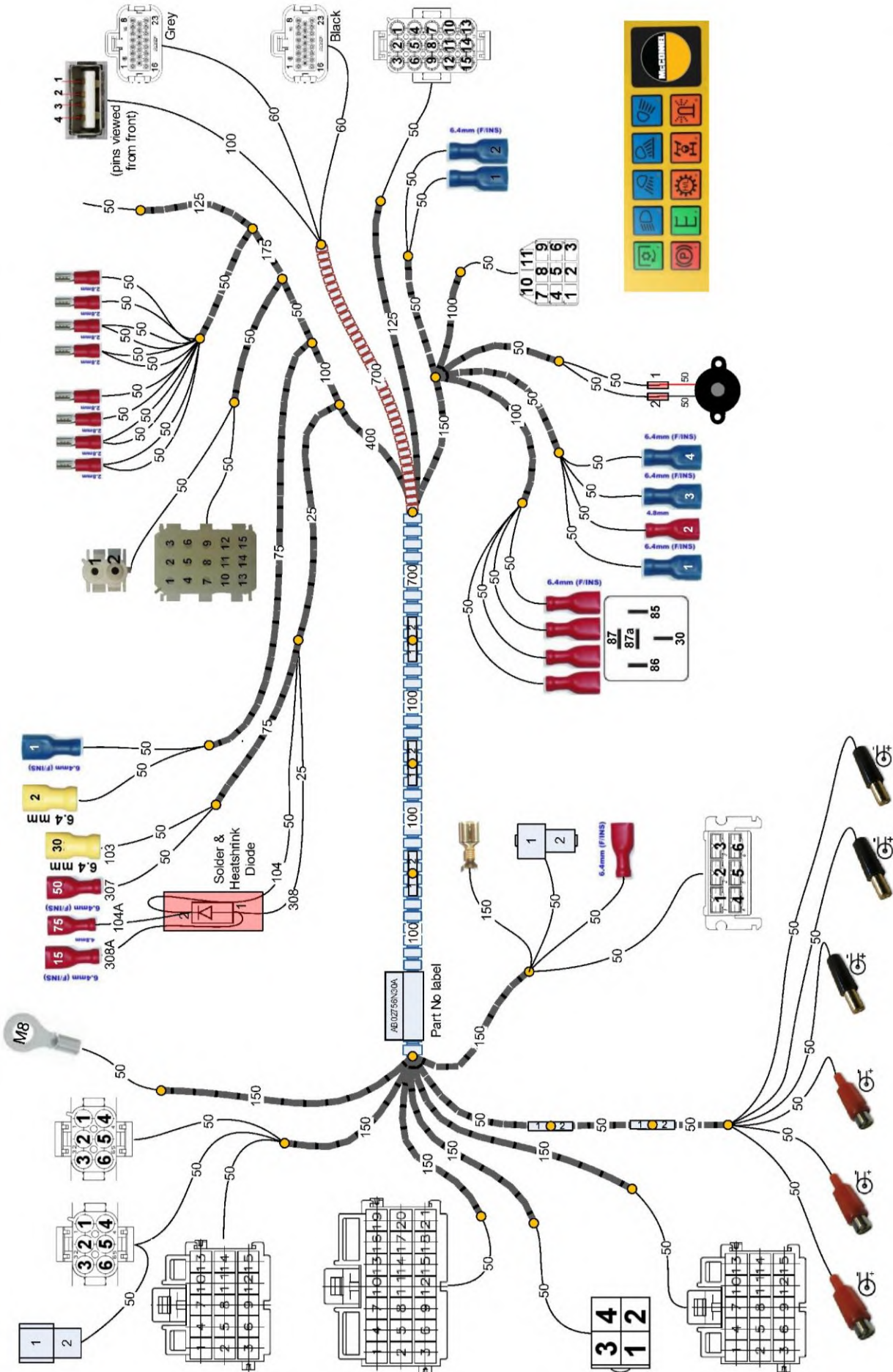
Module(s): AB72621N30P



AB72621N30P Control Panel Harness Mk2 Handbrake Switch

# CONTROL PANEL HARNESS - Keypad Handbrake

Module(s): AB02756N30A



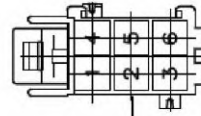
AB02756N30A Control Panel Harness for Mk1 Handbrake Switch on Keypad



# THROTTLE HARNESS

**McCONNEL**

Module(s): AB02757N30A



50



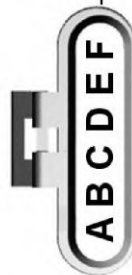
AB02757N30A

Part No label

20500



50



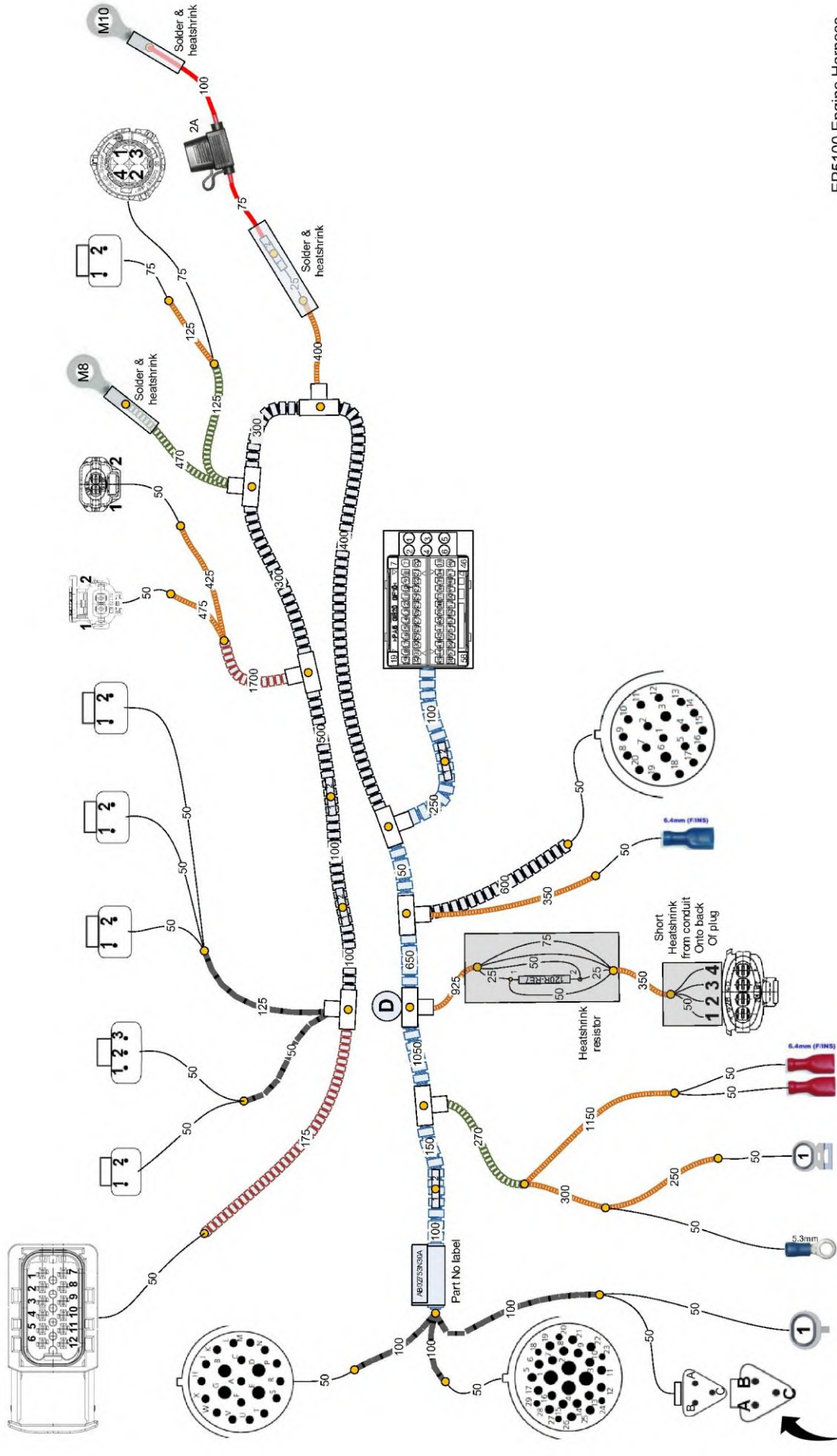
AB02757N30A Throttle Pedal Loom

# ENGINE HARNESS

Module(s): EP5100



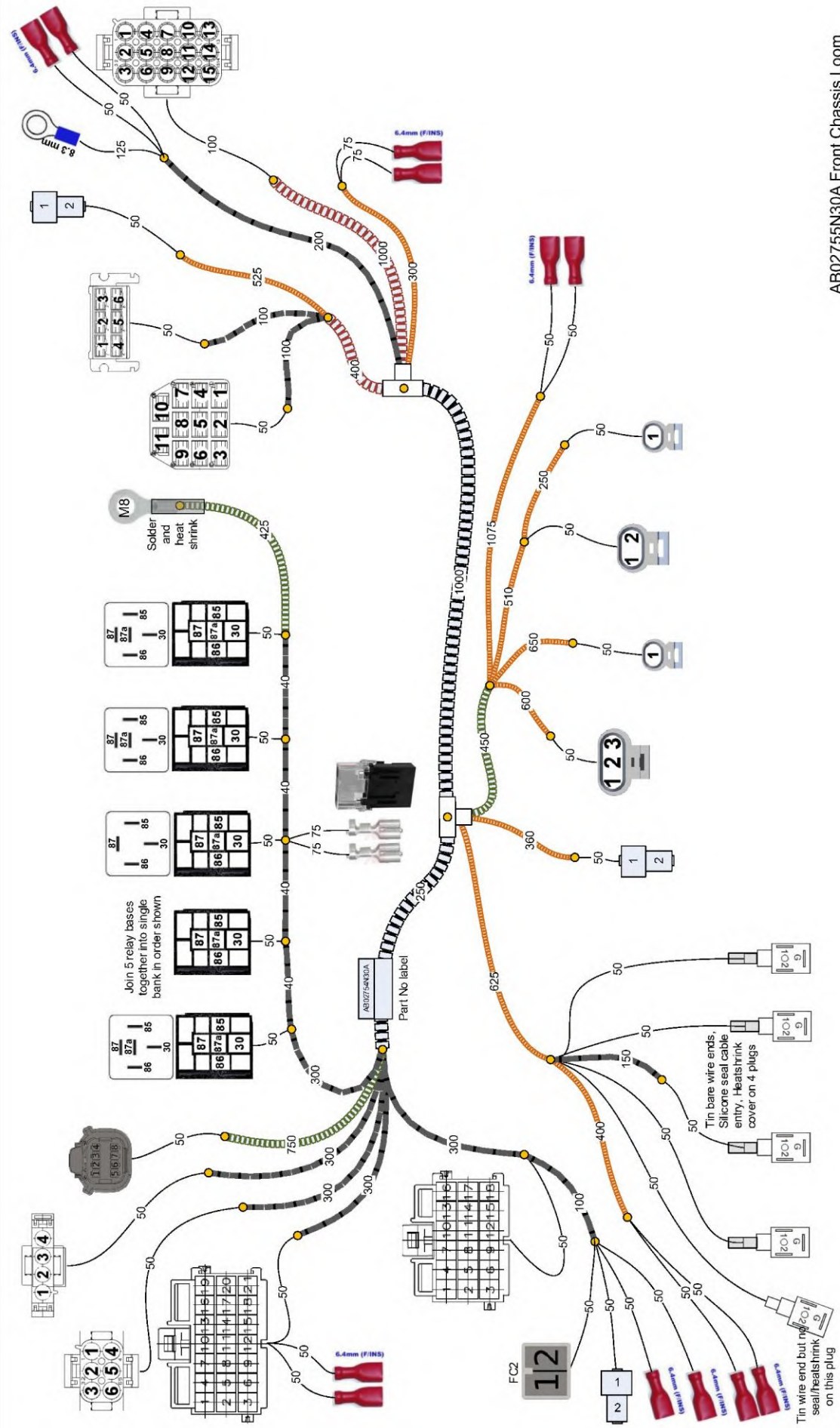
EP5100 Engine Harness



AB76523N00P  
CR CAN Resistor Connection

# FRONT CHASSIS HARNESS

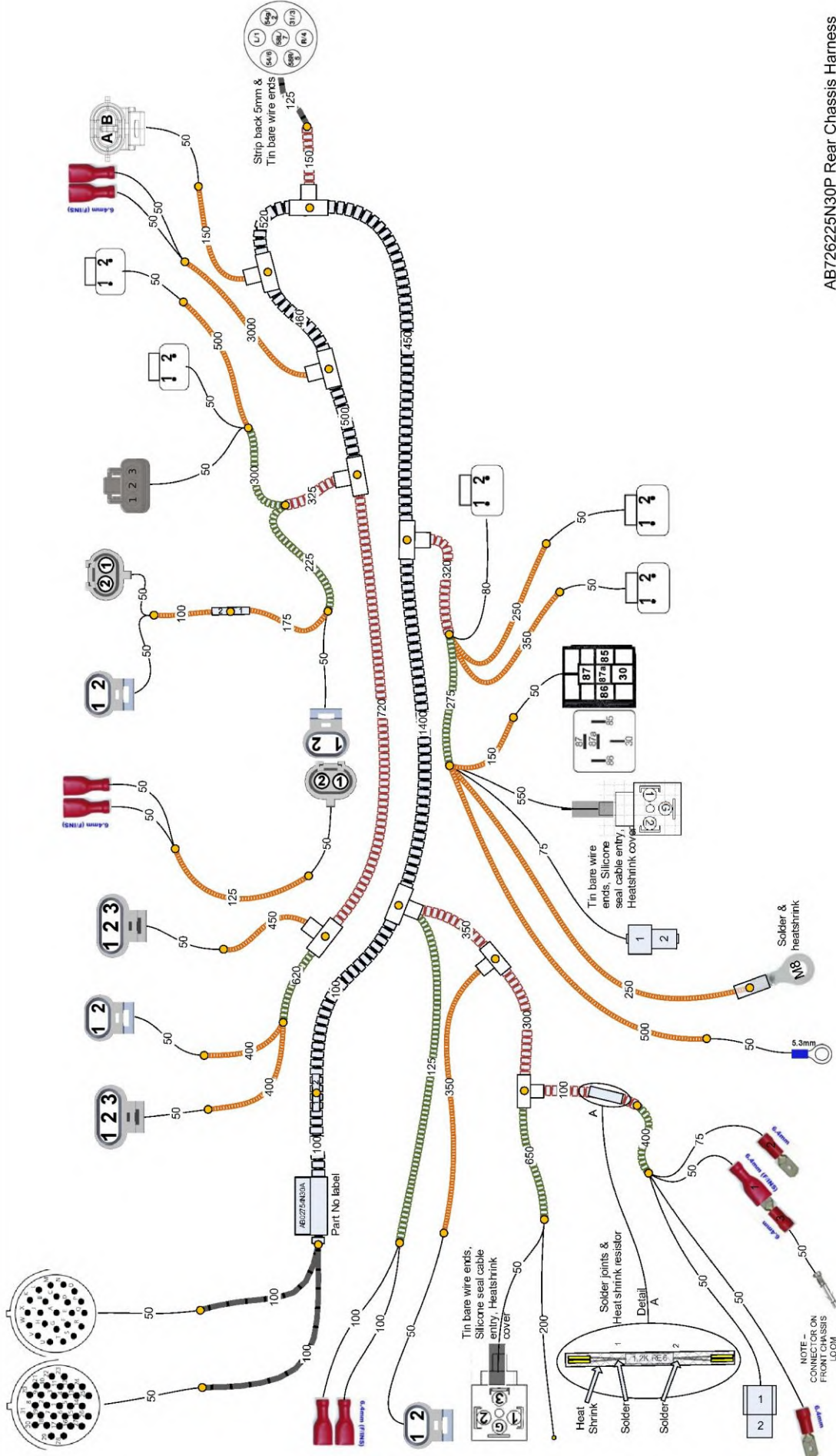
Module(s): AB72623N30P



AB02755N30A Front Chassis Loom

REAR CHASSIS HARNESS

Module(s): AB726225N30P



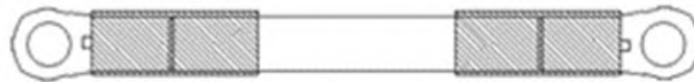
AB726225N30P Rear Chassis Harness



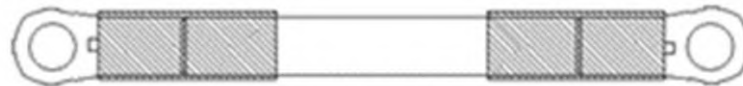
AB66115N30C Battery Earth Lead



AB66114N30C Gearbox Ground Lead



AB66113N30C Engine Ground Lead



AB66112N30C Cab Ground Lead



AB66111N30C Battery to Isolator Lead



AB66110N30C Starter to Isolator Lead

**EP5020 Battery Lead Set**



McConnel Limited, Temeside Works, Ludlow, Shropshire SY8 1JL. England.  
Telephone: 01584 873131. Facsimile: 01584 876463. [www.mcconnel.com](http://www.mcconnel.com)