

Publication 581
February 2009
Part No. 41571.81
Revised: 08.06.23



McCONNEL

SR620

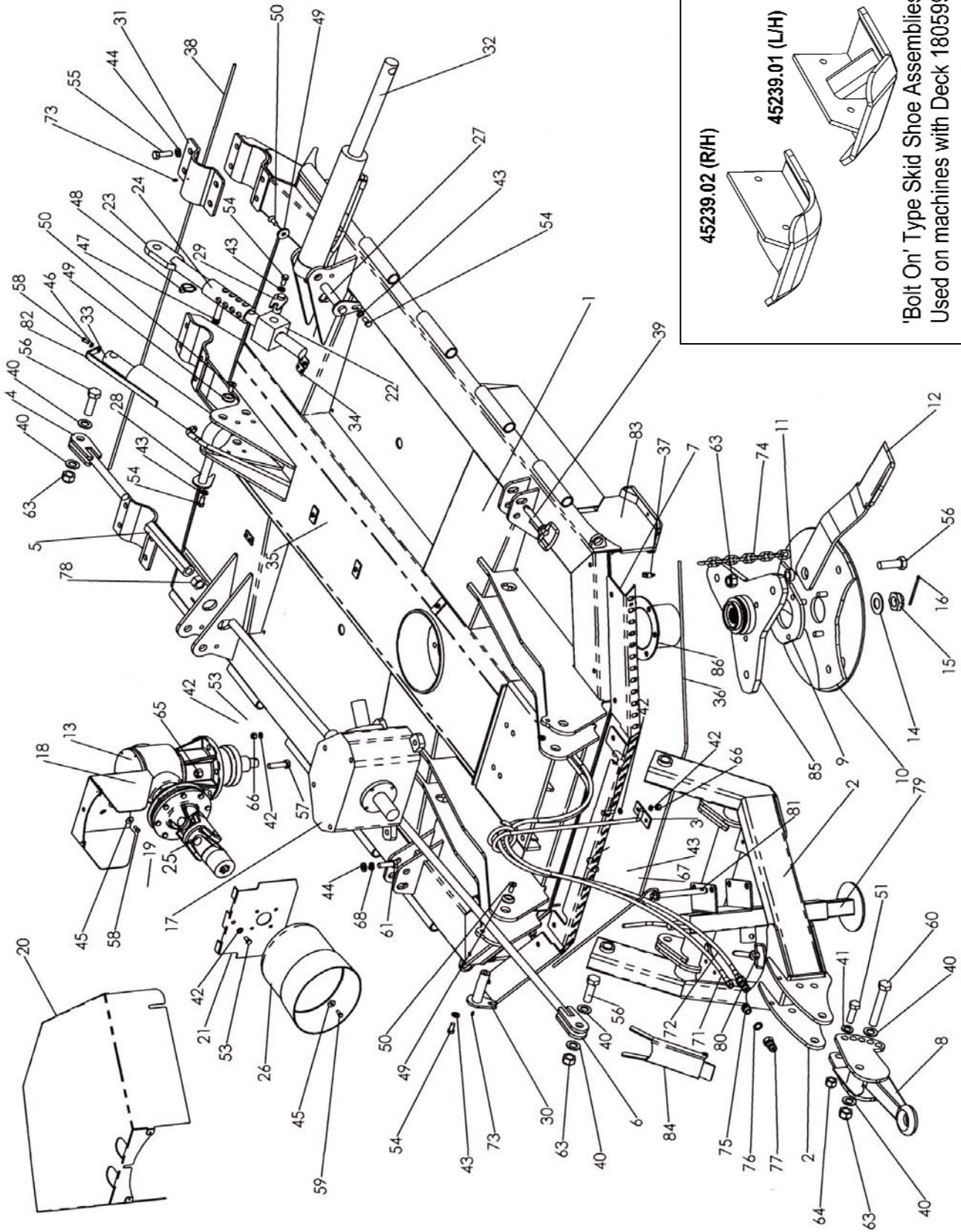
FLEX WING MOWER

Parts Manual



CONTENTS

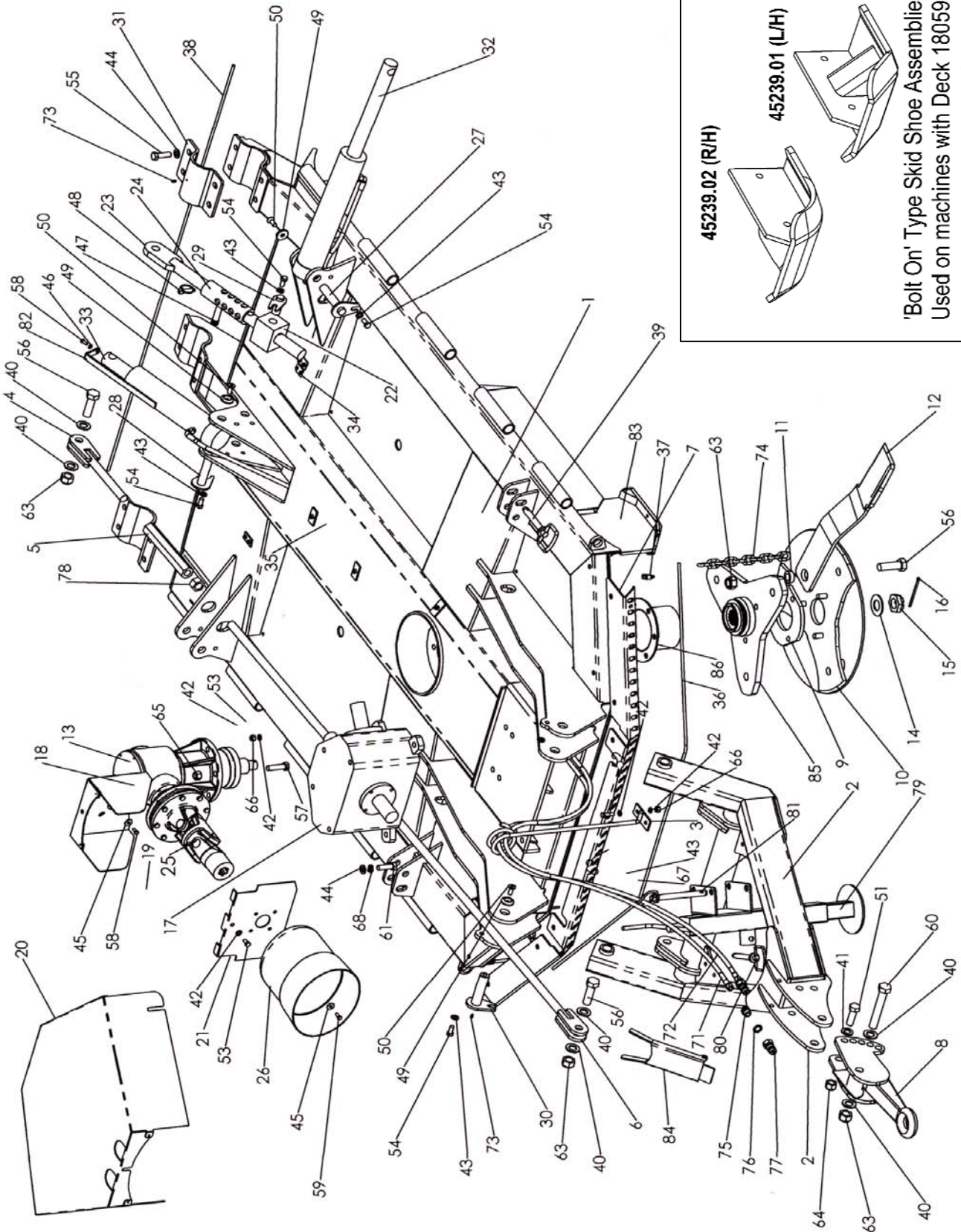
| | |
|--|----|
| Centre Deck Assembly | 1 |
| Rear Axles Assembly | 12 |
| Wing Assembly | 15 |
| Splitter Box – Walterscheid (<i>Builds to 04/12</i>) | 21 |
| Splitter Box – Walterscheid (<i>Builds 04/12 onward</i>) | 23 |
| Splitter Box - Bondioli | 25 |
| Inner Wing Gearbox - Walterscheid | 27 |
| Centre Gearbox - Walterscheid | 31 |
| Centre & Inner Wing Gearboxes - Bondioli | 35 |
| LH Outer Wing Gearbox - Walterscheid | 39 |
| RH Outer Wing Gearbox - Walterscheid | 43 |
| RH & LH Outer Wing Gearbox - Bondioli | 47 |
| Inner Wing Shaft - Walterscheid | 49 |
| Inner Wing Shaft - Bondioli | 53 |
| Outer Wing Shaft - Walterscheid | 55 |
| Outer Wing Shaft - Bondioli | 59 |
| Centre Coupling - Walterscheid | 61 |
| Centre Coupling - Bondioli | 63 |
| Input PTO Shaft - Walterscheid | 65 |
| Input PTO Shaft - Bondioli | 69 |
| Hydraulic Installation | 71 |
| Safety Warning & Information Decals | 72 |
| Transport Strap | 73 |
| | |
| Options | |
| 2 Blade / Pan Option | 75 |
| 4 Blade / Pan Option | 77 |
| Shredder Blades | 79 |
| Universal Hitch – Low Hitch Set-Up | 80 |
| Universal Hitch – High Hitch Set-Up | 81 |
| K80 Hitch | 82 |



When ordering your seal kits please quote both codes stamped on the base of the cylinder.
 Lors de la commande des kits de joints prière d'indiquer les deux numéros de code estampillés à la base du cylindre
 Bei bestellung von dichtsatz für hydr. zylinder; bitte beide koden angeben die an der ende der zylinder steht.
 Ved bestilling af pakningssæt bedes de opgive begge de koder der står i enden af cylinderen.

CENTRE DECK ASSEMBLY

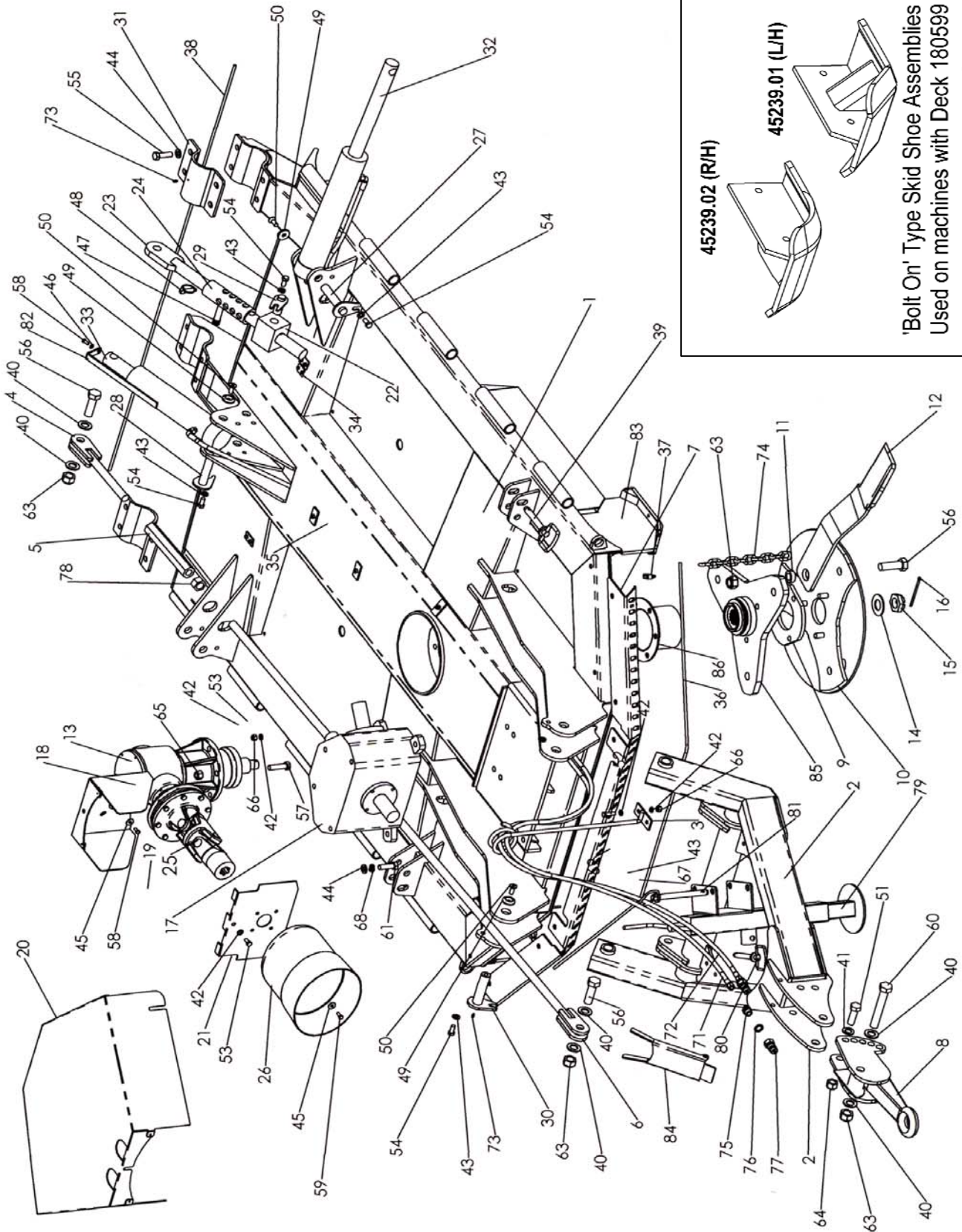
| REF. | PART No. | ENGLISH DESCRIPTION | FRENCH DESCRIPTION |
|------|--|--|---|
| 1 | 1770658E 180599 | Centre section (Weld On Shoe Type) Centre section (Bolt On Shoe Type) | Section centrale (Souder le type de chaussures) Section centrale (Boulon le type de chaussures) |
| 2 | 1770659A-A 1770659E-A | Draw bar Euro draw bar | Barre de traction Barre de traction Euro |
| 3 | 1770692 | Hose Guide | Guide de tuyau |
| 4 | 1770664 | Short tie bar | Tirant court |
| 5 | 1770675A | Turn buckle | Tendeur à vis |
| 6 | 1770665 | Long tie bar | Tirant long |
| 7 | 1800150 | Front skirt (Apr 07) | Patte de jupe avant |
| 8 | 1770681 6770627 1800025 4600139 | Fixed assembly Weld in towing eye Swivel towing eye assembly Plastic washer | Anneau de remorquage Anneau de remorquage soudé Anneau de remorquage pivotant rondelle plastique |
| 9 | 1770604-3 | Blade carrier spacer | Entretoise de porte-lame |
| 10 | 1770630 7770726 | Lower blade carrier c/w disc Anti scalp disc | Porte-lame inférieur avec disque Disque de protection |
| 11 | 7770707 | Blade bush | Coussinet de lame |
| 12 | 7770700 | RH blade | Lame de droite |
| 13 | 5770005 5770412 | Gearbox BONDIOLI Gearbox WALTERSCHEID | Boîte d'engrenages BONDIOLI Boîte d'engrenages WALTERSCHEID |
| 14 | 5771412 | Domed washer | Rondelle convexe |
| 15 | 5771411 | Castle Nut | Écrou à créneaux |
| 16 | 2770477 | Split pin | Goupille fendue |
| 17 | 5769999A 5770432 | Splitter gearbox BONDIOLI Splitter gearbox WALTERSCHEID | Boîte de transfert BONDIOLI Boîte de transfert WALTERSCHEID |
| 18 | 1770669 | Guard | Protection |
| 19 | 1770670 | Bracket | Support |
| 20 | 1800011 | Centre guard | Protection centrale |
| 21 | 1770668 1800010 | Back plate (Bondioli) Back plate (Walterscheid) | Plaque arrière (Bondioli) Plaque arrière (Walterscheid) |
| 22 | 1770641 | Pivot block | Bloc pivot |
| 23 | 1770623A | Height link bar | Barre de réglage de hauteur |
| 24 | 1770639A | Height control sleeve | Manchon de contrôle de hauteur |
| 25 | 5770223 5770416 | Centre coupling BONDIOLI Centre coupling WALTERSCHEID | Accouplement central BONDIOLI Accouplement central WALTERSCHEID |
| 26 | 5770106 | Guard | Protection |
| 27 | 1777362 | Pin | Broche |
| 28 | 1770682 | Pin | Broche |
| 29 | 1770684 | Pin | Broche |
| 30 | 1770683 | Pin | Broche |
| 31 | 1770608A | Axle U bracket | Support d'axe en U |
| 32 | 3580635 3570663W | Wing ram Seal kit | Vérin latéral Ensemble de joints d'étanchéité |
| 33 | 3570636 3570636W 3570658 | Height ram Seal kit Breather | Vérin de hauteur Ensemble de joints d'étanchéité Évent |
| 34 | 3870631 | Single hose clamp | Collier de serrage simple |
| 35 | 3870632 | Double hose clamp | Collier de serrage double |
| 36 | 6770908 | Wire rope 1875mm | Câble de 1 875mm |
| 37 | 6770907 | Rope clamp | Serre-câble |
| 38 | 6770910 | Wire rope 1665mm | Câble de 1 665mm |
| 39 | 6310215 | Pin | Broche |
| 40 | 2770464 | Washer | Rondelle |



When ordering your seal kits please quote both codes stamped on the base of the cylinder.
 Lors de la commande des kits de joints prière d'indiquer les deux numéros de code estampillés à la base du cylindre
 Bei bestellung von dichtsätze für hydr. zylinder; bitte beide koden angeben die an der ende der zylinder steht.
 Ved bestilling af pakningssæt bedes de opgive begge de koder der står I enden af cylinderen.

CENTRE DECK ASSEMBLY

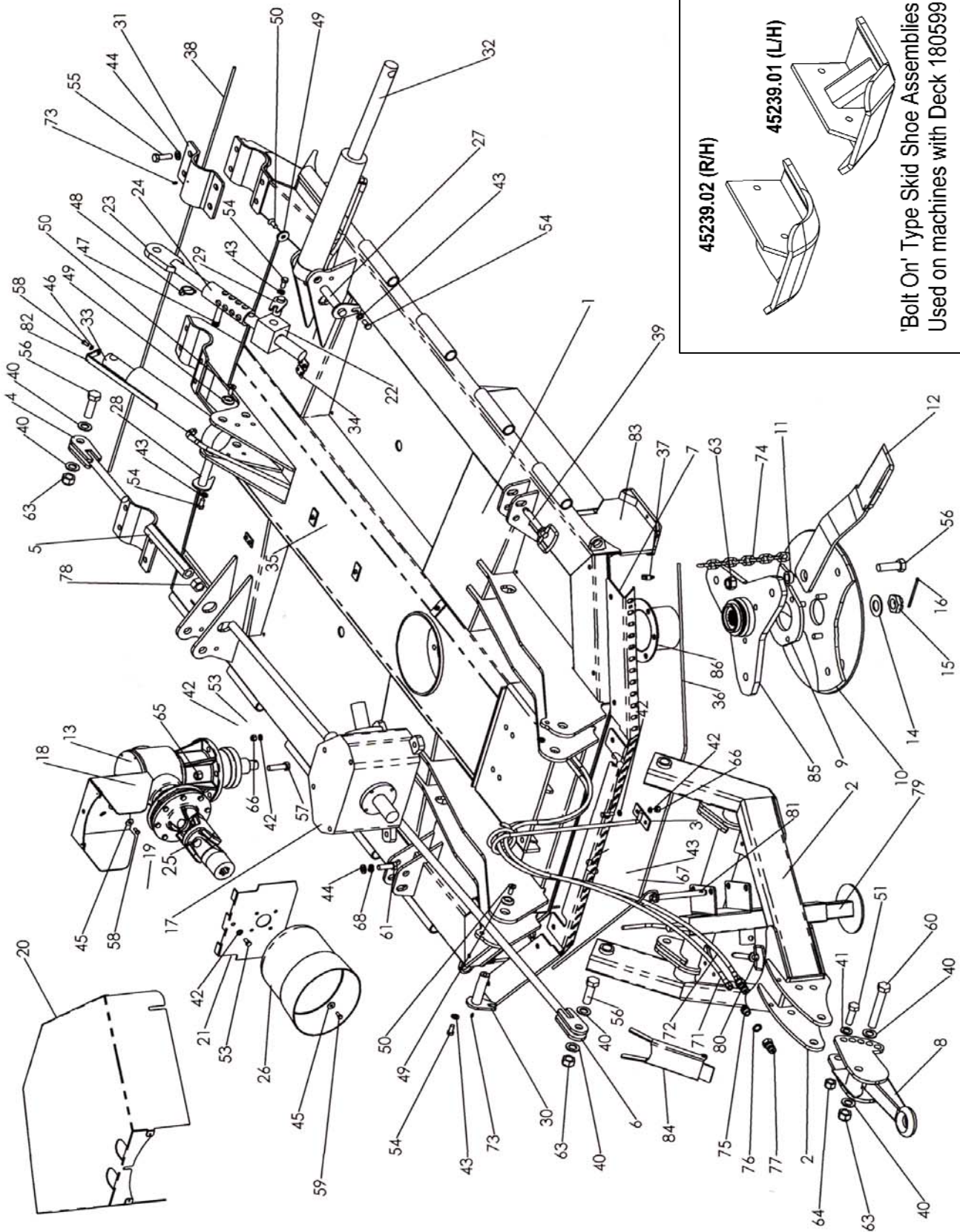
| REF. | PART No. | GERMAN DESCRIPTION | DANISH DESCRIPTION |
|------|--|---|---|
| 1 | 1770658E 180599 | Mittesektion (Schweißarbeiten am Mittesektion (Bolzen auf Schuh-Typ) | Midtersektion (Svejse på Shoe Type) Midtersektion (Bolt på sko-type) |
| 2 | 1770659A-A 1770659E-A | Untenanhängung Obenanhängung | Lavt træk Højt træk |
| 3 | 1770692 | Schlauch halter | Slangeholder |
| 4 | 1770664 | Gewindstange Kurz | Gevindstang kort |
| 5 | 1770675A | Justierung | Justering |
| 6 | 1770665 | Gewindstange Lang | Gevindstang lang |
| 7 | 1800150 | Kettenhalter | Kædeholder |
| 8 | 1770681 6770627 1800025 4600139 | Zugauge Kpl. Auge Schweissteil Zugauge drehbar Kunststoffscheibe | Trækøje kpl. Øje svejsedel Trækøje drejbar plastic spændeskive |
| 9 | 1770604-3 | Distanzscheibe | Afstandsskive |
| 10 | 1770630 7770726 | Messerhalter Unten Teller | Knivholder nederst Tallerken |
| 11 | 7770707 | Messerbuchse | Knivbøsning |
| 12 | 7770700 | RH Messer | RH Kniv |
| 13 | 5770005 5770412 | Getriebe BONDIOLI Getriebe WALTERSCHEID | Gearkasse BONDIOLI Gearkasse WALTERSCHEID |
| 14 | 5771412 | Scheibe | Skive |
| 15 | 5771411 | Mutter | Møtrik |
| 16 | 2770477 | Splint | Rørsplit |
| 17 | 5769999A 5770432 | Verteilergetriebe BONDIOLI Verteilergetriebe WALTERSCHEID | Fordelergearkasse BONDIOLI Fordelergearkasse WALTERSCHEID |
| 18 | 1770669 | Schutz | Beskyttelse |
| 19 | 1770670 | Halter | Holder |
| 20 | 1800011 | Deckel | Låg |
| 21 | 1770668 1800010 | Befestigungsplatte (Bondioli) Befestigungsplatte (Walterscheid) | Befæstigelsesplade (Bondioli) Befæstigelsesplade (Walterscheid) |
| 22 | 1770641 | Block | Blok |
| 23 | 1770623A | Höhejustierung | Højdejustering |
| 24 | 1770639A | Stop | Stop |
| 25 | 5770223 5770416 | Kupplung Mittel BONDIOLI Kupplung Mittel WALTERSCHEID | Kobling midter BONDIOLI Kobling midter WALTERSCHEID |
| 26 | 5770106 | Schutz | Beskyttelse |
| 27 | 1777362 | Bolz | Pløk |
| 28 | 1770682 | Bolz | Pløk |
| 29 | 1770684 | Bolz | Pløk |
| 30 | 1770683 | Bolz | Pløk |
| 31 | 1770608A | U-Konsole | U-Konsol |
| 32 | 3580635 3570663W | Zylinder Flügel Dichtungssatz | Cylinder vinge Pakningssæt |
| 33 | 3570636 3570636W 3570658 | Zylinder Höhe Dichtungssatz Entlüfter | Cylinder højde Pakningssæt Luftskruer |
| 34 | 3870631 | Halter Einzel | Holder enkelt |
| 35 | 3870632 | Halter Dobbelt | Holder dobbelt |
| 36 | 6770908 | Kabel 1875 mm | Wire 1875 mm |
| 37 | 6770907 | Kabelhalter | Wirelås |
| 38 | 6770910 | Kabel 1665 mm | Wire 1665 mm |
| 39 | 6310215 | Bolz Transport | Pløk transport |
| 40 | 2770464 | Scheibe | Skive |



When ordering your seal kits please quote both codes stamped on the base of the cylinder.
 Lors de la commande des kits de joints prière d'indiquer les deux numéros de code estampillés à la base du cylindre
 Bei bestellung von dichtsätze für hydr. zylinder; bitte beide koden angeben die an der ende der zylinder steht.
 Ved bestilling af pakningssæt bedes de opgive begge de koder der står i enden af cylinderen.

CENTRE DECK ASSEMBLY

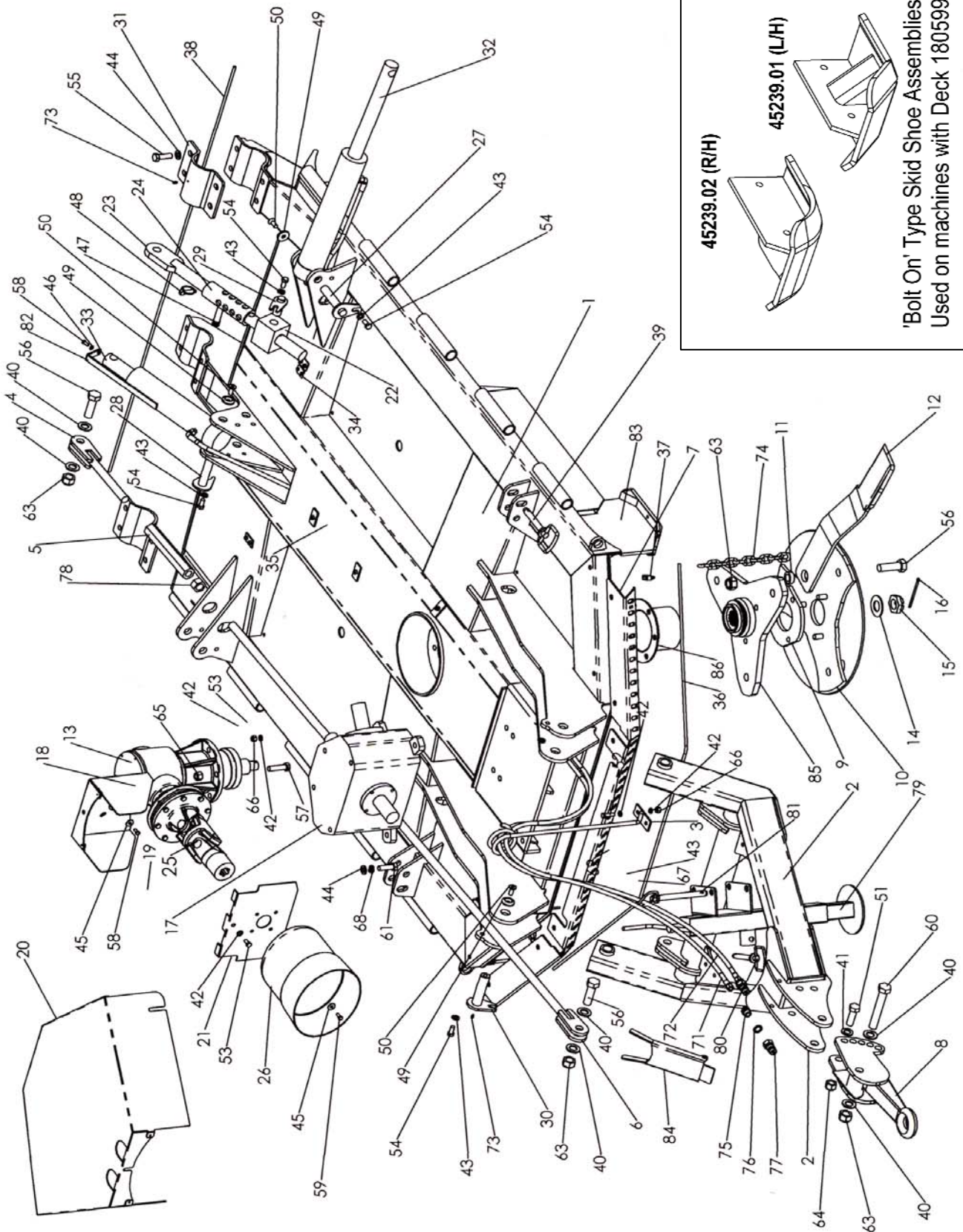
| REF. | PART No. | ENGLISH DESCRIPTION | FRENCH DESCRIPTION |
|------|----------|-------------------------------------|-------------------------------|
| 41 | 2770517 | Washer | Rondelle |
| 42 | 5770434 | Washer | Rondelle |
| 43 | 2770436 | Washer | Rondelle |
| 44 | 2770454 | Washer | Rondelle |
| 45 | 2770244 | Washer | Rondelle |
| 46 | 2770432 | Washer | Rondelle |
| 47 | 6310202 | Pin | Broche |
| 48 | 6310206 | Lynch pin | Goupille de sécurité |
| 49 | 1777209 | Retaining washer | Rondelle de retenue |
| 50 | 2770506 | Screw | Vis |
| 51 | 2770367 | Bolt | Boulon |
| 52 | 2770396 | Screw | Vis |
| 53 | 2770418 | Screw | Vis |
| 54 | 2770484 | Screw | Vis |
| 55 | 2770425 | Bolt | Boulon |
| 56 | 2770413 | Bolt | Boulon |
| 57 | 2770423 | Bolt | Boulon |
| 58 | 2770431 | Screw | Vis |
| 59 | 2770401 | Screw | Vis |
| 60 | 2770365 | Bolt | Boulon |
| 61 | 2770429 | Bolt | Boulon |
| 62 | 2770420 | Screw | Vis |
| 63 | 2770414 | Nylock | Écrou Nylock |
| 64 | 2770409 | Nylock | Écrou Nylock |
| 65 | 2770447 | Nylock | Écrou Nylock |
| 66 | 2770412 | Nylock | Écrou Nylock |
| 67 | 2770417 | Nylock | Écrou Nylock |
| 68 | 2770456 | Spring washer | Rondelle élastique |
| 69 | 3460100 | Tee adaptor | Adaptateur en T |
| 70 | 3760050 | Hose | Tuyau |
| 71 | 3760048 | Hose | Tuyau |
| 72 | 3760049 | Hose | Tuyau |
| 73 | 2770467 | Grease nipple | Embout de graissage |
| 74 | 8770621 | 6 link chain | Chaîne à 6 maillons |
| 75 | 3250154 | Restrictor | Limiteur |
| 76 | 3560072 | Bonded seal | Joint composite |
| 77 | 3750153 | QR coupling | Raccord rapide |
| 78 | 2770585 | Nut | Écrou |
| 79 | 1770702 | Jack | Béquille |
| | 1770701 | Euro jack | Béquille Euro |
| 80 | 6310220 | Pin | Broche |
| 81 | 6310176 | Pin | Broche |
| 82 | 1777963 | Height gauge | Jauge de hauteur |
| 83 | 1770686 | Centre foot (For 17770658E) | Pied central (Pour 17770658E) |
| | 45239.01 | L/H Skid Shoe Assembly (For 180599) | L/H Pied (Pour 180599) |
| | 45239.02 | R/H Skid Shoe Assembly (For 180599) | R/H Pied (Pour 180599) |
| 84 | 1770689 | PTO support | Support de prise de mouvement |
| | 2770584 | Bolt | Boulon |
| 85 | 180363 | Upper blade carrier | Porte-lame supérieur |
| 86 | 1770620 | Sheild | Bouclier |



When ordering your seal kits please quote both codes stamped on the base of the cylinder.
 Lors de la commande des kits de joints prière d'indiquer les deux numéros de code estampillés à la base du cylindre
 Bei bestellung von dichtsatz für hydr. zylinder; bitte beide koden angeben die an der ende der zylinder steht.
 Ved bestilling af pakningssæt bedes de opgive begge de koder der står i enden af cylinderen.

CENTRE DECK ASSEMBLY

| REF. | PART No. | GERMAN DESCRIPTION | DANISH DESCRIPTION |
|------|----------|-----------------------------|----------------------------|
| 41 | 2770517 | Scheibe | Skive |
| 42 | 5770434 | Scheibe | Skive |
| 43 | 2770436 | Scheibe | Skive |
| 44 | 2770454 | Scheibe | Skive |
| 45 | 2770244 | Scheibe | Skive |
| 46 | 2770432 | Scheibe | Skive |
| 47 | 6310202 | Bolz | Pløk |
| 48 | 6310206 | Ring Splint | Ringsplit |
| 49 | 1777209 | Scheibe | Skive |
| 50 | 2770506 | Schraube | Skrue |
| 51 | 2770367 | Bolz | Bolt |
| 52 | 2770396 | Schraube | Skrue |
| 53 | 2770418 | Schraube | Skrue |
| 54 | 2770484 | Schraube | Skrue |
| 55 | 2770425 | Bolz | Bolt |
| 56 | 2770413 | Bolz | Bolt |
| 57 | 2770423 | Bolz | Bolt |
| 58 | 2770431 | Schraube | Skrue |
| 59 | 2770401 | Schraube | Skrue |
| 60 | 2770365 | Bolz | Bolt |
| 61 | 2770429 | Bolz | Bolt |
| 62 | 2770420 | Schraube | Skrue |
| 63 | 2770414 | Lockmutter | Låsemøtrik |
| 64 | 2770409 | Lockmutter | Låsemøtrik |
| 65 | 2770447 | Lockmutter | Låsemøtrik |
| 66 | 2770412 | Lockmutter | Låsemøtrik |
| 67 | 2770417 | Lockmutter | Låsemøtrik |
| 68 | 2770456 | Federscheibe | Fjederskive |
| 69 | 3460100 | T-adapter | T-adapter |
| 70 | 3760050 | Schlauche | Slange |
| 71 | 3760048 | Schlauche | Slange |
| 72 | 3760049 | Schlauche | Slange |
| 73 | 2770467 | Schmiernippel | Smørenippel |
| 74 | 8770621 | Kette 6 teilig | Kæde 6 led |
| 75 | 3250154 | Drossel | Drossel |
| 76 | 3560072 | Dichtung | Tætning |
| 77 | 3750153 | Schnellwechsler | Lynkobling |
| 78 | 2770585 | Mutter | Møtrik |
| 79 | 1770702 | Stützbein | Støtteben |
| | 1770701 | Stützbein Euro | Støtteben euro |
| 80 | 6310220 | Bolz | Pløk |
| 81 | 6310176 | Bolz | Pløk |
| 82 | 1777963 | Höhekontrol | Højdekontrol |
| 83 | 1770686 | Fuss Mitte (Für 17770658E) | Midterfod (For 17770658E) |
| | 45239.01 | L/H Fuss Mitte (Für 180599) | L/H Midterfod (For 180599) |
| | 45239.02 | R/H Fuss Mitte (Für 180599) | R/H Midterfod (For 180599) |
| 84 | 1770689 | PTO Halter | PTO holder |
| | 2770584 | Bolz | Bolt |
| 85 | 180363 | Messerhalter Oben | Knivholder øverst |
| 86 | 1770620 | Schütz | Beskyttelse |

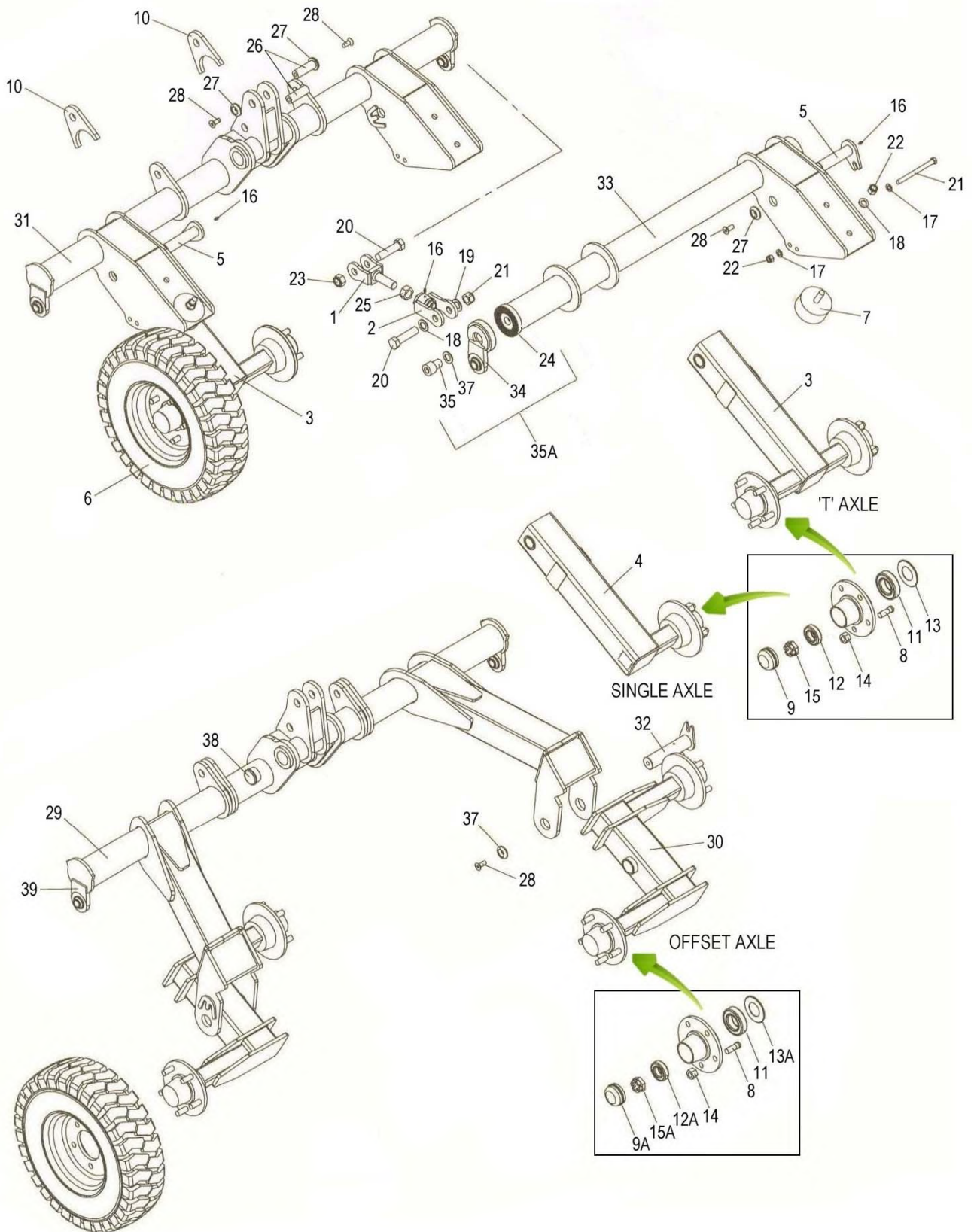


*When ordering your seal kits please quote both codes stamped on the base of the cylinder.
 Lors de la commande des kits de joints prière d'indiquer les deux numéros de code estampillés à la base du cylindre
 Bei bestellung von dichtsätze für hydr. zylinder; bitte beide koden angeben die an der ende der zylinder steht.
 Ved bestilling af pakningssæt bedes de opgive begge de koder der står i enden af cylinderen.*

CENTRE DECK ASSEMBLY**STAR-CUT BLADE OPTION**

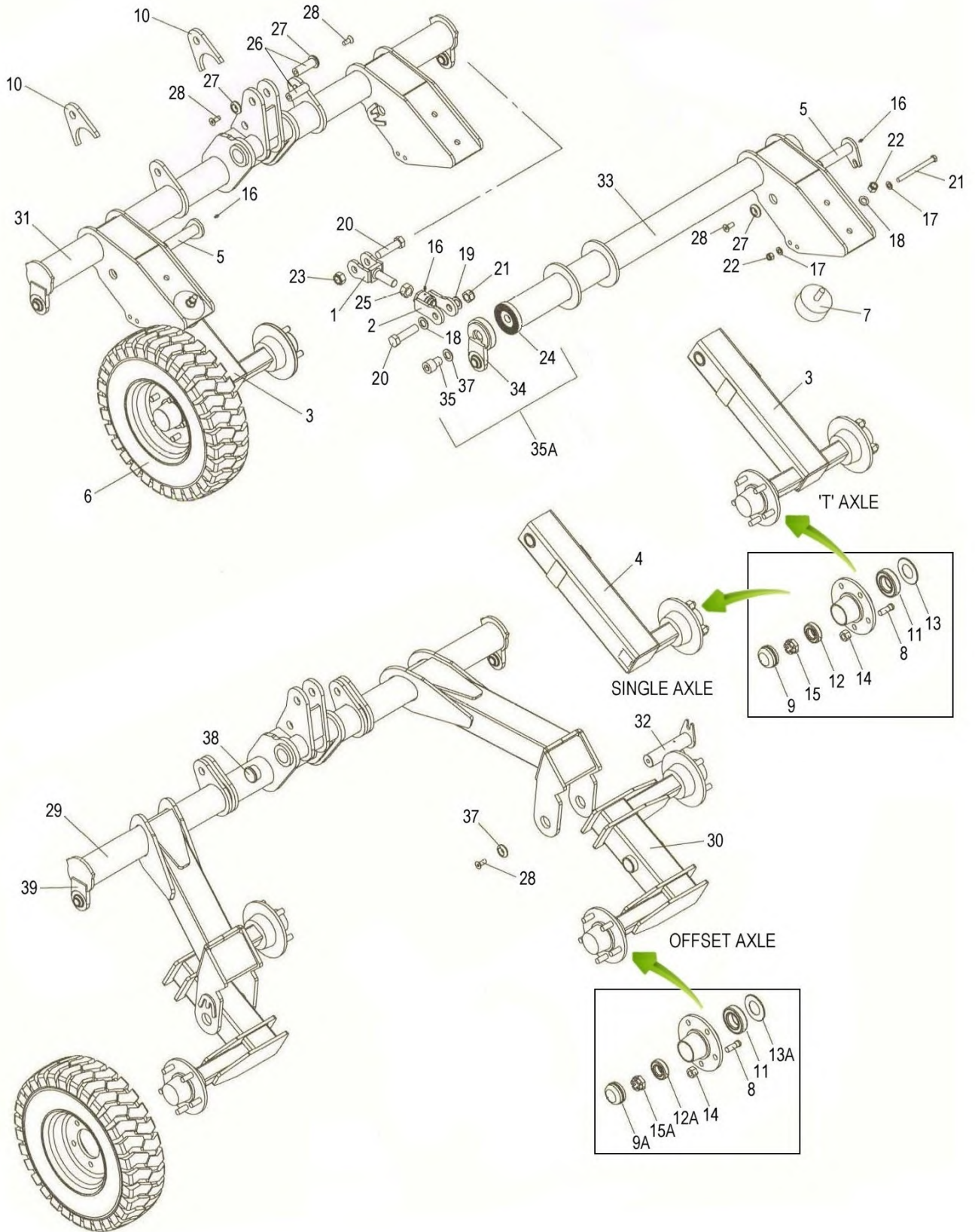
| REF. | PART No. | ENGLISH DESCRIPTION | FRENCH DESCRIPTION |
|-------------|-----------------|-----------------------------|---------------------------|
| | OPT0961M | Star blade kit | couteau kit double |
| | 046001 | Centre & inner wing blade | Lame |
| | 062001 | Outer wing blade | Lame |
| | 046053 | Centre & inner wing carrier | Porte-lame |
| | 062012 | Outer wing carrier | Porte-lame |
| | 2770413 | Bolt | Boulon |
| | 2770414 | Nut | Écrou |
| | 7770707 | Blade bush | Coussinet de lame |

| REF. | PART No. | GERMAN DESCRIPTION | DANISH DESCRIPTION |
|-------------|-----------------|---------------------------|---------------------------|
| | OPT0961M | Dopple messer kit | Star cut kit |
| | 046001 | Messer | Kniv |
| | 062001 | Messer | Kniv |
| | 046053 | Messerhalter | Knivholder |
| | 062012 | Messerhalter | Knivholder |
| | 2770413 | Bolz | Bolt |
| | 2770414 | Mutter | Møtrik |
| | 7770707 | Messerbuchse | Knivbøsning |



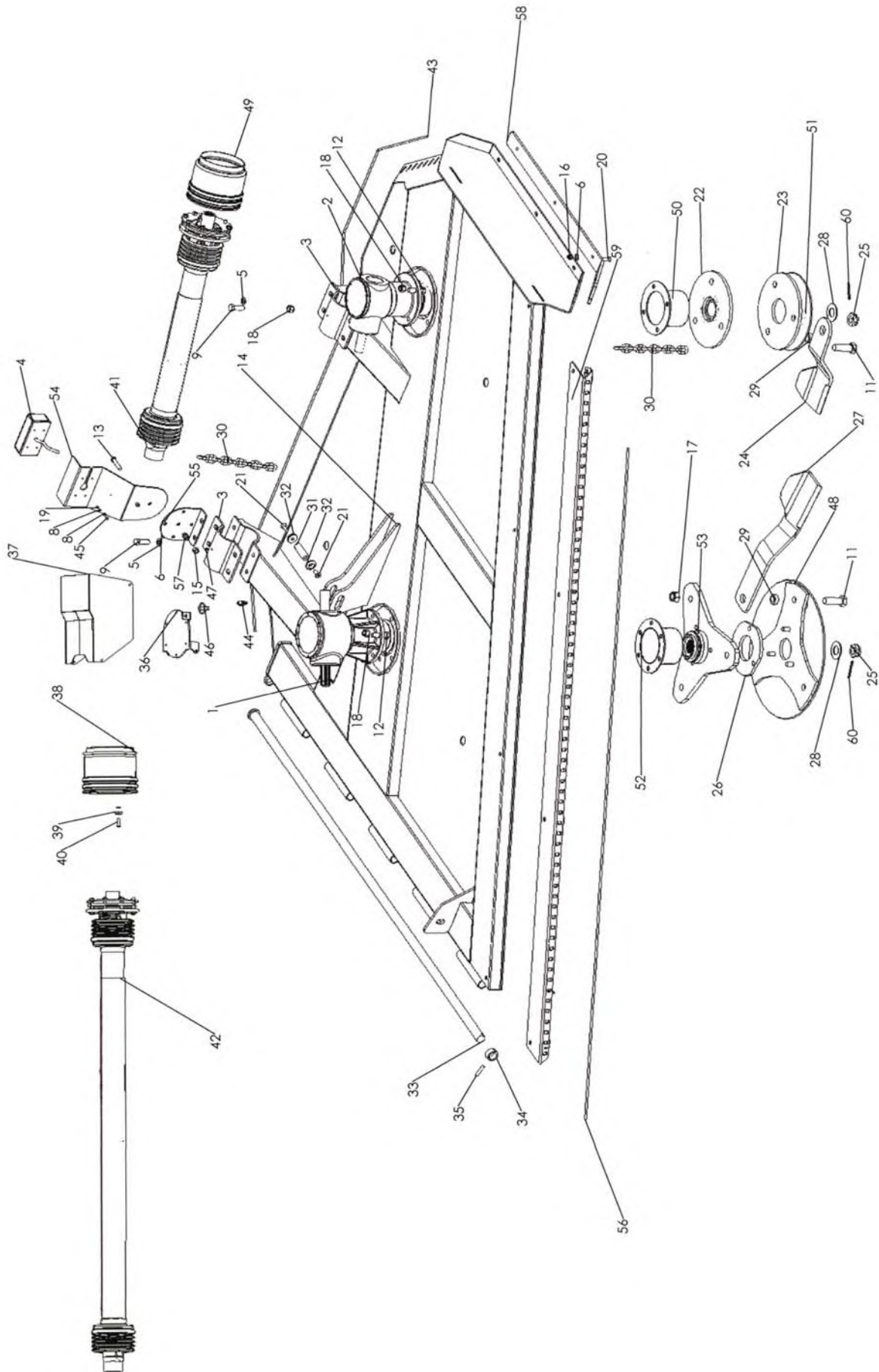
REAR AXLES ASSEMBLY

| REF. | PART No. | ENGLISH DESCRIPTION | FRENCH DESCRIPTION |
|------|------------|------------------------|--------------------------|
| 1 | 1770672B | Inner axle link | Biellette intérieure |
| 2 | 1770673B | Outer axle link | Biellette extérieure |
| 3 | 1770585A | Double wheel arm | Support de roue double |
| 4 | 1770584A | Single wheel arm | Support de roue simple |
| 5 | 1770583 | Pin | Broche |
| 6 | 6770674 | Wheel | Roue |
| 6A | 8579 | Wide Wheel (not shown) | Roue |
| 7 | 8770644 | Rubber cushion | Coussinet en caoutchouc |
| 8 | 6770579 | Stud | Goujon |
| 9 | 6770580 | Cap | Chapeau |
| 9A | 6770587.01 | Cap (Threaded) | Chapeau (Taraudé) |
| 10 | OPT0615 | Axle repair kit | réparation |
| 11 | 4770660 | Bearing | Roulement |
| 12 | 4770659 | Bearing | Roulement |
| 12A | 6770587.02 | Bearing | Roulement |
| 13 | 4770661 | Seal | Joint d'étanchéité |
| 13A | 6770587.03 | Seal | Joint d'étanchéité |
| 14 | 6770578 | Nut | Écrou |
| 15 | 6770583 | Nut | Écrou |
| 15A | 6770587.06 | Nut | Écrou |
| 16 | 2770467 | Grease nipple | Embout de graissage |
| 17 | 2770454 | Washer | Rondelle |
| 18 | 2770351 | Washer | Rondelle |
| 19 | 2770436 | Washer | Rondelle |
| 20 | 2770358 | Bolt | Boulon |
| 21 | 2770405 | Bolt | Boulon |
| 22 | 2770417 | Nut | Écrou |
| 23 | 2770359 | Nut | Écrou |
| 24 | 6770626 | Toothed Plate | Toothed Plate |
| 25 | 2770587 | Nut | Écrou |
| 26 | 1778039 | Pin | Broche |
| 27 | 1777209 | Washer | Rondelle |
| 28 | 2770506 | Screw | Vis |
| 29 | 1770607D | Centre walking axle | Axe oscillant |
| 30 | 1770585C | Walking arm | Bras oscillant |
| 31 | 1770607C | Fixed centre axle | Axe central fixe |
| 32 | 1770583B | Pin | Broche |
| | 4600127-A | Bush | Bague |
| 33 | 1770611B | LH axle | Axe de gauche |
| | 1770612B | RH axle | Axe de droite |
| | 1770637 | Serrated disc | Serrated disc |
| 34 | 1770609 | End assy | Ensemble d'extrémité |
| 35 | 2770596 | Screw | Vis |
| 35A | OPT0023 | Repair kit | Nécessaire de réparation |
| 37 | 2770465 | Washer | Rondelle |
| 38 | 8777509 | Cap | Chapeau |
| 39 | 6310227 | Ball end | Extrémité à bille |



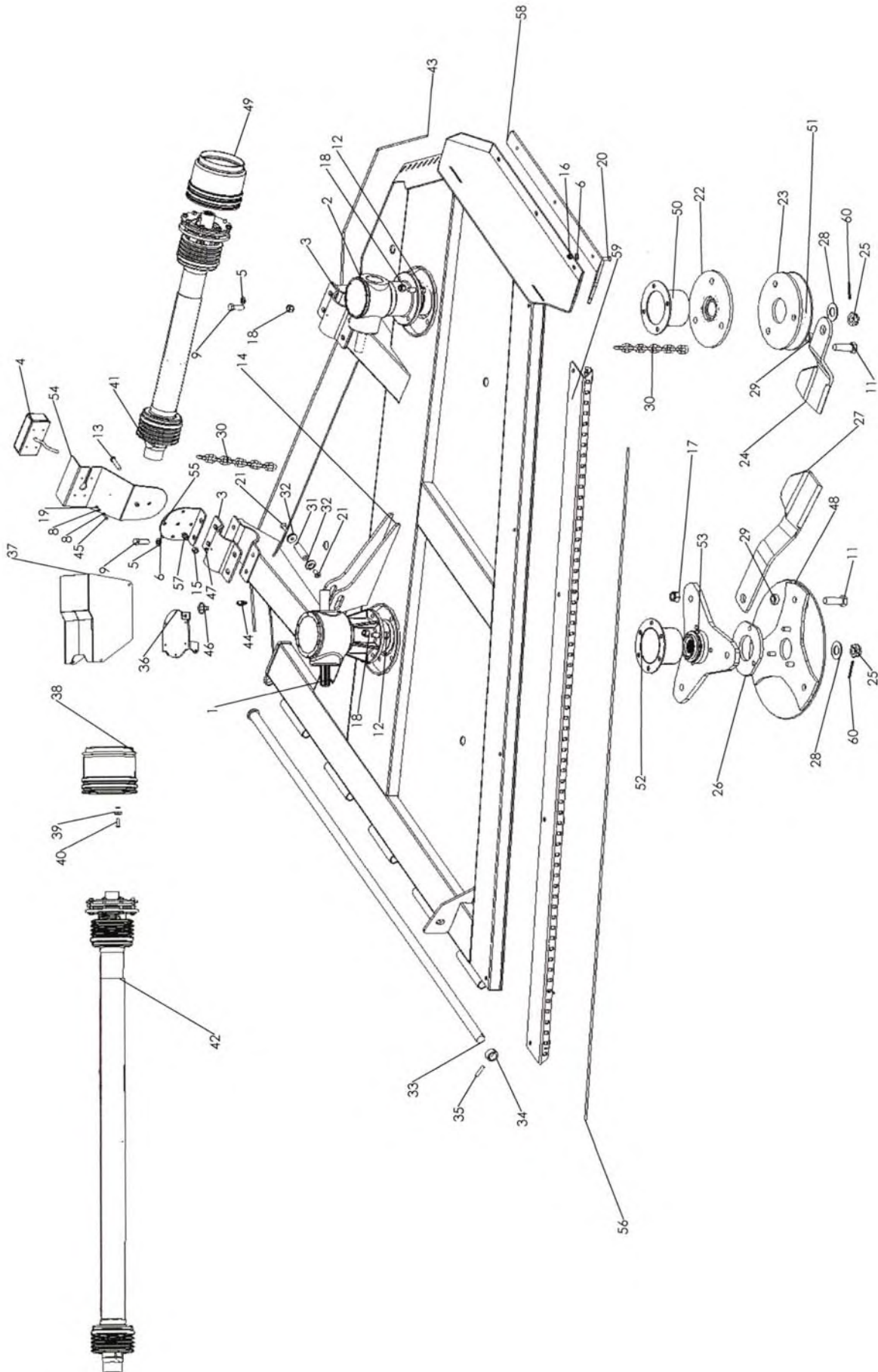
REAR AXLES ASSEMBLY

| REF. | PART No. | GERMAN DESCRIPTION | DANISH DESCRIPTION |
|------|------------|----------------------|---------------------|
| 1 | 1770672B | Gelenk Innen | Gaffel inder |
| 2 | 1770673B | Gelenk Ausen | Gaffel ydre |
| 3 | 1770585A | Dobbel Radarm | Dobbelt hjularm |
| 4 | 1770584A | Einzel Radarm | Enkelt hjularm |
| 5 | 1770583 | Bolz | Pløk |
| 6 | 6770674 | Rad | Hjul |
| 6A | 8579 | Rad | Hjul |
| 7 | 8770644 | Gummi Federung | Gummidæmper |
| 8 | 6770579 | Radbolz | Hjulbolt |
| 9 | 6770580 | Deckel | Låg |
| 9A | 6770587.01 | Deckel (mit gewinde) | Låg |
| 10 | OPT0615 | reparieren | |
| 11 | 4770660 | Lager | Leje |
| 12 | 4770659 | Lager | Leje |
| 12A | 6770587.02 | Lager | Leje |
| 13 | 4770661 | Dichtung | Tætning |
| 13A | 6770587.03 | Dichtung | Tætning |
| 14 | 6770578 | Mutter | Møtrik |
| 15 | 6770583 | Mutter | Møtrik |
| 15A | 6770587.06 | Mutter | Møtrik |
| 16 | 2770467 | Schmiernippel | Smørenippel |
| 17 | 2770454 | Scheibe | Skive |
| 18 | 2770351 | Scheibe | Skive |
| 19 | 2770436 | Scheibe | Skive |
| 20 | 2770358 | Bolz | Bolt |
| 21 | 2770405 | Bolz | Bolt |
| 22 | 2770417 | Mutter | Møtrik |
| 23 | 2770359 | Mutter | Møtrik |
| 24 | 6770626 | Toothed Plate | Toothed Plate |
| 25 | 2770587 | Mutter | Møtrik |
| 26 | 1778039 | Bolz | Pløk |
| 27 | 1777209 | Scheibe | Skive |
| 28 | 2770506 | Schraube | Skruer |
| 29 | 1770607D | Pendel Achse Mitte | Pendul aksel Midter |
| 30 | 1770585C | Pendel Arm | Pendul arm |
| 31 | 1770607C | Std. Achse Mitte | Std. Aksel midter |
| 32 | 1770583B | Bolz | Pløk |
| | 4600127-A | Buchse | Bøsning |
| 33 | 1770611B | LH Achse | LH aksel |
| | 1770612B | RH Achse | RH aksel |
| | 1770637 | Serrated disc | Serrated disc |
| 34 | 1770609 | Kat1 m. Zahnscheibe | Kat1 med tandskive |
| 35 | 2770596 | Schraube | Skruer |
| 35A | OPT0023 | Rep. Kit | Rep. kit |
| 37 | 2770465 | Scheibe | Skive |
| 38 | 8777509 | Plast | Plastende |
| 39 | 6310227 | Kat1 Schweissteil | Kat1 svejsedel |



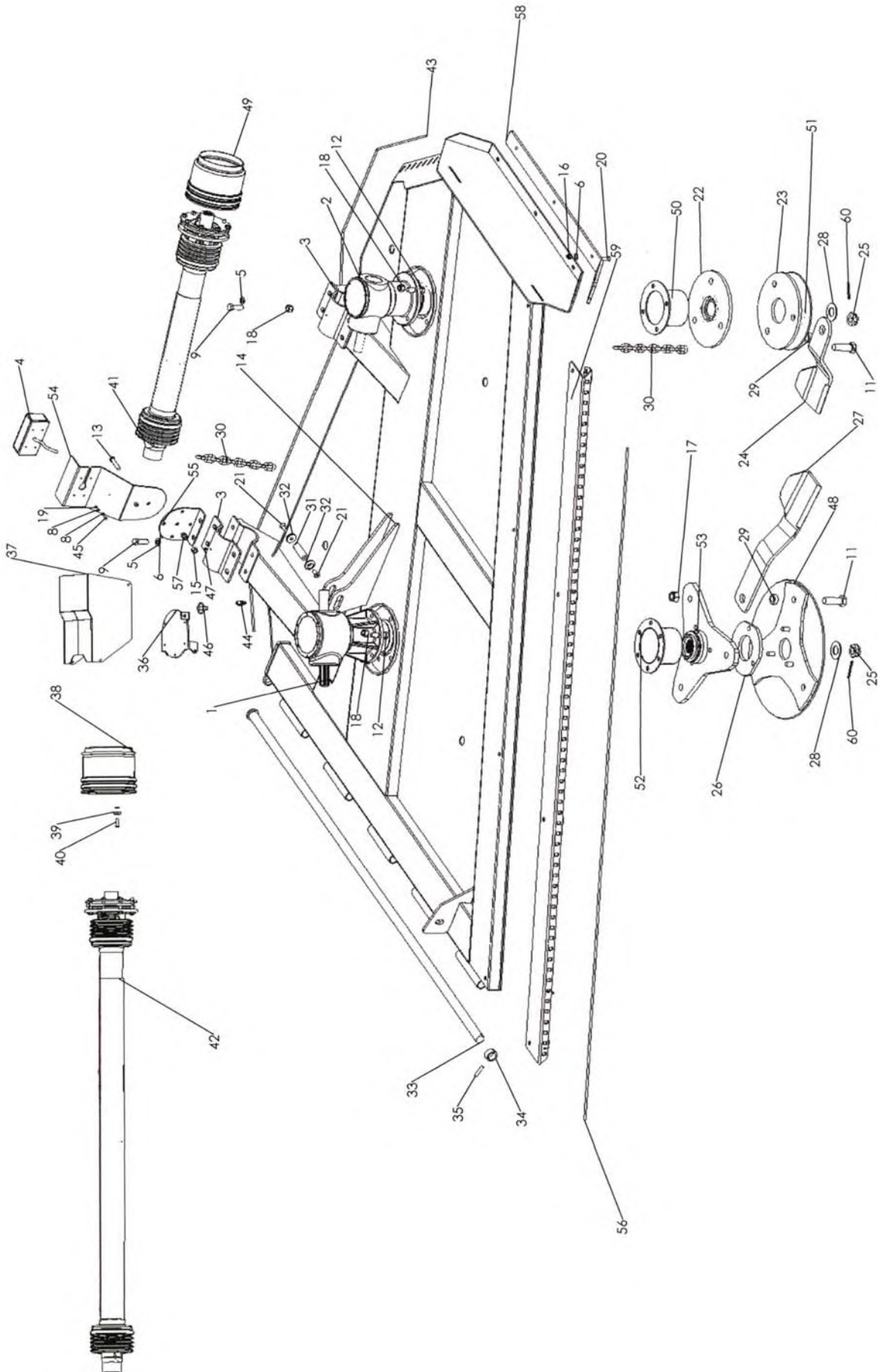
WING ASSEMBLY

| REF. | PART No. | ENGLISH DESCRIPTION | FRENCH DESCRIPTION |
|------|-----------|------------------------------------|--|
| 1 | 5770205 | Gearbox BONDIOLI | Boîte d'engrenages BONDIOLI |
| | 5770420 | Gearbox WALTERSCHEID | Boîte d'engrenages WALTERSCHEID |
| 2 | 5770203 | LH gearbox BONDIOLI | Boîte d'engrenages de gauche |
| | 5770422 | LH gearbox WALTERSCHEID | Boîte d'engrenages de gauche |
| | 5770204 | RH gearbox BONDIOLI | Boîte d'engrenages de droite |
| | 5770423 | RH gearbox WALTERSCHEID | Boîte d'engrenages de droite |
| 3 | 1770908A | Clamp | Bride |
| 4 | 8770659 | Rear light | Feu arrière |
| | 8770659A | Lens | Verre |
| 5 | 2770454 | Washer | Rondelle |
| 6 | 2770436 | Washer | Rondelle |
| 7 | 2770432 | Washer | Rondelle |
| 8 | 2770391 | Washer | Rondelle |
| 9 | 2770425 | Bolt | Boulon |
| 10 | 2770443 | Bolt | Boulon |
| 11 | 2770413 | Bolt | Boulon |
| 12 | 2770423 | Bolt | Boulon |
| 13 | 2770448 | Bolt | Boulon |
| 14 | 1780101B | LH wing | Aile gauche |
| | 1780101BR | RH wing | Aile droite |
| 15 | 2770417 | Nut | Écrou |
| 16 | 2770412 | Nut | Écrou |
| 17 | 2770414 | Nut | Écrou |
| 18 | 2770447 | Nut | Écrou |
| 19 | 2770394 | Nut | Écrou |
| 20 | 2770509 | Screw | Vis |
| 21 | 2770506 | Screw | Vis |
| 22 | 1780126 | Upper blade carrier | Porte-lame supérieur |
| 23 | 1780127 | Lower blade carrier only | Porte-lame inférieur uniquement |
| | 1780127A | Lower blade carrier c/w anti scalp | Porte-lame inférieur avec disque de |
| 24 | 7770730 | RH blade | Lame de droite |
| | 7770731 | LH blade | Lame de gauche |
| 25 | 5771409 | Nut | Écrou |
| 26 | 1770604-3 | Spacer | Entretoise |
| 27 | 7770701 | LH blade | Lame de gauche |
| | 7770700 | RH blade | Lame de droite |
| 28 | 5771410 | Washer | Rondelle |
| 29 | 7770707 | Bush | Coussinet |
| 30 | 8770621 | 6 link chain | Chaîne à 6 maillons |
| 31 | 1770691 | Pin | Broche |
| 32 | 1777209 | Washer | Rondelle |
| 33 | 1770657A | Bar | Bar (Barres) |
| 34 | 1770676 | Bush | Coussinet |
| 35 | 2770531 | Pin | Broche |
| 36 | 1777536 | LH bracket | Support de gauche |
| | 1777536R | RH bracket | Support de droite |
| 37 | 1777537 | LH guard | Protection de gauche |
| | 1777537R | RH guard | Protection de droite |
| 38 | 5770129 | Guard (Bondioli G/Box Builds) | Protection (Bondioli G/Box Builds) |
| | 21839.01 | Guard (Walterscheid G/box Builds) | Protection (Walterscheid G/box Builds) |
| 39 | 2770244 | Washer | Rondelle |
| 40 | 2770368 | Screw | Vis |



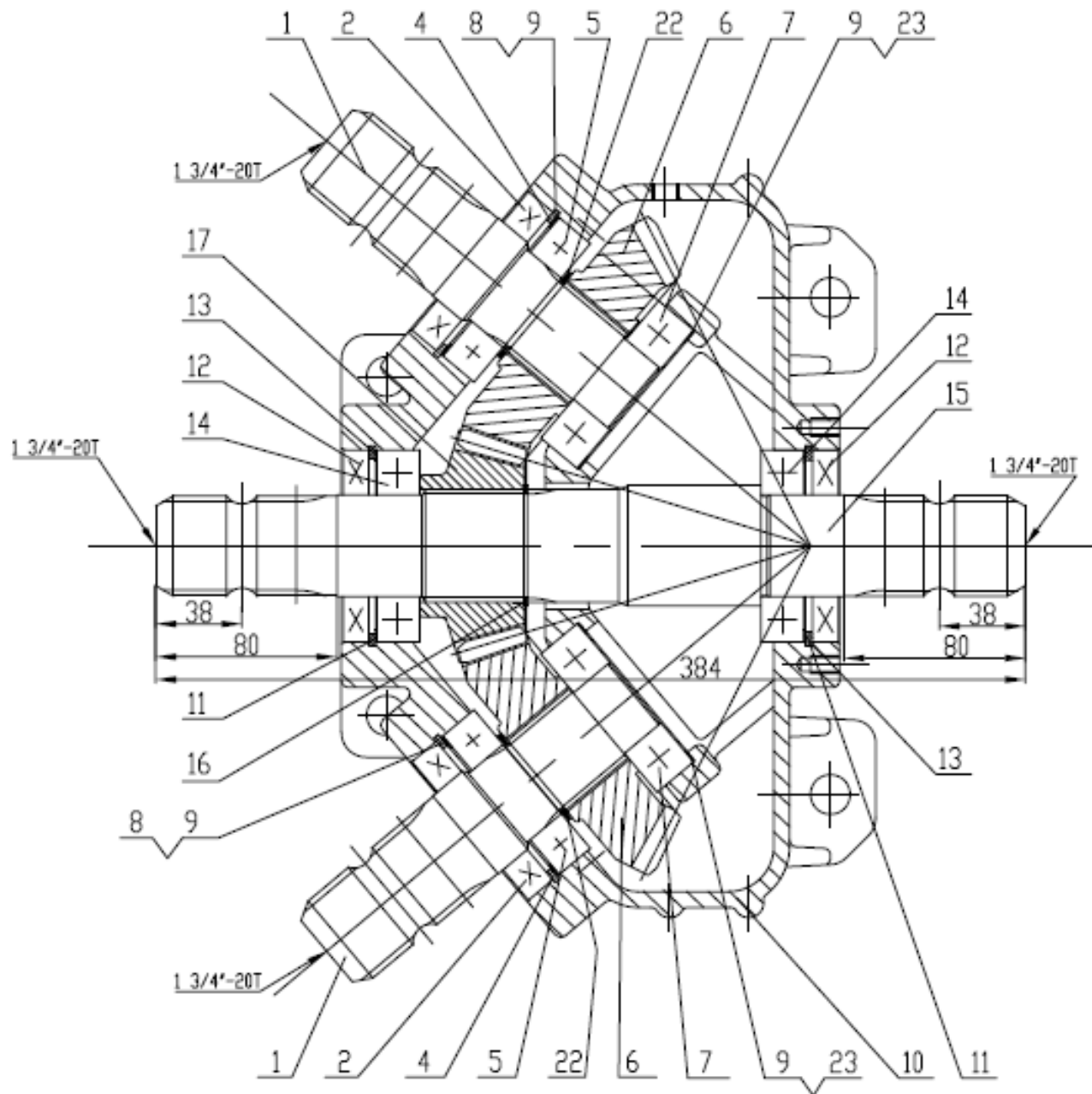
WING ASSEMBLY

| REF. | PART No. | GERMAN DESCRIPTION | DANISH DESCRIPTION |
|------|-----------|------------------------------------|---|
| 1 | 5770205 | Getriebe BONDIOLI | Gearkasse BONDIOLI |
| | 5770420 | Getriebe WALTERSCHEID | Gearkasse WALTERSCHEID |
| 2 | 5770203 | LH Getriebe BONDIOLI | LH Gearkasse BONDIOLI |
| | 5770422 | LH Getriebe WALTERSCHEID | LH Gearkasse WALTERSCHEID |
| | 5770204 | RH Getriebe BONDIOLI | RH Gearkasse BONDIOLI |
| | 5770423 | RH Getriebe WALTERSCHEID | RH Gearkasse WALTERSCHEID |
| 3 | 1770908A | U-Konsole | U-konsol |
| 4 | 8770659 | Licht Kpl. | Baglys kpl. |
| | 8770659A | Glass | Glas |
| 5 | 2770454 | Scheibe | Skive |
| 6 | 2770436 | Scheibe | Skive |
| 7 | 2770432 | Scheibe | Skive |
| 8 | 2770391 | Scheibe | Skive |
| 9 | 2770425 | Bolz | Bolt |
| 10 | 2770443 | Bolz | Bolt |
| 11 | 2770413 | Bolz | Bolt |
| 12 | 2770423 | Bolz | Bolt |
| 13 | 2770448 | Bolz | Bolt |
| 14 | 1780101B | LH Flügel | LH Sidesektion |
| | 1780101BR | RH Flügel | RH Sidesektion |
| 15 | 2770417 | Mutter | Møtrik |
| 16 | 2770412 | Mutter | Møtrik |
| 17 | 2770414 | Mutter | Møtrik |
| 18 | 2770447 | Mutter | Møtrik |
| 19 | 2770394 | Mutter | Møtrik |
| 20 | 2770509 | Schraube | Skrue |
| 21 | 2770506 | Schraube | Skrue |
| 22 | 1780126 | Messerhalter Oben | Knivholder øverst |
| 23 | 1780127 | Messerhalter Unten | Knivholder nederst |
| | 1780127A | Messerhalter Unten mit Teller | Knivholder nederst med tallerken |
| 24 | 7770730 | RH Messer | RH Kniv |
| | 7770731 | LH Messer | LH Kniv |
| 25 | 5771409 | Mutter | Møtrik |
| 26 | 1770604-3 | Scheibe | Skive |
| 27 | 7770701 | LH Messer | LH Kniv |
| | 7770700 | RH Messer | RH Kniv |
| 28 | 5771410 | Scheibe | Skive |
| 29 | 7770707 | Buchse | Bøsning |
| 30 | 8770621 | Kette 6 teilig | Kæde 6 leds |
| 31 | 1770691 | Bolz | Pløk |
| 32 | 1777209 | Scheibe | Skive |
| 33 | 1770657A | Stange | Stang |
| 34 | 1770676 | Buchse | Bøsning |
| 35 | 2770531 | Bolz | Pløk |
| 36 | 1777536 | LH Platte | LH Plade |
| | 1777536R | RH Platte | RH Plade |
| 37 | 1777537 | LH Schutz | LH Beskyttelse |
| | 1777537R | RH Schutz | RH Beskyttelse |
| 38 | 5770129 | Schutz (Bondioli G/Box Builds) | Beskyttelse (Bondioli G/Box Builds) |
| | 21839.01 | Schutz (Walterscheid G/box Builds) | Beskyttelse (Walterscheid G/box Builds) |
| 39 | 2770244 | Scheibe | Skive |
| 40 | 2770368 | Schraube | Skrue |



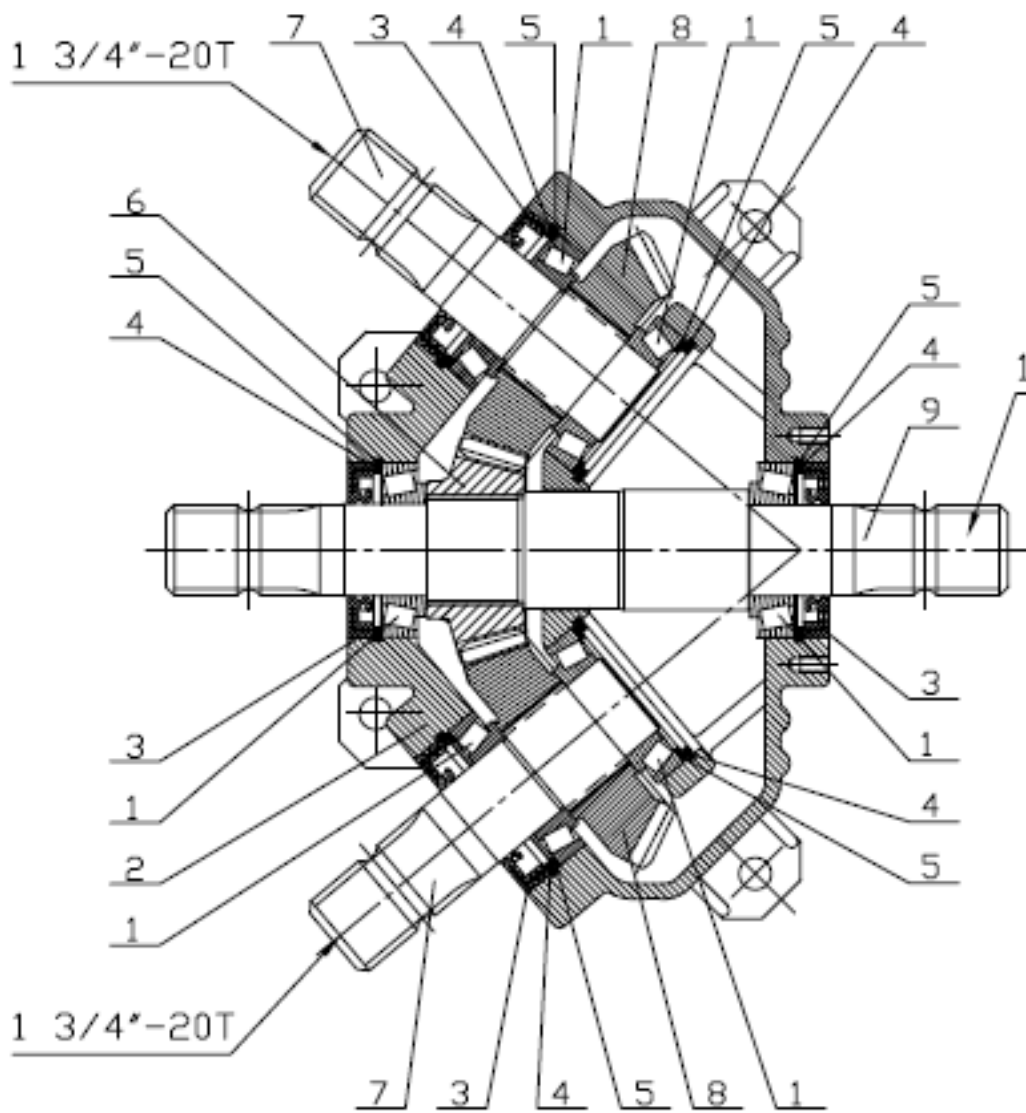
WING ASSEMBLY

| REF. | PART No. | ENGLISH DESCRIPTION | FRENCH DESCRIPTION |
|------|------------|------------------------------------|---|
| 41 | 5770207 | Outer shaft BONDIOLI | Arbre extérieur BONDIOLI |
| | 5770425 | Outer shaft WALTERSCHEID | Arbre extérieur WALTERSCHEID |
| 42 | 5770215 | Inner shaft BONDIOLI | Arbre intérieur BONDIOLI |
| | 5770424 | Inner shaft WALTERSCHEID | Arbre intérieur WALTERSCHEID |
| 43 | 6770937 | Wire rope 2650mm | Câble de 2 650 mm |
| 44 | 6770907 | Clamp | Bride |
| 45 | 2770243 | Bolt | Boulon |
| 46 | 6310206 | Pin | Broche |
| 47 | 2770467 | Grease nipple | Embout de graissage |
| 48 | 1770630 | Lower blade carrier | Porte-lame inférieur |
| | 7770726 | Anti scalp disc | Disque de protection |
| 49 | 5770128 | Guard (Bondioli G/Box Builds) | Protection (Bondioli G/Box Builds) |
| | 21839.01 | Guard (Walterscheid G/box Builds) | Protection (Walterscheid G/box Builds) |
| 50 | 1770620A | Shield | Bouclier |
| 51 | 7770732 | Anti scalp disc | Disque de protection |
| 52 | 1770620 | Shield | Bouclier |
| 53 | 1770602-3A | Upper blade carrier | Porte-lame supérieur |
| 54 | 1770690A | Bracket | Support |
| 55 | 1770699 | Bracket | Support |
| 56 | 6770936 | Wire rope 2535mm | Câble de 2 535 mm |
| 57 | 6310237 | Spring | Ressort |
| 58 | 1780117 | LH skid | Patin de gauche |
| | 1780117R | RH skid | Patin de droite |
| 59 | 1800180 | LH guard | Protection extérieure de gauche |
| | 1800181 | RH guard | Protection extérieure de droite |
| 60 | 2770512 | Split pin | Goupille fendue |
| REF. | PART No. | GERMAN DESCRIPTION | DANISH DESCRIPTION |
| 41 | 5770207 | Welle Aussen BONDIOLI | Aksel yder BONDIOLI |
| | 5770425 | Welle Aussen WALTERSCHEID | Aksel yder WALTERSCHEID |
| 42 | 5770215 | Welle Innen BONDIOLI | Aksel inder BONDIOLI |
| | 5770424 | Welle Innen WALTERSCHEID | Aksel inder WALTERSCHEID |
| 43 | 6770937 | Kabel 2650 mm | Wire 2650 mm |
| 44 | 6770907 | Kabel Lock | Wirelås |
| 45 | 2770243 | Bolz | Bolt |
| 46 | 6310206 | Bolz | Pløk |
| 47 | 2770467 | Schmiernippel | Smørenippel |
| 48 | 1770630 | Messerhalter Unten | Knivholder nederst |
| | 7770726 | Teller | Tallerken |
| 49 | 5770128 | Schutz (Bondioli G/Box Builds) | Beskyttelse (Bondioli G/Box Builds) |
| | 21839.01 | Schutz (Walterscheid G/box Builds) | Beskyttelse (Walterscheid G/box Builds) |
| 50 | 1770620A | Schutz | Beskyttelse |
| 51 | 7770732 | Teller | Tallerken |
| 52 | 1770620 | Schutz | Beskyttelse |
| 53 | 1770602-3A | Messerhalter Oben | Knivholder øverst |
| 54 | 1770690A | Platte | Plade |
| 55 | 1770699 | Platte | Plade |
| 56 | 6770936 | Kabel 2535 mm | Wire 2535 mm |
| 57 | 6310237 | Feder | Fjeder |
| 58 | 1780117 | LH Stützkufen | LH Glideskinne |
| | 1780117R | RH Stützkufen | RH Glideskinne |
| 59 | 1800180 | LH Kettenhalter | LH Kædeholder |
| | 1800181 | RH Kettenhalter | RH Kædeholder |
| 60 | 2770512 | Splint | Rørsplint |



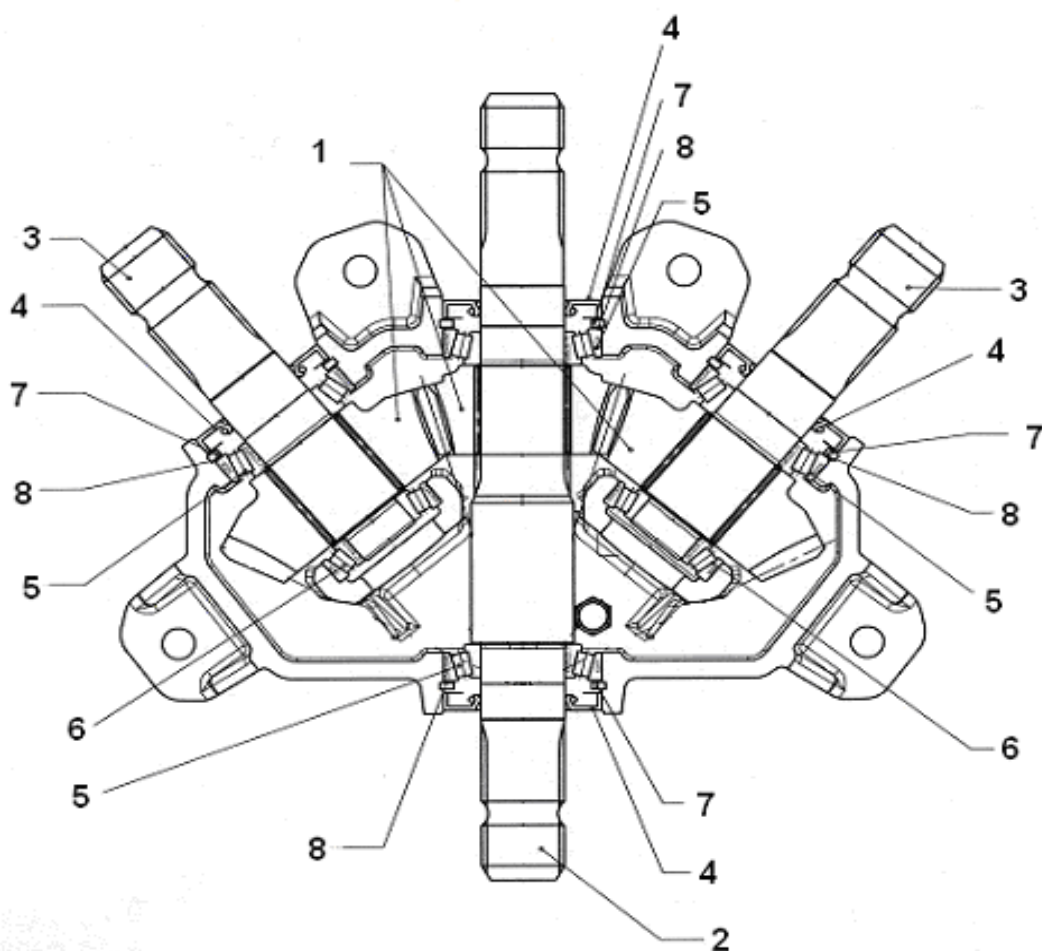
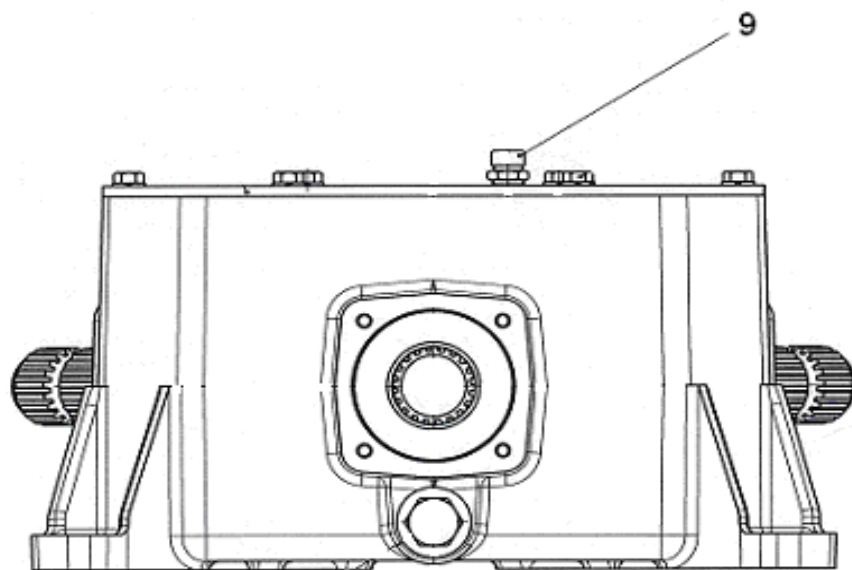
| REF. | PART No. | ENGLISH DESCRIPTION | FRENCH DESCRIPTION |
|------|------------|---------------------|--------------------|
| | 5770419 | Splitter gearbox | Boîte de transfert |
| 1 | 5770419.01 | Output shaft Z20 | Arbre de sortie |
| 2 | 4771504 | Seal | Joint d'étanchéité |
| 3 | - | Plug | Bouchon |
| 4 | 05.959.10 | Circlip | Bague élastique |
| 5 | 4771620 | Bearing | Roulement |
| 6 | 5770419.02 | Gear | engins |
| 7 | 4771605 | Bearing | Roulement |
| 8 | - | Shim | Cale |
| 9 | - | Shim | Cale |
| 10 | n/a | Housing | logement |
| 11 | 05.959.07 | Circlip | Bague élastique |
| 12 | 4771507 | Seal | Joint d'étanchéité |
| 13 | - | Shim | Cale |
| 14 | 5770428.01 | Bearing | Roulement |
| 15 | 5770419.03 | Shaft Z20 | Arbre d'entrée |
| 16 | - | Circlip | Bague élastique |
| 17 | 5770419.04 | Gear | engins |
| 18 | - | Plug | Bouchon |
| 19 | - | Spring washer | Rondelle |
| 20 | - | Bolt | Boulon |
| 21 | - | Cover | Couvercle |
| 22 | 05.959.07 | Circlip | Bague élastique |
| 23 | - | Shim | Cale |
| 24 | n/a | Identification | identification |

| REF. | PART No. | GERMAN DESCRIPTION | DANISH DESCRIPTION |
|------|------------|--------------------|--------------------|
| | 5770419 | Verteilergetriebe | Fordelergearkasse |
| 1 | 5770419.01 | Ausgangswelle | Udgangsaksel |
| 2 | 4771504 | Dichtung | Tætning |
| 3 | - | Schraube | Prop |
| 4 | 05.959.10 | Sicherungsring | Låsering |
| 5 | 4771620 | Lager | Leje |
| 6 | 5770419.02 | getriebe | gear |
| 7 | 4771605 | Lager | Leje |
| 8 | - | Distanz scheiben | Shims |
| 9 | - | Distanz scheiben | Shims |
| 10 | n/a | Gehäuse | boliger |
| 11 | 05.959.07 | Sicherungsring | Låsering |
| 12 | 4771507 | Dichtung | Tætning |
| 13 | - | Distanz scheiben | Shims |
| 14 | 5770428.01 | Lager | Leje |
| 15 | 5770419.03 | Eingangswelle | Indgangsaksel |
| 16 | - | Sicherungsring | Låsering |
| 17 | 5770419.04 | getriebe | gear |
| 18 | - | Schraube | Prop |
| 19 | - | Scheibe | Skive |
| 20 | - | Bolz | Bolt |
| 21 | - | Deckel | Låg |
| 22 | 05.959.04 | Sicherungsring | Låsering |
| 23 | - | Distanz scheiben | Shims |
| 24 | n/a | Identifizierung | identifikation |



| REF. | PART No. | ENGLISH DESCRIPTION | FRENCH DESCRIPTION |
|------|------------|---------------------|--------------------|
| | 5770432 | Splitter gearbox | Boîte de transfert |
| 1 | 4770660 | Bearing | Roulement |
| 2 | 5770432.06 | Housing | Boîtier |
| 3 | 4771507 | Seal | Joint d'étanchéité |
| 4 | 05.959.07 | Circlip | Bague élastique |
| 5 | 5770428.09 | Shim | Cale |
| 6 | 5770432.01 | Gear | Jeu d'engrenages |
| 7 | 5770432.02 | Output shaft | Arbre de sortie |
| 8 | 5770432.03 | Gear | Jeu d'engrenages |
| 9 | 5770432.04 | Input shaft | Arbre d'entrée |
| 10 | n/a | Cover | Couvercle |
| 11 | n/a | Bolt | Boulon |
| 12 | n/a | Spring washer | Rondelle |
| 13 | 5770432.08 | Plug | Bouchon |
| 13 | 5770432.07 | Dipstick | Jauge |

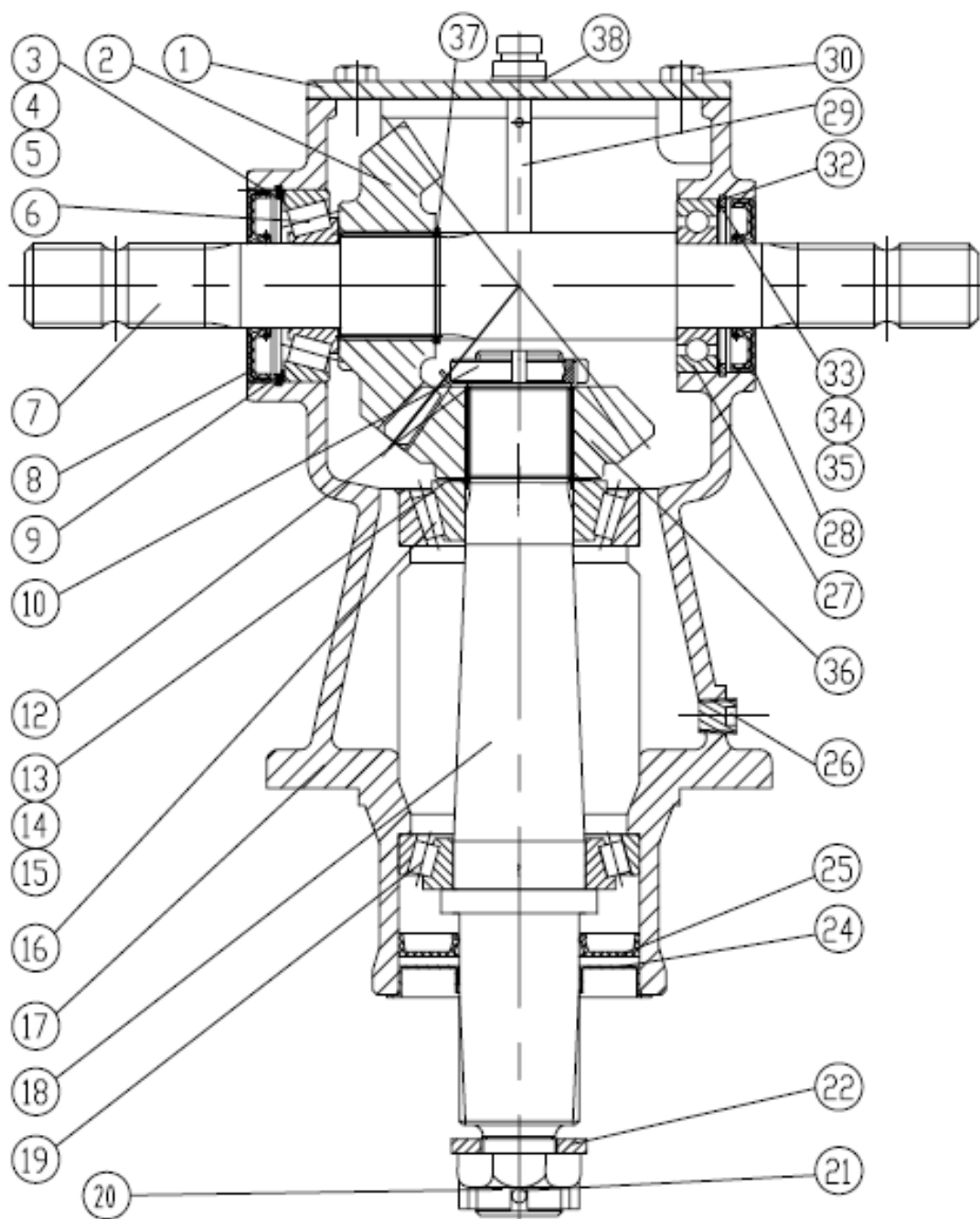
| REF. | PART No. | GERMAN DESCRIPTION | DANISH DESCRIPTION |
|------|------------|---------------------|--------------------|
| | 5770432 | Verteilergetriebe | Fordelergearkasse |
| 1 | 4770660 | Lager | Leje |
| 2 | 5770432.06 | Gussgehäuse | stemmer boliger |
| 3 | 4771507 | Dichtung | Tætning |
| 4 | 05.959.07 | Sicherungsring | Låsering |
| 5 | 5770428.09 | Distanz scheiben | Shims |
| 6 | 5770432.01 | Kegelradsatz | Gearhjulssæt |
| 7 | 5770432.02 | Ausgangswelle | Udgangsaksel |
| 8 | 5770432.03 | Kegelradsatz | Gearhjulssæt |
| 9 | 5770432.04 | Eingangswelle | Indgangsaksel |
| 10 | n/a | Kappe | Lag |
| 11 | n/a | Bolz | Bolt |
| 12 | n/a | Scheibe | Skive |
| 13 | 5770432.08 | Abzapfungs schraube | Aftapningsskrue |
| 13 | 5770432.07 | Messtab | Oliepind |



1000RPM SPLITTER BOX - BONDIOLI

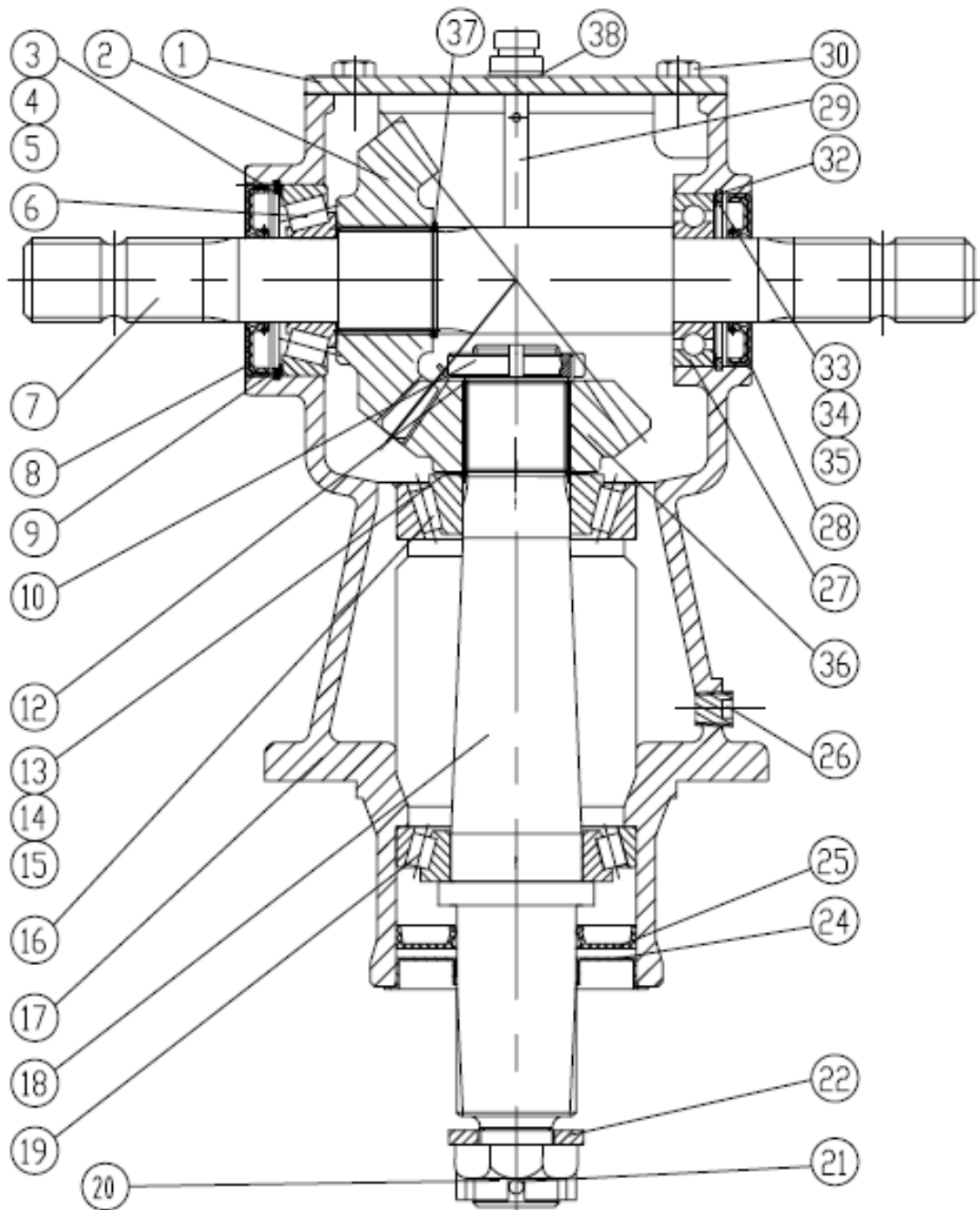
| REF. | PART No. | ENGLISH DESCRIPTION | FRENCH DESCRIPTION |
|------|-----------|---------------------|--------------------|
| | 5769999A | Splitter gearbox | Boîte de transfert |
| 1 | 5760820 | Gear set | Jeu d'engrenages |
| 2 | 5760820/1 | Input shaft | Arbre d'entrée |
| 3 | 5760820/2 | Output shaft | Arbre de sortie |
| 4 | 4771507 | Seal | Joint d'étanchéité |
| 5 | 5760820/4 | Bearing | Roulement |
| 6 | 5760820/5 | Bearing | Roulement |
| 7 | 5760820/6 | Circlip | Bague élastique |
| 8 | 5760820/7 | Shim | Cale |
| 9 | 5760820/8 | Dipstick | Jauge |

| REF. | PART No. | GERMAN DESCRIPTION | DANISH DESCRIPTION |
|------|-----------|--------------------|--------------------|
| | 5769999A | Verteilergetriebe | Fordelergearkasse |
| 1 | 5760820 | Kegelradsatz | Gearhjulssæt |
| 2 | 5760820/1 | Eingangswelle | Indgangsaksel |
| 3 | 5760820/2 | Ausgangswelle | Udgangsaksel |
| 4 | 4771507 | Dichtung | Tætning |
| 5 | 5760820/4 | Lager | Leje |
| 6 | 5760820/5 | Lager | Leje |
| 7 | 5760820/6 | Sicherungsring | Låsering |
| 8 | 5760820/7 | Distanz scheiben | Shims |
| 9 | 5760820/8 | Messtab | Oliepind |



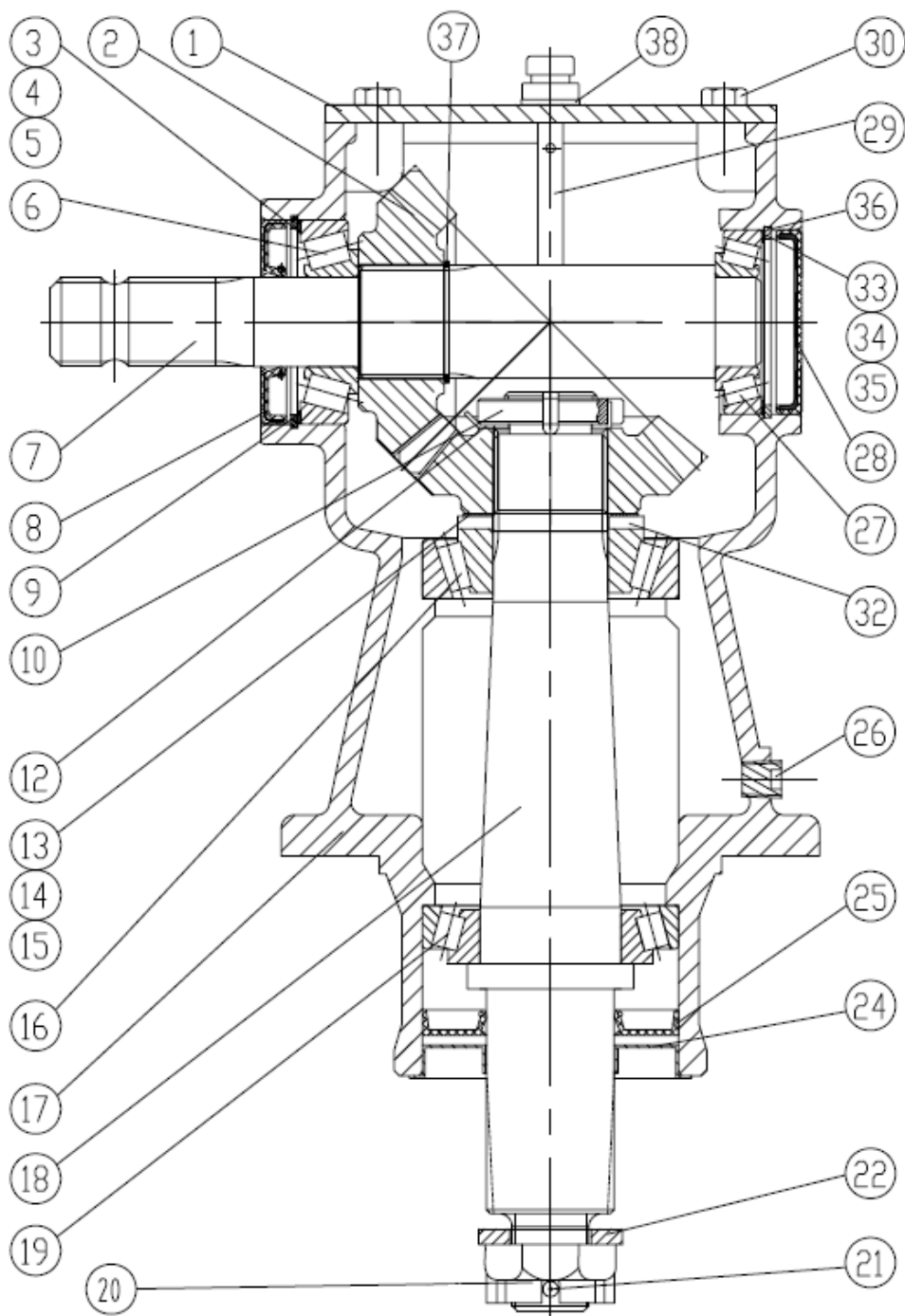
INNER WING GEARBOX - WALTERSCHEID

| REF. | PART No. | ENGLISH DESCRIPTION | FRENCH DESCRIPTION |
|------|------------|---------------------|--------------------|
| | 5770420 | Wing Rotor Gearbox | Boîte d'engrenages |
| 1 | - | Cover | Couvercle |
| 2 | 5770420.03 | Gear Z20 | Engins |
| 3 | - | Shim 0.1mm | Cale |
| 4 | - | Shim 0.3mm | Cale |
| 5 | - | Shim 0.5mm | Cale |
| 6 | 4771601 | Bearing | Roulement |
| 7 | 5770420.04 | Shaft Z6 | Arbre d'entrée |
| 8 | 4771124 | Seal | Joint d'étanchéité |
| 9 | - | Circlip | Bague élastique |
| 10 | - | Nut | Écrou |
| 11 | - | N/A | n/a |
| 12 | - | Washer | Rondelle |
| 13 | - | Shim 0.1mm | Cale |
| 14 | - | Shim 0.3mm | Cale |
| 15 | - | Shim 0.5mm | Cale |
| 16 | 4771603 | Bearing | Roulement |
| 17 | n/a | Housing | logement |
| 18 | 5770420.05 | Shaft | Arbre de sortie |
| 19 | 4771602 | Bearing | Roulement |
| 20 | - | Nut | Écrou |
| 21 | - | Pin | Goupille fendue |
| 22 | - | Washer | Rondelle |
| 23 | - | N/A | n/a |
| 24 | 5770420.01 | Sheild | Bouclier |
| 25 | 5770420.02 | Seal | Joint d'étanchéité |
| 26 | - | Plug | Bouchon |
| 27 | 4771600 | Bearing | Roulement |
| 28 | 4771501 | Seal | Joint d'étanchéité |
| 29 | 5770420.06 | Dipstick | Jauge |
| 30 | - | Bolt | Boulon |
| 31 | - | Identification | identification |
| 32 | - | Circlip | Bague élastique |
| 33 | - | Shim 0.1mm | Cale |
| 34 | - | Shim 0.3mm | Cale |
| 35 | - | Shim 0.5mm | Cale |
| 36 | 5770420.07 | Gear Z16 | Engins |
| 37 | - | Circlip | Bague élastique |
| 38 | - | Washer | Rondelle |



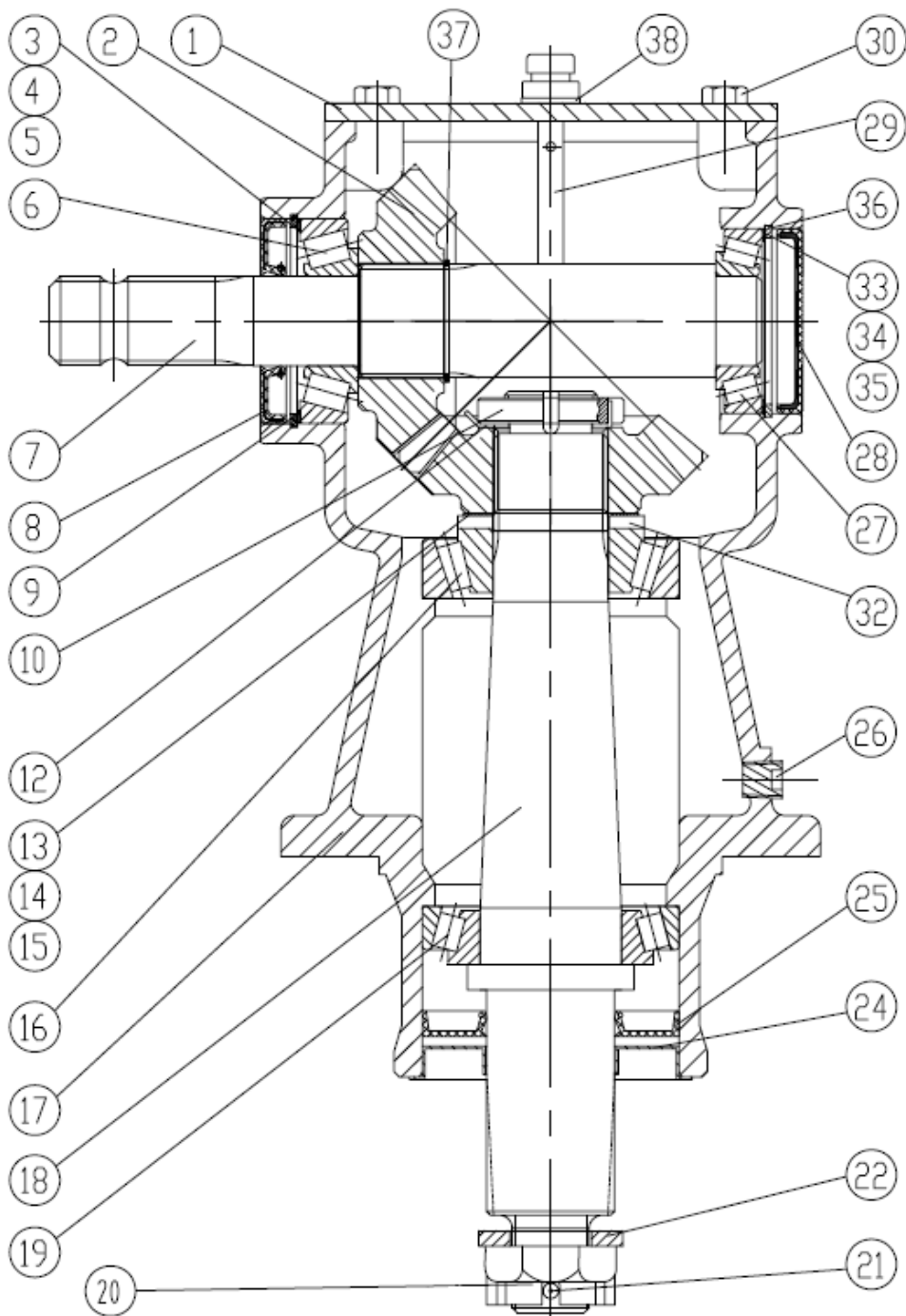
INNER WING GEARBOX - WALTERSCHEID

| REF. | PART No. | GERMAN DESCRIPTION | DANISH DESCRIPTION |
|------|------------|--------------------|--------------------|
| | 5770420 | Getriebe | Gearkasse |
| 1 | - | Deckel | Låg |
| 2 | 5770420.03 | Getreibe | Gear |
| 3 | - | Distanz scheiben | Shims |
| 4 | - | Distanz scheiben | Shims |
| 5 | - | Distanz scheiben | Shims |
| 6 | 4771601 | Lager | Leje |
| 7 | 5770420.04 | Eingangswelle | Indgangsaksel |
| 8 | 4771124 | Dichtung | Tætning |
| 9 | - | Sicherungsring | Låsering |
| 10 | - | Mutter | Møtrik |
| 11 | - | n/a | n/a |
| 12 | - | Scheibe | Skive |
| 13 | - | Distanz scheiben | Shims |
| 14 | - | Distanz scheiben | Shims |
| 15 | - | Distanz scheiben | Shims |
| 16 | 4771603 | Lager | Leje |
| 17 | n/a | Gehäuse | boliger |
| 18 | 5770420.05 | Ausgangswelle | Udgangsaksel |
| 19 | 4771602 | Lager | Leje |
| 20 | - | Mutter | Møtrik |
| 21 | - | Splint | Rørsplit |
| 22 | - | Scheibe | Skive |
| 23 | - | n/a | n/a |
| 24 | 5770420.01 | Stahlschutz | Stålbeskyttelse |
| 25 | 5770420.02 | Dichtung | Tætning |
| 26 | - | Schraube | Prop |
| 27 | 4771600 | Lager | Leje |
| 28 | 4771501 | Dichtung | Tætning |
| 29 | 5770420.06 | Messtab | Oliepind |
| 30 | - | Bolz | Bolt |
| 31 | - | Identifizierung | identifikation |
| 32 | - | Sicherungsring | Låsering |
| 33 | - | Distanz scheiben | Shims |
| 34 | - | Distanz scheiben | Shims |
| 35 | - | Distanz scheiben | Shims |
| 36 | 5770420.07 | Getreibe | Gear |
| 37 | - | Sicherungsring | Låsering |
| 38 | - | Scheibe | Skive |



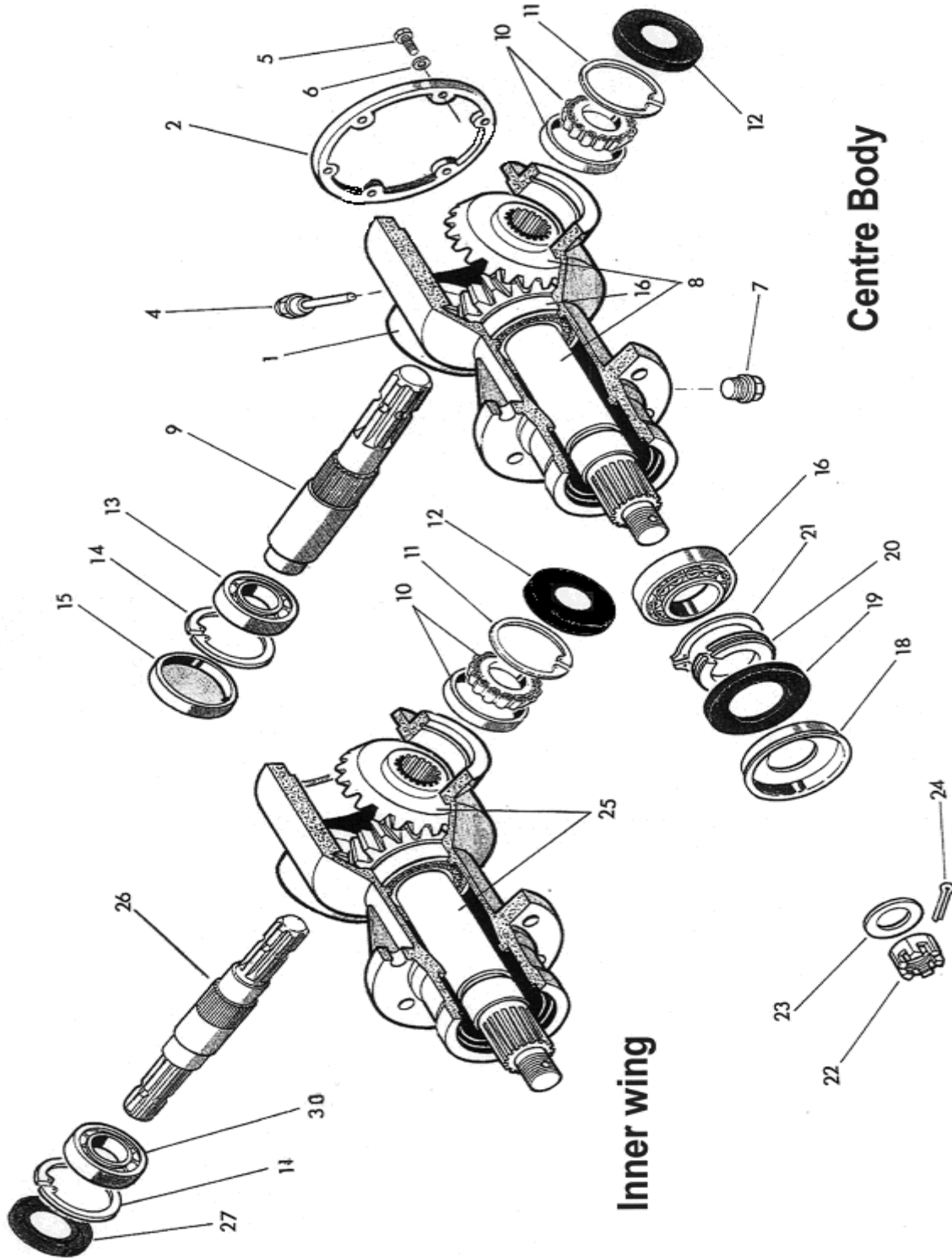
CENTRE GEARBOX - WALTERSCHEID

| REF. | PART No. | ENGLISH DESCRIPTION | FRENCH DESCRIPTION |
|------|------------|-------------------------|-----------------------------|
| | 5770412 | Centre Gearbox assembly | Boîte d'engrenages centrale |
| 1 | - | Cover | Couvercle |
| 2 | 5770412.01 | Gear Z19 | Engins |
| 3 | - | Shim | Cale |
| 4 | - | Shim | Cale |
| 5 | - | Shim | Cale |
| 6 | 4771601 | Bearing | Roulement |
| 7 | 5770412.02 | Shaft | Arbre d'entrée |
| 8 | 4771124 | Seal | Joint à huile |
| 9 | - | Circlip | Bague élastique |
| 10 | - | Nut | Écrou |
| 12 | - | Washer | Rondelle |
| 13 | - | Shim | Cale |
| 14 | - | Shim | Cale |
| 15 | - | Shim | Cale |
| 16 | 4771603 | Bearing | Roulement |
| 17 | - | Housing | logement |
| 18 | 5770420.05 | Shaft | Arbre de sortie |
| 19 | 4771602 | Bearing | Roulement |
| 20 | - | Nut | Écrou |
| 21 | - | Pin | Goupille fendue |
| 22 | - | Washer | Rondelle |
| 24 | 5770420.01 | Sheild | Bouclier |
| 25 | 5770420.02 | Seal | Joint à huile |
| 26 | - | Plug | Bouchon |
| 27 | 4770658 | Bearing | Roulement |
| 28 | 4771501 | Seal | Joint d'étanchéité |
| 29 | 5770420.06 | Dipstick | Jauge |
| 30 | - | Bolt | Boulon |
| 31 | - | Identification | identification |
| 32 | 5770412.15 | Shim | Cale |
| 33 | - | Shim | Cale |
| 34 | - | Shim | Cale |
| 35 | - | Shim | Cale |
| 36 | - | Circlip | Bague élastique |
| 37 | - | Circlip | Bague élastique |
| 38 | - | Washer | Rondelle |



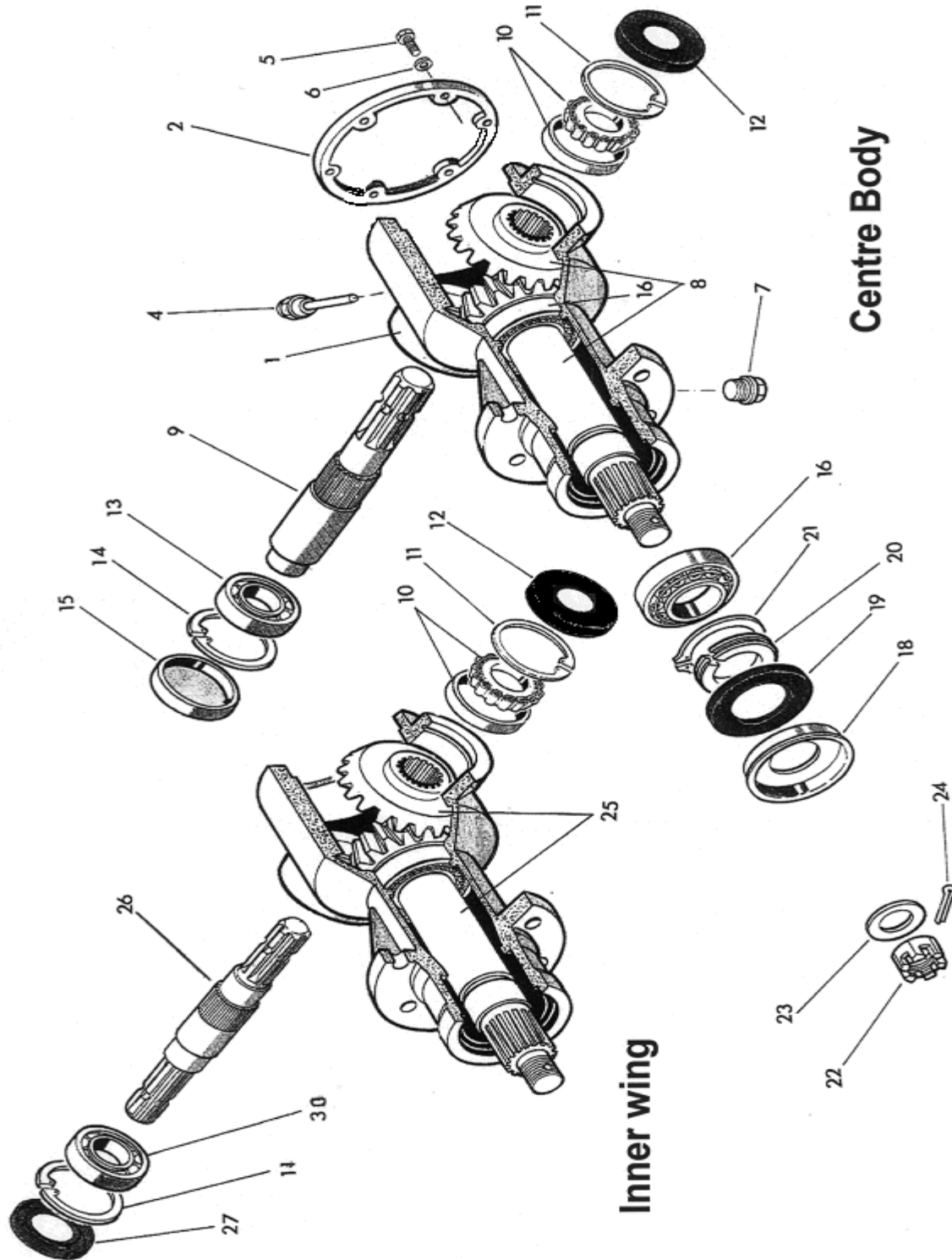
CENTRE GEARBOX - WALTERSCHEID

| REF. | PART No. | GERMAN DESCRIPTION | DANISH DESCRIPTION |
|------|------------|---------------------|-----------------------|
| | 5770412 | Getriebe Mitte Kpl. | Gearkasse midter kpl. |
| 1 | - | Deckel | Låg |
| 2 | 5770412.01 | Getriebe | Gear |
| 3 | - | Distanz scheiben | Shims |
| 4 | - | Distanz scheiben | Shims |
| 5 | - | Distanz scheiben | Shims |
| 6 | 4771601 | Lager | Leje |
| 7 | 5770412.02 | Eingangswelle | Indgangsaksel |
| 8 | 4771124 | Dichtung | Pakdåse |
| 9 | - | Lockring | Låsering |
| 10 | - | Mutter | Møtrik |
| 12 | - | Scheibe | Skive |
| 13 | - | Distanz scheiben | Shims |
| 14 | - | Distanz scheiben | Shims |
| 15 | - | Distanz scheiben | Shims |
| 16 | 4771603 | Lager | Leje |
| 17 | - | Gehäuse | boliger |
| 18 | 5770420.05 | Ausgangswelle | Udgangsaksel |
| 19 | 4771602 | Lager | Leje |
| 20 | - | Mutter | Møtrik |
| 21 | - | Splint | Rørsplit |
| 22 | - | Scheibe | Skive |
| 24 | 5770420.01 | Stahlschutz | Stålbeskyttelse |
| 25 | 5770420.02 | Dichtung | Pakdåse |
| 26 | - | Schraube | Prop |
| 27 | 4770658 | Lager | Leje |
| 28 | 4771501 | Dichtung | Tætning |
| 29 | 5770420.06 | Messstab | Målepind |
| 30 | - | Bolz | Bolt |
| 31 | - | Identifizierung | identifikation |
| 32 | 5770412.15 | Distanz scheiben | Shims |
| 33 | - | Distanz scheiben | Shims |
| 34 | - | Distanz scheiben | Shims |
| 35 | - | Distanz scheiben | Shims |
| 36 | - | Lockring | Låsering |
| 37 | - | Lockring | Låsering |
| 38 | - | Scheibe | Skive |



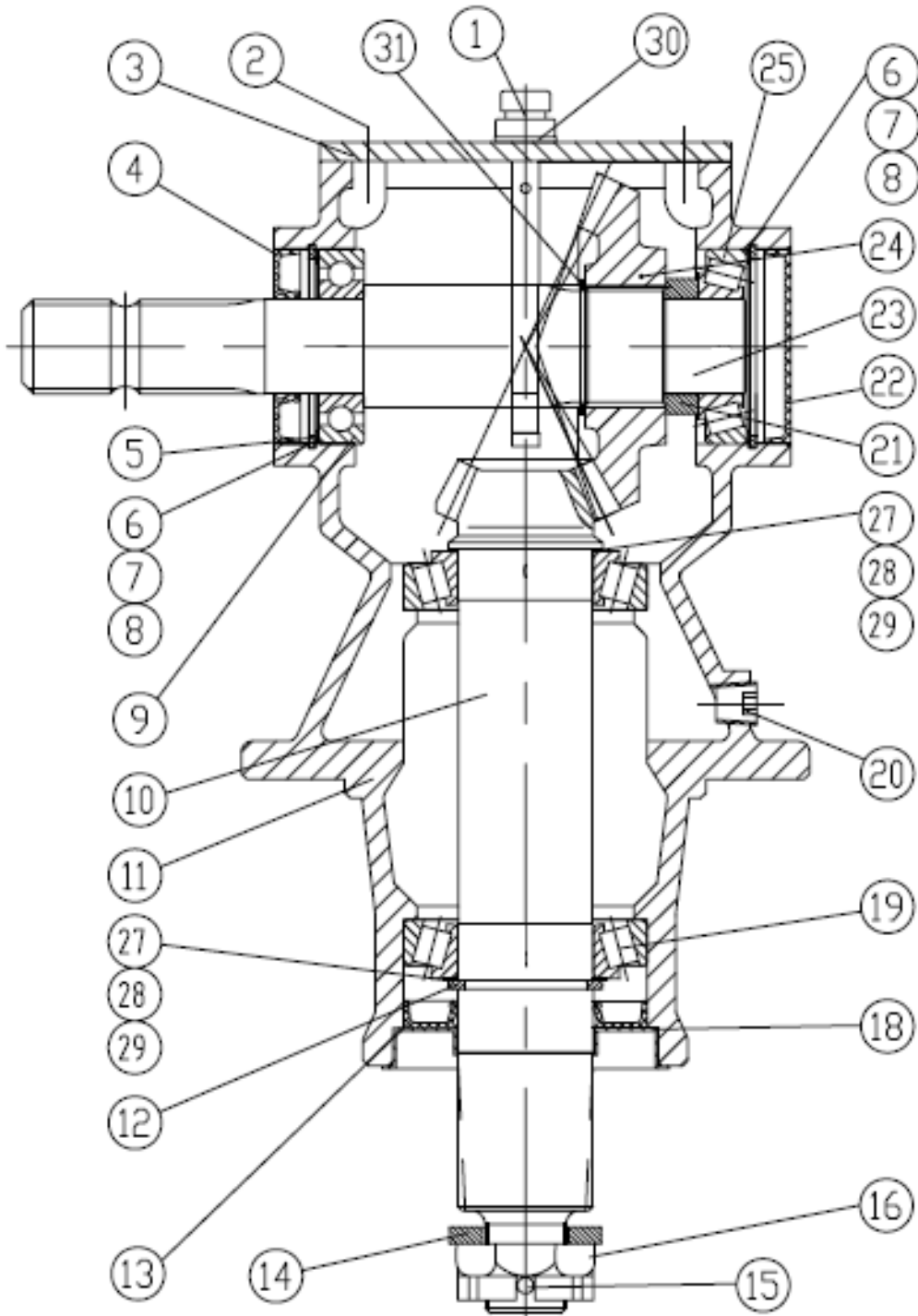
CENTRE & INNER WING GEARBOXES - BONDIOLI

| REF. | PART No. | ENGLISH DESCRIPTION | FRENCH DESCRIPTION |
|-------------|-----------------|----------------------------------|--------------------------------------|
| 1 | 5770005 | Centre rotor gearbox | Boîte d'engrenages |
| | 5770205 | LH & RH Inner wing rotor gearbox | Boîte d'engrenages |
| 2 | 5771401 | Lid (wing) | Couvercle |
| 2 | 5771481 | Lid (centre) | Couvercle |
| 4 | 5771416 | Dipstick (wing) | Jauge |
| | 5771482 | Dipstick (centre) | Jauge |
| 5 | 5771407 | Bolt | Boulon |
| 6 | 2771408 | Washer | Rondelle |
| 7 | 5771415 | Plug | Bouchon |
| 8 | 5771417 | Gear set (centre) | Jeu d'engrenages (centre uniquement) |
| 9 | 5771403C | Shaft (centre) | Arbre (centre uniquement) |
| 10 | 4771601 | Bearing (wing) | Roulement |
| 11 | 2771129 | Circlip | Bague élastique |
| 12 | 4771124 | Oil seal (centre) | Joint à huile (centre uniquement) |
| 13 | 4770658 | Bearing | Roulement |
| 14 | 2771108 | Circlip | Bague élastique |
| 15 | 4771503 | Cap (centre) | Chapeau (centre uniquement) |
| 16 | 4771602 | Bearing | Roulement |
| | 4771603 | Bearing (centre-top) | Roulement |
| 18 | 5771406 | Shield | Bouclier |
| 19 | 4771500 | Oil seal | Joint à huile |
| 20 | 5771422 | Collet (centre) | Collerette (centre uniquement) |
| 21 | 2771600 | Circlip | Bague élastique |
| 22 | 5771409 | Nut (wing) | Écrou |
| | 5771411 | Nut (centre) | Écrou |
| 23 | 5771410 | Washer (wing) | Rondelle |
| | 5771412 | Washer (centre) | Rondelle |
| 24 | 2770477 | Pin | Broche |
| 25 | 5771420 | Gear set (wing only) | Jeu d'engrenages (aile uniquement) |
| 26 | 5770208 | Shaft (wing only) | Arbre (aile uniquement) |
| 27 | 4771501 | Oil seal (wing only) | Joint à huile (aile uniquement) |
| 28 | 471124 | Seal (wing only) | Chapeau (aile uniquement) |
| 29 | 5771423 | Shim set (not illustrated) | Jeu de cales (non illustré) |
| 30 | 4771600 | Bearing (wing) | Roulement |
| 31 | 5771478 | Internal nut (centre) | Écrou |



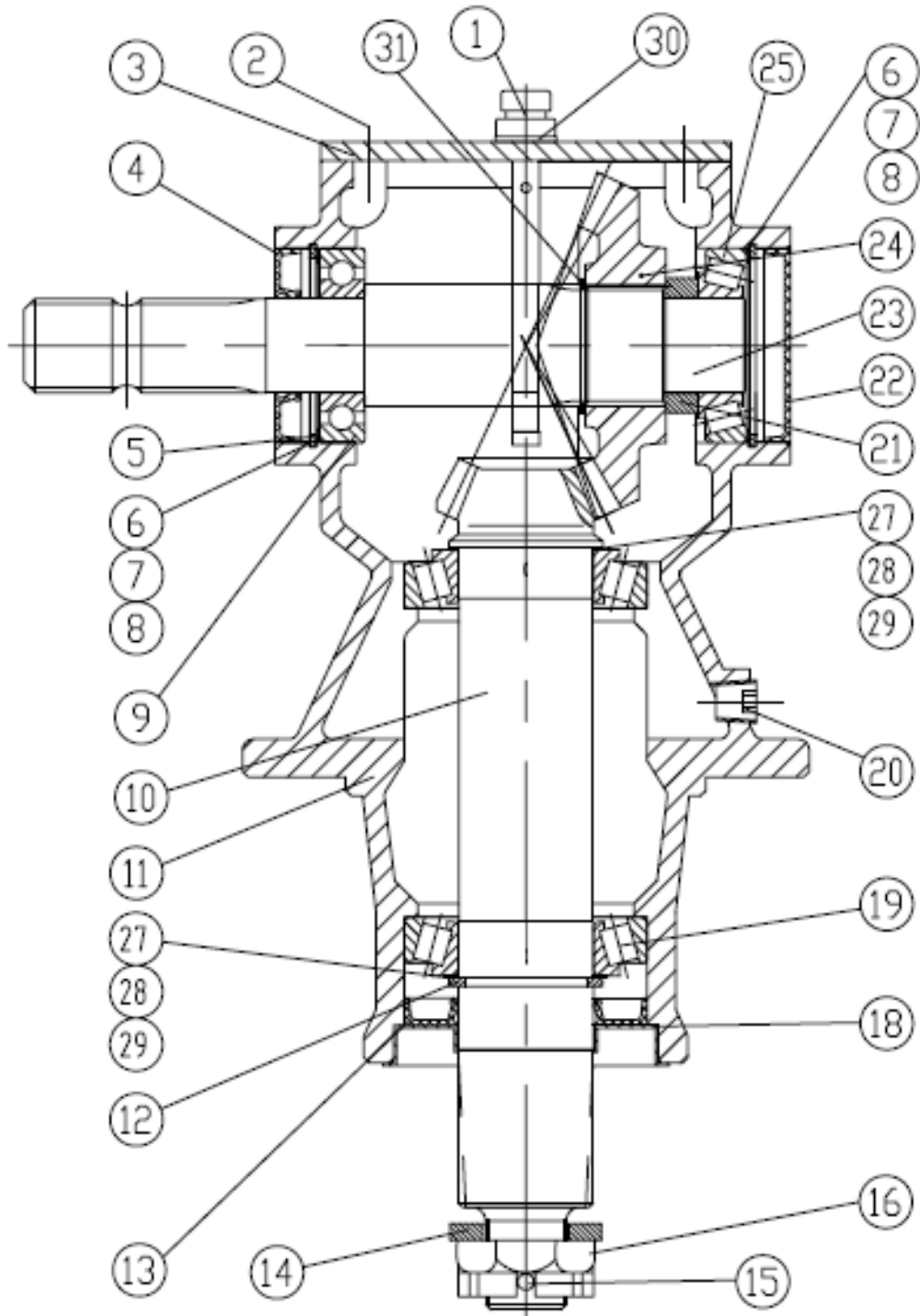
CENTRE & INNER WING GEARBOXES - BONDIOLI

| REF. | PART No. | GERMAN DESCRIPTION | DANISH DESCRIPTION |
|------|----------|-------------------------|-----------------------|
| 1 | 5770005 | Getriebe | Gearkasse |
| | 5770205 | Getriebe | Gearkasse |
| 2 | 5771401 | Deckel | Låg |
| 2 | 5771481 | Deckel | Låg |
| 4 | 5771416 | Messstab | Målepind |
| | 5771482 | Messstab | Målepind |
| 5 | 5771407 | Bolz | Bolt |
| 6 | 2771408 | Scheibe | Skive |
| 7 | 5771415 | Schraube | Prop |
| 8 | 5771417 | Zahnrad Kpl. Mitte | Gearsæt midter |
| 9 | 5771403C | Eingangswelle Mitte | Gearsæt midter |
| 10 | 4771601 | Lager | Leje |
| 11 | 2771129 | Lockring | Låsering |
| 12 | 4771124 | Dichtung nur Mitte | Pakdåse midter |
| 13 | 4770658 | Lager | Leje |
| 14 | 2771108 | Lockring | Låsering |
| 15 | 4771503 | Dichtung nur Mitte | Pakning midter |
| 16 | 4771602 | Lager | Leje |
| | 4771603 | Lager | Leje |
| 18 | 5771406 | Stahlschutz | Stålbeskyttelse |
| 19 | 4771500 | Dichtung | Pakdåse |
| 20 | 5771422 | Halb mond 1 stck. Mitte | Halvmåne 1 stk. midt |
| 21 | 2771600 | Lockring | Låsering |
| 22 | 5771409 | Mutter | Møtrik |
| | 5771411 | Mutter | Møtrik |
| 23 | 5771410 | Scheibe | Skive |
| | 5771412 | Scheibe | Skive |
| 24 | 2770477 | Splint | Split |
| 25 | 5771420 | Zahnrad Kpl. nur Seite | Gearsæt kpl. kun side |
| 26 | 5770208 | Eingangswelle nur Seite | Indgangsaksel side |
| 27 | 4771501 | Dichtung nur Seite | Pakdåse kun side |
| 28 | 471124 | Dichtung nur Seite | Pakdåse kun side |
| 29 | 5771423 | Distanzscheibe satz | Shims sæt |
| 30 | 4771600 | Lager | Leje |
| 31 | 5771478 | Mutter | Møtrik |



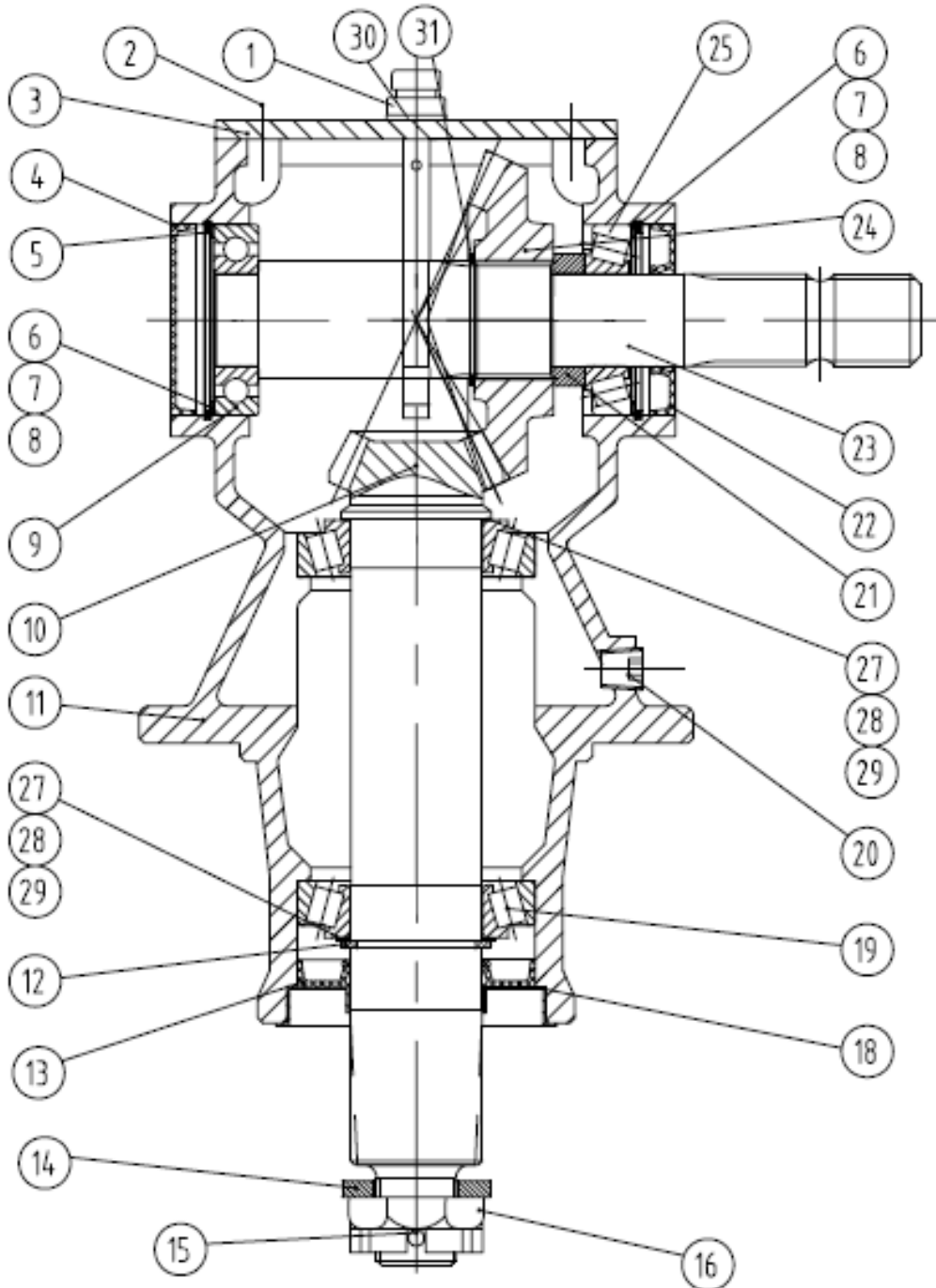
LH OUTER WING GEARBOX - WALTERSCHEID

| REF. | PART No. | ENGLISH DESCRIPTION | FRENCH DESCRIPTION |
|------|------------|---------------------|-----------------------------|
| | 5770422 | LH Gearbox assembly | Boîte d'engrenages centrale |
| 1 | 5770423.01 | Dipstick | Jauge |
| 2 | - | Bolt | Boulon |
| 3 | - | Cover | Couvercle |
| 4 | 4771501 | Seal | Joint à huile |
| 5 | - | Circlip | Bague élastique |
| 6 | - | Shim 0.1mm | Cale |
| 7 | - | Shim 0.3mm | Cale |
| 8 | - | Shim 0.5mm | Cale |
| 9 | 4771600 | Bearing | Roulement |
| 10 | 5770423.02 | Shaft Z13 | Arbre de sortie |
| 11 | n/a | Housing | logement |
| 12 | - | Circlip | Bague élastique |
| 13 | 5770422.08 | Seal | Joint à huile |
| 14 | - | Washer | Rondelle |
| 15 | - | Pin | Goupille fendue |
| 16 | - | Nut | Écrou |
| 18 | 5770420.01 | Shield | Bouclier |
| 19 | 00769938 | Bearing | Roulement |
| 20 | - | Plug | Bouchon |
| 21 | - | Spacer | Rondelle |
| 22 | 4771501 | Seal | Chapeau |
| 23 | 5770423.03 | Shaft Z6 | Arbre d'entrée |
| 24 | 5770423.04 | Gear Z28 | Engins |
| 25 | 4770658 | Bearing | Roulement |
| 26 | - | Identification | identification |
| 27 | - | Shim 0.1mm | Cale |
| 28 | - | Shim 0.3mm | Cale |
| 29 | - | Shim 0.5mm | Cale |
| 30 | - | Washer | Rondelle |
| 31 | - | Circlip | Bague élastique |



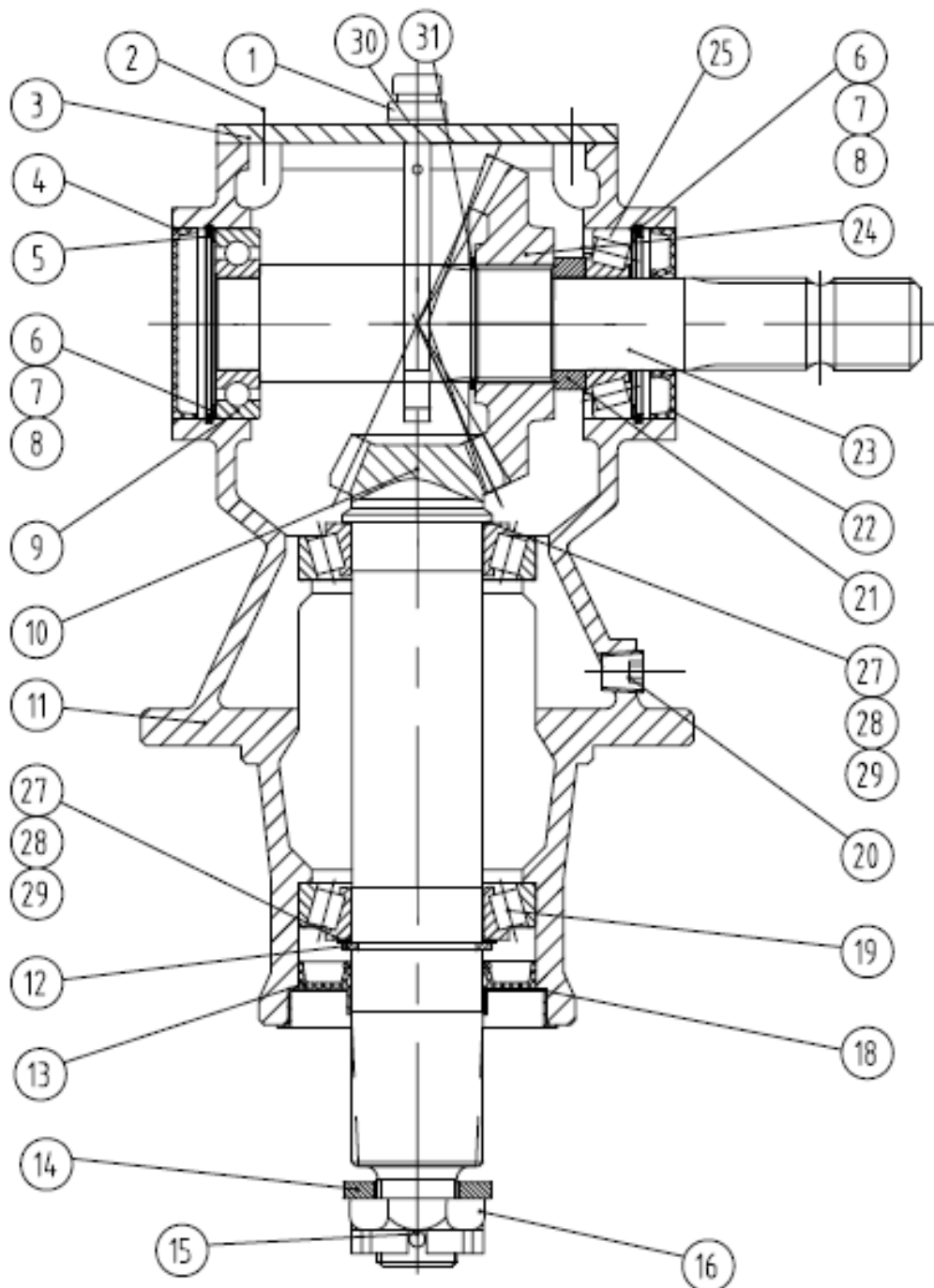
LH OUTER WING GEARBOX - WALTERSCHEID

| REF. | PART No. | GERMAN DESCRIPTION | DANISH DESCRIPTION |
|------|------------|---------------------|-----------------------|
| | 5770422 | Getriebe Mitte Kpl. | Gearkasse midter kpl. |
| 1 | 5770423.01 | Messstab | Målepind |
| 2 | - | Bolz | Bolt |
| 3 | - | Deckel | Låg |
| 4 | 4771501 | Dichtung | Pakdåse |
| 5 | - | Lockring | Låsering |
| 6 | - | Distanz scheiben | Shims |
| 7 | - | Distanz scheiben | Shims |
| 8 | - | Distanz scheiben | Shims |
| 9 | 4771600 | Lager | Leje |
| 10 | 5770423.02 | Ausgangswelle | Udgangsaksel |
| 11 | n/a | Gehäuse | boliger |
| 12 | - | Lockring | Låsering |
| 13 | 5770422.08 | Dichtung | Pakdåse |
| 14 | - | Scheibe | Skive |
| 15 | - | Splint | Rørsplit |
| 16 | - | Mutter | Møtrik |
| 18 | 5770420.01 | Stahlschutz | Stålbeskyttelse |
| 19 | 00769938 | Lager | Leje |
| 20 | - | Schraube | Prop |
| 21 | - | Scheibe | Skive |
| 22 | 4771501 | Dichtung | Pakdåse |
| 23 | 5770423.03 | Eingangswelle | Indgangsaksel |
| 24 | 5770423.04 | Getriebe | Gear |
| 25 | 4770658 | Lager | Leje |
| 26 | - | Identifizierung | identifikation |
| 27 | - | Distanz scheiben | Shims |
| 28 | - | Distanz scheiben | Shims |
| 29 | - | Distanz scheiben | Shims |
| 30 | - | Scheibe | Skive |
| 31 | - | Lockring | Låsering |



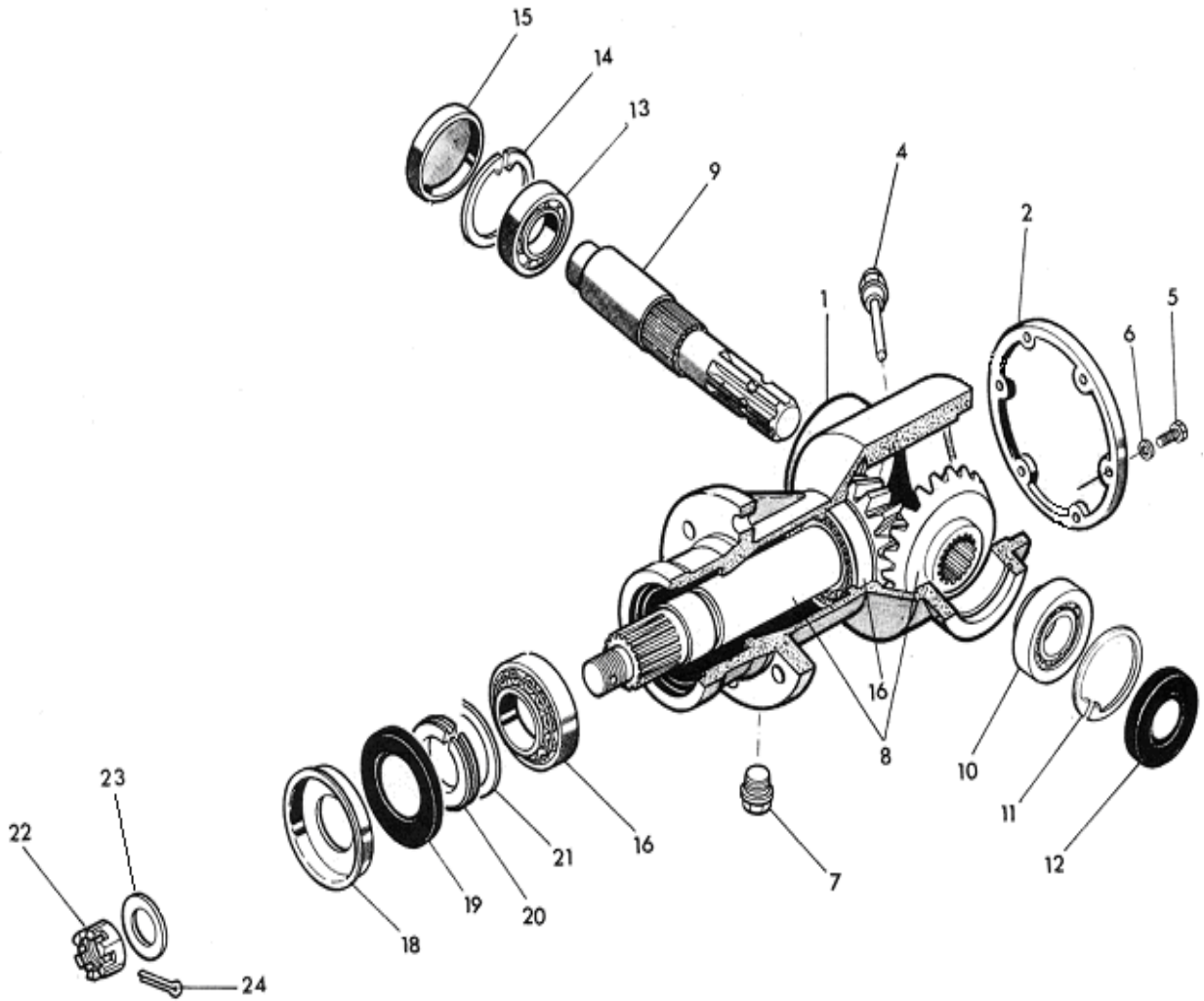
RH OUTER WING GEARBOX - WALTERSCHEID

| REF. | PART No. | ENGLISH DESCRIPTION | FRENCH DESCRIPTION |
|------|------------|---------------------|-----------------------------|
| | 5770423 | RH Gearbox assembly | Boîte d'engrenages centrale |
| 1 | 5770423.01 | Dipstick | Jauge |
| 2 | - | Bolt | Boulon |
| 3 | - | Cover | Couvercle |
| 4 | 4771503 | Cap | Joint d'étanchéité |
| 5 | - | Circlip | Bague élastique |
| 6 | - | Shim 0.1mm | Cale |
| 7 | - | Shim 0.3mm | Cale |
| 8 | - | Shim 0.5mm | Cale |
| 9 | 4771600 | Bearing | Roulement |
| 10 | 5770423.02 | Shaft Z13 | Arbre de sortie |
| 11 | n/a | Housing | logement |
| 12 | - | Circlip | Bague élastique |
| 13 | 5770422.08 | Seal | Joint à huile |
| 14 | - | Washer | Rondelle |
| 15 | - | Pin | Goupille fendue |
| 16 | - | Nut | Écrou |
| 18 | 5770420.01 | Shield | Bouclier |
| 19 | 00769938 | Bearing | Roulement |
| 20 | - | Plug | Bouchon |
| 21 | - | Spacer | Rondelle |
| 22 | 4771501 | Seal | Joint à huile |
| 23 | 5770422.01 | Shaft Z6 | Arbre d'entrée |
| 24 | 5770423.04 | Gear Z28 | Engins |
| 25 | 4770658 | Bearing | Roulement |
| 26 | - | Identification | identification |
| 27 | - | Shim 0.1mm | Cale |
| 28 | - | Shim 0.3mm | Cale |
| 29 | - | Shim 0.5mm | Cale |
| 30 | - | Washer | Rondelle |
| 31 | - | Circlip | Bague élastique |



RH OUTER WING GEARBOX - WALTERSCHEID

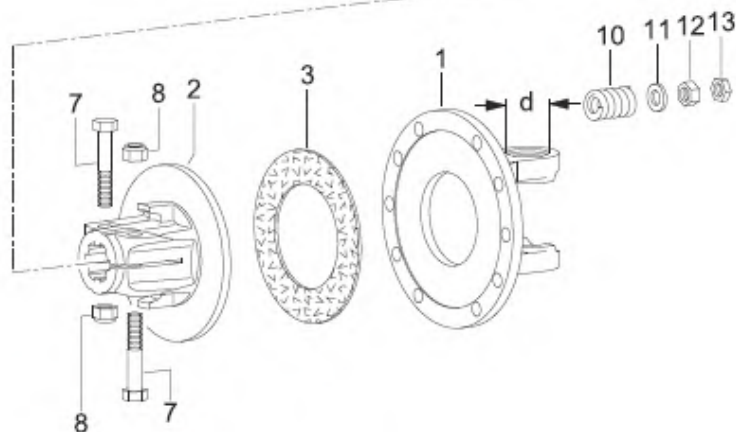
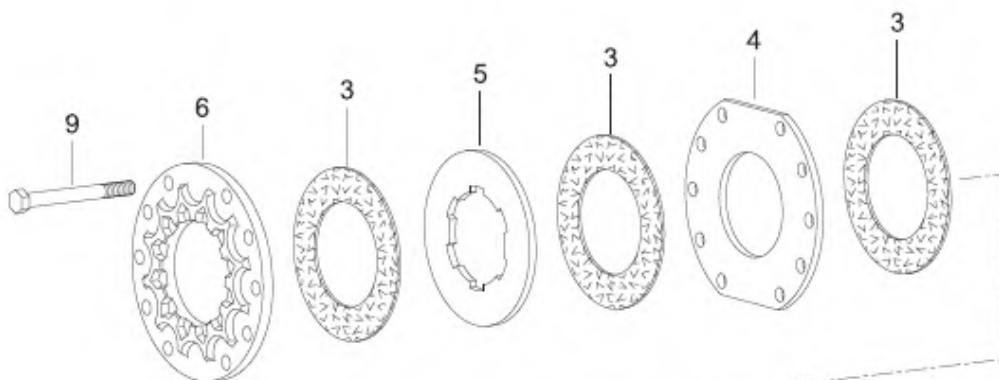
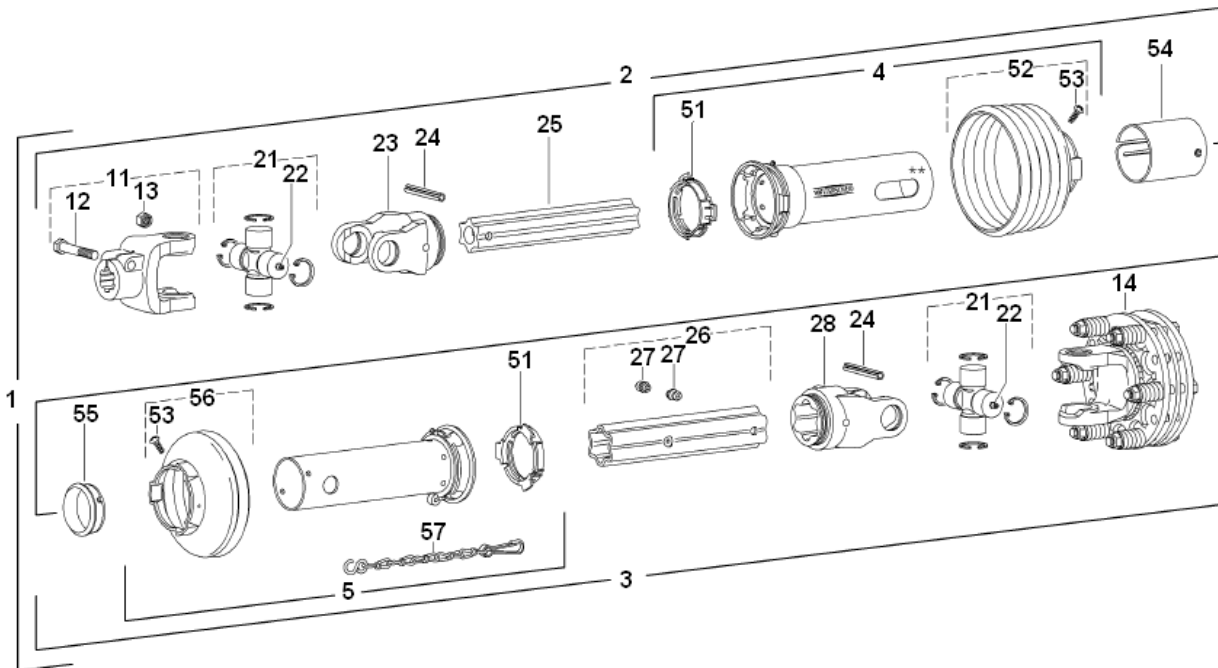
| REF. | PART No. | GERMAN DESCRIPTION | DANISH DESCRIPTION |
|------|------------|---------------------|-----------------------|
| | 5770423 | Getriebe Mitte Kpl. | Gearkasse midter kpl. |
| 1 | 5770423.01 | Messstab | Målepind |
| 2 | - | Bolz | Bolt |
| 3 | - | Deckel | Låg |
| 4 | 4771503 | Dichtung | Tætning |
| 5 | - | Lockring | Låsering |
| 6 | - | Distanz scheiben | Shims |
| 7 | - | Distanz scheiben | Shims |
| 8 | - | Distanz scheiben | Shims |
| 9 | 4771600 | Lager | Leje |
| 10 | 5770423.02 | Ausgangswelle | Udgangsaksel |
| 11 | n/a | Gehäuse | boliger |
| 12 | - | Lockring | Låsering |
| 13 | 5770422.08 | Dichtung | Pakdåse |
| 14 | - | Scheibe | Skive |
| 15 | - | Splint | Rørsplit |
| 16 | - | Mutter | Møtrik |
| 18 | 5770420.01 | Stahlschutz | Stålbeskyttelse |
| 19 | 00769938 | Lager | Leje |
| 20 | - | Schraube | Prop |
| 21 | - | Scheibe | Skive |
| 22 | 4771501 | Dichtung | Pakdåse |
| 23 | 5770422.01 | Eingangswelle | Indgangsaksel |
| 24 | 5770423.04 | Getriebe | Gear |
| 25 | 4770658 | Lager | Leje |
| 26 | - | Identifizierung | identifikation |
| 27 | - | Distanz scheiben | Shims |
| 28 | - | Distanz scheiben | Shims |
| 29 | - | Distanz scheiben | Shims |
| 30 | - | Scheibe | Skive |
| 31 | - | Lockring | Låsering |



RH & LH OUTER WING GEARBOXES - BONDIOLI

| REF. | PART No. | ENGLISH DESCRIPTION | FRENCH DESCRIPTION |
|-------------|-----------------|----------------------------|------------------------------|
| 1 | 5770203 | Gearbox LH | Boîte d'engrenages de gauche |
| | 5770204 | Gearbox RH | Boîte d'engrenages de droite |
| 2 | 5771427 | Cover | Couvercle |
| 4 | 5771429 | Dipstick | Jauge |
| 5 | 5771430 | Bolt | Boulon |
| 6 | 5771431 | Washer | Rondelle |
| 7 | 5771432 | Plug | Bouchon |
| 8 | 5771433 | Gear set | Jeu d'engrenages |
| 9 | 5771434 | Shaft LH | Arbre de gauche |
| | 5771434R | Shaft RH | Arbre de droite |
| 10 | 5771435 | Bearing | Roulement |
| 11 | 5771436 | Circlip | Bague élastique |
| 12 | 5771501 | Oil seal | Joint à huile |
| 13 | 5771438 | Bearing | Roulement |
| 14 | 5771440 | Circlip | Bague élastique |
| 15 | 5771414 | Cap | Chapeau |
| 16 | 5771442 | Bearing | Roulement |
| 18 | 5771444 | Cover | Couvercle |
| 19 | 5771445 | Oil seal | Joint à huile |
| 20 | 5771446 | Collet | Collerette |
| 21 | 5771447 | Circlip | Bague élastique |
| 22 | 5771409 | Castle nut | Écrou à créneaux |
| 23 | 5771410 | Washer | Rondelle |
| 24 | 5771450 | Pin | Broche |
| | 5771423 | Shim set (Not illustrated) | Jeu de cales (Non illustré) |

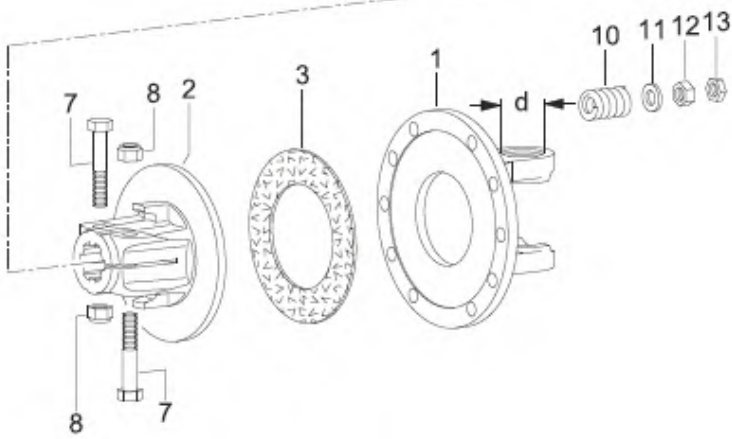
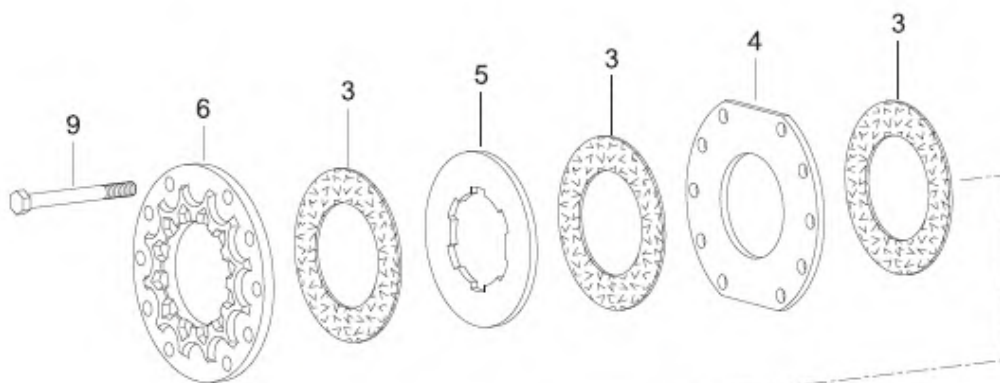
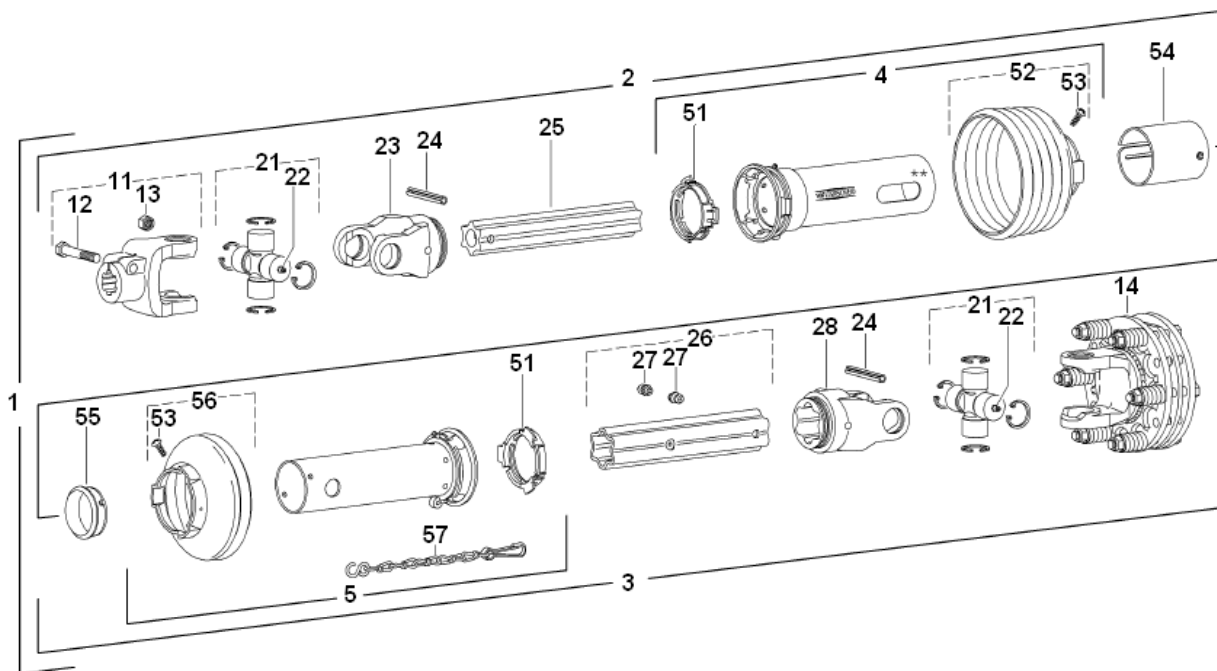
| REF. | PART No. | GERMAN DESCRIPTION | DANISH DESCRIPTION |
|-------------|-----------------|---|---------------------------|
| 1 | 5770203 | LH Getriebe | LH Gearkasse |
| | 5770204 | RH Getriebe | RH Gearkasse |
| 2 | 5771427 | Deckel | Låg |
| 4 | 5771429 | Messstab | Målepind |
| 5 | 5771430 | Bolz | Bolt |
| 6 | 5771431 | Scheibe | Skive |
| 7 | 5771432 | Schraube | Prop |
| 8 | 5771433 | Radsatz | Gearsæt |
| 9 | 5771434 | LH Welle | LH Aksel |
| | 5771434R | RH Welle | RH Aksel |
| 10 | 5771435 | Lager | Leje |
| 11 | 5771436 | Lockring | Låsering |
| 12 | 5771501 | Dichtung | Pakdåse |
| 13 | 5771438 | Lager | Leje |
| 14 | 5771440 | Lockring | Låsering |
| 15 | 5771414 | Dichtung | Pakdåse |
| 16 | 5771442 | Lager | Leje |
| 18 | 5771444 | Deckel | Låg |
| 19 | 5771445 | Dichtung | Pakdåse |
| 20 | 5771446 | Halb mond 1 stck. | Halvmåne 1 stk. |
| 21 | 5771447 | Lockring | Låsering |
| 22 | 5771409 | Mutter | Møtrik |
| 23 | 5771410 | Scheibe | Skive |
| 24 | 5771450 | Bolz | Bolt |
| | 5771423 | Distanzscheibe Satz (Nicht veranschaulicht) | Shims (Ikke illustreret) |



INNER WING SHAFT - WALTERSCHEID

| REF. | PART No. | ENGLISH DESCRIPTION | FRENCH DESCRIPTION |
|------|-------------|---------------------|-----------------------------|
| | 5770424 | P.T.O shaft | Arbre de prise de mouvement |
| 1 | 5770424.01 | Full Guard | Capot de protection |
| 2 | n/a | ½ shaft | n/a |
| 3 | n/a | ½ shaft | n/a |
| 4 | n/a | ½ outer guard | Semi-protection |
| 5 | n/a | ½ inner guard | Semi-protection |
| 11 | 5770417.04 | Yoke | Étrier à bride |
| 12 | n/a | Bolt | Boulon |
| 13 | n/a | Nut | Écrou |
| 14 | 5770443.05 | Clutch assembly | EMBRAYAGE |
| 21 | 5770445.07 | Cross journal | Cardan |
| 22 | n/a | Grease nipple | Embout de graissage |
| 23 | 5770417.07 | Yoke | Étrier |
| 24 | n/a | Tension pin | Broche |
| 25 | 5770424.04 | Inner tube | Tube interne |
| 26 | 5770424.05 | Outer tube | Tube externe |
| 27 | n/a | Grease fitting | Embout de graissage |
| 28 | 5770442.10. | Yoke | Étrier |
| 51 | 5770440.15 | Guard ring | Bague de roulement |
| 52 | n/a | Guard cone | Protection |
| 53 | n/a | Screw | Vis |
| 54 | n/a | Cover | Protection |
| 55 | n/a | Guard ring | Bague de roulement |
| 56 | n/a | Guard cone | Protection |
| 57 | n/a | Chain | Chaîne |

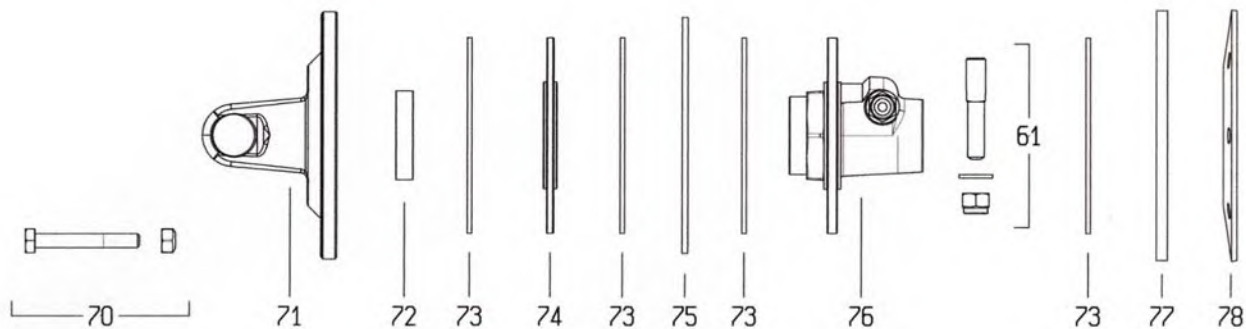
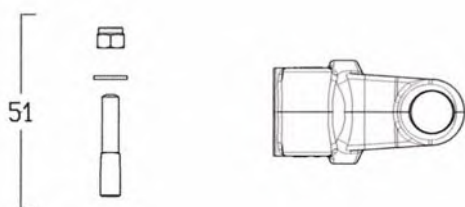
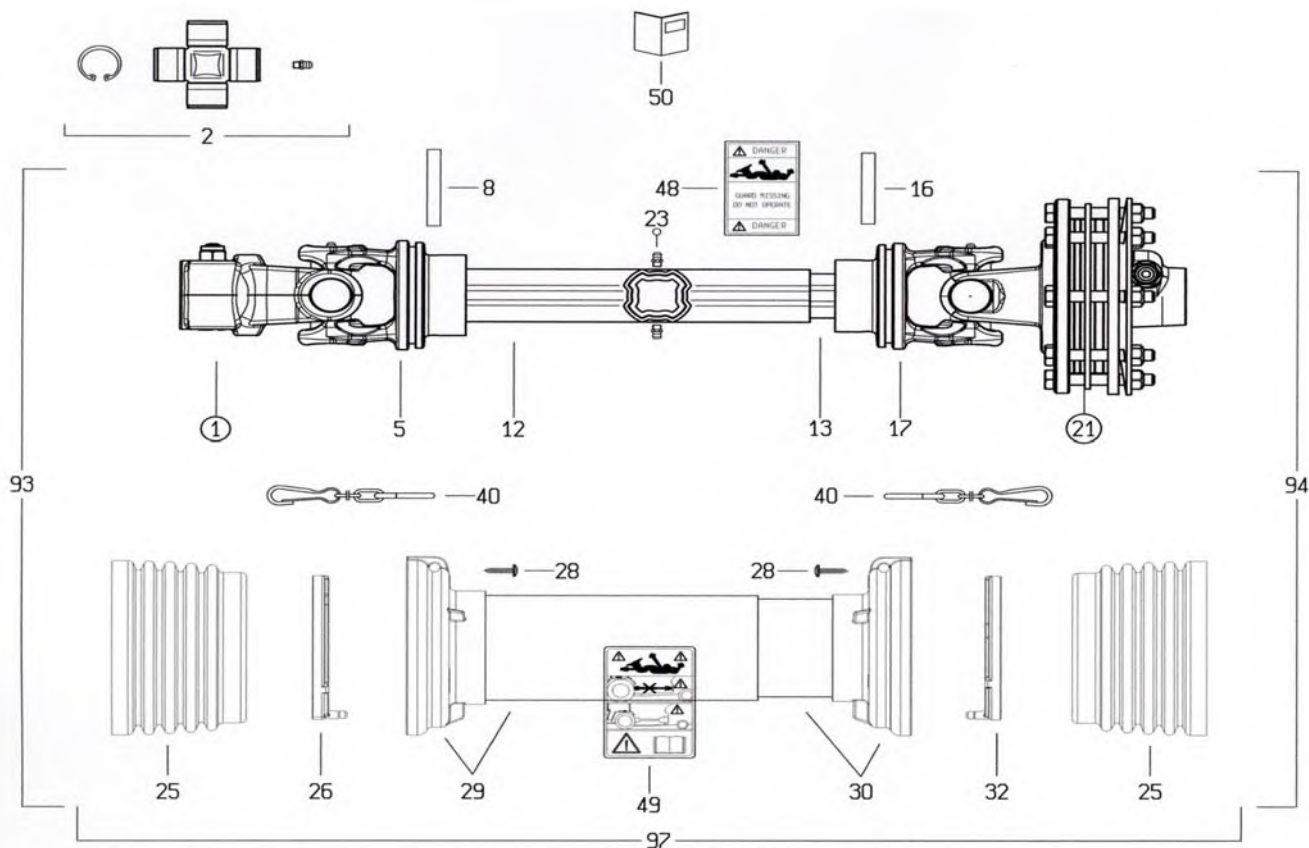
| REF. | PART No. | ENGLISH DESCRIPTION | FRENCH DESCRIPTION |
|------|------------|---------------------|--------------------|
| 1 | 5770441.01 | Flange yoke | Étrier à bride |
| 2 | 5770445.02 | Hub | Moyeu |
| 3 | 5770441.03 | Friction lining | Disque de friction |
| 4 | 5770445.03 | Outer plate | Plaque |
| 5 | 5770445.04 | Inner plate | Plaque intérieure |
| 6 | 5770441.04 | Thrust plate | Plaque |
| 7 | 5770441.05 | Bolt | Boulon |
| 8 | 5770441.06 | Nut | Écrou |
| 9 | 5770445.05 | Bolt | Boulon |
| 10 | 5770441.08 | Spring | Ressort |
| 11 | 5770441.09 | Washer | Rondelle |
| 12 | 5770441.15 | Nut | Écrou |
| 13 | 5770441.16 | Locknut | Écrou |



INNER WING SHAFT - WALTERSCHEID

| REF. | PART No. | GERMAN DESCRIPTION | DANISH DESCRIPTION |
|------|-------------|----------------------|--------------------|
| | 5770424 | Gelenkwelle Kpl. | Kardanaksel kpl. |
| 1 | 5770424.01 | Schutz | Beskyttelse |
| 2 | n/a | n/a | n/a |
| 3 | n/a | n/a | n/a |
| 4 | n/a | Schutz Ausen | Beskyttelse inder |
| 5 | n/a | Schutz Ausen | Beskyttelse inder |
| 11 | 5770417.04 | Flanch Gabel | Flangegaffel |
| 12 | n/a | Bolz | Bolt |
| 13 | n/a | Mutter | Møtrik |
| 14 | 5770443.05 | Kupplungsdruckplatte | kobling samling |
| 21 | 5770445.07 | Kreuz | Kryds |
| 22 | n/a | Schmiernippel | Smørenippel |
| 23 | 5770417.07 | Gabel | Gaffel |
| 24 | n/a | Bolz | Bolt |
| 25 | 5770424.04 | Rohr Innen | Rør inder |
| 26 | 5770424.05 | Rohr Ausen | Rør yder |
| 27 | n/a | Schmiernippel | Smørenippel |
| 28 | 5770442.10. | Gabel | Gaffel |
| 51 | 5770440.15 | Lager Ausen | Leje inder |
| 52 | n/a | Schutz | Beskyttelse |
| 53 | n/a | Schraube | Skrue |
| 54 | n/a | Schutz | Beskyttelse |
| 55 | n/a | Lager Ausen | Leje inder |
| 56 | n/a | Schutz | Beskyttelse |
| 57 | n/a | Kette | Kæde |

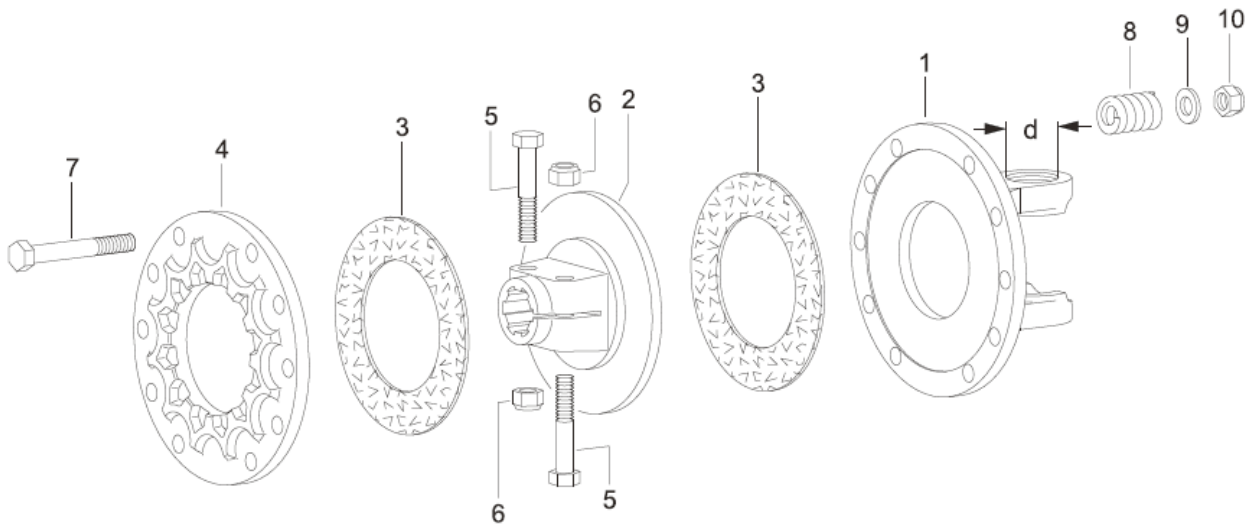
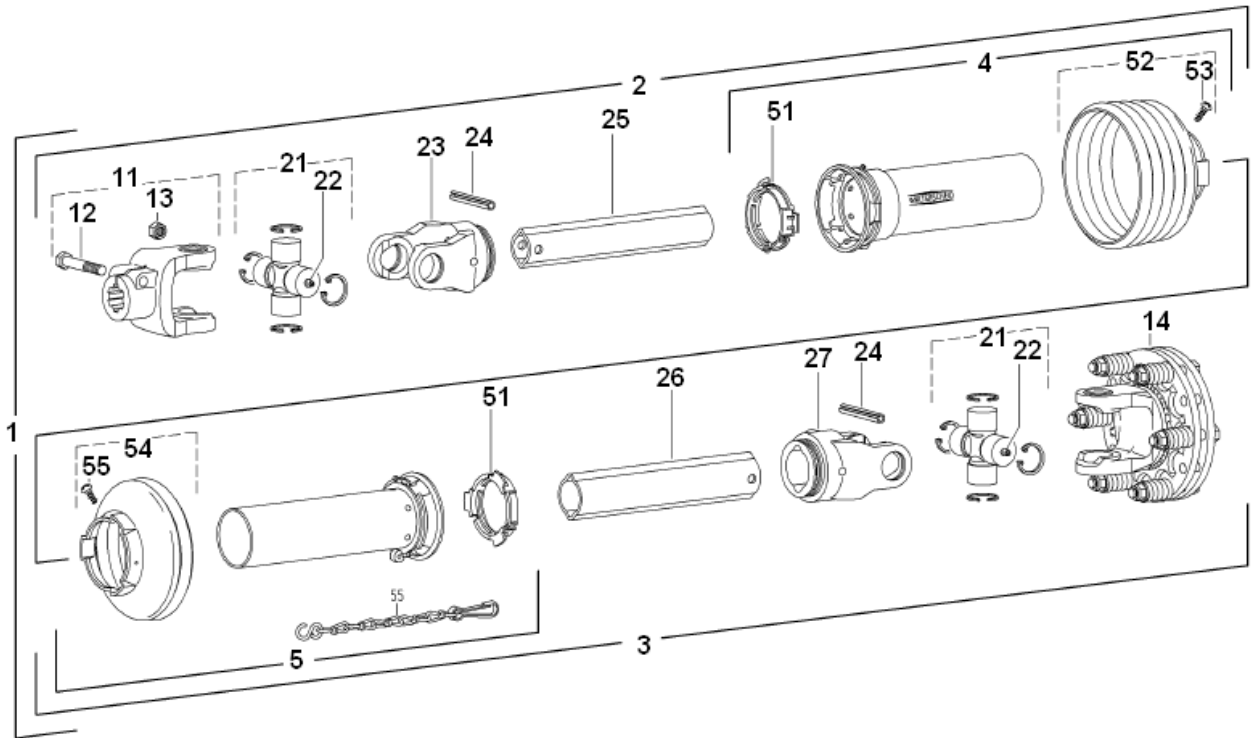
| REF. | PART No. | GERMAN DESCRIPTION | DANISH DESCRIPTION |
|------|------------|--------------------|--------------------|
| 1 | 5770441.01 | Flanch Gabel | Flangegaffel |
| 2 | 5770445.02 | Nabe | Nav |
| 3 | 5770441.03 | Platte | Plade |
| 4 | 5770445.03 | Platte | Plade |
| 5 | 5770445.04 | Platte | Plade |
| 6 | 5770441.04 | Platte | Plade |
| 7 | 5770441.05 | Bolz | Bolt |
| 8 | 5770441.06 | Mutter | Møtrik |
| 9 | 5770445.05 | Bolz | Bolt |
| 10 | 5770441.08 | Federteller | Fjedertallerken |
| 11 | 5770441.09 | Scheibe | Skive |
| 12 | 5770441.15 | Mutter | Møtrik |
| 13 | 5770441.16 | Mutter | Møtrik |



INNER WING SHAFT - BONDOLI

| REF. | PART No. | ENGLISH DESCRIPTION | FRENCH DESCRIPTION |
|-------------|-----------------|-------------------------------|--------------------------------|
| | 5770215 | P.T.O assembly (post July 07) | Ensemble de prise de mouvement |
| 1 | 5770215/1 | Yoke 20 spline | Étrier |
| 2 | 5770140 | Cross journal | Cardan |
| 5 | 5770146 | Outer yoke | Étrier extérieur |
| 8 | 5770144 | Pin | Broche |
| 16 | 5770144 | Pin | Broche |
| 17 | 5770145 | Inner yoke | Étrier intérieur |
| 26 | 5792146/11 | Outer bearing | Bague de roulement |
| 32 | 5792146/12 | Inner bearing | Bague de roulement |
| 40 | 5771020 | Chain | Chaîne |
| 51 | 5771322 | Taper pin | Broche conique |
| 61 | 5771322A | Taper pin | Broche conique |
| 70 | 5772329B | Bolt and nut | Boulon et écrou |
| 71 | 5771035 | Flange yoke | Étrier à bride |
| 72 | 5771319 | Bush | Coussinet |
| 73 | 5772317 | Friction disc | Disque de friction |
| 74 | 5771039 | Drive plate | Plaque d'entraînement |
| 75 | 5771040 | Inner plate | Plaque intérieure |
| 76 | 5771043 | Hub with taper pin | Moyeu avec broche conique |
| 77 | 5770135A | Inner plate | Plaque intérieure |
| 78 | 5770136A | Belleville Spring | Ressort Belleville |
| 97 | 5771333 | Guard assembly | Ensemble de protection |

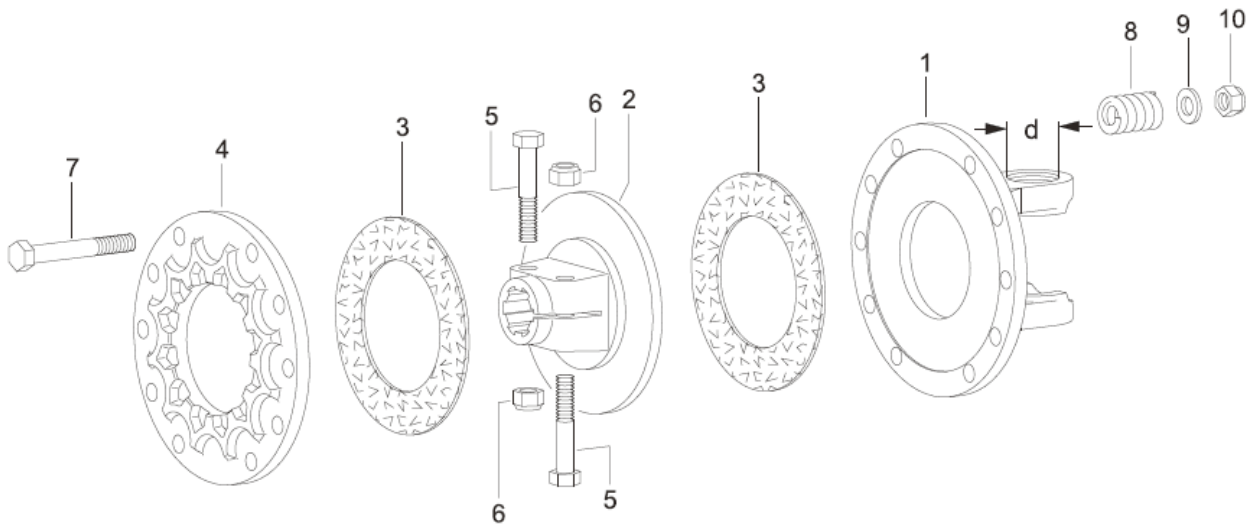
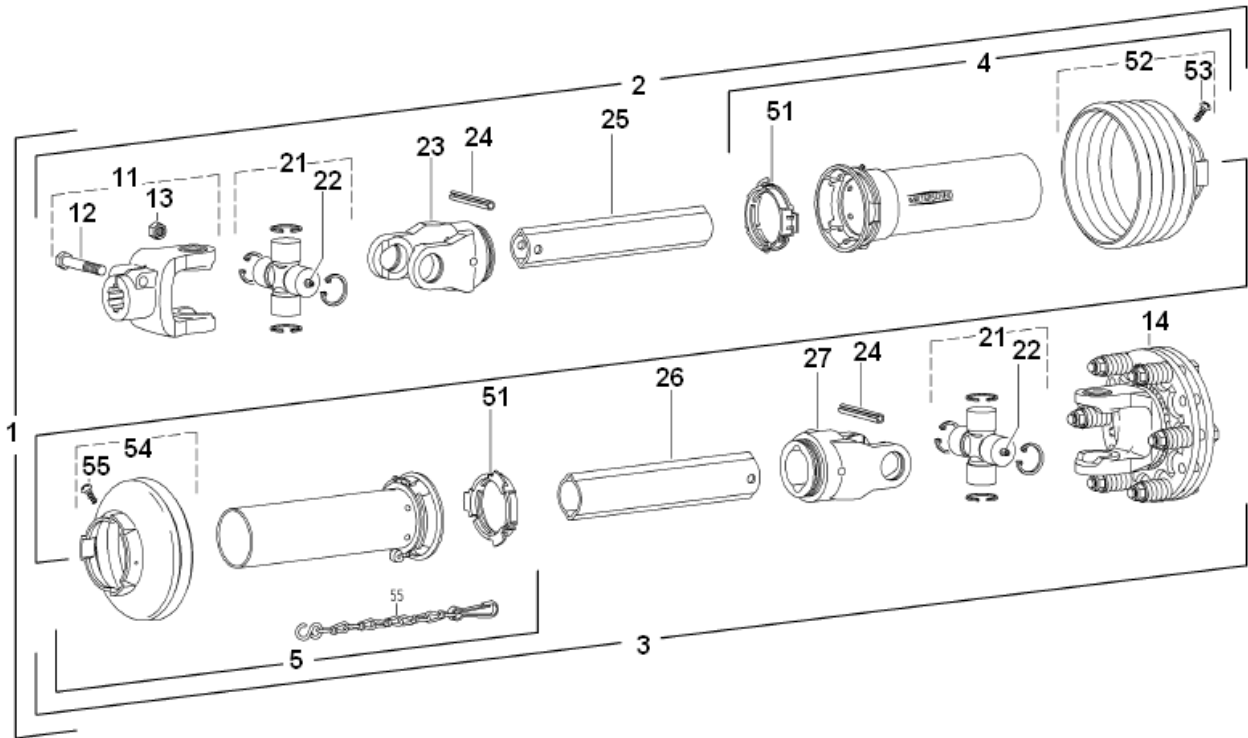
| REF. | PART No. | GERMAN DESCRIPTION | DANISH DESCRIPTION |
|-------------|-----------------|---------------------------|---------------------------|
| | 5770215 | Gelenkwelle Kpl. | Kardanaksel kpl. |
| 1 | 5770215/1 | Gabel | Gaffel |
| 2 | 5770140 | Kreuz | Kryds |
| 5 | 5770146 | Gabel Ausen | Gaffel yder |
| 8 | 5770144 | Splint | Rørstift |
| 16 | 5770144 | Splint | Rørstift |
| 17 | 5770145 | Gabel Innen | Gaffel inder |
| 26 | 5792146/11 | Lager Ausen | Leje inder |
| 32 | 5792146/12 | Lager Ausen | Leje inder |
| 40 | 5771020 | Kette | Kaede |
| 51 | 5771322 | Bolz / Mutter | Bolt / møtrik |
| 61 | 5771322A | Bolz / Mutter | Bolt / møtrik |
| 70 | 5772329B | Bolz / Mutter | Bolt / møtrik |
| 71 | 5771035 | Flanch Gabel | Flangegaffel |
| 72 | 5771319 | Buchse | Bøsning |
| 73 | 5772317 | Reibscheibe | Belægning |
| 74 | 5771039 | Platte | Plade |
| 75 | 5771040 | Platte Innen | Plade inder |
| 76 | 5771043 | Nabe | Nav |
| 77 | 5770135A | Platte Innen | Plade inder |
| 78 | 5770136A | Federteller | Fjedertallerken |
| 97 | 5771333 | Schutz | Beskyttelse |



OUTER WING SHAFT - WALTERSCHEID

| REF. | PART No. | ENGLISH DESCRIPTION | FRENCH DESCRIPTION |
|-------------|-----------------|----------------------------|-----------------------------|
| | 5770425 | P.T.O shaft | Arbre de prise de mouvement |
| 1 | 5770425.01 | Full Guard | Capot de protection |
| 2 | n/a | ½ shaft | n/a |
| 3 | n/a | ½ shaft | n/a |
| 4 | n/a | ½ outer guard | Semi-protection |
| 5 | n/a | ½ inner guard | Semi-protection |
| 11 | 5770443.04 | Yoke | Étrier à bride |
| 12 | n/a | Bolt | Boulon |
| 13 | n/a | Nut | Écrou |
| 14 | 5770425.04 | Clutch assembly | Embrayage |
| 21 | 5770445.07 | Cross journal | Cardan |
| 22 | n/a | Grease nipple | Embout de graissage |
| 23 | 5770443.06 | Yoke | Étrier |
| 24 | n/a | Tension pin | Broche |
| 25 | 5770425.05 | Inner tube | Tube interne |
| 26 | 5770425.06 | Outer tube | Tube externe |
| 27 | 5770443.09 | Yoke | Étrier |
| 51 | 5770440.15 | Guard ring | Bague de roulement |
| 52 | n/a | Guard cone | Protection |
| 53 | n/a | Screw | Vis |
| 54 | n/a | Guard Cone | Protection |
| 55 | n/a | Chain | Chaîne |

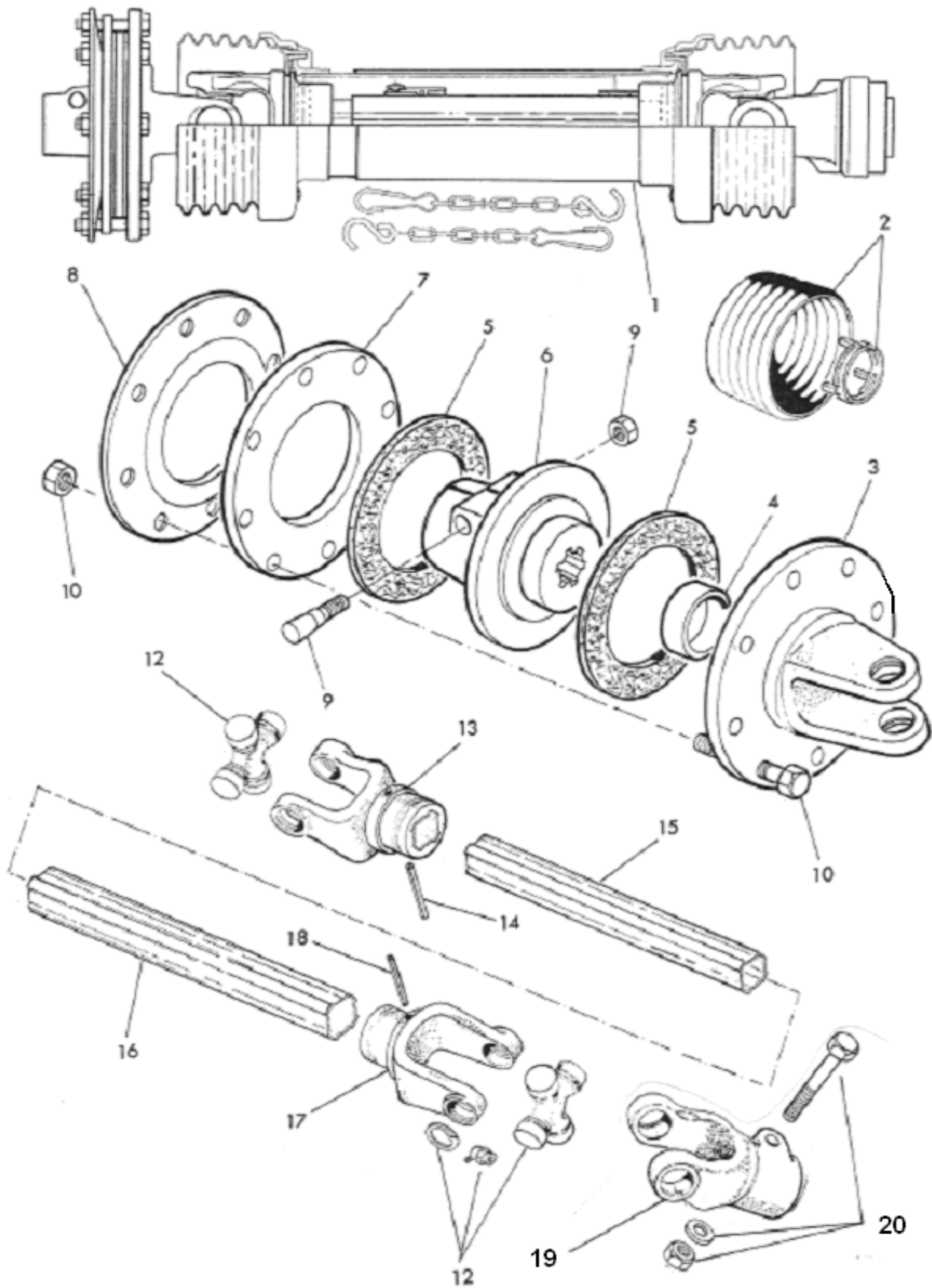
| REF. | PART No. | ENGLISH DESCRIPTION | FRENCH DESCRIPTION |
|-------------|-----------------|----------------------------|---------------------------|
| 1 | 5770441.01 | Flange yoke | Étrier à bride |
| 2 | 5770446.01 | Hub z6 x 1 3/8" | Moyeu |
| 3 | 5770441.03 | Friction disk | Disque de friction |
| 4 | 5770441.04 | Plate | Plaque |
| 5 | 5770441.05 | Bolt | Boulon |
| 6 | 5770441.06 | Nut | Écrou |
| 7 | 5770441.07 | Bolt | Boulon |
| 8 | 5770441.08 | Spring | Ressort |
| 9 | 5770441.09 | Washer | Rondelle |
| 10 | 5770441.17 | Nut | Écrou |



OUTER WING SHAFT - WALTERSCHEID

| REF. | PART No. | GERMAN DESCRIPTION | DANISH DESCRIPTION |
|-------------|-----------------|---------------------------|---------------------------|
| | 5770425 | Gelenkwelle Kpl. | Kardanaksel kpl. |
| 1 | 5770425.01 | Schutz | Beskyttelse |
| 2 | n/a | n/a | n/a |
| 3 | n/a | n/a | n/a |
| 4 | n/a | Schutz Ausen | Beskyttelse inder |
| 5 | n/a | Schutz Ausen | Beskyttelse inder |
| 11 | 5770443.04 | Flanch Gabel | Flangegaffel |
| 12 | n/a | Bolz | Bolt |
| 13 | n/a | Mutter | Møtrik |
| 14 | 5770425.04 | Kupplungsdruckplatte | kobling samling |
| 21 | 5770445.07 | Kreuz | Kryds |
| 22 | n/a | Schmiernippel | Smørenippel |
| 23 | 5770443.06 | Gabel | Gaffel |
| 24 | n/a | Bolz | Bolt |
| 25 | 5770425.05 | Rohr Innen | Rør inder |
| 26 | 5770425.06 | Rohr Ausen | Rør yder |
| 27 | 5770443.09 | Gabel | Gaffel |
| 51 | 5770440.15 | Lager Ausen | Leje inder |
| 52 | n/a | Schutz | Beskyttelse |
| 53 | n/a | Schraube | Skrue |
| 54 | n/a | Schutz | Beskyttelse |
| 55 | n/a | Kette | Kaede |

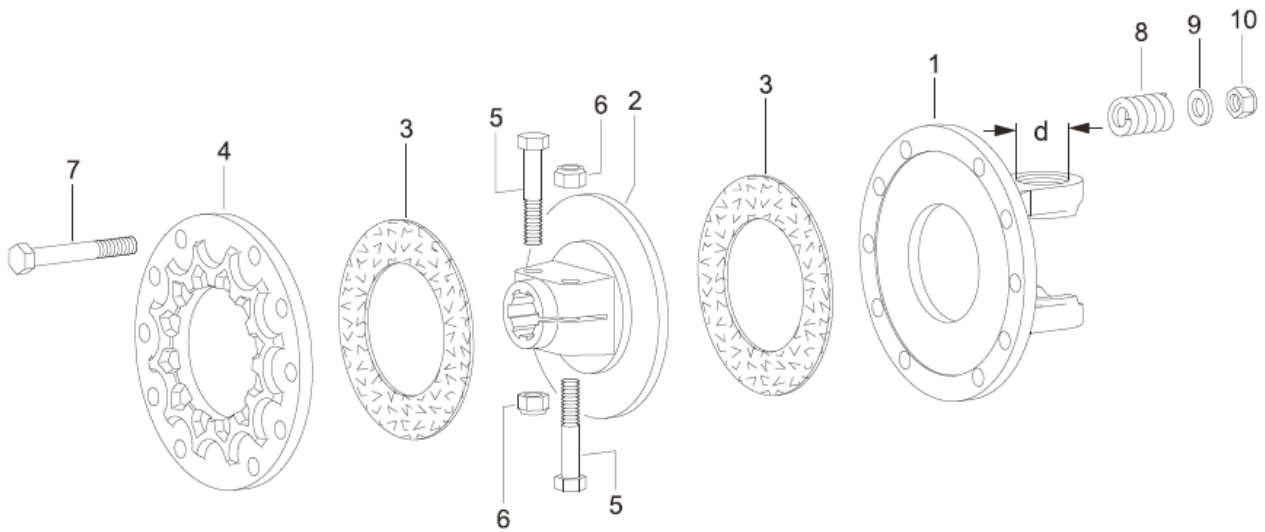
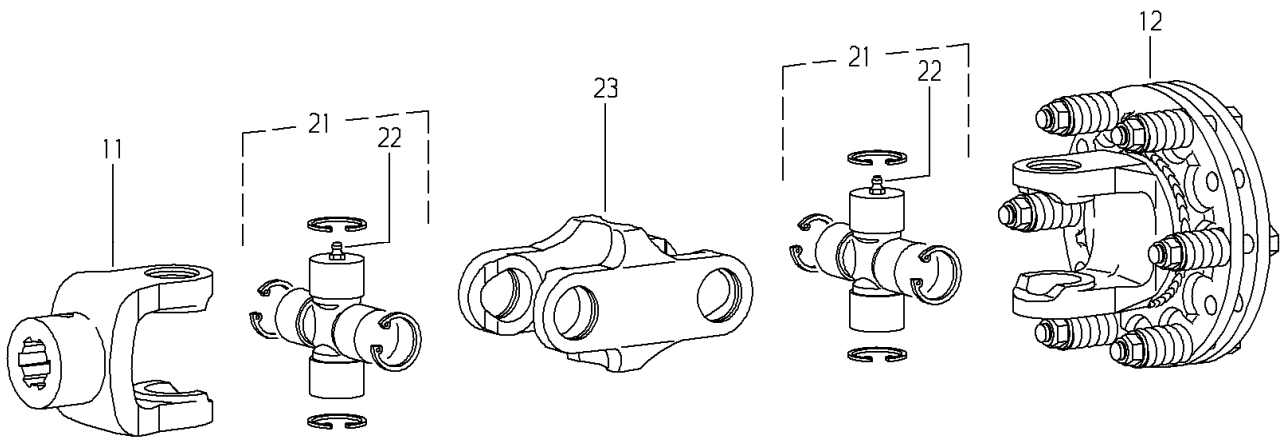
| REF. | PART No. | GERMAN DESCRIPTION | DANISH DESCRIPTION |
|-------------|-----------------|---------------------------|---------------------------|
| 1 | 5770441.01 | Flanch Gabel | Flangegaffel |
| 2 | 5770446.01 | Nabe | Nav |
| 3 | 5770441.03 | Platte | Plade |
| 4 | 5770441.04 | Platte | Plade |
| 5 | 5770441.05 | Bolz | Bolt |
| 6 | 5770441.06 | Mutter | Møtrik |
| 7 | 5770441.07 | Bolz | Bolt |
| 8 | 5770441.08 | Federteller | Fjedertallerken |
| 9 | 5770441.09 | Scheibe | Skive |
| 10 | 5770441.17 | Mutter | Møtrik |



OUTER WING SHAFT - BONDIOLI

| REF. | PART No. | ENGLISH DESCRIPTION | FRENCH DESCRIPTION |
|------|----------|---------------------|-----------------------------|
| | 5770207 | P.T.O shaft | Arbre de prise de mouvement |
| 1 | 5771333 | Guard cover | Capot de protection |
| 3 | 5770131A | Flange yoke | Étrier à bride |
| 4 | 5771319 | Bush | Coussinet |
| 5 | 5772317 | Friction disc | Disque de friction |
| 6 | 5770134A | Hub with taper pin | Moyeu avec broche conique |
| 7 | 5771040 | Inner plate | Plaque intérieure |
| 8 | 5770136A | Spring plate | Plaque d'entraînement |
| 9 | 5771040 | Pin | Broche |
| 10 | 5770138A | Bolt and nut | Boulon et écrou |
| 12 | 5770140 | Cross journal | Cardan |
| 13 | 5770145 | Yoke | Étrier |
| 14 | 5770143 | Pin | Broche |
| 17 | 5770146 | Yoke | Étrier |
| 18 | 5770144 | Pin | Broche |
| 19 | 5771310 | Yoke | Étrier |
| 20 | 5771322 | Joint | Joint |

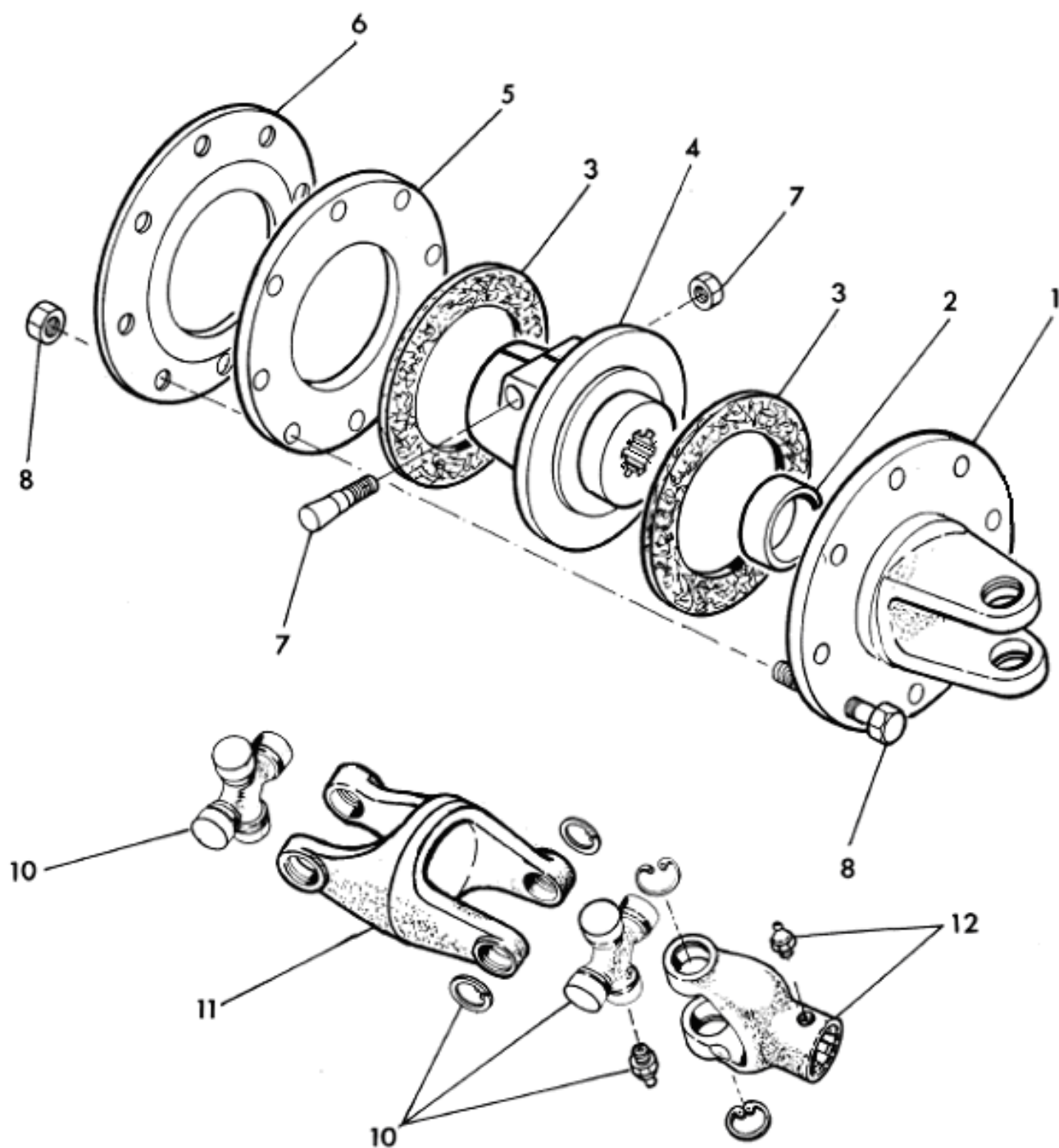
| REF. | PART No. | GERMAN DESCRIPTION | DANISH DESCRIPTION |
|------|----------|--------------------|--------------------|
| | 5770207 | Gelenkwelle Kpl. | Kardanaksel kpl. |
| 1 | 5771333 | Schutz | Beskyttelse |
| 3 | 5770131A | Flanch Gabel | Flangegaffel |
| 4 | 5771319 | Buchse | Bøsning |
| 5 | 5772317 | Platte | Plade |
| 6 | 5770134A | Nabe | Nav |
| 7 | 5771040 | Platte | Plade |
| 8 | 5770136A | Platte | Plade |
| 9 | 5771040 | Bolz | Bolt |
| 10 | 5770138A | Bolz / Mutter | Bolt / Møtrik |
| 12 | 5770140 | Kreuz | Kryds |
| 13 | 5770145 | Gabel | Gaffel |
| 14 | 5770143 | Splint | Rørstift |
| 17 | 5770146 | Gabel | Gaffel |
| 18 | 5770144 | Splint | Rørstift |
| 19 | 5771310 | Gabel | Gaffel |
| 20 | 5771322 | Gabel | Gaffel |



CENTRE COUPLING - WALTERSCHEID

| REF. | PART No. | ENGLISH DESCRIPTION | FRENCH DESCRIPTION |
|------|------------|---------------------|---------------------|
| | 5770416 | Complete assembly | Ensemble complet |
| 1 | 5770441.01 | Flange yoke | Étrier à bride |
| 2 | 5770416.04 | Hub z21 x 1 3/8" | Moyeu |
| 3 | 5770441.03 | Friction disk | Disque de friction |
| 4 | 5770441.04 | Plate | Plaque |
| 5 | 5770441.05 | Bolt | Boulon |
| 6 | 5770441.06 | Nut | Écrou |
| 7 | 5770441.07 | Bolt | Boulon |
| 8 | 5770441.08 | Spring | Ressort |
| 9 | 5770441.09 | Washer | Rondelle |
| 10 | 5770441.1 | Nut | Écrou |
| 11 | 5770416.02 | Yoke z20 x 1 3/4" | Étrier |
| 12 | 5770416.03 | Clutch assy | EMBRAYAGE |
| 21 | 5770445.07 | UJ | Cardan |
| 22 | n/a | Grease nipple | Embout de graissage |
| 23 | 5770445.06 | Double yoke | Joint (dos à dos) |

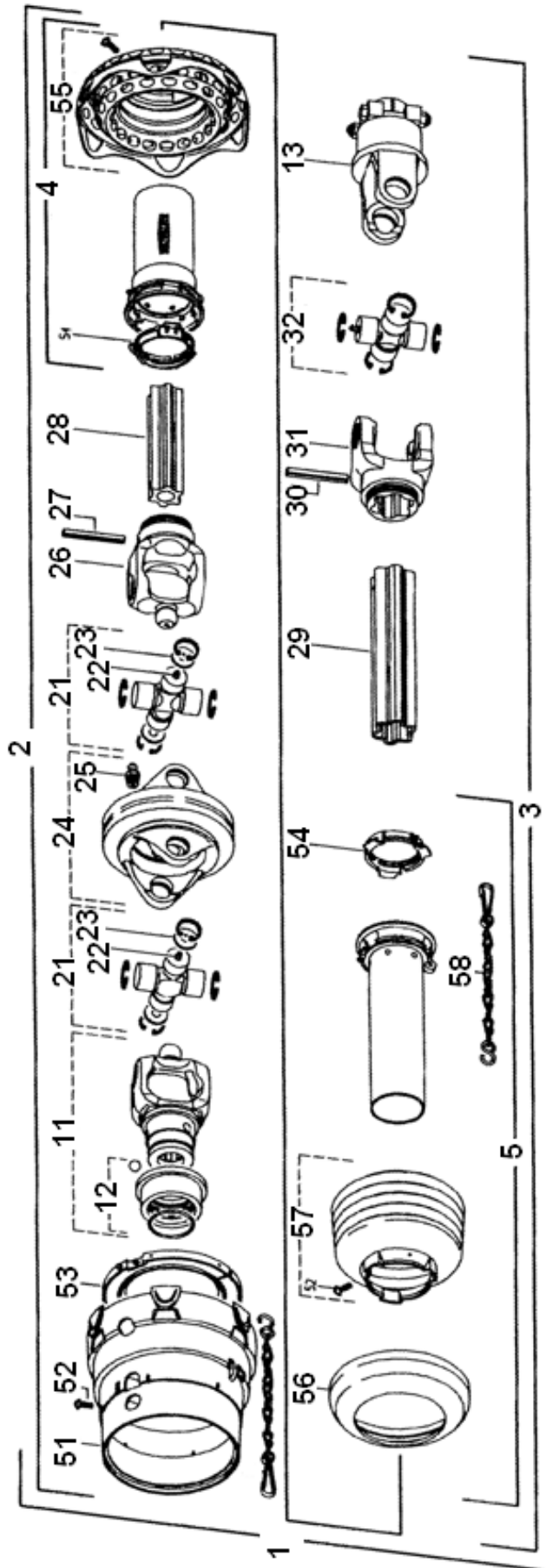
| REF. | PART No. | GERMAN DESCRIPTION | DANISH DESCRIPTION |
|------|------------|----------------------|--------------------|
| | 5770416 | Kupplung Kpl. | Kobling kpl. |
| 1 | 5770441.01 | Flanch Gabel | Flangegaffel |
| 2 | 5770416.04 | Nabe | Nav |
| 3 | 5770441.03 | Platte | Plade |
| 4 | 5770441.04 | Platte | Plade |
| 5 | 5770441.05 | Bolz | Bolt |
| 6 | 5770441.06 | Mutter | Møtrik |
| 7 | 5770441.07 | Bolz | Bolt |
| 8 | 5770441.08 | Federteller | Fjedertallerken |
| 9 | 5770441.09 | Scheibe | Skive |
| 10 | 5770441.1 | Mutter | Møtrik |
| 11 | 5770416.02 | Gabel | Gaffel |
| 12 | 5770416.03 | Kupplungsdruckplatte | kobling samling |
| 21 | 5770445.07 | Kreuz | Kryds |
| 22 | n/a | Schmiernippel | Smørenippel |
| 23 | 5770445.06 | Doppelgabel | Dobbeltgaffel |



CENTRE COUPLING - BONDOLI

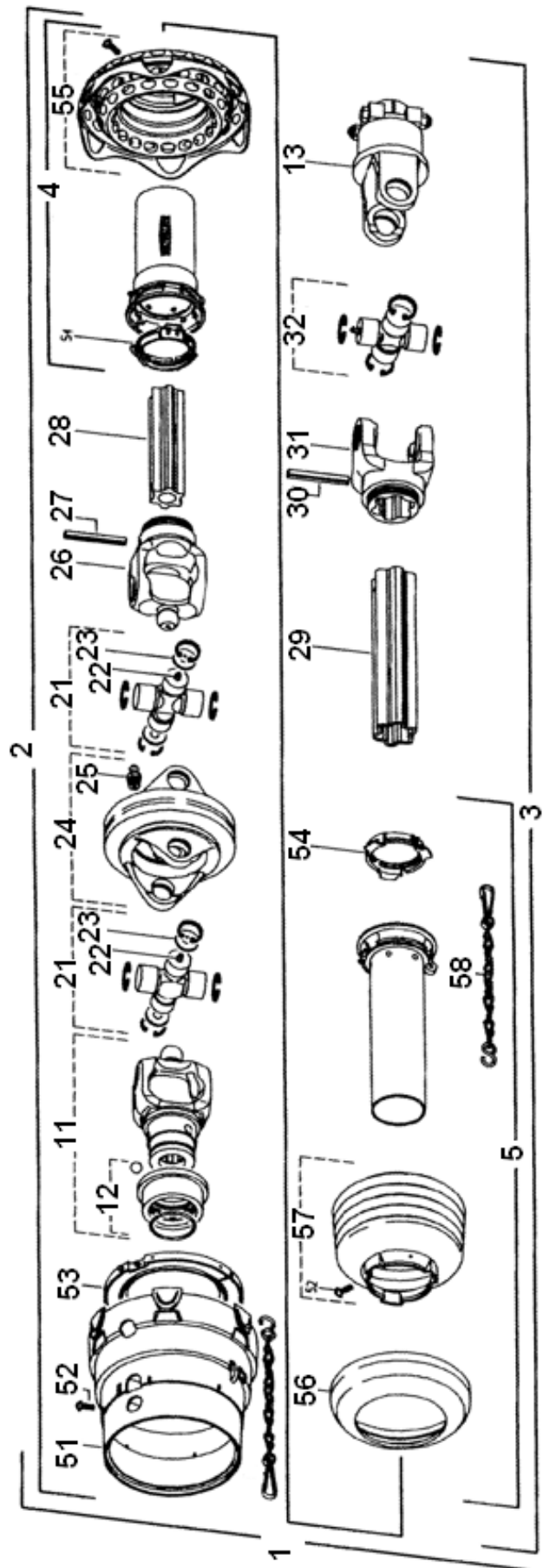
| REF. | PART No. | ENGLISH DESCRIPTION | FRENCH DESCRIPTION |
|------|----------|--------------------------|------------------------|
| | 5770223 | Assembly | Ensemble complet |
| 1 | 5770131 | Yoke | Étrier |
| 2 | 5771319 | Bush | Coussinet |
| 3 | 5771328 | Clutch plate | Plaque d'embrayage |
| 4 | 5770134 | Hub – 21 spline | Moyeu – 21 cannelures |
| 5 | 5770135 | Plate (inner) | Plaque (intérieure) |
| 6 | 5770136 | Spring | Ressort |
| 7 | 5771322 | Pin | Broche |
| 8 | 5770138 | Bolt | Boulon |
| 10 | 5770140 | Cross journal | Cardan |
| 11 | 5770132 | Joint (back to back) | Joint (dos à dos) |
| 12 | 570223/1 | 20 spline (post July 07) | Étrier à 20 cannelures |

| REF. | PART No. | GERMAN DESCRIPTION | DANISH DESCRIPTION |
|------|----------|--------------------|--------------------|
| | 5770223 | Kupplung Kpl. | Kobling kpl. |
| 1 | 5770131 | Gabel | Gaffel |
| 2 | 5771319 | Buchse | Bøsning |
| 3 | 5771328 | Reibscheibe | Belægning |
| 4 | 5770134 | Nabe 21 nut | Nav 21 spline |
| 5 | 5770135 | Platte Innen | Plade inder |
| 6 | 5770136 | Federteller | Fjedertallerken |
| 7 | 5771322 | Bolz | Bolt |
| 8 | 5770138 | Bolz | Bolt |
| 10 | 5770140 | Kreuz | Kryds |
| 11 | 5770132 | Doppelgabel | Dobbeltgaffel |
| 12 | 570223/1 | Gabel 20 nut | Gaffel 20 spline |



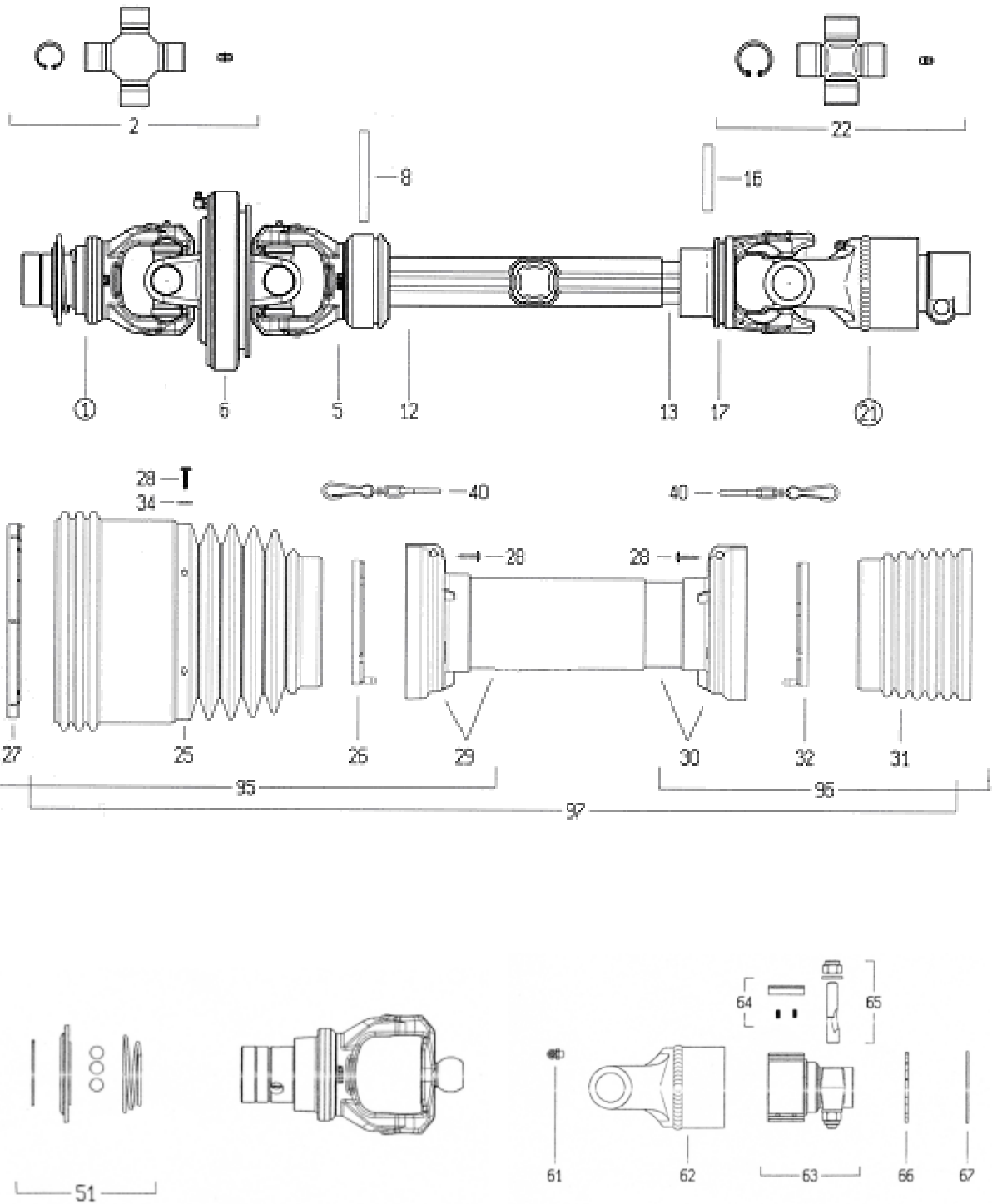
1000RPM INPUT PTO - WALTERSCHEID

| REF. | PART No. | ENGLISH DESCRIPTION | FRENCH DESCRIPTION |
|------|----------------|---|--|
| 1 | 5770444 | PTO assembly 6 spline Walterscheid | Prise de mouvement à 6 cannelures |
| | 5770444.01 | Full guard | Capot de protection |
| 2 | n/a | ½ PTO | n/a |
| 3 | n/a | ½ PTO | n/a |
| 4 | 5770444.02 | ½ guard | Semi-protection |
| 5 | 5770444.03 | ½ guard | Semi-protection |
| 11 | 5770444.04 | Yoke z6 x 1 3/8" | Étrier |
| 11 | 5770449.01 | Yoke z21 x 1 3/8" | Étrier |
| 12 | n/a | Lock ring | Bague de libération |
| 13 | 5770444.05 | Overrun yoke | Embrayage à inertie |
| 21 | 5770440.07 | UJ | Cardan |
| 22 | n/a | Grease nipple | Embout de graissage |
| 23 | n/a | Shim | Cale |
| 24 | 5770444.06 | Centre body | Corps central |
| 25 | n/a | Grease nipple | Embout de graissage |
| 26 | 5770444.07 | Yoke | Étrier |
| 27 | n/a | Tension pin 10x80 | Goupille fendue |
| 28 | 5770442.08 | Inner tube | Tube interne |
| 29 | 5770444.09 | Outer tube | Tube externe |
| 30 | n/a | Tension pin 10x80 | Goupille fendue |
| 31 | 5770444.10. | Yoke | Étrier |
| 32 | 5770442.06 | UJ | Cardan |
| 51 | n/a | Guard | Protection |
| 52 | n/a | Screw x 10 | Vis |
| 53 | 5770440.14 | Bearing ring | Bague de roulement intérieur |
| 54 | 5770440.15 | Bearing ring | Bague de roulement intérieur |
| 55 | n/a | Guard | Protection |
| 56 | n/a | Guard | Protection |
| 57 | n/a | Guard | Protection |
| 58 | n/a | Chain | Chaîne |
| 59 | n/a | Chain | Chaîne |



1000RPM INPUT PTO - WALTERSCHEID

| REF. | PART No. | GERMAN DESCRIPTION | DANISH DESCRIPTION |
|------|------------------------------|---|--|
| 1 | 5770444 5770444.01 | Gelenkwelle Kpl. 6 nut Schutz | Kardan kpl. 6 spline Beskyttelse |
| 2 | n/a | n/a | n/a |
| 3 | n/a | n/a | n/a |
| 4 | 5770444.02 | Schutz Ausen | Beskyttelse inder |
| 5 | 5770444.03 | Schutz Ausen | Beskyttelse inder |
| 11 | 5770444.04 | Gabel 6 nut | Gaffel 6 spline |
| 11 | 5770449.01 | Gabel 6 nut | Gaffel 6 spline |
| 12 | n/a | Schnellwechsler | Lynskifte |
| 13 | 5770444.05 | Freilauf Kupplung | Friløbskobling |
| 21 | 5770440.07 | Kreuz | Kryds |
| 22 | n/a | Schmiernippel | Smørenippel |
| 23 | n/a | Distanz scheiben | Shims |
| 24 | 5770444.06 | Dobbel Gabel | Dobbelgaffel |
| 25 | n/a | Schmiernippel | Smørenippel |
| 26 | 5770444.07 | Gabel 6 nut | Gaffel 6 spline |
| 27 | n/a | Splint | Rørsplit |
| 28 | 5770442.08 | Rohr Innen | Rør inder |
| 29 | 5770444.09 | Rohr Ausen | Rør yder |
| 30 | n/a | Splint | Rørsplit |
| 31 | 5770444.10. | Gabel 6 nut | Gaffel 6 spline |
| 32 | 5770442.06 | Kreuz | Kryds |
| 51 | n/a | Schutz | Beskyttelse |
| 52 | n/a | Schraube | Skrue |
| 53 | 5770440.14 | Lager Innen | Leje yder |
| 54 | 5770440.15 | Lager Innen | Leje yder |
| 55 | n/a | Schutz | Beskyttelse |
| 56 | n/a | Schutz | Beskyttelse |
| 57 | n/a | Schutz | Beskyttelse |
| 58 | n/a | Kette | Kæde |
| 59 | n/a | Kette | Kæde |

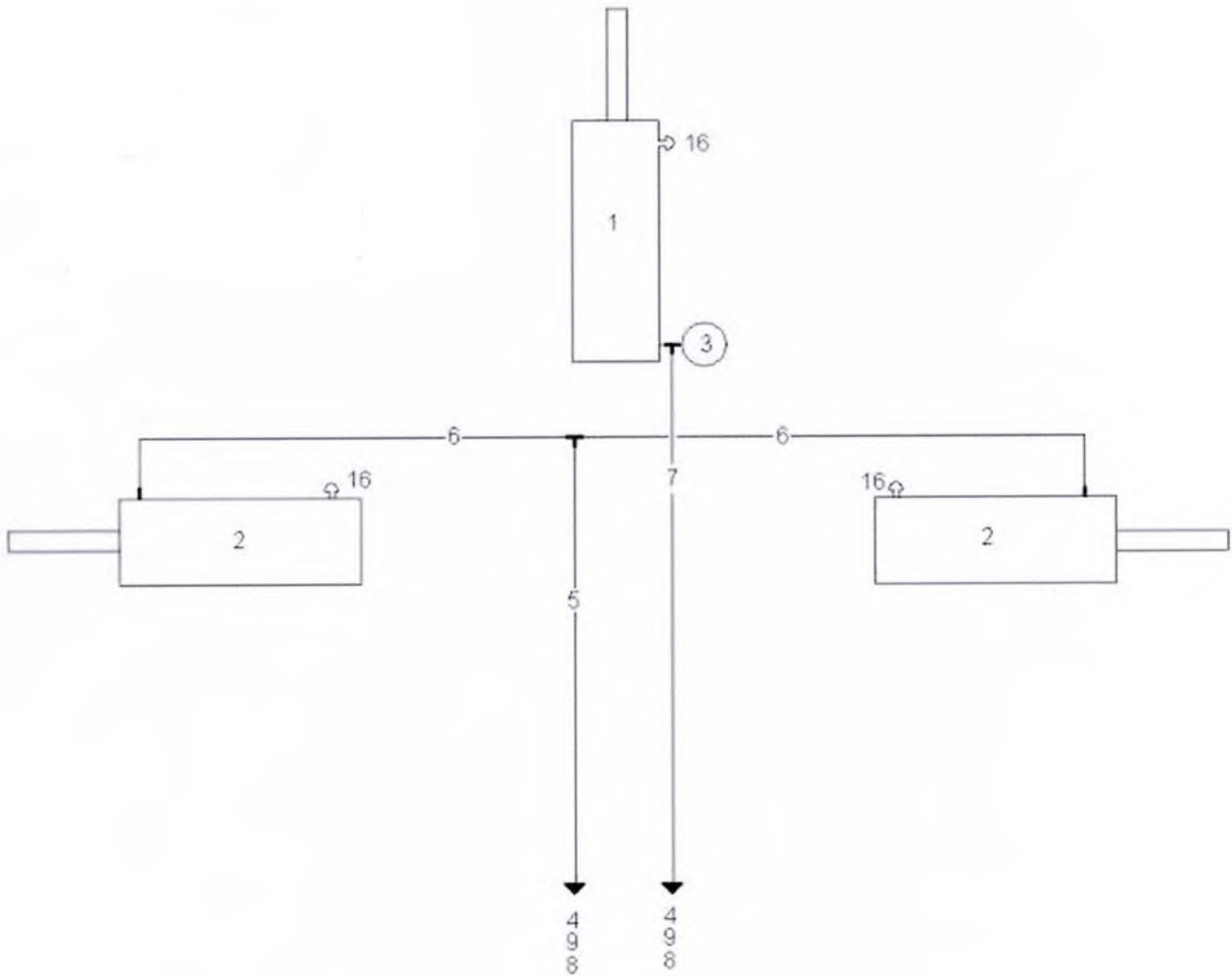


1000RPM INPUT PTO - BONDIOLI

| REF. | PART No. | ENGLISH DESCRIPTION | FRENCH DESCRIPTION |
|------|----------------|---|------------------------------------|
| | 5792162 | No. 8 P.T.O Shaft assembly 21 spline | Arbre de prise de mouvement |
| | 5790662 | No. 8 .T.O shaft assembly (6 spline) | Arbre de prise de mouvement |
| 1 | 5790662/1 | Yoke 6 | Étrier |
| 1 | 5792162/1 | Yoke 21 | Étrier |
| 2 | 5792162/2 | Cross journal (30.2mm) | Cardan |
| 5 | 5792162/3 | Yoke | Étrier |
| 6 | 5792162/4 | Centre body | Corps central |
| 12 | 5792162/5 | Outer tube | Tube externe |
| 13 | 5792162/6 | Inner tube | Tube interne |
| 17 | 5792162/7 | Yoke | Étrier |
| 21 | 5792162/8 | Overrun clutch | Embrayage à inertie |
| 22 | 5792162/9 | Cross journal (34.9mm) | Cardan |
| 25 | 5792162/10 | Guard | Protection |
| 26 | 5792162/11 | Outer bearing ring | Bague de roulement extérieur |
| 27 | 5792162/21 | CV bearing ring | Bague de roulement |
| 31 | 5792162/12 | Guard | Protection |
| 32 | 5792162/13 | Inner bearing ring | Bague de roulement intérieur |
| 40 | 5792146/13 | Chain | Chaîne |
| 51 | 5792146/14 | Release ring | Bague de libération |
| 64 | 5792146/15 | Pawl | Cliquet |
| 65 | 5792146/16 | Taper pin | Broche conique |
| 95 | 5792162/18 | Half guard | Semi-protection |
| 96 | 5792162/19 | Half guard | Semi-protection |
| 97 | 5792162/20 | Complete guard | Protection complète |

| REF. | PART No. | GERMAN DESCRIPTION | DANISH DESCRIPTION |
|------|----------------|--------------------------------|------------------------------|
| | 5792162 | Gelenkwelle Kpl. 21 nut | Kardan kpl. 21 spline |
| | 5790662 | Gelenkwelle Kpl. 6 nut | Kardan kpl. 6 spline |
| 1 | 5790662/1 | Gabel 6 nut | Gaffel 6 spline |
| 1 | 5792162/1 | Gabel 21 nut | Gaffel 21 spline |
| 2 | 5792162/2 | Kreuz | Kryds |
| 5 | 5792162/3 | Gabel | Gaffel |
| 6 | 5792162/4 | Dobbel Gabel | Dobbelgaffel |
| 12 | 5792162/5 | Rohr Ausen | Rør yder |
| 13 | 5792162/6 | Rohr Innen | Rør inder |
| 17 | 5792162/7 | Gabel | Gaffel |
| 21 | 5792162/8 | Freilauf Kupplung | Friløbskobling |
| 22 | 5792162/9 | Kreuz | Kryds |
| 25 | 5792162/10 | Schutz | Beskyttelse |
| 26 | 5792162/11 | Lager | Leje |
| 27 | 5792162/21 | Lager | Leje |
| 31 | 5792162/12 | Schutz | Beskyttelse |
| 32 | 5792162/13 | Lager Innen | Leje yder |
| 40 | 5792146/13 | Kette | Kæde |
| 51 | 5792146/14 | Schnellwechsler | Lynskifte |
| 64 | 5792146/15 | Freilauf Lock | Friløbslås |
| 65 | 5792146/16 | Bolzsatz | Boltesæt |
| 95 | 5792162/18 | Schutz Ausen | Beskyttelse inder |
| 96 | 5792162/19 | Schutz Innen | Beskyttelse yder |
| 97 | 5792162/20 | Schutz Kpl. | Beskyttelse kpl. |

HYDRAULIC INSTALLATION



| REF. | PART No. | ENGLISH DESCRIPTION |
|------|---------------|---------------------|
| 1 | 3580636 | Height ram |
| 2 | 3580635 | Wing ram |
| 3 | 3900074 | 80 Bar accumulator |
| | 04.056.50 | 1/2 x 1/2 x 3/8 Tee |
| 4 | 3250154 | 1mm Restrictor |
| 5 | } Kit 3770631 | Hose |
| 6 | | Hose |
| 7 | | Hose |
| 8 | 3750153 | QR Coupling |
| 9 | 3260072 | 1/2 Sealing washer |
| 10 | 3460100 | 1/4 Tee |
| 11 | 3490003 | 1/2 x 1/4 adaptor |
| 12 | 3870631 | Hose clamp |
| 13 | 3870632 | Hose clamp |
| 14 | 3260071 | 3/8 Sealing washer |
| 15 | 3360086 | 3/8 x 3/8 adaptor |
| 16 | 3570658 | Breather |



1.



2.



3.



4.



5.



6.



7.



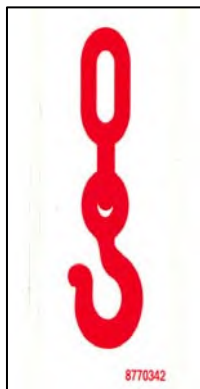
8.



9.



10.



11.



12.



13.

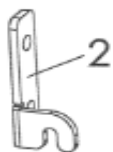
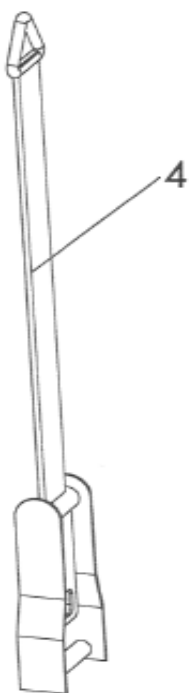
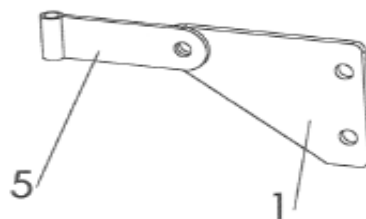
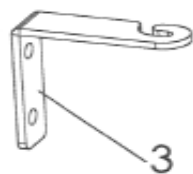


14.



15.

| REF. | PART No. | DESCRIPTION |
|------|----------|--------------------|
| 1 | 8770340 | Read manual |
| 2 | 8770363 | Read manual |
| 3 | 8770367 | Read manual |
| 4 | 8770361 | Moving blades |
| 5 | 8770362 | Escaping fluid |
| 6 | 8770358 | Remove key |
| 7 | 8770355 | Ram stop |
| 8 | 8770306 | Keep bolts tight |
| 9 | 8770357 | Keep your distance |
| 10 | 8770368 | Danger un-proped |
| 11 | 8770342 | Lift point |
| 12 | 8770381 | Height guide |
| 13 | 8770323 | 1000 PTO |
| 14 | 8770322 | Grease point |
| 15 | 1290799 | Decal - SR620 |



| REF. | PART No. | ENGLISH DESCRIPTION | FRENCH DESCRIPTION |
|------|----------|---------------------|------------------------|
| 1 | 1770696 | Pivot Plate | Plaque de pivot |
| 2 | 1770697 | Lock Plate | Plaque de verrouillage |
| 3 | 1770698 | Lock Plate | Plaque de verrouillage |
| 4 | 6310234 | Strap | Courroie |
| 5 | 1777880 | Ratchet pivot | Pivot à cliquet |

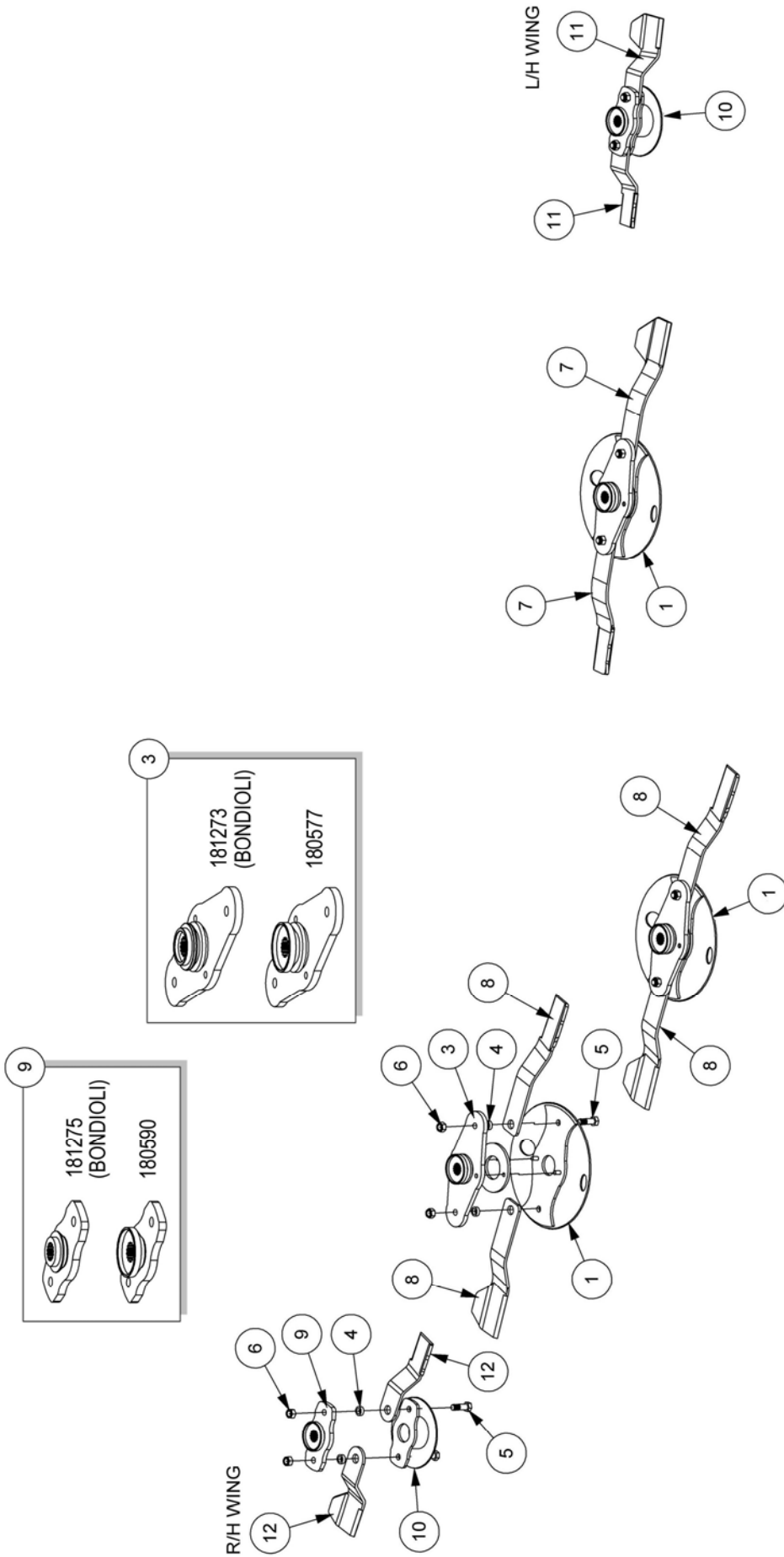
| REF. | PART No. | GERMAN DESCRIPTION | DANISH DESCRIPTION |
|------|----------|--------------------|--------------------|
| 1 | 1770696 | Platte | Plade |
| 2 | 1770697 | Halter | Holder |
| 3 | 1770698 | Halter | Holder |
| 4 | 6310234 | Riemen | Rem |
| 5 | 1777880 | Halter | Holder |

SR620 OPTIONS

2 BLADE / PAN OPTION – SR620

Module(s): S180015.55, S180015.79

McCONEL



2 BLADE / PAN OPTION FOR SR620 (S180015.55 / S180015.79)

2 BLADE / PAN OPTION – SR620

McCONNEL

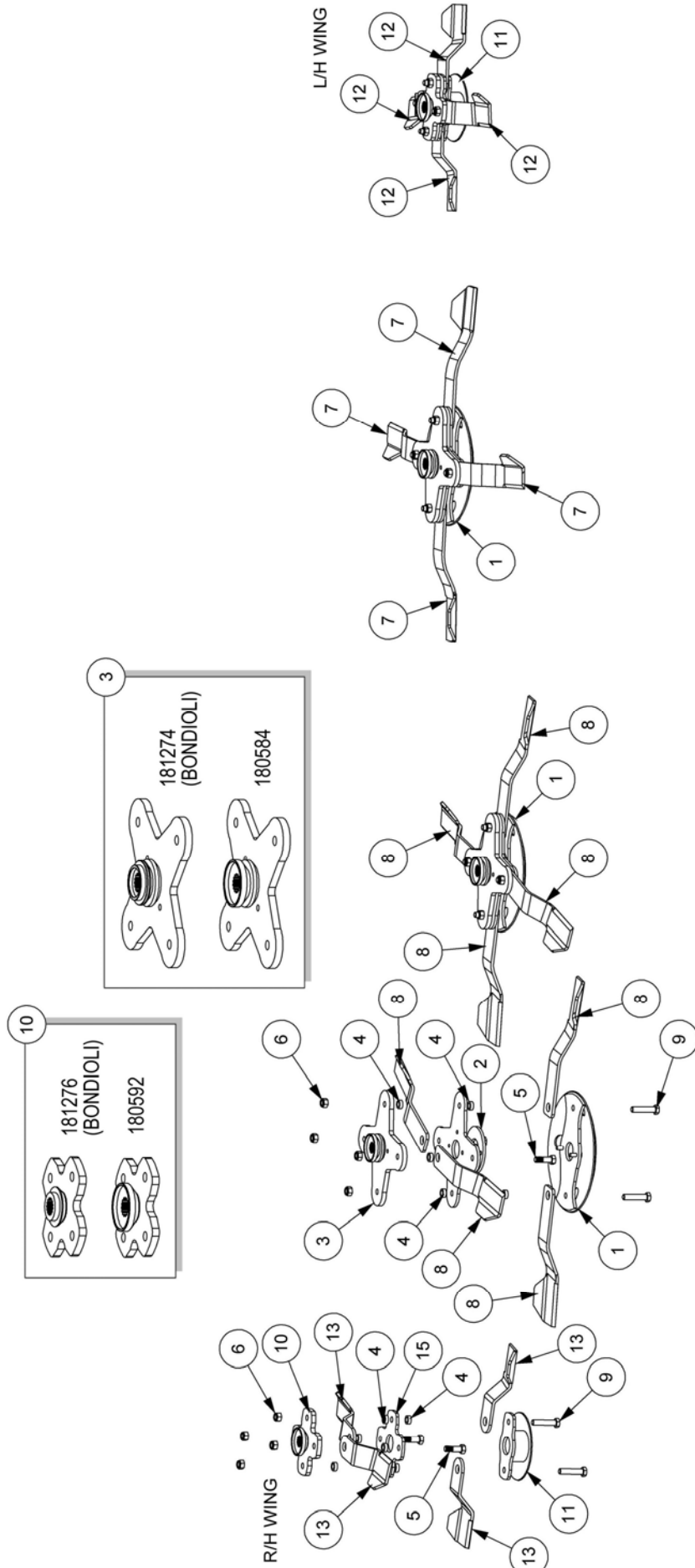
Module(s): S180015.55, S180015.79

| REF. | QTY. | PART No. | DESCRIPTION |
|------|------|-------------------|---|
| | | S180015.55 | * 2 BLADE/PAN OPTION - SR620 |
| | | S180015.79 | ** 2 BLADE/PAN OPTION - SR620 (BONDIOLI) |
| 1 | 3 | 180576 | ANTI SCALP BLADE PLATE |
| 2 | 3 | 180578 | BLADE SPACER PLATE |
| 3 | 3 | 180577 | * CARRIER (2 BLADE) |
| | 3 | 181273 | ** CARRIER (2 BLADE) BONDIOLI |
| 4 | 10 | 7770707 | BLADE BUSH |
| 5 | 10 | 2770413 | BOLT |
| 6 | 10 | 2770414 | NYLOCK NUT |
| 7 | 2 | 7770701 | LH BLADE C/W FIN |
| 8 | 4 | 7770700 | RH BLADE C/W FIN |
| 9 | 2 | 180590 | * UPPER BLADE CARRIER (2 BLADES) |
| | 2 | 181275 | ** UPPER BLADE CARRIER (2 BLADES) BONDIOLI |
| 10 | 2 | 180591 | ANTI SCALP BLADE PLATE |
| 11 | 2 | 7770730 | LH OUTER BLADE |
| 12 | 2 | 7770731 | RH OUTER BLADE |

4 BLADE / PAN OPTION – SR620

Module(s): S180015.56, S180015.80

McCONEL



4 BLADE / PAN OPTION FOR SR620 (S180015.56 / S180015.80)

4 BLADE / PAN OPTION – SR620

McCONNEL

Module(s): S180015.56, S180015.80

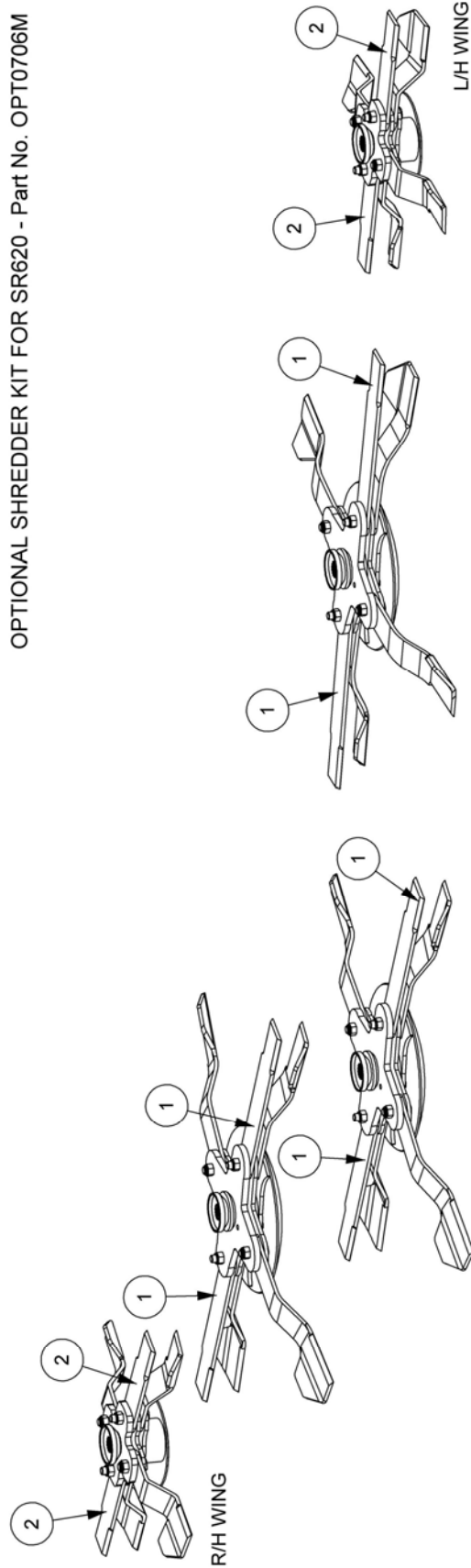
| REF. | QTY. | PART No. | DESCRIPTION |
|------|------|-------------------|---|
| | | S180015.56 | * 4 BLADE/PAN OPTION - SR620 |
| | | S180015.80 | ** 4 BLADE/PAN OPTION - SR620 (BONDIOLI) |
| 1 | 3 | 180576 | ANTI SCALP BLADE PLATE |
| 2 | 3 | 180578 | BLADE SPACER PLATE |
| 3 | 3 | 180584 | * CARRIER (4 BLADE) |
| | 3 | 181274 | ** CARRIER (4 BLADE) BONDIOLI |
| 4 | 30 | 7770707 | BLADE BUSH |
| 5 | 10 | 2770413 | BOLT |
| 6 | 20 | 2770414 | NYLOCK NUT |
| 7 | 4 | 7770701 | LH BLADE C/W FIN |
| 8 | 8 | 7770700 | RH BLADE C/W |
| 9 | 10 | T3000 | BOLT |
| 10 | 2 | 180592 | * UPPER BLADE CARRIER (4 BLADES) |
| | 2 | 181276 | ** UPPER BLADE CARRIER (4 BLADES) BONDIOLI |
| 11 | 2 | 180591 | ANTI SCALP BLADE PLATE |
| 12 | 4 | 7770730 | LH OUTER BLADE |
| 13 | 4 | 7770731 | RH OUTER BLADE |
| 14 | 3 | 180579 | MIDDLE BLADE PLATE |
| 15 | 2 | 180594 | BLADE SPACER PLATE |

SHREDDER KIT OPTION – SR620

McCONEL

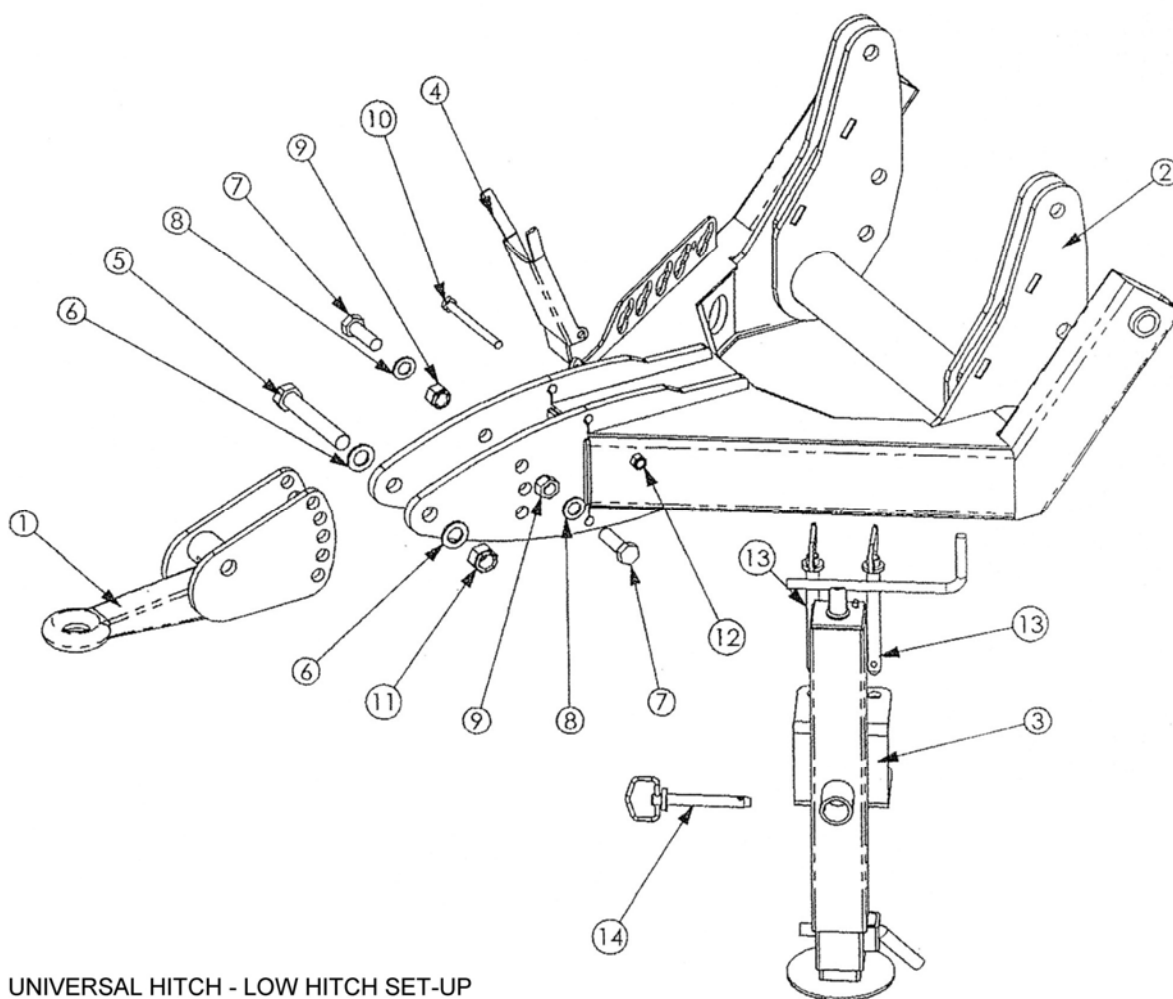
Module(s): OPT0706M

OPTIONAL SHREDDER KIT FOR SR620 - Part No. OPT0706M



| REF. | QTY. | PART No. OPT0706M | DESCRIPTION SHREDDER KIT - SR620 |
|------|------|----------------------|-------------------------------------|
| 1 | 6 | 046001 | LH STARCUT BLADE |
| 2 | 4 | 062001 | FLAT BLADE |

Module(s):



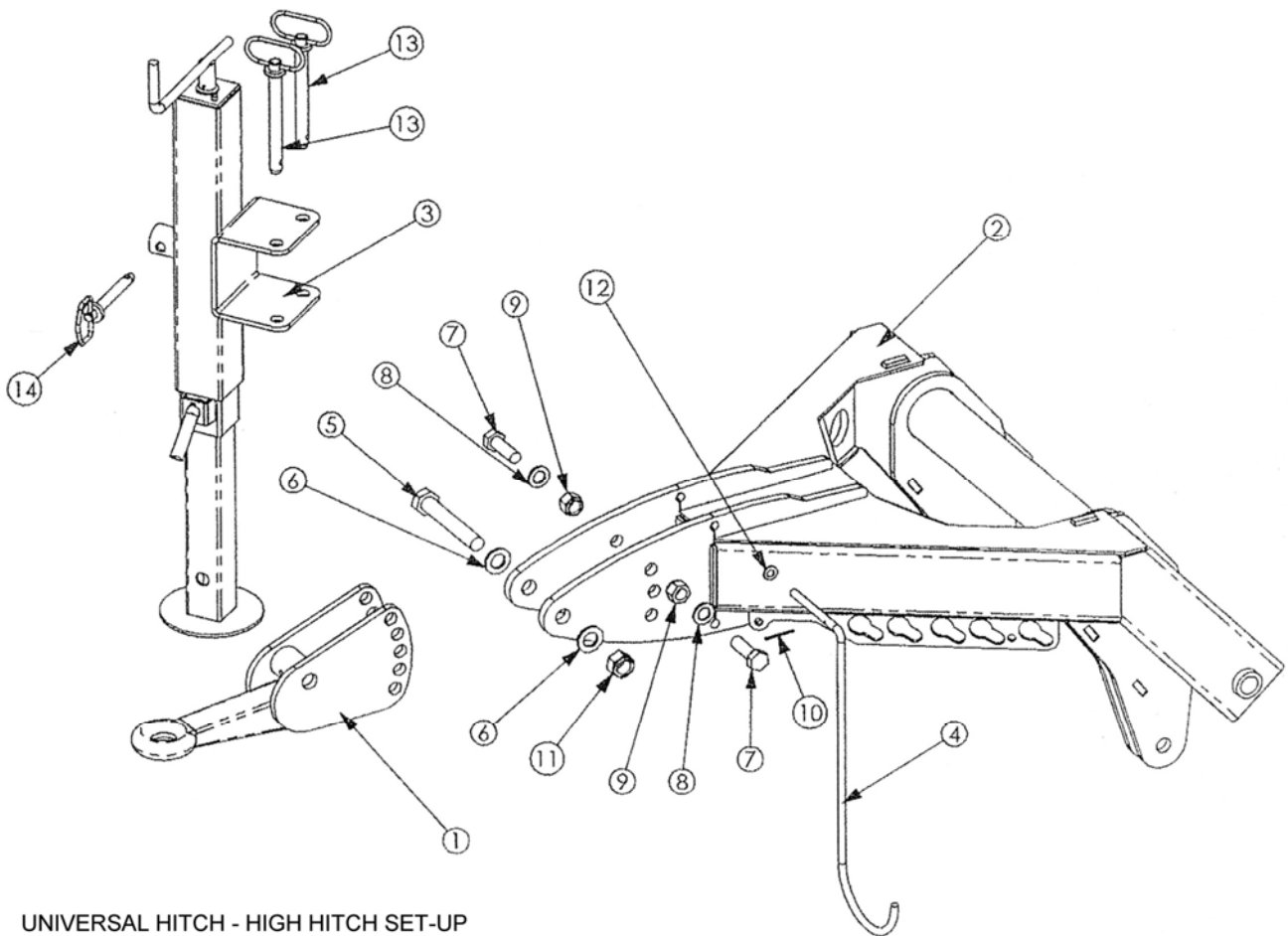
UNIVERSAL HITCH - LOW HITCH SET-UP

| REF. | QTY. | PART No. | DESCRIPTION |
|---|------|-----------|------------------------|
| UNIVERSAL HITCH - LOW HITCH SET-UP | | | |
| 1 | 1 | 1770681 | TOWING EYE BRACKET |
| 2 | 1 | 180587 | UNIVERSAL DRAWBAR |
| 3 | 1 | 180595 | BOX JACK |
| 4 | 1 | 1770689 | PTO SUPPORT |
| 5 | 1 | 2770406 | BOLT |
| 6 | 2 | 2770464 | FLAT WASHER |
| 7 | 2 | 05.264.48 | BOLT |
| 8 | 2 | 2770517 | FLAT WASHER |
| 9 | 2 | 2770409 | NYLOCK NUT |
| 10 | 1 | 2770584 | BOLT |
| 11 | 1 | 2770414 | NYLOCK NUT |
| 12 | 1 | 2770417 | NYLOCK NUT |
| 13 | 2 | 6310176 | JACK PIN c/w LYNCH PIN |
| 14 | 1 | 6310220 | CAT.0 PIN c/w HANDLE |

UNIVERSAL HITCH – HIGH HITCH SET-UP

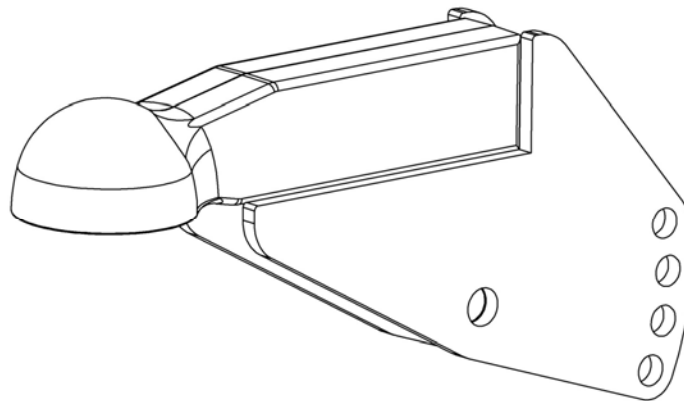
McCONNEL

Module(s):



UNIVERSAL HITCH - HIGH HITCH SET-UP

| REF. | QTY. | PART No. | DESCRIPTION |
|------|------|-----------|--|
| | | | UNIVERSAL HITCH - HIGH HITCH SET-UP |
| 1 | 1 | 1770681 | TOWING EYE BRACKET |
| 2 | 1 | 180587 | UNIVERSAL DRAWBAR |
| 3 | 1 | 180595 | BOX JACK |
| 4 | 1 | 1777541 | PTO SUPPORT |
| 5 | 1 | 2770406 | BOLT |
| 6 | 2 | 2770464 | FLAT WASHER |
| 7 | 2 | 05.264.48 | BOLT |
| 8 | 2 | 2770517 | FLAT WASHER |
| 9 | 2 | 2770409 | NYLOCK NUT |
| 10 | 1 | 2770238 | SPLIT PIN |
| 11 | 1 | 2770414 | NYLOCK NUT |
| 12 | 1 | 2770436 | FLAT WASHER |
| 13 | 2 | 6310176 | JACK PIN c/w LYNCH PIN |
| 14 | 1 | 6310220 | CAT.0 PIN c/w HANDLE |



K80 BALL HITCH OPTION - Part No. 180448



McConnel Limited, Temeside Works, Ludlow, Shropshire SY8 1JL. England.
Telephone: 01584 873131. Facsimile: 01584 876463. www.mcconnel.com