

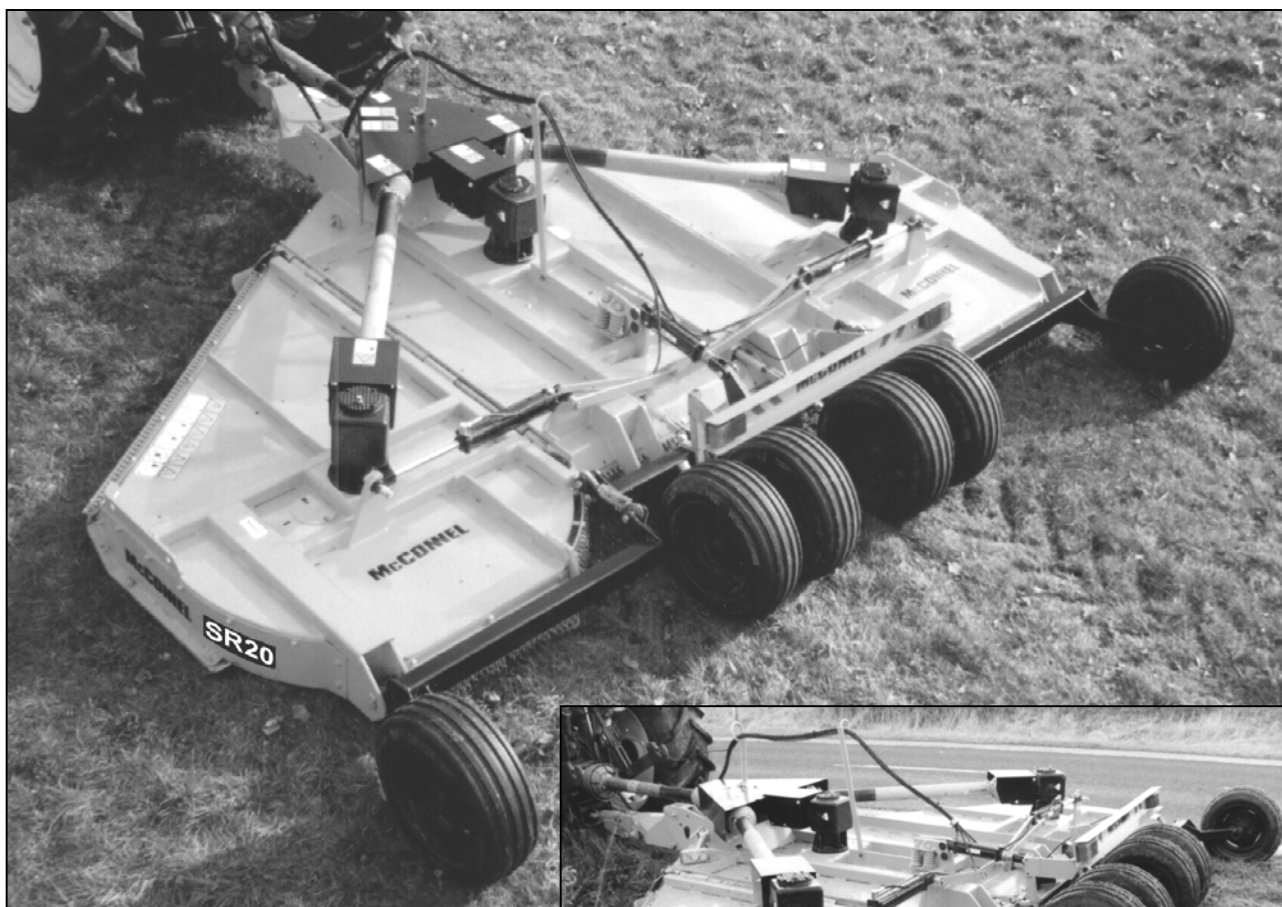
Publication No. 424
August 2002
Part No. 41570.24



SR20

ROTARY MOWER

Parts Manual

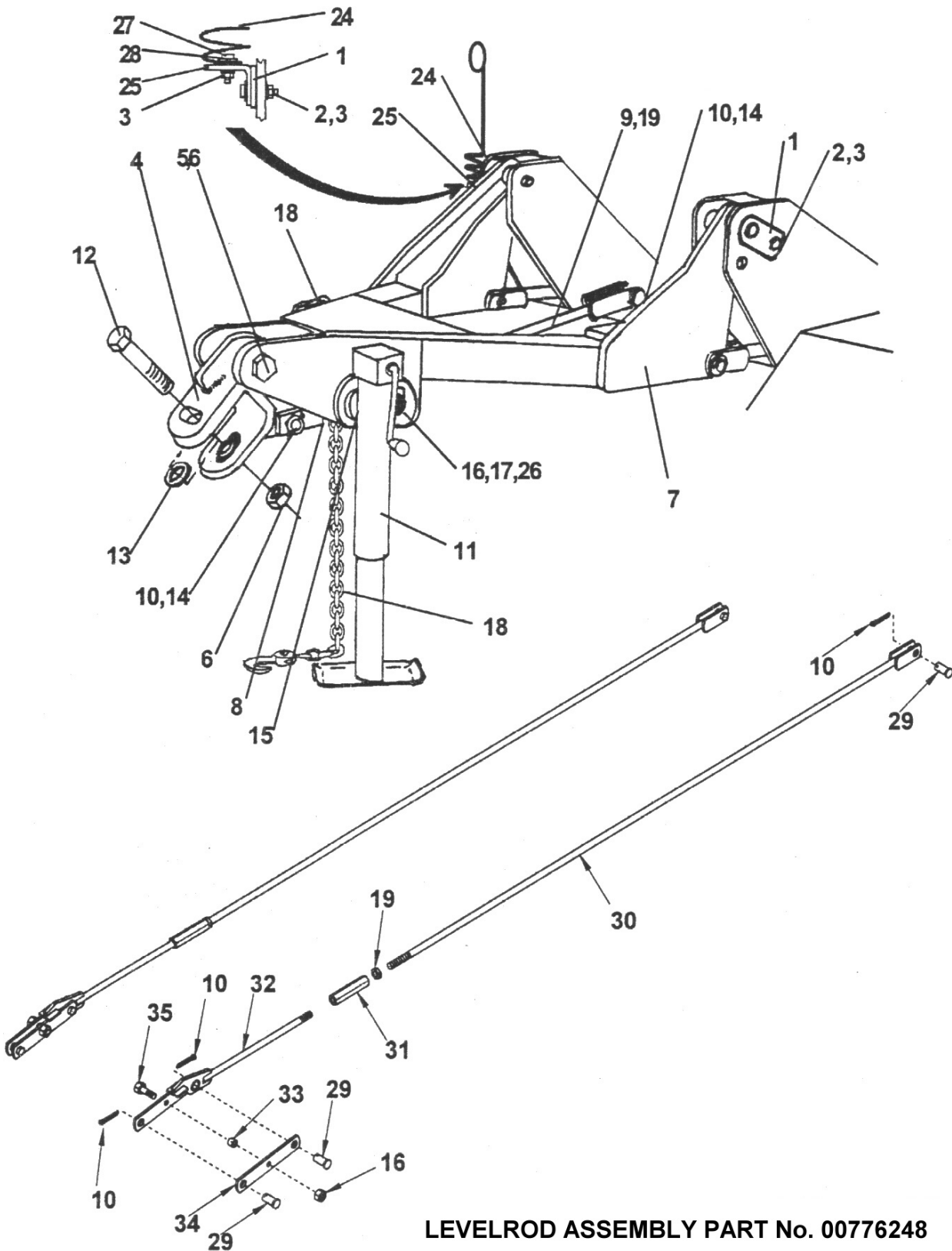


McCOMEL

List of Contents

COMPONENTS	<i>Page No.</i>
Tongue & Level Rod Assembly	2
Axle Assembly	4
Wheel & Hub Assembly	6
Main Deck & Wings	8
Divider Box Guard	10
Gearbox Guards	11
Blade Bar Assembly	12
Blade Pan Assembly	13
Gearboxes & Driveshafts	14
Driveline - Intermediate	15
Slipclutch	16
Driveline - Wing	17
Gearbox Assembly - Divider	18
Gearbox Assembly - Center	20
Gearbox Assembly - Right Wing	22
Gearbox Assembly - Left Wing	24
Hydraulic System	27
Hydraulic System - Axle Ram	28
Hydraulic System - Wing Ram	30
Baffle Kit Assembly	32
Deflectors - Front	34
Deflectors - Rear	35
Chainguard Assembly - Front	36
Chainguard Assembly - Rear	37
Safety Decals	38

TONGUE & LEVELROD ASSEMBLY

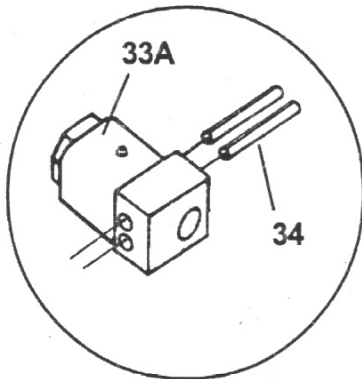


LEVELROD ASSEMBLY PART No. 00776248

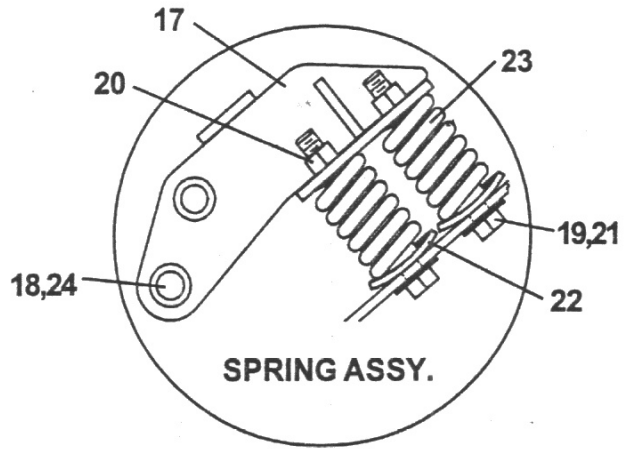

TONGUE & LEVELROD ASSEMBLY

REF.	QTY.	PART No.	DESCRIPTION
1	2	00760895	PIVOT PIN TONGUE
2	2	02030700	BOLT
3	3	00001800	LOCKNUT
4	1	00764540A	CLEVIS
5	1	00755224	BOLT
6	2	02030300	LOCKNUT
7	1	00776245	TONGUE
8	1	00764536	CONTROL ROD - LONG
9	1	00766446	CONTROL ROD - SHORT
10	8	00755153	COTTER PIN
11	1	00769068	PARKING JACK ASSEMBLY
12	1	00755305	BOLT
13	1	00748547	FLATWASHER
14	2	651102	PIN
15	1	00769069	JACK MOUNTING
16	4	00695100	LOCKNUT
17	1	00756077	WASHER - HARDENED
18	1	00757908	TOW CHAIN SAFETY
19	3	5C1490	JAM NUT
20	4	15B1200	WASHER
24	4	02965484	SPRING MOUNT HOSE BRACKET
25	1	00769098	MOUNT, HOSE FLAT BRACKET
26	2	00008300	HEX BOLT
27	1	00749130	HEX SOT
28	1	00002700	FLATWASHER
29	S	00776238	PIN
30	2	00776251	LEVELROD - LONG
31	2	00770485A	ADJUSTING NUT
32	2	00776241	LEVELROD - SHORT
33	2	00776256	SPACER
34	4	00776244	FLAT, FLOATING TOGGLE
35	2	00755082	BOLT

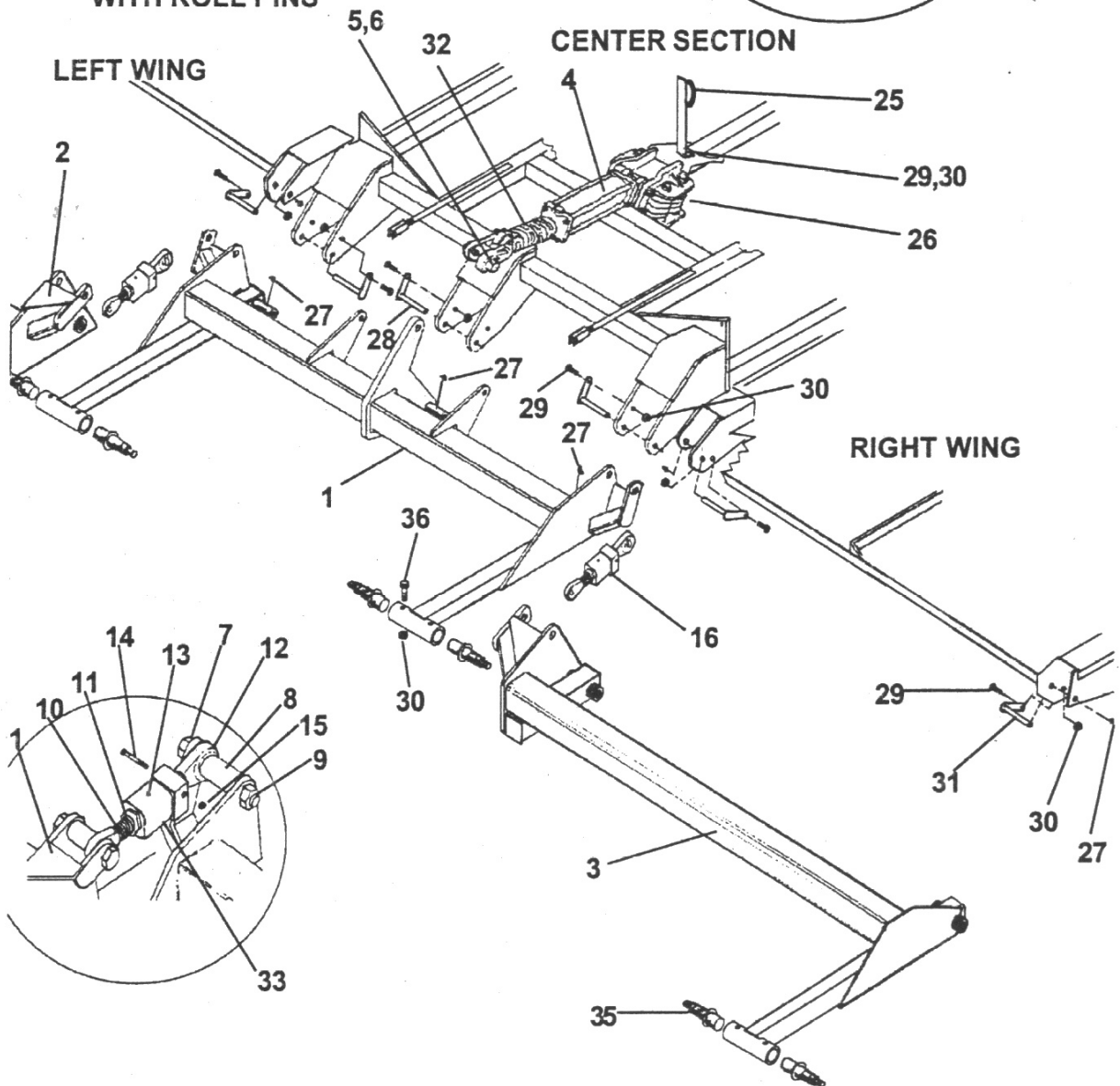
AXLE ASSEMBLY



TURNBUCKLE WITH ROLL PINS



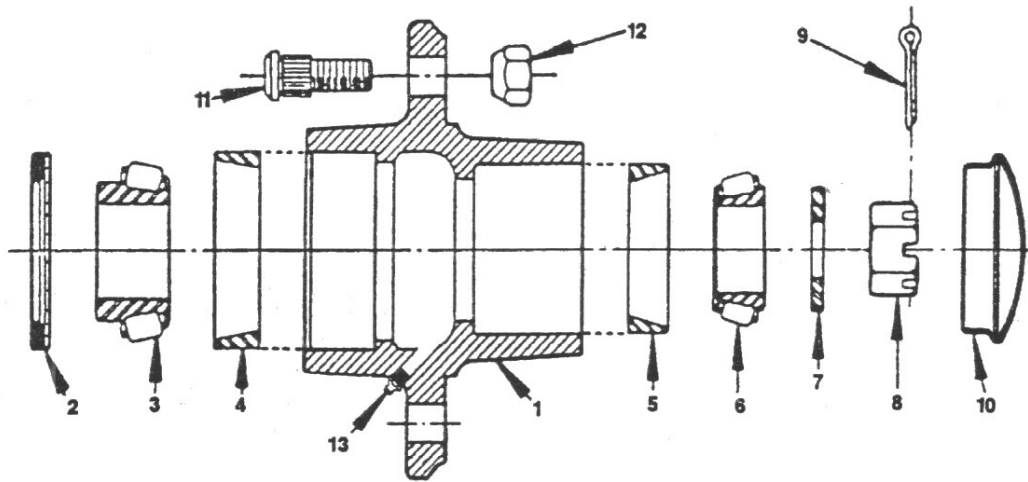
SPRING ASSY.



**AXLE ASSEMBLY**

REF.	QTY.	PART No.	DESCRIPTION
		00768706	CENTER AXLE c/w HUBS
		00768708	LEFT AXLE c/w HUBS
		00768709	RIGHT AXLE c/w HUBS
1	1	00776246	CENTER AXLE LEVEL LIFT
2	1	00776254	LEFT AXLE LEVEL LIFT
3	1	00776253	RIGHT AXLE LEVEL LIFT
4	1	00761802	HYDRAULIC CYLINDER - CENTER AXLE
5	1	8354	PIN - HYDRAULIC CYLINDER
6	1	00606000	COTTER PIN
7	4	00766447	BOLT - AXLE
8	4	00765379	SPACER TUBE
9	4	02030300	LOCKNUT
10	2	00763447	TOP LINK - THREADED
11	2	02012200	JAM NUT
12	2	00763962	TOP LINK
13	2	00752670	GREASE FITTING
14	2	02152800	BOLT
15	2	00750940	LOCKNUT
16	2	00763449	SWIVEL CONTROL ROD ASSEMBLY
17	1	00763244	SPRING SUPPORT TOP
18	2	37107B13	PIN - HAIR CLIP
19	6	00002701	FLAT WASHER
20	6	00037200	LOCKNUT
21	6	02023800	BOLT
22	6	65107A4	SPRING GUIDE
23	6	371063A	SPRING
24	2	0656460240	PIN
25	1	00763457	HOSE BRACKET
26	1	00763248	CENTER SPRING ASSEMBLY (COMPLETE)
27	3	00003500	GREASE FITTING
28	3	00763413	PIN - CENTER
29	9	02030700	BOLT
30	17	00001800	LOCKNUT
31	4	00764990	PIN - WING
32	1	00755234	CONTROL SPACER KIT
33	2	00763450	TURNBUCKLE
33A		00763450A	TURNBUCKLE c/w 2 ROLL PINS
34	2	03100773	PIN SPIRAL
35	8	00768807	SPINDLE
36	8	00764375	BOLT

WHEEL & HUB ASSEMBLY



Complete Hub & Spindle Assembly after Serial No. 11090 use Part No. 00776306

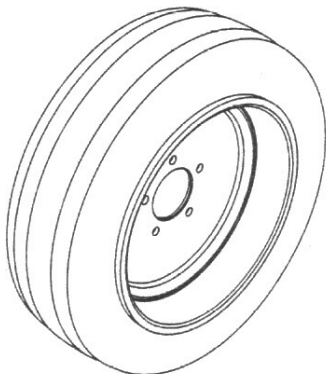
'H' HUB GROUP

REF.	QTY.	PART No.	DESCRIPTION
1	1	371247SA	*HUB SUB ASSEMBLY
2	1	371247F	SEAL
3	1	371247E	BEARING CONE
4	1	371247D	BEARING CUP
5	1	00016900	BEARING CUP
6	1	02957149	BEARING CONE
7	1	15B1400	WASHER
8	1	371247J	NUT SLOT - Standard
9	1	00026200	COTTER PIN
10	1	371247G	HUB CAP
11	5	13198	HUB BOLT
12	5	00750614	NUT

** Includes Hub and 1 each #371247D and #00016900 Bearing Cups pressed in place with 5 each #13198 Hub Bolts and #00750614 Hub Nuts*

NOTE: Hub only is not offered as a separate repair part. When ordering Bearings it is recommended that both Cup and Cone be specified.

NOTE: TWO ASSEMBLIES REQUIRED PER UNIT

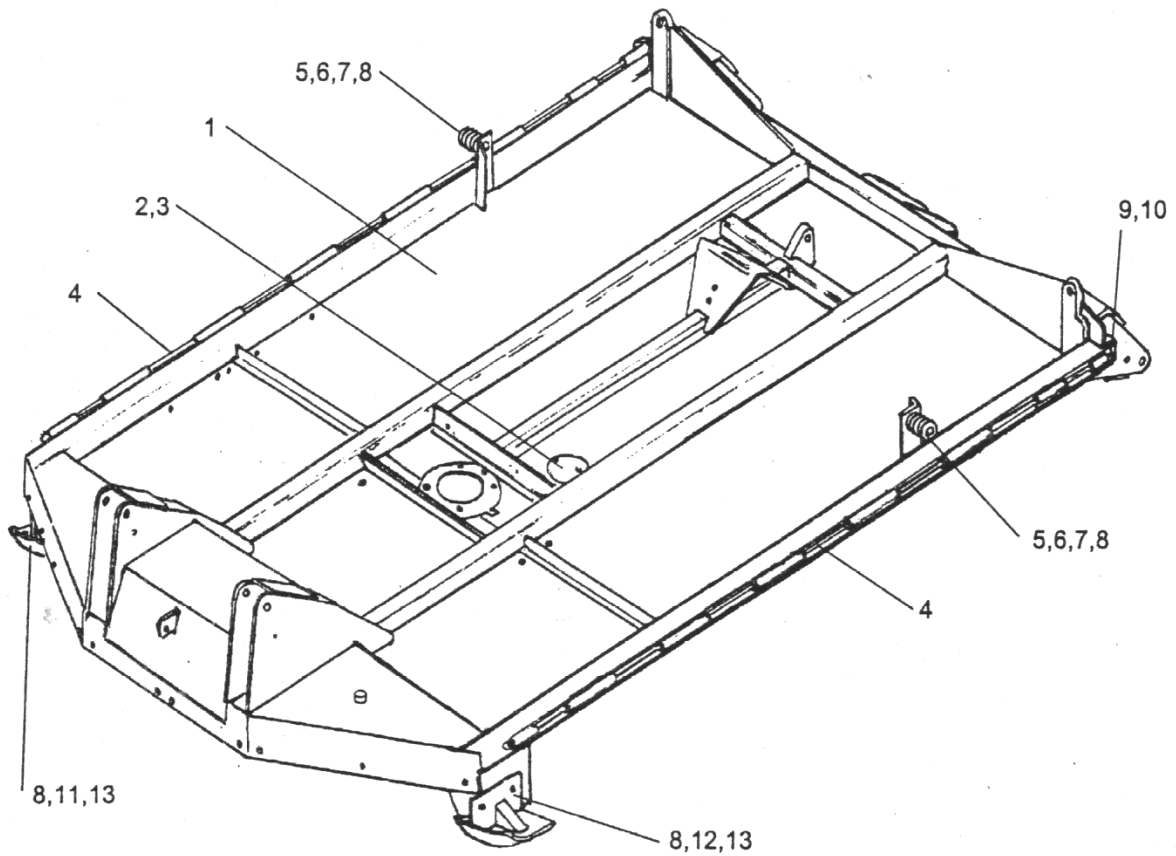


1048038

WHEEL & TYRE ASSEMBLY

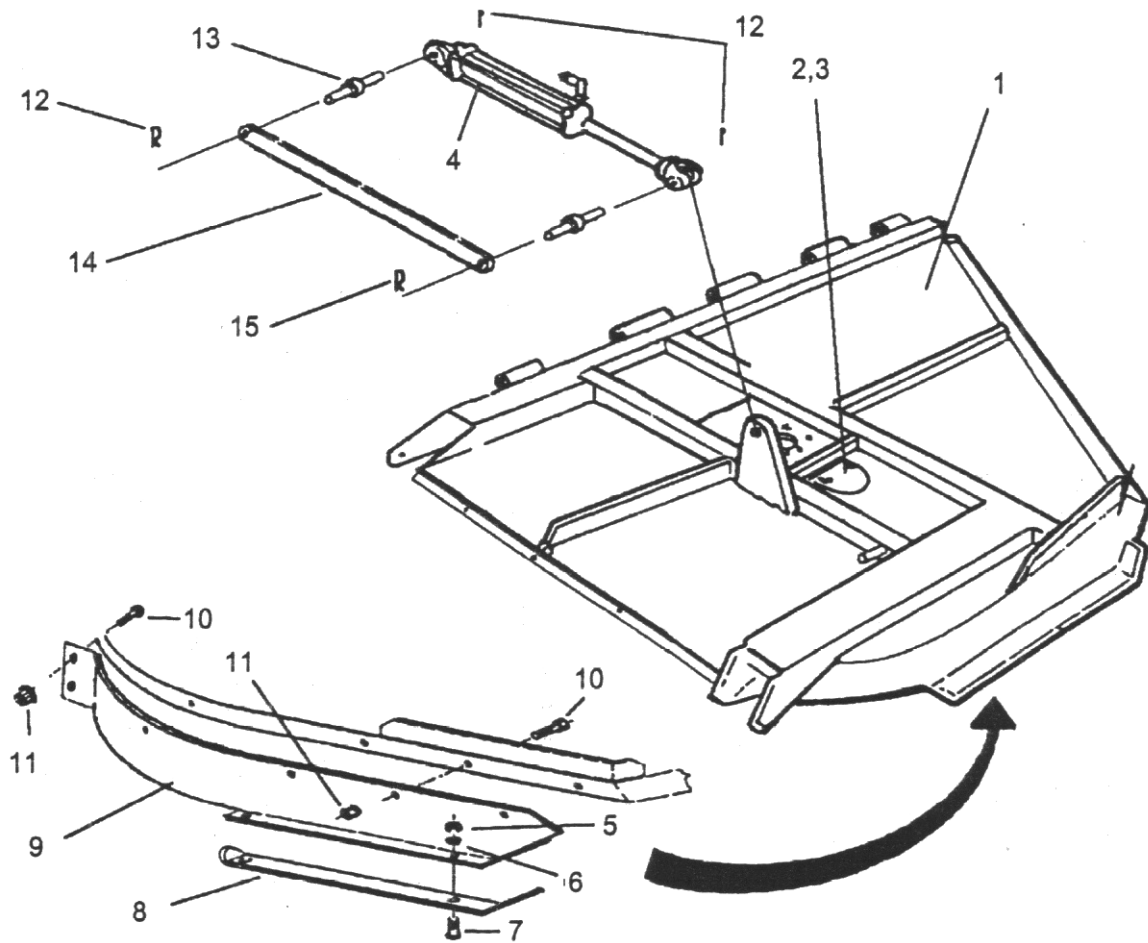
8

MAIN DECK & WINGS



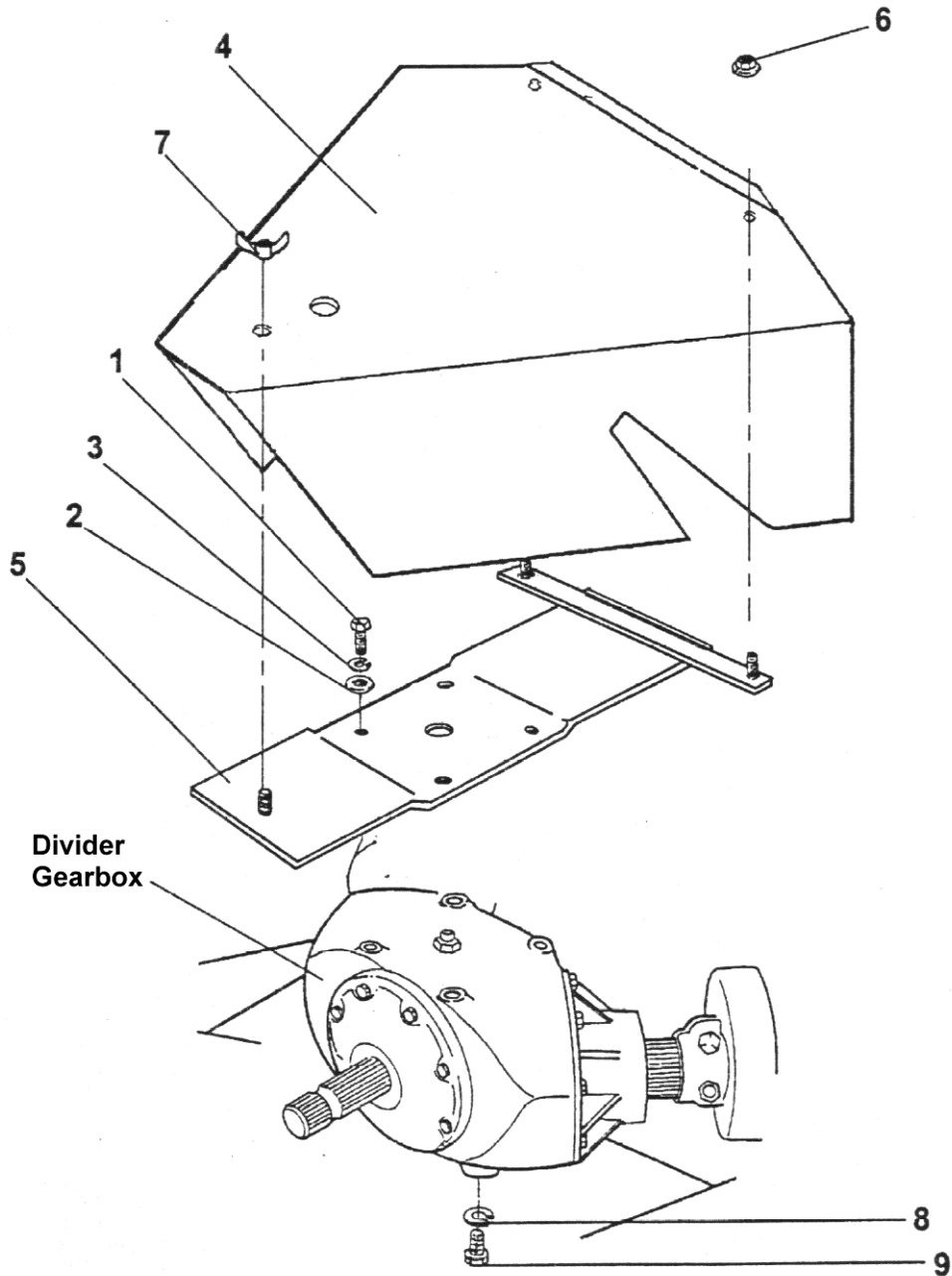
REF.	QTY.	PART No.	DESCRIPTION
1	1	00767544	CENTER SECTION
2	1	5710121	COVER PLATE
3	2	5F5180	WING NUT
4	2	00769036	HINGE ROD
5	2	02036400	BOLT
6	2	0811120000	SPRING RETAINER DISK
7	2	371063A	SPRING
8	6	00001800	LOCKNUT
9	2	02766400	HEX BOLT
10	2	00750940	LOCK NUT
11	1	00763996	RIGHT SKID SHOE
12	1	00764020	LEFT SKID SHOE
13	4	00748823	BOLT

MAIN DECK & WINGS



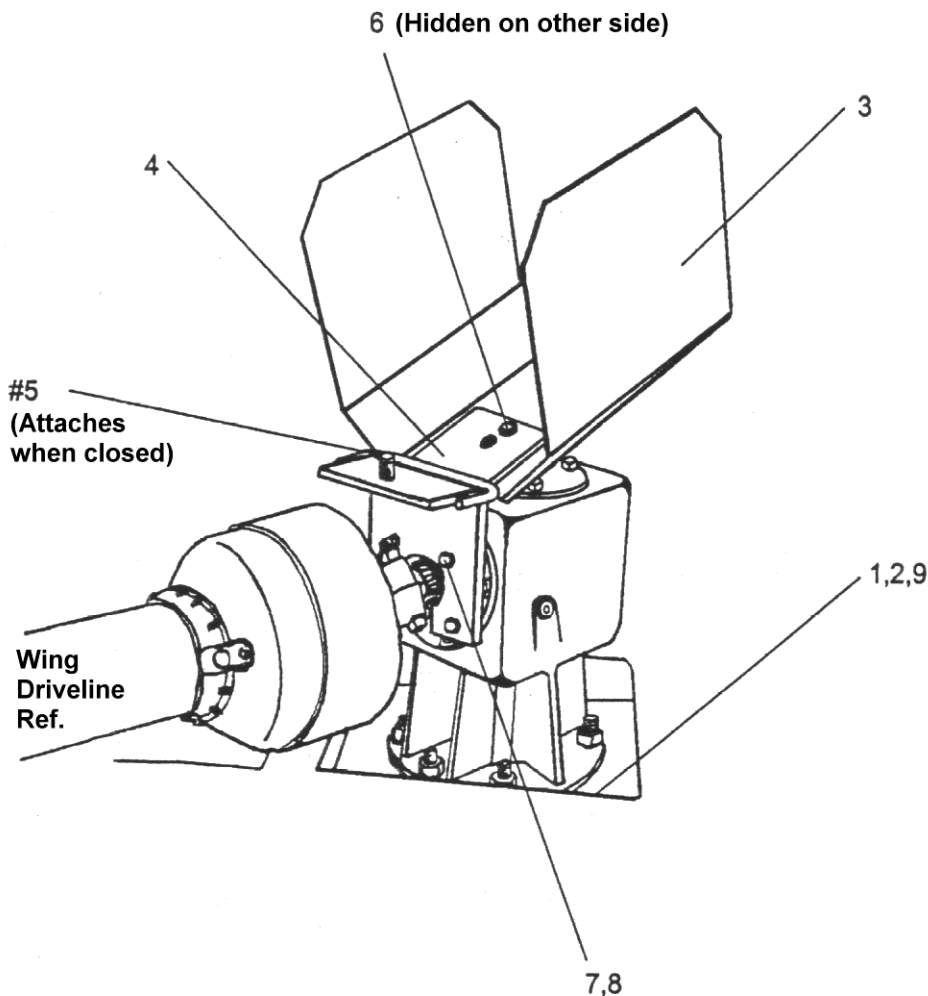
REF.	QTY.	PART No.	DESCRIPTION
1	1	00767545	LEFT WING - DECK (not illustrated)
	1	00767546	RIGHT WING - DECK
2	1	5710121	COVER PLATE
3	1	5F5180	WING NUT
4	1	00759947	WING LIFT CYLINDER
5	4	00001800	LOCKNUT
6	4	15B800	WASHER, PLAIN
7	4	2A381312	PLOW BOLT
8	1	00763596	FLAT SKID SHOE
9	1	00764982	SIDE SKIRT RIGHT HAND
	1	00764983	SIDE SKIRT LEFT HAND (not illustrated)
10	10	02030700	BOLT
11	10	4526	LOCKNUT
12	3	00606000	COTTER PIN
13	2	8352	PIN ASSEMBLY
14	1	8345	TRANSPORT BAR
15	1	37107B13	CLIP - HAIR PIN

DIVIDER BOX GUARD



REF.	QTY.	PART No.	DESCRIPTION
1	4	02030700	BOLT
2	4	00002700	FLAT WASHER
3	4	00001300	LOCKWASHER
4	1	00769085	GEARBOX SHIELD
5	1	00769089	SHIELD BRACKET
6	2	4528	LOCKNUT
7	1	5F8130	WING NUT
8	6	00010300	LOCKWASHER
9	6	00752658	BOLT

GEARBOX GUARDS

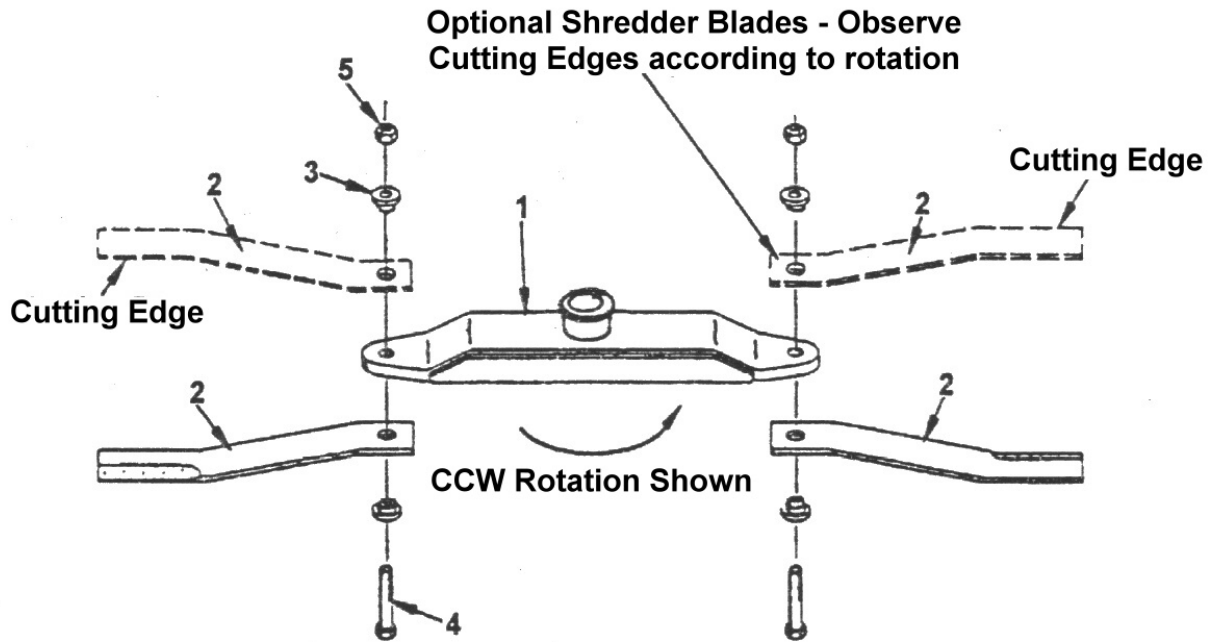


NOTE: Only Wing Gearbox attachment is shown, Center Gearbox has a different Driveline.

CENTER & WING GEARBOX ATTACHMENT

REF.	QTY.	PART No.	DESCRIPTION
1	6	00749127	BOLT - FINE THREAD
2	6	00749136	LOCKNUT - FINE THREAD
3	1	0651450301	DRIVELINE SHIELD
4	1	00769101	SHIELD BRACKET
5	1	5F8130	WING NUT - not illustrated
6	3	4526	NUT
7	12	00753723	METRIC BOLT
8	12	00011700	LOCKWASHER
9	6	00756077	WASHER - under bolt head

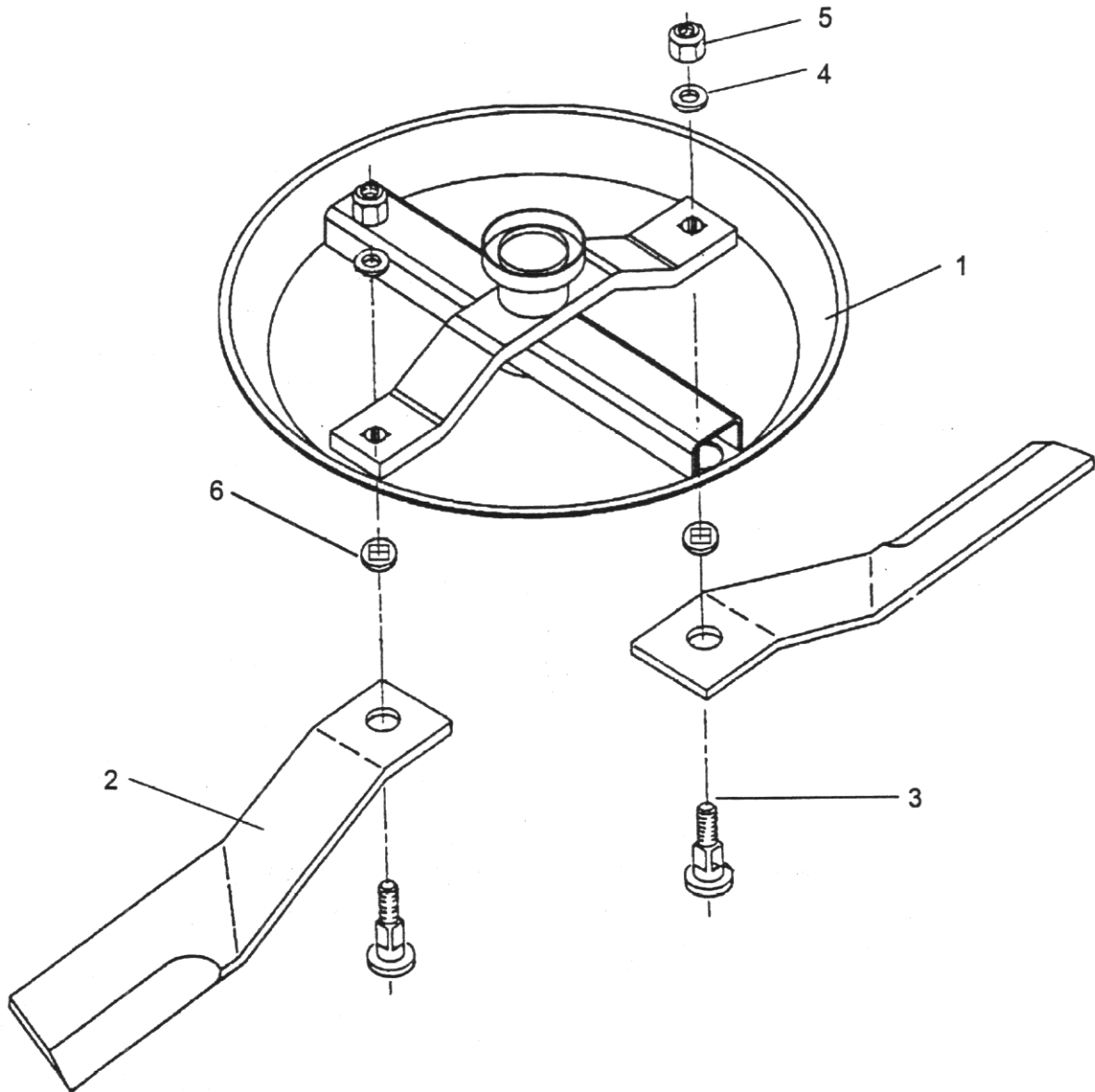
BLADE BAR ASSEMBLY



REF.	QUANTITY				PART No.	DESCRIPTION
1	1	1	1	1	00767554	BLADE BAR - S/N 10786 & above
	1	1	1	1	00758794	BLADE BAR - S/N 10785 & below
2	2	2	-	-	582013	FLAT BLADE CCW/CW
	2	-	2	-	0582010330	CCW FAN BLADE - bottom only - Centre & Left Wing
	2	-	-	2	0582010332	CW FAN BLADE - bottom only - Right Wing
3	4	4	4	4	0811230060	BLADE BUSHING BOLT
4	2	2	2	2	7AH8141436	HEX HEAD BOLT
5	2	2	2	2	00750226	LOCKNUT

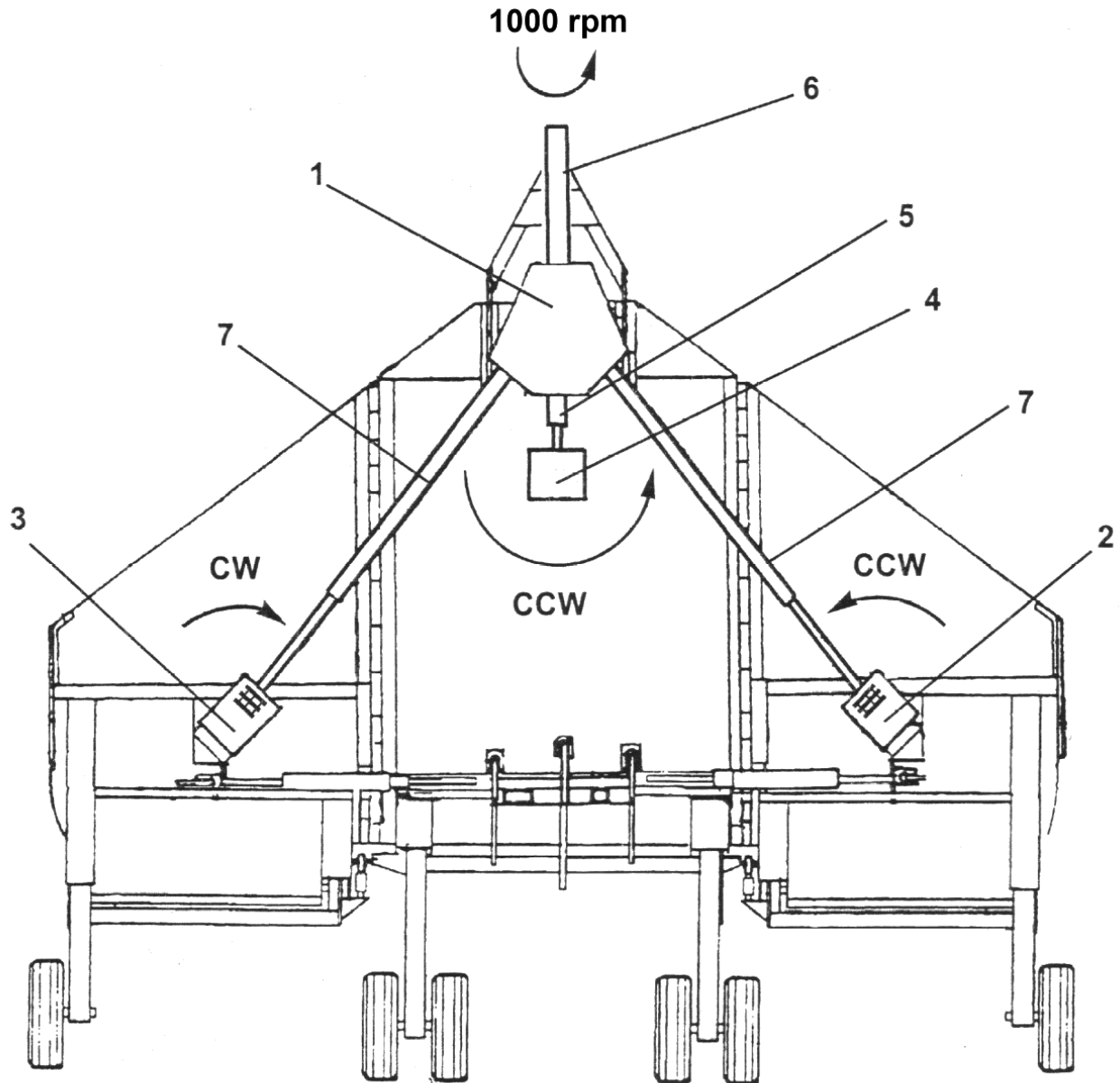
- 00767263 FAN (CW) ASSY. 2" HUB
- 00767623 FAN (CW) ASSY. 2-3/8" HUB
- 00767262 FAN (CCW) ASSY. 2" HUB
- 00767622 FAN (CCW) ASSY. 2-3/8" HUB
- 00767261 FLAT BLADE ASSY. 2" HUB
- 00767261 FLAT BLADE ASSY. 2-3/8" HUB

BLADE PAN ASSEMBLY



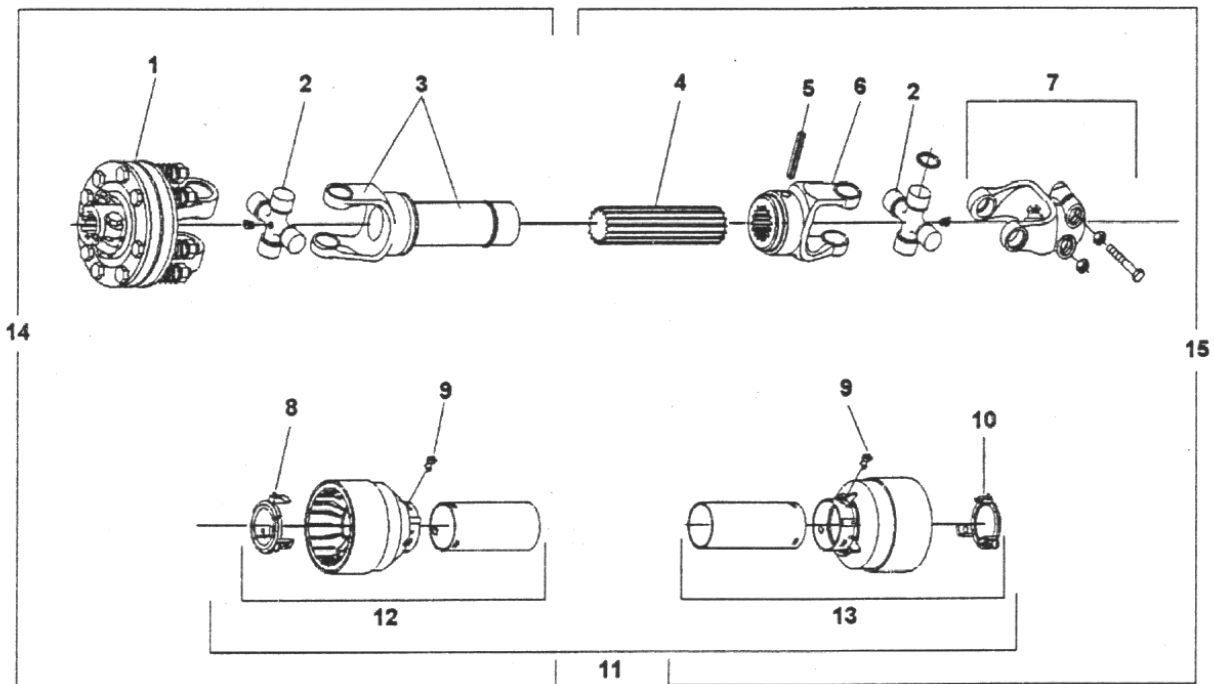
REF.	QTY.	PART No.	DESCRIPTION
1	1	00767541	DISHPAN 2-3/8" HUB - S/N 10786 & above
	1	00768925	DISHPAN 2" HUB - S/N 10785 & below
2	4	00764679P	BLADE - UPDRAFT CCW (LEFT & CENTER)
	2	00764678P	BLADE - UPDRAFT CW (RIGHT)
3	2	8227	BLADE BOLT
4	2	9216	WASHER
5	2	5JRC16140	LOCKNUT
6	2	00758579	WASHER - SPECIAL SQUARE HOLE

GEARBOXES & DRIVESHAFTS



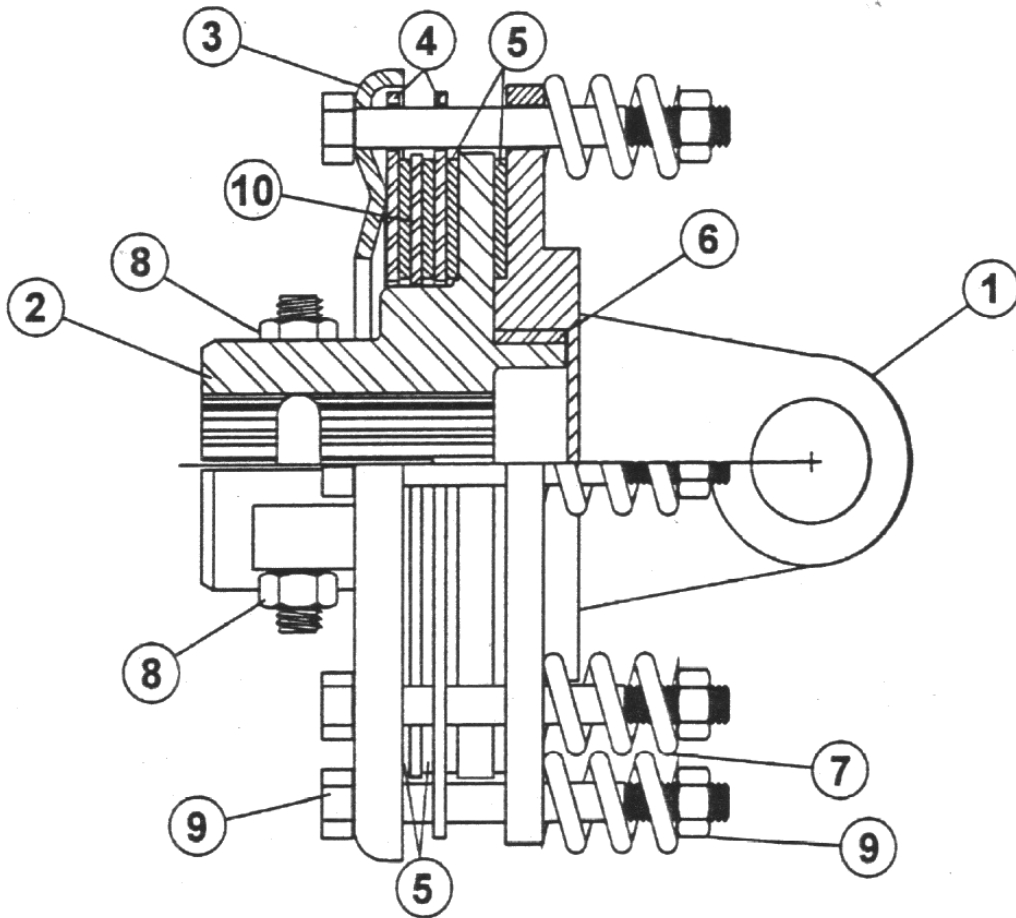
REF.	QTY.	PART No.	DESCRIPTION
1	1	00769116	GEARBOX - DIVIDER 1000 RPM
2	1	00769927	GEARBOX - LEFT WING
3	1	00769924	GEARBOX - RIGHT WING
4	1	00769930	GEARBOX - CENTER
5	1	00756634ACE	PTO SHAFT (INTERMEDIATE)
6	1	1048057	MAIN PTO SHAFT
7	2	00756633A	WING DRIVELINE

DRIVELINE - INTERMEDIATE



REF.	QTY.	PART No.	DESCRIPTION
		00756634A	DRIVELINE - INTERMEDIATE
1	1	00756173	SLIP CLUTCH
2	2	00753068	CROSS JOURNAL SET
3	1	00772269	YOKE WITH SLEEVE ASSEMBLY
4	1	00756651	SPLINED SHAFT
5	1	00758159	ROLL PIN
6	1	00766585	INNER YOKE
7	1	00772743	COMPLETE INTERFERING CLAMP BOLT YOKE 165
8	1	00765420	GUARD RETAINING COLLAR FOR INNER TUBE
9	6	00754330	BOLT
10	1	00765417	RETAINING COLLAR FOR INNER TUBE
11	1	00765463	COMPLETE GUARD c/w INSTRUCTION MANUAL
12	1	00765461	HALF FEMALE GUARD
13	1	00765462	HALF MALE GUARD
14	1	00765459	HALF FEMALE SHAFT c/w GUARDING
15	1	00765460	HALF MALE SHAFT c/w GUARDING

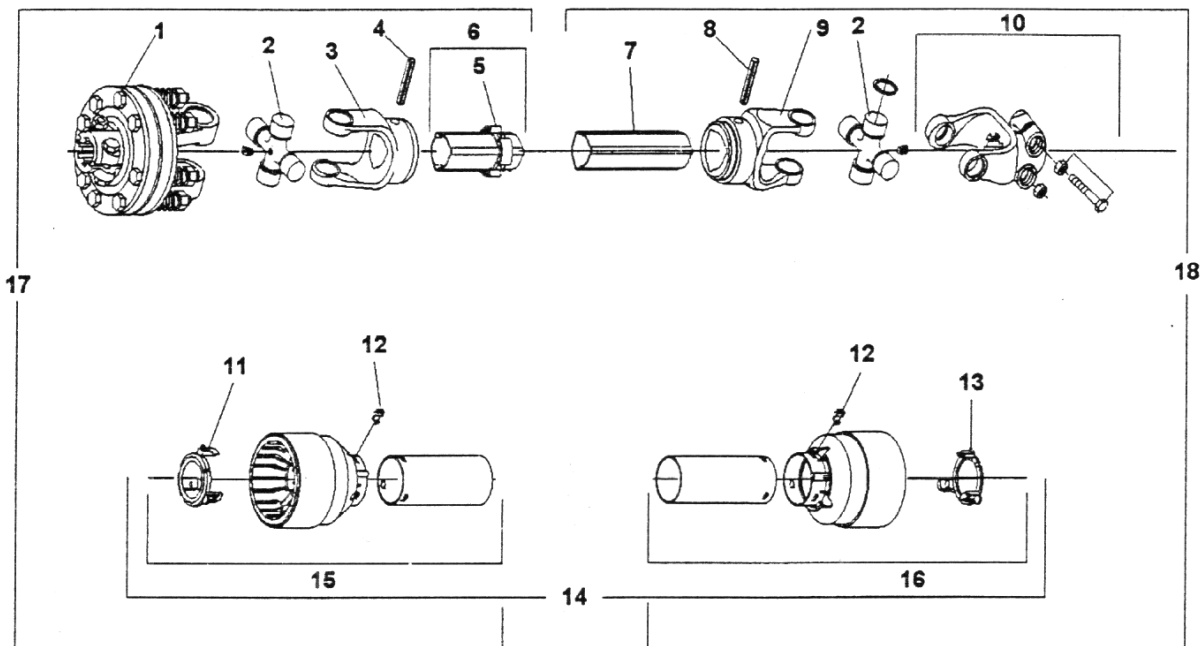
SLIPCLUTCH



For Cat. 5 Drivelines

REF.	QTY.	PART No.	DESCRIPTION
		00756173	SLIP CLUTCH ASSEMBLY
1	1	00754083	YOKE - CLUTCH SERIES 8
2	1	00755599	CLUTCH SUPPORT
3	1	00768810	PRESSURE PLATE
4	2	00754314	PLATE WITH HOLES
5	4	00754202	CLUTCH LINING RING
6	1	00754301	BUSHING
7	8	00754303	SPRING CLUTCH
8	2	00755600	NUT & BOLT
9	8	00754199	NUT & BOLT
	8		NUT & BOLT
10	1	00754201	INTERMEDIATE PLATE

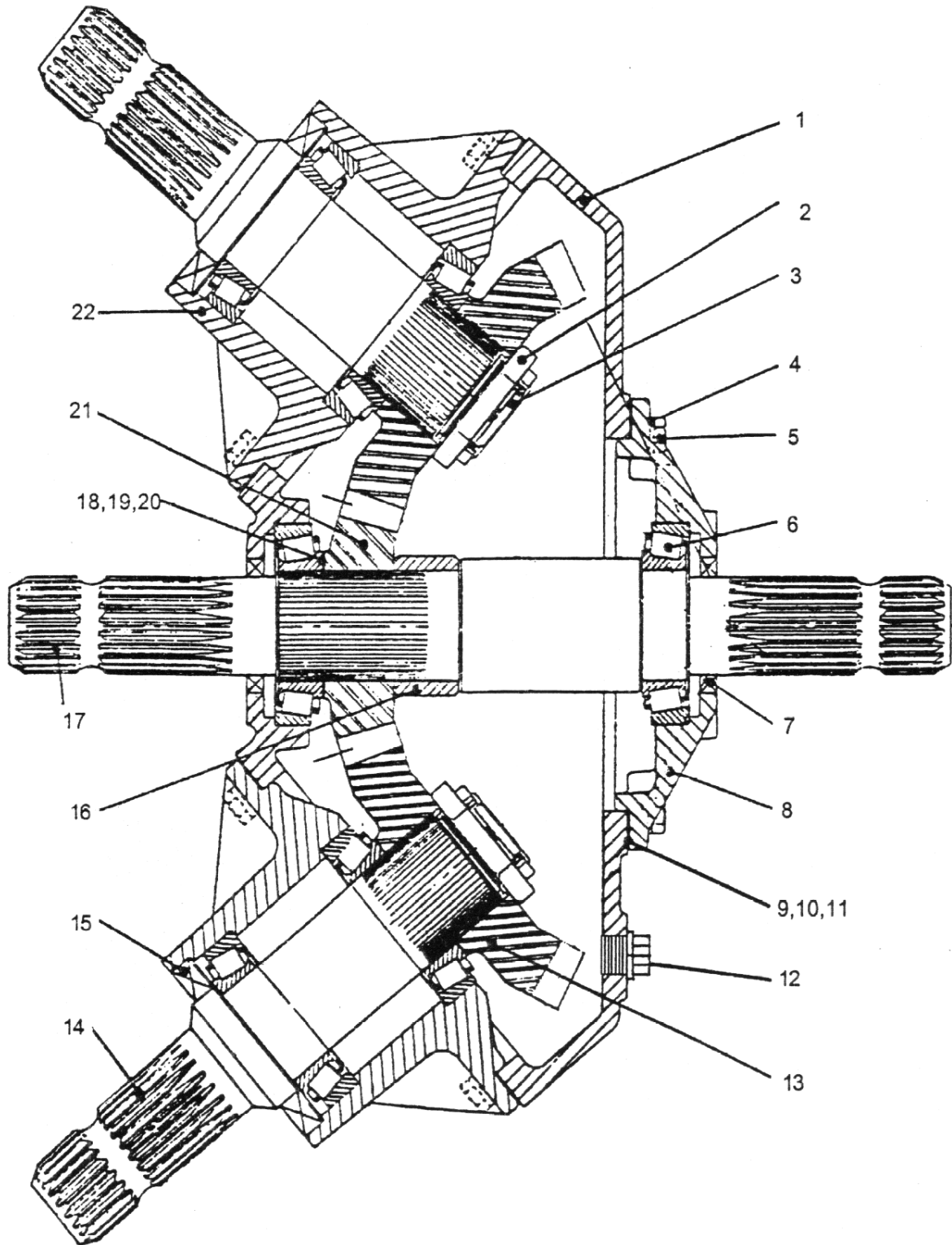
DRIVELINE - WING



REF.	QTY.	PART No.	DESCRIPTION
		00756633A	DRIVELINE - WING
1	1	00756173	SLIP CLUTCH c/w SPRING
2	2	00753068	CROSS JOURNAL SET
3	1	00765471	OUTER YOKE
4	1	00766934	ROLL PIN FOR OUTER TUBE
5	1	00772932	BUSH c/w GREASE NIPPLE
6	1	00765466	COMPLETE OUTER TUBE
7	1	00765465	INNER TUBE
8	1	00756934	ROLL PIN FOR INNER TUBE
9	1	00765472	INNER YOKE
10	1	00757040	COMPLETE INTERFERING CLAMP BOLT YOKE 165
11	1	00765420	GUARD RETAINING COLLAR FOR OUTER TUBE
12	6	00754330	BOLT
13	1	00765417	GUARD RETAINING COLLAR FOR INNER TUBE
14	1	00765448	COMPLETE GUARD c/w INSTRUCTION MANUAL
15	1	00765438	HALF FEMALE GUARD
16	1	00765439	HALF MALE GUARD
17	1	00765447	HALF FEMALE SHAFT c/w GUARDING
18	1	00765446	HALF MALE SHAFT c/w GUARDING

GEARBOX ASSEMBLY - DIVIDER

Part No. 00769115 (540 rpm)
Part No. 00769116 (1000 rpm)



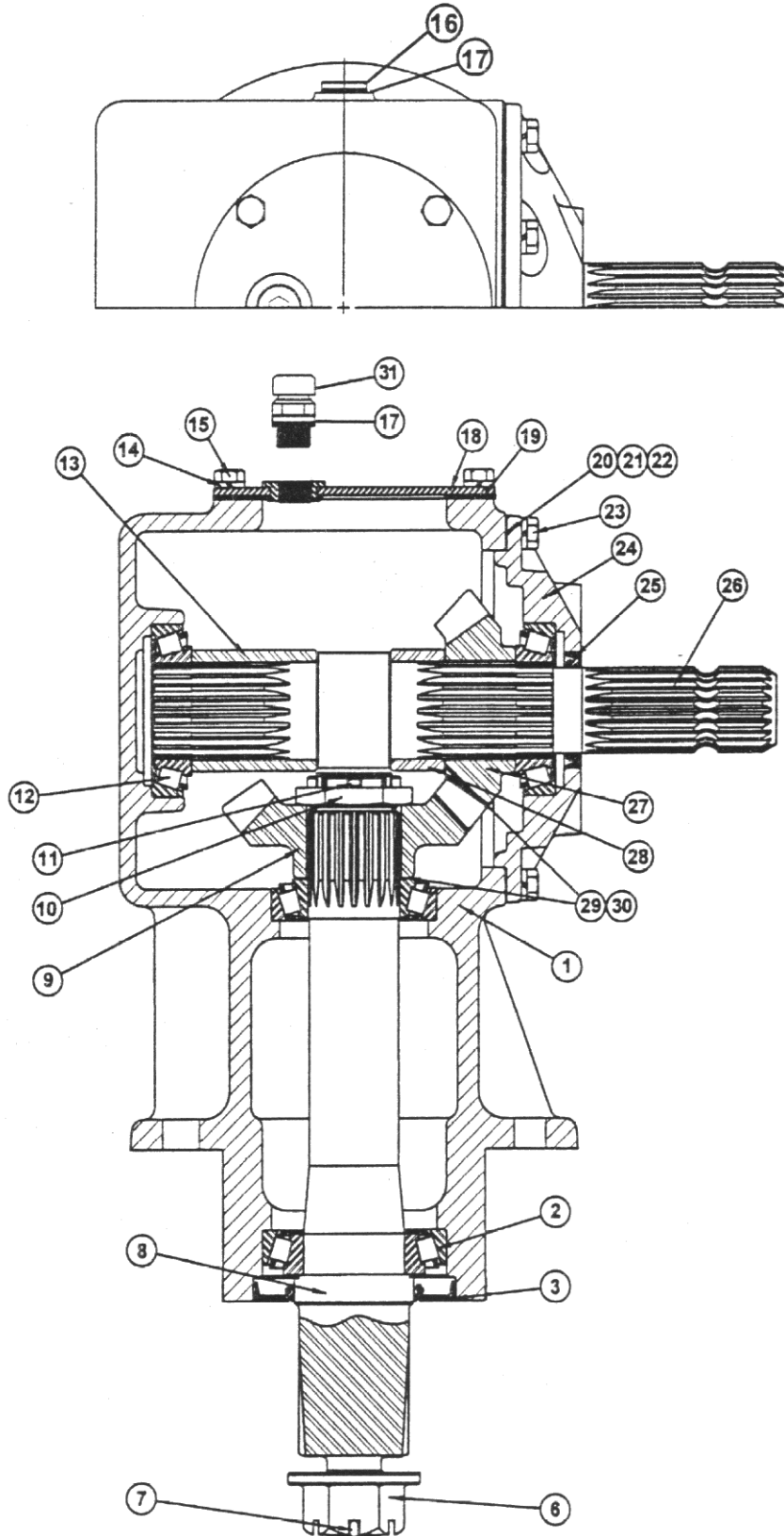


GEARBOX ASSEMBLY - DIVIDER

REF.	QTY.		PART No.	DESCRIPTION
	540	-	00769115	GEARBOX ASSEMBLY - 540 rpm
	-	1000	00769116	GEARBOX ASSEMBLY -1000 rpm
1	1	1	00769162	HOUSING DIVIDER GEARBOX
2	2	2	00762121	NUT MET SLOT
3	2	2	00026200	COTTER PIN
4	24	24	00755954	LOCKWASHER
5	24	24	00758659	BOLT
6	6	6	00755628	BEARING
7	2	2	00758653	SEAL
8	1	1	00762128	INPUT CAP
9	<i>as required</i>		00758646	SHIM ADJUSTMENT 0.1
10	<i>as required</i>		00758647	SHIM ADJUSTMENT 0.25
11	<i>as required</i>		00758648	SHIM ADJUSTMENT 0.5
12	1	1	00762123	PLUG - LEVEL
13	2	N/A	00769160	GEAR 20 TOOTH
	N/A	2	00769159	GEAR 26 TOOTH
14	2	2	00762522	SIDE INPUT SHAFT
15	2	2	00762521	SEAL
16	1	1	00758657	SPACER - INPUT SHAFT
17	1	1	00769163	MAIN INPUT SHAFT
18	<i>as required</i>		00758667	SHIM ADJUSTMENT 0.3
19	<i>as required</i>		00758666	SHIM ADJUSTMENT 0.4
20	<i>as required</i>		00758668	SHIM ADJUSTMENT 0.4
21	1	N/A	00769161	GEAR 23 TOOTH
	N/A	1	00769158	GEAR 20 TOOTH
22	2	2	00762520	HORZ. HUB CAP
23	1	1	00762114	PIPE PLUG - VENTED (<i>not illustrated</i>)

GEARBOX ASSEMBLY - CENTER

Part No. 00769912 (540 rpm)
Part No. 00769930 (1000rpm)
CW in - CCw out



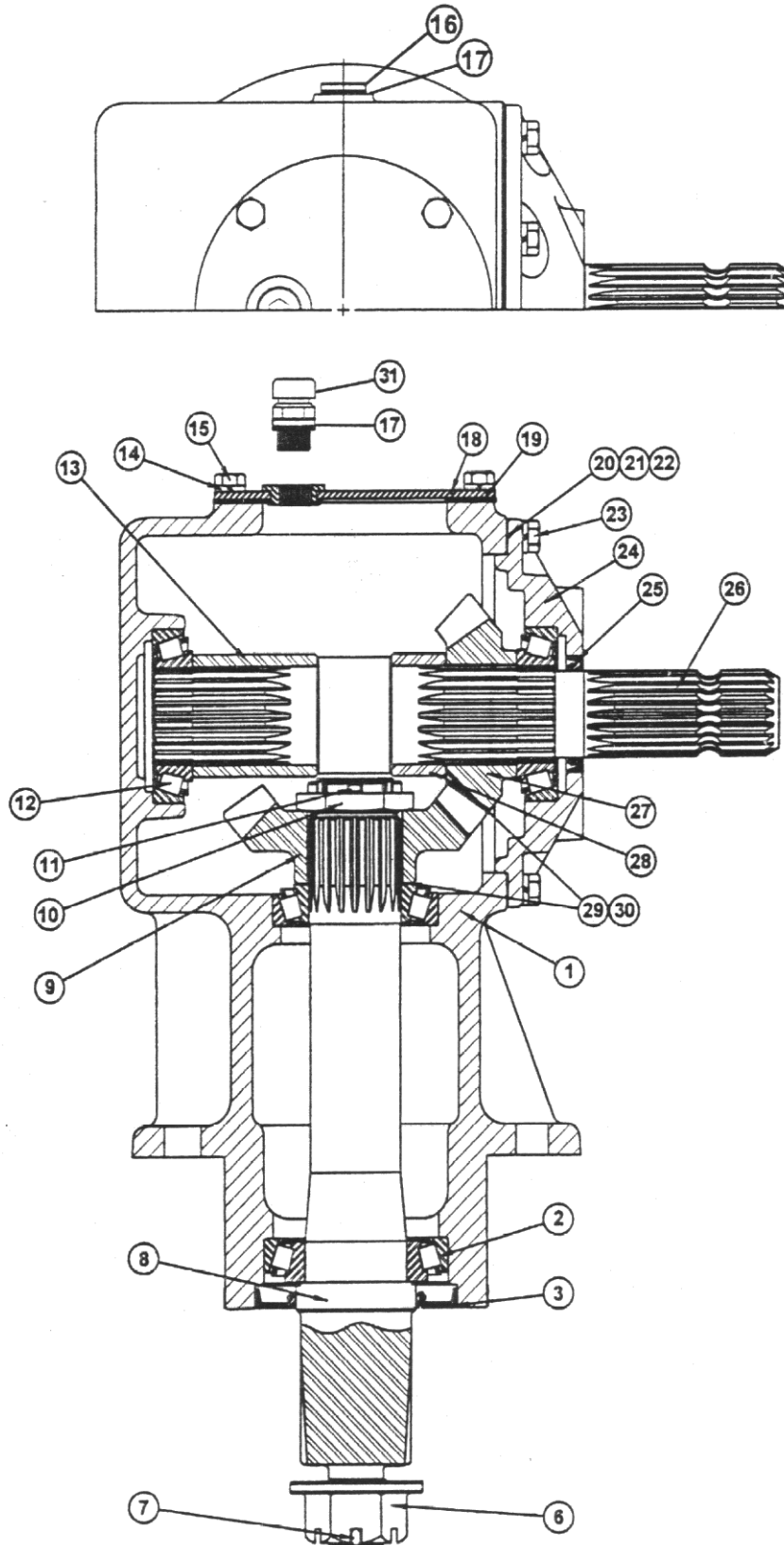


GEARBOX ASSEMBLY - CENTER

REF.	QTY.	PART No.	DESCRIPTION
		00769912	GEARBOX ASSEMBLY (540 RPM) CWIN-CCWOUT
		00769930	GEARBOX ASSEMBLY (1000 RPM) CWIN-CCWOUT
1	1	00770724	HOUSING
2	1	00770725	BEARING ASSEMBLY
3	1	00770726	OIL SEAL
6	1	00771226	FLANGE NUT SLOT
7	1	01422502	COTTER PIN
8	1	00770725	VERTICAL OUTPUT SHAFT
9	1	00770736	13 TOOTH PINION (GEARBOX 00769912)
	1	00770729	19 TOOTH GEAR (GEARBOX 00769930)
10	1	00762121	NUT MET SLOT
11	1	00606000	COTTER PIN
12	3	00755628	BEARING ASSEMBLY
13	1	00770731	INPUT SHAFT SPACER LONG
14	12	00766083	LOCKWASHER
15	4	00754338	BOLT
16	1	00762517	PLUG, SOCKET HEAD
17	2	00769321	SEALING WASHER
18	1	00770732	INSPECTION COVER
19	1	00770733	INSPECTION COVER GASKET
20	<i>as req'd</i>	00758646	SHIM ADJUSTMENT (0.10)
21	<i>as req'd</i>	00758647	SHIM ADJUSTMENT (0.25)
22	<i>as req'd</i>	00758648	SHIM ADJUSTMENT (0.50)
23	8	00765905	BOLT
24	1	00770734	INPUT CAP
25	1	00758653	SEAL
26	1	00770735	INPUT SHAFT
27	1	00770729	19 TOOTH GEAR (GEARBOX 00769912)
	1	00770736	13 TOOTH PINION (GEARBOX 00769930)
28	1	00758657	INPUT SHAFT SPACER
29	<i>as req'd</i>	00758667	SHIM (0.30)
30	<i>as req'd</i>	00758668	SHIM (0.50)
31		00762114	PLUG VENT

GEARBOX ASS'Y - RIGHT WING

Part No. 00769918 (540 rpm)
Part No. 00769924 (1000 rpm)
CW in - CCW out



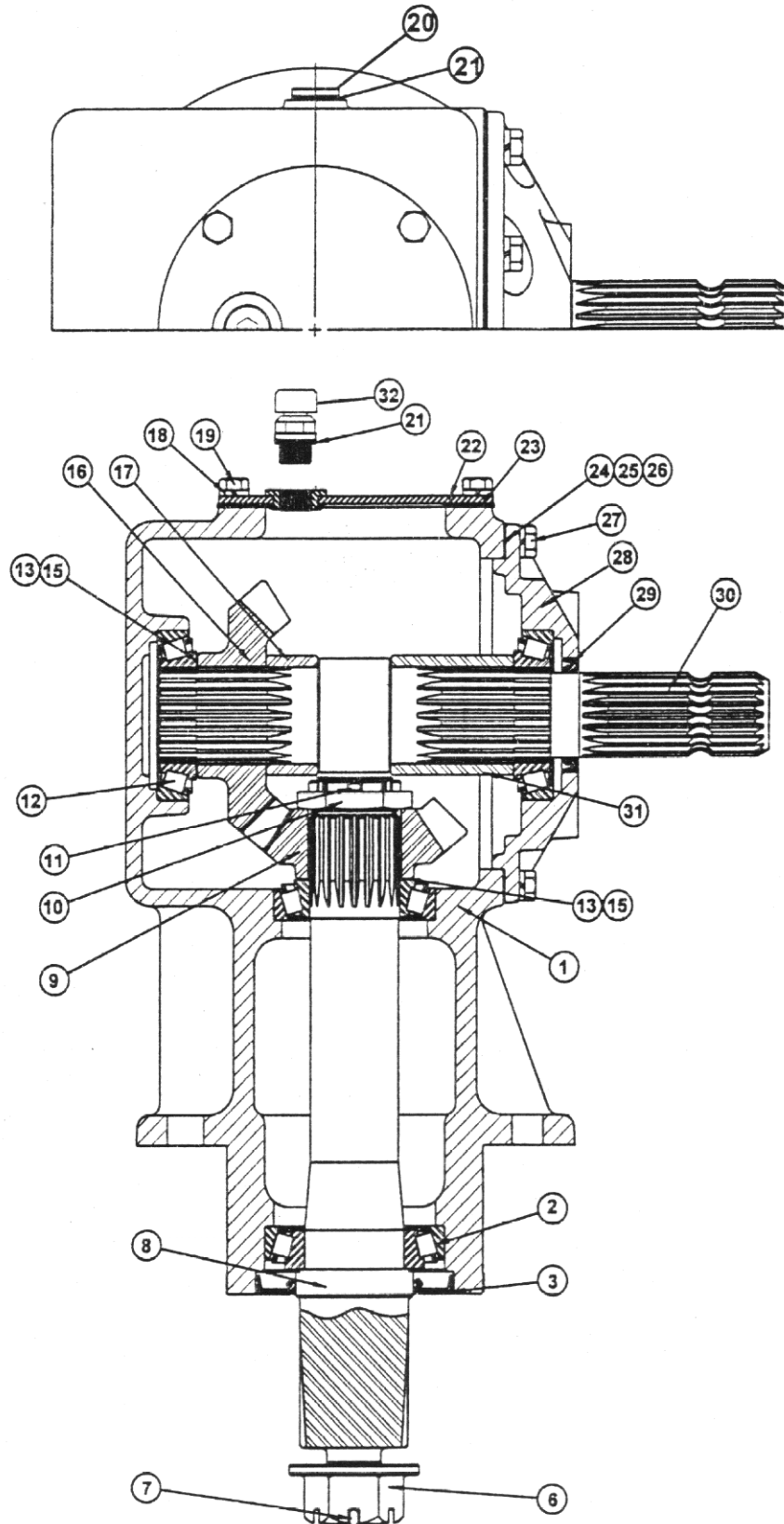


GEARBOX ASS'Y – RIGHT WING

REF.	QTY.	PART No.	DESCRIPTION
		00769918	GEARBOX (540 RPM) CWIN-CCWOUT
		00769924	GEARBOX (1000 RPM) CW IN - CCW OUT
1	1	00770724	HOUSING
2	1	00770725	BEARING ASSEMBLY
3	1	00770726	OIL SEAL
6	1	00771226	FLANGE NUT SLOT
7	1	01422502	COTTER PIN
8	1	00770728	VERTICAL OUTPUT SHAFT
9	1	00770738	14 TOOTH PINION (00769918 GEARBOX)
	1	00770739	17 TOOTH GEAR (00769924 GEARBOX)
10	1	00762121	NUT MET SLOT
11	1	00606000	COTTER PIN
12	3	00755628	BEARING ASSEMBLY
13	1	00770731	INPUT SHAFT SPACER SHORT
14	12	00766083	LOCKWASHER
15	4	00754338	BOLT
16	1	00762517	PLUG SOCKET HEAD
17	2	00769321	SEALING WASHER
18	1	00770732	INSPECTION COVER
19	1	00770733	INSPECTION COVER GASKET
20	<i>as req'd</i>	00758646	SHIM ADJUSTMENT (0.10)
21	<i>as req'd</i>	00758647	SHIM ADJUSTMENT (0.25)
22	<i>as req'd</i>	00758648	SHIM ADJUSTMENT (0.50)
23	8	00765905	BOLT
24	1	00770734	INPUT CAP
25	1	00758653	SEAL
26	1	00770735	INPUT SHAFT
27	1	00770739	17 TOOTH GEAR (00769918 GEARBOX)
	1	00770738	14 TOOTH PINION (00769924 GEARBOX)
28	1	00758657	INPUT SHAFT SPACER LONG
29	<i>as req'd</i>	00758667	SHIM (0.30)
31	<i>as req'd</i>	00758668	SHIM (0.50)
32	1	00762114	PLUG VENT

GEARBOX ASS'Y - LEFT WING

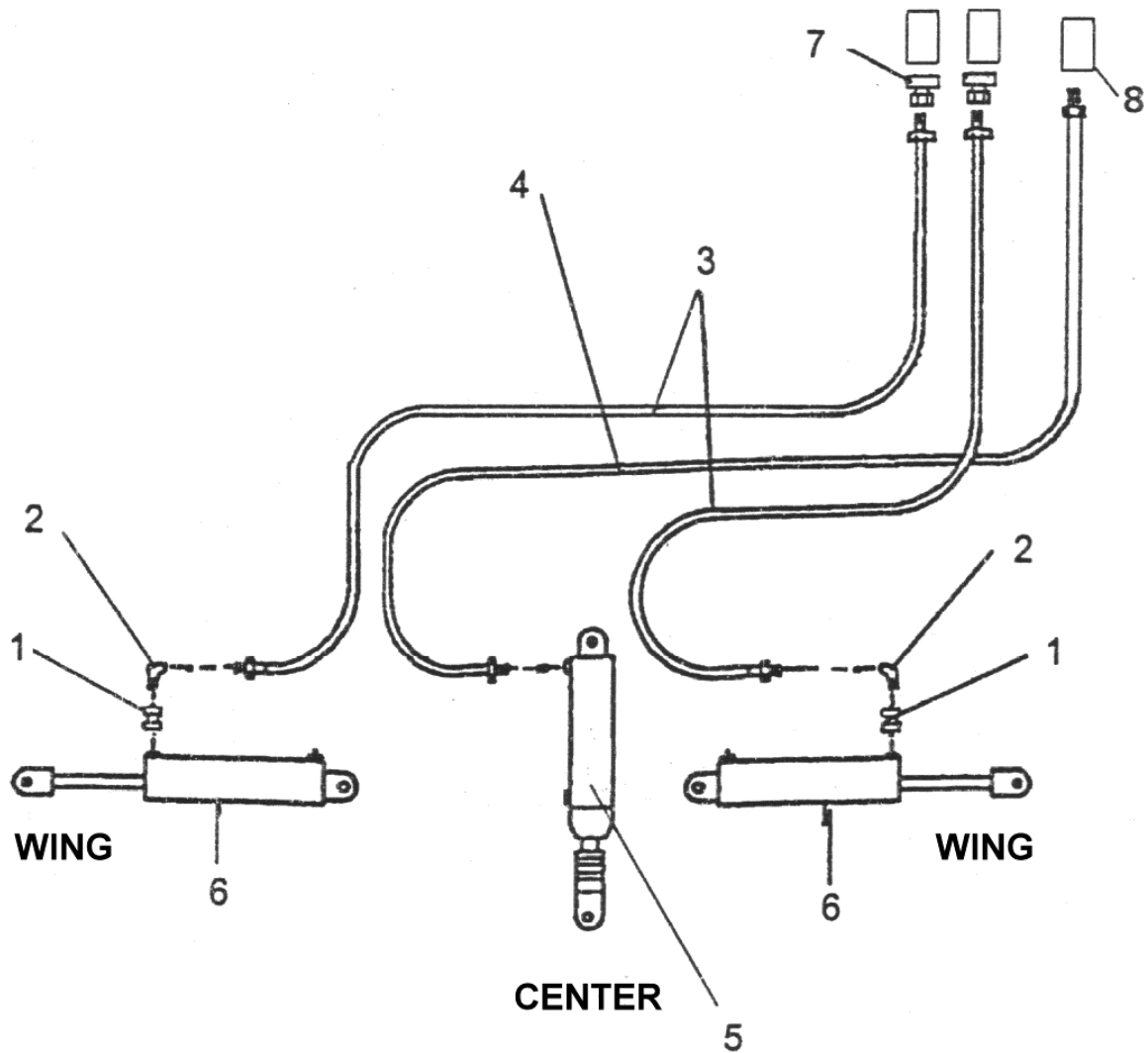
Part No. 00769921 (540 rpm)
Part No. 00769927 (1000 rpm)
CW in - CCW out





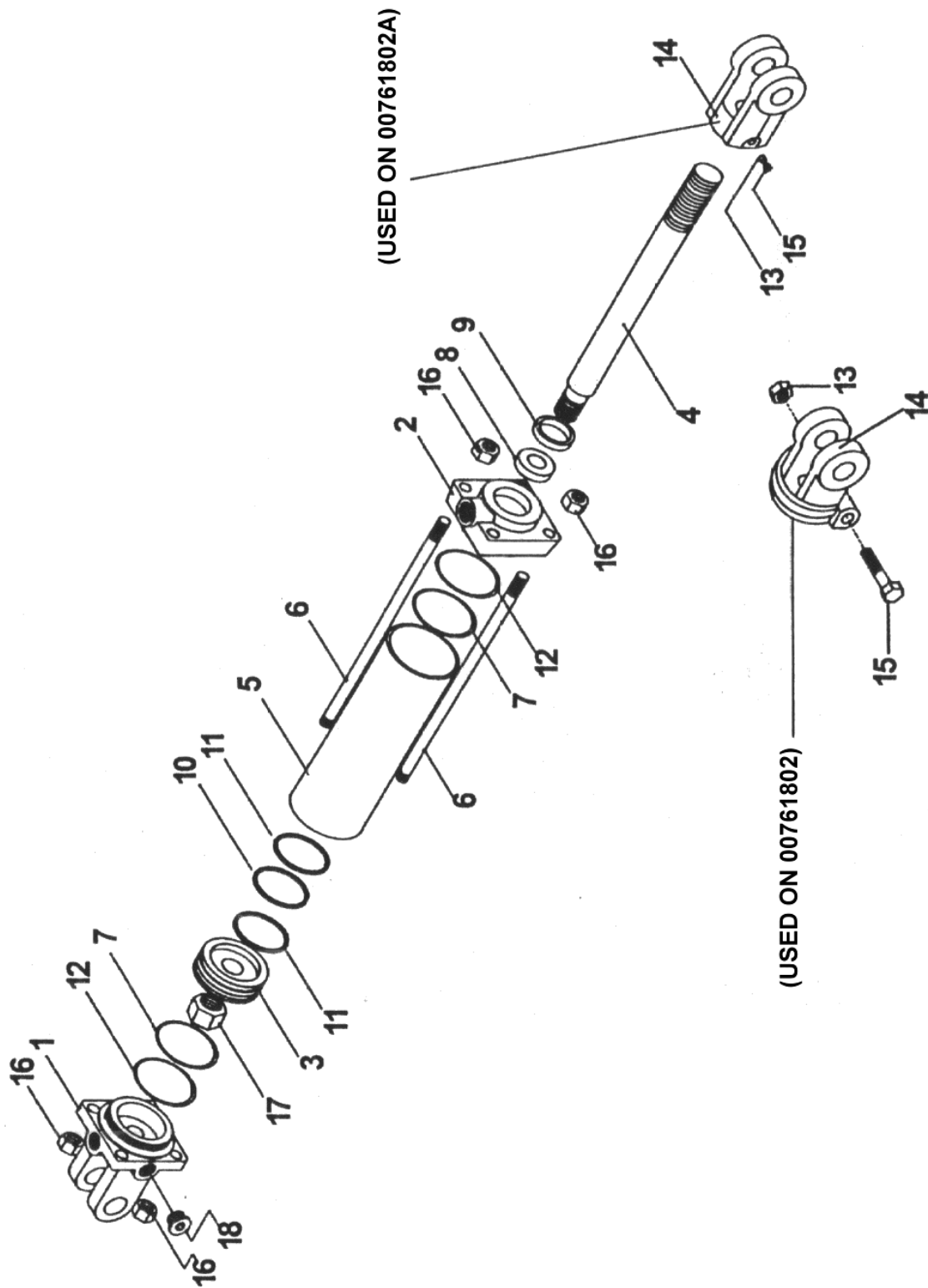
GEARBOX ASS'Y - LEFT WING

REF.	QTY.	PART No.	DESCRIPTION
		00769921	GEARBOX (540 RPM) CWIN-CCWOUT
		00769927	GEARBOX (1000 RPM) CWIN-CCWOUT
1	1	00770724	HOUSING
2	1	00770725	BEARING ASSEMBLY
3	1	00770726	OIL SEAL
6	1	00771226	FLANGE NUT SLOT
7	1	01422502	COTTER PIN
8	1	00770728	VERTICAL OUTPUT SHAFT
9	1	00770738	14 TOOTH PINION (GEARBOX 00769921)
	1	00770739	17 TOOTH GEAR (GEARBOX 00769927)
10	1	00762121	NUT MET SLOT
11	1	00606000	COTTER PIN
12	3	00755628	BEARING ASSEMBLY
13	<i>as req'd</i>	00758667	SHIM (0.30)
15	<i>as req'd</i>	00758668	SHIM (0.50)
16	1	00770739	17 TOOTH GEAR (GEARBOX 00769921)
	1	00770738	14 TOOTH GEAR (GEARBOX 00769927)
17	1	00758657	INPUT SHAFT SPACER LONG
18	12	00766083	LOCKWASHER
19	4	00754338	BOLT
20	1	00762517	PLUG SOCKET HEAD
21	2	00769321	SEALING WASHER
22	1	00770732	INSPECTION COVER
23	1	00770733	INSPECTION COVER GASKET
24	<i>as req'd</i>	00758646	SHIM ADJUSTMENT (0.10)
25	<i>as req'd</i>	00758647	SHIM ADJUSTMENT (0.25)
26	<i>as req'd</i>	00758648	SHIM ADJUSTMENT (0.50)
27	8	00765905	BOLT
28	1	00770734	INPUT CAP
29	1	00758653	OIL SEAL
30	1	00770735	INPUT SHAFT
31	1	00770731	INPUT SHAFT SPACER SHORT
32	1	00762114	PLUG VENT



REF.	QTY.	PART No.	DESCRIPTION
1	2	7329	ADAPTOR - RESTRICTOR
2	2	94517	HYDRAULIC ADAPTOR ELBOW 90°
3	2	0811261100	HYDRAULIC HOSE
4	1	0811251000	HYDRAULIC HOSE
5	1	00761802	HYDRAULIC CYLINDER 3-1/2" Dia.
6	2	00759947	HYDRAULIC CYLINDER 1-1/4" Dia.
7	2	94507	PIPE REDUCER
8	3	8590074	1/2" BSP Q/R COUPLING

HYDRAULIC SYSTEM AXLE RAM



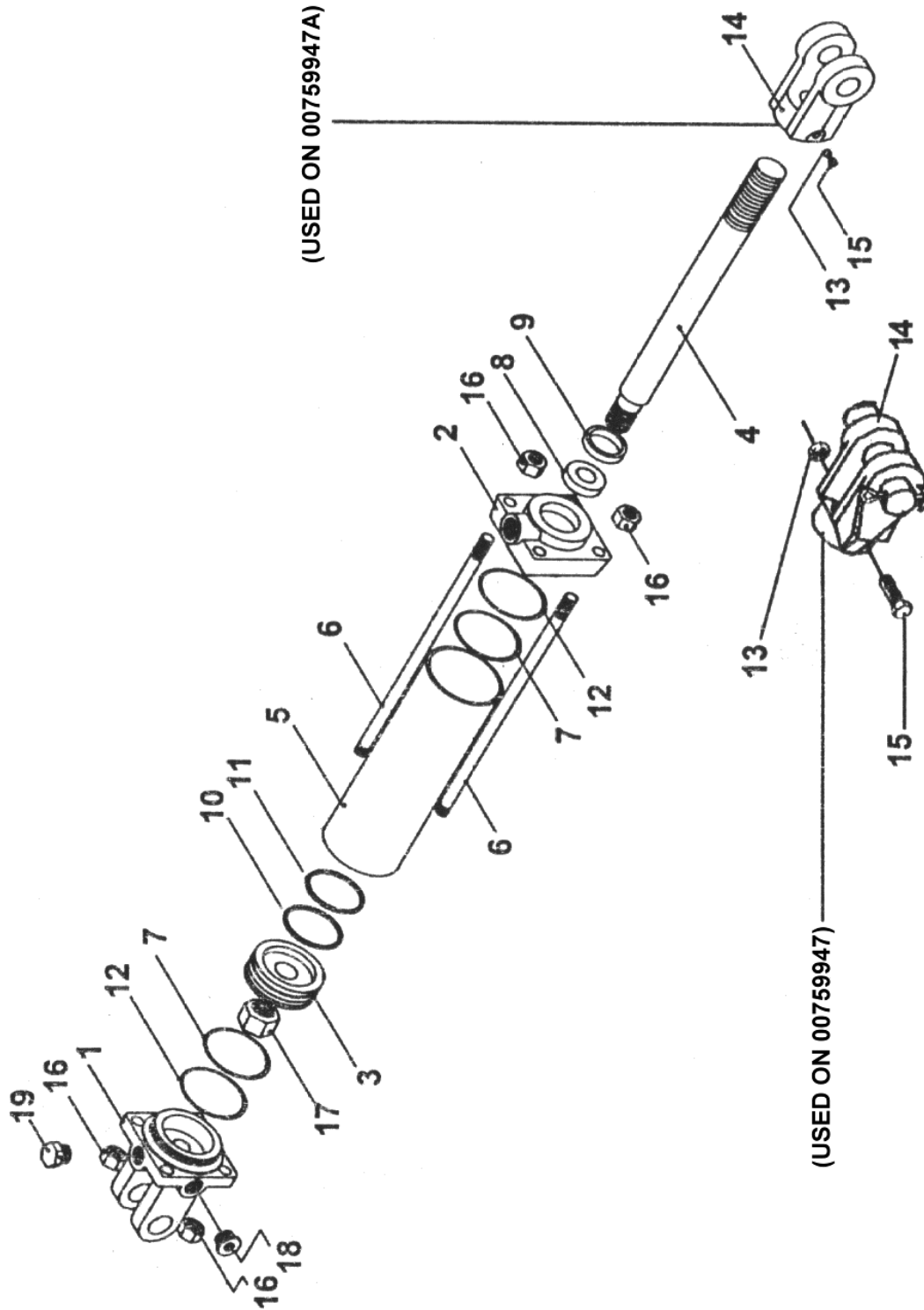


HYDRAULIC SYSTEM AXLE RAM

REF.	QTY.	PART No.	DESCRIPTION
	1	00761802	CYLINDER ASSEMBLY
1	1	8772	CAP
2	1	00761896	HEAD
3	1	00761892	PISTON
4	1	00761894	PISTON ROD
5	1	00761893	TUBE
6	4	8773	TIE ROD
13	1	00015800	NUT
14	1	00761895	CLEVIS
15	1	00023100	BOLT
16	8	4689	TIE ROD NUT
17	1	4705	PISTON NUT
19	1	00761891	SEAL KIT
20	1	6511324	BREATHER <i>(not illustrated)</i>
	1	00761802A	CYLINDER ASSEMBLY
1	1	00774728	CLEVIS CAP
2	1	00774735	ROD CAP
3	1	00774733	PISTON
4	1	00774739	ROD
5	1	00774750	TUBE
6	4	00774745	TIE ROD
7*	2	-	'O' RING
8*	1	-	ROD WIPER SEAL
9*	1	-	ROD DUST SEAL
10*	1	-	PISTON SEAL
11*	2	-	PISTON WEAR RING
12*	2	-	BACKUP WASHERS
13	1	3047117	NYLON THREAD PROTECTOR
14	1	1917140	ROD CLEVIS
15	1	00774740	SETSCREW
16	8	33017H5C	TIE ROD NUT
17	1	5JRC16140	PISTON NUT
18	1	1917132	PORT PLUG

* Consists of Seal Kit 00774759

HYDRAULIC SYSTEM WING RAM



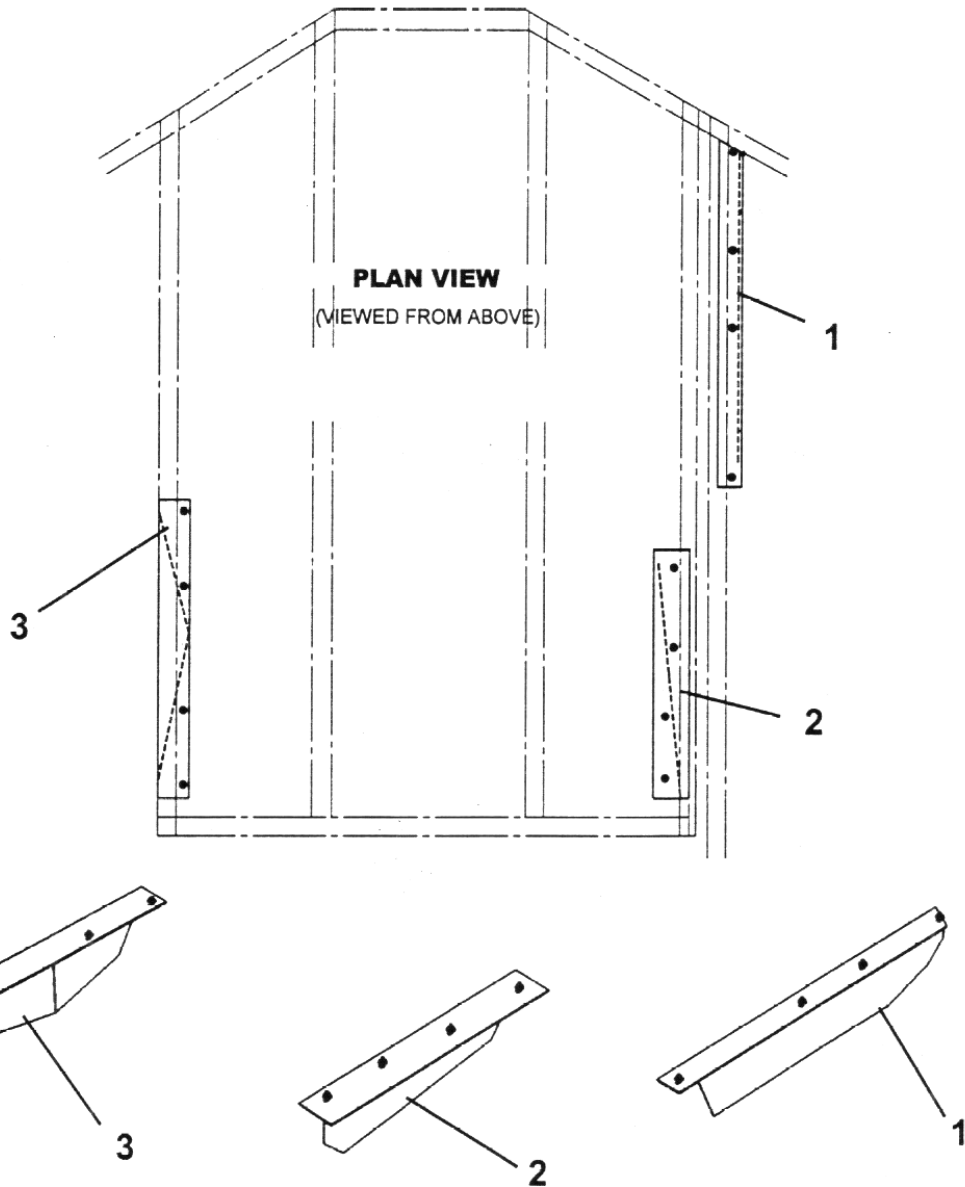


HYDRAULIC SYSTEM WING RAM

REF.	QTY.	PART No.	DESCRIPTION
	1	00759947	CYLINDER ASSEMBLY
1	1	00760197	CAP
2	1	00760197	HEAD
3	1	00760198	PISTON
4	1	00760201	PISTON ROD
5	1	00760195	TUBE
6	4	00760203	TIE ROD
13	1	4378	HEX NUT
14	1	8754	OUTER CLEVIS
15	1	4427	BOLT
16	8	4690	TIE ROD NUT
17	1	4675	PISTON NUT
19	1	6511324	BREATHER PLUG
20	1	00760199	SEAL KIT
	1	00759947A	CYLINDER ASSEMBLY
1	1	2417158	CLEVIS CAP
2	1	2417157	ROD CAP
3	1	00774732	PISTON
4	1	00774738	ROD
5	1	00774749	TUBE
6	4	00774743	TIE ROD
7*	2	-	'O' RING
8*	1	-	ROD WIPER SEAL
9*	1	-	ROD DUST SEAL
10*	1	-	PISTON SEAL
11*	2	-	PISTON WEAR RING
12*	2	-	BACKUP WASHERS
13	1	3047117	NYLON THREAD PROTECTOR
14	1	1917140	ROD CLEVIS
15	1	00774740	SETSCREW
16	8	33005H5C	TIE ROD NUT
17	1	5JRC16140	PISTON NUT
18	1	1917132	PORT PLUG
19	1	2417154	BREATHER

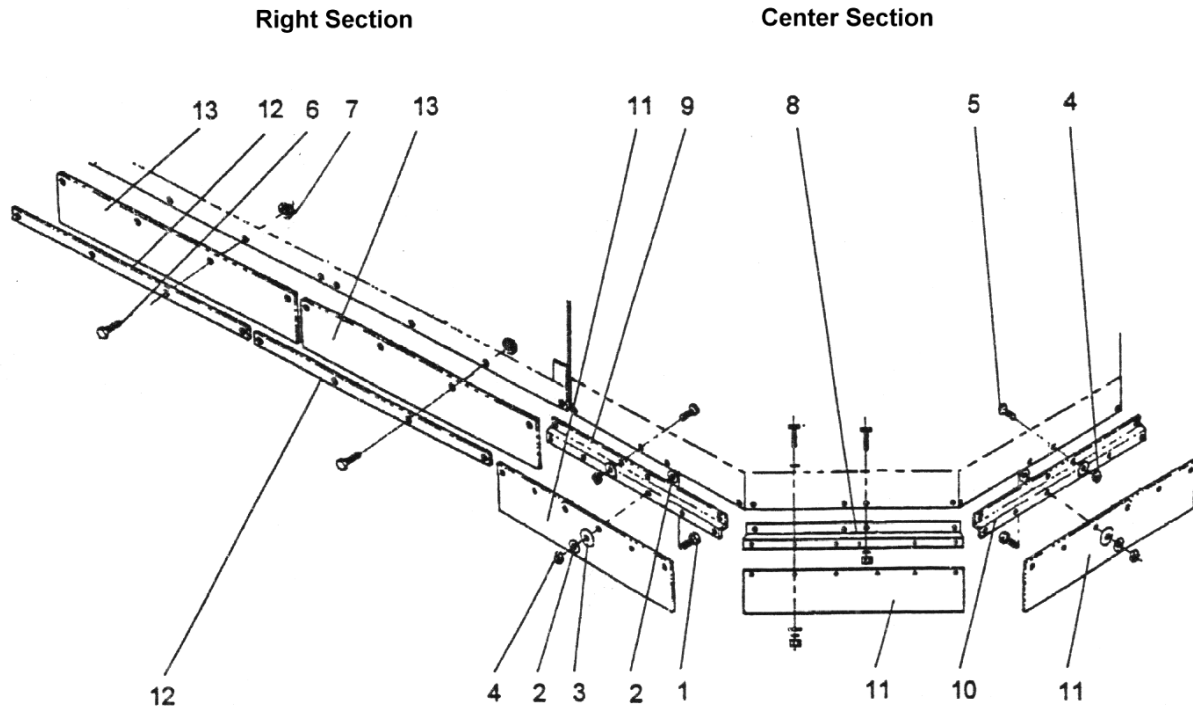
* Consists of Seal Kit 00774761

BAFFLE KIT ASSEMBLY



REF.	QTY.	PART No.	DESCRIPTION
1	1	45803.01	BAFFLE - RIGHT WING
1	4	05.264.24	SETSCREW
1	4	05.281.03	FLAT WASHER
1	4	05.287.03	SELF-LOCKING NUT
2	1	45803.02	BAFFLE - DECK RIGHT HAND REAR
2	4	05.264.24	SETSCREW
2	4	05.281.03	FLAT WASHER
2	4	05.287.03	SELF-LOCKING NUT
3	1	45803.03	BAFFLE - DECK LEFT HAND REAR
3	4	05.264.24	SETSCREW
3	4	05.281.03	FLAT WASHER
3	4	05.287.03	SELF-LOCKING NUT

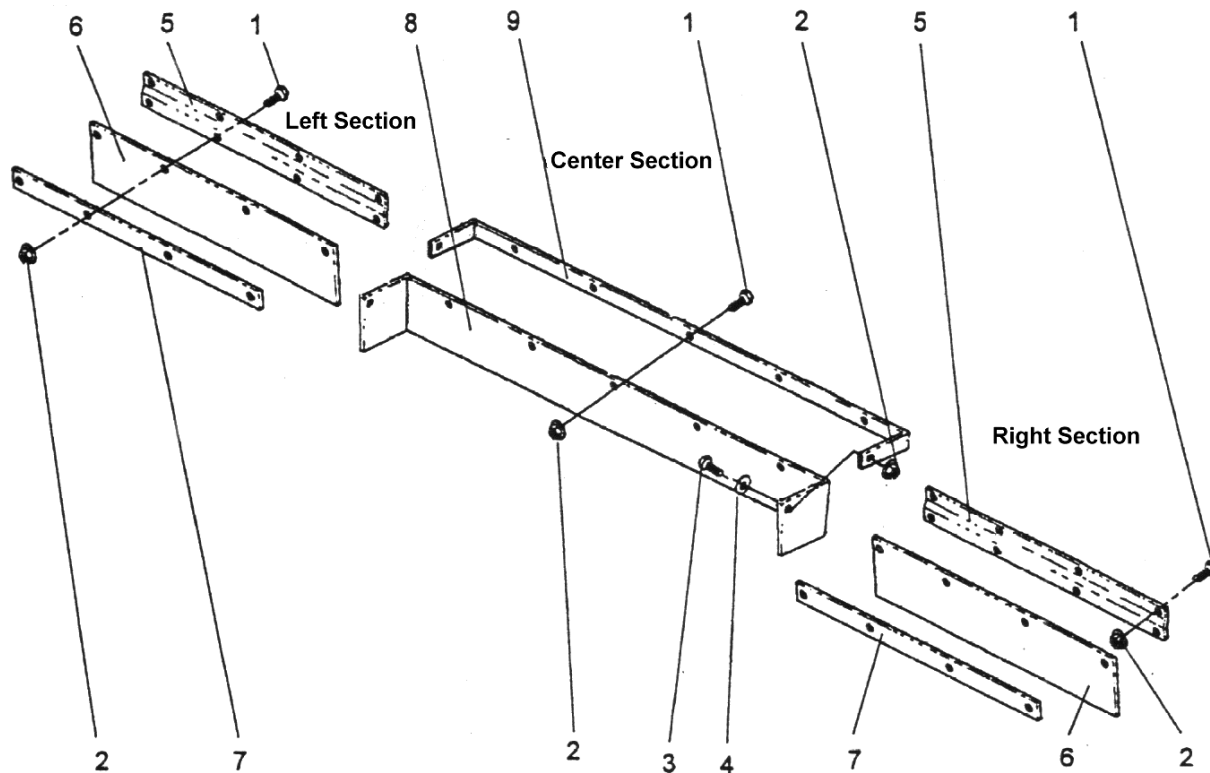
DEFLECTORS - FRONT



REF.	QTY.	PART No.	DESCRIPTION
1	18	00011400	BOLT
2	36	00011100	FLAT WASHER
3	18	02035800	WOOD WASHER
4	18	00015800	LOCKNUT
5	10	02030700	BOLT
6	16	00999418	BOLT
7	26	4526	WHIZ NUT FLG.
8	1	00758287	CENTER FRONT BRACKET - RUBBER GD
9	1	00758288	CENTER RIGHT BRACKET - RUBBER GD
10	1	00758289	CENTER LEFT BRACKET - RUBBER GD
11	3	00758294	FRONT PANEL RUBBER DEFLECTOR
12	4	00765385	DEFLECTOR BAR FLAT
13	4	00765386	FRONT WING RUBBER DEFLECTOR

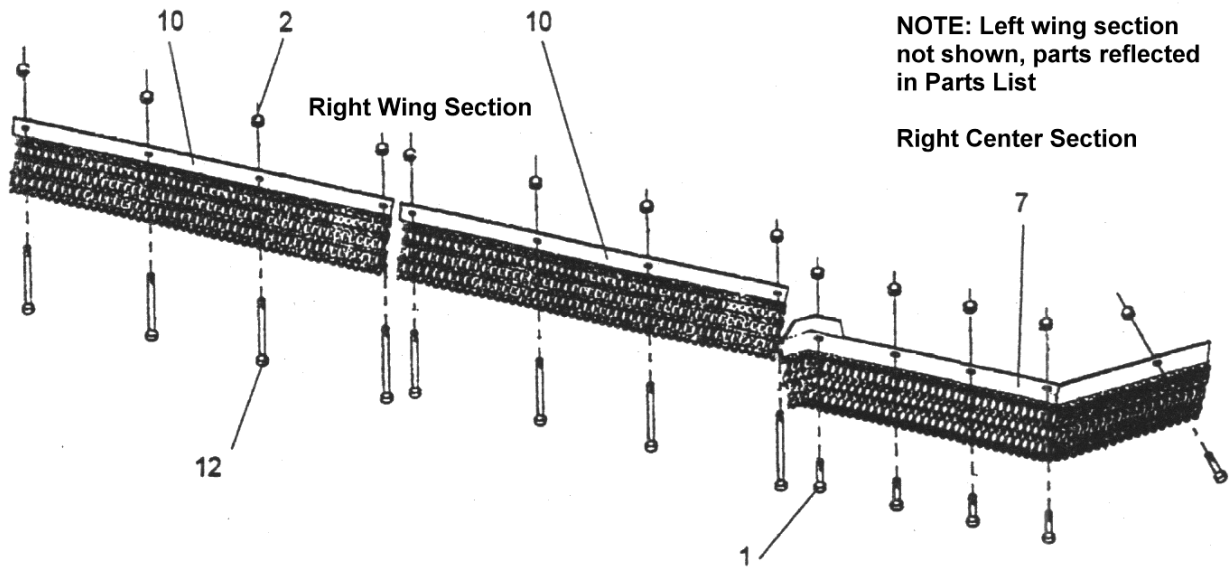
NOTE: Front Left Wing Rubber Deflectors not shown but reflected in Parts List.

DEFLECTORS - REAR

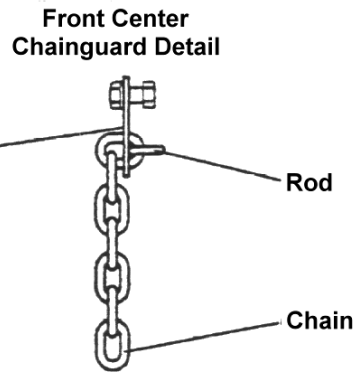
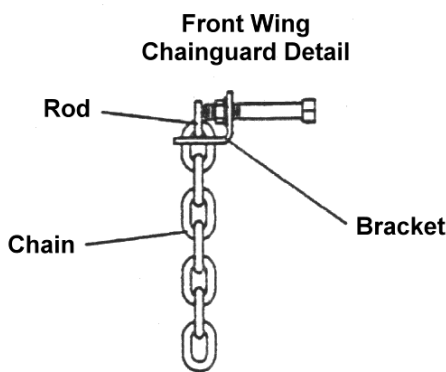


REF.	QTY.	PART No.	DESCRIPTION
1	21	02030700	BOLT
2	23	4526	WHIZ NUT FLG.
3	2	00750959	BOLT
4	2	00002700	FLAT WASHER
5	2	00765383	REAR WING PLATE DEFLECTOR BRACKET
6	2	00765381	REAR WING RUBBER DEFLECTOR
7	2	00765382	REAR WING DEFLECTOR BAR
8	1	00765389	REAR CENTER RUBBER DEFLECTOR
9	1	00765390	REAR CENTER DEFLECTOR BAR

CHAINGUARD ASSEMBLY - FRONT



NOTE: Left wing section not shown, parts reflected in Parts List

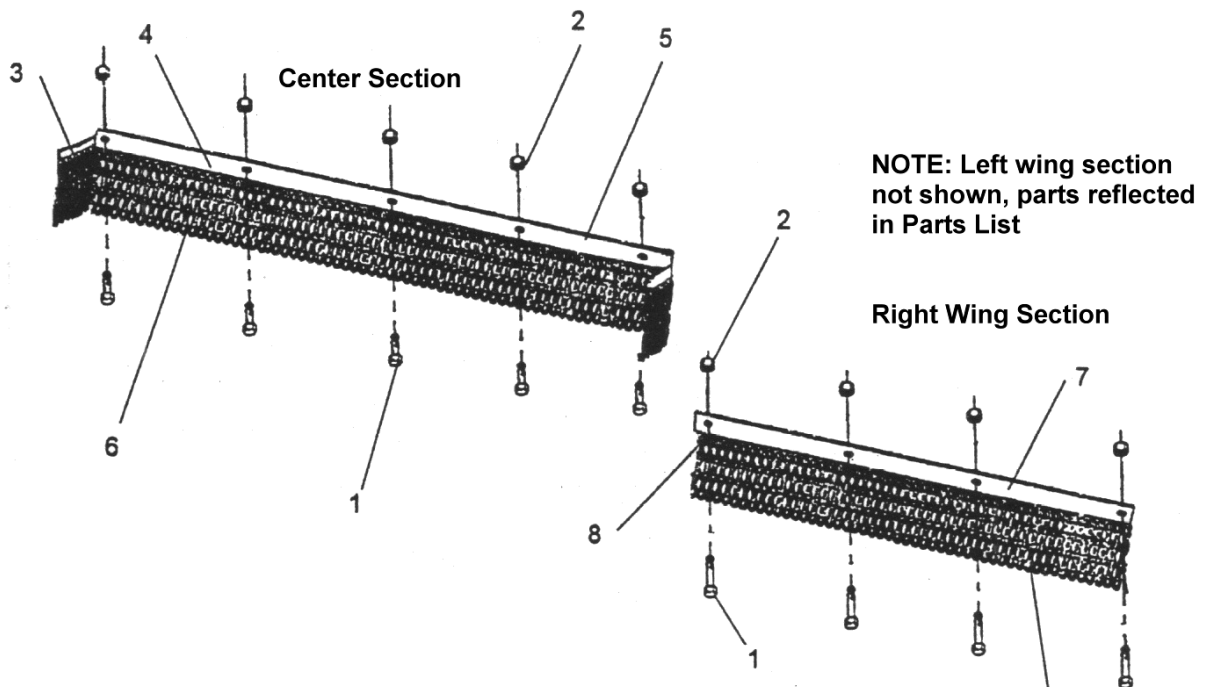


Front Chainguard Assembly Center Section - Part No. 00760767 Complete
 Front Chainguard Assembly Wing Section - Part No. 00764930 Complete

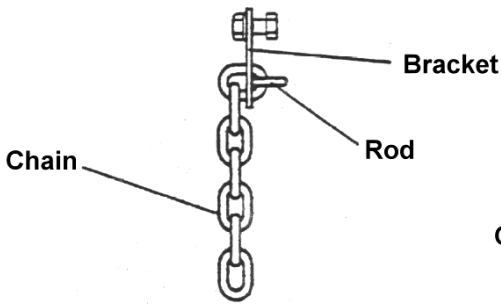
REF.	QTY.	PART No.	DESCRIPTION
1	10	00748823	BOLT
2	28	4526	WHIZ NUTS FLG.
3	2	0952100102	ROD CHAINGUARD
4	2	0652100105	ROD (SHORT) CHAINGUARD
5	2	0811301101	ROD CHAINGUARD 17"
6	246	0758341005	CHAIN - 7 LINKS
7	1	0811301110	BRACKET - CHAINGUARD RIGHT FRONT CENTER
8	1	0811301210	BRACKET - CHAINGUARD LEFT FRONT CENTER *
9	4	00765525	ROD - CHAINGUARD 57"
10	4	00764931	BAR - CHAINGUARD WING
11	1	0811301100	RH CENTER CHAINGUARD - COMPLETE ASSEMBLY
	1	0811301200	LH CENTER CHAINGUARD - COMPLETE ASSEMBLY
12	18	00999418	BOLT

*not illustrated

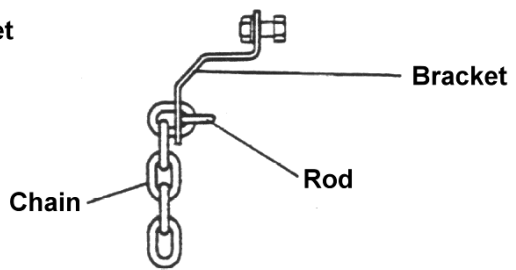
CHAINGUARD ASSEMBLY - REAR



Rear Center Chain Guard Detail



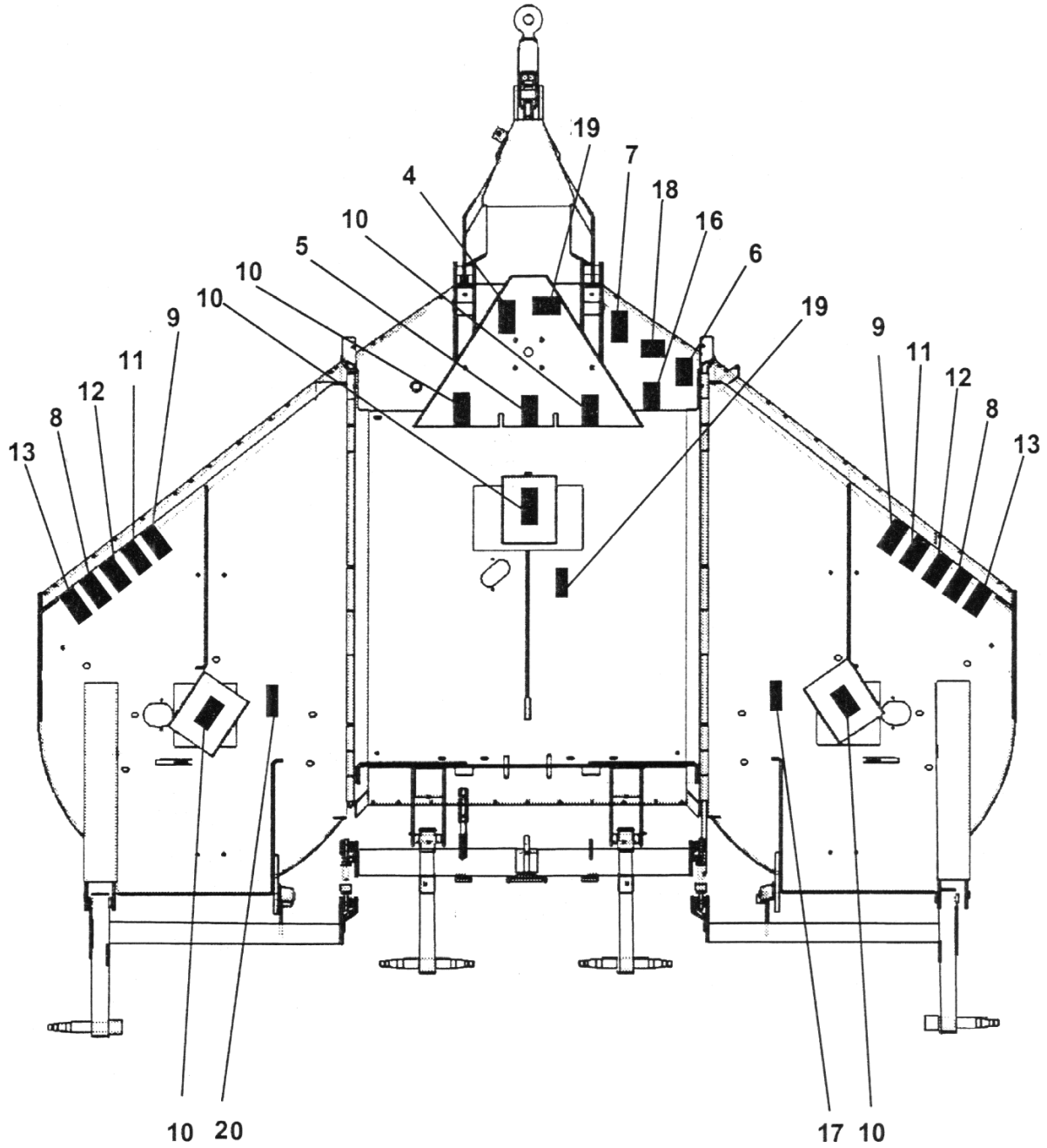
Rear Wing Chain Guard Detail



Rear Center Chainguard Assembly - Part No. 00765309 Complete
 Rear Wing Chainguard Assembly - Part No. 00764927 Complete (2 Required)

REF.	QTY.	PART No.	DESCRIPTION
1	13	00748823	BOLT
2	13	4526	WHIZ NUT FLG.
3	1	00761178	ROD - CHAINGUARD 78"
4	2	0891010013	FILLER ROD 9"
5	1	00765308	BRACKET - CHAINGUARD CENTER REAR
6	70	0758341005	CHAIN - 7 LINK
7	2	00764929	PLATE BRACKET - CHAINGUARD WING REAR
8	2	0652110201	ROD - CHAINGUARD
9	106	00755090	CHAIN - 5 LINK

SAFETY DECALS



**SAFETY DECALS**

REF.	QTY.	PART No.	DESCRIPTION
1	4	09.810.01	DECAL - GREASE (8 HOURS)
2	4	09.810.02	DECAL - GREASE (40 HOURS)
3	3	09.810.05	DECAL - OIL LEVEL
4	1	09.811.05	DECAL - MAX PTO SPEED 1000 ACW
5	1	09.821.07	DECAL - RESIDUAL PRESSURE
6	1	09.821.10	DECAL - KEEP NUTS TIGHT
7	1	09.821.15	DECAL - READ INSTRUCTION BOOK
8	2	09.821.18	DECAL - THROWN DEBRIS
9	2	09.821.19	DECAL - ROTARY HEAD DANGER
10	5	09.821.20	DECAL - SHAFT ENTANGLEMENT
11	2	09.821.21	DECAL - FALLING WING
12	2	09.821.22	DECAL - UNBLOCK HEAD (ROTARY)
13	2	09.821.25	DECAL - RAISED WING DANGER
14	1	09.843.07	DECAL LIFT POINT 2000 KG
15	2	00757768	DECAL - SR20
16	1	00763613	DECAL - SLIP CLUTCH ADJUSTMENT
17	2	D137	DECAL - BLADE CCW ROTATION
18	4	7103230	POP RIVET
18	1	1335246	SERIAL NUMBER PLATE
19	1	D102	DECAL - PTO 5FT TO HITCH
20	1	D138	DECAL - BLADE CW ROTATION
21	4	7560093	ADHESIVE REFLECTOR
22	2	1290532	DECAL - McCONNEL
23	2	1290533	DECAL - McCONNEL