

ROBOMAX 1.5M FIXED TOOTH FORESTRY HEAD

WGC: 4005951
- Parts Manual -
(Publication 913 / August 2018)



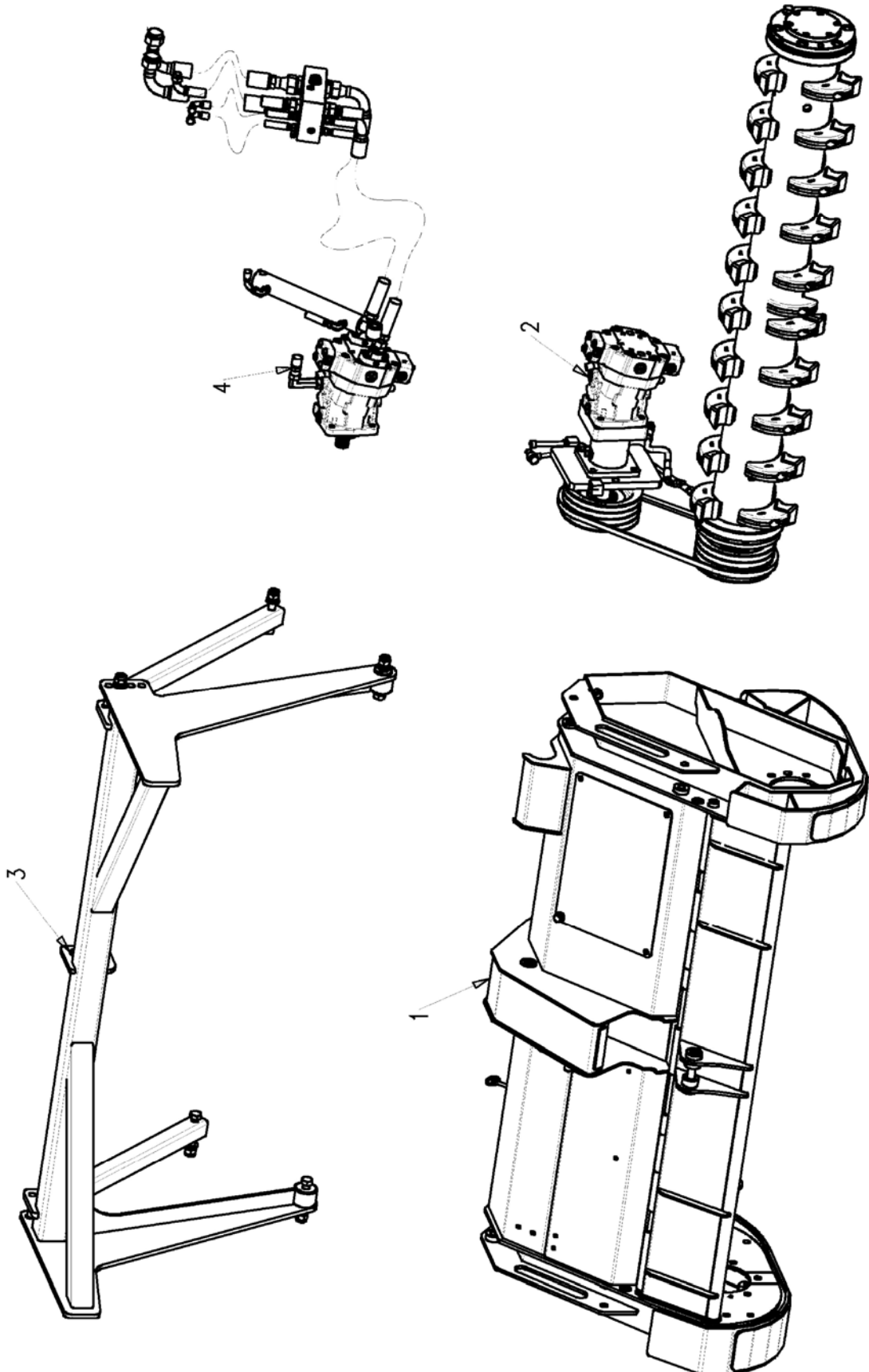
LIST OF CONTENTS

Modules	2
Head Casing Assembly	4
Drive & Rotor Assembly	6
Rotor Assembly	8
Rotor Hub (Drive End)	10
Rotor Hub (Free End)	12
Extension Shaft Assembly	14
Protection Frame Assembly	16
Hydraulic Installation	18

MODULES

ROBOMAX 1.5M FIXED TOOTH FORESTRY HEAD (WGC: 4005951)

McCONEL



MODULES**McCONNEL**

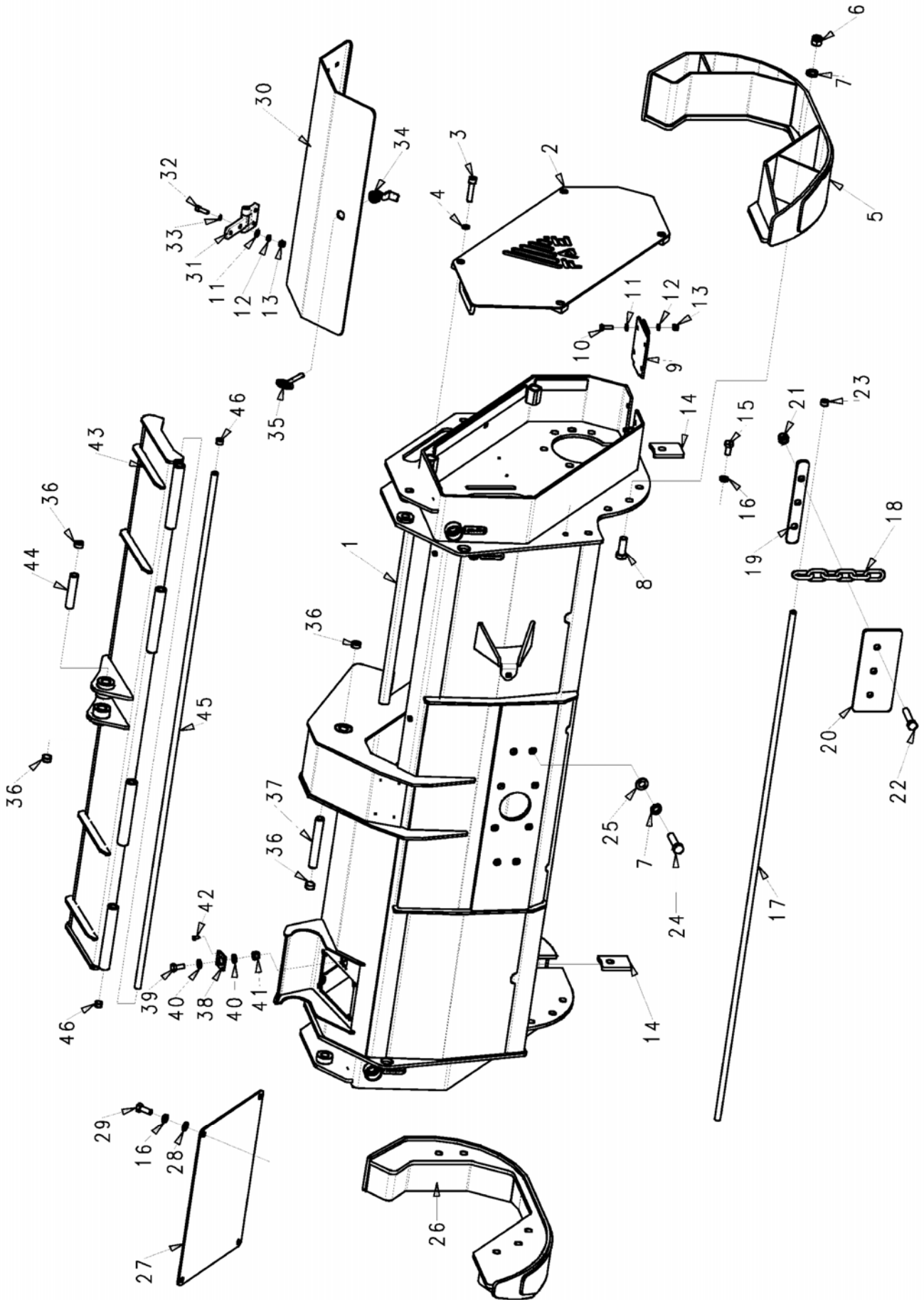
ROBOMAX 1.5M FIXED TOOTH FORESTRY HEAD (WGC: 4005951)

REF.	QTY.	PART No.	DESCRIPTION
			FORESTRY HEAD MODULES
1	1	4005601	HEAD CASING ASSEMBLY
2	1	4005602	DRIVE & ROTOR ASSEMBLY
3	1	4005603	PROTECTION FRAME ASSEMBLY
4	1	4005604	HYDRAULIC INSTALLATION

HEAD CASING ASSEMBLY

ROBOMAX 1.5M FIXED TOOTH FORESTRY HEAD (WGC: 4005951)

McCONEL



HEAD CASING ASSEMBLY

McCONNEL

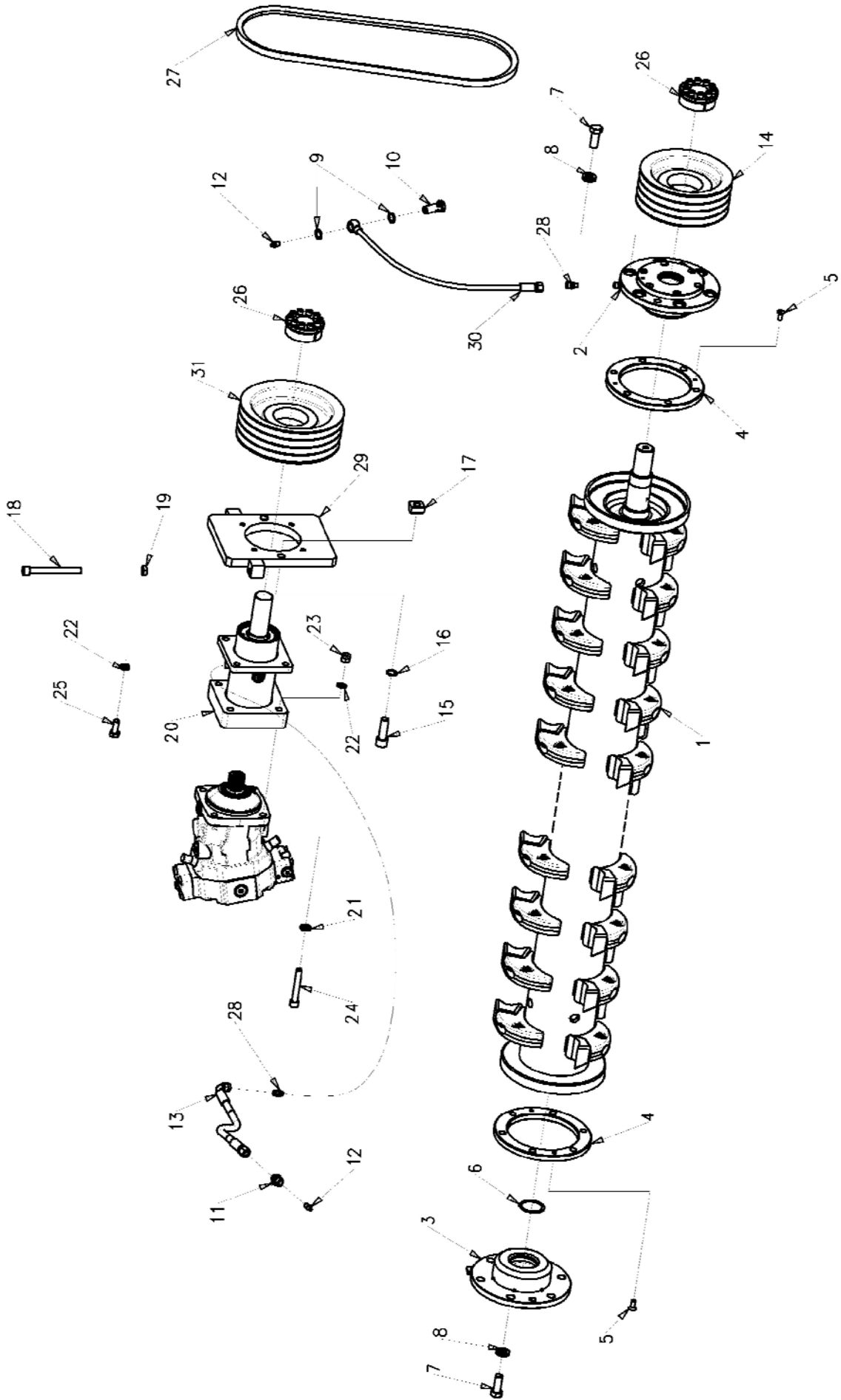
ROBOMAX 1.5M FIXED TOOTH FORESTRY HEAD (WGC: 4005951)

REF.	QTY.	PART No.	DESCRIPTION
		4005601	HEAD CASING ASSEMBLY
1	1	4005605	HEAD CASING (1.5M)
2	1	4005606	BELT COVER
3	4	4005607	CAPSCREW
4	4	9100206	SPRING WASHER
5	1	4005608	SKID RH
6	10	9163007	SELF-LOCKING NUT
7	18	9100207	SPRING WASHER
8	10	9313097	SETSCREW
9	1	4005610	COVER PLATE
10	4	9313054	SETSCREW
11	8	9100104	WASHER
12	8	9100204	SPRING WASHER
13	8	9163004	SELF-LOCKING NUT
14	2	4005611	INSERT TAB
15	2	9313056	SETSCREW
16	6	4005634	WASHER
17	1	4005612	CHAIN ROD
18	48	4005613	CHAIN LINK SET (6 LINKS)
19	6	4005614	CHAIN PLATE
20	6	4005615	CHAIN PLATE
21	18	1061042	SELF-LOCKING NUT
22	18	4005616	BOLT
23	2	4005617	SCREW PLUG
24	8	4005618	BOLT
25	8	0100106	WASHER
26	1	4005609	SKID LH
27	1	4005619	COVER PANEL
28	4	9100106	WASHER
29	4	9313066	SETSCREW
30	1	4005620	COVER PANEL
31	2	4005621	HINGE
32	4	4005622	CAPSCREW
33	4	4005623	WASHER
34	1	4005624	LOCK
35	1	4005625	KEY
36	4	4005626	SCREW PLUG
37	1	4005627	PIN
38	1	4005628	PLATE
39	1	9313055	SETSCREW
40	2	9100105	WASHER
41	1	9163005	SELF-LOCKING NUT
42	4	4005629	SCREW
43	1	4005630	HOOD
44	1	4005631	PIN
45	1	4005632	ROD
46	2	4005633	SCREW PLUG

DRIVE & ROTOR ASSEMBLY

ROBOMAX 1.5M FIXED TOOTH FORESTRY HEAD (WGC: 4005951)

McCONNEL



DRIVE & ROTOR ASSEMBLY**McCONNEL**

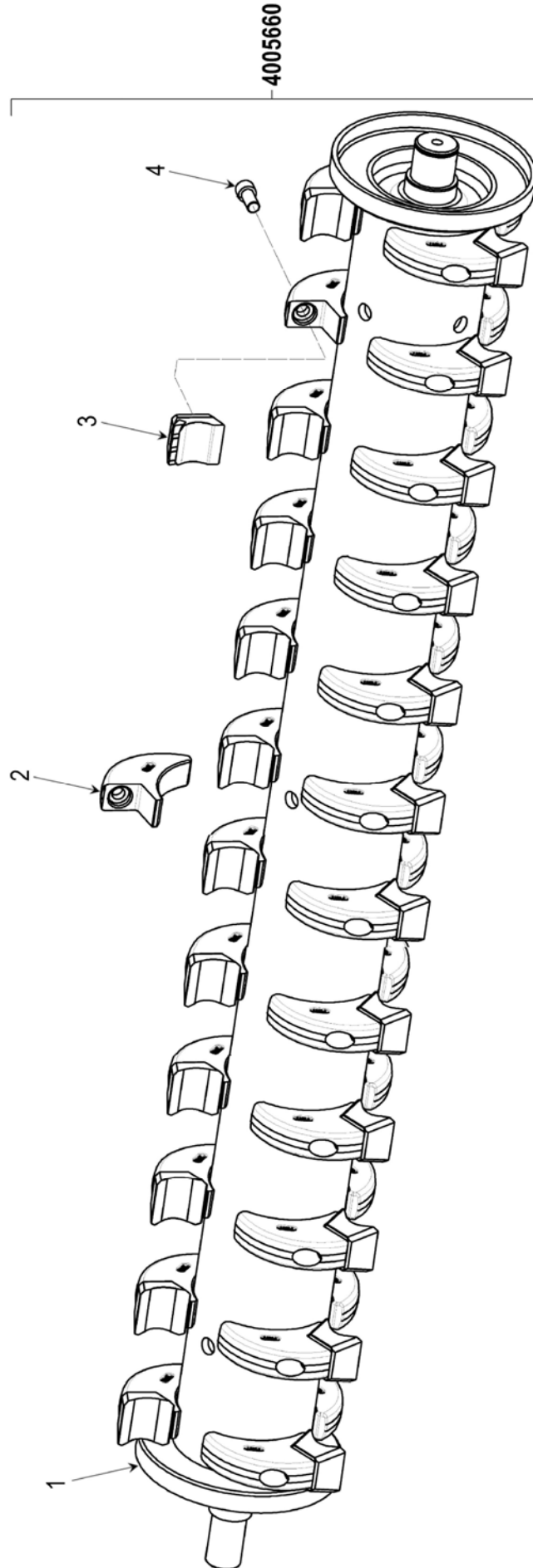
ROBOMAX 1.5M FIXED TOOTH FORESTRY HEAD (WGC: 4005951)

REF.	QTY.	PART No.	DESCRIPTION
		4005602	DRIVE & ROTOR ASSEMBLY
1	1	4005660	1.5M ROTOR ASSEMBLY
2	1	4005635	ROTOR HUB (DRIVE END)
3	1	4005636	ROTOR HUB (FREE END)
4	2	4005637	SPACER
5	4	4005638	CAPSCREW
6	1	4005639	CIRCLIP
7	12	9313087	SETSCREW
8	12	0100106	WASHER
9	4	8650103	BONDED SEAL
10	2	4005640	BANJO BOLT
11	1	4005641	ADAPTOR
12	3	05.953.03	GREASE NIPPLE
13	1	4005642	HYDRAULIC HOSE
14	1	4005643	BELT PULLEY
15	2	4005644	CAPSCREW
16	2	4005645	WASHER
17	2	4005646	SQUARE NUT
18	2	4005647	CAPSCREW
19	2	4005648	NUT
20	1	4005649	EXTENSION SHAFT ASSEMBLY
21	4	9100106	WASHER
22	8	9100206	SPRING WASHER
23	4	9163006	SELF-LOCKING NUT
24	4	4005650	CAPSCREW
25	4	9313066	SETSCREW
26	2	4005651	TAPERLOCK
27	4	4005652	BELT
28	3	4005653	GREASE FITTING
29	1	4005654	ADJUSTER PLATE
30	2	4005655	HYDRAULIC HOSE
31	1	4005656	BELT PULLEY

ROTOR ASSEMBLY

ROBOMAX 1.5M FIXED TOOTH FORESTRY HEAD (WGC: 4005951)

McCONEL



4005660

ROTOR ASSEMBLY



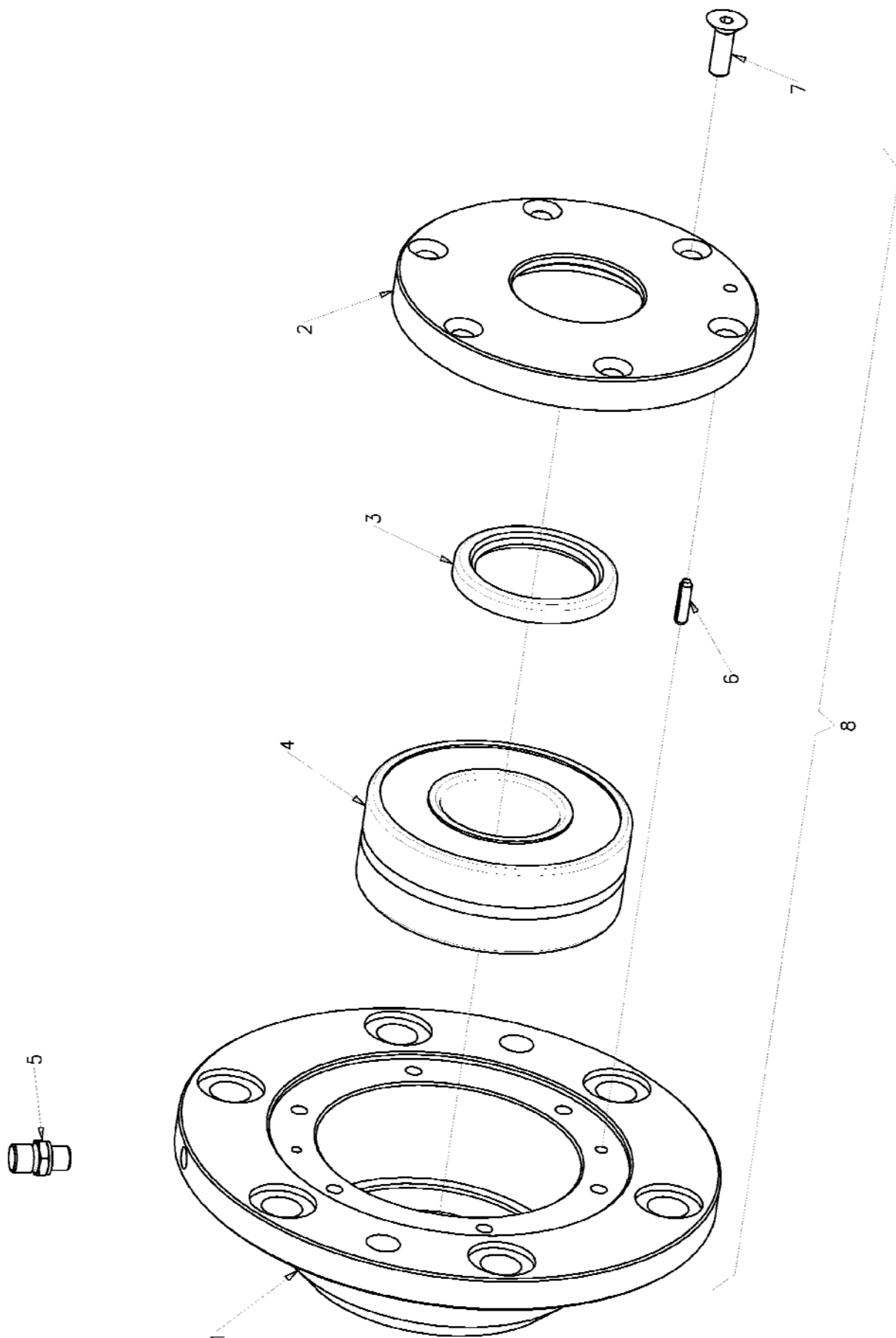
ROBOMAX 1.5M FIXED TOOTH FORESTRY HEAD (WGC: 4005951)

REF.	QTY.	PART No.	DESCRIPTION
		4005660	ROTOR ASSEMBLY (1.5M)
1	1	4005661	1.5M ROTOR (BARE)
2	36	4005658	TOOTH HOLDER
3	36	4005659	TOOTH (BLADE) - HD FORESTRY
4	36	4005657	SOCKET HEAD CAPSCREW

ROTOR HUB (DRIVE END)

ROBOMAX 1.5M FIXED TOOTH FORESTRY HEAD (WGC: 4005951)

McCONNEL



ROTOR HUB (DRIVE END)**McCONNEL**

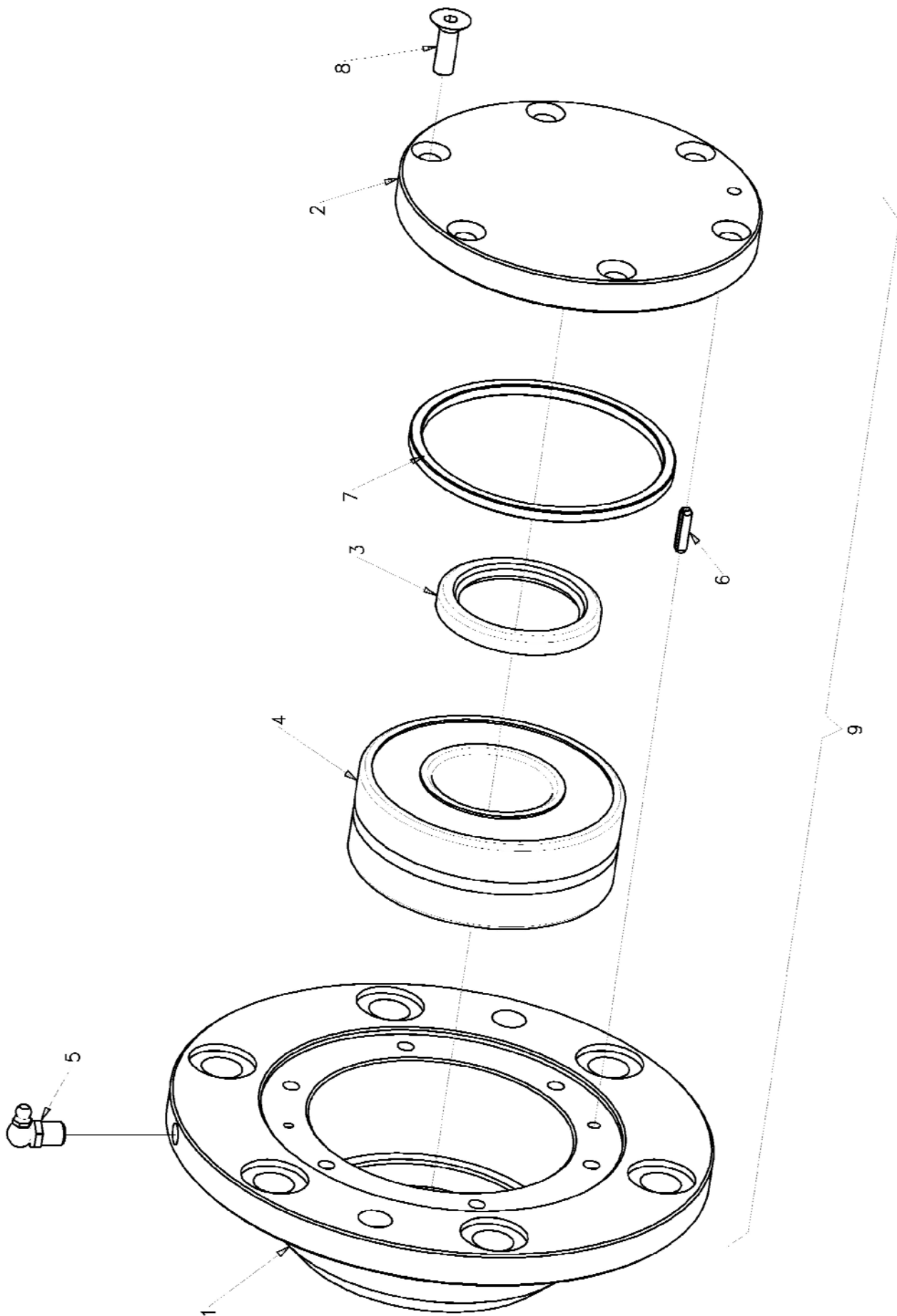
ROBOMAX 1.5M FIXED TOOTH FORESTRY HEAD (WGC: 4005951)

REF.	QTY.	PART No.	DESCRIPTION
		4005635	ROTOR HUB (DRIVE END)
1	1	4005662	BEARING SUPPORT
2	1	4005663	BEARING COVER
3	1	4005664	SEAL RING
4	1	4005665	BEARING
5	1	4005653	GREASE NIPPLE
6	1	4005666	ROLL PIN
7	6	4005667	CAPSCREW

ROTOR HUB (FREE END)

ROBOMAX 1.5M FIXED TOOTH FORESTRY HEAD (WGC: 4005951)

McCONNEL



ROTOR HUB (FREE END)**McCONNEL**

ROBOMAX 1.5M FIXED TOOTH FORESTRY HEAD (WGC: 4005951)

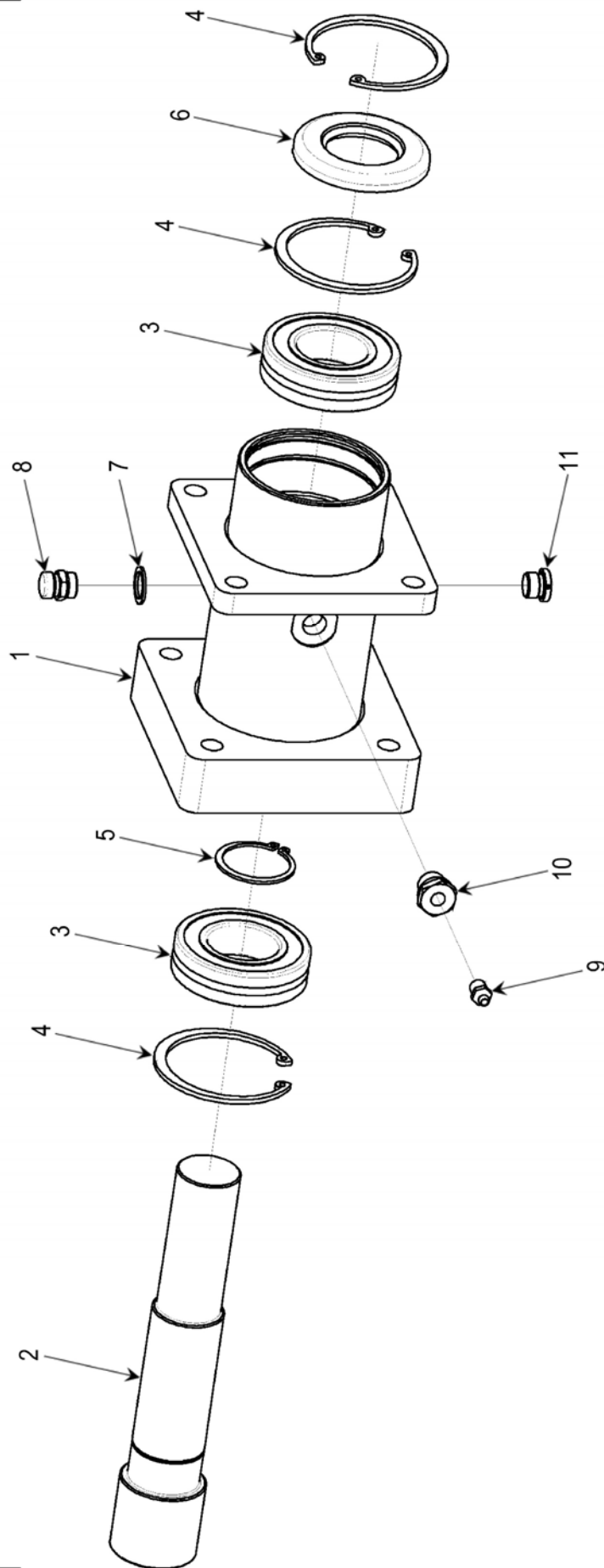
REF.	QTY.	PART No.	DESCRIPTION
		4005636	ROTOR HUB (FREE END)
1	1	4005662	BEARING SUPPORT
2	1	4005668	BEARING COVER
3	1	4005664	SEAL RING
4	1	4005665	BEARING
5	1	4005669	GREASE NIPPLE
6	1	4005666	ROLL PIN
7	1	4005670	SPACER
8	6	4005667	CAPSCREW

EXTENSION SHAFT ASSEMBLY

ROBOMAX 1.5M FIXED TOOTH FORESTRY HEAD (WGC: 4005951)

McCONEL

4005649



EXTENSION SHAFT ASSEMBLY**McCONNEL**

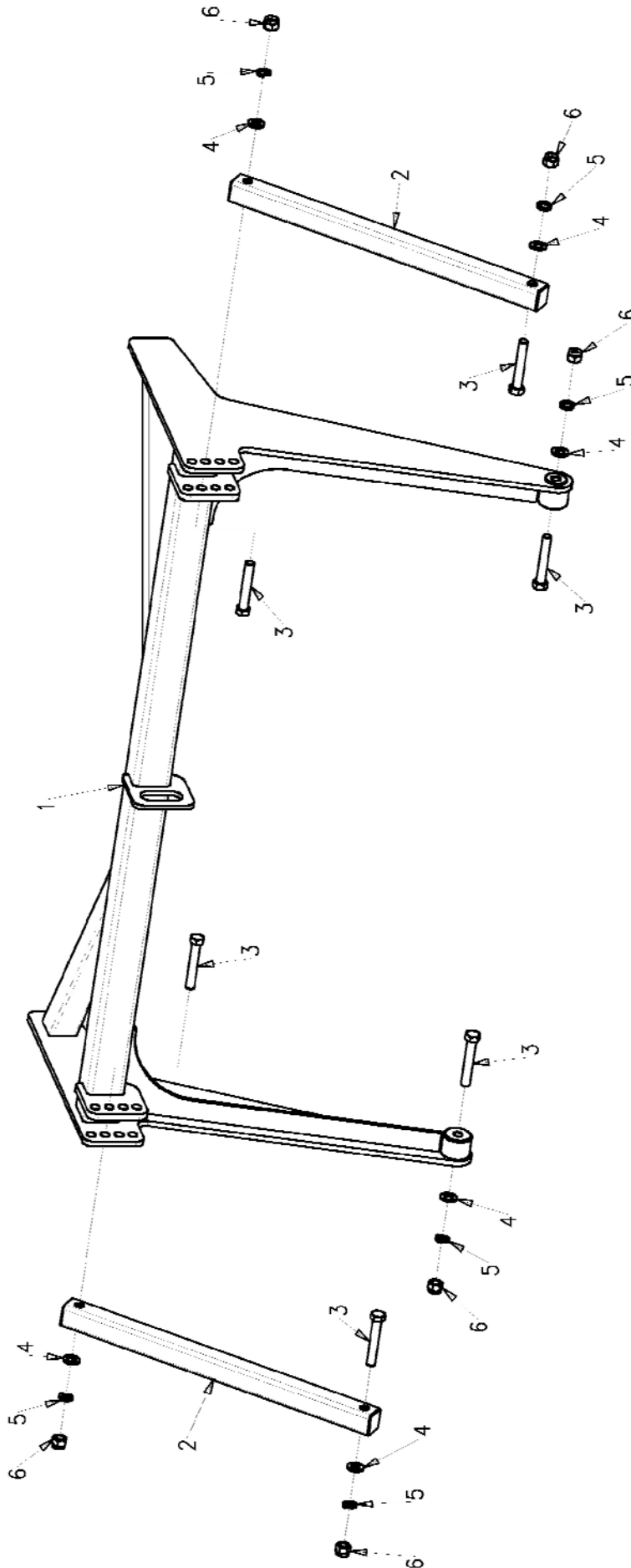
ROBOMAX 1.5M FIXED TOOTH FORESTRY HEAD (WGC: 4005951)

REF.	QTY.	PART No.	DESCRIPTION
		4005649	EXTENSION SHAFT ASSEMBLY
1	1	4005671	SHAFT HOUSING / FLANGE
2	1	4005672	EXTENSION SHAFT
3	2	4005673	BEARING
4	3	4005674	CIRCLIP
5	1	4005675	CIRCLIP
6	1	4005676	SEAL RING
7	1	8650103	BONDED SEAL
8	1	4005677	BREATHER PLUG
9	1	05.953.03	GREASE NIPPLE
10	1	4005678	ADAPTOR
11	1	4005679	PLUG

PROTECTION FRAME ASSEMBLY

ROBOMAX 1.5M FIXED TOOTH FORESTRY HEAD (WGC: 4005951)

McCONNEL



PROTECTION FRAME ASSEMBLY



ROBOMAX 1.5M FIXED TOOTH FORESTRY HEAD (WGC: 4005951)

REF.	QTY.	PART No.	DESCRIPTION
		4005603	PROTECTION FRAME ASSEMBLY
1	1	4005680	PROTECTION FRAME
2	2	4005681	FRAME SUPPORT
3	6	4005682	BOLT
4	6	7316024	WASHER
5	6	4005683	SPRING WASHER
6	6	7315542	SELF-LOCKING NUT

HYDRAULIC INSTALLATION

McCONNEL

ROBOMAX 1.5M FIXED TOOTH FORESTRY HEAD (WGC: 4005951)

REF.	QTY.	PART No.	DESCRIPTION
		4005604	HYDRAULIC INSTALLATION
1	1	4005684	HYDRAULIC MOTOR
2	2	4005685	FLANGE
3	2	4005686	ADAPTOR
4	8	4005687	CAPSCREW
5	8	4005688	WASHER
6	1	4005689	ELBOW 90°
	1	8650322	BONDED SEAL (<i>not shown</i>)
7	1	4005690	ANTI-SHOCK VALVE
8	4	4005691	ADAPTOR
9	2	4005692	ADAPTOR
10	4	4005693	ADAPTOR
11	1	9313065	SETSCREW
12	1	9100205	SPRING WASHER
13	2	4005694	PLUG
14	1	4005695	PLUG
15	2	4005696	PLUG
16	1	4005700	HYDRAULIC RAM
17	2	4005697	ELBOW 90°
18	1	4005698	HOSE 1/4"-9/16" 1440mm
19	1	4005699	HOSE 1/4"-9/16" 1680mm
20	2	4005701	HOSE 3/4"-13/16" 970mm
21	1	4005702	HOSE 1/2"-13/16" 1400mm
22	2	4005703	HOSE 3/4"-13/16" 1900mm
23	1	4005704	HOSE 1/2"-13/16" 1900mm
24	2	4005705	HOSE 1/4"-13/16" 2100mm



McConnel Limited, Temeside Works, Ludlow, Shropshire SY8 1JL. England.
Telephone: 01584 873131. Facsimile: 01584 876463. www.mcconnel.com