

# ROBOCUT FLAILHEAD

## Parts Manual

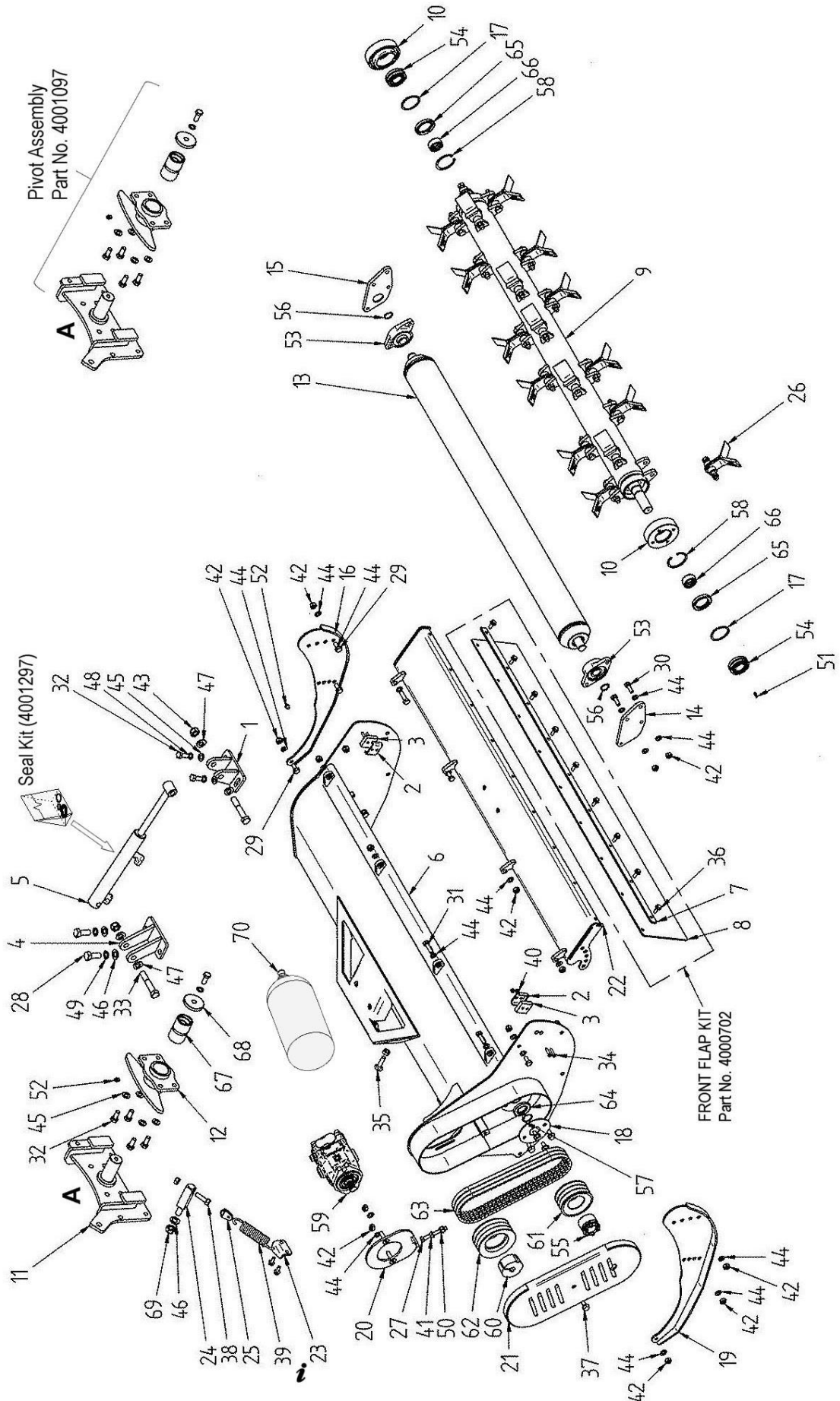
Flailhead S/No: ► 1301213020399  
Robocut S/No: ► ROBO021400399



# FLAILHEAD ASSEMBLY

# McCONEL

ROBOCUT



**i** Items # 23 & 39; please refer to notes in parts list for important information on these components

REF.	QTY.	PART No.	DESCRIPTION
			<b>FLAILHEAD ASSEMBLY</b>
1	1	4000182	CYLINDER FIXING STIRRUP
2	2	4000184	STOP BRACKET
3	2	4000183	RUBBER STOP
4	1	4000185	RAM BRACKET
5	1	4000186	HYDRAULIC RAM
6	1	4000187	HEAD CASING (1.3m)
7	1	4000188	CLAMP STRIP
8	1	4000189	RUBBER FLAP
9	1	4000190	ROTOR (1.3m)
10	2	4000191	ROTOR BEARING SUPPORT
11	1	4000192	HEAD PIVOT BRACKET
12	1	4000193	PIVOT JOINT
13	1	4000194	ROLLER
14	1	4000195	ROLLER BRACKET - R/H
15	1	4000196	ROLLER BRACKET - L/H
16	1	4000197	LEFT SKID
17	2	4000198	WASHER
18	1	4000199	PLATE
19	1	4000200	RIGHT SKID
20	1	4000201	MOTOR MOUNTING PLATE
21	1	4000202	BELT COVER
22	1	4000203	FRONT HOOD ( <i>Builds to S/N ROBO071300390</i> )
	1	4001311	FRONT HOOD ( <i>Builds from S/N ROBO071300391</i> )
23	1	4000204	<i>i</i> SPRING BRACKET ( <i>Fits Spring 4000219 only</i> )
	1	4000338	<i>i</i> SPRING BRACKET ( <i>Fits Springs 4000219 &amp; 4000749</i> )
24	1	4000205	SPRING TENSIONER FIXING
25	1	4000206	SPRING TENSIONER
26	1	4000255	Y-FLAILS KIT (SINGLE STATION)
	1	4000268	Y-FLAILS KIT (22 STATION)
27	1	4000208	SCREW
28	1	4000252	SCREW
29	2	4000209	SCREW
30	1	4000210	SCREW
31	1	4000211	SCREW
32	2	4000212	SCREW
33	1	4000213	SCREW
34	1	4000214	SCREW
35	1	4000215	SCREW
36	1	4000216	SCREW

**4001297 SEAL KIT FOR HYDRAULIC RAM 4000186**

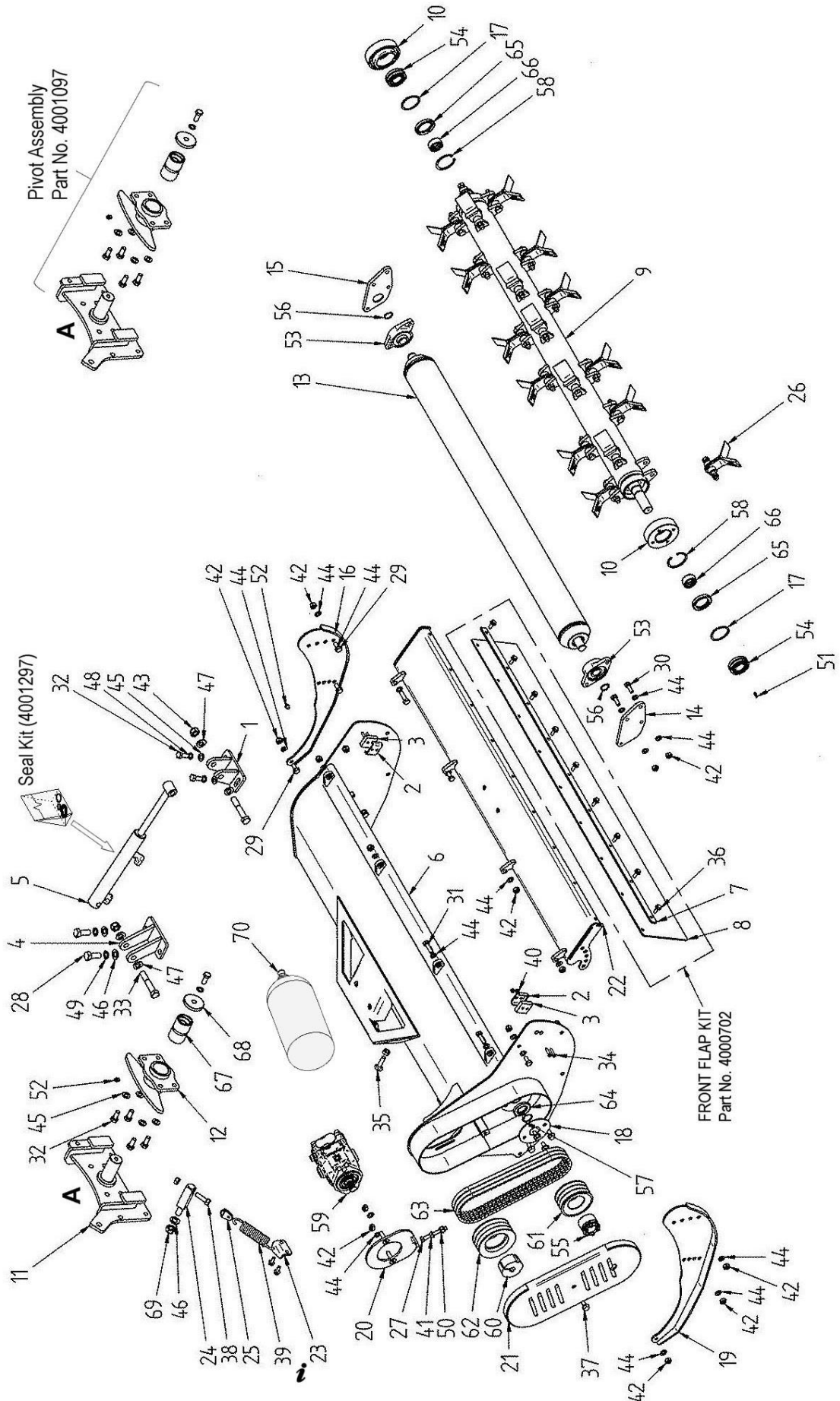
*i* When replacing the now obsolete early type Spring 4000219 with the later type Spring 4000749 the early type Bracket 4000204 must also be replaced with later type bracket 4000338.



# FLAILHEAD ASSEMBLY

# McCONEL

ROBOCUT



*i* Items # 23 & 39; please refer to notes in parts list for important information on these components

FLAILHEAD ASSEMBLY

**McCONNEL**

ROBOCUT

REF.	QTY.	PART No.	DESCRIPTION
<b>FLAILHEAD ASSEMBLY (Continued)</b>			
37	1	4000217	SCREW
38	1	4000218	NUT
39	1	4000219	<i>i</i> SPRING (Item now obsolete use Spring 4000749)
	1	4000749	<i>i</i> SPRING (Not compatible with Spring Bracket 4000204)
40	1	9163003	LOCK NUT
41	1	4000220	FLANGED NUT
42	8	9163005	LOCK NUT
43	1	4000221	LOCK NUT
44	11	9100105	WASHER
45	2	9100106	WASHER
46	2	4000253	WASHER
47	2	4000222	WASHER
48	1	9100206	SPRING WASHER
49	1	4000254	WASHER
50	1	9100105	WASHER
51	1	4000223	GREASER
52	2	4000224	GREASER
53	2	4000225	BEARING
54	2	4000226	ROLLER BEARING
55	1	4000227	TAPERLOCK BUSH
56	2	4000023	CIRCLIP
57	1	4000228	RETAINING RING
58	2	4000024	CIRCLIP
59	1	4000229	MOTOR
60	1	4000230	CONICAL BUSH
61	1	4000231	PULLEY
62	1	4000232	PULLEY
63	3	4000233	TRAPEZOIDAL TOOTHED BELT
64	1	4000234	OILSEAL
65	2	4000235	OIL SEAL
66	2	4000236	GUIDE FOR OIL SEAL
67	1	4000237	BUSH
68	1	4000238	WASHER
69	1	4000757	LOCK NUT
70	1	4001094	EXPANSION VESSEL

**4000716 SEAL KIT FOR MOTOR 4000229**

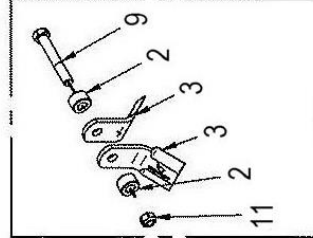
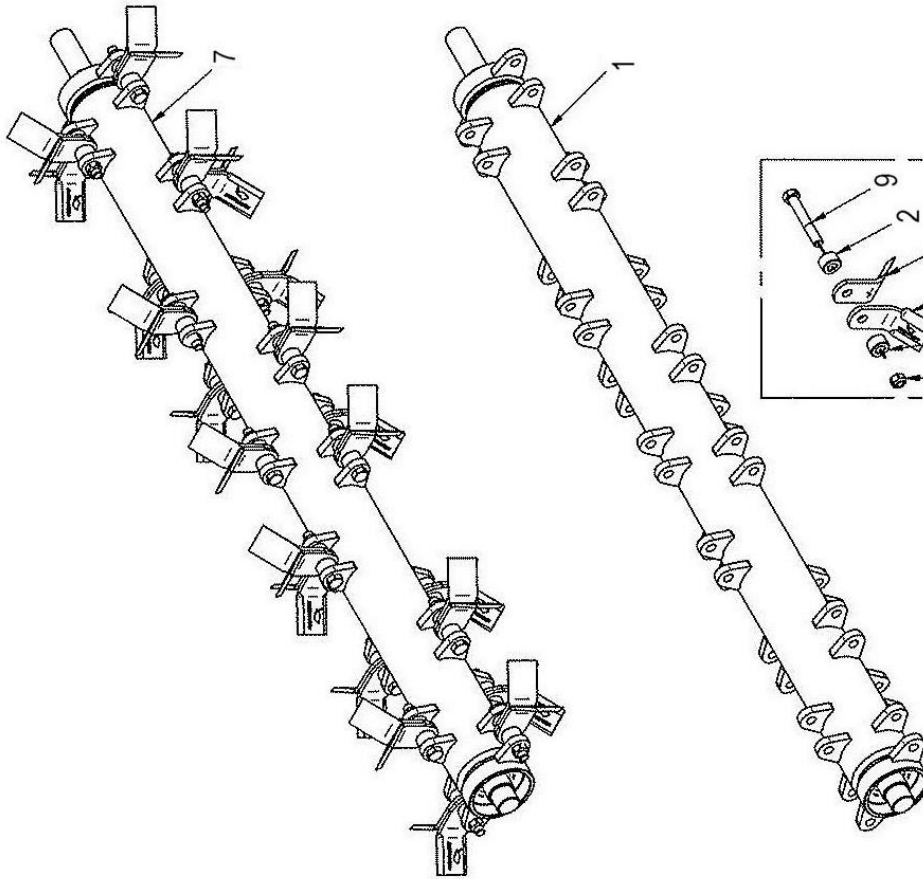
*i* When replacing the now obsolete early type Spring 4000219 with the later type Spring 4000749 the early type Bracket 4000204 must also be replaced with later type bracket 4000338.



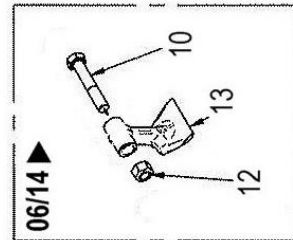
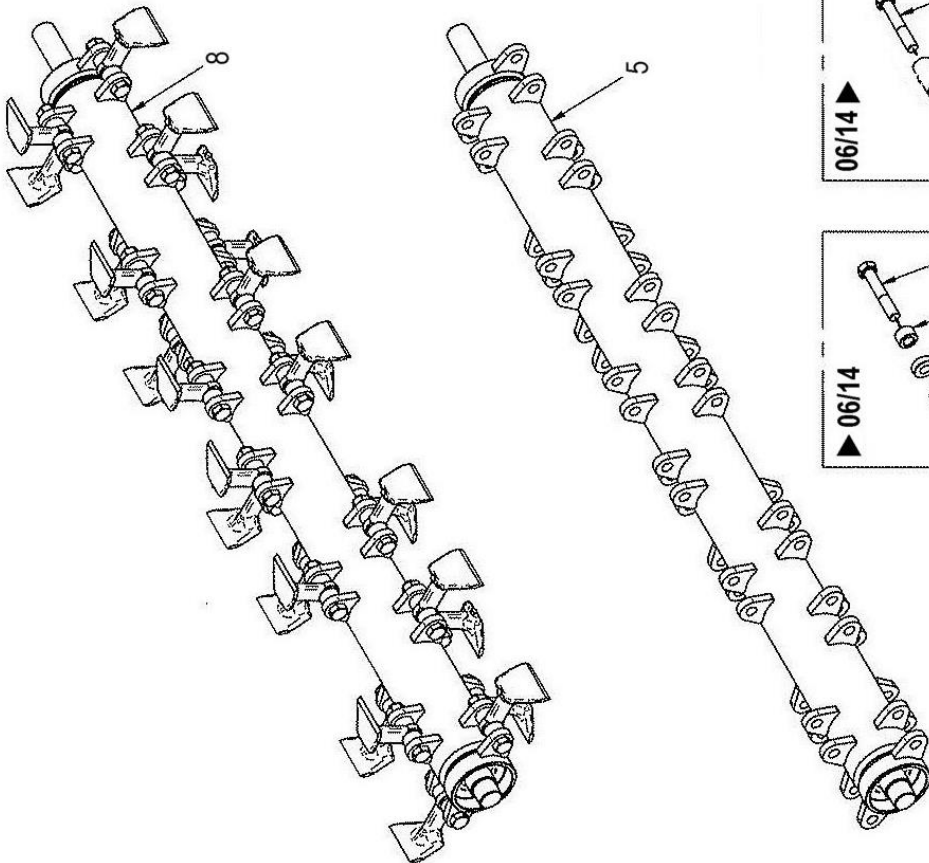
# ROTORS & FLAILS

ROBOCUT

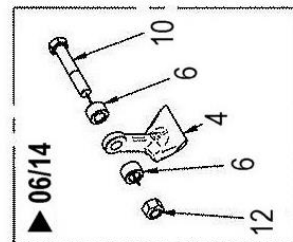
# McCONEL



Part No. 4000255  
Y-FLAILS KIT (6mm)  
(Single Station)



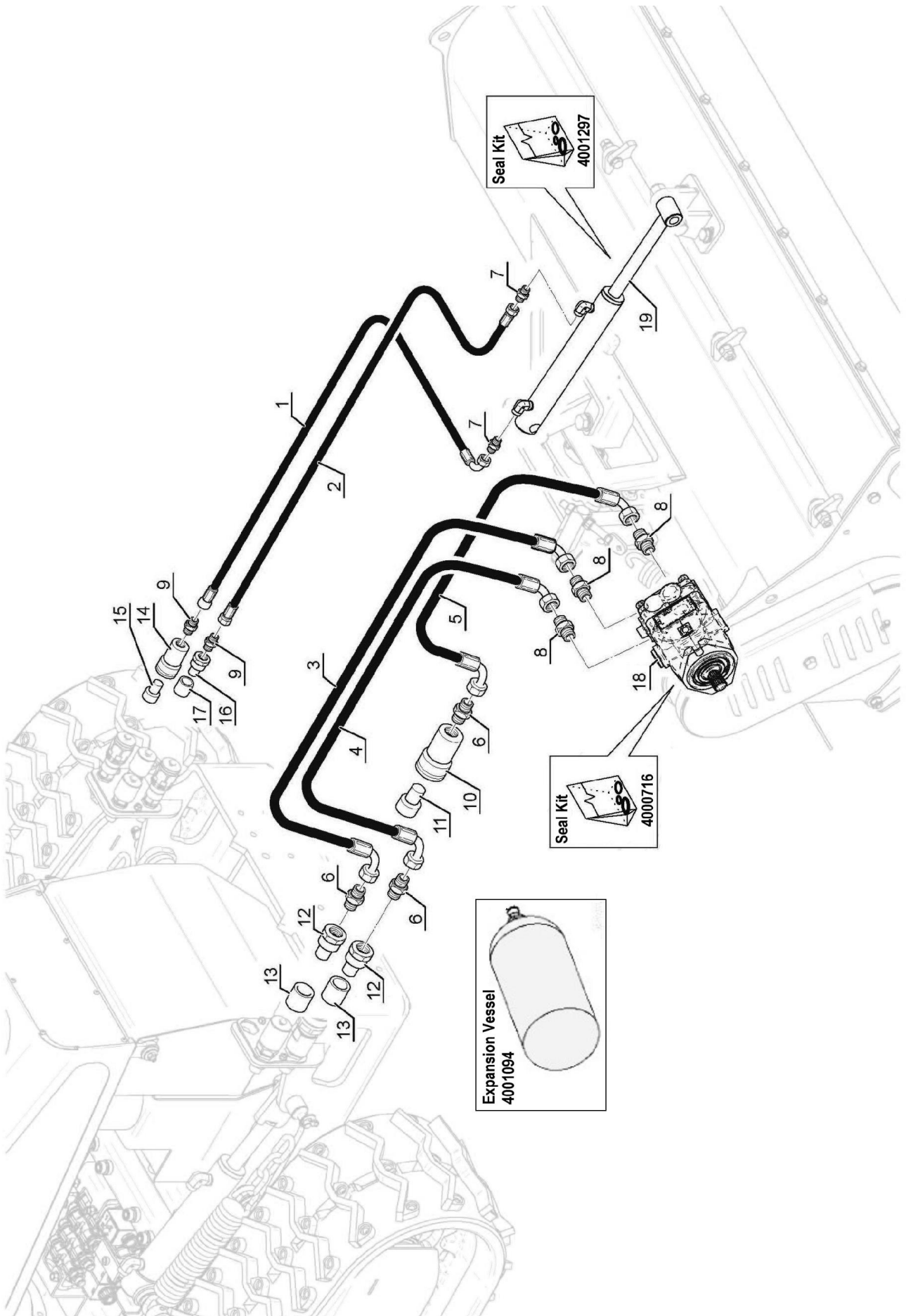
Part No. 4001092  
HAMMER FLAIL KIT  
(Single Station)



Part No. 4000256  
HAMMER FLAIL KIT  
(Single Station)

REF.	QTY.	PART No.	DESCRIPTION
<b>ROTORS &amp; FLAILS ASSEMBLY</b>			
1	1	4000190	1.3M ROTOR (Y-FLAILS TYPE)
2	2	4000241	STEEL BUSHING
3	2	4000242	Y-FLAIL (6mm)
4	1	4000243	HAMMER FLAIL (Early Type) ► <b>06/14</b>
5	1	4000244	1.3M ROTOR (HAMMER FLAIL TYPE)
6	2	4000245	BUSHING
7	1	4000703	1.3M ROTOR C/W Y-FLAILS
8	1	4000704	1.3M ROTOR C/W HAMMER FLAILS
9	2	4000246	SCREW
10	1	4000247	SCREW
11	2	4000248	AUTOGRIP NUT
12	1	4000249	AUTOGRIP NUT
13	1	4001091	HAMMER FLAIL (Later type) <b>06/14</b> ►
<b>SINGLE STATION FLAIL KITS</b>			
	1	4000255	Y-FLAILS KIT (6mm Flail)
	1	4000256	HAMMER FLAIL KIT (Flail 4000243) ► <b>06/14</b>
	1	4001092	HAMMER FLAIL KIT (Flail 4001091) <b>06/14</b> ►
<b>22 STATION FLAIL KIT</b>			
	1	4000268	Y-FLAILS KIT (6mm Flail)







REF.	QTY.	PART No.	DESCRIPTION
			<b>HYDRAULIC ASSEMBLY</b>
1	1	4001389	HYDRAULIC HOSE
2	1	4001390	HYDRAULIC HOSE
3	1	4000765	HYDRAULIC HOSE
4	1	4000766	HYDRAULIC HOSE
5	1	4000767	HYDRAULIC HOSE
6	3	7315797	CONNECTOR
7	2	4000579	CONNECTOR
8	3	4000748	CONNECTOR
9	2	4000587	CONNECTOR
10	1	4000133	CONNECTION
11	1	4000139	PLUG
12	2	4000136	CONNECTION
13	2	4000137	PLUG
14	1	4000132	CONNECTION
15	1	4000140	PLUG
16	1	4000135	CONNECTION
17	1	4000668	PLUG
18	1	4000229	MOTOR
19	1	4000186	HYDRAULIC RAM
		<b>4000716</b>	<b>MOTOR SEAL KIT</b>
		<b>4001297</b>	<b>RAM SEAL KIT</b>



McConnel Limited, Temeside Works, Ludlow, Shropshire SY8 1JL. England.  
Telephone: 01584 873131. Facsimile: 01584 876463. [www.mcconnel.com](http://www.mcconnel.com)