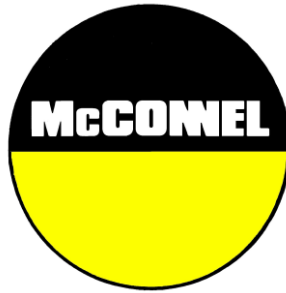


Parts Manual for  
**WGC No: 4056101**  
**1.6 GRASS HEAD 56HP**



**All parts are not created equal and before you settle on an imitation part, know this - McConnel Genuine Parts offer the safety, durability and warranty protection you expect. You've made an investment in your equipment; now invest in its future.**

- We design and build to exact specifications requiring strict chemical strength and performance characteristics. (Never reverse engineered like imitation parts).
- McConnel Genuine Parts meet the rigid guidelines necessary to satisfy warranty requirements.
- Our parts experts are available to answer any questions and have first -hand knowledge of all equipment.
- McConnel Genuine Parts are tested to meet all safety standards.
- McConnel parts have a 6 month warranty when fitted by an authorised Dealer.

## **McCONEL LIMITED**

***For parts supply contact your local Dealer or Stockist***

**To help them help you, always quote:**

- ***Machine Type***
- ***Serial Number***
- ***Part Number***

*Design improvements may alter some of the parts listed in this manual – the latest part will always be supplied when it is interchangeable with an earlier one.*

### **McCONNEL PARTS DEPARTMENT**

**Telephone:** +44 (0)1584 873131 **Fax:** +44 (0)1584 872223  
**Direct Parts Line:** +44 (0)1584 876888 **Email:** parts@mcconnel.com



# CONTENTS

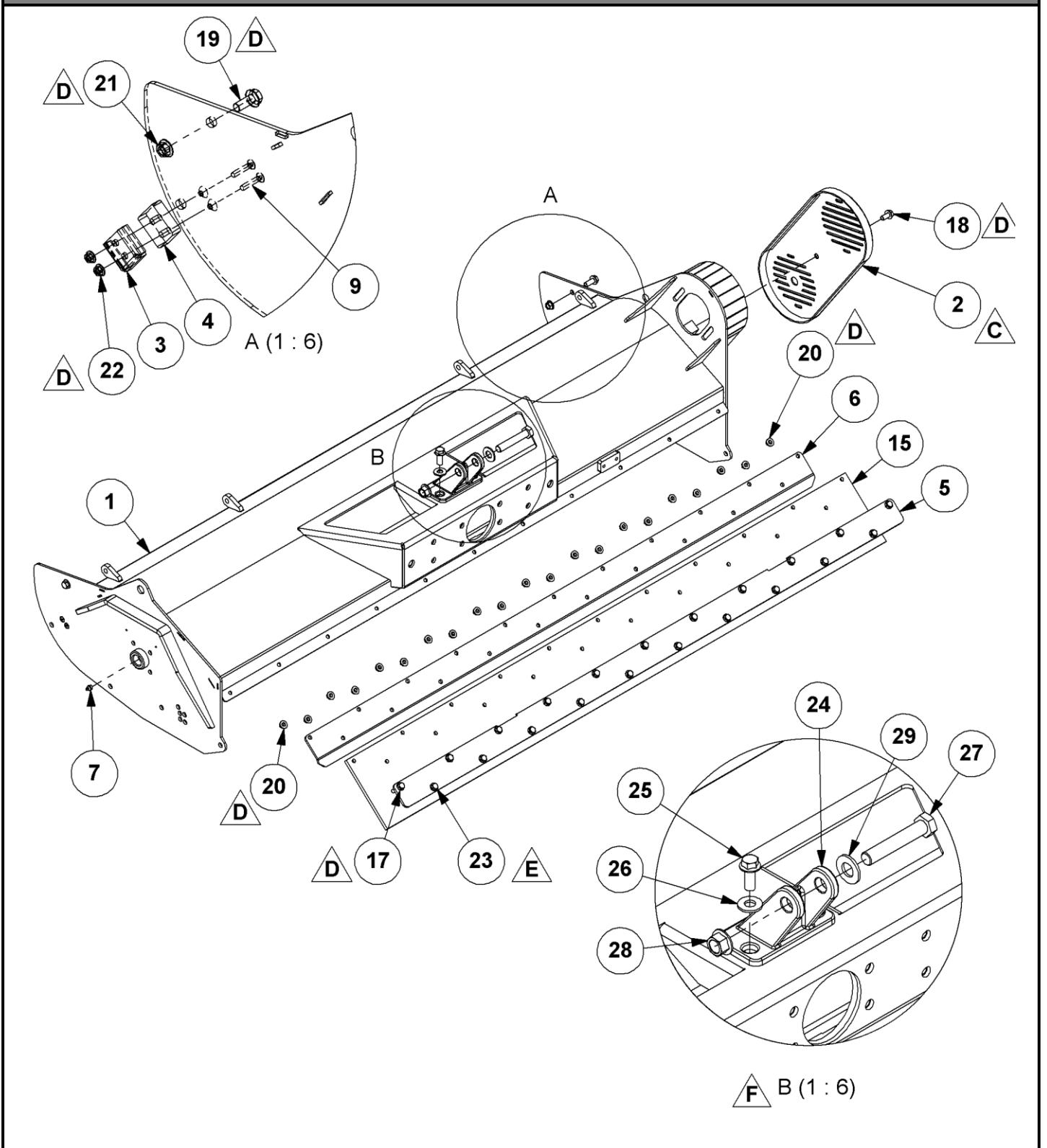
Page No	Schedule No	Schedule Description
2	4007014	CASING MODULE 1600 GRASSHEAD
4	4007016	ROLLER 1600 ASSEMBLY GRASSHEAD
6	4007019	FRONT HOOD 1600 GRASSHEAD
8	4007021	DECALS GRASSHEAD 1600
10	4007022	GRASS FLAIL ROTARY GRASSHEAD
12	4007051	CAST SKID KIT GRASSHEAD
14	4007056	POWER TRANSMISSION GRASSHEAD
16	4007161	GRASSHEAD 56HP HOSE MODULE
18	4007199	PIVOT ASSEMBLY MODULE

\* optional component





4007014 F - CASING MODULE 1600 GRASSHEAD



**4007014 F - CASING MODULE 1600 GRASSHEAD**

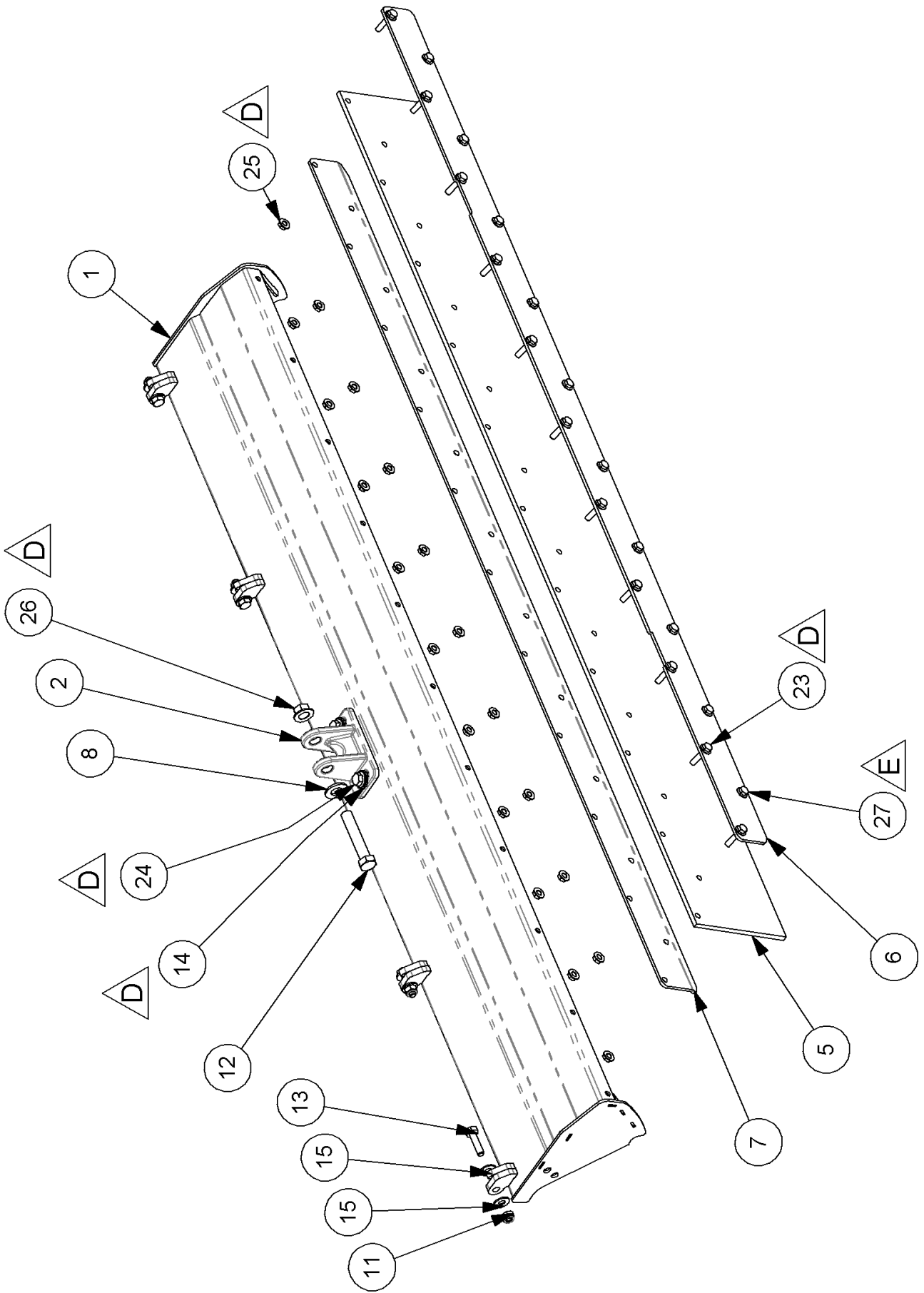
Ref	Part No	Description	Qty
1	4007013	HEAD CASING 1600 GRASSHEAD	1
2	4500202	BELT COVER	1
3	4500184	STOP BRACKET	2
4	4500183	RUBBER STOP	2
5	4007046	CLAMPING PLATE	1
6	4007076	CLAMP STRIP RELIEF 1584 PROFIL	1
7	05.953.03	GREASER	1
9	9353063	SCREW	4
15	4007045	FRONT FLAP 1600	1
17	94440835	BOLT	11
18	94441020	BOLT	1
19	94441025	BOLT	2
20	9100904	NUT	21
21	9100905	NUT	2
22	9100903	NUT	4
23	94440825	BOLT	10
24	4500185	REAR RAM MOUNT	1
25	94441230	BOLT	2
26	9100106	WASHER	2
27	9213187	BOLT	1
28	9100908	NUT	1
29	0100106	WASHER	1





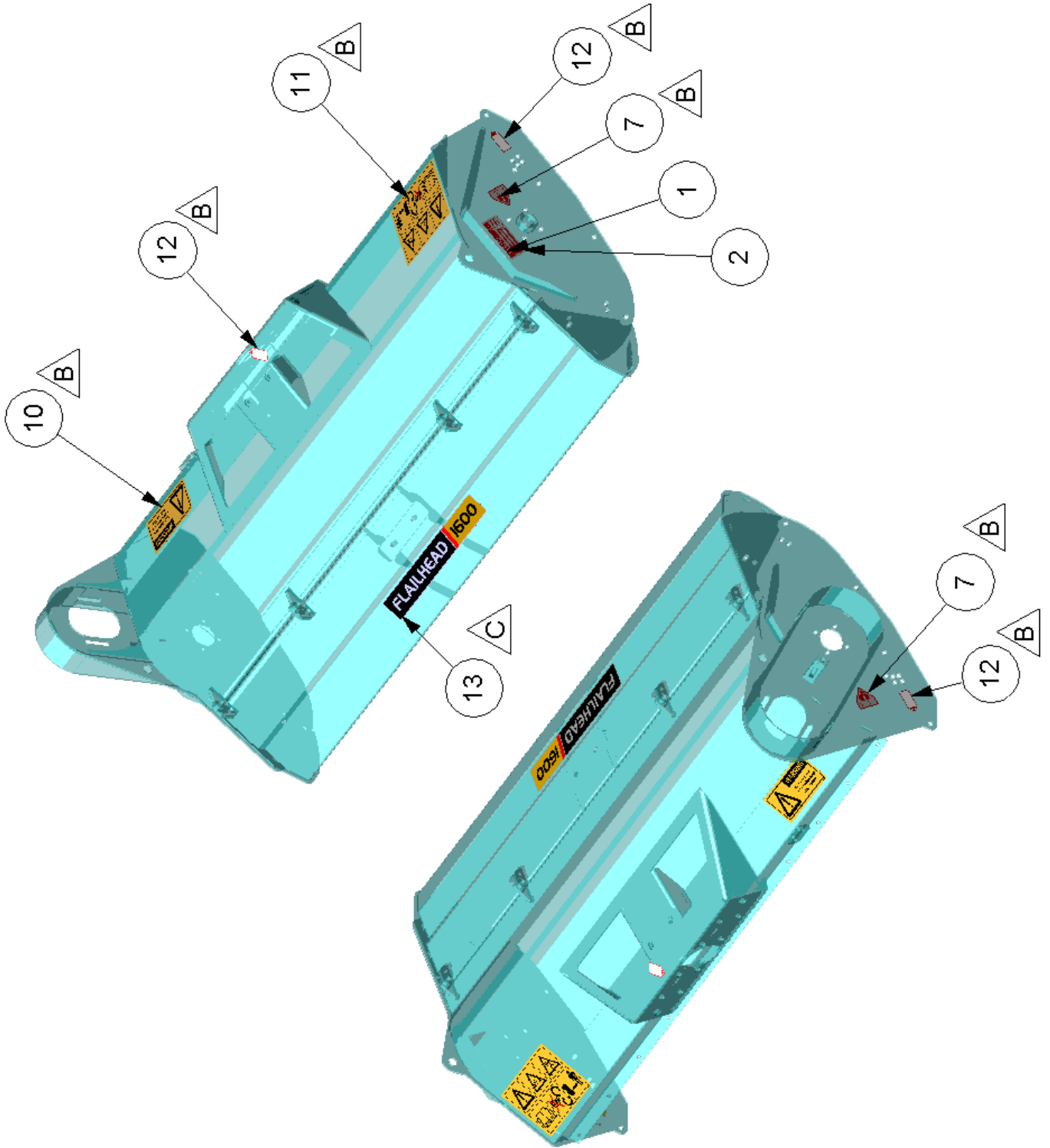
**4007016 B - ROLLER 1600 ASSEMBLY GRASSHEAD**

Ref	Part No	Description	Qty
1	4007017	ROLLER 1600 GRASSHEAD	1
2	4500225	BEARING	2
3	4500195	ROLLER BRACKET RIGHT HAND	1
4	4500196	ROLLER BRACKET LEFT HAND	1
5	0401225	CIRCLIP	2
9	94441020	BOLT	4
10	94441030	BOLT	4
11	9100905	NUT	4



**4007019 F - FRONT HOOD 1600 GRASSHEAD**

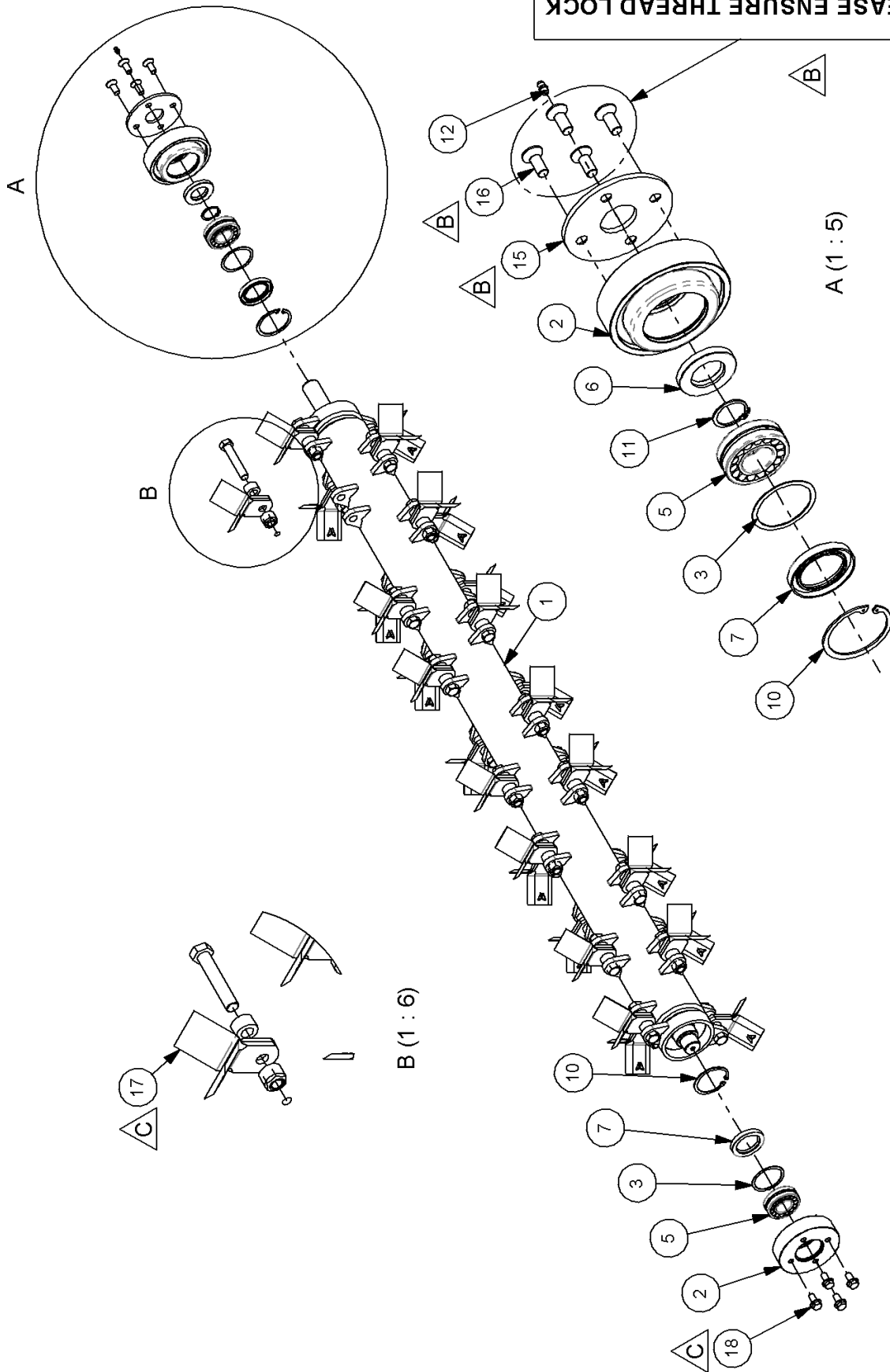
Ref	Part No	Description	Qty
1	4007018	FRONT HOOD 1600 GRASSHEAD	1
2	4500182	FRONT RAM MOUNT BRACKET	1
5	4007045	FRONT FLAP 1600	1
6	4007046	CLAMPING PLATE	1
7	4007076	CLAMP STRIP RELIEF 1584 PROFIL	1
8	0100106	WASHER	1
11	9163005	NUT	4
12	9213187	BOLT	1
13	9213085	BOLT	4
14	9100106	WASHER	2
15	9100105	WASHER	8
23	94440835	BOLT	11
24	94441230	BOLT	2
25	9100904	NUT	21
26	9100908	NUT	1
27	94440825	BOLT	10



**4007021 C - DECALS GRASSHEAD 1600**

Ref	Part No	Description	Qty
1	1335246	SERIAL No. PLATE	1
2	7103230	RIVET	4
7	09.810.01	DECAL	2
10	4500771	SAFETY DECAL SAFETY DECAL	1
11	4500768	SAFETY DECAL SAFETY DECAL	1
12	T410201	DECAL	3
13	1291284	DECAL - FLAILHEAD 1600	1

PLEASE ENSURE THREAD LOCK IS USED ON CSK CAPSCREWS

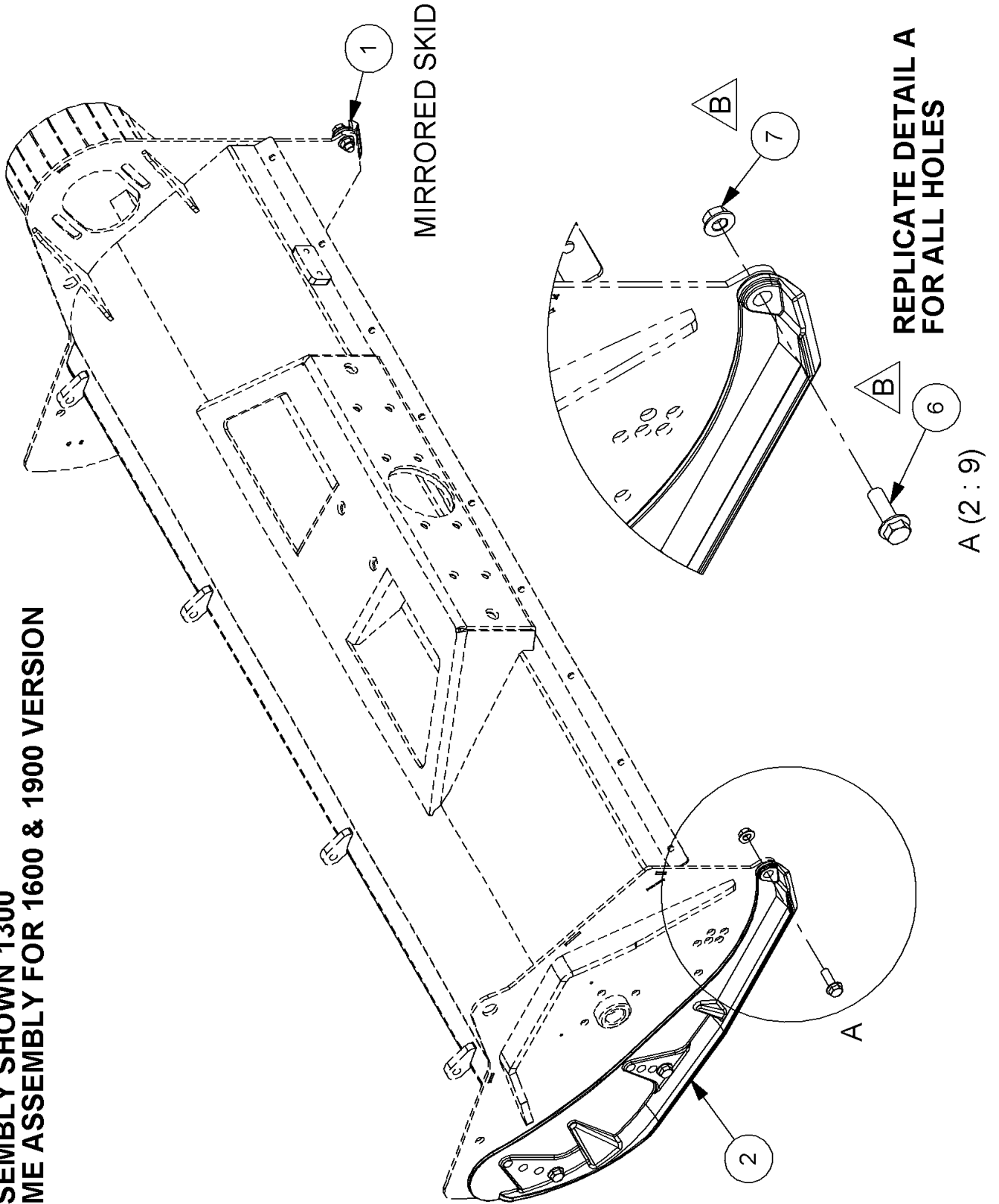


**4007022 C - GRASS FLAIL ROTARY GRASSHEAD**

Ref	Part No	Description	Qty
1	4007023	WELD ASSEMBLY ROTOR 1600	1
2	4500191	BEARING SUPPORT HOUSING	2
3	4500198	SHIM 52X61.3X1.00	2
5	4500226	BEARING	2
6	4500234	SEAL	1
7	4500235	SEAL	2
10	0411262	CIRCLIP	2
11	0401230	CIRCLIP	1
12	0901161	GREASER	1
15	4007007.01	PLATE	1
16	9353055	CSK SCREW	4
17	4007152	Y FLAIL SET	30
18	94441020	BOLT	4



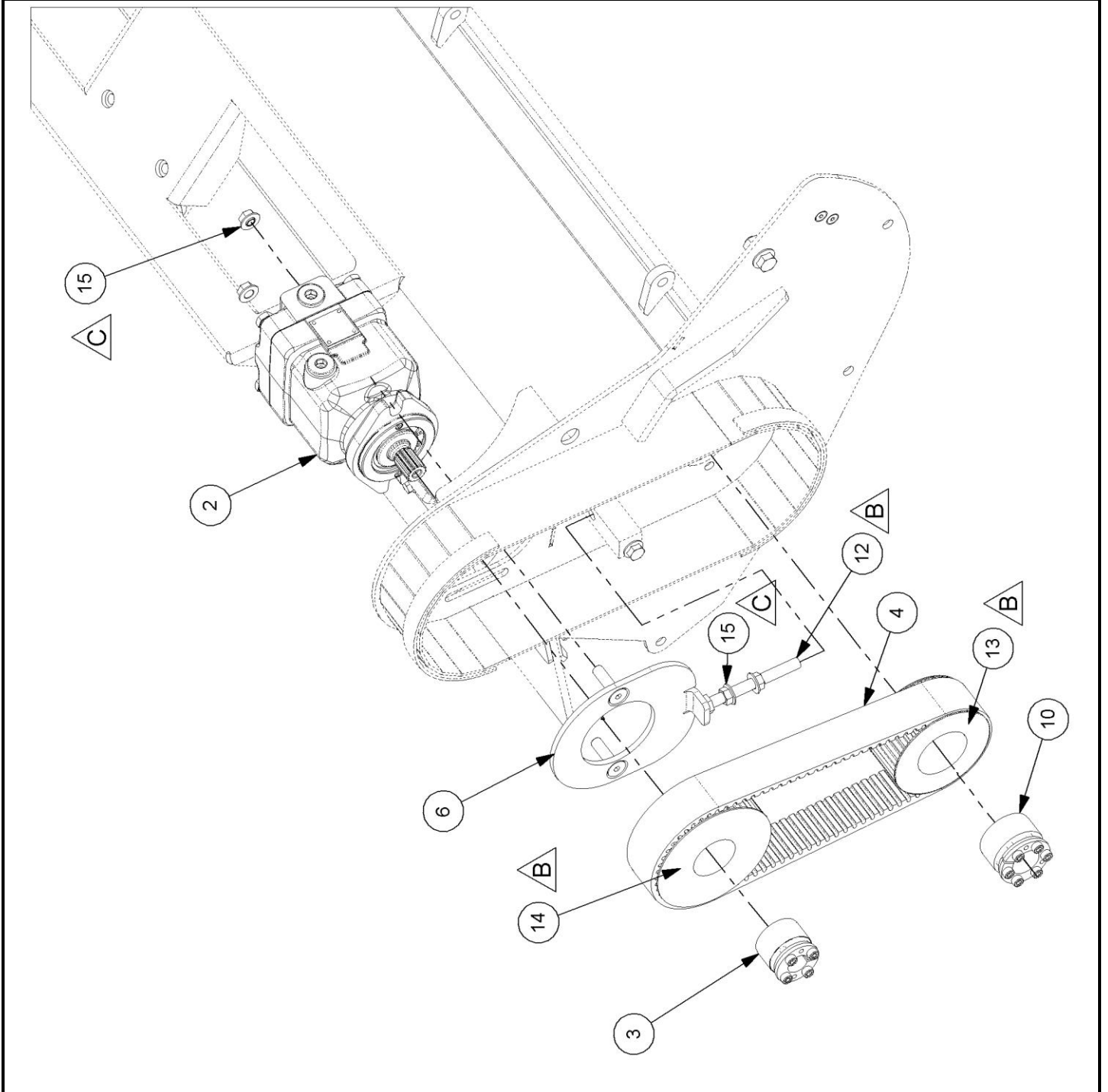
ASSEMBLY SHOWN 1300  
SAME ASSEMBLY FOR 1600 & 1900 VERSION



**4007051 B - CAST SKID KIT GRASSHEAD**

Ref	Part No	Description	Qty
1	4007049	SKID LEFT HANDED	1
2	4007050	SKID RIGHT HAND	1
6	94441030	BOLT	6
7	9100905	NUT	6

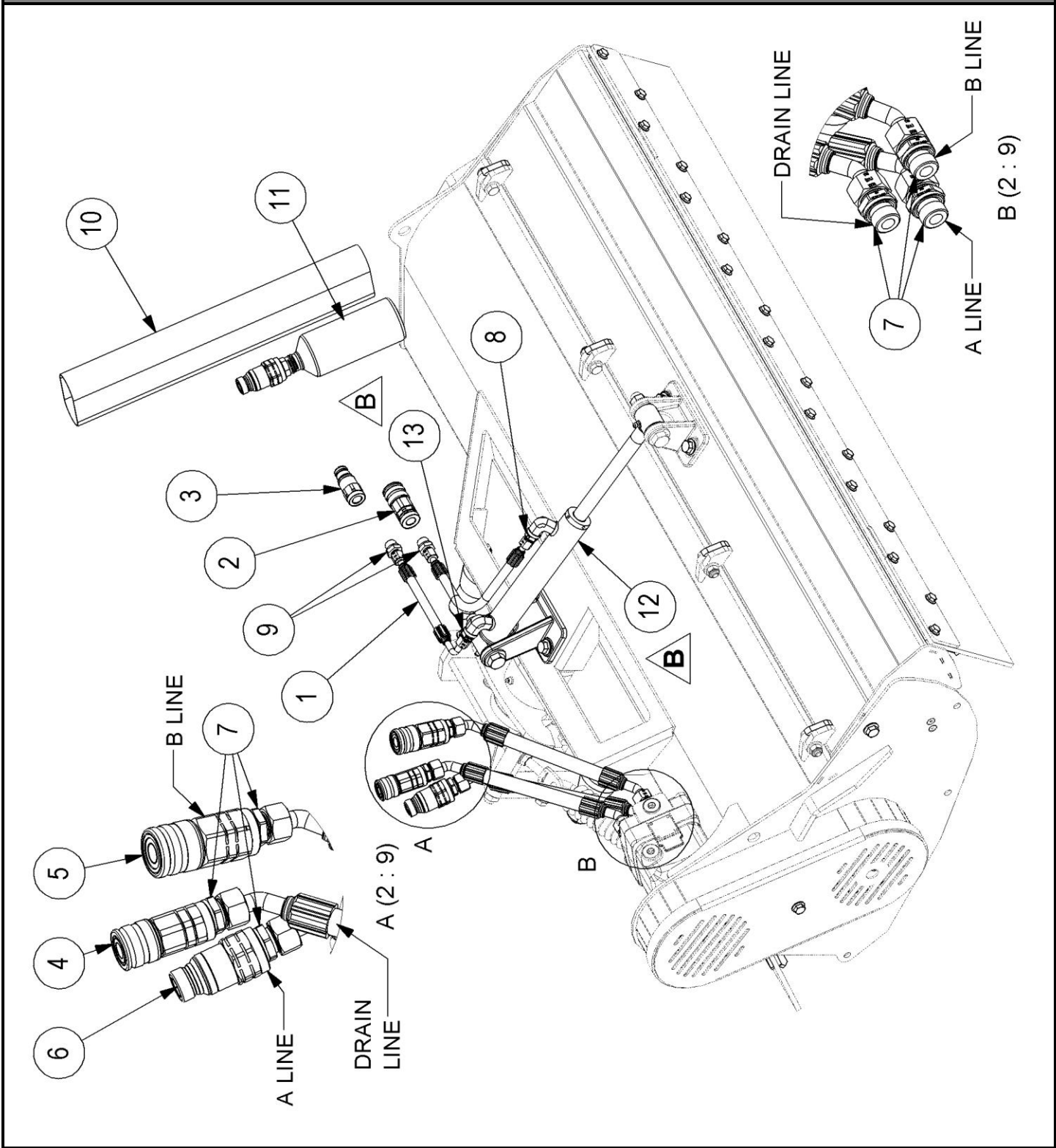
4007056 C - POWER TRANSMISSION GRASSHEAD



**4007056 C - POWER TRANSMISSION GRASSHEAD**

Ref	Part No	Description	Qty
2	4500229	FLAIL MOTOR	1
3	4500531	TAPER LOCK	1
4	4500233	BELT	1
6	4007004	MOTOR MOUNTING	1
10	4500227	TAPER LOCK	1
12	9313205	SETSCREW	1
13	4007147	PULLEY	1
14	4007148	PULLEY	1
15	9100905	NUT	4

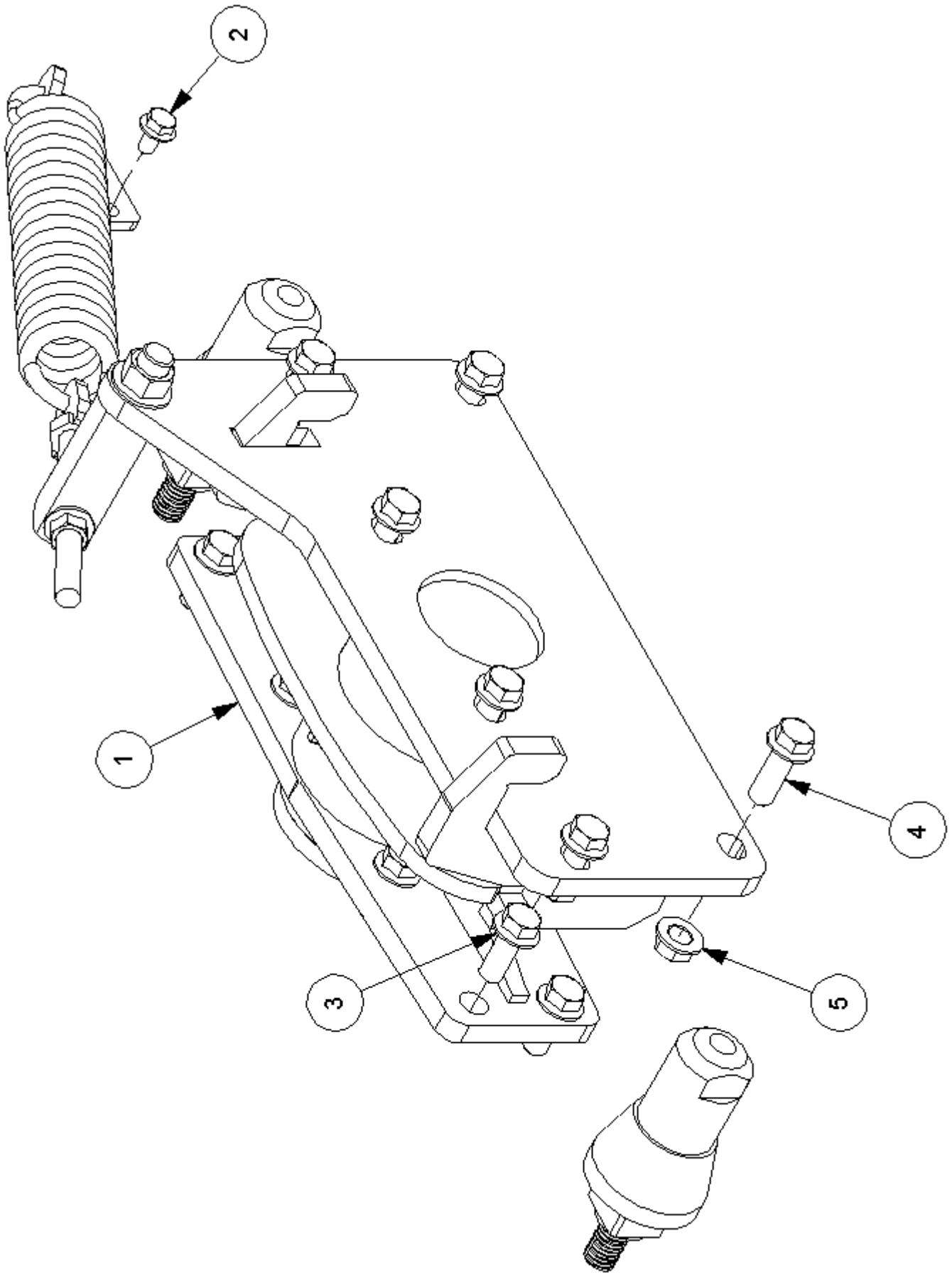
4007161 B - GRASSHEAD 56HP HOSE MODULE



**4007161 B - GRASSHEAD 56HP HOSE MODULE**

Ref	Part No	Description	Qty
1	4007084	1.3-1.9M GRASSHD 56HP HOSE KIT	1
2	4008011	FEMALE COUPLING	1
3	4008012	MALE COUPLING	1
4	4008013	FEMALE COUPLING	1
5	4008065	FEMALE COUPLING	1
6	4008066	MALE COUPLING	1
7	G3812674	ADAPTOR	6
8	8581374	ADAPTOR	1
9	8581369	ADAPTOR	2
10	22590.10	SLEEVE	1
11	4007162	EXPANSION VESSEL	1
12	4500186	GRASSHEAD HYD. RAM ASSEMBLY	1
<b>4500186 - GRASSHEAD HYD. RAM ASSEMBLY</b>			
Ref	Part No	Description	Qty
2	0901121	GREASER	2
3	4500186AP	FRONT HOOD HYD.RAM	1
13	8581795	ADAPTOR CW RESTRICTOR	1

4007199 A - PIVOT ASSEMBLY MODULE

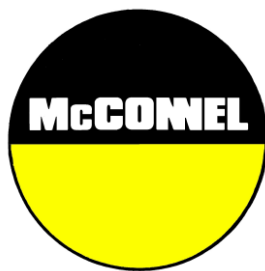


**4007199 A - PIVOT ASSEMBLY MODULE**

Ref	Part No	Description	Qty
1	4007008	PIVOT ASSEMBLY GRASSHEAD	1
2	94440814	BOLT	2
3	94441230	BOLT	8
4	94441235	BOLT	6
5	9100906	NUT	6







McConnel Limited, Temeside Works, Ludlow, Shropshire SY8 1JL. England.  
Telephone: 01584 873131. Facsimile: 01584 876463. [www.mcconnel.com](http://www.mcconnel.com)