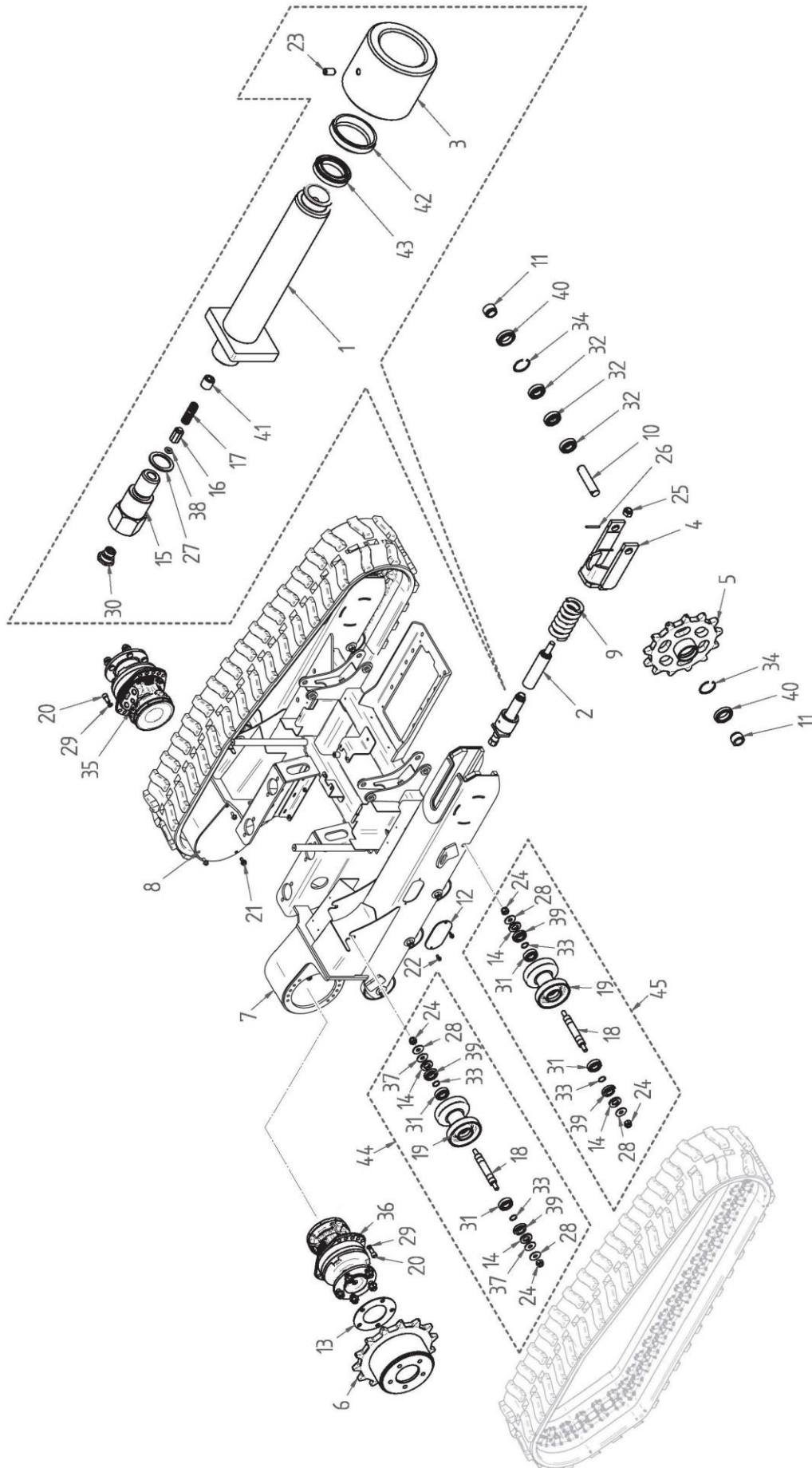


# ROBOCUT

- Parts Manual -  
For machines to 07/13  
To S/No: ROBO071300322  
(Rev. 09.10.13)

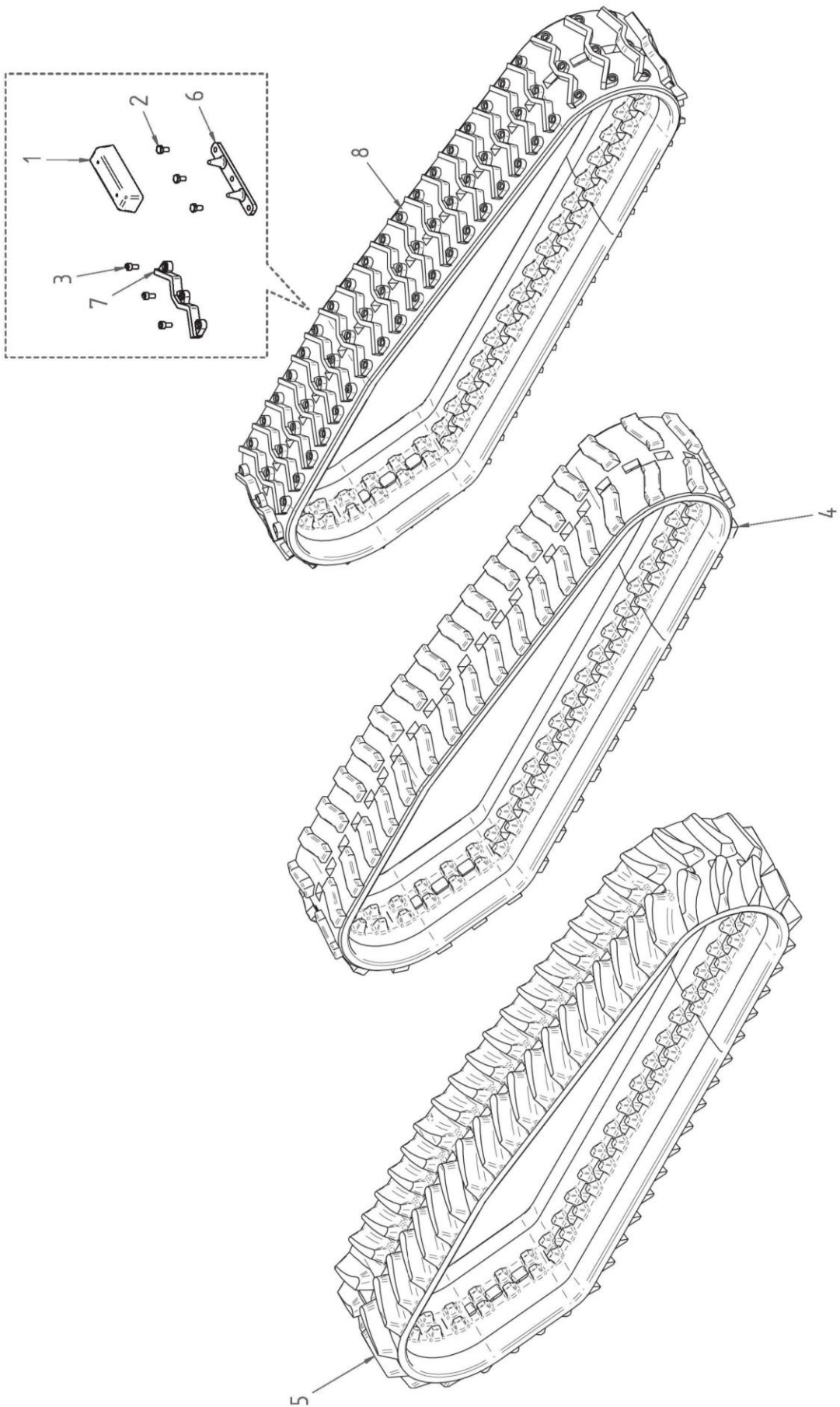




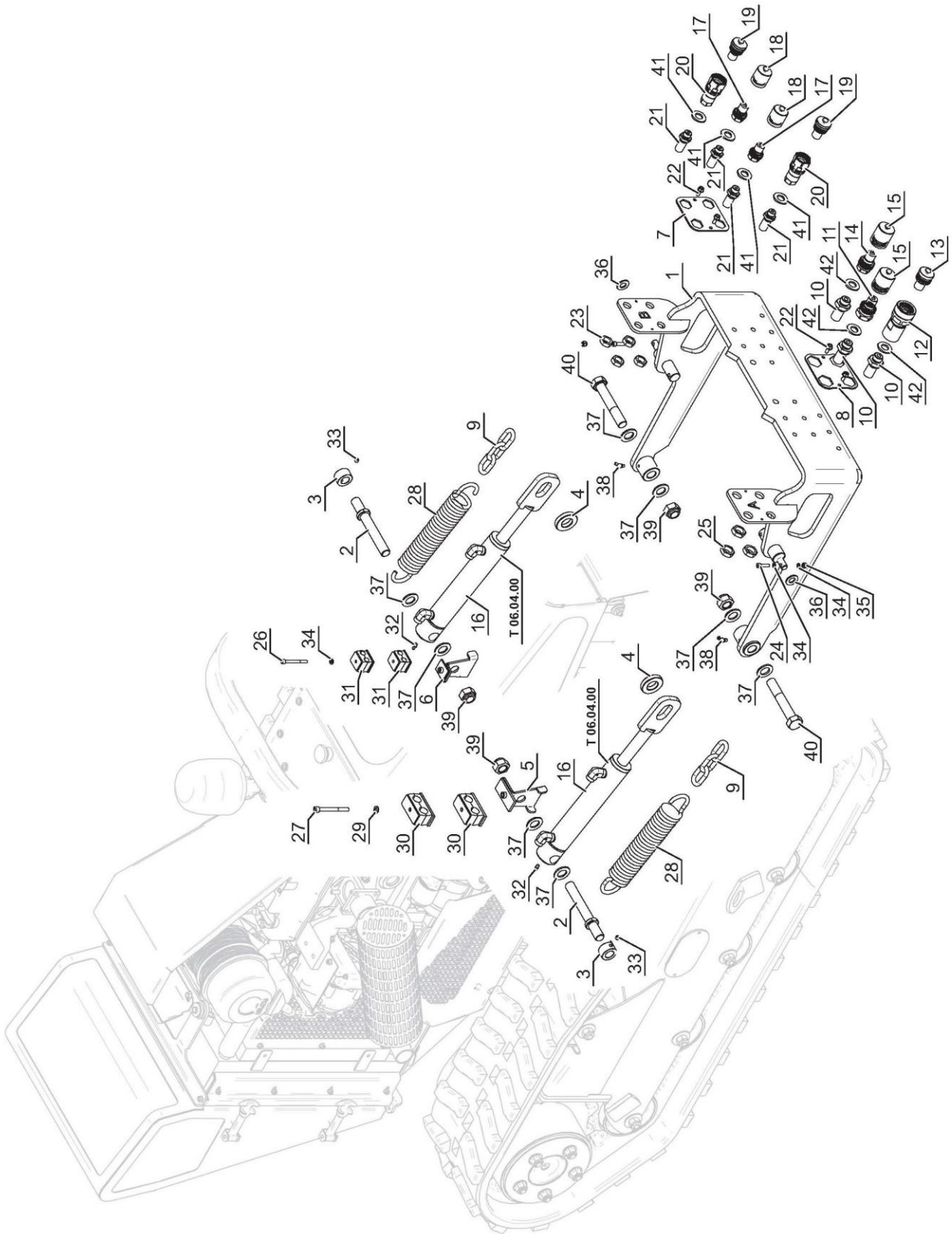


| REF. | QTY. | PART No. | DESCRIPTION                        |
|------|------|----------|------------------------------------|
|      |      |          | <b>CHASSIS ASSEMBLY</b>            |
| 1    | 2    | 4000001  | INNER BARREL                       |
| 2    | 2    | 4000002  | OUTER BARREL                       |
| 3    | 2    | 4000003  | BUSH                               |
| 4    | 2    | 4000004  | SPROCKET FORK                      |
| 5    | 2    | 4000005  | SPROCKET                           |
| 6    | 2    | 4000006  | DRIVE SPROCKET                     |
| 7    | 1    | 4000039  | UNDERCARRIAGE HOUSING              |
| 8    | 2    | 4000007  | MOTOR COVER                        |
| 9    | 2    | 4000008  | SPRING                             |
| 10   | 2    | 4000009  | PIN                                |
| 11   | 4    | 4000010  | BUSH                               |
| 12   | 2    | 4000011  | COVER PLATE                        |
| 13   | 2    | 4000347  | SPACER                             |
| 14   | 20   | 4000351  | ROLLER WASHER                      |
| 15   | 2    | 4000012  | VALVE HOUSING                      |
| 16   | 2    | 4000013  | VALVE                              |
| 17   | 2    | 4000014  | VALVE SPRING                       |
| 18   | 10   | 4000015  | PIN                                |
| 19   | 10   | 4000016  | ROLLER                             |
| 20   | 20   | 4000352  | CYLINDRIC HEAD SCREW               |
| 21   | 8    | 4000353  | FLANGED HEAD SCREW                 |
| 22   | 4    | 4000316  | FLANGED HEAD SCREW                 |
| 23   | 2    | 4000354  | GRUB SCREW                         |
| 24   | 20   | 4000355  | LOCK NUT                           |
| 25   | 2    | 4000018  | LOCK NUT                           |
| 26   | 4    | 4000032  | ROLL PIN                           |
| 27   | 2    | 4000356  | COPPER WASHER                      |
| 28   | 20   | 4000019  | WASHER                             |
| 29   | 20   | 4000357  | KNURLED WASHER                     |
| 30   | 2    | 4000358  | BUTTING HEAD FITTING               |
| 31   | 20   | 1021002  | TRACK ROLLER BEARING               |
| 32   | 6    | 1021250  | BEARING                            |
| 33   | 20   | 4000023  | CIRCLIP                            |
| 34   | 4    | 4000024  | CIRCLIP                            |
| 35   | 1    | 4000359  | LH TRACK DRIVE MOTOR               |
| 36   | 1    | 4000360  | RH TRACK DRIVE MOTOR               |
| 37   | 4    | 4000361  | WASHER - <i>Serial No. 00056</i> ▶ |
| 38   | 2    | 4000030  | O RING                             |
| 39   | 20   | 4000026  | ROLLER SEAL                        |
| 40   | 4    | 4000027  | SEAL                               |
| 41   | 2    | 4000029  | NUT                                |
| 42   | 2    | 4000028  | SCRAPER RING                       |
| 43   | 2    | 4000031  | SEAL                               |
| 44   | 2    | 4000362  | UPPER ROLLER ASSEMBLY              |
| 45   | 2    | 4000705  | LOWER ROLLER ASSEMBLY              |



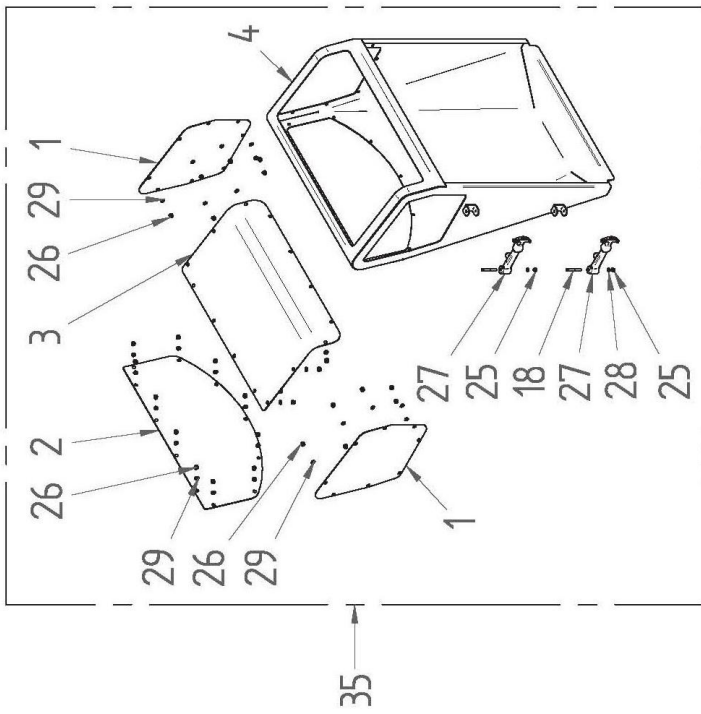
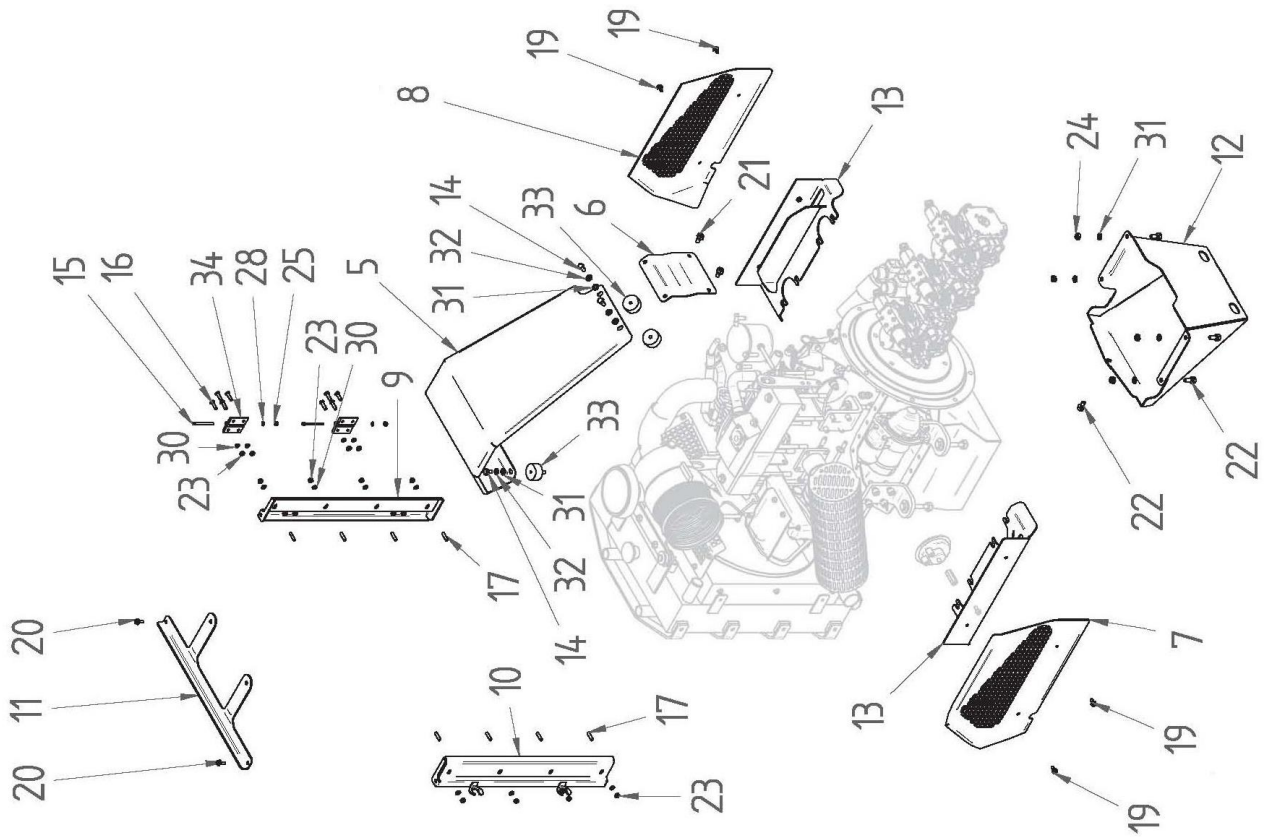


| <b>REF.</b> | <b>QTY.</b> | <b>PART No.</b> | <b>DESCRIPTION</b>               |
|-------------|-------------|-----------------|----------------------------------|
|             |             |                 | <b>RUBBER TRACKS</b>             |
| 1           | 46          | 4000036         | RUBBER TRANSPORT BLOCK           |
| 2           | 138         | 4000038         | BOLT                             |
| 3           | 282         | 4000037         | BOLT                             |
| 4           | 2           | 4000263         | RUBBER TRACK 250/72/47           |
| 5           | 2           | 4000289         | RUBBER TRACK 280/72/47           |
| 6           | 46          | 4000034         | RIVETED STIRRUP                  |
| 7           | 94          | 4000035         | STEEL STIRRUP                    |
| 8           | 2           | 4000290         | RUBBER TRACK (MOVEABLE STIRRUPS) |

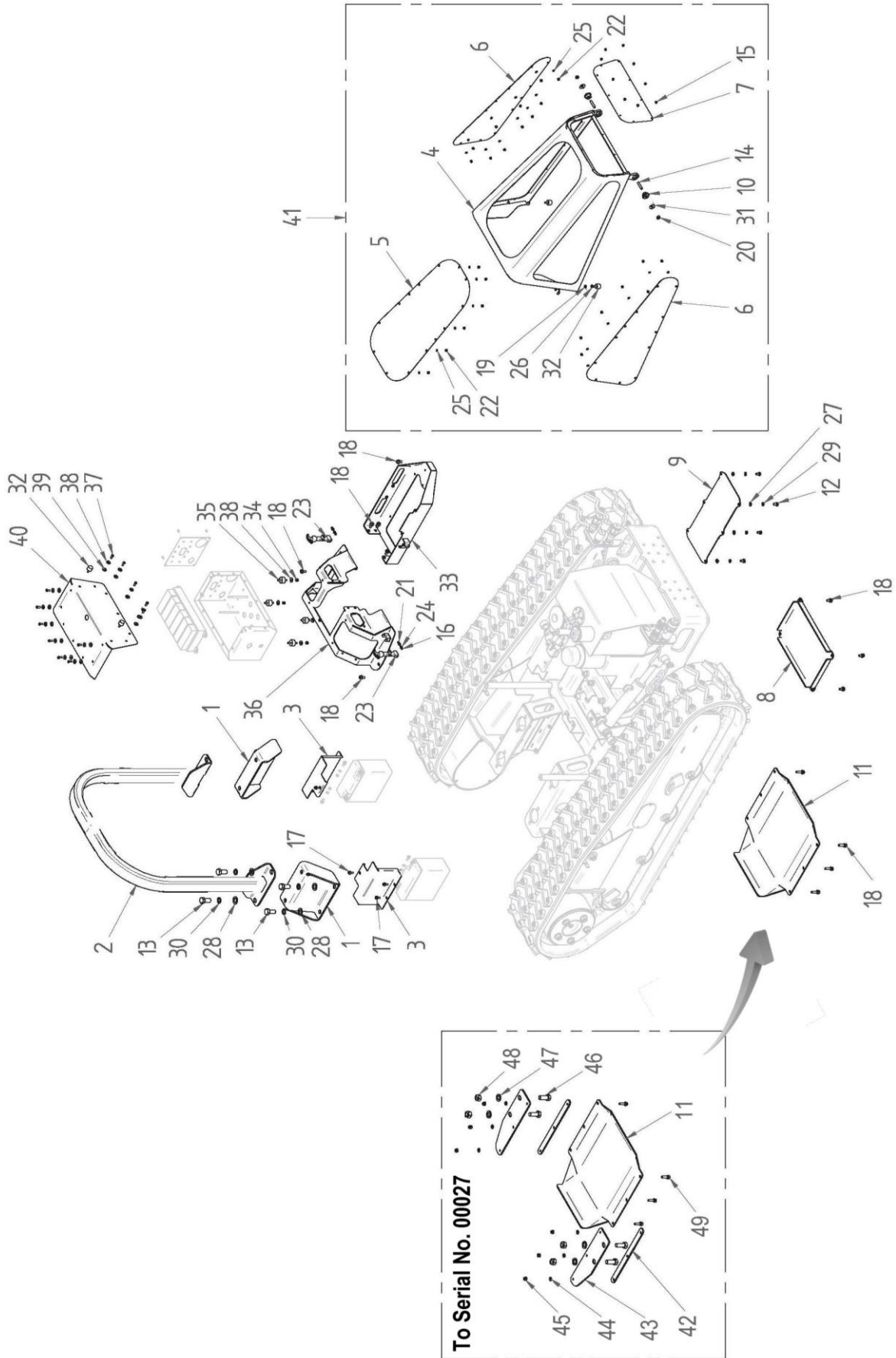


| REF. | QTY. | PART No.  | DESCRIPTION                        |
|------|------|-----------|------------------------------------|
|      |      |           | <b>EQUIPMENT MOUNTING ASSEMBLY</b> |
| 1    | 1    | 4000088   | ATTACHMENT MOUNTING FRAME          |
| 2    | 2    | 4000089   | RAM PIN                            |
| 3    | 2    | 4000090   | RETAINING COLLAR                   |
| 4    | 2    | 4000091   | WASHER                             |
| 5    | 1    | 4000363   | RH HOSE SUPPORT BRACKET            |
| 6    | 1    | 4000364   | LH HOSE SUPPORT BRACKET            |
| 7    | 1    | 4000092   | LEFT BULKHEAD FIXING PLATE         |
| 8    | 1    | 4000093   | RIGHT BULKHEAD FIXING PLATE        |
| 9    | 2    | 4000095   | CHAIN                              |
| 10   | 3    | 4000129   | BULKHEAD FITTING                   |
| 11   | 1    | 4000136   | QR COUPLING                        |
| 12   | 1    | 4000133   | QR COUPLING                        |
| 13   | 1    | 4000139   | PLUG (Option)                      |
| 14   | 1    | 4000134   | QR COUPLING                        |
| 15   | 2    | 4000137   | PLUG (Option)                      |
| 16   | 2    | 4000101   | HYDRAULIC RAM                      |
| 17   | 2    | 4000135   | QR COUPLING                        |
| 18   | 2    | 4000138   | PLUG (Option)                      |
| 19   | 2    | 4000140   | PLUG (Option)                      |
| 20   | 2    | 4000132   | QR COUPLING                        |
| 21   | 4    | 4000128   | BULKHEAD FITTING                   |
| 22   | 4    | 4000316   | FLANGED HEAD SCREW                 |
| 23   | 4    | 4000130   | NUT                                |
| 24   | 2    | 9313053   | BOLT                               |
| 25   | 3    | 4000131   | NUT                                |
| 26   | 1    | 4000108   | CYLINDRIC HEAD SCREW               |
| 27   | 1    | 4000365   | CYLINDRIC HEAD SCREW               |
| 28   | 2    | 4000110   | SPRING                             |
| 29   | 1    | 9100104   | FLAT WASHER                        |
| 30   | 2    | 4000366   | HOSE CLAMP                         |
| 31   | 2    | 4000367   | HOSE CLAMP                         |
| 32   | 2    | 4000368   | GREASE NIPPLE                      |
| 33   | 2    | 4000369   | SETSCREW                           |
| 34   | 4    | 9100103   | FLAT WASHER                        |
| 35   | 2    | 9163003   | LOCK NUT                           |
| 36   | 2    | 05.281.14 | FLAT WASHER                        |
| 37   | 8    | 4000370   | BAR WASHER                         |
| 38   | 2    | 4000371   | GREASE NIPPLE                      |
| 39   | 4    | 4000372   | LOCK NUT                           |
| 40   | 2    | 4000373   | SCREW                              |
| 41   | 4    | 7315818   | BONDED SEAL                        |
| 42   | 3    | 8650104   | BONDED SEAL                        |

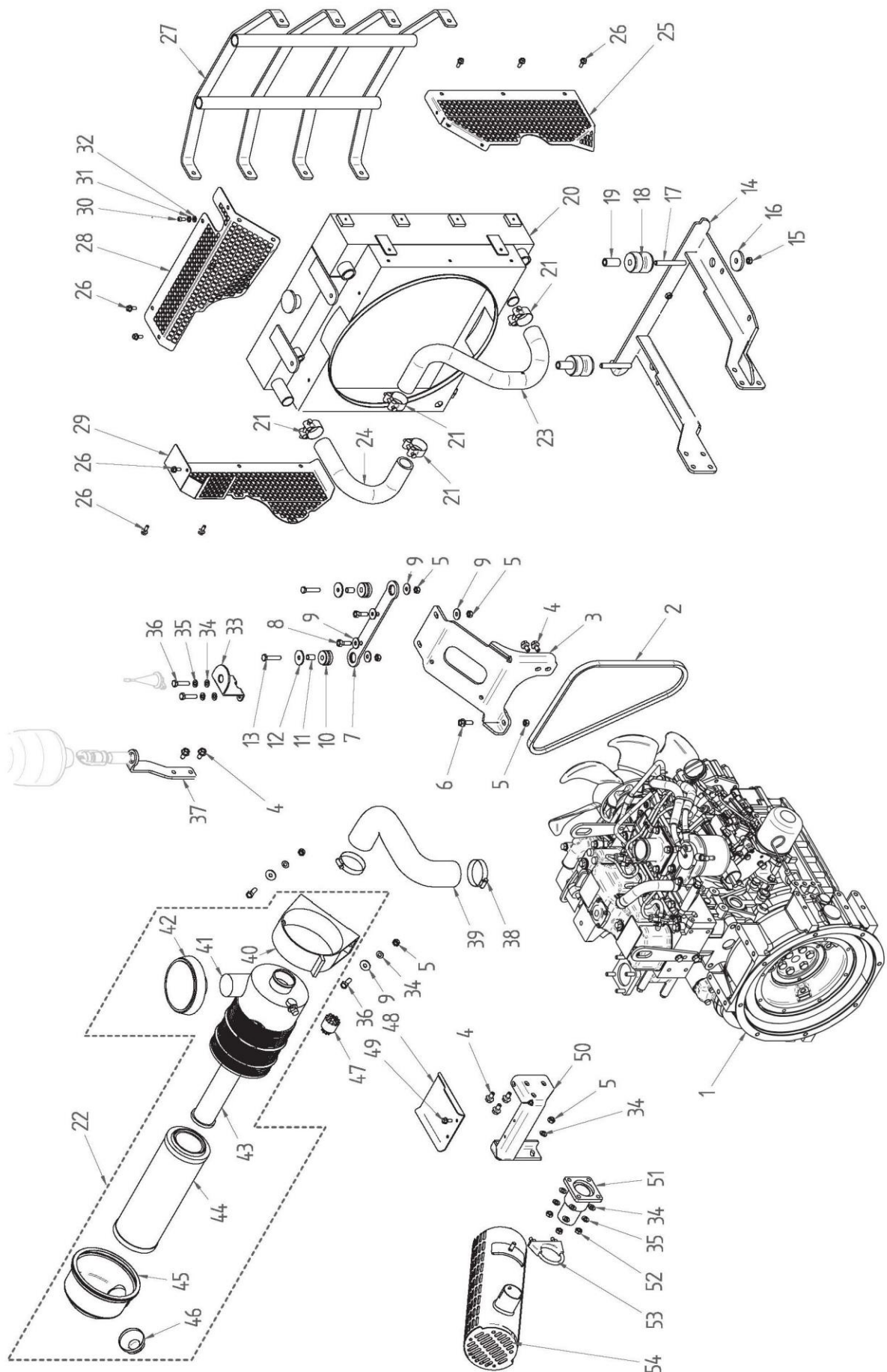




| REF. | QTY. | PART No.  | DESCRIPTION                  |
|------|------|-----------|------------------------------|
|      |      |           | <b>ENGINE COVER ASSEMBLY</b> |
| 1    | 2    | 4000154   | SIDE MESH                    |
| 2    | 1    | 4000155   | CENTRAL LOWER MESH           |
| 3    | 1    | 4000374   | CENTRAL UPPER MESH           |
| 4    | 1    | 4000156   | RADIATOR BONNET              |
| 5    | 1    | 4000166   | AIR FILTER BONNET            |
| 6    | 1    | 4000167   | AIR FILTER BONNET SUPPORT    |
| 7    | 1    | 4000164   | RIGHT SIDE BONNET            |
| 8    | 1    | 4000165   | LEFT SIDE BONNET             |
| 9    | 1    | 4000169   | RADIATOR LEFT SUPPORT        |
| 10   | 1    | 4000170   | RADIATOR RIGHT SUPPORT       |
| 11   | 1    | 4000171   | RADIATOR CLOSING SUPPORT     |
| 12   | 1    | 4000172   | REAR COVER                   |
| 13   | 2    | 4000375   | SIDE PROTECTION SUPPORT      |
| 14   | 4    | 4000376   | SCREW                        |
| 15   | 2    | 4000377   | CYLINDRIC HEAD SCREW         |
| 16   | 8    | 4000378   | COUNTERSUNK HEAD SCREW       |
| 17   | 8    | 4000176   | HEADLESS SCREW               |
| 18   | 2    | 4000250   | CYLINDRIC HEAD SCREW         |
| 19   | 4    | 4000379   | FLANGED HEAD SCREW           |
| 20   | 2    | 4000316   | FLANGED HEAD SCREW           |
| 21   | 2    | 4000353   | FLANGED HEAD SCREW           |
| 22   | 5    | 4000380   | FLANGED HEAD SCREW           |
| 23   | 12   | 4000075   | AUTOGRIP NUT                 |
| 24   | 4    | 4000381   | AUTOGRIP NUT                 |
| 25   | 4    | 9163001   | LOCK NUT                     |
| 26   | 41   | 05.287.09 | LOCK NUT                     |
| 27   | 2    | 4000112   | BONNET FASTENER              |
| 28   | 4    | 9100101   | WASHER                       |
| 29   | 41   | 9100102   | WASHER                       |
| 30   | 12   | 9100103   | WASHER                       |
| 31   | 4    | 9100104   | WASHER                       |
| 32   | 4    | 9100204   | SPRING WASHER                |
| 33   | 4    | 4000382   | ANTI-VIBRATION BLOCK         |
| 34   | 2    | 4000383   | HINGE                        |
| 35   | 1    | 4000401   | RADIATOR BONNET COMPLETE     |



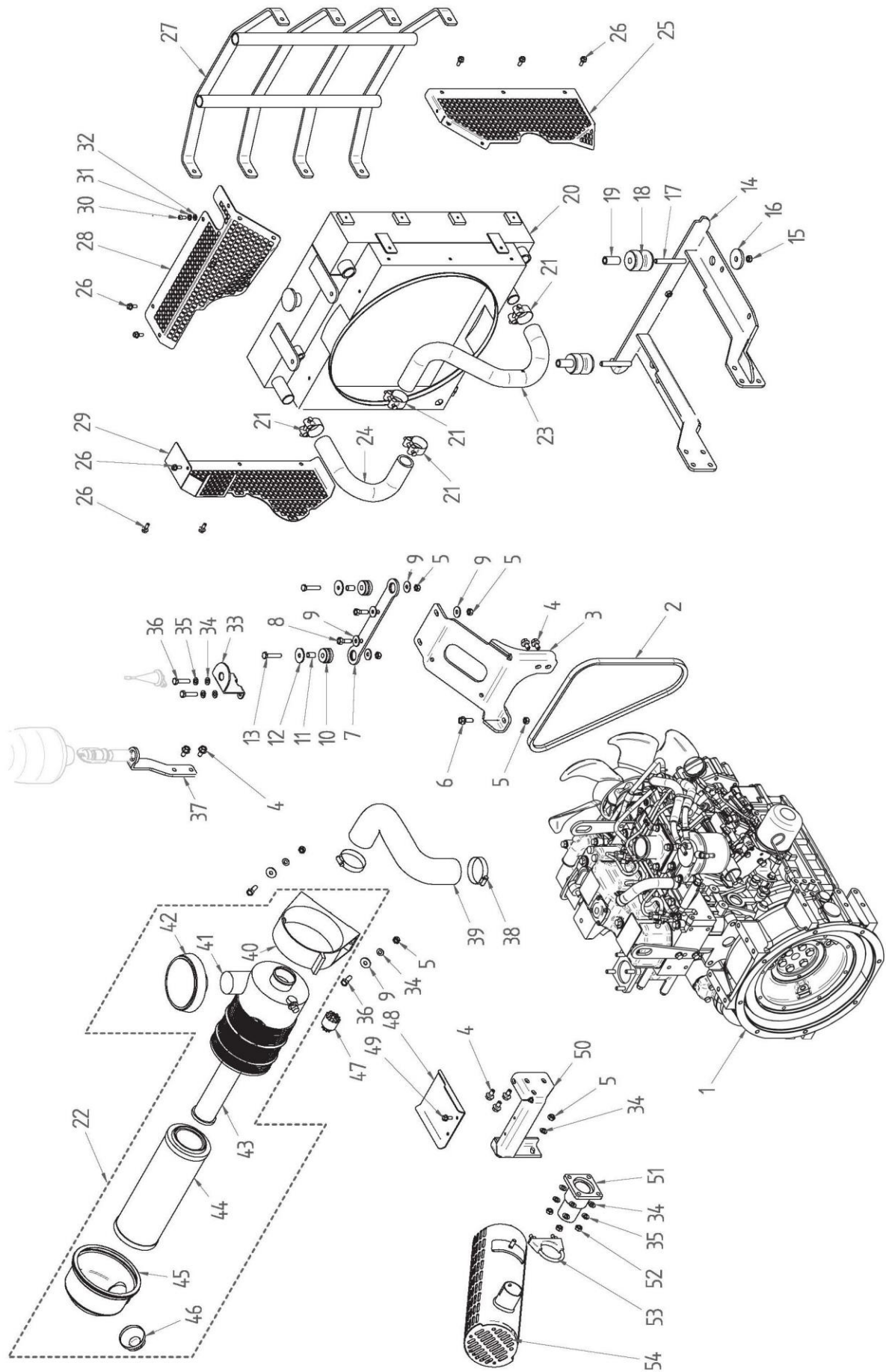
| REF. | QTY. | PART No.  | DESCRIPTION                                    |
|------|------|-----------|--|
|      |      |           | <b>MACHINE COVER ASSEMBLY</b>                  |
| 1    | 2    | 4000151   | ROLL BAR SUPPORT                               |
| 2    | 1    | 4000152   | ROLL BAR                                       |
| 3    | 2    | 4000153   | BATTERY COVER                                  |
| 4    | 1    | 4000157   | UPPER BONNET                                   |
| 5    | 1    | 4000158   | UPPER MESH                                     |
| 6    | 2    | 4000159   | SIDE MESH                                      |
| 7    | 1    | 4000160   | FRONT MESH                                     |
| 8    | 1    | 4000161   | VALVE COVER PLATE                              |
| 9    | 1    | 4000162   | TANK COVER PLATE                               |
| 10   | 2    | 4000163   | BUSHING  |
| 11   | 1    | 4000168   | OIL SUMP PROTECTION                            |
| 12   | 6    | 4000376   | SCREW  |
| 13   | 8    | 4000175   | SCREW  |
| 14   | 2    | 4000384   | HEADLESS SCREW                                 |
| 15   | 9    | 4000177   | HEX SKT BUTTON HEAD SCREW                      |
| 16   | 2    | 4000107   | CYLINDRIC HEAD SCREW                           |
| 17   | 6    | 4000316   | FLANGED HEAD SCREW                             |
| 18   | 17   | 4000353   | FLANGED HEAD SCREW                             |
| 19   | 2    | 4000075   | AUTOGRIP NUT                                   |
| 20   | 2    | 4000381   | AUTOGRIP NUT                                   |
| 21   | 2    | 9163001   | LOCK NUT                                       |
| 22   | 32   | 05.287.09 | LOCK NUT                                       |
| 23   | 2    | 4000112   | BONNET FASTENER                                |
| 24   | 4    | 9100101   | WASHER   |
| 25   | 32   | 9100102   | WASHER   |
| 26   | 2    | 9100103   | WASHER   |
| 27   | 6    | 9100104   | WASHER   |
| 28   | 8    | 0100106   | WASHER   |
| 29   | 6    | 9100204   | SPRING WASHER                                  |
| 30   | 8    | 9100207   | SPRING WASHER                                  |
| 31   | 2    | 4000385   | WASHER (LARGE SERIES)                          |
| 32   | 4    | 4000251   | ANTI-VIBRATION BLOCK                           |
| 33   | 1    | 4000099   | REMOTE RECEIVER MOUNTING                       |
| 34   | 4    | 9163003   | LOCK NUT                                       |
| 35   | 4    | 4000386   | ANTI-VIBRATION BLOCK                           |
| 36   | 1    | 4000098   | ELECTRIC BOX MOUNTING FRAME                    |
| 37   | 12   | 4000387   | HEX SKT BUTTON HEAD SCREW                      |
| 38   | 16   | 4000321   | WASHER (LARGE SERIES)                          |
| 39   | 12   | 4000388   | RUBBER WASHER (LARGE SERIES)                   |
| 40   | 1    | 4000103   | ELECTRICAL BOX COVER                           |
| 41   | 1    | 4000402   | UPPER BONNET COMPLETE                          |
| 42   | 2    | 4000384   | EXTENSION PLATE - <i>Serial No. ▶ 00027</i>    |
| 43   | 2    | 4000385   | EXTENSION - <i>Serial No. ▶ 00027</i>          |
| 44   | 6    | 9100104   | WASHER - <i>Serial No. ▶ 00027</i>             |
| 45   | 6    | 9163004   | LOCK NUT - <i>Serial No. ▶ 00027</i>           |
| 46   | 4    | 4000175   | HEX HEAD SCREW - <i>Serial No. ▶ 00027</i>     |
| 47   | 4    | 0100100   | WASHER - <i>Serial No. ▶ 00027</i>             |
| 48   | 4    | 4000227   | LOCK NUT - <i>Serial No. ▶ 00027</i>           |
| 49   | 6    | 4000430   | FLANGED HEAD SCREW - <i>Serial No. ▶ 00027</i> |



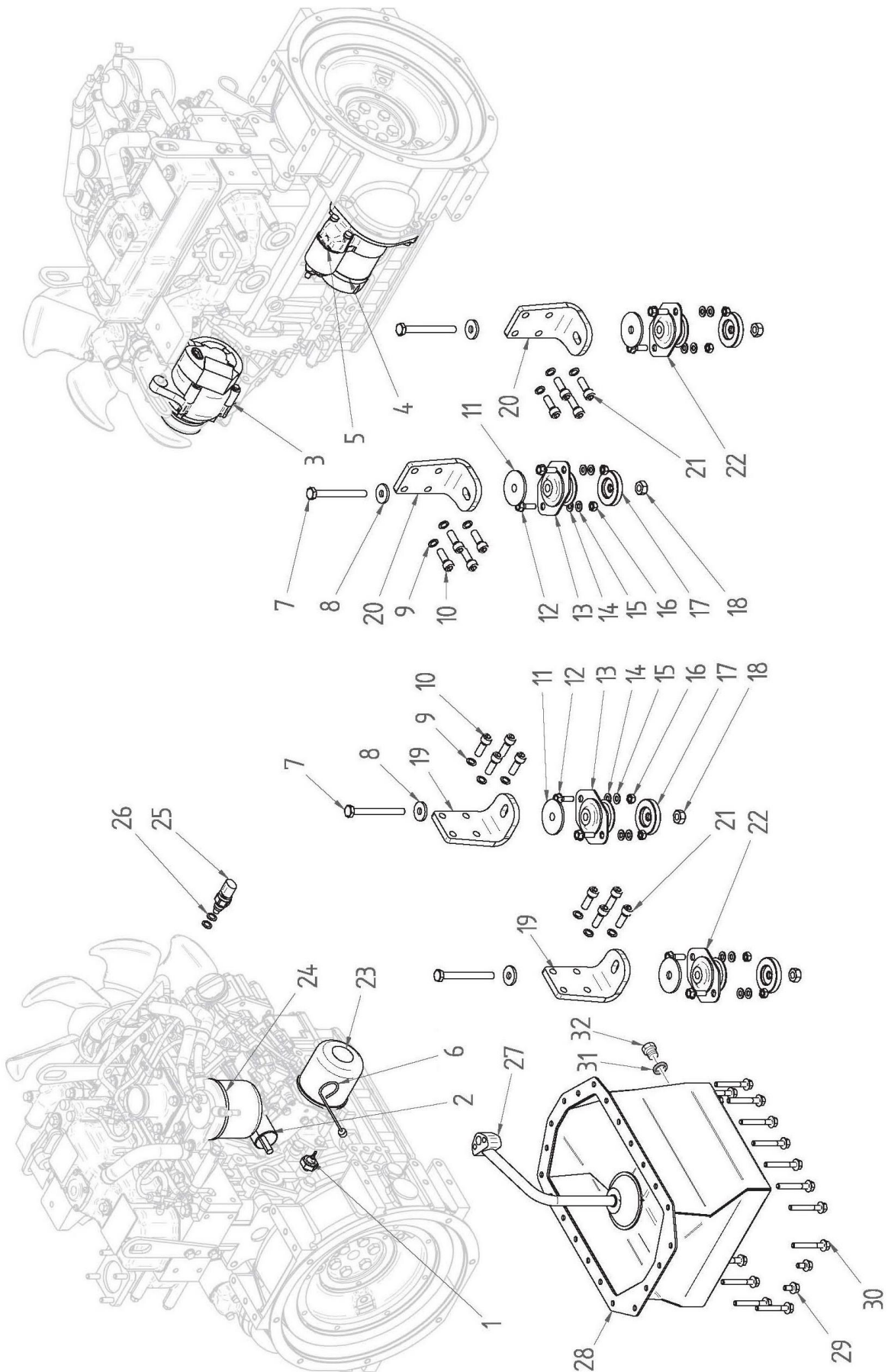


| REF. | QTY. | PART No. | DESCRIPTION                  |
|------|------|----------|------------------------------|
|      |      |          | <b>DIESEL ENGINE</b>         |
| 1    | 1    | 4000701  | ISUZU ENGINE (40HP)          |
| 2    | 1    | 4000275  | MOTOR BELT                   |
| 3    | 1    | 4000054  | AIR FILTER MOUNTING          |
| 4    | 7    | 4000353  | FLANGED HEAD SCREW           |
| 5    | 8    | 4000381  | AUTOGRIP NUT                 |
| 6    | 1    | 4000380  | FLANGED HEAD SCREW           |
| 7    | 1    | 4000055  | RADIATOR BRACKET             |
| 8    | 2    | 9313064  | SETSCREW                     |
| 9    | 8    | 4000385  | WASHER (LARGE SERIES)        |
| 10   | 2    | 4000084  | ANTI-VIBRATION RUBBER        |
| 11   | 2    | 4000389  | SPACER                       |
| 12   | 2    | 4000080  | WASHER (LARGE SERIES)        |
| 13   | 2    | 9313084  | SETSCREW                     |
| 14   | 1    | 4000045  | RADIATOR MOUNTING BRACKET    |
| 15   | 2    | 4000077  | AUTOGRIP NUT                 |
| 16   | 2    | 4000390  | WASHER                       |
| 17   | 2    | 4000068  | HEADLESS SCREW               |
| 18   | 2    | 4000083  | ANTI-VIBRATION MOUNTING      |
| 19   | 2    | 4000391  | SPACER                       |
| 20   | 1    | 4000046  | RADIATOR                     |
| 21   | 4    | 0904106  | HOSE CLIP                    |
| 22   | 1    | 4000400  | AIR FILTER COMPLETE c/w CLIP |
| 23   | 1    | 4000392  | RADIATOR HOSE LEFT           |
| 24   | 1    | 4000394  | RADIATOR HOSE RIGHT          |
| 25   | 1    | 4000041  | LEFT MESH GUARD              |
| 26   | 11   | 4000394  | FLANGED HEAD SCREW           |
| 27   | 1    | 4000047  | RADIATOR PROTECTION          |
| 28   | 1    | 4000043  | UPPER MESH GUARD             |
| 29   | 1    | 4000042  | RIGHT MESH GUARD             |
| 30   | 1    | 4000395  | SCREW                        |
| 31   | 1    | 9100203  | WASHER                       |
| 32   | 1    | 9100103  | WASHER                       |
| 33   | 1    | 4000396  | ANTENNA BRACKET              |
| 34   | 9    | 9100104  | WASHER                       |
| 35   | 6    | 9100204  | SPRING WASHER                |
| 36   | 4    | 9313074  | SETSCREW                     |
| 37   | 1    | 4000286  | LIGHT BRACKET                |
| 38   | 2    | 4000397  | CLIP                         |
| 39   | 1    | 4000398  | RUBBER HOSE                  |
| 40   | 1    | 4000052  | AIR FILTER BRACKET           |
| 41   | 1    | 4000048  | AIR FILTER HOUSING           |
| 42   | 1    | 4000051  | AIR FILTER COVER             |

*Continued ...*



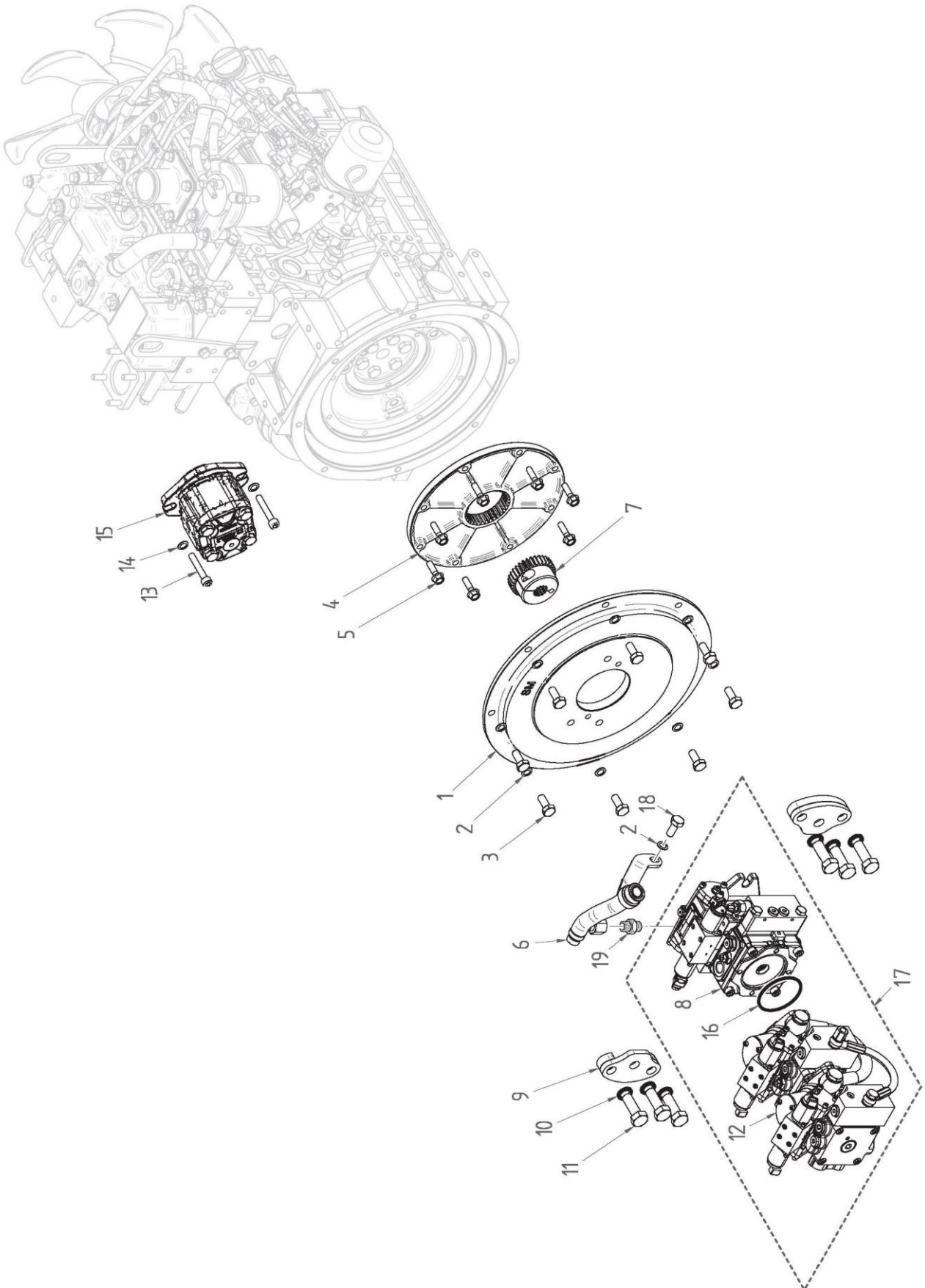
| REF. | QTY. | PART No. | DESCRIPTION                      |
|------|------|----------|----------------------------------|
|      |      |          | <b>DIESEL ENGINE (Continued)</b> |
| 43   | 1    | 4000261  | SECONDARY AIR FILTER             |
| 44   | 1    | 4000260  | PRIMARY AIR FILTER               |
| 45   | 1    | 4000280  | FILTER HOUSING CAP               |
| 46   | 1    | 4000279  | RUBBER VALVE                     |
| 47   | 1    | 4000281  | CLOGGING SENSOR                  |
| 48   | 1    | 4000063  | ALTERNATOR LID                   |
| 49   | 2    | 4000379  | FLANGED HEAD SCREW               |
| 50   | 1    | 4000062  | EXHAUST SUPPORT                  |
| 51   | 1    | 4000061  | EXHAUST MANIFOLD                 |
| 52   | 4    | 9113004  | NUT                              |
| 53   | 1    | 4000399  | CLIP                             |
| 54   | 1    | 4000065  | EXHAUST SILENCER                 |



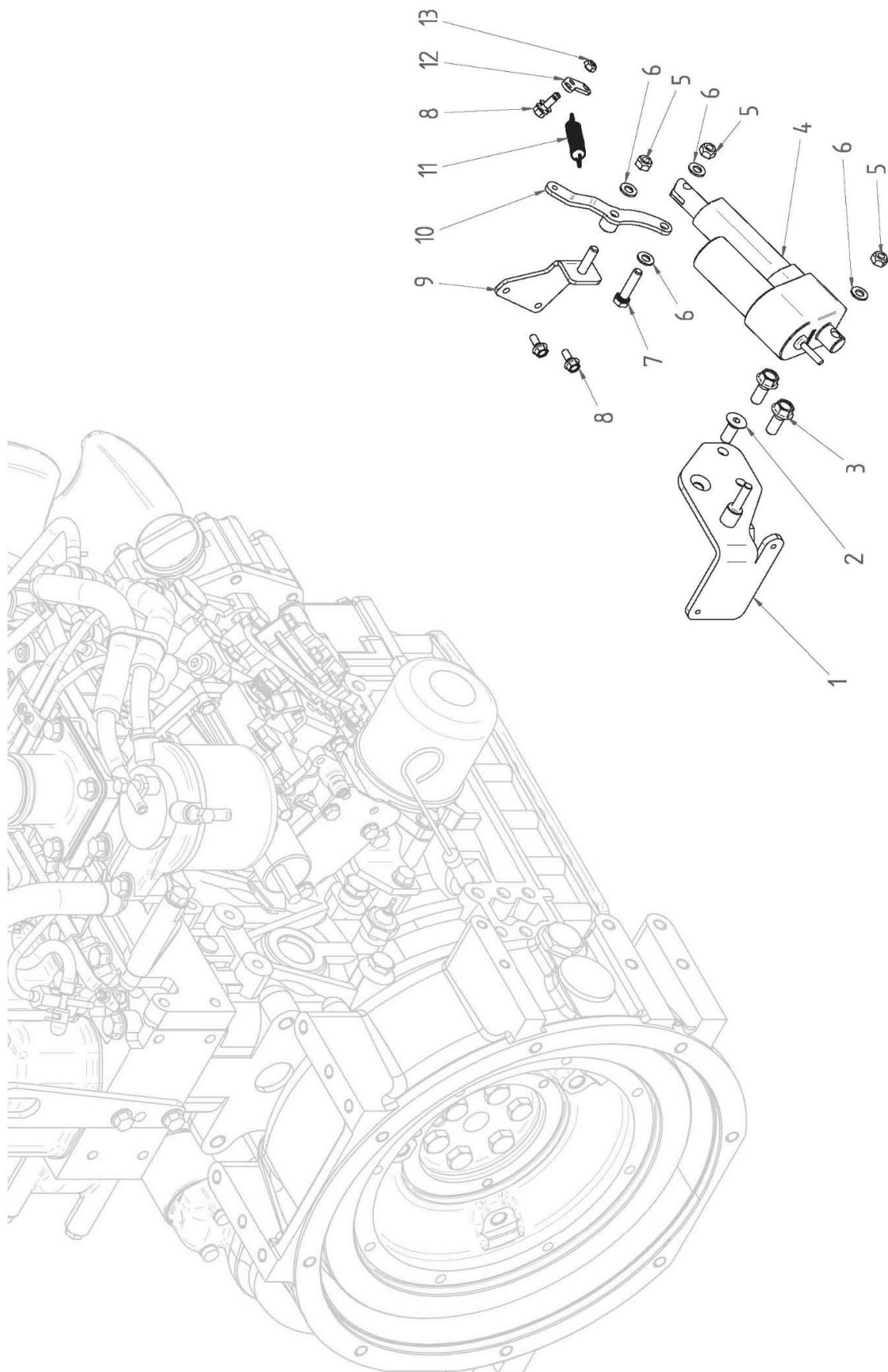
ROBOCUT

| REF. | QTY. | PART No. | DESCRIPTION   |
|------|------|----------|---|
|      |      |          | <b>DIESEL ENGINE COMPONENTS</b>                       |
| 1    | 1    | 4000403  | OIL SENSOR  |
| 2    | 1    | 4000404  | SOLENOID - ELECTRICAL STOP                            |
| 3    | 1    | 4000405  | ALTERNATOR  |
| 4    | 1    | 4000406  | STARTER MOTOR   |
| 5    | 1    | 4000407  | SOLENOID - STARTER MOTOR                              |
| 6    | 1    | 4000408  | DIPSTICK  |
| 7    | 4    | 4000409  | SETSCREW  |
| 8    | 4    | 9100106  | WASHER  |
| 9    | 16   | 4000410  | KNURLED WASHER  |
| 10   | 8    | 4000411  | CYLINDRIC HEAD SCREW                                  |
| 11   | 4    | 4000412  | SILENCING WASHER                                      |
| 12   | 8    | 9300166  | HEX SKT BUTTON HEAD SCREW                             |
| 13   | 2    | 4000414  | REAR ANTI-VIBRATION MOUNTING                          |
| 14   | 8    | 9100105  | WASHER  |
| 15   | 8    | 4000415  | WASHER  |
| 16   | 8    | 4000416  | AUTOGRIP NUT  |
| 17   | 4    | 4000417  | ANTI-VIBRATION BLOCK                                  |
| 18   | 4    | 4000418  | AUTOGRIP NUT  |
| 19   | 2    | 4000419  | LH ENGINE MOUNTING - <i>Serial No. 00074</i> ▶        |
|      | 2    | 4000597  | ENGINE MOUNTING - <i>Serial No. ▶ 00073</i>           |
| 20   | 2    | 4000420  | RH ENGINE MOUNTING - <i>Serial No. 00074</i> ▶        |
|      | 2    | 4000597  | ENGINE MOUNTING - <i>Serial No. ▶ 00073</i>           |
| 21   | 8    | 4000421  | CYLINDRIC HEAD SCREW                                  |
| 22   | 2    | 4000422  | FRONT ANTI-VIBRATION MOUNTING                         |
| 23   | 1    | 4000257  | ENGINE OIL FILTER                                     |
| 24   | 1    | 4000105  | FUEL FILTER   |
| 25   | 1    | 4000285  | WATER SENSOR - <i>Serial No. ▶ 00076</i>              |
|      | 1    | 4000423  | WATER SENSOR - <i>Serial No. 00077</i> ▶ <i>00322</i> |
|      | 1    | 4000698  | WATER SENSOR - <i>Serial No. 00323</i> ▶              |
| 26   | 2    | 4000424  | COPPER WASHER   |
| 27   | 1    | 4000425  | SUCTION STRAINER                                      |
| 28   | 1    | 4000053  | OIL SUMP  |
| 29   | 2    | 4000353  | FLANGED HEAD SCREW                                    |
| 30   | 20   | 4000426  | FLANGED HEAD SCREW                                    |
| 31   | 1    | 4000427  | COPPER WASHER   |
| 32   | 1    | 4000428  | PLUG  |

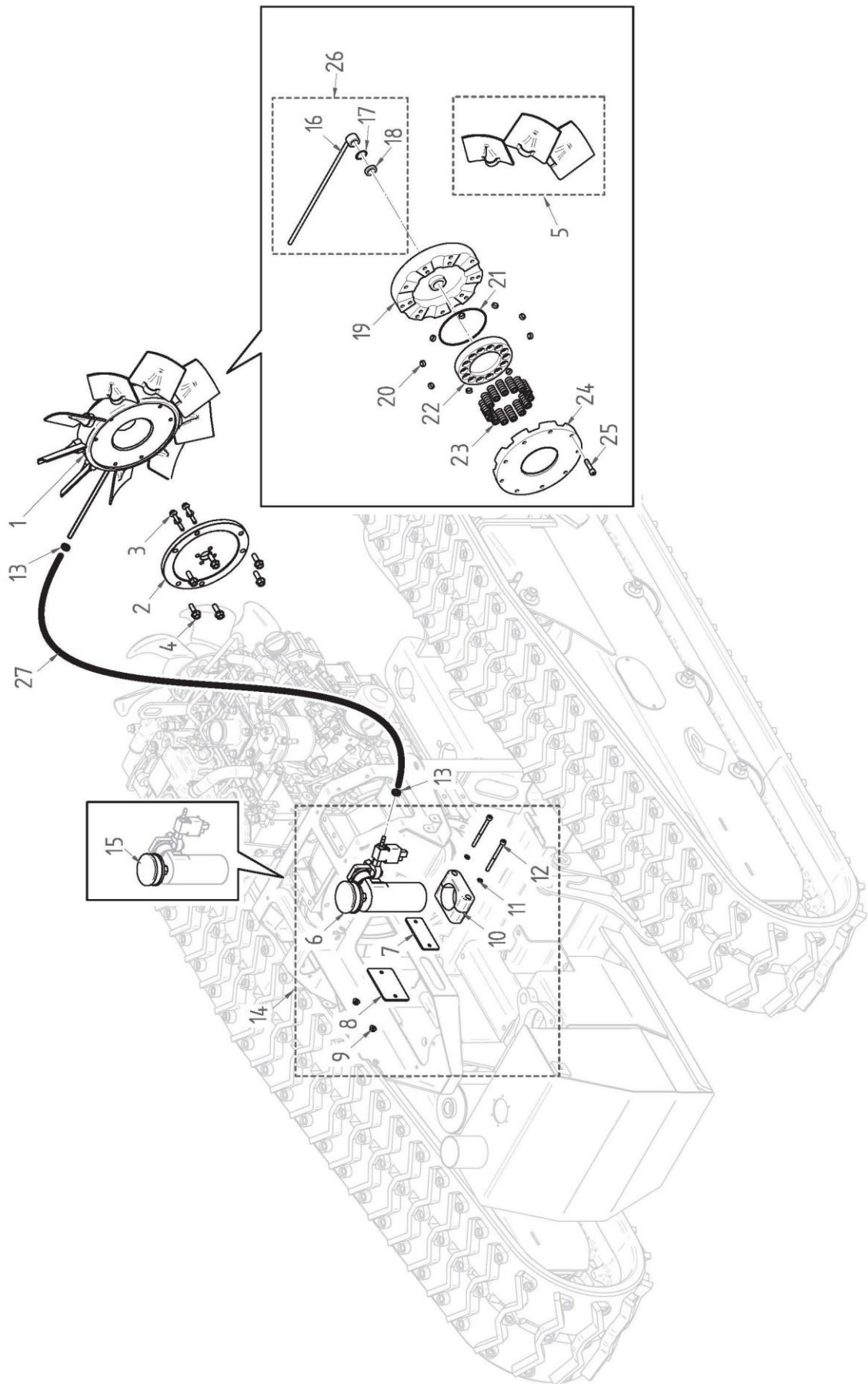




| REF. | QTY. | PART No. | DESCRIPTION                                    |
|------|------|----------|--|
|      |      |          | <b>PUMPS ASSEMBLY</b>                          |
| 1    | 1    | 4000429  | FLYWHEEL PUMP ADAPTOR                          |
| 2    | 9    | 4000410  | KNURLED WASHER                                 |
| 3    | 8    | 4000038  | HEX HEAD SCREW                                 |
| 4    | 1    | 4000297  | FLYWHEEL                                       |
| 5    | 8    | 4000430  | FLANGED HEAD SCREW                             |
| 6    | 1    | 4000431  | PUMP MANIFOLD                                  |
| 7    | 1    | 4000432  | GROOVED JOINT                                  |
| 8    | 1    | 4000296  | ROTOR PUMP                                     |
| 9    | 2    | 4000433  | PUMP CLAMP                                     |
| 10   | 6    | 4000434  | LOCK WASHER                                    |
| 11   | 6    | 4000435  | HEX HEAD SCREW                                 |
| 12   | 1    | 4000436  | TANDEM PISTON PUMP - <i>Serial No. 00074</i> ▶ |
|      | 1    | 4000598  | TANDEM PISTON PUMP - <i>Serial No. ▶00073</i>  |
| 13   | 2    | 4000437  | CYLINDRIC HEAD SCREW                           |
| 14   | 2    | 9100105  | WASHER   |
| 15   | 1    | 4000345  | GEAR PUMP                                      |
| 16   | 1    | 4000438  | O RING   |
| 17   | 1    | 4000439  | PISTON PUMP                                    |
| 18   | 1    | 4000440  | HEX HEAD SCREW                                 |
| 19   | 1    | 7315797  | CONNECTOR                                      |

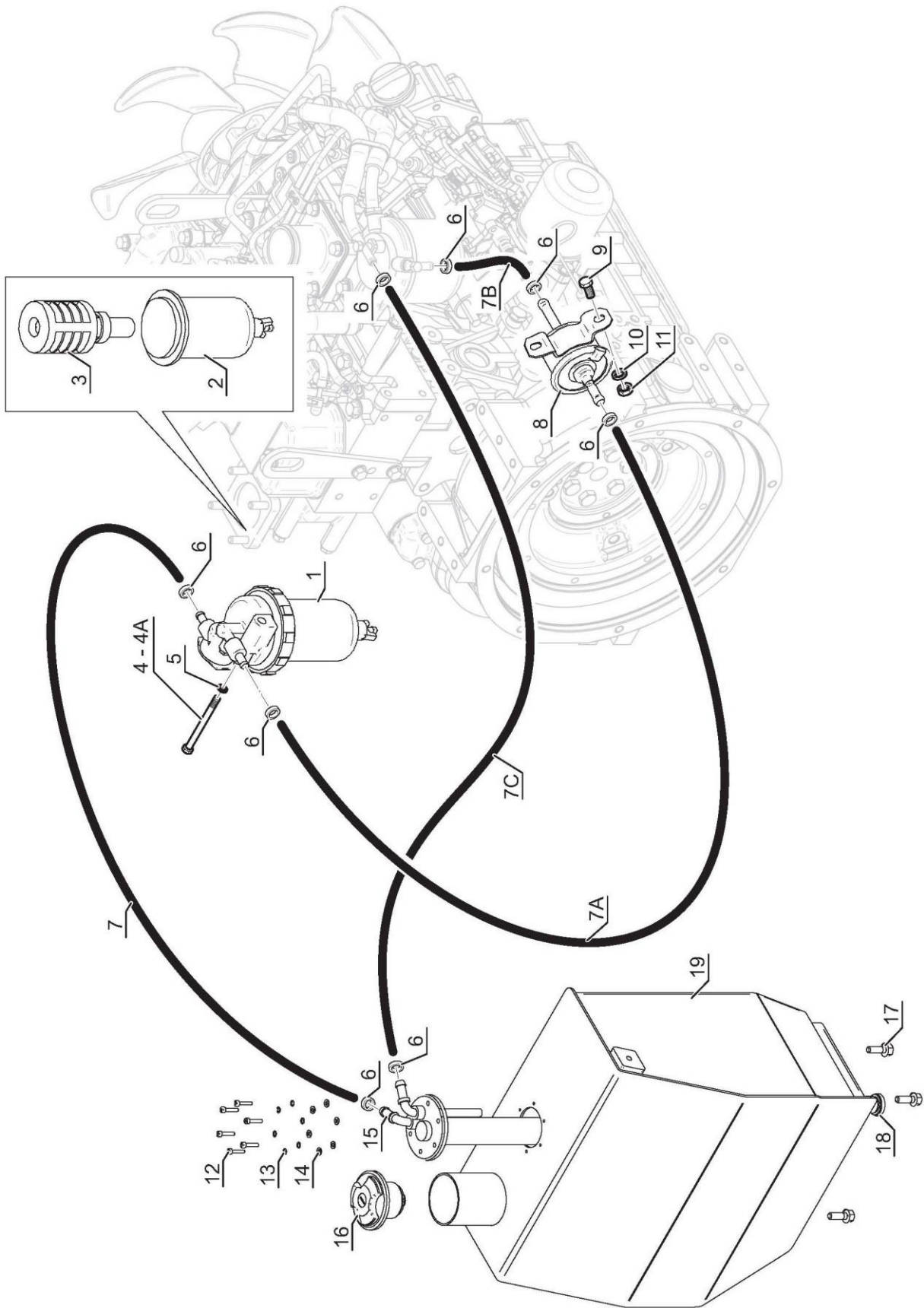


| REF. | QTY. | PART No. | DESCRIPTION              |
|------|------|----------|--------------------------|
|      |      |          | <b>ACTUATOR ASSEMBLY</b> |
| 1    | 1    | 4000057  | BRACKET                  |
| 2    | 1    | 4000441  | COUNTERSUNK HEAD SCREW   |
| 3    | 2    | 4000442  | FLANGED HEAD SCREW       |
| 4    | 1    | 4000086  | ACTUATOR                 |
| 5    | 3    | 4000381  | AUTOGRIP NUT             |
| 6    | 4    | 9100104  | WASHER                   |
| 7    | 1    | 9313064  | HEX HEAD SCREW           |
| 8    | 4    | 9313033  | FLANGED HEAD SCREW       |
| 9    | 1    | 4000058  | THROTTLE BRACKET         |
| 10   | 1    | 4000059  | ACTUATOR ARM             |
| 11   | 1    | 4000074  | THROTTLE SPRING          |
| 12   | 1    | 4000060  | ACTUATOR SPRING LINKAGE  |
| 13   | 2    | 4000443  | AUTOGRIP NUT             |

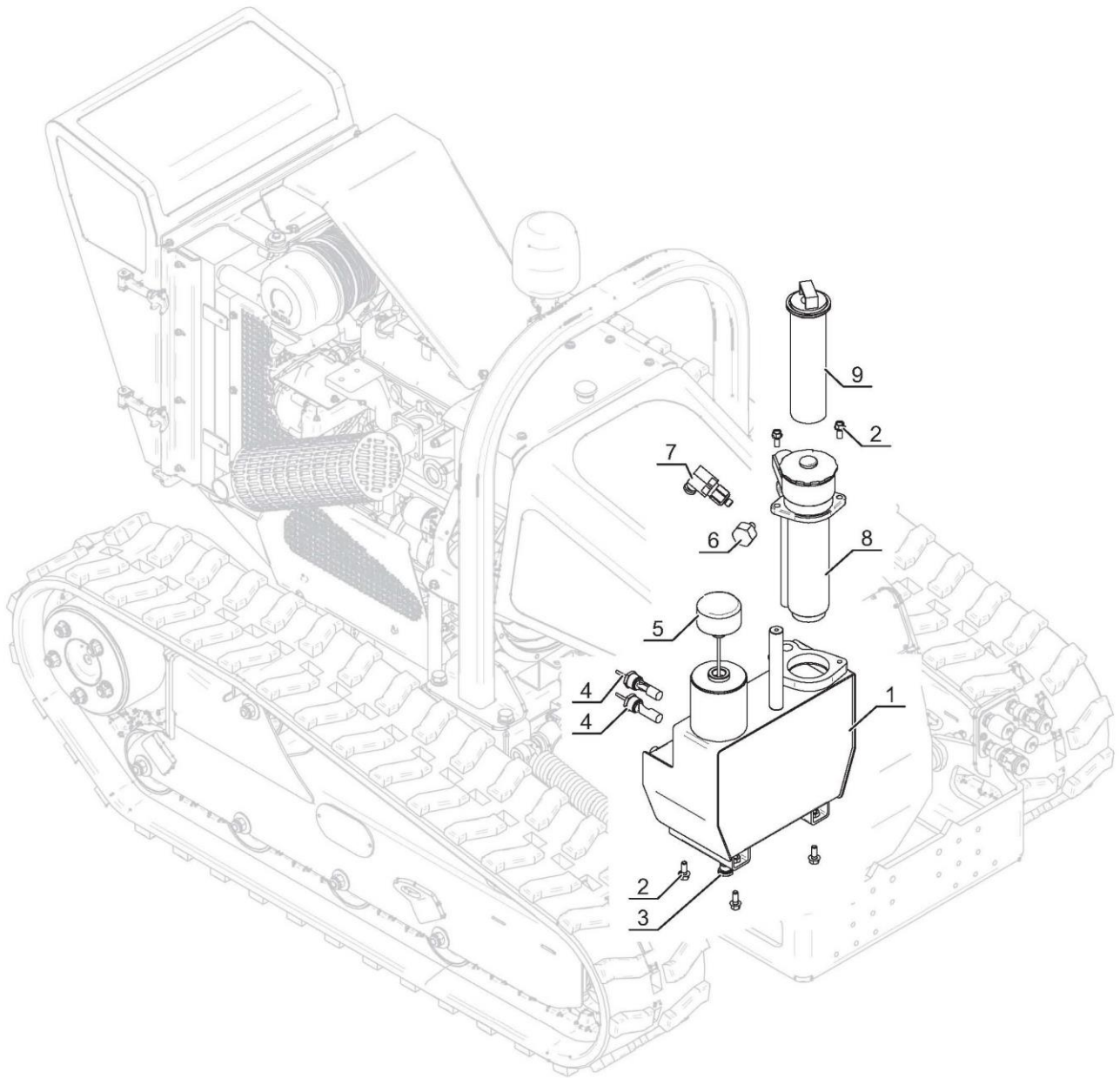




| REF. | QTY. | PART No. | DESCRIPTION                    |
|------|------|----------|--------------------------------|
|      |      |          | <b>REVERSIBLE FAN ASSEMBLY</b> |
| 1    | 1    | 4000274  | REVERSIBLE FAN                 |
| 2    | 1    | 4000276  | FLANGE                         |
| 3    | 4    | 4000444  | FLANGED HEAD SCREW             |
| 4    | 6    | 4000445  | FLANGED HEAD SCREW             |
| 5    | 3    | 4000278  | BLADE SET FOR FAN (3 BLADES)   |
| 6    | 1    | 4000446  | COMPRESSOR                     |
| 7    | 1    | 4000447  | COMPRESSOR PLATE (OUTER)       |
| 8    | 1    | 4000448  | COMPRESSOR PLATE (INNER)       |
| 9    | 2    | 4000449  | FLANGED NUT                    |
| 10   | 1    | 4000450  | COMPRESSOR CLAMP               |
| 11   | 2    | 9100103  | WASHER                         |
| 12   | 2    | 4000452  | CYLINDRIC HEAD SCREW           |
| 13   | 2    | 4000453  | HOSE CLAMP                     |
| 14   | 1    | 4000451  | FAN COMPRESSOR c/w FITTINGS    |
| 15   | 1    | 4000454  | FAN COMPRESSOR FILTER          |
| 16   | 1    | 4000455  | AIR HOSE COMPLETE              |
| 17   | 1    | 4000456  | SAFETY RING                    |
| 18   | 1    | 4000457  | GASKET                         |
| 19   | 1    | 4000458  | FRONT FLANGE                   |
| 20   | 9    | 4000459  | ECCENTRIC PIN                  |
| 21   | 1    | 4000460  | SQUARE SEALING RING            |
| 22   | 1    | 4000461  | PISTON                         |
| 23   | 14   | 4000462  | SPRING                         |
| 24   | 1    | 4000463  | REAR FLANGE                    |
| 25   | 9    | 4000464  | CYLINDRIC HEAD SCREW           |
| 26   | 1    | 4000465  | PIPE KIT                       |
| 27   | 1    | 4000466  | AIR HOSE                       |



| REF. | QTY. | PART No. | DESCRIPTION                |
|------|------|----------|----------------------------|
|      |      |          | <b>DIESEL FUEL CIRCUIT</b> |
| 1    | 1    | 4000292  | PRIMARY FUEL FILTER        |
| 2    | 1    | 4000341  | FUEL FILTER CAP            |
| 3    | 1    | 4000342  | PRIMARY FILTER CARTRIDGE   |
| 4    | 1    | 9213144  | HEX HEAD SCREW             |
| 5    | 1    | 9100104  | WASHER                     |
| 6    | 8    | 4000467  | HOSE CLAMP                 |
| 7    | 1    | 4000468  | DIESEL HOSE - 1190mm       |
| 7A   | 1    | 4000469  | DIESEL HOSE - 870mm        |
| 7B   | 1    | 4000470  | DIESEL HOSE - 260mm        |
| 7C   | 1    | 4000471  | DIESEL HOSE - 1350mm       |
| 8    | 1    | 4000126  | FUEL PUMP                  |
| 9    | 2    | 4000472  | FLANGED HEAD SCREW         |
| 10   | 2    | 9100103  | WASHER                     |
| 11   | 2    | 4000443  | AUTOGRIP NUT               |
| 12   | 6    | 4000106  | CYLINDRIC HEAD SCREW       |
| 13   | 6    | 4000113  | SPRING WASHER              |
| 14   | 6    | 9100101  | WASHER                     |
| 15   | 1    | 4000473  | FUEL LEVEL SENSOR          |
| 16   | 1    | 4000474  | FUEL CAP                   |
| 17   | 8    | 7315750  | FLANGED HEAD SCREW         |
| 18   | 2    | 4000127  | PLUG                       |
| 19   | 1    | 4000096  | FUEL TANK                  |

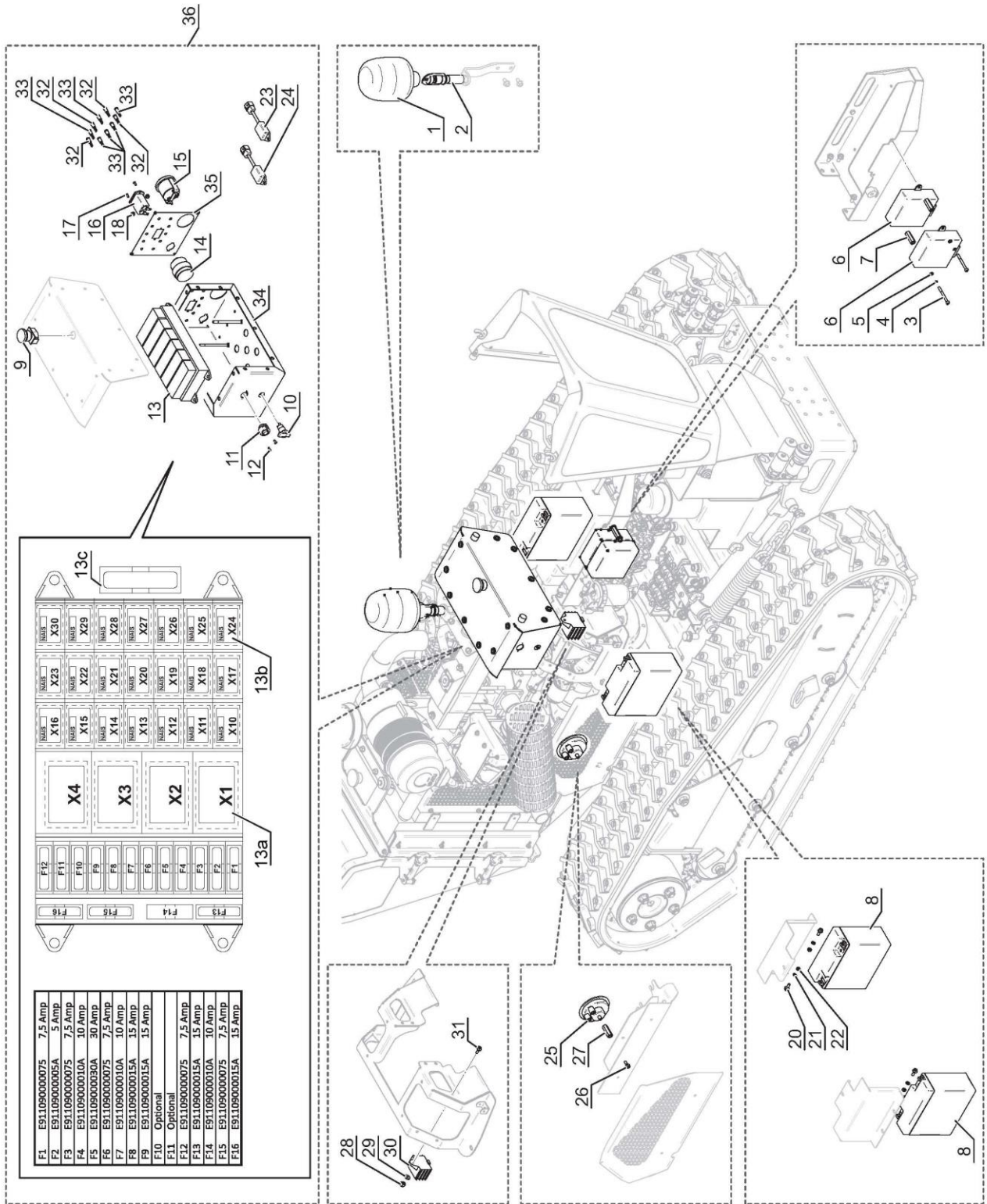


| REF. | QTY. | PART No. | DESCRIPTION               |
|------|------|----------|---------------------------|
|      |      |          | <b>OIL TANK ASSEMBLY</b>  |
| 1    | 1    | 4000097  | OIL TANK                  |
| 2    | 6    | 7315750  | FLANGED HEAD SCREW        |
| 3    | 2    | 4000127  | PLUG                      |
| 4    | 2    | 4000148  | LEVEL SENSOR              |
| 5    | 1    | 4000124  | OIL CAP / LEVEL           |
| 6    | 1    | 4000475  | OIL FILTER SENSOR BRACKET |
| 7    | 1    | 4000476  | FILTER CLOGGING SWITCH    |
| 8    | 1    | 4000122  | OIL FILTER HOUSING        |
| 9    | 1    | 4000259  | OIL FILTER ELEMENT        |



# ELECTRICAL COMPONENTS

ROBOCUT (Machine Serial No. ► 00088)

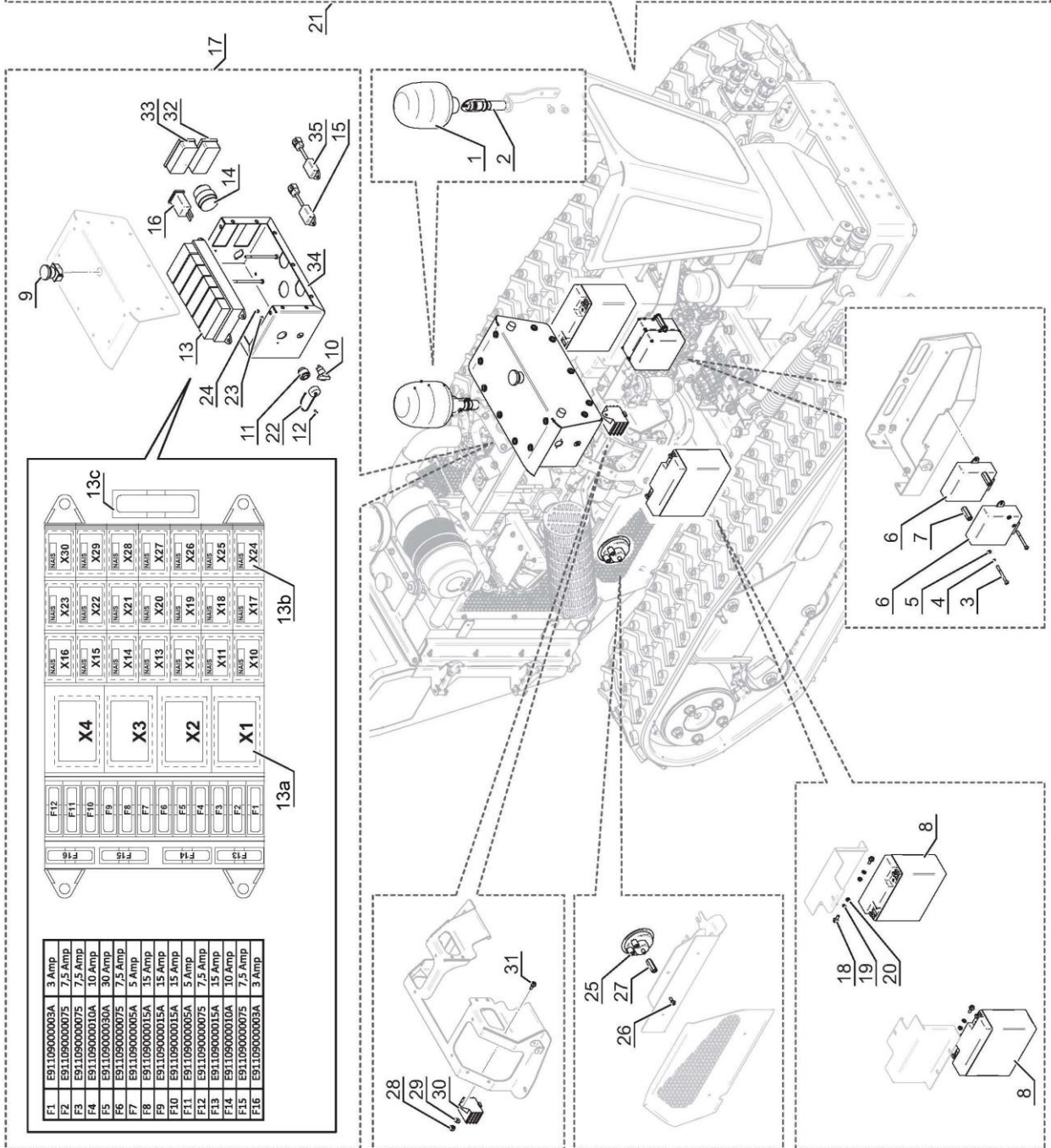
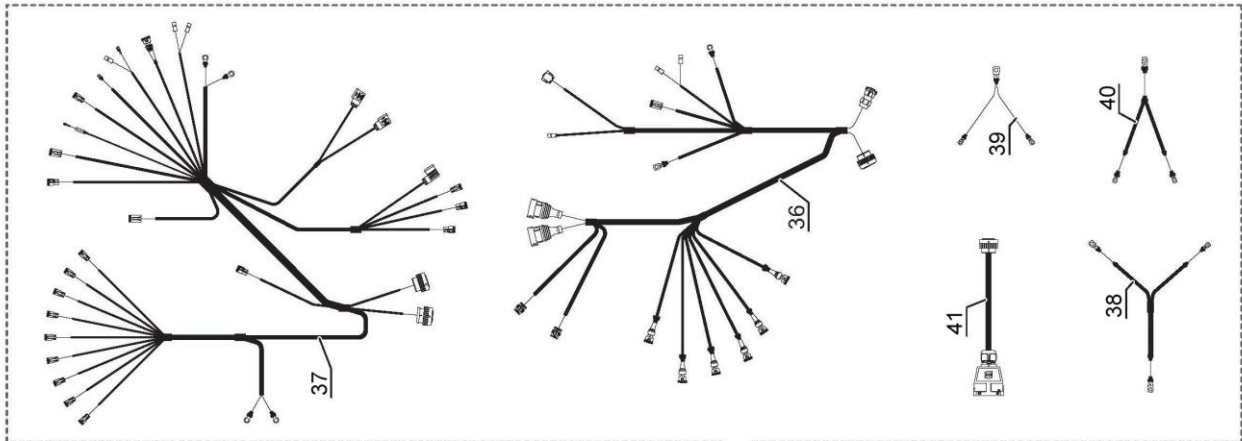


|     |               |         |
|-----|---------------|---------|
| F1  | E911090000075 | 7.5 Amp |
| F2  | E91109000005A | 5 Amp   |
| F3  | E911090000075 | 7.5 Amp |
| F4  | E91109000010A | 10 Amp  |
| F5  | E91109000030A | 30 Amp  |
| F6  | E911090000075 | 7.5 Amp |
| F7  | E91109000010A | 10 Amp  |
| F8  | E91109000015A | 15 Amp  |
| F9  | E91109000015A | 15 Amp  |
| F10 | Optional      |         |
| F11 | Optional      |         |
| F12 | E911090000075 | 7.5 Amp |
| F13 | E91109000015A | 15 Amp  |
| F14 | E91109000010A | 10 Amp  |
| F15 | E911090000075 | 7.5 Amp |
| F16 | E91109000015A | 15 Amp  |

| REF. | QTY. | PART No. | DESCRIPTION                       |
|------|------|----------|-----------------------------------|
|      |      |          | <b>ELECTRICAL COMPONENTS</b>      |
|      |      |          | <b>Machine Serial No. ► 00088</b> |
| 1    | 1    | 4000294  | BEACON                            |
| 2    | 1    | 4000284  | BEACON CONNECTION                 |
| 3    | 2    | 4000108  | CYLINDRIC HEAD SCREW              |
| 4    | 2    | 9100203  | SPRING WASHER                     |
| 5    | 2    | 9100103  | WASHER                            |
| 6    | 2    | 4000304  | MICROPROCESSOR                    |
| 7    | 2    | 4000305  | NUT                               |
| 8    | 2    | 4000181  | BATTERY                           |
| 9    | 1    | 4000306  | EMERGENCY SWITCH (RED)            |
| 10   | 1    | 4000307  | PLUG 12V                          |
| 11   | 1    | 4000599  | CONNECTOR PLUG (FEMALE)           |
| 12   | 2    | 4000600  | COUNTERSUNK SCREW                 |
| 13   | 1    | 4000147  | RELAYS / FUSE BOX                 |
| 13a  | 4    | 4000302  | RELAY WITH DIODE                  |
| 13b  | 21   | 4000303  | MICRO RELAY                       |
| 13c  | 1    | 4000311  | FUSE (40A)                        |
| 14   | 1    | 4000312  | IGNITION SWITCH                   |
| 15   | 1    | 4000143  | WATER TEMPERATURE INDICATOR       |
| 16   | 1    | 4000149  | HOURS COUNTER                     |
| 17   | 2    | 4000309  | HEX SKT BUTTON HEAD SCREW         |
| 18   | 2    | 9163001  | LOCK NUT                          |
| 19   | 1    | 4000484  | FEMALE CONNECTOR                  |
| 20   | 1    | 4000316  | FLANGED HEAD SCREW                |
| 21   | 1    | 9100103  | WASHER                            |
| 22   | 1    | 4000075  | AUTOGRIP NUT                      |
| 23   | 1    | 4000326  | INJECTION PUMP DELAY              |
| 24   | 1    | 4000313  | PRE AIR HEATER                    |
| 25   | 1    | 4000301  | HORN (12V)                        |
| 26   | 1    | 4000319  | FLANGED HEAD SCREW                |
| 27   | 1    | 4000320  | NUT                               |
| 28   | 1    | 9163003  | AUTOGRIP NUT                      |
| 29   | 1    | 4000321  | WASHER (LARGE SERIES)             |
| 30   | 1    | 4000322  | SHUNT BOX                         |
| 31   | 1    | 4000316  | FLANGED HEAD SCREW                |
| 32   | 4    | 4000601  | YELLOW LED                        |
| 33   | 6    | 4000602  | RED LED                           |
| 34   | 1    | 4000102  | ELECTRICAL BOX                    |
| 35   | 1    | 4000104  | INSTRUMENT PANEL                  |
| 36   | 1    | 4000603  | ELECTRICAL BOX ASSEMBLY           |

# ELECTRICAL COMPONENTS

ROBOCUT (Machine Serial No. 00089 ▶ )



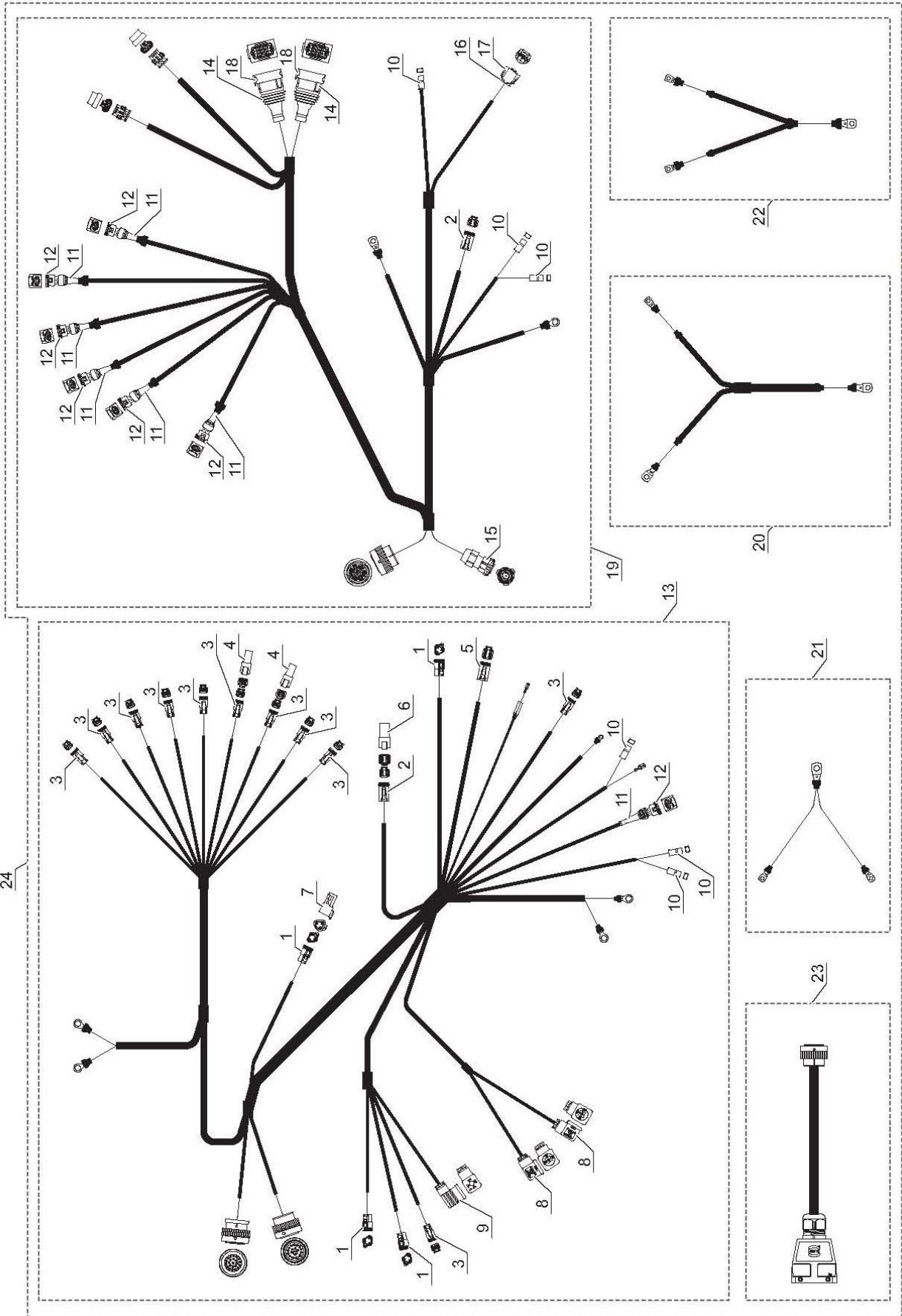
|     |                |         |
|-----|----------------|---------|
| F1  | E91109000003A  | 3 Amp   |
| F2  | E911090000075  | 7.5 Amp |
| F3  | E911090000075  | 7.5 Amp |
| F4  | E91109000010A  | 10 Amp  |
| F5  | E91109000030A  | 30 Amp  |
| F6  | E911090000075  | 7.5 Amp |
| F7  | E911090000065A | 5 Amp   |
| F8  | E91109000015A  | 15 Amp  |
| F9  | E91109000015A  | 15 Amp  |
| F10 | E91109000015A  | 15 Amp  |
| F11 | E911090000065A | 5 Amp   |
| F12 | E911090000075  | 7.5 Amp |
| F13 | E91109000015A  | 15 Amp  |
| F14 | E91109000010A  | 10 Amp  |
| F15 | E911090000075  | 7.5 Amp |
| F16 | E91109000003A  | 3 Amp   |

|      |     |
|------|-----|
| 13c  |     |
| MAIS | X30 |
| MAIS | X23 |
| MAIS | X22 |
| MAIS | X21 |
| MAIS | X20 |
| MAIS | X19 |
| MAIS | X18 |
| MAIS | X17 |
| MAIS | X24 |
| 13b  |     |
| MAIS | X28 |
| MAIS | X27 |
| MAIS | X26 |
| MAIS | X25 |
| MAIS | X16 |
| MAIS | X15 |
| MAIS | X14 |
| MAIS | X13 |
| MAIS | X12 |
| MAIS | X11 |
| MAIS | X10 |
| 13a  |     |
| F12  | X4  |
| F11  | X3  |
| F10  | X2  |
| F9   | X1  |
| F8   |     |
| F7   |     |
| F6   |     |
| F5   |     |
| F4   |     |
| F3   |     |
| F2   |     |
| F1   |     |

| REF. | QTY. | PART No. | DESCRIPTION                      |
|------|------|----------|----------------------------------|
|      |      |          | <b>ELECTRICAL COMPONENTS</b>     |
|      |      |          | <b>Machine Serial No. 00089►</b> |
| 1    | 1    | 4000294  | BEACON                           |
| 2    | 1    | 4000284  | BEACON CONNECTION                |
| 3    | 2    | 4000108  | CYLINDRIC HEAD SCREW             |
| 4    | 2    | 9100203  | SPRING WASHER                    |
| 5    | 2    | 9100103  | WASHER                           |
| 6    | 2    | 4000304  | MICROPROCESSOR                   |
| 7    | 2    | 4000305  | NUT                              |
| 8    | 2    | 4000181  | BATTERY                          |
| 9    | 1    | 4000306  | EMERGENCY SWITCH (RED)           |
| 10   | 1    | 4000307  | PLUG 12V                         |
| 11   | 1    | 4000308  | FEMALE CONNECTOR                 |
| 12   | 2    | 4000309  | HEX SKT BUTTON HEAD SCREW        |
| 13   | 1    | 4000310  | RELAYS / FUSE BOX                |
| 13a  | 4    | 4000302  | RELAY WITH DIODE                 |
| 13b  | 21   | 4000303  | MICRO RELAY                      |
| 13c  | 1    | 4000311  | FUSE (40A)                       |
| 14   | 1    | 4000312  | IGNITION SWITCH                  |
| 15   | 1    | 4000313  | PRE AIR HEATER                   |
| 16   | 1    | 4000314  | HOURS COUNTER                    |
| 17   | 1    | 4000315  | ELECTRICAL BOX ASSEMBLY          |
| 18   | 4    | 4000309  | FLANGED HEAD SCREW               |
| 19   | 4    | 4000321  | WASHER                           |
| 20   | 4    | 9163003  | AUTOGRIP NUT                     |
| 21   | 1    | 4000317  | ELECTRICAL SYSTEM COMPLETE       |
| 22   | 1    | 4000318  | CONNECTOR PLUG (FEMALE)          |
| 23   | 1    | 9100101  | WASHER                           |
| 24   | 1    | 9163001  | LOCK NUT                         |
| 25   | 1    | 4000301  | HORN (12V)                       |
| 26   | 1    | 4000319  | FLANGED HEAD SCREW               |
| 27   | 1    | 4000320  | NUT                              |
| 28   | 1    | 9163003  | LOCK NUT                         |
| 29   | 1    | 4000321  | WASHER (LARGE SERIES)            |
| 30   | 1    | 4000322  | SHUNT BOX                        |
| 31   | 1    | 4000316  | FLANGED HEAD SCREW               |
| 32   | 1    | 4000323  | ELECTRICAL UNIT                  |
| 33   | 1    | 4000324  | ELECTRICAL UNIT                  |
| 34   | 1    | 4000325  | ELECTRICAL BOX                   |
| 35   | 1    | 4000326  | INJECTION PUMP DELAY             |
| 36   | 1    | 4000327  | WIRING LOOM (CUTTING HEAD)       |
| 37   | 1    | 4000328  | WIRING LOOM (DISTRIBUTOR)        |
| 38   | 1    | 4000329  | BATTERY CABLE (POSITIVE)         |
| 39   | 1    | 4000330  | BATTERY CABLE (NEGATIVE)         |
| 40   | 1    | 4000331  | WIRING LOOM (STARTER/ALTERNATOR) |
| 41   | 1    | 4000332  | POWER LINE (RECEIVER)            |

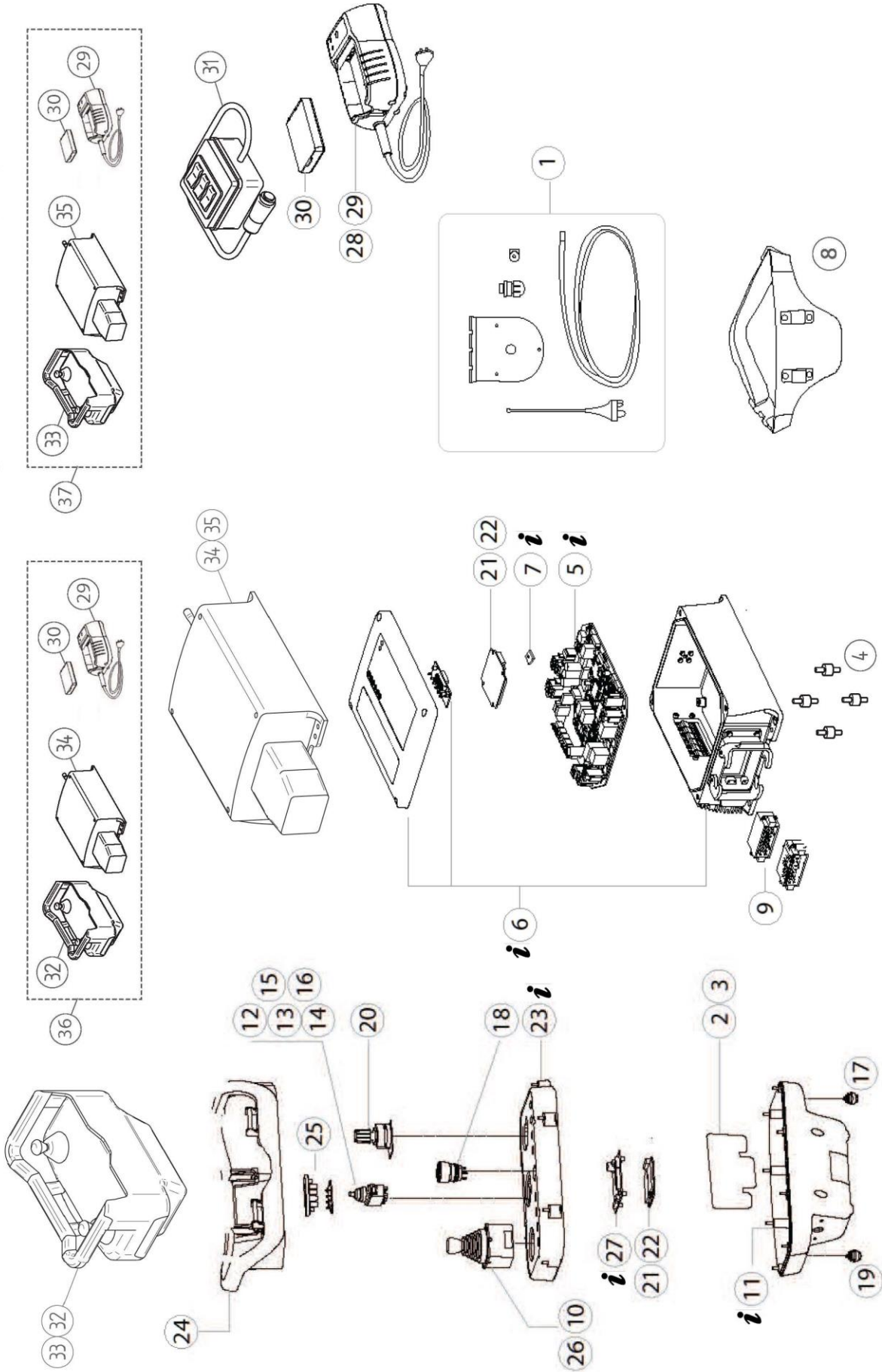




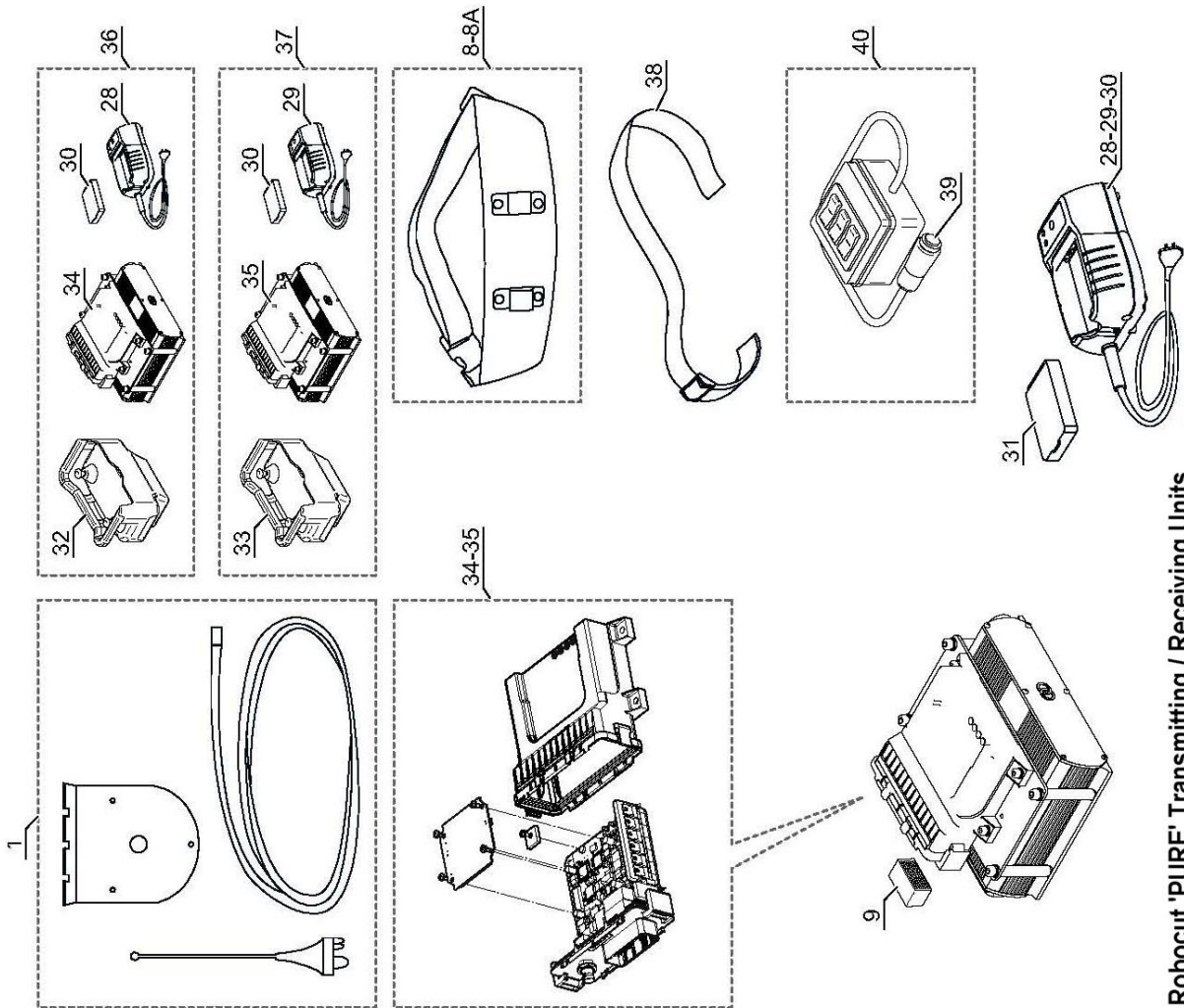
| REF. | QTY. | PART No. | DESCRIPTION                 |
|------|------|----------|-----------------------------|
|      |      |          | <b>ELECTRICAL WIRING</b>    |
| 1    | 4    | 4000477  | 3-WAY MALE CONNECTOR        |
| 2    | 2    | 4000478  | 4-WAY MALE CONNECTOR        |
| 3    | 11   | 4000479  | 2-WAY MALE CONNECTOR        |
| 4    | 2    | 4000480  | 2-WAY FEMALE CONNECTOR      |
| 5    | 1    | 4000481  | 6-WAY MALE CONNECTOR        |
| 6    | 1    | 4000482  | 4-WAY FEMALE CONNECTOR      |
| 7    | 1    | 4000483  | 3-WAY FEMALE CONNECTOR      |
| 8    | 2    | 4000484  | 2 POLE FEMALE CONNECTOR     |
| 9    | 1    | 4000485  | 3 POLE FEMALE CONNECTOR     |
| 10   | 5    | 4000486  | CONNECTOR                   |
| 11   | 7    | 4000487  | RUBBER CABLE SLEEVE         |
| 12   | 7    | 4000337  | 2-WAY CONNECTOR             |
| 13   | 1    | 4000328  | WIRING LOOM (DISTRIBUTOR)   |
| 14   | 2    | 4000488  | 24-WAY CONNECTOR            |
| 15   | 1    | 4000489  | 3-WAY FEMALE CONNECTOR      |
| 16   | 1    | 4000490  | CONNECTOR                   |
| 17   | 1    | 4000491  | RUBBER CABLE SLEEVE         |
| 18   | 2    | 4000492  | SLIDE FOR 24-WAY CONNECTOR  |
| 19   | 1    | 4000493  | WIRING LOOM (CUTTING HEAD)  |
| 20   | 1    | 4000329  | BATTERY CABLE (POSITIVE)    |
| 21   | 1    | 4000330  | BATTERY CABLE (NEGATIVE)    |
| 22   | 1    | 4000331  | WIRING LOOM (STARTER MOTOR) |
| 23   | 1    | 4000332  | WIRING LOOM (RECEIVER)      |
| 24   | 1    | 4000317  | WIRING LOOM COMPLETE        |



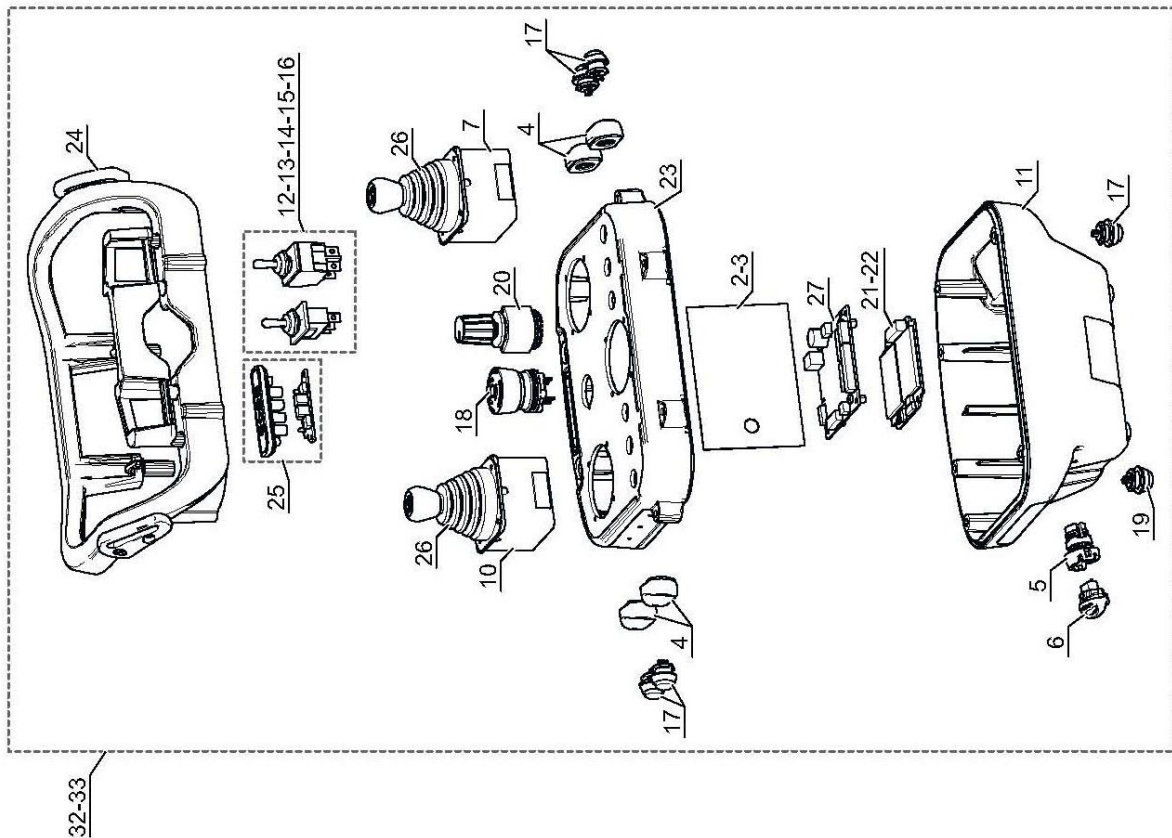
**i** NOTE: The Serial No. of the Remote Control is required to order items #5, 6, 7, 11, 23 & 27



| REF. | QTY. | PART No. | DESCRIPTION   |
|------|------|----------|---|
|      |      |          | <b>CONTROL TRANSMITTING/RECEIVING UNITS</b>                       |
| 1    | 1    | 4000282  | AERIAL (ANTENNA)  |
| 2    | 1    | 4000494  | ANTENNA (EUR)   |
| 3    | 1    | 4000495  | ANTENNA (USA)   |
| 4    | 1    | 4000496  | VIBRATION DAMPER KIT  |
| 5    | 1    | 4000497  | <i>i</i> MOTHERBOARD ( <i>Requires Serial No. of R/C</i> )        |
| 6    | 1    | 4000498  | <i>i</i> ARM CASING ( <i>Requires Serial No. of R/C</i> )         |
| 7    | 1    | 4000499  | <i>i</i> ADDRESS KEY ( <i>Requires Serial No. of R/C</i> )        |
| 8    | 1    | 4000500  | WAIST BELT  |
|      | 1    | 4000501  | WAIST BELT XXL (Optional)   |
| 9    | 1    | 4000502  | SOCKET  |
| 10   | 2    | 4000503  | PROPORTIONAL JOYSTICK (DUAL AXIS)                                 |
| 11   | 1    | 4000504  | <i>i</i> LOWER CONTROL UNIT ( <i>Requires Serial No. of R/C</i> ) |
| 12   | 1    | 4000505  | TOGGLE SWITCH (ON)-OFF-(ON)                                       |
| 13   | 1    | 4000506  | TOGGLE SWITCH ON-OFF-ON   |
| 14   | 1    | 4000507  | TOGGLE SWITCH (ON)-ON   |
| 15   | 2    | 4000508  | TOGGLE SWITCH ON-ON   |
| 16   | 1    | 4000509  | TOGGLE SWITCH 2 POLES ON-OFF-ON                                   |
| 17   | 4    | 4000510  | PUSH-BUTTON (BLACK)   |
| 18   | 1    | 4000511  | STOP PUSH-BUTTON  |
| 19   | 1    | 4000512  | PUSH-BUTTON (GREEN)   |
| 20   | 2    | 4000513  | POTENTIOMETRIC SELECTOR   |
| 21   | 1    | 4000514  | RADIO MODULE (EUR)  |
| 22   | 1    | 4000515  | RADIO MODULE (USA)  |
| 23   | 1    | 4000516  | <i>i</i> UPPER CONTROL UNIT ( <i>Requires Serial No. of R/C</i> ) |
| 24   | 1    | 4000517  | CONTROL UNIT FRAME  |
| 25   | 1    | 4000518  | KIT CARD (4 LEDS)   |
| 26   | 1    | 4000519  | JOYSTICK GAITOR   |
| 27   | 1    | 4000525  | <i>i</i> CODER CARD ( <i>Requires Serial No. of R/C</i> )         |
| 28   | 1    | 4000293  | BATTERY CHARGER - EUR   |
| 29   | 1    | 4000526  | BATTERY CHARGER - USA (Optional)                                  |
| 30   | 1    | 4000270  | REMOTE CONTROL BATTERY  |
| 31   | 1    | 4000527  | MANUAL CONTROLLER - <i>Machine Serial No. 00089</i> ►             |
|      | 1    | 4000715  | MANUAL CONTROLLER - <i>Machine Serial No. ► 00088</i>             |
| 32   | 1    | 4000273  | TRANSMITTER (EUR)   |
| 33   | 1    | 4000528  | TRANSMITTER (USA - AUS)   |
| 34   | 1    | 4000530  | RADIO R/CONTROL RECEIVER (USA-AUS)                                |
| 35   | 1    | 4000529  | RADIO R/CONTROL RECEIVER (EUR)                                    |
| 36   | 1    | 4000291  | RECEIVER / TRANSMITTER SET (EUR)                                  |
| 37   | 1    | 4000532  | RECEIVER / TRANSMITTER SET (USA-AUS)                              |



Robocut 'PURE' Transmitting / Receiving Units



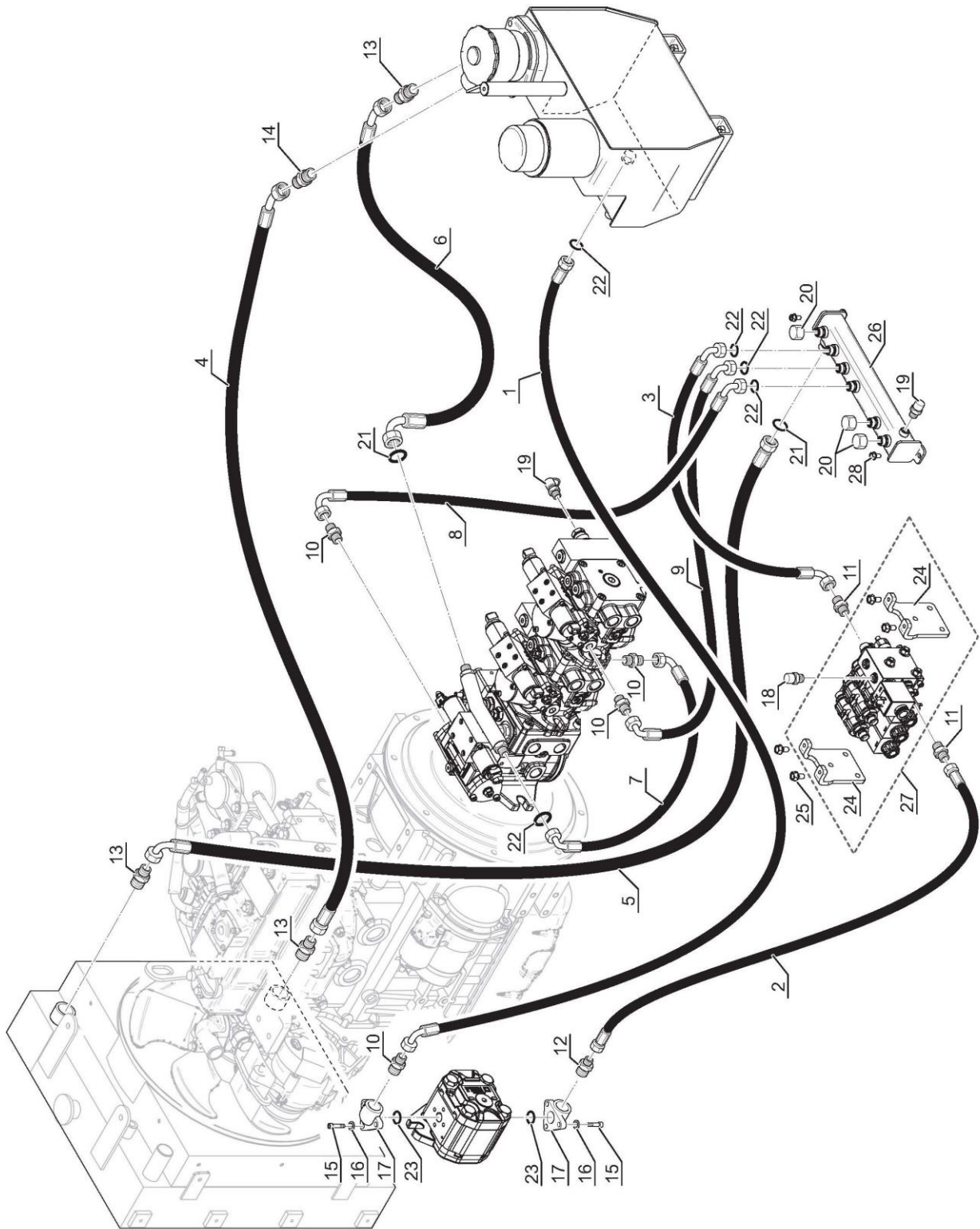
| REF. | QTY. | PART No. | DESCRIPTION   |
|------|------|----------|---|
|      |      |          | <b>CONTROL TRANSMITTING/RECEIVING UNITS</b>                       |
| 1    | 1    | 4000282  | AERIAL (ANTENNA)  |
| 2    | 1    | 4000494  | ANTENNA (EUR)   |
| 3    | 1    | 4000495  | ANTENNA (USA)   |
| 4    | 4    | 4000717  | SWITCH COVER  |
| 5    | 1    | 4000718  | START KEY CONNECTOR KIT   |
| 6    | 1    | 4000349  | START KEY   |
| 7    | 1    | 4000719  | PROPORTIONAL JOYSTICK (SINGLE AXIS)                               |
| 8    | 1    | 4000500  | WAIST BELT  |
|      | 1    | 4000501  | WAIST BELT XXL (Optional)   |
| 9    | 1    | 4000502  | SOCKET  |
| 10   | 1    | 4000503  | PROPORTIONAL JOYSTICK (DUAL AXIS)                                 |
| 11   | 1    | 4000720  | <i>i</i> LOWER CONTROL UNIT ( <i>Requires Serial No. of R/C</i> ) |
| 12   | 1    | 4000721  | TOGGLE SWITCH (ON)-OFF-(ON)                                       |
| 13   | 1    | 4000722  | TOGGLE SWITCH ON-OFF-(ON)   |
| 14   | 1    | 4000723  | TOGGLE SWITCH ON-(ON)   |
| 15   | 2    | 4000724  | TOGGLE SWITCH (ON)-ON   |
| 16   | 1    | 4000725  | TOGGLE SWITCH ON-OFF-ON   |
| 17   | 5    | 4000510  | PUSH-BUTTON (BLACK)   |
| 18   | 1    | 4000511  | STOP PUSH-BUTTON  |
| 19   | 1    | 4000512  | PUSH-BUTTON (GREEN)   |
| 20   | 2    | 4000513  | POTENTIOMETRIC SELECTOR   |
| 21   | 1    | 4000514  | RADIO MODULE (EUR)  |
| 22   | 1    | 4000515  | RADIO MODULE (USA)  |
| 23   | 1    | 4000726  | <i>i</i> UPPER CONTROL UNIT ( <i>Requires Serial No. of R/C</i> ) |
| 24   | 1    | 4000727  | CONTROL UNIT FRAME  |
| 25   | 1    | 4000518  | KIT CARD (4 LEDS)   |
| 26   | 1    | 4000519  | JOYSTICK GAITOR   |
| 27   | 1    | 4000525  | <i>i</i> CODER CARD ( <i>Requires Serial No. of R/C</i> )         |
| 28   | 1    | 4000526  | BATTERY CHARGER 80-250V - USA                                     |
| 29   | 1    | 4000293  | BATTERY CHARGER - EUR   |
| 30   | 1    | 4000728  | BATTERY CHARGER 110V - USA  |
| 31   | 1    | 4000270  | REMOTE CONTROL BATTERY  |
| 32   | 1    | 4000273  | TRANSMITTER (EUR)   |
| 33   | 1    | 4000528  | TRANSMITTER (USA - AUS)   |
| 34   | 1    | 4000729  | RECEIVER UNIT 870MHZ / TRANSMITTER KEY                            |
| 35   | 1    | 4000730  | RECEIVER UNIT 915MHZ / TRANSMITTER KEY                            |
| 36   | 1    | 4000731  | REMOTE CONTROL KIT (870MHZ)                                       |
| 37   | 1    | 4000732  | REMOTE CONTROL KIT (915MHZ)                                       |
| 38   | 1    | 4000733  | SHOULDER BELT   |
| 39   | 1    | 4000734  | CONNECTOR   |
| 40   | 1    | 4000527  | MANUAL CONTROLLER - <i>Machine Serial No. 00089</i> ►             |
|      | 1    | 4000715  | MANUAL CONTROLLER - <i>Machine Serial No. 00088</i> ►             |



# INTAKE & DRAIN PUMPS

ROBOCUT (Machine Serial No. 00028 ▶ 00088)

**McCONNEL**



**INTAKE & DRAIN PUMPS****McCONNEL**

ROBOCUT (Machine Serial No. 00028 ► 00088)

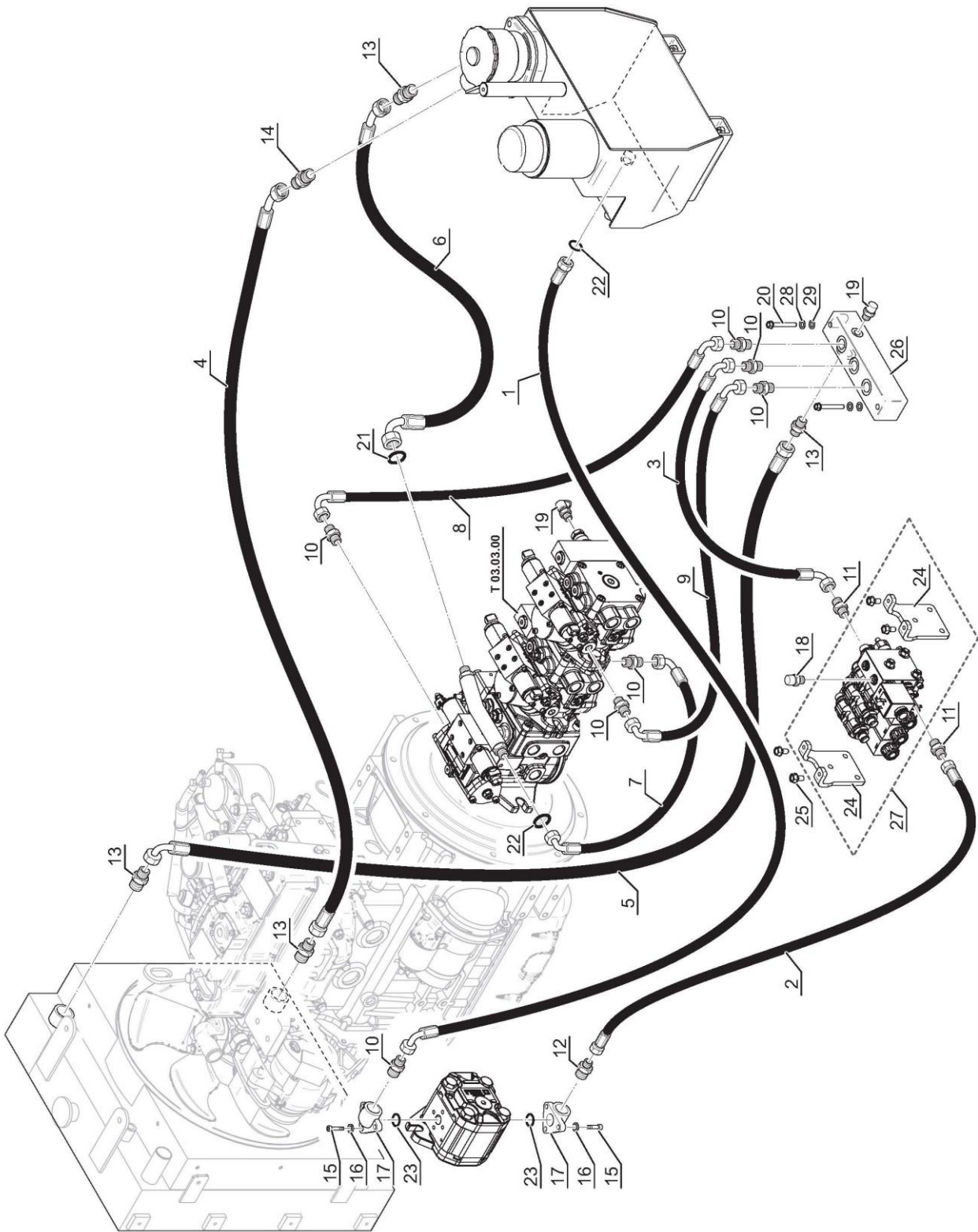
| <b>REF.</b> | <b>QTY.</b> | <b>PART No.</b> | <b>DESCRIPTION</b>                      |
|-------------|-------------|-----------------|---|
|             |             |                 | <b>INTAKE &amp; DRAIN PUMPS</b>         |
|             |             |                 | <b>Machine Serial No. 00028 ► 00088</b> |
| 1           | 1           | 4000533         | HYDRAULIC HOSE                          |
| 2           | 1           | 4000534         | HYDRAULIC HOSE                          |
| 3           | 1           | 4000535         | HYDRAULIC HOSE                          |
| 4           | 1           | 4000536         | HYDRAULIC HOSE                          |
| 5           | 1           | 4000537         | HYDRAULIC HOSE                          |
| 6           | 1           | 4000538         | HYDRAULIC HOSE                          |
| 7           | 1           | 4000539         | HYDRAULIC HOSE                          |
| 8           | 1           | 4000540         | HYDRAULIC HOSE                          |
| 9           | 1           | 4000541         | HYDRAULIC HOSE                          |
| 10          | 7           | 7315797         | CONNECTOR                               |
| 11          | 2           | 7315777         | CONNECTOR                               |
| 12          | 1           | 7315775         | CONNECTOR                               |
| 13          | 4           | 7315774         | CONNECTOR                               |
| 14          | 1           | 4000542         | CONNECTOR                               |
| 15          | 6           | 4000543         | CYLINDRIC HEAD SCREW                    |
| 16          | 6           | 4000544         | SPRING WASHER                           |
| 17          | 2           | 4000545         | PUMP CONNECTION                         |
| 18          | 1           | 4000546         | CHECK COUPLING                          |
| 19          | 2           | 7315769         | CHECK COUPLING                          |
| 20          | 3           | 4000604         | FEMALE PLUG                             |
| 21          | 1           | 4000548         | O RING                                  |
| 22          | 2           | 4000549         | O RING                                  |
| 23          | 2           | 4000550         | O RING                                  |
| 24          | 2           | 4000551         | VALVE BLOCK BRACKET                     |
| 25          | 8           | 4000353         | FLANGED HEAD SCREW                      |
| 26          | 1           | 4000100         | OIL MANIFOLD                            |
| 27          | 1           | 4000553         | VALVE BLOCK                             |
| 28          | 2           | 4000353         | FLANGED HEAD SCREW                      |



# INTAKE & DRAIN PUMPS

ROBOCUT (Machine Serial No. 00089 ▶ )

**McCONEL**



**INTAKE & DRAIN PUMPS****McCONNEL**

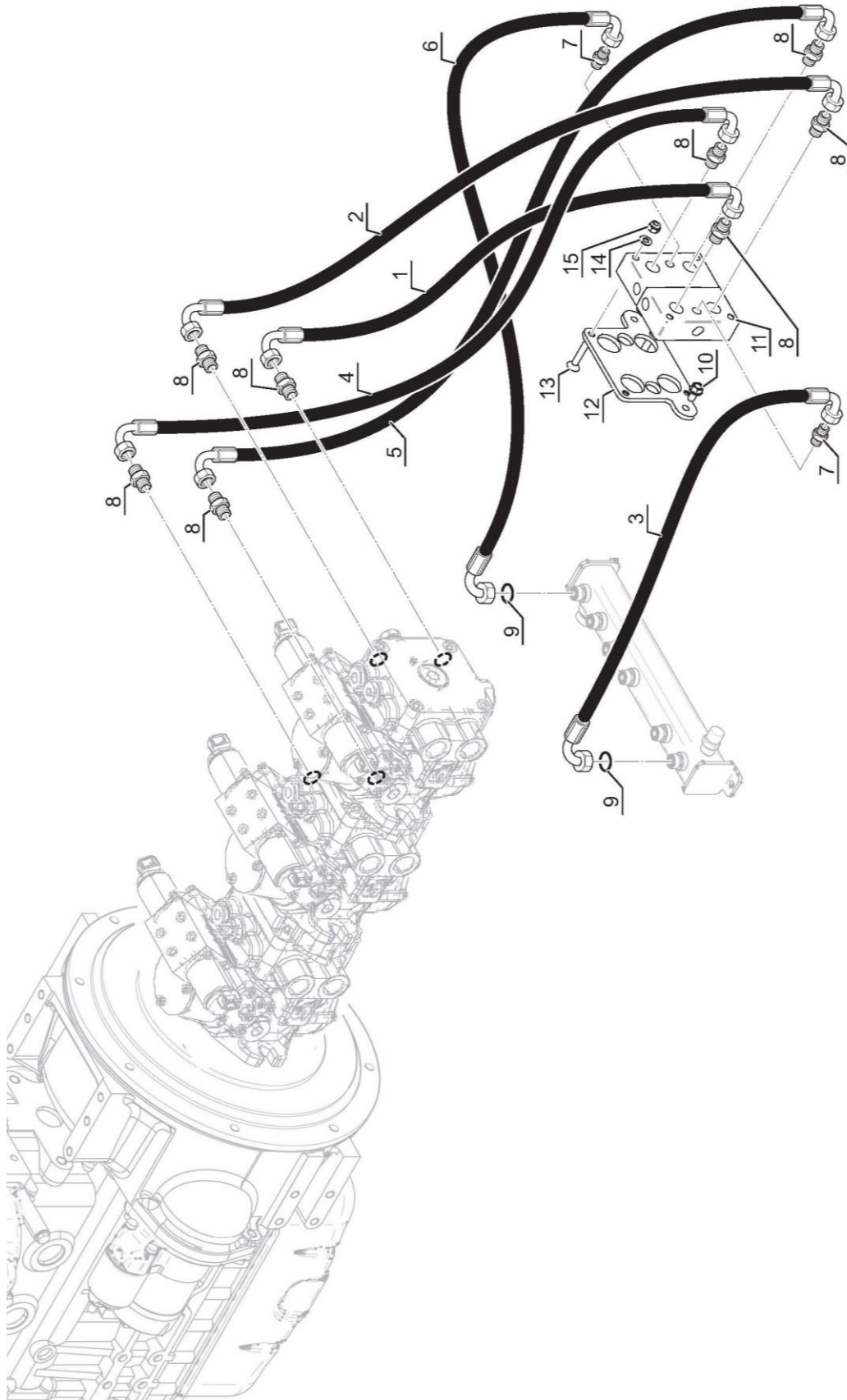
ROBOCUT (Machine Serial No. 00089 ► )

| <b>REF.</b> | <b>QTY.</b> | <b>PART No.</b> | <b>DESCRIPTION</b>                |
|-------------|-------------|-----------------|-----------------------------------|
|             |             |                 | <b>INTAKE &amp; DRAIN PUMPS</b>   |
|             |             |                 | <b>Machine Serial No. 00089 ►</b> |
| 1           | 1           | 4000533         | HYDRAULIC HOSE                    |
| 2           | 1           | 4000534         | HYDRAULIC HOSE                    |
| 3           | 1           | 4000535         | HYDRAULIC HOSE                    |
| 4           | 1           | 4000536         | HYDRAULIC HOSE                    |
| 5           | 1           | 4000537         | HYDRAULIC HOSE                    |
| 6           | 1           | 4000538         | HYDRAULIC HOSE                    |
| 7           | 1           | 4000539         | HYDRAULIC HOSE                    |
| 8           | 1           | 4000540         | HYDRAULIC HOSE                    |
| 9           | 1           | 4000541         | HYDRAULIC HOSE                    |
| 10          | 7           | 7315797         | CONNECTOR                         |
| 11          | 2           | 7315777         | CONNECTOR                         |
| 12          | 1           | 7315775         | CONNECTOR                         |
| 13          | 4           | 7315774         | CONNECTOR                         |
| 14          | 1           | 4000542         | CONNECTOR                         |
| 15          | 6           | 4000543         | CYLINDRIC HEAD SCREW              |
| 16          | 6           | 4000544         | SPRING WASHER                     |
| 17          | 2           | 4000545         | PUMP CONNECTION                   |
| 18          | 1           | 4000546         | CHECK COUPLING                    |
| 19          | 2           | 7315769         | CHECK COUPLING                    |
| 20          | 2           | 4000547         | HEX HEAD SCREW                    |
| 21          | 1           | 4000548         | O RING                            |
| 22          | 2           | 4000549         | O RING                            |
| 23          | 2           | 4000550         | O RING                            |
| 24          | 2           | 4000551         | VALVE BLOCK BRACKET               |
| 25          | 8           | 4000353         | FLANGED HEAD SCREW                |
| 26          | 1           | 4000552         | OIL MANIFOLD                      |
| 27          | 1           | 4000553         | VALVE BLOCK                       |
| 28          | 2           | 9100204         | SPRING WASHER                     |
| 29          | 2           | 9100104         | FLAT WASHER                       |

# CHANGE OVER VALVE CIRCUIT

ROBOCUT (Machine Serial No. ► 00073)

**McCONNEL**



**CHANGE OVER VALVE CIRCUIT****McCONNEL**

ROBOCUT (Machine Serial No. ► 00073)

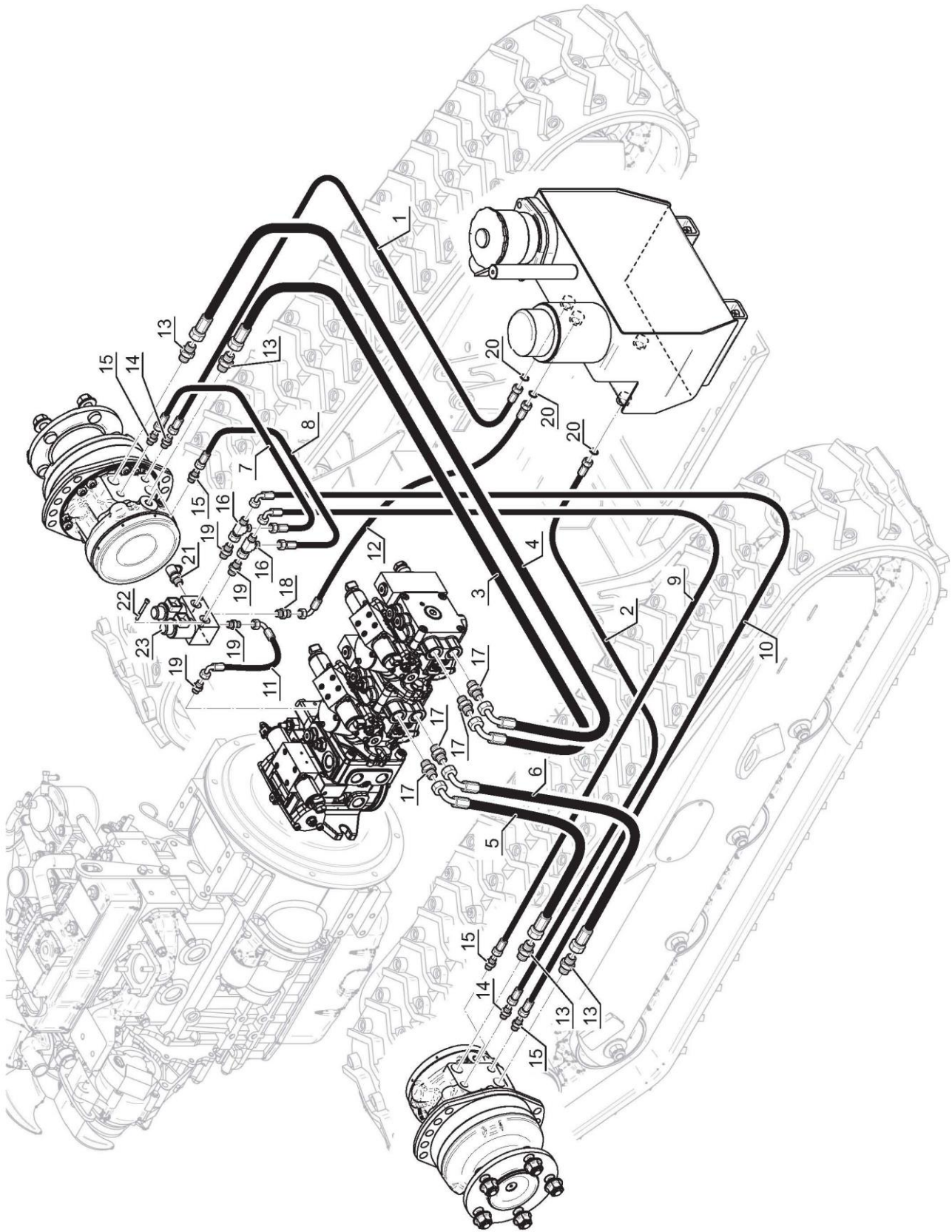
| <b>REF.</b> | <b>QTY.</b> | <b>PART No.</b> | <b>DESCRIPTION</b>                |
|-------------|-------------|-----------------|-----------------------------------|
|             |             |                 | <b>CHANGE OVER VALVE CIRCUIT</b>  |
|             |             |                 | <b>Machine Serial No. ► 00073</b> |
| 1           | 1           | 4000554         | HYDRAULIC HOSE                    |
| 2           | 1           | 4000555         | HYDRAULIC HOSE                    |
| 3           | 1           | 4000556         | HYDRAULIC HOSE                    |
| 4           | 1           | 4000557         | HYDRAULIC HOSE                    |
| 5           | 1           | 4000558         | HYDRAULIC HOSE                    |
| 6           | 1           | 4000559         | HYDRAULIC HOSE                    |
| 7           | 2           | 4000560         | CONNECTOR                         |
| 8           | 8           | 7315777         | CONNECTOR                         |
| 9           | 2           | 4000549         | O RING                            |
| 10          | 2           | 4000353         | FLANGED HEAD SCREW                |
| 11          | 2           | 4000561         | CHANGE OVER VALVE                 |
| 12          | 1           | 4000562         | VALVE PLATE                       |
| 13          | 4           | 4000563         | COUNTERSUNK HEAD SCREW            |
| 14          | 4           | 9100104         | WASHER                            |
| 15          | 4           | 9163004         | LOCK NUT                          |



# TRACKS HYDRAULIC CIRCUIT

ROBOCUT (Machine Serial No. ► 00088)

**McCONNEL**



**TRACKS HYDRAULIC CIRCUIT**



ROBOCUT (Machine Serial No. ► 00088)

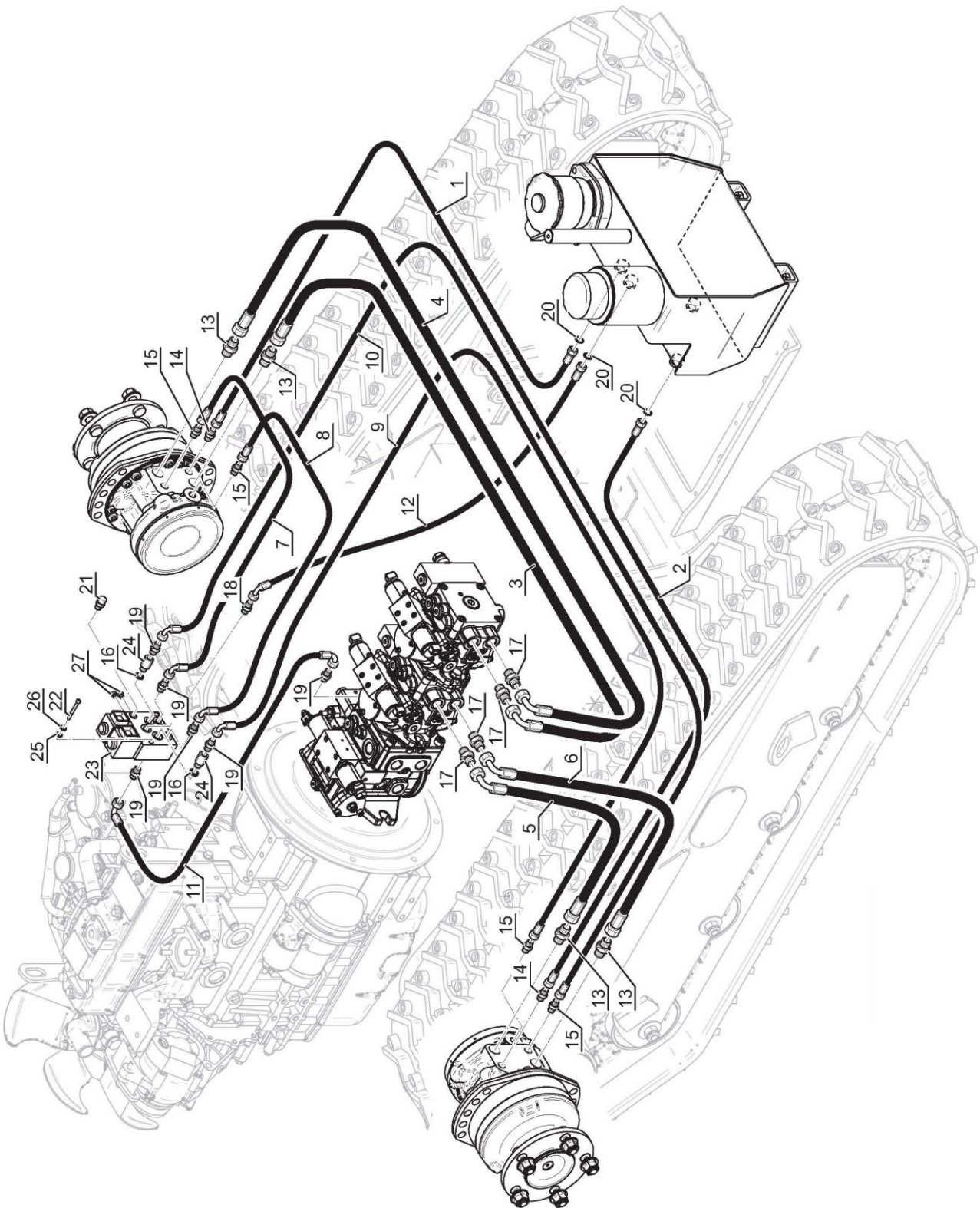
| <b>REF.</b> | <b>QTY.</b> | <b>PART No.</b> | <b>DESCRIPTION</b>                |
|-------------|-------------|-----------------|-----------------------------------|
|             |             |                 | <b>TRACKS HYDRAULIC CIRCUIT</b>   |
|             |             |                 | <b>Machine Serial No. ► 00088</b> |
| 1           | 1           | 4000564         | HYDRAULIC HOSE                    |
| 2           | 1           | 4000565         | HYDRAULIC HOSE                    |
| 3           | 1           | 4000566         | HYDRAULIC HOSE                    |
| 4           | 1           | 4000567         | HYDRAULIC HOSE                    |
| 5           | 1           | 4000568         | HYDRAULIC HOSE                    |
| 6           | 1           | 4000569         | HYDRAULIC HOSE                    |
| 7           | 1           | 4000570         | HYDRAULIC HOSE                    |
| 8           | 1           | 4000571         | HYDRAULIC HOSE                    |
| 9           | 1           | 4000572         | HYDRAULIC HOSE                    |
| 10          | 1           | 4000573         | HYDRAULIC HOSE                    |
| 11          | 1           | 4000574         | HYDRAULIC HOSE                    |
| 12          | 1           | 4000575         | HYDRAULIC HOSE                    |
| 13          | 4           | 4000576         | CONNECTOR                         |
| 14          | 2           | 4000577         | CONNECTOR                         |
| 15          | 4           | 4000578         | CONNECTOR                         |
| 16          | 2           | 4000588         | TEE FITTING                       |
| 17          | 4           | 7315775         | CONNECTOR                         |
| 18          | 1           | 4000560         | CONNECTOR                         |
| 19          | 5           | 4000579         | CONNECTOR                         |
| 20          | 3           | 4000549         | O RING                            |
| 21          | 1           | 4000546         | CHECK COUPLING                    |
| 22          | 2           | 4000069         | CYLINDRIC HEAD SCREW              |
| 23          | 1           | 4000606         | SPEED-BRAKE VALVE                 |



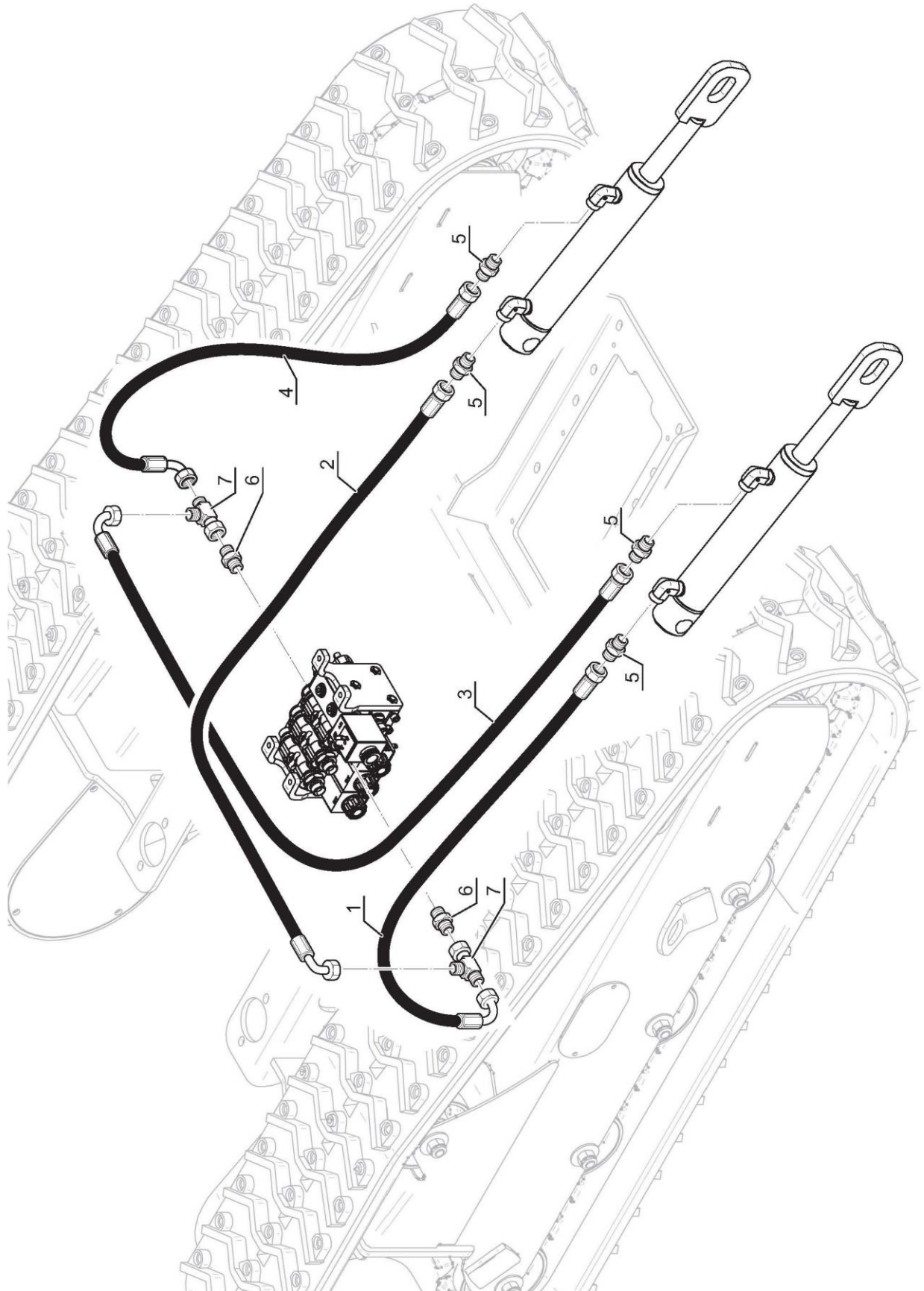
# TRACKS HYDRAULIC CIRCUIT

ROBOCUT (Machine Serial No. 00089 ► )

**McCONEL**

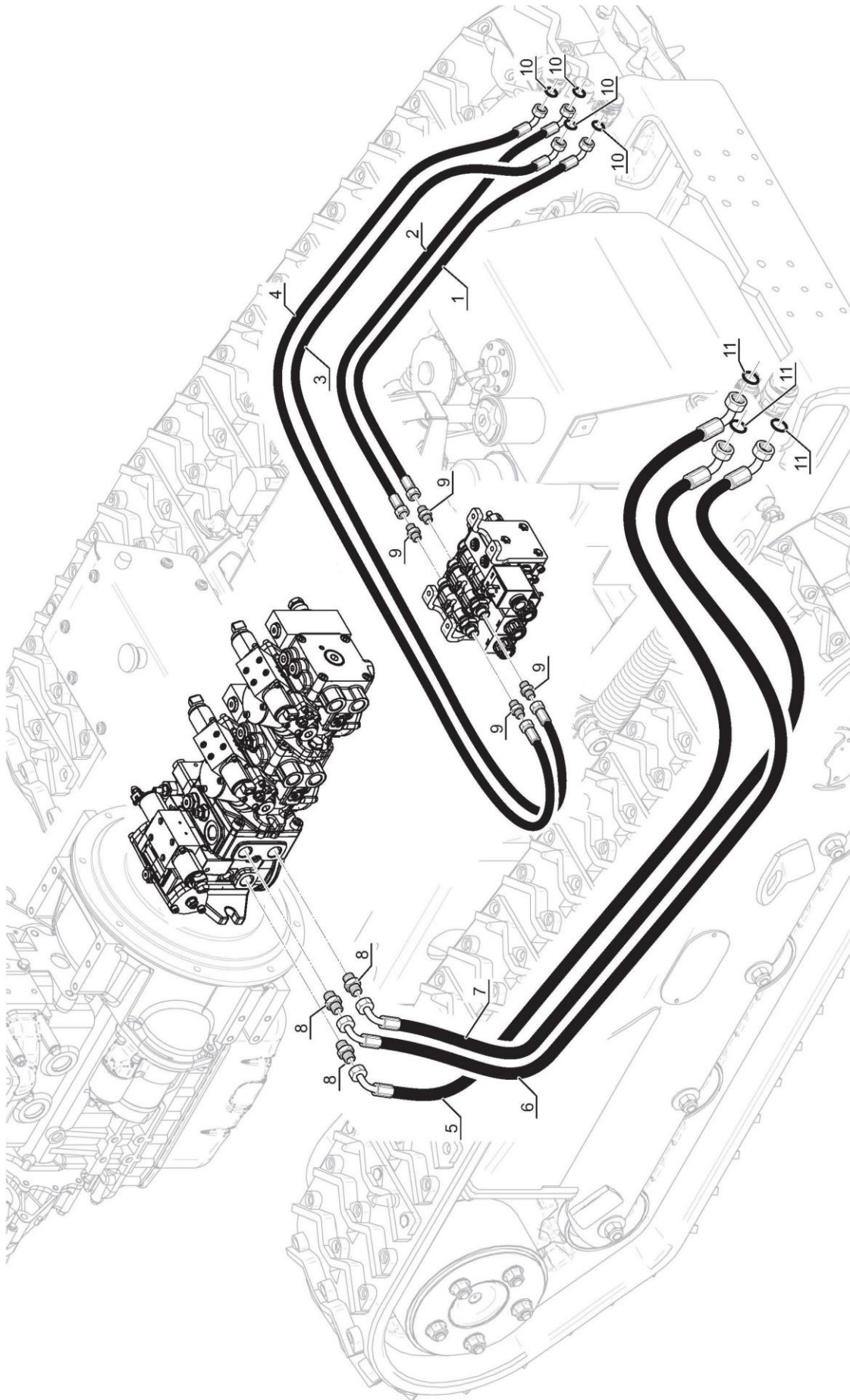


| REF. | QTY. | PART No. | DESCRIPTION                       |
|------|------|----------|-----------------------------------|
|      |      |          | <b>TRACK HYDRAULIC CIRCUIT</b>    |
|      |      |          | <b>Machine Serial No. 00089 ►</b> |
| 1    | 1    | 4000564  | HYDRAULIC HOSE                    |
| 2    | 1    | 4000565  | HYDRAULIC HOSE                    |
| 3    | 1    | 4000566  | HYDRAULIC HOSE                    |
| 4    | 1    | 4000567  | HYDRAULIC HOSE                    |
| 5    | 1    | 4000568  | HYDRAULIC HOSE                    |
| 6    | 1    | 4000569  | HYDRAULIC HOSE                    |
| 7    | 1    | 4000570  | HYDRAULIC HOSE                    |
| 8    | 1    | 4000571  | HYDRAULIC HOSE                    |
| 9    | 1    | 4000572  | HYDRAULIC HOSE                    |
| 10   | 1    | 4000573  | HYDRAULIC HOSE                    |
| 11   | 1    | 4000574  | HYDRAULIC HOSE                    |
| 12   | 1    | 4000575  | HYDRAULIC HOSE                    |
| 13   | 4    | 4000576  | CONNECTOR                         |
| 14   | 2    | 4000577  | CONNECTOR                         |
| 15   | 4    | 4000578  | CONNECTOR                         |
| 16   | 2    | 8650102  | BONDED SEAL                       |
| 17   | 4    | 7315775  | CONNECTOR                         |
| 18   | 1    | 4000560  | CONNECTOR                         |
| 19   | 5    | 4000579  | CONNECTOR                         |
| 20   | 3    | 4000549  | O RING                            |
| 21   | 1    | 4000546  | CHECK COUPLING                    |
| 22   | 2    | 4000580  | CYLINDRIC HEAD SCREW              |
| 23   | 1    | 4000522  | SPEED-BRAKE VALVE                 |
| 24   | 1    | 4000581  | HEXAGON SPACER                    |
| 25   | 2    | 4000544  | SPRING WASHER                     |
| 26   | 2    | 9100103  | WASHER                            |
| 27   | 2    | 4000582  | PLUG                              |



| REF. | QTY. | PART No. | DESCRIPTION                   |
|------|------|----------|-------------------------------|
|      |      |          | <b>HYDRAULIC RAMS CIRCUIT</b> |
| 1    | 1    | 4000583  | HYDRAULIC HOSE                |
| 2    | 1    | 4000584  | HYDRAULIC HOSE                |
| 3    | 1    | 4000585  | HYDRAULIC HOSE                |
| 4    | 1    | 4000586  | HYDRAULIC HOSE                |
| 5    | 4    | 4000579  | CONNECTOR                     |
| 6    | 2    | 4000587  | CONNECTOR                     |
| 7    | 2    | 4000588  | TEE FITTING                   |





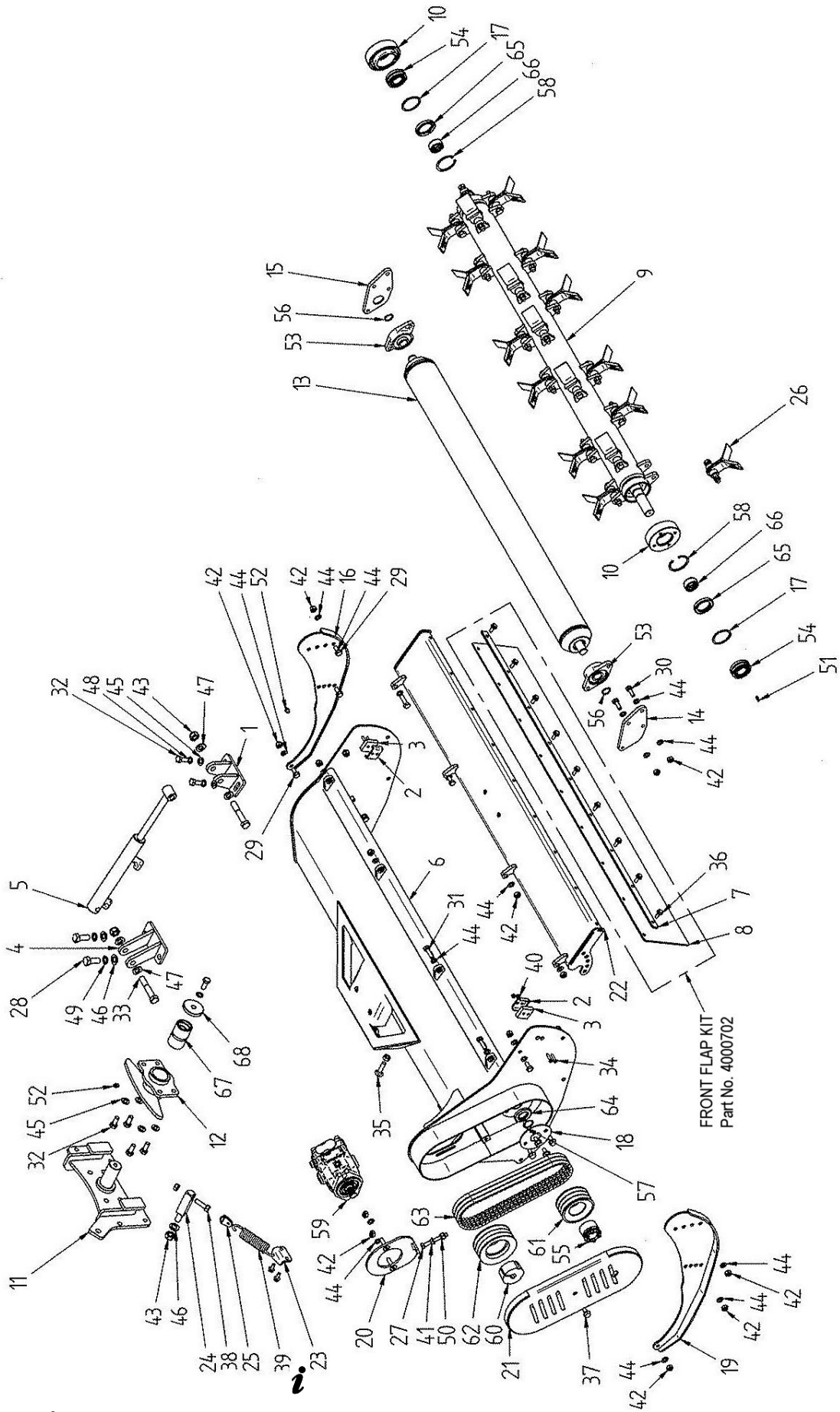


| REF. | QTY. | PART No. | DESCRIPTION                        |
|------|------|----------|------------------------------------|
|      |      |          | <b>HYDRAULIC EQUIPMENT CIRCUIT</b> |
| 1    | 1    | 4000589  | HYDRAULIC HOSE                     |
| 2    | 1    | 4000590  | HYDRAULIC HOSE                     |
| 3    | 1    | 4000591  | HYDRAULIC HOSE                     |
| 4    | 1    | 4000592  | HYDRAULIC HOSE                     |
| 5    | 1    | 4000593  | HYDRAULIC HOSE                     |
| 6    | 1    | 4000594  | HYDRAULIC HOSE                     |
| 7    | 1    | 4000595  | HYDRAULIC HOSE                     |
| 8    | 3    | 7315797  | CONNECTOR                          |
| 9    | 4    | 4000587  | CONNECTOR                          |
| 10   | 4    | 4000596  | O RING                             |
| 11   | 3    | 4000549  | O RING                             |

# FLAILHEAD ASSEMBLY

ROBOCUT

# McCONEL



**i** Items # 23 & 39 refer to notes in parts list important information on these components

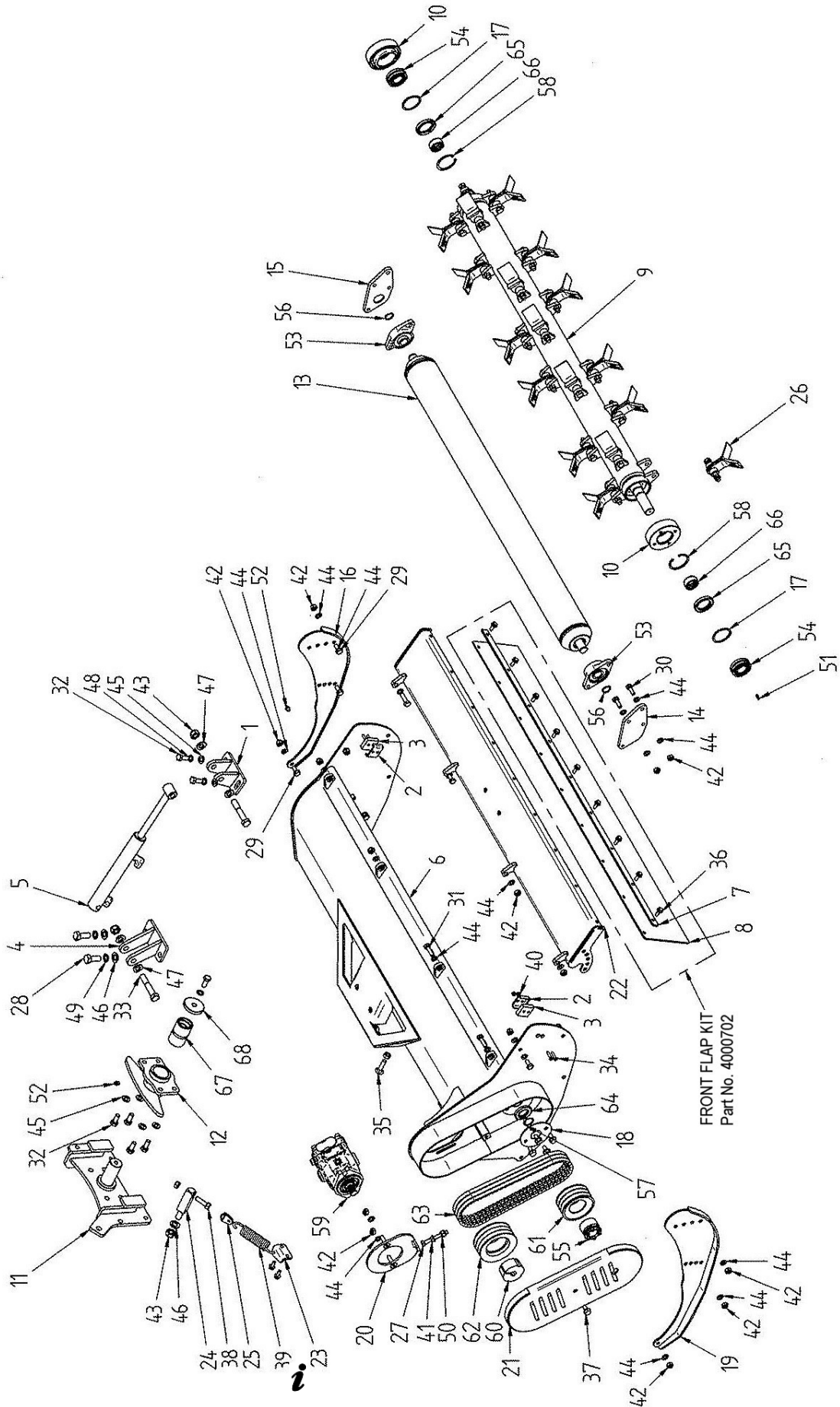
| REF. | QTY. | PART No. | DESCRIPTION  |
|------|------|----------|--|
|      |      |          | <b>FLAILHEAD ASSEMBLY</b>                                    |
| 1    | 1    | 4000182  | CYLINDER FIXING STIRRUP                                      |
| 2    | 2    | 4000183  | RUBBER SUPPORT   |
| 3    | 2    | 4000184  | UPPER PROTECTION SUPPORT                                     |
| 4    | 1    | 4000185  | RAM BRACKET  |
| 5    | 1    | 4000186  | HYDRAULIC RAM  |
| 6    | 1    | 4000187  | HEAD CASING (1.3m)   |
| 7    | 1    | 4000188  | CLAMP STRIP  |
| 8    | 1    | 4000189  | RUBBER FLAP  |
| 9    | 1    | 4000190  | ROTOR (1.3m)   |
| 10   | 2    | 4000191  | ROTOR BEARING SUPPORT  |
| 11   | 1    | 4000192  | HEAD PIVOT BRACKET   |
| 12   | 1    | 4000193  | PIVOT JOINT  |
| 13   | 1    | 4000194  | ROLLER   |
| 14   | 1    | 4000195  | ROLLER BRACKET - R/H   |
| 15   | 1    | 4000196  | ROLLER BRACKET - L/H   |
| 16   | 1    | 4000197  | LEFT SKID  |
| 17   | 2    | 4000198  | WASHER   |
| 18   | 1    | 4000199  | PLATE  |
| 19   | 1    | 4000200  | RIGHT SKID   |
| 20   | 1    | 4000201  | MOTOR MOUNTING PLATE   |
| 21   | 1    | 4000202  | BELT COVER   |
| 22   | 1    | 4000203  | FRONT HOOD   |
| 23   | 1    | 4000204  | <b>i</b> SPRING BRACKET (Fits Spring 4000219 only)           |
|      | 1    | 4000338  | <b>i</b> SPRING BRACKET (Fits Springs 4000219 & 4000749)     |
| 24   | 1    | 4000205  | SPRING TENSIONER FIXING                                      |
| 25   | 1    | 4000206  | SPRING TENSIONER   |
| 26   | 1    | 4000255  | Y-FLAILS KIT (SINGLE STATION)                                |
|      | 1    | 4000268  | Y-FLAILS KIT (22 STATION)                                    |
| 27   | 1    | 4000208  | SCREW  |
| 28   | 1    | 4000252  | SCREW  |
| 29   | 2    | 4000209  | SCREW  |
| 30   | 1    | 4000210  | SCREW  |
| 31   | 1    | 4000211  | SCREW  |
| 32   | 2    | 4000212  | SCREW  |
| 33   | 1    | 4000213  | SCREW  |
| 34   | 1    | 4000214  | SCREW  |
| 35   | 1    | 4000215  | SCREW  |
| 36   | 1    | 4000216  | SCREW  |
| 37   | 1    | 4000217  | SCREW  |
| 38   | 1    | 4000218  | NUT  |
| 39   | 1    | 4000219  | <b>i</b> SPRING (Item now obsolete use Spring 4000749)       |
|      | 1    | 4000749  | <b>i</b> SPRING (Not compatible with Spring Bracket 4000204) |

**i** When replacing the now obsolete early type Spring 4000219 with the later type Spring 4000749 the early type Bracket 4000204 must also be replaced with later type bracket 4000338.

# FLAILHEAD ASSEMBLY

# McCONEL

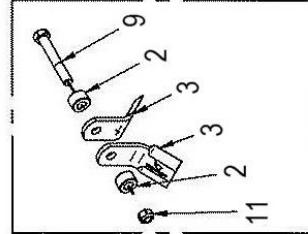
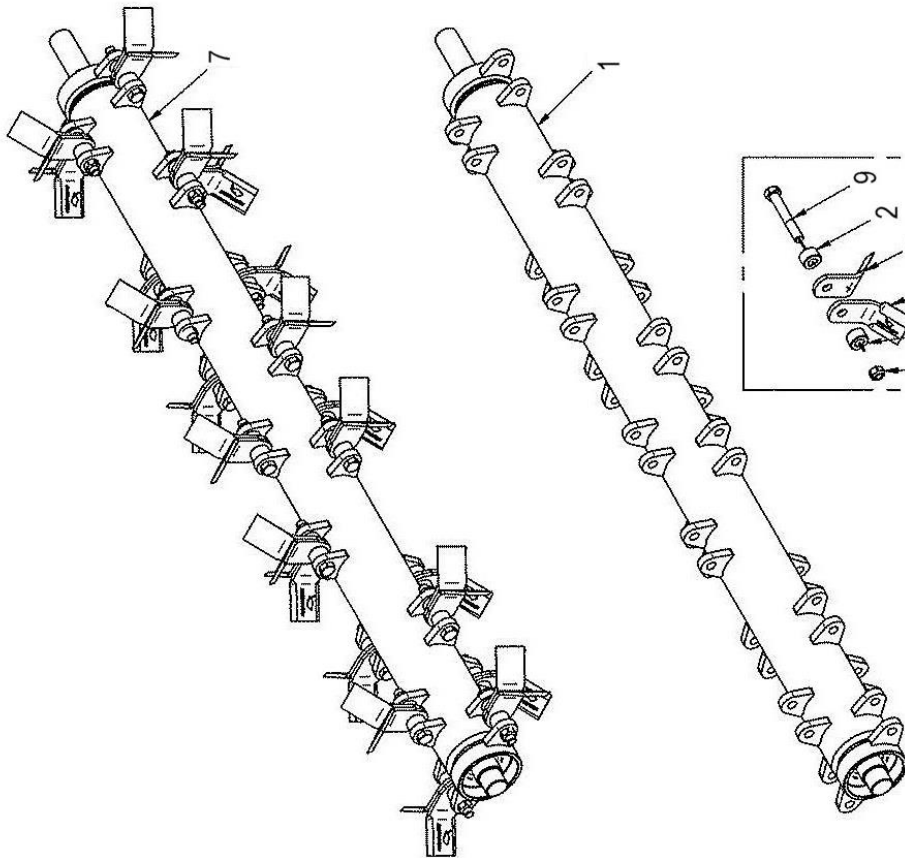
ROBOCUT



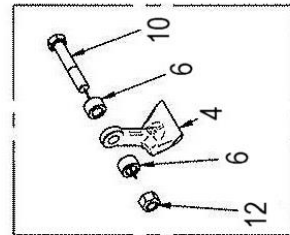
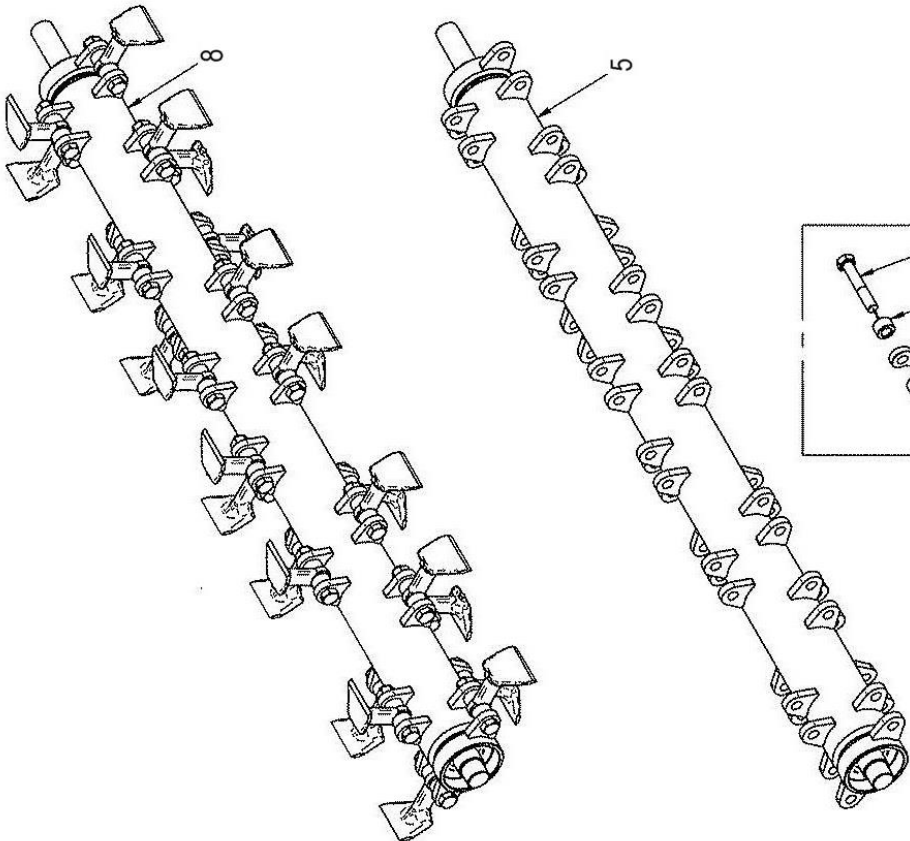
**i** Items # 23 & 39 refer to notes in parts list important information on these components

| REF. | QTY. | PART No.       | DESCRIPTION                       |
|------|------|----------------|-----------------------------------|
|      |      |                | <b>FLAILHEAD ASSEMBLY</b>         |
| 40   | 1    | 9163003        | LOCK NUT                          |
| 41   | 1    | 4000220        | FLANGED NUT                       |
| 42   | 8    | 9163005        | LOCK NUT                          |
| 43   | 2    | 4000221        | LOCK NUT                          |
| 44   | 11   | 9100105        | WASHER                            |
| 45   | 2    | 9100106        | WASHER                            |
| 46   | 2    | 4000253        | WASHER                            |
| 47   | 2    | 4000222        | WASHER                            |
| 48   | 1    | 9100206        | SPRING WASHER                     |
| 49   | 1    | 4000254        | WASHER                            |
| 50   | 1    | 9100105        | WASHER                            |
| 51   | 1    | 4000223        | GREASER                           |
| 52   | 2    | 4000224        | GREASER                           |
| 53   | 2    | 4000225        | BEARING                           |
| 54   | 2    | 4000226        | ROLLER BEARING                    |
| 55   | 1    | 4000227        | TAPERLOCK BUSH                    |
| 56   | 2    | 4000023        | CIRCLIP                           |
| 57   | 1    | 4000228        | RETAINING RING                    |
| 58   | 2    | 4000024        | CIRCLIP                           |
| 59   | 1    | 4000229        | MOTOR                             |
| 60   | 1    | 4000230        | CONICAL BUSH                      |
| 61   | 1    | 4000231        | PULLEY                            |
| 62   | 1    | 4000232        | PULLEY                            |
| 63   | 3    | 4000233        | TRAPEZOIDAL TOOTHED BELT          |
| 64   | 1    | 4000234        | OILSEAL                           |
| 65   | 2    | 4000235        | OIL SEAL                          |
| 66   | 2    | 4000236        | GUIDE FOR OIL SEAL                |
| 67   | 1    | 4000237        | BUSH                              |
| 68   | 1    | 4000238        | WASHER                            |
|      |      | <b>4000716</b> | <b>SEAL KIT FOR MOTOR 4000229</b> |





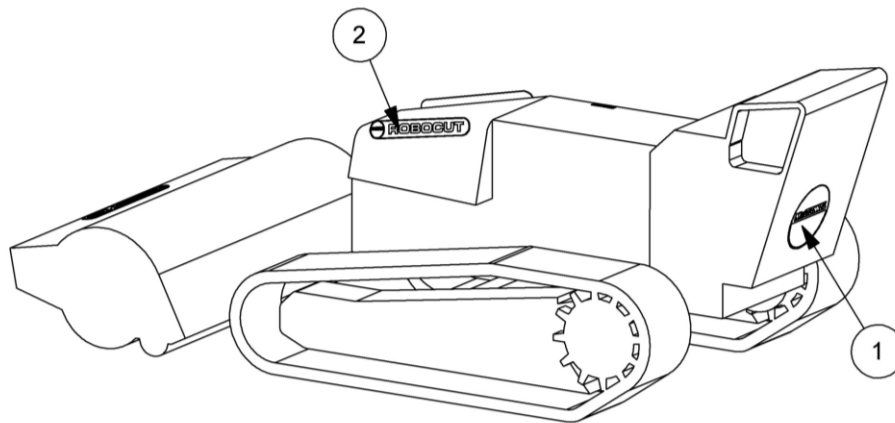
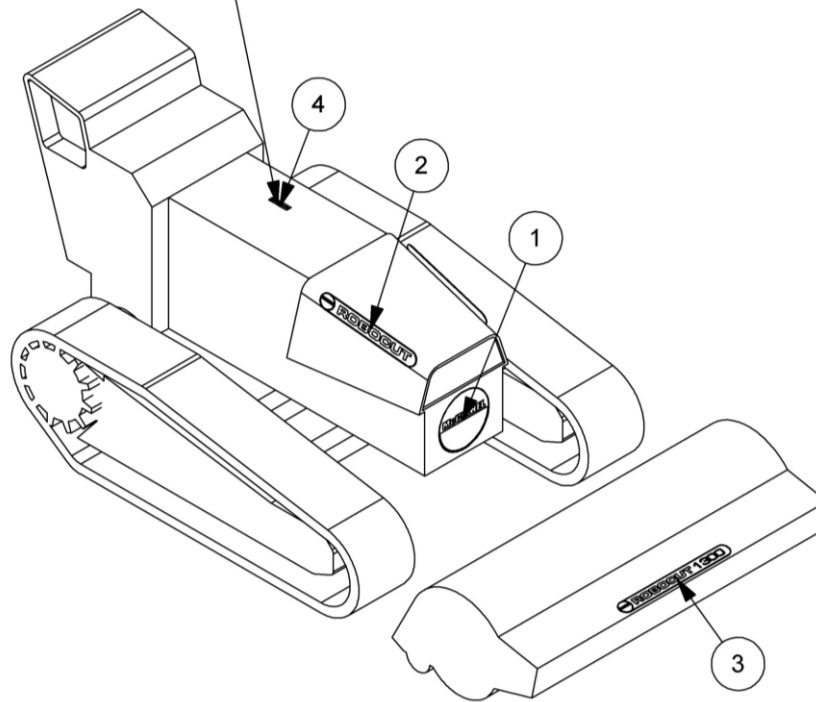
Part No. 4000255  
Y-FLAILS KIT (6mm)  
(Single Station)



Part No. 4000256  
HAMMER FLAIL KIT  
(Single Station)

| REF.                                | QTY. | PART No. | DESCRIPTION                    |
|-------------------------------------|------|----------|--------------------------------|
| <b>ROTORS &amp; FLAILS ASSEMBLY</b> |      |          |                                |
| 1                                   | 1    | 4000190  | 1.3M ROTOR (Y-FLAILS TYPE)     |
| 2                                   | 2    | 4000241  | STEEL BUSHING                  |
| 3                                   | 2    | 4000242  | Y-FLAIL (6mm)                  |
| 4                                   | 1    | 4000243  | HAMMER FLAIL                   |
| 5                                   | 1    | 4000244  | 1.3M ROTOR (HAMMER FLAIL TYPE) |
| 6                                   | 2    | 4000245  | BUSHING                        |
| 7                                   | 1    | 4000703  | 1.3M ROTOR C/W Y-FLAILS        |
| 8                                   | 1    | 4000704  | 1.3M ROTOR C/W HAMMER FLAILS   |
| 9                                   | 2    | 4000246  | SCREW                          |
| 10                                  | 1    | 4000247  | SCREW                          |
| 11                                  | 2    | 4000248  | AUTOGRIP NUT                   |
| 12                                  | 1    | 4000249  | AUTOGRIP NUT                   |
| <b>SINGLE STATION FLAIL KITS</b>    |      |          |                                |
|                                     | 1    | 4000255  | Y-FLAILS KIT (6mm Flail)       |
|                                     | 1    | 4000256  | HAMMER FLAIL KIT               |
| <b>22 STATION FLAIL KIT</b>         |      |          |                                |
|                                     | 1    | 4000268  | Y-FLAILS KIT (6mm Flail)       |

ROBOCUT  
OVERLAY FOR  
CONTROL BOX



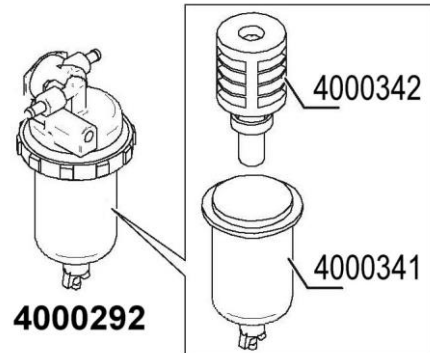
| REF. | QTY. | PART No.       | DESCRIPTION               |
|------|------|----------------|---------------------------|
|      |      | <b>4000700</b> | <b>ROBOCUT DECAL KIT</b>  |
| 1    | 2    | 1290829        | DECAL - MCCONNELL ROUNDEL |
| 2    | 2    | 1290954        | DECAL - ROBOCUT           |
| 3    | 1    | 1290955        | DECAL - ROBOCUT 1300      |
| 4    | 1    | 1290956        | DECAL - ROBOCUT (OVERLAY) |



**FUEL FILTER**  
(Part No. 4000105)



**OIL FILTER**  
(Part No. 4000257)



**PRIMARY FUEL FILTER**



Fitted to Early Models  
**HYDRAULIC OIL FILTER CARTRIDGE (Part No. 4000258)**

Fitted to Later Models  
**HYDRAULIC OIL FILTER CARTRIDGE (Part No. 4000259)**



**PRIMARY AIR FILTER CARTRIDGE (Part No. 4000260)**



**SECURITY AIR FILTER CARTRIDGE (Part No. 4000261)**







McConnel Limited, Temeside Works, Ludlow, Shropshire SY8 1JL. England.  
Telephone: 01584 873131. Facsimile: 01584 876463. [www.mcconnel.com](http://www.mcconnel.com)