

ROBOCUT
FINISHING MOWER 1500
- Parts Manual -

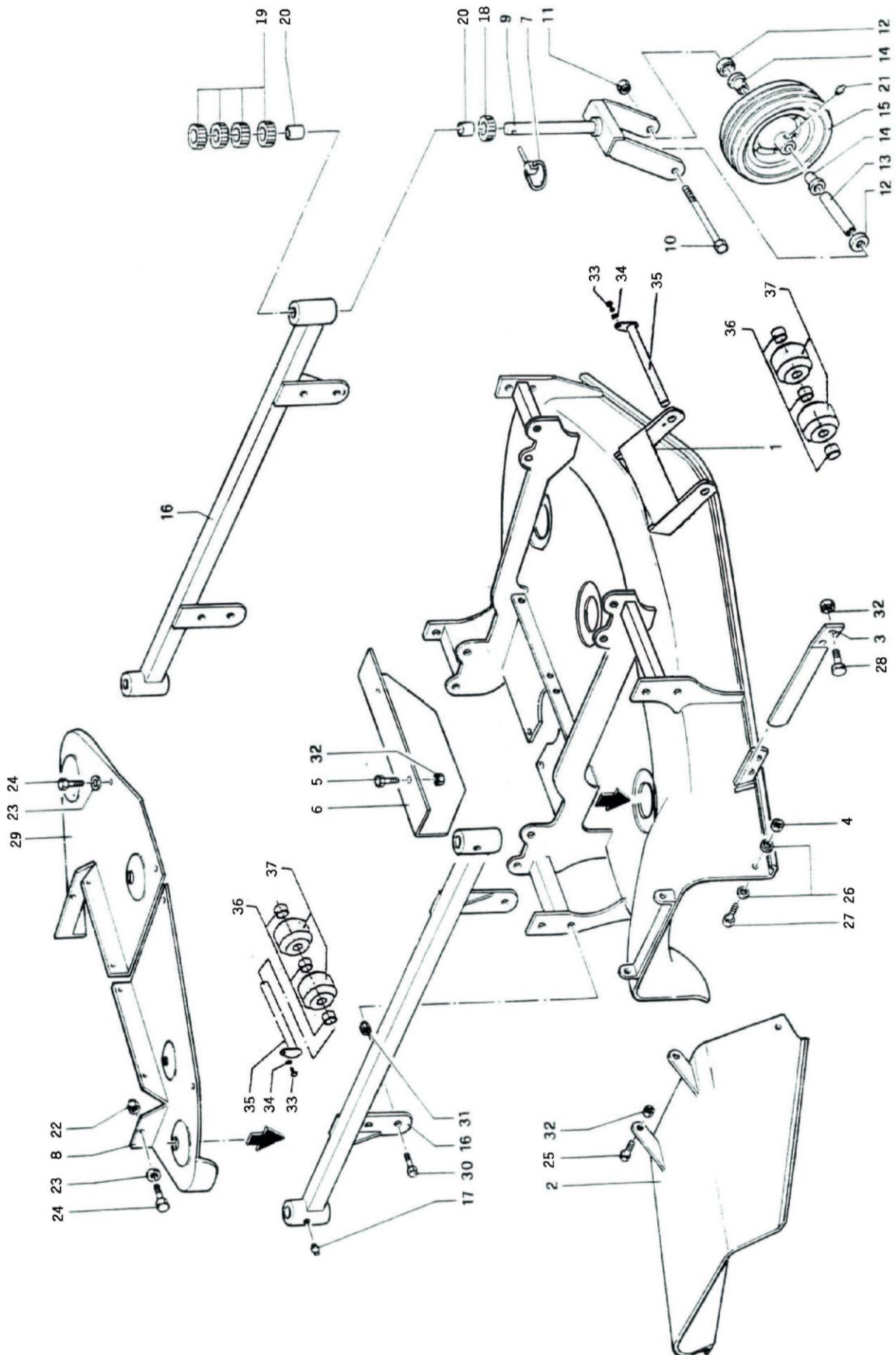
LIST OF CONTENTS

	<i>Page No</i>
Frame Assembly	1
Transmission Assembly	3
Mounting Assembly	5
Motor Assembly	7
Decal Kit	9

FRAME ASSEMBLY

Module(s): 4001708

McCONEL



FRAME ASSEMBLY

McCONNEL

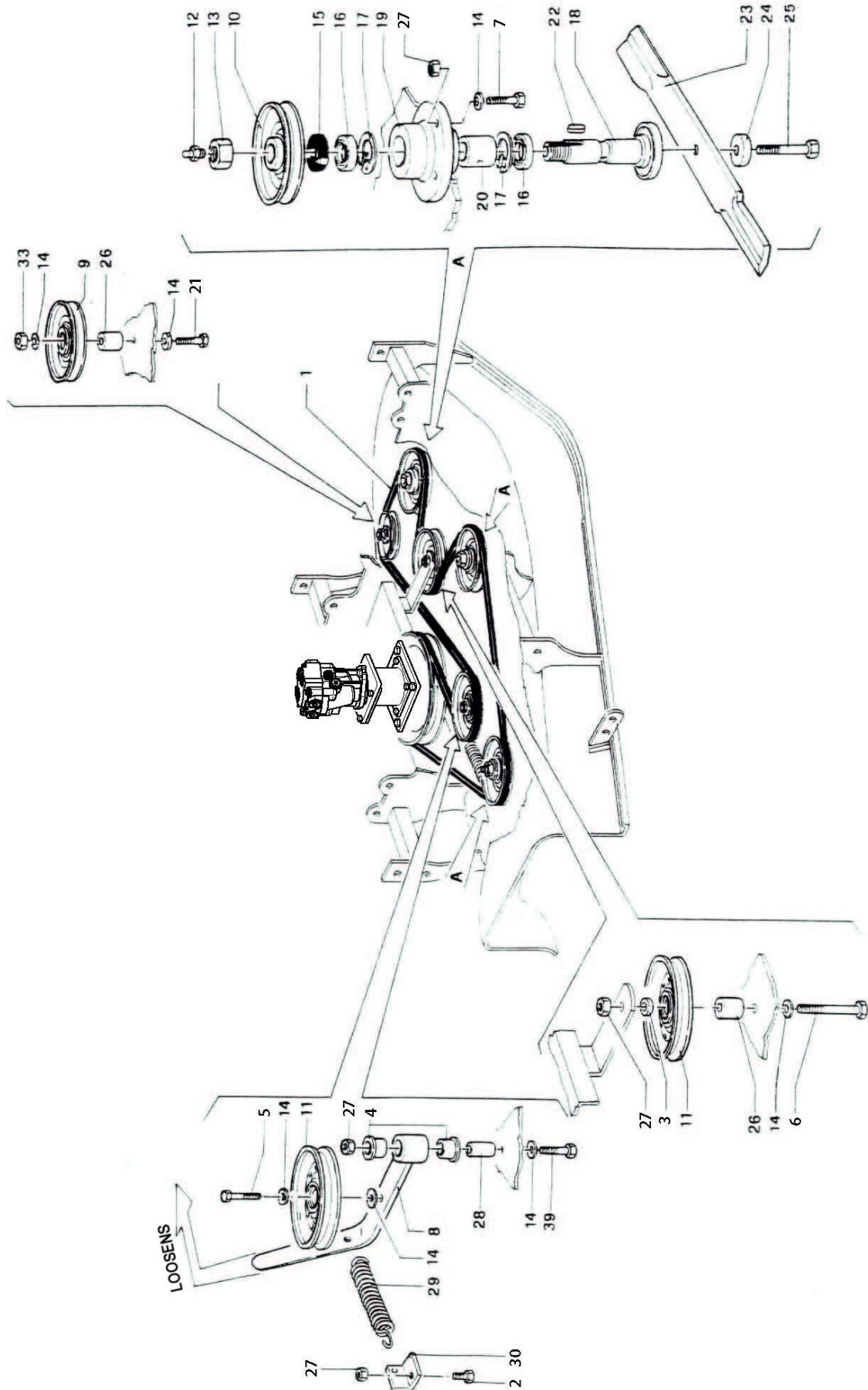
Module(s): 4001708

REF.	QTY.	PART No.	DESCRIPTION
		4001708	FRAME ASSEMBLY
1	1	4001101	FRAME
2	1	4001102	EJECTOR
3	1	4001103	DEFLECTOR PLATE
4	1	4001152	NUT
5	2	4001151	SCREW
6	1	4001150	PROTECTION
7	4	4001107	LYNCH PIN
8	1	4001136	LEFT BELT COVER
9	4	4001109	FORK
10	4	4001110	SCREW
11	4	4001111	NUT
12	8	4001112	DUST PROTECTION
13	4	4001113	WHEEL SPACER
14	8	4001114	WHEEL BUSHING
15	4	4001115	WHEEL
16	2	4001116	WHEELS ARM
17	4	4001117	GREASER
18	4	4001149	SPACER
19	16	4001148	SPACER
20	8	4001147	BUSHING
21	5	4001121	GREASER
22	8	4001146	SELF-LOCKING NUT
23	16	4001144	WASHER
24	8	4001143	SCREW
25	2	4001141	SCREW
26	2	4001140	WASHER
27	2	4001139	SCREW
28	2	4001138	SCREW
29	1	4001137	RIGHT BELT COVER
30	8	4001130	SCREW
31	8	4001131	SELF-LOCKING NUT
32	6	4001132	NUT
33	2	4001154	SCREW
34	2	4001155	WASHER
35	2	4001156	SHAFT
36	6	4001157	SPACER
37	4	4001158	WHEEL SPACER

TRANSMISSION ASSEMBLY

Module(s): 4001709

McCONEL



TRANSMISSION ASSEMBLY

McCONNEL

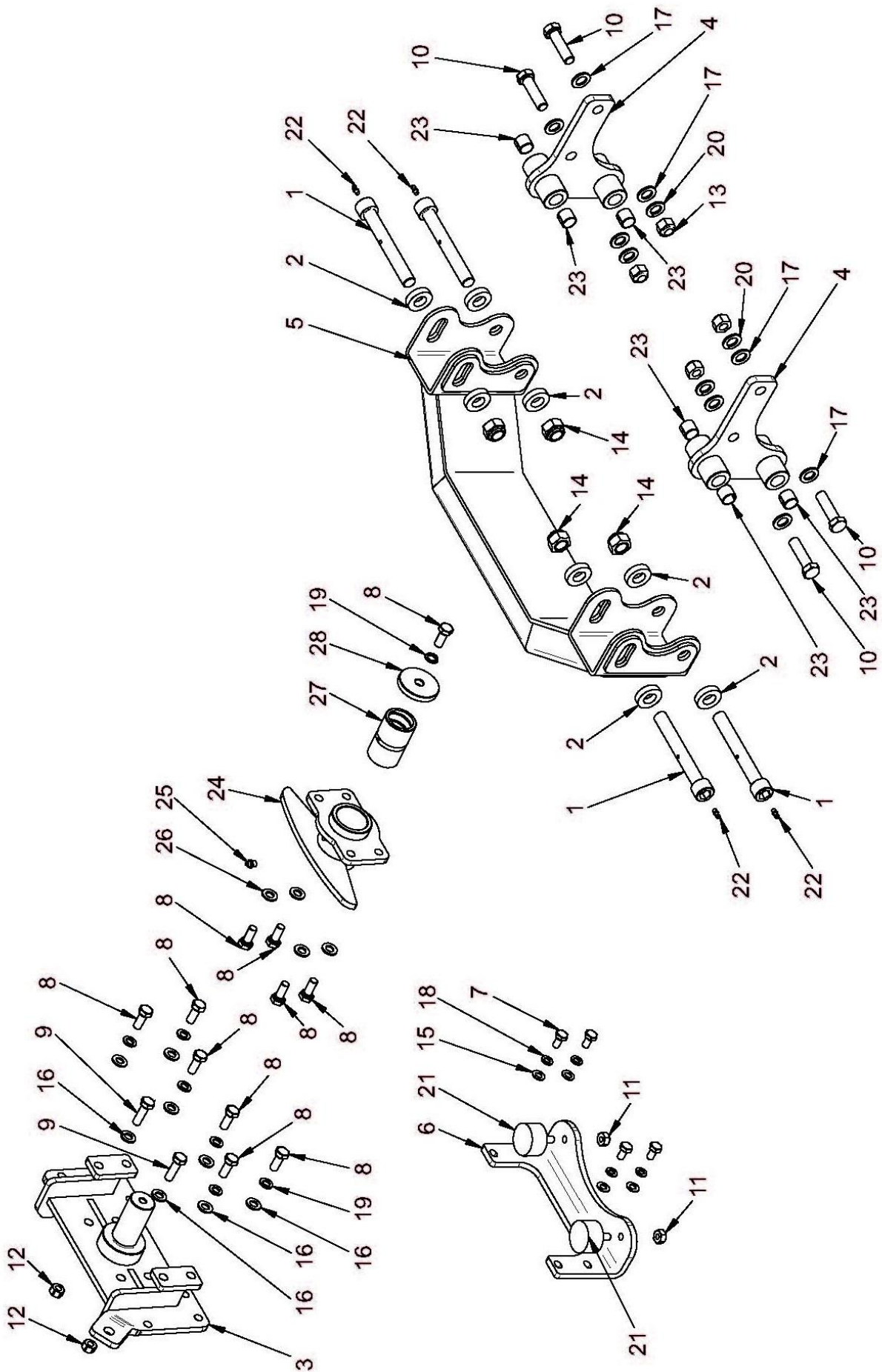
Module(s): 4001709

REF.	QTY.	PART No.	DESCRIPTION
		4001709	TRANSMISSION ASSEMBLY
1	1	4001159	BELT
2	1	4001160	SCREW
3	1	4001161	SPACER
4	2	4001162	BUSHING
5	1	4001163	SCREW
6	1	4001164	SCREW
7	11	4001138	SCREW
8	1	4001183	BELT TIGHTENER
9	1	4001166	IDLE PULLEY
10	3	4001167	DRIVEN PULLEY
11	2	4001168	PULLEY
12	3	4001117	GREASER
13	3	4001169	SELF-LOCKING NUT
14	24	4001165	WASHER
15	3	4001170	SHAFT SEAL
16	6	4001171	BEARING
17	6	4001172	SEEGER RING
18	3	4001173	SHAFT
19	3	4001174	SUPPORT
20	3	4001175	SPACER
21	2	4001176	SCREW
22	3	4001177	KEY
23	3	4001178	BLADE
24	3	4001179	BLADE WASHER
25	3	4001180	SCREW
26	1	4001181	SPACER
27	15	4001132	NUT
28	1	4001182	BUSHING
29	1	4001185	SPRING
30	1	4001184	SPRING CONNECTION

MOUNTING ASSEMBLY

Module(s): 4001710

McCONEL



MOUNTING ASSEMBLY**McCONNEL**

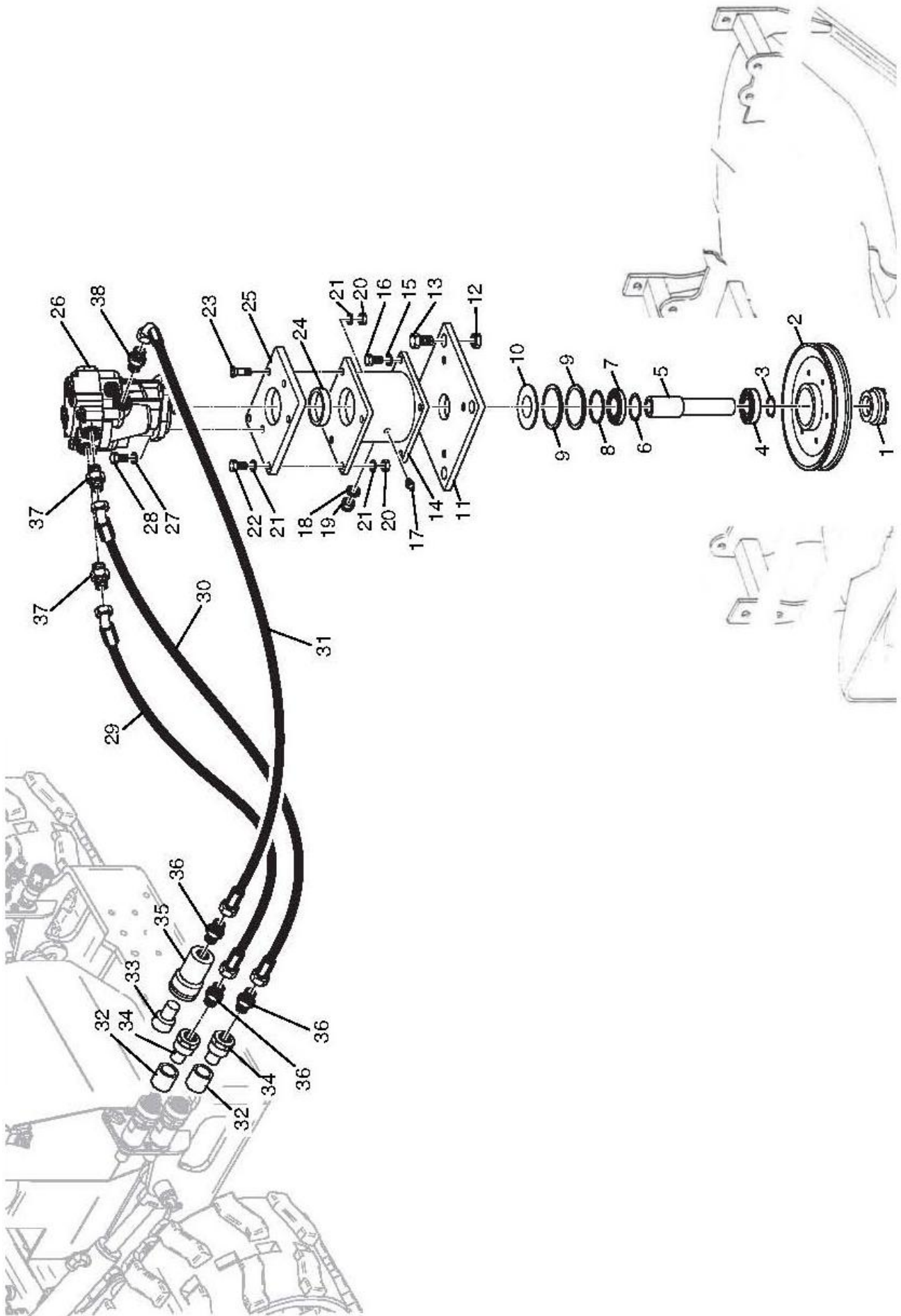
Module(s): 4001710

REF.	QTY.	PART No.	DESCRIPTION
		4001710	MOUNTING ASSEMBLY
1	4	7315648	PIN
2	8	4001186	WASHER
3	1	4000192	PIVOT BRACKET
4	2	4001187	CONNECTION LINK
5	1	4001188	CONNECTION BRACKET
6	1	4001189	PADS BRACKET
7	4	4000038	SCREW
8	11	4000212	SCREW
9	2	4000681	SCREW
10	4	4001190	SCREW
11	2	4000416	NUT
12	2	4000077	NUT
13	4	4001191	LOCK NUT
14	4	4000372	LOCK NUT
15	4	4000758	WASHER
16	8	4000759	WASHER
17	8	4000253	WASHER
18	4	4000415	WASHER
19	7	4000760	WASHER
20	4	4000610	WASHER
21	2	4000116	BUFFER
22	4	4000368	GREASER
23	8	4000690	BEARING
24	1	4000193	PIVOT JOINT
25	1	4000224	GREASER
26	4	4000357	KNURLED WASHER
27	1	4000237	BUSHING
28	1	4000238	WASHER

MOTOR ASSEMBLY

Module(s): 4001711

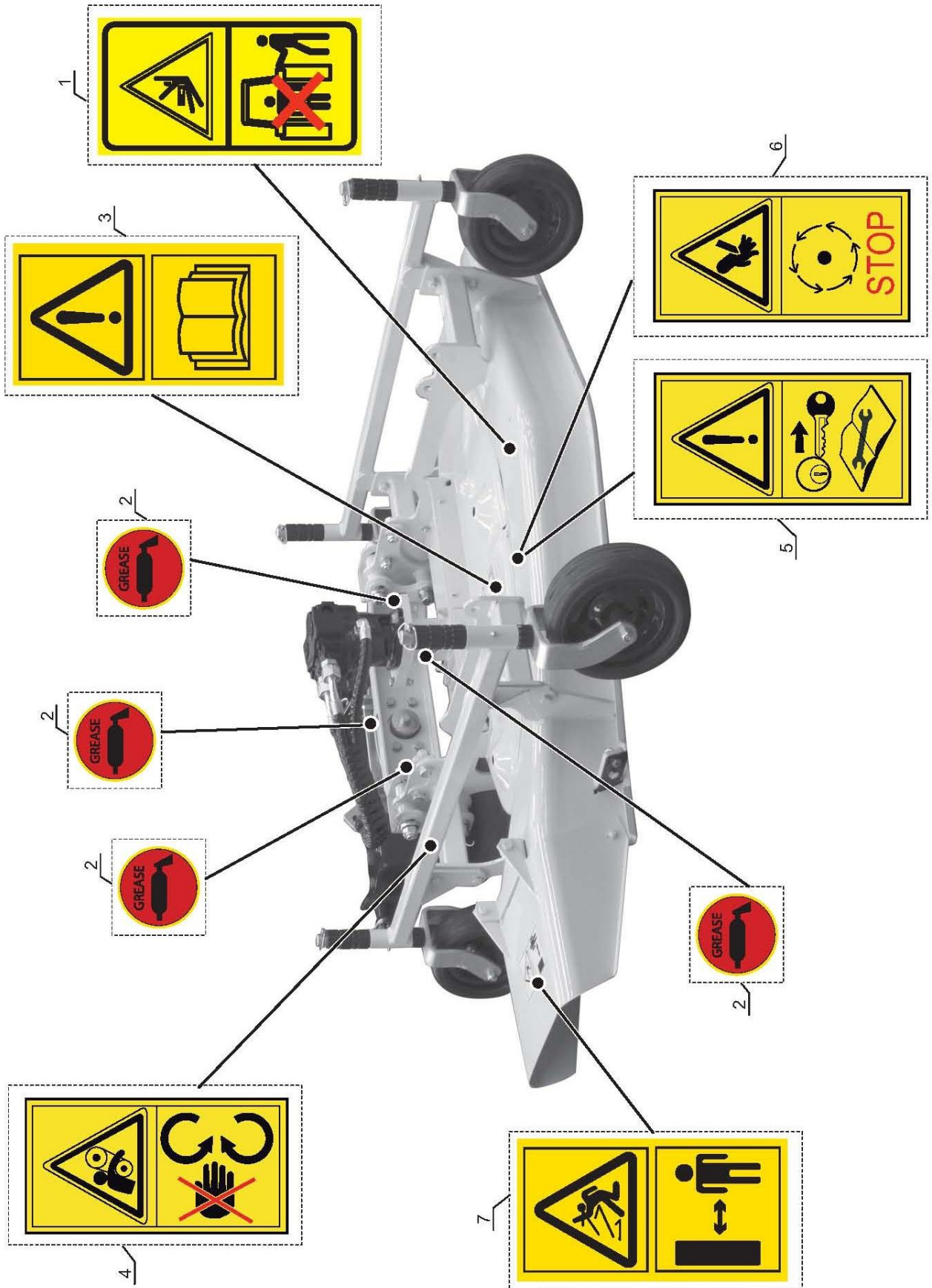
McCONEL



MOTOR ASSEMBLY**McCONNEL**

Module(s): 4001711

REF.	QTY.	PART No.	DESCRIPTION
		4001711	MOTOR ASSEMBLY
1	1	4001192	MOTOR LOCK
2	1	4001193	PULLEY
3	1	4001194	SEEGER RING
4	1	4001195	BEARING
5	1	4001196	SHAFT
6	1	4001197	SEEGER RING
7	1	4001198	BEARING
8	1	4001199	O-RING
9	2	4001200	WASHER
10	1	4001201	O-RING
11	1	4001202	PLATE
12	4	4001203	LOCK NUT
13	4	4001204	SCREW
14	1	4001205	BEARING BRACKET
15	4	4001206	WASHER
16	4	4001207	SCREW
17	1	4001117	GREASER
18	1	4001208	WASHER
19	1	4001209	VENTING
20	4	4000756	LOCK NUT
21	6	4000758	WASHER
22	2	4000211	SCREW
23	2	4001210	SCREW
24	1	4001211	SPACER
25	1	4001212	PLATE
26	1	4000621	HYDRAULIC MOTOR
27	2	4000753	WASHER
28	2	4001213	SCREW
29	1	4001214	HYDRAULIC HOSE
30	1	4001215	HYDRAULIC HOSE
31	1	4001216	HYDRAULIC HOSE
32	2	4000137	PLUG (F)
33	1	4000139	PLUG (M)
34	2	4000136	QR COUPLING (M)
35	1	4000133	QR COUPLING (F)
36	3	7315797	CONNECTOR
37	2	4001217	CONNECTOR
38	1	4000623	CONNECTOR



DECAL KIT**McCONNEL**

Module(s): 4001712

REF.	QTY.	PART No.	DESCRIPTION
		4001712	DECAL KIT
1	1	4001218	DECAL - CRUSHING DANGER
2	4	4000769	DECAL - GREASING
3	1	4000770	DECAL - SAFETY INSTRUCTION
4	1	4001219	DECAL - PULLEY ROTATION DANGER
5	1	4001220	DECAL - USER INSTRUCTIONS
6	1	4001221	DECAL - ROTATION DANGER
7	1	4000768	DECAL - THROWN OBJECTS DANGER



McConnel Limited, Temeside Works, Ludlow, Shropshire SY8 1JL. England.
Telephone: 01584 873131. Facsimile: 01584 876463. www.mcconnel.com