

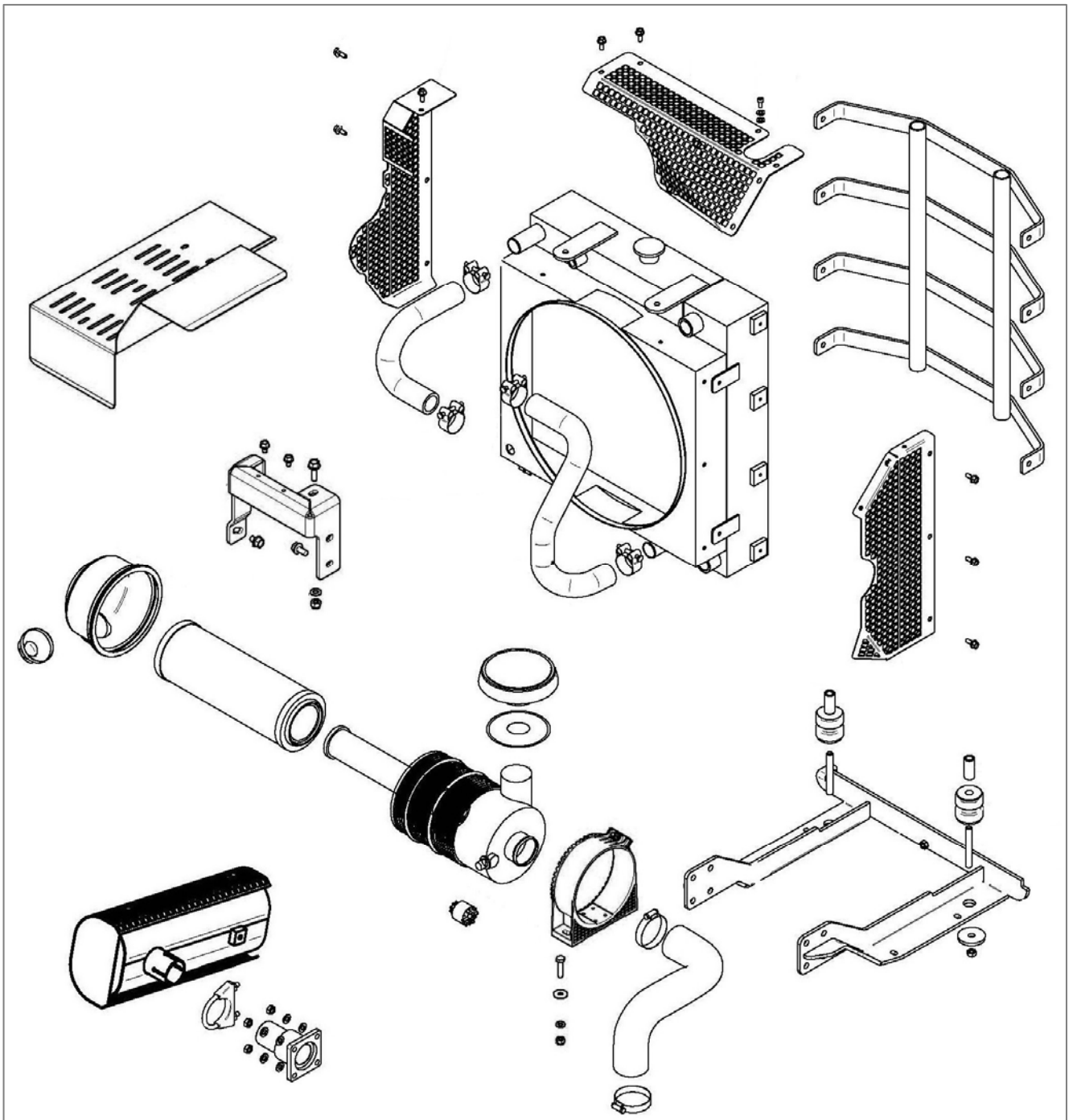
Publication 820
November 2015
Part No. 23671.20

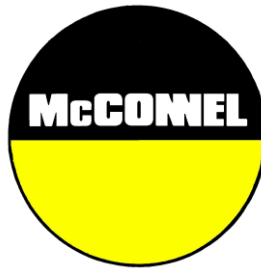


McCONEL ROBOMOZ REMOTE CONTROLLED MOWER

Parts Manual

Machines from S/No. RECO02130001





For best performance...

USE ONLY GENUINE McCONEl SERVICE PARTS



To be assured of the latest design improvements purchase your 'Genuine Replacements' from the 'Original Equipment Manufacturer'

McCONEl LIMITED

Through your local Dealer or Stockist

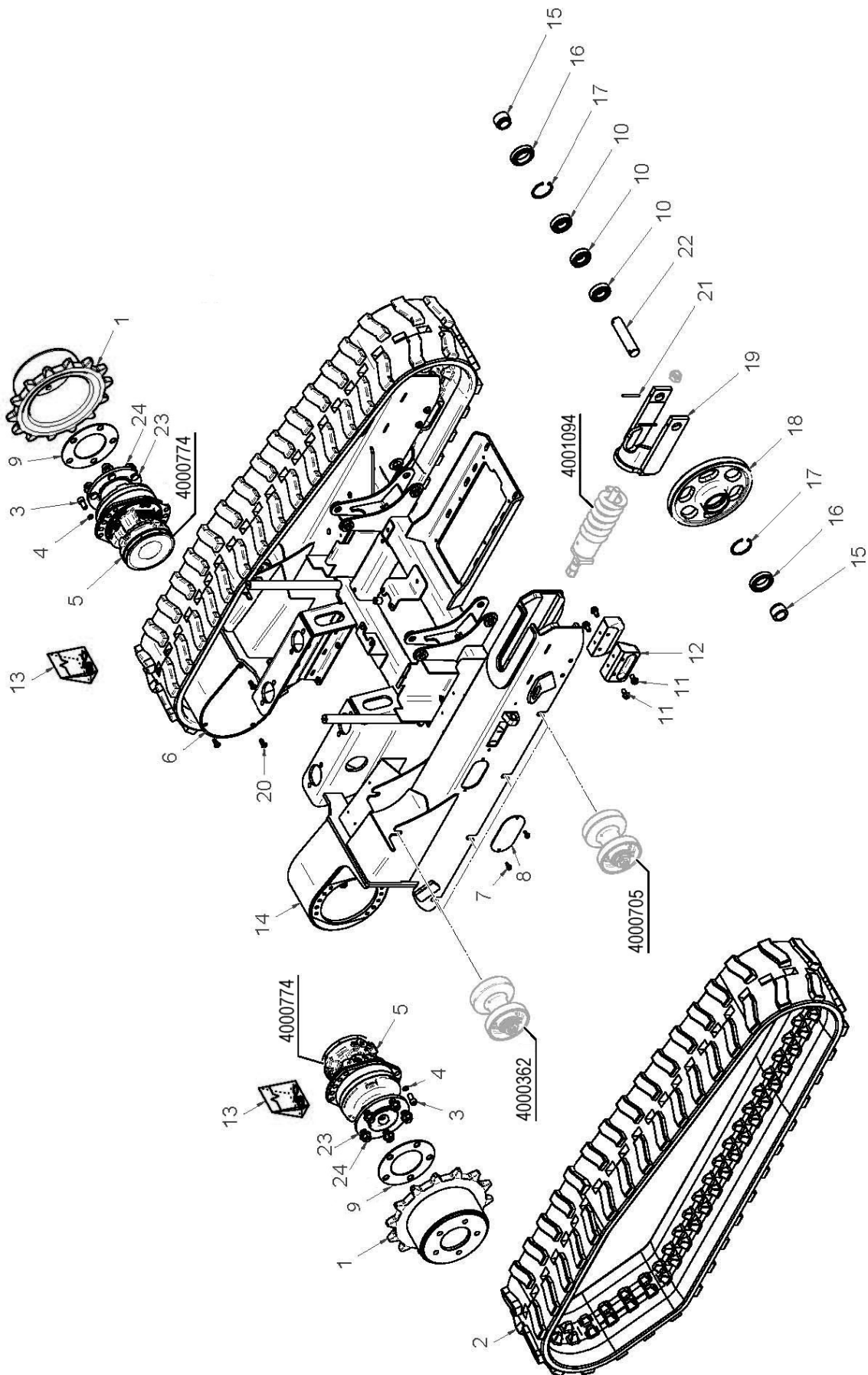
Always quote:

- ***Machine Type***
- ***Serial Number***
- ***Part Number***

Design improvements may alter some of the parts listed in this manual – the latest part will always be supplied when it is interchangeable with an earlier one.

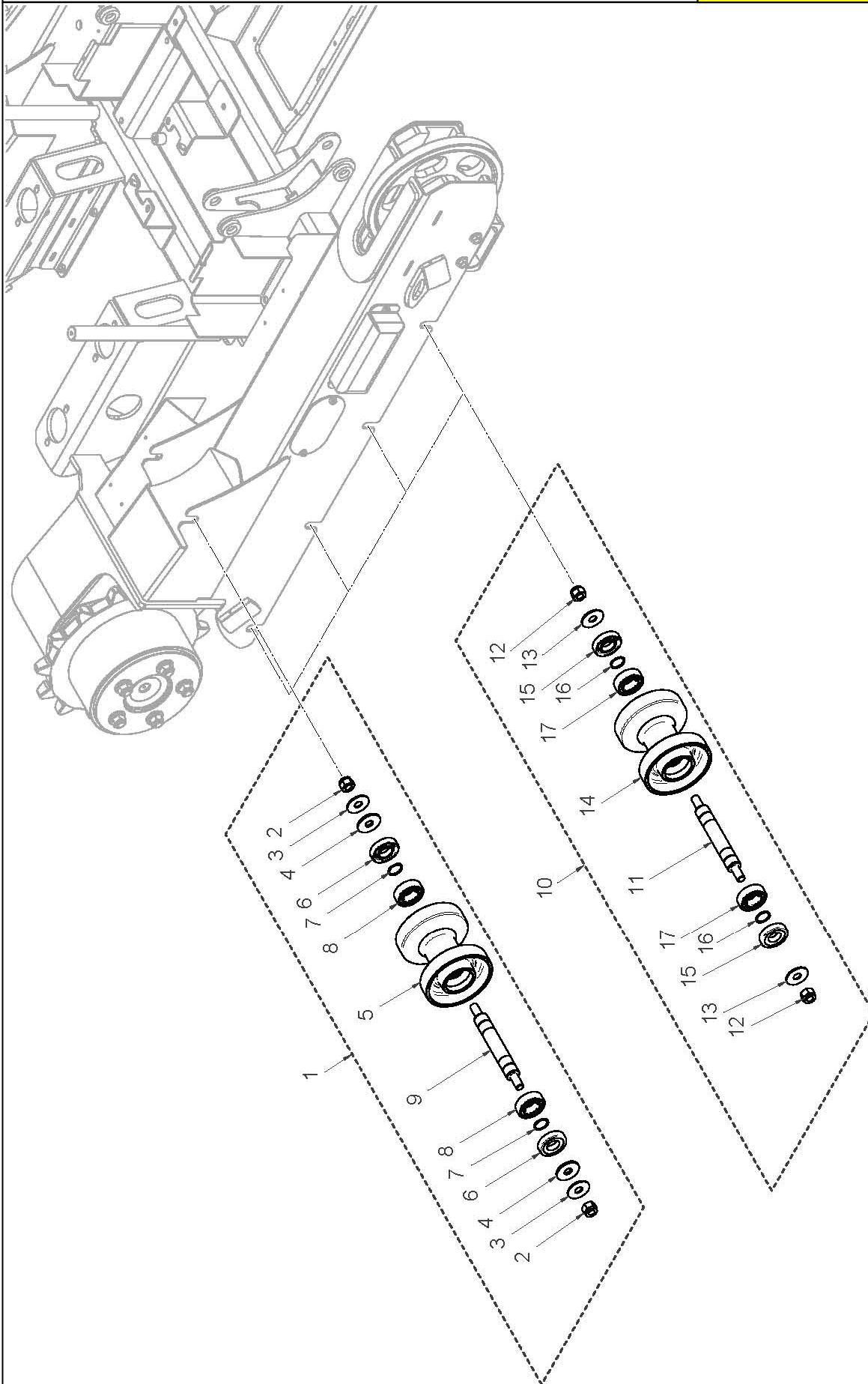
CONTENTS

Chassis	2
Rollers	4
Track Tensioner	6
Tracks	8
Equipment Mount	10
Engine Covers	12
Machine Covers	14
Roll Bar	16
Diesel Engine	18
Engine Components	20
Engine Mountings	22
Pumps	24
Actuator	26
Diesel Fuel Circuit	28
Hydraulic Oil Tank	30
Electrical Components	32
Electrical Wiring	36
Remote Control Unit	38
Hydraulic Pumps Circuit	40
Track Hydraulic Circuit	42
Equipment Hose Lines	44
Hydraulic Lift Ram Circuit	46
Machine Decals	48



REF.	QTY.	PART No.	DESCRIPTION
			CHASSIS ASSEMBLY
1	2	4000006	SPROCKET
2	2	4000263	RUBBER TRACK
3	20	4000352	SCREW
4	20	4000357	KNURLED WASHER
5	2	4000774	WHEEL MOTOR
6	2	4001226	MOTOR COVER
7	8	4000316	SCREW
8	2	4000011	COVER PLATE
9	2	4000347	SHIMSET
10	6	4000776	BEARING
11	8	4000442	BOLT
12	4	4000744	GUIDE BLOCK
13	2	4000777	SEAL KIT
14	1	4000039	UNDER CARRIAGE
15	4	4000010	BUSH
16	4	4000027	SEAL
17	4	4000024	CIRCLIP
18	2	4000005	SPROCKET
19	2	4000004	SPROCKET FORK
20	8	4003061	BOLT
21	4	4000032	ROLL PIN
22	2	4000009	PIN
23	2	4001224	BOLT KIT (Pack of 5 Bolts)
24	10	4001225	FLANGED NUT

ROBOMOZ



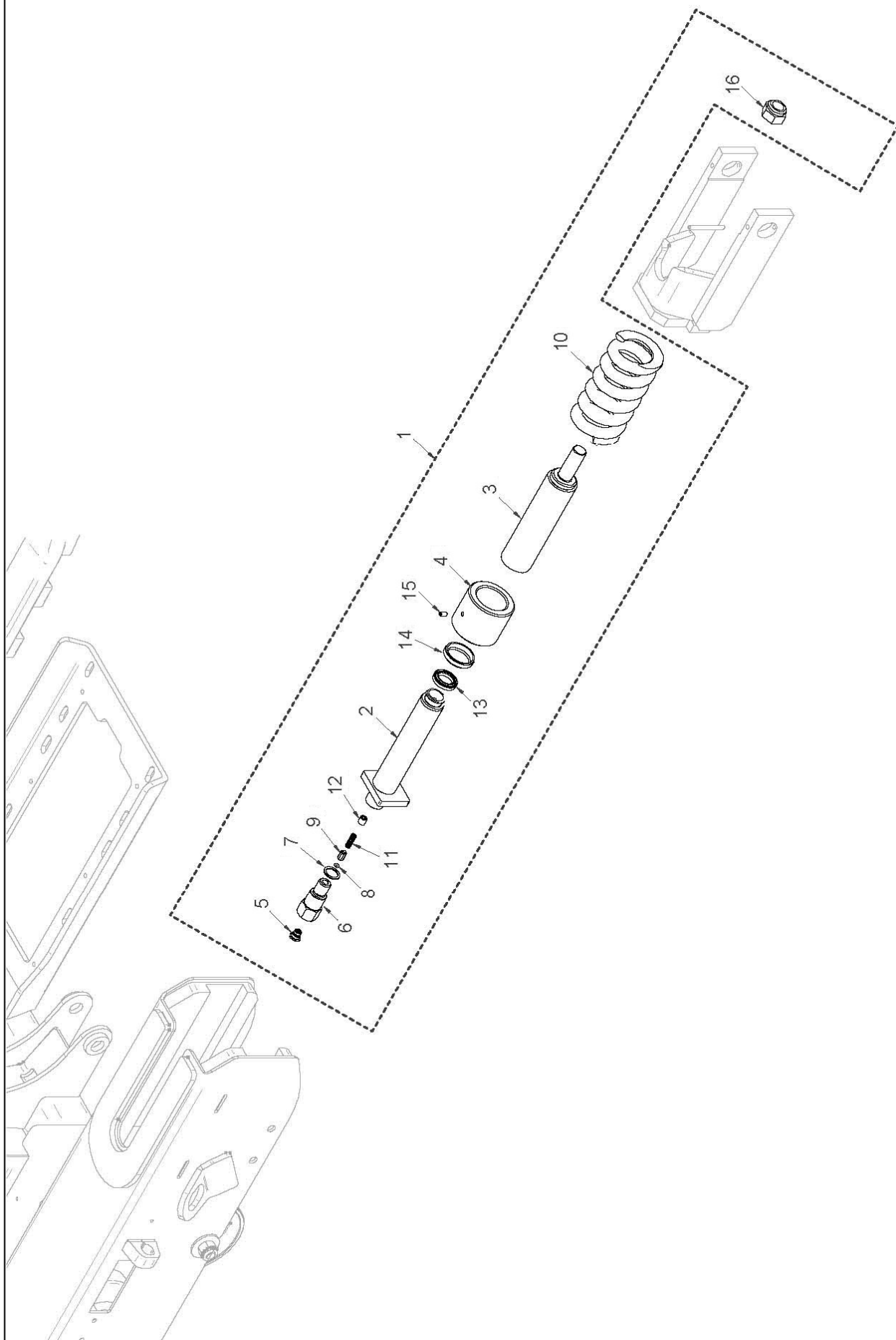
ROBOMOZ

REF.	QTY.	PART No.	DESCRIPTION
			UPPER & LOWER ROLLERS
1	2	4000362	UPPER ROLLER ASSEMBLY c/o
2	2	4000355	LOCK NUT
3	2	4000019	WASHER
4	2	4000361	WASHER
5	1	4000016	ROLLER
6	2	4000026	SEAL
7	2	4000023	CIRCLIP
8	2	4000781	BEARING
9	1	4000015	PIN
10	8	4000705	LOWER ROLLER ASSEMBLY c/o
11	1	4000015	PIN
12	2	4000355	LOCK NUT
13	2	4000019	WASHER
14	1	4000016	ROLLER
15	2	4000026	SEAL
16	2	4000023	CIRCLIP
17	2	4000781	BEARING

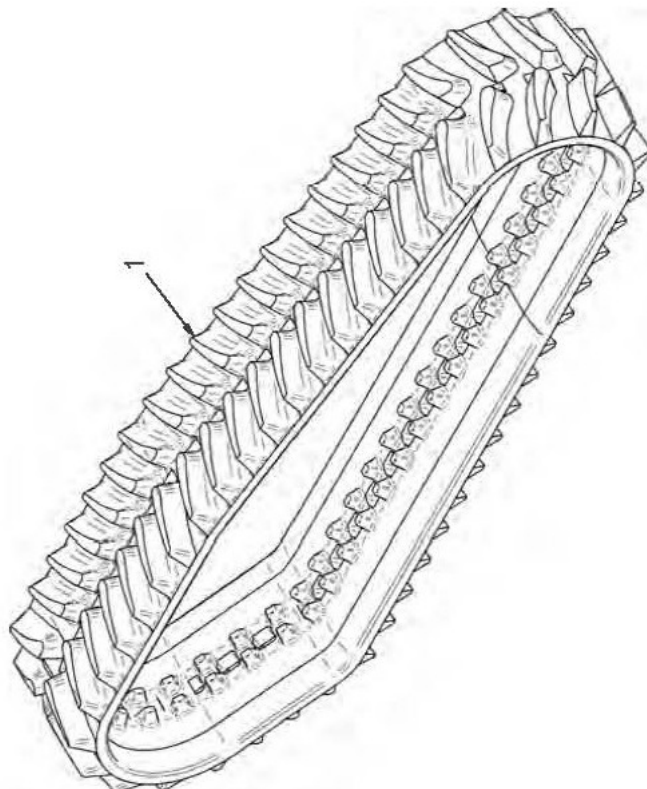
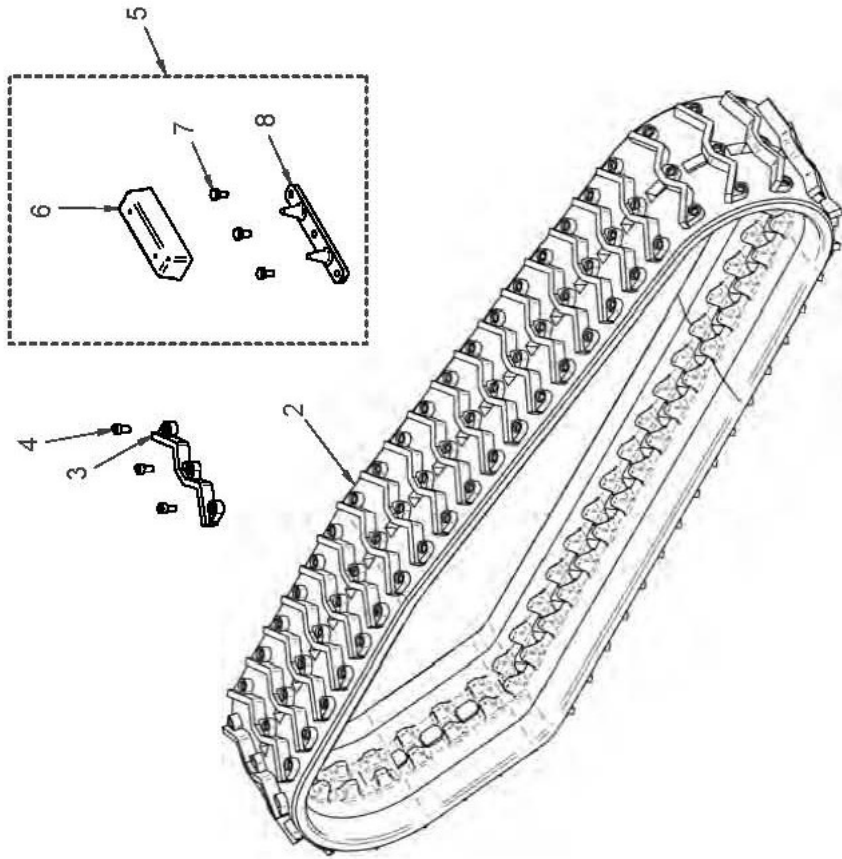
TRACK TENSIONER KIT

ROBOMOZ

McCONNEL



REF.	QTY.	PART No.	DESCRIPTION
			TRACK TENSIONER KIT
1	2	4001095	TENSIONER KIT c/o
2	1	4000001	INNER BARREL
3	1	4000002	OUTER BARREL
4	1	4000003	BUSH
5	1	4000358	GREASE NIPPLE
6	1	4000012	VALVE HOUSING
7	1	4001228	SEAL
8	1	4000030	O RING
9	1	4000013	VALVE
10	1	4000008	SPRING
11	1	4000014	SPRING
12	1	4000029	GRUB SCREW
13	1	4000031	SEAL
14	1	4000028	WIPER SEAL
15	1	4000354	GRUB SCREW
16	1	4000018	NUT



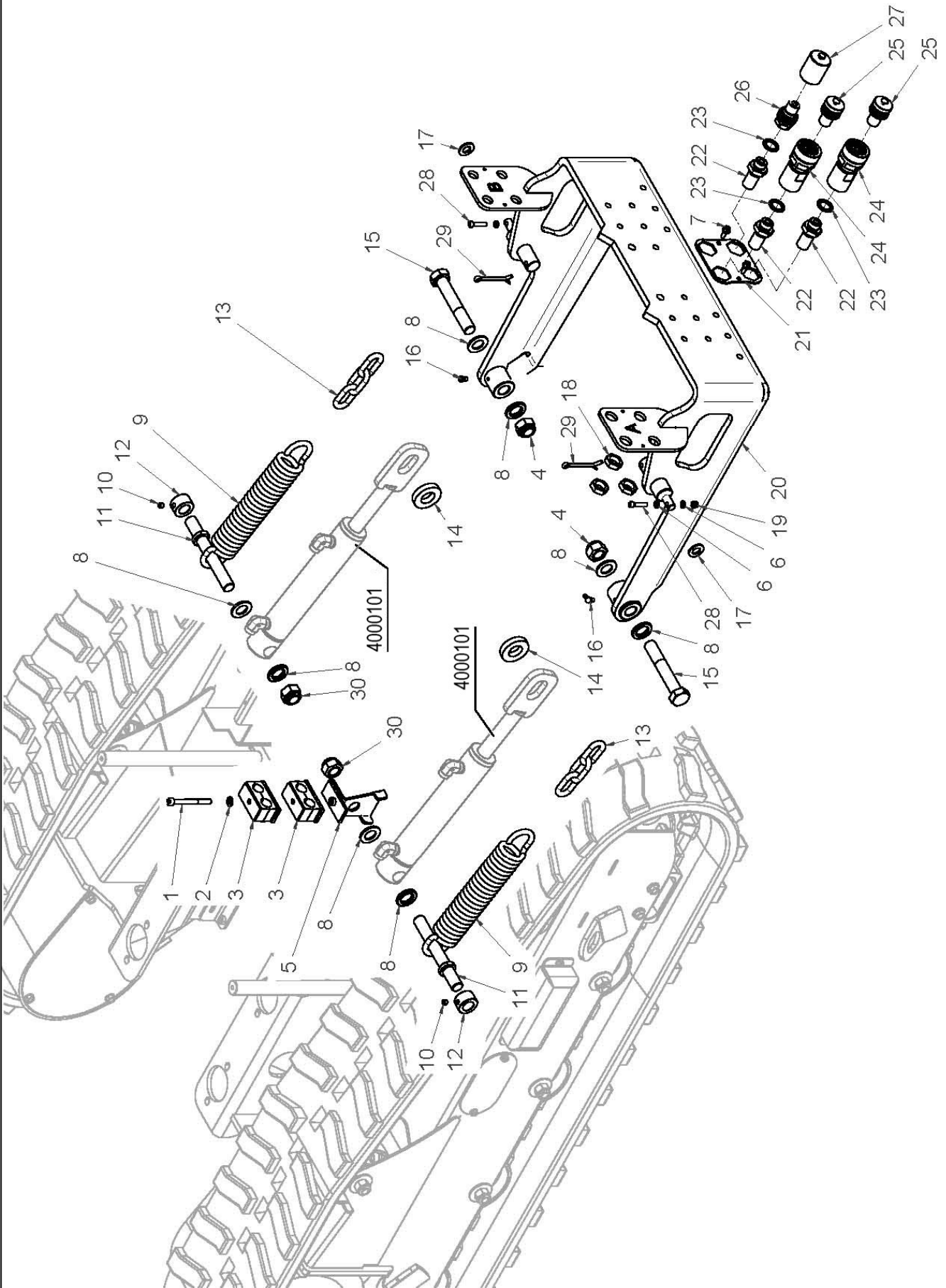
REF.	QTY.	PART No.	DESCRIPTION
			TRACKS
1	2	4000289	* RUBBER TRACK
2	2	4000290	* RUBBER TRACK WITH STEEL STIRRUPS
3	94	4000035	STEEL STIRRUP <i>(for track 4000290)</i>
4	282	4000037	SCREW <i>(for stirrup 4000035)</i>
5	1	4000264	RIVETED STIRRUPS KIT c/o
6	1	4000036	RUBBER TRANSPORT BLOCK <i>(x23 per track)</i>
7	3	4000038	SCREW <i>(x69 per track)</i>
8	1	4000034	TRACK SPIKES <i>(x23 per track)</i>

* *Option*

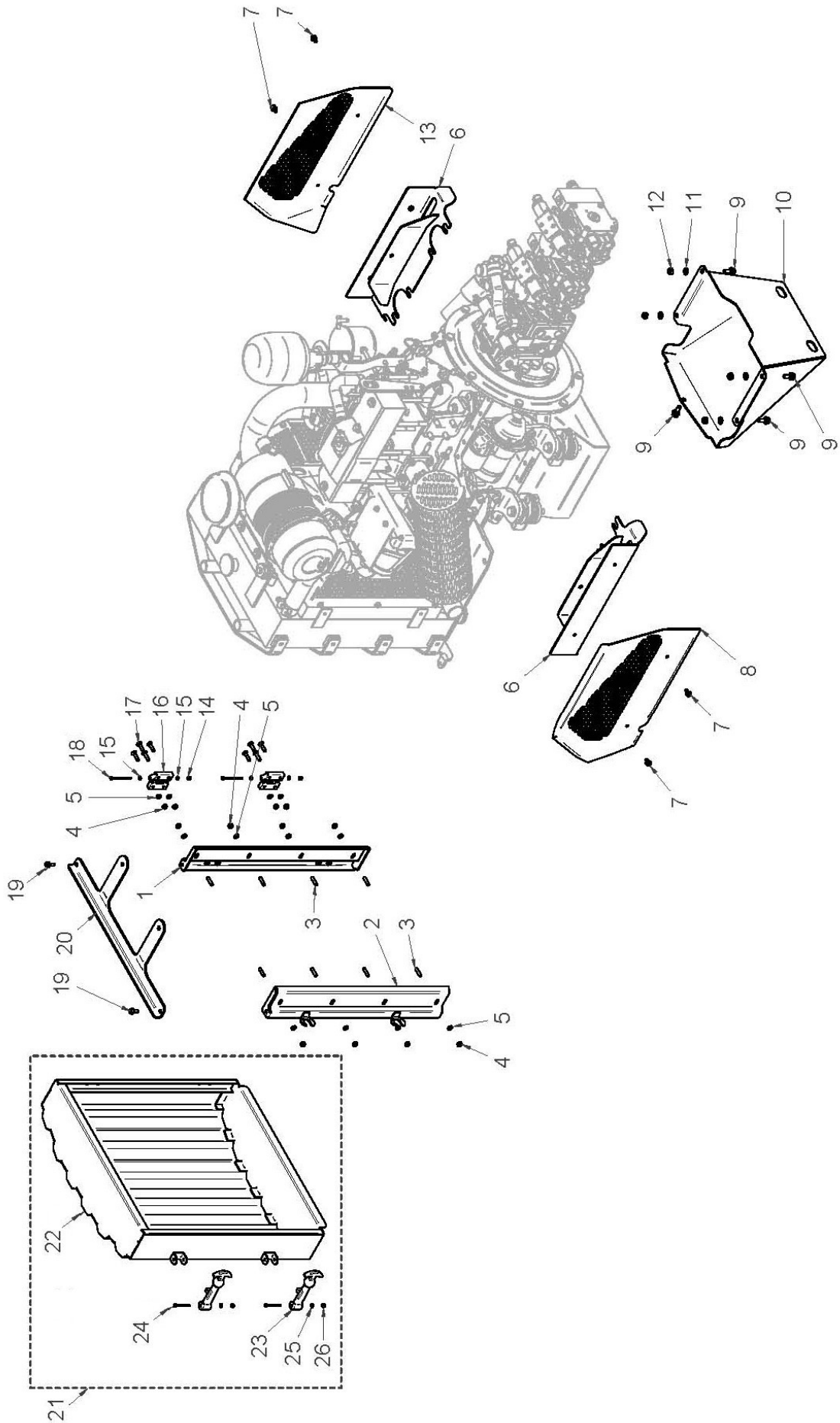
EQUIPMENT MOUNT ASSEMBLY

ROBOMOZ

McCONEL

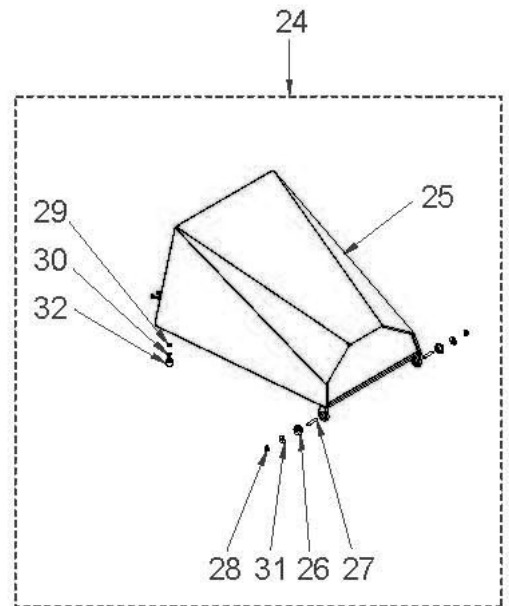
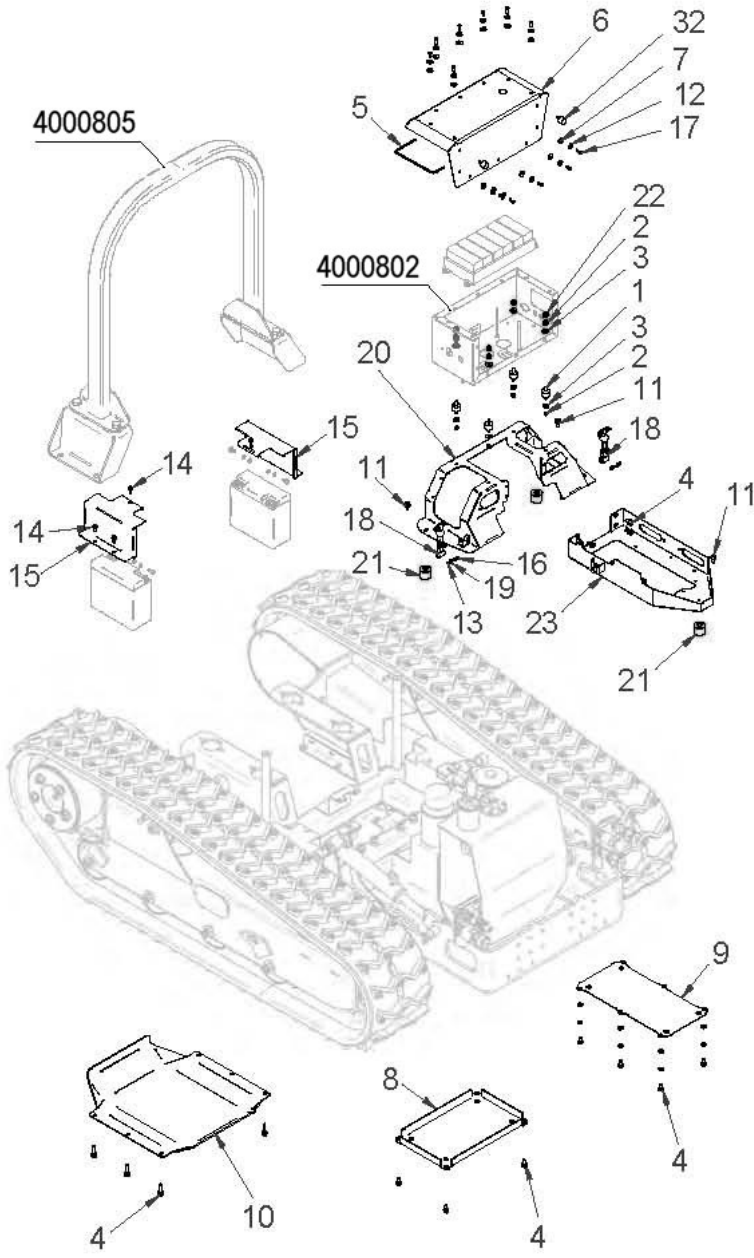


REF.	QTY.	PART No.	DESCRIPTION
			EQUIPMENT MOUNT ASSEMBLY
1	1	4000365	SCREW
2	1	4000078	WASHER
3	2	4000366	DOUBLE HOSE CLAMP
4	4	9100033	LOCK NUT
5	1	4000363	HOSE SUPPORT BRACKET
6	4	4000789	WASHER
7	2	4000316	SCREW
8	8	4000370	WASHER
9	2	4000110	SPRING
10	2	4000369	SETSCREW
11	2	4000089	PIN
12	2	4000090	RETAINING COLLAR
13	2	4000095	CHAIN
14	2	4000091	WASHER
15	2	4000373	SCREW
16	2	4000371	GREASE NIPPLE
17	2	4000790	WASHER
18	3	4000131	NUT
19	2	4000791	LOCK NUT
20	1	4000088	MOUNTING FRAME
21	1	4000093	BULKHEAD FIXING PLATE
22	3	4000129	FITTING
23	3	4000792	BONDED SEAL
24	2	4000133	QUICK RELEASE COUPLING
25	2	4000139	PLUG
26	1	4000134	QUICK RELEASE COUPLING
27	1	4000137	PLUG
28	2	4000793	SCREW
29	2	4000794	SPLIT PIN
30	2	4000018	LOCK NUT



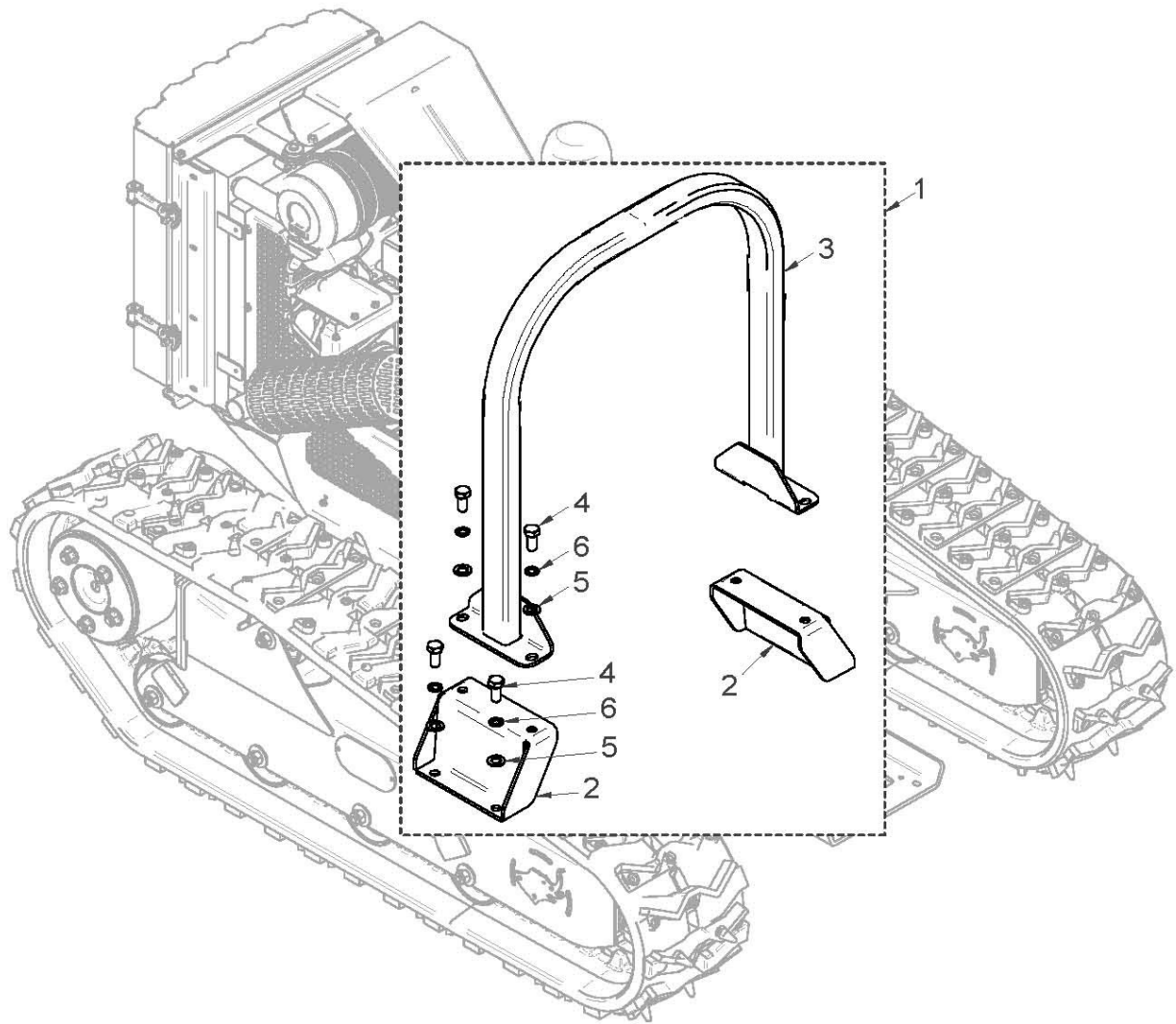
ROBOMOZ

REF.	QTY.	PART No.	DESCRIPTION
			ENGINE COVERS ASSEMBLY
1	1	4000169	RADIATOR SUPPORT LEFT
2	1	4000170	RADIATOR SUPPORT RIGHT
3	8	4000176	SCREW
4	12	4000443	NUT
5	12	4000789	WASHER
6	2	4000375	SUPPORT BRACKET
7	4	4000379	BOLT
8	1	4000164	RIGHT SIDE BONNET
9	5	4000380	SCREW
10	1	4000172	COVER
11	4	4000078	WASHER
12	4	4000381	NUT
13	1	4000165	LEFT SIDE BONNET
14	2	4000799	NUT
15	4	4000798	WASHER
16	2	4000383	HINGE COMPLETE (Incl. items 14, 15 & 18)
17	8	4000378	BOLT
18	–	–	COMPONENT PART OF HINGE 4000383
19	2	4000316	BOLT
20	1	4000171	RADIATOR SUPPORT
21	1	4000796	RADIATOR BONNET ASSEMBLY c/o
22	1	4000797	RADIATOR BONNET
23	2	4000112	BONNET FASTENER
24	2	4000107	BOLT
25	2	4000798	WASHER
26	2	4000799	LOCK NUT

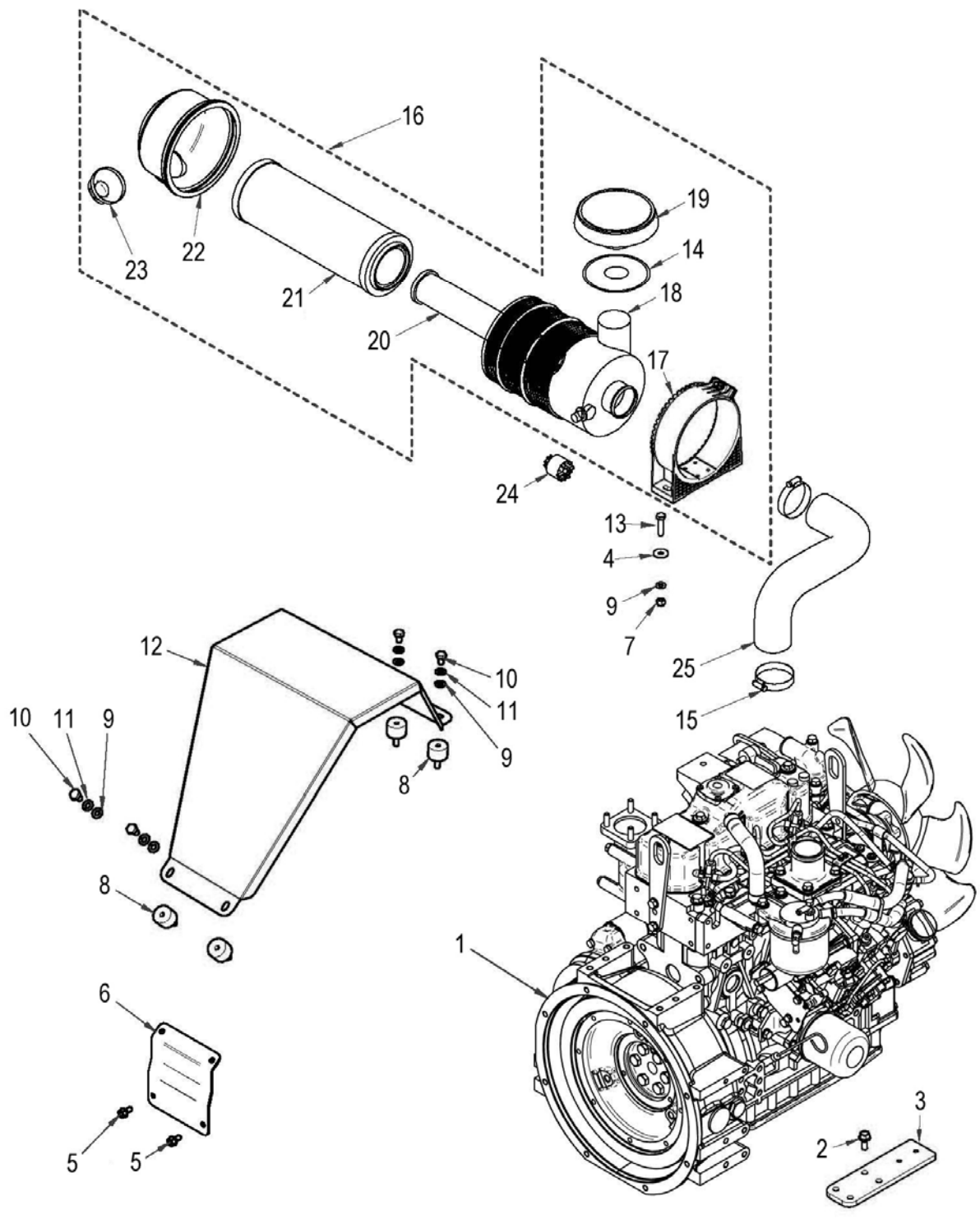


ROBOMOZ

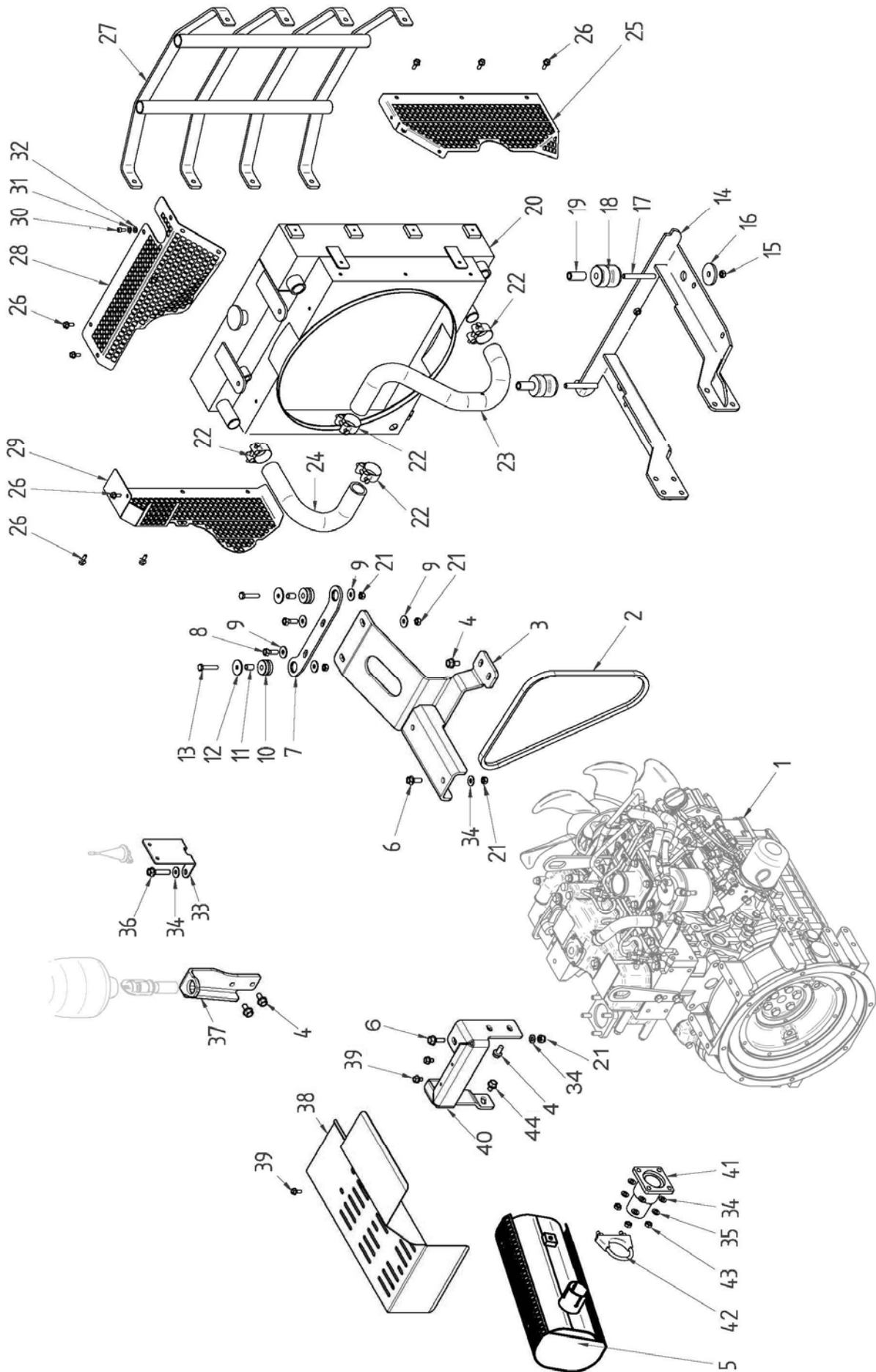
REF.	QTY.	PART No.	DESCRIPTION
			MACHINE COVERS ASSEMBLY
1	4	4000386	ANTI-VIBRATION BLOCK
2	4	4000791	LOCK NUT
3	8	4000321	WASHER
4	20	4000353	BOLT
5	1	4000800	GASKET
6	1	4000801	COVER
7	12	4000388	RUBBER WASHER
8	1	4000161	COVER PLATE
9	1	4000162	COVER PLATE
10	1	4000168	SUMP GUARD
11	3	4000445	BOLT
12	16	4000321	WASHER
13	2	4000107	SCREW
14	6	4000316	SCREW
15	2	4000153	BATTERY COVER
16	2	4000799	LOCK NUT
17	12	4000387	BOLT
18	2	4000112	BONNET FASTENER
19	4	4000798	WASHER
20	1	4000098	BRACKET
21	3	4001320	SPACER
22	6	4001321	NUT
23	1	4000099	BRACKET
24	1	4001322	BONNET ASSEMBLY c/o
25	1	4001323	BONNET
26	2	4000163	BUSHING
27	2	4000384	BOLT
28	2	4000381	NUT
29	2	4000443	NUT
30	2	4000789	WASHER
31	2	4000385	WASHER
32	4	4000251	ANTI-VIBRATION BLOCK



REF.	QTY.	PART No.	DESCRIPTION
			ROLL BAR ASSEMBLY
1	1	4000805	ROLL BAR KIT c/o
2	2	4000151	ROLL BAR BRACKET
3	1	4000152	ROLL BAR
4	8	4000175	SCREW
5	8	4000253	WASHER
6	8	4000610	WASHER

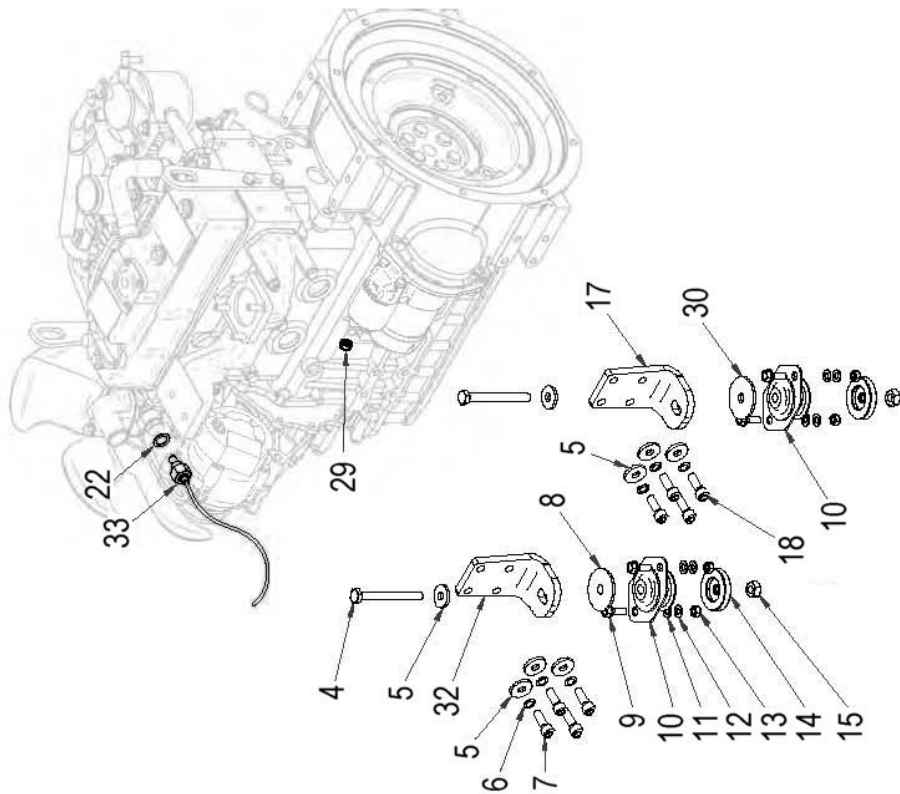
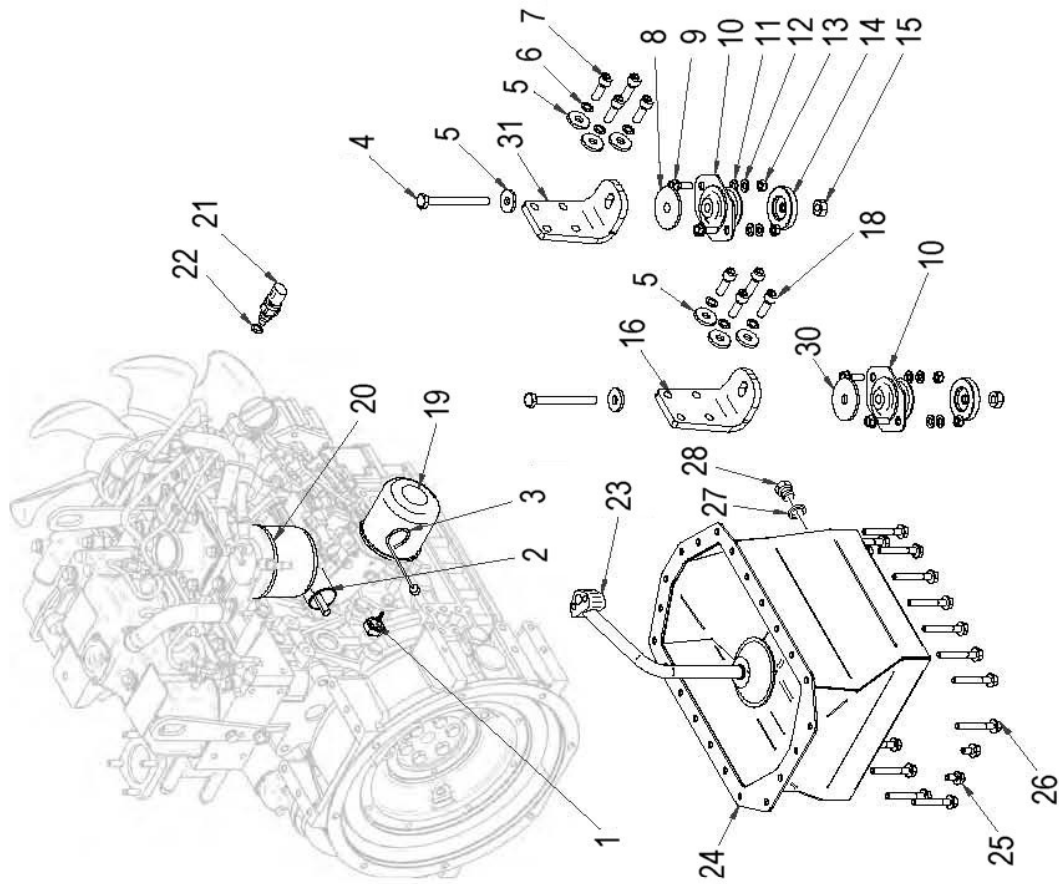


REF.	QTY.	PART No.	DESCRIPTION
			DIESEL ENGINE ASSEMBLY
1	1	4001324	ENGINE
2	4	4000380	BOLT
3	1	4003065	BRACKET
4	8	4000385	WASHER
5	2	9113034	BOLT
6	1	4000167	BRACKET
7	6	9163004	LOCK NUT
8	4	4000609	ANTI-VIBRATION
9	6	4000078	WASHER
10	4	4000376	BOLT
11	4	7315559	WASHER
12	1	4001325	PROTECTION COVER
13	4	4000809	BOLT
14	1	4001326	MESH
15	2	4000397	CLIP
16	1	4000400	AIR FILTER ASSEMBLY c/o
17	1	4000052	AIR FILTER BRACKET
18	1	4000048	AIR FILTER HOUSING
19	1	4000051	AIR FILTER COVER
20	1	4000261	SECONDARY AIR FILTER
21	1	4000260	PRIMARY AIR FILTER
22	1	4000280	FILTER HOUSING CAP
23	1	4000279	RUBBER VALVE
24	1	4000281	CLOGGING SENSOR
25	1	4000398	RUBBER HOSE



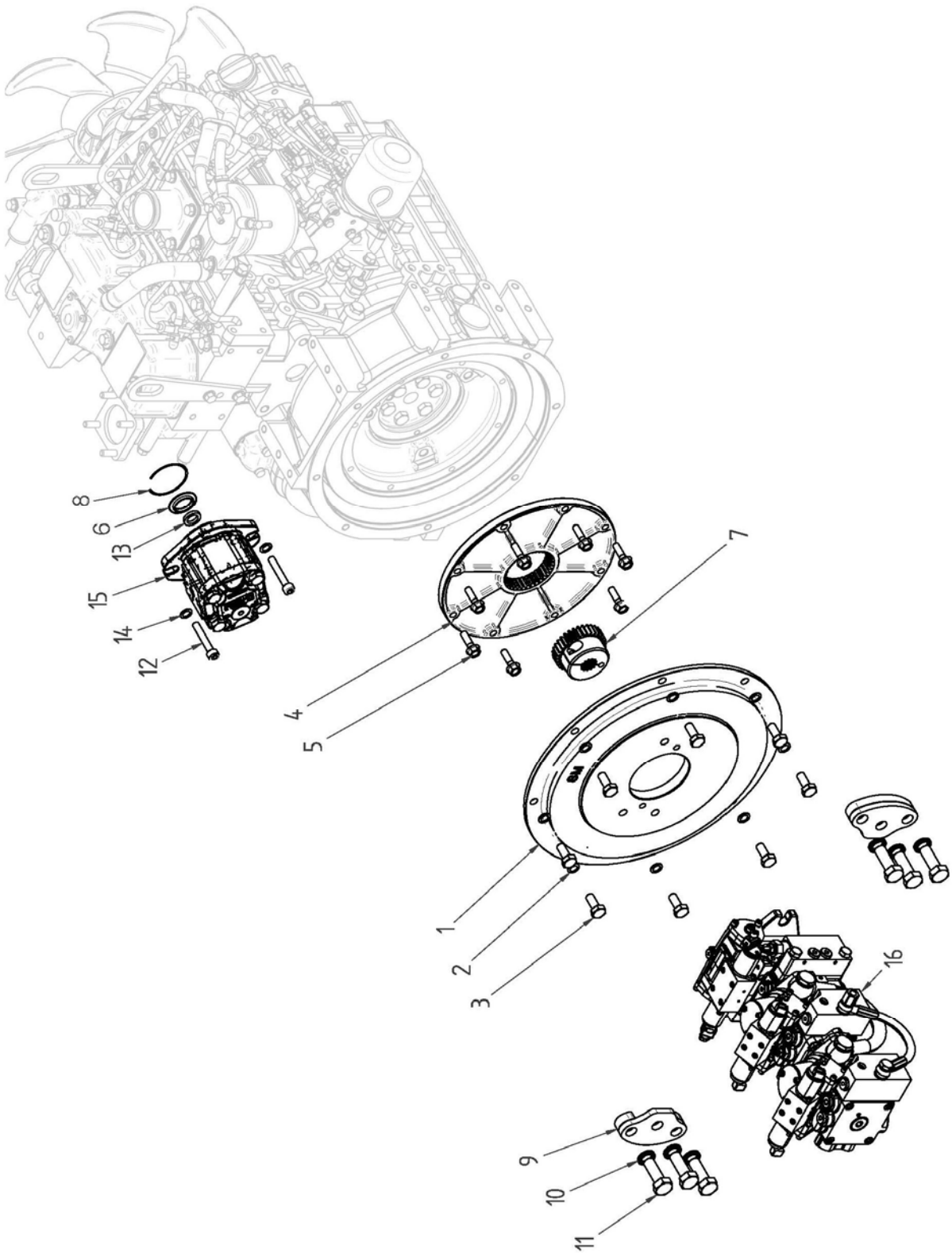
ROBOMOZ

REF.	QTY.	PART No.	DESCRIPTION
			ENGINE COMPONENTS ASSEMBLY
1	1	4001324	ENGINE
2	1	4001327	BELT
3	1	4001328	MOUNTING BRACKET
4	2	4000353	BOLT
5	1	4001234	EXHAUST
6	1	4000445	BOLT
7	1	4001231	BRACKET
8	2	9213054	BOLT
9	8	9100104	WASHER
10	2	4000084	RUBBER STOPPER
11	2	4000389	SPACER
12	2	4000080	WASHER
13	2	9213084	BOLT
14	1	4001329	BRACKET
15	2	9163005	NUT
16	2	4000390	WASHER
17	2	4000068	BOLT
18	4	4000083	ANTI-VIBRATION MOUNT
19	2	4000391	SPACER
20	1	4003069	RADIATOR
21	7	9163004	NUT
22	4	4000607	HOSE CLIP
23	1	4000392	HOSE
24	1	4000393	HOSE
25	1	4001330	MESH GUARD
26	11	9313023	BOLT
27	1	4000047	GUARD
28	1	4001331	MESH GUARD
29	1	4000042	MESH GUARD
30	1	9343033	BOLT
31	1	4000544	WASHER
32	1	4000789	WASHER
33	1	4001332	BRACKET
34	8	4000078	WASHER
35	6	7315559	WASHER
36	4	4000809	BOLT
37	1	4000286	LIGHT BRACKET
38	1	4001333	COVER
39	2	4000379	BOLT
40	1	4001334	BRACKET
41	1	4000061	EXHAUST MANIFOLD
42	1	4000399	COLLAR
43	4	4000811	NUT
44	1	4000319	BOLT

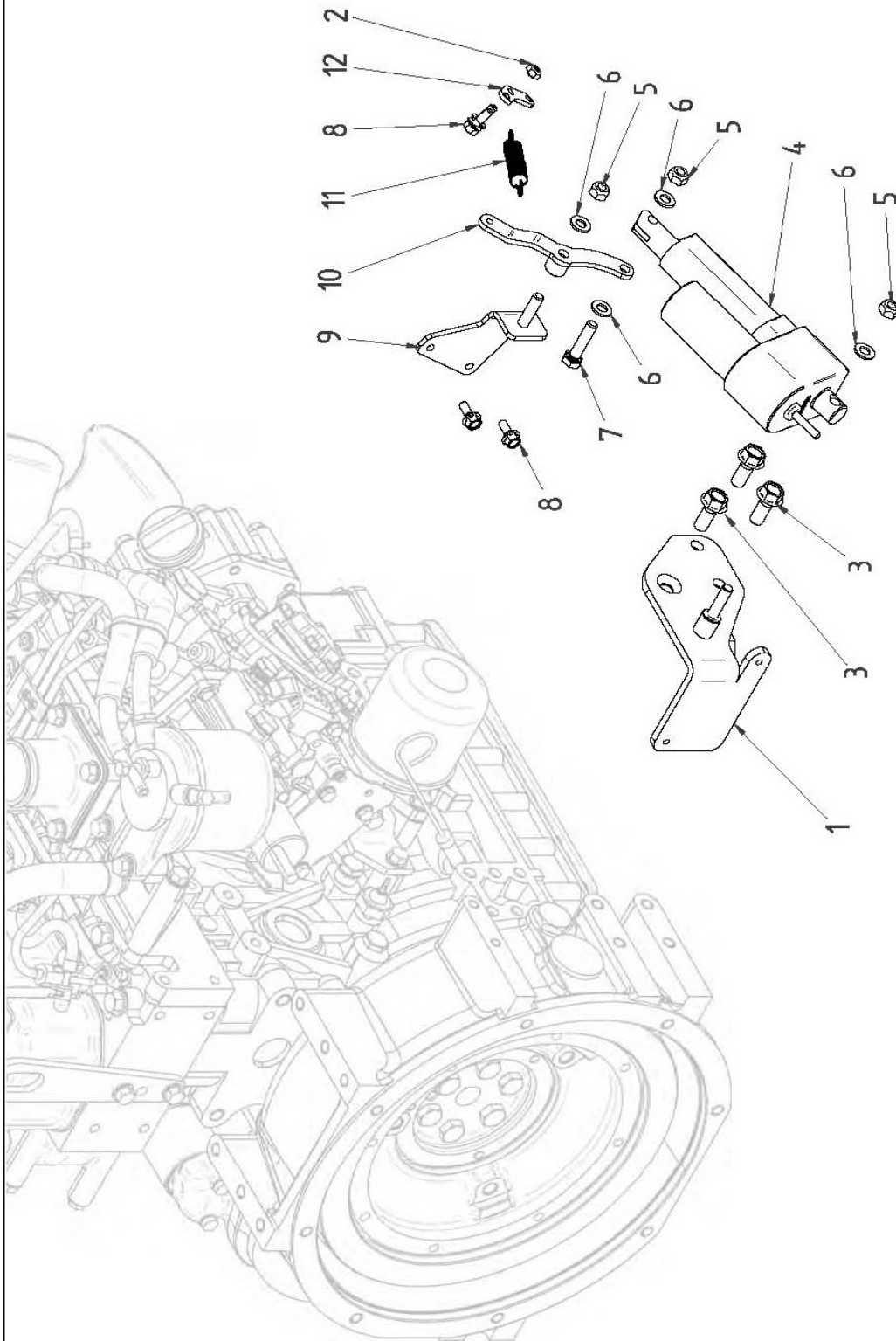


ROBOMOZ

REF.	QTY.	PART No.	DESCRIPTION
			ENGINE MOUNTINGS ASSEMBLY
1	1	4000403	OIL SENSOR
2	1	4001335	SOLENOID VALVE
3	1	4000408	DIPSTICK
4	4	4000409	BOLT
5	19	4000759	WASHER
6	15	4000357	WASHER
7	8	9343075	BOLT
8	2	4000412	WASHER
9	8	9300175	BOLT
10	4	4001336	ENGINE MOUNT
11	8	4000758	WASHER
12	8	9100205	WASHER
13	8	9163005	NUT
14	4	4000417	ANTI-VIBRATION BLOCK
15	4	9163006	NUT
16	1	4001337	MOUNT BRACKET
17	1	4001338	MOUNT BRACKET
18	7	4001341	BOLT
19	1	4001342	FILTER
20	1	4001343	FILTER
21	1	4001344	THERMOSTAT
22	2	4000424	COPPER WASHER
23	1	4000425	SUCTION STRAINER
24	1	4001345	OIL SUMP
25	4	9313034	BOLT
26	20	9313104	BOLT
27	1	8650322	BONDED SEAL
28	1	8402441	PLUG
29	1	4000815	NUT
30	1	4001346	WASHER
31	1	4001339	MOUNT BRACKET
32	1	4001340	MOUNT BRACKET
33	1	4001347	SENSOR



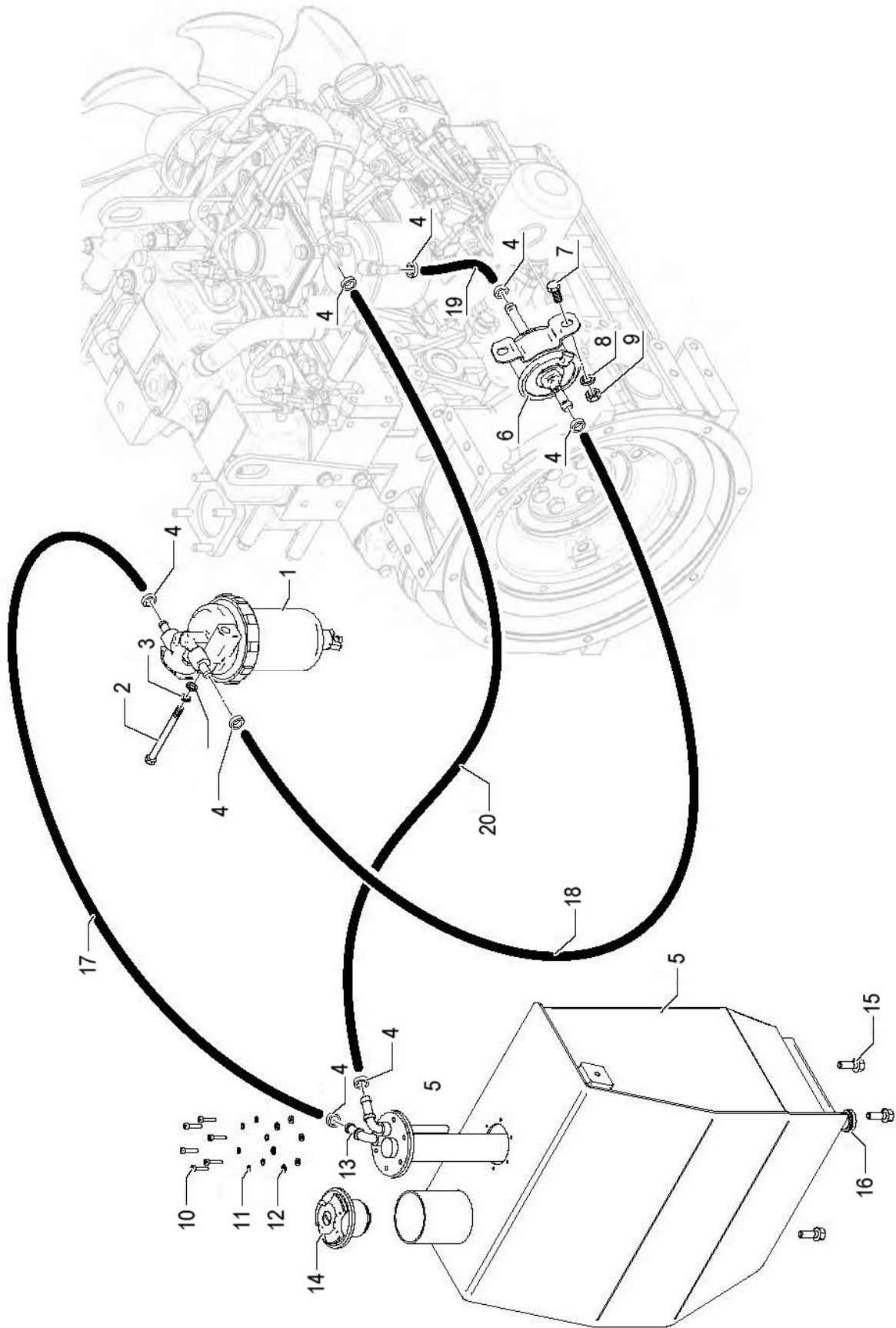
REF.	QTY.	PART No.	DESCRIPTION
			PUMPS ASSEMBLY
1	1	4001348	FLANGE PLATE
2	8	4000410	WASHER
3	8	4000209	BOLT
4	1	4000297	FLYWHEEL
5	8	4000430	BOLT
6	1	4000898	BACKUP RING
7	1	4000432	COUPLING
8	1	4001236	CIRCLIP
9	2	4001350	CLAMP PLATE
10	6	4000357	KNURLED WASHER
11	6	4001351	BOLT
12	2	4000437	BOLT
13	1	4000346	OIL SEAL
14	2	4000758	WASHER
15	1	4000345	PUMP
16	1	4001352	PUMP



ACTUATOR ASSEMBLY**McCONNEL**

ROBOMOZ

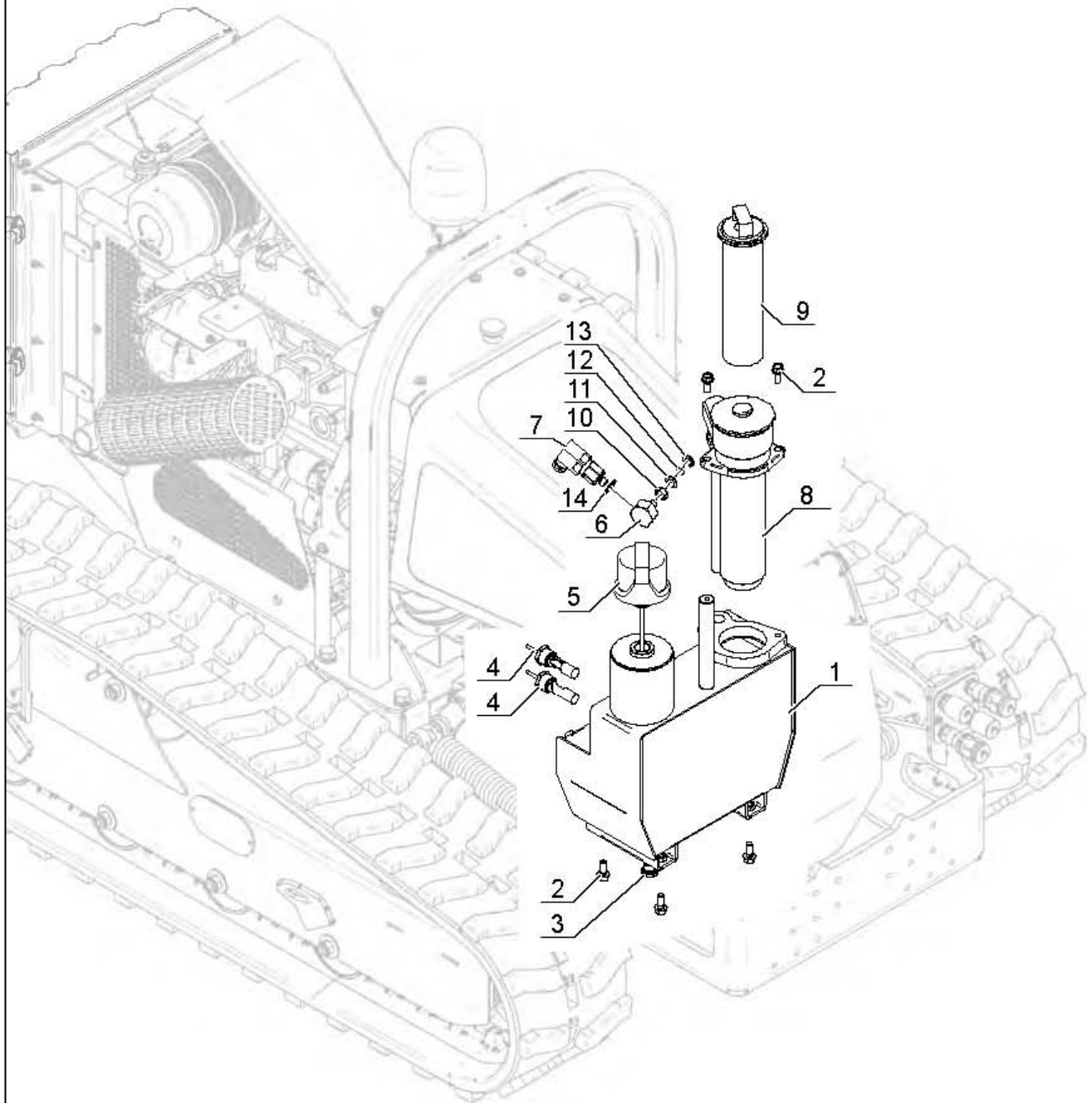
REF.	QTY.	PART No.	DESCRIPTION
			ACTUATOR ASSEMBLY
1	1	4001353	BRACKET
2	2	4000075	NUT
3	3	4000442	BOLT
4	1	4000086	ACTUATOR
5	3	4000381	NUT
6	4	4000078	WASHER
7	1	4000806	BOLT
8	4	4000316	BOLT
9	1	4001354	BRACKET
10	1	4000059	ACTUATOR ARM
11	1	4000074	SPRING
12	1	4000060	LINKAGE



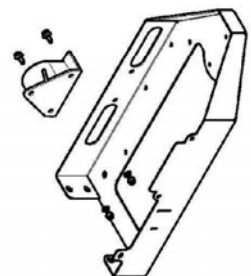
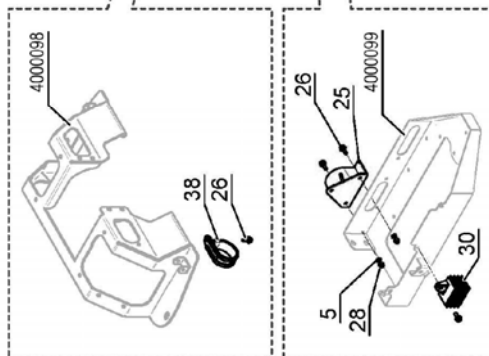
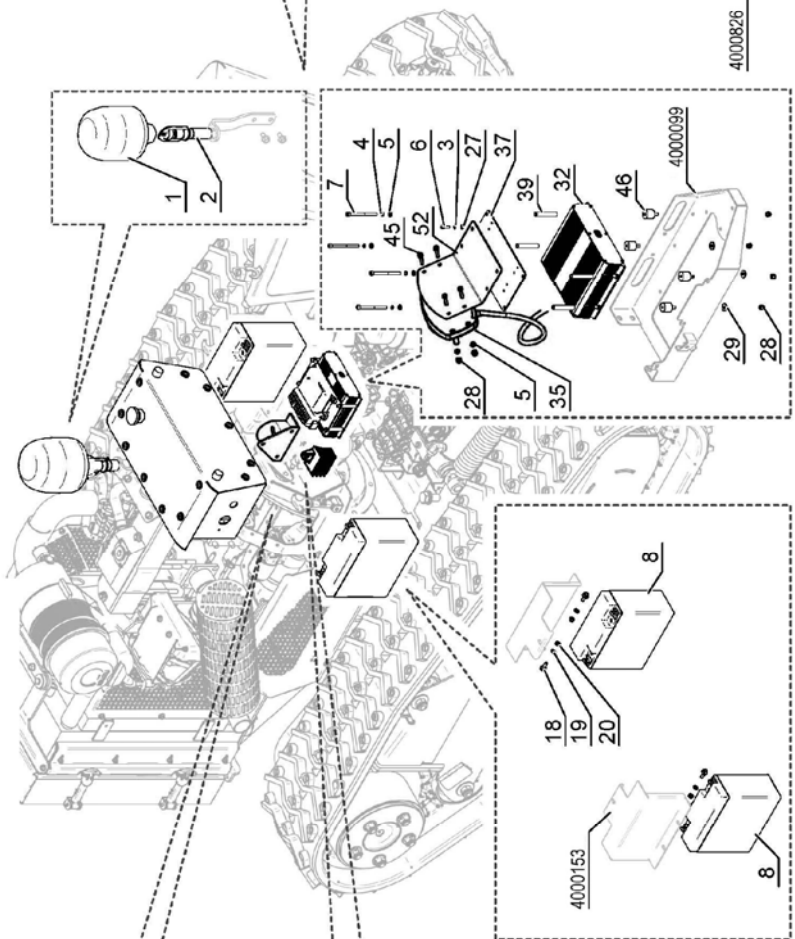
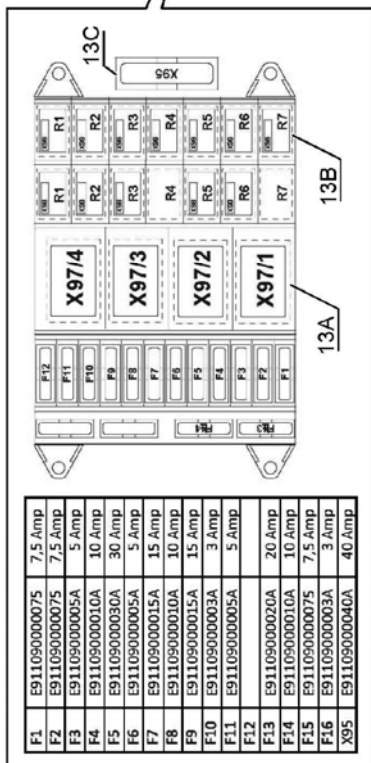
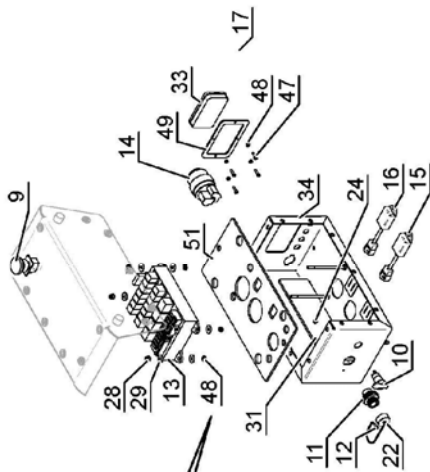
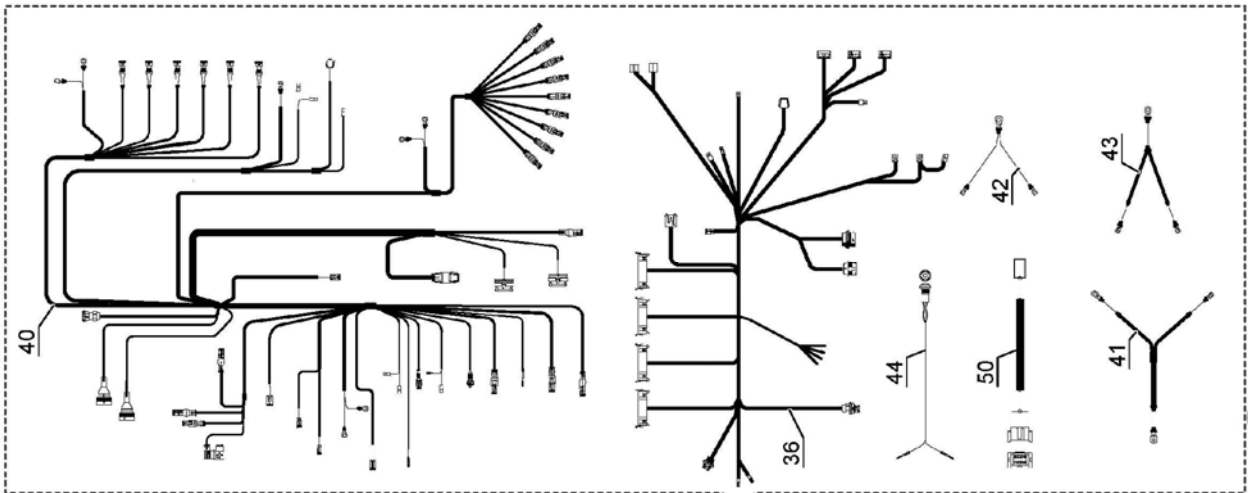
DIESEL FUEL CIRCUIT ASSEMBLY**McCONNEL**

ROBOMOZ

REF.	QTY.	PART No.	DESCRIPTION
			DIESEL FUEL CIRCUIT
1	1	4001355	PRE-FILTER
2	1	4000547	BOLT
3	1	4000078	WASHER
4	8	4000467	HOSE CLAMP
5	1	4000096	FUEL TANK
6	1	4000126	FUEL PUMP
7	2	4000316	BOLT
8	2	4000789	WASHER
9	2	4000791	NUT
10	6	4000106	BOLT
11	6	4000113	WASHER
12	6	4000798	WASHER
13	1	4000473	FUEL LEVEL SENSOR
14	1	4000474	FUEL CAP
15	4	7315750	BOLT
16	1	4000127	PLUG
17	1	4000468	DIESEL HOSE
18	1	4000469	DIESEL HOSE
19	1	4000470	DIESEL HOSE
20	1	4000471	DIESEL HOSE
21	1	7315559	WASHER

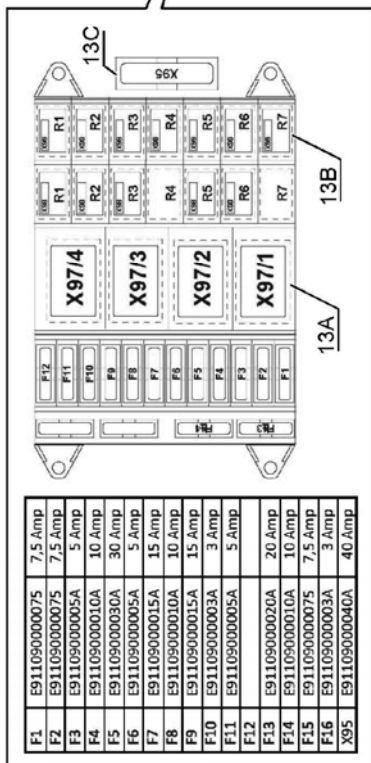
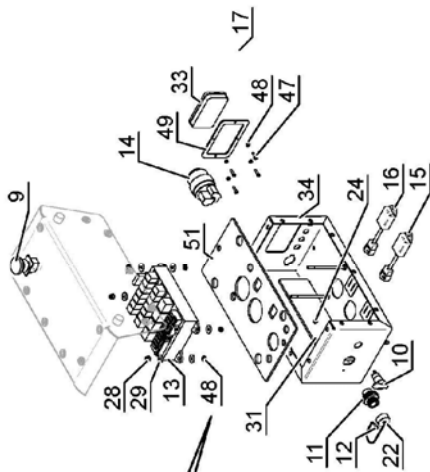
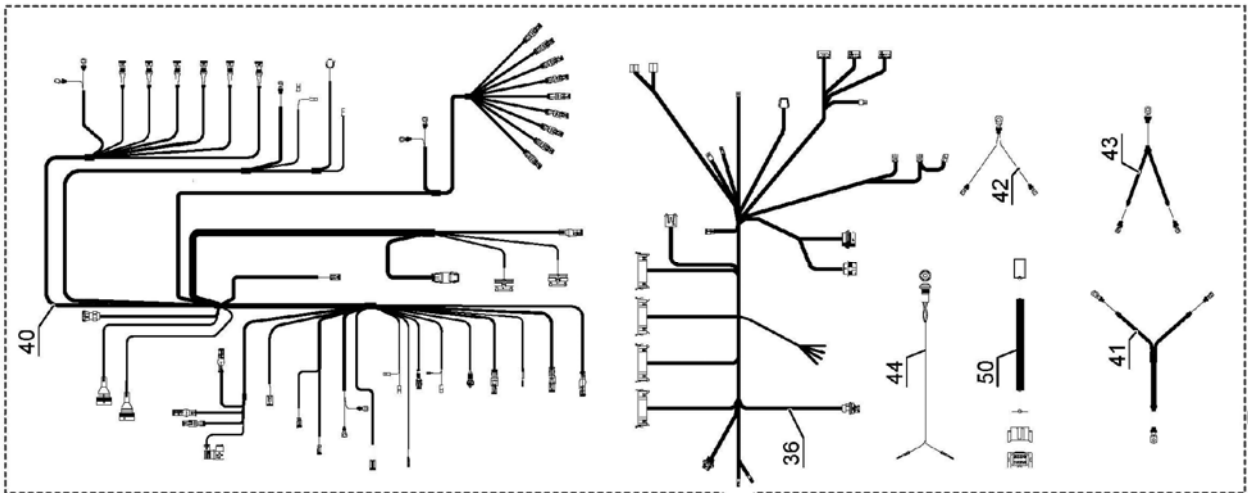


REF.	QTY.	PART No.	DESCRIPTION
			OIL TANK ASSEMBLY
1	1	4001356	OIL TANK
2	6	7315750	BOLT
3	2	4000127	PLUG
4	2	4000148	LEVEL SENSOR
5	1	4000124	OIL CAP
6	1	4000475	CONNECTION
7	1	4000476	PRESSURE SWITCH
8	1	4003073	FILTER
9	1	4001357	FILTER CARTRIDGE
10	1	4000818	NUT
11	1	4000819	O-RING WASHER
12	1	4000820	O-RING
13	1	4000821	O-RING STOPPER
14	1	4000822	BONDED SEAL

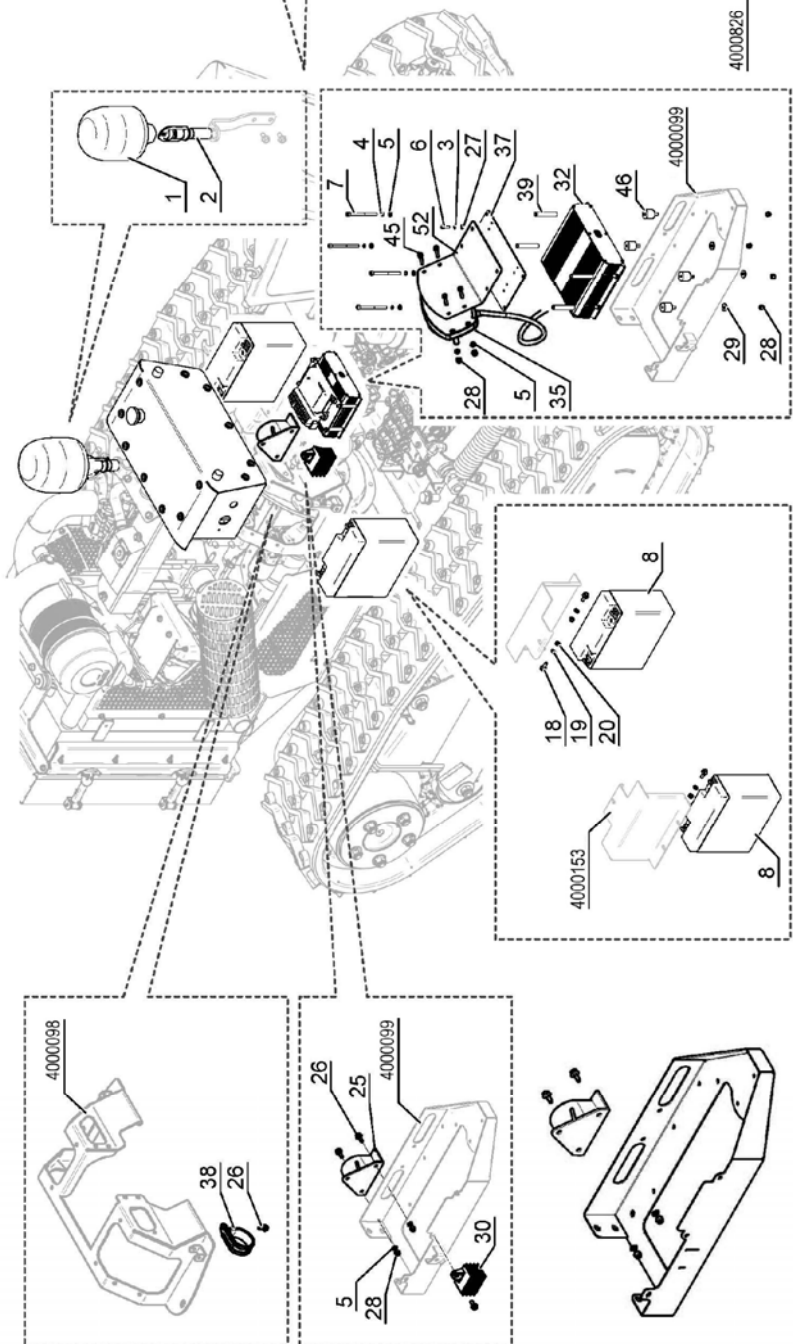


REF.	QTY.	PART No.	DESCRIPTION
			ELECTRICAL COMPONENTS
1	1	4000283	ROTATING LIGHT (BEACON)
2	1	4000284	LIGHT CONNECTION
3	4	4000823	WASHER
4	5	4000544	WASHER
5	5	4000789	WASHER
6	4	4001358	BOLT
7	4	4000452	BOLT
8	2	4000181	BATTERY
9	1	4000306	RED EMERGENCY SWITCH
10	1	4000307	PLUG
11	1	4000308	CONNECTOR
12	2	4000309	SCREW
13	1	4000825	RELAYS FUSE BOX
13a	4	4000302	RELAY WITH DIODE
13b	21	4000303	MICRO RELAY
13c	1	4000311	FUSE
14	1	4000145	IGNITION SWITCH
15	1	4000313	PRE AIR HEATER
16	1	4000326	INJECTION PUMP DELAY
17	1	4000802	ELECTRICAL BOX
18	4	4000316	SCREW
19	4	4000789	WASHER
20	4	9163003	NUT
21	1	4000826	WIRING LOOMS - ELECTRICAL SYSTEM
22	1	4000318	CONNECTOR PLUG
23	1	4000798	WASHER
24	1	4000799	LOCK NUT
25	1	4001360	BUZZER
26	3	4000316	BOLT
27	4	4000827	WASHER
28	8	4000791	LOCK NUT
29	8	4000321	WASHER
30	1	4000322	SHUNT BOX
31	1	4000828	SOUNDPROOF PROTECTION
32	1	4000829	CONTROL UNIT
33	1	4000830	DISPLAY Pre 09/17 Builds
	1	4001443	DISPLAY Builds 09/17 on
34	1	4000831	PROTECTION BOX
35	1	4001359	ANTENNA UNIT
36	1	4000833	WIRING LOOM - CONTROL UNIT
37	1	4000834	SUPPORT BRACKET
38	1	4000835	CLIP
39	4	4000836	SPACER

Continued...

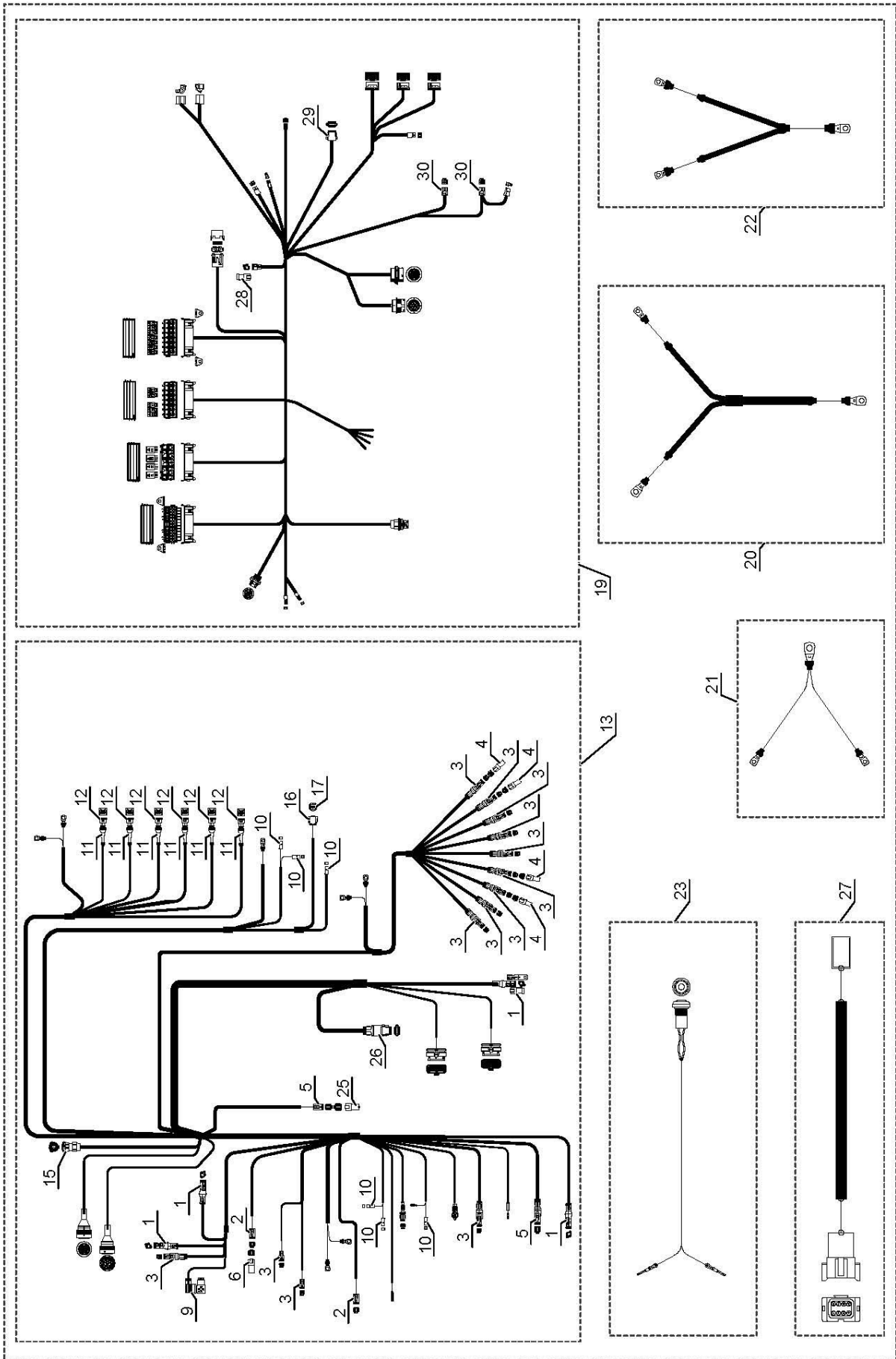


F1	E911090000075	7.5 Amp
F2	E911090000075	7.5 Amp
F3	E91109000005A	5 Amp
F4	E91109000010A	10 Amp
F5	E91109000030A	30 Amp
F6	E91109000005A	5 Amp
F7	E91109000015A	15 Amp
F8	E91109000010A	10 Amp
F9	E91109000015A	15 Amp
F10	E91109000003A	3 Amp
F11	E91109000005A	5 Amp
F12		
F13	E91109000020A	20 Amp
F14	E91109000010A	10 Amp
F15	E911090000075	7.5 Amp
F16	E91109000003A	3 Amp
X95	E91109000040A	40 Amp

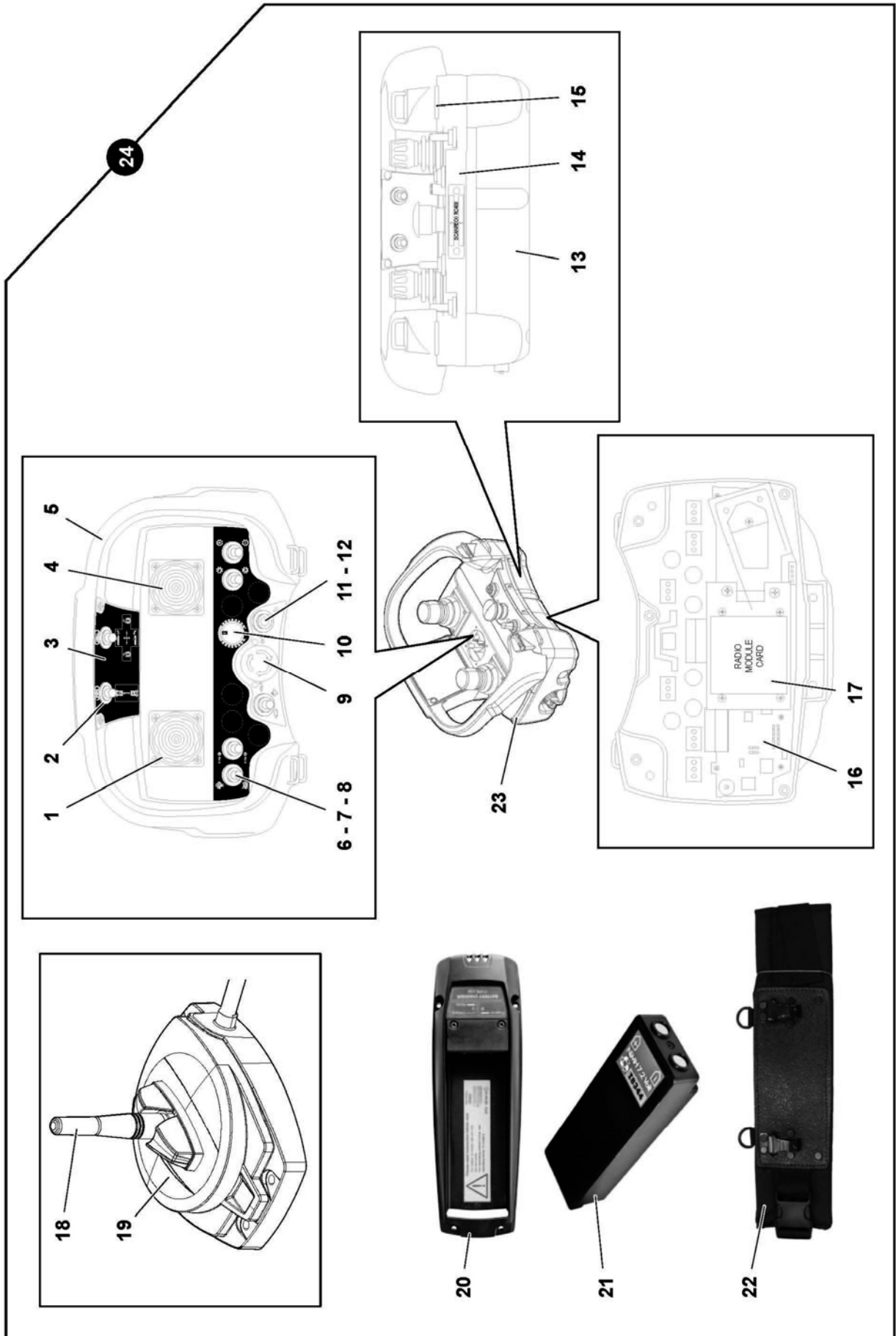


ROBOMOZ

REF.	QTY.	PART No.	DESCRIPTION
			ELECTRICAL COMPONENTS
40	1	4000837	WIRING LOOM - CHASSIS LINE
41	1	4000329	BATTERY CABLE - POSITIVE (+)
42	1	4000330	BATTERY CABLE - NEGATIVE (-)
43	1	4000331	STARTER / ALTERNATOR POWER LINE
44	1	4000838	SWITCH
45	4	4001362	BOLT
46	4	4000839	ANTI-VIBRATION
47	4	4000840	SCREW
48	8	4000841	NUT
49	1	4000842	DISPLAY RETAINER
50	1	4000847	REMOTE CONTROL LINE
51	1	4000843	SOUNDPROOF PANEL
52	1	4001361	BRACKET



REF.	QTY.	PART No.	DESCRIPTION
			ELECTRICAL WIRING
1	4	4000477	CONNECTOR
2	2	4000478	CONNECTOR
3	11	4000479	CONNECTOR
4	2	4000480	CONNECTOR
5	1	4000481	CONNECTOR
6	1	4000482	CONNECTOR
7	1	4000483	CONNECTOR
8	2	4000484	CONNECTOR
9	1	4000485	CONNECTOR
10	5	4000486	CONNECTOR
11	7	4000487	RUBBER CABLE SLEEVE
12	7	4000337	CONNECTOR
13	1	4000837	WIRING LOOM - CHASSIS LINE
14	2	4000488	CONNECTOR
15	1	4000489	CONNECTOR
16	1	4000490	CONNECTOR
17	1	4000491	RUBBER COVER
18	2	4000492	CONNECTOR
19	1	4000833	WIRING LOOM - CONTROL UNIT
20	1	4000329	BATTERY CABLE - POSITIVE (+)
21	1	4000330	BATTERY CABLE - NEGATIVE (-)
22	1	4000331	STARTER / ALTERNATOR POWER LINE
23	1	4000838	SWITCH
24	1	4000826	WIRING LOOMS - ELECTRICAL SYSTEM
25	1	4000845	CONNECTOR
26	1	4000846	CONNECTOR
27	1	4000847	REMOTE CONTROL LINE
28	1	4000477	CONNECTOR
29	1	4000846	CONNECTOR
30	1	4000848	CONNECTOR

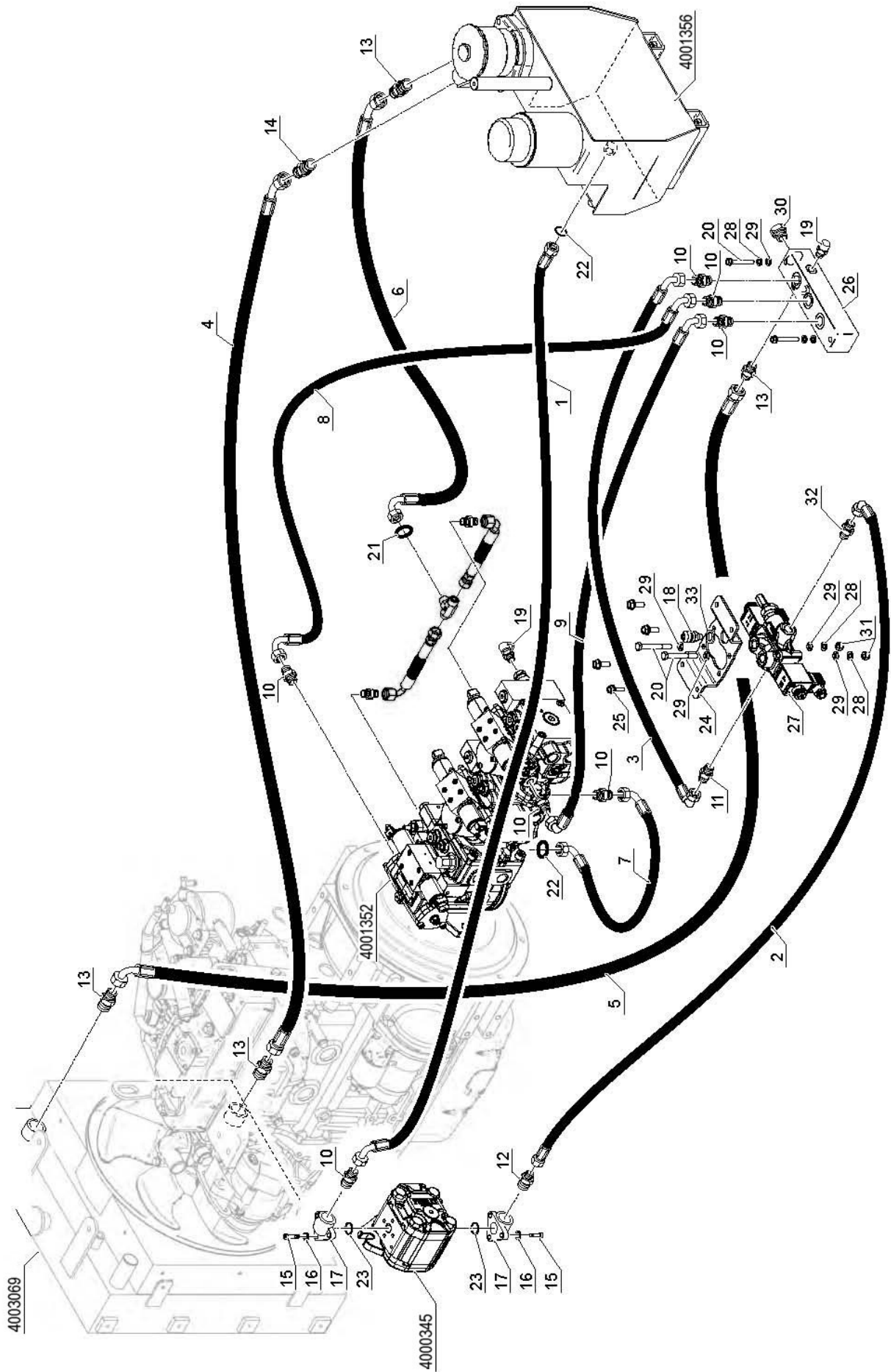


REF.	QTY.	PART No.	DESCRIPTION
			REMOTE CONTROL
1	1	4003119	JOYSTICK (SINGLE AXIS)
2	1	4003120	COVER
3	1	4003121	CONTROL PANEL DECAL KIT
4	1	4003122	JOYSTICK (TWIN AXIS)
5	1	4003123	CONTROL BOX PROTECTION RAIL
6	1	4003124	SWITCH (3-POSITION)
7	1	4003125	SWITCH (MOMENTARY 3-POSITION)
8	1	4003126	SWITCH COVER
9	1	4003127	POWER/EMERGENCY STOP BUTTON
10	1	4003128	POTENTIOMETER SWITCH
11	1	4003129	BUTTON C/W COVER
12	1	4003130	BUTTON COVER
13	1	4003131	CONTROL UNIT BASE COVER
14	1	4003132	CONTROL UNIT COVER PANEL
15	1	4003133	BELT HOOK
16	1	4003134	CIRCUIT BOARD
17	1	4003135	RADIO TRANSMITTER MODULE CARD
18	1	4003136	ANTENNA
19	1	4001359	ANTENNA UNIT
20	1	4003138	BATTERY QUICK CHARGER
21	1	4003139	BATTERY
22	1	4003140	WAIST BELT
23	1	4001363	OPERATOR CONTROL
24	1	4003137	REMOTE CONTROL SYSTEM

HYDRAULIC PUMPS CIRCUIT

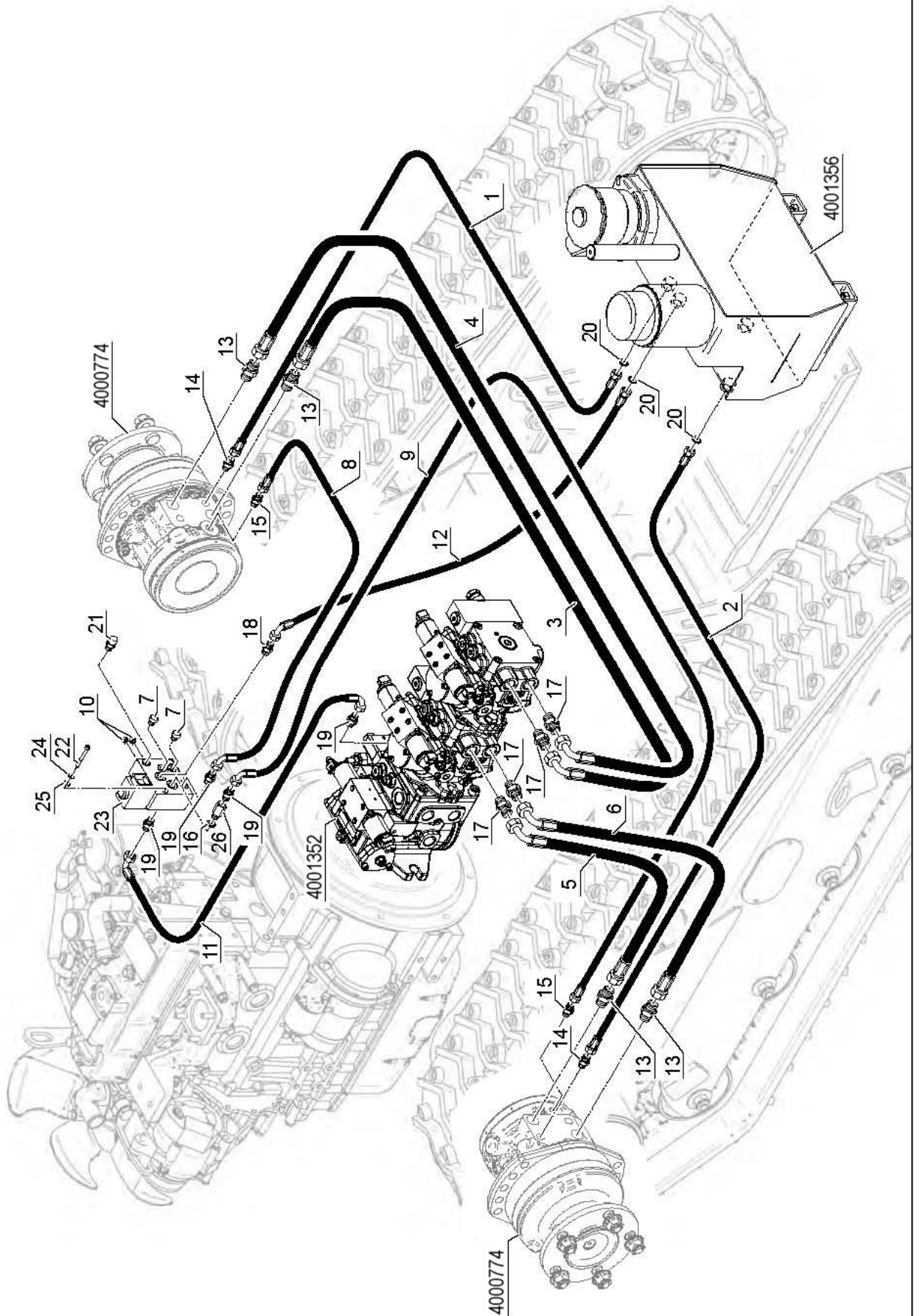
ROBOMOZ

McCONEL

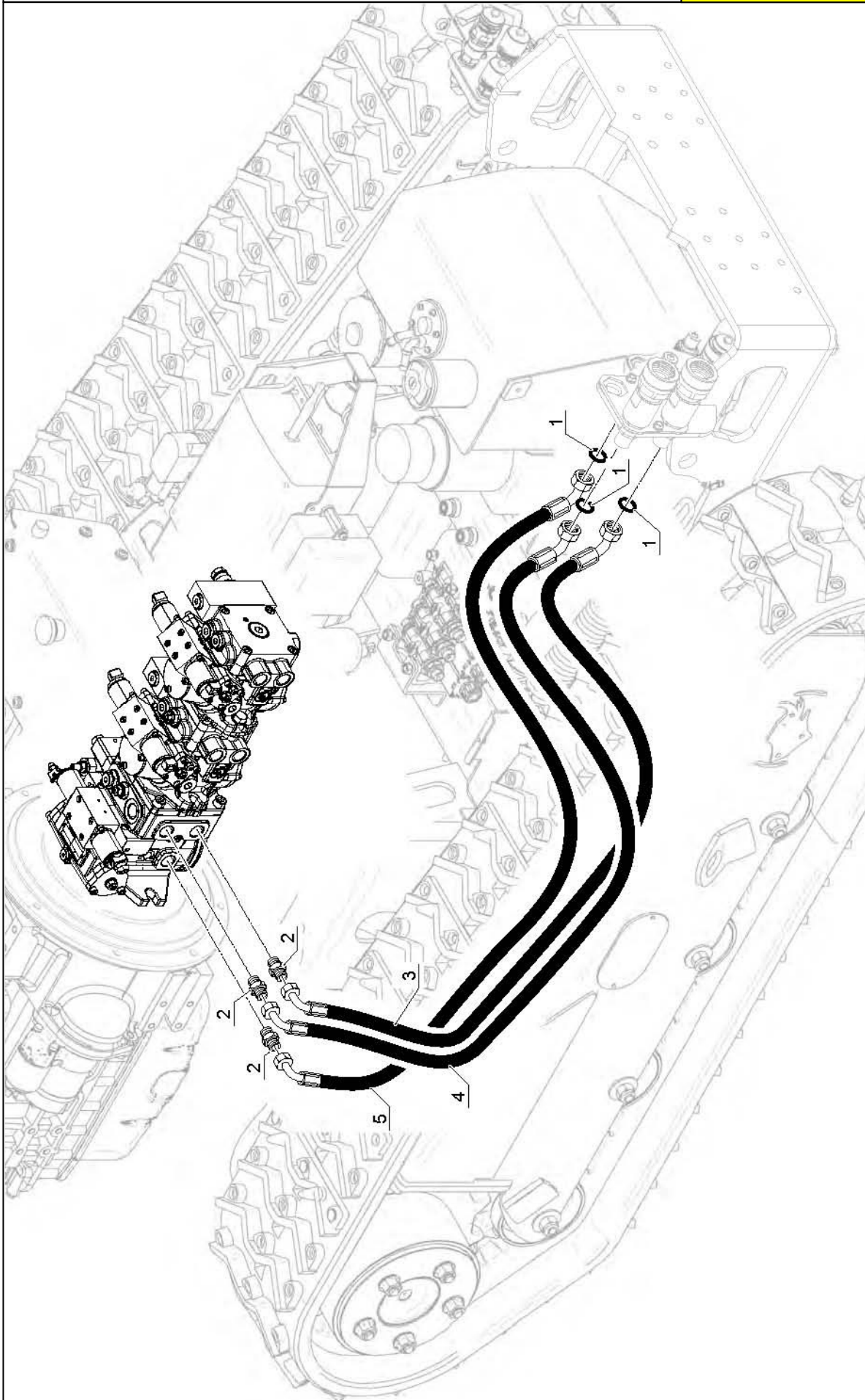


ROBOMOZ

REF.	QTY.	PART No.	DESCRIPTION
			HYDRAULIC PUMPS CIRCUIT
1	1	4000853	HYDRAULIC HOSE
2	1	4000854	HYDRAULIC HOSE
3	1	4000855	HYDRAULIC HOSE
4	1	4000856	HYDRAULIC HOSE
5	1	4000857	HYDRAULIC HOSE
6	1	4000858	HYDRAULIC HOSE
7	1	4000859	HYDRAULIC HOSE
8	1	4000860	HYDRAULIC HOSE
9	1	4000861	HYDRAULIC HOSE
10	7	7315797	CONNECTOR
11	2	7315777	CONNECTOR
12	1	7315776	CONNECTOR
13	4	7315774	CONNECTOR
14	1	4000542	CONNECTOR
15	6	4000543	BOLT
16	6	4000544	WASHER
17	2	4000545	PUMP CONNECTION
18	1	4000546	CHECK COUPLING
19	2	7315769	CHECK VALVE
20	4	4000547	BOLT
21	1	4000548	O-RING
22	2	4000549	O-RING
23	2	4000550	O-RING
24	1	4000862	BRACKET
25	4	4000353	BOLT
26	1	4000552	OIL MANIFOLD
27	1	4000863	VALVE BLOCK
28	4	7315559	WASHER
29	6	4000078	WASHER
30	1	4000864	PLUG
31	2	4000865	LOCK NUT
32	1	4000587	CONNECTOR
33	1	4001364	SEAL



REF.	QTY.	PART No.	DESCRIPTION
			TRACK HYDRAULIC CIRCUIT
1	1	4000866	HYDRAULIC HOSE
2	1	4000867	HYDRAULIC HOSE
3	1	4000868	HYDRAULIC HOSE
4	1	4000869	HYDRAULIC HOSE
5	1	4000870	HYDRAULIC HOSE
6	1	4000871	HYDRAULIC HOSE
7	2	4000872	PLUG
8	1	4000873	HYDRAULIC HOSE
9	1	4000874	HYDRAULIC HOSE
10	2	4000582	PLUG
11	1	4000875	HYDRAULIC HOSE
12	1	4000876	HYDRAULIC HOSE
13	4	4000576	CONNECTOR
14	2	4001365	CONNECTOR
15	2	4000578	CONNECTOR
16	1	4000822	BONDED SEAL
17	4	7315775	CONNECTOR
18	1	4000560	CONNECTOR
19	3	4000579	CONNECTOR
20	3	4000549	O-RING
21	1	4000546	CHECK COUPLING
22	2	4000580	SCREW
23	1	4001366	VALVE BLOCK
24	2	4000789	WASHER
25	2	4000544	WASHER
26	1	4000588	CONNECTOR



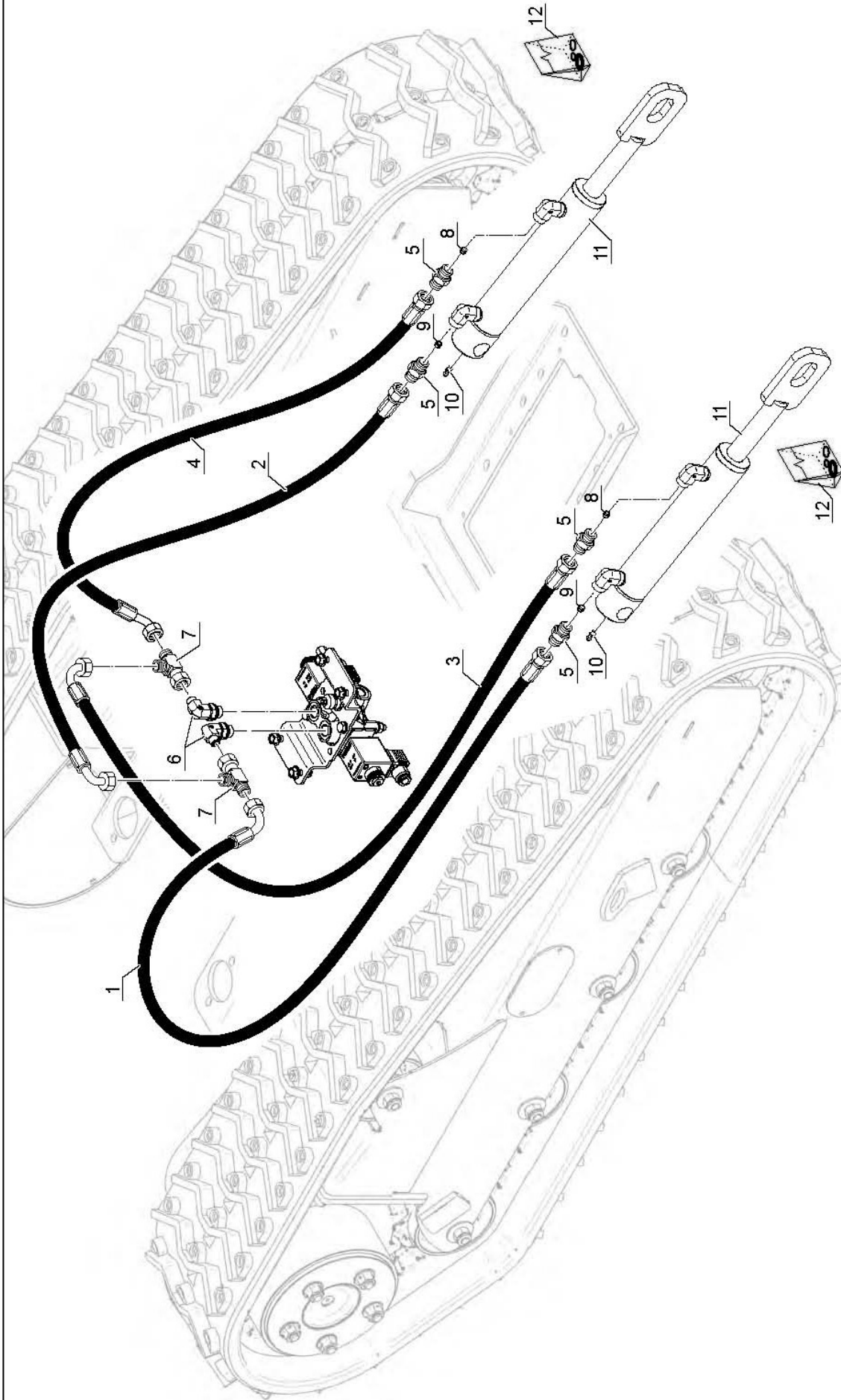
ROBOMOZ

REF.	QTY.	PART No.	DESCRIPTION
			EQUIPMENT HOSE LINES
1	3	4000549	O-RING
2	3	7315797	CONNECTOR
3	1	4000884	HYDRAULIC HOSE
4	1	4000885	HYDRAULIC HOSE
5	1	4000886	HYDRAULIC HOSE

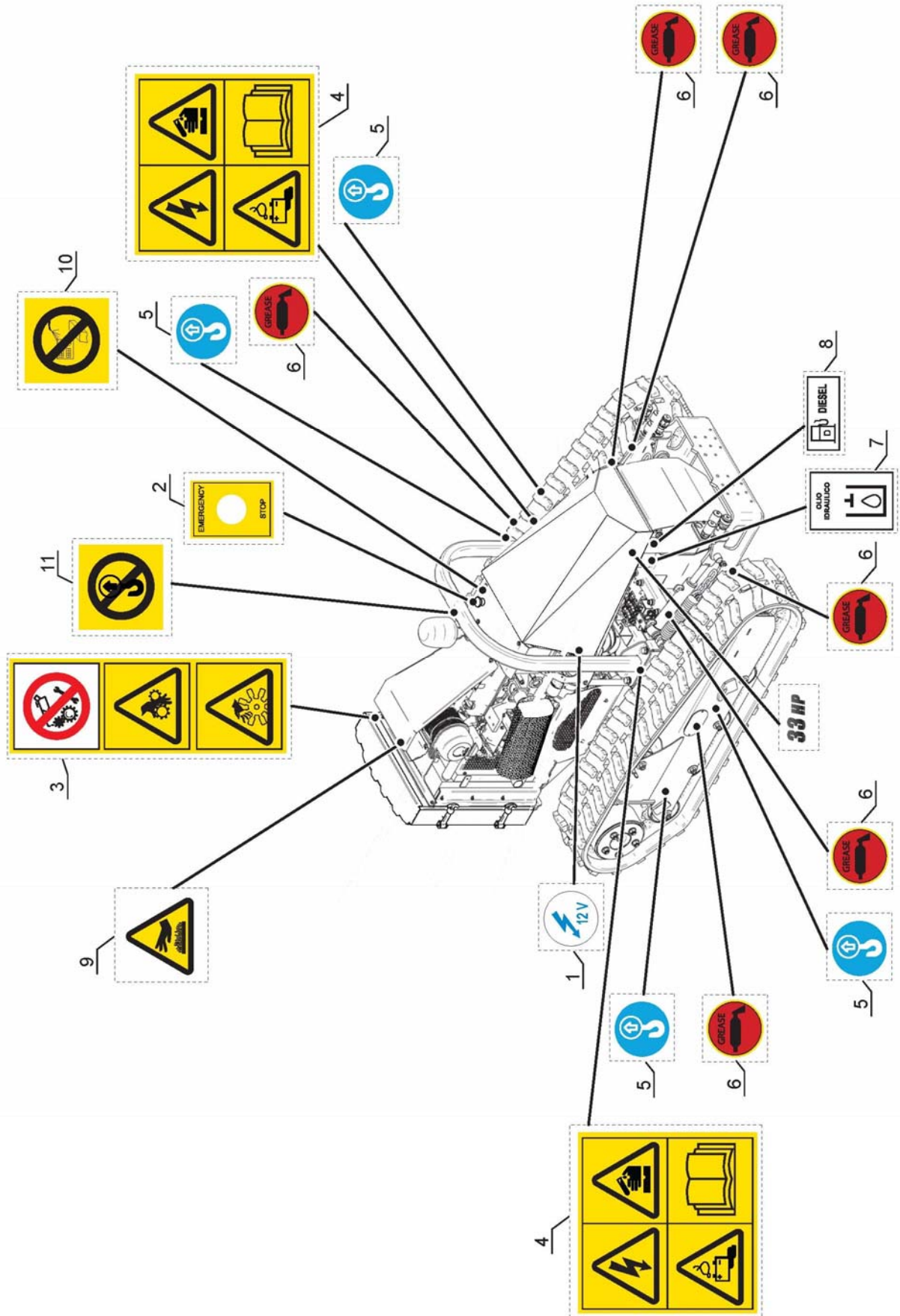
HYDRAULIC LIFT RAMS CIRCUIT

ROBOMOZ

McCONEL



REF.	QTY.	PART No.	DESCRIPTION
			HYDRAULIC LIFT RAMS CIRCUIT
1	1	4000877	HYDRAULIC HOSE
2	1	4000878	HYDRAULIC HOSE
3	1	4000879	HYDRAULIC HOSE
4	1	4000880	HYDRAULIC HOSE
5	4	4000579	CONNECTOR
6	2	4000881	ELBOW FITTING
7	2	4000588	TEE CONNECTOR
8	1	4000882	RESTRICTOR
9	1	4000697	RESTRICTOR
10	2	4000368	GREASE NIPPLE
11	2	4000101	HYDRAULIC RAM
12	2	4000883	SEAL KIT FOR RAM 4000101



REF.	QTY.	PART No.	DESCRIPTION
			MACHINE DECAL KIT
1	1	4000887	DECAL - 12 VOLT
2	1	4000888	DECAL - EMERGENCY STOP
3	1	4001367	DECAL - SAFETY WARNING
4	2	4000890	DECAL - BATTERY
5	4	4000891	DECAL - LIFTING HOOK
6	6	4000769	DECAL - GREASE
7	1	4000892	DECAL - HYDRAULIC OIL
8	1	4000893	DECAL - FUEL
9	1	4000894	DECAL - HOT SURFACES
10	1	4000895	DECAL - NO WATER
11	1	4000896	DECAL - NO LIFTING



McConnel Limited, Temeside Works, Ludlow, Shropshire SY8 1JL. England.
Telephone: 01584 873131. Facsimile: 01584 876463. www.mcconnel.com