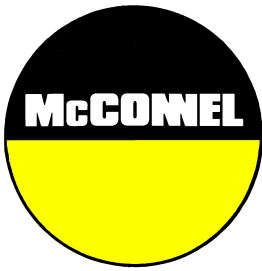


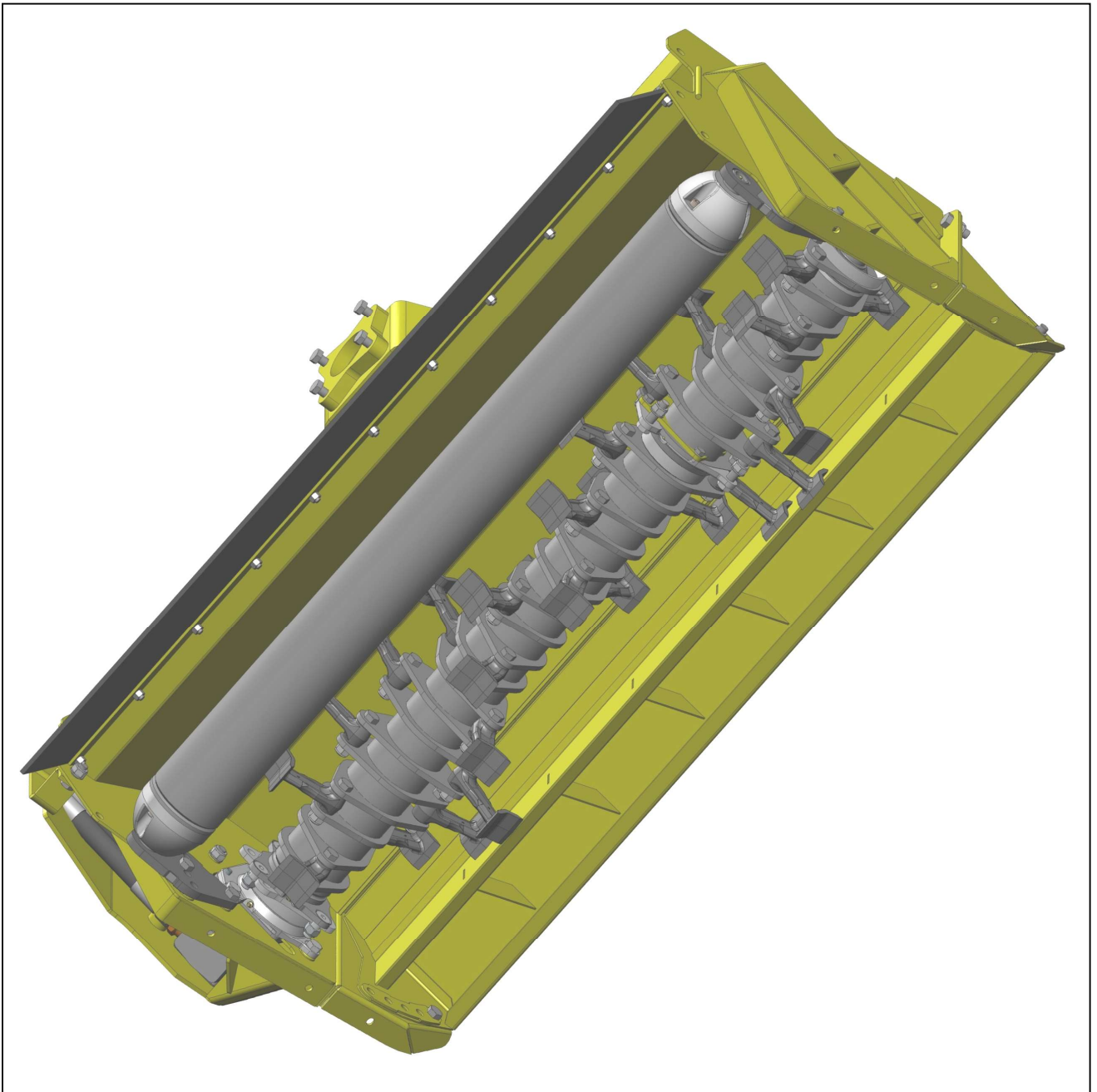
Publication 544  
July 2008  
Part No. 41571.44  
Revision: 26.09.22



# 1.5M MULTICUT FLAILHEAD

54HP & 65HP MOTOR / QUAD DRIVE ROTOR  
STANDARD ROLLER

Parts Manual

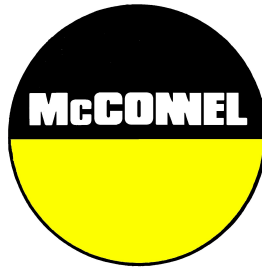


## CONTENTS

---

Casing Assembly	2
Motor Covers	3
Drive Assemblies	5
Quad Drive Assembly	7
Rotor Assemblies	8
Roller Assemblies	16
Flap Kits ( <i>Optional Extra</i> )	20
Skid Kit ( <i>Optional Extra</i> )	22
Decal Kit	24

---



*For best performance ...*

## **USE ONLY GENUINE McCONNEL SERVICE PARTS**

*To be assured of the latest design improvements purchase your  
'Genuine Replacements' from the 'Original Equipment Manufacturer'*

# **McCONNEL LIMITED**

*Through your local Dealer or Stockist*

**Always quote:**

- ***Machine Type***
- ***Serial Number***
- ***Part Number***

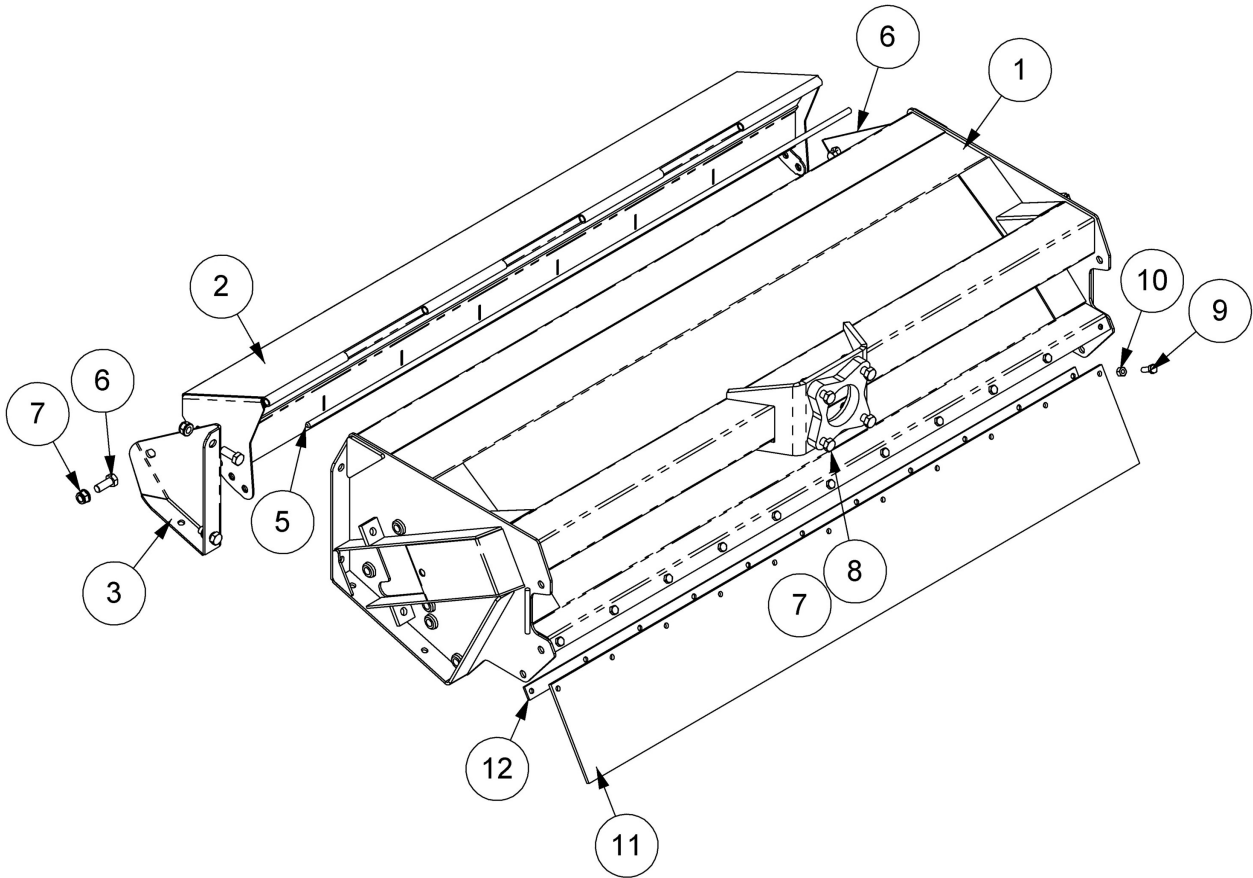
*Design improvements may alter some of the parts listed in this manual –  
the latest part will always be supplied when it is interchangeable with an earlier one.*



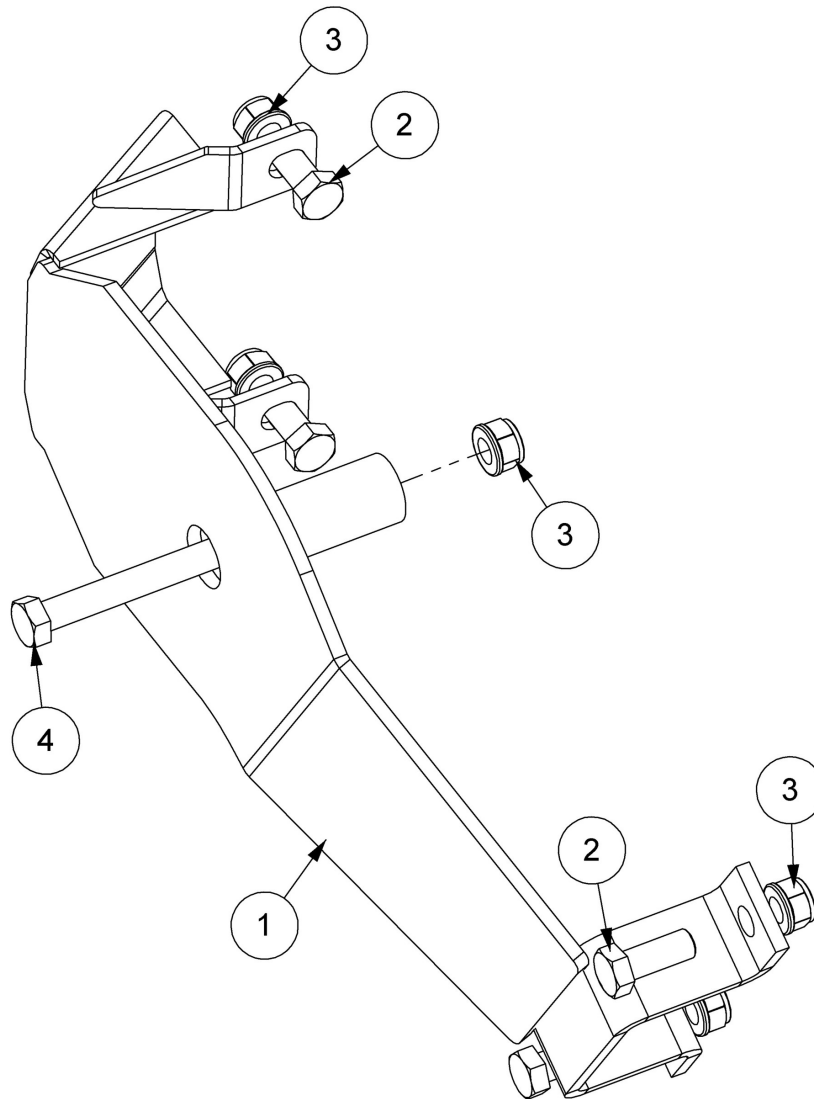
# 1.5M MULTICUT CASING

**McCONNEL**

Module(s): 22494.04



REF.	QTY.	PART No.	DESCRIPTION
		<b>22494.04</b>	<b>1.5M MULTICUT FLAILHEAD CASING</b>
1	1	42427.06	1.5m HEAD CASING
2	1	21748.03	HOOD -1.5m MULTICUT
3	1	22492.03	HOOD SUPPORT - L/H
4	1	22492.04	HOOD SUPPORT - R/H
5	1	21956.01	HOOD PIVOT BAR
6	6	30.073.25	BOLT
7	10	9100024	SELF-LOCKING FLANGE NUT
8	4	12.714.75	BOLT
9	11	9313065	SETSCREW
10	11	9143005	SELF-LOCKING NUT
11	1	42440.01	REAR FLAP
12	1	42439.01	CLAMP STRIP - REAR



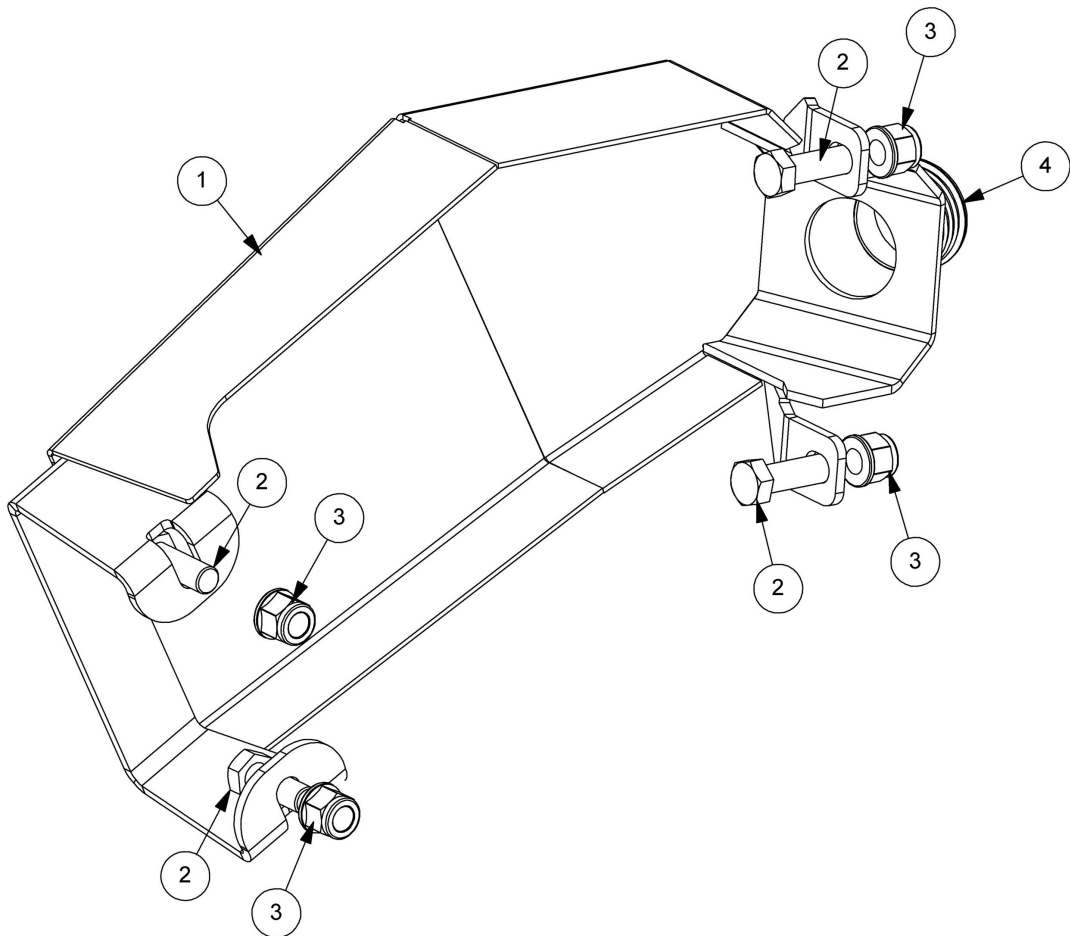
REF.	QTY.	PART No.	DESCRIPTION
		<b>22496.03</b>	<b>L/H MOTOR COVER ASSEMBLY</b>
1	1	42282.03	MOTOR COVER
2	4	30.073.25	BOLT
3	5	9100024	SELF-LOCKING FLANGE NUT
4	1	9200034	BOLT

REF.	QTY.	PART No.	DESCRIPTION
		<b>22496.04</b>	<b>MOTOR COVER ASSEMBLY</b>
1	1	42282.04	MOTOR COVER
2	4	30.073.25	BOLT
3	5	9100024	SELF-LOCKING FLANGE NUT
4	1	9200034	BOLT

# MOTOR COVER ASSEMBLY

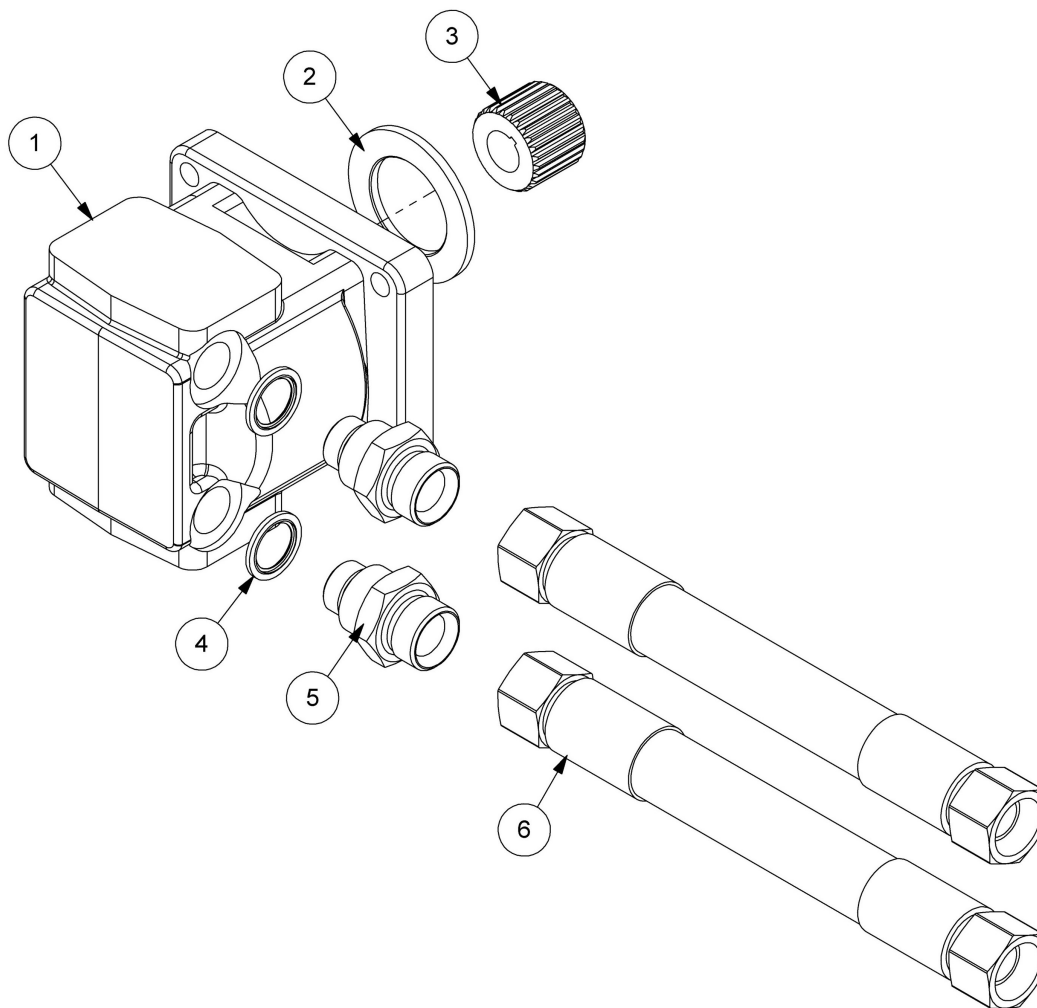
**McCONNEL**

Module(s): 22496.46 (illustrated), 22496.47

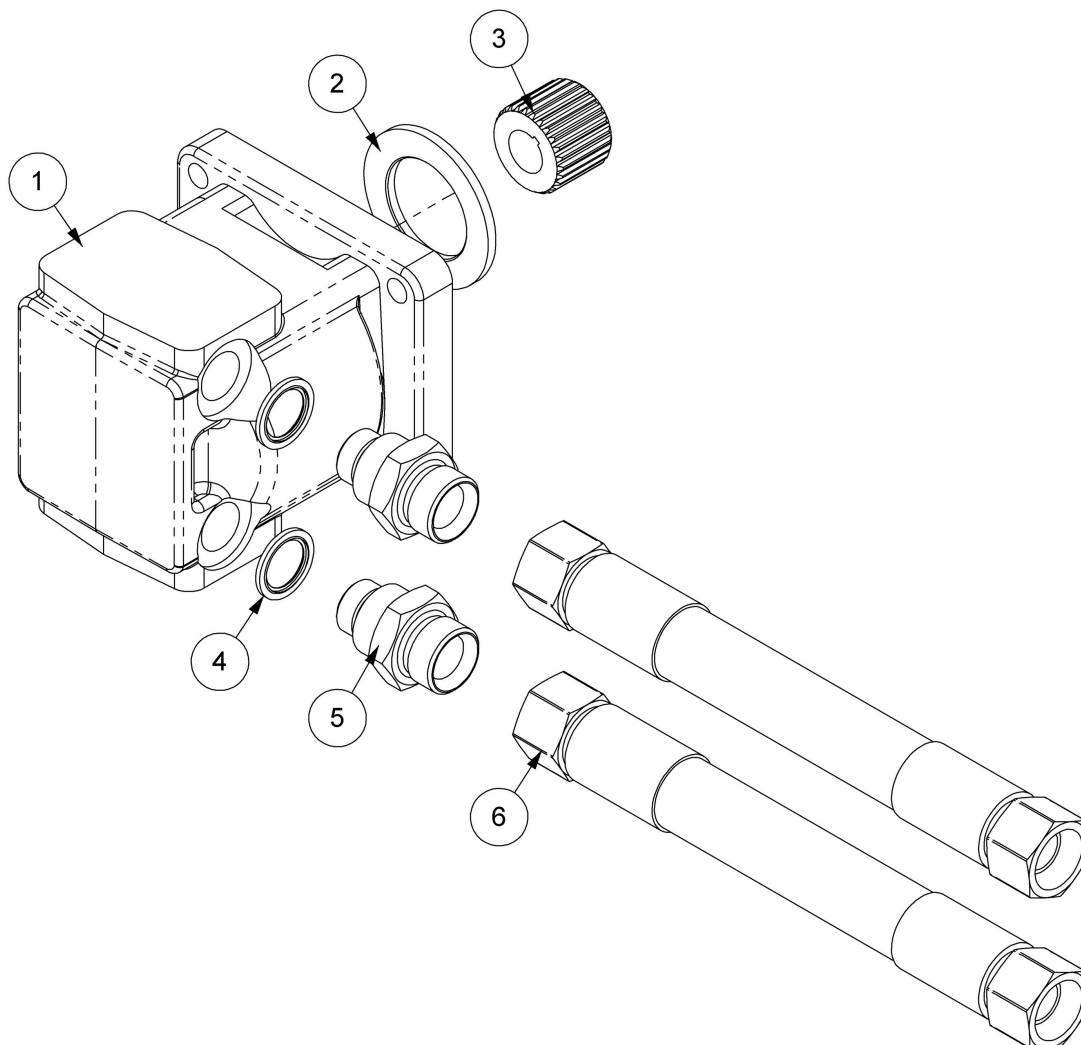


REF.	QTY.	PART No.	DESCRIPTION
		<b>22496.46</b>	<b>LH MOTOR COVER ASSEMBLY</b>
1	1	42282.27	MOTOR COVER
2	4	9200028	BOLT
3	4	9100024	SELF-LOCKING FLANGE NUT
4	1	43358.01	PLASTIC PLUG

REF.	QTY.	PART No.	DESCRIPTION
		<b>22496.47</b>	<b>RH MOTOR COVER ASSEMBLY</b>
1	1	42282.28	MOTOR COVER
2	4	9200028	BOLT
3	4	9100024	SELF-LOCKING FLANGE NUT
4	1	43358.01	PLASTIC PLUG



REF.	QTY.	PART No.	DESCRIPTION
		<b>22495.13</b>	<b>100LPM DRIVE MODULE 54HP</b>
1	1	8301302	MOTOR 54HP
2	1	7190015	LOCATING WASHER
3	1	43390.02	DRIVE COUPLING
4	2	8650106	BONDED SEAL
5	2	8581295	ADAPTOR
6	2	8501269	HOSE - 1" BSP FS/FS x 1450mm

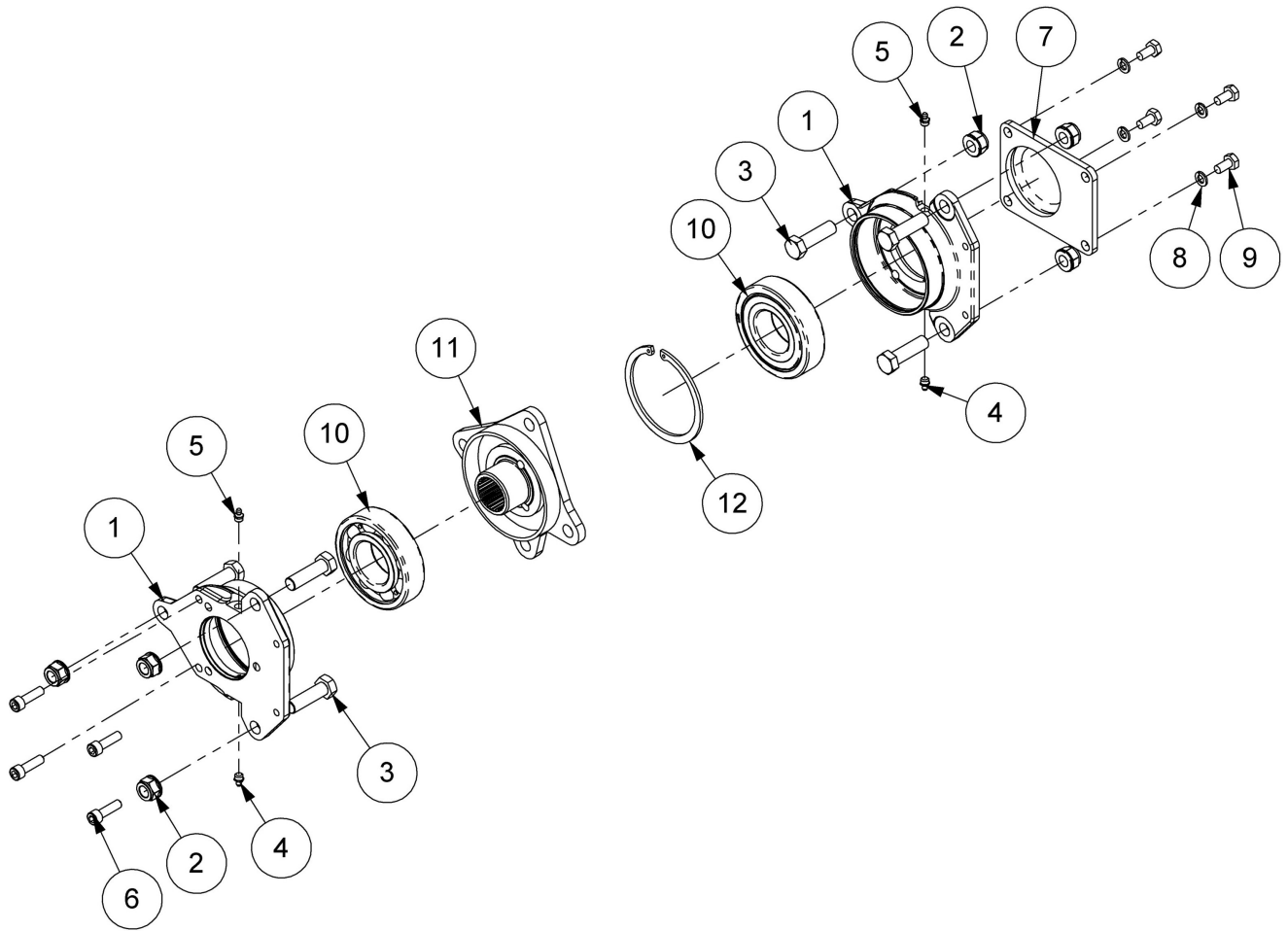


REF.	QTY.	PART No.	DESCRIPTION
		<b>22495.04</b>	<b>65HP DRIVE ASSEMBLY</b>
1	1	8301320	MOTOR - BACK PORTED
2	1	7190015	LOCATING WASHER
3	1	43390.02	DRIVE COUPLING - 27 TOOTH
4	2	8650106	BONDED SEAL
5	2	8581295	ADAPTOR
6	2	10.011.25	HOSE - 1" BSP FS/FS x 1500mm
		<b>8699236</b>	<b>SEAL KIT</b>
		<b>8629209</b>	<b>SHAFT SEAL (x2)</b>

# QUAD DRIVE ASSEMBLY

# McCONNEL

Module(s): 22498.03

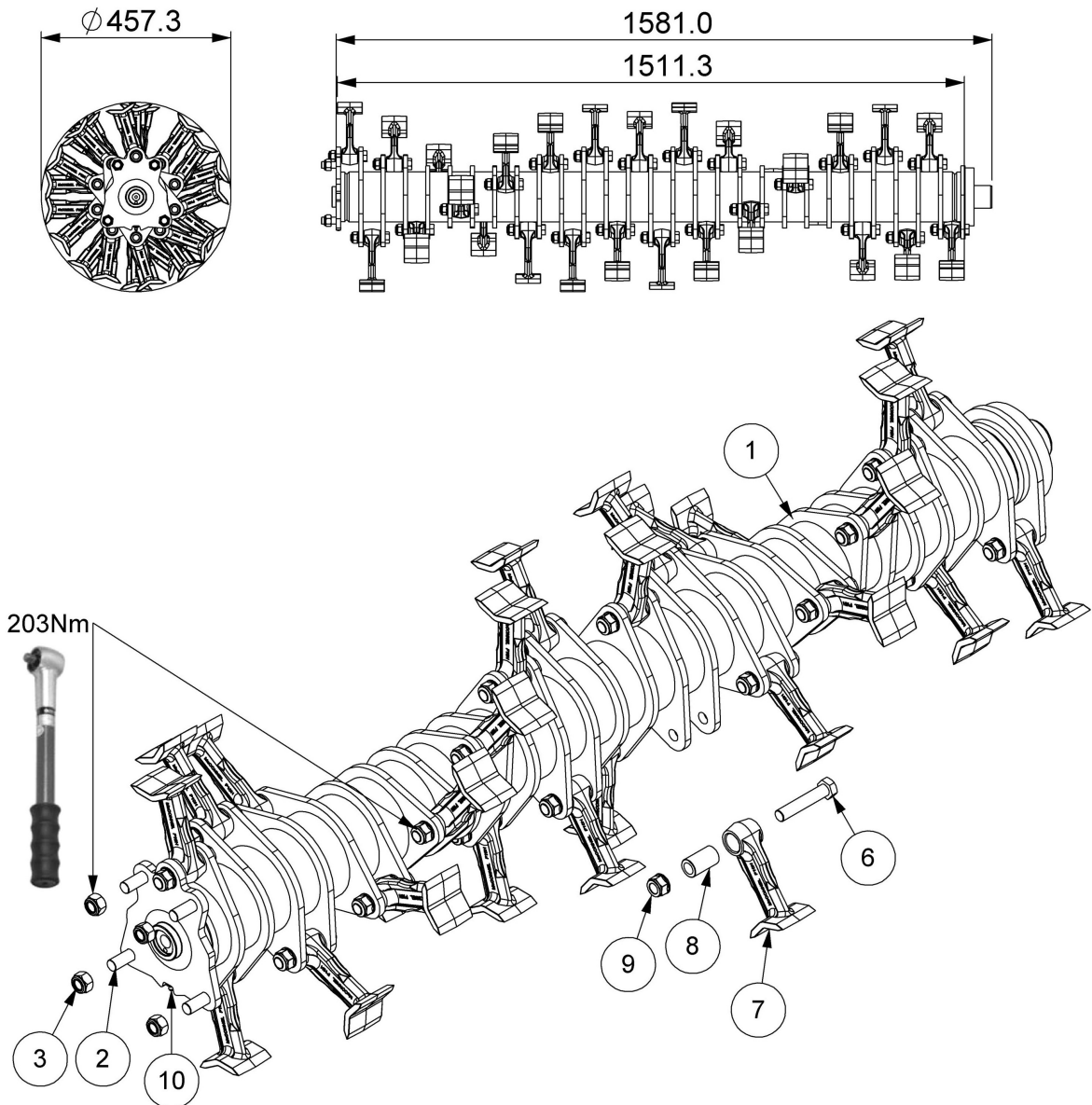


REF.	QTY.	PART No.	DESCRIPTION
		<b>22498.03</b>	<b>MULTICUT QUAD DRIVE ASSEMBLY</b>
1	2	7190261	BEARING HOUSING
2	6	9100024	SELF-LOCKING FLANGE NUT
3	6	9200024	BOLT
4	2	0901121	GREASE NIPPLE - STRAIGHT
5	2	0901125	GREASE NIPPLE - 45°
6	4	9300144	CAPSCREW
7	1	7190292	COVER PLATE
8	4	9100205	SPRING WASHER
9	4	9313045	SETSCREW
10	2	0600018	BALL BEARING
11	1	22269.02	DRIVE HUB - QUAD DRIVE
12	1	7190022	INTERNAL CIRCLIP
13	<i>as req'd</i>	8121043	SHIM - 0.4mm
14	<i>as req'd</i>	8121044	SHIM - 0.6mm

# 1.5M ROTORS c/w F10DE FLAILS

**McCONEL**

Module(s): 22497.11, 22497.13



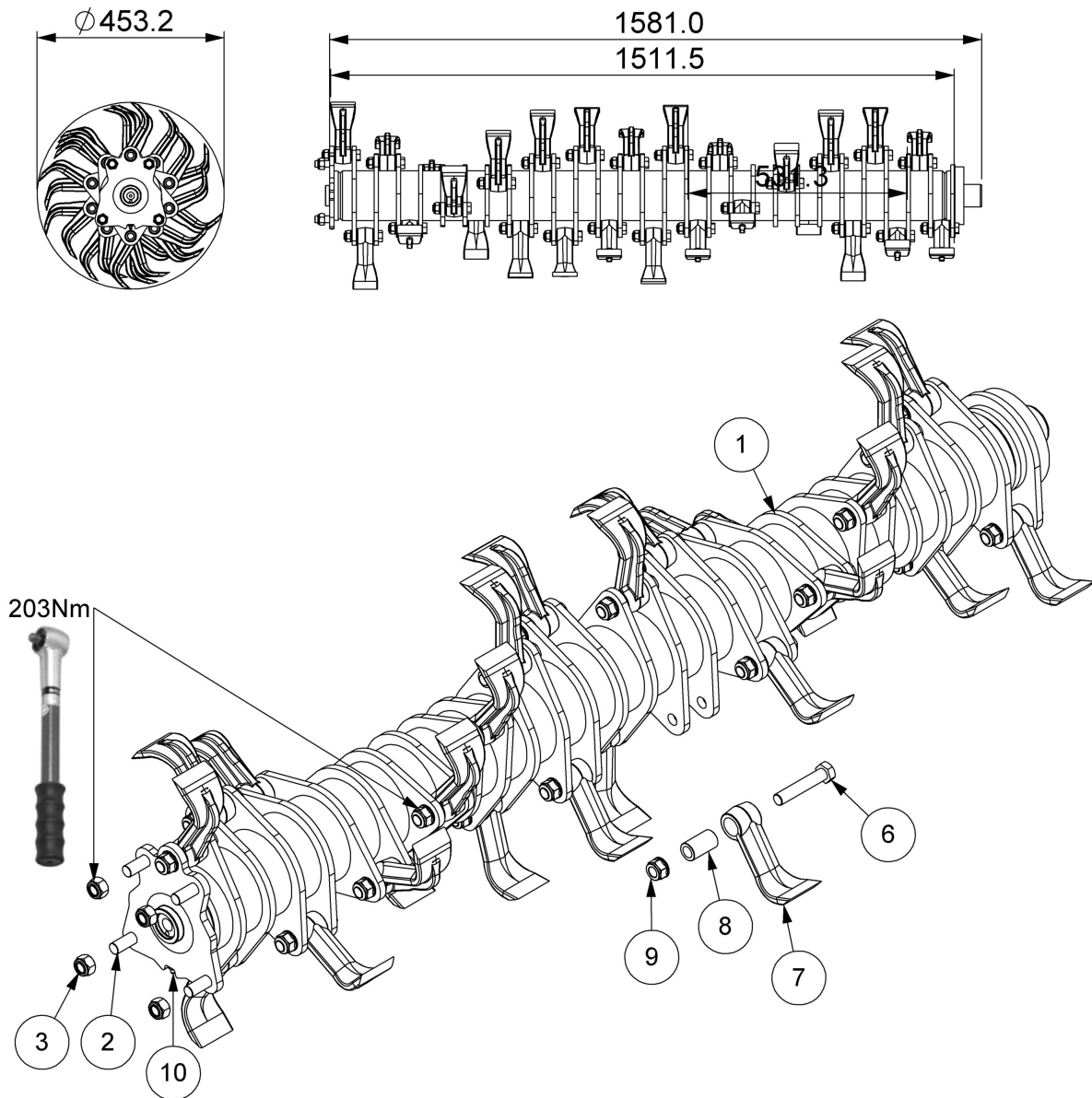
REF.	QTY.	PART No.	DESCRIPTION
		<b>22497.11</b>	<b>1.5M ROTOR c/w F10DE CAST FLAILS</b>
		<b>22497.13</b>	<b>1.5M ROTOR c/w F10DE FORGED FLAILS</b>
1	1	22269.05	1.5m QUAD ROTOR - WRAP ROUND
2	4	9353097	CAPSCREW
3	4	9163007	NYLOC NUT
4	5	8121043	SHIM - 0.4mm
5	5	8121044	SHIM - 0.6mm
6	28	7390025	SPECIAL BOLT
7	28	7314366D	F10DE FLAIL (CAST )
	28	41391.01	F10DE FLAIL (FORGED)
8	28	21215.01	FLAIL PIVOT BUSH
9	28	9100024	SELF-LOCKING FLANGE NUT
10	1	0901161	GREASE NIPPLE - STRAIGHT



# 1.5M ROTOR c/w F10SE FLAILS

**McCONNEL**

Module(s): 22497.12



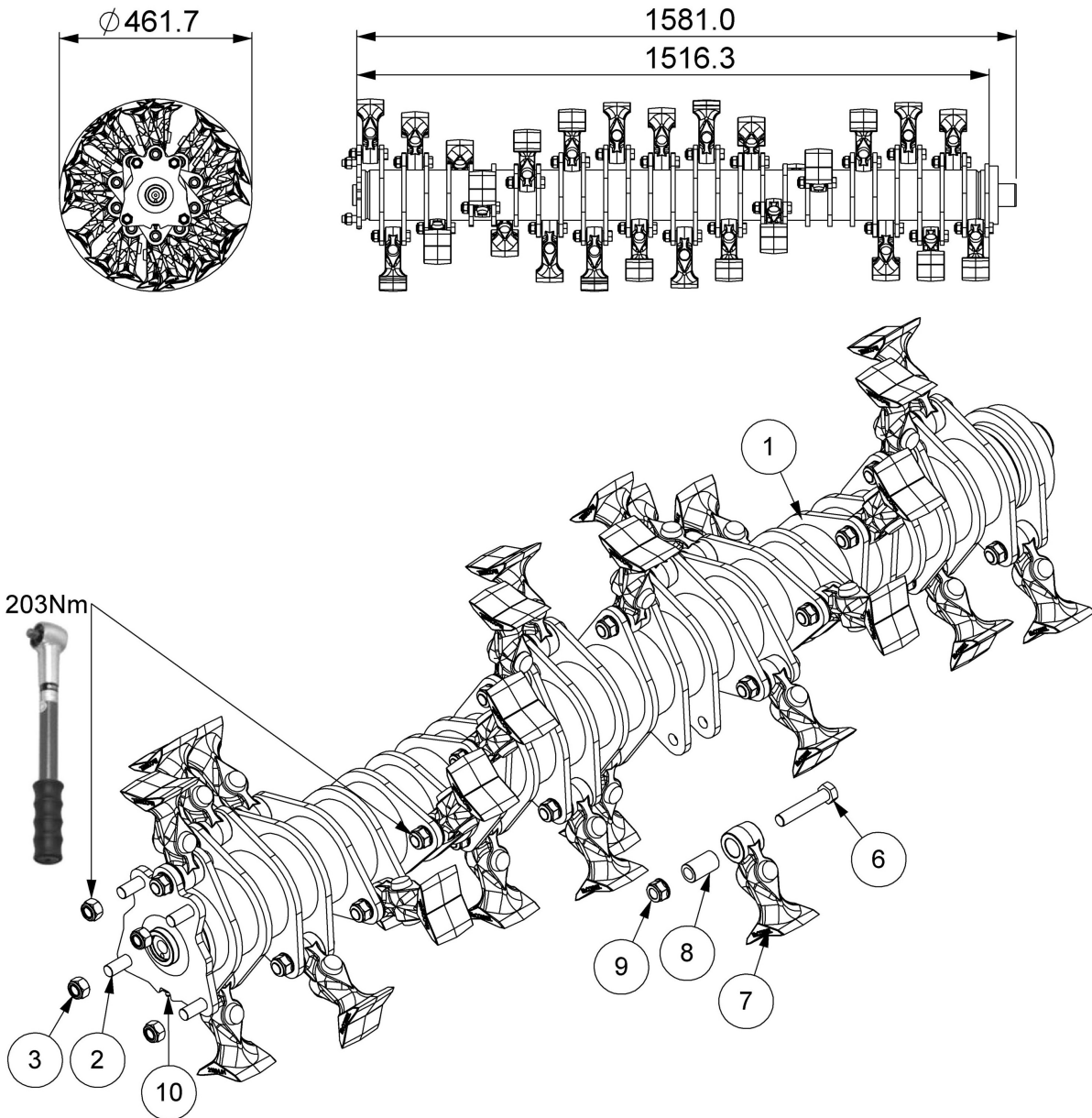
REF.	QTY.	PART No.	DESCRIPTION
		<b>22497.12</b>	<b>1.5M ROTOR ASSEMBLY</b>
1	1	22269.05	1.5m QUAD ROTOR - WRAP ROUND
2	4	9353097	CAPSCREW
3	4	9163007	NYLOC NUT
4	5	8121043	SHIM - 0.4mm
5	5	8121044	SHIM - 0.6mm
6	28	7390025	SPECIAL BOLT
7	28	7390276	F10 SE FLAIL (CAST)
8	28	21215.01	FLAIL PIVOT BUSH
9	28	9100024	SELF-LOCKING FLANGE NUT
10	1	0901161	GREASE NIPPLE - STRAIGHT



# 1.5M ROTOR c/w F16DE FLAILS

**McCONEL**

Module(s): 22497.14

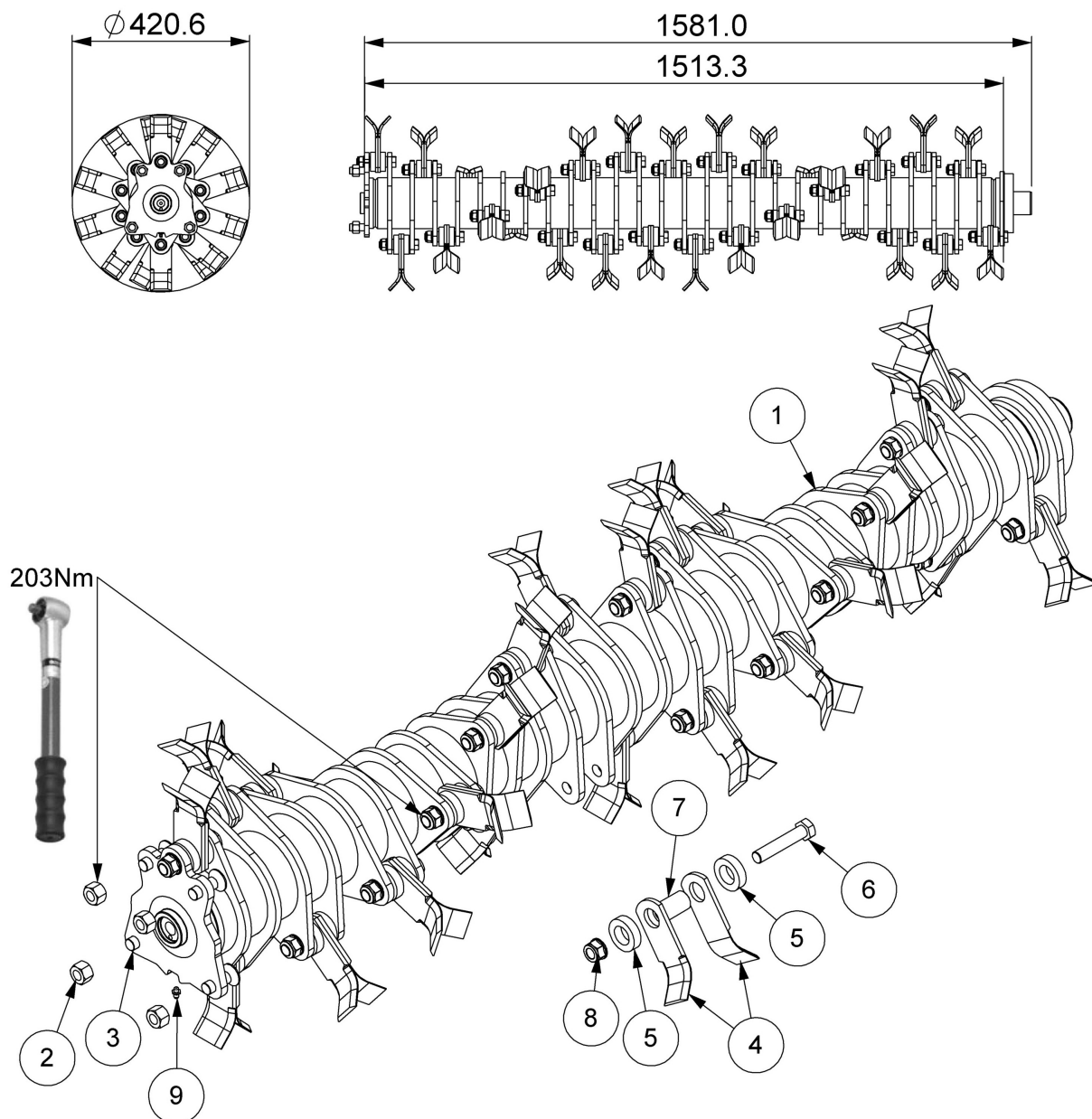


REF.	QTY.	PART No.	DESCRIPTION
		<b>22497.14</b>	<b>1.5M ROTOR c/w F16DE CAST FLAILS</b>
1	1	22269.05	1.5m QUAD ROTOR - WRAP ROUND
2	4	9353097	CAPSCREW
3	4	9163007	NYLOC NUT
4	5	8121043	SHIM - 0.4mm
5	5	8121044	SHIM - 0.6mm
6	28	7390025	SPECIAL BOLT
7	28	21904.02	F16DE FLAIL (CAST)
8	28	21215.01	FLAIL PIVOT BUSH
9	28	9100024	SELF-LOCKING FLANGE NUT
10	1	0901161	GREASE NIPPLE - STRAIGHT

# 1.5M ROTOR c/w GRASS FLAILS

**McCONEL**

Module(s): 22497.15

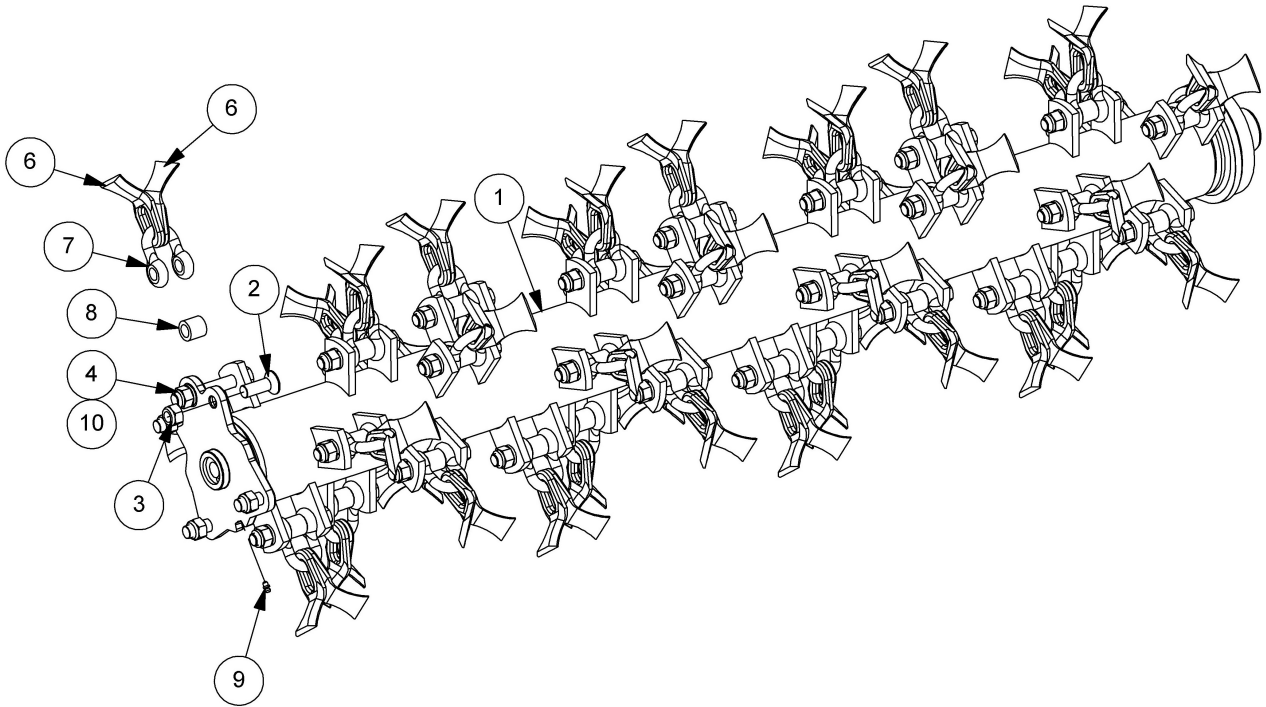


REF.	QTY.	PART No.	DESCRIPTION
		<b>22497.15</b>	<b>1.5M ROTOR c/w F10 GRASS FLAILS</b>
1	1	22269.05	1.5m QUAD ROTOR - WRAP ROUND
2	4	9143007	SELF-LOCKING NUT
3	4	9353097	CAPSCREW
4	56	7190315	F10 GRASS FLAIL
5	56	7190010	SPACER
6	28	7390025	SPECIAL BOLT
7	28	21215.01	FLAIL PIVOT BUSH
8	28	9100024	SELF-LOCKING FLANGE NUT
9	1	0901161	GREASE NIPPLE - STRAIGHT

# 1.5M ROTOR ASSEMBLY

**McCONNEL**

Module(s): 23117.04

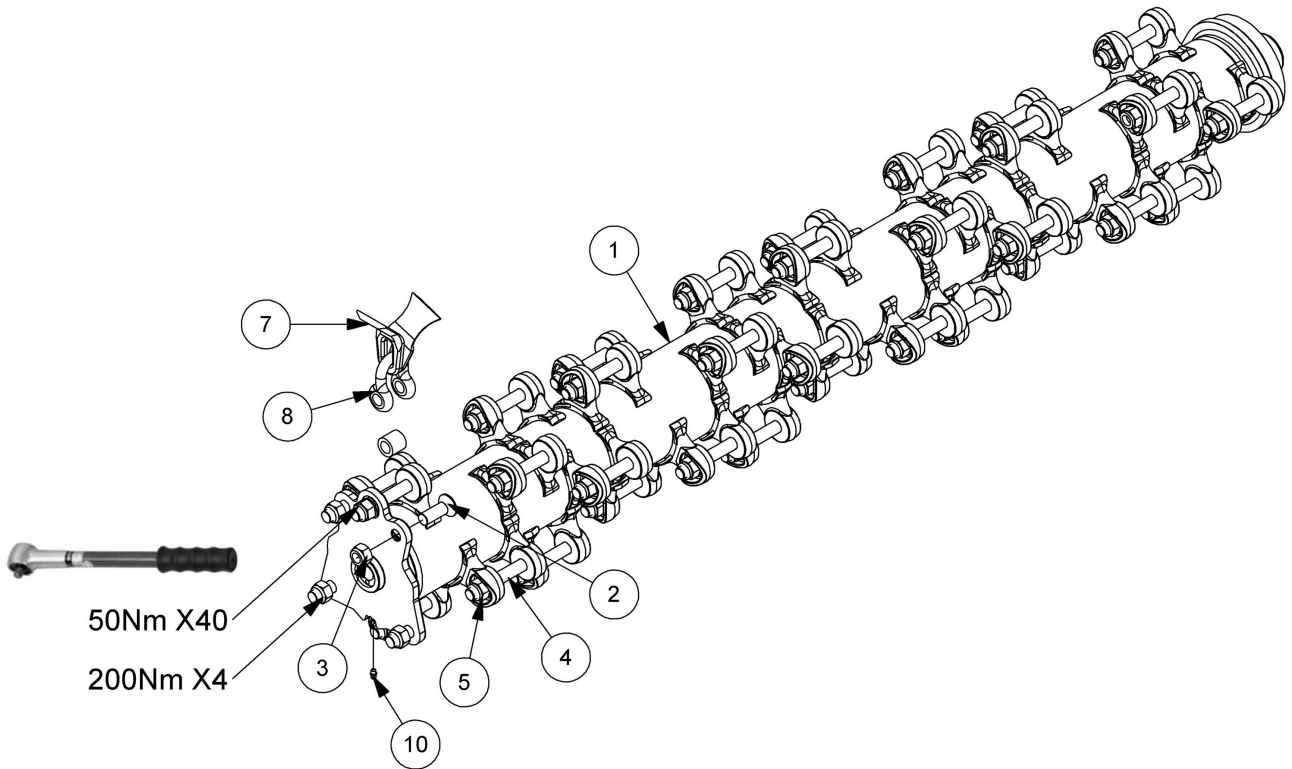


REF.	QTY.	PART No.	DESCRIPTION
		<b>23117.04</b>	<b>1.5M ROTOR ASSEMBLY</b>
1	1	23116.05	1.5M QUAD DRIVE B2B ROTOR
2	4	9353097	SKT CSK CAPSCREW
3	4	9163007	NYLOC NUT
4	1	0141006	CLEVELOC NUT (UNF)
5	32	0100206	SPRING WASHER
6	32	41654.01	FLAIL (FLARED)
7	32	7390013	SHACKLE
8	64	7390018	SLEEVE
9	32	0901161	GREASE NIPPLE
10	64	7390006	SPECIAL GRADE BOLT (UNF)

# 1.5M TUFFCUT ROTOR ASSEMBLY

**McCONNEL**

Module(s): 23225.52

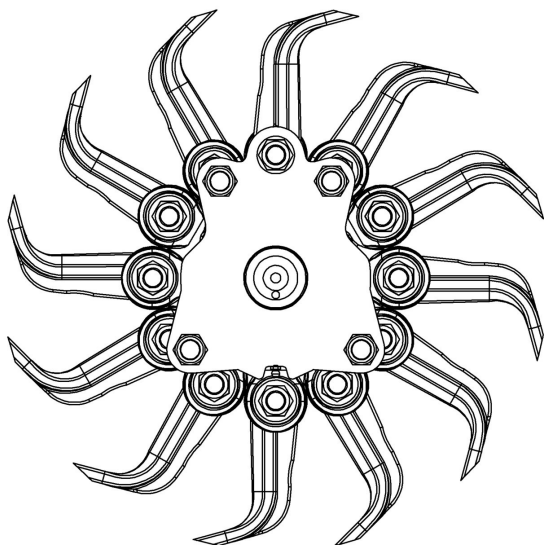


REF.	QTY.	PART No.	DESCRIPTION
		<b>23225.52</b>	<b>1.5M TUFFCUT ROTOR ASSEMBLY</b>
1	1	23225.11	1.5M TUFFCUT ROTOR
2	4	9353097	SKT CSK CAPSCREW
3	4	9163007	NYLOC NUT
4	40	7390006	SPECIAL BOLT
5	40	0141006	UNF CLEVELOC NUT
6	40	9100507	LOCKING WASHER (PAIR)
7	80	41654.01	FLAIL (FLARED)
8	40	7390013	SHACKLE
9	40	7390018	SLEEVE
10	1	0901161	GREASE NIPPLE

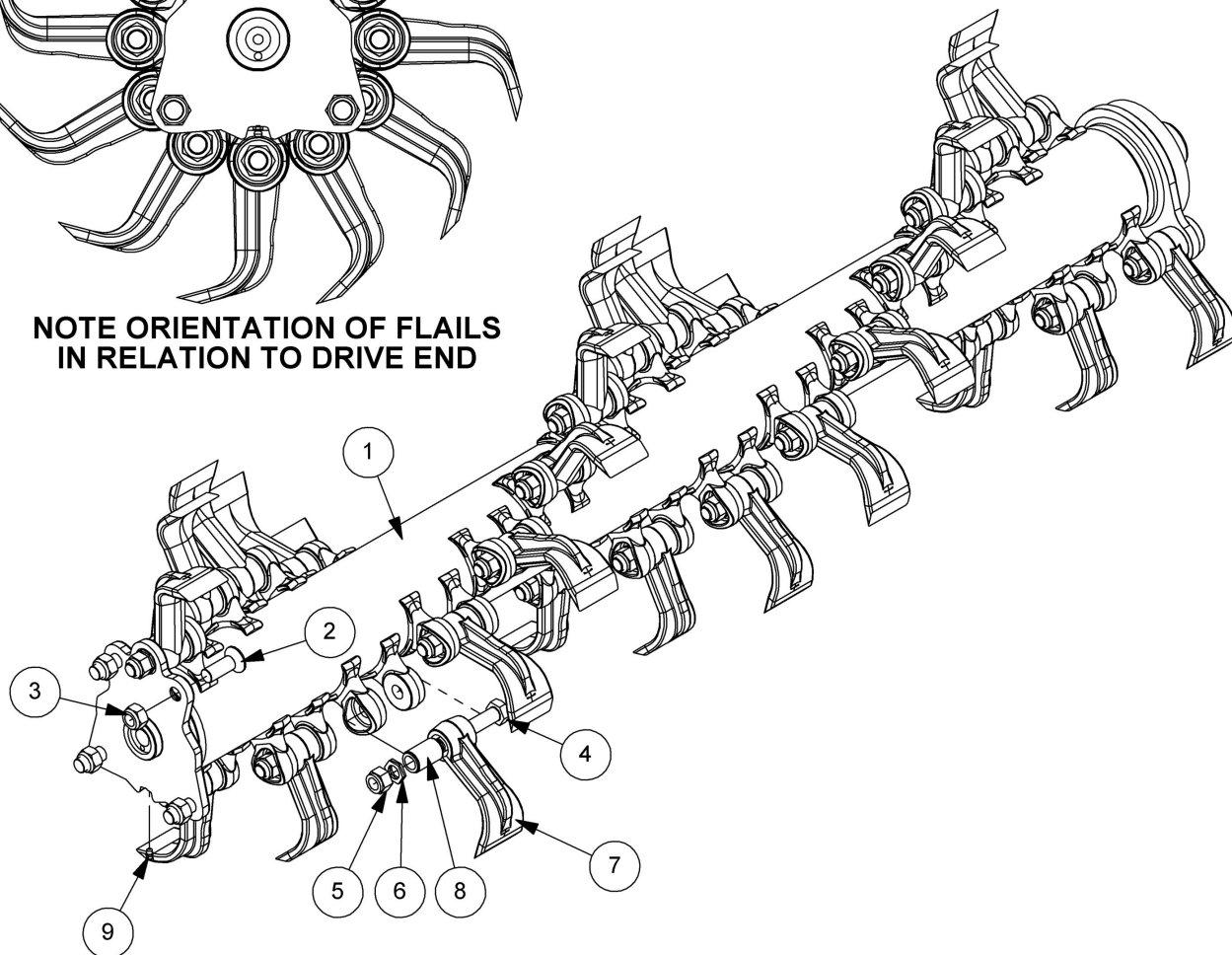
# 1.5M QUAD DRIVE ROTOR ASSEMBLY

**McCONNEL**

Module(s): 22497.72



**NOTE ORIENTATION OF FLAILS  
IN RELATION TO DRIVE END**



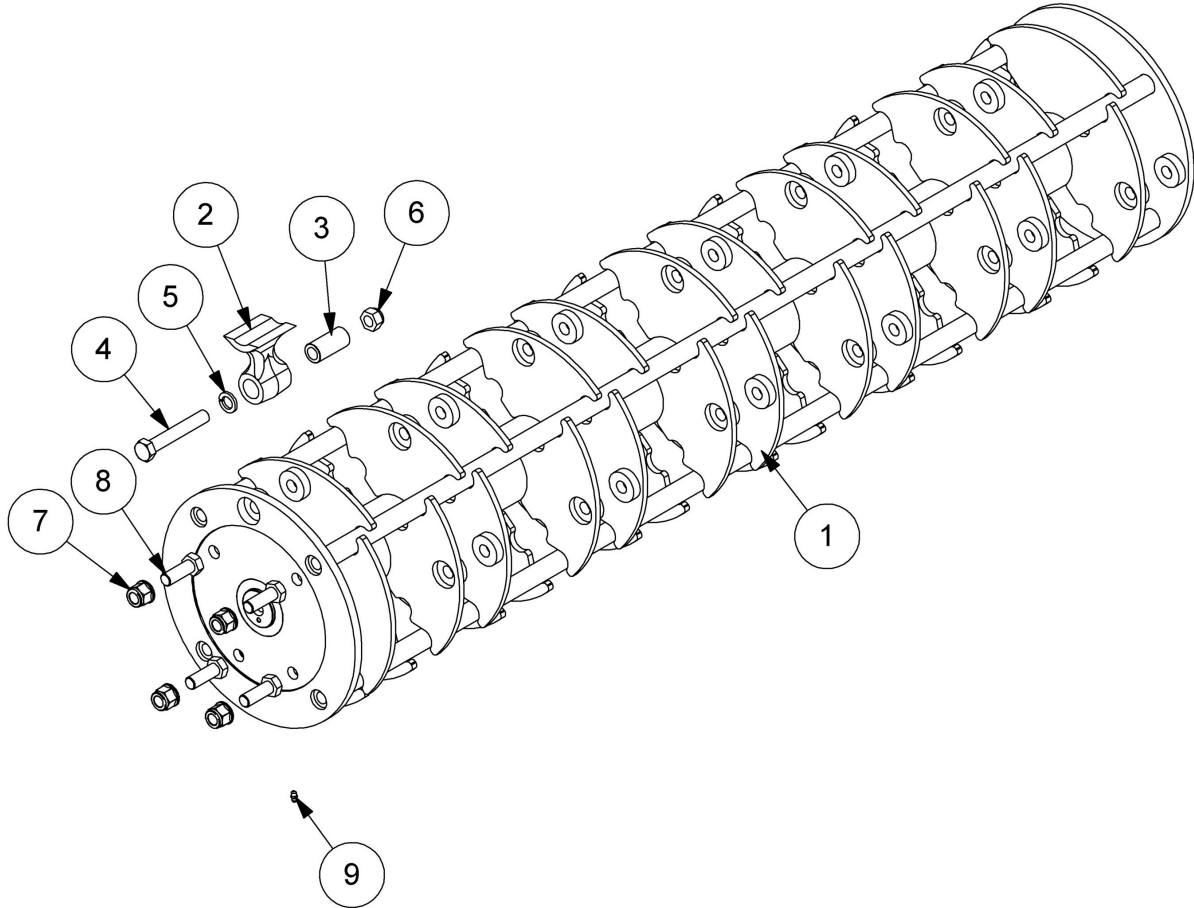
REF.	QTY.	PART No.	DESCRIPTION
		<b>22497.72</b>	<b>1.5M ROTOR ASSEMBLY</b>
1	1	23225.02	1.5M QD CAST LUG ROTOR
2	4	9353097	SKT CSK CAPSCREW
3	4	9163007	NYLOC NUT
4	30	7314201	UNF SPECIAL BOLT
5	30	0141006	UNF CLEVELOC NUT
6	30	9100507	LOCKING WASHER (PAIR)
7	30	7390276	FLAIL - SINGLE EDGED
8	30	7314223	FLAIL PIVOT BUSH (NARROW)
9	1	0901161	GREASE NIPPLE



# 1.5M OMEGA ROTOR ASSEMBLY

**McCONNEL**

Module(s): 22497.17

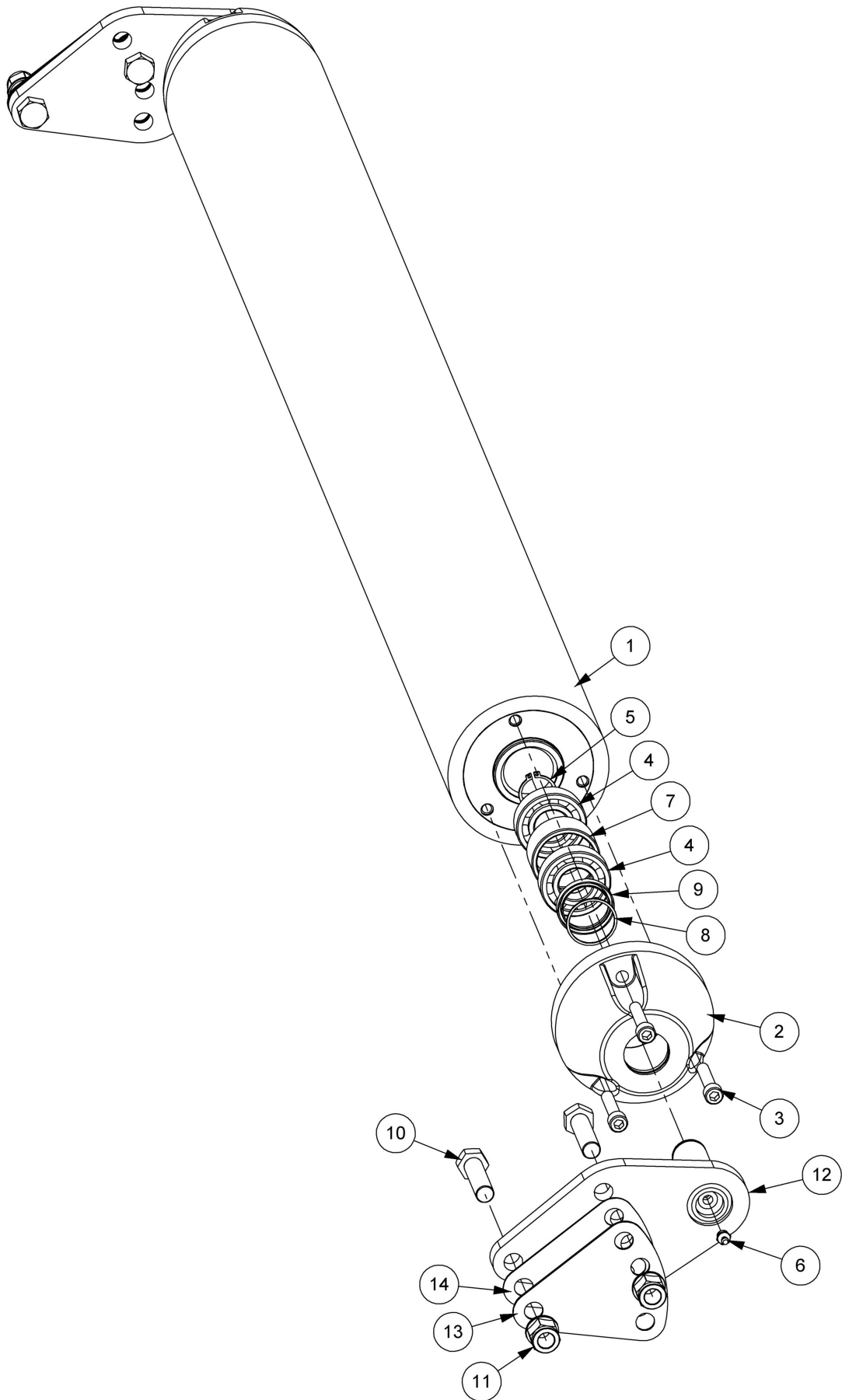


REF.	QTY.	PART No.	DESCRIPTION
		<b>22497.17</b>	<b>1.5M OMEGA ROTOR ASSEMBLY</b>
1	1	22269.09	1.5m OMEGA ROTOR
2	24	1840572	FLAIL BLADE (ROLLICOUPE)
3	24	21215.02	FLAIL BUSH
4	24	7390006	SPECIAL GRADE BOLT
5	24	0100206	SPRING WASHER
6	24	0141006	UNF CLEVELOC NUT
7	4	9100024	S/LOCKING FLANGE NUT
8	4	9200028	BOLT
9	1	0901161	GREASE NIPPLE

# 1.5M ROLLER ASSEMBLY

**McCONNEL**

Module(s): 21523.14



**1.5M ROLLER ASSEMBLY****McCONNEL**

Module(s): 21523.14

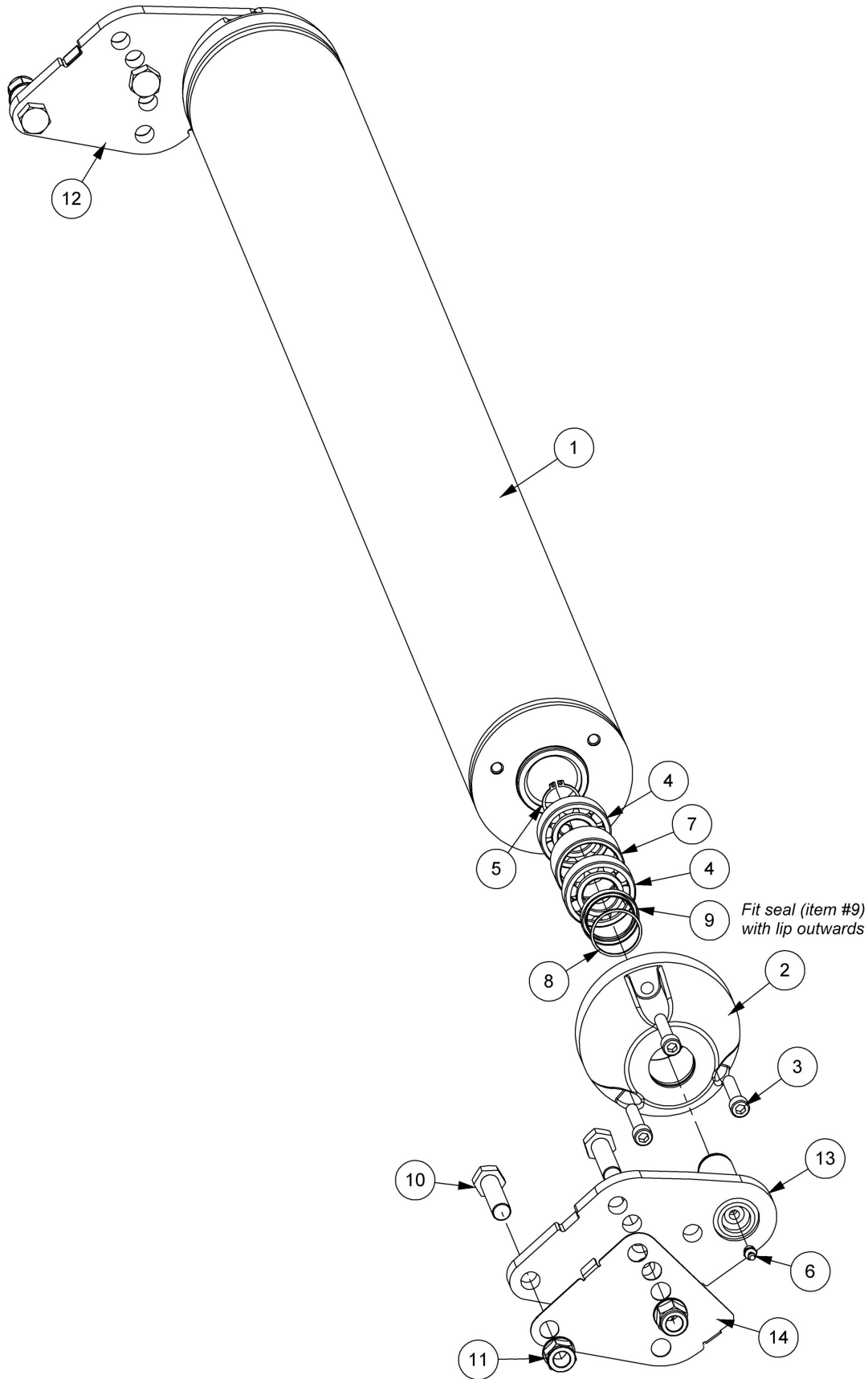
<b>REF.</b>	<b>QTY.</b>	<b>PART No.</b>	<b>DESCRIPTION</b>
		<b>21523.14</b>	<b>1.5M ROLLER ASSEMBLY</b>
1	1	21394.27	ROLLER - 1.5M
2	2	21394.32	ROLLER END CAP
3	6	9343105	CAPSCREW
4	4	0600111	BALL BEARING
5	2	0401230	EXTERNAL CIRCLIP
6	2	0901121	GREASE NIPPLE - STRAIGHT
7	2	21523.31	BEARING SPACER
8	2	0402240	INTERNAL SPIROLOX RING
9	2	8629239	ROTARY SHAFT SEAL
10	4	9200031	BOLT
11	4	9100024	SELF-LOCKING FLANGE NUT
12	2	21524.11	ROLLER BRACKET
13	2	42257.06	SHIM - 2.0mm
14	2	42257.05	SHIM - 1.2mm



# 1.5M ROLLER ASSEMBLY

Module(s): 21523.18

**McCONNEL**



**1.5M ROLLER ASSEMBLY****McCONNEL**

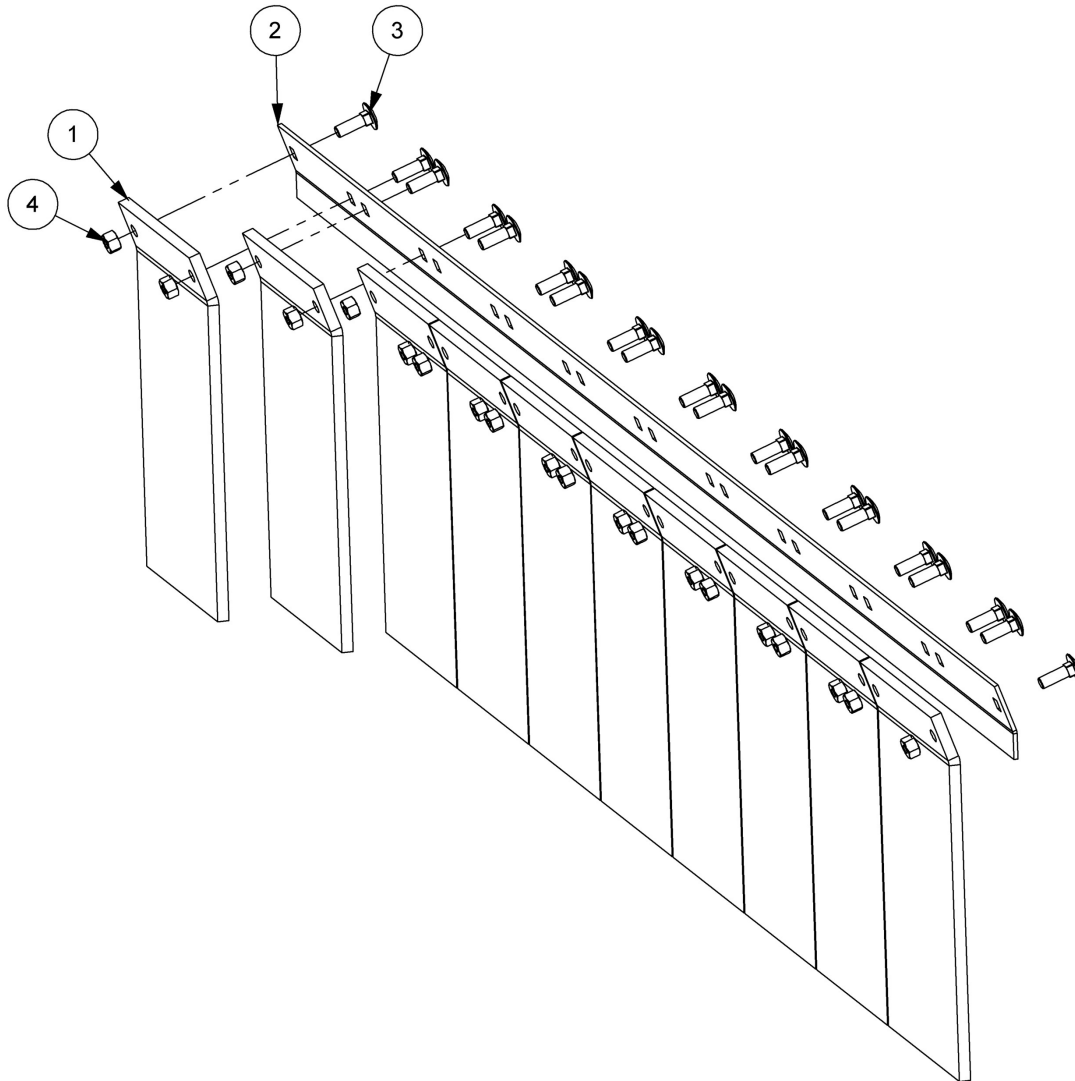
Module(s): 21523.18

<b>REF.</b>	<b>QTY.</b>	<b>PART No.</b>	<b>DESCRIPTION</b>
		<b>21523.18</b>	<b>1.5M ROLLER ASSEMBLY</b>
1	1	21394.27	ROLLER - 1.5m
2	2	21394.32	ROLLER END CAP
3	6	9343105	CAPSCREW
4	4	0600111	BALL BEARING
5	2	0401230	EXTERNAL CIRCLIP
6	2	0901121	GREASE NIPPLE - STRAIGHT
7	2	21523.31	BEARING SPACER
8	2	0402240	INTERNAL SPIROLOX RING
9	2	8629239	ROTARY SHAFT SEAL
10	4	9200031	BOLT
11	4	9100024	SELF-LOCKING FLANGE NUT
12	1	21524.15	ROLLER BRACKET - R/H
13	1	21524.14	ROLLER BRACKET - L/H
14	2	42257.10	SHIM -1.2mm

# FRONT FLAP KIT

Module(s): 7198315

**McCONNEL**

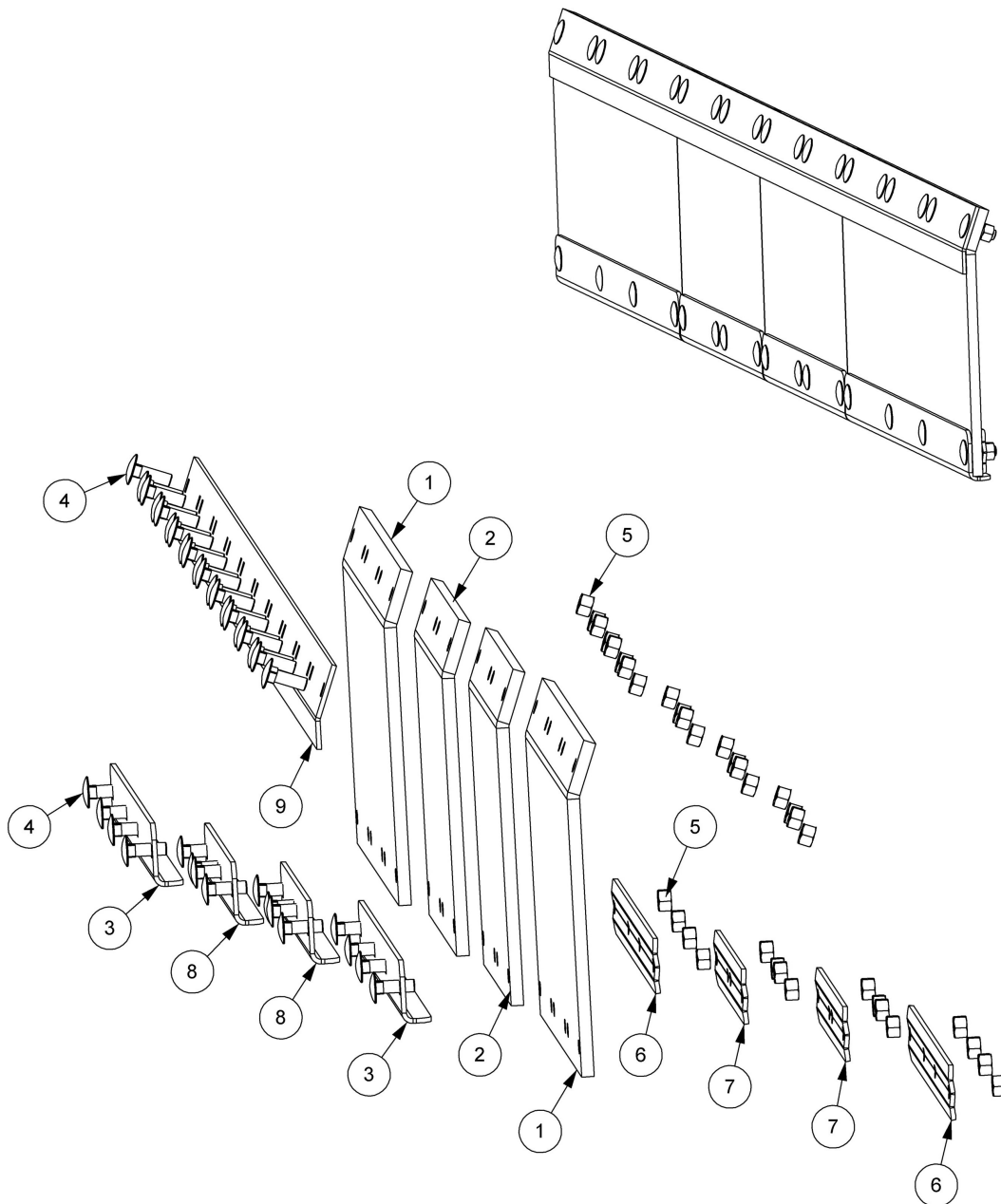


REF.	QTY.	PART No.	DESCRIPTION
		<b>7198315</b>	<b>FRONT FLAP KIT</b>
1	10	7190020	FRONT FLAP
2	1	7198065	FRONT CLAMP STRIP - 1.5m
3	20	9293054	CUP HEAD SQUARE SCREW
4	20	9143004	SELF-LOCKING NUT

# 1.5M FRONT FLAP KIT (Heavy Duty)

**McCONEL**

Module(s): 21541.02

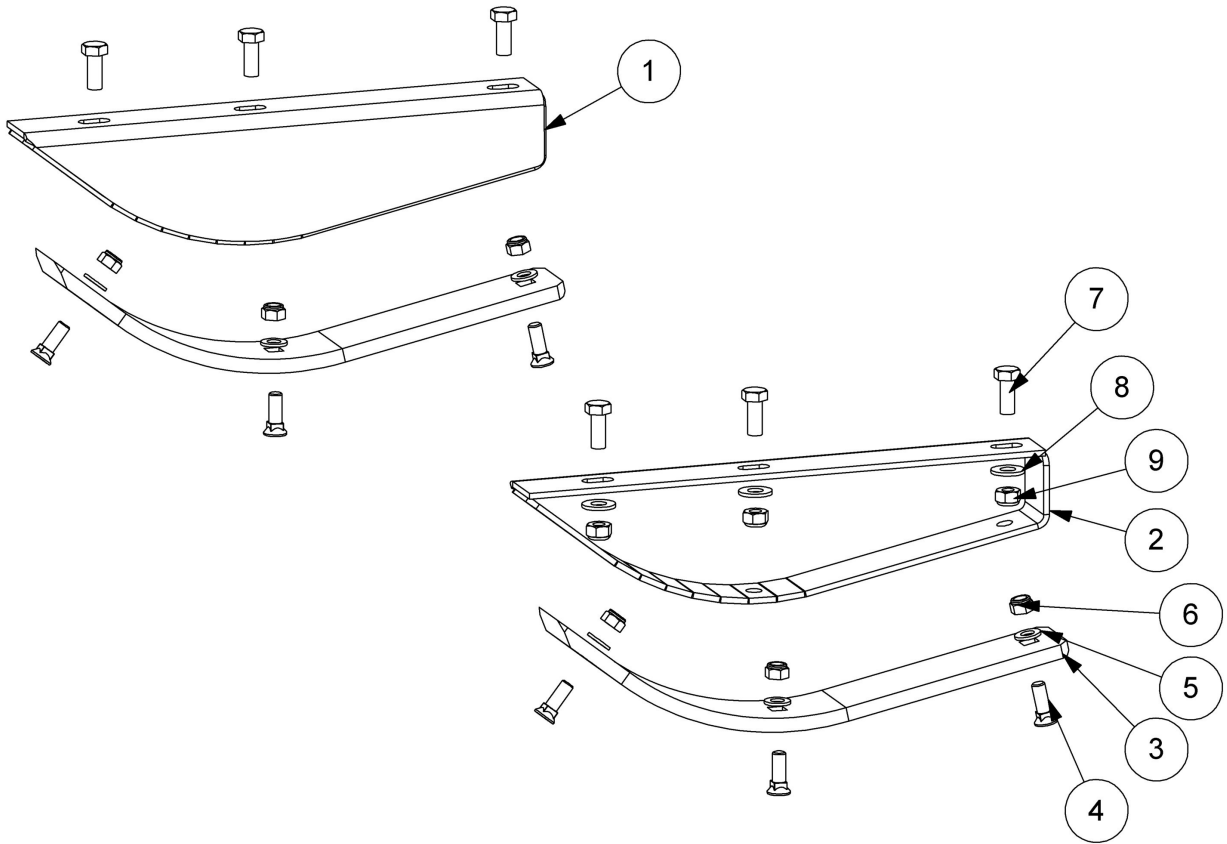


REF.	QTY.	PART No.	DESCRIPTION
		<b>21541.02</b>	<b>1.5M FRONT FLAP KIT</b>
1	2	21544.01	FRONT FLAP
2	2	21544.02	MIDDLE FRONT FLAP
3	2	21541.05	FLAP OUTER EDGE PLATE
4	36	9293054	CUP HEAD SQUARE SCREW
5	36	9143004	SELF-LOCKING NUT
6	2	21541.06	CLAMP PLATE
7	2	21541.08	MIDDLE CLAMP PLATE
8	2	21541.07	FLAP INNER EDGE PLATE
9	1	21955.01	CLAMP STRIP

# SKID KIT

Module(s): 7290384

# McCONNEL



REF.	QTY.	PART No.	DESCRIPTION
		<b>7290384</b>	<b>SKID KIT</b>
1	1	7290389	SKID RH
2	1	7290390	SKID LH
3	2	7290391	REPLACEABLE SKID SHOE
4	6	6012034	PLOUGH BOLT c/w NUT
5	6	0100104	FLAT WASHER
6	6	0141004	UNF CLEVELOC NUT
7	6	9313066	SETSCREW
8	6	9100106	FLAT WASHER
9	6	9163006	NYLOC NUT

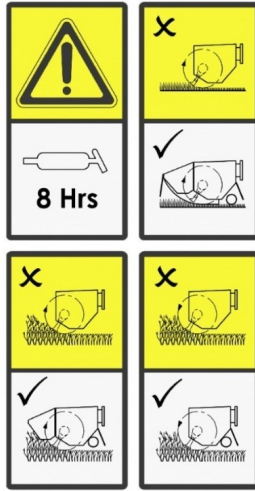
Module(s):

*This page is intentionally blank*

Module(s): 7350707, 7350709



4



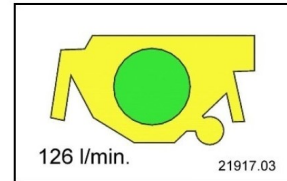
3

**FLAIL PARTS INFORMATION**

McConel Flail Mowers use dynamically balanced and mated system components for Cutter Shafts, (Rotors) Knives (Flails), Knife hangers (Shackles) bolts, bushes Rollers, Drivetrain Components, Bearing Belts and Belt Pulleys. McConel parts are made and tested to meet close-tolerance specifications of balance, quality and consistency that assure long, trouble-free service. "Will-Fit" parts do not ordinarily meet McConel Standards and could reduce Mower performance, void warranties and present an increase in the safety hazard potential.

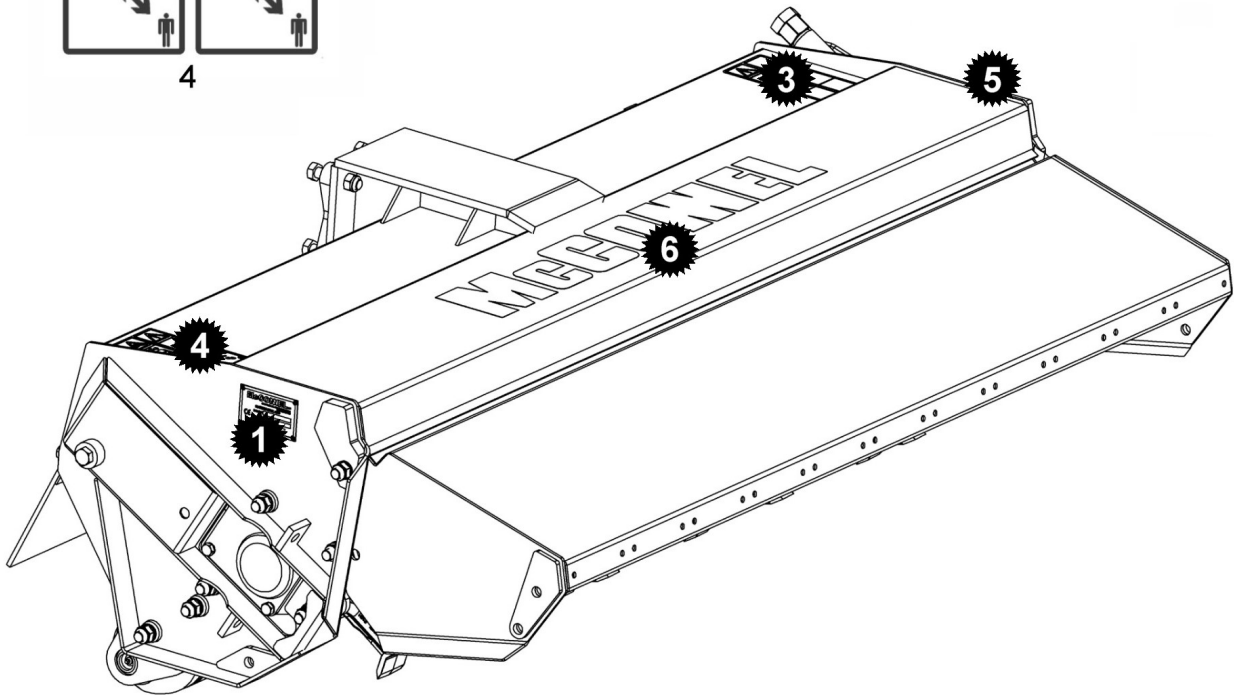
**DON'T GAMBLE!**  
USE GENUINE McCONEL SERVICE PARTS  
See your McConel dealer

5



7

Item #7 located on motor



**McCONEL LTD**  
LUDLOW, SYR T.I.L. PHONE: 01854 873231  
FAX: 01854 874403  
MADE IN ENGLAND

CE MACHINE \_\_\_\_\_  
SERIAL No. \_\_\_\_\_  
WEIGHT (KG) \_\_\_\_\_

1

**McCONEL**

6

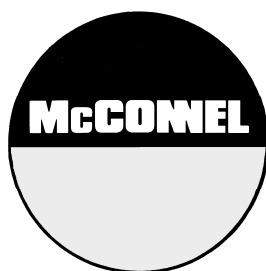
Module(s): 7350707, 7350709

REF.	QTY.	PART No.	DESCRIPTION
		<b>7350707</b>	<b>54HP FLAILHEAD DECAL KIT</b>
1	1	1335246	SERIAL No. PLATE
2	4	7103230	POP RIVET
3	1	1290738	DECAL - FLAILHEAD
4	1	09.821.35	DECAL - COMBINED EURO
5	1	1290392	DECAL - PARTS
6	1	1290527	DECAL - McCONNEL
7	1	21917.02	DECAL - 102 l/min (ORANGE)

REF.	QTY.	PART No.	DESCRIPTION
		<b>7350709</b>	<b>FLAILHEAD DECAL KIT</b>
1	1	1335246	SERIAL No. PLATE
2	4	7103230	POP RIVET
3	1	1290738	DECAL - FLAILHEAD
4	1	09.821.35	DECAL - COMBINED EURO
5	1	1290392	DECAL - PARTS
6	1	1290527	DECAL - McCONNEL
7	1	21917.03	DECAL - 126 l/min (GREEN)







McConnel Limited, Temeside Works, Ludlow, Shropshire SY8 1JL. England.  
Telephone: 01584 873131. Facsimile: 01584 876463. [www.mcconnel.com](http://www.mcconnel.com)