

Publication 625  
November 2009  
Part No. 22674.25  
Revision: 22.11.22

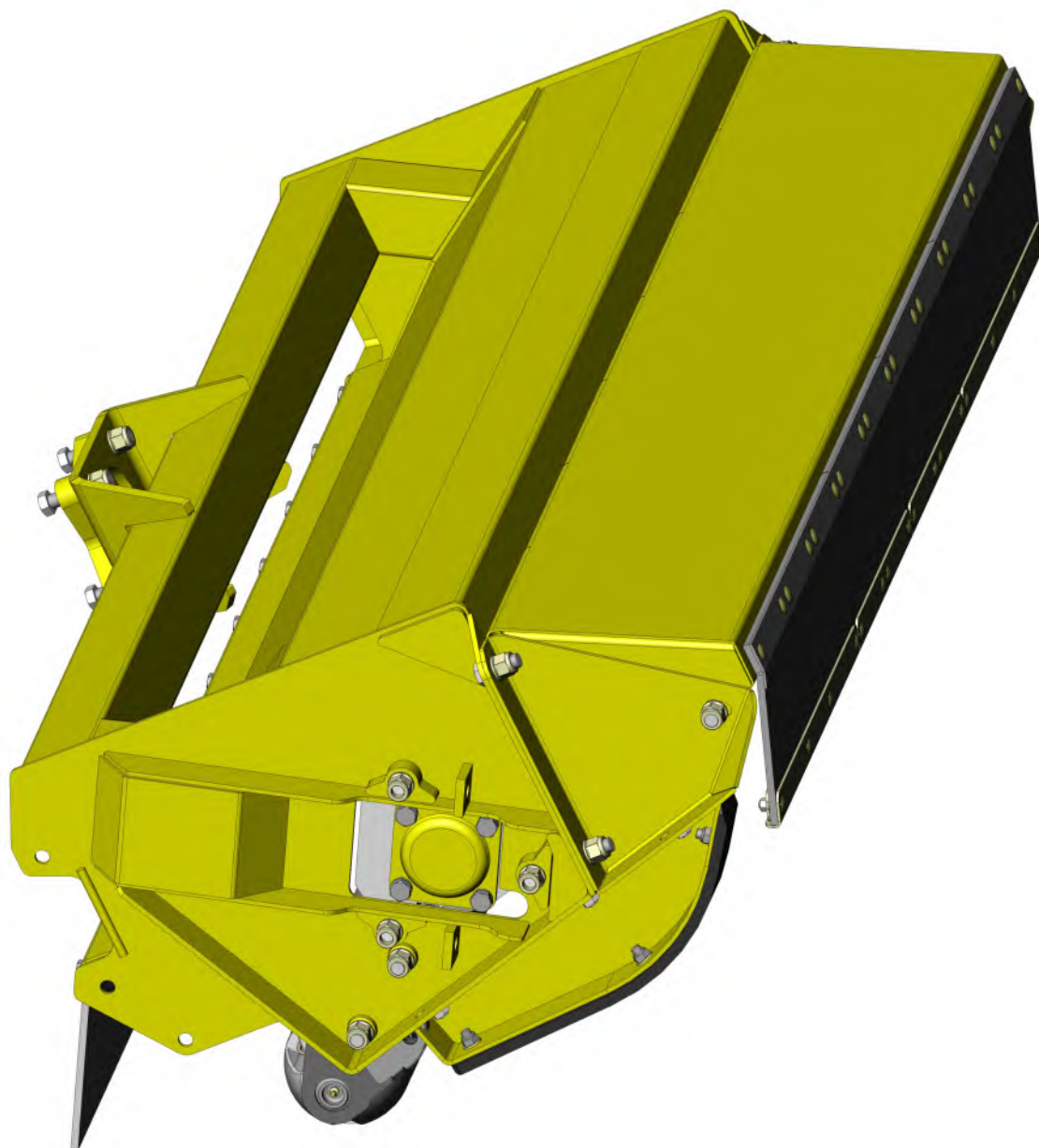


# 1.5M MULTICUT / TUFFCUT FLAILHEAD

65HP/70HP/85HP QUAD DRIVE ROTOR  
STANDARD & HYDRAULIC ROLLERS

Operator & Parts Manual

Flailheads: 7377775, 7377776, 7377866, 7377867, 7377868, 7377833 & Variants



# IMPORTANT

## VERIFICATION OF WARRANTY REGISTRATION



### Dealer Warranty Information & Registration Verification

It is imperative that the selling dealer registers this machine with McConnel Limited before delivery to the end user – failure to do so may affect the validity of the machine warranty.

To register machines; log onto <https://my.mcconnel.com> and select 'Machine Registration' which can be found in the 'Warranty' section of the site. **Confirm to the customer that the machine has been registered by completing the verification form below.**

<b>Registration Verification</b>	Serial No. <input type="text"/>
Dealer Name: .....	
Dealer Address: .....	
Customer Name: .....	
Date of Warranty Registration: ...../...../..... Dealer Signature: .....	

### Note to Customer / Owner

Please ensure the section above has been completed and signed by the dealer to verify your machine has been registered with McConnel Limited.

**IMPORTANT:** During the initial 'bedding in' period of a new machine it is the customer's responsibility to regularly inspect all nuts, bolts and hose connections for tightness and re-tighten if required. New hydraulic connections occasionally weep small amounts of oil as the seals and joints settle in – where this occurs it can be cured by re-tightening the connection – *refer to torque settings chart below*. The tasks stated above should be performed on an hourly basis during the first day of work and at least daily thereafter as part of the machine's general maintenance procedure.

CAUTION: DO NOT OVER TORQUE HYDRAULIC FITTINGS AND HOSES

### Torque Settings for Hydraulic Fittings

Hydraulic Hose Ends		
BSP	Setting	Metric
1/4"	18 Nm	19 mm
3/8"	31 Nm	22 mm
1/2"	49 Nm	27 mm
5/8"	60 Nm	30 mm
3/4"	80 Nm	32 mm
1"	125 Nm	41 mm
1.1/4"	190 Nm	50 mm
1.1/2"	250 Nm	55 mm
2"	420 Nm	70 mm

Port Adaptors with Bonded Seals		
BSP	Setting	Metric
1/4"	34 Nm	19 mm
3/8"	47 Nm	22 mm
1/2"	102 Nm	27 mm
5/8"	122 Nm	30 mm
3/4"	149 Nm	32 mm
1"	203 Nm	41 mm
1.1/4"	305 Nm	50 mm
1.1/2"	305 Nm	55 mm
2"	400 Nm	70 mm



# WARRANTY POLICY

## WARRANTY REGISTRATION

All machines must be registered, by the selling dealer with McConnel Ltd, before delivery to the end user. On receipt of the goods it is the buyer's responsibility to check that the Verification of Warranty Registration in the Operator's Manual has been completed by the selling dealer.

### 1. LIMITED WARRANTIES

- 1.01. *All mounted machines supplied by McConnel Ltd are warranted to be free from defects in material and workmanship from the date of sale to the original purchaser for a period of 12 months, unless a different period is specified.*  
*All Self Propelled Machines supplied by McConnel Ltd are warranted to be free from defects in material and workmanship from the date of sale to the original purchaser for a period of 12 months or 1500 hours. Engine warranty will be specific to the Manufacturer of that unit.*
- 1.02. *All spare parts supplied by McConnel Ltd and purchased by the end user are warranted to be free from defects in material and workmanship from the date of sale to the original purchaser for a period of 6 months. All parts warranty claims must be supported by a copy of the failed part invoice to the end user. We cannot consider claims for which sales invoices are not available.*
- 1.03. *The warranty offered by McConnel Ltd is limited to the making good by repair or replacement for the purchaser any part or parts found, upon examination at its factory, to be defective under normal use and service due to defects in material or workmanship. Returned parts must be complete and unexamined. Pack the component(s) carefully so that any transit damage is avoided. All ports on hydraulic items should be drained of oil and securely plugged to prevent seepage and foreign body ingress. Certain other components, electrical items for example, may require particular care when packing to avoid damage in transit.*
- 1.04. *This warranty does not extend to any product from which McConnel Ltd's serial number plate has been removed or altered.*
- 1.05. *The warranty policy is valid for machines registered in line with the terms and conditions detailed and on the basis that the machines do not extend a period of 24 months or greater since their original purchase date, that is the original invoice date from McConnel Limited.*  
*Machines that are held in stock for more than 24 months cannot be registered for warranty.*
- 1.06. *This warranty does not apply to any part of the goods, which has been subjected to improper or abnormal use, negligence, alteration, modification, fitment of non-genuine parts, accident damage, or damage resulting from contact with overhead power lines, damage caused by foreign objects (e.g. stones, iron, material other than vegetation), failure due to lack of maintenance, use of incorrect oil or lubricants, contamination of the oil, or which has served its normal life. This warranty does not apply to any expendable items such as blades, belts, clutch linings, filter elements, flails, flap kits, skids, soil engaging parts, shields, guards, wear pads, pneumatic tyres or tracks.*
- 1.07. *Temporary repairs and consequential loss - i.e. oil, downtime and associated parts are specifically excluded from the warranty.*
- 1.08. *Warranty on hoses is limited to 12 months and does not include hoses which have suffered external damage. Only complete hoses may be returned under warranty, any which have been cut or repaired will be rejected.*
- 1.09. *Machines must be repaired immediately a problem arises. Continued use of the machine after a problem has occurred can result in further component failures, for which McConnel Ltd cannot be held liable, and may have safety implications.*
- 1.10. *If in exceptional circumstances a non McConnel Ltd part is used to effect a repair, warranty reimbursement will be at no more than McConnel Ltd's standard dealer cost for the genuine part.*

- 1.11. *Except as provided herein, no employee, agent, dealer or other person is authorised to give any warranties of any nature on behalf of McConnell Ltd.*
- 1.12. *For machine warranty periods in excess of 12 months the following additional exclusions shall apply:*
  - 1.12.1. *Hoses, exposed pipes and hydraulic tank breathers.*
  - 1.12.2. *Filters.*
  - 1.12.3. *Rubber mountings.*
  - 1.12.4. *External electric wiring.*
  - 1.12.5. *Bearings and seals*
  - 1.12.6. *External Cables, Linkages*
  - 1.12.7. *Loose/Corroded Connections, Light Units, LED's*
  - 1.12.8. *Comfort items such as Operator Seat, Ventilation, Audio Equipment*
- 1.13. *All service work, particularly filter changes, must be carried out in accordance with the manufacturer's service schedule. Failure to comply will invalidate the warranty. In the event of a claim, proof of the service work being carried out may be required.*
- 1.14. *Repeat or additional repairs resulting from incorrect diagnosis or poor quality previous repair work are excluded from warranty.*

***NB Warranty cover will be invalid if any non-genuine parts have been fitted or used. Use of non-genuine parts may seriously affect the machine's performance and safety. McConnell Ltd cannot be held responsible for any failures or safety implications that arise due to the use of non-genuine parts.***

## **2. REMEDIES AND PROCEDURES**

- 2.01. *The warranty is not effective unless the Selling Dealer registers the machine, via the McConnell web site and confirms the registration to the purchaser by completing the confirmation form in the operator's manual.*
- 2.02. *Any fault must be reported to an authorised McConnell Ltd dealer as soon as it occurs. Continued use of a machine, after a fault has occurred, can result in further component failure for which McConnell Ltd cannot be held liable.*
- 2.03. *Repairs should be undertaken within two days of the failure. Claims submitted for repairs undertaken more than 2 weeks after a failure has occurred, or 2 days after the parts were supplied will be rejected, unless the delay has been authorised by McConnell Ltd. Please note that failure by the customer to release the machine for repair will not be accepted as a reason for delay in repair or submitting warranty claims.*
- 2.04. *All claims must be submitted, by an authorised McConnell Ltd Service Dealer, within 30 days of the date of repair.*
- 2.05. *Following examination of the claim and parts, McConnell Ltd will pay, at their discretion, for any valid claim the invoiced cost of any parts supplied by McConnell Ltd and appropriate labour and mileage allowances if applicable.*
- 2.06. *The submission of a claim is not a guarantee of payment.*
- 2.07. *Any decision reached by McConnell Ltd. is final.*

## **3. LIMITATION OF LIABILITY**

- 3.01. *McConnell Ltd disclaims any express (except as set forth herein) and implied warranties with respect to the goods including, but not limited to, merchantability and fitness for a particular purpose.*
- 3.02. *McConnell Ltd makes no warranty as to the design, capability, capacity or suitability for use of the goods.*
- 3.03. *Except as provided herein, McConnell Ltd shall have no liability or responsibility to the purchaser or any other person or entity with respect to any liability, loss, or damage caused or alleged to be caused directly or indirectly by the goods including, but not limited to, any indirect, special, consequential, or incidental damages resulting from the use or operation of the goods or any breach of this warranty. Notwithstanding the above limitations and warranties, the manufacturer's liability hereunder for damages incurred by the purchaser or others shall not exceed the price of the goods.*
- 3.04. *No action arising out of any claimed breach of this warranty or transactions under this warranty may be brought more than one (1) year after the cause of the action has occurred.*

#### **4. MISCELLANEOUS**

- 4.01. McConnel Ltd may waive compliance with any of the terms of this limited warranty, but no waiver of any terms shall be deemed to be a waiver of any other term.*
- 4.02. If any provision of this limited warranty shall violate any applicable law and is held to be unenforceable, then the invalidity of such provision shall not invalidate any other provisions herein.*
- 4.03. Applicable law may provide rights and benefits to the purchaser in addition to those provided herein.*

---

*McConnel Limited*





*For Safety and Performance...*

## **ALWAYS READ THE BOOK FIRST**

# **McCONEL LIMITED**

**Temeside Works  
Ludlow  
Shropshire  
England**

**Telephone: +44 (0)1584 873131  
www.mcconel.com**

---

### **- NOISE STATEMENT -**

The equivalent daily personal noise exposure from this machine measured at the operators' ear is within the range 78 – 85 dB, these figures apply to a normal distribution of use where the noise fluctuates between zero and maximum. The figures assume that the machine is fitted to a tractor with a 'quiet' cab with the windows closed in a generally open environment. We recommend that the windows are kept closed. With the cab rear window open the equivalent daily personal noise exposure will increase to a figure within the range 82 – 88 dB. At an equivalent daily noise exposure level of 85 – 90 dB ear protection is recommended and must always be used if any window is left open.



Operating, servicing and maintaining this equipment can expose you to chemicals including gasoline, diesel fuel, lubricants, petroleum products, engine exhaust, carbon monoxide, and phthalates, which are known to the State of California to cause cancer and birth defects or other reproductive harm. To minimize exposure, avoid breathing exhaust, do not idle the engine except as necessary, service your vehicle in a well-ventilated area and wear gloves or wash your hands frequently when servicing your vehicle. Battery posts, terminals and related accessories contain lead and lead compounds, chemicals known to the state of California to cause cancer, birth defects or other reproductive harm. For more information go to [www.P65Warnings.ca.gov](http://www.P65Warnings.ca.gov). This website, operated by California's Office of Environmental Health Hazard Assessment, provides information about these chemicals and how individuals may be exposed to them.



# CONTENTS

---

*Page No.*

## Operator Section

General Information	3
Safety Information	4
Safety Decals	8
Hydraulic Hood Shipping Fixings	9
Flail Head Attachment	10
Pre-Operational Checks	11
Roller Positions	12
Flailhead Arrangement – Grass & Verge Mowing	14
Flailhead Arrangement – Hedge Cutting	18
Hedgecutting Procedure	20
Flail Identification	21
Maintenance	22
Rotor Shaft Alignment	23

## Parts Section

Flailhead Assemblies	27
Casing Assemblies	29
Roller Assemblies	33
Rotor Assemblies	38
Quad Drive Assembly	42
Drive Modules	43
Hydraulic Roller Valve Kit	48
2 Function Head Mounted Valve Kit	50
Motor Cover Assemblies	52
Skid Kit Assembly	54
Front Flap Kit	55
Flailhead Decals	56



## GENERAL INFORMATION

Read this manual before fitting or operating the machine or accessory. Whenever any doubt exists contact your local dealer or the McConnell Service Department for assistance.

**Only use 'Genuine McConnell Parts' on McConnell machinery and equipment.**

DEFINITIONS: *The following definitions apply throughout this manual;*

### **⚠ DANGER**

**DANGER:** Alerts to a hazardous situation which will result in death or serious injury if not observed carefully.

### **⚠ WARNING**

**WARNING:** Alerts to a hazardous situation which could result in death or serious injury if not observed carefully.

### **⚠ CAUTION**

**CAUTION:** Alerts to a hazardous situation which could result in damage to the machine and/or equipment if not observed carefully.

### **NOTICE**

**NOTICE:** Specific or general information considered important or useful to emphasise.

**LEFT HAND (LH) & RIGHT HAND (RH):** *These terms are applicable to the machine when fitted to the tractor and viewed from the rear; these terms also apply to tractor references.*

### **SERIAL PLATE**

*All machines are equipped with a serial number plate containing important information relating to the machine including a unique serial number used for identification purposes.*

*Note: Images in this manual are provided for instruction and informational purposes only and may not show components in their entirety. In certain instances images may appear different to the actual machine; where this occurs the general procedure will be basically the same. E&OE.*

## MACHINE & DEALER INFORMATION

Record the serial number of your machine on this page and always quote it when ordering parts. Whenever information concerning the machine is requested remember to also state the make and model of tractor to which the machine is fitted.	
Machine Serial Number:	Installation Date:
Machine Model Details:	
Dealer Name & Branch:	
Dealer Address:	
Dealer Telephone No:	
Dealer Email Address:	



This machine has the potential to be extremely dangerous, in the wrong hands it can kill or maim. It is therefore imperative that both owner, and operator of this machine, read and understand the following section to ensure that they are fully aware of the dangers that do, or may exist, and their responsibilities surrounding the use and operation of the machine.

The operator of this machine is responsible not only for their own safety but equally for the safety of others who may come into the close proximity of the machine, as the owner you are responsible for both.

When the machine is not in use the cutting head should be lowered to rest on the ground. In the event of a fault being detected with the machine's operation it should be stopped immediately and not used again until the fault has been corrected by a qualified technician.

### **POTENTIAL SIGNIFICANT DANGERS ASSOCIATED WITH THE USE OF THIS MACHINE:**

- ▲ *Being hit by debris thrown by rotating components.*
- ▲ *Being hit by machine parts ejected through damage during use.*
- ▲ *Being caught on a rotating power take-off (PTO) shaft.*
- ▲ *Being caught in other moving parts i.e.: belts, pulleys and cutting heads.*
- ▲ *Electrocution from Overhead Power Lines (by contact with or 'flashover' from).*
- ▲ *Being hit by cutting heads or machine arms as they move.*
- ▲ *Becoming trapped between tractor and machine when hitching or unhitching.*
- ▲ *Tractor overbalancing when machine arm is extended.*
- ▲ *Injection of high-pressure oil from hydraulic hoses or couplings.*
- ▲ *Machine overbalancing when freestanding (out of use).*
- ▲ *Road traffic accidents due to collision or debris on the road.*
- ▲ *Burn risk from hot components.*

## **BEFORE USING THIS MACHINE YOU MUST:**

- ▲ *Ensure you read all sections of the operator handbook.*
- ▲ *Ensure the operator is, or has been, properly trained to use the machine.*
- ▲ *Ensure the operator has been issued with and reads the operator handbook.*
- ▲ *Ensure the operator understands and follows the instructions in operator handbook.*
- ▲ *Ensure the tractor front, rear and side(s) are fitted with metal mesh or polycarbonate guards of suitable size and strength to protect the operator against thrown debris or parts.*
- ▲ *Ensure tractor guards are fitted correctly, are undamaged and kept properly maintained.*
- ▲ *Ensure that all machine guards are in position, are undamaged, and are kept maintained in accordance with the manufacturer's recommendations.*
- ▲ *Ensure flails and their fixings are of a type recommended by the manufacturer, are securely attached and that none are missing or damaged.*
- ▲ *Ensure hydraulic pipes are carefully and correctly routed to avoid damage by chaffing, stretching or pinching and that they are held in place with the correct fittings.*
- ▲ *Always follow the manufacturer's instructions for attachment and removal of the machine from the tractor.*
- ▲ *Check that the machine fittings and couplings are in good condition.*
- ▲ *Ensure the tractor meets the minimum weight recommendations of the machine's manufacturer and that ballast is used as necessary.*
- ▲ *Always inspect the work area thoroughly before starting to note obstacles and remove wire, bottles, cans and other debris.*
- ▲ *Use clear suitably sized warning signs to alert others to the nature of the machine working within that area. Signs should be placed at both ends of the work site. (It is recommended that signs used are of a size and type specified by the Department of Transport and positioned in accordance with their, and the Local Highways Authority, guidelines).*
- ▲ *Ensure the operator is protected from noise. Ear defenders should be worn and tractor cab doors and windows must be kept closed. Machine controls should be routed through proprietary openings in the cab to enable all windows to be shut fully.*
- ▲ *Always work at a safe speed taking account of the conditions i.e.: terrain, highway proximity and obstacles around and above the machine. Extra special attention should be applied to Overhead Power Lines. Some of our machines are capable of reach in excess of 8 metres (26 feet) this means they have the potential to well exceed, by possibly 3 metres (9' 9"), the lowest legal minimum height of 5.2 metres from the ground for 11,000 and 33,000 volt power lines. It cannot be stressed enough the dangers that surround this capability, it is therefore vital that the operator is fully aware of the maximum height and reach of the machine, and that they are fully conversant with all aspects regarding the safe minimum distances that apply when working with machines in close proximity to Power Lines. (Further information on this subject can be obtained from the Health & Safety Executive or your Local Power Company).*

- ▲ *Always disengage the machine, kill the tractor engine, remove and pocket the key before dismounting for any reason.*
- ▲ *Always clear up all debris left at the work area, it may cause hazard to others.*
- ▲ *Always ensure when you remove your machine from the tractor that it is left in a safe and stable position using the stands and props provided and secured if necessary.*

## WHEN NOT TO USE THIS MACHINE:

- ▲ *Never attempt to use this machine if you have not been trained to do so.*
- ▲ *Never use a machine until you have read and understood the operator handbook, are familiar with it, and practiced the controls.*
- ▲ *Never use a machine that is poorly maintained.*
- ▲ *Never use a machine if guards are missing or damaged.*
- ▲ *Never use a machine on which the hydraulic system shows signs of wear or damage.*
- ▲ *Never fit, or use, a machine on a tractor that does not meet the manufacturer's minimum specification level.*
- ▲ *Never use a machine fitted to a tractor that does not have suitable front, rear and side(s) cab guarding made of metal mesh or polycarbonate.*
- ▲ *Never use the machine if the tractor cab guarding is damaged, deteriorating or badly fitted.*
- ▲ *Never turn a machine cutting head to an angle that causes debris to be ejected towards the cab.*
- ▲ *Never start or continue to work a machine if people are nearby or approaching - Stop and wait until they are at a safe distance before continuing. WARNING: Some Cutting Heads may continue to 'freewheel' for up to 40 seconds after being stopped.*
- ▲ *Never attempt to use a machine on materials in excess of its capability.*
- ▲ *Never use a machine to perform a task it has not been designed to do.*
- ▲ *Never operate the tractor or machine controls from any position other than from the driving seat, especially whilst hitching or unhitching the machine.*
- ▲ *Never carry out maintenance of a machine or a tractor whilst the engine is running – the engine should be switched off, the key removed and pocketed.*
- ▲ *Never leave a machine unattended in a raised position – it should be lowered to the ground in a safe position on a level firm site.*
- ▲ *Never leave a tractor with the key in or the engine running.*
- ▲ *Never carry out maintenance on any part or component of a machine that is raised unless that part or component has been properly substantially braced or supported.*
- ▲ *Never attempt to detect a hydraulic leak with your hand – use a piece of cardboard.*
- ▲ *Never allow children near to, or play on, a tractor or machine under any circumstances.*

## ADDITIONAL SAFETY ADVICE

### Training

Operators need to be competent and fully capable of operating this machine in a safe and efficient way prior to attempting to use it in any public place. We advise therefore that the prospective operator make use of relevant training courses available such as those run by the Agricultural Training Board, Agricultural Colleges, Dealers and McConnel.

### Working in Public Places

When working in public places such as roadsides, consideration should be paid to others in the vicinity. Stop the machine immediately when pedestrians, cyclists and horse riders etc. pass. Restart only when they are at a distance that causes no risk to their safety.

### Warning Signs

It is advisable that any working area be covered by suitable warning signs and statutory in public places. Signs should be highly visible and well placed in order to give clear advanced warning of the hazard. Contact the Department of Transport or your Local Highways Authority to obtain detailed information on this subject. The latter should be contacted prior to working on the public highway advising them of the time and location of the intended work asking what is required by way of signs and procedure. – *‘Non-authorized placement of road signs may create offences under the Highways Act’.*

### Suggested Warning Signs Required

*“Road works ahead” warning sign with a supplementary “Hedge cutting” plate. “For 1 mile” or appropriate shorter distance may be added to the plate.*

*“Road narrows” warning sign with supplementary “Single file traffic” plate.*

*White on blue “Keep right” (\*) arrow sign on rear of machine.*

*\* Note – this applies to UK Market machines where traffic passes to the right of a machine working in the same direction as the traffic flow. The direction, use and colour of the arrow sign will depend on the country of use and the Local Highway Authorities regulations in the locality.*

### Use of Warning Signs

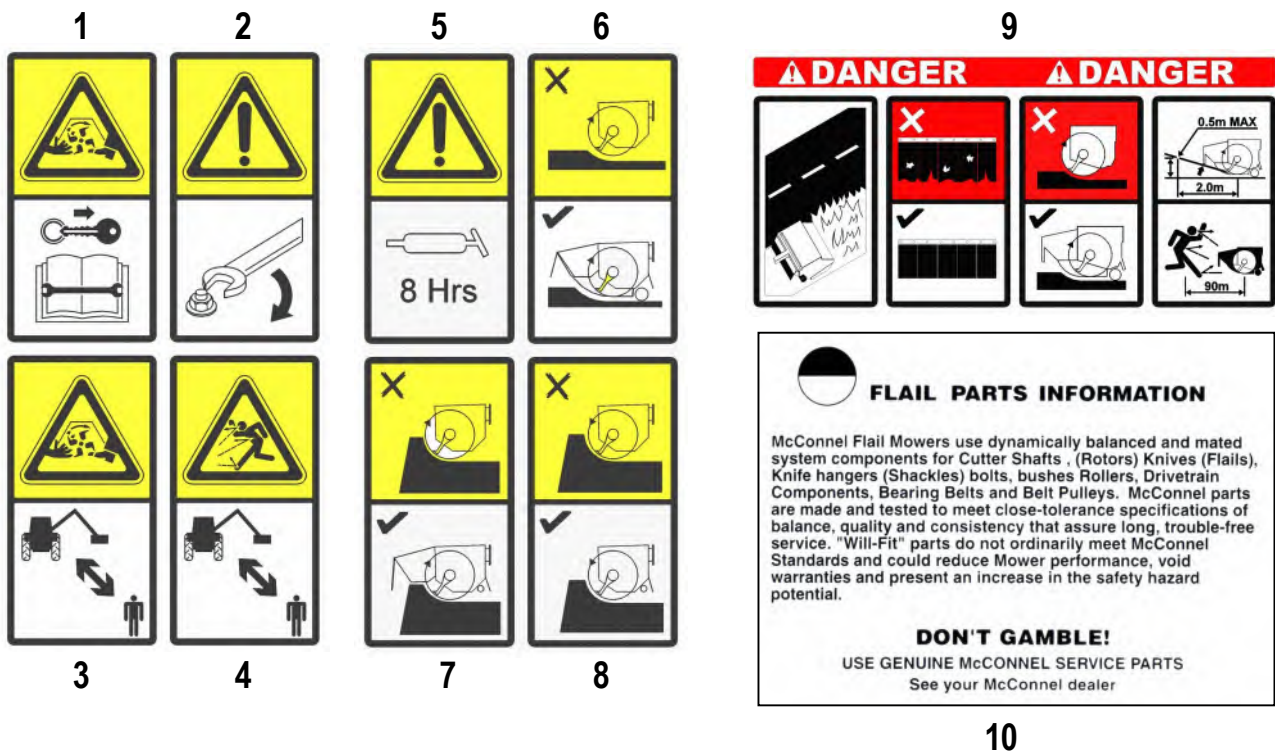
- ▲ *On two-way roads one set of signs is needed facing traffic in each direction.*
- ▲ *Work should be within 1 mile of the signs.*
- ▲ *Work only when visibility is good and at times of low risk e.g.: NOT during ‘rush-hour’.*
- ▲ *Vehicles should have an amber-flashing beacon.*
- ▲ *Ideally, vehicles should be conspicuously coloured.*
- ▲ *Debris should be removed from the road and path as soon as practicable, and at regular intervals, wearing high visibility clothing and before removing the hazard warning signs.*
- ▲ *Collect all road signs promptly when the job is completed.*

---

Although the information given here covers a wide range of safety subjects, it is impossible to predict every eventuality that can occur under differing circumstances whilst operating this machine. No advice given here can replace ‘good common sense’ and ‘total awareness’ at all times, but will go a long way towards the safe use of your McConnel machine.

---

## SAFETY & INFORMATION DECALS



1. **Caution!** Rotating blades; keep clear of machine, stop machine (wait for rotor to stop), remove starting and read the book first before performing any service or maintenance.
2. **Caution!** Ensure all nuts and bolts are kept tight at all times.
3. **Caution!** Rotating components; keep clear of the working machine at all times.
4. **Caution!** Thrown objects risk; keep all persons at a safe distance from the working machine at all times.
5. **Caution!** Lubricate greasing points on a daily basis prior to work.
6. **Caution!** Grass/Verge Mowing; front hood, front flap, rear roller and rear flap must be fitted and correctly adjusted when using the machine for grass and verge mowing. Flaps must be in good condition.
7. **Caution!** Hedging (Uphill cutting); front hood, front flap and rear flap must always be fitted and correctly adjusted. Rear roller should be placed into the raised position. Flaps must be in good condition.
8. **Caution!** Hedging (Downhill cutting); front hood may be removed, rear flap must be fitted and rear roller placed into the raised position. Flap must be in good condition.
9. **Danger!** Verge Mowing; front hood, front flaps, rear roller and rear flaps must be fitted. Adjust front hood to the correct height position for verge mowing, front and rear flaps must be in good condition. *Refer to front hood height setting section for details.*
10. **Important!** Parts information; for safety and performance only use 'Genuine McConnel Service Parts'.

## IMPORTANT

Flail heads that feature hydraulically controlled front hood are shipped from the factory with security nuts and bolts installed on each side of the hood; this is to prevent the hood from moving when the hydraulic circuit is unpressurised.

### ⚠ WARNING

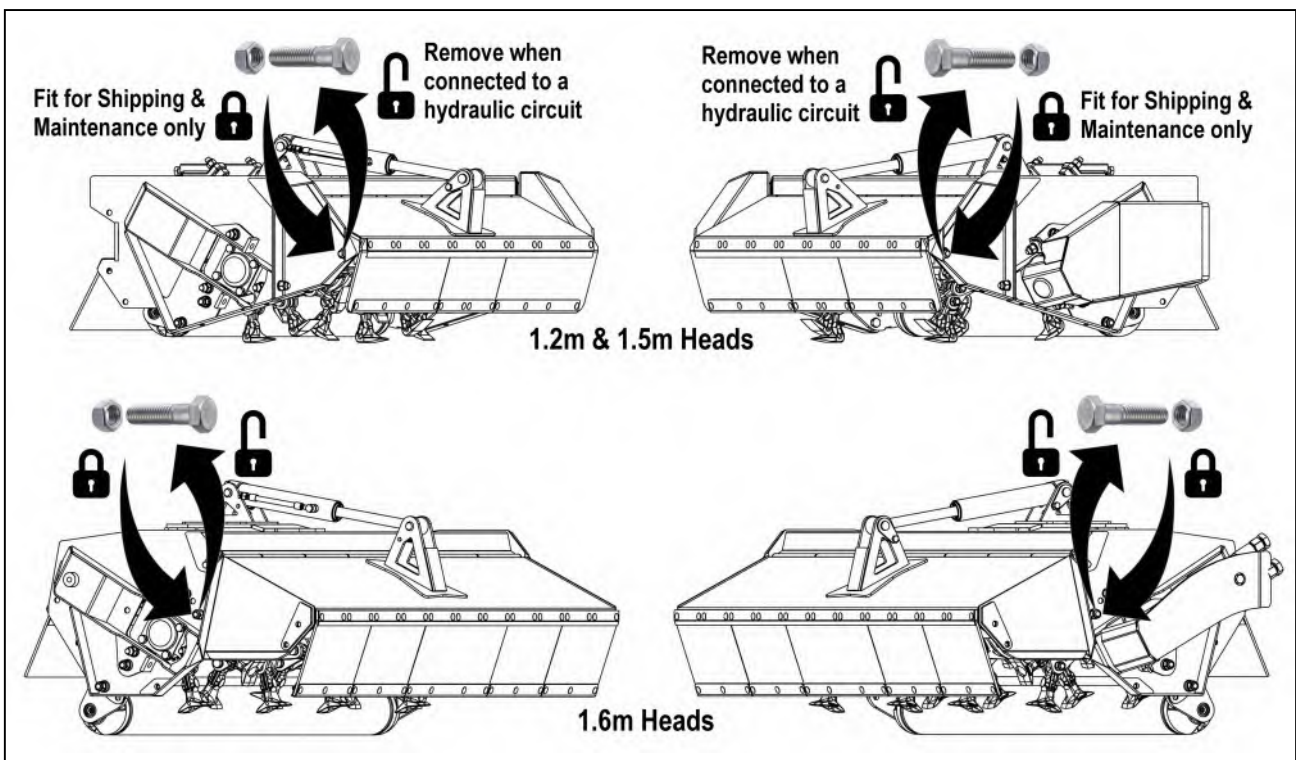
Hydraulic hood security nuts and bolts must only be removed when the head has been mounted on a machine and is connected to the machine's hydraulic circuit.

### ⚠ CAUTION

DO NOT attempt to operate the head with the shipping security fixings installed.

### Location of Shipping Security Fixings

The security nuts and bolts are installed on each side in the locations indicated below;



### Maintenance Safety

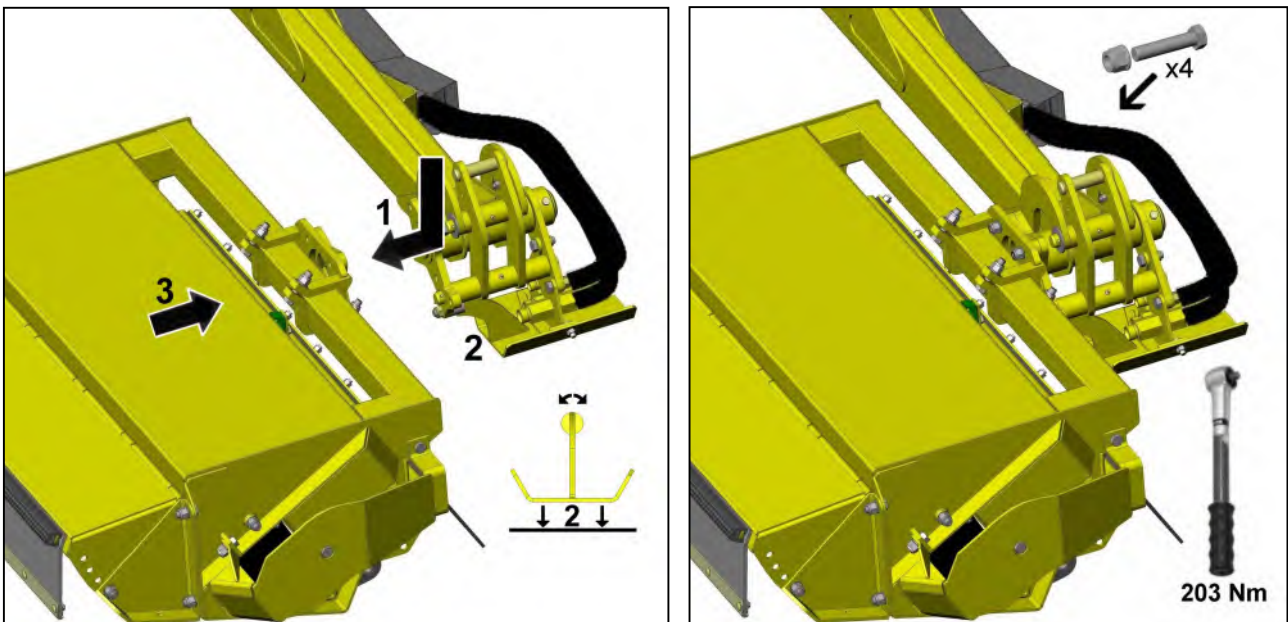
The security nuts and bolts should be retained and re-fitted prior to maintenance tasks that requires head removal and/or disconnection from the machine's hydraulic circuit.

## FLAIL HEAD ATTACHMENT

For ease of attachment and safety this procedure is best performed on a firm level site. With the tractor parked alongside the flail head operate the controls of the machine to position the pivot bracket of the machines head angling mechanism directly behind flail head with the base of the hose tray (or junction bracket) parallel to the ground. Manoeuvre the flail head backwards on its roller until the heads attachment bracket is adjacent to the machines pivot bracket. Fit the 4 attachment bolts through the brackets from the arm side - *if the holes are mis-aligned carefully operate the angling ram until the holes correspond.*

**WARNING:** Ensure all persons remain at a safe distance whilst operating the angling function as the geometry of the head angling mechanism produces several pinch risk areas.

With the attachment bolts correctly located through the brackets fit the self-locking nuts and tighten alternately until the brackets are drawn flush before finally tightening them to a torque setting of 203Nm (150ft.lbs).



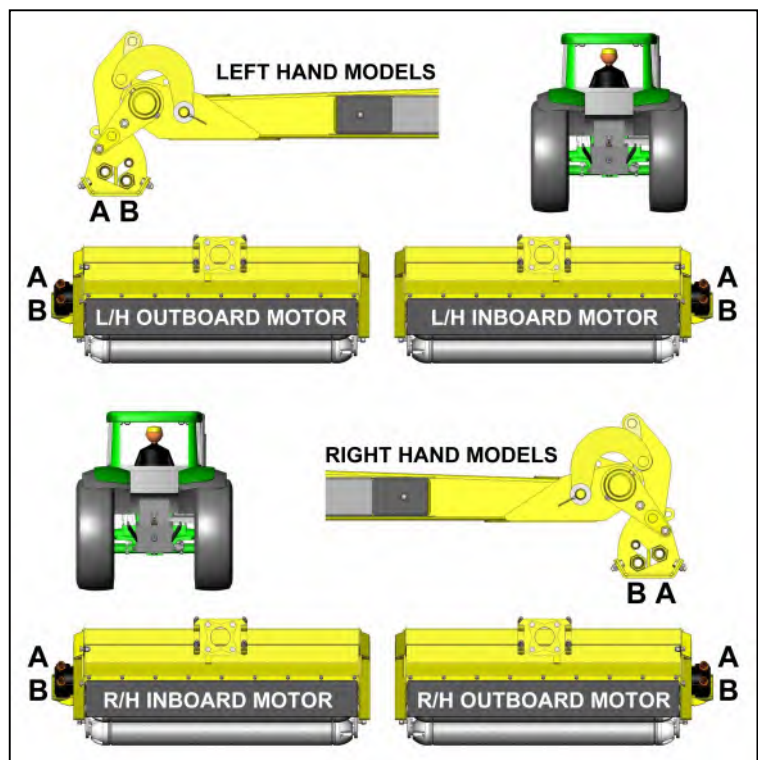
### Flail Head Hose Attachment

With flail head attached to machine the hydraulic hoses can now be connected; see diagrams opposite.

Upper port 'A' on the motor connects to junction bracket point 'A' on the arm and lower port 'B' on the motor connects to junction bracket point 'B' on the arm.

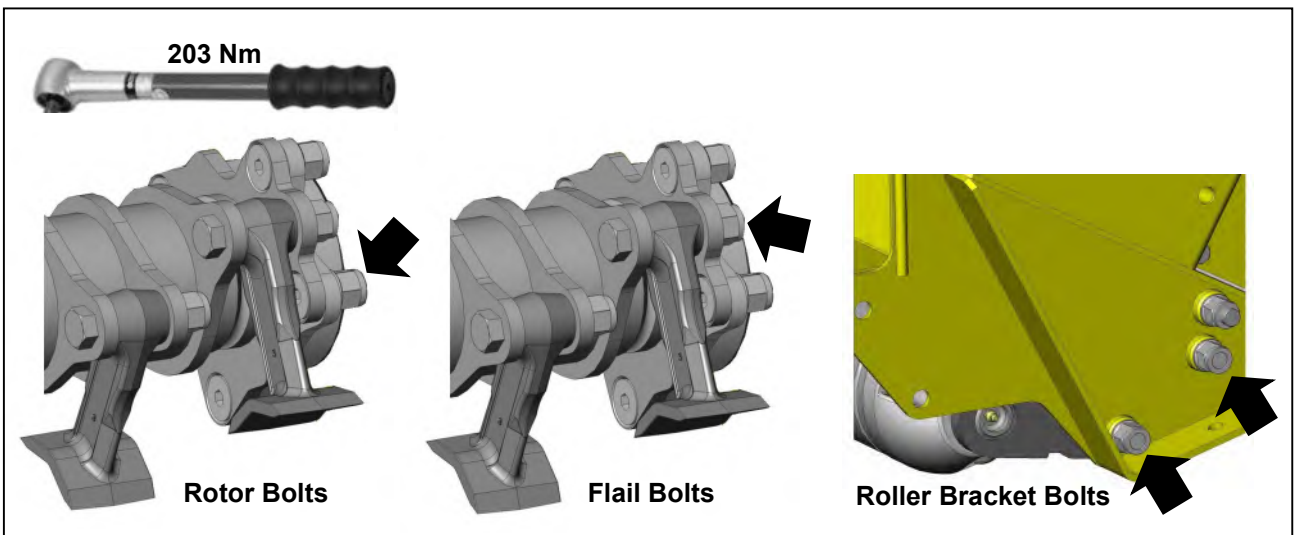
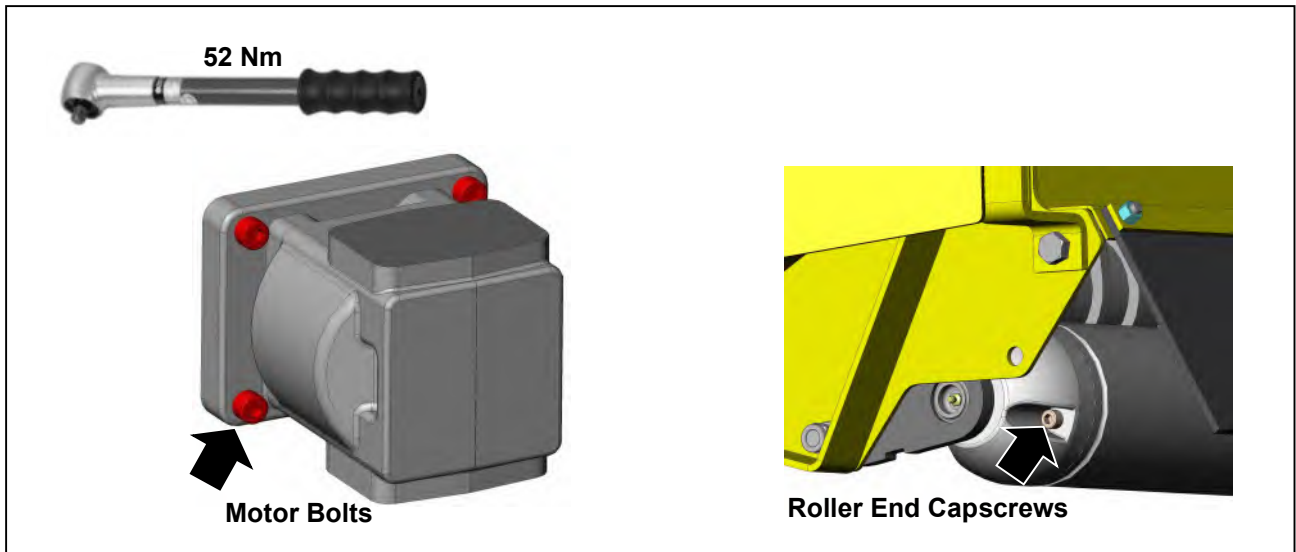
**Note:** If a hose tray is already fitted to the arm it will need to be removed to allow the hoses to be connected to the junction bracket; ensure the hose tray is replaced once the hoses have been connected.

**Heads with Hydraulic Front Hood**  
Remove the shipping safety fixings.



## PRE-OPERATIONAL CHECKS

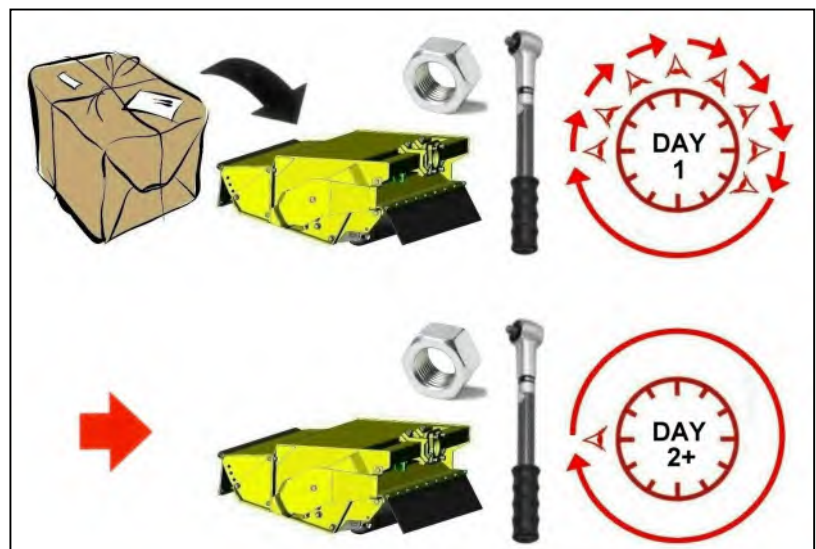
Check all bolts are tight and that the torque figures are correct for the specific locations indicated below:



### IMPORTANT

On the first day of use with a new flailhead, nuts should be checked for tightness every hour and retightened if required. Thereafter they should be checked on a daily basis prior to use of the machine.

Torque nuts to the settings stated above.

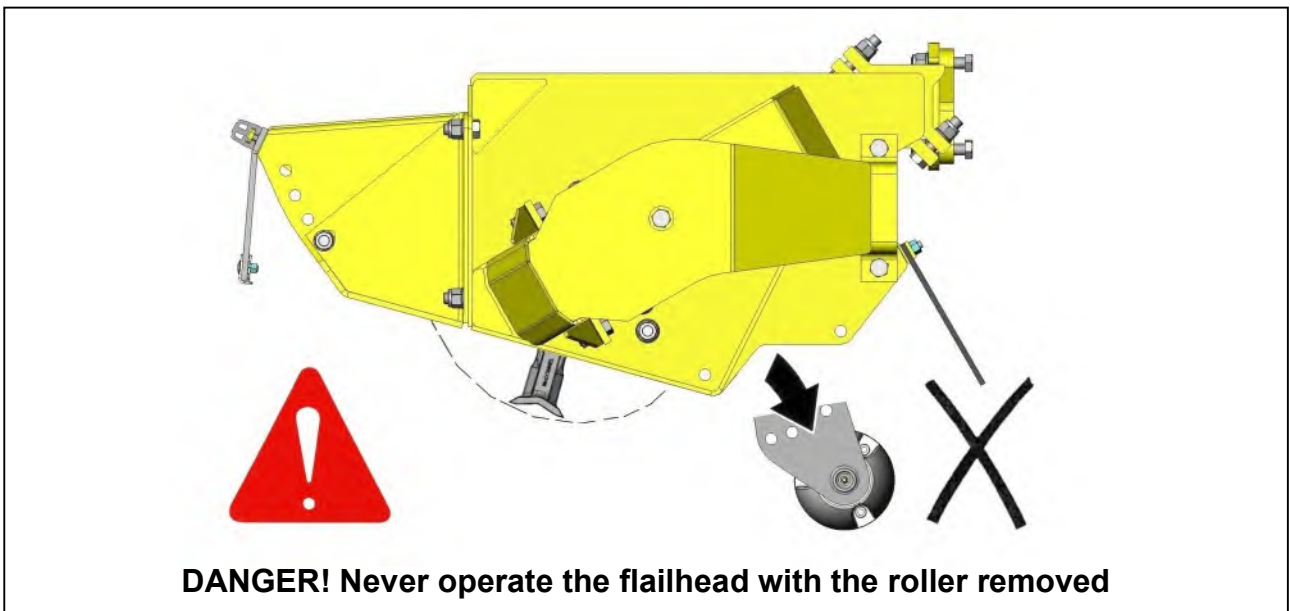


# OPERATION

## Material Thickness Limitations



## Flailhead Rear Roller



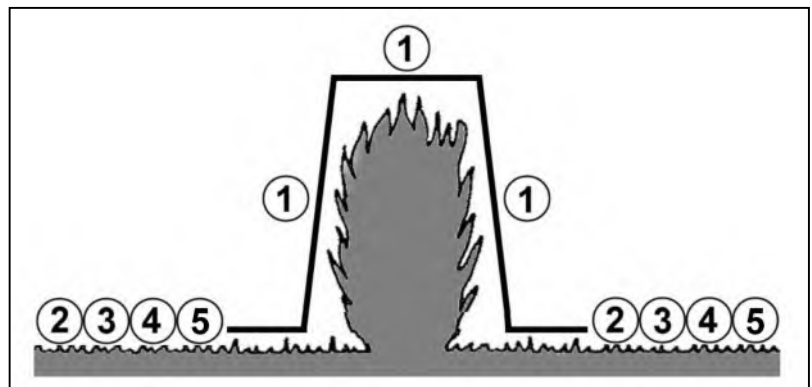
## Roller Positions

The opposing pairs of roller brackets have been designed so they can be fitted on either side of the flailhead to provide 10 differing roller heights – 5 height settings in the standard mode and 5 when 'swapped over' into the alternate mode. Each mode provides 1 height setting for hedge cutting work where the roller is set above the cut and 4 for grass mowing where the roller is set below the cut – refer to the diagrams on the following page for specific details of the height settings.

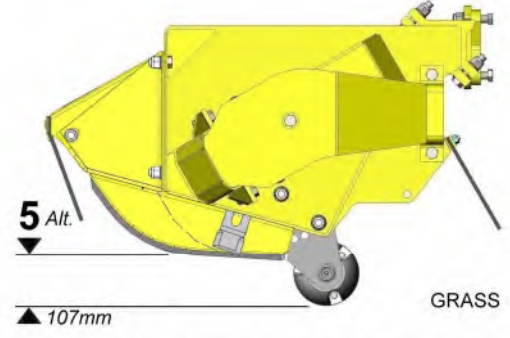
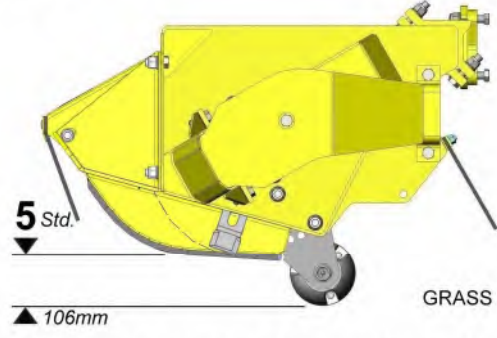
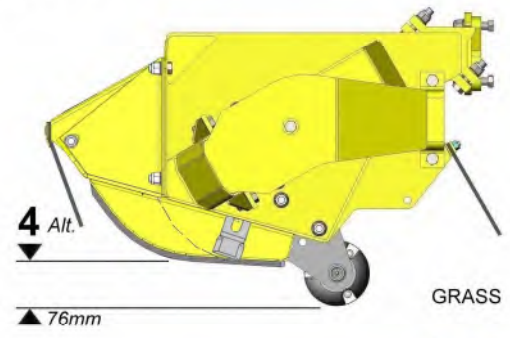
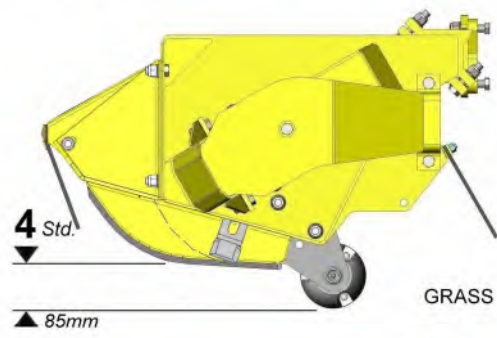
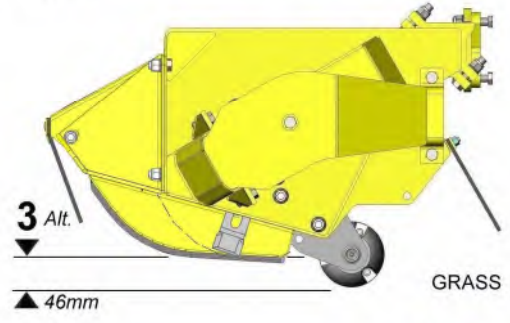
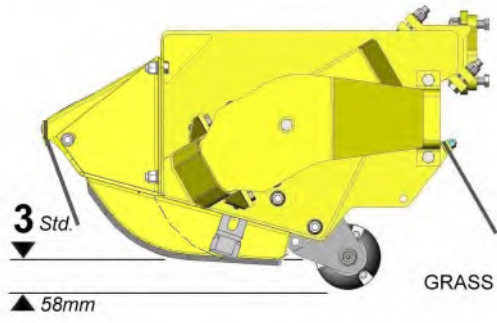
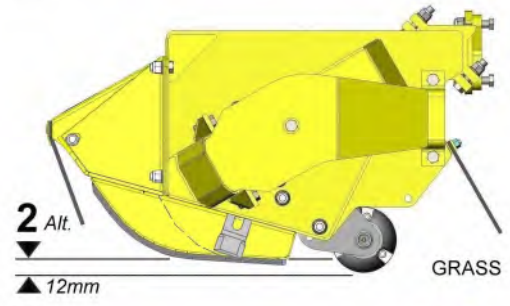
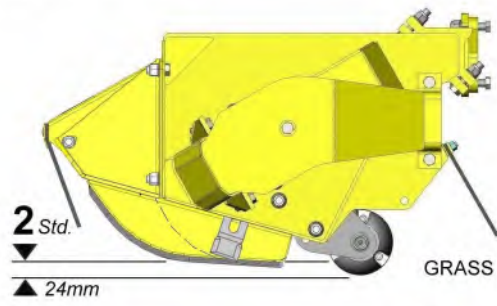
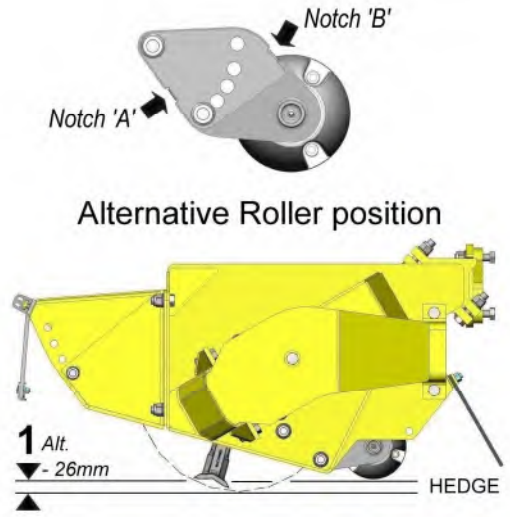
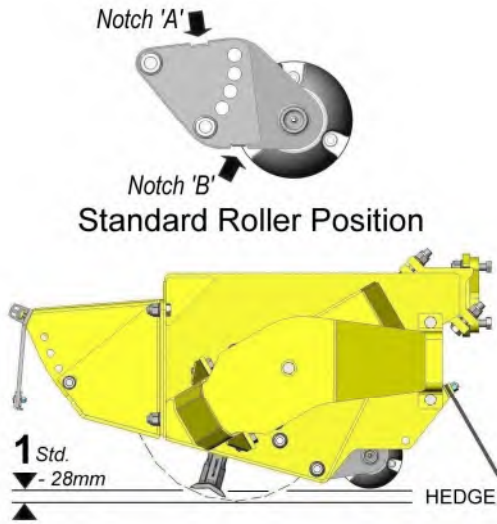
### WARNING!

Under no circumstances should the flail head be operated with the rear roller removed.

Use roller in position 1 for hedges and 2, 3, 4 or 5 for grass mowing ►



# Roller Positions – Standard & Alternate



Note: Generic images have been used for the sole purpose of illustrating the height position options for the rear roller.

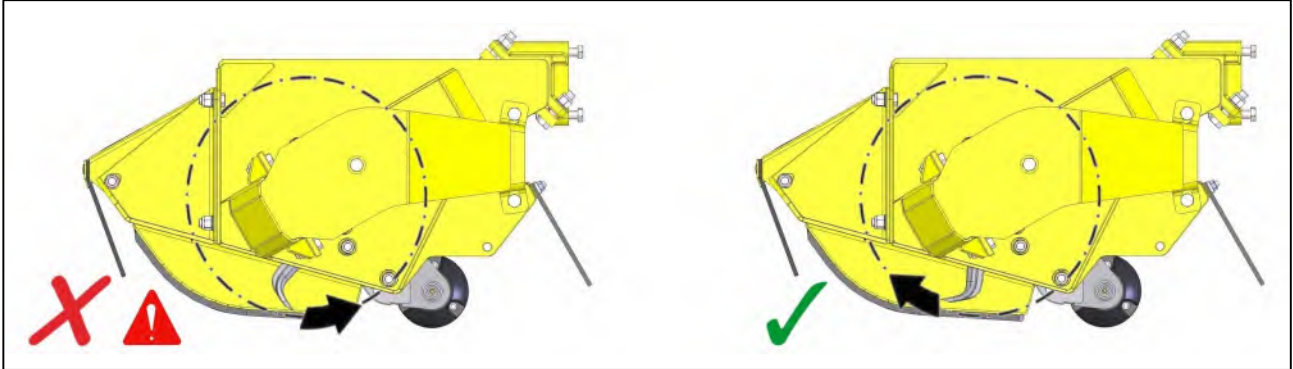
## FLAILHEAD ARRANGEMENT – GRASS & VERGE MOWING

### Roller Height

The roller position must always be set below the level of the skids, or rotor if skids are not fitted, i.e. in positions 2, 3, 4 or 5, - refer to roller positions on previous page.

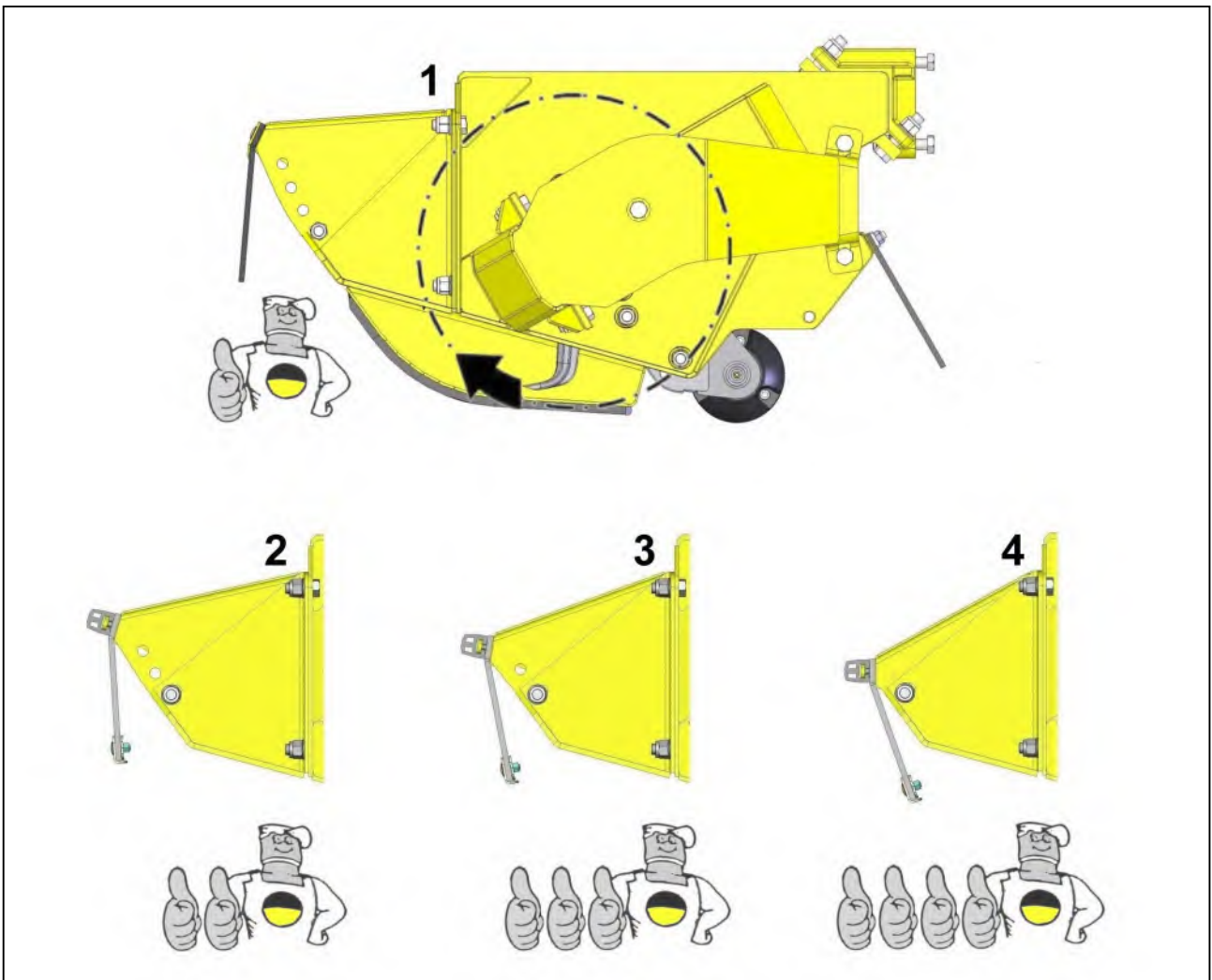
### Rotor Direction

When mowing the rotor must always cut with an upwards rotation.



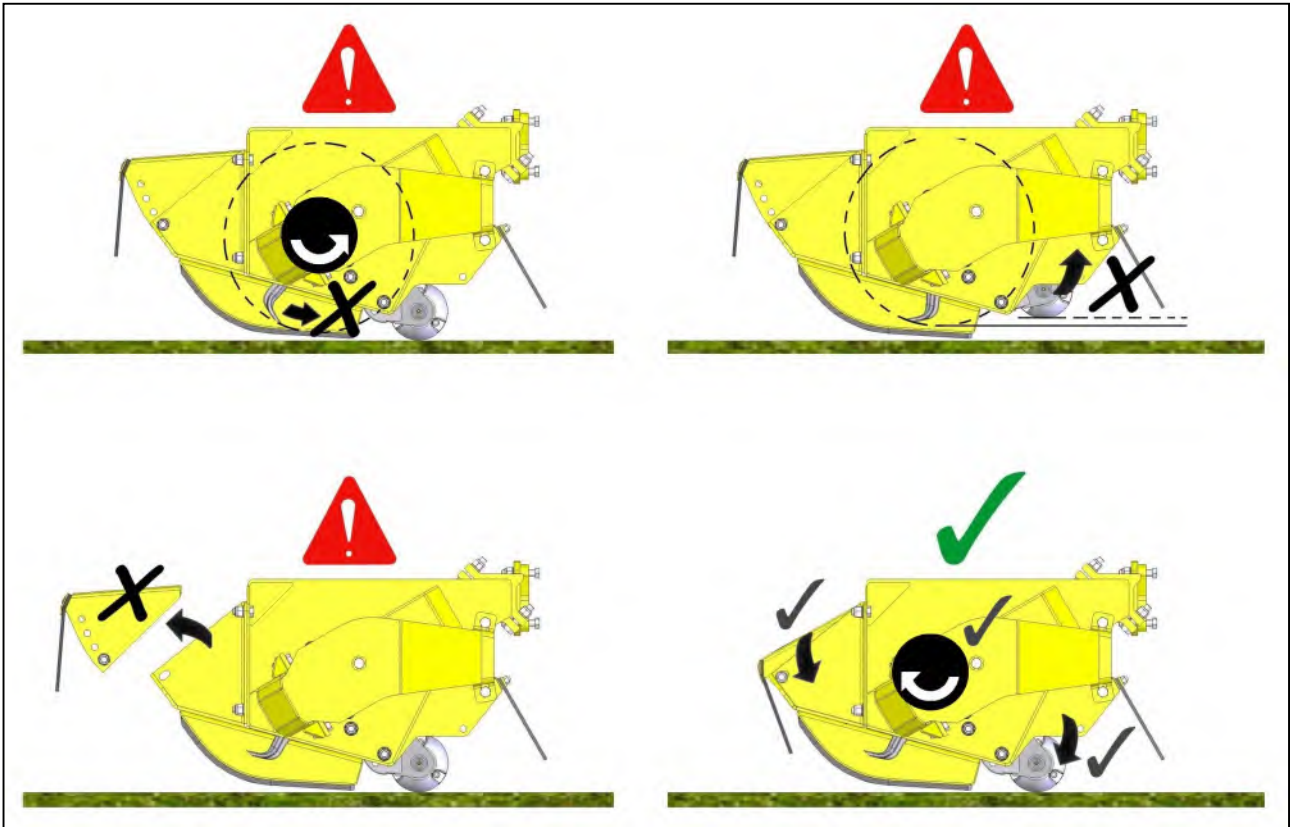
### Front Hood

The front hood has 4 adjustment positions for height – the lowest possible position which allows the material to be cut to enter the head should always be used.



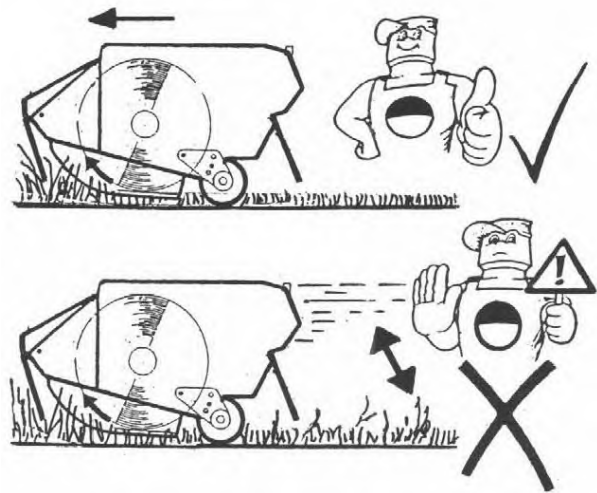
**CAUTION**

Before attempting grass mowing ensure the flail head is set up correctly.



**TRACTOR FORWARD SPEED**

The material being cut determines tractor forward speed. Forward speed can be as fast as that which allows the flail head sufficient time to cut the vegetation properly. Too fast a speed will be indicated by over frequent operation of the breakaway system, a fall off in tractor engine revs and a poor finish to the work leaving ragged uncut tufts and poorly mulched cuttings.



### Front Hood - Verge Mowing

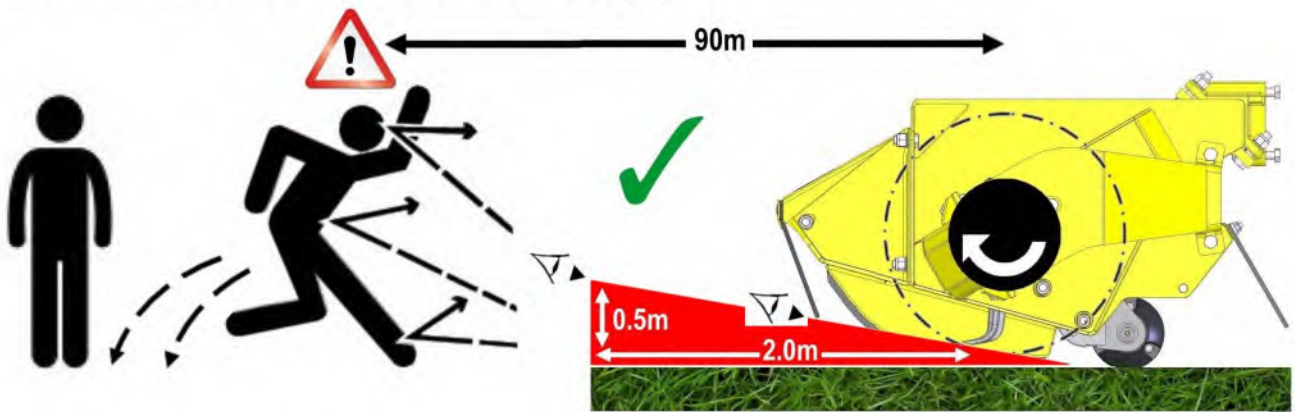
For verge mowing a front hood and front flap kit must be fitted and adjusted to a height that will minimise the distance materials and/or unspecified objects can be accidentally ejected. Skid kit, rear roller and rear flap must also be fitted for all mowing duties.

### Hood/Flap Height Setting

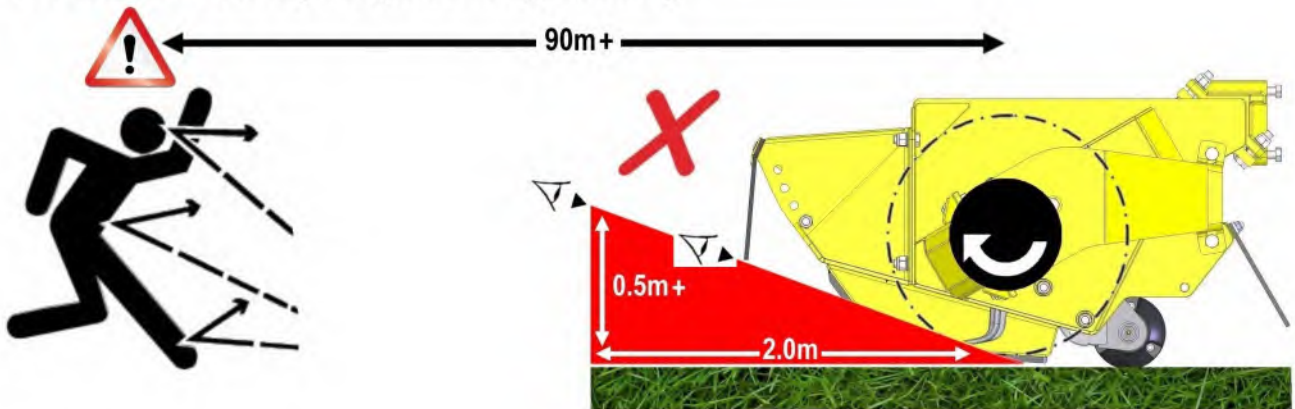
To reduce the distance that objects can be ejected from the machine during work, the front hood and flaps should be set at the lowest possible setting that will still allow the work materials to efficiently enter the head but should not be above the recommended maximum height.

The recommended maximum height is calculated as follows; at a forward distance of 2 metres from the flail/material contact point, the line of sight of the flail tips, *beneath the front flaps*, should not be visible above a height of 0.5m. Refer to illustrations below.

### Maximum Hood/Flap Height for Verge Mowing



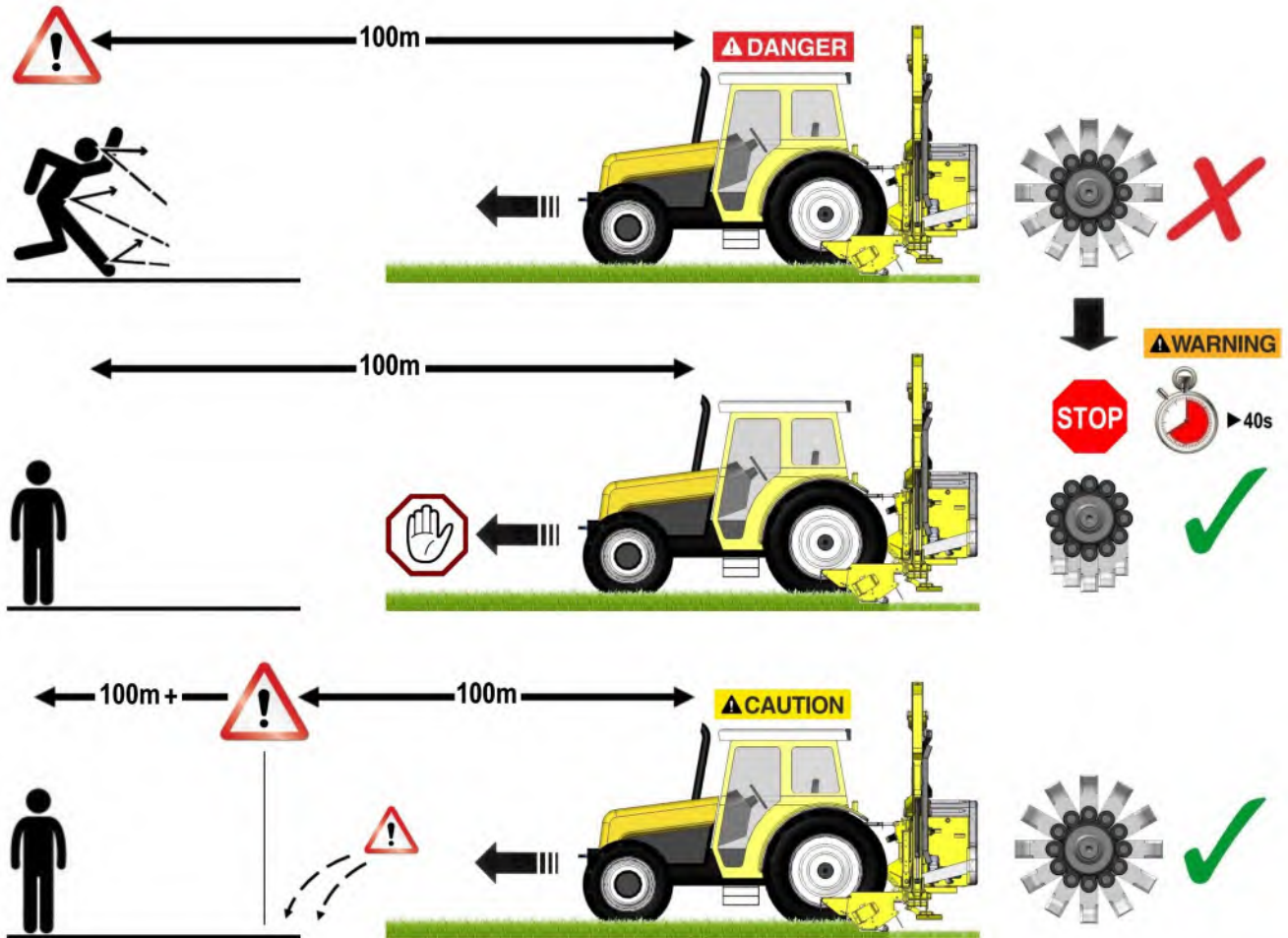
### Unsuitable Hood/Flap Height for Verge Mowing



Ensure all flaps are in good condition; excessively worn, damaged or missing flaps must be replaced immediately before use.

## Danger Zone – Verge Mowing / Mowing in Public Areas

For verge mowing and mowing duties in public places the front hood and flap must be positioned at the specified recommended height for verge mowing. If persons or animals come within 100m of the working machine, forward travel must be halted immediately and the rotor switched off; operations must not be resumed until they are clear of the danger zone. Caution must be adopted at all times when working in these types of areas as the operator's vision of the danger zone can be interrupted by corners and obstacles.



**⚠ DANGER**

Forward travel and rotor operation must be halted immediately when persons and/or animals are within 100m of the working machine.

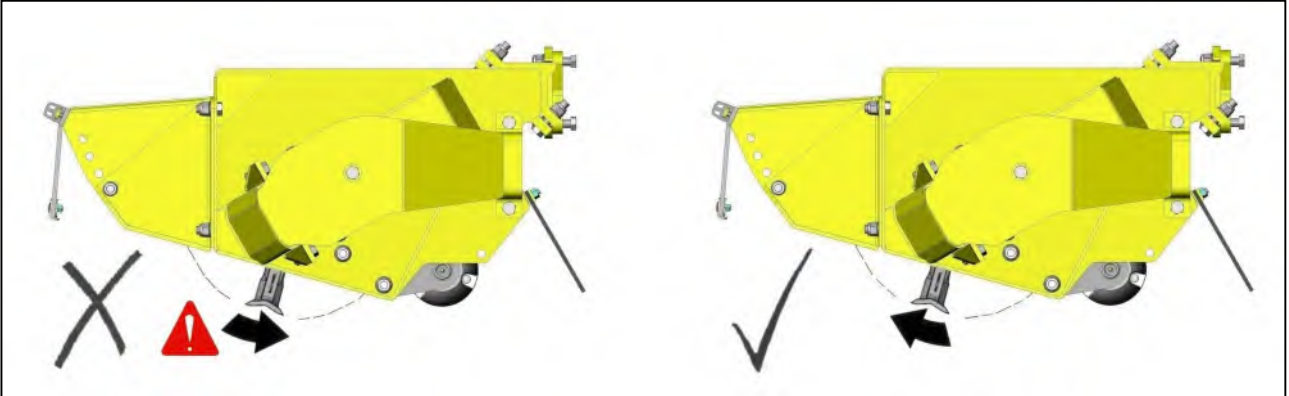
## FLAILHEAD ARRANGEMENT - HEDGE CUTTING (Standard Duty)

### Roller Height

The roller position must always be set above the level of the rotor in positions 1 - *refer to roller positions page*.

### Rotor Direction

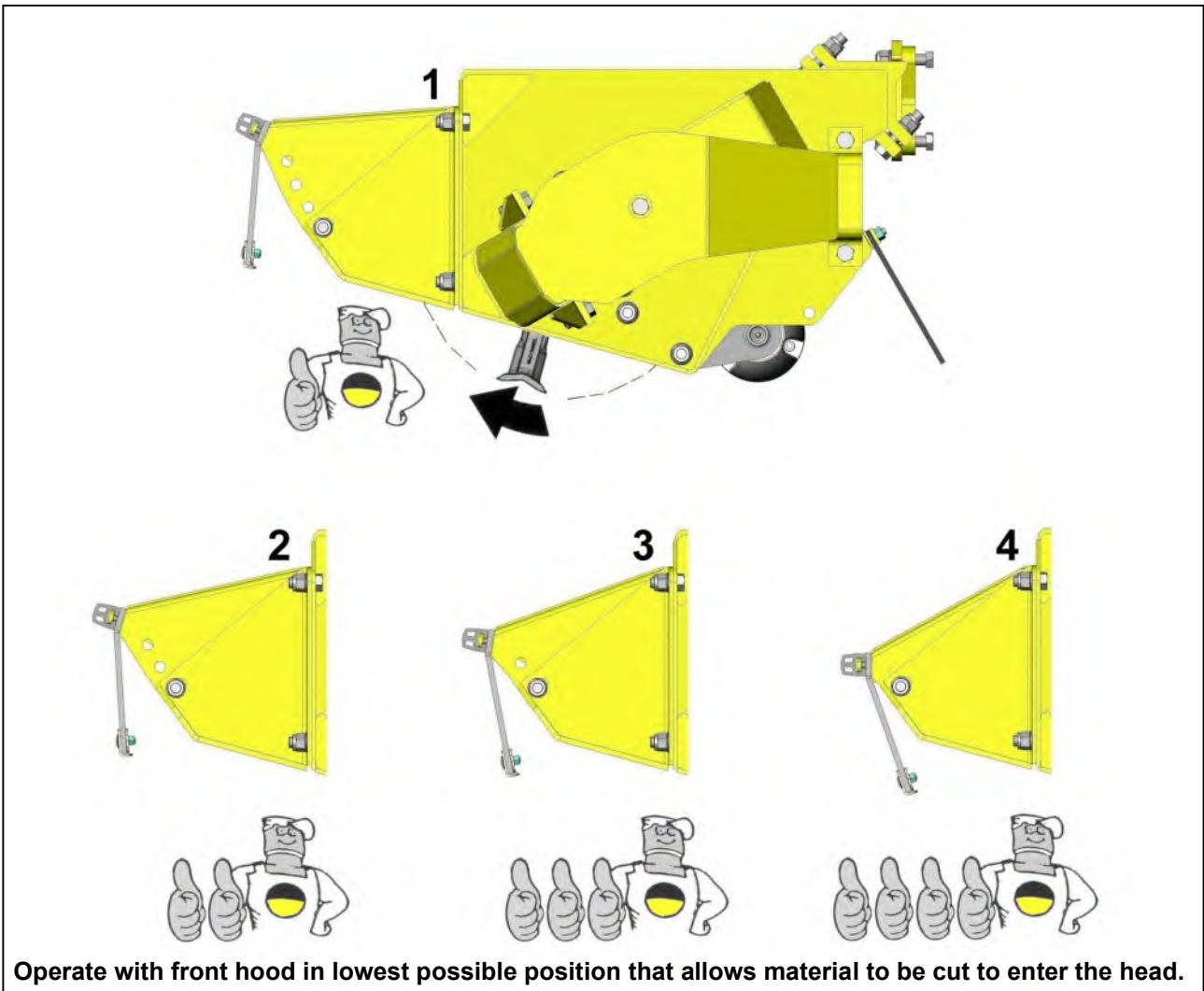
For the best finish the rotor should cut with an upwards rotation.



### Front Hood

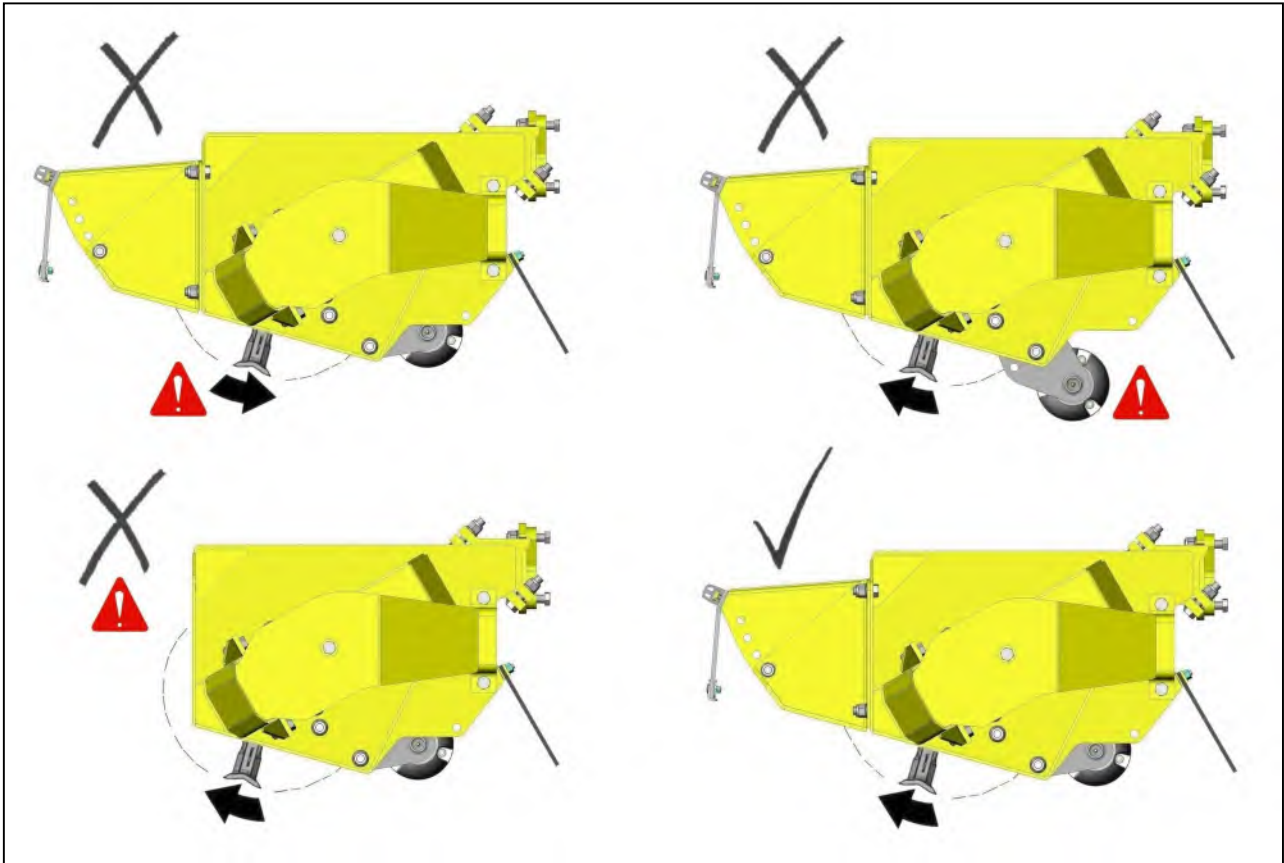
On universal heads the front rubber flaps, and skids if fitted, may be removed to aid the entry of the material to be cut into the flail head.

The front hood has 4 adjustment positions for height – the lowest possible position which allows the material to be cut to enter the head should always be used.



**CAUTION**

Before attempting hedge cutting ensure the flail head is set up correctly.



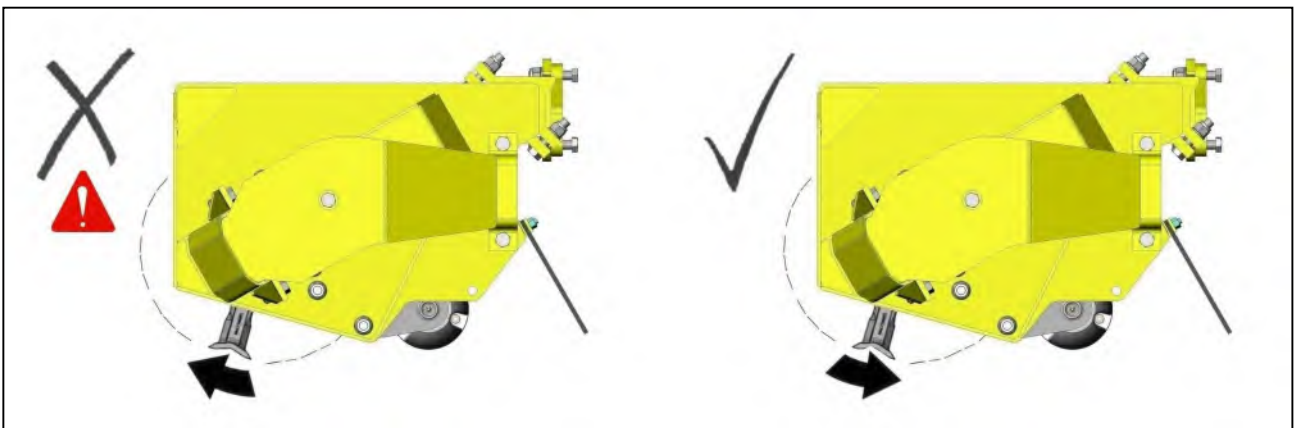
**FLAILHEAD ARRANGEMENT - HEDGE CUTTING (Heavy Duty)**

**Roller Height**

The roller position must always be set above the level of the rotor in positions 1 - refer to roller position page.

**Rotor Direction**

Where the size and density of material to be cut makes it necessary for the front hood and carrier plates to be removed to allow the rotor to cut, the rotor must always cut in a downwards rotation. It must be noted that this will result in a poorer finish to the work and will require more power than upward cutting.



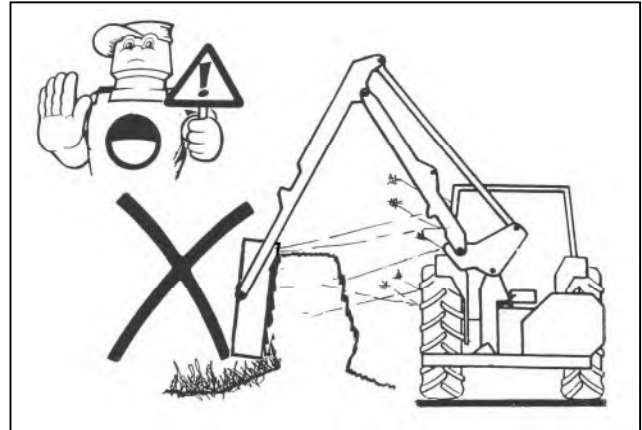
# HEDGE CUTTING PROCEDURE



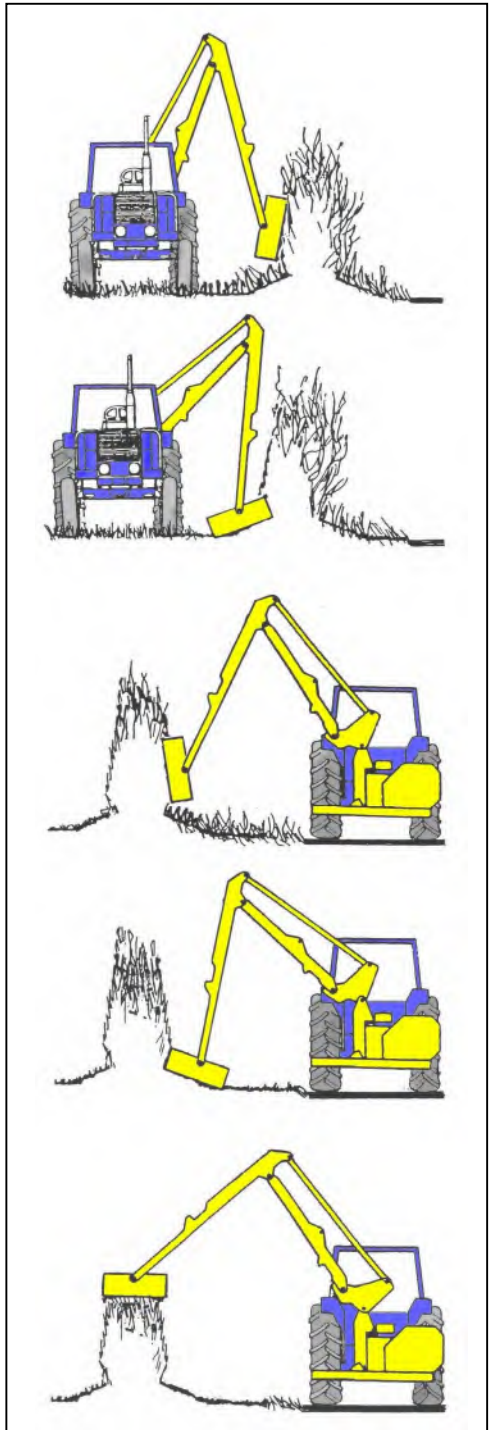
**WARNING**

**Never cut on the blind side of the hedge**

It is impossible to see potential hazards or dangers and the position of the flail head may allow debris to be propelled through the hedge towards the tractor and the operator.



Cut the side and bottom of the field side first. This leaves the maximum thickness of hedge on the road side to prevent the possibility of debris being thrown through the hedge into the path of oncoming vehicles.









Cut the side and bottom of the road side.

Top cut the hedge to the height required.

# FLAIL IDENTIFICATION

The Illustrations below show the various flails and fixings and their specific part numbers.

<p><b>F10 D.E. Cast Flail</b> (Part No. 7314366D)</p>	<p><b>F10 D.E. Forged Flail</b> (Part No. 41391.02)</p>
<p><b>HEDGE</b></p>	<p><b>HEDGE</b></p>
<p><b>FIXINGS</b></p>	
<p>← Bolt: 7314201 →          ← Bush: 7314223 →          ← Washer: 0100206 →          ← Locknut: 0141006 →</p>	
<p><b>F10 S.E. Cast Flail</b> (Part No. 7390276)</p>	<p><b>F16 D.E. Cast Flail</b> (Part No. 21904.02)</p>
<p><b>HEDGE</b></p>	<p><b>HEDGE</b></p>
<p><b>FIXINGS</b></p>	
<p>← Bolt: 7314201 →          ← Bush: 7314223 →          ← Washer: 0100206 →          ← Locknut: 0141006 →</p>	
<p><b>D.E. Omega Flail</b> (Part No. T1840572)</p>	<p><b>F14 D.E. Cast Flail</b> (Part No. 21904.05)</p>
<p><b>HEDGE</b></p>	<p><b>HEDGE</b></p>
<p><b>FIXINGS</b></p>	
<p>← Bolt: 7390006 →          Bolt: 7314201 →          ← Bush: 21215.02 →          Bush: 7314223 →          ← Washer: 0100206 →          ← Locknut: 0141006 →</p>	
<p><i>Omega Rotor use only</i></p>	
<p><b>F10 Grass Flail</b> (Part No. 7190315)</p>	<p><b>Forged Boot Flail</b> (Part No. 7190462)</p>
<p><b>GRASS</b></p>	<p><b>UNIVERSAL</b></p>
<p><b>FIXINGS</b></p>	
<p>← Bolt: 7314201 →          ← Bush: 21215.02 →          Bush: 7314223 →          ← Spacer: 7190010 →          Spacer: 7190172 →          Shackle: 7190175 →          ← Washer: 0100206 →          ← Locknut: 0141006 →</p>	
 <p>Bolt</p>	 <p>Washer</p>
 <p>Bush</p>	 <p>Spacer</p>
 <p>Shackle</p>	 <p>Locknut</p>

## MAINTENANCE

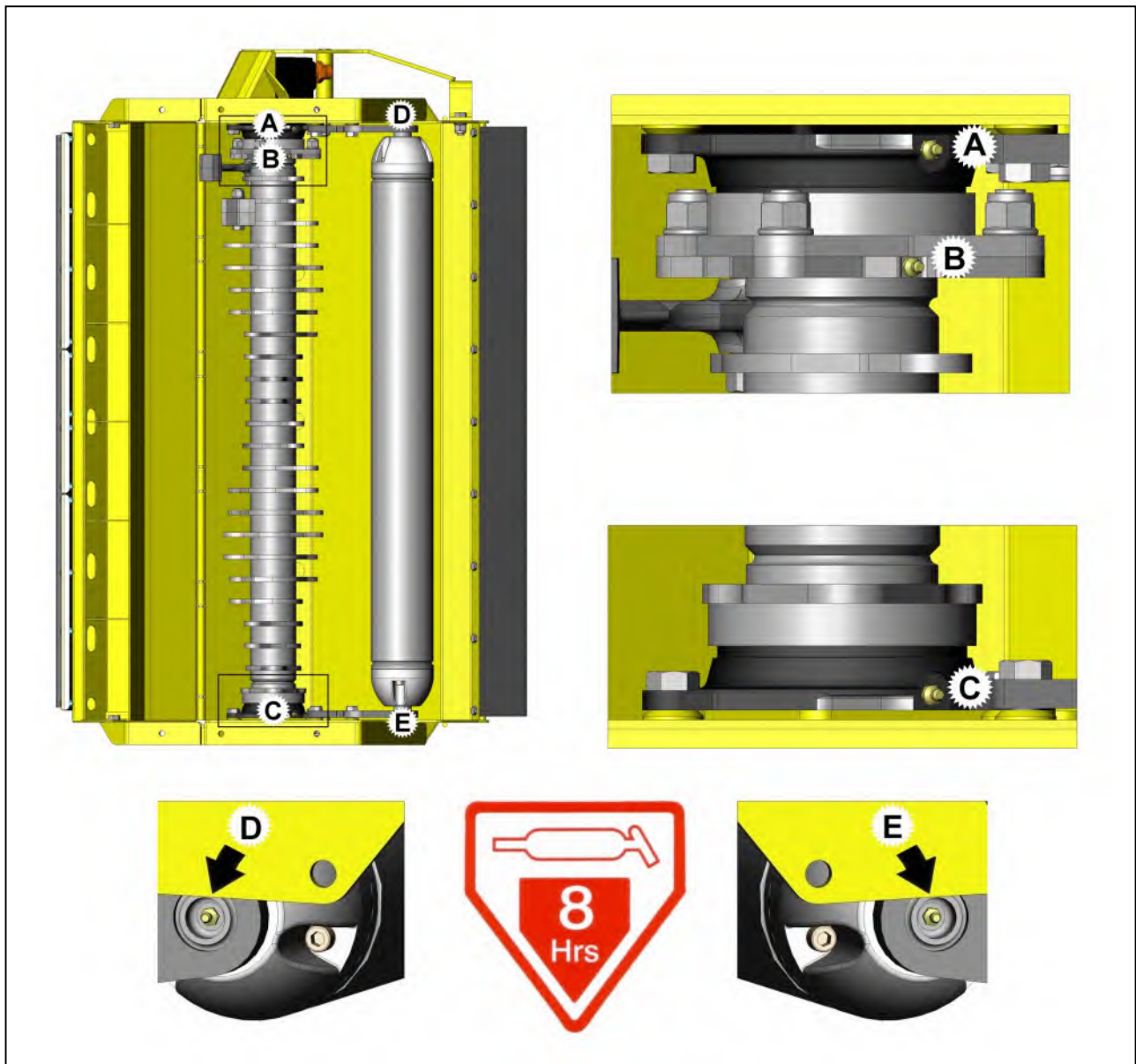
Frequently inspect the rotor assembly for damaged or missing flails – Never operate or attempt to run the rotor with flails missing, imbalance will cause severe vibration and can rapidly damage the rotor shaft bearings. As an emergency measure, if a flail is broken off or missing, removal of an opposing flail on the opposite side of the rotor will retain the balance. Replace the flails at the earliest possible opportunity and always replace in opposite pairs. Never match up a new flail with a sharpened or damaged flail as the latter will be lighter thus causing imbalance of the rotor.

Blunt flails absorb more power and leave an untidy finish to the work. They should be sharpened on a grindstone or with a portable grinder periodically. Always wear protective gear when sharpening flails.

Check on a regular basis, prior to operation that all bolts are tight and that torque figures are correct – refer to pre-operational check page details.

### Lubrication

Grease daily the points indicated in the illustration below.



## ROTOR SHAFT ALIGNMENT

---

Rotor shaft hub failure can usually be attributed to rotor misalignment caused by distortion of the flailhead due to the hood or casing receiving a violent blow against an obstruction during work or by dropping the flail head heavily to the ground. These actions should, wherever possible, be avoided.

**Where rotor alignment is incorrect or when refitting or replacing rotor components it is imperative that the following procedure for re-assembly is adhered to:**

Procedure for re-assembly is as follows:-

1. Press the new bearing fully into the housing and then press the complete assembly onto the rotor shaft until the bearing inner race is firmly against the rotor shoulder.
2. Support the head off the ground in a vertical position. Offer up the complete rotor shaft into the casing, and locate the lower mounting bolts. Tighten the nuts sufficiently to take out all movement and then check the hole alignment at the top end of the casing. If the mounting bolts will not readily fit into place, release the lower bolts and shim between the casing boss and bearing housing until the top holes are aligned.
3. Locate the three top mounting bolts and then tighten the three lower bolts and nuts completely – *torque to a setting of approximately 162Nm (120 ft-lb.)*.
4. Check for clearance between the top bearing housing and casing, and completely shim all gaps before tightening the three mounting bolts to the same torque as above. If there is not clearance between the housing and casing, the bosses will need to be 'ground off' in order to provide clearance for the adding of shims. *Failure to shim all gaps will tend to draw the bearing from the shaft when the bolts are tightened.*

### Note

Two sizes of shim are available from McConnel; these are:

Part No. 8121043 for 0.4mm (.015")

Part No. 8121044 for 0.6mm (.025")

Alternatively thin spacing washers .2 may be used. The welded bosses in the casing may be of varying depths - this is a jiggling requirement during manufacture of the head and should not be regarded as a fault.

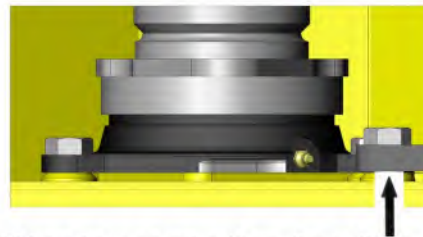
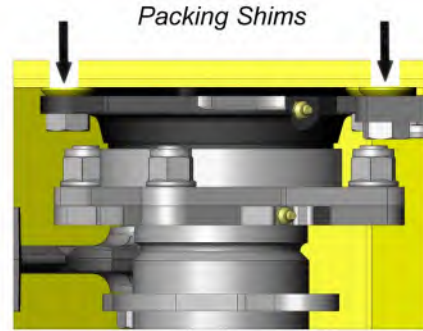
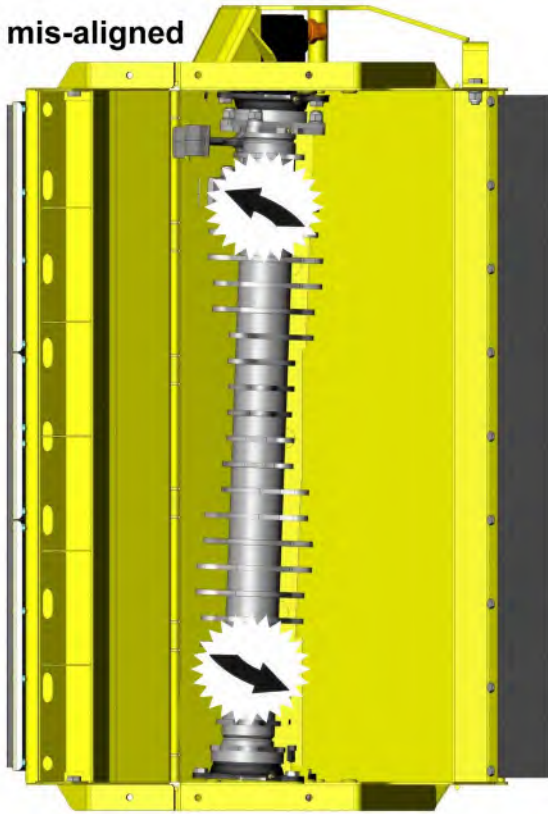
5. Finally, with the flail head horizontal, turn the rotor over by hand. There should be no binding or tight spots. Replace motor but do not bolt in place, when the rotor is rotated by hand the motor should not move. Movement up and down or side to side indicates a problem.

**Warning: Failure to correctly align the rotor shaft may result in the motor shaft breaking.**

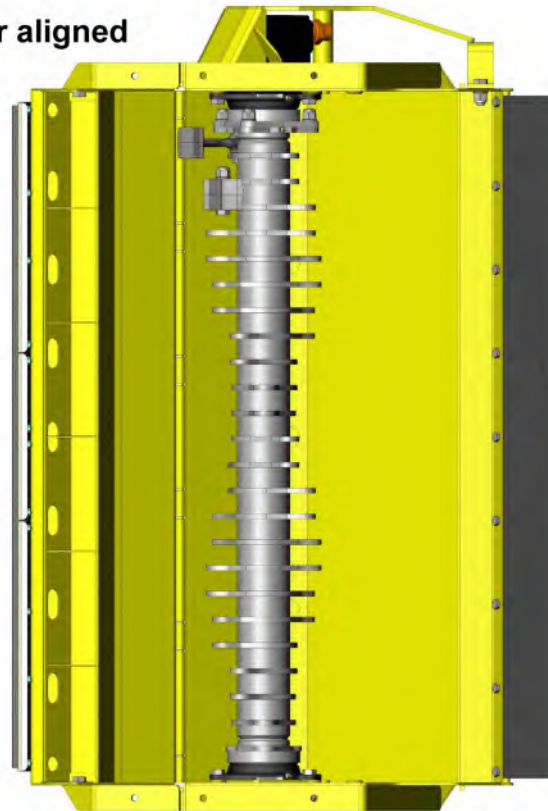
6. The Coupling should be fitted on to the Motor and the nut tightened to a maximum torque setting of 80Nm (60 ft-lb.) - **Do not exceed this value.** Prior to the fitting of the motor, the hub and coupling splines should be liberally coated with Morris's K65MS high temperature grease, or equivalent. Experience has indicated that in addition to the pre-pack with Morris's K64MS grease supplied, greasing the rotor bearings twice daily can considerably improve the longevity of the drive hub and coupling.

# Rotor Shaft Shim Fitment

**Rotor mis-aligned**



**Rotor aligned**





## McConnel Generic Parts Manual

*Generic parts manuals should be used as a general guide to the components used on the machine; to ensure accurate parts information for a specific machine please refer to the 'Interactive Parts Database' on our website which identifies the exact components used on the machine when it was manufactured based on the machine's unique serial number.*

*Direct access can be gained using the web address or QR code below.*  
<http://www.mcconnel.com/support/product-support/interactive-parts-database/>



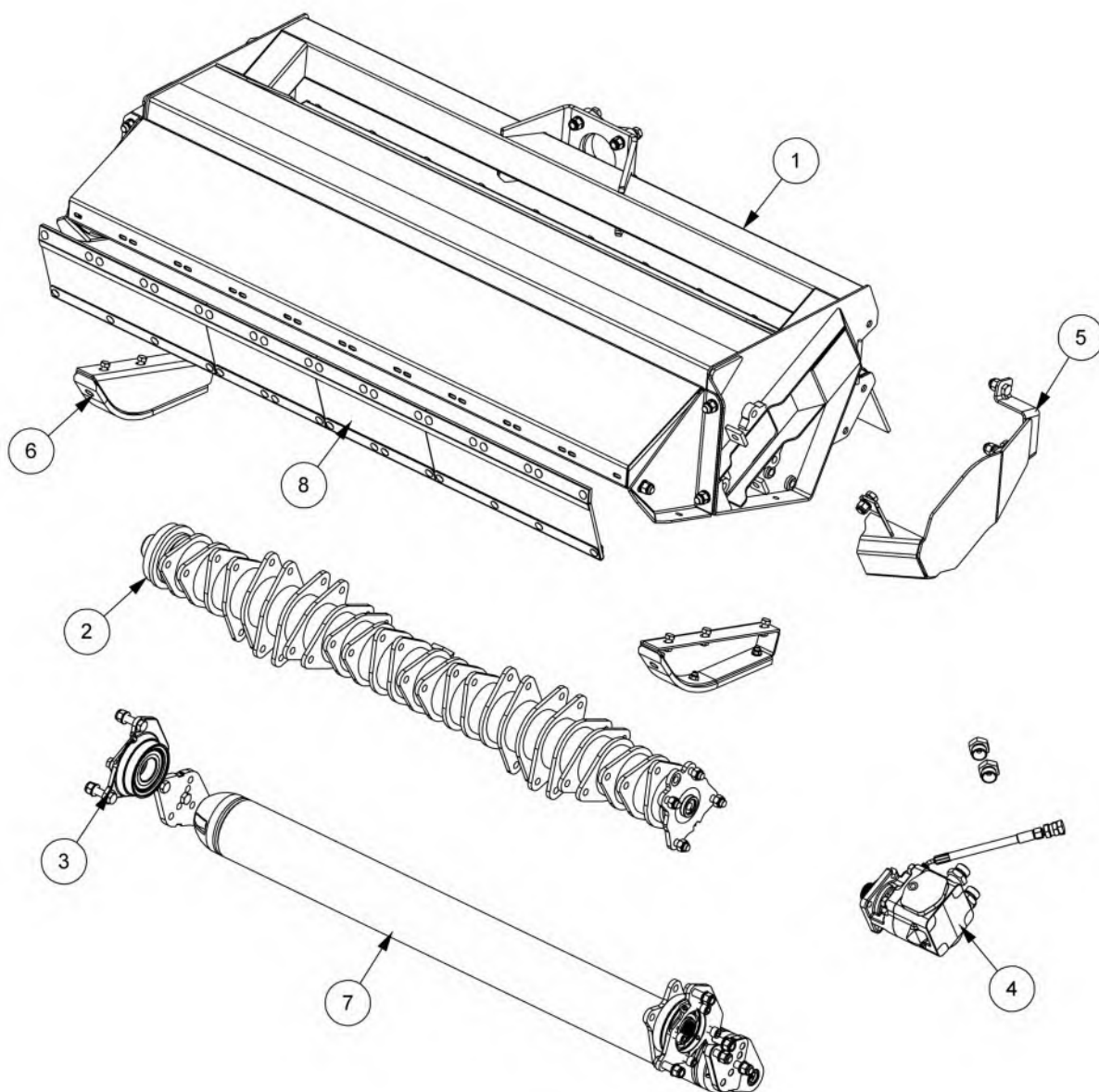
*Design improvements may have altered some of the parts listed in this manual; latest parts will always be supplied if they are interchangeable with earlier ones.*



# 1.5M 85HP MULTICUT FLAILHEAD ASSEMBLY

**McCONNEL**

Module(s): 7377867, 7377868

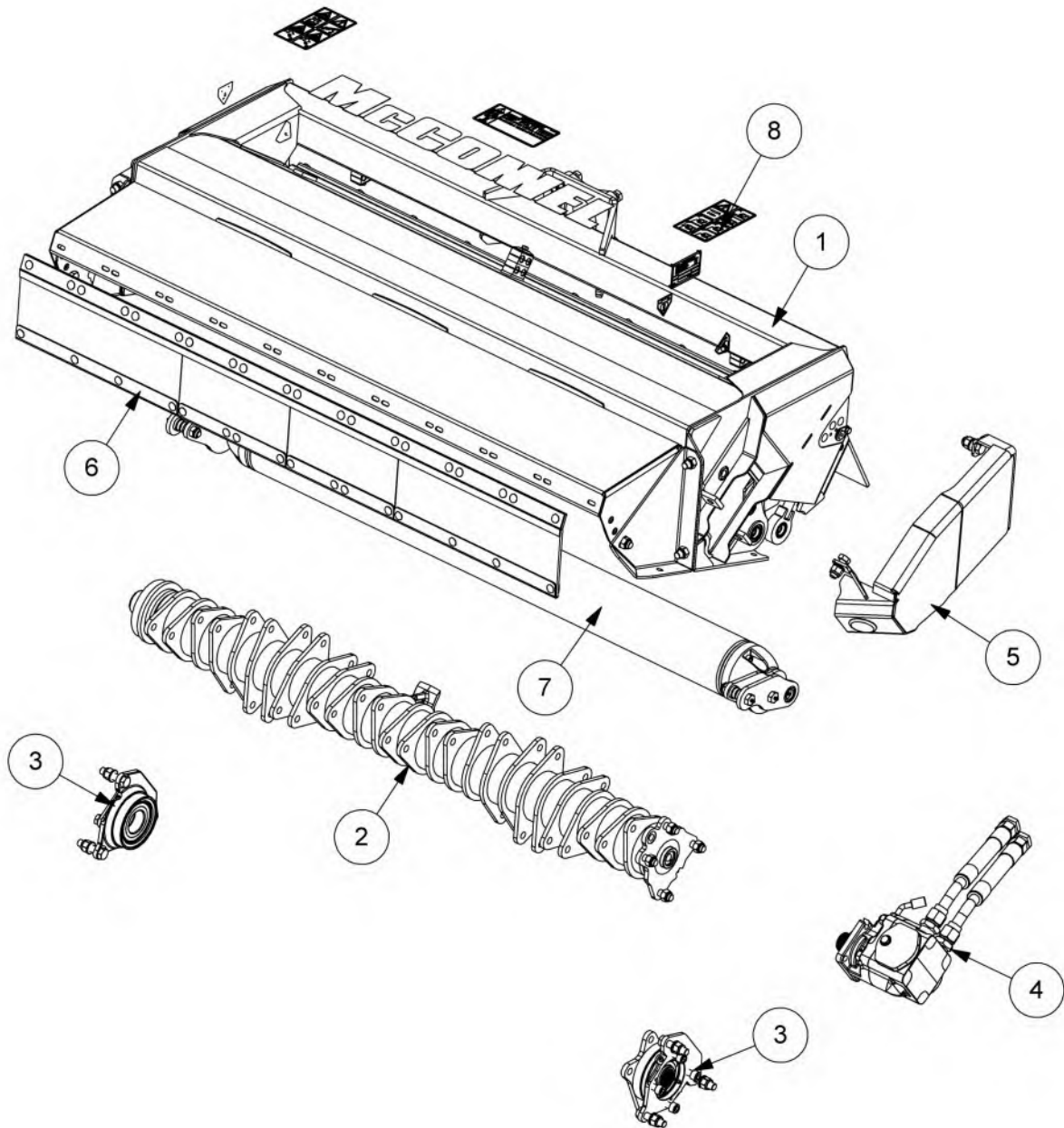


REF.	QTY.	PART No.	DESCRIPTION
		<b>7377867</b>	<b>1.5M 85HP MULTICUT FLAILHEAD (F10SE FLAILS)</b>
		<b>7377868</b>	<b>1.5M 85HP MULTICUT FLAILHEAD (F10DE FLAILS)</b>
1	1	22494.12	1.5M CASING MODULE
2	1	22497.11	1.5M ROTOR ASSEMBLY c/w F10DE CAST FLAILS
	1	22497.12	1.5M ROTOR ASSEMBLY c/w F10SE CAST FLAILS
3	1	22498.04	MULTICUT QUAD DRIVE MODULE
4	1	22495.17	125LPM DRIVE MODULE (85HP)
5	1	22496.01	COVER MODULE
6	1	7290384	SKID KIT
7	1	21523.18	1.5M ROLLER ASSEMBLY
8	1	21541.02	FRONT FLAP KIT (HEAVY DUTY)

# 1.5M 85HP FLAILHEAD (HYD. ROLLER)

**McCONNEL**

Module(s): 737776

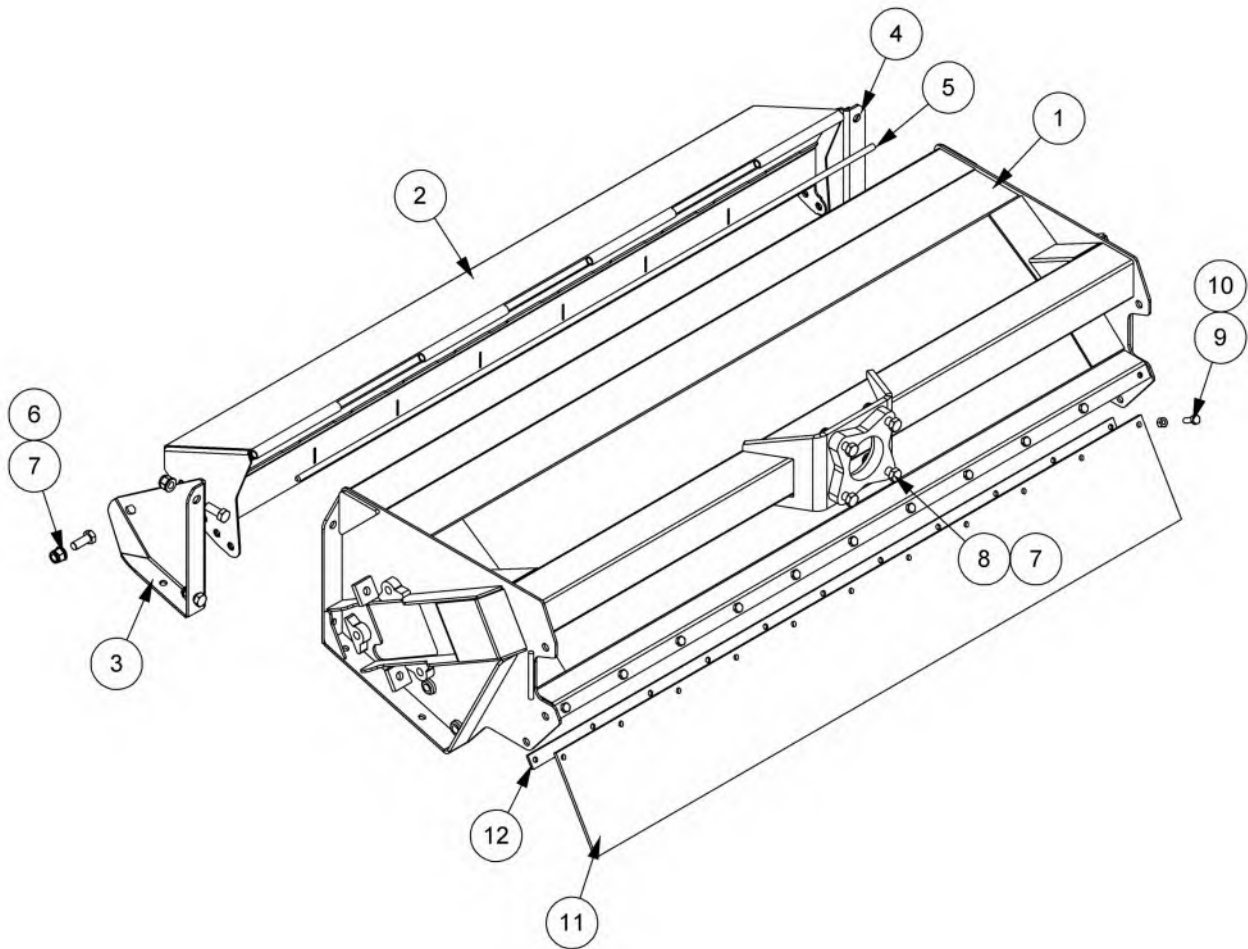


REF.	QTY.	PART No.	DESCRIPTION
		<b>737776</b>	<b>1.5M FLAILHEAD 85HP (HYD. ROLLER)</b>
1	1	22494.47	1.5M CASING MODULE
2	1	22497.11	1.5m QUAD DRIVE ROTOR ASSEMBLY
3	1	22498.04	MULTICUT QUAD DRIVE MODULE
4	1	22495.33	125LPM DRIVE MODULE 85HP
5	1	23146.01	LH COVER MODULE
6	1	21541.02	FRONT FLAP KIT (HEAVY DUTY)
7	1	21523.34	HYDRAULIC ROLLER ASSEMBLY
8	1	21978.04	DECAL MODULE

# 1.5M FLAILHEAD CASING ASSEMBLY

**McCONNEL**

Module(s): 22494.12

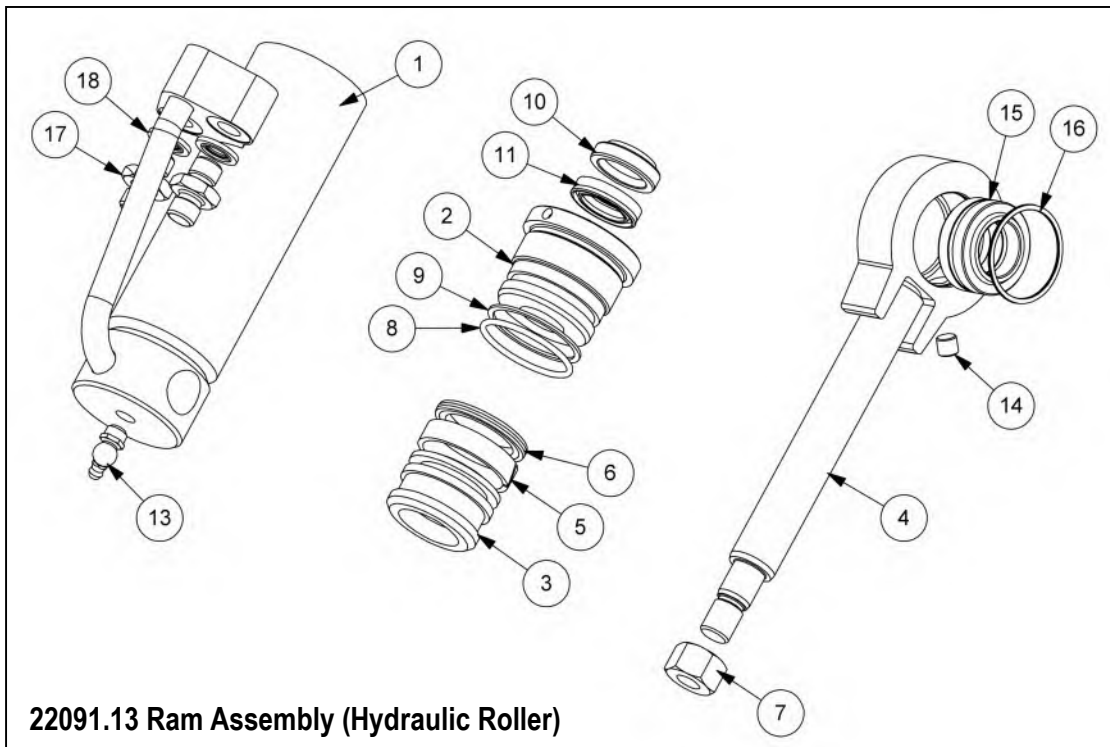
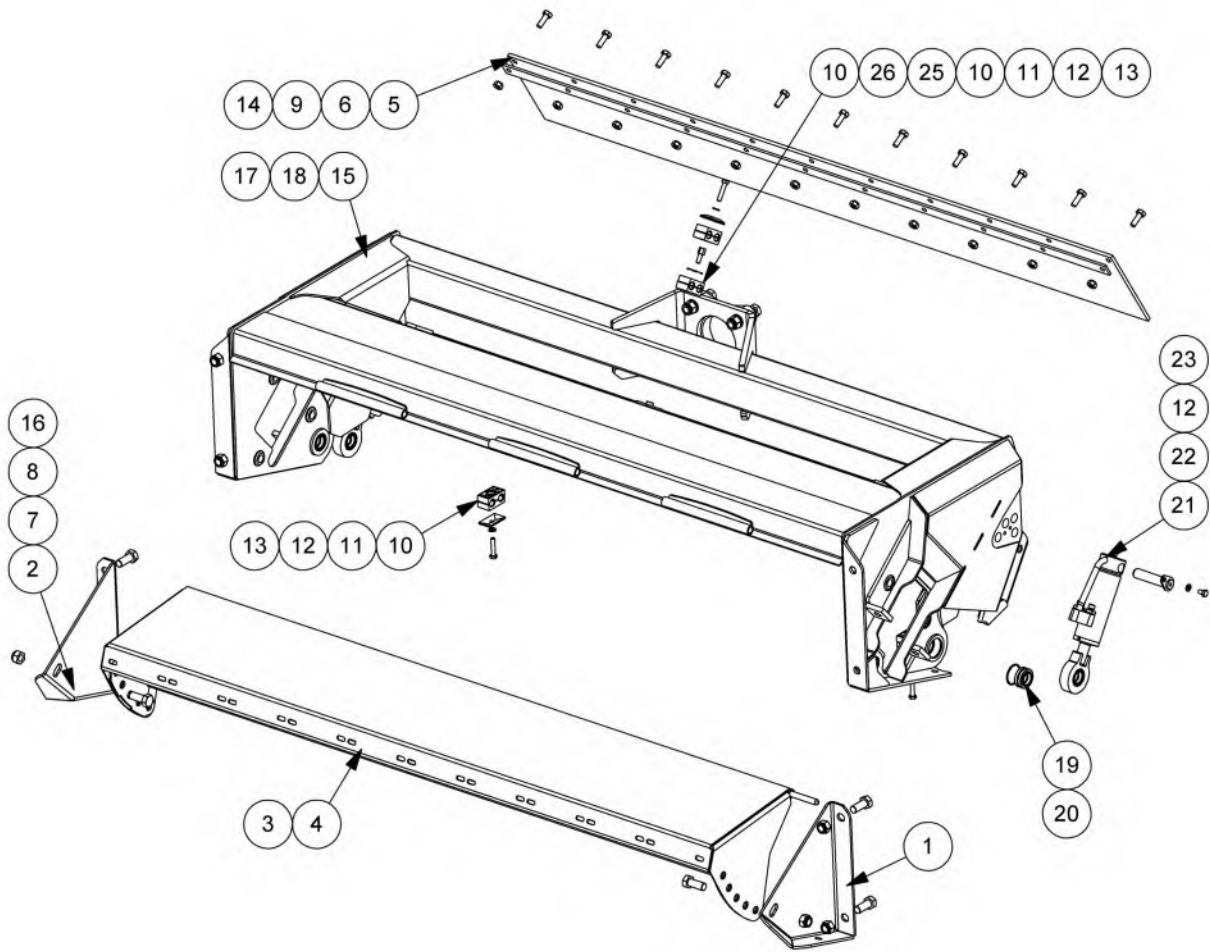


REF.	QTY.	PART No.	DESCRIPTION
		<b>22494.12</b>	<b>1.5M HEAD CASING ASSEMBLY</b>
1	1	42427.07	1.5M CASING
2	1	21748.03	1.5M HOOD
3	1	22492.03	HOOD SUPPORT - L/H
4	1	22492.04	HOOD SUPPORT - R/H
5	1	21956.01	HOOD PIVOT BAR
6	6	30.073.25	BOLT
7	10	9100024	SELF-LOCKING FLANGE NUT
8	4	12.714.75	BOLT
9	11	9313065	SETSCREW
10	11	9143005	SELF-LOCKING NUT
11	1	42440.01	1.5M REAR FLAP
12	1	42439.01	1.5M CLAMP STRIP

# 1.5M CASING ASSEMBLY (Hydraulic Roller)

**McCONEL**

Module(s): 22494.47



**22091.13 Ram Assembly (Hydraulic Roller)**

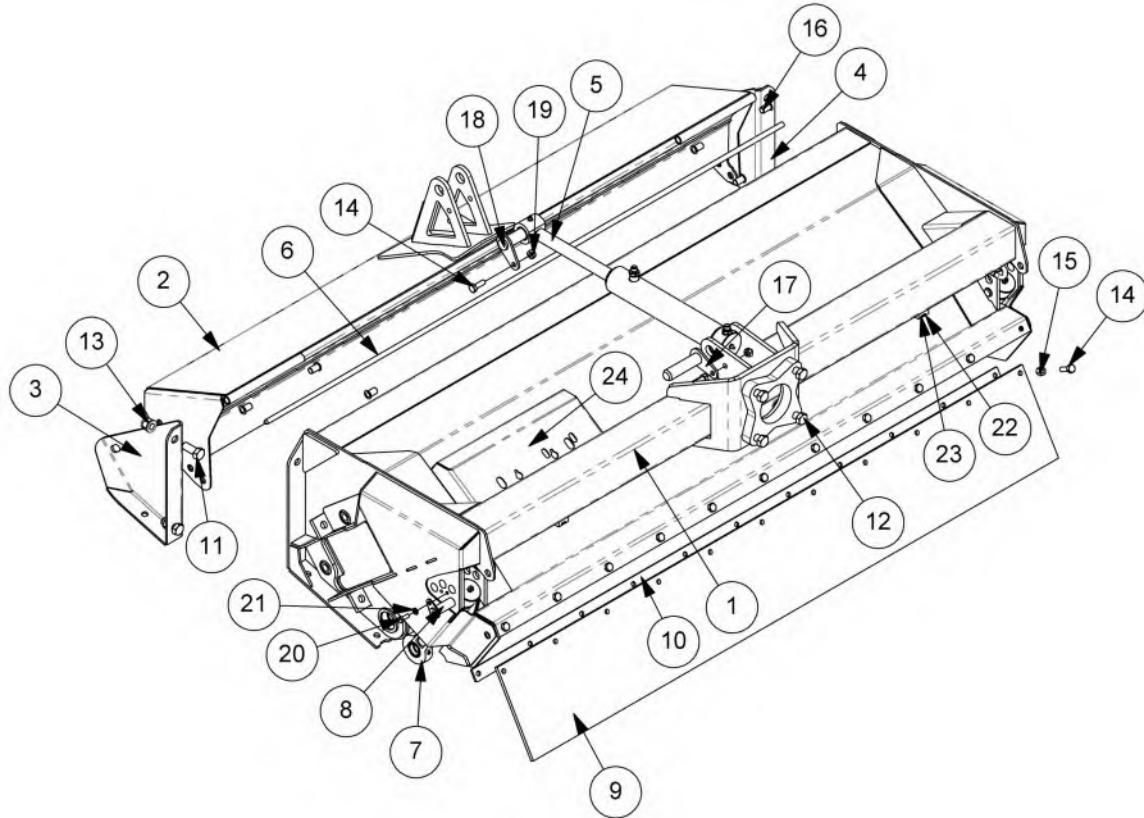
Module(s): 22494.47

REF.	QTY.	PART No.	DESCRIPTION
		<b>22494.47</b>	<b>1.5M CASING ASSEMBLY</b>
1	1	22492.03	HOOD SUPPORT
2	1	22492.04	HOOD SUPPORT
3	1	21956.01	HOOD PIVOT BAR
4	1	21748.03	HOOD - 1.5m MULTICUT
5	1	42440.01	REAR FLAP
6	1	42439.01	CLAMP STRIP
7	3	0300046	UNF BOLT
8	6	0141006	UNF CLEVELOC NUT
9	11	9313065	SETSCREW
10	4	42024.26	TWIN HOSE CLAMP
11	3	7193066	CLAMP PLATE
12	5	9100204	SPRING WASHER
13	3	9213084	BOLT
14	11	9163005	NYLOC NUT
15	1	42427.14	1.5m HD CASING
16	3	0311126	UNF BOLT
17	4	9100024	S/LOCKING FLANGE NUT
18	4	12.714.75	BOLT
19	2	0600115	SPHERICAL BEARING
20	2	0402240	INT. SPIROLOX RING
21	2	22091.13	RAM ASSEMBLY
22	2	22295.01	RAM BASE PIN
23	1	9313024	SETSCREW
24	1	9313044	SETSCREW
25	1	EYC0647	STACKING BOLT
26	1	EYC0655	LOCKING PLATE
REF.	QTY.	PART No.	DESCRIPTION
		<b>22091.13</b>	<b>HYDRAULIC RAM ASSEMBLY</b>
1	1	22092.05	RAM BARREL
2	1	22095.02	GLAND
3	1	22094.02	PISTON
4	1	22093.07	PISTON ROD
5	1	8629246	WEAR RING
6	1	8629245	PISTON SEAL
7	1	05.968.06	NYLOC NUT
8	1	8600327	O RING
9	1	8609327	AE RING
10	1	8629243	ROD WIPER
11	1	8629244	ROD SEAL
12	1	8700642	O RING
13	1	0901125	GREASE NIPPLE
14	2	8582041	TAPER PLUG
15	1	0600115	SPHERICAL BEARING
16	1	0402240	INT. SPIROLOX RING
17	2	8581169	ADAPTOR
18	2	8650102	BONDED SEAL

# 1.5m CASING ASSEMBLY (HYDRAULIC HOOD)

**McCONNEL**

Module(s): 22494.83

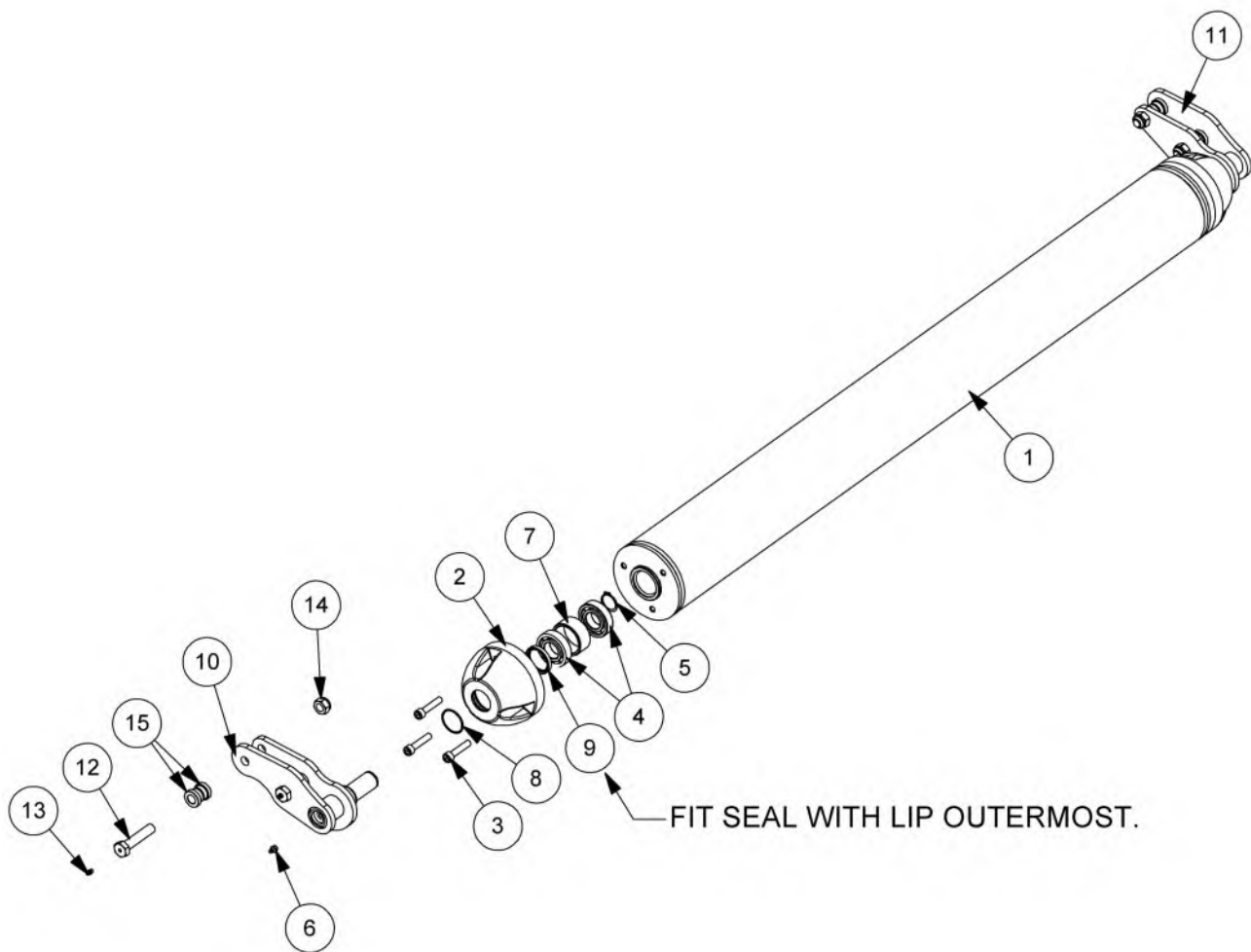


REF.	QTY.	PART No.	DESCRIPTION
		<b>22494.83</b>	<b>1.5M HYD. HOOD HEAD CASING ASSEMBLY</b>
1	1	42427.17	1.5M CASING HYD. HOOD
2	1	21748.05	HYDRAULIC HOOD
3	1	22492.03	HOOD SUPPORT - LH
4	1	22492.04	HOOD SUPPORT - RH
5	1	23693.01	RAM ASSEMBLY (HYDRAULIC HOOD)
6	1	21956.02	HOOD PIVOT BAR
7	2	22091.13	RAM ASSEMBLY (HYDRAULIC ROLLER)
8	2	22295.01	RAM BASE PIN
9	1	42440.04	REAR FLAP
10	1	42439.01	CLAMP STRIP
11	4	30.073.25	BOLT
12	4	12.714.75	BOLT
13	8	9100024	S/LOCKING FLANGE NUT
14	13	9313065	SETSCREW
15	11	9143005	NYLOC NUT
16	6	22934.01	FLANGE BEARING
17	1	41267.03	PIN
18	1	41267.12	PIN
19	2	9163005	NYLOC NUT
20	2	9313044	SETSCREW
21	2	9100204	SPRING WASHER
22	2	42024.33	CLAMP PAIR
23	2	42024.34	STACKING BOLT
24	1	23365.04	LH VALVE COVER

# 1.5M HYDRAULIC ROLLER ASSEMBLY

**McCONNEL**

Module(s): 21523.34

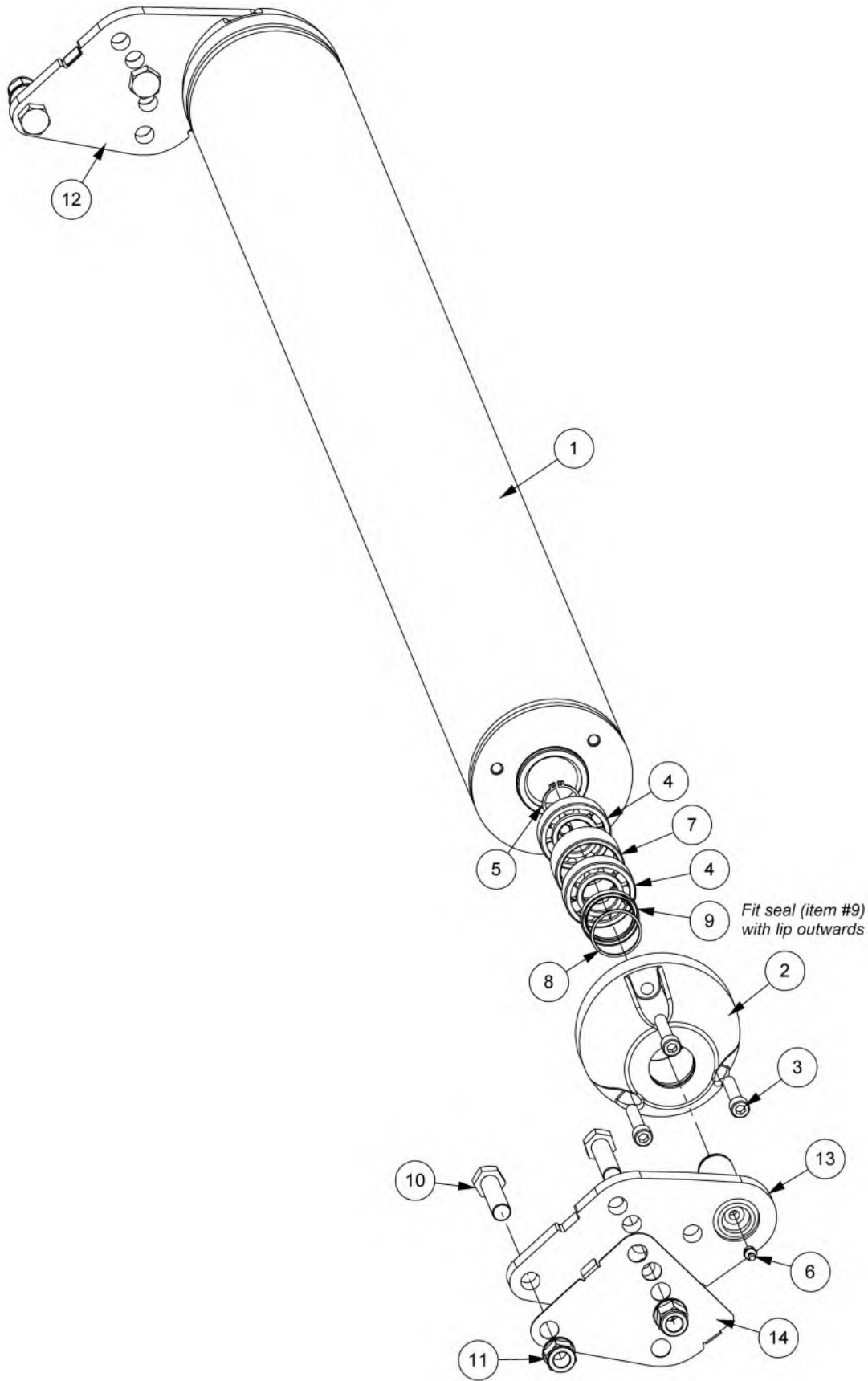


REF.	QTY.	PART No.	DESCRIPTION
		<b>21523.34</b>	<b>1.5M HYDRAULIC ROLLER</b>
1	1	21394.27	ROLLER
2	2	21394.32	ROLLER END CAP
3	6	9343105	CAPSCREW
4	4	0600111	BALL BEARING
5	2	0401230	EXTERNAL CIRCLIP
6	2	0901121	GREASE NIPPLE
7	2	21523.31	BEARING SPACER
8	2	0402240	INT. SPIROLOX RING
9	2	8629239	ROTARY SHAFT SEAL
10	1	23145.02	ROLLER BRACKET LH
11	1	23145.01	ROLLER BRACKET RH
12	4	22300.05	ROLLER PIVOT BOLT
13	4	0901161	GREASE NIPPLE
14	4	T7942	NYLOC NUT
15	8	22394.02	ROLLER SPACER

# 1.5M STANDARD ROLLER ASSEMBLY

**McCONNEL**

Module(s): 21523.18



**1.5M ROLLER ASSEMBLY****McCONNEL**

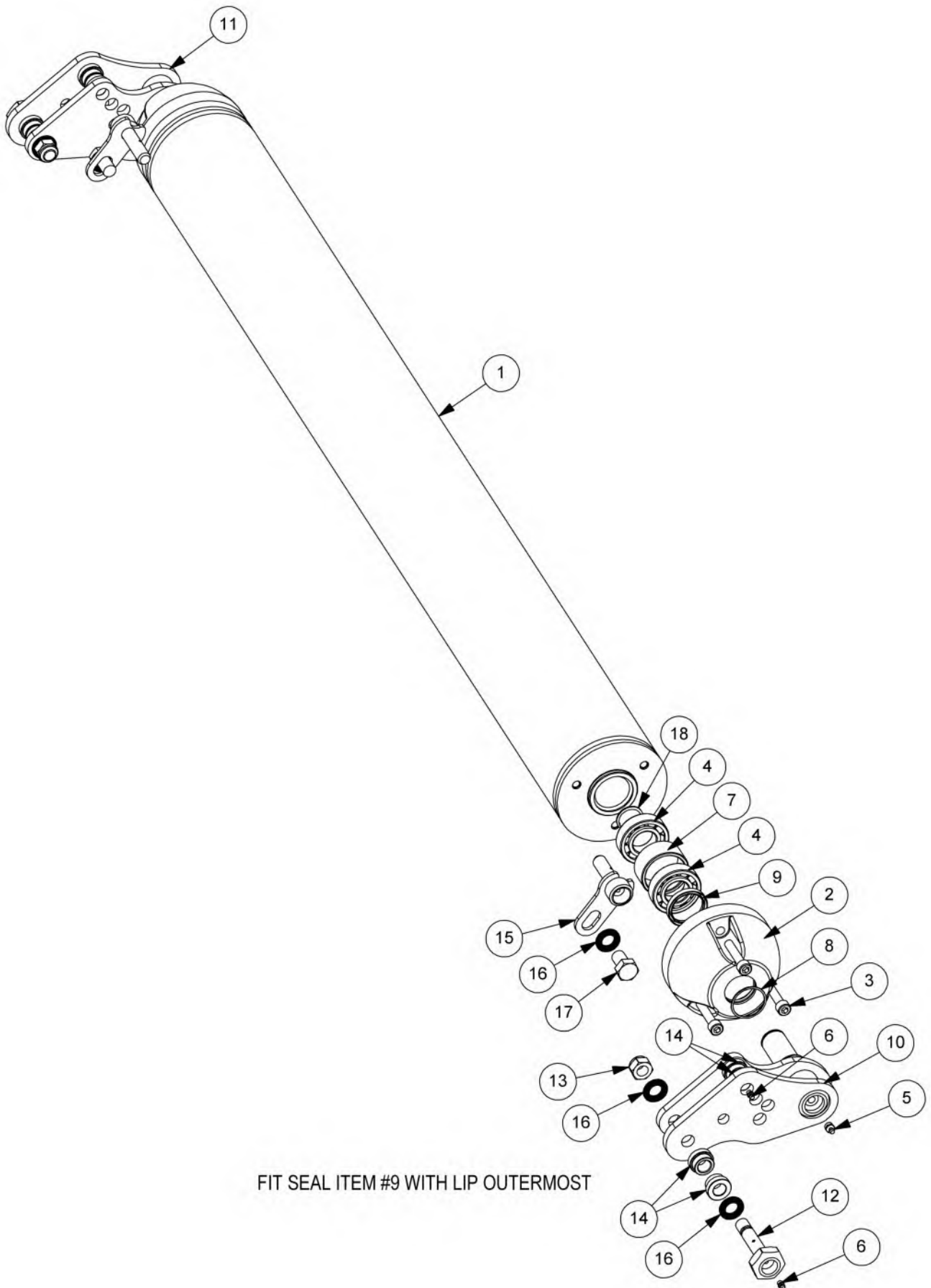
Module(s): 21523.18

<b>REF.</b>	<b>QTY.</b>	<b>PART No.</b>	<b>DESCRIPTION</b>
		<b>21523.18</b>	<b>1.5M ROLLER ASSEMBLY</b>
1	1	21394.27	ROLLER - 1.5m
2	2	21394.32	ROLLER END CAP
3	6	9343105	CAPSCREW
4	4	0600111	BALL BEARING
5	2	0401230	EXTERNAL CIRCLIP
6	2	0901121	GREASE NIPPLE - STRAIGHT
7	2	21523.31	BEARING SPACER
8	2	0402240	INTERNAL SPIROLOX RING
9	2	8629239	ROTARY SHAFT SEAL
10	4	9200031	BOLT
11	4	9100024	SELF-LOCKING FLANGE NUT
12	1	21524.15	ROLLER BRACKET - R/H
13	1	21524.14	ROLLER BRACKET - L/H
14	2	42257.10	SHIM -1.2mm

# 1.5M ROLLER ASSEMBLY

**McCONNEL**

Module(s): 21523.52



**1.5M ROLLER ASSEMBLY****McCONNEL**

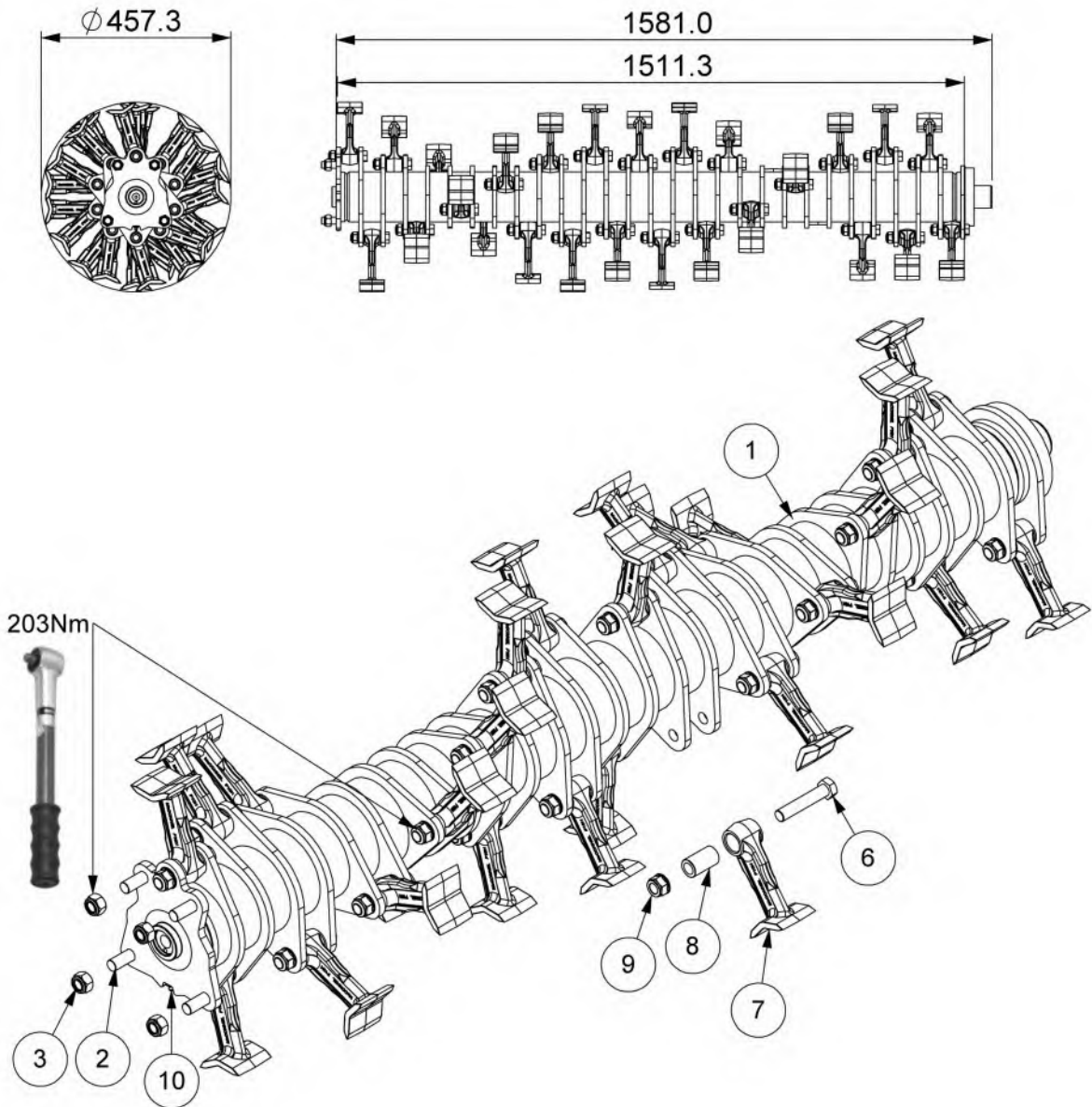
Module(s): 21523.52

<b>REF.</b>	<b>QTY.</b>	<b>PART No.</b>	<b>DESCRIPTION</b>
		<b>21523.52</b>	<b>1.5M ROLLER ASSEMBLY</b>
1	1	21394.27	ROLLER - 1.5m
2	2	21394.32	ROLLER END CAP
3	6	9343105	CAPSCREW
4	4	0600111	BALL BEARING
5	2	0901121	GREASE NIPPLE - STRAIGHT
6	4	0901161	GREASE NIPPLE - STRAIGHT
7	2	21523.31	BEARING SPACER
8	2	0402240	INTERNAL SPIROLOX RING
9	2	8629239	ROTARY SHAFT SEAL
10	1	23145.03	LH ROLLER BRACKET
11	1	23145.04	RH ROLLER BRACKET
12	2	22300.06	PIVOT PIN
13	2	T7942	NYLOC NUT
14	8	22394.02	ROLLER SPACER
15	2	23201.01	RAM PIN
16	6	B001017	NORDLOCK WASHER
17	2	9313057	SETSCREW
18	2	0401230	EXTERNAL CIRCLIP

# 1.5M ROTOR WITH F10DE FLAILS

**McCONEL**

Module(s): 22497.11

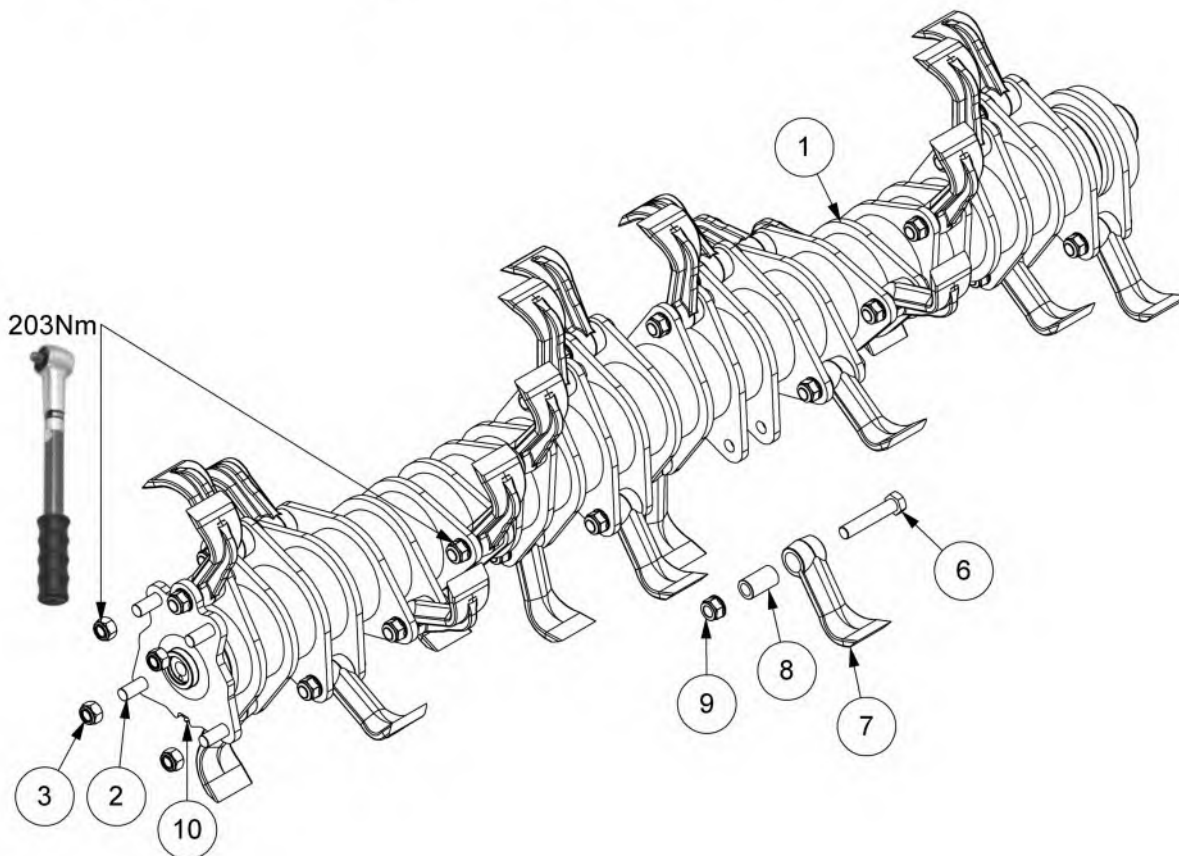
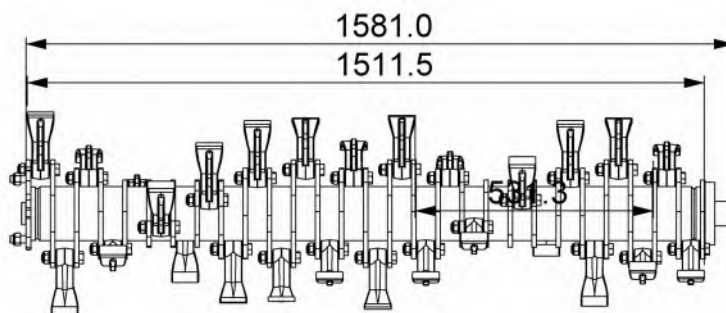


REF.	QTY.	PART No.	DESCRIPTION
		<b>22497.11</b>	<b>1.5M ROTOR c/w F10DE CAST FLAILS</b>
1	1	22269.05	1.5m QUAD ROTOR - WRAP ROUND
2	4	9353097	CAPSCREW
3	4	9163007	NYLOC NUT
4	5	8121043	SHIM - 0.4mm
5	5	8121044	SHIM - 0.6mm
6	28	7390025	SPECIAL BOLT
7	28	7314366D	F10DE FLAIL (CAST )
8	28	21215.01	FLAIL PIVOT BUSH
9	28	9100024	SELF-LOCKING FLANGE NUT
10	1	0901161	GREASE NIPPLE - STRAIGHT

# 1.5M ROTOR WITH F10SE FLAILS

**McCONNEL**

Module(s): 22497.12

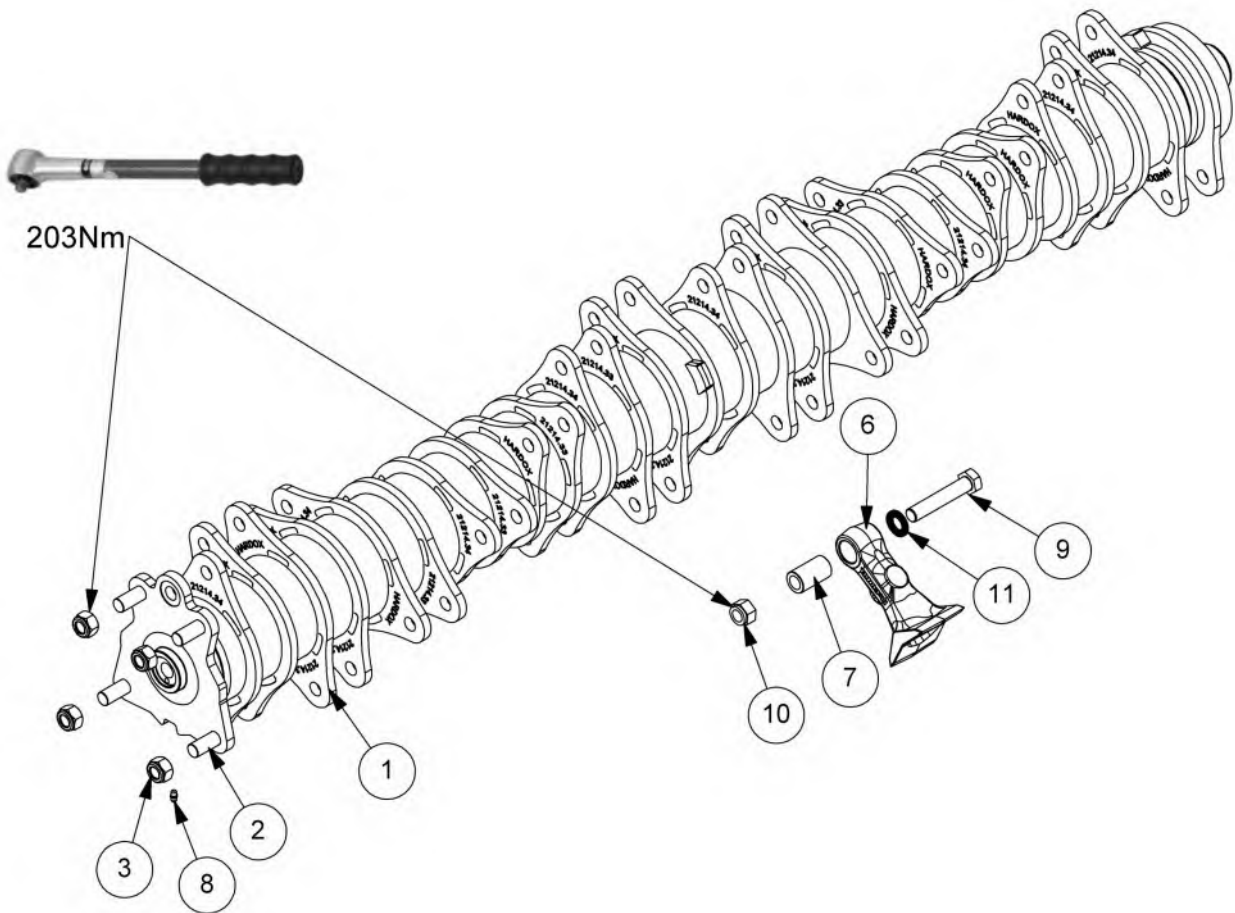


REF.	QTY.	PART No.	DESCRIPTION
		<b>22497.12</b>	<b>1.5M ROTOR c/w F10SE CAST FLAILS</b>
1	1	22269.05	1.5m QUAD ROTOR - WRAP ROUND
2	4	9353097	CAPSCREW
3	4	9163007	NYLOC NUT
4	5	8121043	SHIM - 0.4mm
5	5	8121044	SHIM - 0.6mm
6	28	7390025	SPECIAL BOLT
7	28	7390276	F10 SE FLAIL (CAST)
8	28	21215.01	FLAIL PIVOT BUSH
9	28	9100024	SELF-LOCKING FLANGE NUT
10	1	0901161	GREASE NIPPLE - STRAIGHT

# 1.5M ROTOR MODULE (F14H FLAILS)

**McCONNEL**

Module(s): 22497.54

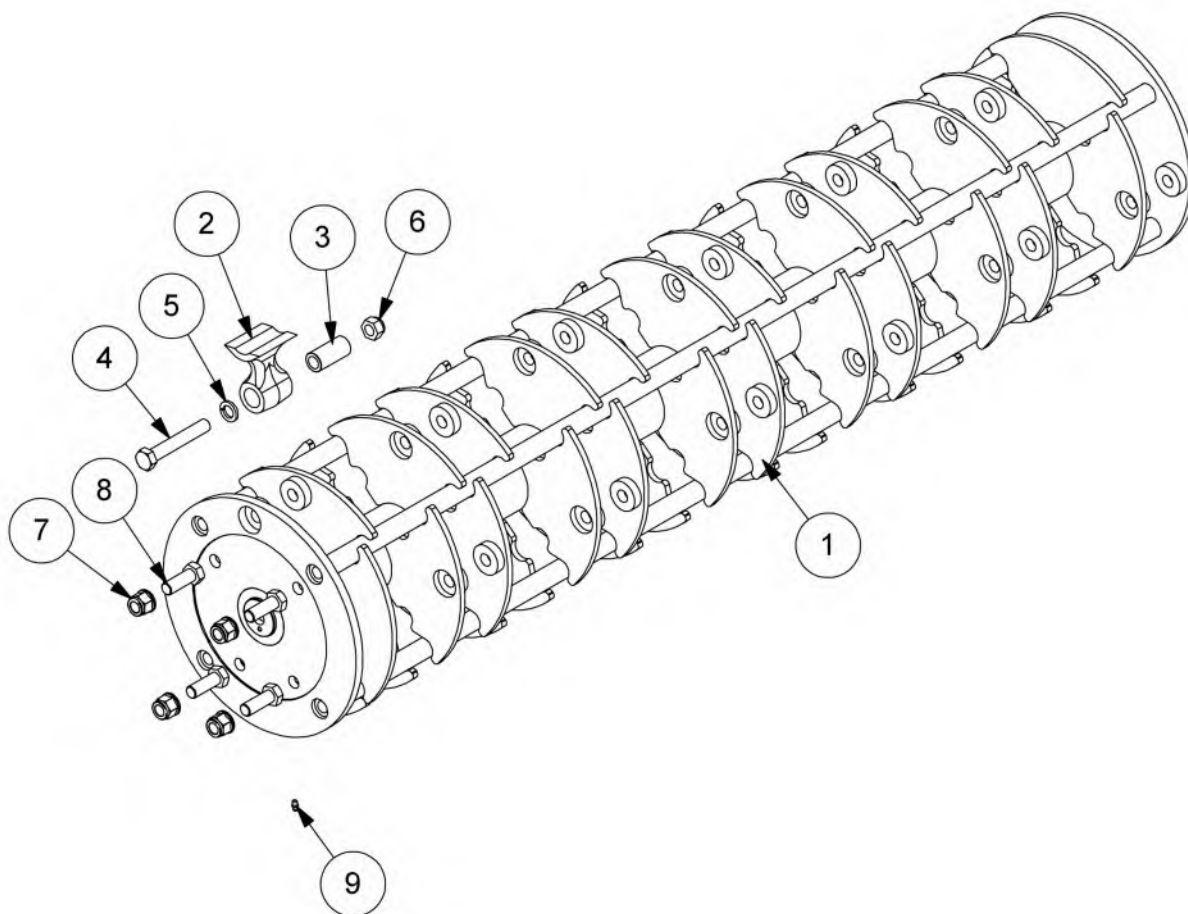


REF.	QTY.	PART No.	DESCRIPTION
		<b>22497.54</b>	<b>1.5M ROTOR MODULE</b>
1	1	22269.21	1.5m ROTOR (WRAP ROUND)
2	4	9353097	SOCKET CAPSCREW
3	4	9163007	NYLOC NUT
4	5	8121043	SHIM - 0.4mm
5	5	8121044	SHIM - 0.6mm
6	28	21904.1	CAST FLAIL - F14H
7	28	21215.01	FLAIL PIVOT BUSH
8	1	0901161	GREASE NIPPLE
9	28	7314201	UNF SPECIAL BOLT
10	28	0141006	UNF CLEVELOC NUT
11	28	B001017	WASHER

# 1.5M OMEGA ROTOR ASSEMBLY

**McCONNEL**

Module(s): 22497.17

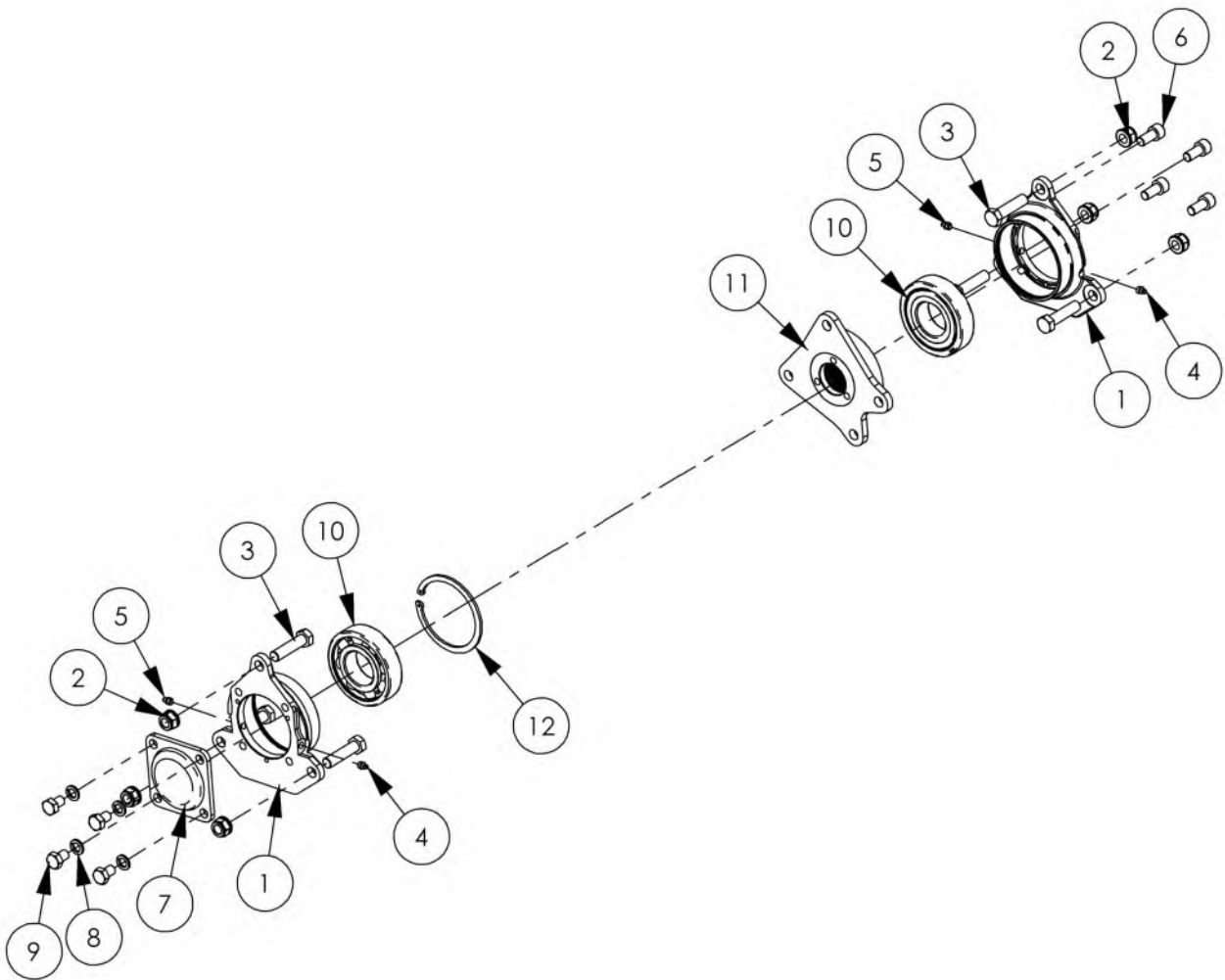


REF.	QTY.	PART No.	DESCRIPTION
		<b>22497.17</b>	<b>1.5M OMEGA ROTOR ASSEMBLY</b>
1	1	22269.09	1.5m OMEGA ROTOR
2	24	1840572	FLAIL BLADE (ROLLICOUP)
3	24	21215.02	FLAIL BUSH
4	24	7390006	SPECIAL GRADE BOLT
5	24	0100206	SPRING WASHER
6	24	0141006	UNF CLEVELOC NUT
7	4	9100024	S/LOCKING FLANGE NUT
8	4	9200028	BOLT
9	1	0901161	GREASE NIPPLE

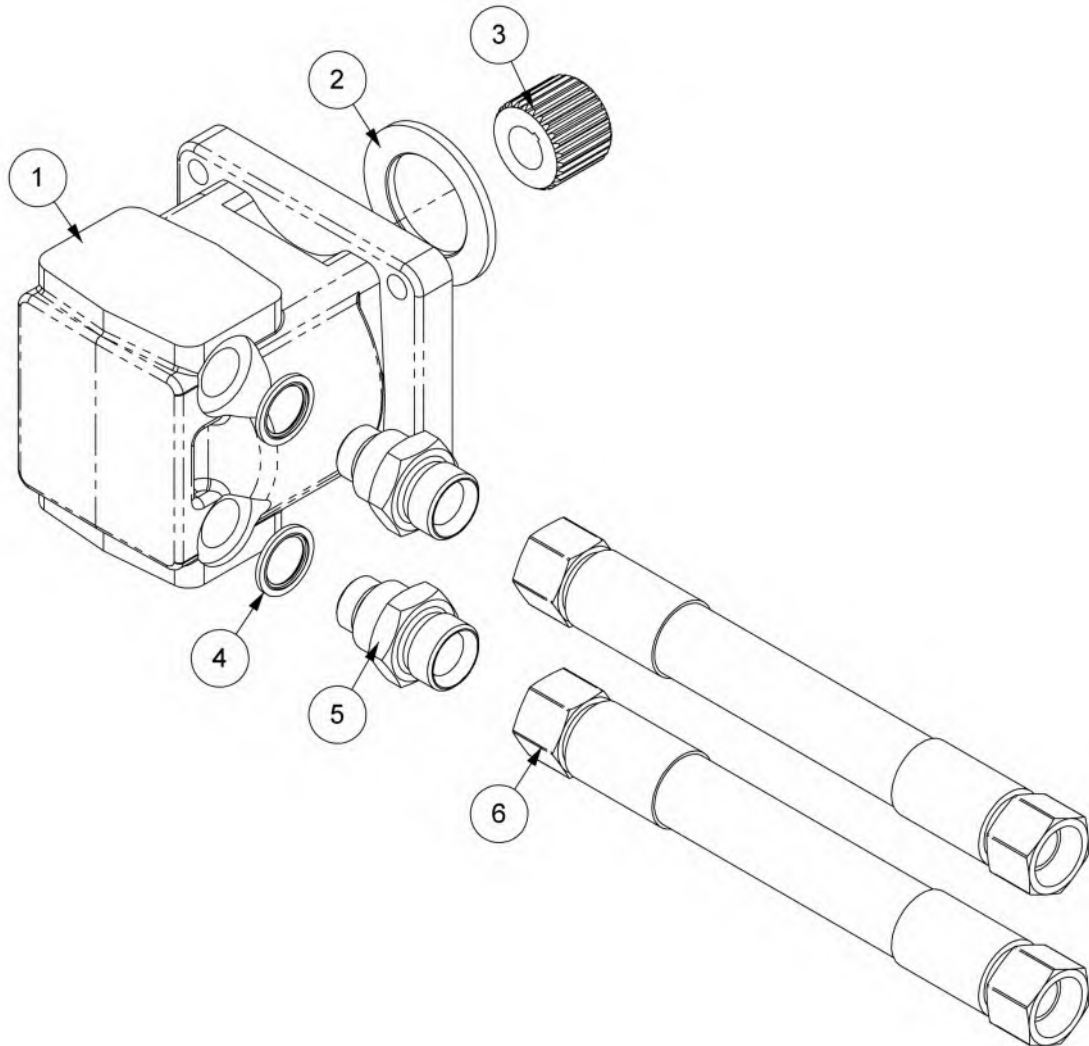
# MULTICUT QUAD DRIVE ASSEMBLY

**McCONNEL**

Module(s): 22498.04



REF.	QTY.	PART No.	DESCRIPTION
		<b>22498.04</b>	<b>MULTICUT QUAD DRIVE ASSEMBLY</b>
1	2	7190367	BEARING HOUSING (GEAR MOTOR)
2	6	9100024	SELF-LOCKING FLANGE NUT
3	6	9200024	BOLT
4	2	0901121	GREASE - STRAIGHT
5	2	0901125	GREASE NIPPLE - 45°
6	4	9300171	CAPSCREW
7	1	43390.04	BEARING END PLATE
8	4	05.282.08	SPRING WASHER
9	4	9313047	SETSCREW
10	2	0600018	BALL BEARING
11	1	22269.02	DRIVE HUB (QUAD DRIVE)
12	1	7190022	INTERNAL CIRCLIP
13	5	8121043	SHIM - 0.4mm
14	5	8121044	SHIM - 0.6mm

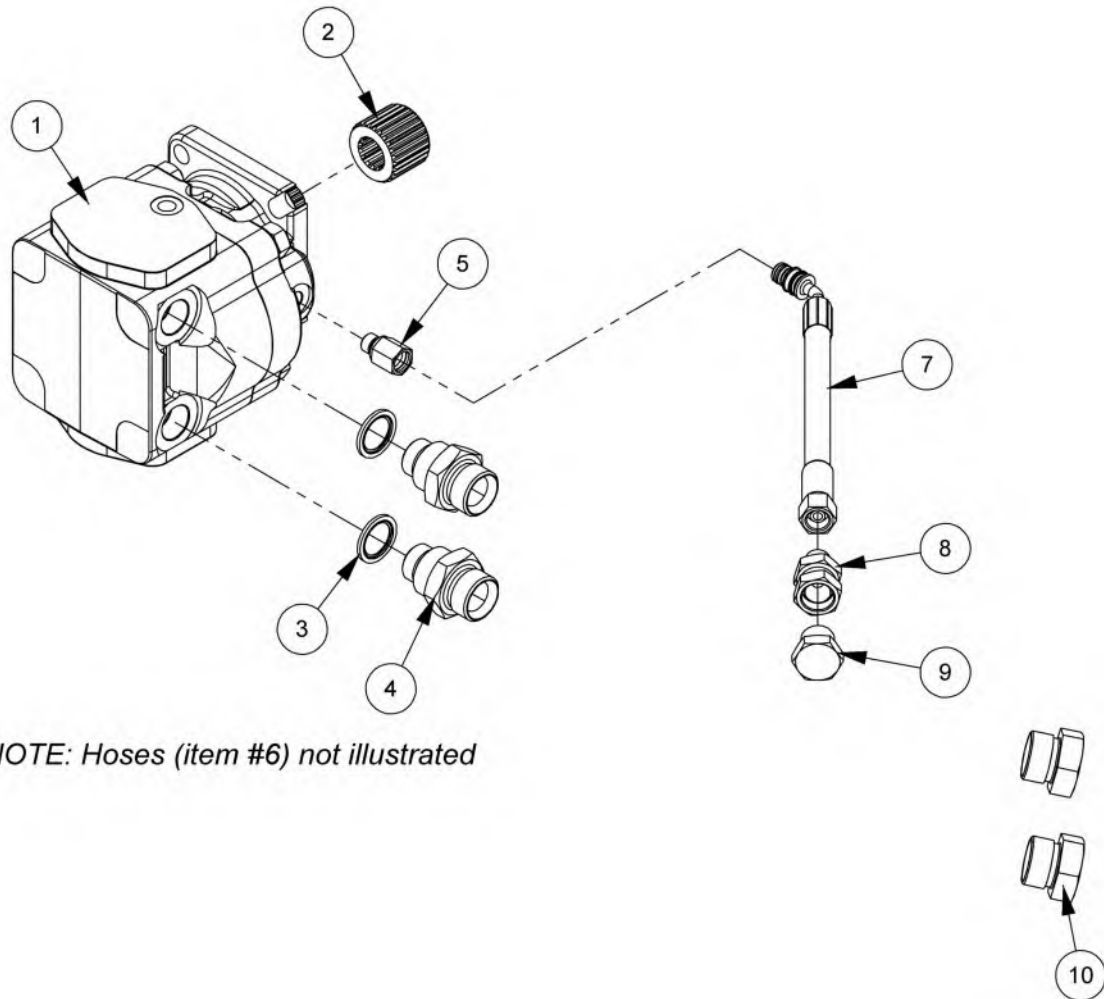


REF.	QTY.	PART No.	DESCRIPTION
		<b>22495.04</b>	<b>65HP DRIVE ASSEMBLY</b>
1	1	8301320	MOTOR - BACK PORTED
2	1	7190015	LOCATING WASHER
3	1	43390.02	DRIVE COUPLING - 27 TOOTH
4	2	8650106	BONDED SEAL
5	2	8581295	ADAPTOR
6	2	10.011.25	HOSE - 1" BSP FS/FS x 1450mm
		<b>8699236</b>	<b>SEAL KIT</b>
		<b>8629209</b>	<b>SHAFT SEAL (x2)</b>

# 125LPM DRIVE MODULE (85HP)

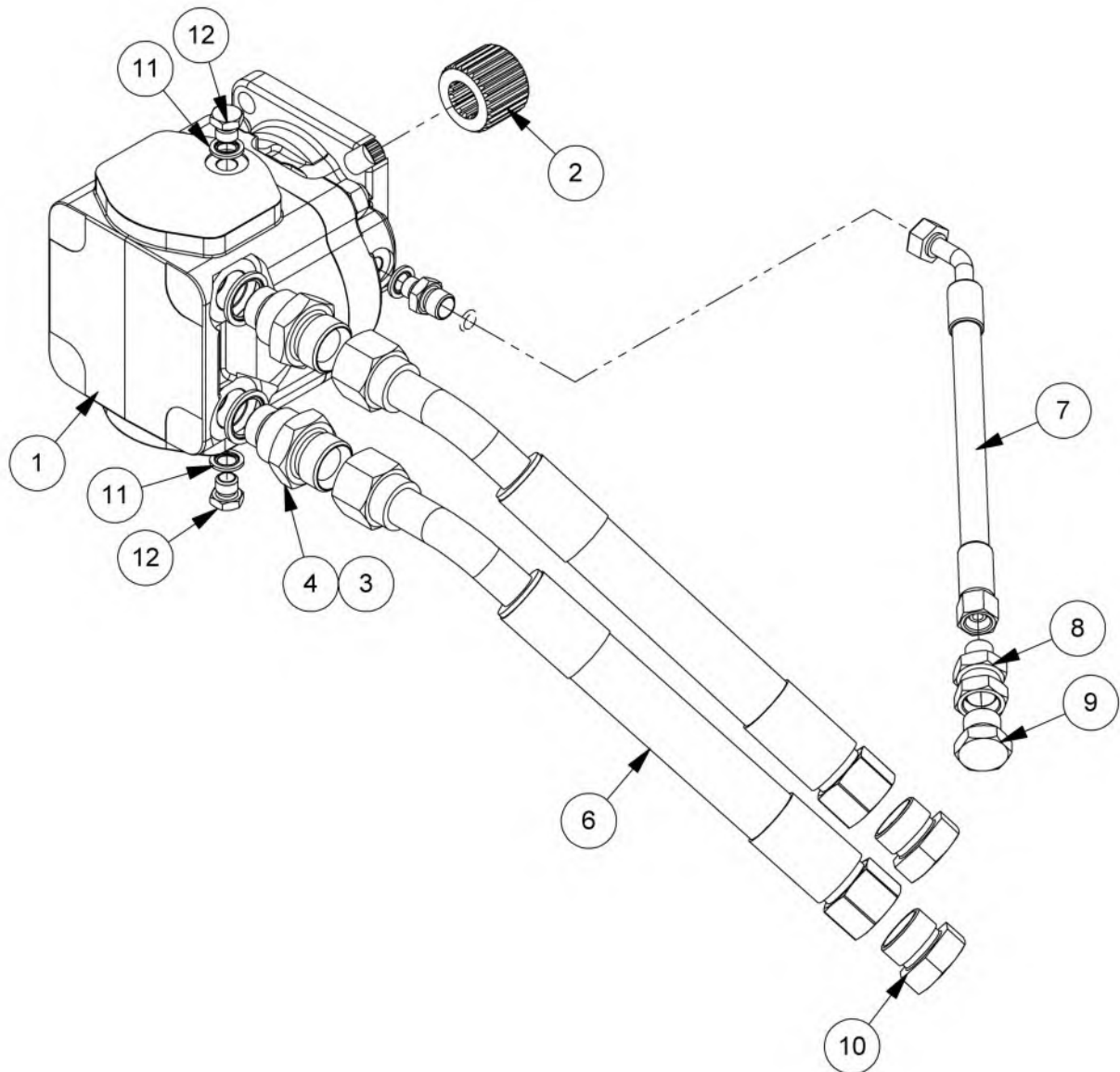
**McCONNEL**

Module(s): 22495.17



NOTE: Hoses (item #6) not illustrated

REF.	QTY.	PART No.	DESCRIPTION
		<b>22495.17</b>	<b>125LPM DRIVE MODULE (85HP)</b>
1	1	8301313	HIGH PRESSURE MOTOR (45cc)
2	1	43390.03	DRIVE COUPLING 27T - 15T
3	2	8650106	BONDED SEAL
4	2	8581295	ADAPTOR
5	1	8581572	PLUG IN ADAPTOR
6	2	21270.24	HOSE - 1" BSP FS/F135 x 1400mm
7	1	10.080.04	PLUG IN HOSE
8	1	8581544	SWIVEL ADAPTOR
9	1	8581351	BLANKING PLUG
10	2	05.433.03	PLUG

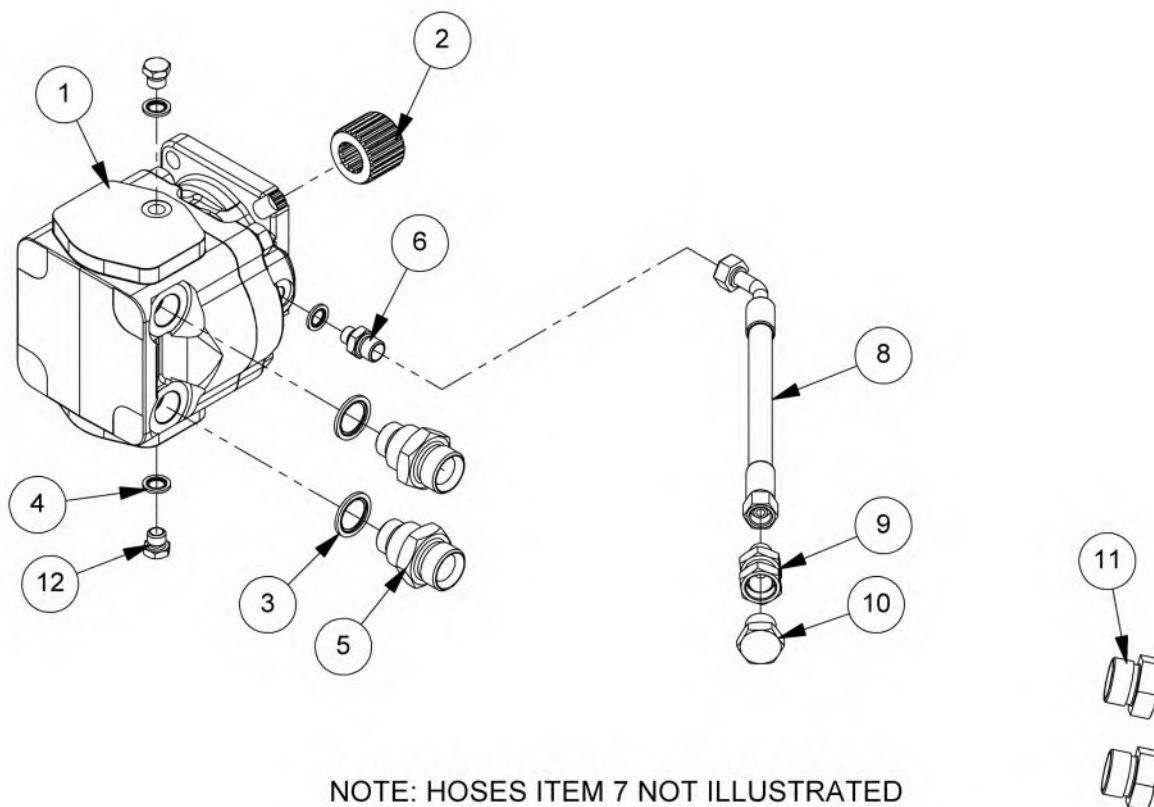


REF.	QTY.	PART No.	DESCRIPTION
		<b>22495.33</b>	<b>MOTOR MODULE 85HP</b>
1	1	8301318	MOTOR (HIGH PRESSURE) 50cc
2	1	43390.03	DRIVE COUPLING
3	2	8650106	BONDED SEAL
4	2	8581295	ADAPTOR
5	1	01.099.01	ADAPTOR
6	2	21270.24	HOSE - 1" BSP FS/F135 x 1400mm
7	1	10.030.29	HOSE - 3/8" BSP FS/F135 x 1900mm
8	1	8581544	SWIVEL ADAPTOR
9	1	8581351	BLANKING PLUG
10	2	05.433.03	PLUG
11	3	8650102	BONDED SEAL
12	2	520378	ADAPTOR PLUG

# 125LPM DRIVE MODULE (85HP)

**McCONNEL**

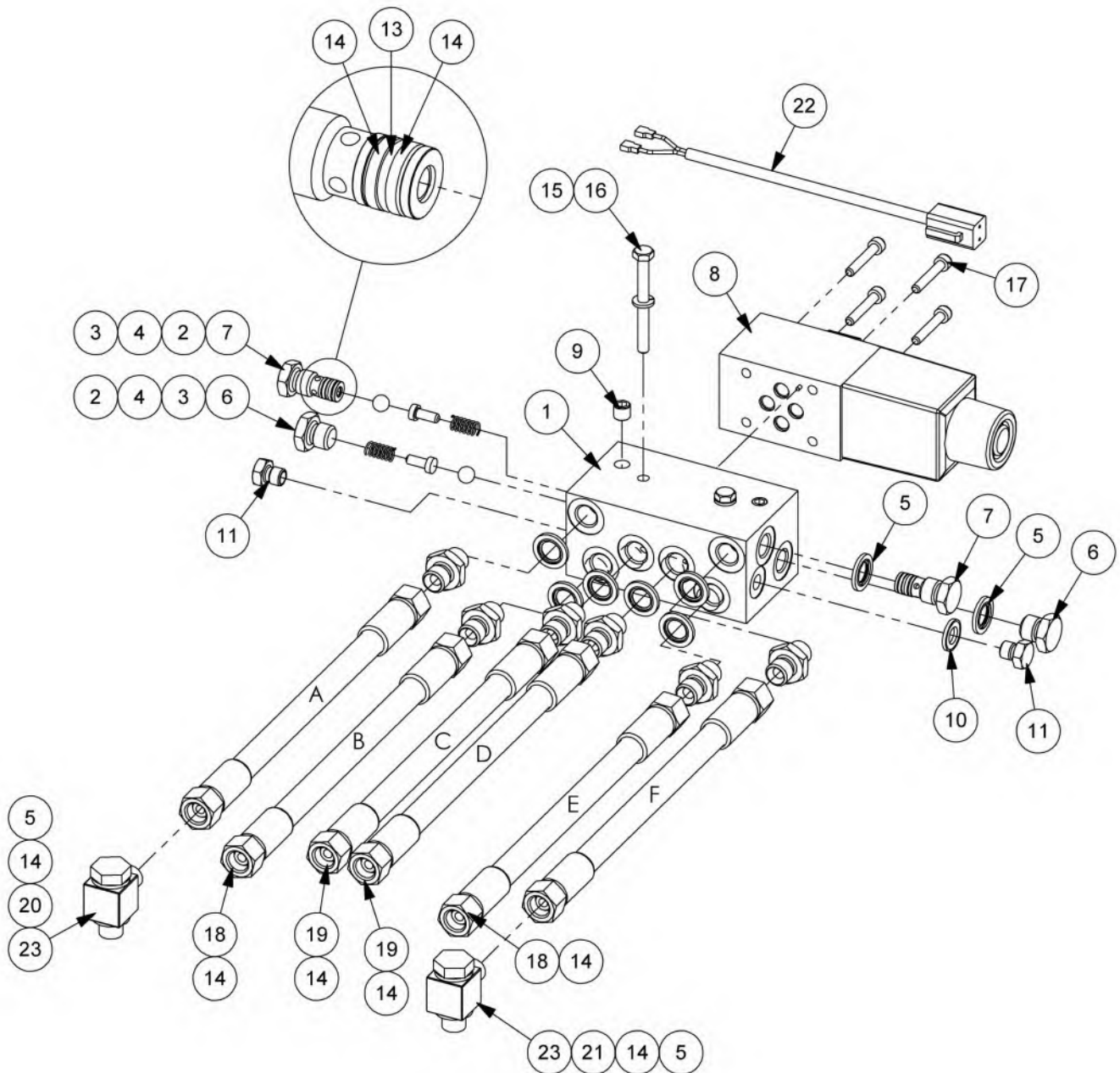
Module(s): 22495.82



REF.	QTY.	PART No.	DESCRIPTION
		<b>22495.82</b>	<b>125LPM DRIVE MODULE (85HP)</b>
1	1	8301313	HIGH PRESSURE MOTOR 45cc
2	1	43390.03	DRIVE COUPLING 27T - 15T
3	2	8650106	BONDED SEAL
4	3	8650102	BONDED SEAL
5	2	8581295	ADAPTOR
6	1	01.099.01	ADAPTOR
7	2	21270.18	HOSE - 1" BSP FS/F135 x 900mm
8	1	10.030.20	HOSE - 3/8" BSP FS/F135 x 1000mm
9	1	8581544	SWIVEL ADAPTOR
10	1	8581351	BLANKING PLUG
11	2	05.433.03	PLUG
12	2	520378	ADAPTOR PLUG

Module(s):

*This page is intentionally blank*



**CONNECTIONS:**

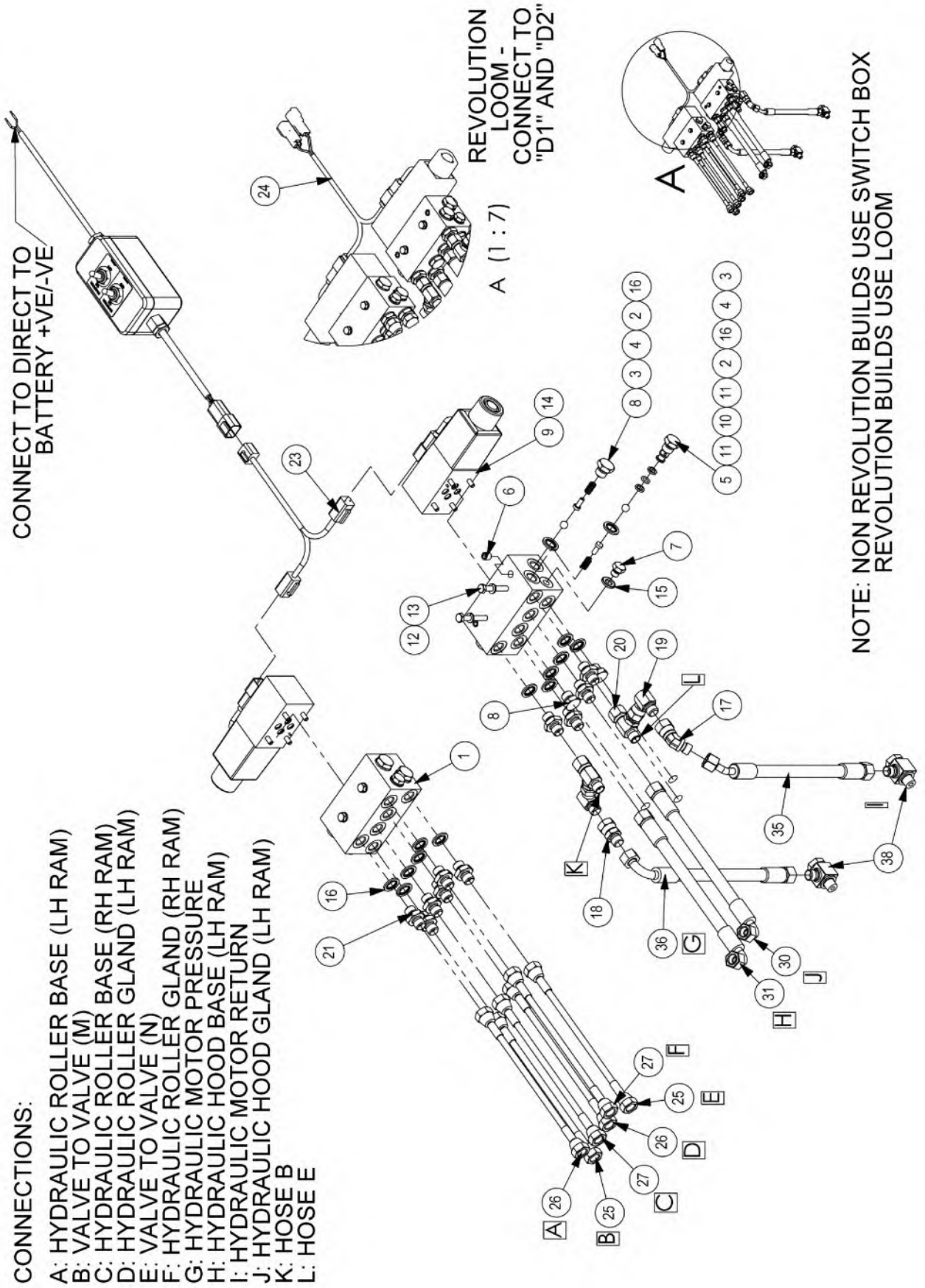
- A: HYDRAULIC MOTOR LOWER CONNECTION UPHILL CUTTING
- B: ROLLER RAM 1 BASE
- C: ROLLER RAM 2 BASE
- D: ROLLER RAM 2 GLAND
- E: ROLLER RAM 1 GLAND
- F: HYDRAULIC MOTOR

Module(s): 22511.12

REF.	QTY.	PART No.	DESCRIPTION
		<b>22511.12</b>	<b>HYDRAULIC ROLLER VALVE KIT</b>
1	1	8132304	HYDRAULIC ROLLER MANIFOLD
2	4	905509	STEEL BALL
3	4	8114045	SPRING
4	4	8130089	SPRING GUIDE
5	10	8650102	BONDED SEAL
6	2	8581571	SOLID PLUG
7	2	8581574	SPECIAL PLUG WITH CV
8	1	8130730	SOLENOID VALVE
9	2	8582041	TAPER PLUG
10	2	05.290.01	BONDED SEAL
11	2	8581444	BLANKING PLUG
12	2	8600804	O RING
13	4	8609804	AE RING
14	6	8581169	ADAPTOR
15	2	9100203	SPRING WASHER
16	2	9213123	BOLT
17	4	9243062	CAPSCREW
18	2	10.001.27	HOSE - 1/4"BSP FS/FS x 1700mm
19	2	10.001.18	HOSE - 1/4"BSP FS/FS x 900mm
20	1	10.001.29	HOSE - 1/4"BSP FS/FS x 1900mm
21	1	10.001.30	HOSE - 1/4"BSP FS/FS x 2000mm
22	1	43177.77	HYDRAULIC ROLLER LOOM
23	2	T7079	BANJO FITTING

# 2 FUNCTION HEAD MOUNTED VALVE KIT

Module(s): 22511.39



**CONNECTIONS:**

- A: HYDRAULIC ROLLER BASE (LH RAM)
- B: VALVE TO VALVE (M)
- C: HYDRAULIC ROLLER BASE (RH RAM)
- D: HYDRAULIC ROLLER GLAND (LH RAM)
- E: VALVE TO VALVE (N)
- F: HYDRAULIC ROLLER GLAND (RH RAM)
- G: HYDRAULIC MOTOR PRESSURE
- H: HYDRAULIC HOOD BASE (LH RAM)
- I: HYDRAULIC MOTOR RETURN
- J: HYDRAULIC HOOD GLAND (LH RAM)
- K: HOSE B
- L: HOSE E

REVOLUTION LOOM - CONNECT TO "D1" AND "D2"

A (1 : 7)

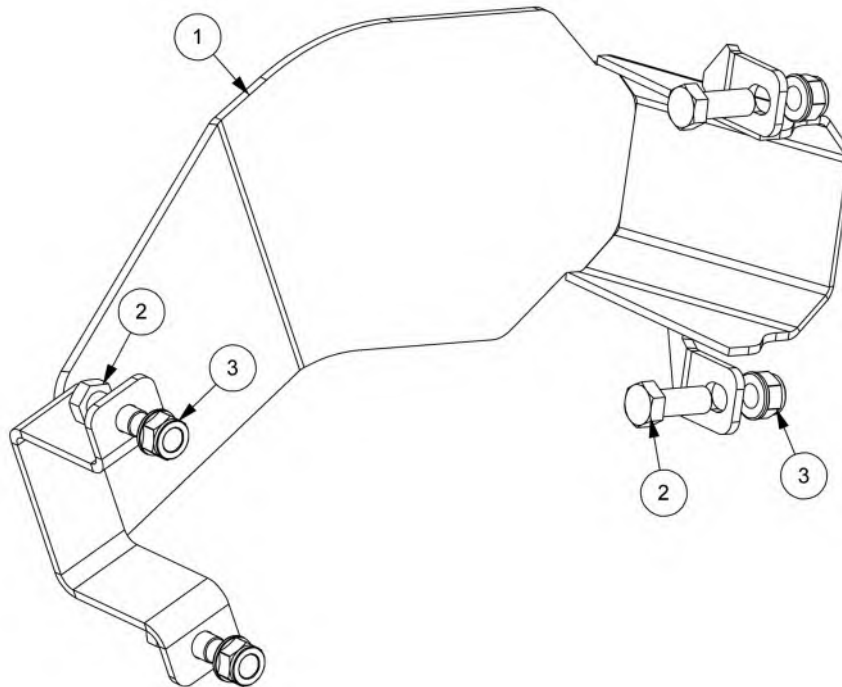
NOTE: NON REVOLUTION BUILDS USE SWITCH BOX  
 REVOLUTION BUILDS USE LOOM

## 2 FUNCTION HEAD MOUNTED VALVE KIT

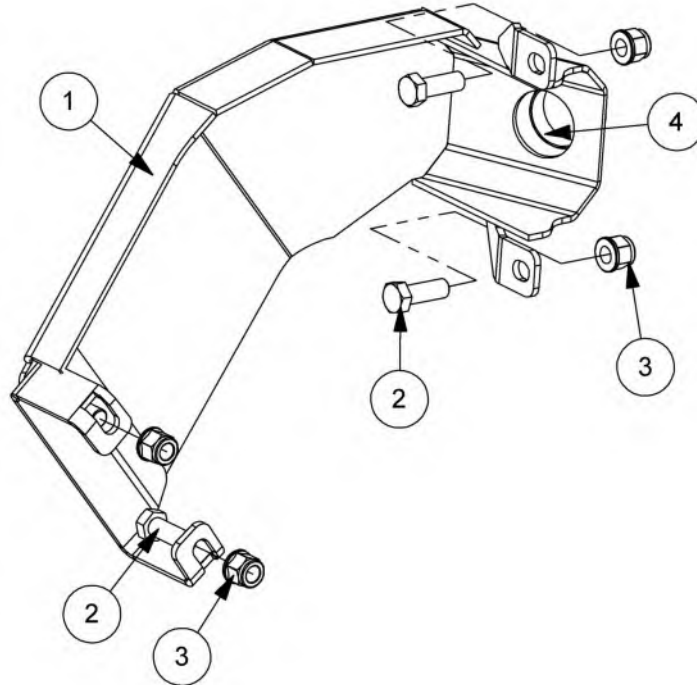
**McCONNEL**

Module(s): 22511.39

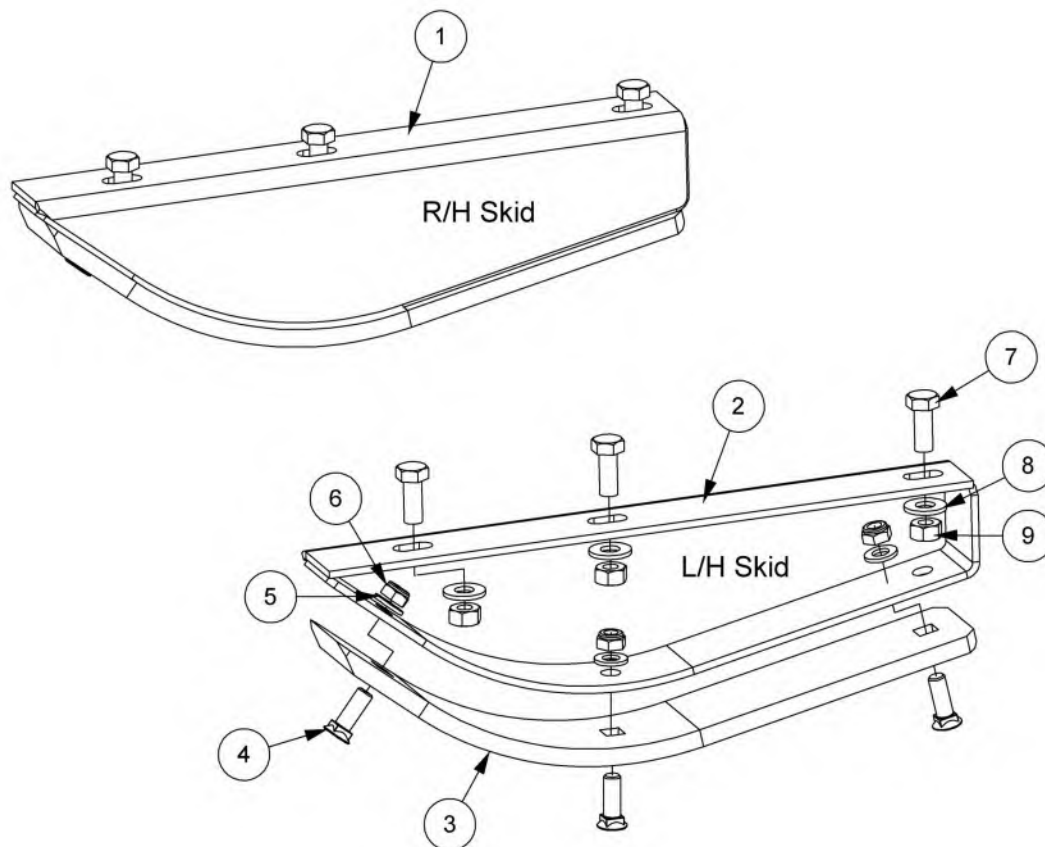
REF.	QTY.	PART No.	DESCRIPTION
		<b>22511.39</b>	<b>2 FUNCTION HEAD MOUNTED VALVE KIT</b>
1	2	8132304	HYDRAULIC ROLLER MANIFOLD
2	8	905509	STEEL BALL
3	8	8114045	SPRING
4	8	8130089	SPRING GUIDE
5	4	8581574	SPECIAL PLUG
6	4	8582041	TAPER PLUG
7	4	8581444	BLANKING PLUG
8	6	8581571	SOLID PLUG
9	2	8130730	SOLENOID
10	4	8600804	O RING
11	8	8609804	AE RING
12	4	9100203	SPRING WASHER
13	4	9213133	BOLT
14	8	9243062	CAPSCREW
15	4	05.290.01	BONDED SEAL
16	20	8650102	BONDED SEAL
17	1	8581347	STEEL ELBOW
18	1	8581309	ADAPTOR SWIVEL
19	2	8581190	ADAPTOR ELBOW
20	2	8581254	ADAPTOR TEE
21	10	8581169	ADAPTOR
22	-	22073.83	SWITCHBOX CW HEAD LOOM
23	-	22073.84	HEAD LOOM HYD ROLLER/HYD HOOD
24	1	41844.72	DUAL FUNCTION LOOM
25	2	10.038.06	1/8" EXIT FLEX HOSE 1/4"BSP FS/FS x 300mm
26	2	10.038.12	1/8" EXIT FLEX HOSE 1/4"BSP FS/FS x 600mm
27	-	10.038.23	1/8" EXIT FLEX HOSE 1/4"BSP FS/FS x 1300mm
28	2	10.038.26	1/8" EXIT FLEX HOSE 1/4"BSP FS/FS x 1600mm
29	-	10.038.27	1/8" EXIT FLEX HOSE 1/4"BSP FS/FS x 1700mm
30	-	10.002.18	HOSE - 1/4"BSP FS/F90 x 900mm
31	1	10.002.20	HOSE - 1/4"BSP FS/F90 x 1000mm
31	-	10.002.21	HOSE - 1/4"BSP FS/F90 x 1100mm
33	1	10.002.22	HOSE - 1/4"BSP FS/F90 x 1200mm
33	-	10.002.23	HOSE - 1/4"BSP FS/F90 x 1300mm
35	1	10.017.20	HOSE - 1/4" BSP FS/F135 x 1000mm
36	1	10.002.17	HOSE - 1/4"BSP FS/F90 x 850mm
37	-	10.017.17	HOSE - 1/4" BSP FS/F135 x 850mm
38	2	T7079	BANJO FITTING



REF.	QTY.	PART No.	DESCRIPTION
		<b>22496.01</b>	<b>MOTOR COVER ASSEMBLY</b>
1	1	42282.07	MOTOR COVER (L/H)
2	4	30.073.25	BOLT
3	4	9100024	SELF-LOCKING FLANGE NUT



REF.	QTY.	PART No.	DESCRIPTION
		<b>23146.01</b>	<b>LH MOTOR COVER</b>
1	1	42282.19	MOTOR COVER LH
2	4	9200028	BOLT
3	4	9100024	S/LOCKING FLANGE NUT
4	1	43358.01	PLASTIC PLUG

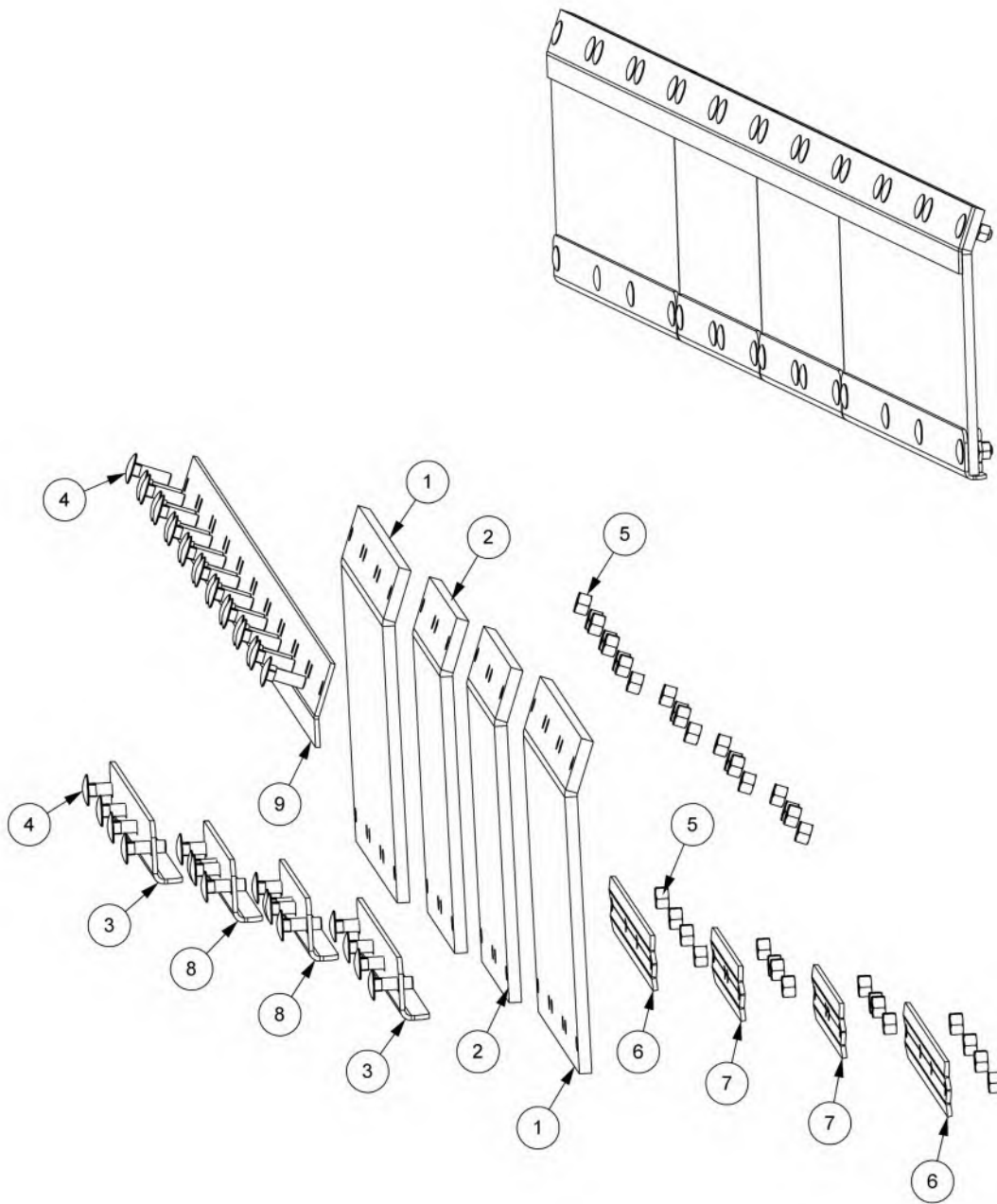


REF.	QTY.	PART No.	DESCRIPTION
		<b>7290384</b>	<b>SKID KIT ASSEMBLY</b>
1	1	7290389	SKID - R/H
2	1	7290390	SKID - L/H
3	2	7290391	REPLACEABLE SKID SHOE
4	6	6012034	PLOUGH BOLT
5	6	0100104	FLAT WASHER
6	6	0141004	SELF-LOCKING NUT
7	6	9313066	SETSCREW
8	6	9100106	FLAT WASHER
9	6	9143006	SELF-LOCKING NUT

# 1.5M FRONT FLAP KIT

**McCONNEL**

Module(s): 21541.02



REF.	QTY.	PART No.	DESCRIPTION
		<b>21541.02</b>	<b>1.5M FRONT FLAP KIT</b>
1	2	21544.01	FRONT FLAP
2	2	21544.02	MIDDLE FRONT FLAP
3	2	21541.05	FLAP OUTER EDGE PLATE
4	36	9293054	CUP HEAD SQUARE SCREW
5	36	9143004	SELF-LOCKING NUT
6	2	21541.06	CLAMP PLATE
7	2	21541.08	MIDDLE CLAMP PLATE
8	2	21541.07	FLAP INNER EDGE PLATE
9	1	21955.01	CLAMP STRIP

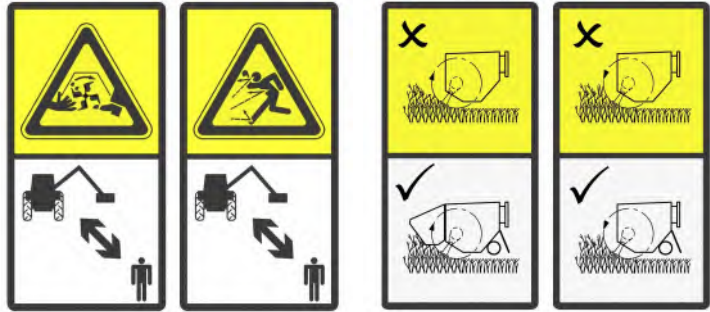
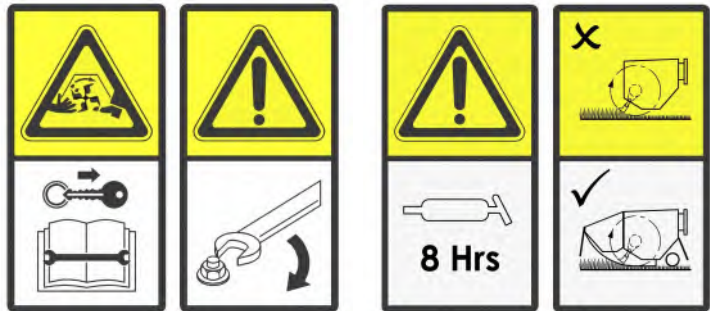
Module(s):



1335246



09.810.01



09.821.35

1290738



1290462

**FLAIL PARTS INFORMATION**

McConnell Flail Mowers use dynamically balanced and mated system components for Cutter Shafts , (Rotors) Knives (Flails), Knife hangers (Shackles) bolts, bushes Rollers, Drivetrain Components, Bearing Belts and Belt Pulleys. McConnell parts are made and tested to meet close-tolerance specifications of balance, quality and consistency that assure long, trouble-free service. "Will-Fit" parts do not ordinarily meet McConnell Standards and could reduce Mower performance, void warranties and present an increase in the safety hazard potential.

**DON'T GAMBLE!**  
USE GENUINE McCONNEL SERVICE PARTS  
See your McConnell dealer

1290392

**McCONNEL**

1290527



McConnel Limited, Temeside Works, Ludlow, Shropshire SY8 1JL. England.  
Telephone: 01584 873131. Facsimile: 01584 876463. [www.mcconnel.com](http://www.mcconnel.com)