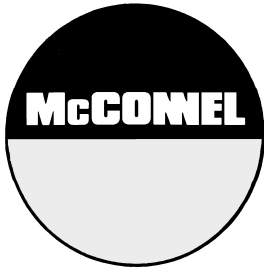


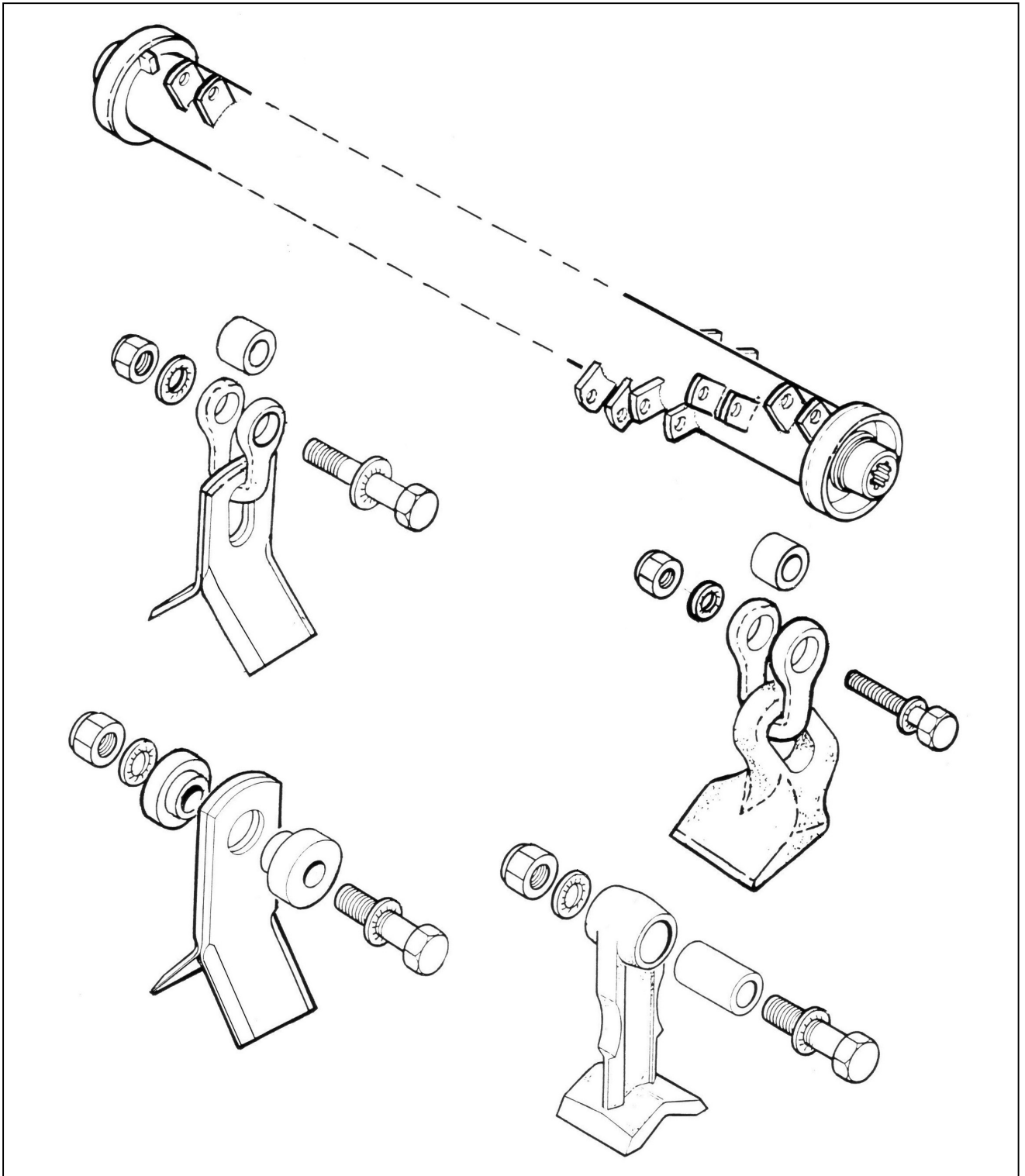
Publication 484
July 2005
Part No. 41570.84
Revision: 30.10.14



1.2M SUPERCUT FLAILHEAD

DIRECT DRIVE / CENTRE MOUNT

Parts Manual



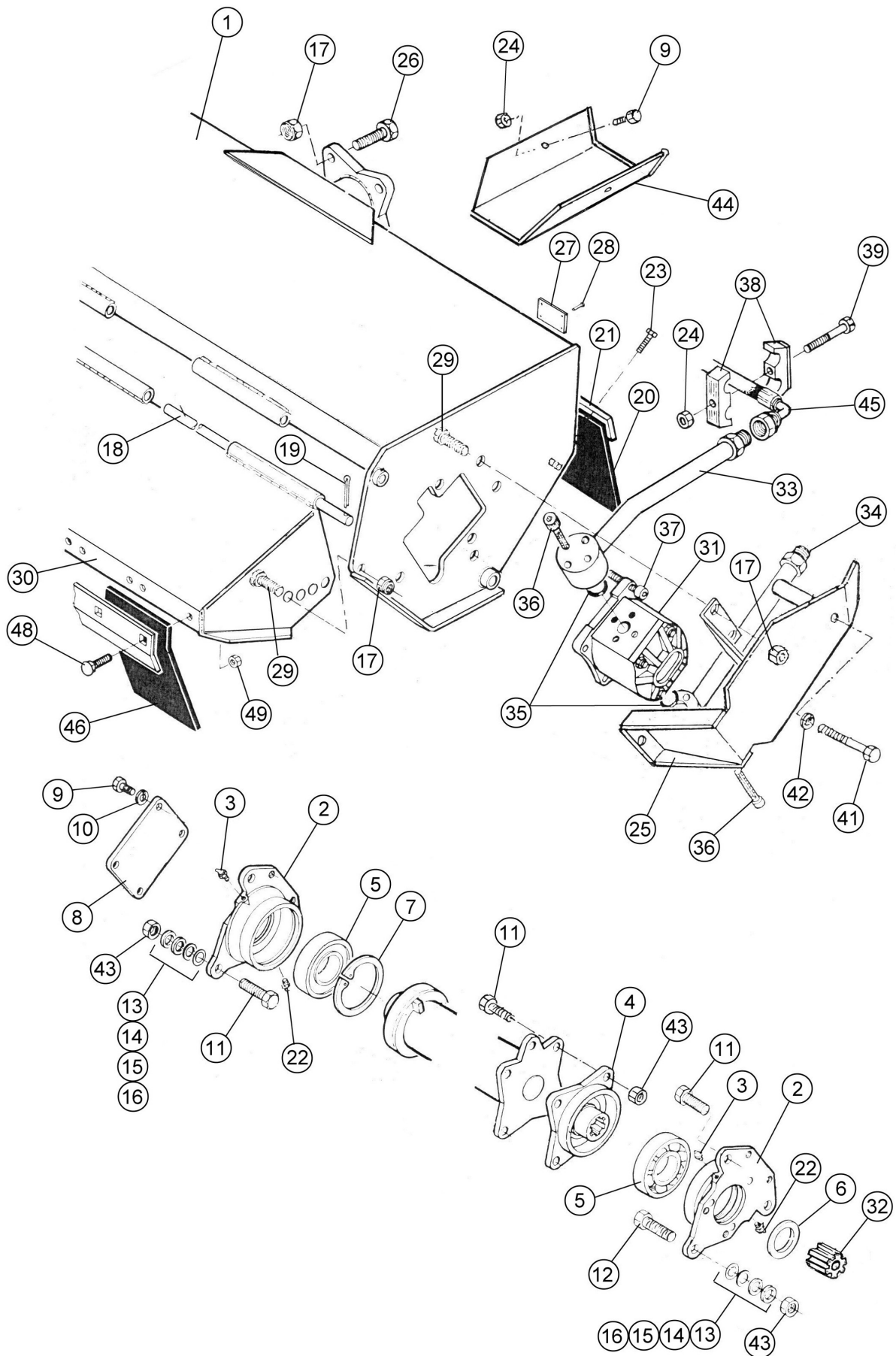
CONTENTS

Flailhead Assembly	2
Rotor & Flail Options	6
Roller Assembly	8
Front Flap Kit (<i>Optional Extra</i>)	9
Skid Kit (<i>Optional Extra</i>)	10
Decal Kit	11

1.2M SUPERCUT FLAILHEAD (CENTRE MOUNT)

Module(s): 7345800 (BSP), 7345801 (BSP), 7198817 (JIC)

McCONEL



1.2M SUPERCUT FLAILHEAD (CENTRE MOUNT)

McCONNEL

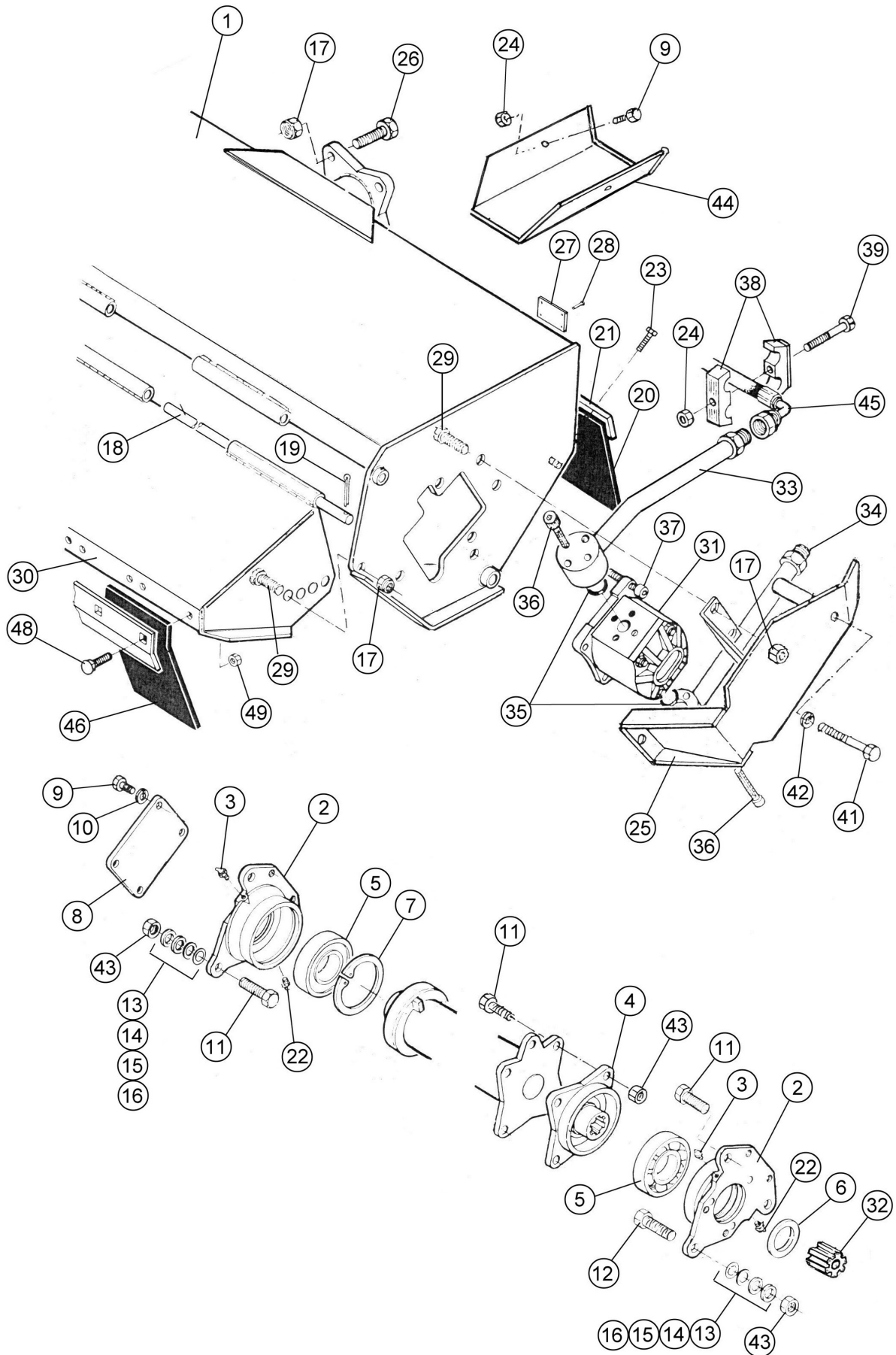
Module(s): 7345800 (BSP), 7345801 (BSP), 7198817 (JIC)

REF.	QTY.	PART No.	DESCRIPTION
		7345800	1.2M CENTRE MOUNT S/CUT HEAD (BSP)
		7345801	1.2M CENTRE MOUNT S/CUT HEAD (BSP)
		7198817	1.2M CENTRE MOUNT S/CUT HEAD (JIC)
1	1	7192388	FLAIL CASING
2	2	7190261	BEARING HOUSING
3	2	0901124	GREASER - ANGLED
4	1	7190571*	DRIVE HUB (* for replacement use 7190578)
5	2	0600018	BEARING
6	1	7190015	MOTOR LOCATING WASHER
7	2	7190022	INTERNAL CIRCLIP
8	1	7190444	COVER PLATE
9	4	9313045	SETSCREW
10	4	9100205	SPRING WASHER
11	3	0211166	BOLT - SPECIAL
12	5	0211146	BOLT - SPECIAL
13	as req.	8121044	SHIM - 0.24"
14	as req.	8121043	SHIM - 0.016"
15	as req.	7191099	SHIM - 2.5mm
16	as req.	7191098	SHIM - 1.5mm
17	18	0141006	SELF-LOCKING NUT
18	1	7191116	HOOD PIVOT PIN
19	1	9501406	SPLIT PIN
20	1	7191361	REAR FLAP
21	1	7191362	CLAMP STRIP
22	2	0901121	GREASER - STRAIGHT
23	12	9313055	SETSCREW
24	13	9143005	SELF-LOCKING NUT
25	1	42282.02	MOTOR COVER - <i>BSP Build</i>
	1	7191283	MOTOR COVER - <i>JIC Build</i>
26	4	0211186	BOLT - SPECIAL
27	1	1335246	SERIAL No. PLATE
28	4	7103230	POP RIVET
29	4	0311126	SETSCREW
30	1	7191352	FRONT HOOD
31	1	8301281	HYDRAULIC MOTOR
32	1	7190573	SPLINED DRIVE COUPLING
33	1	7190376	RIGID PIPE - UPPER
34	1	7190377	RIGID PIPE - LOWER
35	2	8600121	O RING
36	6	9300014	CAPSCREW
37	4	9300144	CAPSCREW
38	1	7190148	HOSE CLAMP (PAIR)
39	1	9213165	BOLT

1.2M SUPERCUT FLAILHEAD (CENTRE MOUNT)

McCONEL

Module(s): 7345800 (BSP), 7345801 (BSP), 7198817 (JIC)



1.2M SUPERCUT FLAILHEAD (CENTRE MOUNT)

McCONNEL

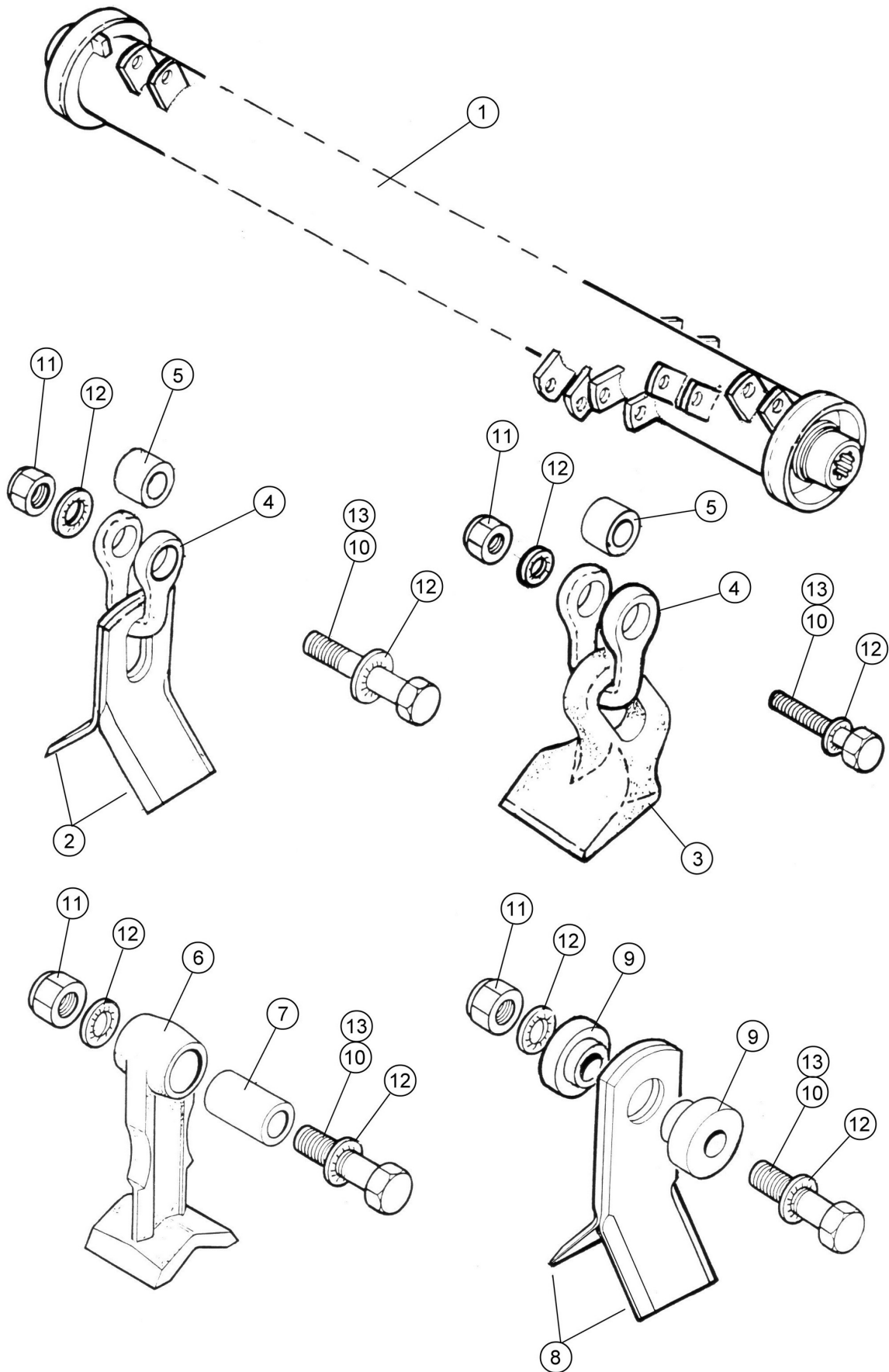
Module(s): 7345800 (BSP), 7345801 (BSP), 7198817 (JIC)

REF.	QTY.	PART No.	DESCRIPTION
40	1	10.010.18	HOSE - 3/4" BSP FS/F90 x 900mm
	1	08.959.09	HOSE - 1.1/16" JIC FS/F90 x 900mm
41	1	0211446	BOLT
42	1	0100206	SPRING WASHER
43	4	0311126	SELF-LOCKING NUT
44	1	7198333	HOSE TRAY
45	1	8538015	HOSE - 3/4" BSP SF/F90 x 33"
	1	08.959.09	HOSE - 1.1/16" JIC FS/F90 x 900mm
		7290375	FRONT FLAP KIT
46	8	7290053	FRONT FLAP
47	1	7190304	CLAMP
48	16	9293054	BOLT
49	16	9143004	SELF-LOCKING NUT
		8699236	MOTOR SEAL KIT

1.2M ROTOR & FLAIL OPTIONS

McCONNEL

Module(s): Rotor 7191382



1.2M ROTOR & FLAIL OPTIONS

McCONNEL

Module(s): Rotor 7191382

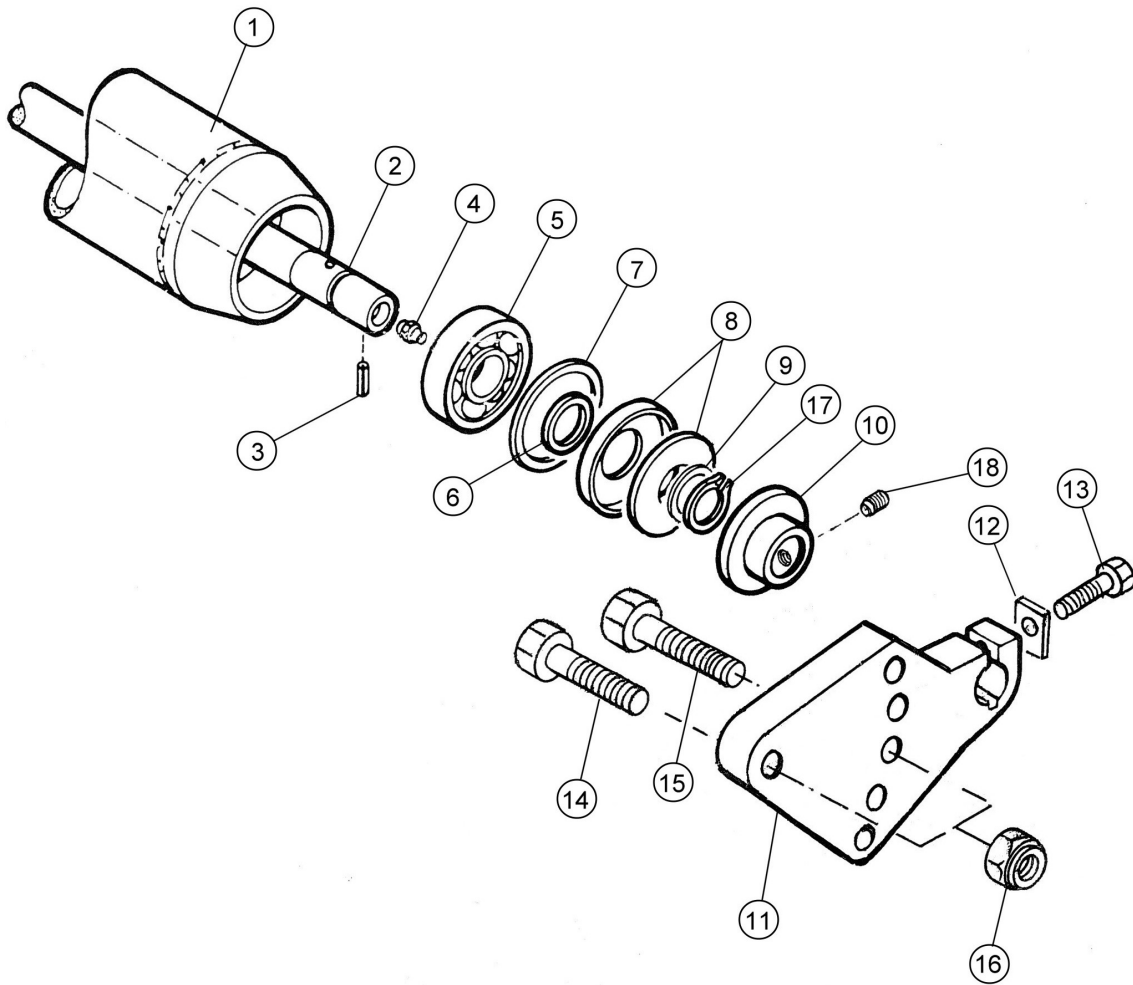
REF.	QTY.	PART No.	DESCRIPTION
			1.2M ROTOR & FLAIL OPTIONS
1	1	7191382	ROTOR - 1.2M
2	48	7190166	FLAIL
3	24	7190462	FLAIL
4	24	7191138	SHACKLE
5	24	7191139	SPACER
6	24	7191320	FLAIL
7	24	7191054	SPACER
8	48	7190315	FLAIL
9	48	7191095	BUSH
10	22	7191109	SPECIAL BOLT
11	24	0141005	SELF-LOCKING NUT
12	48	0100305	SHAKEPROOF WASHER
13*	2	7114082	SPECIAL BOLT

* *Note: Items #13 used on end lugs only.*

1.2M ROLLER ASSEMBLY

McCONNEL

Module(s): 7198392

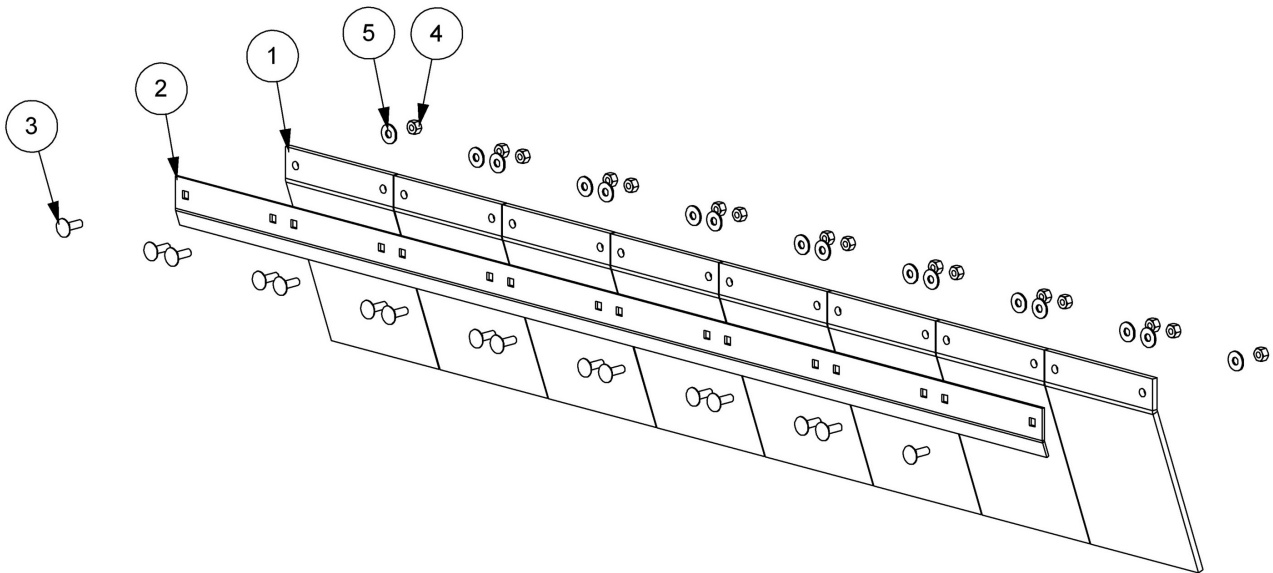


REF.	QTY.	PART No.	DESCRIPTION
		7198392	ROLLER ASSEMBLY
1	1	7191359	1.2M ROLLER
2	1	7191360	AXLE
3	1	0425408	SPRING DOWEL
4	2	0901121	GREASER - STRAIGHT
5	2	0600088	BEARING
6	2	7191092	SPACER WASHER - SMALL
7	2	7191093	SPACER WASHER - LARGE
8	2	7191091	SEALING WASHER SET
9	<i>as req'd</i>	7191107	ROLLER SHIM
10	2	7191285	ROLLER SPACER
11	2	7191378	ROLLER BRACKET
12	2	41777.01	TAB WASHER
13	2	0211165	BOLT
14	2	0211166	SETSCREW
15	2	0211186	SETSCREW
16	4	0141006	SELF-LOCKING NUT
17	2	0401225	EXTERNAL CIRCLIP
18	1	9300146	GRUBSCREW

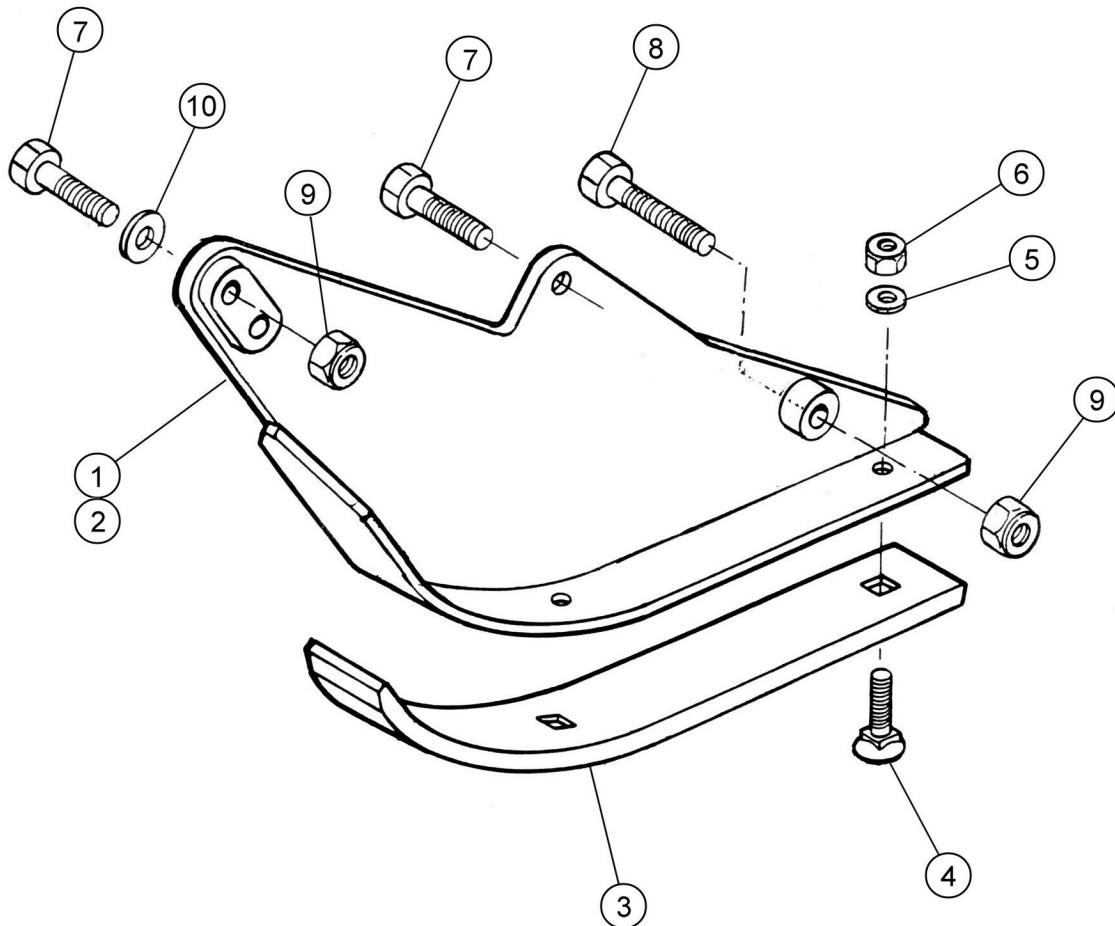
FRONT FLAP KIT (Option)

McCONNEL

Module(s): 7290375



REF.	QTY.	PART No.	DESCRIPTION
		7290375	FRONT FLAP KIT
1	8	7290053	FRONT FLAP
2	1	7190304	CLAMP STRIP
3	16	9293054	CUP HEAD SCREW
4	16	9143004	SELF-LOCKING NUT
5	16	9100104	FLAT WASHER

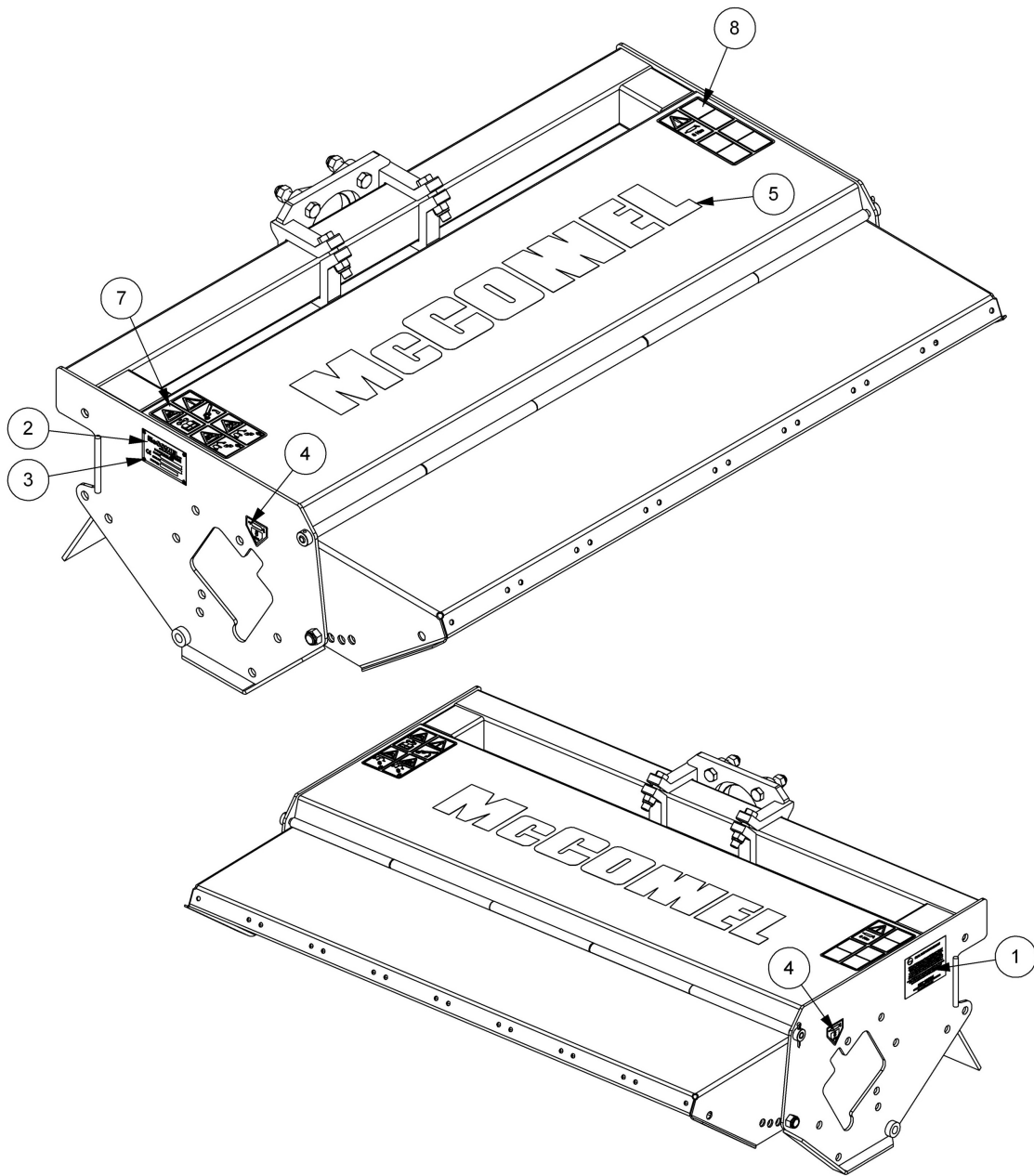


REF.	QTY.	PART No.	DESCRIPTION
		7198374	SKID KIT
1	1	7198368	SKID - L/H
2	1	7198369	SKID - R/H (<i>not illustrated</i>)
3	2	7290391	WEAR SKID
4	6	6012034	TINE BOLT
5	6	0100104	PLAIN WASHER
6	6	0142004	SELF-LOCKING NUT
7	4	0311106	SETSCREW
8	2	0311126	SETSCREW
9	4	0141006	SELF-LOCKING NUT
10	6	0100106	PLAIN WASHER

DECAL KIT

Module(s): 7191368

McCONNEL



REF.	QTY.	PART No.	DESCRIPTION
		7191368	FLAILHEAD DECAL KIT
1	1	1290392	DECAL - PARTS INFORMATION
2	1	1335246	SERIAL No. PLATE
3	4	7103230	POP RIVET
4	2	09.810.01	DECAL - GREASE (8 HRS)
5	1	1290527	DECAL - McCONNEL
6	1	1290462	DECAL - FLAILHEAD HAZARD
7	1	09.821.35	DECAL - COMBINED EURO DECAL
8	1	1290738	DECAL - FLAILHEAD



McConnel Limited, Temeside Works, Ludlow, Shropshire SY8 1JL. England.
Telephone: 01584 873131. Facsimile: 01584 876463. www.mcconnel.com