

Publication 554
February 2009
Part No. 41571.54

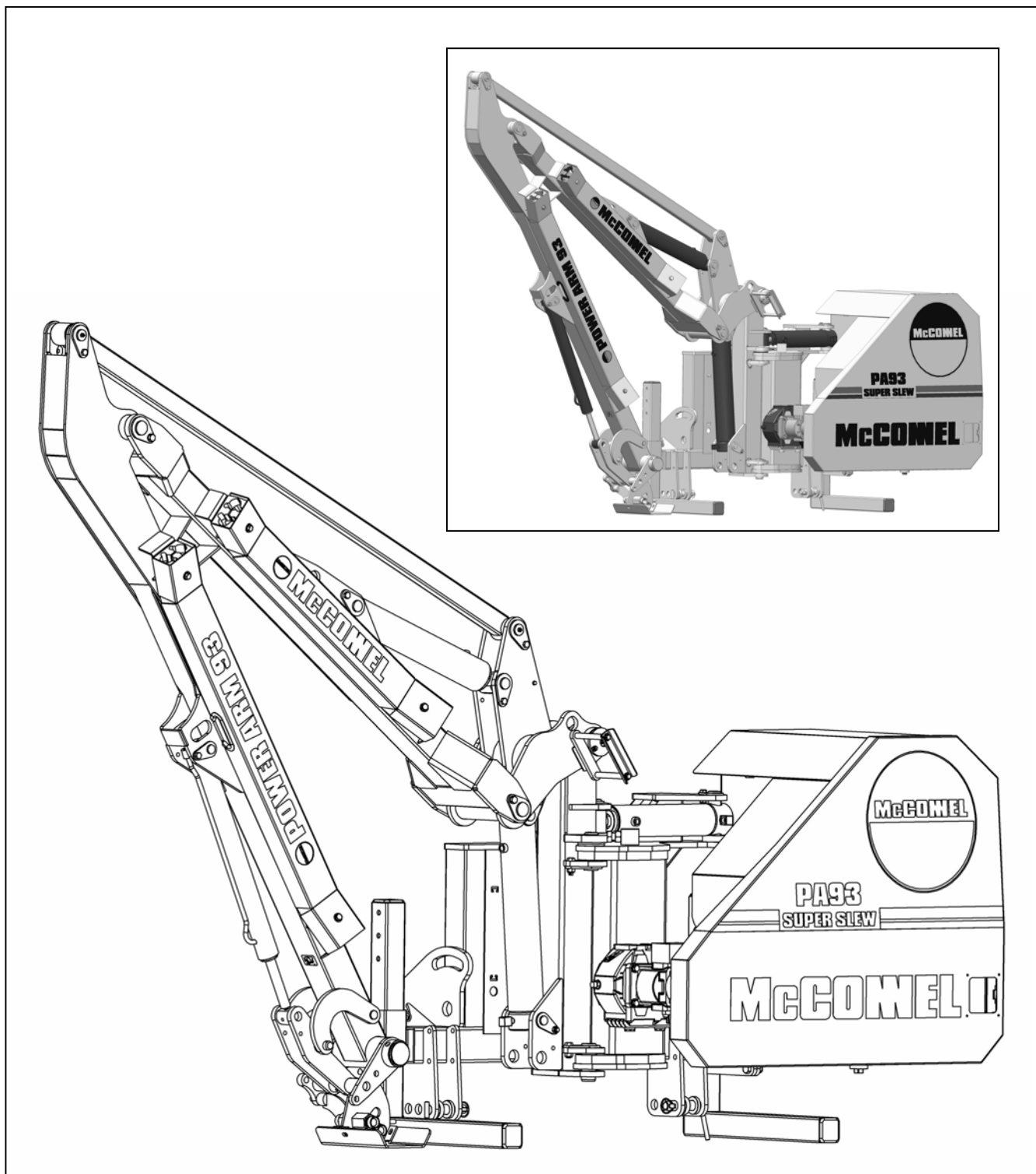
PA93SS

SUPER SLEW

HEDGE CUTTER / MOWER



Parts Manual





For best performance...

USE ONLY McCONNEL GENUINE SERVICE PARTS

To be assured of the latest design improvements purchase your 'Genuine Replacements' from the **Original Equipment Manufacturer**:

McCONNEL LIMITED

through your local Dealer or Stockist.

Always quote:

- ***Machine Type***
- ***Serial Number***
- ***Part Number***

McConnell Limited

Temeside Works, Ludlow, Shropshire, SY8 1JL, England.

Telephone: 01584 873131

www.mcconnel.com

*Design Improvements may have altered some of the parts listed in this manual –
The latest part will always be supplied when it is interchangeable with an earlier one.*

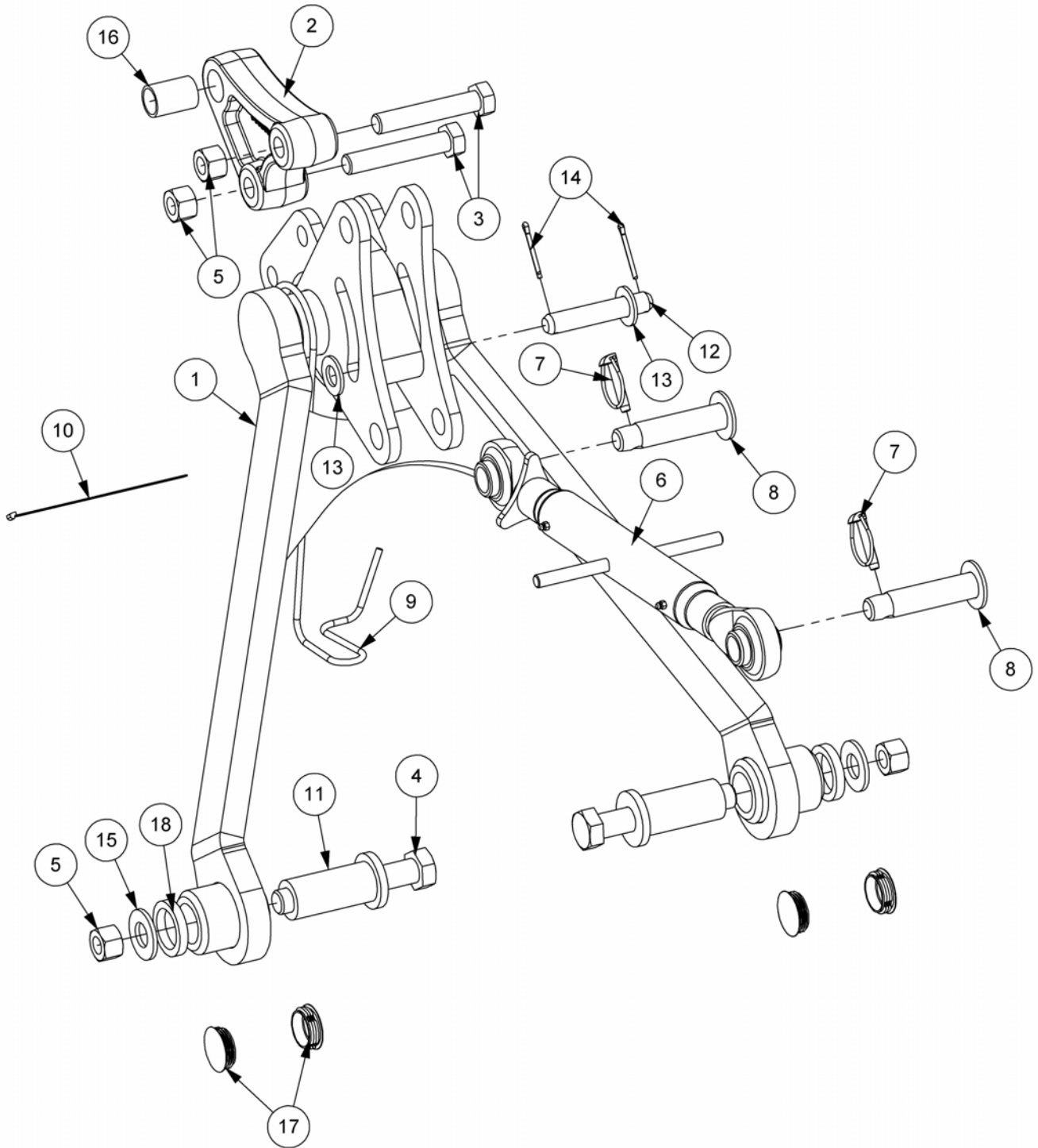
CONTENTS

	<i>Page No.</i>
Stabilizer Assembly	1
Mainframe Assembly	3
Pillar Assembly	5
Rocker Assembly	7
Main Arm Assembly	9
Dipper Arm Assembly	11
Head Angling Mechanism	13
Hydraulic Tank Assembly	15
Pump & Gearbox Assembly	17
Gearbox Assembly	19
Cable Rotor Control Valve Assembly	21
Armhead Control Valve Assembly – <i>Cable Models</i>	23
Cable Control Assembly	25
Adaptors Module – Cable ACV	27
Armhead Control Valve Assembly – <i>Electric Models</i>	29
Armhead Control Valve Assembly – <i>XTC Proportional Models</i>	31
Manifold Assembly – <i>Electric & XTC Proportional Models</i>	33
Solenoid Assembly – <i>Electric Models</i>	35
Solenoid Assembly – <i>XTC Proportional Models</i>	36
Adaptors Module – <i>Electric Models</i>	37
Adaptors Module – <i>XTC Proportional Models</i>	38
Electric Switchbox Controls	39
Electric Monolever Controls	41
XTC Proportional Controls	43
Hydraulic Installation	45
Lift Ram Assembly	47
Reach Ram Assembly	48
Angling Ram Assembly	49
Slew Ram Assembly	50
Hydraulic Hose Kits	51
Lift Float Kit – <i>Cable Models (Optional)</i>	53
Lift Float Kit – <i>Electric Models (Optional)</i>	55
Angle Float Kit – <i>Electric Models (Optional)</i>	56
Cooler Kit Assembly	57
Cooler Kit Assembly – <i>High Capacity Version</i>	59
Control Mounting Kits	61
Cab Guard Kit	62
Rear Covers Assembly	63
Decal Kit – <i>Instruction & Safety Warning Decals</i>	65
Decal Kits – <i>Model Identification & Branding Decals</i>	67

STABILIZER ASSEMBLY

Module(s): 7499632

McCONEL



STABILIZER ASSEMBLY

McCONNEL

Module(s): 7499633

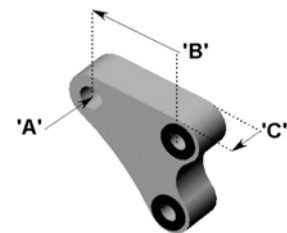
REF.	QTY.	PART No.	DESCRIPTION
		7499632	STABILIZER ASSEMBLY
1	1	41205.13	STABILIZER
2	1	7499506C	STABILIZER TONGUE - CAT.3
3	2	9213228	BOLT
4	2	9213309	BOLT
5	4	9143008	SELF-LOCKING NUT
6	1	21370.01	TOP LINK ASSEMBLY
7	2	0431217	LINCH PIN
8	2	7560144	TOP LINK PIN
9	1	21160.03	PTO HOOK
10	1	7196045	HOSE TIE
11	2	45999.05	SPACER SLEEVE
12	1	22072.01	QUADRANT PIN
13	2	9100108	FLAT WASHER
14	2	9501406	SPLIT PIN
15	2	9100109	FLAT WASHER
16	1	21883.01	SLEEVE - CAT.2 TO CAT.3
17	4	21388.01	PLASTIC INSERT
18	2	45999.04	SPACER

McCONNEL STABILIZER TONGUES

'A' – Hole diameter

'B' – Hole center spacing

'C' – Stabilizer width



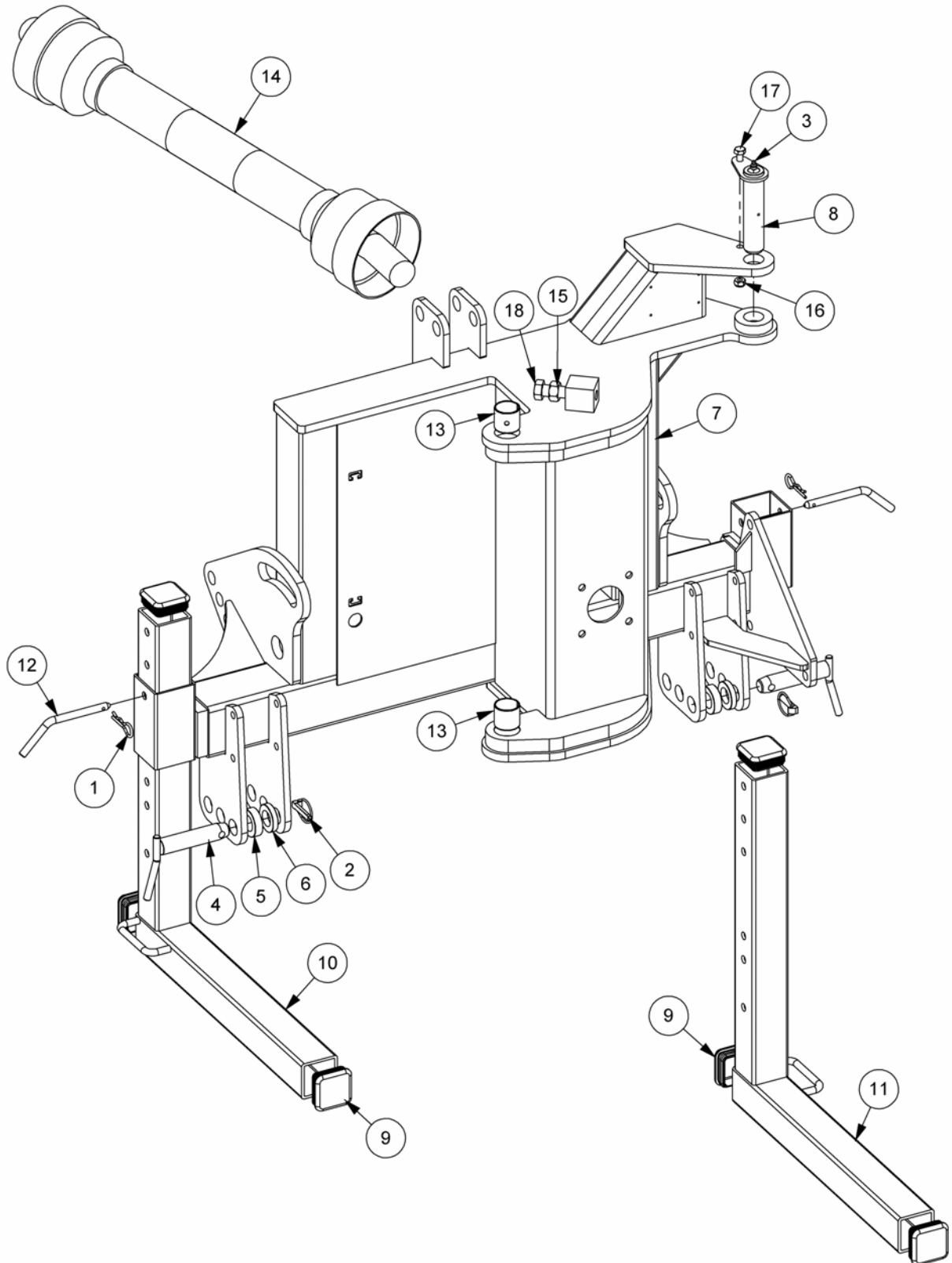
(Dimensions in mm)

Part No.	Description	'A'	'B'	'C'
7499501	Tongue: Standard – Cat. 2	27	107	45
7499500	Tongue: Special – Cat. 2 narrow	27	107	35
7499502	Tongue: Special – Cat. 2 long	27	217	45
7499503	Tongue: Special – Cat. 3 long	32	217	45
7499504	Tongue: Special – Cat. 1	19.5	107	35
7499505	Tongue: Special – Cat. 2 for Case TX tractors	25	120	50
7499506	Tongue: Special – Cat. 3	32	107	45
7499507	Tongue: Special – Cat. 3 narrow	32	107	30
7499508	Tongue: Special – for some Ford tractors	28.6	107	45
7499262	Tongue: Special – Cat. 2 extra long for Aebi	27	260	45
7499510	Tongue: Special – Cat. 2	27	107	40

MAINFRAME ASSEMBLY

Module(s): L/H Build 7150710 (*illustrated*), R/H Build 7150711

McCONEL



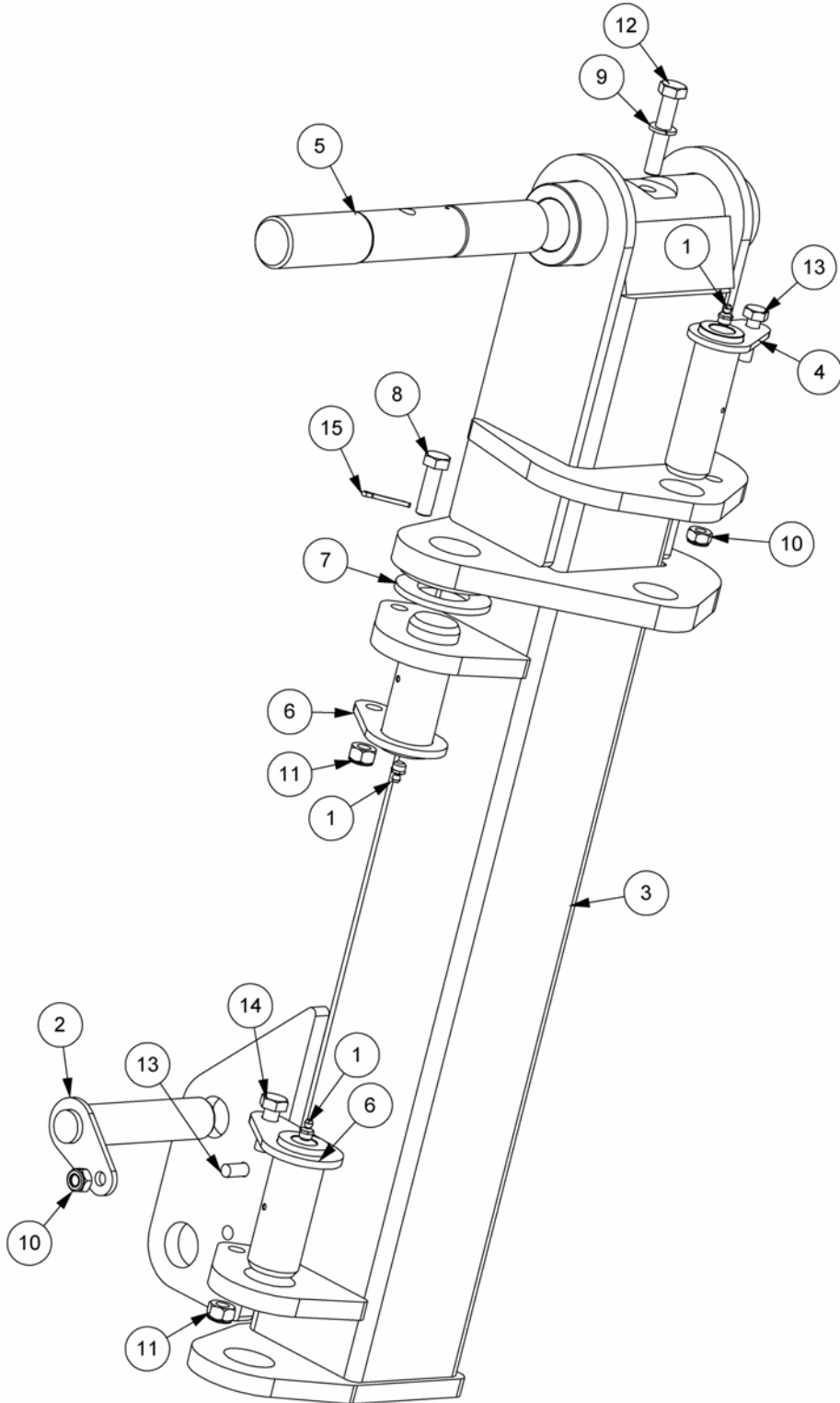
MAINFRAME ASSEMBLY**McCONNEL**Module(s): L/H Build 7150710 (*illustrated*), R/H Build 7150711

REF.	QTY.	PART No.	DESCRIPTION
		7150710	MAINFRAME ASSEMBLY - L/H Build
		7150711	MAINFRAME ASSEMBLY - R/H Build
1	2	0431105	SPRING COTTER
2	2	0431217	LINCH PIN
3	1	0901121	GREASE NIPPLE - STRAIGHT
4	2	41559.01	LINKAGE PIN - CAT 2.
5	2	43332.01	LINKAGE SPACER -15mm
6	2	43332.02	LINKAGE SPACER -10mm
7	1	45193.09	MAINFRAME - L/H Build
	1	45193.10	MAINFRAME - R/H Build
8	1	45202.05	SLEW BASE PIN
9	6	45210.01	PLASTIC PLUG
10	1	45293.01	STAND LEG - L/H
11	1	45293.02	STAND LEG - R/H
12	2	45297.01	LEG PIN
13	2	7115208	GLACIER BUSH
14	1	7136330	DRIVE SHAFT ASSEMBLY
15	1	9113008	NUT
16	1	9163005	NYLOC NUT
17	1	9313075	SETSCREW
18	1	9313118	SETSCREW

PILLAR ASSEMBLY

Module(s): L/H Build 7150712 (*illustrated*), R/H Build 7150713

McCONNEL



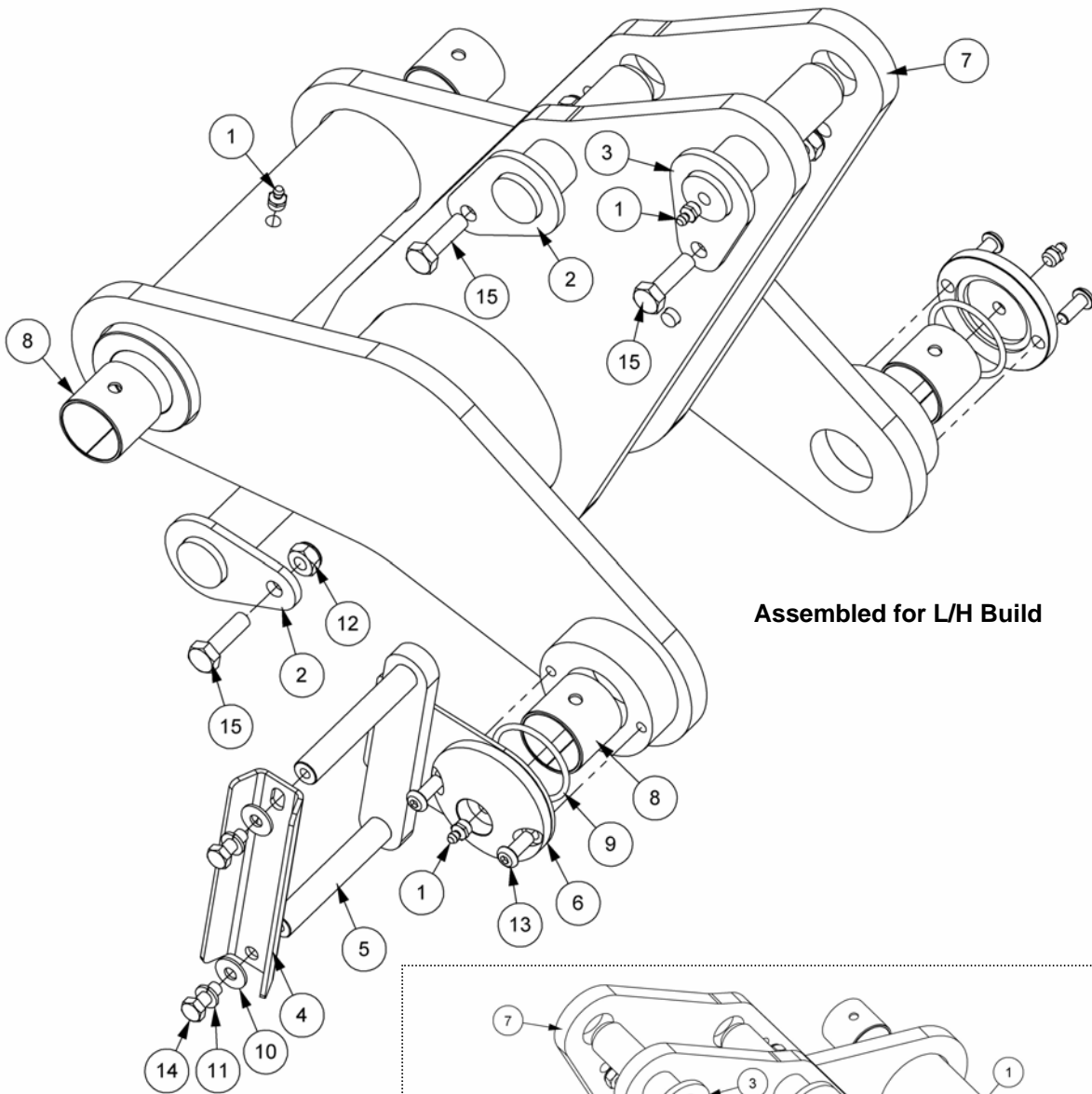
PILLAR ASSEMBLY**McCONNEL**Module(s): L/H Build 7150712 (*illustrated*), R/H Build 7150713

REF.	QTY.	PART No.	DESCRIPTION
		7150712	PILLAR ASSEMBLY - L/H Build
		7150713	PILLAR ASSEMBLY - R/H Build
1	3	0901121	GREASE NIPPLE
2	1	41692.10	PIN
3	1	45192.09	PILLAR - L/H Build
	1	45192.10	PILLAR - R/H Build
4	1	45202.04	PIN
5	1	45264.01	MAIN PIVOT PIN
6	2	45271.01	SLEW PIVOT PIN
7	1	45298.01	THRUST WASHER
8	1	45416.01	SPECIAL SETCREW
9	1	9100206	SPRING WASHER
10	2	9163005	NYLOC NUT
11	2	9163006	NYLOC NUT
12	1	9213136	BOLT
13	2	9313075	SETSCREW
14	1	9313076	SETSCREW
15	1	9501255	SPLIT PIN

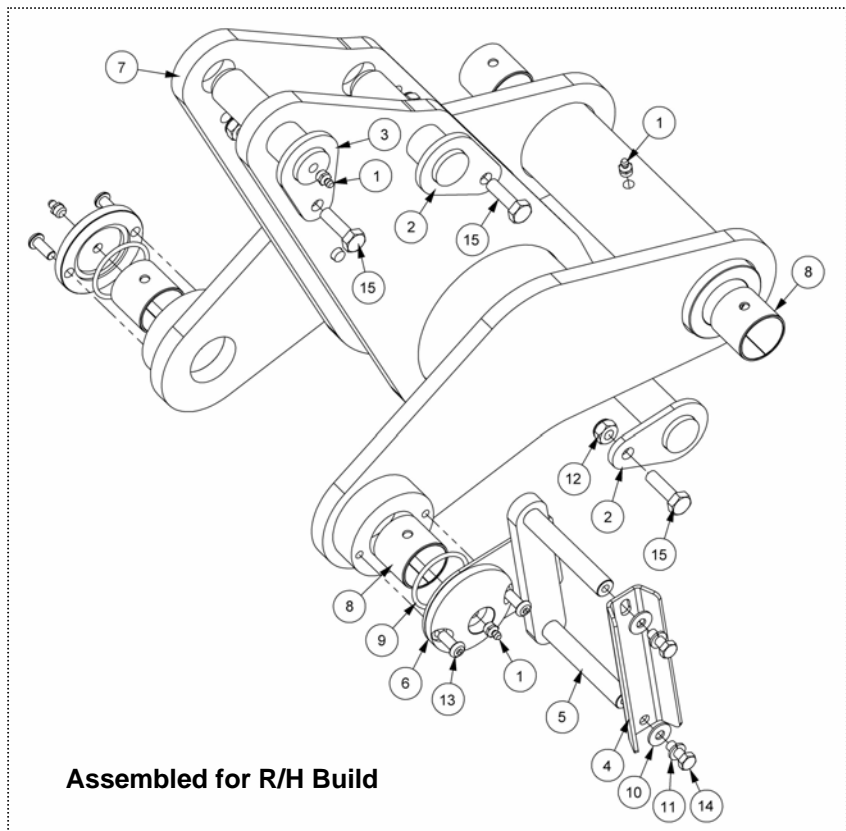
ROCKER ASSEMBLY

Module(s): 7150743

McCONEL



Assembled for L/H Build



Assembled for R/H Build

ROCKER ASEMBLY**McCONNEL**

Module(s): 7150743

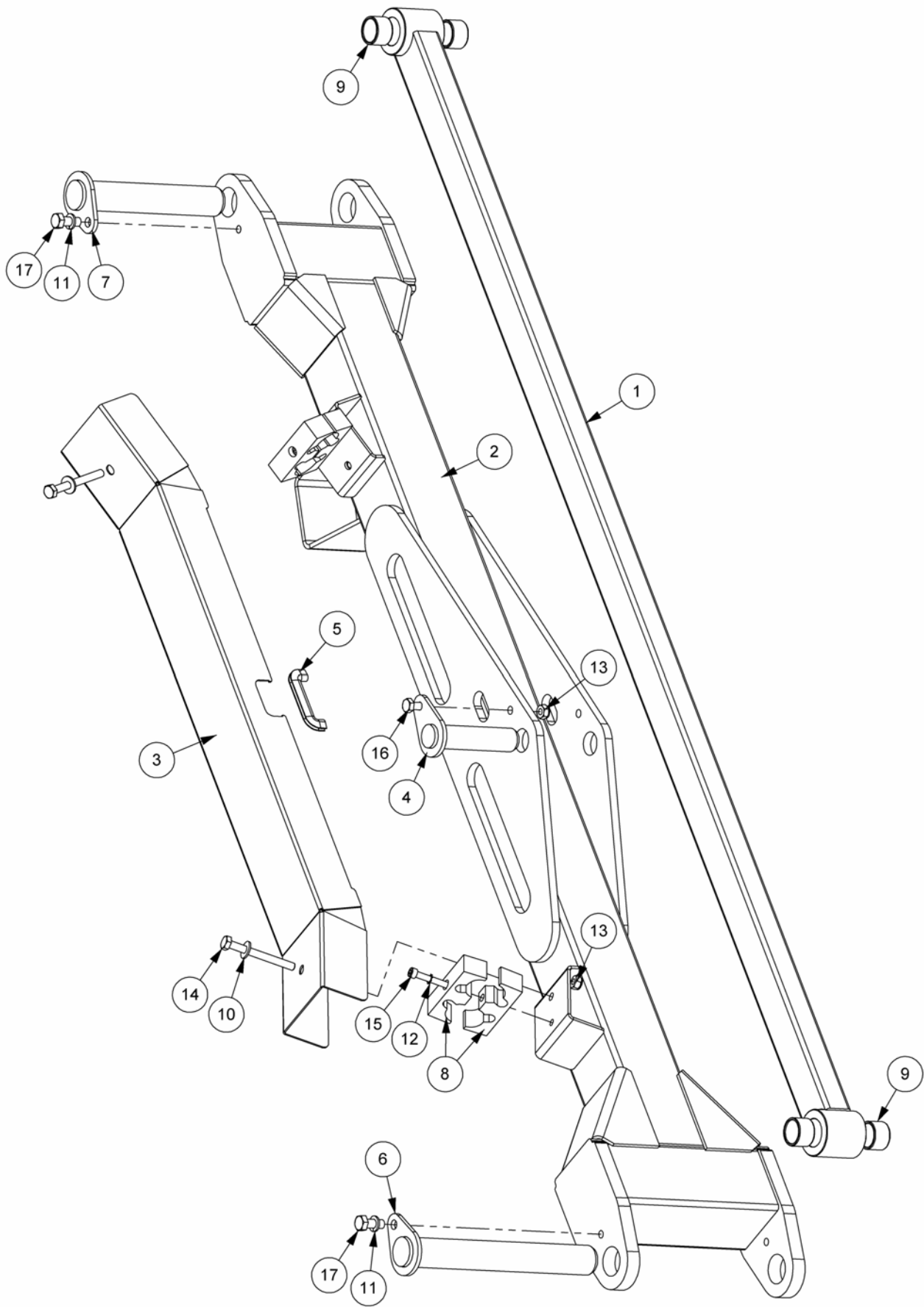
REF.	QTY.	PART No.	DESCRIPTION
		7150743	ROCKER ASSEMBLY
1	4	0901121	GREASE NIPPLE
2	2	41692.12	PIN
3	1	41692.13	PIN
4	1	43048.10	HOSE RETAINER
5	1	43048.14	HOSE RETAINING BRACKET
6	2	45266.01	PIN CAP
7	1	45445.03	ROCKER
8	4	7115208	BUSH
9	2	8600303	O RING
10	2	9100104	FLAT WASHER
11	2	9100204	SPRING WASHER
12	3	9163005	NYLOC NUT
13	4	9300161	SOCKET BUTTON SCREW
14	2	9313044	SETSCREW
15	3	9313075	SETSCREW

NOTE: The Rocker Assembly for both L/H & R/H builds are the same but differ in the orientation of the assembled components.

MAIN ARM ASSEMBLY

McCONEL

Module(s): L/H Build 7150716Y (*illustrated*), R/H Build 7150717Y



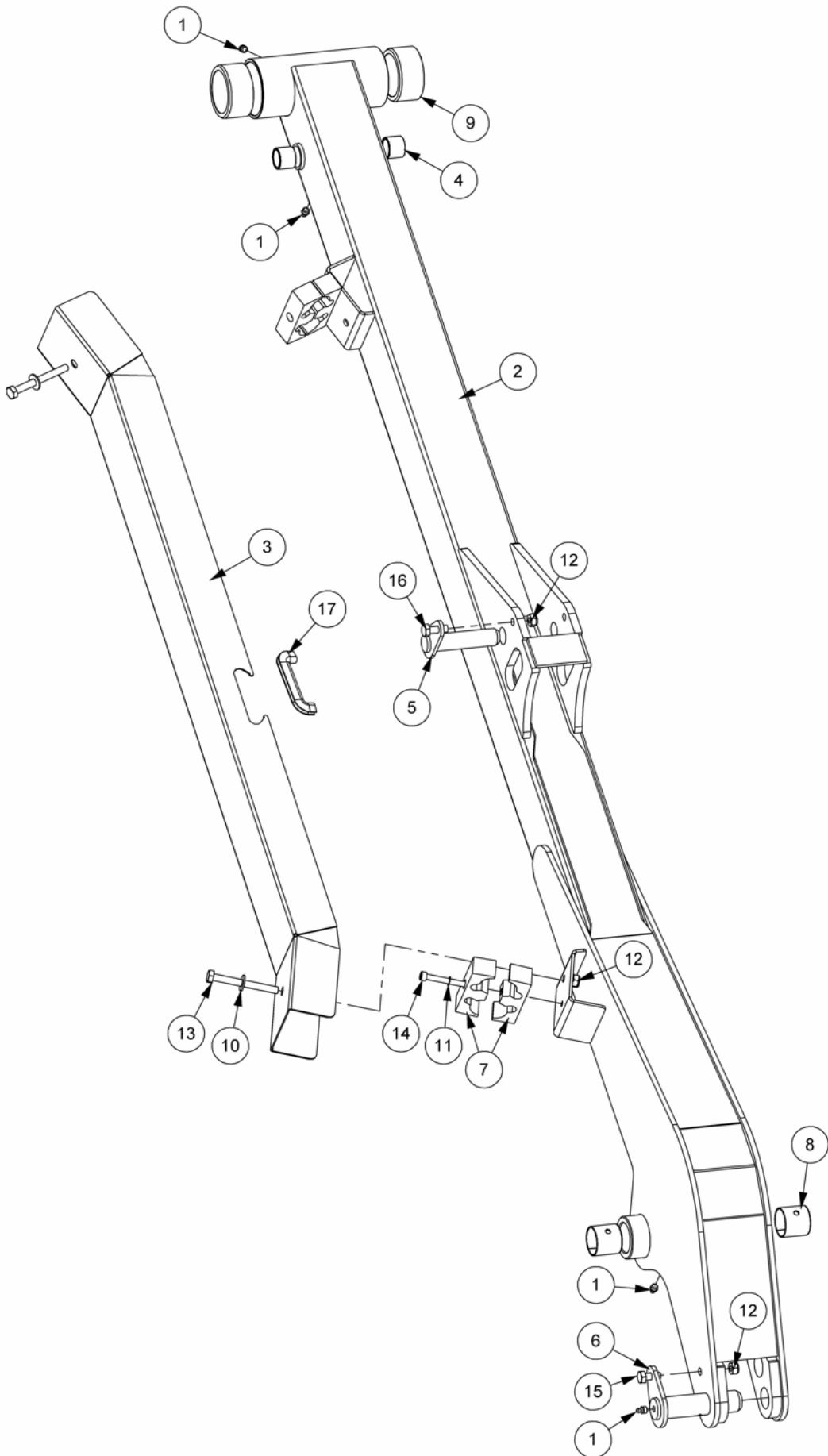
MAIN ARM ASSEMBLY**McCONNEL**Module(s): L/H Build 7150716Y (*illustrated*), R/H Build 7150717Y

REF.	QTY.	PART No.	DESCRIPTION
		7150716Y	MAIN ARM ASSEMBLY - L/H Build
		7150717Y	MAIN ARM ASSEMBLY - R/H Build
1	1	22499.02	TENSION LINK
2	1	22501.01	MAIN ARM - L/H Build
	1	22501.02	MAIN ARM - R/H Build
3	1	22522.01Y	HOSE GUARD
4	1	41692.11	PIN
5	1	41741.11	EDGING STRIP (110mm)
6	1	43324.13	PIN
7	1	43324.14	PIN
8	4	45630.01	HOSE CLAMP
9	4	6012032	BUSH
10	2	9100105	FLAT WASHER
11	2	9100206	SPRING WASHER
12	2	9100404	SHAKEPROOF WASHER
13	3	9163005	NYLOC NUT
14	2	9213205	BOLT
15	2	9243154	CAPSCREW
16	1	9313065	SETSCREW
17	2	9313066	SETSCREW

DIPPER ARM ASSEMBLY

McCONEL

Module(s): L/H Build 7150718Y (*illustrated*), R/H Build 7150719Y



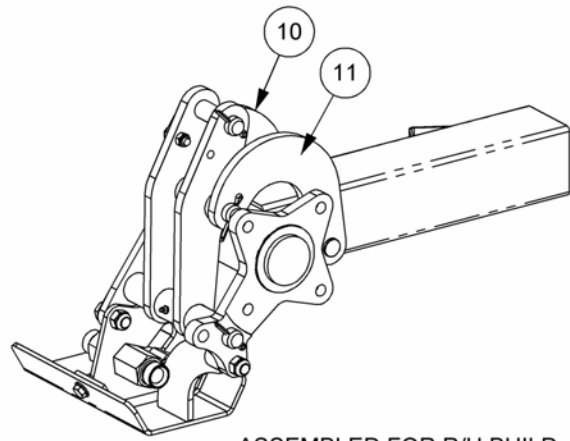
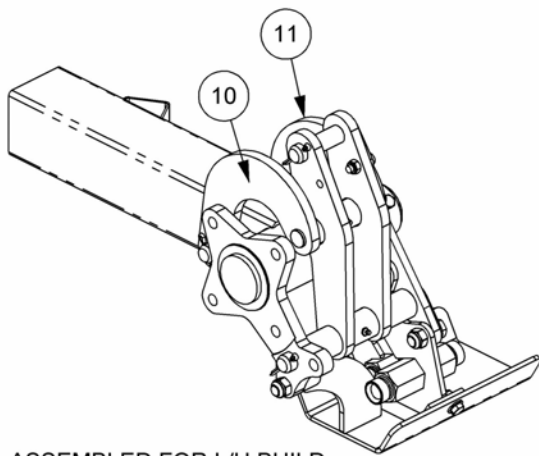
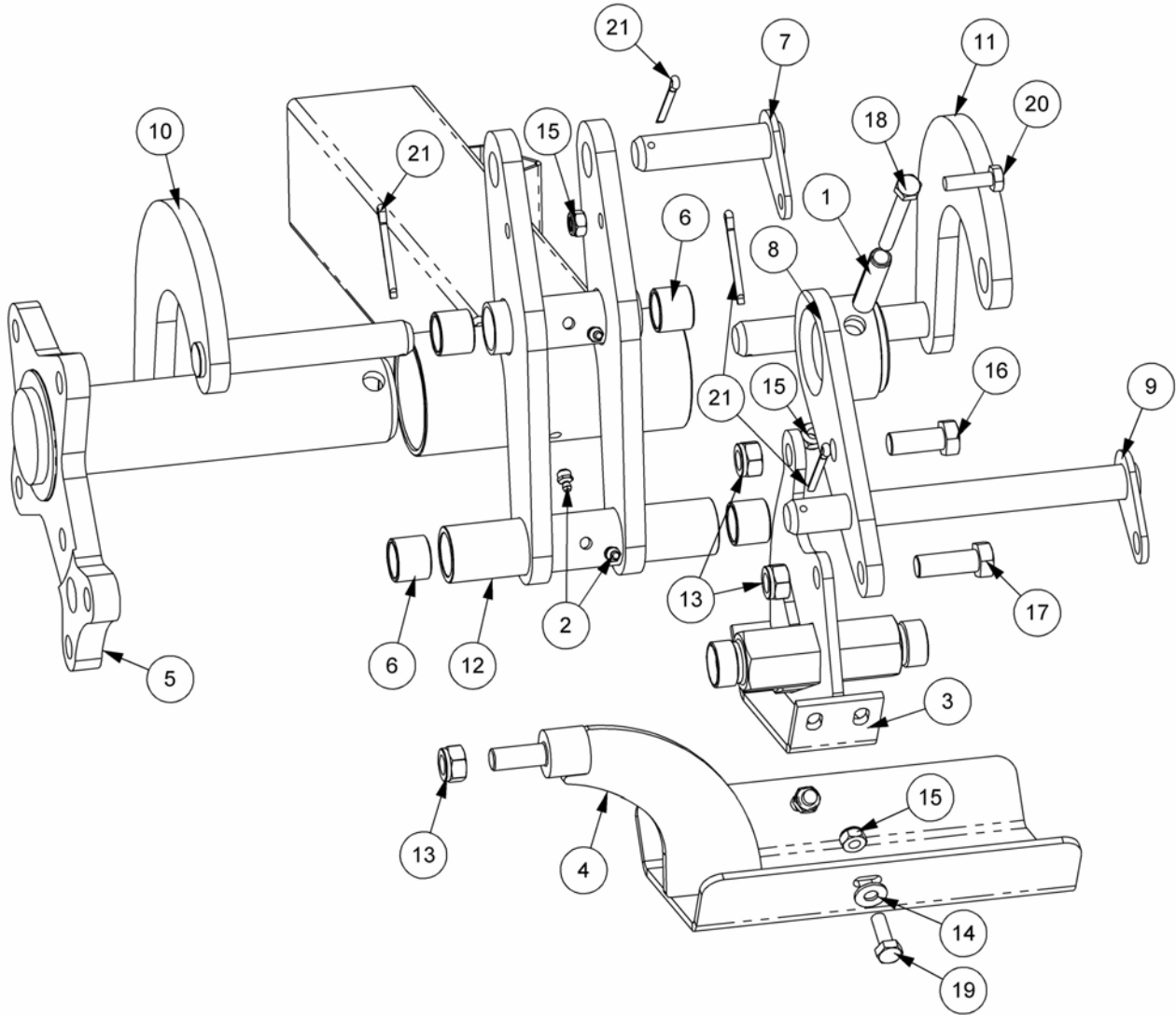
DIPPER ARM ASSEMBLY**McCONNEL**Module(s): L/H Build 7150718Y (*illustrated*), R/H Build 7150719Y

REF.	QTY.	PART No.	DESCRIPTION
		7150718Y	DIPPER ARM ASSEMBLY - L/H Build
		7150719Y	DIPPER ARM ASSEMBLY - R/H Build
1	4	0901121	GREASE NIPPLE
2	1	22517.02	DIPPER ARM - L/H Build
	1	22517.03	DIPPER ARM - R/H Build
3	1	22522.03Y	HOSE GUARD
4	2	41690.01	BUSH
5	1	41691.01	PIN - ANGLE BASE END
6	1	41692.14	PIN
7	4	45630.01	HOSE CLAMP
8	2	7115208	BUSH
9	2	7136035	BUSH
10	2	9100105	FLAT WASHER
11	2	9100404	SHAKEPROOF WASHER
12	4	9163005	NYLOC NUT
13	2	9213205	BOLT
14	2	9243154	CAPSCREW
15	1	9313055	SETSCREW
16	1	9313065	SETSCREW
17	1	41741.16	EDGING STRIP (160mm)

HEAD ANGLING MECHANISM

McCONEL

Module(s): 7170703



HEAD ANGLING MECHANISM**McCONNEL**

Module(s): 7170703

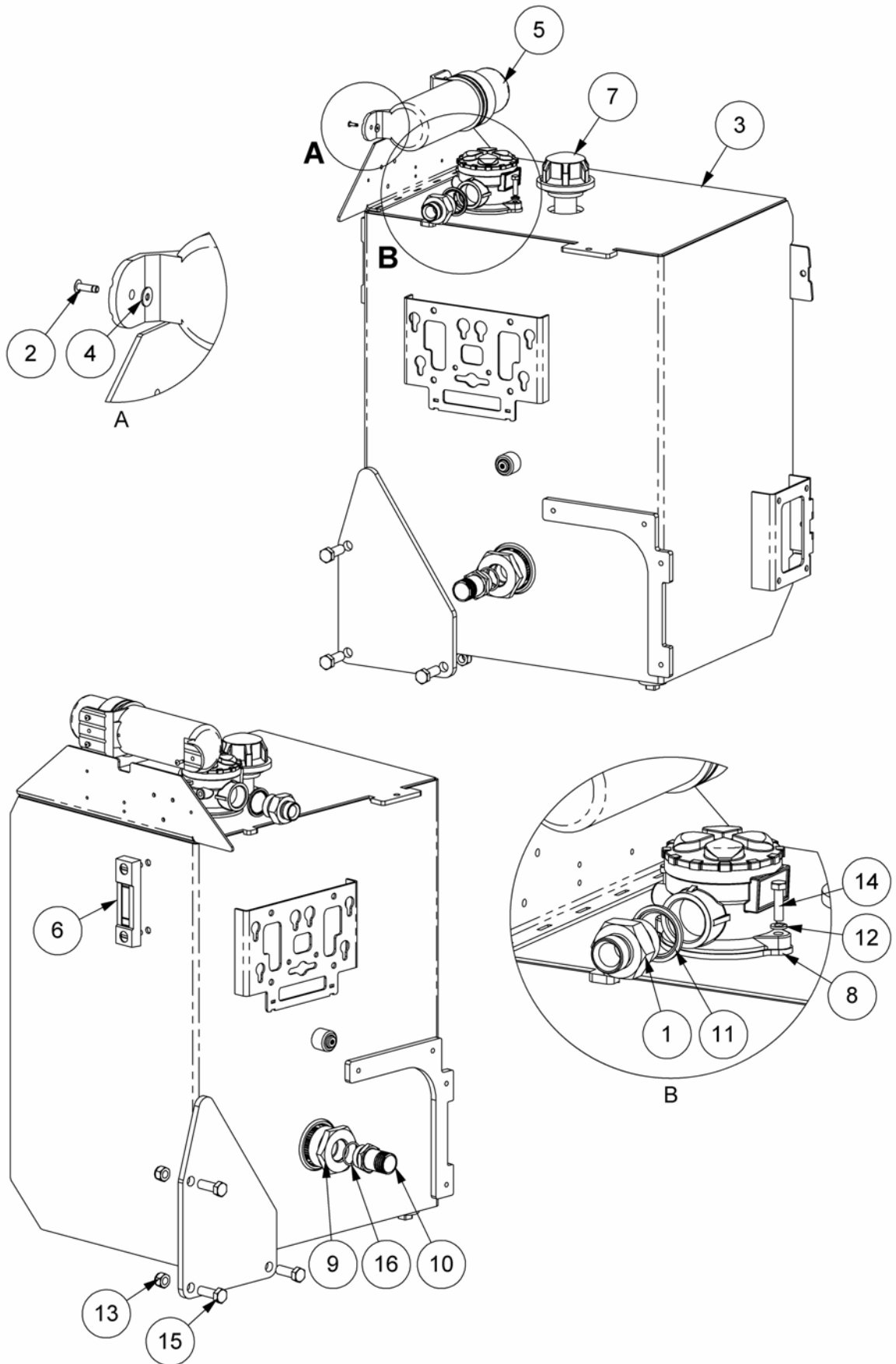
REF.	QTY.	PART No.	DESCRIPTION
		7170703	HEAD ANGLING MECHANISM
1	1	0423548	SPRING DOWEL
2	3	0901121	GREASE NIPPLE
3	1	21261.02	JUNCTION BRACKET (BSP)
4	1	21262.02	HOSE TRAY
5	1	21263.02	PIVOT TUBE
6	4	41690.01	BUSH
7	1	41693.01	PIN - ANGLE ROD END
8	1	42648.02	JAW PLATE
9	1	7192009	PIN - SLAVE LINK
10	1	7450250	RADIUS ARM - REAR
11	1	7450251	RADIUS ARM - FRONT
12	1	7450252	SLAVE LINK
13	3	9100028	SELF LOCKING NUT
14	2	9100105	FLAT WASHER
15	4	9163005	NYLOC NUT
16	1	30.073.25	BOLT
17	1	9200028	BOLT
18	1	9213185	BOLT
19	2	9313065	SETSCREW
20	1	9313075	SETSCREW
21	4	9501507	SPLIT PIN

NOTE: The Head Angling Mechanism for L/H & R/H builds are the same but differ in the orientation of the assembled components.

HYDRAULIC TANK ASSEMBLY

Module(s): L/H Build 7150704 (*illustrated*), R/H Build 7150705

McCONEL



HYDRAULIC TANK ASSEMBLY

McCONNEL

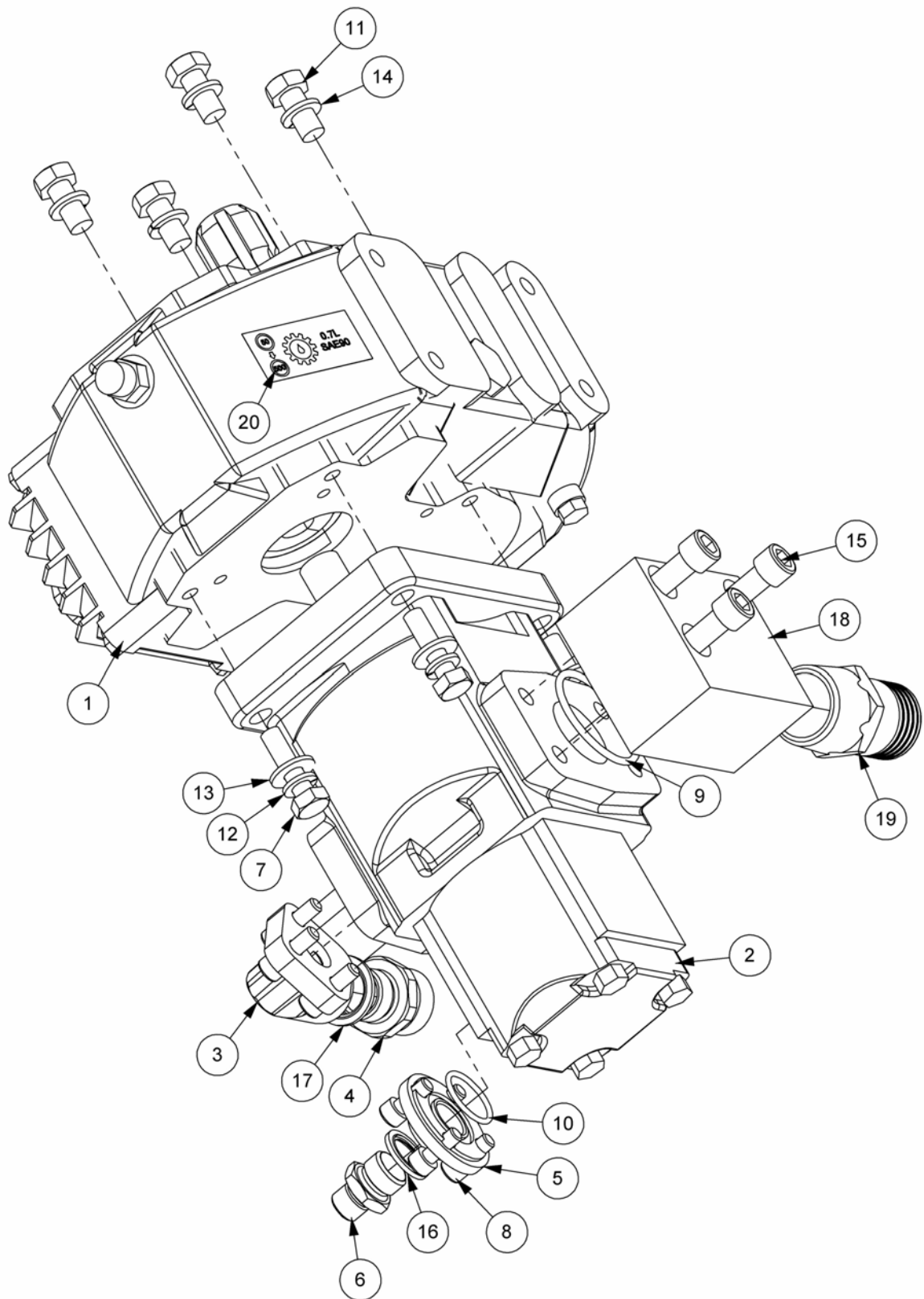
Module(s): L/H Build 7150704 (*illustrated*), R/H Build 7150705

REF.	QTY.	PART No.	DESCRIPTION
		7150704	HYDRAULIC TANK ASSEMBLY - L/H Build
		7150705	HYDRAULIC TANK ASSEMBLY - R/H Build
1	1	05.131.01	ADAPTOR
2	3	21612.02	POP RIVET
3	1	22470.03	TANK - L/H Build
	1	22470.04	TANK - R/H Build
4	3	22530.01	RIVET WASHER
5	1	46505.01	LITERATURE HOLDER
6	1	8401048	LEVEL GAUGE
7	1	8401050	BREATHER
8	1	8401088	FILTER ASSEMBLY - <i>comprising of:</i>
	1	8401089	FILTER ELEMENT (25 Micron)
	1	8401092	FILTER LID SPRING
	1	8401093	FILTER HOUSING SEAL
	1	8700235	O RING
	1	8700092	O RING
	1	212.013.04	FILLER CAP
9	1	8401097	SUCTION STRAINER
10	1	8581260	ADAPTOR
11	1	8650109	BONDED SEAL
12	2	9100204	SPRING WASHER
13	3	9163007	NYLOC NUT
14	2	9313064	SETSCREW
15	3	9313097	SETSCREW
16	1	8700784	O RING

PUMP & GEARBOX ASSEMBLY

McCONEL

Module(s): L/H Build 7153738 (*illustrated*), R/H Build 7153739



PUMP & GEARBOX ASSEMBLY**McCONNEL**Module(s): L/H Build 7153738 (*illustrated*), R/H Build 7153739

REF.	QTY.	PART No.	DESCRIPTION
		7153738	TI PUMP & GEARBOX ASSEMBLY - L/H Build
		7153739	TI PUMP & GEARBOX ASSEMBLY - R/H Build
1	1	21931.01	CAST IRON GEARBOX 1:4.25 13T SPLINE
2	1	8201700	PUMP TI
3	1	8005052	PRESSURE CONNECTION KIT
4	1	8002086	ADAPTOR
5	1	42029.01	PORT PLATE
6	1	6000112	ADAPTOR
7	4	9313085	SETSCREW
8	4	9300147	CAPSCREW
9	1	8600304	O RING
10	1	8600405	O RING
11	4	9313056	SETSCREW
12	4	9100205	SPRING WASHER
13	4	9100105	FLAT WASHER
14	4	9100206	SPRING WASHER
15	3	9243126	CAPSCREW
16	1	8650104	BONDED SEAL
17	1	8650106	BONDED SEAL
18	1	42142.02	BLOCK - SUCTION TAPER
19	1	8581367	ADAPTOR
20	1	1290092	GEARBOX DECAL

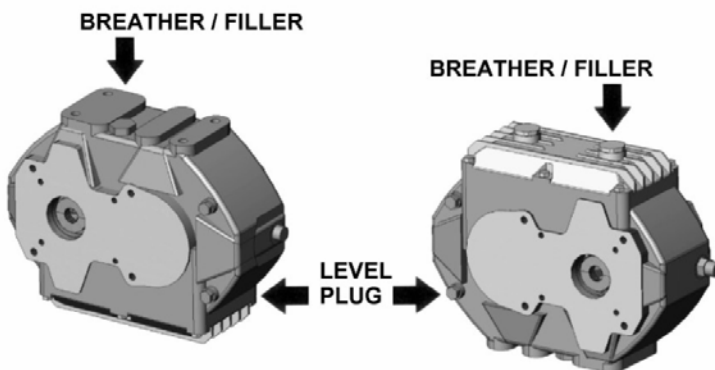
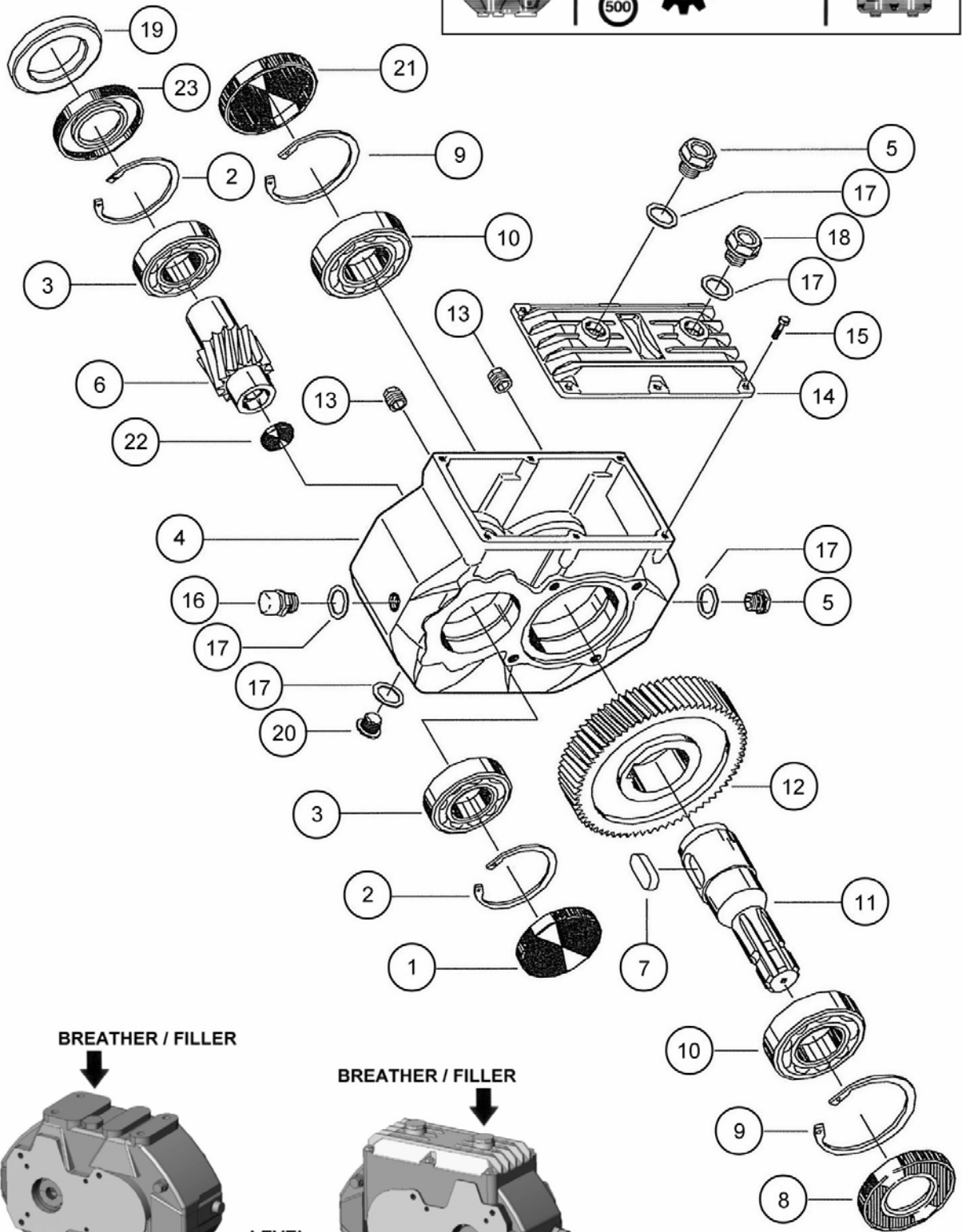
NOTE:

L/H & R/H builds contain identical components and differ only in their assembled orientation

GEARBOX ASSEMBLY – Ratio 1:4.25 (13T Spline)

Module(s): 21931.01

McCONEL



NOTE: Plug positions are dependent on gearbox orientation

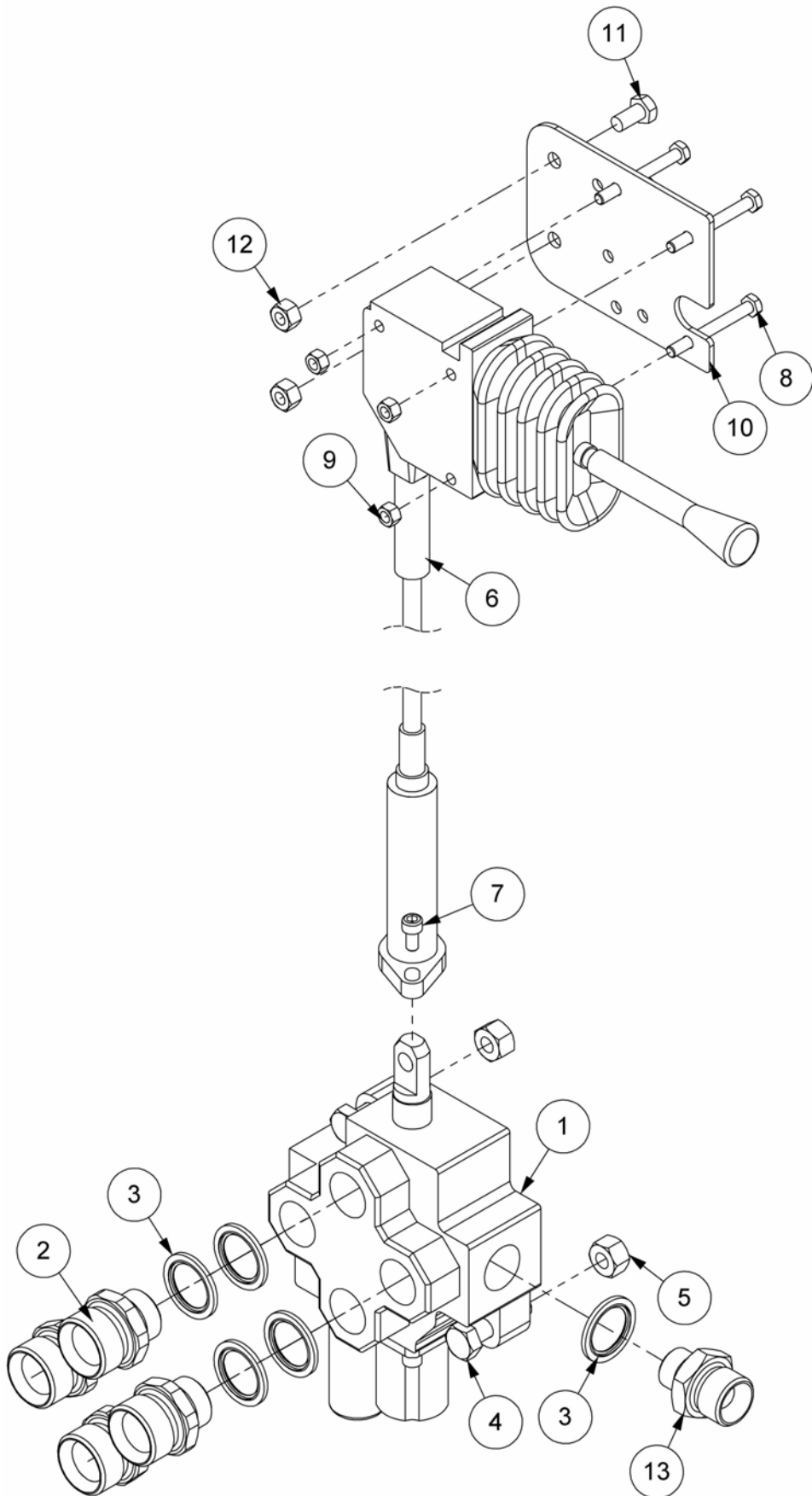
Module(s): 21931.01

REF.	QTY.	PART No.	DESCRIPTION
		21931.01	GEARBOX ASSEMBLY (Cast Iron)
			Specification: Ratio 1:4.25 with 13 tooth spline
1	1	8013530	CAP
2	2	8013529	INTERNAL CIRCLIP
3	2	8013528	BEARING
4	1	8013585	GEARBOX CASTING
5	2	8013533	DRAIN PLUG
6	1	8013575	SHAFT
7	1	8013586	DRIVESHAFT KEY
8	2	8013526	SHAFT SEAL
9	2	8013525	INTERNAL CIRCLIP
10	1	8013524	BEARING
11	1	8013522	INPUT SHAFT
12	1	8013587	PRIMARY GEAR
13	2	8013588	LEVEL PLUG
14	1	8013589	GEARBOX COVER
15	6	9313033	SCREW
16	1	8013590	OIL PLUG
17	5	8013591	SEALING WASHER
18	1	8013592	OIL PLUG
19	1	8013576	RING
20	1	8013593	OIL PLUG
21	1	8013527	CAP
22	1	8013594	OIL PLUG
23	1	8699264	GEARBOX SEAL

CABLE ROTOR CONTROL VALVE ASSEMBLY

Module(s): L/H Build 7150736 (*illustrated*), R/H Build 7150738

McCONEL

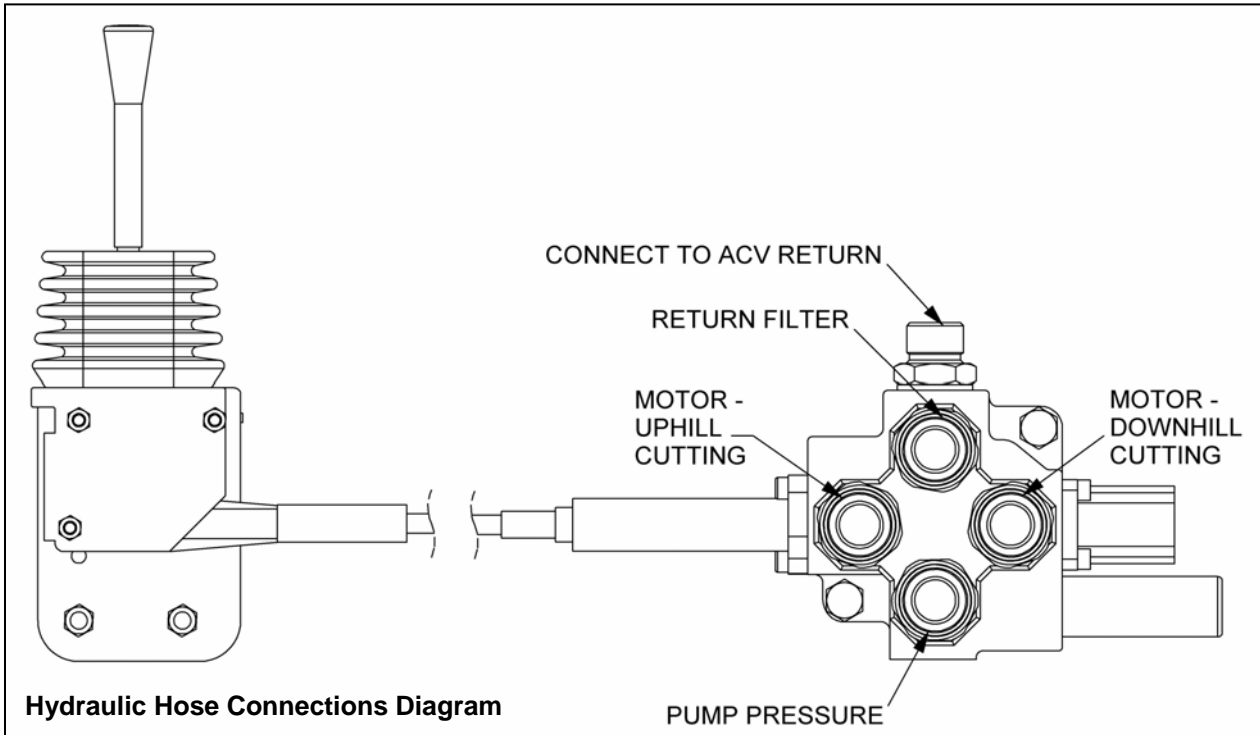


CABLE ROTOR CONTROL VALVE ASSEMBLY

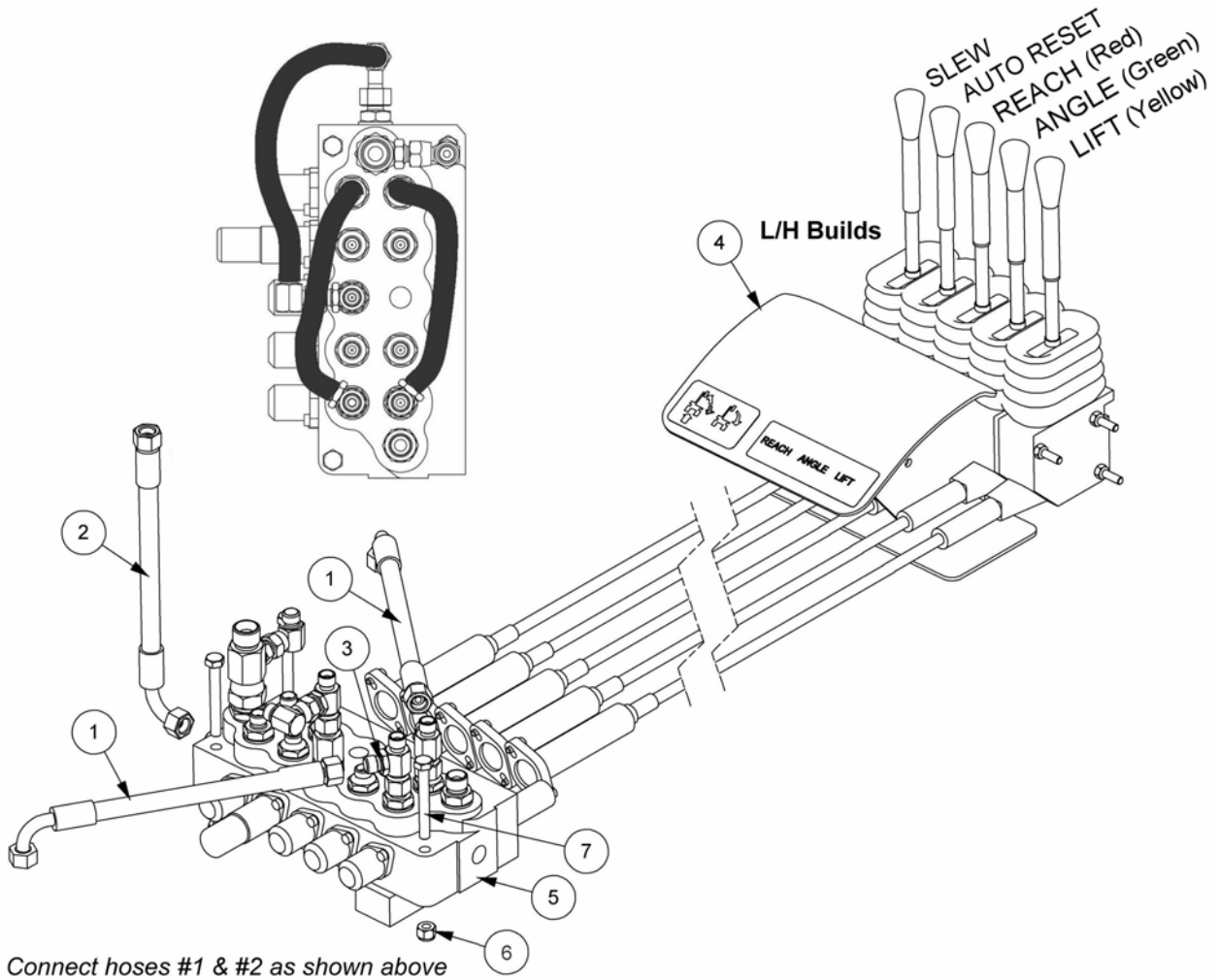
McCONNEL

Module(s): L/H Build 7150736 (*illustrated*), R/H Build 7150738

REF.	QTY.	PART No.	DESCRIPTION
		7150736	CABLE RCV ASSEMBLY - L/H Build
		7150738	CABLE RCV ASSEMBLY - R/H Build
1	1	8125381	ROTOR CONTROL VALVE (190BAR) - L/H Build
	1	8125356	ROTOR CONTROL VALVE (190BAR) - R/H Build
2	4	8002086	ADAPTOR
3	5	8650106	BONDED SEAL
4	2	9213085	BOLT
5	2	9143005	SELF-LOCKING NUT
6	1	8017065	ROTOR CONTROL HEAD & CABLE (2.5m)
7	2	9343023	CAPSCREW
8	3	9213113	BOLT
9	3	9143003	SELF-LOCKING NUT
10	1	7650282	CONTROL CABLE BRACKET
11	2	9313034	SETSCREW
12	2	9113004	NUT
13	1	8581130	ADAPTOR

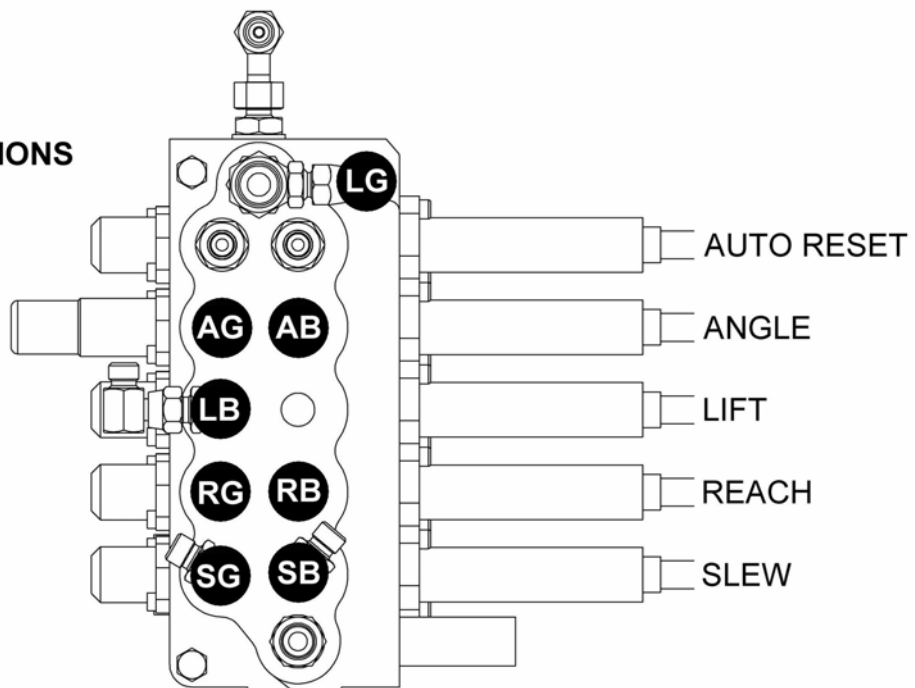


Module(s): 7150768



PORT CONNECTIONS

- AG - Angle Gland
- AB - Angle Base
- LG - Lift Gland
- LB - Lift Base
- RG - Reach Gland
- RB - Reach Base
- SG - Slew Gland
- SB - Slew Base



CABLE ARMHEAD CONTROL VALVE ASSEMBLY**McCONNEL**

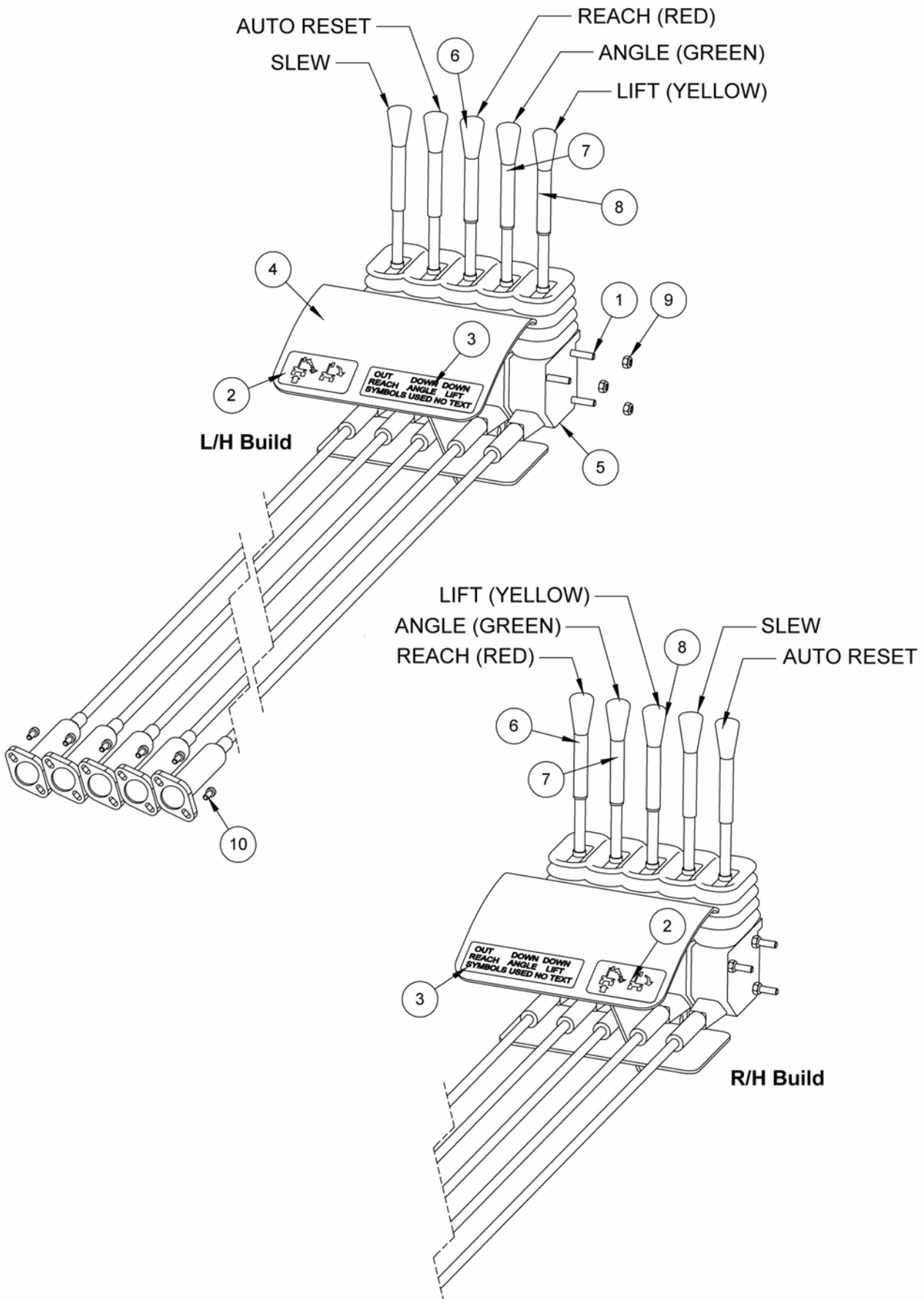
Module(s): 7150768

REF.	QTY.	PART No.	DESCRIPTION
		7150768	CABLE ARMHEAD CONTROL VALVE ASSEMBLY
1	2	10.002.04	HOSE - 1/4" BSP FS/F90 x 200mm
2	1	10.002.08	HOSE - 1/4" BSP FS/F90 x 400mm
3	1	22524.11	ADAPTOR ASSEMBLY
4	1	22595.03	5 LEVER CABLE CONTROL ASSEMBLY - 3.0M
5	1	8130633	VALVE - 5 SPOOL
6	3	9163004	NYLOC NUT
7	3	9213134	BOLT

CABLE CONTROL ASSEMBLY – 5 LEVER

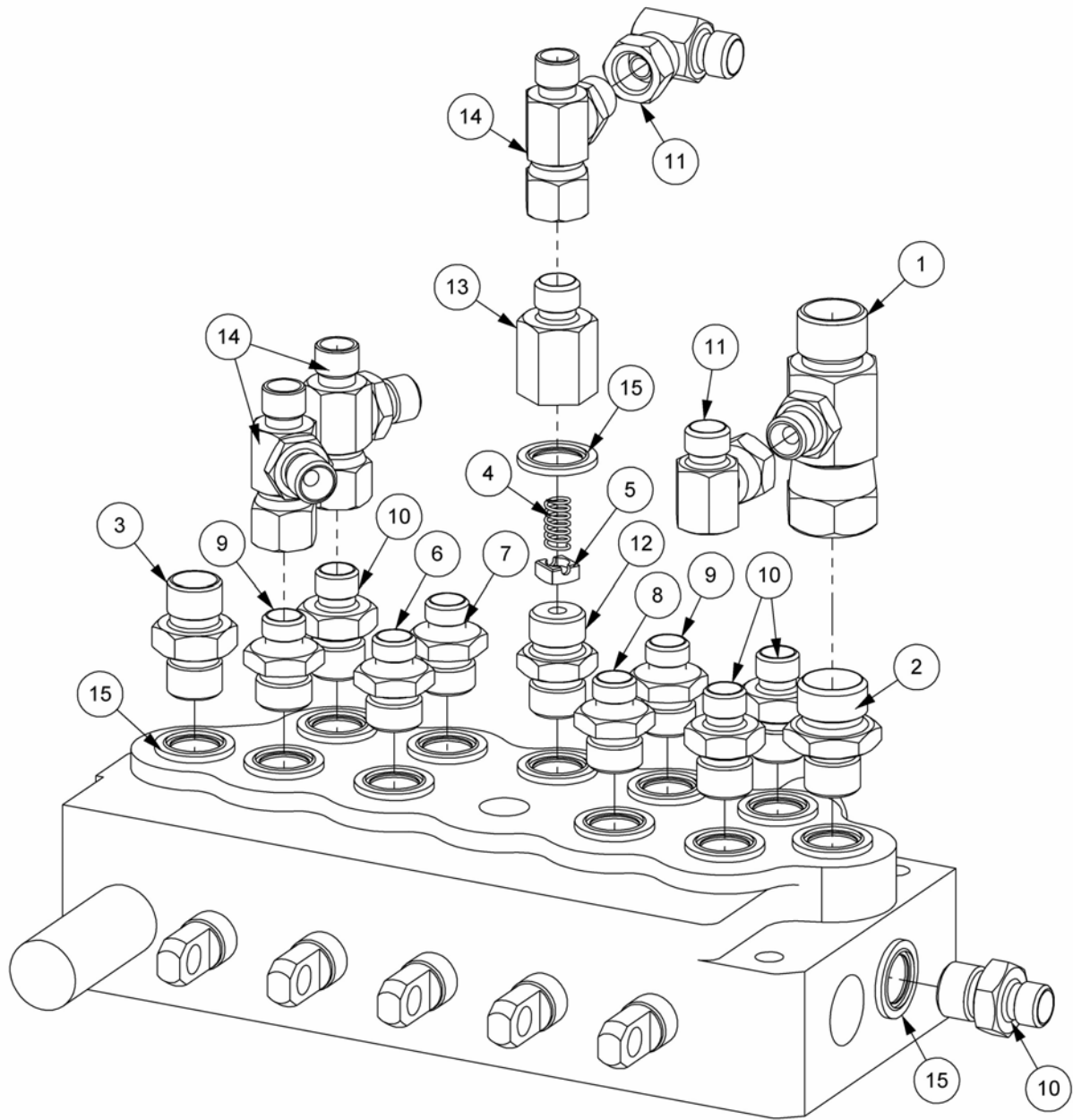
McCONEL

Module(s): 22595.03



Module(s): 22595.03

REF.	QTY.	PART No.	DESCRIPTION
		22595.03	CABLE CONTROL ASSEMBLY - 5 LEVER
1	3	04.282.71	STUD
2	1	1290357	CONTROL DECAL (SLEW / AUTO RESET)
3	1	1290368	CONTROL DECAL (REACH / ANGLE / LIFT)
4	1	7650307	ARMREST - CABLE 5 LEVER
5	5	8017066	ARM CONTROL HEAD & CABLE - 3.0M
6	1	09.968.99	CONTROL KNOB - RED
7	1	8017067	CONTROL KNOB - GREEN
8	1	8017068	CONTROL KNOB - YELLOW
9	6	9163003	NYLOC NUT
10	10	9343022	CAPSCREW



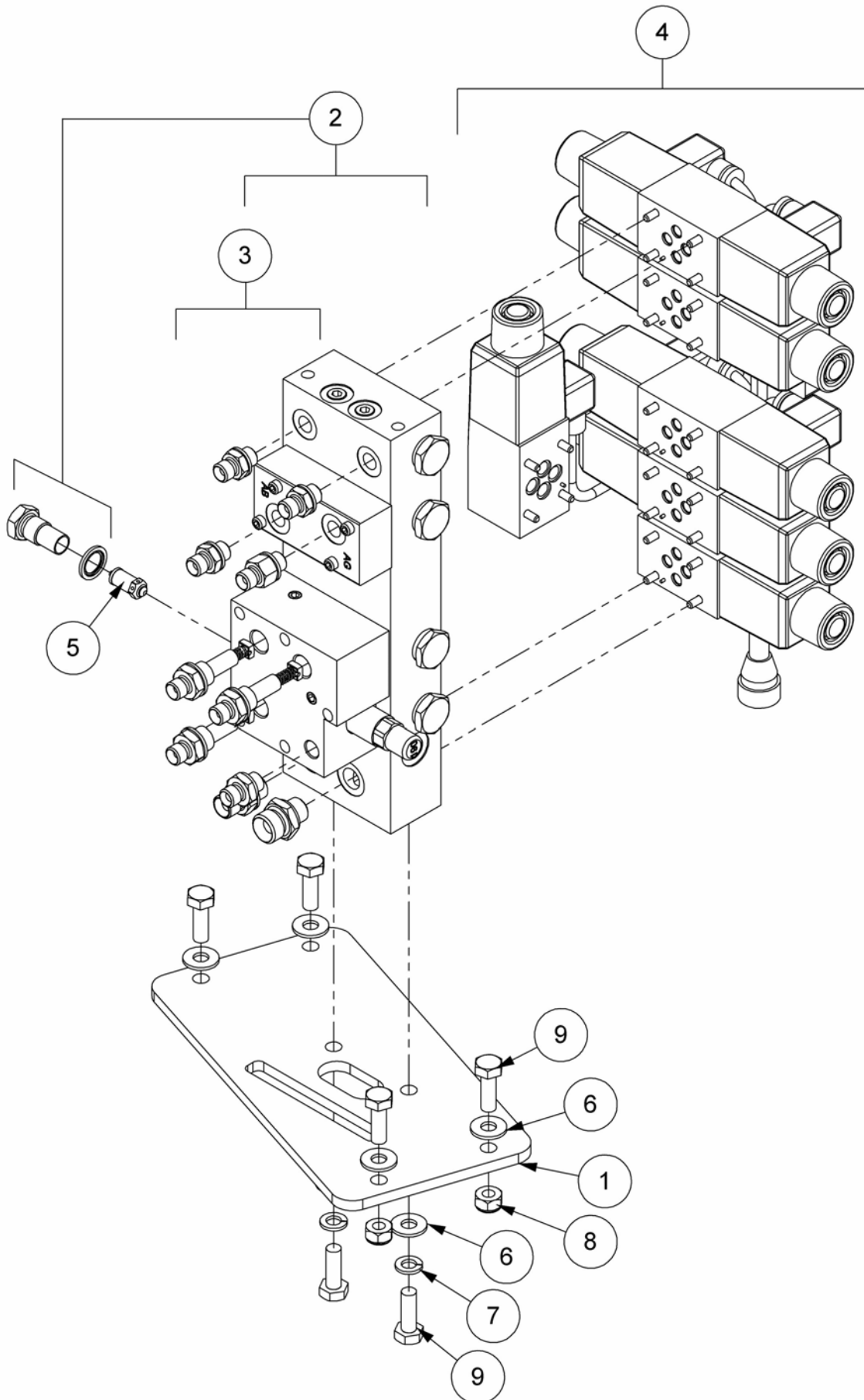
Module(s): 22524.11

REF.	QTY.	PART No.	DESCRIPTION
		22524.11	ADAPTORS MODULE - Cable ACV
1	1	04.056.25	ADAPTOR TEE
2	1	6000112	ADAPTOR
3	1	6000113	ADAPTOR
4	1	8116011	SPRING
5	1	8123043	RESTRICTOR DISC - 1.6 GREEN
6	1	8130046	ADAPTOR RESTRICTOR - 1.5 'A'
7	1	8130047	ADAPTOR RESTRICTOR - 1.8 'B'
8	1	8130048	ADAPTOR RESTRICTOR - 1.3 'C'
9	2	8130066	ADAPTOR RESTRICTOR - 1.15 'M'
10	4	8581115	ADAPTOR
11	2	8581190	ADAPTOR ELBOW - 90°
12	1	8581209	ADAPTER
13	1	8581214	RESTRICTOR ADAPTER
14	3	8581254	ADAPTOR TEE
15	13	8650103	BONDED SEAL

ELECTRIC ARMHEAD CONTROL VALVE

McCONEL

Module(s): 7150774



ELECTRIC ARMHEAD CONTROL VALVE



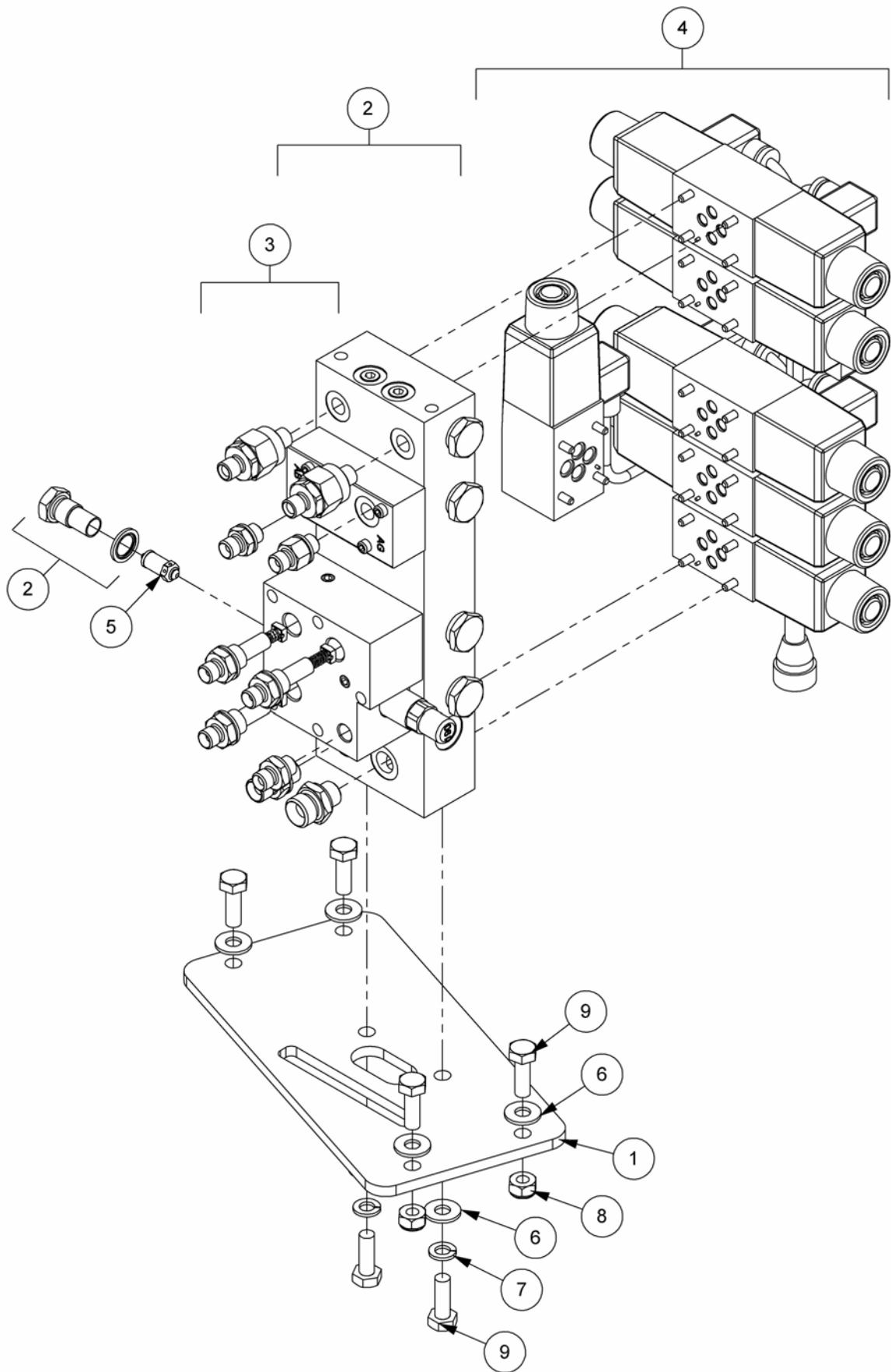
Module(s): 7150774

REF.	QTY.	PART No.	DESCRIPTION
		7150774	ELECTRIC ARMHEAD CONTROL VALVE ASSEMBLY
1	1	22516.01	VALVE MOUNTING PLATE
2	1	22523.06	4 BANK MANIFOLD ASSEMBLY
3	1	22524.02	ADAPTOR ASSEMBLY
4	1	22525.09	CONTROL SOLENOID ASSEMBLY
5	1	8130092	RELIEF VALVE - 190BAR
6	6	9100105	FLAT WASHER
7	2	9100205	SPRING WASHER
8	4	9163005	NYLOC NUT
9	6	9313065	SETSCREW

XTC PROP. ARMHEAD CONTROL VALVE

Module(s): 7150778

McCONEL



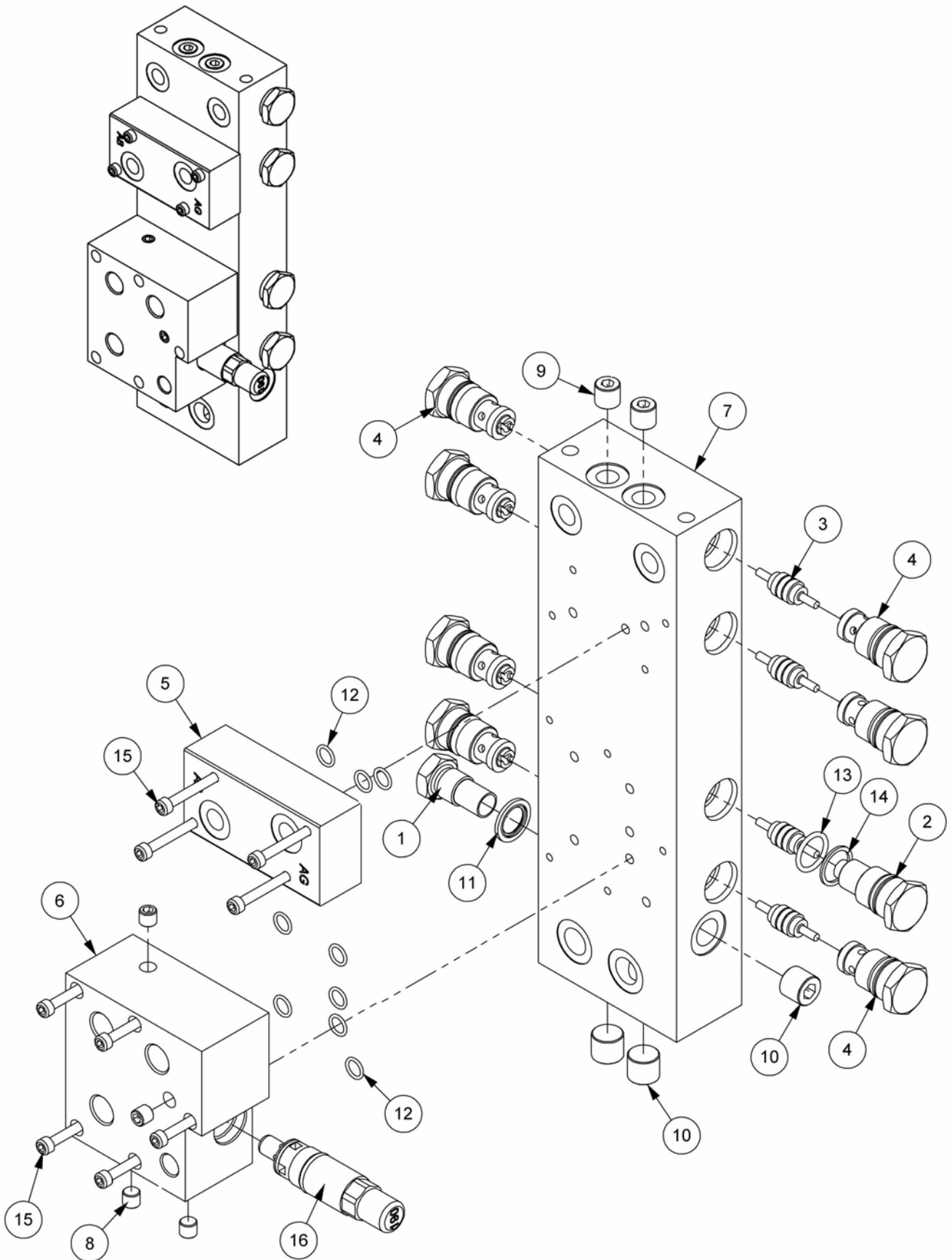
Module(s): 7150778

REF.	QTY.	PART No.	DESCRIPTION
		7150778	XTC PROPORTIONAL ACV ASSEMBLY - L/H Build
1	1	22516.01	VALVE MOUNTING PLATE
2	1	22523.06	MANIFOLD ASSEMBLY - 4 BANK
3	1	22524.13	ADAPTOR MODULE
4	1	22525.11	CONTROL / SOLENOID MODULE
5	1	8130092	RELIEF VALVE (190BAR)
6	6	9100105	FLAT WASHER
7	2	9100205	SPRING WASHER
8	4	9163005	NYLOC NUT
9	6	9313065	SETSCREW

4 BANK MANIFOLD ASSEMBLY

Module(s): 22523.06

McCONEL

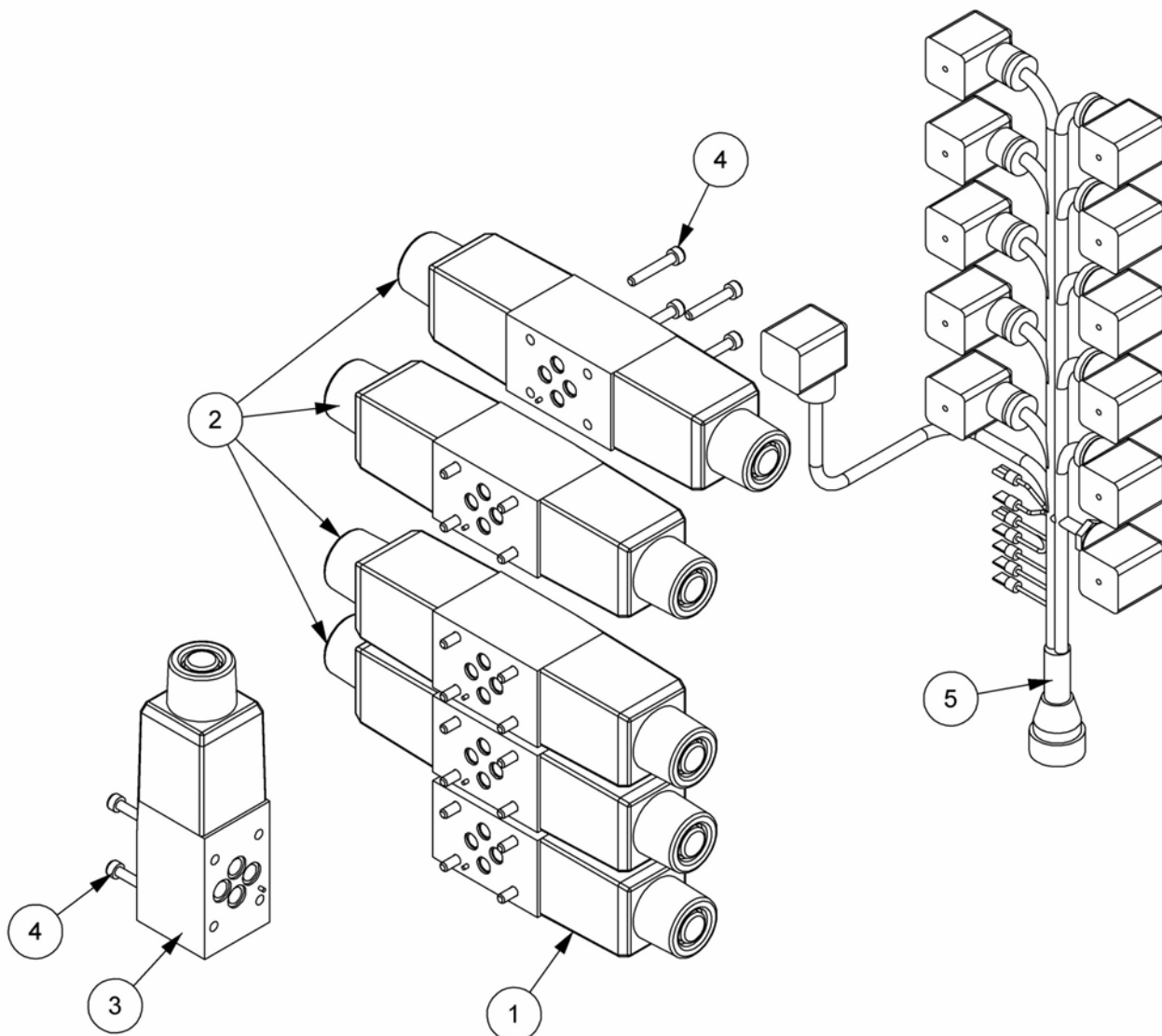


4 BANK MANIFOLD ASSEMBLY

McCONNEL

Module(s): 22523.06

REF.	QTY.	PART No.	DESCRIPTION
		22523.06	4 BANK MANIFOLD ASSEMBLY
1	1	8130032	RELIEF VALVE CAP
2	1	8130078	CHECK VALVE CAP
3	4	8130087	ACTUATOR
4	7	8130090	CHECK VALVE ASSEMBLY - c/o:
	1	8130025	CHECK VALVE CAP
	1	8114045	SPRING
	1	8130089	SPRING GUIDE
	1	0905509	STEEL BALL
	1	8700644	O RING
	1	8130088	CHECK VALVE SEAT
	1	8709644	BACK-UP RING
5	1	8130322	HOSE PLATE
6	1	8130348	SLEW CIRCUIT BLOCK
7	1	8132268	MANIFOLD BLOCK
8	4	8582041	TAPER PLUG
9	2	8582042	TAPER PLUG
10	3	8582043	TAPER PLUG
11	1	8650103	BONDED SEAL
12	9	8700511	O RING
13	1	8700644	O RING
14	1	8709644	AE RING
15	9	9243082	CAPSCREW
16	1	G3812542	RELIEF VALVE - 190BAR

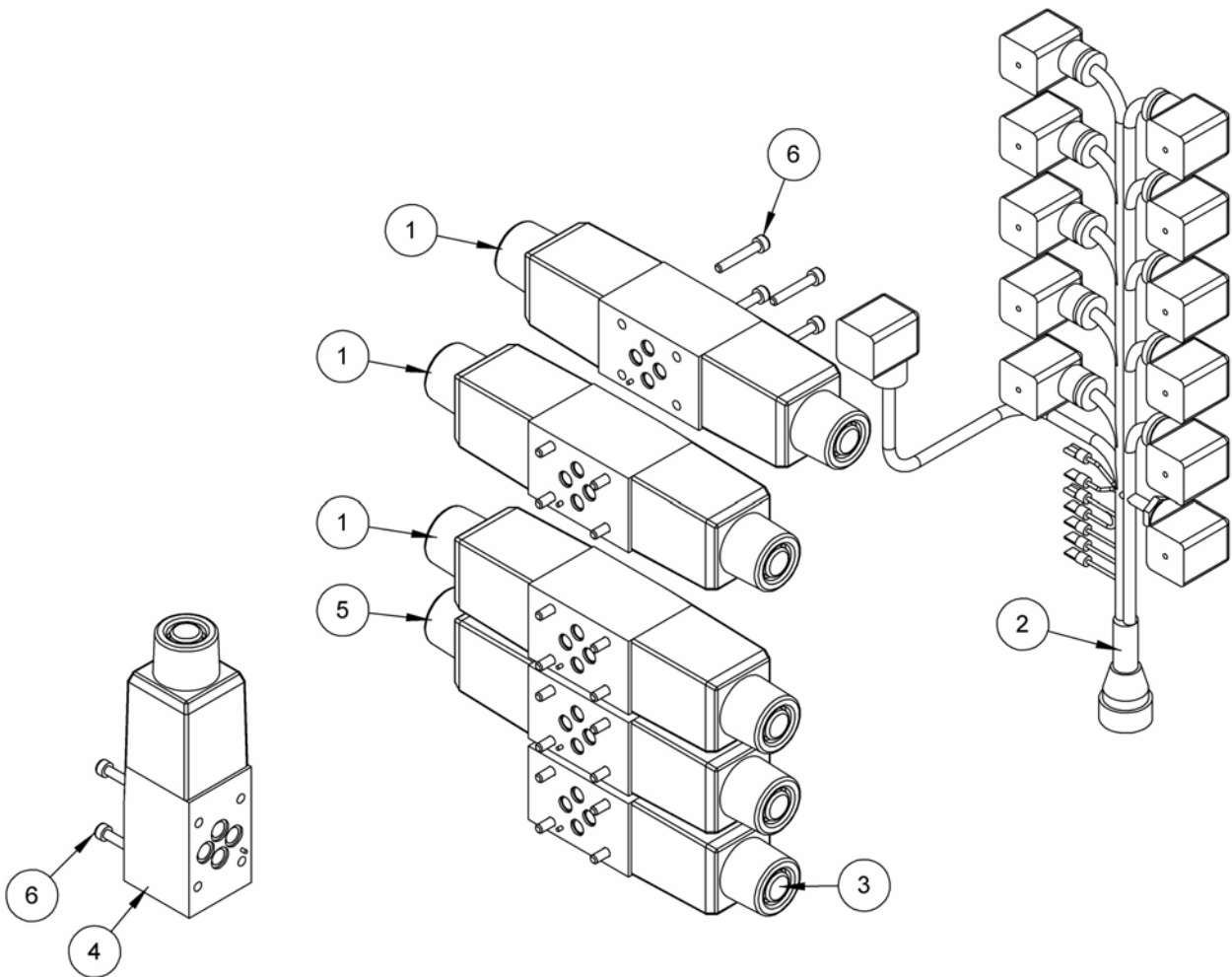


REF.	QTY.	PART No.	DESCRIPTION
		22525.09	SOLENOID ASSEMBLY
1	1	8130456	CUT OFF SOLENOID VALVE
2	4	8130629	DOUBLE SOLENOID VALVE
3	1	8130457	SINGLE SOLENOID VALVE
4	24	9243062	CAPSCREW
5	1	41844.01	LOOM - 19 CORE

Service Parts for Solenoid Valves

- 8130175 * 18W Coil**
- 8699224 Seal Kit**

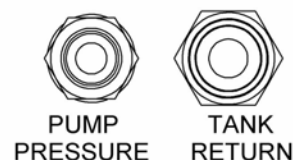
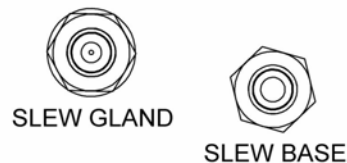
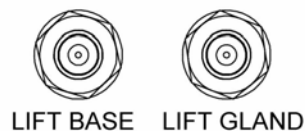
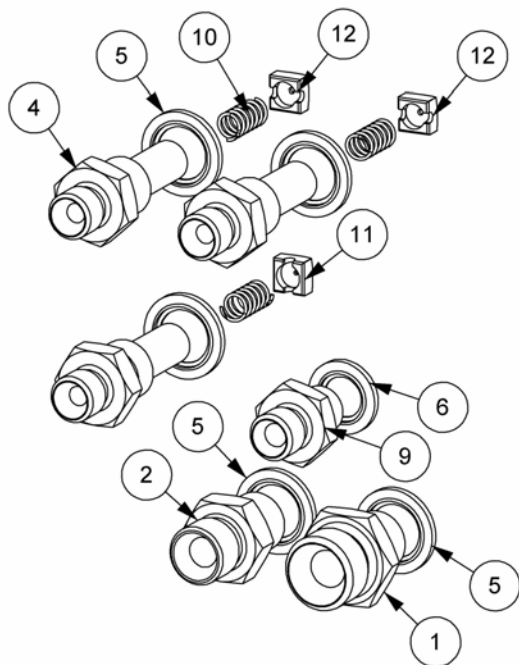
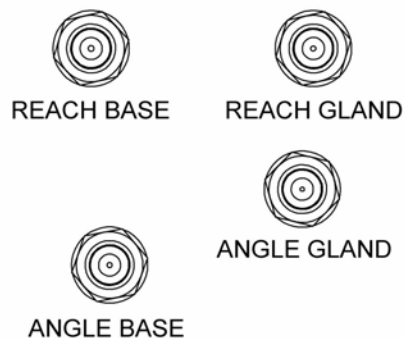
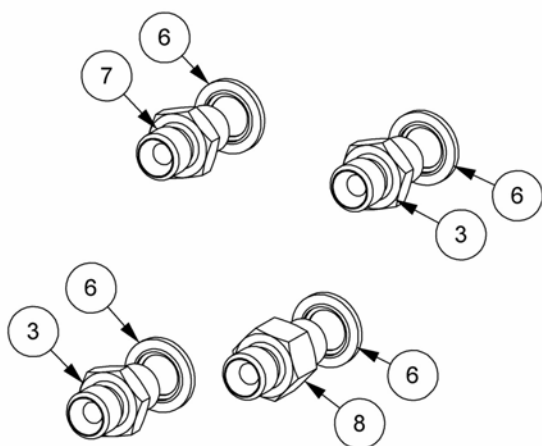
* NOTE: Double Solenoid Valve 8130629 contains 2x coils 8130175



REF.	QTY.	PART No.	DESCRIPTION
		22525.11	SOLENOID MODULE - 4 BANK
1	3	41784.48	DOUBLE SOLENOID PROP. VALVE
	2	41784.99	PROPORTIONAL COIL (18W)
2	1	41844.01	LOOM - 19CORE
3	1	8130456	CUT OFF SOLENOID VALVE
4	1	8130457	SINGLE SOLENOID VALVE
	1	8130175	COIL (18W)
5	1	8130629	DOUBLE VALVE SOLENOID
	2	8130175	COIL (18W)
6	24	9243062	CAPSCREW

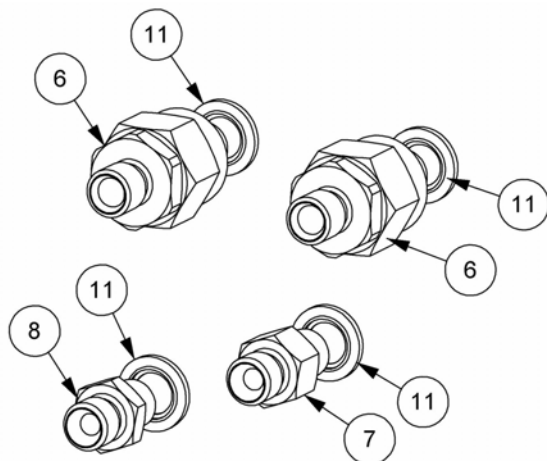
8699224 SOLENOID SEAL KIT

Module(s): 22524.02



REF.	QTY.	PART No.	DESCRIPTION
		22524.02	ADAPTORS MODULE
1	1	6000112	ADAPTOR
2	1	6000113	ADAPTOR
3	2	8130038	ADAPTOR RESTRICTOR - 1.4 'L'
4	3	8581210	SPECIAL ADAPTOR
5	5	8650103	BONDED SEAL
6	5	8650102	BONDED SEAL
7	1	8130105	ADAPTOR RESTRICTOR - 1.6 'H'
8	1	8130037	ADAPTOR RESTRICTOR - 1.15 'S'
9	1	8581169	ADAPTOR
10	3	8116011	SPRING
11	1	8123041	RESTRICTOR DISC - 1.15 RED
12	2	8123043	RESTRICTOR DISC - 1.6 GREEN

Module(s): 22524.13



REACH BASE



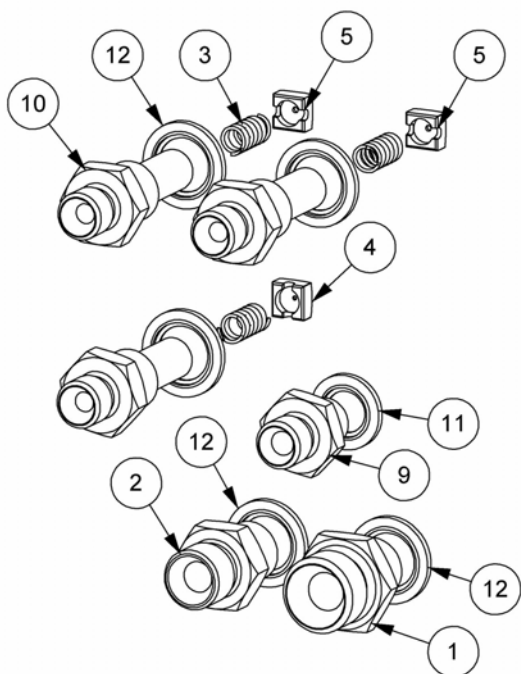
REACH GLAND



ANGLE GLAND



ANGLE BASE



LIFT BASE



LIFT GLAND



SLEW GLAND



SLEW BASE



PUMP
PRESSURE



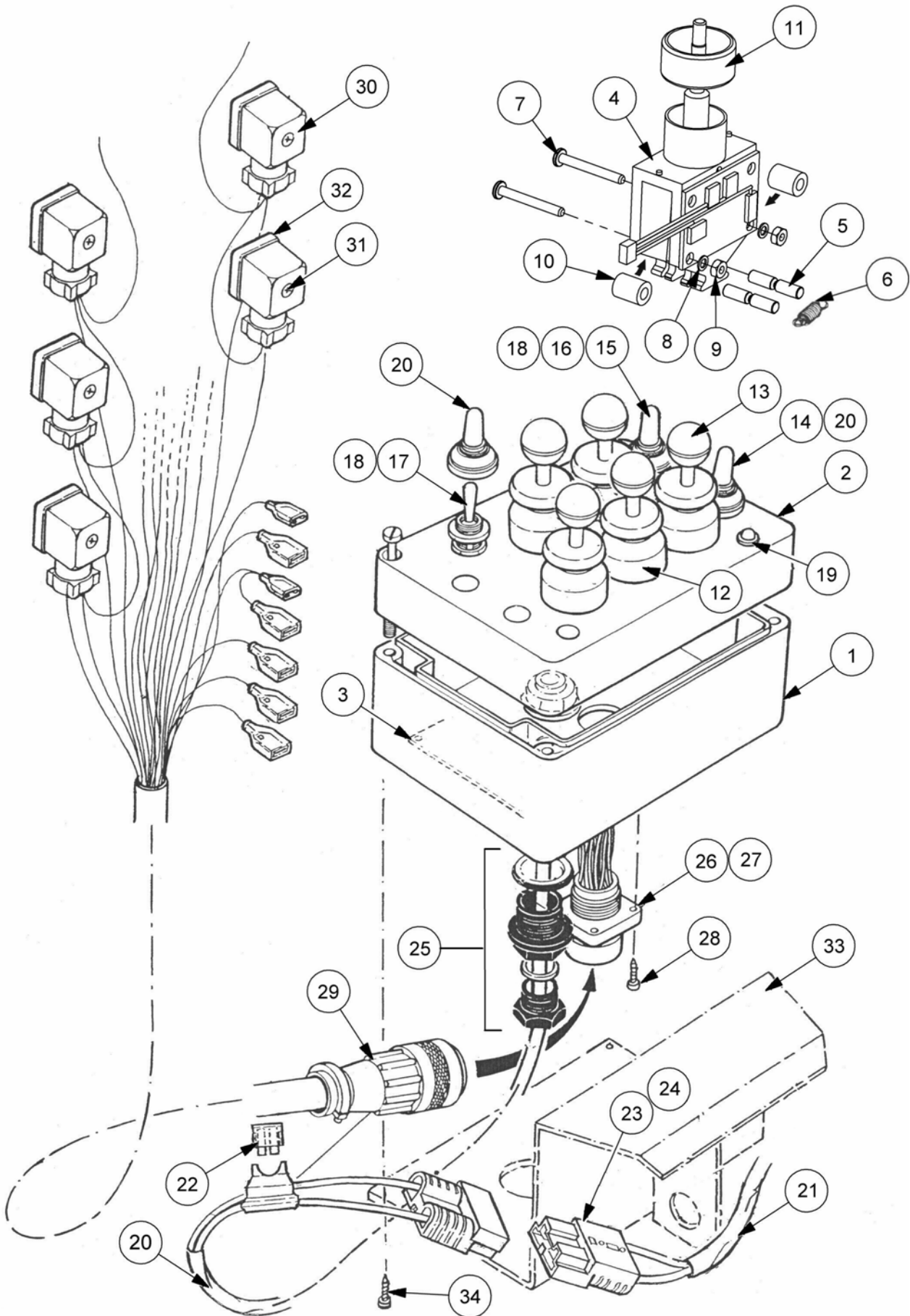
TANK
RETURN

REF.	QTY.	PART No.	DESCRIPTION
		22524.13	ADAPTORS MODULE
1	1	6000112	ADAPTOR
2	1	6000113	ADAPTOR
3	3	8116011	SPRING
4	1	8123041	RESTRICTOR DISC - 1.15 RED
5	2	8123043	RESTRICTOR DISC - 1.6 GREEN
6	2	8123090	RESTRICTOR UNION
7	1	8130037	ADAPTOR RESTRICTOR - 1.15 'S'
8	1	8130038	ADAPTOR RESTRICTOR - 1.4 'L'
9	1	8581169	ADAPTOR
10	3	8581210	SPECIAL ADAPTOR
11	5	8650102	BONDED SEAL
12	5	8650103	BONDED SEAL

ELECTRIC SWITCHBOX CONTROLS

Module(s): 8402901 (Cable RC), 8402902 (Electric RC)

McCONEL



ELECTRIC SWITCHBOX CONTROLS

McCONNEL

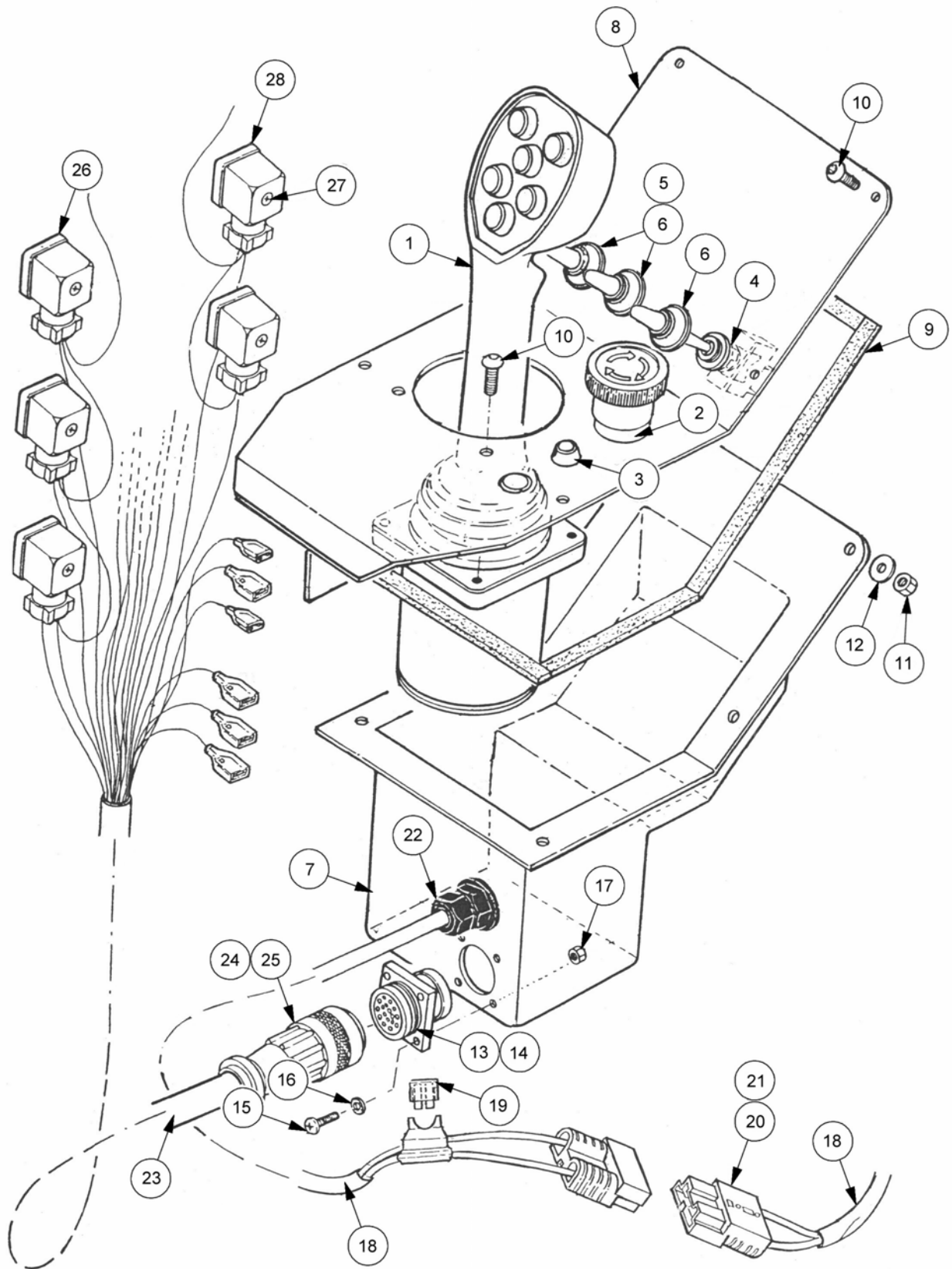
Module(s): 8402901 (Cable RC), 8402902 (Electric RC)

REF.	QTY.	PART NO.	DESCRIPTION
		8402901	SWITCHBOX & LOOM ASSEMBLY (Cable RC)
		41845.03	MULTI 5 LEVER SWITCHBOX (Cable RC)
		8402902	SWITCHBOX & LOOM ASSEMBLY (Electric RC)
		41845.04	MULTI 5 LEVER SWITCHBOX (Electric RC)
1	1	41845.32	BOX
2	1	41845.31	LID c/w SCREWS
3	1	41845.33	CIRCUIT BOARD
			LEVER SWITCH UNIT - <i>comprising of:</i>
4	5	8402133	SWITCH BODY/LEVER/CIRCUIT BOARD c/w
5	2	8402111	BAR
6	1	8402101	SPRING
7	2	9200006	SCREW - POSIDRIVE PANHEAD
8	2	8402120	PLAIN WASHER
9	2	9113000	NUT - PLATED
10	2	8402334	SPACER
11	1	8402051	BEZEL RING
12	1	8402022	LEVER GAITER
13	5	8402056	KNOB - BLACK
14	1	8402023	SWITCH - POWER ON/OFF
15	1	8402182	SWITCH - SLEW/AUTO RESET
16	1	41845.35	LOOM - SLEW/AUTO RESET SWITCH
17	1	8402197	SWITCH - FLOAT
18	1	41845.37	LOOM - FLOAT SWITCH
19	1	41845.41	L.E.D. AND LOOM
20	5	8402024	WEATHER GAITER
21	1	8402232	POWER LOOM - <i>including:</i>
22	1	43034.02	FUSE
23	2	8402230	CONTACTS HOUSING
24	4	8402229	CONTACTS
25	1	8402042	GLAND
26	1	8402189	SOCKET SHELL
27	19	8402192	PIN SOCKET
28	4	2800203	SCREW
29	1	41844.01	WIRING LOOM - <i>including:</i>
30	12	07.835.04	PLUG - INCLUDING SCREW & GASKET
31	1	07.835.03	SCREW
32	1	07.835.02	GASKET
33	1	8402345	MOUNTING BRACKET
34	4	2800243	SELF-TAPPING SCREW
35	1	8402193	SPECIAL TOOL - <i>not illustrated</i>

ELECTRIC MONOLEVER CONTROLS

Module(s): 8402905 (Cable RC), 8402906 (Electric RC)

McCONEL

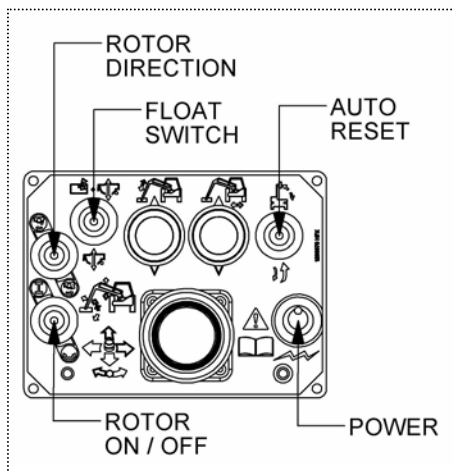
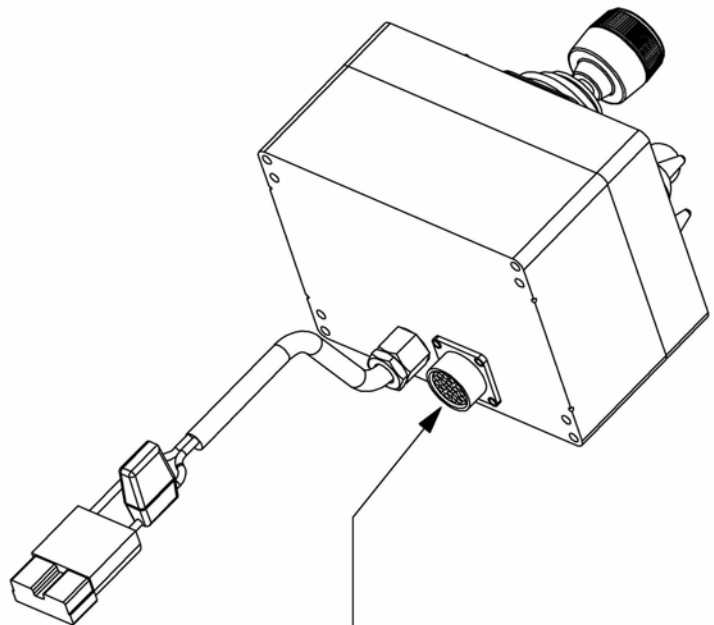
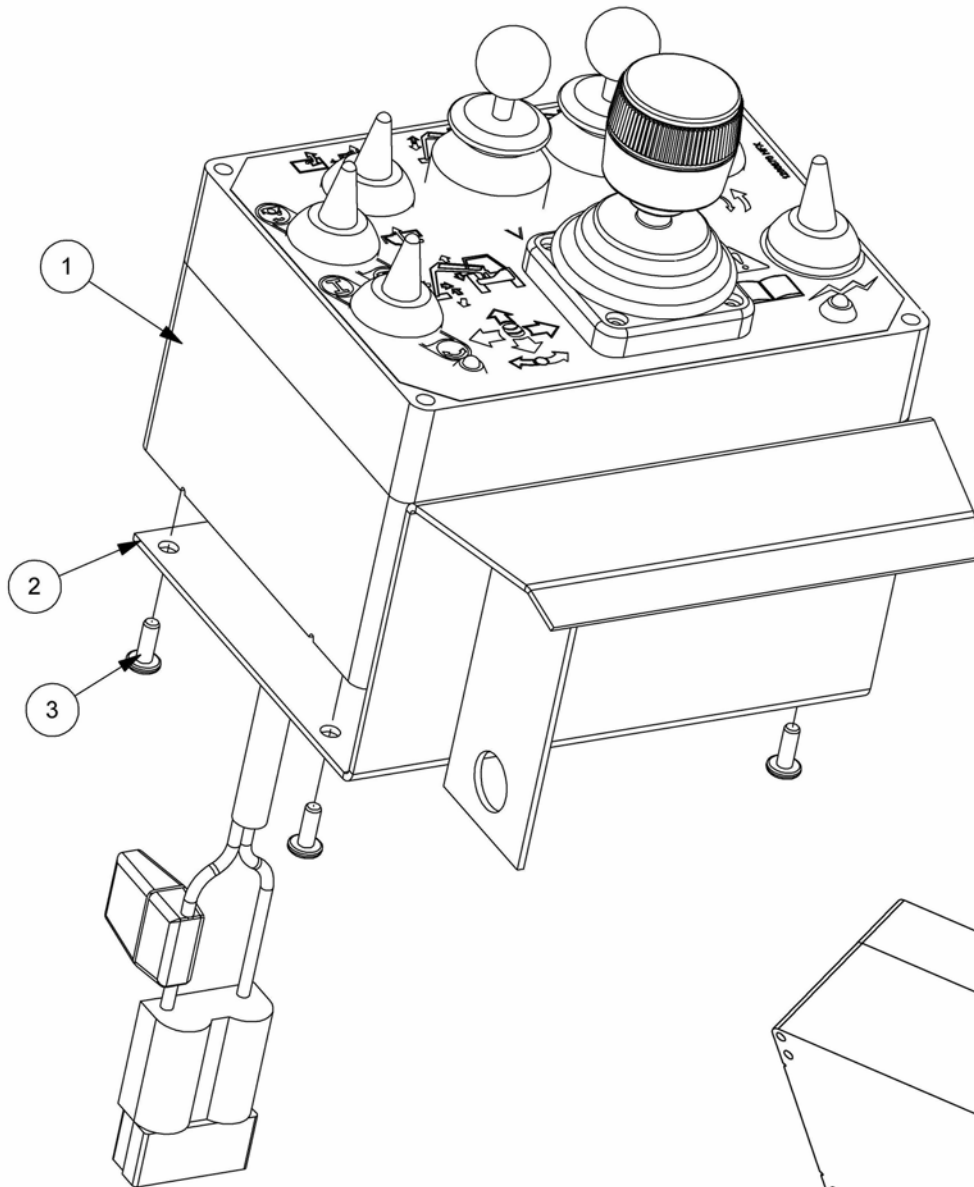


ELECTRIC MONOLEVER CONTROLS

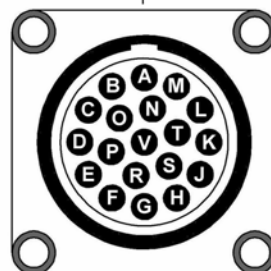
McCONNEL

Module(s): 8402905 (Cable RC), 8402906 (Electric RC)

REF.	QTY.	PART NO.	DESCRIPTION
		8402905	MONOLEVER CONTROL UNIT (Cable RC)
		41590.03	CONTROL ASSEMBLY (Cable RC)
		8402906	MONOLEVER CONTROL UNIT (Electric RC)
		41590.05	CONTROL ASSEMBLY (Electric RC)
1	1	41590.32	JOYSTICK - <i>Including Circuit Board</i>
2	1	8402184	POWER ON / EMERGENCY STOP
3	1	8402174	L.E.D. MAIN POWER ON
4	1	8402182	SWITCH - SLEW / AUTO RESET
5	2	8402023	SWITCH - LIFT AND ANGLE FLOAT
6	3	8402024	WEATHER COVER
7	1	7550300	COVER POD
8	1	7550339	TOP PLATE
9	1	7290052	SEALING STRIP (<i>Cut to suit</i>)
10	10	9300125	SCREW - BUTTON HEAD
11	6	9143003	SELF LOCKING NUT
12	6	9100103	WASHER
13	1	8402189	SOCKET SHELL
14	14	8402192	FEMALE SOCKET PIN
15	4	9200007	SCREW - POSIDRIVE PANHEAD
16	4	9100400	EXTERNAL SERRATED WASHER
17	4	9100013	NUT - PLATED
18	1	8402232	POWER LOOM - <i>Including:</i>
19	1	43034.03	FUSE
20	2	8402230	CONTACT HOUSING
21	4	8402229	CONTACTS
22	1	8402042	GLAND
23	1	41844.01	WIRING LOOM - <i>Including:</i>
24	1	8402188	SHELL
25	1	8402190	CABLE CLAMP
26	12	07.835.04	PLUG - <i>Including:</i>
27	1	07.835.03	SCREW
28	1	07.835.02	GASKET
29	1	8402193	SPECIAL TOOL



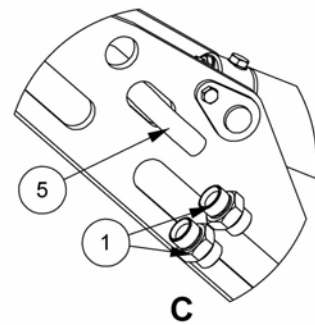
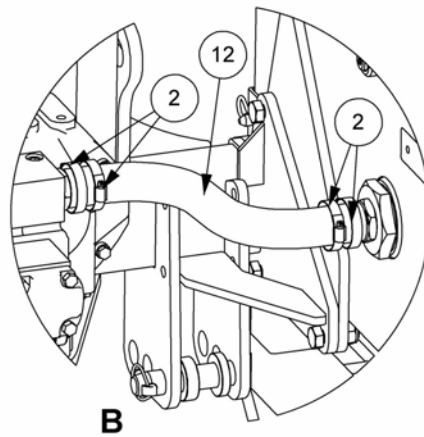
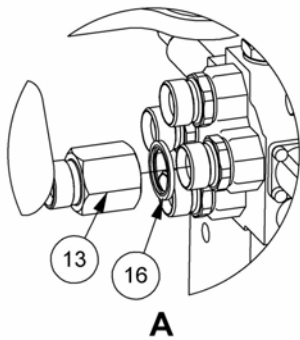
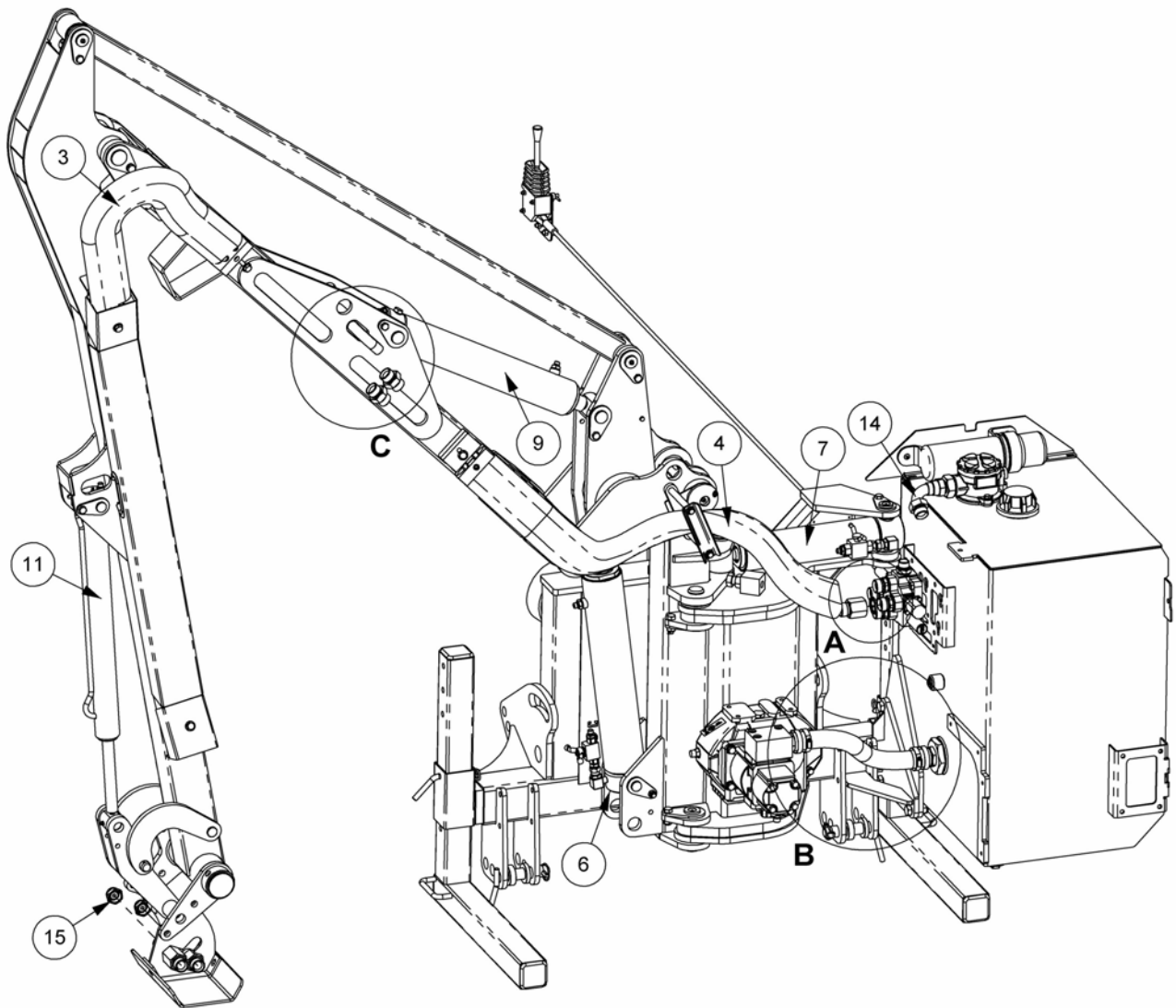
- A - COMMON
- B - REACH IN
- C - REACH OUT
- D - LIFT UP
- E - LIFT DOWN
- F - COMMON
- G - TELE IN
- H - TELE OUT
- J - ANGLE DOWN
- K - ANGLE UP



- L - SLEW OUT
- M - SLEW IN
- N - COMMON
- P - ANGLE FLOAT
- R - LIFT FLOAT
- S - PUMP 1
- T - PUMP 2
- U - AUTO RESET
- V - CUT OFF

Module(s): 8402911

REF.	QTY.	PART NO.	DESCRIPTION
		8402911	PROPORTIONAL SWITCHBOX CONTROLS
1	1	8402395	PROPORTIONAL SWITCHBOX UNIT - <i>comprising of:</i>
	1	41845.44	BOX BASE
	1	41845.45	BOX LID
	1	41845.47	CIRCUIT BOARD
	2	41845.34	LOOM - SWITCH UNIT
	1	41845.37	LOOM - FLOAT SWITCH
	1	43022.49	CONNECTOR - SINGLE FUSE
	1	8402189	PANEL MOUNTING SHELL
	1	8402149	GLAND - PLASTIC
	4	2800203	SCREW
	2	8402122	SWITCH UNIT
	1	8402023	TOGGLE SWITCH
	1	8402197	SWITCH - FLOAT SELECTION
	2	41845.41	LED
	5	8402024	SWITCH COVER
	1	8402198	KNOB - BLUE
	1	8402056	KNOB - BLACK
	1	8402237	LOOM - POWER SUPPLY
	19	8402192	SOCKET CONTACT
	1	8402173	SWITCH - PUMP POWER / RESET
	1	8402182	SWITCH - AUTO RESET
	1	8402185	SWITCH - ROTOR DIRECTION
	1	1290670	DECAL - PROPORTIONAL SWITCHBOX
	1	41845.36	LOOM - PUMP CONTROL
	1	41845.35	LOOM - RESET
	1	8402246	JOYSTICK - 3 AXIS
2	1	8402345	SWITCHBOX MOUNTING BRACKET
3	4	2800243	SELF TAPPING SCREW



HYDRAULIC INSTALLATION**McCONNEL**

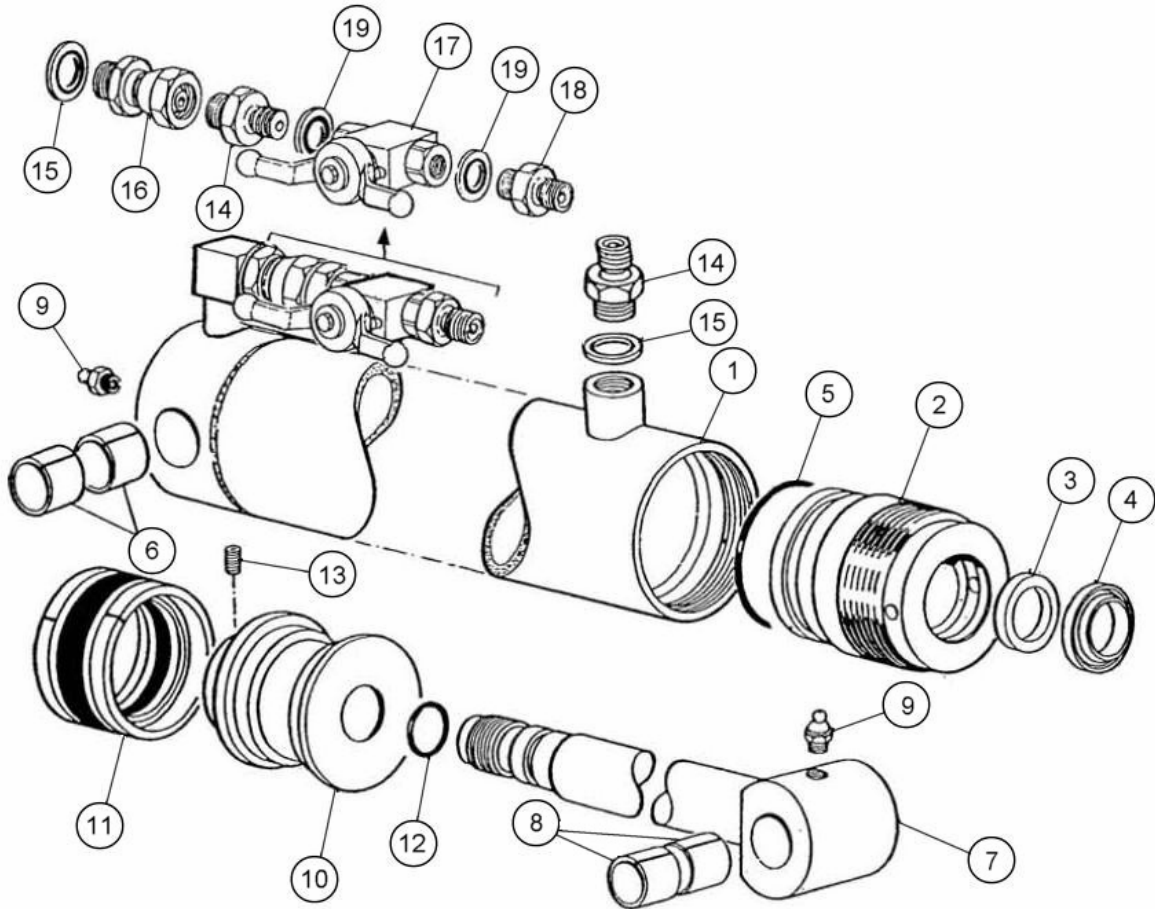
Module(s): 7150741

REF.	QTY.	PART No.	DESCRIPTION
		7150741	HYDRAULIC INSTALLATION
1	2	05.434.01	ADAPTOR
2	4	0904107	HOSE CLIP
3	1	22590.17	HOSE SLEEVING - 850mm
4	1	22590.22	HOSE SLEEVING - 1200mm
5	1	22591.03	HOSE SLEEVING - 150mm
6	1	42095.02	LIFT RAM ASSEMBLY
7	1	45288.05	SLEW RAM ASSEMBLY
8	3	7135084	CABLE TIE - 180mm
9	1	7193334	REACH RAM ASSEMBLY
10	4	7196045	HOSE TIE - 350mm
11	1	7560344	ANGLING RAM ASSEMBLY
12	1	8501470	SUCTION HOSE - 1.1/2" BORE x 470mm
13	1	8581241	EXTENSION ADAPTOR
14	1	8581264	SWEPT ADAPTOR - 90°
15	2	8582058	BLANKING CAP
16	1	8650108	BONDED SEAL

LIFT RAM ASSEMBLY

McCONNEL

Module(s): 42095.02

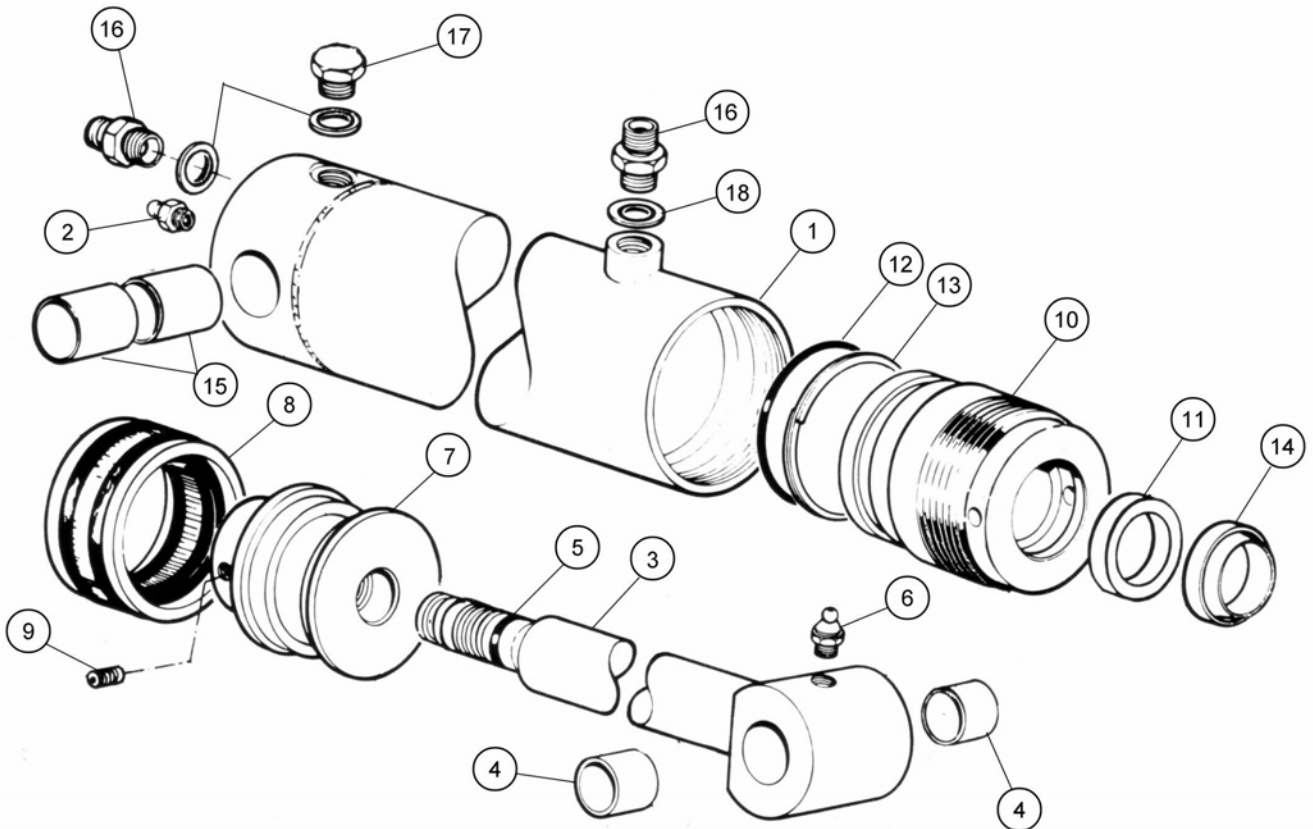


REF.	QTY.	PART NO.	DESCRIPTION
		42095.02	LIFT RAM & TAP ASSEMBLY
		42095.01	LIFT RAM ASSEMBLY - <i>Comprising of:</i>
1	1	42095.31	BARREL
2	1	42095.38	GLAND HOUSING
3	1	8629158	GLAND SEAL
4	1	8629152	ROD WIPER
5	1	8600742	O RING
6	2	7101134	BUSH
7	1	42968.01	ROD
8	2	6012032	BUSH
9	2	0901121	GREASER
10	1	42095.34	PISTON
11	1	8638742	PISTON SEAL
12	1	8600119	O RING
13	1	9363023	GRUBSCREW
14	2	8581115	UNION
15	2	8650103	BONDED SEAL
16	1	8581178	SWIVEL UNION
17	1	8130181	TAP
18	1	8581169	UNION
19	2	8650102	BONDED SEAL
		8699249	SEAL KIT

REACH RAM ASSEMBLY

McCONNEL

Module(s): 7193334

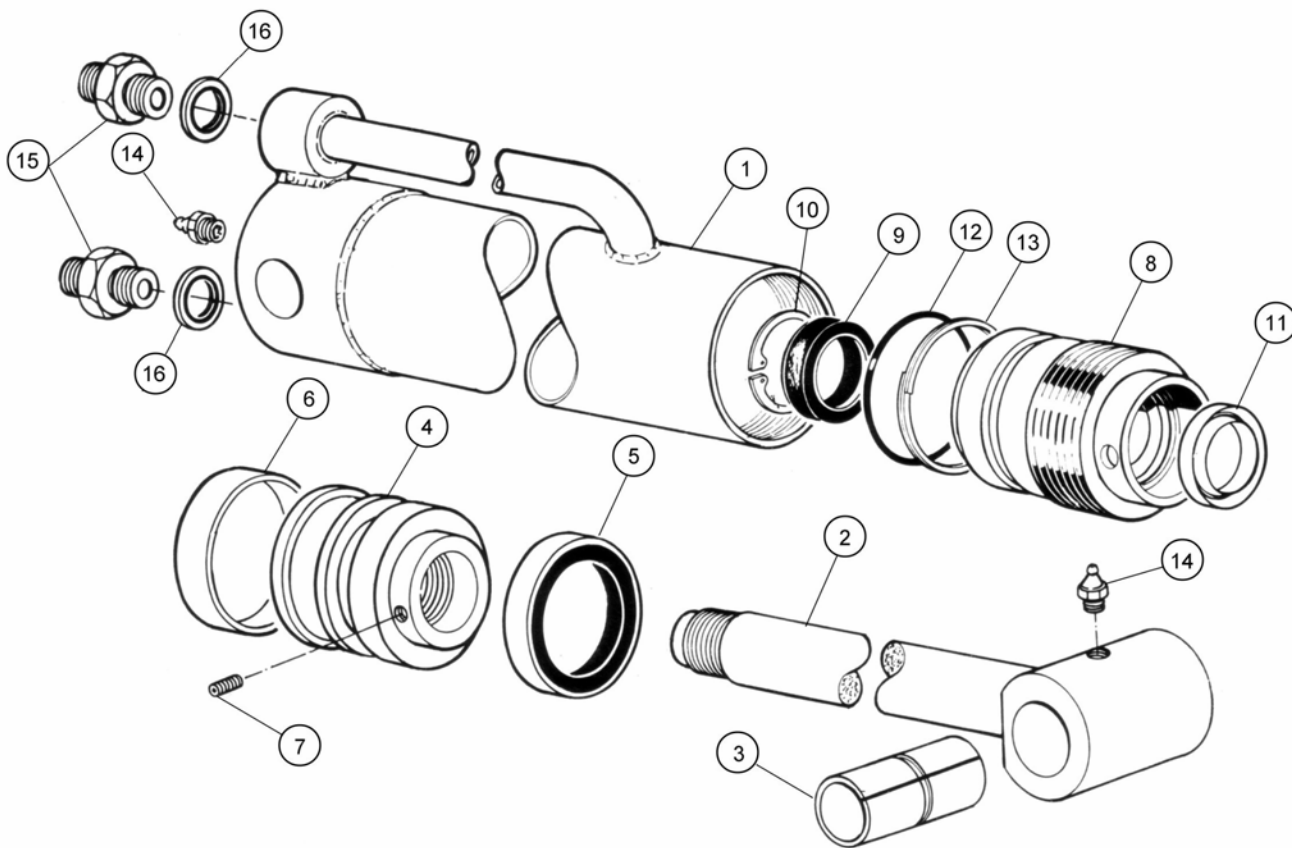


REF.	QTY.	PART No.	DESCRIPTION
		7193334	REACH RAM ASSEMBLY
		7193332	RAM BASE - <i>Comprising of:</i>
1		7135283	RAM CYLINDER
2		0901121	GREASER
3		7193029	PISTON ROD
4		6012032	BUSH
5		8600119	O RING
6		0901121	GREASER
7		7135004	PISTON c/w SEAL & GRUB SCREW
8		8638740	PISTON SEAL
9		9363023	GRUB SCREW
10		7135282	GLAND HOUSING
11		8629164	GLAND SEAL
12		8700740	O RING
13		8709740	ANTI EXTRUSION RING
14		8629147	WIPER
15		7101134	BUSH (RAM BASE)
16		8581115	UNION
17		8003001	PLUG
18		8650103	BONDED SEAL
		8699187	SEAL KIT

ANGLING RAM ASSEMBLY

McCONNEL

Module(s): 7560344



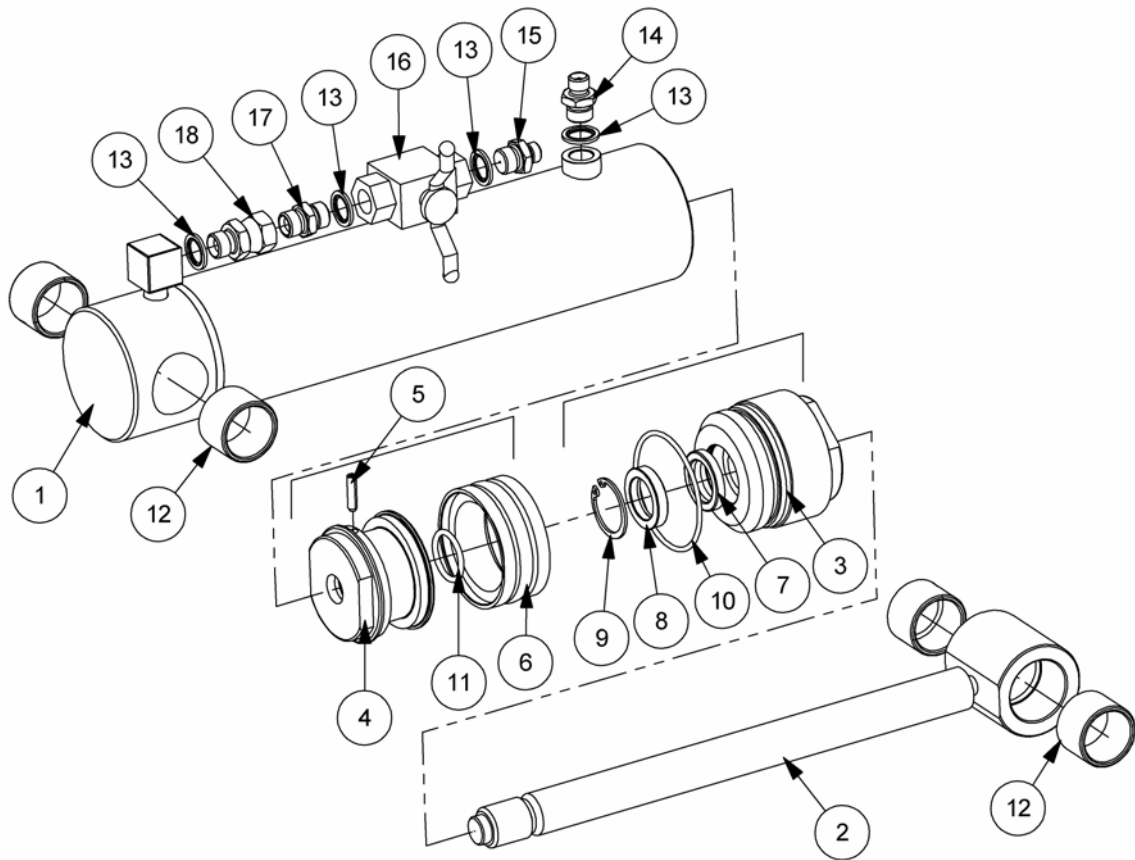
REF.	QTY.	PART No.	DESCRIPTION
		7560344	ANGLING RAM ASSEMBLY
1	1	7135292	CYLINDER
2	1	7135009	ROD
3	1	7105050	BUSH
4	1	7560095	PISTON
5	1	8629187	PISTON SEAL
6	1	8629188	BEARING RING
7*	1	9363023	GRUB SCREW - SOCKET HEAD
8	1	7135291	GLAND HOUSING
9	1	8629148	GLAND SEAL
10	1	0416240	INTERNAL CIRCLIP
11	1	8629149	WIPER SEAL
12	1	8600302	O' RING
13	1	8609302	ANTI EXTRUSION RING
14	2	0901121	GREASER
15	2	8581169	UNION
16	2	8650102	BONDED SEAL
		8699188	SEAL KIT

* Assembly note: Tighten fully and centre punch edge of hole to secure.

SLEW RAM ASSEMBLY

McCONEL

Module(s): 45288.05

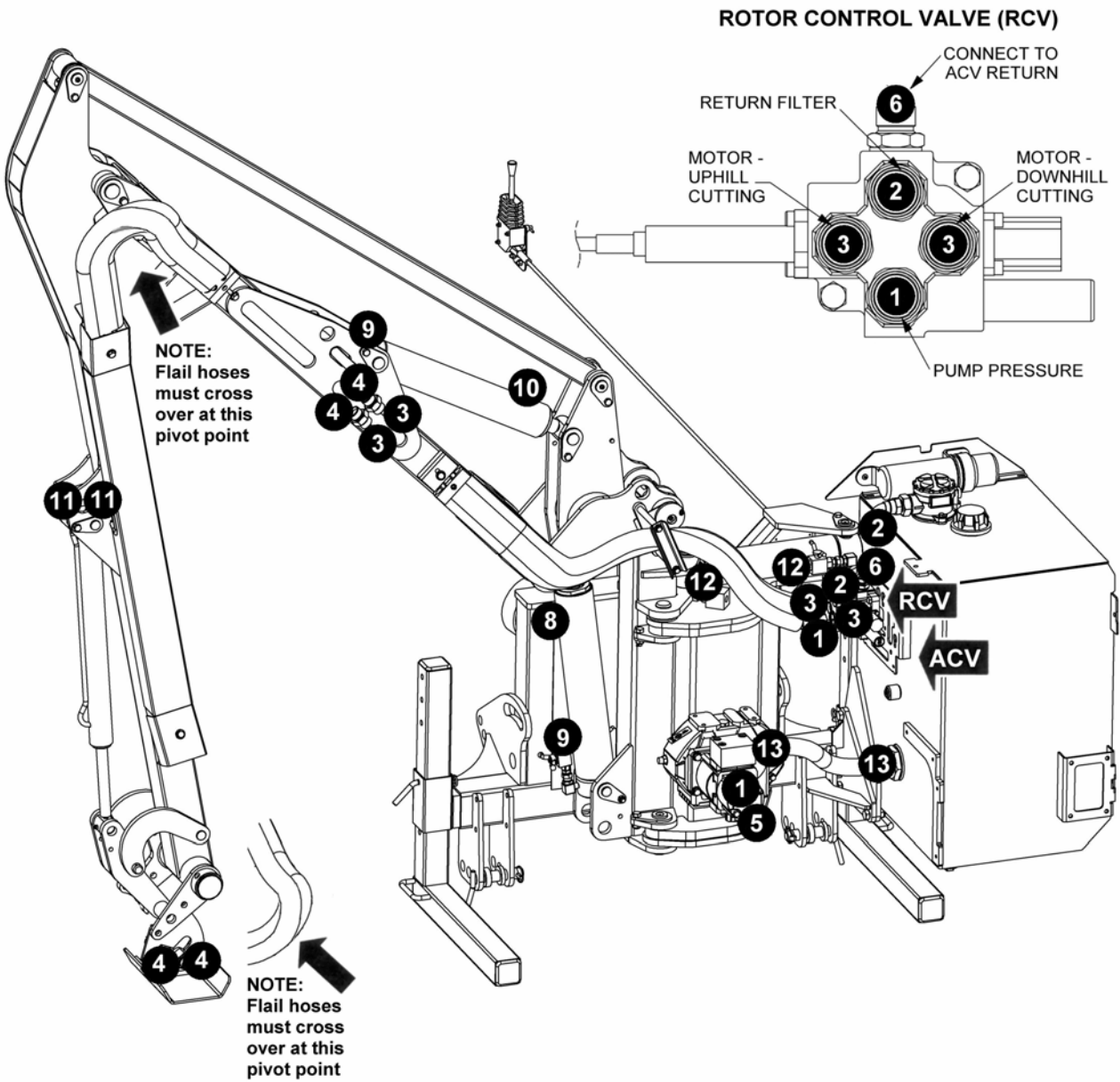


REF.	QTY.	PART NO.	DESCRIPTION
		45288.05	SLEW RAM ASSEMBLY
1	1	45273.05	BARREL
2	1	45275.01	PISTON ROD
3	1	45283.01	GLAND HOUSING
4	1	45276.01	PISTON
5	1	42775.01	DOWEL
6	1	8638740	PISTON SEAL
7	1	8629149	SCRAPER RING
8	1	8629148	GLAND SEAL
9	1	0416240	INTERNAL CIRCLIP
10	1	8700740	O RING
11	1	8600121	O RING
12	4	08.297.05	BUSH
13	4	8650103	BONDED
14	1	8581115	ADAPTOR
15	1	8130066	ADAPTOR RESTRICTOR
16	1	08.200.01	ISOLATING VALVE
17	1	6000113	ADAPTOR
18	1	8581178	SWIVEL ADAPTOR
		8699525	SEAL KIT

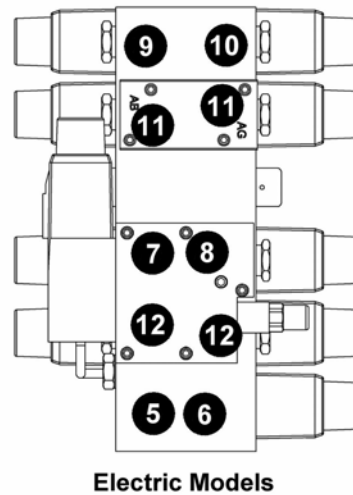
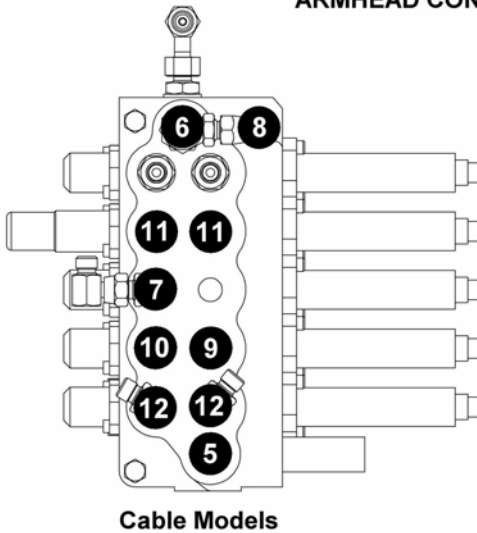
HYDRAULIC HOSE KIT INSTALLATION

McCONEL

Module(s): 715072204, 715072206



ARMHEAD CONTROL VALVES (ACV)



Module(s): 715072204, 715072206

REF.	QTY.	PART No.	DESCRIPTION
		715072204	HOSE KIT - PA93SS L/H TI CABLE
		715072206	HOSE KIT - PA93SS L/H TI ELECTRIC
1	1	10.012.16	HOSE - 1" BSP FS/F90 x 800mm
2	1	10.012.11	HOSE - 1" BSP FS/F90 x 550mm
3	2	10.025.29	HOSE - 1" BSP FS/F135 x 1900mm
4	2	10.012.41	HOSE - 1" BSP FS/F90 x 3100mm
5	1	10.004.20	HOSE - 3/8" BSP FS/F90 x 1000mm
	-	10.004.12	HOSE - 3/8" BSP FS/F90 x 600mm
6	1	10.006.15	HOSE - 1/2" BSP FS/F90 x 750mm
	-	10.006.14	HOSE - 1/2" BSP FS/F90 x 700mm
7	1	10.001.22	HOSE - 1/4" BSP FS/FS x 1200mm
	-	10.001.20	HOSE - 1/4" BSP FS/FS x 1000mm
8	1	10.002.22	HOSE - 1/4" BSP FS/F90 x 1200mm
	-	10.002.20	HOSE - 1/4" BSP FS/F90 x 1000mm
9	1	10.001.34	HOSE - 1/4" BSP FS/FS x 2400mm
	-	10.001.32	HOSE - 1/4" BSP FS/FS x 2200mm
10	1	10.002.39	HOSE - 1/4" BSP FS/F90 x 2900mm
	-	10.002.37	HOSE - 1/4" BSP FS/F90 x 2700mm
11	2	10.002.55	HOSE - 1/4" BSP FS/F90 x 4500mm
	-	10.002.53	HOSE - 1/4" BSP FS/F90 x 4300mm
12	2	10.002.18	HOSE - 1/4" BSP FS/F90 x 900mm
	-	10.002.14	HOSE - 1/4" BSP FS/F90 x 700mm
13	1	8501470	HOSE - 1.1/2" BORE x 470mm

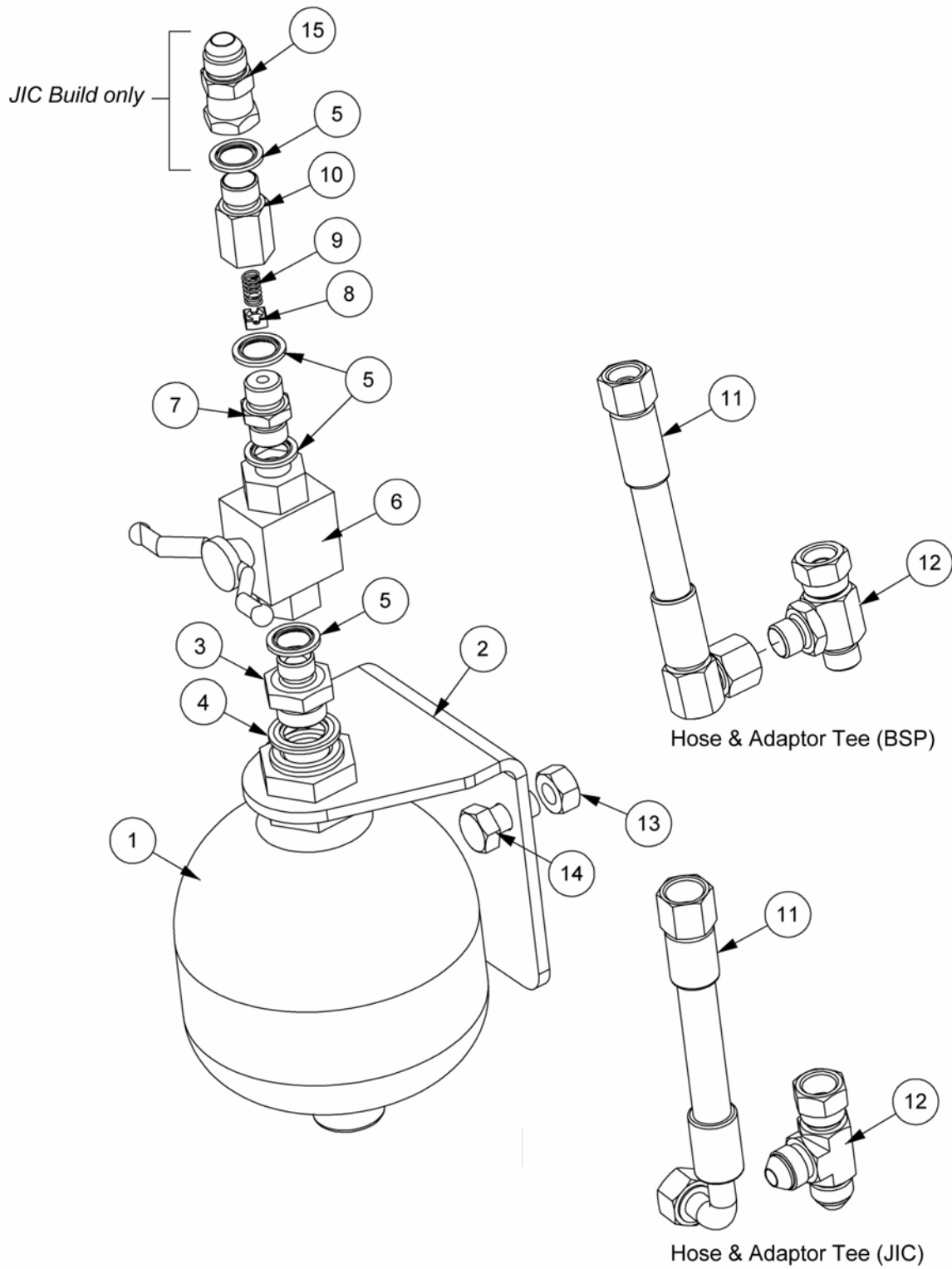
HOSE IDENTIFICATION & LOCATION

- | | |
|-----------------------------------|---------------------------------------|
| 1 Pump (FS) to RCV (F90) | 8 Lift Gland (F90) to ACV (FS) |
| 2 RCV (F90) to Tank (FS) | 9 Reach Base (FS) to ACV (FS) |
| 3 RCV (F135) to Main Arm (FS) | 10 Reach Gland (F90) to ACV (FS) |
| 4 Main Arm (FS) to Dipper (F90) | 11 Angle Base/Gland (F90) to ACV (FS) |
| 5 Pump Pressure (F90) to ACV (FS) | 12 Slew Base/Gland (F90) to ACV (FS) |
| 6 ACV (FS) Return to RCV (F90) | 13 Suction Hose - Pump to Tank |
| 7 Lift Base (FS) to ACV (FS) | |

LIFT FLOAT KIT – Optional Extra (Cable Models)

Module(s): 8126326 (BSP), 8126347 (JIC)

McCONEL



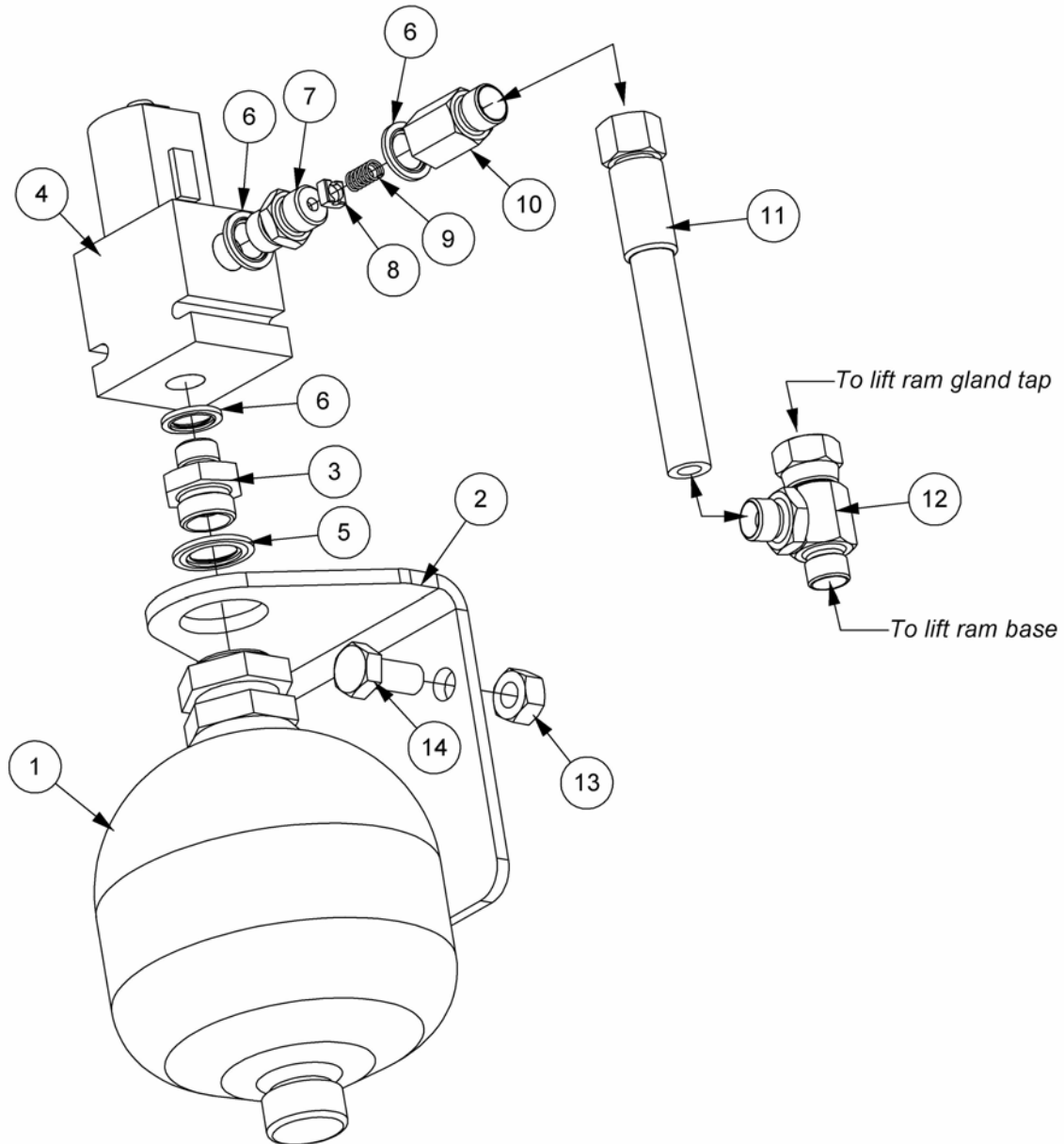
LIFT FLOAT KIT – Optional Extra (Cable Models)



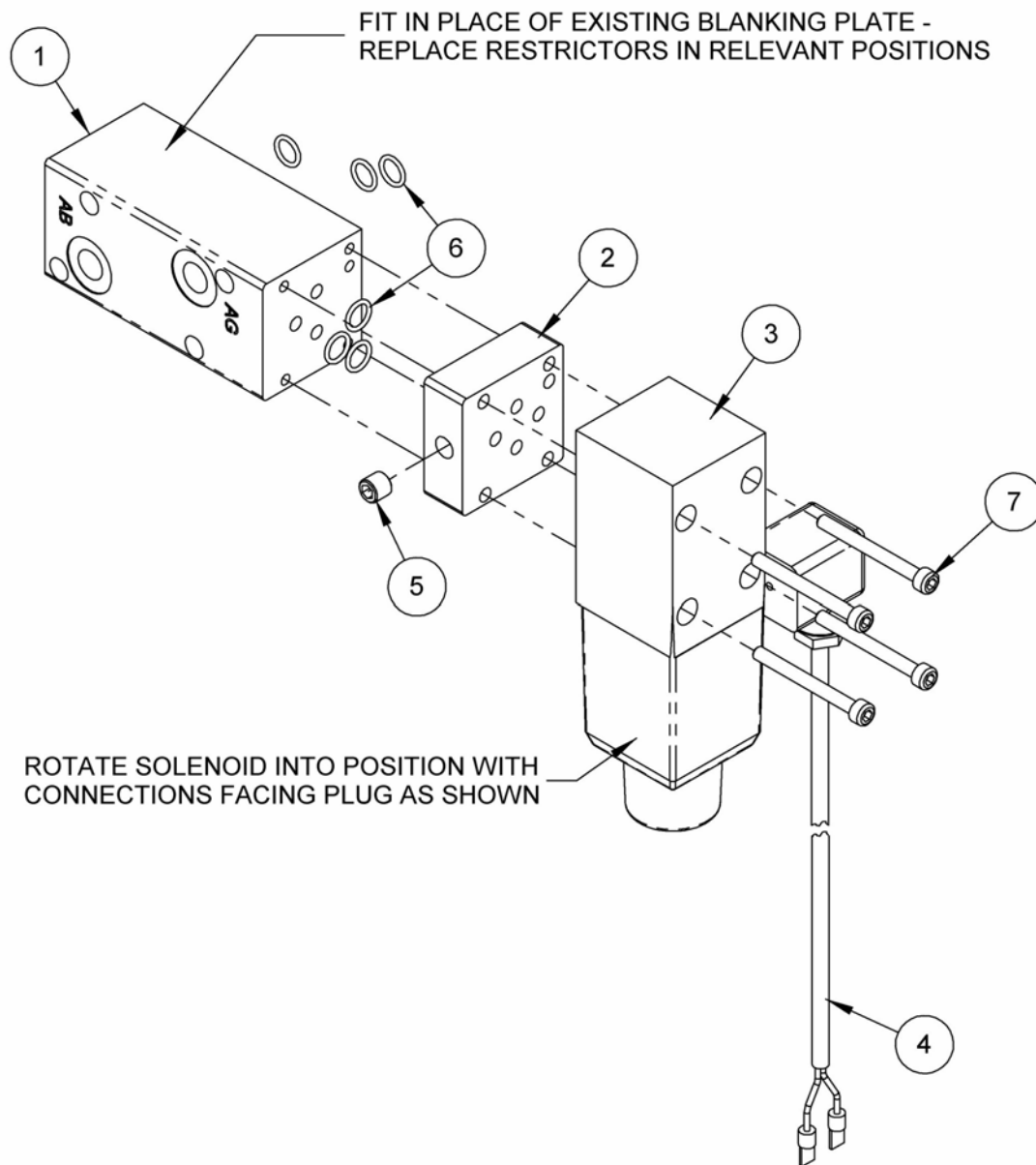
Module(s): 8126326 (BSP), 8126347 (JIC)

REF.	QTY.	PART NO.	DESCRIPTION
		8126326	LIFT FLOAT KIT - BSP Build
1	1	8126044	ACCUMULATOR
2	1	8126318	BRACKET
3	1	G2410380	ADAPTOR
4	1	8650322	BONDED SEAL
5	3	8650103	BONDED SEAL
6	1	08.200.01	ISOLATING VALVE
7	1	8581209	ADAPTOR
8	1	8123041	RESTRICTOR DISC - 1.15 RED
9	1	8116011	SPRING
10	1	8581346	ADAPTOR RESTRICTOR BODY
11	1	10.004.20	HOSE - 3/8" BSP FS/F90 x 1000mm
12	1	11.068.69	ADAPTOR TEE (BSP)
13	2	9143006	SELF-LOCKING NUT
14	2	9313056	SETSCREW

REF.	QTY.	PART NO.	DESCRIPTION
		8126347	LIFT FLOAT KIT - JIC Build
1	1	8126044	ACCUMULATOR
2	1	8126318	BRACKET
3	1	G2410380	ADAPTOR
4	1	8650322	BONDED SEAL
5	4	8650103	BONDED SEAL
6	1	08.200.01	ISOLATING VALVE
7	1	8581209	ADAPTOR
8	1	8123041	RESTRICTOR DISC - 1.15 RED
9	1	8116011	SPRING
10	1	8581346	ADAPTOR RESTRICTOR BODY
11	1	08.958.18	HOSE - 3/4" JIC FS/F90 x 1000mm
12	1	234430812	ADAPTOR TEE (JIC)
13	2	9143006	SELF-LOCKING NUT
14	2	9313056	SETSCREW
15	1	8581221	ADAPTOR (JIC)



REF.	QTY.	PART No.	DESCRIPTION
		8126327	LIFT FLOAT KIT
1	1	8126044	ACCUMULATOR
2	1	8126318	BRACKET
3	1	G2410380	ADAPTOR
4	1	08.619.09	MODULAR VALVE
5	1	8650322	BONDED SEAL
6	3	8650103	BONDED SEAL
7	1	8581209	ADAPTOR
8	1	8123041	RESTRICTOR DISC - 1.15 RED
9	1	8116011	SPRING
10	1	8581346	ADAPTOR RESTRICTOR BODY
11	1	10.004.18	HOSE - 3/8" BSP FS/F90 x 900mm
12	1	11.068.69	ADAPTOR TEE
13	2	9143006	SELF-LOCKING NUT
14	2	9313056	SETScrew

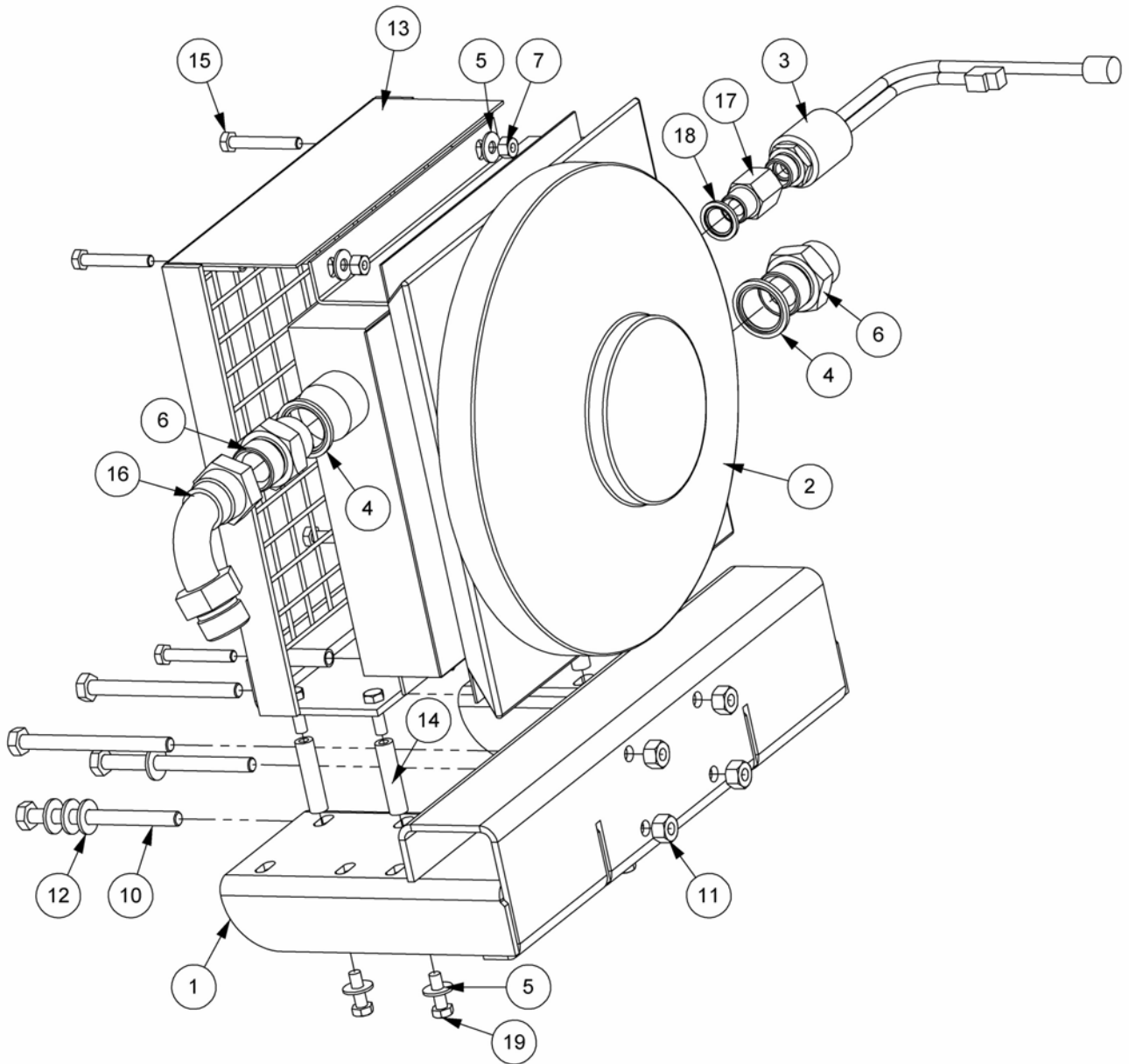


REF.	QTY.	PART No.	DESCRIPTION
		8126352	ANGLE FLOAT KIT (Optional Extra)
1	1	8126333	FLOAT VALVE BLOCK
2	1	8126334	BRIDGING PLATE
3	1	8130457	SINGLE SOLENOID VALVE
4	1	8402338	LOOM - ANGLE FLOAT
5	1	8582041	TAPER PLUG
6	6	8700511	O RING
7	4	9243102	CAPSCREW

COOLER KIT

Module(s): 7451823

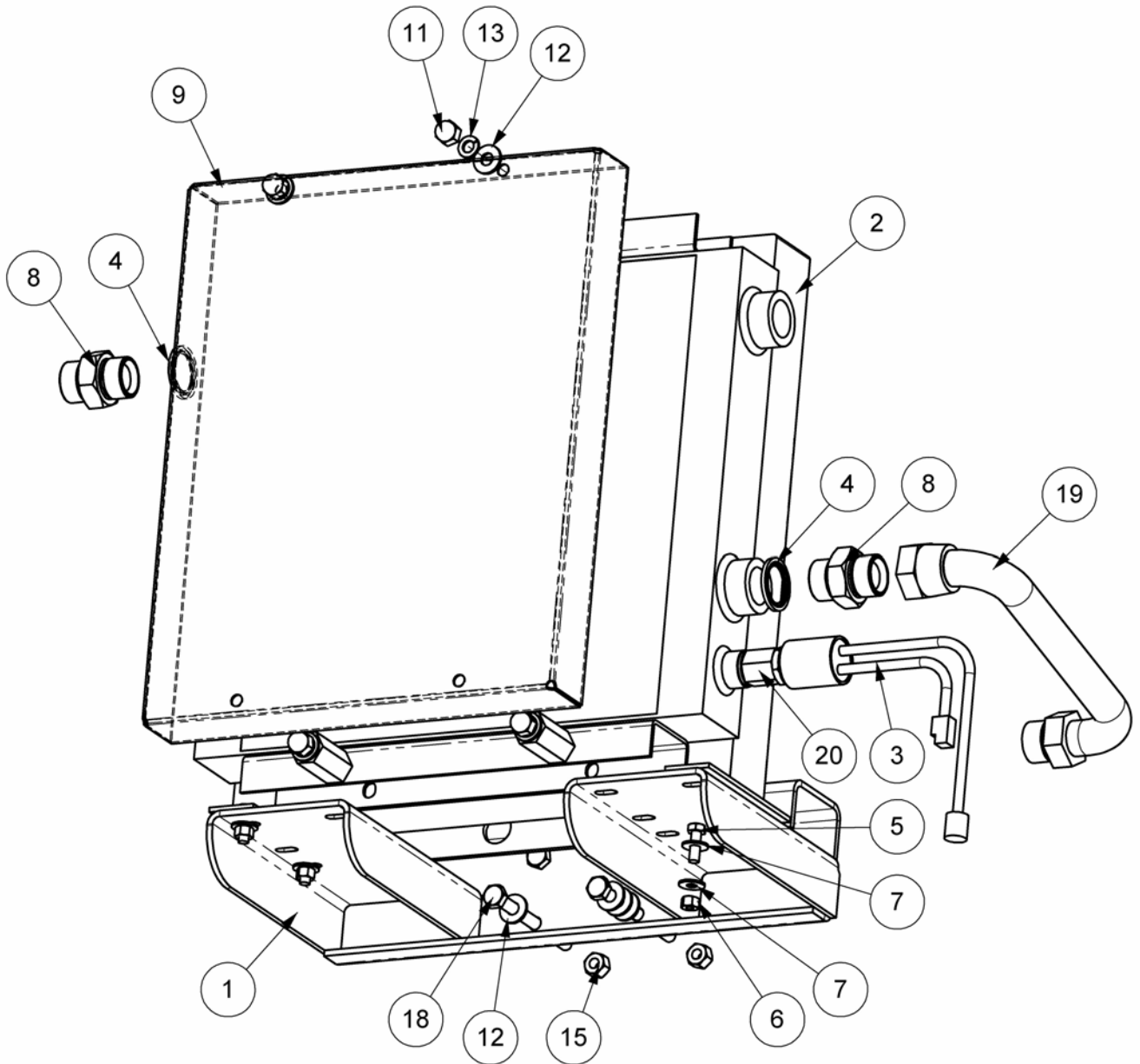
McCONEL



COOLER KIT**McCONNEL**

Module(s): 7451823

REF.	QTY.	PART No.	DESCRIPTION
		7451823	COOLER KIT ASSEMBLY
1	1	21380.03	COOLER BRACKET
2	1	8402387	COOLER (WITHOUT THERMOSTAT)
3	1	43177.64	COOLER LOOM c/w RELAY
4	2	8650108	BONDED SEAL
5	8	9100104	FLAT WASHER
6	2	05.434.01	ADAPTOR
7	4	9143004	SELF-LOCKING NUT
8	1	10.012.37	HOSE - 1" BSP FS/F90 x 2700mm
9	1	10.011.26	HOSE - 1" BSP FS/FS x 1600mm
10	4	05.292.15	BOLT
11	4	9143005	SELF-LOCKING NUT
12	4	9100105	FLAT WASHER
13	1	8402319	COOLER MOUNTING
14	4	7196053	SPACER (THREADED)
15	4	9213114	BOLT
16	1	8581264	ADAPTOR - SWEPT 90°
17	1	G2410452	ADAPTOR
18	1	8650104	BONDED SEAL
19	4	9317054	SETSCREW



HIGH CAPACITY COOLER KIT**McCONNEL**

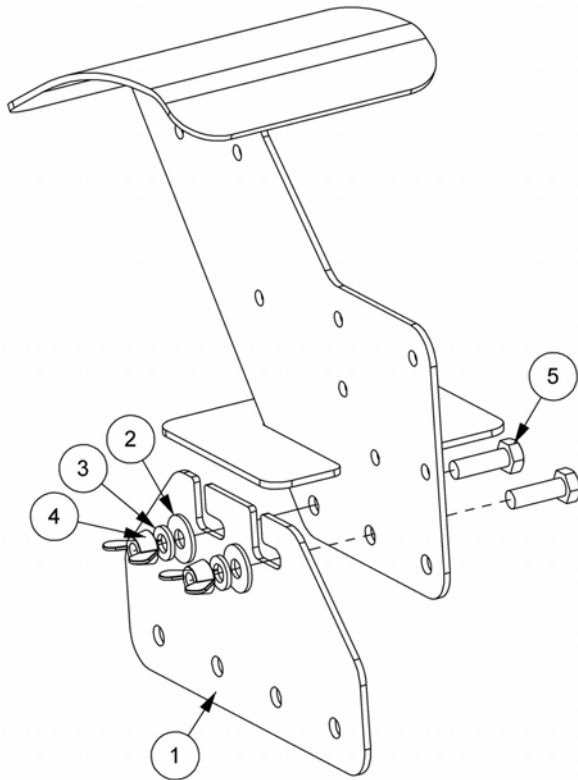
Module(s): 7451824

REF.	QTY.	PART No.	DESCRIPTION
		7154824	HIGH CAPACITY COOLER KIT
1	1	21380.03	COOLER BRACKET
2	1	8402381	OIL COOLER
3	1	43177.64	COOLER LOOM c/w RELAY
4	2	8650108	BONDED SEAL
5	4	9313054	SETSCREW
6	4	9143004	SELF-LOCKING NUT
7	8	9100104	FLAT WASHER
8	2	05.434.01	ADAPTOR
9	1	46046.03	COOLER BASKET
10	4	46041.01	STAND OFF
11	4	9100025	DOME NUT
12	12	9100105	FLAT WASHER
13	4	9100205	SPRING WASHER
14	1	43468.05	EDGING STRIP - 2100mm
15	8	9143005	SELF-LOCKING NUT
16	1	10.012.37	HOSE - 1" BSP FS/F90 x 2700mm
17	1	10.011.26	HOSE - 1" BSP FS/FS 1600mm
18	4	05.292.15	BOLT
19	1	46127.01	HYDRAULIC PIPE
20	1	G2410452	ADAPTOR
21	1	8650104	BONDED SEAL

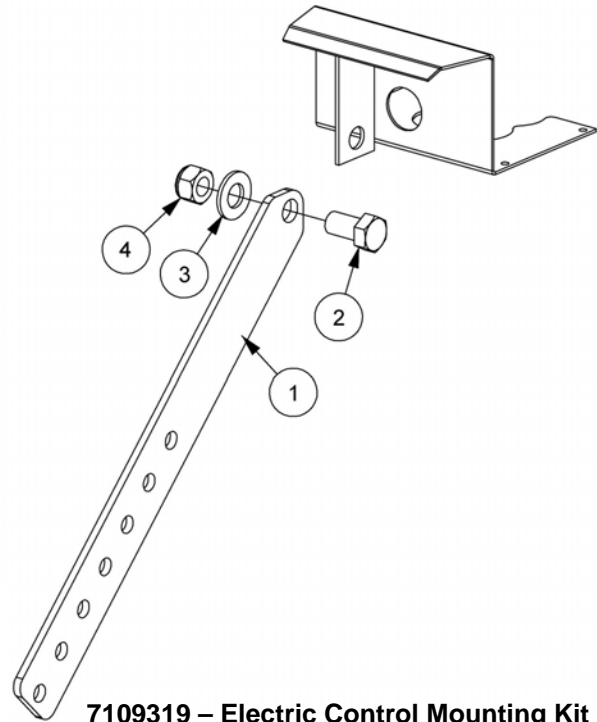
CAB MOUNTING KIT FOR CONTROLS

McCONNEL

Module(s): 7313282 – Cable Controls, 7109319 – Electric Controls

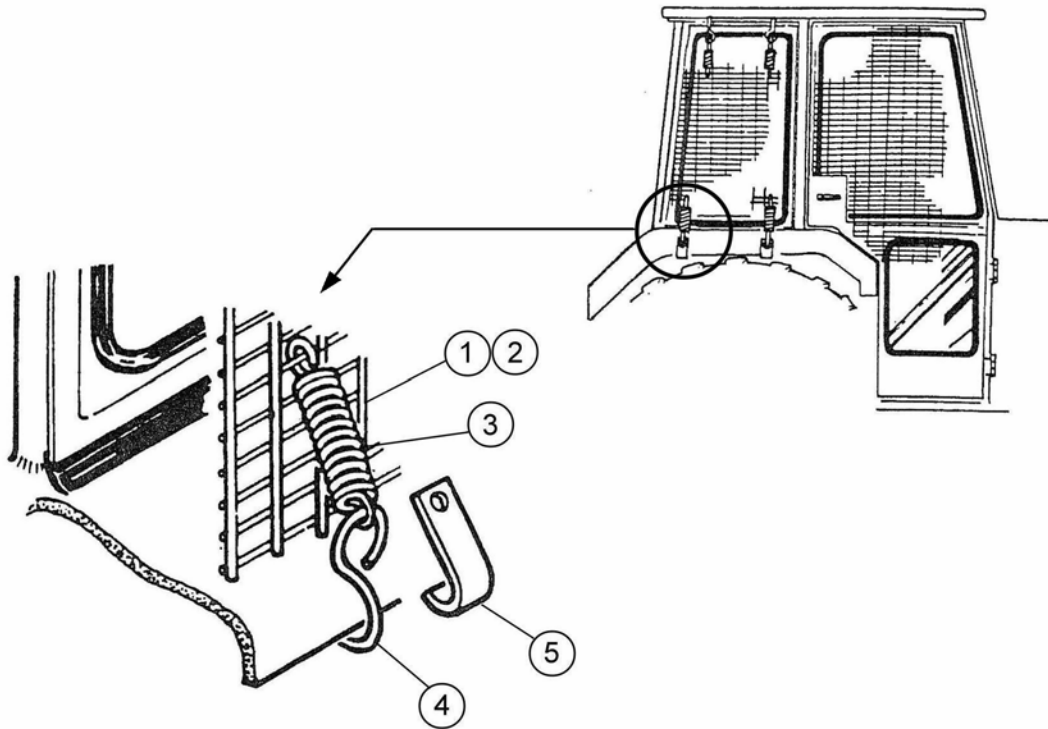


7313282 – Cable Control Mounting Kit



7109319 – Electric Control Mounting Kit

REF.	QTY.	PART No.	DESCRIPTION
		7313282	CABLE CONTROL MOUNTING KIT
1	1	42491.01	CAB MOUNTING BRACKET
2	2	9100104	FLAT WASHER
3	2	9100204	SPRING WASHER
4	2	9193004	WING NUT
5	2	9313054	SETSCREW
		7109319	ELECTRIC SWITCHBOX MOUNTING KIT
1	1	7109146	CONTROL MOUNTING PILLAR
2	1	9313067	SETSCREW
3	1	0100106	FLAT WASHER
4	1	9163007	NYLOC NUT

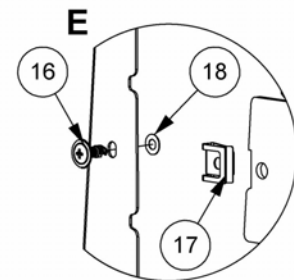
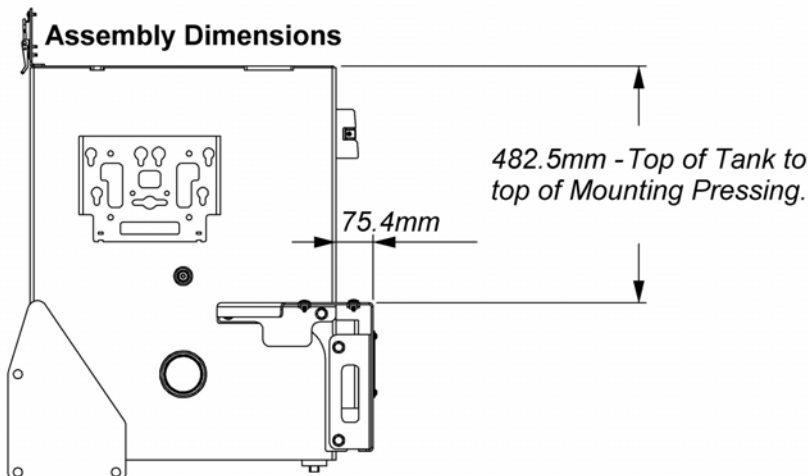
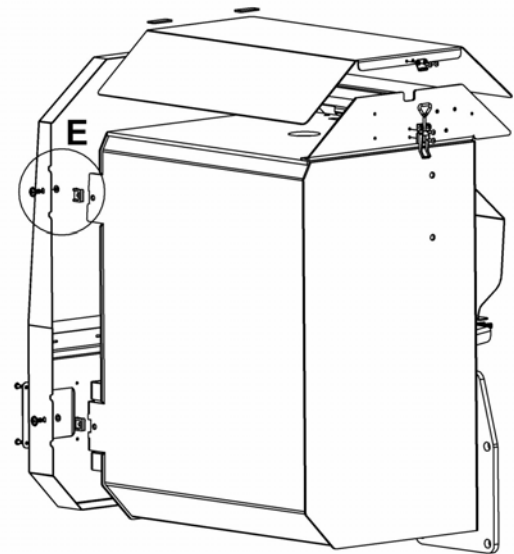
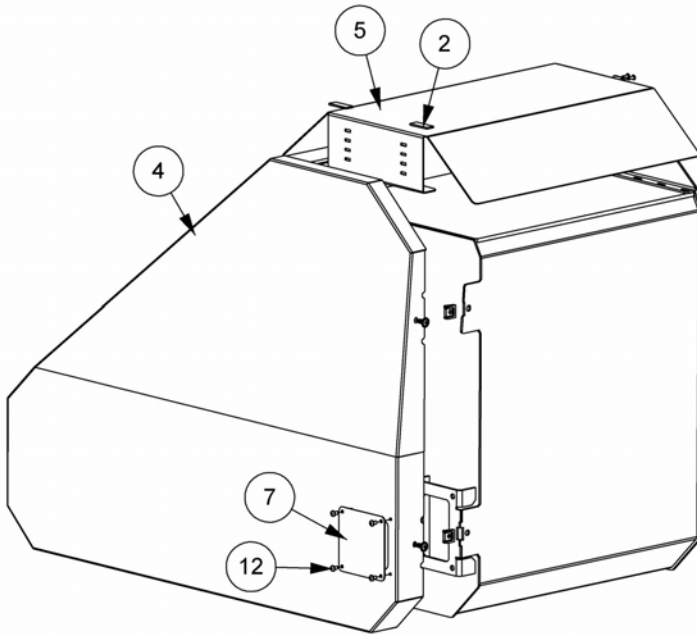
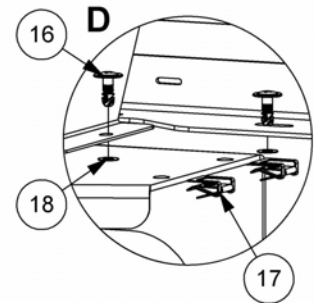
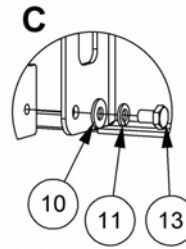
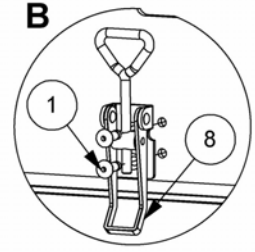
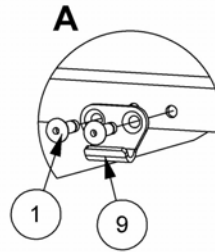
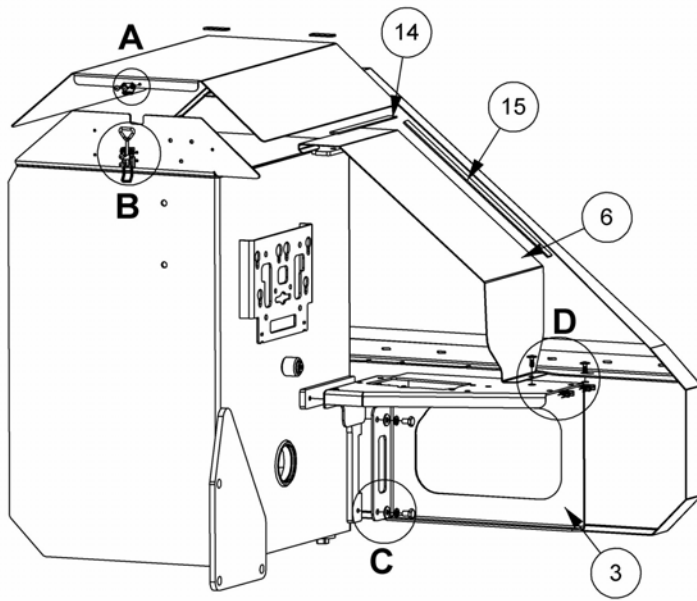


REF.	QTY.	PART No.	DESCRIPTION
		7313324	CAB GUARD & MOUNTING KIT
1	1	7313049	GUARD PANEL - LARGE
2	1	7313050	GUARD PANEL - SMALL
3	12	6001064	SPRING
4	6	6001065	HOOK
5	6	7313051	HOOK

REAR COVERS ASSEMBLY – PA93SS

McCONEL

Module(s): L/H Build 7147714Y (illustrated), R/H Build 7147715Y

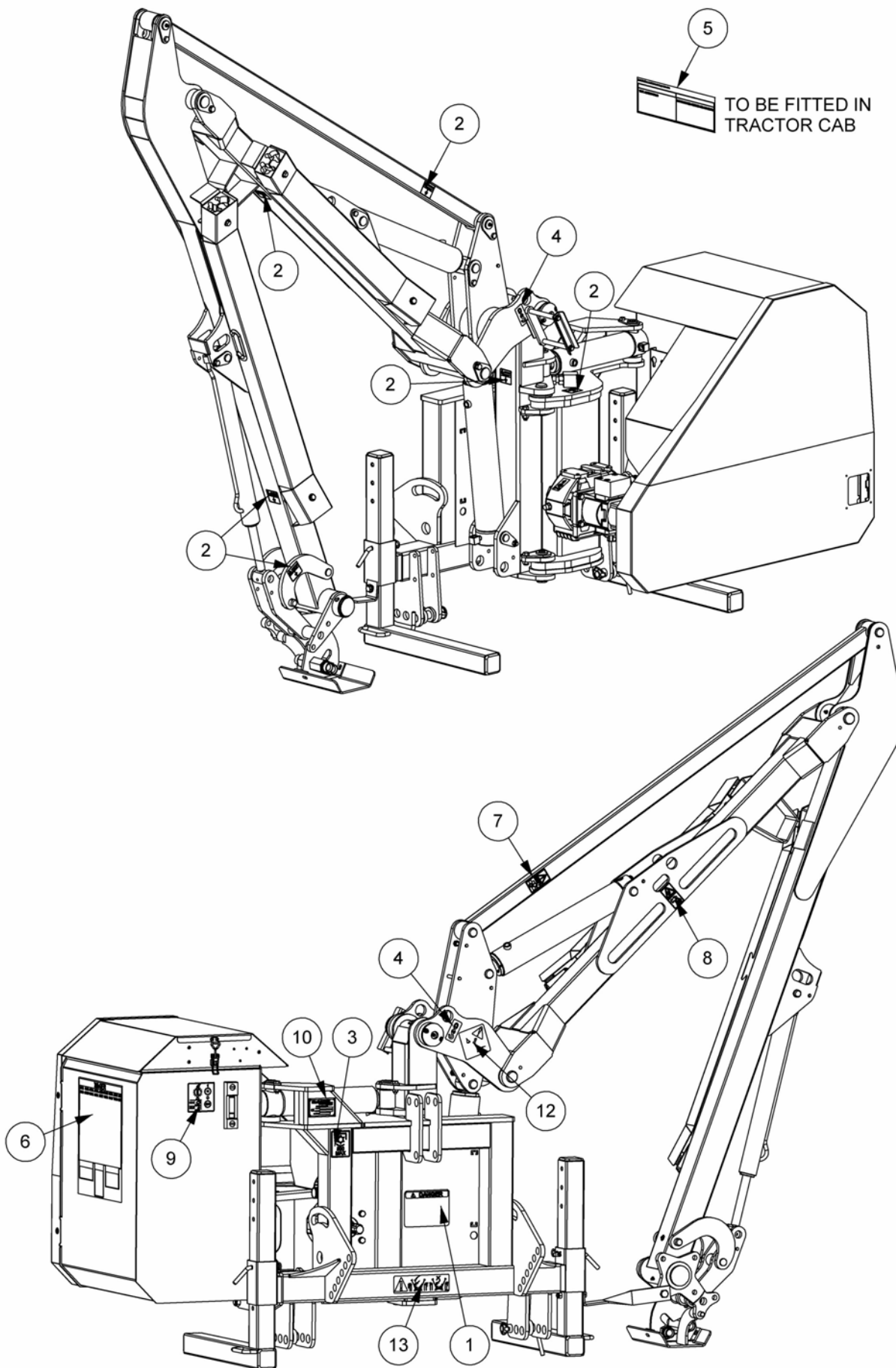


REAR COVERS ASSEMBLY – PA93SS

McCONNEL

Module(s): L/H Build 7147714Y (*illustrated*), R/H Build 7147715Y

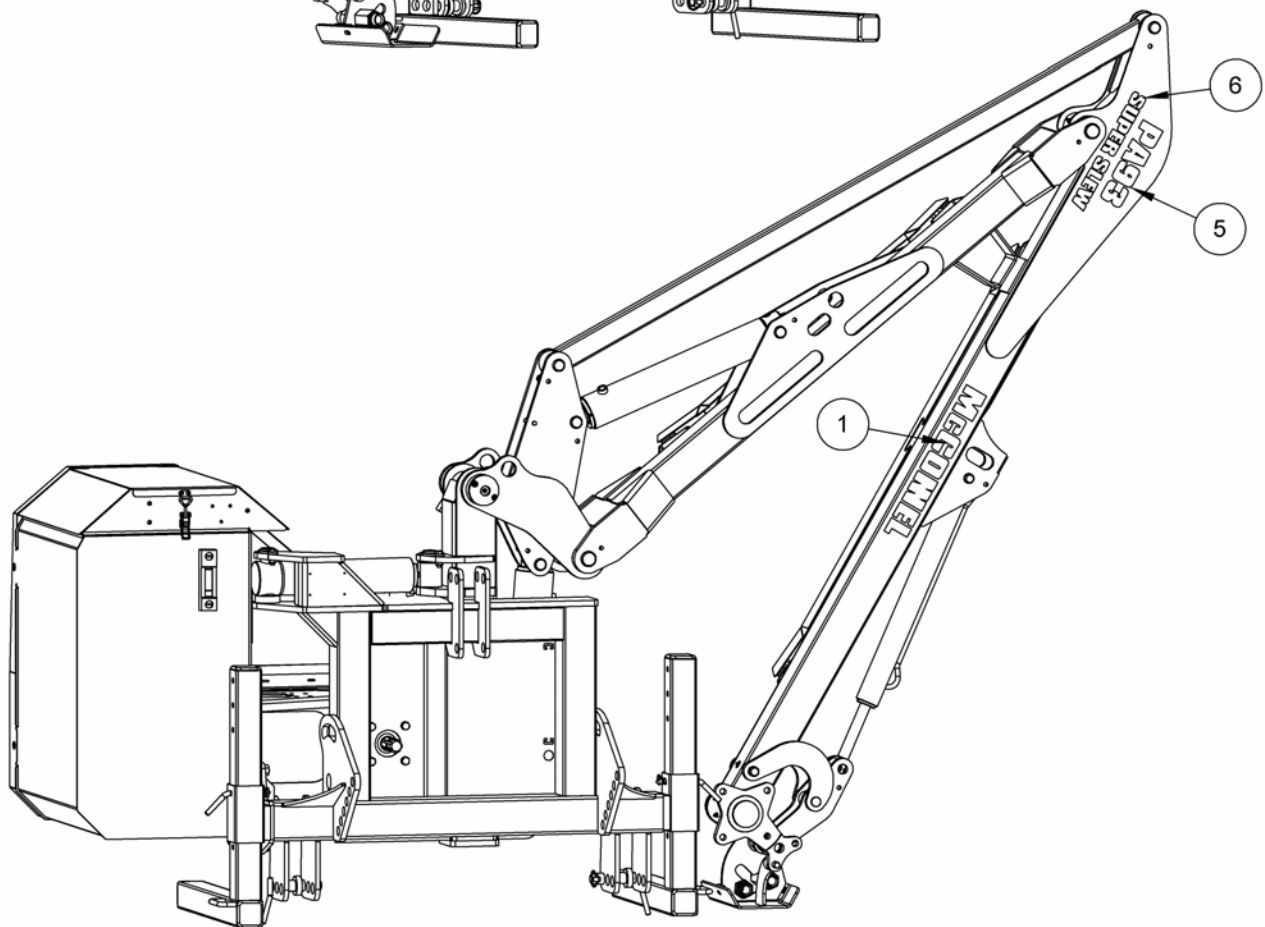
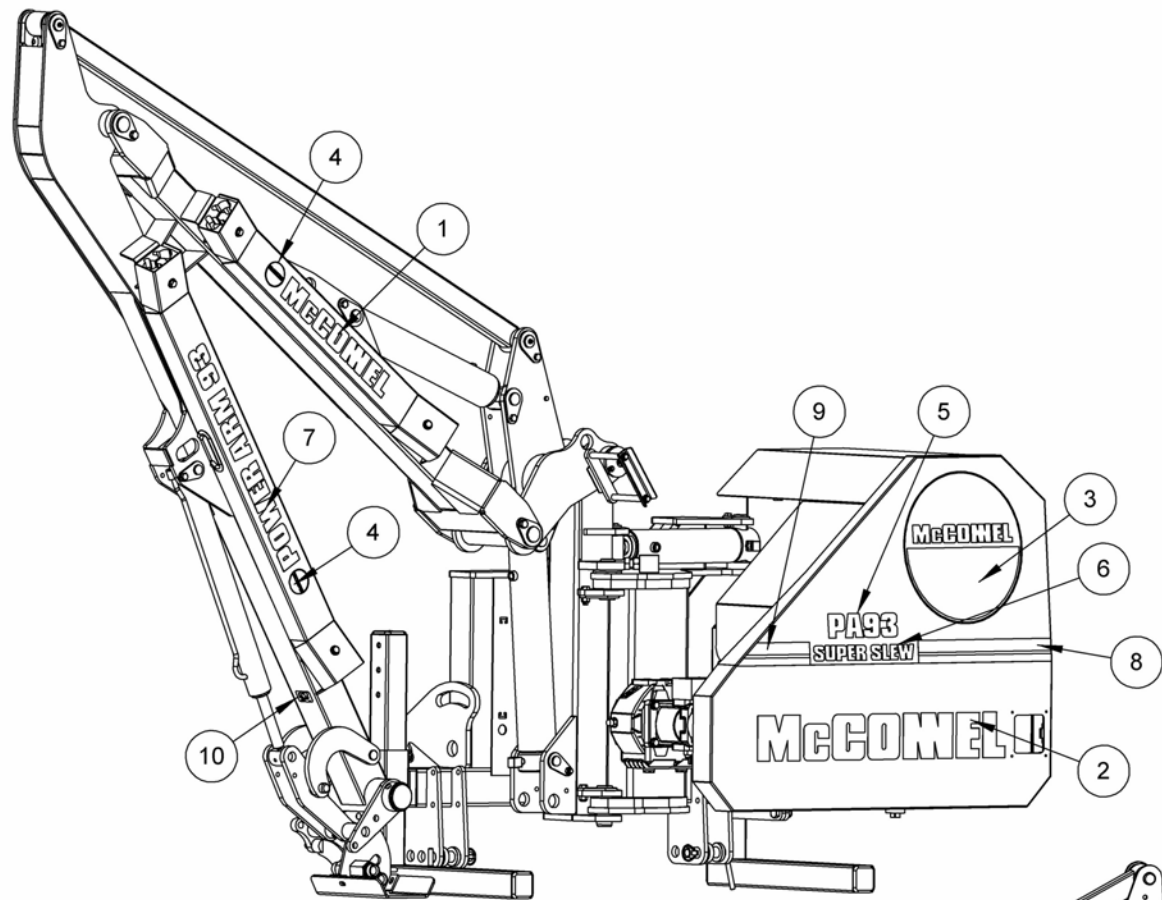
REF.	QTY.	PART No.	DESCRIPTION
		7147714Y	REAR COVERS ASSEMBLY - L/H Build
		7147715Y	REAR COVERS ASSEMBLY - R/H Build
1	4	21612.01	POP RIVET
2	2	21726.31	SPONGE PAD
3	1	22472.01Y	COVER & VALVE MOUNTING - L/H Build
	1	22472.02Y	COVER & VALVE MOUNTING - R/H Build
4	1	22476.03Y	REAR COVER - L/H Build
	1	22476.04Y	REAR COVER - R/H Build
5	1	22477.03Y	TANK TOP COVER
6	1	22513.01Y	VALVE COVER - L/H Build
	1	22513.02Y	VALVE COVER - R/H Build
7	1	22531.01	BLANKING PLATE
8	1	43449.02	OVERCENTRE FASTENER
9	1	46007.01	HOOK (OVERCENTRE FASTENER)
10	4	9100105	FLAT WASHER
11	4	9100205	SPRING WASHER
12	4	9300164	TAPTITE
13	4	9313035	SETSCREW
14	1	21726.34	SELF ADHESIVE FOAM STRIP - 275mm
15	1	21726.35	SELF ADHESIVE FOAM STRIP 410mm
16	4	22549.01	SLOTTED HEAD STUD
17	4	22549.02	SLIP-ON RECEPTACLE
18	4	22549.03	PLASTIC RETAINER (BLACK)



Module(s): 7150750

REF.	QTY.	PART No.	DESCRIPTION
		7150750	DECAL KIT - INSTRUCTIONS & WARNINGS
1	1	00756494	DECAL - DRIVELINE HAZARD
2	6	02962764	DECAL - PINCH POINTS
3	1	09.811.03	DECAL - 500 MAX (CW)
4	2	1290074	DECAL - SLING HERE
5*	1	1290352	DECAL - IN CAB INSTRUCTIONS
6	1	1290391	DECAL - SAFETY WARNINGS
7	1	1290745	DECAL - CAB CLEARANCE WARNING
8	1	1290746	DECAL - BREAKAWAY RETURN WARNING
9	1	1290774	DECAL - OIL FILTER CHANGE
10	1	1335246	SERIAL No. PLATE
11	4	7103230	POP RIVET
12	1	7105130	DECAL - READ INSTRUCTION BOOK
13	1	7135295	DECAL - TIGHTEN CHECK CHAINS

* This item is supplied loose for subsequent fitment within the tractor cab.



Cable model illustrated

Module(s): 7150764 (Cable Models), 7150765 (Electric Models)

REF.	QTY.	PART No.	DESCRIPTION
		7150764	DECAL KIT - PA93SS Cable Model
1	2	1290255	DECAL - MCCONNEL (BLACK)
2	1	1290527	DECAL - MCCONNEL (BLACK)
3	1	1290697	DECAL - McCONNEL ROUNDEL
4	2	1290742	DECAL - McCONNEL ROUNDEL
5	2	1290784	DECAL - PA93 (BLACK)
6	2	1290786	DECAL - SUPER SLEW (BLACK)
7	1	1290787	DECAL - POWER ARM 93 (BLACK)
8	1	1290788	DECAL - TRI COLOUR STRIPE (LONG)
9	1	1290789	DECAL - TRI COLOUR STRIPE (SHORT)
10	1	21917.02	HEAD DECAL - ORANGE (102 l/min.)

REF.	QTY.	PART No.	DESCRIPTION
		7150765	DECAL KIT - PA93SS Electric Model
1	2	1290255	DECAL - MCCONNEL (BLACK)
2	1	1290527	DECAL - MCCONNEL (BLACK)
3	1	1290697	DECAL - McCONNEL ROUNDEL
4	2	1290742	DECAL - McCONNEL ROUNDEL
5	2	1290785	DECAL - PA93E (BLACK)
6	2	1290786	DECAL - SUPER SLEW (BLACK)
7	1	1290787	DECAL - POWER ARM 93 (BLACK)
8	1	1290788	DECAL - TRI COLOUR STRIPE (LONG)
9	1	1290789	DECAL - TRI COLOUR STRIPE (SHORT)
10	1	21917.02	HEAD DECAL - ORANGE (102 l/min.)



McConnel Limited, Temeside Works, Ludlow, Shropshire SY8 1JL. England.
Telephone: 01584 873131. Facsimile: 01584 876463. www.mcconnel.com