

Publication 536  
June 2008  
Part No. 41571.36  
Revision: 06.03.12

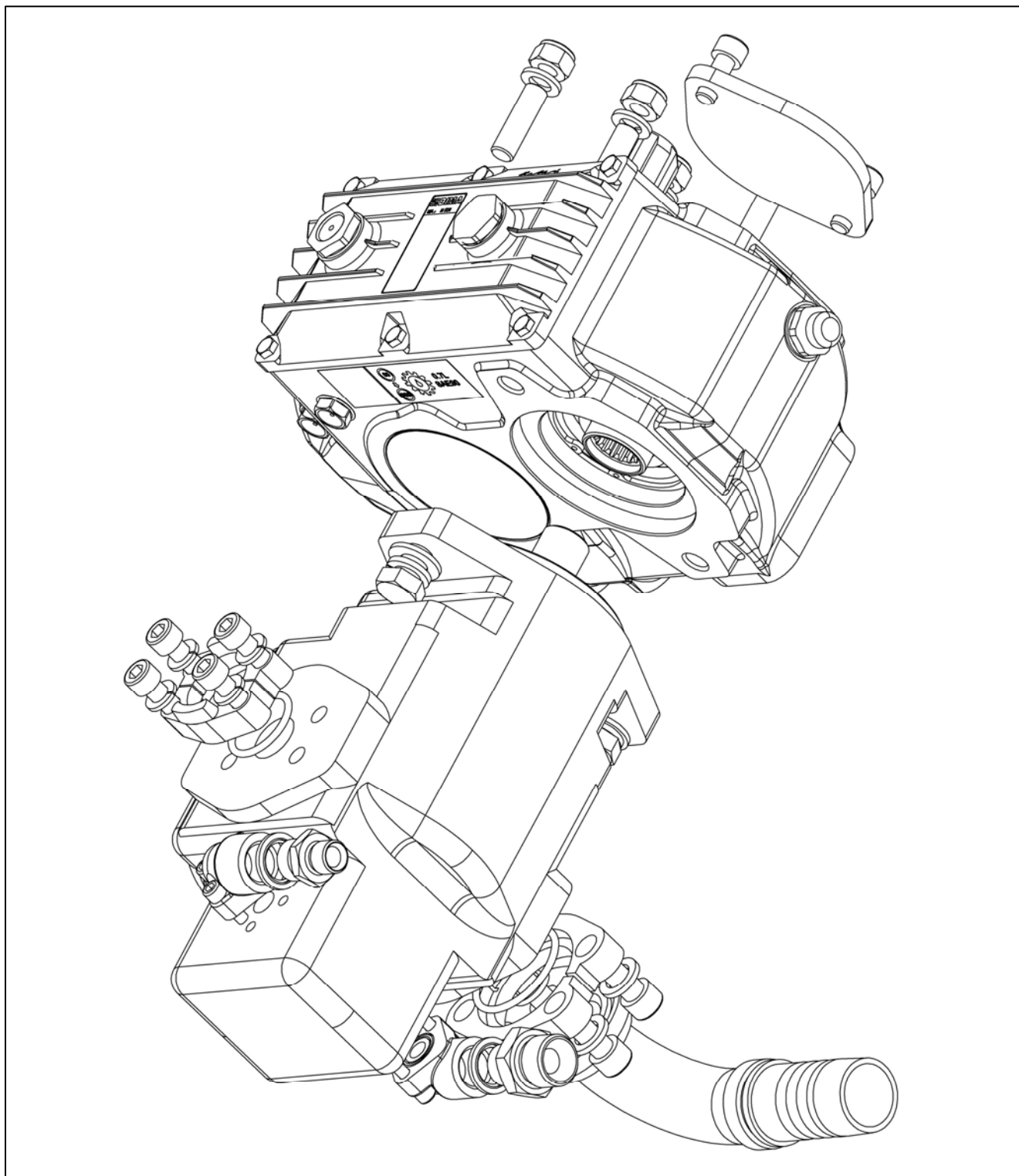


# McCONEL

# PA600

## HEDGE & GRASS CUTTER

Parts Manual





*For best performance...*

## **USE ONLY McCONNEL SERVICE PARTS**

*To be assured of the latest design improvements purchase your  
'Genuine Replacements' from the Original Equipment Manufacturer:*

## **McCONNEL LIMITED**

*through your Local Dealer or Stockist.*

**Always quote:**

- ***Machine Type***
- ***Serial Number***
- ***Part Number***

*Design Improvements may have altered some of the parts listed in this manual –  
The latest part will always be supplied when it is interchangeable with an earlier one.*



# CONTENTS

---

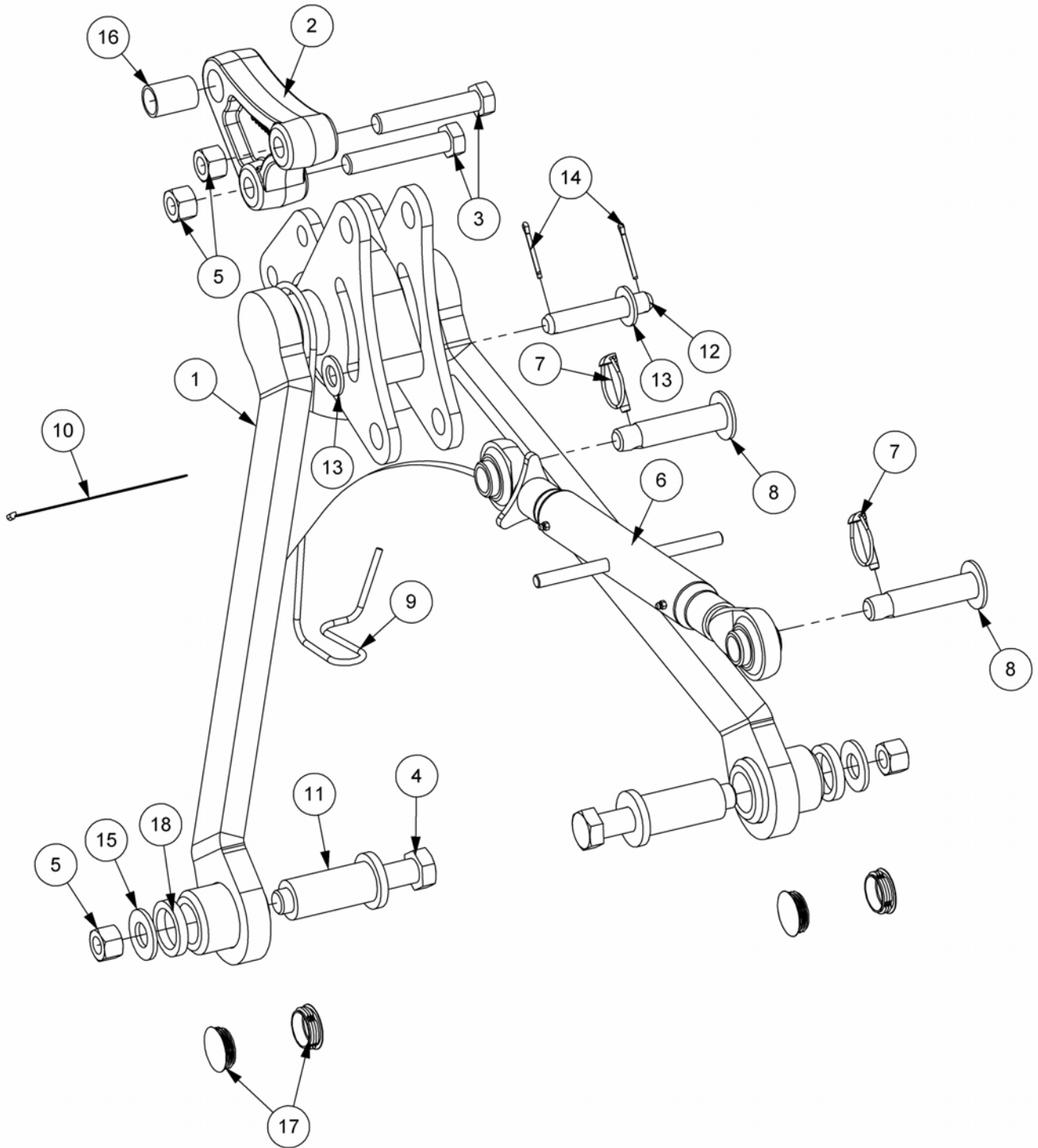
	<i>Page No.</i>
Stabilizer Assembly	1
Axle Mounting Kit	3
Main Frame Assembly	5
Pillar Assembly	7
Rocker Assembly – <i>Standard Models</i>	9
Rocker Assembly – <i>EDS Models</i>	11
Main Arm Assembly – <i>Standard</i>	13
Main Arm Assembly – <i>VFR Models</i>	15
Dipper Arm Assembly – <i>Standard</i>	17
Dipper Arm Assembly – <i>1.0m Midcut Models</i>	19
Dipper Arm Assembly – <i>1.5m Midcut Models</i>	21
Forward Extension – <i>1.0m Midcut Models</i>	23
Forward Extension – <i>1.5m Midcut Models</i>	25
VFR Centre Dipper Arm Assembly	27
VFR Upper Dipper Arm Assembly	29
VFR Lower Dipper Arm Assembly	30
Head Angling Mechanism	31
Hydraulic Tank Assembly	33
Tank Fittings – <i>Gear Models</i>	35
TI Pump & Gearbox Assembly	37
Gearbox Assembly	39
Electric Rotor Control Valve	41
XTC Proportional Control Valve Assemblies (4 & 5 Bank)	43
V4 Proportional Control Valve Assemblies (4, 5 & 6 Bank)	45
Solenoid Modules	48
Manifold Modules	53
Adaptor Modules	59
Lift Ram Assembly	65
Slew Ram Assembly	66
Reach Ram Assembly	67
Angling Ram Assembly	68
Fold Ram Assembly – <i>1.0m Midcut Models</i>	69
Fold Ram Assembly – <i>1.5m Midcut Models</i>	70
Fold Ram Assembly – <i>VFR Models</i>	71
Control Valve Hose Installation	72
Hydraulic Hose Kits	73
XTC Proportional Switchbox Controls	75
Cab Mounting Kit for XTC Control Unit	76
V4 Proportional Armrest Controls	79
EDS Sensor Kit	82
PTO Sensor Kit	83
Power Monitor Kit	84
Cooler / Debris Blower Assembly	85
Debris Blower Kits	87
Debris Blower Drive Module	91
Rear Cover Assembly	93
Rear Lighting Kit	94
Rear Magnetic Sign Kit	95
Machine Decal Kits	96
Cab Guard Kit	97



# STABILIZER ASSEMBLY

Module(s): 7499632

**McCONEL**



# STABILIZER ASSEMBLY

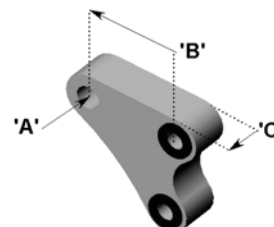
# McCONNEL

Module(s): 7499632

REF.	QTY.	PART No.	DESCRIPTION
		<b>7499632</b>	<b>STABILIZER ASSEMBLY</b>
1	1	41205.13	STABILIZER
2	1	7499506C	STABIZER TONGUE - CAT.3
3	2	9213228	BOLT
4	2	9213309	BOLT
5	4	9143008	SELF-LOCKING NUT
6	1	21370.01	TOP LINK ASSEMBLY
7	2	0431217	LINCH PIN
8	2	7560144	TOP LINK PIN
9	1	21160.03	PTO HOOK
10	1	7196045	HOSE TIE
11	2	45999.05	SPACER SLEEVE
12	1	22072.01	QUADRANT PIN
13	2	9100108	FLAT WASHER
14	2	9501406	SPLIT PIN
15	2	9100109	FLAT WASHER
16	1	21883.01	SLEEVE - CAT.2 TO CAT.3
17	4	21388.01	PLASTIC INSERT
18	2	45999.04	SPACER

## McCONNEL STABILISER TONGUES

- 'A' – Hole diameter
- 'B' – Hole center spacing
- 'C' – Stabiliser width



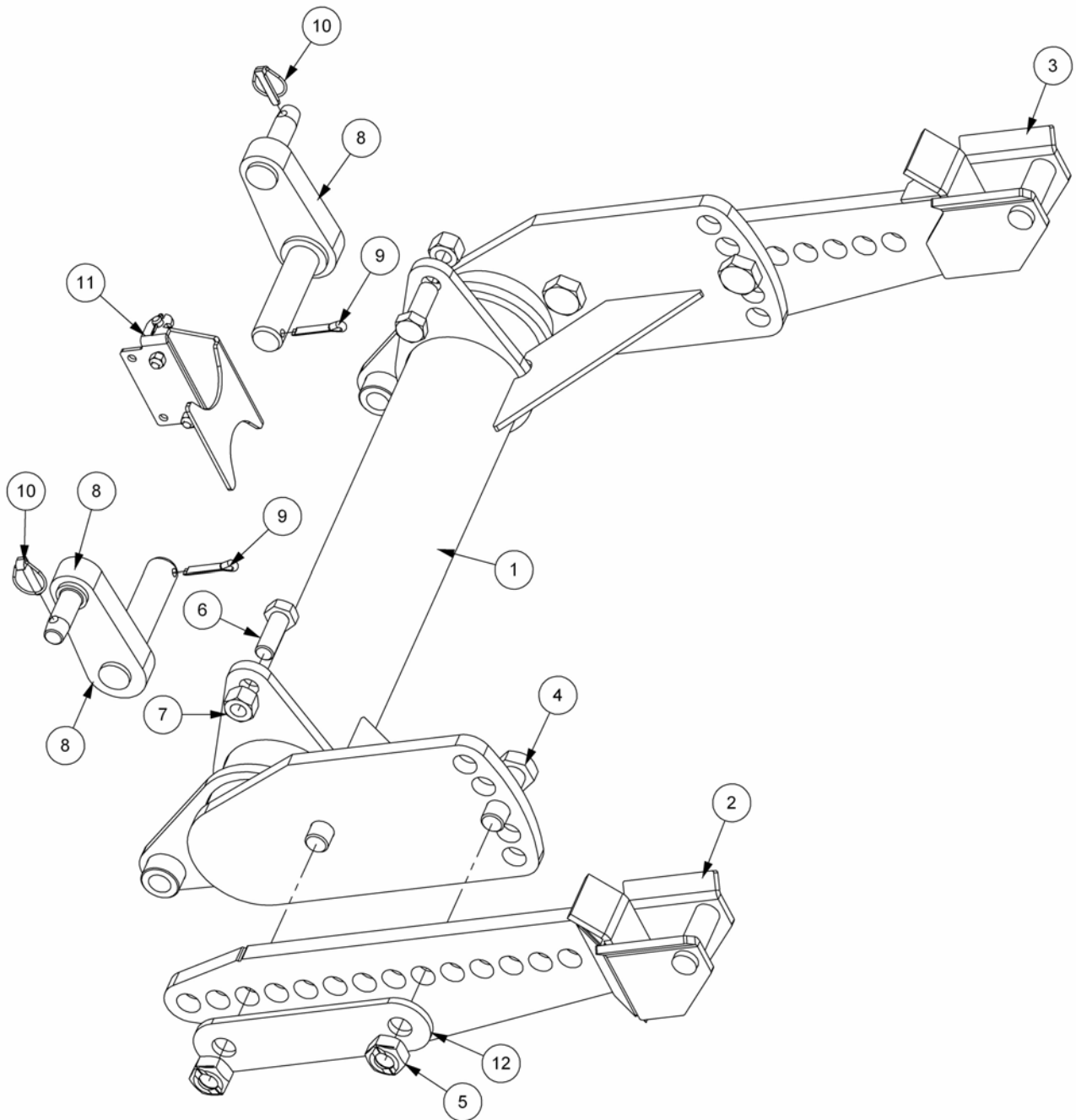
(Dimensions in mm)

Part No.	Description	'A'	'B'	'C'
7499501	Tongue: Standard – Cat. 2	27	107	45
7499500	Tongue: Special – Cat. 2 narrow	27	107	35
7499502	Tongue: Special – Cat. 2 long	27	217	45
7499503	Tongue: Special – Cat. 3 long	32	217	45
7499504	Tongue: Special – Cat. 1	19.5	107	35
7499505	Tongue: Special – Cat. 2 for Case TX tractors	25	120	50
7499506	Tongue: Special – Cat. 3	32	107	45
7499507	Tongue: Special – Cat. 3 narrow	32	107	30
7499508	Tongue: Special – for some Ford tractors	28.6	107	45
7499262	Tongue: Special – Cat. 2 extra long for Aebi	27	260	45
7499510	Tongue: Special – Cat. 2	27	107	40

# AXLE MOUNTING KIT (Without Latches)

**McCONEL**

Module(s): 7157774



**AXLE MOUNTING KIT (Without Latches)****McCONNEL**

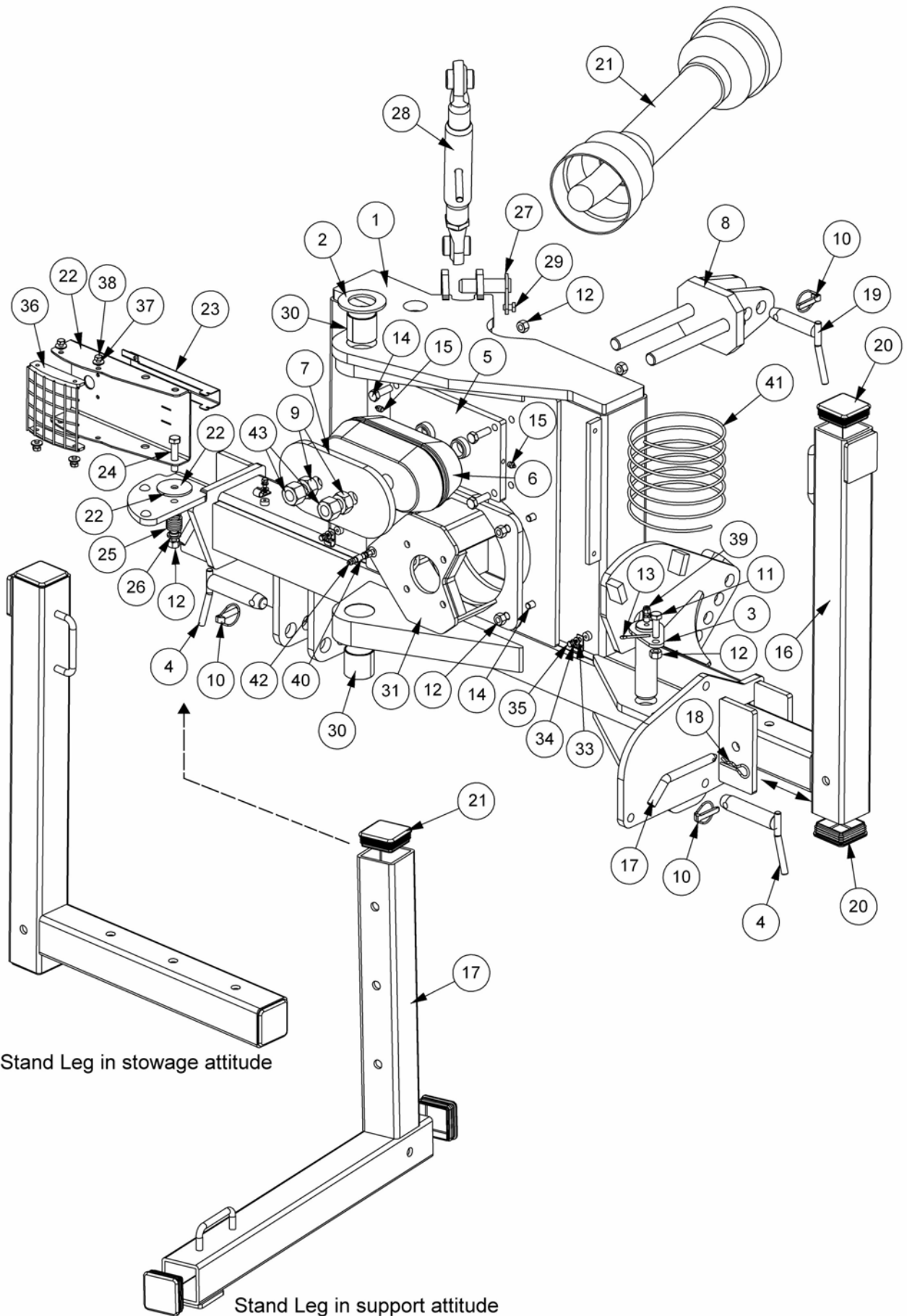
Module(s): 7157774

<b>REF.</b>	<b>QTY.</b>	<b>PART No.</b>	<b>DESCRIPTION</b>
		<b>7157774</b>	<b>AXLE BRACKET KIT</b>
1	1	21278.01	BRACKET FRAME
2	1	43318.01	HITCH ARM - TYPE 1
3	1	43318.02	HITCH ARM - TYPE 2
4	4	9200035	BOLT
5	4	9100023	BINX NUT
6	2	9213139	BOLT
7	2	9143009	SELF-LOCKING NUT
8	2	43319.01	LIFT LINK (SHORT PIN)
9	2	9501509	SPLIT PIN
10	2	0431217	LINCH PIN
11	1	21187.02	PTO SUPPORT BRACKET
12	2	21358.01	CLAMP PLATE

# MAIN FRAME ASSEMBLY

**McCONEL**

Module(s): 7157701 - L/H Build (illustrated), 7157702 - R/H Build



Stand Leg in stowage attitude

Stand Leg in support attitude

# MAIN FRAME ASSEMBLY

# McCONNEL

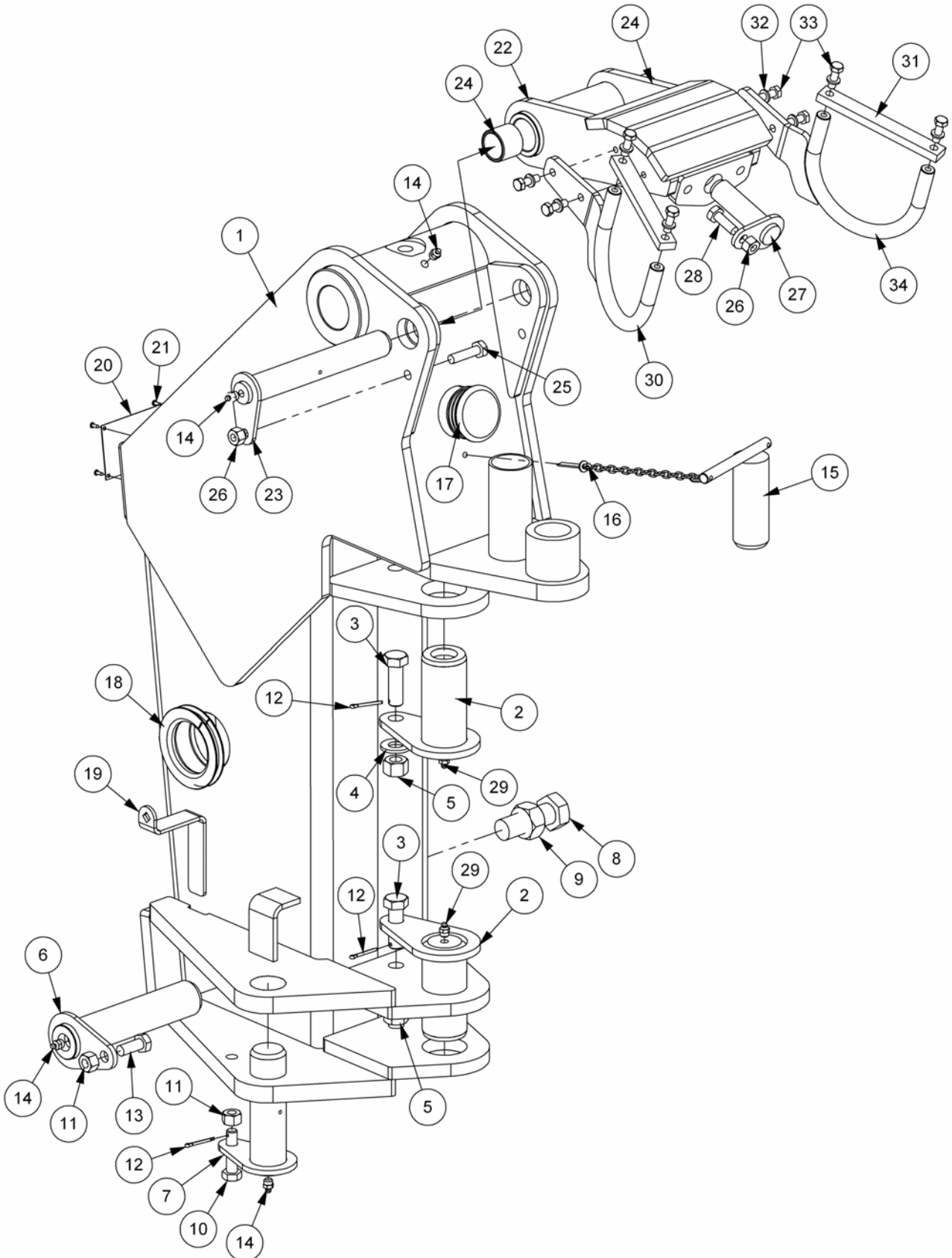
Module(s): 7157701 - L/H Build (*illustrated*), 7157702 - R/H Build

REF.	QTY.	PART No.	DESCRIPTION
		<b>7157701</b>	<b>MAIN FRAME ASSEMBLY - L/H Build</b>
		<b>7157702</b>	<b>MAIN FRAME ASSEMBLY - R/H Build</b>
1	1	22348.01	MAIN FRAME - L/H Build
	1	22348.02	MAIN FRAME - R/H Build
2	1	7560056	THRUST WASHER
3	1	43324.02	PIN
4	2	41559.01	LINKAGE PIN - CAT 2
5	1	45807.01	REACTION PLATE
6	1	7560141	RUBBER SPRING
7	1	7560130	REACTION PLATE
8	1	7560398	TOP HITCH BRACKET
9	2	9113009	NUT
10	3	0431217	LINCH PIN
11	1	45416.01	SPECIAL SETSCREW
12	10	9143006	SELF-LOCKING NUT
13	1	9501406	SPLIT PIN
14	8	9213086	BOLT
15	2	0901124	GREASE NIPPLE
16	2	21068.03	STAND LEG
17	2	43327.02	LEG PIN
18	2	0431105	SPRING COTTER
19	1	43342.01	TOP LINK PIN
20	6	41580.01	PLASTIC PLUG
21	1	7650250	DRIVE SHAFT ASSEMBLY
22	1	21283.07	LAMP BRACKET - L/H Build
	1	21283.08	LAMP BRACKET - R/H Build
23	1	21755.01	CABLE COVER
24	1	9213126	BOLT
25	1	8020178	COMPRESSION SPRING
26	1	21757.01	SPRING LOCATOR
27	1	22431.01	STRUT PIN (LOWER)
28	1	07.584.06	HEAVY DUTY TOP LINK
29	1	9313035	SETSCREW
30	2	7560050	GLACIER BUSH
31	1	22418.05	GEARBOX MOUNTING
32	3	21151.01	D CLIP
33	3	9100103	FLAT WASHER
34	3	9100203	SPRING WASHER
35	3	9313023	SETSCREW
36	1	21469.02	LAMP GUARD
37	4	9100104	FLAT WASHER
38	4	9313024	SETSCREW
39	1	22566.01	STRAIGHT GREASE FITTING
40	1	22565.01	BULKHEAD GREASE FITTING
41	1	22568.15	NYLON TUBE (BLACK) - 750mm
42	1	0901121	GREASE NIPPLE
43	2	9143009	SELF-LOCKING NUT

# PILLAR ASSEMBLY

Module(s): 7157705 - L/H Build (illustrated), 7157706 - R/H Build

# McCONEL





**PILLAR ASSEMBLY****McCONNEL**Module(s): 7157705 - L/H Build (*illustrated*), 7157706 - R/H Build

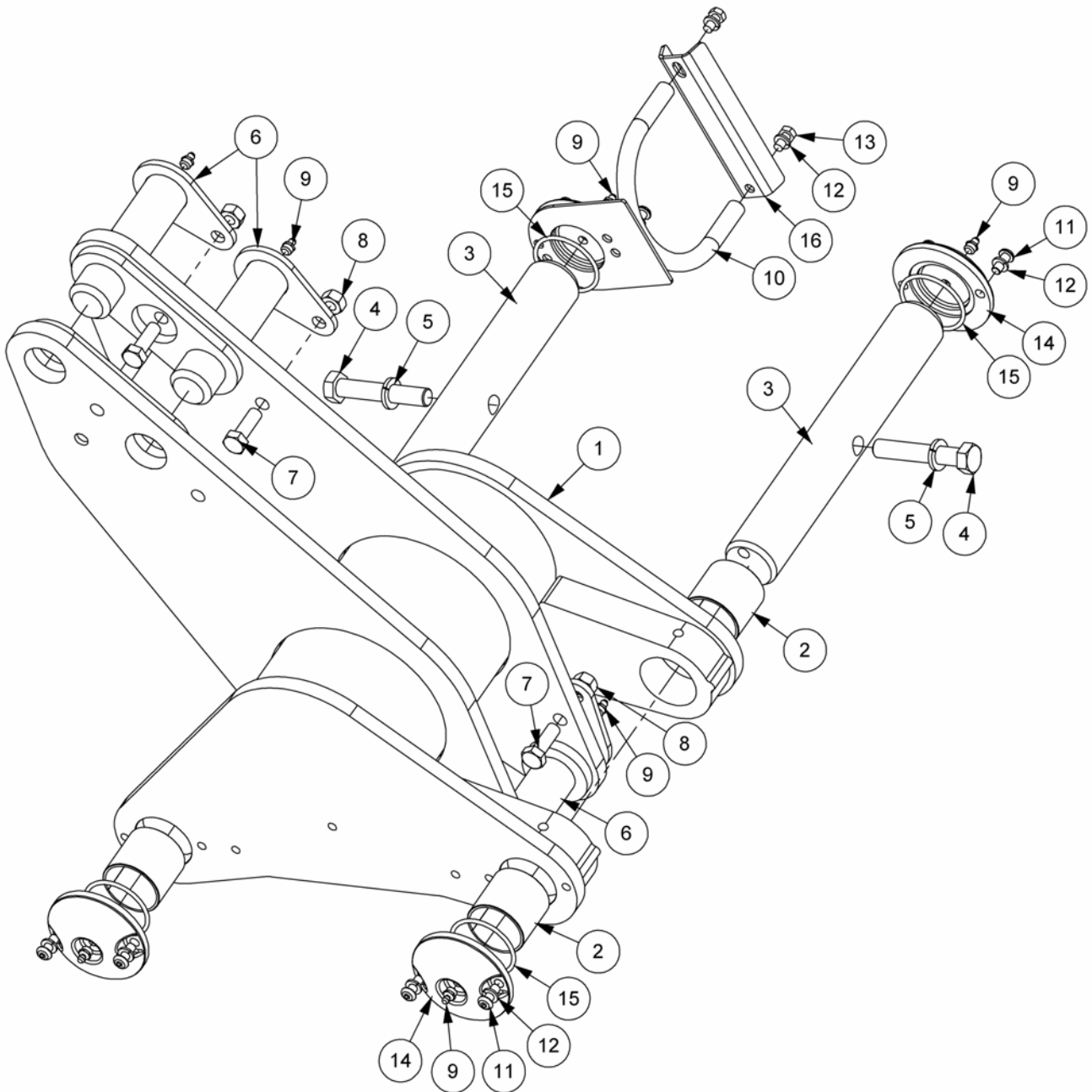
<b>REF.</b>	<b>QTY.</b>	<b>PART No.</b>	<b>DESCRIPTION</b>
		<b>7157705</b>	<b>PILLAR ASSEMBLY - L/H Build</b>
		<b>7157706</b>	<b>PILLAR ASSEMBLY - R/H Build</b>
1	1	43279.05	PILLAR - L/H Build
	1	43279.06	PILLAR - R/H Build
2	2	43322.01	SLEW PIN
3	2	42269.03	SPECIAL BOLT
4	2	0100106	WASHER
5	2	9143007	SELF-LOCKING NUT
6	1	43324.01	PIN (LIFT BASE)
7	1	43324.02	PIN
8	1	9313359	SETSCREW
9	1	9113009	NUT
10	1	42269.04	SPECIAL BOLT
11	2	9143006	SELF-LOCKING NUT
12	3	9501255	SPLIT PIN
13	1	9313066	SETSCREW
14	4	0901121	GREASE NIPPLE
15	1	43323.01	SLEW LOCK PIN
16	1	03.255.05	CHAIN & RING ASSEMBLY
17	1	43358.01	PLASTIC PLUG
18	1	22277.31	EDGING STRIP
19	1	21193.01	TAP HANDLE
20	1	1335246	SERIAL No. PLATE
21	4	7103230	POP RIVET
22	1	22424.01	STOP ROCKER
23	1	42684.13	PIN
24	2	08.297.04	BUSH
25	1	9313085	SETSCREW
26	2	9143005	SELF-LOCKING NUT
27	1	22431.01	STRUT PIN (LOWER)
28	1	9313065	SETSCREW
29	2	0901124	GREASE NIPPLE
30	1	43048.12	HOSE LOOP L/H
31	2	43048.04	RETAINING BAR
32	8	9100204	SPRING WASHER
33	8	9313054	SETSCREW
34	1	43048.13	HOSE LOOP R/H



# ROCKER ASSEMBLY (Standard Models)

**McCONEL**

Module(s): 7157707



## ROCKER ASSEMBLY (Standard Models)

**McCONNEL**

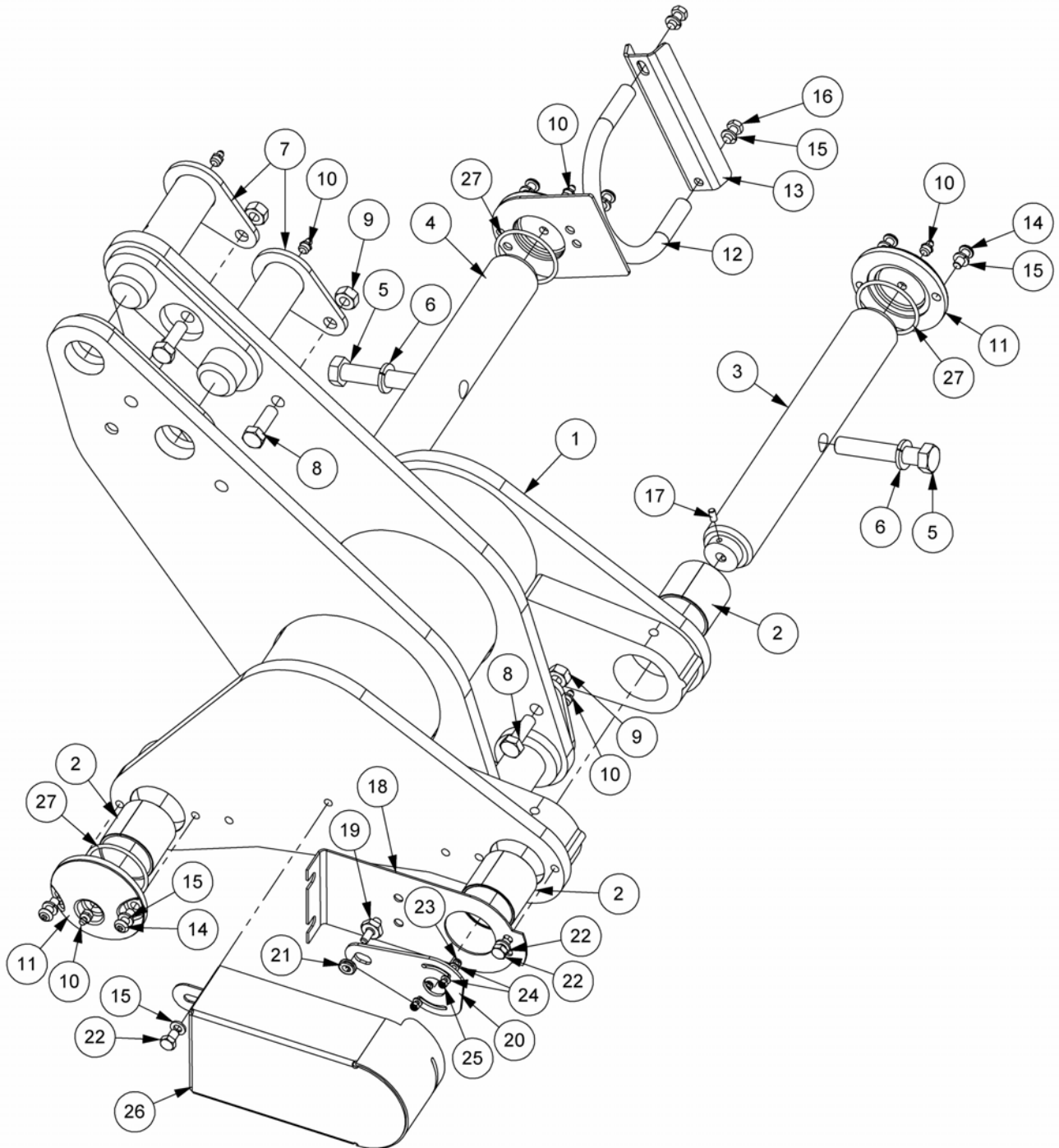
Module(s): 7157707

REF.	QTY.	PART No.	DESCRIPTION
		<b>7157707</b>	<b>STANDARD ROCKER ASSEMBLY</b>
1	1	43280.02	ROCKER
2	4	7560050	GLACIER BUSH
3	2	43013.02	PIVOT PIN
4	2	9213187	BOLT
5	2	9100207	SPRING WASHER
6	3	43324.03	PIN
7	3	9313076	SETSCREW
8	3	9143006	SELF-LOCKING NUT
9	7	0901121	GREASE NIPPLE
10	1	43048.11	HOSE LOOP BRACKET
11	8	9300161	SOCKET BUTTON SCREW
12	10	9100204	SPRING WASHER
13	2	9313034	SETSCREW
14	4	45266.02	PIN CAP
15	4	8600306	O RING
16	1	43048.10	HOSE RETAINER

# ROCKER ASSEMBLY (EDS Models)

Module(s): 7157708

**McCONEL**



## ROCKER ASSEMBLY (EDS Models)

**McCONNEL**

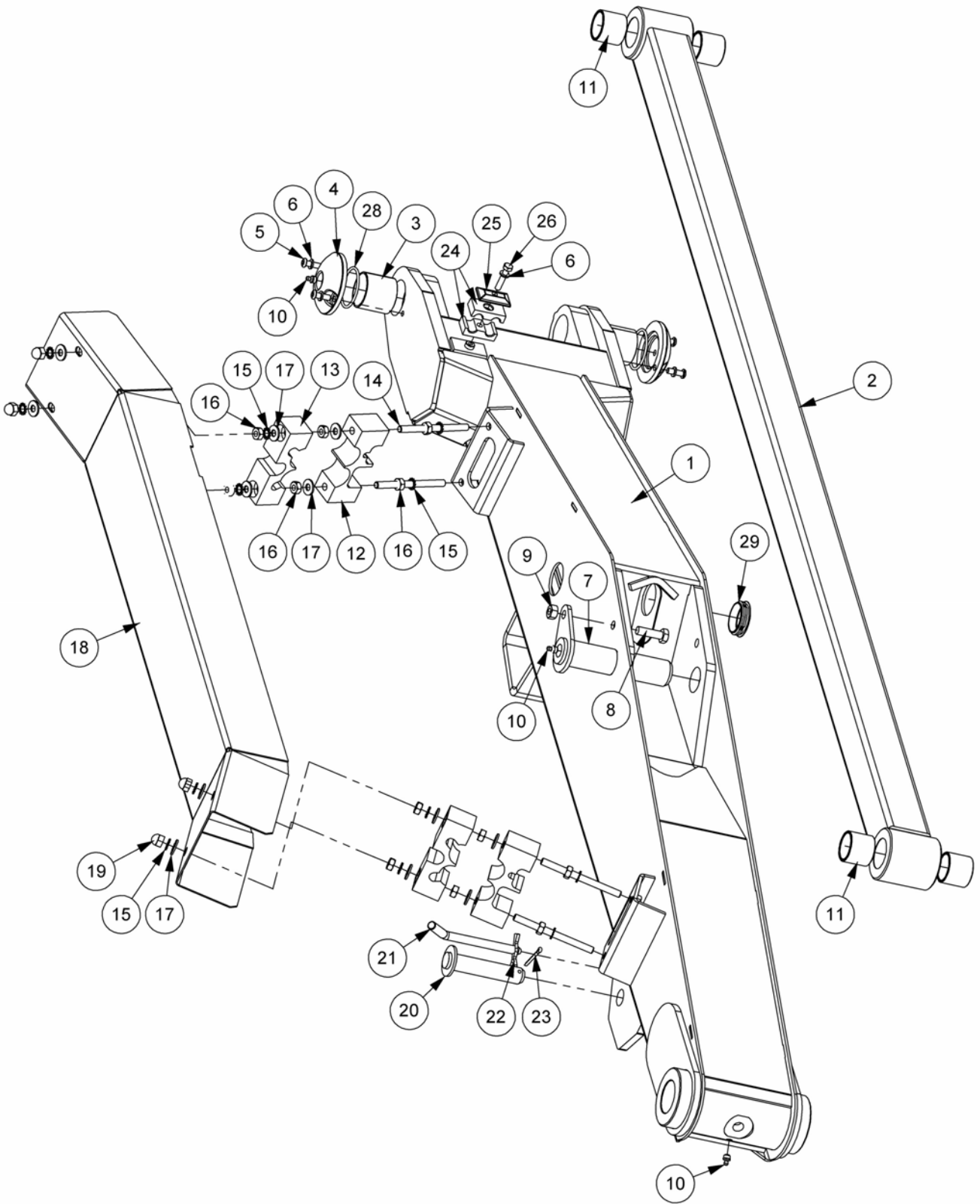
Module(s): 7157708

REF.	QTY.	PART No.	DESCRIPTION
		<b>7157708</b>	<b>EDS ROCKER ASSEMBLY</b>
1	1	43280.02	ROCKER
2	4	7560050	GLACIER BUSH
3	1	43013.08	PIVOT PIN (EDS V2)
4	1	43013.02	PIVOT PIN
5	2	9213187	BOLT
6	2	9100207	SPRING WASHER
7	3	43324.03	PIN (LIFT ROD)
8	3	9313076	SETSCREW
9	3	9143006	SELF-LOCKING NUT
10	6	0901121	GREASE NIPPLE
11	3	45266.02	PIN CAP
12	1	43048.11	HOSE LOOP BRACKET
13	1	43048.10	HOSE RETAINER
14	6	9300161	SOCKET BUTTON SCREW
15	10	9100204	SPRING WASHER
16	2	9313034	SETSCREW
17	1	9363023	GRUB SCREW
18	1	45425.02	LOCATION PLATE
19	1	43014.02	LOCATING STUD
20	1	45425.06	SENSOR BRACKET
21	1	43356.01	GROMMET
22	2	9313024	SETSCREW
23	2	9300162	POSI PANHEAD SCREW
24	4	9100101	FLAT WASHER
25	2	05.948.33	SELF-LOCKING NUT
26	1	45425.03	COVER
27	3	8600306	O RING

# MAIN ARM ASSEMBLY

Module(s): 7157709 - L/H Build (illustrated), 7157710 - R/H Build

# McCONEL



# MAIN ARM ASSEMBLY

# McCONNEL

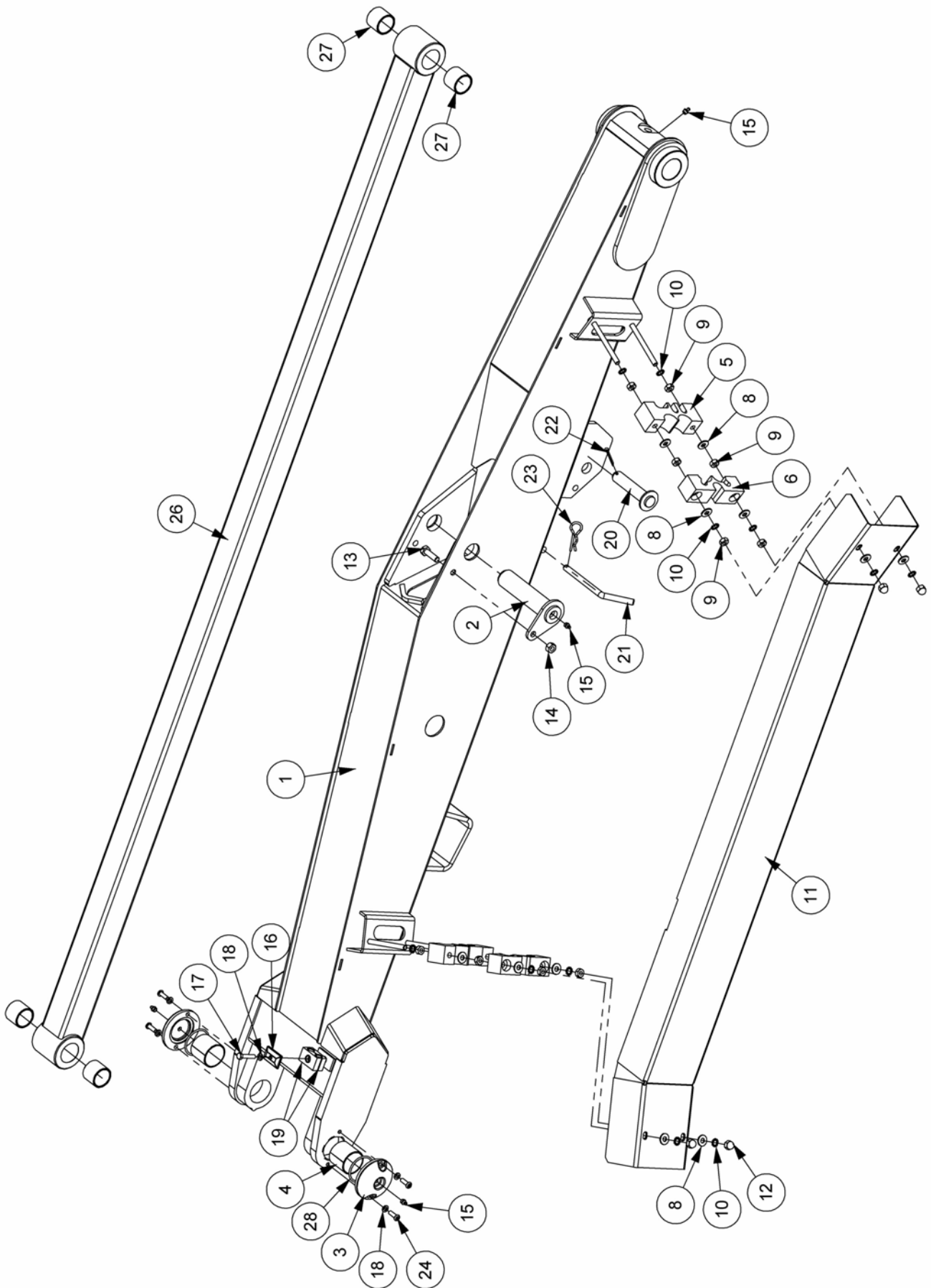
Module(s): 7157709 - L/H Build (*illustrated*), 7157710 - R/H Build

REF.	QTY.	PART No.	DESCRIPTION
		<b>7157709</b>	<b>STANDARD MAIN ARM - L/H Build</b>
		<b>7157710</b>	<b>STANDARD MAIN ARM - R/H Build</b>
1	1	21407.05	MAIN ARM - L/H Build
	1	21407.06	MAIN ARM - R/H Build
2	1	21027.03	TENSION LINK
3	2	7560050	GLACIER BUSH
4	2	45266.02	PIN CAP
5	4	9300158	BUTTON HEAD CAP SCREW
6	5	9100204	SPRING WASHER
7	1	43324.05	PIN
8	1	9313086	SETSCREW
9	1	9143006	SELF-LOCKING NUT
10	3	0901121	GREASE NIPPLE
11	4	08.297.02	BUSH
12	2	42024.15	MULTI CLAMP
13	2	42024.28	MULTI CLAMP UPPER
14	4	42198.01	STUD
15	12	9100405	SHAKEPROOF WASHER
16	12	9113005	PLAIN NUT
17	12	9100105	FLAT WASHER
18	1	41665.15	HOSE COVER
19	4	9100025	DOME NUT
20	1	43023.01	PIN (TRANSPORT PROP)
21	1	43020.01	CRADLE STOWAGE PIN
22	1	0431105	SPRING COTTER
23	1	9501406	SPLIT PIN
24	2	7193065	HOSE CLAMP (HALF)
25	1	7193066	CLAMP PLATE
26	1	9213084	BOLT
27	1	42964.02	PLASTIC PLUG
28	2	8600306	O RING
29	1	21388.05	PLASTIC INSERT

# MAIN ARM ASSEMBLY (VFR Models)

Module(s): 7777500 - L/H Build (illustrated), 7777501 - R/H Build

**McCONNEL**



**MAIN ARM ASSEMBLY (VFR Models)**

**McCONNEL**

Module(s): 7777500 - L/H Build (*illustrated*), 7777501 - R/H Build

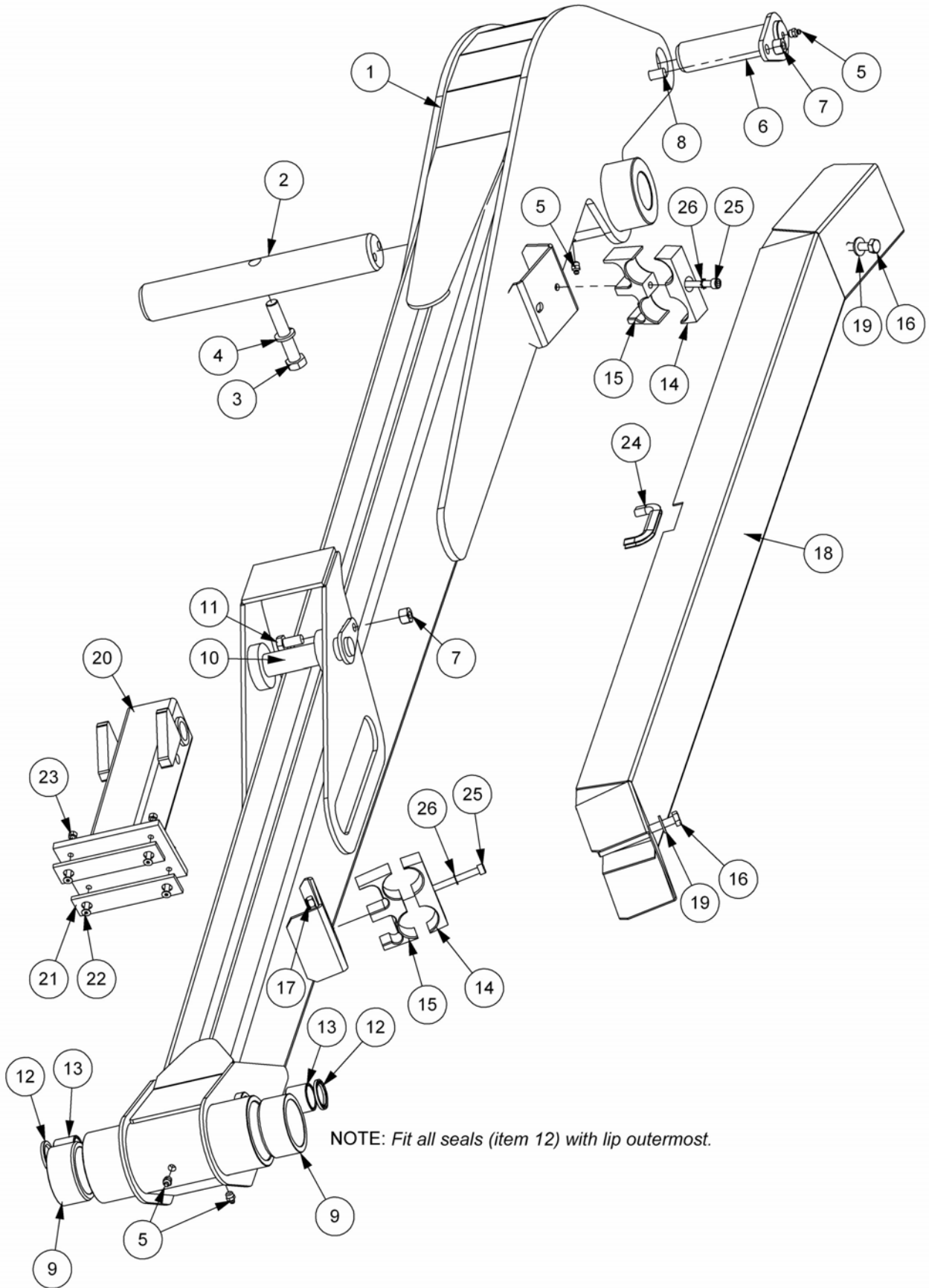
REF.	QTY.	PART No.	DESCRIPTION
		<b>7777500</b>	<b>MAIN ARM ASSEMBLY - L/H Build</b>
		<b>7777501</b>	<b>MAIN ARM ASSEMBLY - R/H Build</b>
1	1	21407.01	MAIN ARM - L/H Build
	1	21407.02	MAIN ARM - R/H Build
2	1	43324.05	PIN - REACH BASE
3	2	45266.02	PIN CAP
4	2	7560050	GLACIER BUSH
5	2	42024.27	HOSE CLAMP
6	2	42024.28	MULTI CLAMP - UPPER
7	4	42198.01	STUD
8	12	9100105	FLAT WASHER
9	12	9113005	PLAIN NUT
10	12	9100405	EXTERNAL SHAKEPROOF WASHER
11	1	41665.29	HOSE COVER
12	4	9100025	DOME NUT
13	1	9213086	BOLT
14	1	9143006	SELF-LOCKING NUT
15	4	0901121	GREASE NIPPLE
16	1	7193066	CLAMP PLATE
17	1	9213084	BOLT
18	5	9100204	SPRING WASHER
19	1	42024.26	TWIN HOSE CLAMP
20	1	43023.01	PIN - TRANSPORT PROP
21	1	43074.01	LOCK PIN - TRANSPORT PROP
22	1	9501406	SPLIT PIN
23	1	0431105	SPRING COTTER
24	4	9300158	BUTTON HEAD CAP SCREW
25	1	42964.02	PLASTIC PLUG
26	1	21027.02	TENSION LINK
27	4	08.297.02	BUSH
28	2	8600306	O RING
29	1	21388.05	PLASIC INSERT
30	1	03.231.01	RUBBER EDGING (160mm) - <i>Not illustrated</i>



# DIPPER ARM ASSEMBLY (Standard Models)

Module(s): 7157713 - L/H Build (*illustrated*), 7157714 - R/H Build

# McCONEL



DIPPER ARM ASSEMBLY (Standard Models)

**McCONNEL**

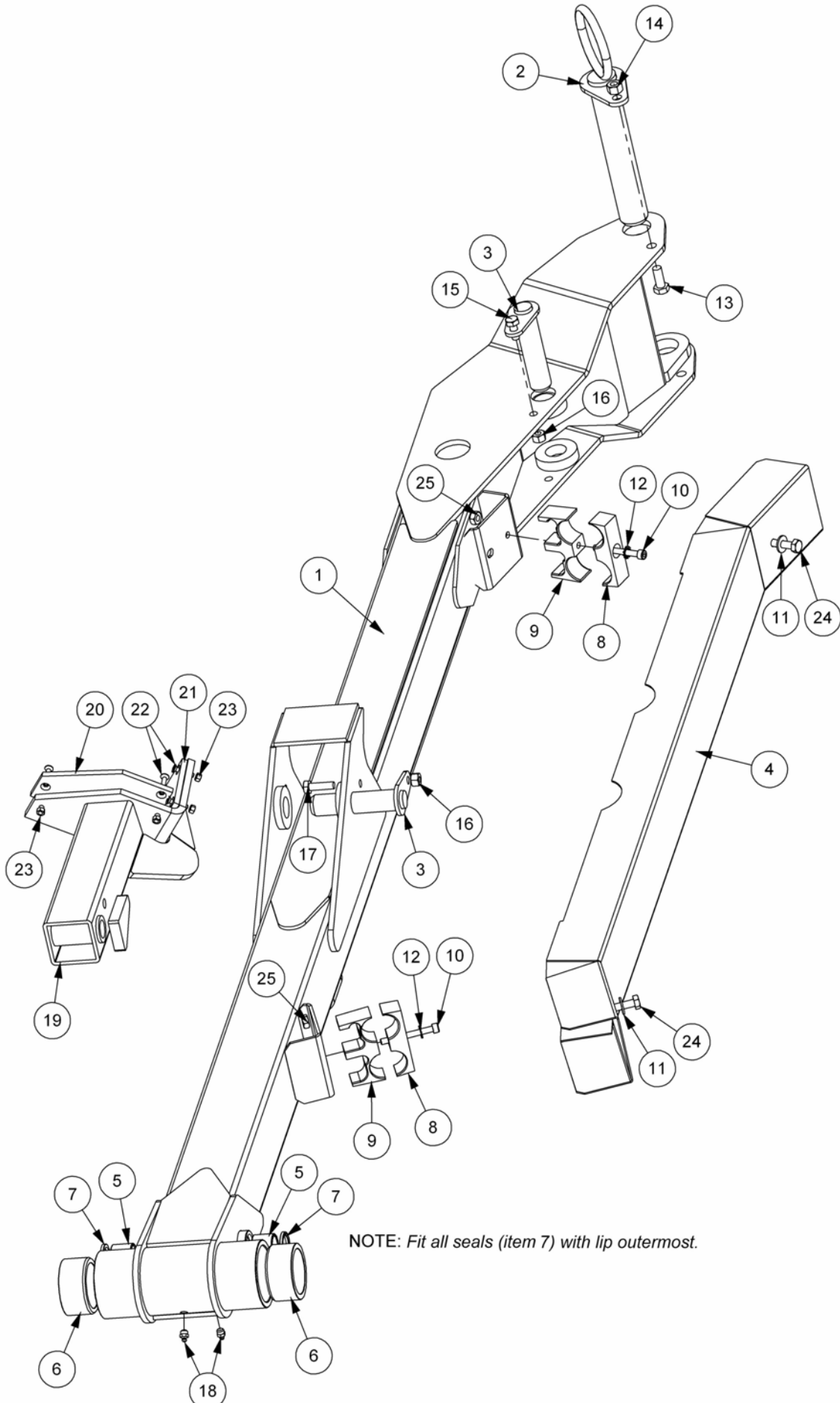
Module(s): 7157713 - L/H Build (*illustrated*), 7157714 - R/H Build

REF.	QTY.	PART No.	DESCRIPTION
		<b>7157713</b>	<b>DIPPER ARM ASSEMBLY - L/H Build</b>
		<b>7157714</b>	<b>DIPPER ARM ASSEMBLY - R/H Build</b>
1	1	21406.03	DIPPER ARM - L/H Build
	1	21406.04	DIPPER ARM - R/H Build
2	1	43013.02	PIVOT PIN
3	1	9213187	BOLT
4	1	9100207	SPRING WASHER
5	4	0901121	GREASE NIPPLE
6	1	43324.02	PIN
7	2	9143006	SELF-LOCKING NUT
8	1	9313066	SETSCREW
9	2	7136035	PLASTIC BUSH
10	1	42684.07	PIN
11	1	9313056	SETSCREW
12	2	8629218	LIP SEAL
13	2	08.297.04	BUSH
14	2	06.430.28	HOSE CLAMP (UPPER)
15	2	06.430.27	HOSE CLAMP (LOWER)
16	2	9213205	BOLT
17	2	9163005	NYLOC NUT
18	1	22597.01	HOSE COVER
19	2	9100105	FLAT WASHER
20	1	43021.16	TRANSPORT PROP
21	2	43091.03	PAD
22	4	9353053	CAPSCREW
23	4	9143003	SELF-LOCKING NUT
24	1	41741.01	EDGING STRIP
25	2	9243154	CAPSCREW
26	2	9100404	SHAKEPROOF WASHER

# 1.0M MIDCUT DIPPER ARM ASSEMBLY

Module(s): 7157715 - L/H Build (illustrated), 7157716 - L/H Build

# McCONEL



NOTE: Fit all seals (item 7) with lip outermost.

**1.0M MIDCUT DIPPER ARM ASSEMBLY****McCONNEL**

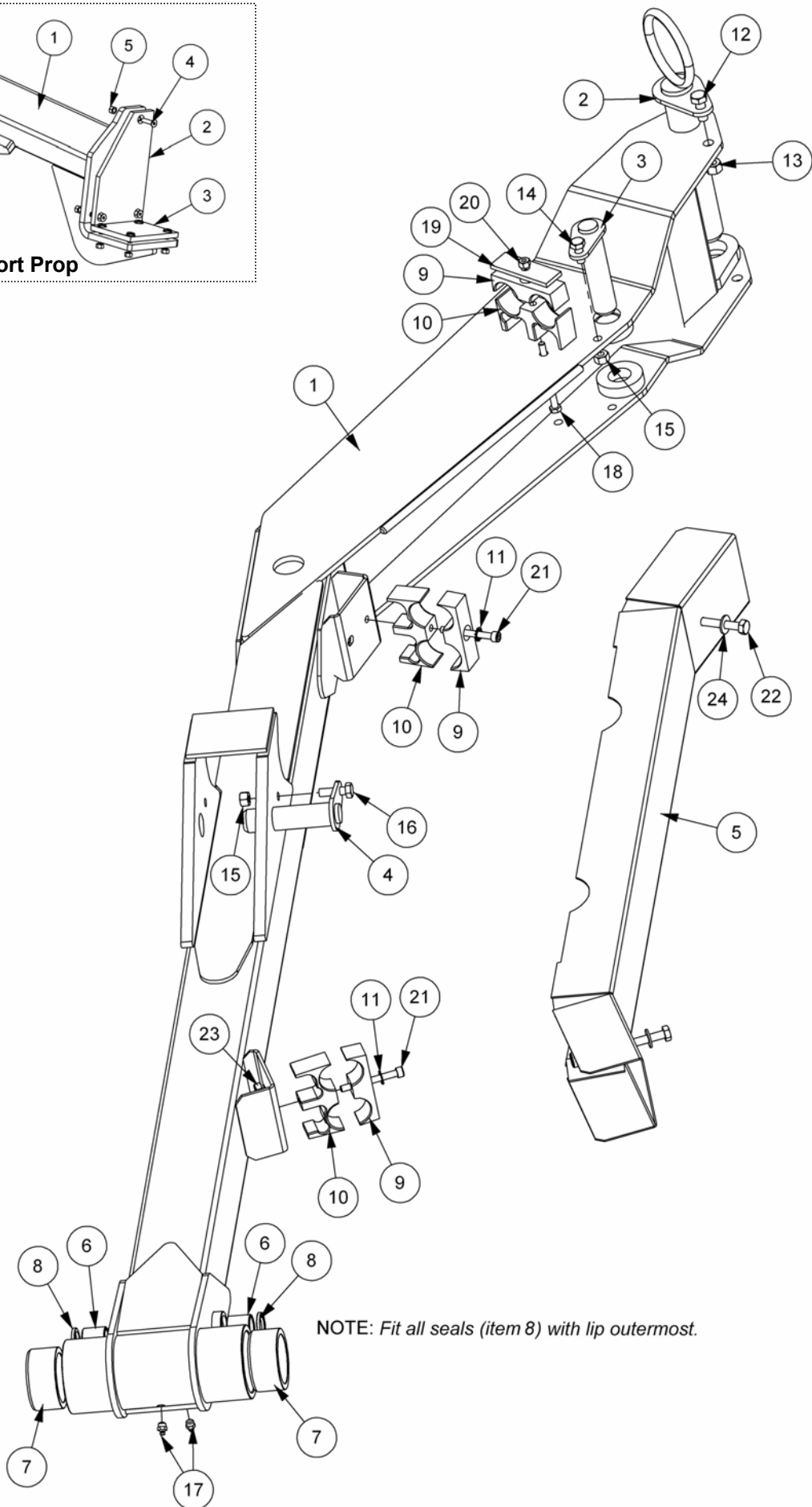
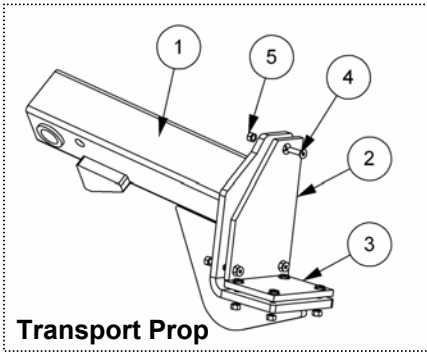
Module(s): 7157715 - L/H Build (illustrated), 7157716 - L/H Build

<b>REF.</b>	<b>QTY.</b>	<b>PART No.</b>	<b>DESCRIPTION</b>
		<b>7157715</b>	<b>1.0M MIDCUT DIPPER ARM ASSEMBLY - L/H Build</b>
		<b>7157716</b>	<b>1.0M MIDCUT DIPPER ARM ASSEMBLY - R/H Build</b>
1	1	46048.13	MIDCUT DIPPER ARM - L/H Build
	1	46048.14	MIDCUT DIPPER ARM - R/H Build
2	1	45609.01	PIN
3	2	42684.03	PIN
4	1	22597.02	HOSE COVER
5	2	08.297.04	BUSH
6	2	7136035	PLASTIC BUSH
7	2	8629218	LIP SEAL
8	2	06.430.28	HOSE CLAMP (UPPER)
9	2	06.430.27	HOSE CLAMP (LOWER)
10	2	9243154	CAPSCREW
11	2	9100105	FLAT WASHER
12	2	9100405	SHAKEPROOF WASHER
13	1	9313066	SETSCREW
14	1	9143006	SELF-LOCKING NUT
15	1	9313055	SETSCREW
16	2	9143005	SELF-LOCKING NUT
17	1	9313075	SETSCREW
18	2	901121	GREASE NIPPLE
19	1	43021.17	TRANSPORT PROP - L/H Build
	1	43021.18	TRANSPORT PROP - R/H Build
20	1	43091.01	MAIN PAD
21	1	43091.02	SIDE PAD
22	7	9353063	CAPSCREW
23	7	9143003	SELF-LOCKING NUT
24	2	9213205	BOLT
25	2	9113005	PLAIN NUT

# 1.5M MIDCUT DIPPER ARM ASSEMBLY

**McCONEL**

Module(s): 7157717 - L/H Build (illustrated), 7157718 - R/H Build



NOTE: Fit all seals (item 8) with lip outermost.

# 1.5M MIDCUT DIPPER ARM ASSEMBLY

**McCONNEL**

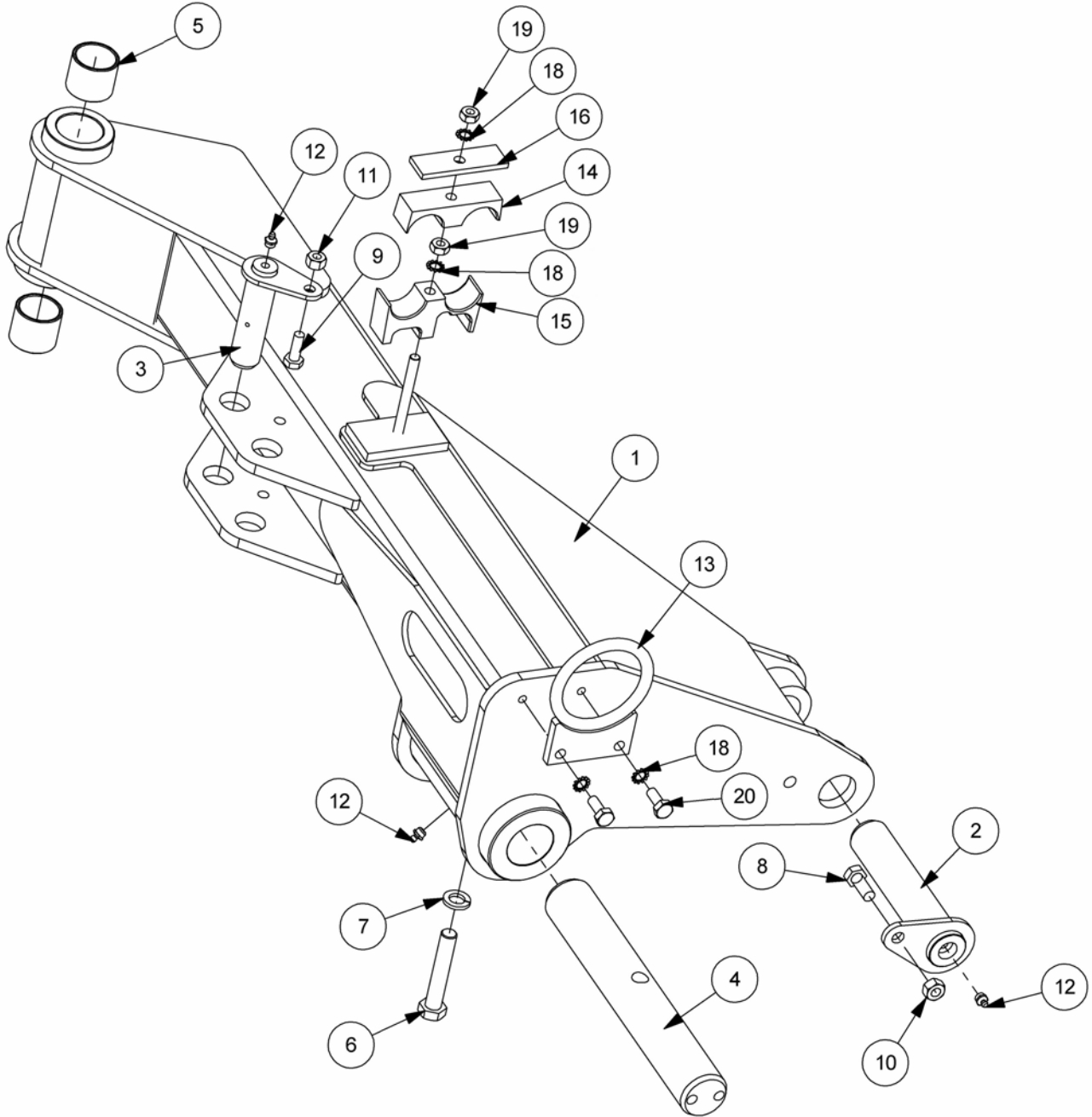
Module(s): 7157717 - L/H Build (*illustrated*), 7157718 - R/H Build

REF.	QTY.	PART No.	DESCRIPTION
		<b>7157717</b>	<b>1.5M MIDCUT DIPPER ARM ASSEMBLY - L/H Build</b>
		<b>7157718</b>	<b>1.5M MIDCUT DIPPER ARM ASSEMBLY - R/H Build</b>
1	1	45602.03	MIDCUT DIPPER ARM - L/H Build
	1	45602.04	MIDCUT DIPPER ARM - R/H Build
2	1	45609.01	PIN
3	1	42684.03	PIN
4	1	42684.05	PIN
5	1	22597.03	HOSE COVER
6	2	08.297.04	BUSH
7	2	7136035	PLASTIC BUSH
8	2	8629218	LIP SEAL
9	3	06.430.28	HOSE CLAMP (UPPER)
10	3	06.430.27	HOSE CLAMP (LOWER)
11	2	9100405	SHAKEPROOF WASHER
12	1	9313066	SETSCREW
13	1	9143006	SELF-LOCKING NUT
14	1	9313055	SETSCREW
15	2	9143005	SELF-LOCKING NUT
16	1	9313075	SETSCREW
17	2	0901121	GREASE NIPPLE
18	1	9213204	BOLT
19	1	06.418.05	CLAMP PLATE
20	1	9143004	SELF-LOCKING NUT
21	2	9243154	CAPSCREW
22	2	9213205	BOLT
23	2	9113005	PLAIN NUT
24	2	9100105	FLAT WASHER
		<b>7764509</b>	<b>TRANSPORT PROP - L/H Build</b>
		<b>7764510</b>	<b>TRANSPORT PROP - R/H Build</b>
1	1	43021.11	CRADLE - L/H Build
	1	43021.12	CRADLE - R/H Build
2	1	43091.01	MAIN PAD
3	1	43091.02	SIDE PAD
4	7	9353053	CAPSCREW
5	7	9143003	SELF-LOCKING NUT

# 1.0M MIDCUT FORWARD EXTENSION

Module(s): 7756514 - L/H Build (*illustrated*), 7756515 - R/H Build

**McCONNEL**



# 1.0M MIDCUT FORWARD EXTENSION

**McCONNEL**Module(s): 7756514 - L/H Build (*illustrated*), 7756515 - R/H Build

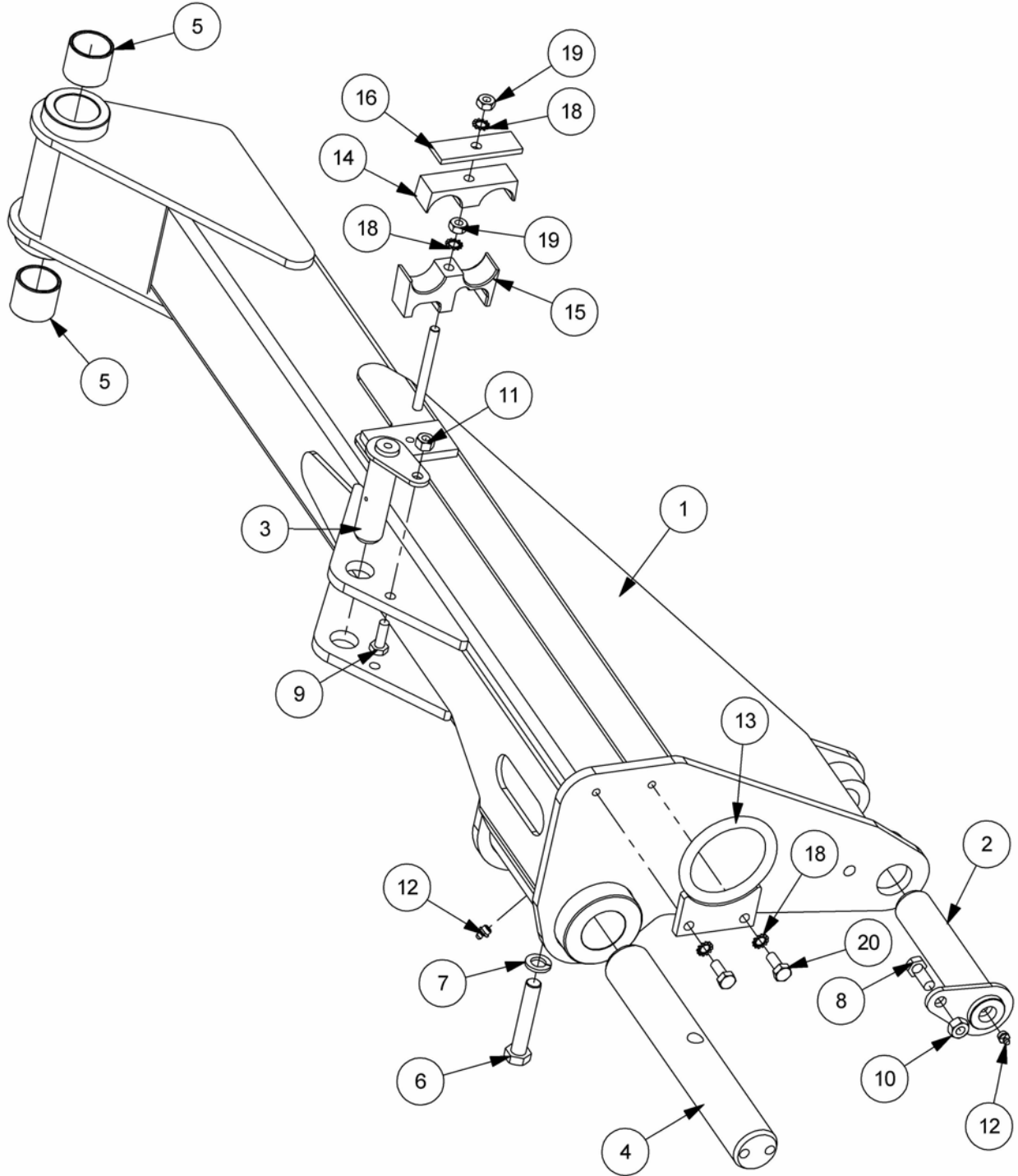
REF.	QTY.	PART No.	DESCRIPTION
		<b>7756514</b>	<b>1.0M MIDCUT FORWARD EXTENSION - L/H Build</b>
		<b>7756515</b>	<b>1.0M MIDCUT FORWARD EXTENSION - R/H Build</b>
1	1	45502.04	1.0M FORWARD EXTENSION - L/H Build
	1	45502.06	1.0M FORWARD EXTENSION - R/H Build
2	1	43324.01	PIN - LIFT BASE
3	1	42684.02	PIN - RAM BASE
4	1	43013.02	PIVOT PIN
5	2	08.297.02	BUSH
6	1	9213187	BOLT
7	1	9100207	SPRING WASHER
8	1	9313066	SETSCREW
9	1	9313065	SETSCREW
10	1	9143006	SELF-LOCKING NUT
11	1	9143005	SELF-LOCKING NUT
12	4	0901121	GREASE NIPPLE
13	1	45974.01	HOSE LOOP
14	1	06.430.17	HOSE CLAMP (UPPER)
15	1	06.430.18	HOSE CLAMP (LOWER)
16	1	06.418.05	CLAMP PLATE
17	1	04.282.69	STUD
18	4	9100405	SHAKEPROOF WASHER
19	2	9113005	NUT
20	2	9313055	SETSCREW



# 1.5M MIDCUT FORWARD EXTENSION

**McCONNEL**

Module(s): 7455804 - L/H Build (*illustrated*), 7455805 - R/H Build



# 1.5M MIDCUT FORWARD EXTENSION

**McCONNEL**

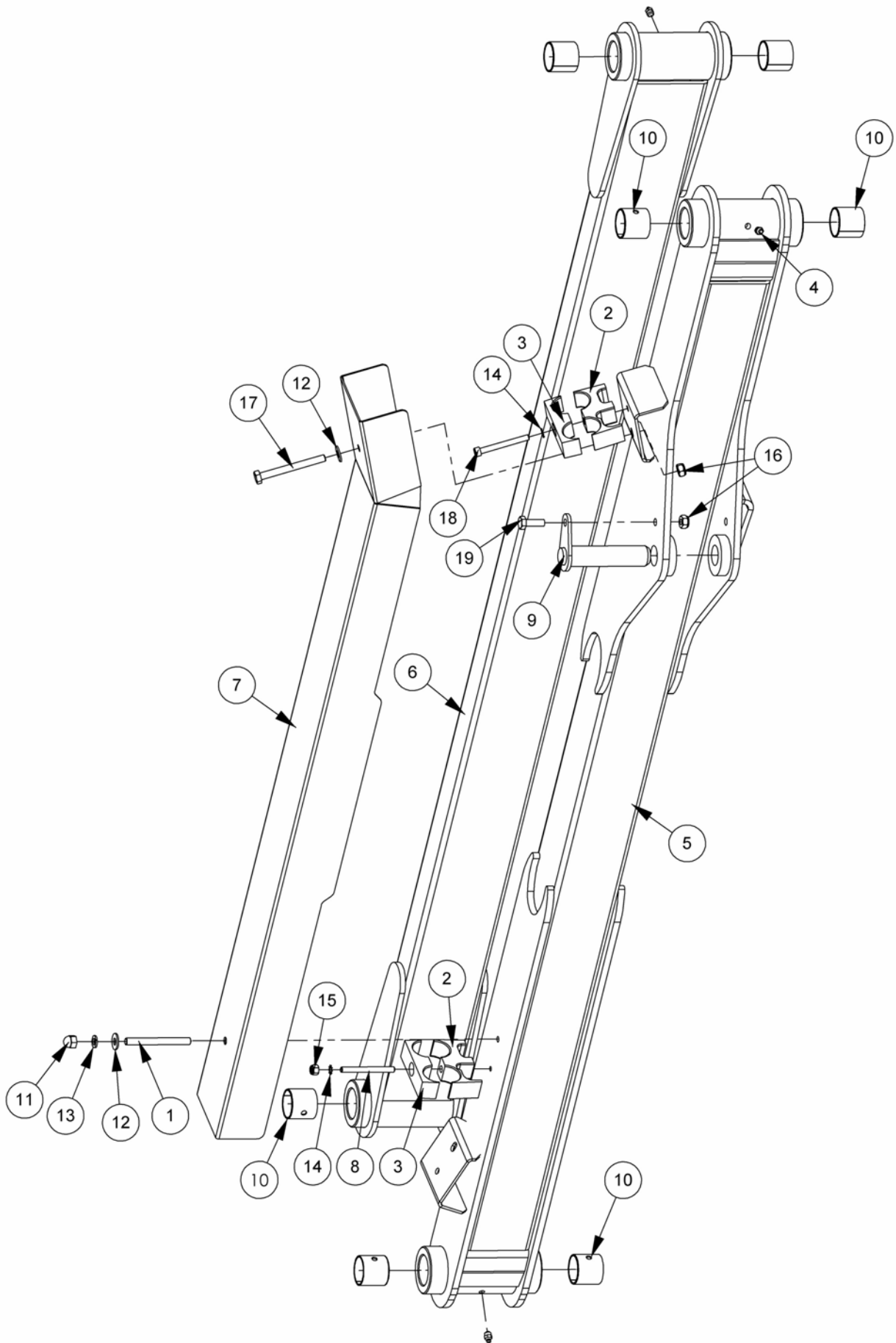
Module(s): 7455804 - L/H Build (*illustrated*), 7455805 - R/H Build

REF.	QTY.	PART No.	DESCRIPTION
		<b>7455804</b>	<b>MIDCUT FORWARD EXTENSION - L/H Build</b>
		<b>7455805</b>	<b>MIDCUT FORWARD EXTENSION - R/H Build</b>
1	1	45502.01	FORWARD EXTENSION - L/H Build
	1	45502.02	FORWARD EXTENSION - R/H Build
2	1	43324.01	PIN - LIFT BASE
3	1	42684.02	PIN - RAM BASE
4	1	43013.02	PIVOT PIN
5	2	08.297.02	BUSH
6	1	9213187	BOLT
7	1	9100207	SPRING WASHER
8	1	9313066	SETSCREW
9	1	9313065	SETSCREW
10	1	9143006	SELF-LOCKING NUT
11	1	9143005	SELF-LOCKING NUT
12	3	0901121	GREASE NIPPLE
13	1	45974.01	HOSE LOOP
14	1	06.430.17	HOSE CLAMP - UPPER
15	1	06.430.18	HOSE CLAMP - LOWER
16	1	06.418.05	CLAMP PLATE - PIPE CLAMP
17	1	04.282.69	STUD
18	4	9100405	SHAKEPROOF WASHER
19	2	9113005	NUT
20	2	9313055	SETSCREW

# VFR CENTRE DIPPER ARM ASSEMBLY

Module(s): 7756824 - L/H Build (illustrated), 7756825 - R/H Build

**McCONEL**



# VFR CENTRE DIPPER ARM ASSEMBLY

# McCONNEL

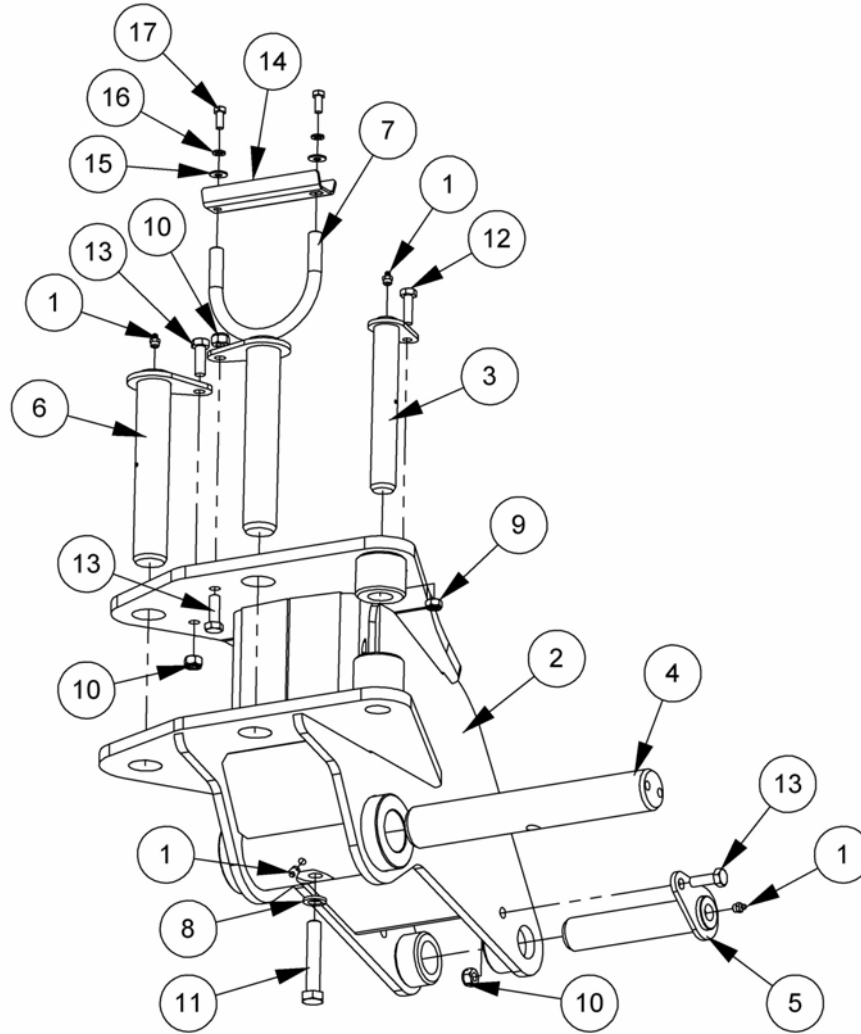
Module(s): 7756824 - L/H Build (*illustrated*), 7756825 - R/H Build

REF.	QTY.	PART No.	DESCRIPTION
		<b>7756824</b>	<b>VFR CENTRE DIPPER MODULE - L/H Build</b>
		<b>7756825</b>	<b>VFR CENTRE DIPPER MODULE - R/H Build</b>
1	1	04.282.10	STUD
2	2	06.430.18	HOSE CLAMP - LOWER
3	2	06.430.28	HOSE CLAMP - UPPER
4	4	0901121	GREASE NIPPLE
5	1	22465.07	CENTRE DIPPER SECTION - L/H Build
	1	22465.08	CENTRE DIPPER SECTION - R/H Build
6	1	22466.04	DIPPER PARALLEL LINK
7	1	22468.04	HOSE COVER
8	1	22654.01	STUD
9	1	42684.07	PIN
10	8	7115208	BUSH
11	1	9100025	DOME NUT
12	2	9100105	FLAT WASHER
13	1	9100205	SPRING WASHER
14	2	9100404	SHAKEPROOF WASHER
15	1	9163004	NYLOC NUT
16	2	9163005	NYLOC NUT
17	1	9213205	BOLT
18	1	9243154	CAPSCREW
19	1	9313065	SETSCREW

# VFR UPPER DIPPER MODULE

**McCONEL**

Module(s): 7157771 - L/H Build (*illustrated*), 7157775 - R/H Build

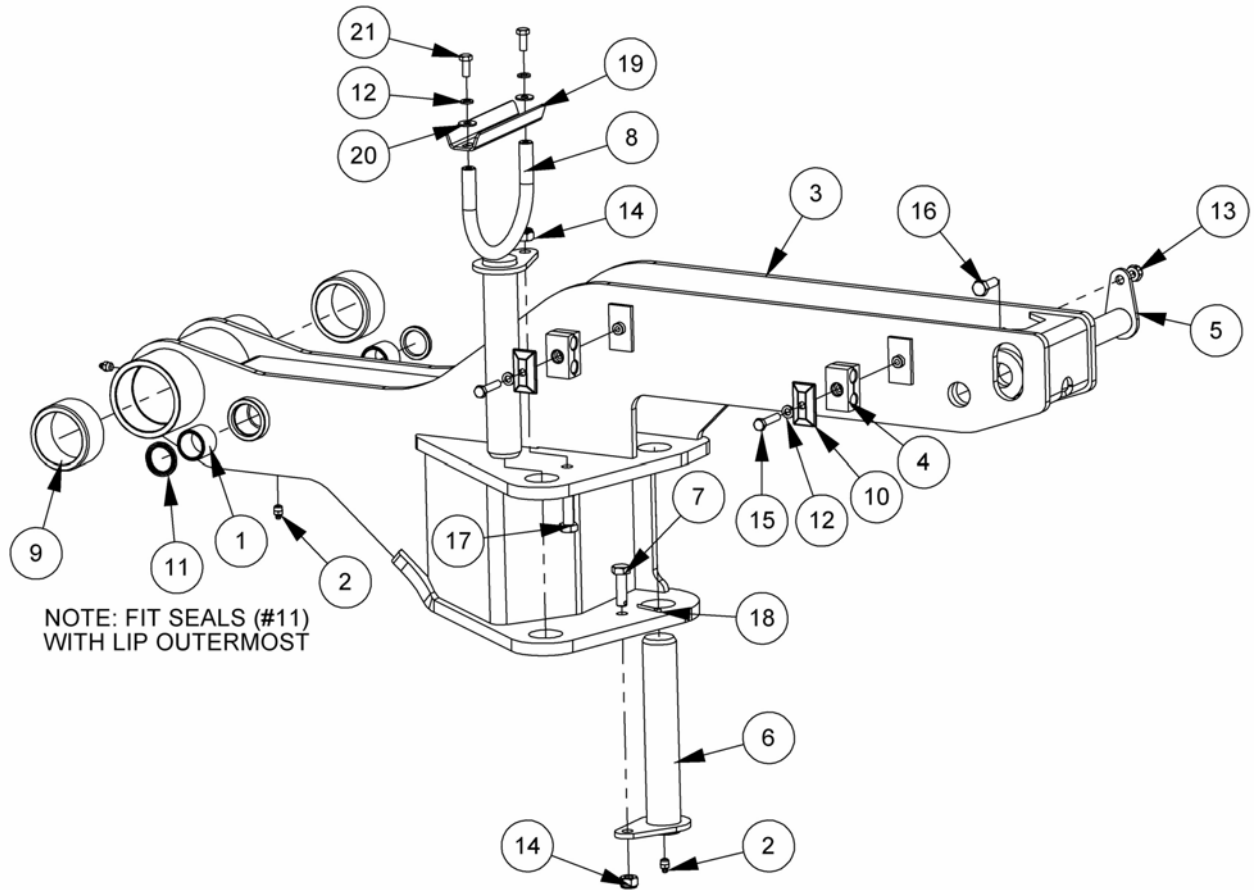


REF.	QTY.	PART No.	DESCRIPTION
		<b>7157771</b>	<b>VFR UPPER DIPPER MODULE - L/H Build</b>
		<b>7157775</b>	<b>VFR UPPER DIPPER MODULE - R/H Build</b>
1	4	0901121	GREASE NIPPLE
2	1	22464.01	UPPER DIPPER SECTION - L/H Build
	1	22464.02	UPPER DIPPER SECTION - R/H Build
3	1	42684.13	PIN
4	1	43013.02	PIVOT PIN
5	1	43324.01	PIN - LIFT BASE
6	1	43324.08	PIN
7	1	45609.02	PIN C/W HOSE GUIDE
8	1	9100207	SPRING WASHER
9	1	9163005	NYLOC NUT
10	3	9163006	NYLOC NUT
11	1	9213187	BOLT
12	1	9313075	SETSCREW
13	3	9313076	SETSCREW
14	1	43048.10	HOSE RETAINER
15	2	9100104	FLAT WASHER
16	2	9100204	SPRING WASHER
17	2	9313044	SETSCREW

# VFR LOWER DIPPER MODULE

**McCONEL**

Module(s): 7157773 - L/H Build (*illustrated*), 7157777 - R/H Build



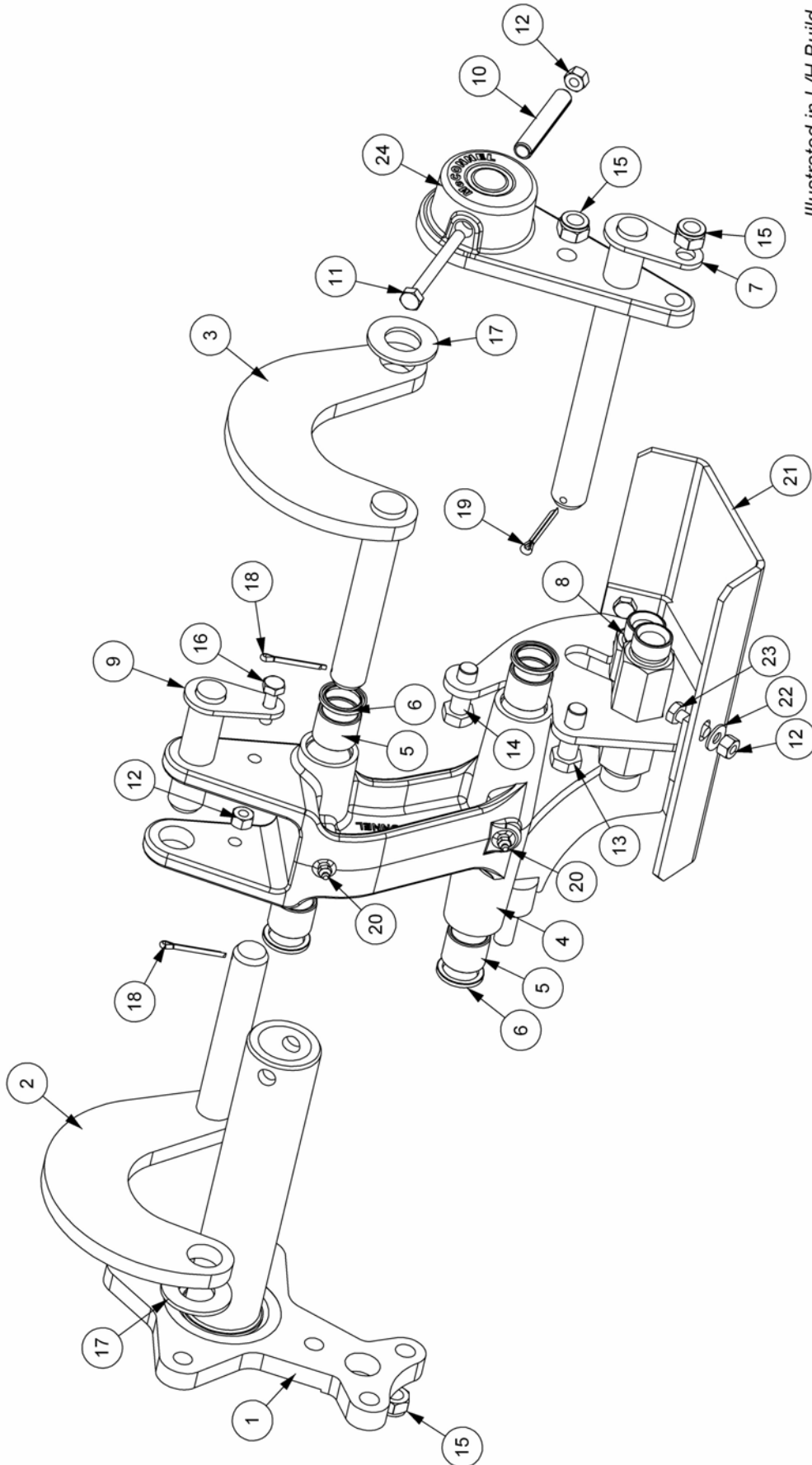
NOTE: FIT SEALS (#11)  
WITH LIP OUTERMOST

REF.	QTY.	PART No.	DESCRIPTION
		<b>7157773</b>	<b>VFR LOWER DIPPER MODULE - L/H Build</b>
		<b>7157777</b>	<b>VFR LOWER DIPPER MODULE - R/H Build</b>
1	2	08.297.04	BUSH
2	3	0901121	GREASE NIPPLE
3	1	22463.01	LOWER DIPPER SECTION - L/H Build
	1	22463.02	LOWER DIPPER SECTION - R/H Build
4	2	42024.26	TWIN HOSE CLAMP
5	1	42684.07	PIN
6	1	43324.08	PIN
7	1	45416.01	SPECIAL SETSCREW
8	1	45609.02	PIN C/W HOSE GUIDE
9	2	7136035	PLASTIC BUSH
10	2	7193066	CLAMP PLATE
11	2	8629218	LIP SEAL
12	4	9100204	SPRING WASHER
13	1	9163005	NYLOC NUT
14	2	9163006	NYLOC NUT
15	2	9213084	BOLT
16	1	9313065	SETSCREW
17	1	9313076	SETSCREW
18	1	9501255	SPLIT PIN
19	1	43048.10	HOSE RETAINER
20	2	9100104	FLAT WASHER
21	2	9313044	SETSCREW

# HEAD ANGLING MECHANISM

Module(s): 7458500

**McCONEL**



*Illustrated in L/H Build*

# HEAD ANGLING MECHANISM

**McCONNEL**

Module(s): 7458500

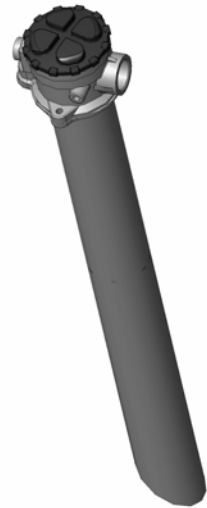
REF.	QTY.	PART No.	DESCRIPTION
		<b>7458500</b>	<b>HEAD ANGLING MECHANISM</b>
1	1	21263.01	PIVOT TUBE
2	1	42646.03	RADIUS ARM - TYPE 1
3	1	42646.04	RADIUS ARM - TYPE 2
4	1	21801.01	SLAVE LINK (CAST)
5	4	08.297.04	BUSH
6	4	8629218	LIP SEAL
7	1	42684.01	PIN (SLAVE LINK)
8	1	21261.02	JUNCTION BRACKET
9	1	42684.05	PIN
10	1	0423556	SPRING DOWEL
11	1	9213205	BOLT
12	4	9143005	SELF-LOCKING NUT
13	1	9200025	BOLT
14	1	9200028	BOLT
15	3	9100028	SELF-LOCKING NUT
16	1	9313075	SETSCREW
17	2	05.281.18	FLAT WASHER
18	2	9501406	SPLIT PIN
19	1	9501507	SPLIT PIN
20	2	0901121	GREASE NIPPLE
21	1	21262.01	HOSE TRAY
22	2	9100105	FLAT WASHER
23	2	9313065	SETSCREW
24	1	42648.01C	JAW PLATE CASTING



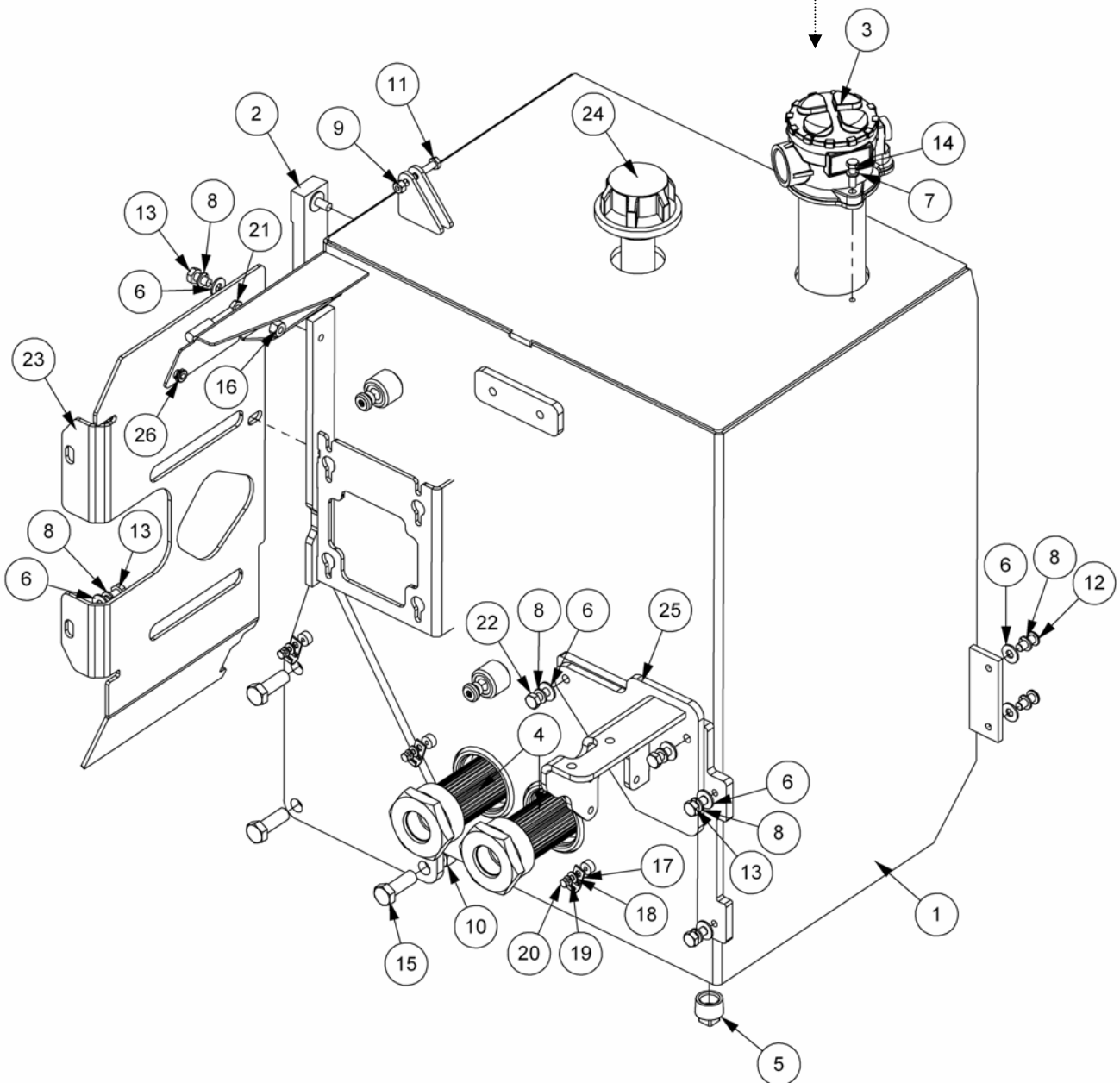
# HYDRAULIC TANK ASSEMBLY

Module(s): 7157703 - L/H Build (*illustrated*), 7157704 - R/H Build

# McCONEL



FILTER ASSEMBLY 8401088



# HYDRAULIC TANK ASSEMBLY

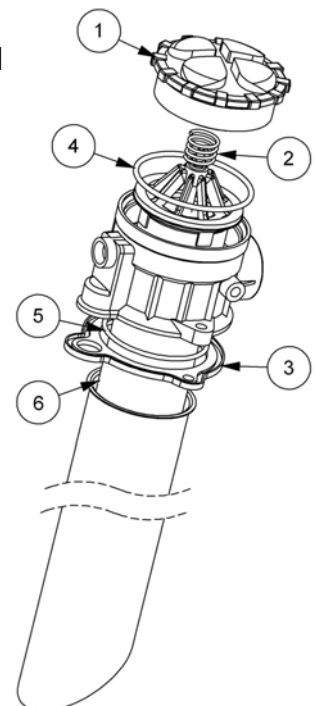
# McCONNEL

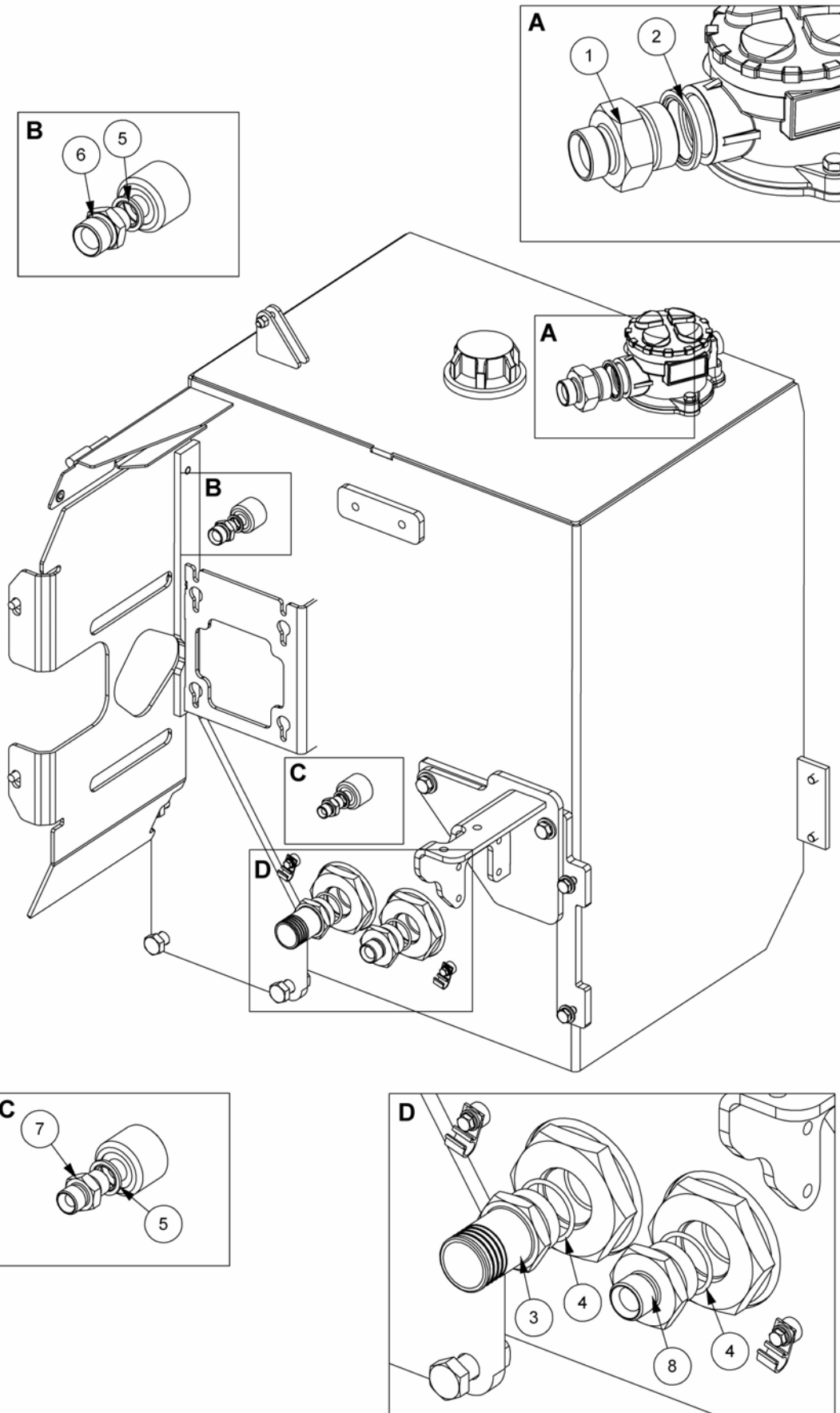
Module(s): 7157703 - L/H Build (*illustrated*), 7157704 - R/H Build

REF.	QTY.	PART No.	DESCRIPTION
		<b>7157703</b>	<b>HYDRAULIC TANK ASSEMBLY - L/H Build</b>
		<b>7157704</b>	<b>HYDRAULIC TANK ASSEMBLY - R/H Build</b>
1	1	21306.19	HYDRAULIC TANK - L/H Build
	1	21306.20	HYDRAULIC TANK - R/H Build
2	1	8401048	LEVEL GAUGE
3	1	8401088	FILTER ASSEMBLY
4	2	8401097	SUCTION STRAINER
5	1	8581203	TAPER PLUG
6	10	9100105	FLAT WASHER
7	2	9100204	SPRING WASHER
8	10	9100205	SPRING WASHER
9	1	9143004	SELF-LOCKING NUT
10	3	9143007	SELF-LOCKING NUT
11	1	9213074	BOLT
12	2	9300154	SOCKET SCREW
13	6	9313045	SETSCREW
14	2	9313064	SETSCREW
15	3	9313097	SETSCREW
16	1	9143005	SELF-LOCKING NUT
17	3	21151.01	D CLIP
18	3	9100103	FLAT WASHER
19	3	9100203	SPRING WASHER
20	3	9313023	SETSCREW
21	1	9313035	SETSCREW
22	2	9313055	SETSCREW
23	1	21074.36	SHEILD PLATE - L/H Build
	1	21074.38	SHEILD PLATE - R/H Build
24	1	8401050	BREATHER
25	1	43348.04	VALVE MOUNTING - L/H Build
	1	43348.05	VALVE MOUNTING - R/H Build
26	1	43356.01	GROMMET

### SERVICE PARTS FOR FILTER ASSEMBLY 8401088 ►

1	1	212.013.04	FILLER CAP
2	1	212.013.05	SPRING
3	1	212.013.06	FILTER SEAL
4	1	212.013.07	O RING (FILLER CAP)
5	1	212.013.08	O RING (FILLER HOUSING)
6	1	8401089	FILTER ELEMENT (25 Micron)





**TANK FITTINGS (Gear Models)****McCONNEL**

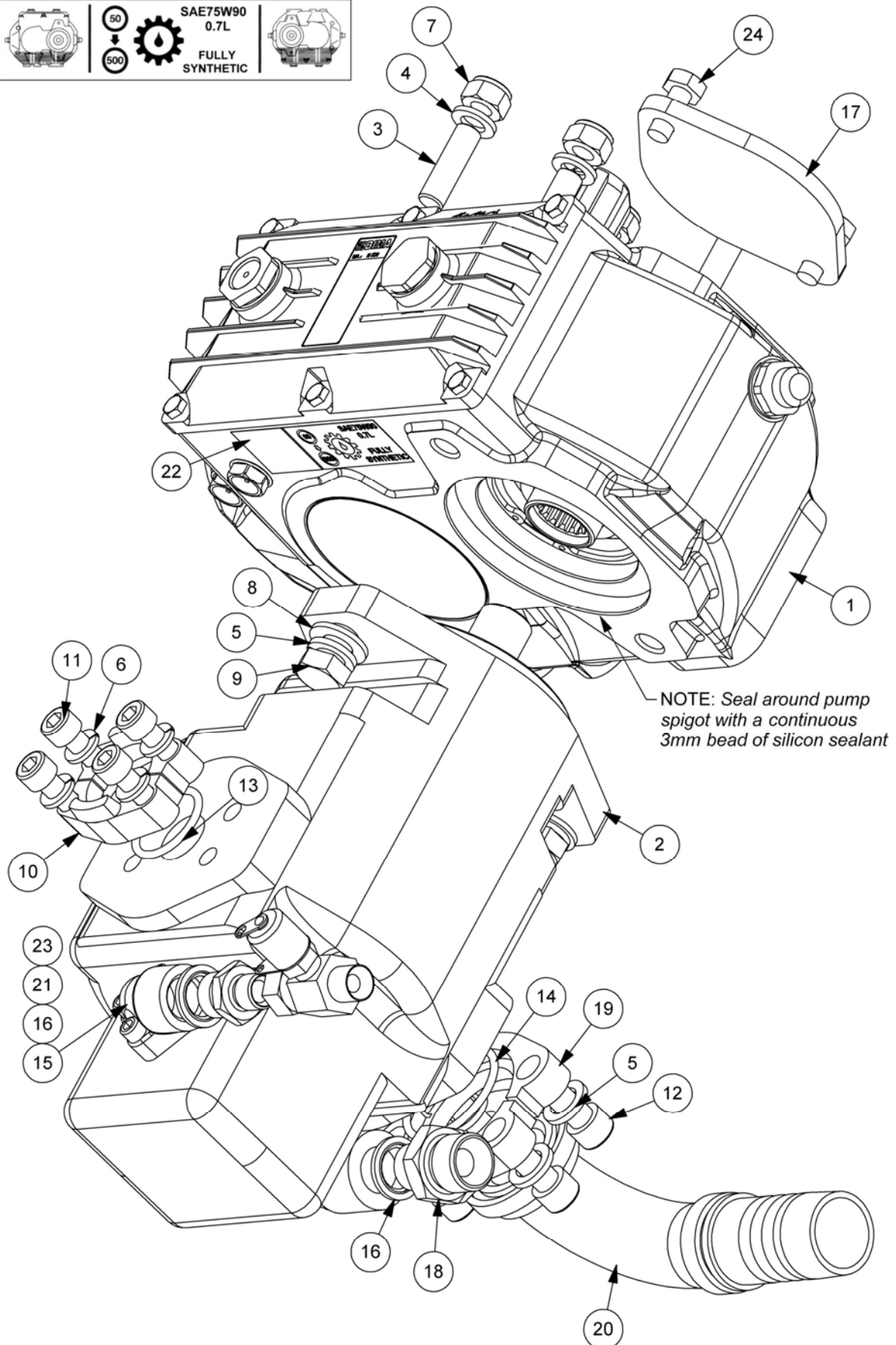
Module(s): 7157723

<b>REF.</b>	<b>QTY.</b>	<b>PART No.</b>	<b>DESCRIPTION</b>
		<b>7157723</b>	<b>TANK FITTINGS (Gear Models)</b>
1	1	05.131.01	ADAPTOR
2	1	8650109	BONDED SEAL
3	1	8581260	ADAPTOR
4	2	8700784	O RING
5	2	8650103	BONDED SEAL
6	1	8581175	ADAPTOR
7	1	6000113	ADAPTOR
8	1	T5342	ADAPTOR

# TI PUMP & GEARBOX ASSEMBLY

# McCONEL

Module(s): 7157732 - L/H Build (illustrated), 7157733 - R/H Build



# TI PUMP & GEARBOX ASSEMBLY

# McCONNEL

Module(s): 7157732 - L/H Build (*illustrated*), 7157733 - R/H Build

REF.	QTY.	PART No.	DESCRIPTION
		<b>7157732</b>	<b>PUMP &amp; GEARBOX ASSEMBLY - L/H Build</b>
		<b>7157733</b>	<b>PUMP &amp; GEARBOX ASSEMBLY - R/H Build</b>
1	1	8013607	GEARBOX - TWIN OUTPUT 15T & 9T
2	1	8201721	HIGH PRESSURE PUMP - 310 BAR 15T
3	4	04.282.17	STUD
4	4	9100206	SPRING WASHER
5	4	05.968.03	SPRING WASHER
6	2	05.281.14	SPRING WASHER
7	6	05.282.08	SELF-LOCKING NUT
8	2	05.839.01	FLAT WASHER
9	1	01.697.03	BOLT
10	4	9343065	SPLIT FLANGE
11	4	9100205	CAPSCREW
12	1	8600124	CAPSCREW
13	1	8600124	O RING
14	1	8600303	O RING
15	1	8301045	ELBOW <i>complete with:</i>
	3	9100203	SPRING WASHER
	3	9343043	CAPSCREW
	1	8600809	O RING
16	2	8650104	BONDED SEAL
17	1	22114.66	BLANKING PLATE
18	1	8581130	ADAPTOR
19	1	41.294.01	SPLIT FLANGE (PAIR)
20	1	8581489	ADAPTOR (LP)
21	1	05.123.01	ADAPTOR
22	1	1290092	GEARBOX DECAL
23	1	8131004	TEST ADAPTOR
24	2	9313055	SETSCREW
25	2	9100405	SHAKEPROOF WASHER
26	1	199.358	FLANGE ADAPTOR KIT <i>c/o</i>
	1	199.358.01	FLANGE ADAPTOR
	3	199.358.02	SCREW
	1	199.358.03	O RING
			<b>SEAL KITS</b>
		<b>8699261</b>	<b>High Pressure Pump - Front Seal Kit</b>
		<b>8699262</b>	<b>High Pressure Pump - Rear Seal Kit</b>

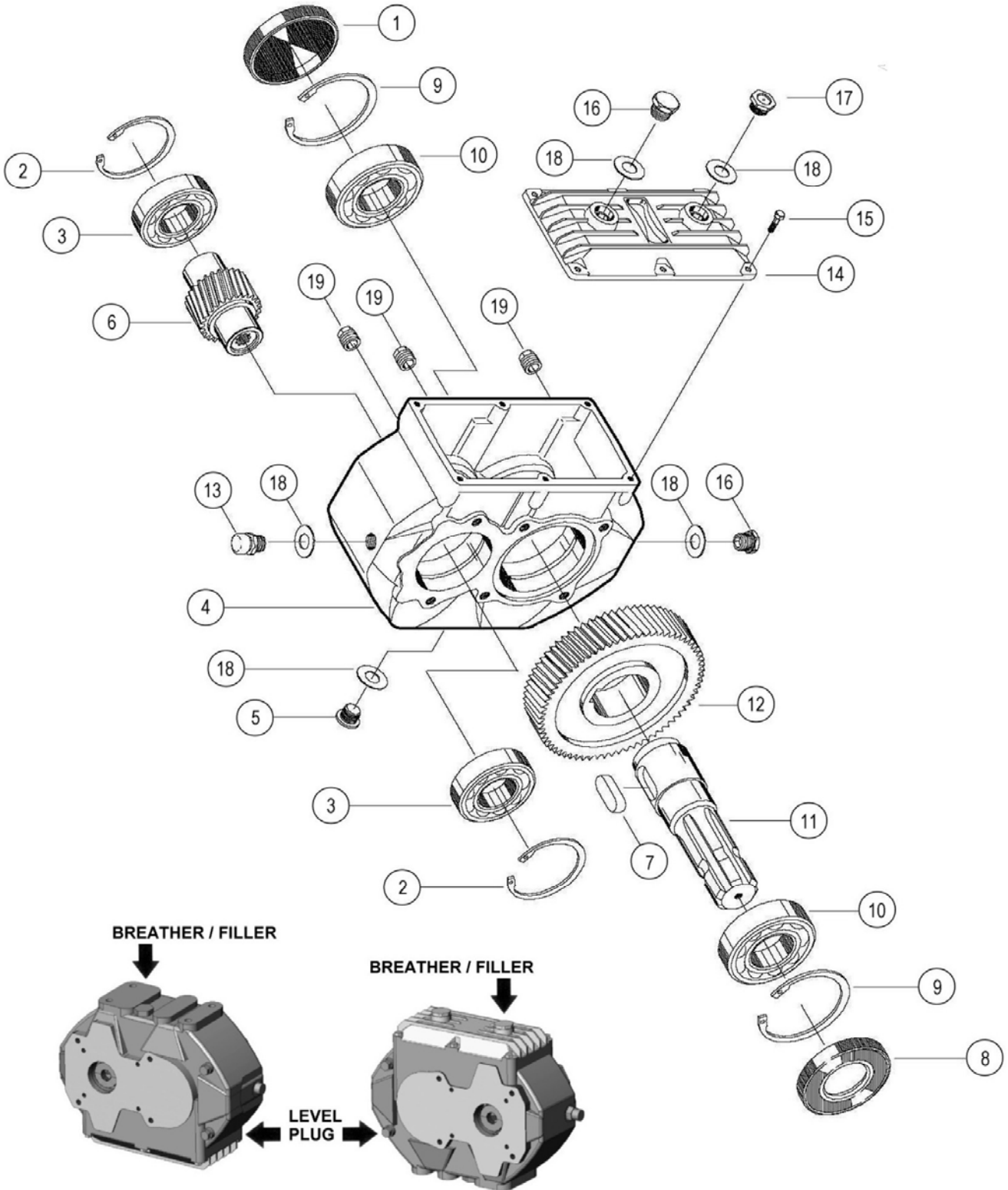


# GEARBOX ASSEMBLY (Ratio 1:4.25)

Module(s): 8013607

# McCONEL

			<b>SAE75W90</b> <b>0.7L</b> <b>FULLY</b> <b>SYNTHETIC</b>	
---	---	--	--	---



NOTE: Plug positions are dependent on gearbox orientation

Module(s): 8013607

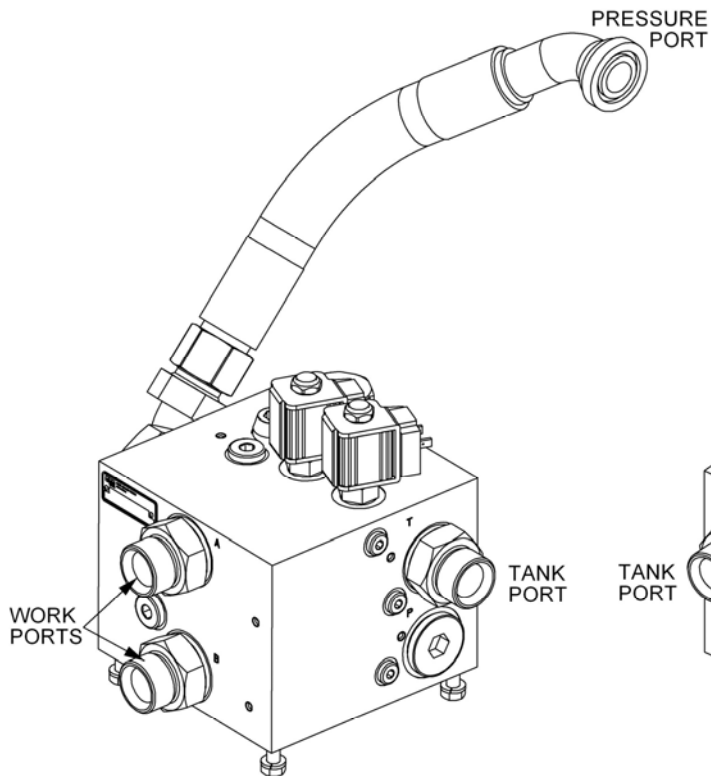
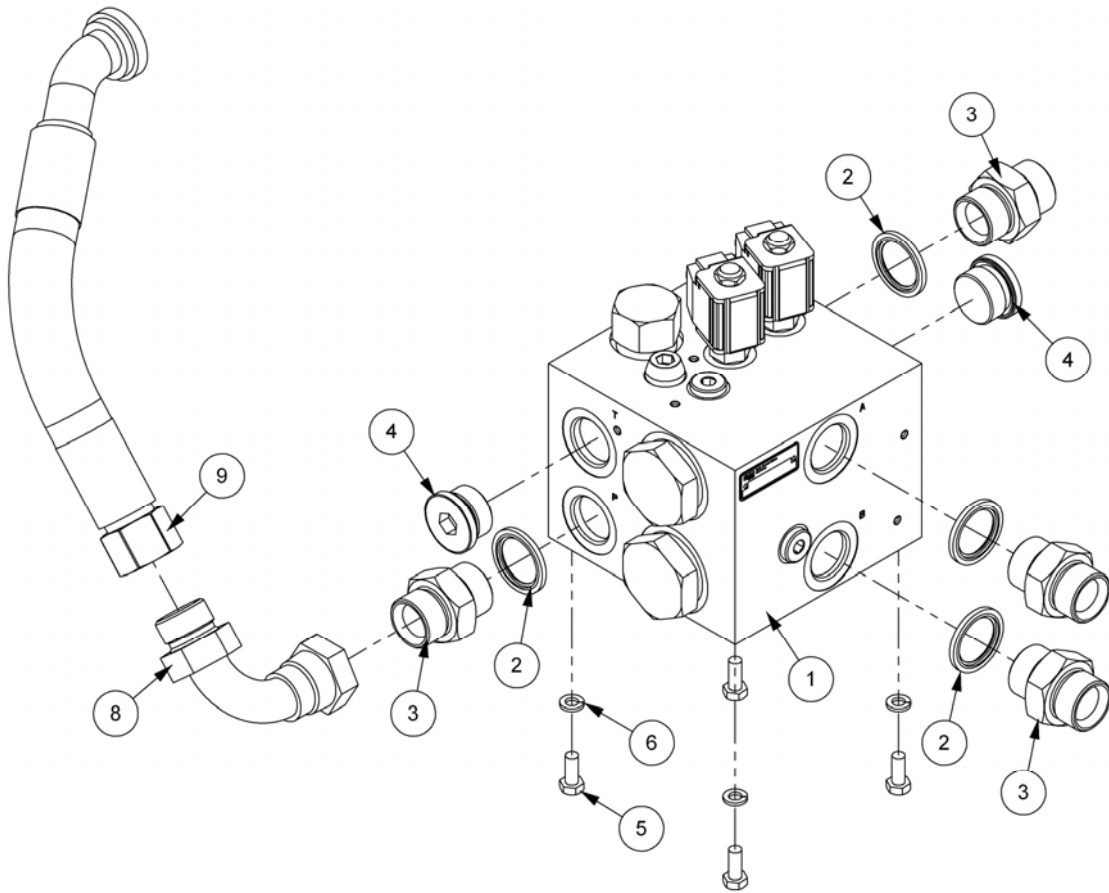
REF.	QTY.	PART NO.	DESCRIPTION
		<b>8013607</b>	<b>GEARBOX ASSEMBLY (1:4.25) TWIN OUTPUT 15T &amp; 9T</b>
1	1	47487.56	OIL PLUG
2	2	47487.55	CIRCLIP
3	2	8013584	BEARING
4	1	47487.57	HOUSING
5	1	8013593	OIL PLUG
6	1	8013618	SHAFT
7	1	8013586	KEY
8	1	8013526	OIL SEAL
9	2	47487.64	CIRCLIP
10	2	8013524	BEARING
11	1	47487.72	SHAFT
12	1	8013587	GEAR
13	1	8013590	OIL PLUG
14	1	8013589	COVER
15	6	47487.76	SCREW
16	2	8013533	OIL PLUG
17	1	8013599	OIL PLUG
18	4	8013591	WASHER
19	3	8013588	OIL PLUG



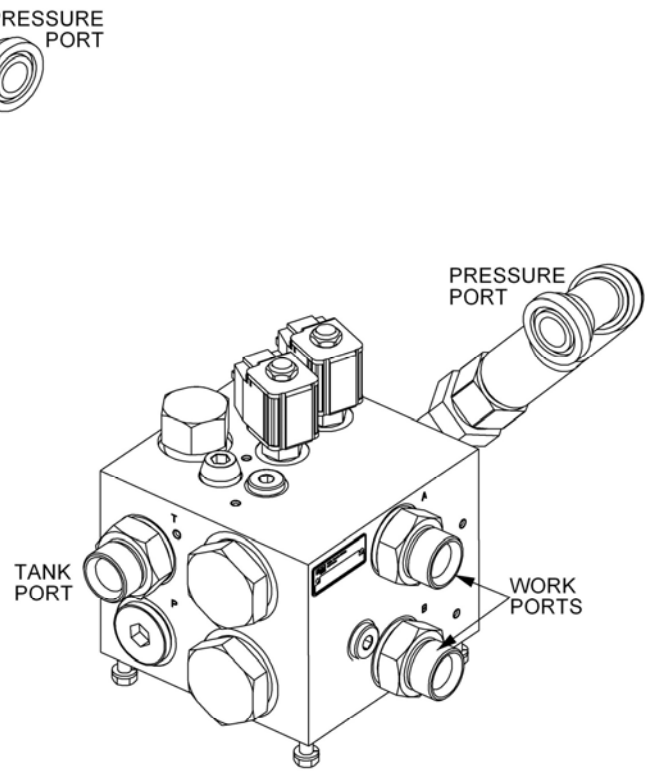
# ELECTRIC ROTOR CONTROL VALVE ASSEMBLY

**McCONEL**

Module(s): 7157735 - L/H Build, 7157737 - R/H Build



L/H Build 7157735

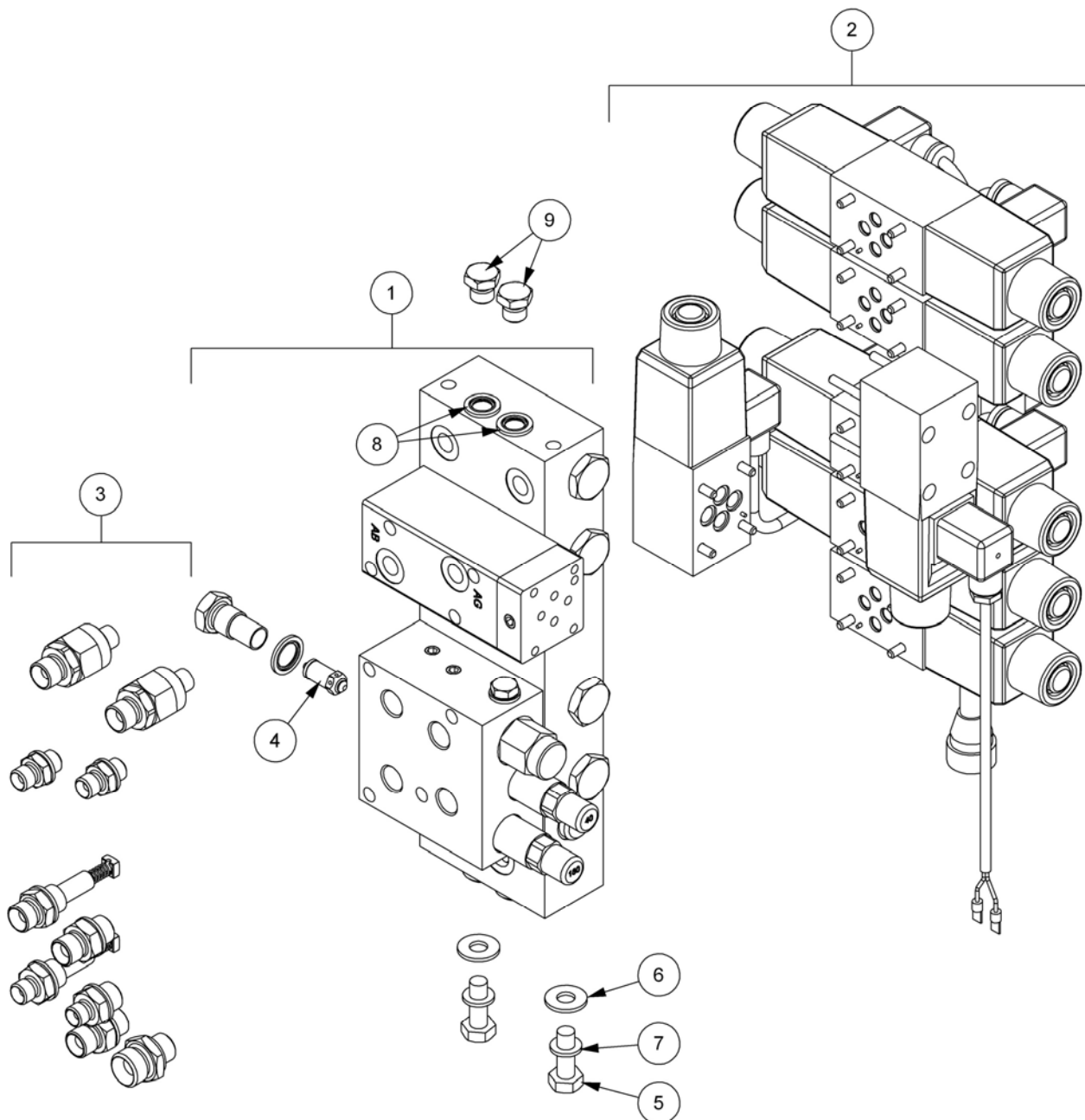


R/H Build 7157737

**ELECTRIC ROTOR CONTROL VALVE ASSEMBLY****McCONNEL**

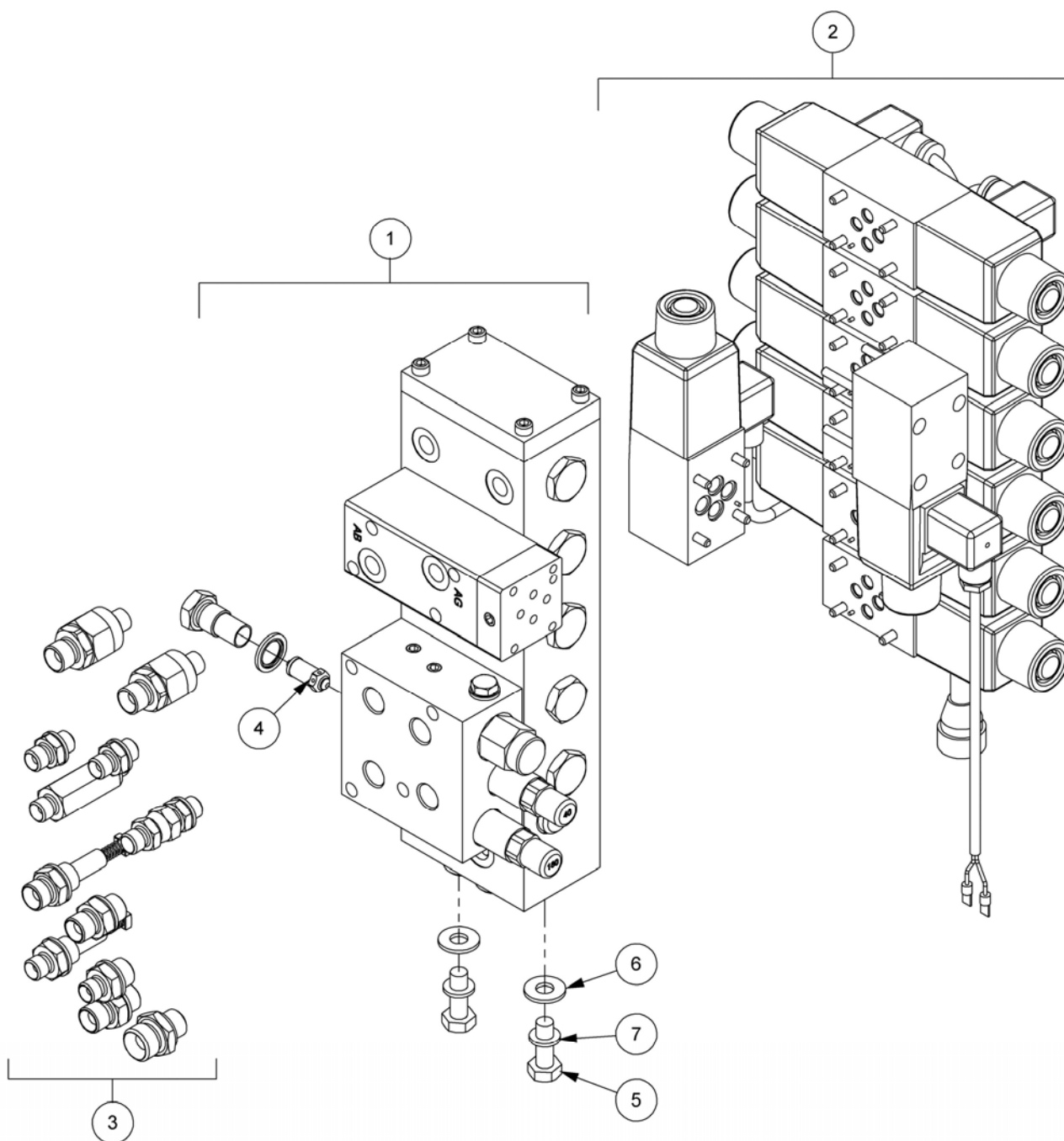
Module(s): 7157735 - L/H Build, 7157737 - R/H Build

<b>REF.</b>	<b>QTY.</b>	<b>PART No.</b>	<b>DESCRIPTION</b>
		<b>7157735</b>	<b>ELECTRIC RCV ASSEMBLY - L/H Build</b>
		<b>7157737</b>	<b>ELECTRIC RCV ASSEMBLY - R/H Build</b>
1	1	42768.08	ELECTRIC RCV (300BAR)
2	4	8650108	BONDED SEAL
3	4	05.434.01	ADAPTOR
4	2	8581389	PLUG
5	4	9313044	SETSCREW
6	4	9100204	SPRING WASHER
7	1	43177.26	LOOM - ROTOR REVERSE
8	1	8581264	90° SWEPT ADAPTOR
9	1	8501398	HOSE - 1" SAE 135/FS x 600mm



REF.	QTY.	PART No.	DESCRIPTION
		<b>7157747</b>	<b>XTC PROP. CONTROL VALVE - 4 BANK</b>
1	1	22523.09	MANIFOLD MODULE - 4 BANK AF/AR
2	1	22525.10	CONTROL/SOLENOID ASSEMBLY
3	1	22524.21	ADAPTOR MODULE
4	1	8130030	RELIEF VALVE - 210BAR
5	2	9313065	SETSCREW
6	2	9100105	FLAT WASHER
7	2	9100205	SPRING WASHER
8	2	8650102	BONDED SEAL
9	2	520378	ADAPTOR PLUG

Module(s): 7157746

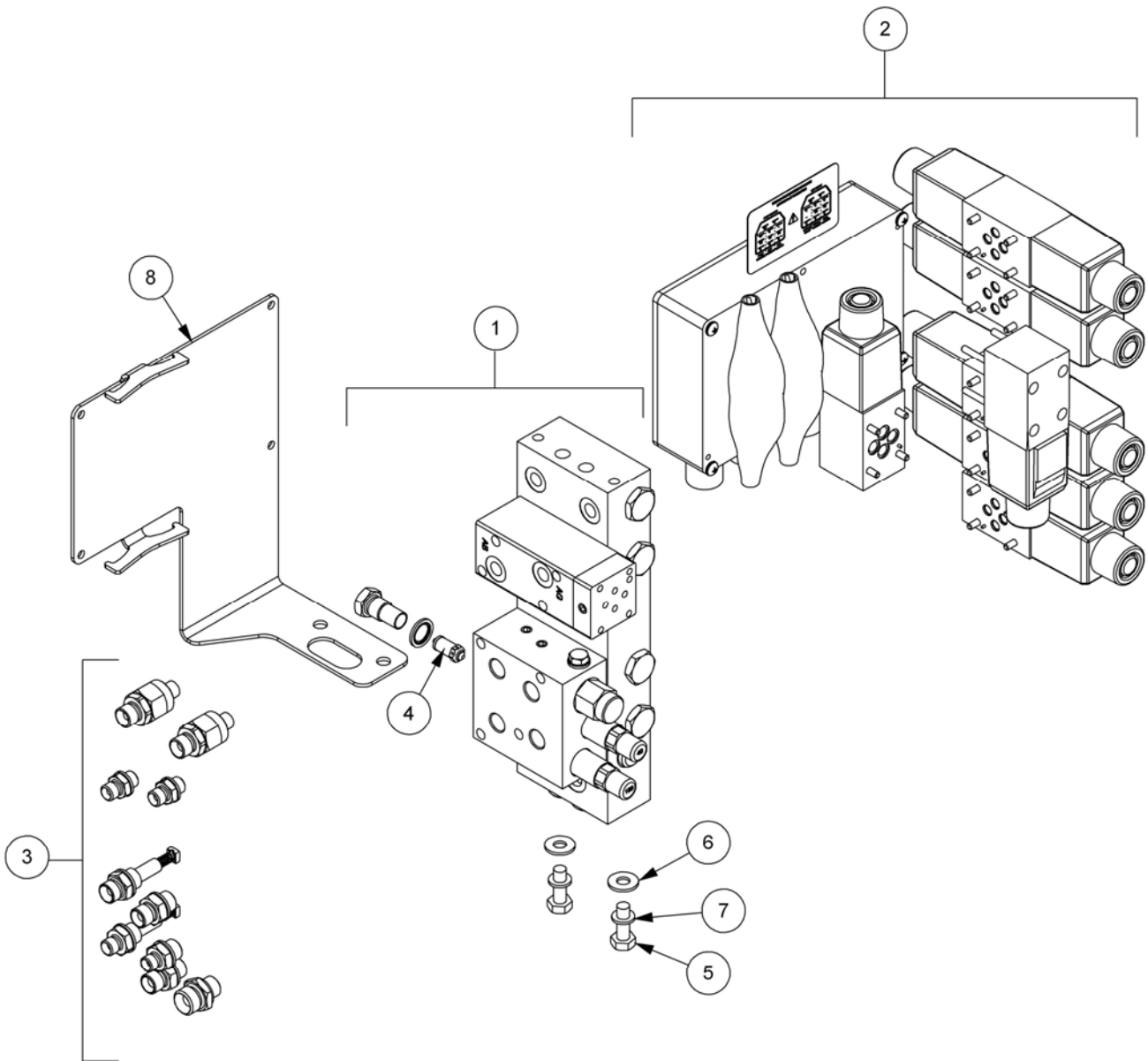


REF.	QTY.	PART No.	DESCRIPTION
		<b>7157746</b>	<b>XTC PROP. CONTROL VALVE - 5 BANK</b>
1	1	22523.08	MANIFOLD MODULE - 5 BANK AF/AR
2	1	22525.03	CONTROL/SOLENOID MODULE
3	1	22524.20	ADAPTOR MODULE
4	1	8130030	RELIEF VALVE - 210BAR
5	2	9313065	SETSCREW
6	2	9100105	FLAT WASHER
7	2	9100205	SPRING WASHER

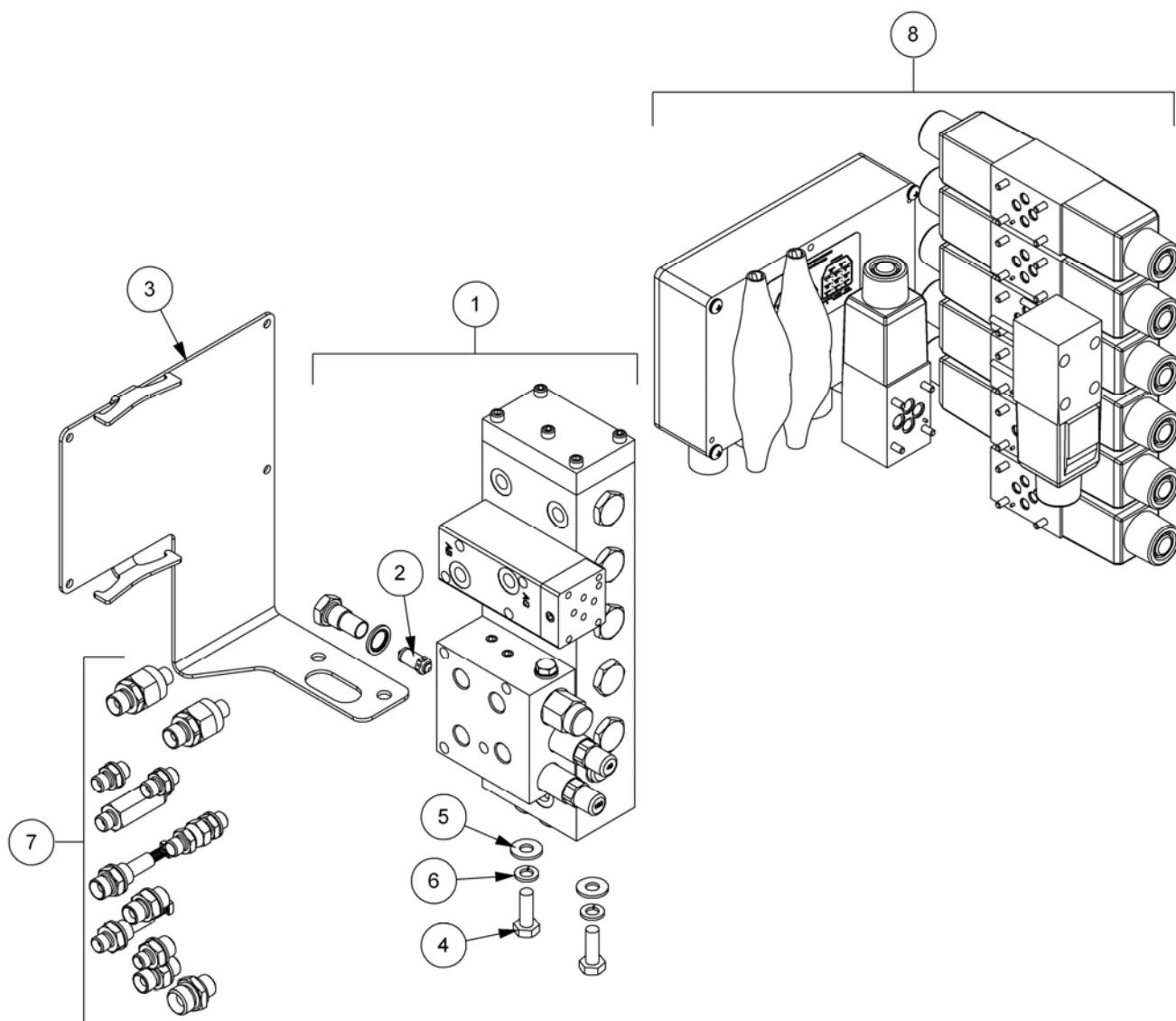
# V4 PROPORTIONAL CONTROL VALVE - 4 BANK

**McCONEL**

Module(s): 7157749

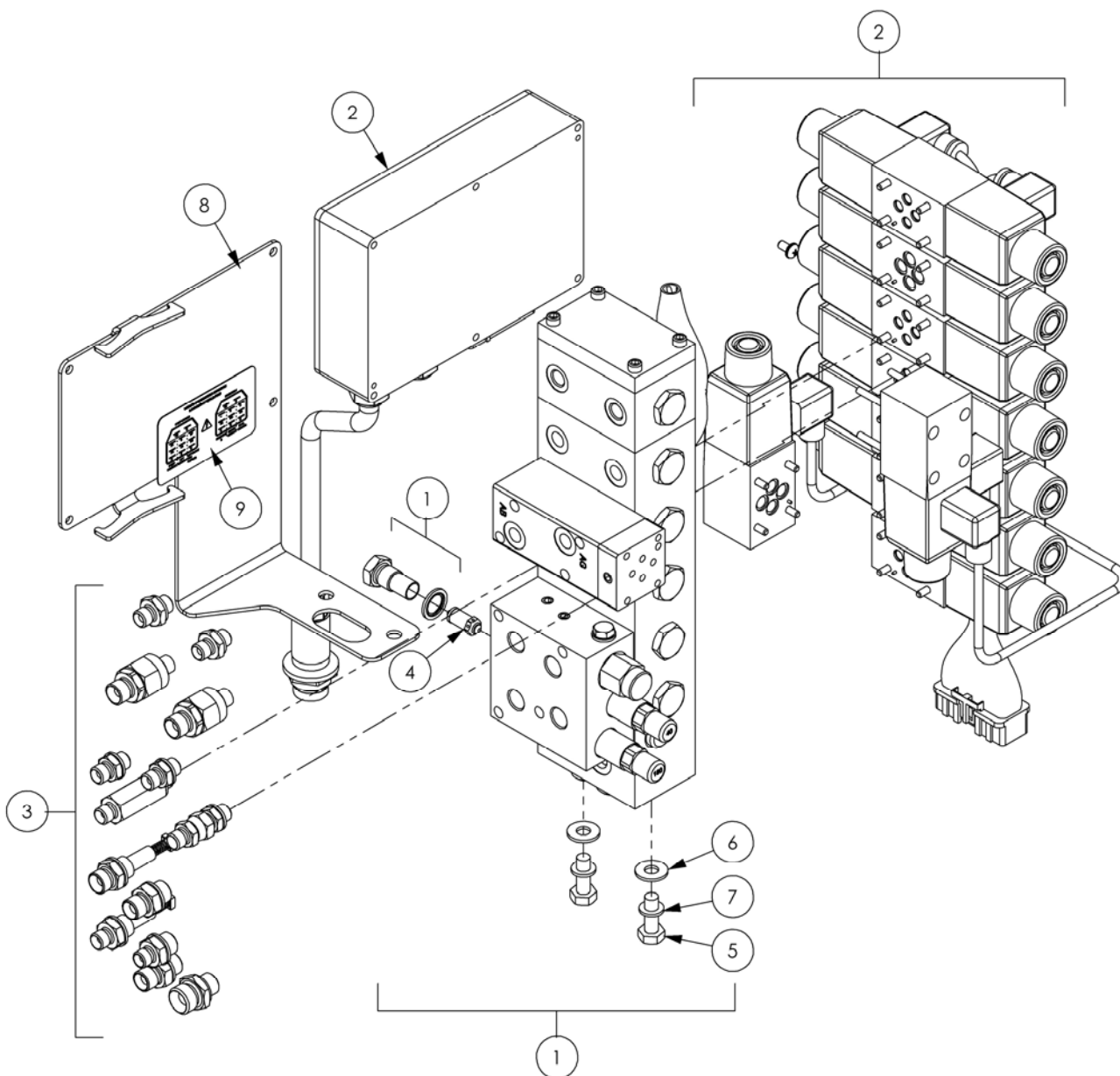


REF.	QTY.	PART No.	DESCRIPTION
		<b>7157749</b>	<b>V4 PROP. CONTROL VALVE - 4 BANK</b>
1	1	22523.09	MANIFOLD MODULE - 4 BANK AF/AR
2	1	22525.12	CONTROL / SOLENOID ASSEMBLY
3	1	22524.21	ADAPTOR MODULE
4	1	8130030	RELIEF VALVE - 210BAR
5	2	9313065	SETSCREW
6	2	9100105	FLAT WASHER
7	2	9100205	SPRING WASHER
8	1	21170.08	ACV BRACKET



REF.	QTY.	PART No.	DESCRIPTION
		<b>7157748</b>	<b>V4 PROP. CONTROL VALVE - 5 BANK</b>
1	1	22523.08	MANIFOLD MODULE - 5 BANK AF/AR
2	1	8130030	RELIEF VALVE - 210BAR
3	1	21170.08	ACV BRACKET
4	2	9313065	SETSCREW
5	2	9100105	FLAT WASHER
6	2	9100205	SPRING WASHER
7	1	22524.20	ADAPTOR MODULE
8	1	22525.13	CONTROL/SOLENOID ASSEMBLY



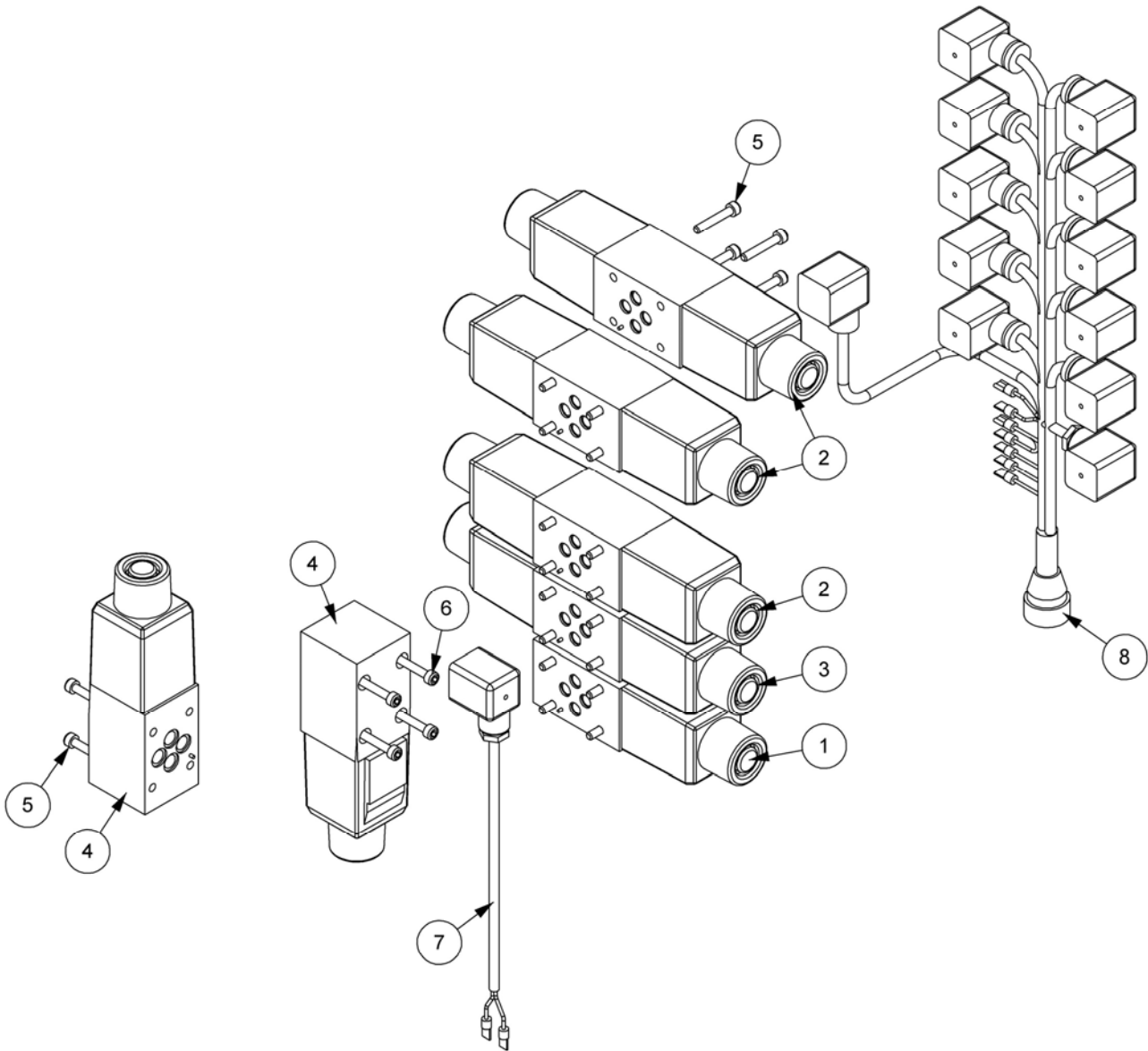


REF.	QTY.	PART No.	DESCRIPTION
		<b>7157740</b>	<b>V4 VALVE ASSEMBLY - 6 BANK</b>
1	1	22523.04	MANIFOLD MODULE - 6 BANK AF/AR
2	1	22525.06	CONTROL/SOLENOID MODULE
3	1	22524.05	ADAPTOR MODULE
4	1	8130030	RELIEF VALVE - 210BAR
5	2	9313065	SETSCREW
6	2	9100105	FLAT WASHER
7	2	9100205	SPRING WASHER
8	1	21170.08	ACV BRACKET
9	1	1290724	DECAL - V4 ACB WIRING

**SOLENOID MODULE – XTC Proportional (4 Bank)**

**McCONEL**

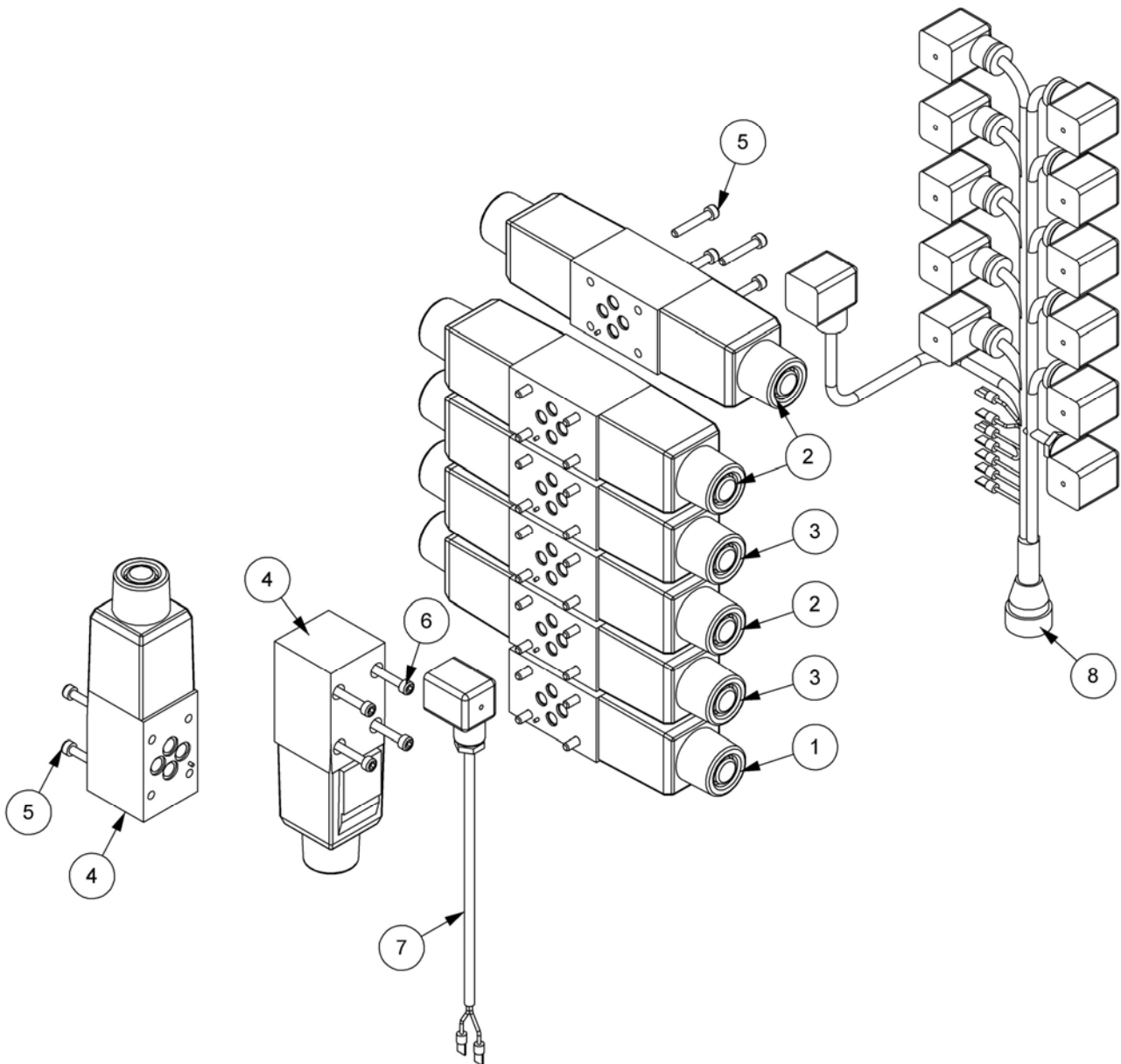
Module(s): 22525.10



REF.	QTY.	PART No.	DESCRIPTION
		<b>22525.10</b>	<b>SOLENOID MODULE</b>
1	1	8130456	CUT OFF SOLENOID VALVE
	1	8130175	COIL (18W)
2	3	41784.48	DOUBLE SOLENOID PROP. VALVE
	2	41784.99	PROPORTIONAL COIL (18W)
3	1	8130629	DOUBLE SOLENOID VALVE
	2	8130175	COIL (18W)
4	2	8130457	SINGLE SOLENOID VALVE
	1	8130175	COIL (18W)
5	24	9243062	CAPSCREW
6	4	9243102	CAPSCREW
7	1	8402338	LOOM - ANGLE FLOAT
8	1	41844.01	LOOM - 19CORE
		<b>8699224</b>	<b>SOLENOID SEAL KIT</b>

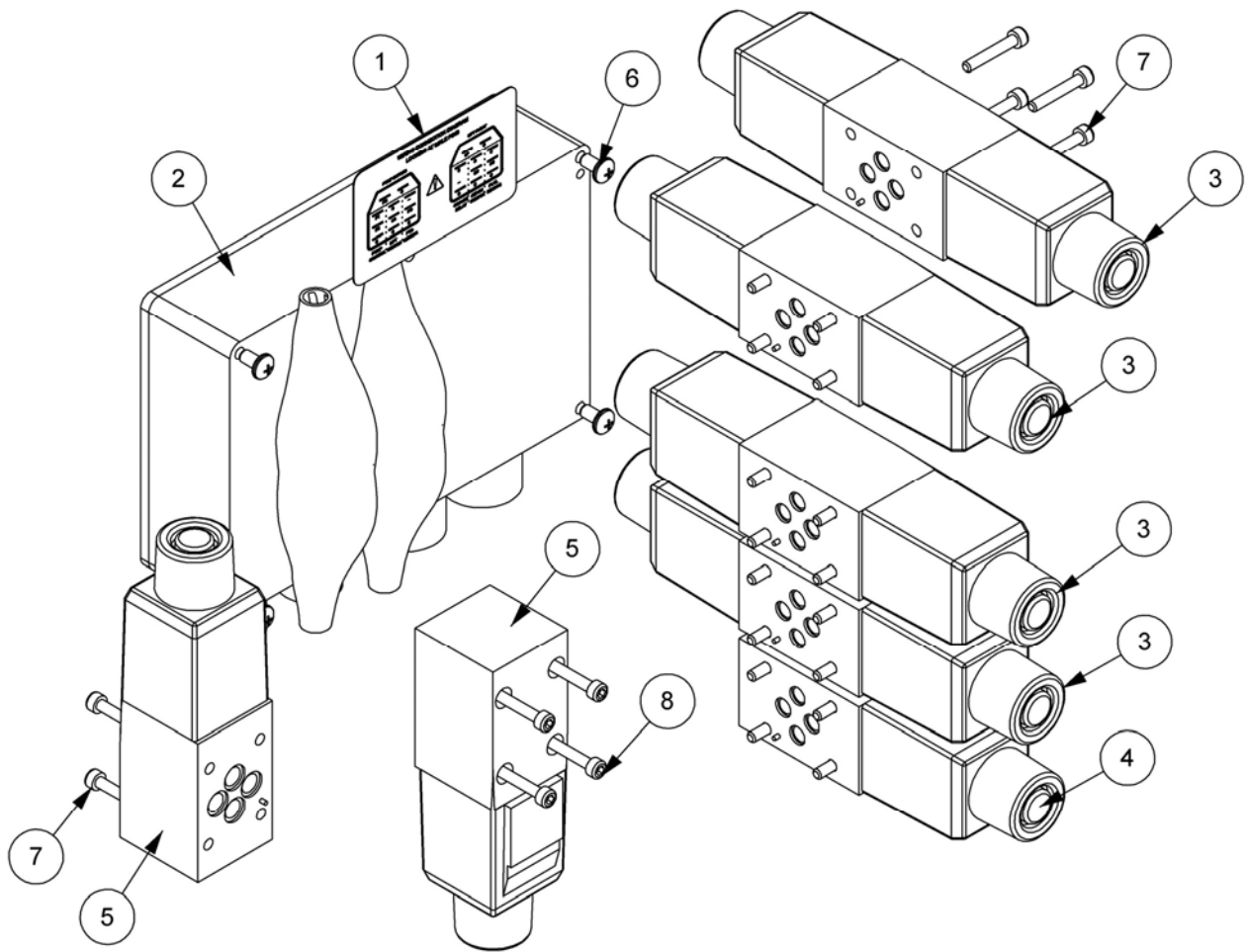


Module(s): 22525.03



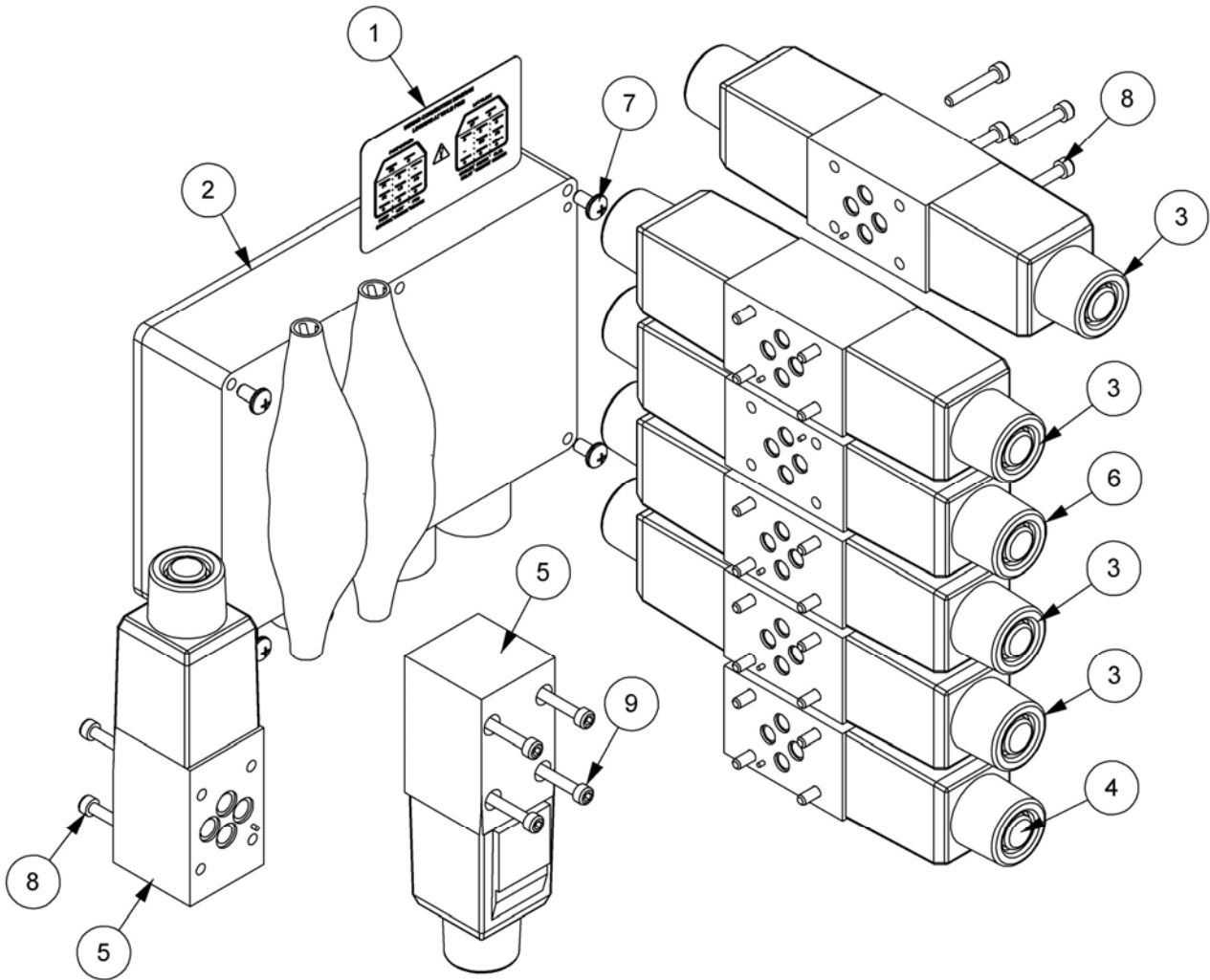
REF.	QTY.	PART No.	DESCRIPTION
		<b>22525.03</b>	<b>SOLENOID MODULE</b>
1	1	8130456	CUT OFF SOLENOID VALVE
	1	8130175	COIL (18W)
2	3	41784.48	DOUBLE SOLENOID PROP. VALVE
	2	41784.99	PROPORTIONAL COIL (18W)
3	2	8130629	DOUBLE SOLENOID VALVE
	2	8130175	COIL (18W)
4	2	8130457	SINGLE SOLENOID VALVE
	1	8130175	COIL (18W)
5	28	9243062	CAPSCREW
6	4	9243102	CAPSCREW
7	1	8402338	LOOM - ANGLE FLOAT
8	1	41844.01	LOOM - 19CORE
		<b>8699224</b>	<b>SOLENOID SEAL KIT</b>

Module(s): 22525.12



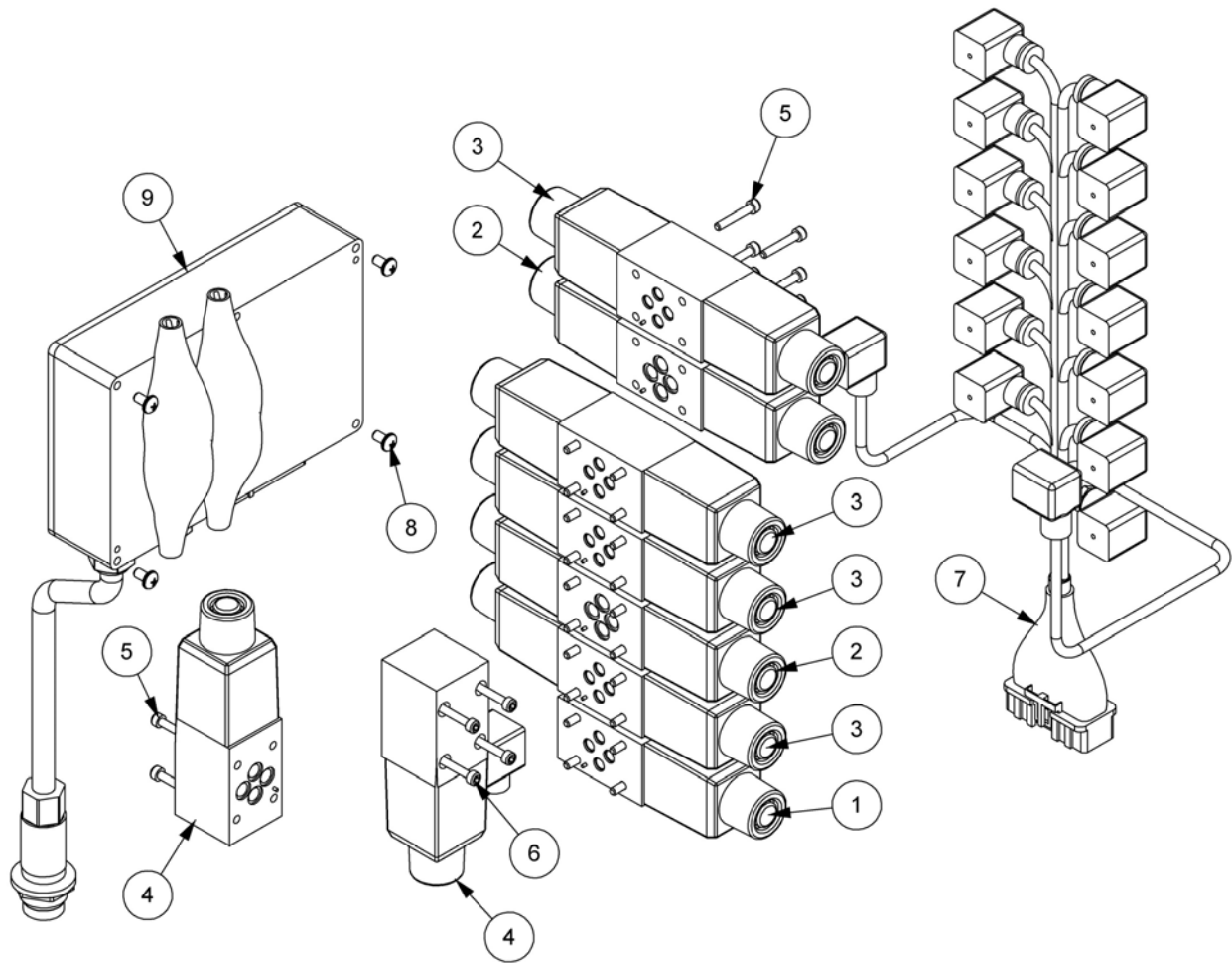
REF.	QTY.	PART No.	DESCRIPTION
		<b>22525.12</b>	<b>SOLENOID MODULE</b>
1	1	1290675	DECAL - ACB WIRING
2	1	21164.07	V4 ACB CONTROLLER MK2
3	4	41784.48	DOUBLE SOLENOID PROP. VALVE
	2	41784.99	PROPORTIONAL COIL (18W)
4	1	8130456	CUT OFF SOLENOID VALVE
	1	8130175	COIL (18W)
5	2	8130457	SINGLE SOLENOID VALVE
	1	8130175	COIL (18W)
6	4	9300164	SCREW
7	24	9243062	CAPSCREW
8	4	9243102	CAPSCREW
		<b>8699224</b>	<b>SOLENOID SEAL KIT</b>

Module(s): 22525.13



REF.	QTY.	PART No.	DESCRIPTION
		<b>22525.13</b>	<b>SOLENOID MODULE</b>
1	1	1290675	DECAL - ACB WIRING
2	1	21164.07	V4 ACB CONTROLLER MK2
3	4	41784.48	DOUBLE SOLENOID PROP. VALVE
	2	41784.99	PROPORTIONAL COIL (18W)
4	1	8130456	CUT OFF SOLENOID VALVE
	1	8130175	COIL (18W)
5	2	8130457	SINGLE SOLENOID VALVE
	1	8130175	COIL (18W)
6	1	8130629	DOUBLE SOLENOID VALVE
	1	8130175	COIL (18W)
7	4	9300164	SCREW
8	24	9243062	CAPSCREW
9	4	9243102	CAPSCREW
		<b>8699224</b>	<b>SOLENOID SEAL KIT</b>

Module(s): 22525.06

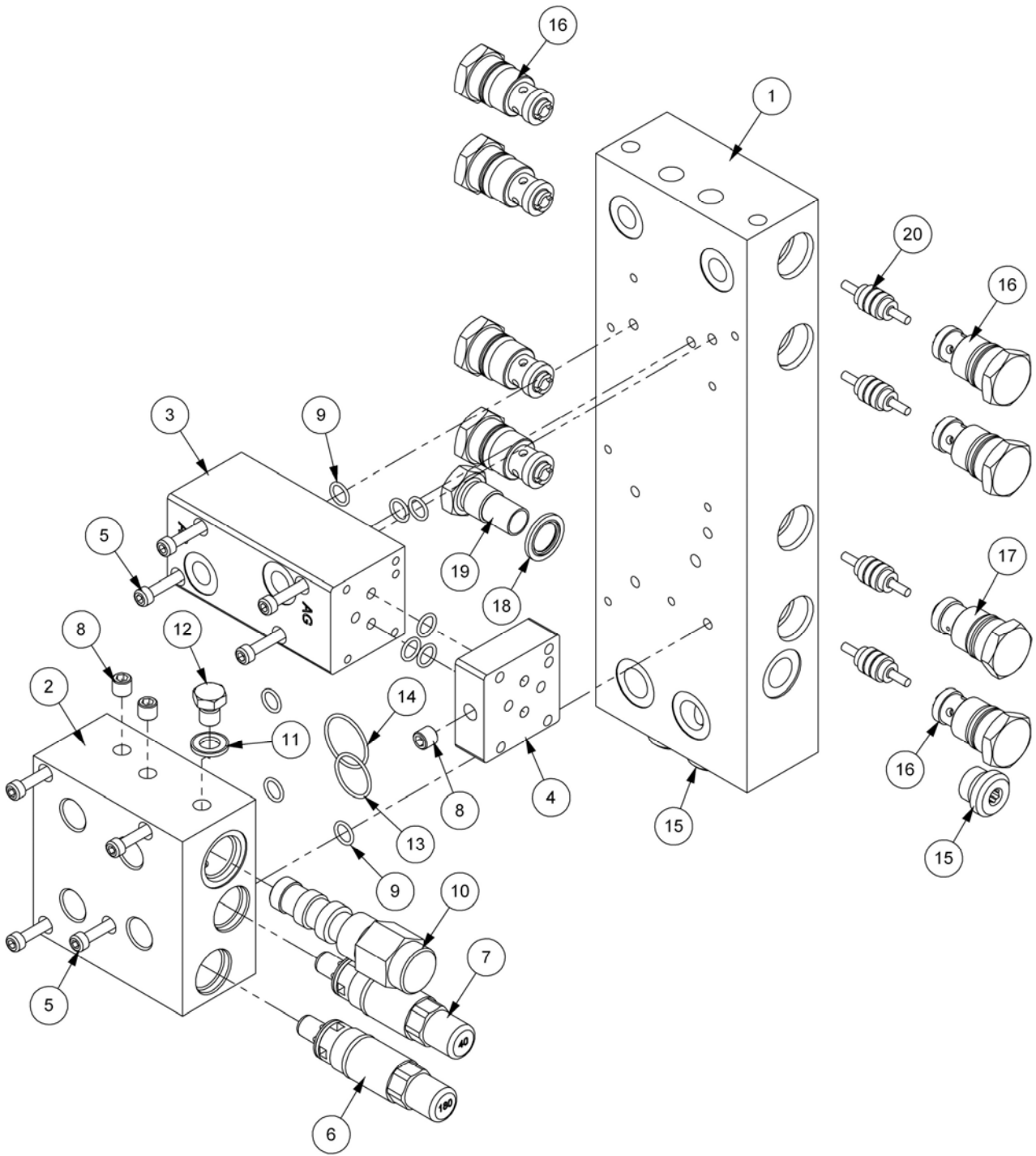


REF.	QTY.	PART No.	DESCRIPTION
		<b>22525.06</b>	<b>SOLENOIDS MODULE</b>
1	1	8130456	CUT OFF SOLENOID VALVE
		8699224	SEAL KIT (x1)
2	2	41784.56	PROPORTIONAL SOLENOID 31LPM
3	4	41784.48	DOUBLE SOLENOID PROP. VALVE 8l/min
		41784.99	PROPORTIONAL COIL (x2)
4	2	8130457	SINGLE SOLENOID VALVE
		8130175	COIL 18W (x1)
5	32	9243062	CAPSCREW
6	4	9243102	CAPSCREW
7	1	41844.10	V4 LOOM (36 WAY CONNECTOR 6 SERVICE)
8	4	9300164	TAPTITE
9	1	21164.08	V4 ACB (36 WAY CONNECTOR 7 SERVICE)
10	1	21170.08	COMPACT ACV BRACKET - L/H Build
11	1	8126334	BRIDGING PLATE
12	1	8126333	FLOAT VALVE BLOCK
13	1	8132293	5 SERVICE MANIFOLD BLOCK (STACKABLE)
14	1	8130348	BLOCK - SLEW CIRCUIT
15	1	21170.10	COMPACT ACB BRACKET

# MANIFOLD MODULE - 4 BANK AF/AR

Module(s): 22523.09

# McCONEL



Module(s): 22523.09

REF.	QTY.	PART No.	DESCRIPTION
		<b>22523.09</b>	<b>MANIFOLD MODULE - 4 BANK AF/AR</b>
1	1	8132280	MANIFOLD BLOCK
2	1	8132288	AUTO RESET BLOCK
3	1	8126333	FLOAT VALVE BLOCK
4	1	8126334	BRIDGING PLATE
5	8	9243082	CAPSCREW
6	1	G3812541	RELIEF VALVE - 180BAR
7	1	8130150	RELIEF VALVE - 40BAR
8	3	8582041	TAPER PLUG
9	9	8700511	O RING
10	1	8130204	CARTRIDGE SPOOL VALVE
11	1	05.290.01	BONDED SEAL
12	1	8581444	BLANKING PLUG
13	1	8700522	O RING
14	1	8700525	O RING
15	3	8581436	PLUG
16	7	8130090	CHECK VALVE ASSEMBLY
17	1	8130354	CHECK VALVE ASSEMBLY
18	1	8650103	BONDED SEAL
19	1	8130032	RELIEF VALVE CAP
20	4	8130087	ACTUATOR

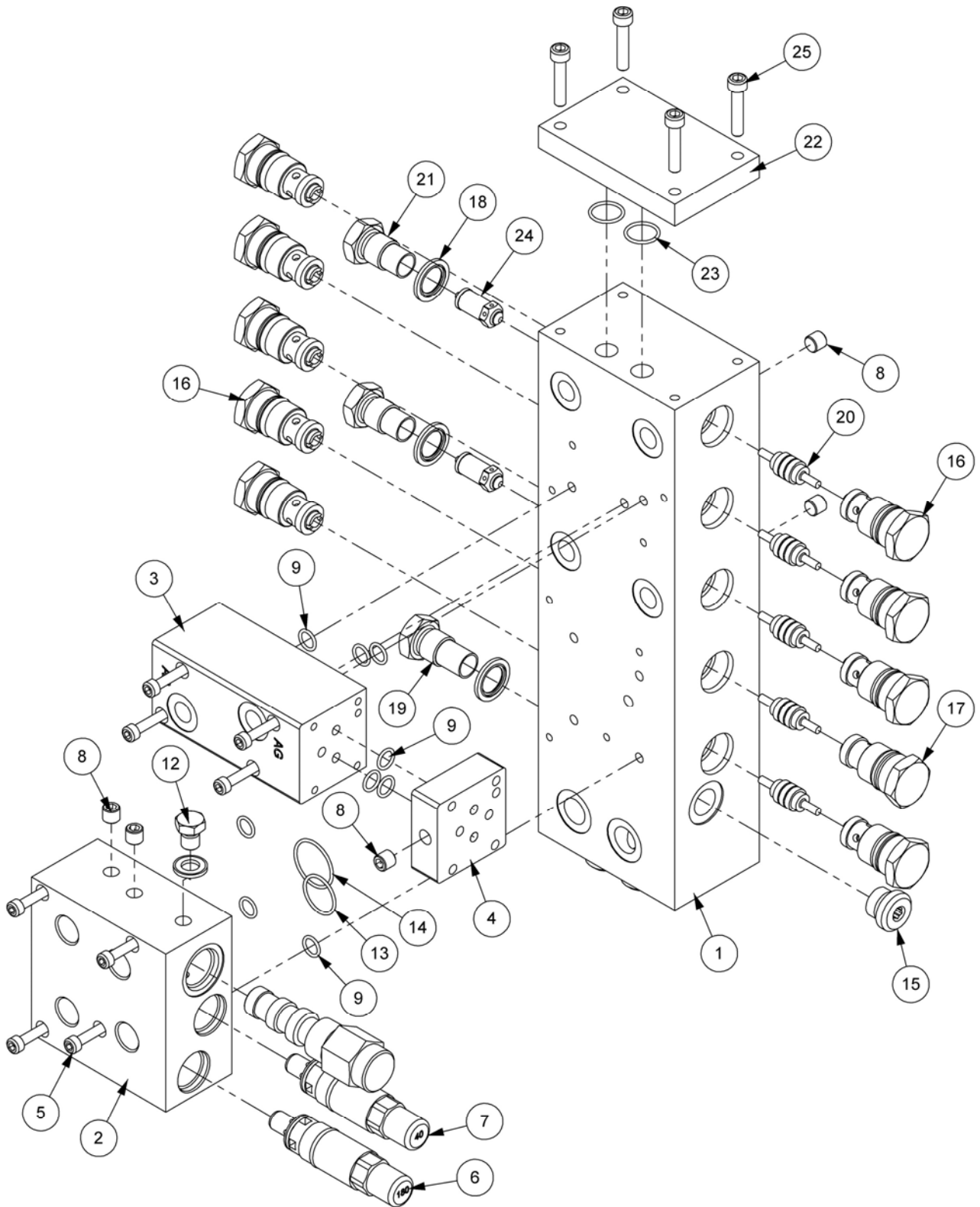
**SERVICE PARTS FOR SPOOL AND CHECK VALVE ASSEMBLIES**

8699267	SEAL KIT FOR SPOOL VALVE 8130204
8130025	CHECK VALVE CAP FOR CHECK VALVE 8130090
8130209	CHECK VALVE CAP FOR CHECK VALVE 8130354

**The following items are common to Check Valves 8130090 & 8130354**

8114045	SPRING
8130089	SPRING GUIDE
0905509	STEEL BALL
8700644	O RING
8130088	CHECK VALVE SEAT
8709644	BACK UP RING





Module(s): 22523.08

REF.	QTY.	PART No.	DESCRIPTION
		<b>22523.08</b>	<b>MANIFOLD MODULE - 5 BANK AF/AR</b>
1	1	8132293	5 SERVICE MANIFOLD BLOCK (STACKABLE)
2	1	8132288	AUTO RESET BLOCK
3	1	8126333	FLOAT VALVE BLOCK
4	1	8126334	BRIDGING PLATE
5	8	9243082	CAPSCREW
6	1	G3812541	RELIEF VALVE - 180BAR
7	1	8130150	RELIEF VALVE - 40BAR
8	5	8582041	TAPER PLUG
9	9	8700511	O RING
10	1	8130204	CARTRIDGE SPOOL VALVE
11	1	05.290.01	BONDED SEAL
12	1	8581444	BLANKING PLUG
13	1	8700522	O RING
14	1	8700525	O RING
15	3	8581436	PLUG
16	9	8130090	CHECK VALVE ASSEMBLY
17	1	8130354	CHECK VALVE ASSEMBLY
18	3	8650103	BONDED SEAL
19	1	8130032	RELIEF VALVE CAP
20	5	8130087	ACTUATOR
21	2	8130710	RELIEF VALVE CAP
22	1	8132295	END PLATE
23	2	8700785	O RING
24	2	8130092	RELIEF VALVE - 190BAR
25	4	9343063	CAPSCREW

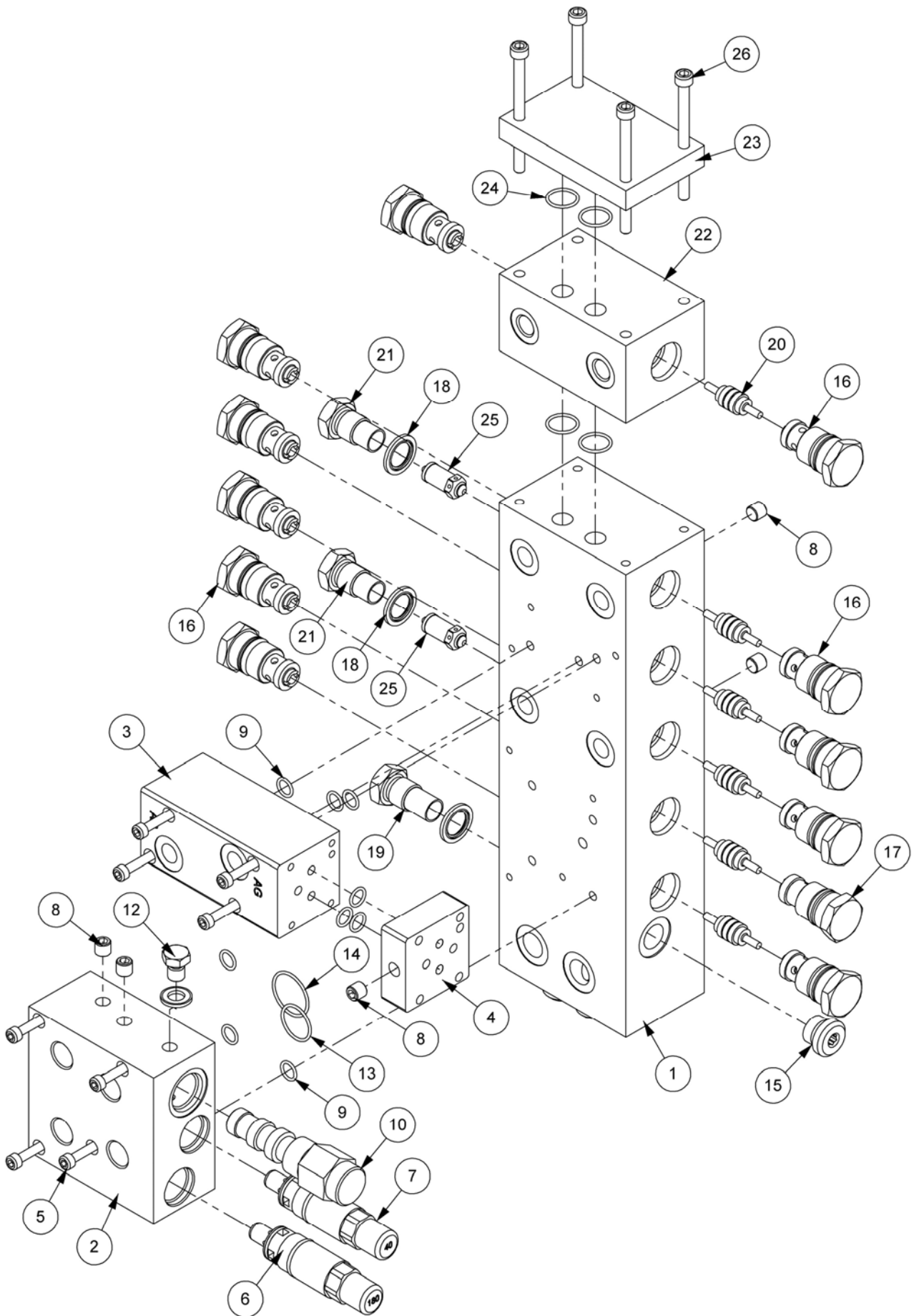
**SERVICE PARTS FOR SPOOL AND CHECK VALVE ASSEMBLIES**

- 8699267 SEAL KIT FOR SPOOL VALVE 8130204
- 8130025 CHECK VALVE CAP FOR CHECK VALVE 8130090
- 8130209 CHECK VALVE CAP FOR CHECK VALVE 8130354

**The following items are common to Check Valves 8130090 & 8130354**

- 8114045 SPRING
- 8130089 SPRING GUIDE
- 0905509 STEEL BALL
- 8700644 O RING
- 8130088 CHECK VALVE SEAT
- 8709644 BACK UP RING





Module(s): 22523.04

REF.	QTY.	PART No.	DESCRIPTION
		<b>22523.04</b>	<b>MANIFOLD MODULE - 6 BANK AF/AR</b>
1	1	8132293	5 SERVICE MANIFOLD BLOCK (STACKABLE)
2	1	8132288	AUTO RESET BLOCK
3	1	8126333	FLOAT VALVE BLOCK
4	1	8126334	BRIDGING PLATE
5	8	9243082	CAPSCREW
6	1	G3812541	RELIEF VALVE - 180BAR
7	1	8130150	RELIEF VALVE - 40BAR
8	5	8582041	TAPER PLUG
9	9	8700511	O RING
10	1	8130204	CARTRIDGE SPOOL VALVE
11	1	05.290.01	BONDED SEAL
12	1	8581444	BLANKING PLUG
13	1	8700522	O RING
14	1	8700525	O RING
15	3	8581436	PLUG - SOFT SEAL
16	11	8130090	CHECK VALVE ASSEMBLY
17	1	8130354	CHECK VALVE ASSEMBLY
18	3	8650103	BONDED SEAL
19	1	8130032	RELIEF VALVE CAP
20	6	8130087	ACTUATOR
21	2	8130710	RELIEF VALVE CAP
22	1	8132294	BOLT ON SERVICE MANIFOLD
23	1	8132295	END PLATE
24	4	8700785	O RING
25	2	8130092	RELIEF VALVE - 190BAR
26	4	9343163	CAPSCREW

**SERVICE PARTS FOR SPOOL AND CHECK VALVE ASSEMBLIES**

8699267	SEAL KIT FOR SPOOL VALVE 8130204
8130025	CHECK VALVE CAP FOR CHECK VALVE 8130090
8130209	CHECK VALVE CAP FOR CHECK VALVE 8130354

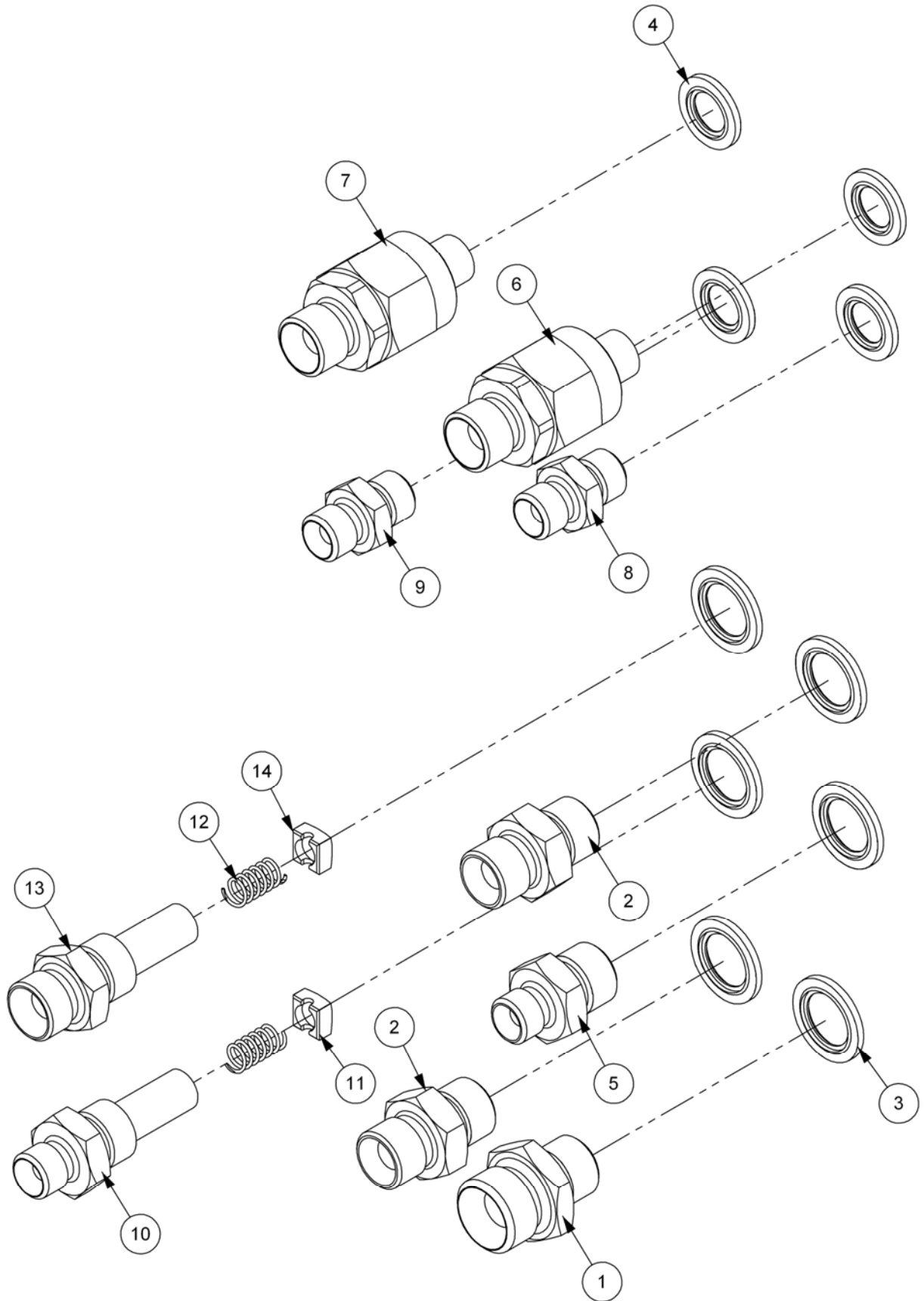
**The following items are common to Check Valves 8130090 & 8130354**

8114045	SPRING
8130089	SPRING GUIDE
905509	STEEL BALL
8700644	O RING
8130088	CHECK VALVE SEAT
8709644	BACK UP RING

# ADAPTOR MODULE - 4 BANK VALVES

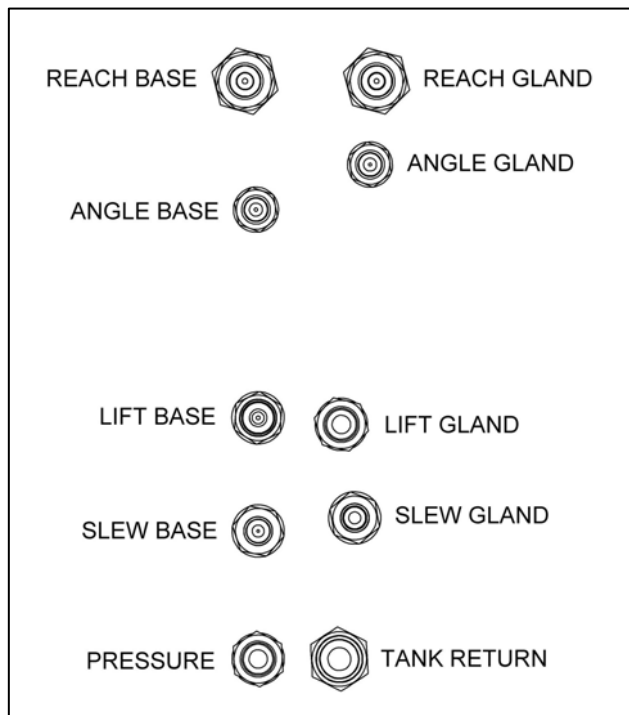
**McCONEL**

Module(s): 22524.21



Module(s): 22524.21

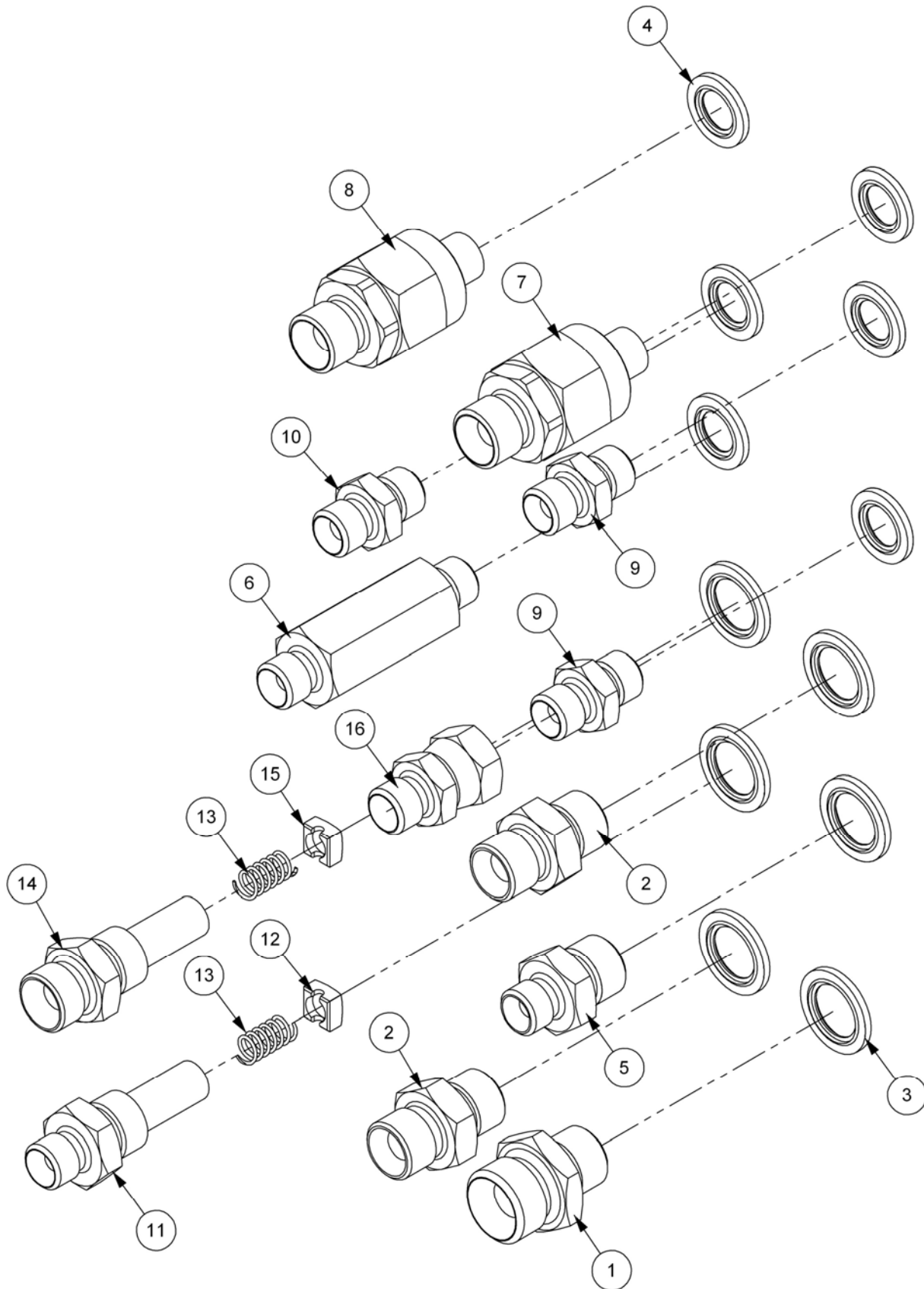
REF.	QTY.	PART No.	DESCRIPTION
		<b>22524.21</b>	<b>ADAPTOR MODULE</b>
1	1	6000112	ADAPTOR
2	2	6000113	ADAPTOR
3	6	8650103	BONDED SEAL
4	4	8650102	BONDED SEAL
5	1	8581115	ADAPTOR
6	1	8123112	RESTRICTOR UNION - 2.2
7	1	8123113	RESTRICTOR UNION - 2.5
8	1	8130038	ADAPTOR RESTRICTOR - 1.4 'L'
9	1	8130105	ADAPTOR RESTRICTOR - 1.6 'H'
10	1	8581210	SPECIAL ADAPTOR
11	1	8123041	RESTRICTOR DISC - 1.15 RED
12	2	8116011	SPRING
13	1	8581345	SPECIAL ADAPTOR
14	1	8123044	RESTRICTOR DISC - 1.8 YELLOW



# ADAPTOR MODULE - 5 BANK VALVES

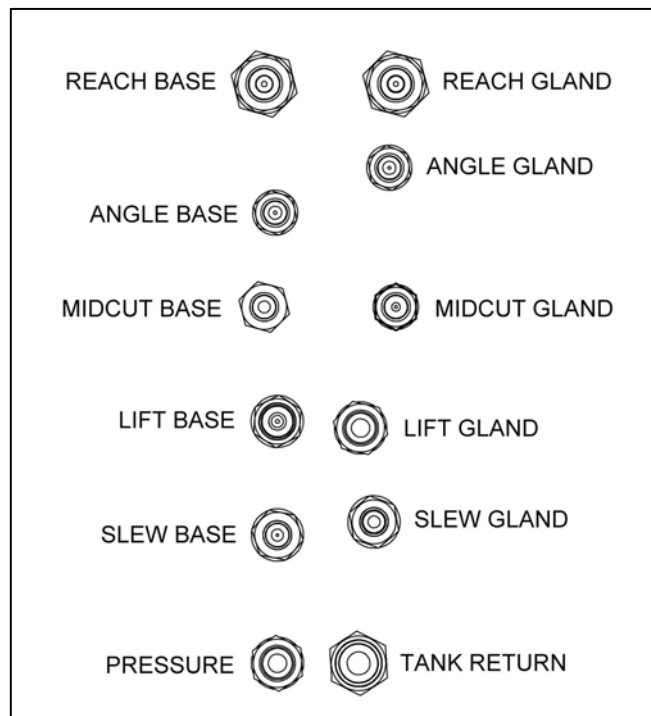
**McCONEL**

Module(s): 22524.20



Module(s): 22524.20

REF.	QTY.	PART No.	DESCRIPTION
		<b>22524.20</b>	<b>ADAPTOR MODULE</b>
1	1	6000112	ADAPTOR
2	2	6000113	ADAPTOR
3	6	8650103	BONDED SEAL
4	6	8650102	BONDED SEAL
5	1	8581115	ADAPTOR
6	1	8581279	ADAPTOR EXTENSION
7	1	8123112	RESTRICTOR UNION - 2.2
8	1	8123113	RESTRICTOR UNION - 2.5
9	2	8130038	ADAPTOR RESTRICTOR - 1.4 'L'
10	1	8130105	ADAPTOR RESTRICTOR - 1.6 'H'
11	1	8581210	SPECIAL ADAPTOR
12	1	8123041	RESTRICTOR DISC - 1.15 RED
13	2	8116011	SPRING
14	1	8581345	SPECIAL ADAPTOR
15	1	8123044	RESTRICTOR DISC - 1.8 YELLOW
16	1	8581309	SWIVEL ADAPTOR
17	1	8126333	FLOAT VALVE BLOCK
18	1	8132293	5 SERVICE MANIFOLD BLOCK (STACKABLE)
19	1	8132288	AUTO RESET BLOCK
20	1	8132294	BOLT ON SERVICE MANIFOLD

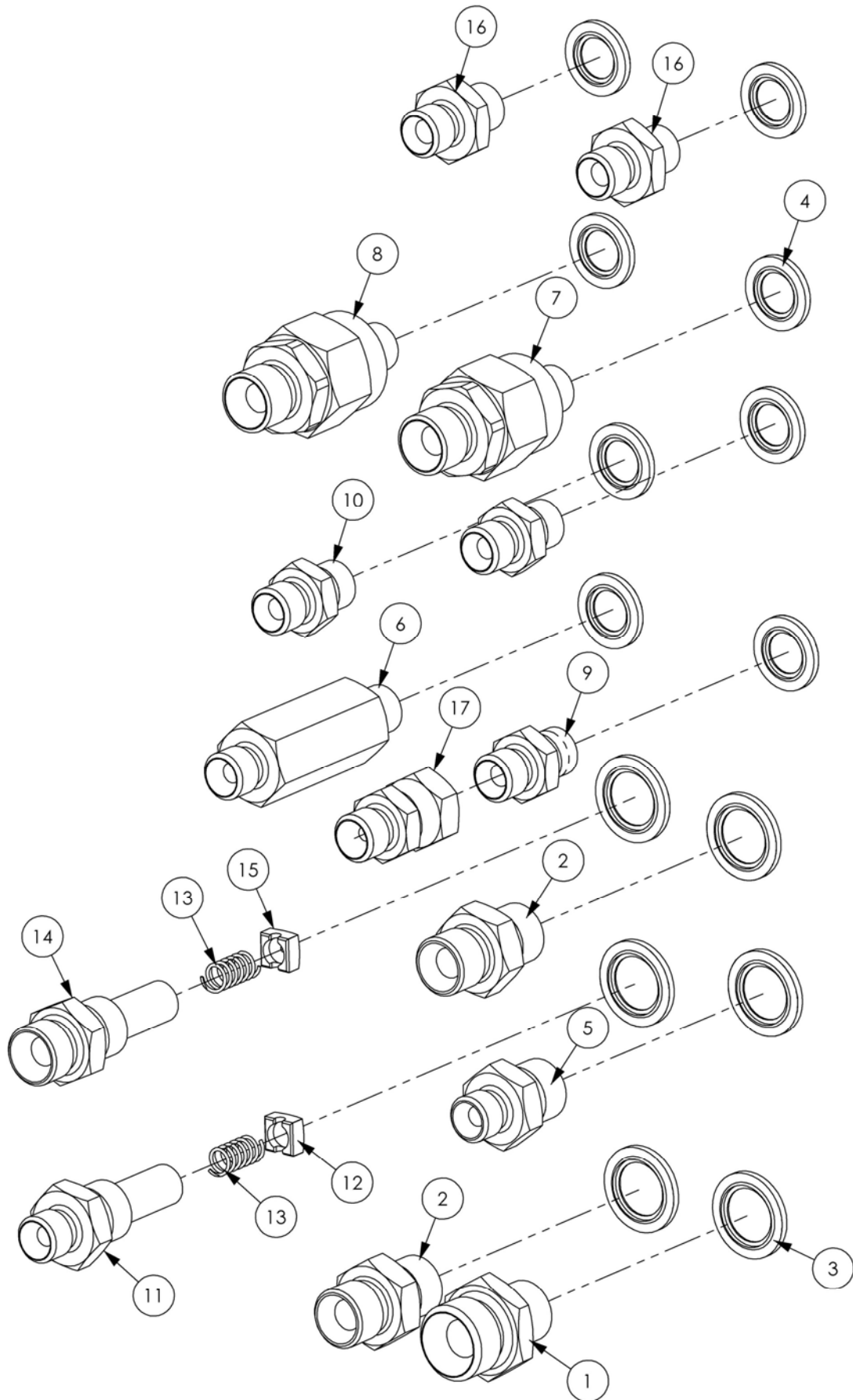




# ADAPTOR MODULE - 6 BANK VALVES

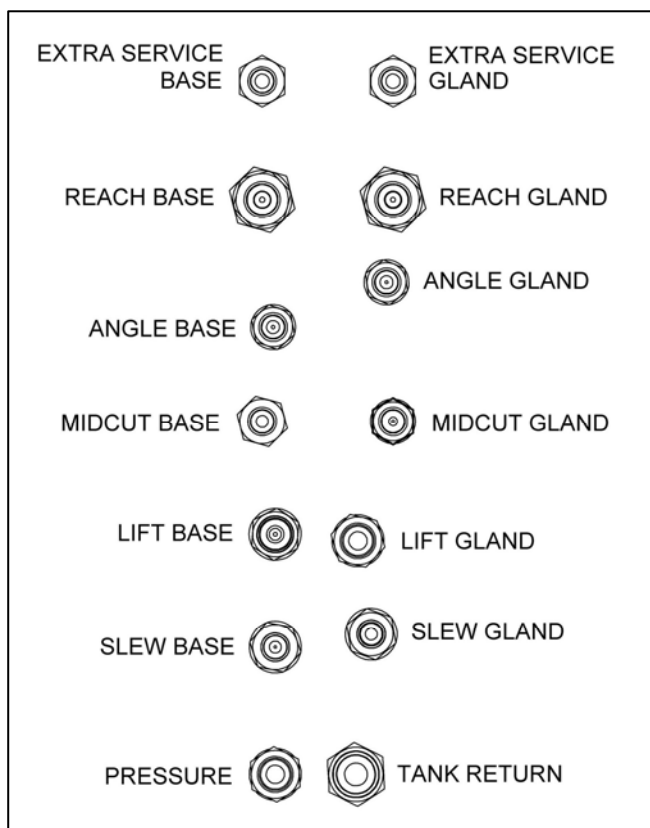
**McCONEL**

Module(s): 22524.05



Module(s): 22524.05

REF.	QTY.	PART No.	DESCRIPTION
		<b>22524.05</b>	<b>ADAPTORS MODULE</b>
1	1	6000112	ADAPTOR
2	2	6000113	ADAPTOR
3	6	8650103	BONDED SEAL
4	8	8650102	BONDED SEAL
5	1	8581115	ADAPTOR
6	1	8581279	ADAPTOR EXTENSION
7	1	8123112	RESTRICTOR UNION - 2.2
8	1	8123113	RESTRICTOR UNION - 2.5
9	2	8130038	ADAPTOR RESTRICTOR - 1.4 'L'
10	1	8130105	ADAPTOR RESTRICTOR - 1.6 'H'
11	1	8581210	SPECIAL ADAPTOR
12	1	8123041	RESTRICTOR DISC - 1.15 RED
13	2	8116011	SPRING
14	1	8581345	SPECIAL ADAPTOR
15	1	8123044	RESTRICTOR DISC - 1.8 YELLOW
16	2	8581169	ADAPTOR
17	1	8581309	SWIVEL ADAPTOR

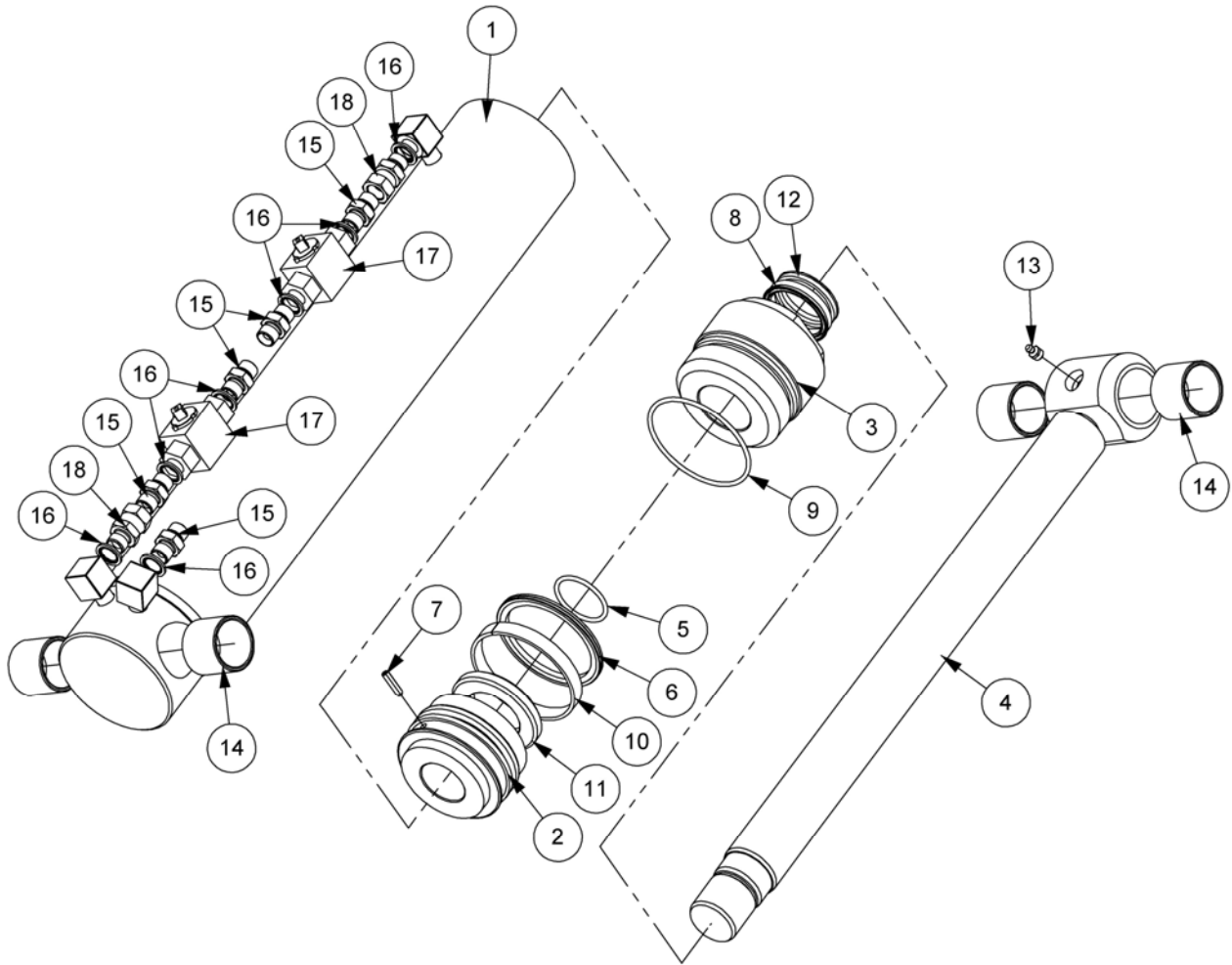




# LIFT RAM ASSEMBLY

Module(s): 42655.05

# McCONEL

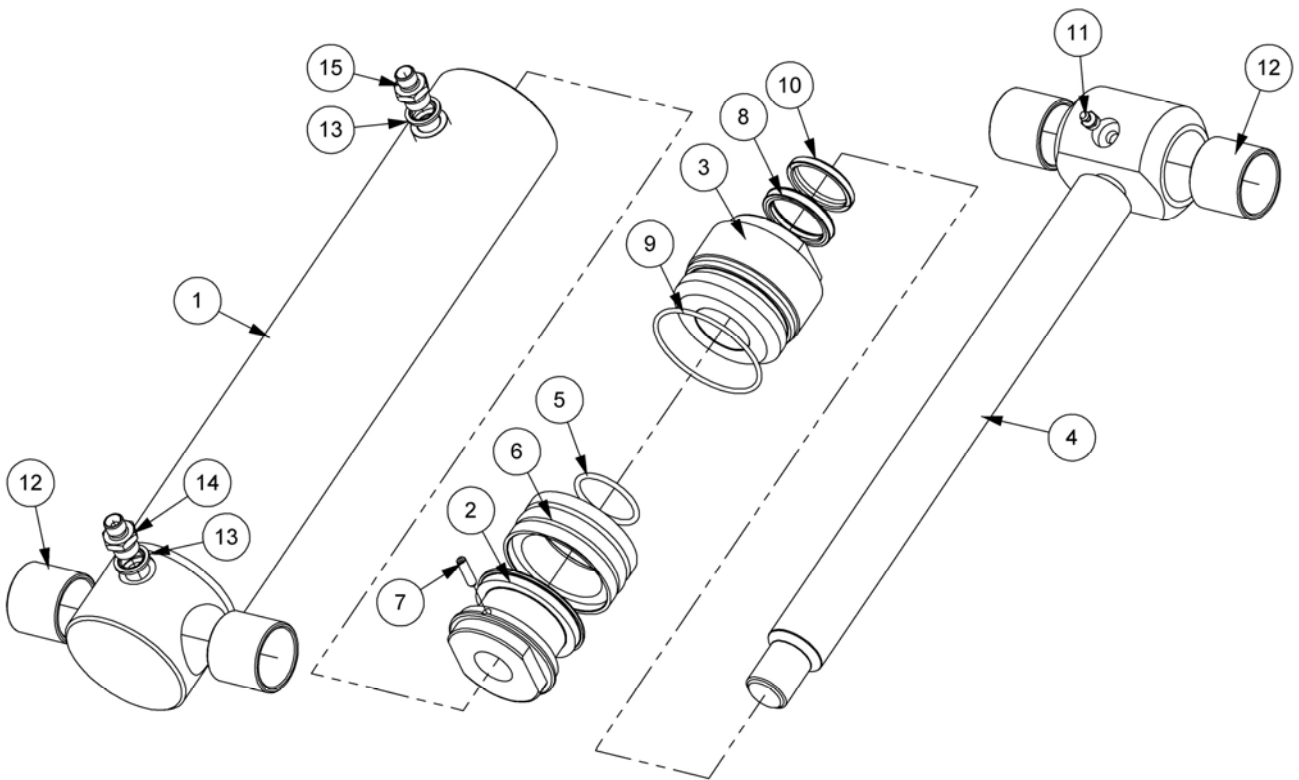


REF.	QTY.	PART No.	DESCRIPTION
		<b>42655.05</b>	<b>LIFT RAM ASSEMBLY</b>
1	1	42655.49	RAM BARREL
2	1	42655.31	PISTON
3	1	42655.48	GLAND HOUSING
4	1	42655.45	PISTON ROD
5	1	8600302	O RING
6	1	8629182	PISTON SEAL
7	1	42775.01	DOWEL
8	1	8629184	SEAL
9	1	8600317	O RING
10	1	8629183	BEARING RING
11	1	43062.05	RAM SPACER
12	1	8629227	SEAL - ROD SCRAPER
13	1	0901121	GREASE NIPPLE
14	4	08.297.02	BUSH
15	5	6000113	ADAPTOR
16	7	8650103	BONDED SEAL
17	2	08.200.01	ISOLATING VALVE
18	2	8581178	SWIVEL ADAPTOR
		<b>8699223</b>	<b>SEAL KIT</b>

# SLEW RAM ASSEMBLY

**McCONNEL**

Module(s): 43316.03

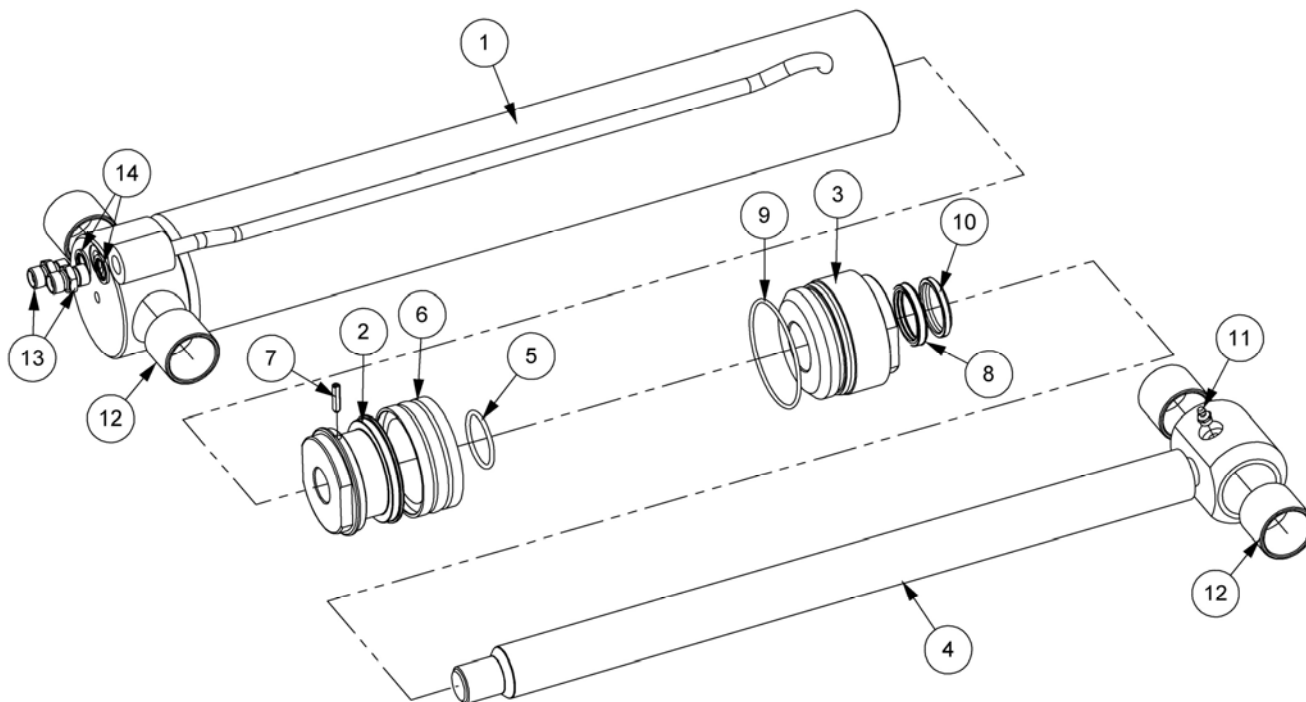


REF.	QTY.	PART No.	DESCRIPTION
		<b>43316.03</b>	<b>SLEW RAM ASSEMBLY</b>
1	1	43316.36	RAM BARREL
2	1	43316.31	PISTON
3	1	43316.32	GLAND HOUSING
4	1	43316.33	PISTON ROD
5	1	8600301	O RING
6	1	8638740	PISTON SEAL
7	1	42775.01	DOWEL
8	1	8629225	GLAND SEAL
9	1	8700740	O RING
10	1	8629208	SCRAPER RING
11	1	0901121	GREASE NIPPLE
12	4	08.297.02	BUSH
13	2	8650103	BONDED SEAL
14	1	8581145	ADAPTOR
15	1	8130066	RESTRICTOR
		<b>43316.01</b>	<b>SEAL KIT</b>

# REACH RAM ASSEMBLY

**McCONNEL**

Module(s): 43315.03

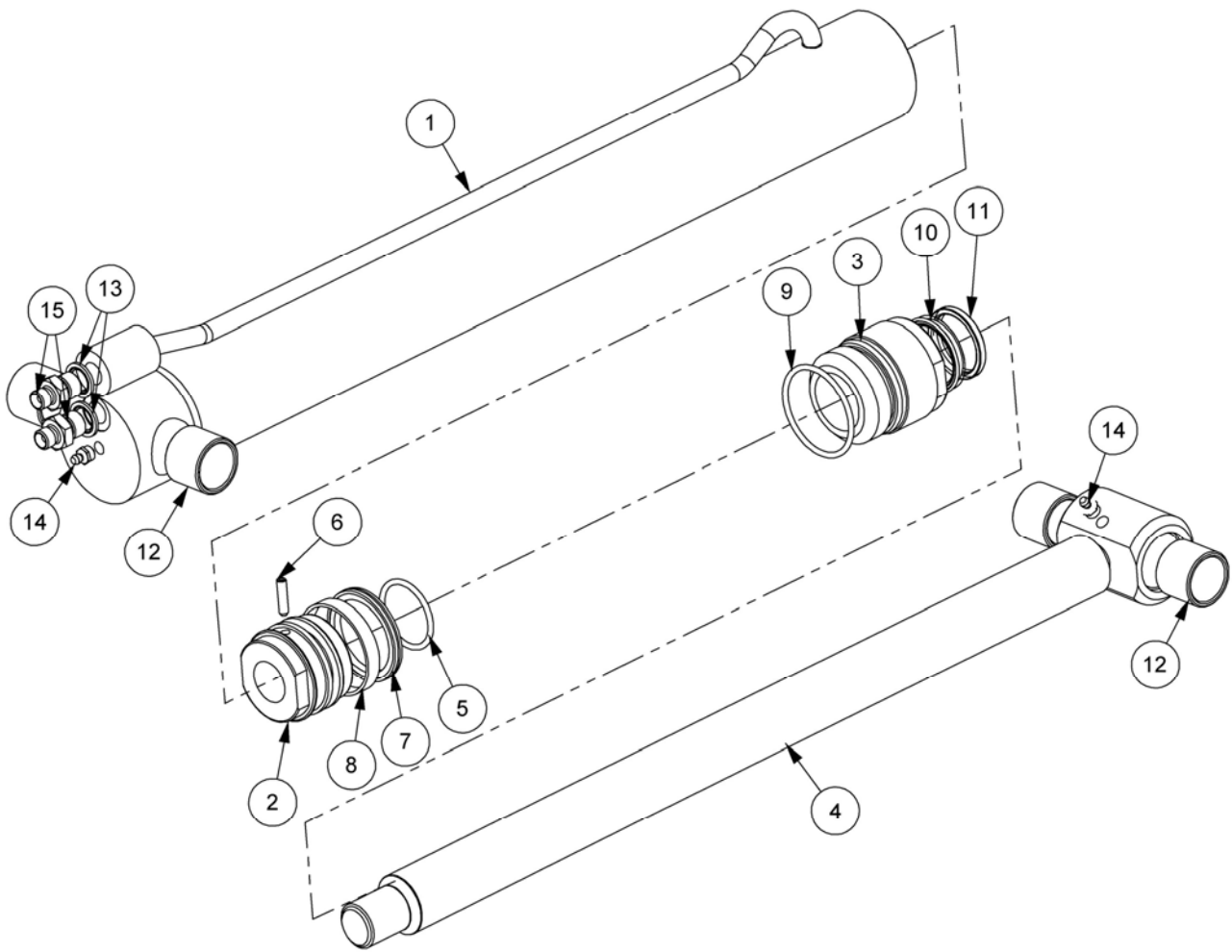


REF.	QTY.	PART No.	DESCRIPTION
		<b>43315.03</b>	<b>REACH RAM ASSEMBLY</b>
1	1	43315.36	RAM BARREL
2	1	43315.31	PISTON
3	1	43315.32	GLAND HOUSING
4	1	43315.33	PISTON ROD
5	1	8600301	O RING
6	1	8638742	PISTON SEAL
7	1	42775.01	DOWEL
8	1	8629225	GLAND SEAL
9	1	8600742	O RING
10	1	8629208	SCRAPER RING
11	1	0901121	GREASE NIPPLE
12	4	08.297.02	BUSH
13	2	8581209	ADAPTOR
14	2	8650103	BONDED SEAL
		<b>43315.01</b>	<b>SEAL KIT</b>

# ANGLING RAM ASSEMBLY

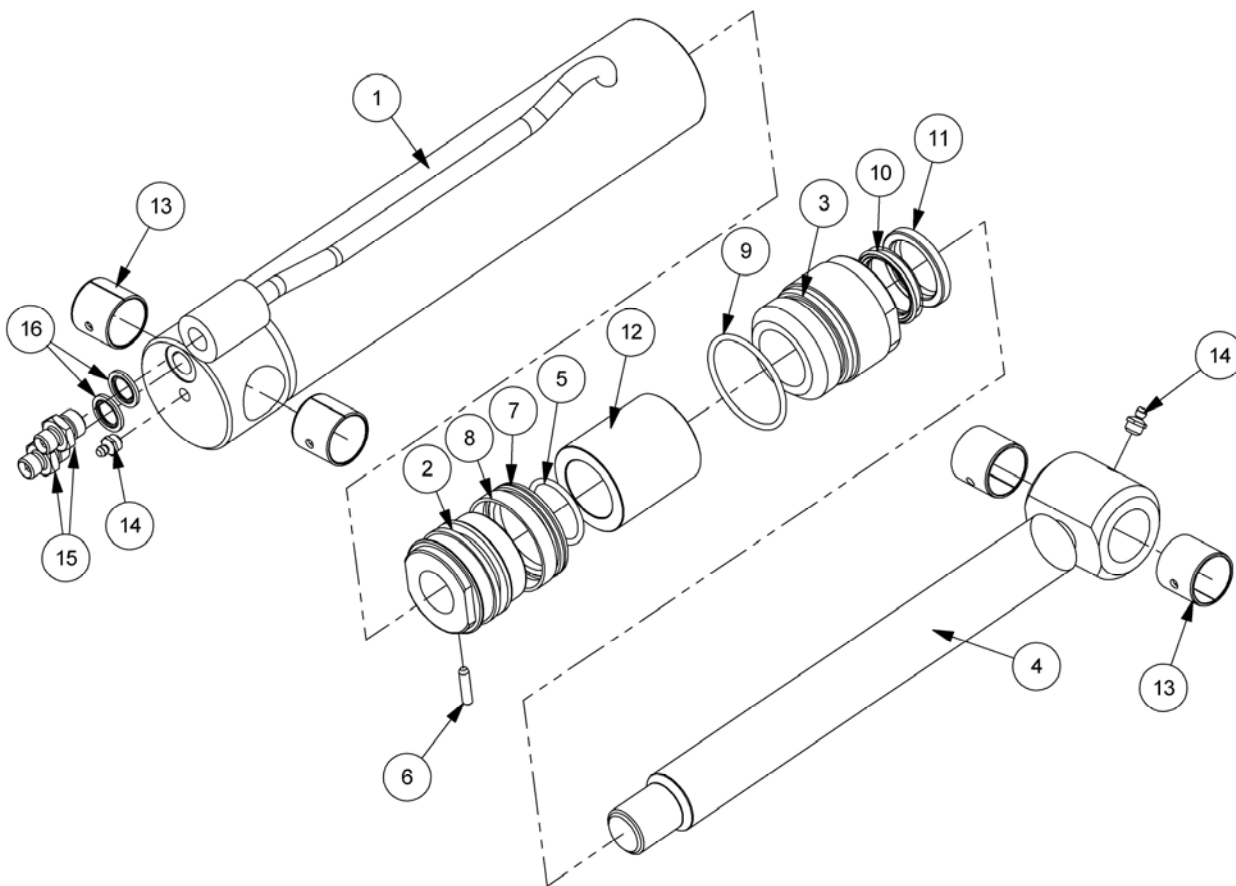
**McCONNEL**

Module(s): 43317.07 (BSP Build), 43317.10 (JIC Build)

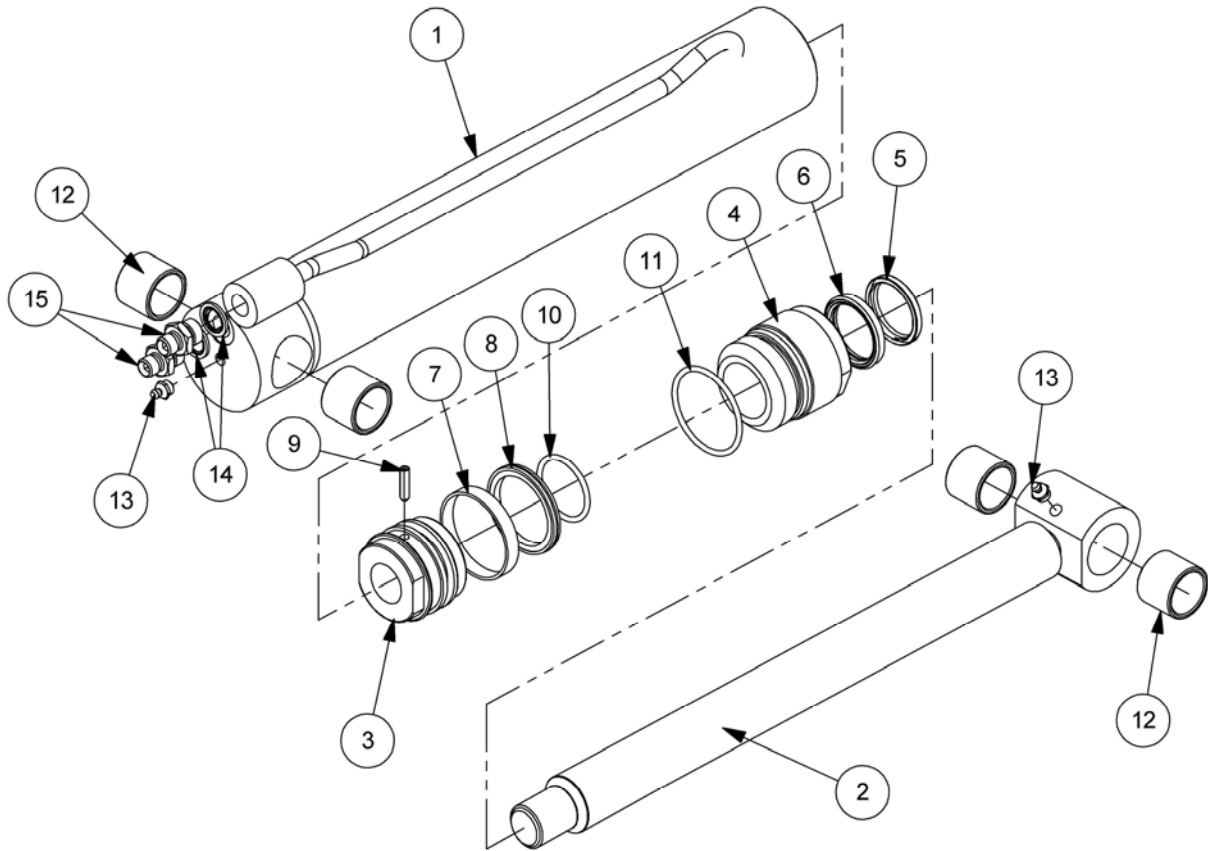


REF.	QTY.	PART No.	DESCRIPTION
		<b>43317.07</b>	<b>ANGLING RAM ASSEMBLY - BSP Build</b>
		<b>43317.10</b>	<b>ANGLING RAM ASSEMBLY - JIC Build</b>
1	1	43317.33	RAM BARREL
2	1	43317.31	PISTON
3	1	43317.32	GLAND HOUSING
4	1	43317.35	PISTON ROD
5	1	8600301	O RING
6	1	42775.01	DOWEL
7	1	8629156	PISTON SEAL
8	1	8629157	PISTON GUIDE RING
9	1	8600306	O RING
10	1	8629225	ROD GLAND SEAL
11	1	8629208	ROD SCRAPER RING
12	4	08.297.04	BUSH
13	2	8650103	BONDED SEAL
14	2	0901121	GREASER
15	2	8581115	ADAPTOR - <i>BSP Build</i>
	2	08.955.06	ADAPTOR - <i>JIC Build</i>
		<b>43317.01</b>	<b>SEAL KIT</b>

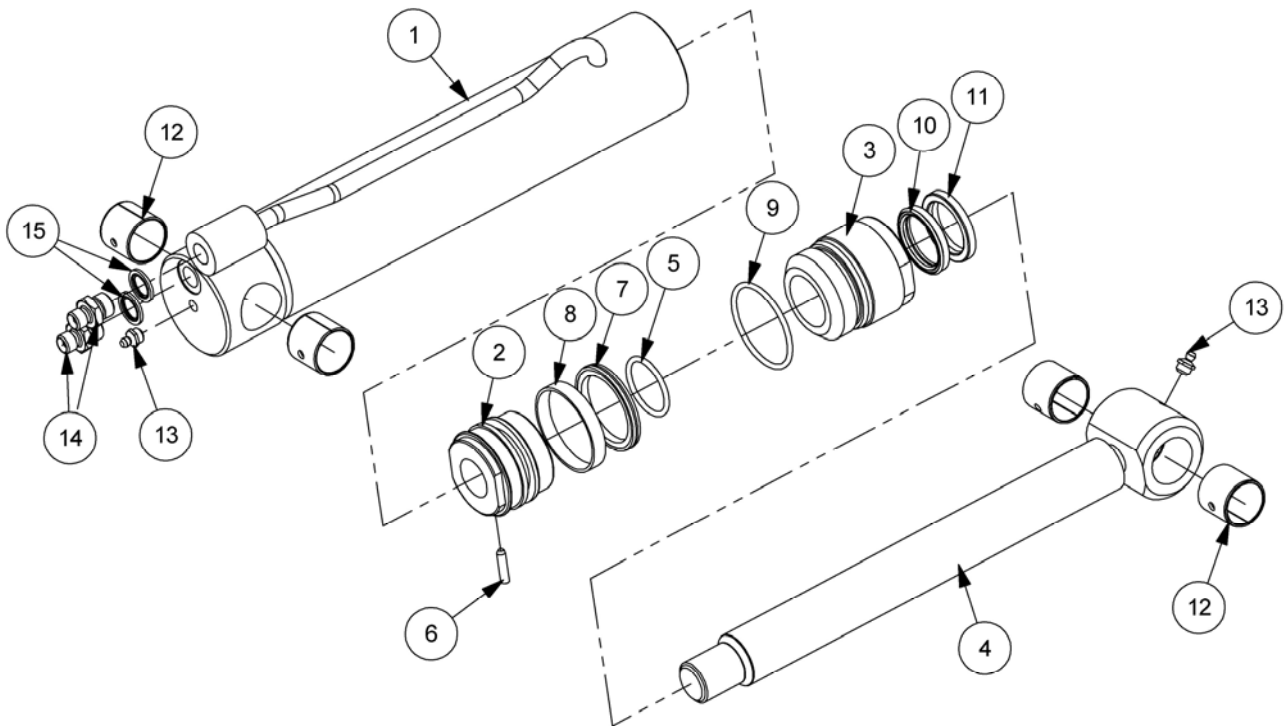
Module(s): 42664.07



REF.	QTY.	PART No.	DESCRIPTION
		<b>42664.07</b>	<b>FOLD RAM ASSEMBLY</b>
1	1	42664.42	RAM BARREL
2	1	42664.31	PISTON
3	1	42664.32	GLAND HOUSING
4	1	42664.39	PISTON ROD
5	1	8600127	O RING
6	1	42775.01	DOWEL
7	1	8629156	PISTON SEAL
8	1	8629157	GUIDE RING
9	1	8600306	O RING
10	1	8629222	GLAND SEAL
11	1	8629147	SCRAPER RING
12	1	43062.02	RAM SPACER
13	4	42654.01	GLACIER BUSH
14	2	0901121	GREASE NIPPLE
15	2	8581115	ADAPTOR
16	2	8650103	BONDED SEAL
		<b>42664.08</b>	<b>SEAL KIT</b>



REF.	QTY.	PART No.	DESCRIPTION
		<b>43317.08</b>	<b>FOLD RAM ASSEMBLY</b>
1	1	43317.40	BARREL
2	1	43317.43	PISTON ROD
3	1	43317.31	PISTON
4	1	43317.32	GLAND HOUSING
5	1	8629208	SCRAPER RING
6	1	8629225	GLAND SEAL
7	1	8629157	GUIDE RING
8	1	8629156	PISTON SEAL
9	1	42775.01	DOWEL
10	1	8600301	O RING
11	1	8600306	O RING
12	4	08.297.04	BUSH
13	2	0901121	GREASE NIPPLE
14	2	8650103	BONDED SEAL
15	2	8581115	ADAPTOR
		<b>43317.01</b>	<b>SEAL KIT</b>



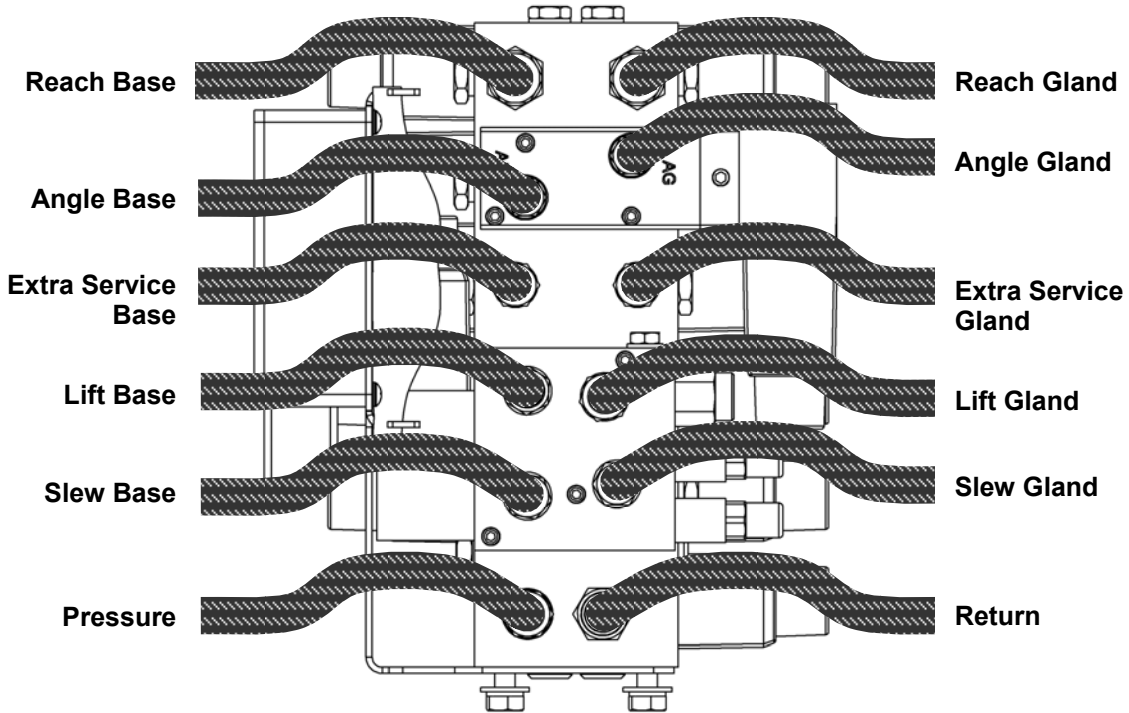
REF.	QTY.	PART No.	DESCRIPTION
		<b>42664.06</b>	<b>FOLD RAM ASSEMBLY</b>
1	1	42664.42	RAM BARREL
2	1	42664.31	PISTON
3	1	42664.32	GLAND HOUSING
4	1	42664.39	PISTON ROD
5	1	8600127	O RING
6	1	42775.01	DOWEL
7	1	8629156	PISTON SEAL
8	1	8629157	GUIDE RING
9	1	8600306	O RING
10	1	8629222	GLAND SEAL
11	1	8629147	SCRAPER RING
12	4	42654.01	GLACIER BUSH
13	2	0901121	GREASE NIPPLE
14	2	8581115	ADAPTOR
15	2	8650103	BONDED SEAL
		<b>42664.08</b>	<b>SEAL KIT</b>



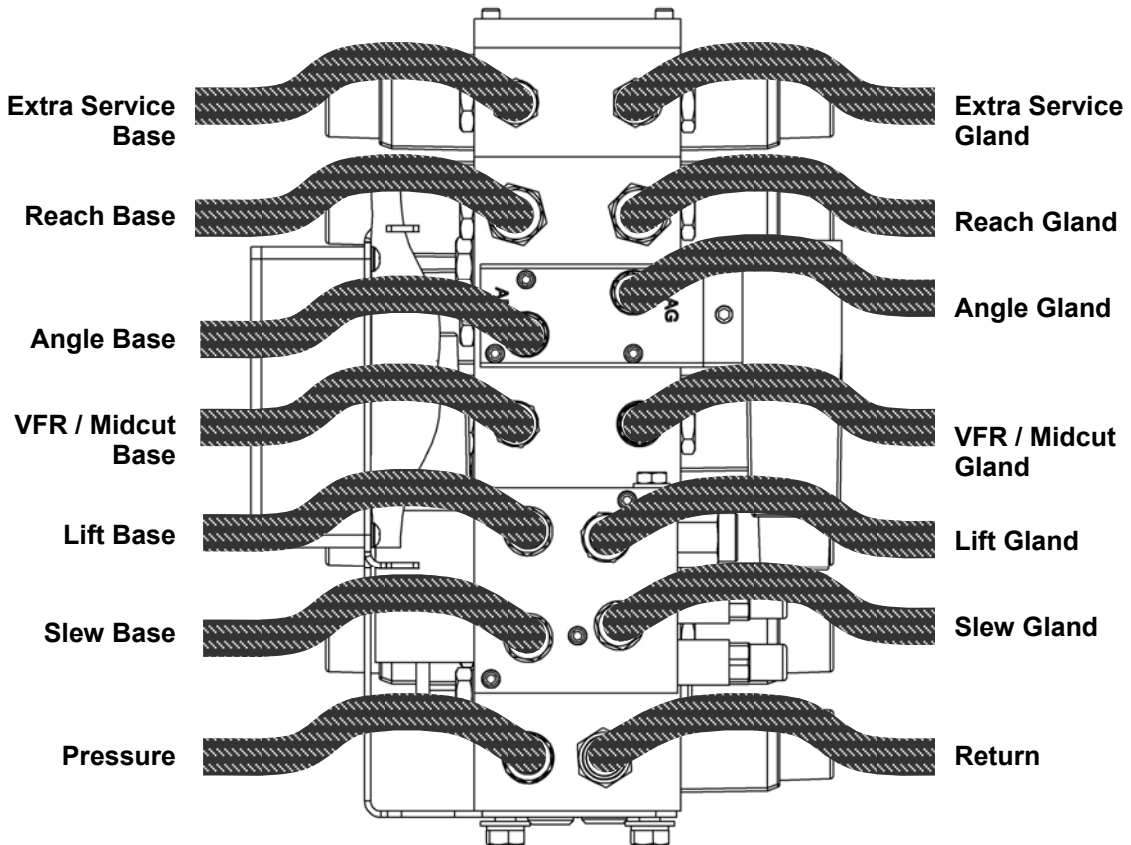
# CONTROL VALVE HOSE INSTALLATION

**McCONNEL**

Module(s): Refer to Hose Kit lists



**Standard Arm Machines**



**VFR / Midcut Machines**

# HYDRAULIC HOSE KITS



Module(s): Listed below

REF.	QTY.								PART No.	DESCRIPTION
									• 715772205	PA600 L/H STD ARM ELEC RCV ELEC ACV
									• 715772206	PA600 R/H STD ARM ELEC RCV ELEC ACV
									• 715772207	PA600 L/H 1.0 MID ELEC RCV ELEC ACV
									• 715772208	PA600 R/H 1.0 MID ELEC RCV ELEC ACV
									• 715772209	PA600 L/H 1.5 MID ELEC RCV ELEC ACV
									• 715772210	PA600 R/H 1.5 MID ELEC RCV ELEC ACV
									• 715772217	PA600 L/H VFR ARM ELEC RCV PROP ACV (EDS)
									• 715772218	PA600 R/H VFR ARM ELEC RCV PROP ACV (EDS)
1	1	1	1	1	1	1	1	1	10.011.22	HOSE - 1" BSP FS/FS x 1200mm
2	1	1	1	1	1	1	1	1	10.025.18	HOSE - 1" BSP FS/F135 x 900mm
3	2	2	2	2	2	2	2	2	21270.42	HOSE - 1" BSP FS/F135 x 3200mm
4	2	2	-	-	-	-	-	-	21268.50	HOSE - 1" BSP FS/F90 x 4000mm
	-	-	2	2	-	-	-	-	21268.61	HOSE - 1" BSP FS/F90 x 5100mm
	-	-	-	-	2	2	-	-	21268.64	HOSE - 1" BSP FS/F90 x 5400mm
	-	-	-	-	-	-	2	2	21268.58	HOSE - 1" BSP FS/F90 x 4800mm
5	1	1	-	-	-	-	-	-	10.008.49	HOSE - 5/8" BSP FS/F90 x 3900mm
	-	-	1	1	-	-	-	-	10.008.60	HOSE - 5/8" BSP FS/F90 x 5000mm
	-	-	-	-	1	1	-	-	10.008.63	HOSE - 5/8" BSP FS/F90 x 5300mm
	-	-	-	-	-	-	1	1	10.008.58	HOSE - 5/8" BSP FS/F90 x 4800mm
6	1	1	1	1	1	1	1	1	10.007.44	HOSE - 5/8" BSP FS/F90 x 3400mm
7	1	1	1	1	1	1	1	1	10.005.15	HOSE - 1/2" BSP FS/FS x 750mm
8	1	1	1	1	1	1	1	1	10.021.20	HOSE - 3/4" BSP FS/FS x 420mm
9	1	1	1	1	1	1	1	1	10.003.09	HOSE - 3/4" BSP FS/FS x 450mm
10	2	2	2	2	2	2	2	2	10.003.29	HOSE - 3/4" BSP FS/FS x 1900mm
11	2	2	2	2	2	2	2	2	10.002.14	HOSE - 1/4" BSP FS/F90 x 700mm
12	2	2	2	2	2	2			10.003.54	HOSE - 3/8" BSP FS/FS x 4400mm
	-	-	-	-	-	-	2	2	10.003.57	HOSE - 3/8" BSP FS/FS x 4700mm
13	-	-	2	2	2	2	2	2	10.001.67	HOSE - 1/4" BSP FS/FS x 5700mm
14	2	2	2	2	2	2	2	2	10.001.47	HOSE - 1/4" BSP FS/FS x 3700mm
15	2	2	-	-	-	-	-	-	10.001.36	HOSE - 1/4" BSP FS/FS x 2600mm
	-	-	2	2	-	-	-	-	10.001.58	HOSE - 1/4" BSP FS/FS x 4800mm
	-	-	-	-	2	2	-	-	10.001.61	HOSE - 1/4" BSP FS/FS x 5100mm
	-	-	-	-	-	-	2	2	10.002.57	HOSE - 1/4" BSP FS/F90 x 4700mm

- 1 Cooler to Tank
- 2 RCV to Cooler
- 3 RCV to Main Arm
- 4 Main Arm to Dipper
- 5 Drain Line Dipper to Main Arm
- 6 Drain Line Main Arm to Tank
- 7 ACV to Cooler
- 8 Control Pump Supply

- 9 Control Pump to Control Valve
- 10 Lift Base & Gland
- 11 Slew Base & Gland
- 12 Reach Base & Gland
- 13 Midcut/VFR Fold Ram
- 14 Angle - Valve to Main Arm
- 15 Angle - Main Arm to Ram

**NOTE:** When replacing hoses it is advisable to run the new hose alongside the old one prior to its removal in order to determine the correct routing. Part numbers are marked on hose ends.

**HYDRAULIC HOSE KITS – Extra Service Models**



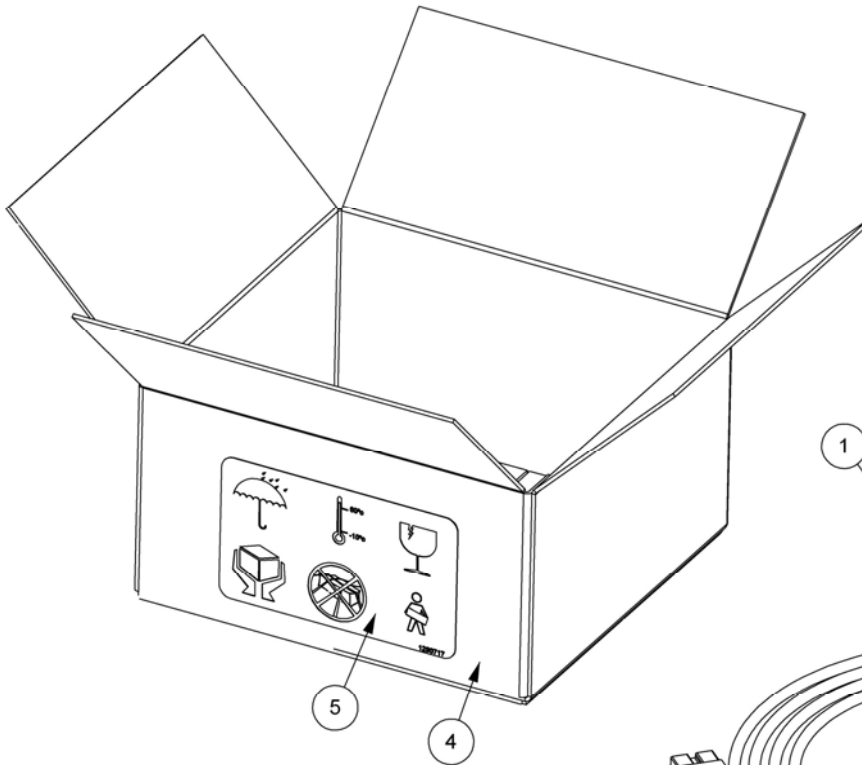
Module(s): Listed below

REF.	QTY.								PART No.	DESCRIPTION
									• <b>715772225</b>	PA600 L/H STD ARM ELEC RCV ELEC ACV EX SERV.
									• <b>715772226</b>	PA600 R/H STD ARM ELEC RCV ELEC ACV EX SERV.
									• <b>715772227</b>	PA600 L/H 1.0 MID ELEC RCV ELEC ACV EX SERV.
									• <b>715772228</b>	PA600 R/H 1.0 MID ELEC RCV ELEC ACV EX SERV.
									• <b>715772229</b>	PA600 L/H 1.5 MID ELEC RCV ELEC ACV EX SERV.
									• <b>715772230</b>	PA600 R/H 1.5 MID ELEC RCV ELEC ACV EX SERV.
									• <b>715772237</b>	PA600 L/H VFR ELEC RCV PROP ACV EDS EX SERV.
									• <b>715772238</b>	PA600 R/H VFR ELEC RCV PROP ACV EDS EX SERV.
1	1	1	1	1	1	1	1	1	10.011.22	HOSE - 1" BSP FS/FS x 1200mm
2	1	1	1	1	1	1	1	1	10.025.18	HOSE - 1" BSP FS/F135 x 900mm
3	2	2	2	2	2	2	2	2	21270.42	HOSE - 1" BSP FS/F135 x 3200mm
4	2	2	-	-	-	-	-	-	21268.50	HOSE - 1" BSP FS/F90 x 4000mm
	-	-	2	2	-	-	-	-	21268.61	HOSE - 1" BSP FS/F90 x 5100mm
	-	-	-	-	2	2	-	-	21268.64	HOSE - 1" BSP FS/F90 x 5400mm
	-	-	-	-	-	-	2	2	21268.58	HOSE - 1" BSP FS/F90 x 4800mm
5	1	1	-	-	-	-	-	-	10.008.49	HOSE - 5/8" BSP FS/F90 x 3900mm
	-	-	1	1	-	-	-	-	10.008.60	HOSE - 5/8" BSP FS/F90 x 5000mm
	-	-	-	-	1	1	-	-	10.008.63	HOSE - 5/8" BSP FS/F90 x 5300mm
	-	-	-	-	-	-	1	1	10.008.58	HOSE - 5/8" BSP FS/F90 x 4800mm
6	1	1	1	1	1	1	1	1	10.007.44	HOSE - 5/8" BSP FS/F90 x 3400mm
7	1	1	1	1	1	1	1	1	10.005.15	HOSE - 1/2" BSP FS/FS x 750mm
8	1	1	1	1	1	1	1	1	10.021.20	HOSE - 3/4" BSP FS/FS x 420mm
9	1	1	1	1	1	1	1	1	10.003.09	HOSE - 3/4" BSP FS/FS x 450mm
10	2	2	2	2	2	2	2	2	10.003.29	HOSE - 3/4" BSP FS/FS x 1900mm
11	2	2	2	2	2	2	2	2	10.002.14	HOSE - 1/4" BSP FS/F90 x 700mm
12	2	2	2	2	2	2	-	-	10.003.54	HOSE - 3/8" BSP FS/FS x 4400mm
	-	-	-	-	-	-	2	2	10.003.57	HOSE - 3/8" BSP FS/FS x 4700mm
13	-	-	2	2	2	2	2	2	10.001.67	HOSE - 1/4" BSP FS/FS x 5700mm
14	4	4	4	4	4	4	4	4	10.001.47	HOSE - 1/4" BSP FS/FS x 3700mm
15	4	4	-	-	-	-	-	-	10.001.36	HOSE - 1/4" BSP FS/FS x 2600mm
	-	-	4	4	-	-	-	-	10.001.58	HOSE - 1/4" BSP FS/FS x 4800mm
	-	-	-	-	4	4	-	-	10.001.61	HOSE - 1/4" BSP FS/FS x 5100mm
	-	-	-	-	-	-	2	2	10.002.57	HOSE - 1/4" BSP FS/F90 x 4700mm
16	-	-	-	-	-	-	2	2	10.001.46	HOSE - 1/4" BSP FS/FS x 3600mm

- 1 Cooler to Tank
- 2 RCV to Cooler
- 3 RCV to Main Arm
- 4 Main Arm to Dipper
- 5 Drain Line Dipper to Main Arm
- 6 Drain Line Main Arm to Tank
- 7 ACV to Cooler
- 8 Control Pump Supply
- 9 Control Pump to Control Valve

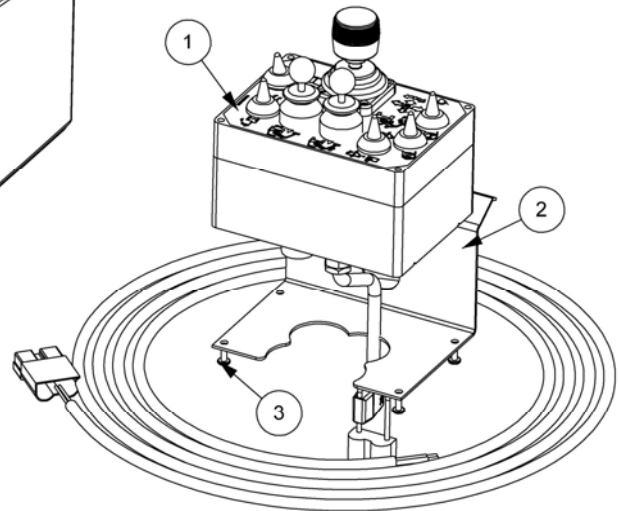
- 10 Lift Base & Gland
- 11 Slew Base & Gland
- 12 Reach Base & Gland
- 13 Midcut/VFR Fold Ram
- 14 Angle - Valve to Main Arm / Extra Ser. if fitted
- 15 Angle - Main Arm to Ram / Extra Ser. if fitted
- 16 Extra Service (VFR Arm)

**NOTE:** When replacing hoses it is advisable to run the new hose alongside the old one prior to its removal in order to determine the correct routing. Part numbers are marked on hose ends.



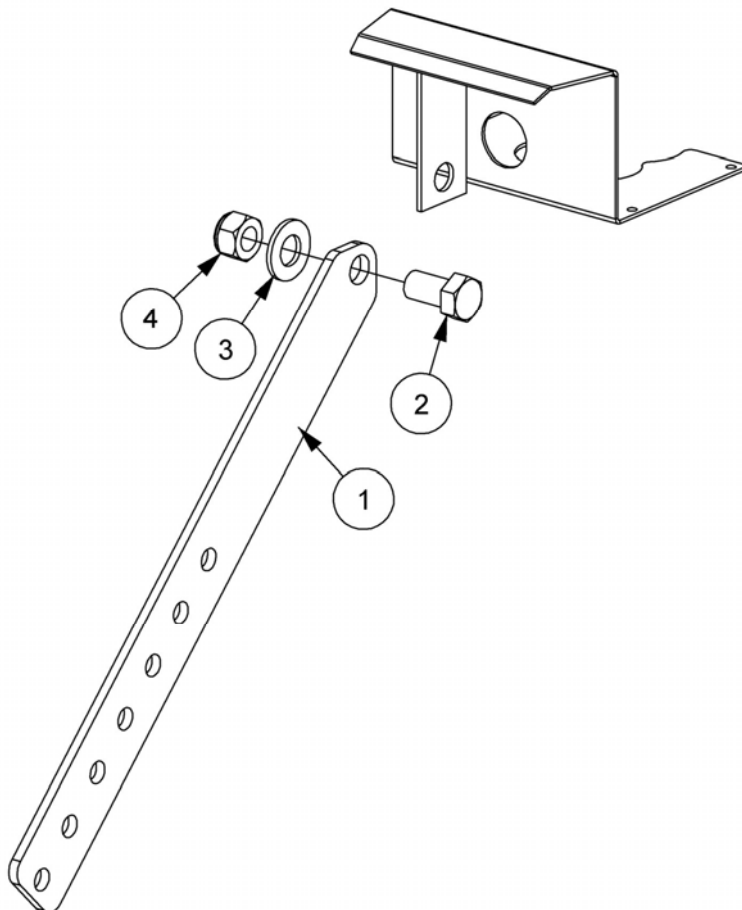
ENSURE THE CONTROL BOX IS WELL PACKED AND UNABLE TO MOVE INSIDE THE BOX.

WHEN SEALING ENSURE THAT ALL CORNERS ON SEAMS ARE SEALED WITH MCCONNEL TAPE TO PROTECT THE CONTROLLER FROM WATER DAMAGE



REF.	QTY.	PART No.	DESCRIPTION
		<b>8402911</b>	<b>PROPORTIONAL SWITCHBOX ASSEMBLY</b>
1	1	8402395	PROPORTIONAL SWITCHBOX CONTROL
2	1	8402345	SWITCHBOX BRACKET
3	4	2800243	SELF-TAPPING SCREW
4	1	8402701	WATERPROOF PACKING BOX
5	1	1290717	DECAL - CONTROLS PACKAGING

Module(s): 7109319

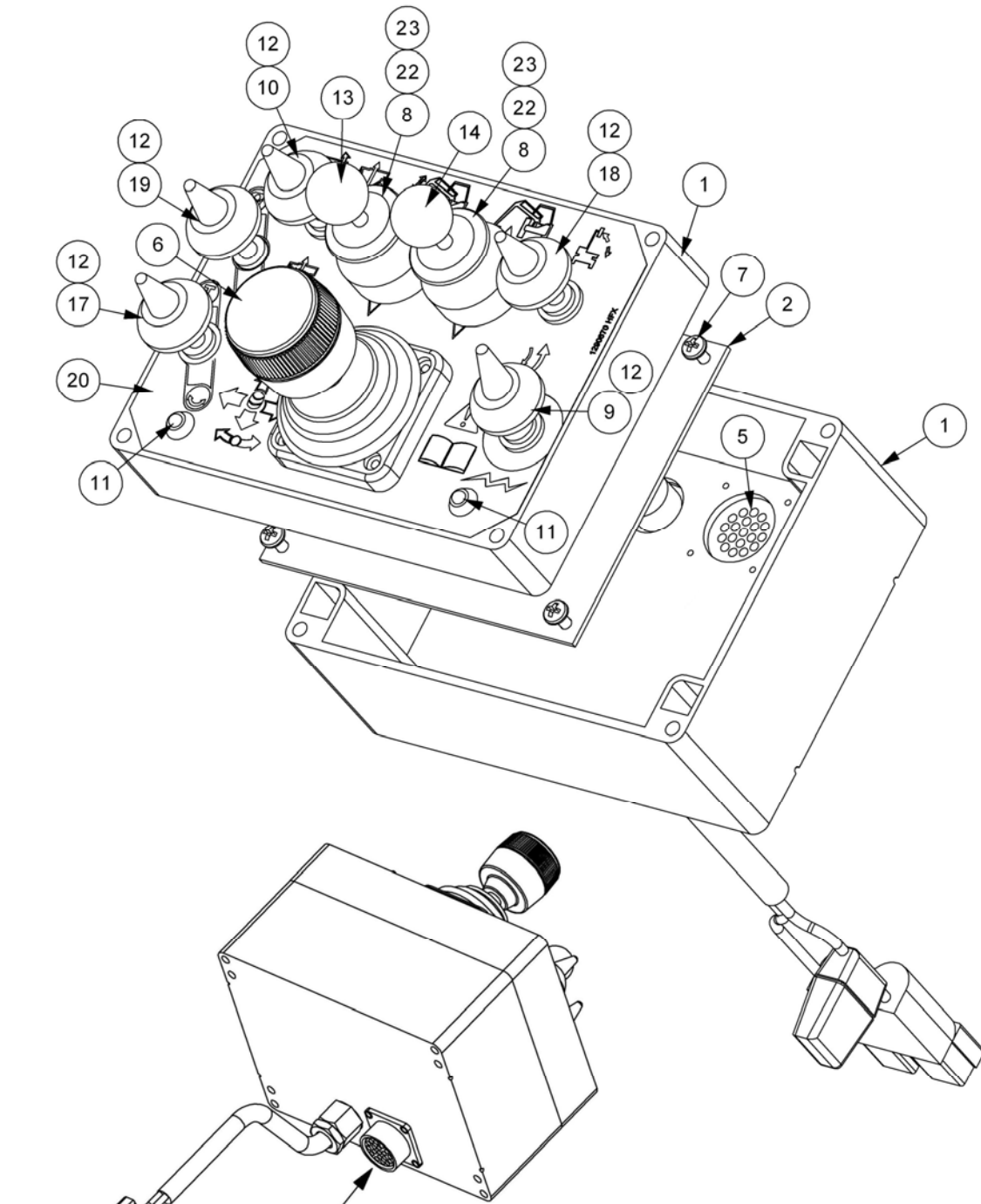


REF.	QTY.	PART No.	DESCRIPTION
		<b>7109319</b>	<b>ELECTRIC SWITCHBOX MOUNTING KIT</b>
1	1	7109146	CONTROL MOUNTING PILLAR
2	1	9313067	SETSCREW
3	1	0100106	FLAT WASHER
4	1	9163007	NYLOC NUT

# XTC PROPORTIONAL SWITCHBOX CONTROLS

**McCONEL**

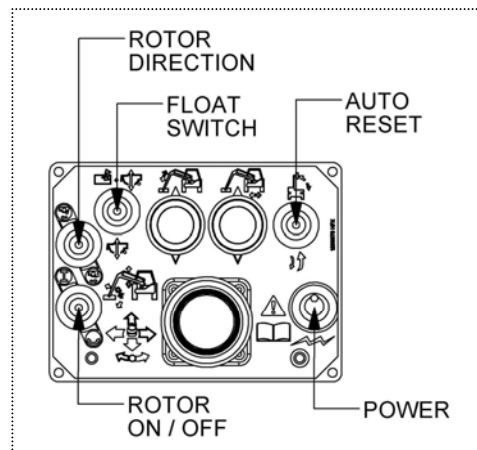
Module(s): 8402395



- A - COMMON
- B - REACH IN
- C - REACH OUT
- D - LIFT UP
- E - LIFT DOWN
- F - COMMON
- G - TELE IN
- H - TELE OUT
- J - ANGLE DOWN
- K - ANGLE UP



- L - SLEW OUT
- M - SLEW IN
- N - COMMON
- P - ANGLE FLOAT
- R - LIFT FLOAT
- S - PUMP 1
- T - PUMP 2
- U - AUTO RESET
- V - CUT OFF

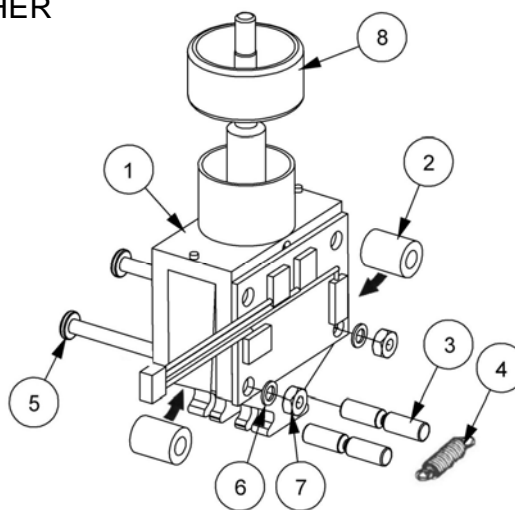




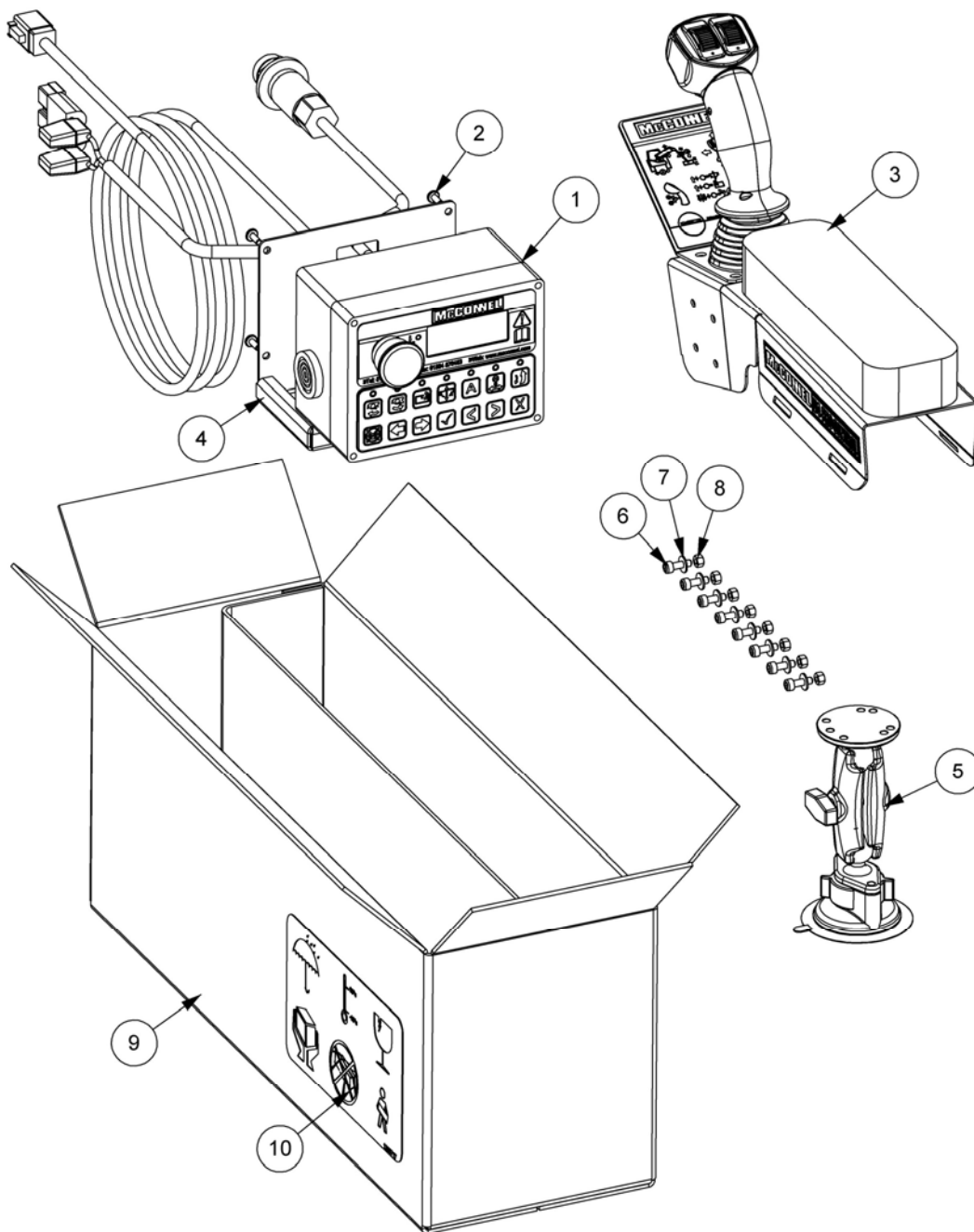
Module(s): 8402395

REF.	QTY.	PART No.	DESCRIPTION
		<b>8402395</b>	<b>XTC PROP. SWITCHBOX CONTROLS</b>
1	1	41845.30	XTC ENCLOSURE
2	1	41845.47	CIRCUIT BOARD
3	2	41845.34	LOOM (SWITCH UNIT)
4	1	41845.37	LOOM (FLOAT SWITCH)
5	1	8402189	PANEL MOUNTING SHELL
6	1	8402246	JOYSTICK (3 AXIS)
7	4	2800203	SCREW
8	2	8402133	SWITCH UNIT
9	1	8402023	SWITCH (POWER ON/OFF)
10	1	8402197	SWITCH (FLOAT SELECTION)
11	2	41845.41	LED
12	5	8402024	SWITCH WEATHER COVER
13	1	8402198	KNOB - BLUE
14	1	8402056	KNOB - BLACK
15	1	8402237	LOOM POWER SUPPLY
16	19	8402192	SOCKET CONTACT
17	1	8402173	SWITCH (ROTOR ON/OFF)
18	1	8402182	SWITCH (AUTO RESET)
19	1	8402185	SWITCH (ROTOR DIRECTION)
20	1	1290670	DECAL - PROP SWITCHBOX
21	1	41845.36	LOOM (PUMP CONTROL)
22	2	8402022	LEVER GAITER
23	2	8402286	RUBBER BOOT (INTERNAL PROTECTOR)

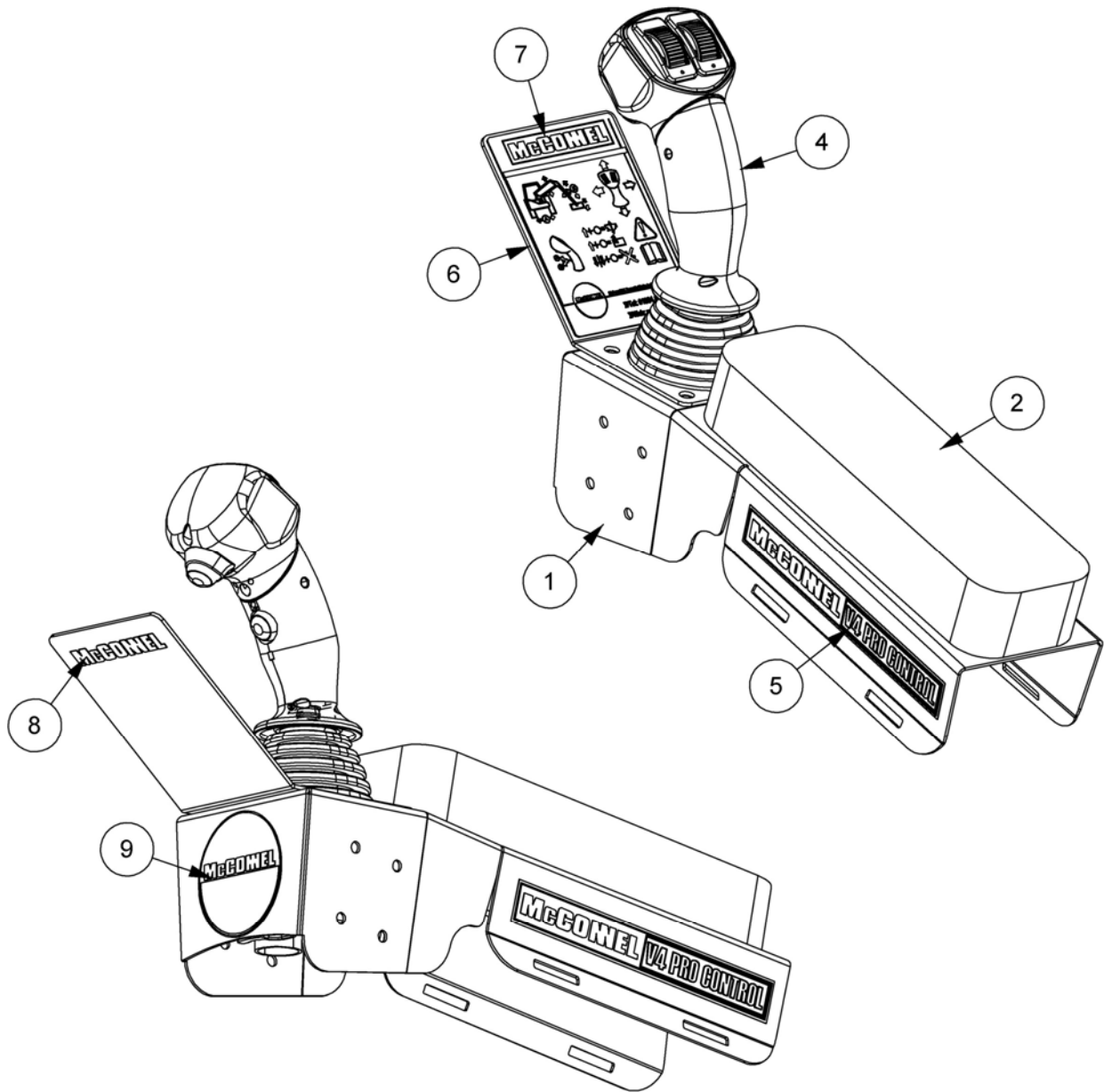
REF.	QTY.	PART No.	DESCRIPTION
1		<b>8402133</b>	<b>SWITCH BODY / LEVER / CIRCUITBOARD</b> <i>c/w:</i>
2		8402334	SPACER
3		8402111	BAR
4		8402101	SPRING
5		9200006	SCREW
6		8402120	PLAIN WASHER
7		9113000	NUT
8		8402051	BEZEL RING







REF.	QTY.	PART No.	DESCRIPTION
		<b>22073.01</b>	<b>V4 CONTROLS WITH JC6000</b>
1	1	22073.14	V4 CONTROL BOX (MK2)
2	4	2800243	SELF TAPPING SCREW
3	1	22073.03	V4 JOYSTICK ARMREST ASSEMBLY
4	1	22073.58	SCREEN MOUNT
5	1	22073.09	V4 SCREEN MOUNT KIT
6	8	9343032	CAPSCREW
7	8	9100102	FLAT WASHER
8	8	9143002	SELF-LOCKING NUT
9	1	8402700	WATER PROOF CARDBOARD BOX
10	1	1290717	BOX DECAL

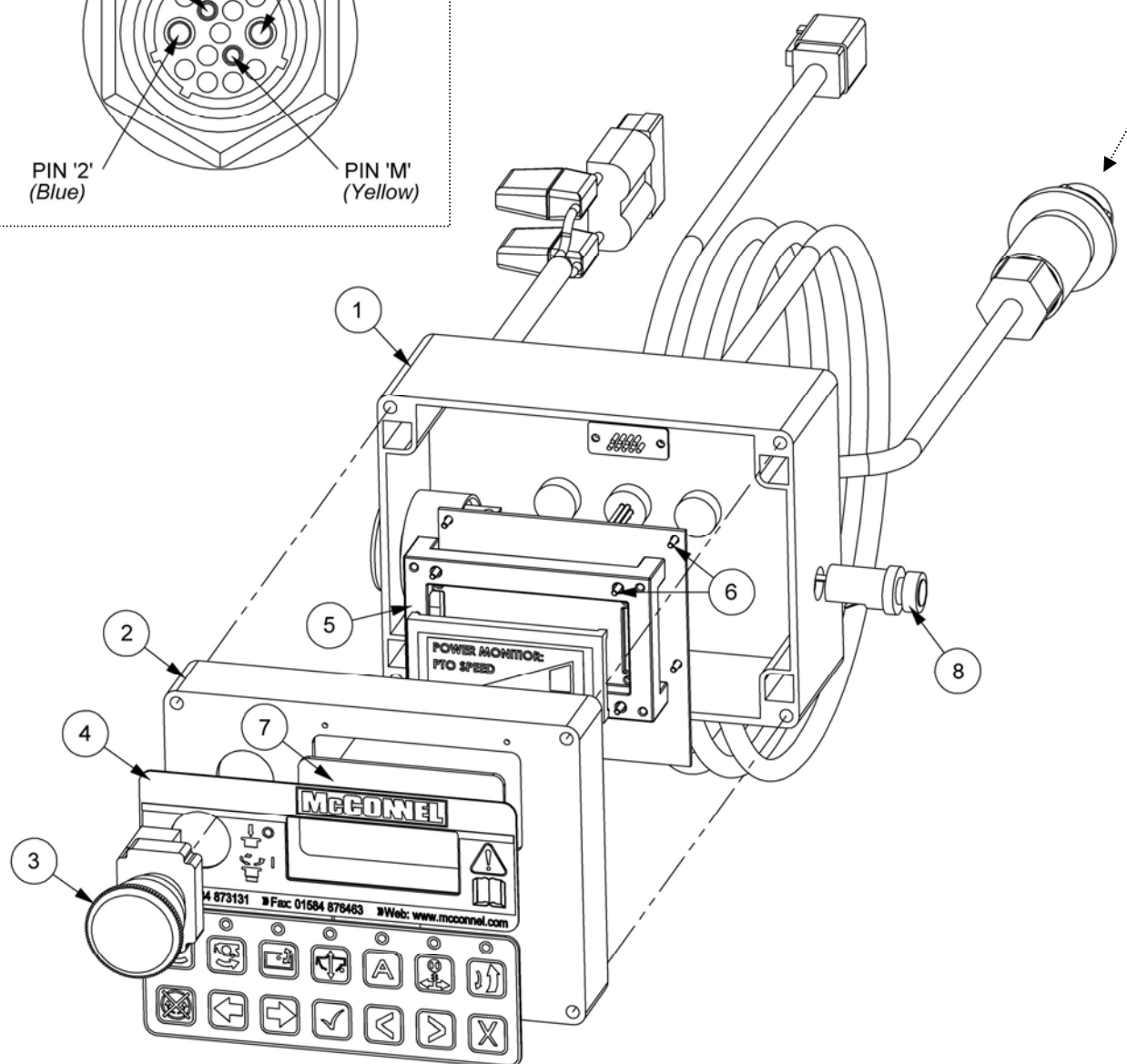
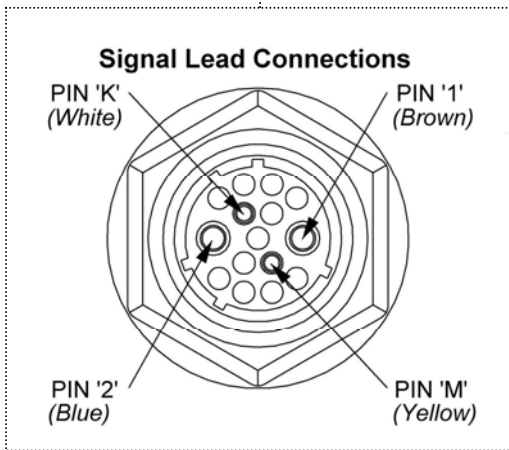


REF.	QTY.	PART No.	DESCRIPTION
		<b>22073.03</b>	<b>V4 JOYSTICK ARMREST ASSEMBLY</b>
1	1	22073.44	JOYSTICK ARMREST MOUNT
2	1	22073.45	ARM REST FOAM
3	2	7106187	NYLON STRAP <i>(Not Illustrated)</i>
4	1	22073.16	JOYSTICK c/w THUMB SWITCHES
5	2	1290740	DECAL - V4 PRO CONTROL
6	1	22073.59	DECAL MOUNT
7	1	1290739	DECAL - V4 OPERATIONS
8	1	1290741	DECAL - McCONNEL
9	1	1290742	DECAL - McCONNEL ROUNDEL

# V4 PROPORTIONAL CONTROL BOX (Mk2)

**McCONNEL**

Module(s): 22073.14

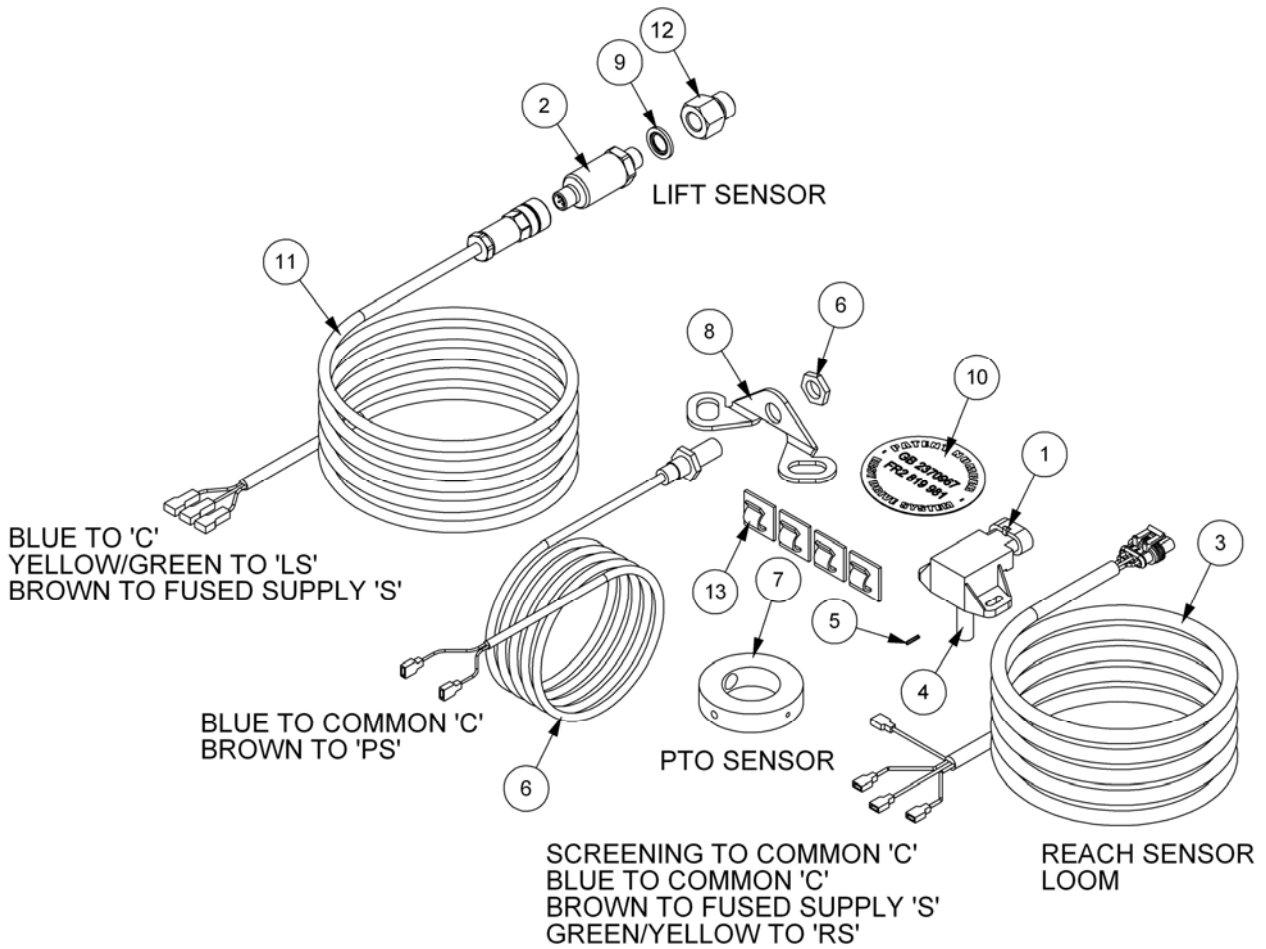


REF.	QTY.	PART No.	DESCRIPTION
		<b>22073.14</b>	<b>V4 CONTROL BOX ASSEMBLY (Mk2)</b>
1	1	22073.62	V4 CONTROL BOX
2	1	22073.32	BOX LID
3	1	41786.33	SWITCH / EMERGENCY STOP
4	1	22073.35	V4 DECAL
5	1	22073.39	V4 SCREEN MOUNT
6	8	22073.42	SELF-TAPPING SCREW
7	1	22073.40	SCREEN COVER
8	1	22073.41	FUSE HOLDER - BAYONET CAP (10A)

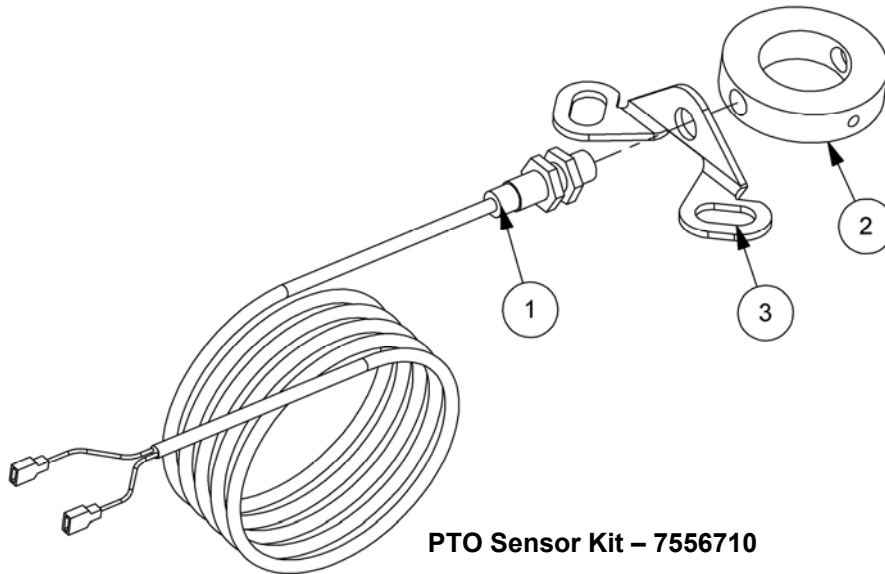
# EDS SENSOR KIT

**McCONEL**

Module(s): 7556703



REF.	QTY.	PART No.	DESCRIPTION
		<b>7556703</b>	<b>EDS SENSOR KIT - Gear Models</b>
1	1	8402235	REACH SENSOR
2	1	8402253	PRESSURE SENSOR (0 to 250 BAR)
3	1	21163.01	REACH SENSOR LOOM
4	1	45425.07	SENSOR EXTENSION
5	1	0430110	SPRING DOWEL
6	1	8402251	PTO SENSOR
7	1	8402252	PTO MAGNETIC RING
8	1	21170.04	PTO SENSOR BRACKET
9	1	8650102	BONDED SEAL
10	1	21365.01	PATENT DECAL
11	1	43177.52	LOOM - PRESSURE TRANSDUCER
12	1	8103005	UNION
13	4	43357.01	CLIP (SELF ADHESIVE PAD)

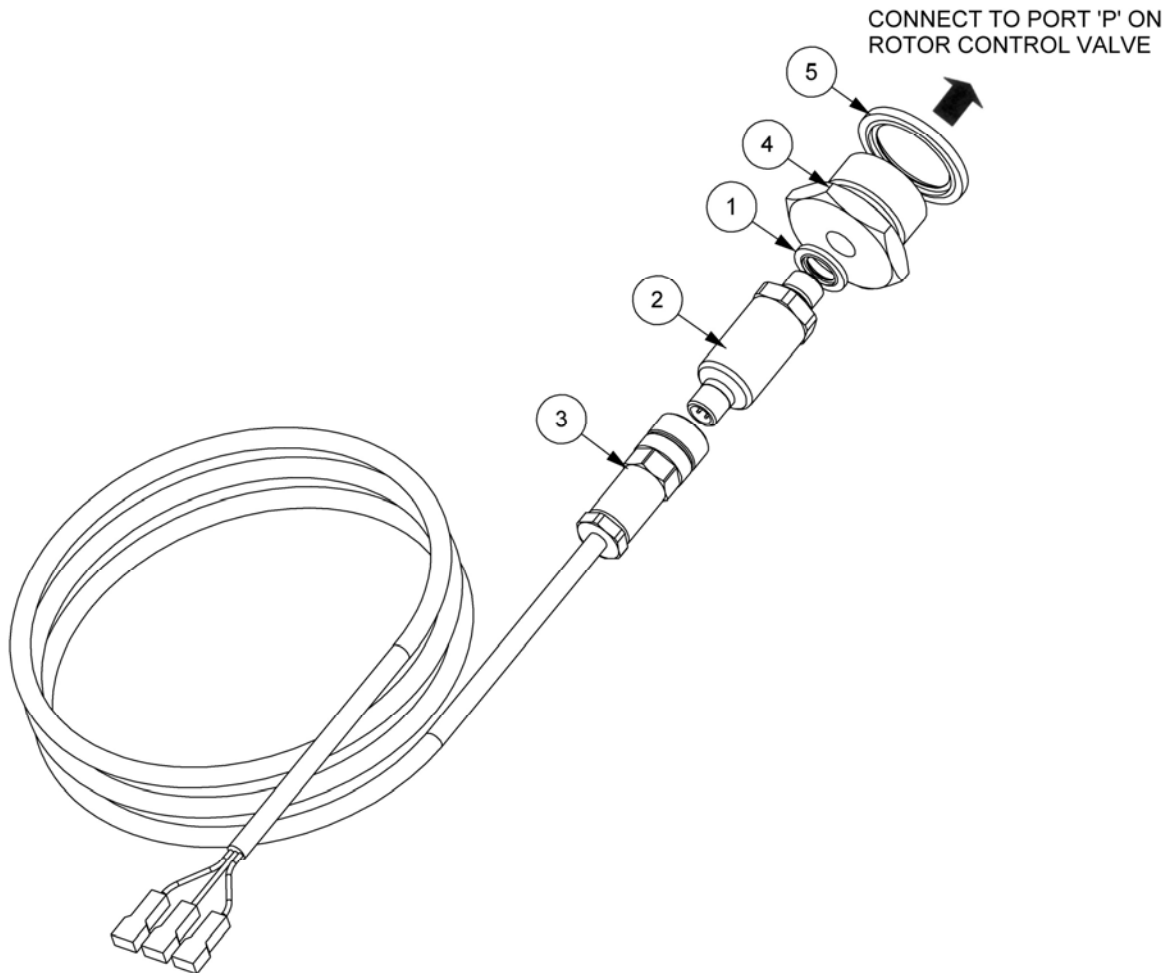


REF.	QTY.	PART No.	DESCRIPTION
		<b>7556710</b>	<b>PTO SENSOR KIT</b>
1	1	8402251	PTO SENSOR
2	1	8402252	PTO MAGNETIC RING
3	1	21170.04	PTO SENSOR BRACKET

# POWER MONITOR KIT

# McCONNEL

Module(s): 7157752

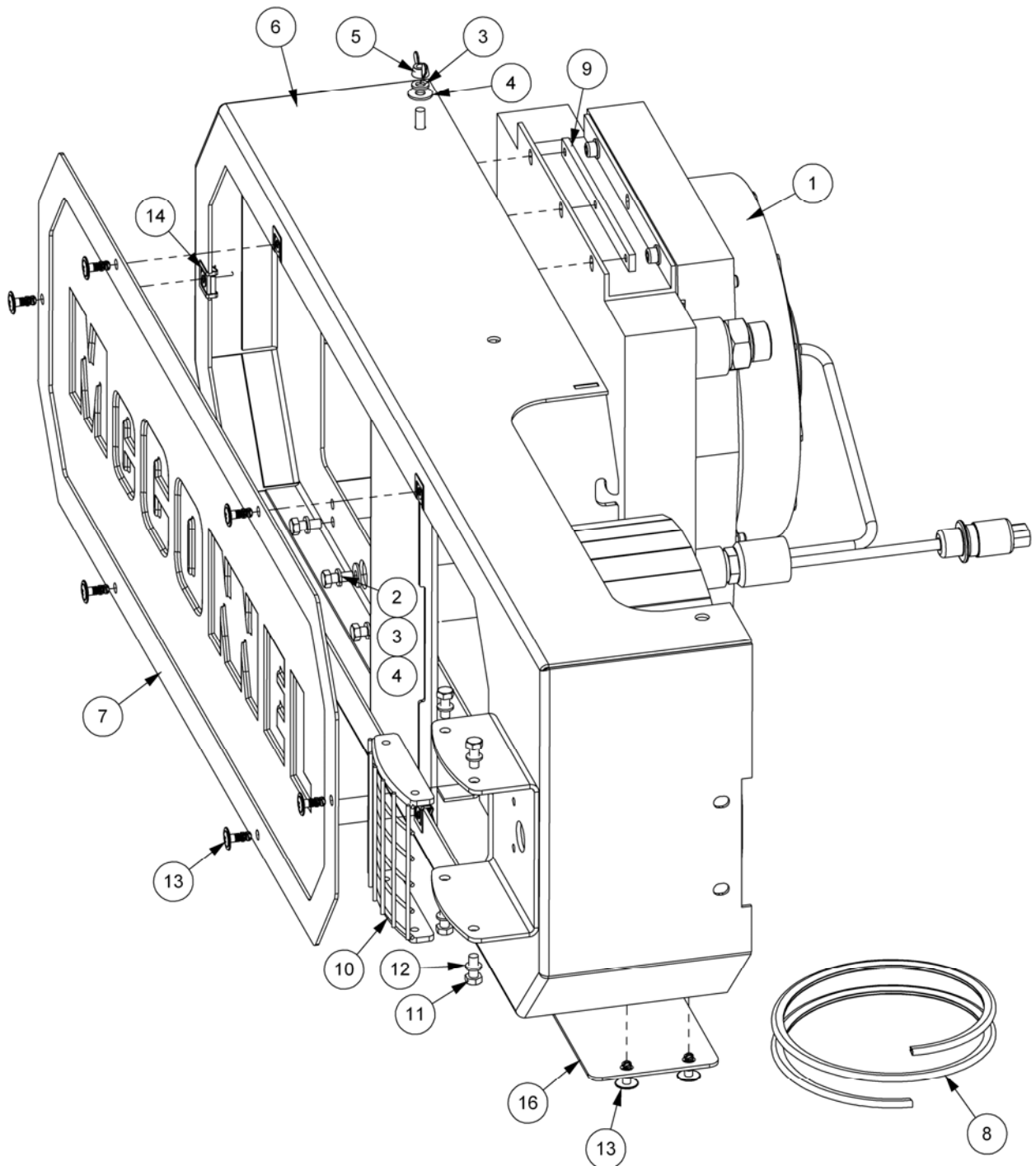


REF.	QTY.	PART No.	DESCRIPTION
		<b>7157752</b>	<b>POWER MONITOR KIT - Gear Models</b>
1	1	8650102	BONDED SEAL
2	1	8402254	PRESSURE SENSOR - 0 TO 400 BAR
3	1	43177.53	PRESSURE SENSOR LOOM
4	1	8581451	ADAPTOR
5	1	8650108	BONDED SEAL

# COOLER / DEBRIS BLOWER MODULE

**McCONEL**

Module(s): 7157765, 7157766

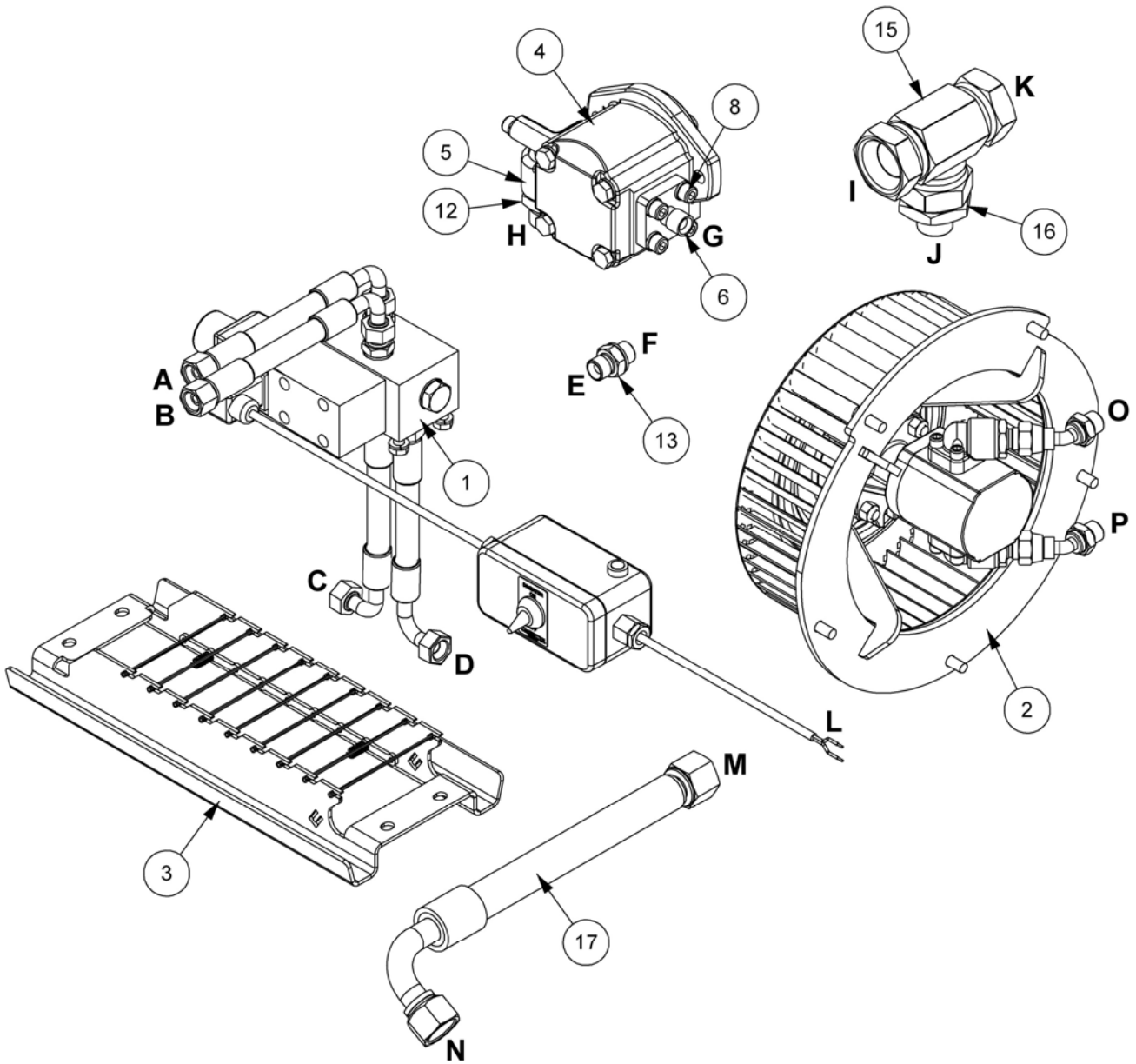




**COOLER / DEBRIS BLOWER MODULE****McCONNEL**

Module(s): 7157765, 7157766

<b>REF.</b>	<b>QTY.</b>	<b>PART No.</b>	<b>DESCRIPTION</b>
		<b>7157765</b>	<b>COOLER / DEBRIS BLOWER MODULE - L/H Build</b>
		<b>7157766</b>	<b>COOLER / DEBRIS BLOWER MODULE - R/H Build</b>
1	1	22389.03	COOLER
2	6	9313044	SETSCREW
3	7	9100204	SPRING WASHER
4	3	9100104	FLAT WASHER
5	1	9193004	WING NUT
6	1	22356.04	COOLER / DEBRIS BLOWER MOUNTING - L/H Build
	1	22356.05	COOLER / DEBRIS BLOWER MOUNTING - R/H Build
7	1	21386.03	COOLER / DEBRIS BLOWER BASKET GUARD
8	1	43468.17	EDGING STRIP
9	2	21386.40	CLAMP STRIP
10	1	21469.02	LAMP GUARD
11	4	9317044	SETSCREW
12	4	9100103	FLAT WASHER
13	10	22549.01	SLOTTED HEAD STUD
14	10	22549.02	SLIP-ON RECEPTACLE
15	10	22549.03	PLASTIC RETAINER
16	1	22356.52	BLANKING PLATE



**CONNECTIONS:**

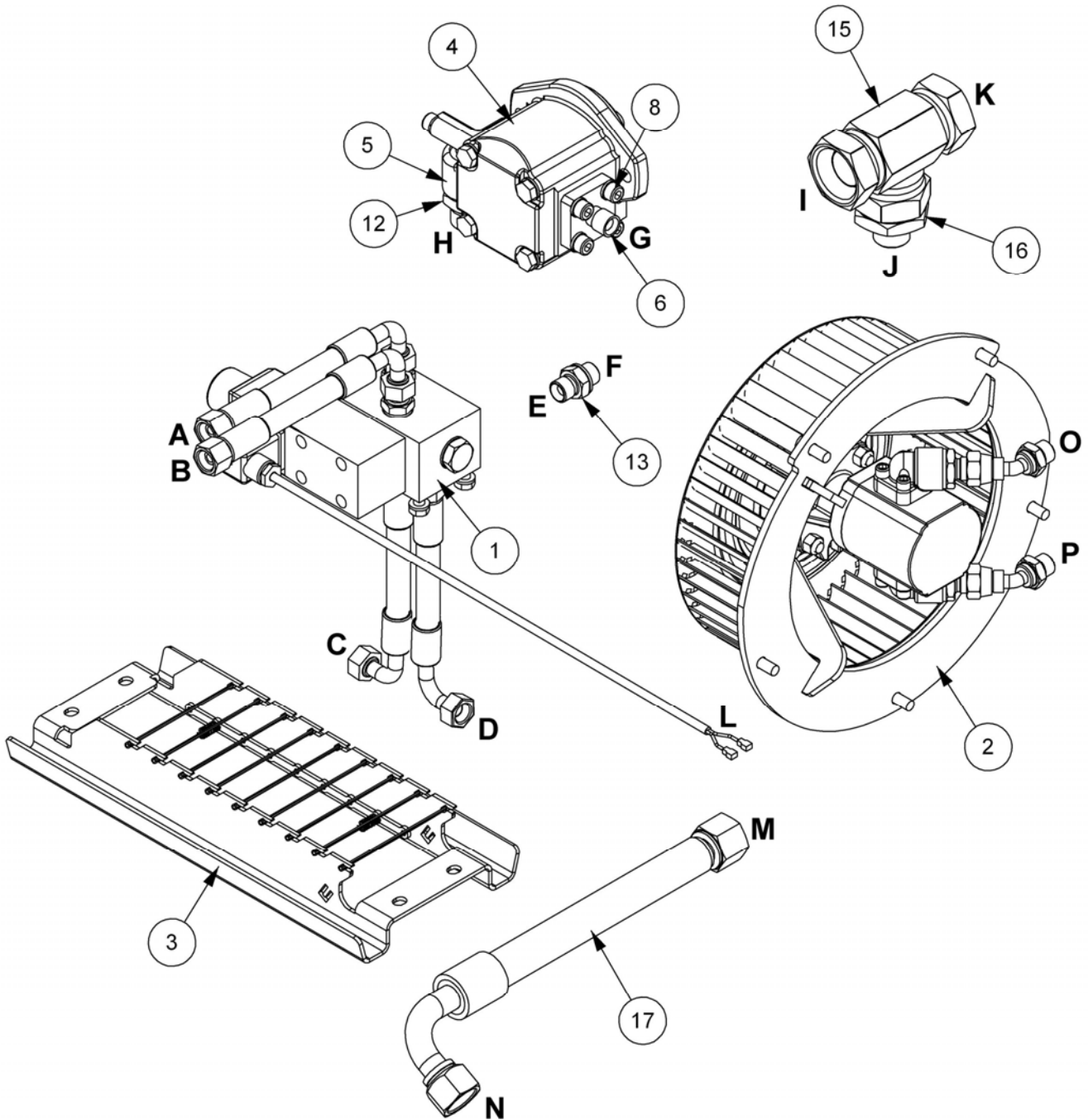
- |                              |                               |
|------------------------------|-------------------------------|
| A) MOTOR RETURN              | I) ARM PUMP SUCTION           |
| B) MOTOR PRESSURE            | J) D/BLOWER MOTOR SUCTION (H) |
| C) TANK PRESSURE FREE RETURN | K) TANK SUCTION STRAINER      |
| D) PUMP PRESSURE             | L) 12V DC POWER SUPPLY        |
| E) VALVE RETURN HOSE (C)     | M) PUMP SUCTION (H)           |
| F) TANK PORT                 | N) SUCTION TEE (J)            |
| G) MOTOR PRESSURE (D)        | O) MOTOR RETURN (C)           |
| H) TANK SUCTION              | P) MOTOR PRESSURE (D)         |

DEBRIS BLOWER KIT – XTC Proportional Models

**McCONNEL**

Module(s): 7157721, 7157722

REF.	QTY.	PART No.	DESCRIPTION
		<b>7157721</b>	<b>DEBRIS BLOWER KIT - L/H Models</b>
		<b>7157722</b>	<b>DEBRIS BLOWER KIT - R/H Models</b>
1	1	7157770	DEBRIS BLOWER DRIVE MODULE
2	1	7157767	DEBRIS BLOWER ASSEMBLY - L/H Build
	1	7157768	DEBRIS BLOWER ASSEMBLY - R/H Build
3	1	22383.13	DEBRIS BLOWER VANES
4	1	EHP1090	SMALL PUMP
5	1	EHP0442	PUMP ELBOW
6	1	09.745.01	ADAPTOR FLANGE
7	6	9100204	SPRING WASHER
8	3	9300147	CAPSCREW
9	1	9343044	CAPSCREW
10	2	9243124	CAPSCREW
11	1	8650106	BONDED SEAL
12	1	8581136	ADAPTOR
13	1	6000113	ADAPTOR
14	1	8650103	BONDED SEAL
15	1	EYT0167	TEE
16	1	T5342	ADAPTOR
17	1	10.010.13	HOSE - 3/4" BSP FS/F90 x 650mm



**CONNECTIONS:**

- |                              |                               |
|------------------------------|-------------------------------|
| A) MOTOR RETURN              | I) ARM PUMP SUCTION           |
| B) MOTOR PRESSURE            | J) D/BLOWER MOTOR SUCTION (H) |
| C) TANK PRESSURE FREE RETURN | K) TANK SUCTION STRAINER      |
| D) PUMP PRESSURE             | L) 12V DC POWER SUPPLY        |
| E) VALVE RETURN HOSE (C)     | M) PUMP SUCTION (H)           |
| F) TANK PORT                 | N) SUCTION TEE (J)            |
| G) MOTOR PRESSURE (D)        | O) MOTOR RETURN (C)           |
| H) TANK SUCTION              | P) MOTOR PRESSURE (D)         |

DEBRIS BLOWER KIT - V4 Proportional Models

**McCONNEL**

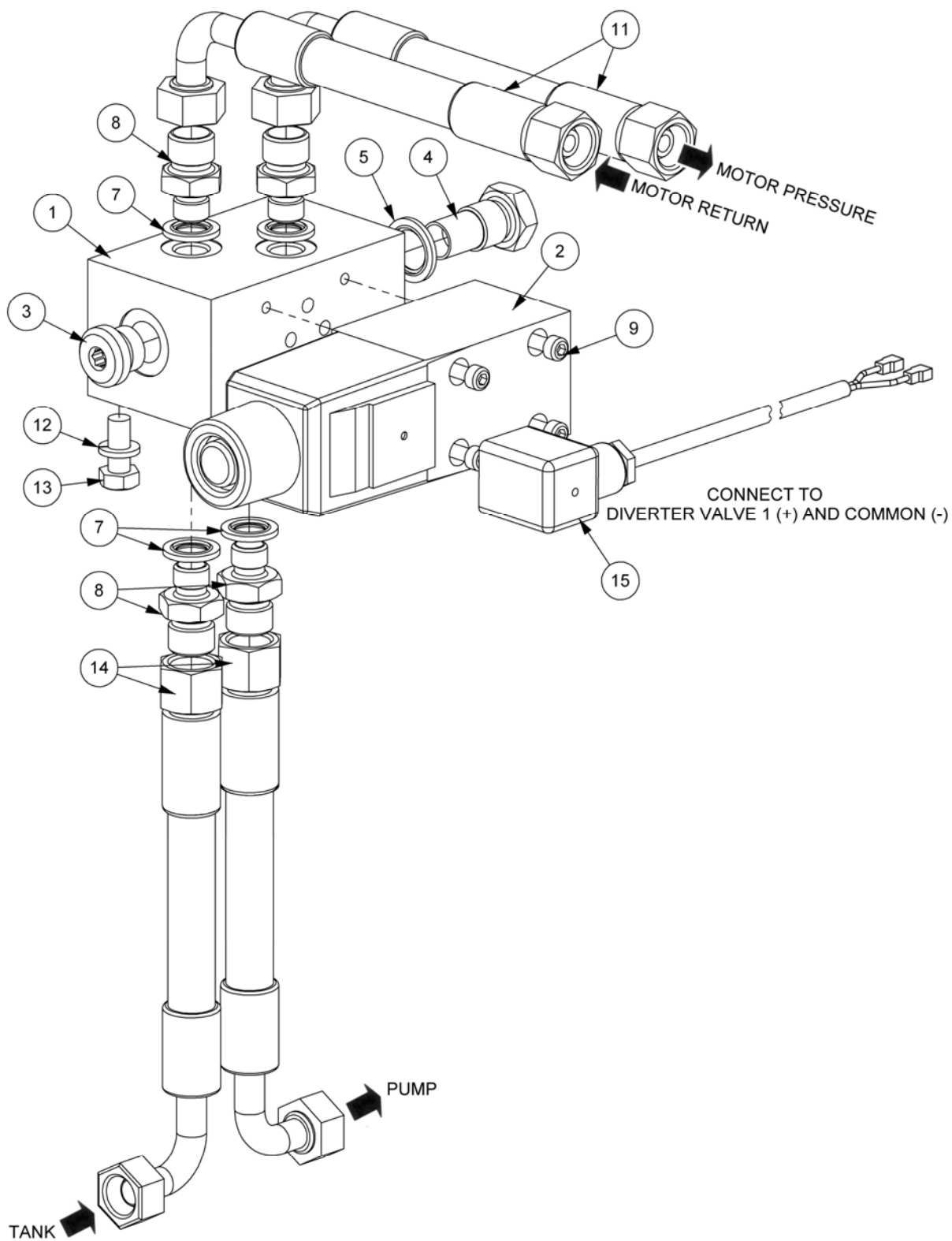
Module(s): 7157719, 7157720

REF.	QTY.	PART No.	DESCRIPTION
		<b>7157719</b>	<b>DEBRIS BLOWER KIT - V4 L/H Models</b>
		<b>7157720</b>	<b>DEBRIS BLOWER KIT - V4 R/H Models</b>
1	1	7157769	DEBRIS BLOWER DRIVE MODULE
2	1	7157767	DEBRIS BLOWER ASSEMBLY - L/H Build
	1	7157768	DEBRIS BLOWER ASSEMBLY - R/H Build
3	1	22383.13	DEBRIS BLOWER VANES
4	1	EHP1090	SMALL PUMP
5	1	EHP0442	PUMP ELBOW
6	1	09.745.01	ADAPTOR FLANGE
7	6	9100204	SPRING WASHER
8	3	9300147	CAPSCREW
9	1	9343044	CAPSCREW
10	2	9243124	CAPSCREW
11	1	8650106	BONDED SEAL
12	1	8581136	ADAPTOR
13	1	6000113	ADAPTOR
14	1	8650103	BONDED SEAL
15	1	EYT0167	TEE
16	1	T5342	ADAPTOR
17	1	10.010.13	HOSE - 3/4" BSP FS/F90 x 650mm

# DEBRIS BLOWER DRIVE MODULE

**McCONEL**

Module(s): 7157769



**DEBRIS BLOWER DRIVE MODULE****McCONNEL**

Module(s): 7157769

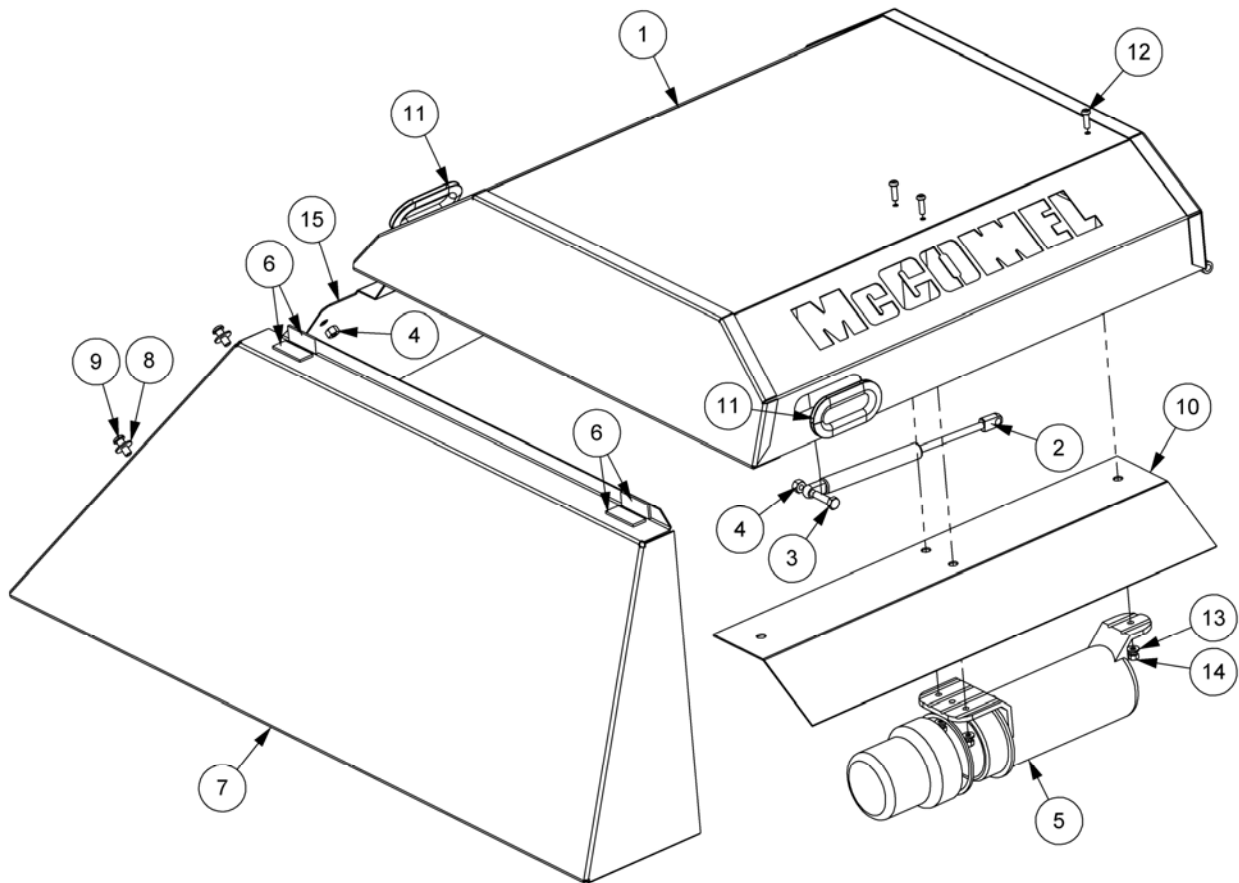
<b>REF.</b>	<b>QTY.</b>	<b>PART No.</b>	<b>DESCRIPTION</b>
		<b>7157769</b>	<b>DEBRIS BLOWER DRIVE MODULE</b>
1	1	8132296	DEBRIS BLOWER CONTROL MANIFOLD
2	1	8130456	CUT OFF SOLENOID VALVE
	1	8130175	COIL
	1	8699224	SEAL KIT
3	1	8581436	PLUG
4	1	8130032	RELIEF VALVE CAP
5	1	8650103	BONDED SEAL
6	1	8130030	RELIEF VALVE (210BAR)
7	4	8650102	BONDED SEAL
8	4	8581115	ADAPTOR
9	4	9243062	CAPSCREW
10	1	10.003.13	HOSE - 3/8" BSP FS/FS x 650mm
11	2	10.004.12	HOSE - 3/8" BSP FS/F90 x 600mm
12	4	9100204	SPRING WASHER
13	4	9313044	SETSCREW
14	1	10.004.08	HOSE - 3/8" BSP FS/F90 x 400mm
15	1	8402389	DIVERTER VALVE LOOM



# REAR COVER ASSEMBLY

# McCONNEL

Module(s): 7157743, 7157744

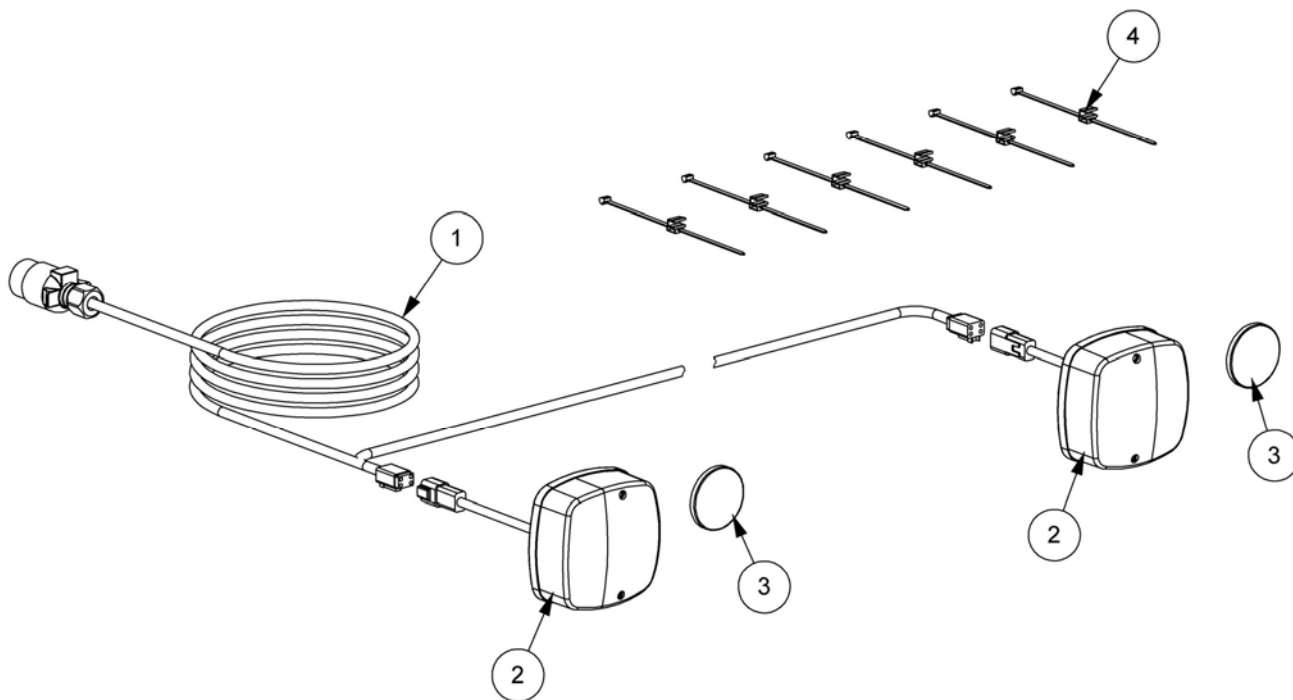


REF.	QTY.	PART No.	DESCRIPTION
		<b>7157743</b>	<b>COVERS ASSEMBLY - L/H Build</b>
		<b>7157744</b>	<b>COVERS ASSEMBLY - R/H Build</b>
1	1	21309.17	TANK COVER - L/H Build
	1	21309.18	TANK COVER - R/H Build
2	1	21288.03	GAS SPRING
3	1	9313064	SETSCREW
4	3	9143004	SELF-LOCKING NUT
5	1	46505.01	LITERATURE HOLDER
6	4	21726.31	SPONGE PAD
7	1	21712.11	REAR COVER - L/H Build
	1	21712.13	REAR COVER - R/H Build
8	2	9100104	FLAT WASHER
9	2	9300161	SOCKET BUTTON SCREW
10	1	21881.02	COVER INSERT
11	2	43468.1	EDGING
12	3	9300143	BUTTON HEAD CAPSCREW
13	3	9100103	FLAT WASHER
14	3	9143003	SELF-LOCKING NUT
15	1	21712.12	COVER - L/H Build
	1	21712.14	COVER - R/H Build

# REAR LIGHTING KIT

# McCONNEL

Module(s): 7157764

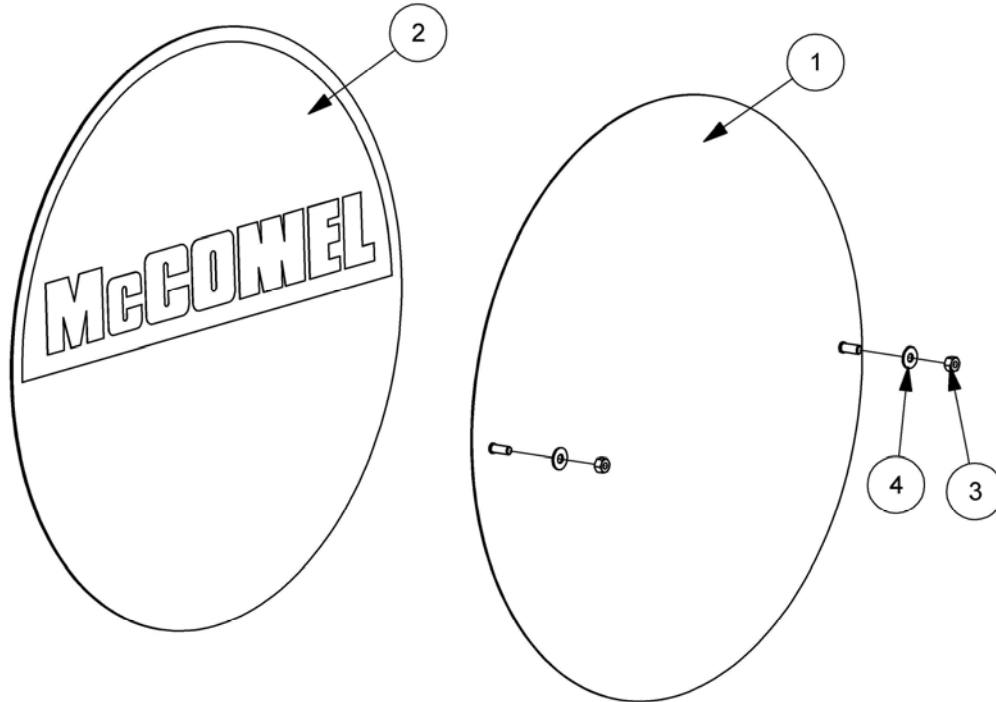


REF.	QTY.	PART No.	DESCRIPTION
		<b>7157764</b>	<b>REAR LIGHTING KIT</b>
1	1	45656.13	LIGHTING LOOM
2	2	45642.02	COMBINATION LAMP ASSEMBLY
3	2	45671.01	REFLECTOR (SELF ADHESIVE)
4	6	21150.01	CABLE TIE ( PUSH ON)

REAR MAGNETIC SIGN KIT

**McCOMNEL**

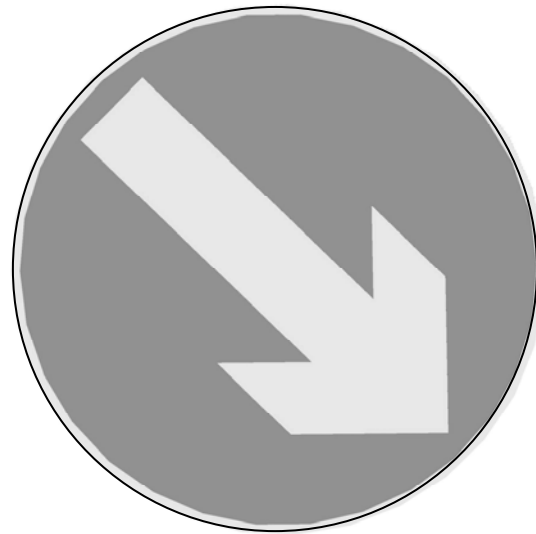
Module(s): 7155750



REF.	QTY.	PART No.	DESCRIPTION
		<b>7155750</b>	<b>REAR MAGNETIC SIGN KIT</b>
1	1	21361.01	SIGN CARRIER
2	1	21360.01	MAGNETIC STICKER
3	2	9143004	SELF-LOCKING NUT
4	2	9100104	FLAT WASHER



**Side 1. McConnell Decal**

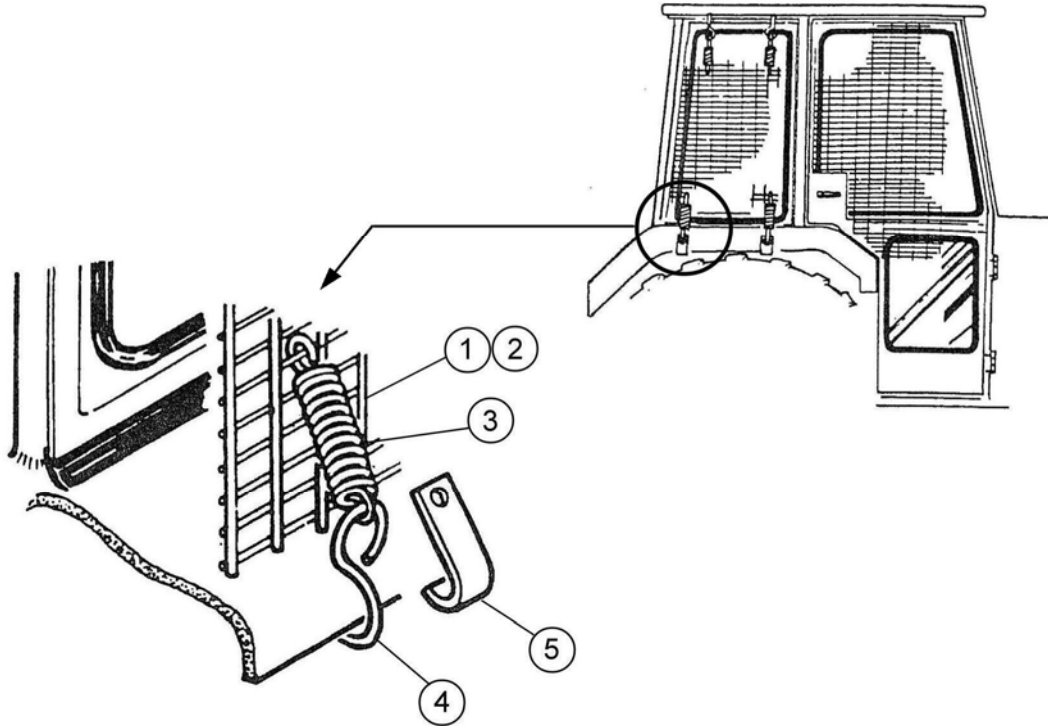


**Side 2. Direction Arrow**

*The illustrations above show both sides of the magnetic sign – the signs are suitable for both left and right handed machines as they can be mounted such that the arrow will point in either direction.*

Module(s): 7157724, 7157726, 7458780

REF.	QTY.	PART No.	DESCRIPTION
		<b>7157724</b>	<b>BASIC DECAL KIT</b>
1	1	7105130	DECAL - READ INSTRUCTION BOOK
2	1	1290352	DECAL - GENERAL WARNING
3	1	1290391	DECAL - SAFETY WARNING
4	1	00756494	DECAL - PTO SHAFT
5	6	02962764	DECAL - PINCH POINT
6	1	09.811.03	DECAL - 500 RPM
7	1	7135295	DECAL - TIGHTEN CHECK CHAINS
8	1	1290746	DECAL - AUTO BREAKAWAY RETURN
9	2	1290074	DECAL - SLING HERE
10	1	1290745	DECAL - CAB CLEARANCE
11	1	8402135	DECAL - SLEW WARNING
12	1	1290023	DECAL - OIL FILTER LABEL
13	1	1290744	DECAL - McCONNEL
14	1	1290747	DECAL - McCONNEL
15	1	1290697	DECAL - McCONNEL ROUNDEL
16	1	1290296	DECAL - LOGO ROUNDEL
17	1	1290733	DECAL - 85HP (BLACK)
18	1	1290734	DECAL - 85HP (WHITE)
19	2	1290742	DECAL - ROUNDEL
		<b>7157726</b>	<b>PA600 DECAL KIT</b>
20	1	1290743	DECAL - POWER ARM 600
21	1	1290744	DECAL - McCONNEL
22	2	1290742	DECAL - ROUNDEL
		<b>7458780</b>	<b>EDS DECAL KIT</b>
23		1290518	DECAL - EDS (BLACK)
24		1290700	DECAL - EDS (WHITE)



REF.	QTY.	PART No.	DESCRIPTION
		<b>7313324</b>	<b>CAB GUARD &amp; MOUNTING KIT</b>
1	1	7313049	GUARD PANEL - LARGE
2	1	7313050	GUARD PANEL - SMALL
3	12	6001064	SPRING
4	6	6001065	HOOK
5	6	7313051	HOOK



McConnel Limited, Temeside Works, Ludlow, Shropshire SY8 1JL. England.  
Telephone: 01584 873131. Facsimile: 01584 876463. [www.mcconnel.com](http://www.mcconnel.com)