

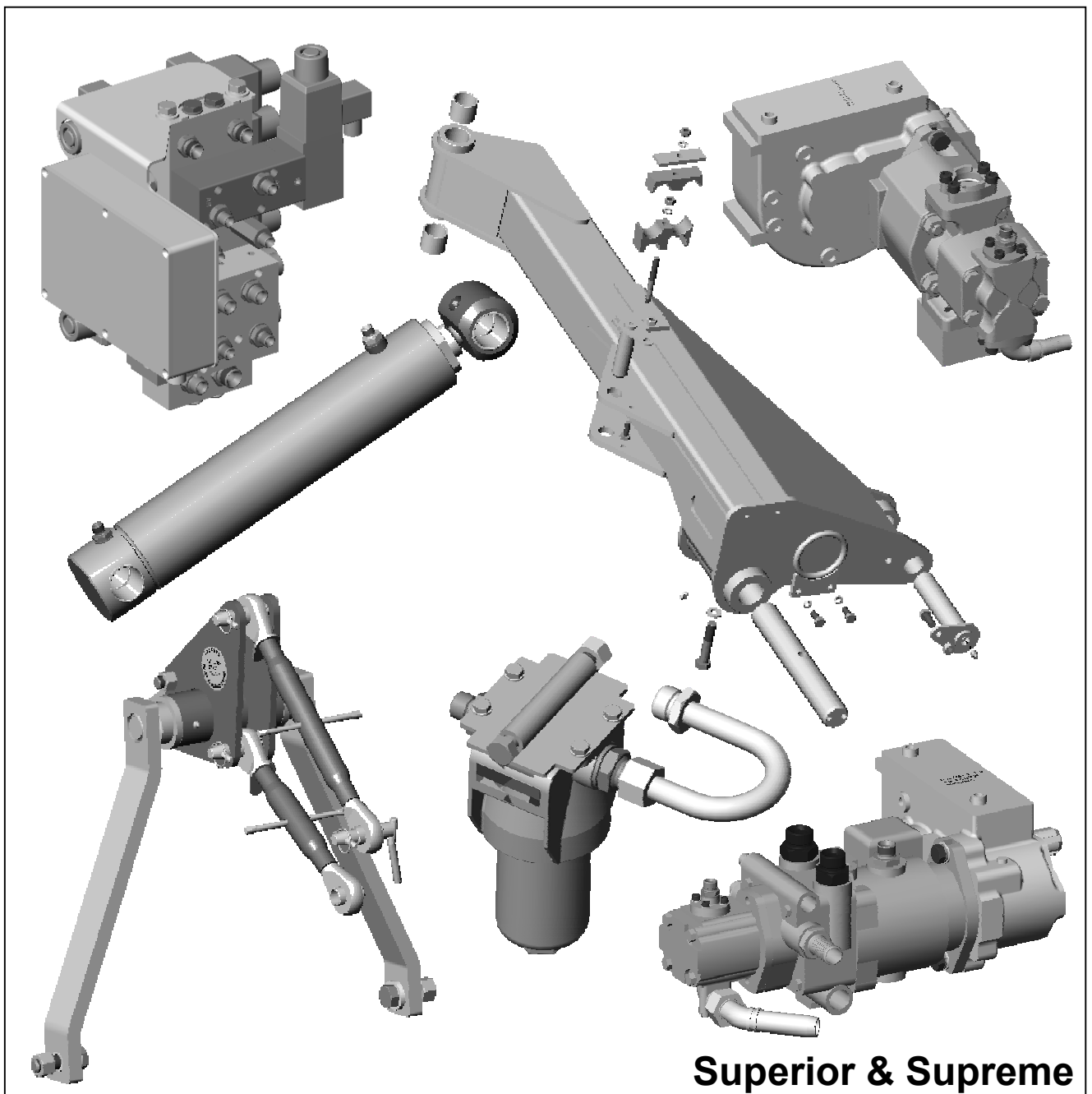
Publication 459
April 2004
Part No. 41570.59



PA 550 PA 650

HY REACH Mk3

Parts Manual



For best performance...

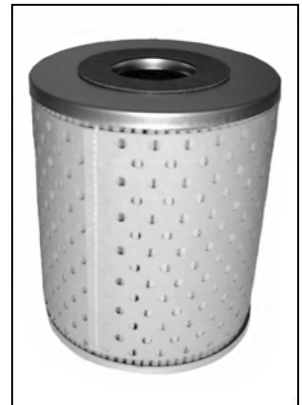
USE ONLY McCONNEL SERVICE PARTS

To be assured of the latest design improvements purchase your 'Genuine Replacements' from the Original Equipment Manufacturer: McCONNEL LIMITED through your local Dealer or Stockist.

Always quote:

- **Machine Type**
- **Serial Number**
- **Part Number**

Design Improvements may have altered some of the parts listed in this manual – The latest part will always be supplied when it is interchangeable with an earlier one.



Genuine Parts ~ Quality Service



List of Contents

Page No.

MAINFRAME COMPONENTS

Stabilizer Assembly	1
Mainframe Assembly – <i>Linkage Models</i>	3
Mainframe Assembly – <i>Axle Models</i>	5
Axle Catch Assembly	7
Pillar Assembly	9
Rocker Assembly – <i>Standard Models</i>	11
Rocker Assembly – <i>EDS Models</i>	13

ARM COMPONENTS

Main Arm Assembly	15
Dipper Arm Assembly – <i>Standard Models</i>	17
Dipper Arm Assembly – <i>Midcut Models</i>	19
Midcut Forward Extension Assembly	21
Dipper Arm Assembly – <i>Tele Models</i>	23
Head Angling Mechanism – <i>All Models</i>	27

TANK, PUMPS & GEARBOXES

Hydraulic Tank Assemblies	29
Pump & Gearbox Assembly – <i>Gear Models</i>	31
Pump & Gearbox Assembly – <i>Piston Models</i>	33

VALVES & HYDRAULICS

Electric Rotor Control	35
Electric Valve Assembly – <i>Standard Arm Models</i>	37
Electric Valve Assembly – <i>Midcut/Tele Arm Models</i>	39
Proportional Valve Assembly – <i>Standard Arm Models</i>	41
Proportional Valve Assembly – <i>Midcut/Tele Arm Models</i>	43
Midcut Rotor Relief	45

HYDRAULIC HOSES

ACV Hose Installation – <i>Electric Models</i>	47
ACV Hose Installation – <i>Proportional Models</i>	49
Hose Installation – <i>Standard Arm Models</i>	51
Hose Installation – <i>Midcut Arm Models</i>	53
Hose Installation – <i>Tele Arm Models</i>	55

HYDRAULIC RAMS

Angling Ram Assembly	57
Lift Ram Assembly	58
Reach Ram Assembly	59
Slew Ram Assembly	60
Fold Ram Assembly	61
Tele Ram Assembly	62

List of Contents (Continued)

Page No.

MACHINE CONTROLS

Switchbox Controls	63
Monolever Controls	65
Proportional Armrest Controls v.3	67
Auxiliary Box – Wiring Diagram	69
Control Mountings	71

ADDITIONAL COMPONENTS

Hydraulic Sundries	70
Charge Filter – <i>Piston Models</i>	73
By-Pass Assembly – <i>Piston Models</i>	74
Lift Float Kit – <i>Optional Extra</i>	75
Sensor Kits – <i>EDS, Power Monitor & PTO Sensors</i>	77

OIL COOLER

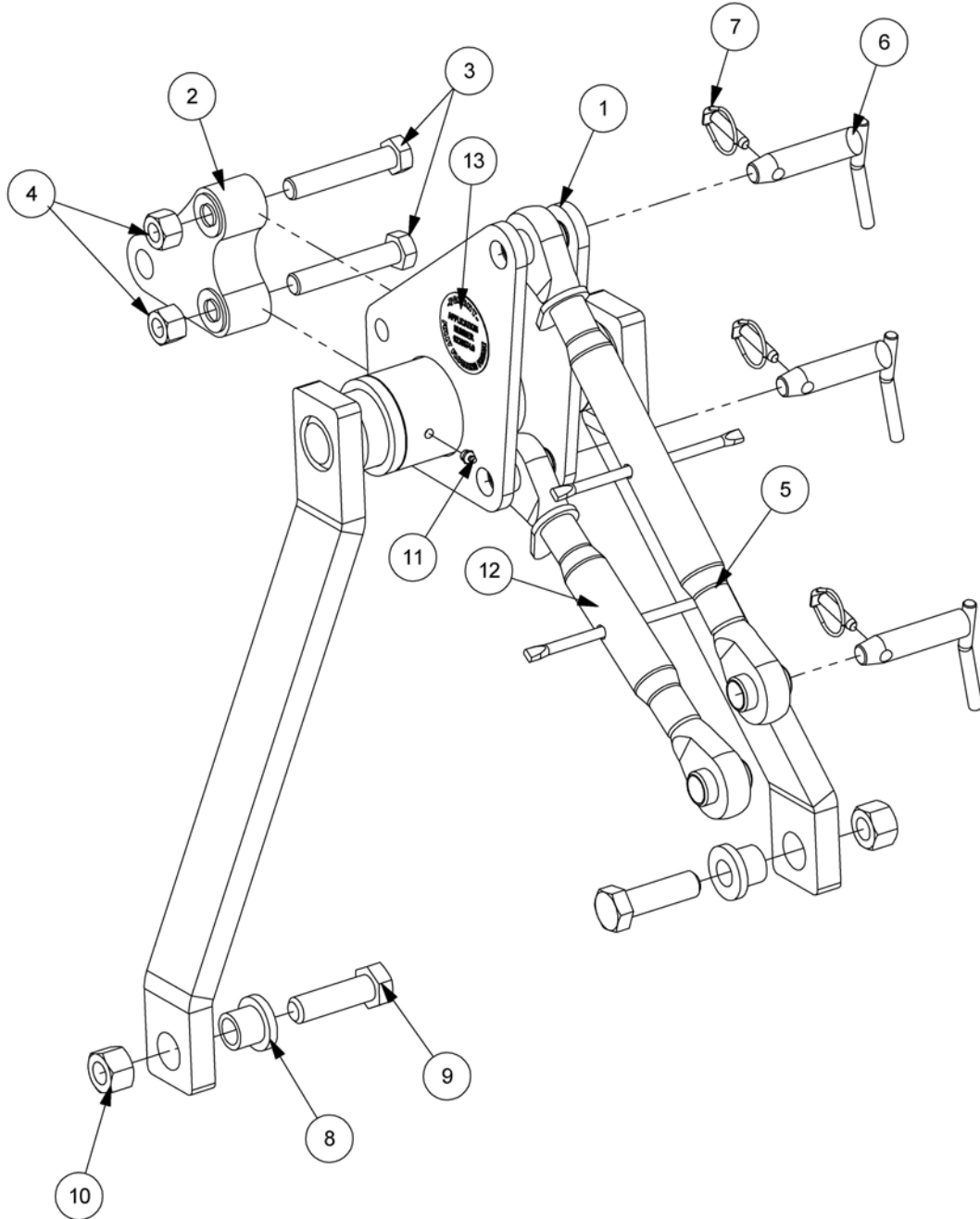
Cooler Assemblies	79
-------------------	----

COVERS, LIGHTING & DECALS

Rear Cover Assemblies	81
Rear Lighting Kit	83
Machine Decals	85

STABILIZER ASSEMBLY

Module:
7499626



STABILIZER ASSEMBLY

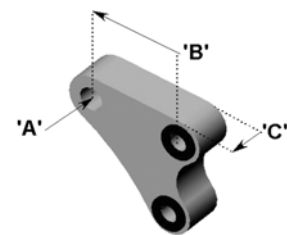
REF.	QTY.	PART No.	DESCRIPTION
		7499626	STABILIZER ASSEMBLY
1	1	21086.01	STABILIZER
2	1	7499501	TONGUE - CAT.2
3	2	9213228	BOLT
4	2	9143008	SELF-LOCKING NUT
5	1	07.584.01	TOP LINK
6	3	43342.01	TOP LINK PIN
7	3	0431217	LINCH PIN
8	2	45999.01	SPACER
9	2	05.285.02	BOLT
10	2	9143009	SELF-LOCKING NUT
11	2	0901121	GREASE NIPPLE
12	1	07.584.03	TOP LINK
13	1	21365.02	PATENT DECAL

McCONNELL STABILISER TONGUES

'A' – Hole diameter

'B' – Hole center spacing

'C' – Stabiliser width



(Dimensions in mm)

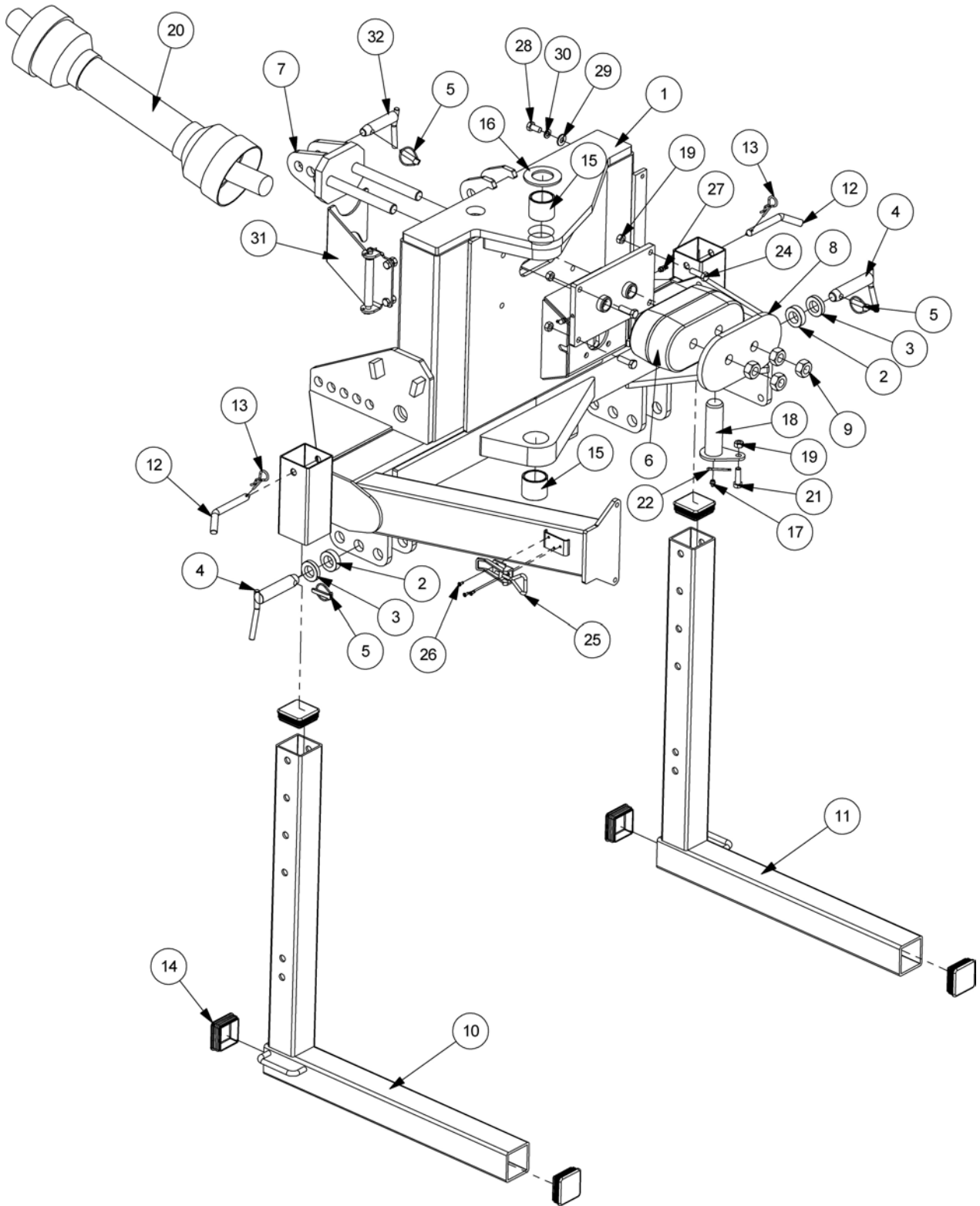
Part No.	Description	'A'	'B'	'C'
7499501	Tongue: Standard – Cat. 2	27	107	45
7499500	Tongue: Special – Cat. 2 narrow	27	107	35
7499502	Tongue: Special – Cat. 2 long	27	217	45
7499503	Tongue: Special – Cat. 3 long	32	217	45
7499504	Tongue: Special – Cat. 1	19.5	107	35
7499505	Tongue: Special – Cat. 2 for Case TX tractors	25	120	50
7499506	Tongue: Special – Cat. 3	32	107	45
7499507	Tongue: Special – Cat. 3 narrow	32	107	30
7499508	Tongue: Special – for some Ford tractors	28.6	107	45
7499262	Tongue: Special – Cat. 2 extra long for Aebi	27	260	45
7499510	Tongue: Special – Cat. 2	27	107	40

Modules:

7456701 – L/H Linkage Mounted Models

7456702 – R/H Linkage Mounted Models

Illustrated in Left Hand Build



MAINFRAME ASSEMBLY (Linkage)

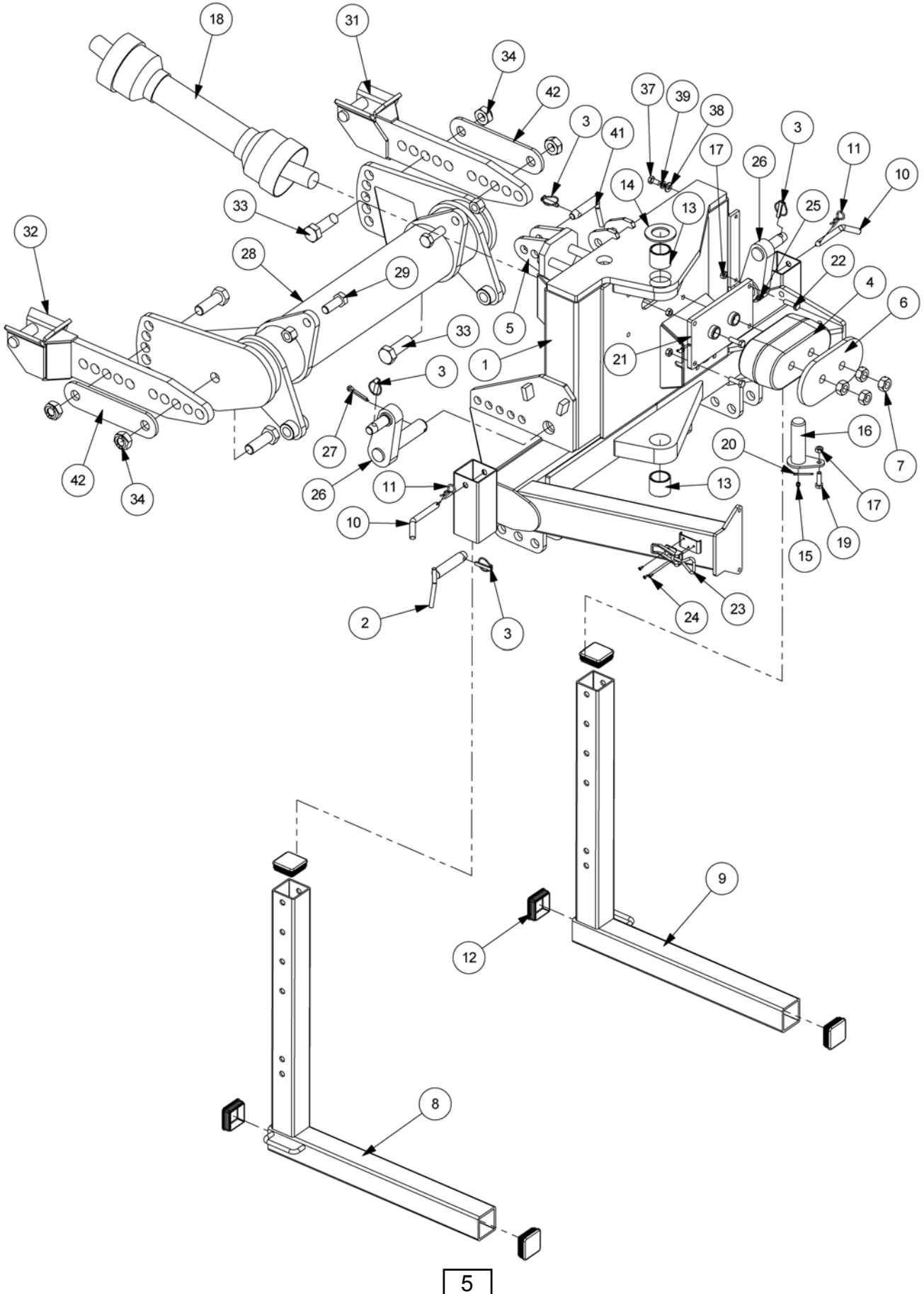
REF.	QTY.	PART No.	DESCRIPTION
		7456701	MAIN FRAME ASSEMBLY - PA550/650 L/H Build
		7456702	MAIN FRAME ASSEMBLY - PA550/650 R/H Build
1	1	21165.01	MAIN FRAME - L/H Build
	1	21165.01	MAIN FRAME - R/H Build
2	2	43332.01	SPACER - LINKAGE
3	2	43332.02	SPACER - LINKAGE
4	2	41559.01	LINKAGE PIN - CAT 2
5	3	0431217	LINCH PIN
6	1	7560141	RUBBER SPRING
7	1	7560398	TOP HITCH BRACKET
8	1	7560130	REACTION PLATE
9	4	9113009	NUT
10	1	21068.01	STAND LEG - L/H
11	1	21068.02	STAND LEG - R/H
12	2	43327.01	LEG PIN
13	2	0431105	SPRING COTTER
14	6	41580.01	PLASTIC PLUG
15	2	08.297.01	BUSH
16	1	7560056	THRUST WASHER
17	1	0901121	GREASE NIPPLE - STRAIGHT
18	1	43324.02	PIN
19	5	9143006	SELF-LOCKING NUT
20	1	7650250	DRIVE SHAFT
21	1	45416.01	SPECIAL BOLT
22	1	9501406	SPLIT PIN
23	1	45807.01	REACTION PLATE
24	4	9213086	BOLT
25	1	43449.01	OVERCENTRE FASTENER
26	3	1069088	POP RIVET
27	2	0901124	GREASE NIPPLE - 67°
28	2	9313056	SETSCREW
29	2	9100106	FLAT WASHER
30	2	9100206	SPRING WASHER
31	1	21187.01	PTO SUPPORT BRACKET
32	1	43342.01	TOP LINK PIN

Modules:

7556701 – L/H Axle Mounted Models

7556702 – R/H Axle Mounted Models

Illustrated in Left Hand Build

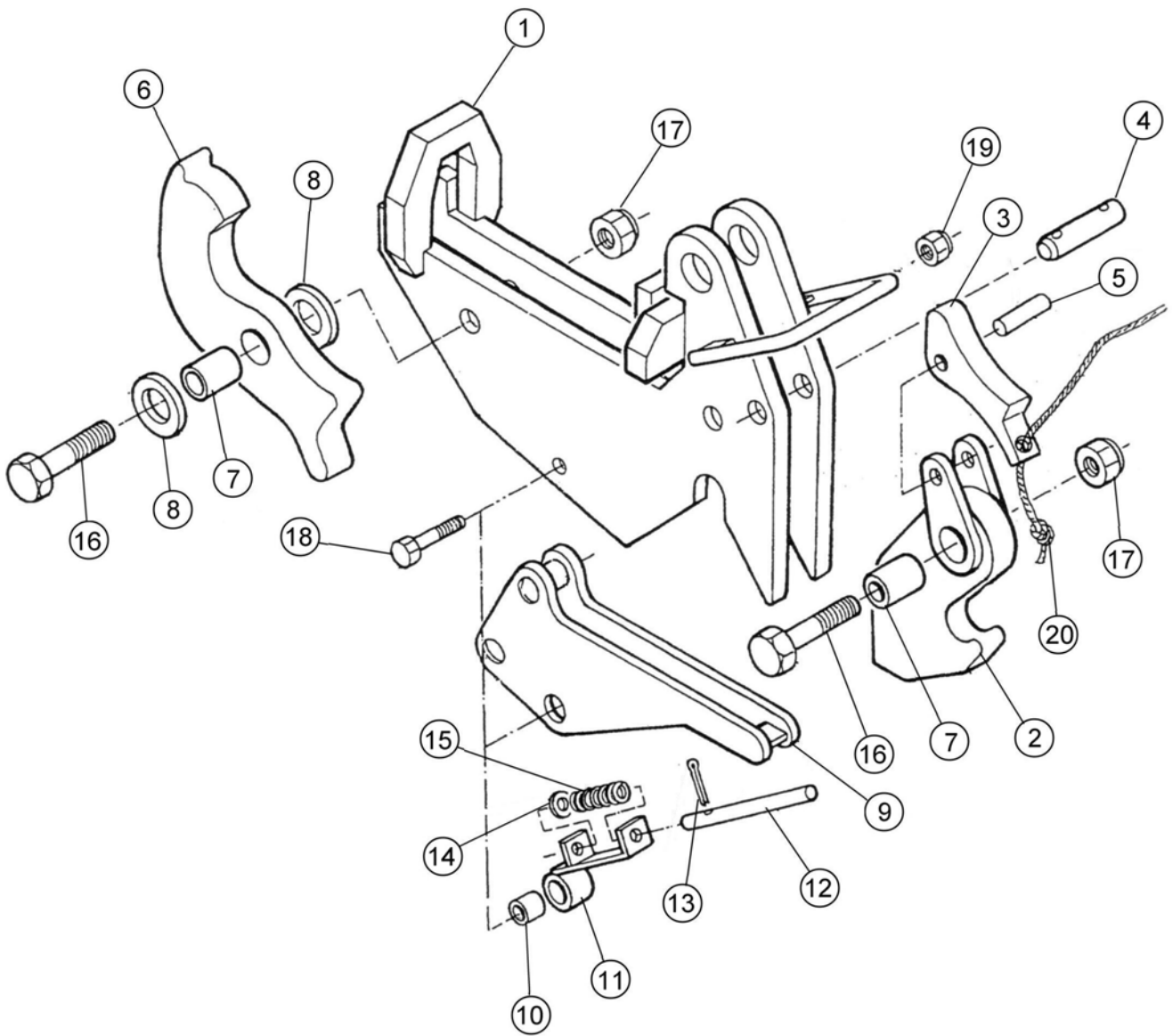


MAINFRAME ASSEMBLY (Axle)

REF.	QTY.	PART No.	DESCRIPTION
		7556701	MAIN FRAME ASSEMBLY - PA550/650 L/H Build
		7556702	MAIN FRAME ASSEMBLY - PA550/650 R/H Build
1	1	21165.01	MAIN FRAME - L/H Build
	1	21165.02	MAIN FRAME - R/H Build
2	2	41559.01	LINKAGE PIN - CAT 2
3	5	0431217	LINCH PIN
4	1	7560141	RUBBER SPRING
5	1	7560398	TOP HITCH BRACKET
6	1	7560130	REACTION PLATE
7	4	9113009	NUT
8	1	21068.01	STAND LEG - L/H
9	1	21068.02	STAND LEG - R/H
10	2	43327.01	LEG PIN
11	2	0431105	SPRING COTTER
12	6	41580.01	PLASTIC PLUG
13	2	08.297.01	BUSH
14	1	7560056	THRUST WASHER
15	1	0901121	GREASE NIPPLE - STRAIGHT
16	1	43324.02	PIN
17	5	9143006	SELF-LOCKING NUT
18	1	7650250	DRIVE SHAFT
19	1	45416.01	SPECIAL BOLT
20	1	9501406	SPLIT PIN
21	1	45807.01	REACTION PLATE
22	4	9213086	BOLT
23	1	43449.01	OVERCENTRE FASTENER
24	3	1069088	POP RIVET
25	2	0901124	GREASE NIPPLE - 67°
26	2	43319.01	LIFT LINK
27	2	9501509	SPLIT PIN
28	1	43306.01	BRACKET FRAME
29	2	9213139	BOLT
30	2	9143009	SELF-LOCKING NUT
31	1	43318.01	HITCH ARM - TYPE 1
	1	43318.03	EXTENDED HITCH ARM - TYPE 1 (<i>Optional</i>)
32	1	43318.02	HITCH ARM - TYPE 2
	1	43318.04	EXTENDED HITCH ARM - TYPE 2 (<i>Optional</i>)
33	4	9200035	BOLT
34	4	9100023	BINX NUT
35	2	7135036	OPERATING CORD
36	2	2020999	LATCH ASSEMBLY
37	2	9313056	SETSCREW
38	2	9100106	FLAT WASHER
39	2	9100206	SPRING WASHER
40	1	21187.01	PTO SUPPORT BRACKET
41	1	43342.01	TOP LINK PIN
42	2	21358.01	CLAMP PLATE

AXLE CATCH ASSEMBLY

Module:
2020999



AXLE CATCH ASSEMBLY

REF.	QTY.	PART No.	DESCRIPTION
		2020999	AXLE CATCH ASSEMBLY
1	1	2020901	CATCH BODY
2	1	2020902	HITCH HOOK
3	1	2020903	HOOK RELEASE
4	1	2020904	LOCKING PIN
5	1	2020906	PIVOT - HOOK RELEASE
6	1	2020907	PLATE LATCH
7	2	2020908	PIVOT SLEEVE
8	2	2020909	SPACER - PLATE LATCH
9	1	2020910	CATCH LOCK
10	1	2020911	SLEEVE - SPRING ROCKER
11	1	2020912	SPRING ROCKER
12	1	2020913	SPRING SHAFT
13	1	9501325	SPLIT PIN
14	1	9100105	PLAIN WASHER
15	1	2020914	SPRING
16	2	9213188	BOLT
17	2	9143008	SELF-LOCKING NUT
18	1	9213166	BOLT
19	1	9143006	SELF-LOCKING NUT
20	1	2020915	RELEASE CORD

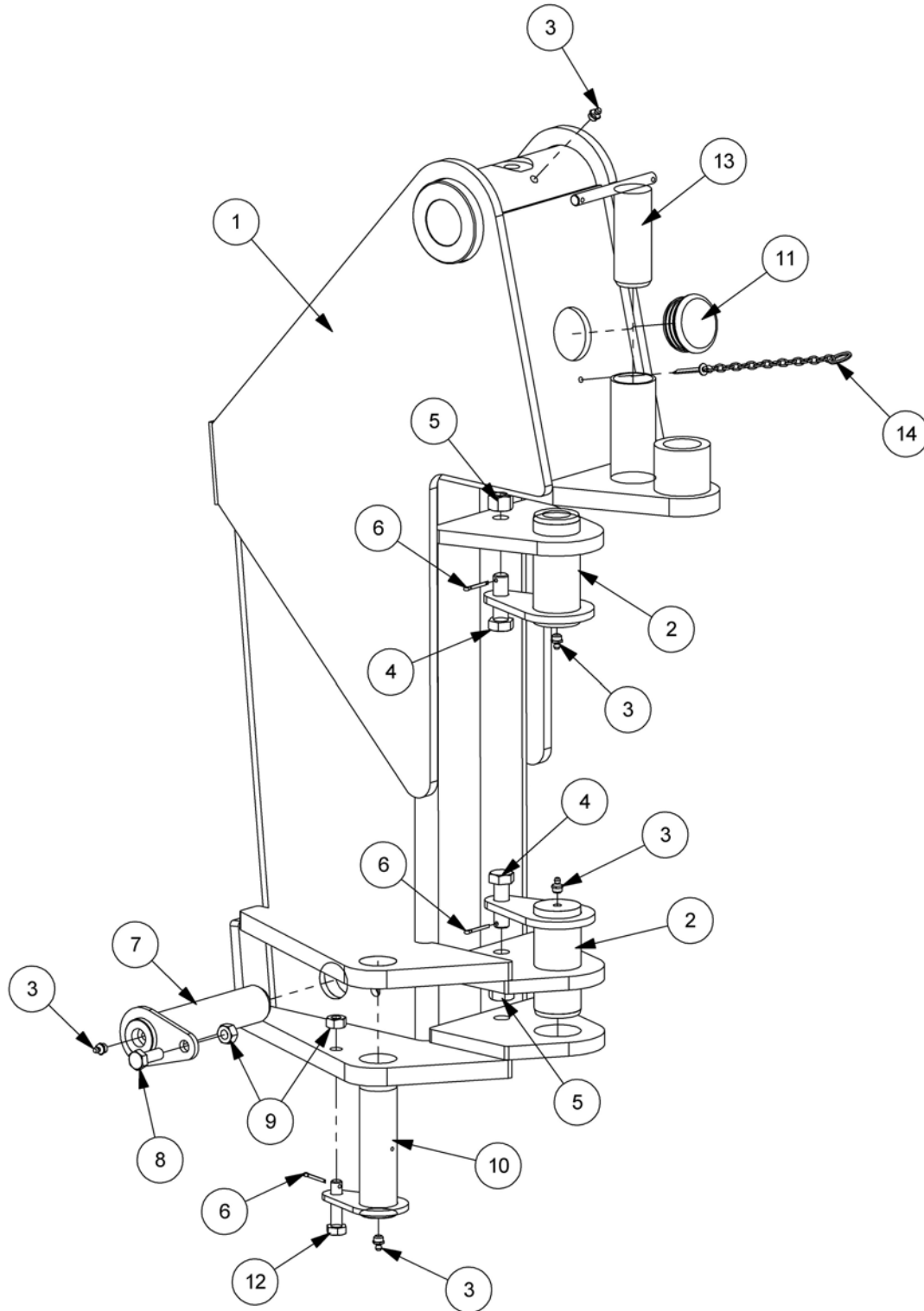
PILLAR ASSEMBLY

Modules:

7455705 – L/H Build

7455706 – R/H Build

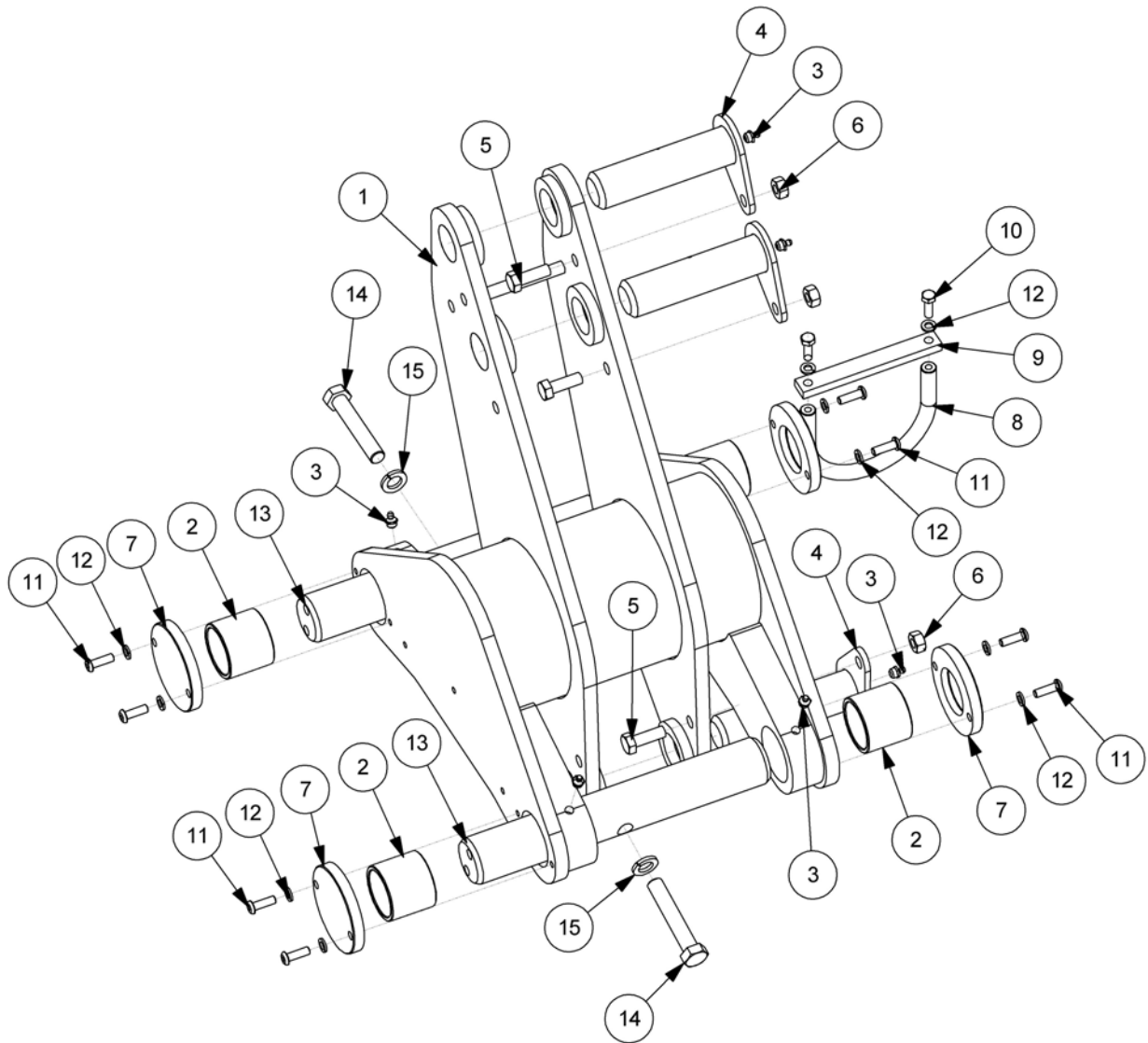
Illustrated in Left Hand Build



PILLAR ASSEMBLY

REF.	QTY.	PART No.	DESCRIPTION
		7455705	PILLAR ASSEMBLY - L/H Build
		7455706	PILLAR ASSEMBLY - R/H Build
1	1	43279.01	PILLAR - L/H Build
	1	43279.02	PILLAR - R/H Build
2	2	43322.01	SLEW PIN
3	5	0901121	GREASE NIPPLE
4	2	42269.03	SPECIAL BOLT
5	2	9143007	SELF-LOCKING NUT
6	3	9501255	SPLIT PIN
7	1	43324.01	PIN - LIFT BASE
8	1	9313066	SETSCREW
9	2	9143006	SELF-LOCKING NUT
10	1	43324.02	PIN
11	1	43358.01	PLASTIC PLUG
12	1	42269.04	SPECIAL BOLT
13	1	43323.01	SLEW LOCK PIN
14	1	03.255.05	CHAIN/RING ASSEMBLY

Module:
7455707

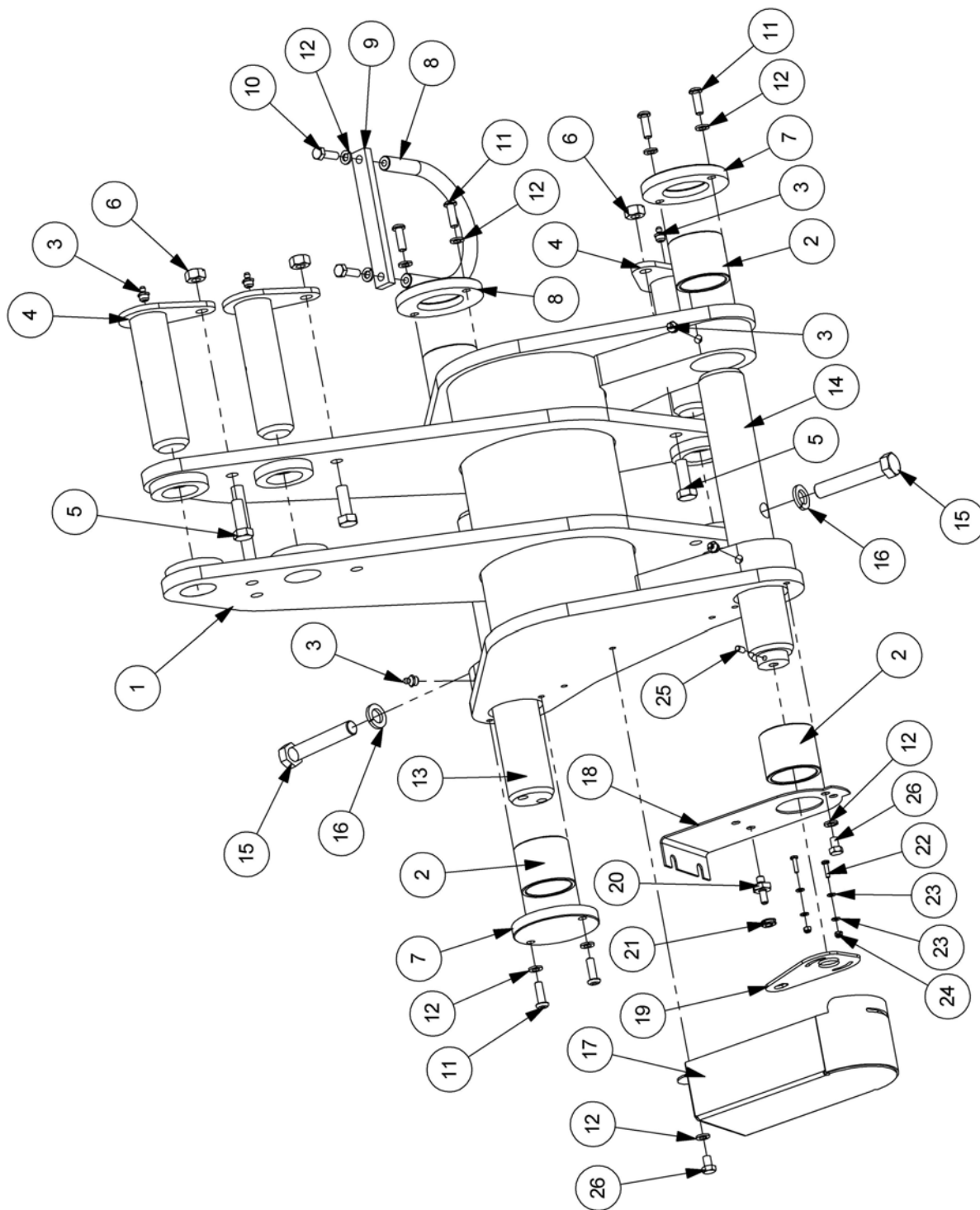


ROCKER ASSEMBLY - Standard

REF.	QTY.	PART No.	DESCRIPTION
		7455707	ROCKER ASSEMBLY - Standard
1	1	43280.01	ROCKER
2	4	08.297.01	BUSH
3	7	0901121	GREASE NIPPLE
4	3	43324.03	PIN - LIFT ROD
5	3	9313076	SETSCREW
6	3	9143006	SELF-LOCKING NUT
7	3	43048.01	PIN END COVER
8	1	43048.03	HOSE HOOK
9	1	43048.04	RETAINING BAR
10	2	9313054	SETSCREW
11	8	9300158	BUTTON HEAD CAP SCREW
12	10	9100204	SPRING WASHER
13	2	43013.02	PIVOT PIN
14	2	9213187	BOLT
15	2	9100207	SPRING WASHER

ROCKER ASSEMBLY – EDS

Module:
7455740



ROCKER ASSEMBLY – EDS

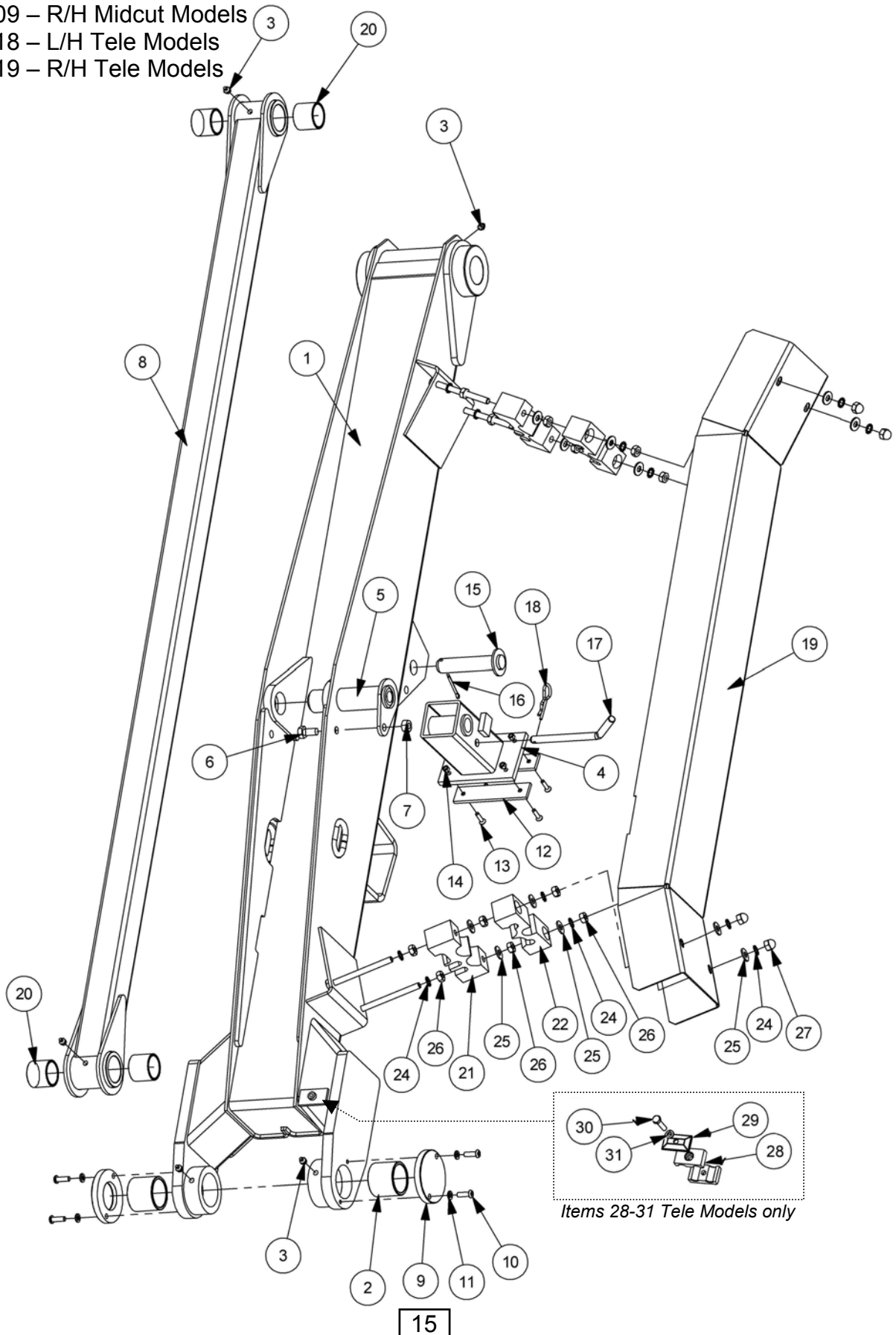
REF.	QTY.	PART No.	DESCRIPTION
		7455740	ROCKER ASSEMBLY - EDS Models
1	1	43280.01	ROCKER
2	4	08.297.01	BUSH
3	7	0901121	GREASE NIPPLE
4	3	43324.03	PIN - LIFT ROD
5	3	9313076	SETSCREW
6	3	9143006	SELF-LOCKING NUT
7	2	43048.01	PIN END COVER
8	1	43048.03	HOSE HOOK
9	1	43048.04	RETAINING BAR
10	2	9313054	SETSCREW
11	6	9300158	BUTTON HEAD CAP SCREW
12	10	9100204	SPRING WASHER
13	1	43013.02	PIVOT PIN
14	1	43013.08	PIVOT PIN - EDS
15	2	9213187	BOLT
16	2	9100207	SPRING WASHER
17	1	45425.03	COVER
18	1	45425.02	LOCATION PLATE
19	1	45425.06	SENSOR BRACKET
20	1	43014.02	LOCATING STUD
21	1	43356.01	GROMMET
22	2	9300162	POSI PANHEAD SCREW
23	4	9100101	FLAT WASHER
24	2	05.948.33	SELF-LOCKING NUT
25	1	9363023	GRUB SCREW
26	2	9313024	SETSCREW

MAIN ARM ASSEMBLY

Modules:

- 7455708 – L/H Standard Models
- 7455709 – R/H Standard Models
- 7455808 – L/H Midcut Models
- 7455809 – R/H Midcut Models
- 7455818 – L/H Tele Models
- 7455819 – R/H Tele Models

Illustrated in Standard Left Hand Build



MAIN ARM ASSEMBLY

REF.	QTY.	PART No.	DESCRIPTION
		7455708	MAIN ARM ASSEMBLY - L/H Std. Models
		7455709	MAIN ARM ASSEMBLY - R/H Std. Models
		7455808	MAIN ARM ASSEMBLY - L/H Midcut Models
		7455809	MAIN ARM ASSEMBLY - R/H Midcut Models
		7455818	MAIN ARM ASSEMBLY - L/H Tele Models
		7455819	MAIN ARM ASSEMBLY - R/H Tele Models
1	1	41597.07	MAIN ARM - L/H Build
	1	41597.08	* MAIN ARM - R/H Build
2	2	08.297.01	BUSH
3	5	0901121	GREASE NIPPLE
4	1	43021.06	TRANSPORT PROP - Standard & Tele Models
	1	45606.01	* TRANSPORT PROP - L/H Midcut Models
	1	45606.02	* TRANSPORT PROP - R/H Midcut Models
5	1	43324.03	PIN - LIFT ROD
6	1	9313056	SETSCREW
7	1	9143006	SELF-LOCKING NUT
8	1	41662.05	TENSION LINK
9	2	43048.01	PIN END COVER
10	4	9300158	BUTTON HEAD CAPSCREW
11	4	9100204	SPRING WASHER
12	2	43091.03	PAD (TRANSPORT PROP) - Standard & Tele Models
	1	43091.01	* MAIN PAD (TRANSPORT PROP) - Midcut Models
	1	43091.02	* SIDE PAD (TRANSPORT PROP) - Midcut Models
13	4	9353053	CAPSCREW - Standard & Tele Models
	7	9353053	* CAPSCREW - Midcut Models
14	4	9143003	SELF-LOCKING NUT - Standard & Tele Models
	7	9143003	* SELF-LOCKING NUT - Midcut Models
15	1	43023.01	PIN - TRANSPORT PROP
16	1	9501406	SPLIT PIN
17	1	43074.01	LOCK PIN - TRANSPORT PROP
18	1	0431105	SPRING COTTER
19	1	41665.15	HOSE COVER
20	4	08.297.02	BUSH
21	2	42024.02	MULTI HOSE CLAMP
22	2	42024.03	MULTI CLAMP - UPPER
23	4	42198.01	STUD
24	12	9100405	SHAKEPROOF WASHER
25	12	9100105	FLAT WASHER
26	12	9113005	NUT
27	4	9100025	DOME NUT
28	1	7193065	HOSE CLAMP
29	1	7193066	HOSE CLAMP PLATE
30	1	9213084	NUT
31	1	9100204	SPRING WASHER

} **Tele Models only*** *not illustrated*

DIPPER ARM ASSEMBLY

REF.	QTY.	PART No.	DESCRIPTION
		7457716	DIPPER ARM ASSEMBLY - L/H Std. Build
		7457717	DIPPER ARM ASSEMBLY - R/H Std. Build
1	1	41649.05	DIPPER ARM - L/H Build
	1	41649.06	DIPPER ARM - R/H Build
2	2	7136035	PLASTIC BUSH
3	1	43013.02	PIVOT PIN
4	1	9213187	BOLT
5	1	9100207	SPRING WASHER
6	5	0901121	GREASE NIPPLE
7	1	43324.02	PIN
8	1	9313076	SETSCREW
9	1	9143006	SELF-LOCKING NUT
10	2	42684.05	PIN
11	2	9313075	SETSCREW
12	5	9143005	SELF-LOCKING NUT
13	1	42647.02	SLAVE LINK
14	6	08.297.04	BUSH
15	1	42646.03	RADIUS ARM - TYPE 1
16	1	42646.04	RADIUS ARM - TYPE 2
17	6	8629218	LIP SEAL
18	2	05.281.18	FLAT WASHER
19	2	9501406	SPLIT PIN
20	1	21263.01	PIVOT TUBE
21	1	42648.01	JAW PLATE
22	1	42684.01	PIN - SLAVE LINK
23	3	9100028	SELF-LOCKING NUT
24	1	9200025	BOLT
25	1	9200028	BOLT
26	1	21261.02	JUNCTION BRACKET
27	1	0423556	SPRING DOWEL
28	1	9213205	BOLT
29	1	9501507	SPLIT PIN
30	1	21262.01	HOSE TRAY
31	2	9313065	SETSCREW
32	4	9100105	FLAT WASHER
33	1	41665.07	HOSE COVER
34	2	06.430.18	HOSE CLAMP - LOWER
35	2	06.430.17	HOSE CLAMP - UPPER
36	2	42198.02	STUD
37	4	9100405	SHAKEPROOF WASHER
38	2	9113005	NUT
39	2	9100025	DOME NUT

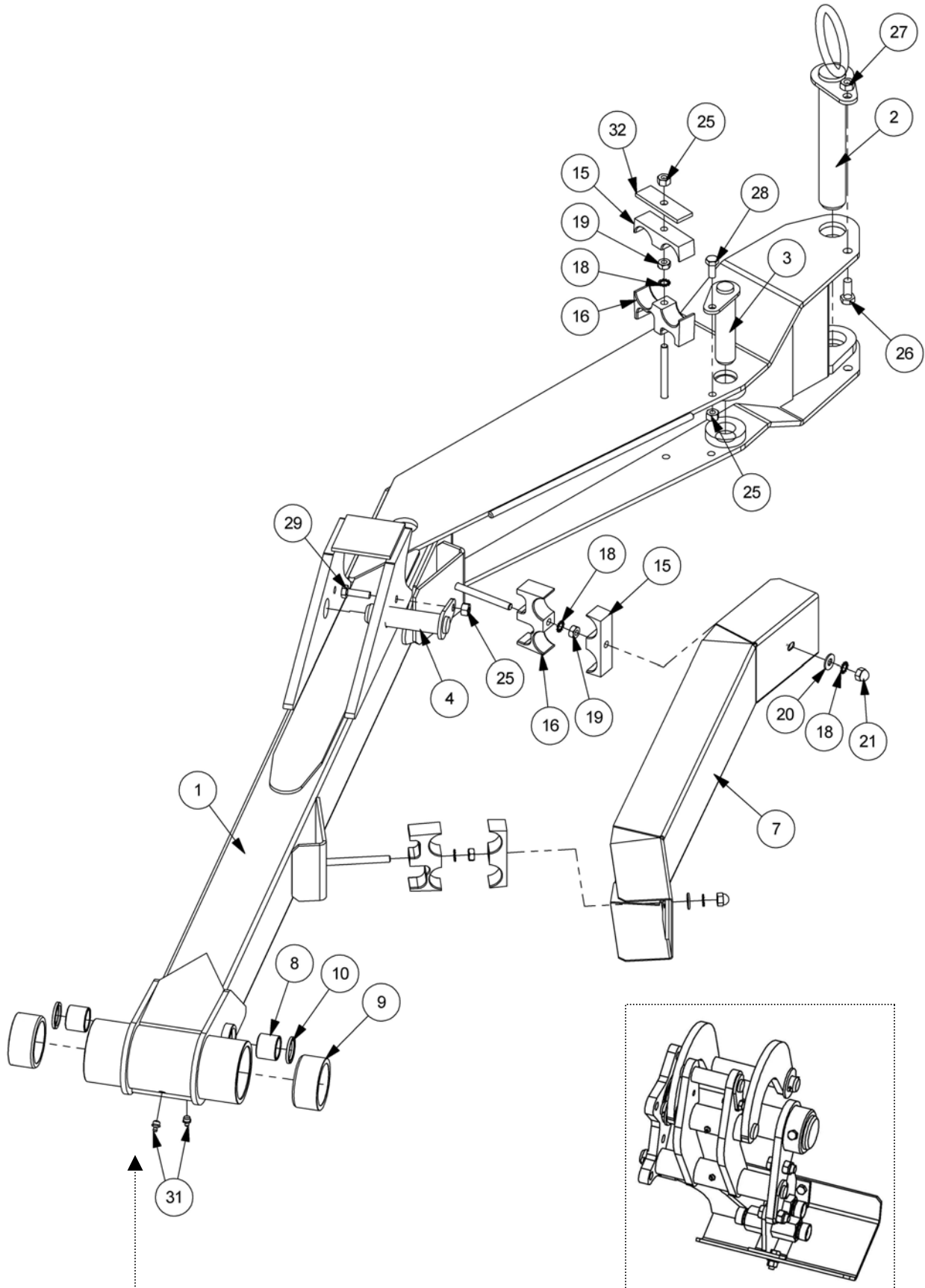
Refer to Head Angling Mechanism page for exploded view of those components

Modules:

7457718 – L/H Build

7457719 – R/H Build

Illustrated in Left Hand Build



Refer to Head Angling Mechanism page for details of this component

MIDCUT DIPPER ARM ASSEMBLY

REF.	QTY.	PART No.	DESCRIPTION
		7457718	MIDCUT DIPPER ARM - L/H Build
		7457719	MIDCUT DIPPER ARM - R/H Build
1	1	45602.01	MIDCUT DIPPER - L/H Build
	1	45602.02	MIDCUT DIPPER - R/H Build
2	1	45609.01	PIN - MIDCUT FOLD RAM
3	1	42684.03	PIN - FOLD RAM ROD END
4	2	42684.05	PIN
5	1	42646.03	RADIUS ARM - TYPE 1
6	1	42646.04	RADIUS ARM - TYPE 2
7	1	41665.19	HOSE COVER
8	6	08.297.04	BUSH
9	2	7136035	PLASTIC BUSH
10	6	8629218	LIP SEAL
11	1	42647.02	SLAVE LINK
12	1	21263.01	PIVOT TUBE
13	1	42648.01	JAW PLATE
14	1	42684.01	PIN - SLAVE LINK
15	3	06.430.17	HOSE CLAMP - UPPER
16	3	06.430.18	HOSE CLAMP - LOWER
17	2	42198.02	STUD
18	5	9100405	SHAKEPROOF WASHER
19	3	9113005	NUT
20	4	9100105	FLAT WASHER
21	2	9100025	DOME NUT
22	2	05.281.18	FLAT WASHER
23	1	0423556	SPRING DOWEL
24	2	9213205	BOLT
25	7	9143005	SELF-LOCKING NUT
26	1	9313066	SETSCREW
27	1	9143006	SELF-LOCKING NUT
28	1	9313055	SETSCREW
29	2	9313075	SETSCREW
30	3	9501406	SPLIT PIN
31	4	0901121	GREASE NIPPLE
32	1	06.418.05	CLAMP PLATE - PIPE CLAMP
33	1	21262.01	HOSE TRAY
34	3	9100028	SELF-LOCKING NUT
35	1	9200025	BOLT
36	1	9200028	BOLT
37	2	9313065	SETSCREW

Refer to Head Angling Mechanism page for exploded view of those components

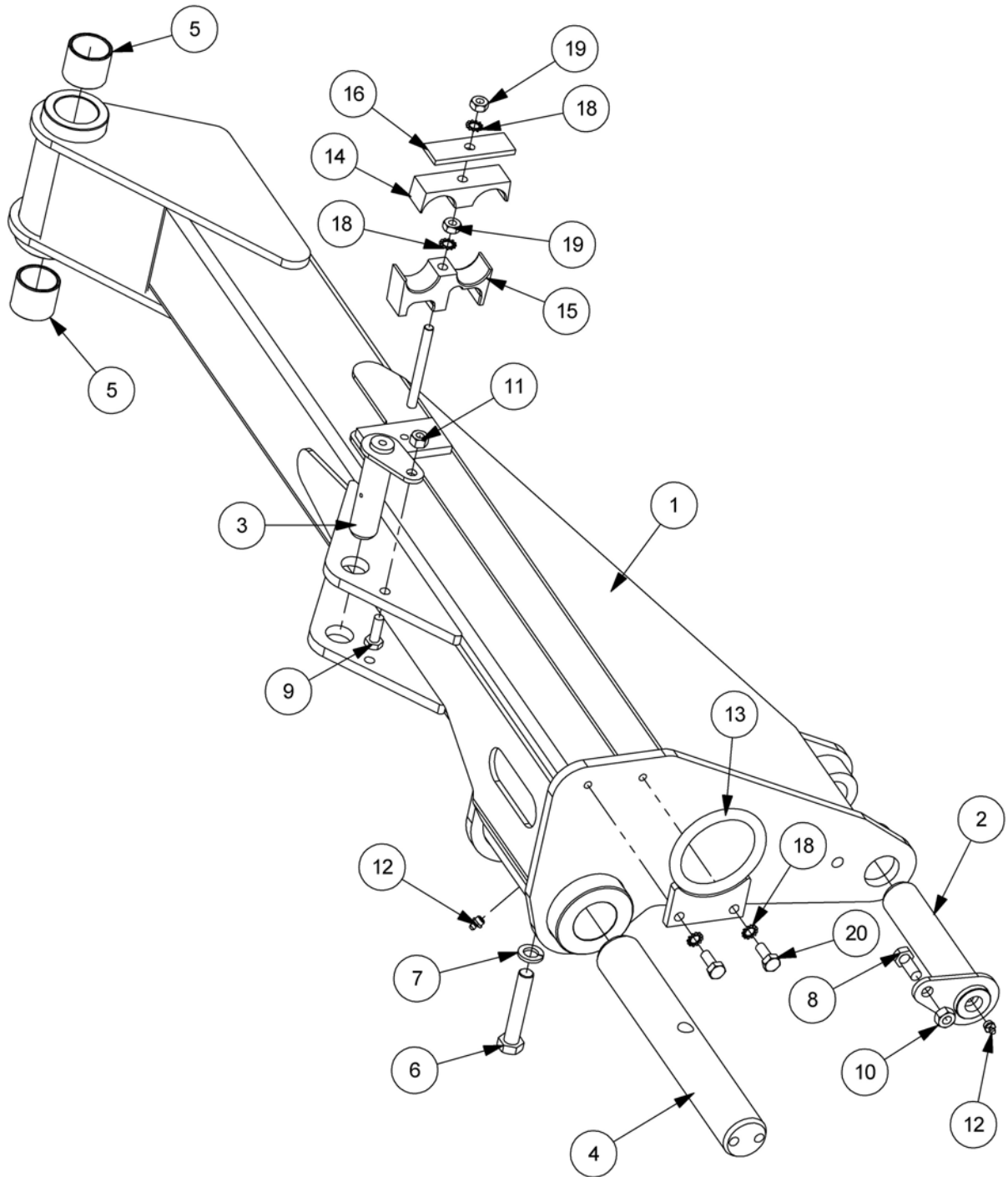
MIDCUT FORWARD EXTENSION

Modules:

7455804 – L/H Build

7455805 – R/H Build

Illustrated in Left Hand Build



MIDCUT FORWARD EXTENSION

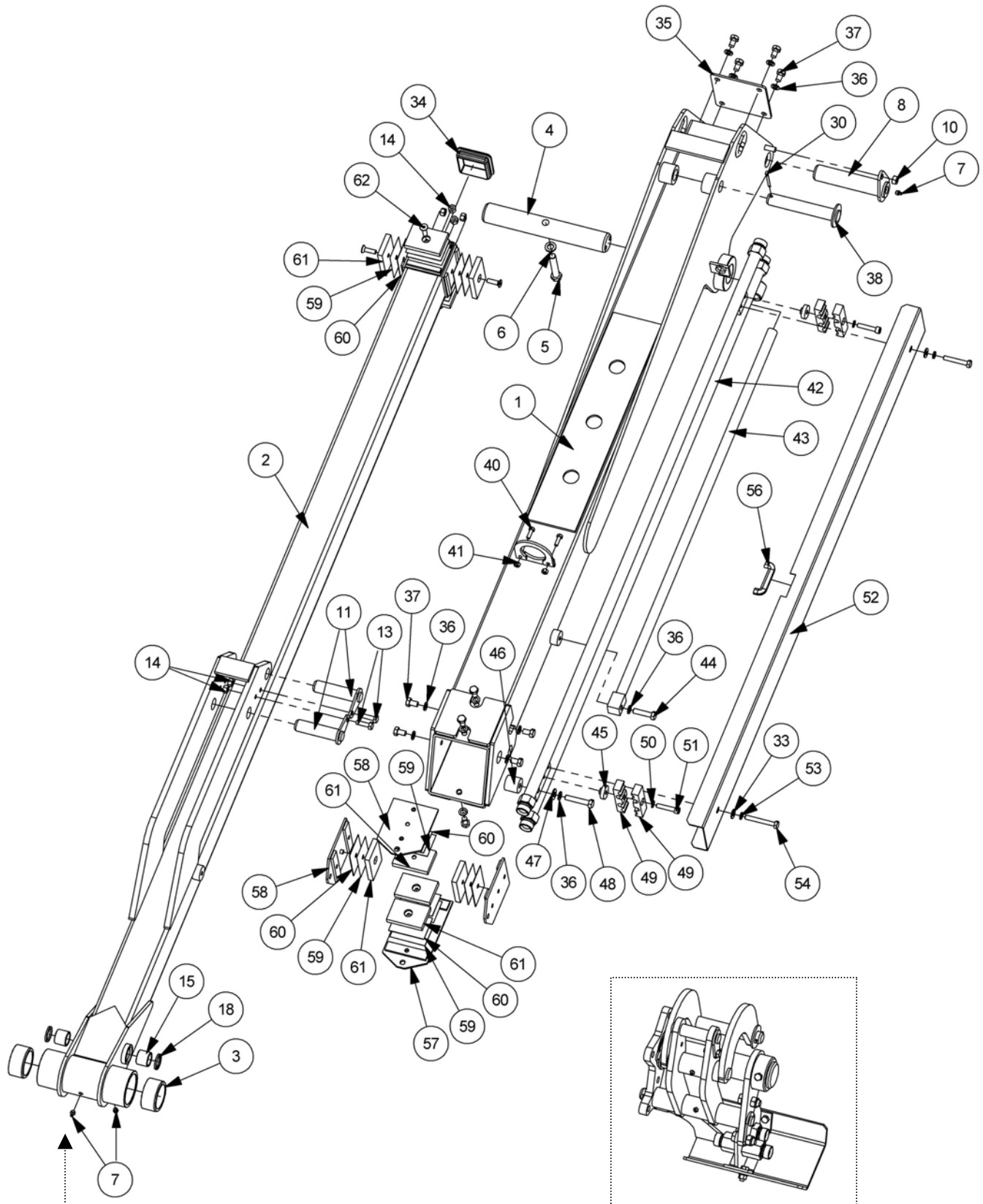
REF.	QTY.	PART No.	DESCRIPTION
		7455804	MIDCUT FORWARD EXTENSION - L/H Build
		7455805	MIDCUT FORWARD EXTENSION - R/H Build
1	1	45502.01	FORWARD EXTENSION - L/H Build
	1	45502.02	FORWARD EXTENSION - R/H Build
2	1	43324.01	PIN - LIFT BASE
3	1	42684.02	PIN - RAM BASE
4	1	43013.02	PIVOT PIN
5	2	08.297.02	BUSH
6	1	9213187	BOLT
7	1	9100207	SPRING WASHER
8	1	9313066	SETSCREW
9	1	9313065	SETSCREW
10	1	9143006	SELF-LOCKING NUT
11	1	9143005	SELF-LOCKING NUT
12	3	0901121	GREASE NIPPLE
13	1	45974.01	HOSE LOOP
14	1	06.430.17	HOSE CLAMP - UPPER
15	1	06.430.18	HOSE CLAMP - LOWER
16	1	06.418.05	CLAMP PLATE - PIPE CLAMP
17	1	04.282.69	STUD
18	4	9100405	SHAKEPROOF WASHER
19	2	9113005	NUT
20	2	9313055	SETSCREW

TELE DIPPER ARM ASSEMBLY

Modules:

7457720 – Components are identical for both L/H and R/H Builds

Illustrated in Left Hand Build



Refer to Head Angling Mechanism page for details of this component

TELE DIPPER ARM ASSEMBLY

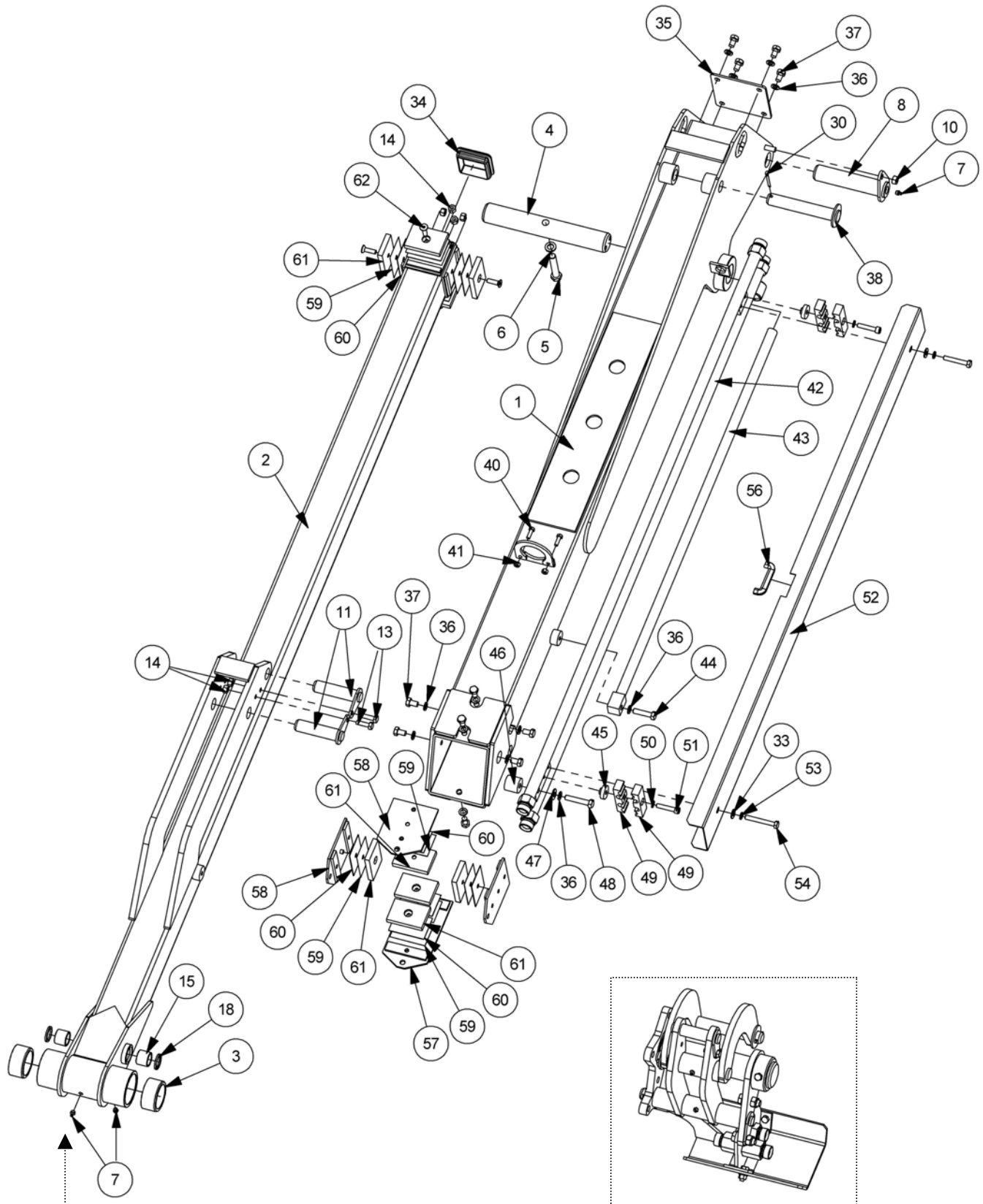
REF.	QTY.	PART No.	DESCRIPTION
		7457720	TELE DIPPER ARM ASSEMBLY - L/H & R/H
1	1	42217.02	TELE DIPPER SOCKET
2	1	43343.03	TELE DIPPER
3	2	7136035	PLASTIC BUSH
4	1	43013.02	PIVOT PIN
5	1	9213187	BOLT
6	1	9100207	SPRING WASHER
7	5	0901121	GREASE NIPPLE
8	1	43324.01	PIN - LIFT BASE
9	1	9313076	SETSCREW
10	1	9143006	SELF-LOCKING NUT
11	3	42684.05	PIN
12	1	42647.02	SLAVE LINK
13	3	9313075	SETSCREW
14	10	9143005	SELF-LOCKING NUT
15	6	08.297.04	BUSH
16	1	42646.03	RADIUS ARM - TYPE 1
17	1	42646.04	RADIUS ARM - TYPE 2
18	6	8629218	LIP SEAL
19	2	05.281.18	FLAT WASHER
20	2	9501406	SPLIT PIN
21	1	21263.01	PIVOT TUBE
22	1	42648.01	JAW PLATE
23	1	42684.01	PIN - SLAVE LINK
24	3	9100028	SELF-LOCKING NUT
25	1	9200025	BOLT
26	1	9200028	BOLT
27	1	21261.02	JUNCTION BRACKET
28	1	0423556	SPRING DOWEL
29	1	9213205	BOLT
30	2	9501507	SPLIT PIN
31	1	21262.01	HOSE TRAY
32	2	9313065	SETSCREW
33	4	9100105	FLAT WASHER
34	1	41580.02	PLASTIC PLUG
35	1	7136069	COVER - TELE DIPPER SOCKET
36	14	9100206	SPRING WASHER
37	12	9313046	SETSCREW
38	1	43381.01	PIN - TELE RAM BASE
39	1	43457.01	TELE RAM RESTRAINT
40	2	9313054	SETSCREW
41	2	9143004	SELF-LOCKING NUT
42	1	42211.04	RIGID PIPE
43	1	43347.01	GUIDE TUBE
44	1	9213106	BOLT
45	2	42215.01	SPACER
46	1	7197009	SPACER
47	1	9100106	FLAT WASHER

TELE DIPPER ARM ASSEMBLY

Modules:

7457720 – Components are identical for both L/H and R/H Builds

Illustrated in Left Hand Build



Refer to Head Angling Mechanism page for details of this component

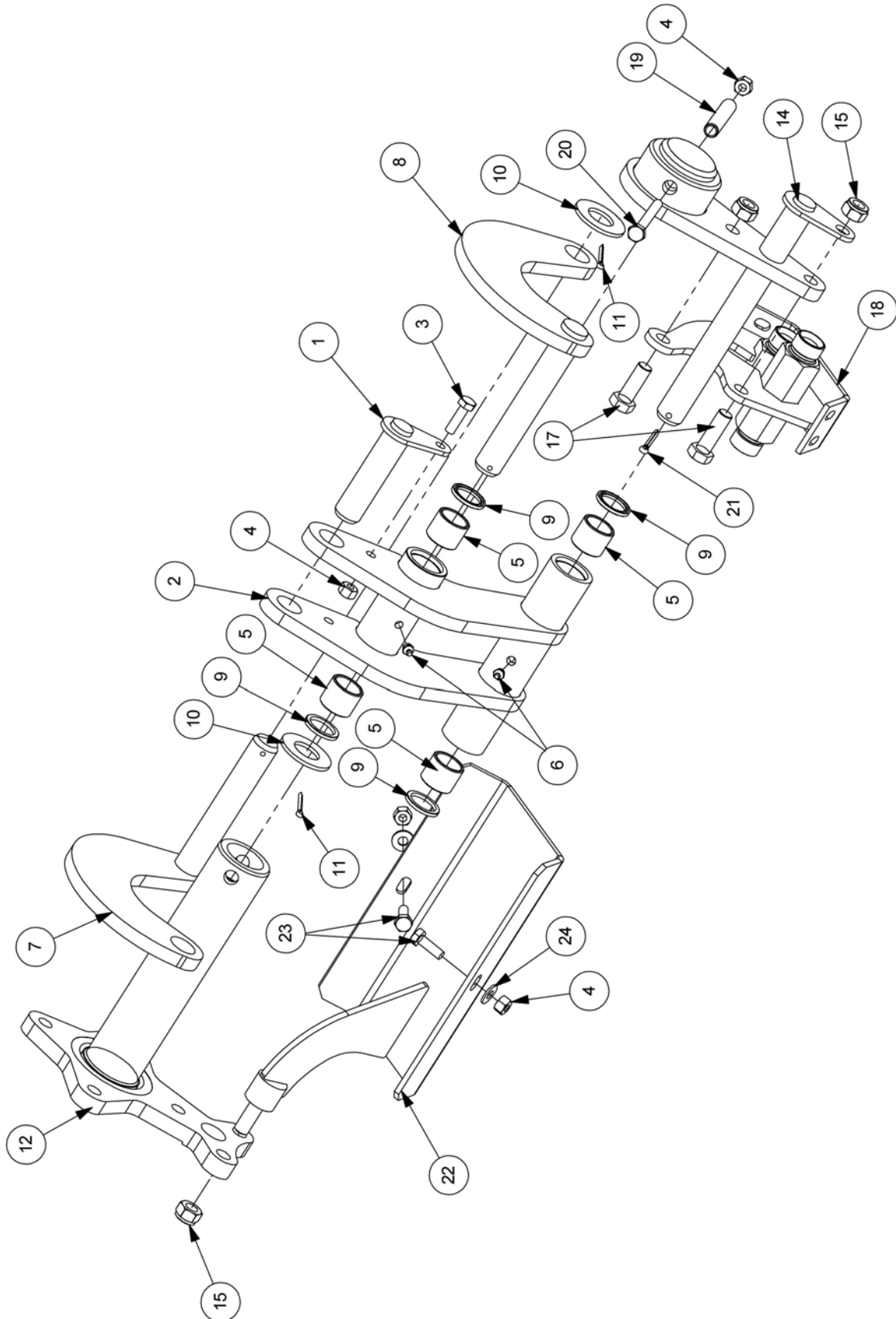
TELE DIPPER ARM ASSEMBLY

REF.	QTY.	PART No.	DESCRIPTION
48	1	9213136	BOLT
49	4	42024.04	HOSE CLAMP
50	2	9100405	SHAKEPROOF WASHER
51	2	9343105	CAPSCREW
52	1	42205.05	HOSE COVER
53	2	9100205	SPRING WASHER
54	1	9213165	BOLT
55	1	9213135	BOLT
56	1	41741.01	EDGING STRIP
57	1	43463.01	PAD CARRIER - BOTTOM
58	3	43463.02	PAD CARRIER - SIDE/TOP
59	9	7136058	SHIM - 0.25mm
60	9	7136059	SHIM - 1mm
61	9	7136001	DIPPER WEAR STRIP
62	4	9353075	CAPSCREW

Refer to Head Angling Mechanism page for exploded view of those components

HEAD ANGLING MECHANISM

Module:
Component of all Dipper Arm Modules



HEAD ANGLING MECHANISM

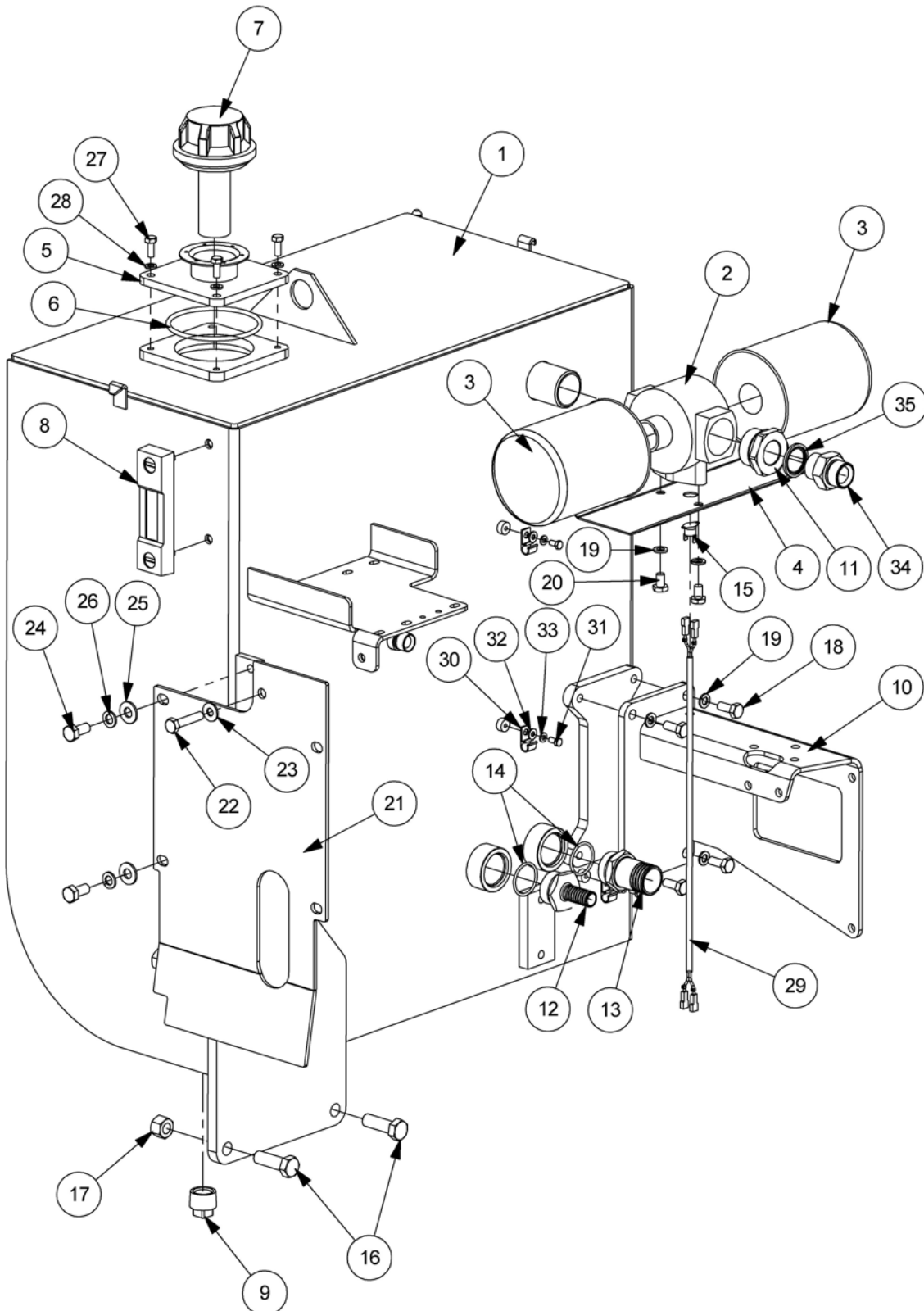
REF.	QTY.	PART No.	DESCRIPTION
		7457716	HEAD ANGLING MECHANISM
1	1	42684.05	PIN
2	1	42647.02	SLAVE LINK
3	1	9313075	SETSCREW
4	4	9143005	SELF-LOCKING NUT
5	4	08.297.04	BUSH
6	2	0901121	GREASE NIPPLE
7	1	42646.03	RADIUS ARM - TYPE 1
8	1	42646.04	RADIUS ARM - TYPE 2
9	4	8629218	LIP SEAL
10	2	05.281.18	FLAT WASHER
11	2	9501406	SPLIT PIN
12	1	21263.01	PIVOT TUBE
13	1	42648.01	JAW PLATE
14	1	42684.01	PIN - SLAVE LINK
15	3	9100028	SELF-LOCKING NUT
16	1	9200025	BOLT
17	1	9200028	BOLT
18	1	21261.02	JUNCTION BRACKET - Gear Models
	1	21261.03	JUNCTION BRACKET - Piston Models
19	1	0423556	SPRING DOWEL
20	1	9213205	BOLT
21	1	9501507	SPLIT PIN
22	1	21262.01	HOSE TRAY
23	2	9313065	SETSCREW
24	2	9100105	FLAT WASHER

Component parts of all Dipper Arm Modules

Modules:

- 7457703 – L/H Gear Build
- 7457704 – R/H Gear Build
- 7457705 – L/H Piston Build
- 7457706 – R/H Piston Build

Left Hand Gear model illustrated



HYDRAULIC TANK ASSEMBLIES

REF.	QTY.		PART No.	DESCRIPTION
			7457703	HYDRAULIC TANK ASSEMBLY - L/H Gear Models
			7457704	HYDRAULIC TANK ASSEMBLY - R/H Gear Models
	<i>Gear</i>	<i>Piston</i>	7457705	HYDRAULIC TANK ASSEMBLY - L/H Piston Models
			7457706	HYDRAULIC TANK ASSEMBLY - R/H Piston Models
1	1	1	21066.04	TANK - L/H Build
	1	1	21066.05	TANK - R/H Build
2	1	1	8401060	RETURN FILTER HEAD
3	2	<i>n/a</i>	8401041	FILTER ELEMENT
	<i>n/a</i>	2	8401070	FILTER ELEMENT
4	1	1	43471.01	DRIP TRAY
5	1	1	43175.01	COVER PLATE
6	1	1	8600151	O RING
7	1	1	8401074	FILLER BREATHER
8	1	1	8401048	LEVEL GAUGE
9	1	1	8581203	TAPER PLUG
10	1	1	21104.01	VALVE BRACKET - L/H Build
	1	1	21104.02	VALVE BRACKET - R/H Build
11	1	1	8581450	ADAPTOR
12	1	<i>n/a</i>	8581410	ADAPTOR
	<i>n/a</i>	1	8581383	ADAPTOR
13	1	1	8581260	ADAPTOR
14	2	2	8700784	O RING
15	1	1	8402236	THERMAL CUTOUT
16	3	3	9213107	BOLT
17	3	3	9143007	SELF-LOCKING NUT
18	4	4	9313055	SETSCREW
19	6	6	9100205	SPRING WASHER
20	2	2	9313035	SETSCREW
21	1	1	21074.01	SHIELD PLATE - L/H Build
	1	1	21074.02	SHIELD PLATE - R/H Build
22	1	1	9213105	BOLT
23	1	1	9100105	FLAT WASHER
24	2	2	9313056	SETSCREW
25	2	2	9100106	FLAT WASHER
26	2	2	9100206	SPRING WASHER
27	4	4	9313044	SETSCREW
28	4	4	9100204	SPRING WASHER
29	1	1	43177.30	LOOM - THERMAL CUTOUT
30	4	4	21151.01	D CLIP
31	4	4	9313023	SETSCREW
32	4	4	9100103	FLAT WASHER
33	4	4	9100203	SPRING WASHER
34	1	<i>n/a</i>	05.434.01	ADAPTOR
	<i>n/a</i>	1	8581110	ADAPTOR
35	1	<i>n/a</i>	8650108	BONDED SEAL
	<i>n/a</i>	1	8650104	BONDED SEAL

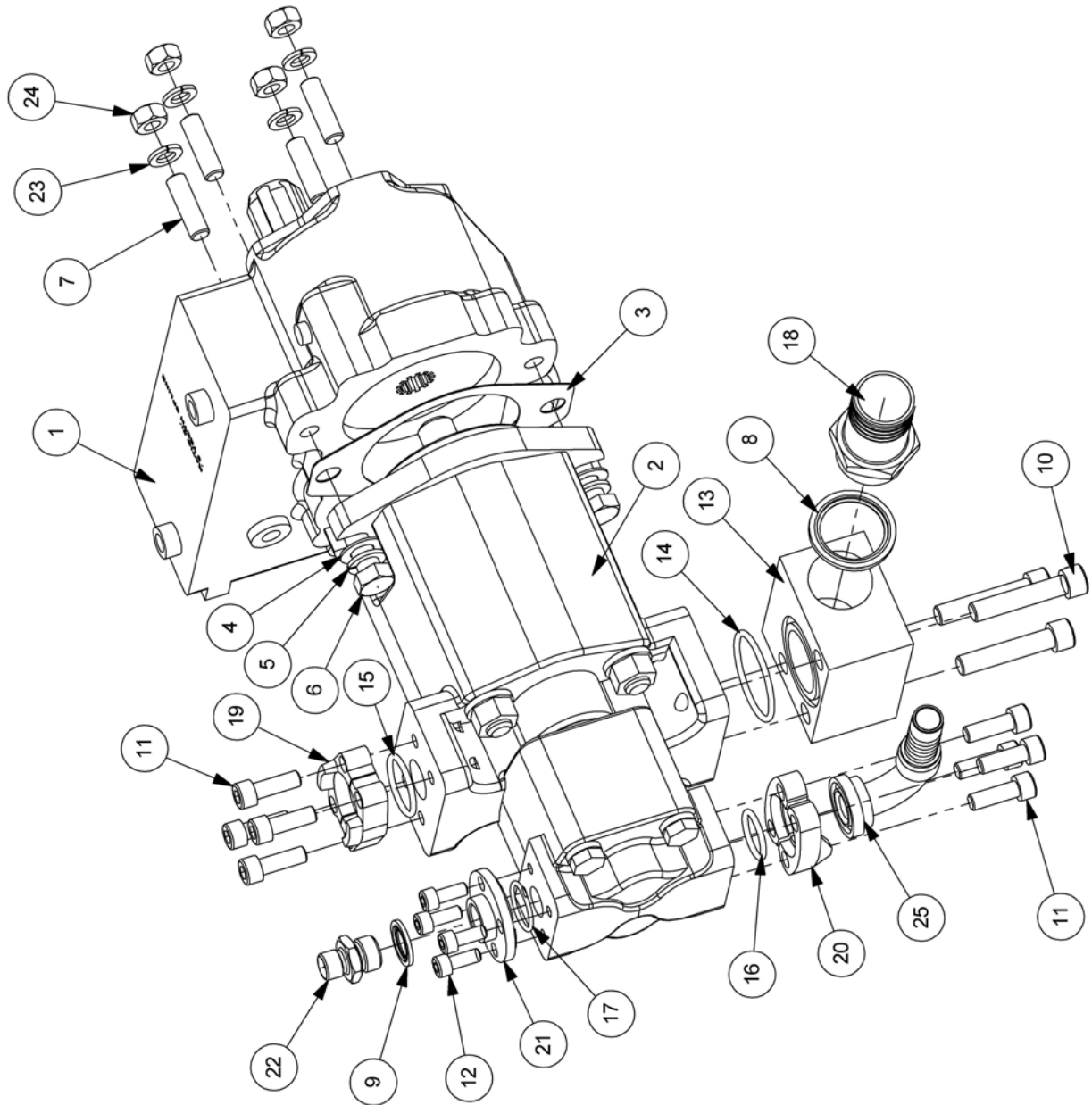
GEAR PUMP & GEARBOX

Modules:

7457735 – L/H Build

7457736 – R/H Build

Illustrated in Left Hand build



For Right Hand build the Pump and items 10 & 25 are rotated through 180°

GEAR PUMP & GEARBOX

REF.	QTY.	PART No.	DESCRIPTION
		7457735	GEAR PUMP & GEARBOX ASSEMBLY - L/H BUILD
		7457736	GEAR PUMP & GEARBOX ASSEMBLY - R/H BUILD
1	1	42693.06	CAST IRON GEARBOX
2	1	8201703	TANDEM PUMP ASSEMBLY - 65hp
3	1	7550048	GASKET
4	2	9100020	FLAT WASHER
5	2	05.282.08	SPRING WASHER
6	2	05.839.01	BOLT
7	4	04.282.17	STUD
8	1	8650109	BONDED SEAL
9	3	9243126	CAPSCREW
10	1	42142.01	BLOCK - SUCTION PARALLEL
11	1	8600304	O RING
12	1	8581260	ADAPTOR
13	1	01.697.03	SPLIT FLANGE
14	1	8600124	O RING
15	8	9343065	CAPSCREW
16	1	41.294.02	SPLIT FLANGE
17	1	8600119	O RING
18	1	42029.01	PORT PLATE
19	1	8600405	O RING
20	4	9300147	CAPSCREW
21	1	6000112	ADAPTOR
22	1	8650104	BONDED SEAL
23	4	9100206	SPRING WASHER
24	4	9113006	NUT
25	1	8581385	ADAPTOR- 90° FLANGE

For Right Hand build the Pump and items 10 & 25 are rotated 180°

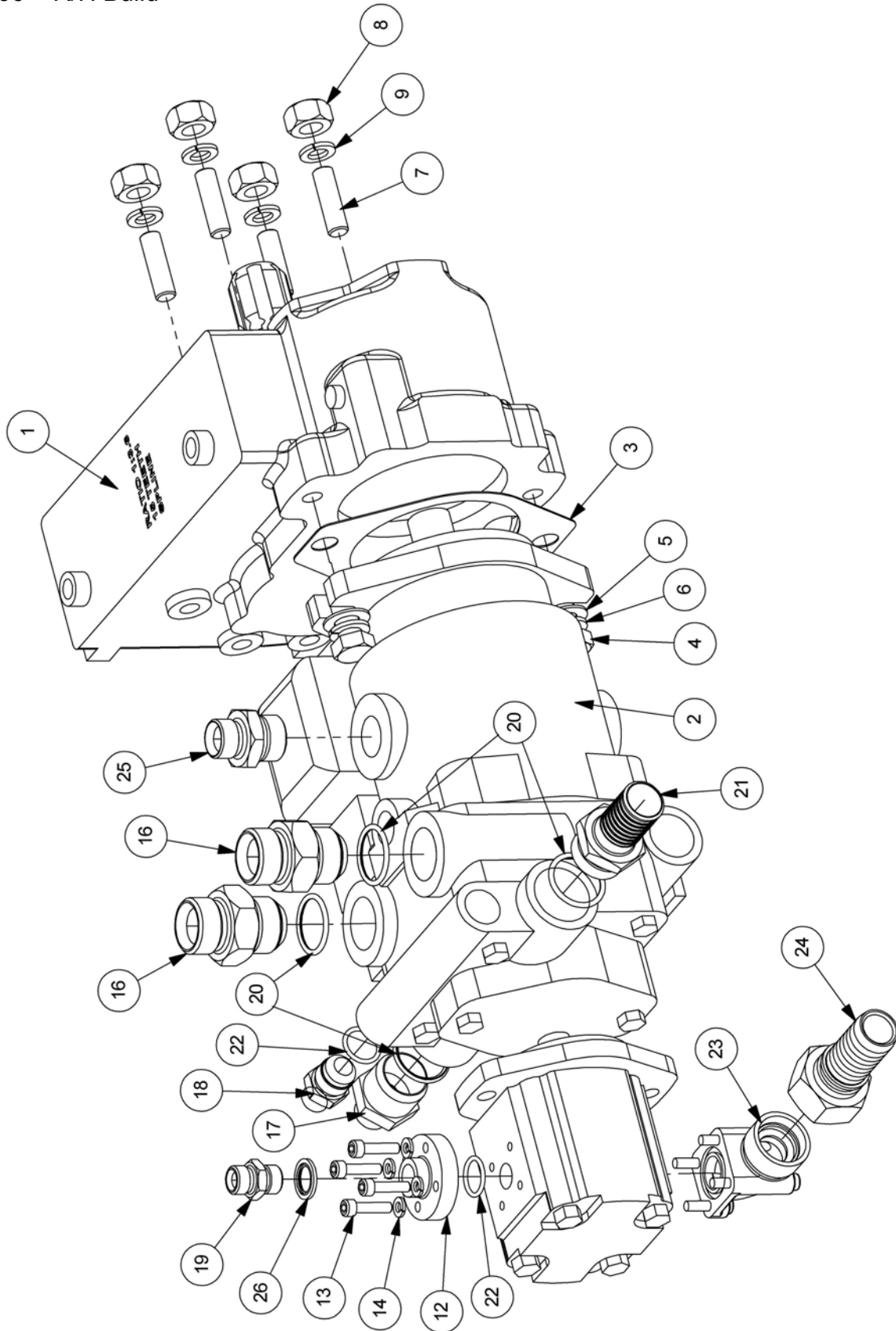
PISTON PUMP & GEARBOX

Modules:

7457765 – L/H Build

7457766 – R/H Build

Illustrated in Left Hand build



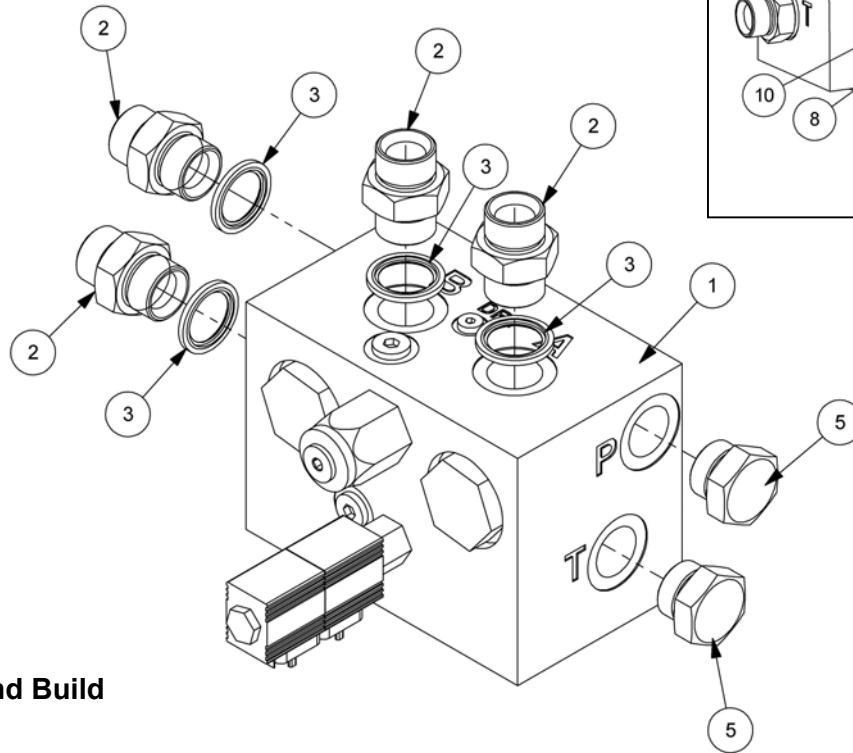
PISTON PUMP & GEARBOX

REF.	QTY.	PART No.	DESCRIPTION
		7457765	PISTON PUMP & GEARBOX ASSEMBLY - L/H BUILD
		7457766	PISTON PUMP & GEARBOX ASSEMBLY - R/H BUILD
1	1	42693.08	CAST IRON GEARBOX
2	1	8201699	PISTON PUMP
3	1	7550048	GASKET
4	2	05.839.01	BOLT
5	2	9100020	FLAT WASHER
6	2	05.282.08	SPRING WASHER
7	4	04.282.17	STUD
8	4	9113007	NUT
9	4	9100206	SPRING WASHER
10	2	0100203	SPRING WASHER
11	1	8201706	PUMP- PISTON
12	1	8013123	PUMP CONNECTION
13	4	9343053	CAPSCREW
14	4	9100203	SPRING WASHER
15	1	43177.27	LOOM - PISTON ROTOR CONTROL
16	2	8581256	ADAPTOR
17	1	8581321	ADAPTOR
18	1	520622	ADAPTOR
19	1	6000113	ADAPTOR
20	4	8600916	O RING
21	1	8581315	UNION
22	2	8600910	O RING
23	1	8013124	FLANGE - 90°
24	1	8581419	ADAPTOR - STRAIGHT
25	1	8581459	ADAPTOR
26	1	8650103	BONDED SEAL

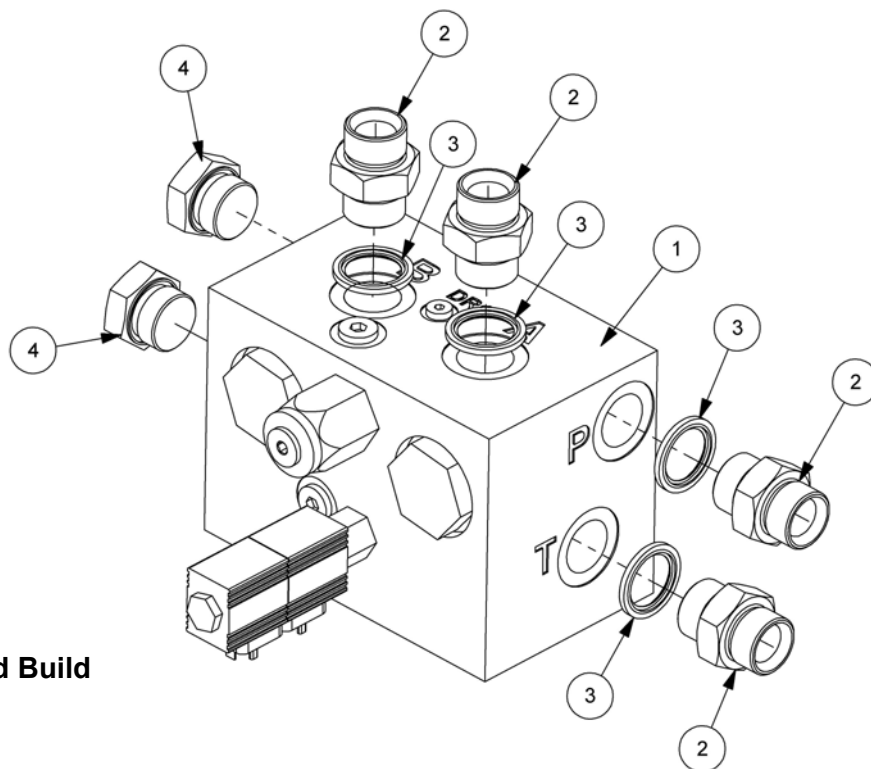
Modules:

7457789 – L/H Build

7457790 – R/H Build



Left Hand Build



Right Hand Build

ELECTRIC ROTOR CONTROL

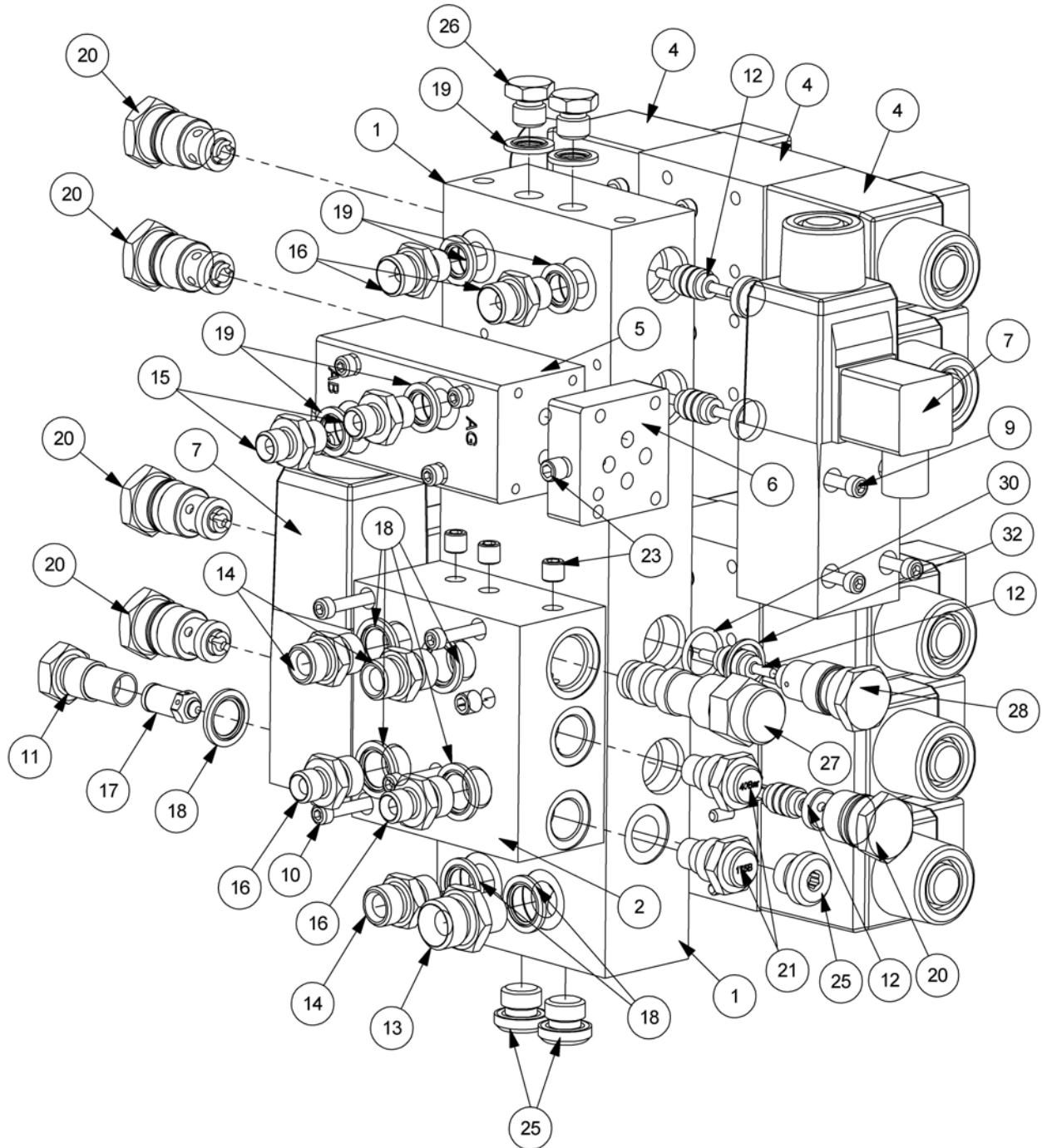
REF.	QTY.	PART No.	DESCRIPTION
		7457789	ELECTRIC ROTOR VALVE - L/H BUILD
		7457790	ELECTRIC ROTOR VALVE - R/H BUILD
1	1	42768.01	ELECTRIC REVERSING VALVE
2	4	05.434.01	ADAPTOR
3	4	8650108	BONDED SEAL
4	1	43177.26	LOOM - ROTOR REVERSE (not illustrated)
5	2	8581389	ADAPTOR PLUG

Sub-components of item 1:

6	4	42768.32	LOGIC ELEMENT
7	2	42768.35	SOLENOID
8	1	42768.34	SPOOL - OPEN CENTRE
9	1	42768.33	RELIEF VALVE - 207 BAR
10	2	42768.36	ORIFICE PLUG
11	1	42768.39	PLUG
12	1	42768.42	ORIFICE PLUG

ELECTRIC VALVE – Standard Arm

Module:
7457761

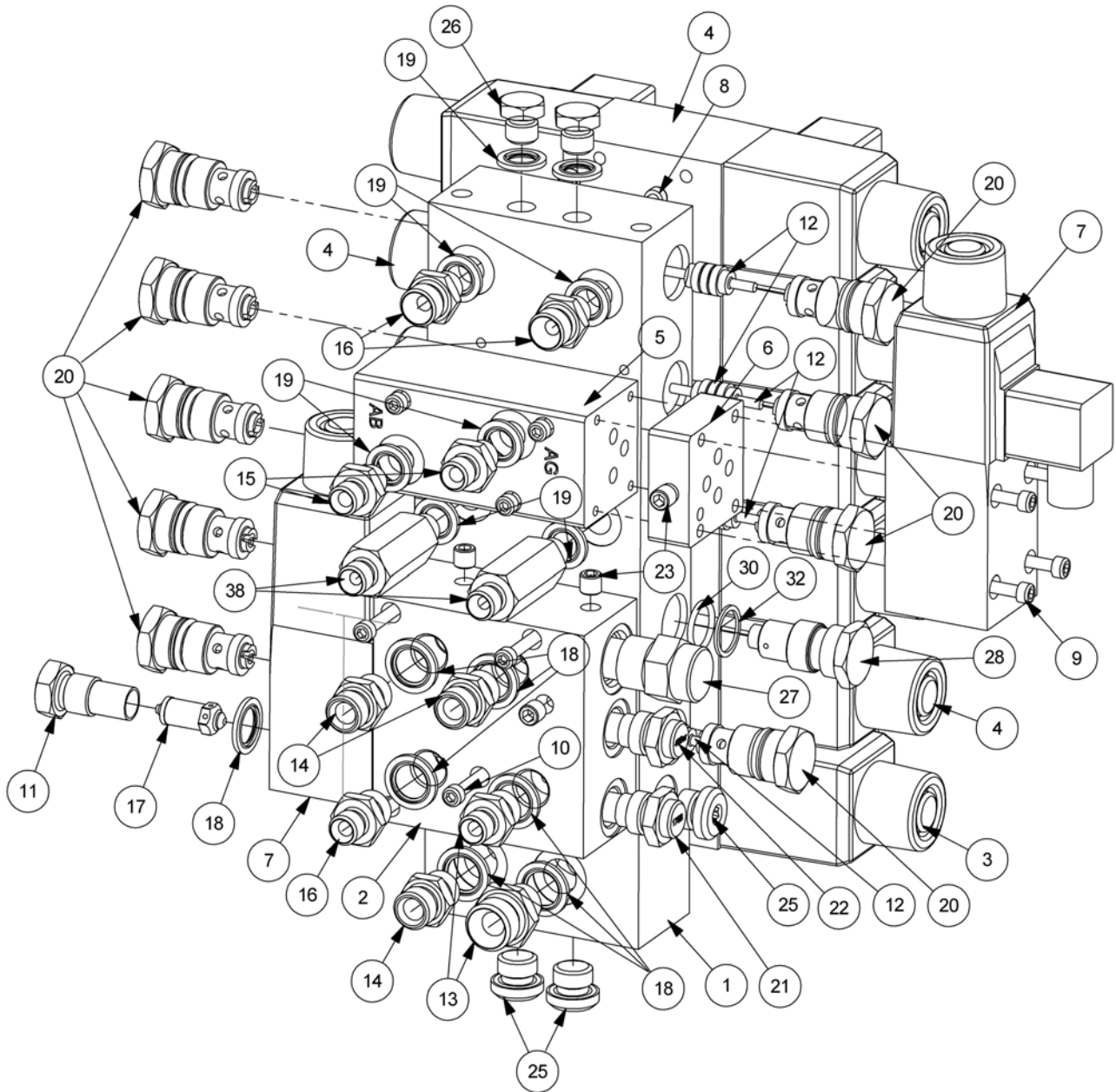


ELECTRIC VALVE – Standard Arm

REF.	QTY.	PART No.	DESCRIPTION
		7457761	ELECTRIC CONTROL VALVE
1	1	8132280	MANIFOLD BLOCK
2	1	8132279	AUTO RESET BLOCK
3	1	8130456	CUT OFF SOLENOID VALVE
4	4	8130629	VALVE DOUBLE SOLENOID
5	1	8130323	FLOAT VALVE BLOCK
6	1	8126280	BRIDGING PLATE
7	2	8130457	SOLENOID VALVE SINGLE
8	24	9243062	CAPSCREW
9	4	9243102	CAPSCREW
10	8	9243082	CAPSCREW
11	1	8130032	RELIEF VALVE CAP
12	4	8130087	ACTUATOR
13	1	6000112	ADAPTOR
14	3	6000113	ADAPTOR
15	2	8581169	ADAPTOR
16	4	8581115	ADAPTOR
17	1	8130092	RELIEF VALVE 190BAR
18	7	8650103	BONDED SEAL
19	6	8650102	BONDED SEAL
20	7	8130090	CHECK VALVE ASSEMBLY
21	1	8128022	VALVE SERVICE RELIEF 50-220BAR
22	1	8128065	VALVE SERVICE RELIEF 40BAR
23	5	8582041	TAPER PLUG
24	12	8700511	O RING
25	3	8581436	PLUG - SOFT SEAL
26	2	520378	ADAPTOR PLUG
27	1	8130204	CARTRIDGE SPOOL VALVE
28	1	8130207	CHECK VALVE CAP
29	1	8700525	O RING - METRIC
30	1	8700644	O RING - METRIC
31	1	41844.01	LOOM
32	1	8709644	BACK UP RING
33	1	8402338	LOOM - ANGLE FLOAT
34	4	42989.04	RESTRICTOR 1.3mm
35	2	42989.08	RESTRICTOR 1.8mm
36	1	42989.07	RESTRICTOR 1.6mm
37	1	42989.03	RESTRICTOR 1.15mm

ELECTRIC VALVE – Midcut / Tele

Modules:
7457762



ELECTRIC VALVE – Midcut / Tele

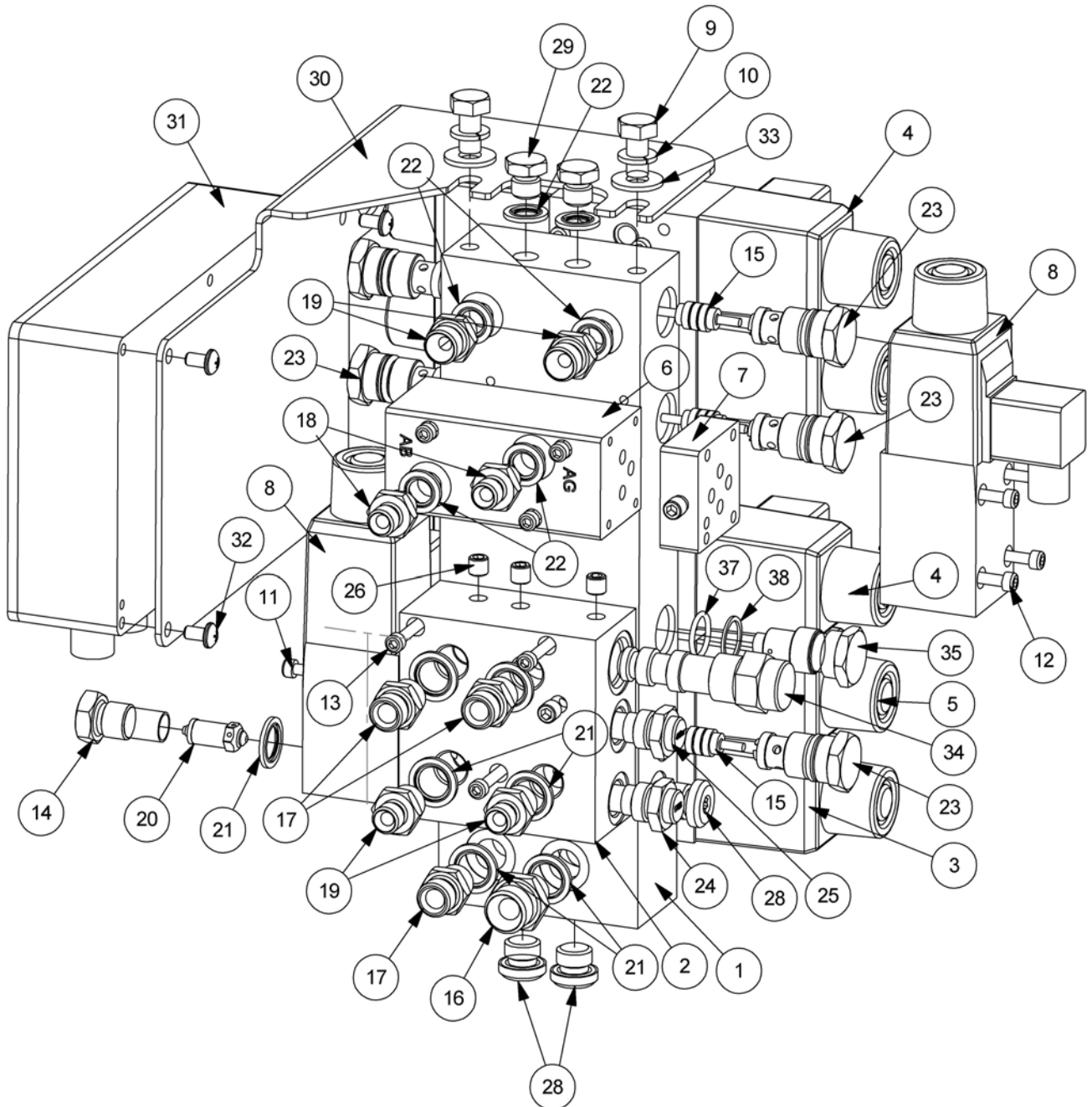
REF.	QTY.	PART No.	DESCRIPTION
		7457762	ELECTRIC MIDCUT / TELE CONTROL VALVE
1	1	8132281	MANIFOLD BLOCK 5 SERVICE
2	1	8132279	AUTO RESET BLOCK
3	1	8130456	CUT-OFF SOLENOID VALVE
4	5	8130629	VALVE - DOUBLE SOLENOID
5	1	8130323	FLOAT VALVE BLOCK
6	1	8126280	BRIDGING PLATE
7	2	8130457	SOLENOID VALVE - SINGLE
8	28	9243062	CAPSCREW
9	4	9243102	CAPSCREW
10	8	9243082	CAPSCREW
11	1	8130032	RELIEF VALVE CAP
12	5	8130087	ACTUATOR
13	1	6000112	ADAPTOR
14	3	6000113	ADAPTOR
15	2	8581169	ADAPTOR
16	4	8581115	ADAPTOR
17	1	8130092	RELIEF VALVE 190BAR
18	7	8650103	BONDED SEAL
19	8	8650102	BONDED SEAL
20	9	8130090	CHECK VALVE ASSEMBLY
21	1	8128022	VALVE SERVICE RELIEF 50-220BAR
22	1	8128065	VALVE SERVICE RELIEF 40BAR
23	5	8582041	TAPER PLUG
24	12	8700511	O RING
25	3	8581436	PLUG - SOFT SEAL
26	2	520378	ADAPTOR PLUG
27	1	8130204	CARTRIDGE SPOOL VALVE
28	1	8130207	CHECK VALVE CAP - DRILLED
29	1	8700525	O RING
30	1	8700644	O RING
31	1	41844.01	LOOM
32	1	8709644	BACK UP RING
33	1	8402338	LOOM - ANGLE FLOAT
34	4	42989.04	RESTRICTOR 1.3mm
35	2	42989.08	RESTRICTOR 1.8mm
36	1	42989.07	RESTRICTOR 1.6mm
37	1	42989.03	RESTRICTOR 1.15mm
38	2	8581279	ADAPTOR EXENTION

Modules:

7457763 – L/H Build

7457764 – R/H Build

Illustrated in Left Hand Build



PROPORTIONAL VALVE – Std. Arm

REF.	QTY.	PART No.	DESCRIPTION
		7457763	PROPORTIONAL CONTROL VALVE - L/H Build
		7457764	PROPORTIONAL CONTROL VALVE - R/H Build
1	1	8132280	MANIFOLD BLOCK
2	1	8132279	AUTO RESET BLOCK
3	1	8130456	CUT OFF SOLENOID VALVE
4	3	41784.46	VALVE DOUBLE - SOLENOID
5	1	8130629	VALVE DOUBLE - SOLENOID
6	1	8130323	FLOAT VALVE BLOCK
7	1	8126280	BRIDGING PLATE
8	2	8130457	SOLENOID VALVE SINGLE
9	2	9313045	SETSCREW
10	2	9100205	SPRING WASHER
11	24	9243062	CAPSCREW
12	4	9243102	CAPSCREW
13	8	9243082	CAPSCREW
14	1	8130032	RELIEF VALVE CAP
15	4	8130087	ACTUATOR
16	1	6000112	ADAPTOR
17	3	6000113	ADAPTOR
18	2	8581169	ADAPTOR
19	4	8581115	ADAPTOR
20	1	8130092	RELIEF VALVE 190BAR
21	7	8650103	BONDED SEAL
22	6	8650102	BONDED SEAL
23	7	8130090	CHECK VALVE ASSEMBLY
24	1	8128022	VALVE SERVICE RELIEF 50-220BAR
25	1	8128065	VALVE SERVICE RELIEF 40BAR
26	5	8582041	TAPER PLUG
27	12	8700511	O RING
28	3	8581436	PLUG - SOFT SEAL
29	2	520378	ADAPTOR PLUG
30	1	21170.01	CONTROLLER MOUNTING BRACKET - L/H Build
	1	21170.03	CONTROLLER MOUNTING BRACKET - R/H Build
31	1	21164.03	CONTROLLER ASSEMBLY - v3
32	4	9300164	TAPTITE
33	2	9100105	FLAT WASHER
34	1	8130204	CARTRIDGE SPOOL VALVE
35	1	8130207	CHECK VALVE CAP - DRILLED
36	1	8700525	O RING - METRIC
37	1	8700644	O RING - METRIC
38	1	8709644	BACK UP RING
39	2	42989.05	RESTRICTOR 1.4mm
40	1	42989.08	RESTRICTOR 1.8mm

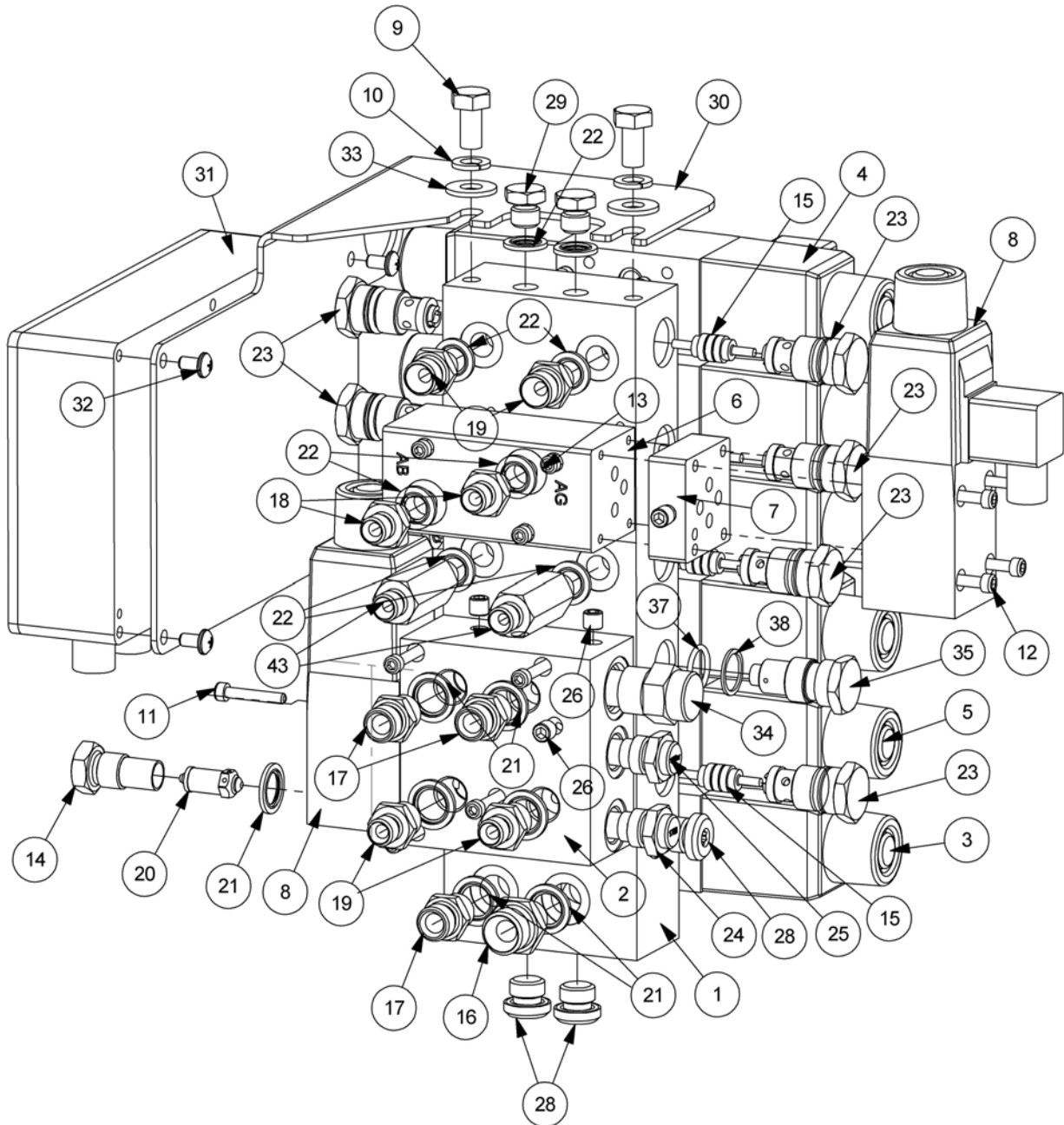
PROP. VALVE – Midcut / Tele Arm

Module:

7457759 – L/H Build

7457760 – R/H Build

Illustrated in Left Hand Build

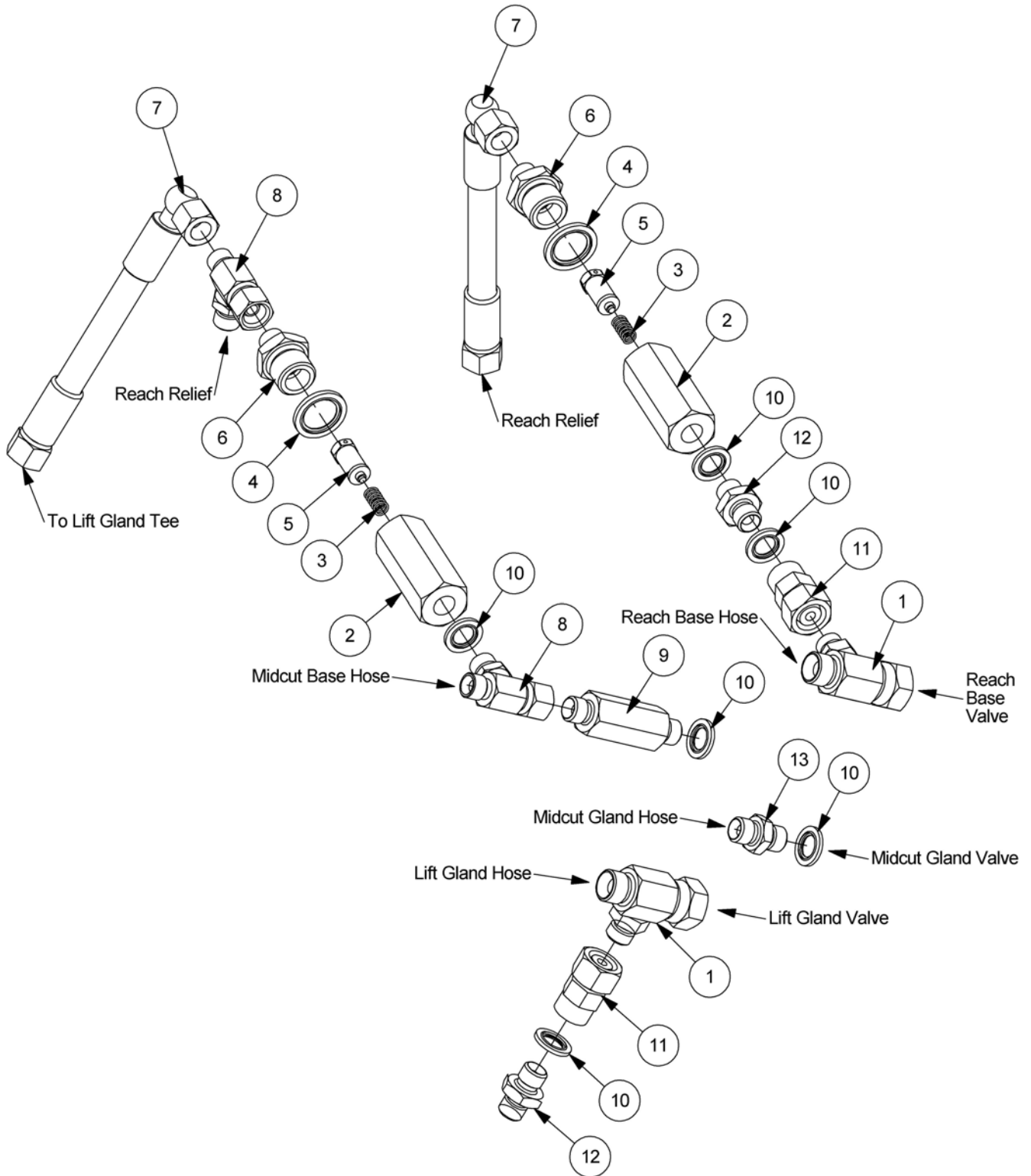


PROP. VALVE – Midcut / Tele Arm

REF.	QTY.	PART No.	DESCRIPTION
		7457759	PROP. MIDCUT / TELE CONTROL VALVE - L/H Build
		7457760	PROP. MIDCUT / TELE CONTROL VALVE - R/H Build
1	1	8132281	MANIFOLD BLOCK - 5 SERVICE
2	1	8132279	AUTO RESET BLOCK
3	1	8130456	CUT OFF SOLENOID VALVE
4	3	41784.46	DOUBLE SOLENOID PROPORTIONAL VALVE
5	2	8130629	VALVE - DOUBLE SOLENOID
6	1	8130323	FLOAT VALVE BLOCK
7	1	8126280	BRIDGING PLATE
8	2	8130457	SOLENOID VALVE - SINGLE
9	2	9313045	SETSCREW
10	2	9100205	SPRING WASHER
11	28	9243062	CAPSCREW
12	4	9243102	CAPSCREW
13	8	9243082	CAPSCREW
14	1	8130032	RELIEF VALVE CAP
15	5	8130087	ACTUATOR
16	1	6000112	ADAPTOR
17	3	6000113	ADAPTOR
18	2	8581169	ADAPTOR
19	4	8581115	ADAPTOR
20	1	8130092	RELIEF VALVE 190BAR
21	7	8650103	BONDED SEAL
22	8	8650102	BONDED SEAL
23	9	8130090	CHECK VALVE ASSEMBLY
24	1	8128022	VALVE SERVICE RELIEF 50-220BAR
25	1	8128065	VALVE SERVICE RELIEF 40BAR
26	5	8582041	TAPER PLUG
27	12	8700511	O RING
28	3	8581436	PLUG - SOFT SEAL
29	2	520378	ADAPTOR PLUG
30	1	21170.01	CONTROLLER MOUNT BRACKET - L/H
	1	21170.03	CONTROLLER MOUNT BRACKET - R/H
31	1	21164.03	CONTROLLER ASSEMBLY - v.3
32	4	9300164	TAPTITE
33	2	9100105	FLAT WASHER
34	1	8130204	CARTRIDGE SPOOL VALVE
35	1	8130207	CHECK VALVE CAP - DRILLED
36	1	8700525	O RING
37	1	8700644	O RING
38	1	8709644	BACK-UP RING
39	2	42989.05	RESTRICTOR 1.4mm
40	1	42989.08	RESTRICTOR 1.8mm
41	1	42989.07	RESTRICTOR 1.6mm
42	1	42989.09	RESTRICTOR 2.2mm
43	2	8581279	ADAPTOR EXTENTION

MIDCUT ROTOR RELIEF

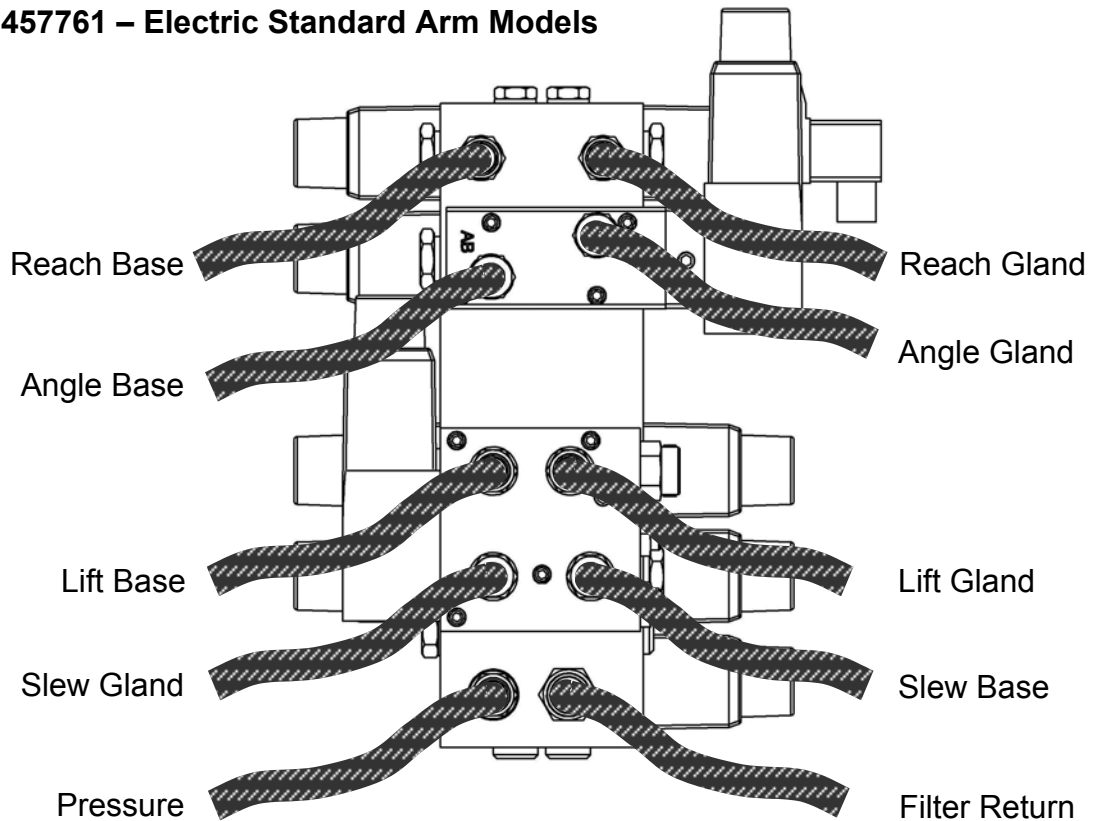
Module:
7457810



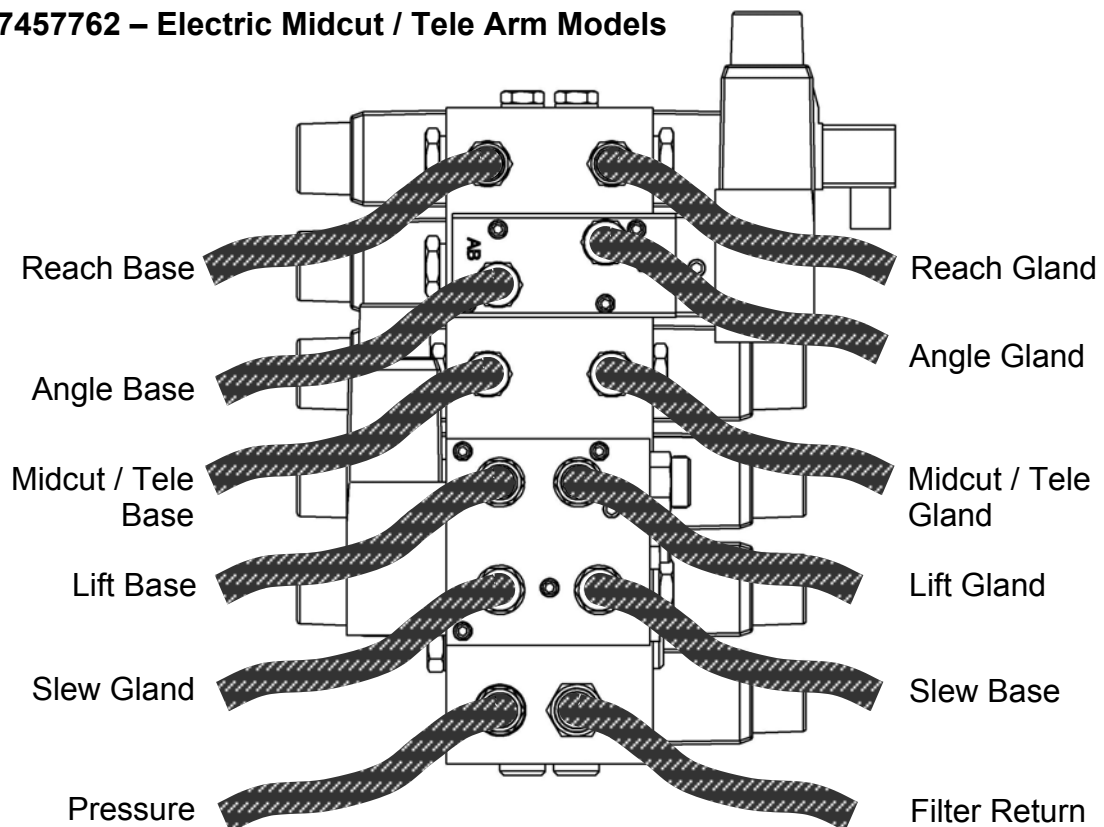
MIDCUT ROTOR RELIEF

REF.	QTY.	PART No.	DESCRIPTION
		7457810	MIDCUT ROTOR RELIEF
1	2	04.056.16	ADAPTOR TEE
2	2	8130156	RELIEF VALVE HOUSING
3	2	8116011	SPRING
4	2	8650104	BONDED SEAL
5	2	8130092	RELIEF VALVE 190BAR
6	2	8130083	ADAPTOR RELIEF BODY
7	2	10.002.08	HOSE - 1/4" BSP FS/F90 x 400mm
8	2	8581254	ADAPTOR TEE
9	1	8581279	ADAPTOR EXTENTION
10	6	8650102	BONDED SEAL
11	2	8581433	SWIVEL ADAPTOR
12	2	8581169	ADAPTOR
13	1	8130103	ADAPTOR RESTRICTOR

7457761 – Electric Standard Arm Models



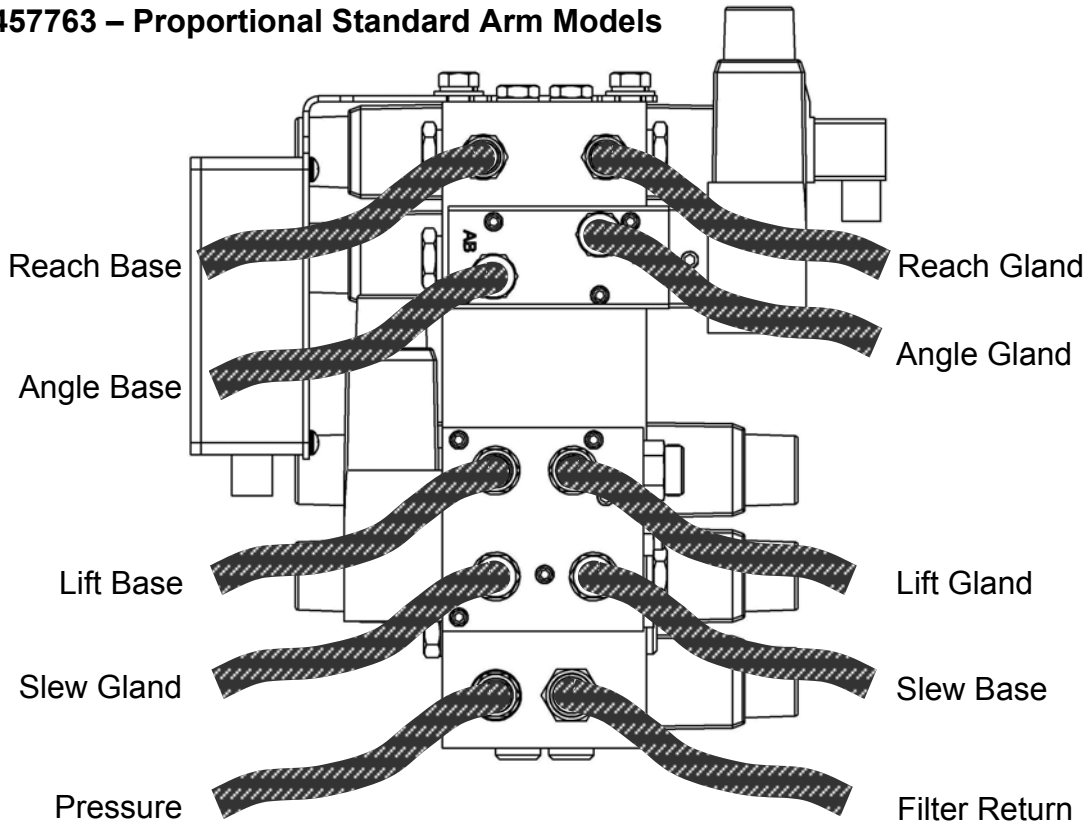
7457762 – Electric Midcut / Tele Arm Models



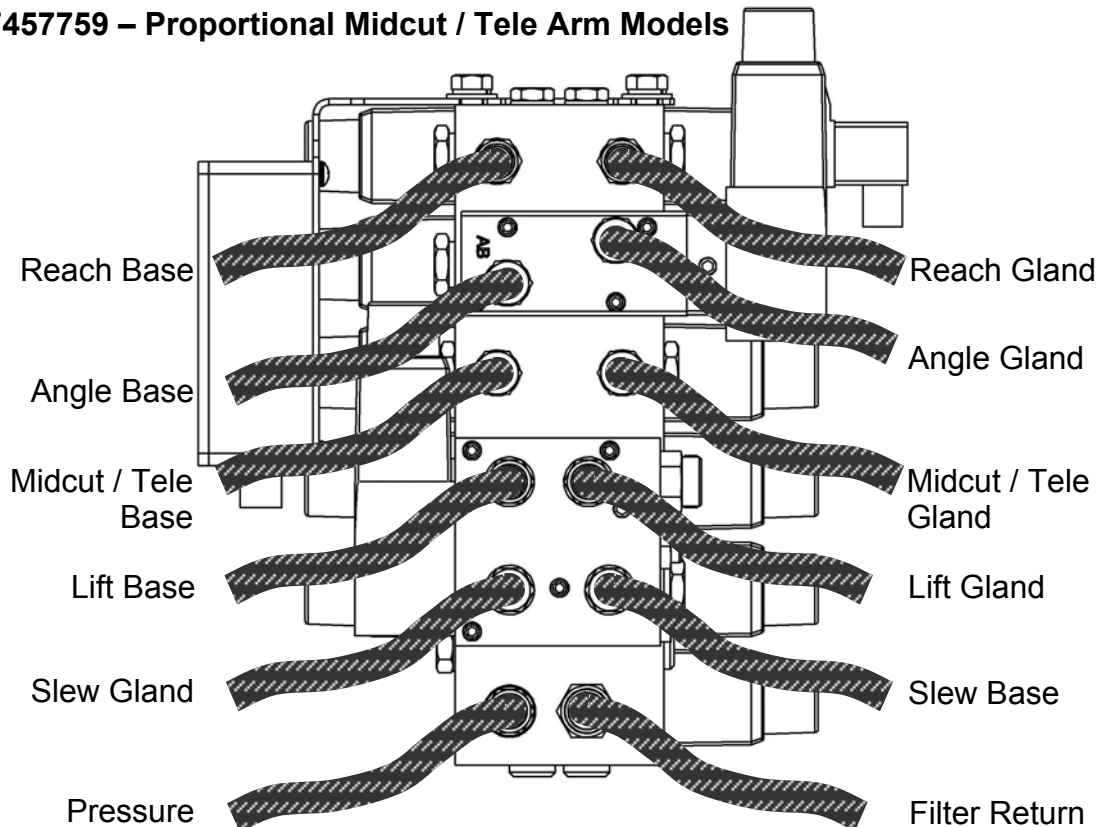
HOSE KITS

REF.	QTY.			PART No.	DESCRIPTION
				74577221	HOSE KIT - PA550 GEAR MODELS
				74577225	HOSE KIT - PA550 GEAR MODELS - MIDCUT
				74577229	HOSE KIT - PA650T GEAR MODELS
1	1	1	1	8501324	HOSE - 1" SAE STR x 1" BSP x 550MM PUMP TO ELEC RCV
2	2	2	2	10.012.21	HOSE - 1" BSP FS/F90 x 1100MM RCV TO COOLER / COOLER TO TANK
3	4	2	2	10.011.36	HOSE - 1" BSP FS/FS x 2600MM DIPPER TO MAIN ARM/RCV TO MAIN ARM
4	-	2	-	10.011.52	HOSE - 1" BSP FS/FS x 4200MM MAIN ARM TO DIPPER
5	2	2	-	10.012.18	HOSE - 1" BSP FS/F90 x 900MM DIPPER TO JUNCTION BRACKET
6	-	-	2	10.012.16	HOSE - 1" BSP FS/F90 x 800MM DIPPER TO JUNCTION BRACKET
7	-	-	2	10.025.30	HOSE - 1" BSP FS/F135 x 2000MM RCV TO MAIN ARM
8	1	1	1	10.004.08	HOSE - 3/8" BSP FS/F90 x 400MM PUMP TO CONTROL VALVE
9	1	1	1	10.006.12	HOSE - 1/2" BSP FS/F90 x 600MM CONTROL VALVE TO COOLER
10	2	2	2	10.004.24	HOSE - 3/8" BSP FS/F90 x 1400MM LIFT RAM
11	2	2	2	10.002.14	HOSE - 1/4" BSP FS/F90 x 700MM SLEW RAM
12	2	2	2	10.003.47	HOSE - 3/8" BSP FS/FS x 3700MM REACH RAM
13	2	-	-	10.001.64	HOSE - 1/4" BSP FS/FS x 5400MM ANGLE RAM
14	-	2	-	10.001.80	HOSE - 1/4" BSP FS/FS x 7000MM ANGLE RAM
15	-	-	2	10.001.40	HOSE - 1/4" BSP FS/FS x 3000MM ANGLE- CONTROL VALVE TO ARM
16	-	-	2	10.001.45	HOSE - 1/4" BSP FS/FS x 3500MM ANGLE- ARM TO RAM
17	-	-	2	10.001.56	HOSE - 1/4" BSP FS/FS x 4600MM TELE RAM
18	-	2	-	10.001.57	HOSE - 1/4" BSP FS/FS x 4700MM MIDCUT FOLD RAM
				74577223	HOSE KIT - PA550 PISTON MODELS
				74577227	HOSE KIT - PA550 PISTON MODELS - MIDCUT
				745772211	HOSE KIT - PA650T PISTON MODELS
1	2	2	2	41350.12	HOSE - 1" BSP FS/F135 x 600MM (HP) PUMPTO BULKHEAD
2	4	2	2	41348.36	HOSE - 1" BSP FS/FS x 2600MM (HP) B/HEAD TO M/ARM - M/ARM TO DIPPER
3	-	2	-	41348.52	HOSE - 1" BSP FS/FS x 4200MM (HP) MAIN ARM TO DIPPER
4	2	2	-	41349.18	HOSE - 1" BSP FS/F90 x 900MM (HP) DIPPER TO JUNCTION BRACKET
5	-	-	2	41349.16	HOSE - 1" BSP FS/F90 x 800MM (HP) DIPPER TO JUNCTION BRACKET
6	-	-	2	41350.30	HOSE - 1" BSP FS/F135 x 2000MM (HP) MAIN ARM TO DIPPER
7	1	1	1	10.004.08	HOSE - 3/8" BSP FS/F90 x 400MM CONTROL PUMP TO CONTROL VALVE
9	1	1	1	10.006.21	HOSE - 1/2" BSP FS/F90 x 1100MM COOLER TO TANK
10	2	2	2	10.006.11	HOSE - 1/2" BSP FS/F90 x 550MM VALVE TO COOLER / PUMP TO FILTER
11	2	2	2	10.004.24	HOSE - 3/8" BSP FS/F90 x 1400MM LIFT RAM
12	2	2	2	10.002.14	HOSE - 1/4" BSP FS/F90 x 700MM SLEW RAM
13	2	2	2	10.003.47	HOSE - 3/8" BSP FS/FS x 3700MM REACH RAM
14	2	-	-	10.001.64	HOSE - 1/4" BSP FS/FS x 5400MM ANGLE
15	-	2	-	10.001.80	HOSE - 1/4" BSP FS/FS x 7000MM ANGLE
16	-	-	2	10.001.40	HOSE - 1/4" BSP FS/FS x 3000MM ANGLE- CONTROL VALVE TO ARM
17	-	-	2	10.001.45	HOSE - 1/4" BSP FS/FS x 3500MM ANGLE- ARM TO RAM
18	-	-	2	10.001.56	HOSE - 1/4" BSP FS/FS x 4600MM TELE RAM
19	-	2	-	10.001.57	HOSE - 1/4" BSP FS/FS x 4700MM MIDCUT FOLD RAM
20	1	1	1	10.004.09	HOSE - 3/8" BSP FS/F90 x 800MM CHARGE FILTER TO PUMP
21	1	-	1	10.008.25	HOSE - 5/8" BSP FS/F90 x 1500MM DRAIN- DIPPER JOIN TO HEAD
22	-	1	-	10.008.43	HOSE - 5/8" BSP FS/F90 x 3300MM DRAIN- DIPPER JOIN TO HEAD
23	-	1	-	10.008.56	HOSE - 5/8" BSP FS/F90 x 4600MM DRAIN- TANK TO DIPPER JOIN
24	1	-	-	10.008.59	HOSE - 5/8" BSP FS/F90 x 4900MM DRAIN- TANK TO DIPPER JOIN
25	-	-	1	10.008.70	HOSE - 5/8" BSP FS/F90 x 6000MM DRAIN- TANK TO DIPPER JOIN
26	1	1	1	10.007.11	HOSE - 5/8" BSP FS/FS x 550MM PUMP DRAIN TO TANK

7457763 – Proportional Standard Arm Models

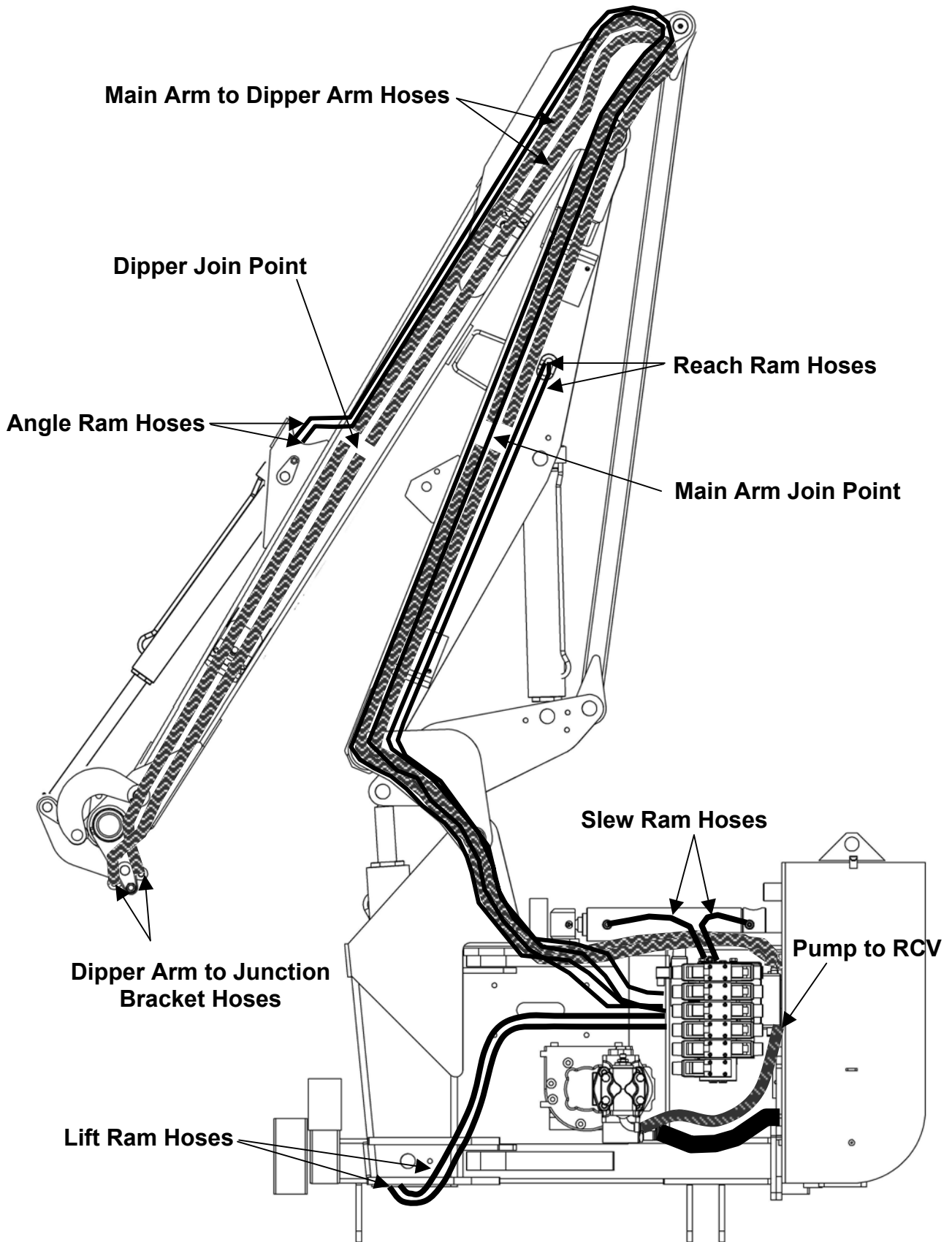


7457759 – Proportional Midcut / Tele Arm Models



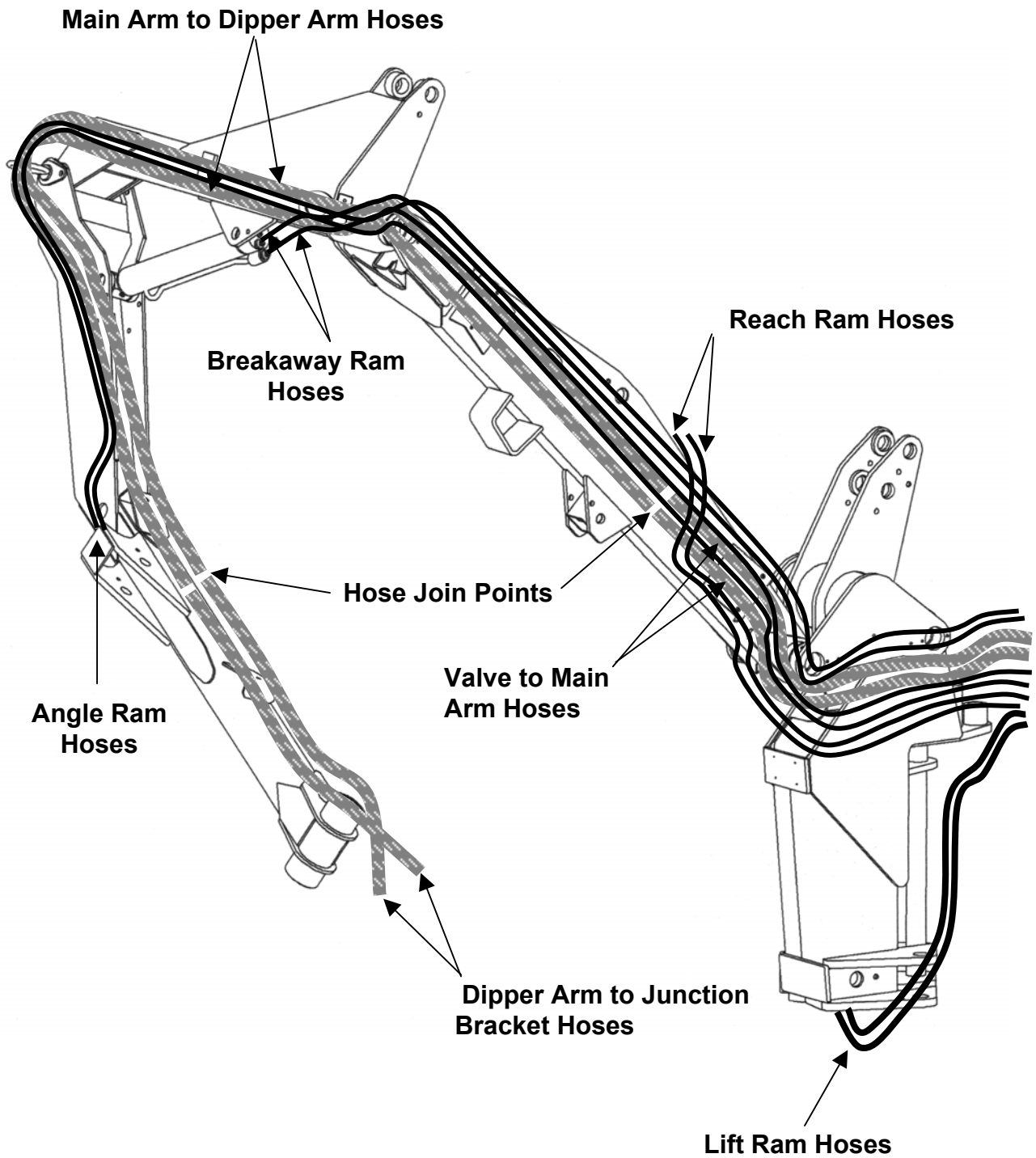
HOSE KITS

REF.	QTY.		PART No.	DESCRIPTION
			74577221	HOSE KIT - PA550 GEAR MODELS
			74577225	HOSE KIT - PA550 GEAR MODELS - MIDCUT
			74577229	HOSE KIT - PA650T GEAR MODELS
1	1	1	8501324	HOSE - 1" SAE STR x 1" BSP x 550MM PUMP TO ELEC RCV
2	2	2	10.012.21	HOSE - 1" BSP FS/F90 x 1100MM RCV TO COOLER / COOLER TO TANK
3	4	2	10.011.36	HOSE - 1" BSP FS/FS x 2600MM DIPPER TO MAIN ARM/RCV TO MAIN ARM
4	-	2	10.011.52	HOSE - 1" BSP FS/FS x 4200MM MAIN ARM TO DIPPER
5	2	2	10.012.18	HOSE - 1" BSP FS/F90 x 900MM DIPPER TO JUNCTION BRACKET
6	-	-	10.012.16	HOSE - 1" BSP FS/F90 x 800MM DIPPER TO JUNCTION BRACKET
7	-	-	10.025.30	HOSE - 1" BSP FS/F135 x 2000MM RCV TO MAIN ARM
8	1	1	10.004.08	HOSE - 3/8" BSP FS/F90 x 400MM PUMP TO CONTROL VALVE
9	1	1	10.006.12	HOSE - 1/2" BSP FS/F90 x 600MM CONTROL VALVE TO COOLER
10	2	2	10.004.24	HOSE - 3/8" BSP FS/F90 x 1400MM LIFT RAM
11	2	2	10.002.14	HOSE - 1/4" BSP FS/F90 x 700MM SLEW RAM
12	2	2	10.003.47	HOSE - 3/8" BSP FS/FS x 3700MM REACH RAM
13	2	-	10.001.64	HOSE - 1/4" BSP FS/FS x 5400MM ANGLE RAM
14	-	2	10.001.80	HOSE - 1/4" BSP FS/FS x 7000MM ANGLE RAM
15	-	-	10.001.40	HOSE - 1/4" BSP FS/FS x 3000MM ANGLE- CONTROL VALVE TO ARM
16	-	-	10.001.45	HOSE - 1/4" BSP FS/FS x 3500MM ANGLE- ARM TO RAM
17	-	-	10.001.56	HOSE - 1/4" BSP FS/FS x 4600MM TELE RAM
18	-	2	10.001.57	HOSE - 1/4" BSP FS/FS x 4700MM MIDCUT FOLD RAM
			74577223	HOSE KIT - PA550 PISTON MODELS
			74577227	HOSE KIT - PA550 PISTON MODELS - MIDCUT
			745772211	HOSE KIT - PA650T PISTON MODELS
1	2	2	41350.12	HOSE - 1" BSP FS/F135 x 600MM (HP) PUMPTO BULKHEAD
2	4	2	41348.36	HOSE - 1" BSP FS/FS x 2600MM (HP) B/HEAD TO M/ARM - M/ARM TO DIPPER
3	-	2	41348.52	HOSE - 1" BSP FS/FS x 4200MM (HP) MAIN ARM TO DIPPER
4	2	2	41349.18	HOSE - 1" BSP FS/F90 x 900MM (HP) DIPPER TO JUNCTION BRACKET
5	-	-	41349.16	HOSE - 1" BSP FS/F90 x 800MM (HP) DIPPER TO JUNCTION BRACKET
6	-	-	41350.30	HOSE - 1" BSP FS/F135 x 2000MM (HP) MAIN ARM TO DIPPER
7	1	1	10.004.08	HOSE - 3/8" BSP FS/F90 x 400MM CONTROL PUMP TO CONTROL VALVE
9	1	1	10.006.21	HOSE - 1/2" BSP FS/F90 x 1100MM COOLER TO TANK
10	2	2	10.006.11	HOSE - 1/2" BSP FS/F90 x 550MM VALVE TO COOLER / PUMP TO FILTER
11	2	2	10.004.24	HOSE - 3/8" BSP FS/F90 x 1400MM LIFT RAM
12	2	2	10.002.14	HOSE - 1/4" BSP FS/F90 x 700MM SLEW RAM
13	2	2	10.003.47	HOSE - 3/8" BSP FS/FS x 3700MM REACH RAM
14	2	-	10.001.64	HOSE - 1/4" BSP FS/FS x 5400MM ANGLE
15	-	2	10.001.80	HOSE - 1/4" BSP FS/FS x 7000MM ANGLE
16	-	-	10.001.40	HOSE - 1/4" BSP FS/FS x 3000MM ANGLE- CONTROL VALVE TO ARM
17	-	-	10.001.45	HOSE - 1/4" BSP FS/FS x 3500MM ANGLE- ARM TO RAM
18	-	-	10.001.56	HOSE - 1/4" BSP FS/FS x 4600MM TELE RAM
19	-	2	10.001.57	HOSE - 1/4" BSP FS/FS x 4700MM MIDCUT FOLD RAM
20	1	1	10.004.09	HOSE - 3/8" BSP FS/F90 x 800MM CHARGE FILTER TO PUMP
21	1	-	10.008.25	HOSE - 5/8" BSP FS/F90 x 1500MM DRAIN- DIPPER JOIN TO HEAD
22	-	1	10.008.43	HOSE - 5/8" BSP FS/F90 x 3300MM DRAIN- DIPPER JOIN TO HEAD
23	-	1	10.008.56	HOSE - 5/8" BSP FS/F90 x 4600MM DRAIN- TANK TO DIPPER JOIN
24	1	-	10.008.59	HOSE - 5/8" BSP FS/F90 x 4900MM DRAIN- TANK TO DIPPER JOIN
25	-	-	10.008.70	HOSE - 5/8" BSP FS/F90 x 6000MM DRAIN- TANK TO DIPPER JOIN
26	1	1	10.007.11	HOSE - 5/8" BSP FS/FS x 550MM PUMP DRAIN TO TANK



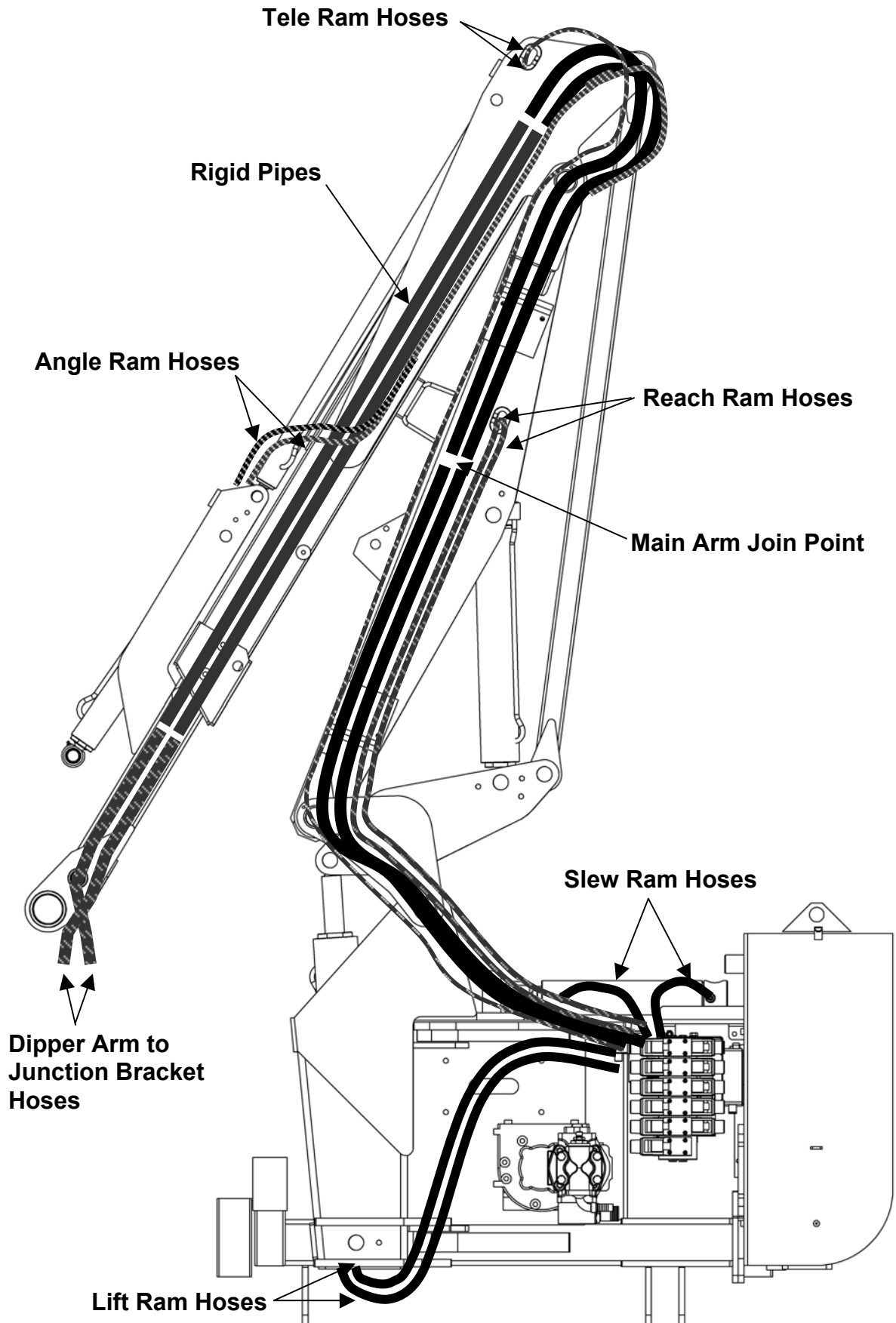
HOSE KITS

REF.	QTY.		PART No.	DESCRIPTION
			74577221	HOSE KIT - PA550 GEAR MODELS
			74577225	HOSE KIT - PA550 GEAR MODELS - MIDCUT
			74577229	HOSE KIT - PA650T GEAR MODELS
1	1	1	8501324	HOSE - 1" SAE STR x 1" BSP x 550MM PUMP TO ELEC RCV
2	2	2	10.012.21	HOSE - 1" BSP FS/F90 x 1100MM RCV TO COOLER / COOLER TO TANK
3	4	2	10.011.36	HOSE - 1" BSP FS/FS x 2600MM DIPPER TO MAIN ARM/RCV TO MAIN ARM
4	-	2	10.011.52	HOSE - 1" BSP FS/FS x 4200MM MAIN ARM TO DIPPER
5	2	2	10.012.18	HOSE - 1" BSP FS/F90 x 900MM DIPPER TO JUNCTION BRACKET
6	-	-	10.012.16	HOSE - 1" BSP FS/F90 x 800MM DIPPER TO JUNCTION BRACKET
7	-	-	10.025.30	HOSE - 1" BSP FS/F135 x 2000MM RCV TO MAIN ARM
8	1	1	10.004.08	HOSE - 3/8" BSP FS/F90 x 400MM PUMP TO CONTROL VALVE
9	1	1	10.006.12	HOSE - 1/2" BSP FS/F90 x 600MM CONTROL VALVE TO COOLER
10	2	2	10.004.24	HOSE - 3/8" BSP FS/F90 x 1400MM LIFT RAM
11	2	2	10.002.14	HOSE - 1/4" BSP FS/F90 x 700MM SLEW RAM
12	2	2	10.003.47	HOSE - 3/8" BSP FS/FS x 3700MM REACH RAM
13	2	-	10.001.64	HOSE - 1/4" BSP FS/FS x 5400MM ANGLE RAM
14	-	2	10.001.80	HOSE - 1/4" BSP FS/FS x 7000MM ANGLE RAM
15	-	-	10.001.40	HOSE - 1/4" BSP FS/FS x 3000MM ANGLE- CONTROL VALVE TO ARM
16	-	-	10.001.45	HOSE - 1/4" BSP FS/FS x 3500MM ANGLE- ARM TO RAM
17	-	-	10.001.56	HOSE - 1/4" BSP FS/FS x 4600MM TELE RAM
18	-	2	10.001.57	HOSE - 1/4" BSP FS/FS x 4700MM MIDCUT FOLD RAM
			74577223	HOSE KIT - PA550 PISTON MODELS
			74577227	HOSE KIT - PA550 PISTON MODELS - MIDCUT
			745772211	HOSE KIT - PA650T PISTON MODELS
1	2	2	41350.12	HOSE - 1" BSP FS/F135 x 600MM (HP) PUMPTO BULKHEAD
2	4	2	41348.36	HOSE - 1" BSP FS/FS x 2600MM (HP) B/HEAD TO M/ARM - M/ARM TO DIPPER
3	-	2	41348.52	HOSE - 1" BSP FS/FS x 4200MM (HP) MAIN ARM TO DIPPER
4	2	2	41349.18	HOSE - 1" BSP FS/F90 x 900MM (HP) DIPPER TO JUNCTION BRACKET
5	-	-	41349.16	HOSE - 1" BSP FS/F90 x 800MM (HP) DIPPER TO JUNCTION BRACKET
6	-	-	41350.30	HOSE - 1" BSP FS/F135 x 2000MM (HP) MAIN ARM TO DIPPER
7	1	1	10.004.08	HOSE - 3/8" BSP FS/F90 x 400MM CONTROL PUMP TO CONTROL VALVE
9	1	1	10.006.21	HOSE - 1/2" BSP FS/F90 x 1100MM COOLER TO TANK
10	2	2	10.006.11	HOSE - 1/2" BSP FS/F90 x 550MM VALVE TO COOLER / PUMP TO FILTER
11	2	2	10.004.24	HOSE - 3/8" BSP FS/F90 x 1400MM LIFT RAM
12	2	2	10.002.14	HOSE - 1/4" BSP FS/F90 x 700MM SLEW RAM
13	2	2	10.003.47	HOSE - 3/8" BSP FS/FS x 3700MM REACH RAM
14	2	-	10.001.64	HOSE - 1/4" BSP FS/FS x 5400MM ANGLE
15	-	2	10.001.80	HOSE - 1/4" BSP FS/FS x 7000MM ANGLE
16	-	-	10.001.40	HOSE - 1/4" BSP FS/FS x 3000MM ANGLE- CONTROL VALVE TO ARM
17	-	-	10.001.45	HOSE - 1/4" BSP FS/FS x 3500MM ANGLE- ARM TO RAM
18	-	-	10.001.56	HOSE - 1/4" BSP FS/FS x 4600MM TELE RAM
19	-	2	10.001.57	HOSE - 1/4" BSP FS/FS x 4700MM MIDCUT FOLD RAM
20	1	1	10.004.09	HOSE - 3/8" BSP FS/F90 x 800MM CHARGE FILTER TO PUMP
21	1	-	10.008.25	HOSE - 5/8" BSP FS/F90 x 1500MM DRAIN- DIPPER JOIN TO HEAD
22	-	1	10.008.43	HOSE - 5/8" BSP FS/F90 x 3300MM DRAIN- DIPPER JOIN TO HEAD
23	-	1	10.008.56	HOSE - 5/8" BSP FS/F90 x 4600MM DRAIN- TANK TO DIPPER JOIN
24	1	-	10.008.59	HOSE - 5/8" BSP FS/F90 x 4900MM DRAIN- TANK TO DIPPER JOIN
25	-	-	10.008.70	HOSE - 5/8" BSP FS/F90 x 6000MM DRAIN- TANK TO DIPPER JOIN
26	1	1	10.007.11	HOSE - 5/8" BSP FS/FS x 550MM PUMP DRAIN TO TANK



HOSE KITS

REF.	QTY.		PART No.	DESCRIPTION
			74577221	HOSE KIT - PA550 GEAR MODELS
			74577225	HOSE KIT - PA550 GEAR MODELS - MIDCUT
			74577229	HOSE KIT - PA650T GEAR MODELS
1	1	1	8501324	HOSE - 1" SAE STR x 1" BSP x 550MM PUMP TO ELEC RCV
2	2	2	10.012.21	HOSE - 1" BSP FS/F90 x 1100MM RCV TO COOLER / COOLER TO TANK
3	4	2	10.011.36	HOSE - 1" BSP FS/FS x 2600MM DIPPER TO MAIN ARM/RCV TO MAIN ARM
4	-	2	10.011.52	HOSE - 1" BSP FS/FS x 4200MM MAIN ARM TO DIPPER
5	2	2	10.012.18	HOSE - 1" BSP FS/F90 x 900MM DIPPER TO JUNCTION BRACKET
6	-	-	10.012.16	HOSE - 1" BSP FS/F90 x 800MM DIPPER TO JUNCTION BRACKET
7	-	-	10.025.30	HOSE - 1" BSP FS/F135 x 2000MM RCV TO MAIN ARM
8	1	1	10.004.08	HOSE - 3/8" BSP FS/F90 x 400MM PUMP TO CONTROL VALVE
9	1	1	10.006.12	HOSE - 1/2" BSP FS/F90 x 600MM CONTROL VALVE TO COOLER
10	2	2	10.004.24	HOSE - 3/8" BSP FS/F90 x 1400MM LIFT RAM
11	2	2	10.002.14	HOSE - 1/4" BSP FS/F90 x 700MM SLEW RAM
12	2	2	10.003.47	HOSE - 3/8" BSP FS/FS x 3700MM REACH RAM
13	2	-	10.001.64	HOSE - 1/4" BSP FS/FS x 5400MM ANGLE RAM
14	-	2	10.001.80	HOSE - 1/4" BSP FS/FS x 7000MM ANGLE RAM
15	-	-	10.001.40	HOSE - 1/4" BSP FS/FS x 3000MM ANGLE- CONTROL VALVE TO ARM
16	-	-	10.001.45	HOSE - 1/4" BSP FS/FS x 3500MM ANGLE- ARM TO RAM
17	-	-	10.001.56	HOSE - 1/4" BSP FS/FS x 4600MM TELE RAM
18	-	2	10.001.57	HOSE - 1/4" BSP FS/FS x 4700MM MIDCUT FOLD RAM
			74577223	HOSE KIT - PA550 PISTON MODELS
			74577227	HOSE KIT - PA550 PISTON MODELS - MIDCUT
			745772211	HOSE KIT - PA650T PISTON MODELS
1	2	2	41350.12	HOSE - 1" BSP FS/F135 x 600MM (HP) PUMPTO BULKHEAD
2	4	2	41348.36	HOSE - 1" BSP FS/FS x 2600MM (HP) B/HEAD TO M/ARM - M/ARM TO DIPPER
3	-	2	41348.52	HOSE - 1" BSP FS/FS x 4200MM (HP) MAIN ARM TO DIPPER
4	2	2	41349.18	HOSE - 1" BSP FS/F90 x 900MM (HP) DIPPER TO JUNCTION BRACKET
5	-	-	41349.16	HOSE - 1" BSP FS/F90 x 800MM (HP) DIPPER TO JUNCTION BRACKET
6	-	-	41350.30	HOSE - 1" BSP FS/F135 x 2000MM (HP) MAIN ARM TO DIPPER
7	1	1	10.004.08	HOSE - 3/8" BSP FS/F90 x 400MM CONTROL PUMP TO CONTROL VALVE
9	1	1	10.006.21	HOSE - 1/2" BSP FS/F90 x 1100MM COOLER TO TANK
10	2	2	10.006.11	HOSE - 1/2" BSP FS/F90 x 550MM VALVE TO COOLER / PUMP TO FILTER
11	2	2	10.004.24	HOSE - 3/8" BSP FS/F90 x 1400MM LIFT RAM
12	2	2	10.002.14	HOSE - 1/4" BSP FS/F90 x 700MM SLEW RAM
13	2	2	10.003.47	HOSE - 3/8" BSP FS/FS x 3700MM REACH RAM
14	2	-	10.001.64	HOSE - 1/4" BSP FS/FS x 5400MM ANGLE
15	-	2	10.001.80	HOSE - 1/4" BSP FS/FS x 7000MM ANGLE
16	-	-	10.001.40	HOSE - 1/4" BSP FS/FS x 3000MM ANGLE- CONTROL VALVE TO ARM
17	-	-	10.001.45	HOSE - 1/4" BSP FS/FS x 3500MM ANGLE- ARM TO RAM
18	-	-	10.001.56	HOSE - 1/4" BSP FS/FS x 4600MM TELE RAM
19	-	2	10.001.57	HOSE - 1/4" BSP FS/FS x 4700MM MIDCUT FOLD RAM
20	1	1	10.004.09	HOSE - 3/8" BSP FS/F90 x 800MM CHARGE FILTER TO PUMP
21	1	-	10.008.25	HOSE - 5/8" BSP FS/F90 x 1500MM DRAIN- DIPPER JOIN TO HEAD
22	-	1	10.008.43	HOSE - 5/8" BSP FS/F90 x 3300MM DRAIN- DIPPER JOIN TO HEAD
23	-	1	10.008.56	HOSE - 5/8" BSP FS/F90 x 4600MM DRAIN- TANK TO DIPPER JOIN
24	1	-	10.008.59	HOSE - 5/8" BSP FS/F90 x 4900MM DRAIN- TANK TO DIPPER JOIN
25	-	-	10.008.70	HOSE - 5/8" BSP FS/F90 x 6000MM DRAIN- TANK TO DIPPER JOIN
26	1	1	10.007.11	HOSE - 5/8" BSP FS/FS x 550MM PUMP DRAIN TO TANK

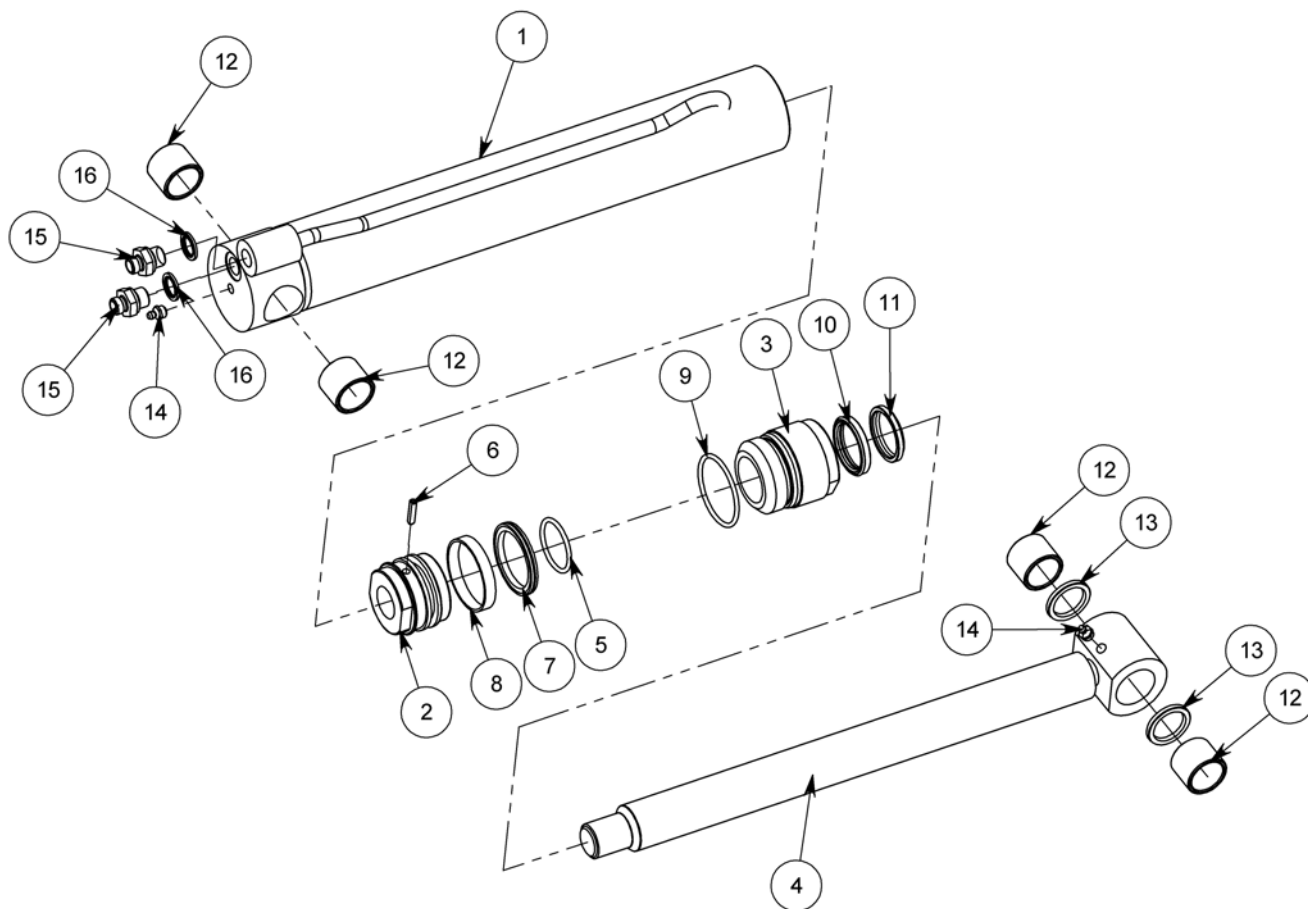


HOSE KITS

REF.	QTY.			PART No.	DESCRIPTION
				74577221	HOSE KIT - PA550 GEAR MODELS
				74577225	HOSE KIT - PA550 GEAR MODELS - MIDCUT
				74577229	HOSE KIT - PA650T GEAR MODELS
1	1	1	1	8501324	HOSE - 1" SAE STR x 1" BSP x 550MM PUMP TO ELEC RCV
2	2	2	2	10.012.21	HOSE - 1" BSP FS/F90 x 1100MM RCV TO COOLER / COOLER TO TANK
3	4	2	2	10.011.36	HOSE - 1" BSP FS/FS x 2600MM DIPPER TO MAIN ARM/RCV TO MAIN ARM
4	-	2	-	10.011.52	HOSE - 1" BSP FS/FS x 4200MM MAIN ARM TO DIPPER
5	2	2	-	10.012.18	HOSE - 1" BSP FS/F90 x 900MM DIPPER TO JUNCTION BRACKET
6	-	-	2	10.012.16	HOSE - 1" BSP FS/F90 x 800MM DIPPER TO JUNCTION BRACKET
7	-	-	2	10.025.30	HOSE - 1" BSP FS/F135 x 2000MM RCV TO MAIN ARM
8	1	1	1	10.004.08	HOSE - 3/8" BSP FS/F90 x 400MM PUMP TO CONTROL VALVE
9	1	1	1	10.006.12	HOSE - 1/2" BSP FS/F90 x 600MM CONTROL VALVE TO COOLER
10	2	2	2	10.004.24	HOSE - 3/8" BSP FS/F90 x 1400MM LIFT RAM
11	2	2	2	10.002.14	HOSE - 1/4" BSP FS/F90 x 700MM SLEW RAM
12	2	2	2	10.003.47	HOSE - 3/8" BSP FS/FS x 3700MM REACH RAM
13	2	-	-	10.001.64	HOSE - 1/4" BSP FS/FS x 5400MM ANGLE RAM
14	-	2	-	10.001.80	HOSE - 1/4" BSP FS/FS x 7000MM ANGLE RAM
15	-	-	2	10.001.40	HOSE - 1/4" BSP FS/FS x 3000MM ANGLE- CONTROL VALVE TO ARM
16	-	-	2	10.001.45	HOSE - 1/4" BSP FS/FS x 3500MM ANGLE- ARM TO RAM
17	-	-	2	10.001.56	HOSE - 1/4" BSP FS/FS x 4600MM TELE RAM
18	-	2	-	10.001.57	HOSE - 1/4" BSP FS/FS x 4700MM MIDCUT FOLD RAM
				74577223	HOSE KIT - PA550 PISTON MODELS
				74577227	HOSE KIT - PA550 PISTON MODELS - MIDCUT
				745772211	HOSE KIT - PA650T PISTON MODELS
1	2	2	2	41350.12	HOSE - 1" BSP FS/F135 x 600MM (HP) PUMPTO BULKHEAD
2	4	2	2	41348.36	HOSE - 1" BSP FS/FS x 2600MM (HP) B/HEAD TO M/ARM - M/ARM TO DIPPER
3	-	2	-	41348.52	HOSE - 1" BSP FS/FS x 4200MM (HP) MAIN ARM TO DIPPER
4	2	2	-	41349.18	HOSE - 1" BSP FS/F90 x 900MM (HP) DIPPER TO JUNCTION BRACKET
5	-	-	2	41349.16	HOSE - 1" BSP FS/F90 x 800MM (HP) DIPPER TO JUNCTION BRACKET
6	-	-	2	41350.30	HOSE - 1" BSP FS/F135 x 2000MM (HP) MAIN ARM TO DIPPER
7	1	1	1	10.004.08	HOSE - 3/8" BSP FS/F90 x 400MM CONTROL PUMP TO CONTROL VALVE
9	1	1	1	10.006.21	HOSE - 1/2" BSP FS/F90 x 1100MM COOLER TO TANK
10	2	2	2	10.006.11	HOSE - 1/2" BSP FS/F90 x 550MM VALVE TO COOLER / PUMP TO FILTER
11	2	2	2	10.004.24	HOSE - 3/8" BSP FS/F90 x 1400MM LIFT RAM
12	2	2	2	10.002.14	HOSE - 1/4" BSP FS/F90 x 700MM SLEW RAM
13	2	2	2	10.003.47	HOSE - 3/8" BSP FS/FS x 3700MM REACH RAM
14	2	-	-	10.001.64	HOSE - 1/4" BSP FS/FS x 5400MM ANGLE
15	-	2	-	10.001.80	HOSE - 1/4" BSP FS/FS x 7000MM ANGLE
16	-	-	2	10.001.40	HOSE - 1/4" BSP FS/FS x 3000MM ANGLE- CONTROL VALVE TO ARM
17	-	-	2	10.001.45	HOSE - 1/4" BSP FS/FS x 3500MM ANGLE- ARM TO RAM
18	-	-	2	10.001.56	HOSE - 1/4" BSP FS/FS x 4600MM TELE RAM
19	-	2	-	10.001.57	HOSE - 1/4" BSP FS/FS x 4700MM MIDCUT FOLD RAM
20	1	1	1	10.004.09	HOSE - 3/8" BSP FS/F90 x 800MM CHARGE FILTER TO PUMP
21	1	-	1	10.008.25	HOSE - 5/8" BSP FS/F90 x 1500MM DRAIN- DIPPER JOIN TO HEAD
22	-	1	-	10.008.43	HOSE - 5/8" BSP FS/F90 x 3300MM DRAIN- DIPPER JOIN TO HEAD
23	-	1	-	10.008.56	HOSE - 5/8" BSP FS/F90 x 4600MM DRAIN- TANK TO DIPPER JOIN
24	1	-	-	10.008.59	HOSE - 5/8" BSP FS/F90 x 4900MM DRAIN- TANK TO DIPPER JOIN
25	-	-	1	10.008.70	HOSE - 5/8" BSP FS/F90 x 6000MM DRAIN- TANK TO DIPPER JOIN
26	1	1	1	10.007.11	HOSE - 5/8" BSP FS/FS x 550MM PUMP DRAIN TO TANK

ANGLING RAM ASSEMBLY

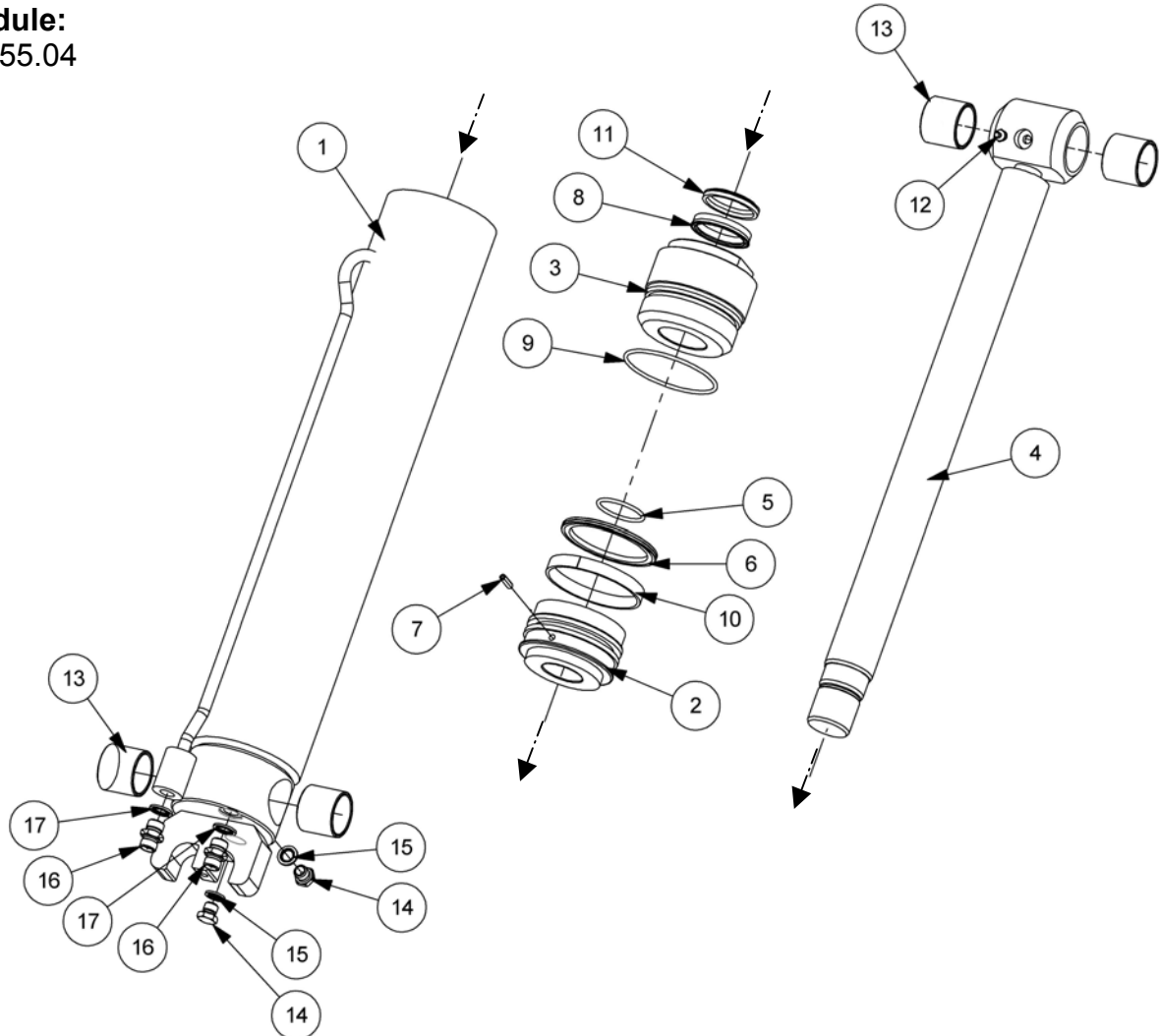
Module:
43317.07



REF.	QTY.	PART No.	DESCRIPTION
		43317.07	ANGLING RAM ASSEMBLY
1	1	43317.33	BARREL
2	1	43317.31	PISTON
3	1	43317.32	GLAND HOUSING
4	1	43317.35	PISTON ROD
5	1	8600301	O RING
6	1	42775.01	DOWEL
7	1	8629156	PISTON SEAL
8	1	8629157	PISTON GUIDE RING
9	1	8600306	O RING
10	1	8629225	ROD GLAND SEAL
11	1	8629208	ROD SCRAPER RING
12	4	08.297.04	BUSH
13	2	8629218	SEAL
14	2	0901121	GREASER
15	2	8581115	ADAPTOR
16	2	8650103	BONDED SEAL

LIFT RAM ASSEMBLY

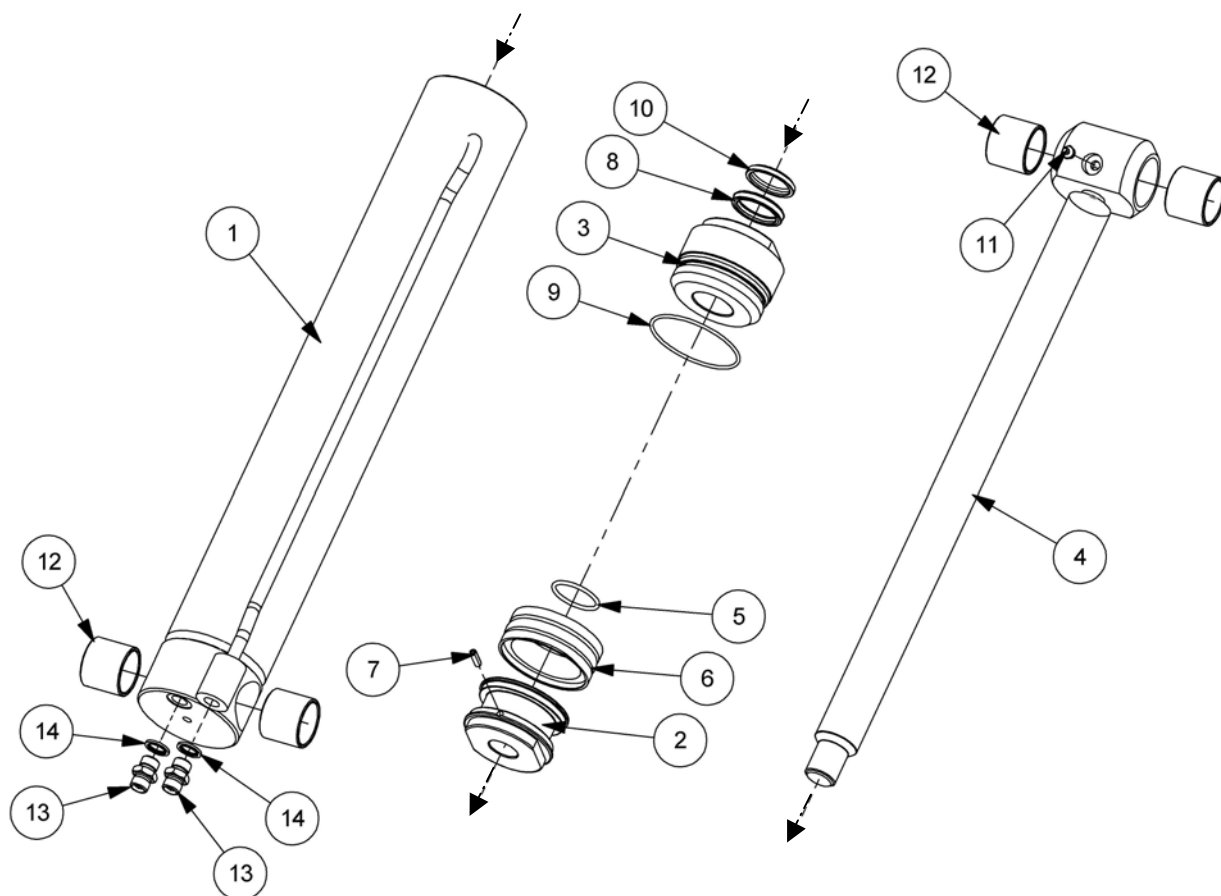
Module:
42655.04



REF.	QTY.	PART No.	DESCRIPTION
			43316.03 SLEW RAM ASSEMBLY
1	1	42655.42	RAM BARREL
2	1	42655.31	PISTON
3	1	42655.48	GLAND HOUSING
4	1	42655.45	PISTON ROD
5	1	8600302	O RING
6	1	8629182	PISTON SEAL
7	1	42775.01	DOWEL
8	1	8629184	SEAL
9	1	8600317	O RING
10	1	8629183	BEARING RING
11	1	8629227	SEAL
12	1	0901121	GREASE NIPPLE
13	4	08.297.02	BUSH
14	2	520378	ADAPTOR PLUG
15	2	8650102	BONDED SEAL
16	2	6000113	ADAPTOR
17	2	8650103	BONDED SEAL
			8699223 SEAL KIT

REACH RAM ASSEMBLY

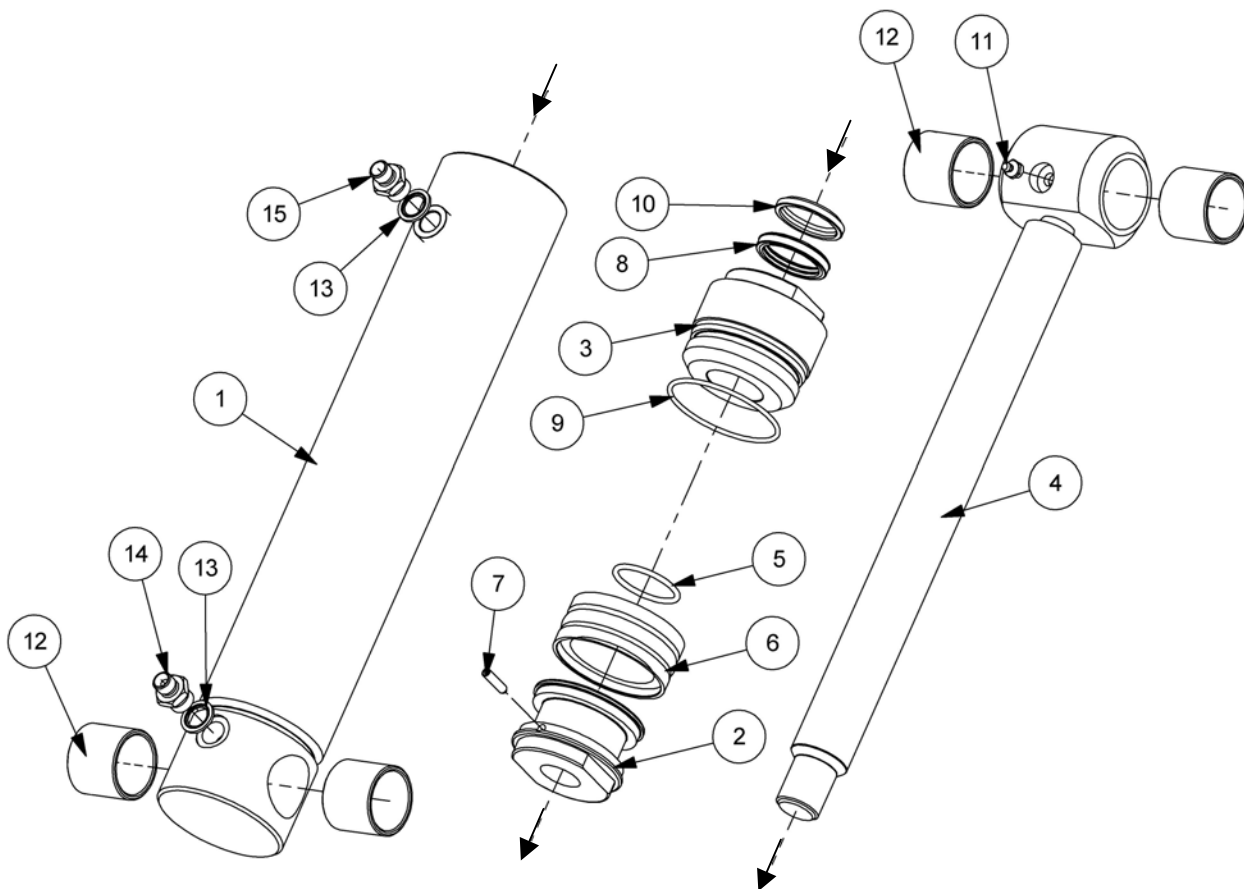
Module:
43315.03



REF.	QTY.	PART No.	DESCRIPTION
		43315.03	REACH RAM ASSEMBLY
1	1	43315.36	RAM BARREL
2	1	43315.31	PISTON
3	1	43315.32	GLAND HOUSING
4	1	43315.33	PISTON ROD
5	1	8600301	O RING
6	1	8638742	PISTON SEAL
7	1	42775.01	DOWEL
8	1	8629225	GLAND SEAL
9	1	8600742	O RING
10	1	8629208	SCRAPER RING
11	1	0901121	GREASE NIPPLE
12	4	08.297.02	BUSH
13	2	8581209	ADAPTOR
14	2	8650103	BONDED SEAL
		43315.01	SEAL KIT

SLEW RAM ASSEMBLY

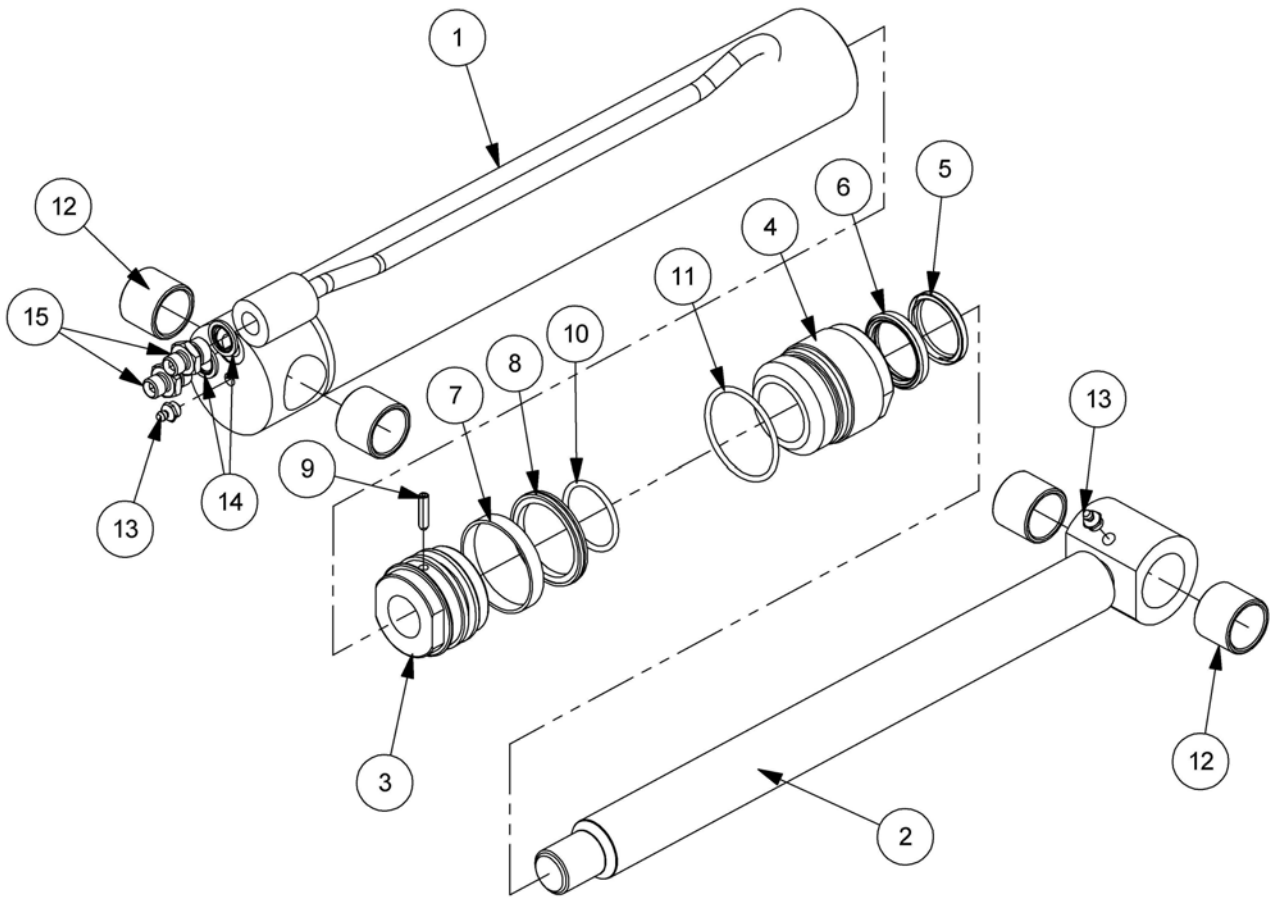
Module:
43316.03



REF.	QTY.	PART No.	DESCRIPTION
		43316.03	SLEW RAM ASSEMBLY
1	1	43316.36	RAM BARREL
2	1	43316.31	PISTON
3	1	43316.32	GLAND HOUSING
4	1	43316.33	PISTON ROD
5	1	8600301	O RING
6	1	8638740	PISTON SEAL
7	1	42775.01	DOWEL
8	1	8629225	GLAND SEAL
9	1	8700740	O RING
10	1	8629208	SCRAPER RING
11	1	0901121	GREASE NIPPLE
12	4	08.297.02	BUSH
13	2	8650103	BONDED SEAL
14	1	8581145	ADAPTOR
15	1	8130066	RESTRICTOR
		43316.01	SEAL KIT

FOLD RAM ASSEMBLY - Midcut

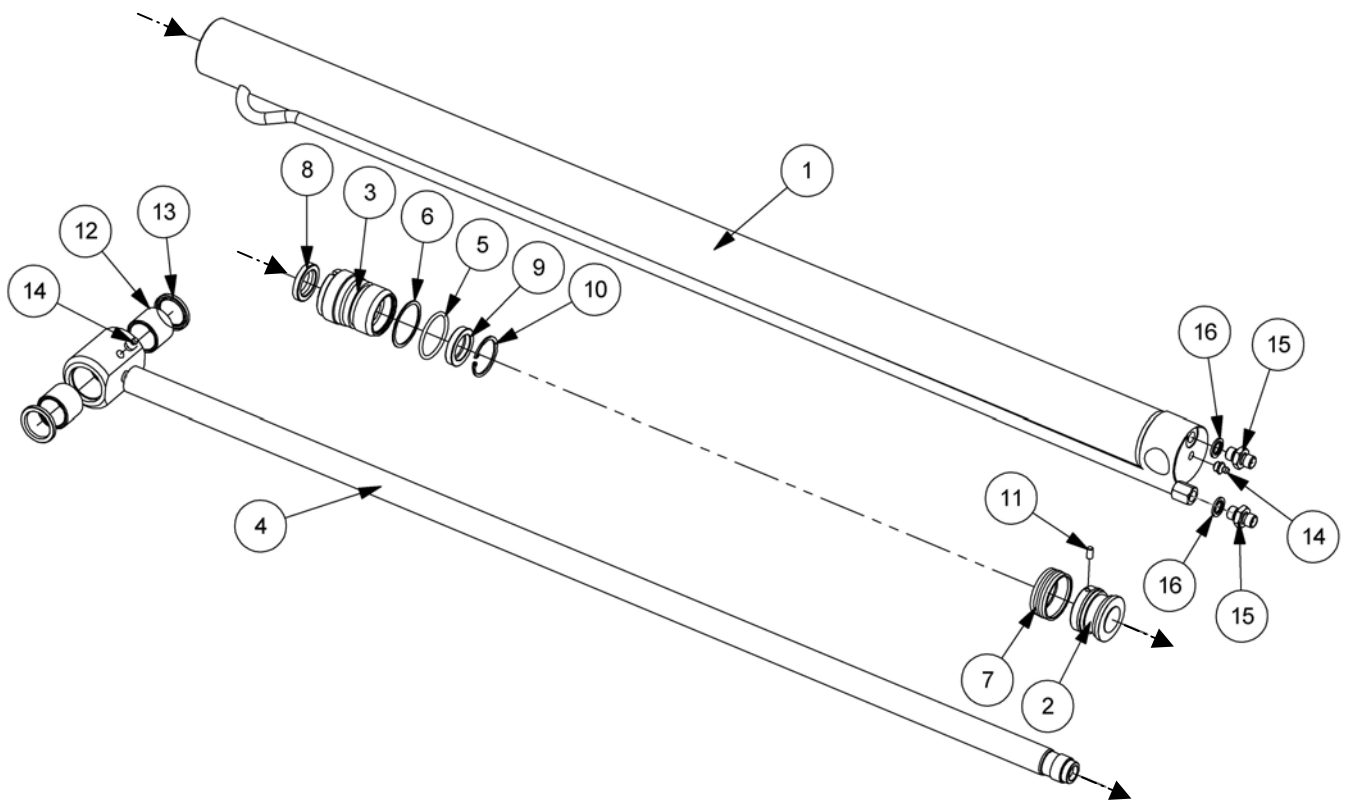
Module:
43317.08



REF.	QTY.	PART No.	DESCRIPTION
		43317.08	FOLD RAM ASSEMBLY
1	1	43317.40	BARREL
2	1	43317.43	PISTON ROD
3	1	43317.31	PISTON
4	1	43317.32	GLAND HOUSING
5	1	8629208	SCRAPER RING
6	1	8629225	GLAND SEAL
7	1	8629157	GUIDE RING
8	1	8629156	PISTON SEAL
9	1	42775.01	DOWEL
10	1	8600301	O RING
11	1	8600306	O RING
12	4	08.297.04	BUSH
13	2	0901121	GREASE NIPPLE
14	2	8650103	BONDED SEAL
15	2	8581115	ADAPTOR
		43317.01	SEAL KIT

TELE RAM ASSEMBLY

Module:
43377.04

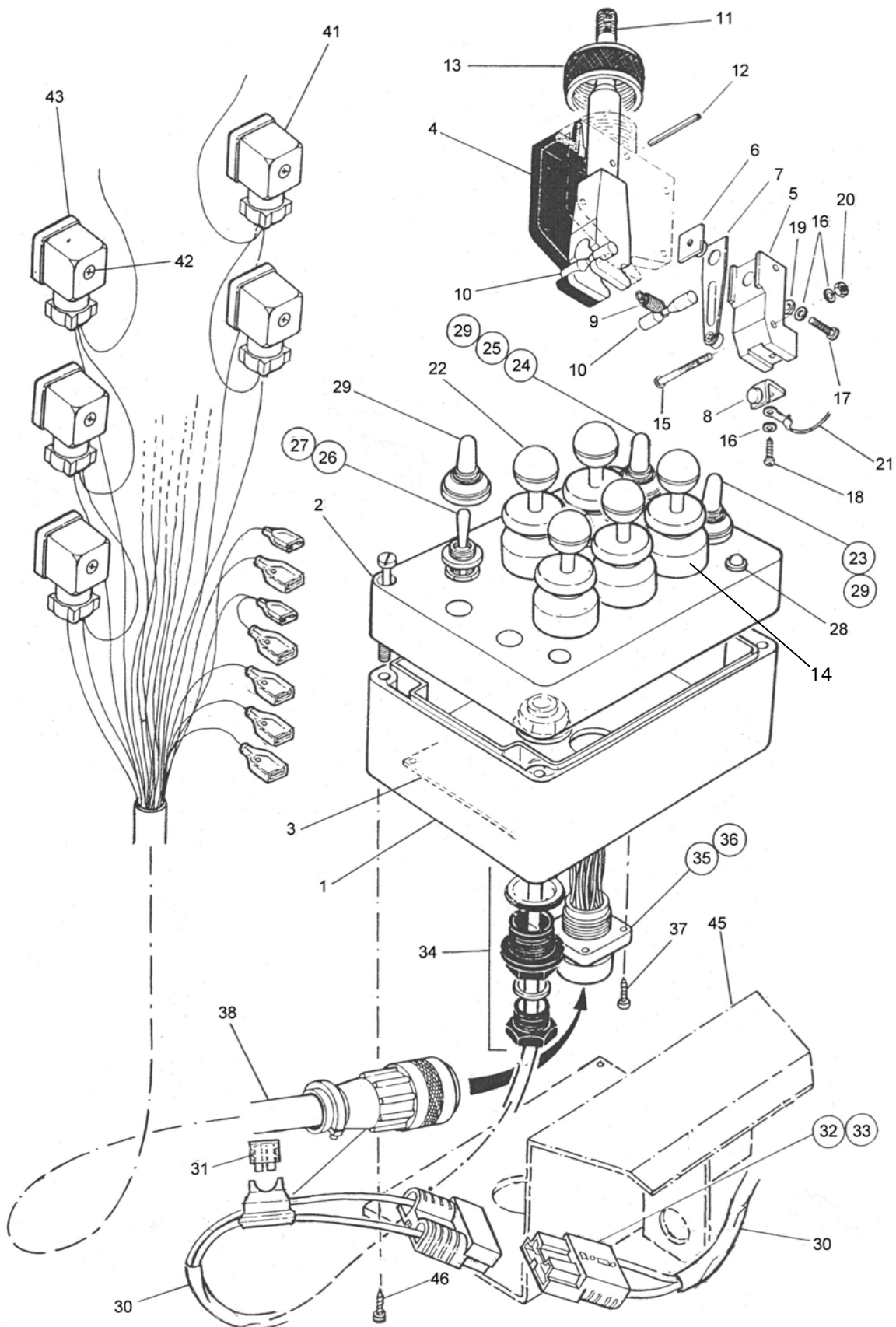


REF.	QTY.	PART No.	DESCRIPTION
		43377.04	TELE RAM ASSEMBLY
1	1	43377.31	BARREL
2	1	7135008	PISTON
3	1	7135291	GLAND HOUSING
4	1	43377.33	PISTON ROD
5	1	8600302	O RING
6	1	8609302	AE RING
7	1	8638788	PISTON SEAL
8	1	8629149	SCRAPER RING
9	1	8629148	GLAND SEAL
10	1	0416240	CIRCLIP - INTERNAL
11	1	9363023	GRUB SCREW
12	2	08.297.04	BUSH
13	2	8629218	LIP SEAL
14	2	0901121	GREASE NIPPLE
15	2	8581169	ADAPTOR
16	2	8650102	BONDED SEAL
		43377.01	SEAL KIT

Modules:

8402901 – Cable Rotor Control

8402902 – Electric Rotor Control



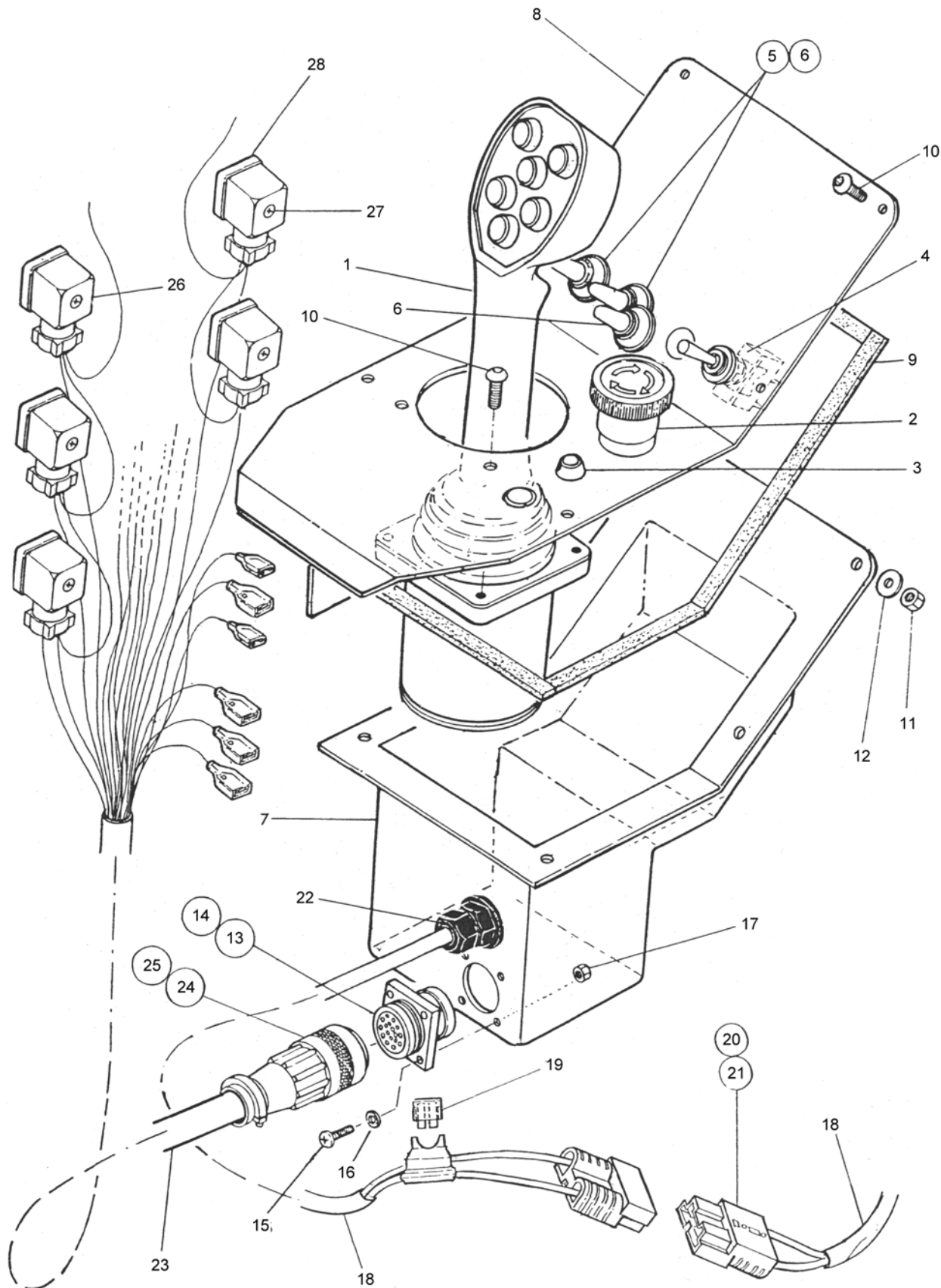
SWITCHBOX CONTROLS & LOOM

REF.	QTY.	PART NO.	DESCRIPTION
		41845.03	MULTI 5 LEVER SWITCHBOX - Cable Rotor Control
		41845.04	MULTI 5 LEVER SWITCHBOX - Electric Rotor Control
1	1	41845.32	BOX
2	1	41845.31	LID c/w SCREWS
3	1	41845.33	CIRCUIT BOARD
	5	8402122	LEVER SWITCH UNIT - <i>Comprising of:</i>
4	1	8402285	SWITCH BODY
5	2	8402106	CONTACT HOLDER
6	2	8402109	SPRING CONTACT RETAINER
7	2	8402113	SPRING CONTACT
8	2	8402108	FIXED CONTACT
9	1	8402101	SPRING
10	2	8402111	BAR
11	1	8402256	LEVER
12	1	0425320	SPRING DOWEL
13	1	8402051	BEZEL RING
14	1	8402022	LEVER GAITER
15	4	9200006	SCREW - POSIDRIVE PANHEAD
16	8	9100400	EXTERNAL SERRATED WASHER
17	2	9200005	SCREW - POSIDRIVE PANHEAD
18	2	8402119	SELFTAPPING SCREW
19	2	8402280	PLAIN WASHER
20	2	9113000	NUT - PLATED
21	5	41845.34	LOOM - LEVER SWITCH
22	5	8402056	KNOB - BLACK
23	1	8402023	SWITCH - POWER ON/OFF
24	1	8402182	SWITCH - SLEW/AUTO RESET
25	1	41845.35	LOOM - SLEW/AUTO RESET SWITCH
26	1	8402197	SWITCH - FLOAT
27	1	41845.37	LOOM - FLOAT SWITCH
28	1	41845.41	L.E.D. AND LOOM
29	3	8402024	WEATHER GAITER
30	1	8402232	POWER LOOM - <i>Including:</i>
31	1	43034.02	FUSE
32	2	8402230	CONTACTS HOUSING
33	4	8402229	CONTACTS
34	1	8402042	GLAND
35	1	8402189	SOCKET SHELL
36	17	8402192	PIN SOCKET
37	4	2800203	SCREW
38	1	41844.01	WIRING LOOM - <i>Including:</i>
39	1	8402188	SHELL
40	1	8402190	CABLE CLAMP
41	12	07.835.04	PLUG - <i>Including:</i>
42	1	07.835.03	SCREW
43	1	07.835.02	GASKET
44	1	8402193	SPECIAL TOOL
45	1	8402345	MOUNTING BRACKET
46	4	2800243	SELFTAPPING SCREW

Modules:

8402905

8402906 – Electric Rotor Reverse



MONOLEVER CONTROLS & LOOM

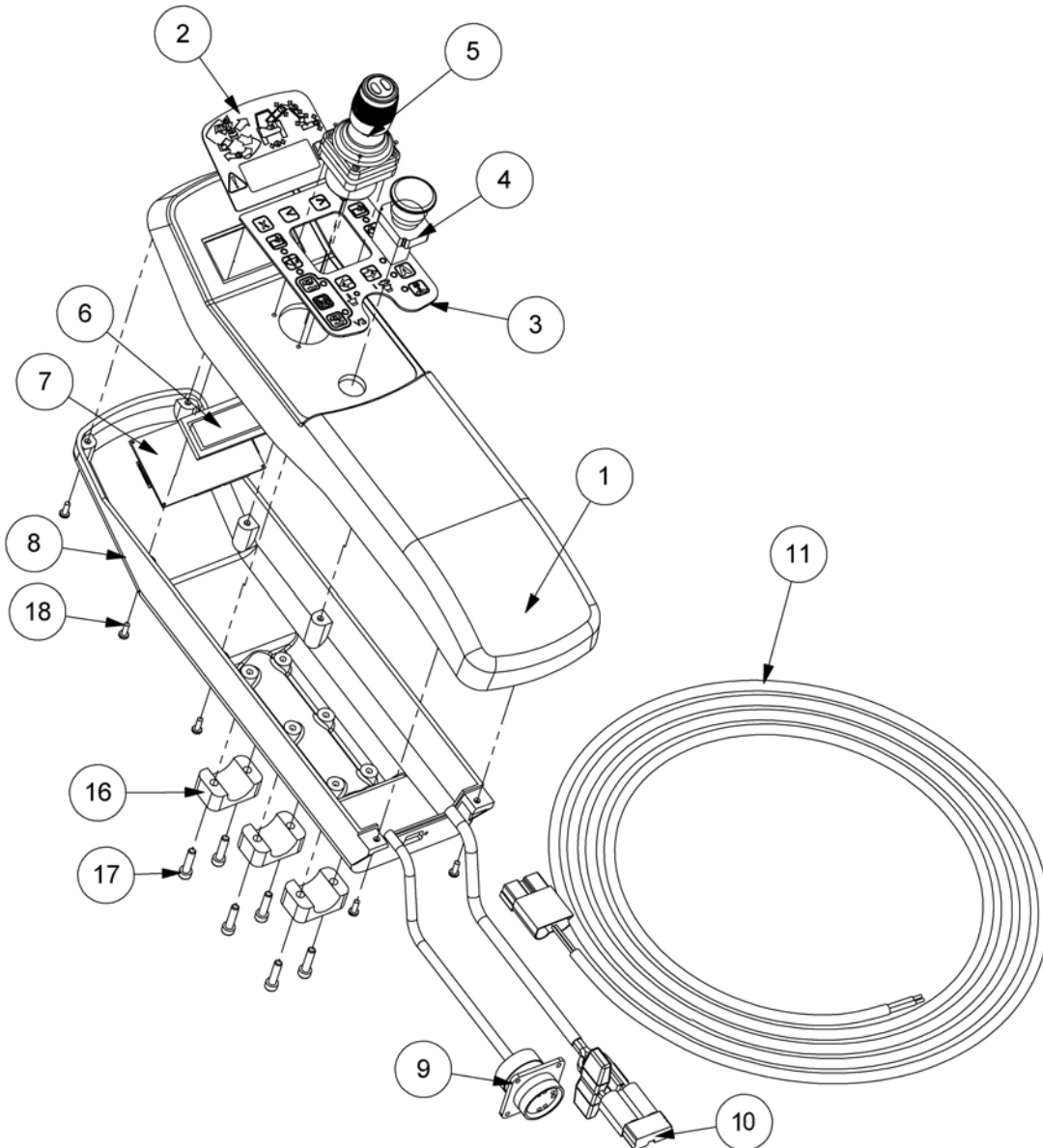
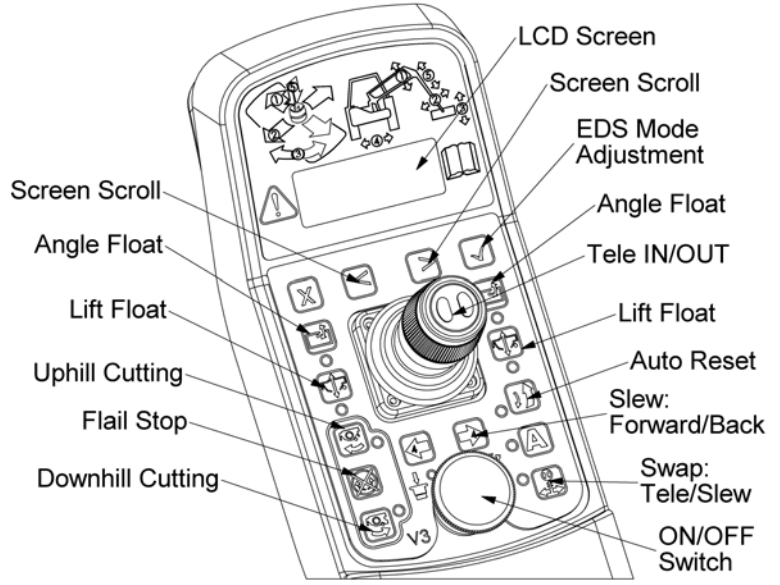
REF.	QTY.	PART NO.	DESCRIPTION
		8402905	MONOLEVER 6 BUTTON CONTROL ASSEMBLY
		8402906	MONOLEVER WITH ELECTRIC ROTOR REVERSE
		41590.03	MONOLEVER 6 BUTTON UNIT
		41590.05	MONOLEVER UNIT - with Electric Rotor Reverse
1	1	41590.32	JOYSTICK - <i>Including Circuit Board</i>
2	1	8402184	POWER ON / EMERGENCY STOP
3	1	8402174	L.E.D. MAIN POWER ON
4	1	8402182	SWITCH - SLEW / AUTO RESET
5	2	8402023	SWITCH - LIFT AND ANGLE FLOAT
6	3	8402024	WEATHER COVER
7	1	7550300	COVER POD
8	1	7550339	TOP PLATE
9	1	7290052	SEALING STRIP (<i>Cut to suit</i>)
10	10	9300125	SCREW - BUTTON HEAD
11	6	9143003	SELF LOCKING NUT
12	6	9100103	WASHER
13	1	8402189	SOCKET SHELL
14	14	8402192	FEMALE SOCKET PIN
15	4	9200007	SCREW - POSIDRIVE PANHEAD
16	4	9100400	EXTERNAL SERRATED WASHER
17	4	9100013	NUT - PLATED
18	1	8402232	POWER LOOM - <i>Including:</i>
19	1	43034.03	FUSE
20	2	8402230	CONTACT HOUSING
21	4	8402229	CONTACTS
22	1	8402042	GLAND
23	1	41844.01	WIRING LOOM - <i>Including:</i>
24	1	8402188	SHELL
25	1	8402190	CABLE CLAMP
26	12	07.835.04	PLUG - <i>Including:</i>
27	1	07.835.03	SCREW
28	1	07.835.02	GASKET
29	1	8402193	SPECIAL TOOL

Modules:

43022.20 - Proportional

43022.21 - Proportional EDS

OPERATOR CONTROLS/FUNCTIONS

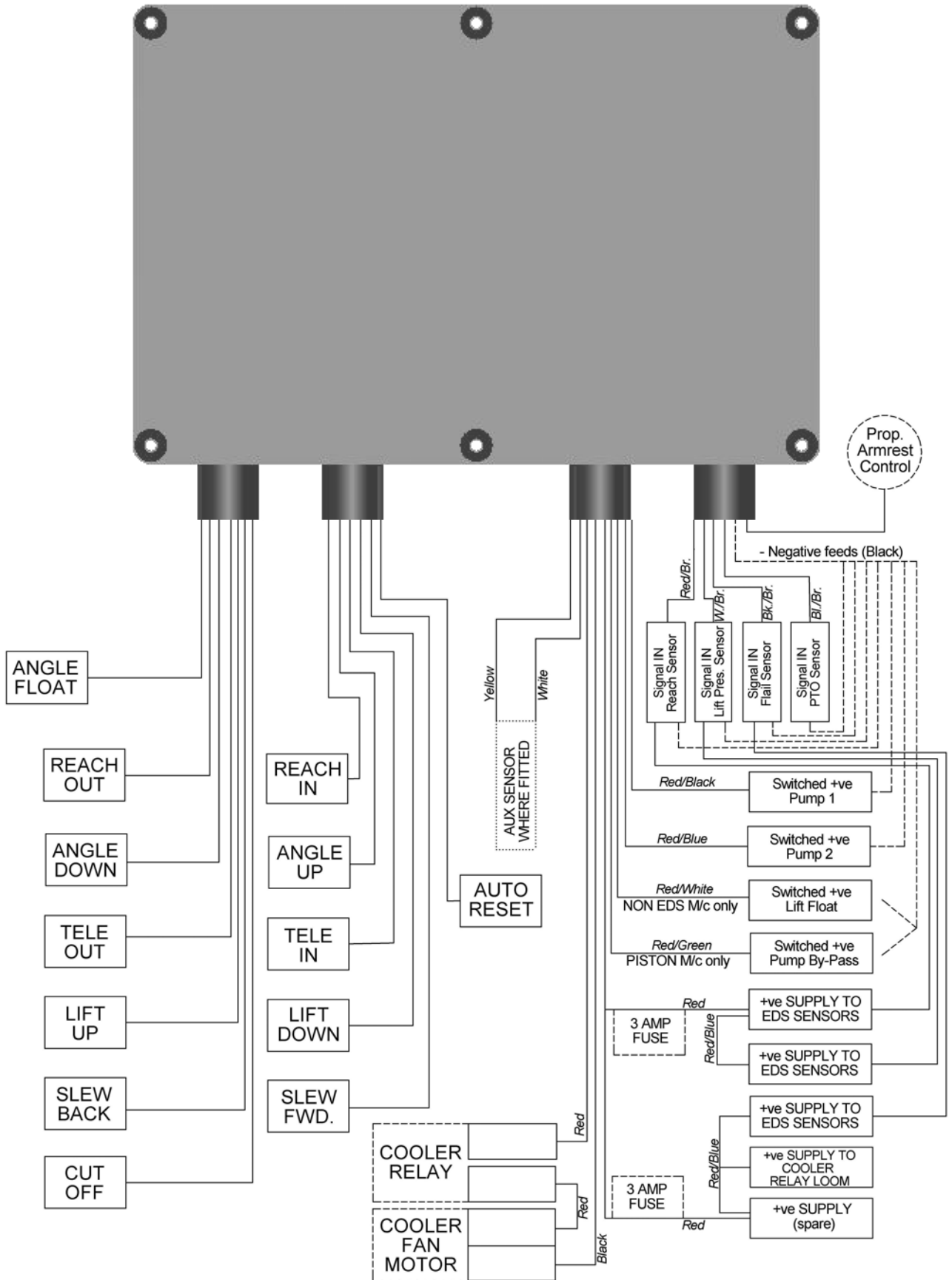


PROPORTIONAL CONTROLS - v.3

REF.	QTY.	PART No.	DESCRIPTION
		43022.20	v.3 PROPORTIONAL ARMREST CONTROLS - Std.
		43022.21	v.3 PROPORTIONAL ARMREST CONTROLS - EDS
1	1	43022.324	ARMREST LID - GREY
2	1	43022.50	FRONT DECAL
3	1	43022.51	JOYSTICK KEYPAD
4	1	41786.33	SWITCH - EMERGENCY STOP
5	1	45710.96	JOYSTICK - inc. fixing screws
6	1	43022.52	LCD SCREEN
7	1	43022.53	CIRCUIT BOARD
8	1	43022.321	ARMREST BASE - YELLOW
9	1	43022.46	CONNECTOR & LEAD
10	1	43022.47	CONNECTOR & POWER LEAD (2 FUSES)
11	2	8402237	LOOM - POWER SUPPLY
12	2	8402149	GLAND
13	1	43022.39	CONNECTOR 9 WAY
14	1	8600119	O RING - not illustrated
15	1	8402239	PUSH ON COVER - not illustrated
16	3	30.209.71	PIPE CLAMP
17	6	9343053	CAPSCREW
18	8	9300132	PANHEAD SCREW

AUXILIARY BOX - Proportional

Module:
21164.03



HYDRAULIC SUNDRIES

REF.	QTY.	PART No.	DESCRIPTION
		7457781	HYDRAULIC SUNDRIES - GEAR STANDARD
		7457782	HYDRAULIC SUNDRIES - GEAR MIDCUT
		7457783	HYDRAULIC SUNDRIES - GEAR TELE
		7457784	HYDRAULIC SUNDRIES - PISTON STANDARD
		7457785	HYDRAULIC SUNDRIES - PISTON MIDCUT
		7457786	HYDRAULIC SUNDRIES - PISTON TELE
1	4	9313055	SETSCREW
2	6	9143005	CLEVELOK NUT
3	2	9100205	SPRING WASHER
4	4	9100204	SPRING WASHER
5	4	9313044	SETSCREW
6	1	8500800	HOSE - 1" BORE x 260mm LONG
7	1	8501212	HOSE - 3/4" BORE x 600mm LONG
8	1	8501218	HOSE - 1 1/2" BORE x 350mm LONG
9	4	0904106	HOSE CLIP 30-40mm
10	4	0904204	HOSE CLIP - SIZE 25
11	4	0904103	HOSE CLIP 22-30mm
12	4	0904107	HOSE CLIP 40-55mm
13	2	8582058	BLANKING CAP
14	4	7196045	HOSE TIE
15	3	7135084	HOSE TIE
16	3	9213107	SETSCREW
17	3	9143007	CLEVELOK NUT
18	1	21261.02	JUNCTION BRACKET
19	1	21261.03	JUNCTION BRACKET
20	3	9313034	SETSCREW
21	3	9100104	FLAT WASHER
22	1	00900913	* SLEEVING - Cut to 800mm Long
23	1	00999588	* SLEEVING - Cut to 2400mm Long
24	1	43491.01	HOSE SLEEVE
25	1	43491.21	HOSE SLEEVE
26	1	43491.22	HOSE SLEEVE
27	1	43491.41	HOSE SLEEVE
28	6	05.434.01	ADAPTOR
29	2	8581169	UNION

NOTE:

Items and quantities used may vary between models - refer to specific module for details. When ordering Hose Sleeving 00999588 please specify length required

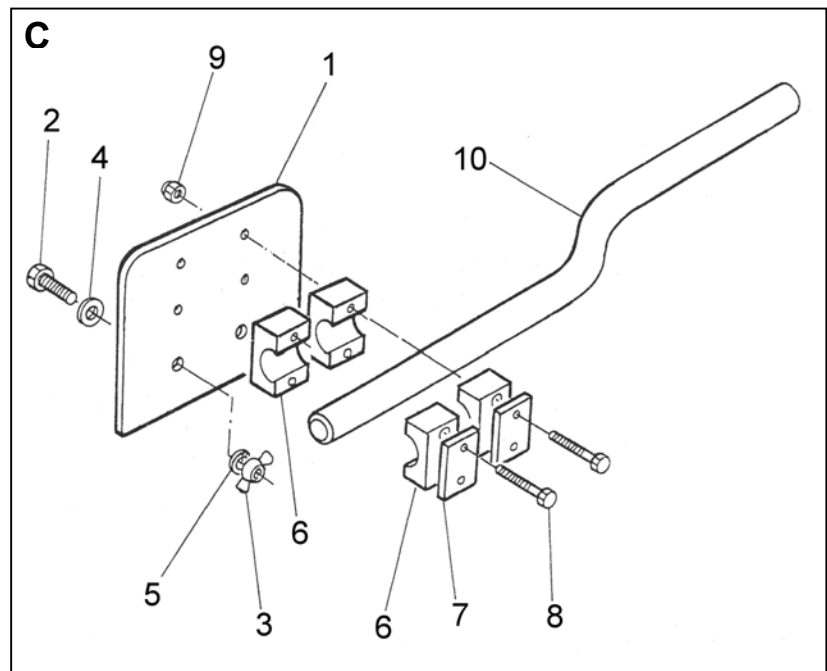
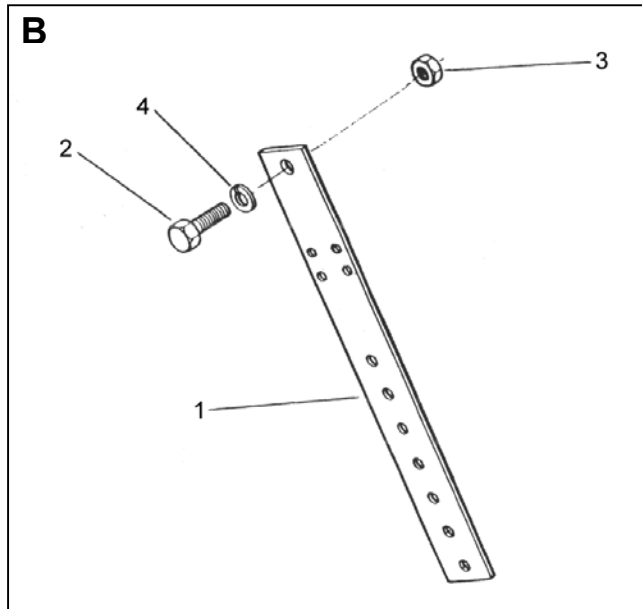
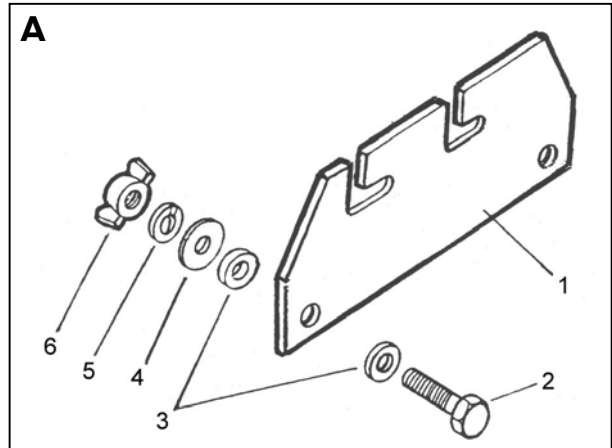
CONTROL MOUNTINGS

Modules:

7313282 – Cable Controls (*Diagram A*)

7109319 – Electric Switchbox (*Diagram B*)

7313275 – Proportional Armrest (*Diagram C*)



CONTROL MOUNTINGS

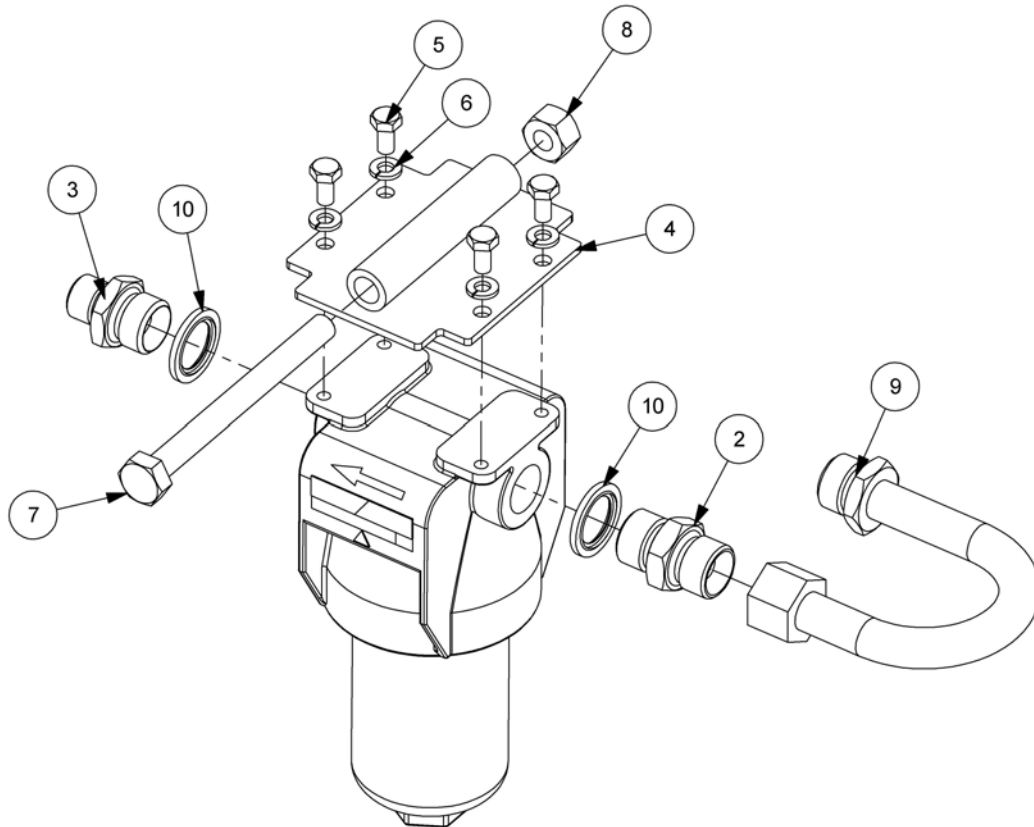
REF.	QTY.	PART NO.	DESCRIPTION
A		7313282	CABLE CONTROL UNIT MOUNTING
1	1	42491.01	BRACKET
2	2	9313094	SETSCREW
3	4	03.152.01	RUBBER WASHER
4	2	9100104	PLAIN WASHER
5	2	9100204	SPRING WASHER
6	2	9193004	WINGNUT

REF.	QTY.	PART NO.	DESCRIPTION
B		7109319	ELECTRIC SWITCHBOX CONTROL MOUNTING
1	1	7109146	PILLAR
2	1	9311086	SETSCREW
3	1	0111006	NUT
4	1	0100206	SPRING WASHER

REF.	QTY.	PART NO.	DESCRIPTION
C		7313275	PROPORTIONAL CONTROL MOUNTING
1	1	08.317.01	CONTROL MOUNTING BRACKET
2	2	9313054	SETSCREW
3	2	9193004	WINGNUT
4	2	9100104	PLAIN WASHER
5	2	9100204	SPRING WASHER
6	6	30.209.71	CLAMP
7	3	30.209.33	COVER PLATE
8	6	30.068.88	BOLT
9	4	9163003	SELF LOCKING NUT
10	1	42312.01	MOUNTING BAR

CHARGE FILTER – Piston Models

Module:
42782.03



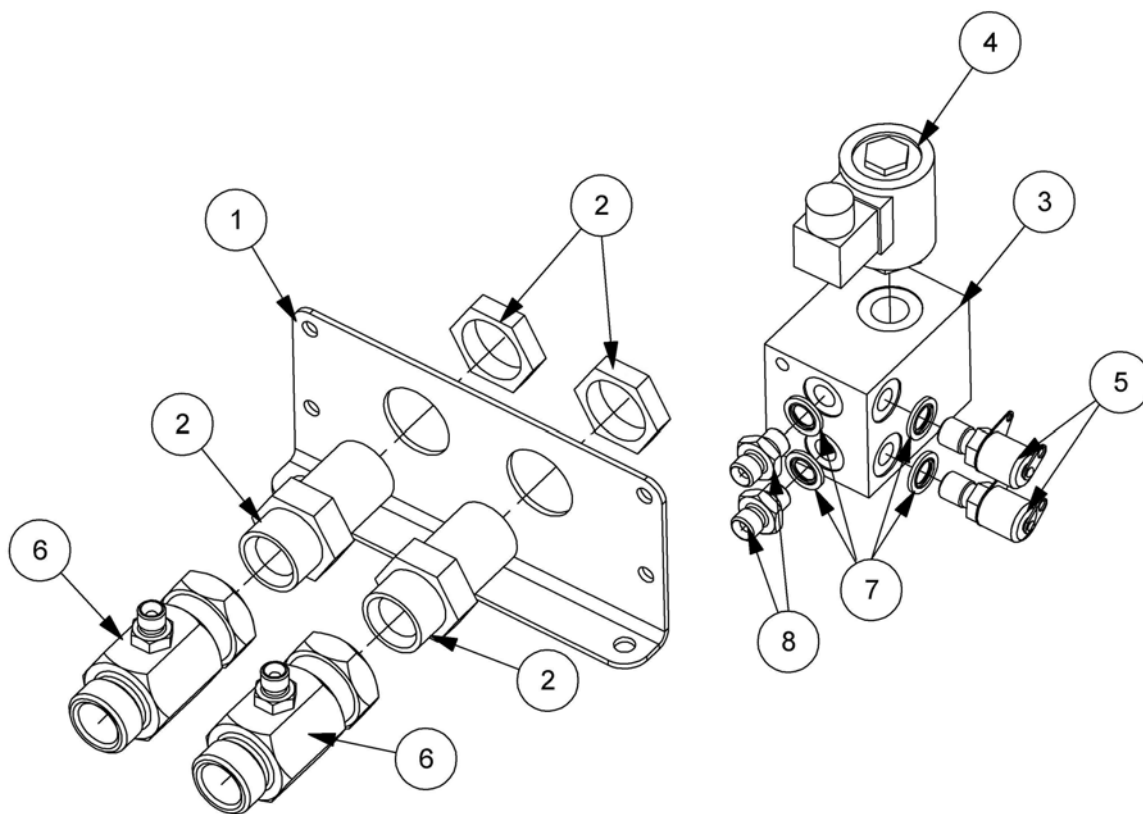
REF.	QTY.	PART No.	DESCRIPTION
		42782.03	CHARGE FILTER ASSEMBLY
1	1	8401066	CHARGE FILTER ASSEMBLY
2	1	8581110	ADAPTOR
3	1	6000112	ADAPTOR
4	1	43388.02	CHARGE PUMP BRACKET
5	4	9313023	SETSCREW
6	4	9100203	SPRING WASHER
7	1	9213225	BOLT
8	1	9143005	SELF-LOCKING NUT
9	1	42782.32	PIPE (U-BEND)
10	2	8650104	BONDED SEAL

BYPASS ASSEMBLY – Piston

Module:

42783.06 – Piston Electric Models

42783.07 – Piston Proportional Models

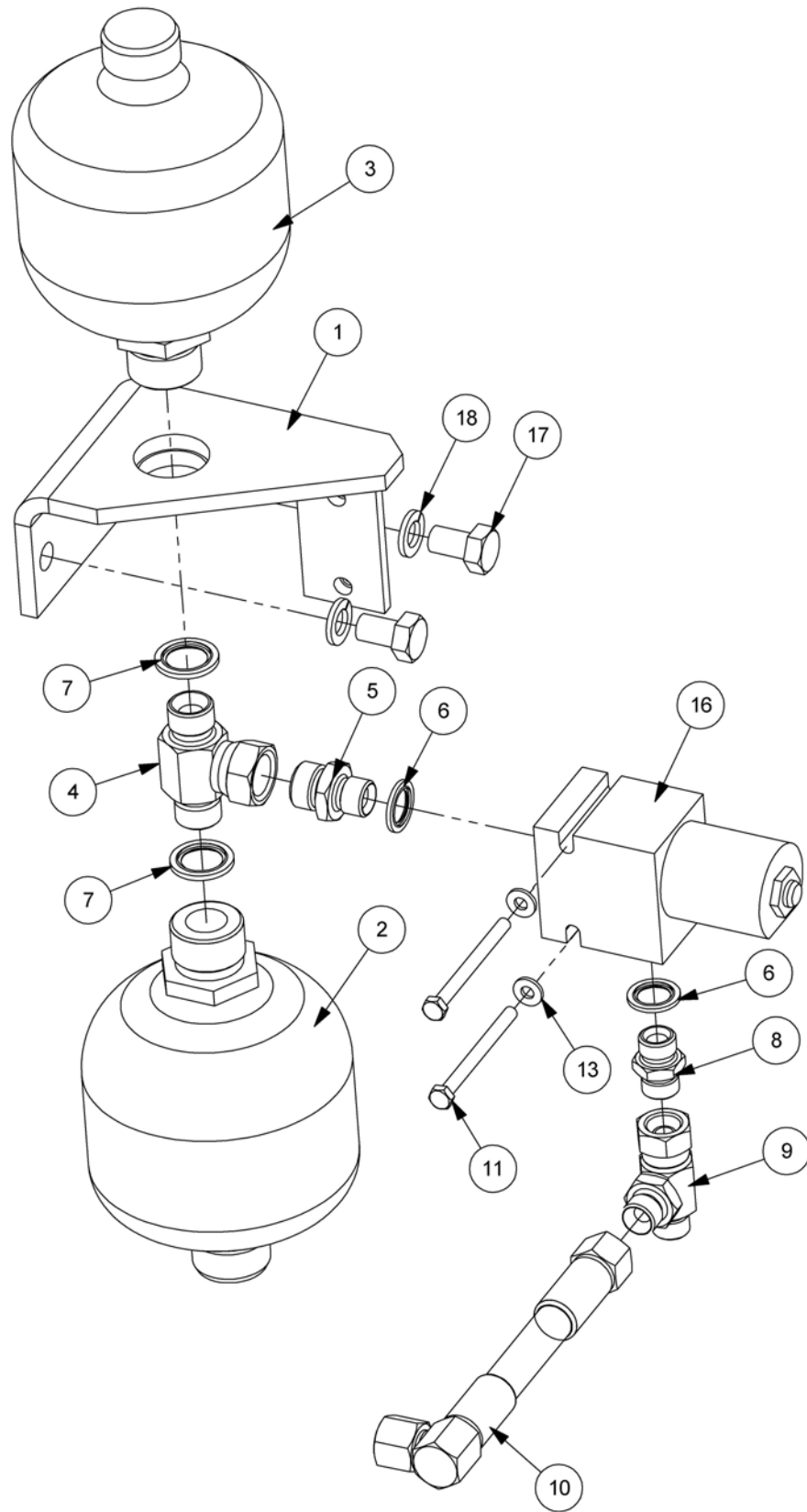


REF.	QTY.	PART No.	DESCRIPTION
		42783.06	BYPASS ASSEMBLY - Piston Electric
		42783.07	BYPASS ASSEMBLY - Piston Proportional
1	1	43386.01	PLATE
2	2	08.128.03	BULKHEAD FITTING
3	1	8132270	BLOCK - PUMP BYPASS
4	1	8130192	CARTRIDGE VALVE - 2 WAY
5	2	8131008	TEST POINT
6	2	04.056.33	ADAPTOR TEE
7	4	8650102	BONDED SEAL
8	2	8581169	ADAPTOR
9	2	10.002.06	* HOSE - 1/4" BSP FS/F90 x 300mm (not illustrated)
	2	10.002.07	** HOSE -1/4" BSP FS/F90 x 350mm (not illustrated)
10	1	43177.31	* LOOM (not illustrated)
	1	43177.29	** LOOM (not illustrated)
11	1	8402373	CUT-OFF UNIT

* Piston Electric Models only

** Piston Proportional Models only

Module:
8126337



LIFT FLOAT KIT – Optional Extra

REF.	QTY.	PART No.	DESCRIPTION
		8126337	LIFT FLOAT KIT
1	1	43488.01	ACCUMULATOR BRACKET
2	1	41451.02	ACCUMULATOR
3	1	41451.05	ACCUMULATOR
4	1	04.056.13	ADAPTOR TEE
5	1	6000112	ADAPTOR
6	2	8650103	BONDED SEAL
7	2	8650104	BONDED SEAL
8	1	6000113	ADAPTOR
9	1	11.068.69	ADAPTOR TEE
10	1	10.004.10	HOSE - 3/8" BSP FS/F90 x 500mm
11	2	9213143	BOLT
12	2	9143003	SELF-LOCKING NUT
13	4	9100103	FLAT WASHER
14	1	8126035	NUT
15	1	43177.28	LOOM - LIFT FLOAT <i>(not illustrated)</i>
16	1	08.619.09	VALVE - MODULAR
17	2	9313046	SETSCREW
18	2	9100206	SPRING WASHER

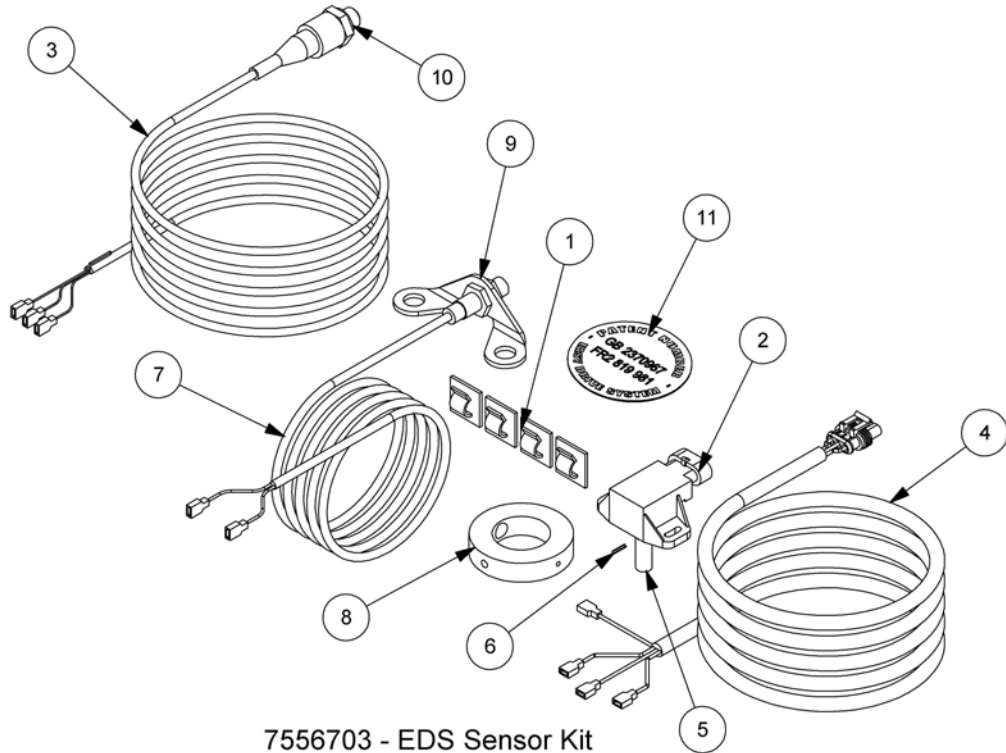
SENSOR KITS

Modules:

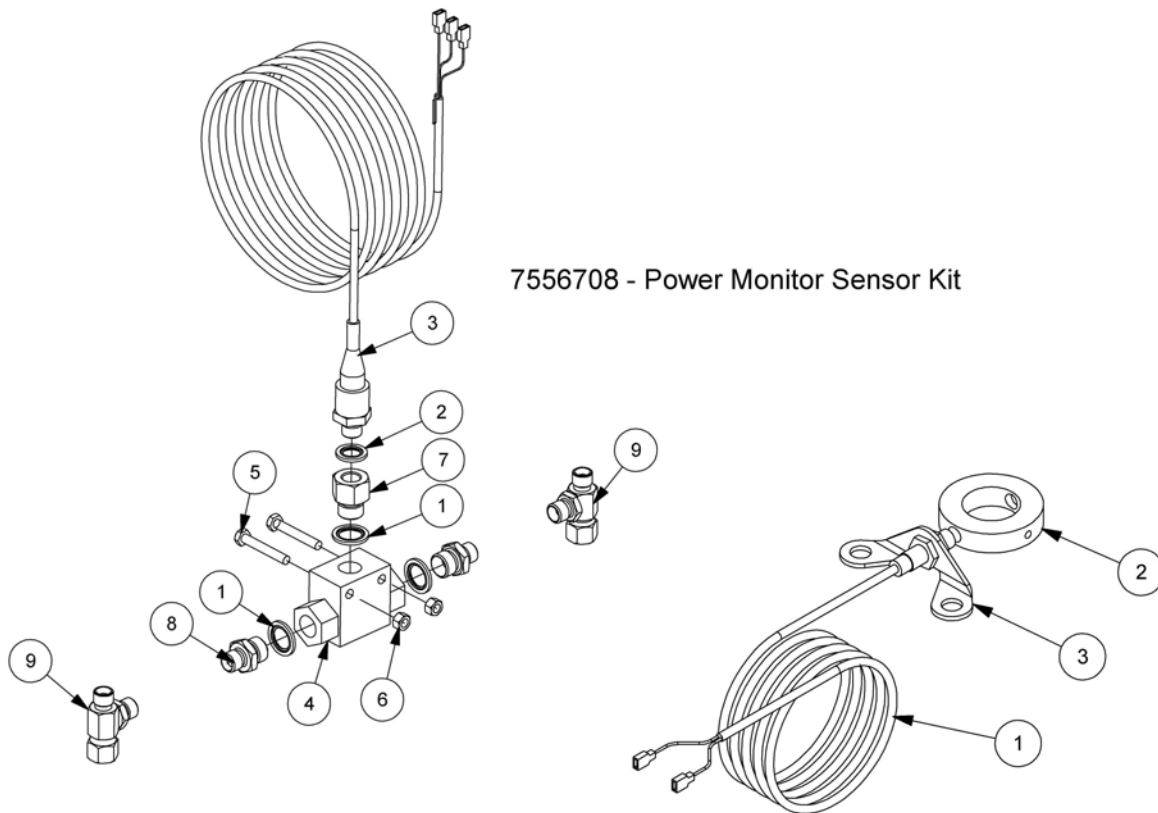
7556703 - EDS

7556708 - Power Monitor

7556710 - PTO



7556703 - EDS Sensor Kit



7556708 - Power Monitor Sensor Kit

7556710 - PTO Sensor Kit

SENSOR KITS

REF.	QTY.	PART No.	DESCRIPTION
		7556703	EDS SENSOR KIT - EDS
1	4	43357.01	CLIP (SELF ADHESIVE PAD)
2	1	8402235	REACH SENSOR
3	1	8402253	PRESSURE SENSOR
4	1	21163.01	REACH SENSOR LOOM
5	1	45425.07	SENSOR EXTENSION
6	1	0430110	SPRING DOWEL
7	1	8402251	PTO SENSOR
8	1	8402252	PTO MAGNETIC RING
9	1	21170.04	PTO SENSOR BRACKET
10	1	8650102	BONDED SEAL
11	1	21365.01	PATENT DECAL

REF.	QTY.	PART No.	DESCRIPTION
		7556708	POWER MONITOR KIT
1	3	8650103	BONDED SEAL
2	1	8650102	BONDED SEAL
3	1	8402258	PRESSURE SENSOR (0 TO 400 BAR)
4	1	09.820.01	SHUTTLE VALVE
5	2	9313083	SETSCREW
6	2	9143003	SELF-LOCKING NUT
7	1	8103005	ADAPTOR
8	2	8581115	ADAPTOR
9	2	8581254	ADAPTOR TEE
10	2	10.002.10	HOSE - 1/4" BSP FS/F90 x 500mm

REF.	QTY.	PART No.	DESCRIPTION
		7556710	PTO SENSOR KIT
1	1	8402251	PTO SENSOR
2	1	8402252	PTO MAGNETIC RING
3	1	21170.04	PTO SENSOR BRACKET

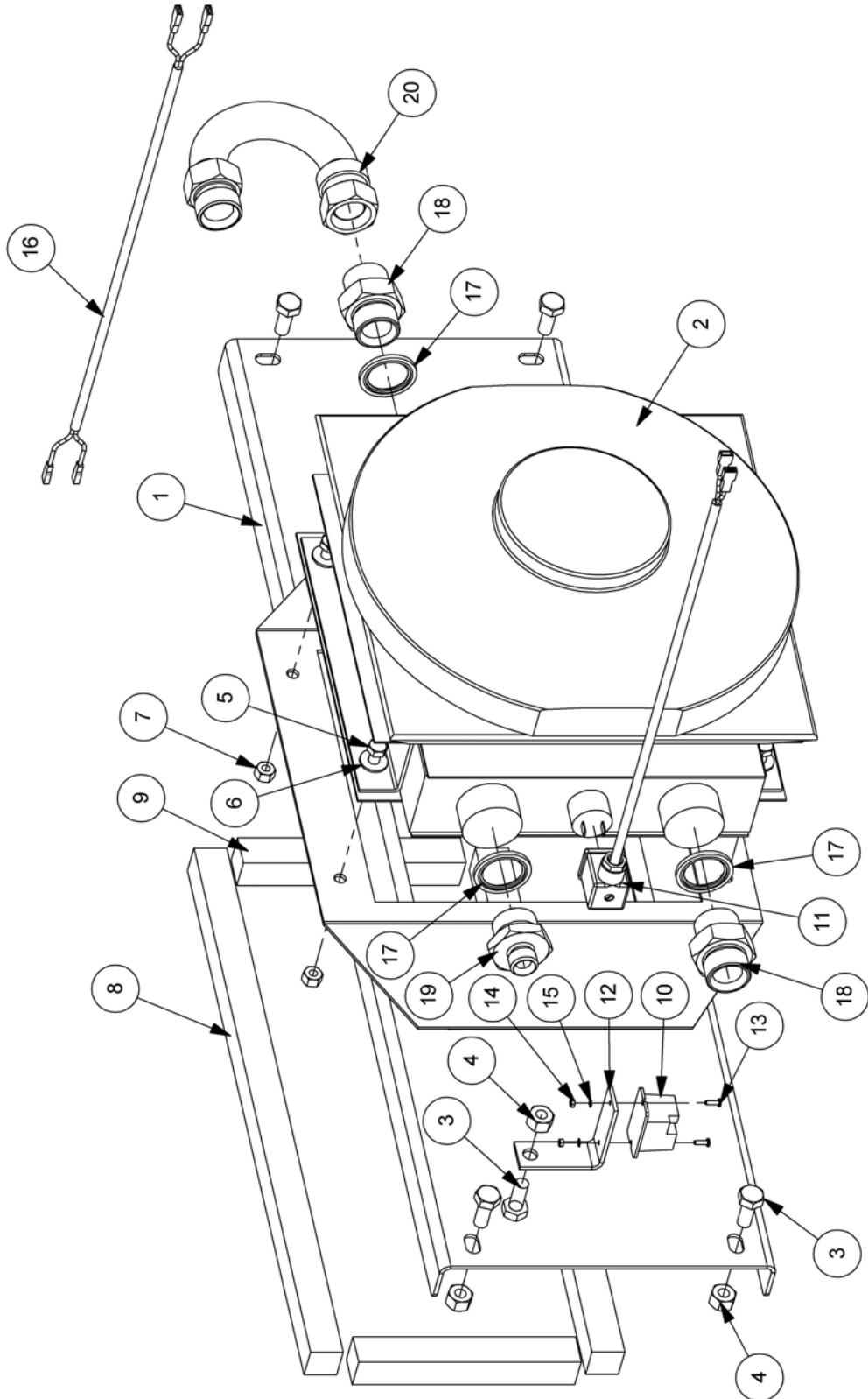
COOLER ASSEMBLY

Modules:

- 7457707 – Gear Electric L/H Build
- 7457709 – Gear Proportional L/H Build
- 7457711 – Piston Electric L/H Build
- 7457713 – Piston Proportional L/H Build

Illustrated in Left Hand Gear Proportional Build

- 7457708 – Gear Electric R/H Build
- 7457710 – Gear Proportional R/H Build
- 7457712 – Piston Electric R/H Build
- 7457714 – Piston Proportional R/H Build



COOLER ASSEMBLY

REF.	QTY.	PART No.	DESCRIPTION
		7457707	COOLER ASSEMBLY - L/H Gear Electric
		7457708	COOLER ASSEMBLY - R/H Gear Electric
		7457709	COOLER ASSEMBLY - L/H Gear Proportional
		7457710	COOLER ASSEMBLY - R/H Gear Proportional
		7457711	COOLER ASSEMBLY - L/H Piston Electric
		7457712	COOLER ASSEMBLY - R/H Piston Electric
		7457713	COOLER ASSEMBLY - L/H Piston Proportional
		7457714	COOLER ASSEMBLY - R/H Piston Proportional
1	1	21064.01	COOLER MOUNT
2	1	8402380	OIL COOLER
3	5	9313055	SETSCREW
4	5	9143005	SELF-LOCKING NUT
5	4	9313044	SETSCREW
6	4	9100104	FLAT WASHER
7	4	9143004	SELF-LOCKING NUT
8	2	42713.07	FOAM STRIP - 500mm
9	2	42713.09	FOAM STRIP-170mm
10	1	8402226	RELAY
11	1	43177.37	LOOM - THERMAL CUTOUT
12	1	43362.01	RELAY BRACKET
13	2	9200007	SCREW PAN HEAD
14	2	9113000	NUT
15	2	9100400	SHAKEPROOF WASHER
16	1	21163.03	LOOM - COOLER SIGNAL (v3)
17	3	8650108	BONDED SEAL
18	2	05.434.01	ADAPTOR - Gear Models only
19	1	8581129	ADAPTOR
20	1	46043.01	RIGID PIPE (U BEND) - Gear Models only
	1	42782.32	RIGID PIPE (U BEND) - Piston Models only

Proportional
Models
only

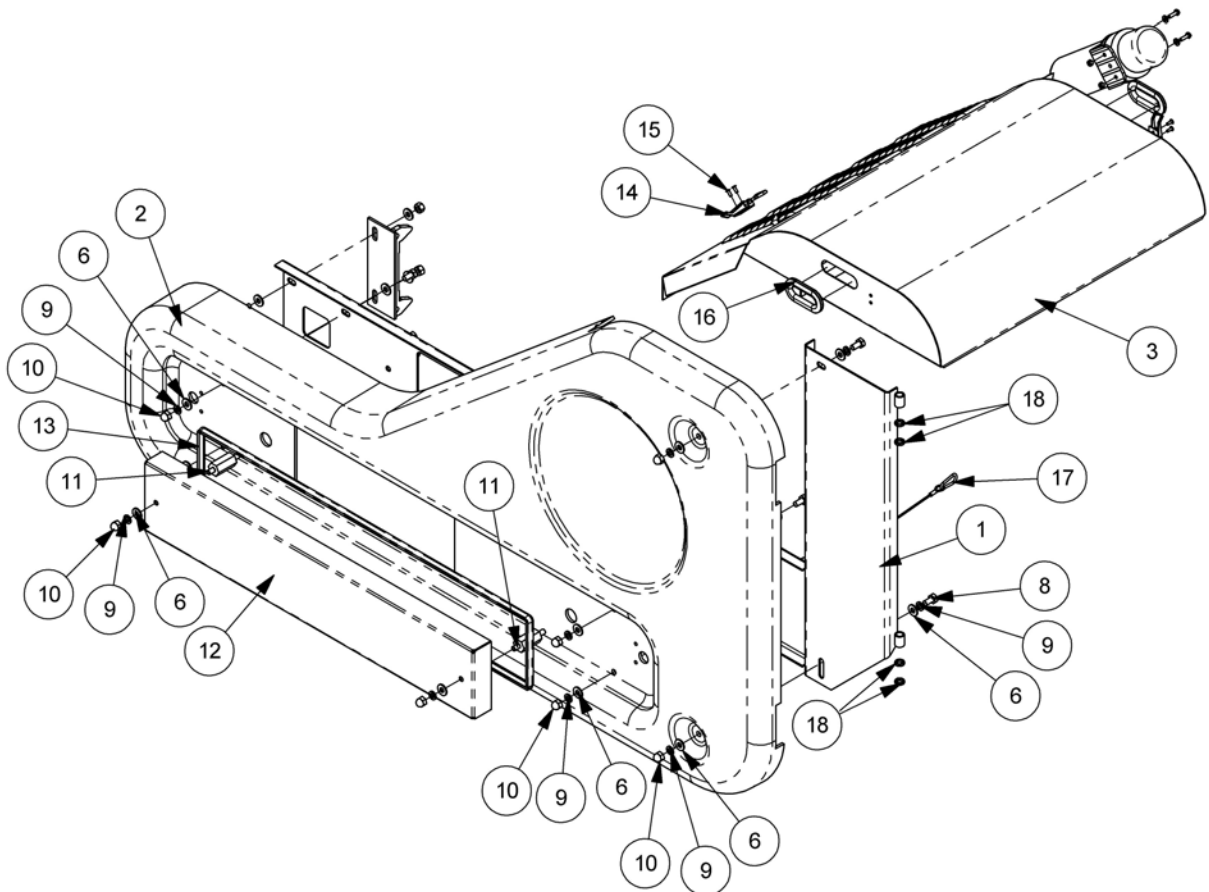
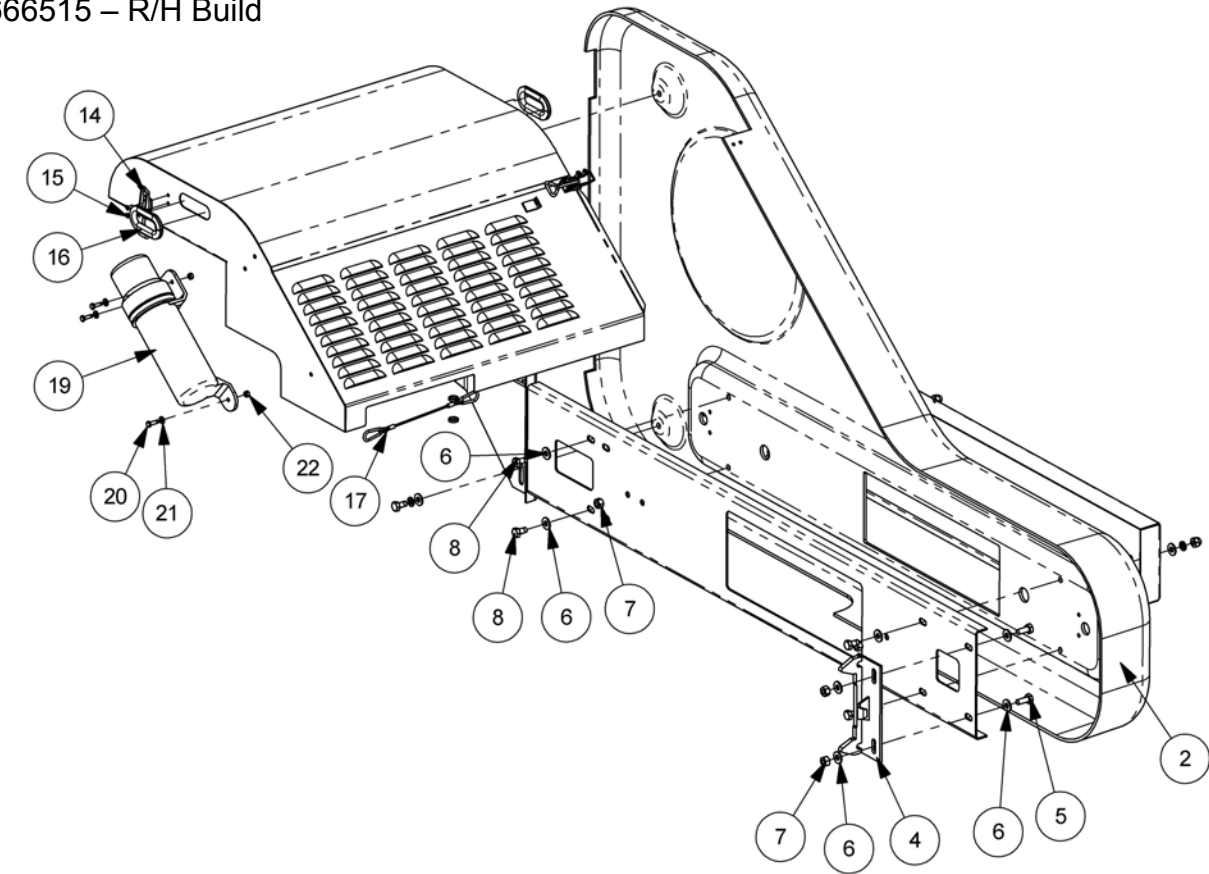
REAR COVERS ASSEMBLY

Modules:

7666514 – L/H Build

7666515 – R/H Build

Illustrated in Left Hand Build

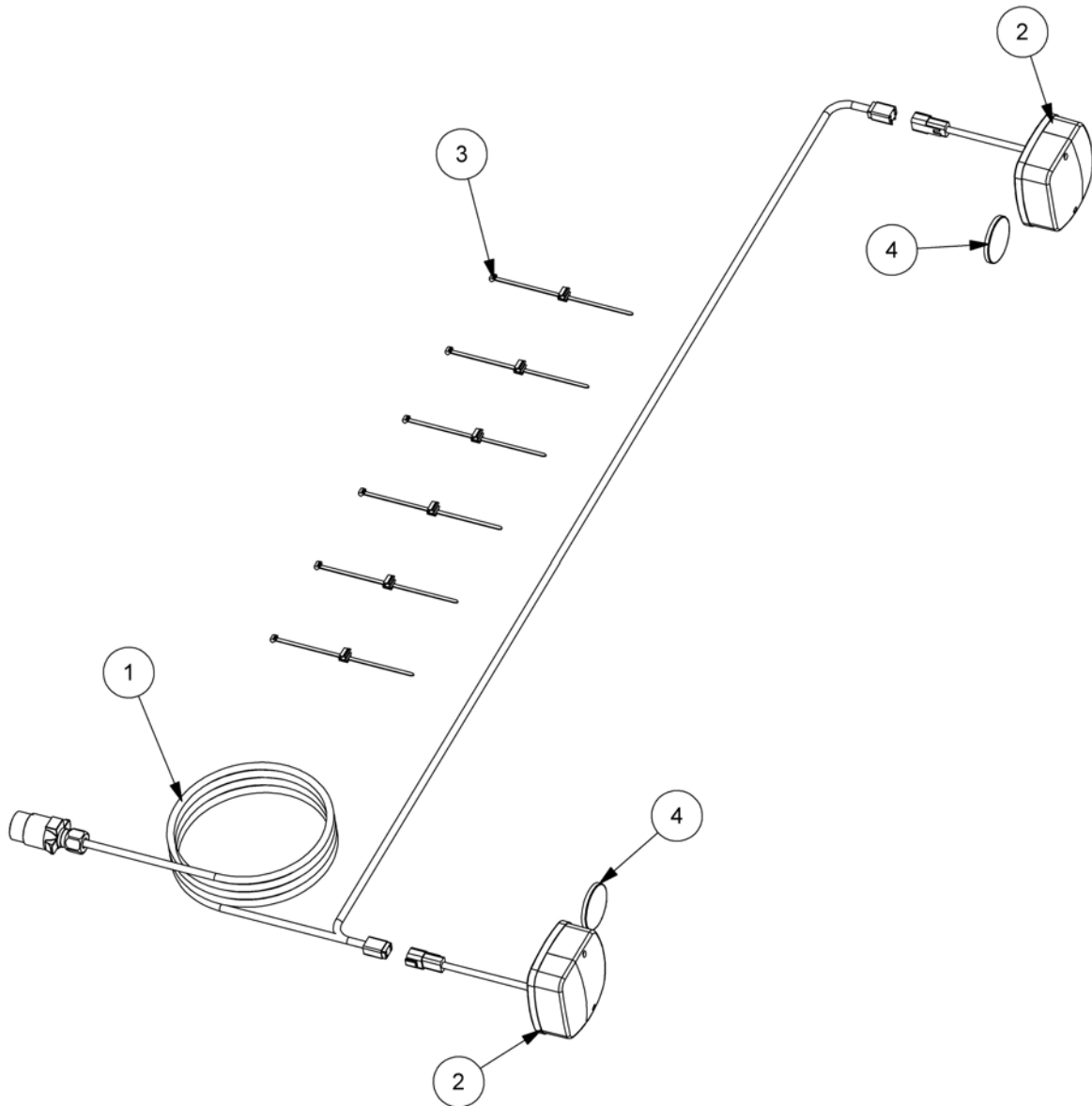


REAR COVERS ASSEMBLY

REF.	QTY.	PART No.	DESCRIPTION
		7666514	REAR COVERS ASSEMBLY - L/H Build
		7666515	REAR COVERS ASSEMBLY - R/H Build
1	1	21065.01	COVER MOUNTING - L/H
	1	21065.02	COVER MOUNTING - R/H - <i>not illustrated</i>
2	1	21154.03	REAR COVER - L/H
	1	21154.04	REAR COVER - R/H - <i>not illustrated</i>
3	1	21069.01	VALVE COVER - L/H
	1	21069.02	VALVE COVER - R/H - <i>not illustrated</i>
4	1	43504.01	BRACKET
5	2	9313055	SETSCREW
6	18	9100105	FLAT WASHER
7	4	9143005	SELF-LOCKING NUT
8	6	9313045	SETSCREW
9	10	9100205	SPRING WASHER
10	8	9100025	DOME NUT
11	2	46041.01	STAND OFF
12	1	46046.02	COOLER FILTER BASKET
13	1	43468.09	EDGING
14	2	43449.02	OVERCENTRE FASTENER
15	4	1069088	POP RIVET
16	2	43468.10	EDGING
17	1	43429.01	RESTRAINT CABLE
18	4	21244.02	SPACER
19	1	46505.02	MANUAL HOLDER ASSEMBLY - <i>comprising:</i>
20	3	9313043	SETSCREW
21	3	9100103	WASHER
22	3	9143003	NUT
23	1	46505.01	PLASTIC MANUAL HOLDER
24	1	46503.01	SPACER RING - <i>not illustrated</i>

REAR LIGHTING KIT

Module:
45900.02

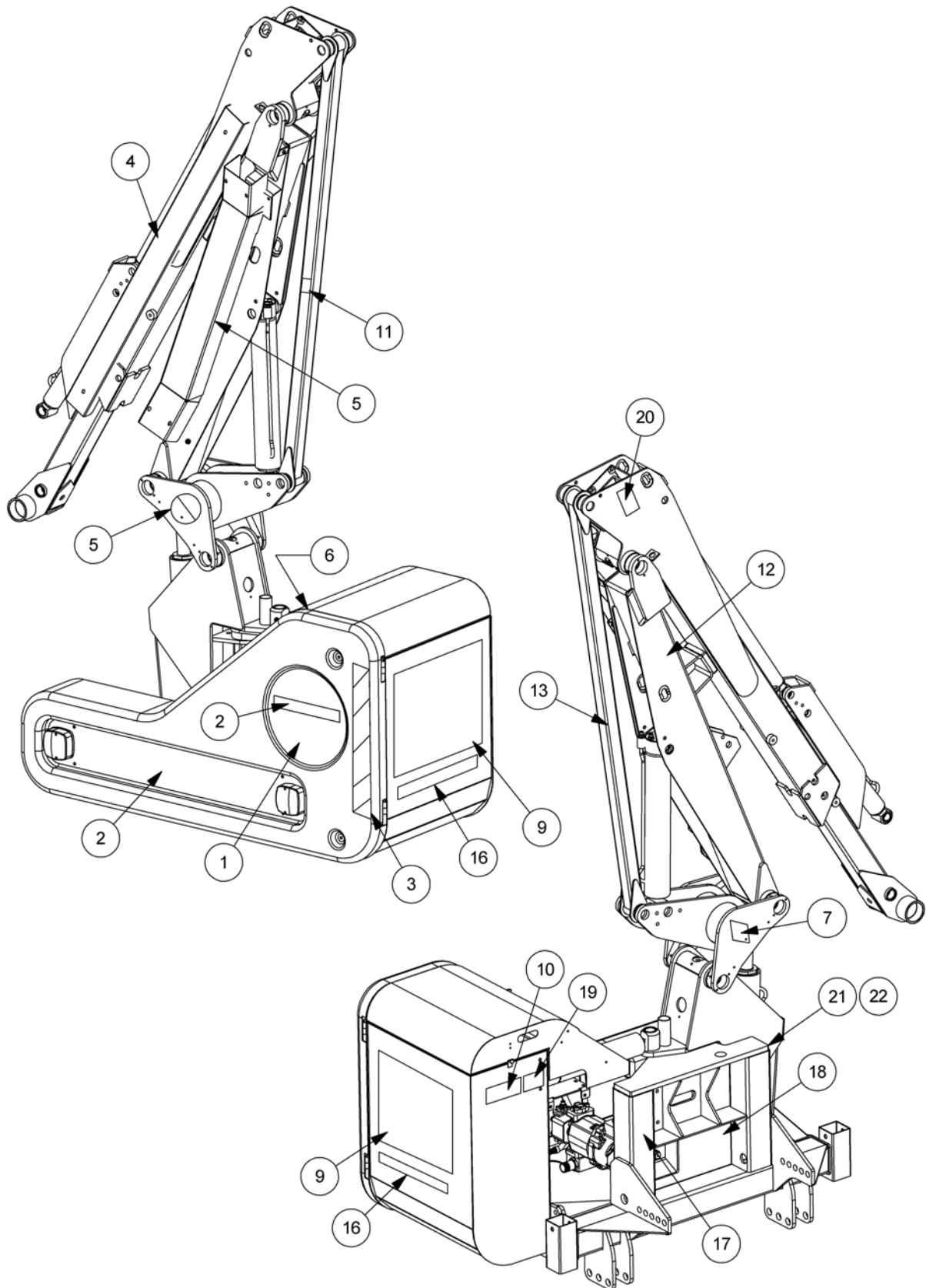


REAR LIGHTING KIT

REF.	QTY.	PART No.	DESCRIPTION
		45900.02	LIGHTING KIT
1	1	45656.02	LIGHTING LOOM - LONG
2	2	45642.02	COMBINATION LAMP ASSEMBLY
3	12	43357.01	CLIP (SELF ADHESIVE PAD)
4	2	45671.01	REFLECTOR - SELF ADHESIVE

Modules:

Refer to page opposite for details of specific models.

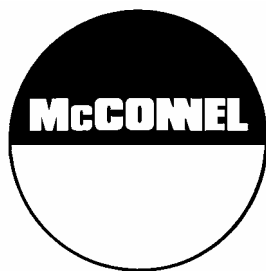


MACHINE DECALS – PA550/650

REF.	QTY.	PART No.	DESCRIPTION
		7455745	DECAL KIT - PA550 Gear L/H Build
		7455747	DECAL KIT - PA650 Gear L/H Build
		7455749	DECAL KIT - PA550 Piston L/H Build
		7455751	DECAL KIT - PA650 Piston L/H Build
		7455753	DECAL KIT - PA550 Gear EDS L/H Build
		7455755	DECAL KIT - PA650 Gear EDS L/H Build
		7455757	DECAL KIT - PA550 Piston EDS L/H Build
		7455759	DECAL KIT - PA650 Piston EDS L/H Build
		7455822	DECAL KIT - PA550 Gear Prop. L/H Build
		7455824	DECAL KIT - PA650 Gear Prop. L/H Build
		7455826	DECAL KIT - PA550 Piston Prop. L/H Build
		7455828	DECAL KIT - PA650 Piston Prop. L/H Build

NOTE: For R/H Build Decal Kits increase the last digit of the Part No. by 1
ie. 7455746 is the R/H equivalent of Decal Kit 7455745

1	1	1290524	LOGO ROUNDEL
2	2	1290525	McCONNEL DECAL - YELLOW
3	1	1290528	REAR MARKER - L/H Build
	1	1290529	REAR MARKER - R/H Build
4	2	1290522	HY REACH SUPERIOR 550
	2	1290521	HY REACH SUPERIOR 650
	2	1290519	HY REACH SUPREME 650 EDS
	2	1290520	HY REACH SUPREME 550 EDS
5	2	1290255	McCONNEL DECAL - BLACK
6	1	1290465	WIRING CONNECTION
7	1	7105130	READ THE BOOK FIRST
8	1	1290352	CAB DECAL - ENGLISH/FRENCH
9	1	1290391	GENERAL SAFETY
10	1	00756494	DRIVELINE HAZARD
11	5	02962764	PINCH POINT
12	1	1290403	BREAKAWAY RETURN WARNING
13	1	1290406	TRANSPORT WARNING
14	1	8402138	CAUTION
15	1	1290491	65 HP
16	1	1290482	PISTON SYSTEM - <i>Piston Models only</i>
17	1	09.811.03	PTO SPEED - 500RPM
	1	1290086	PTO SPEED - 800RPM
18	1	7135295	TIGHTEN CHECK CHAINS
19	1	1290023	OIL FILTER LABEL
20	1	1290005	GREASE SOCKET - <i>Tele Models only</i>
21	1	1335246	SERIAL No. PLATE
22	4	7103230	POP RIVET
23	1	1290296	LOGO



McConnel Limited, Temeside Works, Ludlow, Shropshire SY8 1JL. England.
Telephone: 01584 873131. Facsimile: 01584 876463. www.mcconnel.com