

Publication 454  
January 2004  
Part No. 41570.54



# PA550 PA650 HY-REACH Mk2 *Parts Manual*

*For models with:*  
**Piston Hydraulics & Proportional EDS Controls**







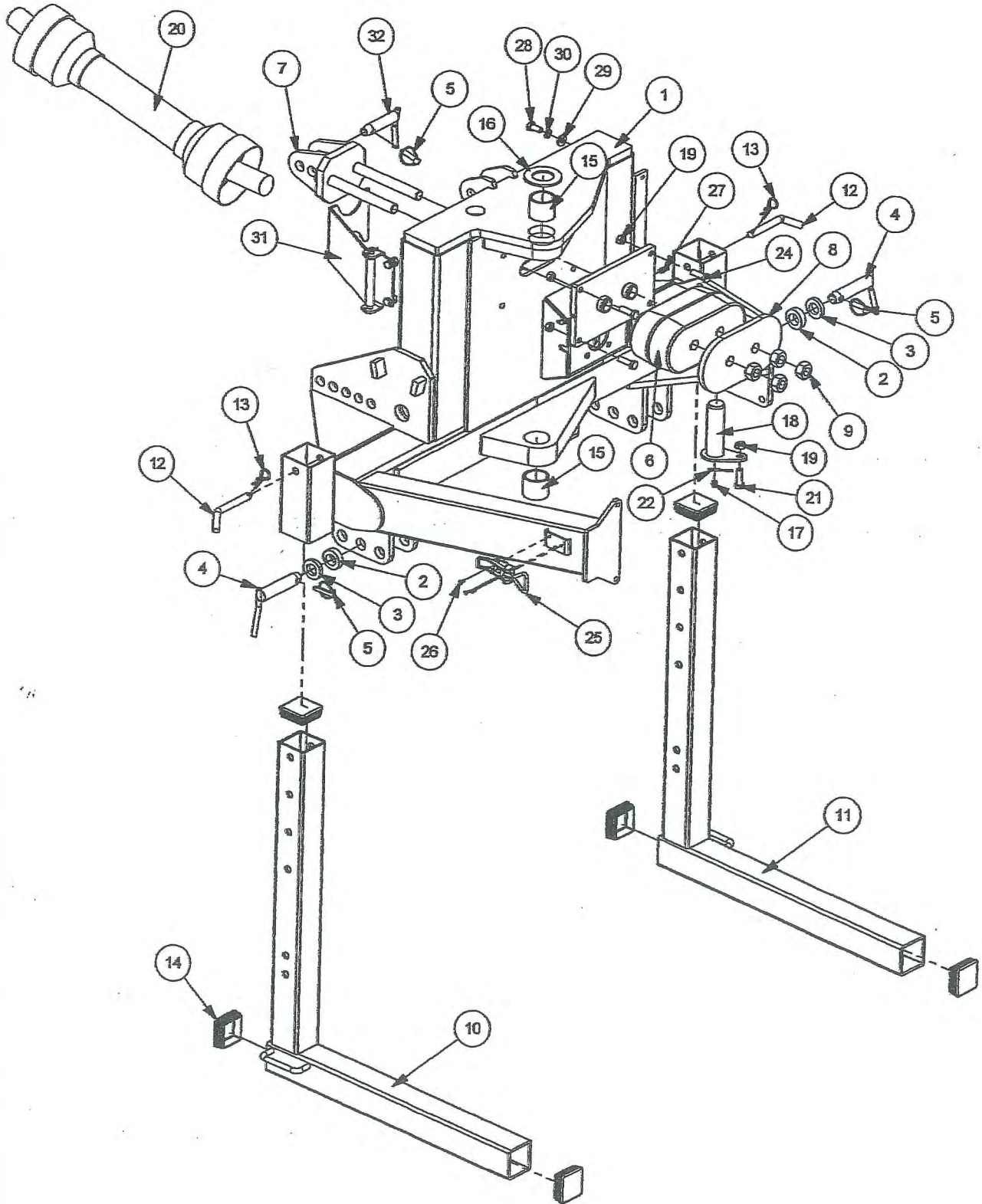
# MAINFRAME ASSEMBLY (Linkage)



**Modules:**

- 7456701 – L/H Linkage Mounted Models
- 7456702 – R/H Linkage Mounted Models

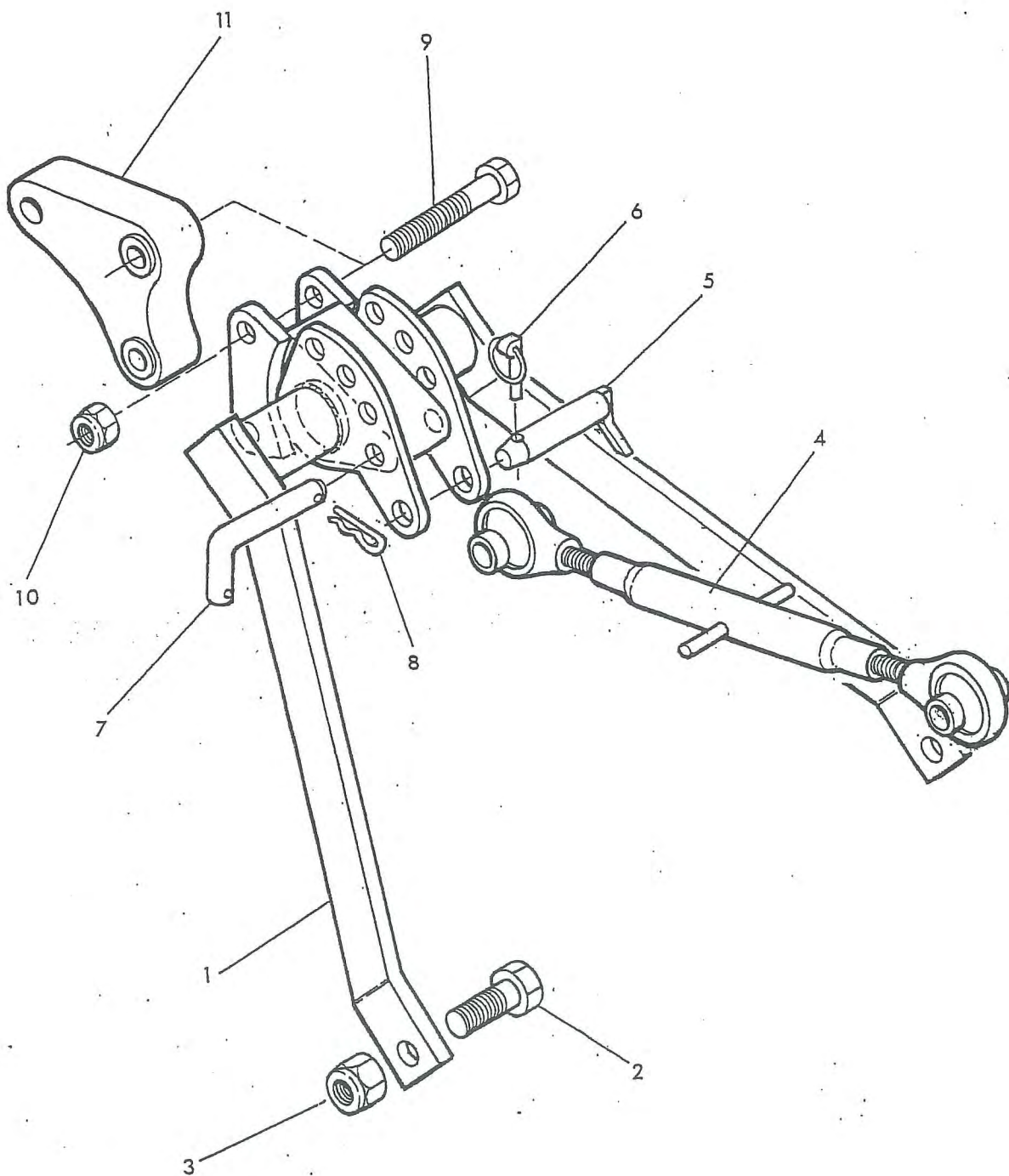
*Illustrated in Left Hand Build*




**MAINFRAME ASSEMBLY (Linkage)**

REF.	QTY.	PART No.	DESCRIPTION
		<b>7456701</b>	<b>MAIN FRAME ASSEMBLY - PA550/650 L/H Build</b>
		<b>7456702</b>	<b>MAIN FRAME ASSEMBLY - PA550/650 R/H Build</b>
1	1	21165.01	MAIN FRAME - L/H Build
	1	21165.01	MAIN FRAME - R/H Build
2	2	43332.01	SPACER - LINKAGE
3	2	43332.02	SPACER - LINKAGE
4	2	41559.01	LINKAGE PIN - CAT 2
5	3	0431217	LINCH PIN
6	1	7560141	RUBBER SPRING
7	1	7560398	TOP HITCH BRACKET
8	1	7560130	REACTION PLATE
9	4	9113009	NUT
10	1	21068.01	STAND LEG - L/H
11	1	21068.02	STAND LEG - R/H
12	2	43327.01	LEG PIN
13	2	0431105	SPRING COTTER
14	6	41580.01	PLASTIC PLUG
15	2	08.297.01	BUSH
16	1	7560056	THRUST WASHER
17	1	0901121	GREASE NIPPLE - STRAIGHT
18	1	43324.02	PIN
19	5	9143006	SELF-LOCKING NUT
20	1	7650250	DRIVE SHAFT
21	1	45416.01	SPECIAL BOLT
22	1	9501406	SPLIT PIN
23	1	45807.01	REACTION PLATE
24	4	9213086	BOLT
25	1	43449.01	OVERCENTRE FASTENER
26	3	1069088	POP RIVET
27	2	0901124	GREASE NIPPLE - 67°
28	2	9313056	SETSCREW
29	2	9100106	FLAT WASHER
30	2	9100206	SPRING WASHER
31	1	21187.01	PTO SUPPORT BRACKET
32	1	43342.01	TOP LINK PIN



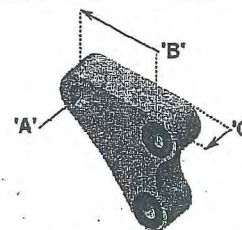


**STABILISER**

Ref.	Qty.	Part No.	Description
1	1	41205.03	Stabiliser
2	2	9213149	Bolt
3	2	9143009	Self-Locking Nut
4	1	07.584.02	Top Link
5	1	43342.01	Top Link Pin
6	1	04.31.217	Linch Pin
7	1	7192026	Tongue Locating Pin
8	1	0431105	Spring Cotter
9	2	9213228	Bolt
10	2	9143008	Self-Locking Nut
11	1	7499501	Tongue - Standard Cat 2

**McCONNEL STABILISER TONGUES**

- 'A' - Hole diameter  
 'B' - Hole center spacing  
 'C' - Stabiliser width

*(Dimensions in mm)*

Part No.	Description	'A'	'B'	'C'
7499501	Tongue: Standard - Cat. 2	27	107	45
7499500	Tongue: Special - Cat. 2 narrow	27	107	35
7499502	Tongue: Special - Cat. 2 long	27	217	45
7499503	Tongue: Special - Cat. 3 long	32	217	45
7499504	Tongue: Special - Cat. 1	19.5	107	35
7499505	Tongue: Special - Cat. 2 for Case TX tractors	25	120	50
7499506	Tongue: Special - Cat. 3	32	107	45
7499507	Tongue: Special - Cat. 3 narrow	32	107	30
7499508	Tongue: Special - for some Ford tractors	28.6	107	45
7499262	Tongue: Special - Cat. 2 extra long for Aebi	27	260	45
7499510	Tongue: Special - Cat. 2	27	107	40



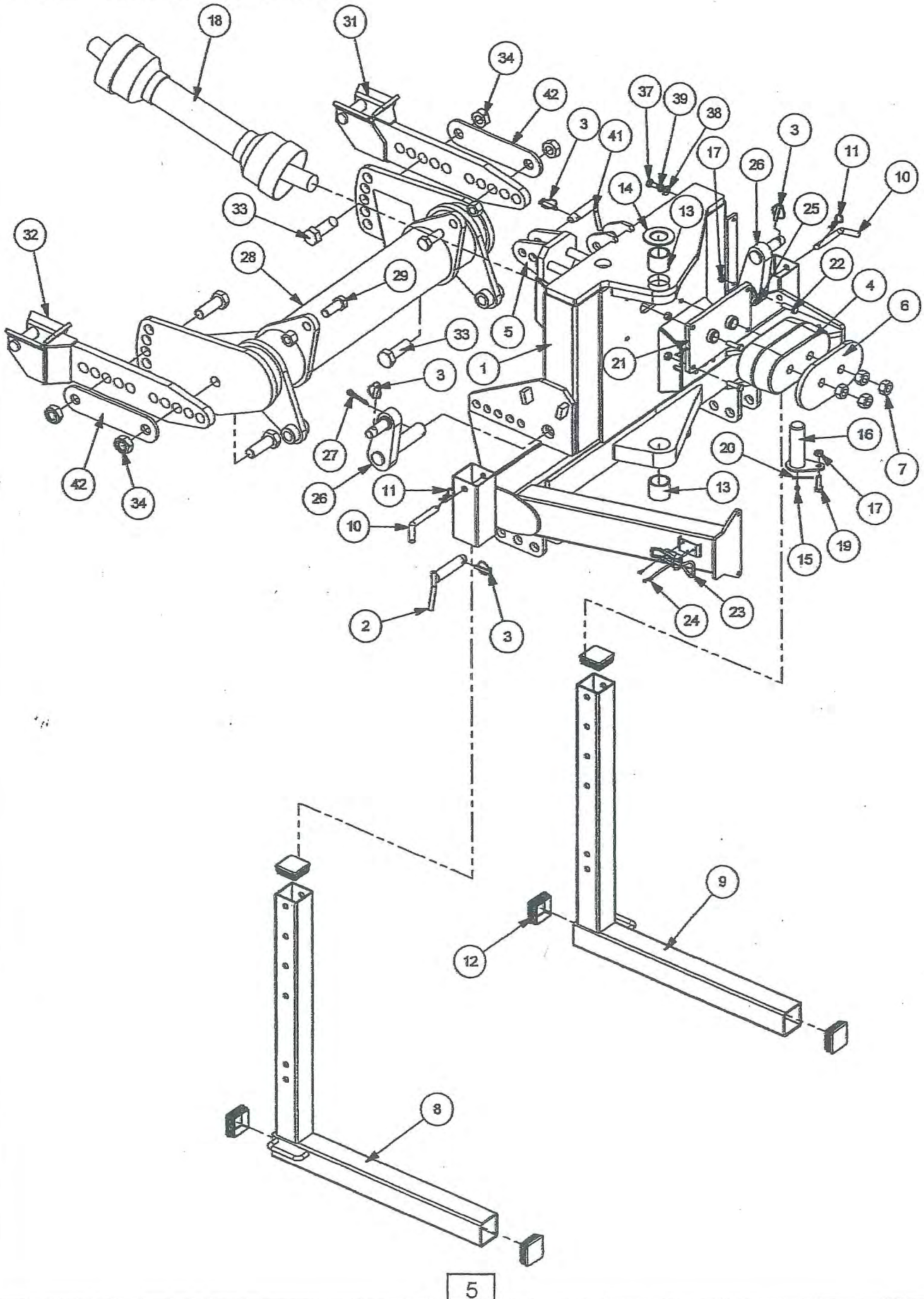
# MAINFRAME ASSEMBLY (Axle)

**Modules:**

7556701 – L/H Axle Mounted Models

7556702 – R/H Axle Mounted Models

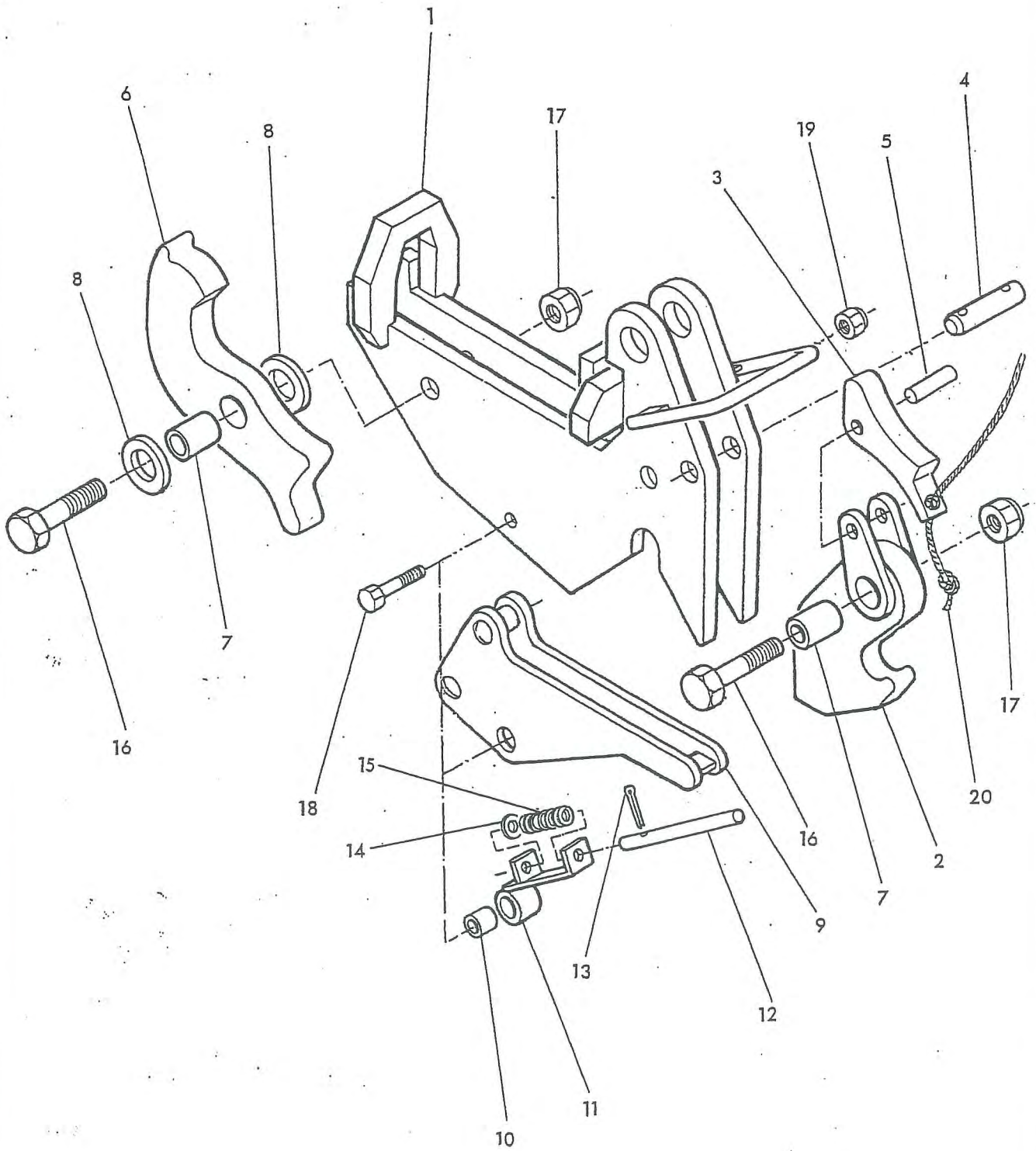
*Illustrated in Left Hand Build*



**MAINFRAME ASSEMBLY (Axle)**

REF.	QTY.	PART No.	DESCRIPTION
		<b>7556701</b>	<b>MAIN FRAME ASSEMBLY - PA550/650 L/H Build</b>
		<b>7556702</b>	<b>MAIN FRAME ASSEMBLY - PA550/650 R/H Build</b>
1	1	21165.01	MAIN FRAME - L/H Build
	1	21165.02	MAIN FRAME - R/H Build
2	2	41559.01	LINKAGE PIN - CAT 2
3	5	0431217	LINCH PIN
4	1	7560141	RUBBER SPRING
5	1	7560398	TOP HITCH BRACKET
6	1	7560130	REACTION PLATE
7	4	9113009	NUT
8	1	21068.01	STAND LEG - L/H
9	1	21068.02	STAND LEG - R/H
10	2	43327.01	LEG PIN
11	2	0431105	SPRING COTTER
12	6	41580.01	PLASTIC PLUG
13	2	08.297.01	BUSH
14	1	7560056	THRUST WASHER
15	1	0901121	GREASE NIPPLE - STRAIGHT
16	1	43324.02	PIN
17	5	9143006	SELF-LOCKING NUT
18	1	7650250	DRIVE SHAFT
19	1	45416.01	SPECIAL BOLT
20	1	9501406	SPLIT PIN
21	1	45807.01	REACTION PLATE
22	4	9213086	BOLT
23	1	43449.01	OVERCENTRE FASTENER
24	3	1069088	POP RIVET
25	2	0901124	GREASE NIPPLE - 67°
26	2	43319.01	LIFT LINK
27	2	9501509	SPLIT PIN
28	1	43306.01	BRACKET FRAME
29	2	9213139	BOLT
30	2	9143009	SELF-LOCKING NUT
31	1	43318.01	HITCH ARM - TYPE 1
	1	43318.03	EXTENDED HITCH ARM - TYPE 1 ( <i>Optional</i> )
32	1	43318.02	HITCH ARM - TYPE 2
	1	43318.04	EXTENDED HITCH ARM - TYPE 2 ( <i>Optional</i> )
33	4	9200035	BOLT
34	4	9100023	BINX NUT
35	2	7135036	OPERATING CORD
36	2	2020999	LATCH ASSEMBLY
37	2	9313056	SETSCREW
38	2	9100106	FLAT WASHER
39	2	9100206	SPRING WASHER
40	1	21187.01	PTO SUPPORT BRACKET
41	1	43342.01	TOP LINK PIN
42	2	21358.01	CLAMP PLATE







Ref.	Part No.	Qty.	Description
	<b>20 20 999</b>		<b>AXLE CATCH ASSEMBLY</b>
1	20 20 901	1	Catch body
2	20 20 902	1	Hitch hook
3	20 20 903	1	Hook release
4	20 20 904	1	Locking pin
5	20 20 906	1	Pivot - hook release
6	20 20 907	1	Plate latch
7	20 20 908	2	Pivot sleeve
8	20 20 909	2	Spacer - plate latch
9	20 20 910	1	Catch lock
10	20 20 911	1	Sleeve - spring rocker
11	20 20 912	1	Spring rocker
12	20 20 913	1	Spring shaft
13	95 01 325	1	Split pin
14	91 00 105	1	Plain washer
15	20 20 914	1	Spring
16	92 13 188	2	Bolt
17	91 43 008	2	Self locking nut
18	92 13 166	1	Bolt
19	91 43 006	1	Self locking nut
20	20 20 915	1	Release cord

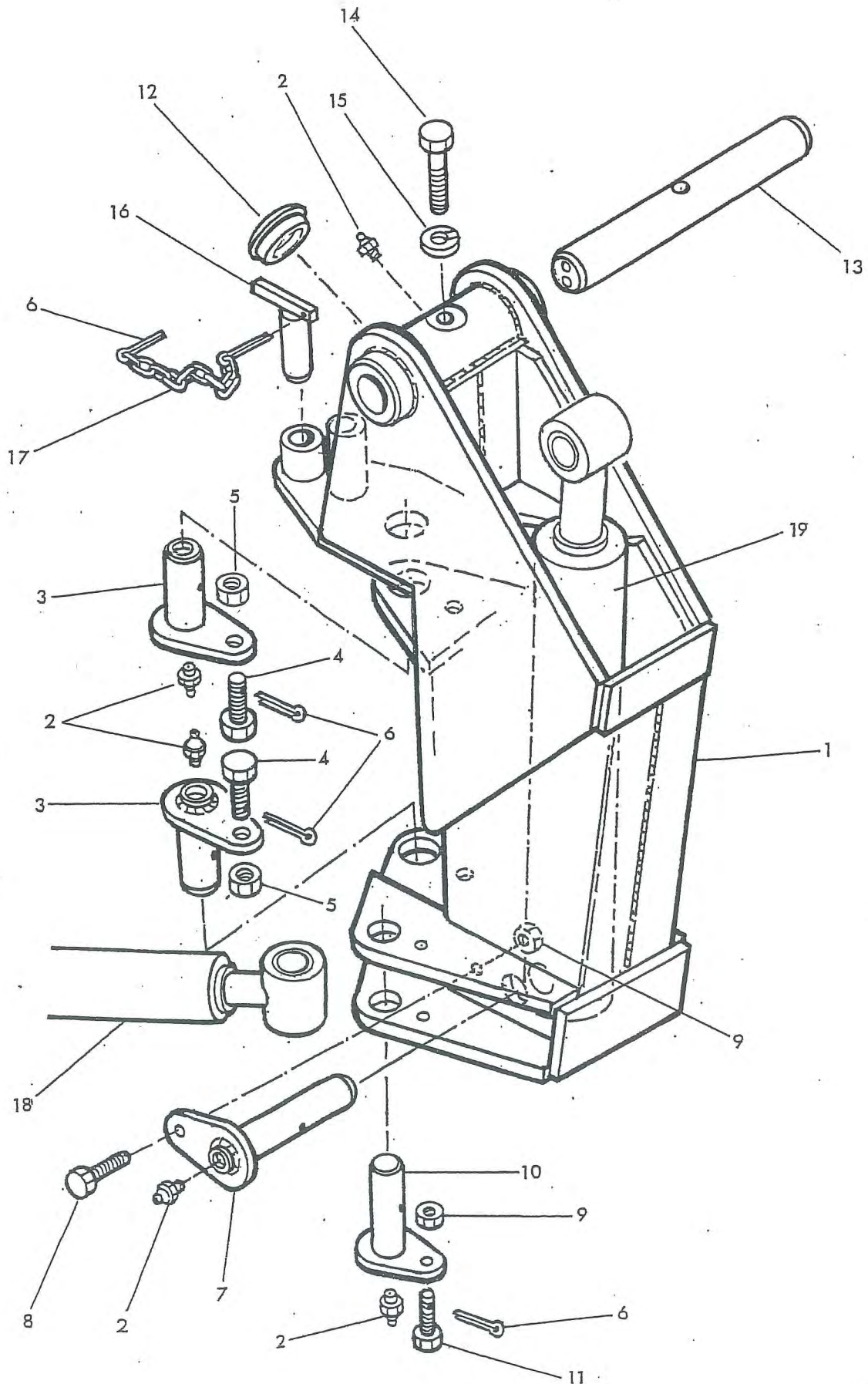


Ac 1

PILLAR



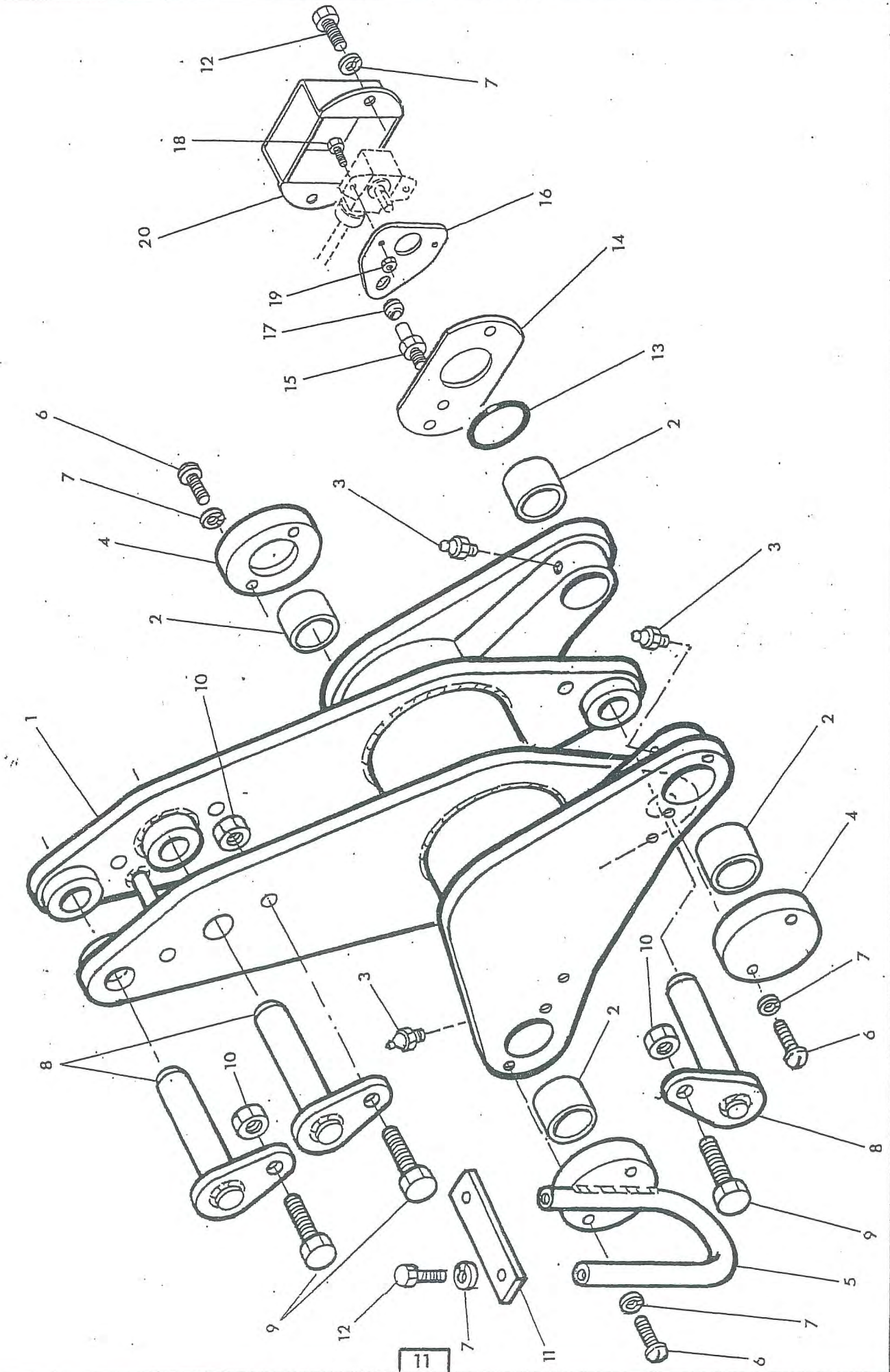
McCORMICK





Ref.	Part No.	Qty.	Description
<b>SLEWING PILLAR</b>			
1	43279.02	1	pillar - R.Hand
	43279.01	1	Pillar - L.Hand - Not illus
2	09 01 121	5	Greaser 1/8" BSP straight
3	43322.01	2	Pivot pin - pillar
4	42269.03	2	Special bolt M16
5	91 43 007	2	Self locking nut M16
6	95 01 255	6	Split pin dia 4 x 25
7	43324.01	1	Pivot pin - lift ram base
8	93 13 066	1	Setscrew M12 x 30
9	91 43 006	2	Self lockin g nut M12
10	43324.02	1	Pivot pin - slew ram rod
11	42269.04	1	Special bolt M12 x 50
12	43358.01	1	Plastic bung
13	43013.02	1	Pivot pin - rocker
14	92 13 187	1	Bolt M16 x 90
15	91 00 207	1	Spring washer dia 16
16	43323.01	1	Transport lock pin
17	14 67 086	1	Chain
18	43316.02	1	Slew ram assembly
19	42655.03	1	Lift ram assembly

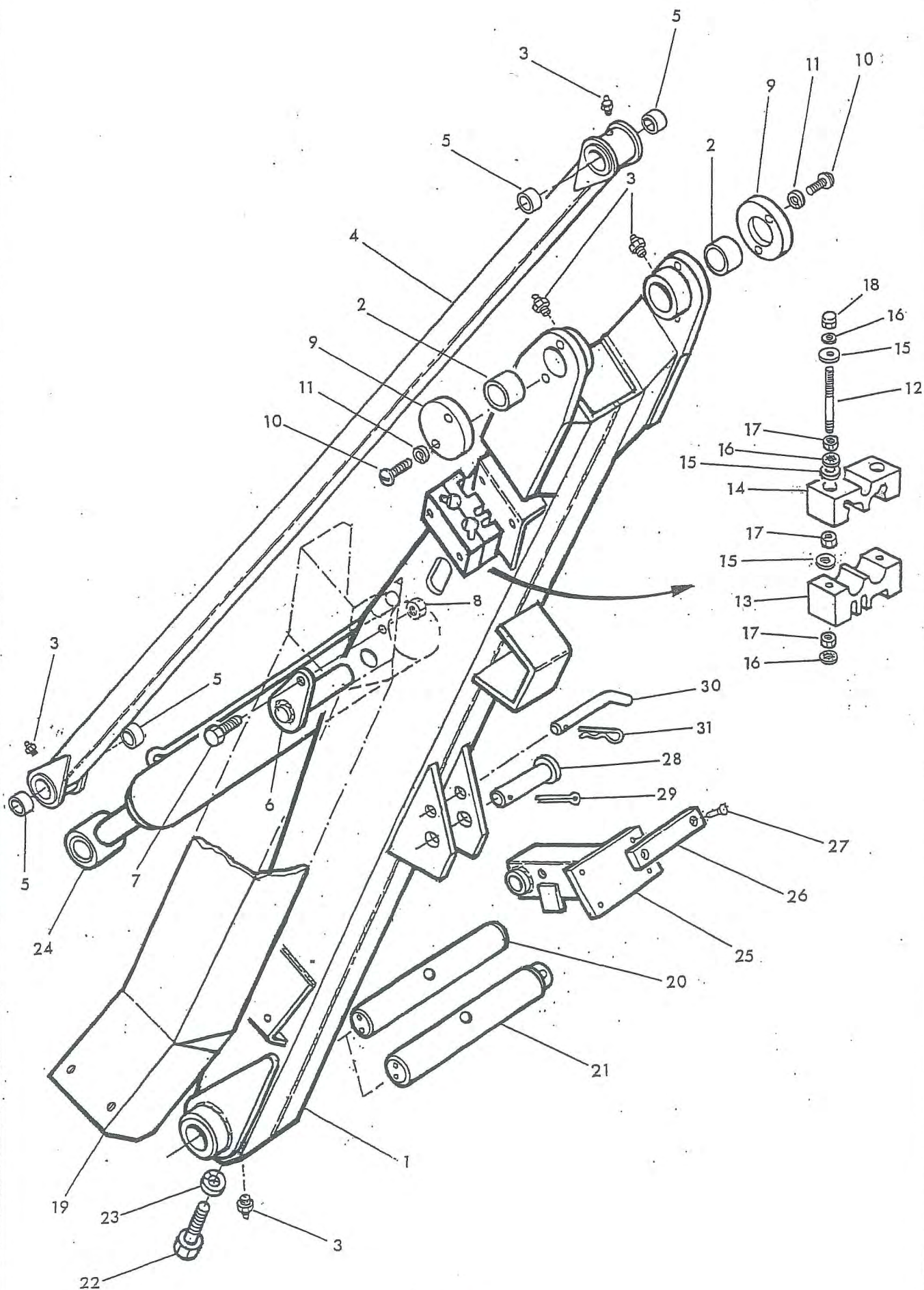






Ref.	Part No.	Qty.	Description
<b>ROCKER</b>			
1	43280.01	1	Rocker
2	08.297.01	4	Bush
3	09 01 121	4	Greaser 1/8" BSP straight
4	43048.01	2	Pin cap
5	43048.03	1	Pin cap
6	93 00 158	6	Button head screw M8 x 25
7	91 00 204	12	Spring washer dia 8
8	43324.03	3	Pivot pin - lift ram rod, reach ram rod and tension link
9	92 13 086	3	Bolt M12 x 40
10	91 43 006	3	Self locking nut M12
11	43048.04	1	Hose retainer
12	93 13 044	4	Setscrew M8 x 20
13	86 00 416	1	O ring
14	43047.02	1	Spacer plate
15	43014.02	1	Reaction stud
16	43015.02	1	Reaction plate
17	43356.01	1	Grommet
18	91 00 132	2	Screw M4 x 12
19	05.948.33.	2	Hexagon nut M4
20	43016.02	1	Cover

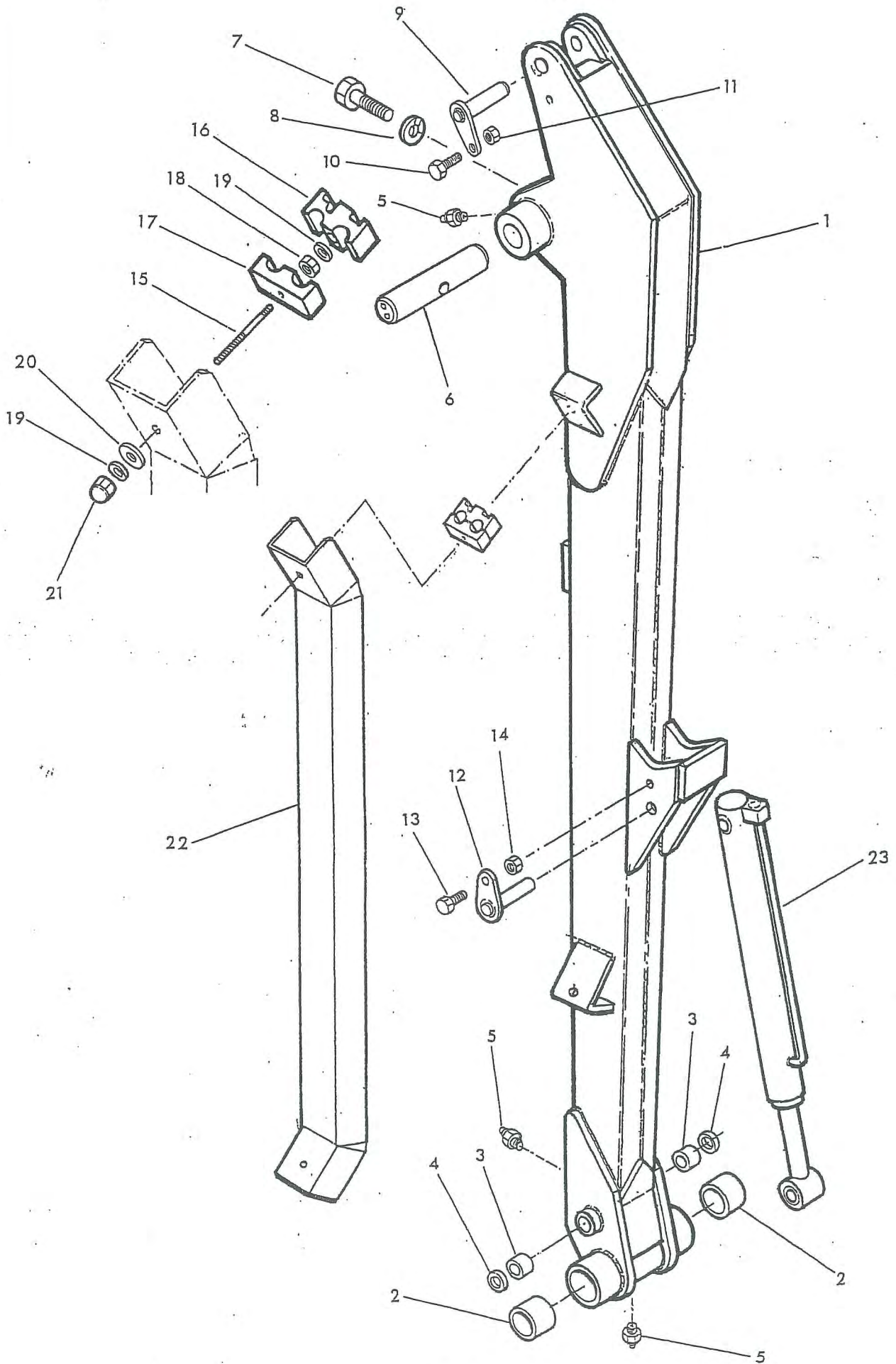






Ref.	Part No.	Qty.	Description
<b>MAIN ARM AND TENSION LINK</b>			
1	41597.08	1	Main arm - R.Hand
	41597.07	1	Main arm - L.Hand - not illus
2	08.297.01	2	Bush
3	09 01 121	5	Greaser 1/8" BSP straight
4	41662.05	1	Tension link
5	08.297.02	4	Bush
6	43324.03	1	Pivot pin - Reach base
7	92 13 096	1	Bolt M12 x 45
8	91 43 006	1	Self locking nut M12
9	43048.01	2	Pin cap
10	93 00 158	4	Button head screw M8 x 25
11	91 00 204	4	Spring washer dia 8
12	42198.01	4	Stud M10 x 135
13	42024.02	2	Hose clamp - lower
14	42024.03	2	Hose clamp - upper
15	91 00 105	12	Plain washer dia 10
16	91 00 405	12	External serrated washer dia 10
17	91 13 005	12	Plain nut M10
18	91 00 025	4	Dome nut M10
19	41665.16	1	Hose cover
20	43013.02	1	Pivot pin - main arm - standard
21	43013.04	1	Pivot pin - main arm - E.D.S. only
22	92 13 187	1	Bolt M16 x 90
23	91 00 207	1	Spring washer dia 16
24	43315.02	1	Reach ram assembly
25	43021.06	1	Transport prop
26	10 75 041	2	Pad
27	10 75 047	4	Countersunk screw M6 x 25
28	43023.01	1	Pin - prop pivot
29	95 01 406	1	Split pin dia 5 x 40
30	43020.01	1	Pin - prop stowage
31	04 31 105	1	Spring cotter



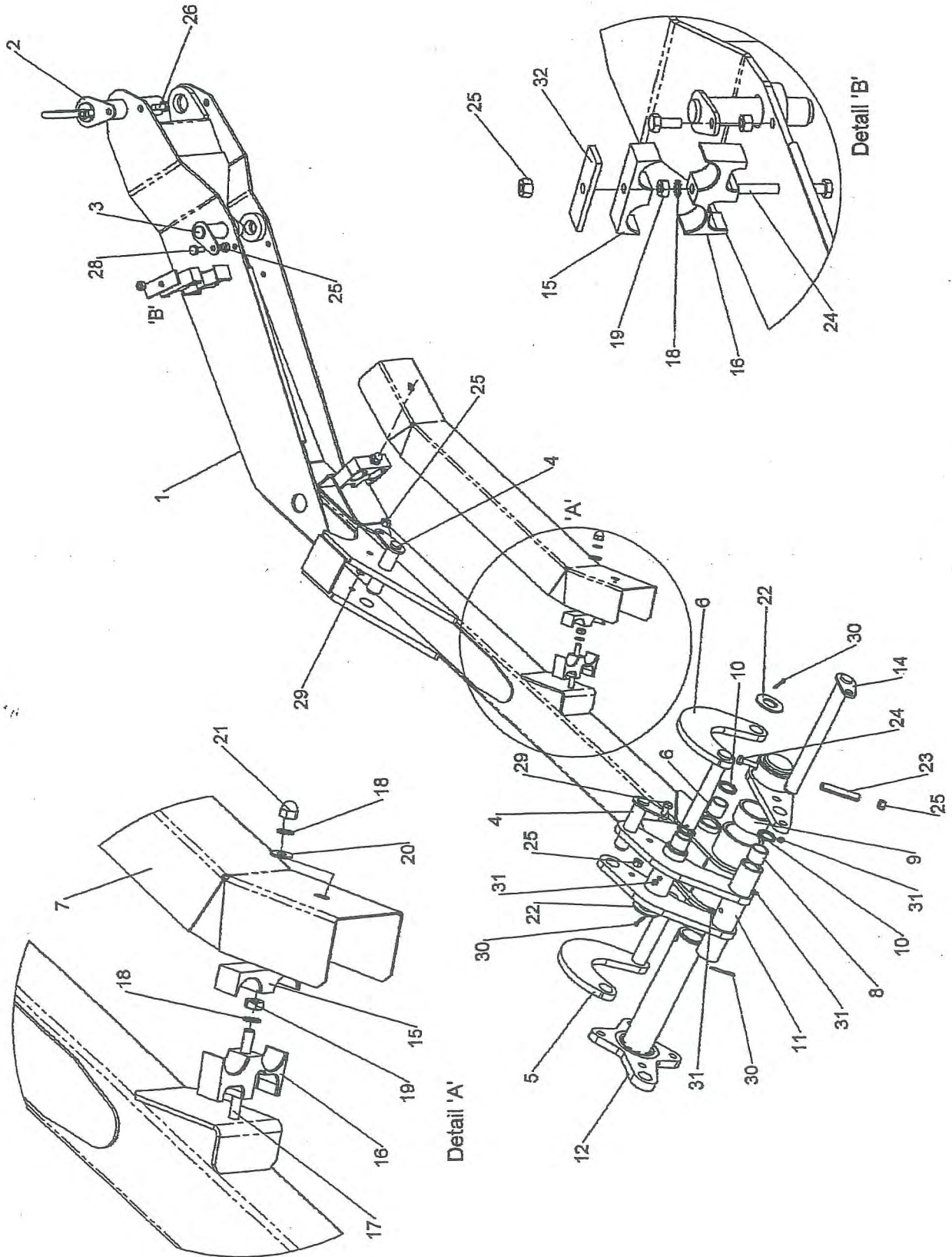




Ref.	Part No.	Qty.	Description
<b>DIPPER ARM -Standard</b>			
1	41649.06	1	Dipper arm - R.Hand
	41649.05	1	Dipper arm - L.Hand - not illus
2	71 36 035	2	Head bush
3	08.297.04	2	Bush
4	86 29 218	2	Seal
5	09 01 121	3	Greaser 1/8" BSP straight
6	43013.02	1	Pivot pin - dipper
7	92 13 187	1	Bolt M16 x 90
8	91 00 207	1	Spring washer dia16
9	43324.02	1	Pivot pin - tension link
10	92 13 086	1	Bolt M12 x 40
11	91 43 006	1	Self locking nut M12
12	42684.05	1	Pivot pin - angle ram base
13	93 13 075	1	Setscrew M10 x 35
14	91 43 005	1	Self locking nut M10
15	42198.02	2	Stud M10
16	06.430.18	2	Hose clamp - lower
17	06.430.17	2	Hose clamp - upper
18	91 13 005	2	Plain nut M10
19	91 00 405	4	External serrated washer dia 10
20	91 00 105	2	Plain washer dia 10
21	91 00 025	2	Dome nut M10
22	41665.07	1	Hose cover
23	43317.02	1	Angle ram assembly



# MIDCUT DIPPER ARM ASSEMBLY

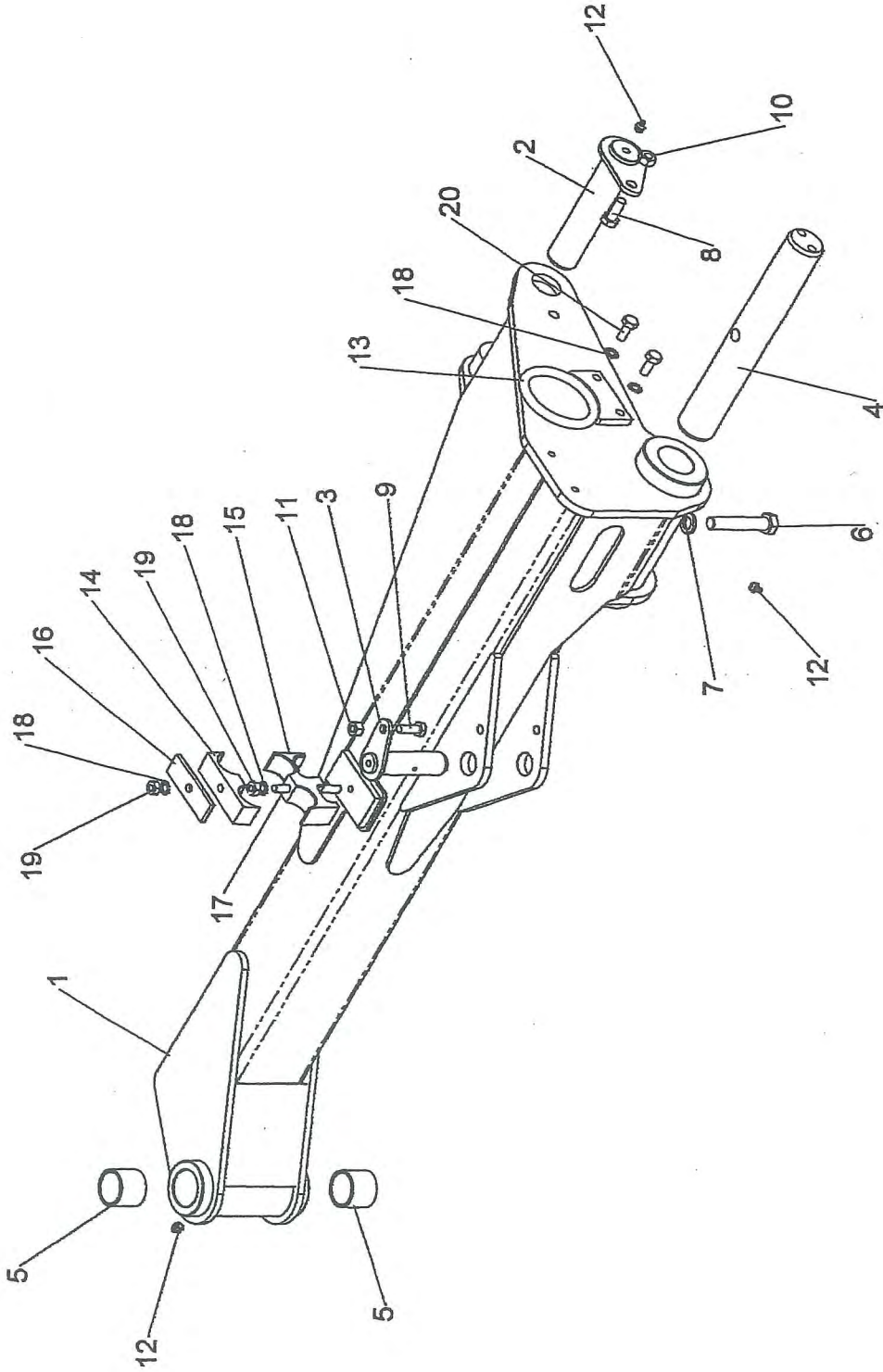




REF.	QTY.	PART NO.	DESCRIPTION
		<b>7455806</b>	<b>PA 550 MIDCUT DIPPER ARM</b>
1	1	45602.01	MIDCUT DIPPER-LH
2	1	45609.01	PIN - MIDCUT FOLD
3	1	42684.03	PIN - FOLD RAM ROD END
4	2	42684.05	PIN
5	1	42646.03	RADIUS ARM - TYPE 1
6	1	42646.04	RADIUS ARM - TYPE 2
7	1	41665.19	HOSE COVER - 550 MIDCUT
8	6	08.297.04	BUSH 37x 30 x 30
9	2	7136035	PLASTIC BUSH
10	6	8629218	LIP SEAL 30 x 40 x 4
11	1	42647.02	SLAVE LINK
12	1	42649.01	PIVOT TUBE
13	1	42648.01	JAW PLATE
14	1	42684.01	PIN -SLAVE LINK
15	3	06.430.17	HOSE CLAMP - UPPER
16	3	06.430.18	HOSE CLAMP - LOWER
17	2	42198.02	STUD M10 x 112
18	5	9100405	M10 EXT. SHAKEPROOF WASHER
19	3	9113005	NUT M10
20	2	9100105	FLAT WASHER M10
21	2	9100025	M10 DOME NUT
22	2	05.281.18	FLAT WASHER M30
23	1	0423556	SPRING DOWEL 5/8" x 3 1/2"
24	2	9213205	BOLT M10 x 100
25	5	9143005	SELF-LOCKING NUT M10
26	1	9313066	SETSCREW M12 x 30
27	1	9143006	SELF-LOCKING NUT M12
28	1	9313055	SETSCREW M10 x 25
29	2	9313075	SETSCREW M10 x 35
30	3	9501406	SPLIT PIN M5 x 40
31	4	0901121	GREASE NIPPLE 3/8" BSP -Straight
32	1	06.418.05	CLAMP PLATE - PIPE CLAMP



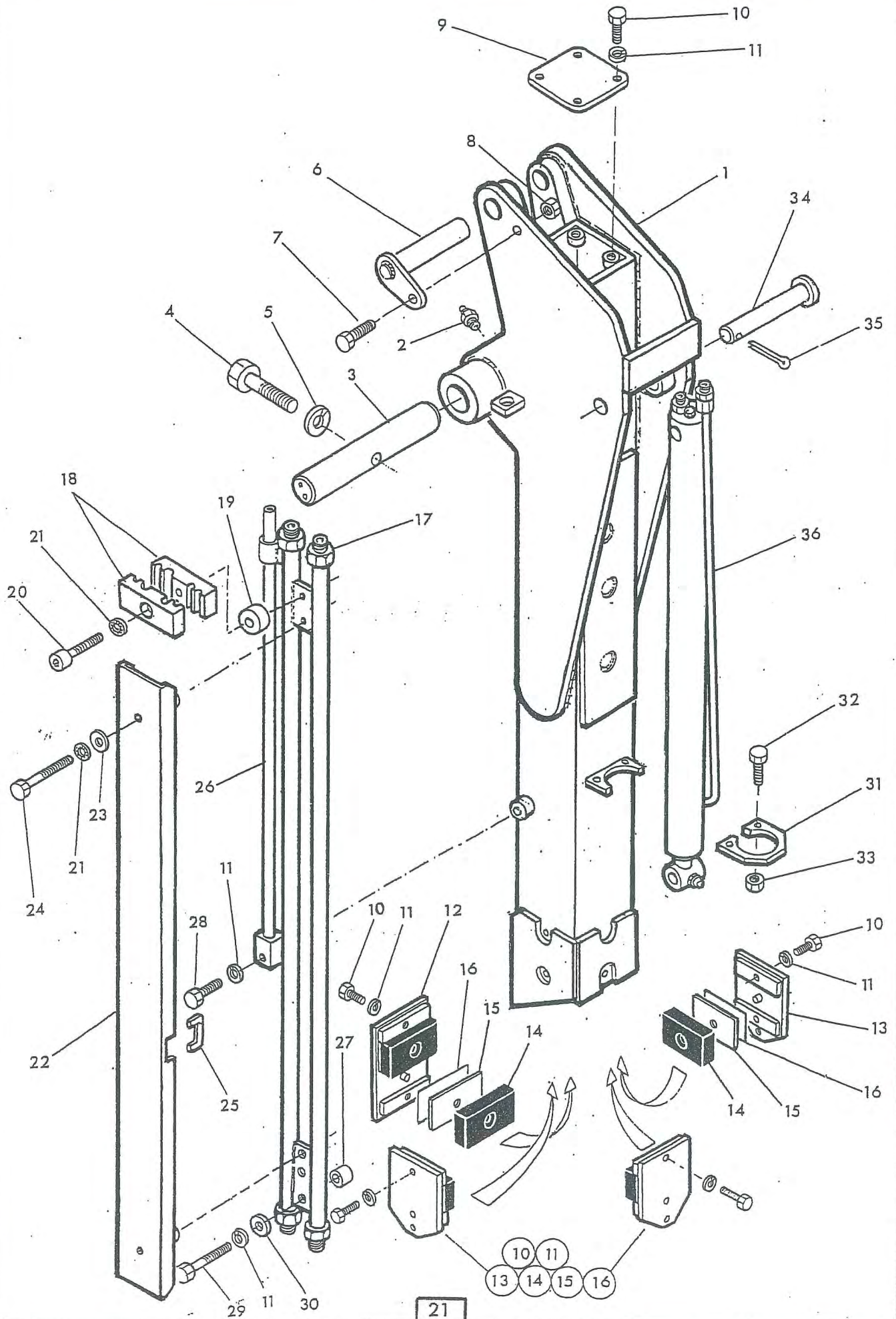
MIDCUT FORWARD EXTENTION



**MIDCUT FORWARD EXTENTION**

REF.	QTY.	PART NO.	DESCRIPTION
		<b>7455804</b>	<b>PA 550 MIDCUT FORWARD EXTENTION</b>
1	1	45502.01	FORWARD EXTENTION - L/H
2	1	43324.01	PIN - LIFT BASE
3	1	42684.02	PIN - RAM BASE
4	1	43013.02	PIVOT PIN
5	2	08.297.02	BUSH 47x 40 x 40
6	1	9213187	BOLT M16 x 90
7	1	9100207	SPRING WASHER M16
8	1	9313066	SETSCREW M12 x 30
9	1	9313065	SETSCREW M10 x 30
10	1	9143006	SELF-LOCKING NUT M12
11	1	9143005	SELF-LOCKING NUT M10
12	3	0901121	GREASE NIPPLE 3/8" BSP - Straight
13	1	45974.01	HOSE LOOP
14	1	06.430.17	HOSE CLAMP - UPPER
15	1	06.430.18	HOSE CLAMP - LOWER
16	1	06.418.05	CLAMP PLATE - PIPE CLAMP
17	1	04.282.69	STUD M10 x 105
18	4	9100405	SHAKEPROOF WASHER M10 EXTERIOR
19	2	9113005	NUT M10
20	2	9313055	SETSCREW M10 x 25

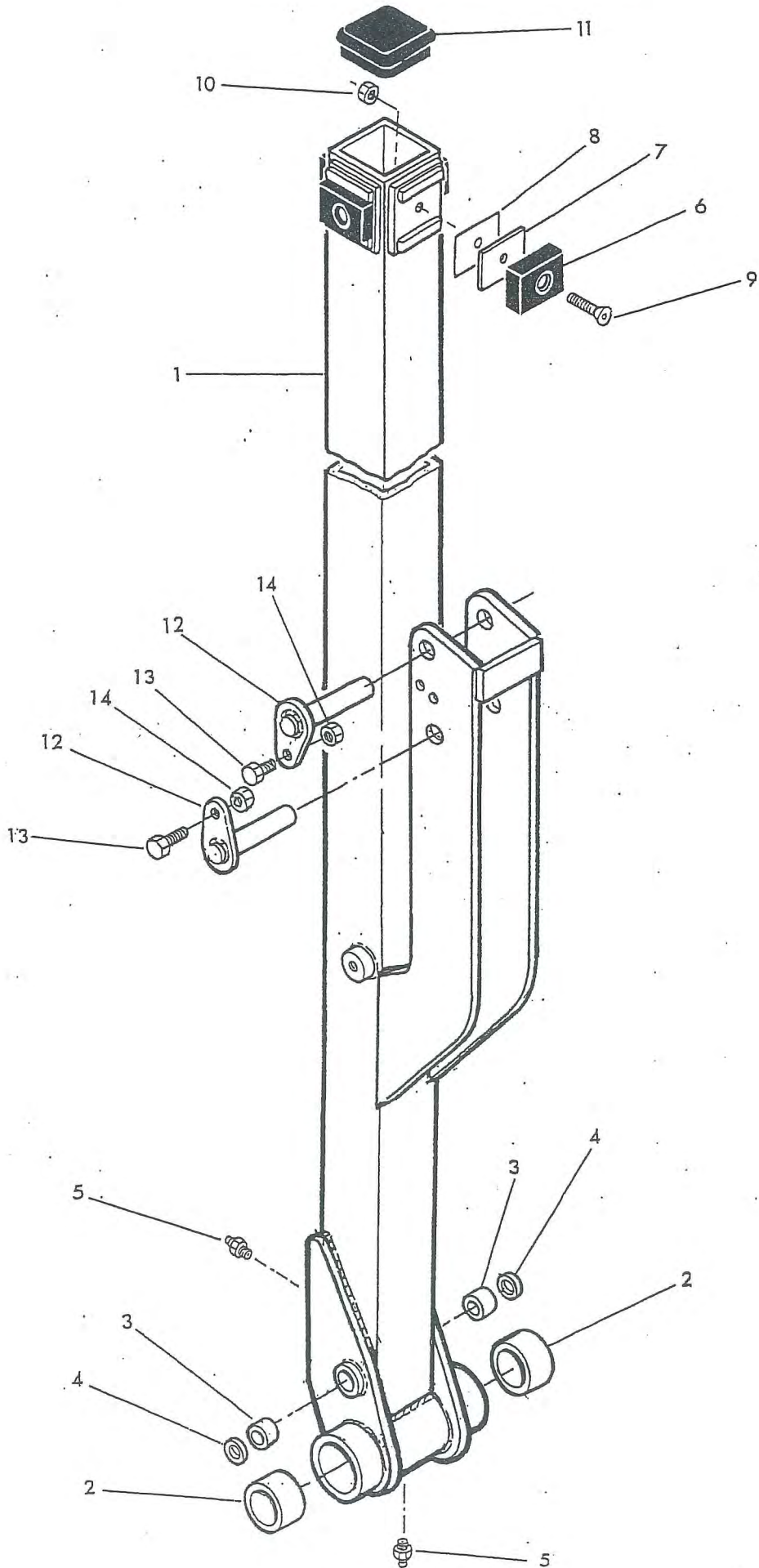






Ref.	Part No.	Qty.	Description
<b>TELE DIPPER SOCKET</b>			
1	42217.02	1	Dipper socket
2	09 01 121	1	Greaser 1/8" BSP straight
3	43013.02	1	Pivot pin – dipper
4	92 13 187	1	Bolt M16 x 90
5	91 00 207	1	Spring washer dia 16
6	43324.01	1	Pivot pin – tension link
7	92 13 086	1	Bolt M12 x 40
8	91 43 006	1	Self locking nut M12
9	71 36 069	1	Cover plate
10	93 13 046	12	Setscrew M12 x 20
11	91 00 206	14	Spring washer dia 12
12	43463.01	1	Wear pad carrier – lower
13	43463.02	3	Wear pad carrier – top and sides
14	71 36 001	5	Wear pad
15	71 36 059	5	Shim 1 mm
16	71 36 058	5	Shim 0.25 mm
17	42211.03	1	Rigid pipes
18	42024.04	4	Hose clamp
19	42215.01	2	Spacer
20	93 43 105	2	Capscrew M10 x 50
21	91 00 305	4	Internal serrated washer dia 10
22	42205.05	1	Pipe cover
23	90 00 105	2	Plain washer dia 10
24	92 13 135	2	Bolt M10 x 65
25	41741.01	1	Edge strip
26	43347.01	1	Guide tube
27	71 97 009	1	Spacer
28	92 13 106	1	Bolt M12 x 50
29	92 13 136	1	Bolt M12 x 65
30	91 00 106	1	Plain washer
31	43457.01	1	Tele ram restraint
32	93 13 054	2	Setscrew M8 x 25
33	91 43 004	2	Self locking nut M8
34	43381.01	1	Pivot pin – tele ram base
35	95 01 507	1	Split pin dia 6 x 50
36	43377.02	1	Tele ram assembly

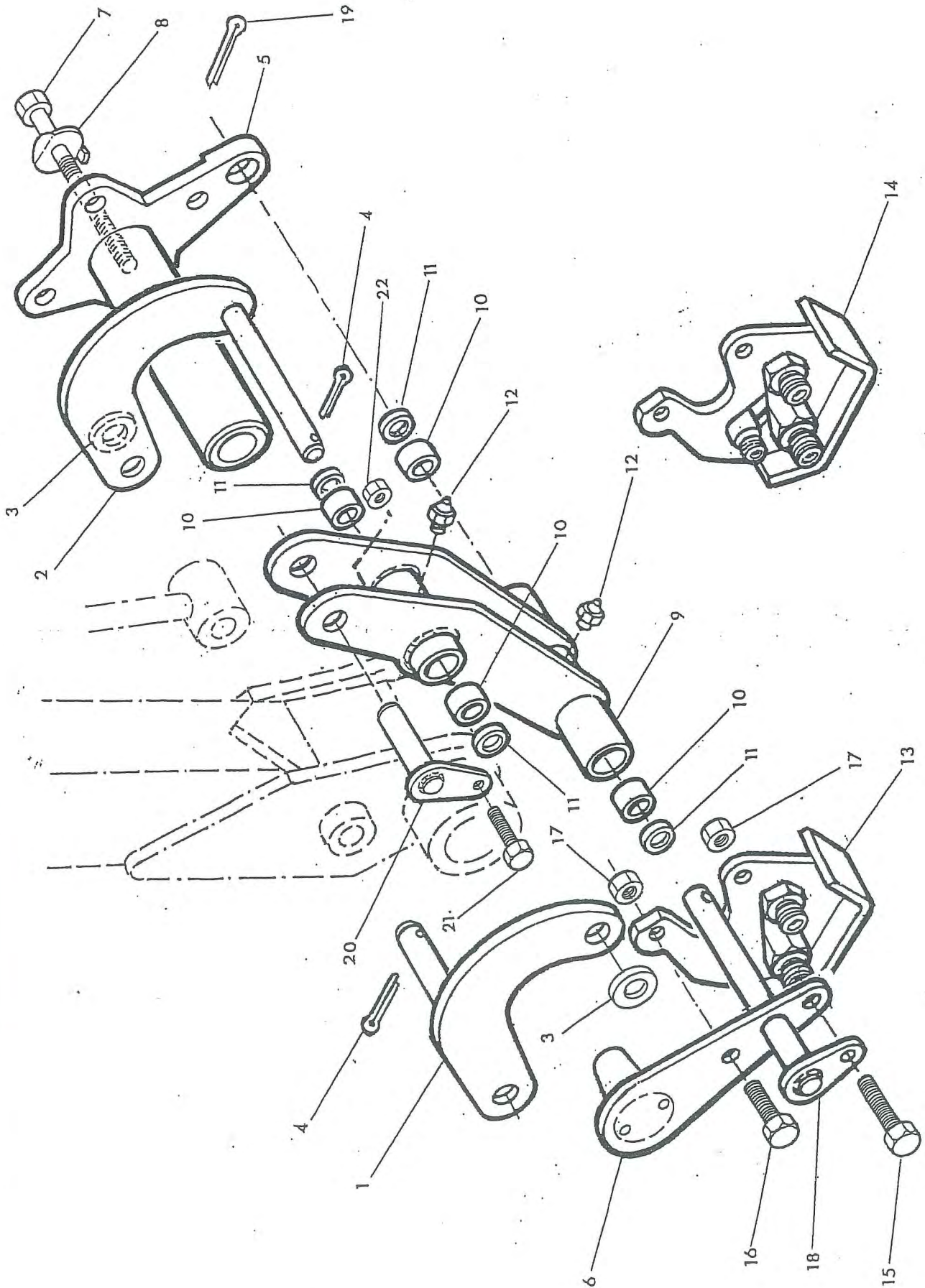






Ref.	Part No.	Qty.	Description
<b>TELE DIPPER SLIDER</b>			
1	43343.03	1	Dipper slider
2	71 36 035	2	Head bush
3	08.297.04	2	Bush
4	86 29 218	2	Seal
5	09 01 121	2	Greaser 1/8" BSP straight
6	71 36 001	4	Wear pad
7	71 36 059	4	Shim 1 mm
8	71 36 058	4	Shim 0.25 mm
9	93 53 075	4	Countersunk screw M10 x 35
10	91 43 005	4	Self locking nut M10
11	71 36 148	1	Plastic bung
12	42684.05	2	Pivot pin - tele ram rod and angle ram base
13	93 13 075	2	Setscrew M10 x 35
14	91 43 005	2	Self locking nut M10





Ref.	Part No.	Qty.	Description
------	----------	------	-------------

### HEAD ANGLING MECHANISM

1	42646.03	1	Radius arm type 1
2	42646.04	1	Radius arm type 2
3	05.281.18	2	Plain washer
4	95 01 406	2	Split pin dia 5 x 40
5	43098.03	1	Head pivot tube
6	43099.02	1	Jaw plate
7	92 13 457	1	Bolt M16 x 225
8	43442.01	1	Tab washer
9	42647.02	1	Slave link
10	08.297.04	4	Bush
11	86 29 218	4	Seal
12	09 01 121	2	Greaser 1/8" BSP straight
13	43055.03	1	Hose junction bracket – gear hydraulics
14	43055.02	1	Hose junction bracket – piston hydraulics
15	92 00 028	1	Special bolt M16 x 1.5p x 45 long
16	92 00 025	1	Special bolt M16 x 1.5p x 50 long
17	91 00 028	2	Special self locking nut M16 x 1.5p
18	42684.01	1	Pivot pin – slave link
19	95 01 507	1	Split pin dia 6 x 50
20	42684.05	1	Pivot pin – angle ram rod
21	93 13 075	1	Setscrew M10 x 35
22	91 43 005	1	Self locking nut M10



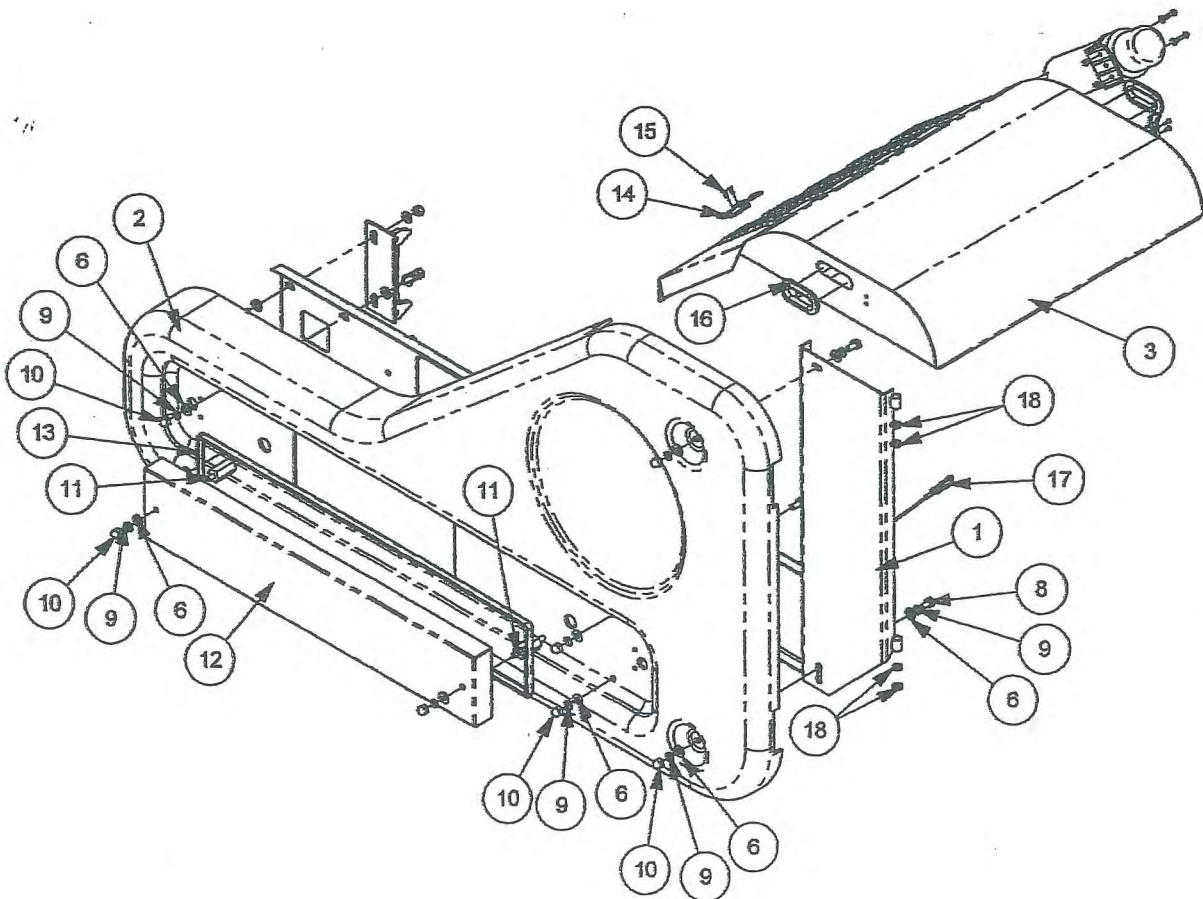
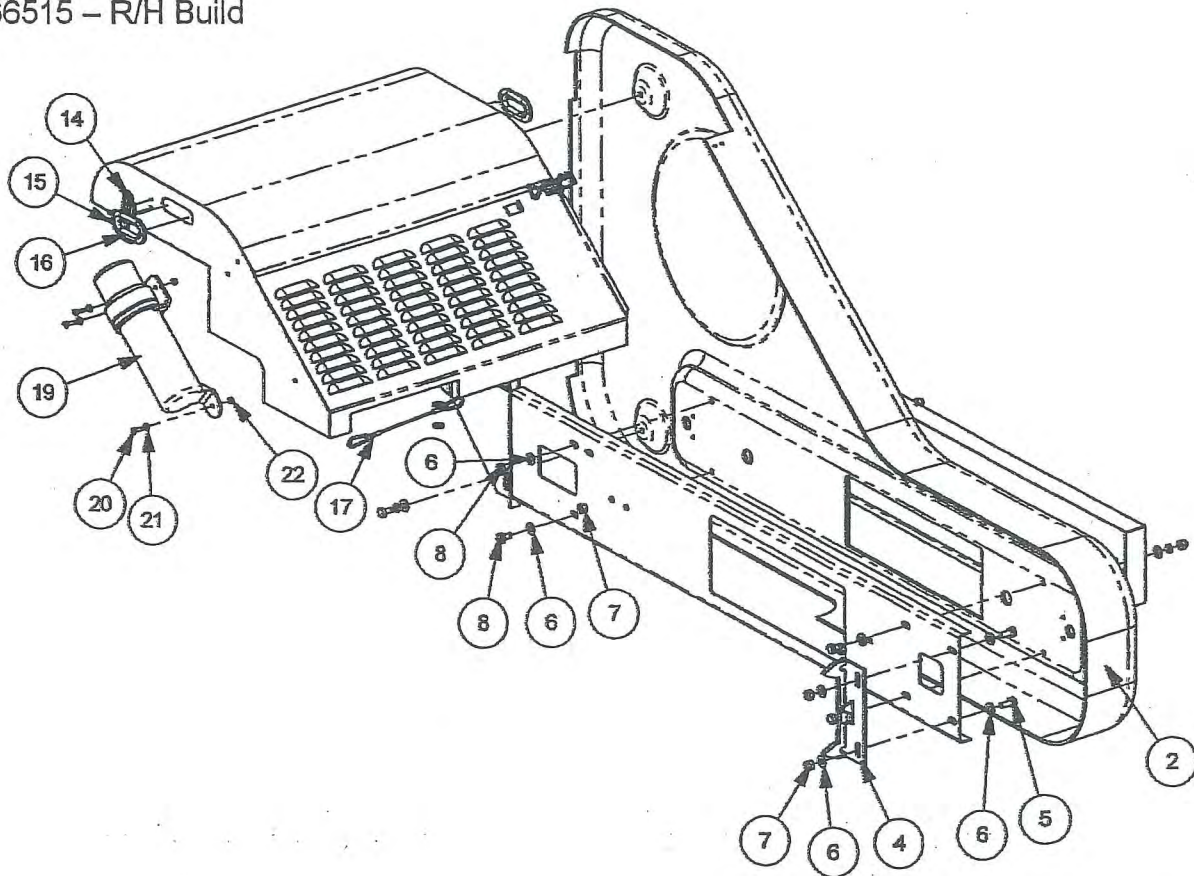
# REAR COVERS ASSEMBLY

**Modules:**

7666514 - L/H Build

7666515 - R/H Build

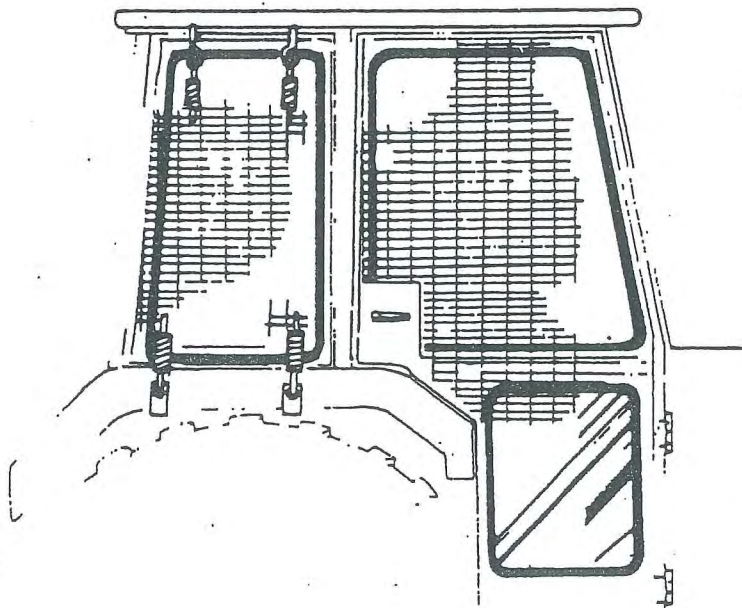
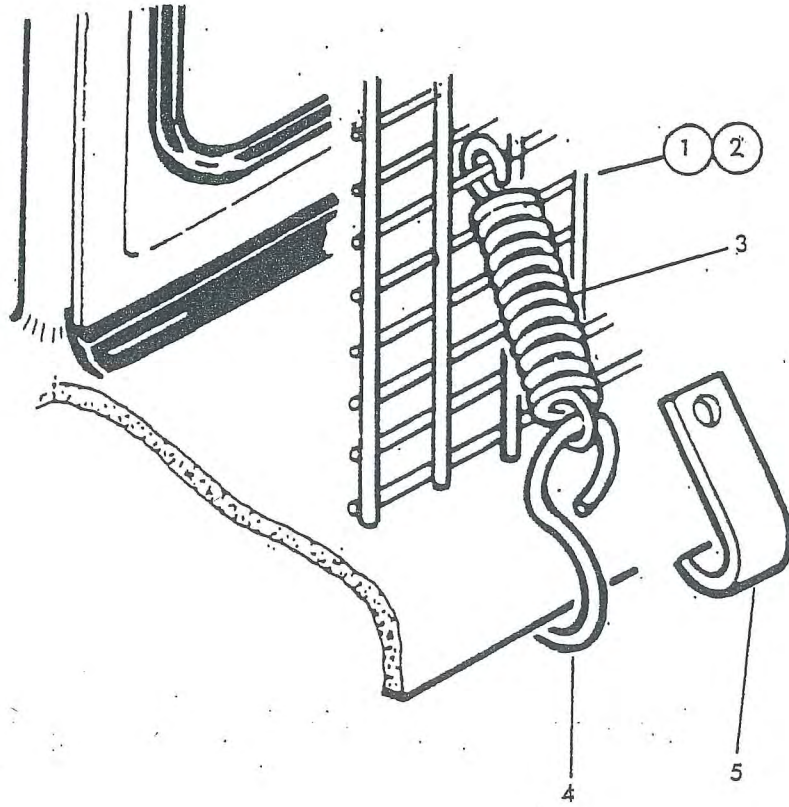
*Illustrated in Left Hand Build*




**REAR COVERS ASSEMBLY**

REF.	QTY.	PART No.	DESCRIPTION
		<b>7666514</b>	<b>REAR COVERS ASSEMBLY - L/H Build</b>
		<b>7666515</b>	<b>REAR COVERS ASSEMBLY - R/H Build</b>
1	1	21065.01	COVER MOUNTING - L/H
	1	21065.02	COVER MOUNTING - R/H - <i>not illustrated</i>
2	1	21154.03	REAR COVER - L/H
	1	21154.04	REAR COVER - R/H - <i>not illustrated</i>
3	1	21069.01	VALVE COVER - L/H
	1	21069.02	VALVE COVER - R/H - <i>not illustrated</i>
4	1	43504.01	BRACKET
5	2	9313055	SETSCREW
6	18	9100105	FLAT WASHER
7	4	9143005	SELF-LOCKING NUT
8	6	9313045	SETSCREW
9	10	9100205	SPRING WASHER
10	8	9100025	DOME NUT
11	2	46041.01	STAND OFF
12	1	46046.02	COOLER FILTER BASKET
13	1	43468.09	EDGING
14	2	43449.02	OVERCENTRE FASTENER
15	4	1069088	POP RIVET
16	2	43468.10	EDGING
17	1	43429.01	RESTRAINT CABLE
18	4	21244.02	SPACER
19	1	46505.02	MANUAL HOLDER ASSEMBLY - <i>comprising:</i>
20	3	9313043	SETSCREW
21	3	9100103	WASHER
22	3	9143003	NUT
23	1	46505.01	PLASTIC MANUAL HOLDER
24	1	46503.01	SPACER RING - <i>not illustrated</i>

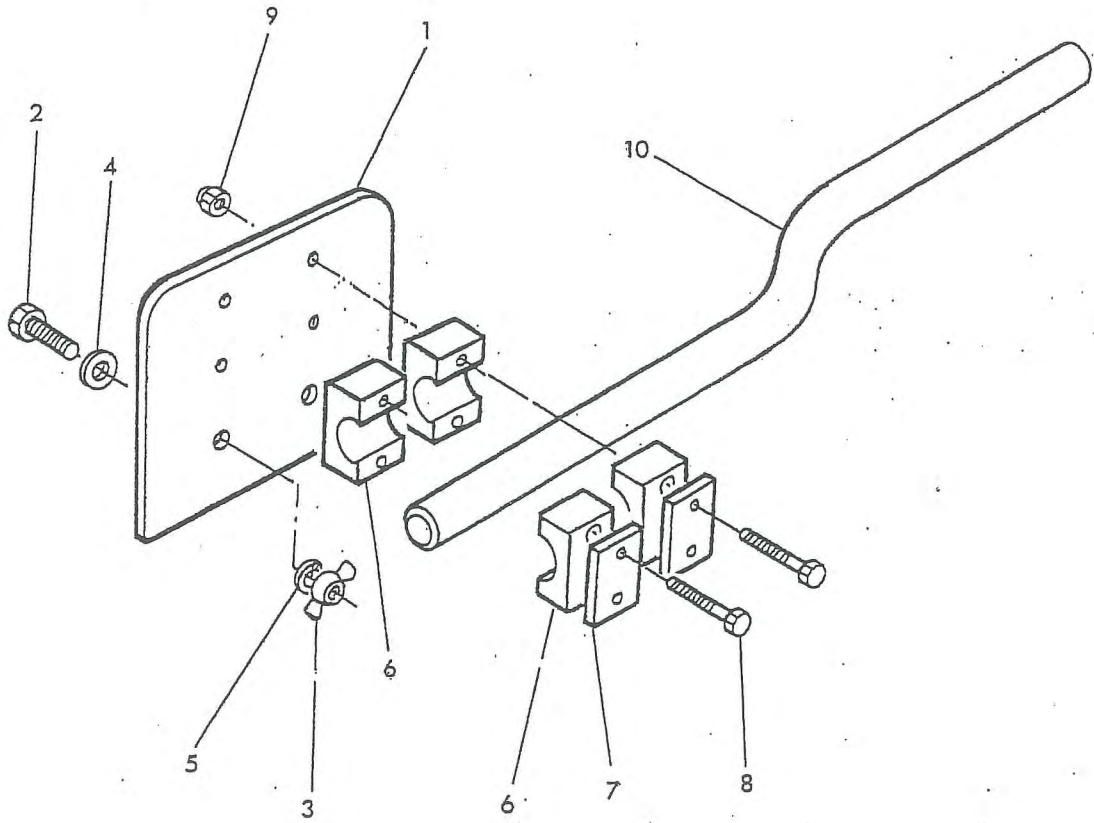






Ref.	Part No.	Qty.	Description
	<b>73 13 324</b>		<b>CAB GUARD KIT</b>
1	73 13 049	1	Guard panel - large
2	73 13 050	1	Guard panel - small
3	60 01 064	12	Spring
4	60 01 065	6	Hook
5	73 13 051	6	Hook

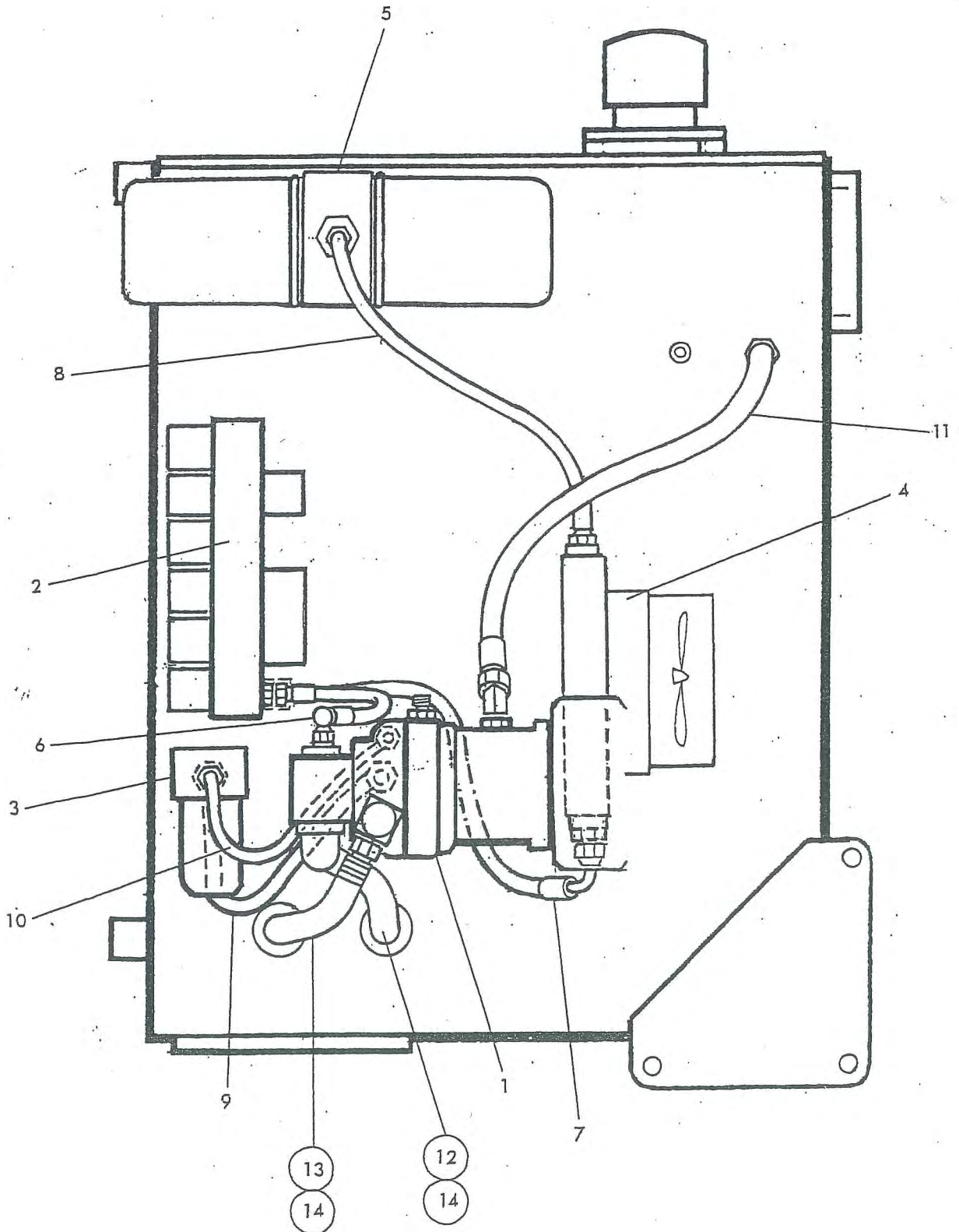






Ref.	Part No.	Qty.	Description
	<b>73 13 275</b>		<b>CONTROL MOUNTING KIT</b>
1	08.317.01	1	Control mounting bracket
2	93 13 054	2	Setscrew M8 x 25
3	91 93 004	2	Wingnut M8
4	91 00 104	2	Plain washer dia 8
5	91 00 204	2	Spring washer dia 8
6	30.209.71	6	Clamp
7	30.209.33	3	Cover plate
8	30.068.88	6	Bolt M6 x 45
9	91 63 003	4	Self locking nut M6
10	42312.01	1	Mounting bar







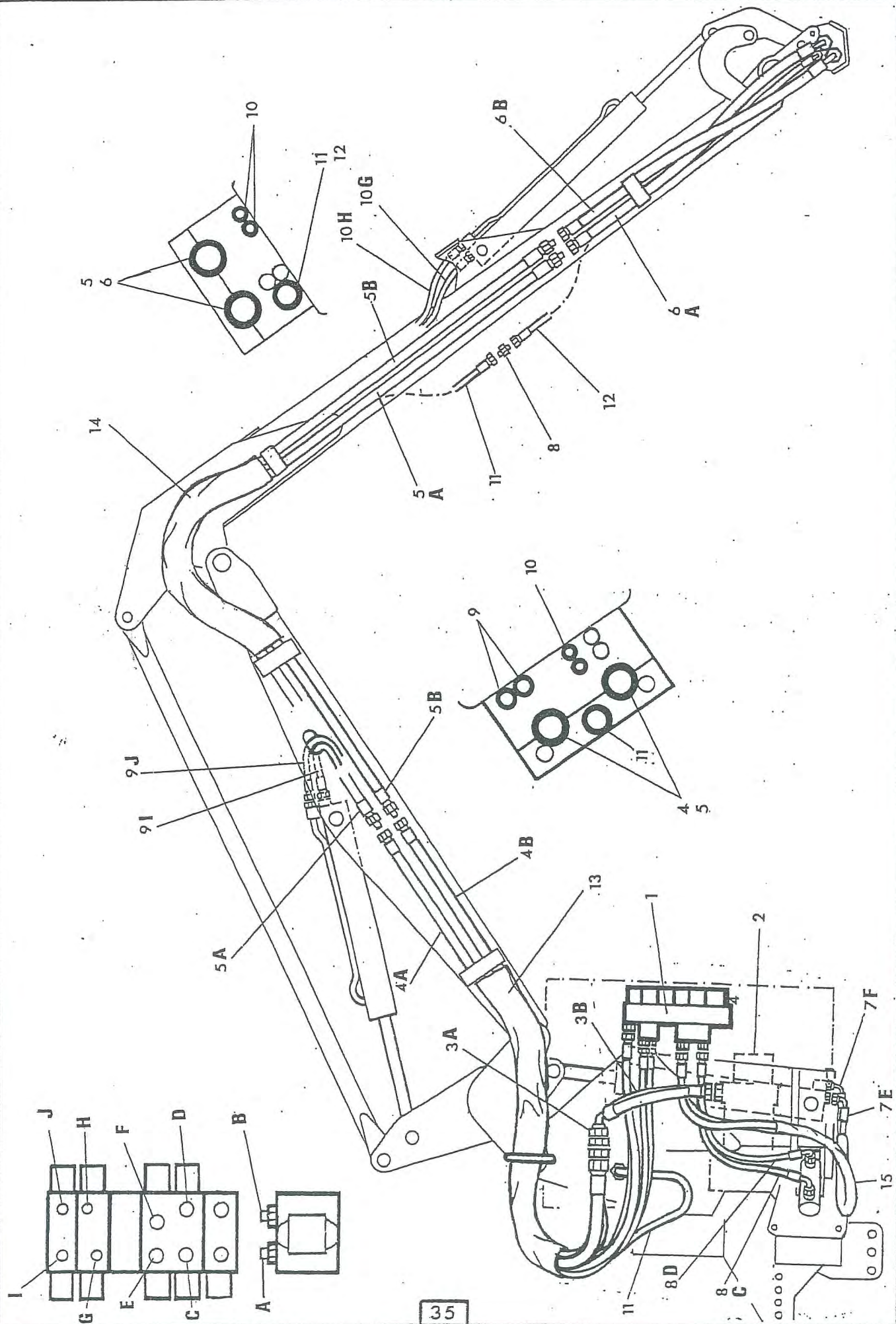
Ref. Part No. Qty. Description

### PRIMARY HYDRAULIC CIRCUIT

For :- 550 and 650 machines

Ref.	Part No.	Qty.	Description
1			Pump
2			Arm control valve
3			Charge filter
4			Oil cooler
5			Return filter
6	42721.08	1	Hose M18 x 400 long - supply to control valve
7	42724.12	1	Hose M22 x 600 long - control valve to cooler
8	42724.09	1	Hose M22 x 450 long - cooler to return filter
9	42724.11	1	Hose M22 x 550 long - pump to charge filter
10	42721.09	1	Hose M18 x 450 long - charge filter to pump
11	42726.11	1	Hose M26 x 550 long - pump to tank
12	85 00 800	1	Hose 1" bore x 300 long - suction to small pump
13	85 00 800	1	Hose 1" bore x 200 long - suction to large pump
14	09 04 106	8	Hose clip - 1" bore hose





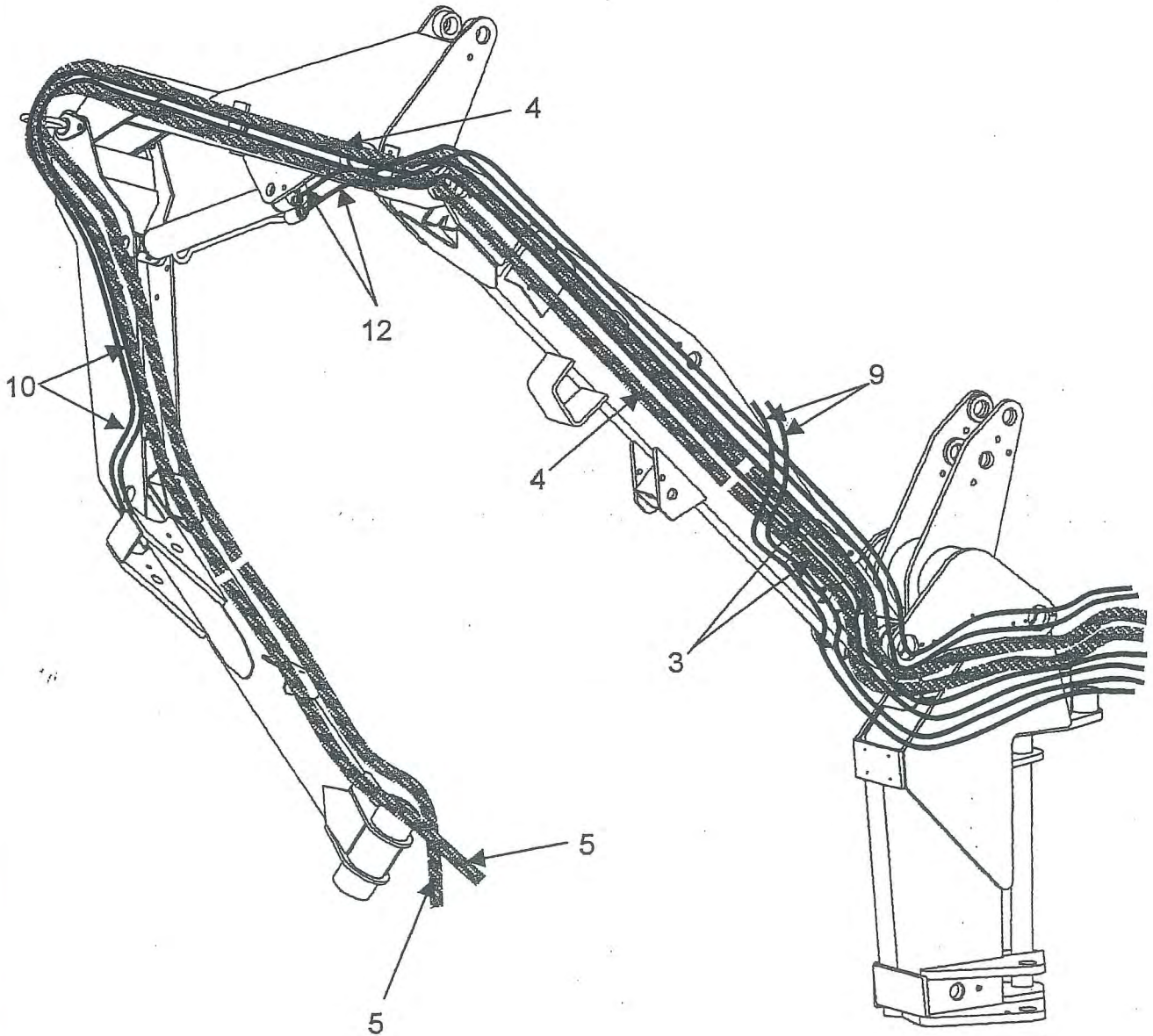


Ref.	Part No.	Qty.	Description
------	----------	------	-------------

**SERVICE HYDRAULIC CIRCUITS :-  
for 550 machines**

1			Main control valve
2			Pump
3	43054.12	2	Hose M36 x 600 long - pump - bulkhead
4	42734.36	2	Hose M36 x 2600 long - bulkhead - main arm junction
5	43371.36	2	Hose M36 x 2600long - dipper pivot
6	42733.18	2	Hose M36 x 900 long - dipper junction - head bracket
7	42721.24	2	Hose M18 x 1400 long - lift
8	42718.14	2	Hose M14 x 700 long - slew
9	42720.47	2	Hose M18 x 3700 long - reach
10	42717.64	2	Hose M14 x 5400 long - angle
11	42727.56	1	Hose M26 x 4600 long drain. - tank - dipper join
12	42727.25	1	Hose M26 x 1500 long drain. - dipper join - head brkt
13	43491.22	1	Hose sleeve x 1800 long
14	43491.41	1	Hose sleeve x 900 long
15	00900913	1	Hose sleeve x 800 long
16	71 96 045	as reqd	Hose tie x 300 long
17	71 35 084	as reqd	Hose tie x 175 long
18	85 81 404	1	Union M26 MM

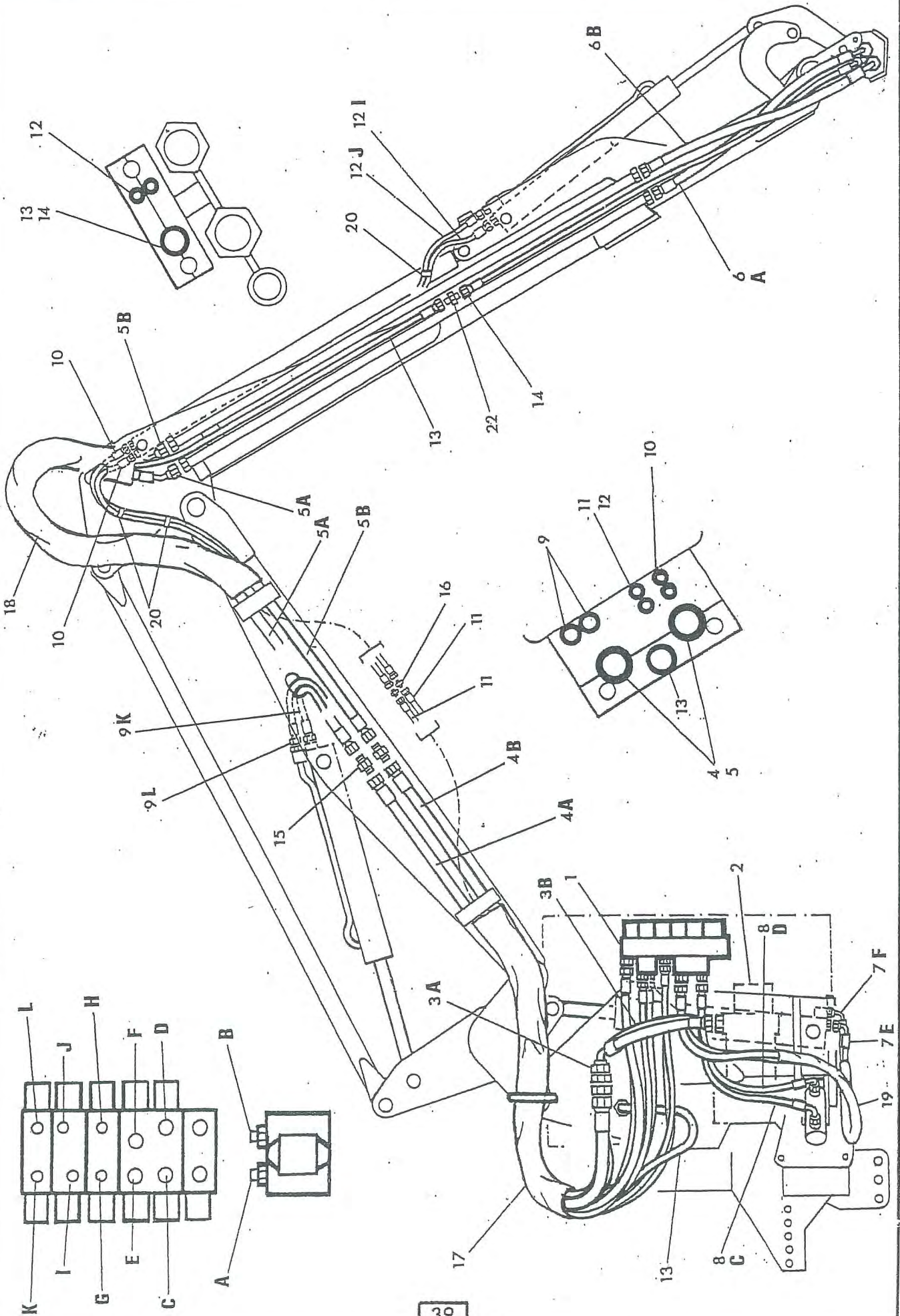




**MIDCUT HOSES**

REF.	QTY.	PART NO.	DESCRIPTION
		7455722 / 8	PA 550 MIDCUT HOSE KIT - GEAR MODELS
		7455722 / 9	PA 550 MIDCUT HOSE KIT - PISTON MODELS
1	1 n/a	8501277	HOSE M36 x 1" SAE - 600mm <i>Pump to Valve</i>
2	1 n/a	8501302	HOSE M36 F90/F90 - 600mm <i>Valve to Cooler Tee</i>
3	2 n/a	42735.36	HOSE M36 FS/FS - 2600mm <i>Valve to Main Arm</i>
4	2 2	43372.52	HOSE M36 MS/MS - 4200mm <i>Main Arm to Dipper Arm</i>
5	2 n/a	42733.18	HOSE M36 FS/F90 - 900mm <i>Dipper to Junc. Brkt.</i>
6	1 1	42721.08	HOSE M18 FS/F90 - 400mm <i>Armhead Pressure</i>
7	1 1	42724.12	HOSE M22 FS/F90 - 600mm <i>Armhead Valve to Cooler</i>
8	2 2	42721.24	HOSE M18 FS/F90 - 1400mm <i>Lift Base</i>
9	2 2	42720.47	HOSE M18 FS/FS - 3700mm <i>Reach Base</i>
10	2 2	42717.80	HOSE M14 FS/FS - 7000mm <i>Angle Base</i>
11	2 2	42718.14	HOSE M14 FS/F90 - 700mm <i>Slew Base</i>
12	2 2	42717.57	HOSE M14 FS/FS - 4700mm <i>Midcut</i>
13	n/a 2	43054.12	HOSE M36 FS/F135 - 600mm <i>Pump to Bulkhead Adpt.</i>
14	n/a 2	43052.36	HOSE M36 FS/FS - 2600mm <i>Valve to Main Arm</i>
15	n/a 2	43053.18	HOSE M36 FS/F90 - 900mm <i>Dipper to Junc. Brkt.</i>
16	n/a 1	42724.09	HOSE M22 FS/F90 - 450mm <i>Cooler to Return</i>
17	n/a 1	42724.11	HOSE M22 FS/F90 - 550mm <i>Pump to Filter</i>
18	n/a 1	42721.09	HOSE M18 FS/F90 - 450mm <i>Filter to Pump</i>
19	n/a 1	42727.35	HOSE M26 FS/F90 - 2500mm <i>Dipper to Pivot</i>
20	n/a 1	42727.56	HOSE M26 FS/F90 - 4600mm <i>Tank to Dipper</i>
21	n/a 1	42726.11	HOSE M26 FS/FS - 550mm <i>Pump to Tank</i>





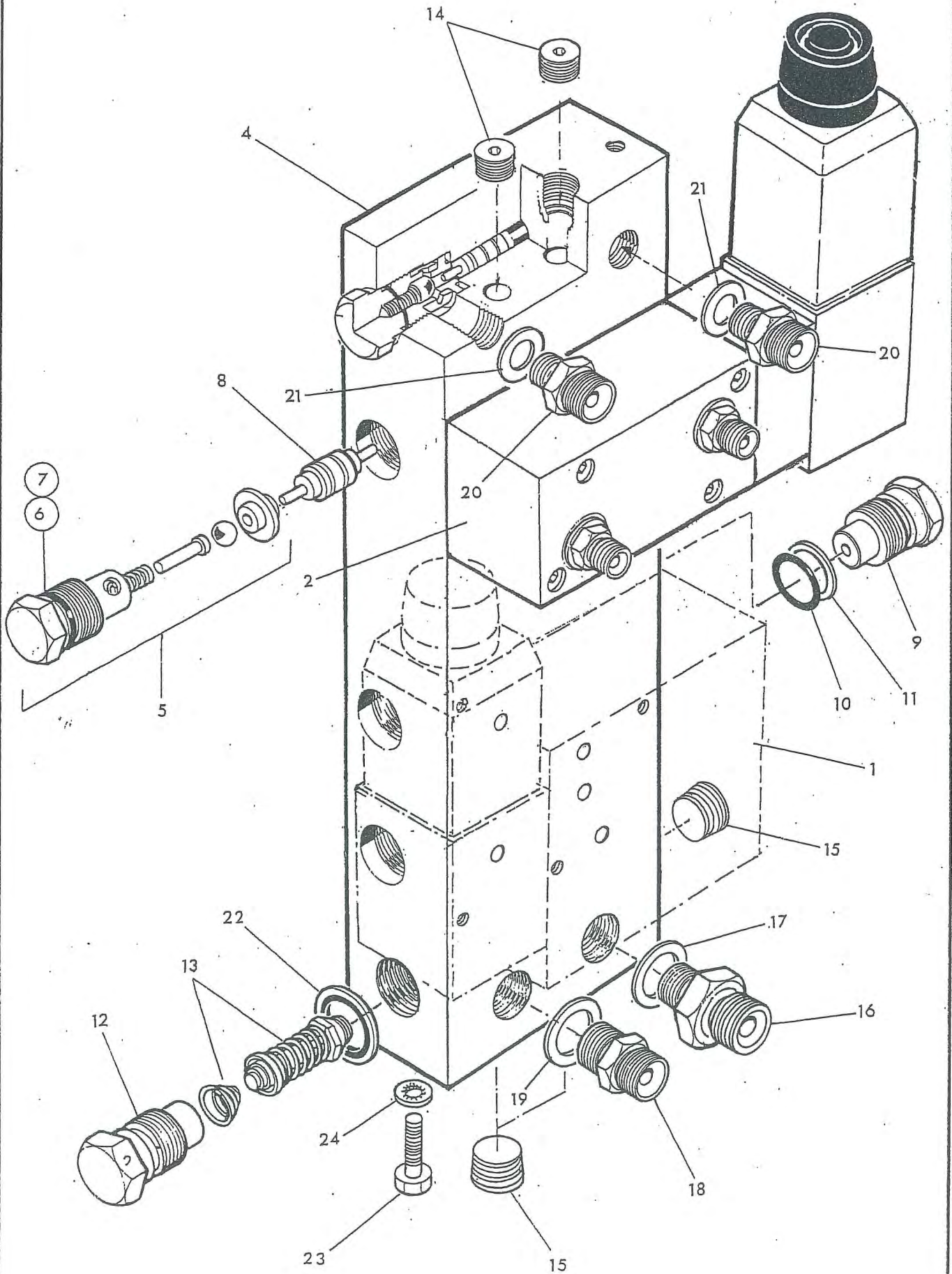


Ref. Part No. Qty. Description

**SERVICE HYDRAULIC CIRCUITS :-**  
for 650 machines

1			Main control valve
2			Pump
3	43054.12	2	Hose M36 x 600 long pump - bulkhead
4	42732.36	2	Hose M36 x 2600 long - bulkhead - main arm junction
5	43374.30	2	Hose M36 x 2000 long - dipper pivot
6	42733.16	2	Hose M36 x 800 long - rigid pipes - head bracket
7	42721.24	2	Hose M18 x 1400 long - lift
8	42718.14	2	Hose M14 x 700 long - slew
9	42720.42	2	Hose M18 x 3700 long - reach
10	42717.56	2	Hose M14 x 4600 long - tele
11	42717.40	2	Hose M14 x 3000 long - angle. Valve - junction
12	42717.45	2	Hose M14 x 3500 long - angle. Junction - ram
13	42727.67	1	Hose M26 x 5700 long - drain. - tank- dipper join
14	42727.25	1	Hose M26 x 1500 long - drain. - dipper join - head join
15	85 81 405	2	Union M36 MM
16	85 81 382	2	Union M14 MM
17	43491.22	1	Hose sleeve x 1800 long
18	43491.22	1	Hose sleeve x 1600 long
19	00900913	1	Hose sleeve x 800 long
20	71 96 045	as reqd	Hose tie x 300 long
21	71 35 084	as reqd	Hose tie x 175 long
22	85 81 404	1	Union M26 MM



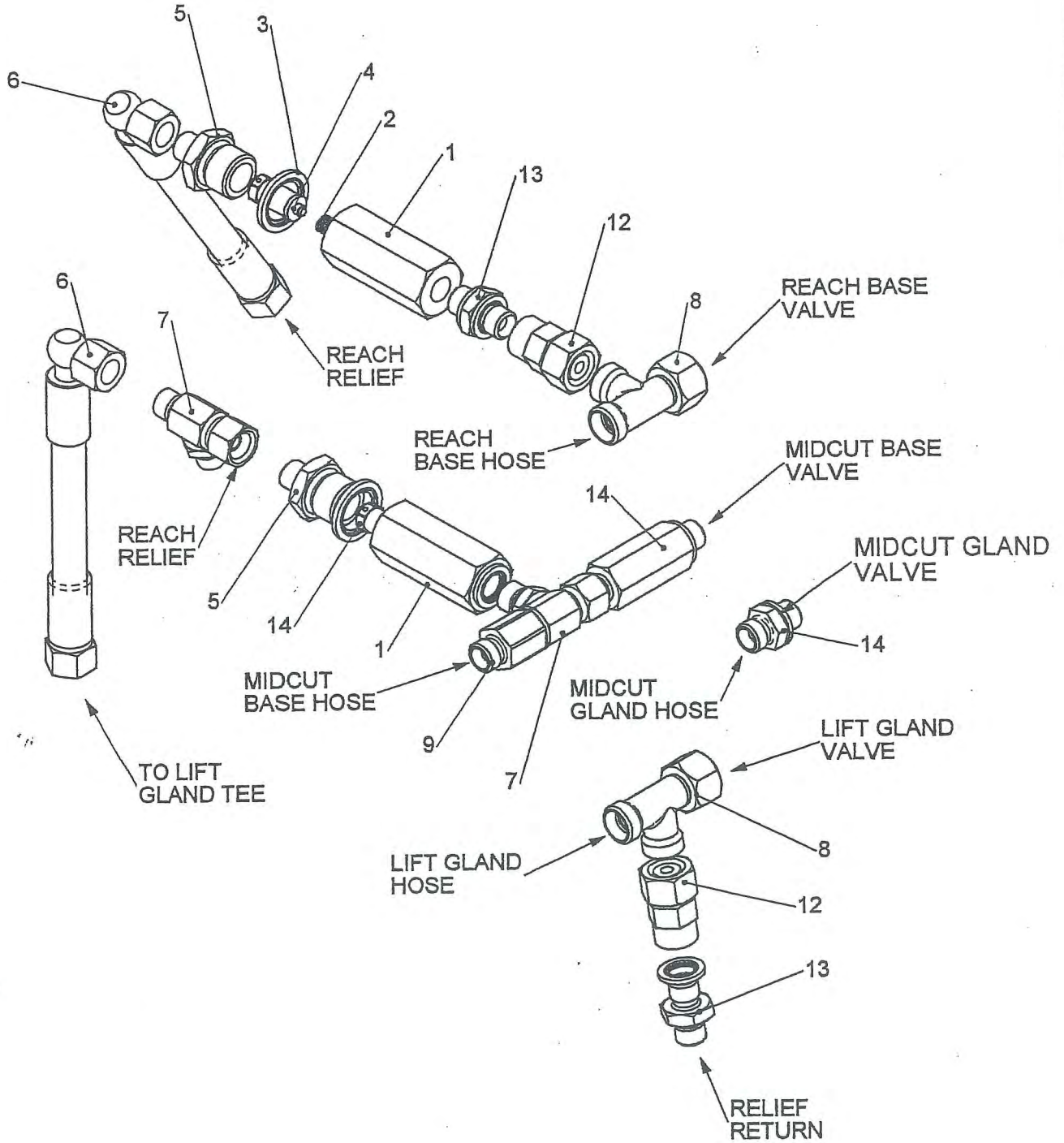




Ref.	Part No.	Qty.	Description
<b>CONTROL VALVE - Standard arm</b>			
1		1	Slew valve
2		1	Angle float valve
3		5	Solenoids - not illus
4	81 32 280	1	manifold block
5	81 30 090	7	Check valve assembly
6	87 00 644	1	Check valve O ring
7	87 09 644	1	Check valve anti extrusion ring
8	81 30 087	4	Actuator
9	81 30 078	1	Check valve blank
10	87 00 644	1	O ring
11	87 09 644	1	Anti extrusion ring
12	81 30 032	1	Relief valve cap
13	81 30 029	1	Relief valve c/w spring - 175 Bar
14	85 82 042	2	Taper plug 1/4" BSPT
15	85 82 043	3	Taper plug 3/8" BSPT
16	85 81 391	1	Adaptor 3/8" BSP - M22 including seal
17	86 50 403	1	Seal
18	85 81 370	1	Adaptor 3/8" BSP - M18 including seal
19	86 50 403	1	Seal
20	85 81 390	2	Adaptor 1/4" BSP - M18 including seal
21	86 50 402	1	Seal
22	86 50 103	1	Bonded seal 3/8" BSP
23	93 13 055	2	Setscrew M10 x 25
24	91 00 305	2	Internal shakeproof washer
	<b>86 99 197</b>		<b>SEAL KIT</b>



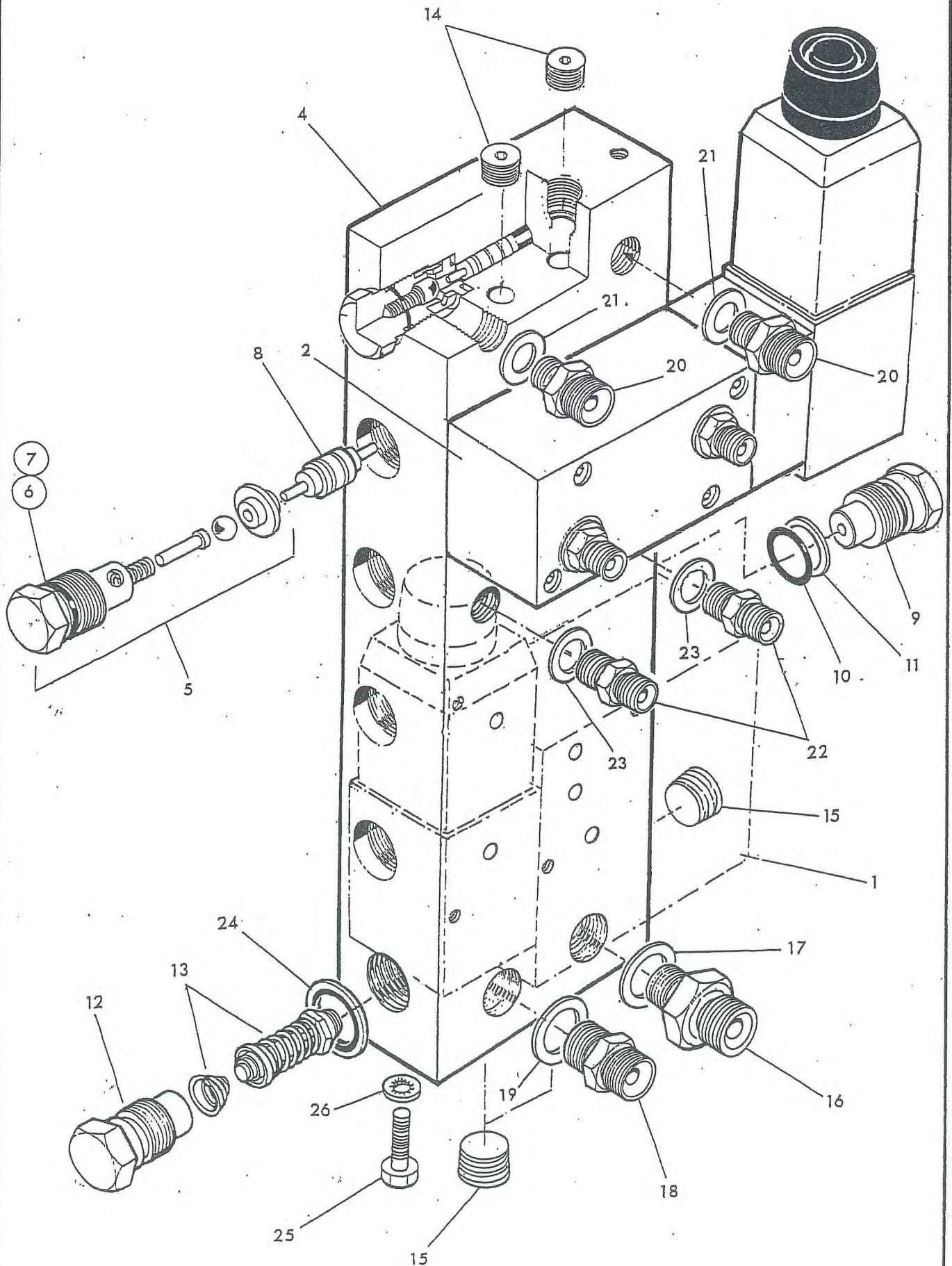
# MIDCUT ROTOR RELIEF



**MIDCUT ROTOR RELIEF**

REF.	QTY.	PART NO.	DESCRIPTION
		<b>7455810</b>	<b>PA 550 MIDCUT ROTOR RELIEF</b>
1	2	8130156	ADAPTOR RELIEF HOUSING
2	2	8116011	SPRING OD.275 x 5/8" LONG
3	2	8650104	BONDED SEAL 1/2" BSP
4	2	8130092	RELIEF VALVE 190BAR
5	2	8130083	ADAPTOR RELIEF BODY
6	2	10.002.08	HOSE 1/4" BSP FS/F90 x 400mm
7	2	8581254	ADAPTOR TEE 1/4" BSP MFM
8	2	8581413	ADAPTOR TEE M18 MFM
9	1	8581360	ADAPTOR 1/4" x M14 FM
10	1	8581279	ADAPTOR EXT 1/4" BSP MM
11	7	8650102	BONDED SEAL 1/4" BSP
12	2	8581433	ADAPTOR M18 x 1/4" FF SWIVEL
13	2	8581169	ADAPTOR 1/4" BSP MM
14	1	8124134	ADAPTOR RESTRICTOR 1.3 'C'

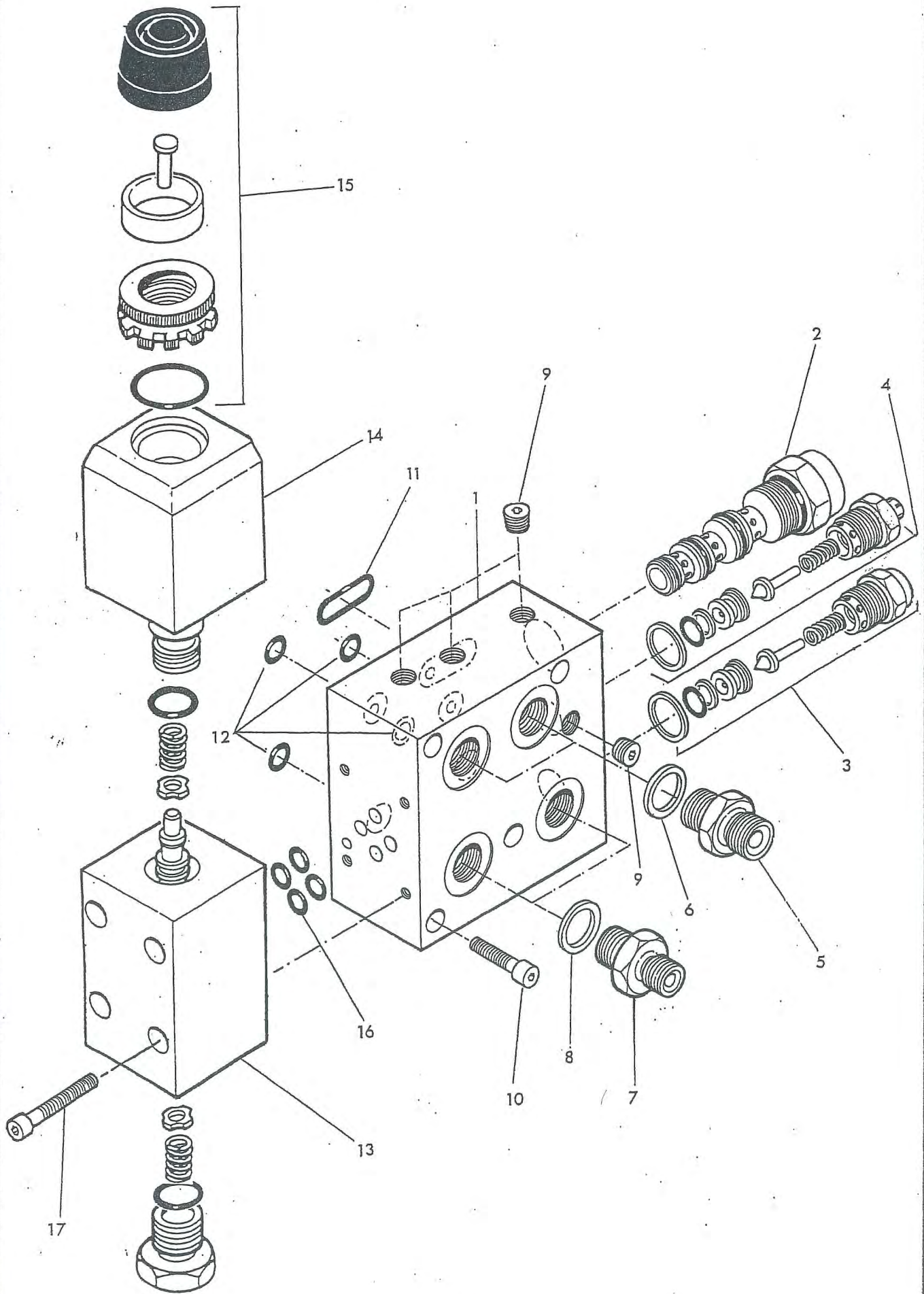






Ref.	Part No.	Qty.	Description
<b>CONTROL VALVE - Tele arm</b>			
1		1	Slew valve
2		1	Angle float valve
3		1	Solenoids - not illus
4	81 32 281	1	Manifold block
5	81 30 090	7	Check valve assembly
6	87 00 644	1	Check valve O ring
7	87 09 644	1	Check valve anti extrusion ring
8	81 30 087	5	Actuator
9	81 30 078	1	Check valve blank
10	87 00 644	1	O ring
11	87 09 644	1	Anti extrusion ring
12	81 30 032	1	Relief valve cap
13	81 30 029	1	Relief valve c/w spring 175 Bar
14	85 82 042	2	Taper plug 1/4"BSPT
15	85 82 043	3	Taper plug 3/8" BSPT
16	85 81 391	1	Adaptor 3/8" BSP - M22 including seal
17	86 50 403	1	Seal
18	85 81 370	1	Adaptor 3/8" BSP - M18 including seal
19	86 50 403	1	Seal
20	85 81 390	2	Adaptor 1/4"BSPT - M18 including seal
21	86 50 402	1	Seal
22	85 81 374	2	Adaptor 1/4"BSPT - M14 including seal
23	86 50 402	1	Seal
24	86 50 103	1	Bonded seal 3/8" BSP
25	93 13 055	2	Setscrew M10 x 25
26	91 00 205	2	Internal shakeproof washer
	<b>86 99 197</b>		<b>SEAL KIT</b>



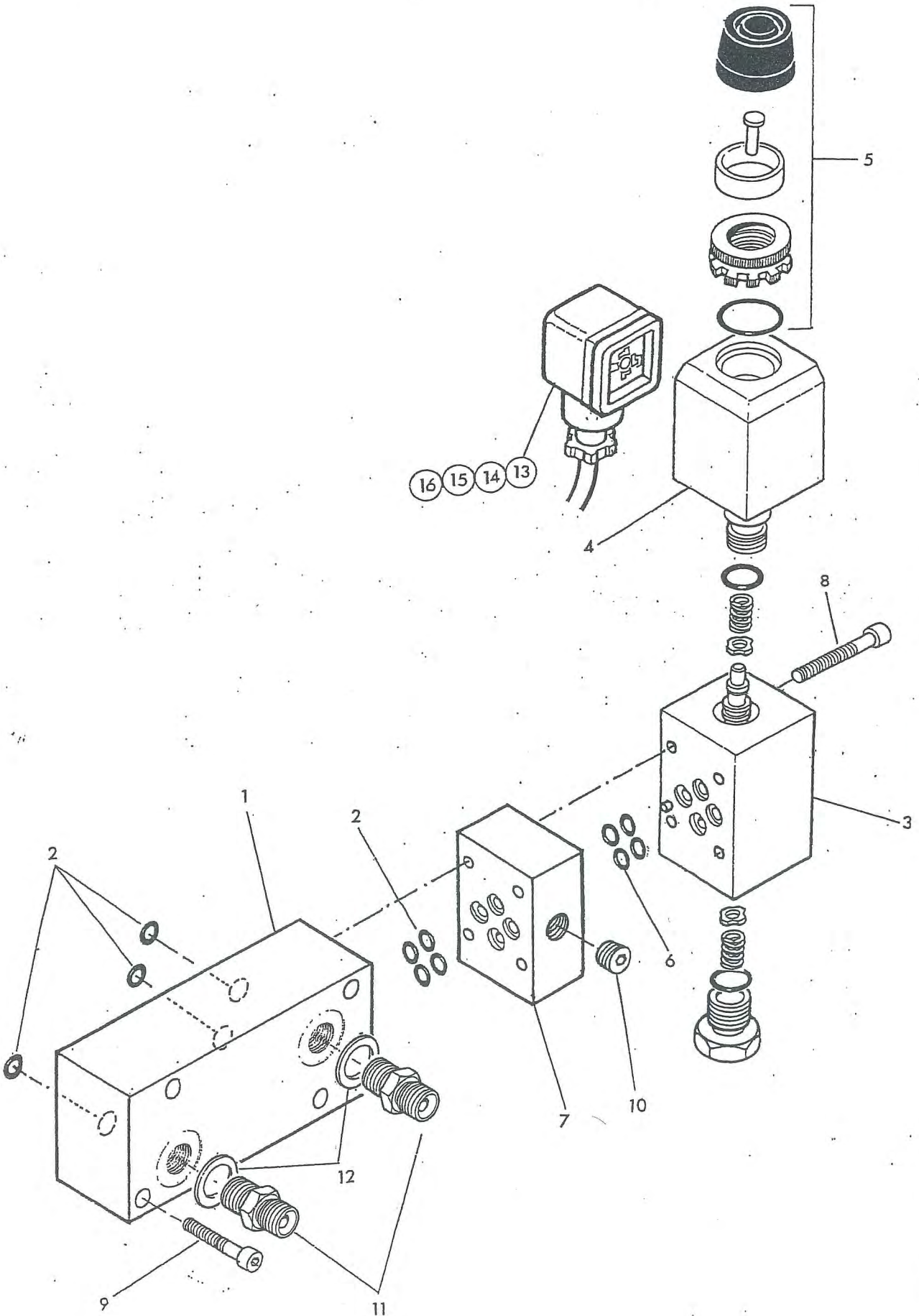




Ref.	Part No.	Qty.	Description
<b>SLEW VALVE ASSEMBLY</b>			
1	81 32 279	1	Valve block
2	81 30 204	1	Three way spool valve
3	81 28 022	1	Relief valve 175 Bar – slew base
4	81 28 065	1	Relief valve 40 Bar – lift gland
5	85 81 370	2	Adaptor 3/8" BSP – M18 MM including seal
6	86 50 403	1	Seal
7	85 81 368	2	Adaptor 3/8" BSP – M14 MM including seal
8	86 50 403	1	Seal
9	85 82 041	4	Taper plug 1/8" BSPT
10	92 43 062	4	Capscrew – socket headed M5 x 30
11	87 00 525	1	O ring
12	87 00 511	4	O ring
13	81 30 457	1	Single solenoid valve including :-
14	81 30 175	1	Coil
15	81 30 176	1	Manual over-ride kit
16	86 00 107	4	O ring
17	92 43 082	4	Capscrew – socket headed M5 x 40

86 99 224      **SOLENOID SEAL KIT**

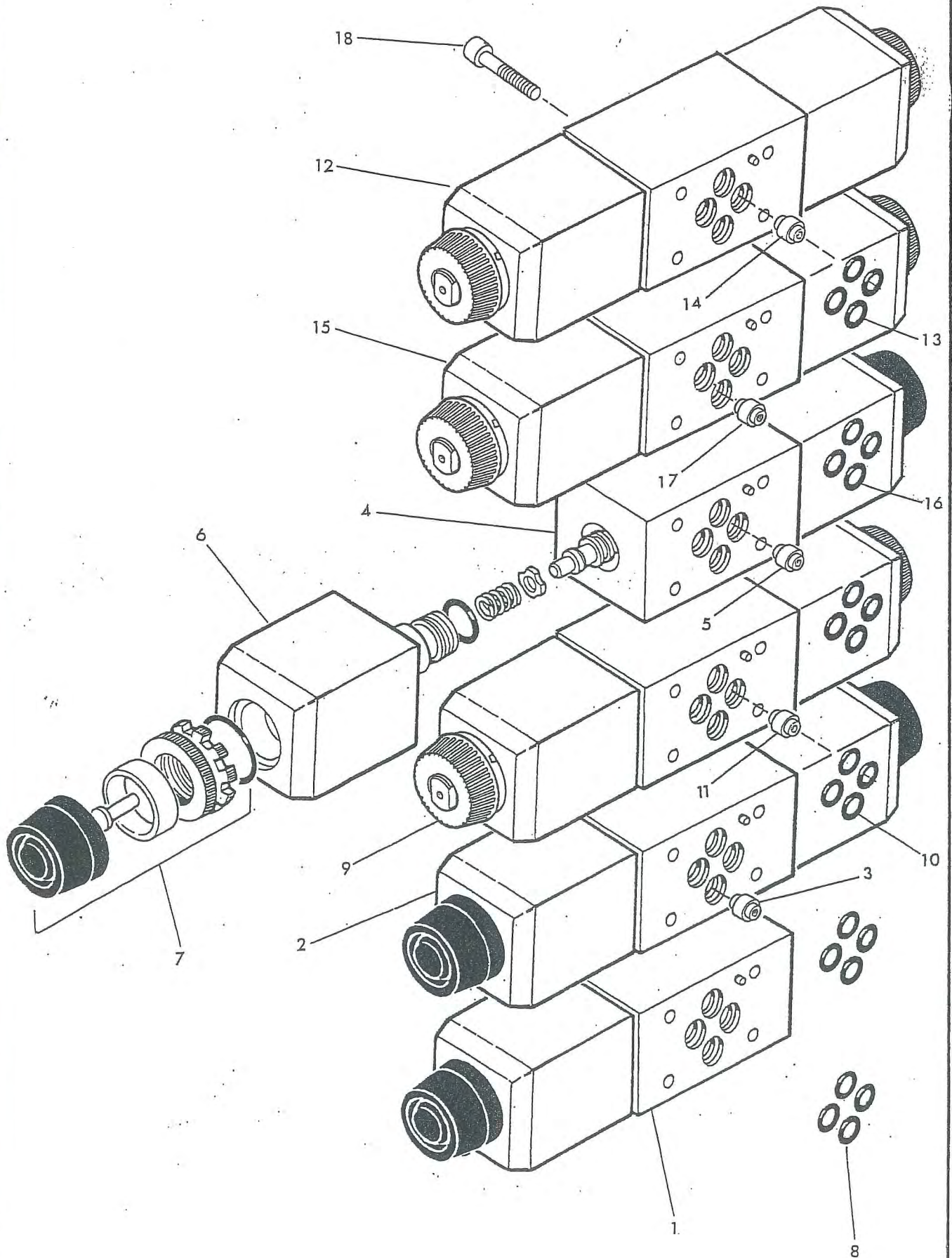






Ref.	PartNo.	Qty.	Description
<b>ANGLE FLOAT KIT</b>			
1	81 30 323	1	Float valve block
2	87 00 511	7	O ring
3	81 30 457	1	Single solenoid valve including :-
4	81 30 175	1	Coil
5	81 30 176	1	Manual over-ride kit
6	86 00 107	4	O ring
7	81 26 280	1	Bridging plate
8	92 43 102	4	Capscrew – socket headed M5 x 50
9	92 43 082	4	Capscrew – socket headed M5 x 40
10	85 82 041	1	Plug 1/8" BSP
11	85 81 374	2	Adaptor 1/4" Bsp – M14 MM including seal
12	86 50 402	1	Seal
13	84 02 338	1	Loom including plug
14	07.835.04	1	Plug including screw and gasket
15	07.835.03	1	Screw
16	07.835.02	1	Gasket
			} Standard E Machines only
	86 99 224		<b>SOLENOID SEAL KIT</b>







Ref.	Part No.	Qty.	Description
<b>SERVICE SOLENOIDS</b>			
1	81 30 456	1	Single solenoid – standard – cut off
2	81 30 629	1	Double solenoid – standard – slew
3	42989.05	1	Restrictor insert
4	81 30 629	1	Double solenoid – standard – tele/midcut if fitted
5	42989.03	1	Restrictor insert

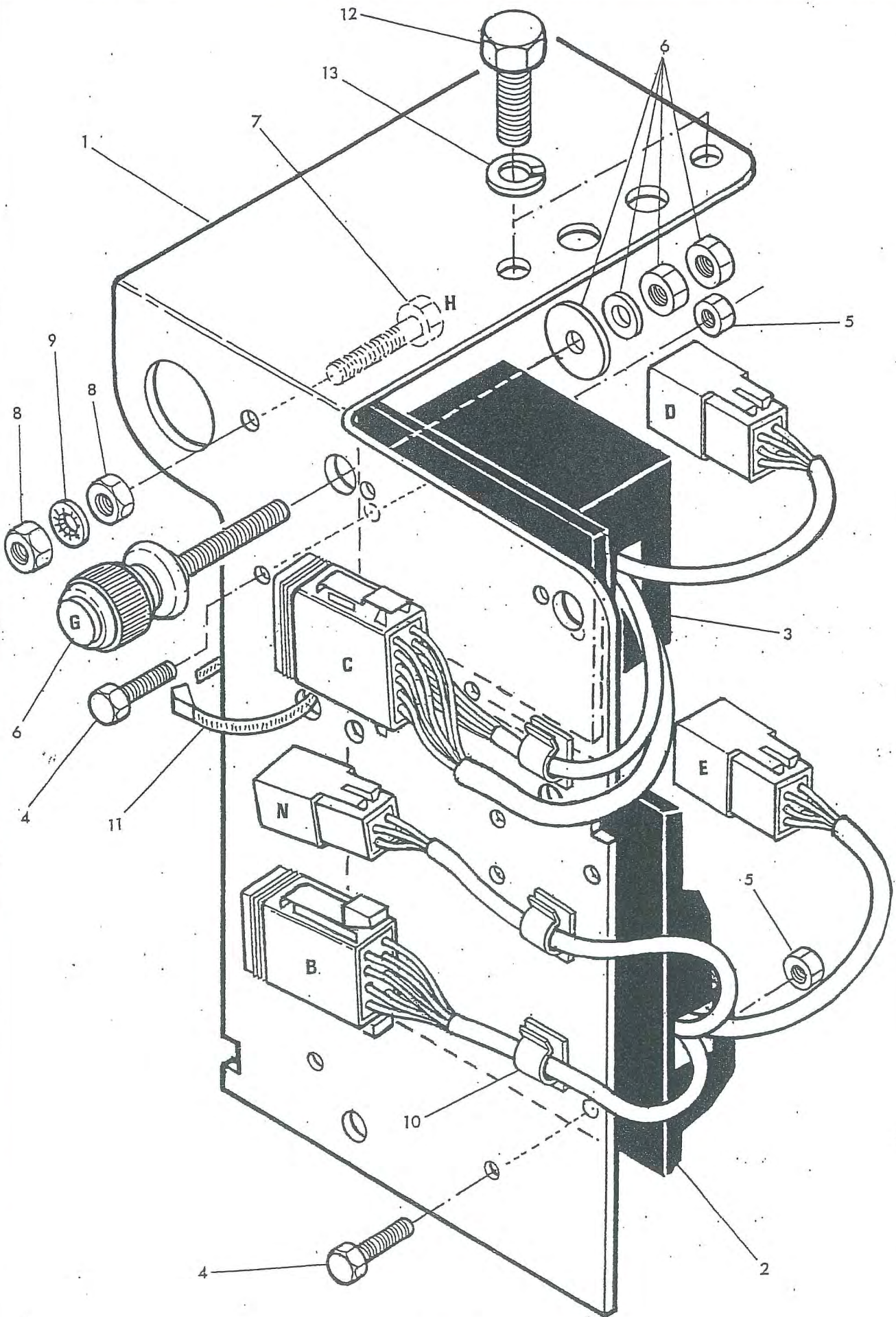
Items 6,7 and 8 are common to all standard solenoid valves

6	81 30 175	1	Coil
7	81 30 176	1	Manual over-ride kit
8	86 00 107	4	O ring
9	41784.31	1	Double solenoid – proportional – lift
10	86 00 107	4	O ring
11	42989.08	1	Restrictor insert
12	41784.31	1	Double solenoid – proportional – reach
13	86 00 107	4	O ring
14	42989.08	1	Restrictor insert
15	41784.31	1	Double solenoid – proportional – angle
16	86 00 107	4	O ring
17	42989.05	1	Restrictor insert

Item 18 is common to all solenoid valves

18	92 43 062	24	Capscrew – socket headed M5 x 30
----	-----------	----	----------------------------------





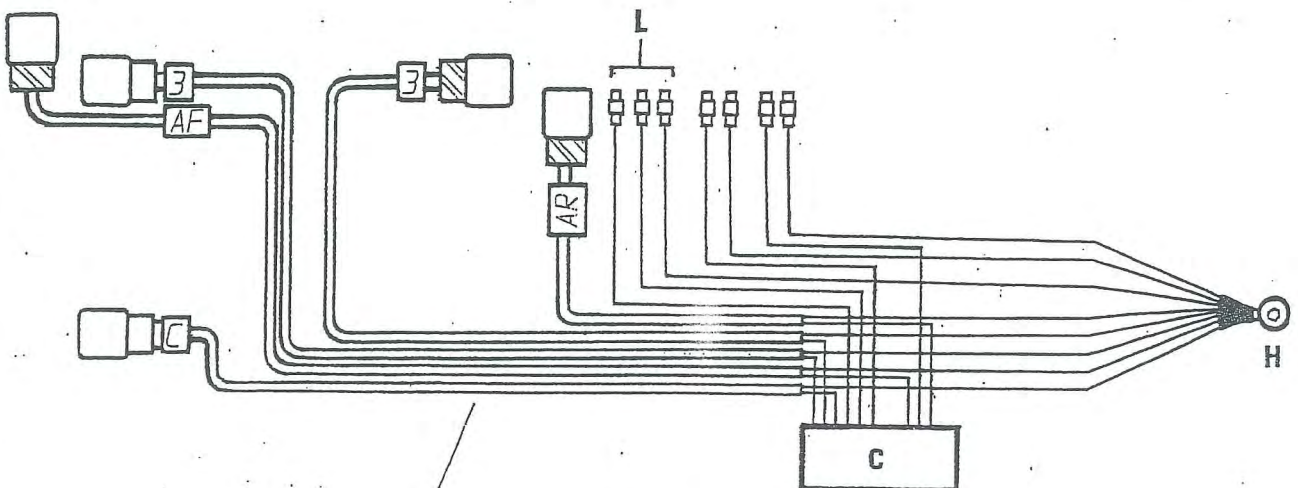
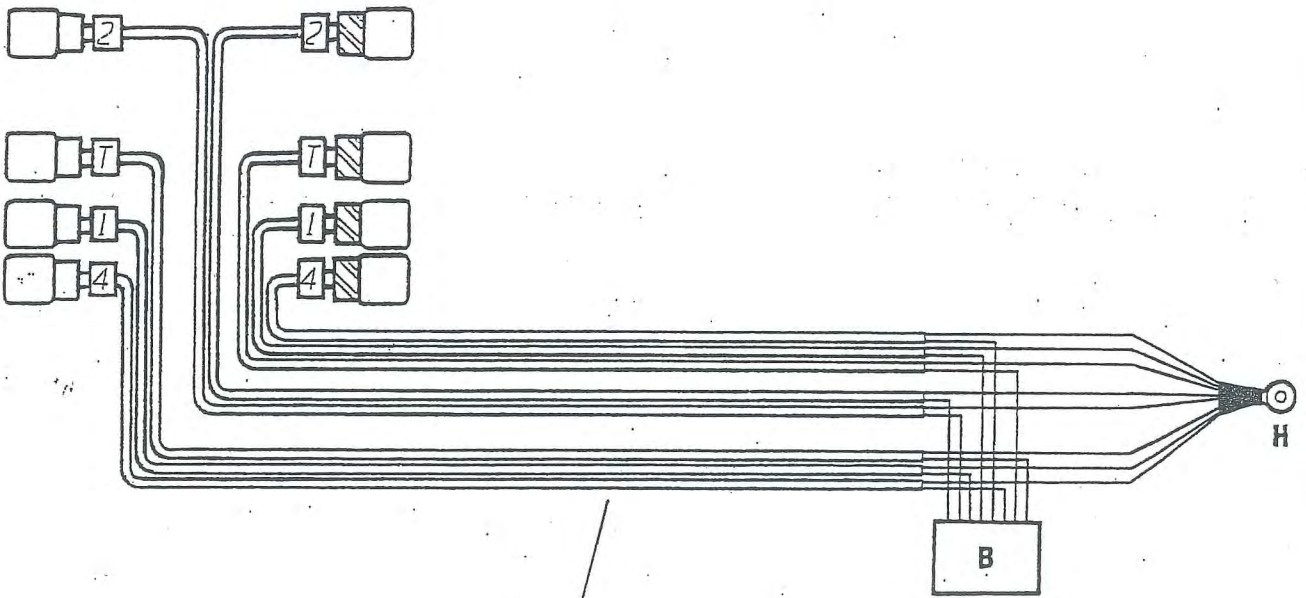
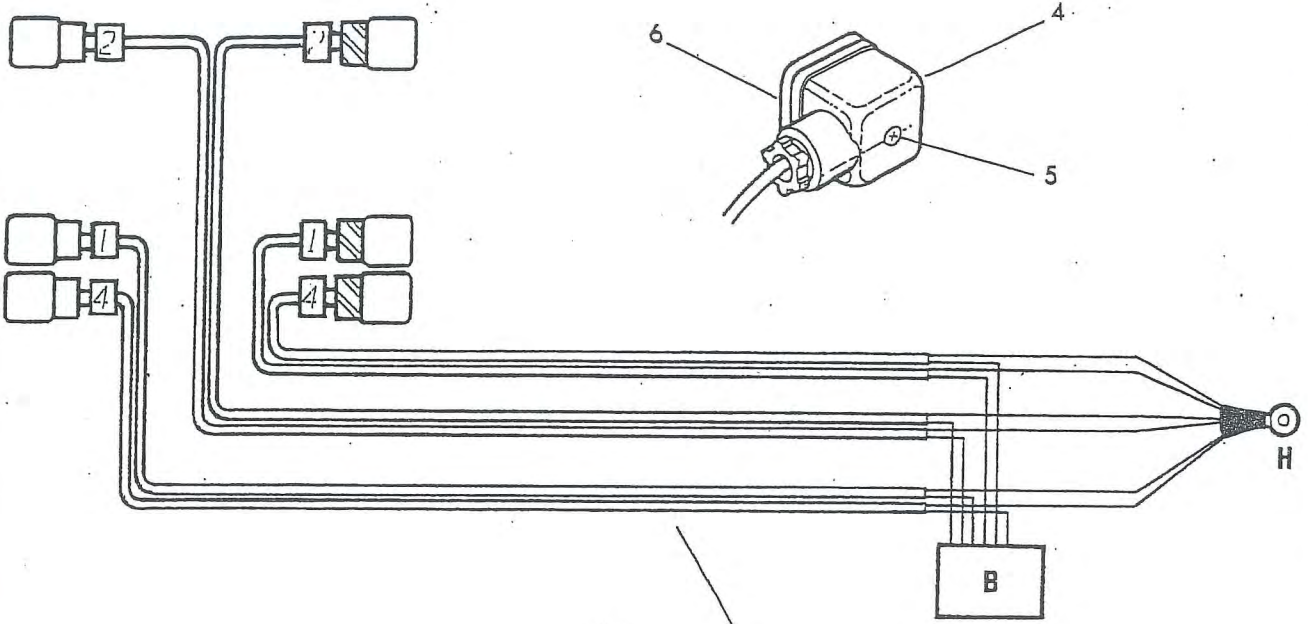


Ref. Part No. Qty. Description

### ELECTRONIC CONTROL BOXES

1	43081.01	1	Control mounting plate
2	43060.32	1	Control box including connectors – large
3	43060.33	1	Control box including connectors – small
4	93 00 132	6	Screw M4 x 12
5	05.948.33.	6	Self locking nut M4
6	84 02 227	1	Power terminal – insulated
7	93 13 043	1	Setscrew M6 x 20
8	91 13 003	2	Plain nut M6
9	91 00 303	1	Internal shakeproof washer dia 6
10	43357.01	3	Cable clip – self adhesive
11	71 35 084	2	Cable tie
12	93 13 025	2	Setscrew M10 x 12
13	91 00 205	2	Spring washer dia 10





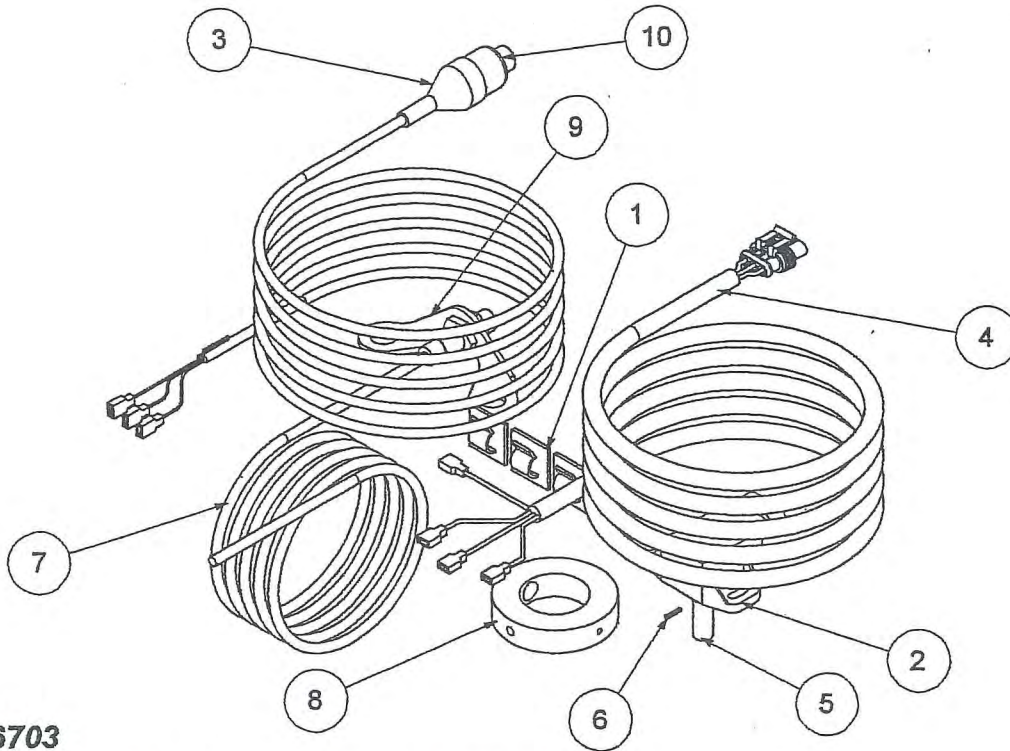


Ref.	Part No.	Qty.	Description
<b>CONTROL LOOMS</b>			
1	43177.25	1	Service loom including plug connectors -to angle and auxiliary functions.Used on all machines
2	43177.17	1	Service loom including plug connectors - to lift,reach and slew.Used on standard arm machines
3	43177.10	1	Service loom including plug connectors - to lift ,reach, slew and tele/midcut.Used on Tele and midcut machines

Items 4,5 and 6 refer to the plug connectors used on all looms

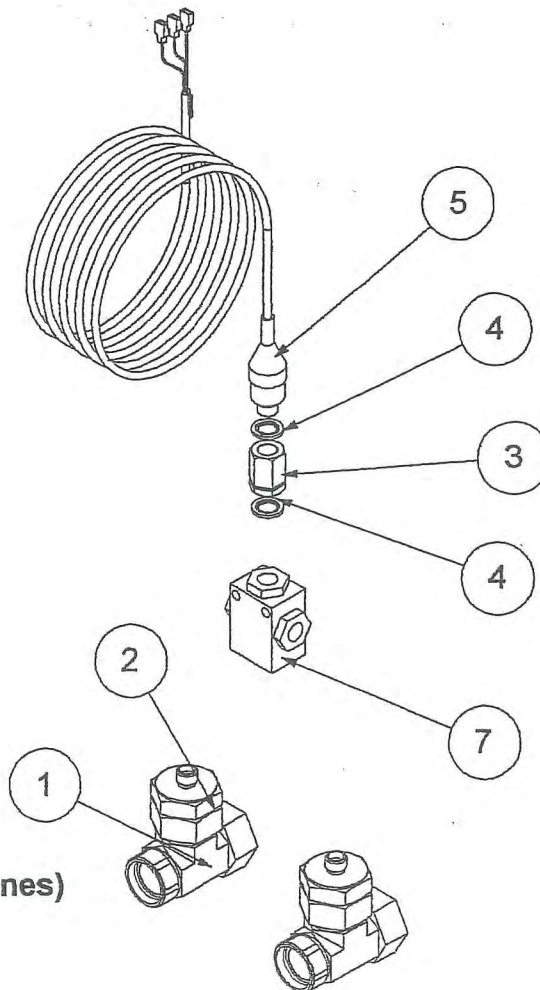
4	07.835.04	as reqd.	Plug including screw and gasket
5	07.835.03	1	Screw
6	07.835.02	1	Gasket





7556703

EDS Sensor Kit (Gear & Piston Machines)



7556705

Power Monitor Kit (Piston Machines)



REF.	QTY.	PART No.	DESCRIPTION
		<b>7556703</b>	<b>EDS SENSOR KIT - GEAR &amp; PISTON MODELS</b>
1	4	43357.01	CLIP (SELF ADHESIVE PAD)
2	1	8402235	REACH SENSOR
3	1	8402253	PRESSURE SENSOR c/w LOOM
4	1	21163.01	REACH SENSOR LOOM
5	1	45425.07	SENSOR EXTENSION
6	1	0430110	SPRING DOWEL
7	1	8402251	PTO SENSOR
8	1	8402252	PTO MAGNETIC RING
9	1	21170.04	PTO SENSOR BRACKET
10	1	8650102	BONDED SEAL

		<b>7556705</b>	<b>POWER MONITOR KIT - PISTON MODELS</b>
1	2	8581397	ADAPTOR TEE
2	2	8581398	ADAPTOR
3	1	8581448	ADAPTOR
4	2	8650102	BONDED SEAL
5	1	8402254	PRESSURE SENSOR
6	2	42718.09	HOSE FS/F90 - 450mm long - <i>not illustrated</i>
7	1	09.820.01	SHUTTLE VALVE
8	3	8581449	ADAPTOR - <i>not illustrated</i>

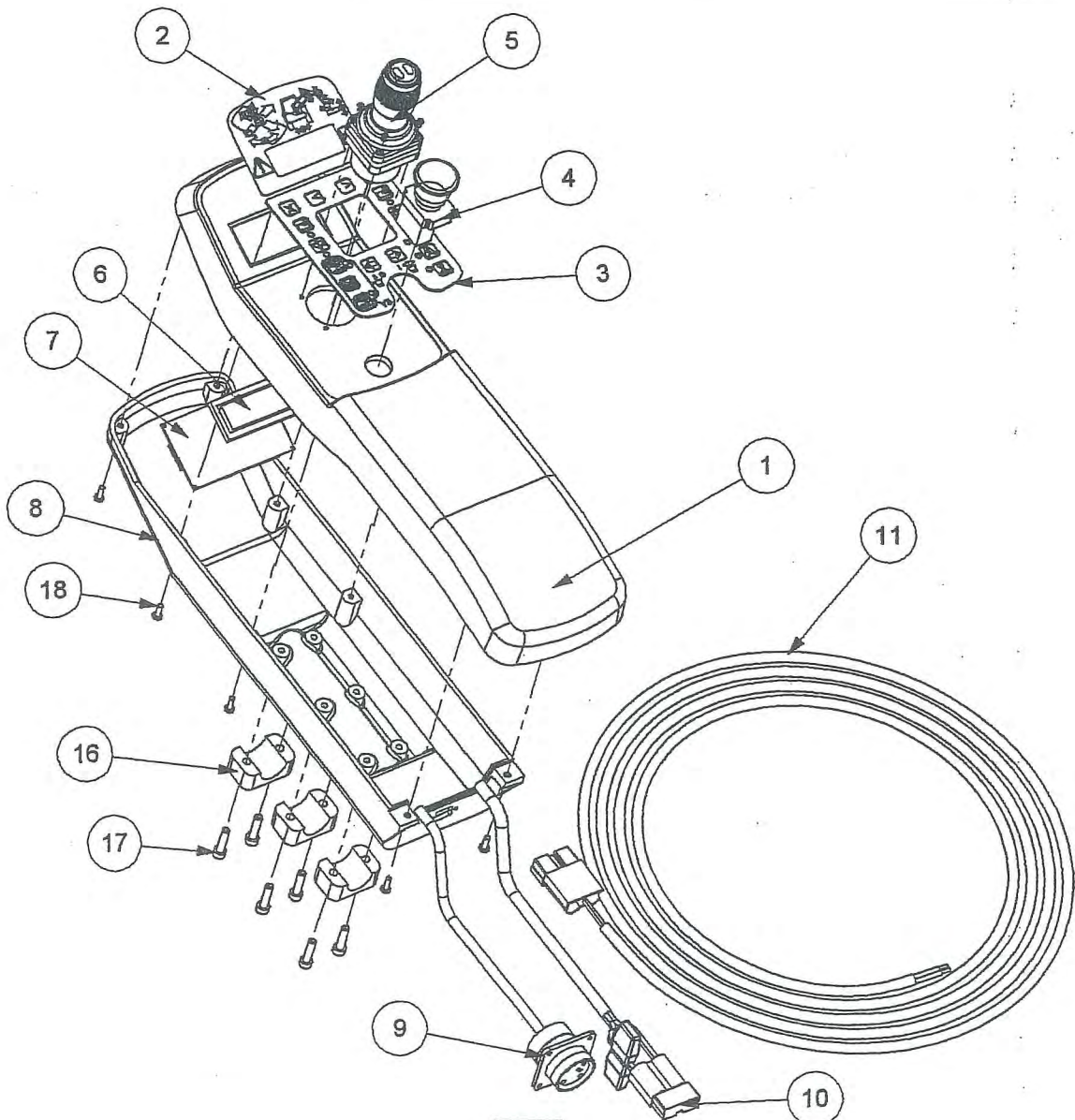
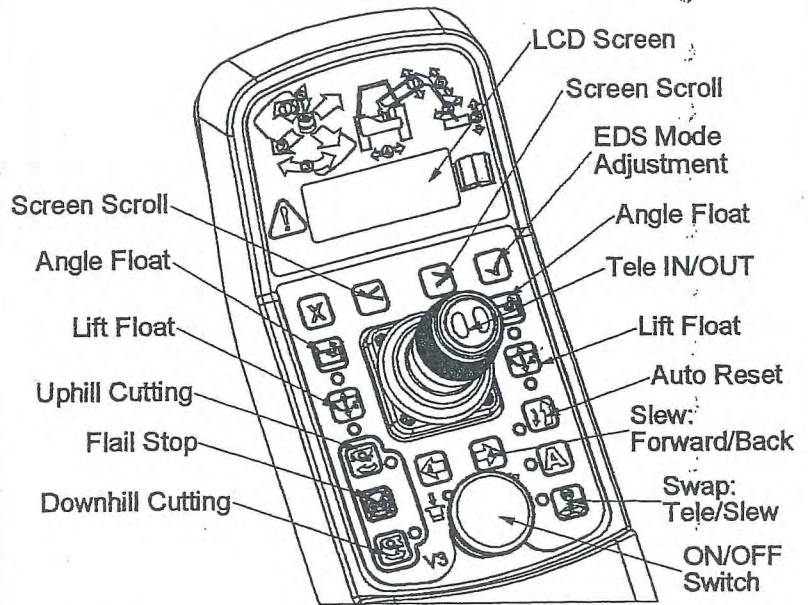


**MODULES:**

43022.20 – Proportional

43022.21 – Proportional EDS

OPERATOR CONTROLS/FUNCTIONS





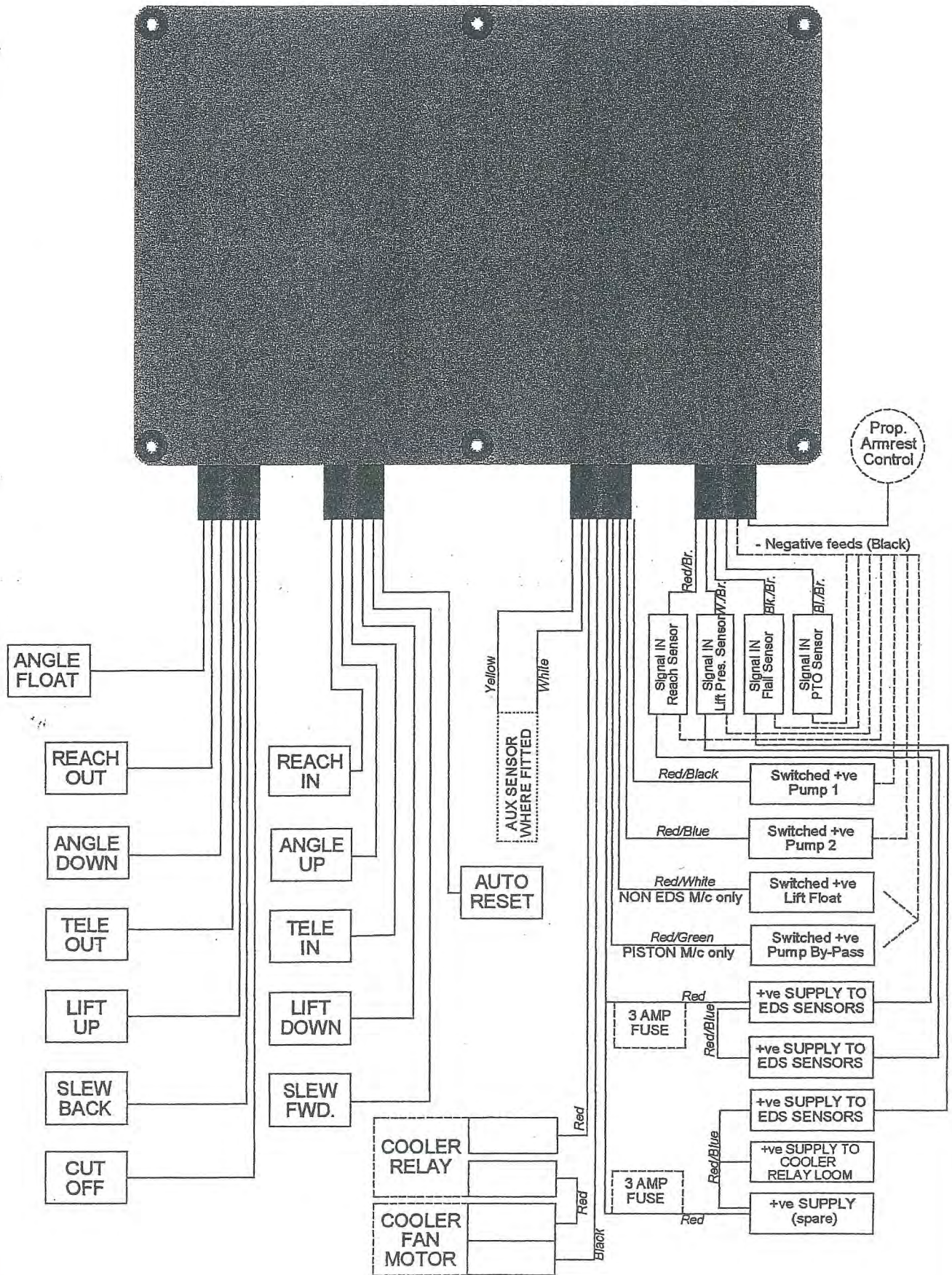
REF.	QTY.	PART No.	DESCRIPTION
		43022.20	v.3 PROPORTIONAL ARMREST CONTROLS
		43022.21	v.3 PROPORTIONAL ARMREST CONTROLS - EDS
1	1	43022.324	ARMREST LID - GREY
2	1	43022.50	FRONT DECAL
3	1	43022.51	JOYSTICK KEYPAD
4	1	41786.33	SWITCH - EMERGENCY STOP
5	1	45710.96	JOYSTICK - <i>inc. fixing screws</i>
6	1	43022.52	LCD SCREEN
7	1	43022.53	CIRCUIT BOARD
8	1	43022.321	ARMREST BASE - YELLOW
9	1	43022.46	CONNECTOR & LEAD
10	1	43022.47	CONNECTOR & POWER LEAD (2 FUSES)
11	2	8402237	LOOM - POWER SUPPLY
12	2	8402149	GLAND
13	1	43022.39	CONNECTOR 9 WAY
14	1	8600119	O RING - <i>not illustrated</i>
15	1	8402239	PUSH ON COVER - <i>not illustrated</i>
16	3	30.209.71	PIPE CLAMP
17	6	9343053	CAPSCREW
18	8	9300132	PANHEAD SCREW



PA 550/650 Hy Reach  
**AUXILIARY BOX**

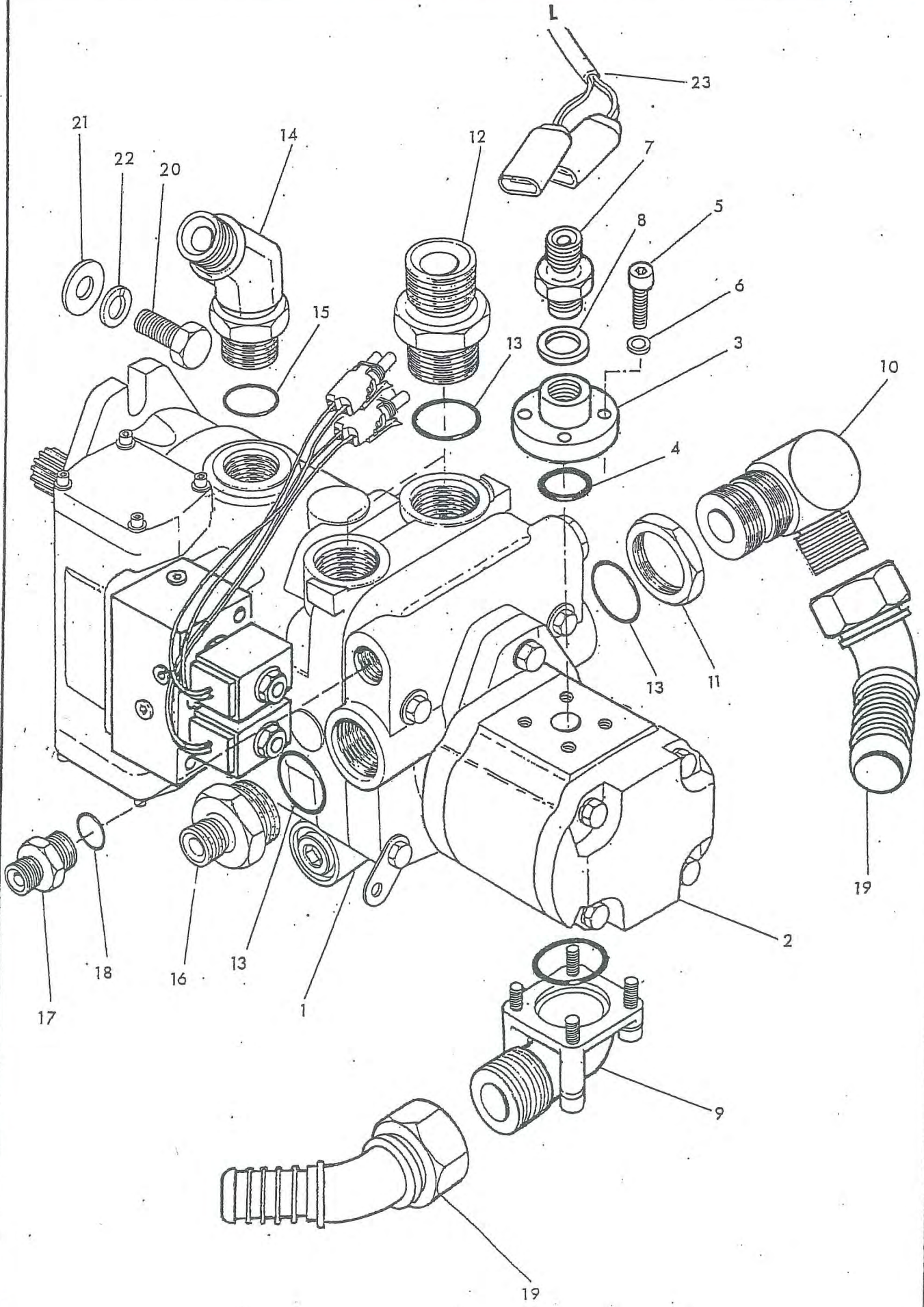


MODULE:  
 21164.03









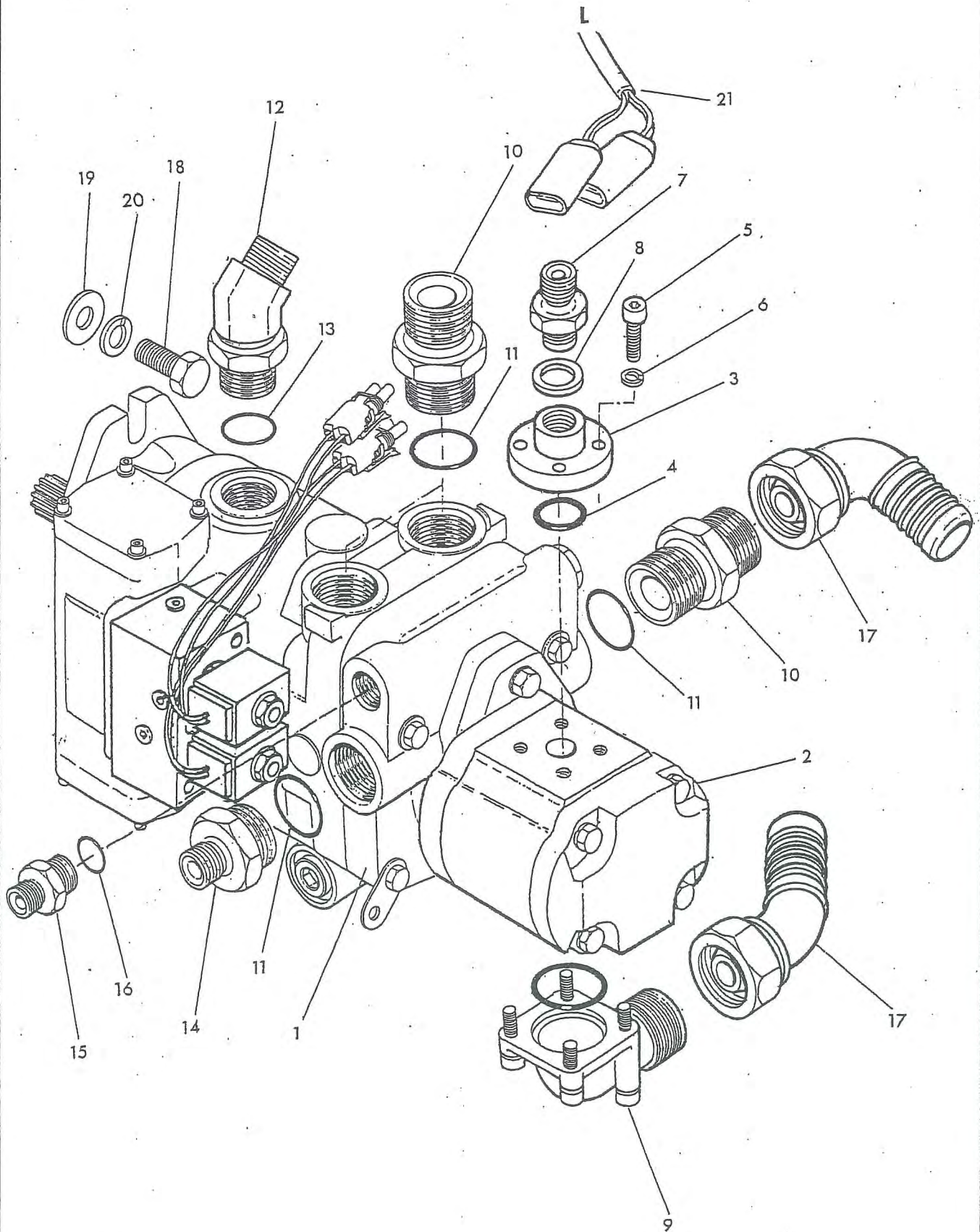


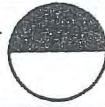
Ref. Part No. Qtyt. Description

**PUMP ASSEMBLY R.Hand**

1	82 01 699	1	Large piston pump
2	82 01 706	1	Small gear pump
3	80 13 123	1	Pressure flange
4	86 00 115	1	O ring
5	93 43 043	4	Capscrew M6 x 20
6	91 00 203	4	Spring washer dia 6
7	85.81 370	1	Adaptor 3/8" BSP - M18 MM including seal
8	86 50 403	1	Seal
9	80 13 124	1	Suction flange including screws and O ring
10	85 81 409	1	Elbow 90 degrees 1 5/16" J.I.C - M36
11	75 50 047	1	Thin hexagon nut 1 5/16" J.I.C.
12	85 81 375	2	Adaptor 1 5/16" J.I.C. - M36 MM
13	86 00 916	4	O ring 1 5/16"
14	85 81 395	1	Elbow 45 degrees 1 1/16" J.I.C. - M26 MM
15	86 00 912	1	O ring 1 1/16"
16	85 81 396	1	Adaptor 1 5/16" J.I.C. - M22 MM
17	85 81 394	1	Adaptor 7/8" J.I.C. - M18 MM
18	86 00 910	1	O ring 7/8"
19	85 81 407	2	Adaptor elbow M36 F - 1" low pressure
20	05.839.01	2	Special bolt M14 x 35
21	91 00 020	2	Plain washer dia 14
22	05.282.08	2	Spring washer dia 14
23	43177.27	1	Loom - rotor control







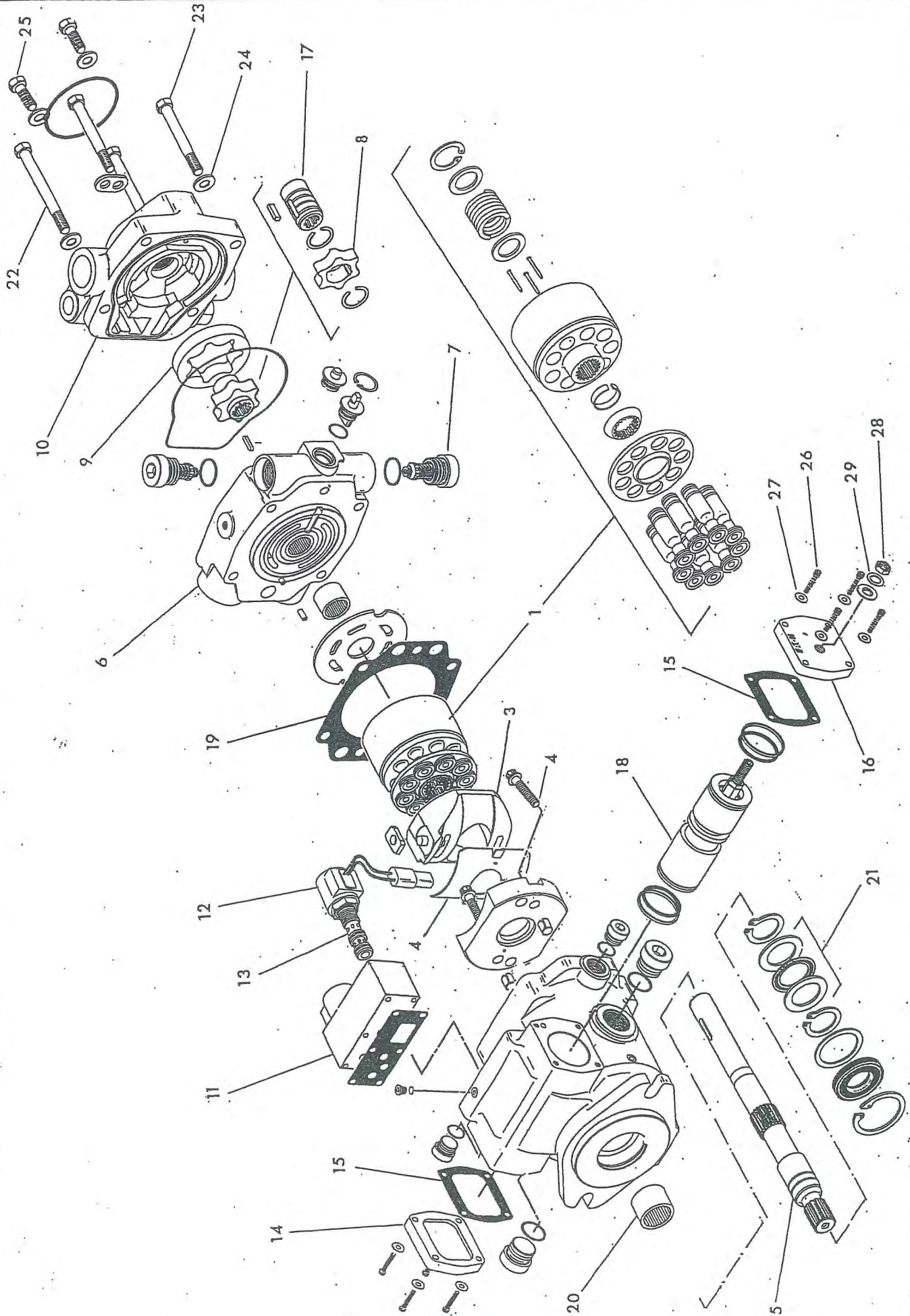
Ref.	Part No.	Qty.	Description
<b>PUMP ASSEMBLY L.Hand</b>			
1	82 01 699	1	Large piston pump
2	82 01 706	1	Small gear pump
3	80 13 123	1	Pressure flange
4	86 00 115	1	O ring
5	93 43 043	4	Capscrew M6 x 20
6	91 00 203	4	Spring washer dia 6
7	85 81 370	1	Adaptor 3/8" BSP - M18 MM including seal
8	86 50 403	1	Seal
9	80 13 124	1	Suction flange including screws and O ring.
10	85 81 375	3	Adaptor 1 5/16" J.I.C. - M36 MM
11	86 00 916	4	O ring 1 5/16"
12	85 81 395	1	Elbow 45 degrees 1 1/16" J.I.C. - M26 MM
13	86 00 912	1	O ring 1 1/16"
14	85 81 396	1	Adaptor 1 5/16" J.I.C. - M22 MM
15	85 81 394	1	Adaptor 7/8" J.I.C. - M18 MM
16	86 00 910	1	O ring 7/8"
17	85 81 407	2	Adaptor elbow M36 F - 1" low pressure
18	05.839.01	2	Special bolt M14 x 35
19	91 00 020	2	Plain washer dia 14
20	05.282.08	2	Spring washer dia 14
21	43177.27	1	Loom - rotor control



PISTON PUMP



**McCORMICK**





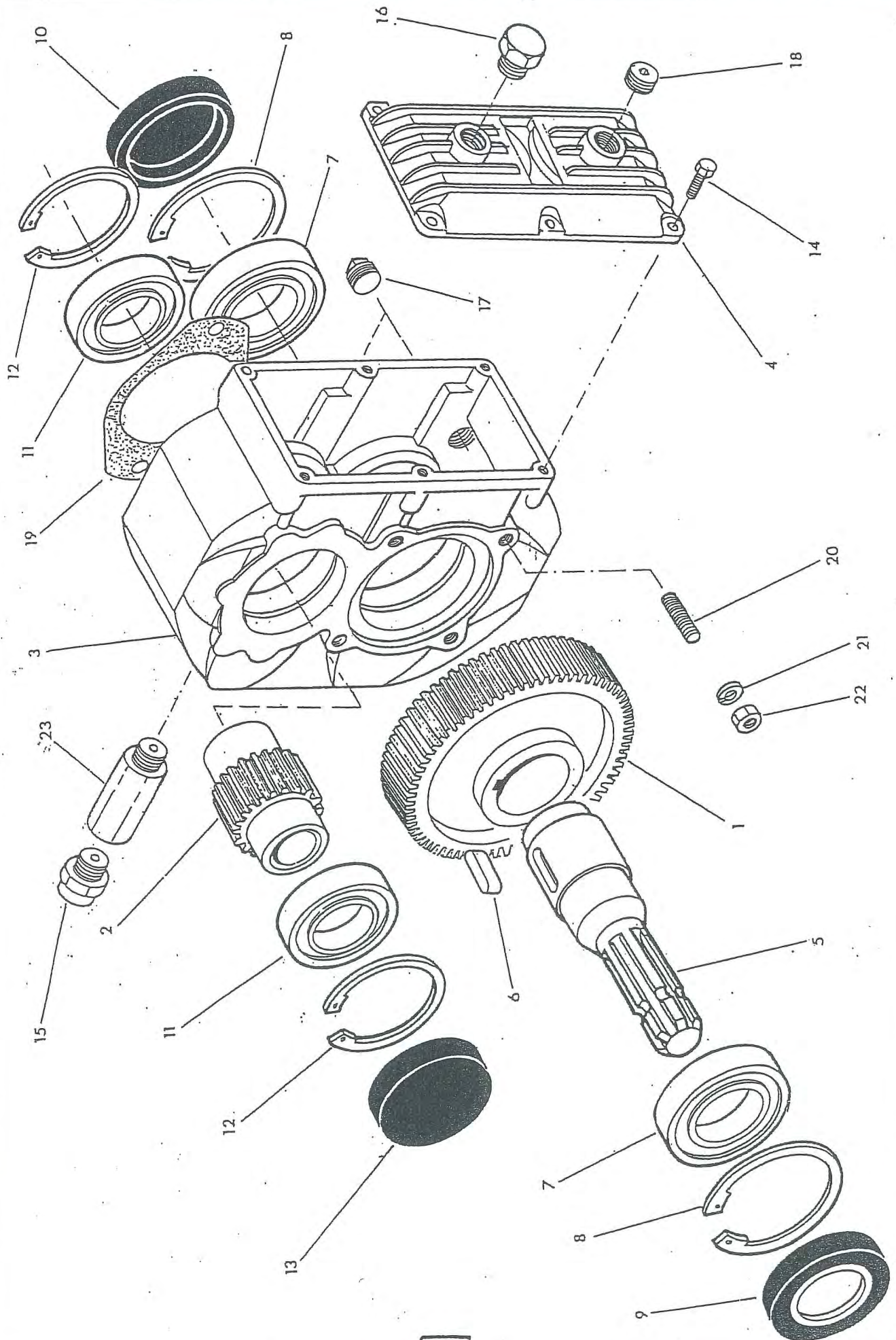
Ref.	Part No.	Qty.	Description
	<b>82 01 699</b>		<b>PISTON PUMP ASSEMBLY</b>
1	82 01 169	1	Rotating kit
2	82 01 170	1	Valve plate
3	82 01 171	1	Cam plate
4	82 01 172	1	Cam bushing
5	82 01 173	1	Shaft
6	82 01 174	1	Back plate assembly
7	82 01 175	1	Relief valve
8	82 01 176	1	Gerotor - inner ring
9	82 01 177	1	Gerotor - outer ring
10	82 01 178	1	Charge assembly
11	82 01 192	1	Pump/rotor control including :-
12	82 01 197	2	Coil
13	82 01 198	2	Cartridge
14	82 01 181	1	Cover plate
15	82 01 182	2	Gasket
16	82 01 183	1	Cover plate
17	82 01 185	1	Coupler
18	82 01 180	1	Servo piston assembly
19	82 01 187	1	Gasket
20	83 01 038	1	Needle bearing
21	83 01 039	1	Thrust washer
22	02 12 323	3	Bolt
23	02 12 283	3	Bolt
24	01 00 103	8	Washer
25	03 11 103	2	Setscrew
26	03 42 080	8	Capscrew
27	01 00 100	8	Washer
28	01 12 003	1	Nut
29	01 00 103	1	Washer
	<b>86 99 239</b>		<b>SEAL KIT</b>

To safeguard warranty rights during the warranty period the pump **must not** be dismantled prior to examination by McConnel engineers.

Subsequently, when servicing, always be aware that piston pumps are manufactured to very fine tolerances and, with the exception of replacing item 7, any **service work must** be carried out by **qualified** specialist technicians working in a **clean dust free environment**.

If in **any doubt** contact McConnel service department for advice.







Ref.	Part No.	Qty.	Description
	<b>80 13 512</b>		<b>GEARBOX ASSY. 3:1 - 540 RPM</b> For gear hydraulic machines
	<b>80 13 513</b>		<b>GEARBOX ASSY. 3:1 - 1000 RPM</b> For piston hydraulic machines
	<b>80 13 514</b>		<b>GEARBOX ASSY. 3.547:1 - 800 RPM</b> For piston hydraulic machines
1	80 13 515	1	Primary gear - For 540 rpm & 1000 rpm machines
	80 13 516	1	Primary gear - For 800 rpm machines
2	80 13 517	1	Driven gear - For 540 rpm machines
	80 13 518	1	Driven gear - For 800 rpm machines
	80 13 519	1	Driven gear - For 1000 rpm machines
3	80 13 520	1	Case
4	80 13 521	1	Cover
5	80 13 522	1	Input shaft
6	80 13 523	1	Key 16 x 10 x 40
7	80 13 524	2	Bearing
8	80 13 525	2	Internal circlip dia 90
9	80 13 526	1	Shaft seal
10	80 13 527	1	Cap 90 dia
11	80 13 528	2	Bearing
12	80 13 529	2	internal circlip dia 80
13	80 13 530	1	Cap dia 80
14	80 13 531	6	Setscrew M6 x 16
15	80 13 532	1	Breather
16	80 13 533	1	Drain plug
17	80 13 534	2	Level plug
18	80 13 535	1	Cover plug
19	75 50 048	1	Pump face gasket
20	04.282.17	4	Stud M12 x 41
21	91 00 206	4	Spring washer dia 12
22	91 13 006	4	Plain nut M12
23	85 81 355	1	Extension adaptor



# HYDRAULIC TANK ASSEMBLY

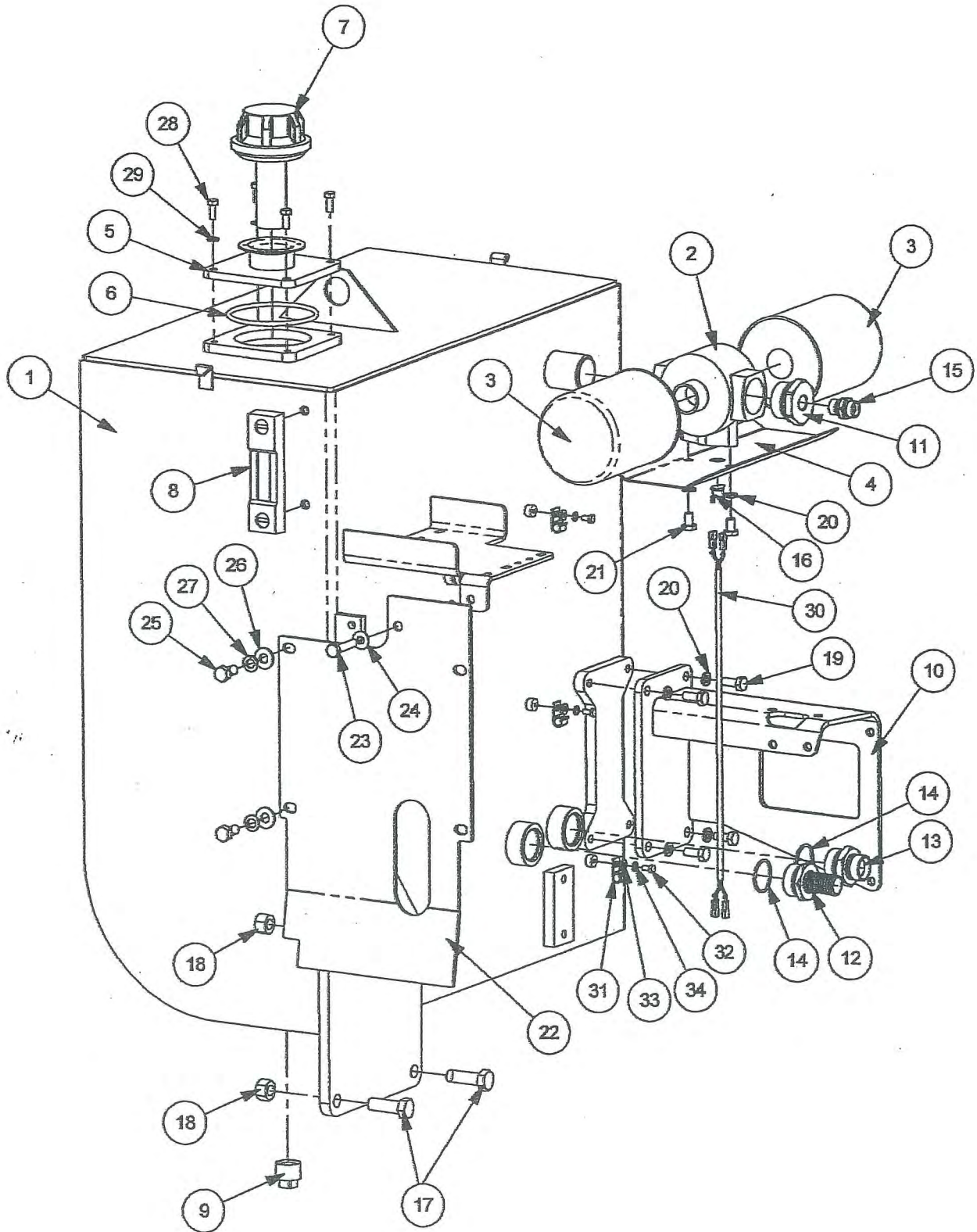


**Modules:**

7456703 – L/H Build

7456704 – R/H Build

*Illustrated in Left Hand Build*

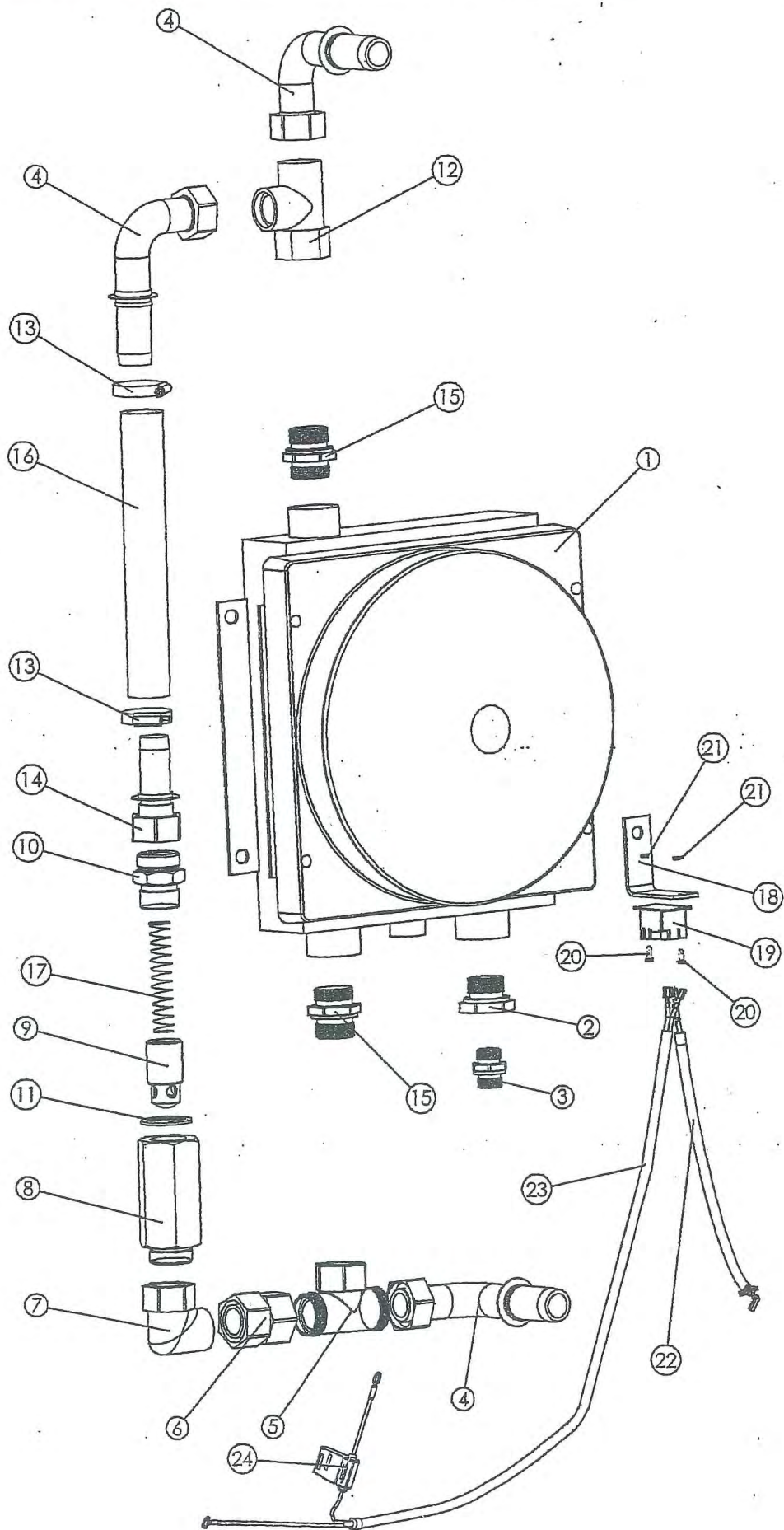




## HYDRAULIC TANK ASSEMBLY

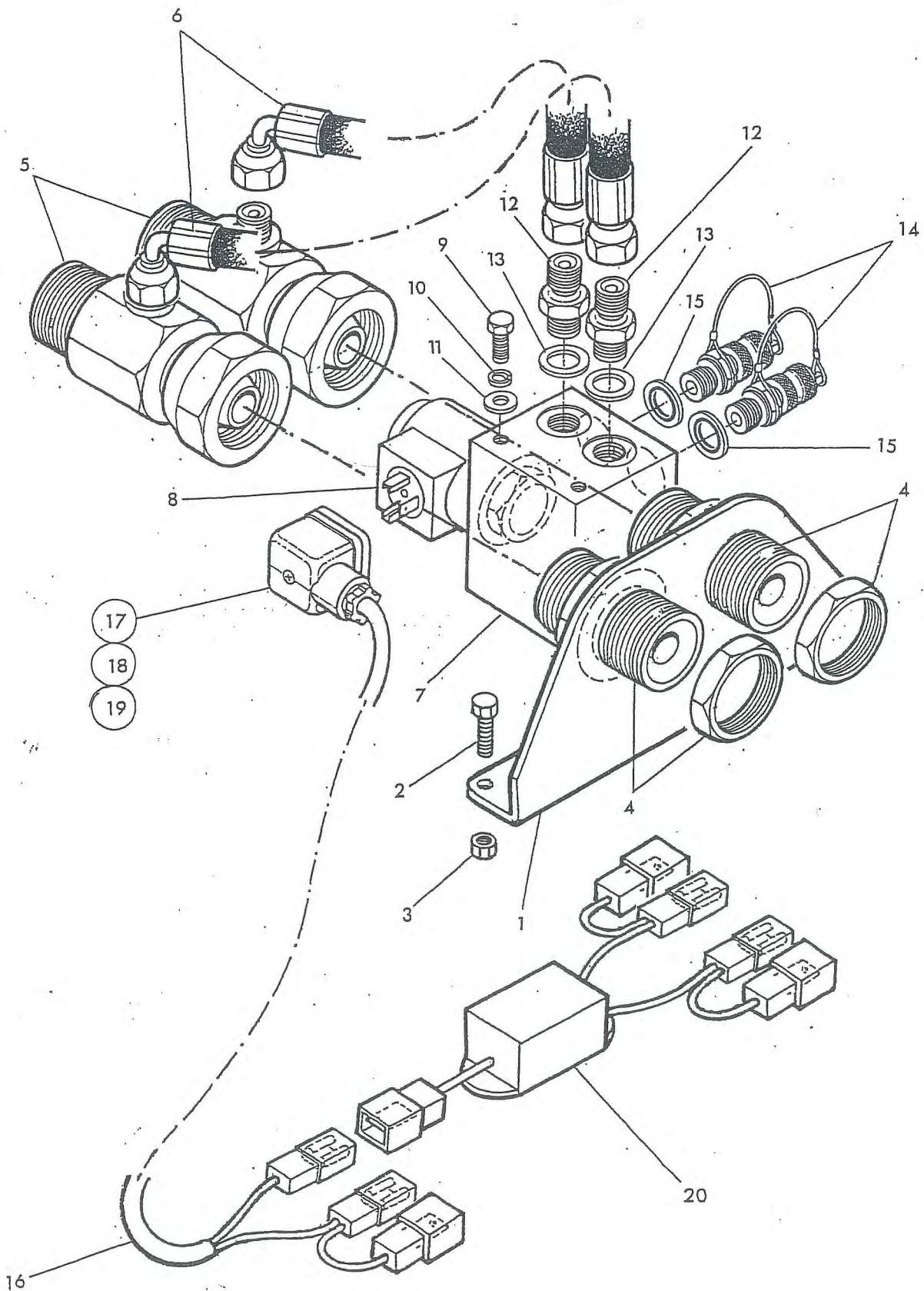
REF.	QTY.	PART No.	DESCRIPTION
		7456703	HYDRAULIC TANK ASSEMBLY - L/H Build
		7456704	HYDRAULIC TANK ASSEMBLY - R/H Build
1	1	21066.01	TANK - L/H
	1	21066.02	TANK - R/H ( <i>not illustrated</i> )
2	1	8401060	RETURN FILTER HEAD
3	2	8401070	FILTER
4	1	43471.01	DRIP TRAY
5	1	43175.01	COVER PLATE
6	1	8600151	O RING 348
7	1	8401074	FILLER BREATHER
8	1	8401048	LEVEL GAUGE
9	1	8581203	TAPER PLUG
10	1	21104.01	VALVE BRACKET - L/H
	1	21104.02	VALVE BRACKET - R/H ( <i>not illustrated</i> )
11	1	8581450	ADAPTOR
12	1	8581410	SUCTION ADAPTOR
13	1	8581260	MALE ADAPTOR
14	2	8700784	O RING 784
15	1	8581387	ADAPTOR
16	1	8402236	THERMAL CUTOUT
17	3	9213107	BOLT
18	3	9143007	SELF-LOCKING NUT
19	4	9313055	SETSCREW
20	6	9100205	SPRING WASHER
21	2	9313035	SETSCREW
22	1	21074.01	SHIELD PLATE - L/H
	1	21074.02	SHIELD PLATE - R/H ( <i>not illustrated</i> )
23	1	9213105	BOLT
24	1	9100105	FLAT WASHER
25	2	9313056	SETSCREW
26	2	9100106	FLAT WASHER
27	2	9100206	SPRING WASHER
28	4	9313044	SETSCREW
29	4	9100204	SPRING WASHER
30	1	43177.30	LOOM -THERMAL CUTOUT FILTERS
31	4	21151.01	D CLIP
32	4	9313023	SETSCREW
33	4	9100103	FLAT WASHER
34	4	9100203	SPRING WASHER





Ref.	Part No.	Qty.	Description
	74 55 785		<b>OIL COOLER ASSEMBLY</b> <i>For Machines with EDS</i>
1	84 02 318	1	Oil Cooler and Fan Assembly
2	85 81 417	1	Adaptor 1" x ½" BSP MF
3	G3812674	1	Adaptor ½" BSP x M22
4	85 81 416	3	Elbow Adaptor M36 x 1" BSP
5	85 81 418	1	Tee Adaptor M36 MMF
6	85 81 415	1	Adaptor M36 FF
7	85 81 376	1	Elbow Adaptor M36 MF
8	42949.34	1	Adaptor M36 x 1" BSP MF
9	42949.36	1	Piston
10	42949.35	1	Adaptor 1" BSP x M36 MM SP
11	86 50 108	1	Bonded Seal 1" BSP
12	85 81 397	1	Tee Adaptor M36 MFM
13	09 04 106	2	Hose Clip
14	85 81 419	1	Adaptor M36 x 1" BSP LP
15	85 81 387	2	Adaptor M36 x 1" BSP
16	85 00 800	1	Hose 240mm x 1" BSP
17	71 03 078	1	Spring
18	43362.01	1	Mounting Bracket – Relay
19	84 02 226	1	Relay
20	92 00 007	2	Screw – panhead M3 x 10
21	91 13 000	2	Hexagon Nut M3
22	43177.01	1	Loom
23	43177.06	1	Loom – including fuse
24	43034.04	1	Fuse – 3 Amp

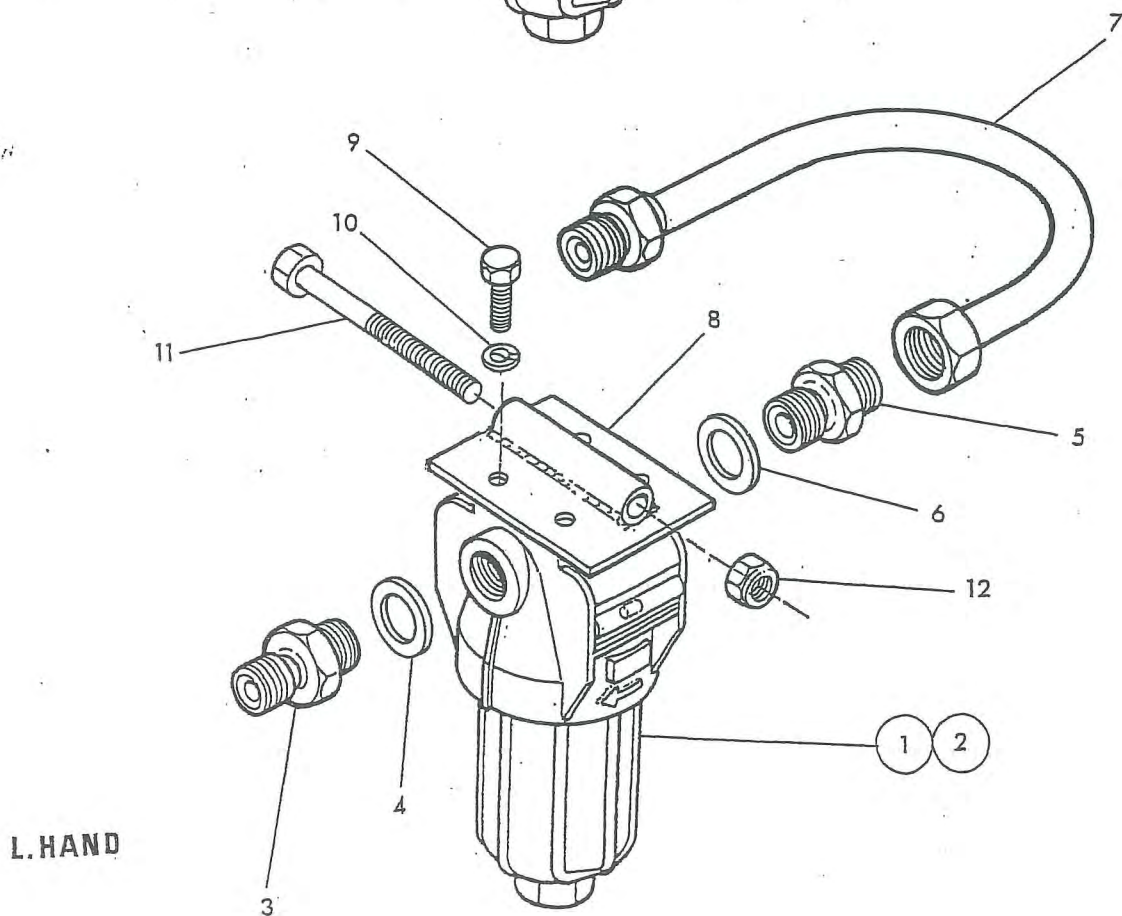
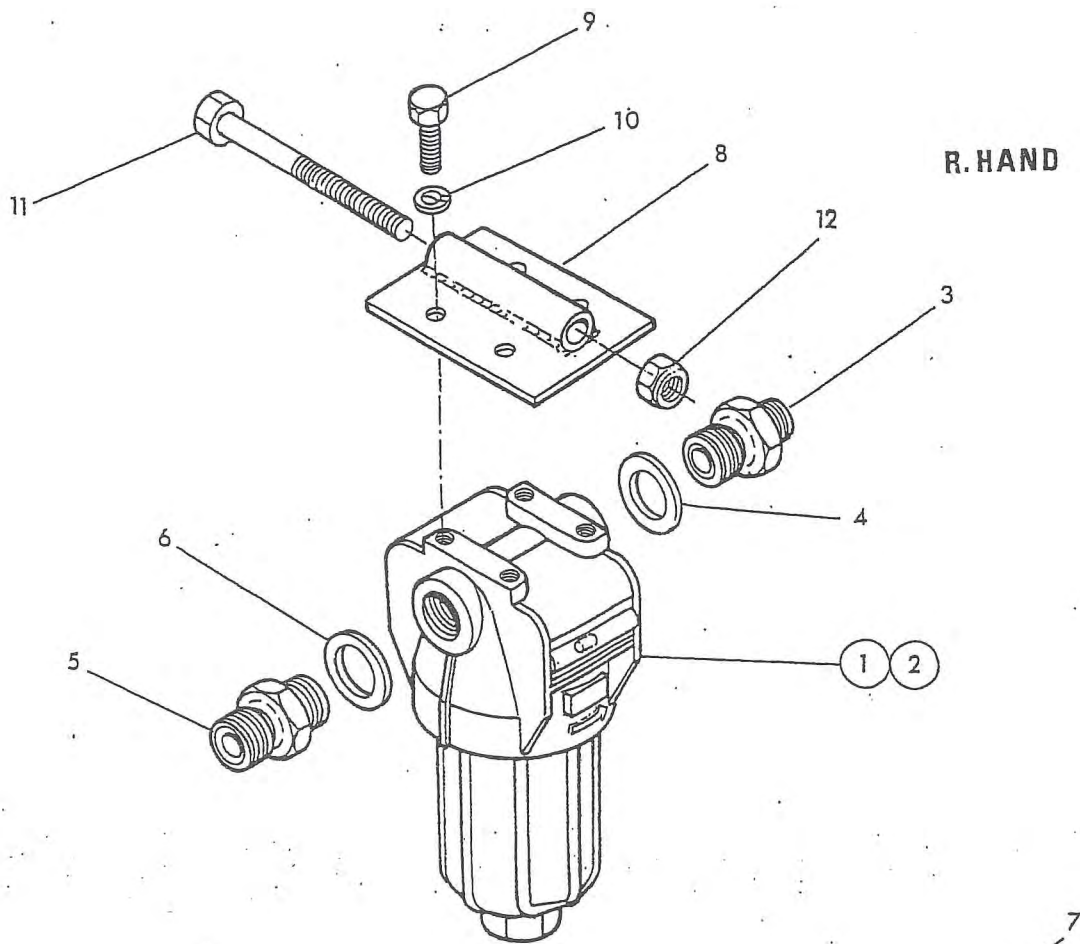






Ref.	Part No.	Qty.	Description
	<b>42783.03</b>		<b>PUMP BY-PASS ASSEMBLY For :- Standard E monolever control</b>
	<b>42783.04</b>		<b>PUMP BY-PASS ASSEMBLY For:- Proportional control</b>
1	43386.01	1	Mounting bracket
2	93 13 044	2	Setscrew M8x 20
3	91 43 004	2	Self locking nut M8
4	85 81 399	2	Bulkhead union M36 including locknut
5	85 81 398	2	Adaptor M36 – M14 straight swivel FM
6	42718.06	2	Hose M14 x 300 long
7	81 32 270	1	Valve block
8	81 30 192	1	Solenoid valve
9	93 13 034	2	Setscrew M8 x 16
10	91 00 204	2	Spring washer dia 8
11	91 00 104	2	Plain washer dia 8
12	85 81 374	2	Adaptor 1/4" BSP – M14 MM including seal
13	86 50 402	1	Seal
14	81 30 008	2	Test point union 1/4" BSP
15	86 50 102	2	Bonded seal 1/4" BSP
16	43177.29	1	Loom including plug
17	07.835.04	1	Plug including screw and gasket
18	07.835.05	1	Screw
19	07.835.02	1	gasket
20	84 02 273	1	Cut off unit – Std. E monolever controls only





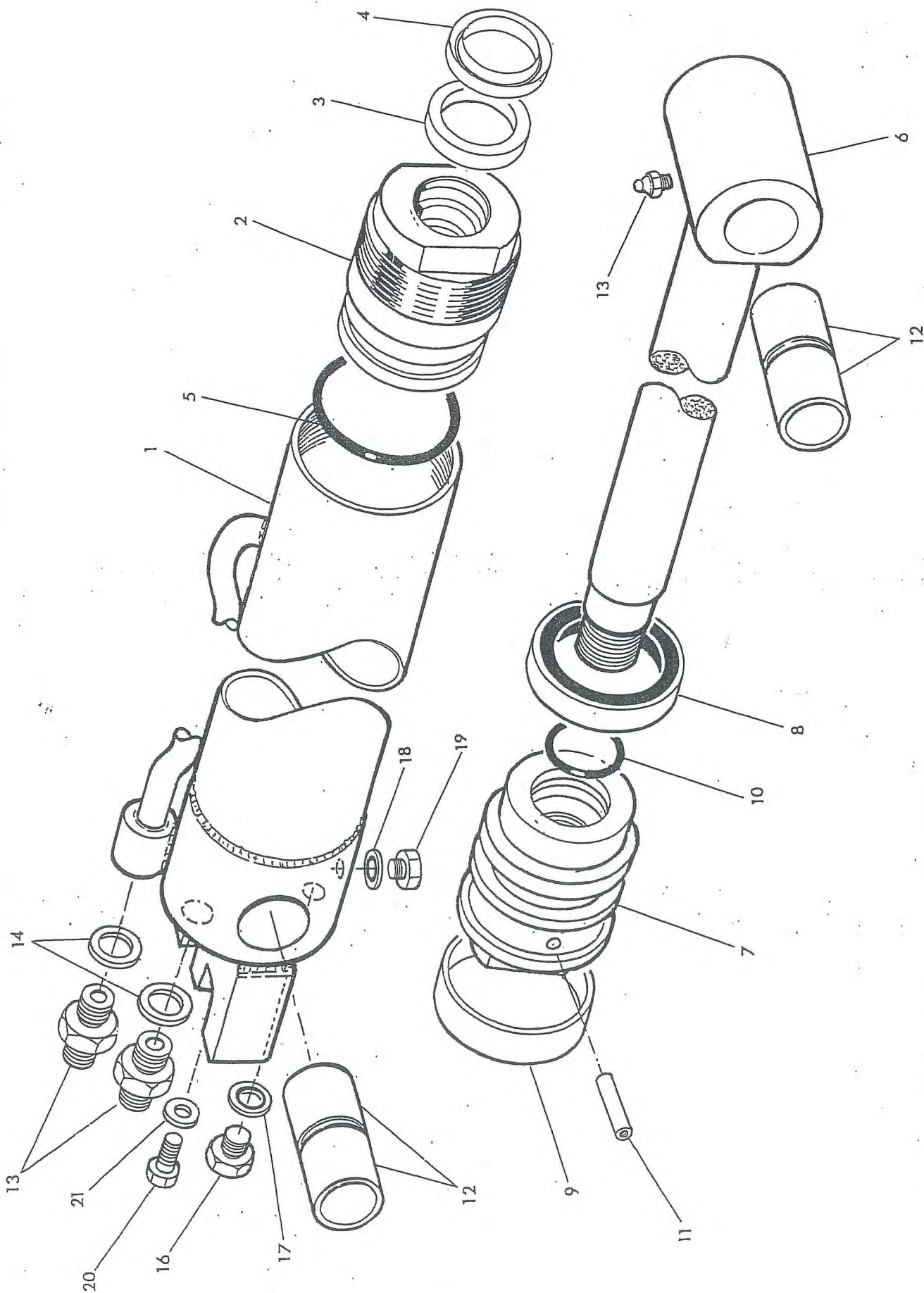


Ref. Part No. Qty. Description

### CHARGE FILTER ASSEMBLY

1	84 01 066	1	Charge filter including element
2	84 01 067	1	Element
3	85 81 386	1	Adaptor 1/2" BSP – M18 MM including seal
4	86 50 404	1	Seal
5	G381 2674	1	Adaptor 1/2" BSP – M22 MM including seal
6	86 50 404	1	Seal
7	42782.31	1	U Bend M22 FM – used on L.Hand only
8	43388.01	1	Mounting bracket
9	93 13 023	4	Setscrew M6 x 12
10	91 00 203	4	Spring washer dia 6
11	92 13 225	1	Bolt M10 x 110
12	91 43 005	1	Self locking nut M10

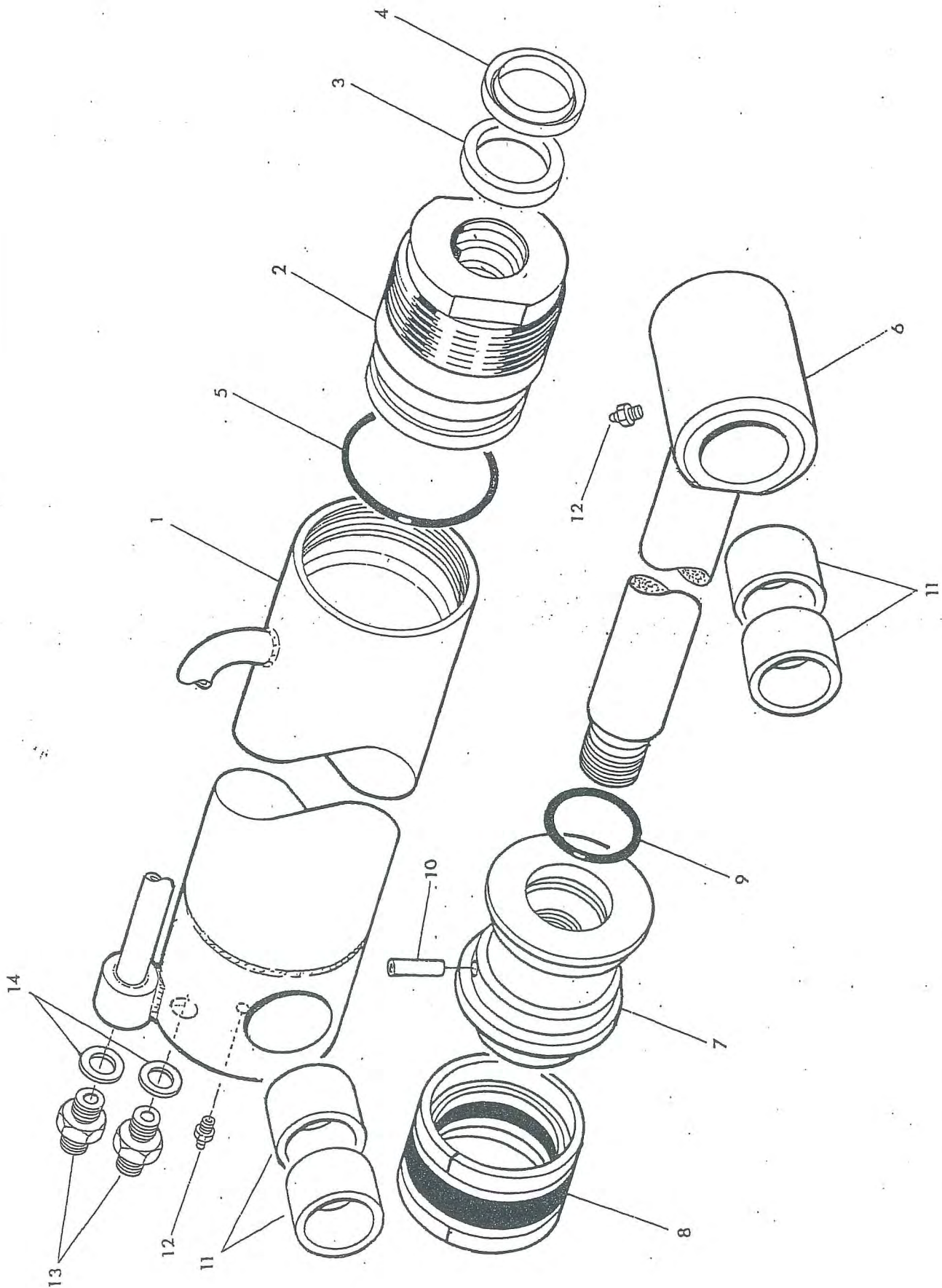






Ref.	Part No.	Qty.	Description
	<b>42655.03</b>		<b>LIFT RAM ASSEMBLY</b>
1	42655.42	1	Ram barrel
2	42655.32	1	Gland housing
3	82 29 184	1	Gland seal
4	86 29 185	1	Piston rod woper seal
5	86 00 317	1	O ring
6	42655.45	1	Piston rod
7	42655.31	1	Piston
8	86 29 182	1	Piston seal
9	86 29 183	1	Guide ring
10	86 00 302	1	O ring
11	42775.01	1	Dowel M6 x 25
12	08.295.02	4	Bush
13	09 01 121	1	Greaser 1/8" BSP straight
14	85 81 370	2	Adaptor 3/8" BSP - M18 MM including seal
15	86 50 403	1	Seal
16	520378	1	Blanking plug 1/4" BSP
17	86 50 102	1	Bonded seal 1/4" BSP
18	86 50 207	1	Bonded seal 7/16" dia
19	85 81 408	1	Blanking plug 7/16" UNF
20	93 13 034	1	Setscrew M8 x 16
21	91 00 204	1	Plain washer dia 8
	<b>86 99 223</b>		<b>SEAL KIT</b>

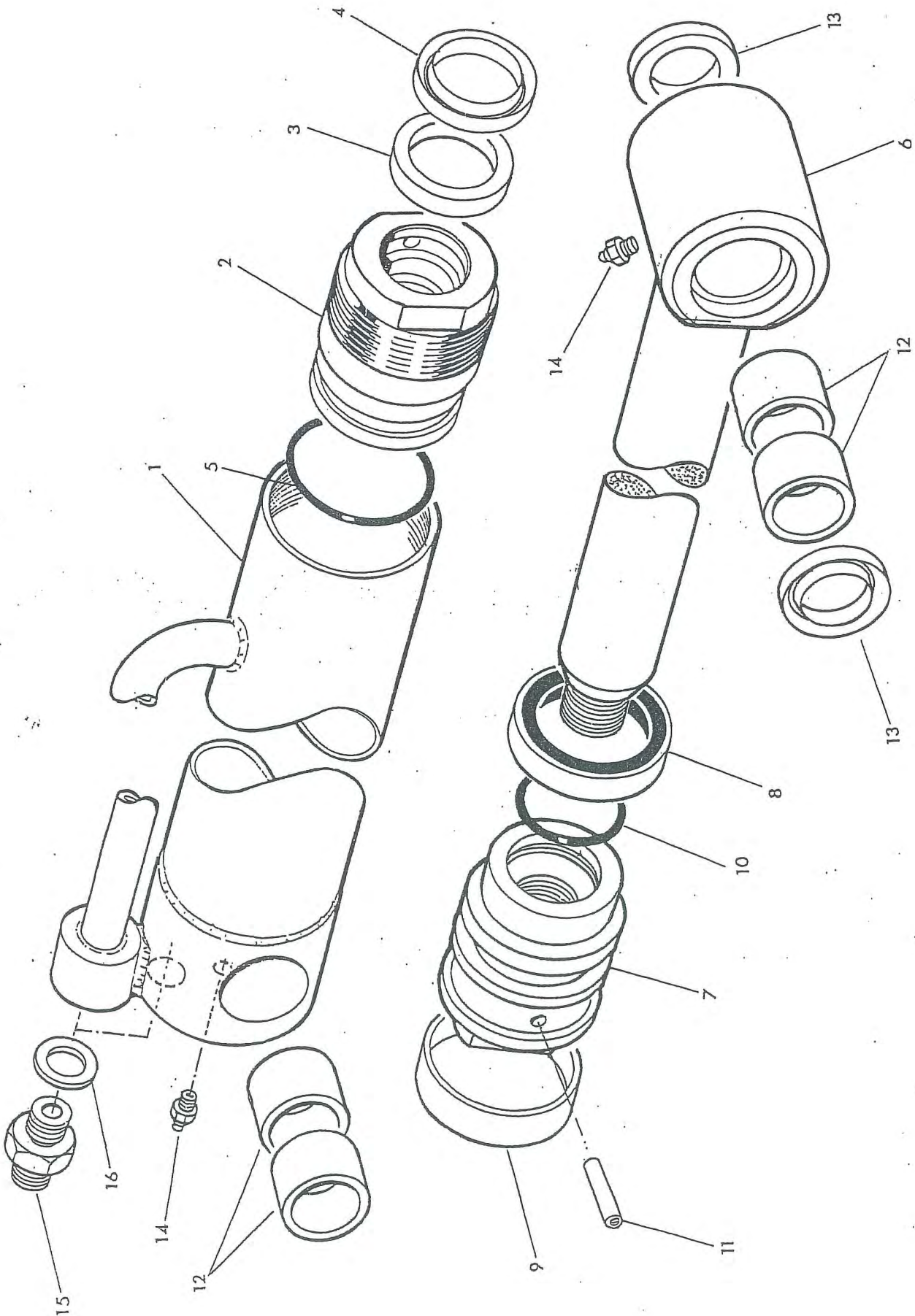






Ref.	Part No.	Qty.	Description
	<b>43315.02</b>		<b>REACH RAM ASSEMBLY</b>
1	43315.36	1	Ram barrel
2	43325.32	1	Gland housing
3	86 29 225	1	Gland seal
4	86 29 208	1	Piston rod wiper seal
5	86 00 742	1	O ring
6	43315.33	1	Piston rod
7	43315.31	1	Piston
8	86 38 742	1	Piston seal
9	86 00 301	1	O ring
10	42775.01	1	Dowel dia 6 x 25
11	08.297.370	4	Bush
12	09 01 121	2	Greaser 1/8" BSP straight
13	85 81 370	2	Adaptor 3/8" BSP - M18 MM including seal
14	86 50 403	1	Seal
	<b>43315.01</b>		<b>SEAL KIT</b>



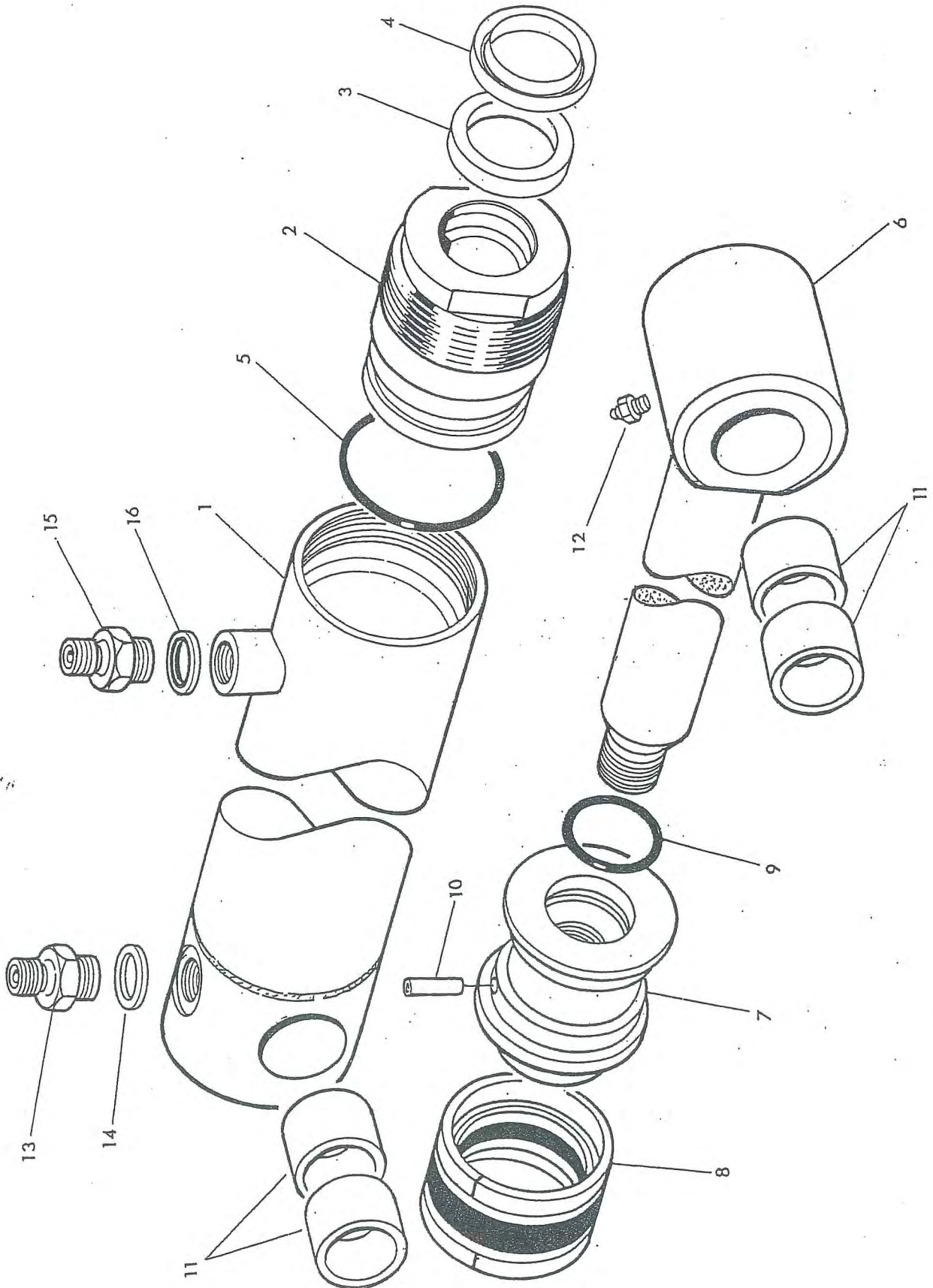




Ref.	Part No.	Qty.	Description
	<b>43317.02</b>		<b>ANGLE RAM ASSEMBLY</b>
1	43317.33	1	Ram barrel
2	43317.32	1	Gland housing
3	86 29 255	1	Gland seal
4	86 29 208	1	Piston rod wiper seal
5	86 00 306	1	O ring
6	43317.35	1	Piston rod
7	43317.31	1	Piston
8	86 29 156	1	Piston seal
9	86 29 157	1	Guide ring
10	86 00 301	1	O ring
11	42775.01	1	Dowel dia 6 x 25
12	08.294.04	4	Bush
13	86 29 218	2	Seal
14	09 01-121	2	Greaser 1/8" BSP straight
15	85 81 369	2	Adaptor 3/8" BSP - M14 MM including seal
16	86 50 403	2	Seal

**43317.01 SEAL KIT**

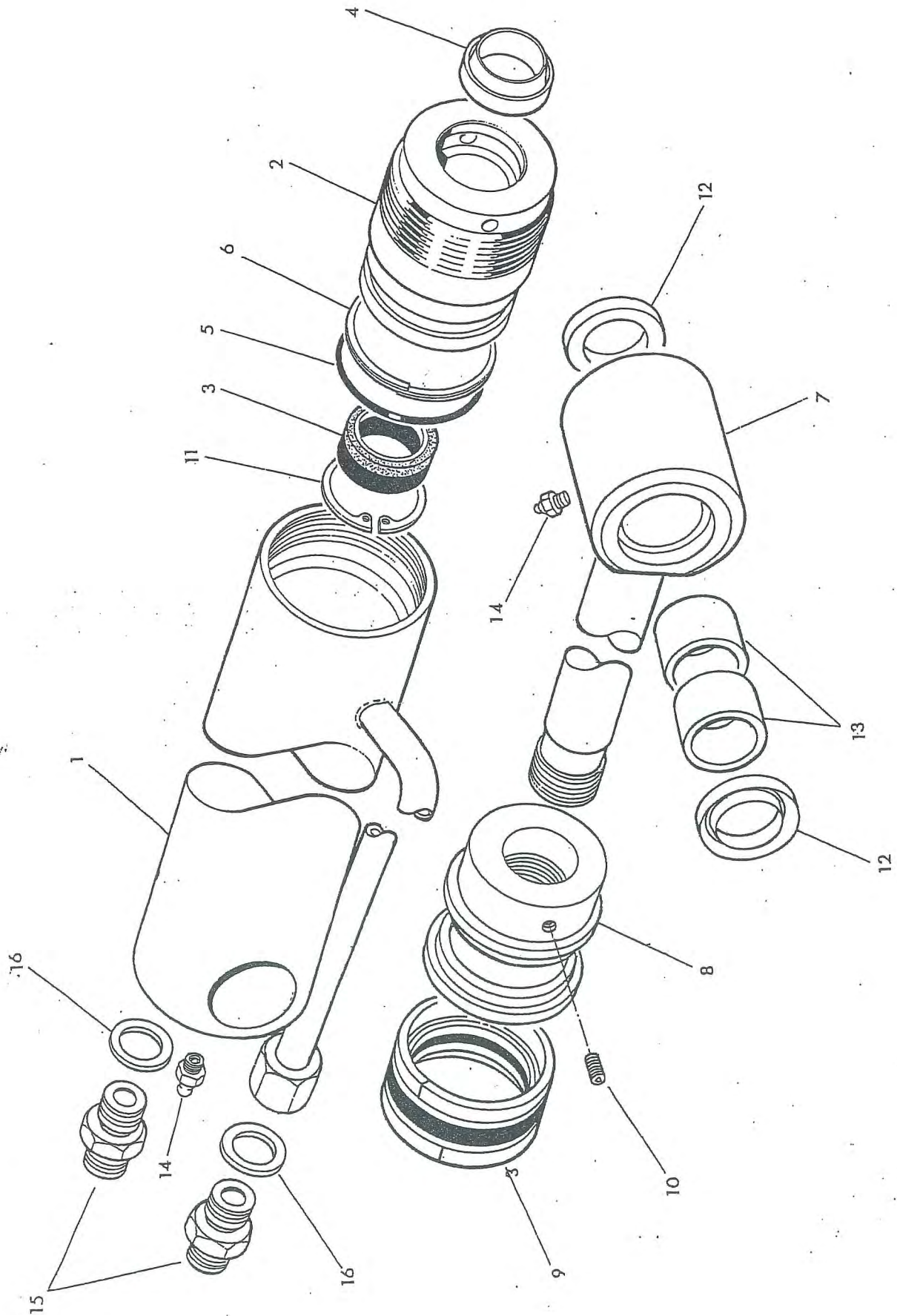






Ref.	Part No.	Qty.	Description
	<b>43316.02</b>		<b>SLEW RAM ASSEMBLY</b>
1	43316.36	1	Ram barrel
2	43316.32	1	Gland housing
3	86 29 225	1	Gland seal
4	86 29 208	1	Piston rod wiper seal
5	86 00 740	1	O ring
6	43316033	1	Piston rod
7	43316.31	1	Piston
8	86 38 740	1	Piston seal
9	86 00 301	1	O ring
10	42775.01	1	Dowel dia 6 x 25
11	08.297.02	4	Bush
12	09 01 121	1	Greaser 1/8" BSP straight
13	85 81 369	1	Adaptor 3/8" BSP - M14 MM including seal
14	86 50 403	1	Seal
15	81 24 105	1	Restrictor adaptor 3/8" BSP - M14 MM
16	86 50 103	1	Bonded seal 3/8" BSP
	<b>43316.01</b>		<b>SEAL KIT</b>





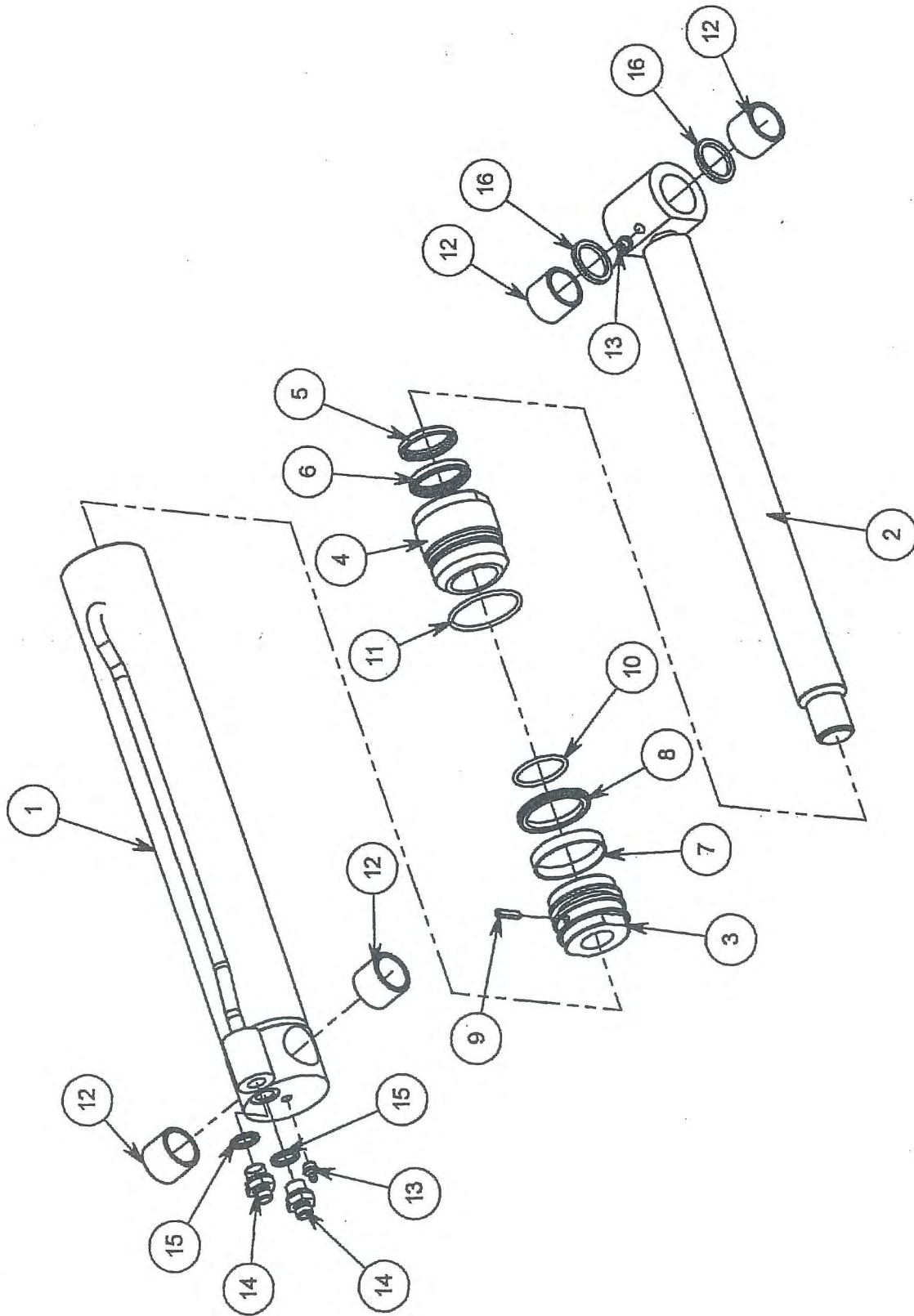


Ref.	Part No.	Qty.	Description
	<b>43377.02</b>		<b>TELE RAM ASSEMBLY</b>
1	43377.31	1	Ram barrel
2	71 35 291	1	Gland housing
3	86 29 148	1	Gland seal
4	86 29 149	1	Piston rod wiper seal
5	86 00 302	1	O ring
6	86 09 302	1	Anti extrusion ring
7	43377.33	1	Piston rod
8	71 35 008	1	Piston rod
9	86 38 788	1	Piston seal
10	93 63 023	1	Grubscrew M6 x 12
11	04 16 240	1	Internal circlip
12	86 29 218	2	Seal
13	08.297.04	2	Bush
14	09 01 121	2	Greaser 1/8" BSP straight
15	85 81 374	2	Adaptor 1/4" BSP - M14 MM including seal
16	86 50 402	1	Seal

**43377.01**                      **SEAL KIT**



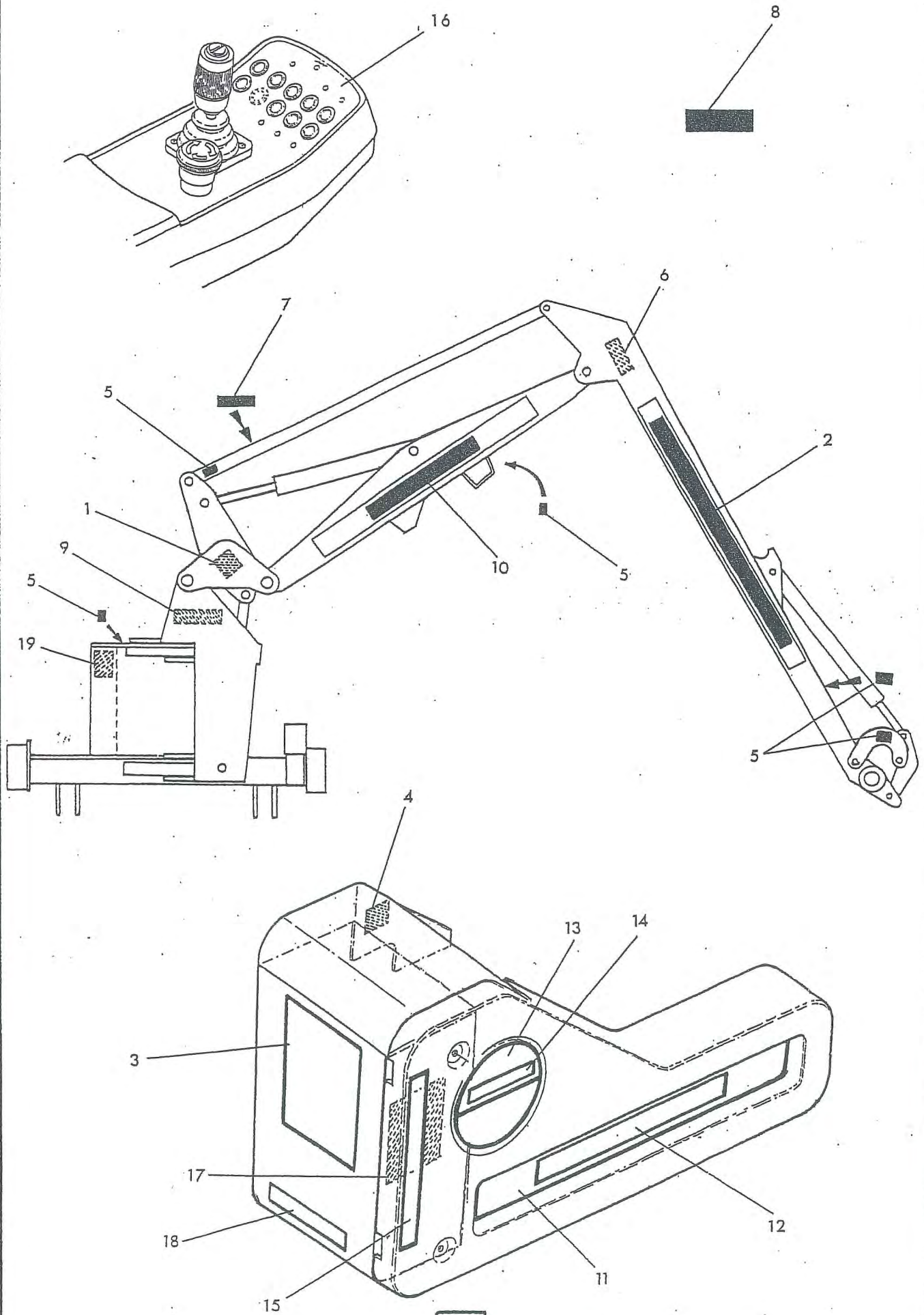
Module:  
43317.03



**FOLD RAM ASSEMBLY (Midcut)**

REF.	QTY.	PART No.	DESCRIPTION
		<b>43317.03</b>	<b>FOLD RAM ASSEMBLY</b>
1	1	43317.40	Barrel
2	1	43317.43	Piston Rod
3	1	43317.31	Piston
4	1	43317.32	Gland Housing
5	1	8629208	Scraper Ring
6	1	8629225	Gland Seal
7	1	8629157	Guide Ring
8	1	8629156	Piston Seal
9	1	42775.01	Dowel
10	1	8600301	O Ring
11	1	8600306	O Ring
12	4	08.297.04	Bush
13	2	0901121	Grease Nipple
14	2	8581369	Adaptor
15	2	8650103	Bonded seal
16	2	8629218	Lip Seal
		<b>43317.01</b>	<b>SEAL KIT</b>







Ref.	Part No.	Qty.	Description
------	----------	------	-------------

**STICKERS 550**

1	71 05 130	1	Read book first
2	12 90 520	2	Hy Reach supreme 550 E.D.S.
3	12 90 391	1	General warning
4	00756494	1	P.T.O. shaft
5	02962764	5	Pinch point
6	12 90 403	1	Breakaway return warning
7	12 90 406	1	Transport warning
8	84 02 138	1	Slew warning – supplied loose when with monolever
9	71 35 295	1	Tighten check chains
10	12 90 255	2	McConnel
11	12 90 526	1	Yellow panel
12	12 90 527	1	McConnel
13	12 90 524	1	Logo roundel – yellow
14	12 90 525	1	McConnel – yellow
15	12 90 529	1	Rear marker – R.Hand
	12 90 528	1	Rear marker – L.Hand – not illus.
16	12 90 514	1	Machine controls
17	12 90 534	1	Information sticker
18	12 90 482	1	Piston system
19	12 90 086	1	800 Rpm



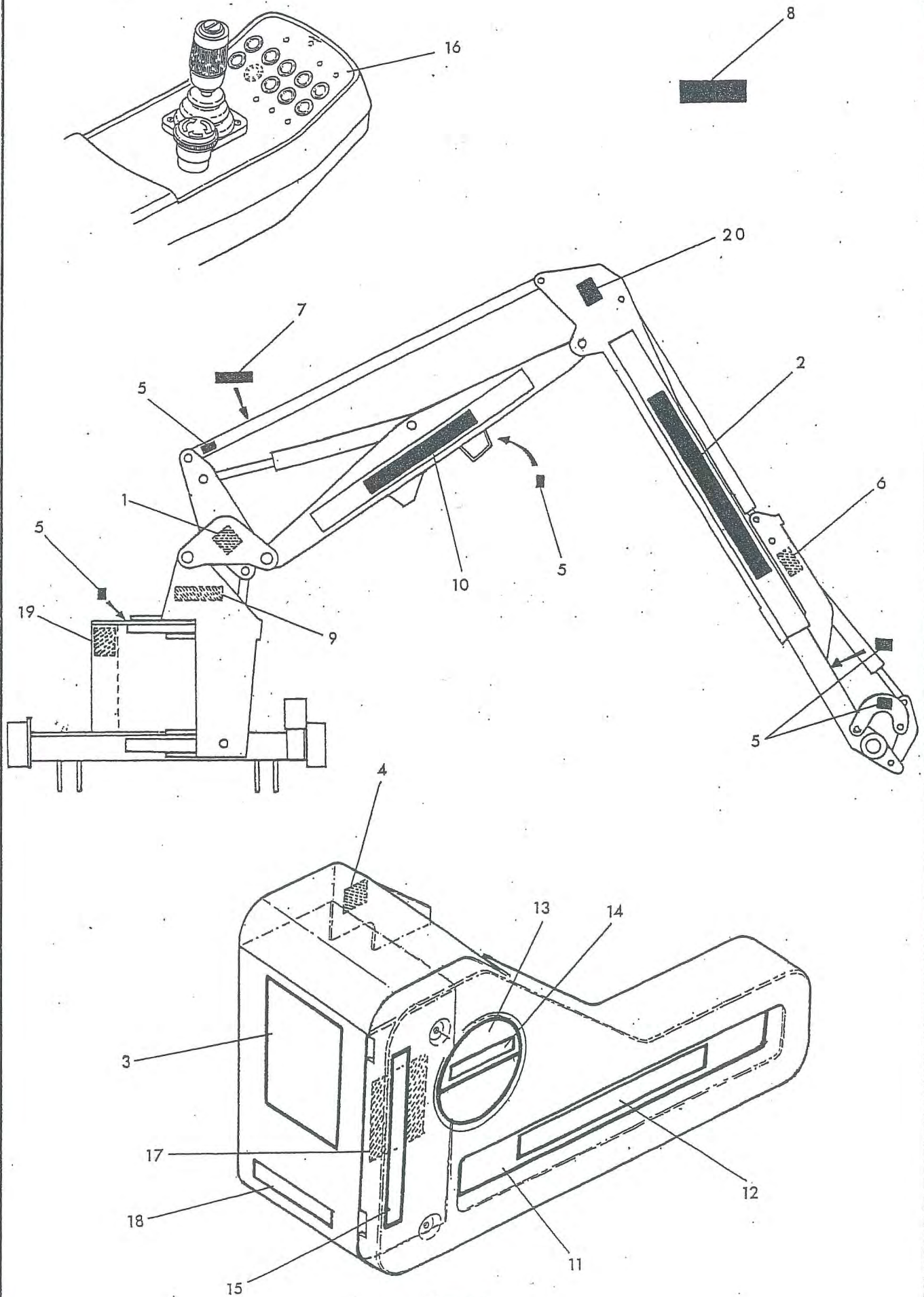


**McCORMICK**



**McCONNEL**







Ref.	Part No.	Qty.	Description
<b>STICKERS 650</b>			
1	71 05 130	1	Read book first
2	12 90 519	2	Hy Reach, supreme 650 E.D.S.
3	12 90 391	1	General warning
4	00756494	1	P.T.O. shaft
5	02962764	5	Pinch point
6	12 90 403	1	Breakaway return warning
7	12 90 406	1	Transport warning
8	84 02 138	1	Slew warning – supplied loose when with monolever
9	71 35 295	1	Tighten check chains
10	12 90 255	2	McConnel
11	12 90 526	1	Yellow panel
12	12 90 527	1	McConnel
13	12 90 524	1	Logo roundel – yellow
14	12 90 525	1	McConnel – yellow
15	12 90 529	1	Rear marker – R.Hand
	12 90 528	1	Rear marker – L.Hand – not illus.
16	12 90 514	1	Machine controls
17	12 90 534	1	Information sticker
18	12 90 482	1	Piston system
19	12 90 086	1	800 Rpm
20	12 90 005	1	Grease socket







McConnel Limited, Temeside Works, Ludlow, Shropshire SY8 1JL. England.  
Telephone: 01584 873131. Facsimile: 01584 876463. [www.mcconnel.com](http://www.mcconnel.com)