

Publication 512
November 2006
Part No. 41571.12
Revision: 20.07.11



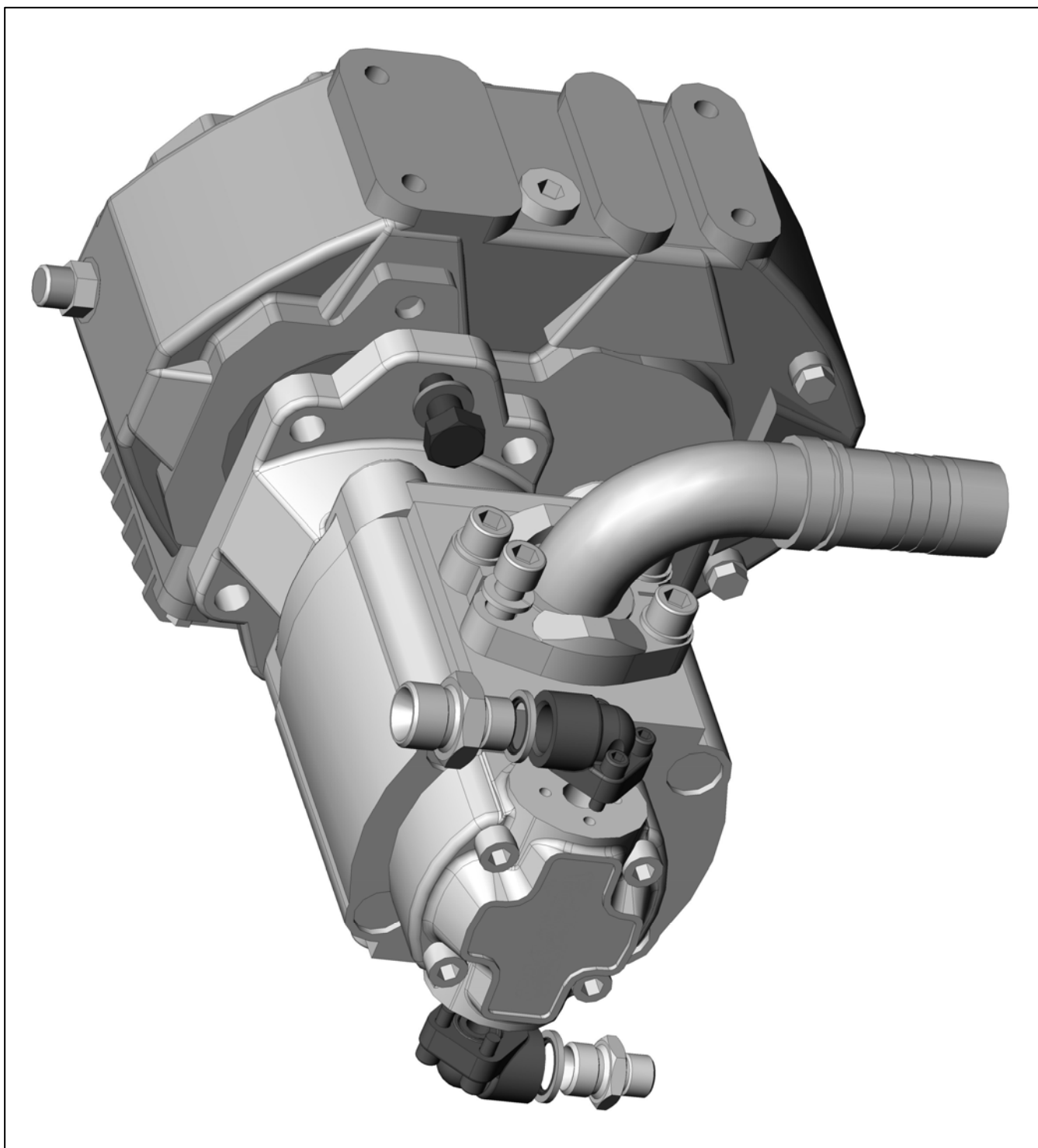
PA55 *Mk2*

PA60 *Mk2*

PA65T

PA70T

Parts Manual





For best performance...

USE ONLY McCONNEL SERVICE PARTS

*To be assured of the latest design improvements purchase your
'Genuine Replacements' from the Original Equipment Manufacturer:*

McCONNEL LIMITED

through your Local Dealer or Stockist.

Always quote:

- ***Machine Type***
- ***Serial Number***
- ***Part Number***

*Design Improvements may have altered some of the parts listed in this manual –
The latest part will always be supplied when it is interchangeable with an earlier one.*

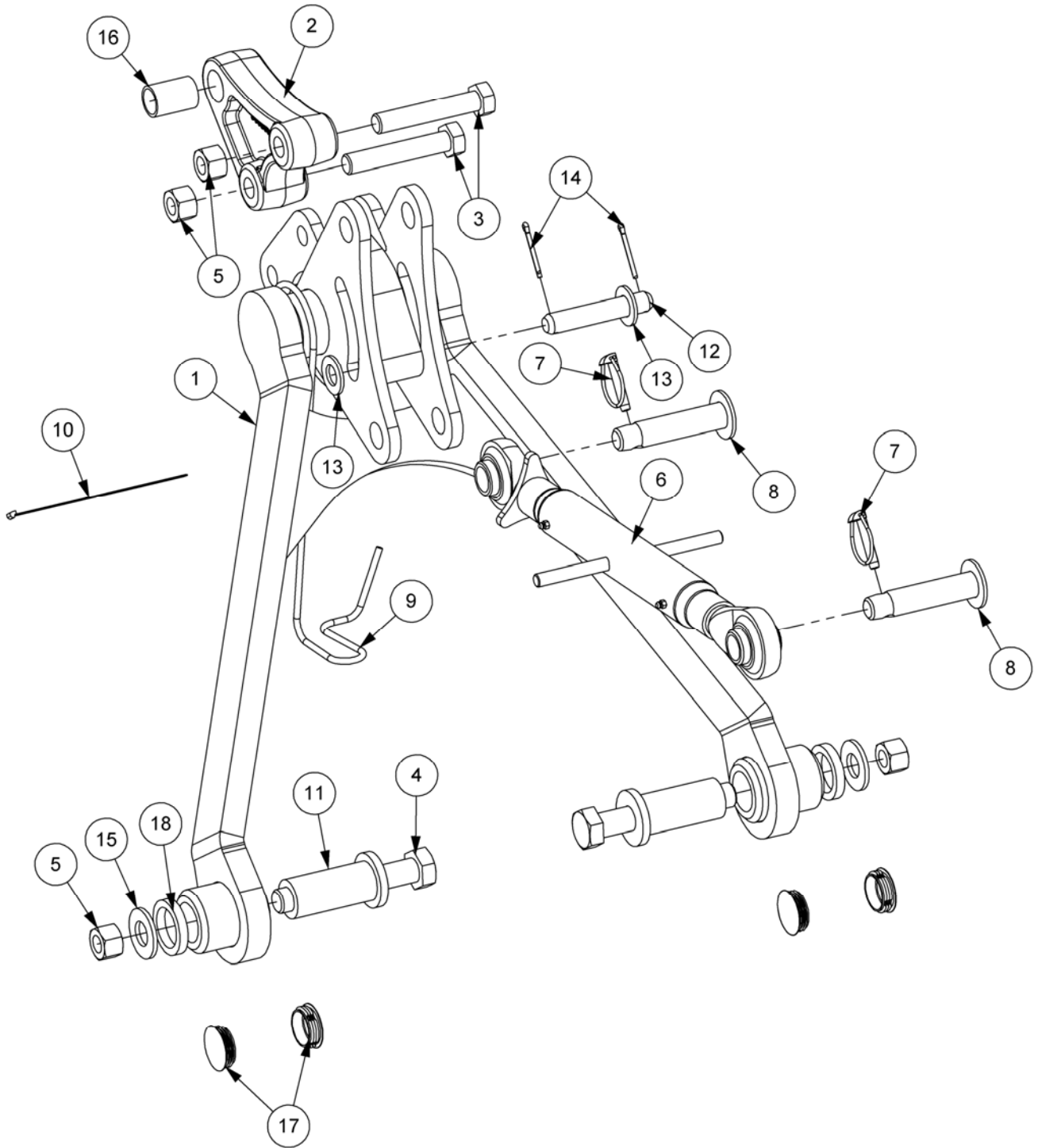
CONTENTS

	<i>Page</i>
Stabilizer Assemblies	1
Axle Bracket Kit Assemblies	5
Main Frame Assemblies	9
Pillar Assembly	11
Rocker Assemblies	13
Main Arm Assemblies	17
Dipper Arm Assemblies	25
Head Angling Mechanism	47
Hydraulic Tank Assembly	49
Pump & Gearbox Assemblies	53
Piston Pump By-Pass Assembly	69
Charge Filter Assembly	70
Rotor Control Valve Assemblies	71
Armhead Control Valve Assemblies	75
Solenoid Restrictors	93
Control Unit Mounting Kits	96
Control Units	97
ACB Controller Connections	106
Revolution Control Unit	110
Sensor Kits	113
Hydraulic Installations	115
Hydraulic Ram Assemblies	120
Lift Float Kits	134
Over-Centre Valve Kit	136
Front Mount Reset Kit	137
Flail Accumulator Kit	139
Cooler Assembly	140
Hydraulic Hose Installations	141
Cover Assemblies	159
Decal Kits	165
Rear Lighting Kit	169
Debris Blower Mounting Kit	170
Rear Magnetic Sign Kit	171
Lift Stop Kit	172
Cab Guard Kit	173

STABILIZER ASSEMBLY

McCONEL

Module(s): 7499632



STABILIZER ASSEMBLY

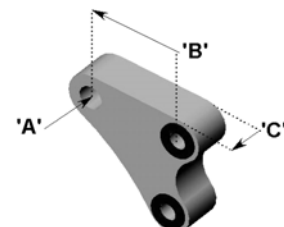
McCONNEL

Module(s): 7499632

REF.	QTY.	PART No.	DESCRIPTION
		7499632	STABILIZER ASSEMBLY
1	1	41205.13	STABILIZER
2	1	7499506C	STABIZER TONGUE - CAT.3
3	2	9213228	BOLT
4	2	9213309	BOLT
5	4	9143008	SELF-LOCKING NUT
6	1	21370.01	TOP LINK ASSEMBLY
7	2	0431217	LINCH PIN
8	2	7560144	TOP LINK PIN
9	1	21160.03	PTO HOOK
10	1	7196045	HOSE TIE
11	2	45999.05	SPACER SLEEVE
12	1	22072.01	QUADRANT PIN
13	2	9100108	FLAT WASHER
14	2	9501406	SPLIT PIN
15	2	9100109	FLAT WASHER
16	1	21883.01	SLEEVE - CAT.2 TO CAT.3
17	4	21388.01	PLASTIC INSERT
18	2	45999.04	SPACER

McCONNEL STABILISER TONGUES

- 'A' – Hole diameter
- 'B' – Hole center spacing
- 'C' – Stabiliser width



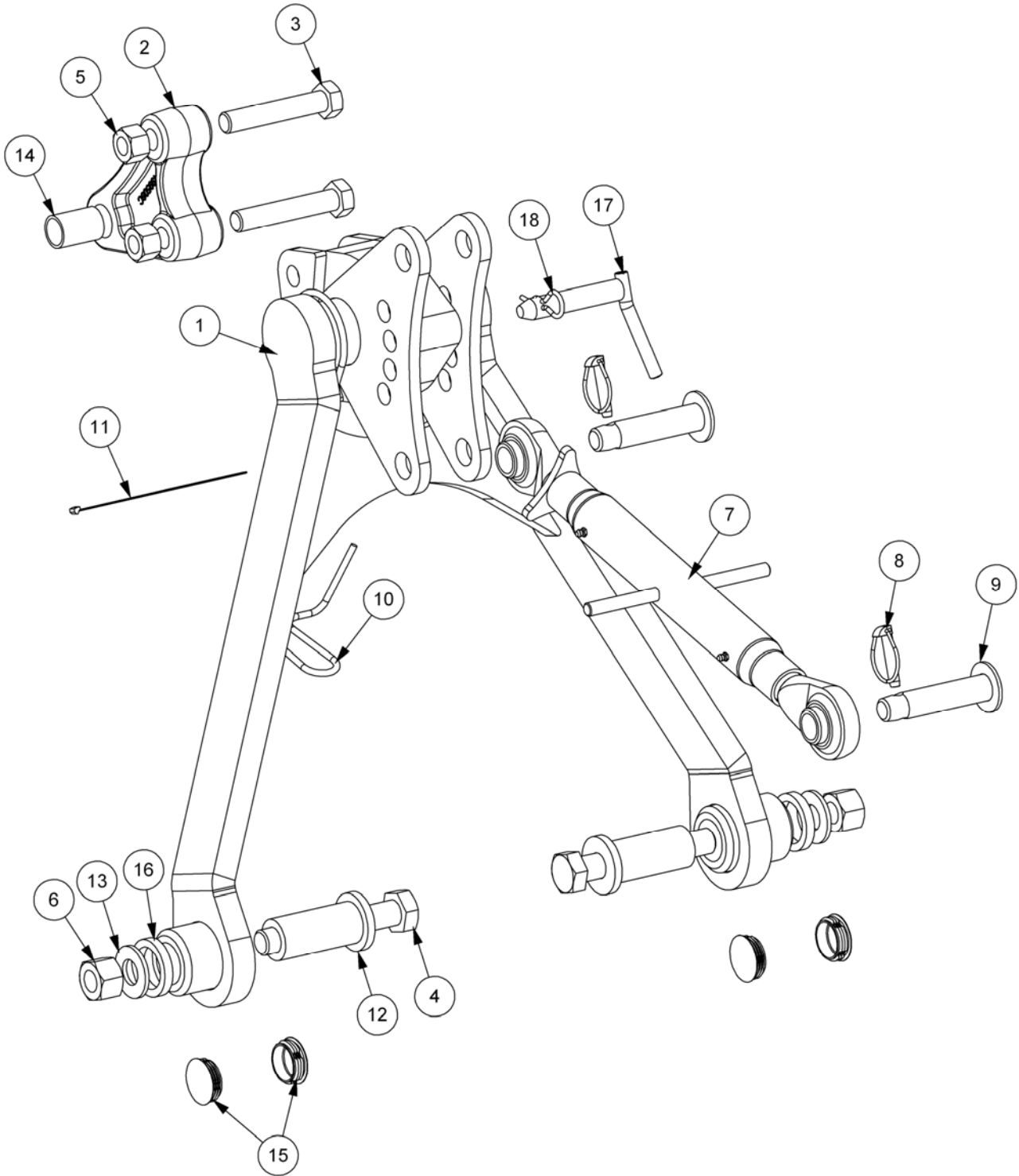
(Dimensions in mm)

Part No.	Description	'A'	'B'	'C'
7499501	Tongue: Standard – Cat. 2	27	107	45
7499500	Tongue: Special – Cat. 2 narrow	27	107	35
7499502	Tongue: Special – Cat. 2 long	27	217	45
7499503	Tongue: Special – Cat. 3 long	32	217	45
7499504	Tongue: Special – Cat. 1	19.5	107	35
7499505	Tongue: Special – Cat. 2 for Case TX tractors	25	120	50
7499506	Tongue: Special – Cat. 3	32	107	45
7499507	Tongue: Special – Cat. 3 narrow	32	107	30
7499508	Tongue: Special – for some Ford tractors	28.6	107	45
7499262	Tongue: Special – Cat. 2 extra long for Aebi	27	260	45
7499510	Tongue: Special – Cat. 2	27	107	40

STABILIZER ASSEMBLY (NARROW NOSE)

McCONEL

Module(s): 7499634



STABILIZER ASSEMBLY (NARROW NOSE)

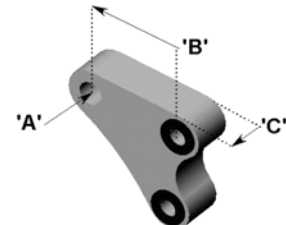
McCONNEL

Module(s): 7499634

REF.	QTY.	PART No.	DESCRIPTION
		7499634	STABILIZER ASSEMBLY
1	1	41205.14	NARROW NOSE STABILIZER (TYPE 2)
2	1	7499506C	STABILIZER TONGUE - CAT.3 (CAST)
3	2	9213228	BOLT
4	2	9213309	BOLT
5	2	9143008	SELF-LOCKING NUT M20
6	2	9143009	SELF-LOCKING NUT
7	1	21370.01	TOP LINK ASSEMBLY
8	2	0431217	LINCH PIN
9	2	7560144	TOP LINK PIN
10	1	21160.03	PTO HOOK
11	1	7196045	HOSE TIE
12	2	45999.05	SPACER SLEEVE
13	2	9100109	FLAT WASHER
14	1	21883.01	SLEEVE - CAT.2 to CAT.3
15	4	21388.01	PLASTIC INSERT
16	2	45999.04	SPACER
17	1	45784.01	QUADRANT PIN
18	1	0431105	SPRING COTTER

McCONNEL STABILISER TONGUES

- 'A' – Hole diameter
- 'B' – Hole center spacing
- 'C' – Stabiliser width



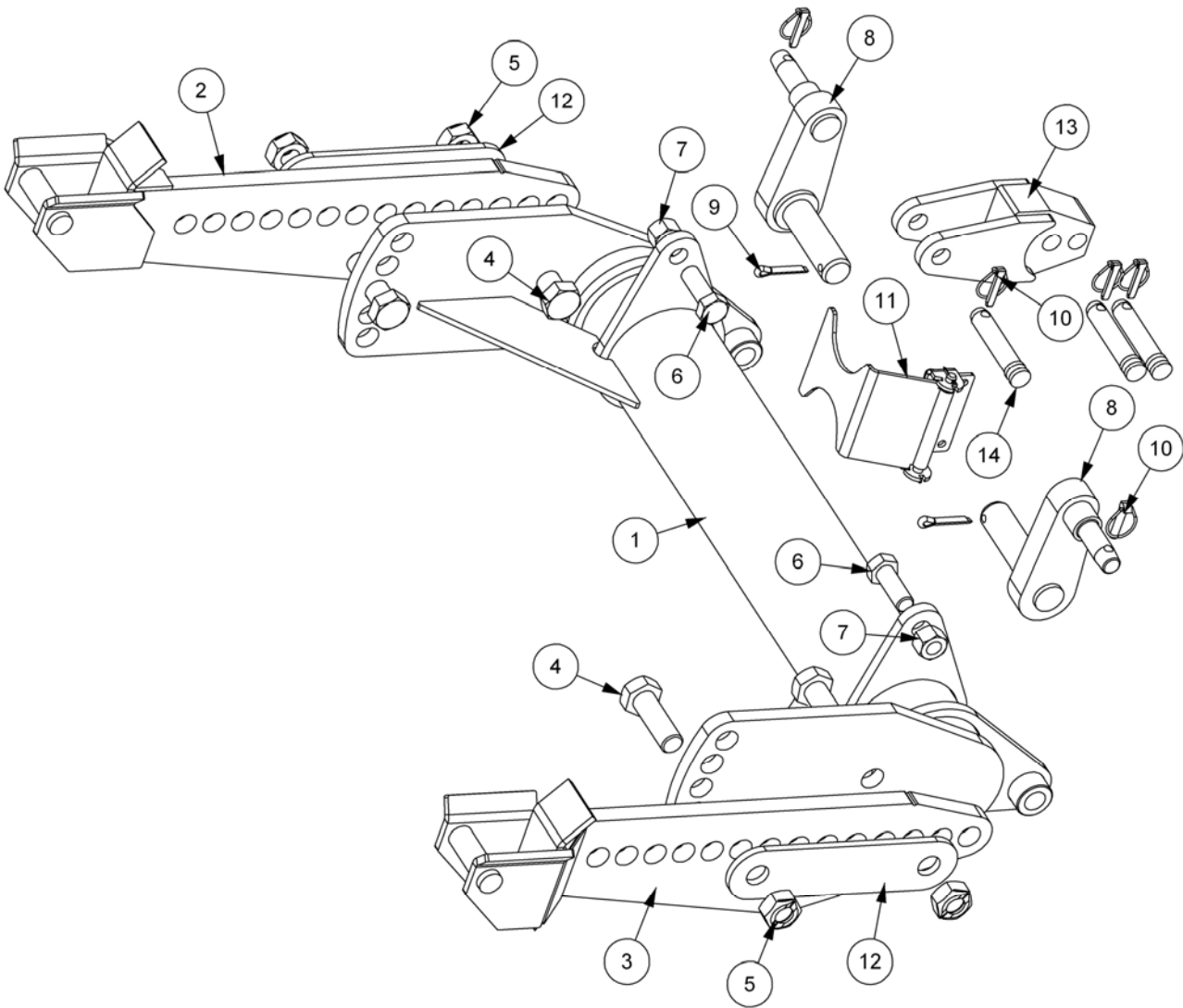
(Dimensions in mm)

Part No.	Description	'A'	'B'	'C'
7499501	Tongue: Standard – Cat. 2	27	107	45
7499500	Tongue: Special – Cat. 2 narrow	27	107	35
7499502	Tongue: Special – Cat. 2 long	27	217	45
7499503	Tongue: Special – Cat. 3 long	32	217	45
7499504	Tongue: Special – Cat. 1	19.5	107	35
7499505	Tongue: Special – Cat. 2 for Case TX tractors	25	120	50
7499506	Tongue: Special – Cat. 3	32	107	45
7499507	Tongue: Special – Cat. 3 narrow	32	107	30
7499508	Tongue: Special – for some Ford tractors	28.6	107	45
7499262	Tongue: Special – Cat. 2 extra long for Aebi	27	260	45
7499510	Tongue: Special – Cat. 2	27	107	40

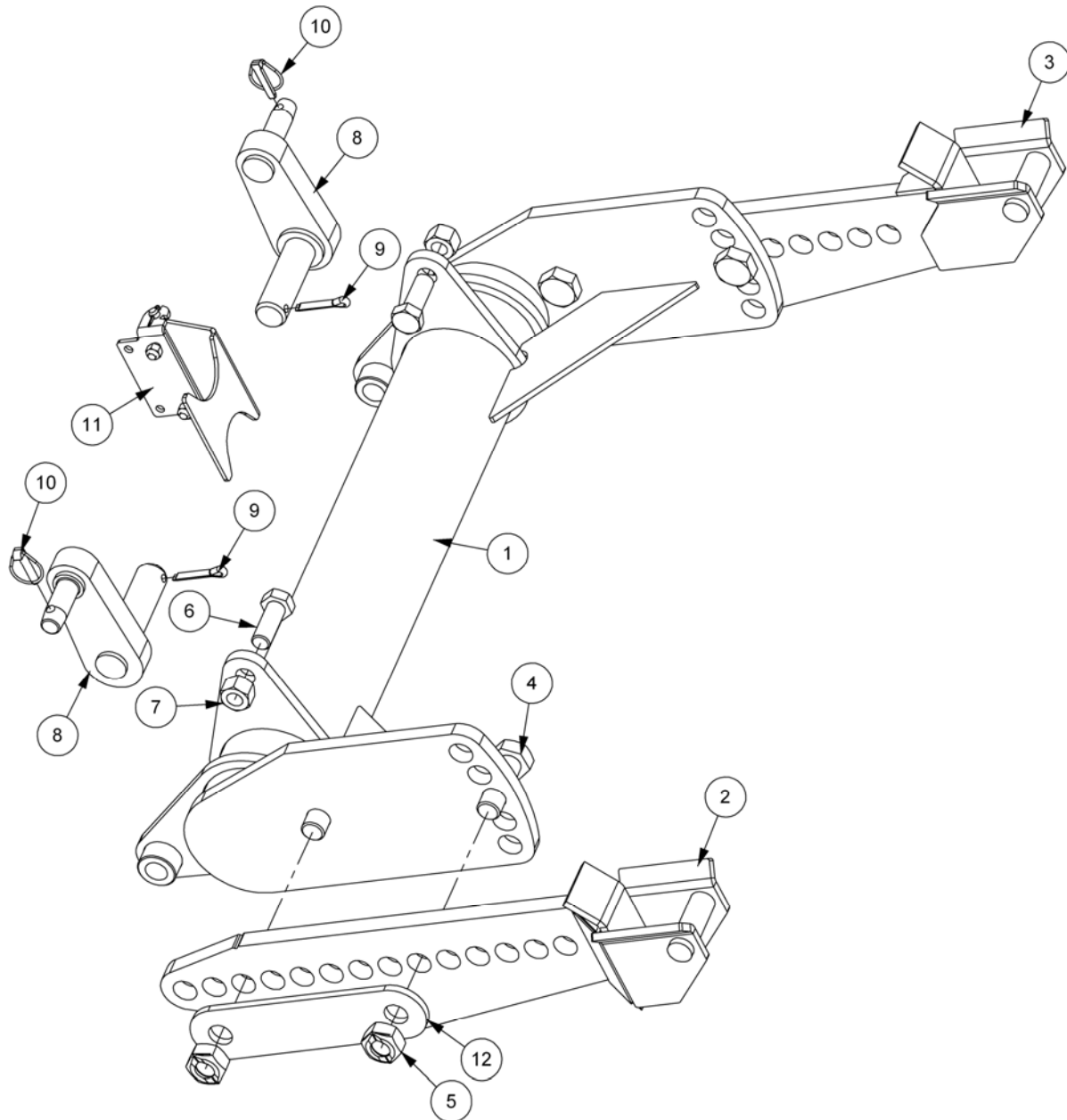
AXLE BRACKET KIT (Standard)

McCONNEL

Module(s): 7155716



REF.	QTY.	PART No.	DESCRIPTION
		7155716	AXLE BRACKET KIT (Standard)
1	1	21278.01	BRACKET FRAME
2	1	43318.01	HITCH ARM - TYPE 1
3	1	43318.02	HITCH ARM - TYPE 2
4	4	9200035	BOLT
5	4	9100023	BINX NUT
6	2	9213139	BOLT
7	2	9143009	SELF-LOCKING NUT
8	2	45356.02	LIFT LINK
9	2	9501509	SPLIT PIN
10	2	0431217	LINCH PIN
11	1	21187.02	PTO SUPPORT BRACKET
12	2	21358.01	CLAMP PLATE
13	1	22422.01	TOP HITCH EXTENSION BRACKET
14	3	41267.06	LINK PIN

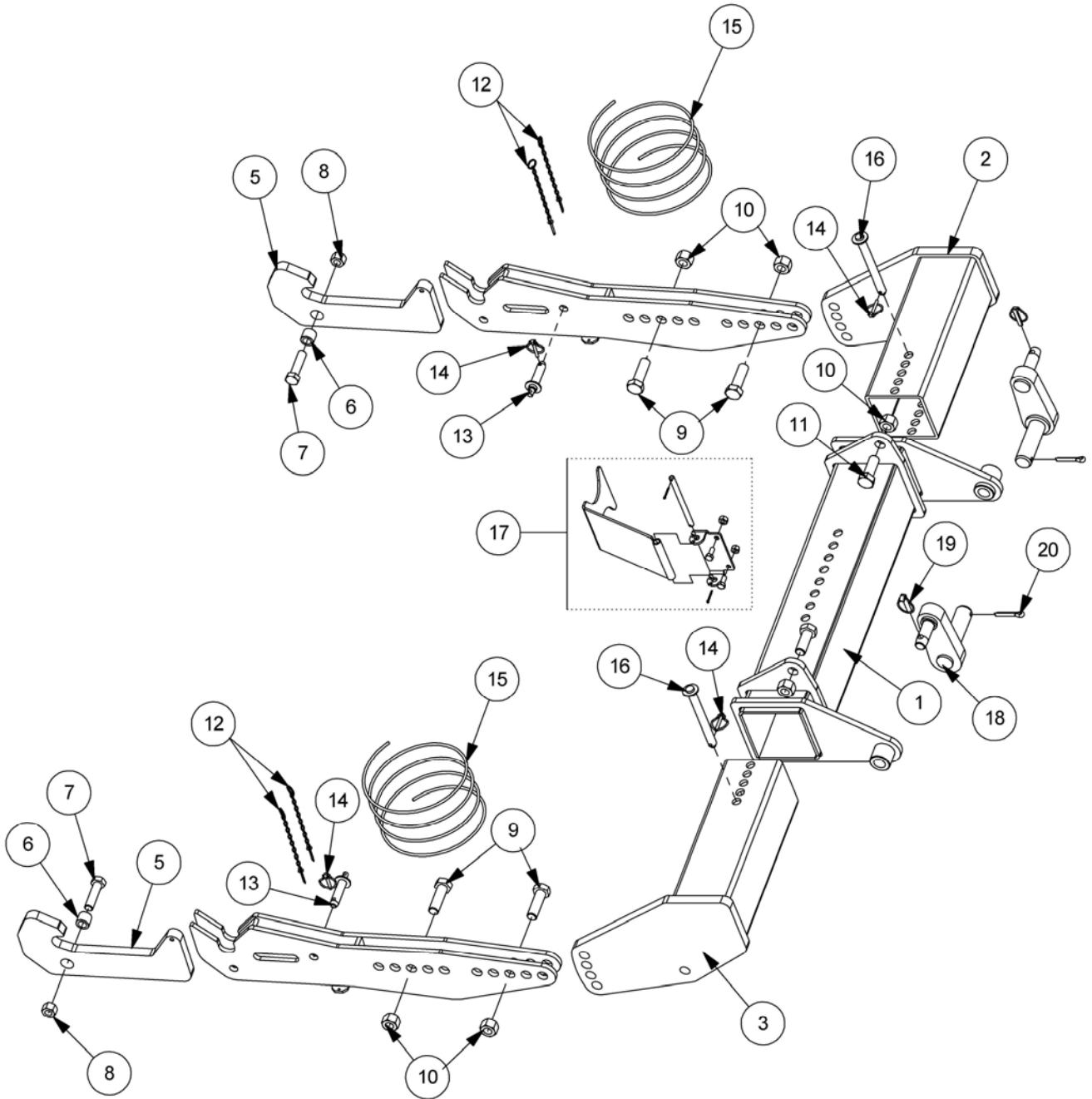


REF.	QTY.	PART No.	DESCRIPTION
		7155724	AXLE BRACKET KIT
1	1	21278.01	BRACKET FRAME
2	1	43318.01	HITCH ARM - TYPE 1
3	1	43318.02	HITCH ARM - TYPE 2
4	4	9200035	BOLT
5	4	9100023	BINX NUT
6	2	9213139	BOLT
7	2	9143009	SELF-LOCKING NUT
8	2	43319.02	LIFT LINK (SHORT PIN)
9	2	9501509	SPLIT PIN
10	2	0431217	LINCH PIN
11	1	21187.02	PTO SUPPORT BRACKET
12	2	21358.01	CLAMP PLATE

AXLE BRACKET KIT (Alternative)

McCONEL

Module(s): 7155717



Module(s): 7155717

REF.	QTY.	PART No.	DESCRIPTION
		7155717	AXLE BRACKET KIT - Alternative
1	1	21289.01	HITCH FRAME
2	1	21292.01	HITCH MOUNT - TYPE 1
3	1	21292.02	HITCH MOUNT - TYPE 2
4	2	21290.01	MOUNTING ARM
5	2	21291.01	LATCH
6	2	21303.01	PIVOT BUSH
7	2	9213168	BOLT
8	2	9143008	SELF-LOCKING NUT
9	4	05.285.02	BOLT
10	6	9143009	SELF-LOCKING NUT
11	2	9213139	BOLT
12	4	03.255.05	CHAIN/RING
13	2	21330.01	SAFETY PIN
14	4	0431204	LINCH PIN
15	2	21331.01	LATCH CORD
16	2	21332.01	BRACKET PIN
17	1	21187.01	PTO SUPPORT BRACKET KIT - <i>Comprising of:</i>
	1	21184.01	DRIVE SHAFT SUPPORT BRACKET
	1	21186.01	PIN
	1	21183.01	PTO SUPPORT BRACKET
	2	9313055	SETSCREW
	1	9143005	SELF-LOCKING NUT
	1	9143006	SELF-LOCKING NUT
	2	9501255	SPLIT PIN
18	2	43319.02	LIFT LINK
19	2	0431217	LINCH PIN
20	2	9501509	SPLIT PIN

MAIN FRAME ASSEMBLIES

McCONNEL

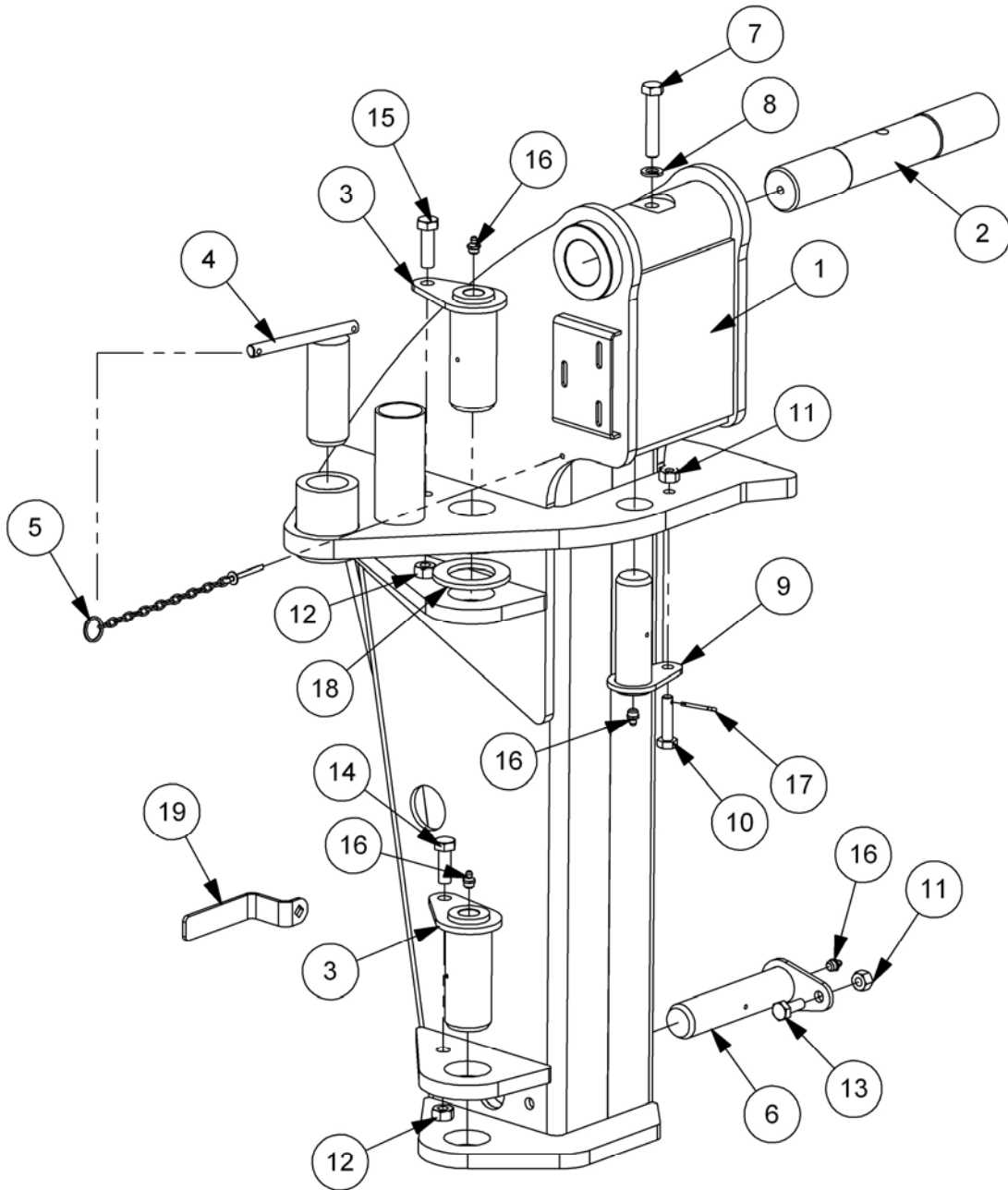
Module(s): 7458501, 7458502, 7470500, 7470501

REF.	QTY.	PART NO.	DESCRIPTION
		7458501	MAIN FRAME ASSEMBLY - PA55 / 60 / 65T L/H Builds
		7458502	MAIN FRAME ASSEMBLY - PA55 / 60 / 65T R/H Builds
		7470500	MAIN FRAME ASSEMBLY - PA70T L/H Build
		7470501	MAIN FRAME ASSEMBLY - PA70T R/H Build
1	1	21272.05	MAIN FRAME - PA55 / 60 / 65T L/H Builds
	1	21272.06	MAIN FRAME - PA55 / 60 / 65T R/H Builds
	1	22614.01	MAIN FRAME - PA70T L/H Build
	1	22614.02	MAIN FRAME - PA70T R/H Build
2	1	45293.03	STAND LEG (LEFT)
3	1	45293.04	STAND LEG (RIGHT)
4	2	21385.03	BUSH
5	2	45297.01	LEG PIN
6	2	41559.01	LINKAGE PIN - CAT 2.
7	1	21277.01	WEAR PLATE
8	1	7560141	RUBBER SPRING
9	1	7560130	REACTION PLATE
10	1	7560398	TOP HITCH BRACKET
11	6	45210.01	PLASTIC PLUG
12	1	9313118	SETSCREW (<i>Quantity x2 on PA70T Models</i>)
13	1	9113008	NUT (<i>Quantity x2 on PA70T Models</i>)
14	1	45202.08	PIN
15	2	9113009	NUT
16	1	9143005	SELF-LOCKING NUT
17	1	9213085	BOLT
18	1	0901121	GREASE NIPPLE - Straight
19	2	0901124	GREASE NIPPLE - 67°
20	4	9313076	SETSCREW
21	5	9143006	SELF-LOCKING NUT
22	3	0431217	LINCH PIN
23	2	0431105	SPRING COTTER
24	1	7560144	TOP LINK PIN
25	1	1335246	SERIAL No. PLATE- McCONNEL
26	4	7103230	POP RIVET
27	1	21283.07	LAMP BRACKET - L/H Builds
	1	21283.08	LAMP BRACKET - R/H Builds
28	1	7550346	PTO SHAFT
29	1	9213126	BOLT
30	2	21151.01	D CLIP
31	2	9313023	SETSCREW
32	2	9100103	FLAT WASHER
33	2	9100203	SPRING WASHER
34	2	43332.01	LINKAGE SPACER - 15mm
35	2	43332.02	LINKAGE SPACER - 10mm
36	1	21755.01	CABLE COVER
37	1	8020178	COMPRESSION SPRING
38	1	21757.01	SPRING LOCATOR
39	2	9143009	SELF-LOCKING NUT

PILLAR ASSEMBLY

Module(s): 7458503 – L/H Build (*illustrated*), 7458504 – R/H Build

McCONNEL



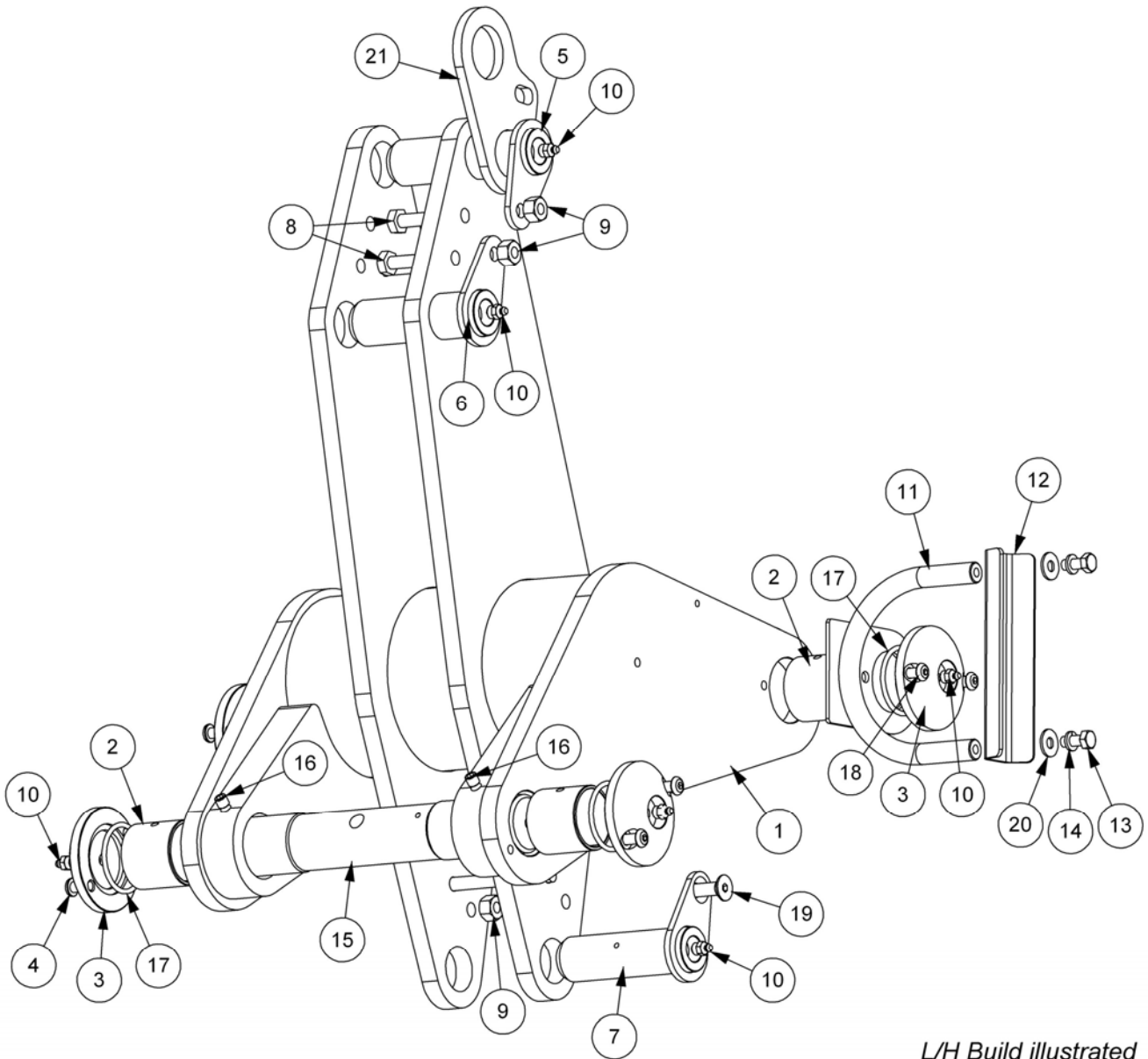
PILLAR ASSEMBLY**McCONNEL**Module(s): 7458503 – L/H Build (*illustrated*), 7458504 – R/H Build

REF.	QTY.	PART NO.	DESCRIPTION
		7458503	PILLAR ASSEMBLY - L/H Build
		7458504	PILLAR ASSEMBLY - R/H Build
1	1	21273.05	PILLAR - L/H Build
	1	21273.06	PILLAR - R/H Build
2	1	45264.04	ARM PIVOT PIN
3	2	45271.03	PIN - SLEW PIVOT
4	1	43323.01	SLEW LOCK PIN
5	1	03.255.05	CHAIN & RING
6	1	45202.05	PIN - LIFT BASE
7	1	9213136	BOLT
8	1	9100206	SPRING WASHER
9	1	45202.04	PIN - SLEW ROD
10	1	42269.07	SPECIAL BOLT
11	2	9143005	SELF-LOCKING NUT
12	2	9143006	SELF-LOCKING NUT
13	1	9313055	SETSCREW
14	1	9313076	SETSCREW
15	1	9313086	SETSCREW
16	4	0901121	GREASE NIPPLE
17	1	9501255	SPLIT PIN
18	1	45298.02	THRUST WASHER
19	1	21193.01	TAP HANDLE

ROCKER ASSEMBLY (STD.)

Module(s): 7458578

McCONEL



L/H Build illustrated

ROCKER ASSEMBLY (STD.)**McCONNEL**

Module(s): 7458578

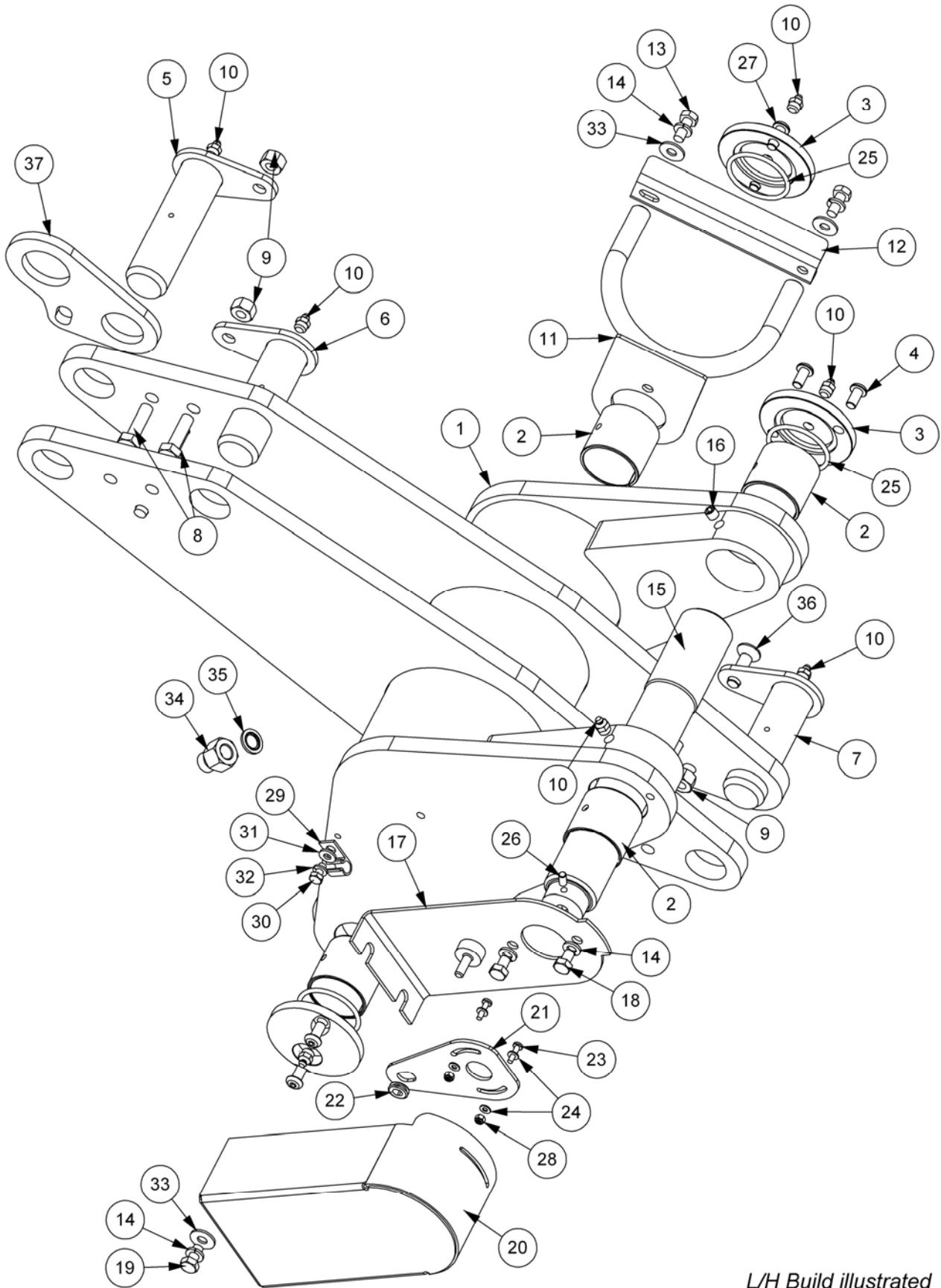
REF.	QTY.	PART No.	DESCRIPTION
		7458578	STD. ROCKER ASSEMBLY
1	1	45059.09	ROCKER
2	4	21649.05	BUSH
3	4	45266.01	PIN CAP
4	6	9300159	BUTTON HEAD SCREW
5	1	45202.01	PIN
6	1	45202.04	PIN
7	1	45202.10	PIN
8	2	9313075	SETSCREW
9	3	9143005	SELF-LOCKING NUT
10	7	0901121	GREASE NIPPLE
11	1	43048.08	HOSE LOOP BRACKET
12	1	43048.10	HOSE RETAINER
13	2	9313044	SETSCREW
14	2	9100204	SPRING WASHER
15	1	45264.04	ARM PIVOT PIN
16	2	8582041	TAPER PLUG
17	4	8600303	O RING
18	2	9300161	BUTTON HEAD SCREW
19	1	9353075	CAPSCREW
20	2	9100104	FLAT WASHER
21	1	22667.01	SLINGING EYE

NOTE: Illustration shows L/H build - R/H build is a mirror of the assembly shown.

ROCKER ASSEMBLY (EDS)

Module(s): 7458577

McCONEL



L/H Build illustrated

ROCKER ASSEMBLY (EDS)

McCONNEL

Module(s): 7458577

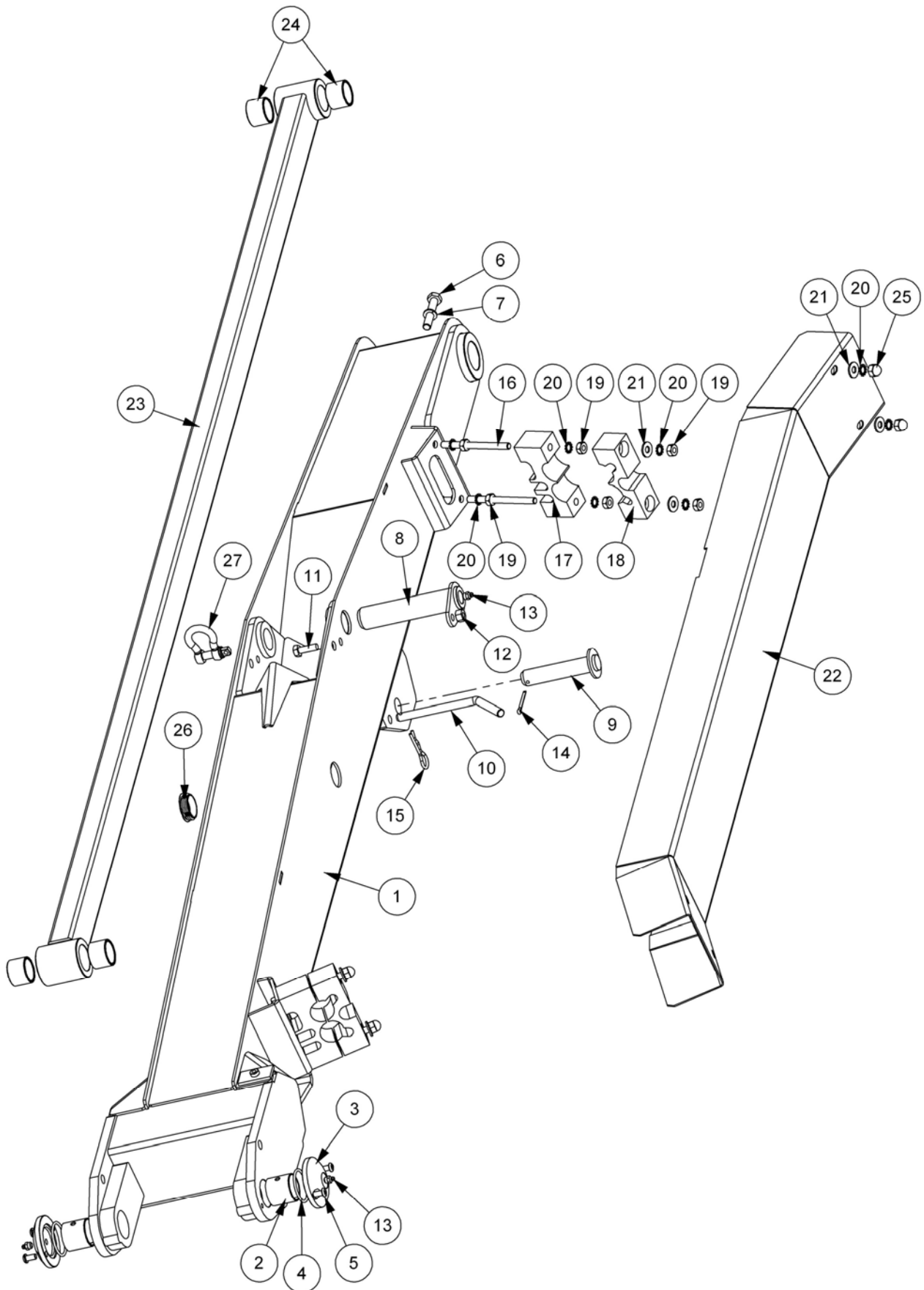
REF.	QTY.	PART No.	DESCRIPTION
		7458577	EDS ROCKER ASSEMBLY
1	1	45059.09	ROCKER
2	4	21649.05	BUSH
3	3	45266.01	PIN CAP
4	4	9300159	BUTTON HEAD SCREW
5	1	45202.01	PIN
6	1	45202.04	PIN
7	1	45202.10	PIN
8	2	9313075	SETSCREW
9	3	9143005	SELF-LOCKING NUT
10	7	0901121	GREASE NIPPLE
11	1	43048.08	HOSE LOOP BRACKET
12	1	43048.10	HOSE RETAINER
13	2	9313044	SETSCREW
14	5	9100204	SPRING WASHER
15	1	45264.05	ARM PIVOT PIN (EDS)
16	1	8582041	TAPER PLUG
17	1	45425.05	LOCATION PLATE
18	2	9313024	SETSCREW
19	1	9313034	SETSCREW
20	1	45425.03	COVER
21	1	45425.06	SENSOR BRACKET
22	1	43356.01	GROMMET
23	2	9300162	PANHEAD SCREW
24	4	9100101	FLAT WASHER
25	3	8600303	O RING
26	1	9363023	GRUB SCREW
27	2	9300161	SOCKET BUTTON SCREW
28	2	05.948.33	SELF-LOCKING NUT
29	4	21151.01	D CLIP
30	4	9313023	SETSCREW
31	4	9100103	FLAT WASHER
32	4	9100203	SPRING WASHER
33	3	9100104	FLAT WASHER
34	1	8103005	UNION
35	1	8650102	BONDED SEAL
36	1	9353075	CAPSCREW
37	1	22667.01	SLINGING EYE

NOTE: Illustration shows L/H build - R/H build is a mirror of the assembly shown.

MAIN ARM ASSEMBLY – PA55 / PA55M / PA65T

Module(s): 7458570 - L/H Build (*illustrated*), 7458571 - R/H Build

McCONEL



MAIN ARM ASSEMBLY – PA55 / PA55M / PA65T

McCONNEL

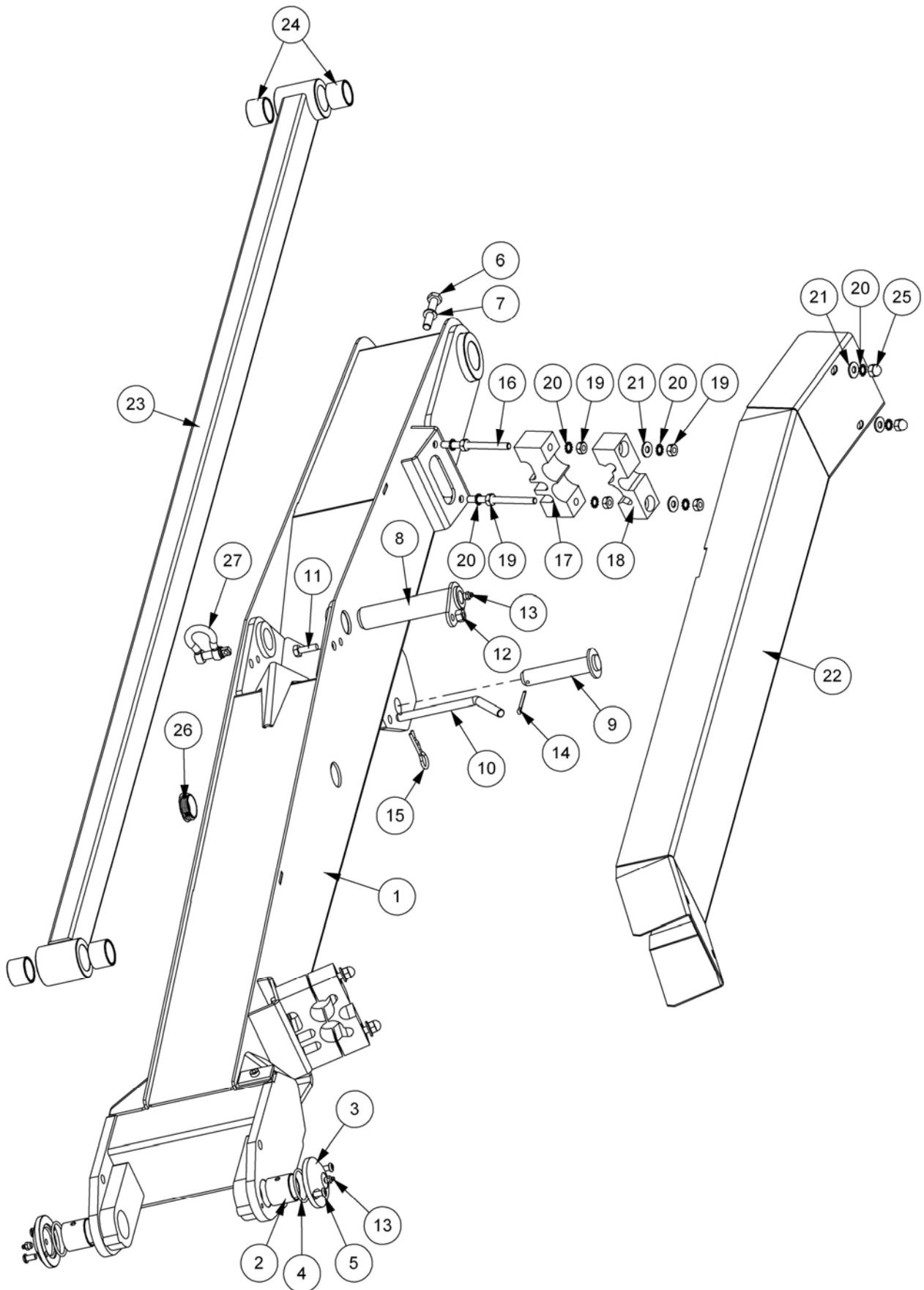
Module(s): 7458570 - L/H Build (*illustrated*), 7458571 - R/H Build

REF.	QTY.	PART No.	DESCRIPTION
		7458570	MAIN ARM ASSEMBLY - L/H Build
		7458571	MAIN ARM ASSEMBLY - R/H Build
1	1	21279.12	MAIN ARM - L/H Build
	1	21279.13	MAIN ARM - R/H Build
2	2	7115208	BUSH
3	2	45266.01	PIN CAP
4	2	8600303	O RING
5	4	9300159	BUTTON HEAD SCREW
6	1	9213146	BOLT
7	1	9100206	SPRING WASHER
8	1	45202.08	PIN
9	1	43023.01	PIN (TRANSPORT PROP)
10	1	43074.01	LOCK PIN
11	1	9313065	SETSCREW
12	1	9143005	SELF-LOCKING NUT
13	3	0901121	GREASE NIPPLE
14	1	9501406	SPLIT PIN
15	1	0431105	SPRING COTTER
16	4	42198.01	STUD
17	2	42024.27	HOSE CLAMP
18	2	42024.28	MULTICLAMP
19	12	9113005	PLAIN NUT
20	16	9100405	SHAKEPROOF WASHER
21	8	9100105	FLAT WASHER
22	1	41665.15	HOSE COVER
23	1	21280.01	TENSION LINK
24	4	08.297.05	BUSH
25	4	9100025	DOME NUT
26	1	21388.01	PLASTIC INSERT
27	1	22668.01	SLINGING SHACKLE

MAIN ARM ASSEMBLY – PA55VFR / PA60 / PA70T

Module(s): 7458572 - L/H Build (illustrated), 7458573 - R/H Build

McCONEL



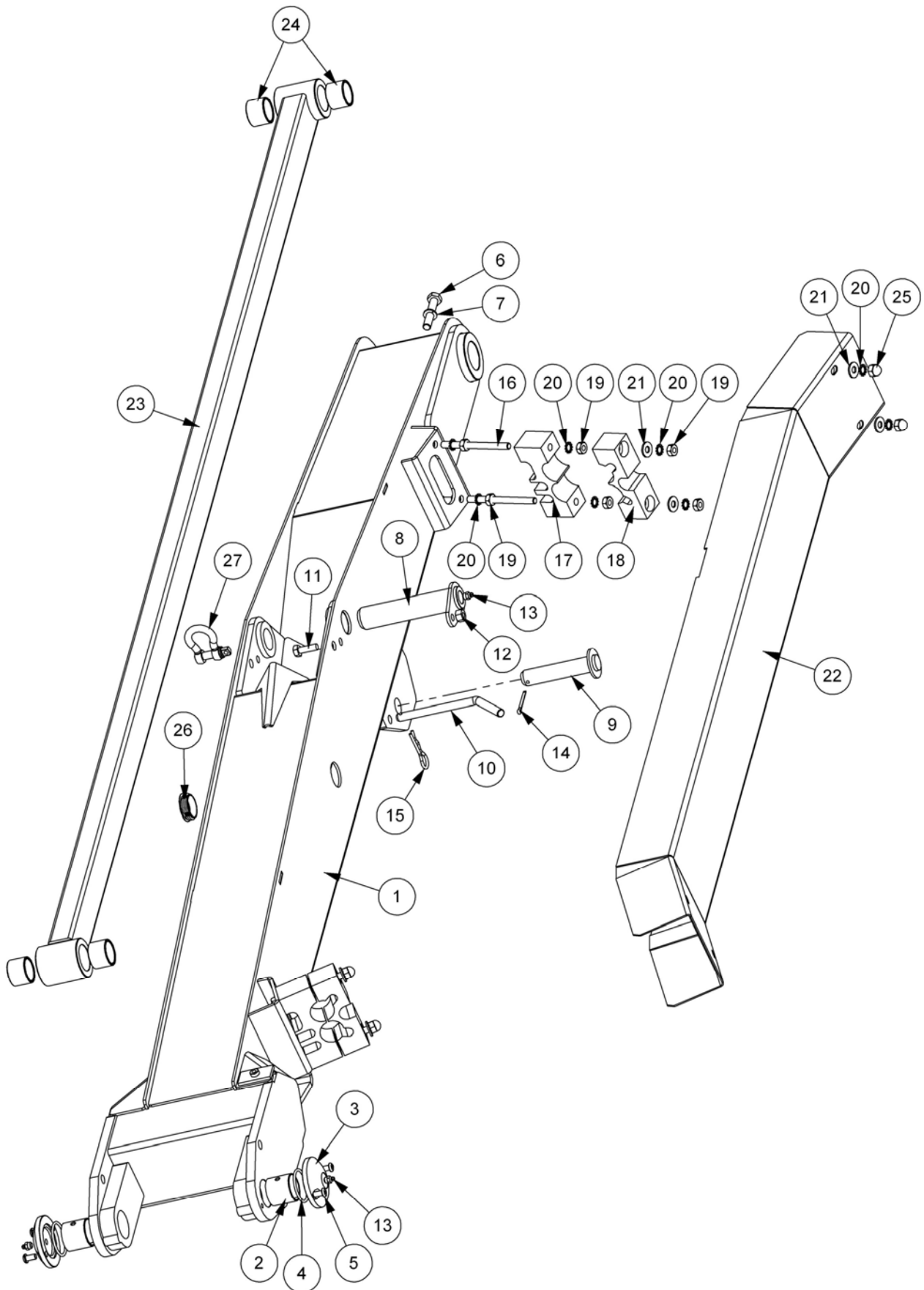
Module(s): 7458572 - L/H Build (*illustrated*), 7458573 - R/H Build

REF.	QTY.	PART No.	DESCRIPTION
		7458572	MAIN ARM ASSEMBLY - L/H Build
		7458573	MAIN ARM ASSEMBLY - R/H Build
1	1	21279.14	MAIN ARM - L/H Build
	1	21279.15	MAIN ARM - R/H Build
2	2	7115208	BUSH
3	2	45266.01	PIN CAP
4	2	8600303	O RING
5	4	9300159	BUTTON HEAD SCREW
6	1	9213146	BOLT
7	1	9100206	SPRING WASHER
8	1	45202.08	PIN
9	1	43023.01	PIN (TRANSPORT PROP)
10	1	43074.01	LOCK PIN
11	1	9313065	SETSCREW
12	1	9143005	SELF-LOCKING NUT
13	3	0901121	GREASE NIPPLE
14	1	9501406	SPLIT PIN
15	1	0431105	SPRING COTTER
16	4	42198.01	STUD
17	2	42024.27	HOSE CLAMP
18	2	42024.28	MULTI CLAMP
19	12	9113005	PLAIN NUT
20	16	9100405	SHAKEPROOF WASHER
21	8	9100105	FLAT WASHER
22	1	41666.03	HOSE COVER
23	1	21280.02	TENSION LINK
24	4	08.297.05	BUSH
25	4	9100025	DOME NUT
26	1	21388.01	PLASTIC INSERT
27	1	22668.01	SLINGING SHACKLE

MAIN ARM ASSEMBLY – PA60M

Module(s): 7458574 - L/H Build (*illustrated*), 7458579 - R/H Build

McCONEL



MAIN ARM ASSEMBLY – PA60M

McCONNEL

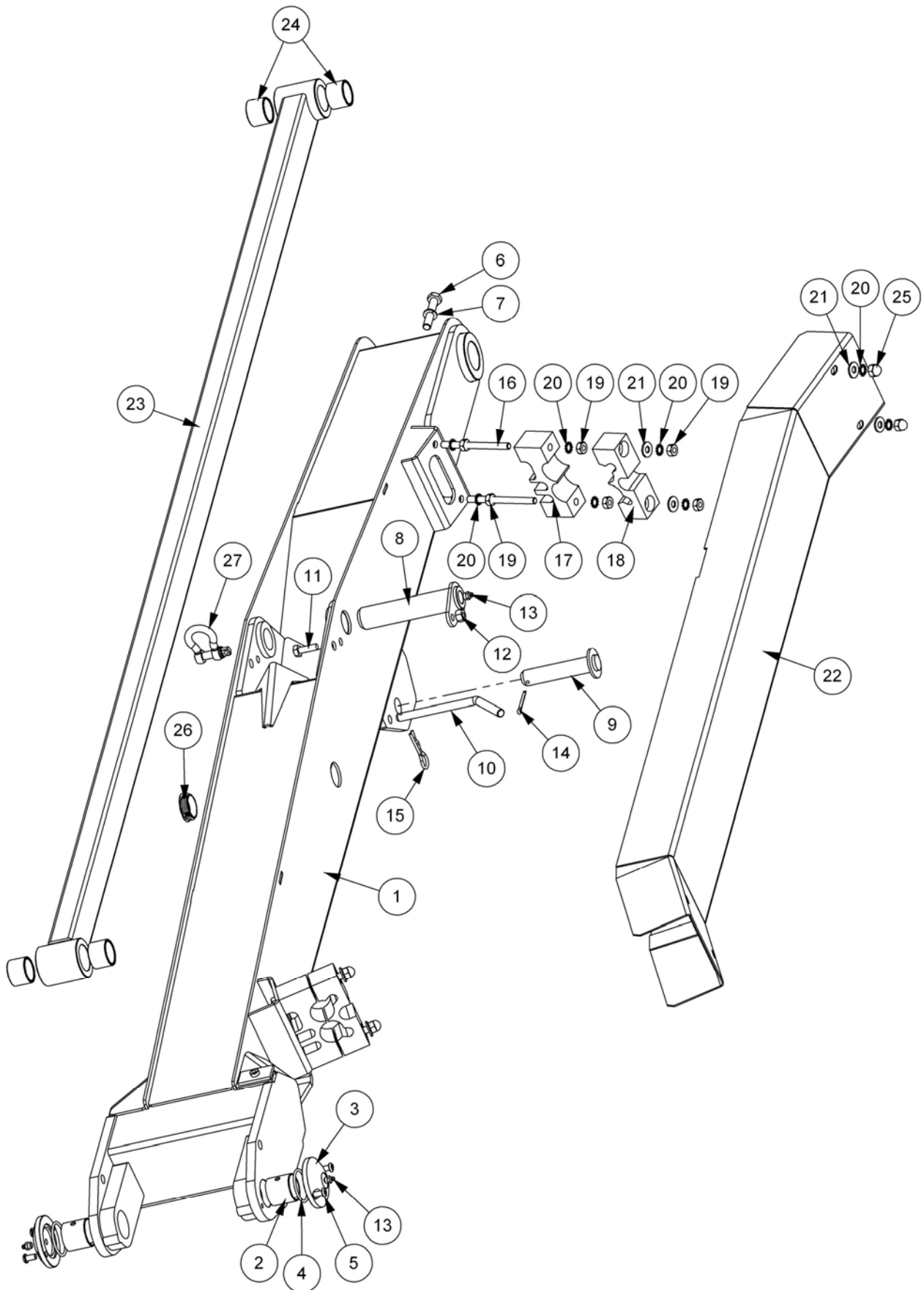
Module(s): 7458574 - L/H Build (*illustrated*), 7458579 - R/H Build

REF.	QTY.	PART No.	DESCRIPTION
		7458574	MAIN ARM ASSEMBLY - L/H Build
		7458579	MAIN ARM ASSEMBLY - R/H Build
1	1	21279.14	MAIN ARM - L/H Build
	1	21279.15	MAIN ARM - R/H Build
2	2	7115208	BUSH
3	2	45266.01	PIN CAP
4	2	8600303	O RING
5	4	9300159	BUTTON HEAD SCREW
6	1	9213146	BOLT
7	1	9100206	SPRING WASHER
8	1	45202.08	PIN
9	1	43023.01	PIN (TRANSPORT PROP)
10	1	43074.01	LOCK PIN
11	1	9313065	SETSCREW
12	1	9143005	SELF-LOCKING NUT
13	3	0901121	GREASE NIPPLE
14	1	9501406	SPLIT PIN
15	1	0431105	SPRING COTTER
16	4	42198.01	STUD
17	2	42024.27	HOSE CLAMP
18	2	42024.28	MULTI CLAMP
19	12	9113005	PLAIN NUT
20	16	9100405	SHAKEPROOF WASHER
21	8	9100105	FLAT WASHER
22	1	41666.03	HOSE COVER
23	1	21280.04	TENSION LINK
24	4	08.297.05	BUSH
25	4	9100025	DOME NUT
26	1	21388.01	PLASTIC INSERT
27	1	22668.01	SLINGING SHACKLE

MAIN ARM ASSEMBLY – PA60VFR

Module(s): 7458590 - L/H Build (*illustrated*), 7458591 - R/H Build

McCONEL



MAIN ARM ASSEMBLY – PA60VFR

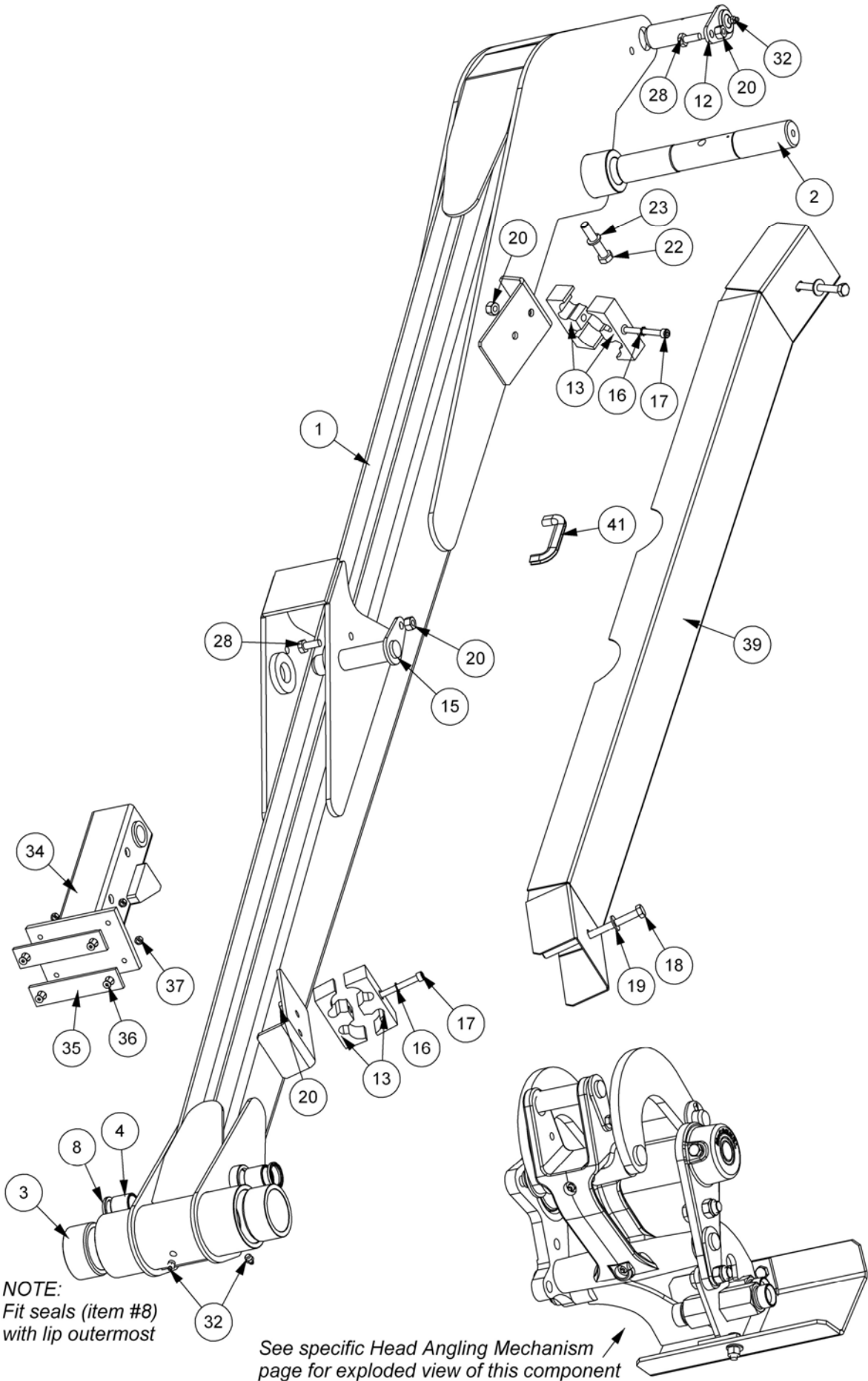
McCONNEL

Module(s): 7458572 - L/H Build (*illustrated*), 7458573 - R/H Build

REF.	QTY.	PART No.	DESCRIPTION
		7458590	MAIN ARM ASSEMBLY - L/H Build
		7458591	MAIN ARM ASSEMBLY - R/H Build
1	1	21279.16	MAIN ARM - L/H Build
	1	21279.17	MAIN ARM - R/H Build
2	2	7115208	BUSH
3	2	45266.01	PIN CAP
4	2	8600303	O RING
5	4	9300159	BUTTON HEAD SCREW
6	1	9213146	BOLT
7	1	9100206	SPRING WASHER
8	1	45202.08	PIN
9	1	43023.01	PIN (TRANSPORT PROP)
10	1	43074.01	LOCK PIN
11	1	9313065	SETSCREW
12	1	9143005	SELF-LOCKING NUT
13	3	0901121	GREASE NIPPLE
14	1	9501406	SPLIT PIN
15	1	0431105	SPRING COTTER
16	4	42198.01	STUD
17	2	42024.27	HOSE CLAMP
18	2	42024.28	MULTI CLAMP
19	12	9113005	PLAIN NUT
20	16	9100405	SHAKEPROOF WASHER
21	8	9100105	FLAT WASHER
22	1	41665.16	HOSE COVER
23	1	21280.03	TENSION LINK
24	4	08.297.05	BUSH
25	4	9100025	DOME NUT
26	1	21388.01	PLASTIC INSERT
27	1	22668.01	SLINGING SHACKLE

STD. DIPPER ARM ASSEMBLIES – PA55 / PA60

Module(s): 7155708, 7155709, 7160708, 7160709



STD. DIPPER ARM ASSEMBLIES – PA55 / PA60

McCONNEL

Module(s): 7155708, 7155709, 7160708, 7160709

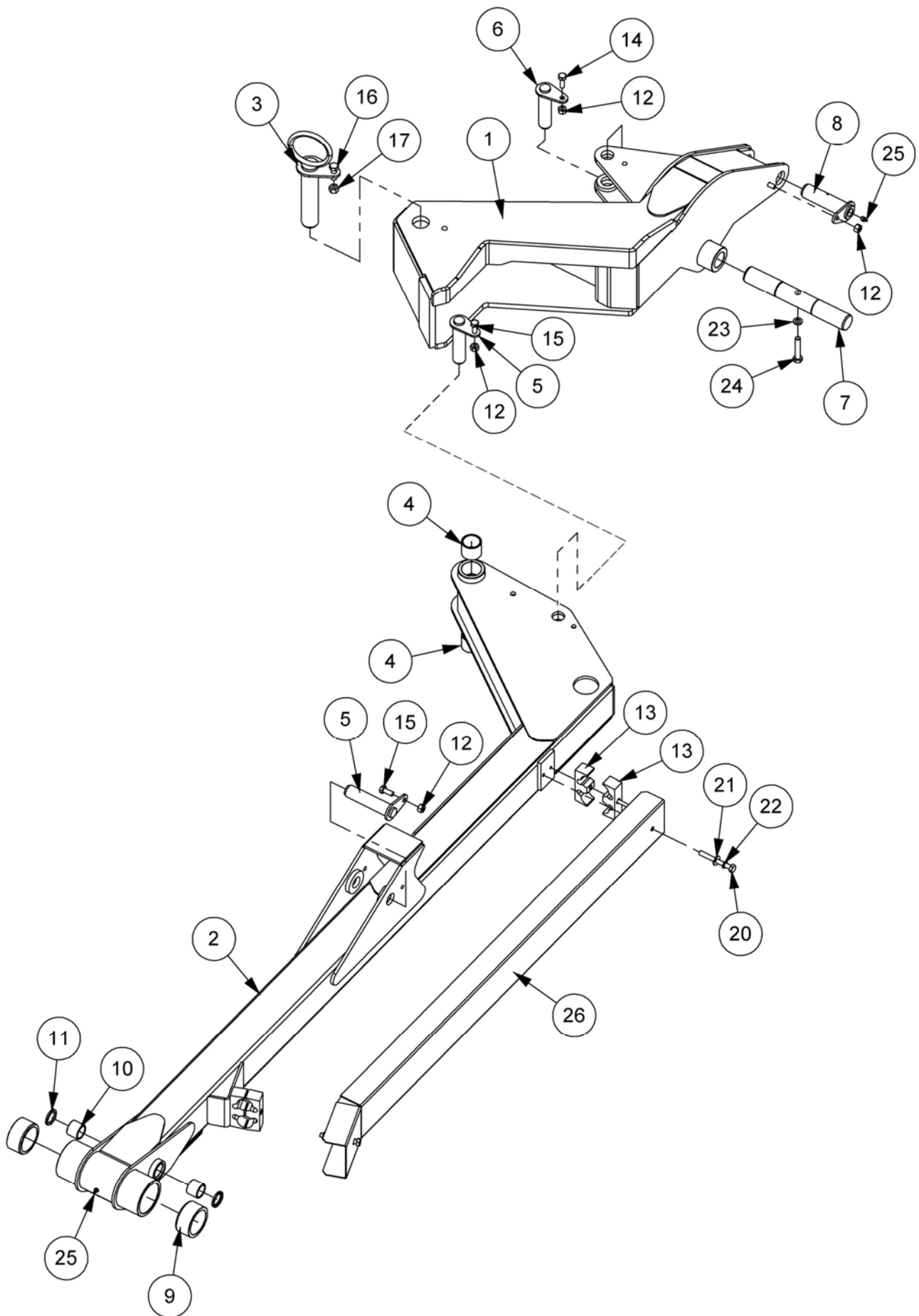
REF.	QTY.	PART No.	DESCRIPTION
		7155708	DIPPER ARM ASSEMBLY - PA55 Std. L/H build
		7155709	DIPPER ARM ASSEMBLY - PA55 Std. R/H build
		7160708	DIPPER ARM ASSEMBLY - PA60 Std. L/H build
		7160709	DIPPER ARM ASSEMBLY - PA60 Std. R/H build
1	1	21281.01	DIPPER ARM - PA55 Standard L/H build
	1	21281.02	DIPPER ARM - PA55 Standard R/H build
	1	21281.03	DIPPER ARM - PA60 Standard L/H build
	1	21281.04	DIPPER ARM - PA60 Standard R/H build
2	1	45264.01	MAIN PIVOT PIN
3	2	7136035	PLASTIC BUSH
4	6	08.297.04	BUSH
5	1	21263.01	PIVOT TUBE
6	1	42646.03	RADIUS ARM - TYPE 1
7	1	42646.04	RADIUS ARM - TYPE 2
8	6	8629218	LIP SEAL
9	1	21801.01	SLAVE LINK (CAST)
10	1	42684.01	PIN (SLAVE LINK)
11	1	21261.02	JUNCTION BRACKET
12	1	45202.01	PIN
13	4	45630.01	HOSE CLAMP
14	1	42684.05	PIN
15	1	42684.07	PIN
16	2	9100404	SHAKEPROOF WASHER
17	2	9243154	CAPSCREW
18	3	9213205	BOLT
19	4	9100105	FLAT WASHER
20	8	9143005	SELF-LOCKING NUT
21	1	0423556	SPRING DOWEL
22	1	9213136	BOLT
23	1	9100206	SPRING WASHER
24	1	9200025	BOLT
25	1	9200028	BOLT
26	3	9100028	SELF-LOCKING NUT
27	1	9313075	SETSCREW
28	2	9313055	SETSCREW
29	2	05.281.18	FLAT WASHER
30	2	9501406	SPLIT PIN
31	1	9501507	SPLIT PIN
32	5	0901121	GREASE NIPPLE
33	1	21262.01	HOSE TRAY
34	1	43021.08	TRANSPORT PROP - PA55 Models
35	1	43021.01	TRANSPORT PROP - PA60 Models
36	2	43091.03	PAD
	4	9353053	CAPSCREW
37	4	9143003	SELF-LOCKING NUT
38	2	9313065	SETSCREW
39	1	41665.28	HOSE COVER - PA55 Models
40	1	41665.25	HOSE COVER - PA60 Models
41	1	42648.01C	JAW PLATE CASTING
42	1	41741.01	EDGING STRIP

Note: See Head Angling Mechanism page for exploded view of that component.

REVERSE DRIVE & FM DIPPER ARM ASSEMBLIES

McCONEL

Module(s): 7458548 – L/H Build, 7458537 – R/H Build,



REVERSE DRIVE & FM DIPPER ARM ASSEMBLIES

McCONNEL

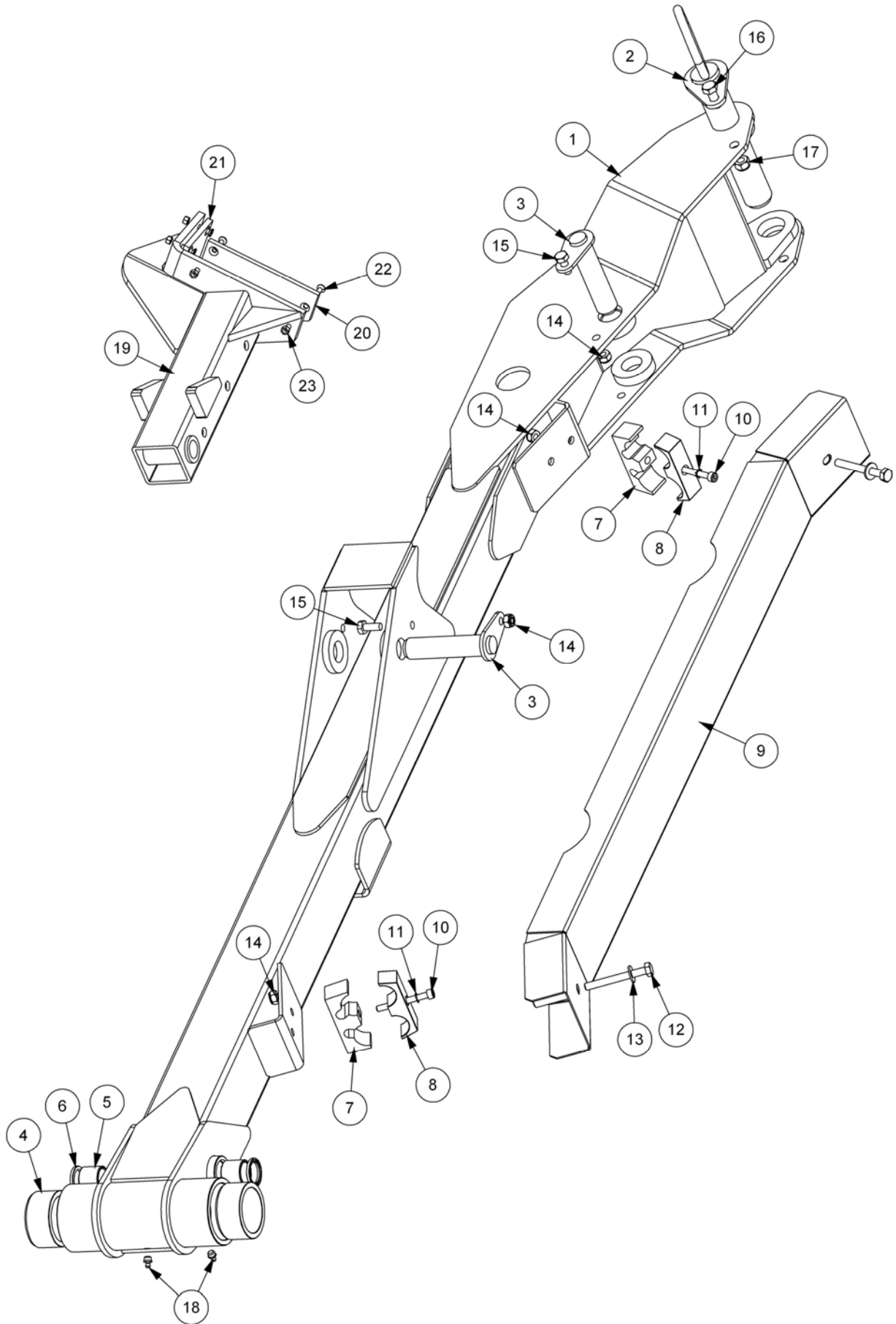
Module(s): 7458548 – L/H Build, 7458537 – R/H Build,

REF.	QTY.	PART No.	DESCRIPTION
		7458548	R/DRIVE & F/MOUNT DIPPER - L/H Build
		7458537	R/DRIVE & F/MOUNT DIPPER - R/H Build
1	1	45881.04	DIPPER UPPER - L/H Build
	1	45881.05	DIPPER UPPER - R/H Build
2	1	45882.04	DIPPER LOWER - L/H Build
	1	45882.05	DIPPER LOWER - R/H Build
3	1	45893.01	DIPPER PIVOT PIN
4	2	08.297.02	BUSH
5	2	42684.03	PIN
6	1	42684.05	PIN
7	1	45264.01	MAIN PIVOT PIN
8	1	45202.01	PIN
9	2	7136035	PLASTIC BUSH
10	2	08.297.04	BUSH
11	2	8629218	LIP SEAL
12	5	9143005	SELF-LOCKING NUT
13	4	45630.01	HOSE CLAMP
14	1	9313065	SETSCREW
15	3	9313055	SETSCREW
16	1	9313076	SETSCREW
17	1	9143006	SELF-LOCKING NUT
18	1	9243154	CAPSCREW
19	1	9243124	CAPSCREW
20	2	9213185	BOLT
21	2	9100105	FLAT WASHER
22	1	9100205	SPRING WASHER
23	1	9100206	SPRING WASHER
24	1	9213136	BOLT
25	4	0901121	GREASE NIPPLE
26	1	41665.23	HOSE COVER

0.74M MIDCUT DIPPER ARMS – PA55M / PA60M

Module(s): 7155800 – L/H, 7155801 – R/H, 7160710 – L/H, 7160711 – R/H

McCONEL



0.74M MIDCUT DIPPER ARMS – PA55M / PA60M

McCONNEL

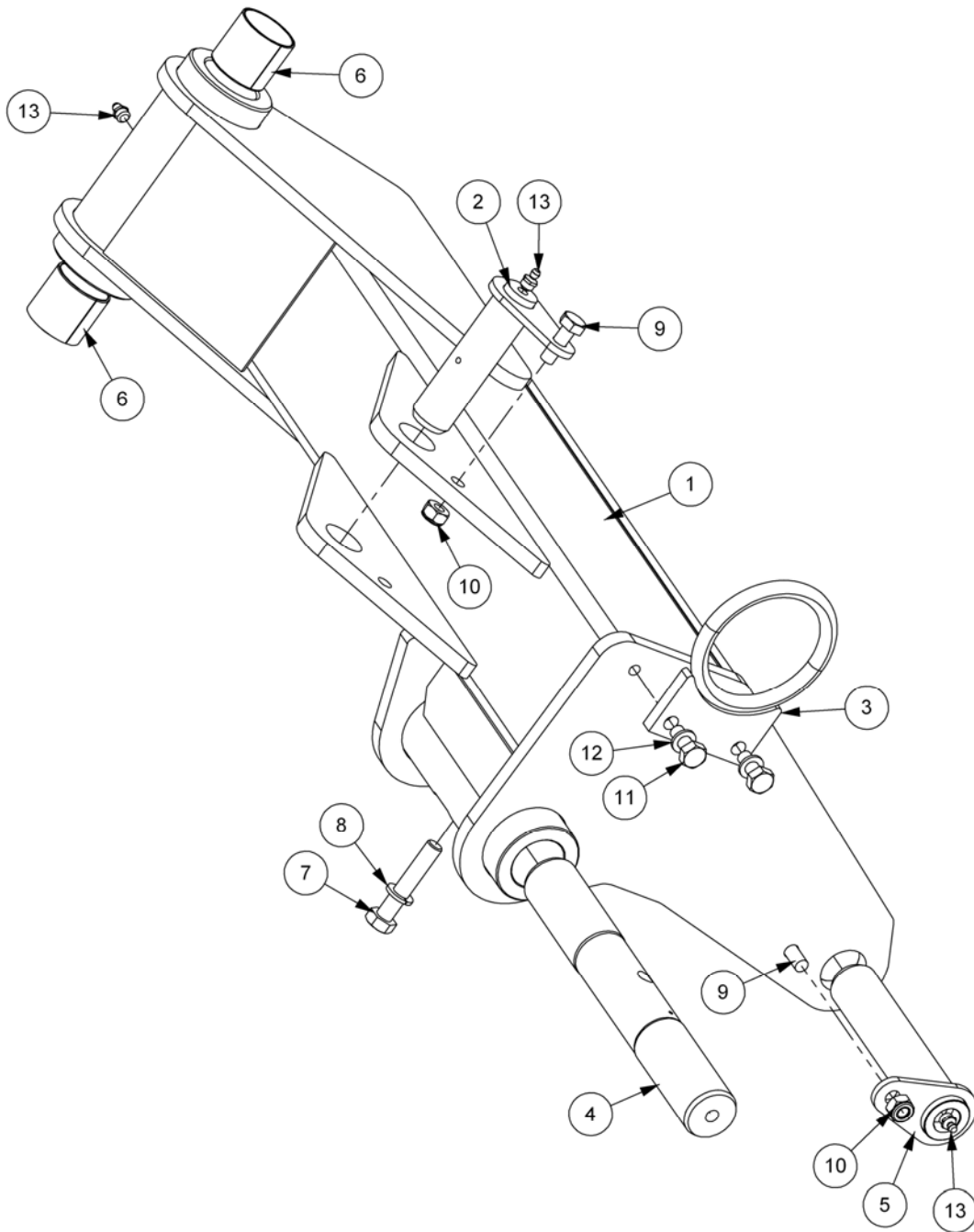
Module(s): 7155800 – L/H, 7155801 – R/H, 7160710 – L/H, 7160711 – R/H

REF.	QTY.	PART No.	DESCRIPTION
		7155800	0.74M MIDCUT DIPPER ARM - PA55 L/H Build
		7155801	0.74M MIDCUT DIPPER ARM - PA55 R/H Build
		7160710	0.74M MIDCUT DIPPER ARM - PA60 L/H Build
		7160711	0.74M MIDCUT DIPPER ARM - PA60 R/H Build
1	1	46048.05	MIDCUT DIPPER - PA55 L/H Build
	1	46048.06	MIDCUT DIPPER - PA55 R/H Build
	1	46048.03	MIDCUT DIPPER - PA60 L/H Build
	1	46048.04	MIDCUT DIPPER - PA60 R/H Build
2	1	45609.01	PIN
3	2	42684.03	PIN
4	2	7136035	PLASTIC BUSH
5	2	08.297.04	BUSH
6	2	8629218	LIP SEAL
7	2	45630.01	HOSE CLAMP
8	2	7193063	HOSE CLAMP
9	1	41665.02	HOSE COVER
10	2	9243154	CAPSCREW
11	2	9100404	SHAKEPROOF WASHER
12	2	9213185	BOLT
13	2	9100105	FLAT WASHER
14	4	9163005	NYLOC NUT
15	2	9313055	SETSCREW
16	1	9313066	SETSCREW
17	1	9163006	NYLOC NUT
18	2	0901121	GREASE NIPPLE
19	1	43021.03	CRADLE - LH Builds
	1	43021.04	CRADLE - RH Builds
20	1	43091.01	MAIN PAD
21	1	43091.02	SIDE PAD
22	7	9353053	CAPSCREW
23	7	9143003	SELF-LOCKING NUT

0.74M MIDCUT FORWARD EXTENSION

Module(s): Sub-assembly of: 7155800, 7155801, 7160710, 7160711

McCONEL



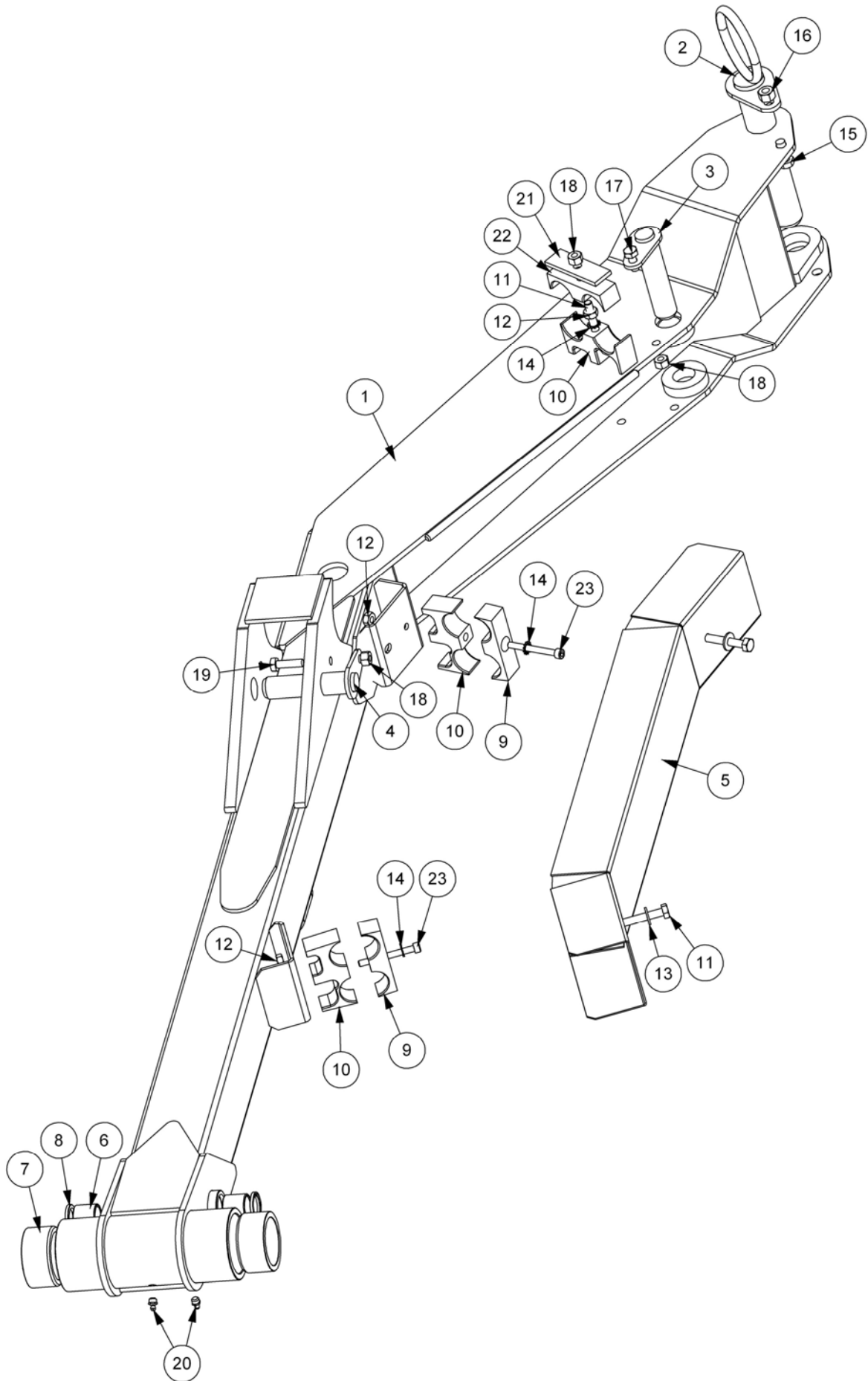
0.74M MIDCUT FORWARD EXTENSION**McCONNEL**Module(s): Sub-assembly of: 7155800 – L/H (*illustrated*), 7155801 – R/H

REF.	QTY.	PART No.	DESCRIPTION
<i>Sub-assembly of:</i> 7155800			0.74M MIDCUT FORWARD EXTENSION - L/H Build
<i>Sub-assembly of:</i> 7155801			0.74M MIDCUT FORWARD EXTENSION - R/H Build
1	1	46047.03	FORWARD EXTENSION - L/H Build
	1	46047.04	FORWARD EXTENSION - R/H Build
2	1	42684.02	PIN
3	1	45974.01	HOSE LOOP
4	1	45264.01	MAIN PIVOT PIN
5	1	45202.08	PIN
6	2	7115208	BUSH
7	1	9213136	BOLT
8	1	9100206	SPRING WASHER
9	2	9313065	SETSCREW
10	2	9163005	NYLOC NUT
11	2	9313055	SETSCREW
12	2	9100205	SPRING WASHER
13	3	0901121	GREASE NIPPLE

1.5M MIDCUT DIPPER ARMS – PA55M / PA60M

Module(s): 7155754 – L/H, 7155755 – R/H, 7764507 – R/H

McCONEL



1.5M MIDCUT DIPPER ARMS – PA55M / PA60M

McCONNEL

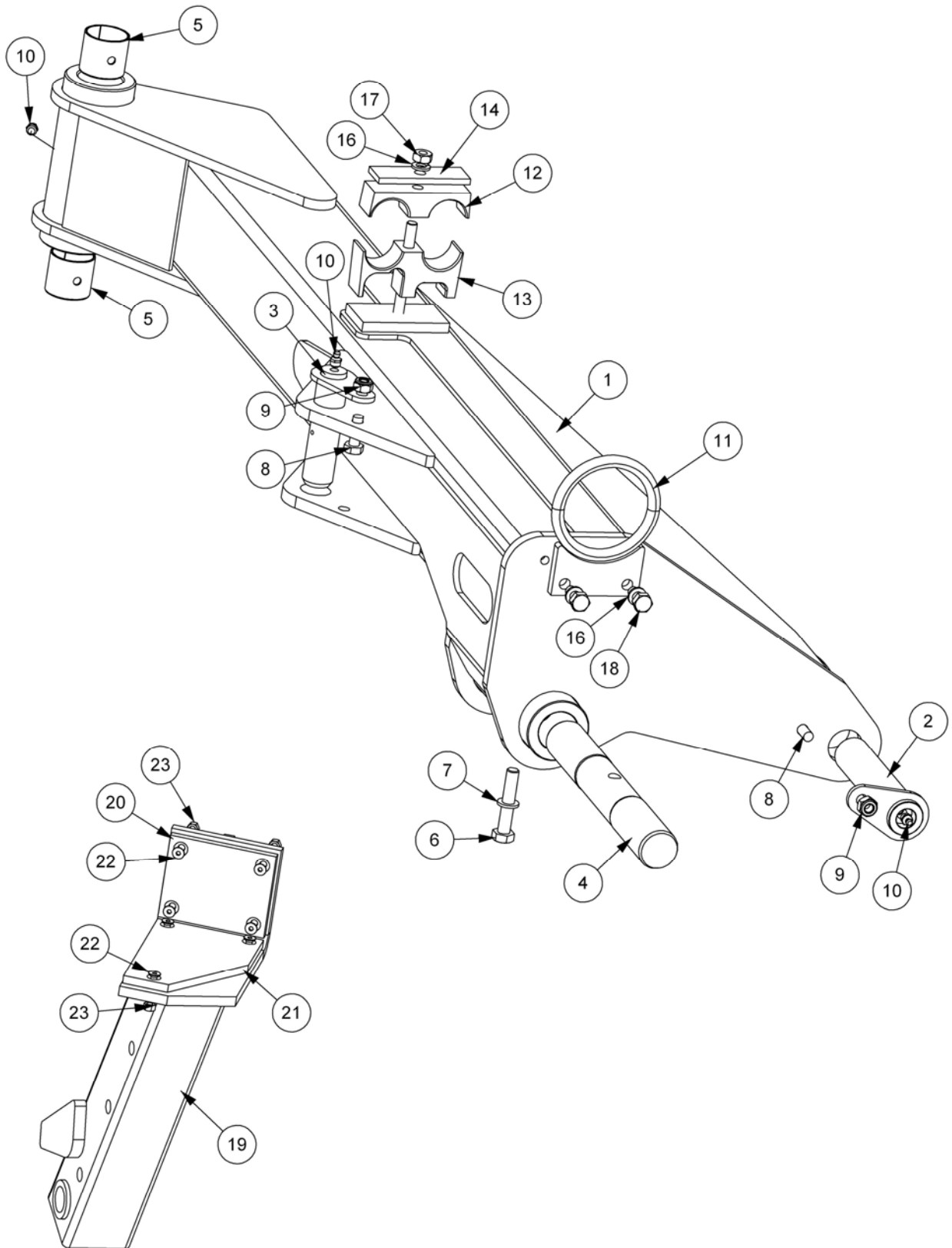
Module(s): 7155754 – L/H, 7155755 – R/H, 7764507 – R/H

REF.	QTY.	PART No.	DESCRIPTION
		7155754	1.5M MIDCUT DIPPER ARM - PA55 L/H Build
		7155755	1.5M MIDCUT DIPPER ARM - PA55 R/H Build
		7764507	1.5M MIDCUT DIPPER ARM - PA60 R/H Build
1	1	45602.01	MIDCUT DIPPER - PA55 L/H Build
	1	45602.02	MIDCUT DIPPER - PA55 R/H Build
	1	45602.04	MIDCUT DIPPER - PA60 R/H Build
2	1	45609.01	PIN
3	1	42684.03	PIN
4	1	42684.05	PIN
5	1	22597.07	HOSE COVER - PA55 Builds
	1	22597.03	HOSE COVER - PA60 Build
6	2	08.297.04	BUSH
7	2	7136035	PLASTIC BUSH
8	2	8629218	LIP SEAL
9	2	06.430.28	HOSE CLAMP (UPPER)
10	3	06.430.18	HOSE CLAMP (LOWER)
11	3	9213205	BOLT
12	3	9113005	PLAIN NUT
13	2	9100105	FLAT WASHER
14	3	9100405	EXTERNAL SHAKEPROOF WASHER
15	1	9313066	SETSCREW
16	1	9143006	SELF-LOCKING NUT
17	1	9313055	SETSCREW
18	3	9143005	SELF-LOCKING NUT
19	1	9313075	SETSCREW
20	2	0901121	GREASE NIPPLE
21	1	06.418.05	CLAMP PLATE
22	1	06.430.17	HOSE CLAMP (UPPER)
23	2	9243154	CAPSCREW

1.5M MIDCUT FORWARD EXTENSION

McCONEL

Module(s): 7155752 – L/H Build, 7155753 – R/H Build



1.5M MIDCUT FORWARD EXTENSION**McCONNEL**

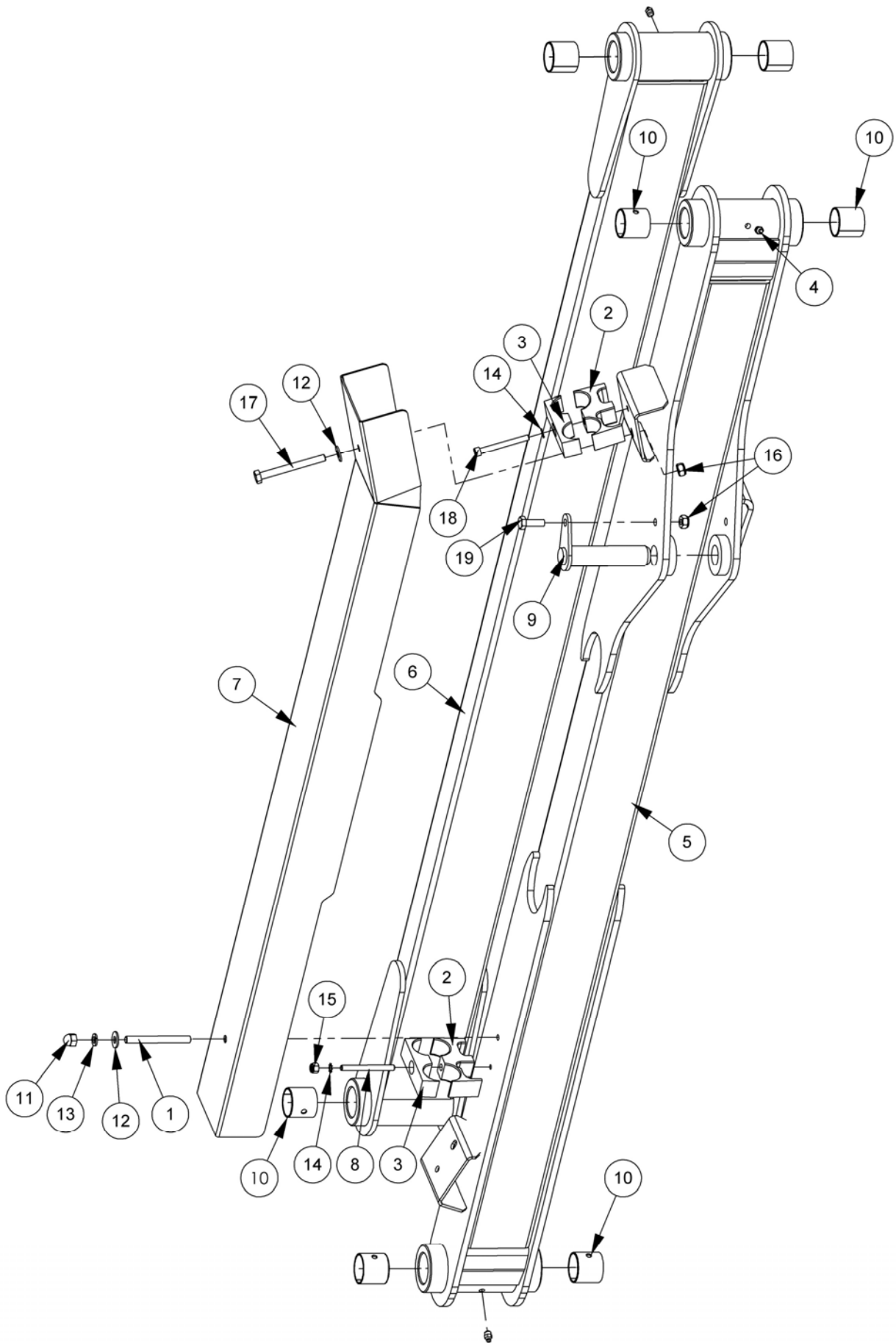
Module(s): 7155752 – L/H Build, 7155753 – R/H Build

REF.	QTY.	PART No.	DESCRIPTION
		7155752	1.5M FORWARD EXTENSION - L/H Build
		7155753	1.5M FORWARD EXTENSION - R/H Build
1	1	21364.03	1.5M FORWARD EXTENSION - L/H Build
	1	21364.04	1.5M FORWARD EXTENSION - R/H Build
2	1	45202.08	PIN
3	1	42684.02	PIN
4	1	45264.01	MAIN PIVOT PIN
5	2	7115208	BUSH
6	1	9213136	BOLT
7	1	9100206	SPRING WASHER
8	2	9313065	SETSCREW
9	2	9163005	NYLOC NUT
10	3	0901121	GREASE NIPPLE
11	1	45974.01	HOSE LOOP
12	1	06.430.17	HOSE CLAMP (UPPER)
13	1	06.430.18	HOSE CLAMP (LOWER)
14	1	06.418.05	CLAMP PLATE
15	1	04.282.69	STUD
16	3	9100205	SPRING WASHER
17	1	9113005	PLAIN NUT
18	2	9313055	SETSCREW
19	1	43021.09	TRANSPORT CRADLE - L/H Build
	1	43021.10	TRANSPORT CRADLE - R/H Build
20	1	43091.02	SIDE PAD
21	1	43091.01	MAIN PAD
22	7	9353053	CAPSCREW
23	7	9143003	SELF-LOCKING NUT

CENTRE DIPPER ARM ASSEMBLY – PA55VFR

Module(s): 7155820 - L/H Build (illustrated), 7155821 - R/H Build

McCONEL



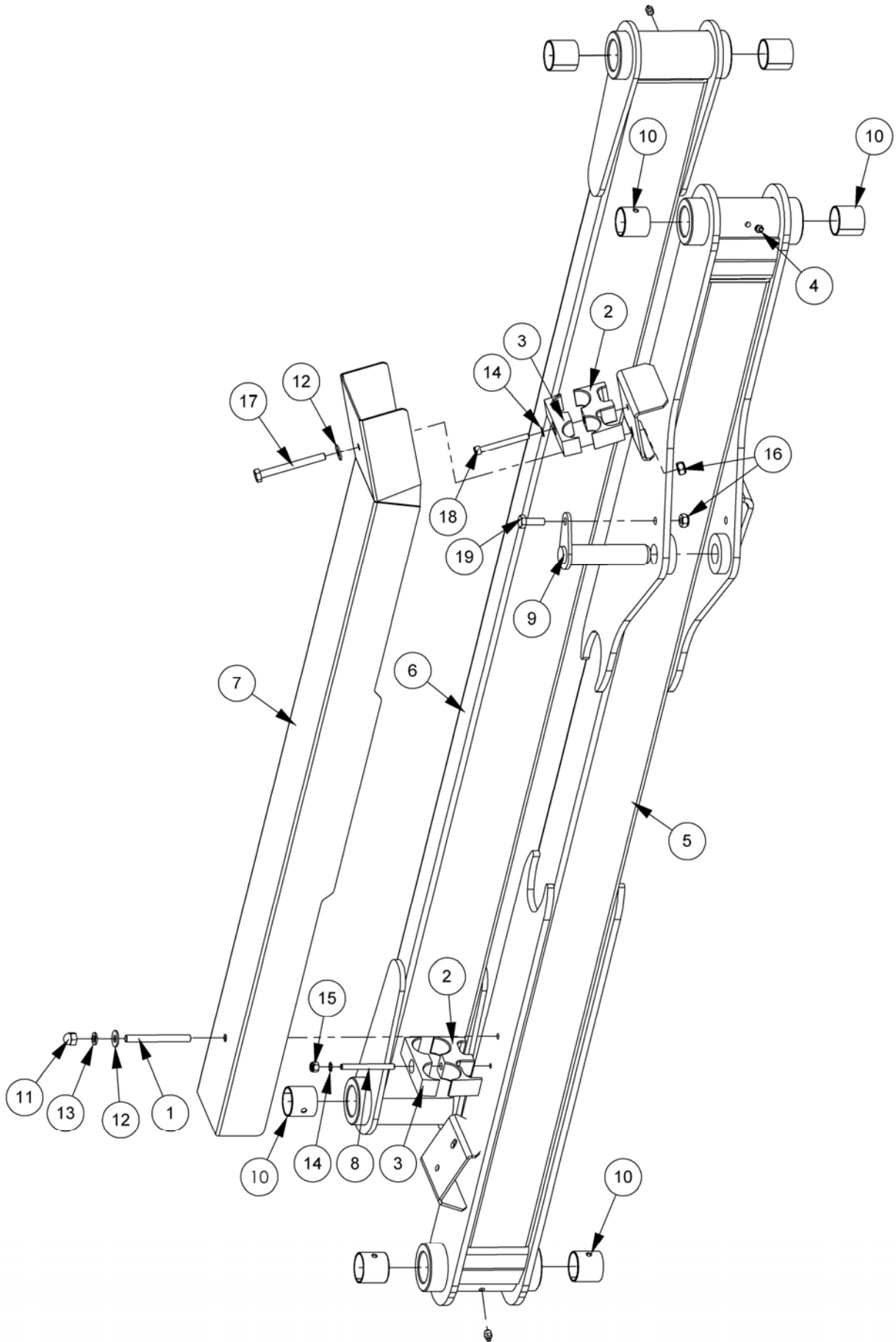
CENTRE DIPPER ARM ASSEMBLY – PA55VFR**McCONNEL**Module(s): 7155820 - L/H Build (*illustrated*), 7155821 - R/H Build

REF.	QTY.	PART No.	DESCRIPTION
		7155820	VFR CENTRE DIPPER MODULE - L/H Build
		7155821	VFR CENTRE DIPPER MODULE - R/H Build
1	1	04.282.10	STUD
2	2	06.430.18	HOSE CLAMP - LOWER
3	2	06.430.28	HOSE CLAMP - UPPER
4	4	0901121	GREASE NIPPLE
5	1	22465.03	CENTRE DIPPER SECTION - L/H Build
	1	22465.04	CENTRE DIPPER SECTION - R/H Build
6	1	22466.05	DIPPER PARALLEL LINK
7	1	22468.02	HOSE COVER
8	1	22654.01	STUD
9	1	42684.07	PIN
10	8	7115208	BUSH
11	1	9100025	DOME NUT
12	2	9100105	FLAT WASHER
13	1	9100205	SPRING WASHER
14	2	9100404	SHAKEPROOF WASHER
15	1	9163004	NYLOC NUT
16	2	9163005	NYLOC NUT
17	1	9213205	BOLT
18	1	9243154	CAPSCREW
19	1	9313065	SETSCREW

CENTRE DIPPER ARM ASSEMBLY – PA60VFR

Module(s): 7160768 - L/H Build (illustrated), 7160769 - R/H Build

McCONEL



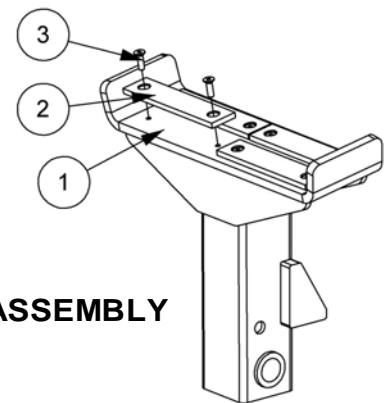
CENTRE DIPPER ARM ASSEMBLY – PA60VFR



Module(s): 7160768 - L/H Build (*illustrated*), 7160769 - R/H Build

REF.	QTY.	PART No.	DESCRIPTION
		7160768	VFR CENTRE DIPPER MODULE - L/H Build
		7160769	VFR CENTRE DIPPER MODULE - R/H Build
1	1	04.282.10	STUD
2	2	06.430.18	HOSE CLAMP - LOWER
3	2	06.430.28	HOSE CLAMP - UPPER
4	4	0901121	GREASE NIPPLE
5	1	22465.05	CENTRE DIPPER SECTION - L/H Build
	1	22465.06	CENTRE DIPPER SECTION - R/H Build
6	1	22466.05	DIPPER PARALLEL LINK
7	1	22468.03	HOSE COVER
8	1	22654.01	STUD
9	1	42684.07	PIN
10	8	7115208	BUSH
11	1	9100025	DOME NUT
12	2	9100105	FLAT WASHER
13	1	9100205	SPRING WASHER
14	2	9100404	SHAKEPROOF WASHER
15	1	9163004	NYLOC NUT
16	2	9163005	NYLOC NUT
17	1	9213205	BOLT
18	1	9243154	CAPSCREW
19	1	9313065	SETSCREW

REF.	QTY.	PART No.	DESCRIPTION
		7157778	TRANSPORT PROP ASSEMBLY
1	1	43021.22	TRANSPORT PROP
2	4	43091.03	PAD
3	8	9353043	CAPSCREW

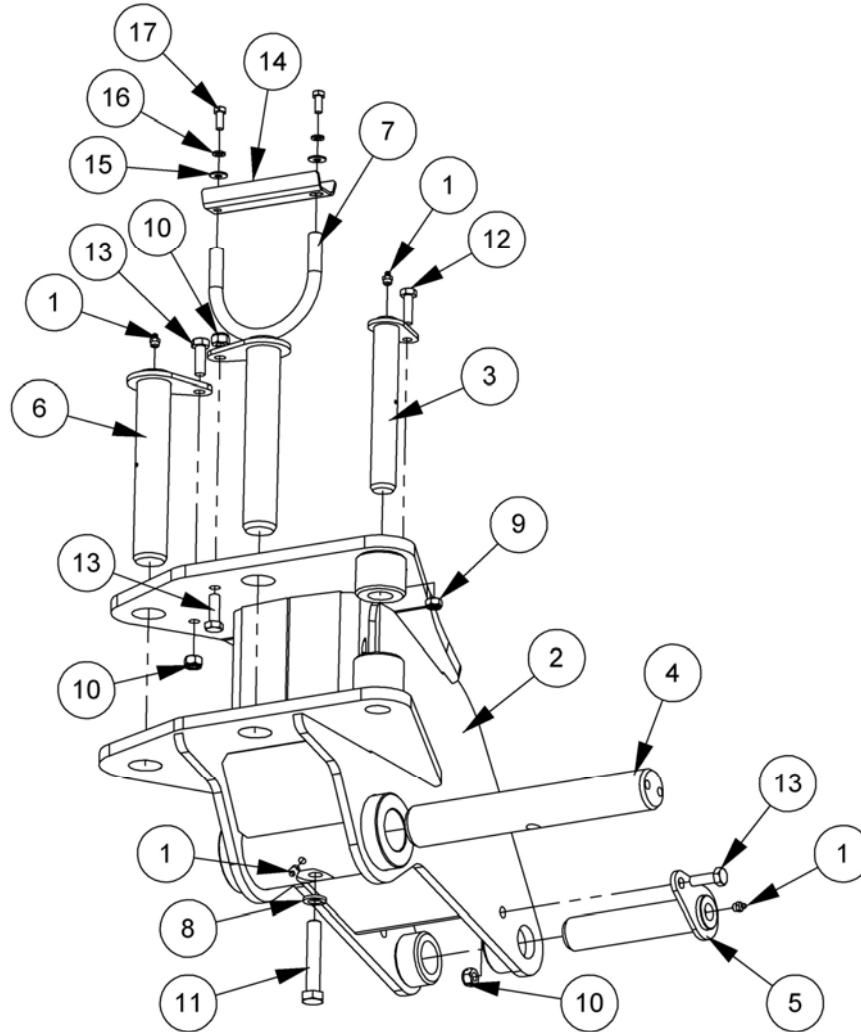


TRANSPORT PROP (7157778)

UPPER DIPPER MODULE – PA55VFR / PA60VFR



Module(s): 7155818 - L/H Build (illustrated), 7155819 - R/H Build

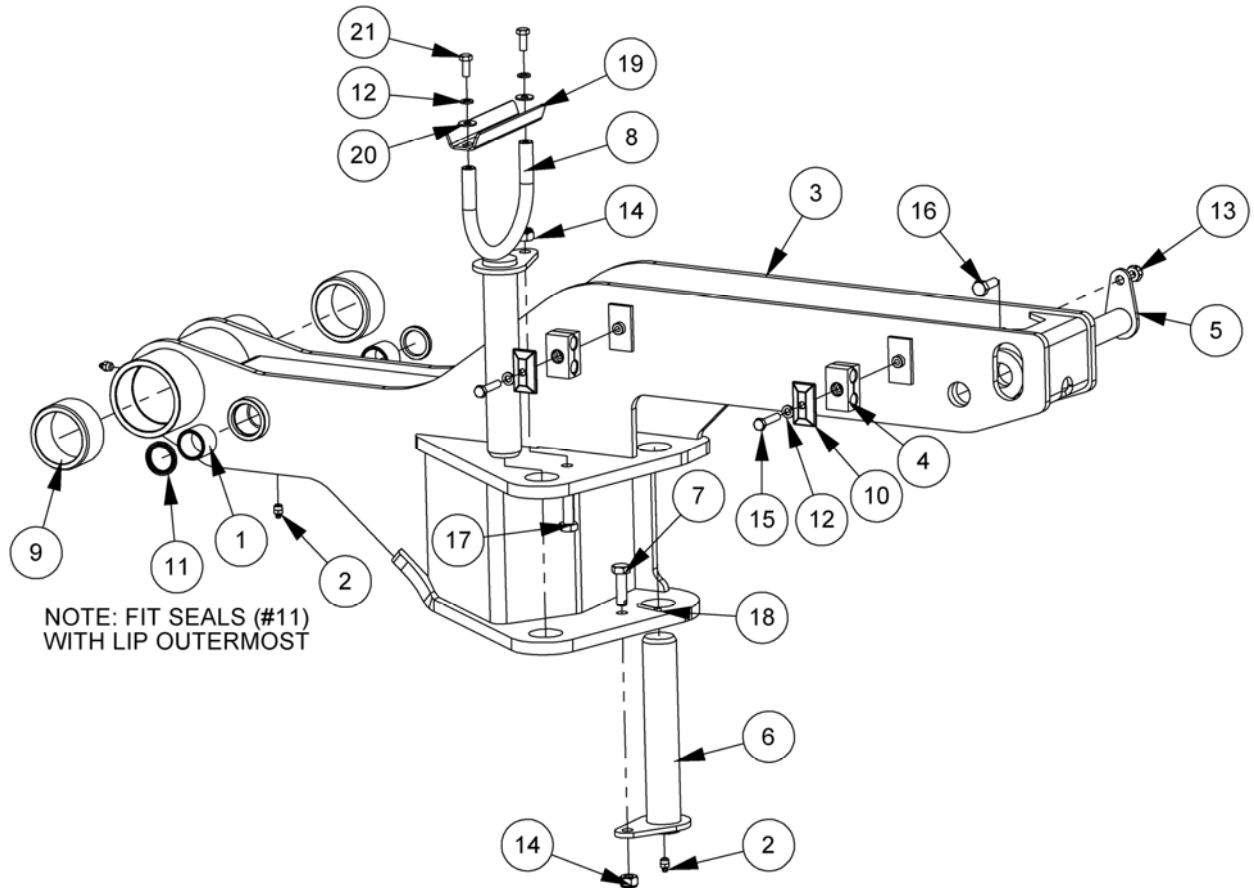


REF.	QTY.	PART No.	DESCRIPTION
		7155818	VFR UPPER DIPPER MODULE - L/H Build
		7155819	VFR UPPER DIPPER MODULE - R/H Build
1	4	0901121	GREASE NIPPLE
2	1	22464.03	UPPER DIPPER SECTION - L/H Build
	1	22464.04	UPPER DIPPER SECTION - R/H Build
3	1	42684.13	PIN
4	1	45264.01	PIVOT PIN
5	1	45202.11	PIN - LIFT BASE
6	1	43324.08	PIN
7	1	45609.02	PIN C/W HOSE GUIDE
8	1	9100207	SPRING WASHER
9	1	9163005	NYLOC NUT
10	3	9163006	NYLOC NUT
11	1	9213187	BOLT
12	1	9313075	SETSCREW
13	3	9313076	SETSCREW
14	1	43048.10	HOSE RETAINER
15	2	9100104	FLAT WASHER
16	2	9100204	SPRING WASHER
17	2	9313044	SETSCREW

LOWER DIPPER MODULE – PA55VFR / PA60VFR

McCONEL

Module(s): 7157773 - L/H Build (illustrated), 7157777 - R/H Build



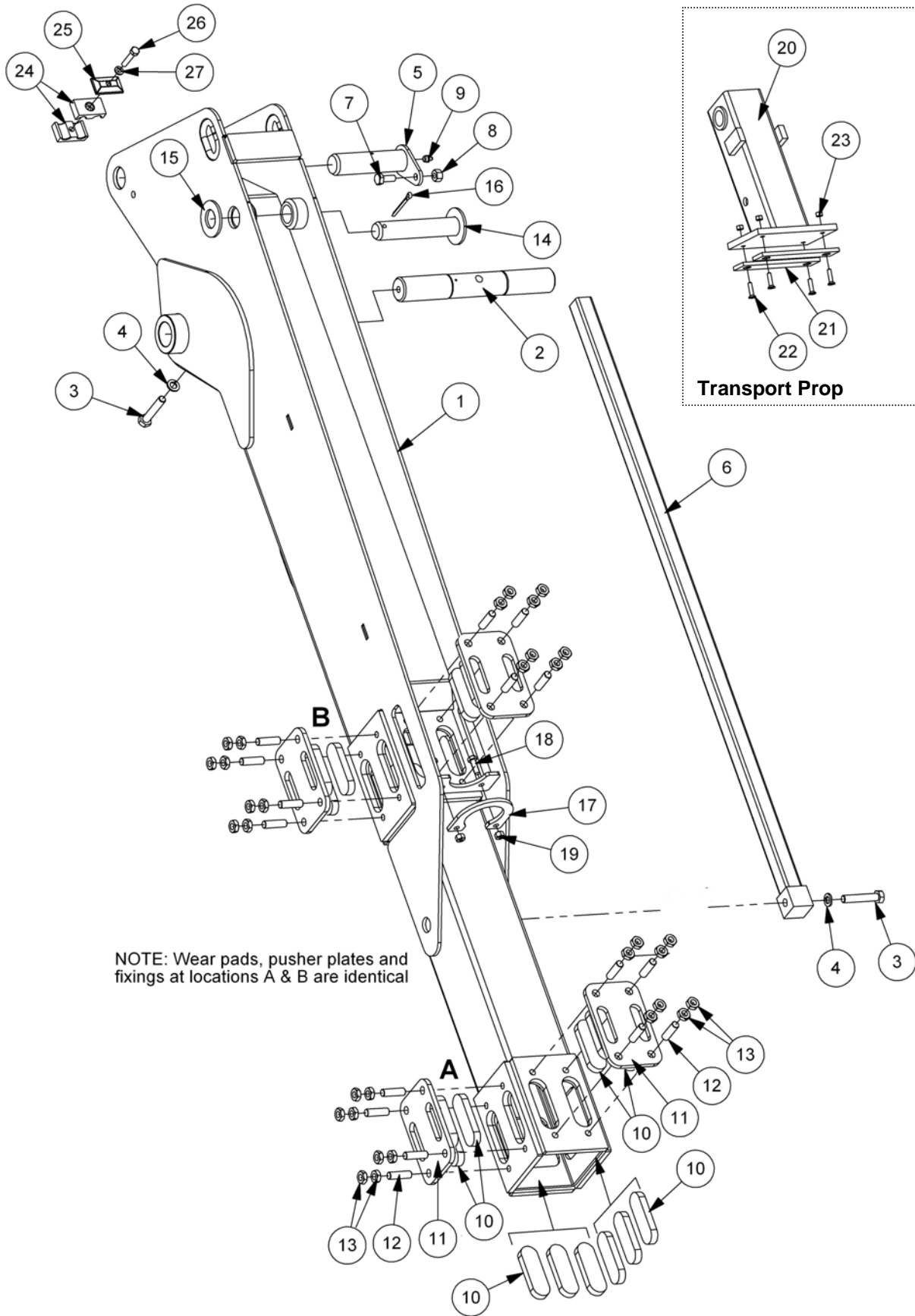
NOTE: FIT SEALS (#11)
WITH LIP OUTERMOST

REF.	QTY.	PART No.	DESCRIPTION
		7157773	VFR LOWER DIPPER MODULE - L/H Build
		7157777	VFR LOWER DIPPER MODULE - R/H Build
1	2	08.297.04	BUSH
2	3	0901121	GREASE NIPPLE
3	1	22463.01	LOWER DIPPER SECTION - L/H Build
	1	22463.02	LOWER DIPPER SECTION - R/H Build
4	2	42024.26	TWIN HOSE CLAMP
5	1	42684.07	PIN
6	1	43324.08	PIN
7	1	45416.01	SPECIAL SETSCREW
8	1	45609.02	PIN C/W HOSE GUIDE
9	2	7136035	PLASTIC BUSH
10	2	7193066	CLAMP PLATE
11	2	8629218	LIP SEAL
12	4	9100204	SPRING WASHER
13	1	9163005	NYLOC NUT
14	2	9163006	NYLOC NUT
15	2	9213084	BOLT
16	1	9313065	SETSCREW
17	1	9313076	SETSCREW
18	1	9501255	SPLIT PIN
19	1	43048.10	HOSE RETAINER
20	2	9100104	FLAT WASHER
21	2	9313044	SETSCREW

TELE DIPPER ARM SOCKET – PA65T / PA70T

Module(s): 7458509 (illustrated), 7458510, 7470502, 7470503

McCONEL



NOTE: Wear pads, pusher plates and fixings at locations A & B are identical

TELE DIPPER ARM SOCKET – PA65T / PA70T

McCONNEL

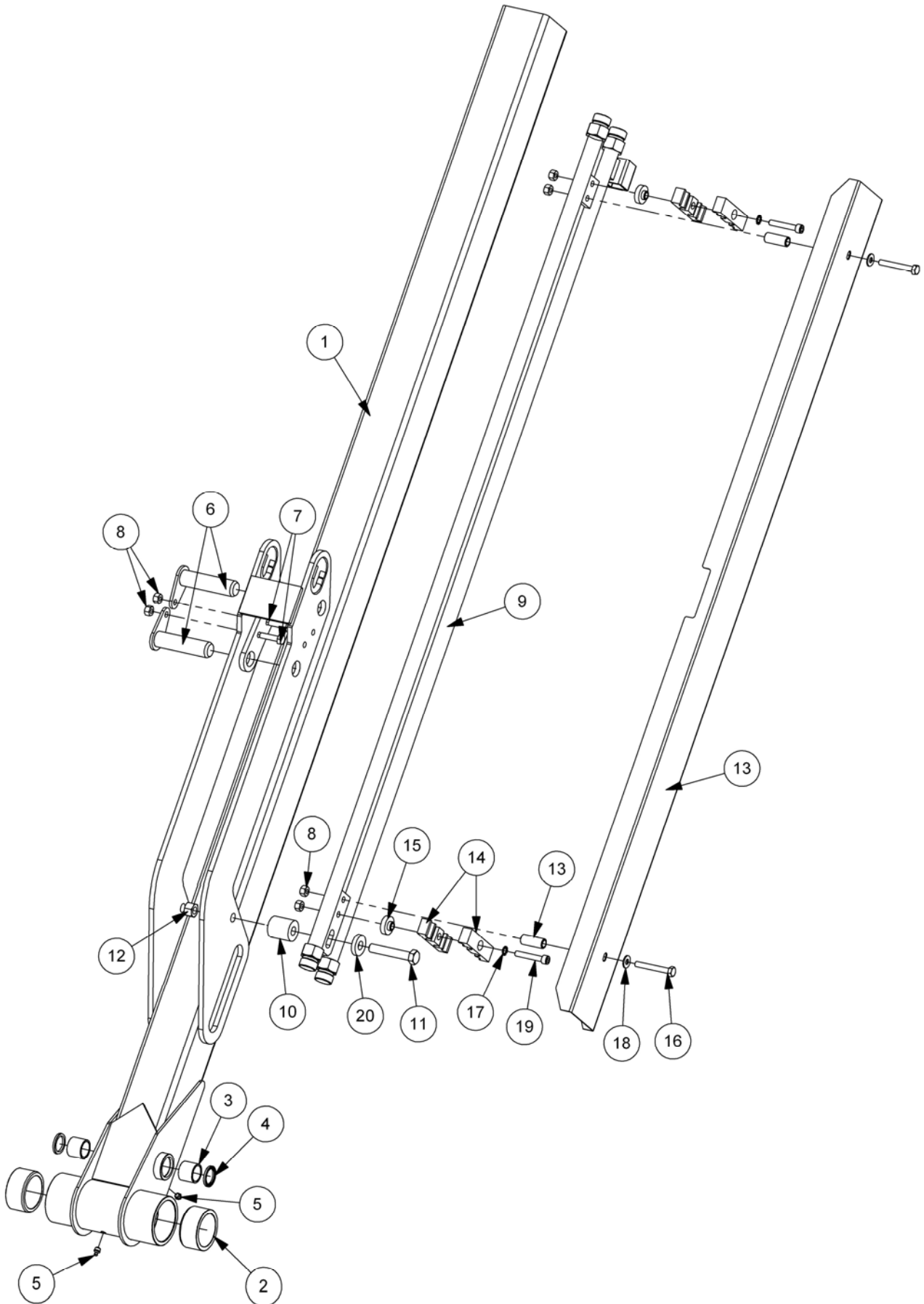
Module(s): 7458509 (*illustrated*), 7458510, 7470502, 7470503

REF.	QTY.	PART No.	DESCRIPTION
		7458509	TELE DIPPER SOCKET - PA65T L/H Build
		7458510	TELE DIPPER SOCKET - PA65T R/H Build
		7470502	TELE DIPPER SOCKET - PA70T L/H Build
		7470503	TELE DIPPER SOCKET - PA70T R/H Build
1	1	21932.03	TELE SOCKET - PA65T L/H Build
	1	21932.04	TELE SOCKET - PA65T R/H Build
	1	21932.05	TELE SOCKET - PA70T L/H Build
	1	21932.06	TELE SOCKET - PA70T R/H Build
2	1	45264.01	MAIN PIVOT PIN
3	2	9213136	BOLT
4	2	9100206	SPRING WASHER
5	1	45202.03	PIN
6	1	21942.01	GUIDE RAIL - PA65T Builds
	1	21942.04	GUIDE RAIL - PA70T Builds
7	1	9313055	SETSCREW
8	1	9143005	SELF-LOCKING NUT
9	1	0901121	GREASE NIPPLE - STRAIGHT
10	20	21936.02	WEAR PAD
11	4	21941.03	PUSHER PLATE
12	16	04.282.17	STUD
13	32	9100037	THIN NUT
14	1	43381.02	PIN - TELE BASE
15	1	05.281.18	FLAT WASHER
16	1	9501507	SPLIT PIN
17	1	43457.01	TELE RAM RESTRAINT
18	2	9313054	SETSCREW
19	2	9143004	SELF-LOCKING NUT
20	1	43021.08	TRANSPORT PROP - PA65T Builds
	1	43021.01	TRANSPORT PROP - PA70T Builds
21	2	43091.03	TRANSPORT PROP PAD
22	4	9353053	CAPSCREW
23	4	9143003	SELF-LOCKING NUT
24	2	42024.26	HOSE CLAMP (HALF)
25	1	7193066	CLAMP PLATE
26	1	9213084	BOLT
27	1	9100204	SPRING WASHER

TELE DIPPER ARM ASSEMBLY – PA65T / PA70T

Module(s): 7458511 (illustrated in L/H Build), 7470504

McCONEL



TELE DIPPER ARM ASSEMBLY – PA65T / PA70T



Module(s): 7458511 (*illustrated in L/H Build*), 7470504

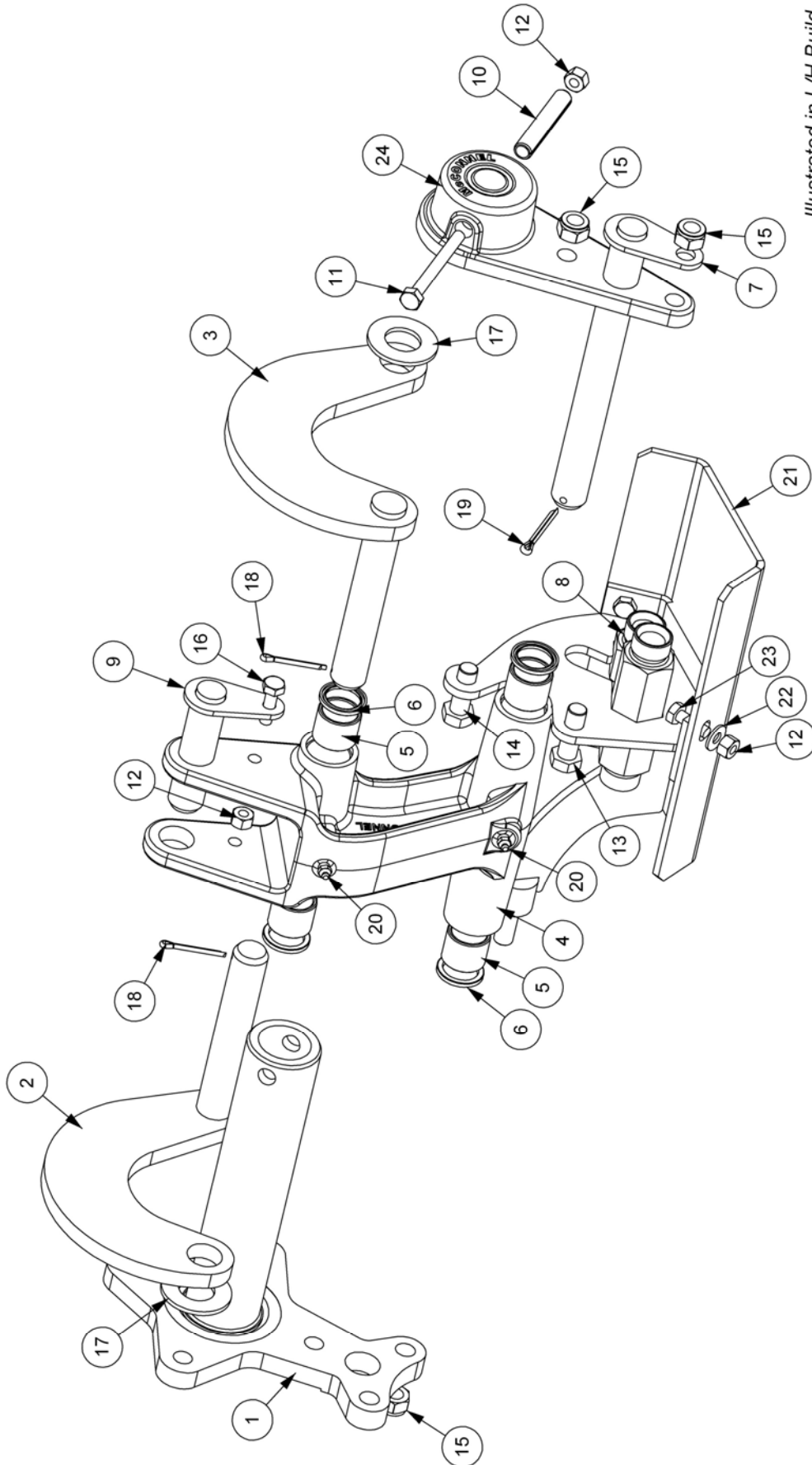
REF.	QTY.	PART No.	DESCRIPTION
		7458511	TELE DIPPER ARM - PA65T Builds
		7470504	TELE DIPPER ARM - PA70T Builds
1	1	21934.01	TELE DIPPER - PA65T Builds
	1	21934.02	TELE DIPPER - PA70T Builds
2	2	7136035	PLASTIC BUSH
3	2	08.297.04	PLASTIC BUSH
4	2	8629218	LIP SEAL
5	2	0901121	GREASE NIPPLE - STRAIGHT
6	2	42684.03	PIN
7	2	9313085	SETSCREW
8	6	9143005	SELF-LOCKING NUT
9	1	42211.05	RIGID PIPE
10	1	21946.01	SPACER
11	1	9213187	BOLT
12	1	9143007	SELF-LOCKING NUT
13	1	42205.06	HOSE COVER
14	4	42024.04	HOSE CLAMP
15	2	42215.01	SPACER
16	2	9213155	BOLT
17	2	9100405	EXTERNAL SHAKEPROOF WASHER
18	2	9100105	FLAT WASHER
19	2	9243125	CAPSCREW
20	1	21951.01	CLAMP WASHER

L/H & R/H builds use identical components and differ only in assembled positions.

HEAD ANGLING MECHANISM

Module(s): 7458500

McCONEL



Illustrated in L/H Build

HEAD ANGLING MECHANISM**McCONNEL**

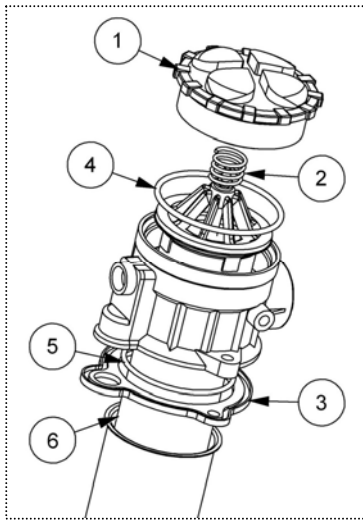
Module(s): 7458500

REF.	QTY.	PART No.	DESCRIPTION
		7458500	HEAD ANGLING MECHANISM
1	1	21263.01	PIVOT TUBE
2	1	42646.03	RADIUS ARM - TYPE 1
3	1	42646.04	RADIUS ARM - TYPE 2
4	1	21801.01	SLAVE LINK (CAST)
5	4	08.297.04	BUSH
6	4	8629218	LIP SEAL
7	1	42684.01	PIN (SLAVE LINK)
8	1	21261.02	JUNCTION BRACKET
9	1	42684.05	PIN
10	1	0423556	SPRING DOWEL
11	1	9213205	BOLT
12	4	9143005	SELF-LOCKING NUT
13	1	9200025	BOLT
14	1	9200028	BOLT
15	3	9100028	SELF-LOCKING NUT
16	1	9313075	SETSCREW
17	2	05.281.18	FLAT WASHER
18	2	9501406	SPLIT PIN
19	1	9501507	SPLIT PIN
20	2	0901121	GREASE NIPPLE
21	1	21262.01	HOSE TRAY
22	2	9100105	FLAT WASHER
23	2	9313065	SETSCREW
24	1	42648.01C	JAW PLATE CASTING

HYDRAULIC TANK ASSEMBLY

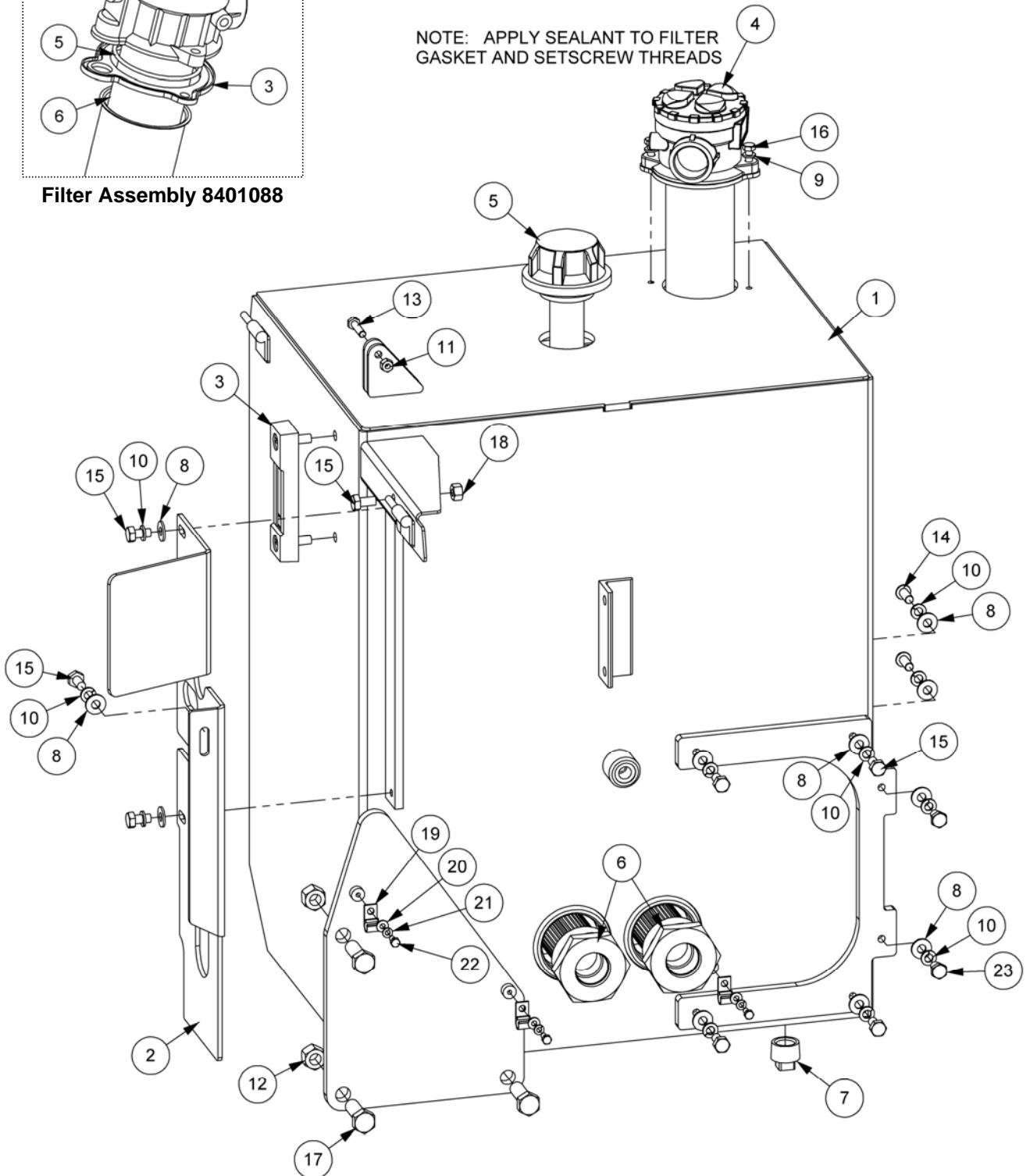
Module(s): 7458524 (illustrated), 7458525, 7470506, 7470507

McCONEL



Filter Assembly 8401088

NOTE: APPLY SEALANT TO FILTER GASKET AND SETSCREW THREADS



HYDRAULIC TANK ASSEMBLY

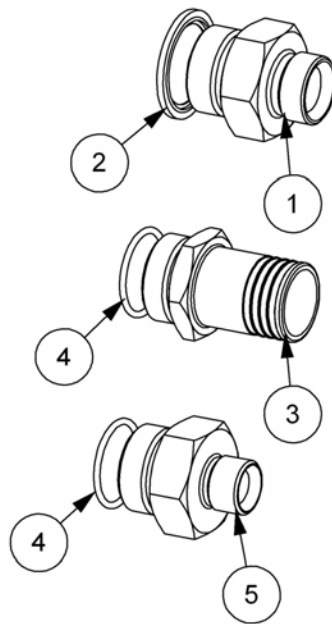
McCONNEL

Module(s): 7458524 (*illustrated*), 7458525, 7470506, 7470507

REF.	QTY.	PART NO.	DESCRIPTION
		7458524	HYDRAULIC TANK - PA50/60/65T L/H Builds
		7458525	HYDRAULIC TANK - PA50/60/65T R/H Builds
		7470506	HYDRAULIC TANK - PA70T L/H Build
		7470507	HYDRAULIC TANK - PA70T R/H Build
1	1	21306.14	HYDRAULIC TANK - L/H Builds
	1	21306.15	HYDRAULIC TANK - R/H Builds
2	1	21314.01	SHIELD PLATE - PA50/60/65T L/H Builds
	1	21314.02	SHIELD PLATE - PA50/60/65T R/H Builds
	1	21314.04	SHIELD PLATE - PA70T L/H Build
	1	21314.05	SHIELD PLATE - PA70T R/H Build
3	1	8401048	LEVEL GAUGE
4	1	8401088	FILTER ASSEMBLY (Including Element)
5	1	8401050	BREATHER
6	2	8401091	STRAINER
7	1	8581203	TAPER PLUG
8	11	9100105	FLAT WASHER
9	2	9100204	SPRING WASHER
10	11	9100205	SPRING WASHER
11	1	9143004	SELF-LOCKING NUT
12	3	9143007	SELF-LOCKING NUT
13	1	9213074	BOLT
14	2	9300154	BUTTON HEAD SOCKET SCREW
15	8	9313045	SETSCREW
16	2	9313064	SETSCREW
17	3	9313097	SETSCREW
18	1	9143005	SELF-LOCKING NUT
19	3	21151.01	D CLIP
20	3	9100103	FLAT WASHER
21	3	9100203	SPRING WASHER
22	3	9313023	SETSCREW
23	2	9313035	SETSCREW
24	1	8581436	PLUG

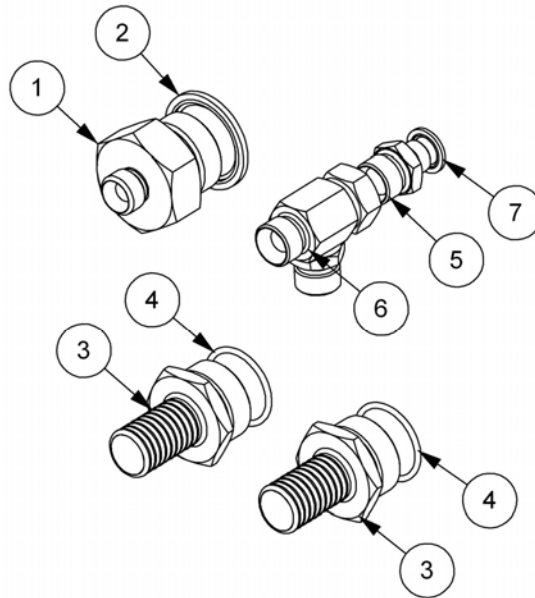
SERVICE PARTS FOR FILTER ASSEMBLY 8401088

1	1	212.013.04	FILLER CAP
2	1	212.013.05	SPRING
3	1	212.013.06	FILTER SEAL
4	1	212.013.07	O RING (FILLER CAP)
5	1	212.013.08	O RING (FILLER HOUSING)
6	1	8401089	FILTER ELEMENT (25 Micron)



TANK FITTINGS KIT 7458774

REF.	QTY.	PART No.	DESCRIPTION
		7458774	TANK FITTINGS (Gear Models)
1	1	05.131.01	ADAPTOR
2	1	8650109	BONDED SEAL
3	1	8581260	ADAPTOR (LP)
4	2	8700784	O RING
5	1	T5342	ADAPTOR



TANK FITTINGS KIT 7458782

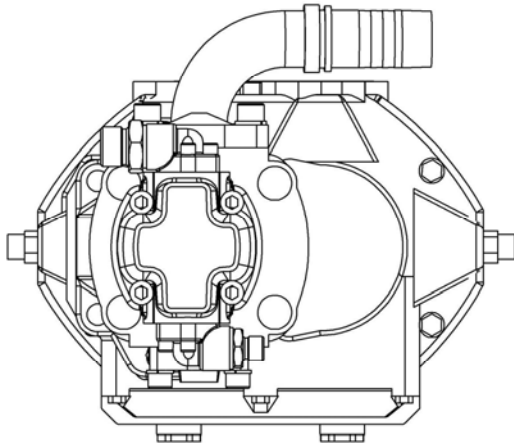
REF.	QTY.	PART No.	DESCRIPTION
		7458782	TANK FITTINGS (Piston Models)
1	1	8581546	ADAPTOR
2	1	8650109	BONDED SEAL
3	2	8581383	SUCTION ADAPTOR
4	2	8700784	O RING
5	1	8581175	ADAPTOR
6	1	8581460	ADAPTOR TEE
7	1	8650103	BONDED SEAL

TI PUMP & GEARBOX ASSEMBLY

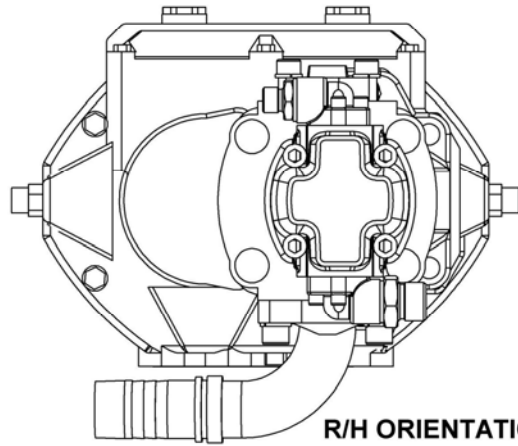
McCONEL

Module(s): 7458582

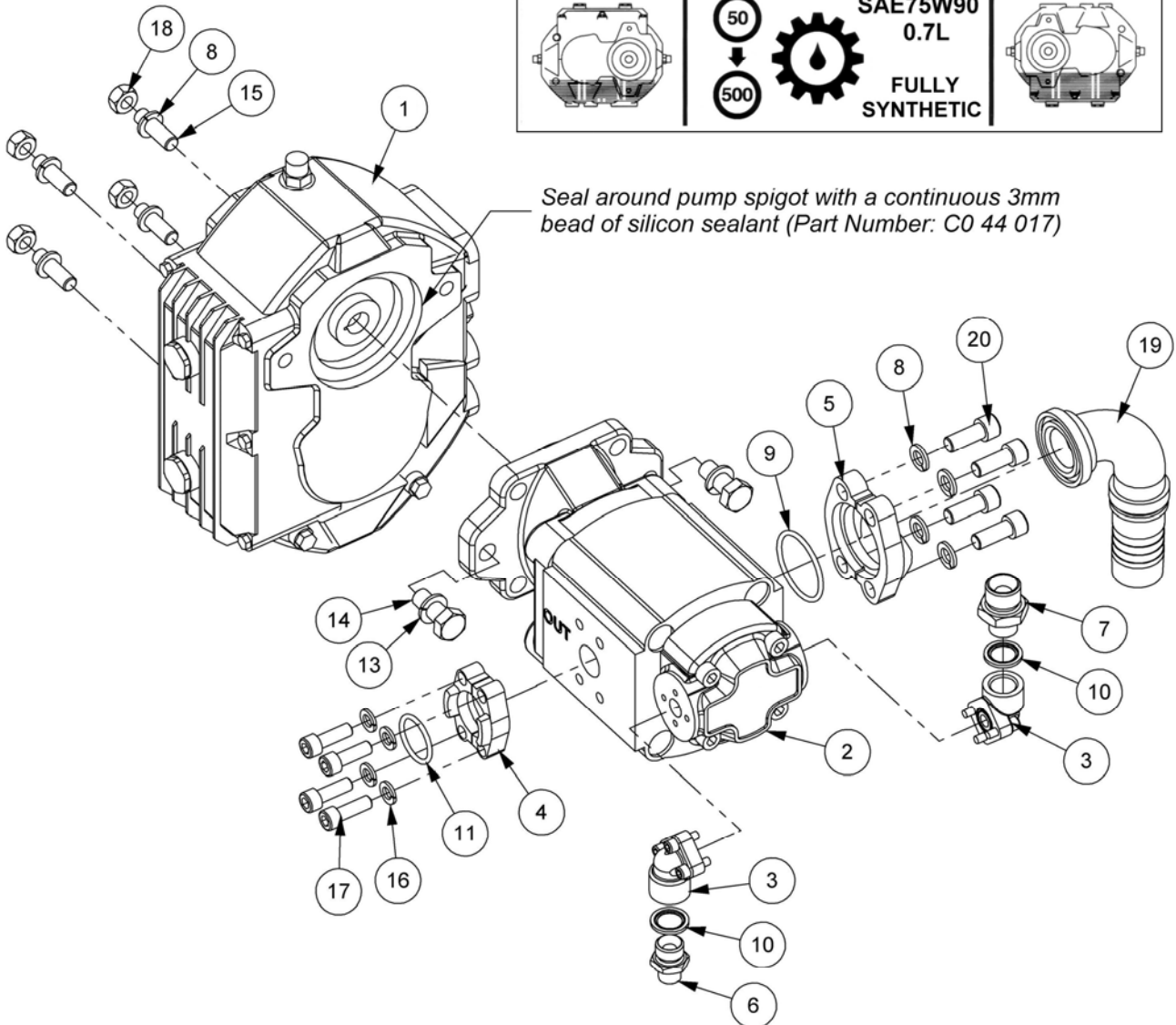
NOTE: BREATHER MUST ALWAYS BE FITTED TO THE TOP OF THE GEARBOX IN BOTH ORIENTATIONS



L/H ORIENTATION



R/H ORIENTATION



SEALANTS: TAPER PLUGS - LOCTITE 575 / COVER PLATE - LOCTITE 574 (FLANGE SEALANT)

TI PUMP & GEARBOX ASSEMBLY

McCONNEL

Module(s): 7458582

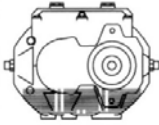



REF.	QTY.	PART No.	DESCRIPTION
		7458582	TI PUMP & GEARBOX ASSEMBLY
1	1	21930.01	CAST IRON GEARBOX 1:4.25 13T SPLINE
2	1	8201718	PUMP
3	2	8301045	ELBOW C/W CAPSCREWS & O RING
4	1	01.697.03	SPLIT FLANGE
5	1	41.294.01	SPLIT FLANGE PAIR
6	1	6000112	ADAPTOR
7	1	8581130	ADAPTOR
8	8	9100206	SPRING WASHER
9	1	8600303	O RING
10	2	8650104	BONDED SEAL
11	1	8600124	O RING
12	1	1290092	GEARBOX DECAL
13	2	05.282.08	SPRING WASHER
14	2	05.839.01	BOLT
15	4	04.282.17	STUD
16	4	9100205	SPRING WASHER
17	4	9343065	CAPSCREW
18	4	9113006	NUT
19	1	8581489	ADAPTOR (LP)
20	4	9343066	CAPSCREW

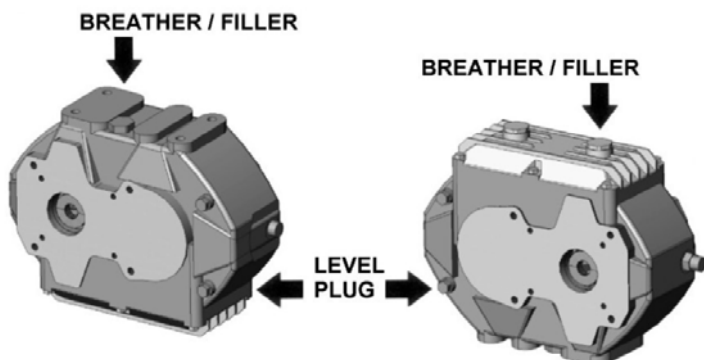
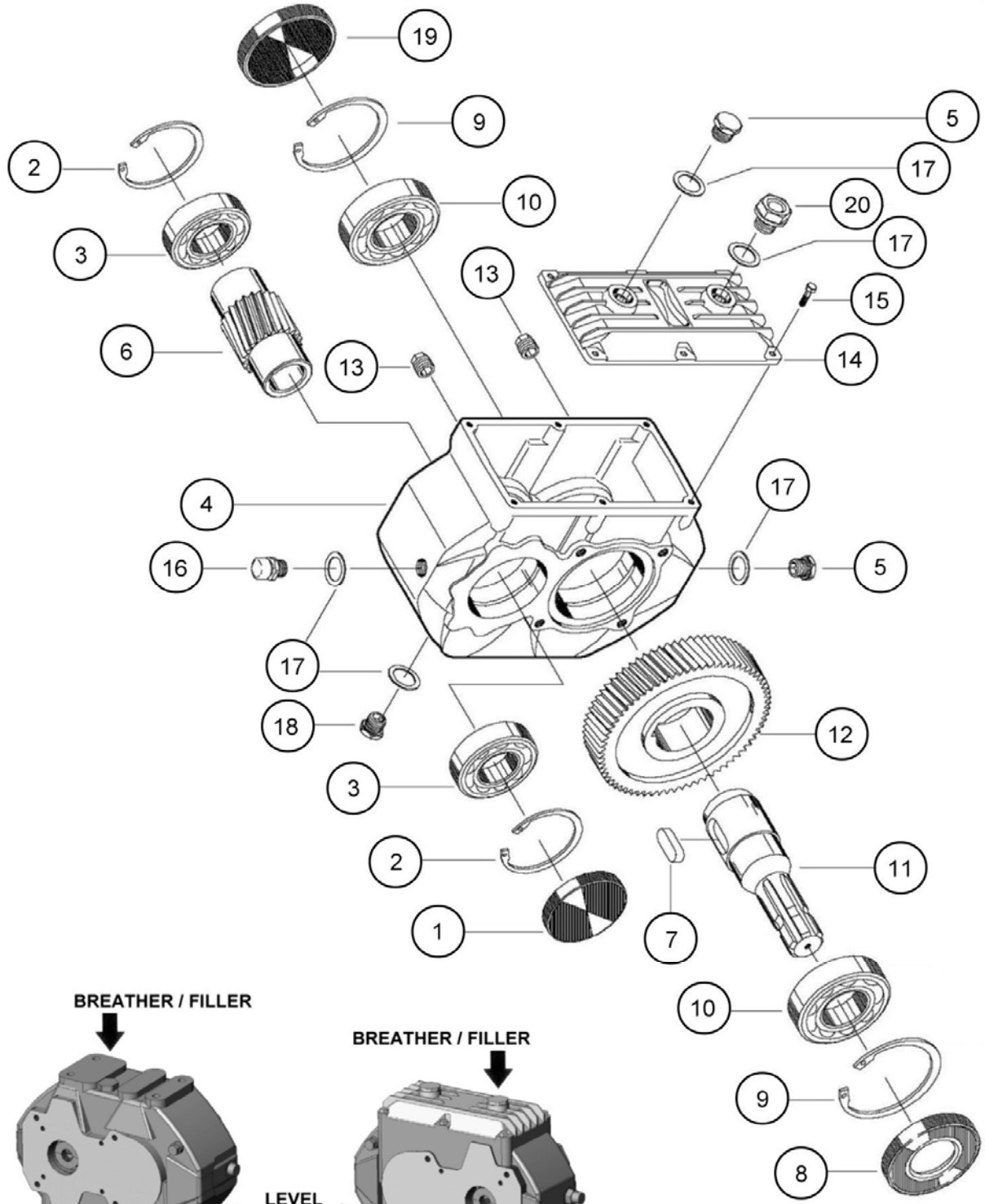
**Note: L/H and R/H builds differ only in the orientation of the assembly on the machine
- gearbox decal to be located on the uppermost surface of the gearbox in both builds.**

GEARBOX ASSEMBLY (Ratio 1:4.25 / 13T Spline)

Module(s): 21930.01

McCONEL

			SAE75W90 0.7L FULLY SYNTHETIC	
---	---	--	--	---



NOTE: Plug positions are dependent on gearbox orientation

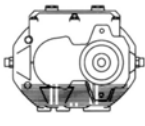

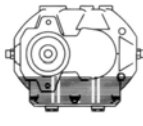
Module(s): 21930.01

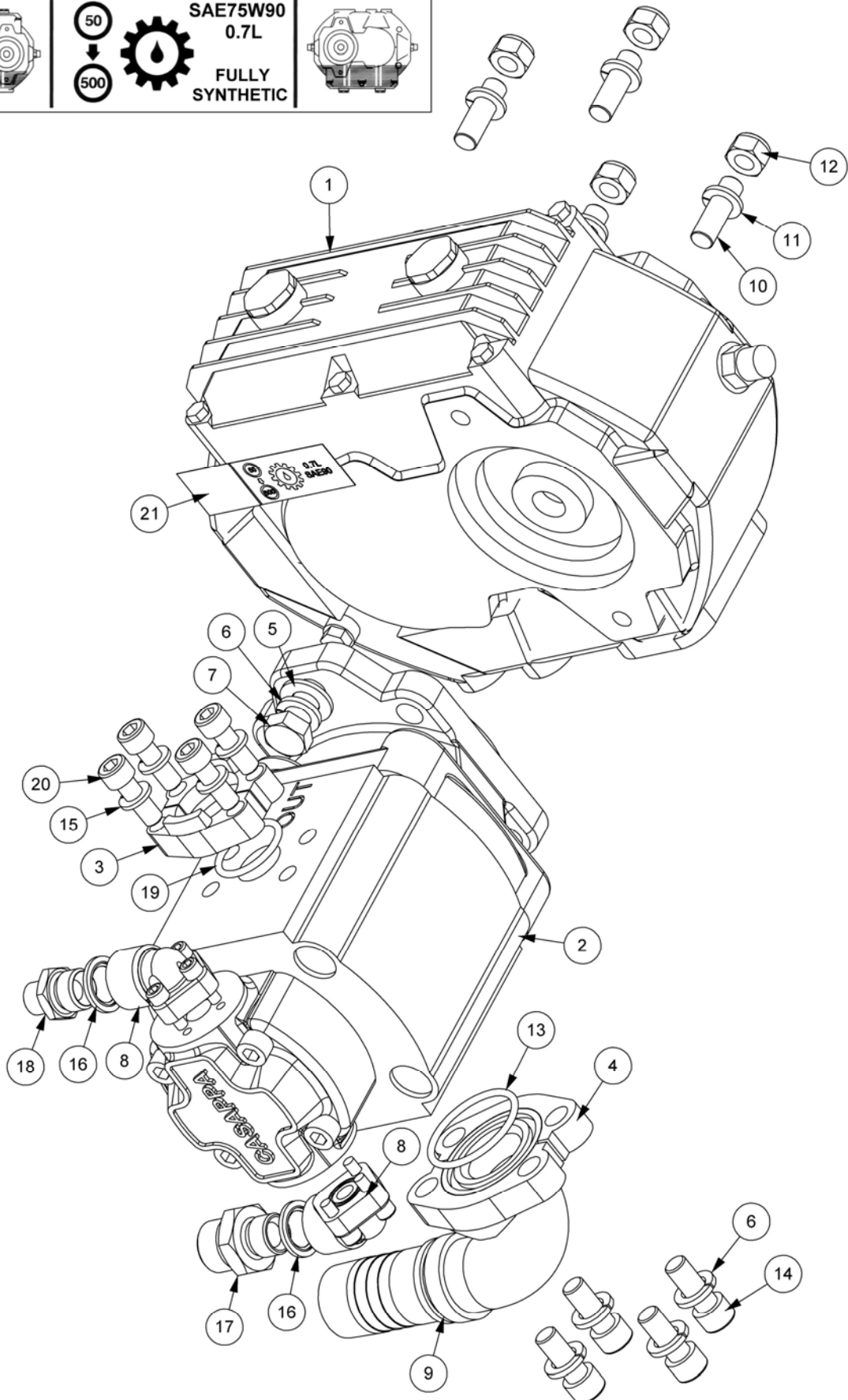
REF.	QTY.	PART No.	DESCRIPTION
		21930.01	GEARBOX ASSEMBLY (Cast Iron)
			Specification: Ratio 1:4.25 with 13 tooth spline
1	1	8013530	CAP
2	2	8013529	CIRCLIP
3	2	8013528	BEARING
4	1	8013598	HOUSING
5	2	8013533	OIL PLUG
6	1	8013600	SHAFT
7	1	8013586	KEY
8	1	8013526	OIL SEAL
9	2	8013525	CIRCLIP
10	2	8013524	BEARING
11	1	8013522	INPUT SHAFT
12	1	8013601	GEAR
13	2	8013588	OIL PLUG
14	1	8013589	COVER
15	6	9313033	SCREW
16	1	8013590	OIL PLUG
17	5	8013591	WASHER
18	1	8013593	OIL PLUG
19	1	8013527	CAP
20	1	8013599	OIL PLUG

PUMP & GEARBOX ASSEMBLY (800RPM)

McCONEL

Module(s): 7458539

	<p>50 ↓ 500</p> 	<p>SAE75W90 0.7L FULLY SYNTHETIC</p>	
---	---	--	---



Module(s): 7458539

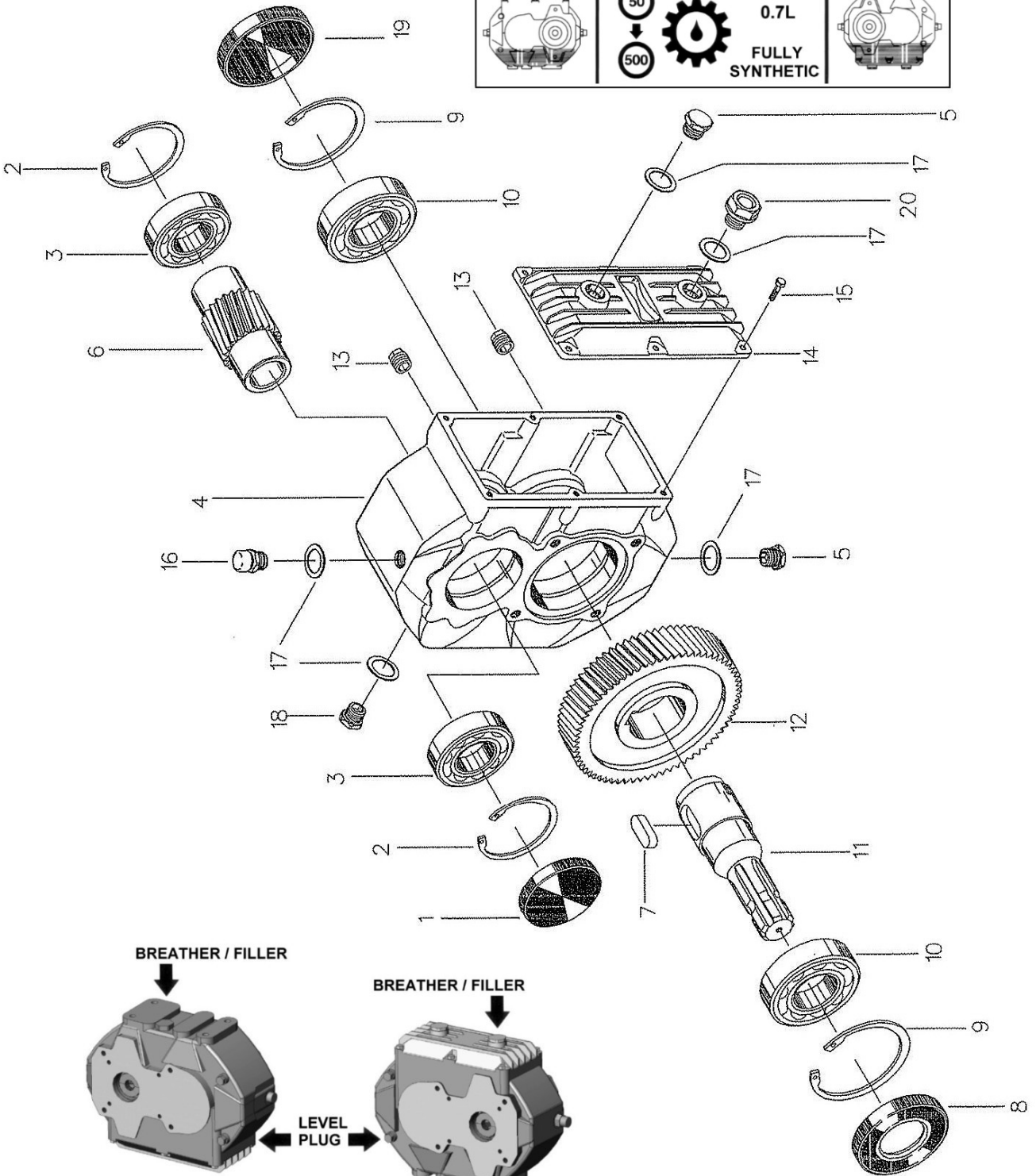
REF.	QTY.	PART No.	DESCRIPTION
		7458539	PUMP & GEARBOX ASSEMBLY (800RPM)
1	1	8013512	GEARBOX 3:1 RATIO 13T
2	1	8201723	TANDEM PUMP - ANTICLOCKWISE
3	1	01.697.03	SPLIT FLANGE
4	1	41.294.01	SPLIT FLANGE (PAIR)
5	2	05.281.14	FLAT WASHER
6	6	05.282.08	SPRING WASHER
7	2	05.839.01	BOLT
8	2	8301045	ELBOW c/w CAPSCREWS & O RING
9	1	8581489	ADAPTOR - LOW PRESSURE
10	4	04.282.17	STUD
11	4	9100206	SPRING WASHER
12	4	05.968.03	SELF-LOCKING NUT
13	1	8600303	O RING
14	4	9243066	CAPSCREW
15	4	9100205	SPRING WASHER
16	2	8650104	BONDED SEAL
17	1	8581130	ADAPTOR
18	1	T0914	ADAPTOR
19	1	8600124	O RING
20	4	9343065	CAPSCREW
21	1	1290092	GEARBOX DECAL

GEARBOX ASSEMBLY (Ratio 1:3 / 12T Spline)

Module(s): 8013512

McCONEL

	<p>50</p> <p>500</p>	 <p>SAE75W90 0.7L FULLY SYNTHETIC</p>	
---	----------------------	---	---



NOTE: Plug positions are dependent on gearbox orientation

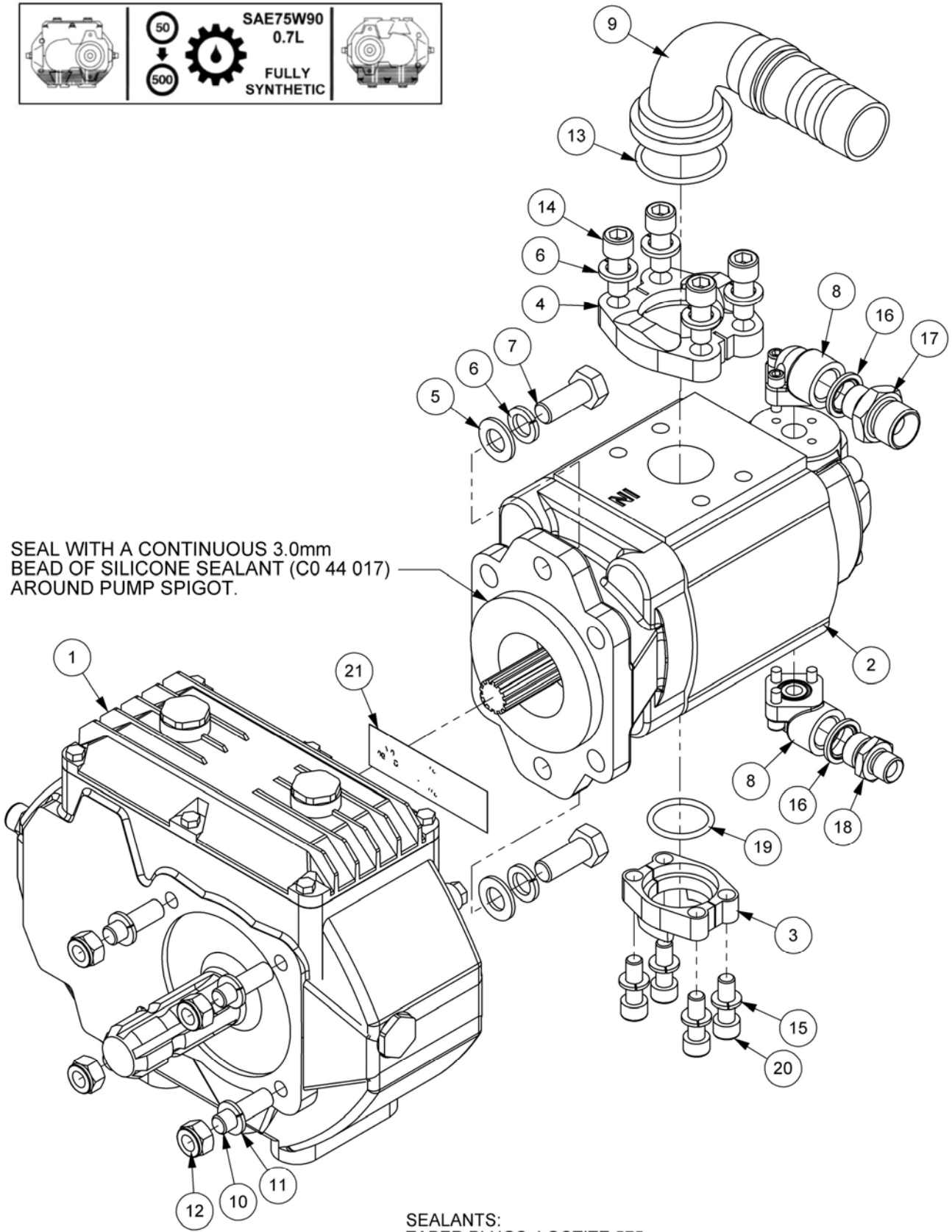
Module(s): 8013512

REF.	QTY.	PART No.	DESCRIPTION
		8013512	GEARBOX ASSEMBLY (800RPM)
1	1	8013530	CAP
2	2	8013529	CIRCLIP
3	2	8013595	BEARING
4	1	8013598	HOUSING
5	2	8013533	OIL PLUG
6	1	8013517	SHAFT
7	1	8013523	KEY
8	1	8013526	OIL SEAL
9	2	8013525	CIRCLIP
10	2	8013524	BEARING
11	1	8013522	COVER
12	1	8013515	GEAR
13	2	8013588	OIL PLUG
14	1	8013589	COVER
15	6	8013531	SCREW
16	1	8013590	OIL PLUG
17	5	8013591	WASHER
18	1	8013593	OIL PLUG
19	1	8013527	CAP
20	1	8013599	OIL PLUG

PUMP & GEARBOX ASSEMBLY (1000RPM)

McCONEL

Module(s): 7458593



SEAL WITH A CONTINUOUS 3.0mm BEAD OF SILICONE SEALANT (C0 44 017) AROUND PUMP SPIGOT.

LEFT HAND BUILD

SEALANTS:
TAPER PLUGS. LOCTITE 575
COVER PLATE. LOCTITE 574 FLANGE SEALANT.

PUMP & GEARBOX ASSEMBLY (1000RPM)**McCONNEL**

Module(s): 7458593

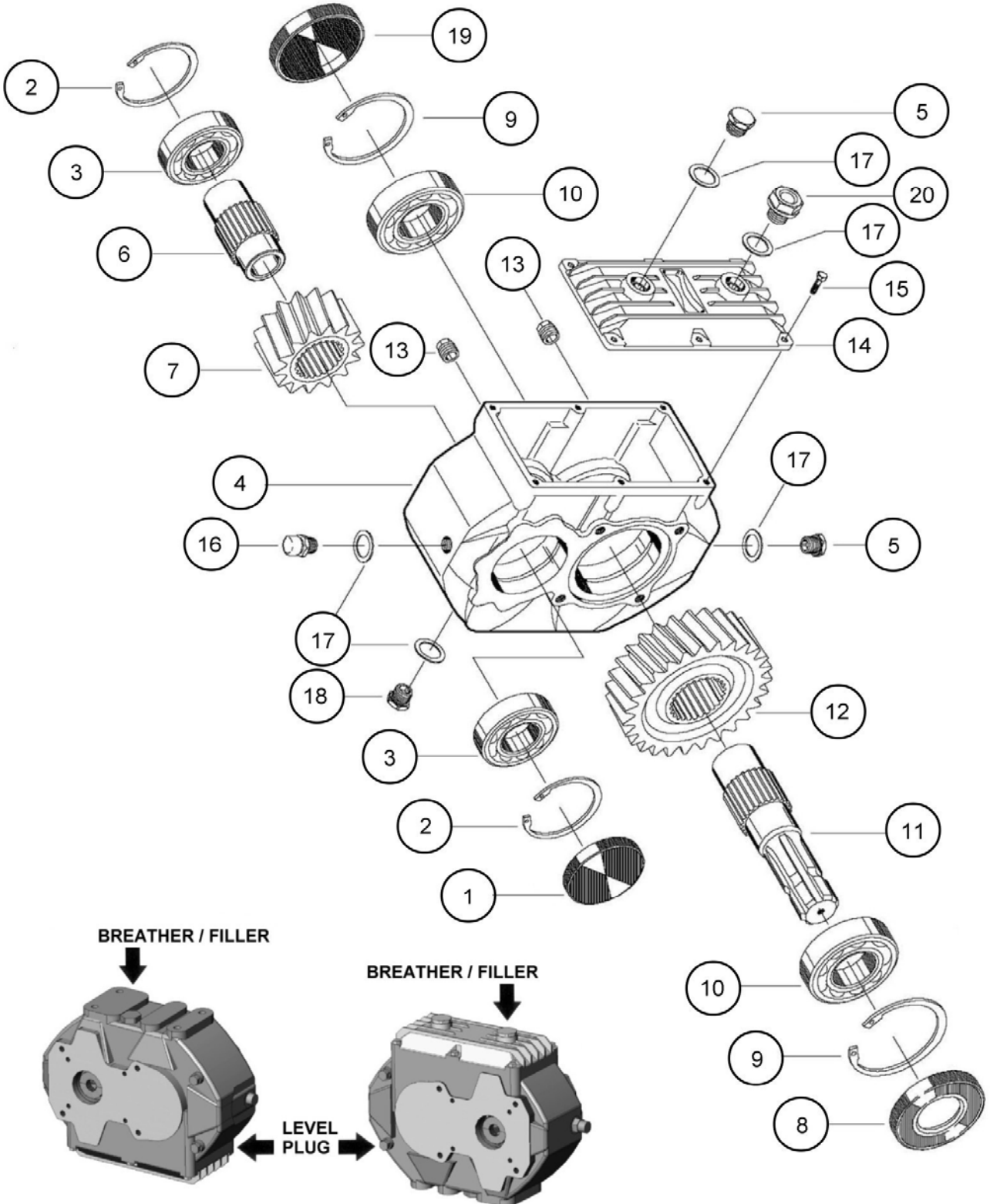
REF.	QTY.	PART No.	DESCRIPTION
		7458593	PUMP & GEARBOX (1000RPM) - L/H Build
1	1	21930.03	CAST IRON GEARBOX - 1:2 13T SPLINE
2	1	8201718	PUMP
3	1	01.697.03	SPLIT FLANGE
4	1	41.294.01	SPLIT FLANGE PAIR
5	2	05.281.14	FLAT WASHER
6	6	05.282.08	SPRING WASHER
7	2	05.839.01	BOLT
8	2	8301045	ELBOW C/W CAPSCREWS & O RING
9	1	8581489	ADAPTOR (LP)
10	4	04.282.17	STUD
11	4	9100206	SPRING WASHER
12	4	05.968.03	SELF-LOCKING NUT
13	1	8600303	O RING
14	4	9243066	CAPSCREW
15	4	9100205	SPRING WASHER
16	2	8650104	BONDED SEAL
17	1	8581130	ADAPTOR
18	1	T0914	ADAPTOR
19	1	8600124	O RING
20	4	9343065	CAPSCREW
21	1	1290092	GEARBOX DECAL

GEARBOX ASSEMBLY (Ratio 1:2 / 13T Spline)

Module(s): 21930.03

McCONEL

			SAE75W90 0.7L FULLY SYNTHETIC	
---	---	--	---	---



NOTE: Plug positions are dependent on gearbox orientation

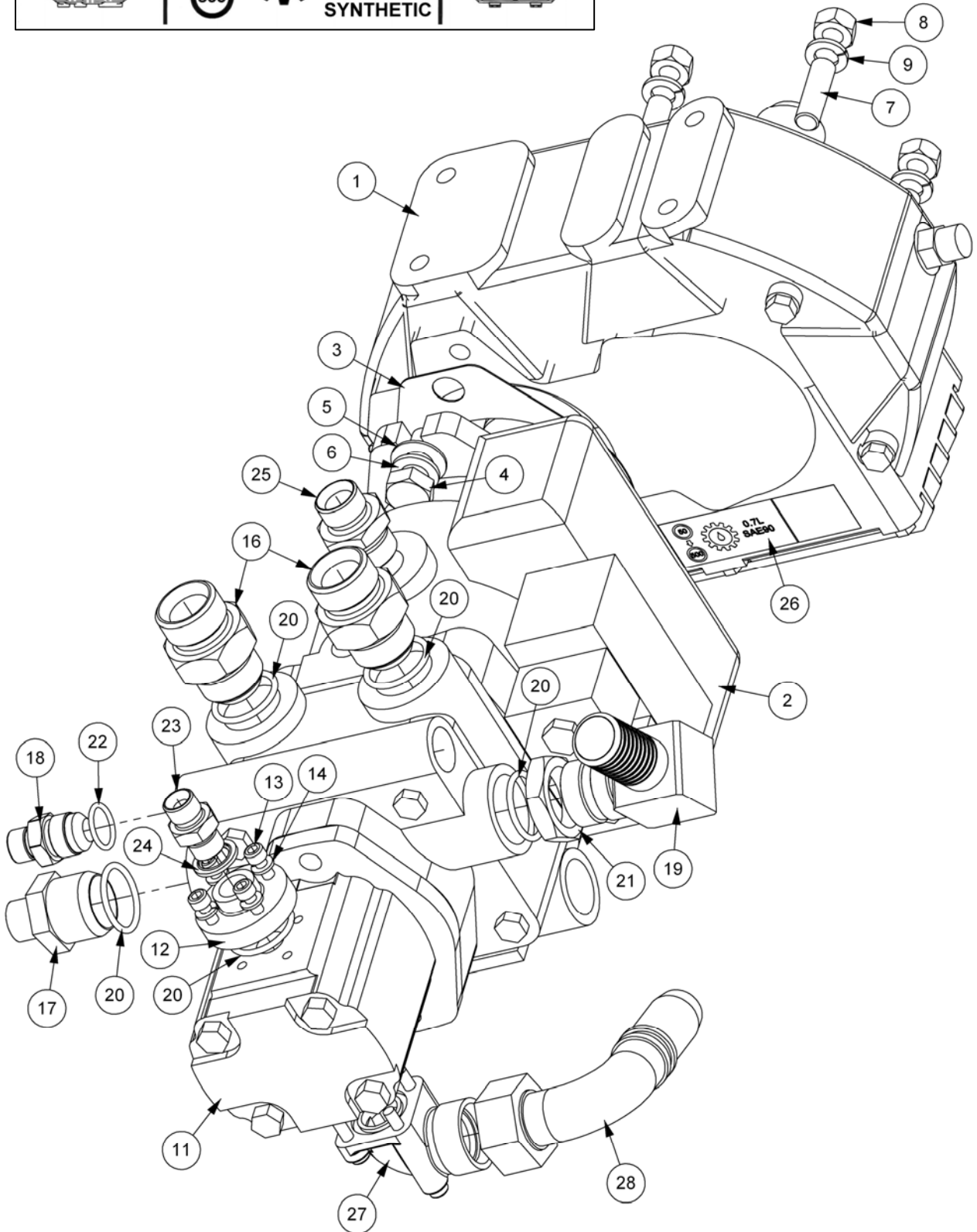
Module(s): 21930.03

REF.	QTY.	PART No.	DESCRIPTION
		21930.03	GEARBOX ASSEMBLY (Cast Iron)
			<i>Specification: Ratio 1:2 with 13 tooth spline</i>
1	1	8013530	CAP
2	2	8013529	CIRCLIP
3	2	8013595	BEARING
4	1	8013598	HOUSING
5	2	8013533	OIL PLUG
6	1	8013603	SHAFT
7	1	8013604	GEAR
8	1	8013526	OIL SEAL
9	2	8013525	CIRCLIP
10	2	8013524	BEARING
11	1	8013605	INPUT SHAFT
12	1	8013606	GEAR
13	2	8013588	OIL PLUG
14	1	8013589	COVER
15	6	9313033	SCREW
16	1	8013590	OIL PLUG
17	5	8013591	WASHER
18	1	8013593	OIL PLUG
19	1	8013527	CAP
20	1	8013599	OIL PLUG

PISTON PUMP & GEARBOX ASSEMBLY

McCONEL

Module(s): 7458518 – L/H Build (*illustrated*), 7458519 – R/H Build



PISTON PUMP & GEARBOX ASSEMBLY

McCONNEL

Module(s): 7458518 – L/H Build (*illustrated*), 7458519 – R/H Build

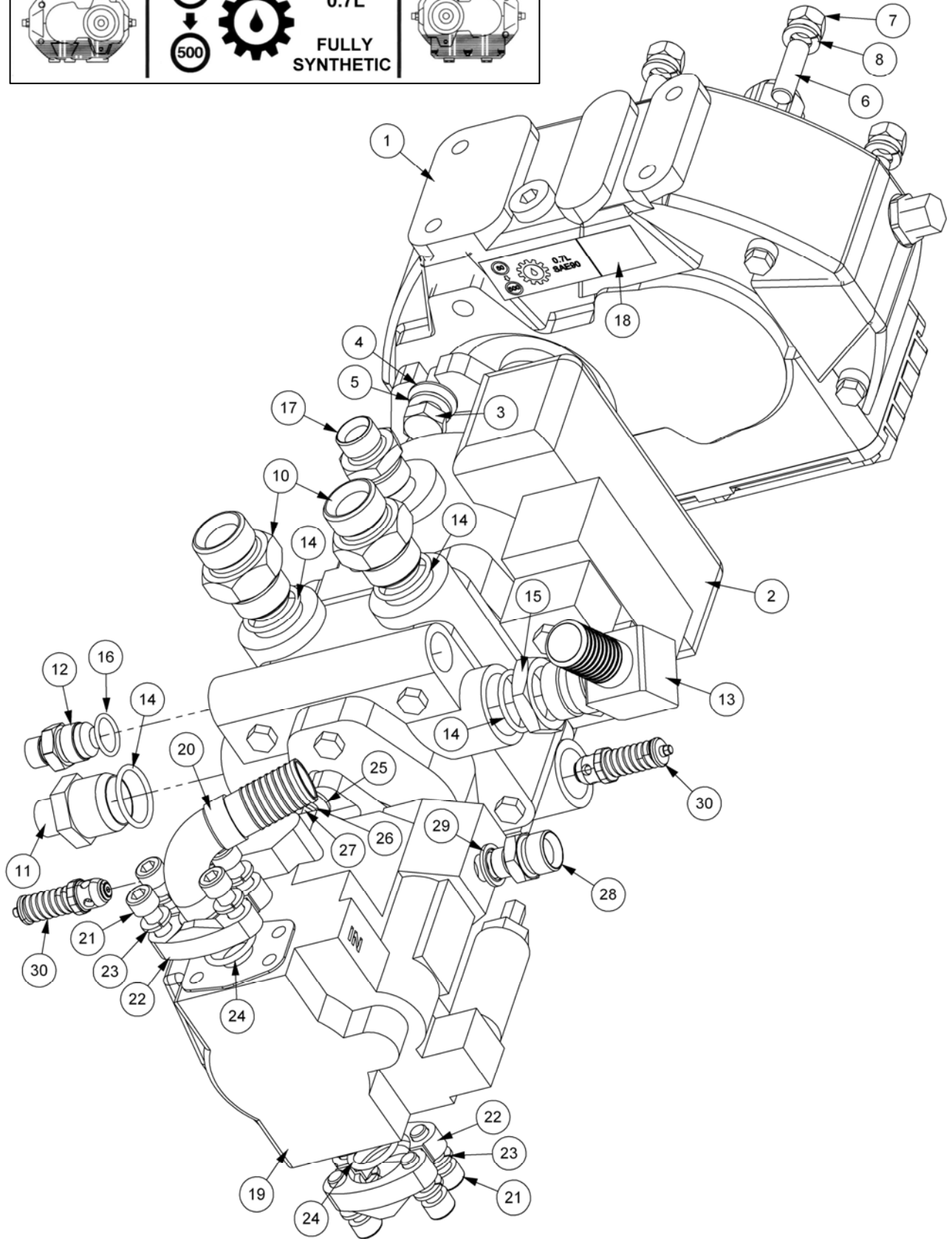
REF.	QTY.	PART No.	DESCRIPTION
		7458518	PISTON PUMP & GEARBOX - L/H Build
		7458519	PISTON PUMP & GEARBOX - R/H Build
1	1	8013514	GEARBOX (3.6:1 15T)
2	1	8201722	PISTON PUMP - L/H Build
	1	8201699	PISTON PUMP - R/H Build
3	1	7550048	GASKET
4	2	05.839.01	BOLT
5	2	9100020	FLAT WASHER
6	2	05.282.08	SPRING WASHER
7	4	04.282.17	STUD
8	4	9113006	NUT
9	4	9100206	SPRING WASHER
10	2	0100203	SPRING WASHER
11	1	8201706	GEAR PUMP
12	1	8013123	PUMP CONNECTION
13	4	9343053	CAPSCREW
14	4	9100203	SPRING WASHER
15	1	43177.27	LOOM (PISTON ROTOR CONTROL)
16	2	8581256	ADAPTOR
17	1	8581321	ADAPTOR
18	1	520622	ADAPTOR
19	1	8581316	ELBOW (LP)
20	5	8600916	O RING
21	1	7550047	LOCKNUT
22	1	8600910	O RING
23	1	6000113	ADAPTOR
24	1	8650103	BONDED SEAL
25	1	8581459	ADAPTOR
26	1	1290092	GEARBOX DECAL
27	1	8013124	90° FLANGE
28	1	8581416	90° SWEPT ADAPTOR ELBOW

TANDEM PISTON PUMP & GEARBOX ASSEMBLY

McCONEL

Module(s): 7458586 - L/H Build

			SAE75W90 0.7L FULLY SYNTHETIC	
---	---	---	--	---



TANDEM PISTON PUMP & GEARBOX ASSEMBLY



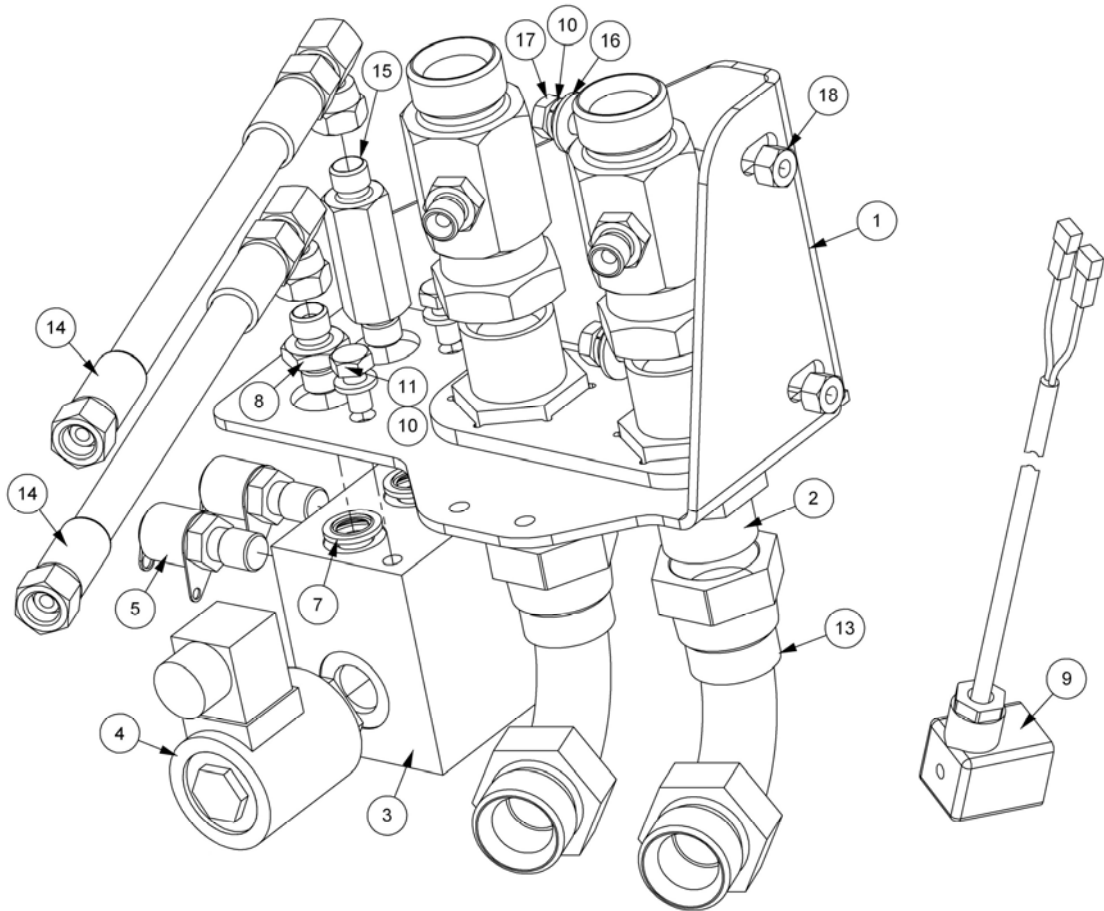
Module(s): 7458586 – L/H Build

REF.	QTY.	PART No.	DESCRIPTION
		7458586	PISTON PUMP & GEARBOX - L/H Build
1	1	21930.04	GEAROX (1:5 15T)
2	1	8201722	PISTON PUMP
3	2	05.839.01	BOLT
4	2	9100020	FLAT WASHER
5	2	05.282.08	SPRING WASHER
6	4	04.282.17	STUD
7	4	9113006	NUT
8	4	9100206	SPRING WASHER
9	1	43177.27	LOOM (PISTON ROTOR CONTROL)
10	2	8581256	ADAPTOR
11	1	8581321	ADAPTOR
12	1	520622	ADAPTOR
13	1	8581316	ELBOW (LP)
14	4	8600916	O RING
15	1	7550047	LOCKNUT
16	1	8600910	O RING
17	1	8581459	ADAPTOR
18	1	1290092	GEARBOX DECAL
19	1	8201707	PISTON PUMP
20	1	8581464	90° ADAPTOR (LP)
21	8	9343065	CAPSCREW
22	2	41.294.02	SPLIT FLANGE
23	8	9100205	SPRING WASHER
24	2	8600119	O RING
25	2	0100103	FLAT WASHER
26	2	0100203	SPRING WASHER
27	2	0312103	HEX SCREW
28	1	8581175	ADAPTOR
29	1	8650103	BONDED SEAL
30	2	8201220	RESTRICTOR VALVE

PISTON PUMP BY-PASS – V4 & XTC Proportional

McCONEL

Module(s): 42783.12 (illustrated), 42783.13, 42783.14

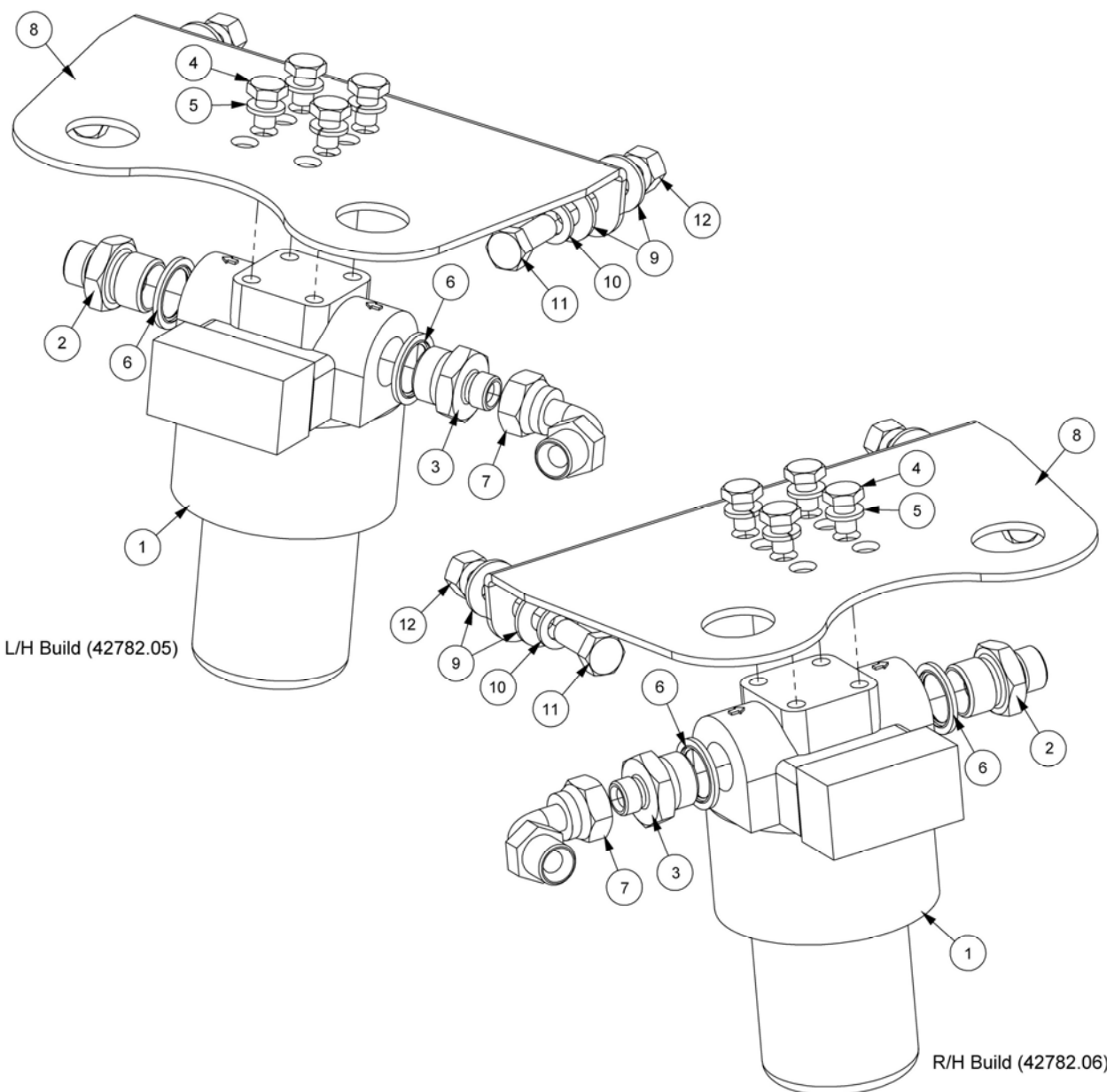


REF.	QTY.	PART No.	DESCRIPTION
		42783.12	PISTON PUMP BY-PASS (V4) - L/H Build
		42783.13	PISTON PUMP BY-PASS (V4) - R/H Build
		42783.14	PISTON PUMP BY-PASS (XTC) - L/H Build
1	1	42783.15	BYPASS MOUNTING PLATE - L/H Build
	1	42783.16	BYPASS MOUNTING PLATE - R/H Build
2	2	08.128.03	BULKHEAD FITTING
3	1	8132270	PUMP BYPASS BLOCK
4	1	8130192	CARTRIDGE VALVE (2 WAY)
5	2	8131008	TEST POINT
6	2	04.056.33	ADAPTOR TEE
7	2	8650102	BONDED SEAL
8	1	8581169	ADAPTOR
9	1	43177.29	LOOM - V4 Builds
	1	43177.31	LOOM - XTC Builds
10	4	9100204	SPRING WASHER
11	2	9313034	SETSCREW
12	2	8581190	ADAPTOR ELBOW (90°)
13	2	8581264	SWEPT ADAPTOR (90°)
14	2	10.001.07	HOSE - 1/4" BSP FS/FS x 350mm
15	1	8581279	ADAPTOR EXTENSION - L/H Builds only
16	2	9100104	FLAT WASHER
17	2	9313054	SETSCREW
18	2	9143004	SELF-LOCKING NUT
19	1	8402373	CUT OFF UNIT - XTC Build only (Not shown)

CHARGE FILTER ASSEMBLY

McCONEL

Module(s): 42782.05, 42782.06



L/H Build (42782.05)

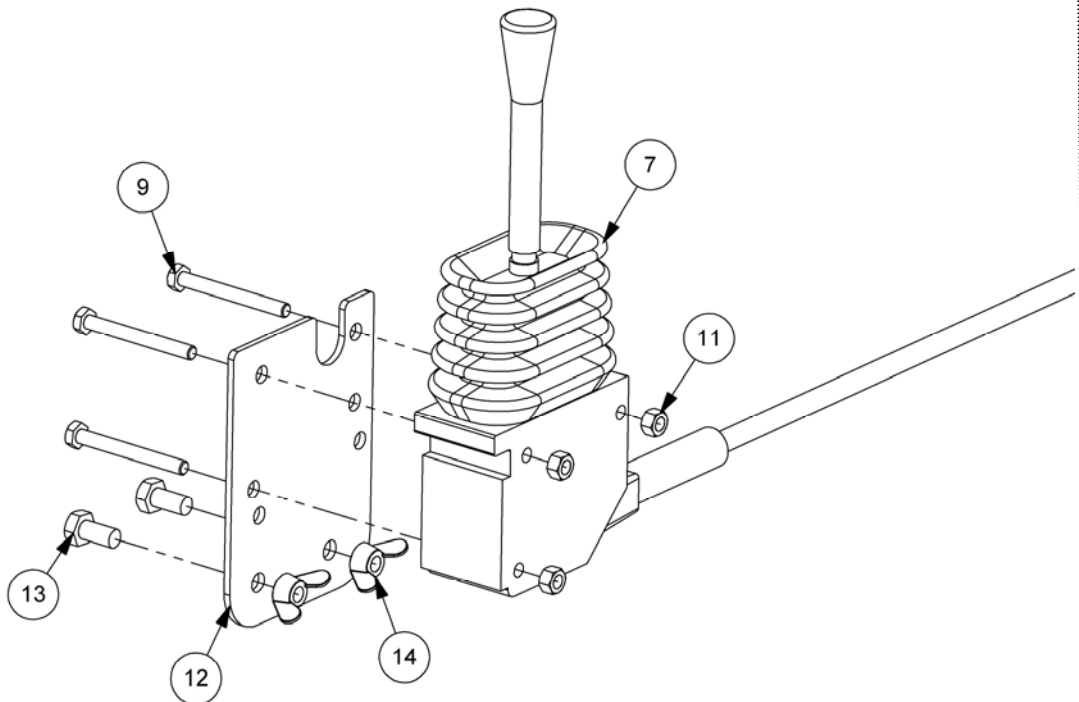
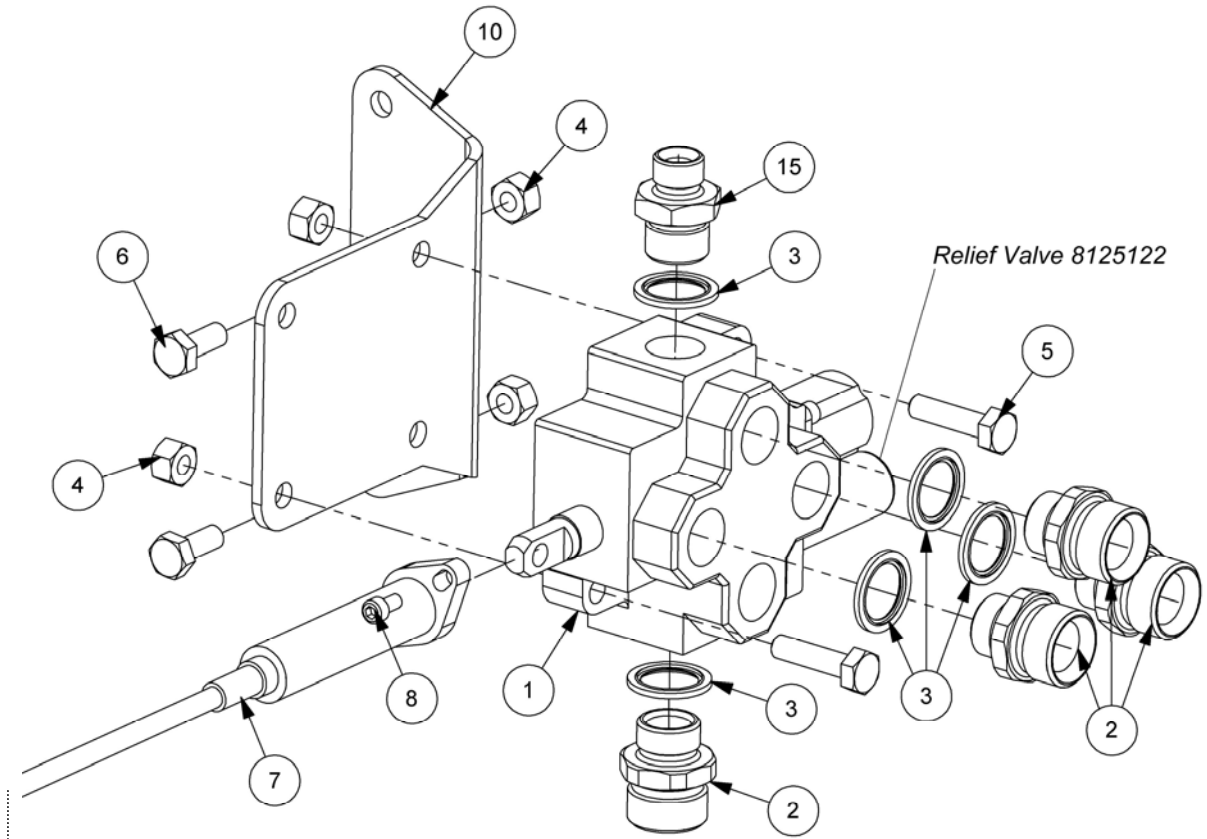
R/H Build (42782.06)

REF.	QTY.	PART No.	DESCRIPTION
		42782.05	CHARGE FILTER ASSEMBLY - L/H Build
		42782.06	CHARGE FILTER ASSEMBLY - R/H Build
1	1	8401084	FILTER
2	1	8581130	ADAPTOR
3	1	8581131	ADAPTOR
4	4	9313035	SETSCREW
5	4	9100205	SPRING WASHER
6	2	8650106	BONDED SEAL
7	1	8581215	90° SWEPT ADAPTOR
8	1	42782.35	CHARGE FILTER BRACKET
9	4	9100106	FLAT WASHER
10	2	9100206	SPRING WASHER
11	2	9313066	SETSCREW
12	2	9143006	SELF-LOCKING NUT

CABLE ROTOR CONTROL VALVE ASSEMBLY

Module(s): 7153726 (illustrated), 7153727

McCONEL



CABLE ROTOR CONTROL VALVE ASSEMBLY



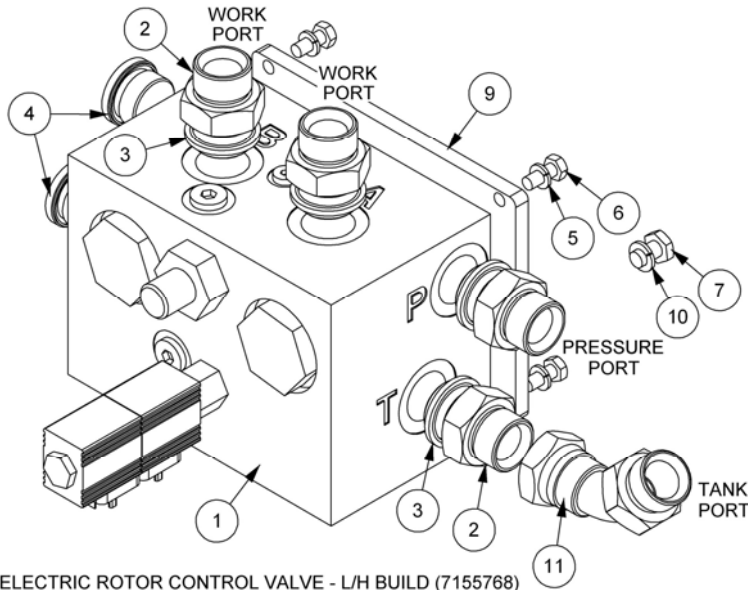
Module(s): 7153726 (illustrated), 7153727

REF.	QTY.	PART No.	DESCRIPTION
		7153726	CABLE ROTOR CONTROL VALVE - L/H Build
		7153727	CABLE ROTOR CONTROL VALVE - R/H Build
1	1	8125423	ROTOR CONTROL VALVE - L/H Build
	1	8125422	ROTOR CONTROL VALVE - R/H Build
2	4	8002086	ADAPTOR
3	5	8650106	BONDED SEAL
4	4	9143005	SELF-LOCKING NUT
5	2	9213085	BOLT
6	2	9313055	SETSCREW
7	1	8017065	ROTOR CONTROL HEAD & CABLE (2.5m)
8	2	9343023	CAPSCREW
9	3	9213113	BOLT
10	1	21354.01	BRACKET - CABLE RCV
11	3	9143003	SELF-LOCKING NUT
12	1	7650282	CONTROL CABLE BRACKET - SINGLE
13	2	9313034	SETSCREW
14	2	9193004	WING NUT
15	1	8581130	ADAPTOR
16	1	8125122	RELIEF VALVE

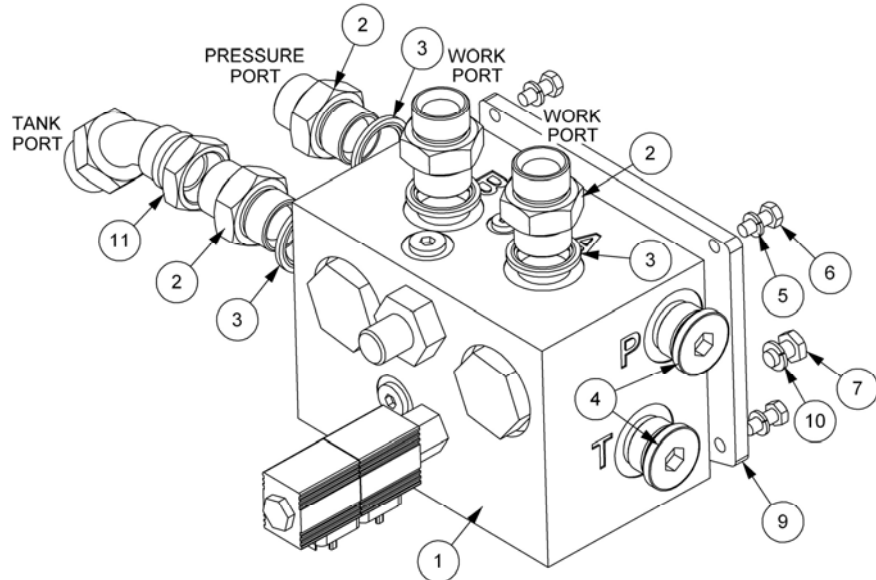
ELECTRIC ROTOR CONTROL VALVE ASSEMBLY

McCONEL

Module(s): 7155768, 7155769



ELECTRIC ROTOR CONTROL VALVE - L/H BUILD (7155768)



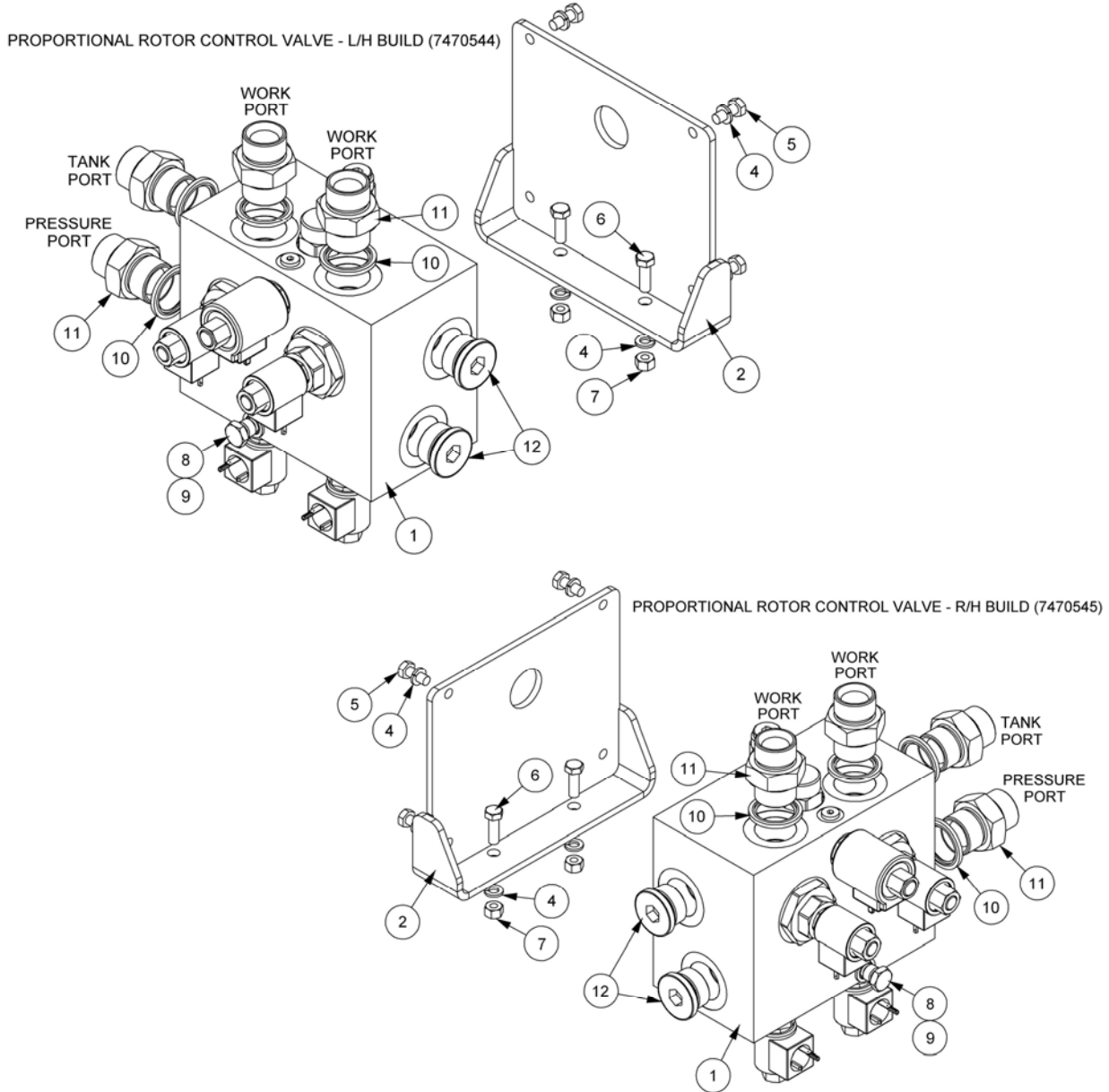
ELECTRIC ROTOR CONTROL VALVE - R/H BUILD (7155769)

REF.	QTY.	PART No.	DESCRIPTION
		7155768	ELECTRIC RCV ASSEMBLY - L/H Build
		7155769	ELECTRIC RCV ASSEMBLY - R/H Build
1	1	42768.01	ROTOR CONTROL VALVE (ELECTRIC)
2	4	05.434.01	ADAPTOR
3	4	8650108	BONDED SEAL
4	2	8581389	PLUG
5	4	9100204	SPRING WASHER
6	4	9313044	SETSCREW
7	2	9313035	SETSCREW
8	1	43177.26	LOOM (ROTOR REVERSE)
9	1	21352.01	RCV MOUNTING PLATE
10	2	9100205	SPRING WASHER
11	1	08.940.02	135° ADAPTOR

PROPORTIONAL ROTOR CONTROL VALVE

McCONEL

Module(s): 7470544, 7470545

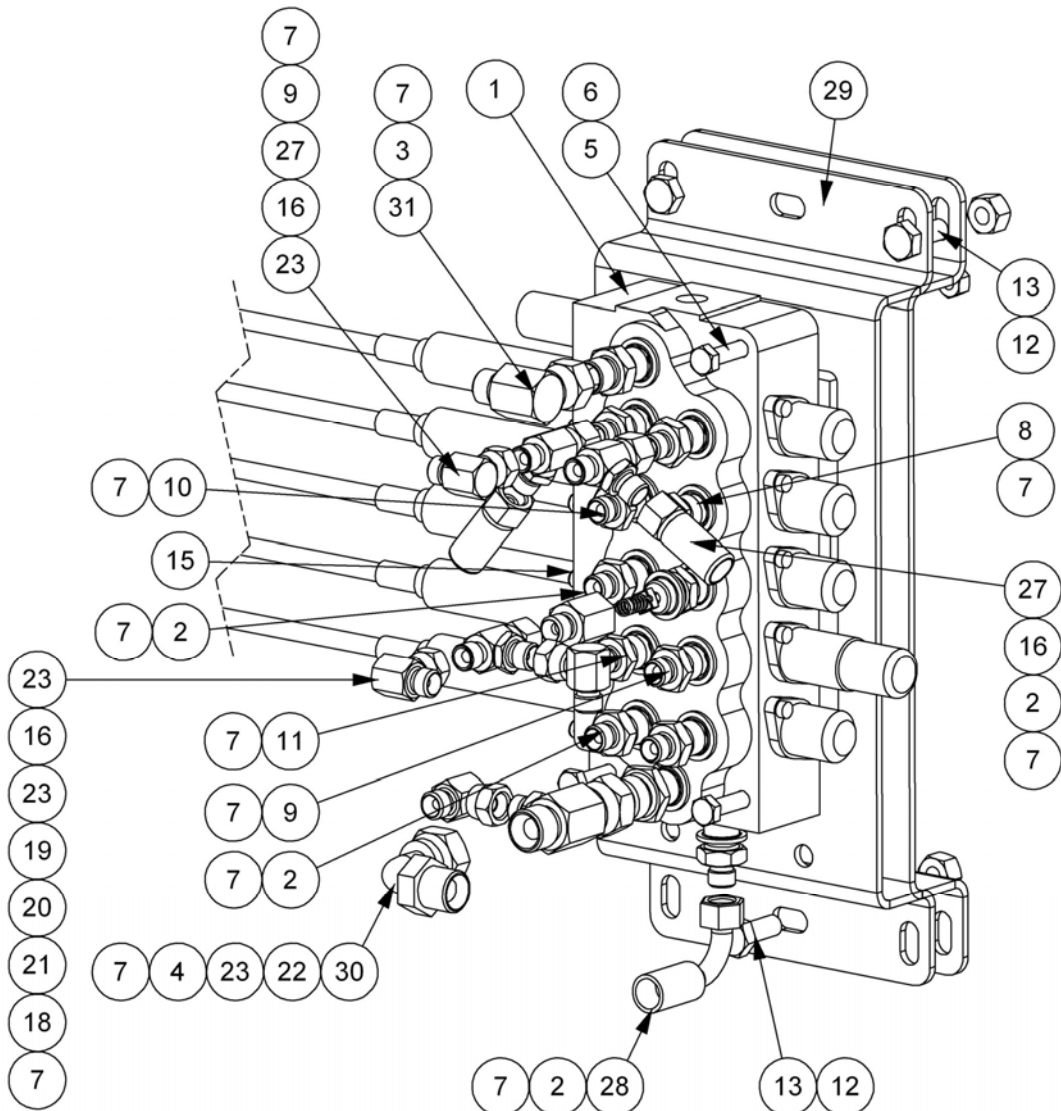
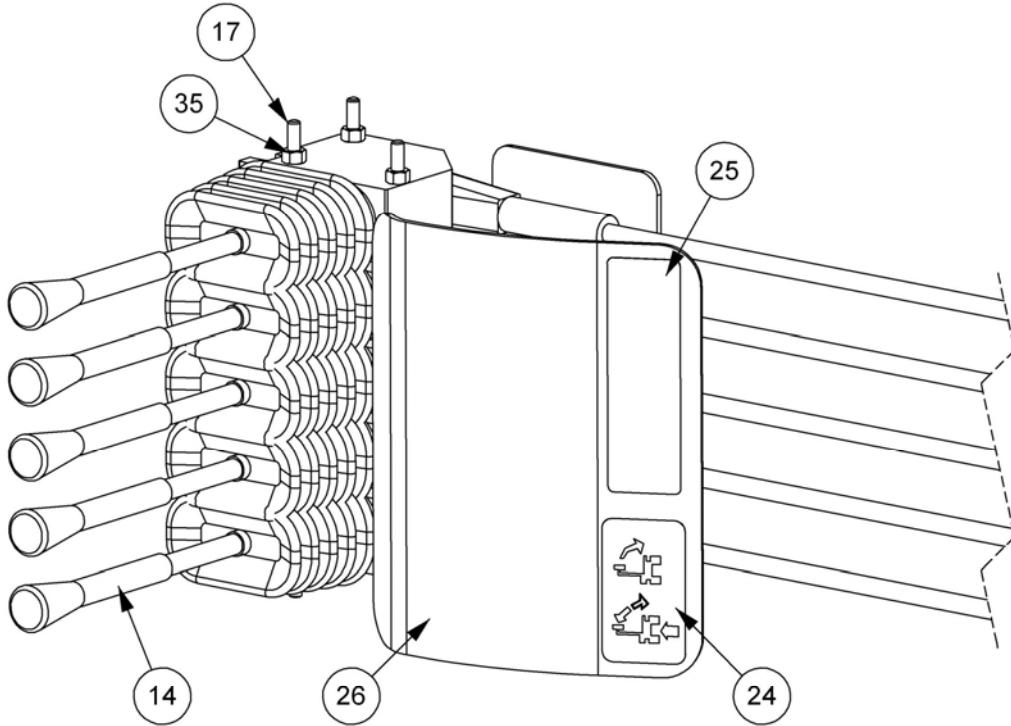


REF.	QTY.	PART No.	DESCRIPTION
		7470544	PROPORTIONAL RCV ASSEMBLY - L/H Build
		7470545	PROPORTIONAL RCV ASSEMBLY - R/H Build
1	1	22677.02	ROTOR CONTROL VALVE (PROPORTIONAL)
2	1	21352.08	RCV MOUNTING PLATE
3	1	43177.72	LOOM (PROPORTIONAL RCV)
4	6	9100204	SPRING WASHER
5	4	9313044	SETSCREW
6	2	9313054	SETSCREW
7	2	9143004	SELF-LOCKING NUT
8	1	520378	ADAPTOR PLUG
9	1	8650102	BONDED SEAL
10	4	8650108	BONDED SEAL
11	4	05.434.01	ADAPTOR
12	2	8581389	PLUG

CABLE CONTROL VALVE ASSEMBLY – STD. ARM

Module(s): 7155740 (illustrated), 7155741

McCONEL



CABLE CONTROL VALVE ASSEMBLY – STD. ARM

McCONNEL

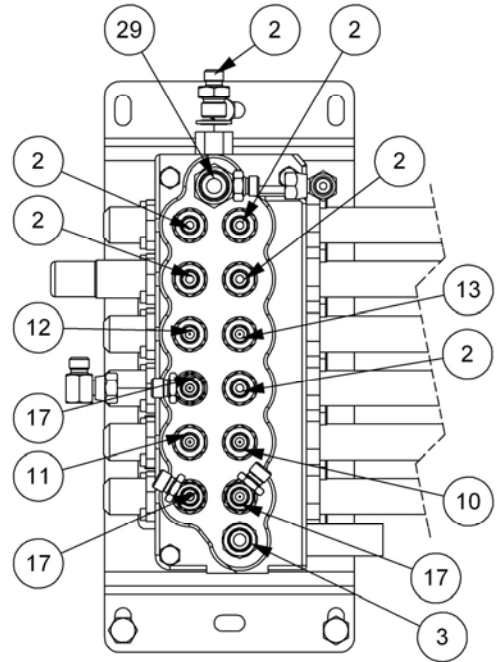
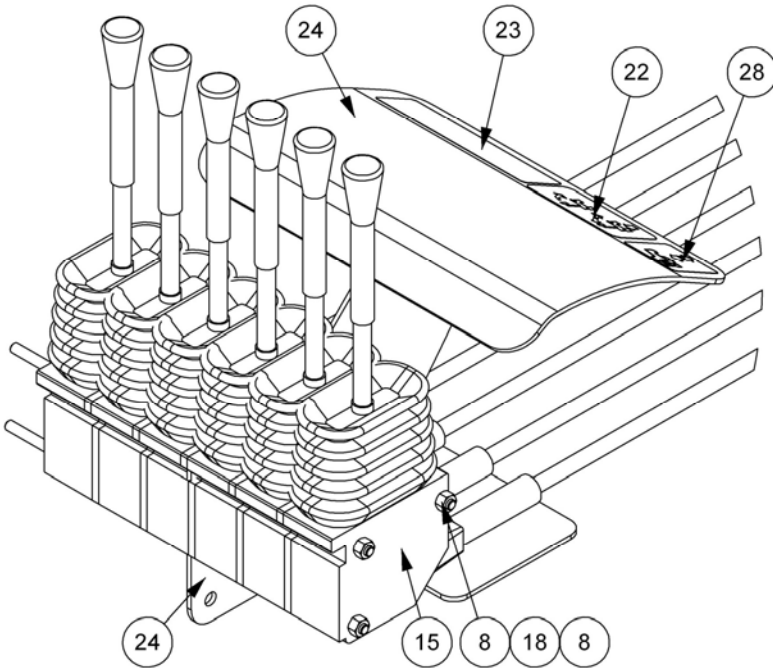
Module(s): 7155740 (*illustrated*), 7155741

REF.	QTY.	PART No.	DESCRIPTION
		7155740	CABLE CONTROL VALVE (STD. ARM) - L/H Build
		7155741	CABLE CONTROL VALVE (STD. ARM) - R/H Build
1	1	8130656	CONTROL VALVE - 5 SPOOL
2	5	8581115	ADAPTOR
3	1	6000113	ADAPTOR
4	1	6000112	ADAPTOR
5	3	9213134	BOLT
6	3	9143004	SELF-LOCKING NUT
7	14	8650103	BONDED SEAL
8	1	8130047	ADAPTOR RESTRICTOR - 1.8 'B'
9	2	8130066	ADAPTOR RESTRICTOR - 1.15 'M'
10	1	8130046	ADAPTOR RESTRICTOR - 1.5 'A'
11	1	8130048	ADAPTOR RESTRICTOR - 1.3 'C'
12	3	9143005	SELF-LOCKING NUT
13	3	9313055	SETSCREW
14	5	8017066	CONTROL HEAD & CABLE (3.0m)
15	10	9343022	CAPSCREW
16	3	8581254	ADAPTOR TEE
17	3	04.282.71	STUD
18	1	8581209	ADAPTER
19	1	8581214	RESTRICTOR ADAPTER
20	1	8116011	SPRING
21	1	8123043	RESTRICTOR DISC - 1.6 GREEN
22	1	04.056.25	ADAPTOR TEE
23	4	8581190	90° ADAPTOR ELBOW
24	1	1290357	DECAL - CONTROL
25	1	1290368	DECAL - CABLE (REACH / ANGLE / LIFT)
26	1	7650307	CABLE ARMREST
27	2	10.002.04	HOSE - 1/4" BSP FS/F90 x 200mm
28	1	10.002.08	HOSE - 1/4" BSP FS/F90 x 400mm
29	2	21355.01	VALVE BRACKET
30	1	8581215	90° SWEPT ELBOW
31	1	8581117	ADAPTOR ELBOW
32	1	8017067	CONTROL KNOB - GREEN
33	1	8017068	CONTROL KNOB - YELLOW
34	1	09.968.99	CONTROL KNOB - RED
35	6	9143003	SELF-LOCKING NUT

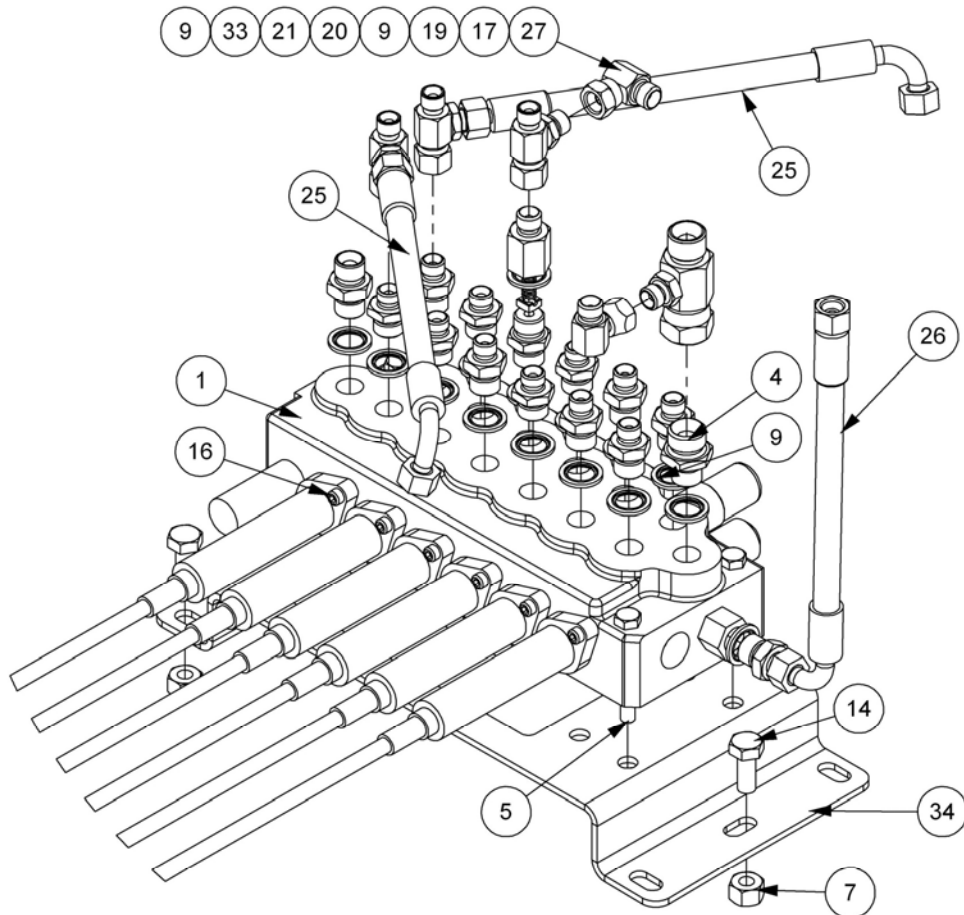
CABLE CONTROL VALVE ASSEMBLY – MIDCUT

Module(s): 7155812 (illustrated), 7155813

McCONEL



FIT COLOURED KNOBS IN LINE WITH CONTROL DECAL -
REPLACE EXISTING BLACK KNOBS WHERE APPLICABLE



NOTE: COMPONENTS FOR L/H & R/H BUILDS ARE IDENTICAL - BUILDS DIFFER ONLY IN THE ASSEMBLED POSITION OF DECALS 1290368 & 1290446 AND RESPECTIVE CONTROL LEVERS.

CABLE CONTROL VALVE ASSEMBLY – MIDCUT

McCONNEL

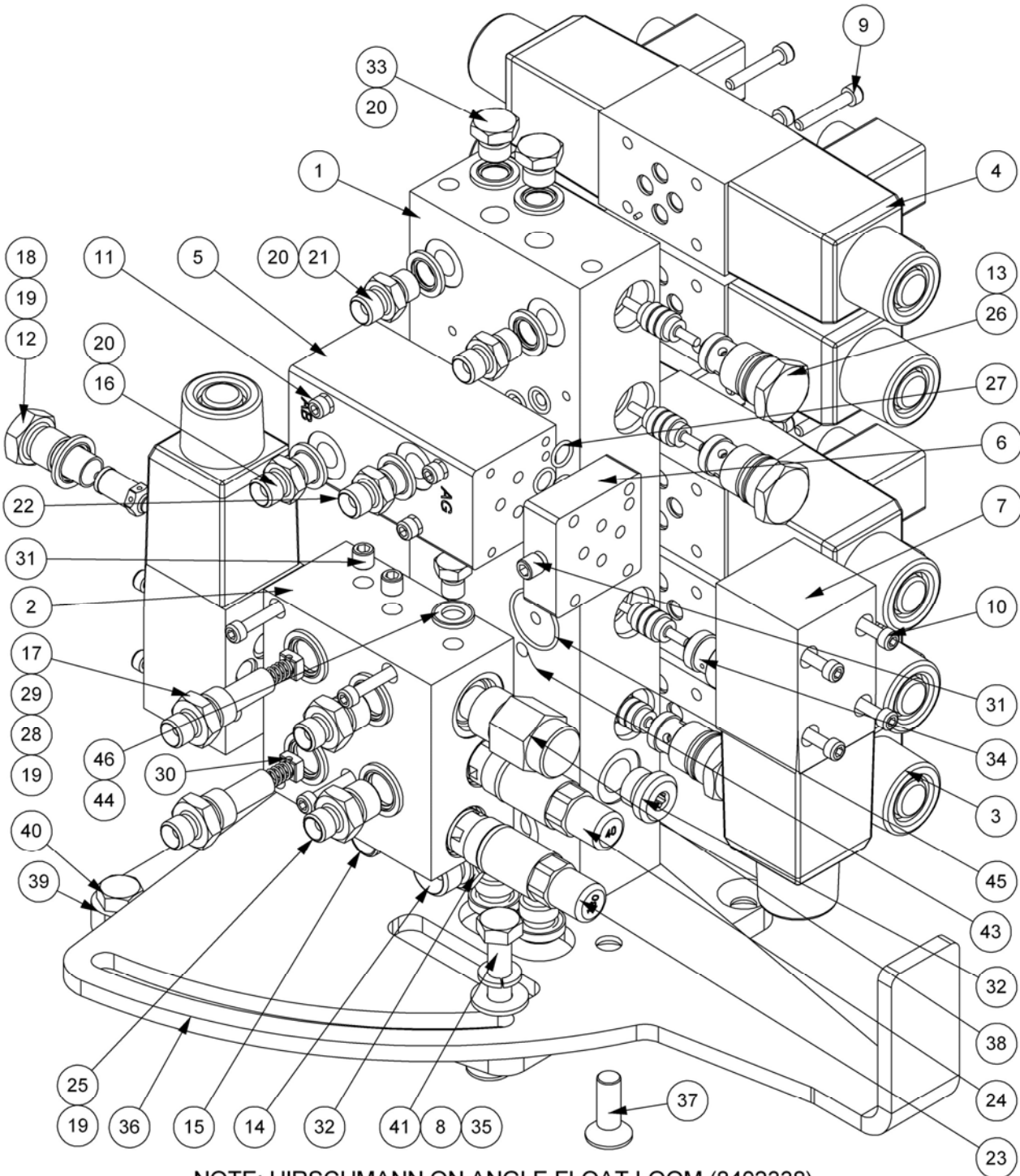
Module(s): 7155812 (*illustrated*), 7155813

REF.	QTY.	PART No.	DESCRIPTION
		7155740	CABLE CONTROL VALVE (STD. ARM) - L/H Build
		7155741	CABLE CONTROL VALVE (STD. ARM) - R/H Build
1	1	8130656	CONTROL VALVE - 5 SPOOL
2	5	8581115	ADAPTOR
3	1	6000113	ADAPTOR
4	1	6000112	ADAPTOR
5	3	9213134	BOLT
6	3	9143004	SELF-LOCKING NUT
7	14	8650103	BONDED SEAL
8	1	8130047	ADAPTOR RESTRICTOR - 1.8 'B'
9	2	8130066	ADAPTOR RESTRICTOR - 1.15 'M'
10	1	8130046	ADAPTOR RESTRICTOR - 1.5 'A'
11	1	8130048	ADAPTOR RESTRICTOR - 1.3 'C'
12	3	9143005	SELF-LOCKING NUT
13	3	9313055	SETSCREW
14	5	8017066	CONTROL HEAD & CABLE (3.0m)
15	10	9343022	CAPSCREW
16	3	8581254	ADAPTOR TEE
17	3	04.282.71	STUD
18	1	8581209	ADAPTER
19	1	8581214	RESTRICTOR ADAPTER
20	1	8116011	SPRING
21	1	8123043	RESTRICTOR DISC - 1.6 GREEN
22	1	04.056.25	ADAPTOR TEE
23	4	8581190	90° ADAPTOR ELBOW
24	1	1290357	DECAL - CONTROL
25	1	1290368	DECAL - CABLE (REACH / ANGLE / LIFT)
26	1	7650307	CABLE ARMREST
27	2	10.002.04	HOSE - 1/4" BSP FS/F90 x 200mm
28	1	10.002.08	HOSE - 1/4" BSP FS/F90 x 400mm
29	2	21355.01	VALVE BRACKET
30	1	8581215	90° SWEPT ELBOW
31	1	8581117	ADAPTOR ELBOW
32	1	8017067	CONTROL KNOB - GREEN
33	1	8017068	CONTROL KNOB - YELLOW
34	1	09.968.99	CONTROL KNOB - RED
35	6	9143003	SELF-LOCKING NUT

ELECTRIC CONTROL VALVE – STANDARD ARM

McCONEL

Module(s): 7155742 (illustrated), 7155743



NOTE: HIRSCHMANN ON ANGLE FLOAT LOOM (8402338)
TO BE ADJUSTED TO FIT WITH CABLE POINTING DOWN

REF.	QTY.	PART No.	DESCRIPTION
		7155742	ELECTRIC CONTROL VALVE (STD. ARM) - L/H Build
		7155743	ELECTRIC CONTROL VALVE (STD. ARM) - R/H Build
1	1	8132280	MANIFOLD BLOCK
2	1	8132288	AUTO RESET BLOCK
3	1	8130456	CUT OFF SOLENOID VALVE
4	4	8130629	DOUBLE SOLENOID VALVE
5	1	8126333	FLOAT VALVE BLOCK

Continued...

ELECTRIC CONTROL VALVE – STANDARD ARM

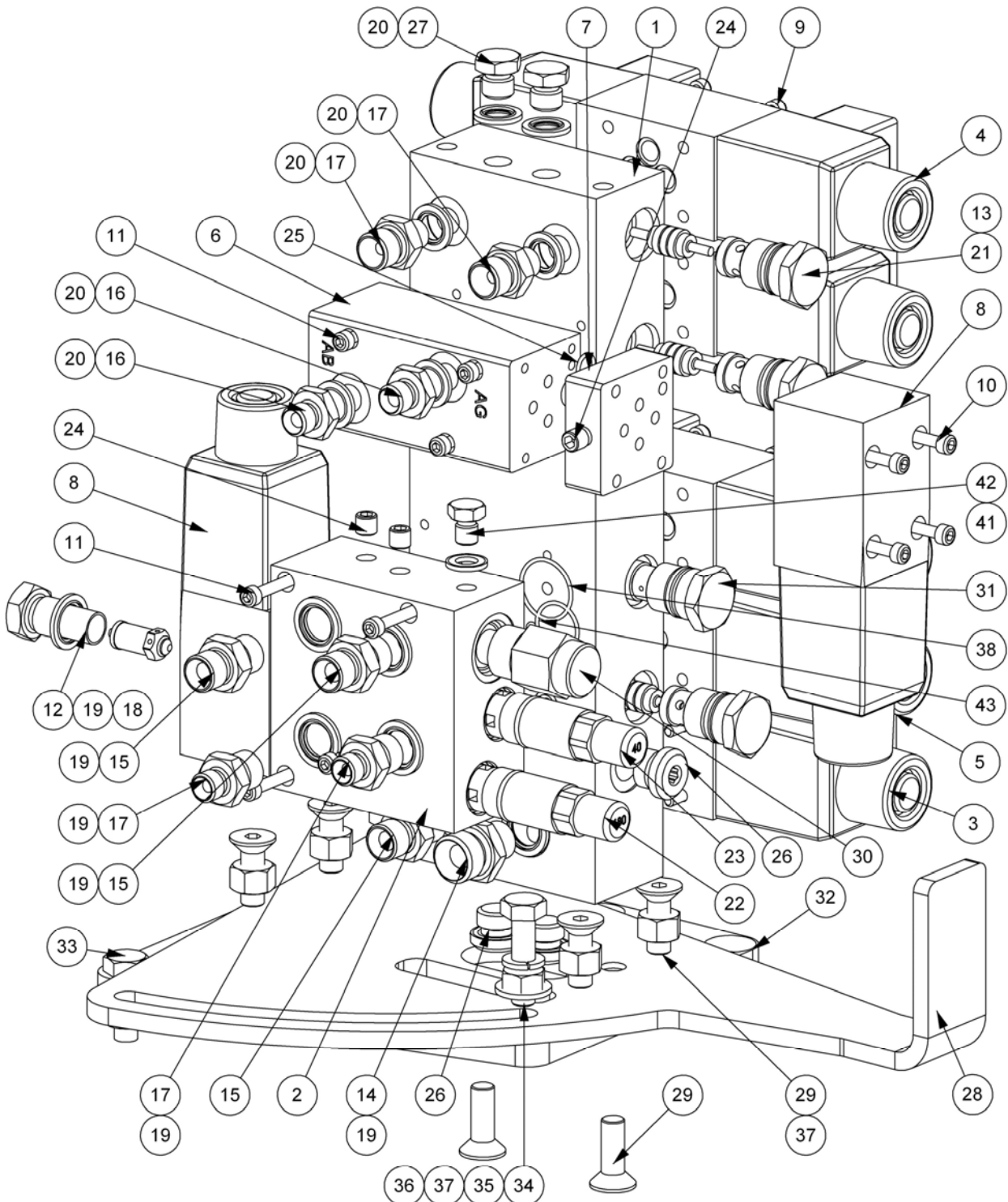
McCONNELModule(s): 7155742 (*illustrated*), 7155743

REF.	QTY.	PART No.	DESCRIPTION
		7155742	ELECTRIC CONTROL VALVE (STD. ARM) - L/H Build
		7155743	ELECTRIC CONTROL VALVE (STD. ARM) - R/H Build
6	1	8126334	BRIDGING PLATE
7	2	8130457	SINGLE SOLENOID VALVE
8	1	9100205	SPRING WASHER
9	24	9243062	CAPSCREW
10	4	9243102	CAPSCREW
11	8	9243082	CAPSCREW
12	1	8130032	RELIEF VALVE CAP
13	4	8130087	ACTUATOR
14	1	6000112	ADAPTOR
15	1	6000113	ADAPTOR
16	2	8130105	ADAPTOR RESTRICTOR - 1.6 'H'
17	2	8581210	SPECIAL ADAPTOR
18	1	8130092	RELIEF VALVE (190BAR)
19	7	8650103	BONDED SEAL
20	6	8650102	BONDED SEAL
21	1	8130104	ADAPTOR RESTRICTOR - 1.8 'G'
22	1	8130038	ADAPTOR RESTRICTOR - 1.4 'L'
23	1	G3812541	RELIEF VALVE (180BAR)
24	1	8130150	RELIEF VALVE (40BAR)
25	2	8581115	ADAPTOR
26	7	8130090	CHECK VALVE ASSEMBLY
27	9	8700511	O RING
28	1	8123043	RESTRICTOR DISC - 1.6 GREEN
29	2	8116011	SPRING
30	1	8123041	RESTRICTOR DISC - 1.15 RED
31	3	8582041	TAPER PLUG
32	3	8581436	PLUG
33	2	520378	ADAPTOR PLUG
34	1	8130354	CHECK VALVE ASSEMBLY
35	1	9100105	FLAT WASHER
36	1	21351.01	VALVE MOUNTING PLATE - L/H Build
	1	21351.01	VALVE MOUNTING PLATE - R/H Build
37	3	9353065	CAPSCREW
38	1	8130204	CARTRIDGE SPOOL VALVE
39	1	21350.01	VALVE SPACER PLATE
40	1	9313065	SETSCREW
41	2	9213085	BOLT
42	3	9143005	SELF-LOCKING NUT
43	1	8700522	O RING
44	1	8581444	BLANKING PLUG
45	1	8700525	O RING
46	1	05.290.01	BONDED SEAL
47	1	41844.01	LOOM - 19CORE
48	1	8402338	LOOM - ANGLE FLOAT

XTC PROP CONTROL VALVE – STANDARD ARM

Module(s): 7756746 (illustrated), 7756747

McCONEL



NOTE: HIRSCHMANN ON ANGLE FLOAT LOOM (8402338)
TO BE ADJUSTED TO FIT WITH CABLE POINTING DOWN

XTC PROP CONTROL VALVE – STANDARD ARM

McCONNEL

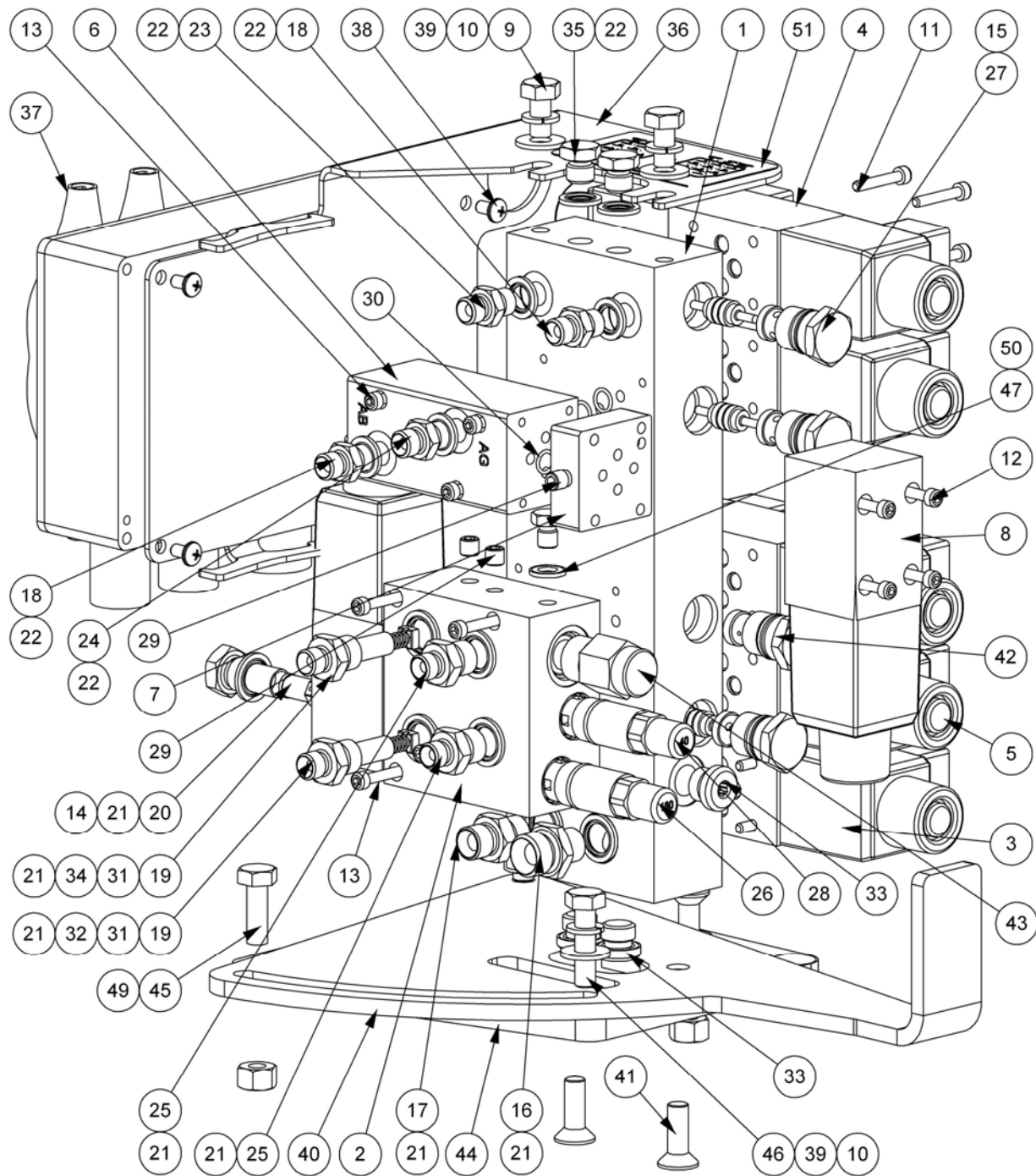
Module(s): 7756746 (illustrated), 7756747

REF.	QTY.	PART No.	DESCRIPTION
		7155742	XTC PROP CONTROL VALVE (STD. ARM) - L/H Build
		7155743	XTC PROP CONTROL VALVE (STD. ARM) - R/H Build
1	1	8132280	MANIFOLD BLOCK
2	1	8132288	AUTO RESET BLOCK
3	1	8130456	CUT OFF SOLENOID VALVE
4	3	41784.46	DOUBLE SOLENOID PROPORTIONAL VALVE
5	1	8130629	DOUBLE SOLENOID VALVE
6	1	8126333	FLOAT VALVE BLOCK
7	1	8126334	BRIDGING PLATE
8	2	8130457	SINGLE SOLENOID VALVE
9	24	9243062	CAPSCREW
10	4	9243102	CAPSCREW
11	8	9243082	CAPSCREW
12	1	8130032	RELIEF VALVE CAP
13	4	8130087	ACTUATOR
14	1	6000112	ADAPTOR
15	3	6000113	ADAPTOR
16	2	8581169	ADAPTOR
17	4	8581115	ADAPTOR
18	1	8130092	RELIEF VALVE (190BAR)
19	7	8650103	BONDED SEAL
20	6	8650102	BONDED SEAL
21	7	8130090	CHECK VALVE ASSEMBLY
22	1	G381254	RELIEF VALVE (180BAR)
23	1	8130150	RELIEF VALVE (40BAR)
24	3	8582041	TAPER PLUG
25	9	8700511	O RING
26	3	8581436	PLUG
27	2	520378	ADAPTOR PLUG
28	1	21351.01	VALVE MOUNTING PLATE - L/H Build
	1	21351.02	VALVE MOUNTING PLATE - R/H Build
29	6	9353065	CAPSCREW
30	1	8130204	CARTRIDGE SPOOL VALVE
31	1	8130354	CHECK VALVE ASSEMBLY
32	1	21350.01	VALVE SPACER PLATE
33	1	9313065	SETSCREW
34	2	9213085	BOLT
35	1	9100105	FLAT WASHER
36	1	9100205	SPRING WASHER
37	7	9143005	SELF-LOCKING NUT
38	1	8700525	O RING
39	2	42989.05	RESTRICTOR - 1.4mm
40	1	42989.08	RESTRICTOR - 1.8mm
41	1	05.290.01	BONDED SEAL
42	1	8581444	BLANKING PLUG
43	1	8700522	O RING
44	1	8402338	LOOM - ANGLE FLOAT
45	1	41844.01	LOOM - 19CORE

V4 PROP CONTROL VALVE – STANDARD ARM

McCONEL

Module(s): 7155744 (illustrated), 7155745



REF.	QTY.	PART No.	DESCRIPTION
		7155744	PROP CONTROL VALVE (STD. ARM) - L/H Build
		7155745	PROP CONTROL VALVE (STD. ARM) - R/H Build
1	1	8132280	MANIFOLD BLOCK
2	1	8132288	AUTO RESET BLOCK
3	1	8130456	CUT OFF SOLENOID VALVE
4	3	41784.48	DOUBLE SOLENOID PROPORTIONAL VALVE
5	1	8130629	DOUBLE SOLENOID VALVE
6	1	8126333	FLOAT VALVE BLOCK
7	1	8126334	BRIDGING PLATE
8	2	8130457	SINGLE SOLENOID VALVE

Continued...

V4 PROP CONTROL VALVE – STANDARD ARM

McCONNEL

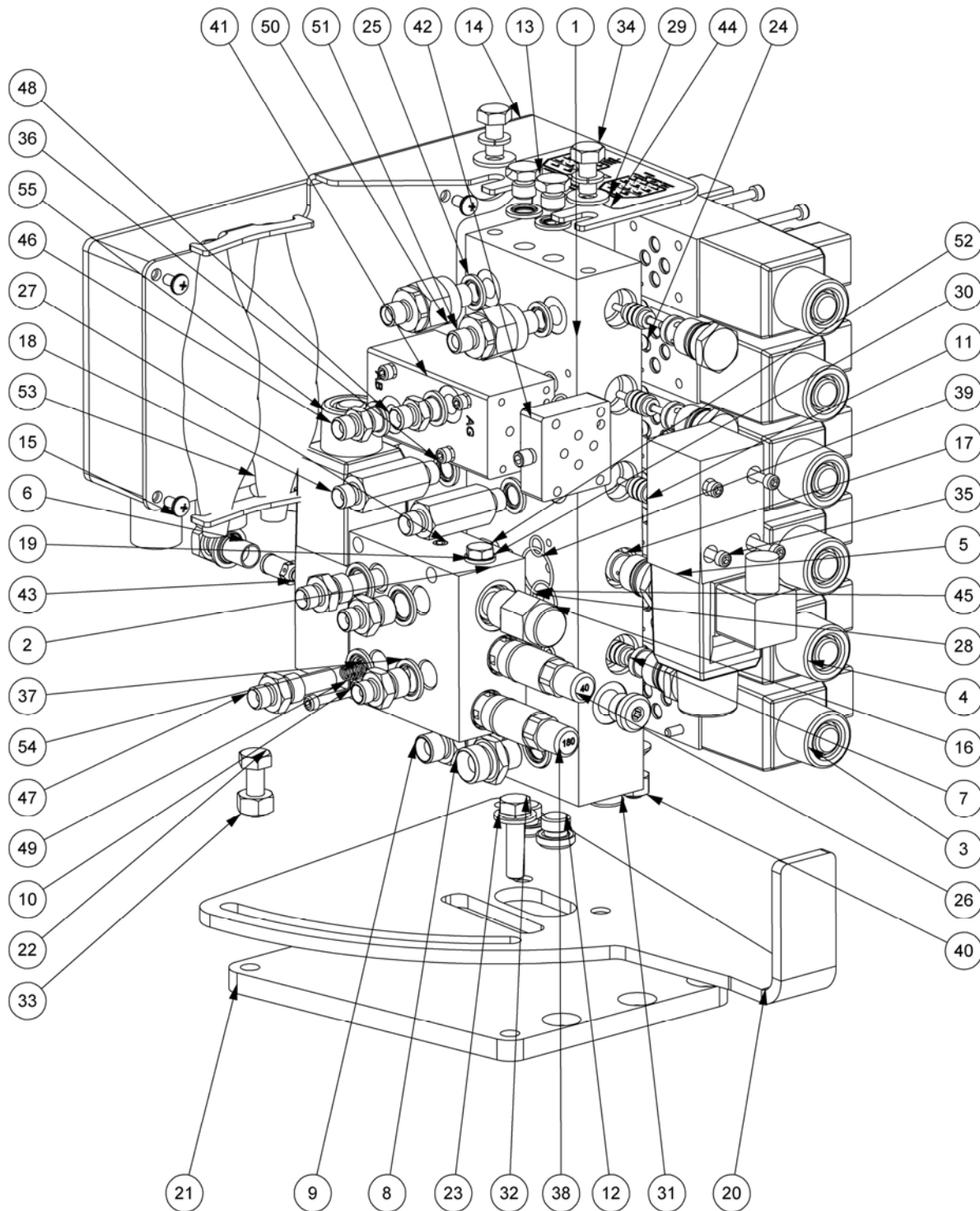
Module(s): 7155744 (*illustrated*), 7155745

REF.	QTY.	PART No.	DESCRIPTION
		7155744	PROP CONTROL VALVE (STD. ARM) - L/H Build
		7155745	PROP CONTROL VALVE (STD. ARM) - R/H Build
9	2	9313045	SETSCREW
10	3	9100205	SPRING WASHER
11	24	9243062	CAPSCREW
12	4	9243102	CAPSCREW
13	8	9243082	CAPSCREW
14	1	8130032	RELIEF VALVE CAP
15	4	8130087	ACTUATOR
16	1	6000112	ADAPTOR
17	1	6000113	ADAPTOR
18	2	8130105	ADAPTOR RESTRICTOR - 1.6 'H'
19	2	8581210	SPECIAL ADAPTOR
20	1	8130092	RELIEF VALVE (190BAR)
21	7	8650103	BONDED SEAL
22	6	8650102	BONDED SEAL
23	1	8130104	ADAPTOR RESTRICTOR - 1.8 'G'
24	1	8130038	ADAPTOR RESTRICTOR - 1.4 'L'
25	2	8581115	ADAPTOR
26	1	G381254	RELIEF VALVE (180BAR)
27	7	8130090	CHECK VALVE ASSEMBLY
28	1	8130150	RELIEF VALVE (40BAR)
29	3	8582041	TAPER PLUG
30	9	8700511	O RING
31	2	8116011	SPRING
32	1	8123041	RESTRICTOR DISC - 1.15 RED
33	3	8581436	PLUG
34	1	8123043	RESTRICTOR DISC - 1.6 GREEN
35	2	520378	ADAPTOR PLUG
36	1	21170.01	CONTROLLER MOUNTING BRACKET - L/H Build
	1	21170.03	CONTROLLER MOUNTING BRACKET - R/H Build
37	1	21164.07	CONTROLLER ASSEMBLY
38	4	9300164	TAPTITE
39	3	9100105	FLAT WASHER
40	1	21351.01	VALVE MOUNTING PLATE - L/H Build
	1	21351.02	VALVE MOUNTING PLATE - R/H Build
41	3	9353065	CAPSCREW
42	1	8130354	CHECK VALVE ASSEMBLY
43	1	8130204	CARTRIDGE SPOOL VALVE
44	1	21350.01	VALVE SPACER PLATE
45	1	9313065	SETSCREW
46	2	9213085	BOLT
47	1	05.290.01	BONDED SEAL
48	1	8700525	O RING
49	3	9143005	SELF-LOCKING NUT
50	1	8581444	BLANKING PLUG
51	1	1290675	DECAL - ACB WIRING
52	1	8700522	O RING

V4 CONTROL VALVE ASSEMBLY (5 Service)

McCONEL

Module(s): 7458528



REF.	QTY.	PART No.	DESCRIPTION
		7458528	V4 CONTROL VALVE ASSEMBLY
1	1	8132281	MANIFOLD BLOCK - 5 SERVICE
2	1	8132288	AUTO RESET BLOCK
3	1	8130456	CUT OFF SOLENOID VALVE
4	5	41784.48	DOUBLE SOLENOID PROP. VALVE
5	1	8126333	FLOAT VALVE BLOCK
6	1	8126334	BRIDGING PLATE
7	2	8130457	SINGLE SOLENOID VALVE
8	2	9313045	SETSCREW

V4 CONTROL VALVE ASSEMBLY (5 Service)

McCONNEL

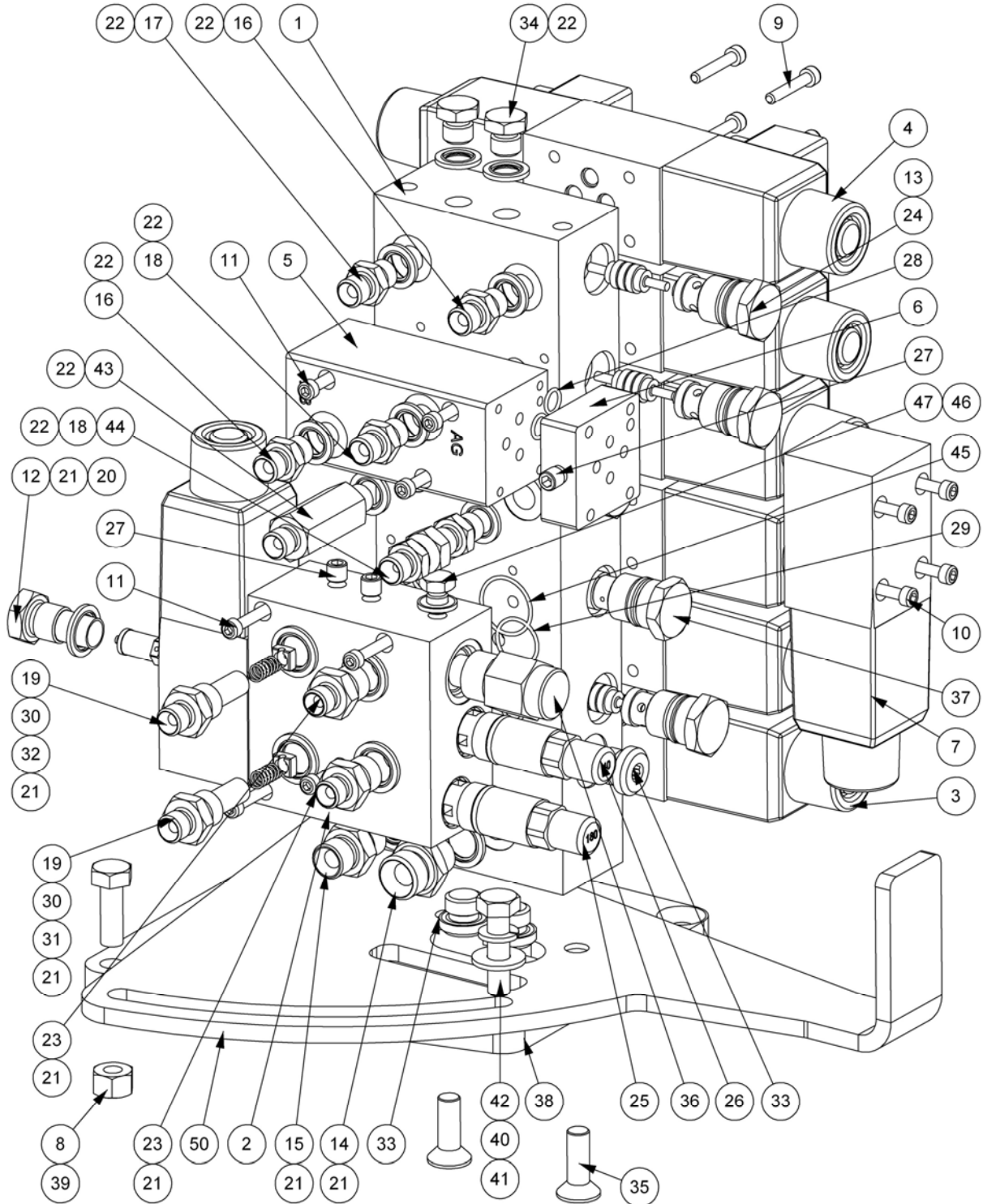
Module(s): 7458528

REF.	QTY.	PART No.	DESCRIPTION
		7458528	V4 CONTROL VALVE ASSEMBLY
9	3	9100205	SPRING WASHER
10	28	9243062	CAPSCREW
11	4	9243102	CAPSCREW
12	8	9243082	CAPSCREW
13	1	8130032	RELIEF VALVE CAP
14	5	8130087	ACTUATOR
15	1	6000112	ADAPTOR
16	1	6000113	ADAPTOR
17	1	8130105	ADAPTOR RESTRICTOR - 1.6 'H'
18	2	8581210	SPECIAL ADAPTOR
19	1	8130030	RELIEF VALVE (210BAR)
20	7	8650103	BONDED SEAL
21	8	8650102	BONDED SEAL
22	1	8130038	ADAPTOR RESTRICTOR - 1.4 'L'
23	2	8581115	ADAPTOR
24	9	8130090	CHECK VALVE ASSEMBLY
25	1	G3812541	RELIEF VALVE (180BAR)
26	1	8130150	RELIEF VALVE (40BAR)
27	3	8582041	TAPER PLUG
28	9	8700511	O RING
29	3	8581436	PLUG
30	2	520378	ADAPTOR PLUG
31	1	21170.01	CONTROLLER MOUNTING BRACKET - L/H
32	1	21164.07	V4 ACB CONTROLLER MK2
33	4	9300164	TAPTITE
34	3	9100105	FLAT WASHER
35	1	8130204	CARTRIDGE SPOOL VALVE
36	1	8130354	CHECK VALVE ASSEMBLY
37	2	8581279	ADAPTOR EXTENSION
38	1	05.290.01	BONDED SEAL
39	1	8581444	BLANKING PLUG
40	1	1290724	DECAL - V4 ACB WIRING
41	1	8700522	O RING
42	1	21351.01	VALVE MOUNTING PLATE - L/H
43	3	9353065	CAPSCREW
44	1	21350.01	VALVE SPACER PLATE
45	2	9213085	BOLT
46	1	9313065	SETSCREW
47	1	9143005	SELF-LOCKING NUT
48	2	9147006	SELF LOCK NUT
49	1	8123091	RESTRICTOR UNION - 1.8
50	1	8123090	RESTRICTOR UNION - 1.6
51	1	8700525	O RING
52	2	8116011	SPRING
53	1	8123043	RESTRICTOR DISC - 1.6 GREEN
54	1	8123041	RESTRICTOR DISC - 1.15 RED

ELECTRIC CONTROL VALVE – TELE / MIDCUT

McCONEL

Module(s): 7458526 (illustrated), 7458527



REF.	QTY.	PART No.	DESCRIPTION
		7458526	ELEC CONTROL VALVE (TELE/MIDCUT) - L/H Build
		7458527	ELEC CONTROL VALVE (TELE/MIDCUT) - R/H Build
1	1	8132281	MANIFOLD BLOCK - 5 SERVICE
2	1	8132288	AUTO RESET BLOCK
3	1	8130456	CUT OFF SOLENOID VALVE
4	5	8130629	DOUBLE SOLENOID VALVE
5	1	8126333	FLOAT VALVE BLOCK
6	1	8126334	BRIDGING PLATE

Continued...

ELECTRIC CONTROL VALVE – TELE / MIDCUT

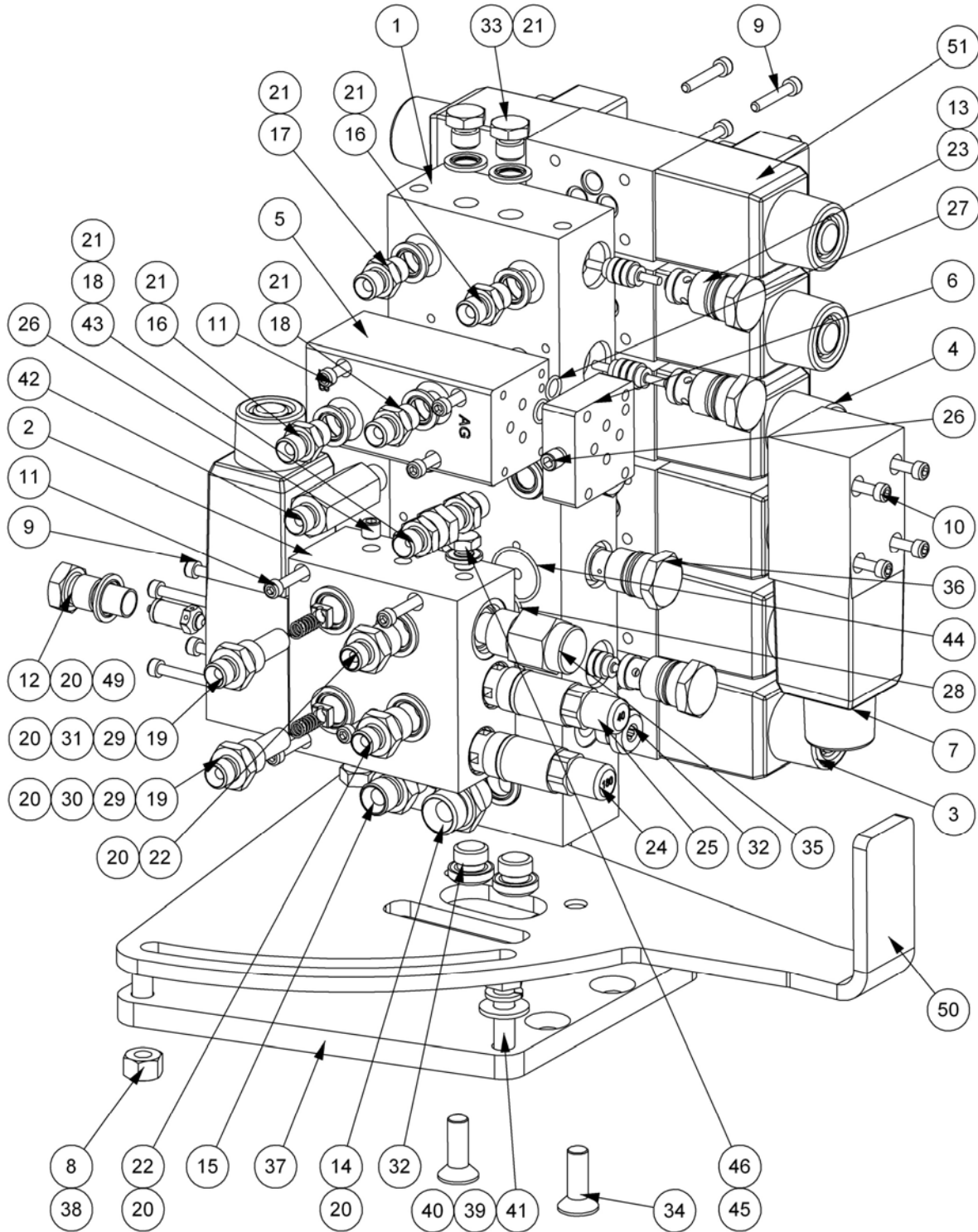
McCONNELModule(s): 7458526 (*illustrated*), 7458527

REF.	QTY.	PART No.	DESCRIPTION
		7458526	ELEC CONTROL VALVE (TELE/MIDCUT) - L/H Build
		7458527	ELEC CONTROL VALVE (TELE/MIDCUT) - R/H Build
7	2	8130457	SINGLE SOLENOID VALVE
8	3	9143005	SELF-LOCKING NUT
9	28	9243062	CAPSCREW
10	4	9243102	CAPSCREW
11	8	9243082	CAPSCREW
12	1	8130032	RELIEF VALVE CAP
13	5	8130087	ACTUATOR
14	1	6000112	ADAPTOR
15	1	6000113	ADAPTOR
16	2	8130105	ADAPTOR RESTRICTOR - 1.6 'H'
17	1	8130104	ADAPTOR RESTRICTOR - 1.8 'G'
18	2	8130038	ADAPTOR RESTRICTOR - 1.4 'L'
19	2	8581210	SPECIAL ADAPTOR
20	1	8130092	RELIEF VALVE (190BAR)
21	7	8650103	BONDED SEAL
22	8	8650102	BONDED SEAL
23	2	8581115	ADAPTOR
24	9	8130090	CHECK VALVE ASSEMBLY
25	1	G381254	RELIEF VALVE (180BAR)
26	1	8130150	RELIEF VALVE (40BAR)
27	3	8582041	TAPER PLUG
28	9	8700511	O RING
29	1	8700522	O RING
30	2	8116011	SPRING
31	1	8123041	RESTRICTOR DISC - 1.15 RED
32	1	8123043	RESTRICTOR DISC - 1.6 GREEN
33	3	8581436	PLUG
34	2	520378	ADAPTOR PLUG
35	3	9353065	CAPSCREW
36	1	8130204	CARTRIDGE SPOOL VALVE
37	1	8130354	CHECK VALVE ASSEMBLY
38	1	21350.01	VALVE SPACER PLATE
39	1	9313065	SETSCREW
40	1	9100105	FLAT WASHER
41	1	9100205	SPRING WASHER
42	2	9213085	BOLT
43	1	8581279	ADAPTOR EXTENSION
44	1	8581309	SWIVEL ADAPTOR
45	1	8700525	O RING
46	1	05.290.0	BONDED SEAL
47	1	8581444	BLANKING PLUG
48	1	41844.01	LOOM - 19CORE
49	1	8402338	LOOM - ANGLE FLOAT
50	1	21351.01	VALVE MOUNTING PLATE - L/H Build
	1	21351.02	VALVE MOUNTING PLATE - R/H Build

XTC PROP CONTROL VALVE – TELE / MIDCUT

McCONEL

Module(s): 7458522 (illustrated), 7458523



REF.	QTY.	PART No.	DESCRIPTION
		7458522	XTC PROP C/VALVE (TELE/MIDCUT) - L/H Build
		7458523	XTC PROP C/VALVE (TELE/MIDCUT) - R/H Build
1	1	8132281	MANIFOLD BLOCK - 5 SERVICE
2	1	8132288	AUTO RESET BLOCK
3	1	8130456	CUT OFF SOLENOID VALVE
4	2	8130629	DOUBLE SOLENOID VALVE
5	1	8126333	FLOAT VALVE BLOCK
6	1	8126334	BRIDGING PLATE

XTC PROP CONTROL VALVE – TELE / MIDCUT

McCONNEL

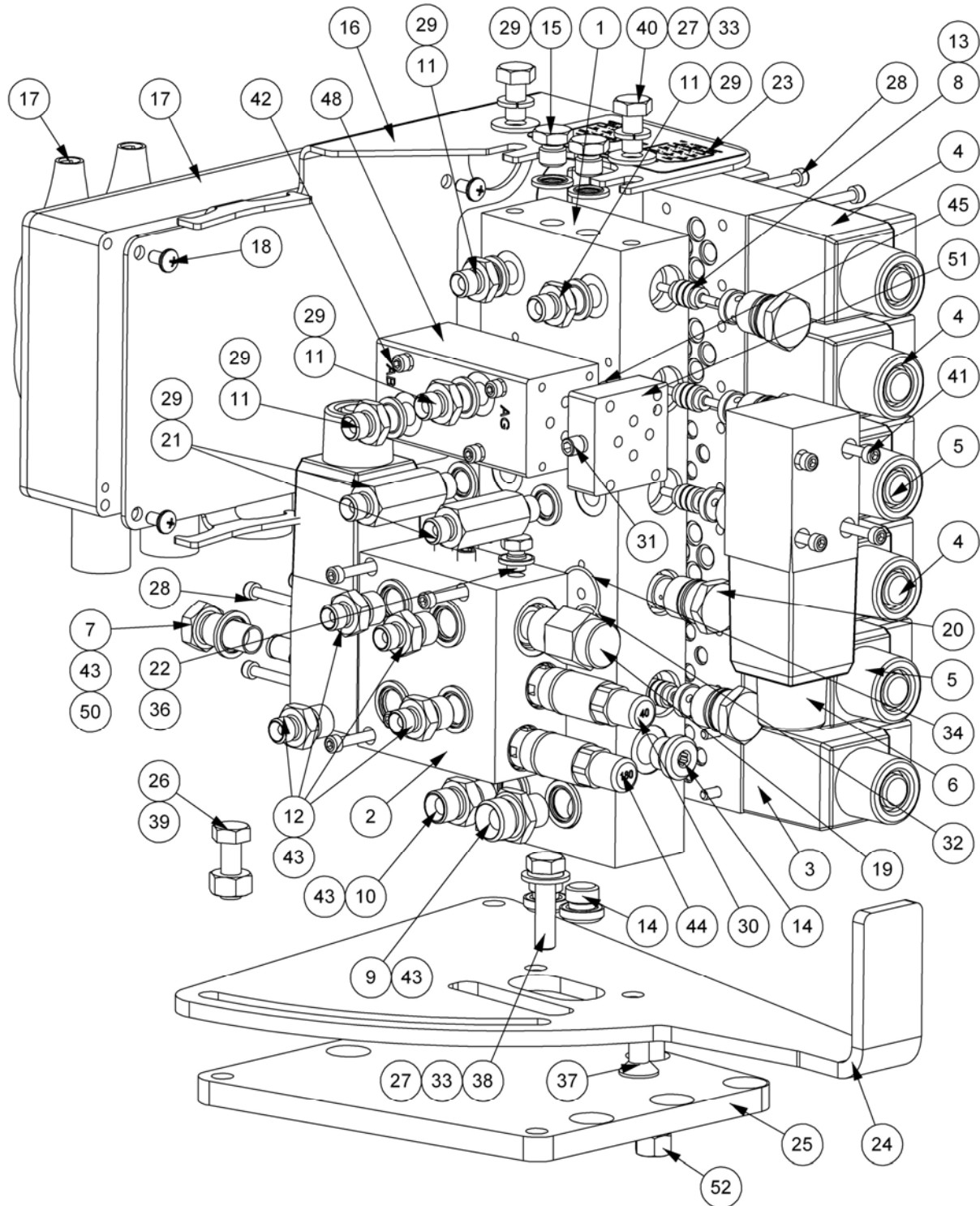
Module(s): 7458522 (*illustrated*), 7458523

REF.	QTY.	PART No.	DESCRIPTION
		7458522	XTC PROP C/VALVE (TELE/MIDCUT) - L/H Build
		7458523	XTC PROP C/VALVE (TELE/MIDCUT) - R/H Build
7	2	8130457	SINGLE SOLENOID VALVE
8	3	9143005	SELF-LOCKING NUT
9	28	9243062	CAPSCREW
10	4	9243102	CAPSCREW
11	8	9243082	CAPSCREW
12	1	8130032	RELIEF VALVE CAP
13	5	8130087	ACTUATOR
14	1	6000112	ADAPTOR
15	1	6000113	ADAPTOR
16	2	8130105	ADAPTOR RESTRICTOR - 1.6 'H'
17	1	8130104	ADAPTOR RESTRICTOR - 1.8 'G'
18	2	8130038	ADAPTOR RESTRICTOR - 1.4 'L'
19	2	8581210	SPECIAL ADAPTOR
20	7	8650103	BONDED SEAL
21	8	8650102	BONDED SEAL
22	2	8581115	ADAPTOR
23	9	8130090	CHECK VALVE ASSEMBLY
24	1	G381254	RELIEF VALVE (180BAR)
25	1	8130150	RELIEF VALVE (40BAR)
26	3	8582041	TAPER PLUG
27	9	8700511	O RING
28	1	8700522	O RING
29	2	8116011	SPRING
30	1	8123041	RESTRICTOR DISC - 1.15 RED
31	1	8123043	RESTRICTOR DISC - 1.6 GREEN
32	3	8581436	PLUG
33	2	520378	ADAPTOR PLUG
34	3	9353065	CAPSCREW
35	1	8130204	CARTRIDGE SPOOL VALVE
36	1	8130354	CHECK VALVE ASSEMBLY
37	1	21350.01	VALVE SPACER PLATE
38	1	9313065	SETSCREW
39	1	9100105	FLAT WASHER
40	1	9100205	SPRING WASHER
41	2	9213085	BOLT
42	1	8581279	ADAPTOR EXTENSION
43	1	8581309	SWIVEL ADAPTOR
44	1	8700525	O RING
45	1	05.290.0	BONDED SEAL
46	1	8581444	BLANKING PLUG
47	1	41844.01	LOOM - 19CORE
48	1	8402338	LOOM - ANGLE FLOAT
49	1	8130030	RELIEF VALVE (210BAR)
50	1	21351.01	VALVE MOUNTING PLATE - L/H Build
	1	21351.02	VALVE MOUNTING PLATE - R/H Build
51	3	41784.46	DOUBLE SOLENOID PROPORTIONAL VALVE

V4 PROP. CONTROL VALVE – TELE / MIDCUT

McCONEL

Module(s): 7458520 (illustrated), 7458521



REF.	QTY.	PART No.	DESCRIPTION
		7458520	PROP CONTROL VALVE (TELE/MIDCUT) - L/H Build
		7458521	PROP CONTROL VALVE (TELE/MIDCUT) - R/H Build
1	1	8132281	MANIFOLD BLOCK - 5 SERVICE
2	1	8132288	AUTO RESET BLOCK
3	1	8130456	CUT OFF SOLENOID VALVE
4	3	41784.46	DOUBLE SOLENOID PROPORTIONAL VALVE
5	2	8130629	DOUBLE SOLENOID VALVE
6	2	8130457	SINGLE SOLENOID VALVE
7	1	8130032	RELIEF VALVE CAP

Continued...

V4 PROP. CONTROL VALVE – TELE / MIDCUT

McCONNEL

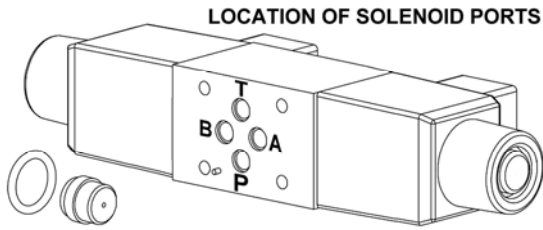
Module(s): 7458520 (*illustrated*), 7458521

REF.	QTY.	PART No.	DESCRIPTION
		7458520	PROP CONTROL VALVE (TELE/MIDCUT) - L/H Build
		7458521	PROP CONTROL VALVE (TELE/MIDCUT) - R/H Build
8	5	8130087	ACTUATOR
9	1	6000112	ADAPTOR
10	1	6000113	ADAPTOR
11	4	8581169	ADAPTOR
12	4	8581115	ADAPTOR
13	9	8130090	CHECK VALVE ASSEMBLY
14	3	8581436	PLUG
15	2	520378	ADAPTOR PLUG
16	1	21170.01	CONTROLLER MOUNTING BRACKET - L/H Build
	1	21170.03	CONTROLLER MOUNTING BRACKET - R/H Build
17	1	21164.07	CONTROLLER ASSEMBLY
18	4	9300164	TAPTITE
19	1	8130204	CARTRIDGE SPOOL VALVE
20	1	8130354	CHECK VALVE ASSEMBLY
21	2	8581279	ADAPTOR EXTENSION
22	1	8581444	BLANKING PLUG
23	1	1290675	DECAL - ACB WIRING
24	1	21351.01	VALVE MOUNTING PLATE - L/H Build
	1	21351.02	VALVE MOUNTING PLATE - R/H Build
25	1	21350.01	VALVE SPACER PLATE
26	1	9313065	SETSCREW
27	3	9100205	SPRING WASHER
28	28	9243062	CAPSCREW
29	8	8650102	BONDED SEAL
30	1	8130150	RELIEF VALVE (40BAR)
31	3	8582041	TAPER PLUG
32	1	8700522	O RING
33	3	9100105	FLAT WASHER
34	1	8700525	O RING
35	1	42989.07	RESTRICTOR - 1.6mm
36	1	05.290.0	BONDED SEAL
37	3	9353065	CAPSCREW
38	2	9213085	BOLT
39	2	9147006	SELF LOCK NUT
40	2	9313045	SETSCREW
41	4	9243102	CAPSCREW
42	8	9243082	CAPSCREW
43	7	8650103	BONDED SEAL
44	1	G381254	RELIEF VALVE (180BAR)
45	9	8700511	O RING
46	1	42989.03	RESTRICTOR - 1.15mm
47	3	42989.04	RESTRICTOR - 1.3mm
48	1	8126333	FLOAT VALVE BLOCK
49	2	42989.08	RESTRICTOR - 1.8mm
50	1	8130030	RELIEF VALVE (210BAR)
51	1	8126334	BRIDGING PLATE
52	1	9143005	SELF-LOCKING NUT

SOLENOID RESTRICTORS

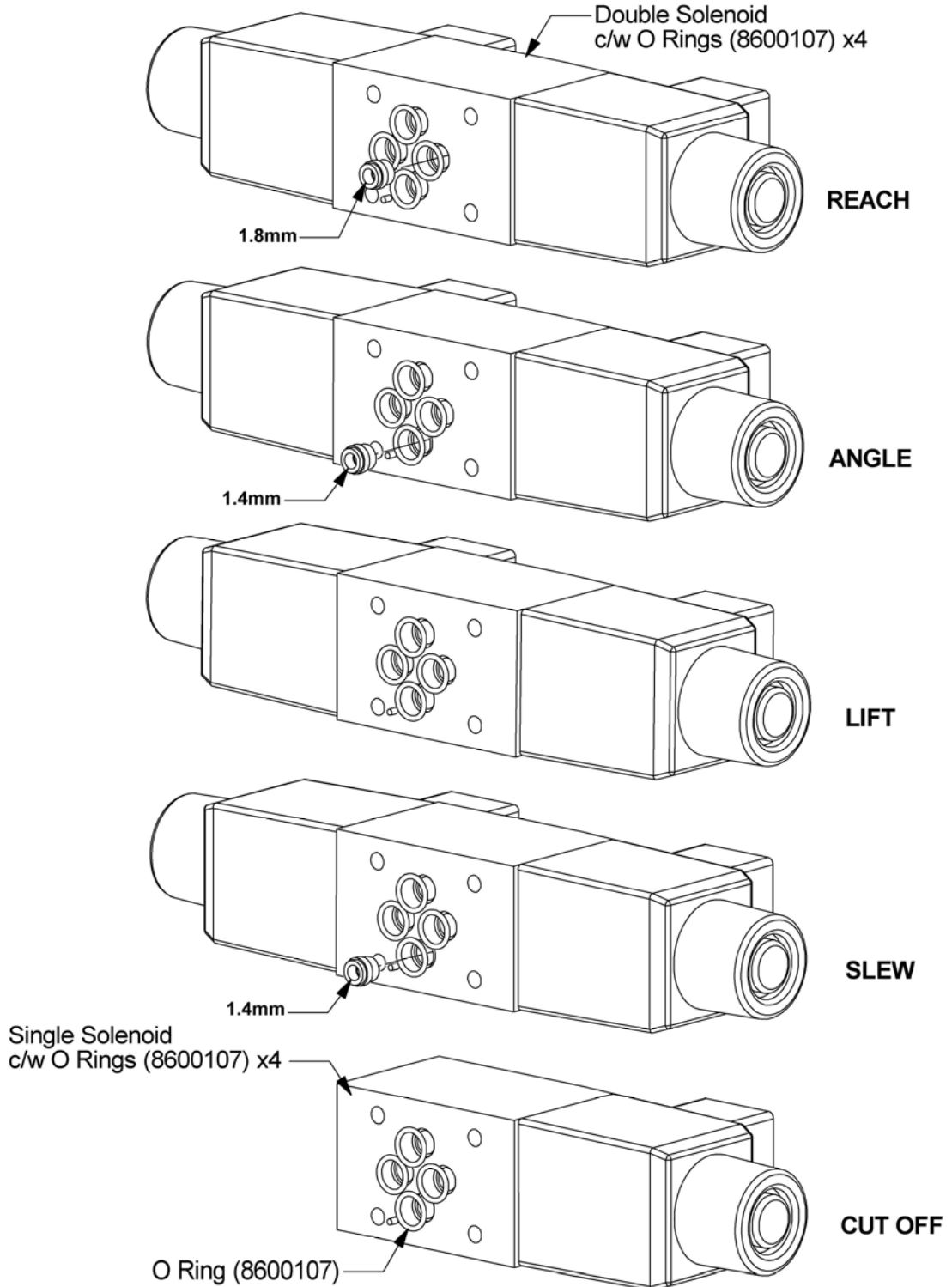
McCONEL

Module(s): 7756746, 7756747



When replacing restrictors ensure that the restrictor's aperture is located innermost in the solenoid block and that O rings (Part No 8600107) are located and seated correctly in each of the 4 ports of the block. This task must always be performed in a clean dust free environment.

Restrictor installation for:
Valve Assemblies 7756746 & 7756747

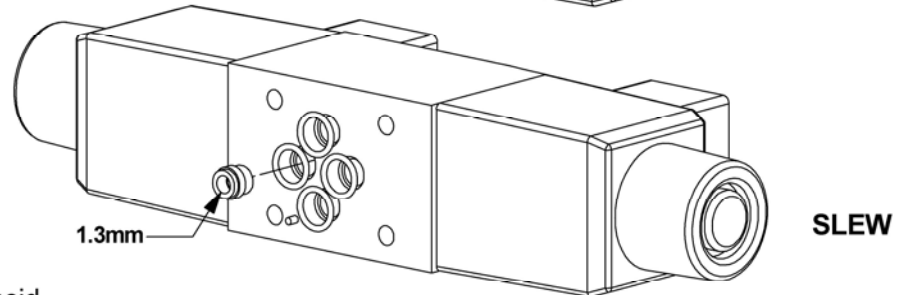
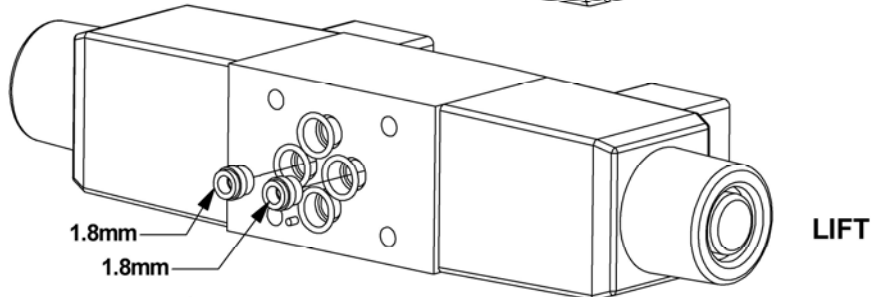
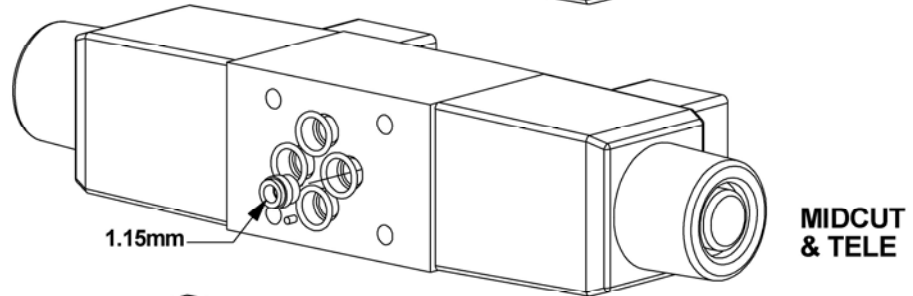
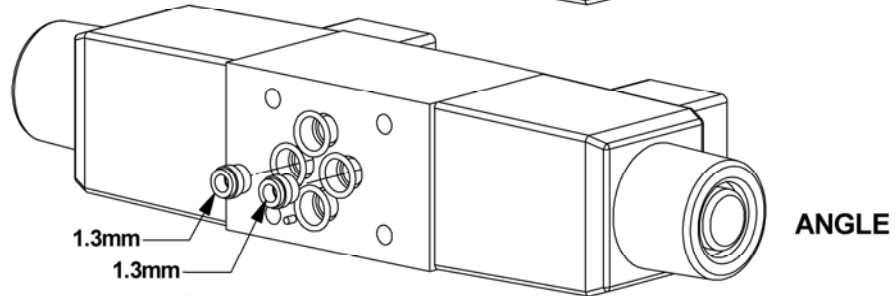
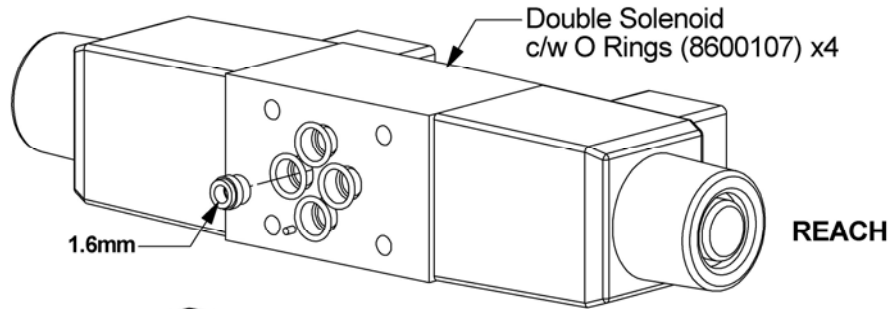


SOLENOID RESTRICTORS

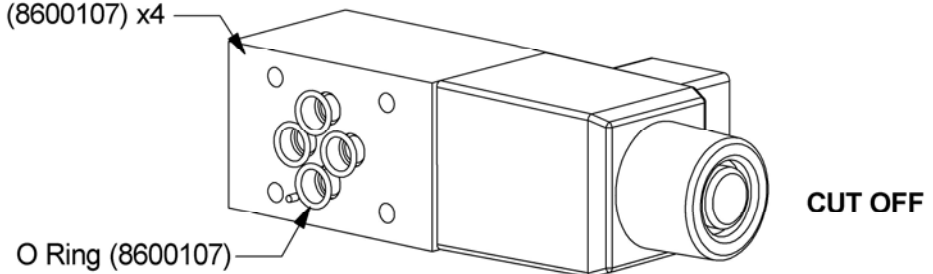
McCONEL

Module(s): 7458520, 7458521, 7458522, 7458523, 7458526, 7458527

Restrictor installation for:
Valve Assemblies 7458520, 7458521, 7458522, 7458523, 7458526 & 7458527



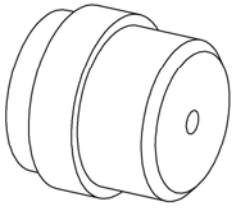
Single Solenoid
c/w O Rings (8600107) x4



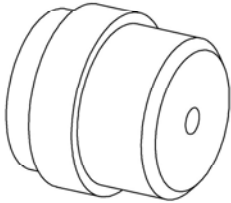
RESTRICTOR PART NUMBERS

McCONNEL

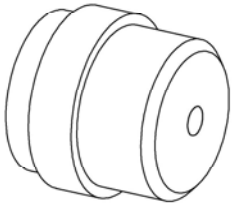
Module(s):



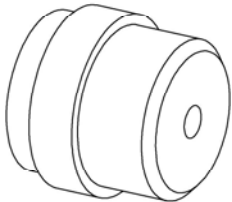
1.15mm Restrictor - Part No.42989.03



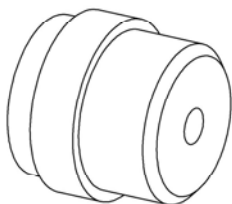
1.3mm Restrictor - Part No.42989.04



1.4mm Restrictor - Part No.42989.05



1.6mm Restrictor - Part No.42989.07



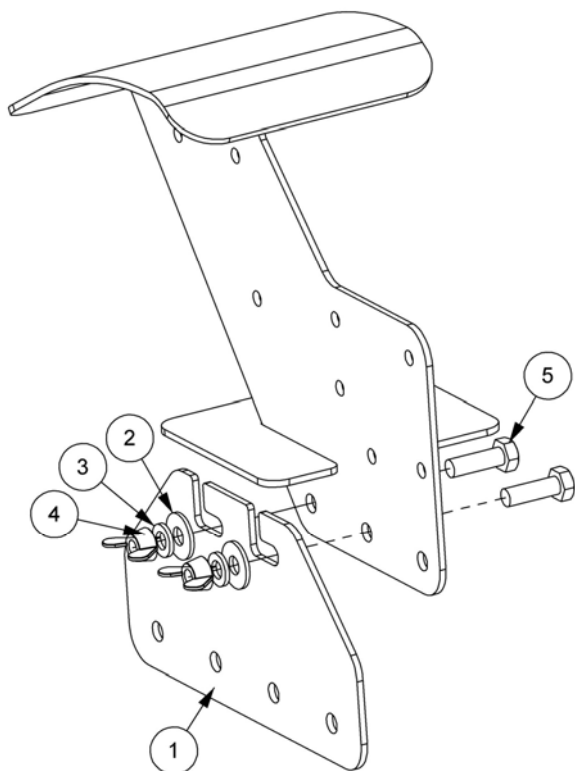
1.8mm Restrictor - Part No.42989.08

When replacing restrictors ensure that the restrictor aperture is located innermost in the solenoid block. This task should always be performed in a clean dust free environment.

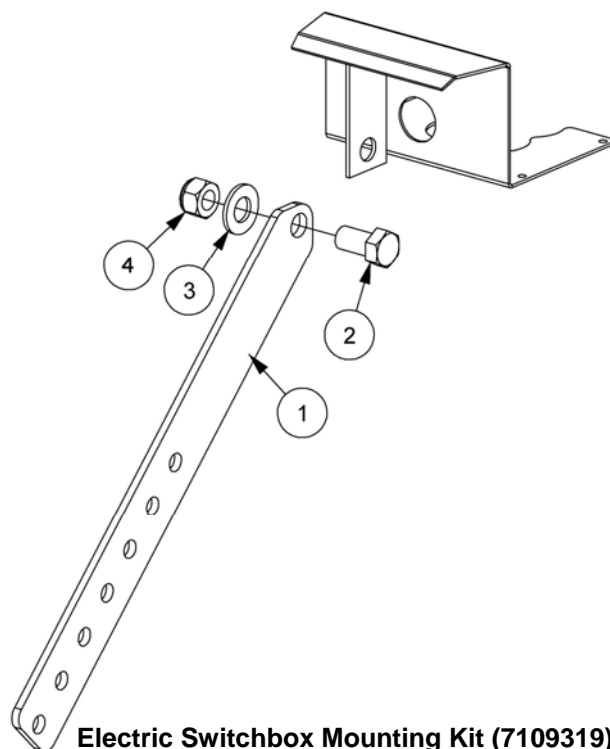
CONTROL UNIT MOUNTING KITS

McCONEL

Module(s): 7109319, 7313282



Cable Control Mounting Kit (7313282)



Electric Switchbox Mounting Kit (7109319)

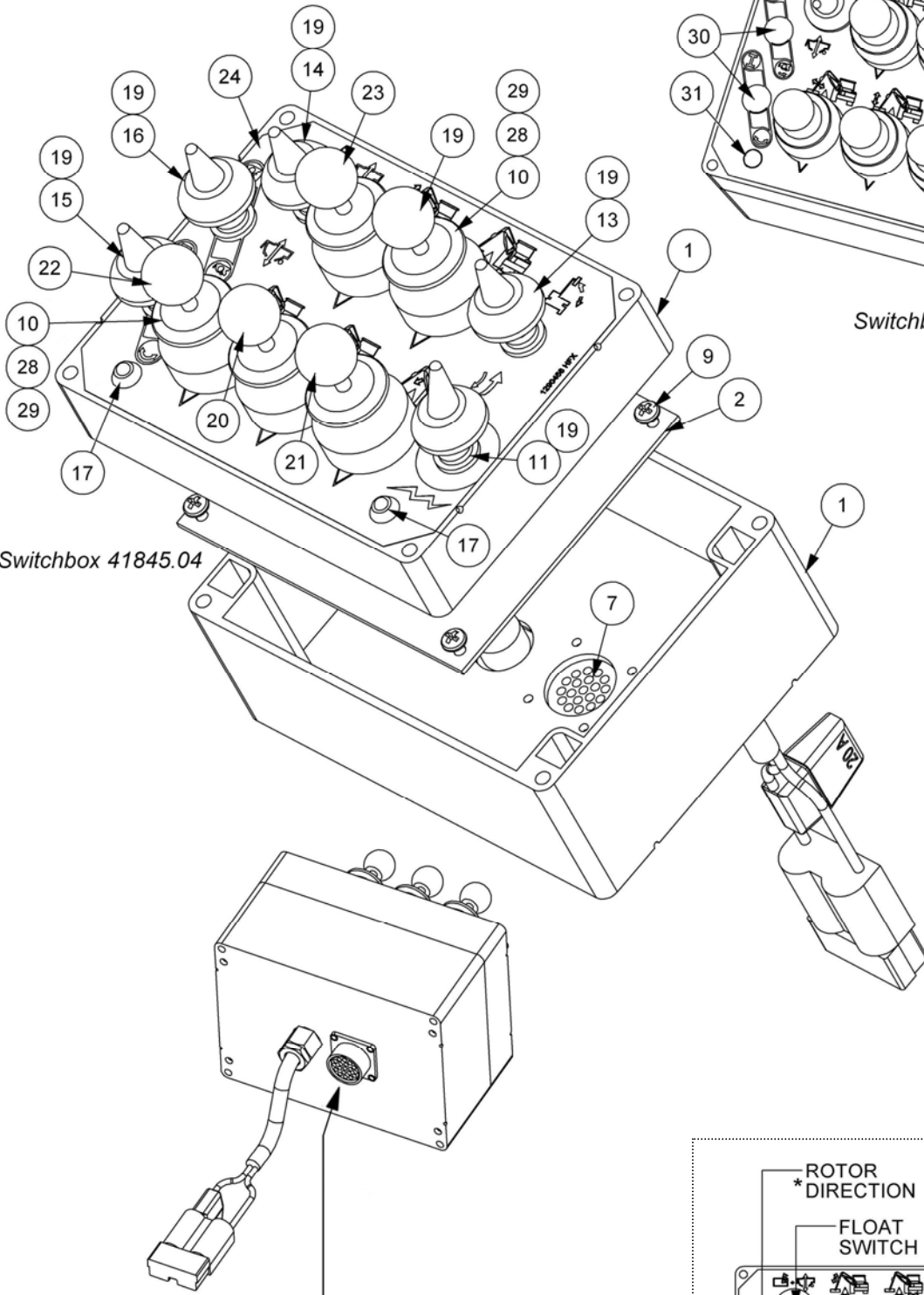
REF.	QTY.	PART No.	DESCRIPTION
		7313282	CABLE CONTROL MOUNTING KIT
1	1	42491.01	CAB MOUNTING BRACKET
2	2	9100104	FLAT WASHER
3	2	9100204	SPRING WASHER
4	2	9193004	WING NUT
5	2	9313054	SETSCREW

REF.	QTY.	PART No.	DESCRIPTION
		7109319	ELECTRIC SWITCHBOX MOUNTING KIT
1	1	7109146	CONTROL MOUNTING PILLAR
2	1	9313067	SETSCREW
3	1	0100106	FLAT WASHER
4	1	9163007	NYLOC NUT

SWITCHBOX CONTROLS – 5 LEVER

McCONEL

Module(s): 41845.03 (Cable RCV), 41845.04 (Electric RCV)



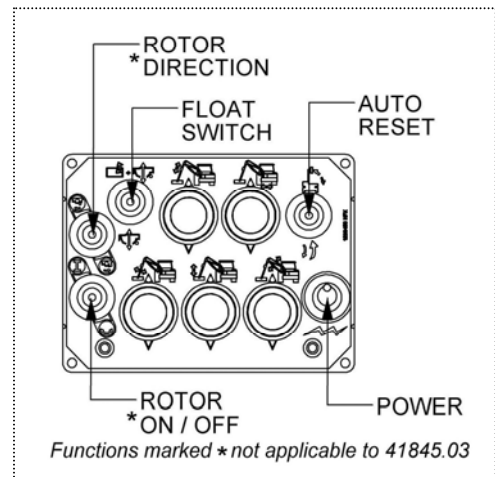
Switchbox 41845.03

Switchbox 41845.04

- A - COMMON
- B - REACH IN
- C - REACH OUT
- D - LIFT UP
- E - LIFT DOWN
- F - COMMON
- G - TELE IN
- H - TELE OUT
- J - ANGLE DOWN
- K - ANGLE UP



- L - SLEW OUT
- M - SLEW IN
- N - COMMON
- P - ANGLE FLOAT
- R - LIFT FLOAT
- S - PUMP 1
- T - PUMP 2
- U - AUTO RESET
- V - CUT OFF



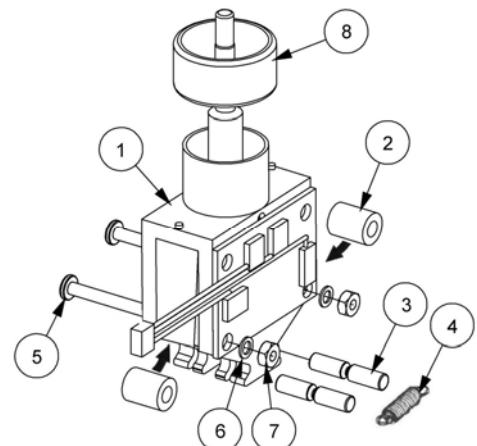
SWITCHBOX CONTROLS – 5 LEVER



Module(s): 41845.03 (Cable RCV), 41845.04 (Electric RCV)

REF.	QTY.	PART No.	DESCRIPTION
		41845.03	SWITCHBOX CONTROLS - 5 LEVER (C/RCV)
		41845.04	SWITCHBOX CONTROLS - 5 LEVER (E/RCV)
1	1	41845.31	BOX & LID C/W SCREWS
2	1	41845.33	CIRCUIT BOARD
3	5	41845.34	LOOM (SWITCH UNIT)
4	1	41845.36	LOOM (PUMP CONTROL) - <i>41845.04 only</i>
5	1	41845.37	LOOM (FLOAT SWITCH)
6	1	8402232	POWER HARNESS
7	1	8402189	PANEL MOUNTING SHELL
8	19	8402192	SOCKET CONTACT
9	4	2800203	SCREW
10	5	8402133	SWITCH UNIT
11	1	8402023	SWITCH (POWER ON/OFF)
12	1	8402182	SWITCH (AUTO RESET)
13	1	8402197	SWITCH (FLOAT SELECTION)
14	1	8402173	SWITCH (ROTOR ON/OFF) - <i>41845.04 only</i>
15	1	8402185	SWITCH (ROTOR DIRECTION) - <i>41845.04 only</i>
16	1	8402025	DIODE
17	2	41845.41	LED - <i>Qty 1 on 41845.03</i>
18	5	8402024	SWITCH COVER
19	1	8402056	KNOB - BLACK
20	1	8402027	KNOB - GREEN
21	1	8402028	KNOB - YELLOW
22	1	8402026	KNOB - RED
23	1	8402198	KNOB - BLUE
24	1	1290458	DECAL - SWITCHBOX (5 LEVER)
25	4	8402299	POWER CONTACT
26	2	8402230	RED CONTACTS HOUSING
27	1	43034.02	20 AMP BLADE FUSE
28	5	8402286	RUBBER BOOT (INTERNAL PROTECTOR)
29	5	8402022	LEVER GAITER
30	2	41845.38	BLANKING PLUG - <i>41845.03 only</i>
31	1	41845.40	BLANKING PLUG - <i>41845.03 only</i>

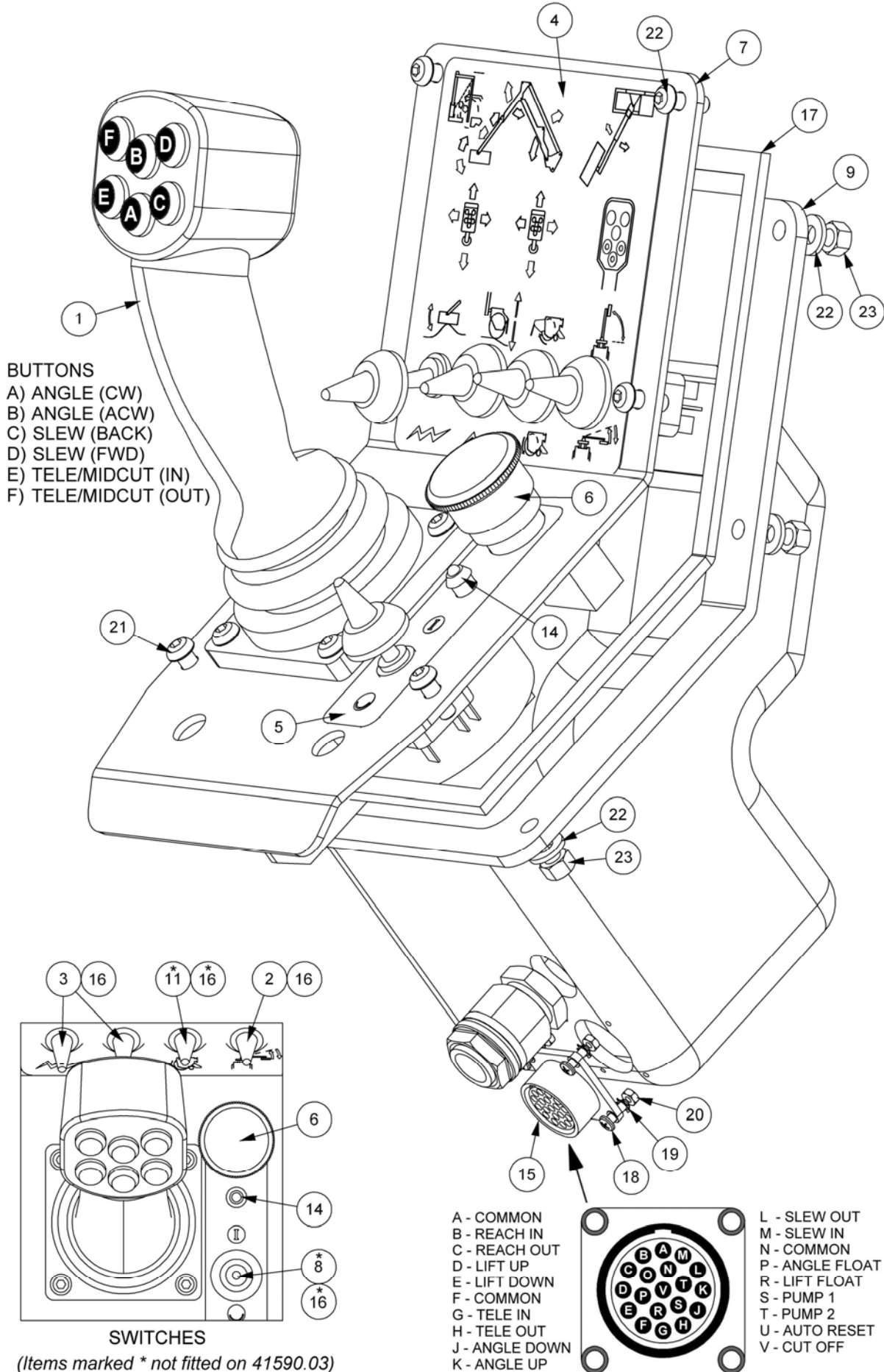
REF.	QTY.	PART No.	DESCRIPTION
1		8402133	SWITCH BODY / LEVER / CIRCUITBOARD <i>c/w:</i>
2		8402334	SPACER
3		8402111	BAR
4		8402101	SPRING
5		9200006	SCREW
6		8402120	PLAIN WASHER
7		9113000	NUT
8		8402051	BEZEL RING



MONOLEVER CONTROLS (5 FUNCTION)

McCONEL

Module(s): 41590.03 (Cable RCV), 41590.05 (Electric RCV)



MONOLEVER CONTROLS (5 FUNCTION)

McCONNEL

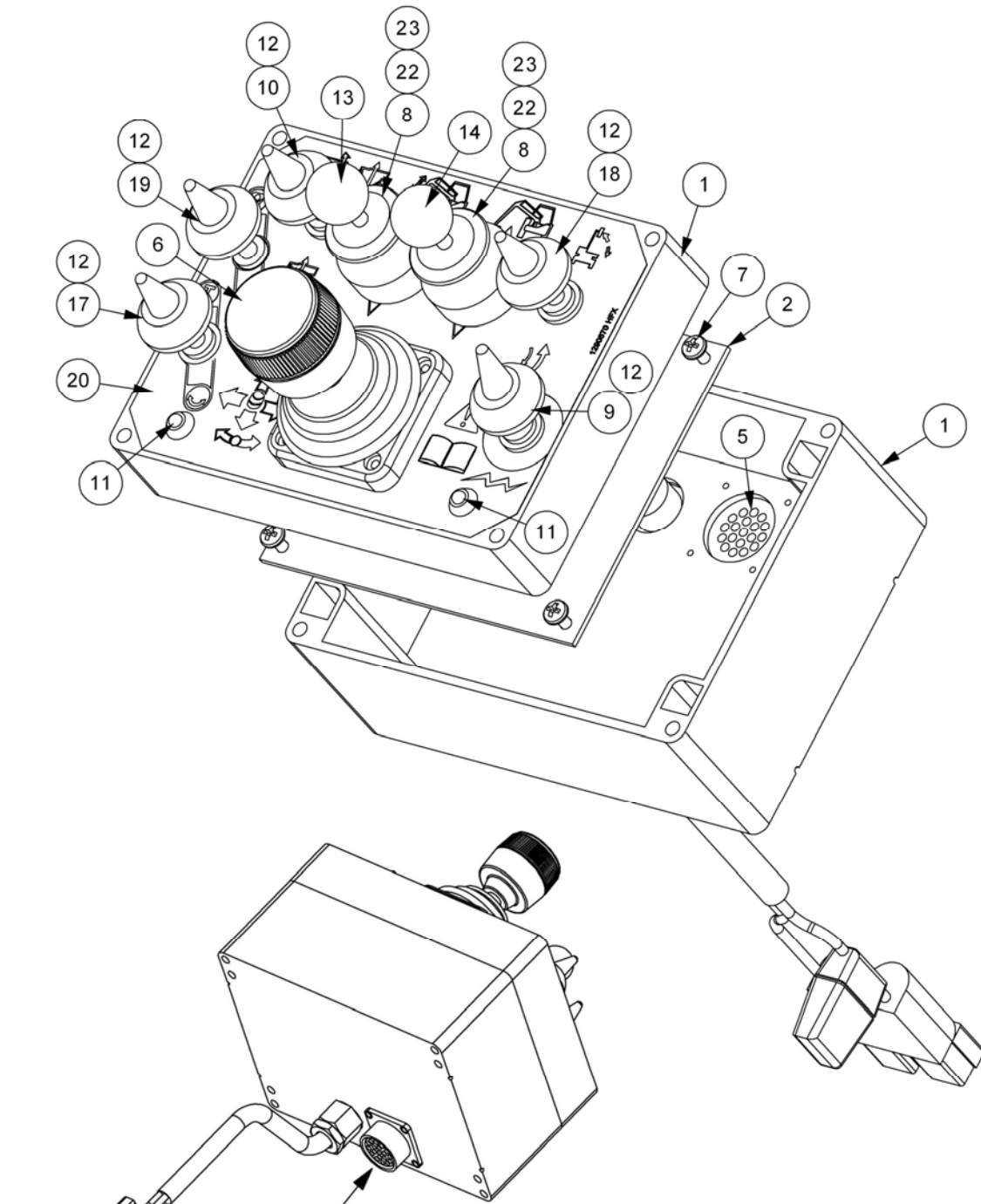
Module(s): 41590.03 (Cable RCV), 41590.05 (Electric RCV)

REF.	QTY.	PART No.	DESCRIPTION
		41590.03	JOYSTICK CONTROLS - 5 FUNCTION (C/RCV)
		41590.05	JOYSTICK CONTROLS - 5 FUNCTION (E/RCV)
1	1	41590.33	JOYSTICK (B/B) - 6 BUTTON
		8402203	CONTROL BUTTON (<i>Replacement</i>)
2	1	8402182	SWITCH (AUTO RESET)
3	2	8402023	TOGGLE SWITCH (FLOAT SELECTION)
4	1	1290451	CONTROL STICKER
5	1	1290080	POWER STICKER
6	1	8402184	POWER / EMERGENCY STOP BUTTON
7	1	7550339	TOP PLATE
8	1	8402173	SWITCH (ROTOR ON/OFF) - <i>n/a on 41590.03</i>
9	1	7550300	COVER POD
10	4	8402299	POWER CONTACT
11	1	8402185	SWITCH (ROTOR DIRECTION) - <i>n/a on 41590.03</i>
12	2	8402230	RED HOUSING
13	1	43034.02	20 AMP BLADE FUSE
14	1	41845.41	LED
15	1	8402189	PANEL MOUNTING SHELL
16	5	8402024	SWITCH WEATHER COVER (<i>Qty 3 on 41590.03</i>)
17	1	7290052	SEALING STRIP (<i>Cut to suit</i>)
18	4	9200007	SCREW
19	4	9100400	SHAKEPROOF WASHER
20	4	9113000	NUT
21	6	9300125	BUTTON HEAD CAPSCREW
22	6	9100103	FLAT WASHER
23	6	9143003	SELF-LOCKING NUT

XTC PROPORTIONAL SWITCHBOX CONTROLS

McCONEL

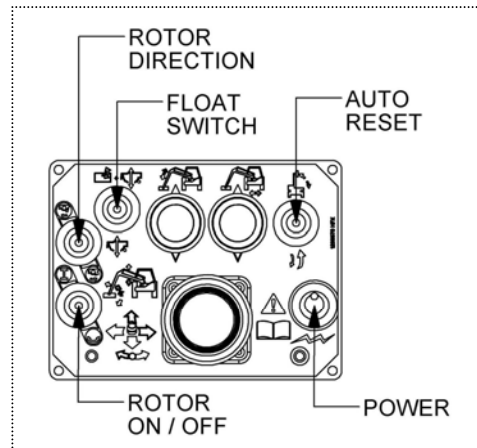
Module(s): 8402395



- A - COMMON
- B - REACH IN
- C - REACH OUT
- D - LIFT UP
- E - LIFT DOWN
- F - COMMON
- G - TELE IN
- H - TELE OUT
- J - ANGLE DOWN
- K - ANGLE UP



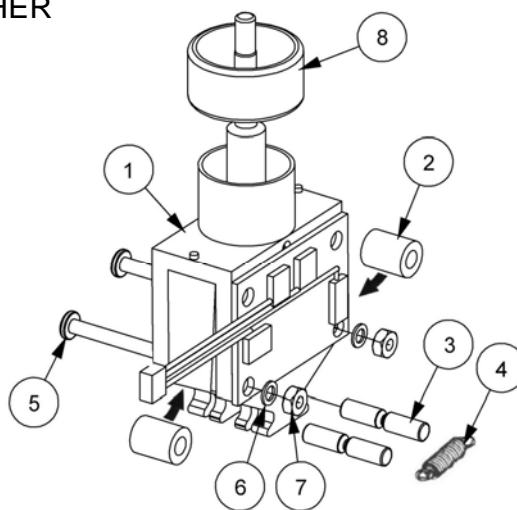
- L - SLEW OUT
- M - SLEW IN
- N - COMMON
- P - ANGLE FLOAT
- R - LIFT FLOAT
- S - PUMP 1
- T - PUMP 2
- U - AUTO RESET
- V - CUT OFF



Module(s): 8402395

REF.	QTY.	PART No.	DESCRIPTION
		8402395	XTC PROP. SWITCHBOX CONTROLS
1	1	41845.30	XTC ENCLOSURE
2	1	41845.47	CIRCUIT BOARD
3	2	41845.34	LOOM (SWITCH UNIT)
4	1	41845.37	LOOM (FLOAT SWITCH)
5	1	8402189	PANEL MOUNTING SHELL
6	1	8402246	JOYSTICK (3 AXIS)
7	4	2800203	SCREW
8	2	8402133	SWITCH UNIT
9	1	8402023	SWITCH (POWER ON/OFF)
10	1	8402197	SWITCH (FLOAT SELECTION)
11	2	41845.41	LED
12	5	8402024	SWITCH WEATHER COVER
13	1	8402198	KNOB - BLUE
14	1	8402056	KNOB - BLACK
15	1	8402237	LOOM POWER SUPPLY
16	19	8402192	SOCKET CONTACT
17	1	8402173	SWITCH (ROTOR ON/OFF)
18	1	8402182	SWITCH (AUTO RESET)
19	1	8402185	SWITCH (ROTOR DIRECTION)
20	1	1290670	DECAL - PROP SWITCHBOX
21	1	41845.36	LOOM (PUMP CONTROL)
22	2	8402022	LEVER GAITER
23	2	8402286	RUBBER BOOT (INTERNAL PROTECTOR)

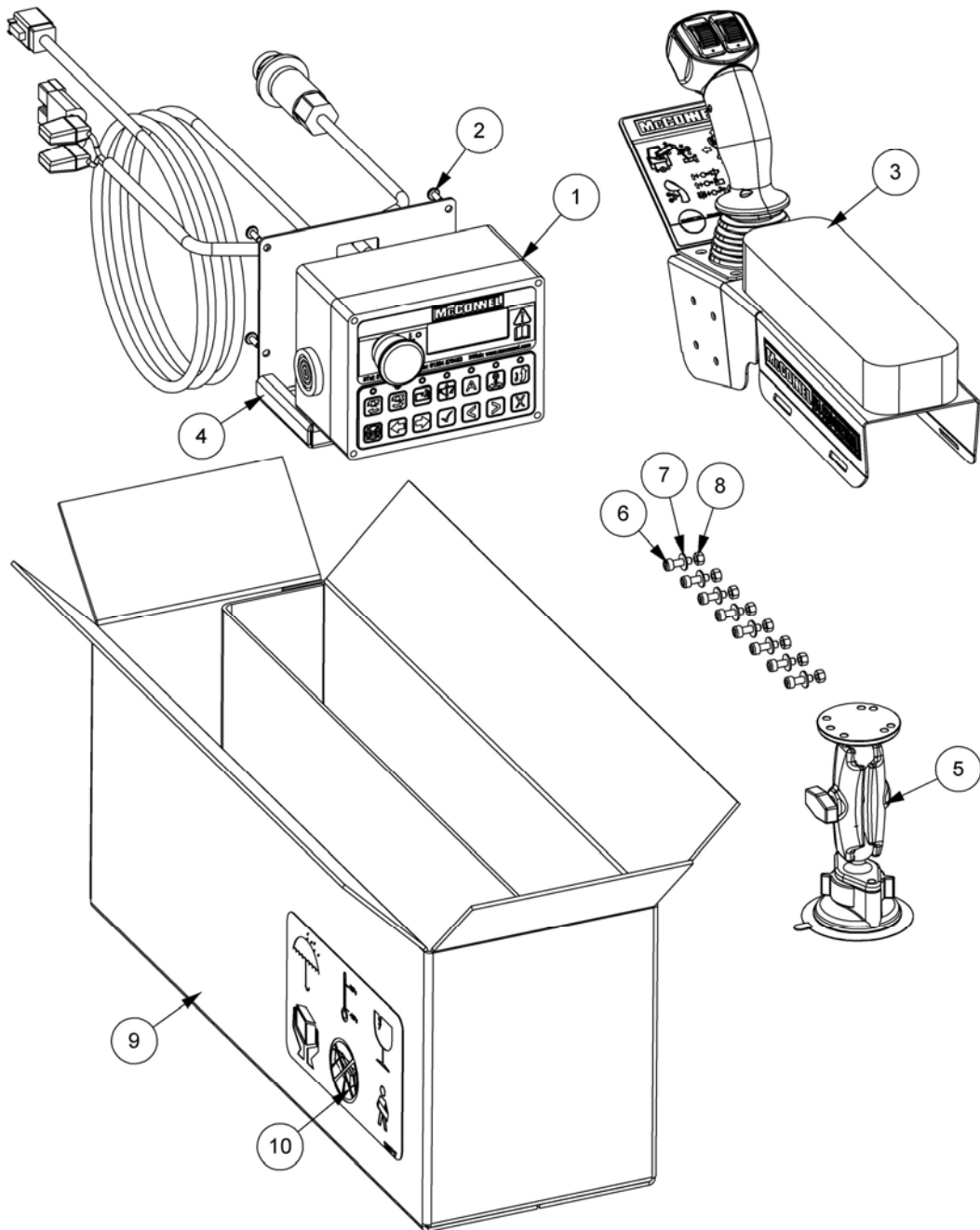
REF.	QTY.	PART No.	DESCRIPTION
1		8402133	SWITCH BODY / LEVER / CIRCUITBOARD c/w:
2		8402334	SPACER
3		8402111	BAR
4		8402101	SPRING
5		9200006	SCREW
6		8402120	PLAIN WASHER
7		9113000	NUT
8		8402051	BEZEL RING



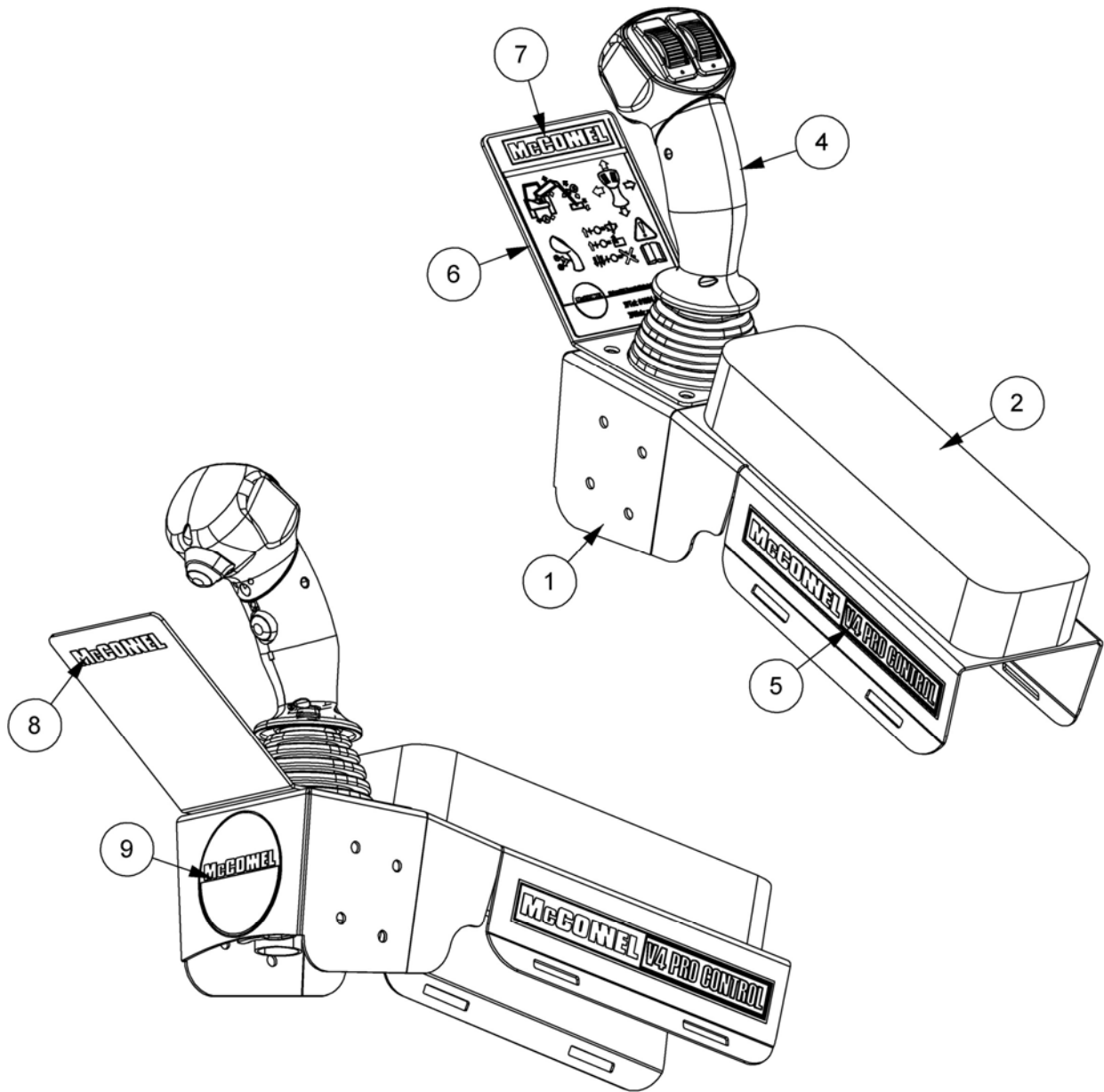
V4 PROPORTIONAL CONTROLS

McCONEL

Module(s): 22073.01



REF.	QTY.	PART No.	DESCRIPTION
		22073.01	V4 CONTROLS WITH JC6000
1	1	22073.14	V4 CONTROL BOX (MK2)
2	4	2800243	SELF TAPPING SCREW
3	1	22073.03	V4 JOYSTICK ARMREST ASSEMBLY
4	1	22073.58	SCREEN MOUNT
5	1	22073.09	V4 SCREEN MOUNT KIT
6	8	9343032	CAPSCREW
7	8	9100102	FLAT WASHER
8	8	9143002	SELF-LOCKING NUT
9	1	8402700	WATER PROOF CARDBOARD BOX
10	1	1290717	BOX DECAL

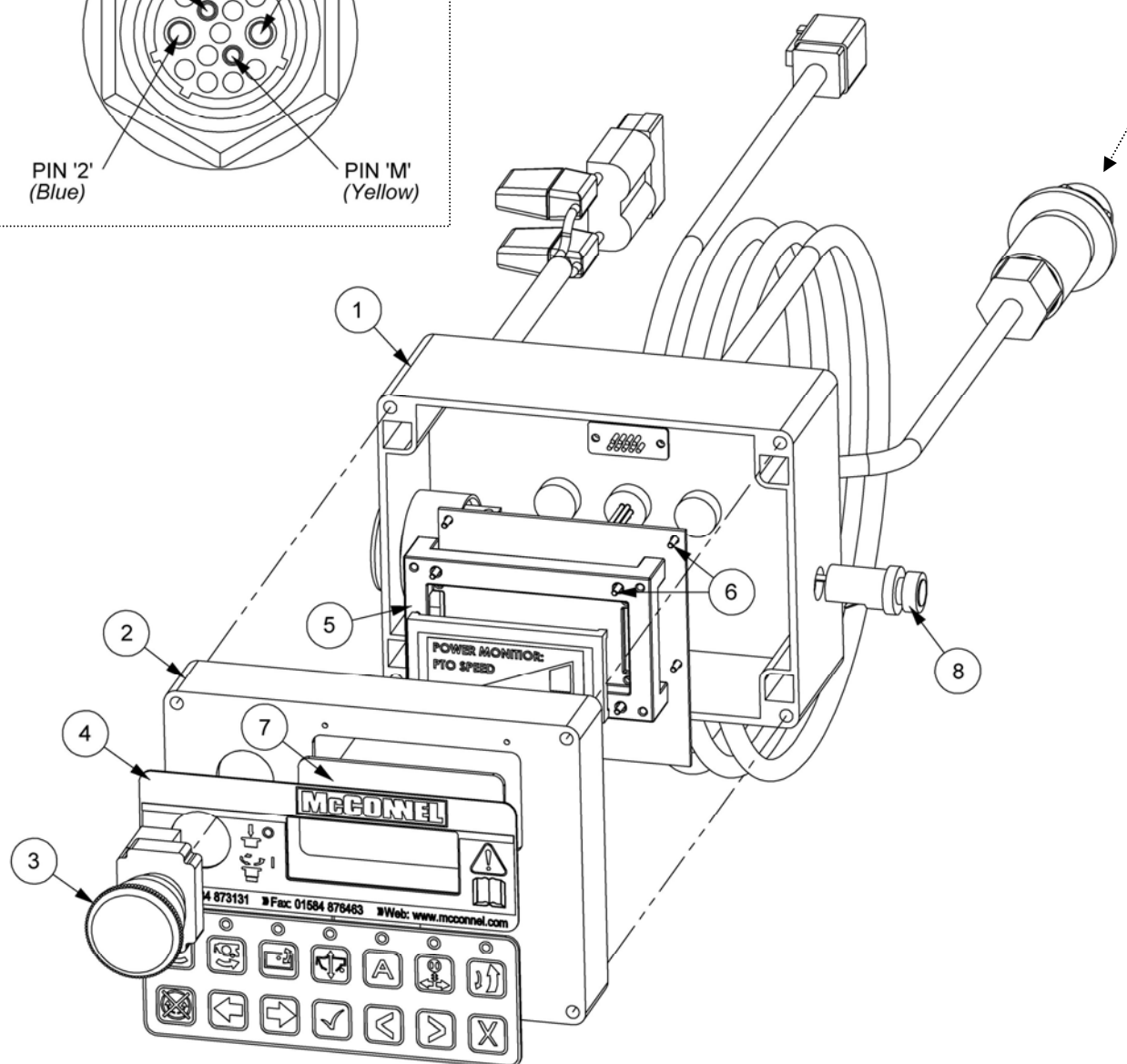
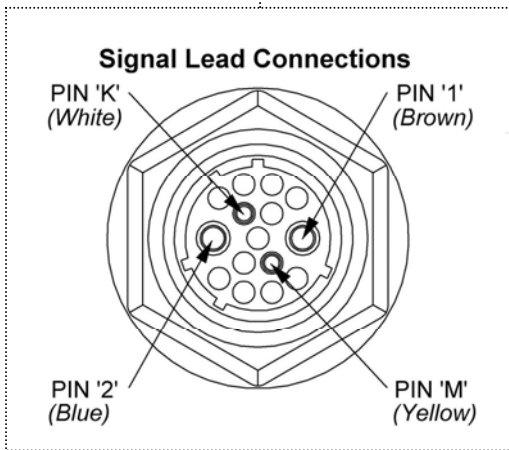


REF.	QTY.	PART No.	DESCRIPTION
		22073.03	V4 JOYSTICK ARMREST ASSEMBLY
1	1	22073.44	JOYSTICK ARMREST MOUNT
2	1	22073.45	ARM REST FOAM
3	2	7106187	NYLON STRAP <i>(Not Illustrated)</i>
4	1	22073.16	JOYSTICK c/w THUMB SWITCHES
5	2	1290740	DECAL - V4 PRO CONTROL
6	1	22073.59	DECAL MOUNT
7	1	1290739	DECAL - V4 OPERATIONS
8	1	1290741	DECAL - McCONNEL
9	1	1290742	DECAL - McCONNEL ROUNDEL

V4 PROPORTIONAL CONTROL BOX (Mk2)

McCONNEL

Module(s): 22073.14

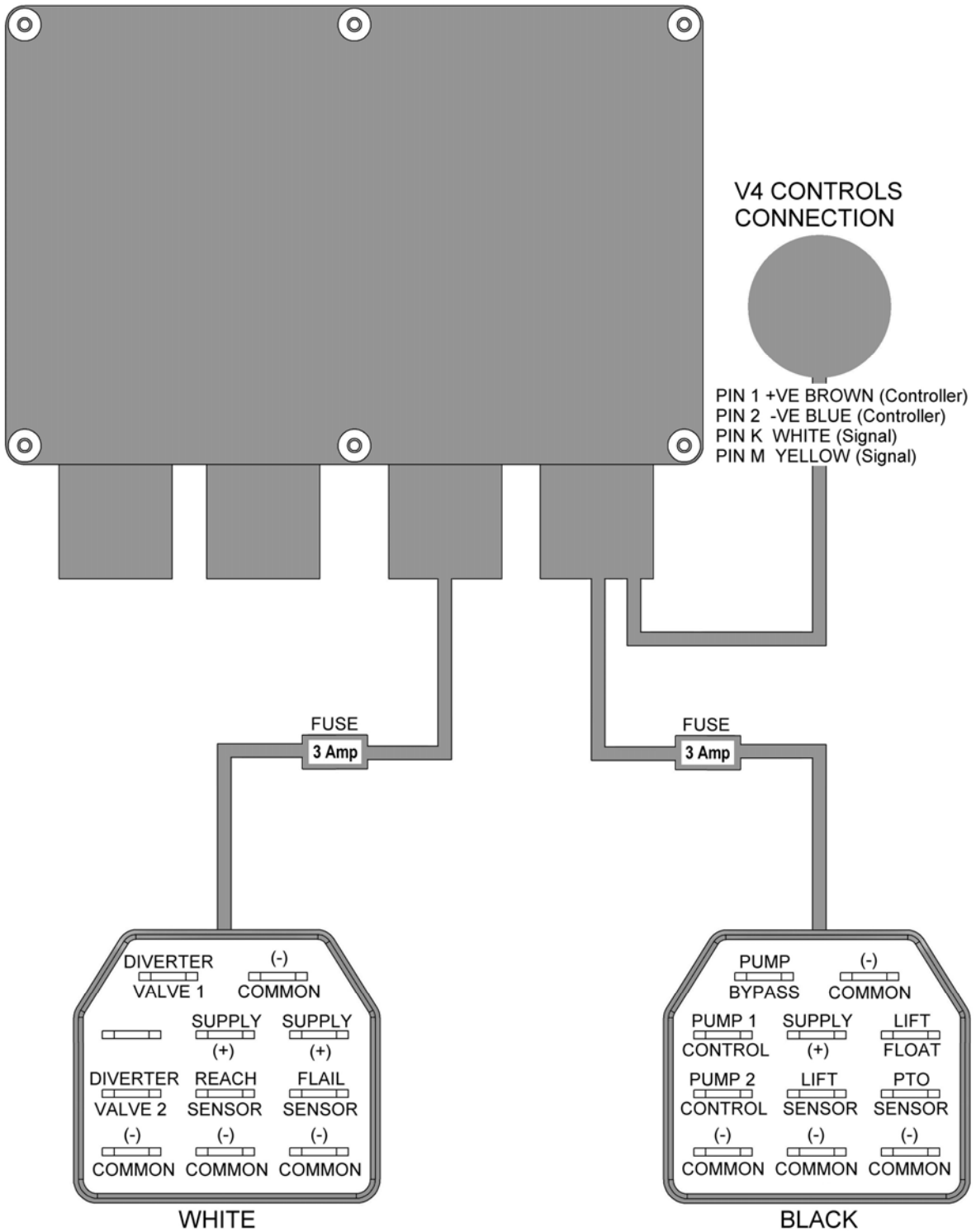


REF.	QTY.	PART No.	DESCRIPTION
		22073.14	V4 CONTROL BOX ASSEMBLY (Mk2)
1	1	22073.62	V4 CONTROL BOX
2	1	22073.32	BOX LID
3	1	41786.33	SWITCH / EMERGENCY STOP
4	1	22073.35	V4 DECAL
5	1	22073.39	V4 SCREEN MOUNT
6	8	22073.42	SELF-TAPPING SCREW
7	1	22073.40	SCREEN COVER
8	1	22073.41	FUSE HOLDER - BAYONET CAP (10A)

V4 ACB CONTROLLER (Mk2)

McCONNEL

Module(s):



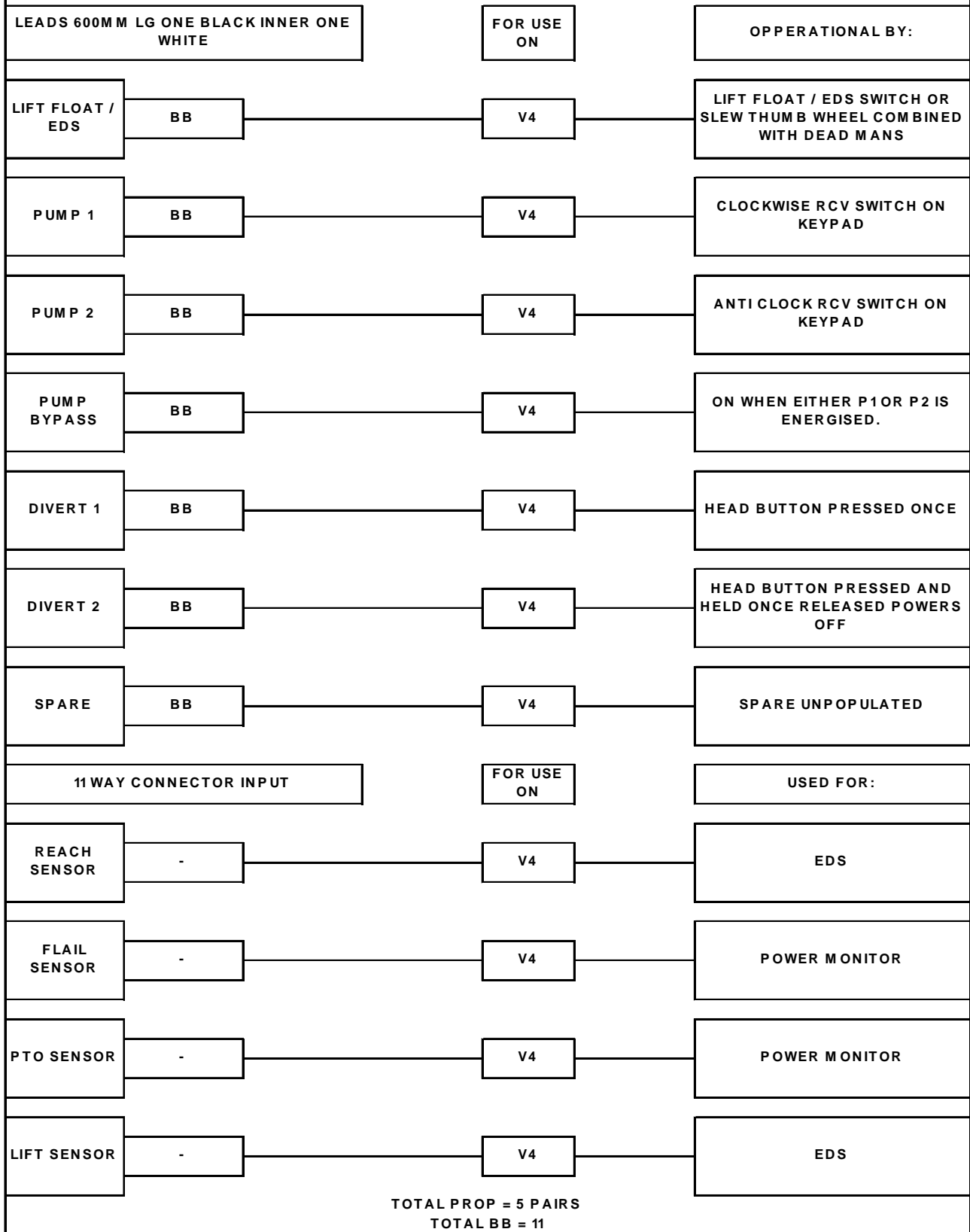
Module(s):

HIRSCHMANN CONNECTOR BB OR PROP

GRAY	TYPE AND LEAD LENGTH	BLACK	FOR USE ON	OPERATIONAL BY:
REACH	PROP 600LG	REACH	V4	JOYSTICK LEFT AND RIGHT
ANGLE	PROP 550LG	ANGLE	V4	LEFT THUMB WHEEL
TELE/MID	PROP 500LG	TELE/MID	V4	RIGHT THUMB WHEEL AFTER SLEW TELE SWAP ACTIVE
LIFT	PROP 450LG	LIFT	V4	JOYSTICK FORWARD AND BACKWARDS
SLEW	PROP 400LG	SLEW	V4	RIGHTHAND THUMB WHEEL
ANGLE FLOAT	BB 350LG	ANGLE FLOAT	ECON	OPERATES FROM ANGLE FLOAT SWITCH AND ANGLE ROCKER COMBINDED WITH DEAD MANS
SPARE	PROP	SPARE	V4	SPARE UNPOPULATED
SPARE	PROP	SPARE	V4	SPARE UNPOPULATED
CUT OFF	BB 600LG		V4	COPERATES WHEN ANY VALVE SERVICE IS ACTIVATED
AUTO RESET	BB 500LG		V4	OPERATES FROM AUTO RESET ON KEYPAD
LIFT CHECK VALVE	BB 550LG		ECON	OPERATES WHEN LIFT SERVICE IS ACTIVATED
ANGLE FLOAT	BB 550LG		V4	OPERATES FROM ANGLE FLOAT SWITCH AND ANGLE ROCKER COMBINDED WITH DEAD MANS

Module(s):

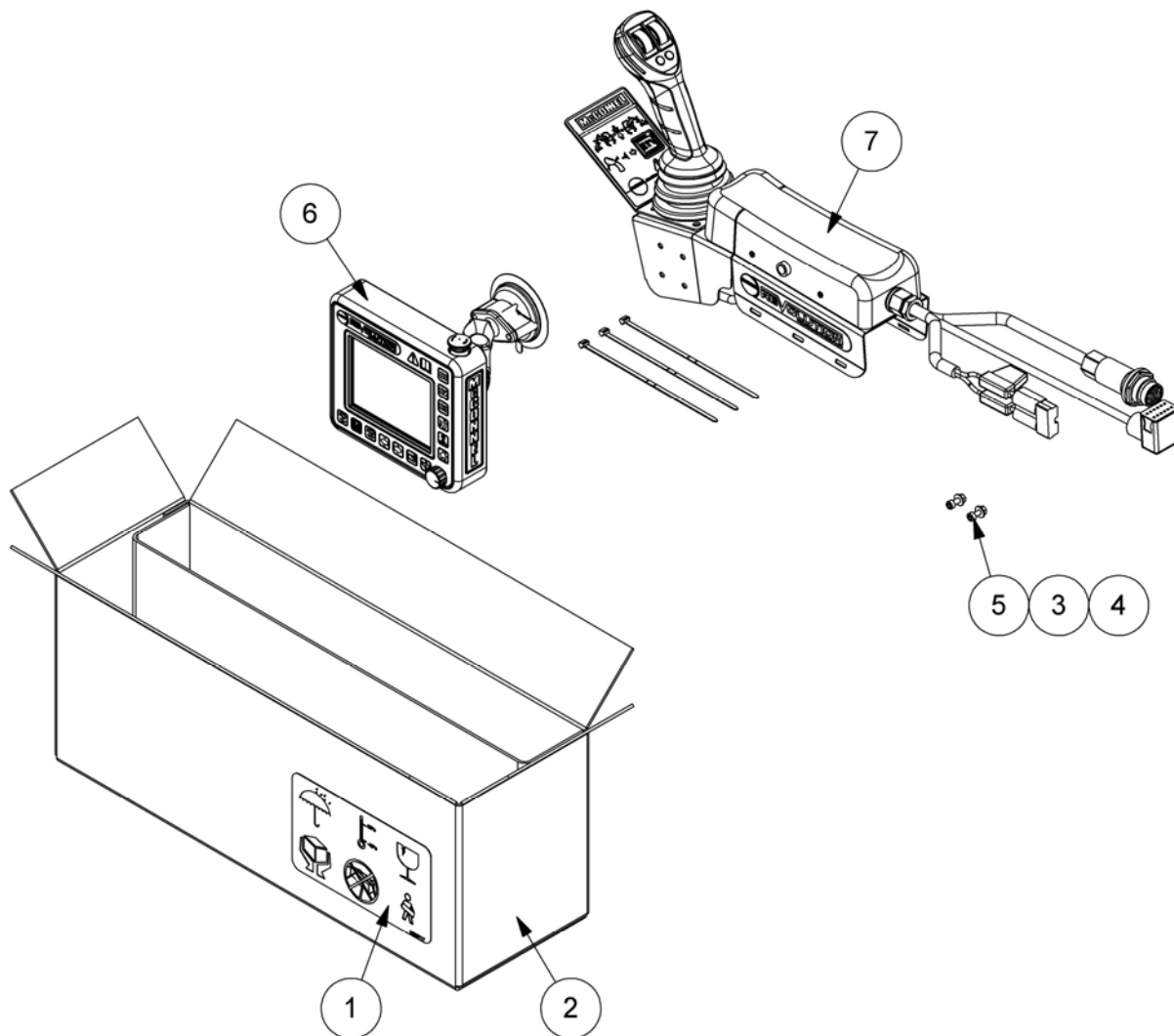
11 WAY CONNECTOR OUTPUTS BB



Module(s):

This page is intentionally blank

Module(s): 22945.01

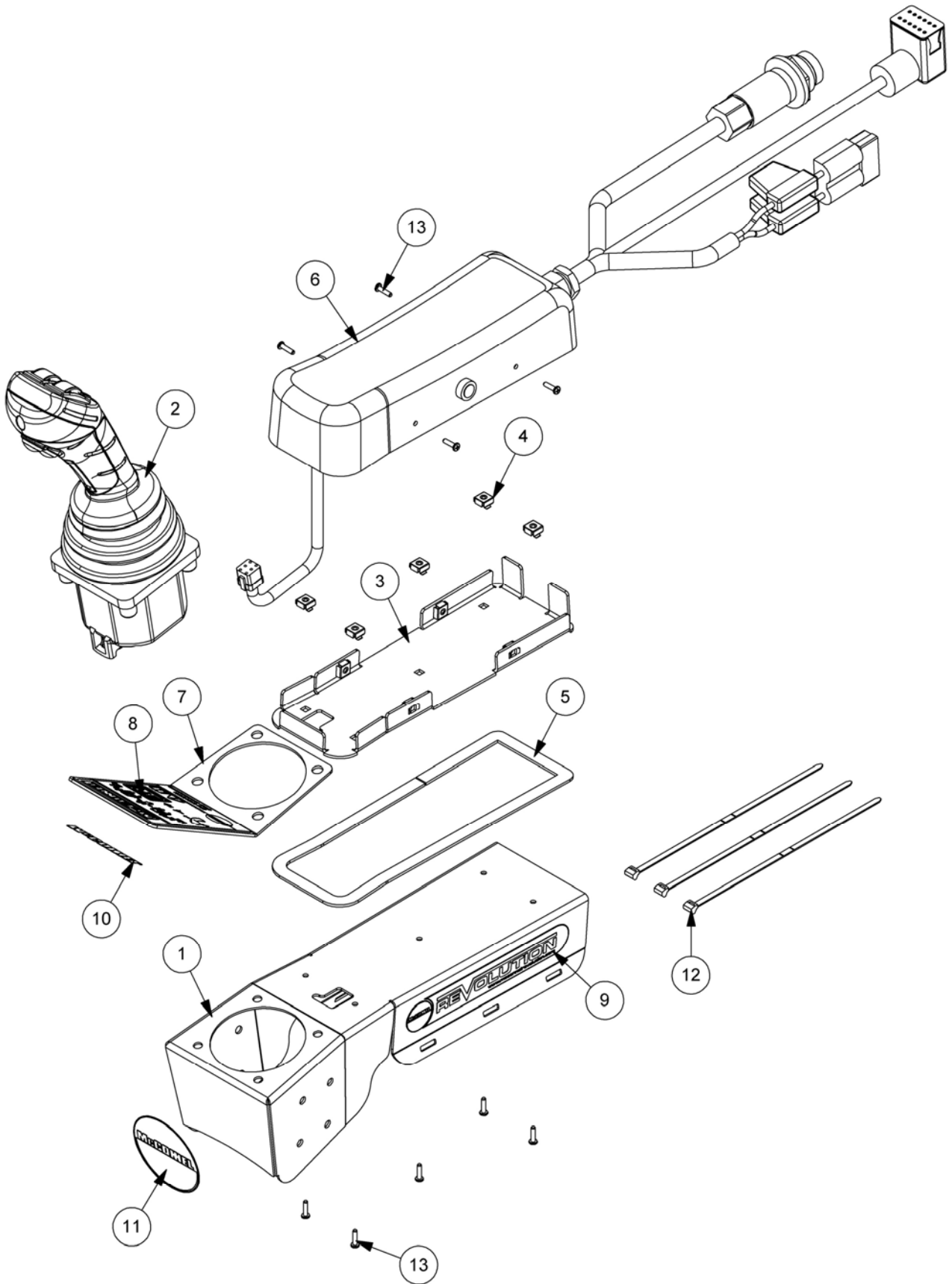


REF.	QTY.	PART No.	DESCRIPTION
		22945.01	REVOLUTION PROPORTIONAL CONTROLS
1	1	1290717	BOX DECAL
2	1	8402700	WATER PROOF CARDBOARD BOX
3	2	9100102	FLAT WASHER
4	2	05.287.09	LOCKNUT
5	2	9343032	CAPSCREW
6	1	22991.1	REVOLUTION SCREEN
7	1	22991.12	ARMREST ASSEMBLY

REVOLUTION ARMREST ASSEMBLY

Module(s): 22991.12

McCONNEL



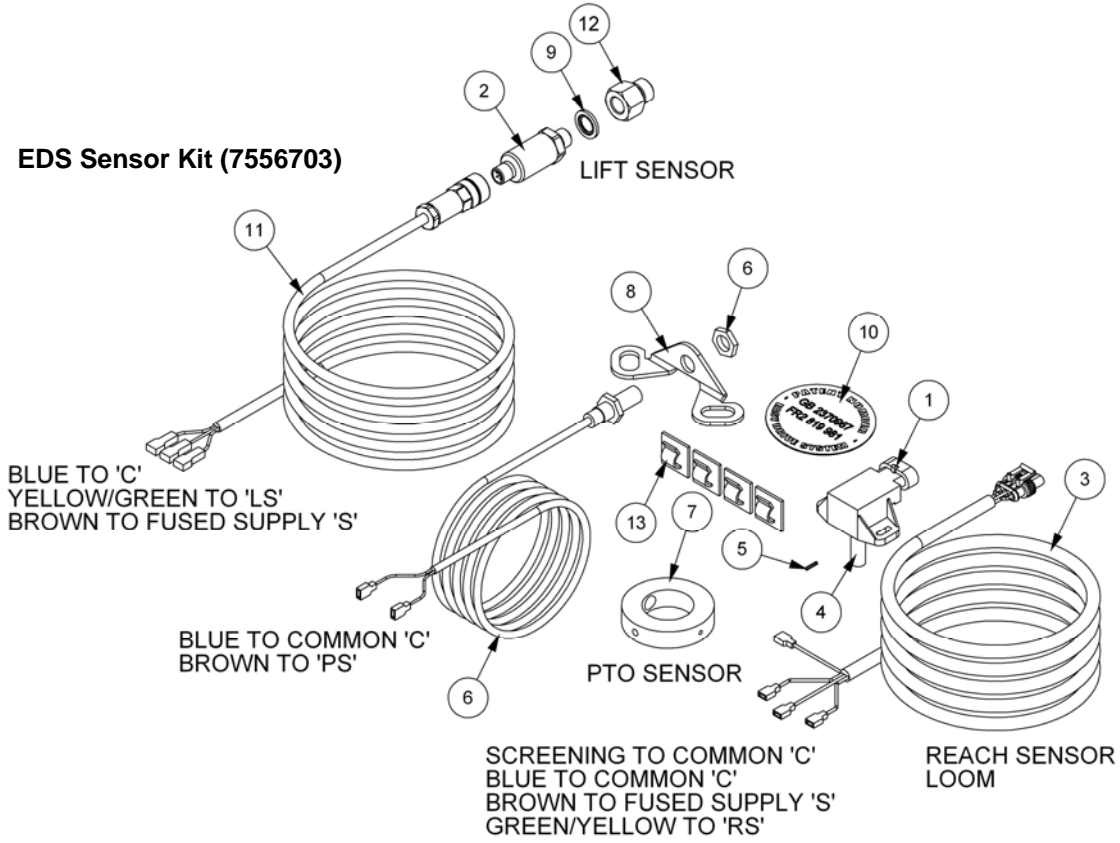
REVOLUTION ARMREST ASSEMBLY

McCONNEL

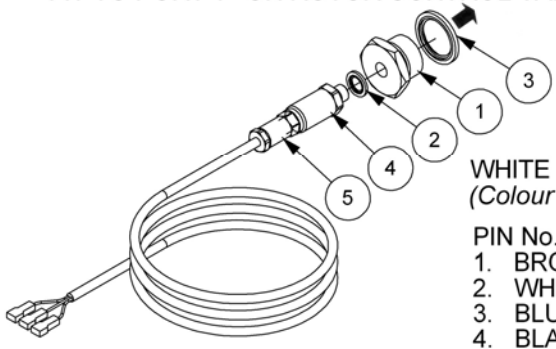
Module(s): 22991.12

REF.	QTY.	PART No.	DESCRIPTION
		22991.12	REVOLUTION ARMREST ASSEMBLY
1	1	22991.64	ARMREST PRESSING
2	1	22991.30	JOYSTICK
3	1	22991.63	ARMREST BASE PLATE
4	9	22991.62	CAGED NUT
5	1	22991.55	FOAM STRIP
6	1	22991.11	MOULDED ARMREST
7	1	22073.59	DECAL MOUNT
8	1	1290931	OPERATIONS DECAL
9	2	1290932	DECAL - McCONNEL ARMREST
10	1	1290741	DECAL - McCONNEL
11	1	1290742	DECAL - McCONNEL ROUNDEL
12	3	7135084	CABLE TIE
13	9	9200064	POZI DRIVE

Module(s): 7556703, 7556707, 7556710



FIT TO PORT 'P' ON ROTOR CONTROL VALVE

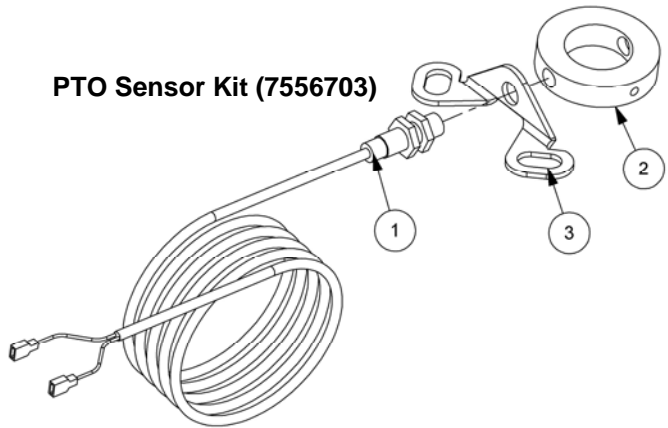


Power Monitor Kit (7556707)

WHITE CAP TRANSDUCER SUPERSEDED BLACK CAP APRIL 2003
(Colour of plastic inside transducer when M12 connector is removed)

PIN No.	WHITE CAP	BLACK CAP
1.	BROWN	SUPPLY +VE 'S'
2.	WHITE	SIGNAL O/P 'FS'
3.	BLUE	SUPPLY -VE 'C'
4.	BLACK	SIGNAL O/P 'FS'
		NOT USED

PTO Sensor Kit (7556703)



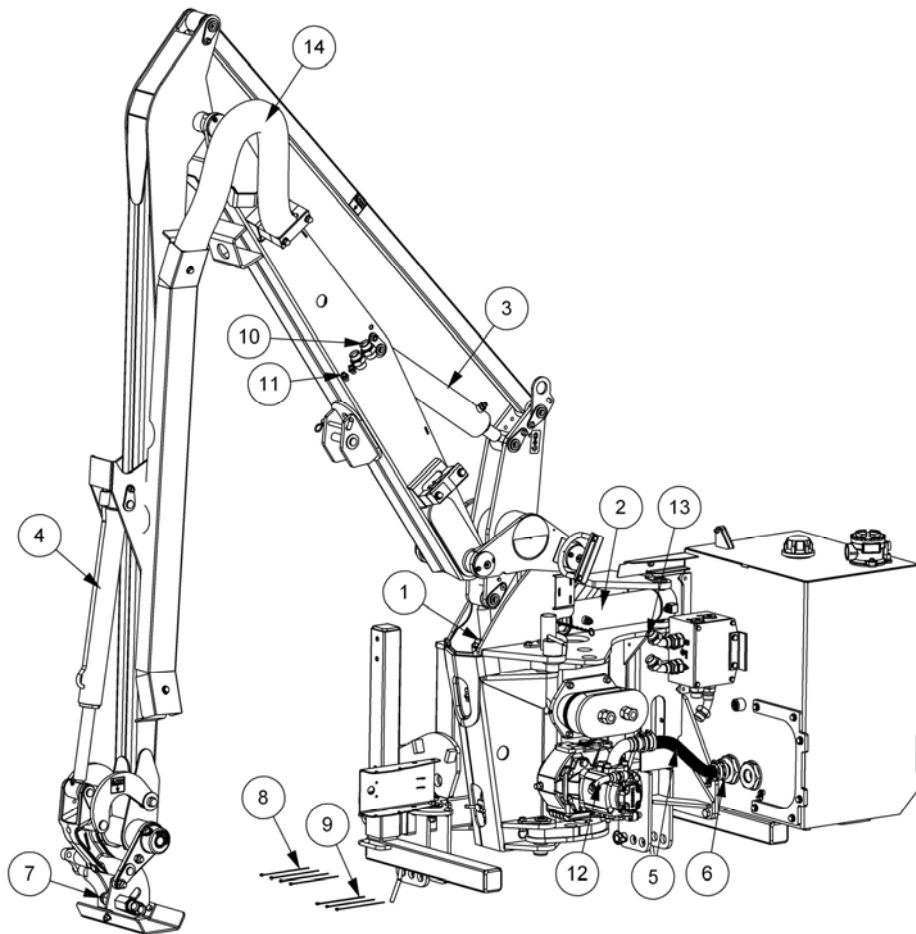
Module(s): 7556703, 7556707, 7556710

REF.	QTY.	PART No.	DESCRIPTION
		7556703	EDS SENSOR KIT - Gear Models
1	1	8402235	REACH SENSOR
2	1	8402253	PRESSURE SENSOR (0 to 250 BAR)
3	1	21163.01	REACH SENSOR LOOM
4	1	45425.07	SENSOR EXTENSION
5	1	0430110	SPRING DOWEL
6	1	8402251	PTO SENSOR
7	1	8402252	PTO MAGNETIC RING
8	1	21170.04	PTO SENSOR BRACKET
9	1	8650102	BONDED SEAL
10	1	21365.01	PATENT DECAL
11	1	43177.52	LOOM - PRESSURE TRANSDUCER
12	1	8103005	UNION
13	4	43357.01	CLIP (SELF ADHESIVE PAD)

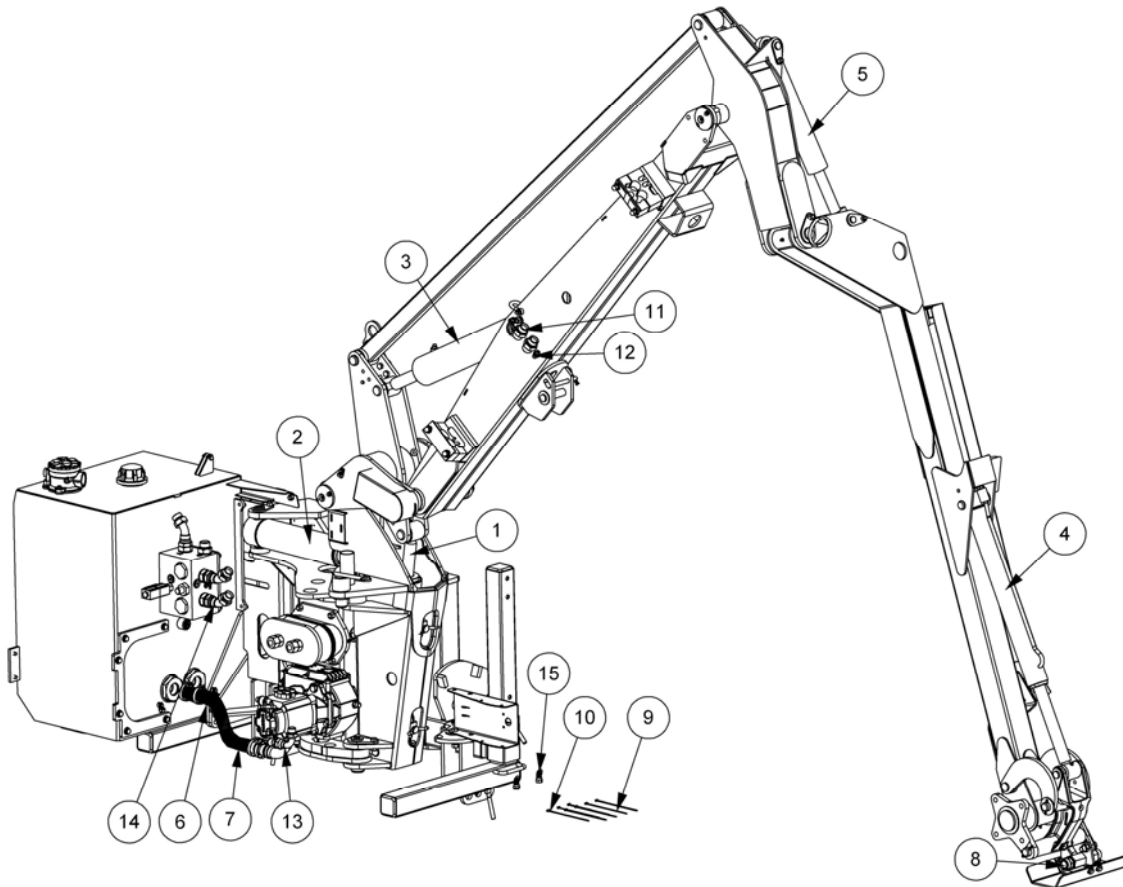
REF.	QTY.	PART No.	DESCRIPTION
		7556707	POWER MONITOR SENSOR KIT
1	1	8581451	ADAPTOR
2	1	8650102	BONDED SEAL
3	1	8650108	BONDED SEAL
4	1	8402253	PRESSURE SENSOR - 0 TO 250 BAR
5	1	43177.53	LOOM - PRESSURE SENSOR

REF.	QTY.	PART No.	DESCRIPTION
		7556710	PTO SENSOR KIT
1	1	8402251	PTO SENSOR
2	1	8402252	PTO MAGNETIC RING
3	1	21170.04	PTO SENSOR BRACKET

Module(s): 7458730, 7458731, 7458734, 7458735,

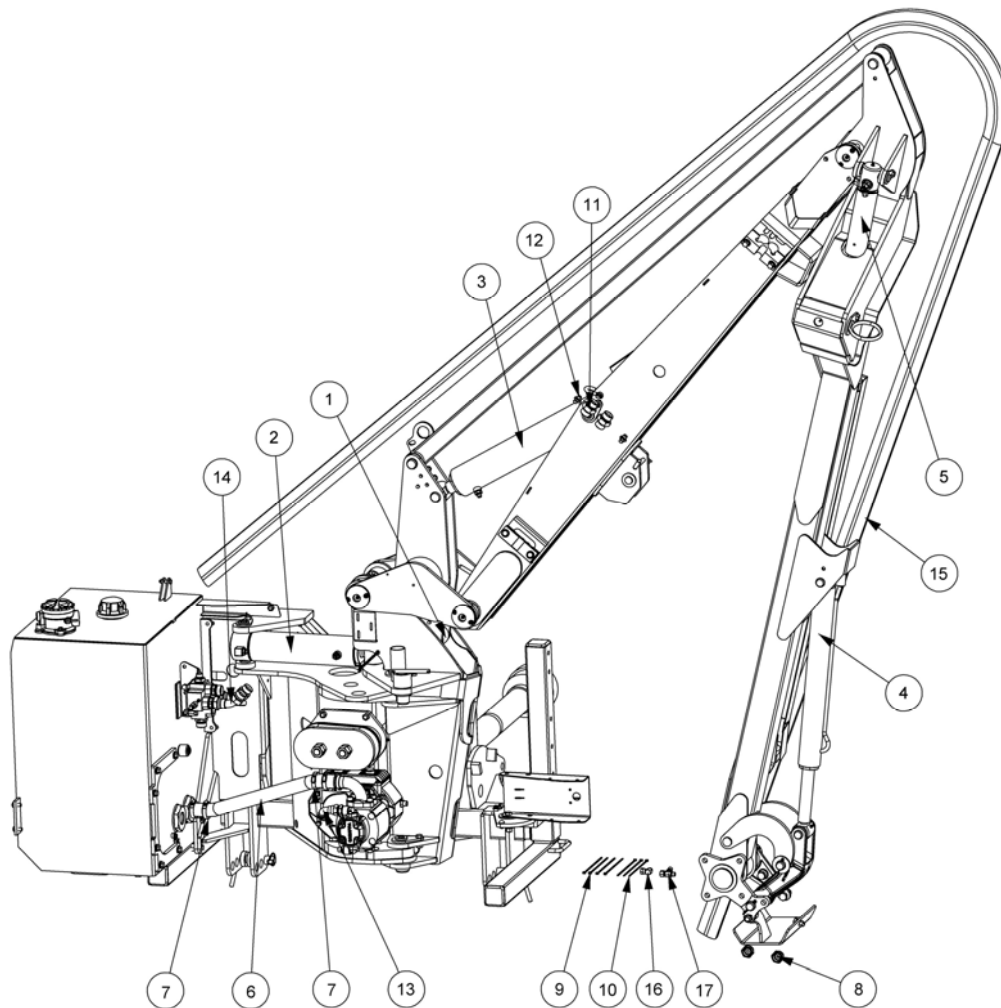


REF.	QTY.	PART NO.	DESCRIPTION
		7458730	HYD. INSTALLATION - PA55 GEAR STD. ARM
		7458731	HYD. INSTALLATION - PA55 GEAR EDS STD. ARM
		7458734	HYD. INSTALLATION - PA60 GEAR STD. ARM
		7458735	HYD. INSTALLATION - PA60 GEAR EDS STD. ARM
1	1	45895.08	LIFT RAM ASSEMBLY
	1	45895.09	LIFT RAM ASSEMBLY - EDS Build
2	1	45910.04	SLEW RAM ASSEMBLY
3	1	45288.03	REACH RAM ASSEMBLY - PA55 Models
	1	21340.01	REACH RAM ASSEMBLY - PA60 Models
4	1	43317.07	ANGLE RAM ASSEMBLY
5	1	8501218	SUCTION HOSE - 1.1/2" x 600mm
6	4	0904107	HOSE CLIP
7	2	8582058	BLANKING CAP
8	4	7196045	HOSE TIE - 350mm
9	3	7135084	CABLE TIE - 180mm
10	2	05.434.01	ADAPTOR
11	2	8581169	ADAPTOR
12	1	T3400	90° SWEEP ADAPTOR
13	2	08.940.02	135° ADAPTOR
14	1	00999588	HOSE SLEEVING



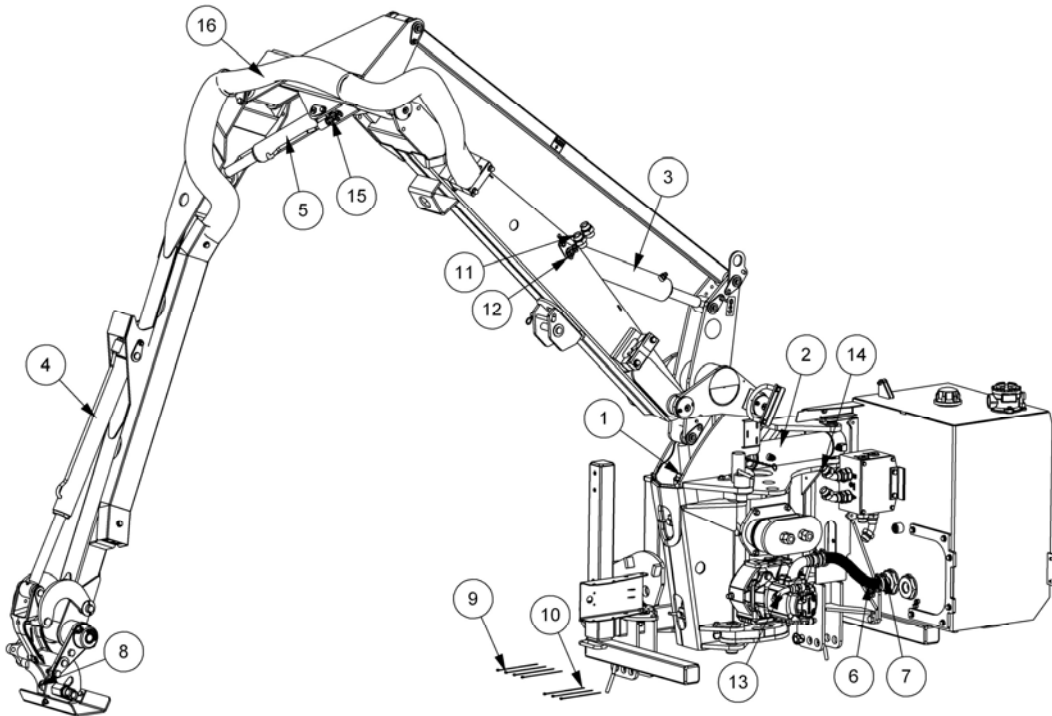
REF.	QTY.	PART NO.	DESCRIPTION
		7458744	HYD. INSTALLATION - PA60 GEAR EDS F/MOUNT
1	1	45895.09	LIFT RAM ASSEMBLY - EDS Build
2	1	45910.04	SLEW RAM ASSEMBLY
3	1	21340.01	REACH RAM ASSEMBLY
4	1	43317.07	ANGLE RAM ASSEMBLY
5		EHR0329	BREAKAWAY RAM ASSEMBLY
6	1	8501218	1.1/2" SUCTION HOSE
7	4	0904107	HOSE CLIP
8	2	8582058	BLANKING CAP
9	4	7196045	HOSE TIE - 350mm
10	3	7135084	CABLE TIE - 180mm
11	2	05.434.01	ADAPTOR
12	2	8581169	ADAPTOR
13	1	T3400	90° SWEPT ADAPTOR
14	2	08.940.02	135° ADAPTOR
15	2	8581347	135° STEEL ELBOW
16	1	00999588	HOSE SLEEVING

Module(s): 7458750

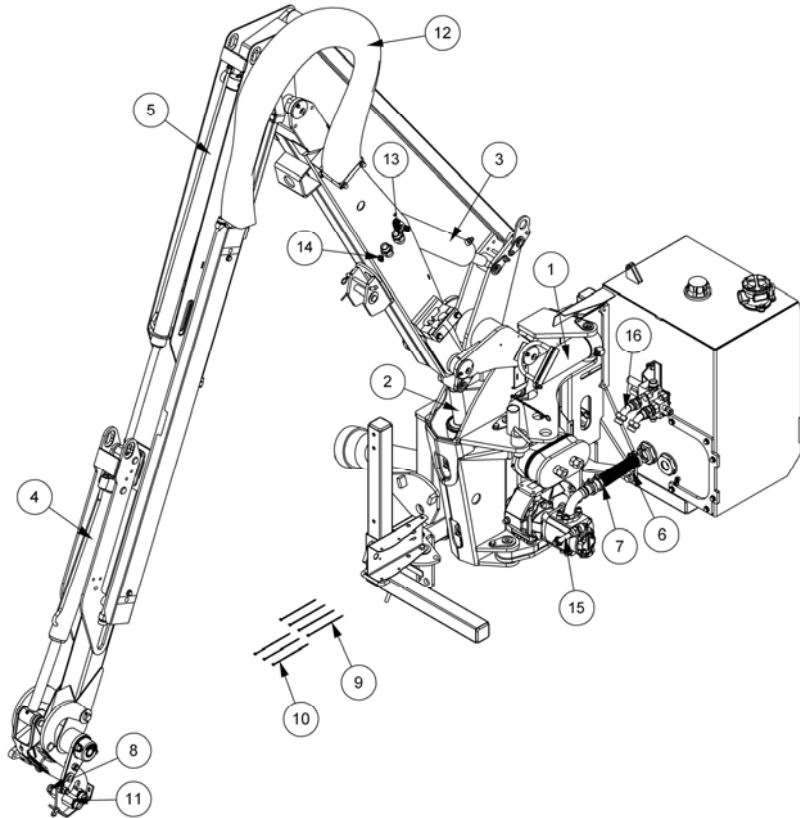


REF.	QTY.	PART No.	DESCRIPTION
		7458750	HYDRAULIC INSTALLATION
1	1	22362.02	LIFT RAM ASSEMBLY
2	1	45910.04	SLEW RAM ASSEMBLY
3	1	21340.01	REACH RAM ASSEMBLY
4	1	43317.07	ANGLE RAM ASSEMBLY
5	1	45894.02	BREAKAWAY RAM ASSEMBLY
6	1	8501218	1.1/2" SUCTION HOSE
7	4	0904107	HOSE CLIP
8	2	8582058	BLANKING CAP
9	4	7196045	HOSE TIE
10	3	7135084	CABLE TIE
11	2	05.434.01	ADAPTOR
12	2	8581169	ADAPTOR
13	1	T3400	SWEPT ADAPTOR 90°
14	2	08.940.02	ADAPTOR 135°
15	1	00999588	HOSE SLEEVING
16	1	8581190	ADAPTOR ELBOW 90°
17	1	8581254	ADAPTOR TEE

Module(s): 7458730, 7458731, 7458734, 7458735,



REF.	QTY.	PART NO.	DESCRIPTION
		7458732	HYD. INSTALLATION - PA55 GEAR 0.74M M/CUT
		7458733	HYD. INSTALLATION - PA55 GEAR EDS 0.74M M/CUT
		7458740	HYD. INSTALLATION - PA55 GEAR 1.5M M/CUT
		7458741	HYD. INSTALLATION - PA55 GEAR EDS 1.5M M/CUT
		7458742	HYD. INSTALLATION - PA60 GEAR 1.5M M/CUT
		7458743	HYD. INSTALLATION - PA60 GEAR EDS 1.5M M/CUT
		7458748	HYD. INSTALLATION - PA60 GEAR 0.74M M/CUT
		7458749	HYD. INSTALLATION - PA60 GEAR EDS 0.74M M/CUT
1	1	45895.08	LIFT RAM ASSEMBLY
	1	45895.09	LIFT RAM ASSEMBLY - EDS Build
2	1	45910.04	SLEW RAM ASSEMBLY
3	1	45288.03	REACH RAM ASSEMBLY - PA55 Models
	1	21340.01	REACH RAM ASSEMBLY - PA60 Models
4	1	43317.07	ANGLE RAM ASSEMBLY
5	1	42664.05	FOLD RAM ASSEMBLY - 0.74m Midcut Models
	1	43317.08	FOLD RAM ASSEMBLY - 1.5m Midcut Models
6	1	8501218	SUCTION HOSE - 1.1/2" x 600mm
7	4	0904107	HOSE CLIP
8	2	8582058	BLANKING CAP
9	4	7196045	HOSE TIE - 350mm
10	3	7135084	CABLE TIE - 180mm
11	2	05.434.01	ADAPTOR
12	2	8581169	ADAPTOR
13	1	T3400	90° SWEPT ADAPTOR
14	2	08.940.02	135° ADAPTOR
15	2	8581347	135° STEEL ELBOW
16	1	00999588	HOSE SLEEVING



REF.	QTY.	PART NO.	DESCRIPTION
		7458736	HYD. INSTALLATION - PA65T GEAR
		7458737	HYD. INSTALLATION - PA65T GEAR EDS
		7470525	HYD. INSTALLATION - PA70T GEAR
		7470526	HYD. INSTALLATION - PA70T GEAR EDS
1	1	45910.04	SLEW RAM ASSEMBLY
2	1	22362.01	LIFT RAM ASSEMBLY
	1	22362.02	LIFT RAM ASSEMBLY - EDS Builds
3	1	21340.01	REACH RAM ASSEMBLY - PA65T Models
		22362.03	REACH RAM ASSEMBLY - PA70T Models
4	1	43317.07	ANGLE RAM ASSEMBLY
5	1	21080.02	TELE RAM ASSEMBLY - PA65T Models
	1	43377.04	TELE RAM ASSEMBLY - PA70T Models
6	1	8501218	SUCTION HOSE - 1.1/2" x 600mm
7	4	0904107	HOSE CLIP
8	2	8582058	BLANKING CAP
9	4	7196045	HOSE TIE - 350mm
10	3	7135084	CABLE TIE - 180mm
11	1	21261.02	JUNCTION BRACKET
12	1	00900913	HOSE SLEEVING
13	2	05.434.01	ADAPTOR
14	2	8581169	ADAPTOR
15	1	T3400	90° SWEPT ADAPTOR
16	2	08.940.02	135° ADAPTOR

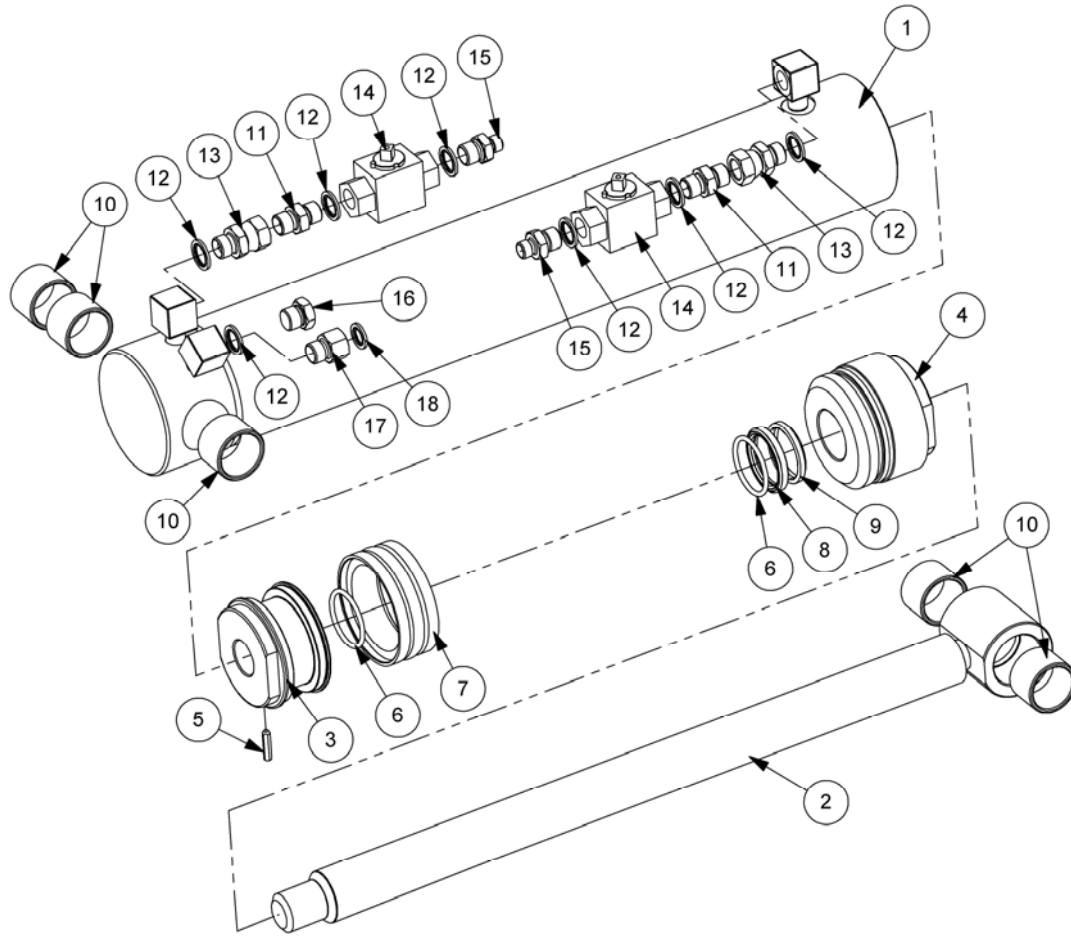
Specific Hose Sleeving lengths (not shown)

43491.22 - 1800mm Sleeve (PA65T) / 22590.26 - 1600mm Sleeve (PA70T)
 43491.21 - 1600mm Sleeve (PA65T) / 22590.22 - 1200mm Sleeve (PA70T)
 43491.01 - 800mm Sleeve (PA65T) / 22590.16 - 800mm Sleeve (PA70T)

LIFT RAM ASSEMBLY - PA55 & PA60

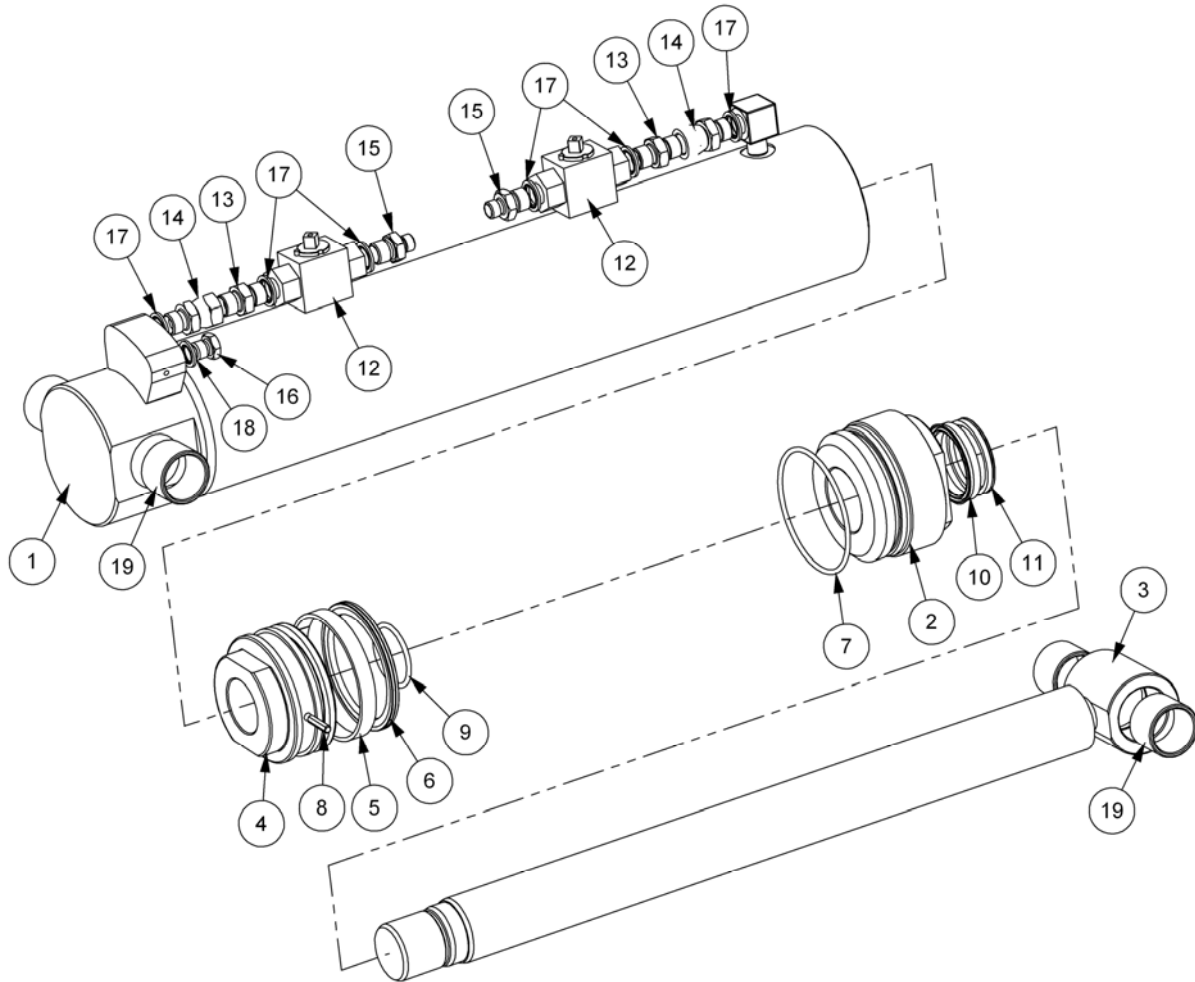
McCONEL

Module(s): 45895.08 – Std. Build, 45895.09 – EDS Build

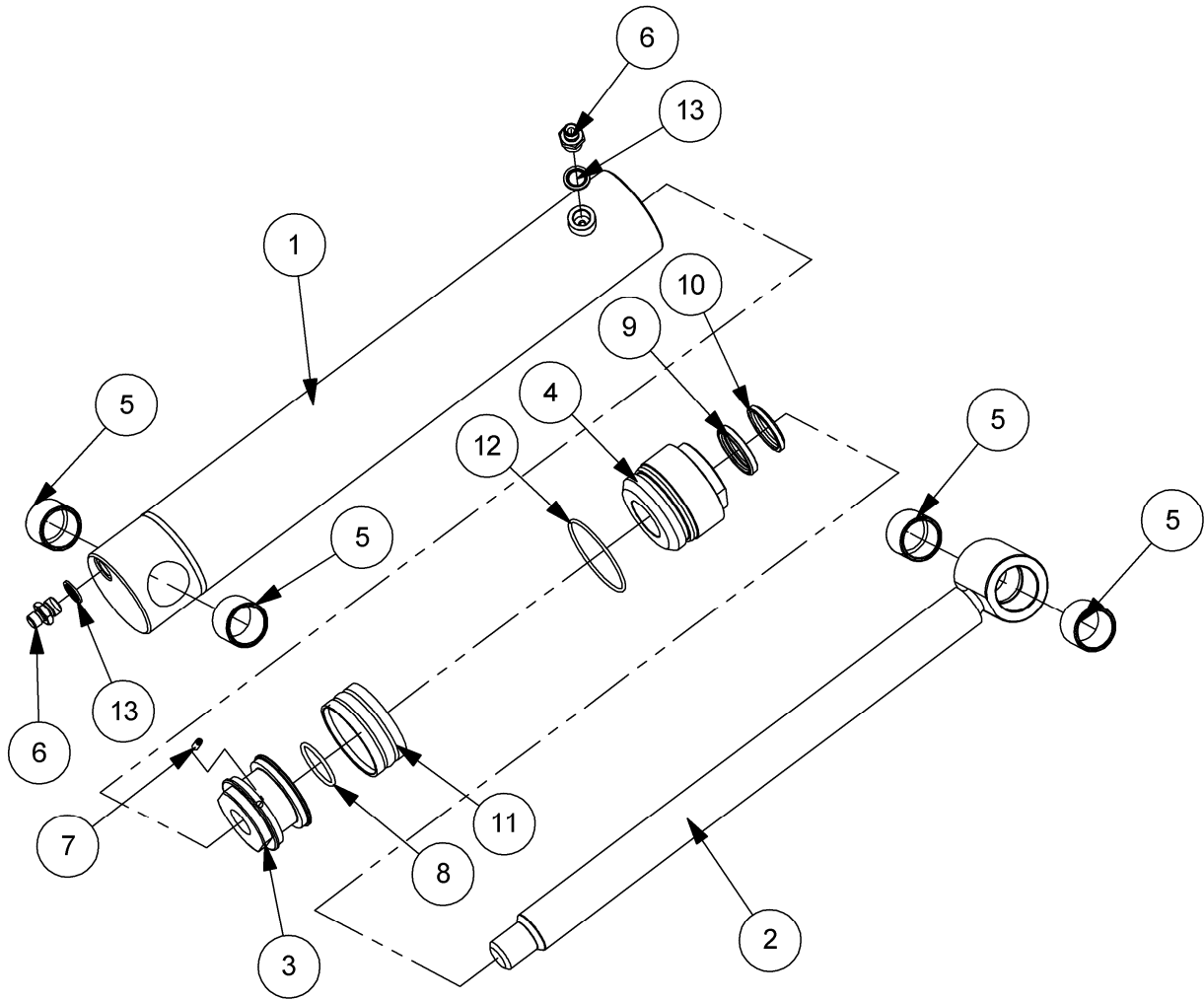


REF.	QTY.	PART No.	DESCRIPTION
		45895.08	LIFT RAM ASSEMBLY - STD Build
		45895.09	LIFT RAM ASSEMBLY - EDS Build
1	1	45895.43	RAM BARREL - Standard Build
	1	45895.43	RAM BARREL - EDS Build
2	1	45275.02	PISTON ROD
3	1	43315.31	PISTON
4	1	43315.32	GLAND HOUSING
5	1	42775.01	DOWEL
6	2	8600301	O RING
7	1	8638742	PISTON SEAL
8	1	8629225	GLAND SEAL
9	1	8629208	SCRAPER RING
10	5	08.297.05	BUSH
11	2	6000113	ADAPTOR
12	7	8650103	BONDED SEAL
13	2	8581178	ADAPTOR - SWIVEL
14	2	08.200.01	ISOLATING VALVE
15	2	8581115	ADAPTOR
16	1	05.433.01 *	HEX PLUG
17	1	8103005	ADAPTOR - EDS Build only
18	1	8650102	BONDED SEAL - EDS Build only
		43315.01	SEAL KIT

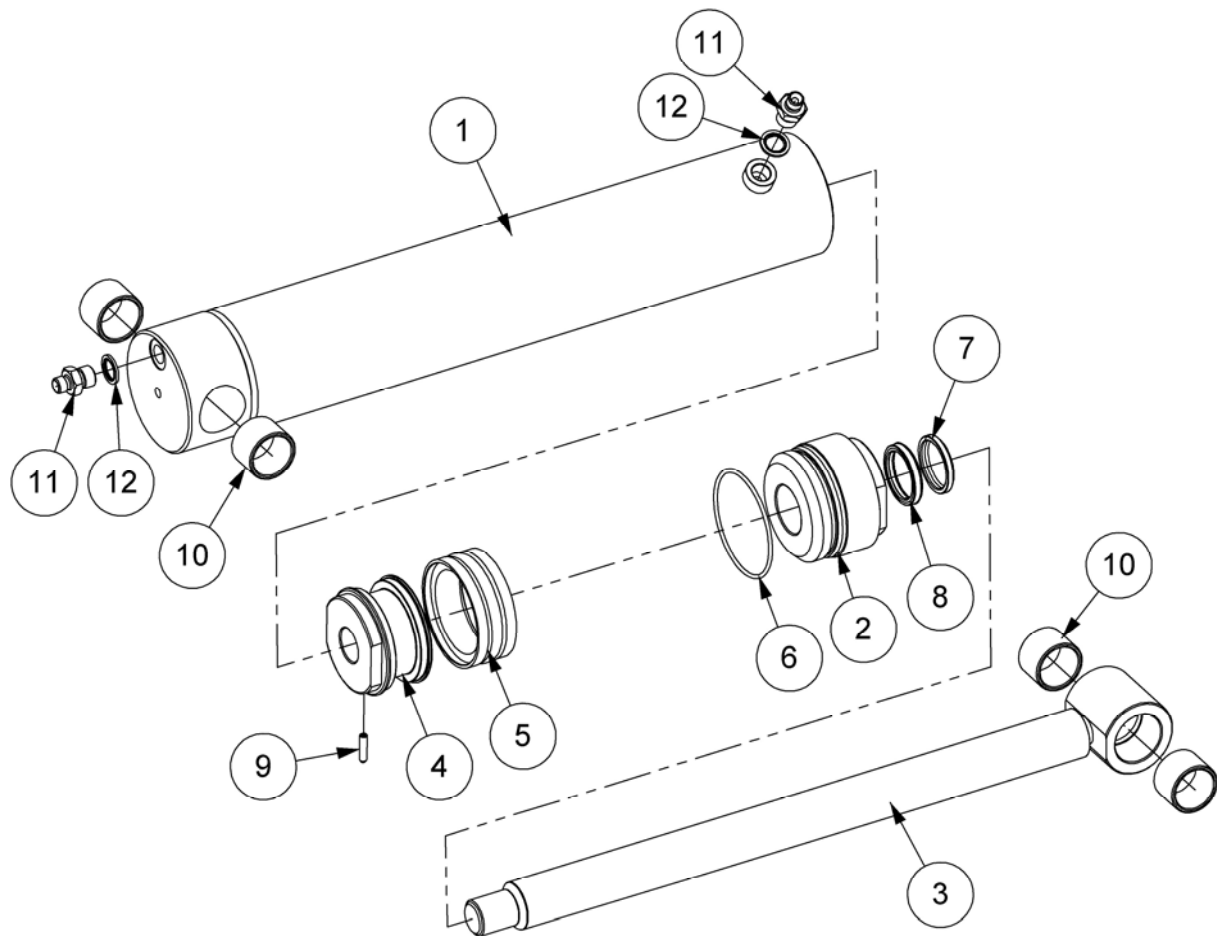
* Item 16 replaces items 17 & 18 for blanking purposes (EDS Builds only).



REF.	QTY.	PART No.	DESCRIPTION
		22362.01	LIFT RAM ASSEMBLY - Ø100mm
1	1	22360.01	RAM BARREL
2	1	22361.01	GLAND HOUSING
3	1	22363.01	PISTON ROD
4	1	22364.01	PISTON
5	1	8629183	BEARING RING
6	1	8629182	PISTON SEAL
7	1	8600317	O RING
8	1	42775.01	DOWEL
9	1	8600302	O RING
10	1	8629184	SEAL
11	1	8629227	SEAL
12	2	08.200.01	ISOLATING VALVE
13	2	6000113	ADAPTOR
14	2	8581178	SWIVEL ADAPTOR
15	2	8581115	ADAPTOR
16	1	520378	ADAPTOR PLUG
17	6	8650103	BONDED SEAL
18	1	8650102	BONDED SEAL
19	5	08.297.05	BUSH
		21094.02	SEAL KIT

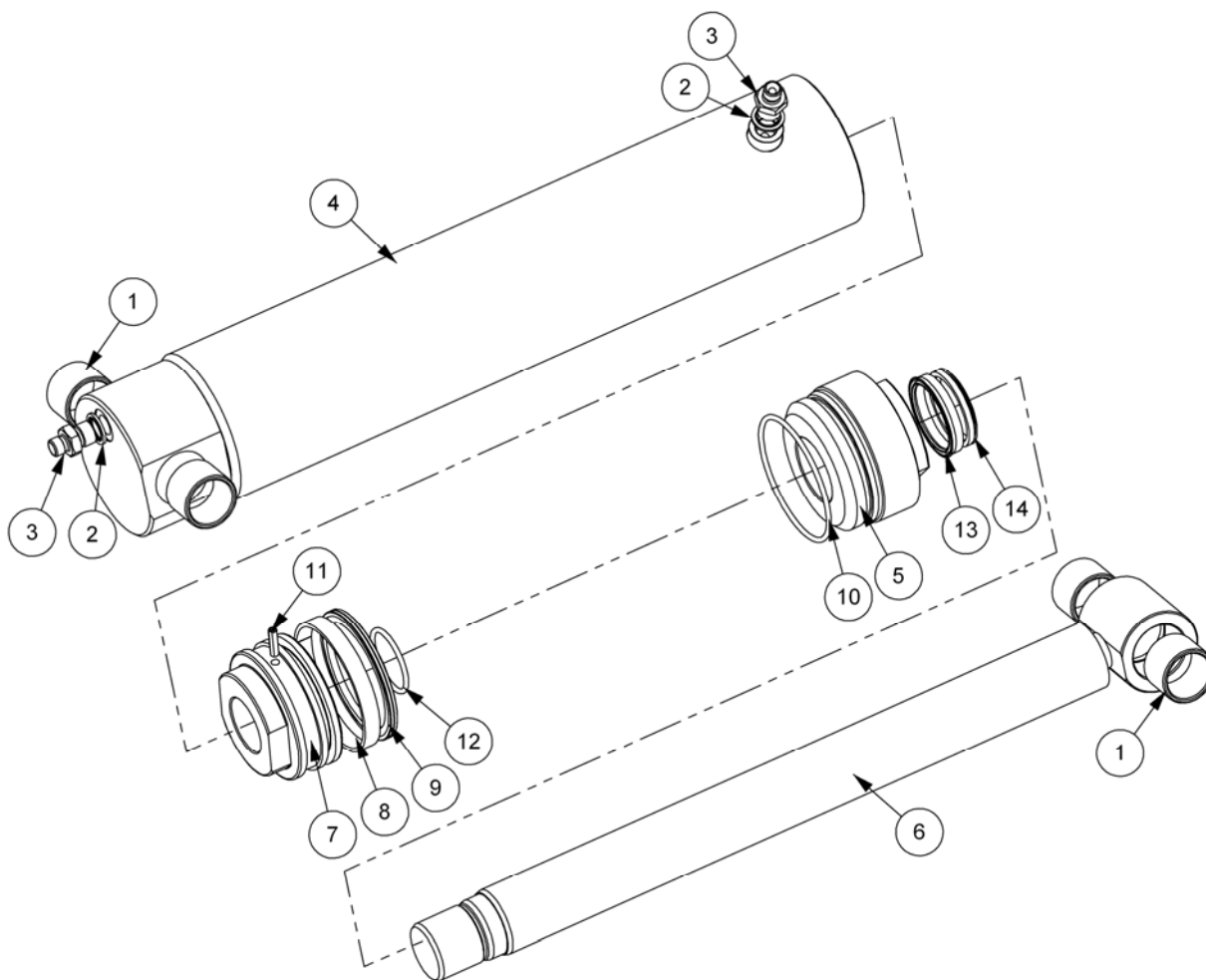


REF.	QTY.	PART No.	DESCRIPTION
		45288.03	REACH RAM ASSEMBLY
1	1	45273.02	REACH RAM BARREL
2	1	45275.03	PISTON ROD
3	1	43316.31	PISTON
4	1	43316.32	GLAND HOUSING
5	4	08.297.05	BUSH
6	2	8581115	ADAPTOR
7	1	42775.01	DOWEL
8	1	8600301	O RING
9	1	8629225	GLAND SEAL
10	1	8629208	SCRAPER RING
11	1	8638740	PISTON SEAL
12	1	8700740	O RING
13	2	8650103	BONDED SEAL
		43316.01	SEAL KIT



REF.	QTY.	PART No.	DESCRIPTION
		21340.01	REACH RAM ASSEMBLY
1	1	21340.31	RAM BARREL
2	1	43315.32	GLAND HOUSING
3	1	21340.34	PISTON ROD
4	1	43315.31	PISTON
5	1	8638742	PISTON SEAL
6	1	8600742	O RING
7	1	8629208	SCRAPER RING
8	1	8629225	GLAND SEAL
9	1	42775.01	DOWEL
10	4	08.297.05	BUSH
11	2	8581115	ADAPTOR
12	2	8650103	BONDED SEAL
		43315.01	SEAL KIT

Module(s): 22362.03

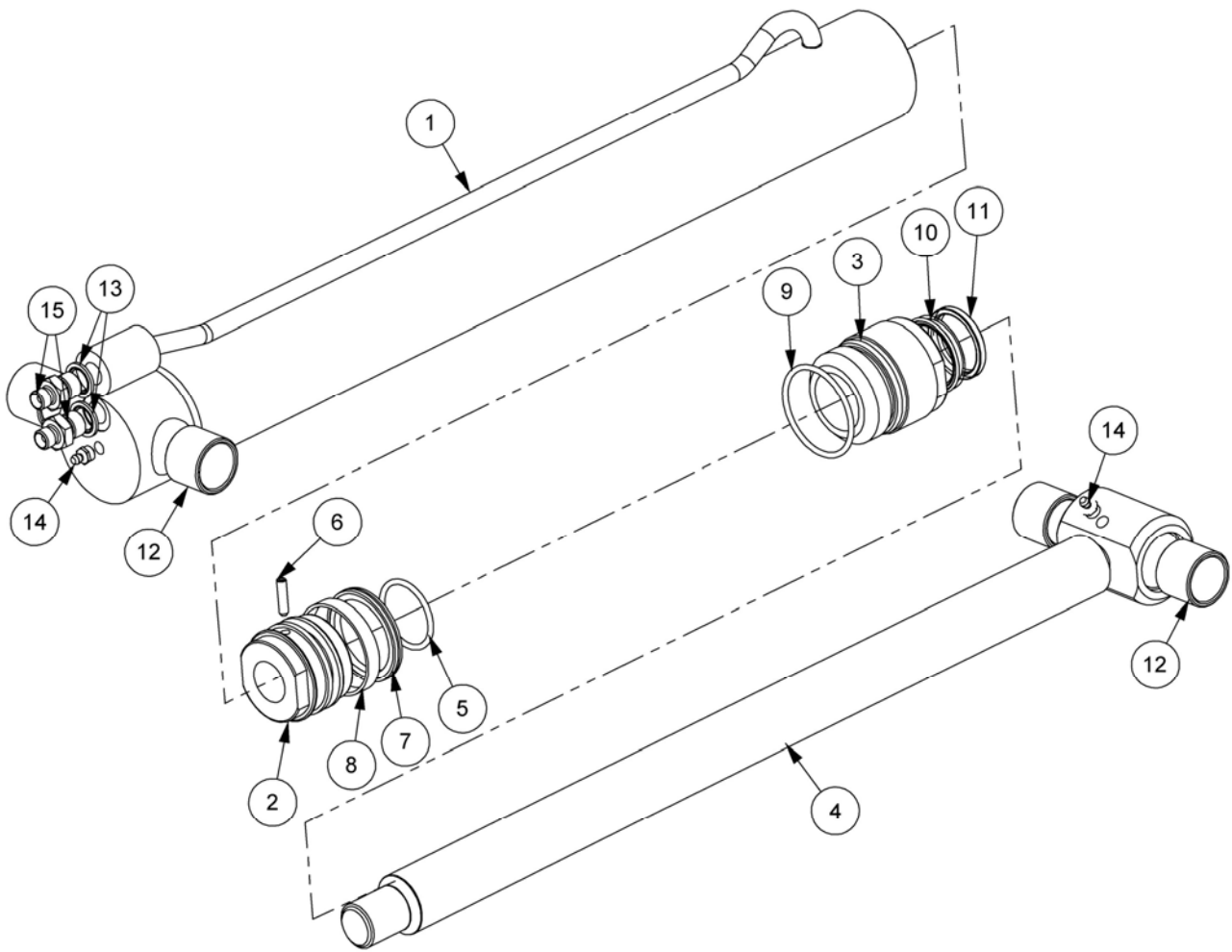


REF.	QTY.	PART No.	DESCRIPTION
		22362.03	REACH RAM ASSEMBLY
1	5	08.297.05	BUSH
2	2	8650103	BONDED SEAL
3	2	8581115	ADAPTOR
4	1	22360.02	RAM BARREL
5	1	22361.01	GLAND HOUSING
6	1	22363.02	PISTON ROD
7	1	22364.01	PISTON
8	1	8629183	BEARING RING
9	1	8629182	PISTON SEAL
10	1	8600317	O RING
11	1	42775.01	DOWEL
12	1	8600302	O RING
13	1	8629184	SEAL
14	1	8629227	SEAL
		21094.02	SEAL KIT

ANGLING RAM ASSEMBLY – All Models

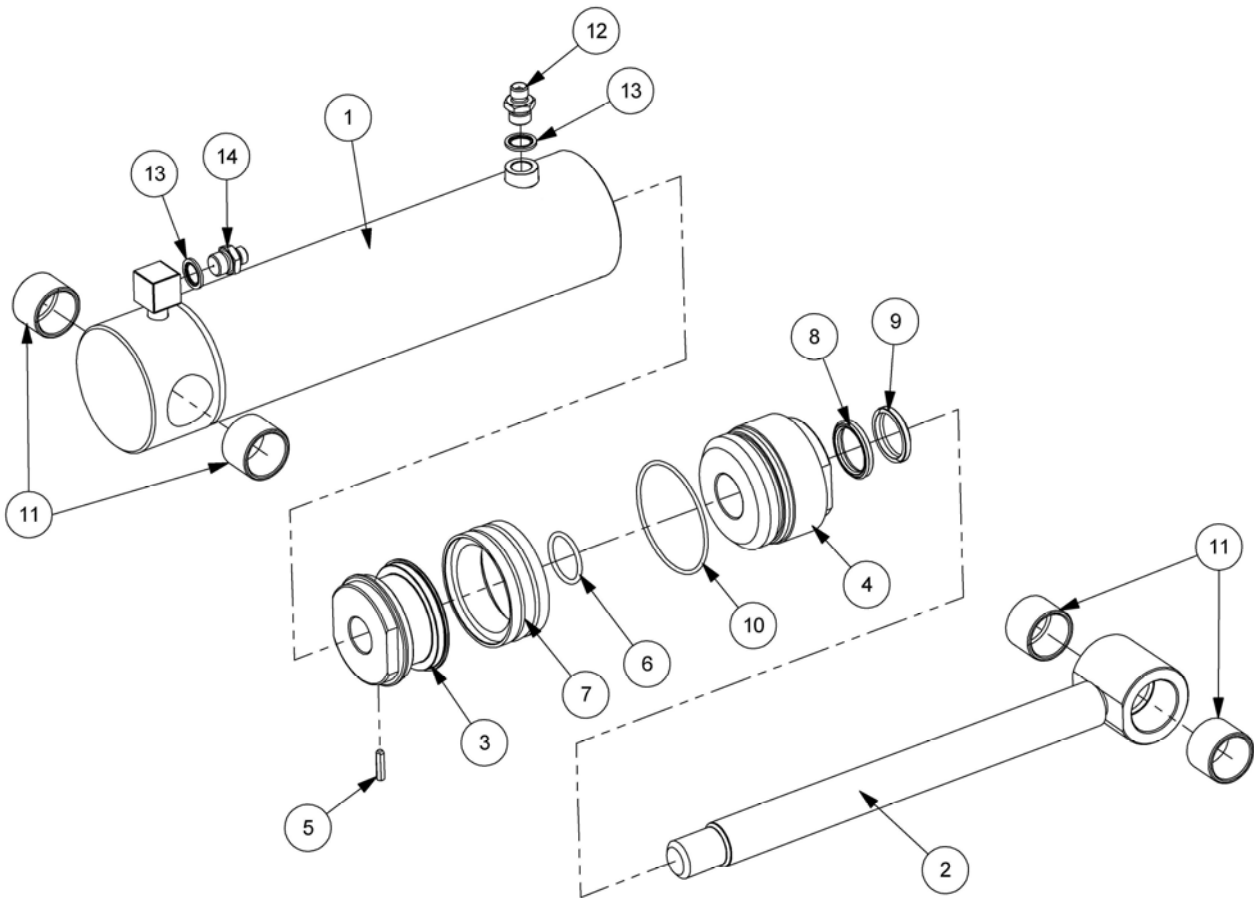
McCONNEL

Module(s): 43317.07 (BSP Build), 43317.10 (JIC Build)

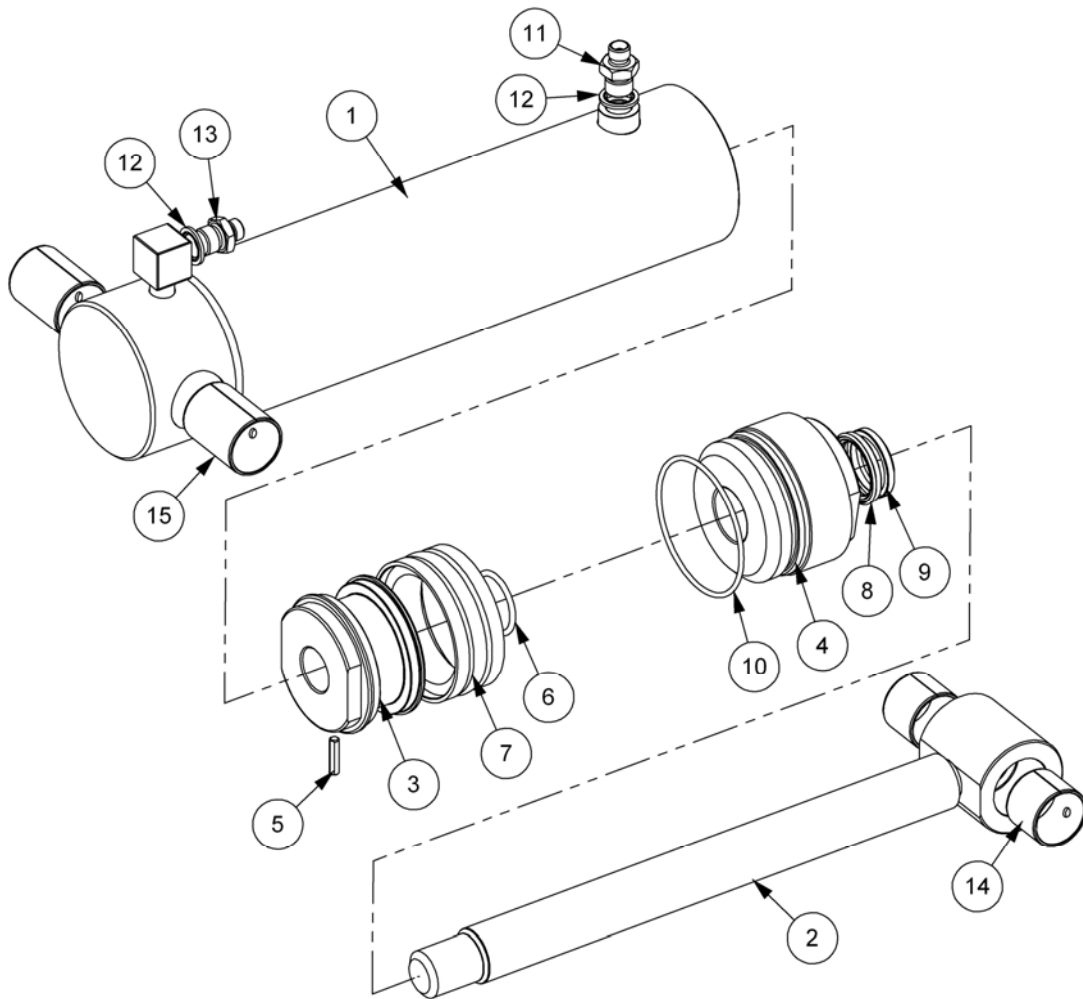


REF.	QTY.	PART No.	DESCRIPTION
		43317.07	ANGLING RAM ASSEMBLY - BSP Build
		43317.10	ANGLING RAM ASSEMBLY - JIC Build
1	1	43317.33	RAM BARREL
2	1	43317.31	PISTON
3	1	43317.32	GLAND HOUSING
4	1	43317.35	PISTON ROD
5	1	8600301	O RING
6	1	42775.01	DOWEL
7	1	8629156	PISTON SEAL
8	1	8629157	PISTON GUIDE RING
9	1	8600306	O RING
10	1	8629225	ROD GLAND SEAL
11	1	8629208	ROD SCRAPER RING
12	4	08.297.04	BUSH
13	2	8650103	BONDED SEAL
14	2	0901121	GREASER
15	2	8581115	ADAPTOR - <i>BSP Build</i>
	2	08.955.06	ADAPTOR - <i>JIC Build</i>
		43317.01	SEAL KIT

Module(s): 45910.04



REF.	QTY.	PART No.	DESCRIPTION
		45910.04	SLEW RAM ASSEMBLY
1	1	45910.35	BARREL
2	1	45910.37	RAM ROD
3	1	45910.33	PISTON
4	1	45910.34	GLAND HOUSING
5	1	42775.01	DOWEL
6	1	8600125	O RING
7	1	8638742	PISTON SEAL
8	1	8629210	GLAND SEAL
9	1	8629211	WIPER SEAL
10	1	8600742	O RING
11	4	08.297.05	BUSH
12	1	8581115	ADAPTOR
13	2	8650103	BONDED SEAL
14	1	8130066	ADAPTOR RESTRICTOR
		8699254	SEAL KIT

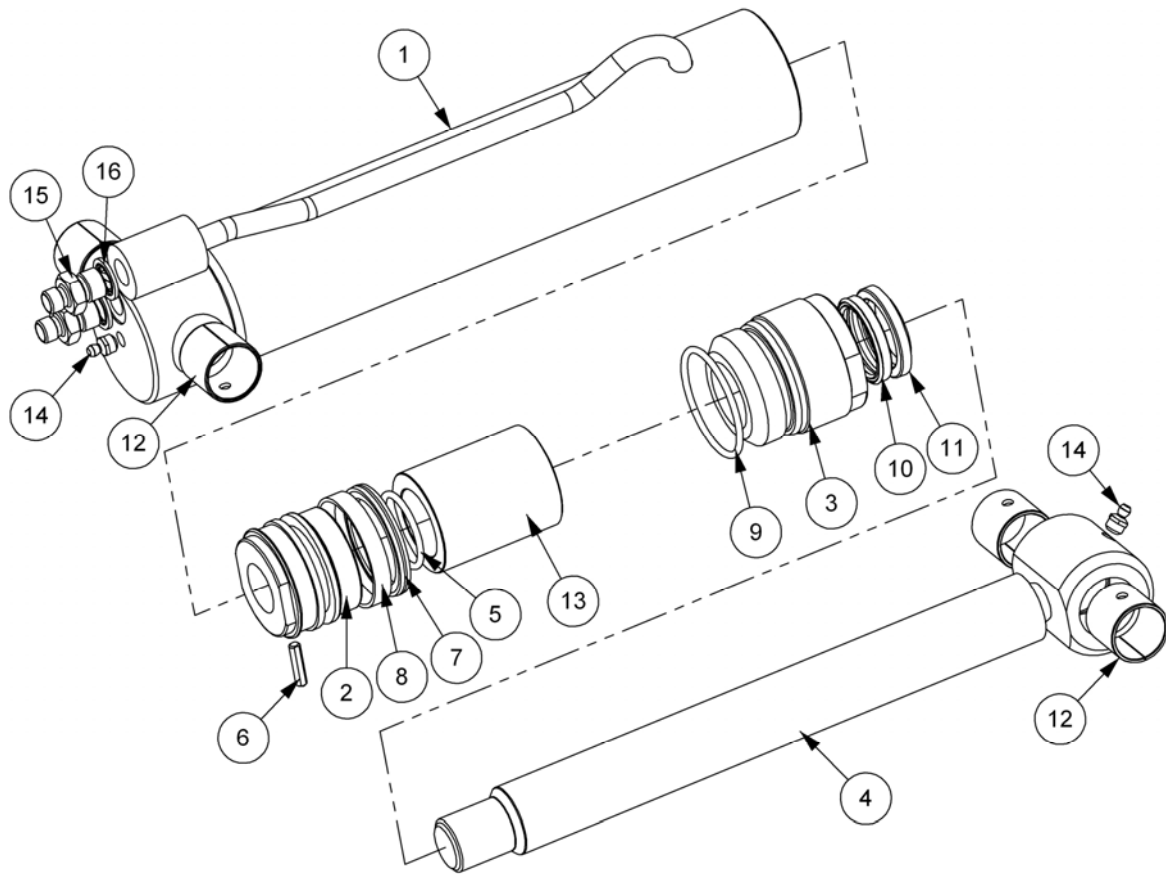


REF.	QTY.	PART No.	DESCRIPTION
		45910.07	SLEW RAM ASSEMBLY
1	1	45910.42	RAM BARREL
2	1	45910.44	PISTON ROD
3	1	45910.33	PISTON
4	1	45910.34	GLAND HOUSING
5	1	42775.01	DOWEL
6	1	8600125	O RING
7	1	8638742	PISTON SEAL
8	1	8629210	GLAND SEAL
9	1	8629211	WIPER SEAL
10	1	8600742	O RING
11	1	8581115	ADAPTOR
12	2	8650103	BONDED SEAL
13	1	8130066	ADAPTOR RESTRICTOR - 1.15 'M'
14	2	21649.08	GLACIER BUSH
15	2	21649.09	GLACIER BUSH
		8699254	SEAL KIT

0.74M MIDCUT FOLD RAM ASSEMBLY

McCONEL

Module(s): 42664.05

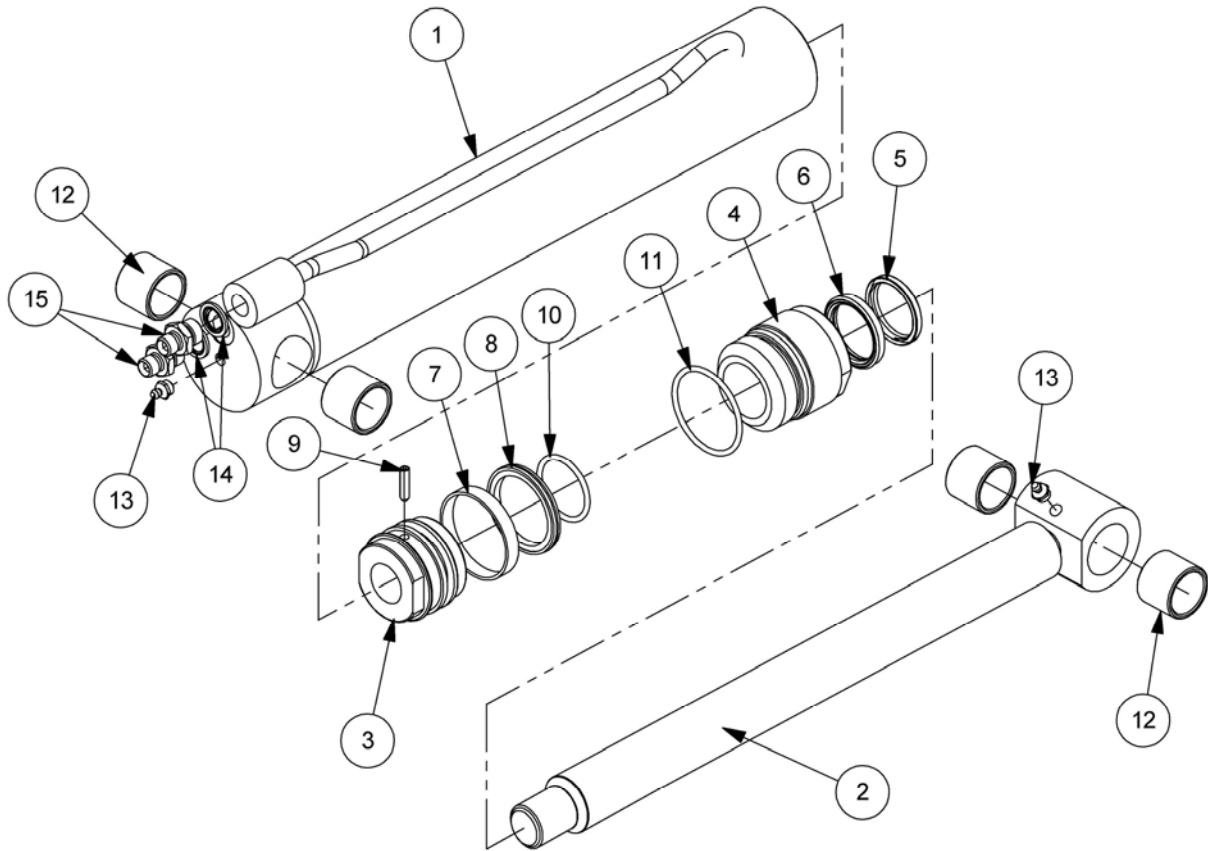


REF.	QTY.	PART No.	DESCRIPTION
		42664.05	FOLD RAM ASSEMBLY
1	1	42664.42	RAM BARREL
2	1	42664.31	PISTON
3	1	42664.32	GLAND HOUSING
4	1	42664.39	PISTON ROD
5	1	8600127	O RING
6	1	42775.01	DOWEL
7	1	8629156	PISTON SEAL
8	1	8629157	GUIDE RING
9	1	8600306	O RING
10	1	8629222	GLAND SEAL
11	1	8629147	SCRAPER RING
12	4	42654.01	BUSH
13	1	43062.01	RAM SPACER
14	2	0901121	GREASE NIPPLE
15	2	8581115	ADAPTOR
16	2	8650103	BONDED SEAL
		42664.08	SEAL KIT

1.5M MIDCUT FOLD RAM ASSEMBLY

McCONNEL

Module(s): 43317.08

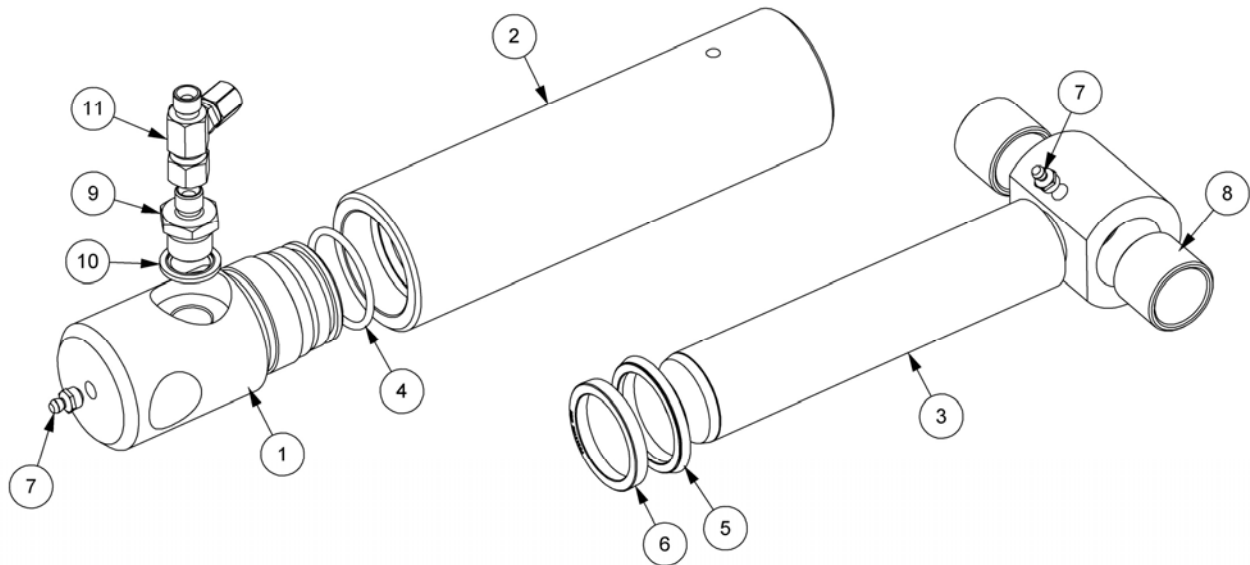


REF.	QTY.	PART No.	DESCRIPTION
		43317.08	FOLD RAM ASSEMBLY
1	1	43317.40	BARREL
2	1	43317.43	PISTON ROD
3	1	43317.31	PISTON
4	1	43317.32	GLAND HOUSING
5	1	8629208	SCRAPER RING
6	1	8629225	GLAND SEAL
7	1	8629157	GUIDE RING
8	1	8629156	PISTON SEAL
9	1	42775.01	DOWEL
10	1	8600301	O RING
11	1	8600306	O RING
12	4	08.297.04	BUSH
13	2	0901121	GREASE NIPPLE
14	2	8650103	BONDED SEAL
15	2	8581115	ADAPTOR
		43317.01	SEAL KIT

BREAKAWAY RAM ASSEMBLY

McCONNEL

Module(s): 45894.02

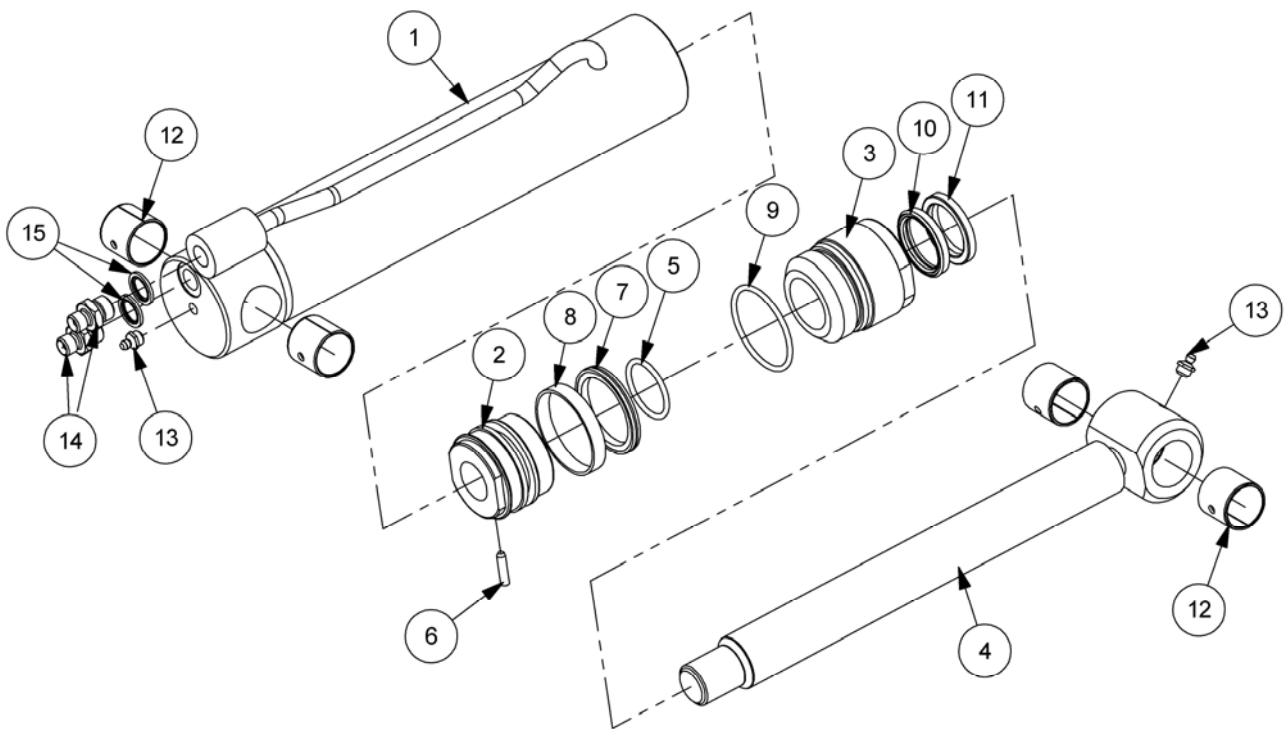


REF.	QTY.	PART No.	DESCRIPTION
		25894.02	BREAKAWAY RAM ASSEMBLY
1	1	45886.01	RAM BASE PLUG
2	1	7191308	BARREL
3	1	45894.32	PISTON ROD
4	1	8600302	O RING
5	1	8629152	SCRAPER RING
6	1	8629158	GLAND SEAL
7	2	0901121	GREASE NIPPLE
8	2	08.297.04	BUSH
9	1	8130083	ADAPTOR RELIEF BODY
10	1	8650104	BONDED SEAL
11	1	T7814	TEST POINT

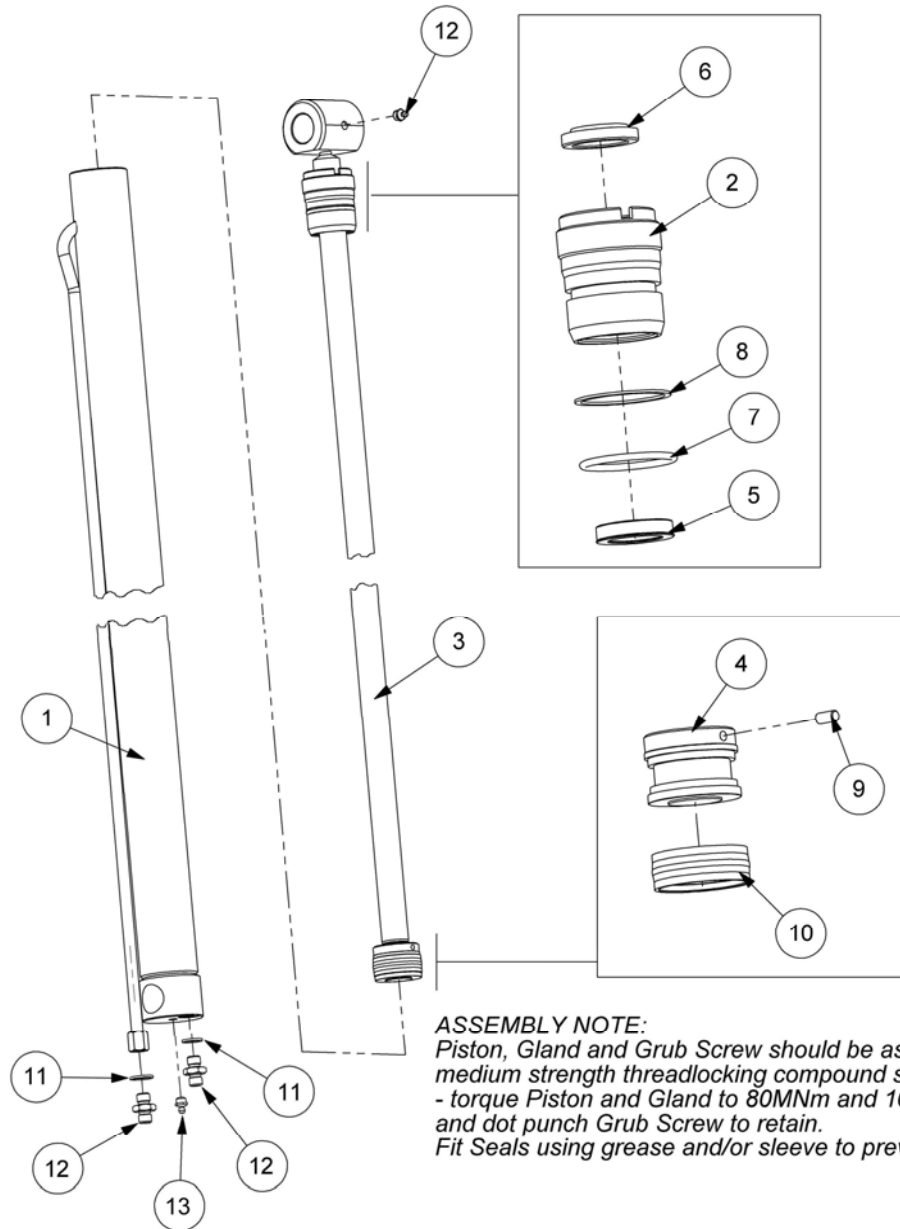
VFR FOLD RAM ASSEMBLY

McCONNEL

Module(s): 42664.06

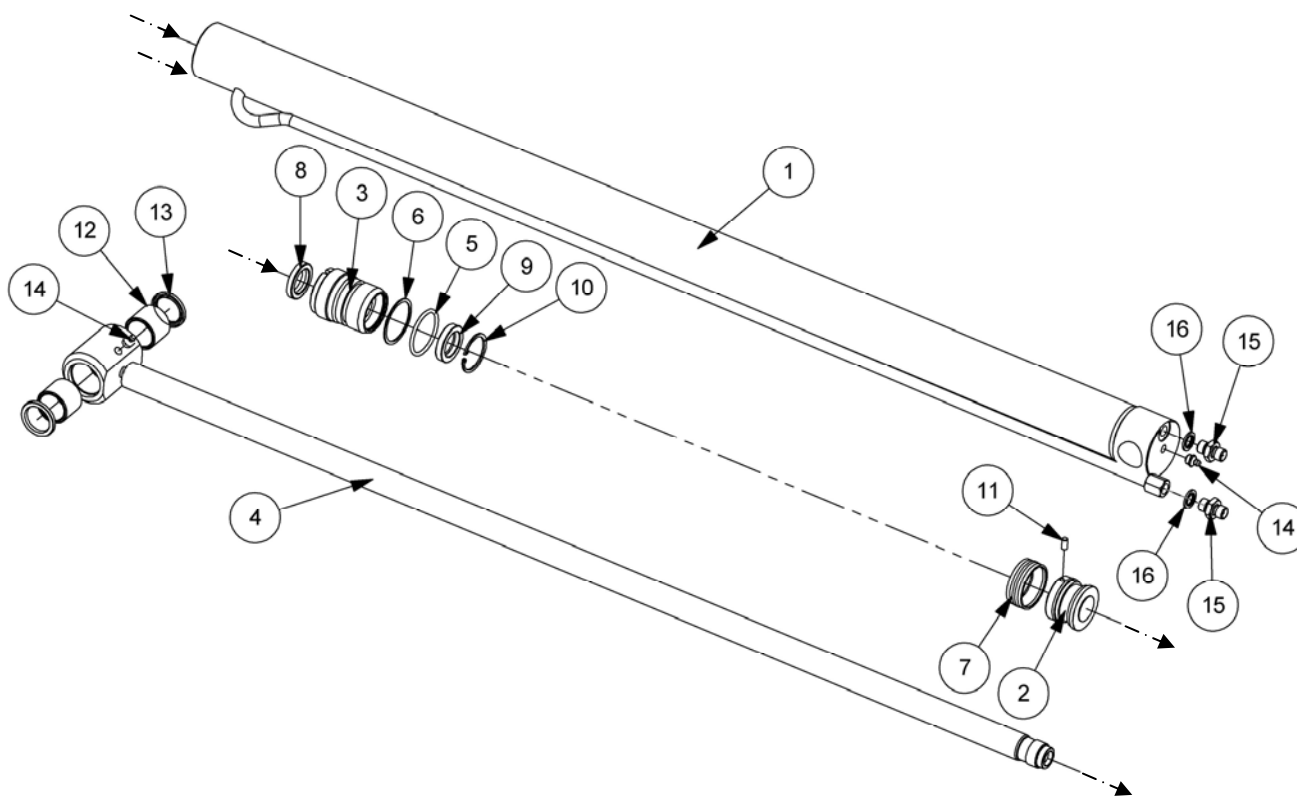


REF.	QTY.	PART No.	DESCRIPTION
		42664.06	FOLD RAM ASSEMBLY
1	1	42664.42	RAM BARREL
2	1	42664.31	PISTON
3	1	42664.32	GLAND HOUSING
4	1	42664.39	PISTON ROD
5	1	8600127	O RING
6	1	42775.01	DOWEL
7	1	8629156	PISTON SEAL
8	1	8629157	GUIDE RING
9	1	8600306	O RING
10	1	8629222	GLAND SEAL
11	1	8629147	SCRAPER RING
12	4	42654.01	GLACIER BUSH
13	2	0901121	GREASE NIPPLE
14	2	8581115	ADAPTOR
15	2	8650103	BONDED SEAL
		42664.08	SEAL KIT

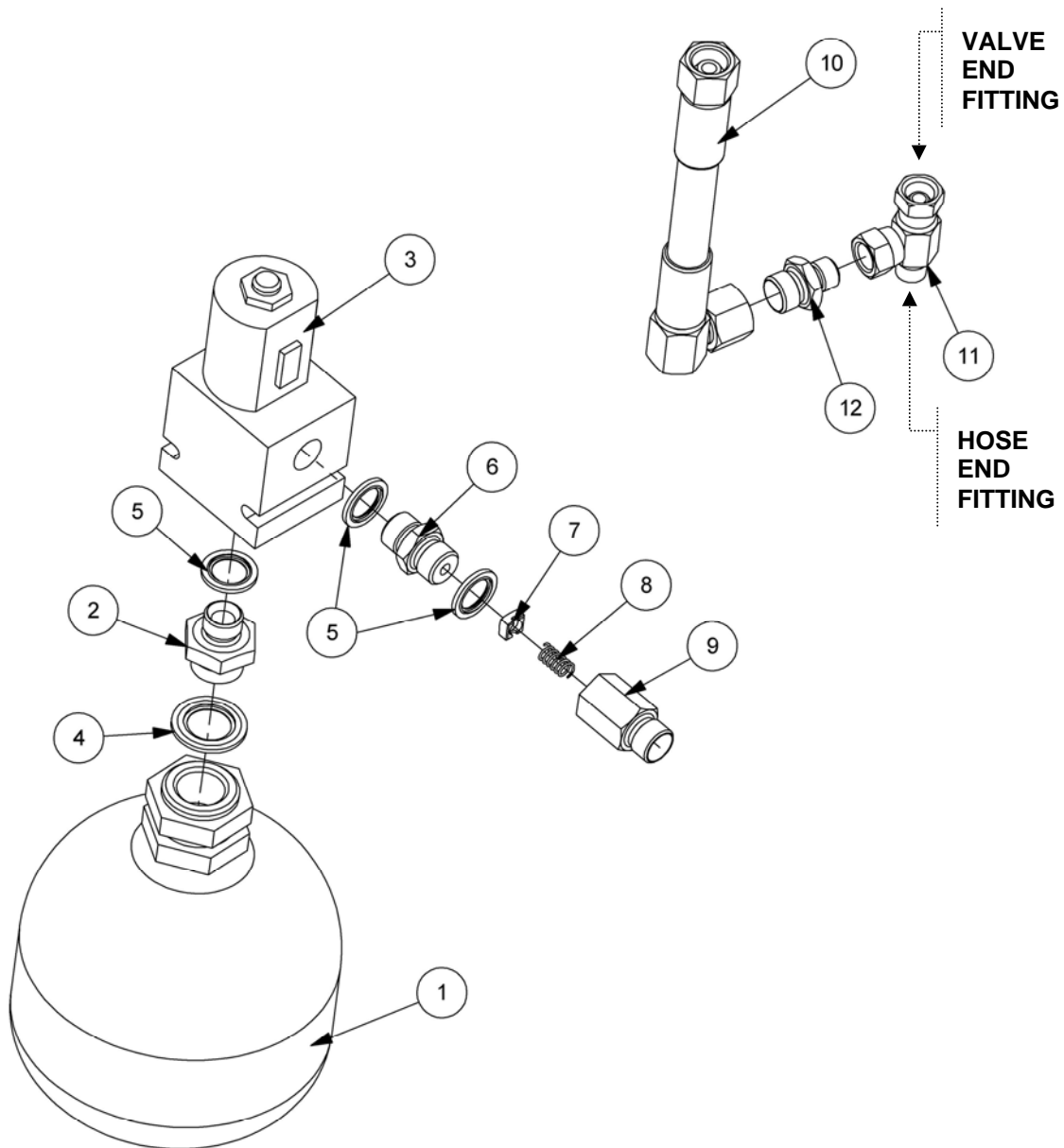


ASSEMBLY NOTE:
 Piston, Gland and Grub Screw should be assembled using a medium strength threadlocking compound such as 'Loctite 243' - torque Piston and Gland to 80MNm and 100MNm respectively and dot punch Grub Screw to retain.
 Fit Seals using grease and/or sleeve to prevent damage.

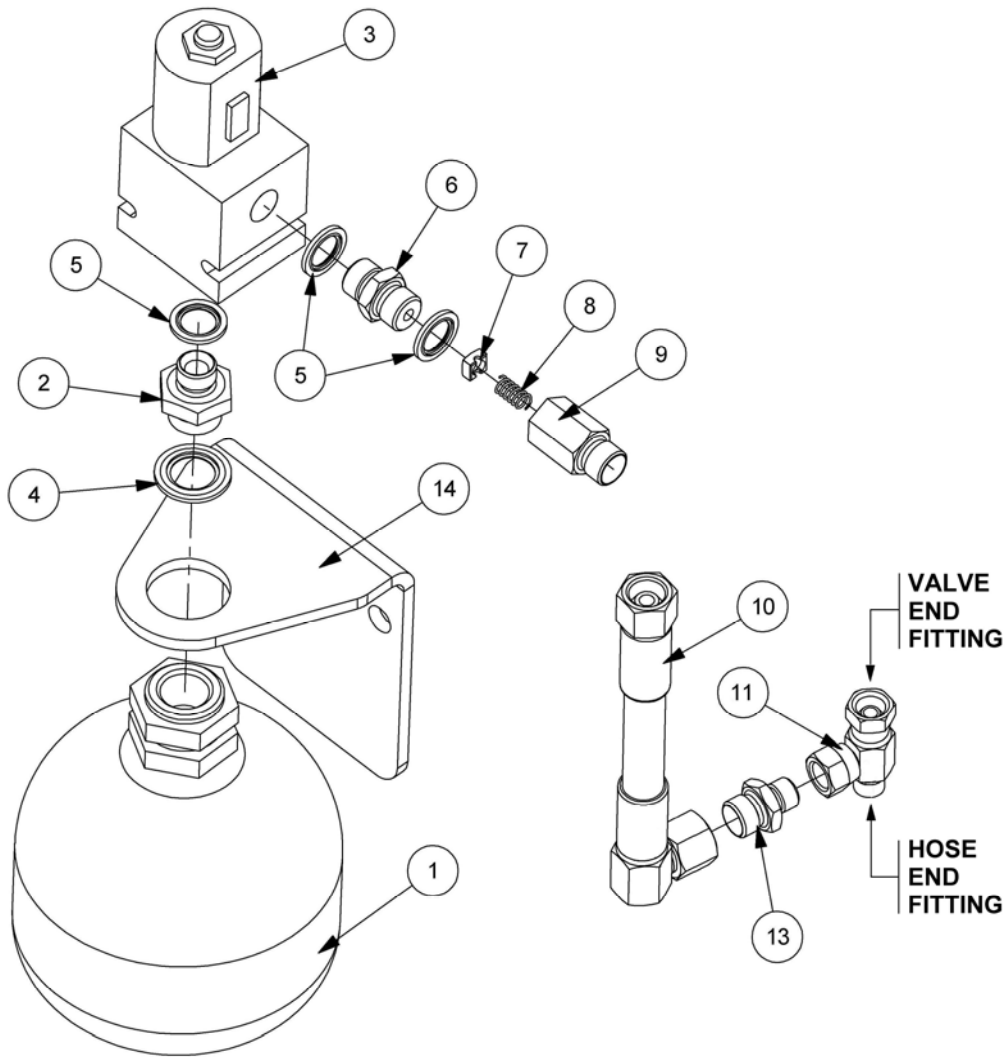
REF.	QTY.	PART No.	DESCRIPTION
		21080.02	TELE RAM ASSEMBLY
1	1	21081.01	TELE RAM BARREL
2	1	7135291	GLAND HOUSING
3	1	21082.01	ROD
4	1	7135008	PISTON
5	1	8629148	GLAND SEAL
6	1	8629149	SCRAPER RING
7	1	8600302	O RING
8	1	8609302	AE RING
9	1	9363023	GRUB SCREW
10	1	8638788	PISTON SEAL
11	2	8650102	BONDED SEAL
12	2	8581169	ADAPTOR
13	2	0901121	GREASE NIPPLE
		8699188	SEAL KIT



REF.	QTY.	PART No.	DESCRIPTION
		43377.04	TELE RAM ASSEMBLY
1	1	43377.31	BARREL
2	1	7135008	PISTON
3	1	7135291	GLAND HOUSING
4	1	43377.33	PISTON ROD
5	1	8600302	O RING
6	1	8609302	AE RING
7	1	8638788	PISTON SEAL
8	1	8629149	SCRAPER RING
9	1	8629148	GLAND SEAL
10	1	0416240	CIRCLIP - INTERNAL
11	1	9363023	GRUB SCREW
12	2	08.297.04	BUSH
13	2	8629218	LIP SEAL
14	2	0901121	GREASE NIPPLE
15	2	8581169	ADAPTOR
16	2	8650102	BONDED SEAL
		43377.01	SEAL KIT



		8126336	LIFT FLOAT KIT - CABLE
1	1	8126044	ACCUMULATOR
2	1	G2410380	ADAPTOR
3	1	08.619.09	VALVE - MODULAR
4	1	8650322	BONDED SEAL
5	3	8650103	BONDED SEAL
6	1	8581209	ADAPTOR
7	1	8123041	RESTRICTOR DISC - 1.15 RED
8	1	8116011	SPRING
9	1	8581346	ADAPTOR RESTRICTOR BODY
10	1	10.004.18	HOSE - 3/8"BSP FS/F90 x 900MM LONG
11	1	8581288	ADAPTOR TEE
12	1	8581115	ADAPTOR
13	1	8402208	SWITCH KIT - <i>not illustrated</i>

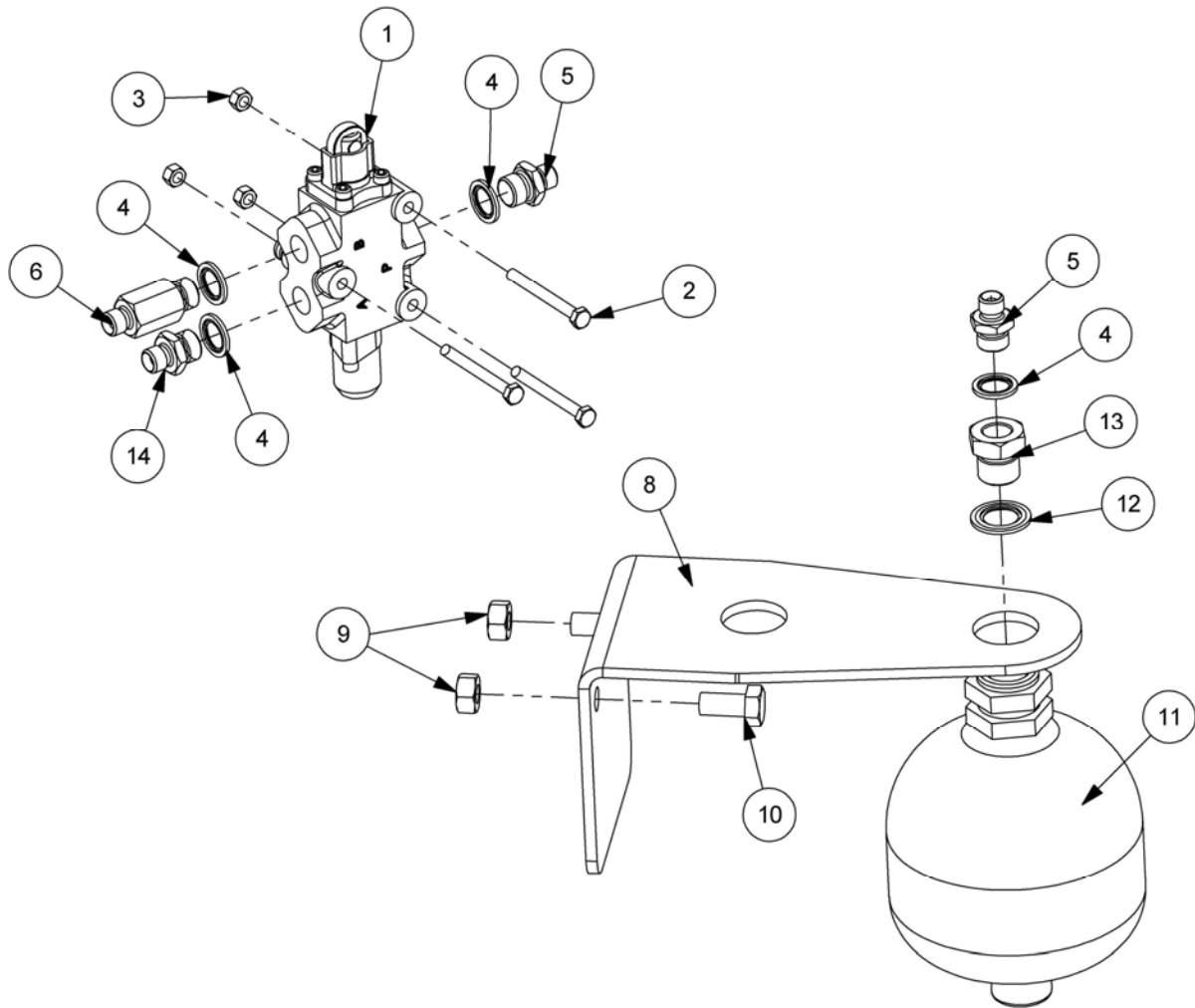


REF.	QTY.	PART No.	DESCRIPTION
		8126335	LIFT FLOAT KIT - ELECTRIC
1	1	8126044	ACCUMULATOR
2	1	G2410380	ADAPTOR
3	1	08.619.09	VALVE - MODULAR
4	1	8650322	BONDED SEAL
5	3	8650103	BONDED SEAL
6	1	8581209	ADAPTOR
7	1	8123041	RESTRICTOR DISC - 1.15 RED
8	1	8116011	SPRING
9	1	8581346	ADAPTOR RESTRICTOR BODY
10	1	10.004.16	HOSE - 3/8" BSP FS/F90 x 800MM LONG
11	1	8581288	ADAPTOR TEE
12	1	8402207	LOOM - <i>not illustrated</i>
13	1	8581115	ADAPTOR
14	1	8126318	BRACKET - FLOAT KIT

OVER-CENTRE VALVE KIT

McCONNEL

Module(s): 7452755

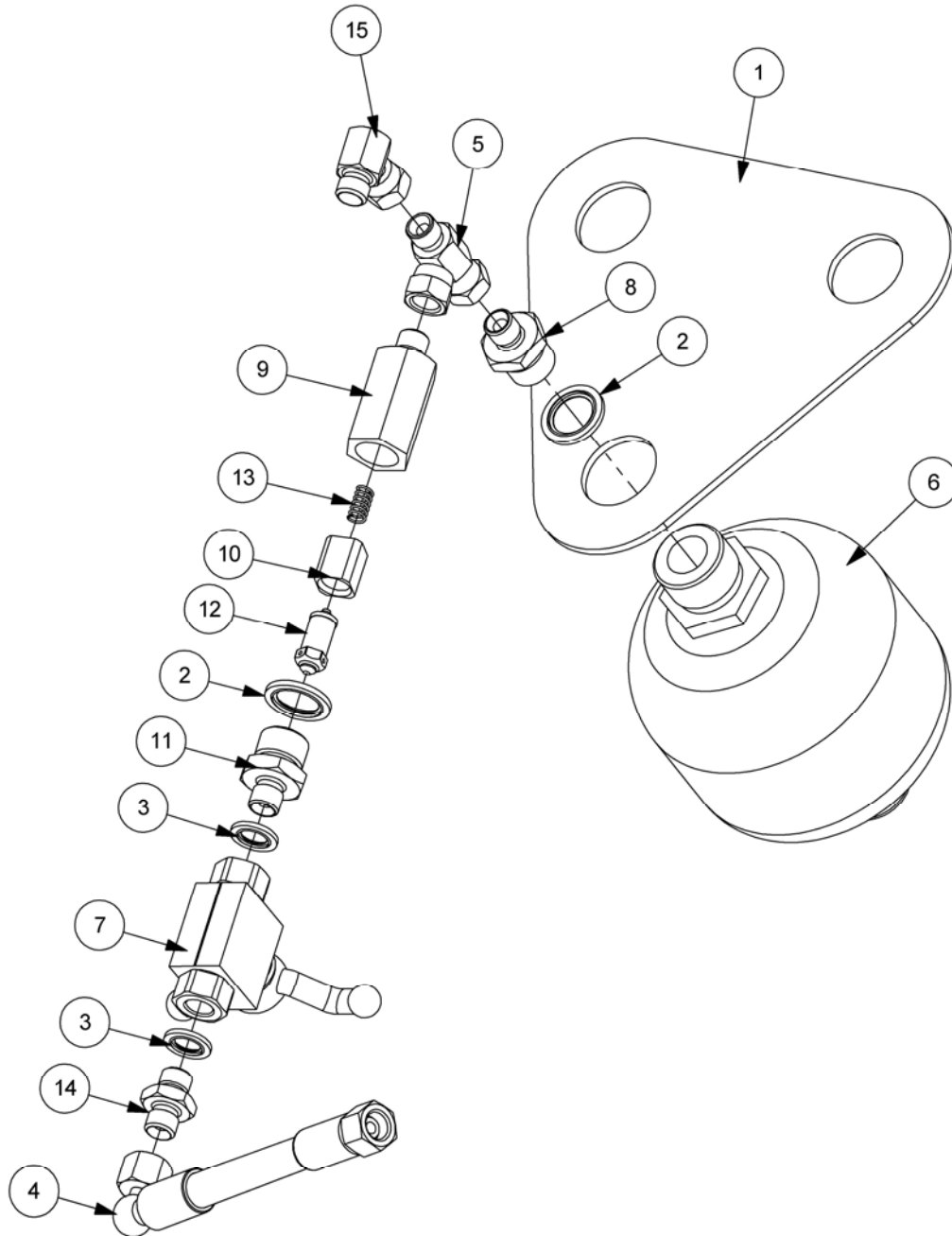


REF.	QTY.	PART No.	DESCRIPTION
		7452755	OVER CENTRE VALVE KIT
1	1	45913.02	CAM VALVE DIVERTER - 3 WAY
2	3	9213123	BOLT
3	3	9143003	SELF-LOCKING NUT
4	4	8650103	BONDED SEAL
5	2	8581115	ADAPTOR
6	1	8581146	ADAPTOR
7	6	9100103	FLAT WASHER
8	1	8126330	ACCUMULATOR BRACKET
9	2	9143006	SELF-LOCKING NUT
10	2	9313056	SETSCREW
11	1	8126044	ACCUMULATOR
12	1	8650322	BONDED SEAL
13	1	8581284	ADAPTOR
14	1	8130046	ADAPTOR RESTRICTOR

FRONT MOUNT RESET KIT

Module(s): 7452770

McCONNEL



FRONT MOUNT RESET KIT**McCONNEL**

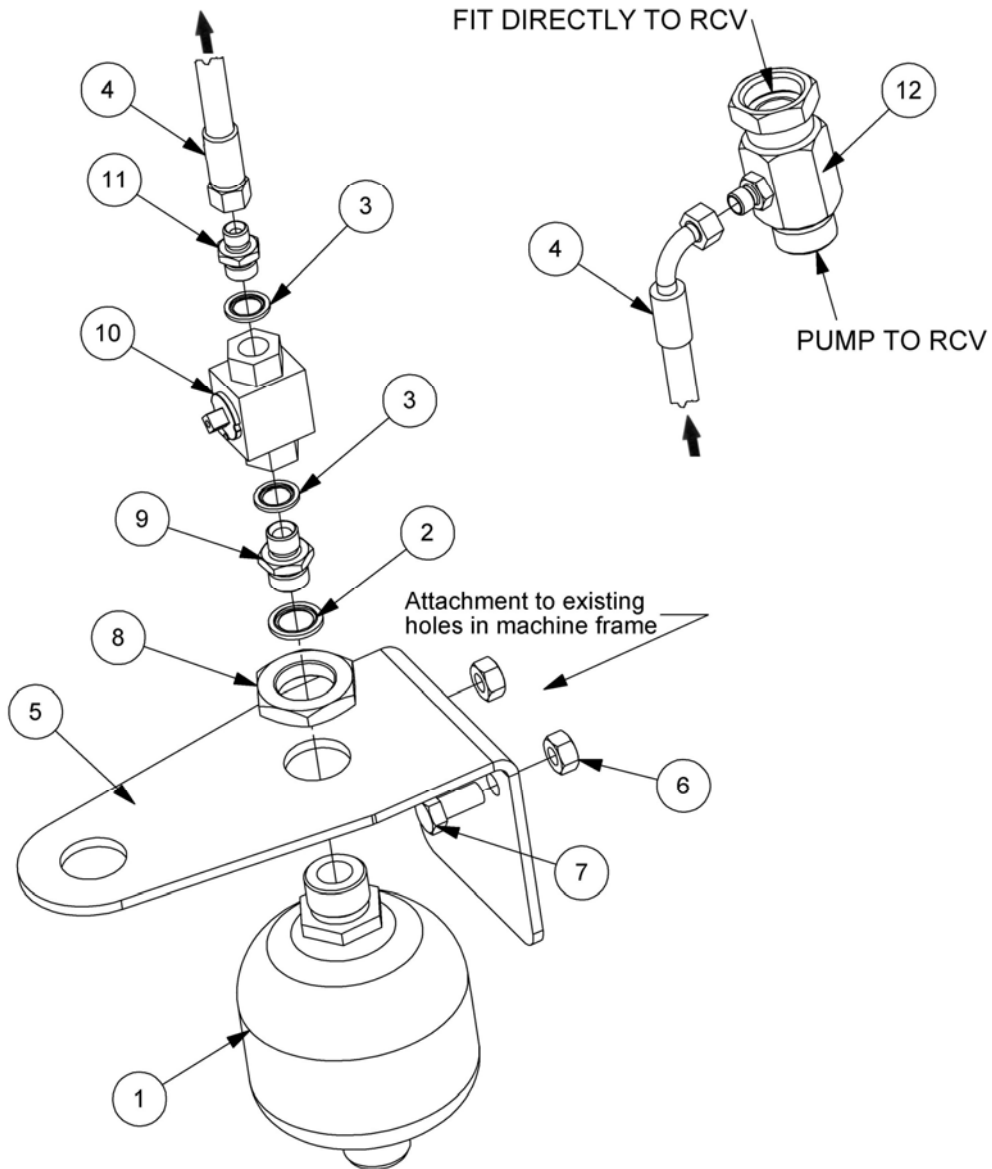
Module(s): 7452770

REF.	QTY.	PART No.	DESCRIPTION
		7452770	FRONT MOUNT RESET KIT
1	1	21216.01	BRACKET
2	2	8650104	BONDED SEAL
3	2	8650102	BONDED SEAL
4	1	10.002.08	HOSE - 1/4" BSP FS/F90 x 400mm
5	1	8581288	ADAPTOR TEE
6	1	41451.05	ACCUMULATOR
7	1	8130181	VALVE ISOLATING
8	1	8581172	ADAPTOR
9	1	8130173	RELIEF VALVE HOUSING
10	1	8130174	SUPPORT PLUG
11	1	8130083	ADAPTOR RELIEF BODY
12	1	8130141	RELIEF VALVE
13	1	8116011	SPRING
14	1	8581169	ADAPTOR
15	1	8581190	ADAPTOR ELBOW

FLAIL ACCUMULATOR KIT

McCONNEL

Module(s): 8126339

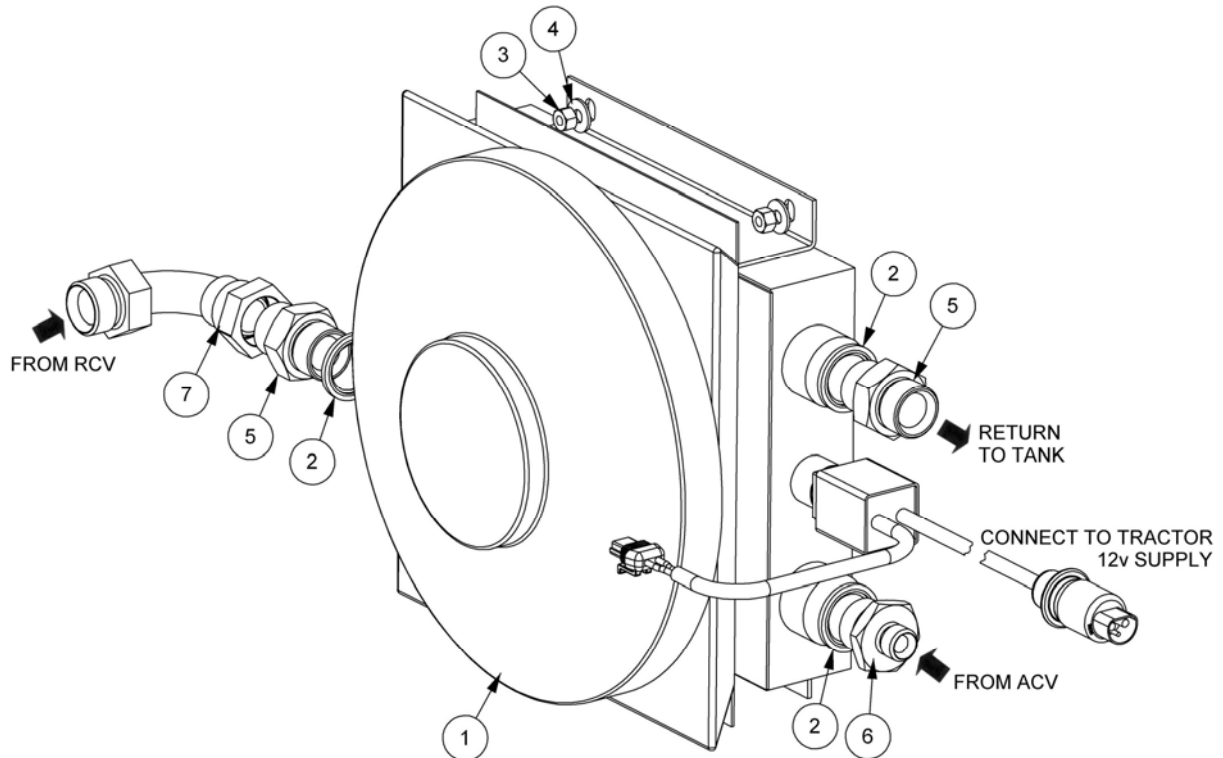


REF.	QTY.	PART No.	DESCRIPTION
		8126339	FLAIL ACCUMULATOR KIT
1	1	41451.02	ACCUMULATOR
2	1	8650104	BONDED SEAL
3	2	8650103	BONDED SEAL
4	1	10.002.11	HOSE - 1/4" BSP FS/F90 x 550mm
5	1	8126330	ACCUMULATOR BRACKET
6	2	9143006	SELF-LOCKING NUT
7	2	9313056	SETSCREW
8	1	42244.01	LOCKNUT
9	1	6000112	ADAPTOR
10	1	08.200.01	VALVE - ISOLATING
11	1	8581115	ADAPTOR
12	1	04.056.33	ADAPTOR TEE

COOLER ASSEMBLY

McCONNEL

Module(s): 7153756, 7153757

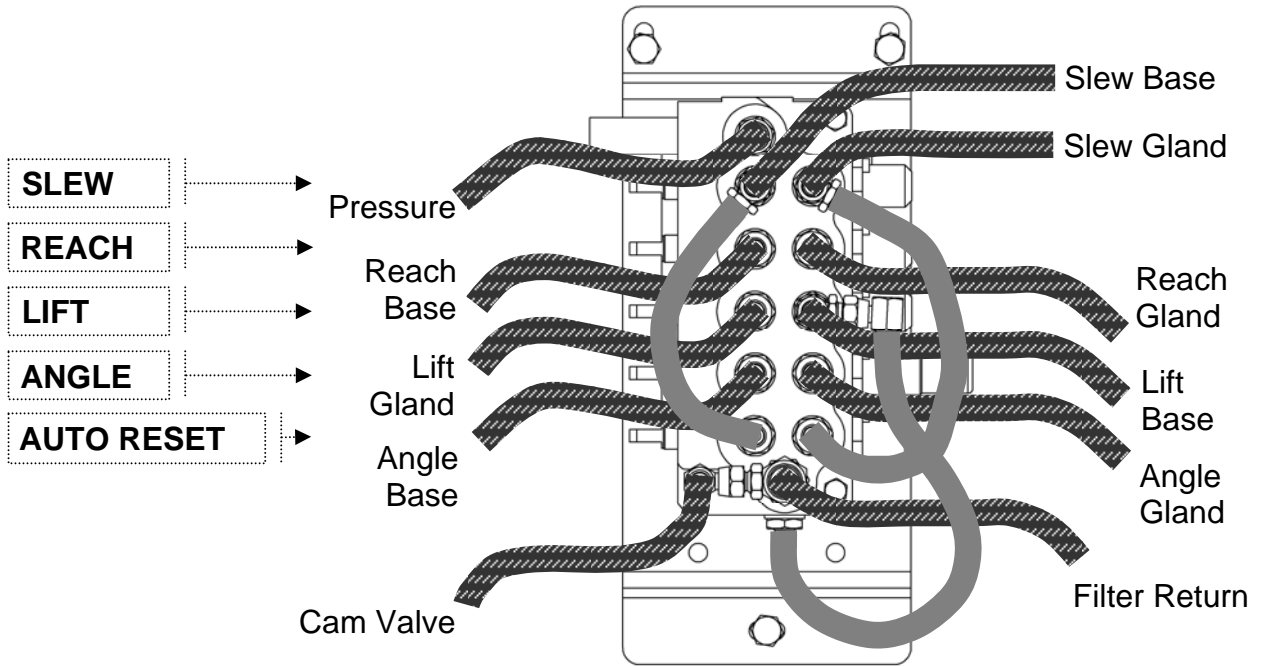


REF.	QTY.	PART No.	DESCRIPTION
		7153756	COOLER ASSEMBLY - L/H Build
		7153757	COOLER ASSEMBLY - R/H Build
1	1	8402379	COOLER c/w THERMO SWITCH AND LOOM
2	3	8650108	BONDED SEAL
3	4	9143004	SELF-LOCKING NUT
4	4	9100104	FLAT WASHER
5	2	05.434.01	ADAPTOR
6	1	8581129	ADAPTOR
7	1	8581264	ADAPTOR - SWEPT 90°

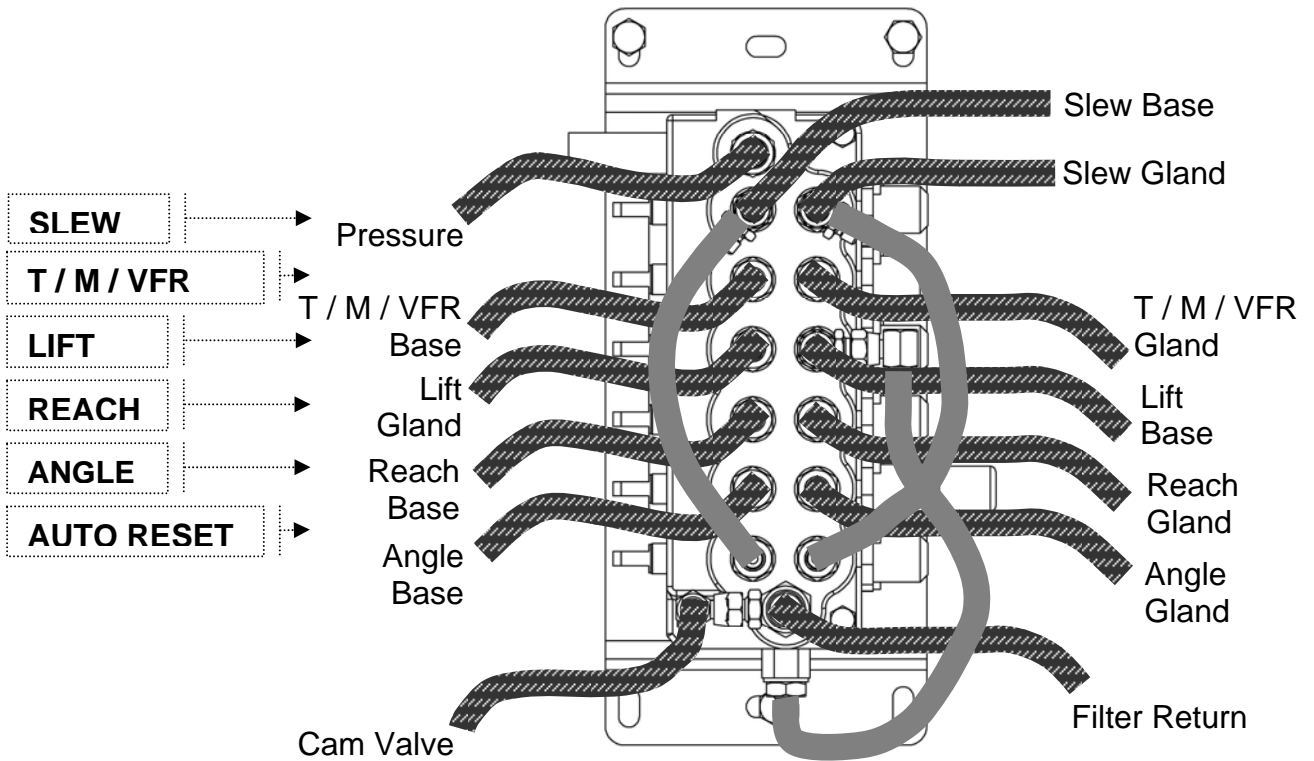
NOTE: Component parts for L/H & R/H builds are identical - builds differ only in the assembled positions of components

Module(s): Refer to Hose Kit Lists

STANDARD ARM - CABLE MODELS

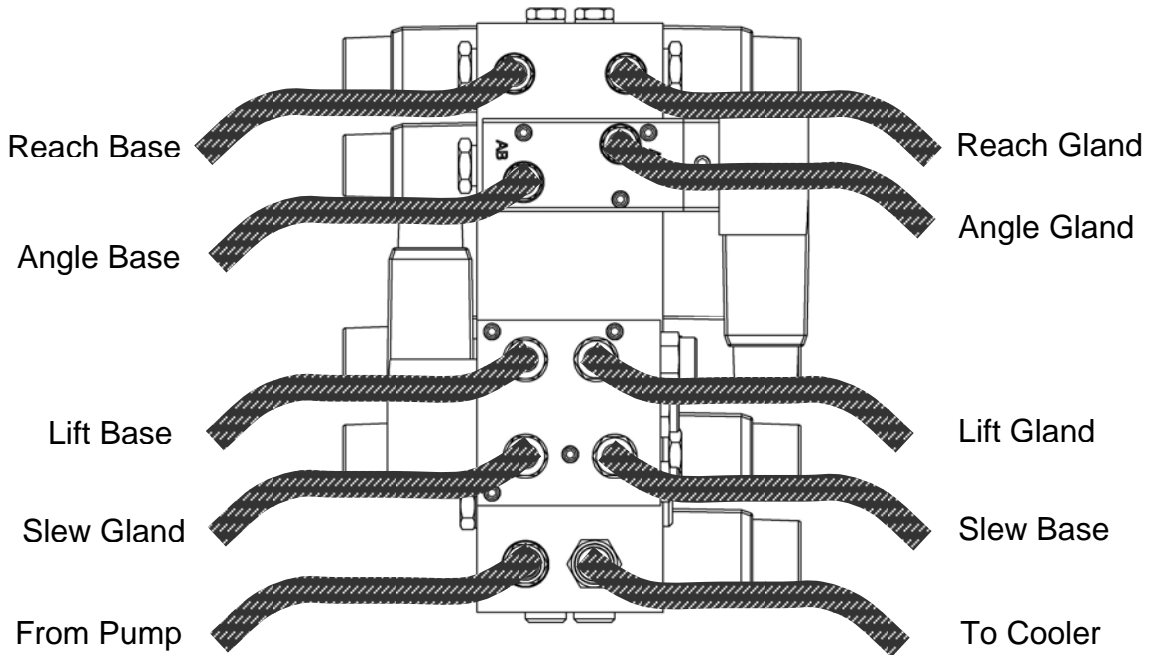


TELE / MIDCUT / VFR - CABLE MODELS

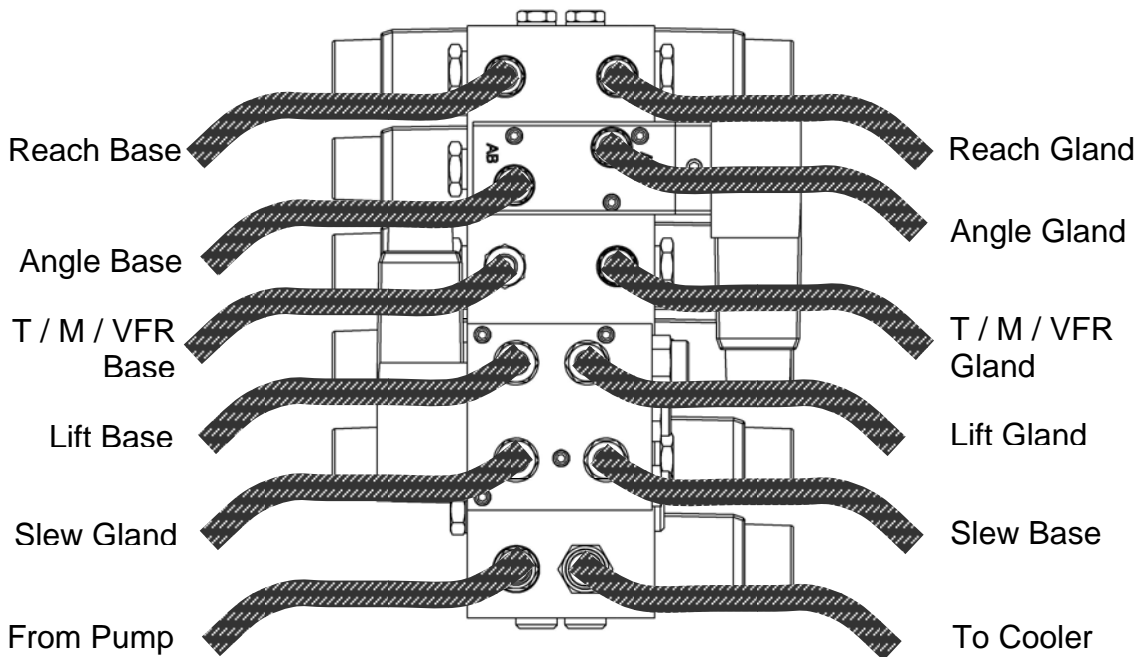


Module(s): Refer to Hose Kit Lists

STANDARD ARM - ELECTRIC & PROPORTIONAL MODELS



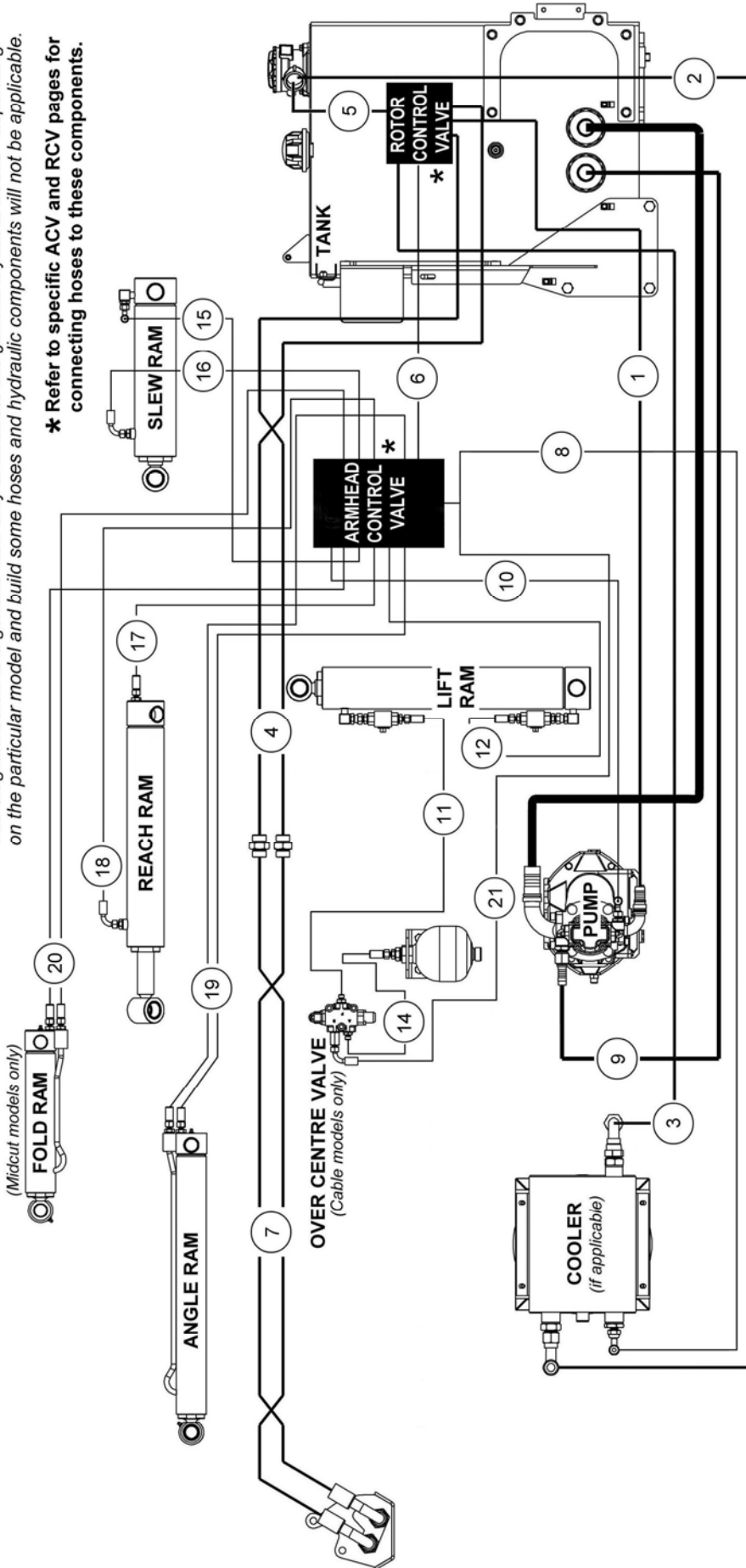
TELE / MIDCUT / VFR - ELECTRIC & PROPORTIONAL MODELS



Module(s): Refer to kits for cable models in parts list

PA55 Mk2 & PA60 Mk2 Series Hydraulic Hose Installations - Standard & Midcut Arms (Cable Models)

The diagram below is a generic view only to illustrate the general layout of hoses - depending on the particular model and build some hoses and hydraulic components will not be applicable.



* Refer to specific ACV and RCV pages for connecting hoses to these components.

- | | | |
|------------------------------------|------------------------------------|-----------------------------------|
| 1 Pump to RCV | 9 Control Pump Supply | 17 Reach Ram (Base) |
| 2 Cooler to Tank | 10 Control Pump to ACV | 18 Reach Ram (Gland) |
| 3 RCV to Cooler | 11 Lift Gland to Over Centre Valve | 19 Angle Ram (Base & Gland) |
| 4 Flail Hoses - RCV to Main Arm | 12 Lift Base | 20 Midcut Fold Ram (Base & Gland) |
| 5 Cable RCV to Tank | 13 Lift Gland | 21 Over Centre Valve to ACV |
| 6 Cable RCV to ACV | 14 O/C Valve to Accumulator | 22 F/M Breakaway Ram (not shown) |
| 7 Flail Hoses - Main Arm to Dipper | 15 Slew Ram (Base) | 23 Addition Service (not shown) |
| 8 ACV to Cooler | 16 Slew Ram (Gland) | |

NOTE: It is advisable when replacing hoses to run the new one alongside the old one prior to removal to determine the correct route. Hose part number are stamped on hose ends.

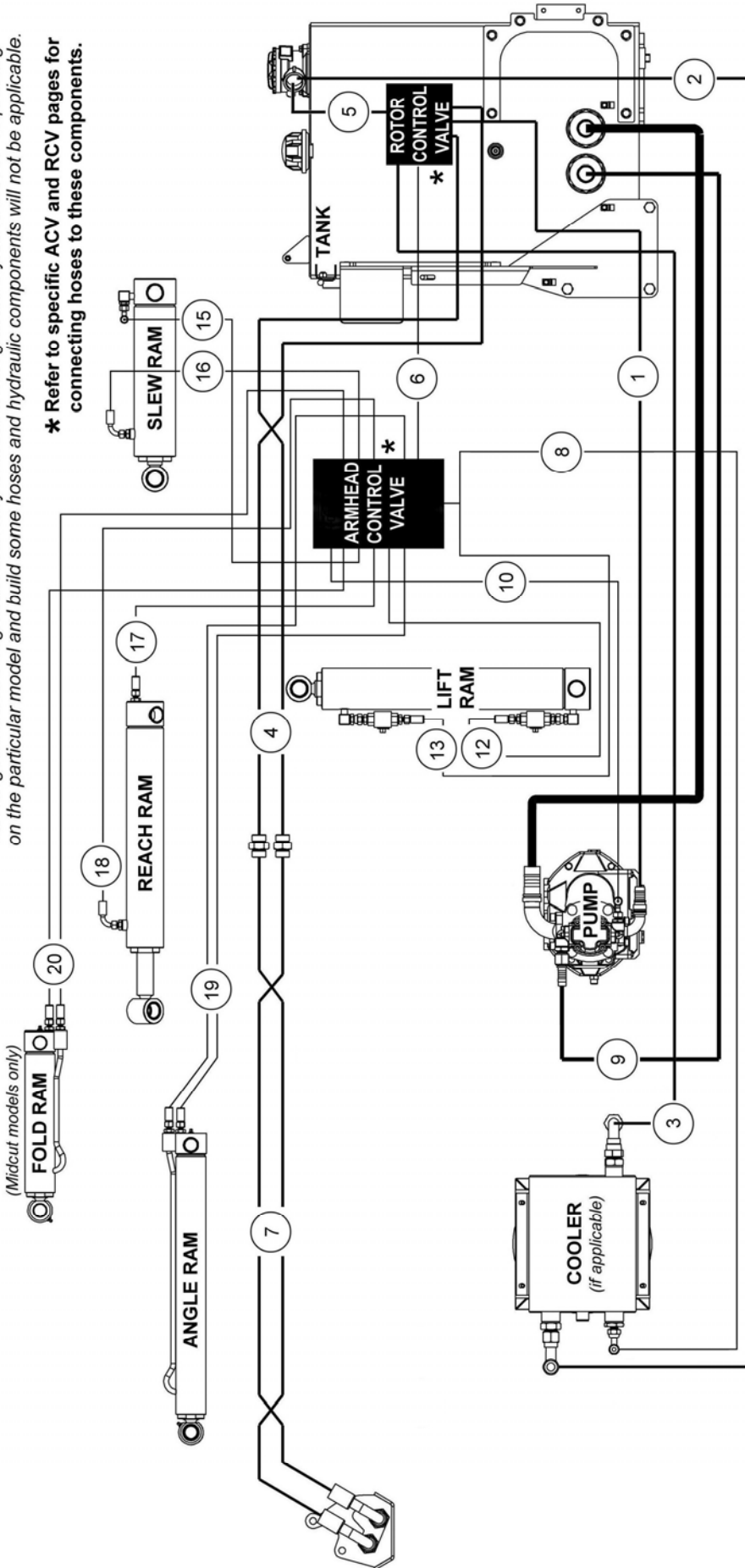
Module(s): As listed below

REF.	QTY.	PART No.	DESCRIPTION
		• 74587222	PA55 STD. CABLE (C/RVC) - L/H
		• 74587223	PA55 STD. CABLE (C/RVC) - R/H
		• 74587224	PA55 STD. ELECTRIC (C/RVC) - L/H
		• 74587225	PA55 STD. ELECTRIC (C/RVC) - R/H
		• 74587226	PA55 STD. ELECTRIC (E/RVC) - L/H
		• 74587227	PA55 STD. ELECTRIC (E/RVC) - R/H
		• 74587227	PA55 M/CUT (0.74m) ELECTRIC (E/RVC) - L/H
		• 74587228	PA55 M/CUT (0.74m) ELECTRIC (E/RVC) - R/H
		• 74587229	PA55 M/CUT (1.5m) ELECTRIC (E/RVC) - L/H
		• 745872210	PA55 M/CUT (1.5m) ELECTRIC (E/RVC) - R/H
		• 745872211	PA55 STD. 5 SERVICE ELECTRIC (E/RVC) - L/H
1	1 1 1 1 1 1 1 1 1 1	8501323	HOSE - 1" SAE90 x 1" BSP FS x 900mm
2	- - 1 1 1 1 1 1 1 1	10.012.22	HOSE - 1" BSP FS/F90 x 1200mm
3	- - 1 1 - - - - - -	10.012.20	HOSE - 1" BSP FS/F90 x 1000mm
	- - - - 1 1 1 1 1 1	10.012.13	HOSE - 1" BSP FS/F90 x 650mm
4	2 2 2 2 - - - - - -	10.025.28	HOSE - 1" BSP FS/F135 x 1800mm
	- - - - 2 2 2 2 2 2	10.025.27	HOSE - 1" BSP FS/F135 x 1700mm
5	1 1 - - - - - - - -	10.012.14	HOSE - 1" BSP FS/F90 x 700mm
6	1 1 - - - - - - - -	10.006.11	HOSE - 1/2" BSP FS/F90 x 550mm
7	2 2 2 2 - - - - - -	10.012.46	HOSE - 1" BSP FS/F90 x 3600mm
	- - - - 2 2 - - - - 2	10.012.47	HOSE - 1" BSP FS/F90 x 3700mm
	- - - - - - - - - -	10.012.54	HOSE - 1" BSP FS/F90 x 4400mm
	- - - - - 2 2 - - - -	10.012.57	HOSE - 1" BSP FS/F90 x 4700mm
	- - - - - - 2 2 - - -	10.012.62	HOSE - 1" BSP FS/F90 x 5200mm
	- - - - - - - - - -	10.011.59	HOSE - 1" BSP FS/FS x 4900mm
	- - - - - - - - - -	10.011.67	HOSE - 1" BSP FS/FS x 5700mm
8	- - 1 1 1 1 1 1 1 1	10.006.15	HOSE - 1/2" BSP FS/F90 x 750mm
9	1 1 1 1 1 1 1 1 1 1	10.009.18	HOSE - 3/4" BSP FS/FS x 900mm
10	1 1 1 1 1 1 1 1 1 1	10.004.18	HOSE - 3/8" BSP FS/F90 x 900mm
11	1 1 - - - - - - - -	10.001.27	HOSE - 1/4" BSP FS/FS x 1700mm
12	1 1 1 1 1 1 1 1 1 1	10.001.22	HOSE - 1/4" BSP FS/FS x 1200mm
13	- - 1 1 1 1 1 1 1 1	10.001.23	HOSE - 1/4" BSP FS/FS x 1300mm
14	1 1 - - - - - - - -	10.001.22	HOSE - 1/4" BSP FS/FS x 1200mm
15	1 1 1 1 1 1 1 1 1 1	10.002.10	HOSE - 1/4" BSP FS/F90 x 500mm
16	1 1 1 1 1 1 1 1 1 1	10.002.14	HOSE - 1/4" BSP FS/F90 x 700mm
17	1 1 1 1 1 1 1 1 1 1	10.001.36	HOSE - 1/4" BSP FS/FS x 2600mm
18	1 1 1 1 1 1 1 1 1 1	10.002.42	HOSE - 1/4" BSP FS/F90 x 3200mm
19	2 2 2 2 2 2 - - - - 2	10.001.54	HOSE - 1/4" BSP FS/FS x 4400mm
	- - - - - - - - - -	10.001.59	HOSE - 1/4" BSP FS/FS x 4900mm
	- - - - - - - - - -	10.001.45	HOSE - 1/4" BSP FS/FS x 3500mm
	- - - - - 2 2 - - - -	10.001.61	HOSE - 1/4" BSP FS/FS x 5100mm
	- - - - - - 2 2 - - -	10.001.66	HOSE - 1/4" BSP FS/FS x 5600mm
	- - - - - - - - - -	10.001.48	HOSE - 1/4" BSP FS/FS x 3800mm
	- - - - - - - - - -	10.001.56	HOSE - 1/4" BSP FS/FS x 4600mm
20	- - - - - 2 2 - - - -	10.001.49	HOSE - 1/4" BSP FS/FS x 3900mm
	- - - - - - 2 2 - - -	10.001.52	HOSE - 1/4" BSP FS/FS x 4200mm
	- - - - - - - - - -	10.001.48	HOSE - 1/4" BSP FS/FS x 3800mm
	- - - - - - - - - -	10.001.50	HOSE - 1/4" BSP FS/FS x 4000mm
21	1 1 - - - - - - - -	10.002.23	HOSE - 1/4" BSP FS/F90 x 1300mm
22	- - - - - - - - - -	10.002.56	HOSE - 1/4" BSP FS/F90 x 4600mm
23	- - - - - - - - - 2	10.001.54	HOSE - 1/4" BSP FS/FS x 4400mm

Module(s): Refer to kits for electric models in parts list

PA55 Mk2 & PA60 Mk2 Series Hydraulic Hose Installations - Standard & Midcut Arms (Electric Models)

The diagram below is a generic view only to illustrate the general layout of hoses - depending on the particular model and build some hoses and hydraulic components will not be applicable.



* Refer to specific ACV and RCV pages for connecting hoses to these components.

- | | | |
|------------------------------------|------------------------------------|-----------------------------------|
| 1 Pump to RCV | 9 Control Pump Supply | 17 Reach Ram (Base) |
| 2 Cooler to Tank | 10 Control Pump to ACV | 18 Reach Ram (Gland) |
| 3 RCV to Cooler | 11 Lift Gland to Over Centre Valve | 19 Angle Ram (Base & Gland) |
| 4 Flail Hoses - RCV to Main Arm | 12 Lift Base | 20 Midcut Fold Ram (Base & Gland) |
| 5 Cable RCV to Tank | 13 Lift Gland | 21 Over Centre Valve to ACV |
| 6 Cable RCV to ACV | 14 O/C Valve to Accumulator | 22 F/M Breakaway Ram (not shown) |
| 7 Flail Hoses - Main Arm to Dipper | 15 Slew Ram (Base) | 23 Addition Service (not shown) |
| 8 ACV to Cooler | 16 Slew Ram (Gland) | |

NOTE: It is advisable when replacing hoses to run the new one alongside the old one prior to removal to determine the correct route. Hose part number are stamped on hose ends.

HYDRAULIC HOSE KITS – PA55 & PA55M



Module(s): As listed below

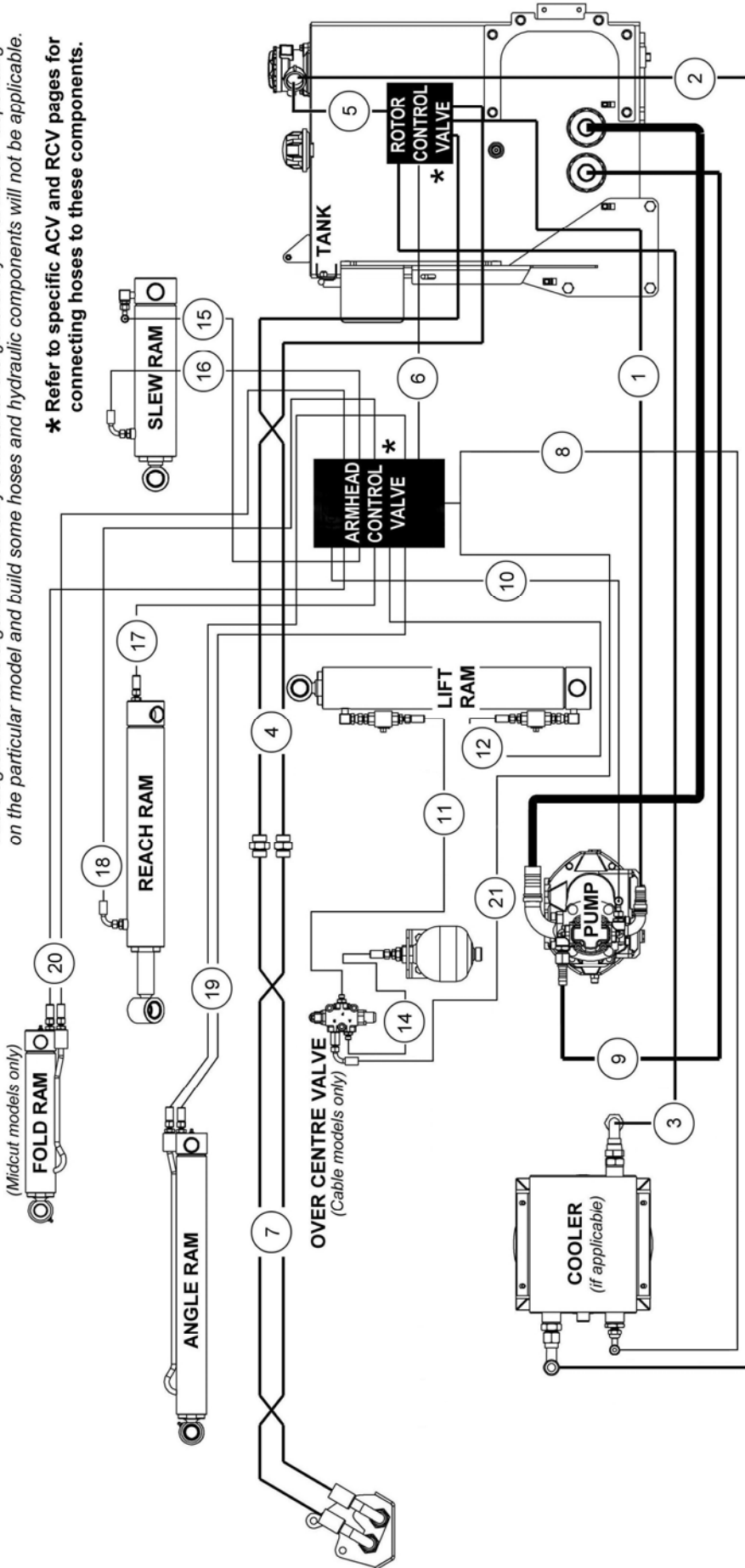
REF.	QTY.	PART No.	DESCRIPTION
		• 74587222	PA55 STD. CABLE (C/RVC) - L/H
		• 74587223	PA55 STD. CABLE (C/RVC) - R/H
		• 74587224	PA55 STD. ELECTRIC (C/RVC) - L/H
		• 74587225	PA55 STD. ELECTRIC (C/RVC) - R/H
		• 74587226	PA55 STD. ELECTRIC (E/RVC) - L/H
		• 74587227	PA55 STD. ELECTRIC (E/RVC) - R/H
		• 74587227	PA55 M/CUT (0.74m) ELECTRIC (E/RVC) - L/H
		• 74587228	PA55 M/CUT (0.74m) ELECTRIC (E/RVC) - R/H
		• 74587229	PA55 M/CUT (1.5m) ELECTRIC (E/RVC) - L/H
		• 745872210	PA55 M/CUT (1.5m) ELECTRIC (E/RVC) - R/H
		• 745872211	PA55 STD. 5 SERVICE ELECTRIC (E/RVC) - L/H
1	1 1 1 1 1 1 1 1 1 1	8501323	HOSE - 1" SAE90 x 1" BSP FS x 900mm
2	- - 1 1 1 1 1 1 1 1	10.012.22	HOSE - 1" BSP FS/F90 x 1200mm
3	- - 1 1 - - - - - -	10.012.20	HOSE - 1" BSP FS/F90 x 1000mm
	- - - - 1 1 1 1 1 1	10.012.13	HOSE - 1" BSP FS/F90 x 650mm
4	2 2 2 2 - - - - - -	10.025.28	HOSE - 1" BSP FS/F135 x 1800mm
	- - - - 2 2 2 2 2 2	10.025.27	HOSE - 1" BSP FS/F135 x 1700mm
5	1 1 - - - - - - - -	10.012.14	HOSE - 1" BSP FS/F90 x 700mm
6	1 1 - - - - - - - -	10.006.11	HOSE - 1/2" BSP FS/F90 x 550mm
7	2 2 2 2 - - - - - -	10.012.46	HOSE - 1" BSP FS/F90 x 3600mm
	- - - - 2 2 - - - - 2	10.012.47	HOSE - 1" BSP FS/F90 x 3700mm
	- - - - - - - - - -	10.012.54	HOSE - 1" BSP FS/F90 x 4400mm
	- - - - - 2 2 - - - -	10.012.57	HOSE - 1" BSP FS/F90 x 4700mm
	- - - - - - 2 2 - - -	10.012.62	HOSE - 1" BSP FS/F90 x 5200mm
	- - - - - - - - - -	10.011.59	HOSE - 1" BSP FS/FS x 4900mm
	- - - - - - - - - -	10.011.67	HOSE - 1" BSP FS/FS x 5700mm
8	- - 1 1 1 1 1 1 1 1	10.006.15	HOSE - 1/2" BSP FS/F90 x 750mm
9	1 1 1 1 1 1 1 1 1 1	10.009.18	HOSE - 3/4" BSP FS/FS x 900mm
10	1 1 1 1 1 1 1 1 1 1	10.004.18	HOSE - 3/8" BSP FS/F90 x 900mm
11	1 1 - - - - - - - -	10.001.27	HOSE - 1/4" BSP FS/FS x 1700mm
12	1 1 1 1 1 1 1 1 1 1	10.001.22	HOSE - 1/4" BSP FS/FS x 1200mm
13	- - 1 1 1 1 1 1 1 1	10.001.23	HOSE - 1/4" BSP FS/FS x 1300mm
14	1 1 - - - - - - - -	10.001.22	HOSE - 1/4" BSP FS/FS x 1200mm
15	1 1 1 1 1 1 1 1 1 1	10.002.10	HOSE - 1/4" BSP FS/F90 x 500mm
16	1 1 1 1 1 1 1 1 1 1	10.002.14	HOSE - 1/4" BSP FS/F90 x 700mm
17	1 1 1 1 1 1 1 1 1 1	10.001.36	HOSE - 1/4" BSP FS/FS x 2600mm
18	1 1 1 1 1 1 1 1 1 1	10.002.42	HOSE - 1/4" BSP FS/F90 x 3200mm
19	2 2 2 2 2 2 - - - - 2	10.001.54	HOSE - 1/4" BSP FS/FS x 4400mm
	- - - - - - - - - -	10.001.59	HOSE - 1/4" BSP FS/FS x 4900mm
	- - - - - - - - - -	10.001.45	HOSE - 1/4" BSP FS/FS x 3500mm
	- - - - - 2 2 - - - -	10.001.61	HOSE - 1/4" BSP FS/FS x 5100mm
	- - - - - - 2 2 - - -	10.001.66	HOSE - 1/4" BSP FS/FS x 5600mm
	- - - - - - - - - -	10.001.48	HOSE - 1/4" BSP FS/FS x 3800mm
	- - - - - - - - - -	10.001.56	HOSE - 1/4" BSP FS/FS x 4600mm
20	- - - - - 2 2 - - - -	10.001.49	HOSE - 1/4" BSP FS/FS x 3900mm
	- - - - - - 2 2 - - -	10.001.52	HOSE - 1/4" BSP FS/FS x 4200mm
	- - - - - - - - - -	10.001.48	HOSE - 1/4" BSP FS/FS x 3800mm
	- - - - - - - - - -	10.001.50	HOSE - 1/4" BSP FS/FS x 4000mm
21	1 1 - - - - - - - -	10.002.23	HOSE - 1/4" BSP FS/F90 x 1300mm
22	- - - - - - - - - -	10.002.56	HOSE - 1/4" BSP FS/F90 x 4600mm
23	- - - - - - - - - 2	10.001.54	HOSE - 1/4" BSP FS/FS x 4400mm

Module(s): Refer to kits for cable models in parts list

PA55 Mk2 & PA60 Mk2 Series Hydraulic Hose Installations - Standard & Midcut Arms (Cable Models)

The diagram below is a generic view only to illustrate the general layout of hoses - depending on the particular model and build some hoses and hydraulic components will not be applicable.

* Refer to specific ACV and RCV pages for connecting hoses to these components.



- | | | |
|------------------------------------|------------------------------------|-----------------------------------|
| 1 Pump to RCV | 9 Control Pump Supply | 17 Reach Ram (Base) |
| 2 Cooler to Tank | 10 Control Pump to ACV | 18 Reach Ram (Gland) |
| 3 RCV to Cooler | 11 Lift Gland to Over Centre Valve | 19 Angle Ram (Base & Gland) |
| 4 Flail Hoses - RCV to Main Arm | 12 Lift Base | 20 Midcut Fold Ram (Base & Gland) |
| 5 Cable RCV to Tank | 13 Lift Gland | 21 Over Centre Valve to ACV |
| 6 Cable RCV to ACV | 14 O/C Valve to Accumulator | 22 F/M Breakaway Ram (not shown) |
| 7 Flail Hoses - Main Arm to Dipper | 15 Slew Ram (Base) | 23 Addition Service (not shown) |
| 8 ACV to Cooler | 16 Slew Ram (Gland) | |

NOTE: It is advisable when replacing hoses to run the new one alongside the old one prior to removal to determine the correct route. Hose part number are stamped on hose ends.

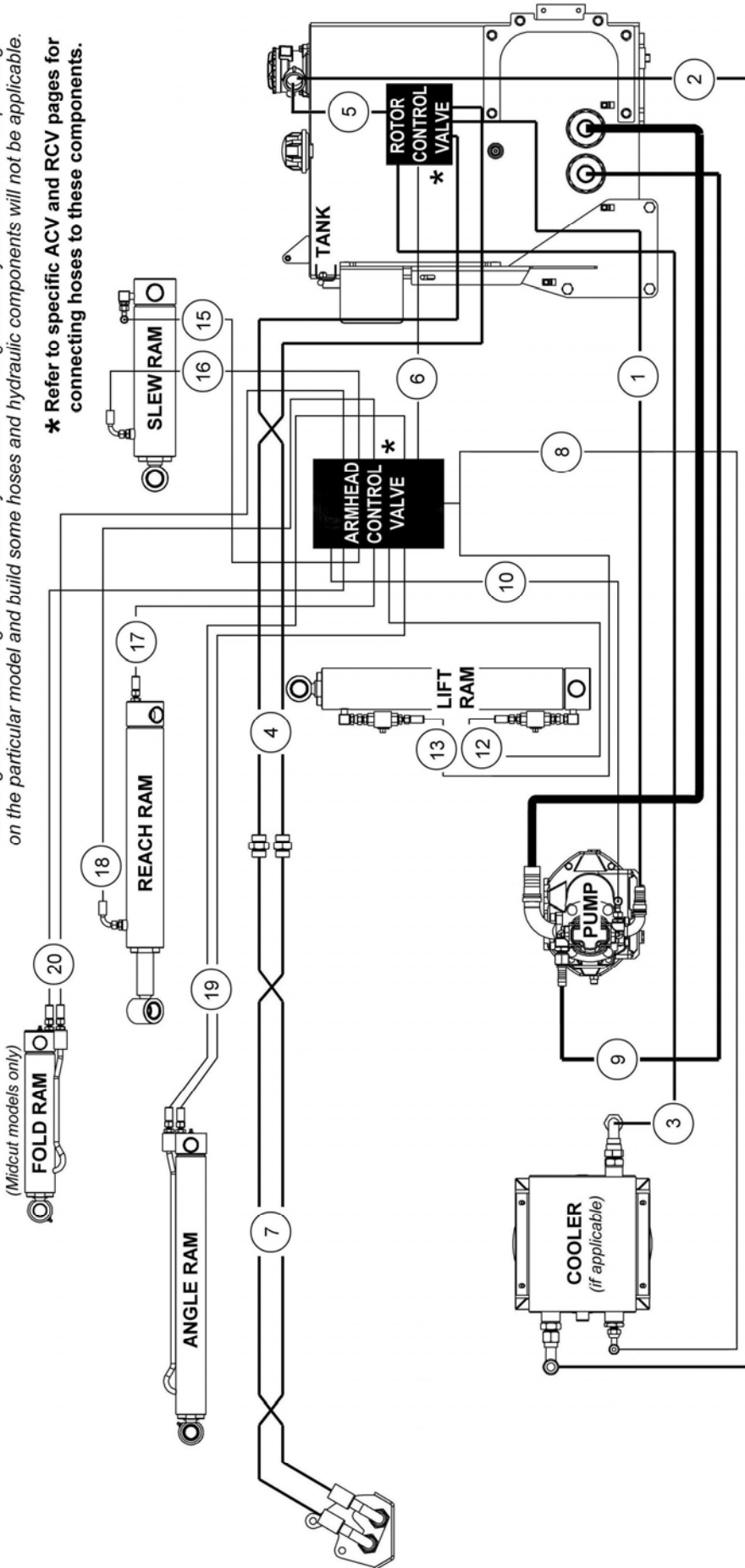
Module(s): As listed below

REF.	QTY.	PART No.	DESCRIPTION
		745872213	PA60 STD. CABLE (C/RCV) - L/H
		745872214	PA60 STD. CABLE (C/RCV) - R/H
		745872215	PA60 STD. ELECTRIC (C/RCV) - L/H
		745872216	PA60 STD. ELECTRIC (C/RCV) - R/H
		745872217	PA60 STD. ELECTRIC (E/RCV) - L/H
		745872228	PA60 STD. ELECTRIC (E/RCV) - R/H
		745872235	PA60 M/CUT (0.74m) CABLE (C/RCV) - L/H
		745872229	PA60 M/CUT (1.5m) CABLE (C/RCV) - R/H
		745872218	PA60 M/CUT (0.74m) ELECTRIC (E/RCV) - L/H
		745872219	PA60 M/CUT (0.74m) ELECTRIC (E/RCV) - R/H
		745872220	PA60 M/CUT (1.5m) ELECTRIC (E/RCV) - L/H
		745872221	PA60 M/CUT (1.5m) ELECTRIC (E/RCV) - R/H
		745852230	PA60 F/M GEAR V4 PROP. EDS (E/RCV) - R/H
		745852232	PA60 F/M GEAR V4 PROP. EDS (E/RCV) - L/H
1	1 1 1 1 1 1 1 1 1 1 1	8501323	HOSE - 1" SAE90 x 1" BSP FS x 900mm
2	- - 1 1 1 1 1 - 1 1 1 1 1	10.012.22	HOSE - 1" BSP FS/F90 x 1200mm
3	- - 1 1 - - 1 - - - - - - -	10.012.20	HOSE - 1" BSP FS/F90 x 100mm
	- - - - 1 1 - - 1 1 1 1 1 1	10.012.13	HOSE - 1" BSP FS/F90 x 650mm
4	2 2 2 2 - - 2 2 - - - - - -	10.025.28	HOSE - 1" BSP FS/F135 x 1800mm
	- - - - 2 2 - - 2 2 2 2 2 2	10.025.27	HOSE - 1" BSP FS/F135 x 1700mm
5	1 1 - - - - 1 1 - - - - - -	10.012.14	HOSE - 1" BSP FS/F90 x 700mm
6	1 1 - - - - 1 1 - - - - - -	10.006.11	HOSE - 1/2" BSP FS/F90 x 550mm
7	- - - - - - - - - - - - - -	10.012.48	HOSE - 1" BSP FS/F90 x 3800mm
	2 2 2 2 - - - - - - - - - -	10.012.51	HOSE - 1" BSP FS/F90 x 4100mm
	- - - - 2 2 - - - - - - - -	10.012.52	HOSE - 1" BSP FS/F90 x 4200mm
	- - - - - - - - - - - - - -	10.012.57	HOSE - 1" BSP FS/F90 x 4700mm
	- - - - - - - - - - - - - -	10.012.62	HOSE - 1" BSP FS/F90 x 5200mm
	- - - - - - - - - - 2 2	10.012.67	HOSE - 1" BSP FS/F90 x 5700mm
	- - - - - - 2 2 2 - - - - -	10.012.61	HOSE - 1" BSP FS/F90 x 5100mm
	- - - - - 2 - - - 2 2 - - -	10.012.67	HOSE - 1" BSP FS/F90 x 5700mm
	- - - - - - - - - - - - - -	10.012.56	HOSE - 1" BSP FS/F90 x 4600mm
8	- - 1 1 1 1 1 - 1 1 1 1 1 1	10.006.15	HOSE - 1/2" BSP FS/F90 x 750mm
9	1 1 1 1 1 1 1 1 1 1 - 1	10.009.18	HOSE - 3/4" BSP FS/FS x 900mm
	- - - - - - - - - - 1 -	10.010.12	HOSE - 3/4" BSP FS/F90 x 600mm
10	1 1 1 1 1 1 1 1 1 1 - 1	10.004.18	HOSE - 3/8" BSP FS/F90 x 900mm
11	1 1 - - - - 1 1 - - - - - -	10.001.27	HOSE - 1/4" BSP FS/FS x 1700mm
12	1 1 1 1 1 1 1 1 1 1 1 1	10.001.22	HOSE - 1/4" BSP FS/FS x 1200mm
13	- - 1 1 1 1 - - 1 1 1 1 1 1	10.001.23	HOSE - 1/4" BSP FS/FS x 1300mm
14	1 1 - - - - 1 1 - - - - - -	10.001.22	HOSE - 1/4" BSP FS/FS x 1200mm
15	1 1 1 1 1 1 1 1 1 1 1 1	10.002.10	HOSE - 1/4" BSP FS/F90 x 500mm
16	1 1 1 1 1 1 1 1 1 1 1 1	10.002.14	HOSE - 1/4" BSP FS/F90 x 700mm
17	1 1 1 1 1 1 1 1 1 1 1 1	10.001.36	HOSE - 1/4" BSP FS/FS x 2600mm
18	1 1 1 1 1 1 1 1 1 1 1 1	10.002.42	HOSE - 1/4" BSP FS/F90 x 3200mm
19	- - - - - - - - - - - - - -	10.001.54	HOSE - 1/4" BSP FS/FS x 4400mm
	2 2 2 2 2 2 - - - - - - - -	10.001.59	HOSE - 1/4" BSP FS/FS x 4900mm
	- - - - - - - - - - - - - -	10.001.45	HOSE - 1/4" BSP FS/FS x 3500mm
	- - - - - - - - - - 2 2	10.001.43	HOSE - 1/4" BSP FS/FS x 3300mm
	- - - - - - - - - - - - - -	10.001.51	HOSE - 1/4" BSP FS/FS x 4100mm
	- - - - - 2 2 2 - - - - - -	10.001.65	HOSE - 1/4" BSP FS/FS x 5500mm
	- - - - - 2 - - - 2 2 - - -	10.001.70	HOSE - 1/4" BSP FS/FS x 6000mm
20	- - - - - - - - - - - - - -	10.001.46	HOSE - 1/4" BSP FS/FS x 3600mm
	- - - - - - - - - - 2 2	10.001.49	HOSE - 1/4" BSP FS/FS x 3900mm
	- - - - - 2 2 2 - - - - - -	10.001.52	HOSE - 1/4" BSP FS/FS x 4200mm
	- - - - - 2 - - - 2 2 - - -	10.001.50	HOSE - 1/4" BSP FS/FS x 4000mm
21	1 1 - - - - 1 1 - - - - - -	10.002.23	HOSE - 1/4" BSP FS/F90 x 1300mm
22	- - - - - - - - - - - - 2	10.002.56	HOSE - 1/4" BSP FS/F90 x 4600mm
	- - - - - - - - - - - 2	10.001.29	HOSE - 1/4" BSP FS/FS x 1900mm
23	- - - - - - - - - - - - - -	10.001.54	HOSE - 1/4" BSP FS/FS x 4400mm

Module(s): Refer to kits for electric models in parts list

PA55 Mk2 & PA60 Mk2 Series Hydraulic Hose Installations - Standard & Midcut Arms (Electric Models)

The diagram below is a generic view only to illustrate the general layout of hoses - depending on the particular model and build some hoses and hydraulic components will not be applicable.



* Refer to specific ACV and RCV pages for connecting hoses to these components.

- | | | |
|------------------------------------|------------------------------------|-----------------------------------|
| 1 Pump to RCV | 9 Control Pump Supply | 17 Reach Ram (Base) |
| 2 Cooler to Tank | 10 Control Pump to ACV | 18 Reach Ram (Gland) |
| 3 RCV to Cooler | 11 Lift Gland to Over Centre Valve | 19 Angle Ram (Base & Gland) |
| 4 Flail Hoses - RCV to Main Arm | 12 Lift Base | 20 Midcut Fold Ram (Base & Gland) |
| 5 Cable RCV to Tank | 13 Lift Gland | 21 Over Centre Valve to ACV |
| 6 Cable RCV to ACV | 14 O/C Valve to Accumulator | 22 F/M Breakaway Ram (not shown) |
| 7 Flail Hoses - Main Arm to Dipper | 15 Slew Ram (Base) | 23 Addition Service (not shown) |
| 8 ACV to Cooler | 16 Slew Ram (Gland) | |

NOTE: It is advisable when replacing hoses to run the new one alongside the old one prior to removal to determine the correct route. Hose part number are stamped on hose ends.

Module(s): As listed below

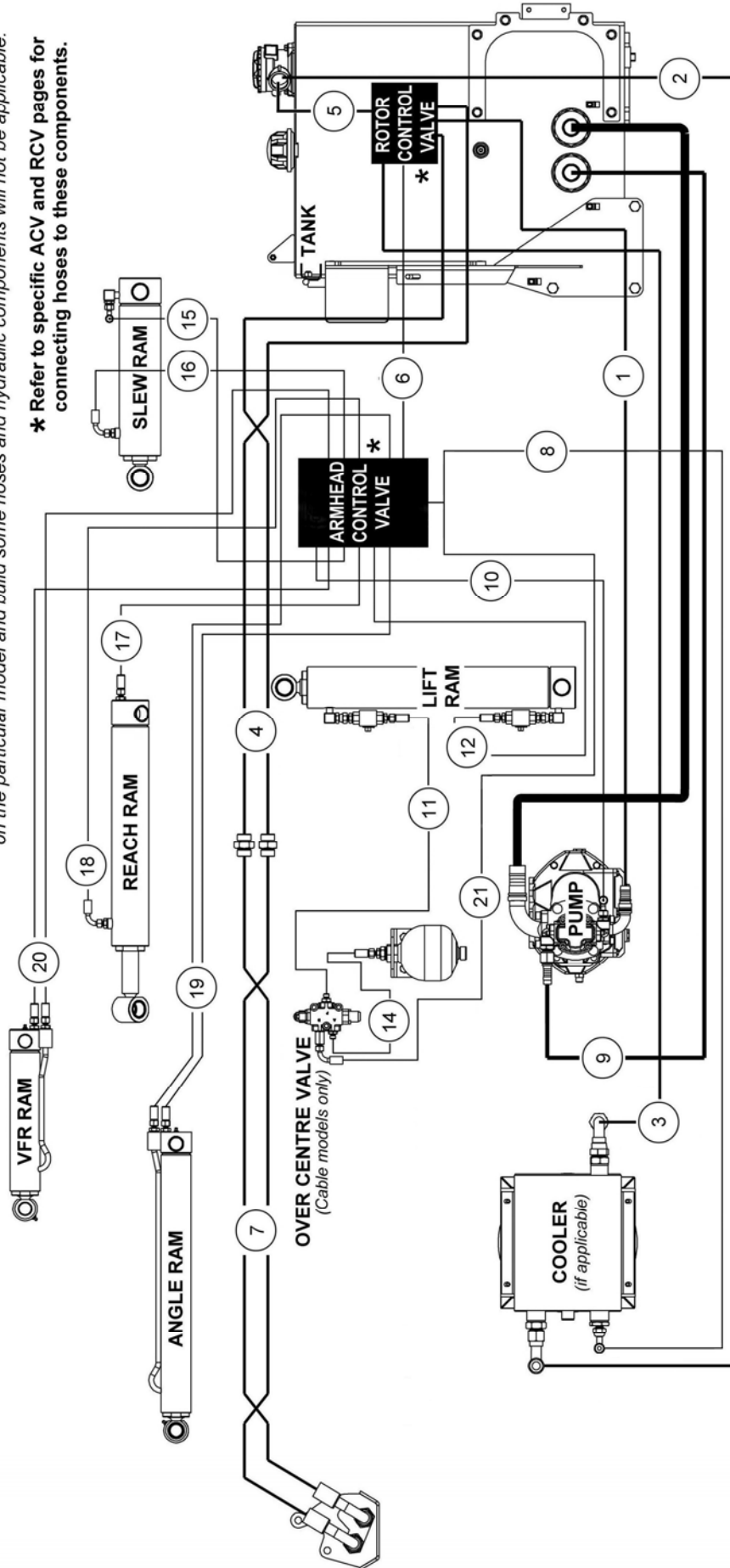
REF.	QTY.	PART No.	DESCRIPTION
		• 745872213	PA60 STD. CABLE (C/RCV) - L/H
		• 745872214	PA60 STD. CABLE (C/RCV) - R/H
		• 745872215	PA60 STD. ELECTRIC (C/RCV) - L/H
		• 745872216	PA60 STD. ELECTRIC (C/RCV) - R/H
		• 745872217	PA60 STD. ELECTRIC (E/RCV) - L/H
		• 745872228	PA60 STD. ELECTRIC (E/RCV) - R/H
		• 745872235	PA60 M/CUT (0.74m) CABLE (C/RCV) - L/H
		• 745872229	PA60 M/CUT (1.5m) CABLE (C/RCV) - R/H
		• 745872218	PA60 M/CUT (0.74m) ELECTRIC (E/RCV) - L/H
		• 745872219	PA60 M/CUT (0.74m) ELECTRIC (E/RCV) - R/H
		• 745872220	PA60 M/CUT (1.5m) ELECTRIC (E/RCV) - L/H
		• 745872221	PA60 M/CUT (1.5m) ELECTRIC (E/RCV) - R/H
		• 745852230	PA60 F/M GEAR V4 PROP. EDS (E/RCV) - R/H
		• 745852232	PA60 F/M GEAR V4 PROP. EDS (E/RCV) - L/H
1	1 1 1 1 1 1 1 1 1 1 1	8501323	HOSE - 1" SAE90 x 1" BSP FS x 900mm
2	- - 1 1 1 1 1 - 1 1 1 1 1	10.012.22	HOSE - 1" BSP FS/F90 x 1200mm
3	- - 1 1 - - 1 - - - - -	10.012.20	HOSE - 1" BSP FS/F90 x 100mm
	- - - - 1 1 - - 1 1 1 1 1	10.012.13	HOSE - 1" BSP FS/F90 x 650mm
4	2 2 2 2 - 2 2 - - - - -	10.025.28	HOSE - 1" BSP FS/F135 x 1800mm
	- - - - 2 2 - - 2 2 2 2 2	10.025.27	HOSE - 1" BSP FS/F135 x 1700mm
5	1 1 - - - 1 1 - - - - -	10.012.14	HOSE - 1" BSP FS/F90 x 700mm
6	1 1 - - - 1 1 - - - - -	10.006.11	HOSE - 1/2" BSP FS/F90 x 550mm
7	- - - - - - - - - - -	10.012.48	HOSE - 1" BSP FS/F90 x 3800mm
	2 2 2 2 - - - - - - -	10.012.51	HOSE - 1" BSP FS/F90 x 4100mm
	- - - - 2 2 - - - - - - -	10.012.52	HOSE - 1" BSP FS/F90 x 4200mm
	- - - - - - - - - - -	10.012.57	HOSE - 1" BSP FS/F90 x 4700mm
	- - - - - - - - - - -	10.012.62	HOSE - 1" BSP FS/F90 x 5200mm
	- - - - - - - - - 2 2	10.012.67	HOSE - 1" BSP FS/F90 x 5700mm
	- - - - - - 2 2 2 - - - -	10.012.61	HOSE - 1" BSP FS/F90 x 5100mm
	- - - - - 2 - - - 2 2 - - -	10.012.67	HOSE - 1" BSP FS/F90 x 5700mm
	- - - - - - - - - - -	10.012.56	HOSE - 1" BSP FS/F90 x 4600mm
8	- - 1 1 1 1 1 - 1 1 1 1 1	10.006.15	HOSE - 1/2" BSP FS/F90 x 750mm
9	1 1 1 1 1 1 1 1 1 1 1 - 1	10.009.18	HOSE - 3/4" BSP FS/FS x 900mm
	- - - - - - - - - - 1 -	10.010.12	HOSE - 3/4" BSP FS/F90 x 600mm
10	1 1 1 1 1 1 1 1 1 1 1 - 1	10.004.18	HOSE - 3/8" BSP FS/F90 x 900mm
11	1 1 - - - 1 1 - - - - -	10.001.27	HOSE - 1/4" BSP FS/FS x 1700mm
12	1 1 1 1 1 1 1 1 1 1 1 1	10.001.22	HOSE - 1/4" BSP FS/FS x 1200mm
13	- - 1 1 1 1 - - 1 1 1 1 1	10.001.23	HOSE - 1/4" BSP FS/FS x 1300mm
14	1 1 - - - 1 1 - - - - -	10.001.22	HOSE - 1/4" BSP FS/FS x 1200mm
15	1 1 1 1 1 1 1 1 1 1 1 1	10.002.10	HOSE - 1/4" BSP FS/F90 x 500mm
16	1 1 1 1 1 1 1 1 1 1 1 1	10.002.14	HOSE - 1/4" BSP FS/F90 x 700mm
17	1 1 1 1 1 1 1 1 1 1 1 1	10.001.36	HOSE - 1/4" BSP FS/FS x 2600mm
18	1 1 1 1 1 1 1 1 1 1 1 1	10.002.42	HOSE - 1/4" BSP FS/F90 x 3200mm
19	- - - - - - - - - - -	10.001.54	HOSE - 1/4" BSP FS/FS x 4400mm
	2 2 2 2 2 2 - - - - -	10.001.59	HOSE - 1/4" BSP FS/FS x 4900mm
	- - - - - - - - - - -	10.001.45	HOSE - 1/4" BSP FS/FS x 3500mm
	- - - - - - - - - 2 2	10.001.43	HOSE - 1/4" BSP FS/FS x 3300mm
	- - - - - - - - - - -	10.001.51	HOSE - 1/4" BSP FS/FS x 4100mm
	- - - - - 2 2 2 - - - -	10.001.65	HOSE - 1/4" BSP FS/FS x 5500mm
	- - - - - 2 - - - 2 2 - - -	10.001.70	HOSE - 1/4" BSP FS/FS x 6000mm
20	- - - - - - - - - - -	10.001.46	HOSE - 1/4" BSP FS/FS x 3600mm
	- - - - - - - - - 2 2	10.001.49	HOSE - 1/4" BSP FS/FS x 3900mm
	- - - - - 2 2 2 - - - -	10.001.52	HOSE - 1/4" BSP FS/FS x 4200mm
	- - - - - 2 - - - 2 2 - - -	10.001.50	HOSE - 1/4" BSP FS/FS x 4000mm
21	1 1 - - - 1 1 - - - - -	10.002.23	HOSE - 1/4" BSP FS/F90 x 1300mm
22	- - - - - - - - - - 2	10.002.56	HOSE - 1/4" BSP FS/F90 x 4600mm
	- - - - - - - - - 2 - - -	10.001.29	HOSE - 1/4" BSP FS/FS x 1900mm
23	- - - - - - - - - - -	10.001.54	HOSE - 1/4" BSP FS/FS x 4400mm

Module(s): Refer to kits for cable models in parts list

PA55 Mk2 & PA60 Mk2 Series Hydraulic Hose Installations - VFR Arms (Cable Models)

The diagram below is a generic view only to illustrate the general layout of hoses - depending on the particular model and build some hoses and hydraulic components will not be applicable.

* Refer to specific ACV and RCV pages for connecting hoses to these components.



- | | | |
|------------------------------------|------------------------------------|-----------------------------|
| 1 Pump to RCV | 9 Control Pump Supply | 17 Reach Ram (Base) |
| 2 Cooler to Tank | 10 Control Pump to ACV | 18 Reach Ram (Gland) |
| 3 RCV to Cooler | 11 Lift Gland to Over Centre Valve | 19 Angle Ram (Base & Gland) |
| 4 Flail Hoses - RCV to Main Arm | 12 Lift Base | 20 VFR Ram (Base & Gland) |
| 5 Cable RCV to Tank | 13 Lift Gland | 21 Over Centre Valve to ACV |
| 6 Cable RCV to ACV | 14 O/C Valve to Accumulator | |
| 7 Flail Hoses - Main Arm to Dipper | 15 Slew Ram (Base) | |
| 8 ACV to Cooler | 16 Slew Ram (Gland) | |

NOTE: It is advisable when replacing hoses to run the new one alongside the old one prior to removal to determine the correct route. Hose part number are stamped on hose ends.

HYDRAULIC HOSE KITS – PA55VFR & PA60VFR



Module(s): As listed below

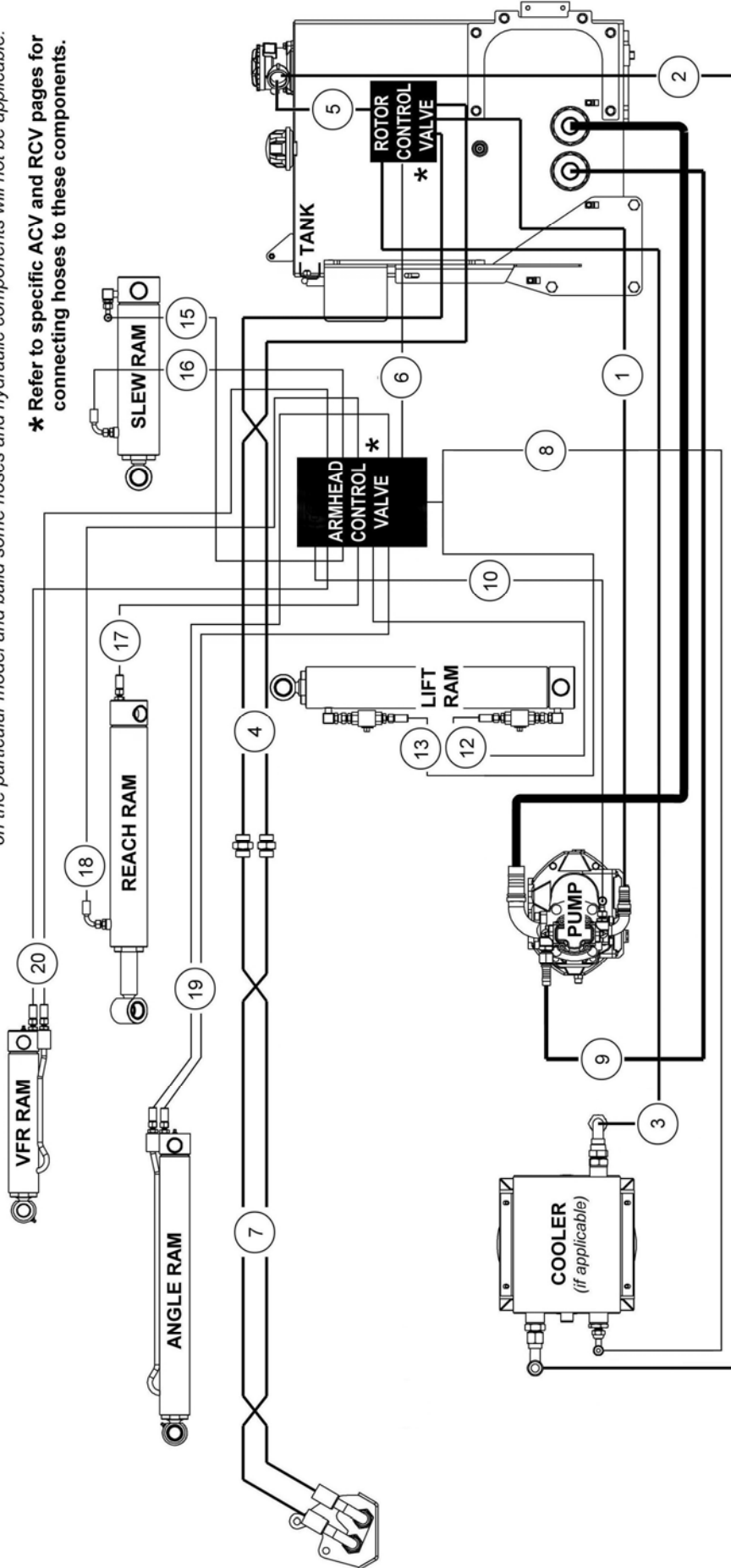
REF.	QTY.						PART No.	DESCRIPTION
							• 746052201 PA55 VFR CABLE (C/RCV) - L/H & R/H	
							• 746052203 PA55 VFR ELECTRIC (C/RCV) - L/H & R/H	
							• 746052205 PA55 VFR ELECTRIC (E/RCV) - L/H & R/H	
							• 746052207 PA60 VFR CABLE (C/RCV) - L/H & R/H	
							• 746052209 PA60 VFR ELECTRIC (C/RCV) - L/H & R/H	
							• 746052211 PA60 VFR ELECTRIC (E/RCV) - L/H & R/H	
1	1	1	1	1	1	1	8501323 HOSE - 1" SAE90 x 1" BSP FS x 900mm	
2	-	1	1	-	1	1	10.012.22 HOSE - 1" BSP FS/F90 x 1200mm	
3	-	1	-	-	1	-	10.012.20 HOSE - 1" BSP FS/F90 x 1000mm	
	-	-	1	-	-	1	10.012.13 HOSE - 1" BSP FS/F90 x 650mm	
4	2	2	-	2	2	-	10.025.28 HOSE - 1" BSP FS/F135 x 1800mm	
	-	-	2	-	-	2	10.025.27 HOSE - 1" BSP FS/F135 x 1700mm	
5	1	-	-	1	-	-	10.012.14 HOSE - 1" BSP FS/F90 x 700mm	
6	1	-	-	1	-	-	10.006.15 HOSE - 1/2" BSP FS/F90 x 750mm	
7	2	2	2	-	-	-	10.012.56 HOSE - 1" BSP FS/F90 x 4600mm	
	-	-	-	2	2	2	10.012.60 HOSE - 1" BSP FS/F90 x 5000mm	
8	-	1	1	-	1	1	10.006.15 HOSE - 1/2" BSP FS/F90 x 750mm	
9	1	1	1	1	1	1	10.009.18 HOSE - 3/4" BSP FS/FS x 900mm	
10	1	1	1	1	1	1	10.004.18 HOSE - 3/8" BSP FS/F90 x 900mm	
11	1	-	-	1	-	-	10.001.27 HOSE - 1/4" BSP FS/FS x 1700mm	
12	1	1	1	1	1	1	10.001.22 HOSE - 1/4" BSP FS/FS x 1200mm	
13	-	1	1	-	1	1	10.001.23 HOSE - 1/4" BSP FS/FS x 1300mm	
14	1	-	-	1	-	-	10.001.22 HOSE - 1/4" BSP FS/FS x 1200mm	
15	1	1	1	1	1	1	10.002.10 HOSE - 1/4" BSP FS/F90 x 500mm	
16	1	1	1	1	1	1	10.002.14 HOSE - 1/4" BSP FS/F90 x 700mm	
17	1	1	1	1	1	1	10.001.36 HOSE - 1/4" BSP FS/FS x 2600mm	
18	1	1	1	1	1	1	10.002.42 HOSE - 1/4" BSP FS/F90 x 3200mm	
19	2	2	2	2	2	2	10.002.78 HOSE - 1/4" BSP FS/F90 x 6800mm	
	2	2	2	2	2	2	10.002.83 HOSE - 1/4" BSP FS/F90 x 7300mm	
20	2	2	2	2	2	2	10.001.50 HOSE - 1/4" BSP FS/FS x 4000mm	
	2	2	2	2	2	2	10.001.53 HOSE - 1/4" BSP FS/FS x 4300mm	
21	1	-	-	1	-	-	10.002.23 HOSE - 1/4" BSP FS/F90 x 1300mm	

Module(s): Refer to kits for electric models in parts list

PA55 MK2 & PA60 MK2 Series Hydraulic Hose Installations - VFR Arms

The diagram below is a generic view only to illustrate the general layout of hoses - depending on the particular model and build some hoses and hydraulic components will not be applicable.

* Refer to specific ACV and RCV pages for connecting hoses to these components.



- | | | |
|------------------------------------|------------------------------------|-----------------------------|
| 1 Pump to RCV | 9 Control Pump Supply | 17 Reach Ram (Base) |
| 2 Cooler to Tank | 10 Control Pump to ACV | 18 Reach Ram (Gland) |
| 3 RCV to Cooler | 11 Lift Gland to Over Centre Valve | 19 Angle Ram (Base & Gland) |
| 4 Flail Hoses - RCV to Main Arm | 12 Lift Base | 20 VFR Ram (Base & Gland) |
| 5 Cable RCV to Tank | 13 Lift Gland | 21 Over Centre Valve to ACV |
| 6 Cable RCV to ACV | 14 O/C Valve to Accumulator | |
| 7 Flail Hoses - Main Arm to Dipper | 15 Slew Ram (Base) | |
| 8 ACV to Cooler | 16 Slew Ram (Gland) | |

NOTE: It is advisable when replacing hoses to run the new one alongside the old one prior to removal to determine the correct route. Hose part number are stamped on hose ends.

HYDRAULIC HOSE KITS – PA55VFR & PA60VFR



Module(s): As listed below

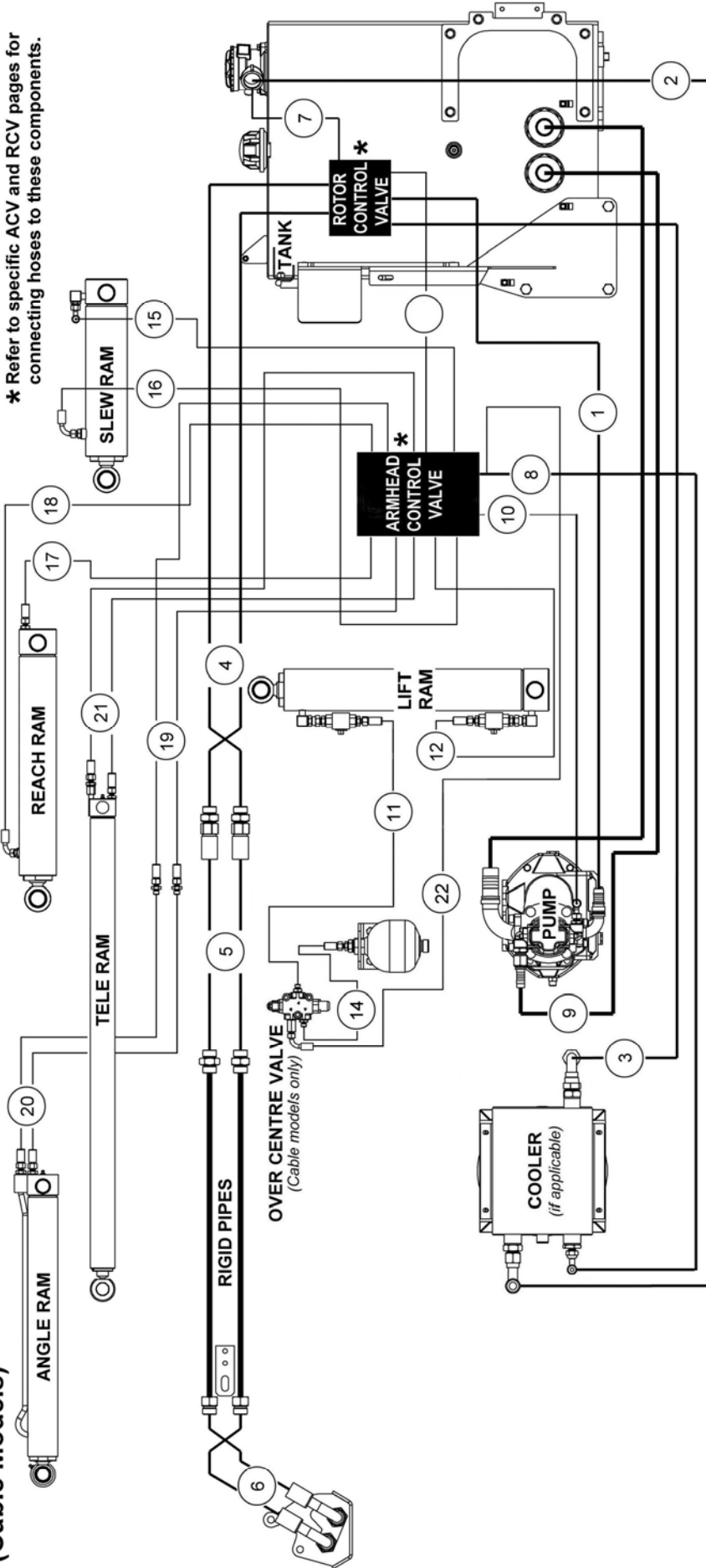
REF.	QTY.						PART No.	DESCRIPTION
							• 746052201	PA55 VFR CABLE (C/RCV) - L/H & R/H
							• 746052203	PA55 VFR ELECTRIC (C/RCV) - L/H & R/H
							• 746052205	PA55 VFR ELECTRIC (E/RCV) - L/H & R/H
							• 746052207	PA60 VFR CABLE (C/RCV) - L/H & R/H
							• 746052209	PA60 VFR ELECTRIC (C/RCV) - L/H & R/H
							• 746052211	PA60 VFR ELECTRIC (E/RCV) - L/H & R/H
1	1	1	1	1	1	1	8501323	HOSE - 1" SAE90 x 1" BSP FS x 900mm
2	-	1	1	-	1	1	10.012.22	HOSE - 1" BSP FS/F90 x 1200mm
3	-	1	-	-	1	-	10.012.20	HOSE - 1" BSP FS/F90 x 1000mm
	-	-	1	-	-	1	10.012.13	HOSE - 1" BSP FS/F90 x 650mm
4	2	2	-	2	2	-	10.025.28	HOSE - 1" BSP FS/F135 x 1800mm
	-	-	2	-	-	2	10.025.27	HOSE - 1" BSP FS/F135 x 1700mm
5	1	-	-	1	-	-	10.012.14	HOSE - 1" BSP FS/F90 x 700mm
6	1	-	-	1	-	-	10.006.15	HOSE - 1/2" BSP FS/F90 x 750mm
7	2	2	2	-	-	-	10.012.56	HOSE - 1" BSP FS/F90 x 4600mm
	-	-	-	2	2	2	10.012.60	HOSE - 1" BSP FS/F90 x 5000mm
8	-	1	1	-	1	1	10.006.15	HOSE - 1/2" BSP FS/F90 x 750mm
9	1	1	1	1	1	1	10.009.18	HOSE - 3/4" BSP FS/FS x 900mm
10	1	1	1	1	1	1	10.004.18	HOSE - 3/8" BSP FS/F90 x 900mm
11	1	-	-	1	-	-	10.001.27	HOSE - 1/4" BSP FS/FS x 1700mm
12	1	1	1	1	1	1	10.001.22	HOSE - 1/4" BSP FS/FS x 1200mm
13	-	1	1	-	1	1	10.001.23	HOSE - 1/4" BSP FS/FS x 1300mm
14	1	-	-	1	-	-	10.001.22	HOSE - 1/4" BSP FS/FS x 1200mm
15	1	1	1	1	1	1	10.002.10	HOSE - 1/4" BSP FS/F90 x 500mm
16	1	1	1	1	1	1	10.002.14	HOSE - 1/4" BSP FS/F90 x 700mm
17	1	1	1	1	1	1	10.001.36	HOSE - 1/4" BSP FS/FS x 2600mm
18	1	1	1	1	1	1	10.002.42	HOSE - 1/4" BSP FS/F90 x 3200mm
19	2	2	2	2	2	2	10.002.78	HOSE - 1/4" BSP FS/F90 x 6800mm
	2	2	2	2	2	2	10.002.83	HOSE - 1/4" BSP FS/F90 x 7300mm
20	2	2	2	2	2	2	10.001.50	HOSE - 1/4" BSP FS/FS x 4000mm
	2	2	2	2	2	2	10.001.53	HOSE - 1/4" BSP FS/FS x 4300mm
21	1	-	-	1	-	-	10.002.23	HOSE - 1/4" BSP FS/F90 x 1300mm

Module(s): Refer to kits for cable models in parts list

**PA65T & PA70T Series Hydraulic Hose Installations
(Cable Models)**

The diagram below is a generic view only to illustrate the general layout of hoses - depending on the particular model and build some hoses and hydraulic components will not be applicable.

* Refer to specific ACV and RCV pages for connecting hoses to these components.



- | | | | |
|----|---|----|-----------------------------|
| 1 | Pump to RCV | 17 | Reach Ram (Base) |
| 2 | Cooler to Tank | 18 | Reach Ram (Gland) |
| 3 | RCV to Cooler | 19 | Angle Ram (ACV to Main Arm) |
| 4 | Flail Hoses - RCV to Main Arm | 20 | Angle Ram (Main Arm to Ram) |
| 5 | Flail Hoses - Main Arm to Rigid Pipes | 21 | Tele Ram (Base & Gland) |
| 6 | Flail Hoses - Rigid Pipes to Head Bracket | 22 | Over Centre Valve to ACV |
| 7 | Cable RCV to Tank | | |
| 8 | ACV to Cooler | | |
| 9 | Control Pump Supply | | |
| 10 | Control Pump to ACV | | |
| 11 | Lift Gland to Over Centre Valve | | |
| 12 | Lift Base | | |
| 13 | Lift Gland | | |
| 14 | O/C Valve to Accumulator | | |
| 15 | Slew Ram (Base) | | |
| 16 | Slew Ram (Gland) | | |

NOTE: It is advisable when replacing hoses to run the new one alongside the old one prior to removal to determine the correct route. Hose part number are stamped on hose ends.

HYDRAULIC HOSE KITS – PA65T & PA70T



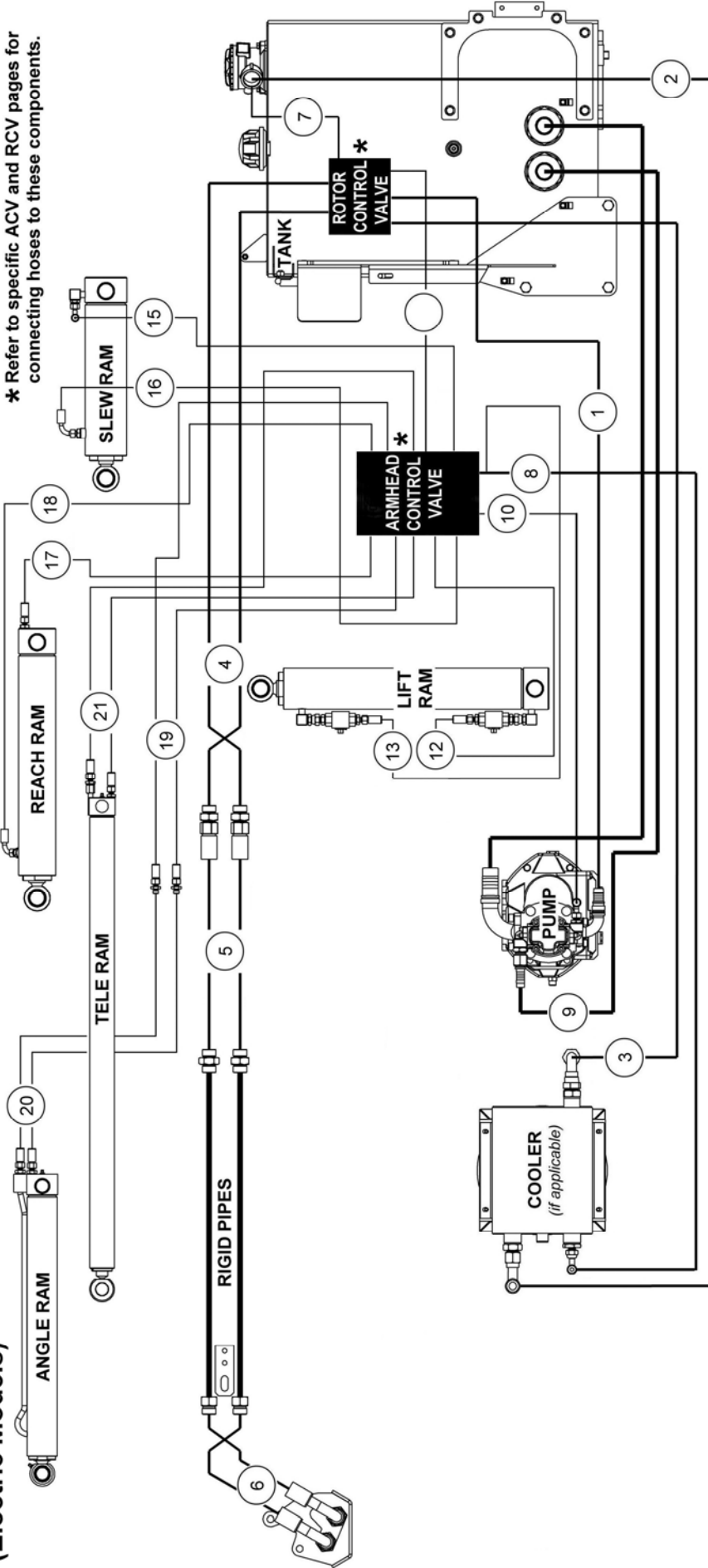
Module(s): As listed below

REF.	QTY.								PART No.	DESCRIPTION
									• 745872222	PA65T CABLE (C/RCV) - L/H
									• 745872223	PA65T CABLE (C/RCV) - R/H
									• 745872224	PA65T ELECTRIC (C/RCV) - L/H
									• 745872225	PA65T ELECTRIC (C/RCV) - R/H
									• 74587221	PA65T ELECTRIC (E/RCV) - L/H
									• 745872226	PA65T ELECTRIC (E/RCV) - R/H
									• 74705221	PA70T ELECTRIC (E/RCV) - L/H
									• 74705222	PA70T ELECTRIC (E/RCV) - R/H
1	1	1	1	1	1	1	1	1	8501323	HOSE - 1" SAE90 x 1" BSP FS x 900mm
2	-	-	1	1	1	1	1	1	10.012.22	HOSE - 1" BSP FS/F90 x 1200mm
3	-	-	1	1	-	-	-	-	10.012.20	HOSE - 1" BSP FS/F90 x 1000mm
	-	-	-	-	1	1	1	1	10.012.13	HOSE - 1" BSP FS/F90 x 650mm
4	2	2	2	2	-	-	-	-	10.025.27	HOSE - 1" BSP FS/F135 x 1700mm
	-	-	-	-	2	2	-	-	10.025.27	HOSE - 1" BSP FS/F135 x 1700mm
	-	-	-	-	-	-	2	2	10.025.33	HOSE - 1" BSP FS/F135 x 2300mm
5	2	2	2	2	2	2	-	-	10.025.32	HOSE - 1" BSP FS/F135 x 2400mm
	-	-	-	-	-	-	2	2	10.025.36	HOSE - 1" BSP FS/F135 x 2600mm
6	2	2	2	2	2	2	2	2	10.022.52	HOSE - 1" BSP FS/F90 x 780mm
7	1	1	-	-	-	-	-	-	10.012.14	HOSE - 1" BSP FS/F90 x 700mm
8	-	-	1	1	1	1	1	1	10.006.15	HOSE - 1/2" BSP FS/F90 x 750mm
9	1	1	1	1	1	1	1	1	10.009.18	HOSE - 3/4" BSP FS/FS x 900mm
10	1	1	1	1	1	1	1	1	10.004.18	HOSE - 3/8" BSP FS/F90 x 900mm
11	1	1	-	-	-	-	-	-	10.001.27	HOSE - 1/4" BSP FS/FS x 1700mm
12	1	1	1	1	1	1	1	1	10.001.22	HOSE - 1/4" BSP FS/FS x 1200mm
13	-	-	1	1	1	1	1	1	10.001.23	HOSE - 1/4" BSP FS/FS x 1300mm
14	1	1	-	-	-	-	-	-	10.001.22	HOSE - 1/4" BSP FS/FS x 1200mm
15	1	1	1	1	1	1	1	1	10.002.10	HOSE - 1/4" BSP FS/F90 x 500mm
16	1	1	1	1	1	1	1	1	10.002.14	HOSE - 1/4" BSP FS/F90 x 700mm
17	1	1	1	1	1	1	-	-	10.001.36	HOSE - 1/4" BSP FS/FS x 2600mm
	-	-	-	-	-	-	1	1	10.001.42	HOSE - 1/4" BSP FS/FS x 3200mm
18	1	1	1	1	1	1	-	-	10.002.42	HOSE - 1/4" BSP FS/F90 x 3200mm
	-	-	-	-	-	-	1	1	10.002.48	HOSE - 1/4" BSP FS/F90 x 3800mm
19	2	2	2	2	2	2	-	-	10.001.29	HOSE - 1/4" BSP FS/FS x 1900mm
	-	-	-	-	-	-	2	2	10.001.35	HOSE - 1/4" BSP FS/FS x 2500mm
20	2	2	2	2	2	2	-	-	10.001.45	HOSE - 1/4" BSP FS/FS x 3500mm
	-	-	-	-	-	-	2	2	10.001.48	HOSE - 1/4" BSP FS/FS x 3800mm
21	2	2	2	2	2	2	-	-	10.001.47	HOSE - 1/4" BSP FS/FS x 3700mm
	-	-	-	-	-	-	2	2	10.001.56	HOSE - 1/4" BSP FS/FS x 4600mm
22	1	1	-	-	-	-	-	-	10.002.23	HOSE - 1/4" BSP FS/F90 x 1300mm

Module(s): Refer to kits for electric models in parts list

**PA65T & PA70T Series Hydraulic Hose Installations
(Electric Models)**

The diagram below is a generic view only to illustrate the general layout of hoses - depending on the particular model and build some hoses and hydraulic components will not be applicable.
* Refer to specific ACV and RCV pages for connecting hoses to these components.



- | | | |
|---|------------------------------------|--------------------------------|
| 1 Pump to RCV | 9 Control Pump Supply | 17 Reach Ram (Base) |
| 2 Cooler to Tank | 10 Control Pump to ACV | 18 Reach Ram (Gland) |
| 3 RCV to Cooler | 11 Lift Gland to Over Centre Valve | 19 Angle Ram (ACV to Main Arm) |
| 4 Flail Hoses - RCV to Main Arm | 12 Lift Base | 20 Angle Ram (Main Arm to Ram) |
| 5 Flail Hoses - Main Arm to Rigid Pipes | 13 Lift Gland | 21 Tele Ram (Base & Gland) |
| 6 Flail Hoses - Rigid Pipes to Head Bracket | 14 O/C Valve to Accumulator | 22 Over Centre Valve to ACV |
| 7 Cable RCV to Tank | 15 Slew Ram (Base) | |
| 8 ACV to Cooler | 16 Slew Ram (Gland) | |

NOTE: It is advisable when replacing hoses to run the new one alongside the old one prior to removal to determine the correct route. Hose part number are stamped on hose ends.

HYDRAULIC HOSE KITS – PA65T & PA70T



Module(s): As listed below

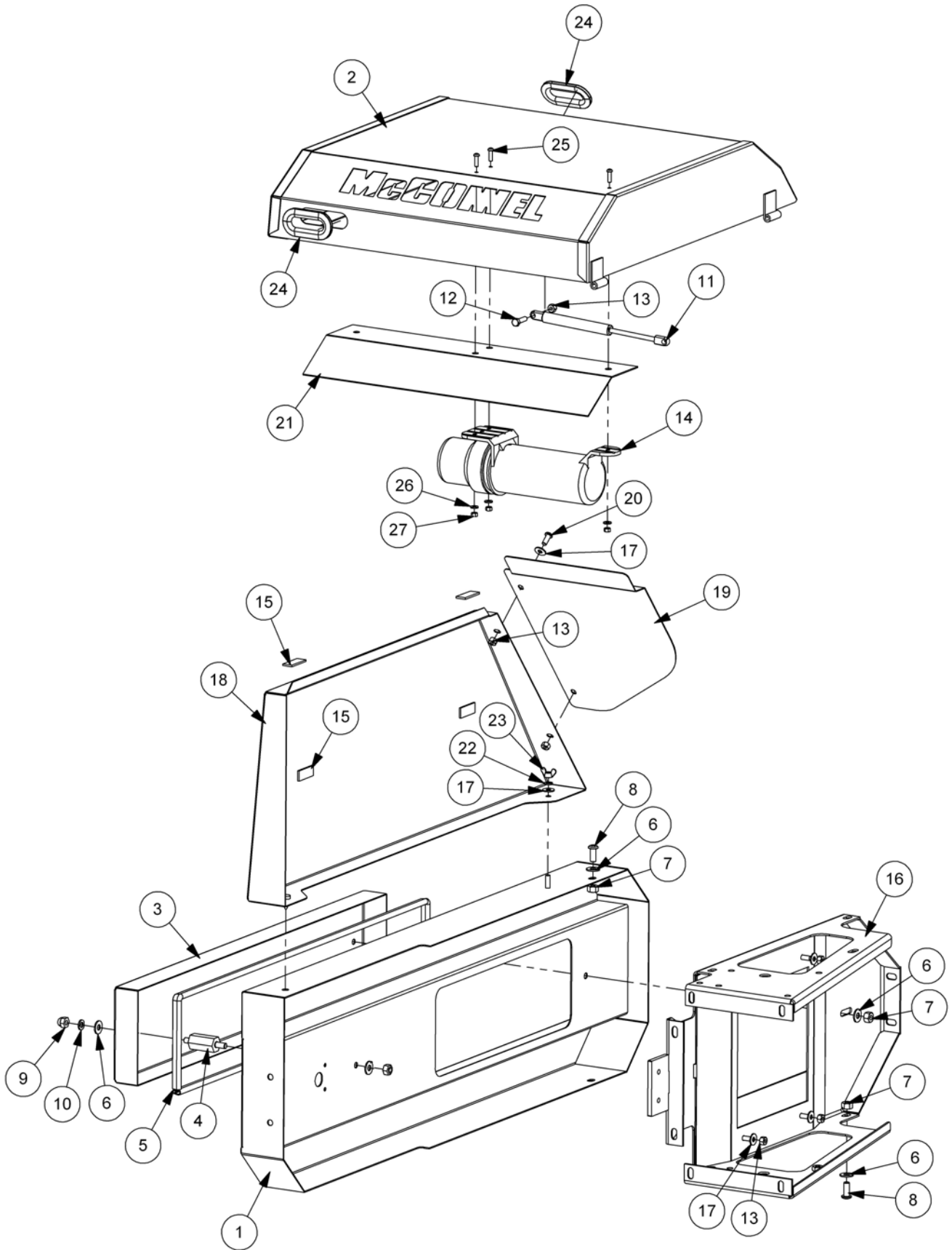
REF.	QTY.								PART No.	DESCRIPTION
									• 745872222	PA65T CABLE (C/RCV) - L/H
									• 745872223	PA65T CABLE (C/RCV) - R/H
									• 745872224	PA65T ELECTRIC (C/RCV) - L/H
									• 745872225	PA65T ELECTRIC (C/RCV) - R/H
									• 745872221	PA65T ELECTRIC (E/RCV) - L/H
									• 745872226	PA65T ELECTRIC (E/RCV) - R/H
									• 74705221	PA70T ELECTRIC (E/RCV) - L/H
									• 74705222	PA70T ELECTRIC (E/RCV) - R/H
1	1	1	1	1	1	1	1	1	8501323	HOSE - 1" SAE90 x 1" BSP FS x 900mm
2	-	-	1	1	1	1	1	1	10.012.22	HOSE - 1" BSP FS/F90 x 1200mm
3	-	-	1	1	-	-	-	-	10.012.20	HOSE - 1" BSP FS/F90 x 1000mm
	-	-	-	-	1	1	1	1	10.012.13	HOSE - 1" BSP FS/F90 x 650mm
4	2	2	2	2	-	-	-	-	10.025.27	HOSE - 1" BSP FS/F135 x 1700mm
	-	-	-	-	2	2	-	-	10.025.27	HOSE - 1" BSP FS/F135 x 1700mm
	-	-	-	-	-	-	2	2	10.025.34	HOSE - 1" BSP FS/F135 x 2400mm
5	2	2	2	2	2	2	-	-	10.025.32	HOSE - 1" BSP FS/F135 x 2400mm
	-	-	-	-	-	-	2	2	10.025.36	HOSE - 1" BSP FS/F135 x 2600mm
6	2	2	2	2	2	2	2	2	10.022.52	HOSE - 1" BSP FS/F90 x 780mm
7	1	1	-	-	-	-	-	-	10.012.14	HOSE - 1" BSP FS/F90 x 700mm
8	-	-	1	1	1	1	1	1	10.006.15	HOSE - 1/2" BSP FS/F90 x 750mm
9	1	1	1	1	1	1	1	1	10.009.18	HOSE - 3/4" BSP FS/FS x 900mm
10	1	1	1	1	1	1	1	1	10.004.18	HOSE - 3/8" BSP FS/F90 x 900mm
11	1	1	-	-	-	-	-	-	10.001.27	HOSE - 1/4" BSP FS/FS x 1700mm
12	1	1	1	1	1	1	1	1	10.001.22	HOSE - 1/4" BSP FS/FS x 1200mm
13	-	-	1	1	1	1	1	1	10.001.23	HOSE - 1/4" BSP FS/FS x 1300mm
14	1	1	-	-	-	-	-	-	10.001.22	HOSE - 1/4" BSP FS/FS x 1200mm
15	1	1	1	1	1	1	1	1	10.002.10	HOSE - 1/4" BSP FS/F90 x 500mm
16	1	1	1	1	1	1	1	1	10.002.14	HOSE - 1/4" BSP FS/F90 x 700mm
17	1	1	1	1	1	1	-	-	10.001.36	HOSE - 1/4" BSP FS/FS x 2600mm
	-	-	-	-	-	-	1	1	10.001.43	HOSE - 1/4" BSP FS/FS x 3300mm
18	1	1	1	1	1	1	-	-	10.002.42	HOSE - 1/4" BSP FS/F90 x 3200mm
	-	-	-	-	-	-	1	1	10.002.49	HOSE - 1/4" BSP FS/F90 x 3900mm
19	2	2	2	2	2	2	-	-	10.001.29	HOSE - 1/4" BSP FS/FS x 1900mm
	-	-	-	-	-	-	2	2	10.001.39	HOSE - 1/4" BSP FS/FS x 2900mm
20	2	2	2	2	2	2	-	-	10.001.45	HOSE - 1/4" BSP FS/FS x 3500mm
	-	-	-	-	-	-	2	2	10.001.48	HOSE - 1/4" BSP FS/FS x 3800mm
21	2	2	2	2	2	2	-	-	10.001.47	HOSE - 1/4" BSP FS/FS x 3700mm
	-	-	-	-	-	-	2	2	10.001.56	HOSE - 1/4" BSP FS/FS x 4600mm
22	1	1	-	-	-	-	-	-	10.002.23	HOSE - 1/4" BSP FS/F90 x 1300mm

COVERS ASSEMBLY – Non Cooler Models

McCONNEL

Module(s): 7153702, 7153703

REF.	QTY.	PART No.	DESCRIPTION
		7153702	COVERS ASSEMBLY (Non Cooler) - L/H Build
		7153703	COVERS ASSEMBLY (Non Cooler) - R/H Build
1	1	21723.03	LIGHT BAR - L/H Build
	1	21723.04	LIGHT BAR - R/H Build
2	1	21309.14	TANK COVER - L/H Build
	1	21309.15	TANK COVER - R/H Build
3	5	9100105	FLAT WASHER
4	4	9300154	SOCKET SCREW
5	3	9143005	SELF-LOCKING NUT
6	1	21288.03	GAS SPRING
7	1	9313064	SETSCREW
8	3	9143004	SELF-LOCKING NUT
9	1	46505.01	LITERATURE HOLDER
10	4	21726.31	SPONGE PAD
11	1	21363.02	BLANKING PLATE
12	1	21712.02	REAR COVER - L/H Build
	1	21712.03	REAR COVER - R/H Build
13	1	21880.01	VALVE COVER - L/H Build
	1	21880.02	VALVE COVER - R/H Build
14	3	9100104	FLAT WASHER
15	2	9300161	SOCKET BUTTON SCREW
16	1	21881.02	COVER INSERT
17	1	9100204	SPRING WASHER
18	1	9193004	WING NUT
19	2	43468.10	EDGING
20	3	9300143	BUTTON HEAD CAPSCREW
21	3	9100103	FLAT WASHER
22	3	9143003	SELF-LOCKING NUT
23	1	21305.03	VALVE & COVER SUPPORT



COVERS ASSEMBLY – Cooler Models

McCONNEL

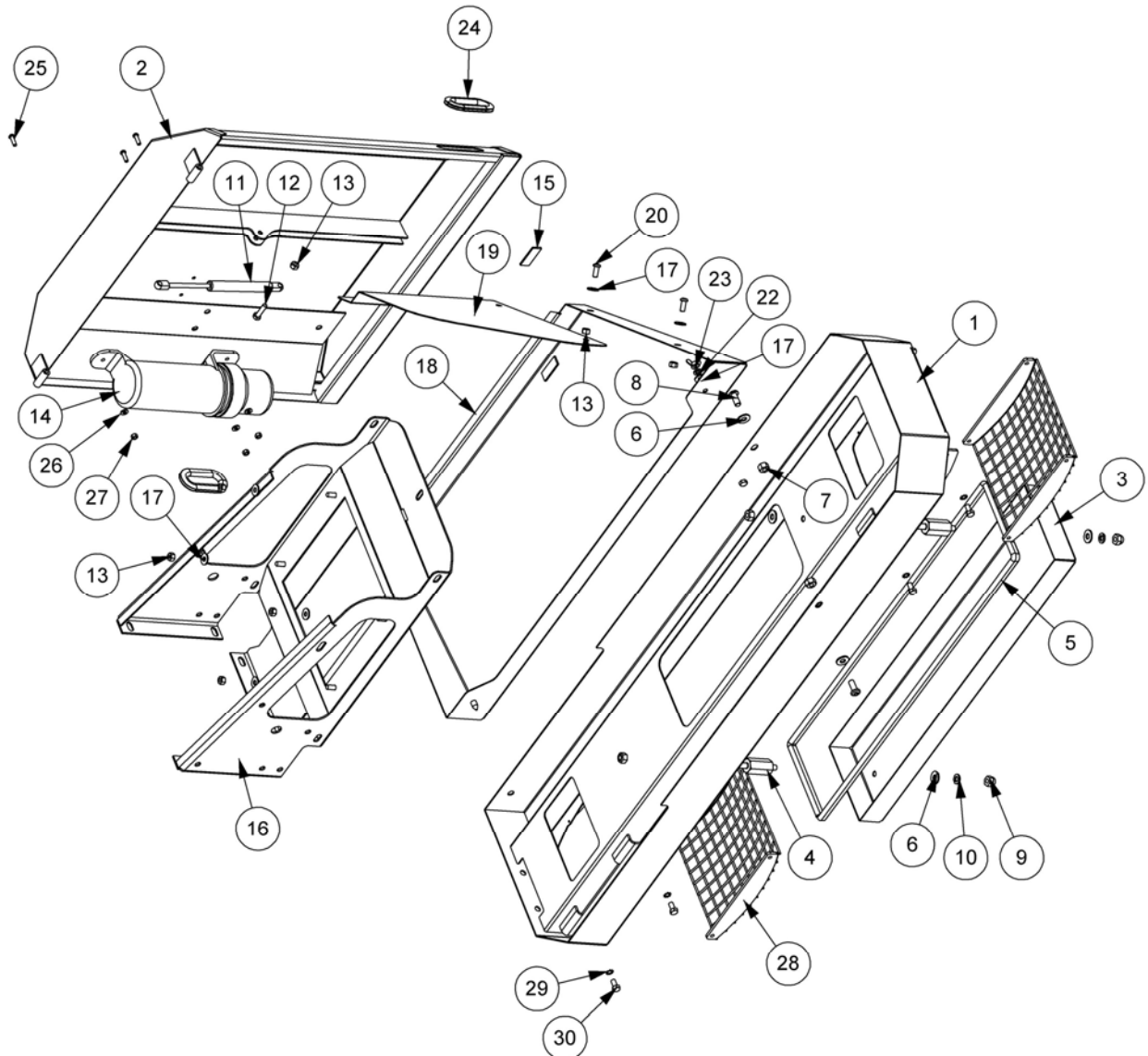
Module(s): 7153704, 7153705

REF.	QTY.	PART No.	DESCRIPTION
		7153704	COVERS ASSEMBLY (Cooler Models) - L/H Build
		7153705	COVERS ASSEMBLY (Cooler Models) - R/H Build
1	1	21723.03	LIGHT BAR - L/H Build
	1	21723.04	LIGHT BAR - R/H Build
2	1	21309.14	TANK COVER - L/H Build
	1	21309.15	TANK COVER - R/H Build
3	1	46046.01	COOLER FILTER BASKET
4	2	46041.01	STAND OFF
5	1	43468.05	EDGING STRIP
6	5	9100105	FLAT WASHER
7	3	9143005	SELF-LOCKING NUT
8	2	9300154	SOCKET SCREW
9	2	9100025	DOME NUT
10	2	9100205	SPRING WASHER
11	1	21288.03	GAS SPRING
12	1	9313064	SETSCREW
13	7	9143004	SELF-LOCKING NUT
14	1	46505.01	LITERATURE HOLDER
15	4	21726.31	SPONGE PAD
16	1	21305.01	COVER MOUNT
17	7	9100104	FLAT WASHER
18	1	21712.02	REAR COVER - L/H Build
	1	21712.03	REAR COVER - R/H Build
19	1	21880.01	VALVE COVER - L/H Build
	1	21880.02	VALVE COVER - R/H Build
20	2	9300161	SOCKET BUTTON SCREW
21	1	21881.02	COVER INSERT
22	1	9100204	SPRING WASHER
23	1	9193004	WING NUT
24	2	43468.10	EDGING
25	3	9300143	BUTTON HEAD CAPSCREW
26	3	9100103	FLAT WASHER
27	3	9143003	SELF-LOCKING NUT

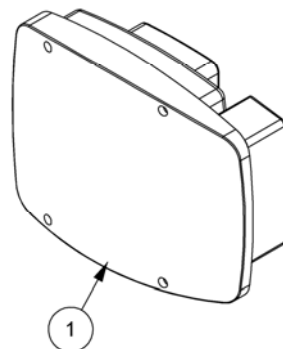
FRONT MOUNT COVERS & LIGHTING KIT

McCONEL

Module(s): 7153710



Front Lighting Kit 22427.12



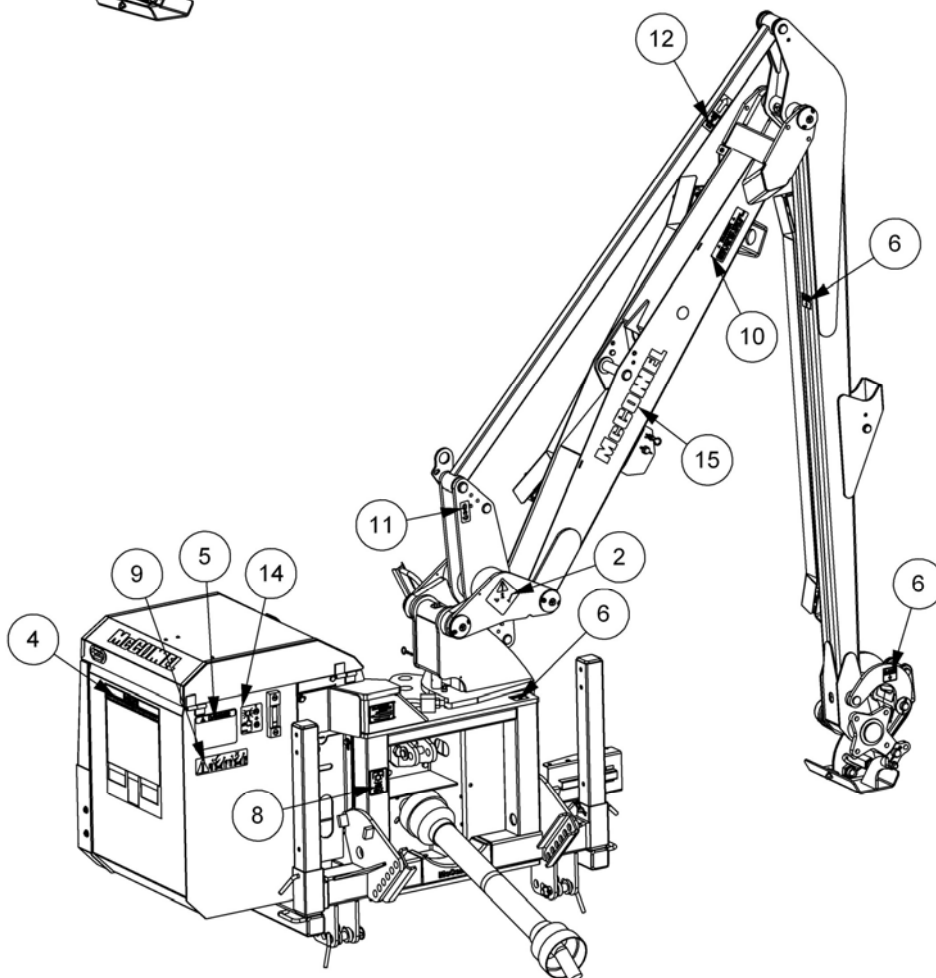
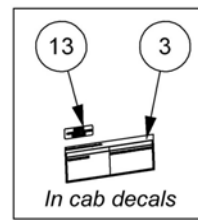
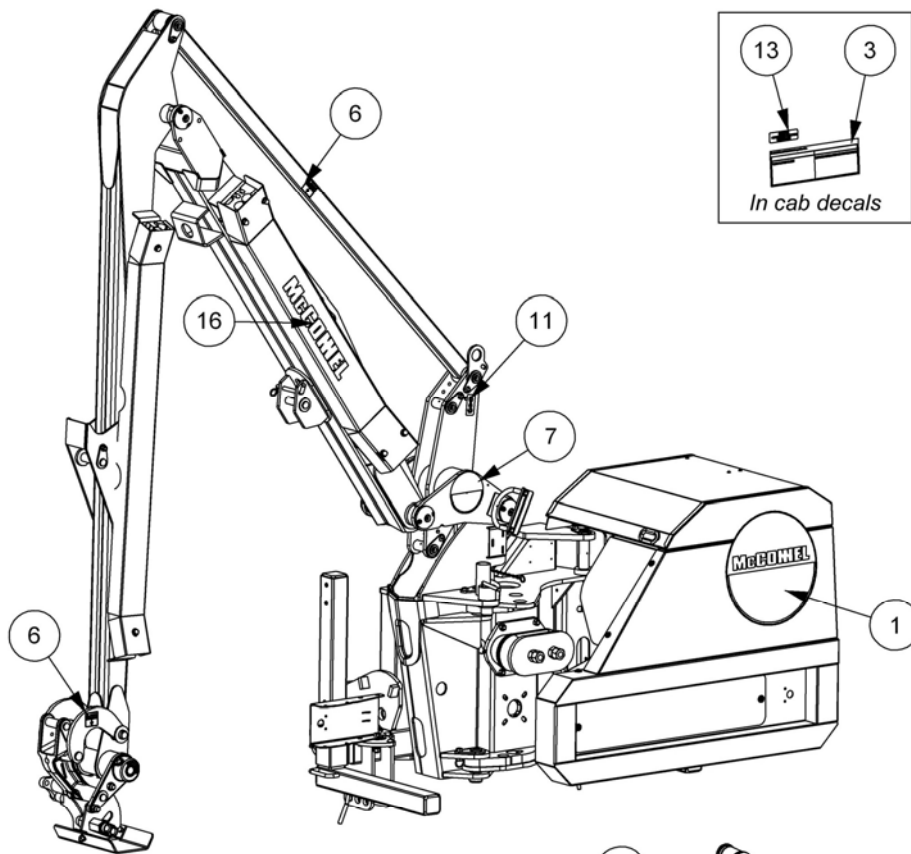
FRONT MOUNT COVERS ASSEMBLY

McCONNEL

Module(s): 7153710

REF.	QTY.	PART No.	DESCRIPTION
		7153710	FRONT MOUNT COVERS ASSEMBLY
1	1	22427.02	COVER HEADLIGHT MOUNTING
2	1	21309.14	L/H TANK COVER
3	1	22427.33	COOLER BASKET
4	2	46041.01	STAND OFF
5	1	43468.05	EDGING STRIP
6	5	9100105	FLAT WASHER
7	3	9143005	SELF-LOCKING NUT
8	2	9300154	BUTTON HEAD SOCKET SCREW
9	2	9100025	DOME NUT
10	2	9100205	SPRING WASHER
11	1	21288.03	GAS SPRING
12	1	9313064	SETSCREW
13	7	9143004	SELF-LOCKING NUT
14	1	46505.01	LITERATURE HOLDER
15	4	21726.31	SPONGE PAD
16	1	21305.05	COVER MOUNT (COOLER)
17	7	9100104	FLAT WASHER
18	1	21712.02	L/H REAR COVER
19	1	21880.01	L/H VALVE COVER
20	2	9300161	SOCKET BUTTON SCREW
21	1	21881.02	COVER INSERT
22	1	9100204	SPRING WASHER
23	1	9193004	WING NUT
24	2	43468.10	EDGING STRIP
25	3	9300143	BUTTON HEAD CAPSCREW
26	3	9100103	FLAT WASHER
27	3	9143003	SELF-LOCKING NUT
28	2	22427.03	LIGHT COVER
29	8	9100404	SHAKEPROOF WASHER
30	8	9313034	SETSCREW

REF.	QTY.	PART No.	DESCRIPTION
		22427.12	FRONT LIGHTING KIT
1	1	21144.02	R/H HEADLAMP UNIT
2	1	21144.01	L/H HEADLAMP UNIT
3	1	21142.01	HEADLIGHT LOOM KIT



Module(s): 7458775

REF.	QTY.	PART No.	DESCRIPTION
		7458775	BASIC DECAL KIT - All Models
1	1	1290697	DECAL - McCONNEL ROUNDEL
2	1	7105130	DECAL - READ INSTRUCTION BOOK FIRST
3	1	1290352	* DECAL - CAB
4	1	1290391	DECAL - GENERAL SAFETY
5	1	00756494	DECAL - DRIVELINE HAZARD
6	6	02962764	DECAL - PINCH POINT
7	1	1290296	DECAL - LOGO
8	1	09.811.03	DECAL - PTO SPEED (500RPM)
9	1	7135295	DECAL - TIGHTEN CHECK CHAINS
10	1	1290403	DECAL - BREAKAWAY WARNING
11	2	1290074	DECAL - SLING HERE
12	1	1290406	DECAL - TRANSPORT WARNING
13	1	8402135	** DECAL - CAUTION
14	1	1290023	DECAL - OIL FILTER
15	1	1290255	DECAL - McCONNEL (BLACK)
16	1	1290614	DECAL - McCONNEL (WHITE)

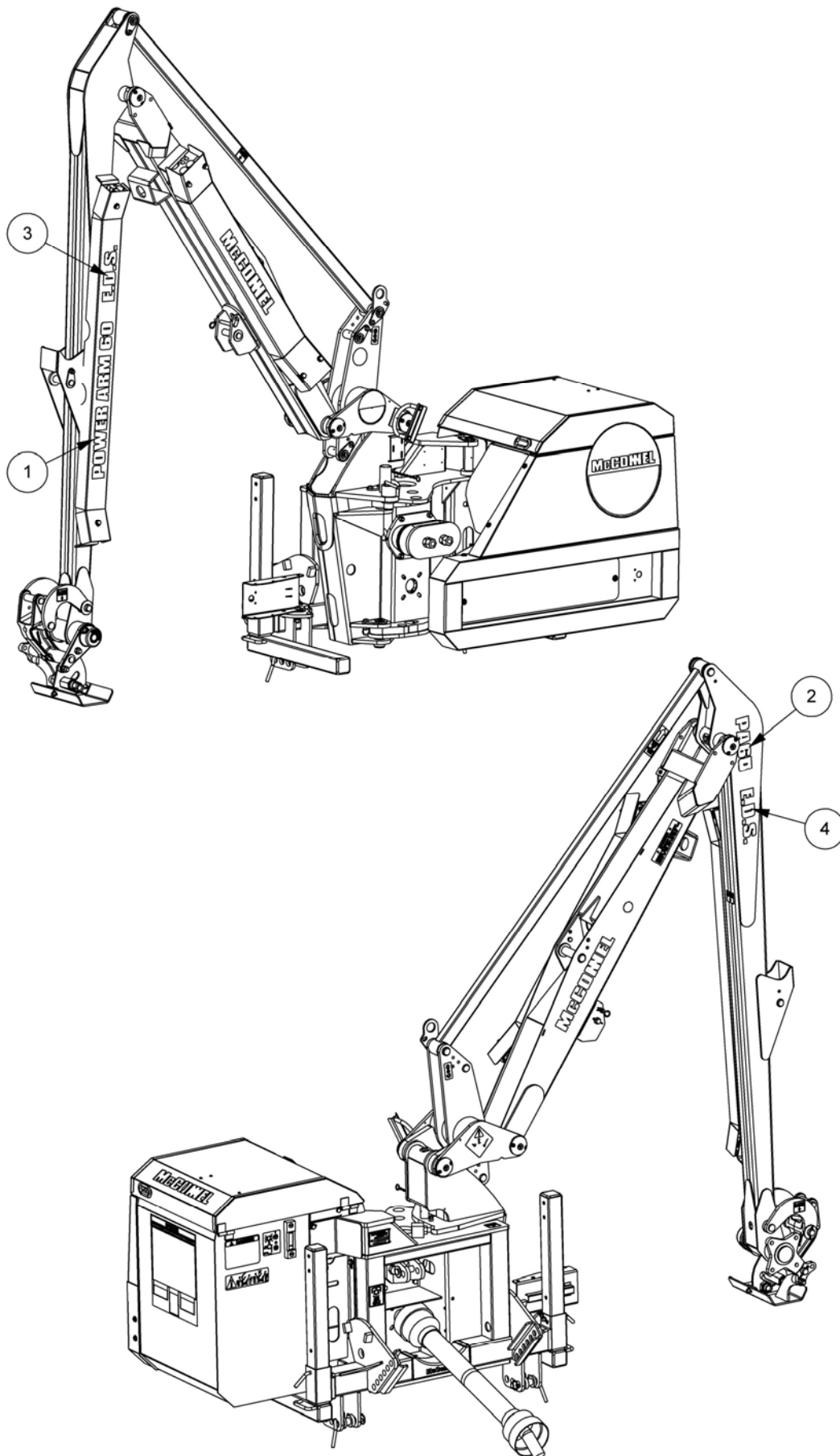
* *Decal supplied loose for fitment in tractor cab*

** *Decal supplied loose for fitment on (or near to) the controls in tractor cab.*

SPECIFIC DECAL KITS – Model Identification

Module(s): 7458777, 7458778, 7458779, 7458780, 7470520

McCONEL



SPECIFIC DECAL KITS – Model Identification

McCONNEL

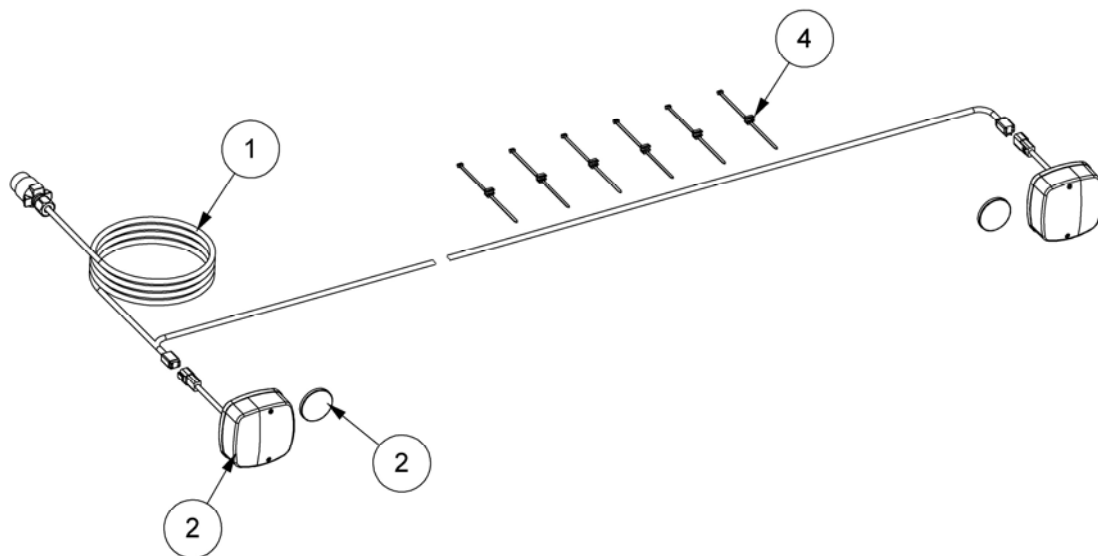
Module(s): 7458777, 7458778, 7458779, 7458780, 7470520

REF.	QTY.	PART No.	DESCRIPTION
		7458777	DECAL KIT - PA55 Models
1	1	1290712	DECAL - PA55 (WHITE)
2	1	1290713	DECAL - PA55 (BLACK)
		7458778	DECAL KIT - PA60 Models
1	1	1290714	DECAL - PA60 (WHITE)
2	1	1290715	DECAL - PA60 (BLACK)
		7458779	DECAL KIT - PA65T Models
1	1	1290706	DECAL - PA65T (WHITE)
2	1	1290709	DECAL - PA65T (BLACK)
		7470520	DECAL KIT - PA70T Models
1	1	1290706	DECAL - PA65T (WHITE)
2	1	1290709	DECAL - PA65T (BLACK)
		7458780	DECAL KIT - EDS Models
3	1	1290700	DECAL - EDS (WHITE)
4	1	1290518	DECAL - EDS (BLACK)

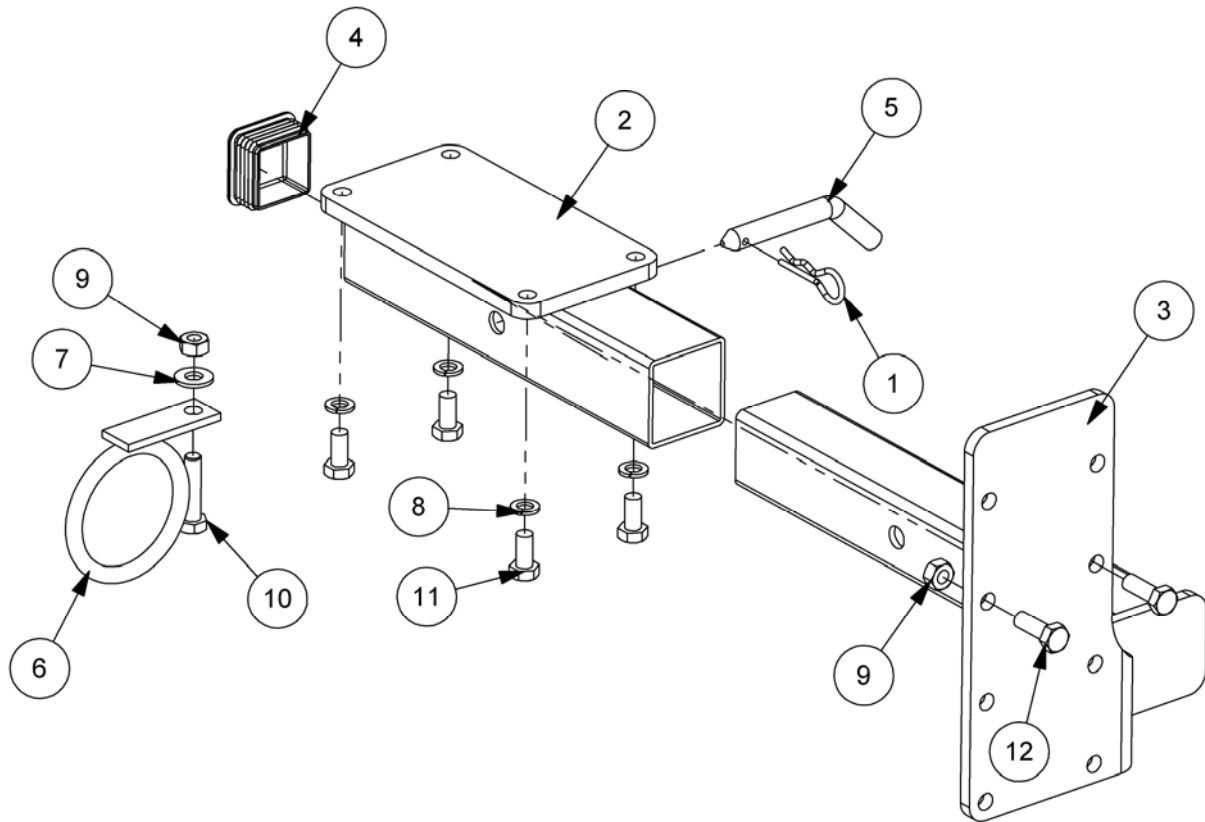
REAR LIGHTING KIT (Option)

McCONNEL

Module(s): 7155719



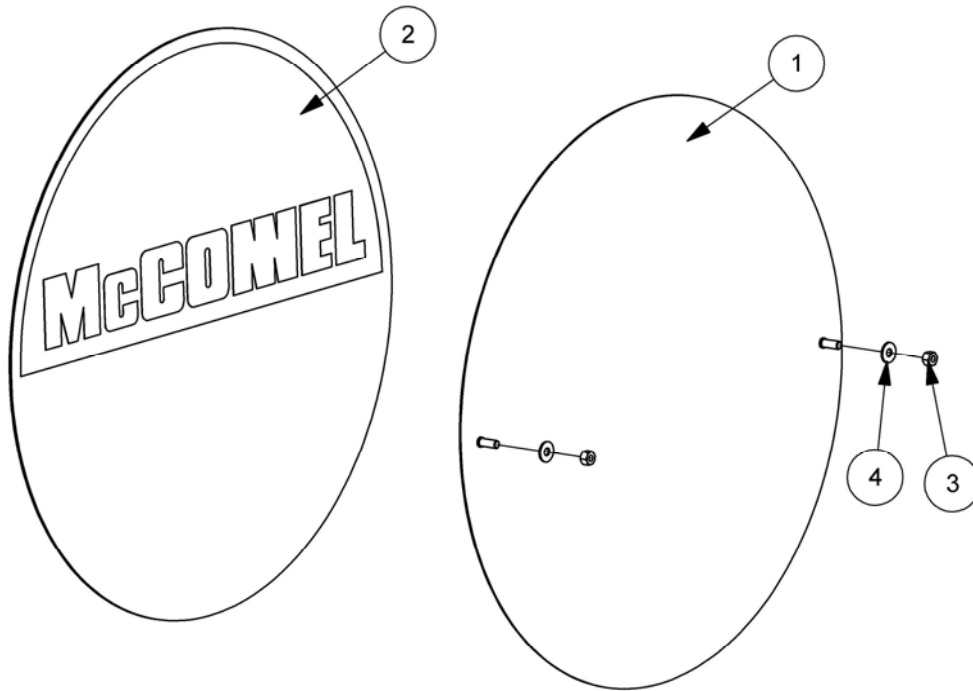
REF.	QTY.	PART No.	DESCRIPTION
		7155719	REAR LIGHTING KIT ASSEMBLY
		45900.02	REAR LIGHTING KIT - <i>comprising of:</i>
1	1	45656.08	LIGHTING LOOM c/w PLUGS
2	2	45642.02	COMBINATION LAMP
3	2	45671.01	REFLECTOR - SELF ADHESIVE
4	6	21150.01	CABLE TIE - PUSH ON



REF.	QTY.	PART No.	DESCRIPTION
		7150770	DEBRIS BLOWER MOUNTING KIT - L/H Machines
		7150771	DEBRIS BLOWER MOUNTING KIT - R/H Machines
1	1	0431105	SPRING COTTER
2	1	43492.01	BLOWER BRACKET
3	1	43492.05	BLOWER BRACKET - L/H Build
	1	43492.06	BLOWER BRACKET - R/H Build
4	1	7191108	PLASTIC PLUG
5	1	7192023	LEG PIN
6	1	7319282	HOSE RING
7	1	9100106	FLAT WASHER
8	4	9100206	SPRING WASHER
9	3	9143006	SELF-LOCKING NUT
10	1	9213106	BOLT
11	4	9313056	SETSCREW
12	2	9313076	SETSCREW

Suitable for the following machines:

PA32, PA41, PA45, PA47 Mk1*, PA47 Mk2, PA48, PA50Mk1*, PA50 Mk2, PA55/60
(* without lightbars)*



REF.	QTY.	PART No.	DESCRIPTION
		7155750	REAR MAGNETIC SIGN KIT
1	1	21361.01	SIGN CARRIER
2	1	21360.01	MAGNETIC STICKER
3	2	9143004	SELF-LOCKING NUT
4	2	9100104	FLAT WASHER

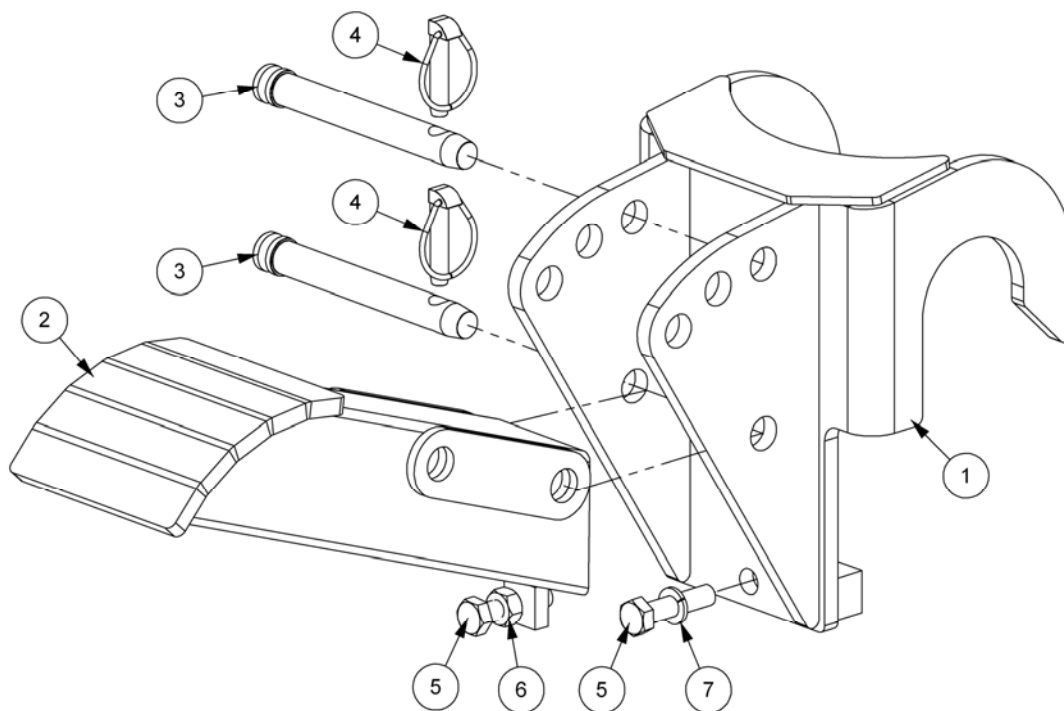


Side 1. McConnell Decal

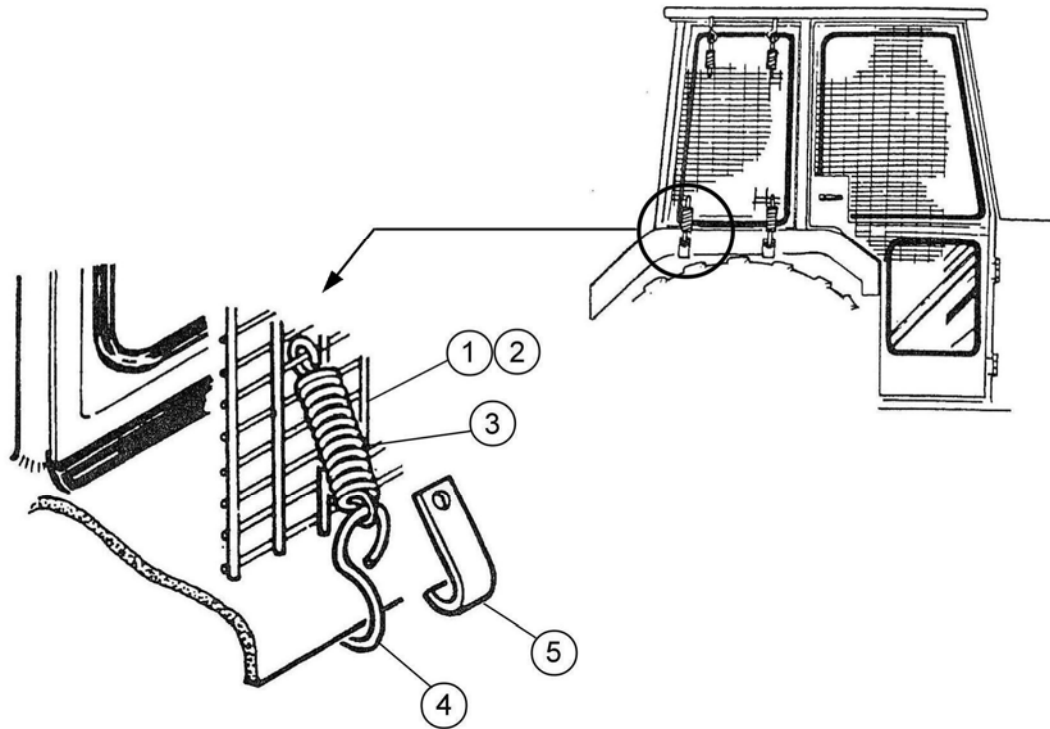


Side 2. Direction Arrow

The illustrations above show both sides of the magnetic sign – the signs are suitable for both left and right handed machines as they can be mounted such that the arrow will point in either direction.



REF.	QTY.	PART No.	DESCRIPTION
		22493.03	LIFT STOP KIT
1	1	22483.02	STOP BRACKET
2	1	22485.02	PROP
3	2	03.874.01	PIN
4	2	0431217	LINCH PIN
5	2	9313106	SETSCREW
6	1	9113006	NUT
7	1	9100206	SPRING WASHER



REF.	QTY.	PART No.	DESCRIPTION
		7313324	CAB GUARD & MOUNTING KIT
1	1	7313049	GUARD PANEL - LARGE
2	1	7313050	GUARD PANEL - SMALL
3	12	6001064	SPRING
4	6	6001065	HOOK
5	6	7313051	HOOK



McConnel Limited, Temeside Works, Ludlow, Shropshire SY8 1JL. England.
Telephone: 01584 873131. Facsimile: 01584 876463. www.mcconnel.com