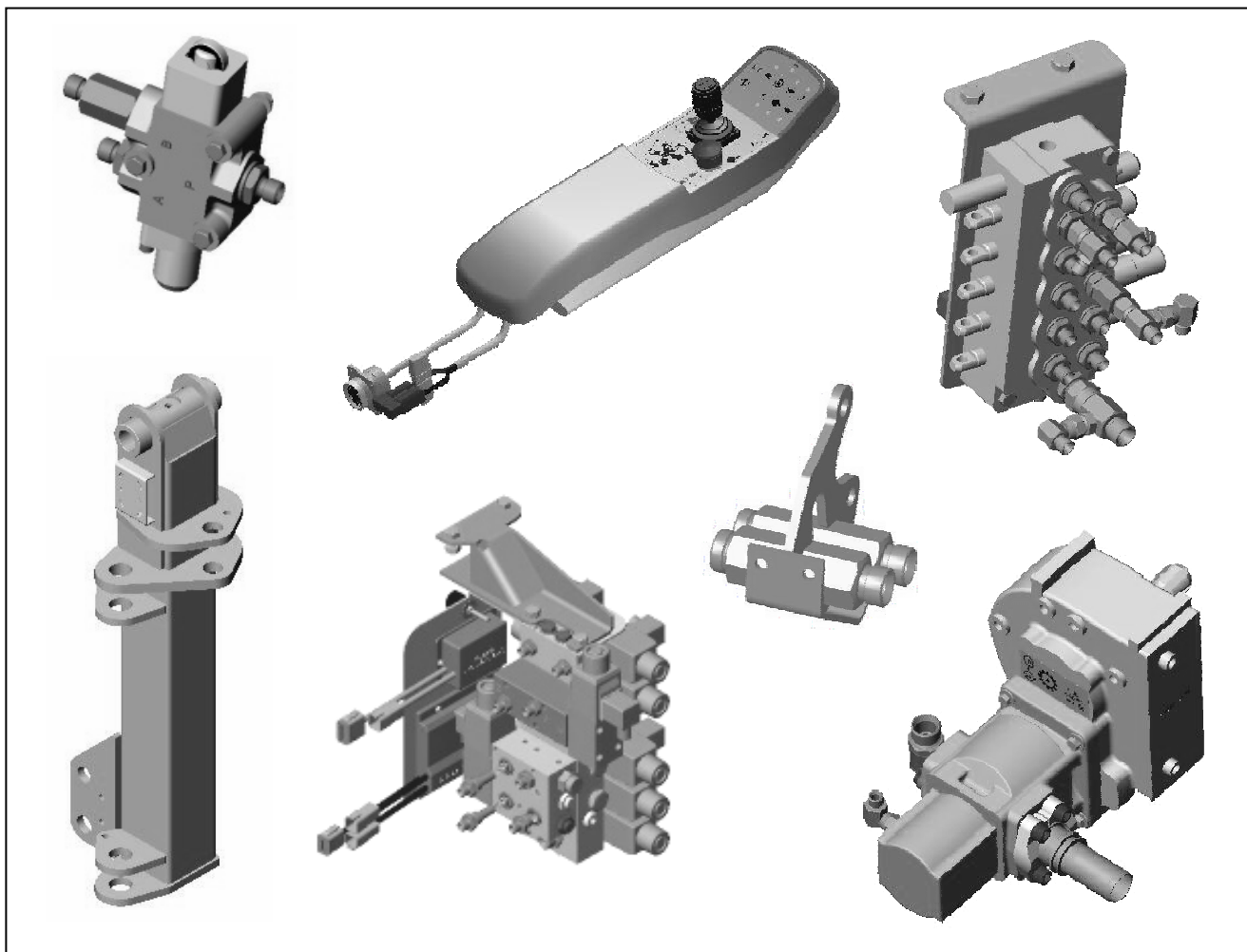


Publication 416
February 2002
Part No. 41570.16
Revised 03.01.07



PA 52 PA 59 HY REACH

Parts Manual



McCONEL



For best performance...

USE ONLY McCONNEL SERVICE PARTS

*To be assured of the latest design improvements purchase your
'Genuine Replacements' from the Original Equipment Manufacturer:*

McCONNEL LIMITED

through your local Dealer or Stockist.

Always quote:

- ***Machine Type***
- ***Serial Number***
- ***Part Number***

*Design Improvements may have altered some of the parts listed in this manual –
The latest part will always be supplied when it is interchangeable with an earlier one.*

CONTENTS

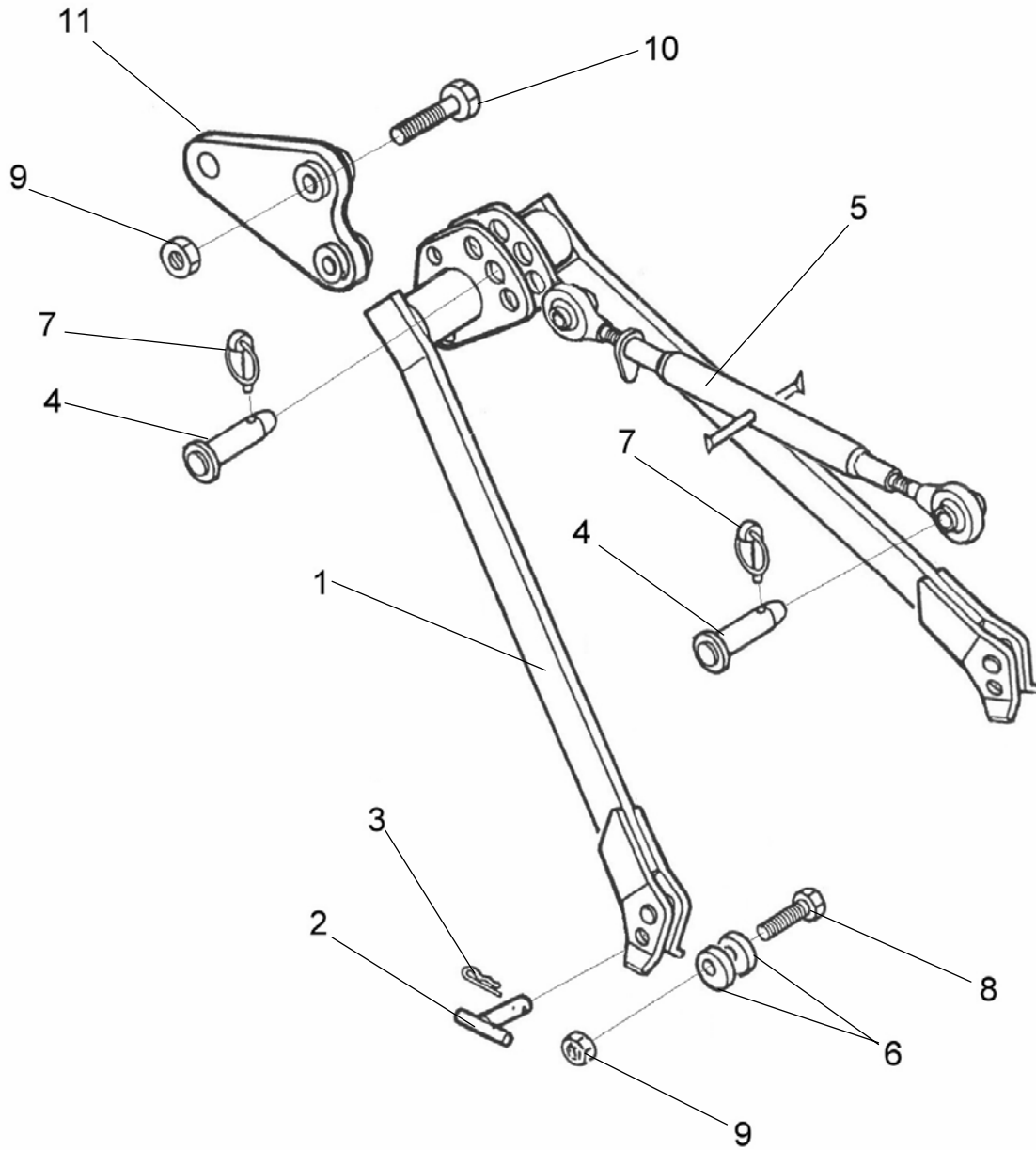
	<i>Page</i>
FRAME AND TANK	
Stabilizers - <i>Early Models</i>	4
Stabilizers - <i>Current Models</i>	6
Main Frame	8
Pillar	10
Rocker - <i>Standard Models</i>	12
Rocker - <i>EDS Models</i>	14
Main Arm	16
Dipper Arm - <i>Standard Models</i>	18
Dipper Arm - <i>Midcut Models</i>	20
Dipper Arm - <i>Front Mount Models</i>	22
Dipper Arm - <i>Reverse Drive Models</i>	24
Dipper Arm - <i>Angling Mechanism</i>	26
Hydraulic Tank	28
PUMPS AND GEARBOXES	
Pump & Gearbox - <i>Si Cable Models</i>	30
Pump & Gearbox - <i>Ti HP Models</i>	32
Pump & Gearbox - <i>Front Mount Models</i>	34
Gearbox Assembly	36
VALVES	
Rotor Relief Valve - <i>Cable</i>	38
Rotor Control Valve - <i>Cable</i>	40
Rotor Control Valve - <i>Electric</i>	42
Armhead Control Valve - <i>Cable</i>	44
Armhead Control Valve - <i>Cable Midcut</i>	46
Armhead Control Valve - <i>Electric</i>	48
Armhead Control Valve - <i>Electric Midcut</i>	50
Armhead Control Valve - <i>Electric Front Mount</i>	52
Solenoid/Manifold - <i>Proportional & Proportional Front Mount</i>	54
Solenoid/Manifold - <i>Proportional Midcut</i>	56
HOSE INSTALLATION	
Cable Valve	58
Cable Midcut Valve	58
Electric Valve	60
Electric Midcut Valve	60
Electric Front Mount Valve	62
Proportional Valve	62
Proportional Midcut Valve	64
Proportional Front Mount Valve	64
Machine Hose Installation	66
FLOAT KITS	
Float Kit - <i>Cable Models</i>	68
Float Kit - <i>Electric Models</i>	70
Auto Reset - <i>Front Mount Models</i>	72

CONTENTS - Continued

	<i>Page</i>
HYDRAULIC RAMS	
Angling Ram	74
Lift Ram	75
Reach Ram	76
Slew Ram	77
Fold Ram - <i>Midcut Models</i>	78
Breakaway Ram - <i>Front Mount Models</i>	79
MACHINE CONTROLS	
Switchbox Controls	80
Monolever Controls	82
Armrest Controls	84
Auxiliary Box for v.3 Proportional Controls	86
Control Mountings	88
COMPONENTS	
Sensors - <i>EDS Models</i>	90
Over Centre Valve - <i>All Models</i>	92
Head Support - <i>Front Mount Models</i>	94
Cooler Kit - <i>EDS Models</i>	96
Rear Covers	98
Front Lighting Kit - <i>Front Mount Models</i>	100
Rear Lighting Kit	102
Cab Guard Kit	104
Hydraulic Installation Sundries	105
Machine Decals	106
OPTIONAL EXTRAS	
Debris Blower Mounting Kit	108

STABILIZER ASSEMBLY (Early models)

MODULE:
7499615

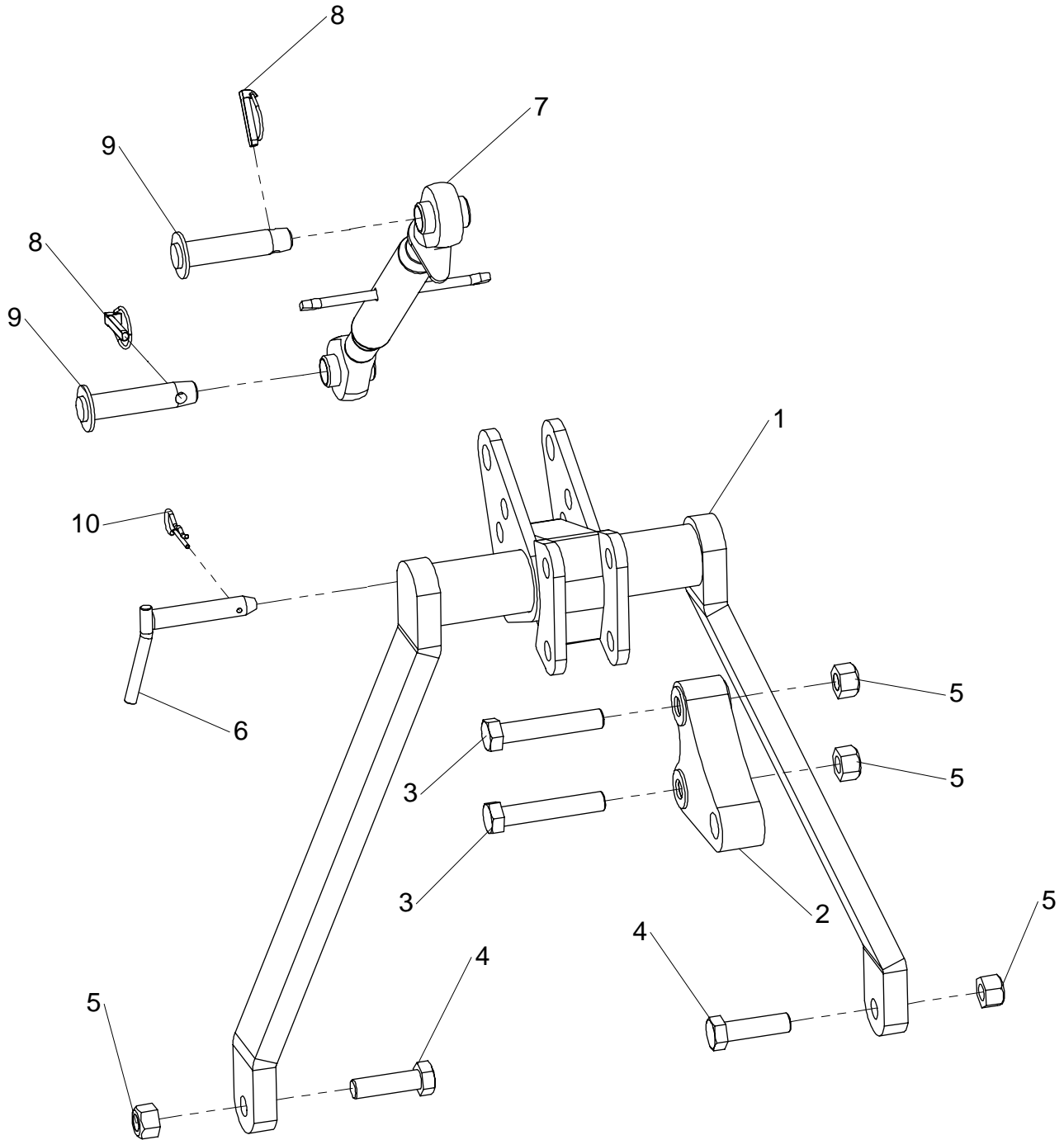


**STABILIZER ASSEMBLY**

REF.	QTY.	PART NO.	DESCRIPTION
		7499615	STABILIZER ASSEMBLY
1	1	41915.07	STABILIZER
2	2	7192027	STABILIZER PIN
3	4	0431105	SPRING COTTER
4	2	7118112	TOP LINK PIN
5	1	07.584.01	TOP LINK - CAT. II
6	4	7192080	ECCENTRIC COLLAR
7	2	0431217	LINCH PIN
8	2	9213148	BOLT M20 x 70
9	4	9143008	CLEVLOK NUT M20
10	2	9213228	BOLT M20 x 110
11	1	7499501	TONGUE

STABILIZER ASSEMBLY

MODULE:
7499624



STABILIZER ASSEMBLY

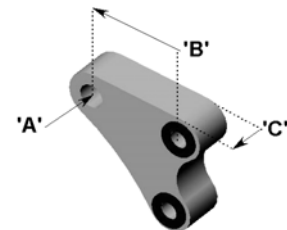
REF.	QTY.	PART No.	DESCRIPTION
		7499624	STABILIZER ASSEMBLY
1	1	41205.06	STABILIZER
2	1	7499501	TONGUE - CAT 2
3	2	9213228	BOLT M20 x 110
4	2	9213148	BOLT M20 x 70
5	4	9143008	SELF-LOCKING NUT M20
6	1	45784.01	QUADRANT PIN
7	1	07.584.01	TOP LINK
8	2	0431217	LINCH PIN
9	2	7560144	TOP LINK PIN
10	1	0431105	SPRING COTTER

McCONNELL STABILISER TONGUES

'A' – Hole diameter

'B' – Hole center spacing

'C' – Stabiliser width



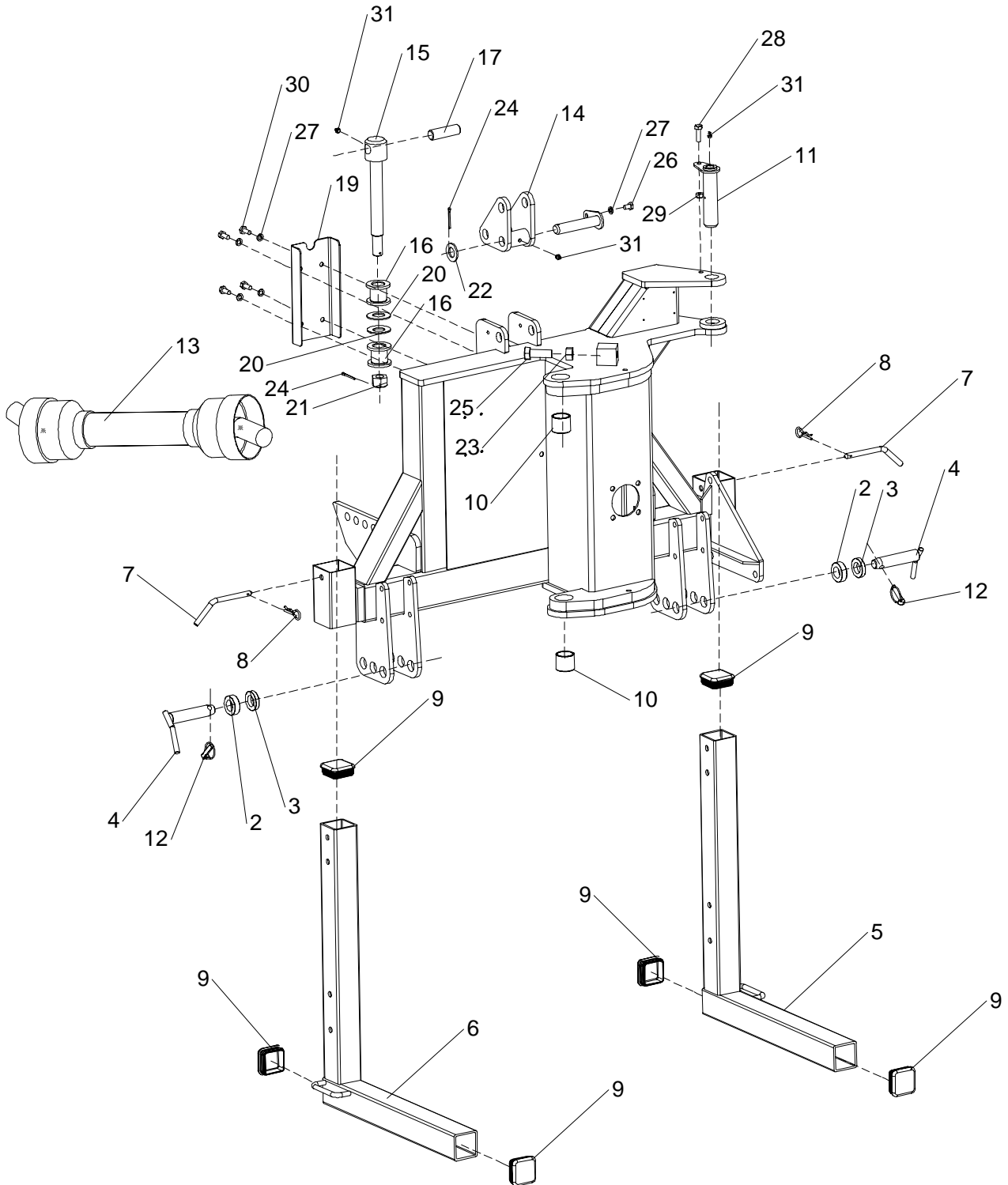
(Dimensions in mm)

Part No.	Description	'A'	'B'	'C'
7499501	Tongue: Standard – Cat. 2	27	107	45
7499500	Tongue: Special – Cat. 2 narrow	27	107	35
7499502	Tongue: Special – Cat. 2 long	27	217	45
7499503	Tongue: Special – Cat. 3 long	32	217	45
7499504	Tongue: Special – Cat. 1	19.5	107	35
7499505	Tongue: Special – Cat. 2 for Case TX tractors	25	120	50
7499506	Tongue: Special – Cat. 3	32	107	45
7499507	Tongue: Special – Cat. 3 narrow	32	107	30
7499508	Tongue: Special – for some Ford tractors	28.6	107	45
7499262	Tongue: Special – Cat. 2 extra long for Aebi	27	260	45
7499510	Tongue: Special – Cat. 2	27	107	40

MAIN FRAME ASSEMBLY

MODULES:
7452700 – L/H
7452701 – R/H

Illustrated in Left Hand build





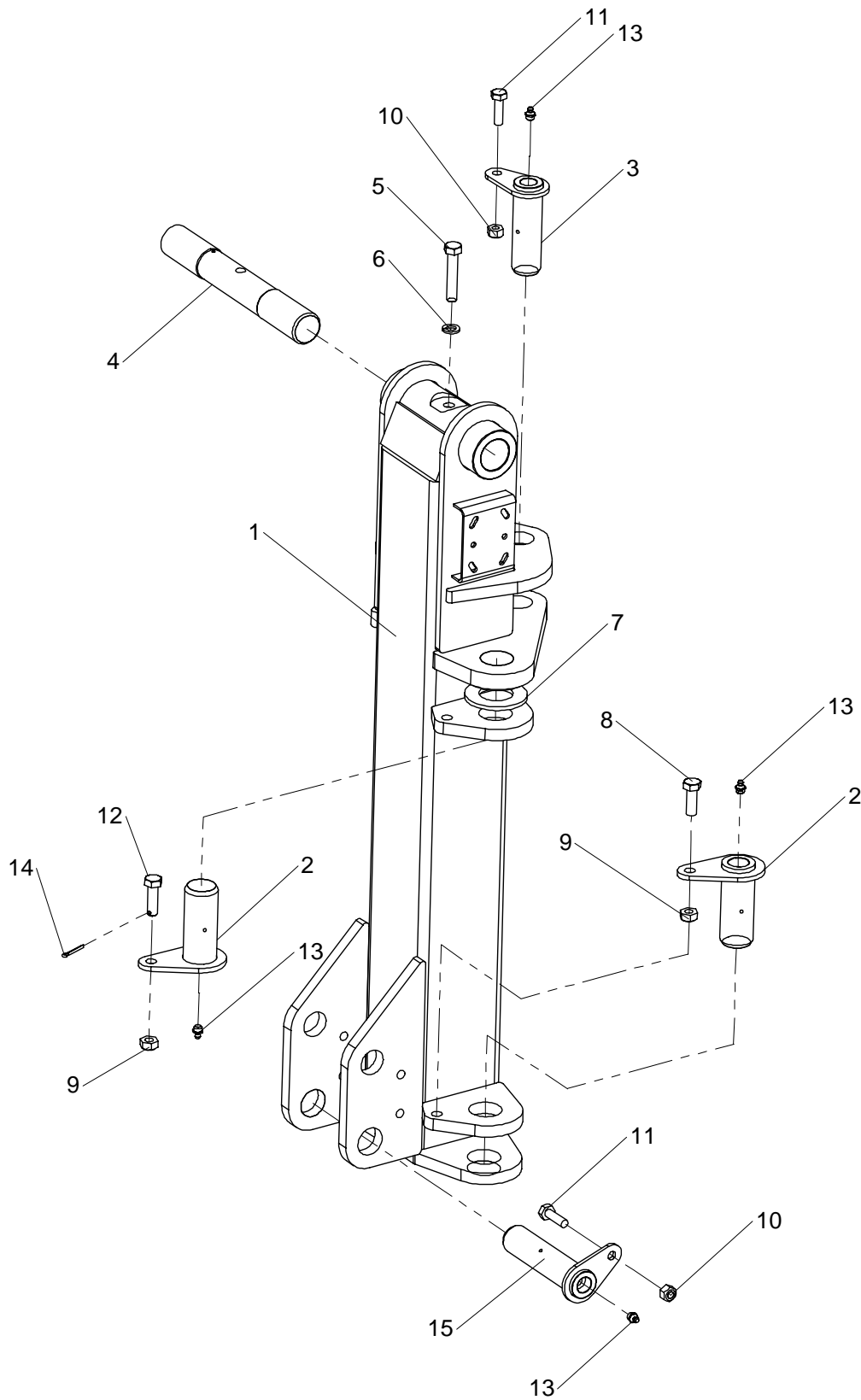
MAINFRAME ASSEMBLY

REF.	QTY.	PART No.	DESCRIPTION
		7452700	MAINFRAME ASSEMBLY - L/H
		7452701	MAINFRAME ASSEMBLY - R/H
1	1	45193.05	MAIN FRAME - L/H
	1	45193.06	MAIN FRAME - R/H (<i>not illustrated</i>)
2	2	43332.01	LINKAGE SPACER 15mm LONG
3	2	43332.02	LINKAGE SPACER 10mm LONG
4	2	41559.01	LINKAGE PIN - CAT 2.
5	1	45293.04	STAND LEG - RH
6	1	45293.03	STAND LEG - LH
7	2	45297.01	LEG PIN
8	2	0431105	SPRING COTTER
9	6	45210.01	PLASTIC PLUG 70mm X 70mm
10	2	30.207.68	PLASTIC BUSH 40mm x 47mm x 40mm
11	1	45202.05	SLEW BASE PIN
12	2	0431217	LINCH PIN
13	1	7136330	DRIVE SHAFT
14	1	45960.01	TOP HITCH ROCKER
15	1	46009.01	SPRING ROD
16	2	46014.01	BOBBIN
17	1	45970.01	PIN - SPRING ROD
18	1	45971.01	PIN - ROCKER
19	1	46012.01	SPRING COVER PLATE
20	30	30.214.47	DISC SPRING - 60mm x 30.5mm x 3mm
21	1	9143009	SELF-LOCKING NUT M24
22	1	0100109	FLAT WASHER 1"
23	1	9113008	NUT M20
24	2	9501406	SPLIT PIN M5 x 40
25	1	9313118	SETSCREW M20 x 55
26	1	9313035	SETSCREW M10 x 16
27	5	9100205	SPRING WASHER M10
28	1	9313075	SETSCREW M10 x 35
29	1	9143005	SELF-LOCKING NUT M10
30	4	9313055	SETSCREW M10 x 25
31	3	0901121	GREASE NIPPLE 3/8" BSP - Straight

PILLAR ASSEMBLY

MODULES:
7452702 – L/H
7451728 – R/H

Illustrated in Left Hand build

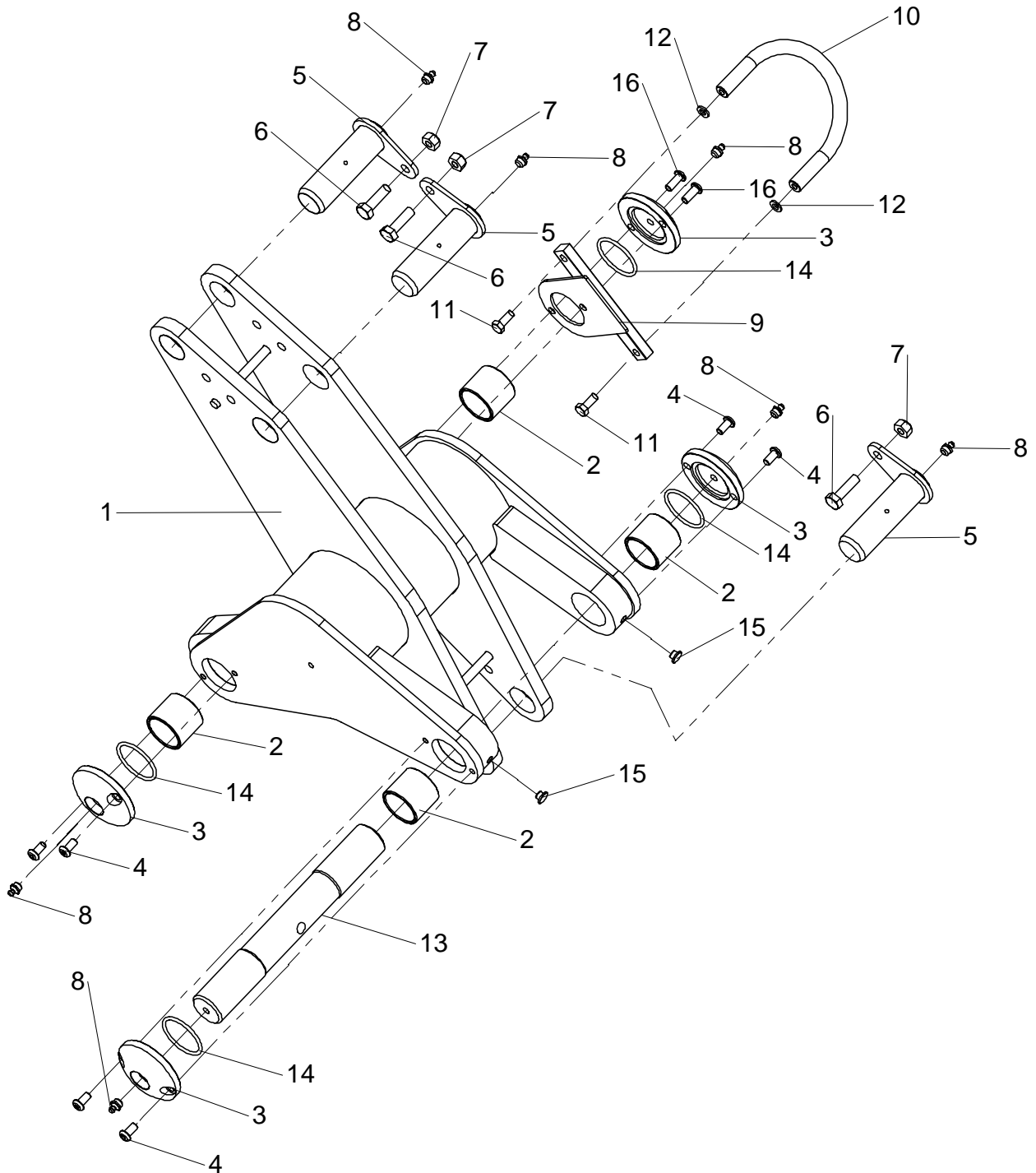


**PILLAR ASSEMBLY**

REF.	QTY.	PART No.	DESCRIPTION
		7452702	PILLAR ASSEMBLY - L/H
		7451728	PILLAR ASSEMBLY - R/H
1	1	45192.01	PILLAR - LH
	1	45192.02	PILLAR - R/H (<i>not illustrated</i>)
2	2	45271.01	SLEW PIVOT PIN
3	1	45202.04	SLEW ROD PIN
4	1	45264.01	MAIN PIVOT PIN
5	1	9213136	BOLT M12 x 65
6	1	9100206	SPRING WASHER M12
7	1	45298.01	THRUST WASHER 75 x 41 x 5
8	1	9313076	SETSCREW M12 x 35
9	2	9143006	SELF-LOCKING NUT M12
10	2	9143005	SELF-LOCKING NUT M10
11	2	9313075	SETSCREW M10 x 35
12	1	45416.01	SPECIAL SETCREW M12 x 40
13	4	0901121	GREASE NIPPLE 3/8" BSP - Straight
14	1	9501255	SPLIT PIN M4 x 25
15	1	45202.07	PIN LIFT RAM BASE

ROCKER ASSEMBLY - Standard

MODULE:
7452710



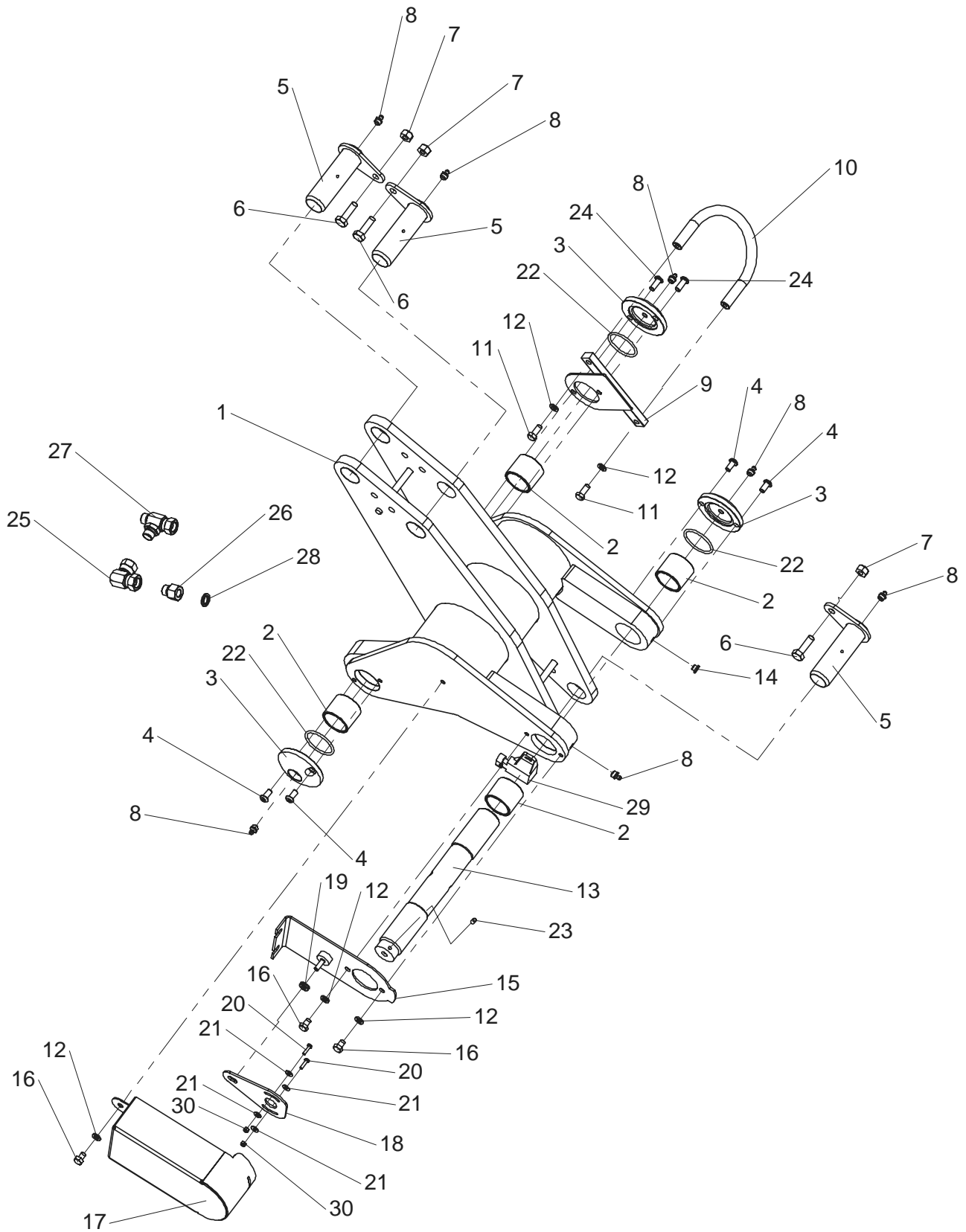
**ROCKER ASSEMBLY - Standard**

REF.	QTY.	PART No.	DESCRIPTION
		7452710	ROCKER ASSEMBLY - STANDARD
1	1	45059.02	ROCKER
2	4	08.297.02	BUSH 47 x 40 x 40
3	4	45266.01	PIN CAP
4	6	9300159	BOLT - BUTTON / SOCKET HEAD M8 x 20
5	3	45202.04	SLEW ROD PIN
6	3	9313075	SETSCREW M10 x 35
7	3	9143005	SELF-LOCKING NUT M10
8	7	0901121	GREASE NIPPLE 3/8" BSP - Straight
9	1	43048.06	RETAINING BRACKET
10	1	43048.05	HOOK
11	2	9313044	SETSCREW M8 x 20
12	2	9100204	SPRING WASHER M8
13	1	45264.01	MAIN PIVOT PIN
14	4	8600303	'O' RING 225
15	2	42964.02	PLASTIC PLUG 9.3 DIA.
16	2	9300161	SOCKET BUTTON SCREW M8 x 20

ROCKER ASSEMBLY - EDS models

MODULE:
7452711

Illustrated in Left Hand build



**ROCKER ASSEMBLY - EDS models**

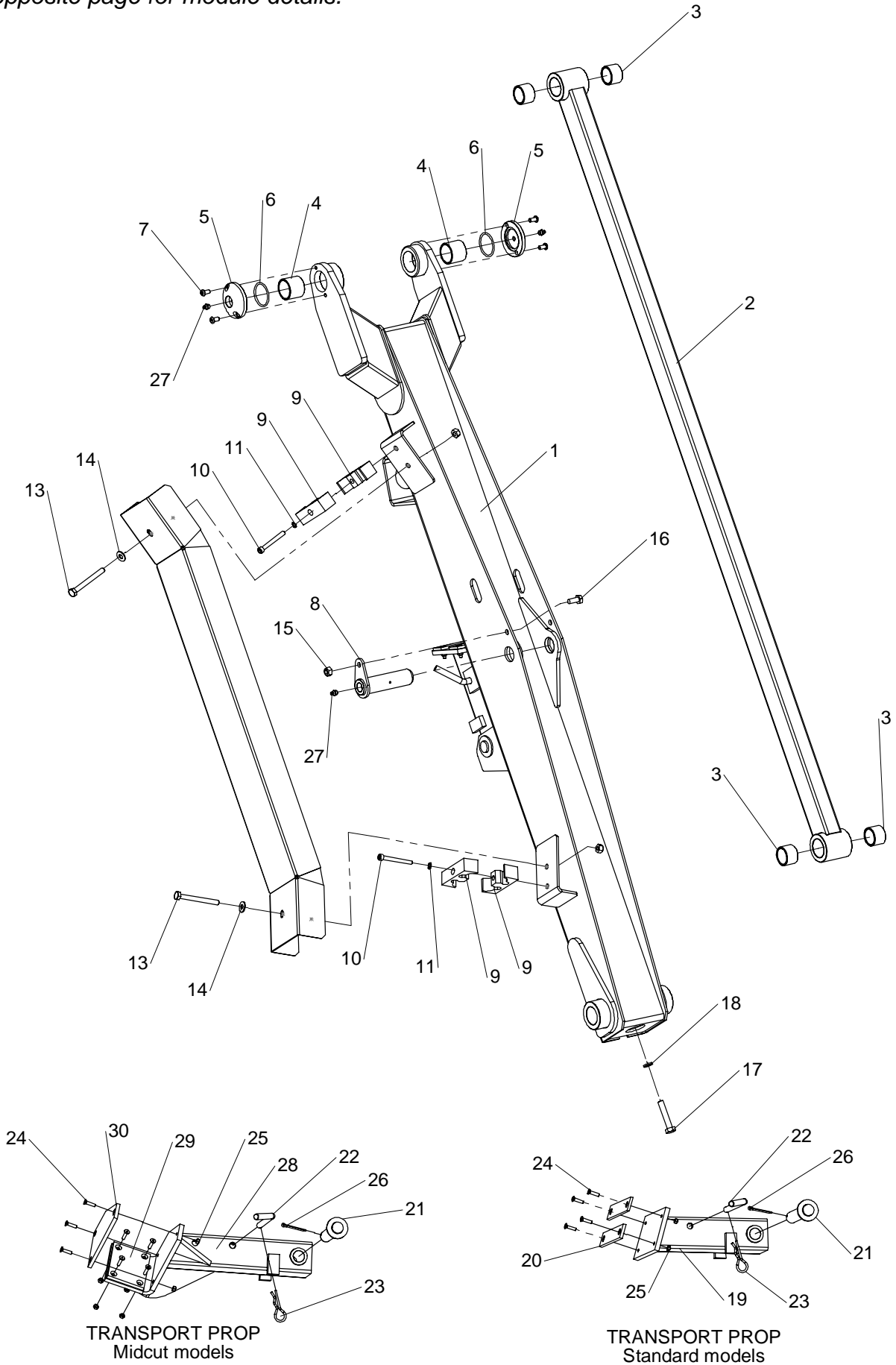
REF.	QTY.	PART No.	DESCRIPTION
		7452711	ROCKER ASSEMBLY - EDS
1	1	45059.02	ROCKER
2	4	08.297.02	BUSH 47 x 40 x 40
3	3	45266.01	PIN CAP
4	4	9300159	BOLT - SOCKET HEADED
5	3	45202.04	SLEW ROD PIN
6	3	9313075	SETSCREW
7	3	9143005	SELF-LOCKING NUT
8	7	0901121	GREASE NIPPLE
9	1	43048.06	RETAINING BRACKET
10	1	43048.05	HOOK
11	2	9313044	SETSCREW
12	5	9100204	SPRING WASHER
13	1	45264.02	MAIN PIVOT PIN EDS
14	1	42964.02	PLASTIC PLUG
15	1	45425.05	LOCATION PLATE
16	3	9313024	SETSCREW
17	1	45425.03	COVER
18	1	45425.06	SENSOR BRACKET
19	1	43356.01	GROMMET
20	2	9300162	PANHEAD SCREW
21	4	9100102	FLAT WASHER
22	3	8600303	'O' RING 225
23	1	9363023	GRUB SCREW
24	2	9300161	SOCKET BUTTON SCREW
25	1	8581053	ADAPTOR
26	1	8103005	ADAPTOR
27	1	11.068.69	ADAPTOR TEE MFM
28	1	8650102	BONDED SEAL
29	1	8402235	REACH SENSOR
30	2	05.948.33	NUT - SELF LOCK

MAIN ARM ASSEMBLY

MODULES:

See opposite page for module details.

PA 52 L/H Standard arm illustrated





MAIN ARM ASSEMBLY

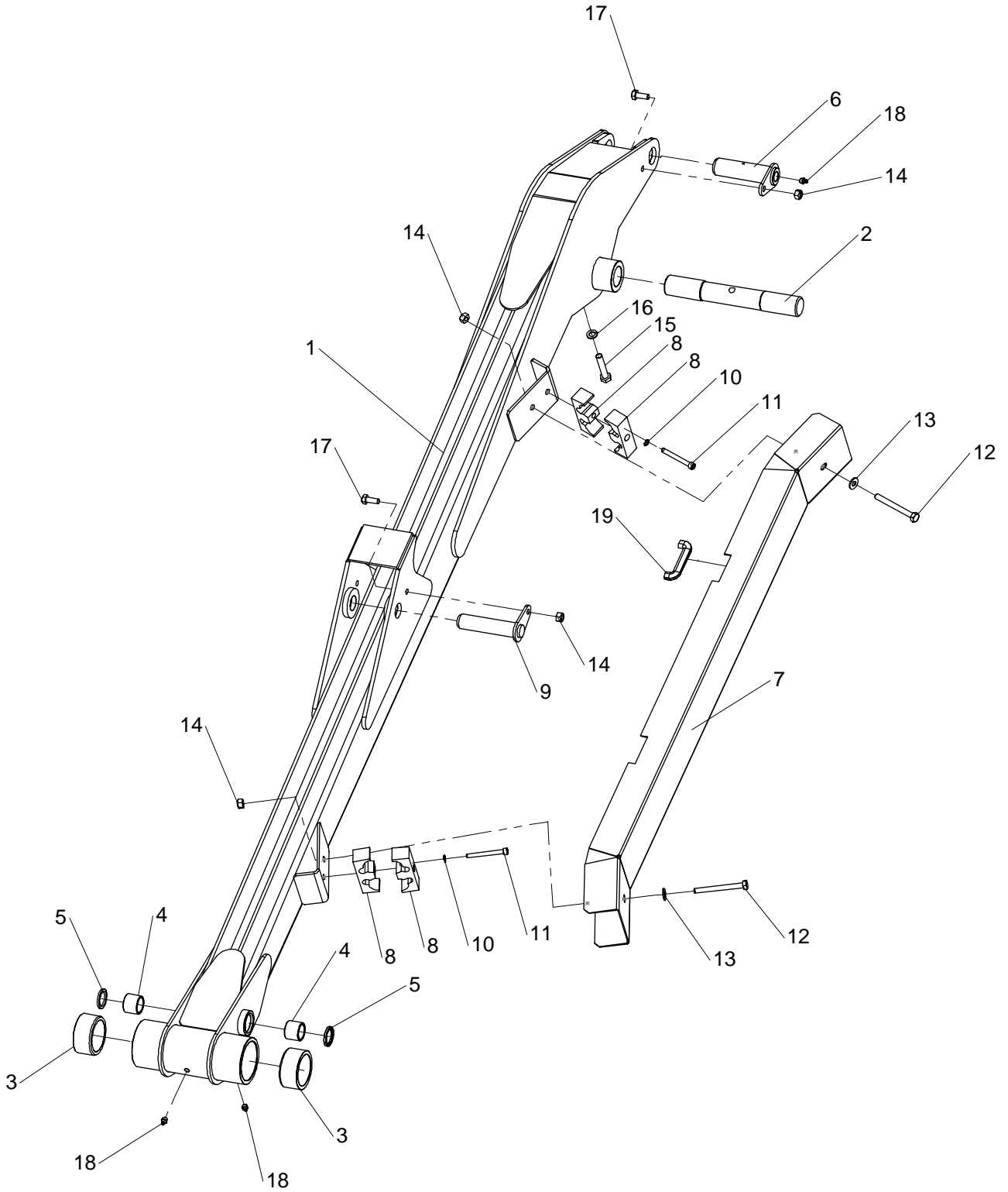
REF.	QTY.			PART No.	DESCRIPTION
				7452712	PA 52 MAIN ARM ASSEMBLY - L/H
				7452713	PA 52 MAIN ARM ASSEMBLY - R/H
				7452762	PA 52 MAIN ARM ASSEMBLY - L/H F/MOUNT
				7452761	PA 52 MAIN ARM ASSEMBLY - R/H F/MOUNT
				7452763	PA 52 MAIN ARM ASSEMBLY - L/H MIDCUT
				7452764	PA 52 MAIN ARM ASSEMBLY - R/H MIDCUT
				7459700	PA 59 MAIN ARM ASSEMBLY - L/H
				7459701	PA 59 MAIN ARM ASSEMBLY - R/H
				7459707	PA 59 MAIN ARM ASSEMBLY - L/H F/MOUNT
				7459706	PA 59 MAIN ARM ASSEMBLY - R/H F/MOUNT
	Std. M/cut F/M				
1	1	1	1	45056.07	MAIN ARM - PA 52 L/H (R/H FRONT MOUNT)
	1	1	1	45056.08	MAIN ARM - PA 52 R/H (L/H FRONT MOUNT)
	1	1	1	45056.09	MAIN ARM - PA 59 L/H (R/H FRONT MOUNT)
	1	1	1	45056.10	MAIN ARM - PA 59 R/H (L/H FRONT MOUNT)
2	1	1	1	45064.03	TENSION LINK - PA 52
	1	1	1	45064.02	TENSION LINK - PA 59
3	4	4	4	08.297.05	BUSH 42 x 35 x 30
4	2	2	2	08.297.02	BUSH 47 x 40 x 40
5	2	2	2	45266.01	PIN CAP
6	2	2	2	8600303	'O' RING 225
7	4	4	4	9300159	BOLT - BUTTON HEADED SOCKET M8 x 16
8	1	1	1	45202.03	PIN
9	4	4	4	45630.01	HOSE CLAMP
10	2	2	2	9243154	CAPSCREW M8 x 75
11	2	2	2	9100404	SHAKEPROOF WASHER M8
12	1	1	1	41665.21	HOSE COVER - PA 52
	1	1	1	41665.22	HOSE COVER - PA 59
13	2	2	2	9213205	BOLT M10 x 100
14	2	2	2	9100105	FLAT WASHER M10
15	3	3	3	9143005	SELF-LOCKING NUT M10
16	1	1	1	9313055	SETSCREW M10 x 25
17	1	1	1	9213136	BOLT M12x65
18	1	1	1	9100206	SPRING WASHER M12
19	1	n/a	n/a	43021.08	TRANSPORT PROP
20	2	n/a	n/a	43091.03	PAD - TRANSPORT PROP
21	1	1	n/a	43023.01	PIN -TRANSPORT PROP
22	1	1	n/a	43074.01	LOCK PIN -TRANSPORT PROP
23	1	1	n/a	0431105	SPRING COTTER
24	4	7	n/a	9353053	CAPSCREW SOCKET HEADED M6 x 25
25	4	7	n/a	9143003	SELF-LOCKING NUT M6
26	1	1	n/a	9501406	SPLIT PIN M5 x 40
27	3	3	3	0901121	GREASE NIPPLE 3/8" BSP - Straight
28	n/a	1	n/a	43021.03	TRANSPORT CRADLE - L/H
	n/a	1	n/a	43021.04	TRANSPORT CRADLE - R/H
29	n/a	1	n/a	43091.01	MAIN PAD
30	n/a	1	n/a	43091.02	SIDE PAD

DIPPER ARM ASSEMBLY-Standard

MODULES:

- 7452714 – PA52 L/H
- 7452715 – PA52 R/H
- 7459702 – PA59 L/H
- 7459703 – PA59 R/H

PA 52 L/H Standard arm illustrated



**DIPPER ARM ASSEMBLY-Standard**

REF.	QTY.	PART No.	DESCRIPTION
		7452714	PA 52 DIPPER ARM ASSEMBLY - L/H
		7452715	PA 52 DIPPER ARM ASSEMBLY - R/H
		7459702	PA 59 DIPPER ARM ASSEMBLY - L/H
		7459703	PA 59 DIPPER ARM ASSEMBLY - R/H
1	1	45063.07	PA 52 DIPPER ARM - L/H
	1	45063.08	PA 52 DIPPER ARM - R/H
	1	45063.05	PA 59 DIPPER ARM - L/H
	1	45063.06	PA 59 DIPPER ARM - R/H
2	1	45264.01	MAIN PIVOT PIN
3	2	7136035	PLASTIC BUSH
4	2	08.297.04	BUSH
5	2	8629218	LIP SEAL
6	1	45202.01	PIN
7	1	41665.24	HOSE GUARD - PA 52
	1	41665.25	HOSE GUARD - PA 59
8	4	45630.01	CLAMP-HOSE
9	1	42684.07	PIN
10	2	9100404	SHAKEPROOF WASHER
11	2	9243154	CAPSCREW
12	2	9213205	BOLT
13	2	9100105	FLAT WASHER
14	4	9143005	SELF-LOCKING NUT
15	1	9213136	BOLT
16	1	9100206	SPRING WASHER
17	2	9313055	SETSCREW
18	3	0901121	GREASE NIPPLE - Straight
19	1	41741.01	EDGING STRIP

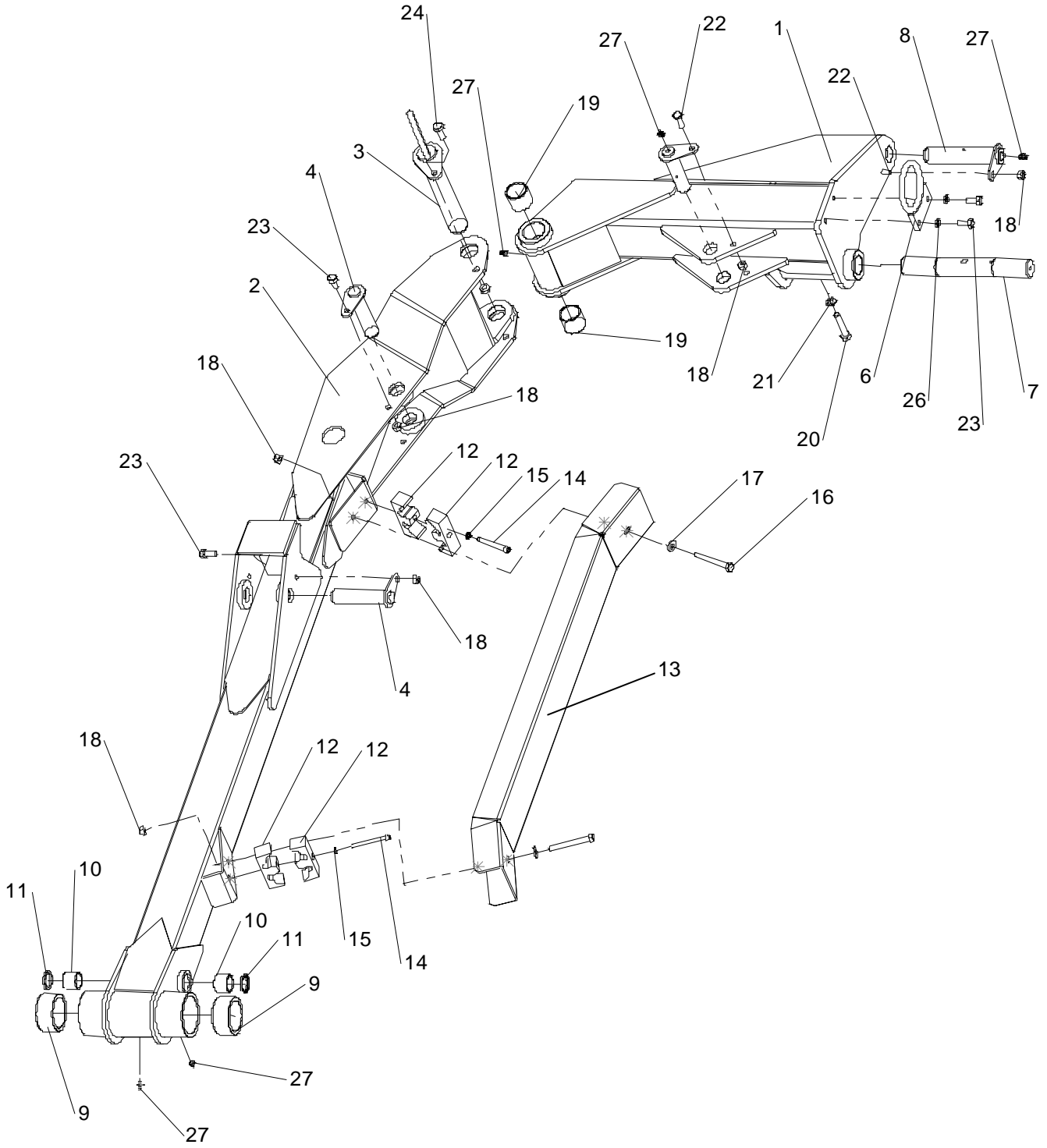
DIPPER ARM ASSEMBLY - Midcut

MODULES:

7452748 – PA 52 L/H

7452749 – PA 52 R/H

Illustrated in Left Hand build



**DIPPER ARM ASSEMBLY - Midcut**

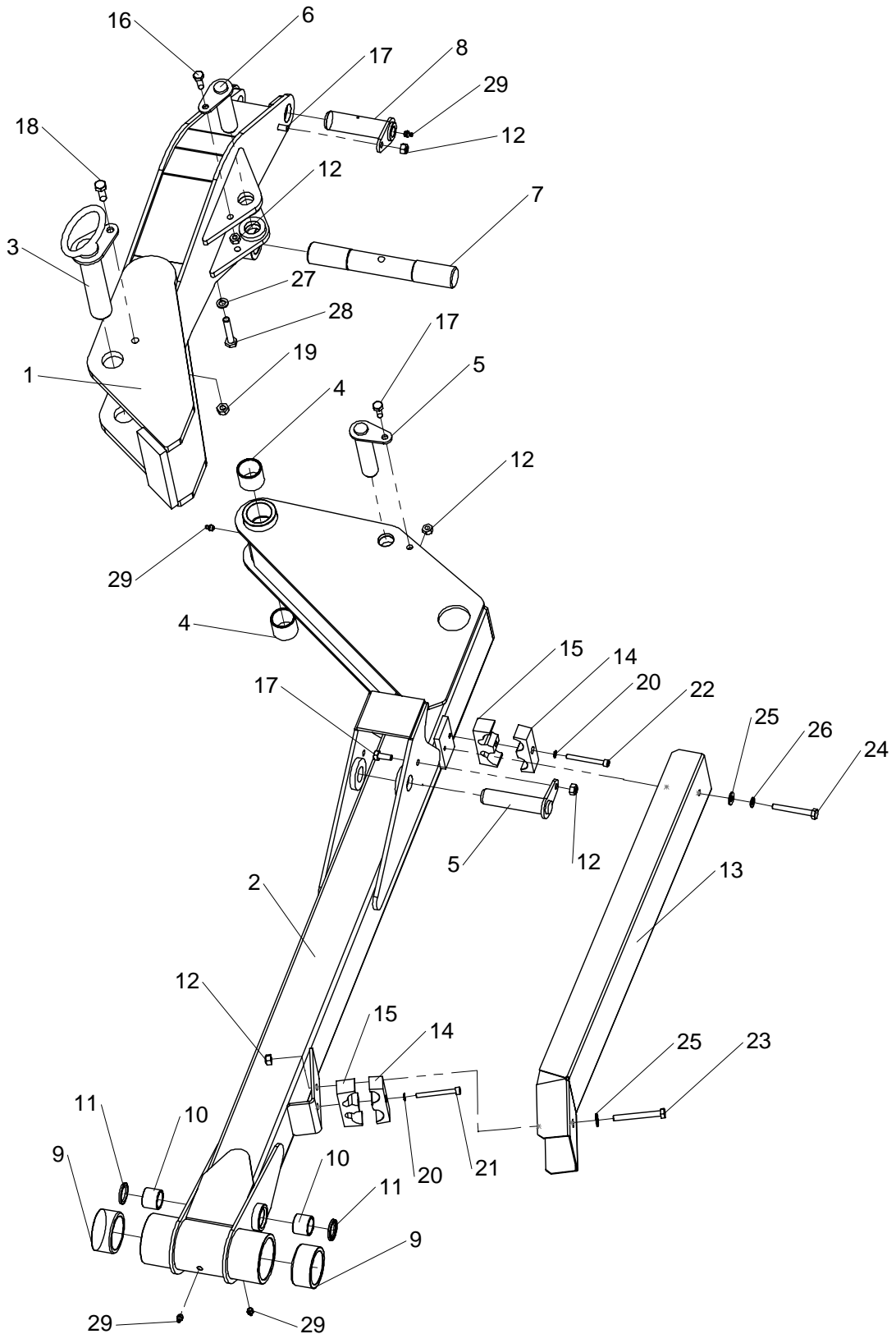
REF.	QTY.	PART No.	DESCRIPTION
		7452748	PA 52 MIDCUT DIPPER ARM ASSEMBLY - L/H
		7452749	PA 52 MIDCUT DIPPER ARM ASSEMBLY - R/H
1	1	46047.01	FORWARD EXTENSION - L/H Build
	1	46047.02	FORWARD EXTENSION - R/H Build
2	1	46048.01	MIDCUT DIPPER - L/H Build
	1	46048.02	MIDCUT DIPPER - R/H Build
3	1	45609.01	PIN - MIDCUT FOLD
4	2	42684.03	PIN - FOLD RAM ROD END
5	1	42684.02	PIN - RAM BASE
6	1	45974.01	HOSE LOOP
7	1	45264.01	MAIN PIVOT PIN
8	1	45202.08	PIN
9	2	7136035	PLASTIC BUSH
10	2	08.297.04	BUSH
11	2	8629218	LIP SEAL
12	4	45630.01	CLAMP - HOSE
13	1	41665.01	HOSE GUARD
14	2	9243154	CAPSCREW
15	2	9100404	SHAKEPROOF WASHER
16	2	9213185	BOLT
17	2	9100105	FLAT WASHER
18	6	9143005	SELF-LOCKING NUT
19	2	08.297.02	BUSH
20	1	9213136	BOLT
21	1	9100206	SPRING WASHER
22	2	9313065	SETSCREW
23	4	9313055	SETSCREW
24	1	9313066	SETSCREW
25	1	9143006	SELF-LOCKING NUT
26	2	9100205	SPRING WASHER
27	5	0901121	GREASE NIPPLE - Straight

FRONT MOUNT DIPPER ARM

MODULES:

- 7452716 – PA 52 L/H
- 7452717 – PA 52 R/H
- 7459704 – PA 59 L/H
- 7459705 – PA 59 R/H

Illustrated in Left Hand build





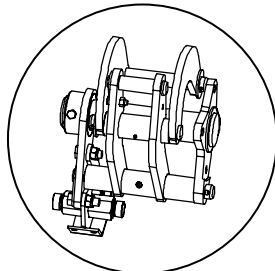
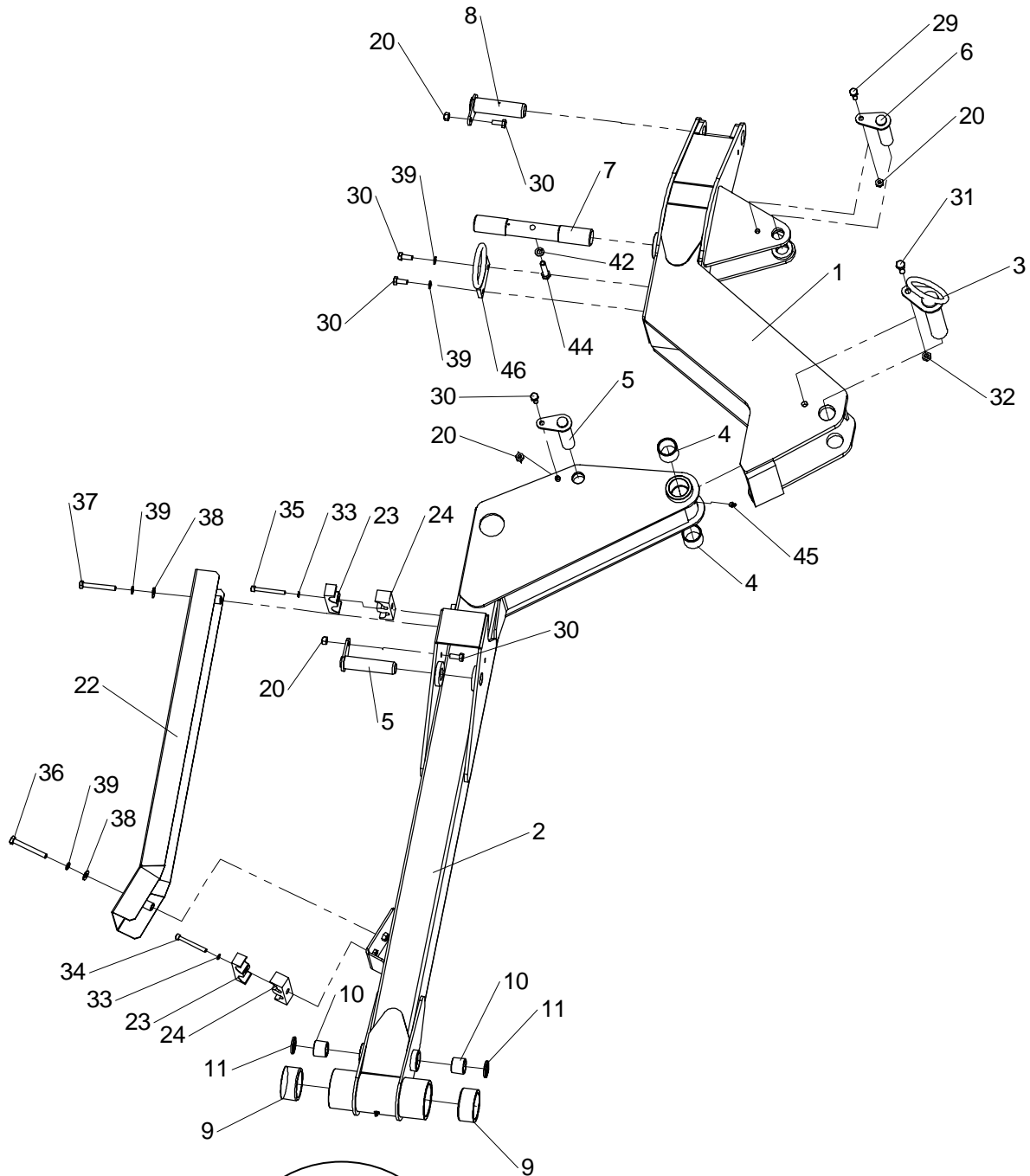
FRONT MOUNT DIPPER ARM

REF.	QTY.	PART No.	DESCRIPTION
		7452716	PA 52 FRONT MOUNT DIPPER ARM - L/H
		7452717	PA 52 FRONT MOUNT DIPPER ARM - R/H
		7459704	PA 59 FRONT MOUNT DIPPER ARM - L/H
		7459705	PA 59 FRONT MOUNT DIPPER ARM - R/H
1	1	45881.02	DIPPER UPPER - PA 52 & PA 59 L/H
	1	45881.03	DIPPER UPPER - PA 52 & PA 59 R/H
2	1	45882.02	DIPPER LOWER - PA 52 L/H
	1	45882.03	DIPPER LOWER - PA 52 R/H
	1	45882.04	DIPPER LOWER - PA 59 L/H
	1	45882.05	DIPPER LOWER - PA 59 R/H
3	1	45893.01	DIPPER PIVOT PIN
4	2	08.297.02	BUSH 47 x 40 x 40
5	2	42684.03	PIN - FOLD RAM ROD END
6	1	42684.05	PIN
7	1	45264.01	MAIN PIVOT PIN
8	1	45202.01	PIN
9	2	7136035	PLASTIC BUSH
10	2	08.297.04	BUSH 37 x 30 x 30
11	2	8629218	LIP SEAL 30 x 40 x 4
12	5	9143005	SELF-LOCKING NUT M10
13	1	41665.20	HOSE COVER - PA 52
	1	41665.23	HOSE COVER - PA 59
14	2	42024.06	CLAMP HOSE (HALF)
15	2	45630.01	HOSE CLAMP
16	1	9313065	SETSCREW M10 x 30
17	3	9313055	SETSCREW M10 x 25
18	1	9313076	SETSCREW M12 x 35
19	1	9143006	SELF-LOCKING NUT M12
20	2	9100404	SHAKEPROOF WASHER M8
21	1	9243154	CAPSCREW M8 x 75
22	1	9243124	CAPSCREW M8 x 60
23	1	9213185	BOLT M10 x 90
24	1	9213165	BOLT M10 x 80
25	2	9100105	FLAT WASHER M10
26	1	9100205	SPRING WASHER M10
27	1	9100206	SPRING WASHER M12
28	1	9213136	BOLT M12 x 65
29	4	0901121	GREASE NIPPLE 3/8" BSP - Straight

DIPPER ARM-Reverse Drive Model

MODULES:
7452771 – PA52 L/H
7452772 – PA52 R/H

Illustrated in Left Hand build



ANGLING MECHANISM – See pages 26 & 27


DIPPER ARM-Reverse Drive Model

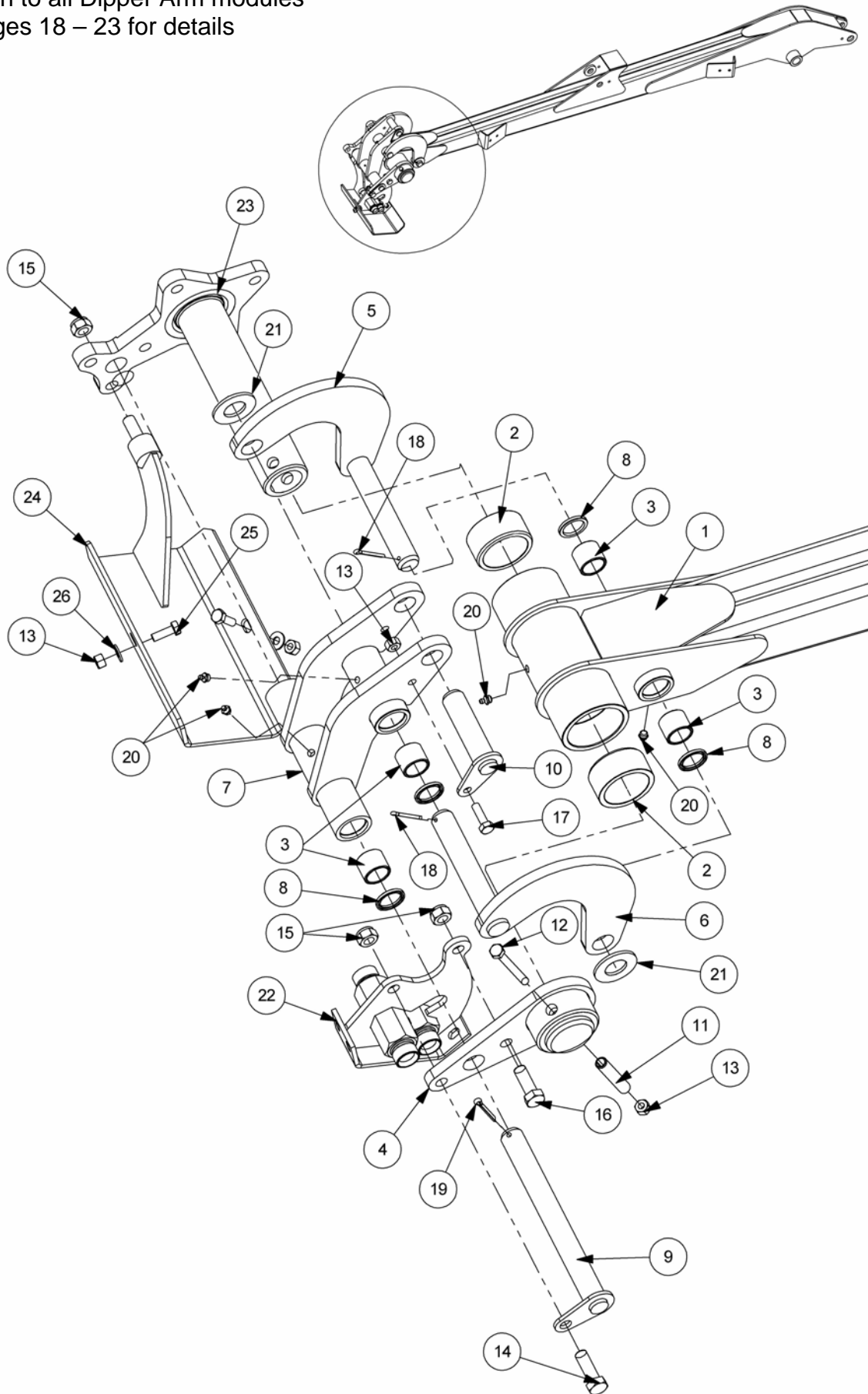
REF.	QTY.	PART No.	DESCRIPTION
		7452771	DIPPER ARM ASSEMBLY-L/H REVERSE DRIVE MODELS
		7452772	DIPPER ARM ASSEMBLY-R/H REVERSE DRIVE MODELS
1	1	45881.04	DIPPER UPPER - L/H
	1	45881.05	DIPPER UPPER -R/H (<i>not illustrated</i>)
2	1	45882.02	DIPPER LOWER - L/H
	1	45882.03	DIPPER LOWER - R/H (<i>not illustrated</i>)
3	1	45893.01	DIPPER PIVOT PIN
4	2	08.297.02	BUSH 47 x 40 x 40
5	2	42684.03	PIN - FOLD RAM ROD END
6	2	42684.05	PIN
7	1	45264.01	MAIN PIVOT PIN
8	1	45202.01	PIN
9	2	7136035	PLASTIC BUSH
10	6	08.297.04	BUSH 37 x 30 x 30
11	6	8629218	LIP SEAL 30 x 40 x 4
12	1	42649.01	PIVOT TUBE
13	1	42646.03	RADIUS ARM - TYPE 1
14	1	42646.04	RADIUS ARM - TYPE 2
15	1	42647.02	SLAVE LINK
16	1	42648.01	JAW PLATE
17	1	42684.01	PIN - SLAVE LINK
18	1	0423556	SPRING DOWEL
19	1	9213205	BOLT
20	7	9143005	SELF-LOCKING NUT
21	1	43055.08	HOSE BRACKET
22	1	41665.20	HOSE COVER
23	2	42024.06	HOSE CLAMP (HALF)
24	2	45630.01	HOSE CLAMP
25	1	9200028	BOLT
26	1	9200023	BOLT
27	2	9100028	SELF-LOCKING NUT
28	1	9313075	SETSCREW
29	1	9313065	SETSCREW
30	5	9313055	SETSCREW
31	1	9313076	SETSCREW
32	1	9143006	SELF-LOCKING NUT
33	2	9100404	SHAKEPROOF WASHER
34	1	9243154	CAPSCREW
35	1	9243124	CAPSCREW
36	1	9213185	BOLT
37	1	9213165	BOLT
38	2	9100105	FLAT WASHER
39	4	9100205	SPRING WASHER
40	2	9501406	SPLIT PIN
41	1	9501507	SPLIT PIN
42	1	9100206	SPRING WASHER
43	2	05.281.18	FLAT WASHER
44	1	9213136	BOLT
45	6	0901121	GREASE NIPPLE - STRAIGHT
46	1	45974.01	HOSE LOOP

DIPPER ARM – Angling mechanism

MODULES:

Common to all Dipper Arm modules
See pages 18 – 23 for details

Illustrated in Left Hand build




DIPPER ARM – Angling mechanism

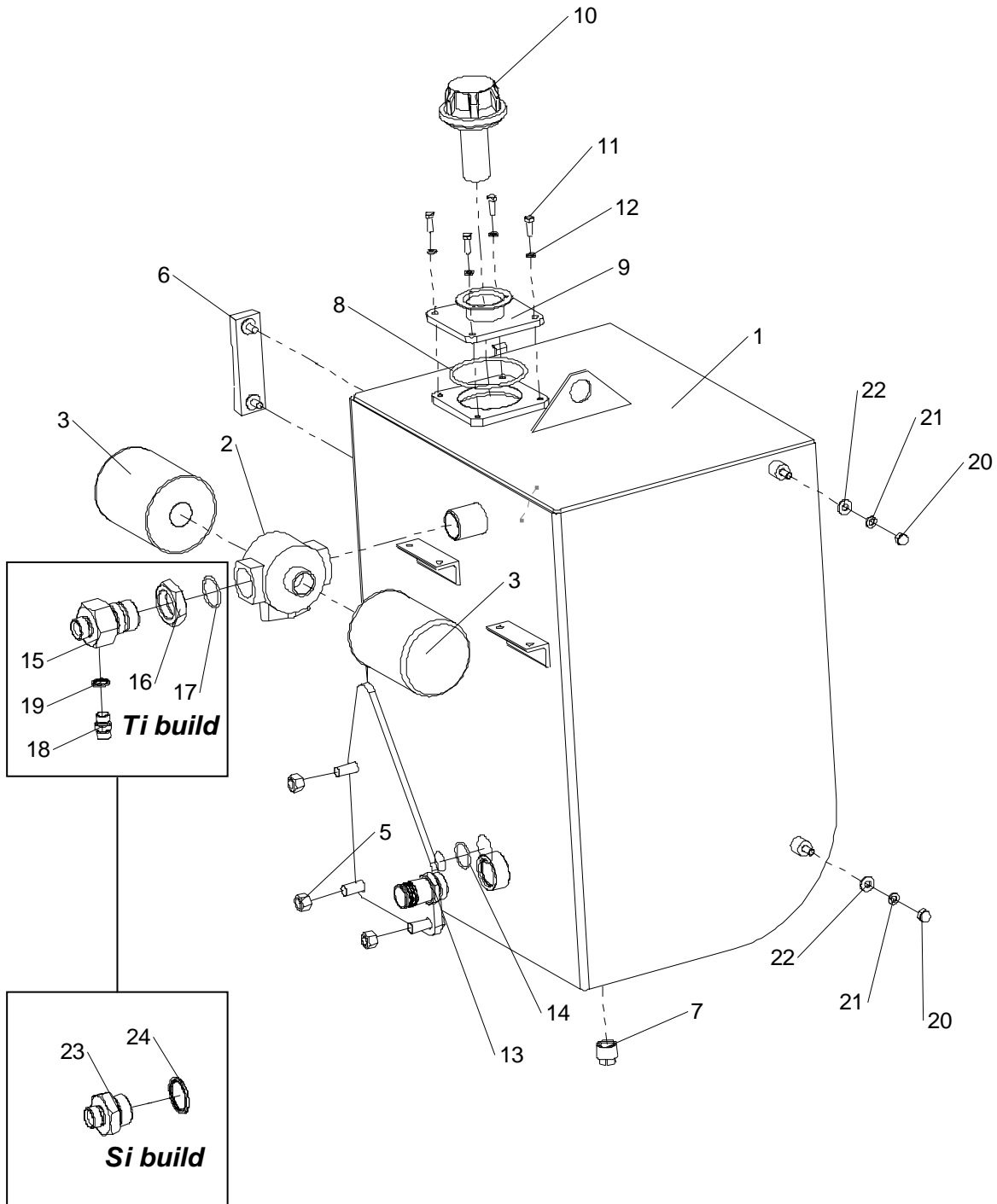
REF.	QTY.	PART No.	DESCRIPTION
			HEAD ANGLING MECHANISM
1	1	<i>all builds</i>	DIPPER ARM
2	2	7136035	PLASTIC BUSH
3	6	08.297.04	BUSH
4	1	42648.01	JAW PLATE
5	1	42646.03	RADIUS ARM - TYPE 1
6	1	42646.04	RADIUS ARM - TYPE 2
7	1	42647.02	SLAVE LINK
8	6	8629218	LIP SEAL
9	1	42684.01	PIN - SLAVE LINK
10	1	42684.05	PIN
11	1	0423556	SPRING DOWEL
12	1	9213205	BOLT
13	4	9143005	SELF-LOCKING NUT
14	1	9200025	BOLT
15	3	9100028	SELF LOCKING NUT
16	1	9200028	BOLT
17	1	9313075	SETSCREW
18	2	9501406	SPLIT PIN
19	1	9501507	SPLIT PIN
20	4	0901121	GREASE NIPPLE
21	2	05.281.18	FLAT WASHER
22	1	21261.02	JUNCTION BRACKET
23	1	21263.01	PIVOT TUBE
24	1	21262.01	HOSE TRAY
25	2	9313065	SETSCREW
26	2	9100105	FLAT WASHER

HYDRAULIC TANK ASSEMBLIES

MODULES:

- 7451710 - Ti L/H
- 7451711 - Ti R/H
- 7451743 - Si L/H
- 7451744 - Si R/H

Illustrated in Left Hand Ti build





HYDRAULIC TANK ASSEMBLIES

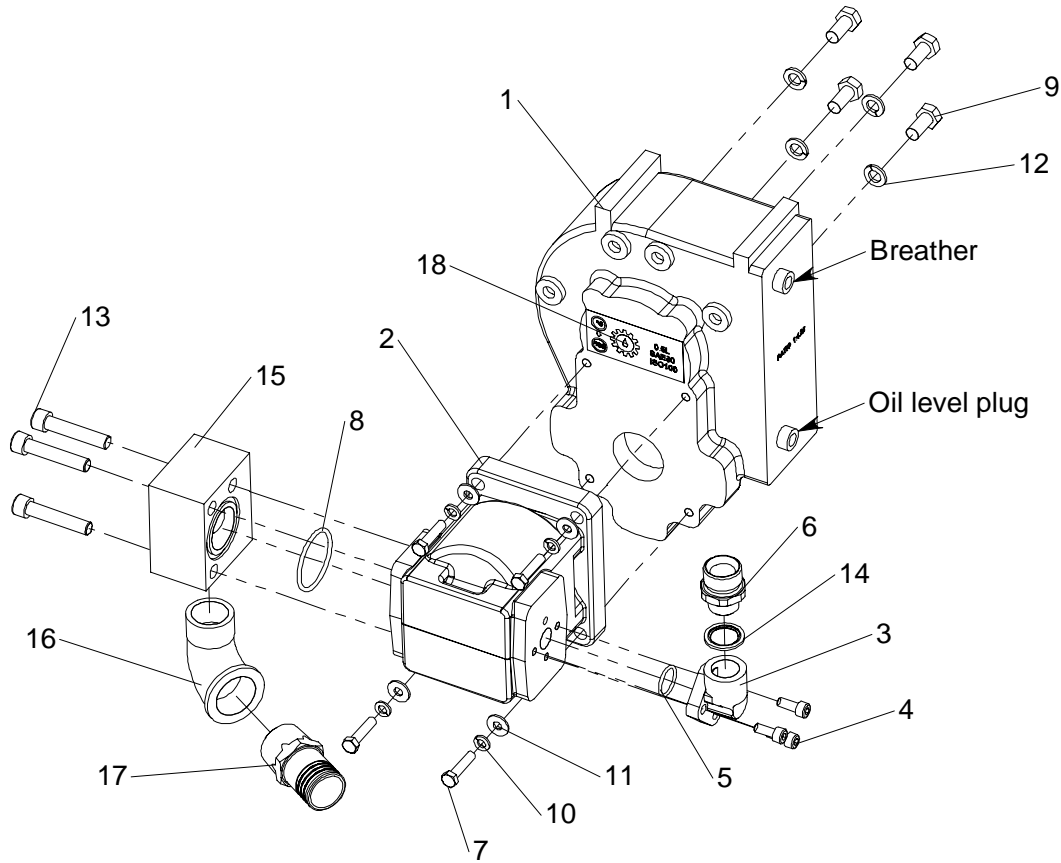
REF.	QTY.	PART No.	DESCRIPTION	
		7451710	TANK ASSEMBLY - TI L/H	
		7451711	TANK ASSEMBLY - TI R/H	
		7451743	TANK ASSEMBLY - SI L/H	
		7451744	TANK ASSEMBLY - SI R/H	
1	1	45243.01	TANK L/H	
	1	45243.02	TANK R/H (<i>not illustrated</i>)	
2	1	8401060	RETURN FILTER HEAD	
3	2	8401041	FILTER ELEMENT	
4	3	9313097	SETSCREW M16 x 45	
5	3	9143007	SELF-LOCKING NUT M16	
6	1	8401048	LEVEL GAUGE 127CRS	
7	1	8581203	TAPER PLUG 1" BSP HOLLOW	
8	1	8600151	'O' RING 348	
9	1	43175.01	COVER PLATE	
10	1	8401074	FILLER BREATHER	
11	4	9313054	SETSCREW M8 x 25	
12	4	9100204	SPRING WASHER M8	
13	1	8581260	ADAPTOR 1 1/4" BSP x 1 1/2" Low pressure	
14	1	8700784	'O' RING 784	
15	1	8581425	ADAPTOR 1" BSP x 1 1/2" BSP	} <i>Ti machines only</i>
16	1	8581422	ADAPTOR BACKNUT 1 1/2" BSP	
17	1	8600302	'O' RING 224	
18	1	8581110	ADAPTOR 1/2" BSP x 1/2" BSP	
19	1	8650104	BONDED SEAL 1/2" BSP	
20	2	9100025	DOME NUT M10	
21	2	9100205	SPRING WASHER M10	
22	2	9100105	FLAT WASHER M10	
23	1	8581291	ADAPTOR 1" x 1 1/2" BSP	} <i>Si machines only</i>
24	1	8650224	BONDED SEAL 1 1/2" BSP	

PUMP & GEARBOX – Si Cable

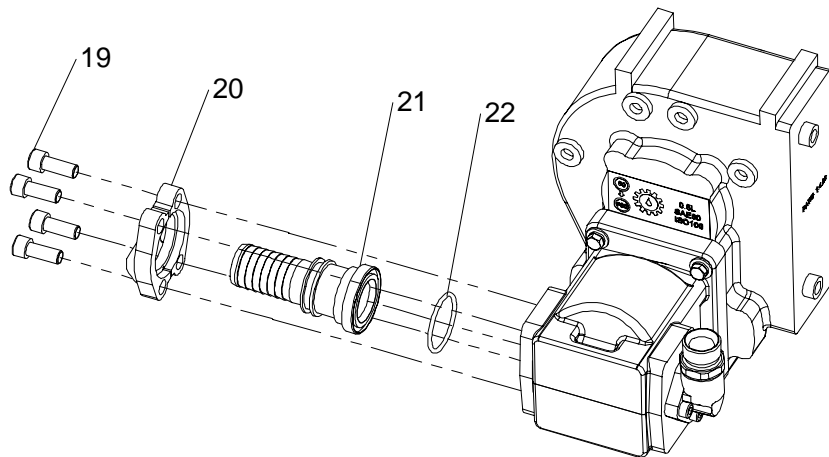
MODULES:

7452726 – L/H build

7452727 – R/H build



Si cable L/H build



Si cable R/H build


PUMP & GEARBOX – Si Cable

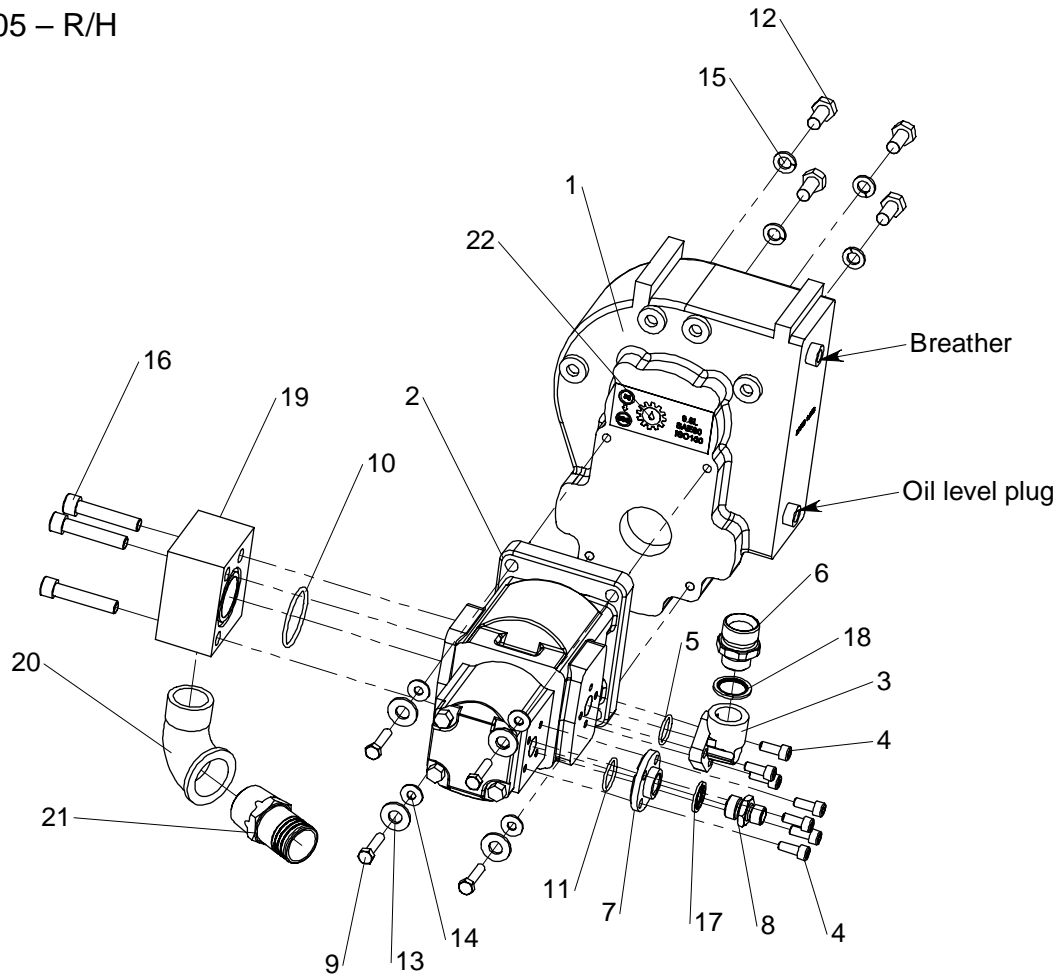
REF.	QTY.	PART No.	DESCRIPTION
		↗ 7452726	PUMP & GEARBOX ASSEMBLY - SI CABLE L/H
		↘ 7452727	PUMP & GEARBOX ASSEMBLY - SI CABLE R/H
1	1	1	42693.03 GEARBOX - CAST IRON
2	1	1	8201686 PUMP - SI
3	1	1	8005052 PRESSURE CONNECTION
4	3	3	9300147 CAPSCREW M8 x 20
5	1	1	8600403 'O' RING -119
6	1	1	8002086 ADAPTOR 3/4" x 1" BSP MM
7	4	4	9313074 SETSCREW M8 x 35
8	1	n/a	8600304 'O' RING - 226
9	4	4	9313056 SETSCREW M12 x 25
10	4	4	9100204 SPRING WASHER M8
11	4	4	9100104 FLAT WASHER M8
12	4	4	9100206 SPRING WASHER M12
13	3	n/a	9243126 CAPSCREW M12 x 60
14	1	1	8650106 BONDED SEAL 3/4" BSP
15	1	n/a	42142.01 BLOCK SUCTION
16	1	n/a	8581261 ADAPTOR 1 1/4" BSPT MF
17	1	n/a	8581367 ADAPTOR 1.23" BSP x 1.5" LP
18	1	1	1290089 DECAL - GEARBOX LEVEL
19	n/a	4	9343066 CAPSCREW M12 x 30
20	n/a	1	41.294.01 SPLIT FLANGE PAIR 1 1/2" SAE
21	n/a	1	41.294.03 ADAPTOR FLANGE 1.5 SAE LP
22	n/a	1	8600303 'O' RING - 225

PUMP & GEARBOX – Ti HP

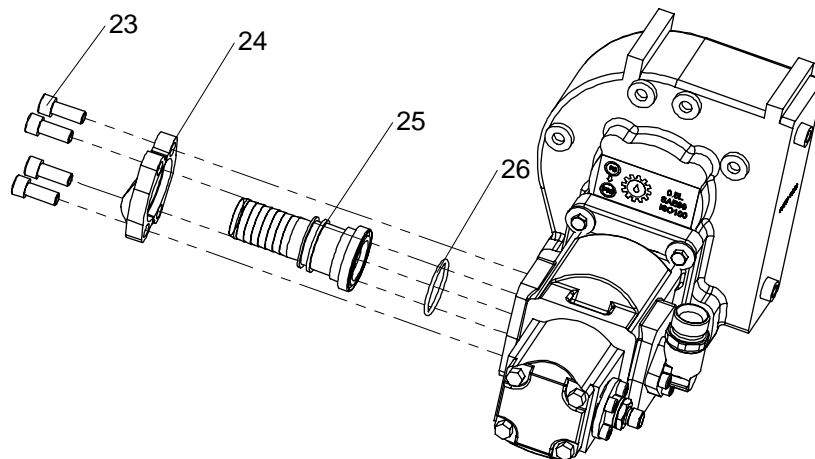
MODULES:

7452704 – L/H

7452705 – R/H



Ti HP L/H build



Ti HP R/H build


PUMP & GEARBOX – Ti HP

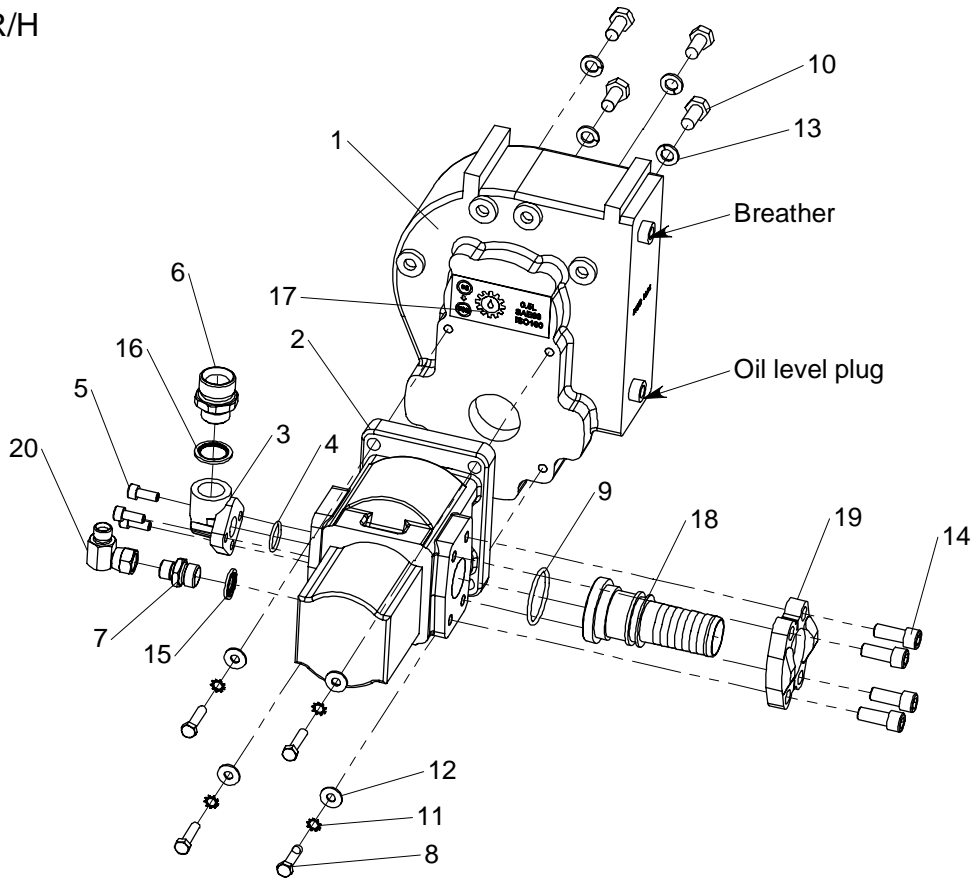
REF.	QTY.	PART No.	DESCRIPTION
		↗ 7452704	PUMP & GEARBOX ASSEMBLY - TI HP L/H
		↘ 7452705	PUMP & GEARBOX ASSEMBLY - TI HP R/H
1	1	1 42693.03	GEARBOX CAST - IRON
2	1	1 8201700	PUMP ASSEMBLY - IRON TI - <i>comprising of:</i>
	1	1 8201165	LARGE PUMP
	1	1 8201195	SMALL PUMP
3	1	1 8005052	PRESSURE CONNECTION
4	7	7 9300147	CAPSCREW M8 x 20
5	1	1 8600403	'O' RING - 119
6	1	1 8002086	ADAPTOR 3/4" x 1" BSP MM
7	1	1 42029.01	PORT PLATE 1/2" BSP
8	1	1 6000112	ADAPTOR 3/8" x 1/2" BSP MM
9	4	4 9313074	SETSCREW M8 x 35
10	1	1 8600304	'O' RING - 226
11	1	1 8600405	'O' RING - 121
12	4	4 9313056	SETSCREW M12 x 25
13	4	4 9100106	FLAT WASHER M12
14	4	4 9100104	FLAT WASHER M8
15	4	4 9100206	SPRING WASHER M12
16	3	n/a 9243126	CAPSCREW M12 x 60
17	1	1 8650104	BONDED SEAL 1/2" BSP
18	1	1 8650106	BONDED SEAL 3/4" BSP
19	1	n/a 42142.01	BLOCK SUCTION
20	1	n/a 8581261	ADAPTOR 1 1/4" BSPT MF
21	1	n/a 8581367	ADAPTOR 1.23" BSP x 1.5" LP
22	1	1 1290089	DECAL - GEARBOX LEVEL
23	n/a	4 9343066	CAPSCREW M12 x 30
24	n/a	1 41.294.01	SPLIT FLANGE PAIR 1 1/2" SAE
25	n/a	1 41.294.03	ADAPTOR FLANGE 1.5 SAEx LP
26	n/a	1 8600303	'O' RING - 225

PUMP & GEARBOX – Front mount

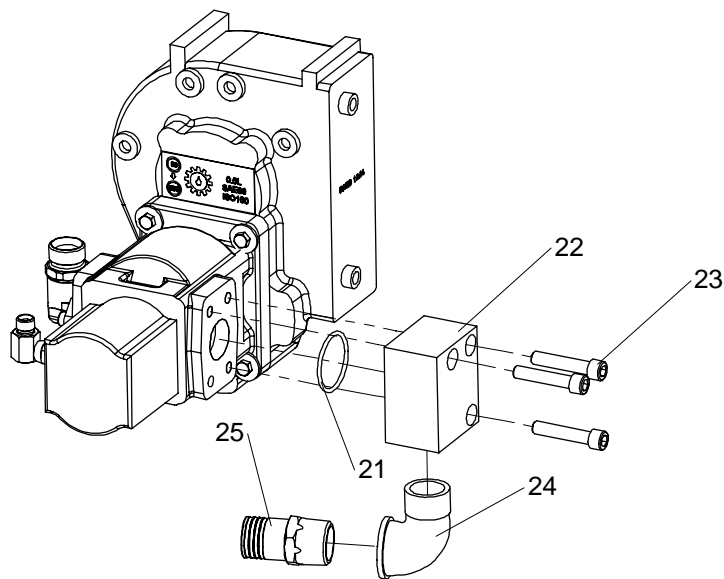
MODULES:

7452706 – L/H

7452707 – R/H



**Ti R/H Front mount build
7452706 (anti-clockwise)**



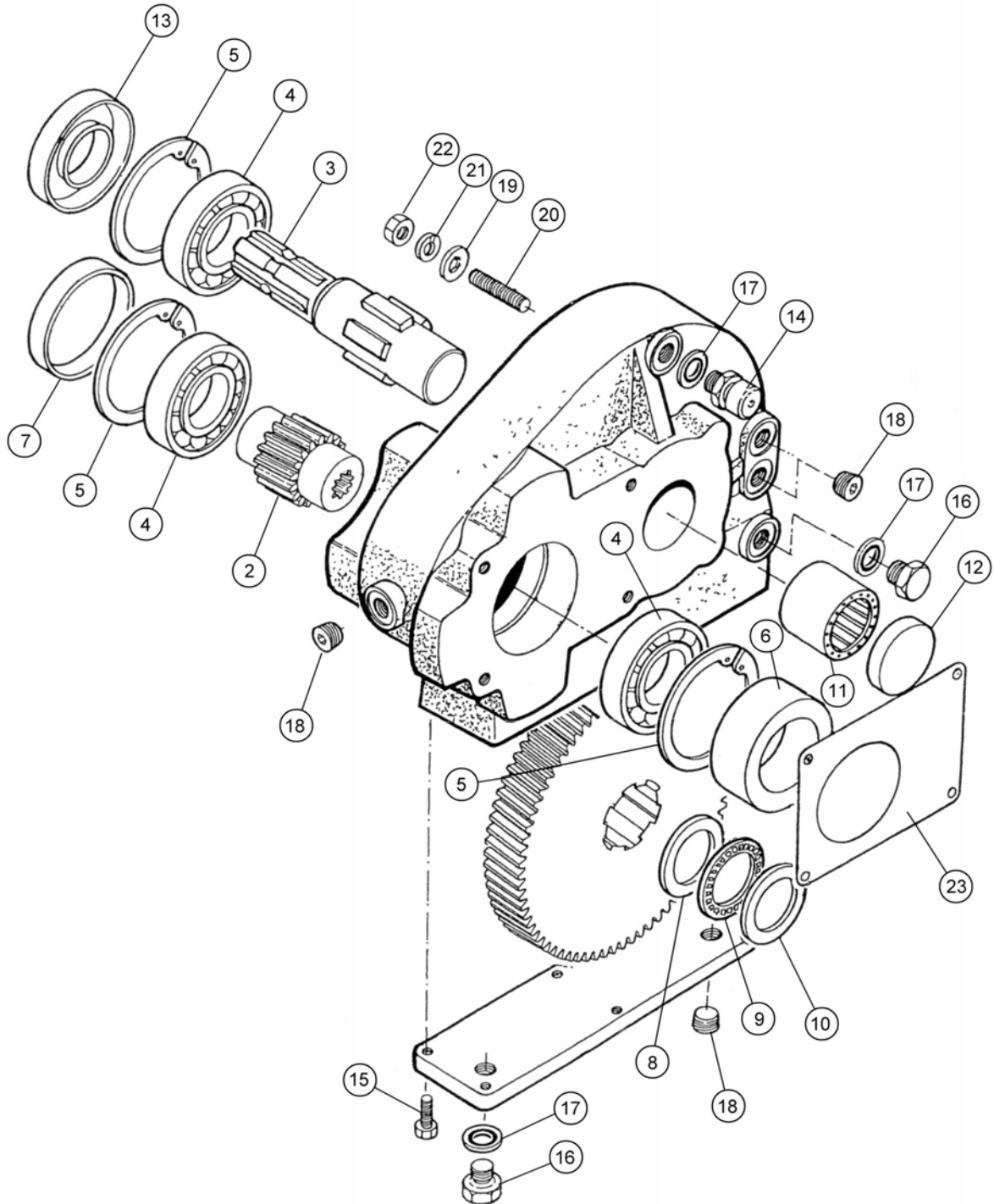
**Ti L/H Front mount build
7452707 (anti-clockwise)**


PUMP & GEARBOX – Front mount

REF.	QTY.	PART No.	DESCRIPTION
		↘ 7452706	PUMP & GEARBOX ASSEMBLY - TI F/MOUNT
		↘ 7452707	PUMP & GEARBOX ASSEMBLY - TI F/MOUNT
1	1	1 42693.05	GEARBOX CAST IRON
2	1	1 8201692	PUMP 44/8 ANTI CLOCKWISE
3	1	1 8005052	PRESSURE CONNECTION
4	1	1 8600403	O RING 119
5	3	3 9300147	CAPSCREW M8x20
6	1	1 8002086	ADAPTOR 3/4x1"BSP MM
7	1	1 6000112	ADAPTOR 3/8x1/2"BSP MM
8	4	4 9313074	SETSCREW M8x35
9	1	1 8600303	O RING 225
10	4	4 9313056	SETSCREW M12x25
11	4	4 9100404	M8 SHAKEPROOF WASHER
12	4	4 9100104	FLAT WASHER M8
13	4	4 9100206	SPRING WASHER M12
14	4	n/a 9343066	CAPSCREW M12x30
15	1	1 8650104	BONDED SEAL 1/2"BSP"
16	1	1 8650106	BONDED SEAL 3/4"BSP
17	1	1 1290089	DECAL - GEARBOX LEVEL
18	1	n/a 41.294.03	ADAPTOR FLANGE 1.5SAExLP
19	1	n/a 41.294.01	SPLIT FLANGE PAIR 1.1/2"SAE
20	1	n/a 8581117	ADAPTOR ELBOW 3/8BSP MF
21	n/a	1 8600304	'O' RING - 226
22	n/a	1 42142.01	SUCTION BLOCK
23	n/a	3 9243126	CAPSCREW M12 x 60
24	n/a	1 8581261	ADAPTOR 1 1/4" BSPT MF
25	n/a	1 8581367	ADAPTOR 1.23" BSP x 1.5" LP

GEARBOX ASSEMBLY

Module:
42693.03



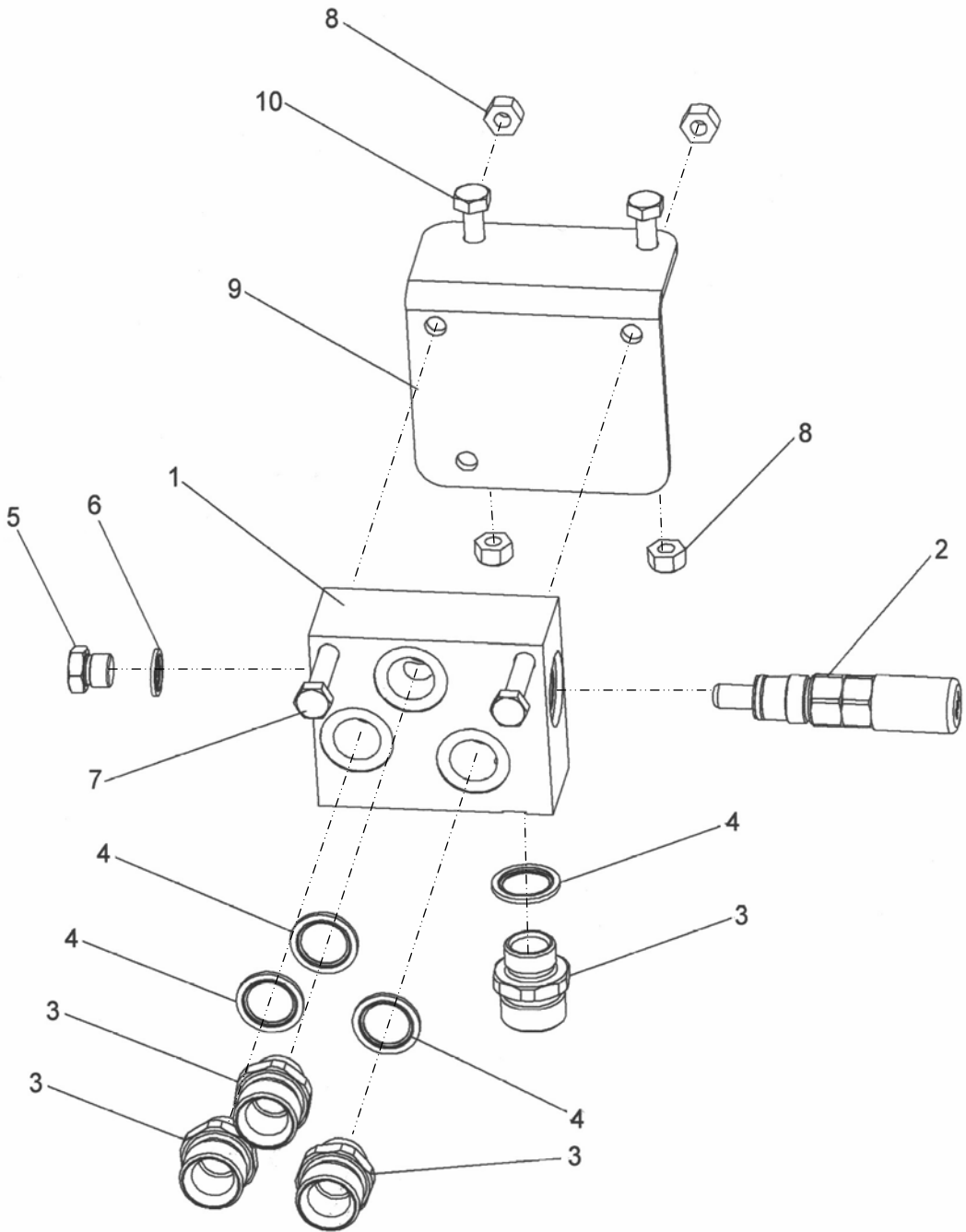


GEARBOX ASSEMBLY

REF.	QTY.	PART No.	DESCRIPTION
		42693.03	GEARBOX ASSEMBLY - Includes
1	1	8013103	GEAR - 72 Teeth
2	1	42693.33	PINION - 17 Teeth
3	1	42693.34	INPUT SHAFT
4	3	0600042	BEARING
5	3	42693.36	INTERNAL CIRCLIP
6	1	42693.48	SPACING COLLAR
7	1	42693.40	BLANKING PLUG
8	1	42693.45	SHAFT PILOTED WASHER
9	1	42693.46	THRUST ROLLER BEARING
10	1	42693.47	HOUSING PILOTED WASHER
11	1	42693.44	NEEDLE ROLLER BEARING
12	1	42693.49	BLANKING PLUG
13	1	42693.39	SEAL
14	1	42693.58	BREATHER
15	6	9313044	SETSCREW
16	2	8581113	HEXAGON PLUG
17	3	8650102	BONDED SEAL
18	4	8582042	TAPER PLUG - SOCKET HEADED
19	4	9100106	PLAIN WASHER
20	4	04.282.17	STUD
21	4	9100206	SPRING WASHER
22	4	9113006	PLAIN NUT
23	1	8013056	GASKET

ROTOR RELIEF ASSEMBLY – Cable

MODULE:
7451708



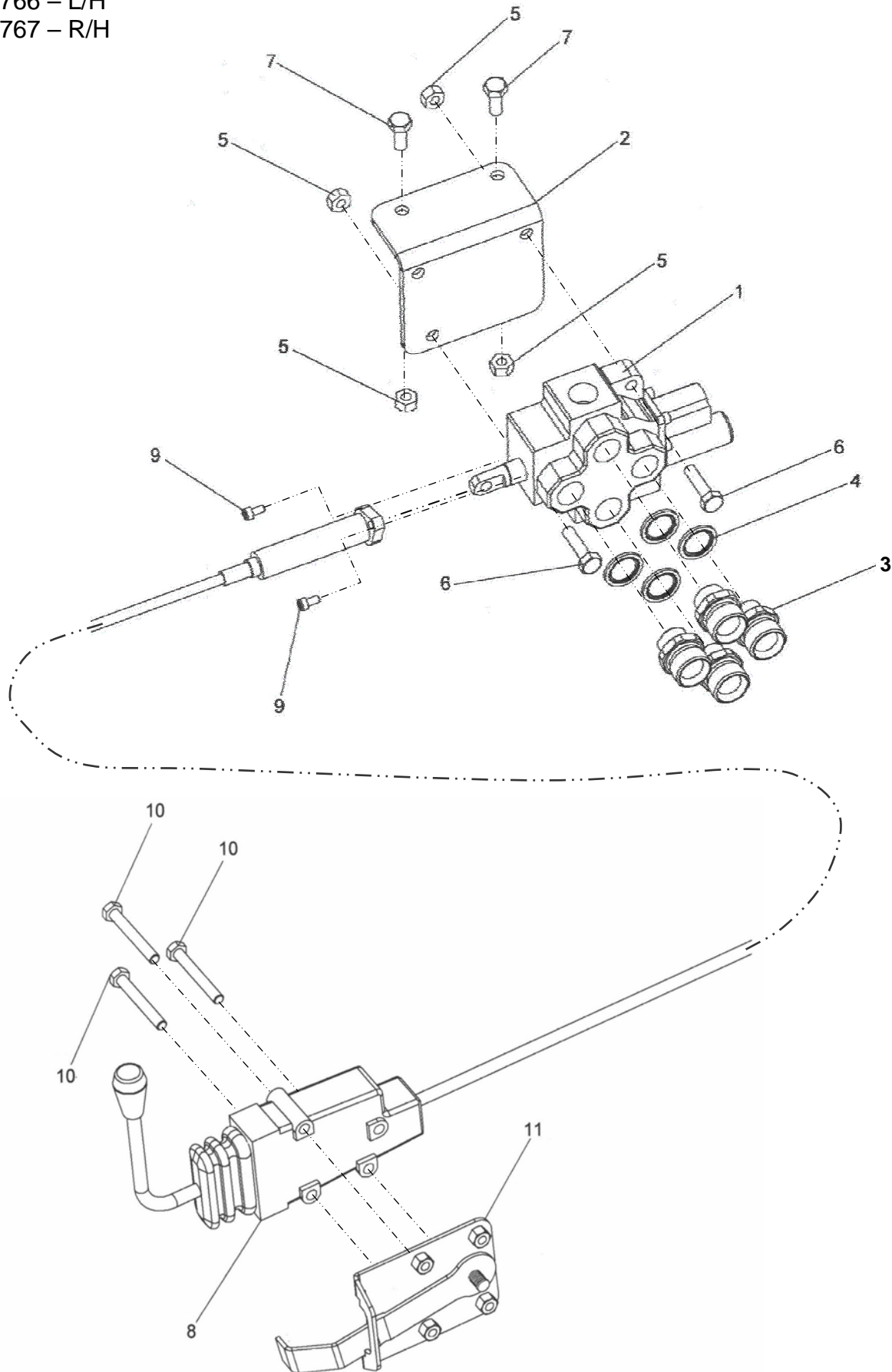
**ROTOR RELIEF ASSEMBLY – Cable**

REF.	QTY.	PART No.	DESCRIPTION
		7451708	ROTOR RELIEF ASSEMBLY - CABLE
1	1	8125352	BLOCK ROTOR RELIEF SI
2	1	8125095	RELIEF VALVE 207 BAR
3	4	8002086	ADAPTOR 3/4" x 1" BSP MM
4	4	8650106	BONDED SEAL 3/4" BSP
5	1	8003001	ADAPTOR PLUG 3/8" BSP
6	1	8650103	BONDED SEAL 3/8" BSP
7	2	9213135	BOLT M10 x 65
8	4	9143005	SELF-LOCKING NUT M10
9	1	45338.01	PLATE RCV
10	2	9313055	SETSCREW M10 x 25

ROTOR CONTROL VALVE - Cable

MODULES:
7451766 - L/H
7451767 - R/H

Illustrated in Left Hand build




ROTOR CONTROL VALVE - Cable

REF.	QTY.	PART No.	DESCRIPTION
		7451766	RCV ASSEMBLY - CABLE - L/H
		7451767	RCV ASSEMBLY - CABLE - R/H
1	1	8125381	ROTOR CONTROL VALVE L/H
	1	8125356	ROTOR CONTROL VALVE R/H (<i>not illustrated</i>)
2	1	45338.01	PLATE - RCV
3	4	8002086	ADAPTOR 3/4" x 1" BSP MM
4	4	8650106	BONDED SEAL 3/4" BSP
5	4	9143005	SELF-LOCKING NUT M10
6	2	9213085	BOLT M10 x 40
7	2	9313055	SETSCREW M10 x 25
8	1	04.265.92	CABLE ASSY 2.5m ROTOR
9	2	9343023	CAPSCREW M6 x 12
10	3	9213124	BOLT M8 x 60
11	1	42511.01	BALKING ASSEMBLY

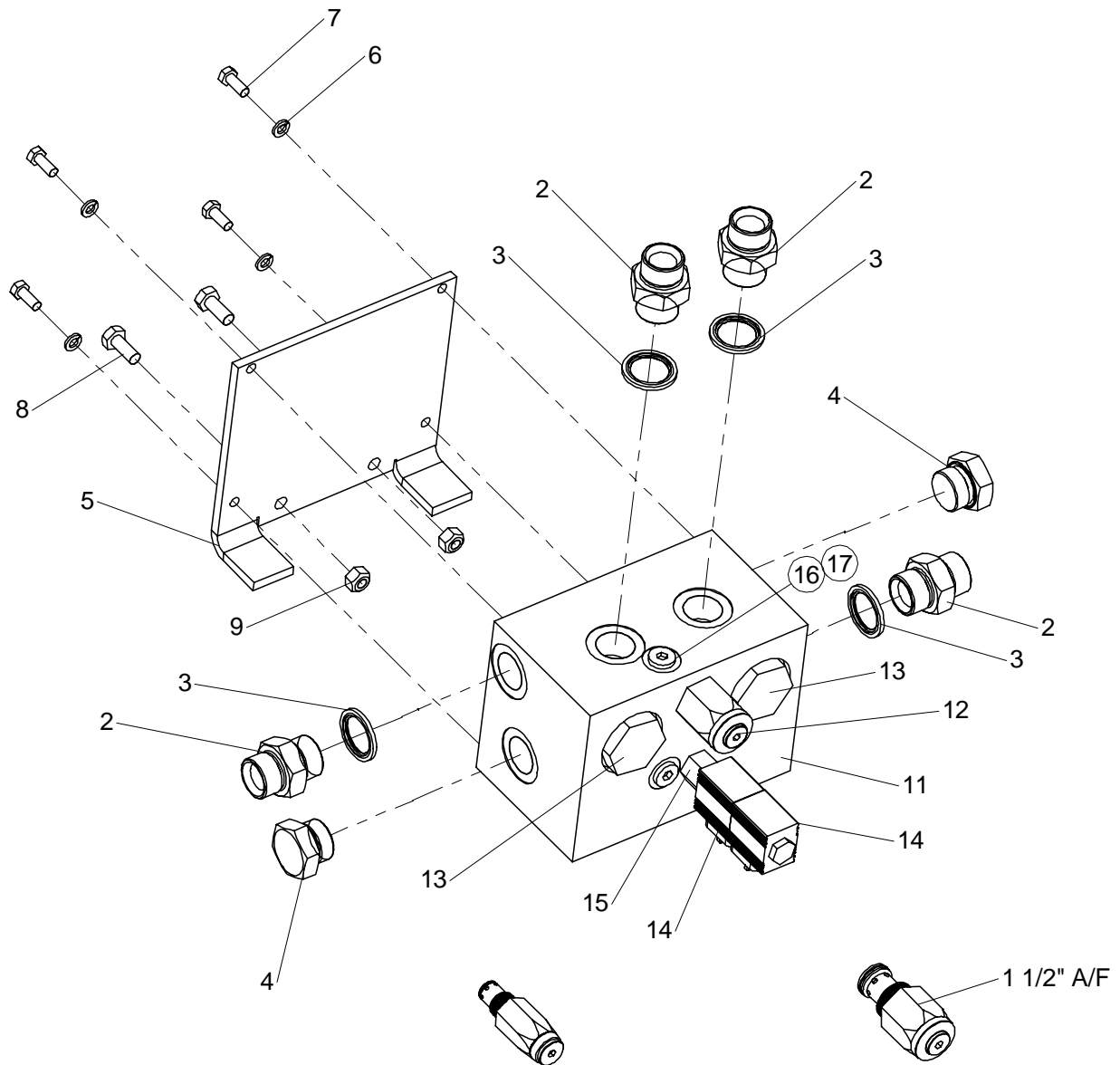
ROTOR CONTROL VALVE - Electric

MODULES:

7451768 - L/H

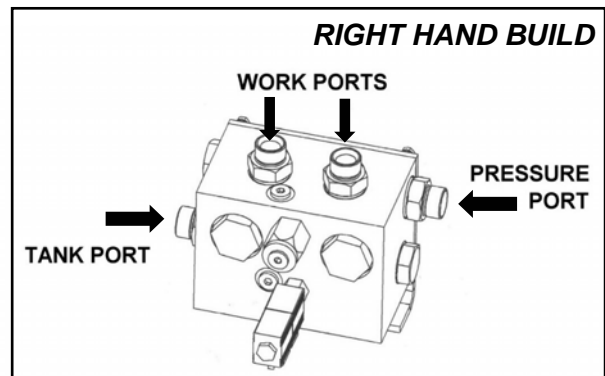
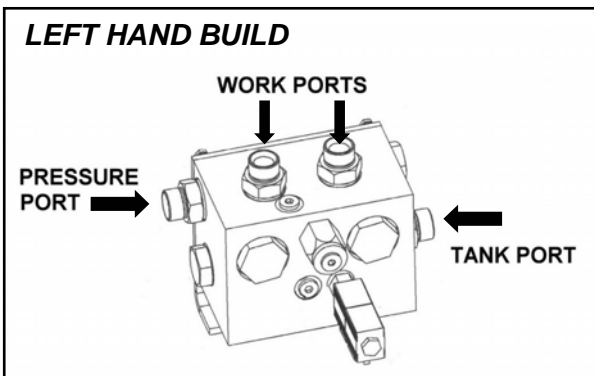
7451769 - R/H

Illustrated in Left Hand build



Early version Relief Valve 42768.33
as fitted to Manifold block 42768.31

Later version Relief Valve 42768.41
as fitted to Manifold Block 42768.40




ROTOR CONTROL VALVE - Electric

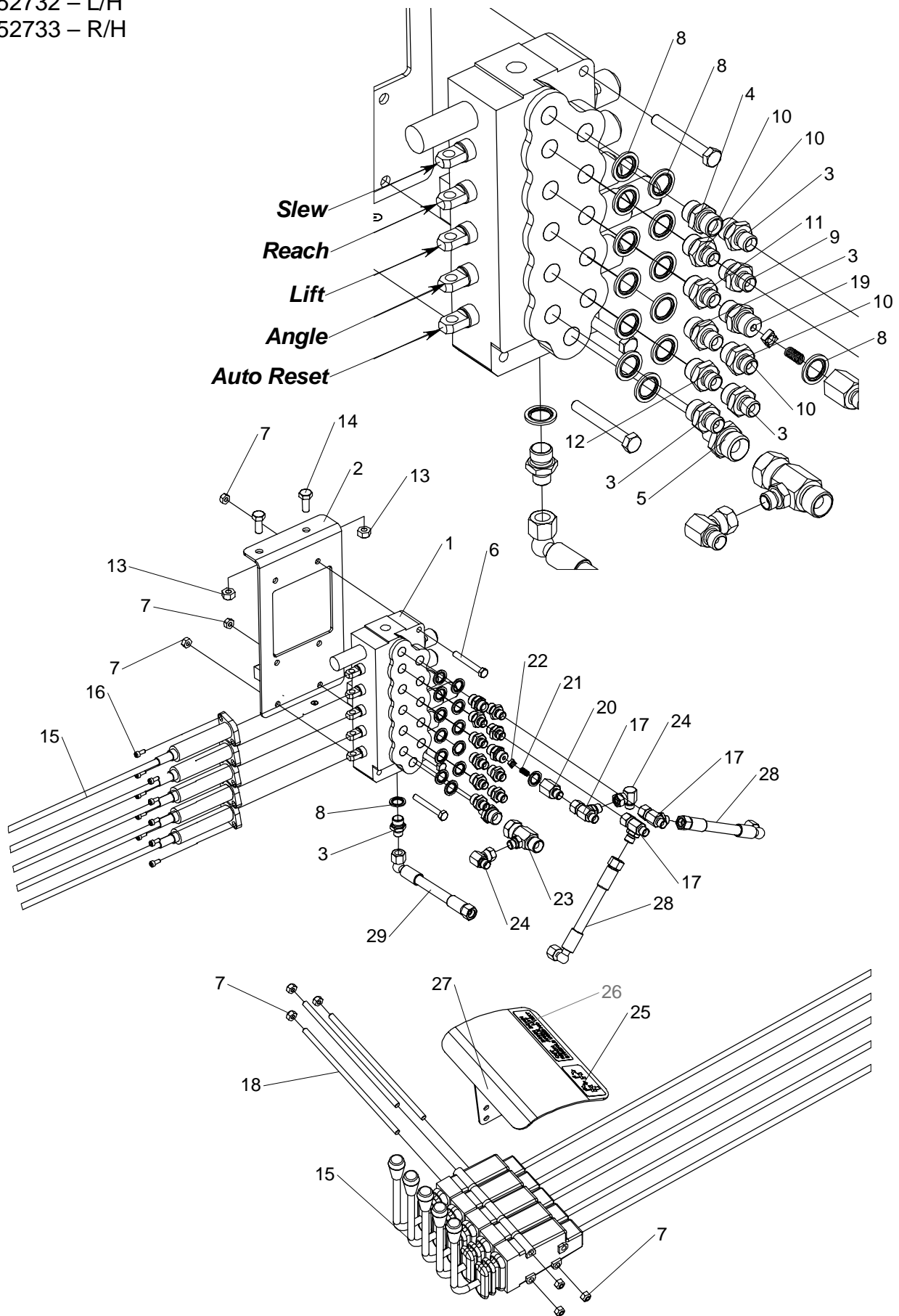
REF.	QTY.	PART No.	DESCRIPTION
		7451768	RCV ASSEMBLY - ELECTRIC- L/H
		7451769	RCV ASSEMBLY - ELECTRIC- R/H
1	1	42768.01	VALVE RCV ELECTRIC
2	4	05.434.01	ADAPTOR 1" BSP MM
3	4	8650108	BONDED SEAL 1" BSP
4	3	8581389	ADAPTOR PLUG 1" BSP
5	1	45267.01	RCV BRACKET
6	4	9100204	SPRING WASHER M8
7	4	9313044	SETSCREW M8 x 20
8	2	9313055	SETSCREW M10 x 25
9	2	9143005	SELF-LOCKING NUT M10
10	1	43177.26	LOOM ROTOR REVERSE (<i>not illustrated</i>)
11	1	42768.31	MANIFOLD BLOCK - Early version*
	1	42768.40	MANIFOLD BLOCK - Later version*
12	1	42768.33	RELIEF VALVE - Early version*
	1	42768.41	RELIEF VALVE - Later version*
13	4	42768.32	LOGIC ELEMENT
14	2	42768.35	SOLENOID 12V 28W
15	1	42768.34	SPOOL - OPEN CENTRE
16	2	42768.39	PLUG
17	1	42768.36	ORIFICE PLUG

* ***Early & later versions of these items are not interchangeable with each other.***

ACV ASSEMBLY – Cable models

MODULES:
7452732 – L/H
7452733 – R/H

Illustrated in Left Hand build



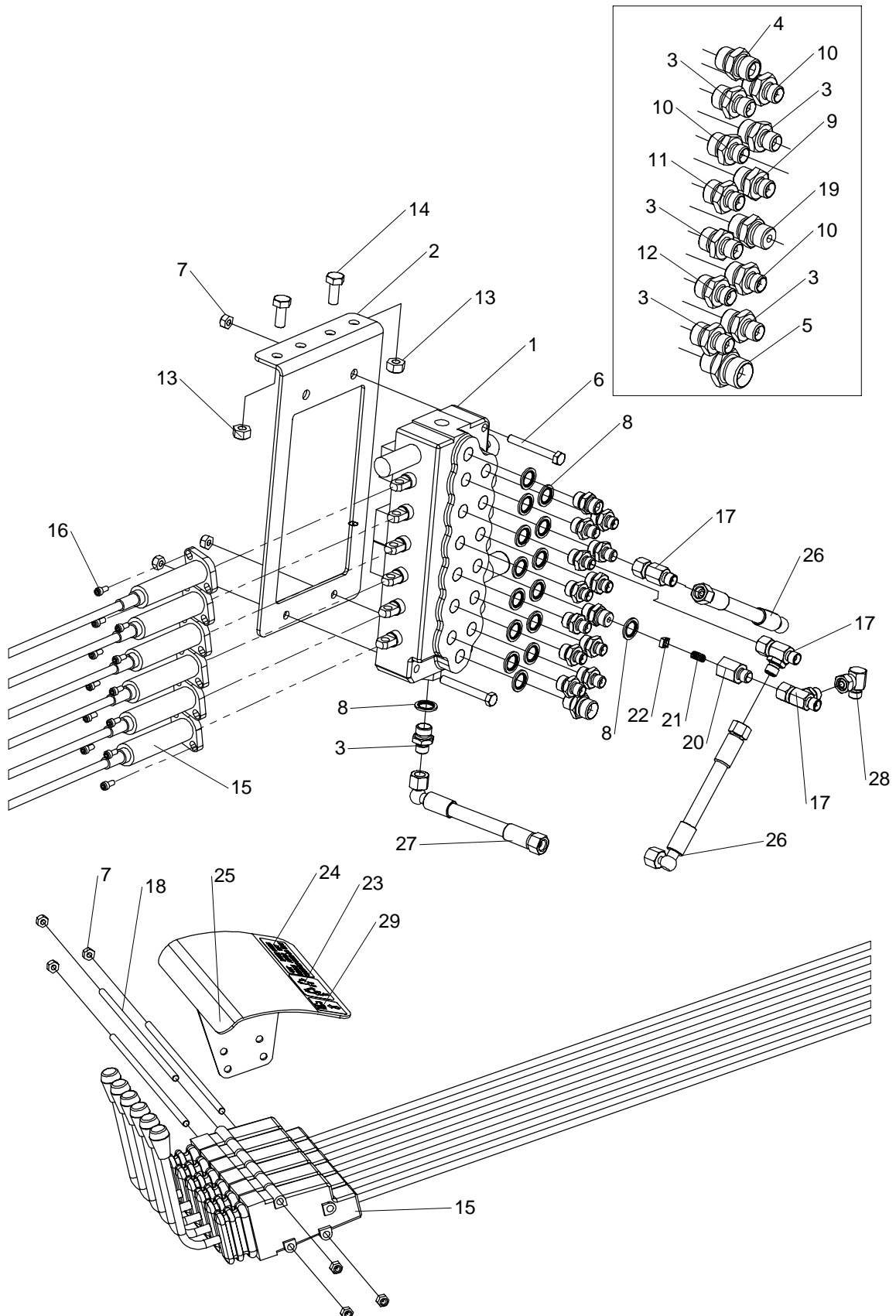
**ACV ASSEMBLY – Cable models**

REF.	QTY.	PART No.	DESCRIPTION
		7452732	ARMHEAD CONTROL VALVE - CABLE L/H
		7452733	ARMHEAD CONTROL VALVE - CABLE R/H
1	1	8130656	CONTROL VALVE - 5 SPOOL
2	1	45274.01	VALVE BRACKET - L/H
	1	45274.03	VALVE BRACKET - R/H
3	5	8581115	ADAPTOR 1/4" x 3/8" BSP MM
4	1	6000113	ADAPTOR 3/8" BSP MM
5	1	6000112	ADAPTOR 3/8" x 1/2" BSP MM
6	3	9213134	BOLT M8 x 65
7	9	9143004	SELF-LOCKING NUT M8
8	14	8650103	BONDED SEAL 3/8" BSP
9	1	8130047	ADAPTOR RESTRICTOR 1.8 'B'
10	2	8130066	ADAPTOR RESTRICTOR 1.15 'M'
11	1	8130046	ADAPTOR RESTRICTOR 1.5 'A'
12	1	8130048	ADAPTOR RESTRICTOR 1.3 'C'
13	2	9143005	SELF-LOCKING NUT M10
14	2	9313055	SETSCREW M10 x 25
15	5	04.265.87	CABLE ASSEMBLY
16	10	9243022	CAPSCREW M5 x 12
17	3	8581254	ADAPTOR TEE 1/4" BSP MFM
18	3	04.282.43	STUD M8 x 240
19	1	8581209	ADAPTOR 3/8" BSP MM FLAT
20	1	8581214	ADAPTOR 1/4" x 3/8" BSP MF BODY
21	1	8116011	SPRING OD.275 x 5/8" LG
22	1	8123043	RESTRICTOR DISC 1.6 GREEN
23	1	04.056.25	ADAPTOR TEE 1/2" BSP MF+1/4" M
24	2	8581190	ADAPTOR ELBOW 90 1/4" BSP MF
25	1	1290357	CONTROL STICKER
26	1	1290368	CONTROL STICKER
27	1	42256.03	ARM REST
28	2	10.002.04	HOSE 1/4" BSP FS/F90 200
29	1	10.002.08	HOSE 1/4" BSP FS/F90 400

ACV ASSEMBLY – Cable midcut

MODULES:
7452757 – L/H
7452758 – R/H

Illustrated in Left Hand build



**ACV ASSEMBLY – Cable midcut**

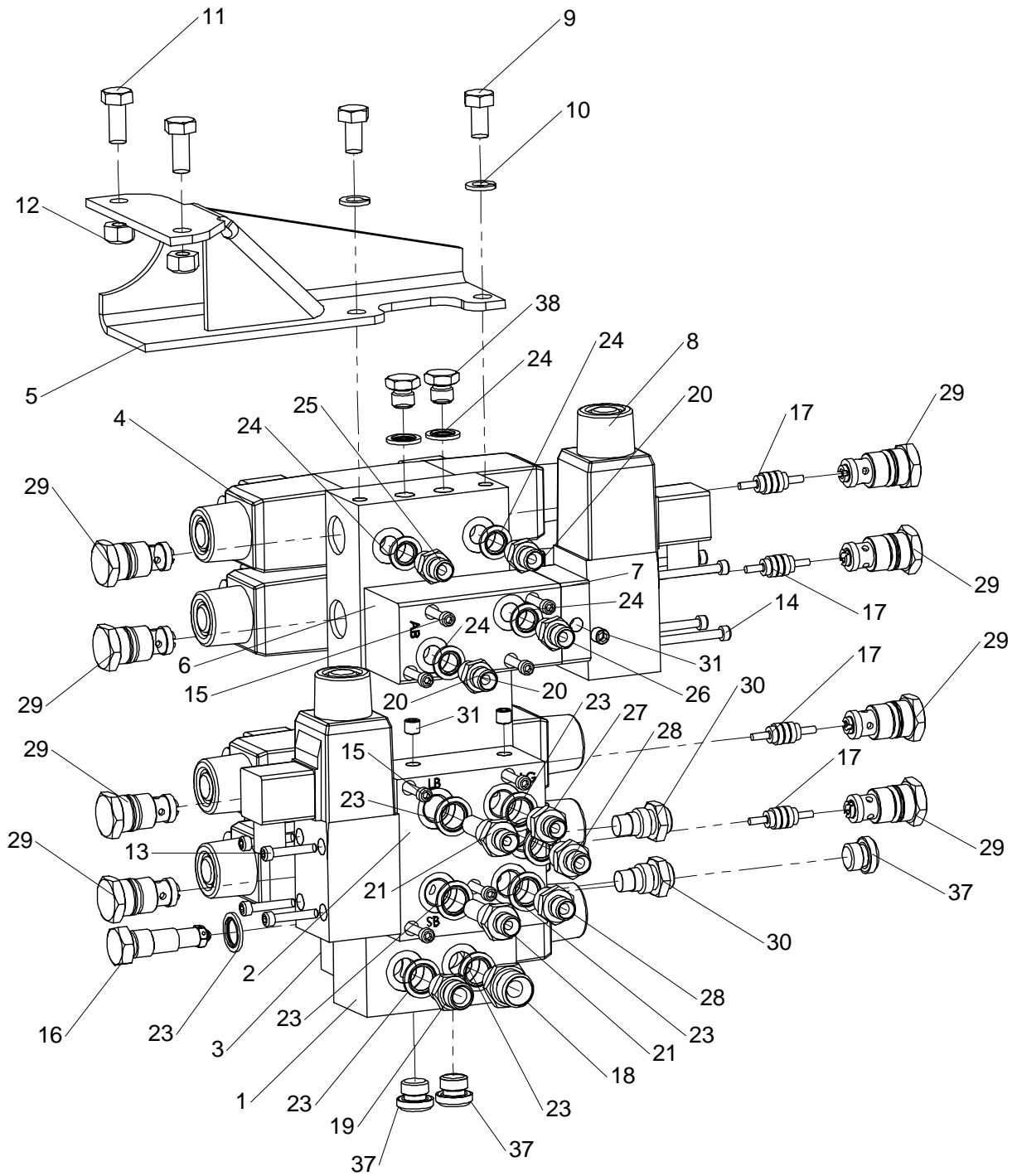
REF.	QTY.	PART No.	DESCRIPTION
		7452757	ARMHEAD CONTROL VALVE - CABLE MIDCUT L/H
		7452758	ARMHEAD CONTROL VALVE - CABLE MIDCUT R/H
1	1	8130660	VALVE - 6 SPOOL C/W AUTO RESET
2	1	45274.05	VALVE BRACKET - (reversible for L/H & R/H fitting)
3	6	8581115	ADAPTOR 1/4" x 3/8" BSP MM
4	1	6000113	ADAPTOR 3/8" BSP MM
5	1	6000112	ADAPTOR 3/8" x 1/2" BSP MM
6	3	9213134	BOLT M8 x 65
7	9	9143004	SELF-LOCKING NUT M8
8	16	8650103	BONDED SEAL 3/8" BSP
9	1	8130047	ADAPTOR RESTRICTOR 1.8 'B'
10	3	8130066	ADAPTOR RESTRICTOR 1.15 'M'
11	1	8130046	ADAPTOR RESTRICTOR 1.5 'A'
12	1	8130048	ADAPTOR RESTRICTOR 1.3 'C'
13	2	9143005	SELF-LOCKING NUT M10
14	2	9313055	SETSCREW M10 x 25
15	6	04.265.87	CABLE ASSEMBLY
16	12	9343022	CAPSCREW M5 x 12
17	3	8581254	ADAPTOR TEE 1/4" BSP MFM
18	3	04.282.60	STUD M8 X 282
19	1	8581209	ADAPTOR 3/8" BSP MM FLAT
20	1	8581214	ADAPTOR 1/4" x 3/8" BSP MF BODY
21	1	8116011	SPRING OD.275 x 5/8" LG
22	1	8123043	RESTRICTOR DISC 1.6 GREEN
23	1	1290357	CONTROL STICKER
24	1	1290368	CONTROL STICKER
25	1	42256.04	CABLE BRACKET - 6 STATION
26	2	10.002.04	HOSE 1/4" BSP FS/F90 200
27	1	10.002.08	HOSE 1/4"BSP FS/F90 400
28	1	8581190	ADAPTOR ELBOW 90 1/4" BSP MF
29	1	1290446	DECAL - MIDCUT OPERATION

ACV ASSEMBLY – Electric models

MODULES:

- 7452734 – L/H
- 7452735 – R/H

Illustrated in Left Hand build



**ACV ASSEMBLY – Electric models**

REF.	QTY.	PART No.	DESCRIPTION
		7452734	ARMHEAD CONTROL VALVE ASSEMBLY - ELECTRIC L/H
		7452735	ARMHEAD CONTROL VALVE ASSEMBLY - ELECTRIC R/H
1	1	8132280	MANIFOLD BLOCK
2	1	8132284	BLOCK - SLEW
3	1	8130456	CUT OFF SOLENOID VALVE
4	4	8130629	VALVE DOUBLE SOLENOID
5	1	45277.01	BRACKET - ACV ELECTRIC L/H
		45277.02	BRACKET - ACV ELECTRIC R/H
6	1	8130323	FLOAT VALVE BLOCK
7	1	8126280	BRIDGING PLATE
8	2	8130457	SOLENOID VALVE SINGLE
9	2	9313045	SETSCREW M10 x 20
10	2	9100205	SPRING WASHER M10
11	2	9313055	SETSCREW M10 x 25
12	2	9143005	SELF-LOCKING NUT M10
13	24	9243062	CAPSCREW M5 x 30
14	4	9243102	CAPSCREW M5 x 50
15	8	9243082	CAPSCREW M5 x 40
16	1	8130032	RELIEF VALVE CAP
17	4	8130087	ACTUATOR
18	1	6000112	ADAPTOR 3/8" x 1/2" BSP MM
19	1	6000113	ADAPTOR 3/8" BSP MM
20	2	8130038	ADAPTOR RESTRICTOR 1.4 'L'
21	2	8581210	ADAPTOR 3/8" x 1/4" SPECIAL
22	1	8130092	RELIEF VALVE INDEX
23	8	8650103	BONDED SEAL 3/8" BSP
24	6	8650102	BONDED SEAL 1/4" BSP
25	1	8130105	ADAPTOR RESTRICTOR 1.6 'H'
26	1	8130037	ADAPTOR RESTRICTOR 1.15 'S'
27	1	8130068	ADAPTOR RESTRICTOR 0.9 'T'
28	2	8581115	ADAPTOR 1/4" x 3/8" BSP MM
29	8	8130090	CHECK VALVE ASSY
30	2	8128022	VALVE SERVICE RELIEF 50-220BAR
31	3	8582041	TAPER PLUG 1/8" BSPT
32	12	8700511	'O' RING - 511
33	2	8116011	SPRING OD.275 x5/8" LG
34	1	8123041	RESTRICTOR DISC 1.15 RED
35	1	8123043	RESTRICTOR DISC 1.6 GREEN
36	1	9113003	NUT M6
37	3	8581436	PLUG 3/8" BSP SOFT SEAL
38	2	520378	ADAPTOR PLUG 1/4" BSP

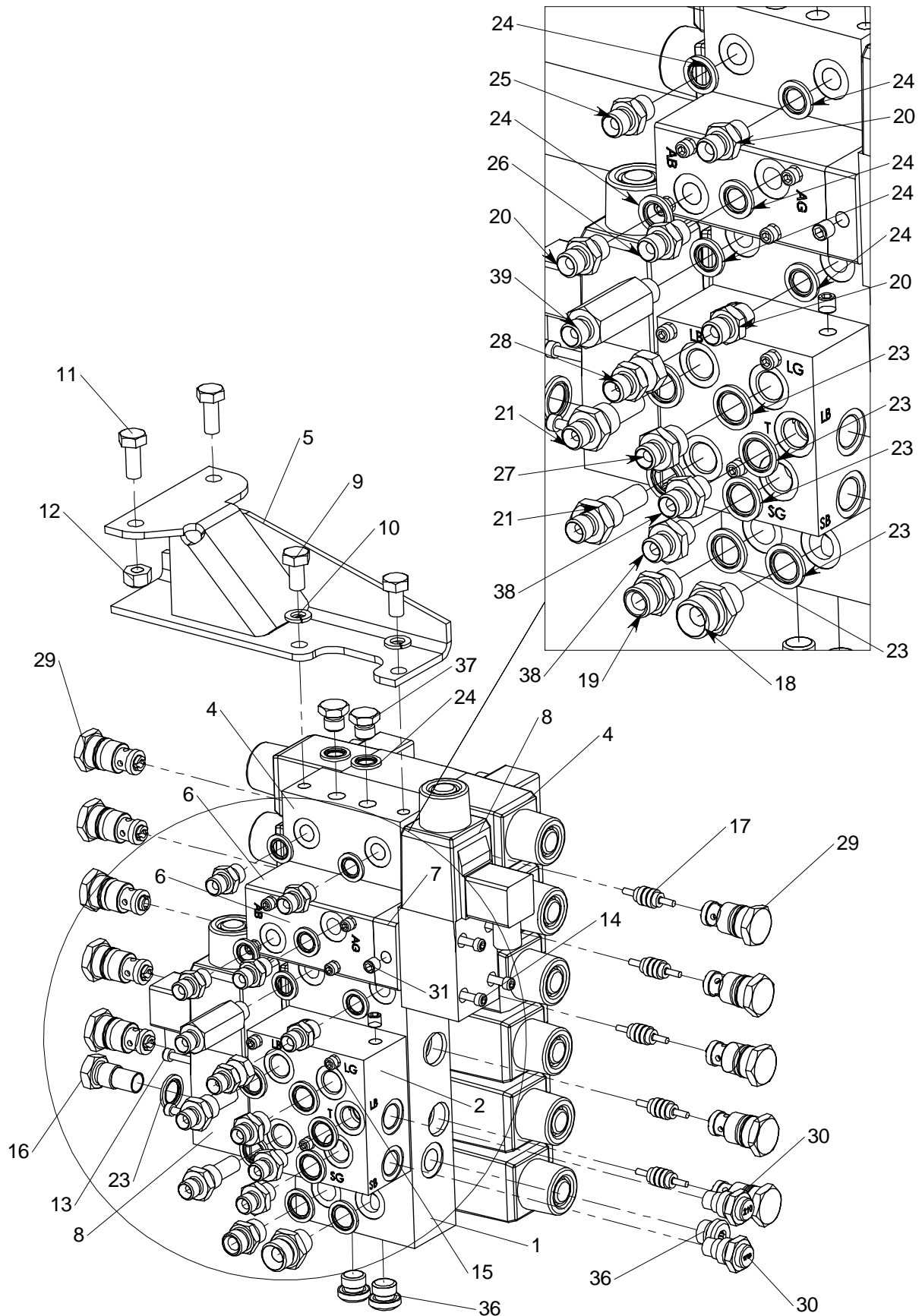
ACV ASSEMBLY – Electric midcut

MODULES:

7452736 – L/H

7452737 – R/H

Illustrated in Left Hand build



**ACV ASSEMBLY – Electric midcut**

REF.	QTY.	PART No.	DESCRIPTION
		7452736	ARMHEAD CONTROL VALVE - ELECTRIC MIDCUT L/H
		7452737	ARMHEAD CONTROL VALVE - ELECTRIC MIDCUT R/H
1	1	8132281	MANIFOLD BLOCK
2	1	8132284	BLOCK SLEW
3	1	8130456	CUT OFF SOLENOID VALVE
4	5	8130629	VALVE DOUBLE SOLENOID
5	1	45277.01	BRACKET L/H
	1	45277.02	BRACKET R/H
6	1	8130323	FLOAT VALVE BLOCK
7	1	8126280	BRIDGING PLATE
8	2	8130457	SOLENOID VALVE SINGLE
9	2	9313045	SETSCREW M10 x 20
10	2	9100205	SPRING WASHER M10
11	2	9313055	SETSCREW M10 x 25
12	2	9143005	SELF-LOCKING NUT M10
13	28	9243062	CAPSCREW M5 x 30
14	4	9243102	CAPSCREW M5 x 50
15	8	9243082	CAPSCREW M5 x 40
16	1	8130032	RELIEF VALVE CAP
17	5	8130087	ACTUATOR
18	1	6000112	ADAPTOR 3/8" x 1/2" BSP MM
19	1	6000113	ADAPTOR 3/8" BSP MM
20	3	8130038	ADAPTOR RESTRICTOR 1.4 'L'
21	2	8581210	ADAPTOR 3/8" x 1/4" SPECIAL
22	1	8130092	RELIEF VALVE INDEX
23	8	8650103	BONDED SEAL 3/8" BSP
24	8	8650102	BONDED SEAL 1/4" BSP
25	1	8130105	ADAPTOR RESTRICTOR 1.6 'H'
26	1	8130037	ADAPTOR RESTRICTOR 1.15 'S'
27	1	8130068	ADAPTOR RESTRICTOR 0.9 'T'
28	1	8581309	ADAPTOR 1/4" BPS MF SWIVEL - STRAIGHT
29	10	8130090	CHECK VALVE ASSEMBLY
30	2	8128022	VALVE SERVICE RELIEF 50-220 BAR
31	3	8582041	TAPER PLUG 1/8" BSPT
32	12	8700511	'O' RING 511
33	2	8116011	SPRING OD.275 x 5/8" LONG
34	1	8123041	RESTRICTOR DISC 1.15 RED
35	1	8123043	RESTRICTOR DISC 1.6 GREEN
36	3	8581436	PLUG 3/8" BSP - SOFT SEAL
37	2	520378	ADAPTOR PLUG 1/4" BSP
38	2	8581169	ADAPTOR 1/4" BSP MM
39	1	8581279	ADAPTOR EXT 1/4" BSP MM

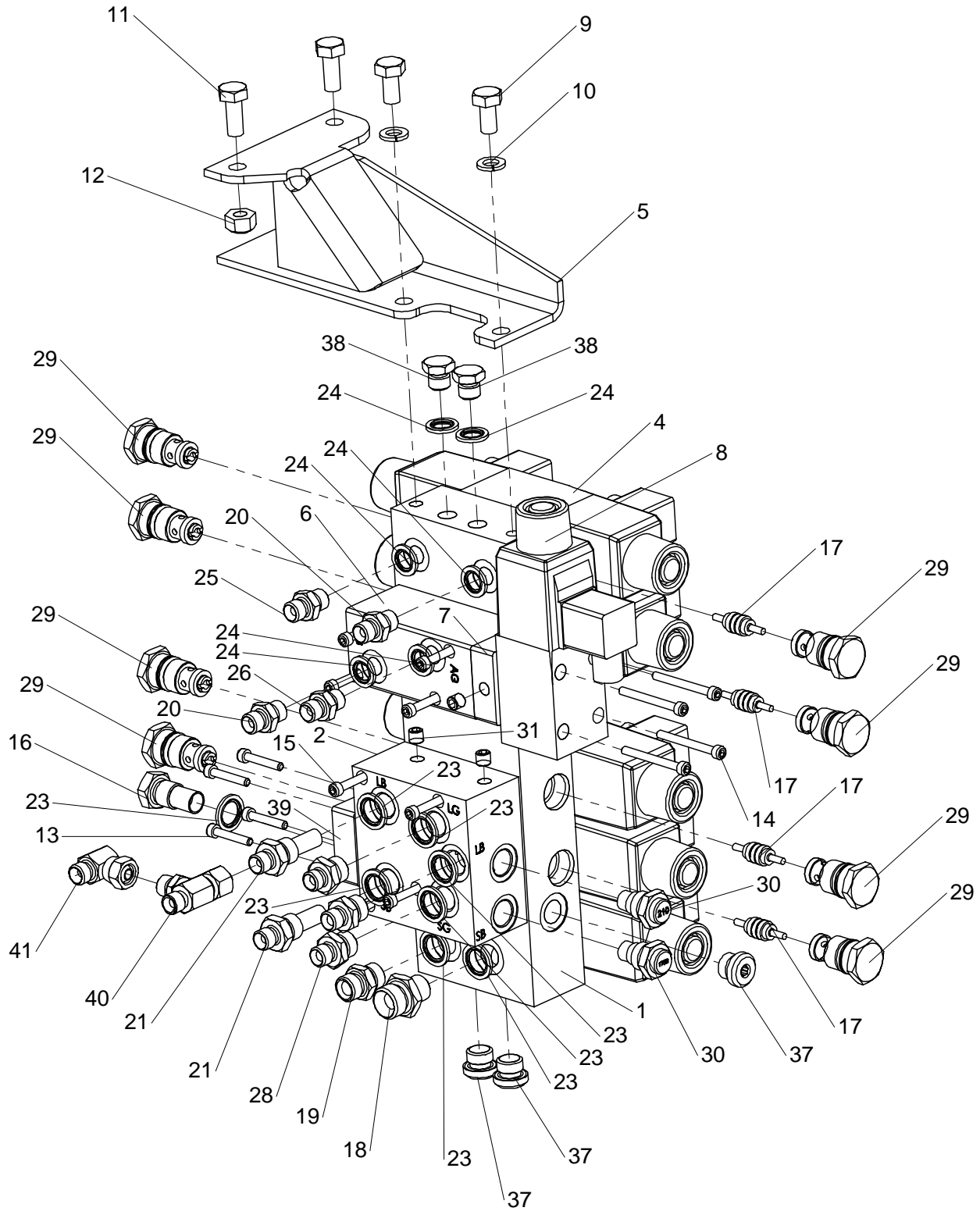
ACV ASSEMBLY – Electric F/mount

MODULES:

7452738 – L/H Front Mount

7452739 – R/H Front Mount

Illustrated in Left Hand build



**ACV ASSEMBLY – Electric F/mount**

REF.	QTY.	PART No.	DESCRIPTION
		7452738	ACV ASSEMBLY - FRONT MOUNT L/H
		7452739	ACV ASSEMBLY - FRONT MOUNT R/H
1	1	8132280	MANIFOLD BLOCK
2	1	8132284	BLOCK SLEW
3	1	8130456	CUT OFF SOLENOID VALVE
4	4	8130629	VALVE DOUBLE SOLENOID
5	1	45277.01	BRACKET - L/H
		45277.02	BRACKET - R/H
6	1	8130323	FLOAT VALVE BLOCK
7	1	8126280	BRIDGING PLATE
8	1	8130457	SOLENOID VALVE SINGLE
9	2	9313045	SETSCREW M10 x 20
10	2	9100205	SPRING WASHER M10
11	2	9313055	SETSCREW M10 x 25
12	2	9143005	SELF-LOCKING NUT M10
13	24	9243062	CAPSCREW M5 x 30
14	4	9243102	CAPSCREW M5 x 50
15	8	9243082	CAPSCREW M5 x 40
16	1	8130032	RELIEF VALVE CAP
17	4	8130087	ACTUATOR
18	1	6000112	ADAPTOR 3/8" x 1/2" BSP MM
19	1	6000113	ADAPTOR 3/8" BSP MM
20	2	8130038	ADAPTOR RESTRICTOR 1.4 'L'
21	2	8581210	ADAPTOR 3/8" x 1/4" SPECIAL
22	1	8130030	RELIEF VALVE 210BAR
23	8	8650103	BONDED SEAL 3/8" BSP
24	6	8650102	BONDED SEAL 1/4" BSP
25	1	8130105	ADAPTOR RESTRICTOR 1.6 'H'
26	1	8130037	ADAPTOR RESTRICTOR 1.15 'S'
27	1	8130068	ADAPTOR RESTRICTOR 0.9 'T'
28	2	8581115	ADAPTOR 1/4 x 3/8" BSP MM
29	8	8130090	CHECK VALVE ASSY
30	2	8128022	VALVE SERVICE RELIEF 50-220 BAR
31	3	8582041	TAPER PLUG 1/8" BSPT
32	16	8700511	'O' RING 511
33	2	8116011	SPRING OD.275 x 5/8" LONG
34	1	8123041	RESTRICTOR DISC 1.15 RED
35	1	8123043	RESTRICTOR DISC 1.6 GREEN
36	1	9113003	NUT M6
37	3	8581436	PLUG 3/8" BSP - SOFT SEAL
38	2	520378	ADAPTOR PLUG 1/4"BSP
39	1	8130139	BLANKING PLATE
40	1	8581254	ADAPTOR TEE 1/4"BSP MFM
41	1	8581190	ADAPTOR ELBOW 90 1/4" BSP MF

SOLENOID/MANIFOLD-Proportional

MODULES:

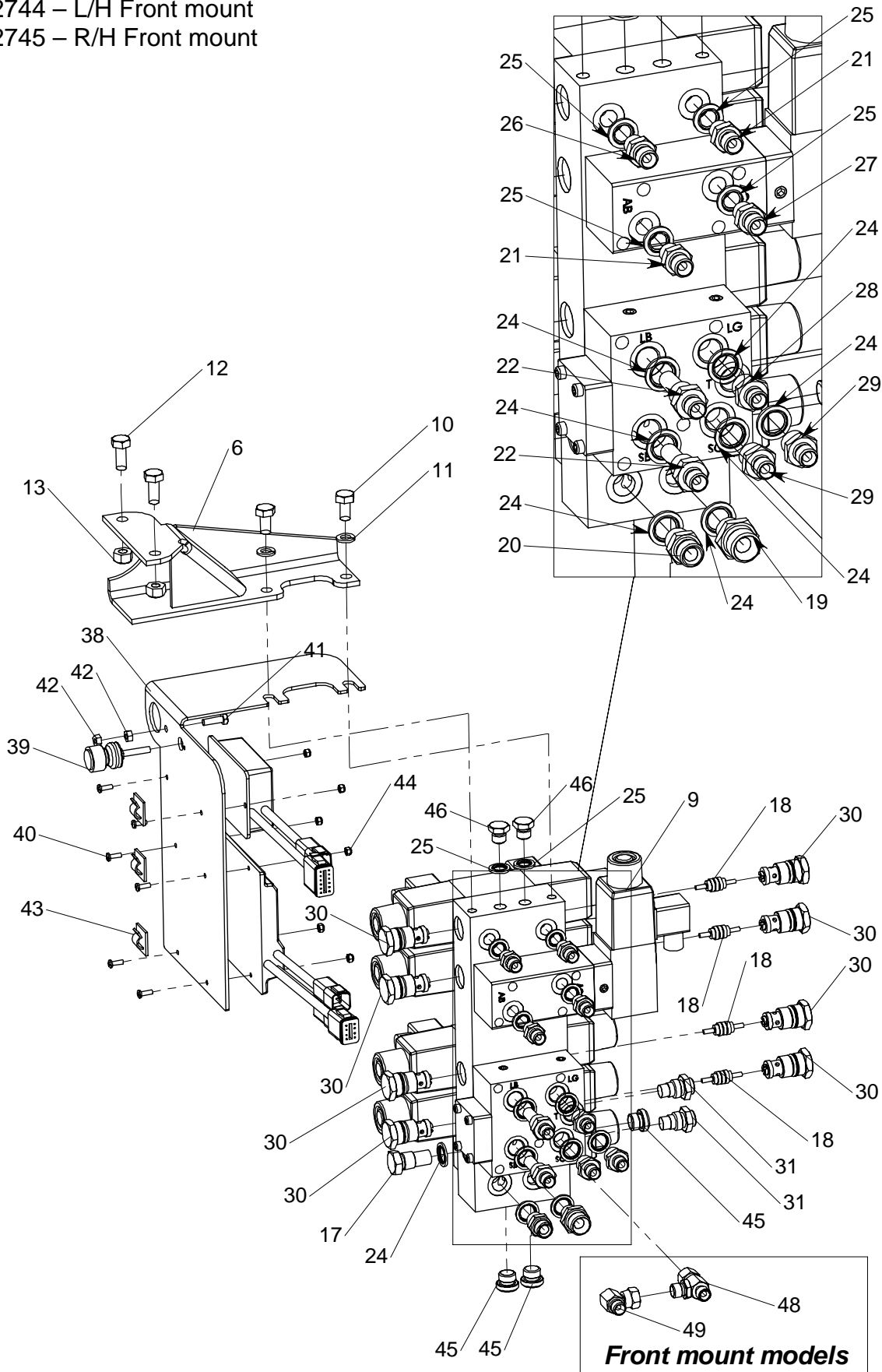
7452740 – L/H

7452741 – R/H

7452744 – L/H Front mount

7452745 – R/H Front mount

Illustrated in Left Hand build





SOLENOID/MANIFOLD-Proportional

REF.	QTY.	PART No.	DESCRIPTION
		7452740	PROPORTIONAL SOLENOID/MANIFOLD - L/H
		7452741	PROPORTIONAL SOLENOID/MANIFOLD - R/H
		7452744	PROPORTIONAL SOLENOID/MANIFOLD - L/H F/MOUNT
		7452745	PROPORTIONAL SOLENOID/MANIFOLD - R/H F/MOUNT
1	1	8132280	MANIFOLD BLOCK
2	1	8132284	BLOCK - SLEW
3	1	8130456	CUT OFF SOLENOID VALVE
4	3	41784.48	DOUBLE SOLENOID - PROP. VALVE 8l/min
5	1	8130629	VALVE DOUBLE SOLENOID
6	1	45277.01	BRACKET - L/H
	1	45277.02	BRACKET - R/H
7	1	8130323	FLOAT VALVE BLOCK
8	1	8126280	BRIDGING PLATE
9	1	8130457	SOLENOID VALVE SINGLE
10	2	9313045	SETSCREW M10 x 20
11	2	9100205	SPRING WASHER M10
12	2	9313055	SETSCREW M10 x 25
13	2	9143005	SELF-LOCKING NUT M10
14	24	9243062	CAPSCREW M5 x 30
15	4	9243102	CAPSCREW M5 x 50
16	8	9243082	CAPSCREW M5 x 40
17	1	8130032	RELIEF VALVE CAP
18	4	8130087	ACTUATOR
19	1	6000112	ADAPTOR 3/8" x 1/2" BSP MM
20	1	6000113	ADAPTOR 3/8" BSP MM
21	2	8130105	ADAPTOR RESTRICTOR 1.6 'H'
22	2	8581210	ADAPTOR 3/8" x 1/4" SPECIAL
23	1	8130030	RELIEF VALVE 210BAR
24	8	8650103	BONDED SEAL 3/8" BSP
25	6	8650102	BONDED SEAL 1/4" BSP
26	1	8130104	ADAPTOR RESTRICTOR 1.8 'G'
27	1	8130038	ADAPTOR RESTRICTOR 1.4 'L'
28	1	8130068	ADAPTOR RESTRICTOR 0.9 'T'
29	2	8581115	ADAPTOR 1/4" x 3/8" BSP MM
30	8	8130090	CHECK VALVE ASSEMBLY
31	2	8128022	VALVE SERVICE RELIEF50-220BAR
32	3	8582041	TAPER PLUG 1/8" BSPT
33	16	8700511	'O' RING 511
34	2	8116011	SPRING OD.275 x 5/8" LG
35	1	8123041	RESTRICTOR DISC 1.15 RED
36	1	8123043	RESTRICTOR DISC 1.6 GREEN
37	1	43060.01	CONTROL UNITS B&C
38	1	43081.01	BRACKET L/H (USE 43081.03 FOR R/H MODELS)
39	1	8402227	POWER TERMINAL
40	6	9300132	PANHEAD SCREW M4 x 12
41	1	9313043	SETSCREW M6 x 20
42	2	9113003	NUT M6
43	3	43357.01	CLIP (SELF ADHESIVE PAD)
44	6	05.948.33	NUT SELF LOCK M4
45	3	8581436	PLUG 3/8" BSP - SOFT SEAL
46	2	520378	ADAPTOR PLUG 1/4" BSP
47	1	8130139	BLANKING PLATE - <i>front mount models only</i>
48	1	8581254	ADAPTOR TEE 1/4" BSP MFM - <i>front mount models only</i>
49	1	8581190	ADAPTOR ELBOW 90 1/4" BSP MF - <i>front mount models only</i>
50	1	43177.10	LOOM UNIT B S, L, T, R
51	1	43177.36	LOOM PWR & BUS
52	1	43177.25	LOOM UNIT C
53	1	8402361	LOOM EXTENSION 2m CAN & PWR - <i>front mount models only</i>

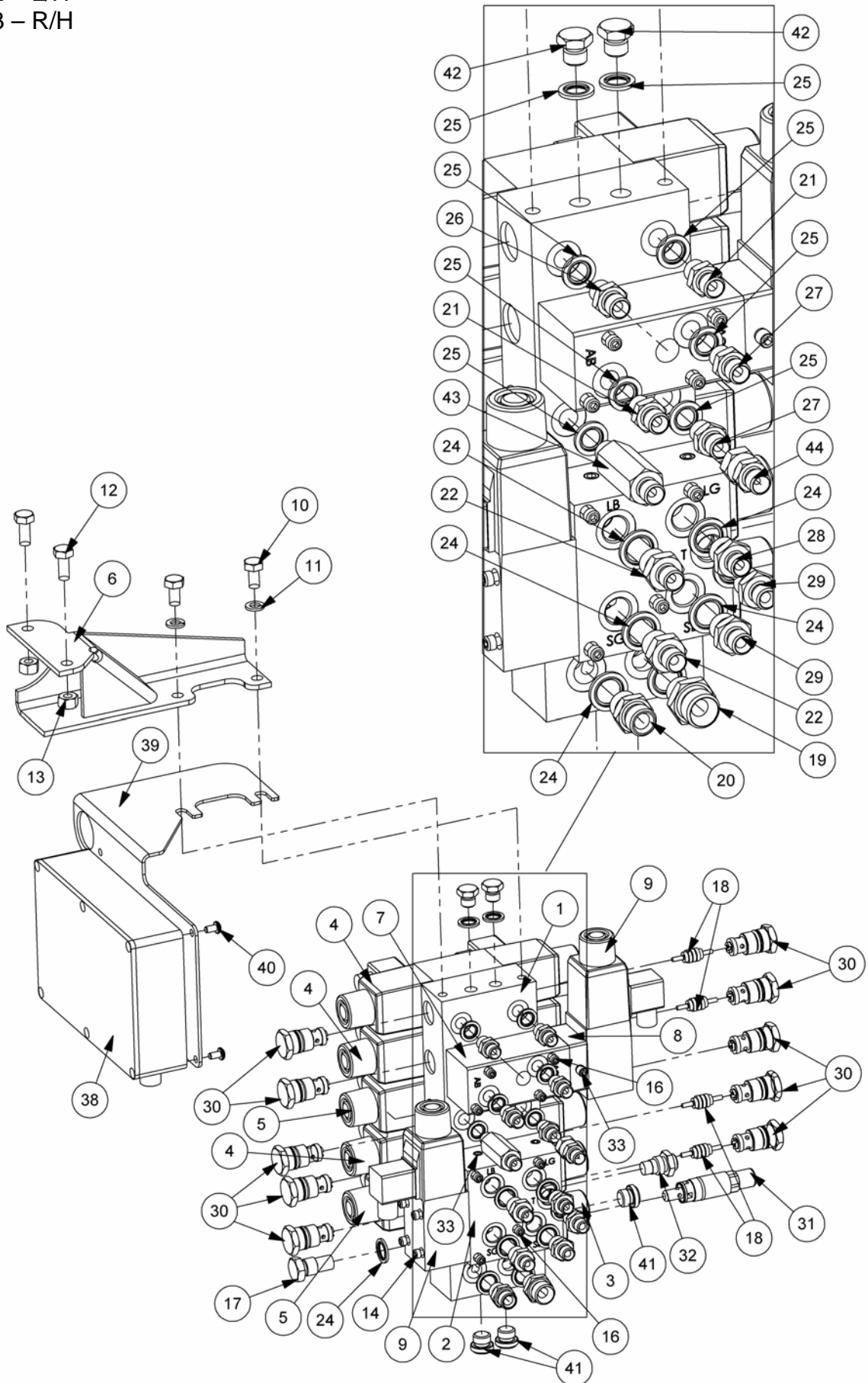
SOLENOID/MANIFOLD - Prop M/cut

MODULES:

7452742 - L/H

7452743 - R/H

Illustrated in Left Hand build




SOLENOID/MANIFOLD - Prop M/cut

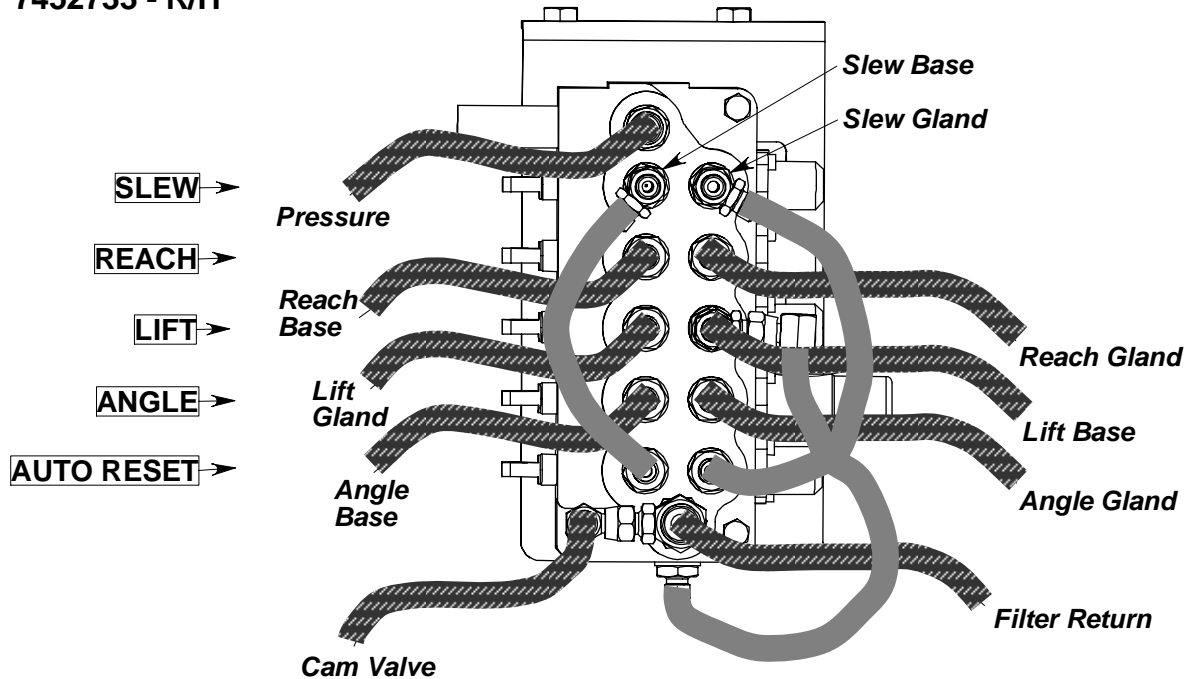
REF.	QTY.	PART No.	DESCRIPTION
		7452742	SOLENOID/MANIFOLD - Prop. Midcut L/H Build
		7452743	SOLENOID/MANIFOLD - Prop. Midcut R/H Build
1	1	8132281	MANIFOLD BLOCK
2	1	8132287	SLEW BLOCK
3	1	8130456	CUT OFF SOLENOID VALVE
4	3	41784.48	DOUBLE SOLENOID PROPORTIONAL VALVE
5	2	8130629	VALVE - DOUBLE SOLENOID
6	1	45277.01	BRACKET - L/H Build
	1	45277.03	BRACKET - R/H Build
7	1	8130323	FLOAT VALVE BLOCK
8	1	8126280	BRIDGING PLATE
9	2	8130457	SOLENOID VALVE - SINGLE
10	2	9313045	SETSCREW
11	2	9100205	SPRING WASHER
12	2	9313055	SETSCREW
13	2	9143005	SELF-LOCKING NUT
14	24	9243062	CAPSCREW
15	4	9243102	CAPSCREW
16	8	9243082	CAPSCREW
17	1	8130032	RELIEF VALVE CAP
18	5	8130087	ACTUATOR
19	1	6000112	ADAPTOR
20	1	6000113	ADAPTOR
21	2	8130105	ADAPTOR RESTRICTOR - 1.6 'H'
22	2	8581210	ADAPTOR
23	1	8130030	RELIEF VALVE - 210BAR
24	8	8650103	BONDED SEAL
25	8	8650102	BONDED SEAL
26	1	8130104	ADAPTOR RESTRICTOR - 1.8 'G'
27	2	8130038	ADAPTOR RESTRICTOR - 1.4 'L'
28	1	8130068	ADAPTOR RESTRICTOR - 0.9 'T'
29	2	8581115	ADAPTOR
30	10	8130090	CHECK VALVE ASSEMBLY
31	1	G3812541	RELIEF VALVE
32	1	8128022	VALVE SERVICE RELIEF (50-220BAR)
33	3	8582041	TAPER PLUG
34	12	8700511	O RING
35	2	8116011	SPRING
36	1	8123041	RESTRICTOR DISC - 1.15 RED
37	1	8123043	RESTRICTOR DISC - 1.6 GREEN
38	1	21164.03	CONTROLLER - V3 ASSEMBLY
39	1	21170.01	CONTROLLER MOUNTING BRACKET - L/H Build
	1	21170.03	CONTROLLER MOUNTING BRACKET - R/H Build
40	4	9300164	TAPTITE
41	3	8581436	PLUG - SOFT SEAL
42	2	520378	ADAPTOR PLUG
43	1	8581279	ADAPTOR EXTENSION
44	1	8581309	ADAPTOR - SWIVEL

ACV HOSE INSTALLATION – Cable

Illustrated in Left Hand build

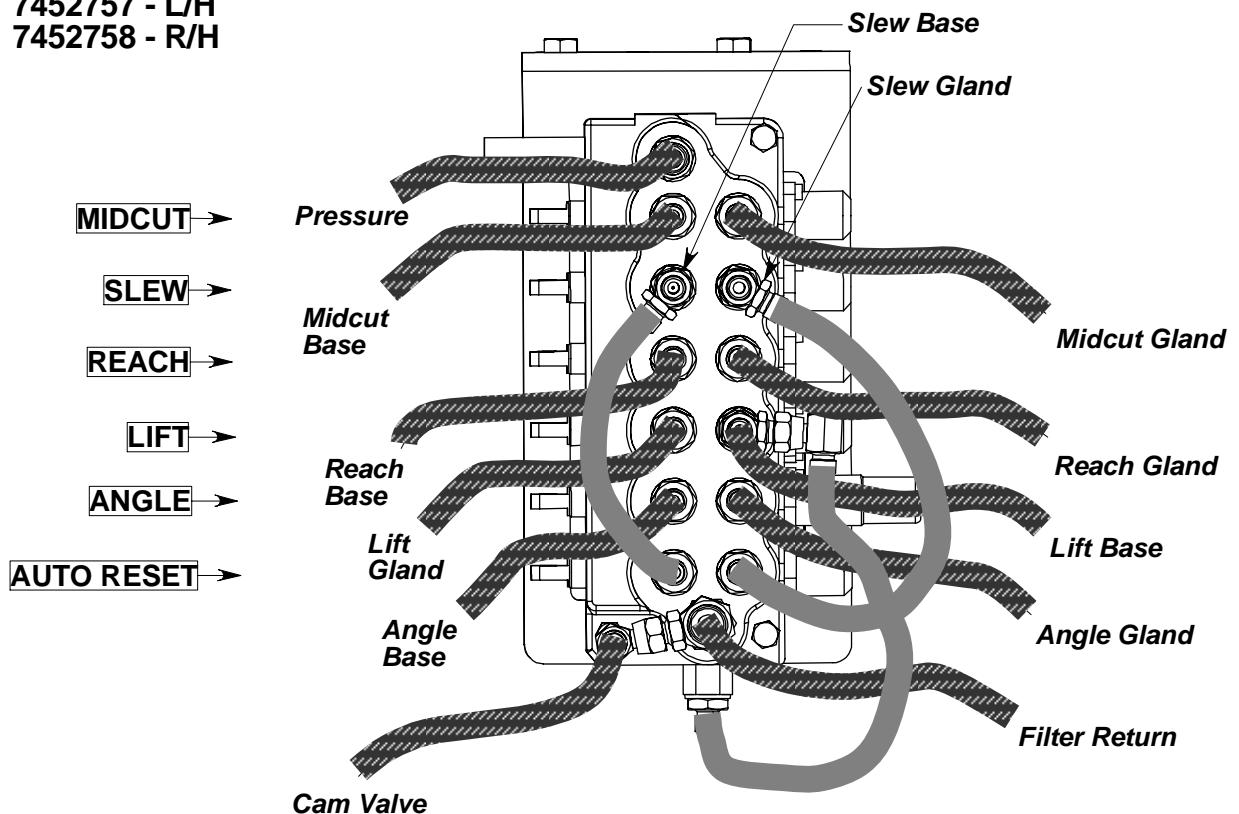
STANDARD CABLE MODELS

7452732 - L/H
7452733 - R/H



MIDCUT CABLE MODELS

7452757 - L/H
7452758 - R/H





HOSE KIT – Cable models

REF.	QUANTITY						PART No.	DESCRIPTION
							7452722 - 1	PA 52 CABLE Si
							7452722 - 2	PA 52 CABLE Ti
							7452722 - 5	PA 52 CABLE MIDCUT Si
							7452722 - 6	PA 52 CABLE MIDCUT Ti
							7459722 - 1	PA 59 CABLE Si
							7459722 - 2	PA 59 CABLE Ti
	↓	↓	↓	↓	↓	↓		
PV	1	1	1	1	1	1	10.011.12	HOSE 1" BSP FS/FS x 600mm
VM	2	2	2	2	2	2	10.025.29	HOSE 1" BSP FS/F135 x 1800mm
MP	2	2	-	-	-	-	10.012.43	HOSE 1" BSP FS/F90 x 3300mm
MP	-	-	-	-	2	2	10.012.50	HOSE 1" BSP FS/F90 x 4000mm
MP	-	-	2	2	-	-	10.012.47	HOSE 1" BSP FS/F90 x 3700mm
PT	1	1	1	1	1	1	10.012.18	HOSE 1" BSP FS/F90 x 900mm
VC	-	-	-	-	-	-	10.012.22	HOSE 1" BSP FS/F90 x 1200mm
A	1	-	1	-	1	-	10.006.30	HOSE 1/2" BSP FS/F90 x 2000mm
A	-	1	-	1	-	1	10.006.12	HOSE 1/2" BSP FS/F90 x 600mm
A	1	-	1	-	1	-	10.004.30	HOSE 3/8" BSP FS/F90 x 2000mm
A	-	1	-	1	-	1	10.004.12	HOSE 3/8" BSP FS/F90 x 600mm
LGC	1	1	1	1	1	1	10.002.14	HOSE 1/4" BSP FS/F90 x 700mm
SBG	2	2	2	2	2	2	10.002.16	HOSE 1/4" BSP FS/F90 x 800mm
VT	2	2	2	2	2	2	10.002.25	HOSE 1/4" BSP FS/F90 x 1500mm
LB	1	1	1	1	1	1	10.001.23	HOSE 1/4" BSP FS/FS x 1300mm
RB	1	1	1	1	1	1	10.001.37	HOSE 1/4" BSP FS/FS x 2700mm
RG	1	1	1	1	1	1	10.002.43	HOSE 1/4" BSP FS/F90 x 3300mm
ABG	2	2	-	-	-	-	10.001.53	HOSE 1/4" BSP FS/FS x 4300mm
ABG	-	-	-	-	2	2	10.001.61	HOSE 1/4" BSP FS/FS x 5100mm
ABG	-	-	2	2	-	-	10.001.57	HOSE 1/4" BSP FS/FS x 4700mm

- PV** - *Pump to Valve*
VM - *Valve to Main Arm*
MP - *Main Arm to Pivot*
VT - *Valve to Tank*
VC - *Valve to Cooler*
A - *Armhead*
CF - *Cooler to Filter*
LGC - *Lift Ram Gland to Cam*
SBG - *Slew Ram Base & Gland*
VT - *Valve Lift Gland to Tank*
LB - *Lift Ram Base*
RB - *Reach Ram Base*
RG - *Reach Ram Gland*
ABG - *Angle Ram Base & Gland*
B - *Breakaway Ram*
PT - *Pump to Tank*



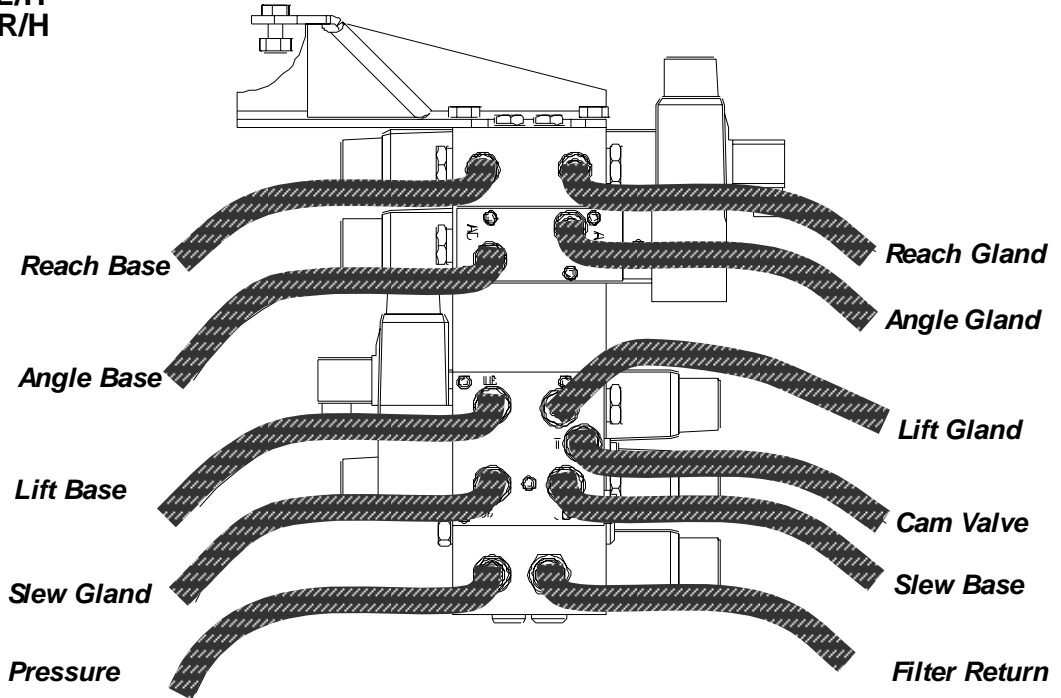
ACV HOSE INSTALLATION - Electric

Illustrated in Left Hand build

STANDARD ELECTRIC MODELS

7452734 - L/H

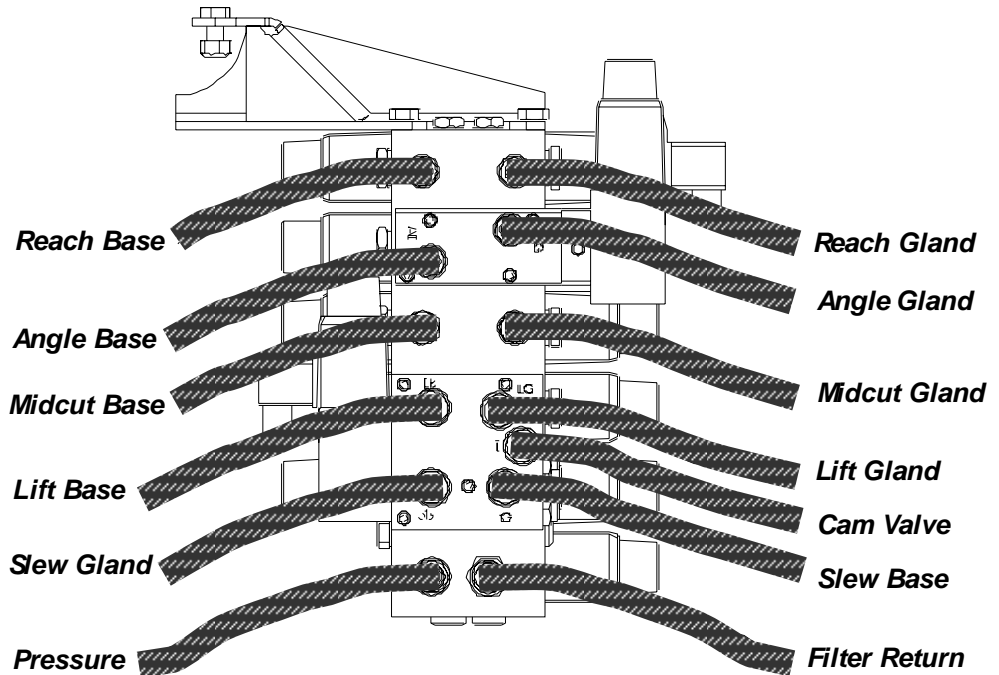
7452735 - R/H



MIDCUT ELECTRIC MODELS

7452736 - L/H

7452737 - R/H





HOSE KIT – Electric models

REF.	QUANTITY	PART No.	DESCRIPTION
		7452722 - 3	PA 52 ELECTRIC Ti
		7452722 - 4	PA 52 ELECTRIC Ti ER
		7452722 - 7	PA 52 ELECTRIC MIDCUT Ti
		7452722 - 8	PA 52 ELECTRIC MIDCUT Ti ER
		7459722 - 3	PA 59 ELECTRIC Ti
		7459722 - 4	PA 59 ELECTRIC Ti ER
	↓ ↓ ↓ ↓ ↓ ↓		
PV	1 - 1 - 1 -	10.011.12	HOSE 1" BSP FS/FS x 600mm
PV	- 1 - 1 - 1	10.012.16	HOSE 1" BSP FS/F90 x 800mm
VM	2 2 2 2 2 2	10.025.29	HOSE 1" BSP FS/F135 x 1800mm
MP	2 2 - - - -	10.012.43	HOSE 1" BSP FS/F90 x 3300mm
MP	- - - - 2 2	10.012.50	HOSE 1" BSP FS/F90 x 4000mm
MP	- - 2 2 - -	10.012.47	HOSE 1" BSP FS/F90 x 3700mm
PT	1 1 1 1 1 1	10.012.18	HOSE 1" BSP FS/F90 x 900mm
A	1 1 1 1 1 1	10.006.12	HOSE 1/2" BSP FS/F90 x 600mm
A	1 1 1 1 1 1	10.004.12	HOSE 3/8" BSP FS/F90 x 600mm
LGC	1 1 1 1 1 1	10.002.14	HOSE 1/4" BSP FS/F90 x 700mm
SBG	2 2 2 2 2 2	10.002.16	HOSE 1/4" BSP FS/F90 x 800mm
VT	2 2 2 2 2 2	10.002.25	HOSE 1/4" BSP FS/F90 x 1500mm
LB	1 1 1 1 1 1	10.001.23	HOSE 1/4" BSP FS/FS x 1300mm
RB	1 1 1 1 1 1	10.001.37	HOSE 1/4" BSP FS/FS x 2700mm
RG	1 1 1 1 1 1	10.002.43	HOSE 1/4" BSP FS/F90 x 3300mm
ABG	2 2 - - - -	10.001.53	HOSE 1/4" BSP FS/FS x 4300mm
ABG	- - - - 2 2	10.001.61	HOSE 1/4" BSP FS/FS x 5100mm
ABG	- - 2 2 - -	10.001.57	HOSE 1/4" BSP FS/FS x 4700mm

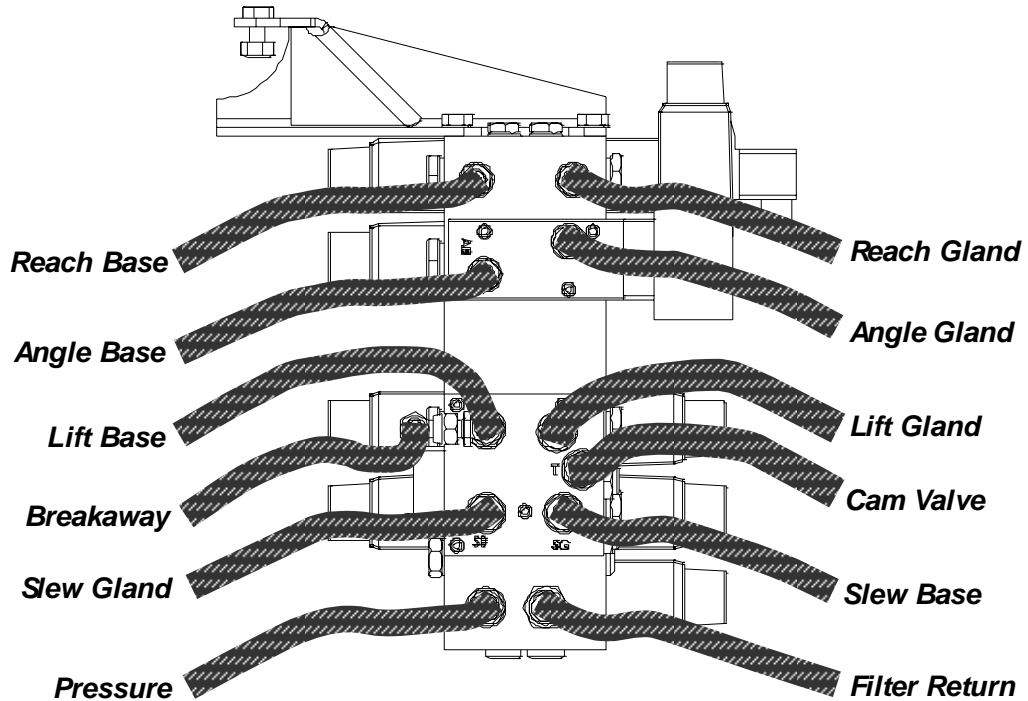
- PV - Pump to Valve
- VM - Valve to Main Arm
- MP - Main Arm to Pivot
- VT - Valve to Tank
- VC - Valve to Cooler
- A - Armhead
- CF - Cooler to Filter
- LGC - Lift Ram Gland to Cam
- SBG - Slew Ram Base & Gland
- VT - Valve Lift Gland to Tank
- LB - Lift Ram Base
- RB - Reach Ram Base
- RG - Reach Ram Gland
- ABG - Angle Ram Base & Gland
- B - Breakaway Ram
- PT - Pump to Tank



Illustrated in Left Hand build

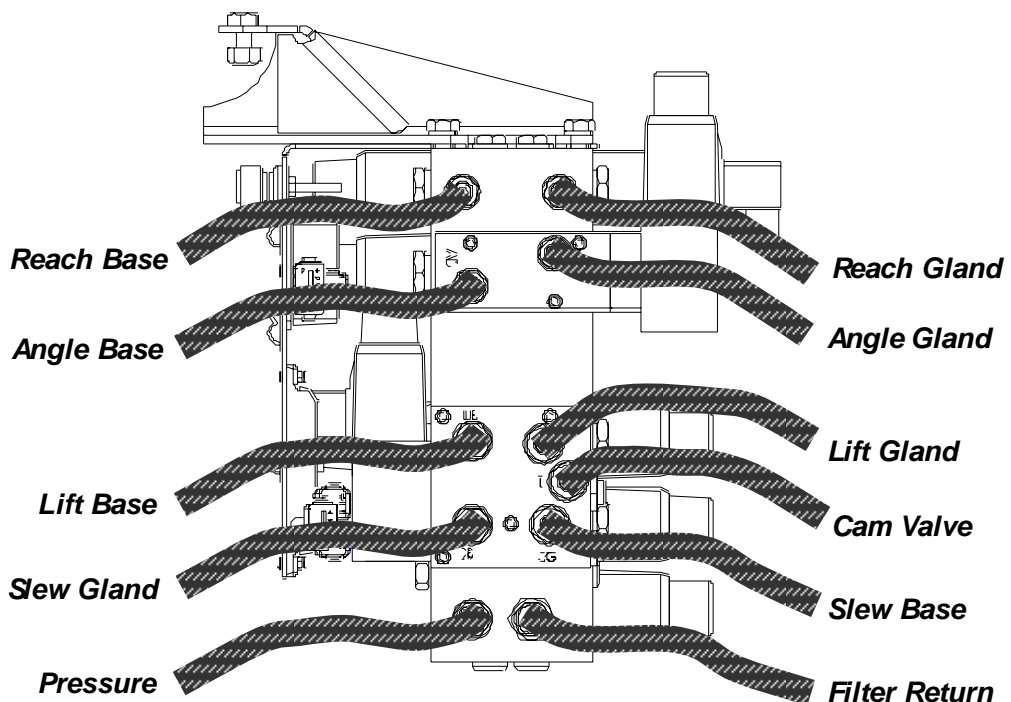
FRONT MOUNT ELECTRIC MODELS

7452738 - L/H
7452739 - R/H



STANDARD ELECTRIC PROPORTIONAL MODELS

7452740 - L/H
7452741 - R/H




HOSE KIT – Electric FM/Proportional

REF.	QUANTITY			PART No.	DESCRIPTION
				7452722 - 9	PA 52 ELECTRIC F/MOUNT Ti ER
				7452722 - 10	PA 52 ELECTRIC EDS
				7459722 - 9	PA 59 ELECTRIC F/MOUNT Ti ER
	↓	↓	↓		
PV	-	-	-	10.011.12	HOSE 1" BSP FS/FS x 600mm
PV	1	1	1	10.012.16	HOSE 1" BSP FS/F90 x 800mm
VM	2	2	2	10.025.29	HOSE 1" BSP FS/F135 x 1800mm
MP	-	2	-	10.012.43	HOSE 1" BSP FS/F90 x 3300mm
MP	2	-	-	10.012.48	HOSE 1" BSP FS/F90 x 3800mm
MP	-	-	2	10.012.55	HOSE 1" BSP FS/F90 x 4500mm
PT	1	1	1	10.012.18	HOSE 1" BSP FS/F90 x 900mm
VC	-	1	-	10.012.22	HOSE 1" BSP FS/F90 x 1200mm
A	1	1	1	10.006.12	HOSE 1/2" BSP FS/F90 x 600mm
CF	-	1	-	10.012.19	HOSE 1" BSP FS/F90 x 950mm
A	1	1	1	10.004.12	HOSE 3/8" BSP FS/F90 x 600mm
LGC	1	1	1	10.002.14	HOSE 1/4" BSP FS/F90 x 700mm
SBG	2	2	2	10.002.16	HOSE 1/4" BSP FS/F90 x 800mm
VT	2	2	2	10.002.25	HOSE 1/4" BSP FS/F90 x 1500mm
LB	1	1	1	10.001.23	HOSE 1/4" BSP FS/FS x 1300mm
RB	1	1	1	10.001.37	HOSE 1/4" BSP FS/FS x 2700mm
RG	1	1	1	10.002.43	HOSE 1/4" BSP FS/F90 x 3300mm
ABG	-	2	-	10.001.53	HOSE 1/4" BSP FS/FS x 4300mm
ABG	2	-	-	10.001.56	HOSE 1/4" BSP FS/FS x 4600mm
ABG	-	-	2	10.001.64	HOSE 1/4" BSP FS/FS x 5400mm
B	1	-	-	10.002.55	HOSE 1/4" BSP FS/F90 x 4500mm
B	-	-	1	10.002.58	HOSE 1/4" BSP FS/F90 x 4800mm

- PV** - *Pump to Valve*
VM - *Valve to Main Arm*
MP - *Main Arm to Pivot*
VT - *Valve to Tank*
VC - *Valve to Cooler*
A - *Armhead*
CF - *Cooler to Filter*
LGC - *Lift Ram Gland to Cam*
SBG - *Slew Ram Base & Gland*
VT - *Valve Lift Gland to Tank*
LB - *Lift Ram Base*
RB - *Reach Ram Base*
RG - *Reach Ram Gland*
ABG - *Angle Ram Base & Gland*
B - *Breakaway Ram*
PT - *Pump to Tank*



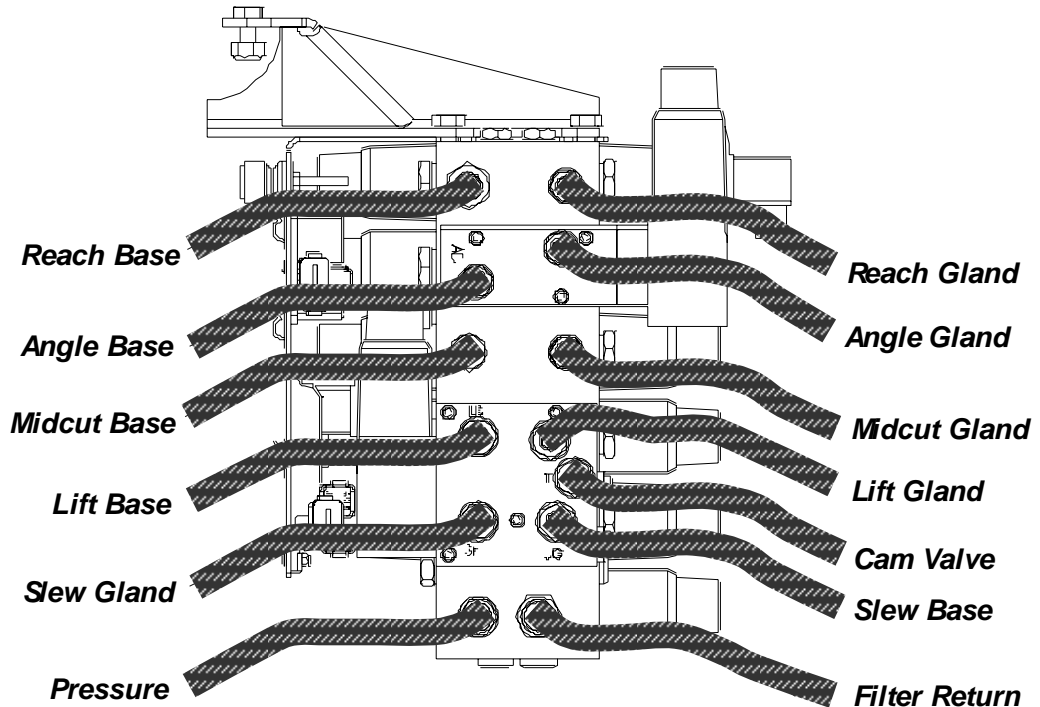
ACV HOSE INST'N - Prop.M/FM

Illustrated in Left Hand build

MIDCUT ELECTRIC PROPORTIONAL

7452742 - L/H

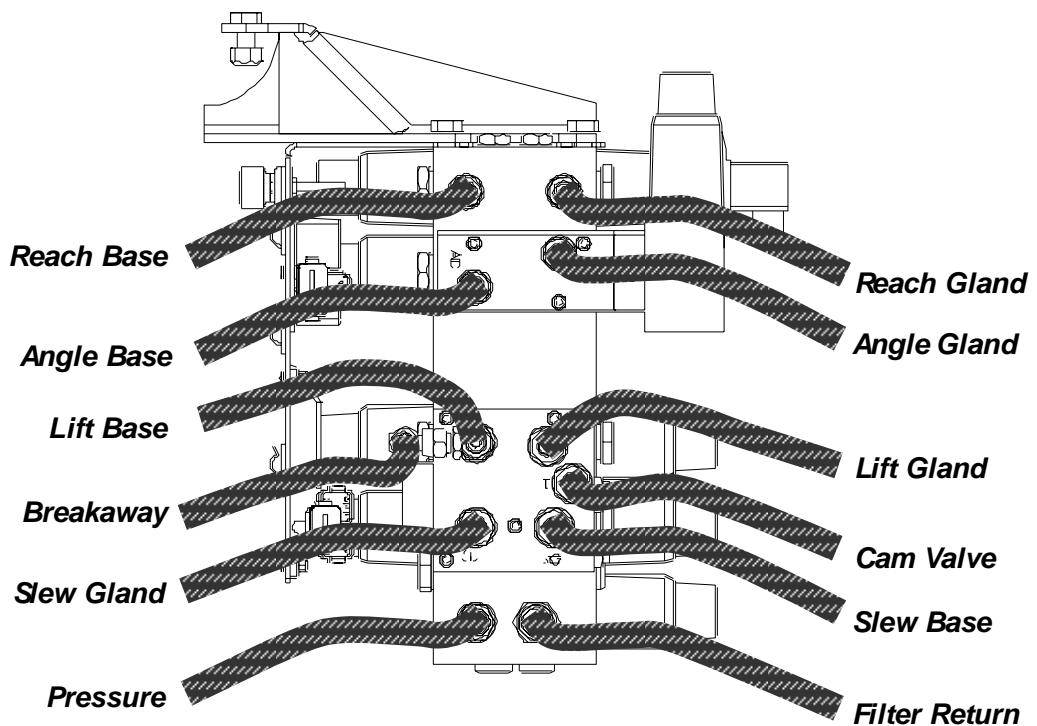
7452743 - R/H



FRONT MOUNT ELECTRIC PROPORTIONAL MODELS

7452744 - L/H

7452745 - R/H





HOSE KIT – Proportional M/FM

REF.	QUANTITY		PART No.	DESCRIPTION
			7452722 - 11	PA 52 ELECTRIC MIDCUT EDS
			7452722 - 12	PA 52 ELECTRIC F/MOUNT EDS
PV	-	-	10.011.12	HOSE 1" BSP FS/FS x 600mm
PV	1	1	10.012.16	HOSE 1" BSP FS/F90 x 800mm
VM	2	2	10.025.29	HOSE 1" BSP FS/F135 x 1800mm
MP	2	-	10.012.47	HOSE 1" BSP FS/F90 x 3700mm
MP	-	2	10.012.48	HOSE 1" BSP FS/F90 x 3800mm
PT	1	1	10.012.18	HOSE 1" BSP FS/F90 x 900mm
VC	1	1	10.012.22	HOSE 1" BSP FS/F90 x 1200mm
A	1	1	10.006.12	HOSE 1/2" BSP FS/F90 x 600mm
CF	1	1	10.012.19	HOSE 1" BSP FS/F90 x 950mm
A	1	1	10.004.12	HOSE 3/8" BSP FS/F90 x 600mm
LGC	1	1	10.002.14	HOSE 1/4" BSP FS/F90 x 700mm
SBG	2	2	10.002.16	HOSE 1/4" BSP FS/F90 x 800mm
VT	2	2	10.002.25	HOSE 1/4" BSP FS/F90 x 1500mm
LB	1	1	10.001.23	HOSE 1/4" BSP FS/FS x 1300mm
RB	1	1	10.001.37	HOSE 1/4" BSP FS/FS x 2700mm
RG	1	1	10.002.43	HOSE 1/4" BSP FS/F90 x 3300mm
ABG	2	-	10.001.57	HOSE 1/4" BSP FS/FS x 4700mm
ABG	-	2	10.001.56	HOSE 1/4" BSP FS/FS x 4600mm
B	-	1	10.002.50	HOSE 1/4" BSP FS/F90 x 4500mm

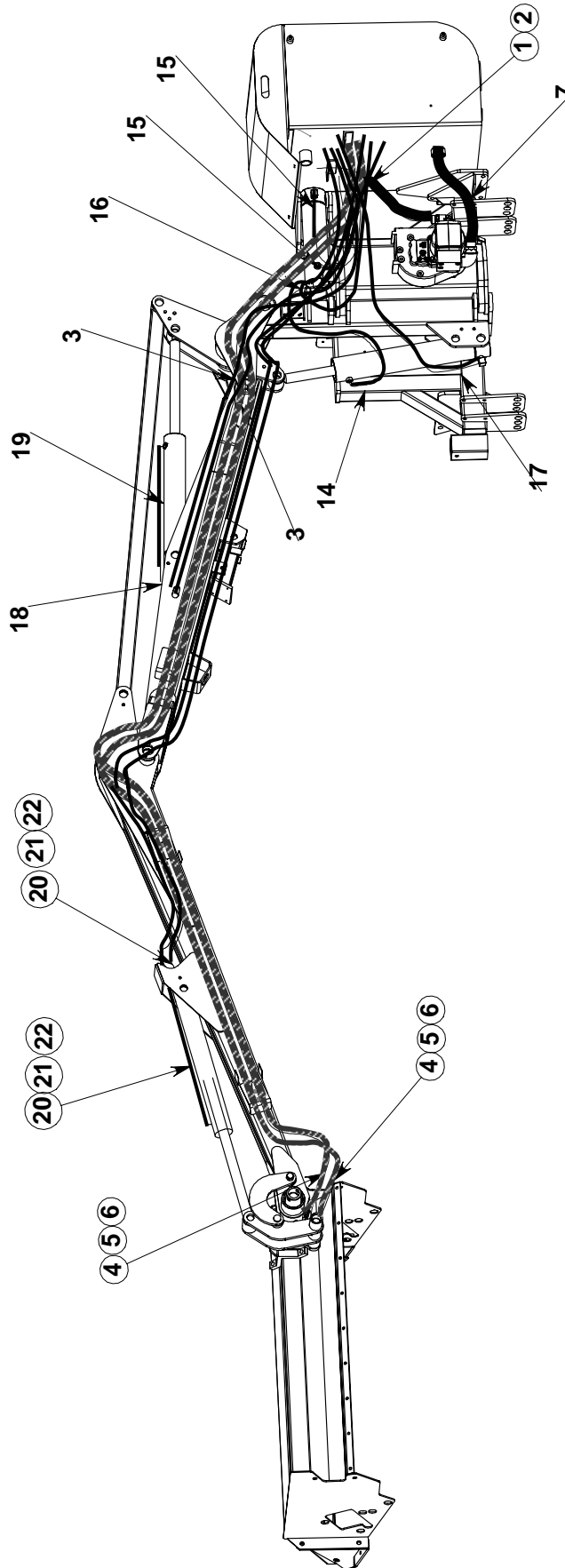
- PV** - Pump to Valve
VM - Valve to Main Arm
MP - Main Arm to Pivot
VT - Valve to Tank
VC - Valve to Cooler
A - Armhead
CF - Cooler to Filter
LGC - Lift Ram Gland to Cam
SBG - Slew Ram Base & Gland
VT - Valve Lift Gland to Tank
LB - Lift Ram Base
RB - Reach Ram Base
RG - Reach Ram Gland
ABG - Angle Ram Base & Gland
B - Breakaway Ram
PT - Pump to Tank

HYDRAULIC HOSE INSTALLATION

MODULES:

See parts list for model variants.

Illustrated in Left Hand build



NOTE: Reference numbers in circles indicate the relevant hose is dependent on the machine build – see parts listings on the following pages for details.

The intention of this diagram is to provide a general indication of hose positions on the machine. It is advisable to note the exact position of a hose prior to attaching a replacement.



HYDRAULIC HOSE KITS

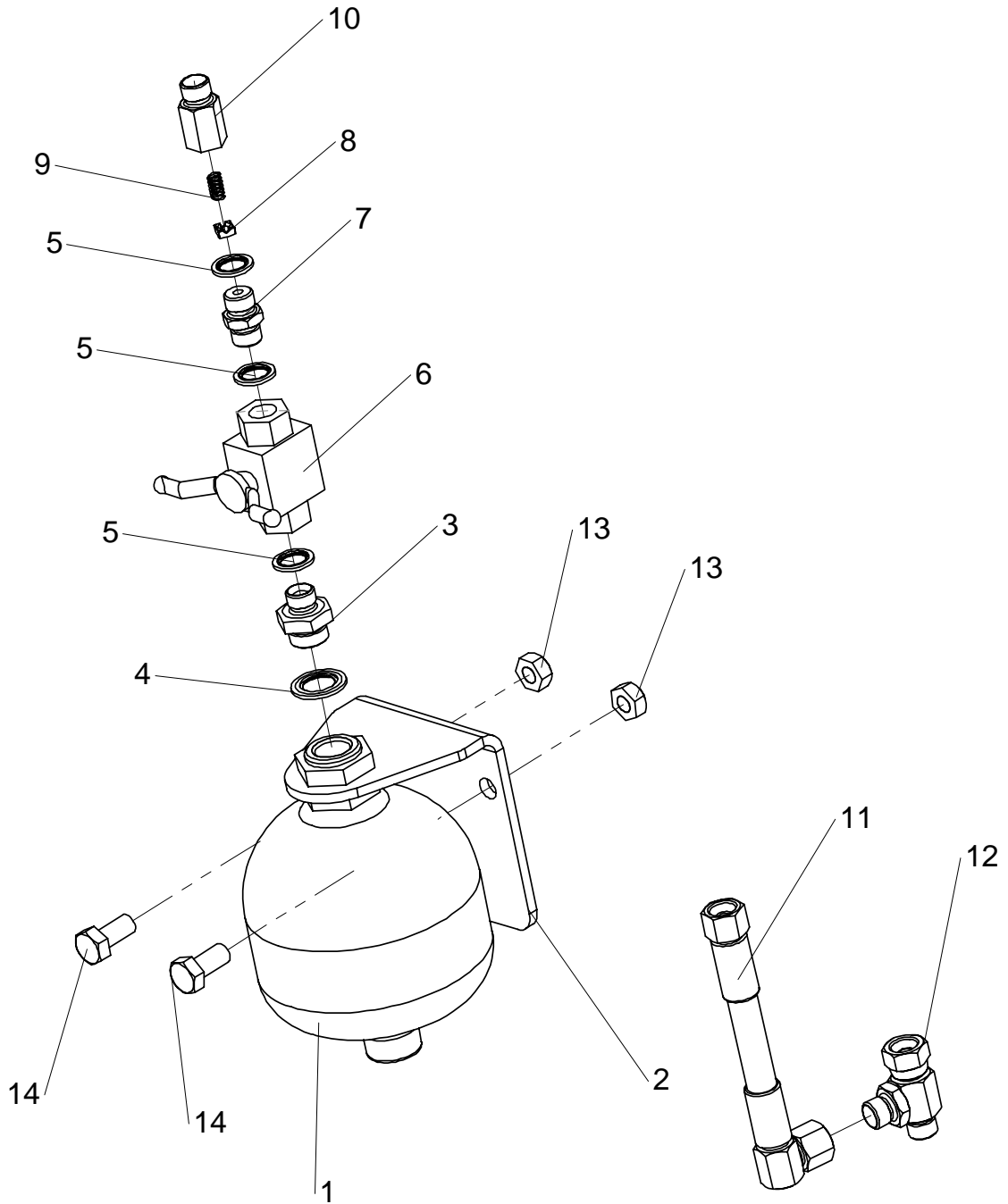
REF.	QUANTITY														PART No.	DESCRIPTION					
	PA 52 CABLE Si	PA 52 CABLE Ti	PA 52 ELECTRIC Ti	PA 52 ELECTRIC Ti ER	PA 52 CABLE MIDCUT Si	PA 52 CABLE MIDCUT Ti	PA 52 ELECTRIC MIDCUT Ti	PA 52 ELECTRIC MIDCUT Ti ER	PA 52 ELECTRIC F/MOUNT Ti ER	PA 52 ELECTRIC EDS	PA 52 ELECTRIC MIDCUT EDS	PA 52 ELECTRIC F/MOUNT EDS	PA 52 ELECTRIC Ti REVERSE DRIVE	PA 59 CABLE Si	PA 59 CABLE Ti	PA 59 ELECTRIC Ti	PA 59 ELECTRIC Ti ER	PA 59 ELECTRIC F/MOUNT Ti ER			
1	1	1	1	-	1	1	1	-	-	-	-	-	-	1	1	1	-	-	10.011.12	HOSE 1" BSP FS/FS x 600mm	PV
2	-	-	-	1	-	-	-	1	1	1	1	1	1	-	-	-	1	1	10.012.16	HOSE 1" BSP FS/F90 x 800mm	PV
3	2	2	2	2	2	2	2	2	2	2	2	2	2	2	2	2	2	2	10.025.28	HOSE 1" BSP FS/F135 x 1800mm	VM
4	2	2	2	2	-	-	-	-	-	2	-	-	-	-	-	-	-	-	10.012.43	HOSE 1" BSP FS/F90 x 3300mm	MP
	-	-	-	-	-	-	-	-	-	-	-	-	-	2	2	2	2	-	10.012.50	HOSE 1" BSP FS/F90 x 4000mm	MP
5	-	-	-	-	2	2	2	2	-	-	2	-	-	-	-	-	-	-	10.012.47	HOSE 1" BSP FS/F90 x 3700mm	MP
6	-	-	-	-	-	-	-	-	2	-	-	2	1	-	-	-	-	-	10.012.48	HOSE 1" BSP FS/F90 x 3800mm	MP
	-	-	-	-	-	-	-	-	-	-	-	-	-	-	-	-	-	2	10.012.55	HOSE 1" BSP FS/F90 x 4500mm	MP
7	1	1	1	1	1	1	1	1	1	1	1	1	1	-	1	1	1	1	10.012.18	HOSE 1" BSP FS/F90 x 900mm	PT
8	-	-	-	-	-	-	-	-	-	1	1	1	-	-	-	-	-	-	10.012.22	HOSE 1" BSP FS/F90 x 1200mm	VC
9	1	-	-	-	1	-	-	-	-	-	-	-	-	1	-	-	-	-	10.006.30	HOSE 1/2" BSP FS/F90 x 2000mm	A
10	-	1	1	1	-	1	1	1	1	1	1	1	1	-	1	1	1	1	10.006.12	HOSE 1/2" BSP FS/F90 x 600mm	A
11	-	-	-	-	-	-	-	-	-	1	1	1	-	-	-	-	-	-	10.012.19	HOSE 1" BSP FS/F90 x 950mm	CF
12	1	-	-	-	1	-	-	-	-	-	-	-	-	1	-	-	-	-	10.004.30	HOSE 3/8" BSP FS/F90 x 2000mm	A
13	-	1	1	1	-	1	1	1	1	1	1	1	1	-	1	1	1	1	10.004.12	HOSE 3/8" BSP FS/F90 x 600mm	A
14	1	1	1	1	1	1	1	1	1	1	1	1	1	1	1	1	1	1	10.002.14	HOSE 1/4" BSP FS/F90 x 700mm	LGC
15	2	2	2	2	2	2	2	2	2	2	2	2	2	2	2	2	2	2	10.002.16	HOSE 1/4" BSP FS/F90 x 800mm	SBG
16	2	2	2	2	2	2	2	2	2	2	2	2	2	2	2	2	2	2	10.002.25	HOSE 1/4" BSP FS/F90 x 1500mm	VT
17	1	1	1	1	1	1	1	1	1	1	1	1	1	1	1	1	1	1	10.001.23	HOSE 1/4" BSP FS/FS x 1300mm	LB
18	1	1	1	1	1	1	1	1	1	1	1	1	1	1	1	1	1	1	10.001.37	HOSE 1/4" BSP FS/FS x 2700mm	RB
19	1	1	1	1	1	1	1	1	1	1	1	1	1	1	1	1	1	1	10.002.43	HOSE 1/4" BSP FS/F90 x 3300mm	RG
20	2	2	2	2	-	-	-	-	2	-	-	-	-	-	-	-	-	-	10.001.53	HOSE 1/4" BSP FS/FS x 4300mm	ABG
	-	-	-	-	-	-	-	-	-	-	-	-	-	2	2	2	2	-	10.001.61	HOSE 1/4" BSP FS/FS x 5100mm	ABG
21	-	-	-	-	2	2	2	2	-	-	2	-	-	-	-	-	-	-	10.001.57	HOSE 1/4" BSP FS/FS x 4700mm	ABG
22	-	-	-	-	-	-	-	-	2	-	-	2	-	-	-	-	-	-	10.001.56	HOSE 1/4" BSP FS/FS x 4600mm	ABG
	-	-	-	-	-	-	-	-	-	-	-	-	-	-	-	-	2	-	10.001.64	HOSE 1/4" BSP FS/FS x 5400mm	ABG
	-	-	-	-	-	-	-	-	-	-	-	-	2	-	-	-	-	-	10.001.60	HOSE 1/4" BSP FS/FS x 5000mm	ABG
23	-	-	-	-	-	-	-	-	1	-	-	1	1	-	-	-	-	-	10.002.50	HOSE 1/4" BSP FS/F90 x 4500mm	B
	-	-	-	-	-	-	-	-	-	-	-	-	-	-	-	-	1	-	10.002.58	HOSE 1/4" BSP FS/F90 x 4800mm	B

- PV - Pump to Valve
- VM - Valve to Main Arm
- MP - Main Arm to Pivot
- VT - Valve to Tank
- VC - Valve to Cooler
- A - Armhead
- CF - Cooler to Filter
- LGC - Lift Ram Gland to Cam

- SBG - Slew Ram Base & Gland
- VT - Valve Lift Gland to Tank
- LB - Lift Ram Base
- RB - Reach Ram Base
- RG - Reach Ram Gland
- ABG - Angle Ram Base & Gland
- B - Breakaway Ram
- PT - Pump to Tank

FLOAT KIT – Cable models

MODULE:
8126326

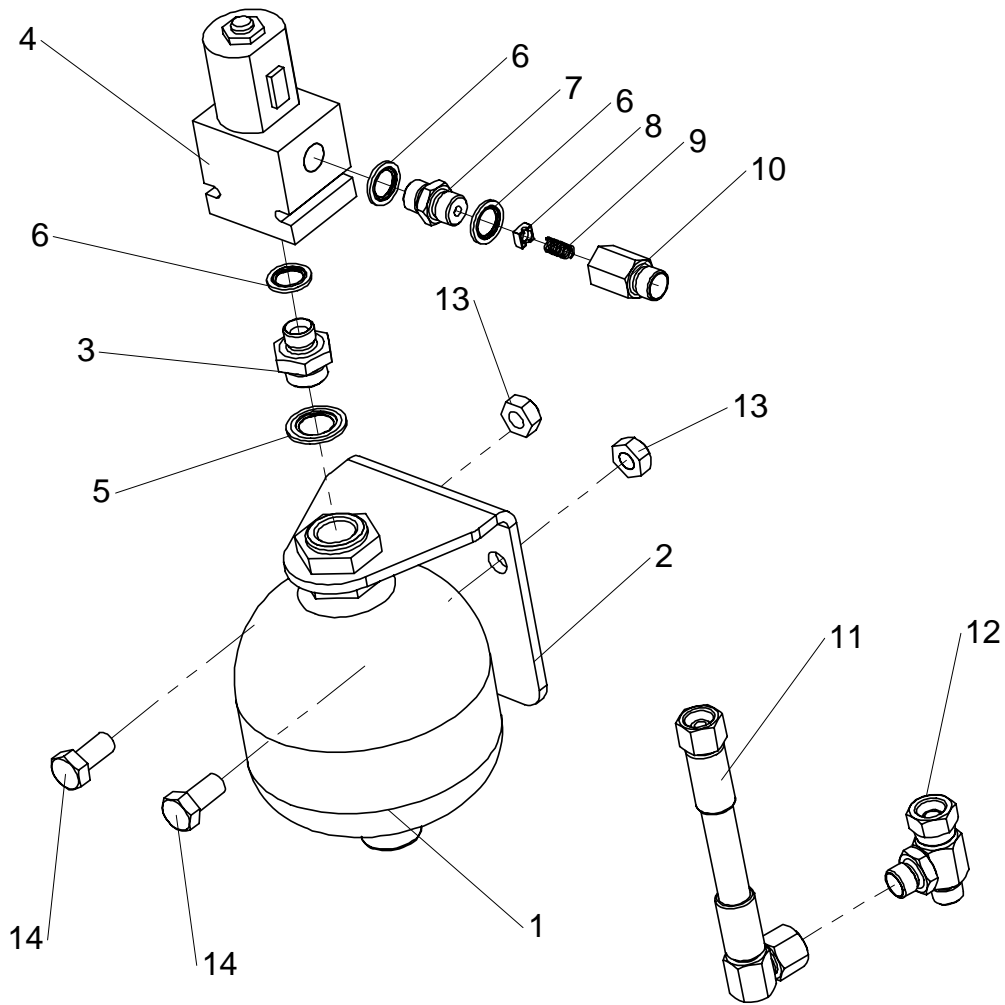



FLOAT KIT – Cable models

REF.	QTY.	PART No.	DESCRIPTION
		8126326	FLOAT KIT ASSEMBLY - CABLE MODELS
1	1	8126044	ACCUMULATOR 1L 25BAR PC
2	1	8126318	BRACKET
3	1	G2410380	ADAPTOR 3/8" BSP x M22 MM
4	1	8650322	BONDED SEAL M22
5	3	8650103	BONDED SEAL 3/8" BSP
6	1	08.200.01	VALVE - ISOLATING
7	1	8581209	ADAPTOR 3/8" BSP MM FLAT
8	1	8123041	RESTRICTOR DISC 1.15 RED
9	1	8116011	SPRING OD .275 x 5/8" LONG
10	1	8581346	ADAPTOR RESTRICTOR BODY 3/8" BSP MM
11	1	10.004.20	HOSE 3/8" BSP FS/F90 x 1000mm
12	1	11.068.69	ADAPTOR TEE 3/8" BSP MFM
13	2	9143006	SELF-LOCKING NUT M12
14	2	9313056	SETSCREW M12 x 25

FLOAT KIT – Electric models

MODULE:
8126327

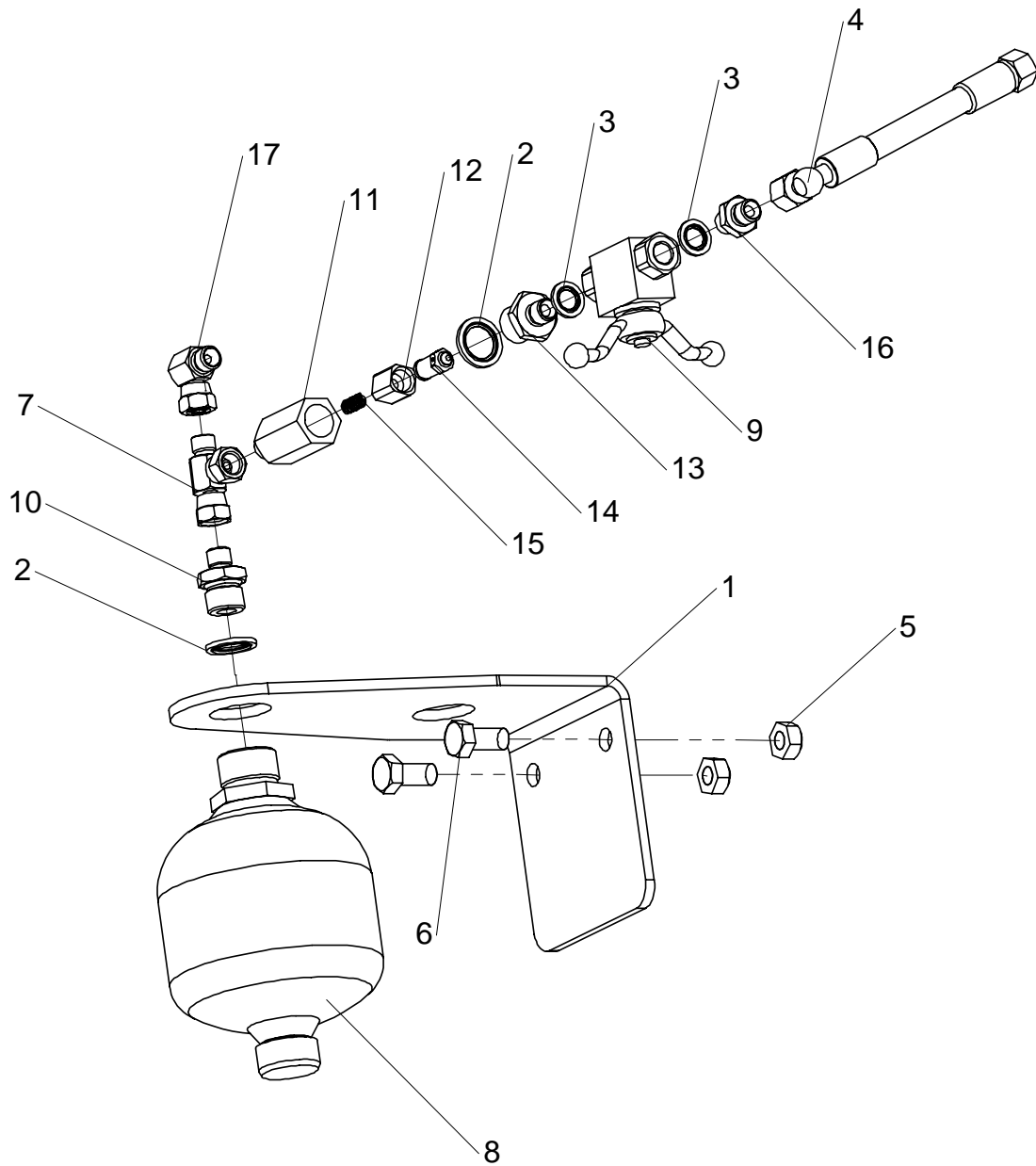


**FLOAT KIT – Electric models**

REF.	QTY.	PART No.	DESCRIPTION
		8126327	FLOAT KIT ASSEMBLY - ELECTRIC MODELS
1	1	8126044	ACCUMULATOR 1L 25BAR PC
2	1	8126318	BRACKET
3	1	G2410380	ADAPTOR 3/8" BSP x M22 MM
4	1	08.619.09	VALVE - MODULAR
5	1	8650322	BONDED SEAL M22
6	3	8650103	BONDED SEAL 3/8" BSP
7	1	8581209	ADAPTOR 3/8" BSP MM FLAT
8	1	8123041	RESTRICTOR DISC 1.15 RED
9	1	8116011	SPRING OD .275 x 5/8" LONG
10	1	8581346	ADAPTOR RESTRICTOR BODY 3/8" BSP MM
11	1	10.004.18	HOSE 3/8" BSP FS/F90 900
12	1	11.068.69	ADAPTOR TEE 3/8" BSP MFM
13	2	9143006	SELF-LOCKING NUT M12
14	2	9313056	SETSCREW M12 x 25

AUTO RESET – Front mount models

MODULE:
7452770

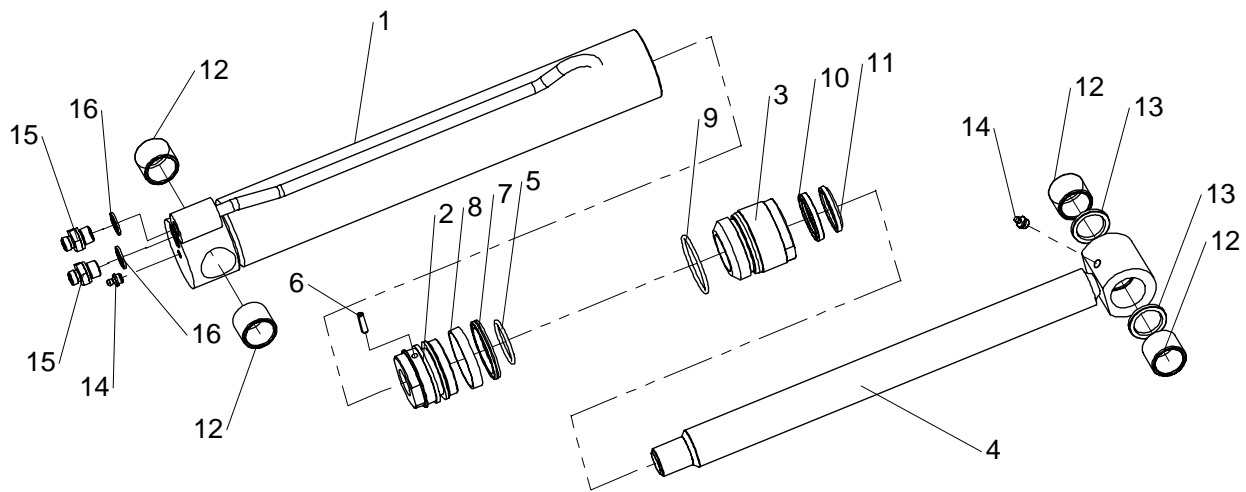


**AUTO RESET – Front mount models**

REF.	QTY.	PART No.	DESCRIPTION
		7452770	AUTO RESET - FRONT MOUNT MODELS
1	1	8126330	ACCUMULATOR BUCKET
2	2	8650104	BONDED SEAL 1/2" BSP
3	2	8650102	BONDED SEAL 1/4" BSP
4	1	10.002.08	HOSE 1/4" BSP FS/F90 x 400mm
5	2	9143006	SELF-LOCKING NUT M12
6	2	9313056	SETSCREW M12 x 25
7	1	8581288	ADAPTOR TEE 1/4" BSP MFF
8	1	41451.05	ACCUMULATOR
9	1	8130181	VALVE ISOLATING 1/4" BSP
10	1	8581172	ADAPTOR 1/4" x 1/2" BSP MM
11	1	8130173	RELIEF VALVE HOUSING
12	1	8130174	SUPPORT PLUG
13	1	8130083	ADAPTOR RELIEF BODY
14	1	8130141	RELIEF VALVE 63BAR
15	1	8116011	SPRING OD.275 x 5/8" LONG
16	1	8581169	ADAPTOR 1/4" BSP MM
17	1	8581190	ADAPTOR ELBOW 90 1/4" BSP MF

ANGLING RAM ASSEMBLY

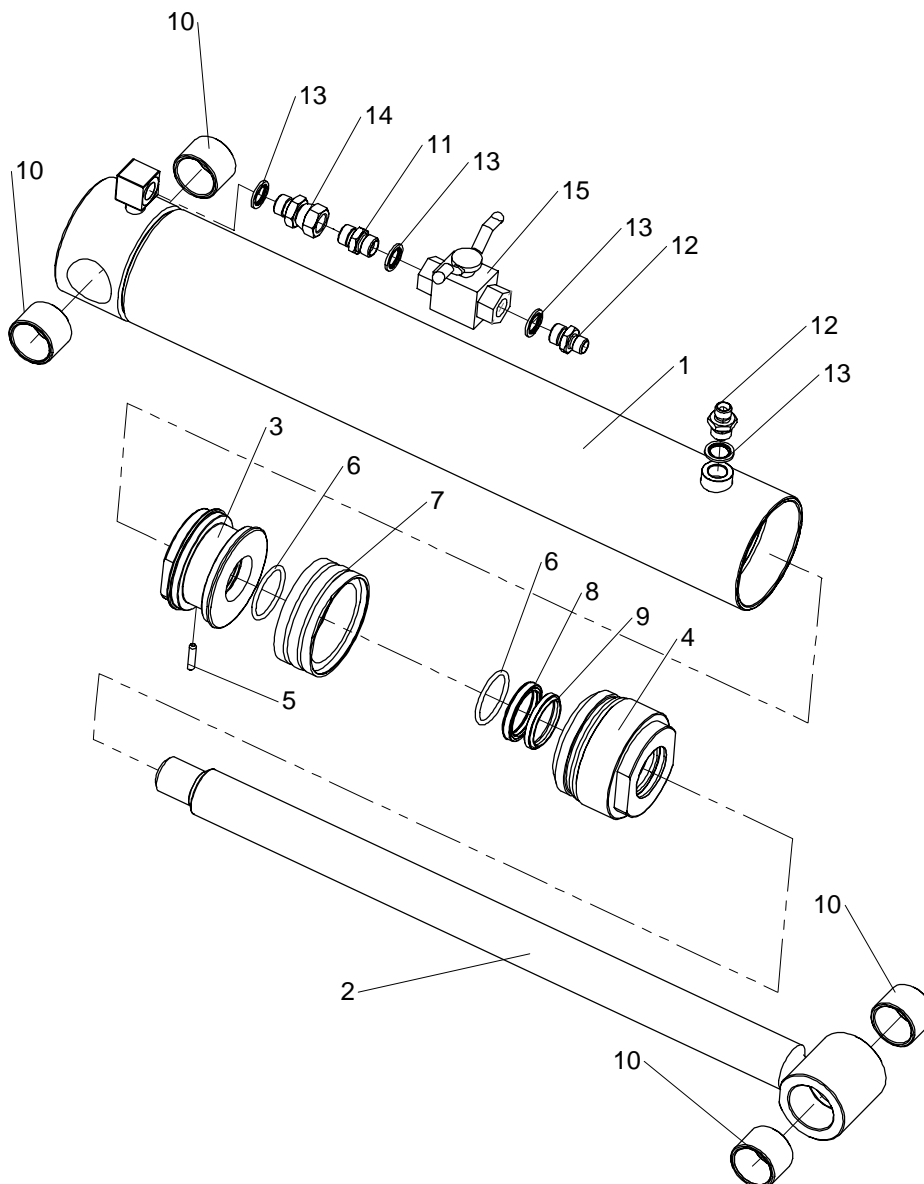
MODULE:
43317.07



REF.	QTY.	PART No.	DESCRIPTION
		43317.07	ANGLING RAM ASSEMBLY
1	1	43317.33	BARREL
2	1	43317.31	PISTON
3	1	43317.32	GLAND HOUSING
4	1	43317.35	PISTON ROD
5	1	8600301	'O' RING 223
6	1	42775.01	DOWEL M6 x 25
7	1	8629156	PISTON SEAL
8	1	8629157	PISTON GUIDE RING
9	1	8600306	'O' RING 228
10	1	8629225	ROD GLAND SEAL
11	1	8629208	ROD SCRAPER RING
12	4	08.297.04	BUSH
13	2	8629218	SEAL
14	2	0901121	GREASER 1/8" BSPT
15	2	8581115	ADAPTOR 3/8" x 1/4" BSPT
16	2	8650103	BONDED SEAL 3/8" BSP

LIFT RAM ASSEMBLY

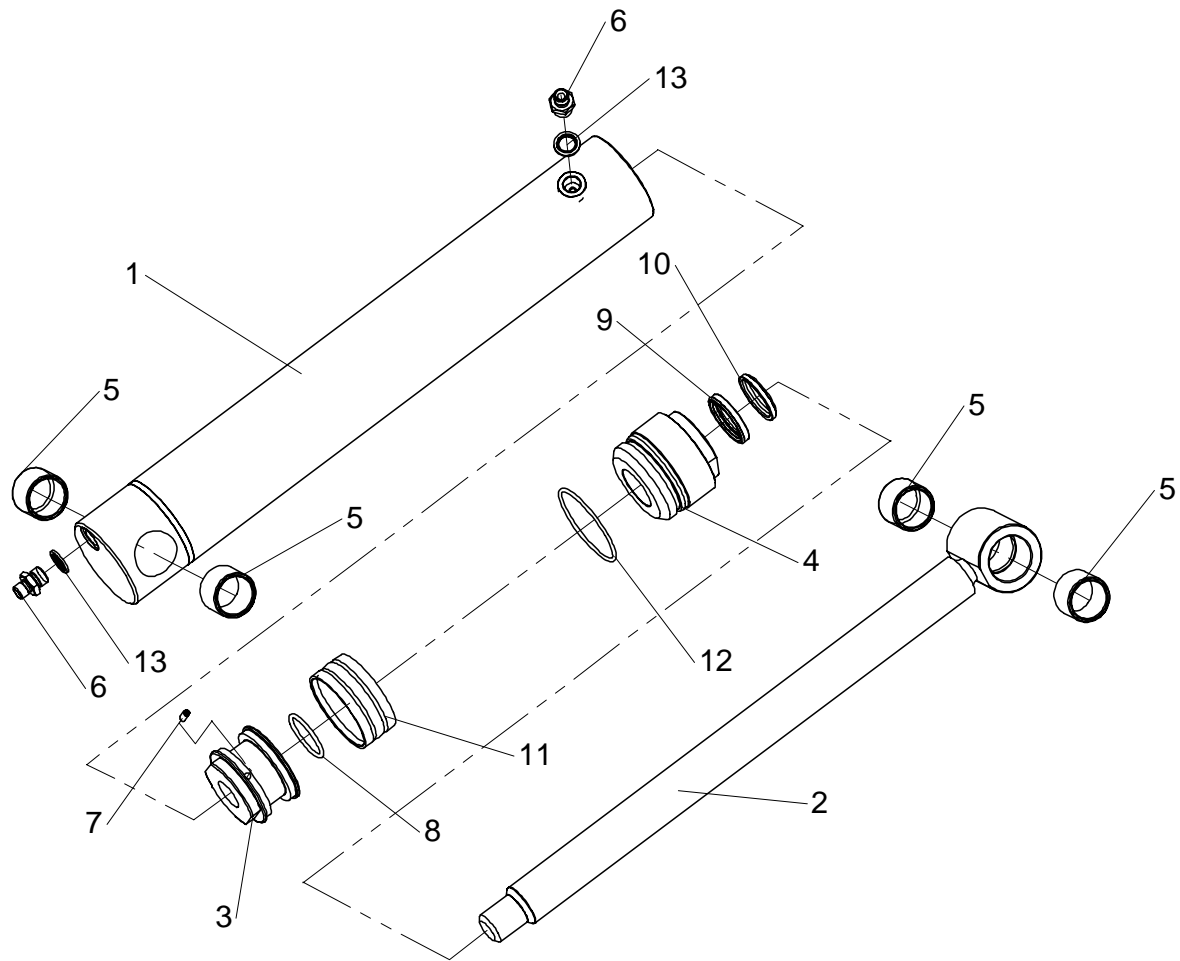
MODULE:
45895.02



REF.	QTY.	PART No.	DESCRIPTION
		45895.02	LIFT RAM ASSEMBLY
1	1	45895.31	BARREL
2	1	45275.02	PISTON ROD
3	1	43315.31	PISTON
4	1	43315.32	GLAND HOUSING 90 x 40
5	1	42775.01	DOWEL
6	2	8600301	'O' RING 223
7	1	8638742	PISTON SEAL
8	1	8629225	GLAND SEAL
9	1	8629208	SCRAPER RING
10	4	08.297.05	BUSH 42 x 35 x 30
11	1	6000113	ADAPTOR 3/8" BSP MM
12	2	8581115	ADAPTOR 1/4" x 3/8" BSP MM
13	4	8650103	BONDED SEAL 3/8" BSP
14	1	8581178	ADAPTOR 3/8" BSP MF SWIVEL
15	1	08.200.01	VALVE - ISOLATING

REACH RAM ASSEMBLY

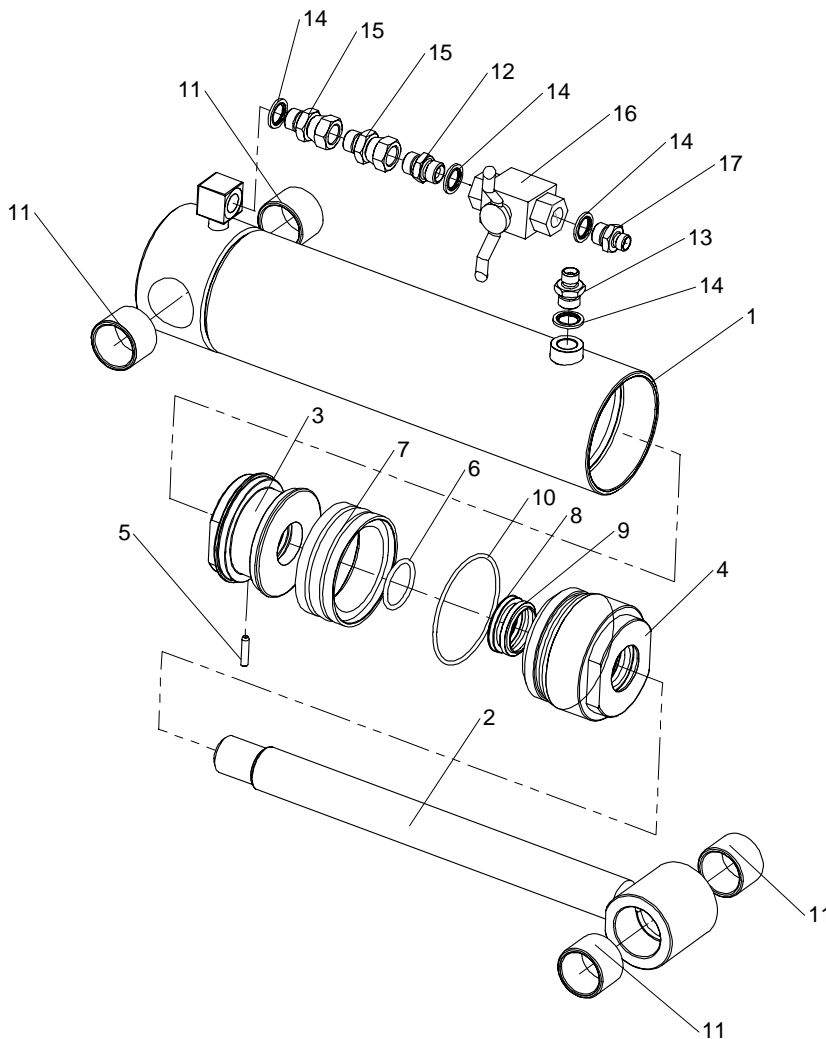
MODULE:
45288.03



REF.	QTY.	PART No.	DESCRIPTION
		45288.03	REACH RAM ASSEMBLY
1	1	45273.02	REACH RAM BARREL
2	1	45275.03	PISTON ROD-R.RAM
3	1	43316.31	PISTON
4	1	43316.32	GLAND HOUSING
5	4	08.297.05	BUSH 42 x 35 x 30
6	2	8581115	ADAPTOR 1/4" x 3/8" BSP MM
7	1	42775.01	DOWEL DIA 6 x 25
8	1	8600301	'O' RING 223
9	1	8629225	GLAND SEAL
10	1	8629208	SCRAPER RING
11	1	8638740	PISTON SEAL
12	1	8700740	'O' RING 740
13	2	8650103	BONDED SEAL 3/8" BSP

SLEW RAM ASSEMBLY

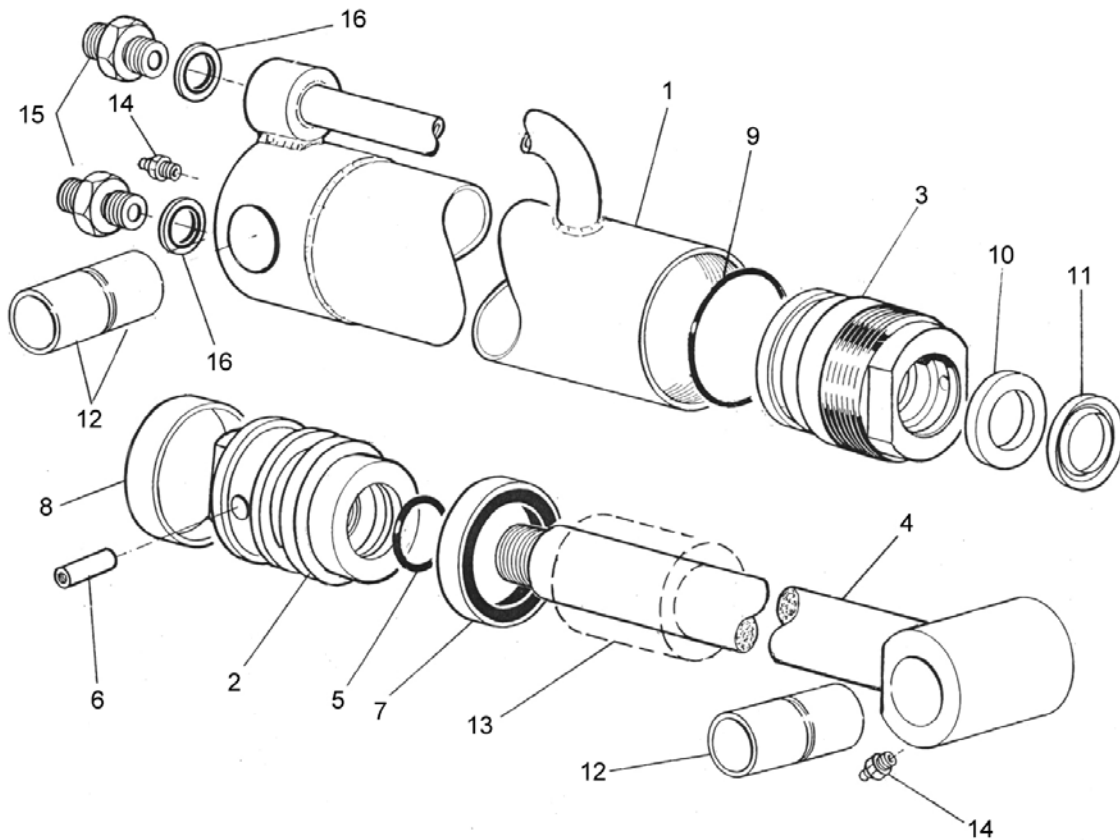
MODULE:
45910.02



REF.	QTY.	PART No.	DESCRIPTION
		45910.02	SLEW RAM ASSEMBLY
1	1	45895.34	BARREL
2	1	45910.31	PISTON ROD
3	1	45910.33	PISTON
4	1	45910.34	GLAND HOUSING
5	1	42775.01	DOWEL DIA 6 x 25
6	1	8600125	'O' RING 220
7	1	8638742	PISTON SEAL
8	1	8629210	GLAND SEAL
9	1	8629211	WIPER SEAL
10	1	8600742	'O' RING 742
11	4	08.297.05	BUSH 42 x 35 x 30
12	1	6000113	ADAPTOR 3/8" BSP MM
13	1	8581115	ADAPTOR 1/4" x 3/8" BSP MM
14	4	8650103	BONDED SEAL 3/8" BSP
15	2	8581178	ADAPTOR 3/8" BSP MF SWIVEL
16	1	08.200.01	VALVE - ISOLATING
17	1	8130066	ADAPTOR RESTRICTOR 1.15 'M'
		8699254	SEAL KIT

FOLD RAM ASSEMBLY - Midcut**MODULE:**

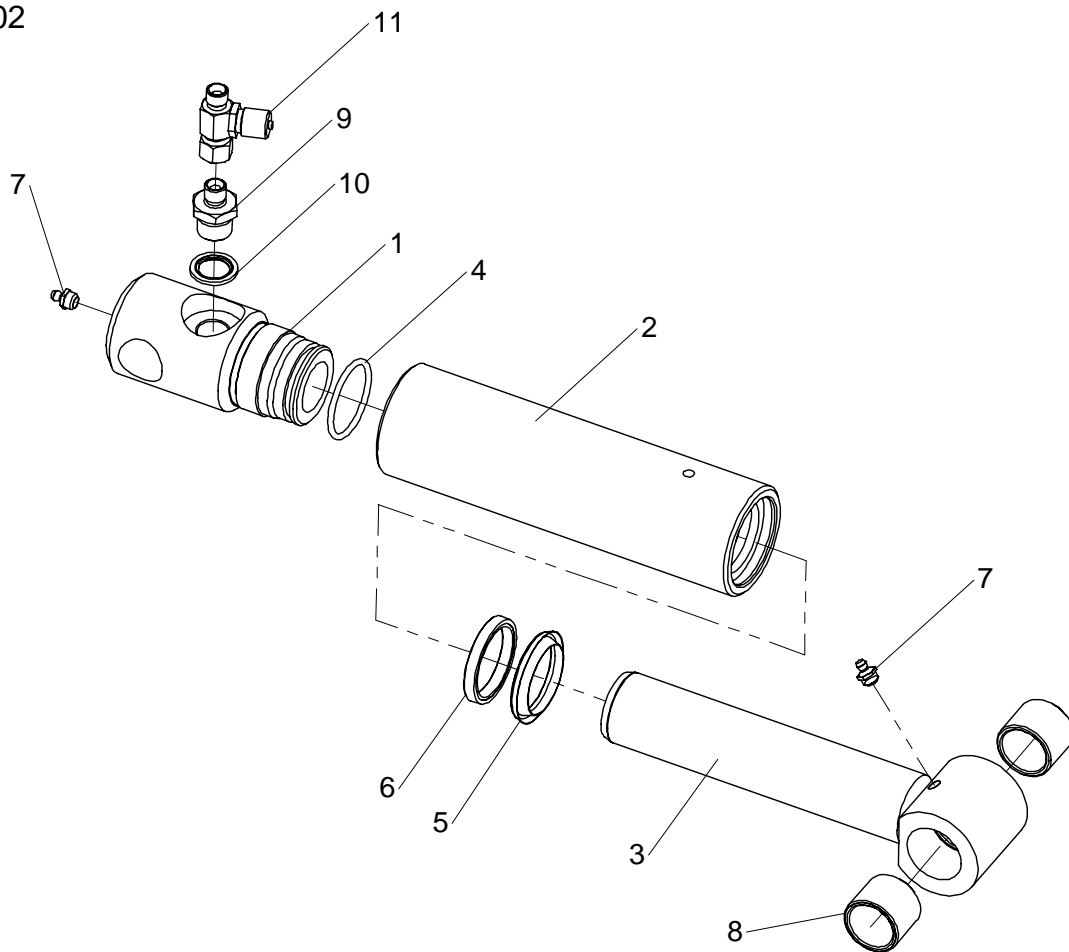
42664.05



REF.	QTY.	PART No.	DESCRIPTION
		42664.05	FOLD RAM ASSEMBLY - MIDCUT MODELS
1	1	42664.42	BARREL
2	1	42664.31	PISTON
3	1	42664.32	GLAND HOUSING
4	1	42664.39	PISTON ROD
5	1	8600127	'O' RING
6	1	42775.01	DOWEL 6 x 25
7	1	8629156	PISTON SEAL
8	1	8629157	PISTON GUIDE RING
9	1	8600306	'O' RING
10	1	8629222	ROD GLAND SEAL
11	1	8629147	ROD SCRAPER RING
12	4	42654.01	BUSH 30 x 30
13	1	43062.01	SPACER
14	2	0901121	GREASER 1/8" BSPT
15	2	8581115	UNION 3/8" x 1/4" BSP
16	2	8650103	BONDED SEAL 3/8" BSP
		42664.01	SEAL KIT

BREAKAWAY RAM – Front mount
MODULE:

45894.02



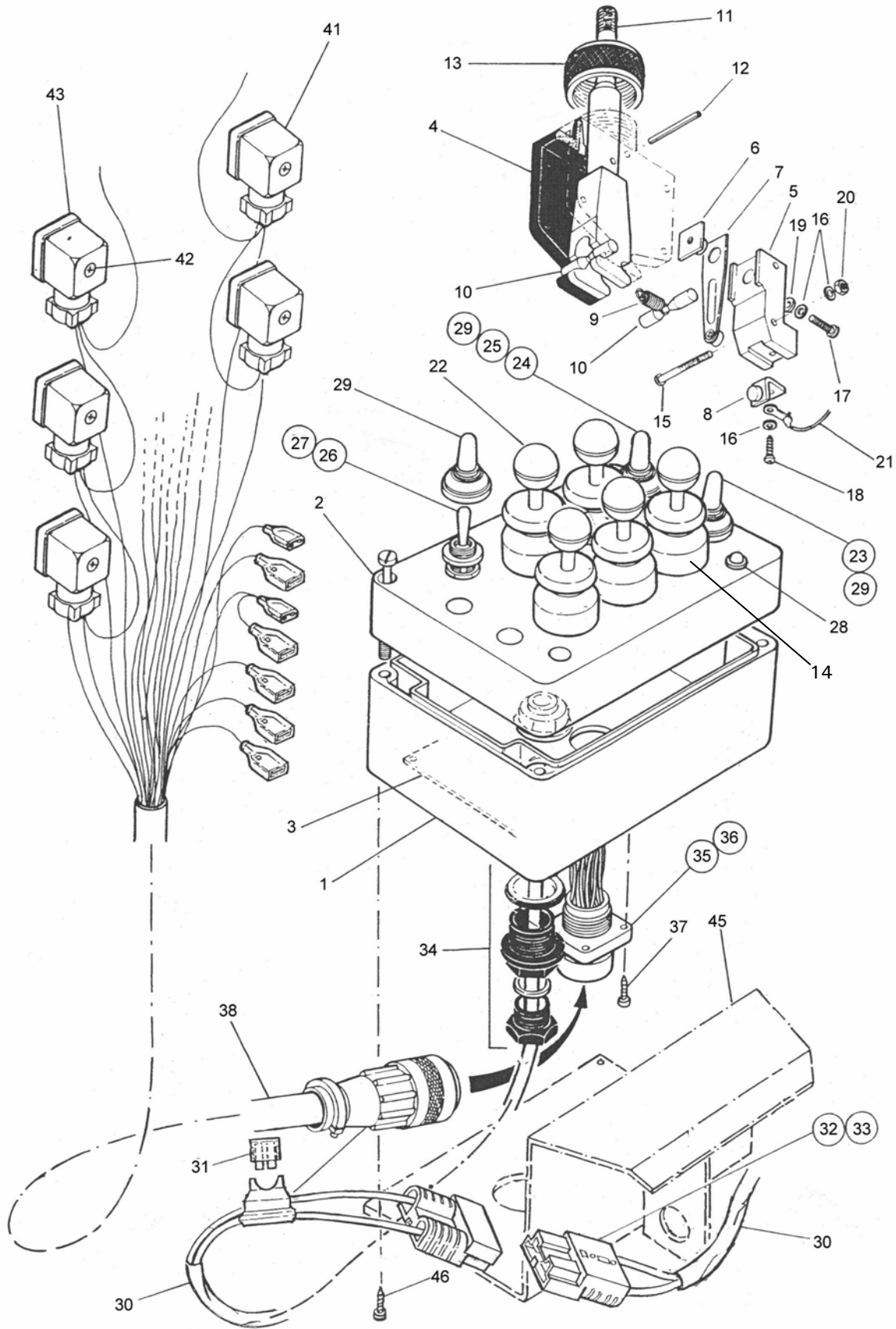
REF.	QTY.	PART No.	DESCRIPTION
		45894.02	BREAKAWAY RAM ASSEMBLY - FRONT MOUNT
1	1	45886.01	RAM BASE PLUG
2	1	7191308	BARREL
3	1	45894.32	PISTON ROD
4	1	8600302	'O' RING 224
5	1	8629152	SCRAPER RING
6	1	8629158	GLAND SEAL
7	2	0901121	GREASE NIPPLE 3/8" BSP - Straight
8	2	08.297.04	BUSH 37 x 30 x 30
9	1	8130083	ADAPTOR RELIEF BODY
10	1	8650104	BONDED SEAL 1/2" BSP
11	1	T7814	TEST POINT M/F

SWITCHBOX CONTROLS & LOOM

MODULES:

8402901 – Cable Rotor Control

8402902 – Electric Rotor Control





SWITCHBOX CONTROLS & LOOM

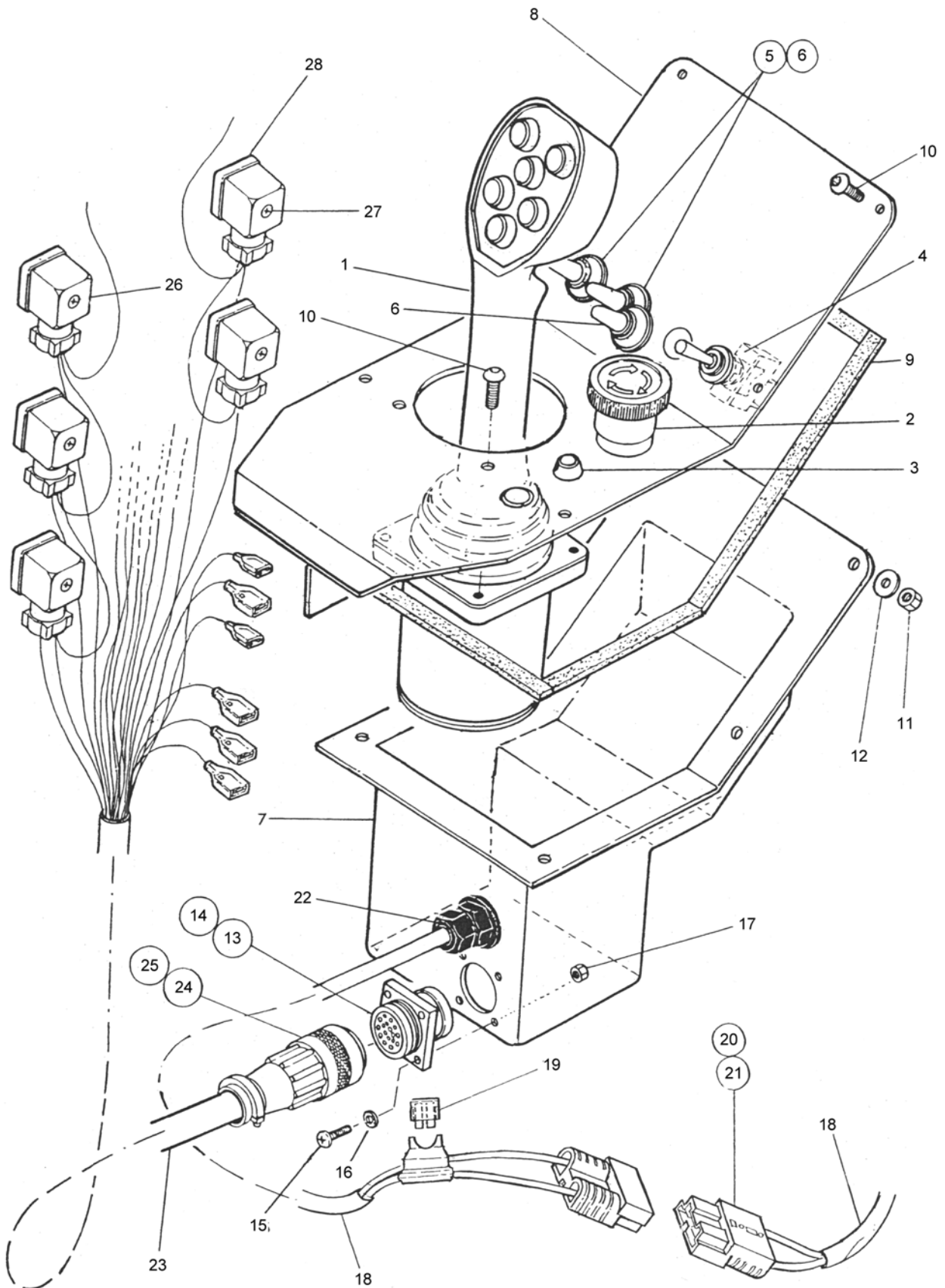
REF.	QTY.	PART NO.	DESCRIPTION
		41845.03	MULTI 5 LEVER SWITCHBOX - Cable Rotor Control
		41845.04	MULTI 5 LEVER SWITCHBOX - Electric Rotor Control
1	1	41845.32	BOX
2	1	41845.31	LID c/w SCREWS
3	1	41845.33	CIRCUIT BOARD
	5	8402122	LEVER SWITCH UNIT - COMPRISING:
4	1	8402285	SWITCH BODY
5	2	8402106	CONTACT HOLDER
6	2	8402109	SPRING CONTACT RETAINER
7	2	8402113	SPRING CONTACT
8	2	8402108	FIXED CONTACT
9	1	8402101	SPRING
10	2	8402111	BAR
11	1	8402256	LEVER
12	1	0425320	SPRING DOWEL DIA. 3 x 20
13	1	8402051	BEZEL RING
14	1	8402022	LEVER GAITER
15	4	9200006	SCREW - POSIDRIVE PANHEAD M3 x 25
16	8	9100400	EXTERNAL SERRATED WASHER DIA. 3
17	2	9200005	SCREW - POSIDRIVE PANHEAD M3 x 12
18	2	8402119	SELFTAPPING SCREW No.4 type B x 10mm
19	2	8402280	PLAIN WASHER DIA. 3
20	2	9113000	NUT - PLATED M3
21	5	41845.34	LOOM - LEVER SWITCH
22	5	8402056	KNOB - BLACK
23	1	8402023	SWITCH - POWER ON/OFF
24	1	8402182	SWITCH - SLEW/AUTO RESET
25	1	41845.35	LOOM - SLEW/AUTO RESET SWITCH
26	1	8402197	SWITCH - FLOAT
27	1	41845.37	LOOM - FLOAT SWITCH
28	1	41845.41	L.E.D. AND LOOM
29	3	8402024	WEATHER GAITER
30	1	8402232	POWER LOOM - INCLUDING:
31	1	43034.02	FUSE
32	2	8402230	CONTACTS HOUSING
33	4	8402229	CONTACTS
34	1	8402042	GLAND
35	1	8402189	SOCKET SHELL
36	17	8402192	PIN SOCKET
37	4	2800203	SCREW - No. 10 x 1/2" LONG
38	1	41844.01	WIRING LOOM - INCLUDING
39	1	8402188	SHELL
40	1	8402190	CABLE CLAMP
41	12	07.835.04	PLUG - INCLUDING SCREW & GASKET
42	1	07.835.03	SCREW
43	1	07.835.02	GASKET
44	1	8402193	SPECIAL TOOL
45	1	8402345	MOUNTING BRACKET
46	4	2800243	SELFTAPPING SCREW No.12 x 1/2"

MONOLEVER CONTROLS & LOOM

MODULES:

8402905

8402906 – Electric Rotor Reverse




MONOLEVER CONTROLS & LOOM

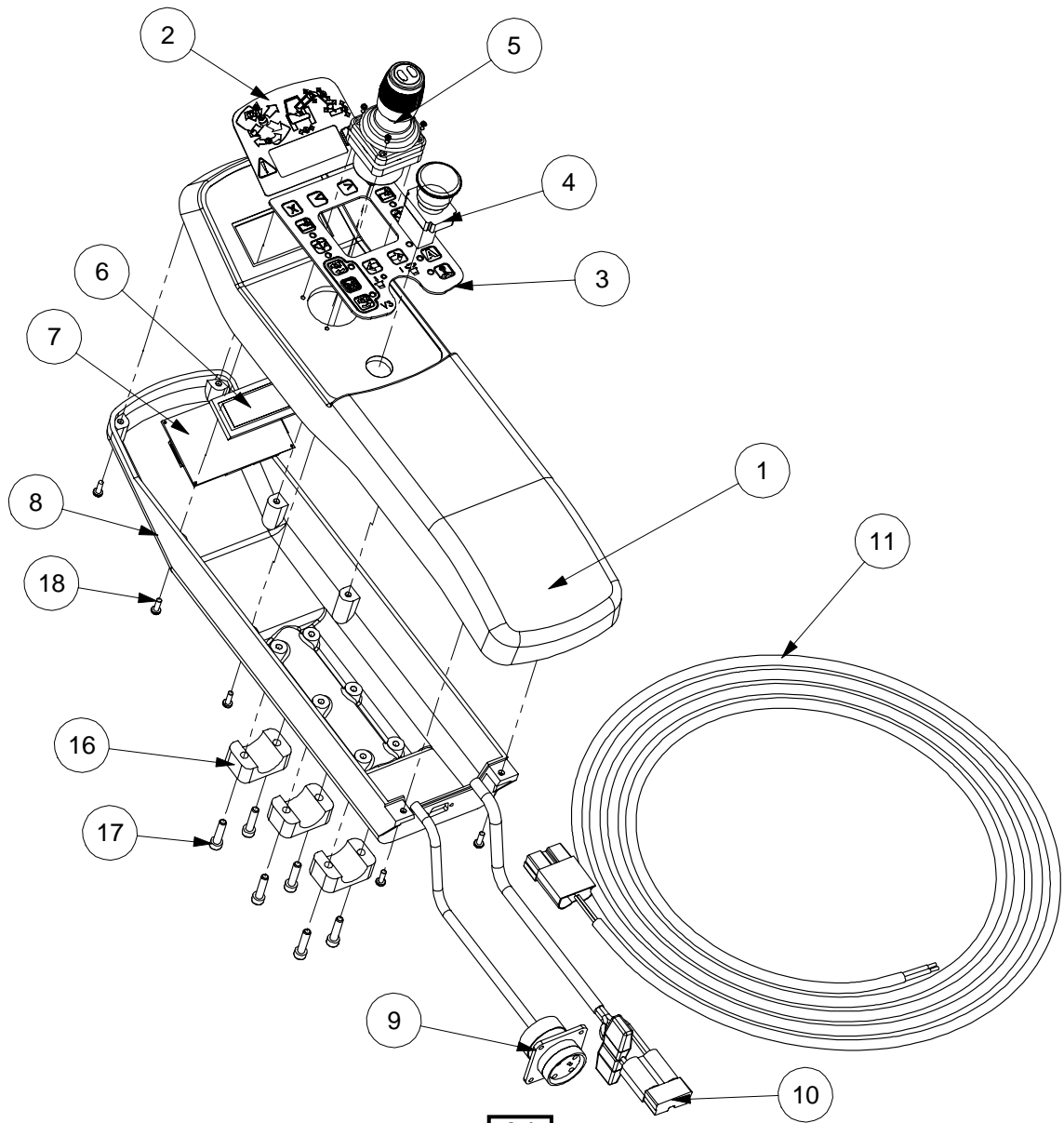
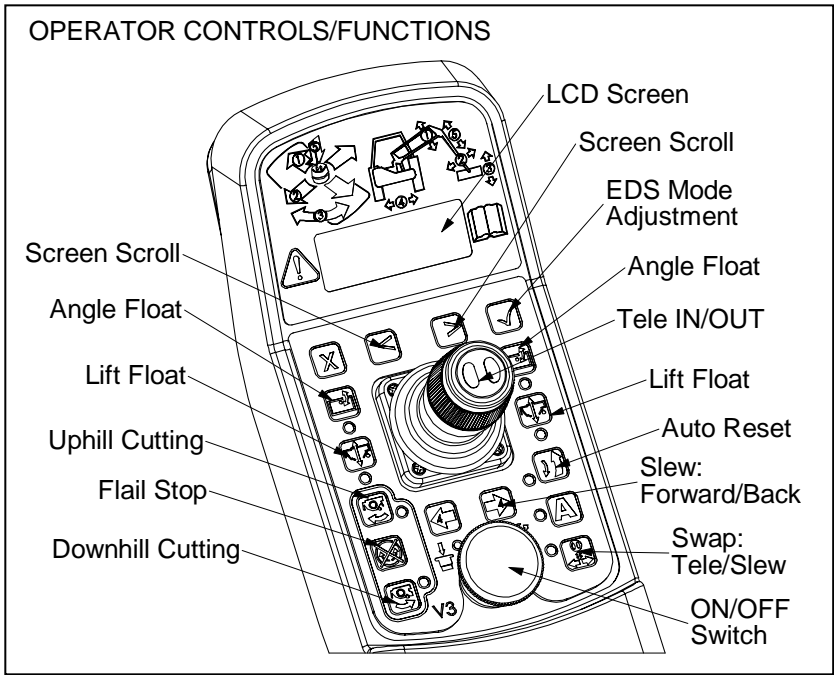
REF.	QTY.	PART NO.	DESCRIPTION
		8402905	MONOLEVER 6 BUTTON CONTROL ASSEMBLY
		8402906	MONOLEVER WITH ELECTRIC ROTOR REVERSE
		41590.03	MONOLEVER 6 BUTTON UNIT
		41590.05	MONOLEVER UNIT - with Electric Rotor Reverse
1	1	41590.32	JOYSTICK - INCLUDING CIRCUIT BOARD
2	1	8402184	POWER ON / EMERGENCY STOP
3	1	8402174	L.E.D. MAIN POWER ON
4	1	8402182	SWITCH - SLEW / AUTO RESET
5	2	8402023	SWITCH - LIFT AND ANGLE FLOAT
6	3	8402024	WEATHER COVER
7	1	7550300	COVER POD
8	1	7550339	TOP PLATE
9	1	7290052	SEALING STRIP (CUT TO SUIT)
10	10	9300125	SCREW - BUTTON HEAD M6 x 16
11	6	9143003	SELF LOCKING NUT M6
12	6	9100103	WASHER DIA. 6
13	1	8402189	SOCKET SHELL
14	14	8402192	FEMALE SOCKET PIN
15	4	9200007	SCREW - POSIDRIVE PANHEAD M3 x 10
16	4	9100400	EXTERNAL SERRATED WASHER DIA.3
17	4	9100013	NUT - PLATED M3
18	1	8402232	POWER LOOM - INCLUDING:
19	1	43034.03	FUSE
20	2	8402230	CONTACT HOUSING
21	4	8402229	CONTACTS
22	1	8402042	GLAND
23	1	41844.01	WIRING LOOM - INCLUDING:
24	1	8402188	SHELL
25	1	8402190	CABLE CLAMP
26	12	07.835.04	PLUG - INCLUDING:
27	1	07.835.03	SCREW
28	1	07.835.02	GASKET
29	1	8402193	SPECIAL TOOL

PROPORTIONAL CONTROLS - v.3

MODULES:

43022.20 – Proportional

43022.21 – Proportional EDS

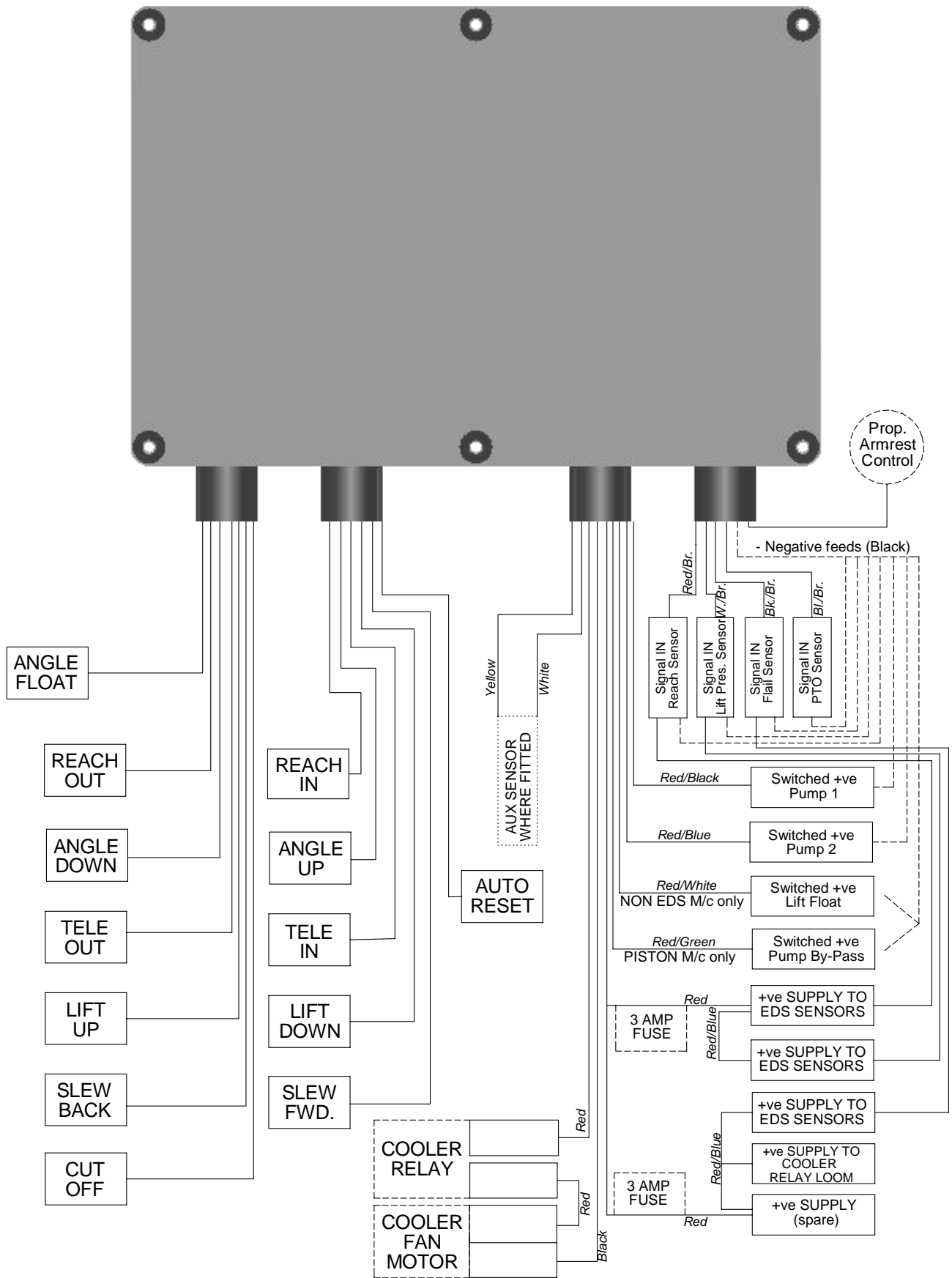



PROPORTIONAL CONTROLS - v.3

REF.	QTY.	PART No.	DESCRIPTION
		43022.20	v.3 PROPORTIONAL ARMREST CONTROLS - Std.
		43022.21	v.3 PROPORTIONAL ARMREST CONTROLS - EDS
1	1	43022.324	ARMREST LID - GREY
2	1	43022.50	FRONT DECAL
3	1	43022.51	JOYSTICK KEYPAD - <i>Factory replacement only</i>
4	1	41786.33	SWITCH - EMERGENCY STOP
5	1	45710.96	JOYSTICK - inc. fixing screws
6	1	43022.52	LCD SCREEN - <i>Factory replacement only</i>
7	1	43022.53	CIRCUIT BOARD - <i>Factory replacement only</i>
8	1	43022.321	ARMREST BASE - YELLOW
9	1	43022.46	CONNECTOR & LEAD
10	1	43022.47	CONNECTOR & POWER LEAD (2 FUSES)
11	1	8402237	LOOM - POWER SUPPLY
12	2	8402149	GLAND
13	1	43022.39	CONNECTOR 9 WAY
14	1	8600119	O RING - not illustrated
15	1	8402239	PUSH ON COVER - not illustrated
16	3	30.209.71	PIPE CLAMP
17	6	9343053	CAPSCREW
18	8	9300132	PANHEAD SCREW

AUXILIARY BOX

MODULE:
21164.03





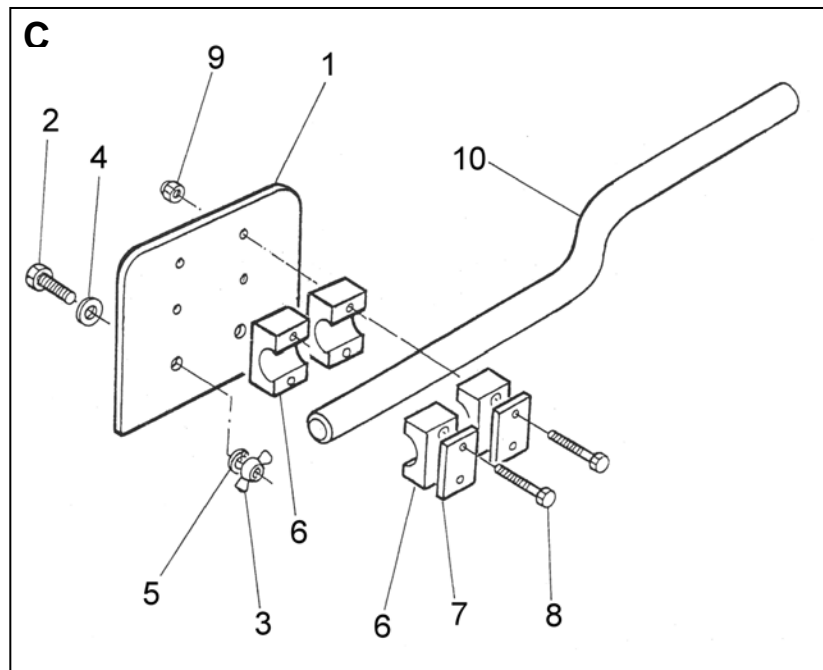
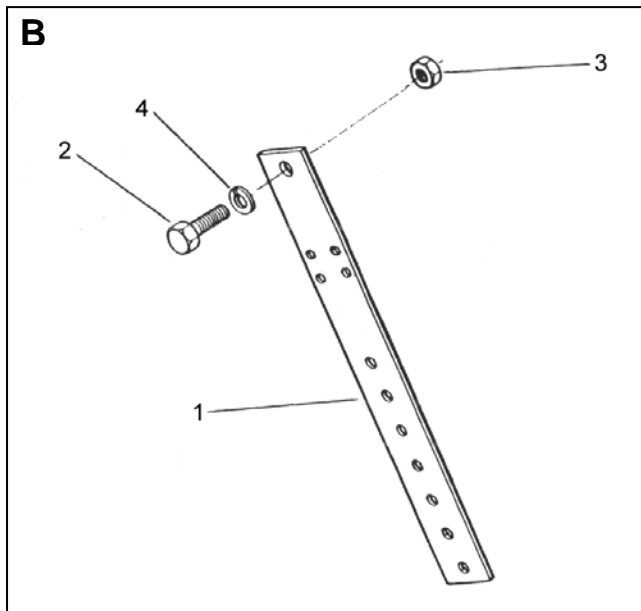
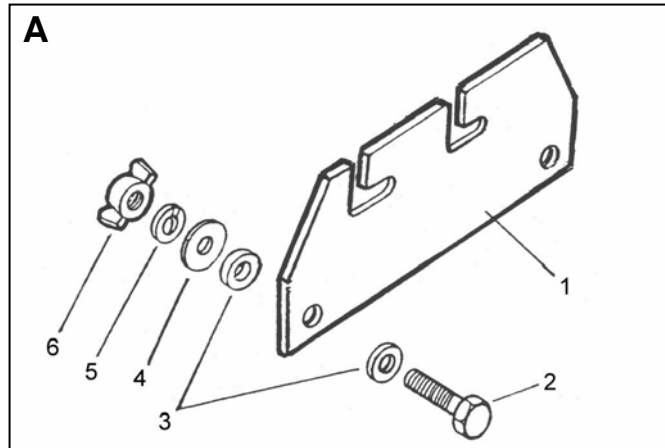
CONTROL MOUNTINGS – all models

MODULES:

7313282 – Cable Controls (A)

7109319 – Electric Switchbox (B)

7313275 – Proportional Armrest (C)




CONTROL MOUNTINGS – all models

REF.	QTY.	PART NO.	DESCRIPTION
A		7313282	CABLE CONTROL UNIT MOUNTING
1	1	42491.01	BRACKET
2	2	9313094	SETSCREW M8 x 45
3	4	03.152.01	RUBBER WASHER
4	2	9100104	PLAIN WASHER DIA. 8
5	2	9100204	SPRING WASHER DIA. 8
6	2	9193004	WINGNUT M8

REF.	QTY.	PART NO.	DESCRIPTION
B		7109319	ELECTRIC SWITCHBOX CONTROL MOUNTING
1	1	7109146	PILLAR
2	1	9311086	SETSCREW
3	1	0111006	NUT
4	1	0100206	SPRING WASHER

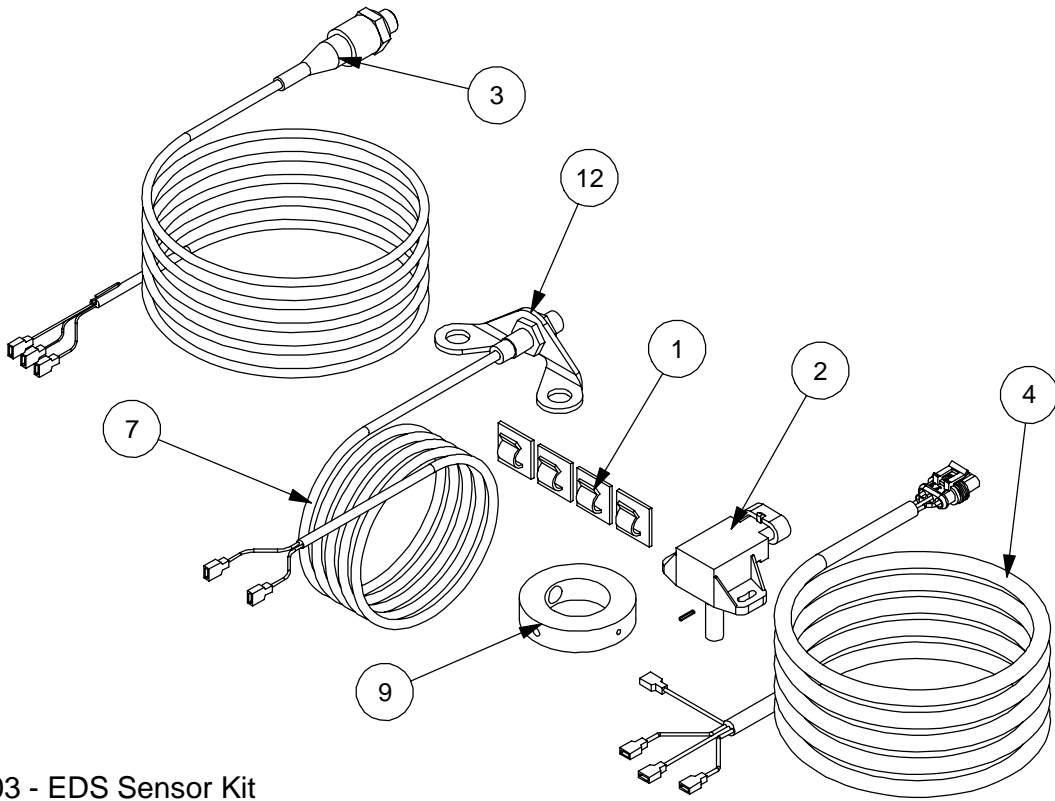
REF.	QTY.	PART NO.	DESCRIPTION
C		7313275	PROPORTIONAL CONTROL MOUNTING
1	1	08.317.01	CONTROL MOUNTING BRACKET
2	2	9313054	SETSCREW M8 x 25
3	2	9193004	WINGNUT M8
4	2	9100104	PLAIN WASHER DIA. 8
5	2	9100204	SPRING WASHER DIA. 8
6	6	30.209.71	CLAMP
7	3	30.209.33	COVER PLATE
8	6	30.068.88	BOLT M6 x 45
9	4	9163003	SELF LOCKING NUT M6
10	1	42312.01	MOUNTING BAR

EDS SENSOR KITS

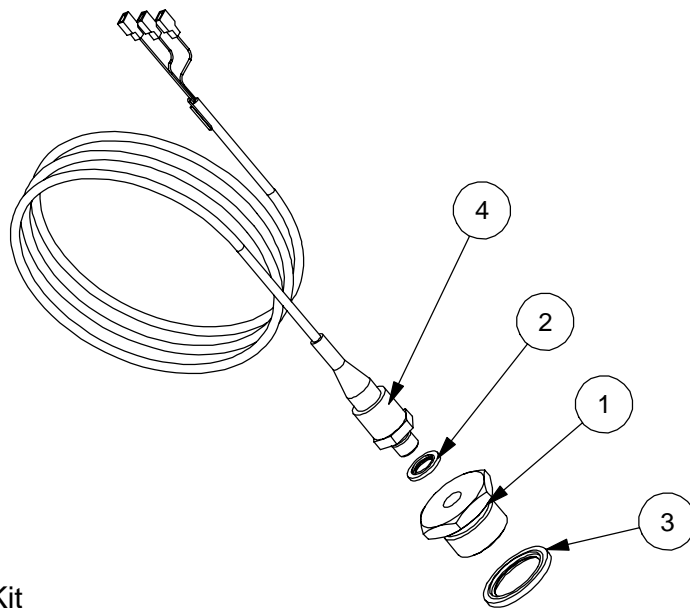
Modules:

7556703 – EDS Sensor Kit

7556707 – Power Monitor Kit



7556703 - EDS Sensor Kit



7556707 - Power Monitor Kit

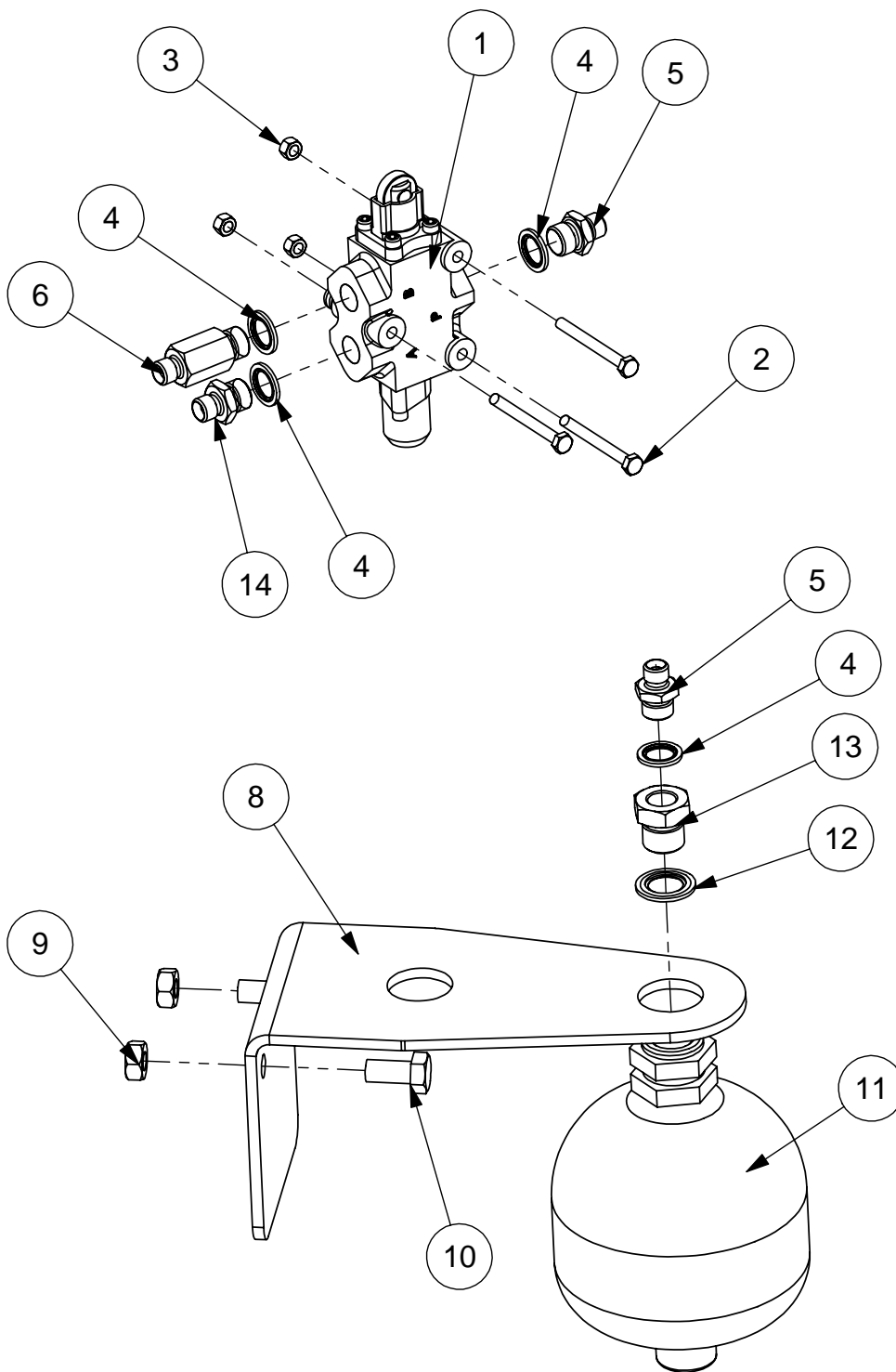

EDS SENSOR KITS

REF.	QTY.	PART No.	DESCRIPTION
		7556703	EDS SENSOR KIT
1	4	43357.01	CLIP (SELF ADHESIVE PAD)
2	1	8402235	REACH SENSOR
3	1	8402253	PRESSURE SENSOR c/w LOOM
4	1	21163.01	REACH SENSOR LOOM
5	1	45425.07	SENSOR EXTENSION
6	1	0430110	SPRING DOWEL
7	1	8402251	PTO SENSOR
8	1	8402252	PTO MAGNETIC RING
9	1	21170.04	PTO SENSOR BRACKET
10	1	8650102	BONDED SEAL

		7556707	POWER MONITOR KIT
1	1	8581451	ADAPTOR
2	1	8650102	BONDED SEAL
3	1	8650108	BONDED SEAL
4	1	8402257	PRESSURE SENSOR c/w LOOM

OVER CENTER VALVE ASSEMBLY

MODULE:
7452755

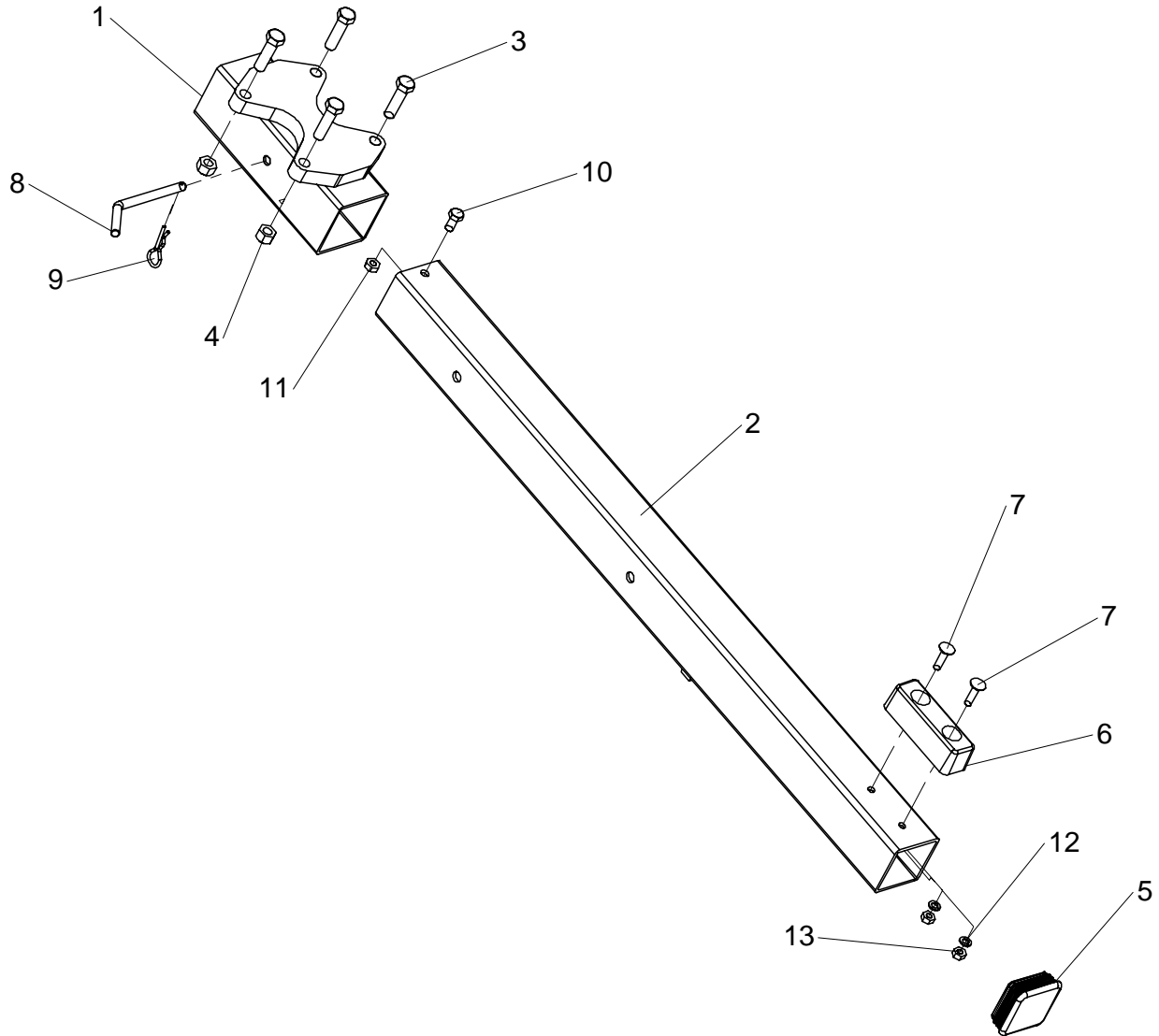


**OVER CENTER VALVE ASSEMBLY**

REF.	QTY.	PART No.	DESCRIPTION
		7452755	OVER CENTER KIT ASSEMBLY
1	1	45913.02	CAM VALVE DIVERTER - 3 WAY
2	3	9213123	BOLT M6 x 60
3	3	9143003	SELF-LOCKING NUT M6
4	4	8650103	BONDED SEAL 3/8" BSP
5	2	8581115	ADAPTOR 1/4" x 3/8" BSP MM
6	1	8581146	ADAPTOR EXT 1/4" x 3/8" BSP MM
7	6	9100103	FLAT WASHER M6
8	1	8126330	ACCUMULATOR BRACKET
9	2	9143006	SELF-LOCKING NUT M12
10	2	9313056	SETSCREW M12 x 25
11	1	8126044	ACCUMULATOR 1L 25 BAR PC
12	1	8650322	BONDED SEAL M22
13	1	8581284	ADAPTOR M22 x 3/8" BSP MF
14	1	8130046	ADAPTOR RESTRICTOR 1.5 'A'

FRONT MOUNT HEAD SUPPORT

MODULE:
7452725



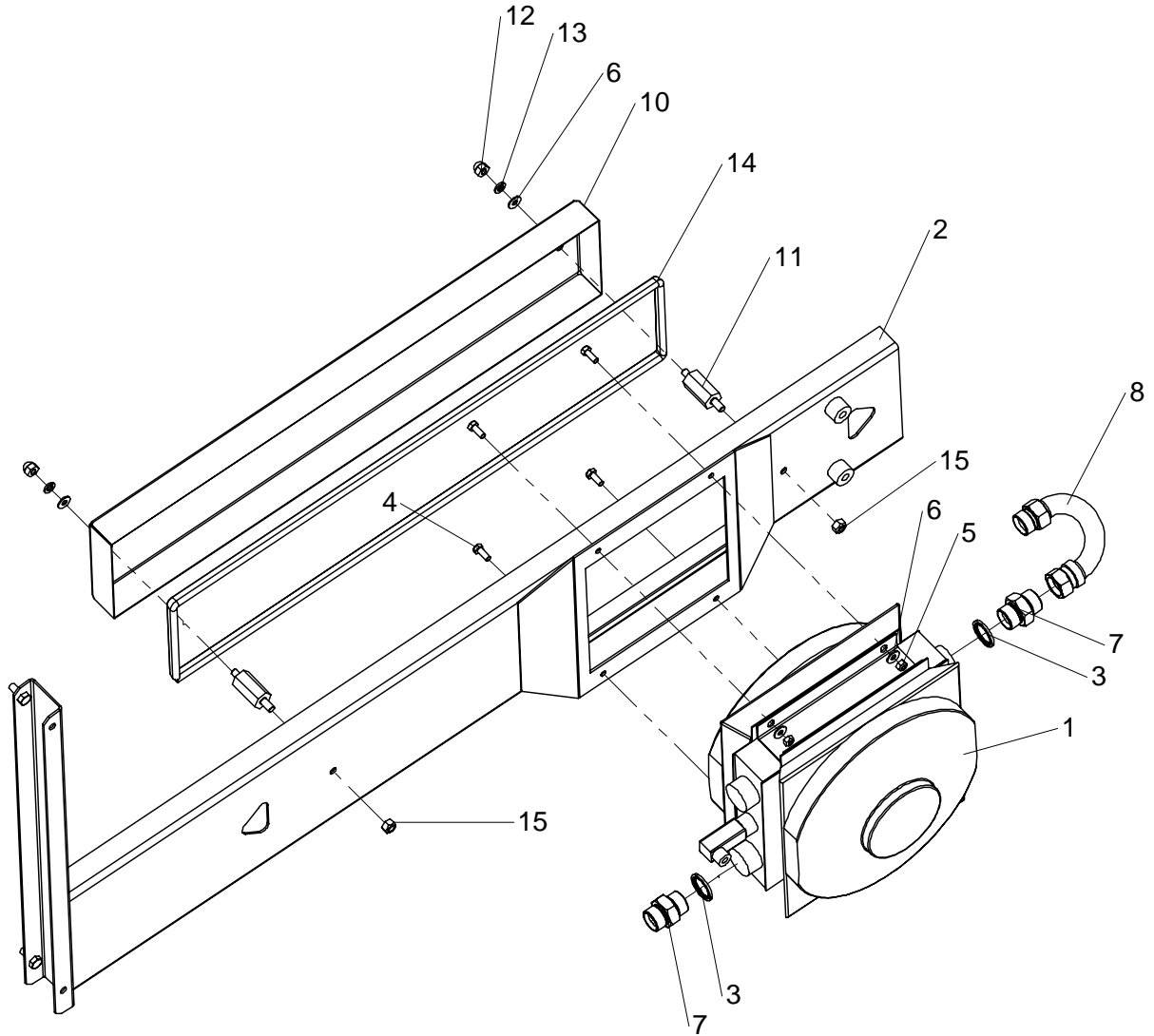
**FRONT MOUNT HEAD SUPPORT**

REF.	QTY.	PART No.	DESCRIPTION
		7452725	HEAD SUPPORT - PA 52 FRONT MOUNT
1	1	45892.01	HEAD SUPPORT - PA52
2	1	45898.01	SUPPORT BEAM
3	4	9213127	BOLT M16 x 60
4	4	9143007	SELF-LOCKING NUT M16
5	1	45210.02	PLASTIC PLUG 90 x 90
6	1	T7879	BUFFER RUBBER 6"x2"X2"
7	2	9293085	COACHBOLT M10 x 40
8	1	43074.01	LOCK PIN - TRANSPORT PROP
9	1	0431105	SPRING COTTER (DIA.4.0 WIRE)
10	1	9313056	SETSCREW M12 x 25
11	1	9143006	SELF-LOCKING NUT M12
12	2	9100205	SPRING WASHER M10
13	2	9113005	NUT M10

COOLER KIT – EDS models

MODULES:
7452746 – L/H
7452747 – R/H

Illustrated in Left Hand build




COOLER KIT – EDS models

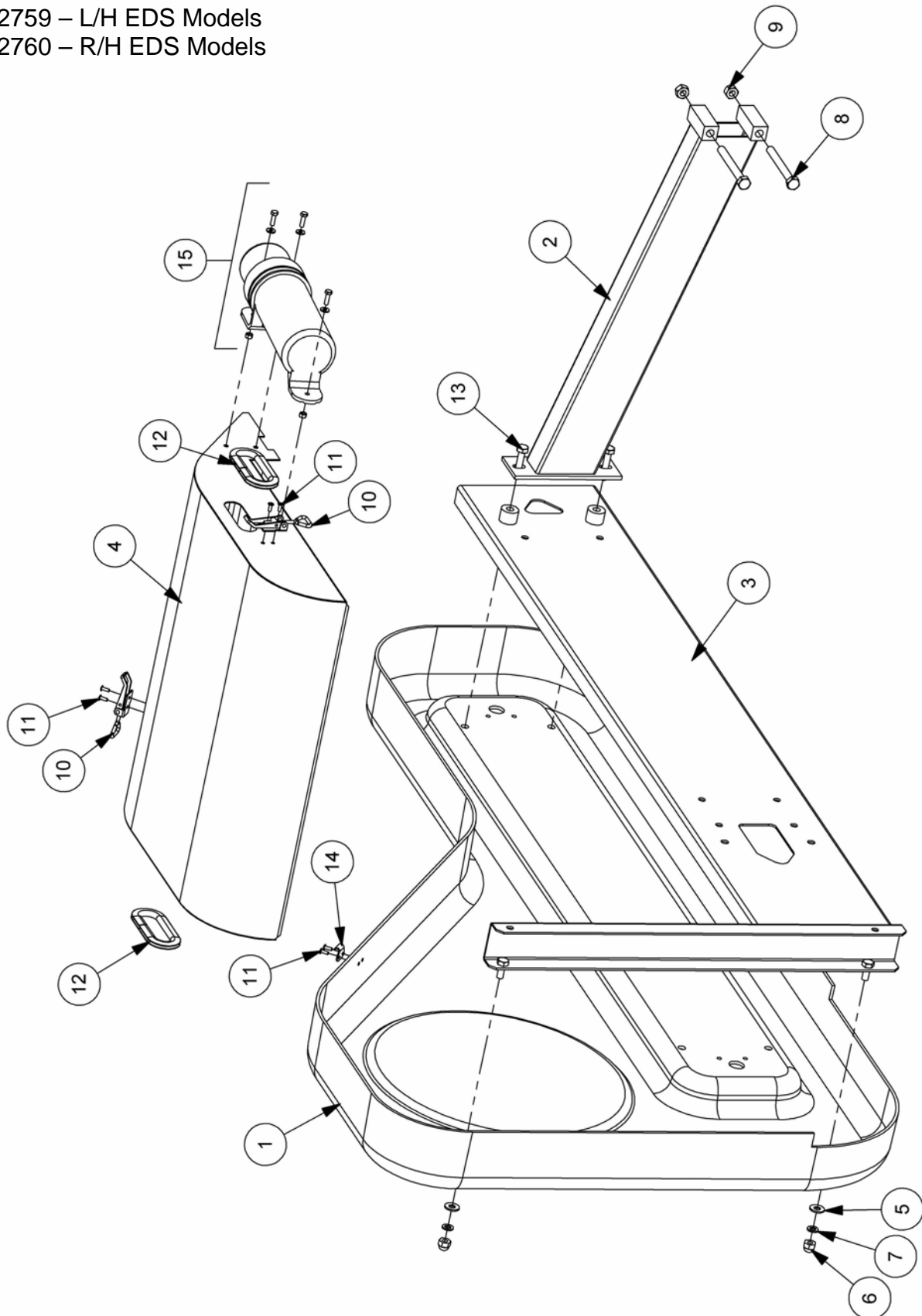
REF.	QTY.	PART No.	DESCRIPTION
		7452746	COOLER KIT ASSEMBLY - L/H
		7452747	COOLER KIT ASSEMBLY - R/H
1	1	8402380	OIL COOLER c/w SWITCH
2	1	45537.05	COVER SUPPORT - L/H
		45537.06	COVER SUPPORT - R/H
3	2	8650108	BONDED SEAL 1" BSP
4	4	9313044	SETSCREW M8 x 20
5	4	9143004	SELF-LOCKING NUT M8
6	6	9100104	FLAT WASHER M8
7	2	05.434.01	ADAPTOR 1" BSP MM
8	1	46043.01	RIGID PIPE
9	1	43177.38	LOOM COOLER KIT
10	1	46046.01	COOLER FILTER BASKET
11	2	46041.01	STAND OFF-M10
12	2	9100025	DOME NUT M10
13	2	9100205	SPRING WASHER M10
14	1	43468.05	EDGING STRIP 2100.0 LG
15	2	9143005	SELF-LOCKING NUT M10

REAR COVER ASSEMBLIES

MODULES:

- 7452718 – L/H Std. Models
- 7452719 – R/H Std. Models
- 7452759 – L/H EDS Models
- 7452760 – R/H EDS Models

Left Hand Std. Model illustrated





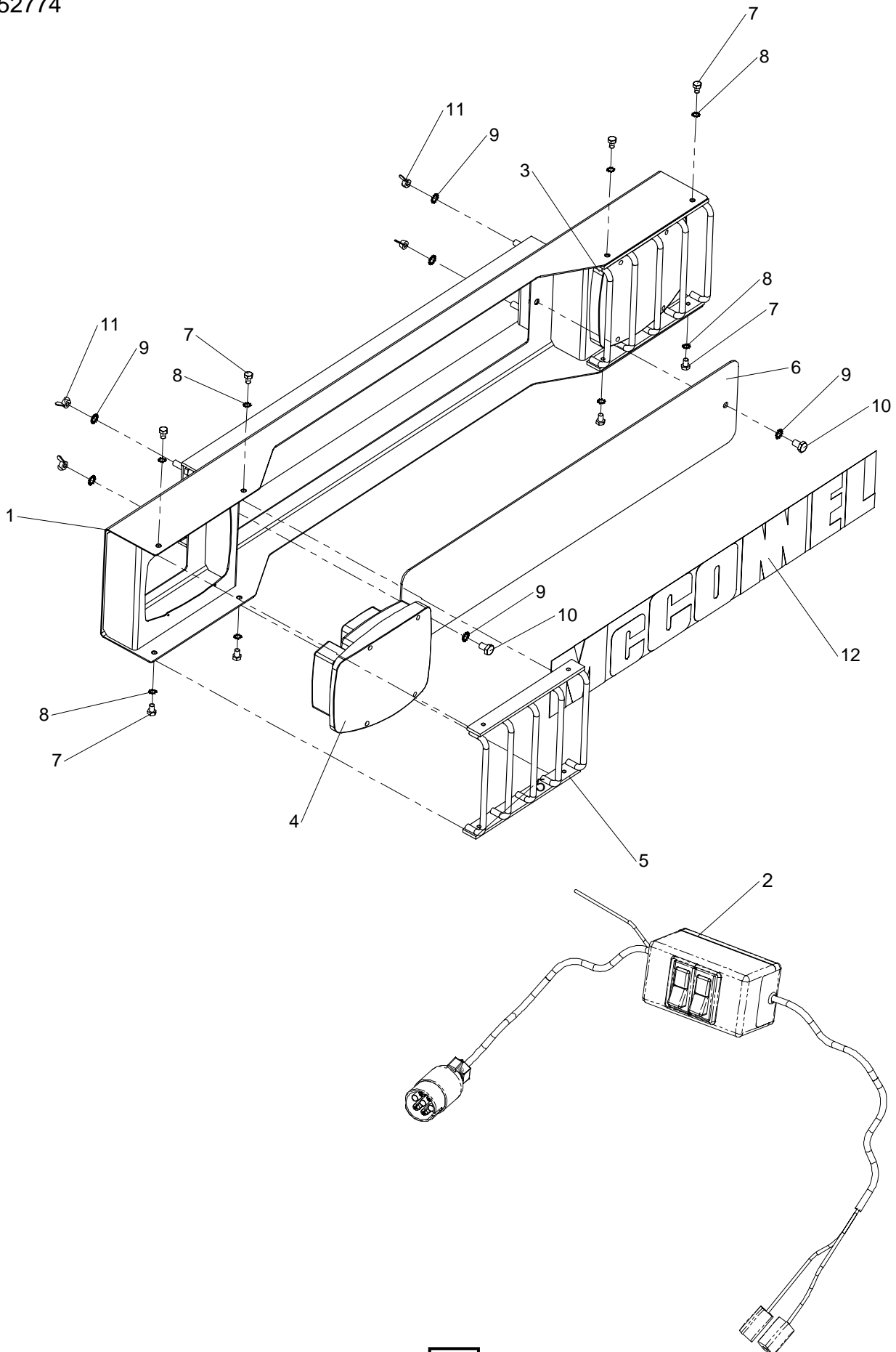
REAR COVER ASSEMBLIES

REF.	QTY.	PART No.	DESCRIPTION
		7452718	REAR COVER ASSEMBLY - L/H Std. Models
		7452719	REAR COVER ASSEMBLY - R/H Std. Models
		7452759	REAR COVER ASSEMBLY - L/H EDS Models
		7452760	REAR COVER ASSEMBLY - R/H EDS Models
1	1	21153.01	REAR COVER - L/H Std. Build
	1	21153.02	REAR COVER - R/H Std. Build
	1	21153.03	REAR COVER - L/H EDS Build
	1	21153.04	REAR COVER - R/H EDS Build
2	1	45251.05	REAR COVER SUPPORT
3	1	45537.03	COVER MOUNT - L/H Std. Build
	1	45537.04	COVER MOUNT - R/H Std. Build
4	1	45252.01	VALVE COVER - L/H Builds
	1	45252.02	VALVE COVER - R/H Builds
5	4	9100105	FLAT WASHER
6	4	9100025	DOME NUT
7	4	9100205	SPRING WASHER
8	2	9213226	BOLT
9	2	9143006	SELF-LOCKING NUT
10	2	43449.02	OVERCENTRE FASTENER
11	6	1069088	POP RIVET
12	2	43468.03	EDGING STRIP (230MM LONG)
13	2	9313105	SETSCREW
14	1	46007.01	HOOK - OVERCENTRE FASTENER
15	1	46505.02	MANUAL HOLDER ASSEMBLY c/o:
	1	46505.01	PLASTIC MANUAL HOLDER
	3	9313043	BOLT
	3	9143003	LOCKNUT
	3	9100103	WASHER

LIGHTING KIT – FRONT MOUNT

MODULE:
7452774

Front Mounted Models

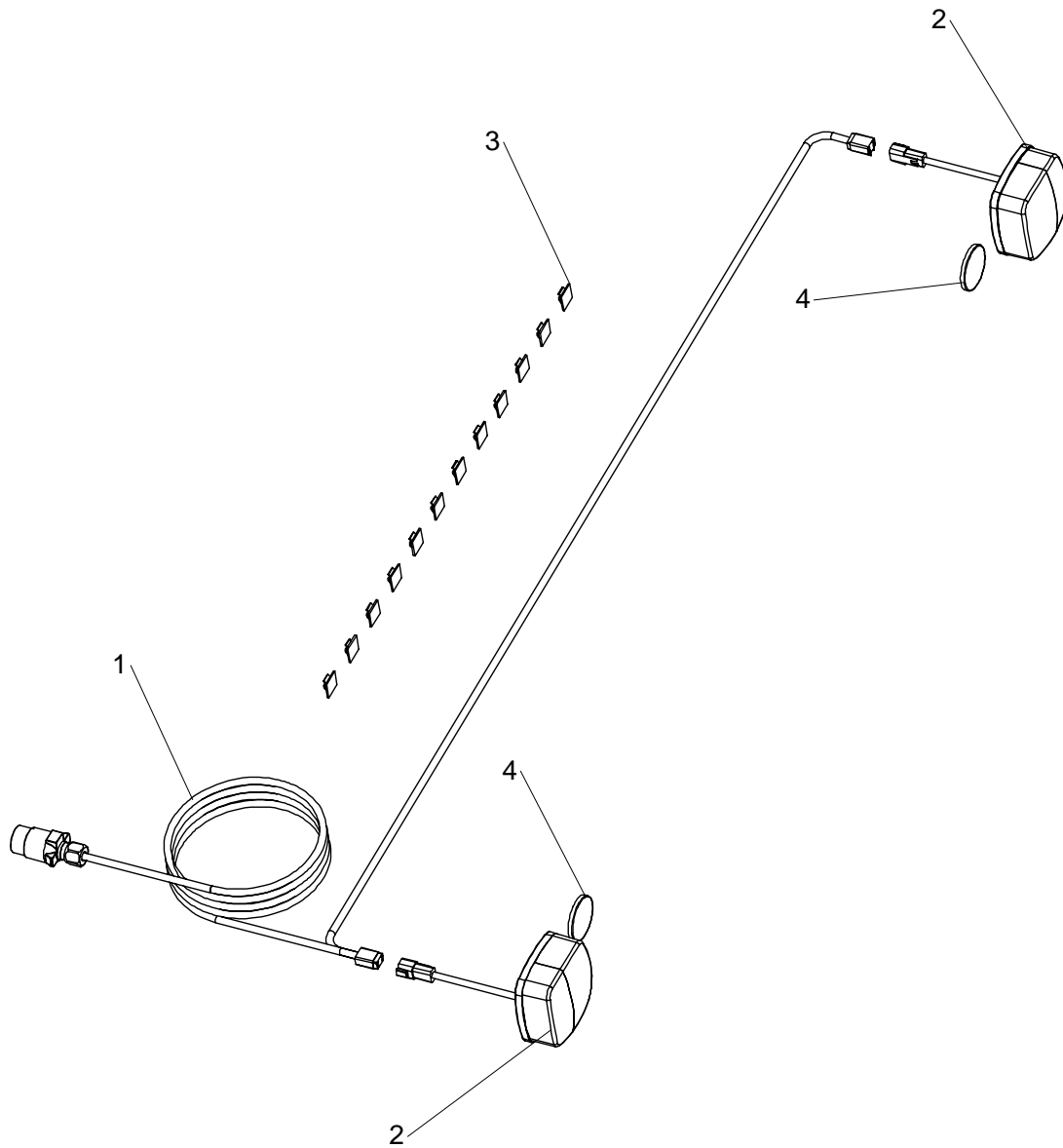


**LIGHTING KIT – FRONT MOUNT**

REF.	QTY.	PART No.	DESCRIPTION
		7452774	FRONT LIGHTING KIT - FRONT MOUNT MODELS
1	1	21143.01	FRONT LIGHT BAR
2	1	21142.01	LOOM - HEADLIGHT KIT
3	1	21144.01	HEADLAMP UNIT - LH
4	1	21144.02	HEADLAMP UNIT - RH
5	2	21145.01	LAMP GUARD
6	1	21146.01	BLANK PLATE
7	8	9313024	SETSCREW
8	8	9100404	SHAKEPROOF WASHER
9	6	9100405	SHAKEPROOF WASHER - EXTERNAL
10	2	9313035	SETSCREW
11	4	9193005	NUT
12	1	1290527	STICKER-McCONNEL - 120 x 840

LIGHTING KIT - REAR

MODULE:
45900.02

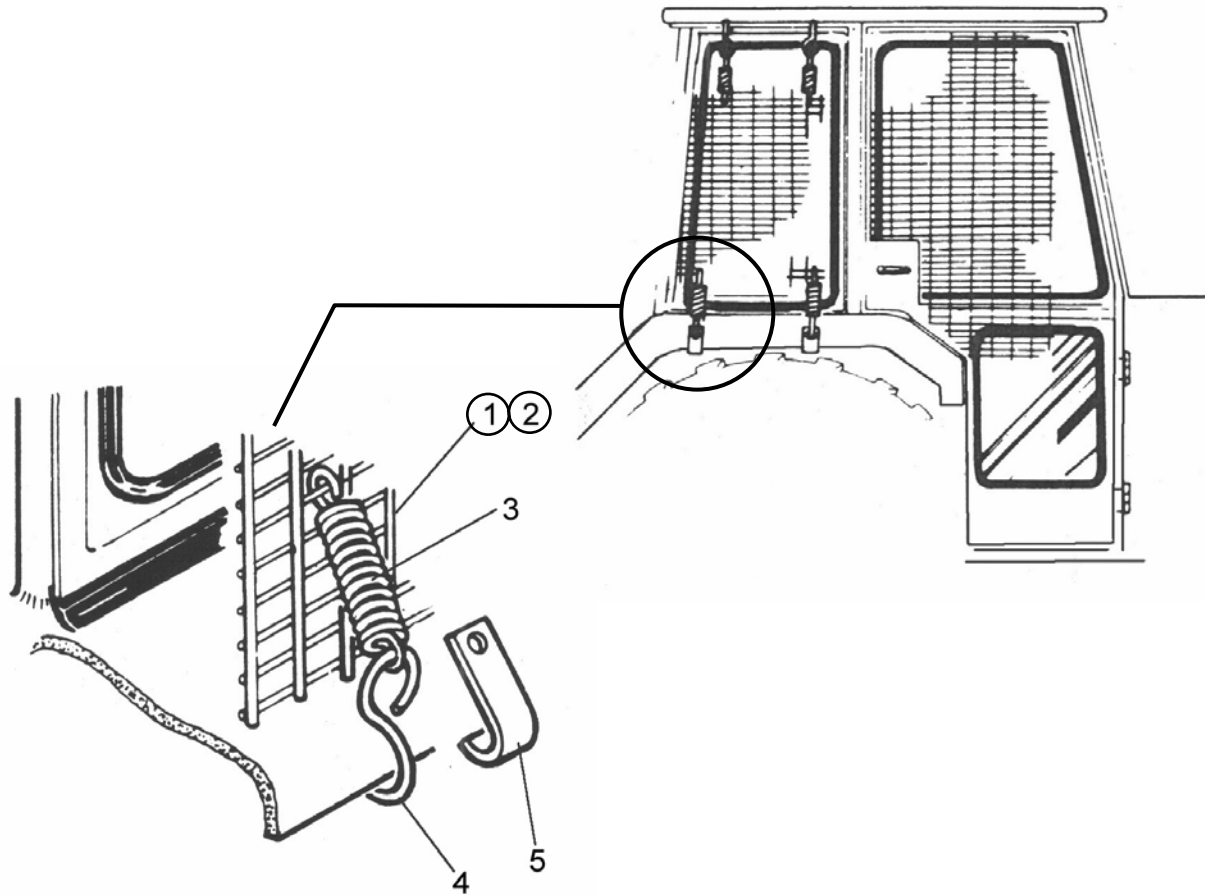


**LIGHTING KIT - REAR**

REF.	QTY.	PART No.	DESCRIPTION
		45900.02	LIGHTING KIT
1	1	45656.02	LIGHTING LOOM - LONG
2	2	45642.02	COMBINATION LAMP ASSEMBLY
3	12	43357.01	CLIP (SELF ADHESIVE PAD)
4	2	45671.01	REFLECTOR - SELF ADHESIVE

CAB GUARD KIT

MODULE:
7313324



REF.	QTY.	PART No.	DESCRIPTION
		7313324	CAB GUARD & MOUNTING KIT
1	1	7313049	GUARD PANEL - LARGE
2	1	7313050	GUARD PANEL - SMALL
3	12	6001064	SPRING
4	6	6001065	HOOK
5	6	7313051	HOOK

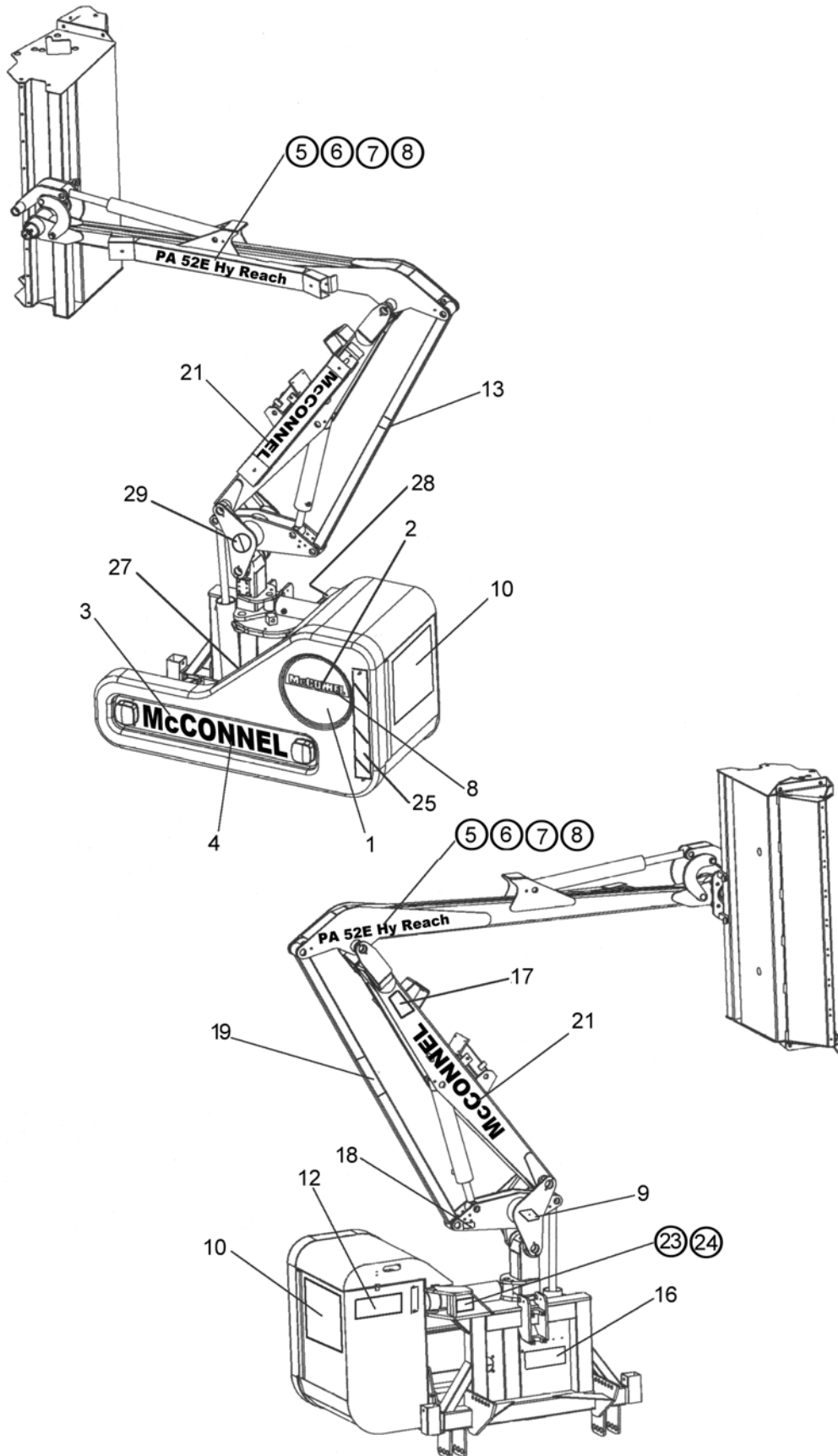
**HYDRAULIC INST'N SUNDRIES**

QTY.	PART No.	DESCRIPTION
		HYDRAULIC INSTALLATION SUNDRIES
1	8501188	HOSE 1 1/2" BORE 419mm LONG
4	0904107	JUBILEE CLIP
2	8582058	BLANKING CAPS 1" BSP
3	7135084	HOSE TIE - 175
4	7196045	HOSE TIE - 300
1	00900913	HOSE SLEEVE - SMALL
1	00999588	HOSE SLEEVE
1	41741.02	EDGING STRIP
2	05.434.01	UNION 1" BSP MM

MACHINE DECALS – all models

MODULES:
All models

Illustrated in Left Hand build




MACHINE DECALS – all models

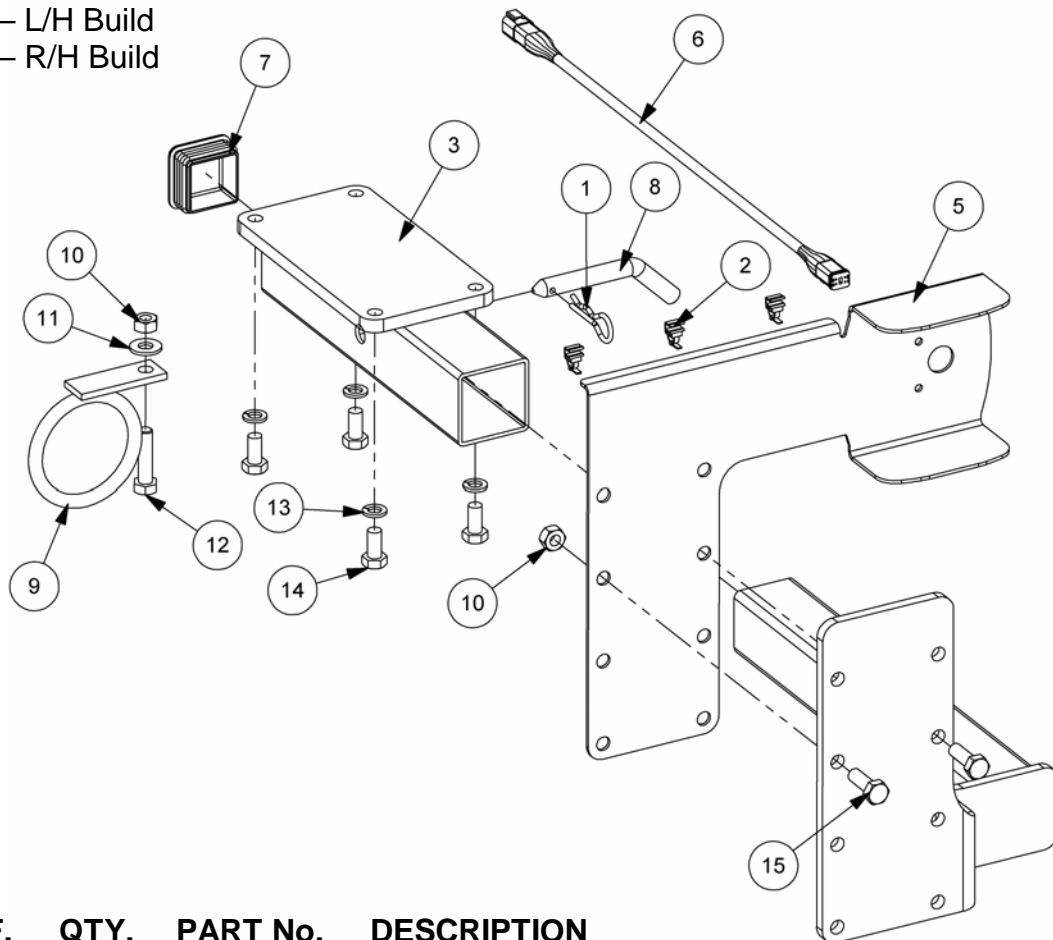
REF.	QUANTITY					PART No.	DESCRIPTION
	PA 52 C	PA 52 E	PA 52 E EDS	PA 59 C	PA 59 E		
						7452729	PA 52 DECAL KIT - CABLE MODELS
						7452730	PA 52 DECAL KIT - ELECTRIC MODELS
						7452731	PA 52 DECAL KIT - ELECTRIC EDS MODELS
						7459729	PA 59 DECAL KIT - CABLE MODELS
						7459730	PA 59 DECAL KIT - ELECTRIC MODELS
1	1	1	1	1	1	1290524	LOGO ROUNDEL - YELLOW
2	1	1	1	1	1	1290525	McCONNEL - SMALL YELLOW
3	1	1	1	1	1	1290539	BACKING PANEL - YELLOW
4	1	1	1	1	1	1290527	McCONNEL - LARGE BLACK
5	2	-	-	-	-	1290561	PA 52 HY REACH
6	-	2	2	-	-	1290562	PA 52 E HY REACH
7	-	-	-	2	-	1290563	PA 59 HY REACH
8	-	-	-	-	2	1290564	PA 59 E HY REACH
9	1	1	1	1	1	7105130	READ INSTRUCTION BOOK
10	1	1	1	1	1	1290352	GENERAL WARNING
11	1	1	1	1	1	1290391	SAFETY WARNING
12	1	1	1	1	1	00756494	PTO SHAFT
13	5	5	5	5	5	02962764	PINCH POINT
14	1	1	1	1	1	1290508	54 HP
15	1	1	1	1	1	09.811.03	500 RPM
16	1	1	1	1	1	7135295	TIGHTEN CHECK CHAINS
17	1	1	1	1	1	1290403	BREAKAWAY WARNING
18	2	2	2	2	2	1290074	SLING HERE
19	1	1	1	1	1	1290406	TRANSPORT
20	1	1	1	1	1	8402138	SLEW WARNING
21	2	2	2	2	2	1290255	McCONNEL - BLACK
22	-	-	1	-	-	1290518	EDS
23	1	1	1	1	1	1335246	SERIAL No. PLATE
24	4	4	4	4	4	7103230	POP RIVET 1/8"
25	1	1	1	1	1	1290528	WARNING CHEVRON - L/H BUILD
26	1	1	1	1	1	1290529	WARNING CHEVRON - R/H BUILD
27	1	1	1	1	1	1290054	GEARBOX OIL CAPACITY
28	2	2	2	2	2	1290023	OIL FILTER LABEL
29	1	1	1	1	1	1290296	LOGO ROUNDEL

DEBRIS BLOWER MOUNTING KIT

Modules:

7456770 – L/H Build

7456771 – R/H Build

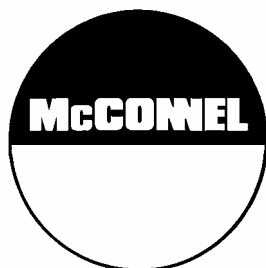
Illustrated in Left Hand Build

REF.	QTY.	PART No.	DESCRIPTION
		7456770	DEBRIS BLOWER MOUNTING KIT - L/H Machines
		7456771	DEBRIS BLOWER MOUNTING KIT - R/H Machines
1	1	0431105	SPRING COTTER
2	3	21150.01	PUSH ON CABLE TIE
3	1	43492.01	BLOWER BRACKET
4	1	43492.05	BLOWER BRACKET - L/H Build
	1	43492.06	BLOWER BRACKET - R/H Build
5	1	43492.07	LIGHT BRACKET - L/H Build
	1	43492.08	LIGHT BRACKET - R/H Build
6	1	45657.01	LOOM EXTENTION
7	1	7191108	PLASTIC PLUG
8	1	7192023	LEG PIN
9	1	7319282	HOSE RING
10	3	9143006	SELF-LOCKING NUT
11	1	9100106	FLAT WASHER
12	1	9213106	BOLT
13	4	9100206	SPRING WASHER
14	4	9313056	SETSCREW
15	2	9313076	SETSCREW

Suitable for the following machines:

PA45, PA47 Mk1*, PA50 Mk1*, PA52, PA59, PA550, PA650, PA8000*

(with lightbars)*



McConnel Limited, Temeside Works, Ludlow, Shropshire SY8 1JL. England.
Telephone: 01584 873131. Facsimile: 01584 876463. www.mcconnel.com