

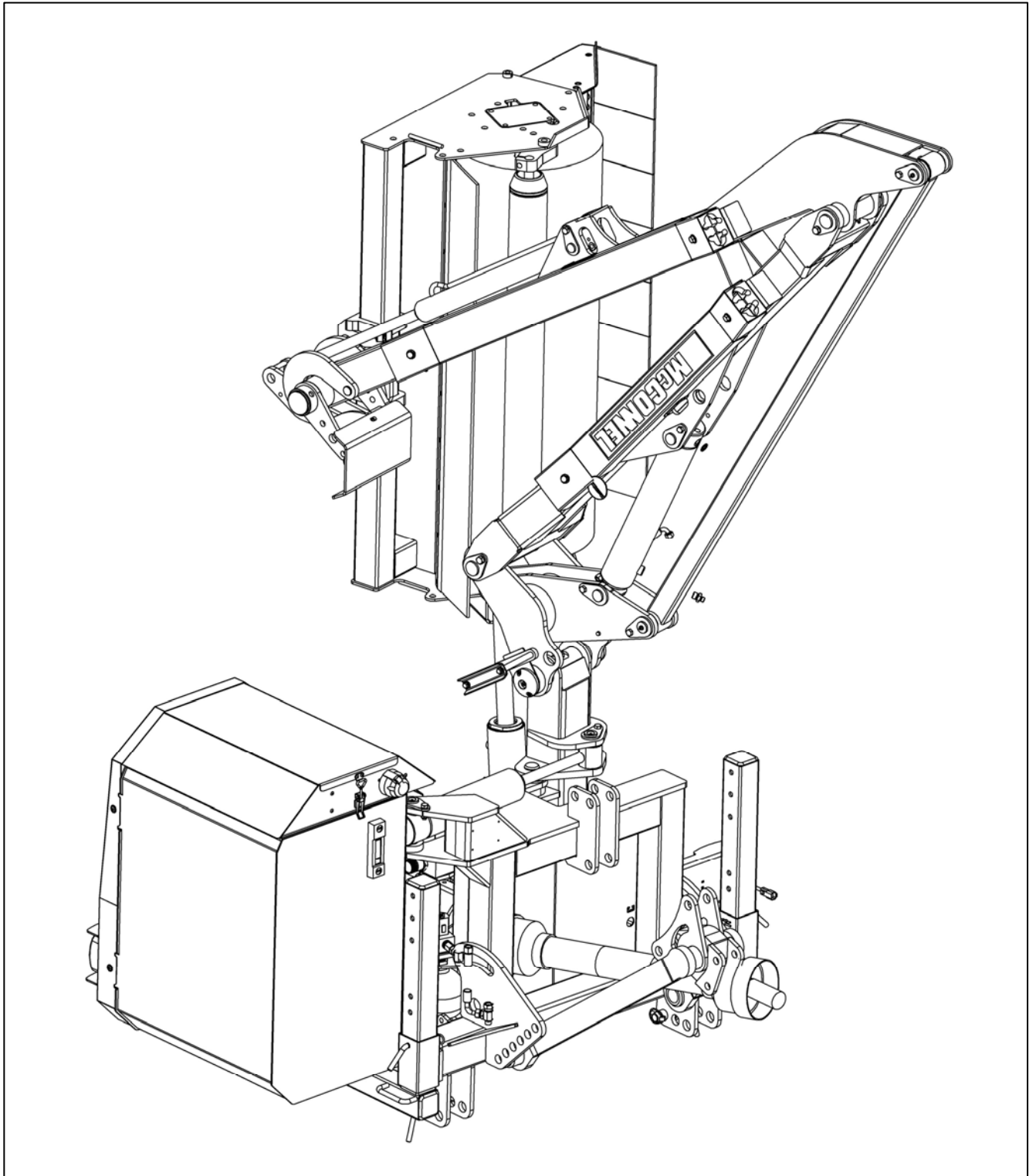
Publication 547
August 2008
Part No. 41571.47
Revised: 05.09.13

PA50 *Mk3*

HEDGE CUTTER / MOWER



Parts Manual





For best performance...

USE ONLY McCONNEL GENUINE SERVICE PARTS

To be assured of the latest design improvements purchase your 'Genuine Replacements' from the **Original Equipment Manufacturer**:

McCONNEL LIMITED

through your local Dealer or Stockist.

Always quote:

- ***Machine Type***
- ***Serial Number***
- ***Part Number***

McConnell Limited

Temeside Works, Ludlow, Shropshire, SY8 1JL, England.

Telephone: 01584 873131

www.mcconnel.com

*Design Improvements may have altered some of the parts listed in this manual –
The latest part will always be supplied when it is interchangeable with an earlier one.*

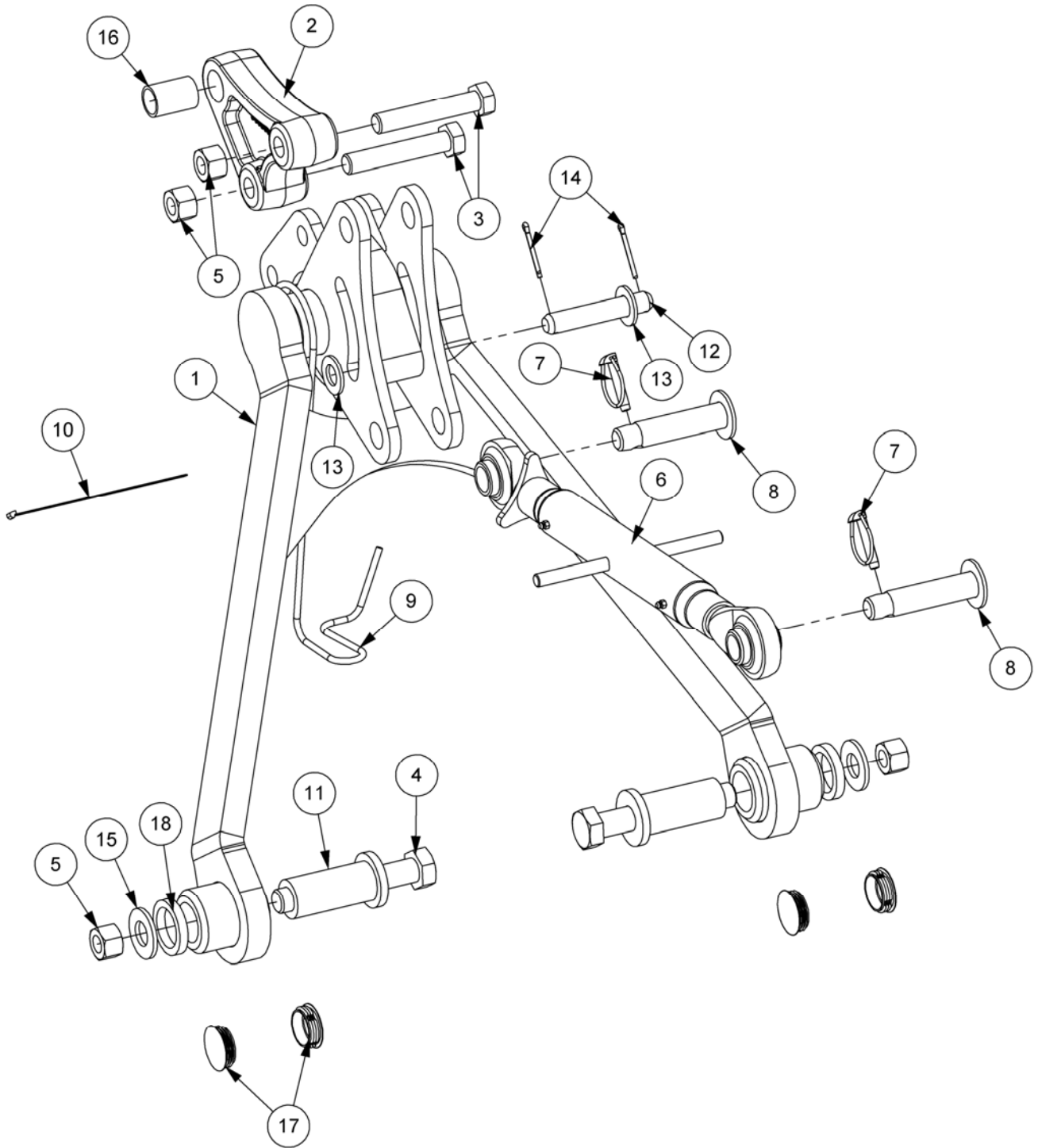
CONTENTS

	<i>Page No.</i>
Stabilizer Assembly	1
Main Frame Assembly	3
Pillar Assembly	5
Rocker Assembly	7
Main Arm Assembly – <i>Standard Models</i>	9
Dipper Arm Assembly – <i>Standard Models</i>	11
Dipper Arm Assembly – <i>Fixed Midcut Models</i>	13
Main Arm Assembly – <i>Folding Midcut Models</i>	15
Forward Extension Assembly – <i>Folding Midcut Models</i>	16
Dipper Arm Assembly – <i>Folding Midcut Models</i>	17
Transport Prop Assembly – <i>Folding Midcut Models</i>	19
Head Angling Mechanism Assembly	21
Hydraulic Tank Assembly	23
Pump & Gearbox Assembly – <i>SI Models</i>	25
Pump & Gearbox Assembly – <i>TI Models</i>	27
Gearbox Assembly	29
Cable Rotor Control Valve Assembly	31
Electric Rotor Control Valve Assembly	33
Rotor Relief Valve Assembly – <i>SI Models</i>	35
Armhead Control Valve Identification	36
Cable ACV Assembly – <i>Standard & Fixed Midcut Models</i>	37
Cable ACV Assembly – <i>Folding Midcut Models</i>	41
Adaptor Modules for Cable Control Valves	45
Electric ACV Assembly – <i>Standard & Fixed Midcut Models</i>	47
Electric ACV Assembly – <i>Folding Midcut Models</i>	49
XTC Electric Proportional ACV Assembly – <i>Standard & Fixed Midcut Models</i>	51
XTC Electric Proportional ACV Assembly – <i>Folding Midcut Models</i>	53
V4 Electric Proportional ACV Assembly – <i>Standard & Fixed Midcut Models</i>	55
V4 Electric Proportional ACV Assembly – <i>Folding Midcut Models</i>	57
Manifold Assemblies	59
Solenoid Assemblies	63
Adaptor Modules for Electric Control Valves	69
Multilever Electric Controls	75
Monolever Electric Controls	77
XTC Proportional Controls	79
V4 Proportional Controls	81
Control Mounting Assemblies	83
Lift Ram Assembly	84
Reach Ram Assembly	85
Angling Ram Assembly	86
Slew Ram Assembly	87
Midcut Fold Ram Assembly	88
Hydraulic Installations	89
Hose Kits	107
Cooler Kit	111
High Capacity Cooler Kit	113
Rear Covers	114
Decal Kits	117
Rear Lighting Kit	121

STABILIZER ASSEMBLY

McCONEL

Module(s): 7499632



STABILIZER ASSEMBLY

McCONNEL

Module(s): 7499633

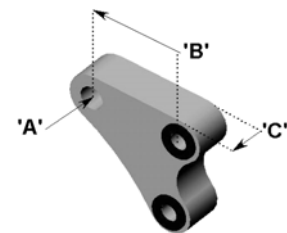
REF.	QTY.	PART No.	DESCRIPTION
		7499632	STABILIZER ASSEMBLY
1	1	41205.13	STABILIZER
2	1	7499506C	STABILIZER TONGUE - CAT.3
3	2	9213228	BOLT
4	2	9213309	BOLT
5	4	9143008	SELF-LOCKING NUT
6	1	21370.01	TOP LINK ASSEMBLY
7	2	0431217	LINCH PIN
8	2	7560144	TOP LINK PIN
9	1	21160.03	PTO HOOK
10	1	7196045	HOSE TIE
11	2	45999.05	SPACER SLEEVE
12	1	22072.01	QUADRANT PIN
13	2	9100108	FLAT WASHER
14	2	9501406	SPLIT PIN
15	2	9100109	FLAT WASHER
16	1	21883.01	SLEEVE - CAT.2 TO CAT.3
17	4	21388.01	PLASTIC INSERT
18	2	45999.04	SPACER

McCONNEL STABILIZER TONGUES

'A' – Hole diameter

'B' – Hole center spacing

'C' – Stabilizer width



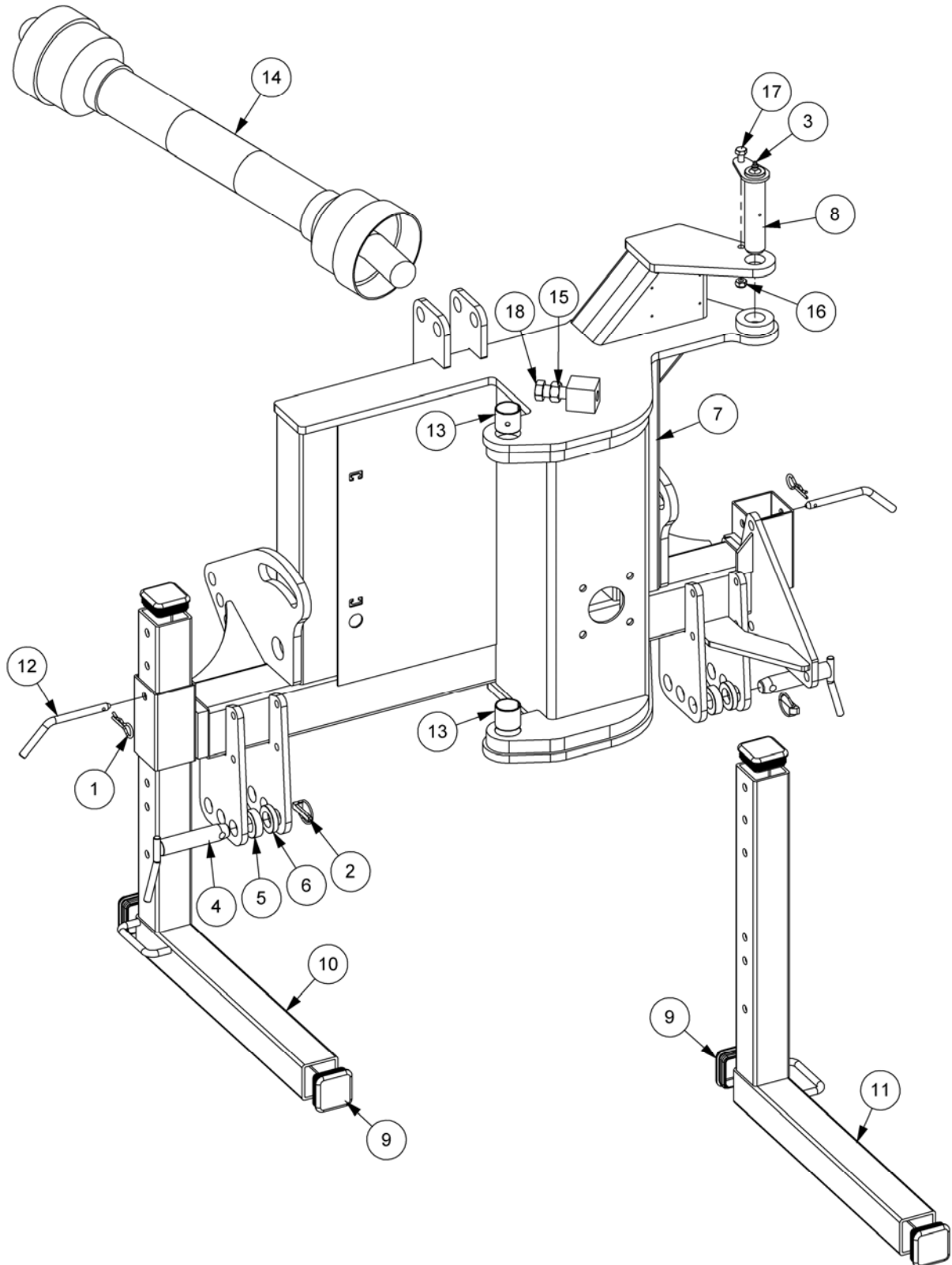
(Dimensions in mm)

Part No.	Description	'A'	'B'	'C'
7499501	Tongue: Standard – Cat. 2	27	107	45
7499500	Tongue: Special – Cat. 2 narrow	27	107	35
7499502	Tongue: Special – Cat. 2 long	27	217	45
7499503	Tongue: Special – Cat. 3 long	32	217	45
7499504	Tongue: Special – Cat. 1	19.5	107	35
7499505	Tongue: Special – Cat. 2 for Case TX tractors	25	120	50
7499506	Tongue: Special – Cat. 3	32	107	45
7499507	Tongue: Special – Cat. 3 narrow	32	107	30
7499508	Tongue: Special – for some Ford tractors	28.6	107	45
7499262	Tongue: Special – Cat. 2 extra long for Aebi	27	260	45
7499510	Tongue: Special – Cat. 2	27	107	40

MAIN FRAME ASSEMBLY

Module(s): L/H Build 7150710 (*illustrated*), R/H Build 7150711

McCONEL



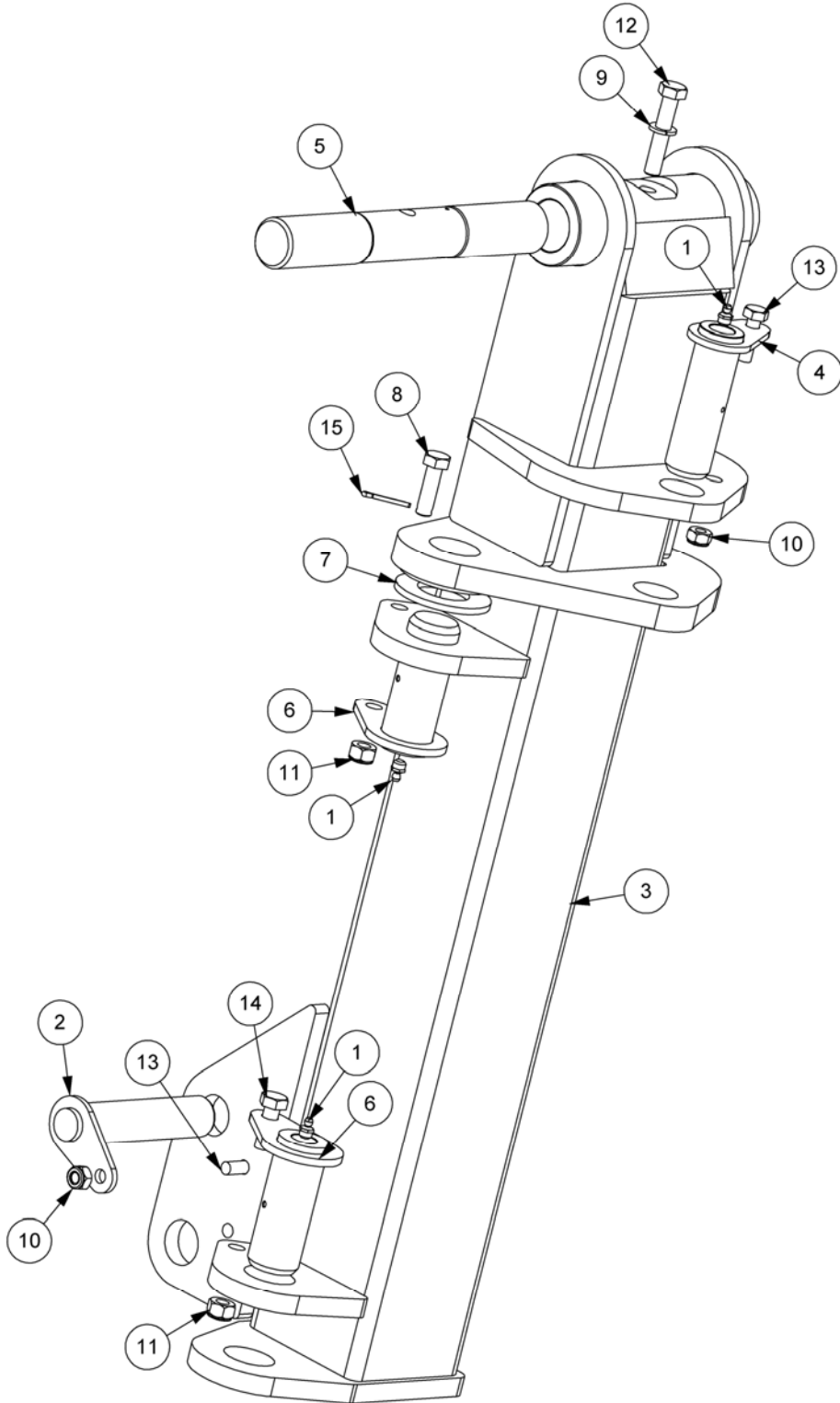
MAIN FRAME ASSEMBLY**McCONNEL**Module(s): L/H Build 7150710 (*illustrated*), R/H Build 7150711

REF.	QTY.	PART No.	DESCRIPTION
		7150710	MAINFRAME ASSEMBLY - L/H Build
		7150711	MAINFRAME ASSEMBLY - R/H Build
1	2	0431105	SPRING COTTER
2	2	0431217	LINCH PIN
3	1	0901121	GREASE NIPPLE - STRAIGHT
4	2	41559.01	LINKAGE PIN - CAT 2.
5	2	43332.01	LINKAGE SPACER -15mm
6	2	43332.02	LINKAGE SPACER -10mm
7	1	45193.09	MAINFRAME - L/H Build
	1	45193.10	MAINFRAME - R/H Build
8	1	45202.05	SLEW BASE PIN
9	6	45210.01	PLASTIC PLUG
10	1	45293.01	STAND LEG - L/H
11	1	45293.02	STAND LEG - R/H
12	2	45297.01	LEG PIN
13	2	7115208	GLACIER BUSH
14	1	7136330	DRIVE SHAFT ASSEMBLY
15	1	9113008	NUT
16	1	9163005	NYLOC NUT
17	1	9313075	SETSCREW
18	1	9313118	SETSCREW

PILLAR ASSEMBLY

Module(s): L/H Build 7150712 (*illustrated*), R/H Build 7150713

McCONNEL



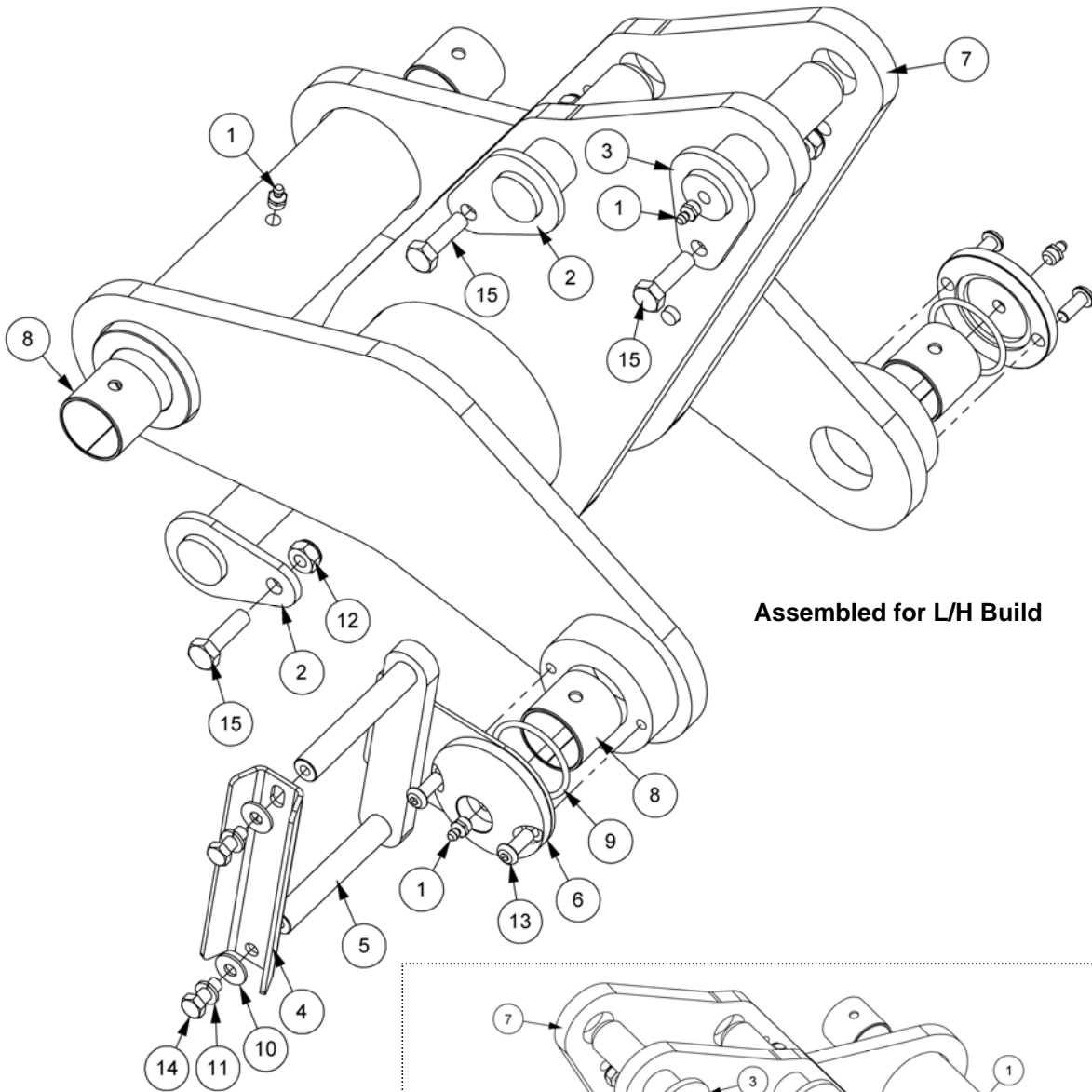
PILLAR ASSEMBLY**McCONNEL**Module(s): L/H Build 7150712 (*illustrated*), R/H Build 7150713

REF.	QTY.	PART No.	DESCRIPTION
		7150712	PILLAR ASSEMBLY - L/H Build
		7150713	PILLAR ASSEMBLY - R/H Build
1	3	0901121	GREASE NIPPLE
2	1	41692.10	PIN
3	1	45192.09	PILLAR - L/H Build
	1	45192.10	PILLAR - R/H Build
4	1	45202.04	PIN
5	1	45264.01	MAIN PIVOT PIN
6	2	45271.01	SLEW PIVOT PIN
7	1	45298.01	THRUST WASHER
8	1	45416.01	SPECIAL SETCREW
9	1	9100206	SPRING WASHER
10	2	9163005	NYLOC NUT
11	2	9163006	NYLOC NUT
12	1	9213136	BOLT
13	2	9313075	SETSCREW
14	1	9313076	SETSCREW
15	1	9501255	SPLIT PIN

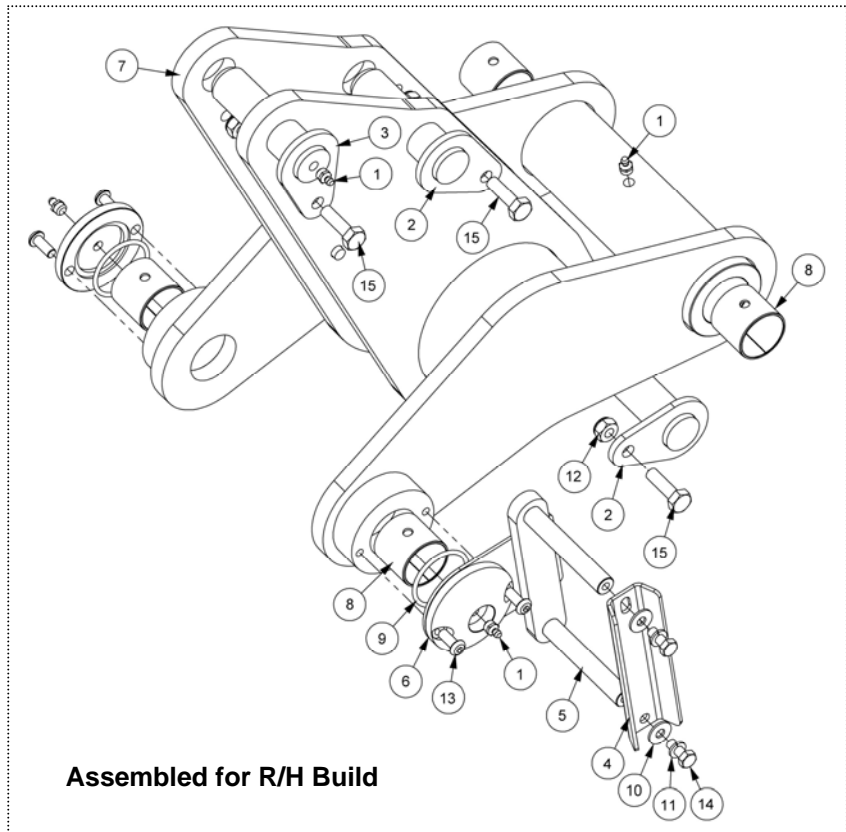
ROCKER ASSEMBLY

Module(s): 7150743

McCONEL



Assembled for L/H Build



Assembled for R/H Build

ROCKER ASEMBLY**McCONNEL**

Module(s): 7150743

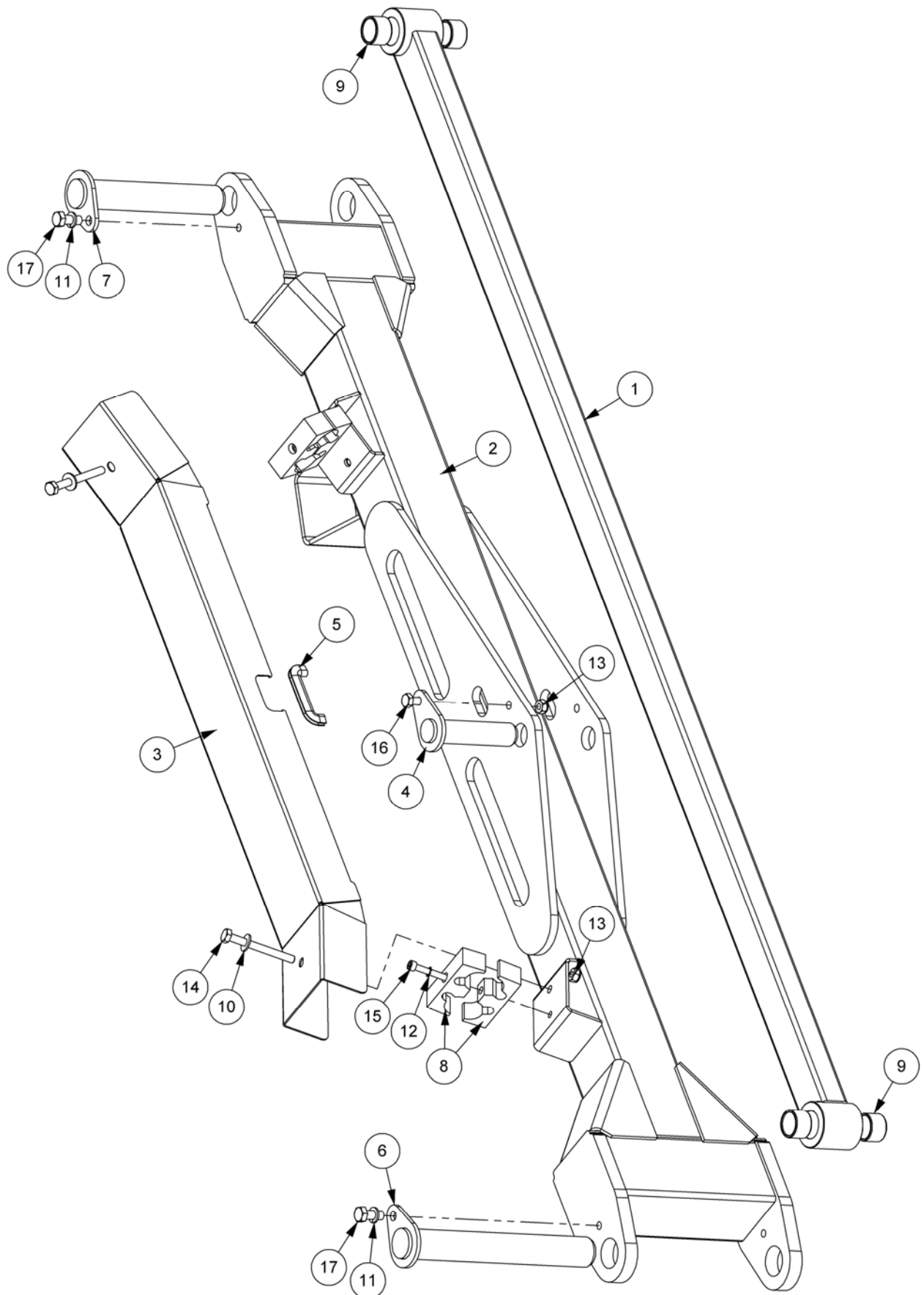
REF.	QTY.	PART No.	DESCRIPTION
		7150743	ROCKER ASSEMBLY
1	4	0901121	GREASE NIPPLE
2	2	41692.12	PIN
3	1	41692.13	PIN
4	1	43048.10	HOSE RETAINER
5	1	43048.14	HOSE RETAINING BRACKET
6	2	45266.01	PIN CAP
7	1	45445.03	ROCKER
8	4	7115208	BUSH
9	2	8600303	O RING
10	2	9100104	FLAT WASHER
11	2	9100204	SPRING WASHER
12	3	9163005	NYLOC NUT
13	4	9300161	SOCKET BUTTON SCREW
14	2	9313044	SETSCREW
15	3	9313075	SETSCREW

NOTE: The Rocker Assembly for both L/H & R/H builds are the same but differ in the orientation of the assembled components.

MAIN ARM ASSEMBLY – Standard Models

Module(s): L/H Build 7150716 (*illustrated*), R/H Build 7150717

McCONEL



MAIN ARM ASSEMBLY – Standard Models**McCONNEL**Module(s): L/H Build 7150716 (*illustrated*), R/H Build 7150717

REF.	QTY.	PART No.	DESCRIPTION
		7150716	MAIN ARM ASSEMBLY - L/H Build
		7150717	MAIN ARM ASSEMBLY - R/H Build
1	1	22499.02	TENSION LINK
2	1	22501.01	MAIN ARM - L/H Build
	1	22501.02	MAIN ARM - R/H Build
3	1	22522.01	HOSE GUARD
4	1	41692.11	PIN
5	1	41741.11	EDGING STRIP (110mm)
6	1	43324.13	PIN
7	1	43324.14	PIN
8	4	45630.01	HOSE CLAMP
9	4	6012032	BUSH
10	2	9100105	FLAT WASHER
11	2	9100206	SPRING WASHER
12	2	9100404	SHAKEPROOF WASHER
13	3	9163005	NYLOC NUT
14	2	9213205	BOLT
15	2	9243154	CAPSCREW
16	1	9313065	SETSCREW
17	2	9313066	SETSCREW

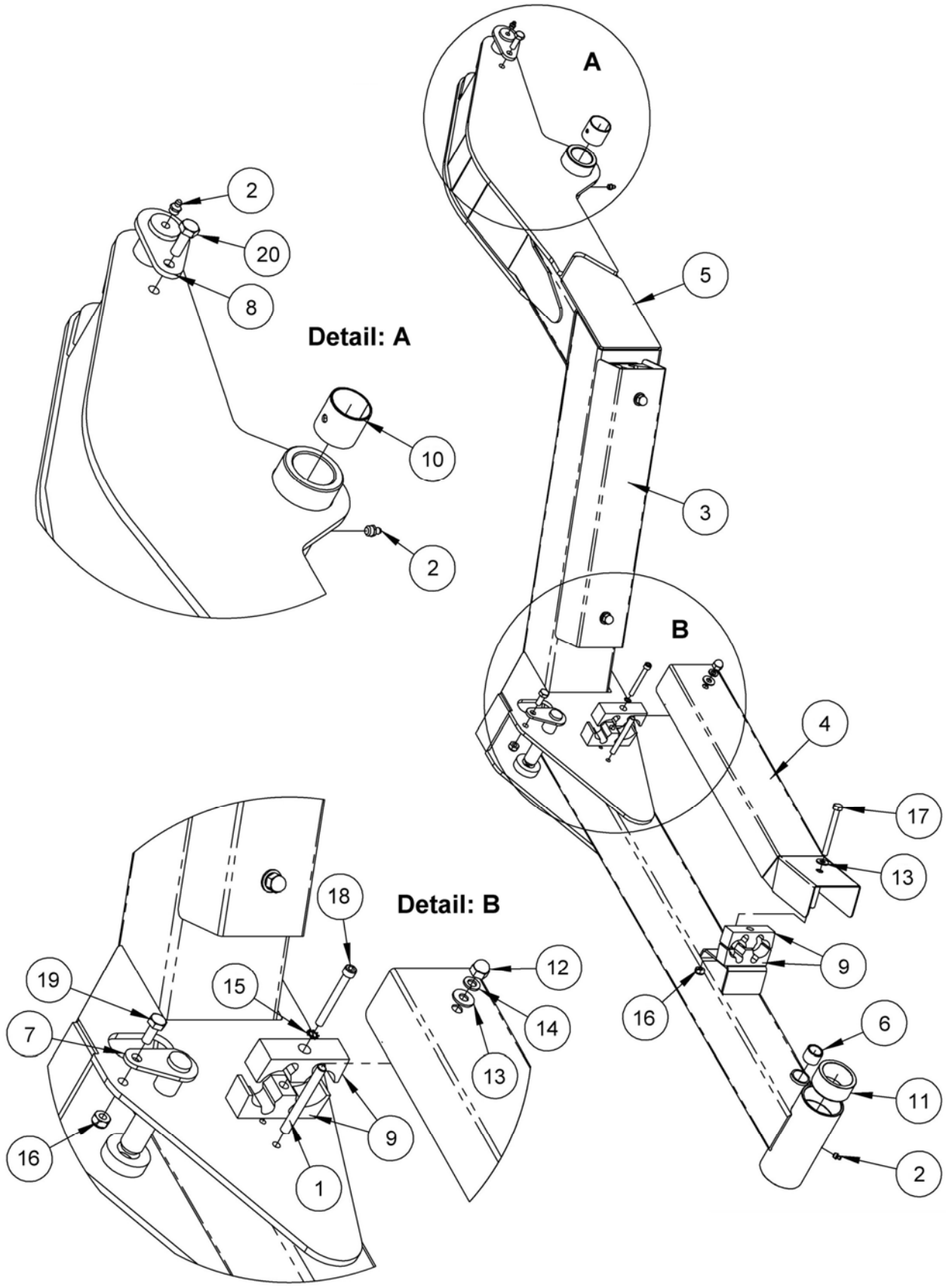
DIPPER ARM ASSEMBLY – Standard Arm Models**McCONNEL**Module(s): L/H Build 7150718 (*illustrated*), R/H Build 7150719

REF.	QTY.	PART No.	DESCRIPTION
		7150718	DIPPER ARM ASSEMBLY - L/H Build
		7150719	DIPPER ARM ASSEMBLY - R/H Build
1	4	0901121	GREASE NIPPLE
2	1	22517.02	DIPPER ARM - L/H Build
	1	22517.03	DIPPER ARM - R/H Build
3	1	22522.03	HOSE GUARD
4	2	41690.01	BUSH
5	1	41691.01	PIN - ANGLE BASE END
6	1	41692.14	PIN
7	4	45630.01	HOSE CLAMP
8	2	7115208	BUSH
9	2	7136035	BUSH
10	2	9100105	FLAT WASHER
11	2	9100404	SHAKEPROOF WASHER
12	4	9163005	NYLOC NUT
13	2	9213205	BOLT
14	2	9243154	CAPSCREW
15	1	9313055	SETSCREW
16	1	9313065	SETSCREW
17	1	41741.16	EDGING STRIP (160mm)

DIPPER ARM ASSEMBLY – Fixed Midcut Models

Module(s): L/H Build 7150744 (*illustrated*), R/H Build 7150745

McCONEL



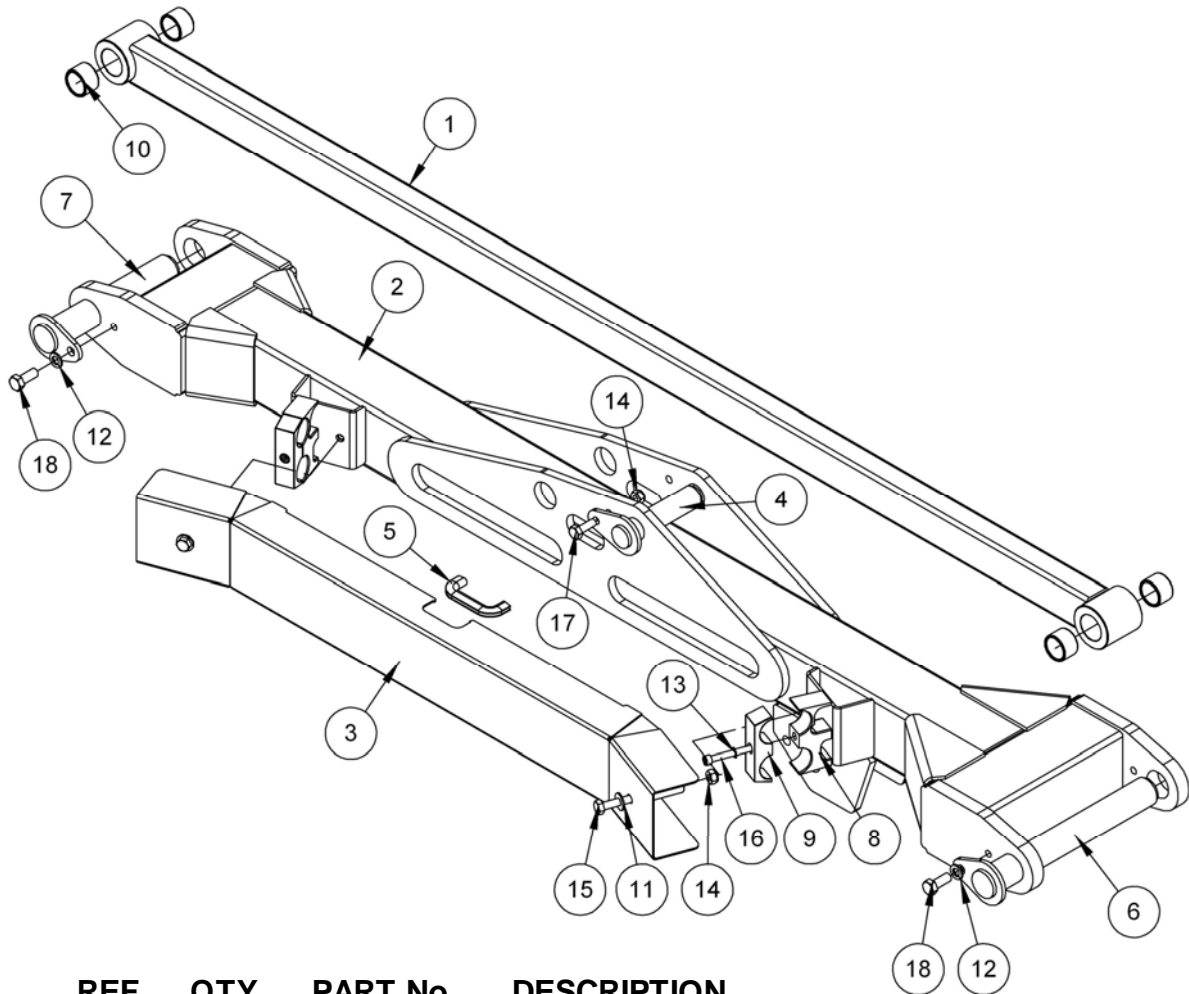
DIPPER ARM ASSEMBLY – Fixed Midcut Models**McCONNEL**Module(s): L/H Build 7150744 (*illustrated*), R/H Build 7150745

REF.	QTY.	PART No.	DESCRIPTION
		7150744	FIXED MIDCUT DIPPER ARM - L/H Build
		7150745	FIXED MIDCUT DIPPER ARM - R/H Build
1	3	04.282.84	STUD
2	3	0901121	GREASE NIPPLE
3	1	22522.05	CENTRE HOSE GUARD
4	1	22522.06	HOSE GUARD
5	1	22557.03	MIDCUT DIPPER - L/H Build
	1	22557.04	MIDCUT DIPPER - R/H Build
6	2	41690.01	BUSH
7	1	41691.04	PIN
8	1	41692.14	PIN (C/W GREASE POINT)
9	8	45630.01	HOSE CLAMP
10	2	7115208	BUSH
11	2	7136035	BUSH
12	3	9100025	DOME NUT
13	4	9100105	FLAT WASHER
14	3	9100205	SPRING WASHER
15	4	9100404	SHAKEPROOF WASHER
16	3	9163005	NYLOC NUT
17	1	9213205	BOLT
18	4	9243154	CAPSCREW
19	1	9313055	SETSCREW
20	1	9313065	SETSCREW

MAIN ARM ASSEMBLY – Folding Midcut Models

McCONNEL

Module(s): L/H Build 7150748 (*illustrated*), R/H Build 7150749

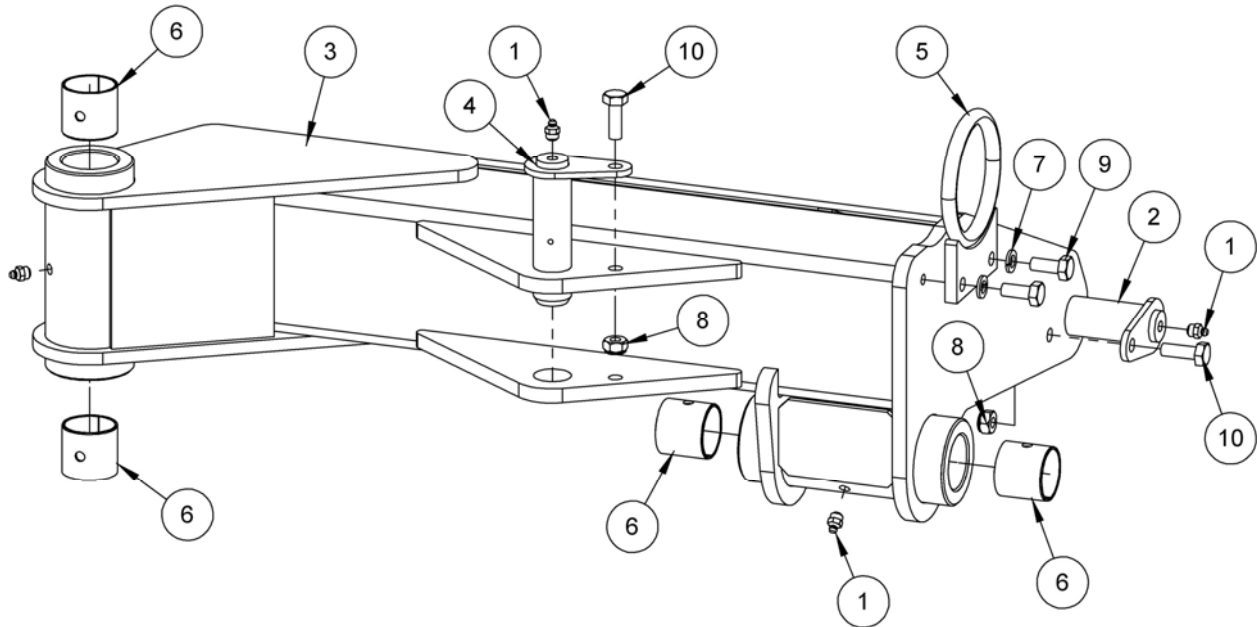


REF.	QTY.	PART No.	DESCRIPTION
		7150748	FOLDING MIDCUT MAIN ARM - L/H Build
		7150749	FOLDING MIDCUT MAIN ARM - R/H Build
1	1	22499.02	TENSION LINK
2	1	22501.03	MAIN ARM (FOLDING MIDCUT) - L/H Build
	1	22501.04	MAIN ARM (FOLDING MIDCUT) - R/H Build
3	1	22522.01	HOSE GUARD
4	1	41692.11	PIN
5	1	41741.11	EDGING STRIP
6	1	43324.13	PIN
7	1	43324.14	PIN
8	2	06.430.18	HOSE CLAMP - LOWER
9	2	7193063	CLAMP (HALF)
10	4	6012032	BUSH
11	2	9100105	FLAT WASHER
12	2	9100206	SPRING WASHER
13	2	9100404	SHAKEPROOF WASHER
14	3	9163005	NYLOC NUT
15	2	9213205	BOLT
16	2	9243154	CAPSCREW
17	1	9313065	SETSCREW
18	2	9313066	SETSCREW

FORWARD EXTENSION

McCONNEL

Module(s): L/H Build 7150754 (*illustrated*), R/H Build 7150755

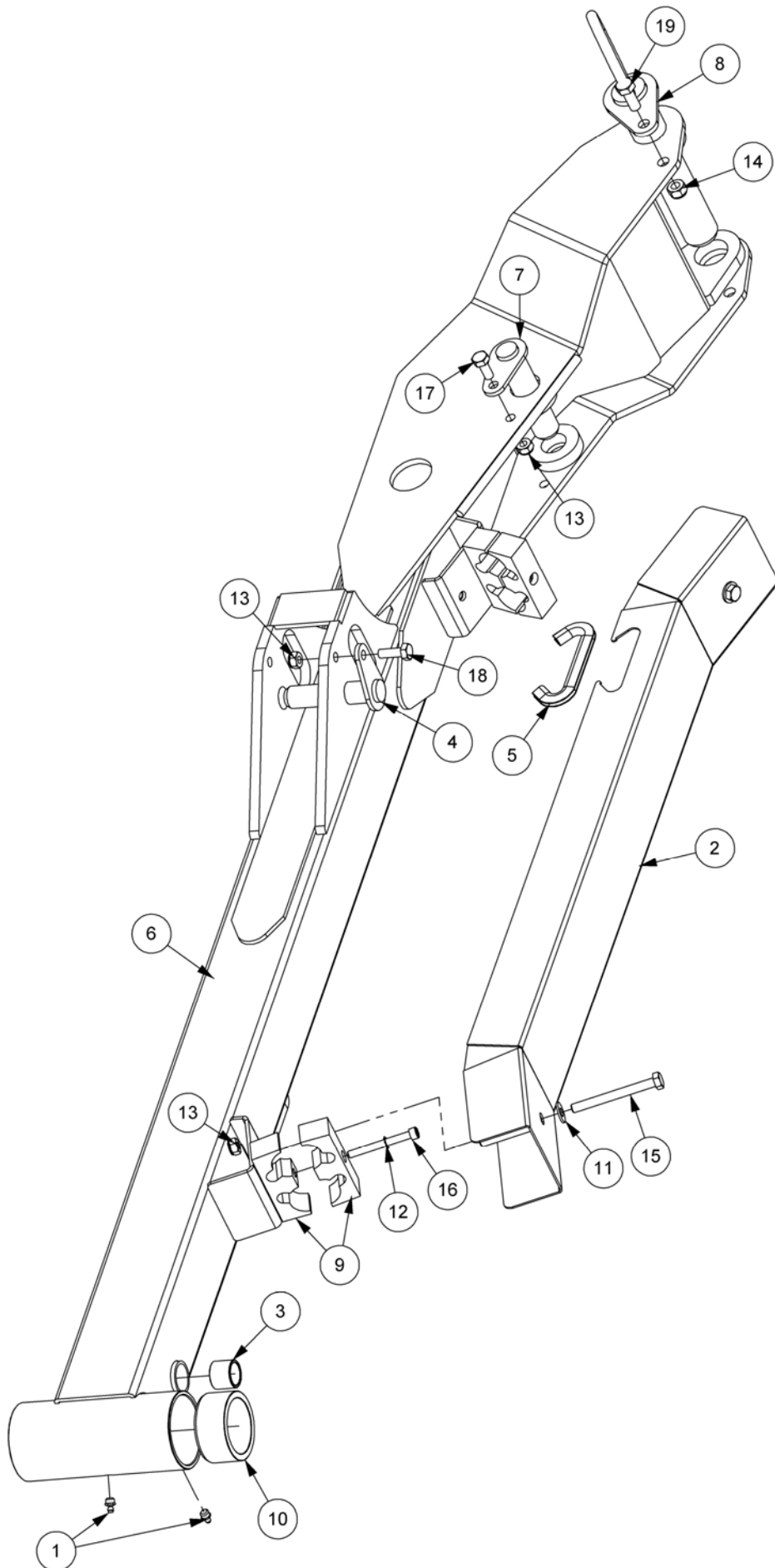


REF.	QTY.	PART No.	DESCRIPTION
		7150754	FORWARD EXTENSION - L/H Build
		7150755	FORWARD EXTENSION - R/H Build
1	4	0901121	GREASE NIPPLE
2	1	41692.03	PIN
3	1	42644.05	FORWARD EXTENSION - L/H Build
	1	42644.06	FORWARD EXTENSION - R/H Build
4	1	42684.02	PIN
5	1	45974.01	HOSE LOOP
6	4	7115208	BUSH
7	2	9100205	SPRING WASHER
8	2	9163005	NYLOC NUT
9	2	9313055	SETSCREW
10	2	9313065	SETSCREW

DIPPER ARM ASSEMBLY – Folding Midcut Models

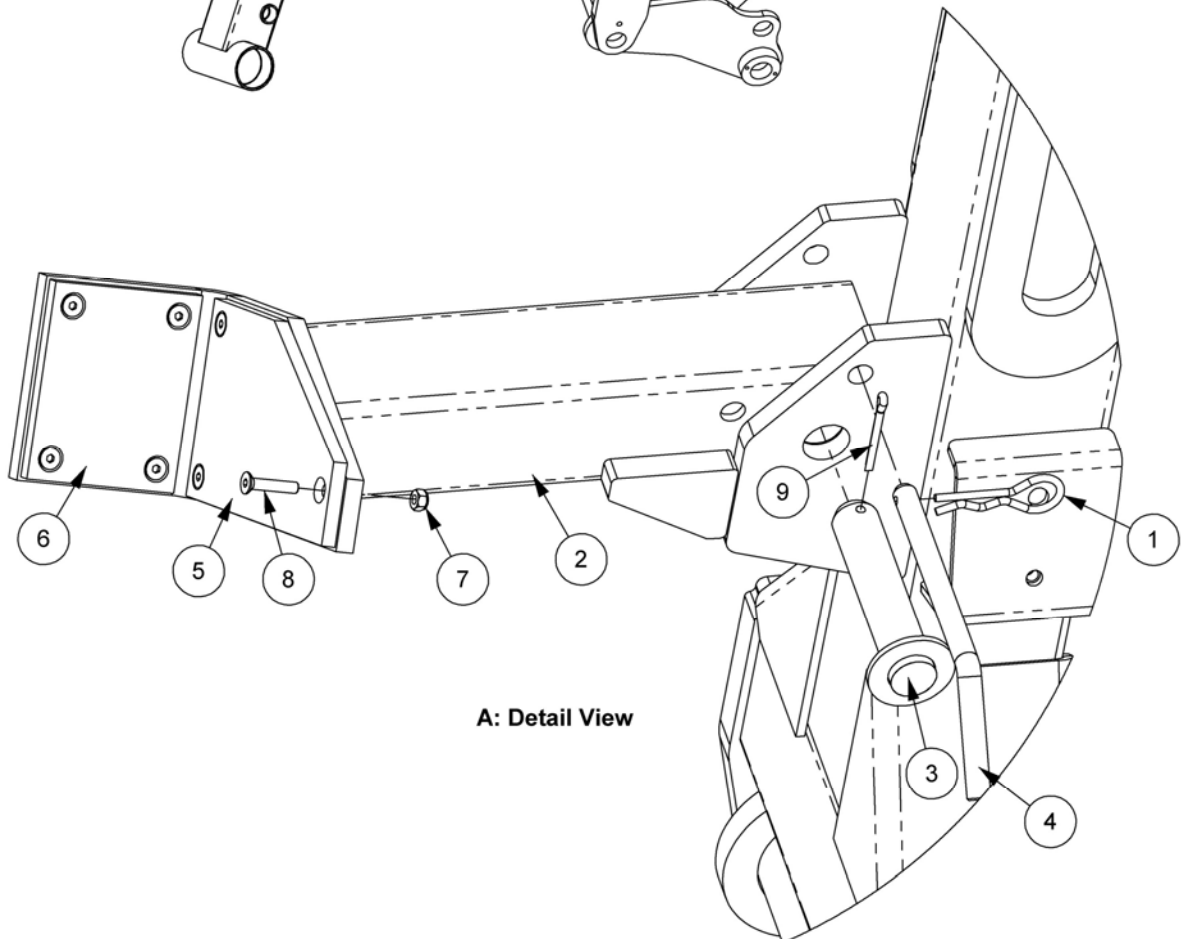
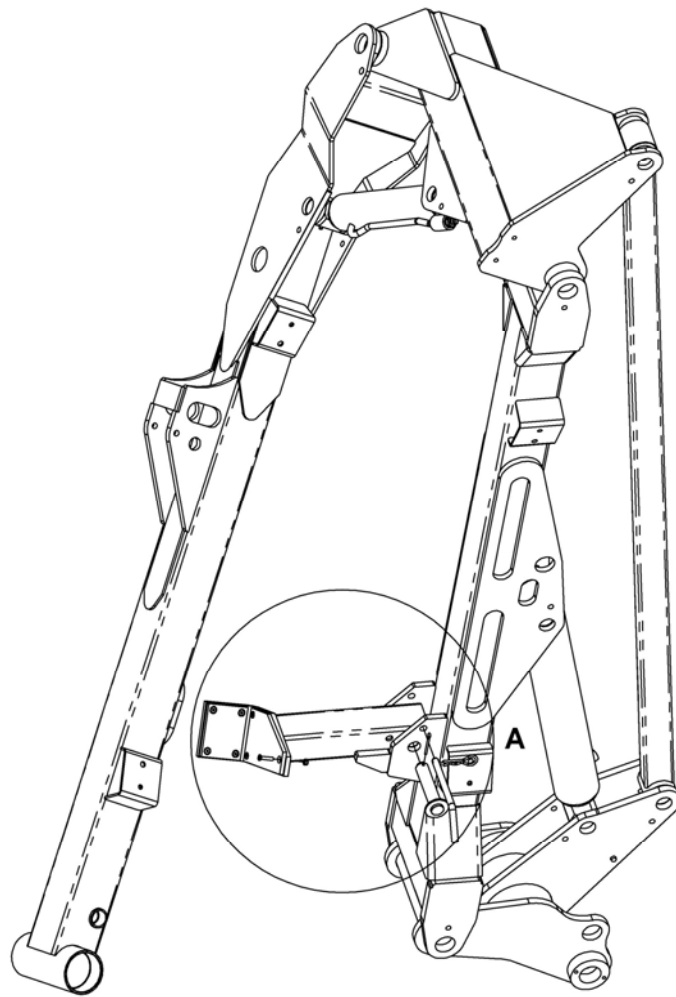
Module(s): L/H Build 7150746 (illustrated), R/H Build 7150747

McCONEL



DIPPER ARM ASSEMBLY – Folding Midcut Models**McCONNEL**Module(s): L/H Build 7150746 (*illustrated*), R/H Build 7150747

REF.	QTY.	PART No.	DESCRIPTION
		7150746	FOLDING MIDCUT DIPPER - L/H Build
		7150747	FOLDING MIDCUT DIPPER - R/H Build
1	2	0901121	GREASE NIPPLE
2	1	22522.07	HOSE GUARD
3	2	41690.01	BUSH
4	1	41691.01	PIN - ANGLE BASE END
5	1	41741.16	EDGING STRIP (160mm)
6	1	42643.07	MIDCUT (FOLDING) DIPPER - L/H Build
	1	42643.08	MIDCUT (FOLDING) DIPPER - R/H Build
7	1	42684.03	PIN - FOLD RAM ROD END
8	1	45609.01	PIN
9	4	45630.01	HOSE CLAMP
10	2	7136035	BUSH
11	2	9100105	FLAT WASHER
12	2	9100404	SHAKEPROOF WASHER
13	4	9163005	NYLOC NUT
14	1	9163006	NYLOC NUT
15	2	9213205	BOLT
16	2	9243154	CAPSCREW
17	1	9313055	SETSCREW
18	1	9313065	SETSCREW
19	1	9313066	SETSCREW



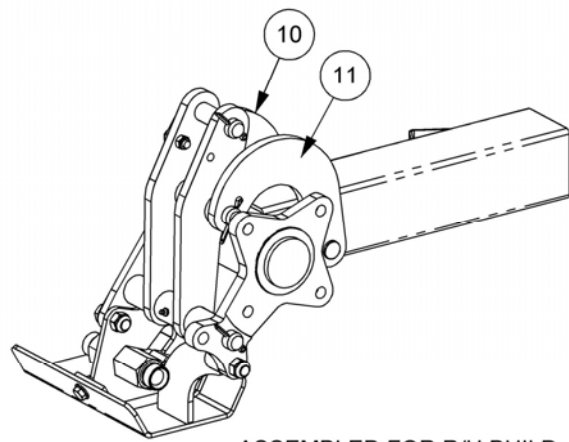
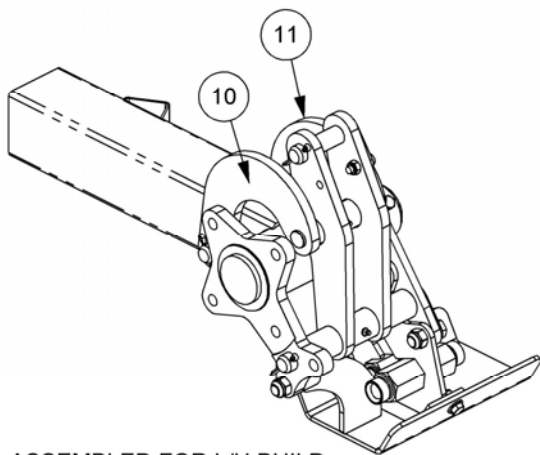
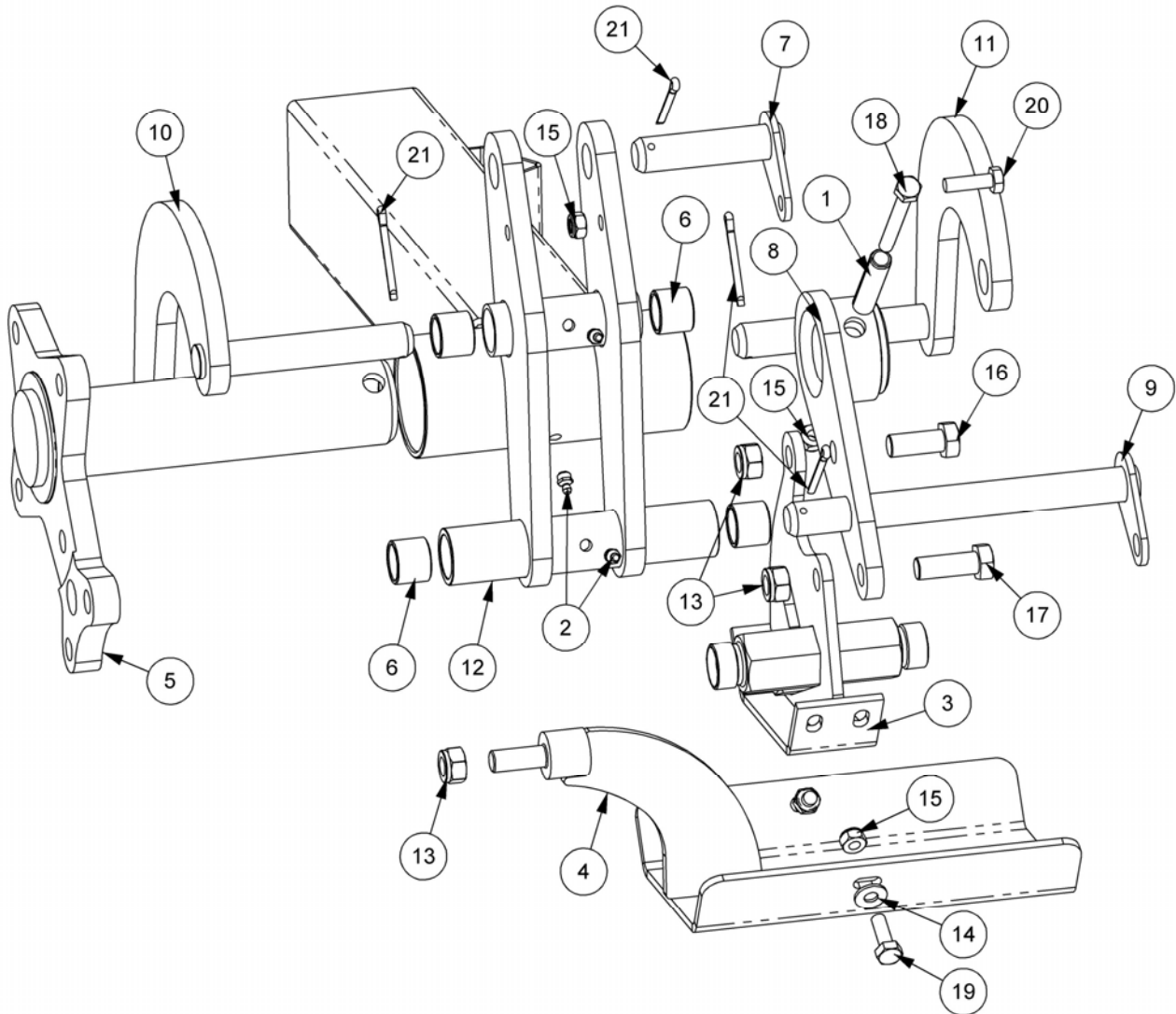
Module(s): L/H Build 7150756 (*illustrated*), R/H Build 7150757

REF.	QTY.	PART No.	DESCRIPTION
		7150756	TRANSPORT PROP ASSEMBLY - L/H Build
		7150757	TRANSPORT PROP ASSEMBLY - R/H Build
1	1	0431105	SPRING COTTER
2	1	43021.17	TRANSPORT PROP - L/H Build
	1	43021.18	TRANSPORT PROP - R/H Build
3	1	43023.01	PIN
4	1	43074.01	LOCK PIN
5	1	43091.01	MAIN PAD
6	1	43091.02	SIDE PAD
7	7	9163003	NYLOC NUT
8	7	9353063	CAPSCREW
9	1	9501406	SPLIT PIN

HEAD ANGLING MECHANISM

McCONEL

Module(s): 7170703



HEAD ANGLING MECHANISM**McCONNEL**

Module(s): 7170703

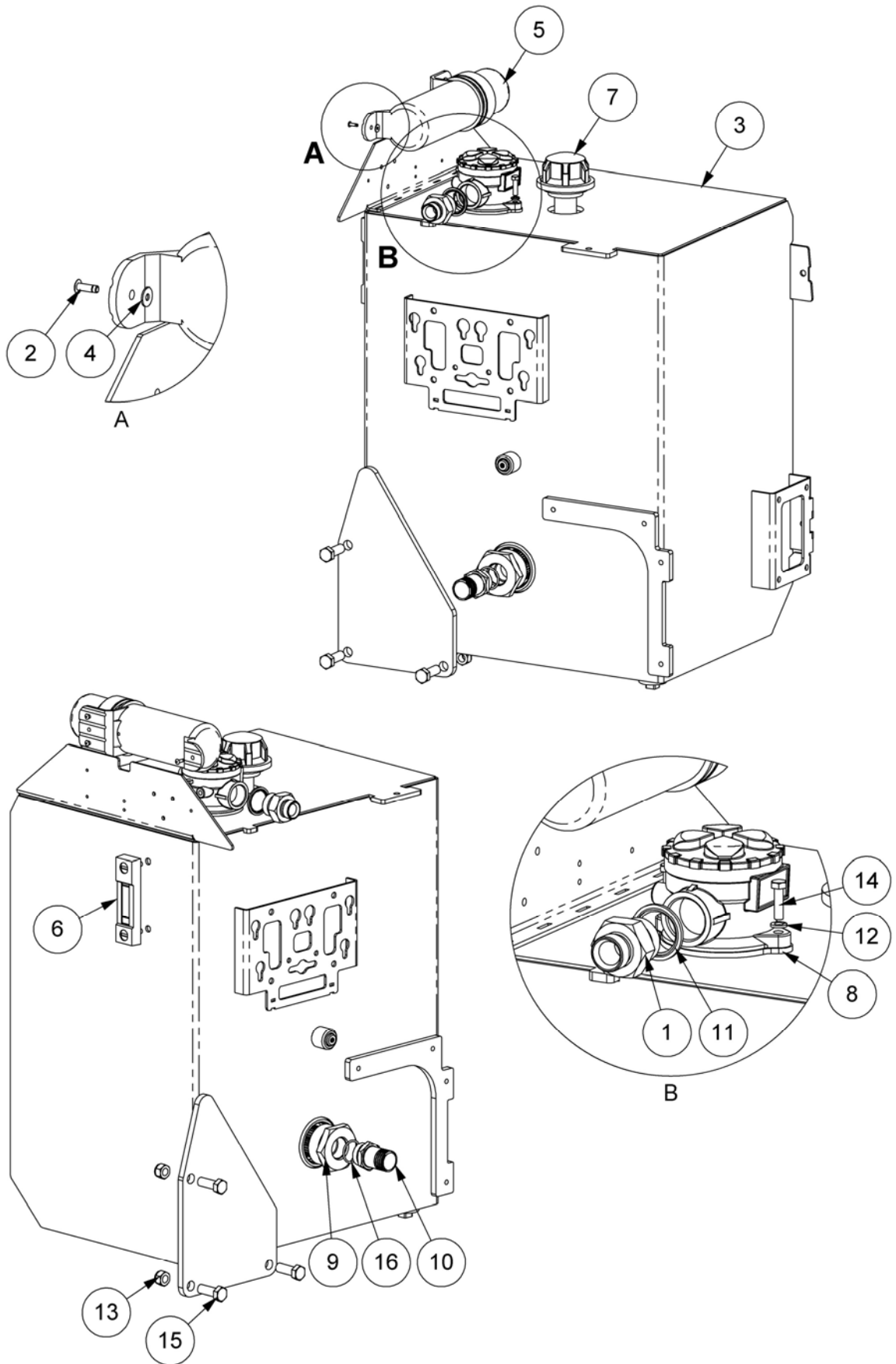
REF.	QTY.	PART No.	DESCRIPTION
		7170703	HEAD ANGLING MECHANISM
1	1	0423548	SPRING DOWEL
2	3	0901121	GREASE NIPPLE
3	1	21261.02	JUNCTION BRACKET (BSP)
4	1	21262.02	HOSE TRAY
5	1	21263.02	PIVOT TUBE
6	4	41690.01	BUSH
7	1	41693.01	PIN - ANGLE ROD END
8	1	42648.02	JAW PLATE
9	1	7192009	PIN - SLAVE LINK
10	1	7450250	RADIUS ARM - REAR
11	1	7450251	RADIUS ARM - FRONT
12	1	7450252	SLAVE LINK
13	3	9100028	SELF LOCKING NUT
14	2	9100105	FLAT WASHER
15	4	9163005	NYLOC NUT
16	1	30.073.25	BOLT
17	1	9200028	BOLT
18	1	9213185	BOLT
19	2	9313065	SETSCREW
20	1	9313075	SETSCREW
21	4	9501507	SPLIT PIN

NOTE: The Head Angling Mechanism for L/H & R/H builds are the same but differ in the orientation of the assembled components.

HYDRAULIC TANK ASSEMBLY

Module(s): L/H Build 7150704 (*illustrated*), R/H Build 7150705

McCONEL



HYDRAULIC TANK ASSEMBLY

McCONNEL

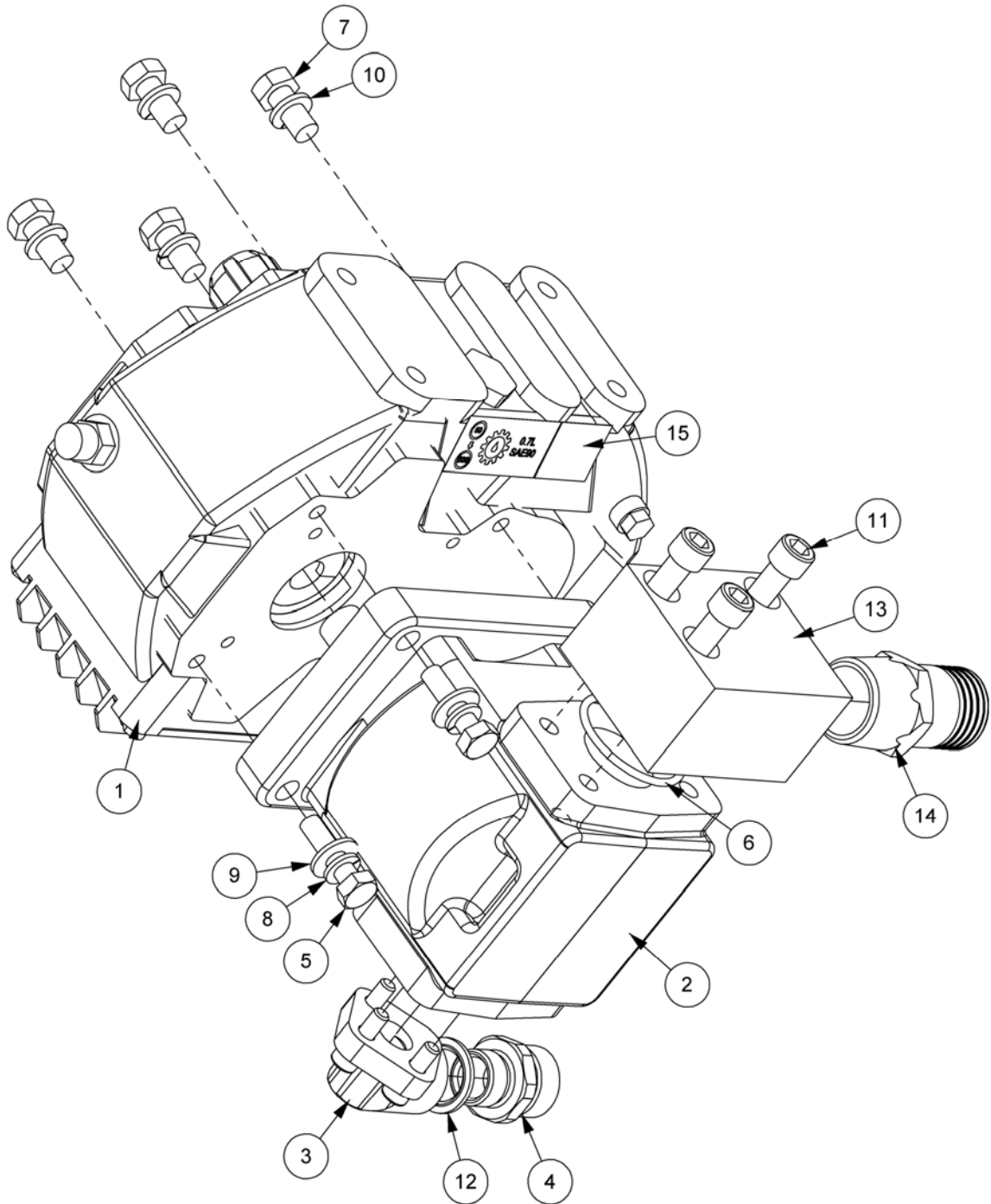
Module(s): L/H Build 7150704 (*illustrated*), R/H Build 7150705

REF.	QTY.	PART No.	DESCRIPTION
		7150704	HYDRAULIC TANK ASSEMBLY - L/H Build
		7150705	HYDRAULIC TANK ASSEMBLY - R/H Build
1	1	05.131.01	ADAPTOR
2	3	21612.02	POP RIVET
3	1	22470.03	TANK - L/H Build
	1	22470.04	TANK - R/H Build
4	3	22530.01	RIVET WASHER
5	1	46505.01	LITERATURE HOLDER
6	1	8401048	LEVEL GAUGE
7	1	8401050	BREATHER
8	1	8401088	FILTER ASSEMBLY - <i>comprising of:</i>
	1	8401089	FILTER ELEMENT (25 Micron)
	1	8401092	FILTER LID SPRING
	1	8401093	FILTER HOUSING SEAL
	1	8700235	O RING
	1	8700092	O RING
	1	212.013.04	FILLER CAP
9	1	8401097	SUCTION STRAINER
10	1	8581260	ADAPTOR
11	1	8650109	BONDED SEAL
12	2	9100204	SPRING WASHER
13	3	9163007	NYLOC NUT
14	2	9313064	SETSCREW
15	3	9313097	SETSCREW
16	1	8700784	O RING

PUMP & GEARBOX ASSEMBLY – SI Models

McCONEL

Module(s): L/H Build 7153740 (*illustrated*), R/H Build 7153741



Module(s): L/H Build 7153740 (*illustrated*), R/H Build 7153741

REF.	QTY.	PART No.	DESCRIPTION
		7153740	SI PUMP & GEARBOX ASSEMBLY - L/H Build
		7153741	SI PUMP & GEARBOX ASSEMBLY - R/H Build
1	1	21931.01	CAST IRON GEARBOX 1:4.25 13T SPLINE
2	1	8201686	PUMP SI
3	1	8005052	PRESSURE CONNECTION KIT
4	1	8002086	ADAPTOR
5	4	9313085	SETSCREW
6	1	8600304	O RING
7	4	9313056	SETSCREW
8	4	9100205	SPRING WASHER
9	4	9100105	FLAT WASHER
10	4	9100206	SPRING WASHER
11	3	9243126	CAPSCREW
12	1	8650106	BONDED SEAL
13	1	42142.02	BLOCK - SUCTION TAPER
14	1	8581367	ADAPTOR
15	1	1290092	GEARBOX DECAL

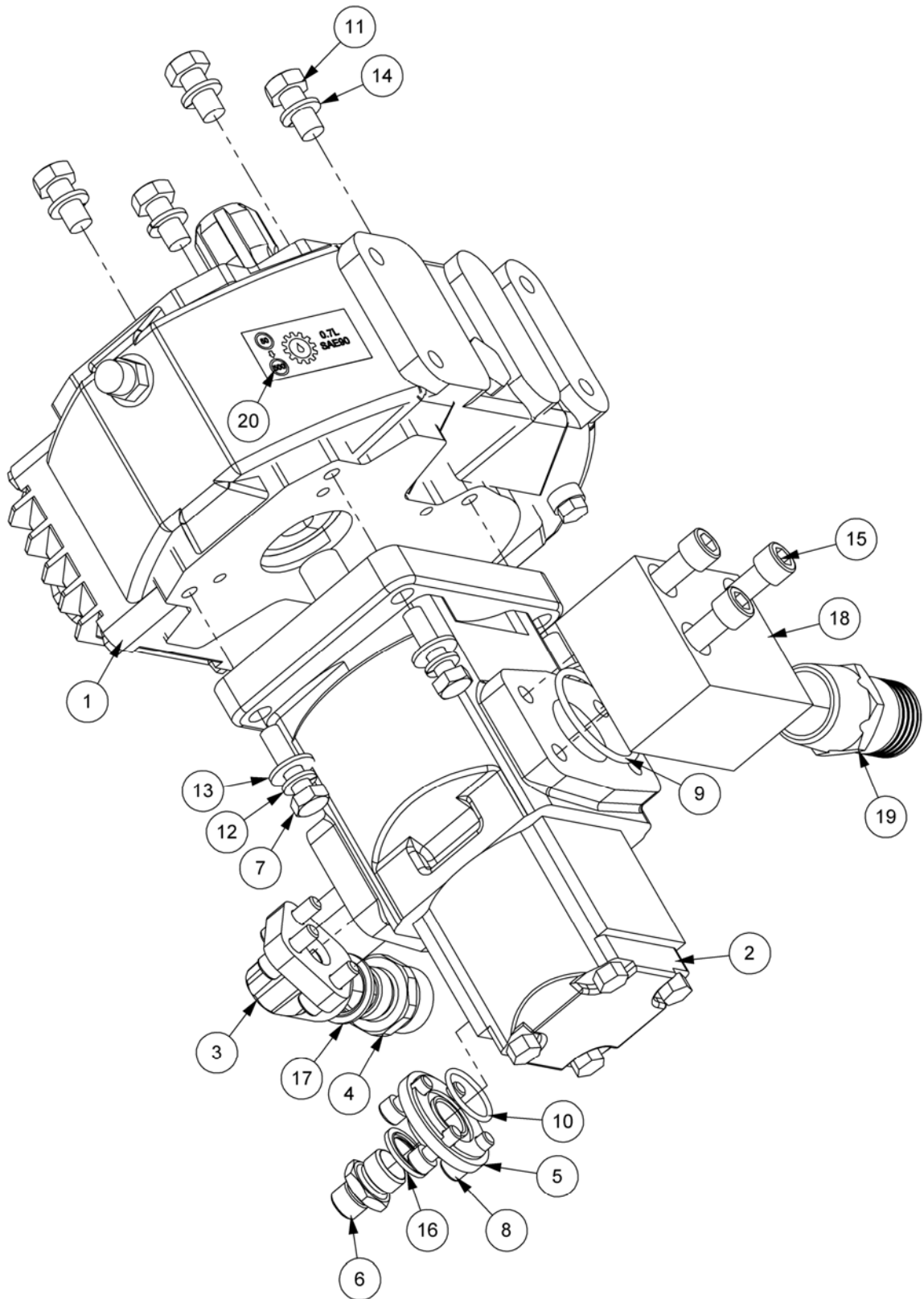
NOTE:

L/H & R/H builds contain identical components and differ only in their assembled orientation

PUMP & GEARBOX ASSEMBLY – TI Models

Module(s): L/H Build 7153738 (illustrated), R/H Build 7153739

McCONEL



Module(s): L/H Build 7153738 (*illustrated*), R/H Build 7153739

REF.	QTY.	PART No.	DESCRIPTION
		7153738	TI PUMP & GEARBOX ASSEMBLY - L/H Build
		7153739	TI PUMP & GEARBOX ASSEMBLY - R/H Build
1	1	21931.01	CAST IRON GEARBOX 1:4.25 13T SPLINE
2	1	8201700	PUMP TI
3	1	8005052	PRESSURE CONNECTION KIT
4	1	8002086	ADAPTOR
5	1	42029.01	PORT PLATE
6	1	6000112	ADAPTOR
7	4	9313085	SETSCREW
8	4	9300147	CAPSCREW
9	1	8600304	O RING
10	1	8600405	O RING
11	4	9313056	SETSCREW
12	4	9100205	SPRING WASHER
13	4	9100105	FLAT WASHER
14	4	9100206	SPRING WASHER
15	3	9243126	CAPSCREW
16	1	8650104	BONDED SEAL
17	1	8650106	BONDED SEAL
18	1	42142.02	BLOCK - SUCTION TAPER
19	1	8581367	ADAPTOR
20	1	1290092	GEARBOX DECAL

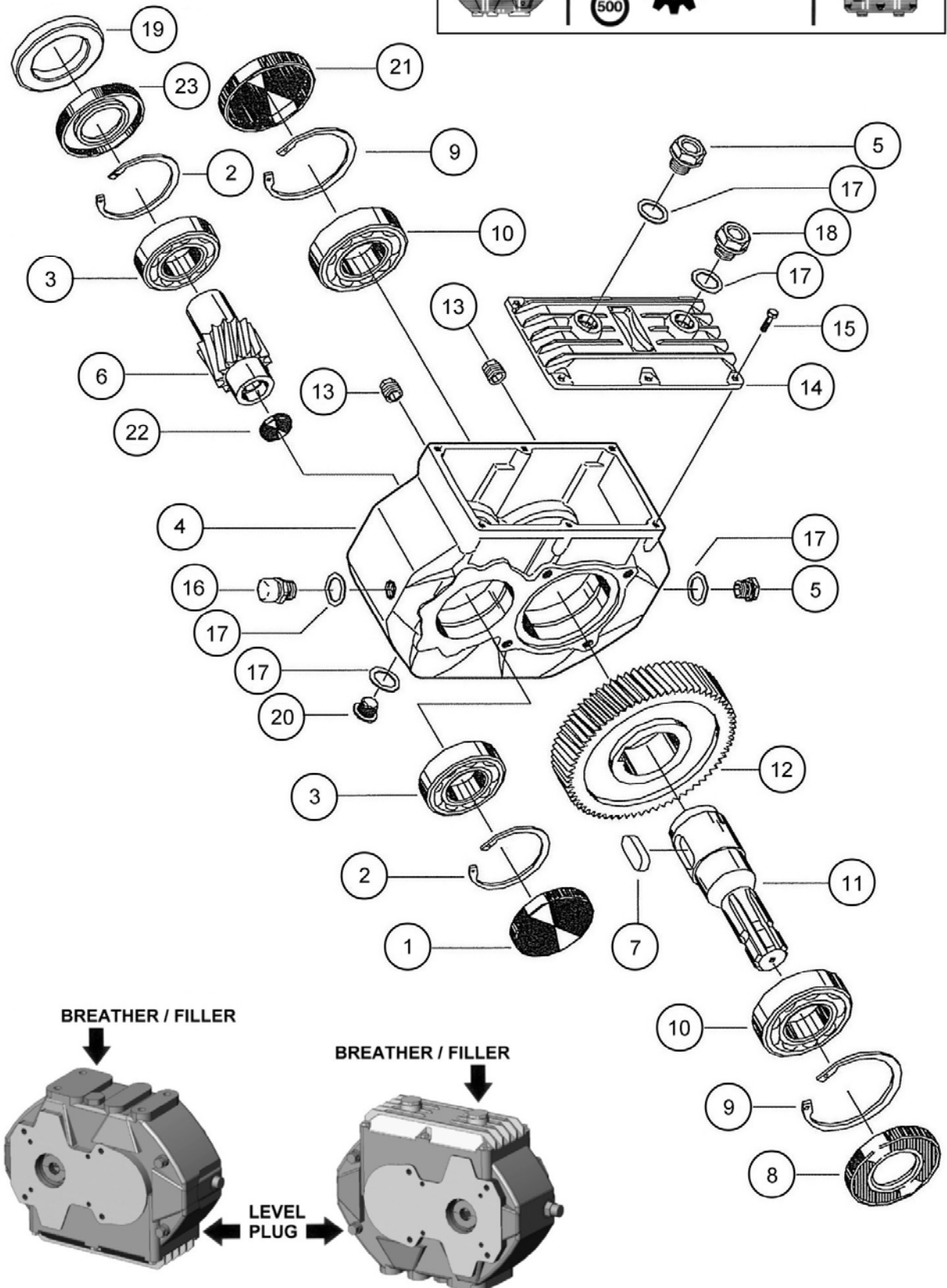
NOTE:

L/H & R/H builds contain identical components and differ only in their assembled orientation

GEARBOX ASSEMBLY – Ratio 1:4.25 (13T Spline)

Module(s): 21931.01

McCONEL



NOTE: Plug positions are dependent on gearbox orientation

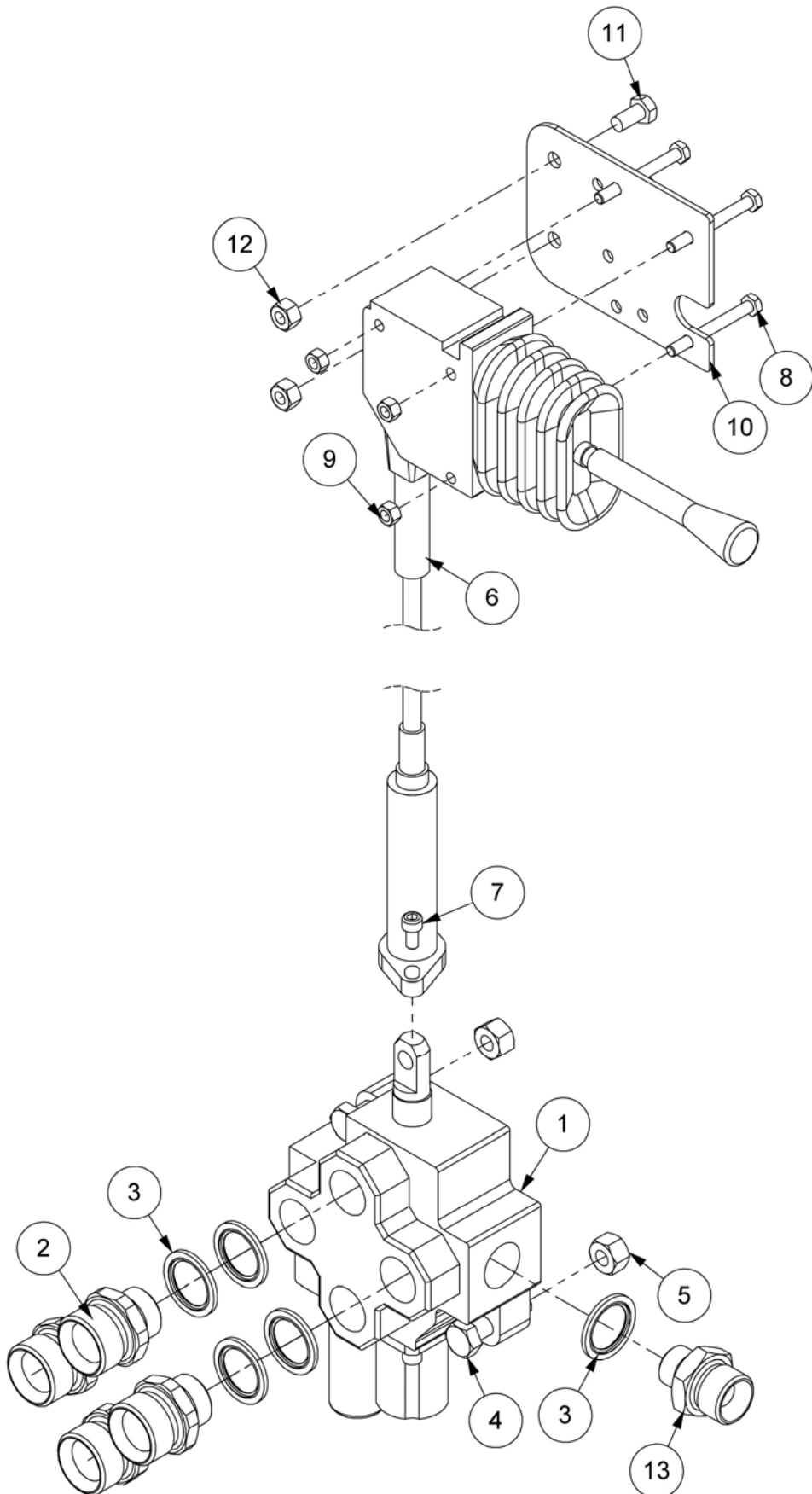
Module(s): 21931.01

REF.	QTY.	PART No.	DESCRIPTION
		21931.01	GEARBOX ASSEMBLY (Cast Iron)
			Specification: Ratio 1:4.25 with 13 tooth spline
1	1	8013530	CAP
2	2	8013529	INTERNAL CIRCLIP
3	2	8013528	BEARING
4	1	8013585	GEARBOX CASTING
5	2	8013533	DRAIN PLUG
6	1	8013575	SHAFT
7	1	8013586	DRIVESHAFT KEY
8	2	8013526	SHAFT SEAL
9	2	8013525	INTERNAL CIRCLIP
10	1	8013524	BEARING
11	1	8013522	INPUT SHAFT
12	1	8013587	PRIMARY GEAR
13	2	8013588	LEVEL PLUG
14	1	8013589	GEARBOX COVER
15	6	9313033	SCREW
16	1	8013590	OIL PLUG
17	5	8013591	SEALING WASHER
18	1	8013592	OIL PLUG
19	1	8013576	RING
20	1	8013593	OIL PLUG
21	1	8013527	CAP
22	1	8013594	OIL PLUG
23	1	8699264	GEARBOX SEAL

CABLE ROTOR CONTROL VALVE ASSEMBLY

Module(s): L/H Build 7150736 (illustrated), R/H Build 7150738

McCONEL

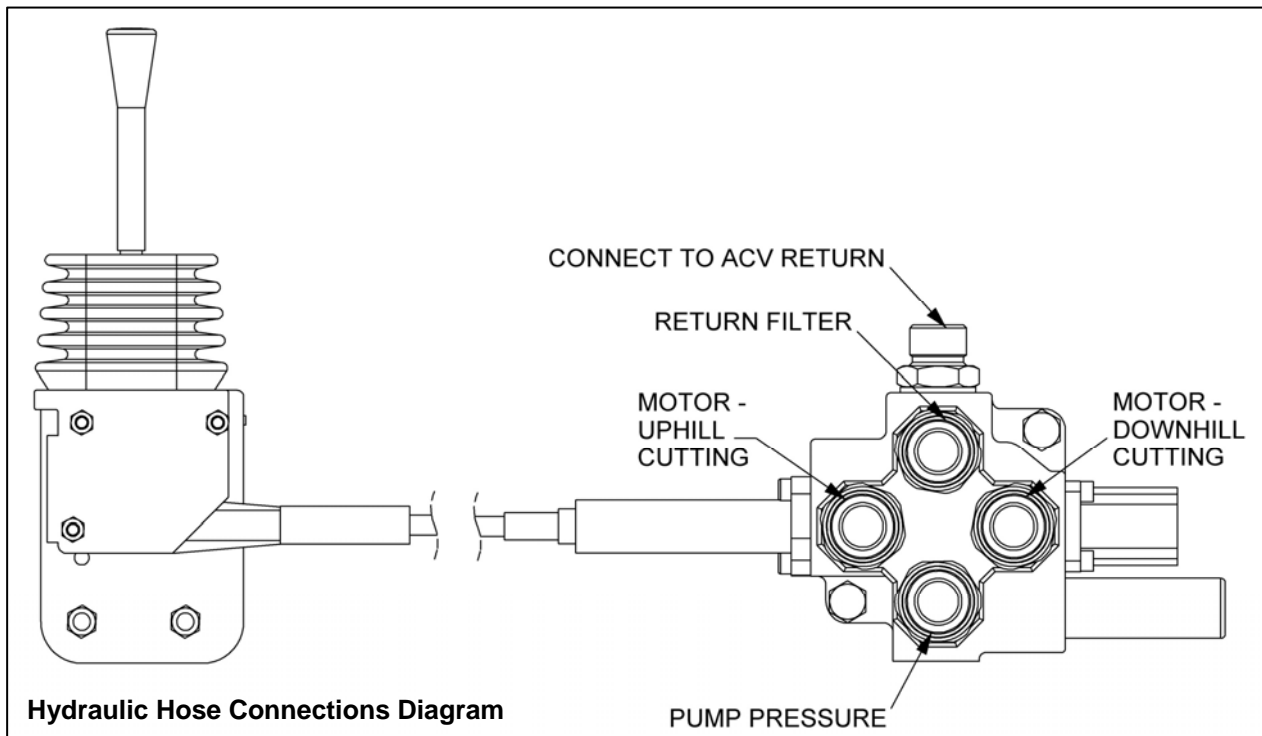


CABLE ROTOR CONTROL VALVE ASSEMBLY

McCONNEL

Module(s): L/H Build 7150736 (*illustrated*), R/H Build 7150738

REF.	QTY.	PART No.	DESCRIPTION
		7150736	CABLE RCV ASSEMBLY - L/H Build
		7150738	CABLE RCV ASSEMBLY - R/H Build
1	1	8125381	ROTOR CONTROL VALVE (190BAR) - L/H Build
	1	8125356	ROTOR CONTROL VALVE (190BAR) - R/H Build
2	4	8002086	ADAPTOR
3	5	8650106	BONDED SEAL
4	2	9213085	BOLT
5	2	9143005	SELF-LOCKING NUT
6	1	8017065	ROTOR CONTROL HEAD & CABLE (2.5m)
7	2	9343023	CAPSCREW
8	3	9213113	BOLT
9	3	9143003	SELF-LOCKING NUT
10	1	7650282	CONTROL CABLE BRACKET
11	2	9313034	SETSCREW
12	2	9113004	NUT
13	1	8581130	ADAPTOR

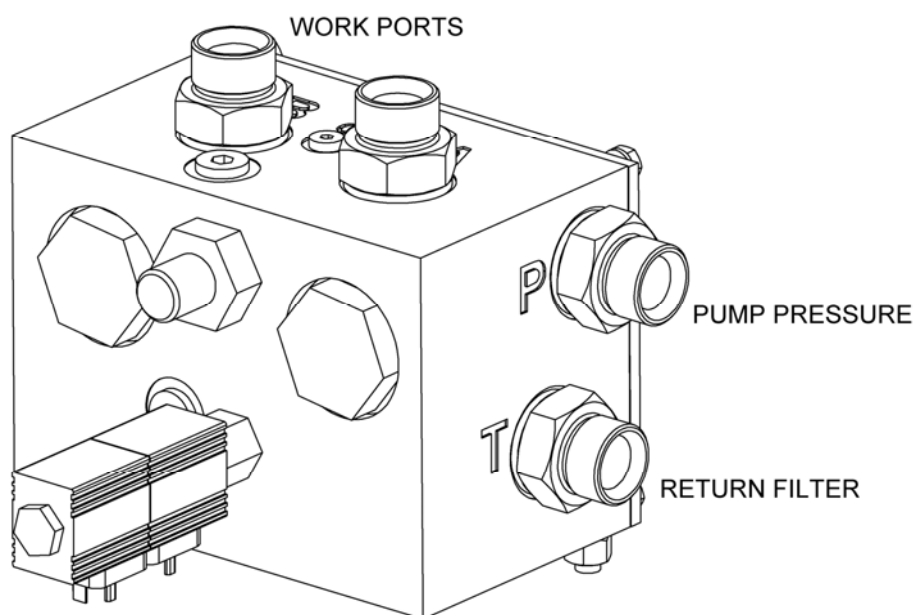
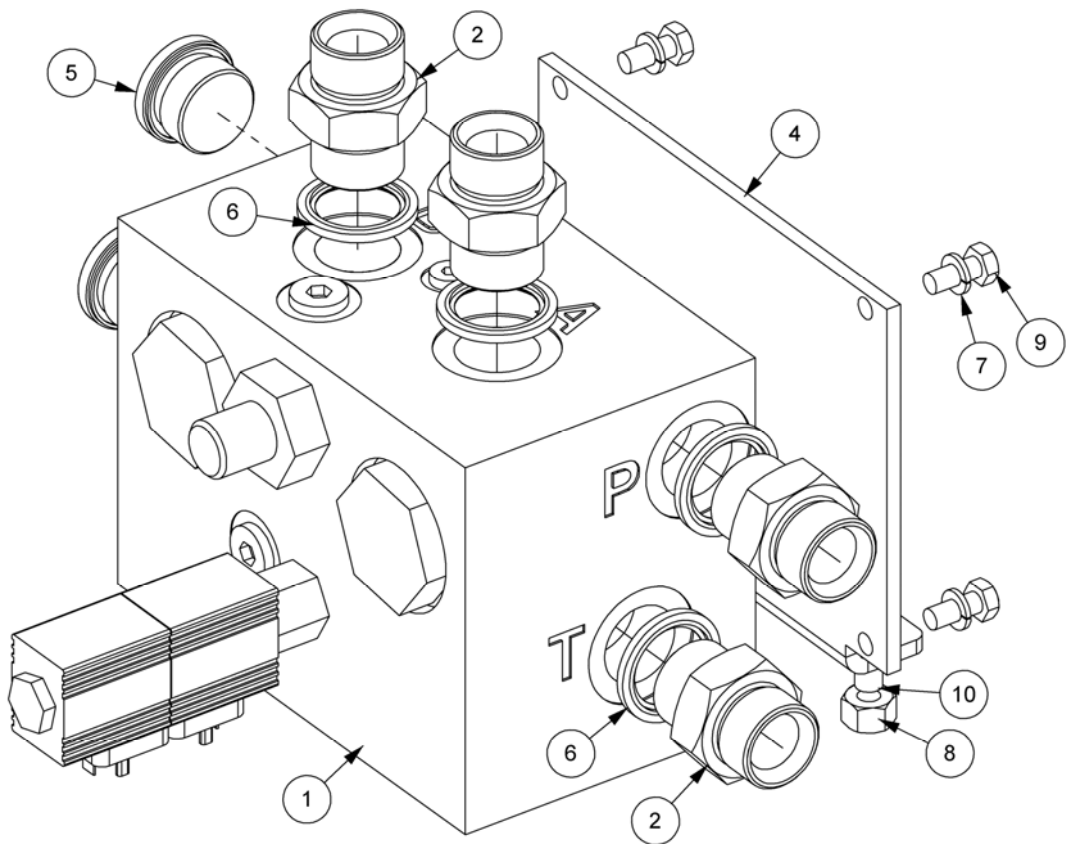


Hydraulic Hose Connections Diagram

ELECTRIC ROTOR CONTROL VALVE ASSEMBLY

Module(s): L/H Build 7150737 (illustrated), R/H Build 7150739

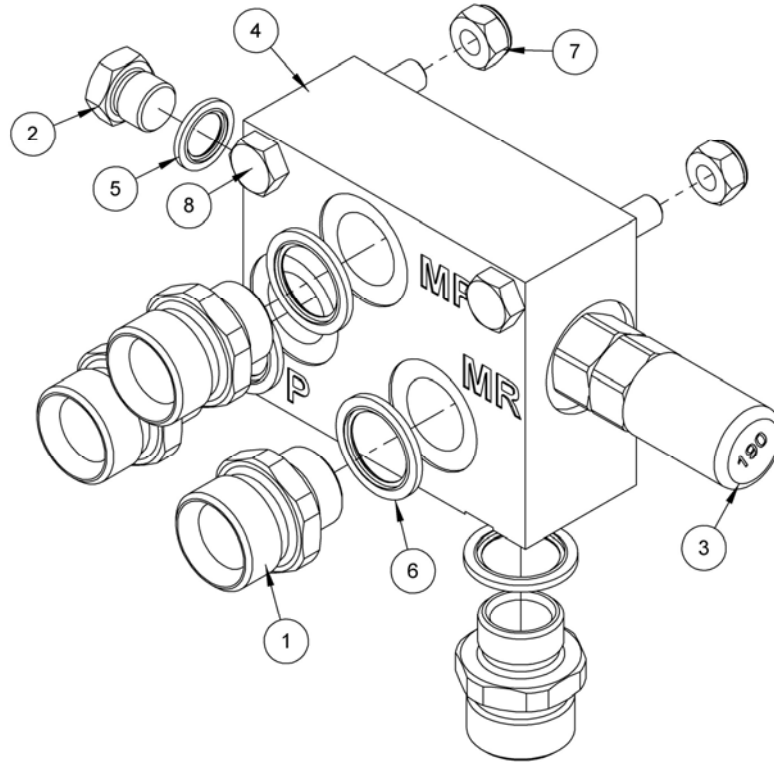
McCONEL



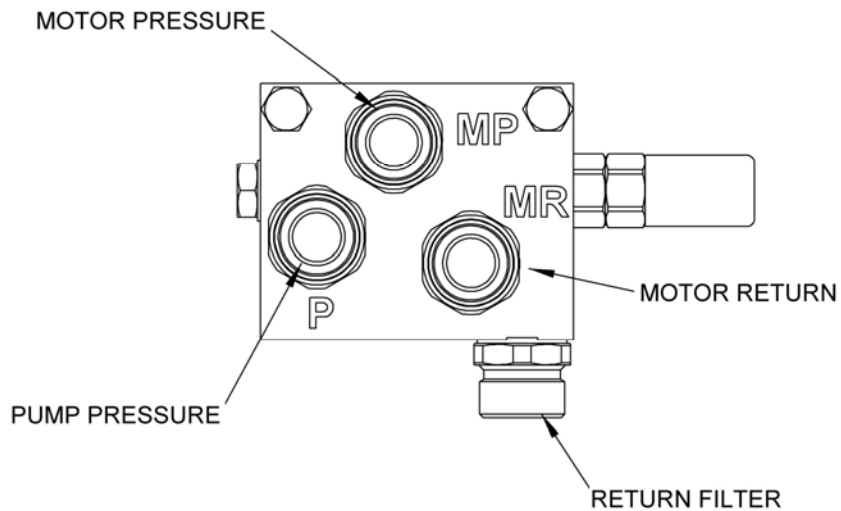
ELECTRIC ROTOR CONTROL VALVE ASSEMBLY

McCONNELModule(s): L/H Build 7150737 (*illustrated*), R/H Build 7150739

REF.	QTY.	PART No.	DESCRIPTION
		7150737	ELECTRIC RCV ASSEMBLY - L/H Build
		7150739	ELECTRIC RCV ASSEMBLY - R/H Build
1	1	42768.01	ELECTRIC ROTOR CONTROL VALVE - <i>comprising:</i>
	1	8600920	O RING
	1	42768.32	LOGIC ELEMENT
	1	42768.35	SOLENOID
	1	42768.36	ORIFICE PLUG
	1	42768.40	MANIFOLD
	1	42768.41	RELIEF VALVE
	1	42768.43	SOLENOID COIL
	1	42768.45	RELIEF VALVE
	1	42768.49	CARTRIDGE SPOOL VALVE
2	4	05.434.01	ADAPTOR
3	1	43177.26	LOOM - ROTOR REVERSE
4	1	22512.01	MOUNTING PLATE
5	2	8581389	PLUG
6	4	8650108	BONDED SEAL
7	4	9100204	SPRING WASHER
8	2	9143005	SELF-LOCKING NUT
9	4	9313044	SETSCREW
10	2	9313055	SETSCREW
		8699260	SEAL KIT



REF.	QTY.	PART No.	DESCRIPTION
		7150709	ROTOR RELIEF VALVE - SI Models
1	4	8002086	ADAPTOR
2	1	8003001	ADAPTOR PLUG
3	1	8125108	RELIEF VALVE - 190 BAR
4	1	8125352	ROTOR RELIEF BLOCK
5	1	8650103	BONDED SEAL
6	4	8650106	BONDED SEAL
7	2	9163005	NYLOC NUT
8	2	9213135	BOLT

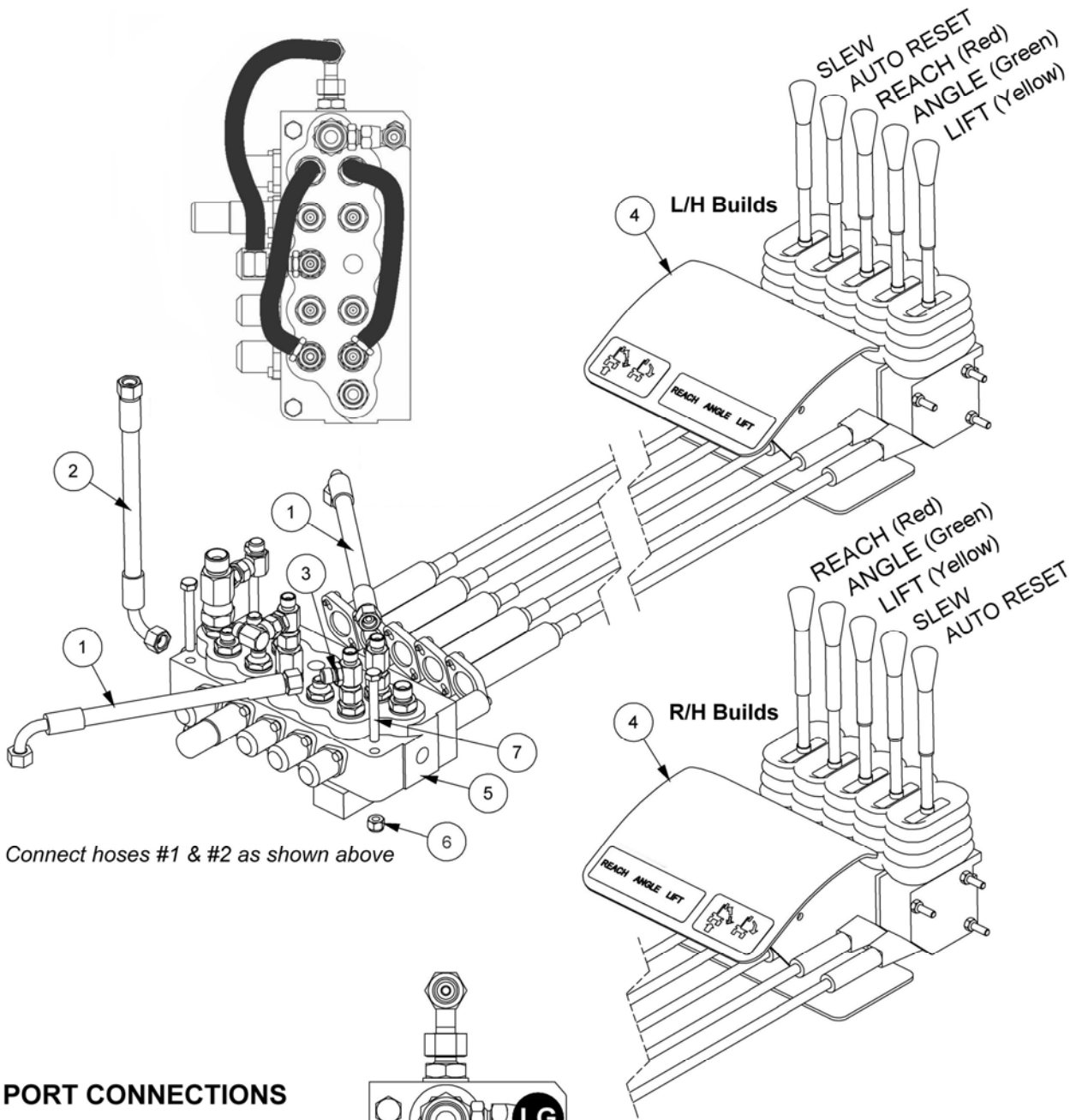


ARMHEAD CONTROL VALVE IDENTIFICATION**McCONNEL**

Module(s): Listed below

PART No.	MACHINE CONTROLS	TYPE OF ARM	BUILD
7150720	CABLE CONTROL	STANDARD / FIXED MIDCUT	L/H BUILD
7150721	CABLE CONTROL	STANDARD / FIXED MIDCUT	R/H BUILD
7150722	CABLE CONTROL	FOLDING MIDCUT	L/H BUILD
7150723	CABLE CONTROL	FOLDING MIDCUT	R/H BUILD
7150724	ELECTRIC CONTROL	STANDARD / FIXED MIDCUT	L/H BUILD
7150725	ELECTRIC CONTROL	STANDARD / FIXED MIDCUT	R/H BUILD
7150726	ELECTRIC CONTROL	FOLDING MIDCUT	L/H BUILD
7150727	ELECTRIC CONTROL	FOLDING MIDCUT	R/H BUILD
7150728	XTC PROPORTIONAL CONTROL	STANDARD / FIXED MIDCUT	L/H BUILD
7150729	XTC PROPORTIONAL CONTROL	STANDARD / FIXED MIDCUT	R/H BUILD
7150730	XTC PROPORTIONAL CONTROL	FOLDING MIDCUT	L/H BUILD
7150731	XTC PROPORTIONAL CONTROL	FOLDING MIDCUT	R/H BUILD
7150732	V4 PROPORTIONAL CONTROL	STANDARD / FIXED MIDCUT	L/H BUILD
7150733	V4 PROPORTIONAL CONTROL	STANDARD / FIXED MIDCUT	R/H BUILD
7150734	V4 PROPORTIONAL CONTROL	FOLDING MIDCUT	L/H BUILD
7150735	V4 PROPORTIONAL CONTROL	FOLDING MIDCUT	R/H BUILD

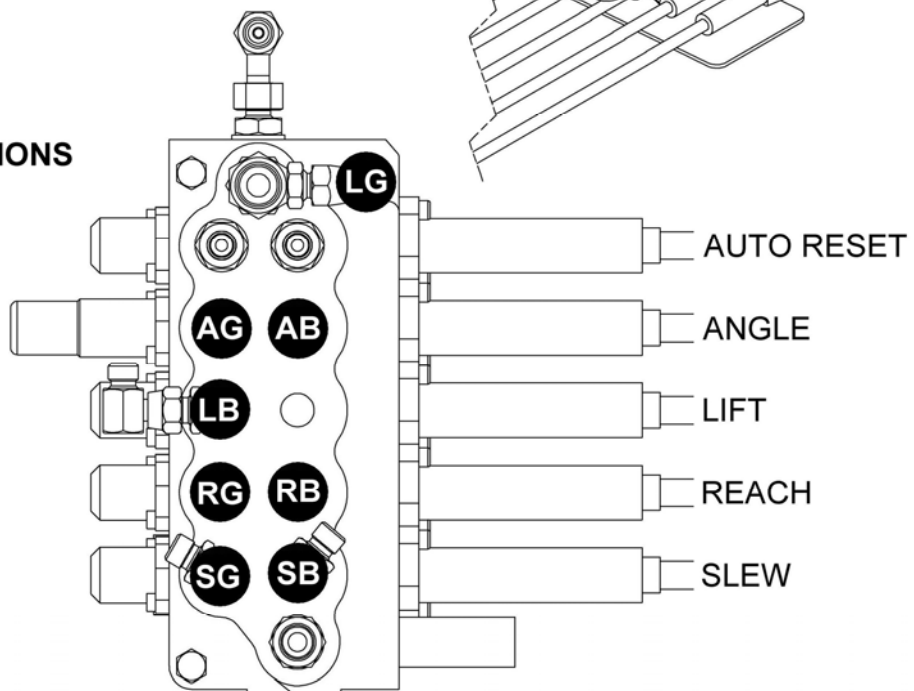
Module(s): 7150720, 7150721



Connect hoses #1 & #2 as shown above

PORT CONNECTIONS

- AG - Angle Gland
- AB - Angle Base
- LG - Lift Gland
- LB - Lift Base
- RG - Reach Gland
- RB - Reach Base
- SG - Slew Gland
- SB - Slew Base



Module(s): 7150720, 7150721

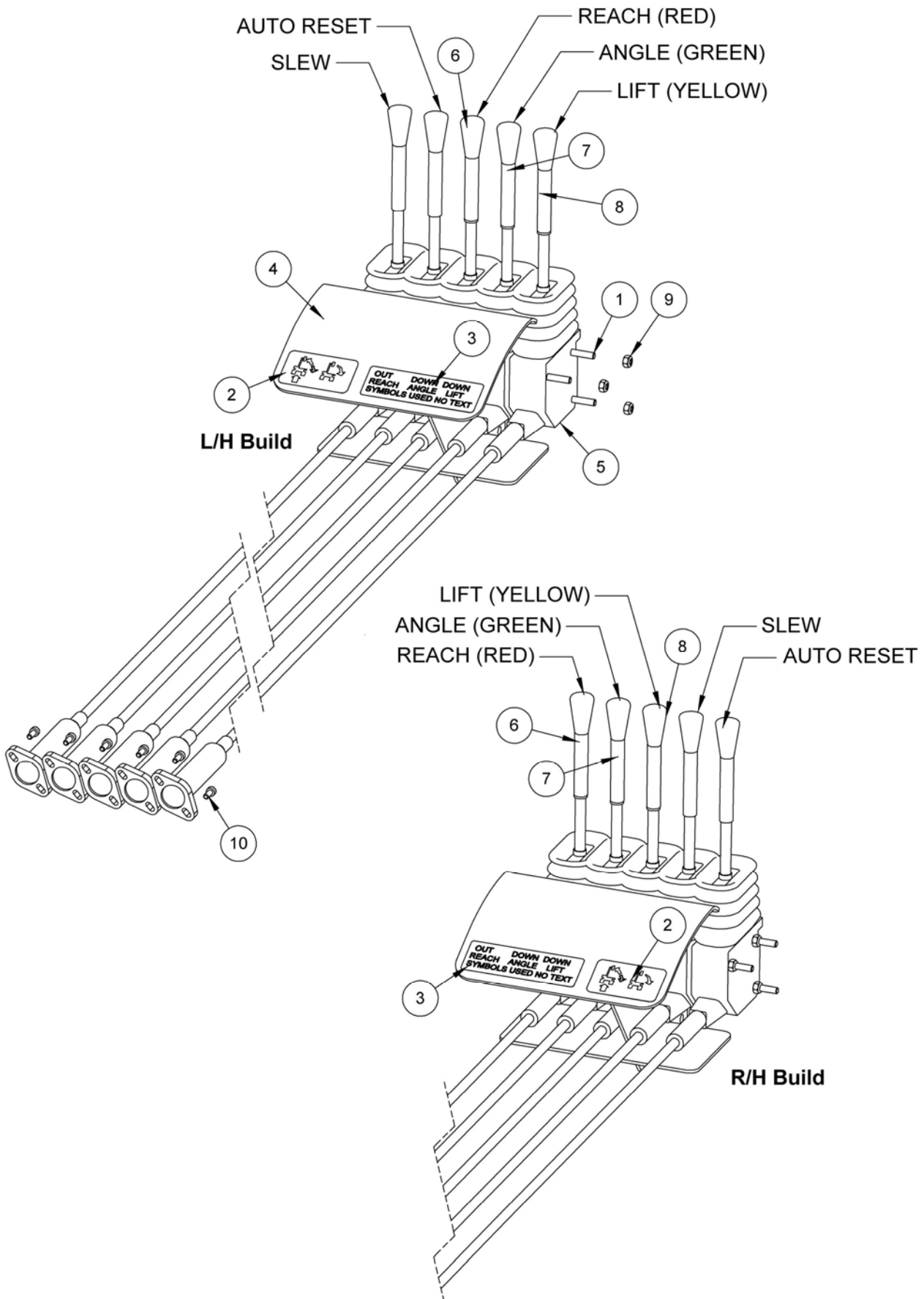
REF.	QTY.	PART No.	DESCRIPTION
		7150720	CABLE ACV - Std. Arm & Fixed Midcut L/H Builds
		7150721	CABLE ACV - Std. Arm & Fixed Midcut R/H Builds
1	2	10.002.04	HOSE - 1/4" BSP FS/F90 x 200mm
2	1	10.002.08	HOSE - 1/4" BSP FS/F90 x 400mm
3	1	22524.11	ADAPTOR ASSEMBLY - STD. ARM & FIXED M/CUT
4	1	22595.03	5 LEVER CABLE CONTROL ASSEMBLY - 3.0M
5	1	8130634	VALVE - 5 SPOOL
6	3	9163004	NYLOC NUT
7	3	9213134	BOLT

NOTE: Components for L/H & R/H machines are identical - builds differ only in the assembled positions of the individual levers.

CABLE CONTROL ASSEMBLY – 5 LEVER

McCONEL

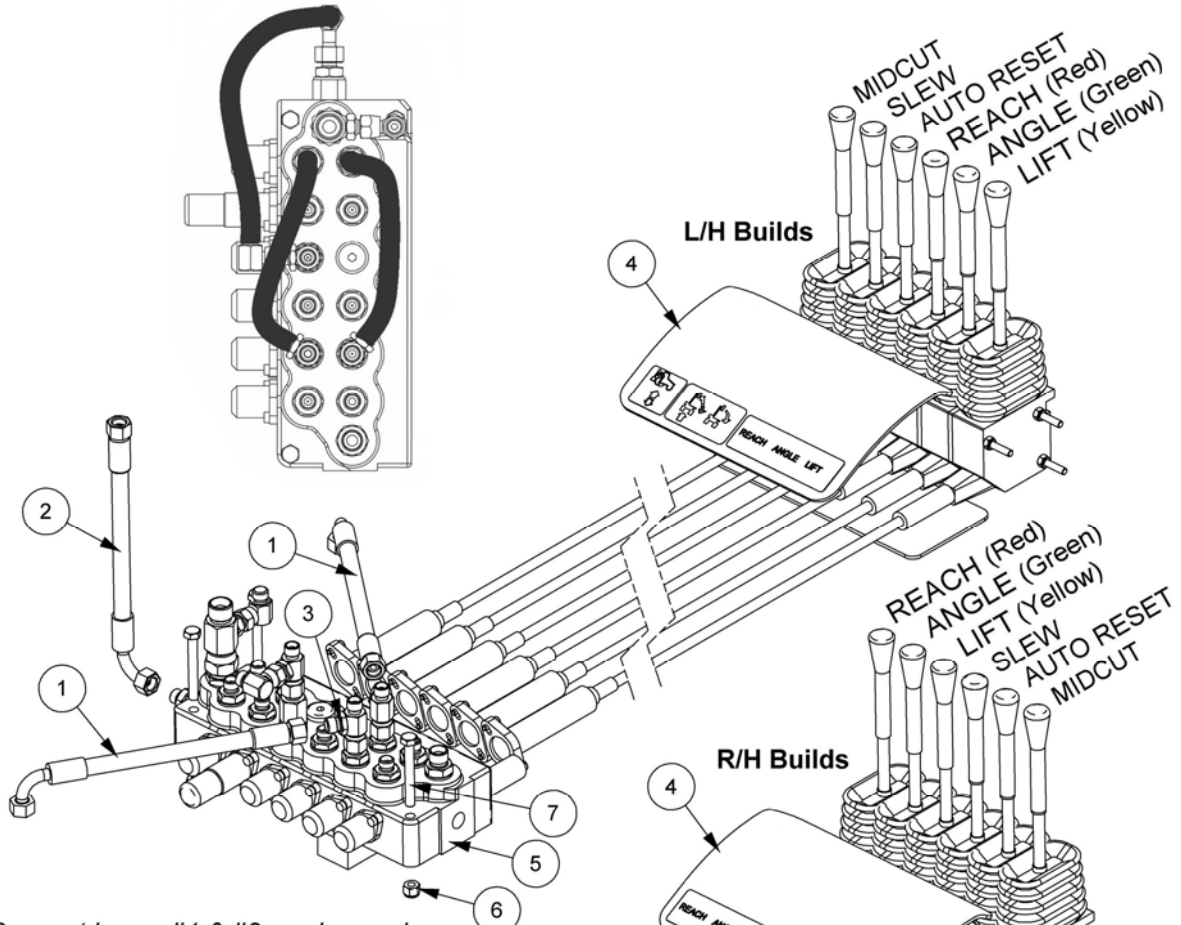
Module(s): 22595.03



Module(s): 22595.03

REF.	QTY.	PART No.	DESCRIPTION
		22595.03	CABLE CONTROL ASSEMBLY - 5 LEVER
1	3	04.282.71	STUD
2	1	1290357	CONTROL DECAL (SLEW / AUTO RESET)
3	1	1290368	CONTROL DECAL (REACH / ANGLE / LIFT)
4	1	7650307	ARMREST - CABLE 5 LEVER
5	5	8017066	ARM CONTROL HEAD & CABLE - 3.0M
6	1	09.968.99	CONTROL KNOB - RED
7	1	8017067	CONTROL KNOB - GREEN
8	1	8017068	CONTROL KNOB - YELLOW
9	6	9163003	NYLOC NUT
10	10	9343022	CAPSCREW

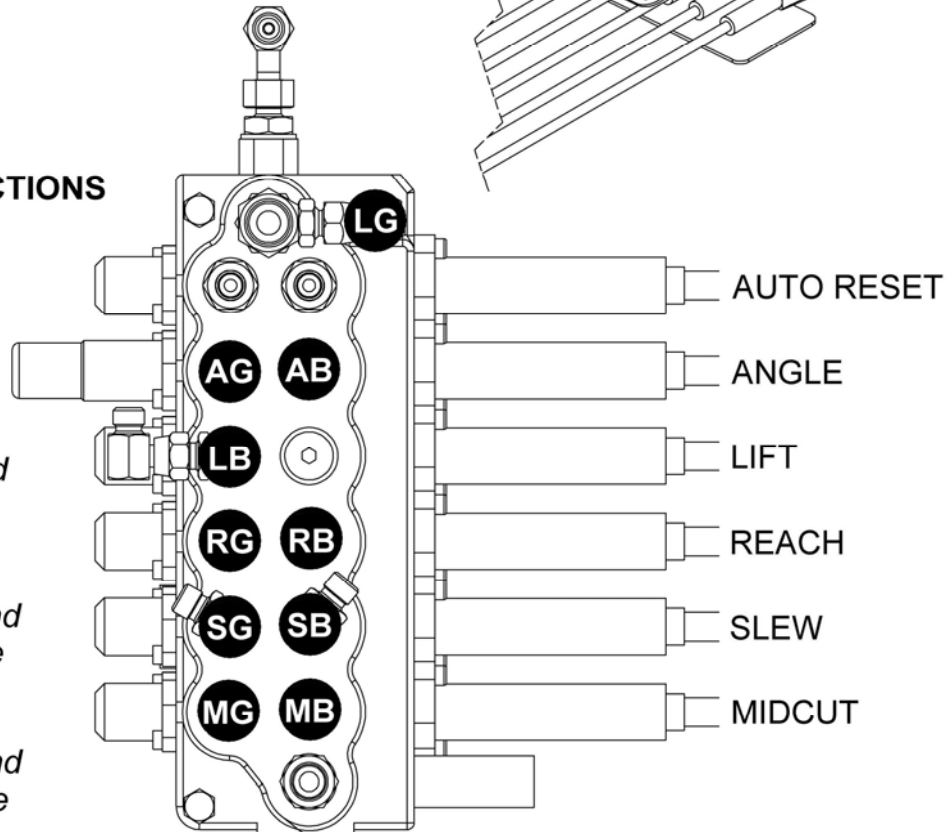
Module(s): 7150722, 7150723



Connect hoses #1 & #2 as shown above

PORT CONNECTIONS

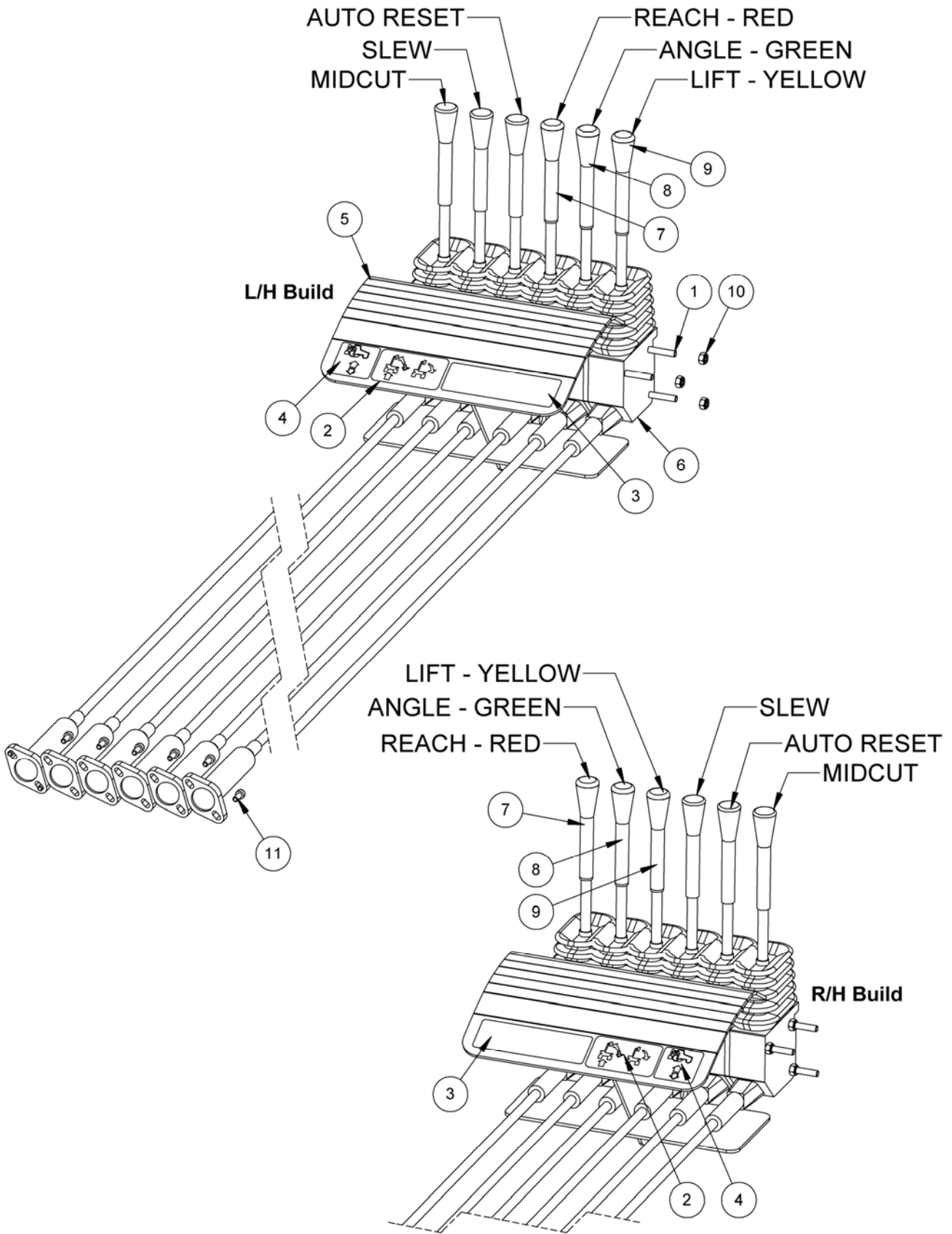
- AG - Angle Gland
- AB - Angle Base
- LG - Lift Gland
- LB - Lift Base
- RG - Reach Gland
- RB - Reach Base
- SG - Slew Gland
- SB - Slew Base
- MG - Midcut Gland
- MB - Midcut Base



Module(s): 7150722, 7150723

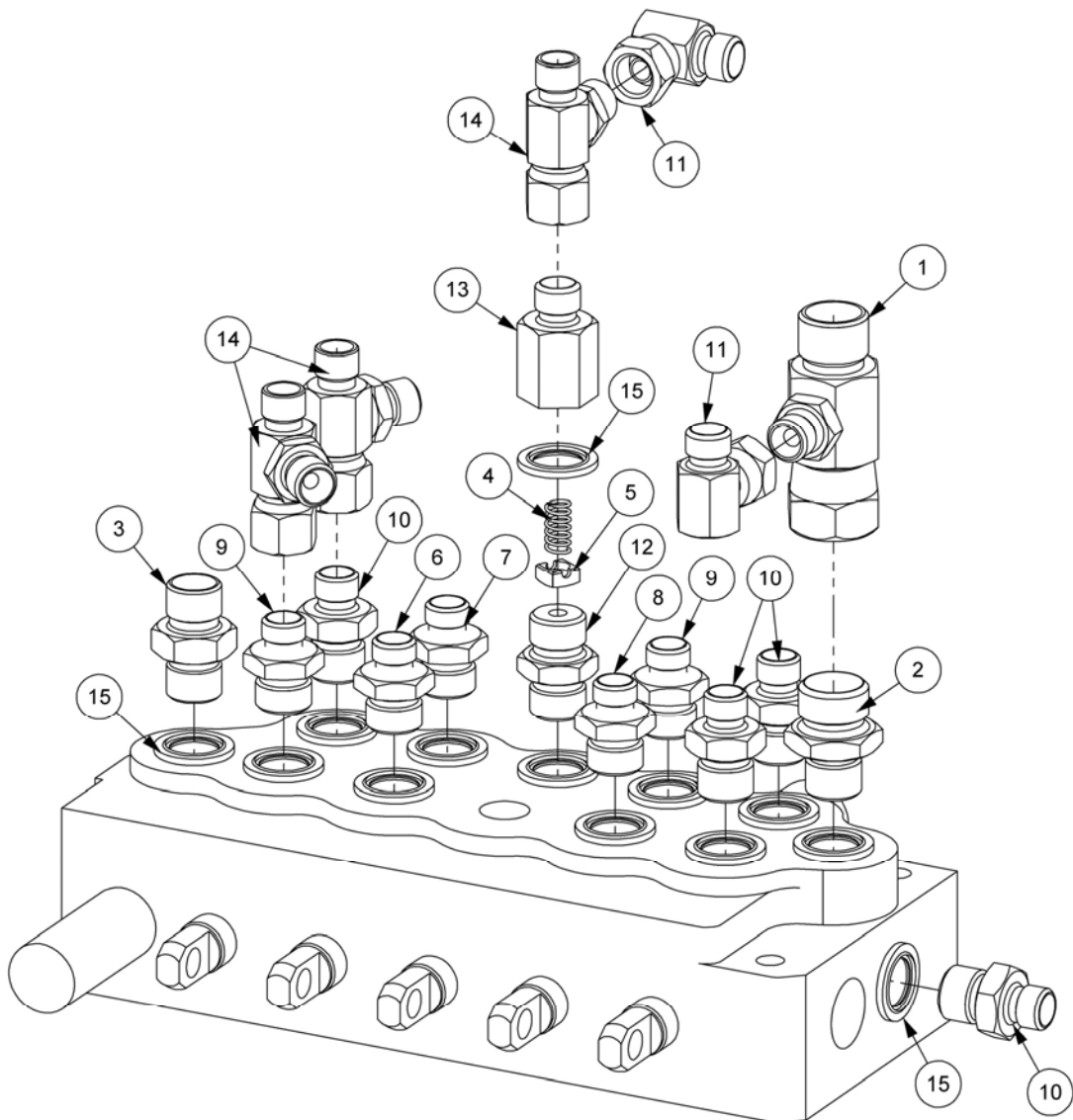
REF.	QTY.	PART No.	DESCRIPTION
		7150722	CABLE ACV - Folding Midcut L/H Builds
		7150723	CABLE ACV - Folding Midcut R/H Builds
1	2	10.002.04	HOSE - 1/4" BSP FS/F90 x 200mm
2	1	10.002.08	HOSE - 1/4" BSP FS/F90 x 400mm
3	1	22524.12	ADAPTOR ASSEMBLY - FOLDING MIDCUT
4	1	22595.04	6 LEVER CABLE CONTROL ASSEMBLY - 3.0M
5	1	8130635	VALVE - 6 SPOOL c/w AUTO RESET
6	3	9163004	NYLOC NUT
7	3	9213134	BOLT

NOTE: Components for L/H & R/H machines are identical - builds differ only in the assembled positions of the individual levers.

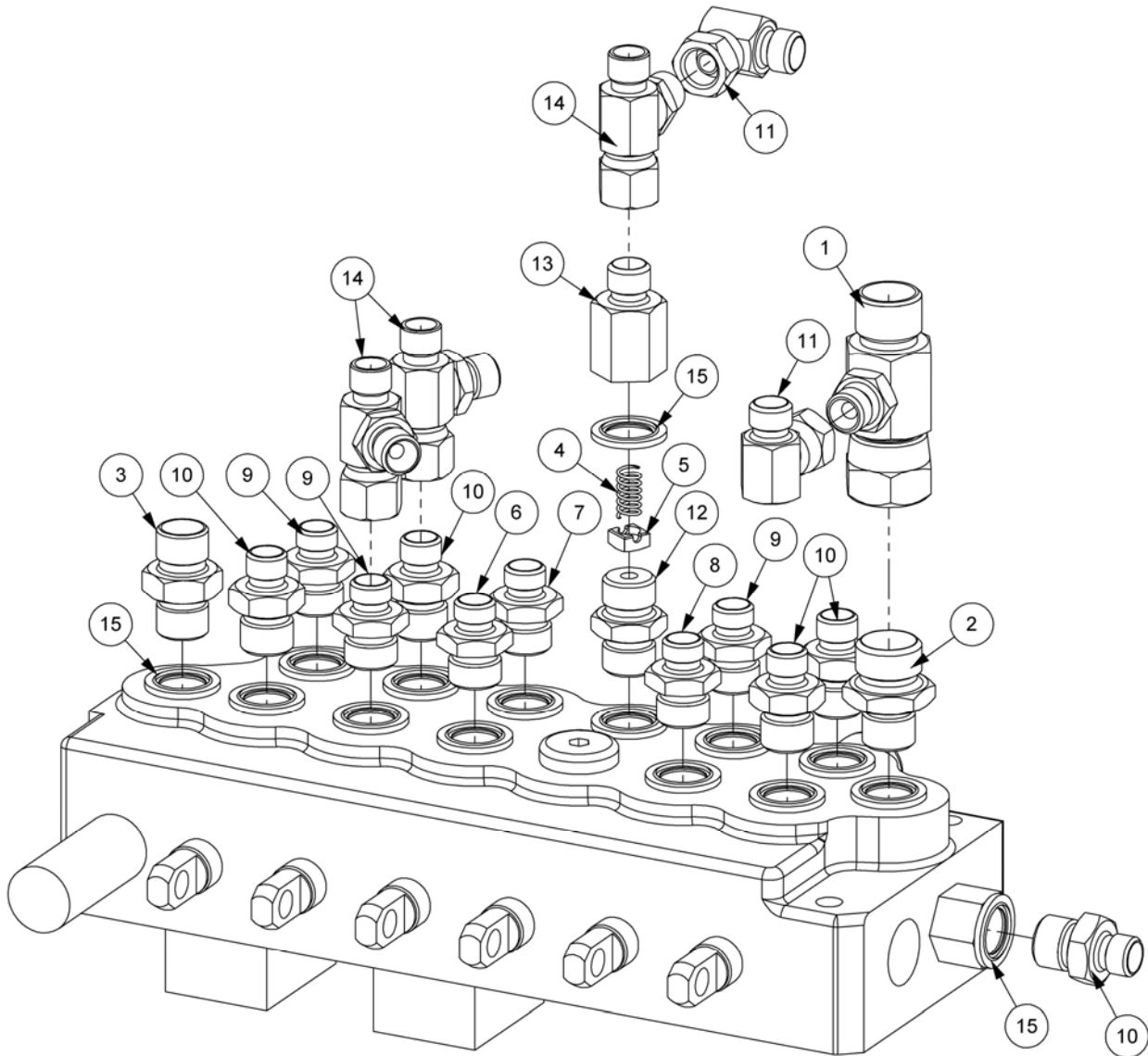


Module(s): 22595.04

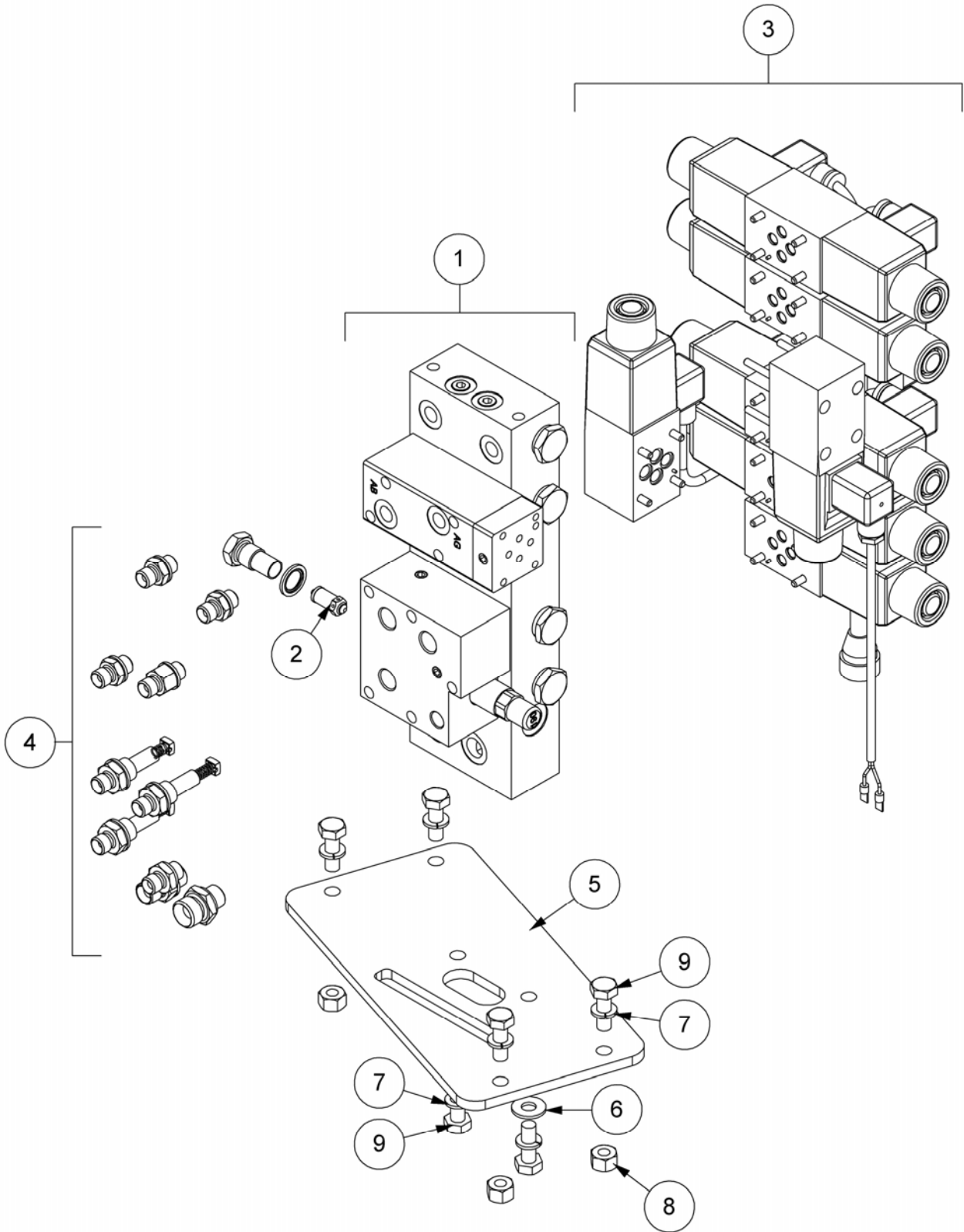
REF.	QTY.	PART No.	DESCRIPTION
		22595.04	CABLE CONTROL ASSEMBLY - 6 LEVER
1	3	04.282.72	STUD
2	1	1290357	CONTROL DECAL (SLEW / AUTO RESET)
3	1	1290368	CONTROL DECAL (REACH / ANGLE / LIFT)
4	1	1290446	DECAL MIDCUT OPERATION
5	1	7650308	ARMREST - CABLE 6 LEVER
6	6	8017066	ARM CONTROL HEAD & CABLE - 3.0M
7	1	09.968.99	CONTROL KNOB - RED
8	1	8017067	CONTROL KNOB - GREEN
9	1	8017068	CONTROL KNOB - YELLOW
10	6	9163003	NYLOC NUT
11	12	9343022	CAPSCREW



REF.	QTY.	PART No.	DESCRIPTION
		22524.11	ADAPTORS MODULE - Cable ACV's 7150720 & 721
1	1	04.056.25	ADAPTOR TEE
2	1	6000112	ADAPTOR
3	1	6000113	ADAPTOR
4	1	8116011	SPRING
5	1	8123043	RESTRICTOR DISC - 1.6 GREEN
6	1	8130046	ADAPTOR RESTRICTOR - 1.5 'A'
7	1	8130047	ADAPTOR RESTRICTOR - 1.8 'B'
8	1	8130048	ADAPTOR RESTRICTOR - 1.3 'C'
9	2	8130066	ADAPTOR RESTRICTOR - 1.15 'M'
10	4	8581115	ADAPTOR
11	2	8581190	ADAPTOR ELBOW - 90°
12	1	8581209	ADAPTER
13	1	8581214	RESTRICTOR ADAPTER
14	3	8581254	ADAPTOR TEE
15	13	8650103	BONDED SEAL

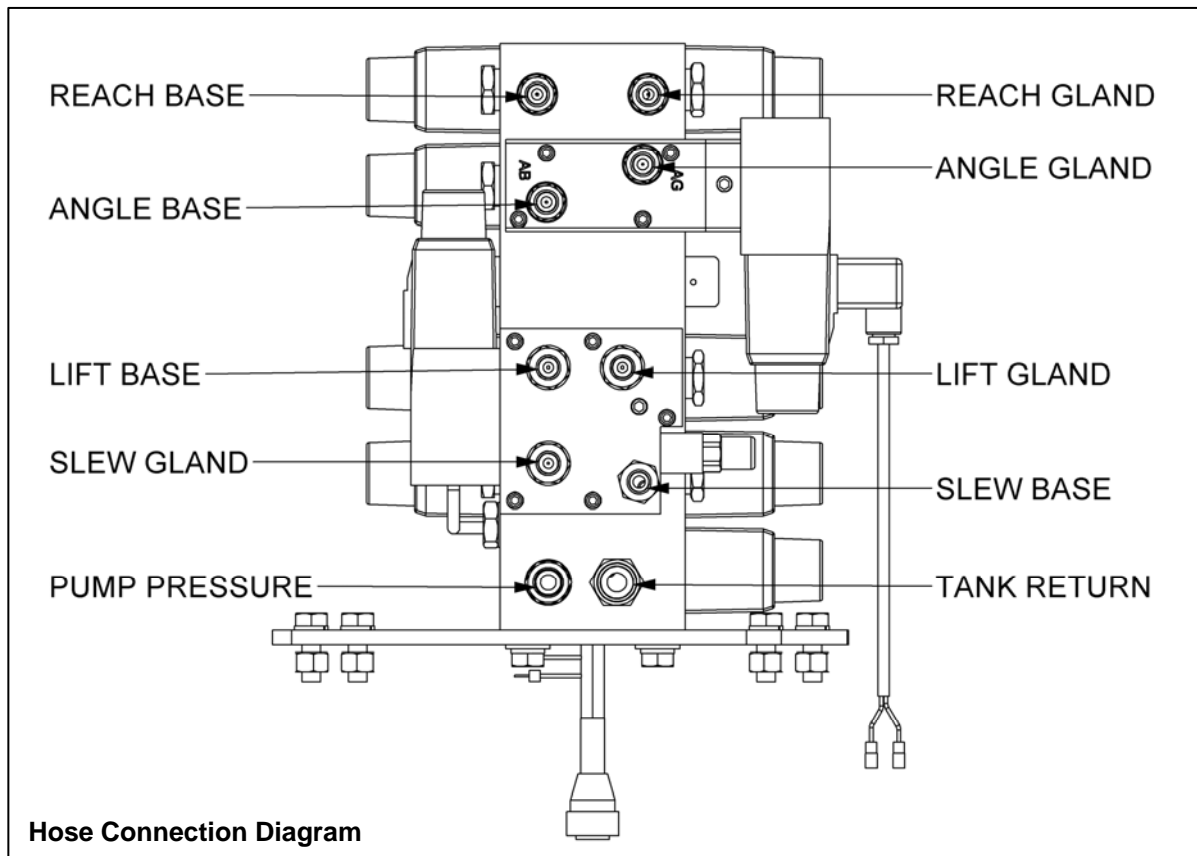


REF.	QTY.	PART No.	DESCRIPTION
		22524.12	ADAPTORS MODULE - Cable ACV's 7150722 & 723
1	1	04.056.25	ADAPTOR TEE
2	1	6000112	ADAPTOR
3	1	6000113	ADAPTOR
4	1	8116011	SPRING
5	1	8123043	RESTRICTOR DISC - 1.6 GREEN
6	1	8130046	ADAPTOR RESTRICTOR - 1.5 'A'
7	1	8130047	ADAPTOR RESTRICTOR - 1.8 'B'
8	1	8130048	ADAPTOR RESTRICTOR - 1.3 'C'
9	3	8130066	ADAPTOR RESTRICTOR - 1.15 'M'
10	5	8581115	ADAPTOR
11	2	8581190	ADAPTOR ELBOW - 90°
12	1	8581209	ADAPTER
13	1	8581214	RESTRICTOR ADAPTER
14	3	8581254	ADAPTOR TEE
15	13	8650103	BONDED SEAL



Module(s): L/H Build 7150724 (*illustrated*), R/H Build 7150725

REF.	QTY.	PART No.	DESCRIPTION
		7150724	ELECTRIC ACV BB STD. ARM - L/H Build
1	1	22523.02	MANIFOLD MODULE - 4 BANK AF/AR NO OCV
2	1	8130092	RELIEF VALVE (190BAR)
3	1	22525.02	CONTROL / SOLENOID MODULE
4	1	22524.02	ADAPTOR MODULE
5	1	22516.01	VALVE MOUNTING PLATE
6	2	9100105	FLAT WASHER
7	6	9100205	SPRING WASHER
8	4	9143005	SELF-LOCKING NUT
9	6	9313065	SETSCREW

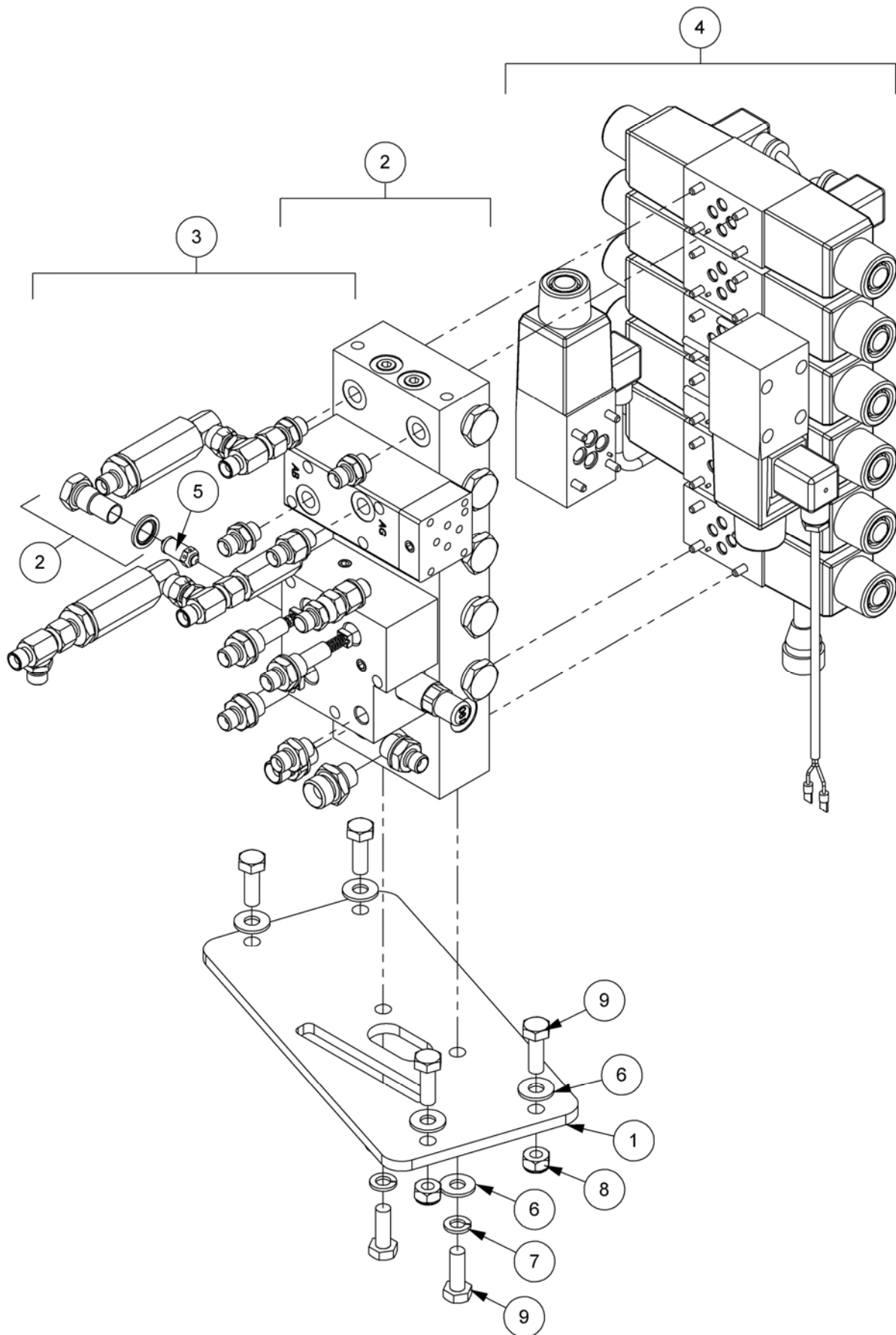


Hose Connection Diagram

ELECTRIC VALVE - Folding Midcut Models

Module(s): L/H Build 7150726 (illustrated), R/H Build 7150727

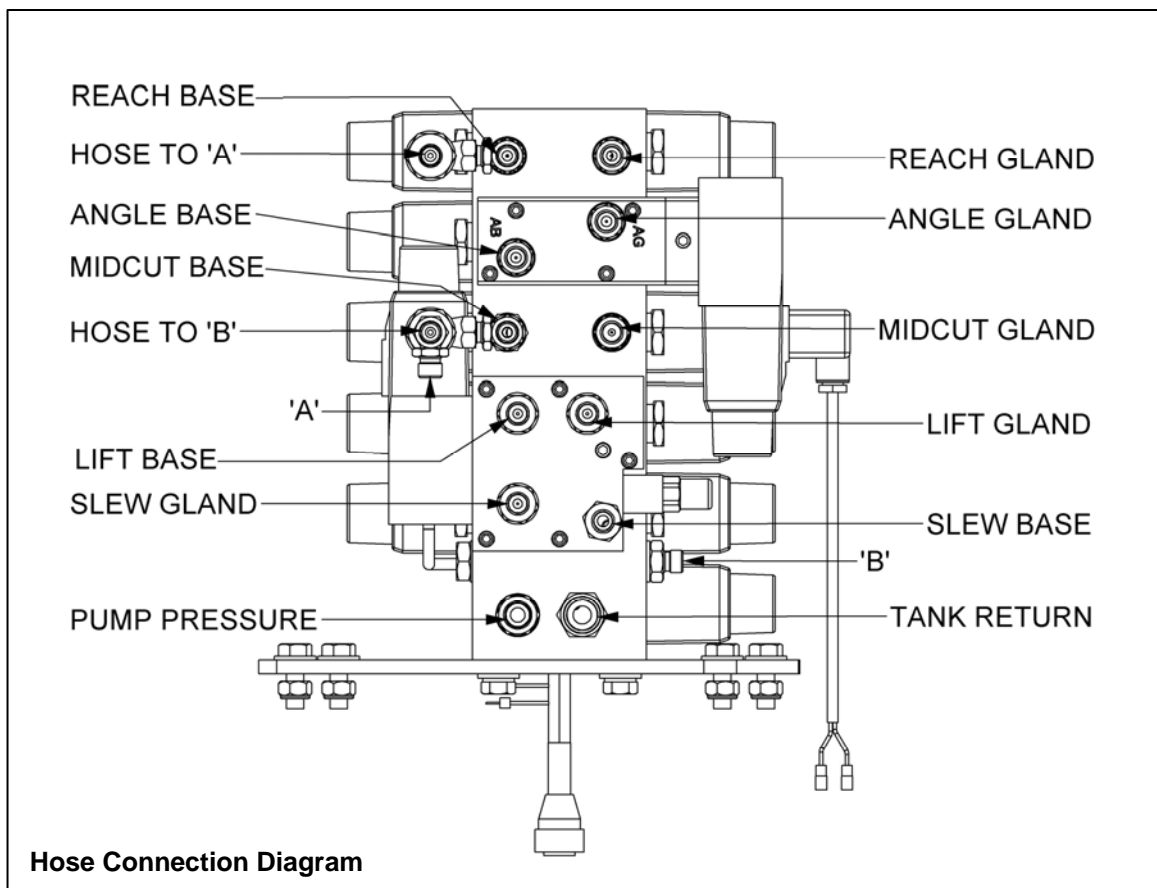
McCONEL



Module(s): L/H Build 7150726 (*illustrated*), R/H Build 7150727

REF.	QTY.	PART No.	DESCRIPTION
		7150726	ELEC. ACV (BB) - Folding Midcut Arm L/H Build
		7150727	ELEC. ACV (BB) - Folding Midcut Arm R/H Build
1	1	22516.01	VALVE MOUNTING PLATE
2	1	22523.07	MANIFOLD ASSEMBLY - 5 BANK
3	1	22524.14	ADAPTOR MODULE
4	1	22525.14	CONTROL / SOLENOID MODULE
5	1	8130092	RELIEF VALVE (190BAR)
6	6	9100105	FLAT WASHER
7	2	9100205	SPRING WASHER
8	4	9163005	NYLOC NUT
9	6	9313065	SETSCREW

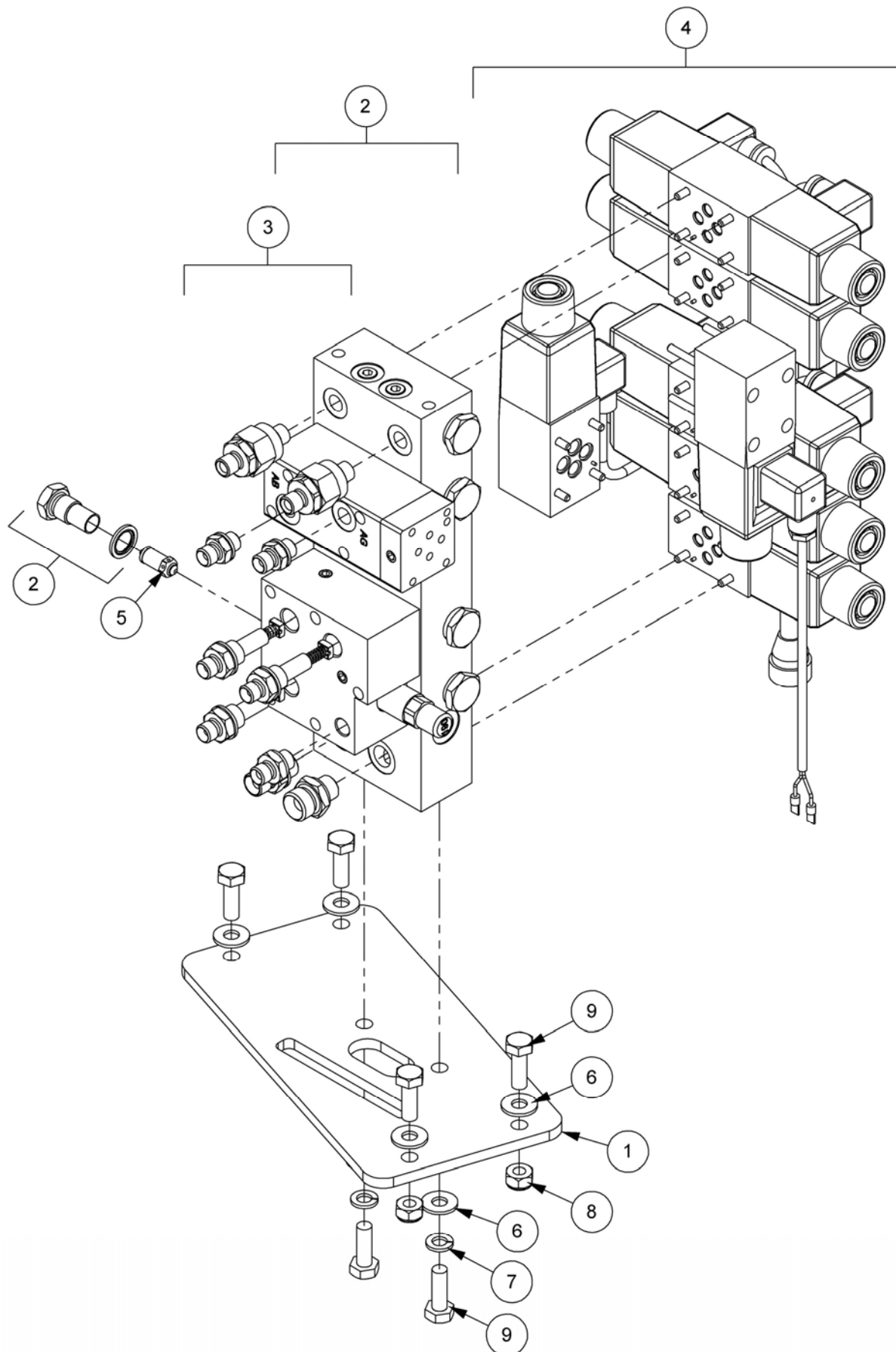
NOTE: L/H & R/H builds use identical components and differ only in the assembled orientation of Valve Mounting Plate 22516.01



XTC PROP VALVE - Standard & Fixed Midcut Models

McCONEL

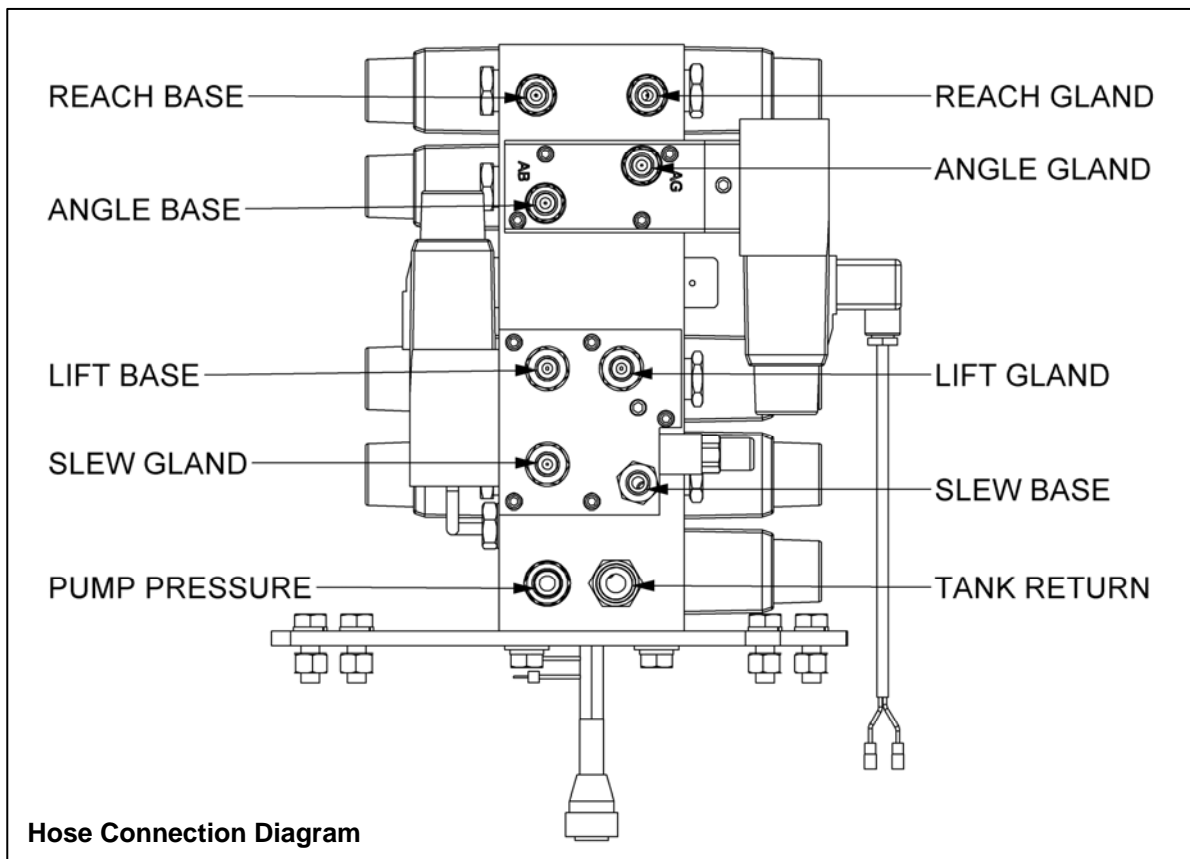
Module(s): L/H Build 7150728 (illustrated), R/H Build 7150729



Module(s): L/H Build 7150728 (*illustrated*), R/H Build 7150729

REF.	QTY.	PART No.	DESCRIPTION
		7150728	XTC PROPORTIONAL ACV ASSEMBLY - L/H Build
		7150729	XTC PROPORTIONAL ACV ASSEMBLY - R/H Build
1	1	22516.01	VALVE MOUNTING PLATE
2	1	22523.02	MANIFOLD ASSEMBLY - 4 BANK
3	1	22524.13	ADAPTOR MODULE
4	1	22525.10	CONTROL / SOLENOID MODULE
5	1	8130092	RELIEF VALVE (190BAR)
6	6	9100105	FLAT WASHER
7	2	9100205	SPRING WASHER
8	4	9163005	NYLOC NUT
9	6	9313065	SETSCREW

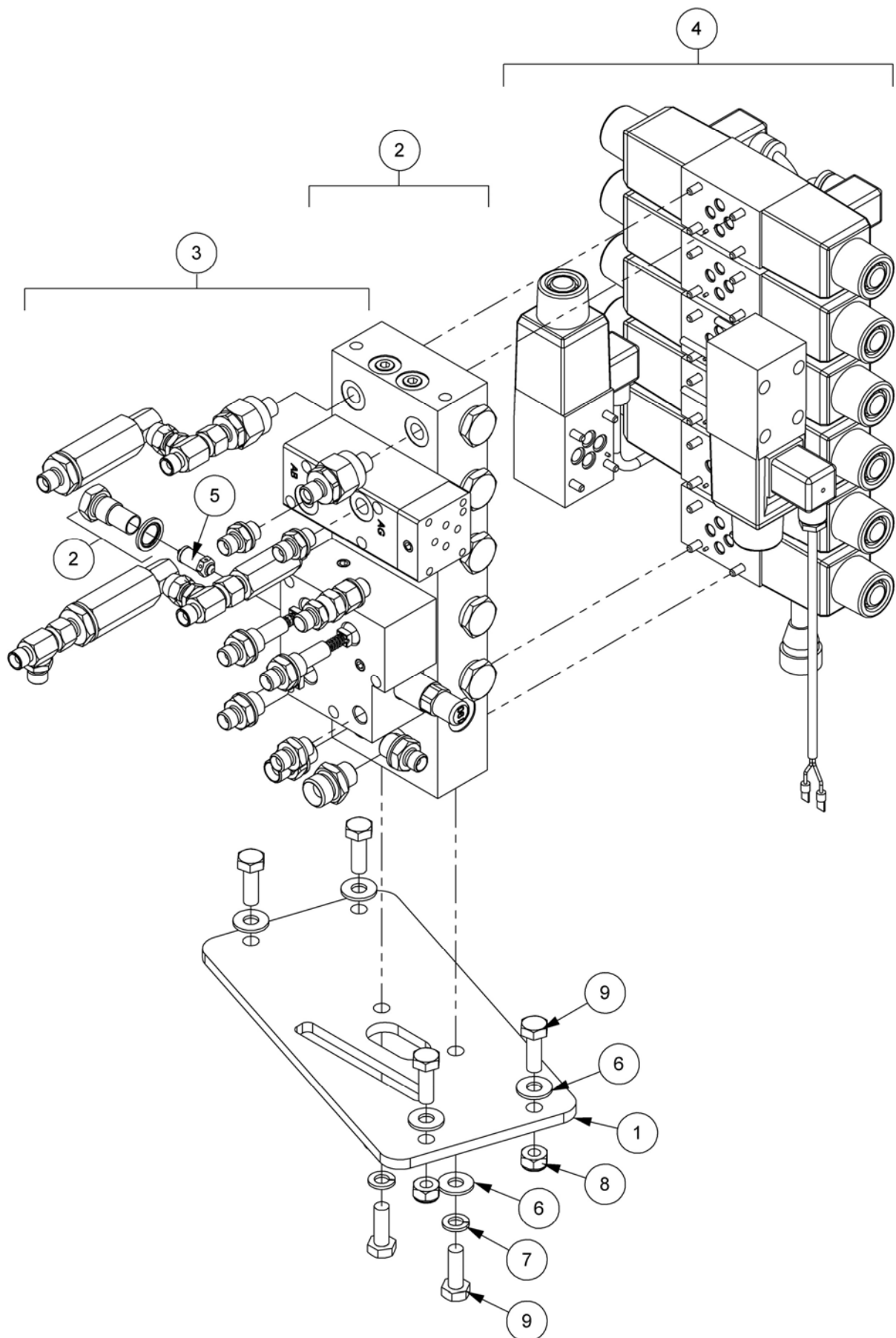
NOTE: L/H & R/H builds use identical components and differ only in the assembled orientation of Valve Mounting Plate 22516.01



XTC PROP VALVE - Folding Midcut Models

Module(s): L/H Build 7150730 (illustrated), R/H Build 7150731

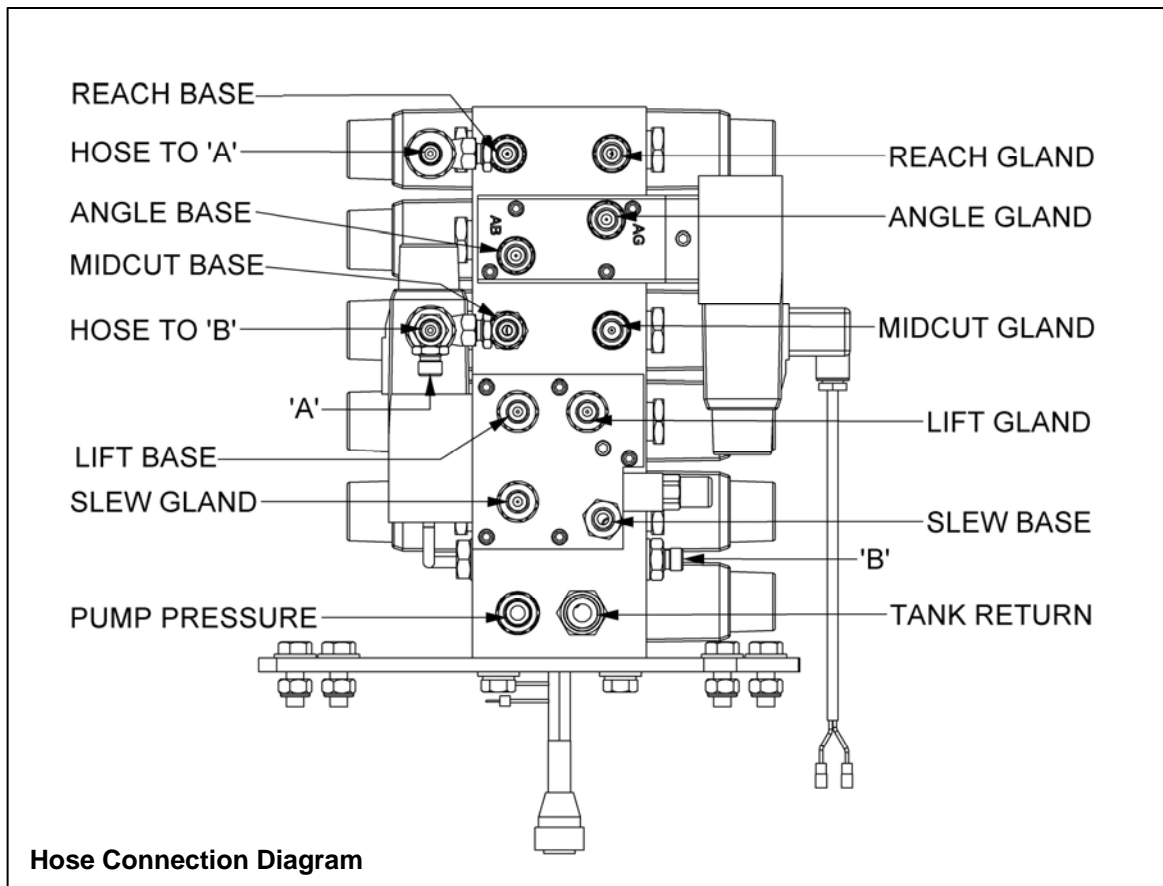
McCONEL



Module(s): L/H Build 7150730 (*illustrated*), R/H Build 7150731

REF.	QTY.	PART No.	DESCRIPTION
		7150730	XTC PROPORTIONAL ACV ASSEMBLY - L/H Build
		7150731	XTC PROPORTIONAL ACV ASSEMBLY - R/H Build
1	1	22516.01	VALVE MOUNTING PLATE
2	1	22523.07	MANIFOLD ASSEMBLY - 5 BANK
3	1	22524.15	ADAPTOR MODULE
4	1	22525.03	CONTROL / SOLENOID MODULE
5	1	8130092	RELIEF VALVE (190BAR)
6	6	9100105	FLAT WASHER
7	2	9100205	SPRING WASHER
8	4	9163005	NYLOC NUT
9	6	9313065	SETSCREW

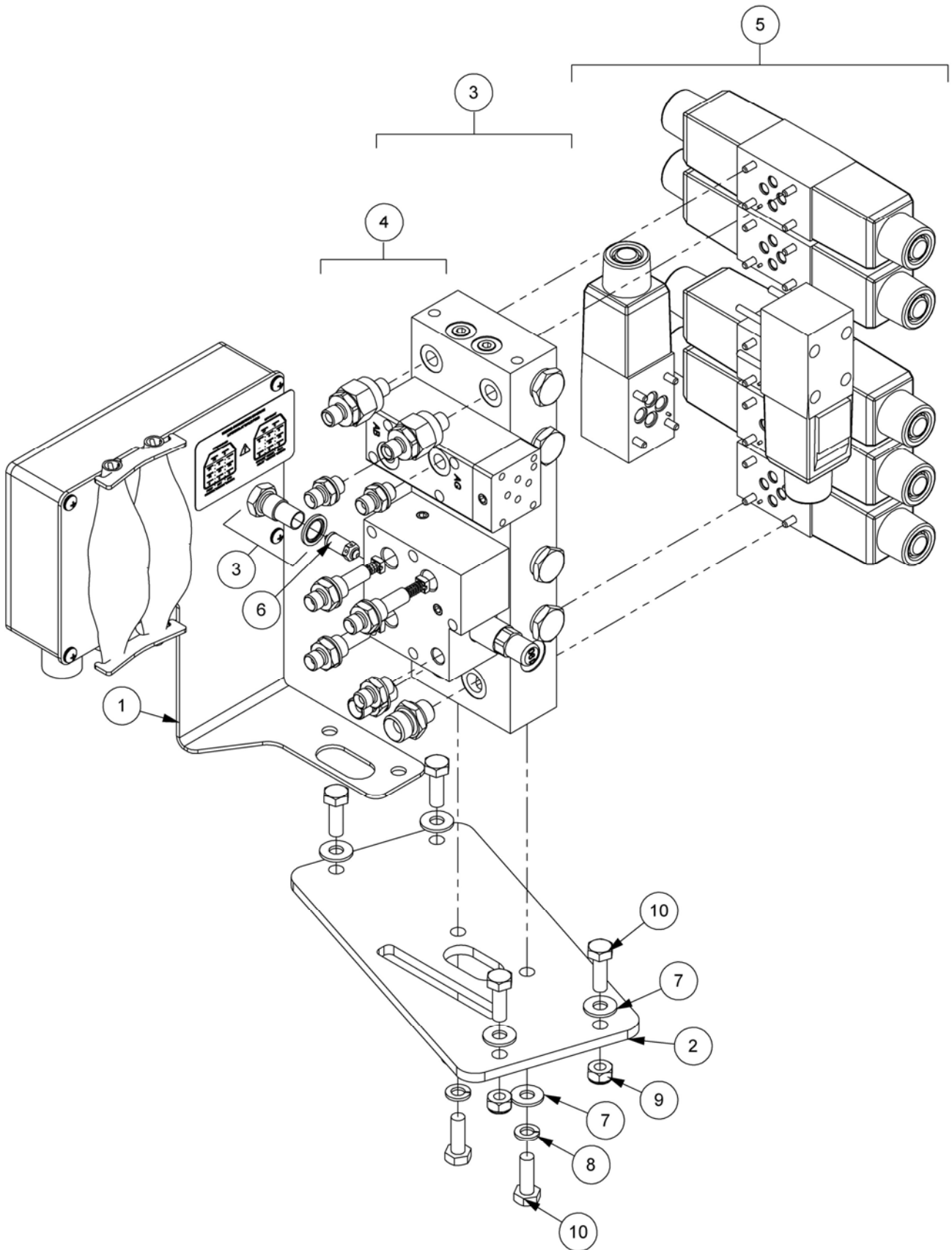
NOTE: L/H & R/H builds use identical components and differ only in the assembled orientation of Valve Mounting Plate 22516.01



V4 PROP VALVE - Standard & Fixed Midcut Models

Module(s): L/H Build 7150732 (illustrated), R/H Build 7150733

McCONEL



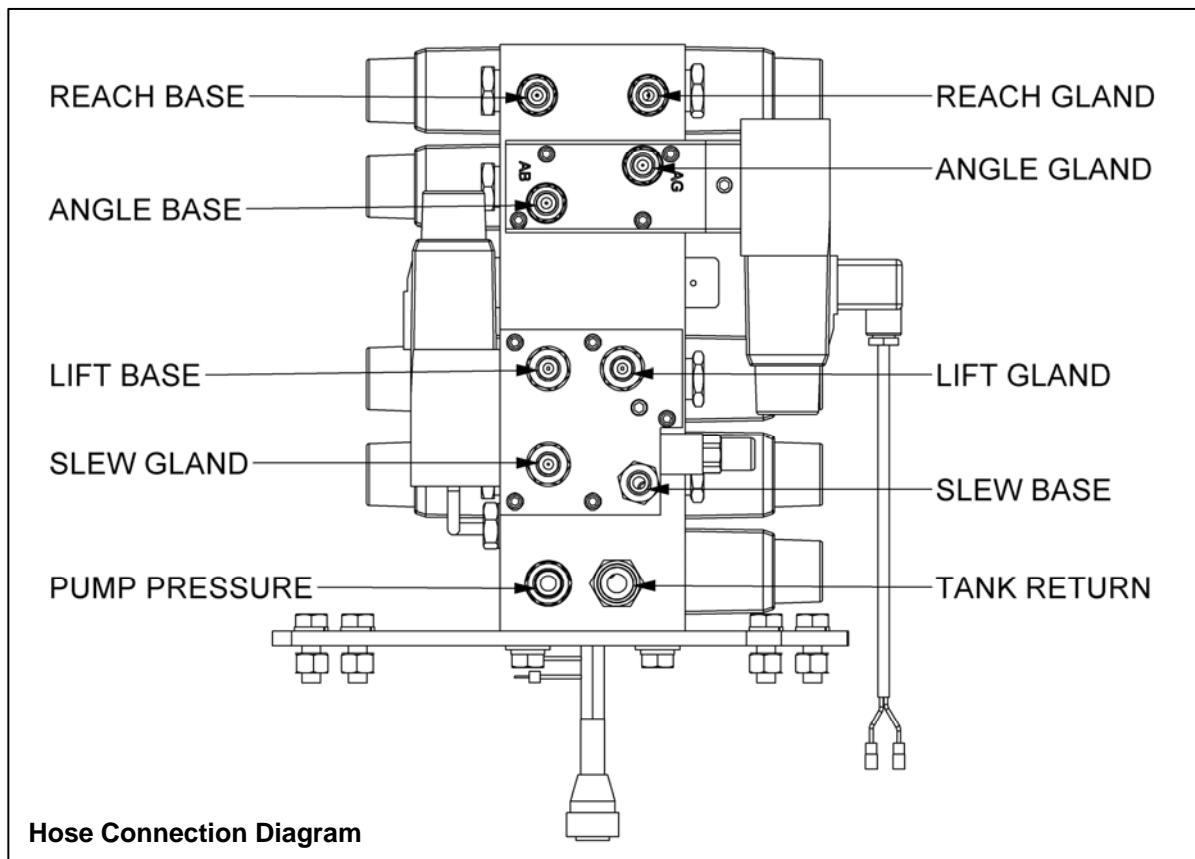
V4 PROP VALVE - Standard & Fixed Midcut Models

McCONNEL

Module(s): L/H Build 7150732 (*illustrated*), R/H Build 7150733

REF.	QTY.	PART No.	DESCRIPTION
		7150732	V4 PROPORTIONAL ACV ASSEMBLY - L/H Build
		7150733	V4 PROPORTIONAL ACV ASSEMBLY - R/H Build
1	1	21170.08	CONTROLLER BRACKET - L/H Build
	1	21170.12	CONTROLLER BRACKET - R/H Build
2	1	22516.01	VALVE MOUNTING PLATE
3	1	22523.02	MANIFOLD ASSEMBLY - 4 BANK
4	1	22524.13	ADAPTOR MODULE
5	1	22525.12	CONTROL / SOLENOID MODULE
6	1	8130092	RELIEF VALVE (190BAR)
7	6	9100105	FLAT WASHER
8	2	9100205	SPRING WASHER
9	4	9163005	NYLOC NUT
10	6	9313065	SETSCREW

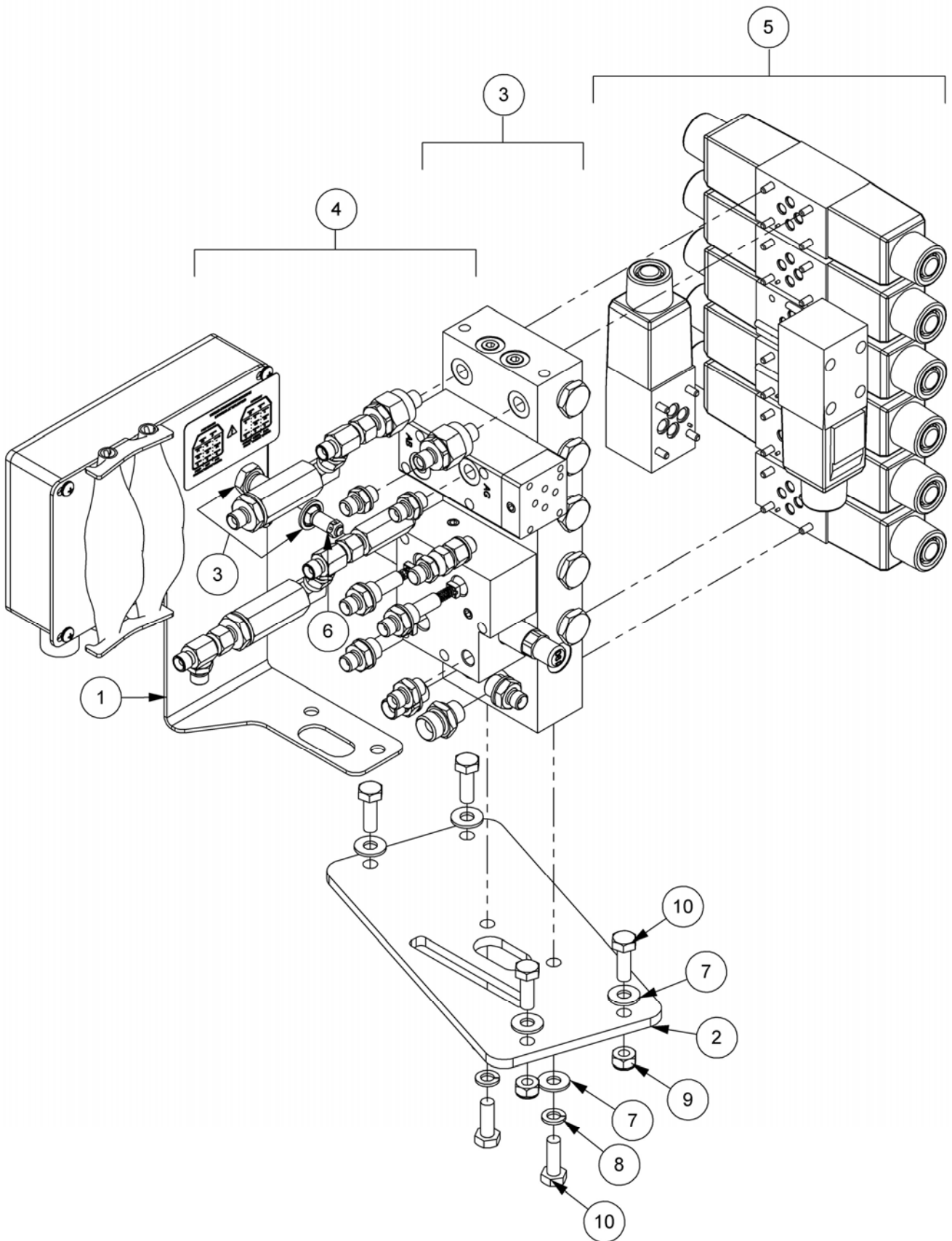
NOTE: With the exception of item #1 L/H & R/H builds use identical components and differ only in the assembled orientation of Valve Mounting Plate 22516.01



V4 PROP VALVE - Folding Midcut Models

Module(s): L/H Build 7150734 (*illustrated*), R/H Build 7150735

McCONEL



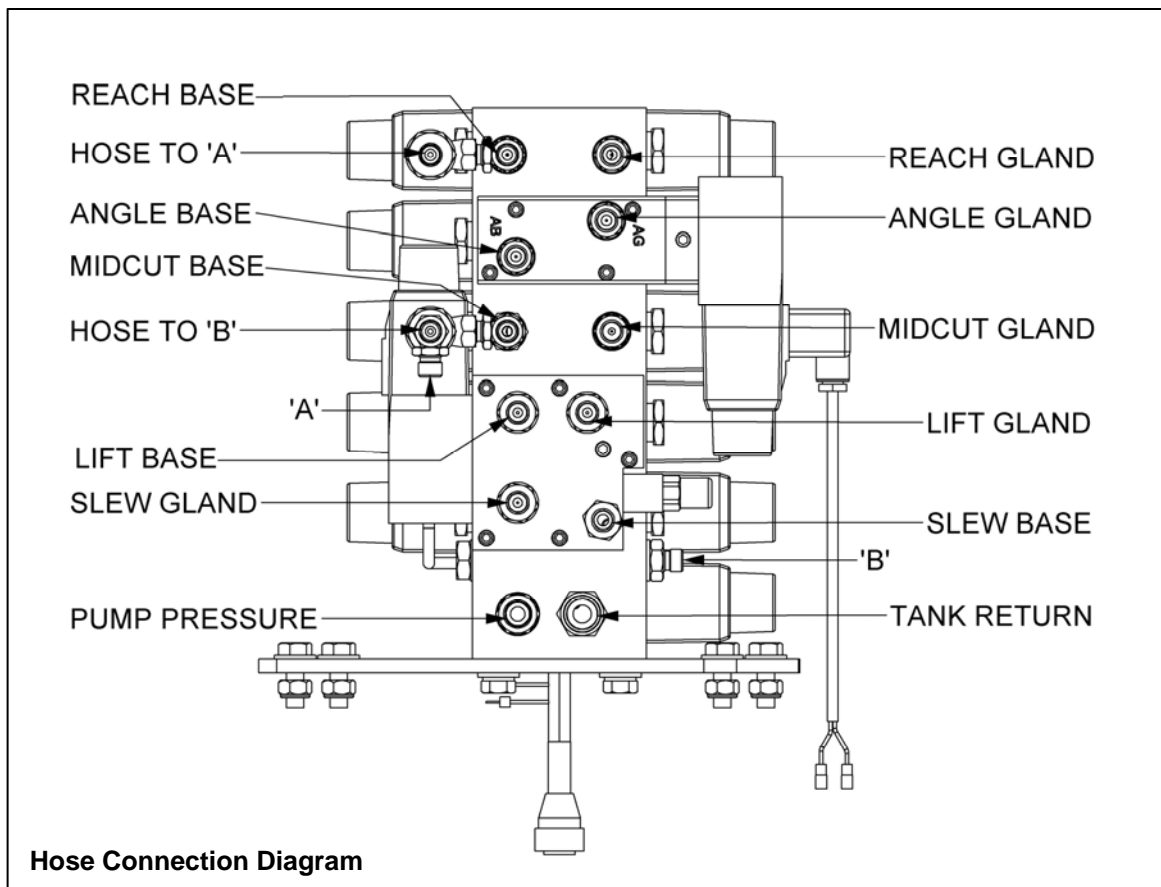
V4 PROP VALVE - Folding Midcut Models

McCONEL

Module(s): L/H Build 7150734 (*illustrated*), R/H Build 7150735

REF.	QTY.	PART No.	DESCRIPTION
		7150734	V4 PROPORTIONAL ACV ASSEMBLY - L/H Build
		7150735	V4 PROPORTIONAL ACV ASSEMBLY - R/H Build
1	1	21170.08	CONTROLLER BRACKET - L/H Build
	1	21170.12	CONTROLLER BRACKET - R/H Build
2	1	22516.01	VALVE MOUNTING PLATE
3	1	22523.07	MANIFOLD ASSEMBLY - 5 BANK
4	1	22524.15	ADAPTOR MODULE
5	1	22525.13	CONTROL / SOLENOID MODULE
6	1	8130092	RELIEF VALVE (190BAR)
7	6	9100105	FLAT WASHER
8	2	9100205	SPRING WASHER
9	4	9163005	NYLOC NUT
10	6	9313065	SETSCREW

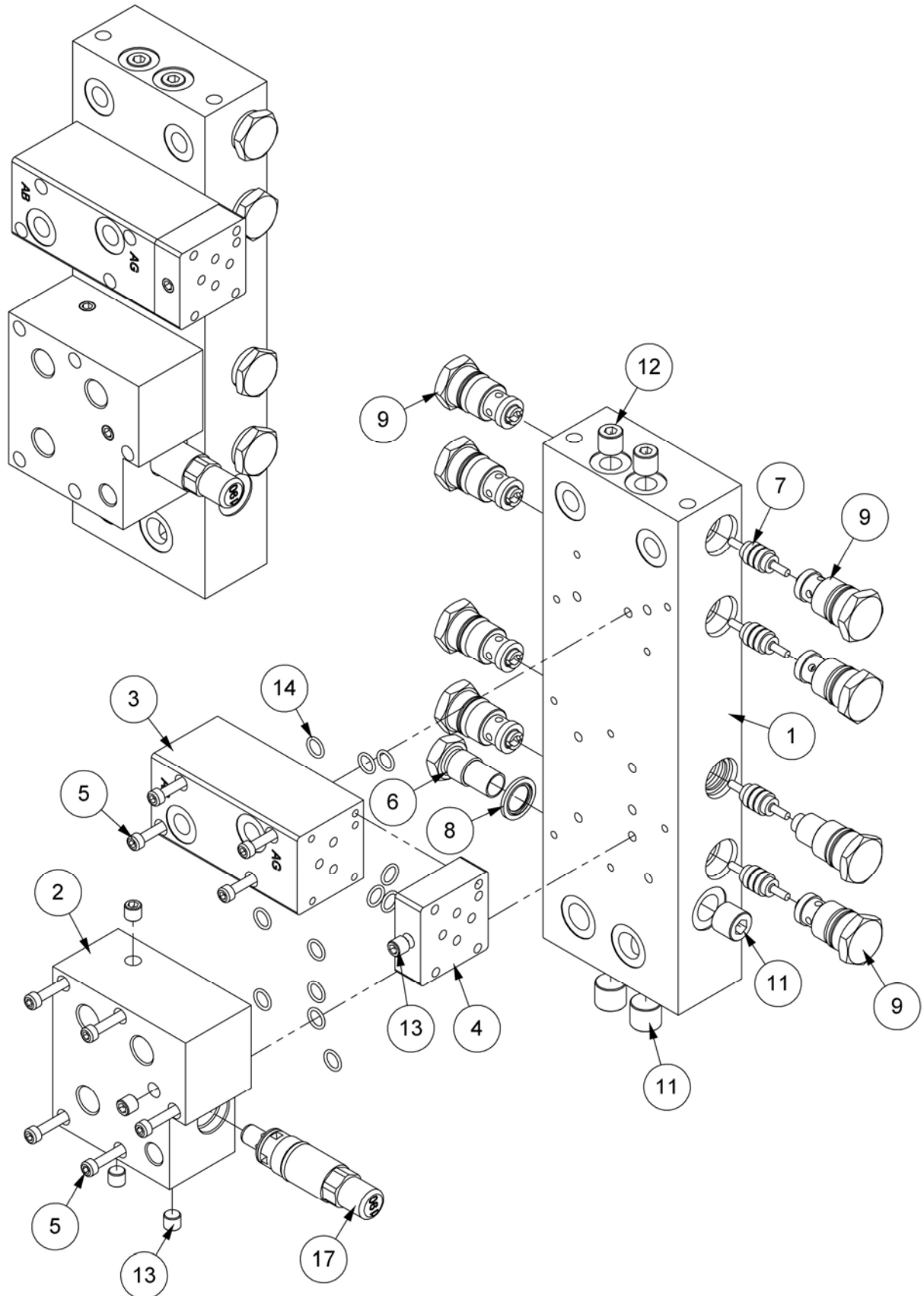
NOTE: With the exception of item #1 L/H & R/H builds use identical components and differ only in the assembled orientation of Valve Mounting Plate 22516.01



MANIFOLD ASSEMBLY (4 BANK)

McCONEL

Module(s): 22523.02



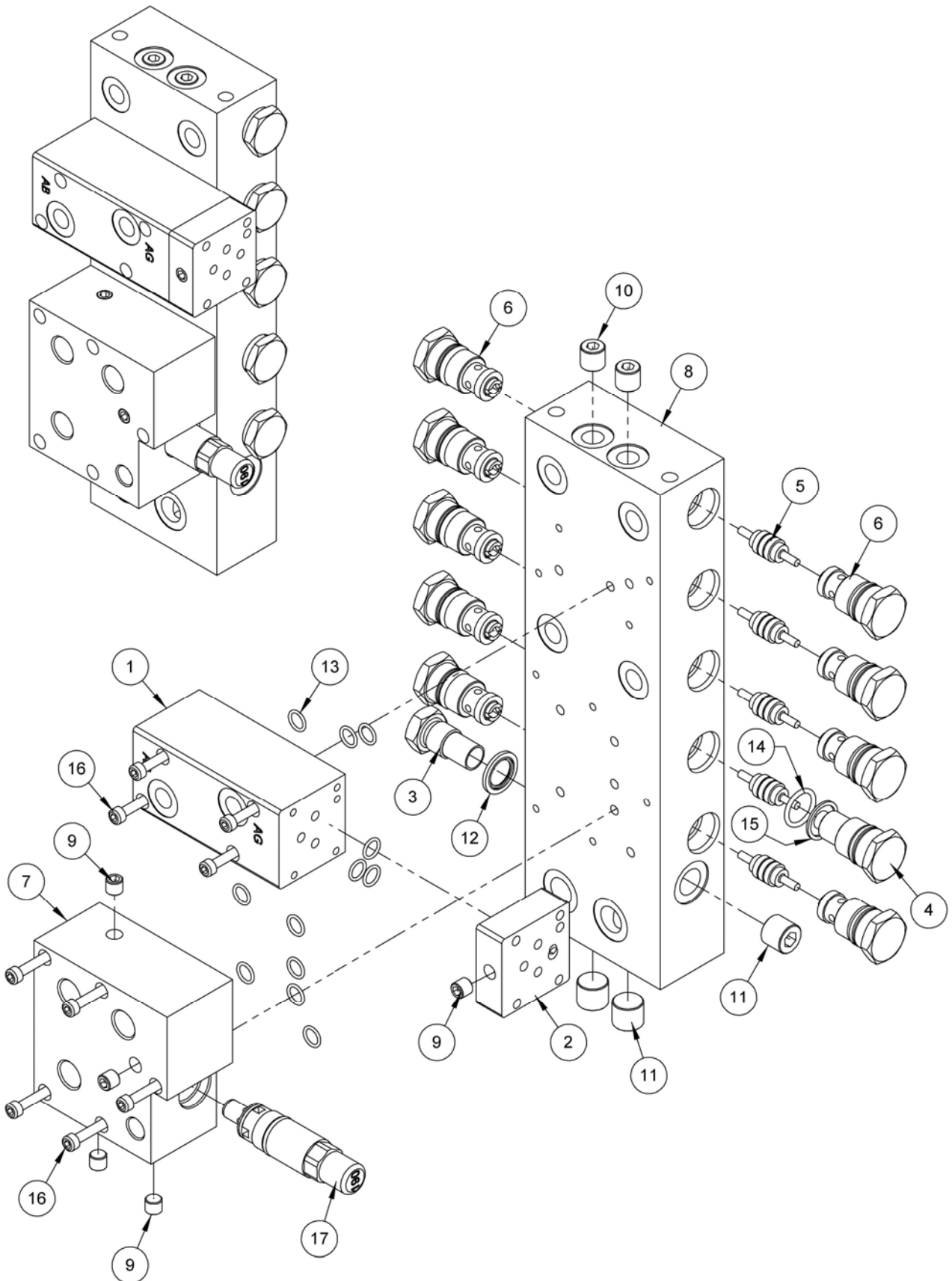
Module(s): 22523.02

REF.	QTY.	PART No.	DESCRIPTION
		22523.02	MANIFOLD ASSEMBLY - 4 BANK
1	1	8132268	MANIFOLD BLOCK
2	1	8130348	SLEW CIRCUIT BLOCK
3	1	8126333	FLOAT VALVE BLOCK
4	1	8126334	BRIDGING PLATE
5	9	9243082	CAPSCREW
6	1	8130032	RELIEF VALVE CAP
7	4	8130087	ACTUATOR
8	1	8650103	BONDED SEAL
9	7	8130090	CHECK VALVE ASSEMBLY - <i>comprising of:</i>
	1	8130025	CHECK VALVE CAP
	1	8114045	SPRING
	1	8130089	SPRING GUIDE
	1	0905509	STEEL BALL
	1	8700644	O RING
	1	8130088	CHECK VALVE SEAT
	1	8709644	BACKUP RING
10	1	8130078	CHECK VALVE CAP
11	3	8582043	TAPER PLUG
12	2	8582042	TAPER PLUG
13	5	8582041	TAPER PLUG
14	12	8700511	O RING
15	1	8700644	O RING
16	1	8709644	AE RING
17	1	G3812542	RELIEF VALVE (190BAR)

MANIFOLD ASSEMBLY (5 BANK)

McCONEL

Module(s): 22523.07

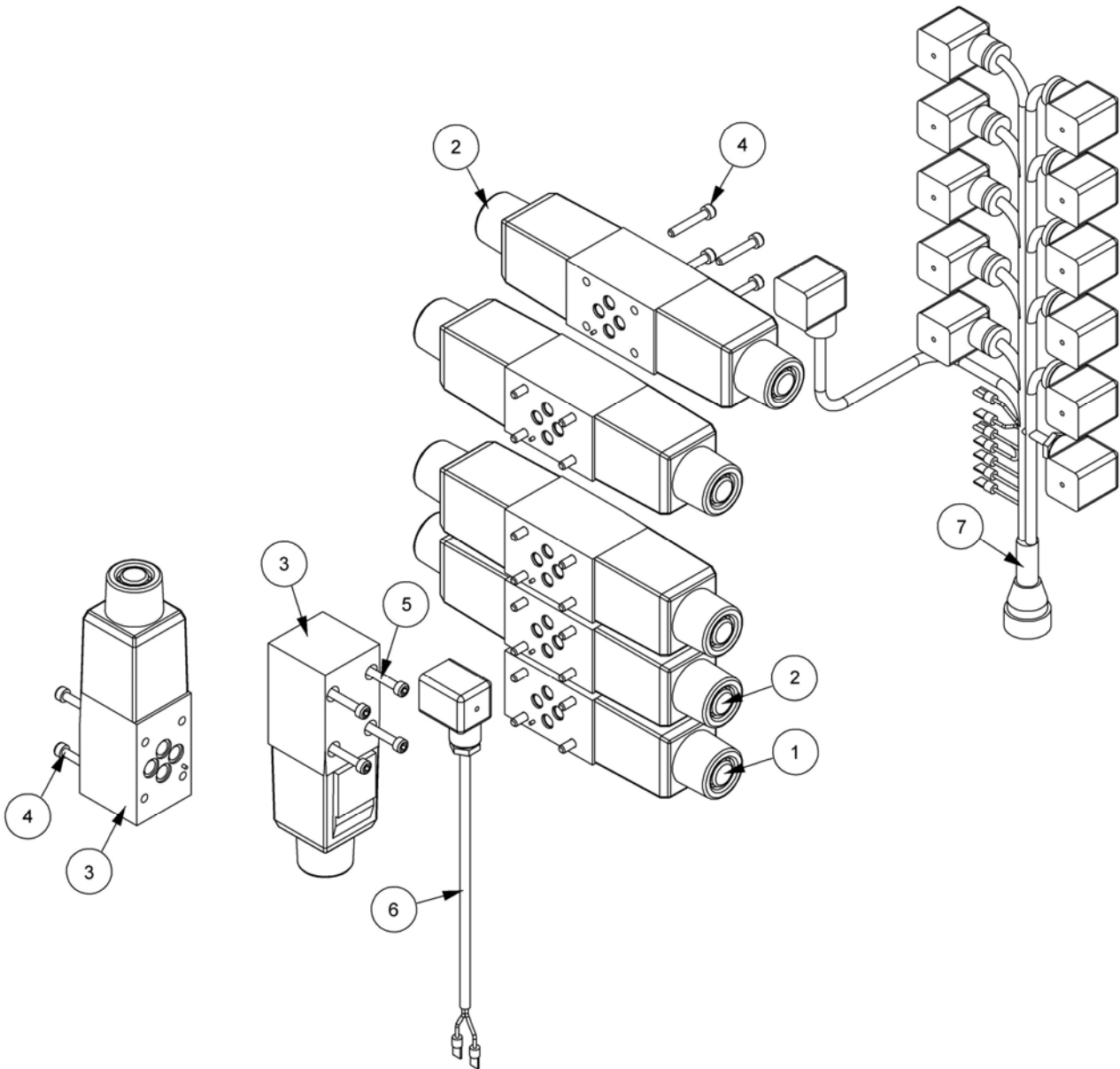


MANIFOLD ASSEMBLY (5 BANK)

McCONNEL

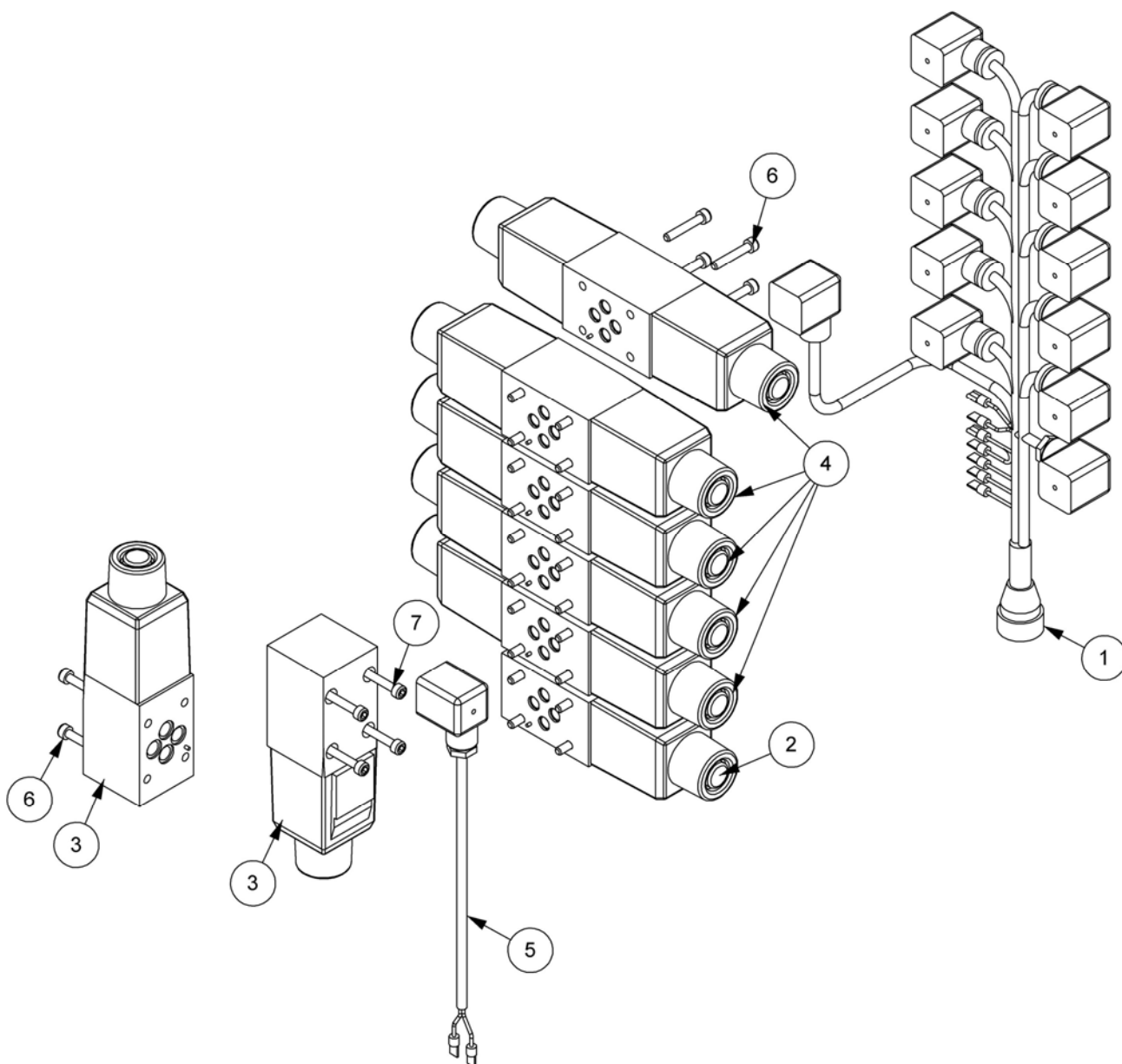
Module(s): 22523.07

REF.	QTY.	PART No.	DESCRIPTION
		22523.07	MANIFOLD ASSEMBLY - 5 BANK
1	1	8126333	FLOAT VALVE BLOCK
2	1	8126334	BRIDGING PLATE
3	1	8130032	RELIEF VALVE CAP
4	1	8130078	CHECK VALVE CAP
5	5	8130087	ACTUATOR
6	9	8130090	CHECK VALVE ASSEMBLY - <i>comprising of:</i>
	1	8130025	CHECK VALVE CAP
	1	8114045	SPRING
	1	8130089	SPRING GUIDE
	1	0905509	STEEL BALL
	1	8700644	O RING
	1	8130088	CHECK VALVE SEAT
	1	8709644	BACKUP RING
7	1	8130348	SLEW CIRCUIT BLOCK
8	1	8132269	MANIFOLD BLOCK
9	5	8582041	TAPER PLUG
10	2	8582042	TAPER PLUG
11	3	8582043	TAPER PLUG
12	1	8650103	BONDED SEAL
13	12	8700511	O RING
14	1	8700644	O RING
15	1	8709644	AE RING
16	9	9243082	CAPSCREW
17	1	G3812542	RELIEF VALVE (190BAR)



REF.	QTY.	PART No.	DESCRIPTION
		22525.02	SOLENOID MODULE
1	1	8130456	CUT OFF SOLENOID VALVE
	1	8130175	COIL (18W)
2	4	8130629	DOUBLE SOLENOID VALVE
	2	8130175	COIL (18W)
3	2	8130457	SINGLE SOLENOID VALVE
	1	8130175	COIL (18W)
4	24	9243062	CAPSCREW
5	4	9243102	CAPSCREW
6	1	8402338	LOOM - ANGLE FLOAT
7	1	41844.01	LOOM - 19 CORE
		8699224	SOLENOID SEAL KIT

Module(s): 22525.14

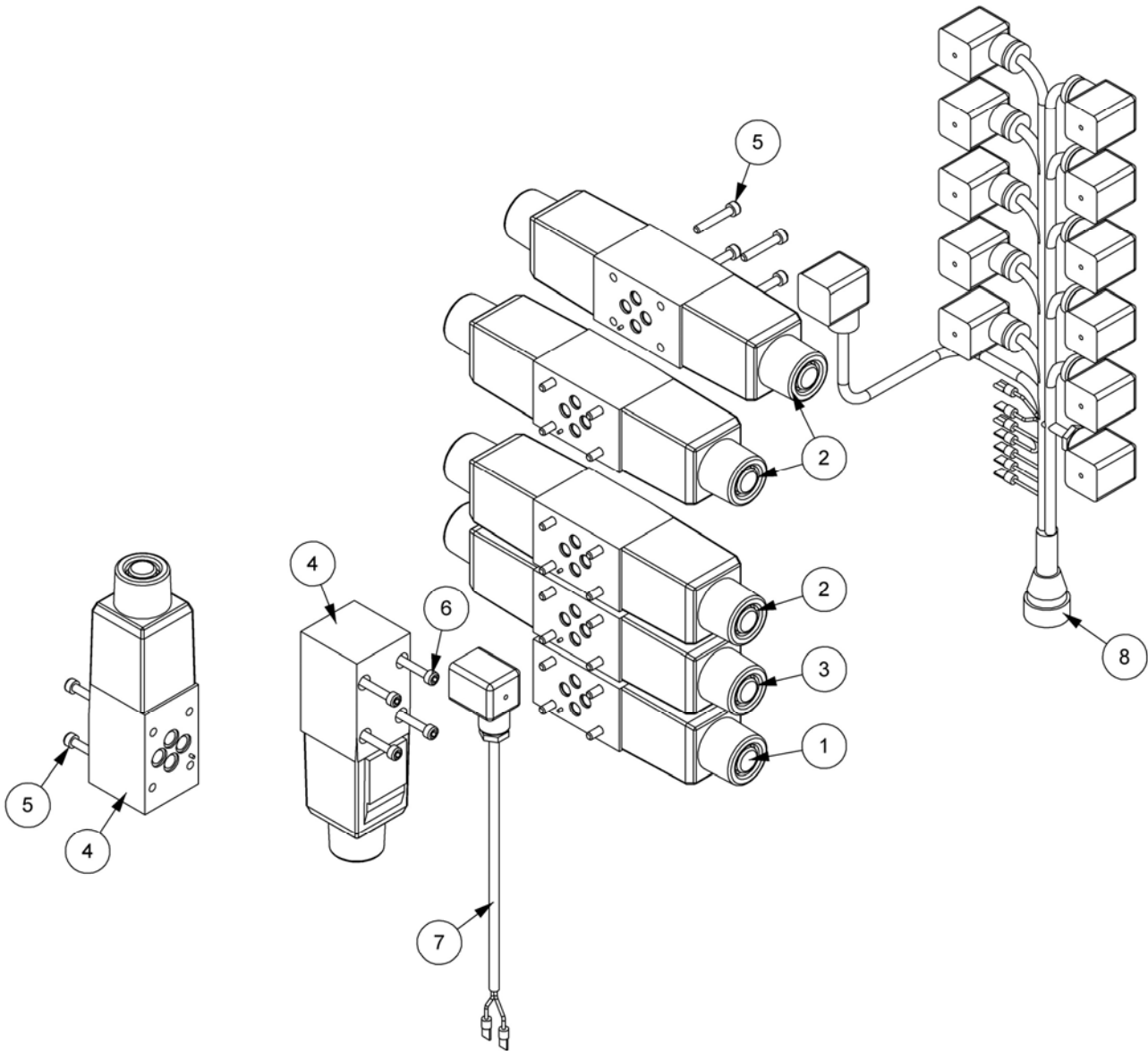


REF.	QTY.	PART No.	DESCRIPTION
		22525.14	SOLENOID MODULE
1	1	41844.01	LOOM - 19 CORE
2	1	8130456	CUT OFF SOLENOID VALVE
	1	8130175	COIL (18W)
3	2	8130457	SINGLE SOLENOID VALVE
	1	8130175	COIL (18W)
4	5	8130629	DOUBLE SOLENOID VALVE
	2	8130175	COIL (18W)
5	1	8402338	LOOM - ANGLE FLOAT
6	28	9243062	CAPSCREW
7	4	9243102	CAPSCREW
		8699224	SOLENOID SEAL KIT

SOLENOID MODULE – XTC Proportional (4 Bank)

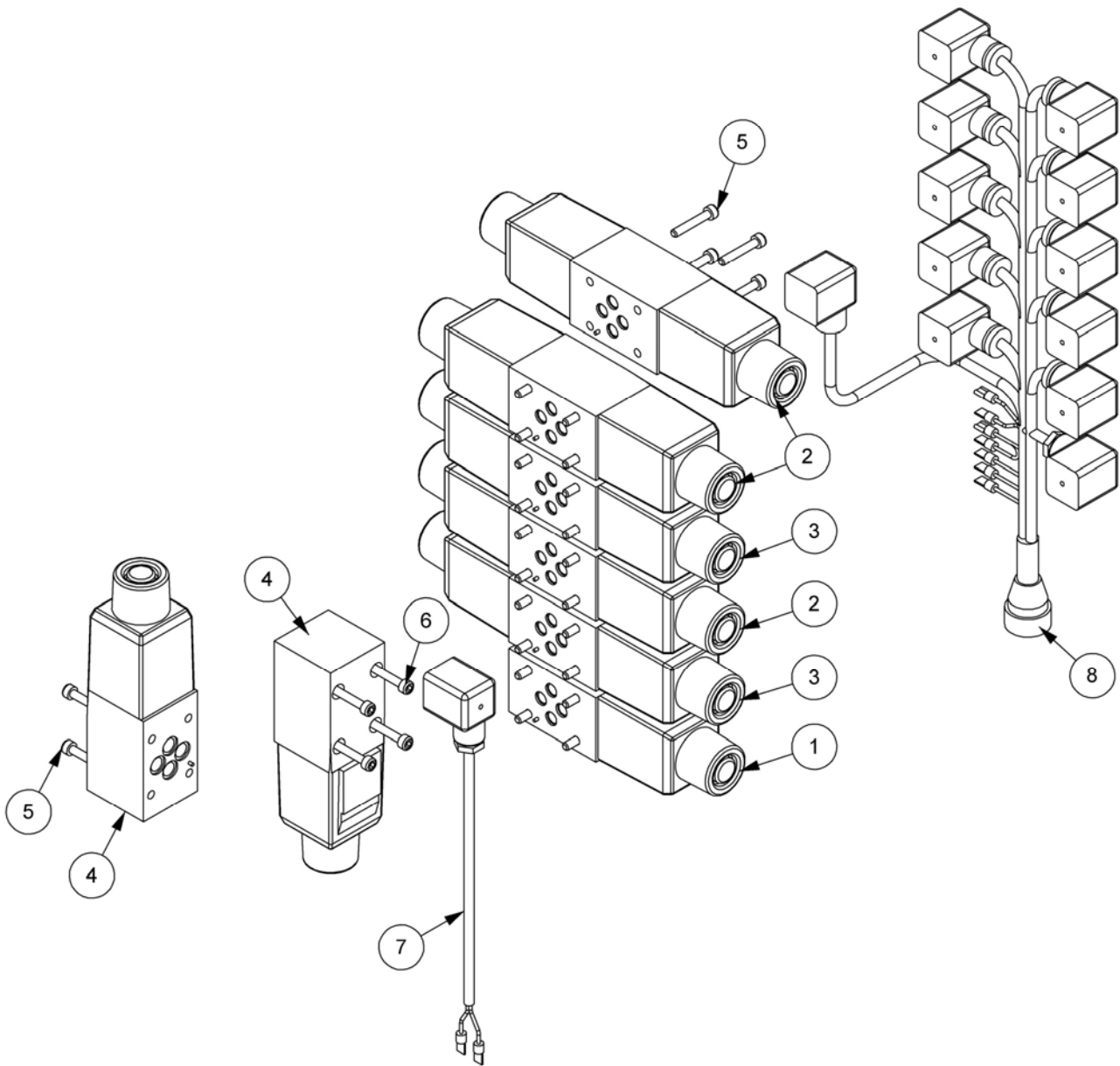
McCONEL

Module(s): 22525.10



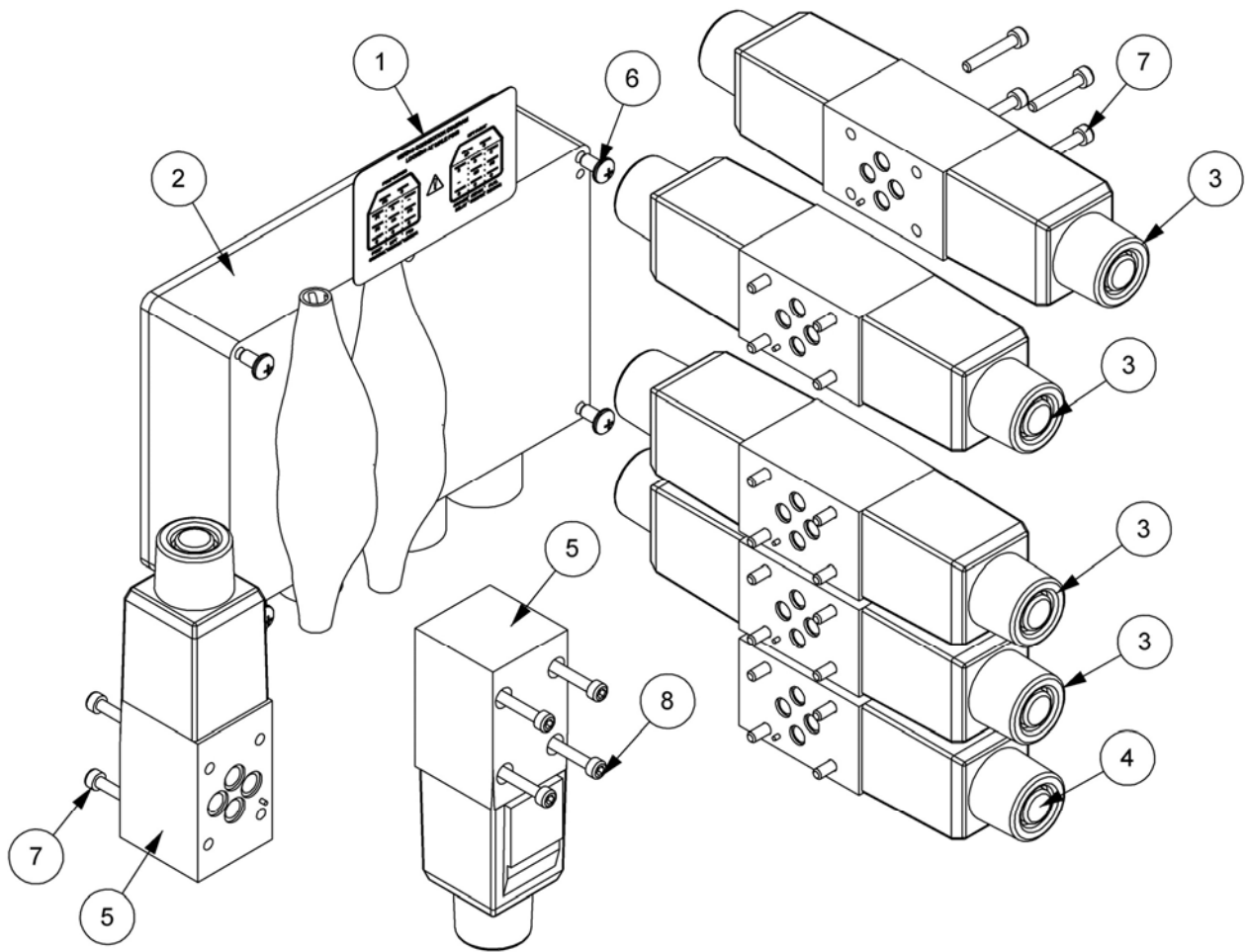
REF.	QTY.	PART No.	DESCRIPTION
		22525.10	SOLENOID MODULE
1	1	8130456	CUT OFF SOLENOID VALVE
	1	8130175	COIL (18W)
2	3	41784.48	DOUBLE SOLENOID PROP. VALVE
	2	41784.99	PROPORTIONAL COIL (18W)
3	1	8130629	DOUBLE SOLENOID VALVE
	2	8130175	COIL (18W)
4	2	8130457	SINGLE SOLENOID VALVE
	1	8130175	COIL (18W)
5	24	9243062	CAPSCREW
6	4	9243102	CAPSCREW
7	1	8402338	LOOM - ANGLE FLOAT
8	1	41844.01	LOOM - 19CORE
		8699224	SOLENOID SEAL KIT

Module(s): 22525.03



REF.	QTY.	PART No.	DESCRIPTION
		22525.03	SOLENOID MODULE
1	1	8130456	CUT OFF SOLENOID VALVE
	1	8130175	COIL (18W)
2	3	41784.48	DOUBLE SOLENOID PROP. VALVE
	2	41784.99	PROPORTIONAL COIL (18W)
3	2	8130629	DOUBLE SOLENOID VALVE
	2	8130175	COIL (18W)
4	2	8130457	SINGLE SOLENOID VALVE
	1	8130175	COIL (18W)
5	28	9243062	CAPSCREW
6	4	9243102	CAPSCREW
7	1	8402338	LOOM - ANGLE FLOAT
8	1	41844.01	LOOM - 19CORE
		8699224	SOLENOID SEAL KIT

Module(s): 22525.12

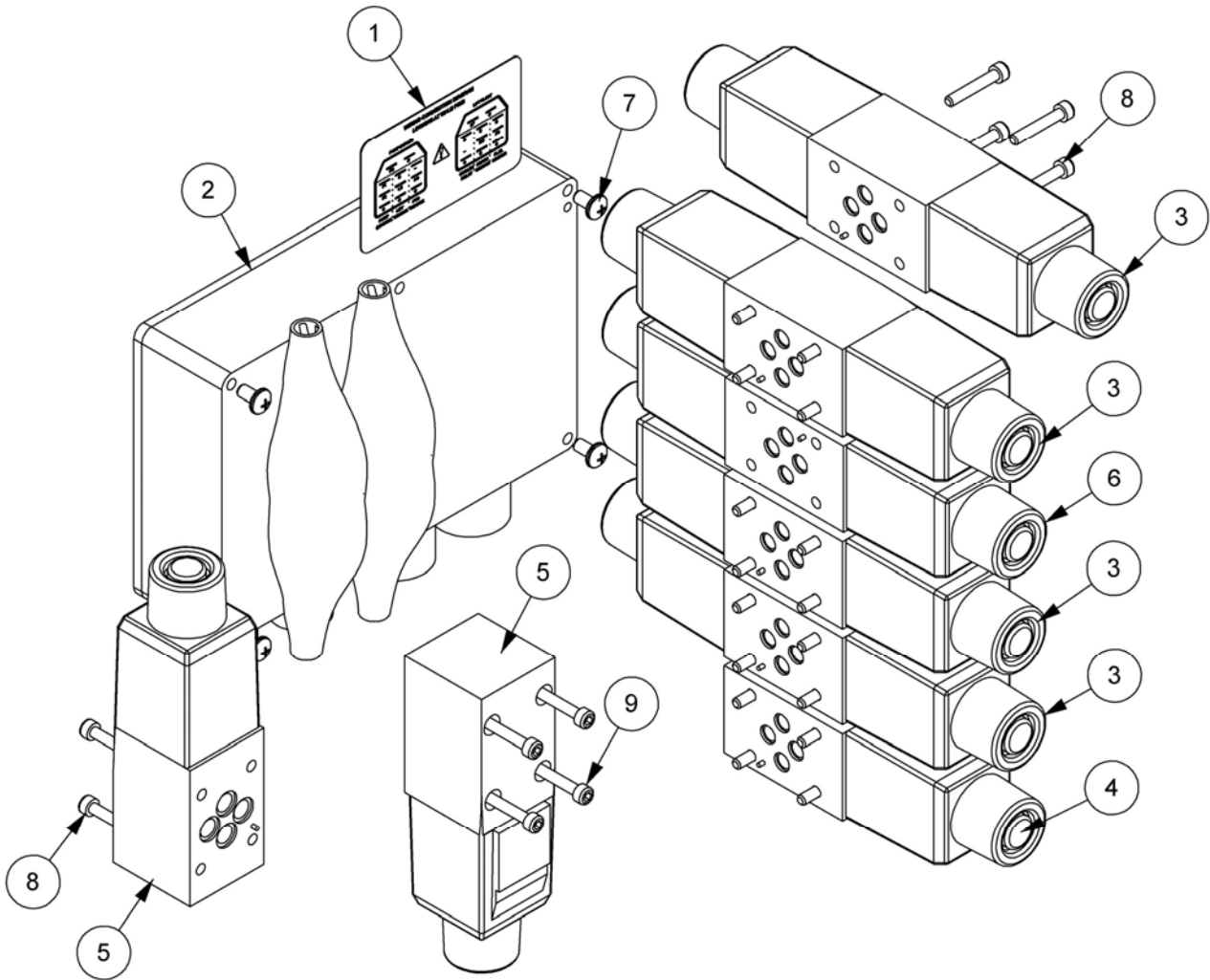


REF.	QTY.	PART No.	DESCRIPTION
		22525.12	SOLENOID MODULE
1	1	1290675	DECAL - ACB WIRING
2	1	21164.07	V4 ACB CONTROLLER MK2
3	4	41784.48	DOUBLE SOLENOID PROP. VALVE
	2	41784.99	PROPORTIONAL COIL (18W)
4	1	8130456	CUT OFF SOLENOID VALVE
	1	8130175	COIL (18W)
5	2	8130457	SINGLE SOLENOID VALVE
	1	8130175	COIL (18W)
6	4	9300164	SCREW
7	24	9243062	CAPSCREW
8	4	9243102	CAPSCREW
		8699224	SOLENOID SEAL KIT

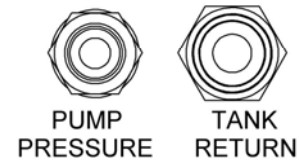
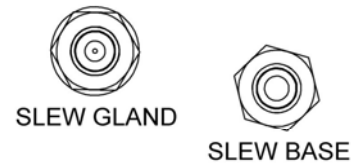
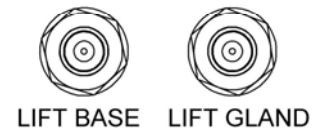
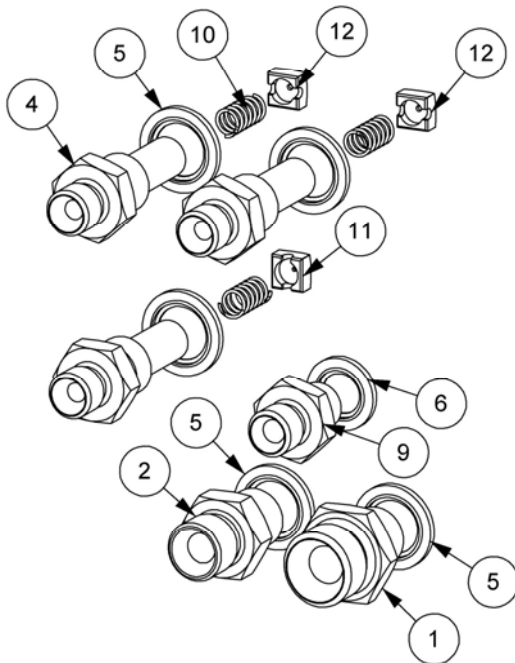
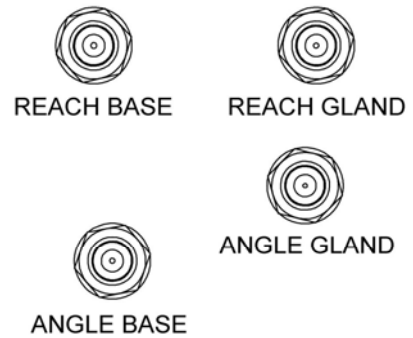
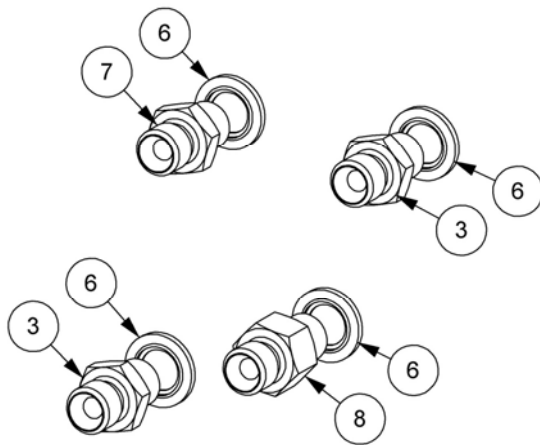
SOLENOID MODULE – V4 Proportional (5 Bank)

McCONEL

Module(s): 22525.13

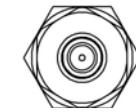
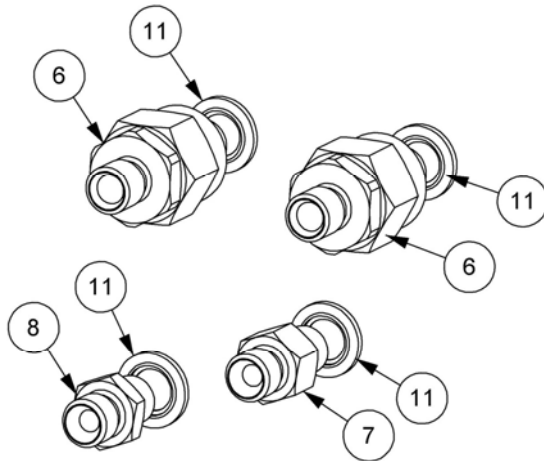


REF.	QTY.	PART No.	DESCRIPTION
		22525.13	SOLENOID MODULE
1	1	1290675	DECAL - ACB WIRING
2	1	21164.07	V4 ACB CONTROLLER MK2
3	4	41784.48	DOUBLE SOLENOID PROP. VALVE
	2	41784.99	PROPORTIONAL COIL (18W)
4	1	8130456	CUT OFF SOLENOID VALVE
	1	8130175	COIL (18W)
5	2	8130457	SINGLE SOLENOID VALVE
	1	8130175	COIL (18W)
6	1	8130629	DOUBLE SOLENOID VALVE
	1	8130175	COIL (18W)
7	4	9300164	SCREW
8	24	9243062	CAPSCREW
9	4	9243102	CAPSCREW
		8699224	SOLENOID SEAL KIT



REF.	QTY.	PART No.	DESCRIPTION
		22524.02	ADAPTORS MODULE
1	1	6000112	ADAPTOR
2	1	6000113	ADAPTOR
3	2	8130038	ADAPTOR RESTRICTOR - 1.4 'L'
4	3	8581210	SPECIAL ADAPTOR
5	5	8650103	BONDED SEAL
6	5	8650102	BONDED SEAL
7	1	8130105	ADAPTOR RESTRICTOR - 1.6 'H'
8	1	8130037	ADAPTOR RESTRICTOR - 1.15 'S'
9	1	8581169	ADAPTOR
10	3	8116011	SPRING
11	1	8123041	RESTRICTOR DISC - 1.15 RED
12	2	8123043	RESTRICTOR DISC - 1.6 GREEN

Module(s): 22524.13



REACH BASE



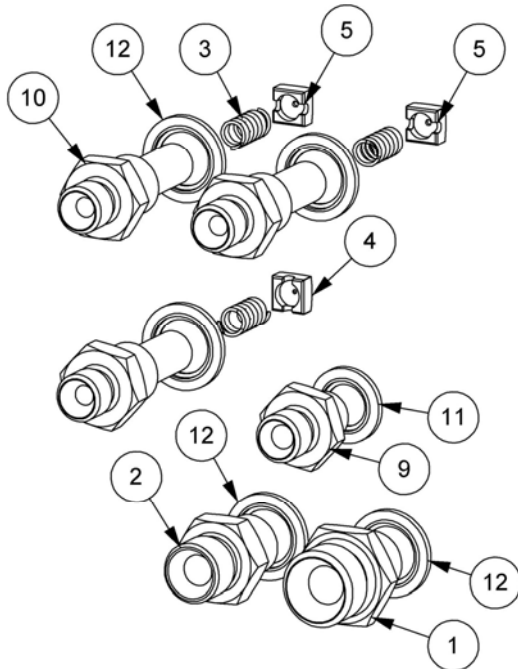
REACH GLAND



ANGLE GLAND



ANGLE BASE



LIFT BASE



LIFT GLAND



SLEW GLAND



SLEW BASE

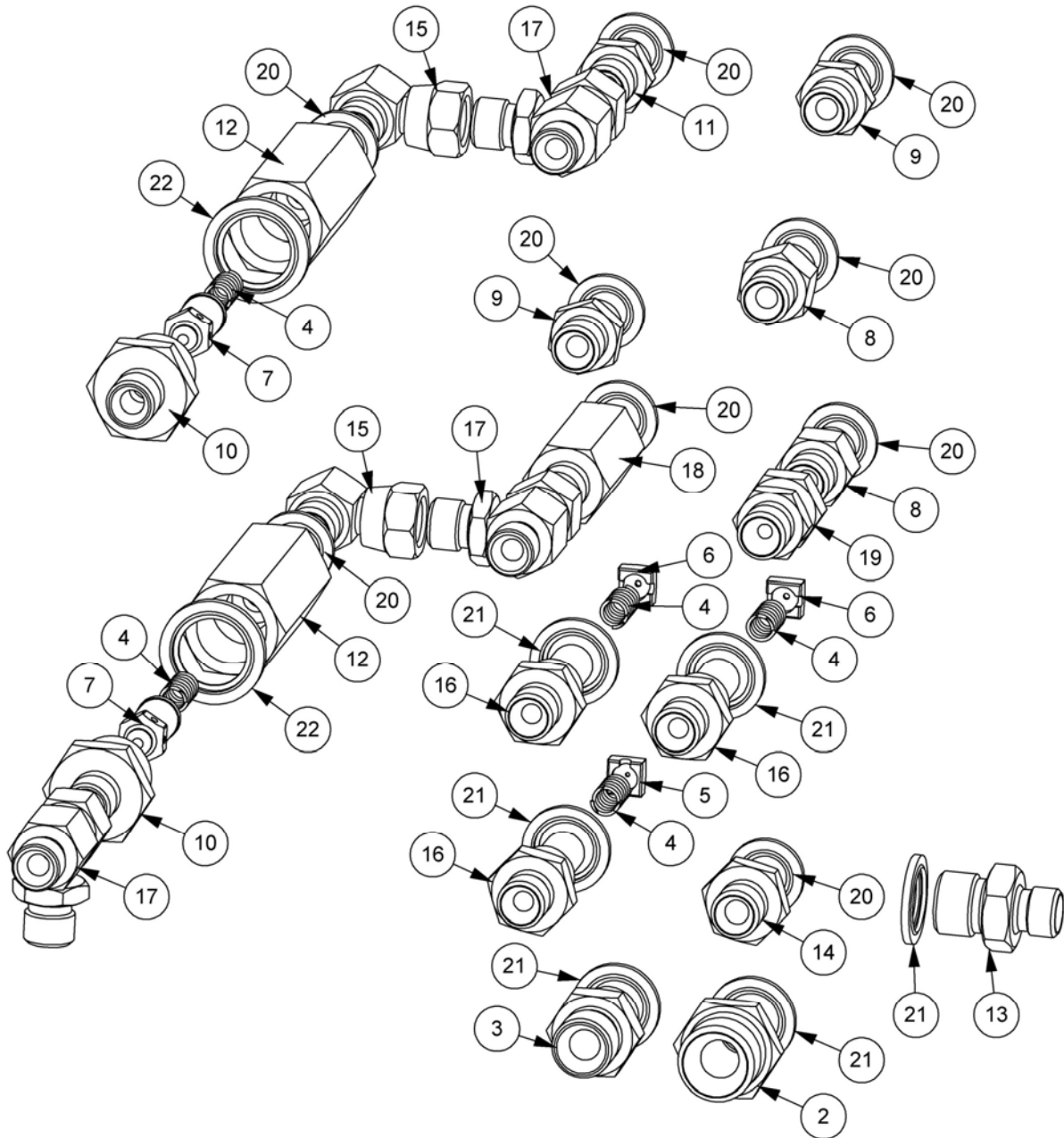


PUMP
PRESSURE



TANK
RETURN

REF.	QTY.	PART No.	DESCRIPTION
		22524.13	ADAPTORS MODULE
1	1	6000112	ADAPTOR
2	1	6000113	ADAPTOR
3	3	8116011	SPRING
4	1	8123041	RESTRICTOR DISC - 1.15 RED
5	2	8123043	RESTRICTOR DISC - 1.6 GREEN
6	2	8123090	RESTRICTOR UNION
7	1	8130037	ADAPTOR RESTRICTOR - 1.15 'S'
8	1	8130038	ADAPTOR RESTRICTOR - 1.4 'L'
9	1	8581169	ADAPTOR
10	3	8581210	SPECIAL ADAPTOR
11	5	8650102	BONDED SEAL
12	5	8650103	BONDED SEAL



REF.	QTY.	PART No.	DESCRIPTION
		22524.14	ADAPTORS MODULE
1	2	10.002.09	HOSE - 1/4" BSP FS/F90 x 450mm
2	1	6000112	ADAPTOR
3	1	6000113	ADAPTOR
4	5	8116011	SPRING
5	1	8123041	RESTRICTOR DISC - 1.15 RED
6	2	8123043	RESTRICTOR DISC - 1.6 GREEN
7	2	8130030	RELIEF VALVE (210BAR)
8	2	8130037	ADAPTOR RESTRICTOR - 1.15 'S'
9	2	8130038	ADAPTOR RESTRICTOR - 1.4 'L'
10	2	8130083	ADAPTOR RELIEF BODY
11	1	8130105	ADAPTOR RESTRICTOR - 1.6 'H'
12	2	8130156	RELIEF VALVE HOUSING

....cont'd

Module(s): 22524.14

REF.	QTY.	PART No.	DESCRIPTION
		22524.14	ADAPTORS MODULE - <i>continued</i>
13	1	8581115	ADAPTOR
14	1	8581169	ADAPTOR
15	2	8581190	ADAPTOR ELBOW - 90°
16	3	8581210	SPECIAL ADAPTOR
17	3	8581254	ADAPTOR TEE
18	1	8581279	ADAPTOR EXTENSION
19	1	8581309	SWIVEL ADAPTOR
20	9	8650102	BONDED SEAL
21	6	8650103	BONDED SEAL
22	2	8650104	BONDED SEAL

HOSE TO 'A'



REACH BASE



REACH GLAND

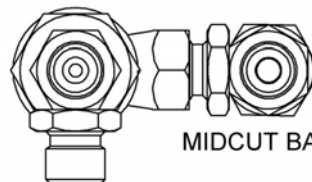


ANGLE GLAND



ANGLE BASE

HOSE TO 'B'



MIDCUT BASE



MIDCUT GLAND

A



LIFT BASE

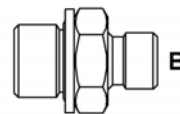


LIFT GLAND



SLEW GLAND

SLEW BASE



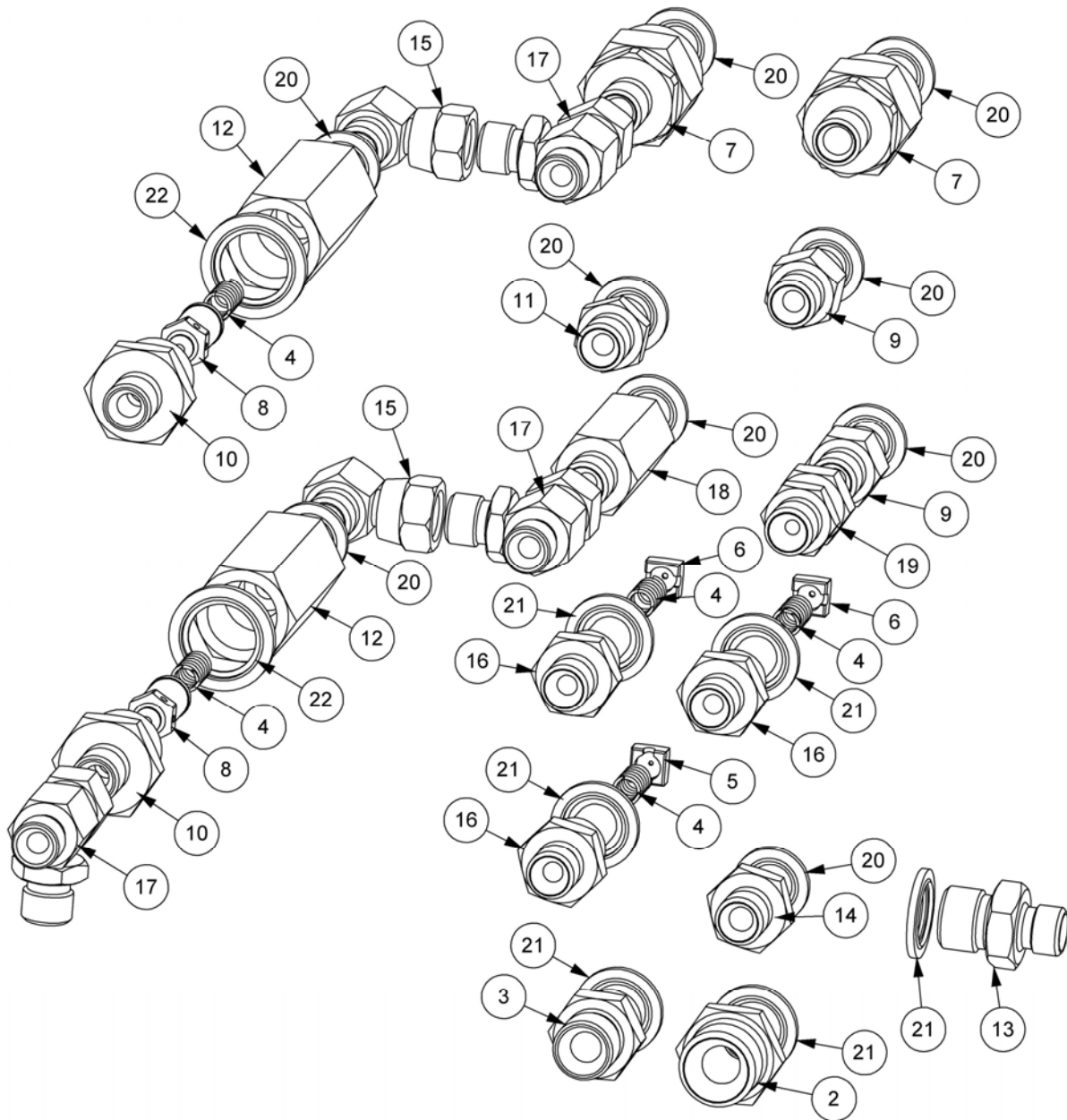
B



PUMP PRESSURE



TANK RETURN



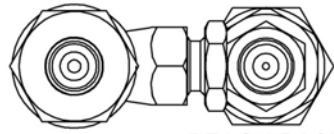
REF.	QTY.	PART No.	DESCRIPTION
		22524.15	ADAPTORS MODULE
1	2	10.002.03	HOSE - 1/4" BSP FS/F90 x 150mm
2	1	6000112	ADAPTOR
3	1	6000113	ADAPTOR
4	5	8116011	SPRING
5	1	8123041	RESTRICTOR DISC - 1.15 RED
6	2	8123043	RESTRICTOR DISC - 1.6 GREEN
7	2	8123090	RESTRICTOR UNION
8	2	8130030	RELIEF VALVE (210BAR)
9	2	8130037	ADAPTOR RESTRICTOR - 1.15 'S'
10	2	8130083	ADAPTOR RELIEF BODY
11	1	8130038	ADAPTOR RESTRICTOR - 1.4 'L'
12	2	8130156	RELIEF VALVE HOUSING

....cont'd

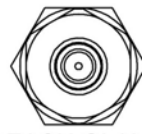
Module(s): 22524.15

REF.	QTY.	PART No.	DESCRIPTION
		22524.15	ADAPTORS MODULE - <i>continued</i>
13	1	8581115	ADAPTOR
14	1	8581169	ADAPTOR
15	2	8581190	ADAPTOR ELBOW - 90°
16	3	8581210	SPECIAL ADAPTOR
17	3	8581254	ADAPTOR TEE
18	1	8581279	ADAPTOR EXTENSION
19	1	8581309	SWIVEL ADAPTOR
20	9	8650102	BONDED SEAL
21	6	8650103	BONDED SEAL
22	2	8650104	BONDED SEAL

HOSE TO 'A'



REACH BASE



REACH GLAND

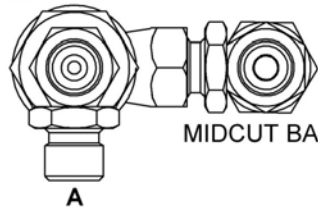


ANGLE GLAND



ANGLE BASE

HOSE TO 'B'



MIDCUT BASE



MIDCUT GLAND



LIFT BASE

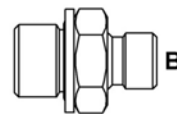


LIFT GLAND



SLEW GLAND

SLEW BASE



PUMP PRESSURE



TANK RETURN

MULTILEVER ELECTRIC CONTROLS

McCONNEL

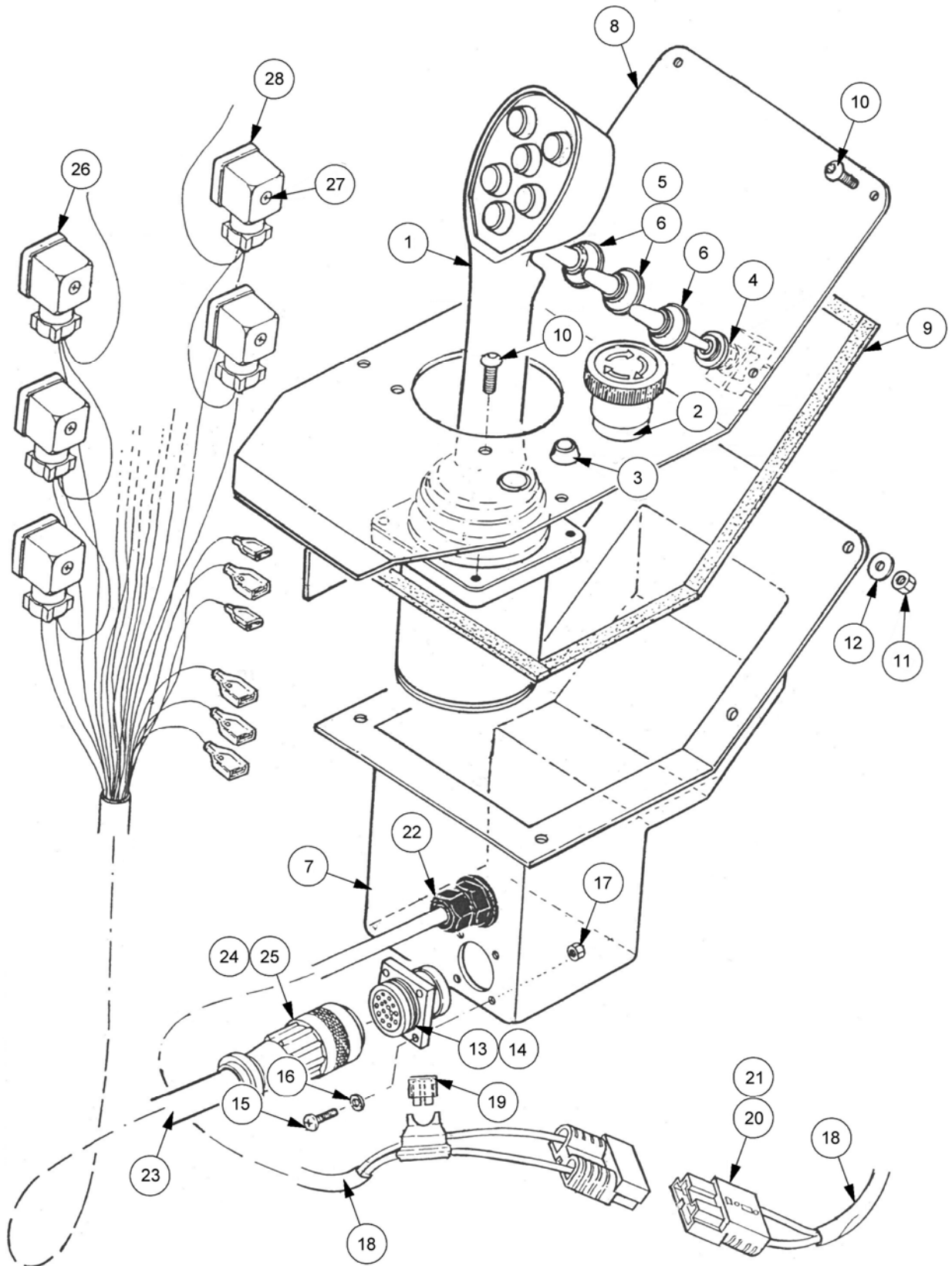
Module(s): 8402901 – Cable RCV, 8201902 – Electric RCV

REF.	QTY.	PART NO.	DESCRIPTION
		8402901	SWITCHBOX & LOOM ASSEMBLY (Cable RCV)
		41845.03	MULTI 5 LEVER SWITCHBOX (Cable RCV)
		8402902	SWITCHBOX & LOOM ASSEMBLY (Electric RCV)
		41845.04	MULTI 5 LEVER SWITCHBOX (Electric RCV)
1	1	41845.32	BOX
2	1	41845.31	LID c/w SCREWS
3	1	41845.33	CIRCUIT BOARD
			LEVER SWITCH UNIT - <i>comprising of:</i>
4	5	8402133	SWITCH BODY/LEVER/CIRCUIT BOARD c/w
5	2	8402111	BAR
6	1	8402101	SPRING
7	2	9200006	SCREW - POSIDRIVE PANHEAD
8	2	8402120	PLAIN WASHER
9	2	9113000	NUT - PLATED
10	2	8402334	SPACER
11	1	8402051	BEZEL RING
12	1	8402022	LEVER GAITER
13	5	8402056	KNOB - BLACK
14	1	8402023	SWITCH - POWER ON/OFF
15	1	8402182	SWITCH - SLEW/AUTO RESET
16	1	41845.35	LOOM - SLEW/AUTO RESET SWITCH
17	1	8402197	SWITCH - FLOAT
18	1	41845.37	LOOM - FLOAT SWITCH
19	1	41845.41	L.E.D. AND LOOM
20	5	8402024	WEATHER GAITER
21	1	8402232	POWER LOOM - <i>including:</i>
22	1	43034.02	FUSE
23	2	8402230	CONTACTS HOUSING
24	4	8402229	CONTACTS
25	1	8402042	GLAND
26	1	8402189	SOCKET SHELL
27	19	8402192	PIN SOCKET
28	4	2800203	SCREW
29	1	41844.01	WIRING LOOM - <i>including:</i>
30	12	07.835.04	PLUG - INCLUDING SCREW & GASKET
31	1	07.835.03	SCREW
32	1	07.835.02	GASKET
33	1	8402345	MOUNTING BRACKET
34	4	2800243	SELF-TAPPING SCREW
35	1	8402193	SPECIAL TOOL - <i>not illustrated</i>

MONOLEVER ELECTRIC CONTROLS

Module(s): 8402905 – Cable RCV, 8201906 – Electric RCV

McCONEL



MONOLEVER ELECTRIC CONTROLS



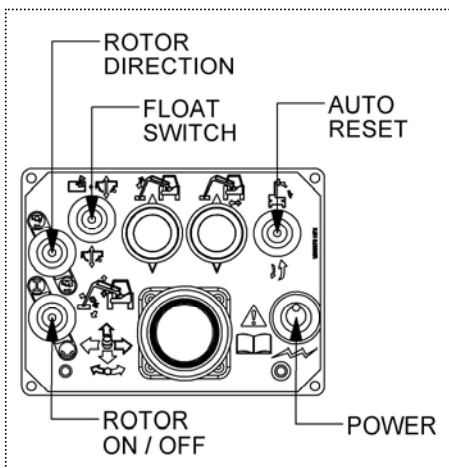
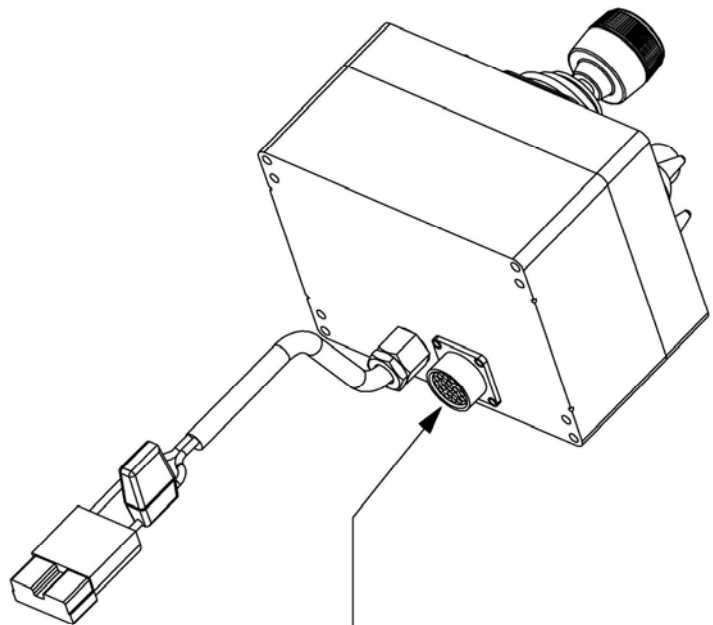
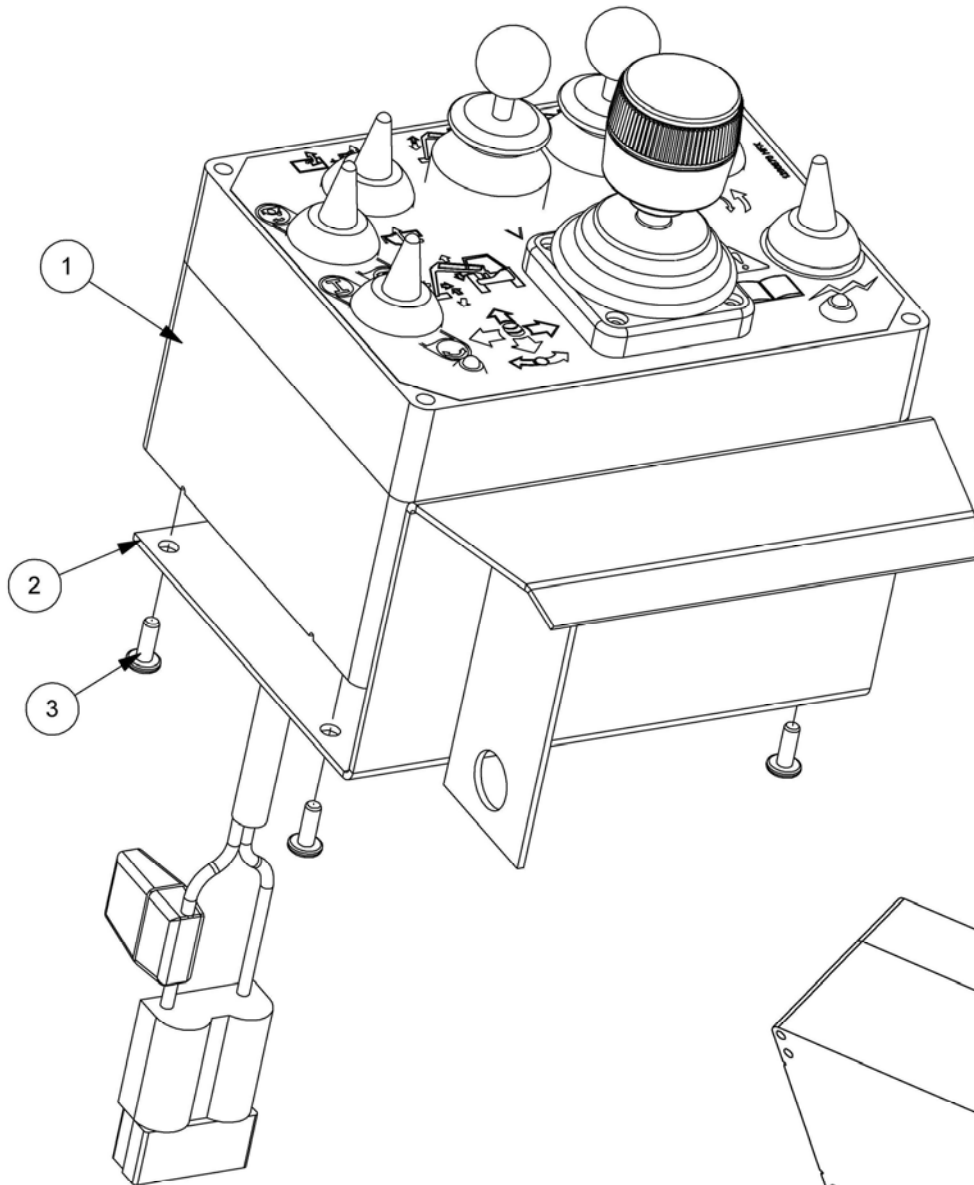
Module(s): 8402905 – Cable RCV, 8201906 – Electric RCV

REF.	QTY.	PART NO.	DESCRIPTION
		8402905	MONOLEVER CONTROL UNIT (Cable RCV)
		41590.03	CONTROL ASSEMBLY (Cable RCV)
		8402906	MONOLEVER CONTROL UNIT (Electric RCV)
		41590.05	CONTROL ASSEMBLY (Electric RCV)
1	1	41590.32	JOYSTICK - <i>Including Circuit Board</i>
2	1	8402184	POWER ON / EMERGENCY STOP
3	1	8402174	L.E.D. MAIN POWER ON
4	1	8402182	SWITCH - SLEW / AUTO RESET
5	2	8402023	SWITCH - LIFT AND ANGLE FLOAT
6	3	8402024	WEATHER COVER
7	1	7550300	COVER POD
8	1	7550339	TOP PLATE
9	1	7290052	SEALING STRIP (<i>Cut to suit</i>)
10	10	9300125	SCREW - BUTTON HEAD
11	6	9143003	SELF LOCKING NUT
12	6	9100103	WASHER
13	1	8402189	SOCKET SHELL
14	14	8402192	FEMALE SOCKET PIN
15	4	9200007	SCREW - POSIDRIVE PANHEAD
16	4	9100400	EXTERNAL SERRATED WASHER
17	4	9100013	NUT - PLATED
18	1	8402232	POWER LOOM - <i>Including:</i>
19	1	43034.03	FUSE
20	2	8402230	CONTACT HOUSING
21	4	8402229	CONTACTS
22	1	8402042	GLAND
23	1	41844.01	WIRING LOOM - <i>Including:</i>
24	1	8402188	SHELL
25	1	8402190	CABLE CLAMP
26	12	07.835.04	PLUG - <i>Including:</i>
27	1	07.835.03	SCREW
28	1	07.835.02	GASKET
29	1	8402193	SPECIAL TOOL

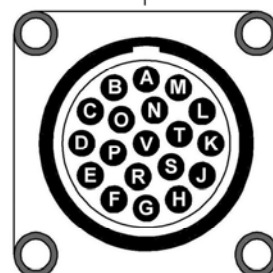
XTC PROPORTIONAL CONTROLS

McCONEL

Module(s): 8402911



- A - COMMON
- B - REACH IN
- C - REACH OUT
- D - LIFT UP
- E - LIFT DOWN
- F - COMMON
- G - TELE IN
- H - TELE OUT
- J - ANGLE DOWN
- K - ANGLE UP



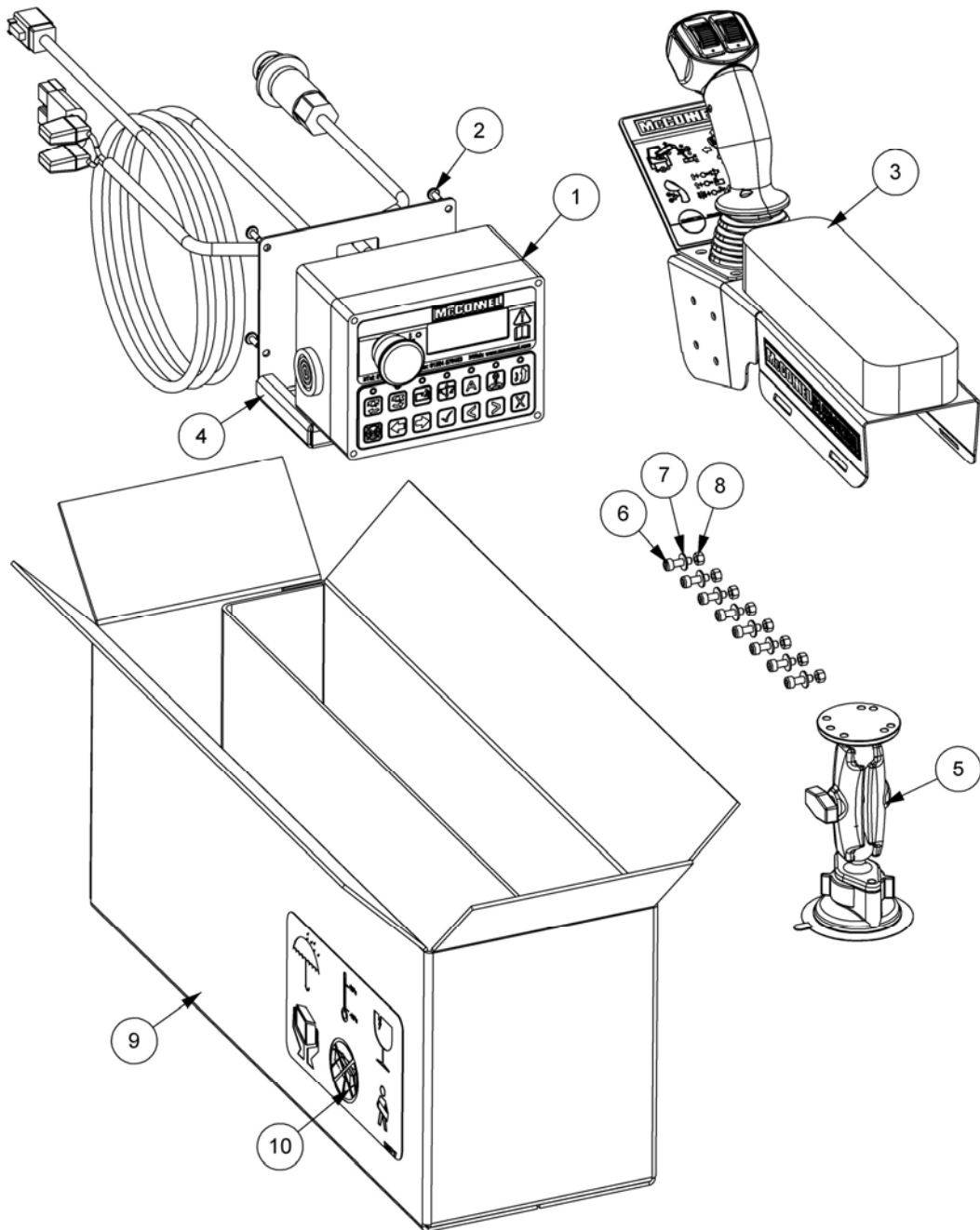
- L - SLEW OUT
- M - SLEW IN
- N - COMMON
- P - ANGLE FLOAT
- R - LIFT FLOAT
- S - PUMP 1
- T - PUMP 2
- U - AUTO RESET
- V - CUT OFF

XTC PROPORTIONAL CONTROLS

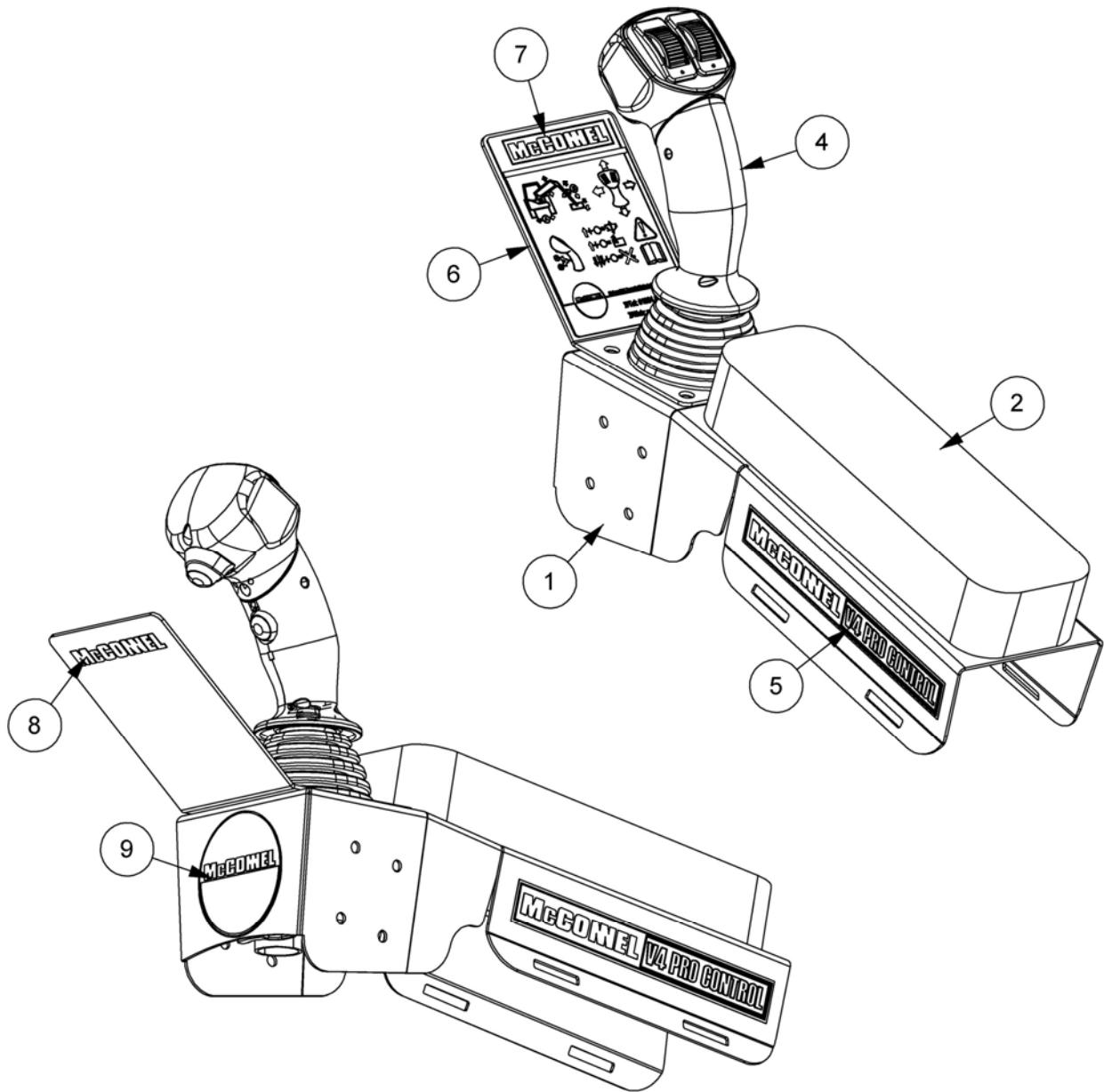


Module(s): 8402911

REF.	QTY.	PART NO.	DESCRIPTION
		8402911	XTC PROPORTIONAL CONTROLS
1	1	8402395	PROPORTIONAL SWITCHBOX UNIT - c/o:
	1	41845.44	BOX BASE
	1	41845.45	BOX LID
	1	41845.47	CIRCUIT BOARD
	2	41845.34	LOOM - SWITCH UNIT
	1	41845.37	LOOM - FLOAT SWITCH
	1	43022.49	CONNECTOR - SINGLE FUSE
	1	8402189	PANEL MOUNTING SHELL
	1	8402149	GLAND - PLASTIC
	4	2800203	SCREW
	2	8402122	SWITCH UNIT
	1	8402023	TOGGLE SWITCH
	1	8402197	SWITCH - FLOAT SELECTION
	2	41845.41	LED
	5	8402024	SWITCH COVER
	1	8402198	KNOB - BLUE
	1	8402056	KNOB - BLACK
	1	8402237	LOOM - POWER SUPPLY
	19	8402192	SOCKET CONTACT
	1	8402173	SWITCH - PUMP POWER / RESET
	1	8402182	SWITCH - AUTO RESET
	1	8402185	SWITCH - ROTOR DIRECTION
	1	1290670	DECAL - PROPORTIONAL SWITCHBOX
	1	41845.36	LOOM - PUMP CONTROL
	1	41845.35	LOOM - RESET
	1	8402246	JOYSTICK - 3 AXIS
2	1	8402345	SWITCHBOX MOUNTING BRACKET
3	4	2800243	SELF TAPPING SCREW



REF.	QTY.	PART No.	DESCRIPTION
		22073.01	V4 CONTROLS WITH JC6000
1	1	22073.14	V4 CONTROL BOX (MK2)
2	4	2800243	SELF TAPPING SCREW
3	1	22073.03	V4 JOYSTICK ARMREST ASSEMBLY
4	1	22073.58	SCREEN MOUNT
5	1	22073.09	V4 SCREEN MOUNT KIT
6	8	9343032	CAPSCREW
7	8	9100102	FLAT WASHER
8	8	9143002	SELF-LOCKING NUT
9	1	8402700	WATER PROOF CARDBOARD BOX
10	1	1290717	BOX DECAL

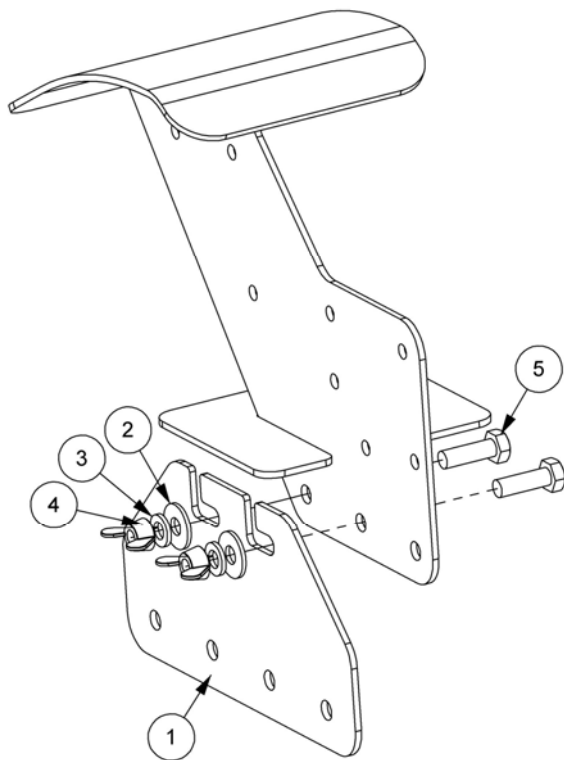


REF.	QTY.	PART No.	DESCRIPTION
		22073.03	V4 JOYSTICK ARMREST ASSEMBLY
1	1	22073.44	JOYSTICK ARMREST MOUNT
2	1	22073.45	ARM REST FOAM
3	2	7106187	NYLON STRAP <i>(Not Illustrated)</i>
4	1	22073.16	JOYSTICK c/w THUMB SWITCHES
5	2	1290740	DECAL - V4 PRO CONTROL
6	1	22073.59	DECAL MOUNT
7	1	1290739	DECAL - V4 OPERATIONS
8	1	1290741	DECAL - McCONNEL
9	1	1290742	DECAL - McCONNEL ROUNDEL

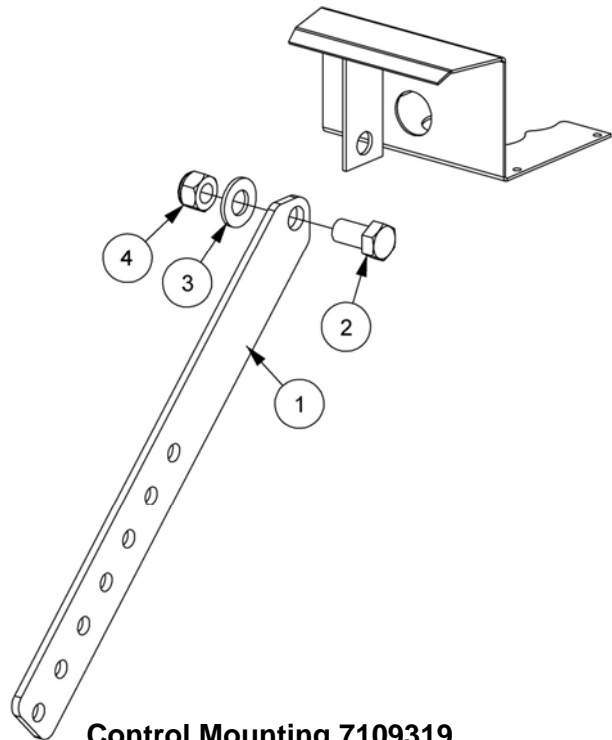
CONTROL MOUNTING ASSEMBLIES

McCONEL

Module(s): 7313282 – Cable Controls, 7109319 – Switchbox Controls



Control Mounting 7313282



Control Mounting 7109319

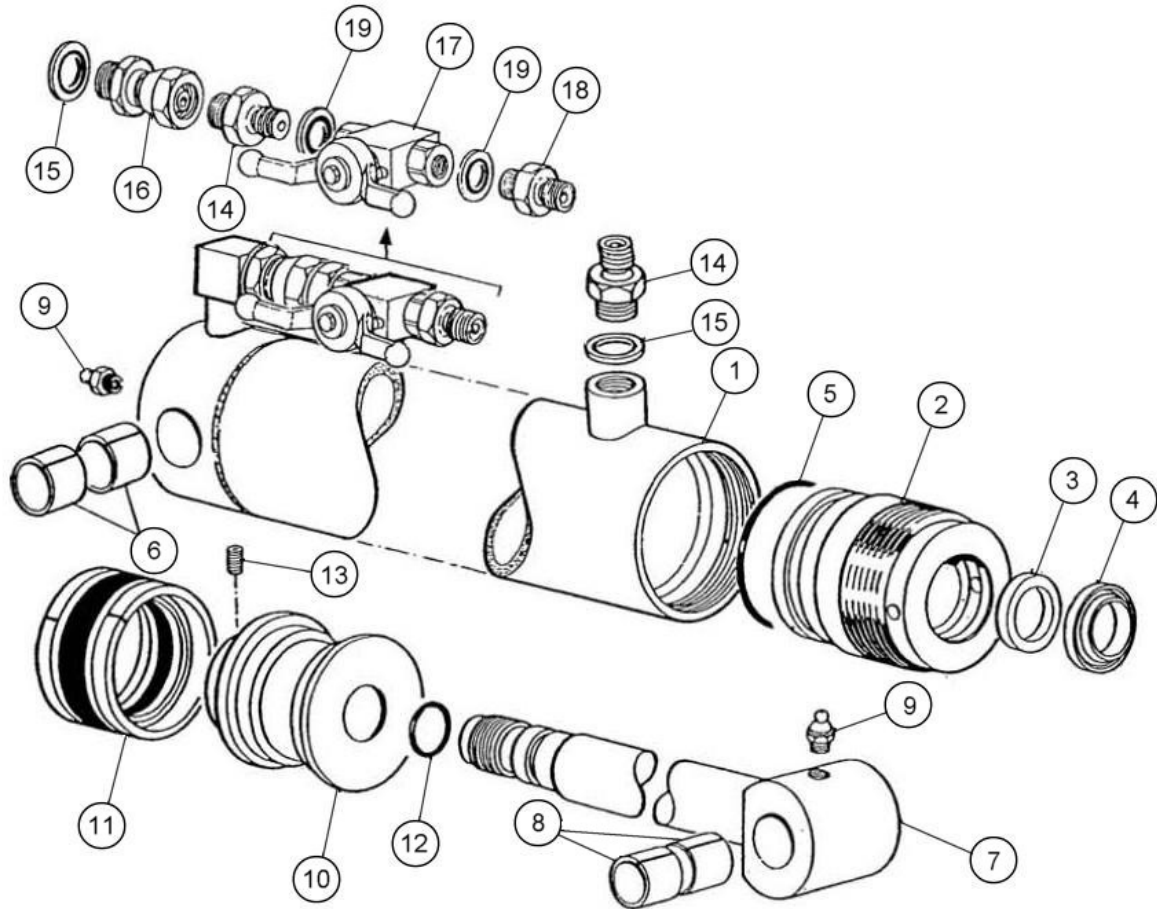
REF.	QTY.	PART No.	DESCRIPTION
		7313282	CABLE CONTROL MOUNTING KIT
1	1	42491.01	CAB MOUNTING BRACKET
2	2	9100104	FLAT WASHER
3	2	9100204	SPRING WASHER
4	2	9193004	WING NUT
5	2	9313054	SETSCREW

REF.	QTY.	PART No.	DESCRIPTION
		7109319	ELECTRIC SWITCHBOX MOUNTING KIT
1	1	7109146	CONTROL MOUNTING PILLAR
2	1	9313067	SETSCREW
3	1	0100106	FLAT WASHER
4	1	9163007	NYLOC NUT

LIFT RAM ASSEMBLY

McCONNEL

Module(s): 42095.02

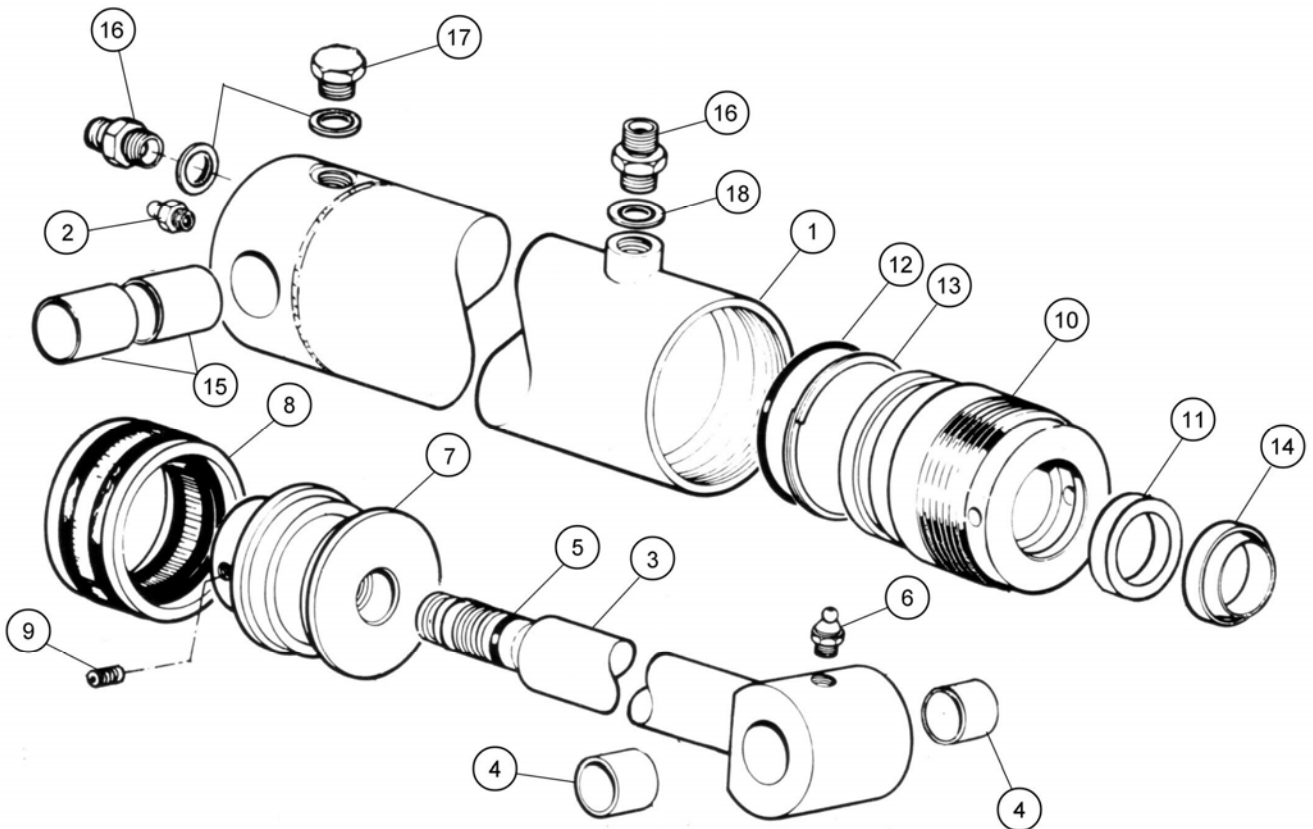


REF.	QTY.	PART NO.	DESCRIPTION
		42095.02	LIFT RAM & TAP ASSEMBLY
		42095.01	LIFT RAM ASSEMBLY - <i>Comprising of:</i>
1	1	42095.31	BARREL
2	1	42095.38	GLAND HOUSING
3	1	8629158	GLAND SEAL
4	1	8629152	ROD WIPER
5	1	8600742	O RING
6	2	7101134	BUSH
7	1	42968.01	ROD
8	2	6012032	BUSH
9	2	0901121	GREASER
10	1	42095.34	PISTON
11	1	8638742	PISTON SEAL
12	1	8600119	O RING
13	1	9363023	GRUBSCREW
14	2	8581115	UNION
15	2	8650103	BONDED SEAL
16	1	8581178	SWIVEL UNION
17	1	8130181	TAP
18	1	8581169	UNION
19	2	8650102	BONDED SEAL
		8699249	SEAL KIT

REACH RAM ASSEMBLY

McCONNEL

Module(s): 7193334

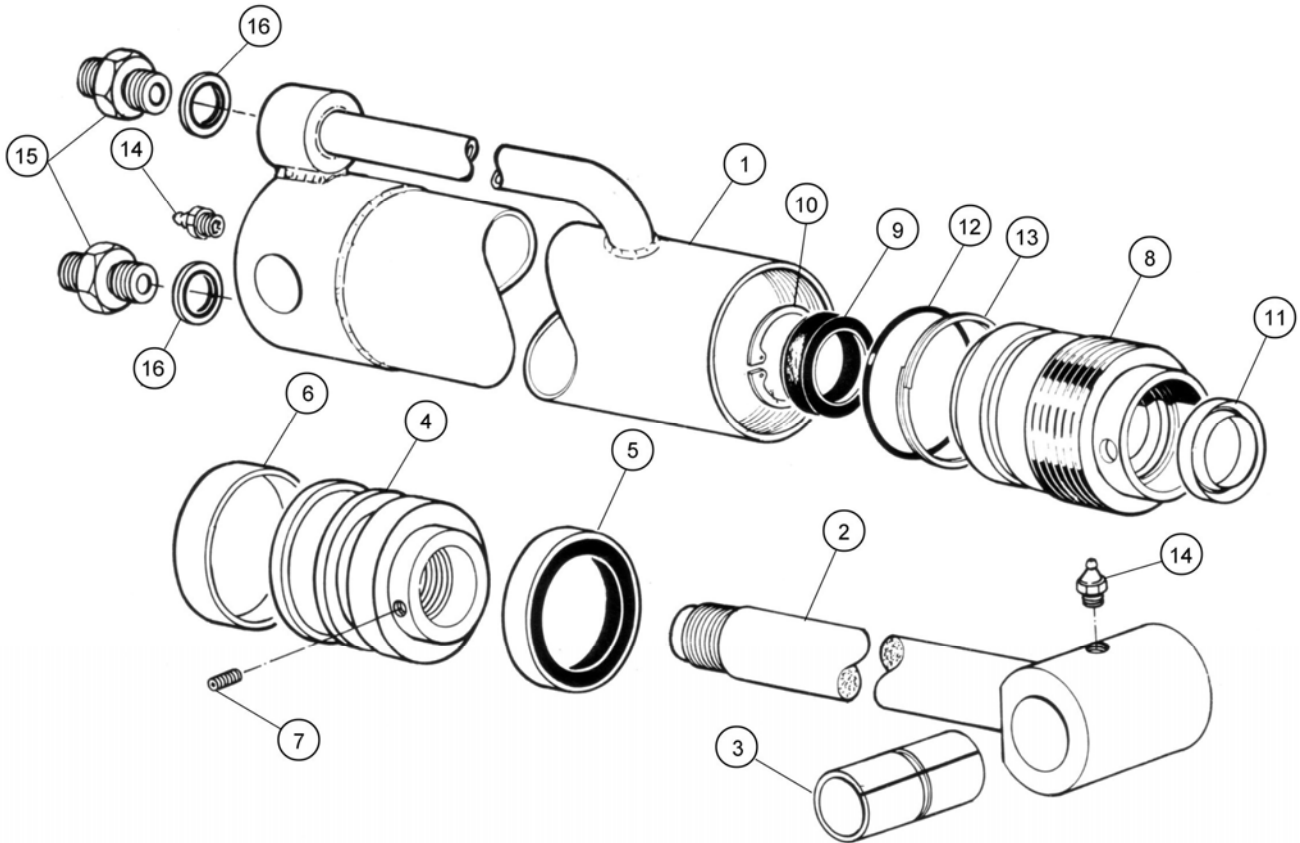


REF.	QTY.	PART No.	DESCRIPTION
		7193334	REACH RAM ASSEMBLY
		7193332	RAM BASE - <i>Comprising of:</i>
1		7135283	RAM CYLINDER
2		0901121	GREASER
3		7193029	PISTON ROD
4		6012032	BUSH
5		8600119	O RING
6		0901121	GREASER
7		7135004	PISTON c/w SEAL & GRUB SCREW
8		8638740	PISTON SEAL
9		9363023	GRUB SCREW
10		7135282	GLAND HOUSING
11		8629164	GLAND SEAL
12		8700740	O RING
13		8709740	ANTI EXTRUSION RING
14		8629147	WIPER
15		7101134	BUSH (RAM BASE)
16		8581115	UNION
17		8003001	PLUG
18		8650103	BONDED SEAL
		8699187	SEAL KIT

ANGLING RAM ASSEMBLY

McCONNEL

Module(s): 7560344



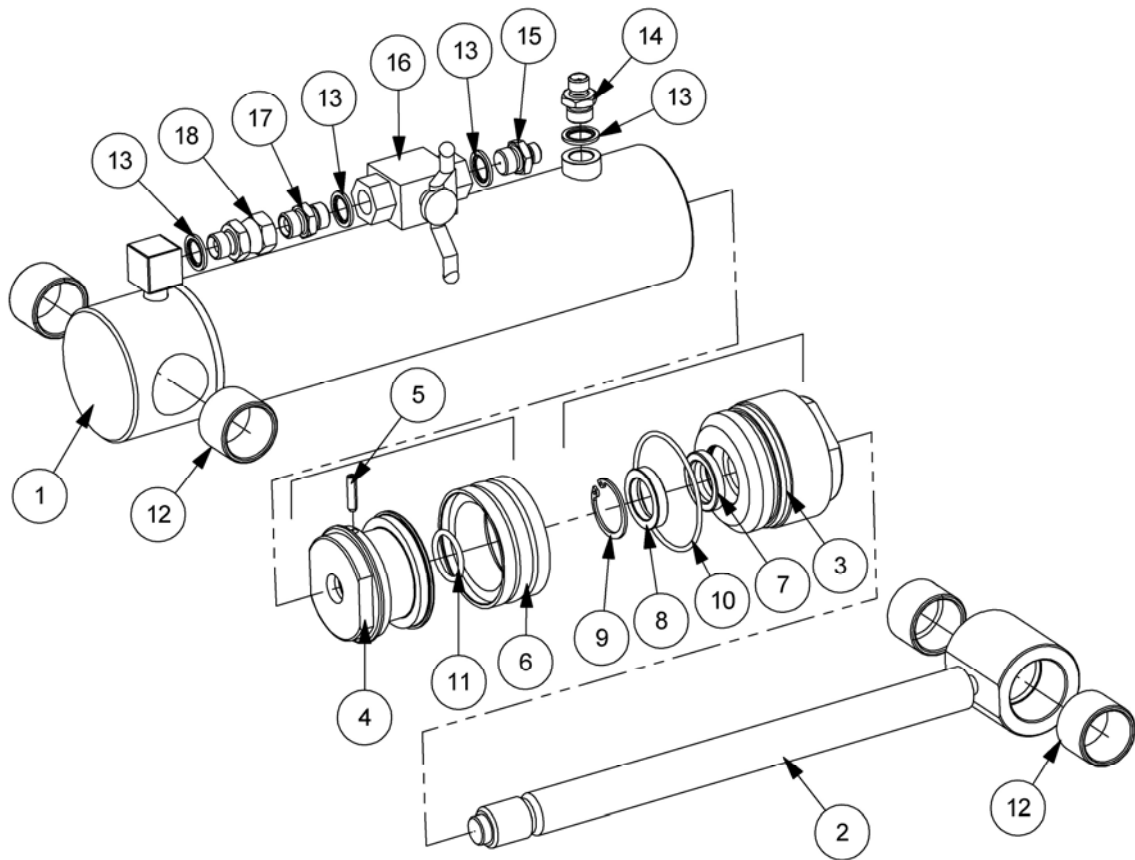
REF.	QTY.	PART No.	DESCRIPTION
		7560344	ANGLING RAM ASSEMBLY
1	1	7135292	CYLINDER
2	1	7135009	ROD
3	1	7105050	BUSH
4	1	7560095	PISTON
5	1	8629187	PISTON SEAL
6	1	8629188	BEARING RING
7*	1	9363023	GRUB SCREW - SOCKET HEAD
8	1	7135291	GLAND HOUSING
9	1	8629148	GLAND SEAL
10	1	0416240	INTERNAL CIRCLIP
11	1	8629149	WIPER SEAL
12	1	8600302	O' RING
13	1	8609302	ANTI EXTRUSION RING
14	2	0901121	GREASER
15	2	8581169	UNION
16	2	8650102	BONDED SEAL
		8699188	SEAL KIT

* Assembly note: Tighten fully and centre punch edge of hole to secure.

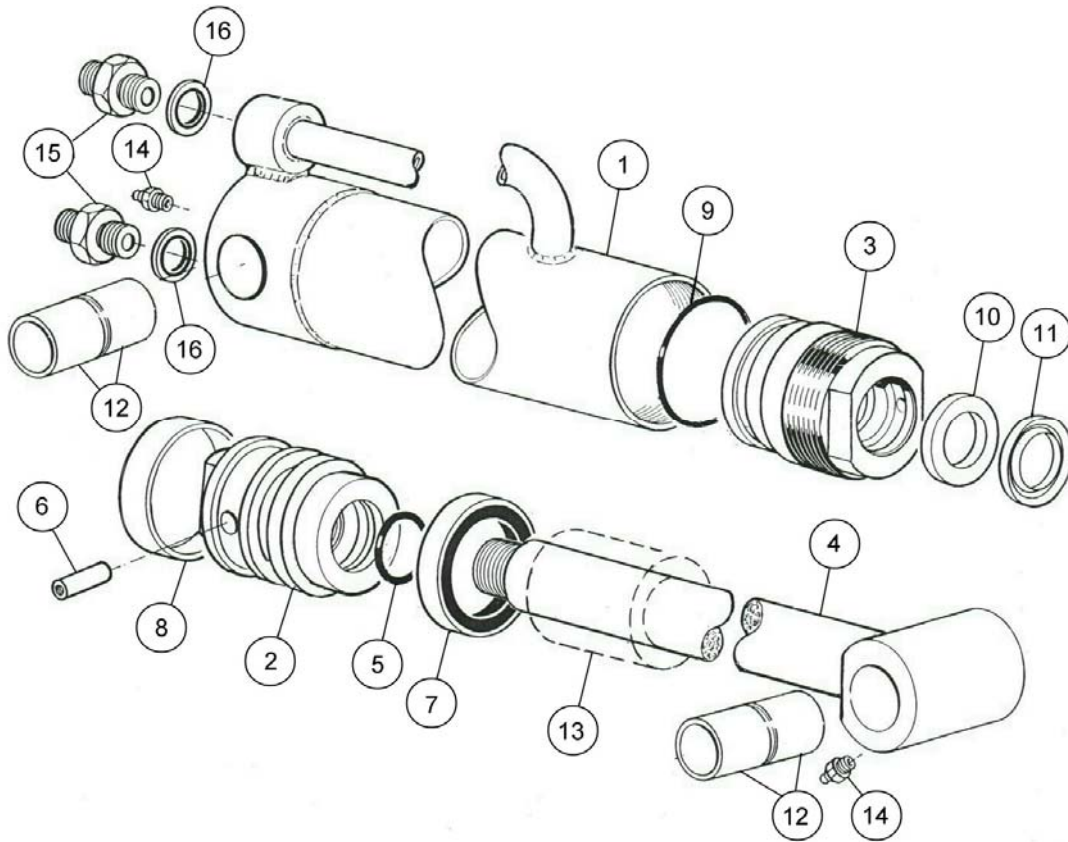
SLEW RAM ASSEMBLY

McCONEL

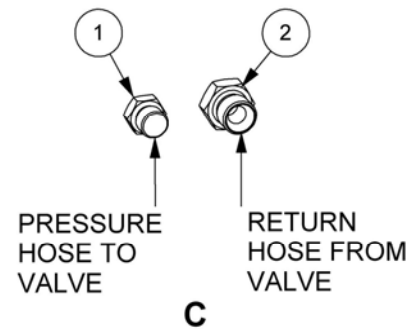
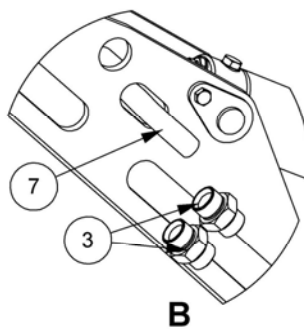
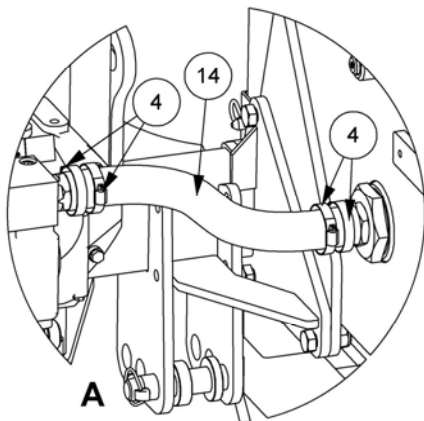
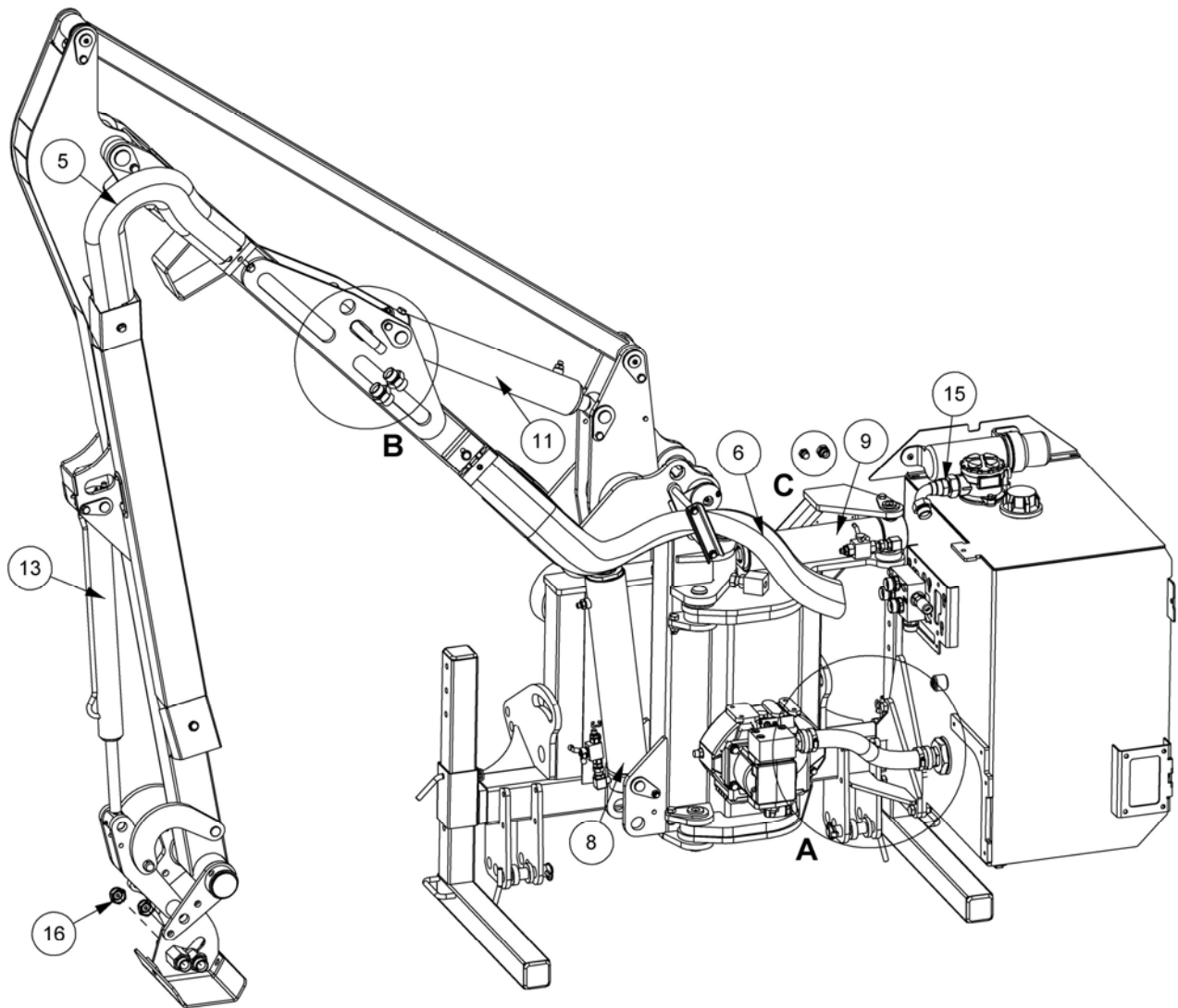
Module(s): 45288.05



REF.	QTY.	PART NO.	DESCRIPTION
		45288.05	SLEW RAM ASSEMBLY
1	1	45273.05	BARREL
2	1	45275.01	PISTON ROD
3	1	45283.01	GLAND HOUSING
4	1	45276.01	PISTON
5	1	42775.01	DOWEL
6	1	8638740	PISTON SEAL
7	1	8629149	SCRAPER RING
8	1	8629148	GLAND SEAL
9	1	0416240	INTERNAL CIRCLIP
10	1	8700740	O RING
11	1	8600121	O RING
12	4	08.297.05	BUSH
13	4	8650103	BONDED
14	1	8581115	ADAPTOR
15	1	8130066	ADAPTOR RESTRICTOR
16	1	08.200.01	ISOLATING VALVE
17	1	6000113	ADAPTOR
18	1	8581178	SWIVEL ADAPTOR
		8699525	SEAL KIT

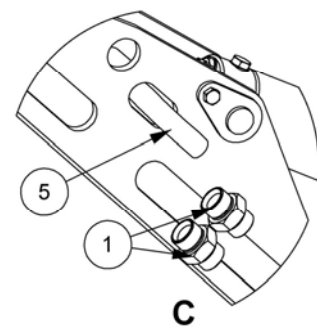
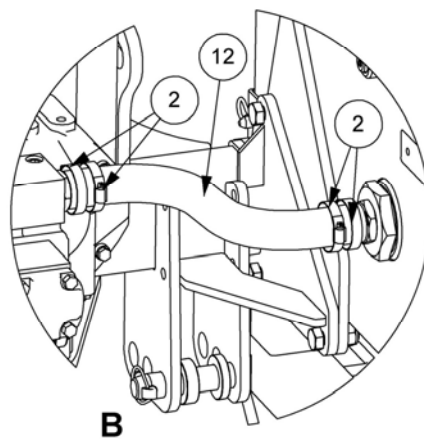
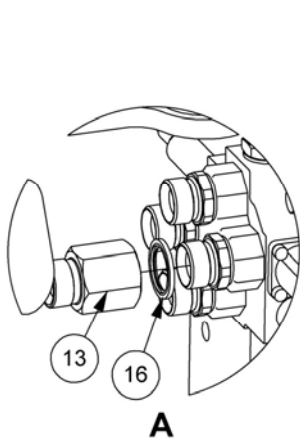
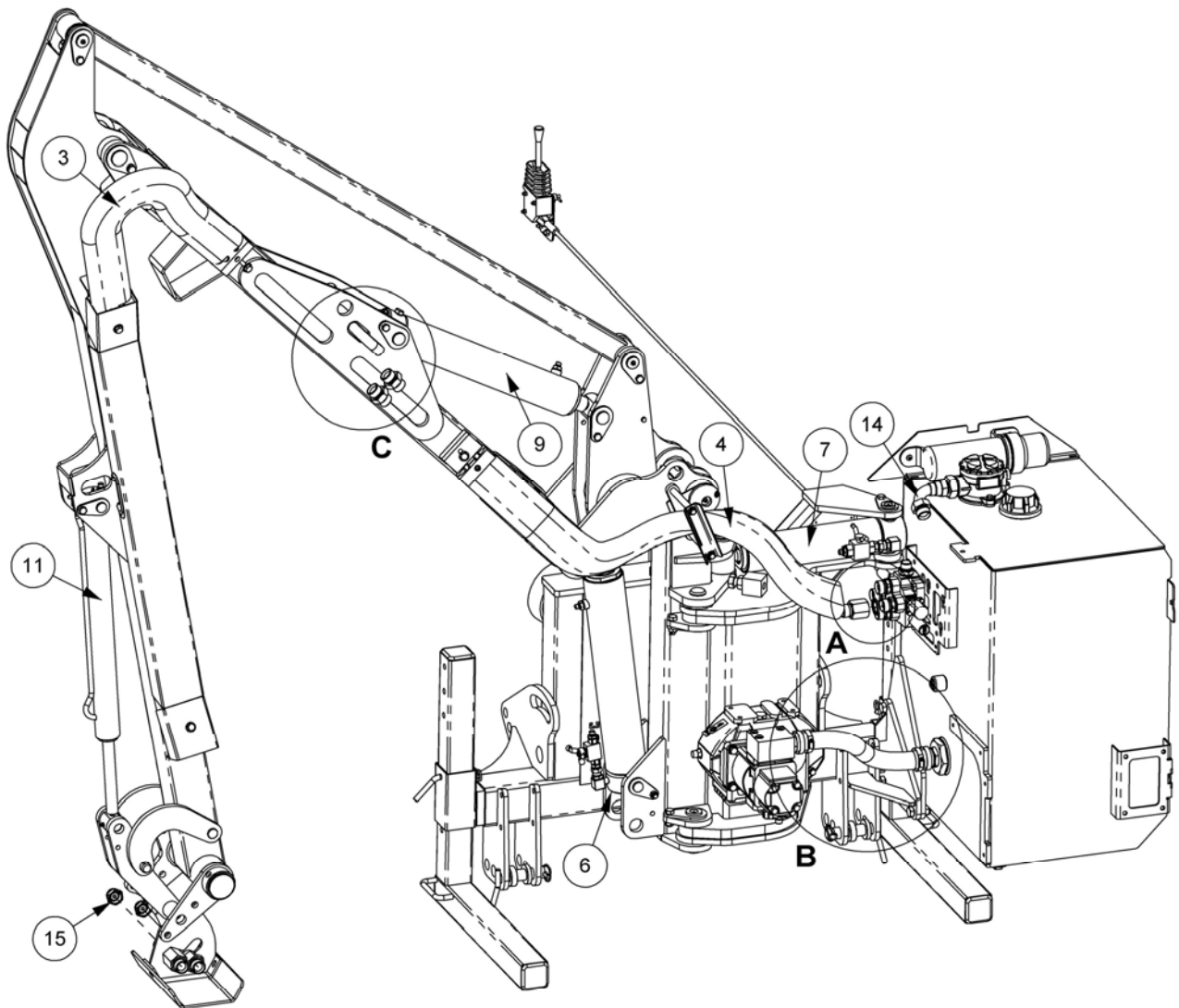


REF.	QTY.	PART No.	DESCRIPTION
		42664.05	MIDCUT FOLD RAM ASSEMBLY
1	1	42664.42	BARREL
2	1	42664.31	PISTON
3	1	42664.32	GLAND HOUSING
4	1	42664.39	PISTON ROD
5	1	8600127	O RING
6	1	42775.01	DOWEL
7	1	8629156	PISTON SEAL
8	1	8629157	PISTON GUIDE RING
9	1	8600306	O RING
10	1	8629222	ROD GLAND SEAL
11	1	8629147	ROD SCRAPER RING
12	4	42654.01	BUSH
13	1	43062.01	SPACER
14	2	0901121	GREASER
15	2	8581115	UNION
16	2	8650103	BONDED SEAL
		42664.01	SEAL KIT



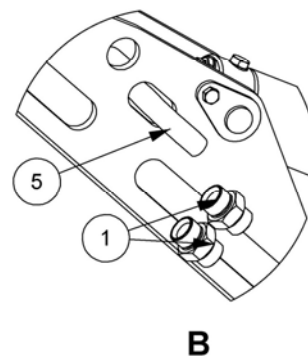
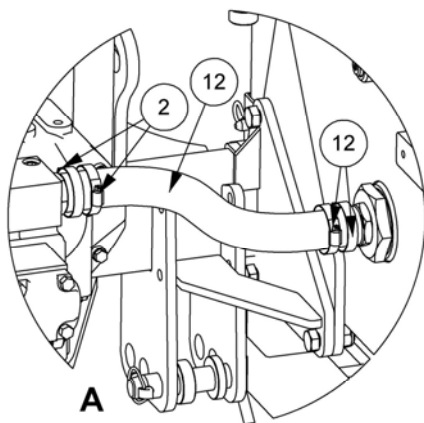
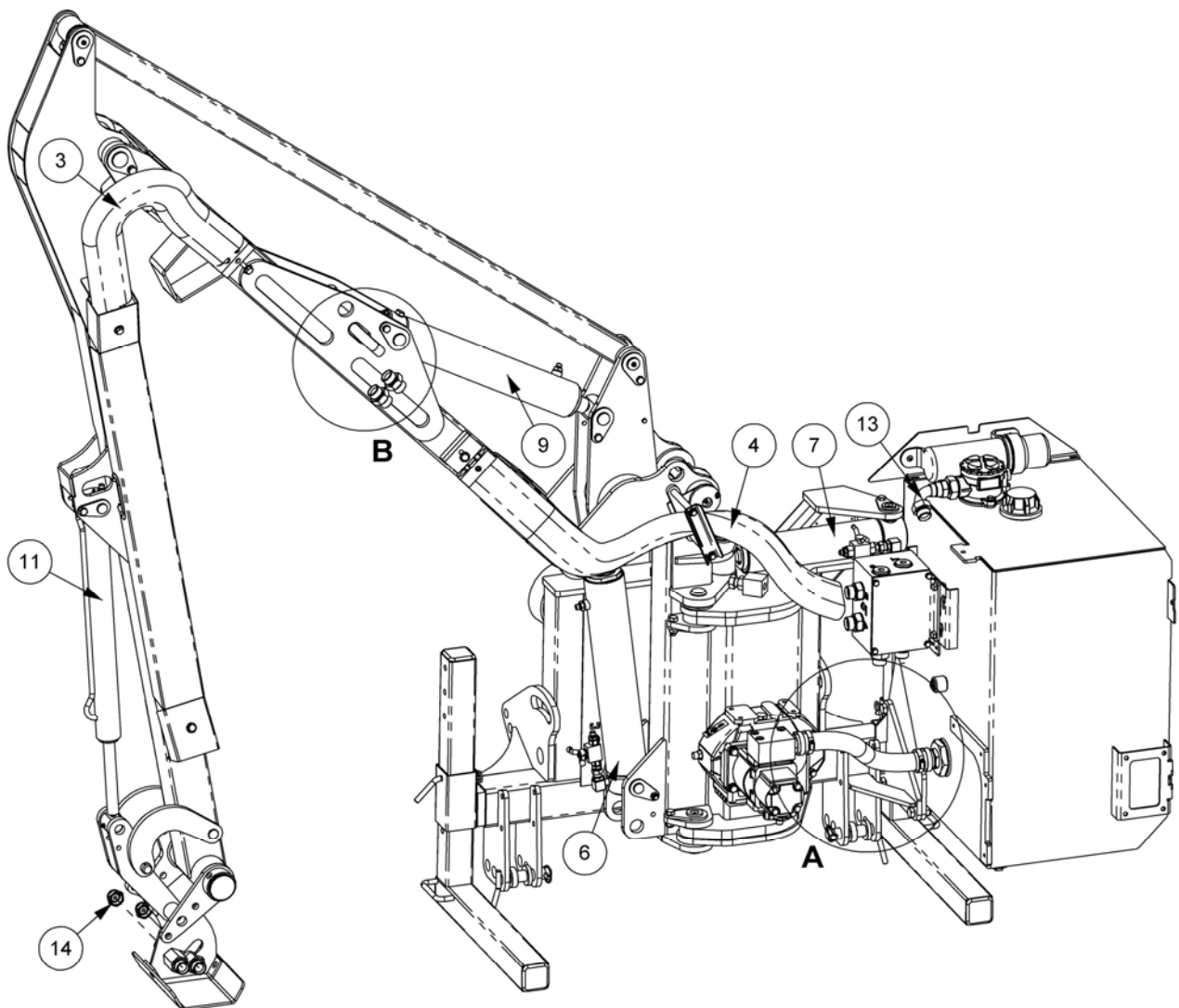
Module(s): 7150740

REF.	QTY.	PART No.	DESCRIPTION
		7150740	HYD. INSTALLATION - Std. SI (Cable RCV)
1	1	05.433.01	HEX PLUG
2	1	05.433.06	PLUG
3	2	05.434.01	ADAPTOR
4	4	0904107	HOSE CLIP
5	1	22590.17	HOSE SLEEVING - 850mm
6	1	22590.22	HOSE SLEEVING - 1200mm
7	1	22591.03	HOSE SLEEVING - 150mm
8	1	42095.02	LIFT RAM ASSEMBLY
9	1	45288.05	SLEW RAM ASSEMBLY
10	3	7135084	CABLE TIE - 180mm
11	1	7193334	REACH RAM ASSEMBLY
12	4	7196045	HOSE TIE - 350mm
13	1	7560344	ANGLING RAM ASSEMBLY
14	1	8501470	SUCTION HOSE - 1.1/2" BORE x 470mm
15	1	8581264	SWEPT ADAPTOR - 90°
16	2	8582058	BLANKING CAP



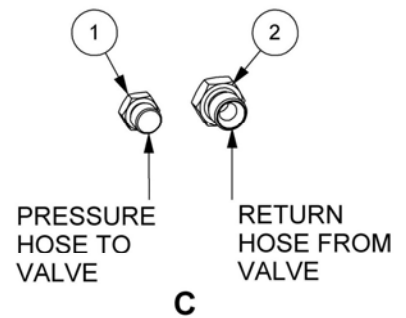
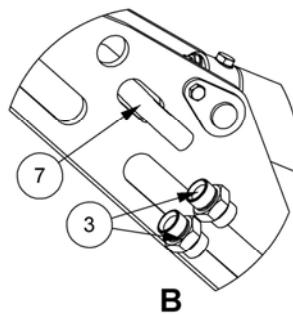
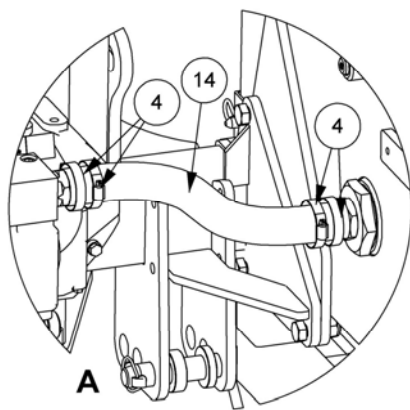
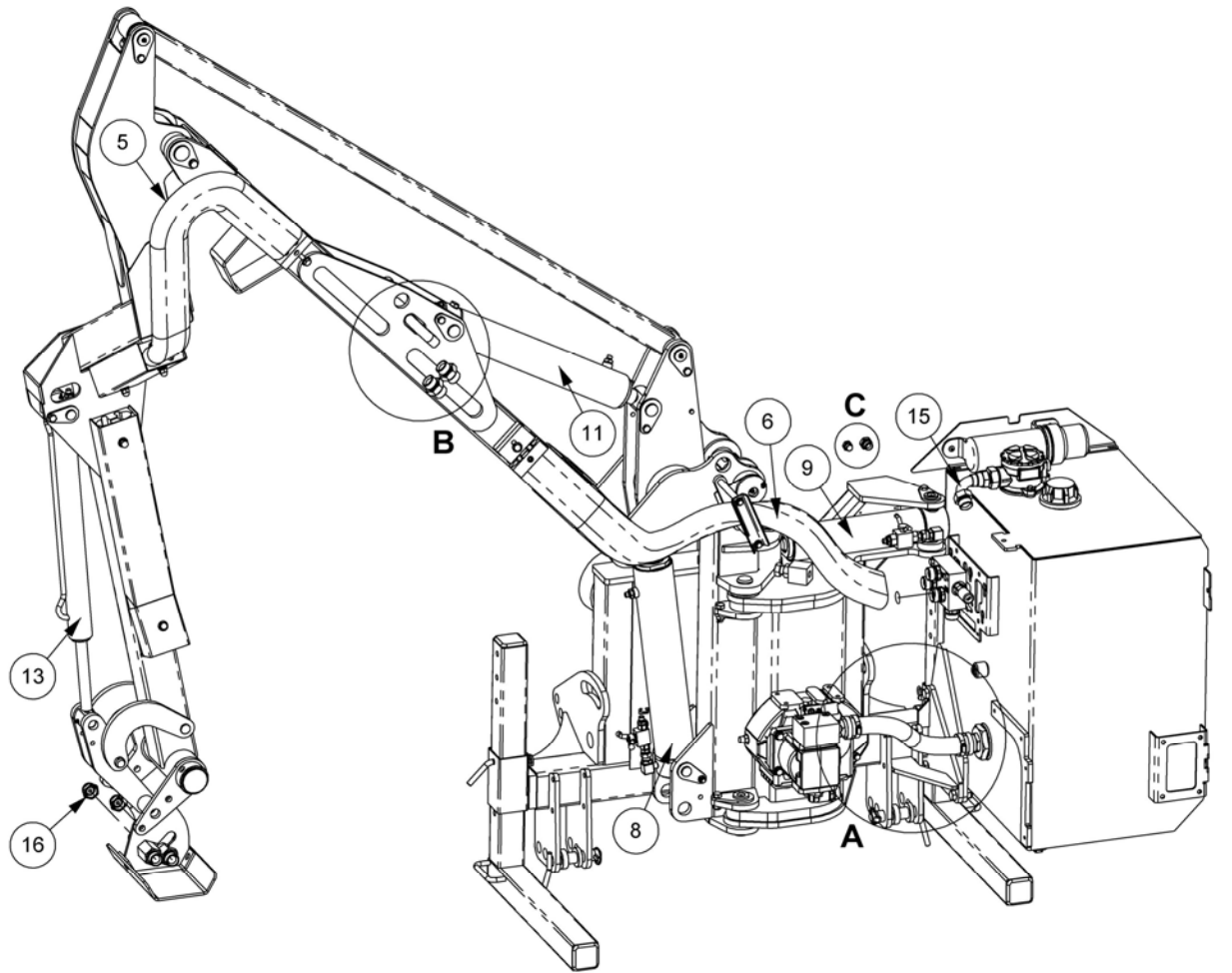
Module(s): 7150741

REF.	QTY.	PART No.	DESCRIPTION
		7150741	HYD. INSTALLATION - Std. TI (Cable RVC)
1	2	05.434.01	ADAPTOR
2	4	0904107	HOSE CLIP
3	1	22590.17	HOSE SLEEVING - 850mm
4	1	22590.22	HOSE SLEEVING - 1200mm
5	1	22591.03	HOSE SLEEVING - 150mm
6	1	42095.02	LIFT RAM ASSEMBLY
7	1	45288.05	SLEW RAM ASSEMBLY
8	3	7135084	CABLE TIE - 180mm
9	1	7193334	REACH RAM ASSEMBLY
10	4	7196045	HOSE TIE - 350mm
11	1	7560344	ANGLING RAM ASSEMBLY
12	1	8501470	SUCTION HOSE - 1.1/2" BORE x 470mm
13	1	8581241	EXTENSION ADAPTOR
14	1	8581264	SWEPT ADAPTOR - 90°
15	2	8582058	BLANKING CAP
16	1	8650108	BONDED SEAL



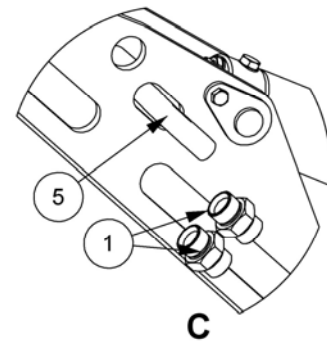
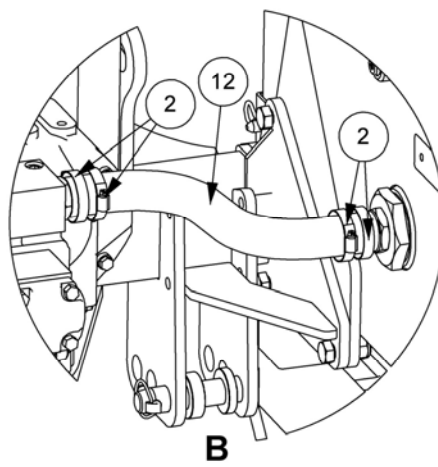
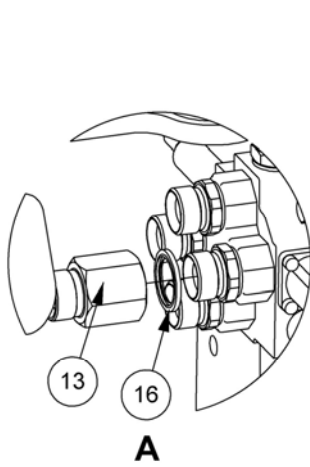
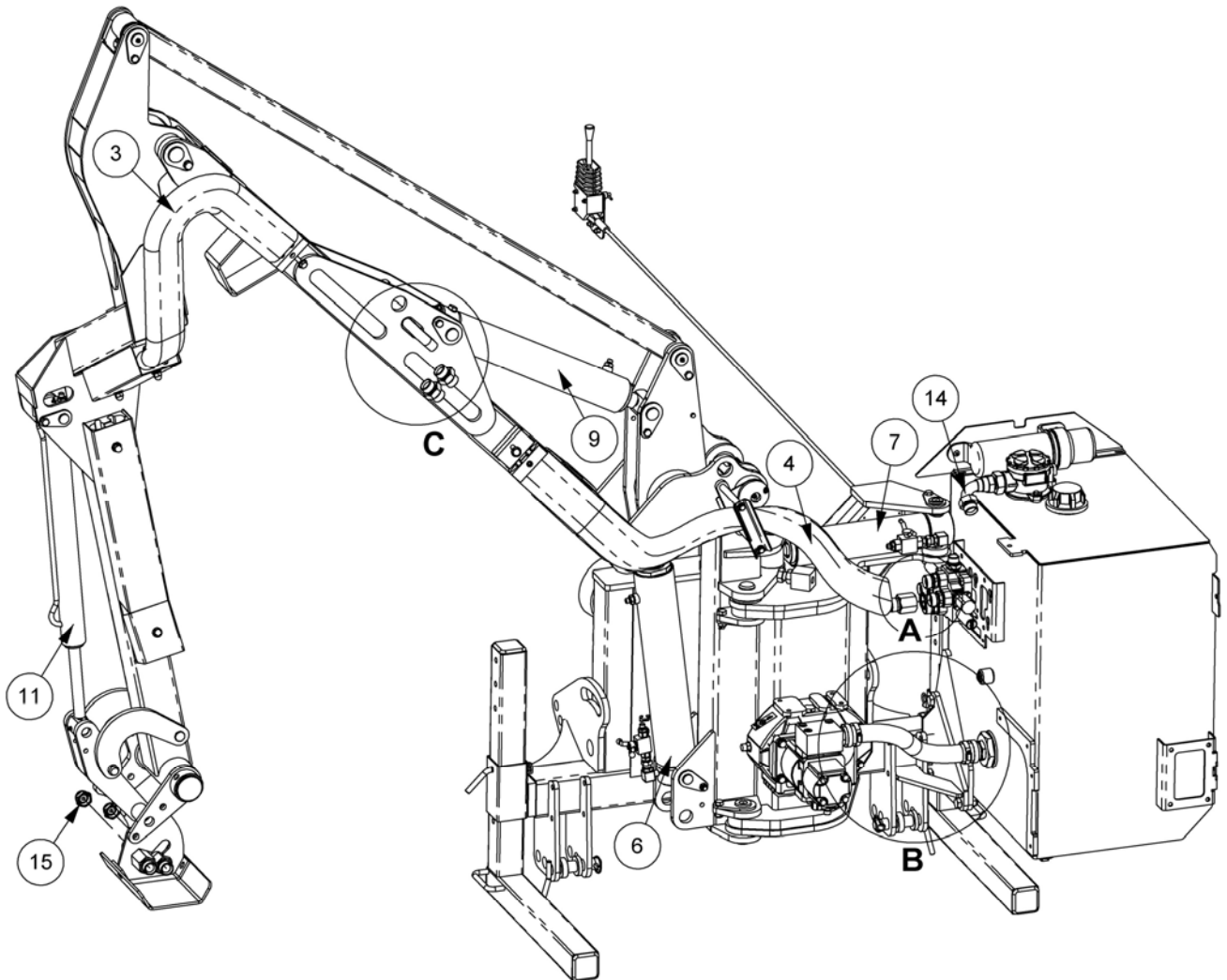
Module(s): 7150742

REF.	QTY.	PART No.	DESCRIPTION
		7150742	HYD. INSTALLATION - Std. TI (Elec. RVC)
1	2	05.434.01	ADAPTOR
2	4	0904107	HOSE CLIP
3	1	22590.17	HOSE SLEEVING - 850mm
4	1	22590.22	HOSE SLEEVING - 1200mm
5	1	22591.03	HOSE SLEEVING - 150mm
6	1	42095.02	LIFT RAM ASSEMBLY
7	1	45288.05	SLEW RAM ASSEMBLY
8	3	7135084	CABLE TIE - 180mm
9	1	7193334	REACH RAM ASSEMBLY
10	4	7196045	HOSE TIE - 350mm
11	1	7560344	ANGLING RAM ASSEMBLY
12	1	8501470	SUCTION HOSE - 1.1/2" BORE x 470mm
13	1	08.940.02	ADAPTOR - 135°
14	2	8582058	BLANKING CAP



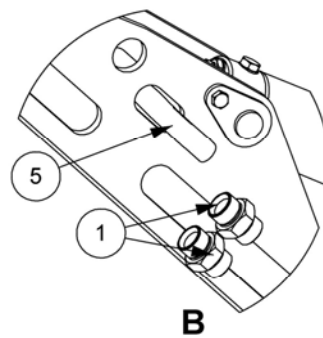
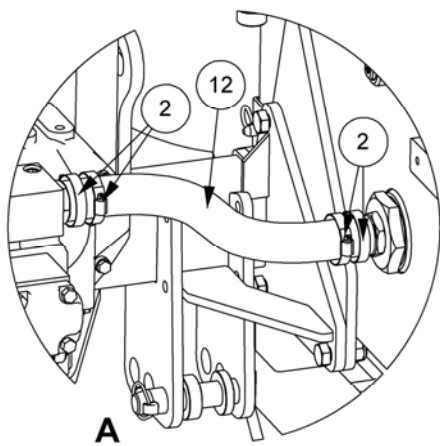
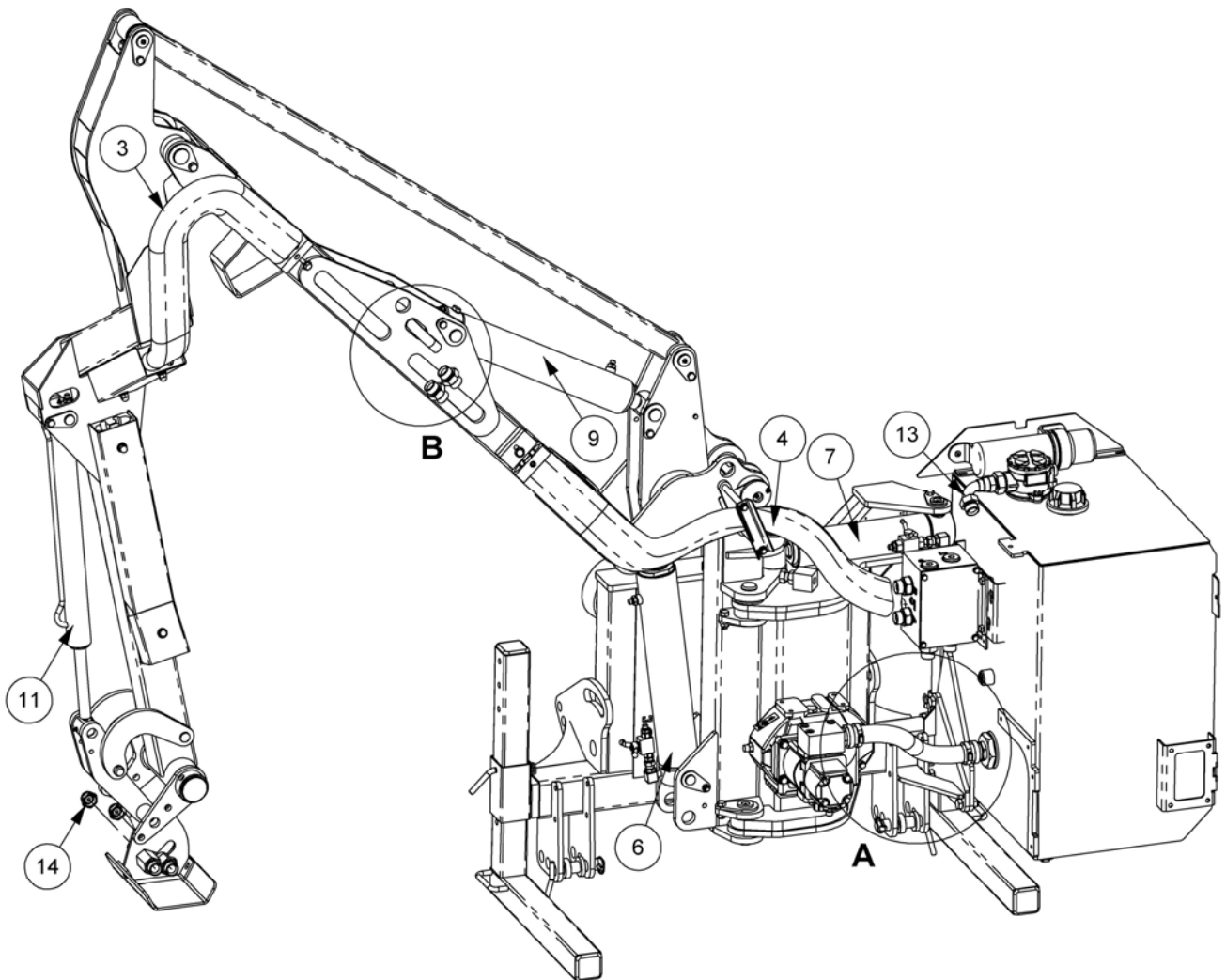
Module(s): 7150758

REF.	QTY.	PART No.	DESCRIPTION
		7150758	HYD. INSTALLATION - Midcut SI (Cable RCV)
1	1	05.433.01	HEX PLUG
2	1	05.433.06	PLUG
3	2	05.434.01	ADAPTOR
4	4	0904107	HOSE CLIP
5	1	22590.21	HOSE SLEEVING - 1100mm
6	1	22590.22	HOSE SLEEVING - 1200mm
7	1	22591.03	HOSE SLEEVING - 150mm
8	1	42095.02	LIFT RAM ASSEMBLY
9	1	45288.05	SLEW RAM ASSEMBLY
10	3	7135084	CABLE TIE - 180mm
11	1	7193334	REACH RAM ASSEMBLY
12	4	7196045	HOSE TIE - 350mm
13	1	7560344	ANGLING RAM ASSEMBLY
14	1	8501470	SUCTION HOSE - 1.1/2" BORE x 470mm
15	1	8581264	SWEPT ADAPTOR - 90°
16	2	8582058	BLANKING CAP



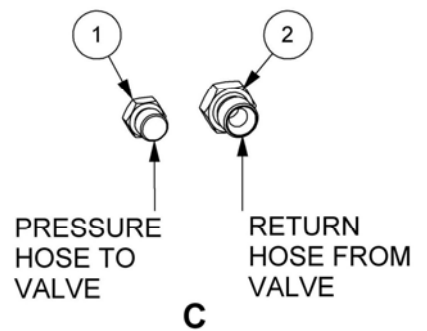
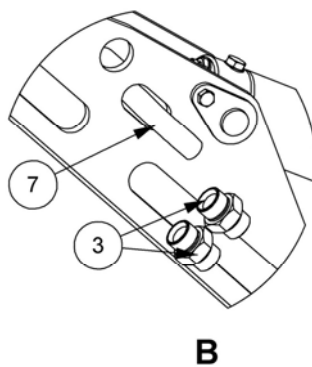
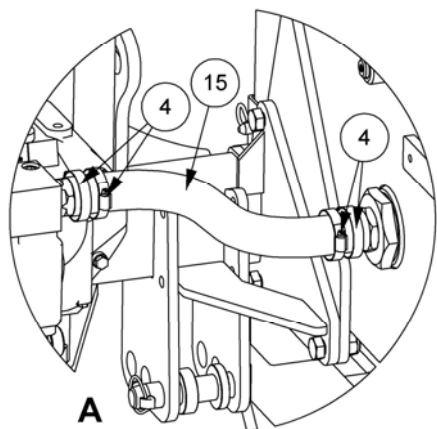
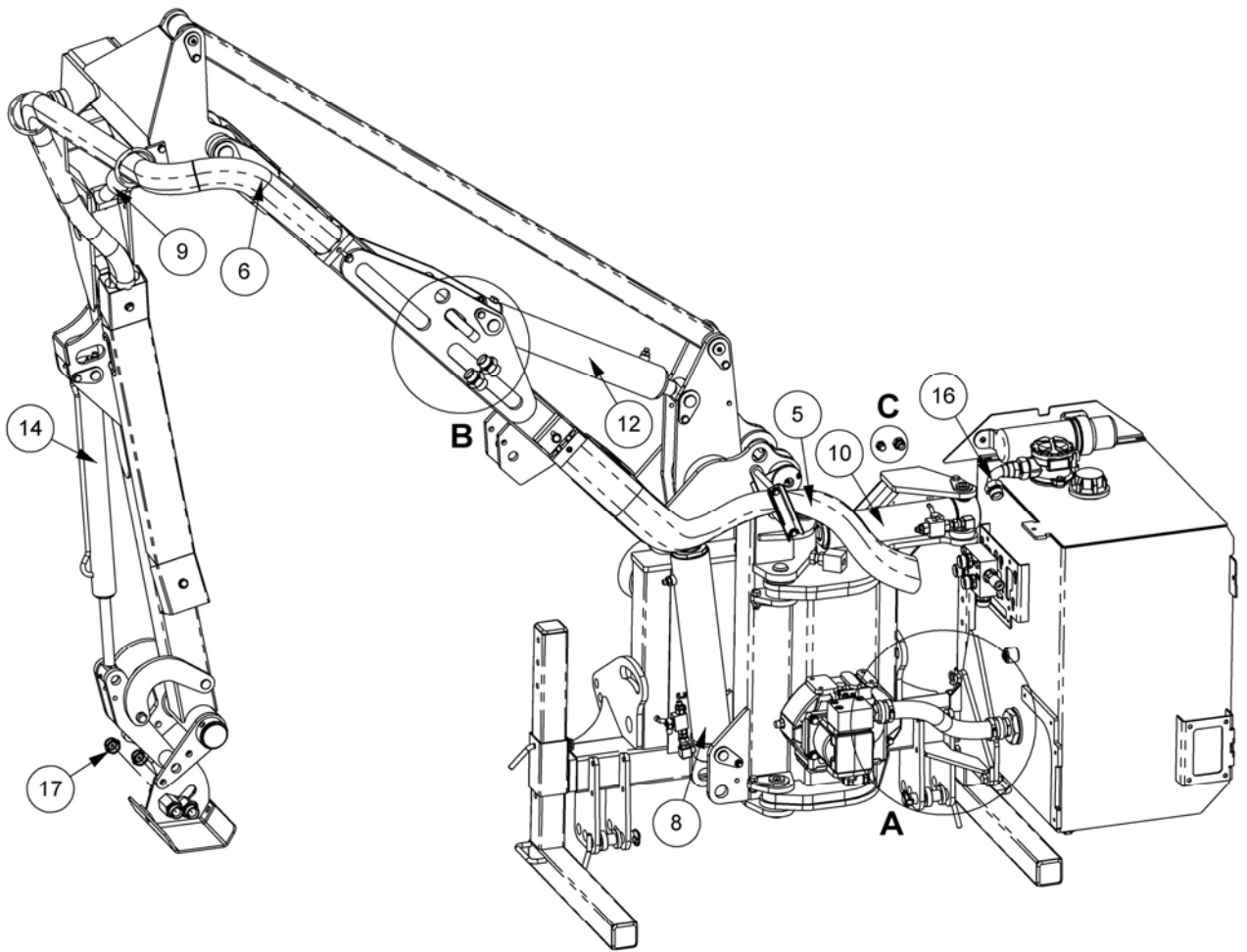
Module(s): 7150759

REF.	QTY.	PART No.	DESCRIPTION
		7150759	HYD. INSTALLATION - Midcut TI (Cable RCV)
1	2	05.434.01	ADAPTOR
2	4	0904107	HOSE CLIP
3	1	22590.21	HOSE SLEEVING - 1100mm
4	1	22590.22	HOSE SLEEVING - 1200mm
5	1	22591.03	HOSE SLEEVING - 150mm
6	1	42095.02	LIFT RAM ASSEMBLY
7	1	45288.05	SLEW RAM ASSEMBLY
8	3	7135084	CABLE TIE - 180mm
9	1	7193334	REACH RAM ASSEMBLY
10	4	7196045	HOSE TIE - 350mm
11	1	7560344	ANGLING RAM ASSEMBLY
12	1	8501470	SUCTION HOSE - 1.1/2" BORE x 470mm
13	1	8581241	EXTENSION ADAPTOR
14	1	8581264	SWEPT ADAPTOR - 90°
15	2	8582058	BLANKING CAP
16	1	8650108	BONDED SEAL



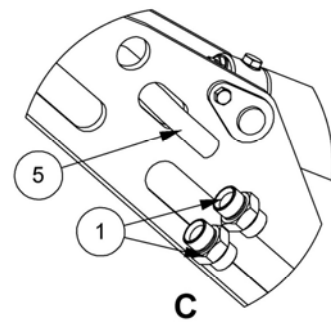
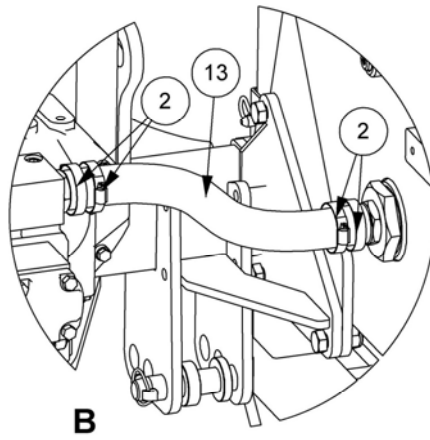
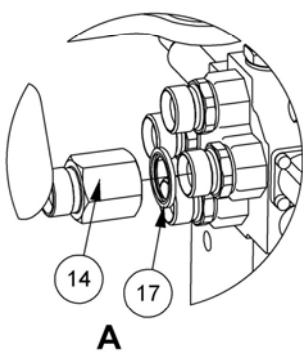
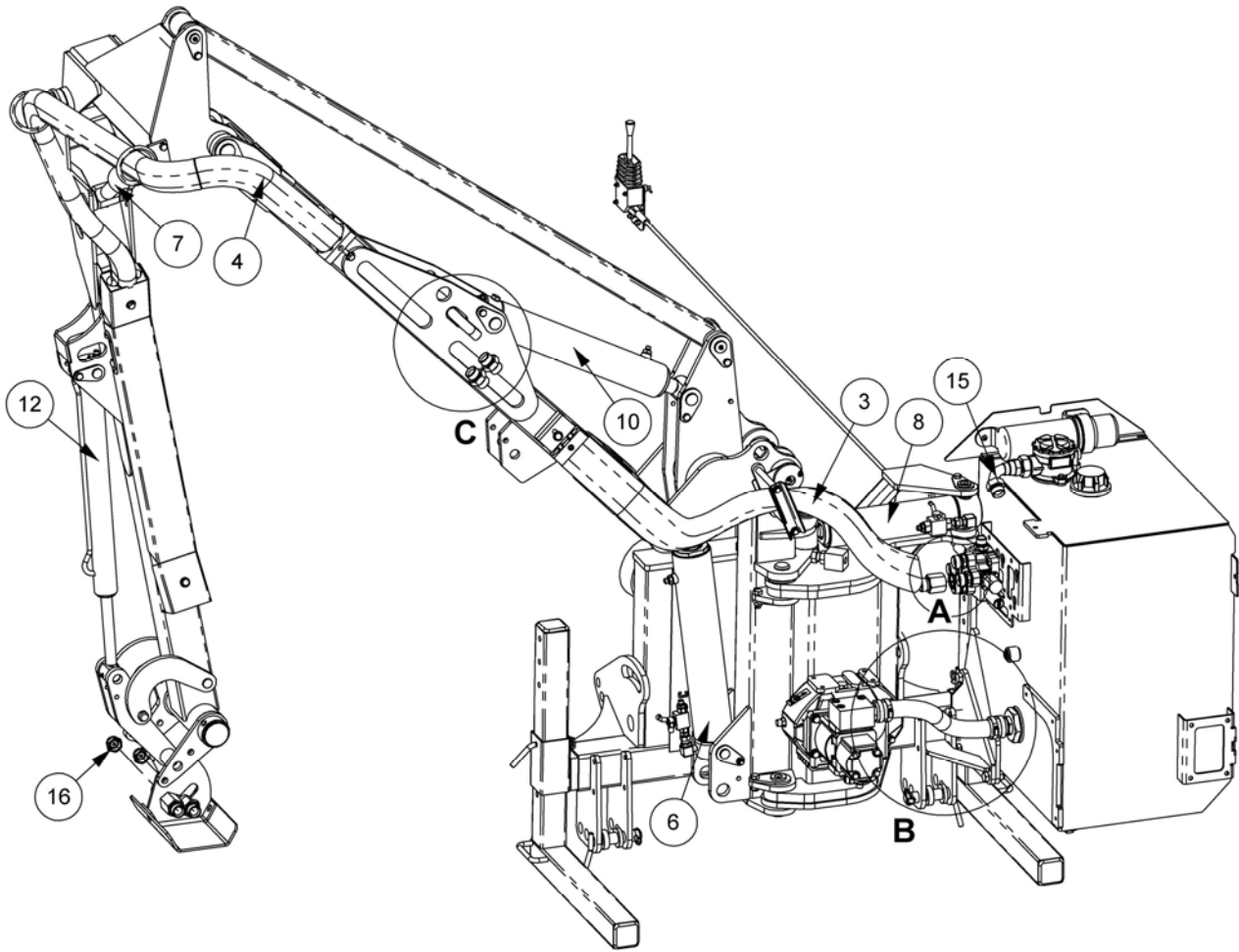
Module(s): 7150760

REF.	QTY.	PART No.	DESCRIPTION
		7150760	HYD. INSTALLATION - Midcut TI (Elec. RCV)
1	2	05.434.01	ADAPTOR
2	4	0904107	HOSE CLIP
3	1	22590.21	HOSE SLEEVING - 1100mm
4	1	22590.22	HOSE SLEEVING - 1200mm
5	1	22591.03	HOSE SLEEVING - 150mm
6	1	42095.02	LIFT RAM ASSEMBLY
7	1	45288.05	SLEW RAM ASSEMBLY
8	3	7135084	CABLE TIE - 180mm
9	1	7193334	REACH RAM ASSEMBLY
10	4	7196045	HOSE TIE - 350mm
11	1	7560344	ANGLING RAM ASSEMBLY
12	1	8501470	SUCTION HOSE - 1.1/2" BORE x 470mm
13	1	08.940.02	ADAPTOR - 135°
14	2	8582058	BLANKING CAP



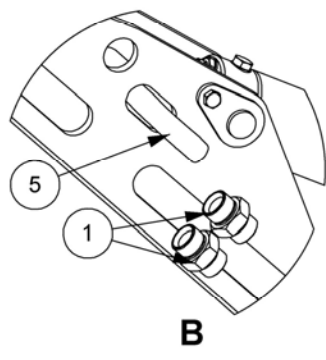
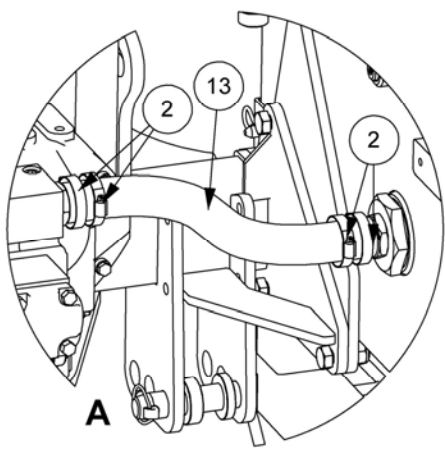
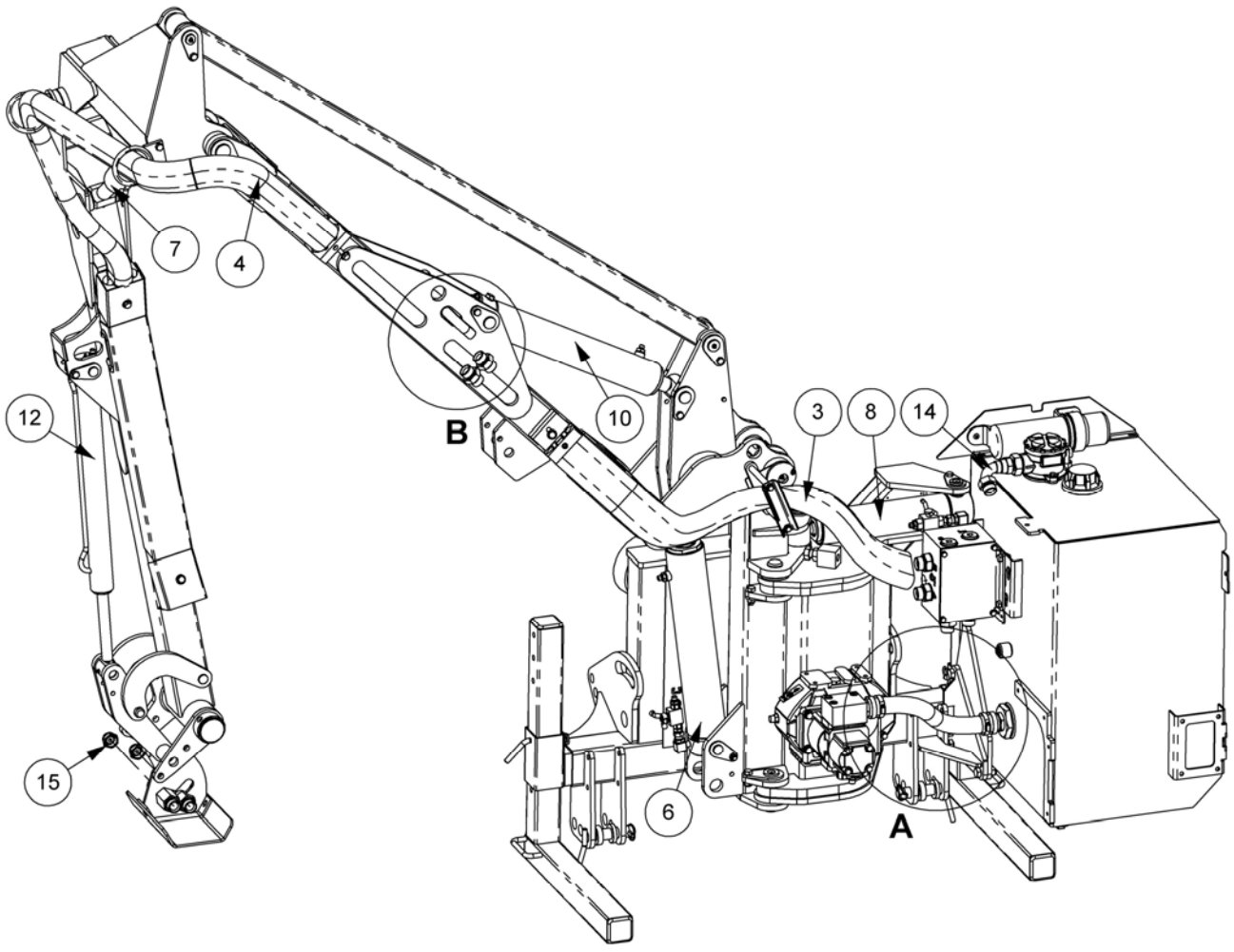
Module(s): 7150761

REF.	QTY.	PART No.	DESCRIPTION
		7150761	HYD. INSTALLATION - F/Midcut SI (Cable RCV)
1	1	05.433.01	HEX PLUG
2	1	05.433.06	PLUG
3	2	05.434.01	ADAPTOR
4	4	0904107	HOSE CLIP
5	1	22590.22	HOSE SLEEVING - 1200mm
6	1	22590.30	HOSE SLEEVING - 2000mm
7	1	22591.03	HOSE SLEEVING - 150mm
8	1	42095.02	LIFT RAM ASSEMBLY
9	1	42664.05	FOLD RAM ASSEMBLY
10	1	45288.05	SLEW RAM ASSEMBLY
11	3	7135084	CABLE TIE - 180mm
12	1	7193334	REACH RAM ASSEMBLY
13	4	7196045	HOSE TIE - 350mm
14	1	7560344	ANGLING RAM ASSEMBLY
15	1	8501470	SUCTION HOSE - 1.1/2" BORE x 470mm
16	1	8581264	SWEPT ADAPTOR - 90°
17	2	8582058	BLANKING CAP



Module(s): 7150762

REF.	QTY.	PART No.	DESCRIPTION
		7150762	HYD. INSTALLATION - F/Midcut TI (Cable RCV)
1	2	05.434.01	ADAPTOR
2	4	0904107	HOSE CLIP
3	1	22590.22	HOSE SLEEVING - 1200mm
4	1	22590.30	HOSE SLEEVING - 2000mm
5	1	22591.03	HOSE SLEEVING - 150mm
6	1	42095.02	LIFT RAM ASSEMBLY
7	1	42664.05	FOLD RAM ASSEMBLY
8	1	45288.05	SLEW RAM ASSEMBLY
9	3	7135084	CABLE TIE - 180mm
10	1	7193334	REACH RAM ASSEMBLY
11	4	7196045	HOSE TIE - 350mm
12	1	7560344	ANGLING RAM ASSEMBLY
13	1	8501470	SUCTION HOSE - 1.1/2" BORE x 470mm
14	1	8581241	EXTENSION ADAPTOR
15	1	8581264	SWEPT ADAPTOR - 90°
16	2	8582058	BLANKING CAP
17	1	8650108	BONDED SEAL



Module(s): 7150763

REF.	QTY.	PART No.	DESCRIPTION
		7150763	HYD. INSTALLATION - F/Midcut TI (Elec. RCV)
1	2	05.434.01	ADAPTOR
2	4	0904107	HOSE CLIP
3	1	22590.22	HOSE SLEEVING - 1200mm
4	1	22590.30	HOSE SLEEVING - 2000mm
5	1	22591.03	HOSE SLEEVING - 150mm
6	1	42095.02	LIFT RAM ASSEMBLY
7	1	42664.05	FOLD RAM ASSEMBLY
8	1	45288.05	SLEW RAM ASSEMBLY
9	3	7135084	CABLE TIE - 180mm
10	1	7193334	REACH RAM ASSEMBLY
11	4	7196045	HOSE TIE - 350mm
12	1	7560344	ANGLING RAM ASSEMBLY
13	1	8501470	SUCTION HOSE - 1.1/2" BORE x 470mm
14	1	08.940.02	ADAPTOR - 135°
15	2	8582058	BLANKING CAP

HOSE KITS – Standard Arm Models



Module(s): 715072201 to 715072208

REF.	QUANTITY							PART No.	DESCRIPTION
								715072201	RH STANDARD ARM SI CABLE ACV / RRV
								715072202	LH STANDARD ARM SI CABLE ACV / RRV
								715072203	RH STANDARD ARM TI CABLE / CABLE RCV
								715072204	LH STANDARD ARM TI CABLE / CABLE RCV
								715072205	RH STANDARD ARM TI ELEC PROP / CABLE RCV
								715072206	LH STANDARD ARM TI ELEC PROP / CABLE RCV
								715072207	RH STANDARD ARM TI ELEC PROP / ELEC RCV
								715072208	LH STANDARD ARM TI ELEC PROP / ELEC RCV
1	-	1	-	1	-	1	-	10.012.16	HOSE - 1" BSP FS/F90 x 800mm
	1	-	1	-	1	-	1	10.012.10	HOSE - 1" BSP FS/F90 x 500mm
	-	-	-	-	-	-	1	10.025.16	HOSE - 1" BSP FS/F135 x 800mm
	-	-	-	-	-	-	1	10.025.17	HOSE - 1" BSP FS/F135 x 850mm
2	1	1	1	1	1	1	-	10.012.11	HOSE - 1" BSP FS/F90 x 550mm
	-	-	-	-	-	-	1	10.011.21	HOSE - 1" BSP FS/FS x 1100mm
	2	2	2	2	2	2	-	10.025.29	HOSE - 1" BSP FS/F135 x 1900mm
	-	-	-	-	-	-	2	10.025.28	HOSE - 1" BSP FS/F135 x 1800mm
3	2	2	2	2	2	2	10.012.41	HOSE - 1" BSP FS/F90 x 3100mm	
4	1	1	-	-	-	-	-	10.004.30	HOSE - 3/8" BSP FS/F90 x 2000mm
	-	-	-	1	-	-	-	10.004.20	HOSE - 3/8" BSP FS/F90 x 1000mm
	-	-	1	-	-	-	-	10.004.08	HOSE - 3/8" BSP FS/F90 x 400mm
	-	-	-	-	-	1	-	10.004.12	HOSE - 3/8" BSP FS/F90 x 600mm
	-	-	-	-	1	-	1	10.004.10	HOSE - 3/8" BSP FS/F90 x 500mm
5	1	1	-	-	-	-	-	10.006.30	HOSE - 1/2" BSP FS/F90 x 2000mm
	-	-	-	1	-	-	-	10.006.15	HOSE - 1/2" BSP FS/F90 x 750mm
	-	-	1	-	-	-	-	10.006.11	HOSE - 1/2" BSP FS/F90 x 550mm
	-	-	-	-	1	1	1	10.006.14	HOSE - 1/2" BSP FS/F90 x 700mm
6	1	1	1	1	-	-	-	10.001.22	HOSE - 1/4" BSP FS/FS x 1200mm
	-	-	-	-	1	1	1	10.001.20	HOSE - 1/4" BSP FS/FS x 1000mm
	7	1	1	1	1	-	-	10.002.22	HOSE - 1/4" BSP FS/F90 x 1200mm
8	-	-	-	-	1	1	1	10.002.20	HOSE - 1/4" BSP FS/F90 x 1000mm
	1	1	1	1	-	-	-	10.001.34	HOSE - 1/4" BSP FS/FS x 2400mm
	-	-	-	-	1	1	1	10.001.32	HOSE - 1/4" BSP FS/FS x 2200mm
9	1	1	1	1	-	-	-	10.002.39	HOSE - 1/4" BSP FS/F90 x 2900mm
	-	-	-	-	1	1	1	10.002.37	HOSE - 1/4" BSP FS/F90 x 2700mm
	10	2	2	2	2	-	-	-	10.002.55
-		-	-	-	2	2	2	10.002.53	HOSE - 1/4" BSP FS/F90 x 4300mm
11		2	2	2	2	-	-	-	10.002.18
	-	-	-	-	2	2	2	10.002.14	HOSE - 1/4" BSP FS/F90 x 700mm

HOSE KITS – Fixed Midcut Arm Models



Module(s): 715072209 to 715072216

REF.	QUANTITY							PART No.	DESCRIPTION	
								715072209	RH FIXED MIDCUT SI CABLE ACV / RRV	
								715072210	LH FIXED MIDCUT SI CABLE ACV / RRV	
								715072211	RH FIXED MIDCUT TI CABLE / CABLE RCV	
								715072212	LH FIXED MIDCUT TI CABLE / CABLE RCV	
								715072213	RH FIXED MIDCUT TI ELEC PROP / CABLE RCV	
								715072214	LH FIXED MIDCUT TI ELEC PROP / CABLE RCV	
								715072215	RH FIXED MIDCUT TI ELEC PROP / ELEC RCV	
								715072216	LH FIXED MIDCUT TI ELEC PROP / ELEC RCV	
1	-	1	-	1	-	1	-	1	10.012.16	HOSE - 1" BSP FS/F90 x 800mm
	1	-	1	-	1	-	1	-	10.012.10	HOSE - 1" BSP FS/F90 x 500mm
	-	-	-	-	-	-	1	-	10.025.16	HOSE - 1" BSP FS/F135 x 800mm
	-	-	-	-	-	-	-	1	10.025.17	HOSE - 1" BSP FS/F135 x 850mm
2	1	1	1	1	1	1	-	-	10.012.11	HOSE - 1" BSP FS/F90 x 550mm
	-	-	-	-	-	-	1	1	10.011.21	HOSE - 1" BSP FS/FS x 1100mm
	2	2	2	2	2	2	-	-	10.025.29	HOSE - 1" BSP FS/F135 x 1900mm
	-	-	-	-	-	-	2	2	10.025.28	HOSE - 1" BSP FS/F135 x 1800mm
3	2	2	2	2	2	2	2	2	10.012.45	HOSE - 1" BSP FS/F90 x 3500mm
4	1	1	-	-	-	-	-	-	10.004.30	HOSE - 3/8" BSP FS/F90 x 2000mm
	-	-	-	1	-	-	-	-	10.004.20	HOSE - 3/8" BSP FS/F90 x 1000mm
	-	-	1	-	-	-	-	-	10.004.08	HOSE - 3/8" BSP FS/F90 x 400mm
	-	-	-	-	-	1	-	1	10.004.12	HOSE - 3/8" BSP FS/F90 x 600mm
	-	-	-	-	1	-	1	-	10.004.10	HOSE - 3/8" BSP FS/F90 x 500mm
5	1	1	-	-	-	-	-	-	10.006.30	HOSE - 1/2" BSP FS/F90 x 2000mm
	-	-	-	1	-	-	-	-	10.006.15	HOSE - 1/2" BSP FS/F90 x 750mm
	-	-	1	-	-	-	-	-	10.006.11	HOSE - 1/2" BSP FS/F90 x 550mm
	-	-	-	-	1	1	1	1	10.006.14	HOSE - 1/2" BSP FS/F90 x 700mm
6	1	1	1	1	-	-	-	-	10.001.22	HOSE - 1/4" BSP FS/FS x 1200mm
	-	-	-	-	1	1	1	1	10.001.20	HOSE - 1/4" BSP FS/FS x 1000mm
7	1	1	1	1	-	-	-	-	10.002.22	HOSE - 1/4" BSP FS/F90 x 1200mm
	-	-	-	-	1	1	1	1	10.002.20	HOSE - 1/4" BSP FS/F90 x 1000mm
8	1	1	1	1	-	-	-	-	10.001.34	HOSE - 1/4" BSP FS/FS x 2400mm
	-	-	-	-	1	1	1	1	10.001.32	HOSE - 1/4" BSP FS/FS x 2200mm
9	1	1	1	1	-	-	-	-	10.002.39	HOSE - 1/4" BSP FS/F90 x 2900mm
	-	-	-	-	1	1	1	1	10.002.37	HOSE - 1/4" BSP FS/F90 x 2700mm
10	2	2	2	2	-	-	-	-	10.002.59	HOSE - 1/4" BSP FS/F90 x 4900mm
	-	-	-	-	2	2	2	2	10.002.57	HOSE - 1/4" BSP FS/F90 x 4700mm
11	2	2	2	2	-	-	-	-	10.002.18	HOSE - 1/4" BSP FS/F90 x 900mm
	-	-	-	-	2	2	2	2	10.002.14	HOSE - 1/4" BSP FS/F90 x 700mm

HOSE KITS – Folding Midcut Arm Models



Module(s): 715072217 to 715072222

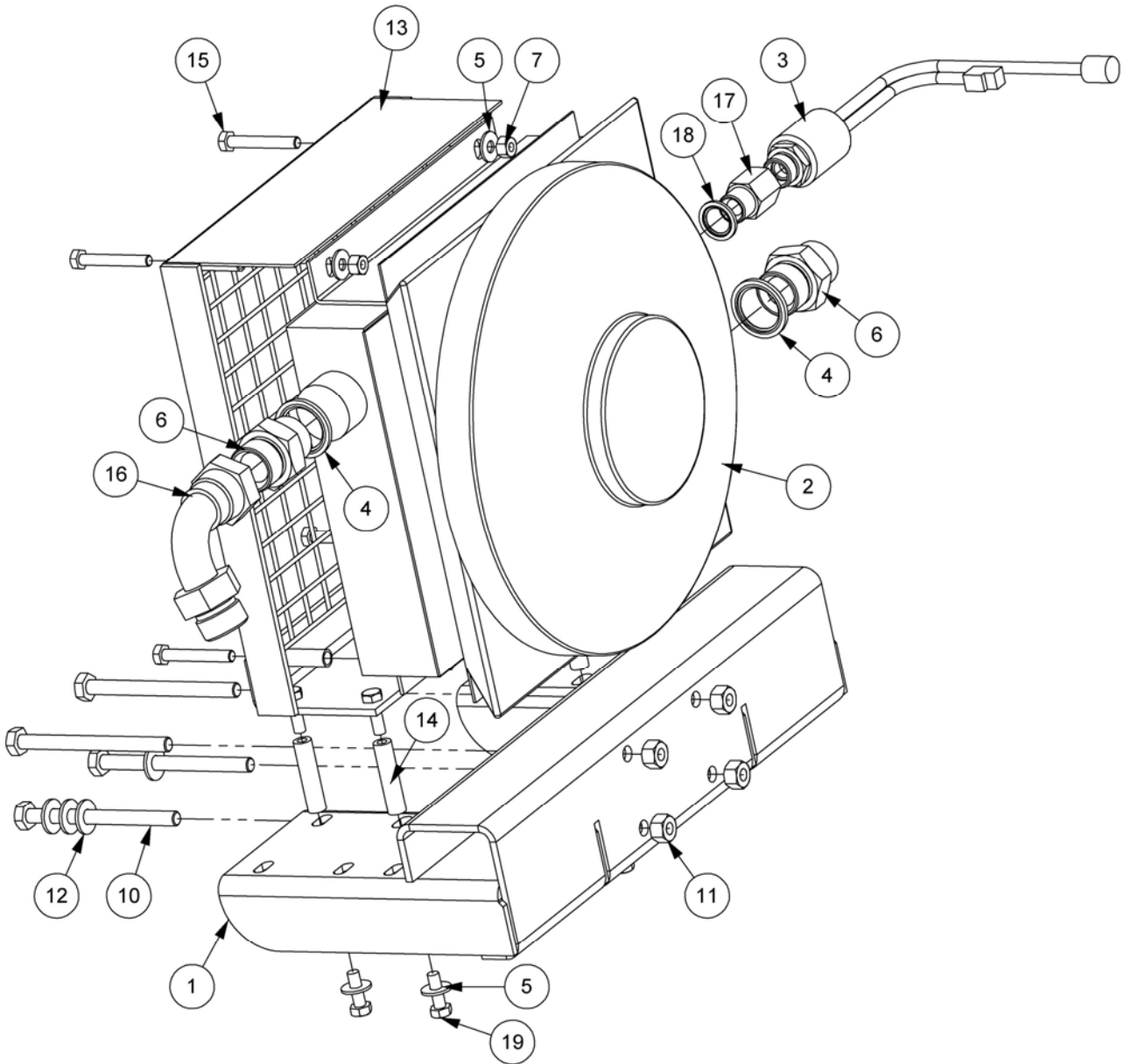
REF.	QUANTITY						PART No.	DESCRIPTION
							715072217	RH FOLDING MIDCUT TI CABLE / CABLE RCV
							715072218	LH FOLDING MIDCUT TI CABLE / CABLE RCV
							715072219	RH FOLDING MIDCUT TI ELEC PROP / CABLE RCV
							715072220	LH FOLDING MIDCUT TI ELEC PROP / CABLE RCV
							715072221	RH FOLDING MIDCUT TI ELEC PROP / ELEC RCV
							715072222	LH FOLDING MIDCUT TI ELEC PROP / ELEC RCV
1	-	1	-	1	-	1	10.012.16	HOSE - 1" BSP FS/F90 x 800mm
	1	-	1	-	1	-	10.012.10	HOSE - 1" BSP FS/F90 x 500mm
	-	-	-	-	1	-	10.025.16	HOSE - 1" BSP FS/F135 x 800mm
	-	-	-	-	-	1	10.025.17	HOSE - 1" BSP FS/F135 x 850mm
2	1	1	1	1	-	-	10.012.11	HOSE - 1" BSP FS/F90 x 550mm
	-	-	-	-	1	1	10.011.21	HOSE - 1" BSP FS/FS x 1100mm
	2	2	2	2	-	-	10.025.29	HOSE - 1" BSP FS/F135 x 1900mm
	-	-	-	-	2	2	10.025.28	HOSE - 1" BSP FS/F135 x 1800mm
3	2	2	2	2	2	2	10.012.50	HOSE - 1" BSP FS/F90 x 4000mm
4	-	1	-	-	-	-	10.004.20	HOSE - 3/8" BSP FS/F90 x 1000mm
	1	-	-	-	-	-	10.004.08	HOSE - 3/8" BSP FS/F90 x 400mm
	-	-	-	1	-	1	10.004.12	HOSE - 3/8" BSP FS/F90 x 600mm
	-	-	1	-	1	-	10.004.10	HOSE - 3/8" BSP FS/F90 x 500mm
5	-	1	-	-	-	-	10.006.15	HOSE - 1/2" BSP FS/F90 x 750mm
	1	-	-	-	-	-	10.006.11	HOSE - 1/2" BSP FS/F90 x 550mm
	-	-	1	1	1	1	10.006.14	HOSE - 1/2" BSP FS/F90 x 700mm
6	1	1	-	-	-	-	10.001.22	HOSE - 1/4" BSP FS/FS x 1200mm
	-	-	1	1	1	1	10.001.20	HOSE - 1/4" BSP FS/FS x 1000mm
7	1	1	-	-	-	-	10.002.22	HOSE - 1/4" BSP FS/F90 x 1200mm
	-	-	1	1	1	1	10.002.20	HOSE - 1/4" BSP FS/F90 x 1000mm
8	1	1	-	-	-	-	10.001.34	HOSE - 1/4" BSP FS/FS x 2400mm
	-	-	1	1	1	1	10.001.32	HOSE - 1/4" BSP FS/FS x 2200mm
9	1	1	-	-	-	-	10.002.39	HOSE - 1/4" BSP FS/F90 x 2900mm
	-	-	1	1	1	1	10.002.37	HOSE - 1/4" BSP FS/F90 x 2700mm
10	2	2	-	-	-	-	10.002.64	HOSE - 1/4" BSP FS/F90 x 5400mm
	-	-	2	2	2	2	10.002.62	HOSE - 1/4" BSP FS/F90 x 5200mm
11	2	2	-	-	-	-	10.002.18	HOSE - 1/4" BSP FS/F90 x 900mm
	-	-	2	2	2	2	10.002.14	HOSE - 1/4" BSP FS/F90 x 700mm
12	2	2					10.017.48	HOSE - 1/4" BSP FS/F135 x 3800mm
			2	2	2	2	10.017.46	HOSE - 1/4" BSP FS/F135 x 3600mm

REF.	HOSE APPLICATION
1	Pump (FS) to Cable RRV/RCV (F90) Pump (F135) to Electric RCV (FS)
2	Cable RCV/RRV (F90) to Tank (FS) Electric RCV (FS) to Tank (FS) Cable RCV/RRV (F135) to Main Arm (FS) Electric RCV/RRV (F135) to Main Arm (FS)
3	Main Arm (FS) to Dipper (F90)
4	Pump Pressure (F90) to Cable ACV (FS) Pump Pressure (F90) to Electric ACV (FS)
5	Cable ACV (FS) Return to RCV (F90) Electric ACV (FS) Return to RCV (F90)
6	Lift Base (FS) to ACV (FS)
7	Lift Gland (F90) to ACV (FS)
8	Reach Base (FS) to ACV (FS)
9	Reach Gland (F90) to ACV (FS)
10	Angle Base/Gland (F90) to ACV (FS)
11	Slew Base/Gland (F90) to ACV (FS)
12	Fold Ram Base/Gland (F135) to ACV (FS)

COOLER KIT ASSEMBLY

Module(s): 7451823

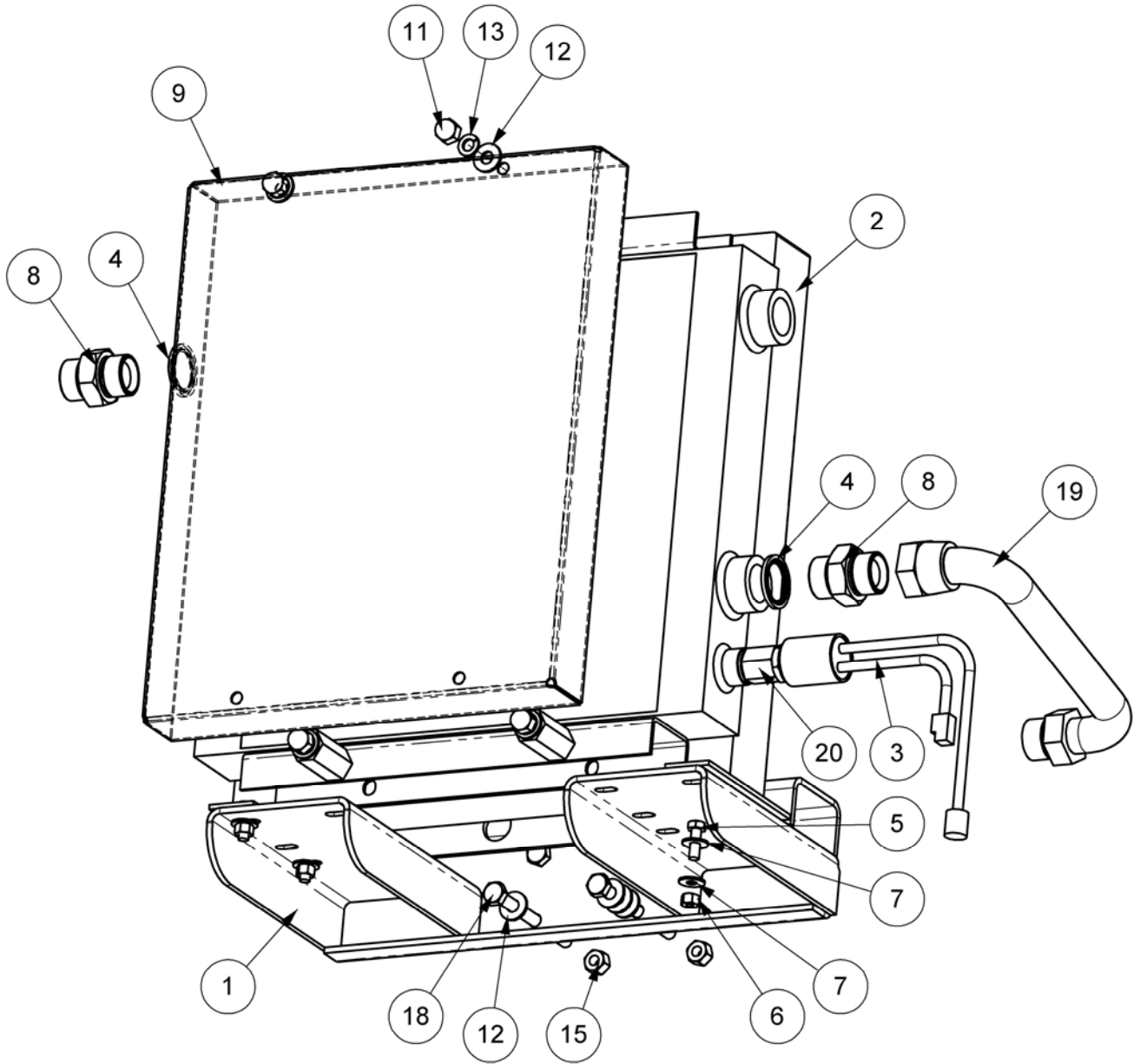
McCONEL



COOLER KIT ASSEMBLY**McCONNEL**

Module(s): 7451823

REF.	QTY.	PART No.	DESCRIPTION
		7451823	COOLER KIT ASSEMBLY
1	1	21380.03	COOLER BRACKET
2	1	8402387	COOLER (WITHOUT THERMOSTAT)
3	1	43177.64	COOLER LOOM c/w RELAY
4	2	8650108	BONDED SEAL
5	8	9100104	FLAT WASHER
6	2	05.434.01	ADAPTOR
7	4	9143004	SELF-LOCKING NUT
8	1	10.012.37	HOSE - 1" BSP FS/F90 x 2700mm
9	1	10.011.26	HOSE - 1" BSP FS/FS x 1600mm
10	4	05.292.15	BOLT
11	4	9143005	SELF-LOCKING NUT
12	4	9100105	FLAT WASHER
13	1	8402319	COOLER MOUNTING
14	4	7196053	SPACER (THREADED)
15	4	9213114	BOLT
16	1	8581264	ADAPTOR - SWEPT 90°
17	1	G2410452	ADAPTOR
18	1	8650104	BONDED SEAL
19	4	9313054	SETSCREW



HIGH CAPACITY COOLER KIT ASSEMBLY

McCONNEL

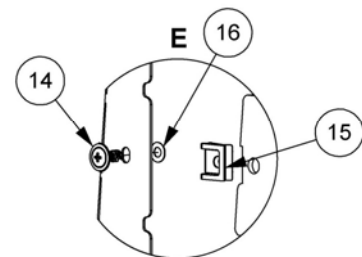
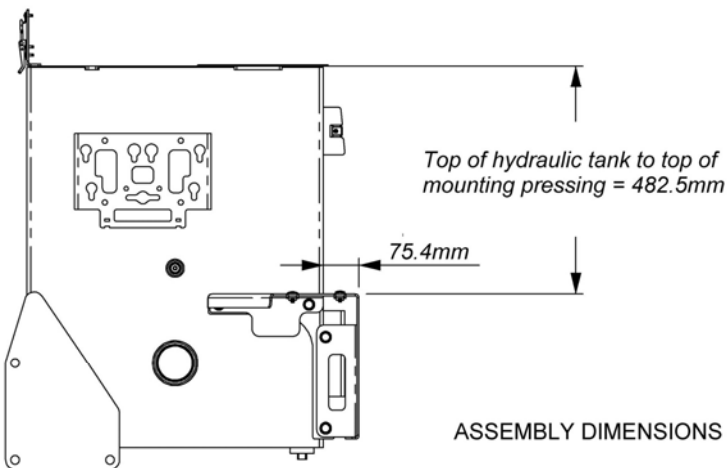
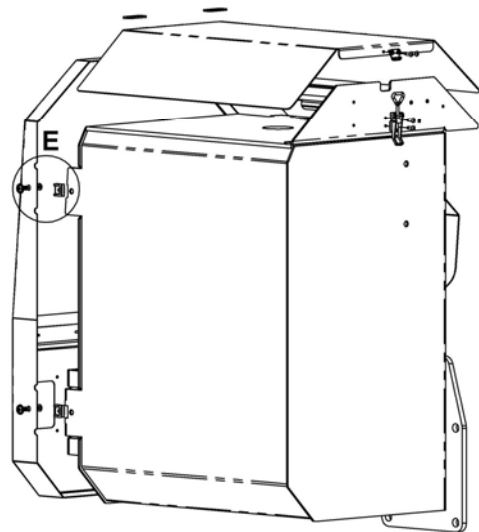
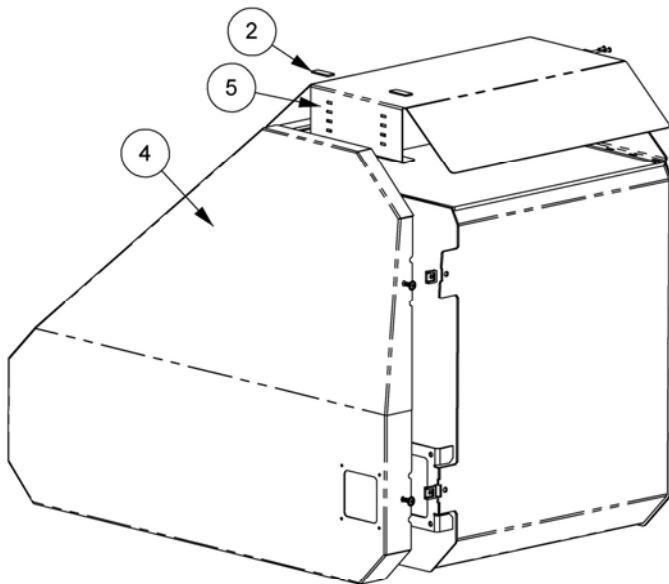
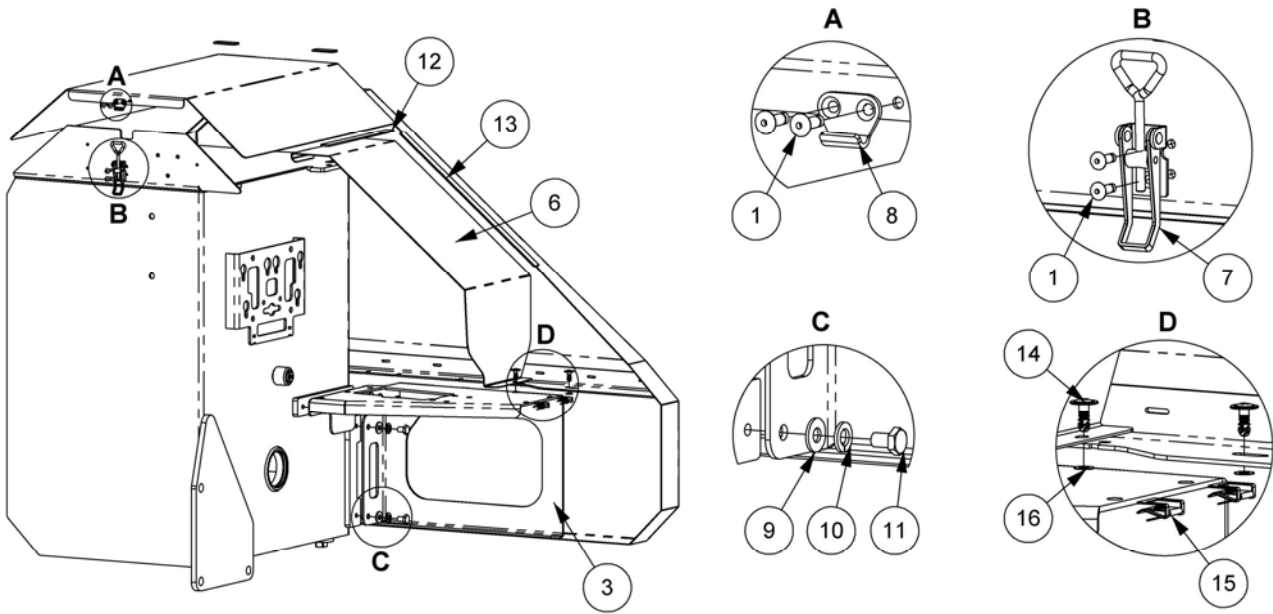
Module(s): 7451824

REF.	QTY.	PART No.	DESCRIPTION
		7154824	HIGH CAPACITY COOLER KIT
1	1	21380.03	COOLER BRACKET
2	1	8402381	OIL COOLER
3	1	43177.64	COOLER LOOM c/w RELAY
4	2	8650108	BONDED SEAL
5	4	9313054	SETSCREW
6	4	9143004	SELF-LOCKING NUT
7	8	9100104	FLAT WASHER
8	2	05.434.01	ADAPTOR
9	1	46046.03	COOLER BASKET
10	4	46041.01	STAND OFF
11	4	9100025	DOME NUT
12	12	9100105	FLAT WASHER
13	4	9100205	SPRING WASHER
14	1	43468.05	EDGING STRIP - 2100mm
15	8	9143005	SELF-LOCKING NUT
16	1	10.012.37	HOSE - 1" BSP FS/F90 x 2700mm
17	1	10.011.26	HOSE - 1" BSP FS/FS 1600mm
18	4	05.292.15	BOLT
19	1	46127.01	HYDRAULIC PIPE
20	1	G2410452	ADAPTOR
21	1	8650104	BONDED SEAL

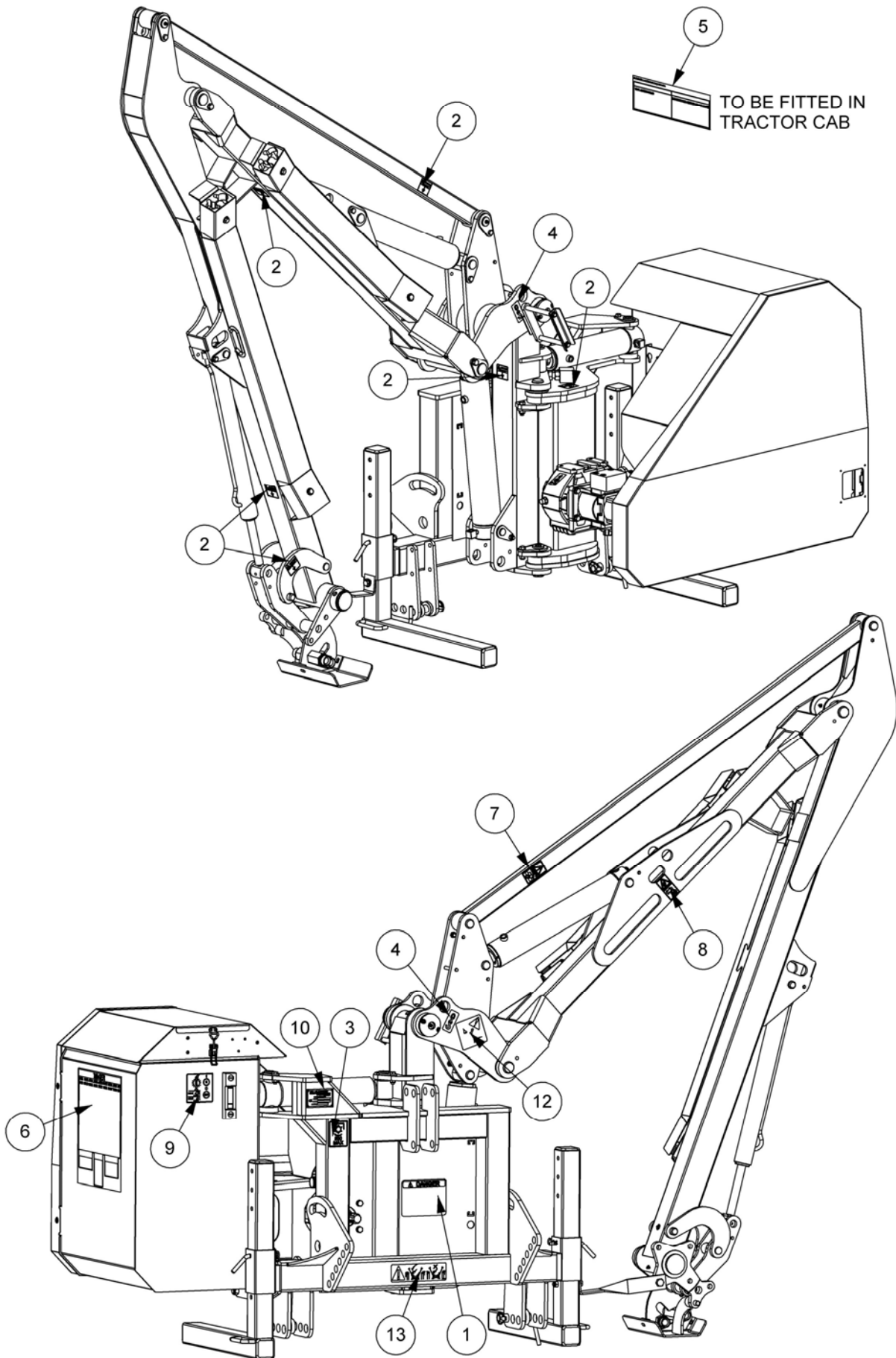
REAR COVERS ASSEMBLY

Module(s): L/H Build 7150706 (illustrated), R/H Build 7150707

McCONEL



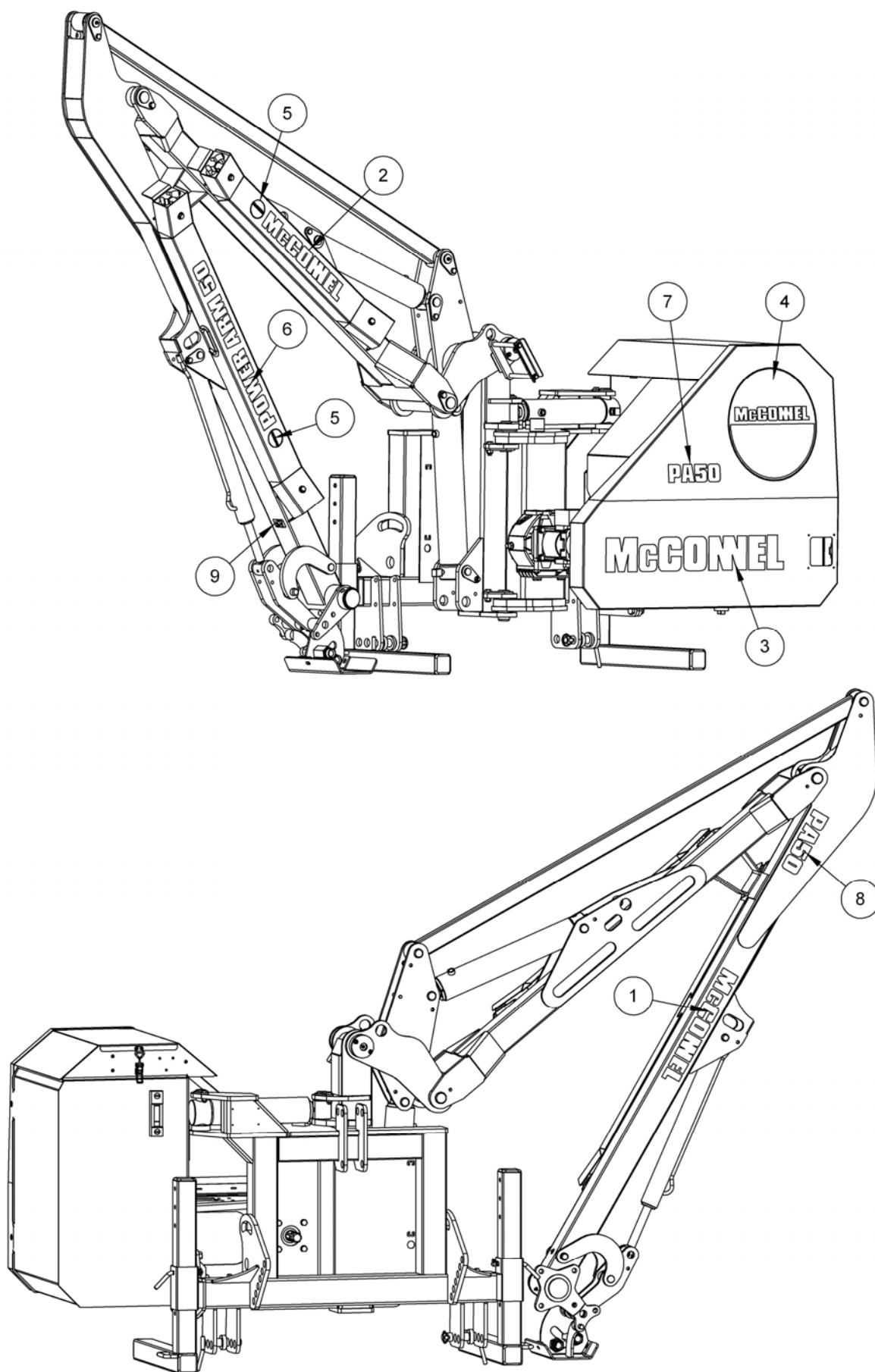
REF.	QTY.	PART No.	DESCRIPTION
		7150706	REAR COVERS ASSEMBLY - L/H Build
		7150707	REAR COVERS ASSEMBLY - R/H Build
1	4	21612.01	POP RIVET
2	2	21726.31	SPONGE PAD
3	1	22472.01	COVER & VALVE MOUNTING - L/H Build
	1	22472.02	COVER & VALVE MOUNTING - R/H Build
4	1	22476.03	REAR COVER - L/H Build
	1	22476.04	REAR COVER - R/H Build
5	1	22477.03	TANK TOP COVER
6	1	22513.01	VALVE COVER - L/H Build
	1	22513.02	VALVE COVER - R/H Build
7	1	43449.02	OVERCENTRE FASTENER
8	1	46007.01	HOOK (OVERCENTRE FASTENER)
9	4	9100105	FLAT WASHER
10	4	9100206	SPRING WASHER
11	4	9313035	SETSCREW
12	1	21726.34	SELF ADHESIVE FOAM STRIP (275mm)
13	1	21726.35	SELF ADHESIVE FOAM STRIP (410mm)
14	4	22549.01	FAST TURN SLOTTED HEAD STUD
15	4	22549.02	FAST TURN SLIP-ON RECEPTACLE
16	4	22549.03	FAST TURN PLASTIC RETAINER (BLACK)



Module(s): 7150750

REF.	QTY.	PART No.	DESCRIPTION
		7150750	DECAL KIT - INSTRUCTIONS & WARNINGS
1	1	00756494	DECAL - DRIVELINE HAZARD
2	6	02962764	DECAL - PINCH POINTS
3	1	09.811.03	DECAL - 500 MAX (CW)
4	2	1290074	DECAL - SLING HERE
5*	1	1290352	DECAL - IN CAB INSTRUCTIONS
6	1	1290391	DECAL - SAFETY WARNINGS
7	1	1290745	DECAL - CAB CLEARANCE WARNING
8	1	1290746	DECAL - BREAKAWAY RETURN WARNING
9	1	1290774	DECAL - OIL FILTER CHANGE
10	1	1335246	SERIAL No. PLATE
11	4	7103230	POP RIVET
12	1	7105130	DECAL - READ INSTRUCTION BOOK
13	1	7135295	DECAL - TIGHTEN CHECK CHAINS

* This item is supplied loose for subsequent fitment within the tractor cab.



Standard Arm Cable Model illustrated

Module(s): 7150751, 7150752, 7150783, 7150784

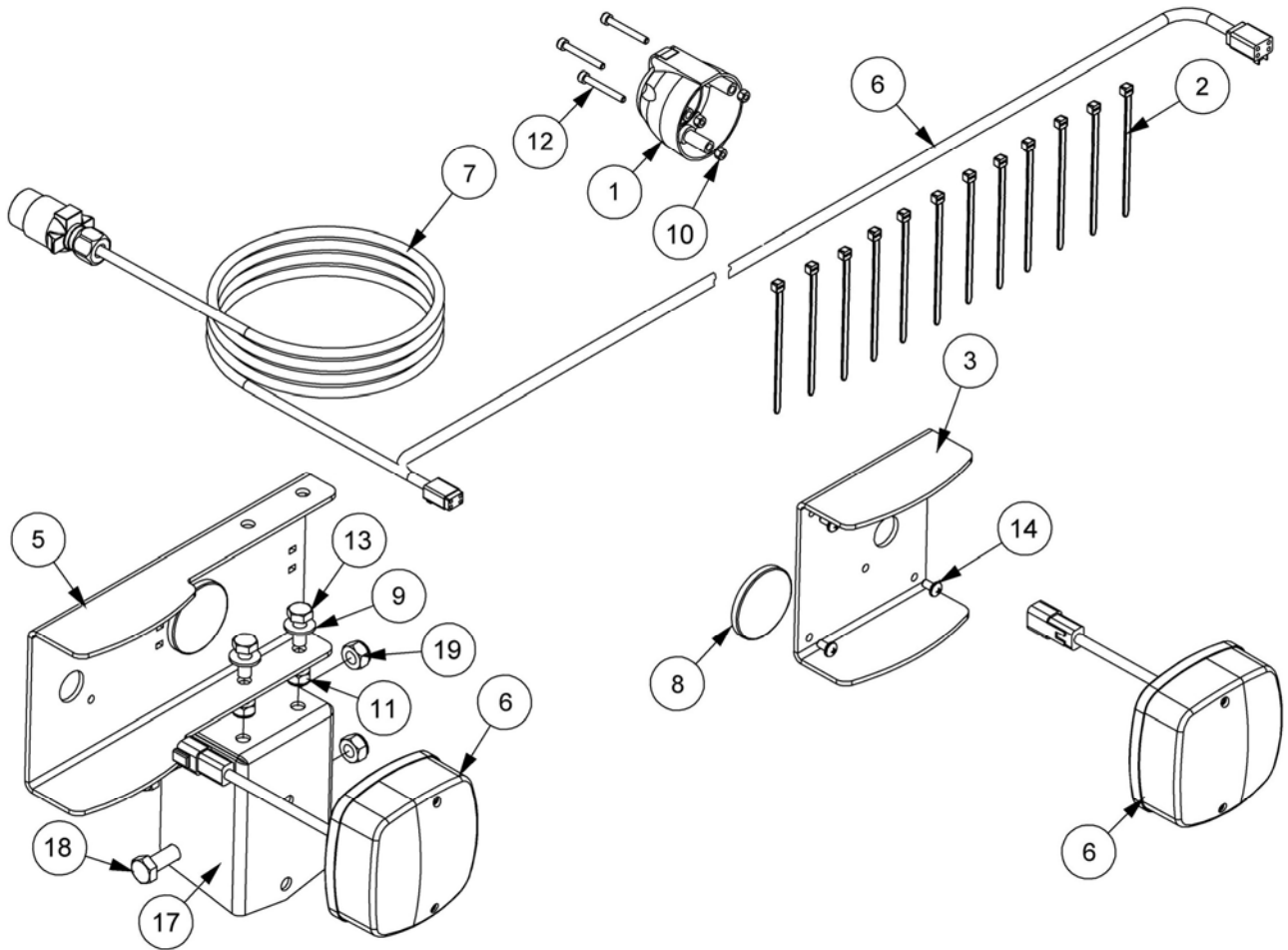
REF.	QTY.	PART No.	DESCRIPTION
			STANDARD & FOLDING MIDCUT MACHINES
		7150751	* DECAL KIT - PA50 Mk3 Cable Models
		7150752	** DECAL KIT - PA50 Mk3 Electric Models
1	1	1290255	DECAL - McCONNEL (BLACK)
2	1	1290614	DECAL - McCONNEL (WHITE)
3	1	1290649	DECAL - McCONNEL (WHITE)
4	1	1290697	DECAL - McCONNEL ROUNDEL
5	2	1290742	DECAL - McCONNEL ROUNDEL
6	1	1290749	DECAL - POWER ARM 50 (WHITE)
7	1	1290750	* DECAL - PA50 (WHITE)
	1	1290759	** DECAL - PA50E (WHITE)
8	1	1290751	* DECAL - PA50 (BLACK)
	1	1290760	** DECAL - PA50E (BLACK)
9	1	21917.02	DECAL - HEAD DECAL (ORANGE - 102 l/min)

REF.	QTY.	PART No.	DESCRIPTION
			FIXED MIDCUT MACHINES
		7150783	* DECAL KIT - PA50 Mk3 Cable Models
		7150784	** DECAL KIT - PA50 Mk3 Electric Models
1	1	1290255	DECAL - McCONNEL (BLACK)
2	1	1290614	DECAL - McCONNEL (WHITE)
3	1	1290649	DECAL - McCONNEL (WHITE)
4	1	1290697	DECAL - McCONNEL ROUNDEL
5	2	1290742	DECAL - McCONNEL ROUNDEL
6	1	1290791	DECAL - POWER ARM 50 (WHITE)
7	1	1290750	* DECAL - PA50 (WHITE)
	1	1290759	** DECAL - PA50E (WHITE)
8	1	1290751	* DECAL - PA50 (BLACK)
	1	1290760	** DECAL - PA50E (BLACK)
9	1	21917.02	DECAL - HEAD DECAL (ORANGE - 102 l/min)

REAR LIGHTING KIT

McCONNEL

Module(s): 7150708



REF.	QTY.	PART No.	DESCRIPTION
		7150708	LIGHTING KIT
1	1	21678.07	7 PIN SOCKET - 12V
2	12	22342.01	CABLE TIE
3	1	22484.02	LIGHT GUARD & MOUNTING
5	1	22488.01	LIGHT GUARD & MOUNTING
6	2	45642.02	COMBINATION LAMP
7	1	45656.08	LIGHTING LOOM
8	2	45671.01	REFLECTOR (SELF-ADHESIVE)
9	2	9100105	FLAT WASHER
10	3	05.287.09	NYLOC NUT
11	2	9163005	NYLOC NUT
12	2	9163006	NYLOC NUT
13	2	9213246	BOLT
14	3	9243082	CAPSCREW
15	2	9313055	SETSCREW
16	4	9300164	TAPTITE
17	1	22487.01	LIGHT MOUNTING BRACKET
18	2	9213246	BOLT
19	2	9163006	NUT



McConnel Limited, Temeside Works, Ludlow, Shropshire SY8 1JL. England.
Telephone: 01584 873131. Facsimile: 01584 876463. www.mcconnel.com