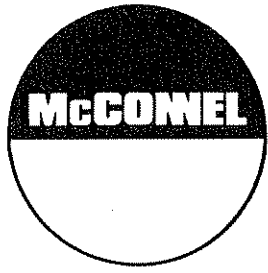
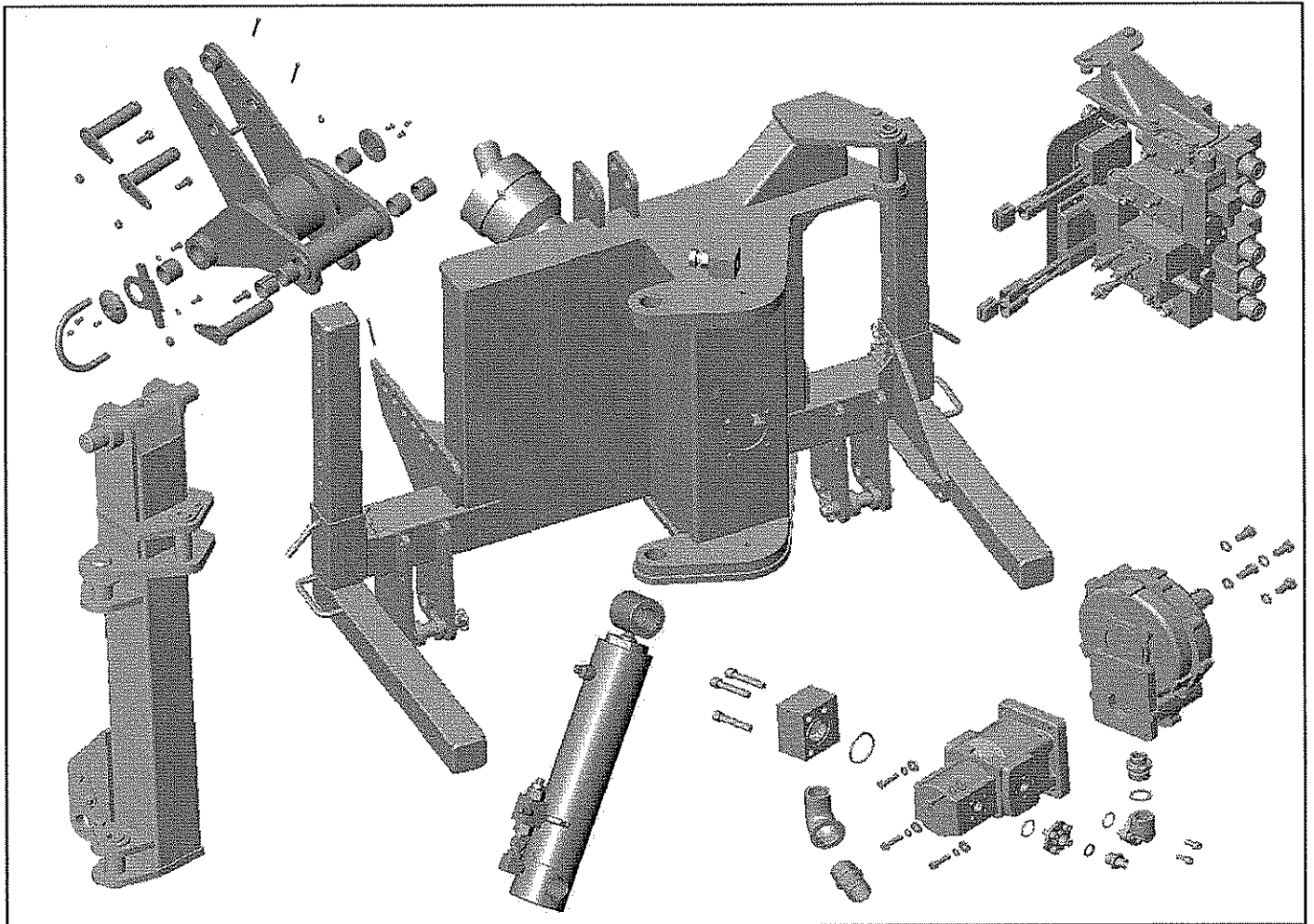


Publication 407  
August 2001  
Part No. 41570.08



# PA 50 HY REACH

## *Parts Manual*



# McCOWEL

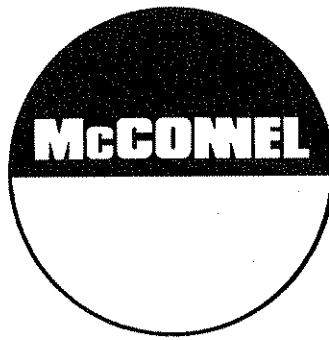
# CONTENTS

	<b>Page</b>
<b>FRAME AND TANK</b>	
Stabiliser	1
Main Frame	3
Pillar	5
Rocker	7
Main Arm	9
Dipper Arm	11
Hydraulic Tank	13
<b>PUMPS AND GEARBOXES</b>	
SI Pump and Gearbox	15
TI Pump and Gearbox	17
<b>ROTOR VALVES</b>	
SI Rotor Relief Valve	19
Rotor Control Valve - <i>Cable</i>	21
Rotor Control Valve - <i>Electric</i>	23
<b>ARMHEAD CONTROL VALVES</b>	
Armhead Control Valve - <i>Cable models</i>	25
Armhead Control Valve - <i>Electric models</i>	27
Armhead Control Valve - <i>Electric Proportional models</i>	29
<b>HOSE INSTALLATIONS</b>	
Hose installation - <i>Cable models</i>	31
Hose installation - <i>Electric models</i>	33
Hose installation - <i>Armhead Control Valves</i>	35
<b>LIFT FLOAT KITS</b>	
Lift Float Kit - <i>Cable models</i>	37
Lift Float Kit - <i>Electric models</i>	39
<b>HYDRAULIC RAMS</b>	
Angling Ram	41
Reach Ram	42
Lift Ram	43
Slew Ram	45
<b>MACHINE CONTROLS</b>	
Switchbox controls - <i>Electric models</i>	47
Monolever controls - <i>Electric models</i>	49
Armrest controls - <i>Electric Proportional models</i>	51
<b>CONTROL MOUNTINGS</b>	
Cable controls mounting	53
Electric controls mounting	54
<b>MACHINE COVERS</b>	
Rear Cover	55
<b>LIGHTING</b>	
Lighting Kit - <i>optional extra</i>	57
<b>DECALS</b>	
Machine Decals	59



# Notes

A series of horizontal dotted lines for writing notes, spanning the width of the page.



*For best performance...*

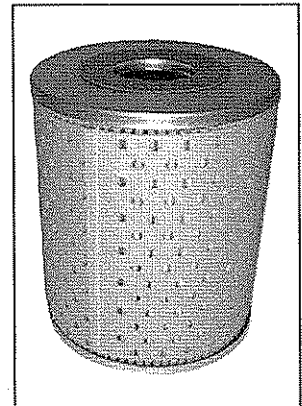
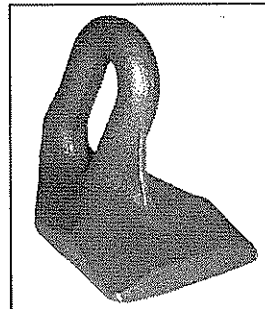
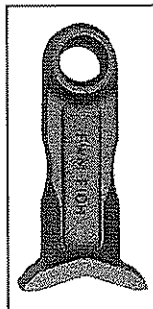
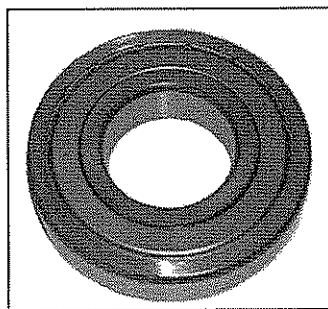
## **USE ONLY 'GENUINE McCONNEL' SERVICE PARTS**

*To be assured of the latest design improvements purchase your 'Genuine Replacements' from the Original Equipment Manufacturer: McCONNEL LIMITED through your local Dealer or Stockist.*

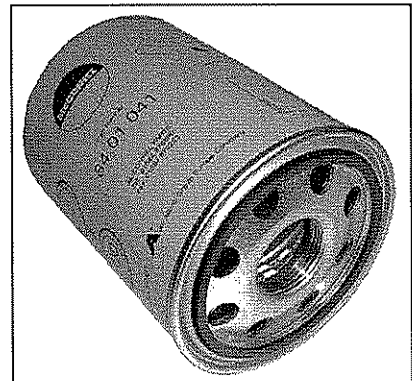
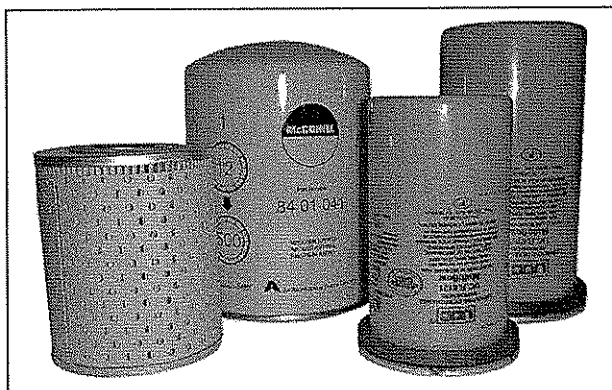
**Always quote:**

- **Machine Type**
- **Serial Number**
- **Part Number**

*Design Improvements may have altered some of the parts listed in this manual – The latest part will always be supplied when it is interchangeable with an earlier one.*

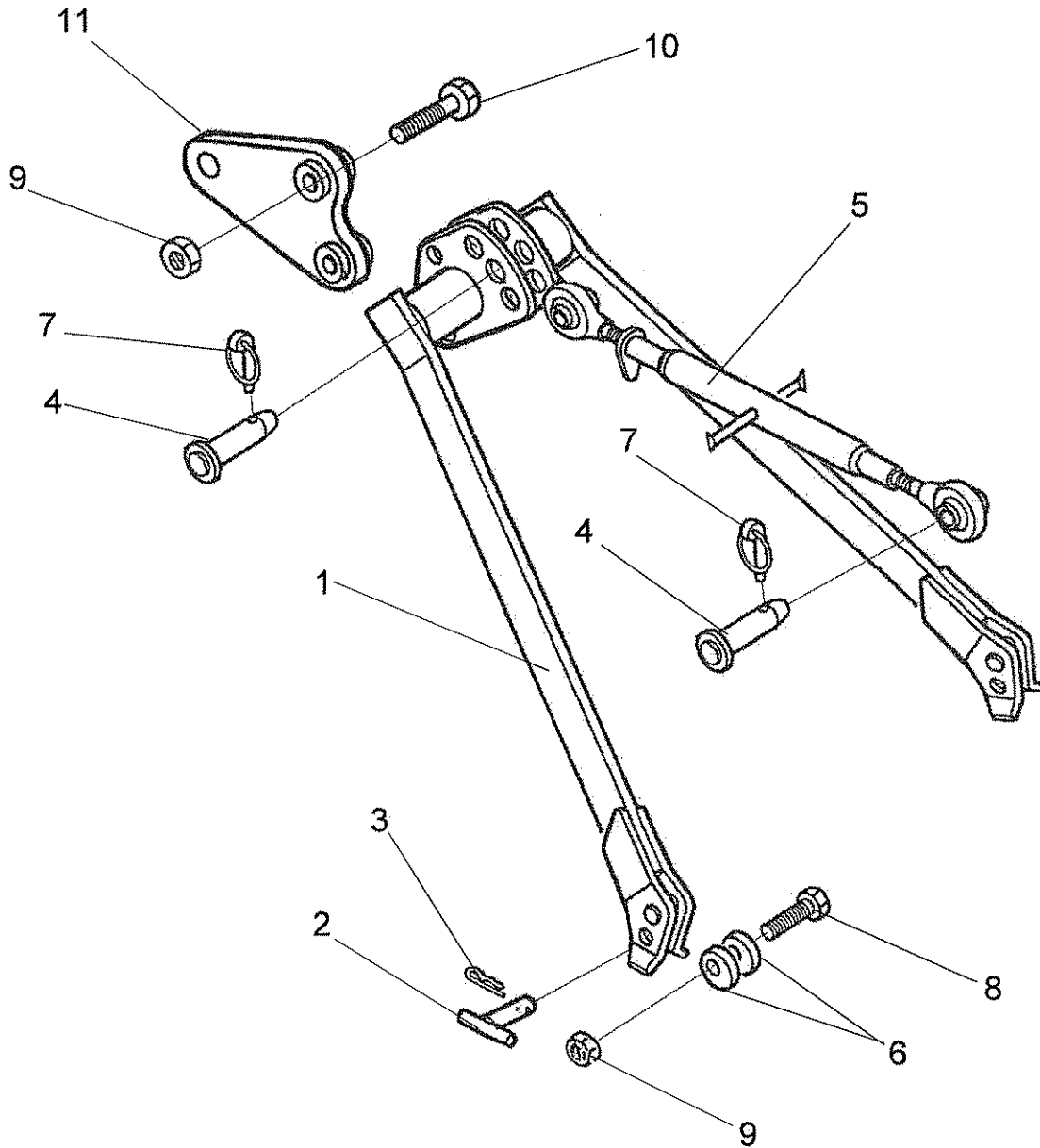


**Genuine Parts ~ Quality Service**





Module:  
7499615



**STABILISER ASSEMBLY**

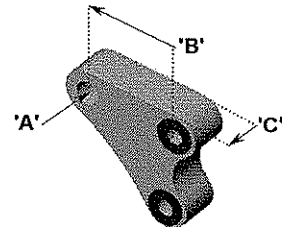
REF.	QTY.	PART NO.	DESCRIPTION
		<b>7499615</b>	<b>STABILIZER ASSEMBLY</b>
1	1	41915.07	STABILIZER
2	2	7192027	STABILIZER PIN
3	4	0431105	SPRING COTTER
4	2	7118112	TOP LINK PIN
5	1	07.584.01	TOP LINK - CAT. II
6	4	7192080	ECCENTRIC COLLAR
7	2	0431217	LINCH PIN
8	2	9213148	BOLT M20 x 70
9	4	9143008	CLEVLOK NUT M20
10	2	9213228	BOLT M20 x 110
11	1	7499501	TONGUE

**McCONNEL STABILISER TONGUES**

'A' – Hole diameter

'B' – Hole center spacing

'C' – Stabiliser width



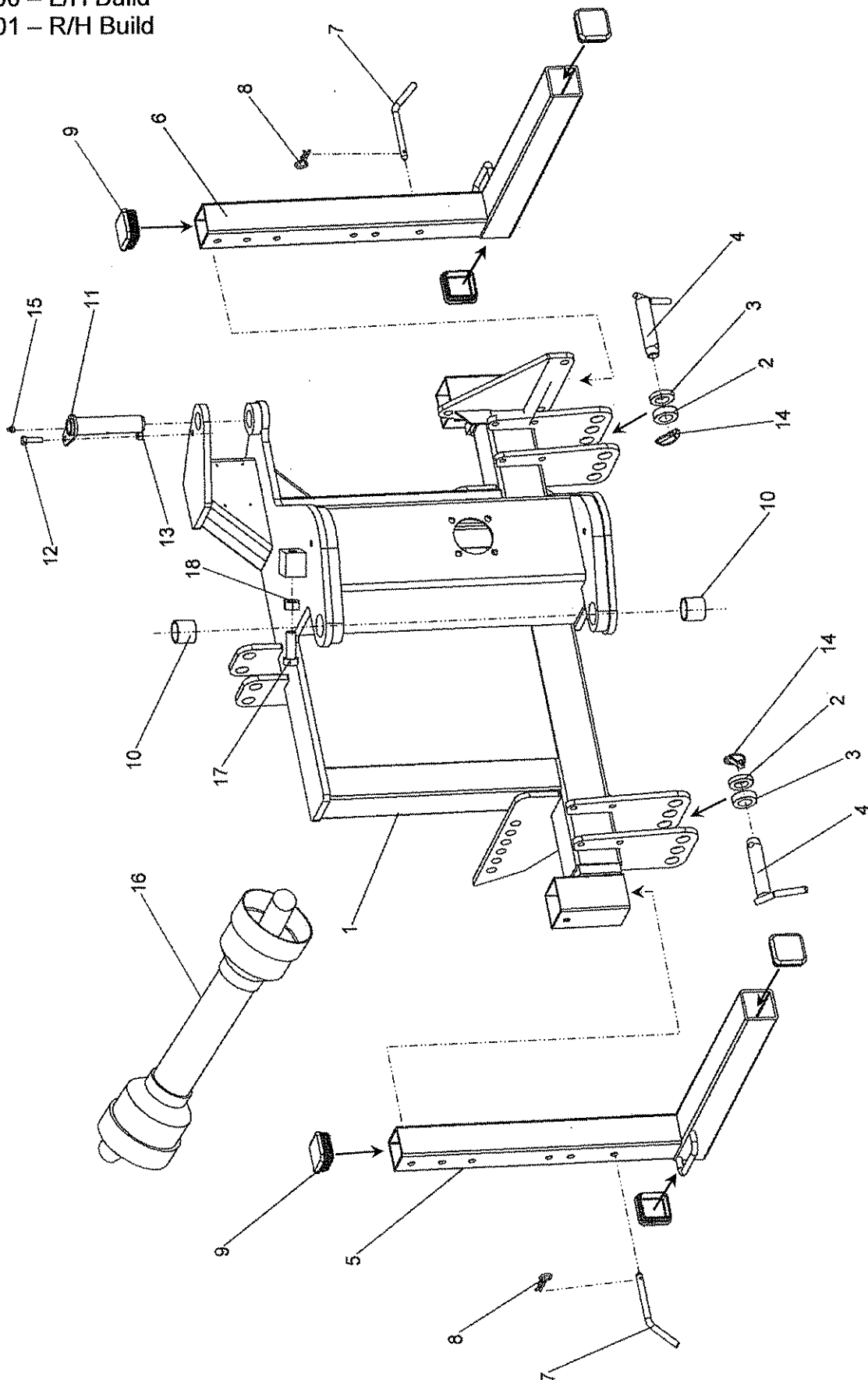
(Dimensions in mm)

Part No.	Description	'A'	'B'	'C'
7499501	Tongue: Standard – Cat. 2	27	107	45
7499500	Tongue: Special – Cat. 2 narrow	27	107	35
7499502	Tongue: Special – Cat. 2 long	27	217	45
7499503	Tongue: Special – Cat. 3 long	32	217	45
7499504	Tongue: Special – Cat. 1	19.5	107	35
7499505	Tongue: Special – Cat. 2 for Case TX tractors	25	120	50
7499506	Tongue: Special – Cat. 3	32	107	45
7499507	Tongue: Special – Cat. 3 narrow	32	107	30
7499508	Tongue: Special – for some Ford tractors	28.6	107	45
7499262	Tongue: Special – Cat. 2 extra long for Aebi	27	260	45
7499510	Tongue: Special – Cat. 2	27	107	40

# MAINFRAME ASSEMBLY

**Module:**  
7451700 – L/H Build  
7451701 – R/H Build

*Illustrated in Left Hand Build*



**MAINFRAME ASSEMBLY**

REF.	QTY.	PART No.	DESCRIPTION
1	1	45193.01	MAIN FRAME - L/H
	1	45193.02	MAIN FRAME - R/H ( <i>not illustrated</i> )
2	2	43332.01	SPACER-LINKAGE.
3	2	43332.02	SPACER-LINKAGE
4	2	41559.01	LINKAGE PIN
5	1	45293.01	STAND LEG - L/H
6	1	45293.02	STAND LEG - R/H
7	2	45297.01	LEG PIN
8	2	0431105	SPRING COTTER
9	6	45210.01	PLASTIC PLUG
10	2	21385.01	PLASTIC BUSH
11	1	45202.05	SLEW BASE PIN
12	1	9313075	SETSCREW
13	1	9143005	SELF-LOCKING NUT
14	2	0431217	LINCH PIN
15	1	0901121	GREASE NIPPLE - Straight
16	1	7136330	DRIVE SHAFT
17	1	9313118	SETSCREW
18	1	9113008	NUT



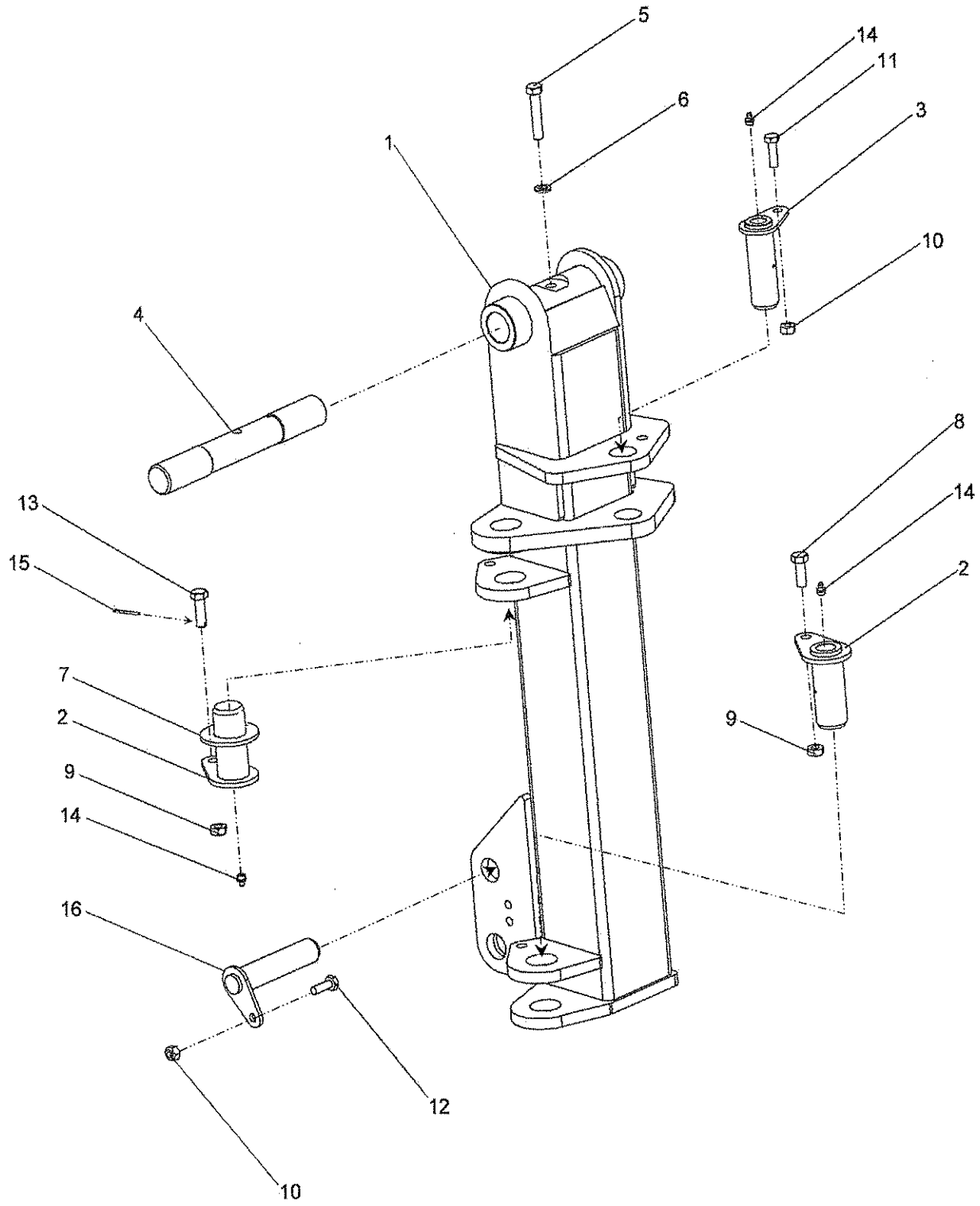
# PILLAR ASSEMBLY

**Modules:**

7451727 – L/H Build

7448707 – R/H Build

*Illustrated in Left Hand Build*

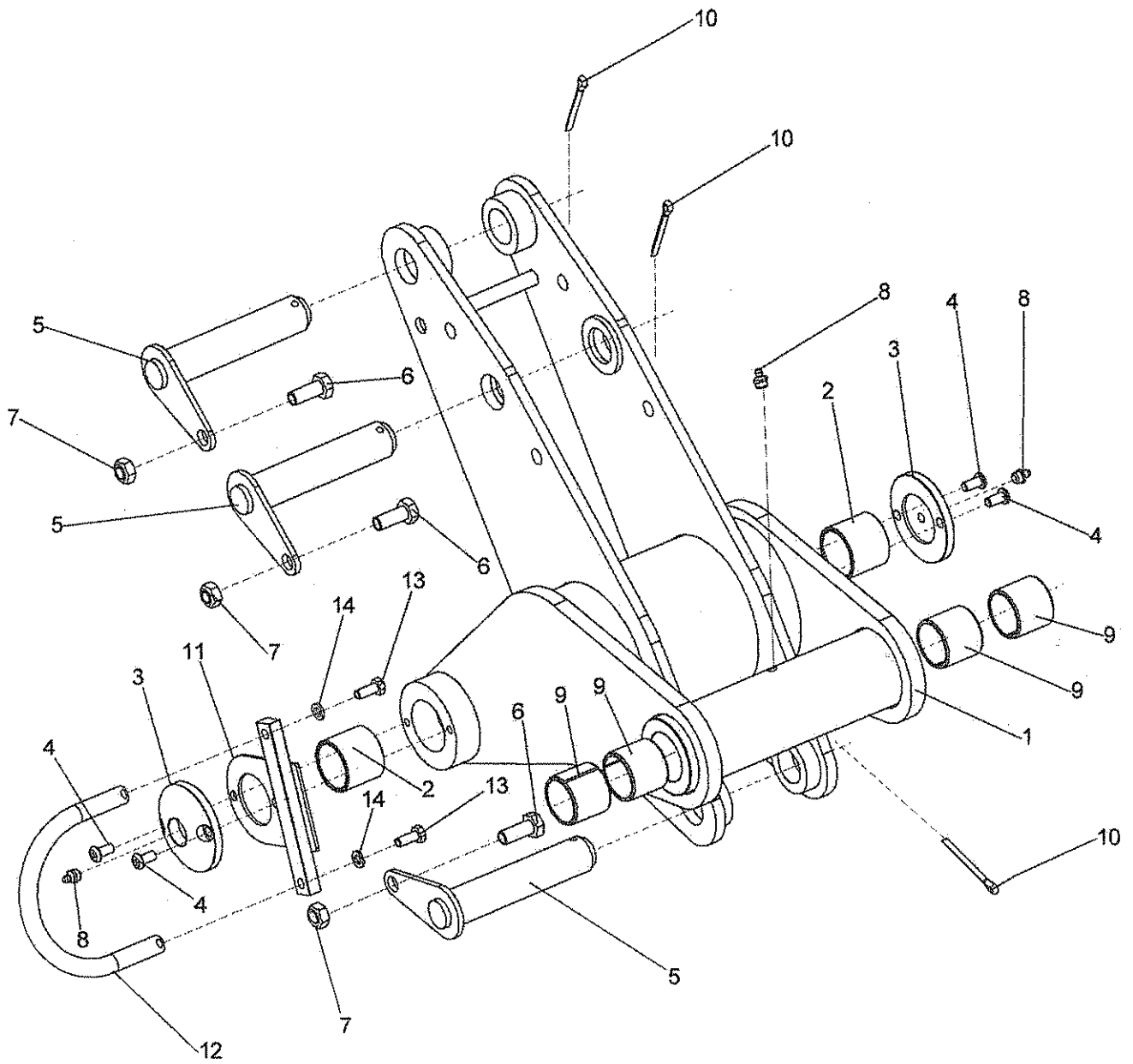


**PILLAR ASSEMBLY**

REF.	QTY.	PART No.	DESCRIPTION
		<b>7451727</b>	<b>PILLAR ASSEMBLY L/H</b>
		<b>7448707</b>	<b>PILLAR ASSEMBLY R/H</b>
1	1	45192.01	PILLAR - L/H
		45192.02	PILLAR - R/H ( <i>not illustrated</i> )
2	2	45271.01	SLEW PIVOT PIN
3	1	45202.04	PIN-SLEW ROD
4	1	45264.01	MAIN PIVOT PIN
5	1	9213136	BOLT
6	1	9100206	SPRING WASHER
7	1	45298.01	THRUST WASHER
8	1	9313076	SETSCREW
9	2	9143006	SELF-LOCKING NUT
10	2	9143005	SELF-LOCKING NUT
11	1	9313075	SETSCREW
12	1	9313065	SETSCREW
13	1	45416.01	SPECIAL SETCREW
14	3	0901121	GREASE NIPPLE - Straight
15	1	9501255	SPLIT PIN
16	1	41692.01	PIN - TENSION LINK

# ROCKER ASSEMBLY

Module:  
7448706



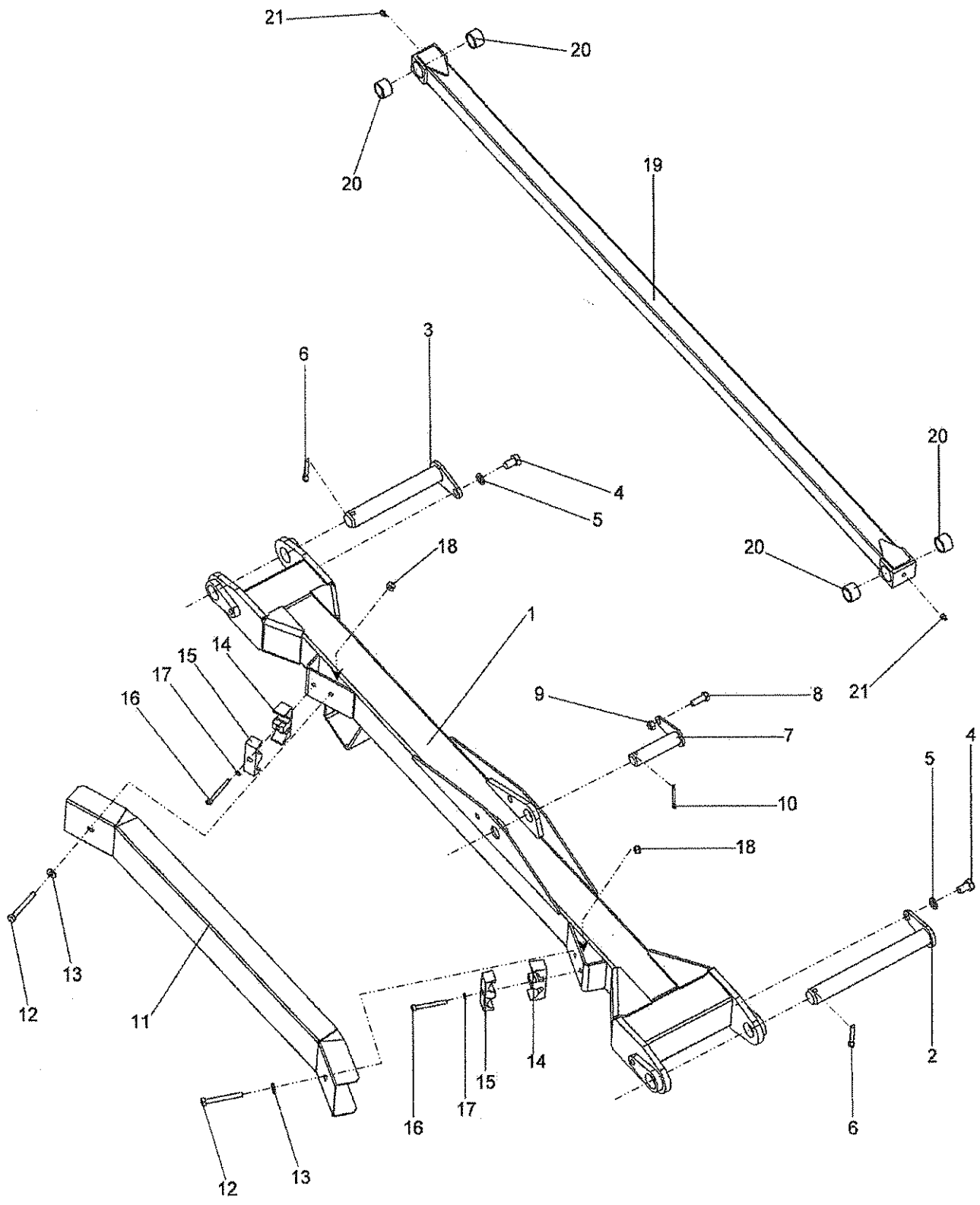
**ROCKER ASSEMBLY**

REF.	QTY.	PART NO.	DESCRIPTION
		<b>7448706</b>	<b>ROCKER ASSEMBLY</b>
1	1	45445.01	ROCKER
2	2	08.297.02	BUSH
3	2	45266.01	PIN CAP
4	4	9300159	BUTTON HEADED CAPSCREW
5	3	41694.03	PIN - LIFT ROD END
6	3	9313066	SETSCREW
7	3	9143006	SELF-LOCKING NUT
8	3	0901121	GREASE NIPPLE - STRAIGHT
9	4	7213023	PLASTIC BUSH
10	3	9501507	SPLIT PIN
11	1	43048.06	RETAINING BRACKET
12	1	43048.05	HOOK
13	2	9313044	SETSCREW
14	2	9100204	SPRING WASHER
15	1	7114076	CLAMP UPPER - <i>not illustrated</i>
16	1	7114075	CLAMP LOWER - <i>not illustrated</i>
17	1	9213094	BOLT - <i>not illustrated</i>

# MAIN ARM ASSEMBLY

**Modules:**  
7451771 – L/H Build  
7451772 – R/H Build

*Illustrated in Left Hand Build*





## MAIN ARM ASSEMBLY

REF.	QTY.	PART No.	DESCRIPTION
		7451771	MAIN ARM ASSEMBLY L/H
		7451772	MAIN ARM ASSEMBLY R/H
1	1	7193474	MAIN ARM L/H
	1	7193475	MAIN ARM R/H ( <i>not illustrated</i> )
2	1	41686.01	MAIN ARM PIVOT PIN
3	1	41687.01	PIN - DIPPER PIVOT
4	2	9313057	SETSCREW
5	2	05.282.04	SPRING WASHER
6	2	9501509	SPLIT PIN
7	1	41688.01	PIN - REACH RAM ROD
8	1	9313076	SETSCREW
9	1	9143006	SELF-LOCKING NUT
10	1	9501507	SPLIT PIN
11	1	41665.01	HOSE GUARD
12	2	9213185	BOLT
13	2	9100105	FLAT WASHER
14	2	45630.01	HOSE CLAMP
15	2	42024.06	PIPE CLAMP (HALF)
16	2	9243154	CAPSCREW
17	2	9100404	SHAKEPROOF WASHER
18	2	9143005	SELF-LOCKING NUT
19	1	7193326	TENSION LINK
20	4	6012032	BUSH - PLASTIC
21	2	0901121	GREASE NIPPLE - Straight

# DIPPER ARM ASSEMBLY

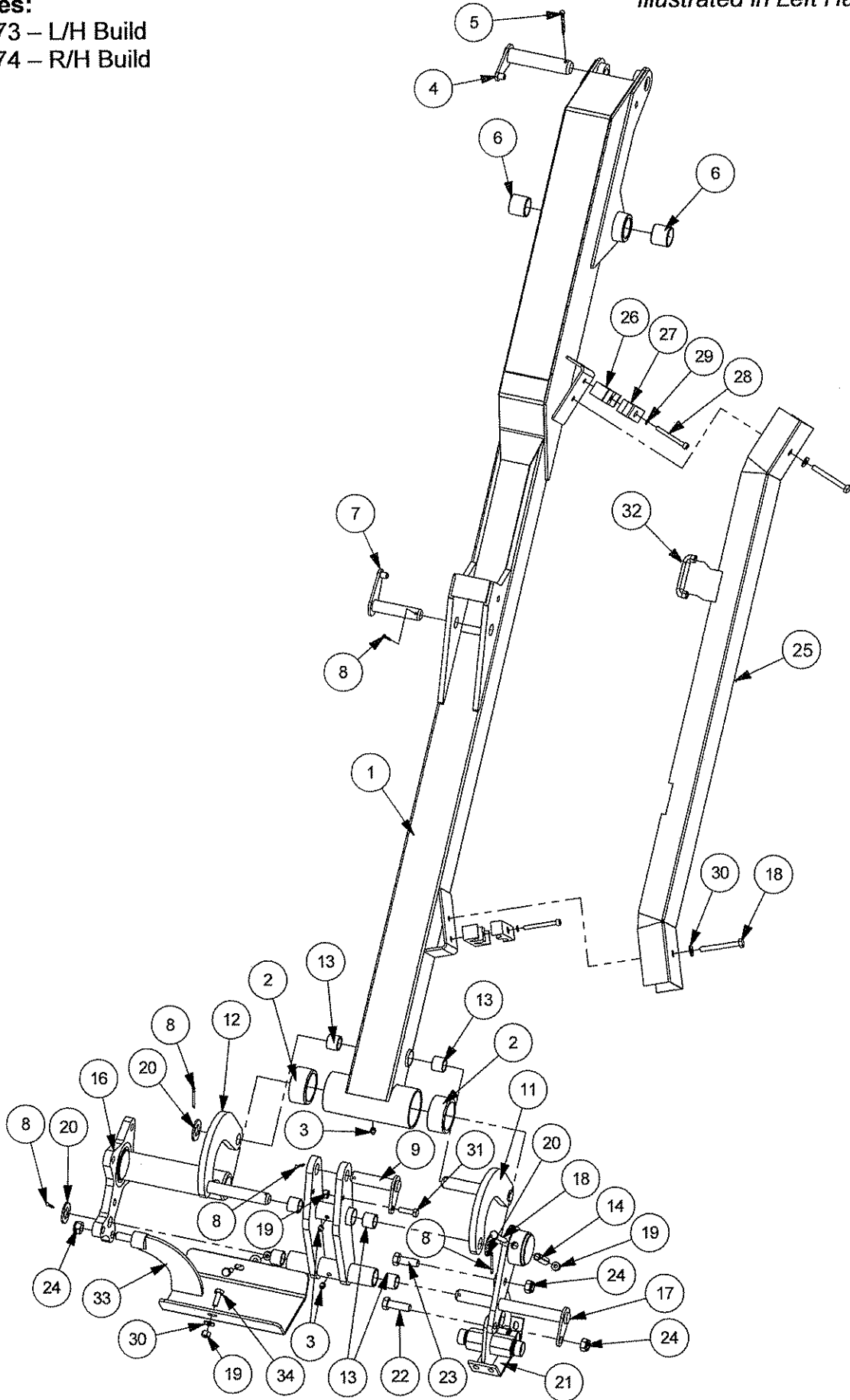


**Modules:**

7451773 – L/H Build

7451774 – R/H Build

*Illustrated in Left Hand Build*





## DIPPER ARM ASSEMBLY

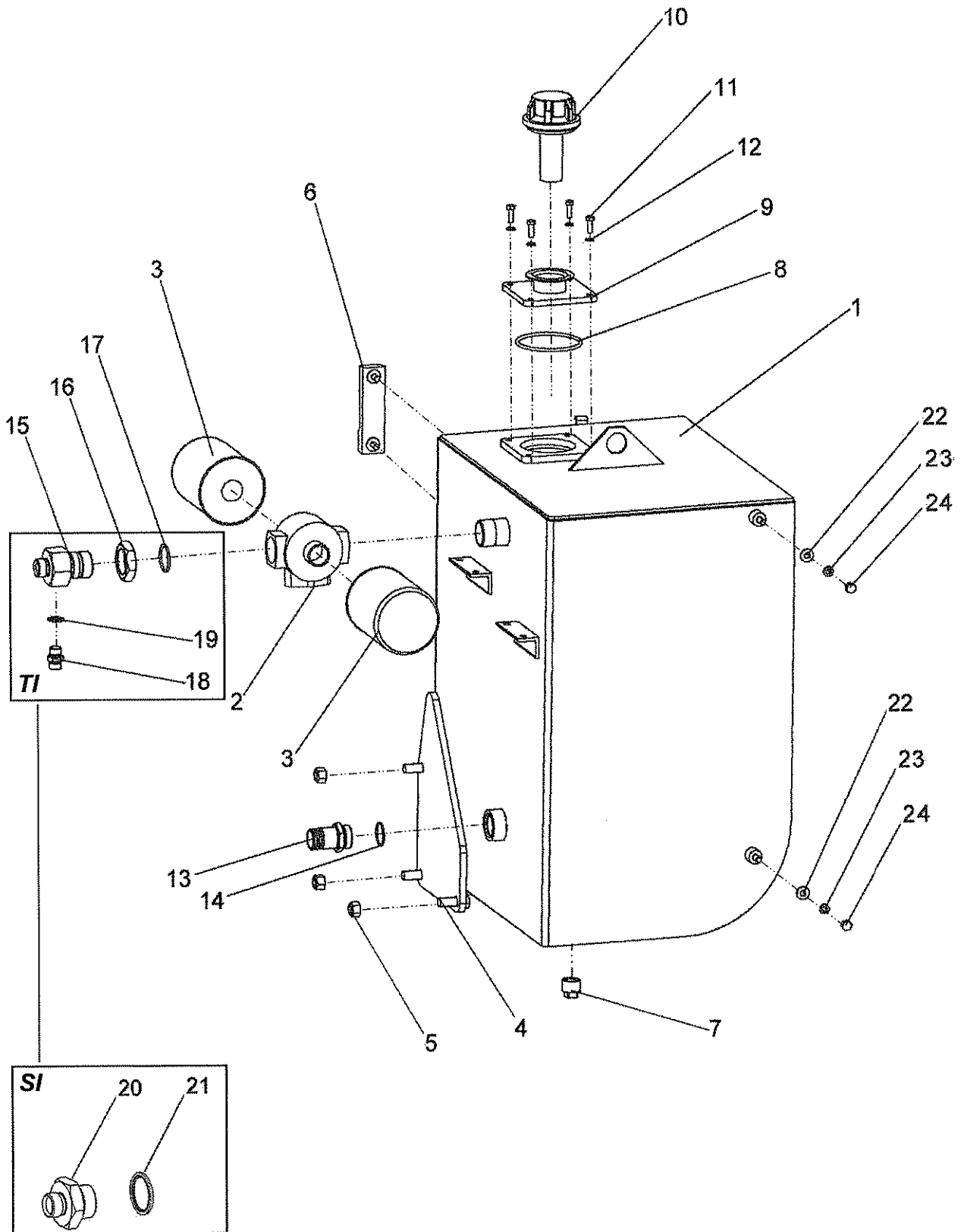
REF.	QTY.	PART No.	DESCRIPTION
		7451773	DIPPER ARM ASSEMBLY L/H
		7451774	DIPPER ARM ASSEMBLY R/H
1	1	7193476	DIPPER ARM L/H
		7193477	DIPPER ARM R/H ( <i>not illustrated</i> )
2	2	7136035	PLASTIC BUSH
3	5	0901121	GREASE NIPPLE
4	1	7193025	PIN - TENSION LINK
5	1	9501507	SPLIT PIN
6	2	7213023	PLASTIC BUSH
7	1	7192024	PIN - ANGLE BASE
8	5	9501406	SPLIT PIN
9	1	41693.01	PIN - ANGLE ROD END
10	1	7450252	SLAVE LINK
11	1	7450251	RADIUS ARM - FRONT
12	1	7450250	RADIUS ARM - REAR
13	6	41690.01	BUSH - PLASTIC
14	1	0423548	SPRING DOWEL
15	1	42648.02	JAW PLATE
16	1	21263.02	PIVOT TUBE
17	1	7192009	PIN - SLAVE LINK
18	3	9213185	BOLT
19	6	9143005	SELF-LOCKING NUT
20	3	0100109	FLAT WASHER
21	1	21261.02	JUNCTION BRACKET
22	1	9200025	BOLT
23	1	9200028	BOLT
24	3	9100028	SELF LOCKING NUT
25	1	41665.03	HOSE GUARD
26	2	45630.01	HOSE CLAMP - PLASTIC
27	2	42024.06	PIPE CLAMP (HALF)
28	2	9243154	CAPSCREW
29	2	9100404	SHAKEPROOF WASHER
30	4	9100105	FLAT WASHER
31	1	9313075	SETSCREW
32	1	41741.01	EDGING STRIP
33	1	21262.02	HOSE TRAY
34	2	9313065	SETSCREW



**Modules:**

- 7451743 – L/H Build SI Models
- 7451744 – R/H Build SI Models
- 7451710 – L/H Build TI Models
- 7451711 – R/H Build TI Models

*Illustrated in Left Hand Build*





## HYDRAULIC TANK ASSEMBLY

REF.	QTY.	PART No.	DESCRIPTION
		7451743	TANK ASSEMBLY - SI L/H Build
		7451744	TANK ASSEMBLY - SI R/H Build
		7451710	TANK ASSEMBLY - TI L/H Build
		7451711	TANK ASSEMBLY - TI R/H Build
1	1	45243.01	TANK - L/H Build
	1	45243.02	TANK - R/H Build ( <i>not illustrated</i> )
2	1	8401060	RETURN FILTER HEAD
3	2	8401041	FILTER ELEMENT
4	3	9313097	SETSCREW
5	3	9143007	SELF-LOCKING NUT
6	1	8401048	LEVEL GAUGE
7	1	8581203	TAPER PLUG
8	1	8600151	O RING
9	1	43175.01	COVER PLATE
10	1	8401074	FILLER BREATHER PRESS.
11	4	9313054	SETSCREW
12	4	9100204	SPRING WASHER
13	1	8581260	ADAPTOR - LOW PRESSURE
14	1	8700784	O RING
15	1	8581425	ADAPTOR
16	1	8581422	ADAPTOR BACKNUT
17	1	8600302	O RING
18	1	8581110	ADAPTOR
19	1	8650104	BONDED SEAL
20	1	8581291	ADAPTOR
21	1	8650224	BONDED SEAL

*TI machines only*

*SI machines only*

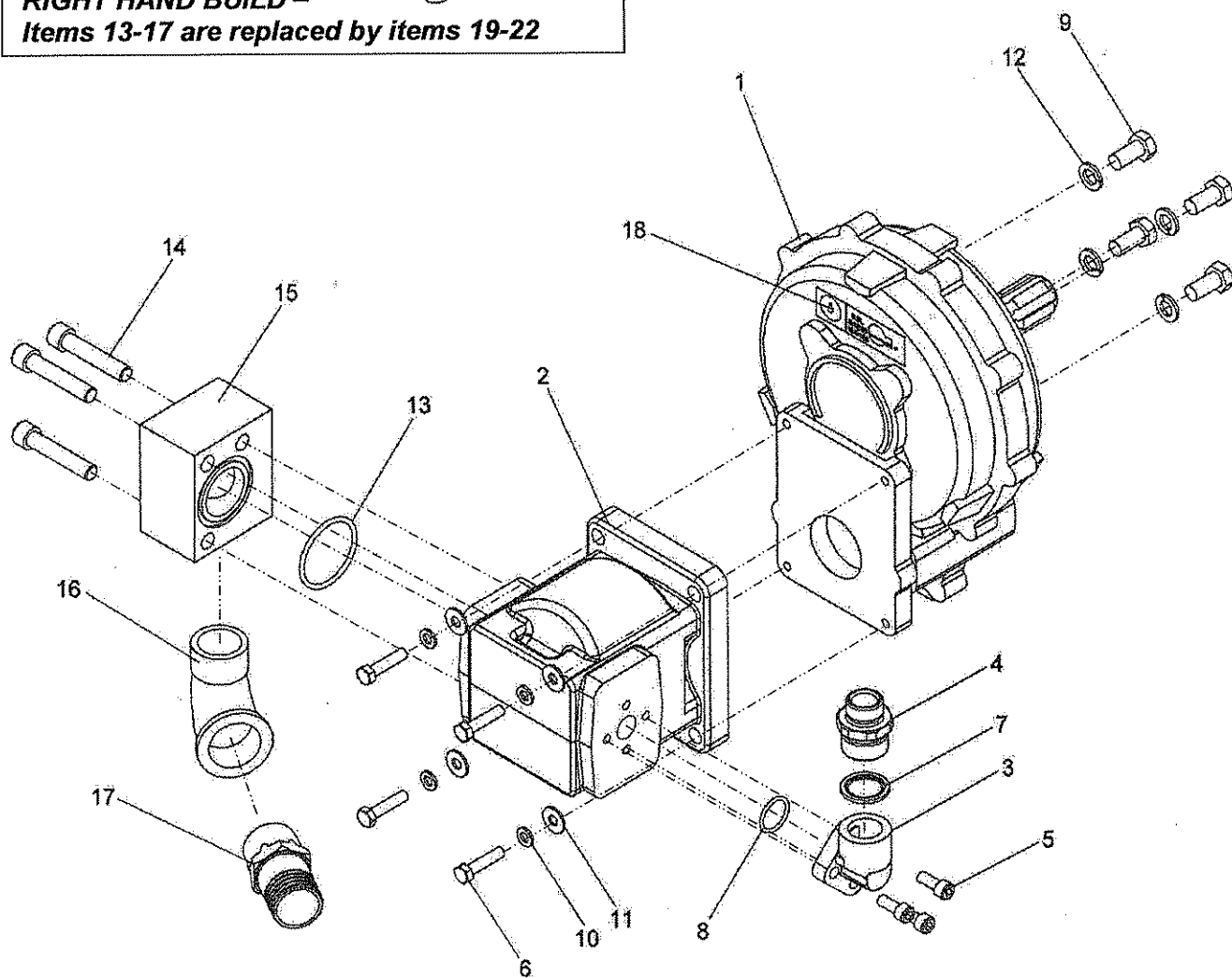
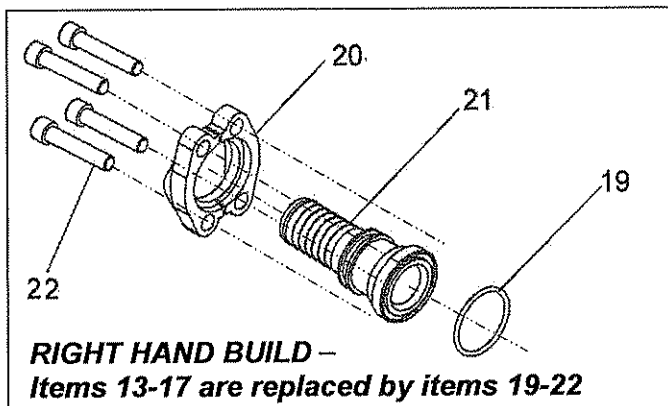
# SI PUMP & GEARBOX ASSEMBLY

**Modules:**

7451762 – SI L/H Build

7451763 – SI R/H Build

*Illustrated in Left Hand Build*





**SI PUMP & GEARBOX ASSEMBLY**

REF.	QTY.	PART No.	DESCRIPTION	
		7451762	PUMP & GEARBOX ASSEMBLY - SI L/H	
		7451763	PUMP & GEARBOX ASSEMBLY - SI R/H	
1	1	8013444ap	GEARBOX LS 4.3	
2	1	8201686	PUMP - HP SI	
3	1	8005052	PRESSURE CONNECTION	
4	1	8002086	ADAPTOR	
5	3	9300147	CAPSCREW	
6	4	9313074	SETSCREW	
7	1	8650106	BONDED SEAL	
8	1	8600403	O RING	
9	4	9313056	SETSCREW	
10	4	9100204	SPRING WASHER	
11	4	9100104	FLAT WASHER	
12	4	9100206	SPRING WASHER	
13	1	8600304	O RING	} <i>L/H machines only</i>
14	3	9243126	CAPSCREW	
15	1	42142.01	BLOCK SUCTION	
16	1	8581261	ADAPTOR	
17	1	8581367	ADAPTOR	
18	1	1290054	GEARBOX LABEL	} <i>R/H machines only</i>
19	1	8600303	O RING	
20	1	41.294.01	SPLIT FLANGE (PAIR)	
21	1	41.294.03	ADAPTOR FLANGE	
22	4	9343066	CAPSCREW	

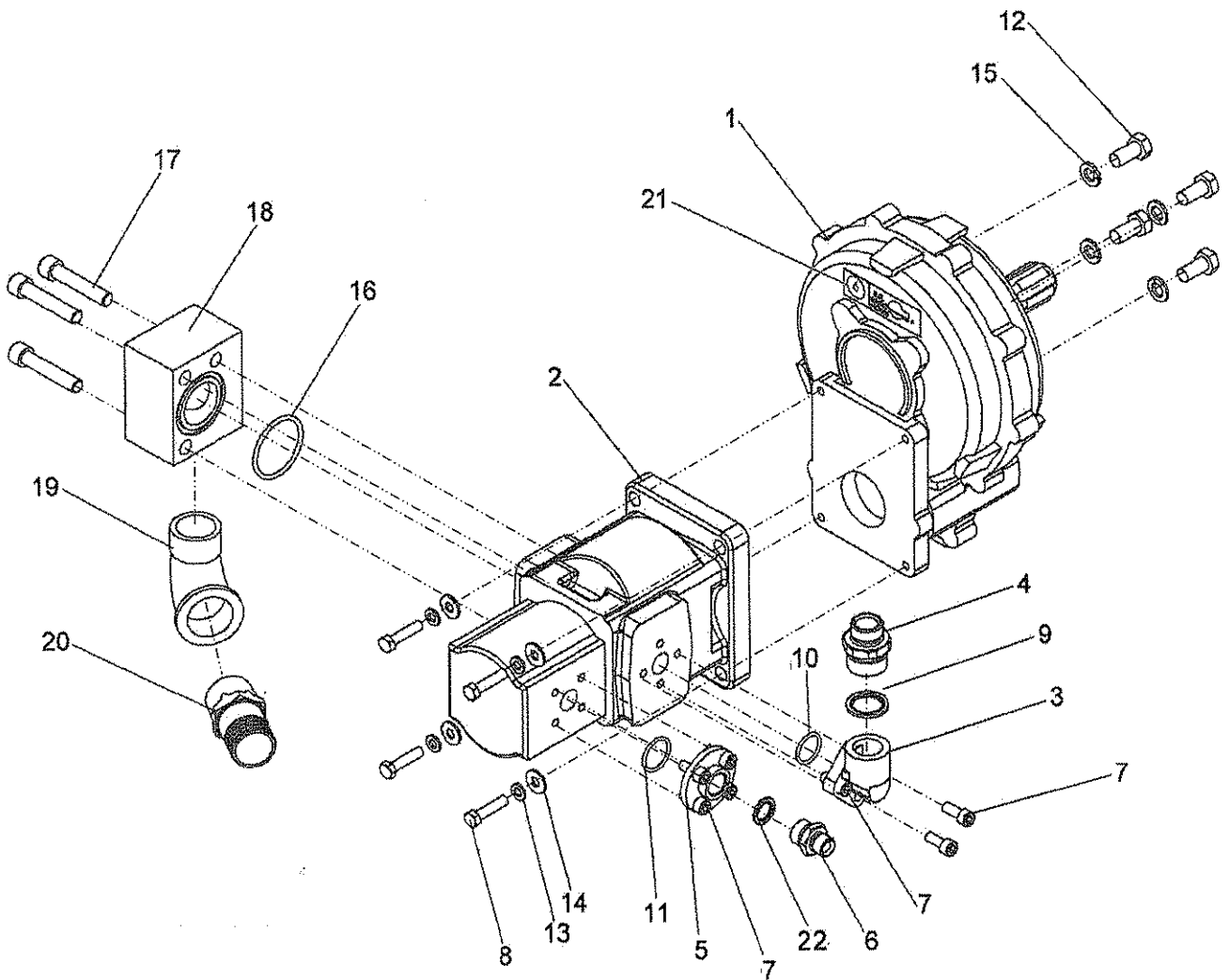
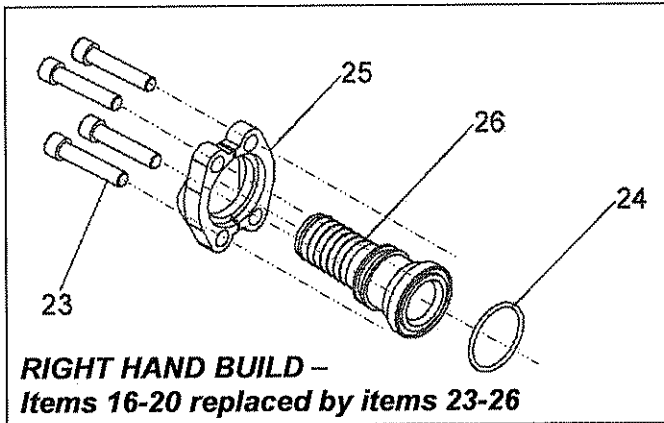
# TI PUMP & GEARBOX ASSEMBLY

**Modules:**

7451764 – TI L/H Build

7451765 – TI R/H Build

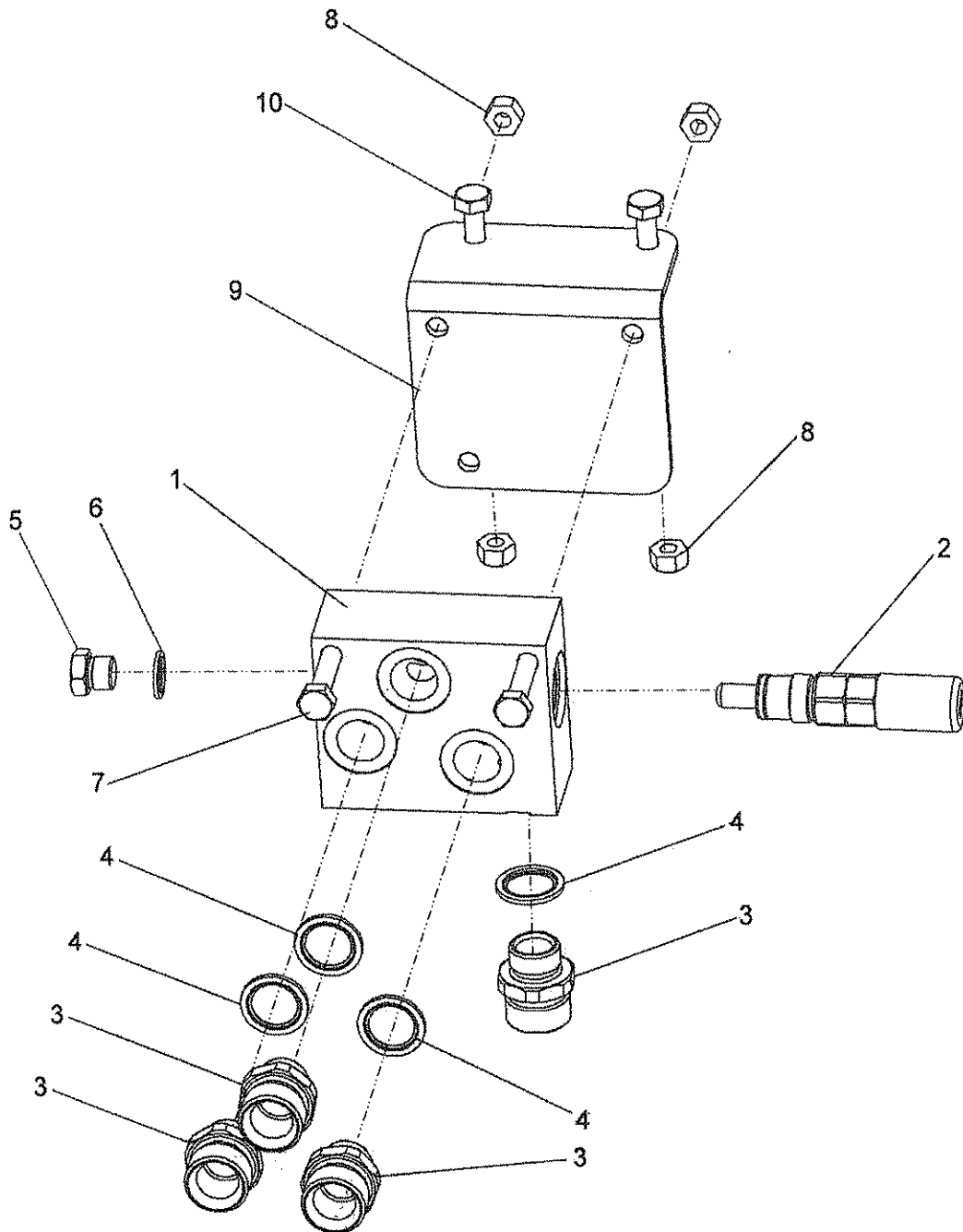
*Illustrated in Left Hand Build*



**TI PUMP & GEARBOX ASSEMBLY**

REF.	QTY.	PART No.	DESCRIPTION	
		<b>7451764</b>	<b>PUMP &amp; GEARBOX ASSEMBLY - TI L/H</b>	
		<b>7451765</b>	<b>PUMP &amp; GEARBOX ASSEMBLY - TI R/H</b>	
1	1	8013444ap	GEARBOX LS 4.3	
2	1	8201700	PUMP- IRON TI	
3	1	8005052	PRESSURE CONNECTION	
4	1	8002086	ADAPTOR	
5	1	42029.01	PORT PLATE	
6	1	6000112	ADAPTOR	
7	7	9300147	CAPSCREW	
8	4	9313074	SETSCREW	
9	1	8650106	BONDED SEAL	
10	1	8600403	O RING	
11	1	8600405	O RING	
12	4	9313056	SETSCREW	
13	4	9100204	SPRING WASHER	
14	4	9100104	FLAT WASHER	
15	4	9100206	SPRING WASHER	
16	1	8600304	O RING	} <i>L/H machines only</i>
17	3	9243126	CAPSCREW	
18	1	42142.01	BLOCK SUCTION	
19	1	8581261	ADAPTOR	
20	1	8581367	ADAPTOR	} <i>R/H machines only</i>
21	1	1290054	GEARBOX LABEL	
22	1	8650103	BONDED SEAL	
23	4	9343066	CAPSCREW	
24	1	8600303	O RING	
25	1	41.294.01	SPLIT FLANGE (PAIR)	
26	1	41.294.03	ADAPTOR FLANGE	

Module:  
7451708



**ROTOR RELIEF VALVE – SI Models**

REF.	QTY.	PART No.	DESCRIPTION
		<b>7451708</b>	<b>ROTOR RELIEF ASSEMBLY</b>
1	1	8125352	BLOCK ROTOR RELIEF SI
2	1	8125095	RELIEF VALVE 207 BAR
3	4	8002086	ADAPTOR
4	4	8650106	BONDED SEAL
5	1	8003001	ADAPTOR PLUG
6	1	8650103	BONDED SEAL
7	2	9213135	BOLT
8	4	9143005	SELF-LOCKING NUT
9	1	45338.01	PLATE (RCV)
10	2	9313055	SETSCREW



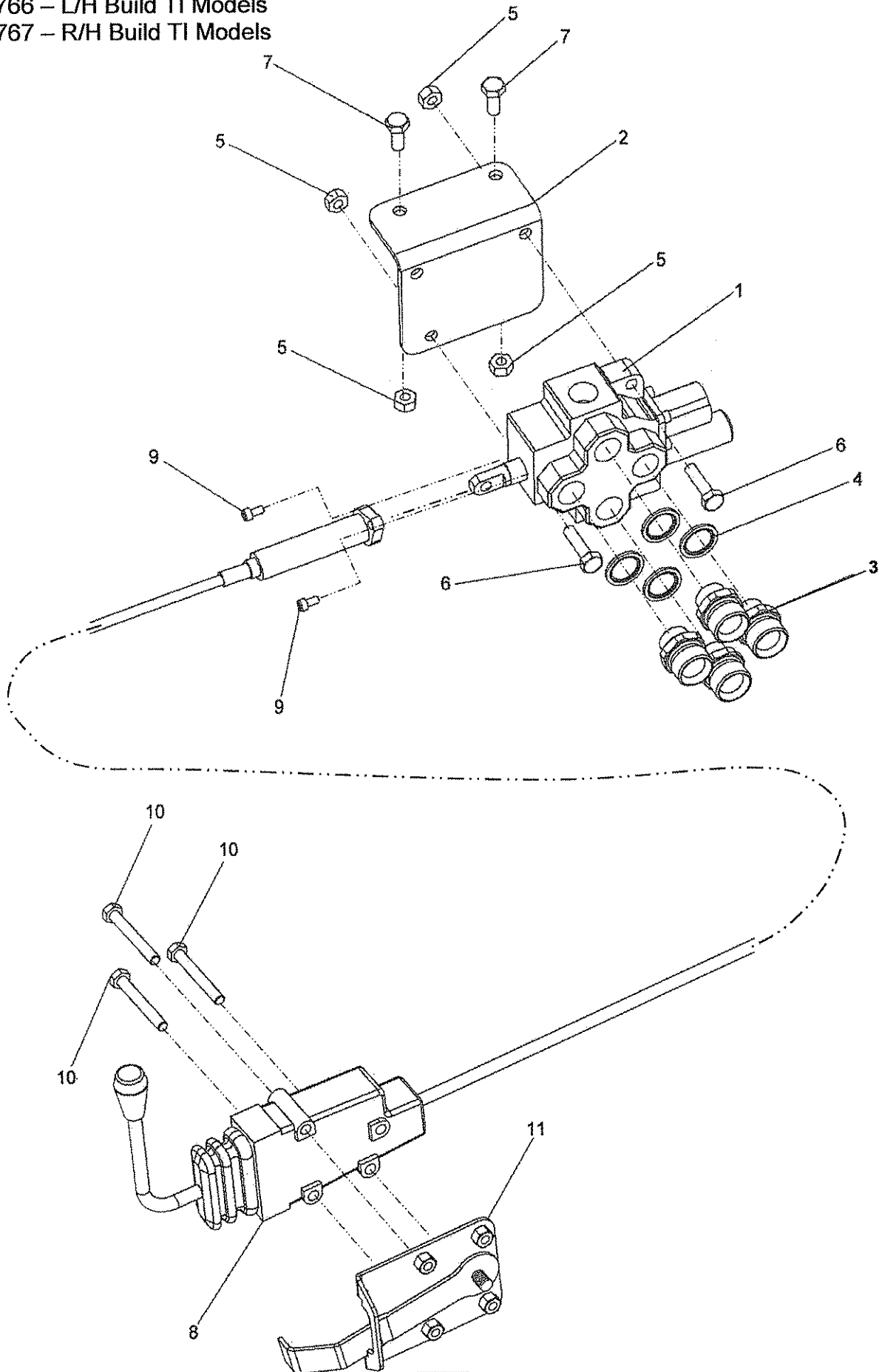
# CABLE ROTOR CONTROL VALVE

**Modules:**

7451766 – L/H Build TI Models

7451767 – R/H Build TI Models

*Illustrated in Left Hand Build*



**CABLE ROTOR CONTROL VALVE**

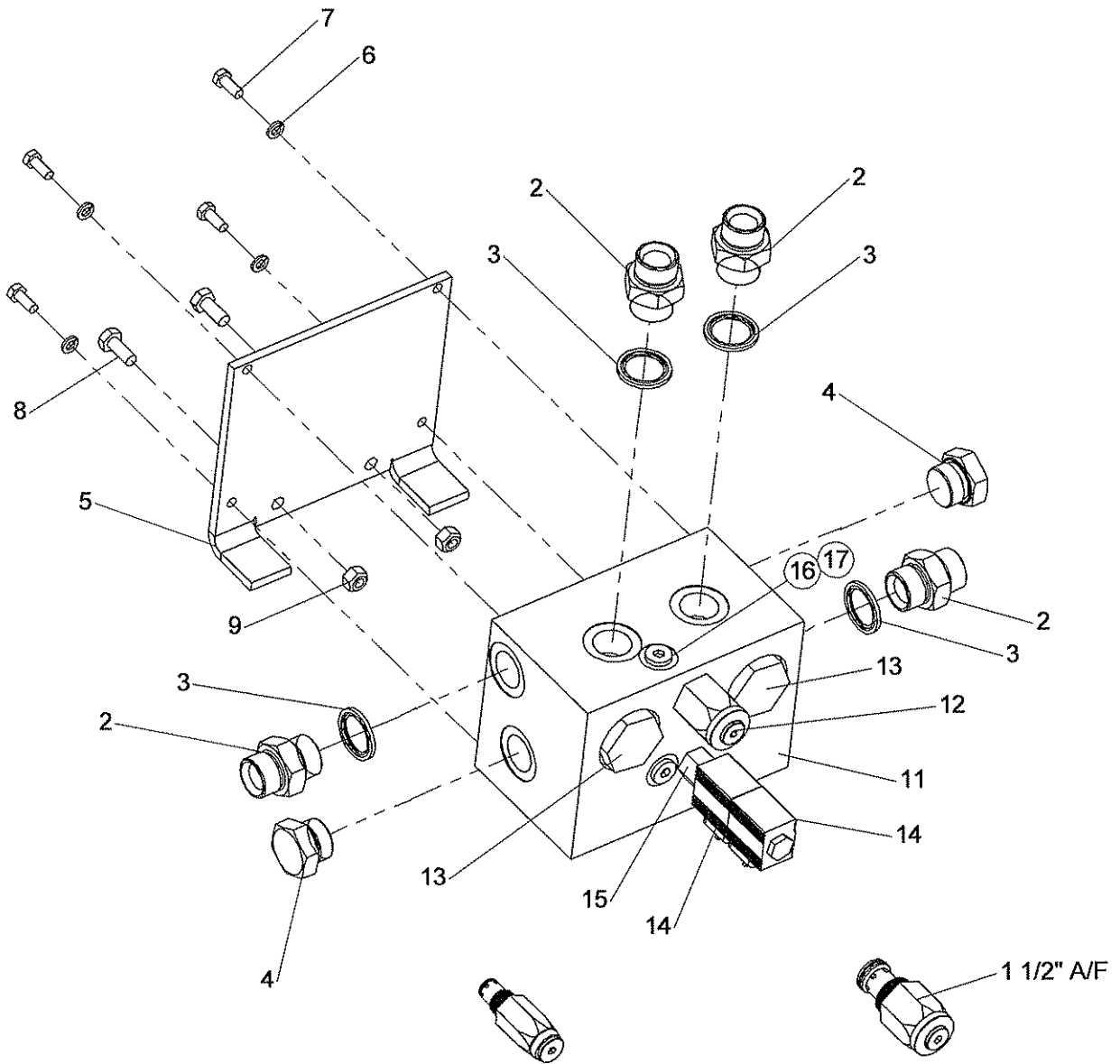
REF.	QTY.	PART No.	DESCRIPTION
		<b>7451766</b>	<b>CABLE ROTOR CONTROL VALVE - L/H Build</b>
		<b>7451767</b>	<b>CABLE ROTOR CONTROL VALVE - R/H Build</b>
1	1	8125381	ROTOR CONTROL VALVE - L/H
	1	8125356	ROTOR CONTROL VALVE - R/H ( <i>not illustrated</i> )
2	1	45338.01	PLATE - RCV
3	4	8002086	ADAPTOR
4	4	8650106	BONDED SEAL
5	4	9143005	SELF-LOCKING NUT
6	2	9213085	BOLT
7	2	9313055	SETSCREW
8	1	04.265.92	CABLE ASSEMBLY - 2.5m
9	2	9343023	CAPSCREW
10	3	9213124	BOLT
11	1	42511.01	BALKING ASSEMBLY

**Modules:**

7451768 – L/H Build TI Models

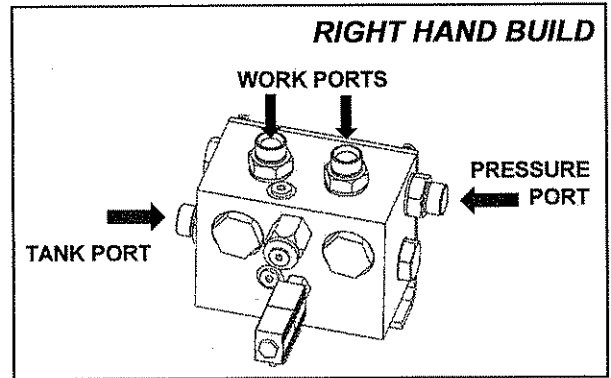
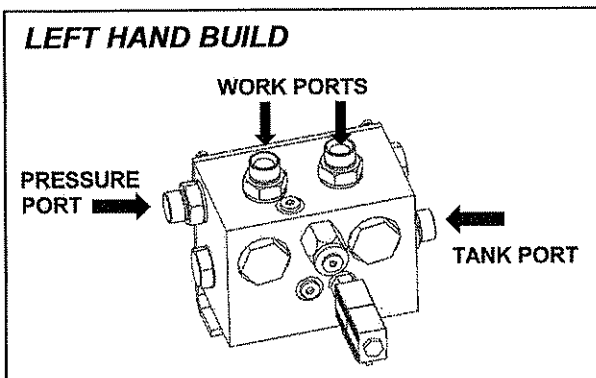
7451769 – R/H Build TI Models

*Illustrated in Left Hand Build*



Early version Relief Valve 42768.33  
as fitted to Manifold block 42768.31

Later version Relief Valve 42768.41  
as fitted to Manifold Block 42768.40



**ELECTRIC ROTOR CONTROL VALVE**

REF.	QTY.	PART No.	DESCRIPTION
		7451768	ELECTRIC ROTOR CONTROL VALVE - L/H Build
		7451769	ELECTRIC ROTOR CONTROL VALVE - R/H Build
1	1	42768.01	VALVE RCV ELECTRIC
2	4	05.434.01	ADAPTOR
3	4	8650108	BONDED SEAL
4	3	8581389	ADAPTOR PLUG
5	1	45267.01	RCV BRACKET
6	4	9100204	SPRING WASHER
7	4	9313044	SETSCREW
8	2	9313055	SETSCREW
9	2	9143005	SELF-LOCKING NUT
10	1	43177.26	LOOM ROTOR REVERSE <i>(not illustrated)</i>
11	1	42768.31	MANIFOLD BLOCK - Early version*
	1	42768.40	MANIFOLD BLOCK - Later version*
12	1	42768.33	RELIEF VALVE - Early version*
	1	42768.41	RELIEF VALVE - Later version*
13	4	42768.32	LOGIC ELEMENT
14	2	42768.35	SOLENOID 12V 28W
15	1	42768.34	SPOOL - OPEN CENTRE
16	2	42768.39	PLUG
17	1	42768.36	ORIFICE PLUG

\* *Early & later versions of these items are not interchangeable with each other.*

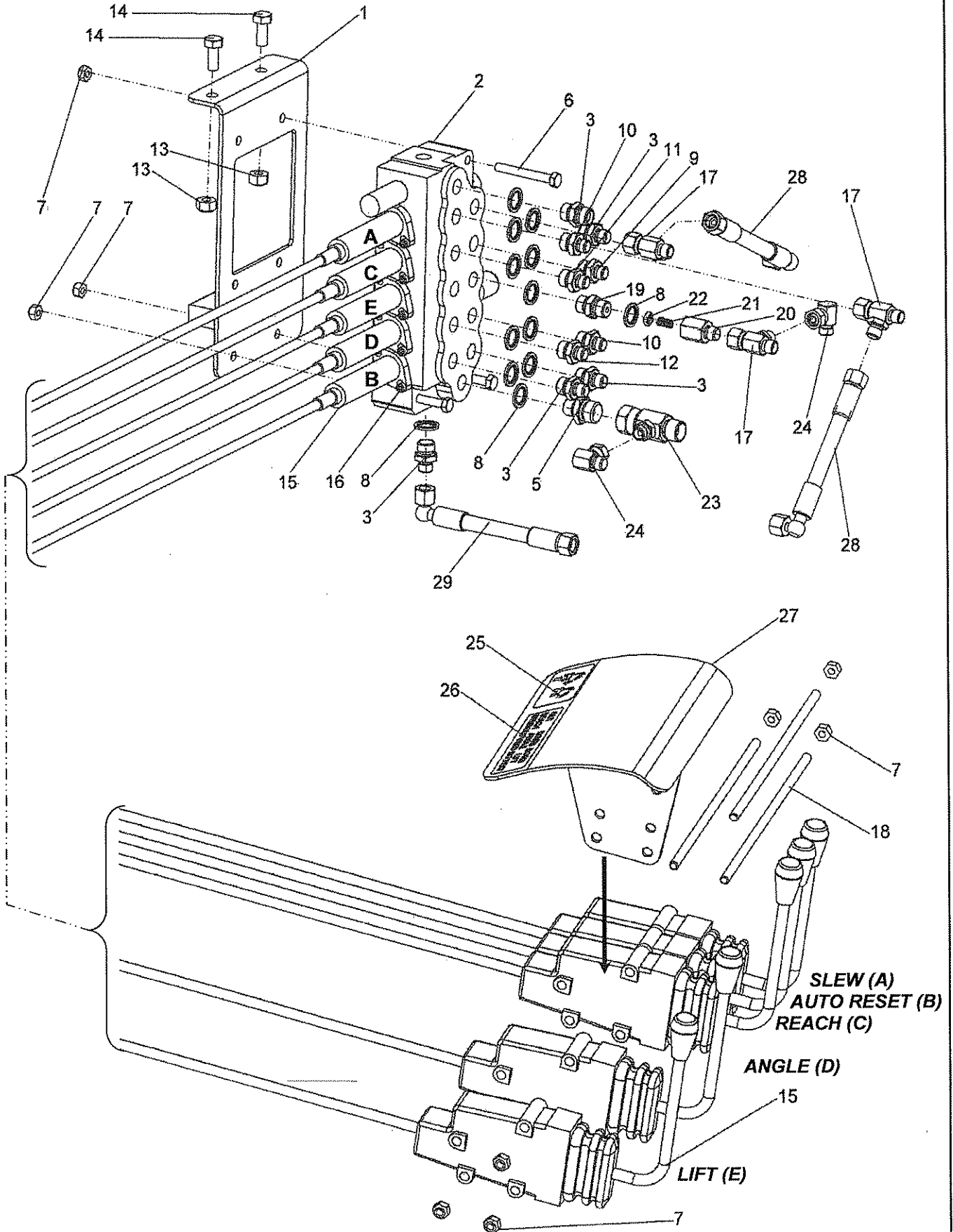
# CABLE CONTROL VALVE

**Modules:**

7451756 – L/H Build

7451757 – R/H Build

*Illustrated in Left Hand Build*





## CABLE CONTROL VALVE

REF.	QTY.	PART No.	DESCRIPTION
		7451756	CABLE CONTROL VALVE ASSEMBLY - L/H Build
		7451757	CABLE CONTROL VALVE ASSEMBLY - R/H Build
1	1	45274.01	VALVE BRACKET - L/H
		45274.03	VALVE BRACKET - RH ( <i>not illustrated</i> )
2	1	8130634	VALVE - 5 SPOOL
3	4	8581115	ADAPTOR
4	1	6000113	ADAPTOR
5	1	6000112	ADAPTOR
6	3	9213134	BOLT
7	9	9143004	SELF-LOCKING NUT
8	13	8650103	BONDED SEAL
9	1	8130047	ADAPTOR RESTRICTOR 1.8 'B'
10	2	8130066	ADAPTOR RESTRICTOR 1.15 'M'
11	1	8130046	ADAPTOR RESTRICTOR 1.5 'A'
12	1	8130048	ADAPTOR RESTRICTOR 1.3 'C'
13	2	9143005	SELF-LOCKING NUT
14	2	9313055	SETSCREW
15	5	04.265.87	CABLE ASSEMBLY - 3.0m
16	10	9243022	CAPSCREW
17	3	8581254	ADAPTOR TEE
18	3	04.282.43	STUD
19	1	8581209	ADAPTOR
20	1	8581214	ADAPTOR BODY
21	1	8116011	SPRING
22	1	8123043	RESTRICTOR DISC
23	1	04.056.25	ADAPTOR TEE
24	2	8581190	ADAPTOR ELBOW - 90°
25	1	1290357	CONTROL STICKER
26	1	1290368	CONTROL STICKER
27	1	42256.03	ARMREST
28	2	10.002.04	HOSE - 1/4" BSP FS/F90 x 200mm Long
29	1	10.002.08	HOSE - 1/4" BSP FS/F90 x 400mm Long

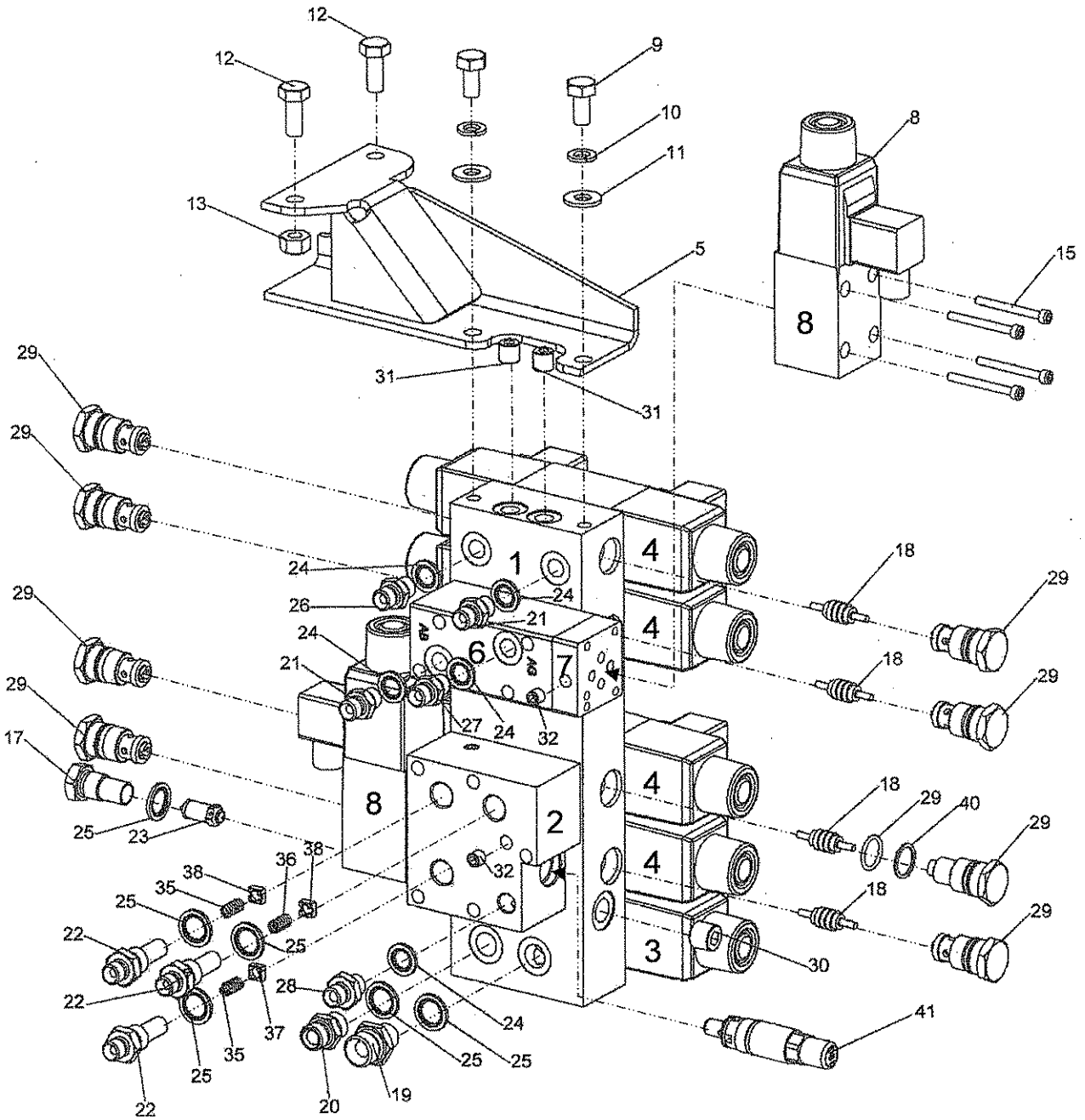
# ELECTRIC CONTROL VALVE

**Modules:**

7451758 – L/H Build

7451759 – R/H Build

*Illustrated in Left Hand Build*





## ELECTRIC CONTROL VALVE

REF.	QTY.	PART No.	DESCRIPTION
		7451758	ELECTRIC CONTROL VALVE ASSEMBLY - L/H Build
		7451759	ELECTRIC CONTROL VALVE ASSEMBLY - R/H Build
1	1	8132268	BLOCK - MANIFOLD ASSEMBLY
2	1	8130348	BLOCK - SLEW CIRCUIT
3	1	8130456	CUT OFF SOLENOID VALVE
4	4	8130629	VALVE DOUBLE SOLENOID
5	1	45277.01	BRACKET - L/H
	1	45277.02	BRACKET - R/H ( <i>not illustrated</i> )
6	1	8130323	FLOAT VALVE BLOCK
7	1	8126280	BRIDGING PLATE
8	2	8130457	SOLENOID VALVE SINGLE
9	2	9313045	SETSCREW
10	2	9100205	SPRING WASHER
11	2	9100105	FLAT WASHER
12	2	9313055	SETSCREW
13	2	9143005	SELF-LOCKING NUT
14	24	9243062	CAPSCREW
15	4	9243102	CAPSCREW
16	9	9243082	CAPSCREW
17	1	8130032	RELIEF VALVE CAP
18	4	8130087	ACTUATOR
19	1	6000112	ADAPTOR
20	1	6000113	ADAPTOR
21	2	8130038	ADAPTOR RESTRICTOR 1.4 'L'
22	3	8581210	ADAPTOR - SPECIAL
23	1	8130092	RELIEF VALVE 190 BAR
24	5	8650102	BONDED SEAL
25	6	8650103	BONDED SEAL
26	1	8130105	ADAPTOR RESTRICTOR 1.6 'H'
27	1	8130037	ADAPTOR RESTRICTOR 1.15 'S'
28	1	8581169	ADAPTOR
29	7	8130090	CHECK VALVE ASSEMBLY
30	1	8130078	CHECK VALVE CAP
31	3	8582043	TAPER PLUG
32	2	8582042	TAPER PLUG
33	5	8582041	TAPER PLUG
34	12	8700511	O RING
35	2	8700525	O RING
36	3	8116011	SPRING
37	1	8123041	RESTRICTOR DISC
38	2	8123043	RESTRICTOR DISC
39	1	8700644	O RING
40	1	8709644	AE RING
41	1	G3812542	RELIEF VALVE 190 BAR
42	1	8402338	LOOM - ANGLE FLOAT
43	1	41844.01	LOOM - 19 CORE HIR



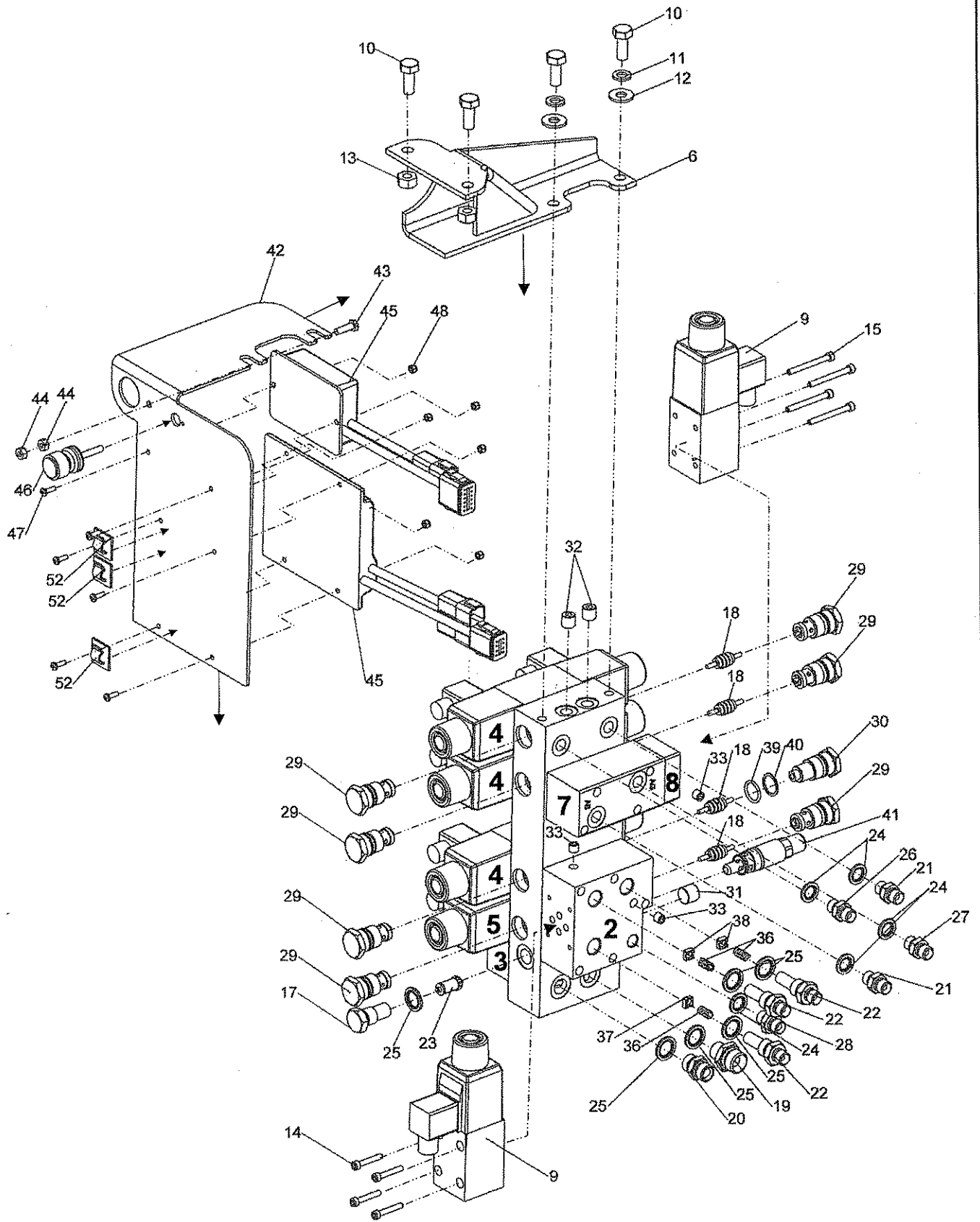


Modules:

7451760 – L/H Build

7451761 – R/H Build

Illustrated in Left Hand Build



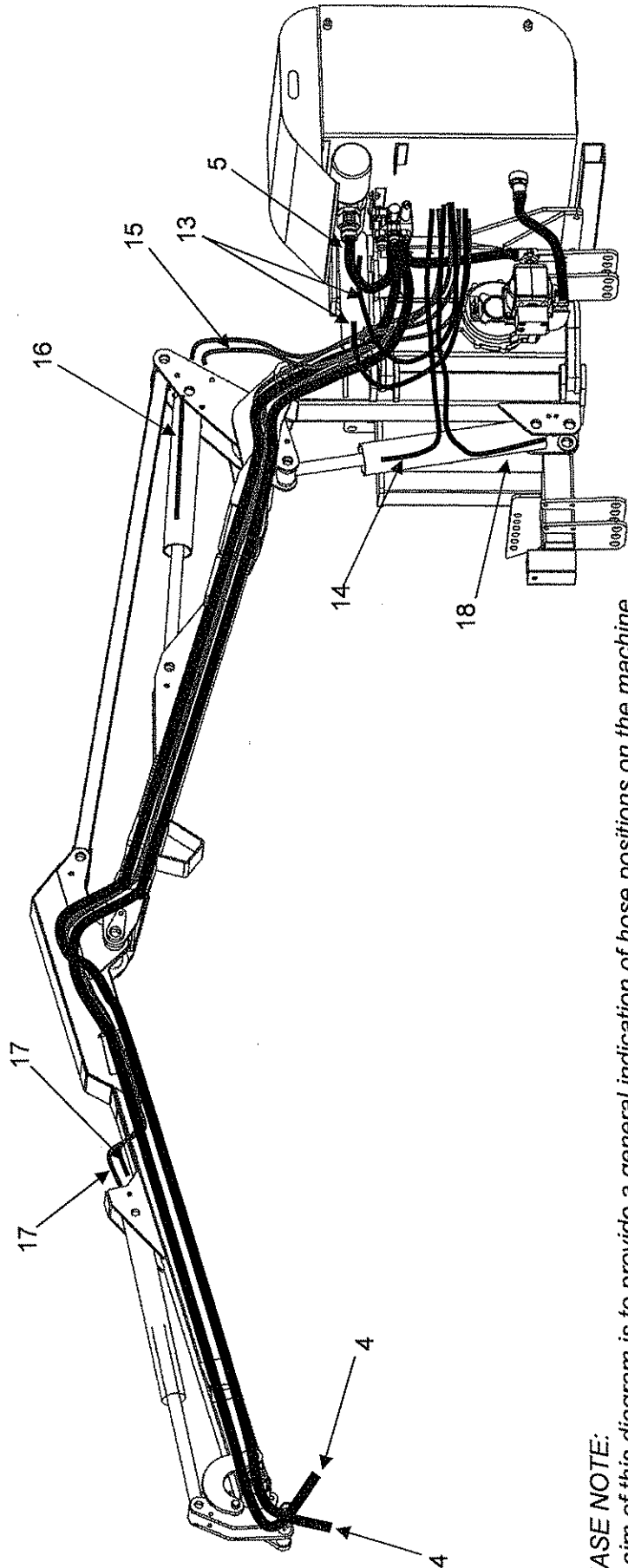
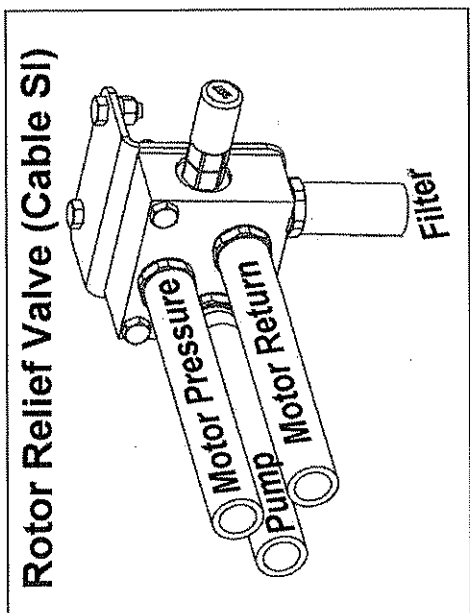
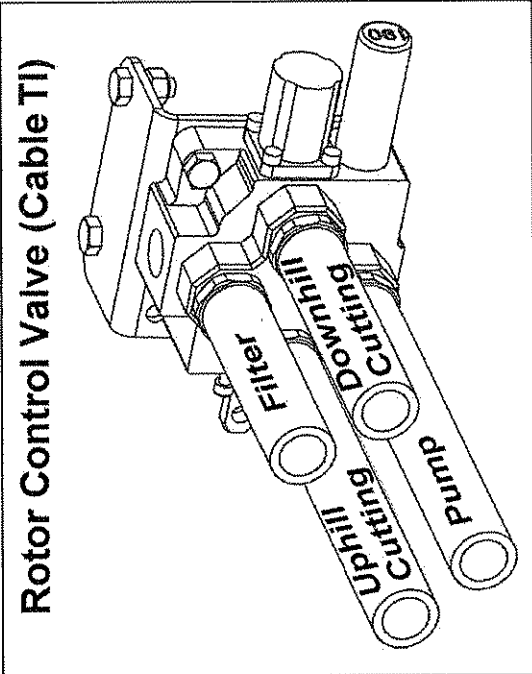


		7451760	PROPORTIONAL CONTROL VALVE - L/H Build
		7451761	PROPORTIONAL CONTROL VALVE - R/H Build
1	1	8132268	BLOCK - MANIFOLD ASSEMBLY
2	1	8130348	BLOCK - SLEW CIRCUIT
3	1	8130456	CUT OFF SOLENOID VALVE
4	3	41784.48	DOUBLE SOLENOID - PROP. VALVE 8 litres / min
5	1	8130629	VALVE DOUBLE SOLENOID
6	1	45277.01	BRACKET - L/H
	1	45277.02	BRACKET - R/H ( <i>not illustrated</i> )
7	1	8130323	FLOAT VALVE BLOCK
8	1	8126280	BRIDGING PLATE
9	2	8130457	SOLENOID VALVE SINGLE
10	4	9313055	SETSCREW
11	2	9100205	SPRING WASHER
12	2	9100105	WASHER
13	2	9143005	SELF-LOCKING NUT
14	24	9243062	CAPSCREW
15	4	9243102	CAPSCREW
16	9	9243082	CAPSCREW
17	1	8130032	RELIEF VALVE CAP
18	4	8130087	ACTUATOR
19	1	6000112	ADAPTOR
20	1	6000113	ADAPTOR
21	2	8130105	ADAPTOR RESTRICTOR 1.6 'H'
22	3	8581210	ADAPTOR - SPECIAL
23	1	8130092	RELIEF VALVE 190BAR
24	5	8650102	BONDED SEAL
25	6	8650103	BONDED SEAL
26	1	8130104	ADAPTOR RESTRICTOR 1.8 'G'
27	1	8130038	ADAPTOR RESTRICTOR 1.4 'L'
28	1	8581169	ADAPTOR
29	7	8130090	CHECK VALVE ASSEMBLY
30	1	8130078	CHECK VALVE CAP
31	3	8582043	TAPER PLUG
32	2	8582042	TAPER PLUG
33	5	8582041	TAPER PLUG
34	12	8700511	O RING
35	2	8700525	O RING
36	3	8116011	SPRING
37	1	8123041	RESTRICTOR DISC
38	2	8123044	RESTRICTOR DISC
39	1	8700644	O RING
40	1	8709644	AE RING
41	1	G3812542	RELIEF VALVE 190BAR
42	1	43081.01	BRACKET - L/H PROP.
43	1	9313043	SETSCREW
44	2	9113003	NUT
45	1	43060.01	CONTROL UNITS B&C
46	1	8402227	POWER TERMINAL
47	6	9300132	PANHEAD SCREW
48	6	05.948.33	SELF-LOCKING NUT
49	1	43177.12	LOOM POWER & BUS
50	1	43177.25	LOOM UNIT C
51	1	43177.10	LOOM UNIT B S,L,T,R
48	2	7135084	CABLE TIE
52	3	43357.01	CLIP (SELF ADHESIVE PAD)
53	2	9100105	FLAT WASHER



# HOSE INSTALLATION – Cable

- Modules:**  
 74517221 – Cable SI R/H Build  
 74517222 – Cable SI L/H Build  
 74517223 – Cable TI R/H Build  
 74517224 – Cable TI L/H Build



*Illustrated in Left Hand build*

**PLEASE NOTE:**  
 The aim of this diagram is to provide a general indication of hose positions on the machine.  
 It is advisable therefore to note the exact position of any hose prior to attaching a replacement.



## HOSE INSTALLATION – Cable

REF.	QTY.	PART No.	DESCRIPTION	
		• 74517221	CABLE SI - RIGHT HAND BUILD	
		• 74517222	CABLE SI - LEFT HAND BUILD	
1	1 1	10.011.12	HOSE 1" BSP FS/FS x 600mm	<i>Pump to Valve</i>
2	- -	10.012.16	HOSE 1" BSP FS/F90 x 800mm	<i>Pump to Valve</i>
3	2 -	8501293	HOSE 1" BSP F90/F135 x 5000mm	<i>Flail pipes</i>
4	- 2	8501298	HOSE 1" BSP FS/F135 x 5000mm	<i>Flail pipes</i>
5	1 1	10.012.18	HOSE 1" BSP FS/F90 x 900mm	<i>Valve to Tank</i>
6	1 1	10.006.30	HOSE 1/2" BSP FS/F90 x 2000mm	<i>SI return</i>
7	- -	10.006.06	HOSE 1/2" BSP FS/F90 x 300mm	<i>ACV return</i>
8	- -	10.006.12	HOSE 1/2" BSP FS/F90 x 600mm	<i>ACV return</i>
9	1 1	10.004.30	HOSE 3/8" BSP FS/F90 x 2000mm	<i>SI pressure</i>
10	- -	10.004.12	HOSE 3/8" BSP FS/F90 x 600mm	<i>ACV pressure</i>
11	- -	10.004.08	HOSE 3/8" BSP FS/F90 x 400mm	<i>ACV pressure</i>
12	- -	10.004.10	HOSE 3/8" BSP FS/F90 x 500mm	<i>ACV pressure</i>
13	2 2	10.002.16	HOSE 1/4" BSP FS/F90 x 800mm	<i>Slew</i>
14	1 1	10.002.23	HOSE 1/4" BSP FS/F90 x 1300mm	<i>Lift</i>
15	1 1	10.001.29	HOSE 1/4" BSP FS/FS x 1900mm	<i>Reach base</i>
16	1 1	10.002.34	HOSE 1/4" BSP FS/F90 x 2400mm	<i>Reach gland</i>
17	2 2	10.001.56	HOSE 1/4" BSP FS/FS x 4600mm	<i>Angle</i>
18	1 1	10.001.23	HOSE 1/4" BSP FS/FS x 1300mm	<i>Lift base</i>

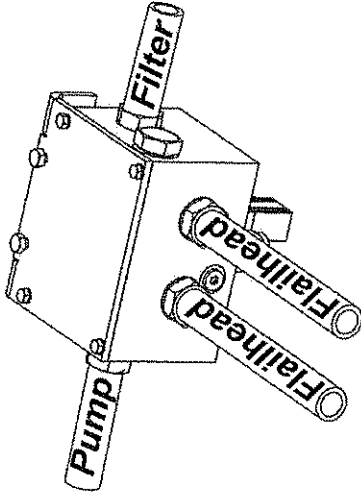
REF.	QTY.	PART No.	DESCRIPTION	
		• 74517223	CABLE TI - RIGHT HAND BUILD	
		• 74517224	CABLE TI - LEFT HAND BUILD	
1	1 1	10.011.12	HOSE 1" BSP FS/FS x 600mm	<i>Pump to Valve</i>
2	- -	10.012.16	HOSE 1" BSP FS/F90 x 800mm	<i>Pump to Valve</i>
3	2 -	8501293	HOSE 1" BSP F90/F135 x 5000mm	<i>Flail pipes</i>
4	- 2	8501298	HOSE 1" BSP FS/F135 x 5000mm	<i>Flail pipes</i>
5	1 1	10.012.18	HOSE 1" BSP FS/F90 x 900mm	<i>Valve to Tank</i>
6	- -	10.006.30	HOSE 1/2" BSP FS/F90 x 2000mm	<i>SI return</i>
7	1 -	10.006.06	HOSE 1/2" BSP FS/F90 x 300mm	<i>ACV return</i>
8	- 1	10.006.12	HOSE 1/2" BSP FS/F90 x 600mm	<i>ACV return</i>
9	- -	10.004.30	HOSE 3/8" BSP FS/F90 x 2000mm	<i>SI pressure</i>
10	- 1	10.004.12	HOSE 3/8" BSP FS/F90 x 600mm	<i>ACV pressure</i>
11	- -	10.004.08	HOSE 3/8" BSP FS/F90 x 400mm	<i>ACV pressure</i>
12	1 -	10.004.10	HOSE 3/8" BSP FS/F90 x 500mm	<i>ACV pressure</i>
13	2 2	10.002.16	HOSE 1/4" BSP FS/F90 x 800mm	<i>Slew</i>
14	1 1	10.002.23	HOSE 1/4" BSP FS/F90 x 1300mm	<i>Lift</i>
15	1 1	10.001.29	HOSE 1/4" BSP FS/FS x 1900mm	<i>Reach base</i>
16	1 1	10.002.34	HOSE 1/4" BSP FS/F90 x 2400mm	<i>Reach gland</i>
17	2 2	10.001.56	HOSE 1/4" BSP FS/FS x 4600mm	<i>Angle</i>
18	1 1	10.001.23	HOSE 1/4" BSP FS/FS x 1300mm	<i>Lift base</i>



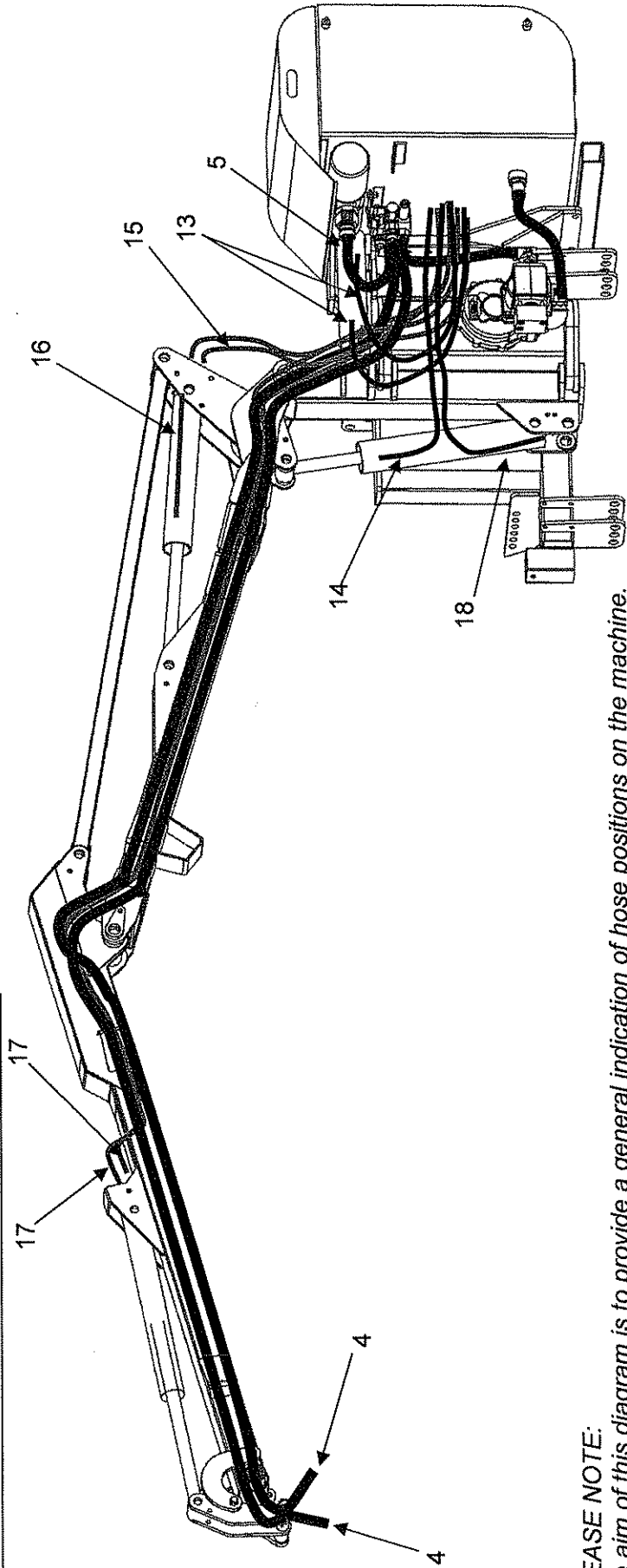
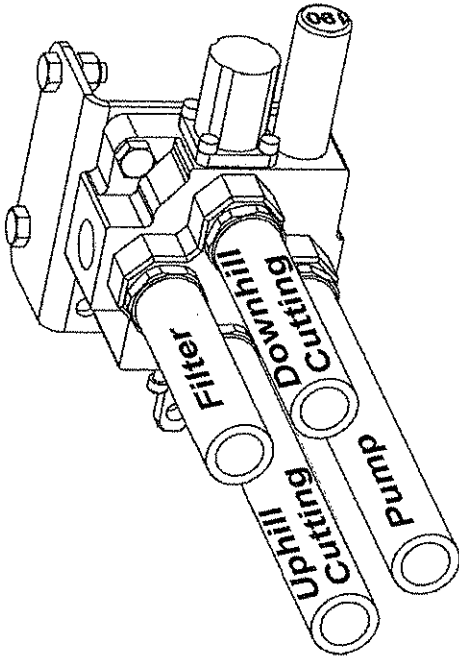
**Modules:**

- 74517225 – Electric TI R/H Build
- 74517226 – Electric TI L/H Build
- 74517227 – Electric Reverse R/H Build
- 74517228 – Electric Reverse L/H Build

**Electric Rotor Control Valve**



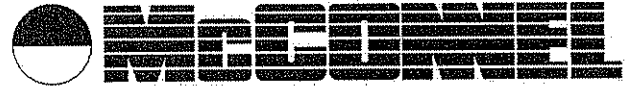
**Rotor Control Valve (Electric TI)**



*Illustrated in Left Hand build*

**PLEASE NOTE:**

The aim of this diagram is to provide a general indication of hose positions on the machine. It is advisable therefore to note the exact position of any hose prior to attaching a replacement.



## HOSE INSTALLATION - Electric

REF.	QTY.	PART No.	DESCRIPTION	
		74517225	ELECTRIC TI - RIGHT HAND BUILD	
		74517226	ELECTRIC TI - LEFT HAND BUILD	
1	1	10.011.12	HOSE 1" BSP FS/FS x 600mm	<i>Pump to Valve</i>
2	-	10.012.16	HOSE 1" BSP FS/F90 x 800mm	<i>Pump to Valve</i>
3	2	8501293	HOSE 1" BSP F90/F135 x 5000mm	<i>Flail pipes</i>
4	-	8501298	HOSE 1" BSP FS/F135 x 5000mm	<i>Flail pipes</i>
5	1	10.012.18	HOSE 1" BSP FS/F90 x 900mm	<i>Valve to Tank</i>
6	-	10.006.30	HOSE 1/2" BSP FS/F90 x 2000mm	<i>SI return</i>
7	-	10.006.06	HOSE 1/2" BSP FS/F90 x 300mm	<i>ACV return</i>
8	1	10.006.12	HOSE 1/2" BSP FS/F90 x 600mm	<i>ACV return</i>
9	-	10.004.30	HOSE 3/8" BSP FS/F90 x 2000mm	<i>SI pressure</i>
10	1	10.004.12	HOSE 3/8" BSP FS/F90 x 600mm	<i>ACV pressure</i>
11	-	10.004.08	HOSE 3/8" BSP FS/F90 x 400mm	<i>ACV pressure</i>
12	-	10.004.10	HOSE 3/8" BSP FS/F90 x 500mm	<i>ACV pressure</i>
13	2	10.002.16	HOSE 1/4" BSP FS/F90 x 800mm	<i>Slew</i>
14	1	10.002.23	HOSE 1/4" BSP FS/F90 x 1300mm	<i>Lift</i>
15	1	10.001.29	HOSE 1/4" BSP FS/FS x 1900mm	<i>Reach base</i>
16	1	10.002.34	HOSE 1/4" BSP FS/F90 x 2400mm	<i>Reach gland</i>
17	2	10.001.56	HOSE 1/4" BSP FS/FS x 4600mm	<i>Angle</i>
18	1	10.001.23	HOSE 1/4" BSP FS/FS x 1300mm	<i>Lift base</i>

REF.	QTY.	PART No.	DESCRIPTION	
		74517227	ELECTRIC REVERSE - RIGHT HAND BUILD	
		74517228	ELECTRIC REVERSE - LEFT HAND BUILD	
1	-	10.011.12	HOSE 1" BSP FS/FS x 600mm	<i>Pump to Valve</i>
2	1	10.012.16	HOSE 1" BSP FS/F90 x 800mm	<i>Pump to Valve</i>
3	2	8501293	HOSE 1" BSP F90/F135 x 5000mm	<i>Flail pipes</i>
4	-	8501298	HOSE 1" BSP FS/F135 x 5000mm	<i>Flail pipes</i>
5	1	10.012.18	HOSE 1" BSP FS/F90 x 900mm	<i>Valve to Tank</i>
6	-	10.006.30	HOSE 1/2" BSP FS/F90 x 2000mm	<i>SI return</i>
7	-	10.006.06	HOSE 1/2" BSP FS/F90 x 300mm	<i>ACV return</i>
8	1	10.006.12	HOSE 1/2" BSP FS/F90 x 600mm	<i>ACV return</i>
9	-	10.004.30	HOSE 3/8" BSP FS/F90 x 2000mm	<i>SI pressure</i>
10	1	10.004.12	HOSE 3/8" BSP FS/F90 x 600mm	<i>ACV pressure</i>
11	-	10.004.08	HOSE 3/8" BSP FS/F90 x 400mm	<i>ACV pressure</i>
12	-	10.004.10	HOSE 3/8" BSP FS/F90 x 500mm	<i>ACV pressure</i>
13	2	10.002.16	HOSE 1/4" BSP FS/F90 x 800mm	<i>Slew</i>
14	1	10.002.23	HOSE 1/4" BSP FS/F90 x 1300mm	<i>Lift</i>
15	1	10.001.29	HOSE 1/4" BSP FS/FS x 1900mm	<i>Reach base</i>
16	1	10.002.34	HOSE 1/4" BSP FS/F90 x 2400mm	<i>Reach gland</i>
17	2	10.001.56	HOSE 1/4" BSP FS/FS x 4600mm	<i>Angle</i>
18	1	10.001.23	HOSE 1/4" BSP FS/FS x 1300mm	<i>Lift base</i>

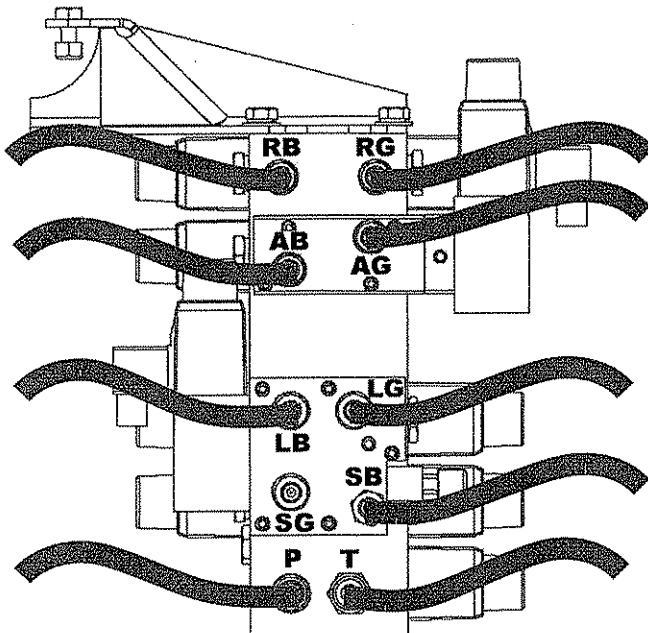
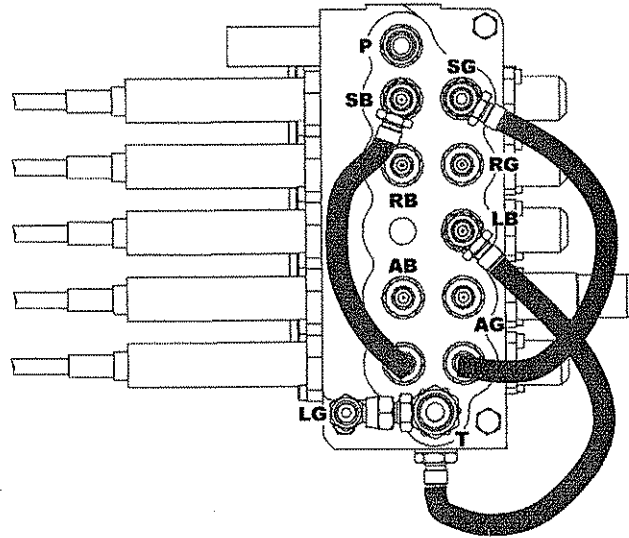
**ARMHEAD CONTROL VALVE**

**Cable Slew models**

**Modules:**

7451756 - L/H

7451757 - R/H



**ARMHEAD CONTROL VALVE**

**Electric Slew models**

**Modules:**

7451758 - L/H

7451759 - R/H

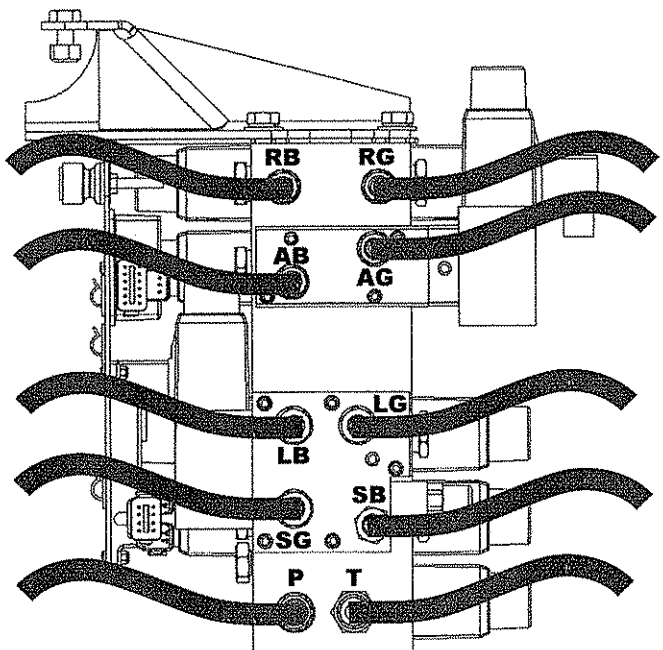
**ARMHEAD CONTROL VALVE**

**Electric Proportional Slew models**

**Modules:**

7451760 - L/H

7451761 - R/H



T - Tank	P - Pressure
AG - Angle Gland	AB - Angle Base
LB - Lift Base	LG - Lift Gland
RG - Reach Gland	RB - Reach Base
SG - Slew Gland	SB - Slew Base


**ACV HOSES**

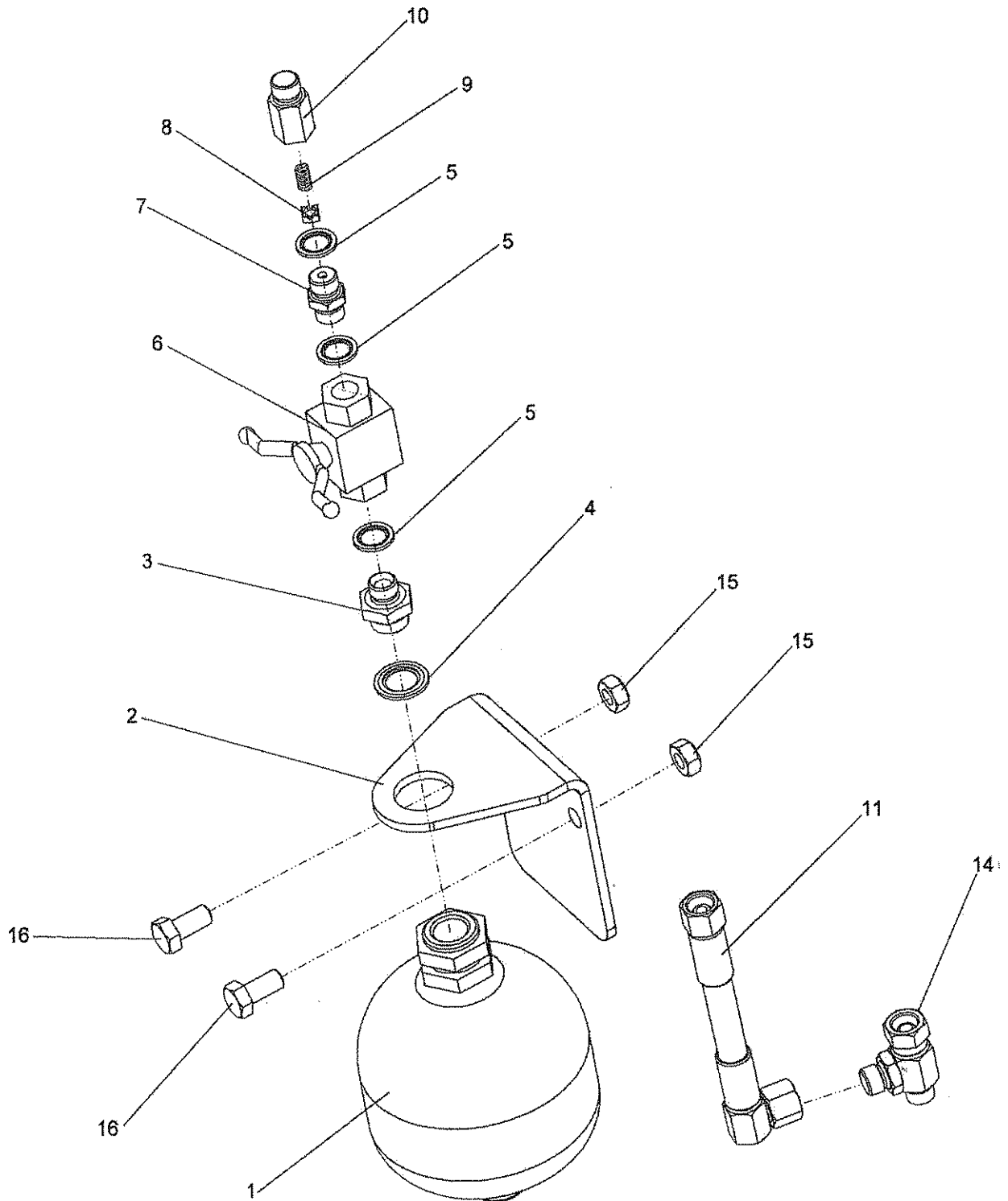
<b>PART No.</b>	<b>DESCRIPTION</b>	
10.011.12	HOSE 1" BSP FS/FS x 600mm	<i>Pump to Valve</i>
10.012.16	HOSE 1" BSP FS/F90 x 800mm	<i>Pump to Valve</i>
8501293	HOSE 1" BSP F90/F135 x 5000mm	<i>Flail pipes</i>
8501298	HOSE 1" BSP FS/F135 x 5000mm	<i>Flail pipes</i>
10.012.18	HOSE 1" BSP FS/F90 x 900mm	<i>Valve to Tank</i>
10.006.30	HOSE 1/2" BSP FS/F90 x 2000mm	<i>SI return</i>
10.006.06	HOSE 1/2" BSP FS/F90 x 300mm	<i>ACV return</i>
10.006.12	HOSE 1/2" BSP FS/F90 x 600mm	<i>ACV return</i>
10.004.30	HOSE 3/8" BSP FS/F90 x 2000mm	<i>SI pressure</i>
10.004.12	HOSE 3/8" BSP FS/F90 x 600mm	<i>ACV pressure</i>
10.004.08	HOSE 3/8" BSP FS/F90 x 400mm	<i>ACV pressure</i>
10.004.10	HOSE 3/8" BSP FS/F90 x 500mm	<i>ACV pressure</i>
10.002.16	HOSE 1/4" BSP FS/F90 x 800mm	<i>Slew</i>
10.002.23	HOSE 1/4" BSP FS/F90 x 1300mm	<i>Lift</i>
10.001.29	HOSE 1/4" BSP FS/FS x 1900mm	<i>Reach base</i>
10.002.34	HOSE 1/4" BSP FS/F90 x 2400mm	<i>Reach gland</i>
10.001.56	HOSE 1/4" BSP FS/FS x 4600mm	<i>Angle</i>
10.001.23	HOSE 1/4" BSP FS/FS x 1300mm	<i>Lift base</i>

***The hoses used from the above list on the Armhead Control Valves are dependent on the machine model and build, see previous hose installation pages to select the correct hose specific to your machine.***



LIFT FLOAT – Cable Models

Module:  
8126326

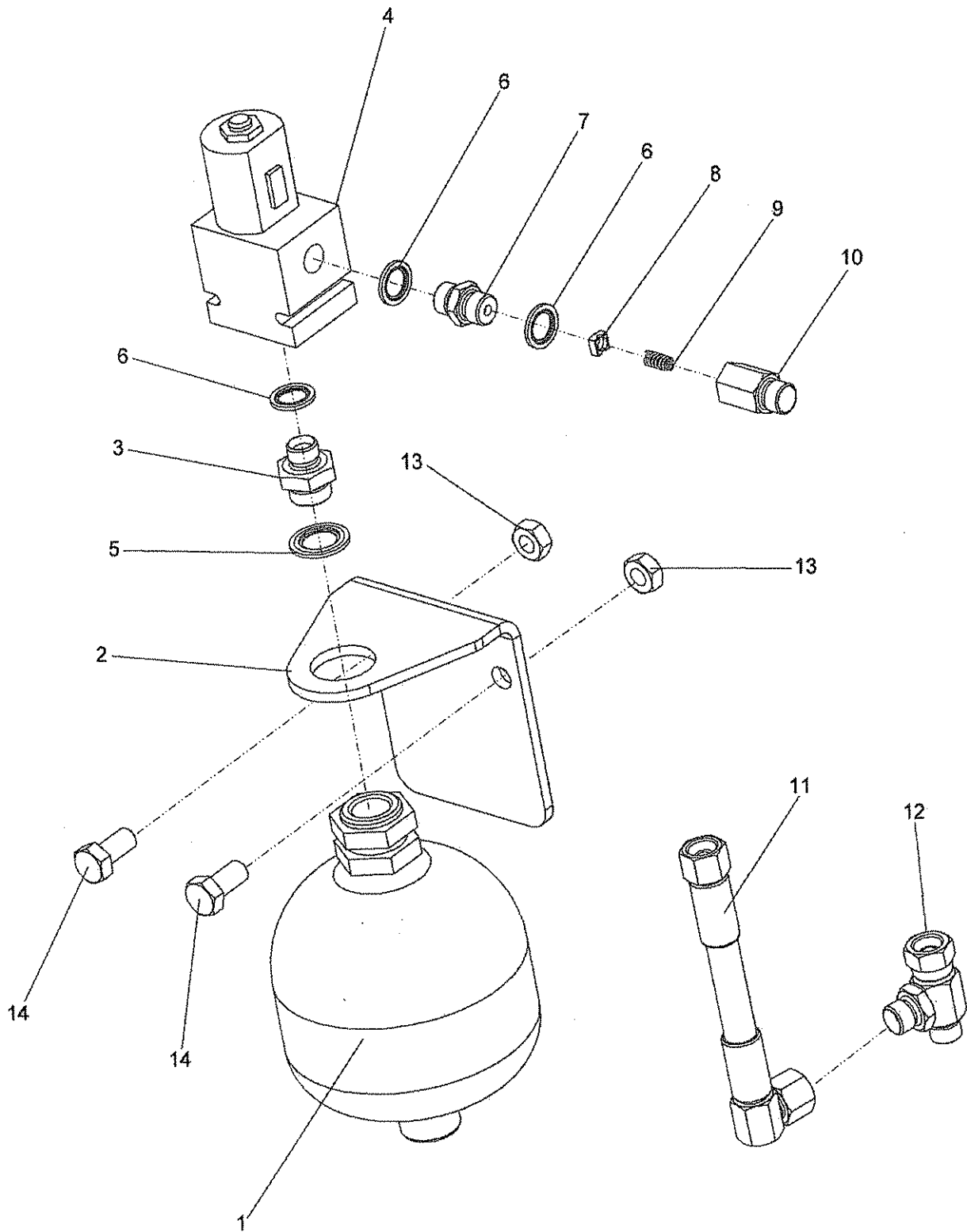




## LIFT FLOAT – Cable Models

REF.	QTY.	PART NO.	DESCRIPTION
		<b>8126326</b>	<b>LIFT FLOAT KIT - Cable Models</b>
1	1	8126044	ACCUMULATOR 1L 25BAR PC
2	1	8126318	BRACKET - FLOAT KIT
3	1	G2410380	ADAPTOR
4	1	8650322	BONDED SEAL
5	3	8650103	BONDED SEAL
6	1	08.200.01	VALVE - ISOLATING
7	1	8581209	ADAPTOR
8	1	8123041	RESTRICTOR DISC
9	1	8116011	SPRING
10	1	8581346	ADAPTOR RESTRICTOR BODY
11	1	10.004.20	HOSE - 3/8" BSP FS/F90 x 1000mm
12	1	11.068.69	ADAPTOR TEE
13	2	9143006	SELF-LOCKING NUT
14	2	9313056	SETSCREW
15	2	9143006	SELF LOCKING NUT
16	2	9313056	SETSCREW

Module:  
8126327

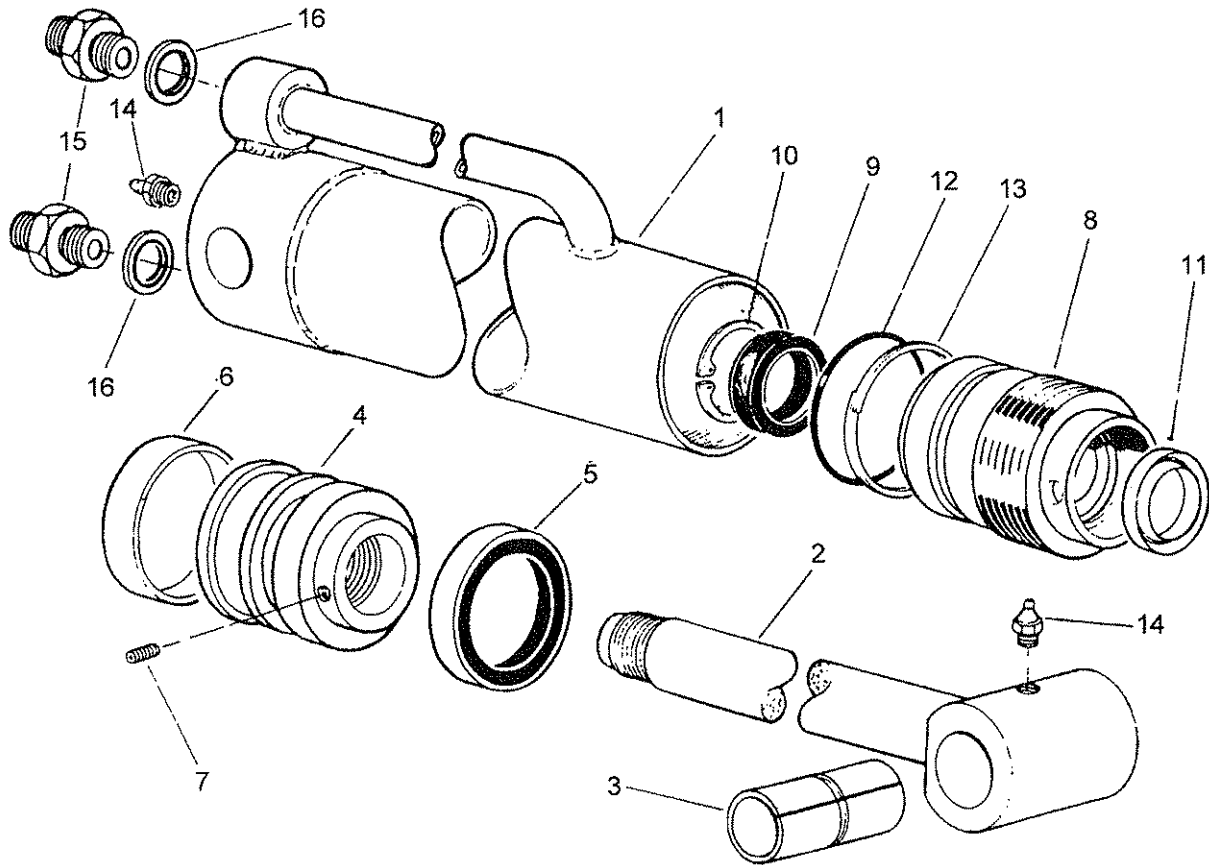


**LIFT FLOAT – Elec. & Prop. Models**

REF.	QTY.	PART NO.	DESCRIPTION
		<b>8126327</b>	<b>LIFT FLOAT KIT - Electric &amp; Proportional Models</b>
1	1	8126044	ACCUMULATOR 1L 25BAR PC
2	1	8126318	BRACKET - FLOAT KIT
3	1	G2410380	ADAPTOR
4	1	08.619.09	VALVE - MODULAR
5	1	8650322	BONDED SEAL
6	3	8650103	BONDED SEAL
7	1	8581209	ADAPTOR
8	1	8123041	RESTRICTOR DISC
9	1	8116011	SPRING
10	1	8581346	ADAPTOR RESTRICTOR BODY
11	1	10.004.18	HOSE - 3/8" BSP FS/F90 x 900mm Long
12	1	11.068.69	ADAPTOR TEE
13	2	9143006	SELF-LOCKING NUT
14	2	9313056	SETSCREW
15	1	84 02 207	LOOM - LIFT FLOAT ( <i>not illustrated</i> )

# ANGLING RAM ASSEMBLY

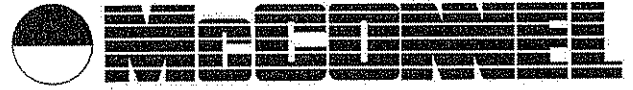
Module:  
7560344



REF.	QTY.	PART NO.	DESCRIPTION
		<b>7560344</b>	<b>ANGLING RAM ASSEMBLY</b>
1	1	7135292	CYLINDER
2	1	7135009	ROD
3	1	7105050	BUSH
4	1	7560095	PISTON
5	1	8629187	PISTON SEAL
6	1	8629188	BEARING RING
7*	1	9363023	GRUB SCREW - SOCKET HEAD
8	1	7135291	GLAND HOUSING
9	1	8629148	GLAND SEAL
10	1	0416240	INTERNAL CIRCLIP
11	1	8629149	WIPER SEAL
12	1	8600302	O RING
13	1	8609302	ANTI EXTRUSION RING
14	2	0901121	GREASER
15	2	8581169	UNION
16	2	8650102	BONDED SEAL
		<b>8699188</b>	<b>SEAL KIT</b>

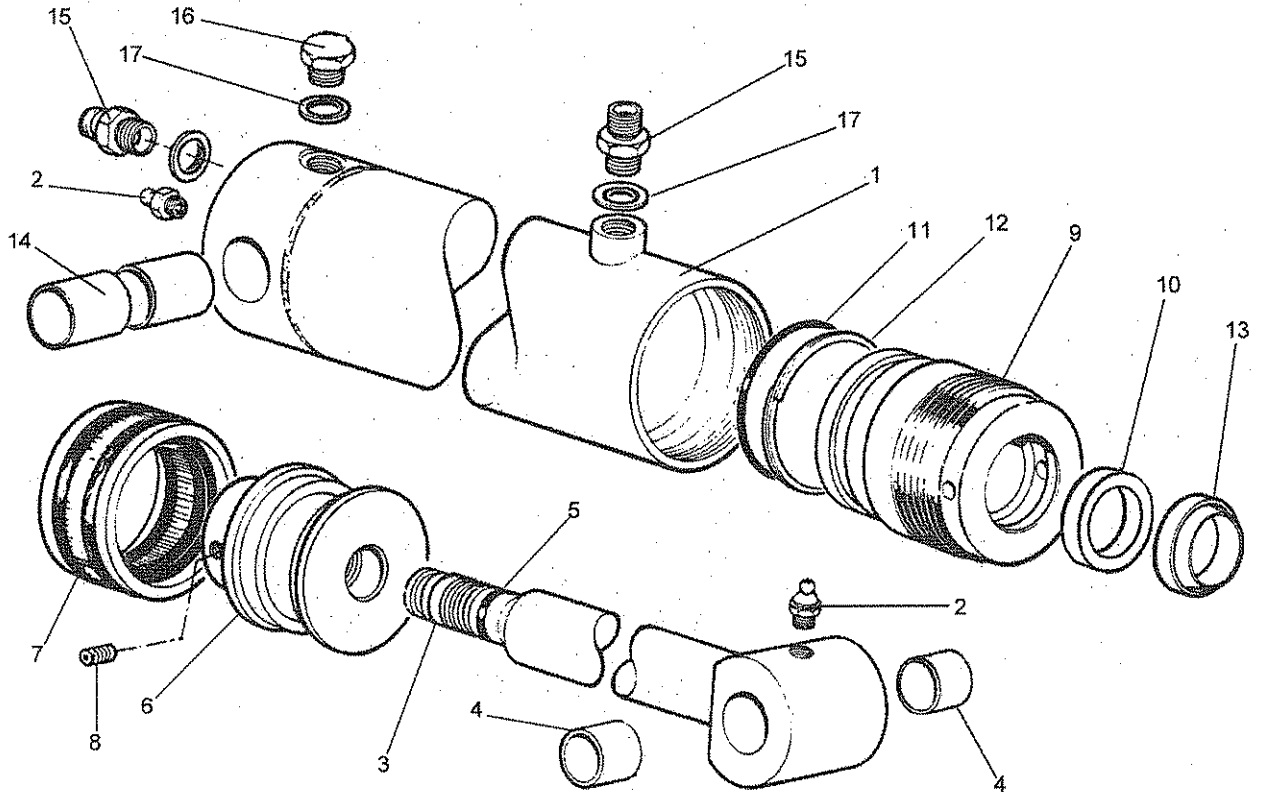
**\*Assembly note:**

*Tighten fully and centre punch edge of hole to secure.*



**REACH RAM ASSEMBLY**

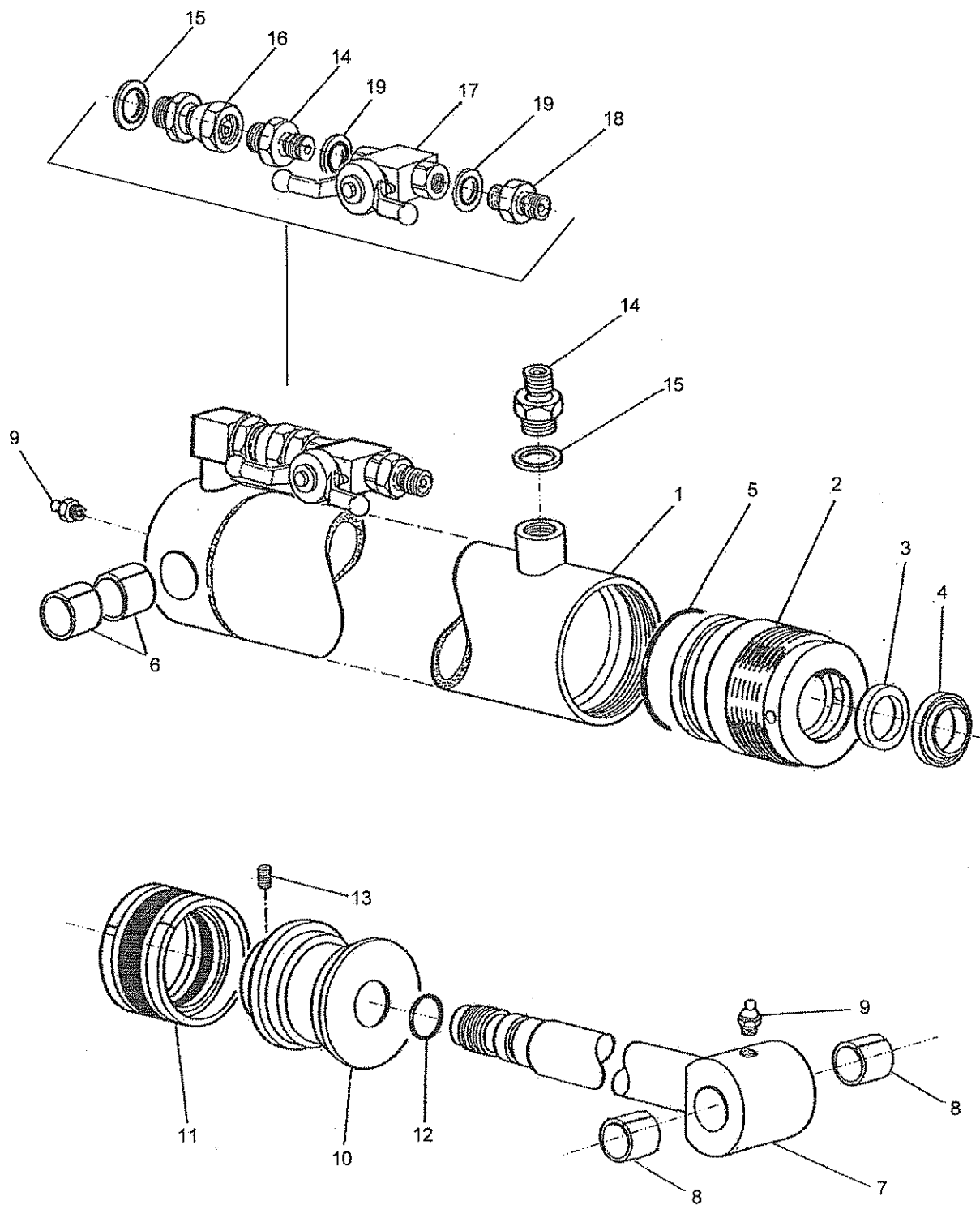
Module:  
7193334



REF.	QTY.	PART NO.	DESCRIPTION
		<b>7193334</b>	<b>REACH RAM ASSEMBLY</b>
			<i>Comprising of:</i>
1	1	7135283	RAM CYLINDER
2	2	0901121	GREASER - STRAIGHT
3	1	7193029	PISTON ROD
4	2	6012032	BUSH
5	1	8600119	O RING
6	1	7135004	PISTON c/w Piston Seal & Grub Screw
7	1	8638740	PISTON SEAL
8	1	9363023	GRUB SCREW - SOCKET HEADED
9	1	7135282	GLAND HOUSING
10	1	8629164	GLAND SEAL
11	1	8700740	O RING
12	1	8709740	ANTI-EXTRUSION RING
13	1	8629147	WIPER
14	2	7101134	BUSH - RAM BASE
15	2	8581115	UNION
16	1	8003001	PLUG
17	3	8650103	BONDED SEAL

# LIFT RAM ASSEMBLY

Module:  
42095.02





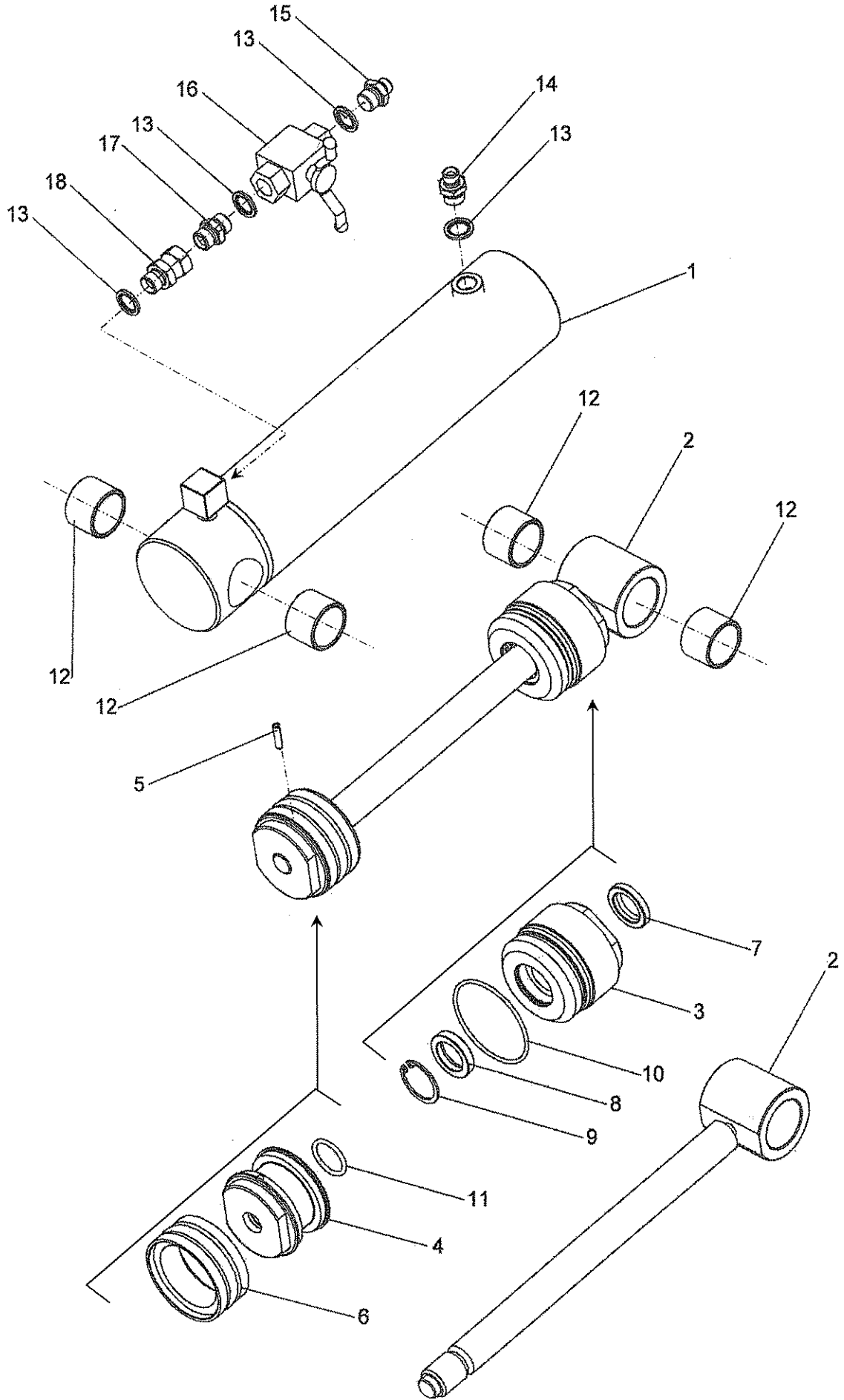
## LIFT RAM ASSEMBLY

REF.	QTY.	PART NO.	DESCRIPTION
		<b>42095.02</b>	<b>LIFT RAM ASSEMBLY</b>
		<b>42095.01</b>	<b>LIFT RAM - <i>comprising:</i></b>
1	1	42095.31	BARREL
2	1	42095.38	GLAND HOUSING
3	1	8629158	GLAND SEAL
4	1	8629152	ROD WIPER
5	1	8600742	'O' RING
6	2	7101134	BUSH
7	1	42968.01	ROD
8	2	6012032	BUSH
9	2	0901121	GREASER - STRAIGHT
10	1	42095.34	PISTON
11	1	8638742	PISTON SEAL
12	1	8600119	O RING
13	1	9363023	GRUBSCREW
14	2	8581115	UNION
15	2	8650103	BONDED SEAL
16	1	8581178	SWIVEL UNION
17	1	8130181	TAP
18	1	8581169	UNION
19	2	8650102	BONDED SEAL
		<b>8699249</b>	<b>SEAL KIT</b>



# SLEW RAM ASSEMBLY

Module:  
45288.05





## SLEW RAM ASSEMBLY

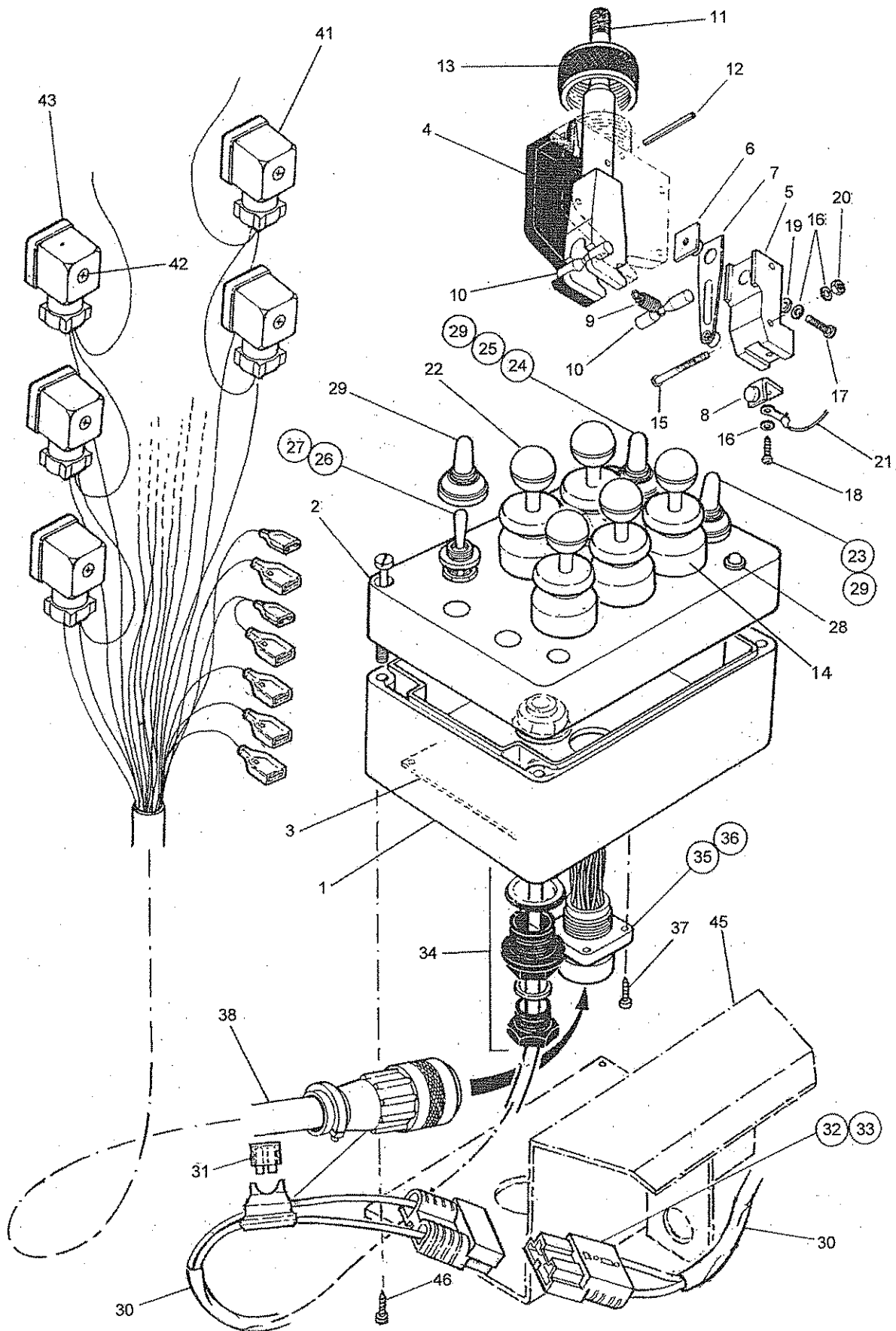
REF.	QTY.	PART No.	DESCRIPTION
		<b>45288.05</b>	<b>SLEW RAM ASSEMBLY</b>
1	1	45273.05	BARREL
2	1	45275.01	PISTON ROD
3	1	45283.01	GLAND HOUSING
4	1	45276.01	PISTON
5	1	42775.01	DOWEL
6	1	8638740	PISTON SEAL
7	1	8629149	SCRAPER RING
8	1	8629148	GLAND SEAL
9	1	0416240	INTERNAL CIRCLIP
10	1	8700740	O RING
11	1	8600121	O RING
12	4	08.297.05	BUSH
13	4	8650103	BONDED SEAL
14	1	8581115	ADAPTOR
15	1	8130066	ADAPTOR RESTRICTOR 1.15 'M'
16	1	08.200.01	ISOLATING VALVE
17	1	6000113	ADAPTOR
18	1	8581178	ADAPTOR - SWIVEL
		<b>8699525</b>	<b>SEAL KIT</b>



Modules:

8402901

8402902 – Electric Rotor Reverse





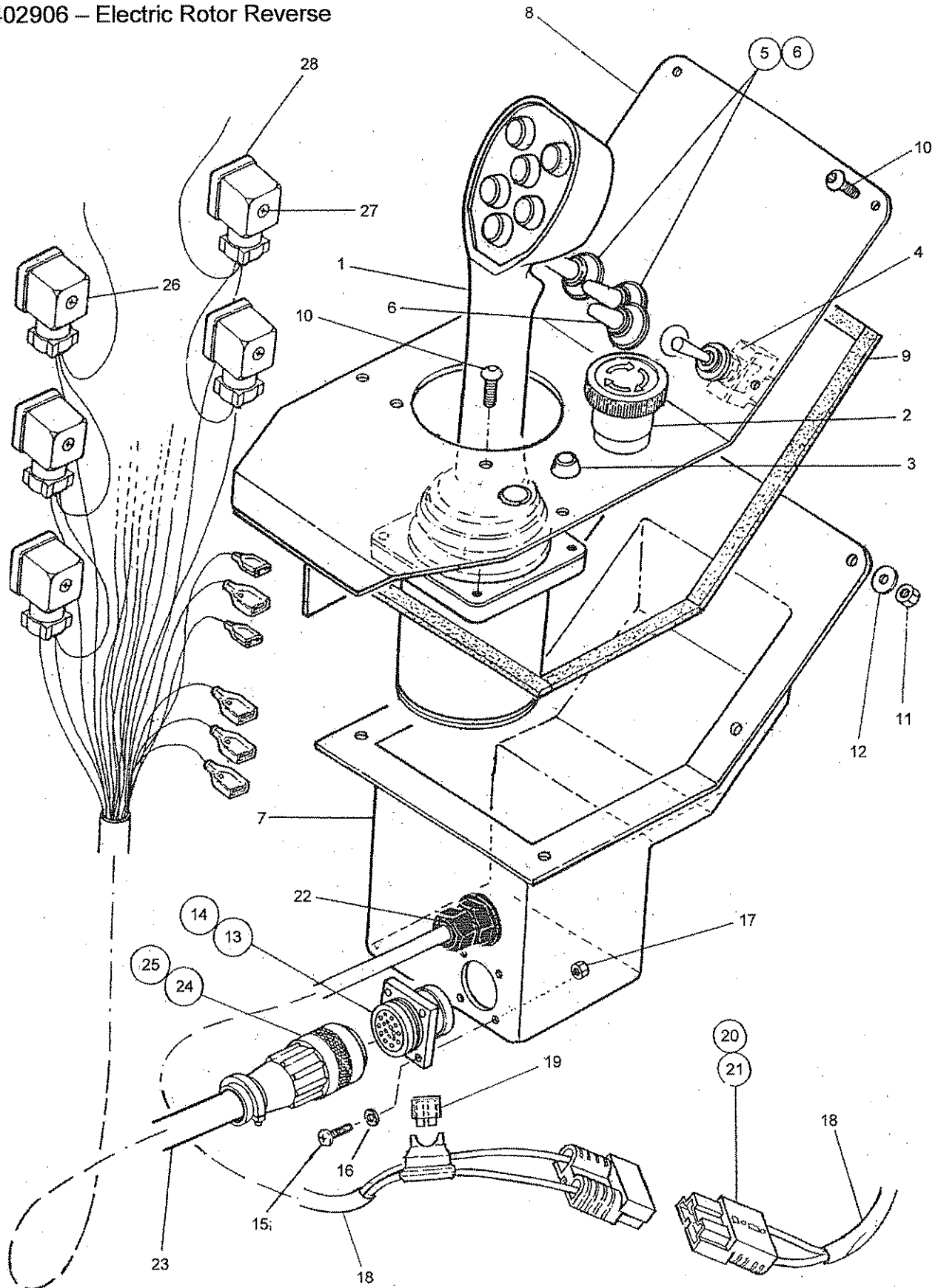
# SWITCHBOX CONTROLS & LOOM

REF.	QTY.	PART NO.	DESCRIPTION
		<b>41845.03</b>	<b>MULTI 5 LEVER SWITCHBOX</b>
		<b>41845.04</b>	<b>MULTI 5 LEVER SWITCHBOX - Electric Rotor Reverse</b>
1	1	41845.32	BOX
2	1	41845.31	LID c/w SCREWS
3	1	41845.33	CIRCUIT BOARD
	5	8402122	LEVER SWITCH UNIT - COMPRISING:
4	1	8402285	SWITCH BODY
5	2	8402106	CONTACT HOLDER
6	2	8402109	SPRING CONTACT RETAINER
7	2	8402113	SPRING CONTACT
8	2	8402108	FIXED CONTACT
9	1	8402101	SPRING
10	2	8402111	BAR
11	1	8402256	LEVER
12	1	0425320	SPRING DOWEL
13	1	8402051	BEZEL RING
14	1	8402022	LEVER GAITER
15	4	9200006	SCREW - POSIDRIVE PANHEAD
16	8	9100400	EXTERNAL SERRATED WASHER
17	2	9200005	SCREW - POSIDRIVE PANHEAD
18	2	8402119	SELFTAPPING SCREW
19	2	8402120	PLAIN WASHER
20	2	9113000	NUT - PLATED
21	5	41845.34	LOOM - LEVER SWITCH
22	5	8402056	KNOB - BLACK
23	1	8402023	SWITCH - POWER ON/OFF
24	1	8402182	SWITCH - SLEW/AUTO RESET
25	1	41845.35	LOOM - SLEW/AUTO RESET SWITCH
26	1	8402197	SWITCH - FLOAT
27	1	41845.37	LOOM - FLOAT SWITCH
28	1	41845.41	L.E.D. AND LOOM
29	3	8402024	WEATHER GAITER
30	1	8402232	POWER LOOM - INCLUDING:
31	1	43034.02	FUSE
32	2	8402230	CONTACTS HOUSING
33	4	8402229	CONTACTS
34	1	8402042	GLAND
35	1	8402189	SOCKET SHELL
36	17	8402192	PIN SOCKET
37	4	2800203	SCREW
38	1	41844.01	WIRING LOOM - INCLUDING
39	1	8402188	SHELL
40	1	8402190	CABLE CLAMP
41	12	07.835.04	PLUG - INCLUDING SCREW & GASKET
42	1	07.835.03	SCREW
43	1	07.835.02	GASKET
44	1	8402193	SPECIAL TOOL
45	1	8402345	MOUNTING BRACKET
46	4	2800243	SELFTAPPING SCREW

Modules:

8402905

8402906 – Electric Rotor Reverse



**MONOLEVER CONTROLS & LOOM**

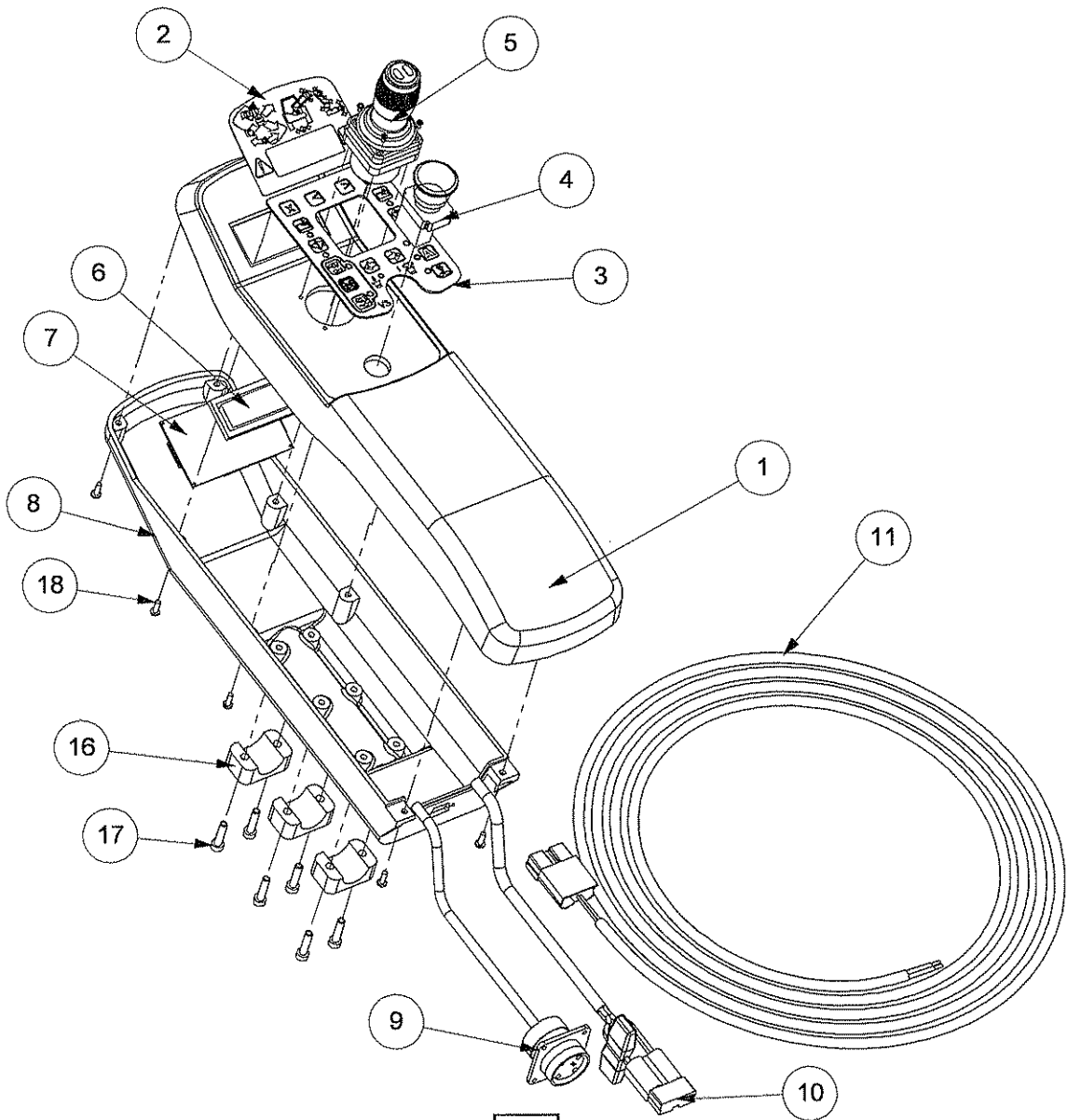
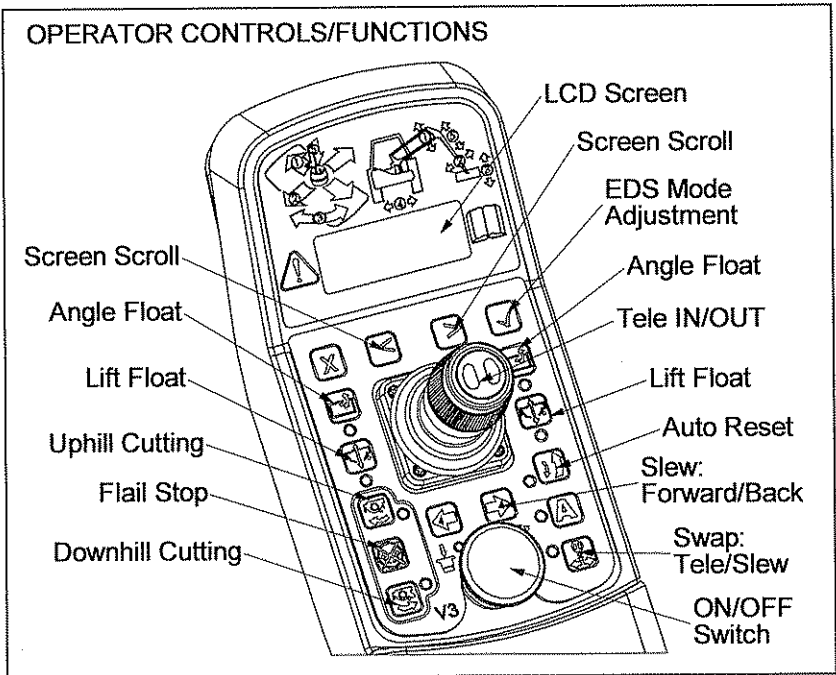
REF.	QTY.	PART NO.	DESCRIPTION
		<b>41590.03</b>	<b>MONOLEVER 6 BUTTON CONTROL ASSEMBLY</b>
		<b>41590.05</b>	<b>MONOLEVER WITH ELECTRIC ROTOR REVERSE</b>
1	1	41590.32	JOYSTICK - INCLUDING CIRCUIT BOARD
2	1	8402184	POWER ON / EMERGENCY STOP
3	1	8402174	L.E.D. MAIN POWER ON
4	1	8402182	SWITCH - SLEW / AUTO RESET
5	2	8402023	SWITCH - LIFT AND ANGLE FLOAT
6	3	8402024	WEATHER COVER
7	1	7550300	COVER POD
8	1	7550339	TOP PLATE
9	1	7290052	SEALING STRIP (CUT TO SUIT)
10	10	9300125	SCREW - BUTTON HEAD
11	6	9143003	SELF LOCKING NUT
12	6	9100103	WASHER
13	1	8402189	SOCKET SHELL
14	14	8402192	FEMALE SOCKET PIN
15	4	9200007	SCREW - POSIDRIVE PANHEAD
16	4	9100400	EXTERNAL SERRATED WASHER
17	4	9100013	NUT - PLATED
18	1	8402232	POWER LOOM - INCLUDING:
19	1	43034.03	FUSE
20	2	8402230	CONTACT HOUSING
21	4	8402229	CONTACTS
22	1	8402042	GLAND
23	1	41844.01	WIRING LOOM - INCLUDING:
24	1	8402188	SHELL
25	1	8402190	CABLE CLAMP
26	12	07.835.04	PLUG - INCLUDING:
27	1	07.835.03	SCREW
28	1	07.835.02	GASKET
29	1	8402193	SPECIAL TOOL

# PROPORTIONAL CONTROLS - v.3

**Modules:**

43022.20 - Std. Proportional

43022.21 - Proportional EDS



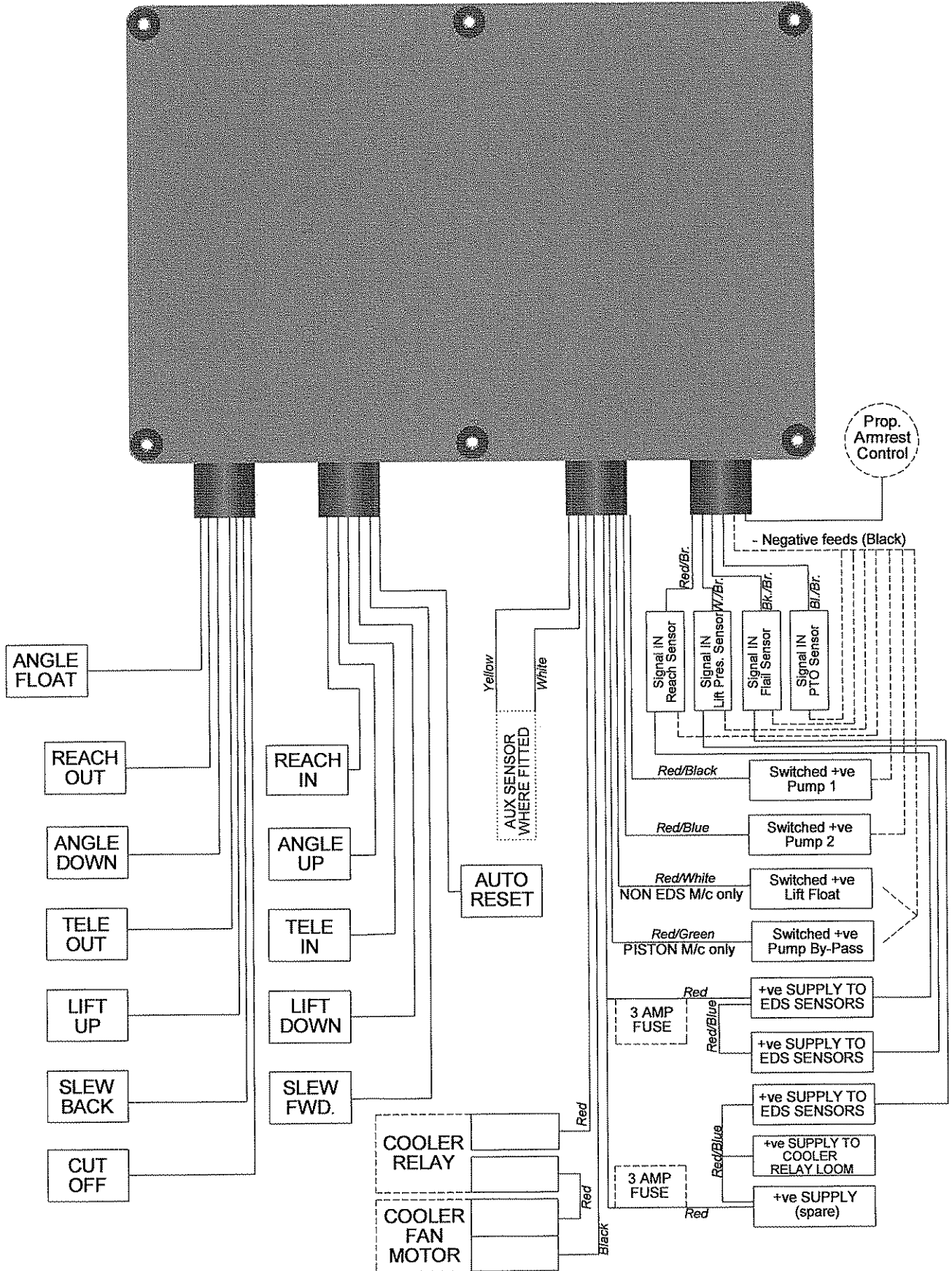

**PROPORTIONAL CONTROLS - v.3**

REF.	QTY.	PART No.	DESCRIPTION
		<b>43022.20</b>	<b>v.3 PROPORTIONAL ARMREST CONTROLS</b>
		<b>43022.21</b>	<b>v.3 PROPORTIONAL ARMREST CONTROLS - EDS</b>
1	1	43022.324	ARMREST LID - GREY
2	1	43022.50	FRONT DECAL
3	1	43022.51	JOYSTICK KEYPAD
4	1	41786.33	SWITCH - EMERGENCY STOP
5	1	45710.96	JOYSTICK - <i>inc. fixing screws</i>
6	1	43022.52	LCD SCREEN
7	1	43022.53	CIRCUIT BOARD
8	1	43022.321	ARMREST BASE - YELLOW
9	1	43022.46	CONNECTOR & LEAD
10	1	43022.47	CONNECTOR & POWER LEAD (2 FUSES)
11	2	8402237	LOOM - POWER SUPPLY
12	2	8402149	GLAND
13	1	43022.39	CONNECTOR 9 WAY
14	1	8600119	O RING - <i>not illustrated</i>
15	1	8402239	PUSH ON COVER - <i>not illustrated</i>
16	3	30.209.71	PIPE CLAMP
17	6	9343053	CAPSCREW
18	8	9300132	PANHEAD SCREW



# AUXILIARY BOX - Proportional

Module:  
21164.03

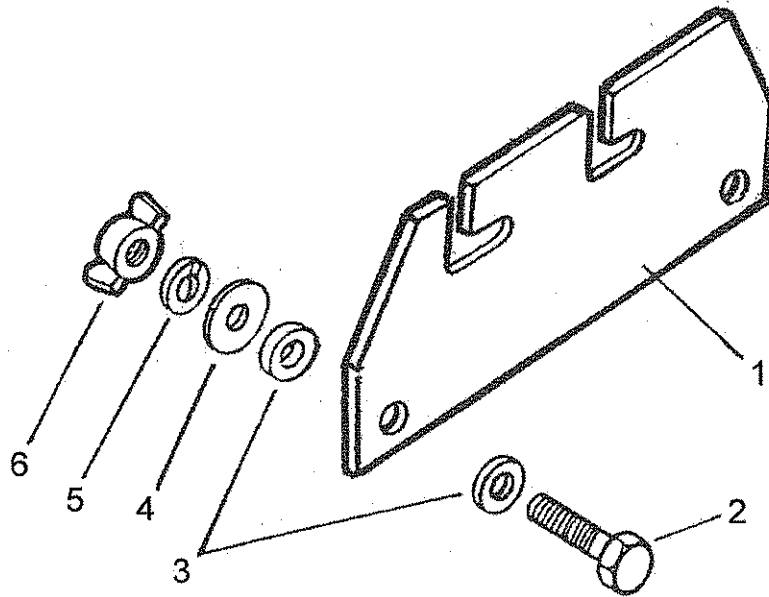




*This page is intentionally blank*

**CABLE CONTROL MOUNTING**

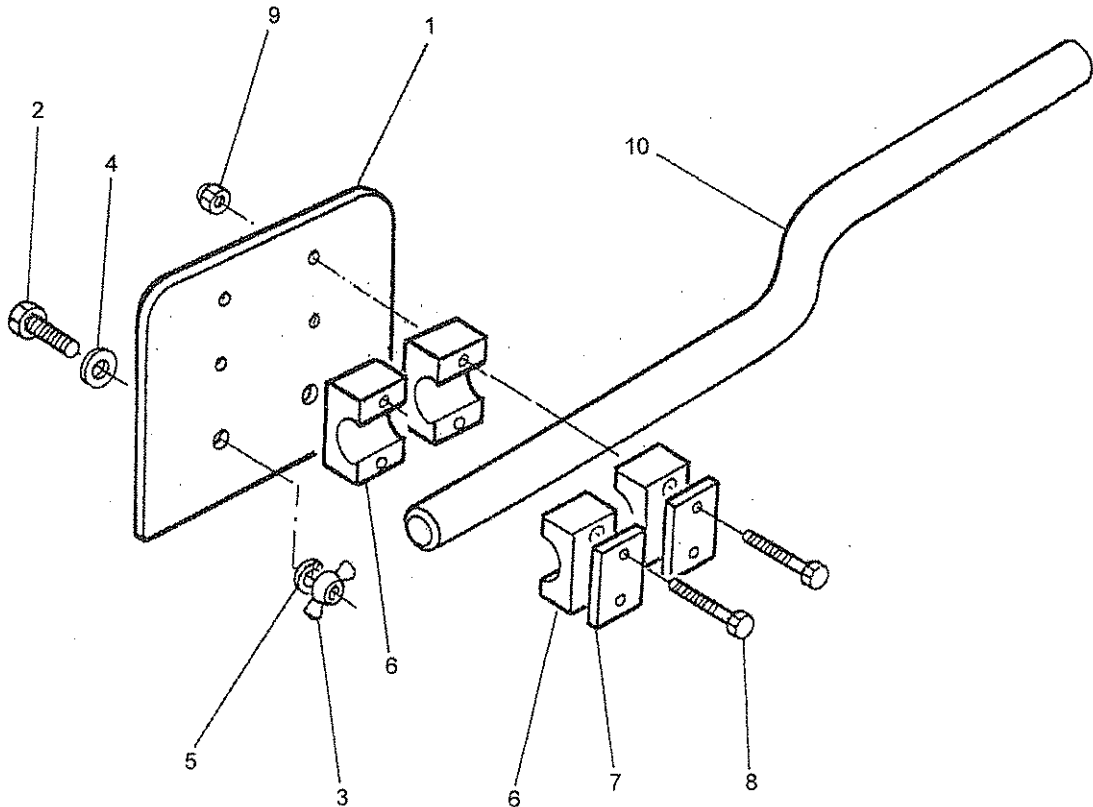
Module:  
7313282



REF.	QTY.	PART NO.	DESCRIPTION
		<b>7313282</b>	<b>CABLE CONTROL UNIT MOUNTING</b>
1	1	42491.01	BRACKET
2	2	9313094	SETSCREW
3	4	03.152.01	RUBBER WASHER
4	2	9100104	PLAIN WASHER
5	2	9100204	SPRING WASHER
6	2	9193004	WINGNUT

**ELECTRIC CONTROL MOUNTING**

**Module:**  
7313275



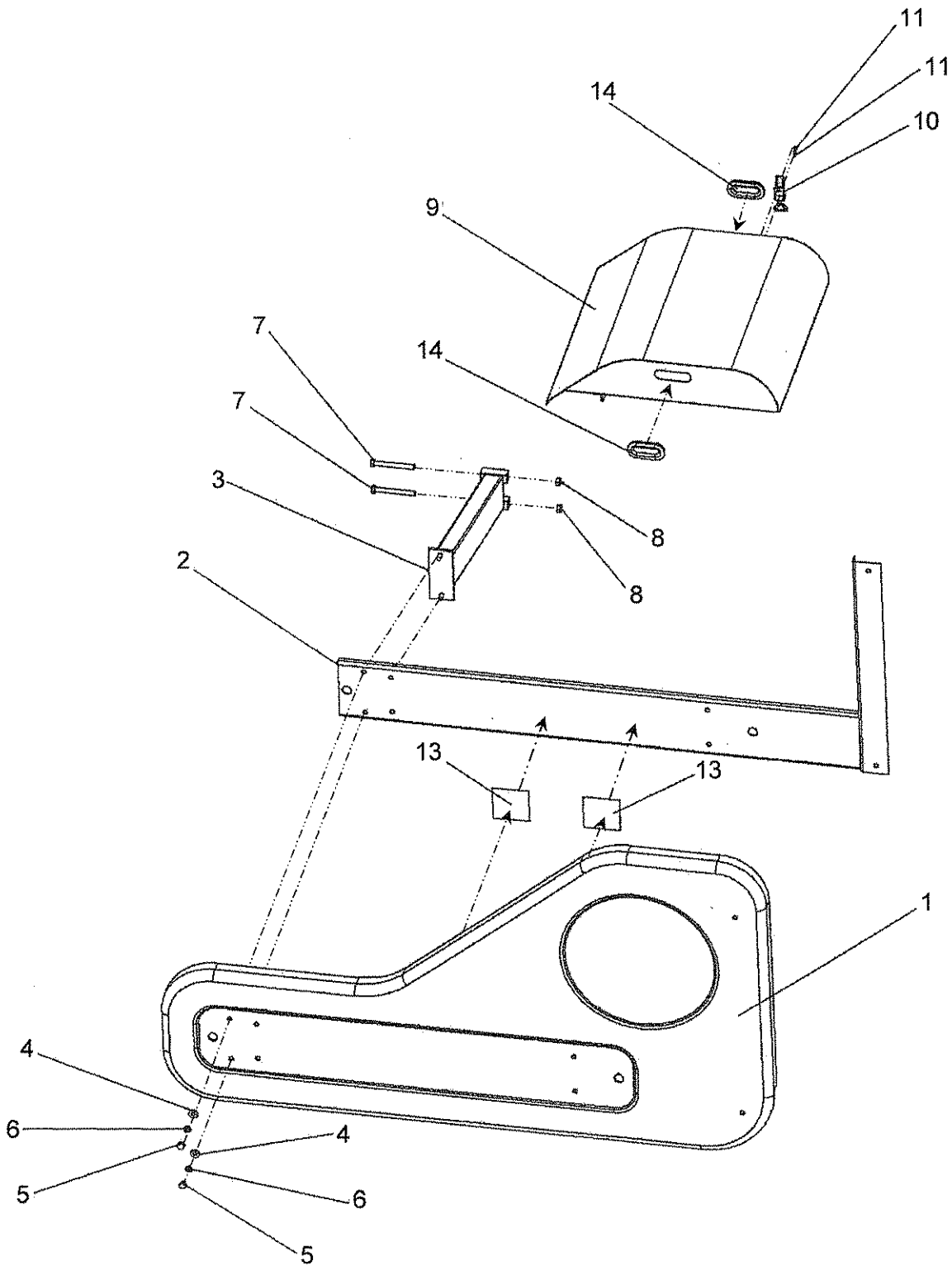
REF.	QTY.	PART NO.	DESCRIPTION
		<b>7313275</b>	<b>CONTROL MOUNTING KIT</b>
1	1	08.317.01	CONTROL MOUNTING BRACKET
2	2	9313054	SETSCREW
3	2	9193004	WINGNUT
4	2	9100104	PLAIN WASHER
5	2	9100204	SPRING WASHER
6	6	30.209.71	CLAMP
7	3	30.209.33	COVER PLATE
8	6	30.068.88	BOLT
9	4	9163003	SELF LOCKING NUT
10	1	42312.01	MOUNTING BAR

# REAR COVERS ASSEMBLY

**Modules:**

7451718 – L/H Build

7451719 – R/H Build



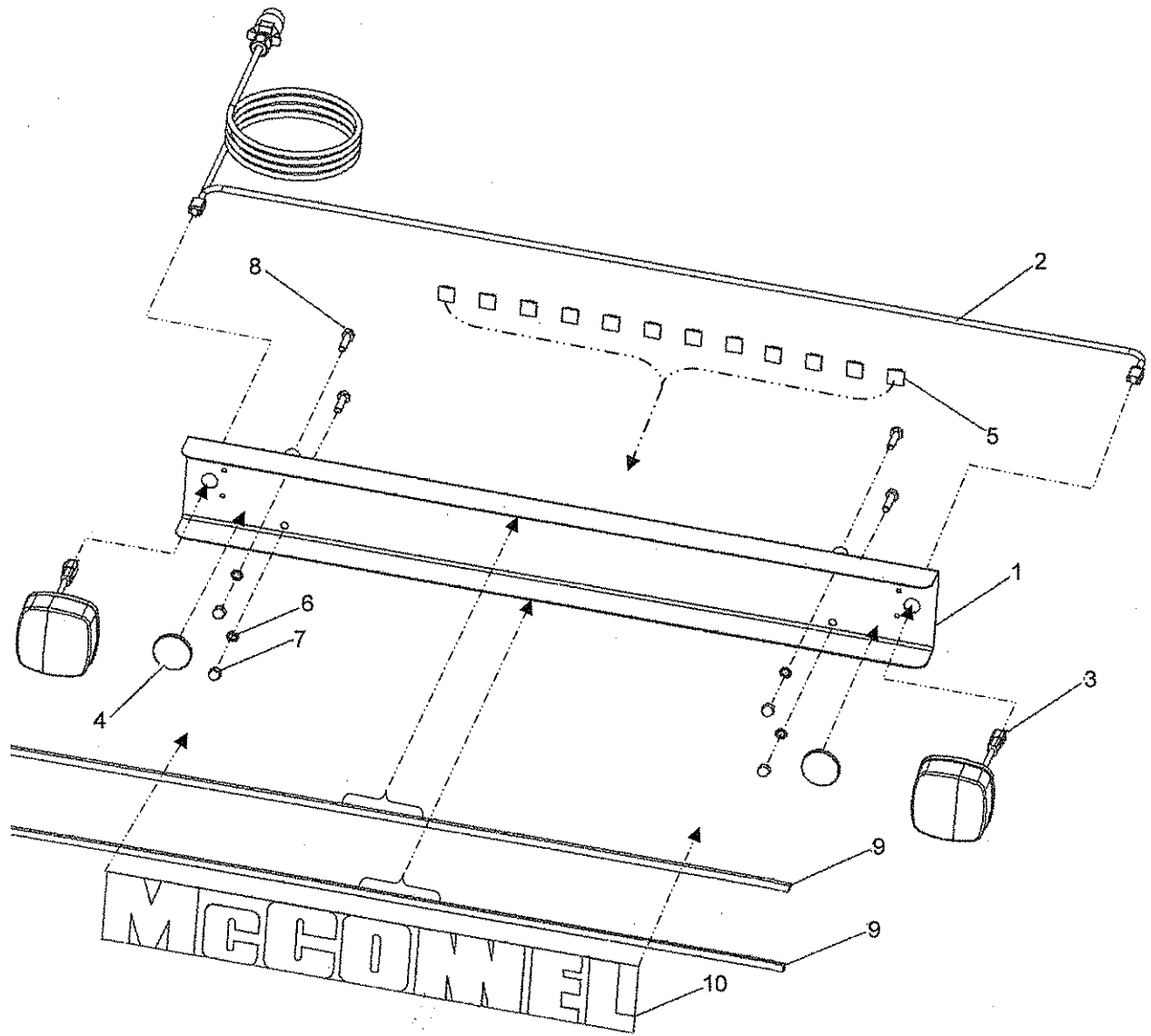


## REAR COVERS ASSEMBLY

REF.	QTY.	PART No.	DESCRIPTION
		7451718	REAR COVER ASSEMBLY L/H
		7451719	REAR COVER ASSEMBLY R/H
1	1	45256.01	REAR COVER - L/H Build
	1	45256.02	REAR COVER - R/H Build ( <i>not illustrated</i> )
2	1	45537.01	COVER MOUNT - L/H Build
	1	45537.02	COVER MOUNT - R/H Build ( <i>not illustrated</i> )
3	1	45251.04	COVER SUPPORT
4	2	9100105	FLAT WASHER
5	2	9100025	DOME NUT
6	2	9100205	SPRING WASHER
7	2	9213226	BOLT
8	2	9143006	SELF-LOCKING NUT
9	1	45252.01	VALVE COVER - L/H Build
	1	45252.02	VALVE COVER - R/H Build ( <i>not illustrated</i> )
10	1	43449.02	OVERCENTRE FASTENER
11	2	1069088	POP RIVET
13	2	45831.01	SELF-ADHESIVE PAD
14	2	43468.03	EDGING STRIP - 230mm



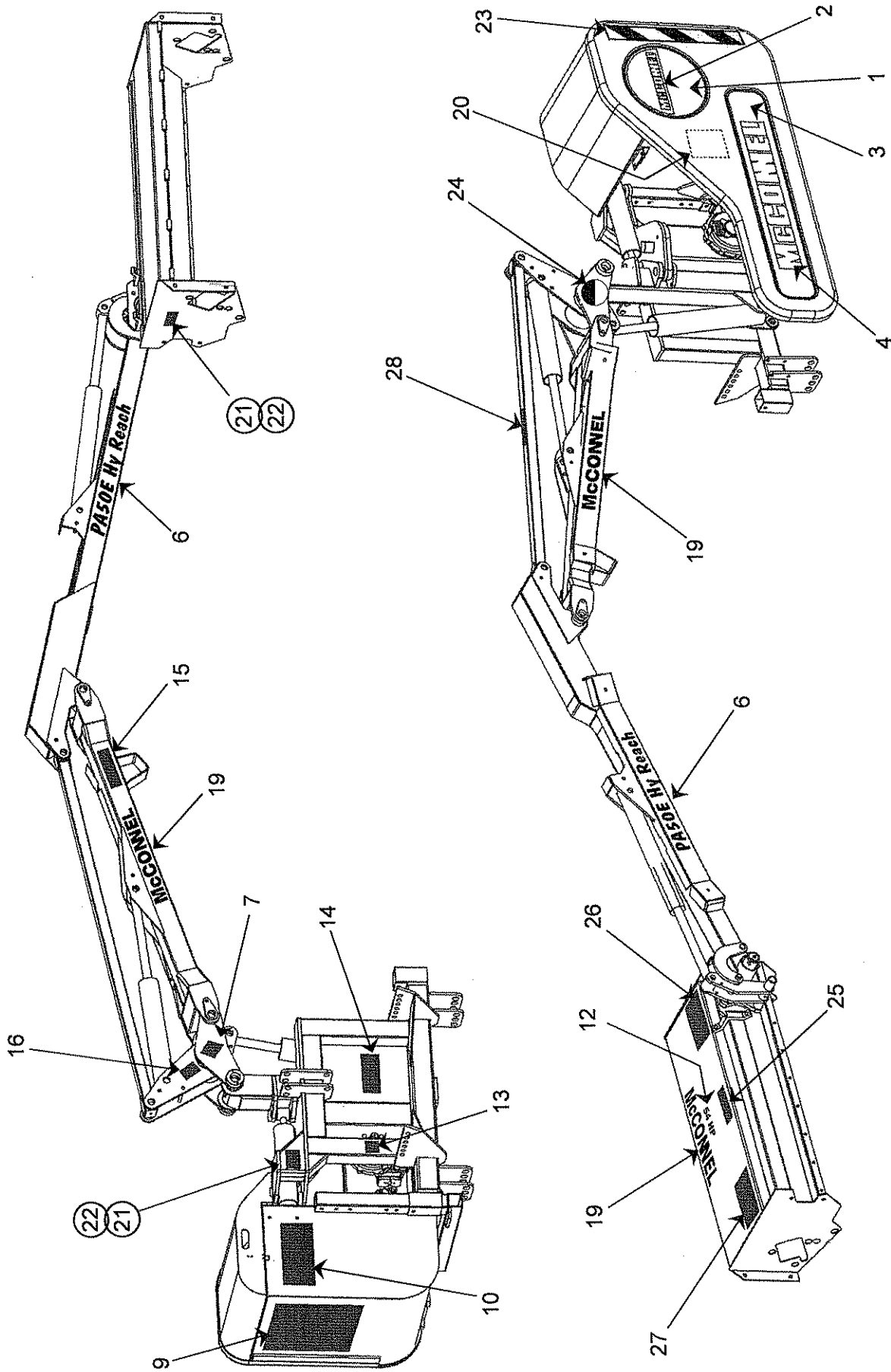
Module:  
7451780



**LIGHTING KIT – Optional Extra**

REF.	QTY.	PART No.	DESCRIPTION
		<b>7451780</b>	<b>LIGHTING KIT</b>
1	1	45828.01	LIGHT BAR
2	1	45900.02	LIGHTING KIT
3	2	45642.02	LAMP UNIT
4	2	45671.01	REFLECTOR
5	<i>as req.</i>	43357.01	WIRE CLIPS (SELF ADHESIVE)
6	4	9100405	SHAKEPROOF WASHER M10 EXT.
7	4	9100025	DOME NUT
8	4	9213085	BOLT
9	2	43468.02	EDGING STRIP
10	1	1290527	STICKER - McCONNEL







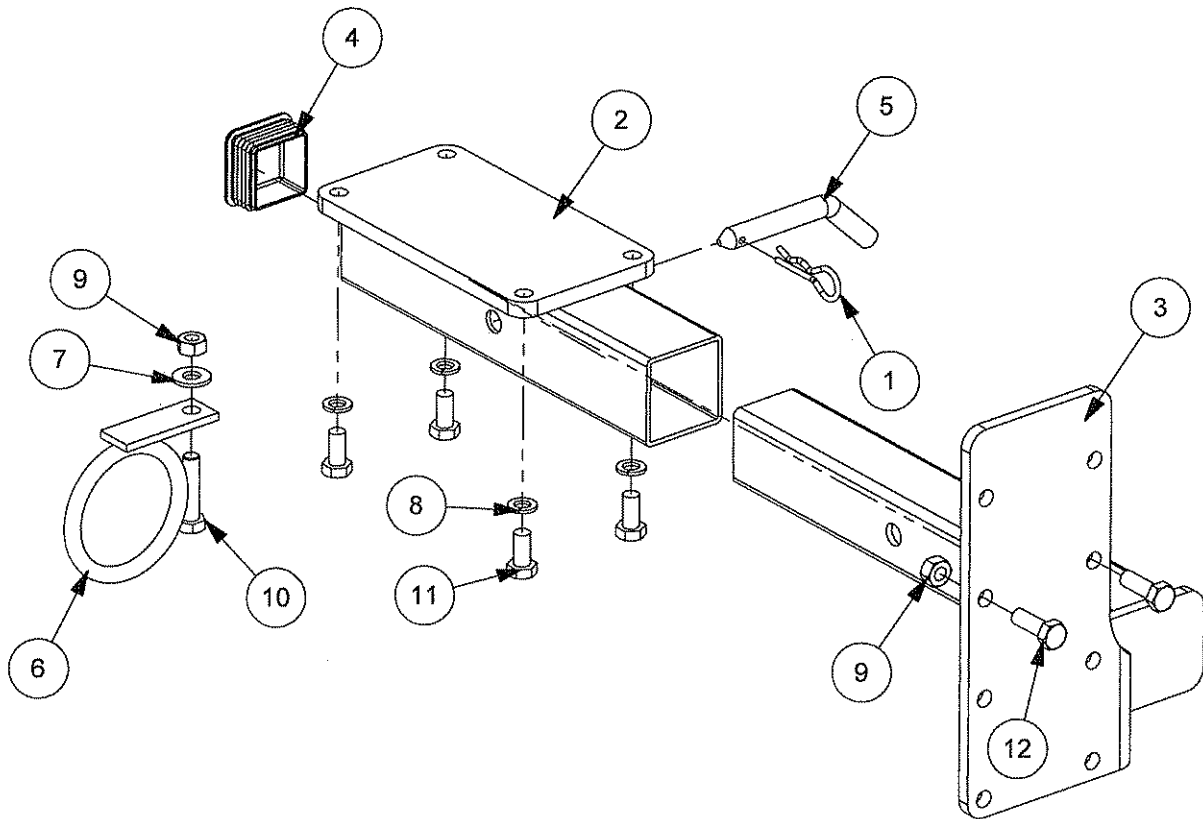
## MACHINE DECALS

REF.	QTY.	PART NO.	DESCRIPTION
			• CABLE MACHINES
			• ELECTRIC MACHINES
1	1 1	1290524	LOGO ROUNDEL - YELLOW
2	1 1	1290525	McCONNEL - SMALL YELLOW
3	1 1	1290539	BACKING PANEL - YELLOW
4	1 1	1290527	McCONNEL - LARGE BLACK
5	2 -	1290537	PA50 HY REACH
6	- 2	1290538	PA50E HY REACH
7	1 1	7105130	READ INSTRUCTION BOOK
8	1 1	1290352	GENERAL WARNING
9	1 1	1290391	SAFETY WARNING
10	1 1	00756494	PTO SHAFT
11	5 5	02962764	PINCH POINT
12	1 1	1290508	54 HP
13	1 1	09.811.03	500 RPM
14	1 1	7135295	TIGHTEN CHECK CHAINS
15	1 1	1290403	BREAKAWAY WARNING
16	2 2	1290074	SLING HERE
17	1 1	1290406	TRANSPORT
18	1 1	8402138	SLEW WARNING
19	3 3	1290255	McCONNEL - BLACK
20	- 1	1290465	ELECTRIC CONNECTIONS
21	2 2	1335246	SERIAL No. PLATE
22	8 8	7103230	POP RIVET 1/8"
23	1 1	1290528	WARNING CHEVRON
24	1 1	1290296	ROUNDEL - BLACK
25	1 1	7114481	TIGHTEN BOLTS
26	1 1	1290377	HEAD INSTRUCTION
27	1 1	1290341	HEAD GUARDING
28	1 1	1290406	300mm CLEARANCE

**DEBRIS BLOWER MOUNTING KIT****Modules:**

7150770 – L/H Build

7150771 – R/H Build

*Illustrated in Left Hand Build*

REF.	QTY.	PART No.	DESCRIPTION
		<b>7150770</b>	<b>DEBRIS BLOWER MOUNTING KIT - L/H Machines</b>
		<b>7150771</b>	<b>DEBRIS BLOWER MOUNTING KIT - R/H Machines</b>
1	1	0431105	SPRING COTTER
2	1	43492.01	BLOWER BRACKET
3	1	43492.05	BLOWER BRACKET - L/H Build
	1	43492.06	BLOWER BRACKET - R/H Build
4	1	7191108	PLASTIC PLUG
5	1	7192023	LEG PIN
6	1	7319282	HOSE RING
7	1	9100106	FLAT WASHER
8	4	9100206	SPRING WASHER
9	3	9143006	SELF-LOCKING NUT
10	1	9213106	BOLT
11	4	9313056	SETSCREW
12	2	9313076	SETSCREW

*Suitable for the following machines:**PA32, PA41, PA45\*, PA47 Mk1\*, PA47 Mk2, PA48, PA50Mk1\*, PA50 Mk2, PA55/60**(\* without lightbars)*

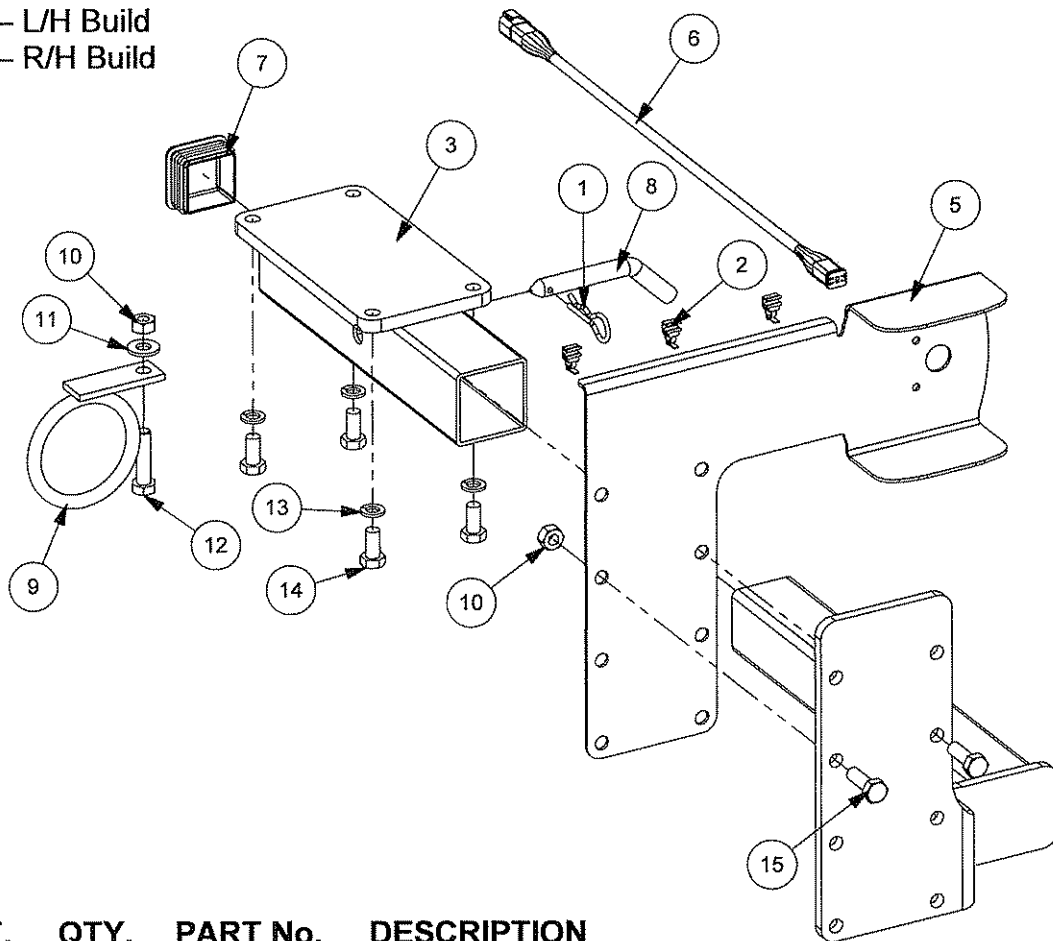


**DEBRIS BLOWER MOUNTING KIT**

**Modules:**

7456770 – L/H Build  
7456771 – R/H Build

*Illustrated in Left Hand Build*



REF.	QTY.	PART No.	DESCRIPTION
		<b>7456770</b>	<b>DEBRIS BLOWER MOUNTING KIT - L/H Machines</b>
		<b>7456771</b>	<b>DEBRIS BLOWER MOUNTING KIT - R/H Machines</b>
1	1	0431105	SPRING COTTER
2	3	21150.01	PUSH ON CABLE TIE
3	1	43492.01	BLOWER BRACKET
4	1	43492.05	BLOWER BRACKET - L/H Build
	1	43492.06	BLOWER BRACKET - R/H Build
5	1	43492.07	LIGHT BRACKET - L/H Build
	1	43492.08	LIGHT BRACKET - R/H Build
6	1	45657.01	LOOM EXTENTION
7	1	7191108	PLASTIC PLUG
8	1	7192023	LEG PIN
9	1	7319282	HOSE RING
10	3	9143006	SELF-LOCKING NUT
11	1	9100106	FLAT WASHER
12	1	9213106	BOLT
13	4	9100206	SPRING WASHER
14	4	9313056	SETSCREW
15	2	9313076	SETSCREW

*Suitable for the following machines:*

PA45\*, PA47 Mk1\*, PA50 Mk1\*, PA52, PA59, PA550, PA650, PA8000

(\* with lightbars)



McConnel Limited, Temeside Works, Ludlow, Shropshire SY8 1JL. England.  
Telephone: 01584 873131. Facsimile: 01584 876463. [www.mcconnel.com](http://www.mcconnel.com)