

Publication 548  
August 2008  
Part No. 41571.48  
Revision: 15.03.11



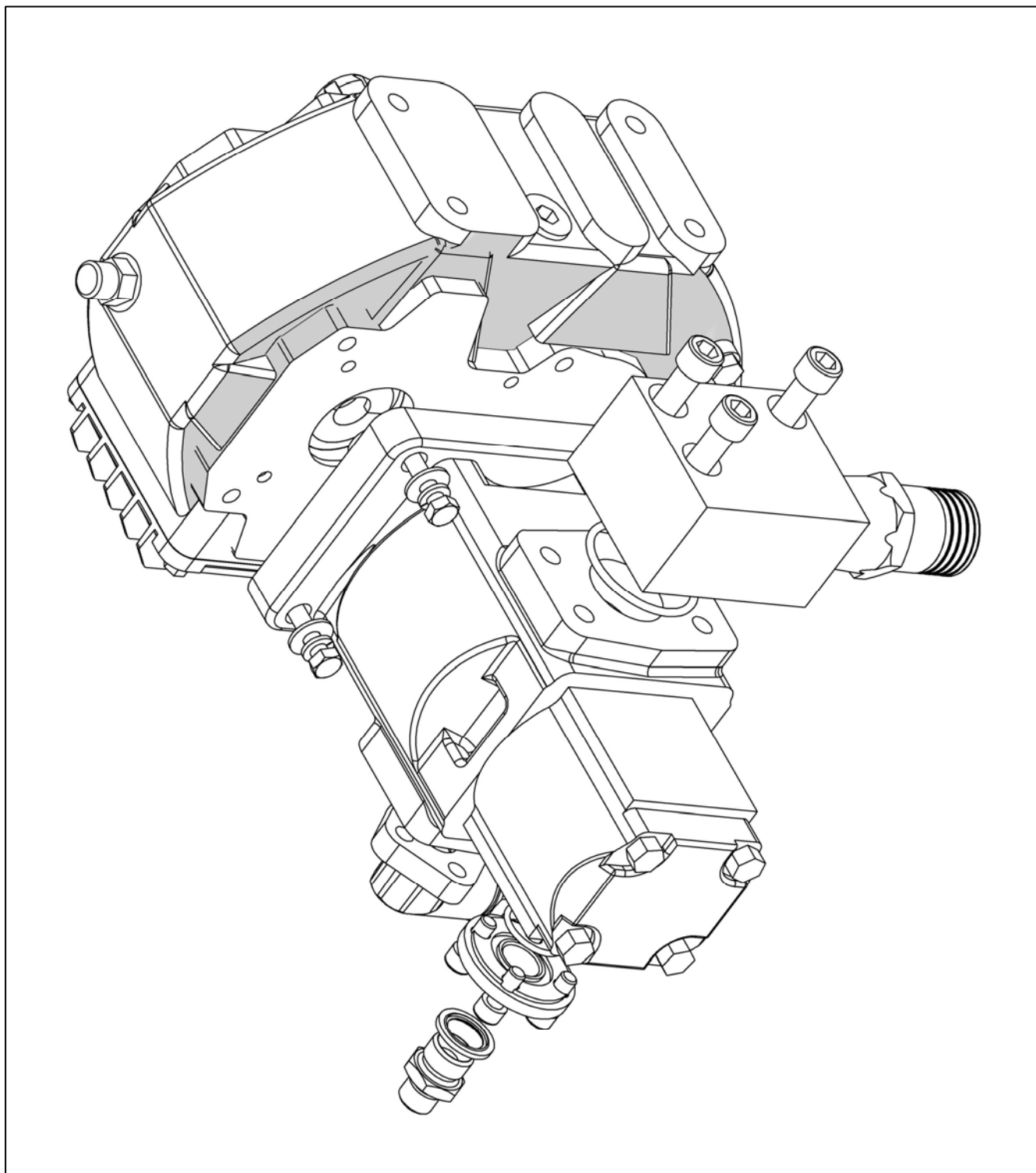
# PA50 ECO *Mk2*

# PA55 ECO *Mk2*

# PA60 ECO *Mk2*

TRACTOR MOUNTED HEDGE CUTTER / MOWER

## Parts Manual





*For best performance...*

## **USE ONLY McCONNEL GENUINE SERVICE PARTS**

To be assured of the latest design improvements purchase your 'Genuine Replacements' from the **Original Equipment Manufacturer:**

# **McCONNEL LIMITED**

*through your local Dealer or Stockist.*

**Always quote:**

- *Machine Type*
- *Serial Number*
- *Part Number*

### **McConnel Limited**

**Temeside Works, Ludlow, Shropshire, SY8 1JL, England.**

**Telephone: 01584 873131**

**[www.mcconnel.com](http://www.mcconnel.com)**

*Design Improvements may have altered some of the parts listed in this manual –  
The latest part will always be supplied when it is interchangeable with an earlier one.*



# CONTENTS

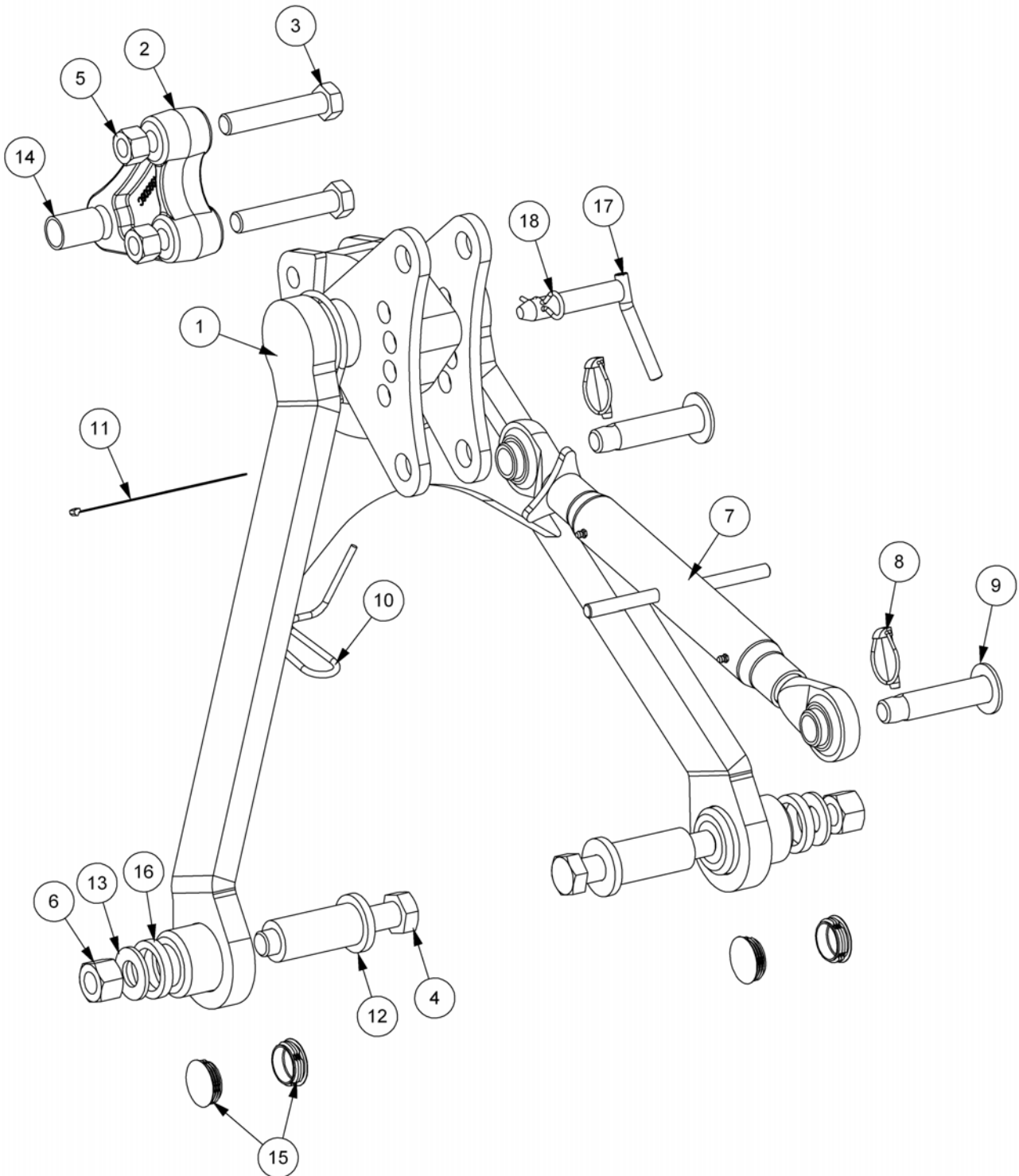
---

Stabilizer Assemblies	1
Main Frame Assembly	5
Pillar Assemblies	7
Main Arm Assemblies	11
Dipper Arm Assemblies	15
Midcut Dipper Arm & Forward Extension Assemblies	17
Transport Prop – <i>Midcut Models</i>	19
Head Angling Mechanism	21
Hydraulic Tank Assembly	23
Pump & Gearbox Assembly	25
Gearbox Assembly	27
Cable Rotor Control Valve Assembly	29
Electric Rotor Control Valve Assembly	31
Cable Control Valve Assembly – <i>Standard Arm Models</i>	33
Cable Control Valve Assembly – <i>Midcut Models</i>	35
Electric Control Valve Assembly – <i>Standard Arm Models</i>	39
Electric Control Valve Assembly – <i>Midcut Models</i>	41
XTC Proportional Control Valve Assembly – <i>Standard Arm Models</i>	43
XTC Proportional Control Valve Assembly – <i>Midcut Models</i>	45
V4 Proportional Control Valve Assembly – <i>Standard Arm Models</i>	47
V4 Proportional Control Valve Assembly – <i>Midcut Models</i>	49
4 Bank Manifold Assemblies – <i>Standard Arm Models</i>	51
5 Bank Manifold Assemblies – <i>Midcut Models</i>	53
Adaptor Kits	55
Electric Switchbox Controls	63
Electric Monolever Controls	65
XTC (Mk1) Proportional Controls	67
XTC (Mk2) Proportional Controls	69
V4 Proportional Controls	71
Lift Ram Assemblies	77
Reach Ram Assembly	79
Angling Ram Assembly	80
Slew Ram Assembly	81
Midcut Fold Ram Assembly	82
Hydraulic Hose Kits – <i>PA50 &amp; PA55 Standard Arm Models</i>	83
Hydraulic Hose Kits – <i>PA50 &amp; PA55 Midcut Models</i>	85
Hydraulic Hose Kits – <i>PA60 Standard Arm Model</i>	87
Lift Float Kit – <i>Cable Models</i>	89
Lift Float Kit – <i>Electric Models</i>	90
Cooler Kit - <i>Standard</i>	91
Cooler Kit – <i>High Capacity</i>	93
Control Mounting Kits	95
Cab Guard Kit	96
Rear Covers Assembly	97
Rear Lighting Kit	99
Decal Kits – <i>Branding &amp; Identification</i>	101
Decal Kits – <i>Warnings &amp; Instructions</i>	103
Debris Blower Kit	105
Debris Blower Installation	107

# STABILIZER ASSEMBLY (NARROW NOSE)

**McCONEL**

Module(s): 7499635



*NOTE: Spacers (Items #16) are located on outside of stabilizer for machines without guide channels on main frame and located on the inside of stabilizer for machines with guide channels.*

# STABILIZER ASSEMBLY (NARROW NOSE)

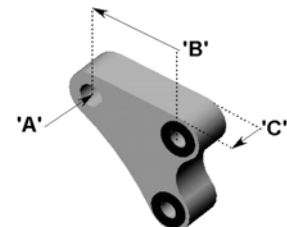
# McCONNEL

Module(s): 7499635

REF.	QTY.	PART No.	DESCRIPTION
		<b>7499634</b>	<b>STABILIZER ASSEMBLY</b>
1	1	41205.14	NARROW NOSE STABILIZER (TYPE 2)
2	1	7499506C	STABILIZER TONGUE - CAT.3 (CAST)
3	2	9213228	BOLT
4	2	9213309	BOLT
5	2	9143008	SELF-LOCKING NUT M20
6	2	9143009	SELF-LOCKING NUT
7	1	21370.01	TOP LINK ASSEMBLY
8	2	0431217	LINCH PIN
9	2	7560144	TOP LINK PIN
10	1	21160.03	PTO HOOK
11	1	7196045	HOSE TIE
12	2	45999.05	SPACER SLEEVE
13	2	9100109	FLAT WASHER
14	1	21883.01	SLEEVE - CAT.2 to CAT.3
15	4	21388.01	PLASTIC INSERT
16	2	45999.04	SPACER
17	1	45784.01	QUADRANT PIN
18	1	0431105	SPRING COTTER

## McCONNEL STABILISER TONGUES

- 'A' – Hole diameter
- 'B' – Hole center spacing
- 'C' – Stabiliser width



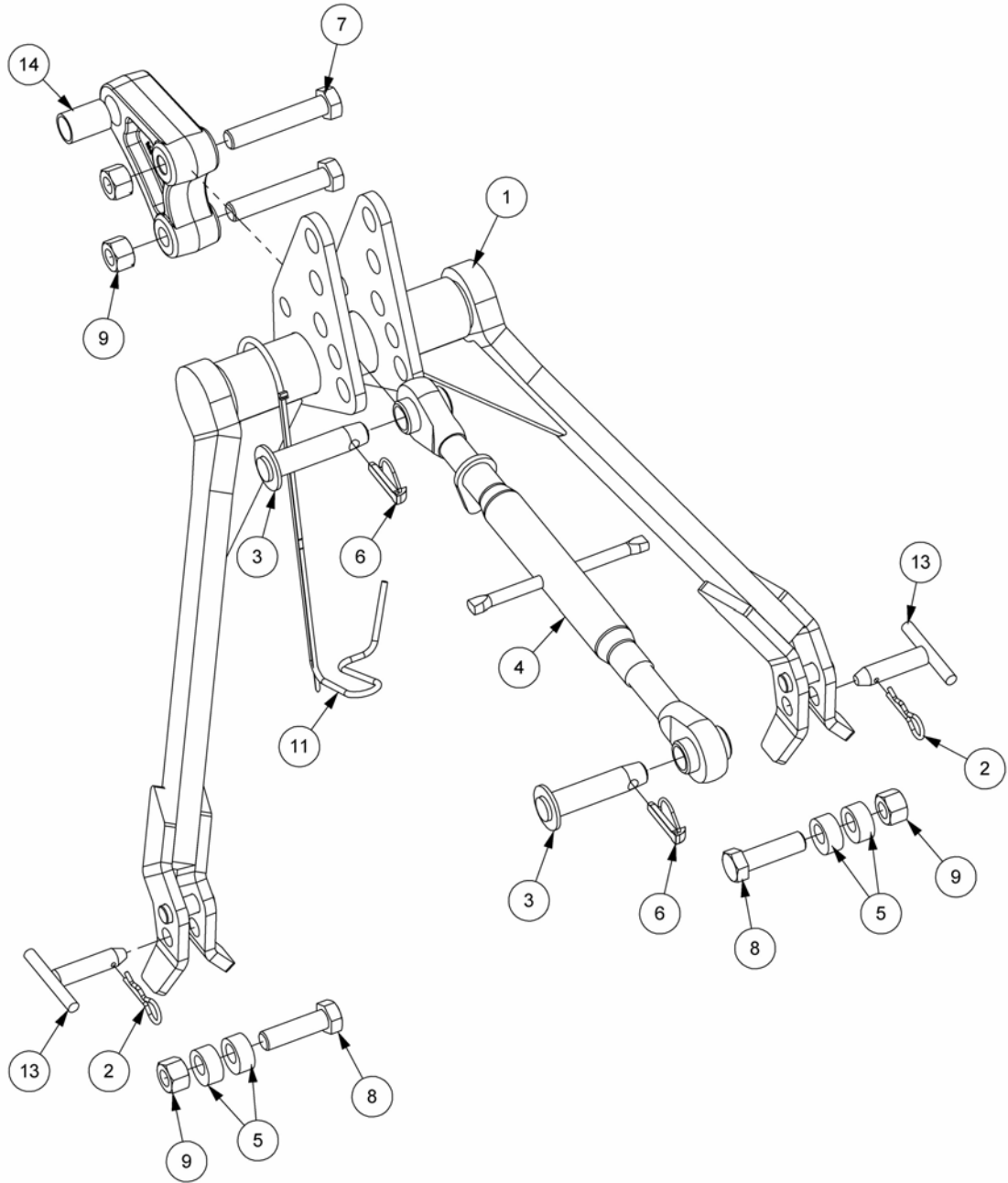
(Dimensions in mm)

Part No.	Description	'A'	'B'	'C'
7499501	Tongue: Standard – Cat. 2	27	107	45
7499500	Tongue: Special – Cat. 2 narrow	27	107	35
7499502	Tongue: Special – Cat. 2 long	27	217	45
7499503	Tongue: Special – Cat. 3 long	32	217	45
7499504	Tongue: Special – Cat. 1	19.5	107	35
7499505	Tongue: Special – Cat. 2 for Case TX tractors	25	120	50
7499506	Tongue: Special – Cat. 3	32	107	45
7499507	Tongue: Special – Cat. 3 narrow	32	107	30
7499508	Tongue: Special – for some Ford tractors	28.6	107	45
7499262	Tongue: Special – Cat. 2 extra long for Aebi	27	260	45
7499510	Tongue: Special – Cat. 2	27	107	40

# STABILIZER ASSEMBLY

Module(s): 7494804

**McCONNEL**



# STABILIZER ASSEMBLY

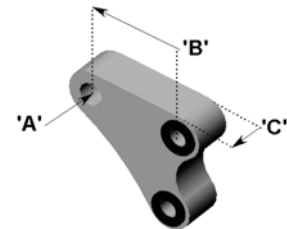
# McCONNEL

Module(s): 7494804

REF.	QTY.	PART NO.	DESCRIPTION
		<b>7494804</b>	<b>STABILISER ASSEMBLY</b>
1	1	41915.07	STABILIZER
2	2	0431105	SPRING COTTER
3	2	7118112	PIN
4	1	07.584.01	TOP LINK
5	4	7192080	ECCENTRIC COLLAR
6	2	0431217	LINCH PIN
7	2	9213228	BOLT
8	2	9213148	BOLT
9	4	9143008	SELF-LOCKING NUT
10	1	7499506C	STABILIZER TONGUE - CAT.3
11	1	21160.03	PTO HOOK
12	1	7196045	HOSE TIE
13	2	7192027	STABILIZER PIN
14	1	21883.01	SLEEVE

## McCONNEL STABILISER TONGUES

- 'A' – Hole diameter
- 'B' – Hole center spacing
- 'C' – Stabiliser width



(Dimensions in mm)

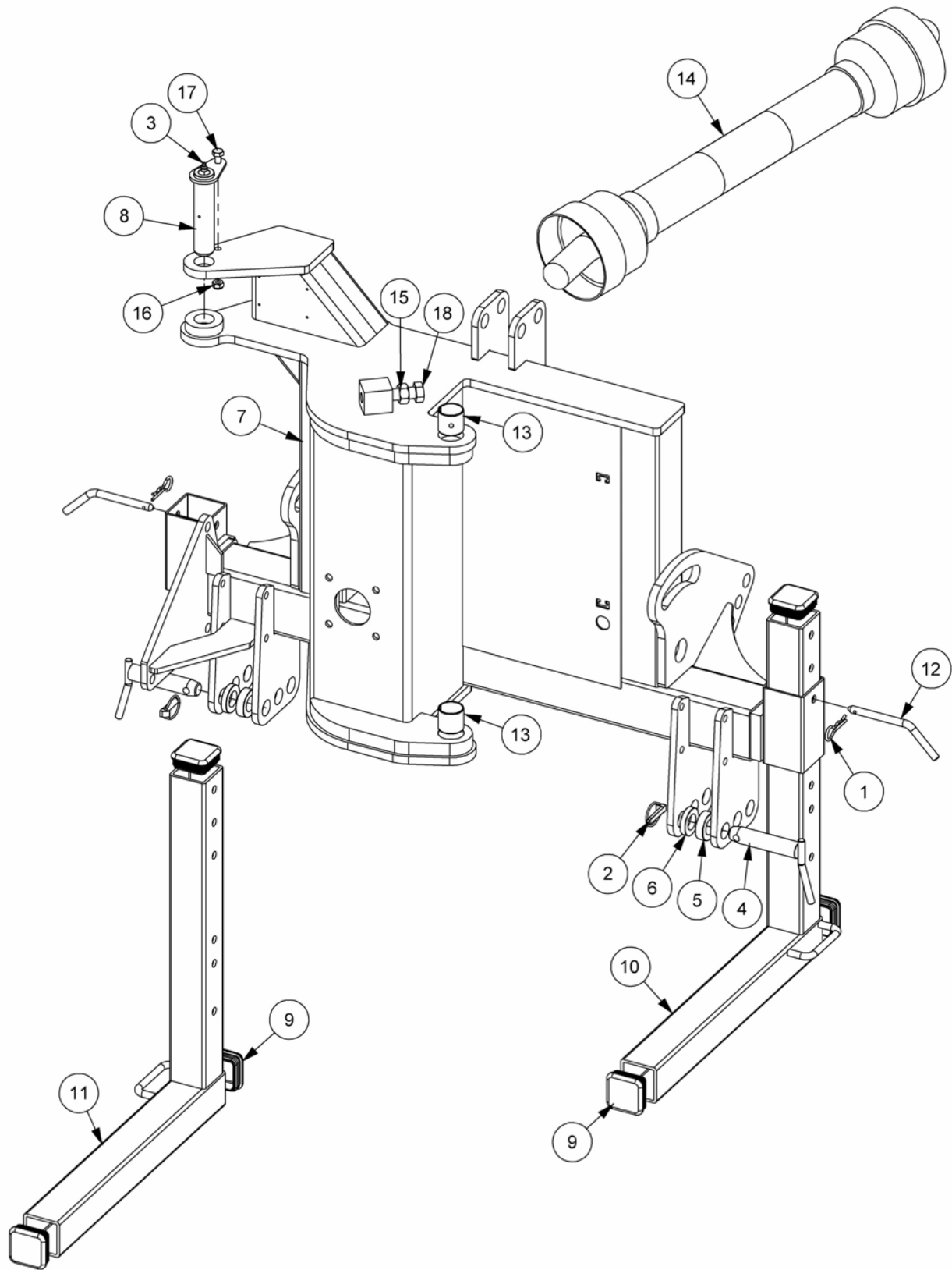
Part No.	Description	'A'	'B'	'C'
7499501	Tongue: Standard – Cat. 2	27	107	45
7499500	Tongue: Special – Cat. 2 narrow	27	107	35
7499502	Tongue: Special – Cat. 2 long	27	217	45
7499503	Tongue: Special – Cat. 3 long	32	217	45
7499504	Tongue: Special – Cat. 1	19.5	107	35
7499505	Tongue: Special – Cat. 2 for Case TX tractors	25	120	50
7499506	Tongue: Special – Cat. 3	32	107	45
7499507	Tongue: Special – Cat. 3 narrow	32	107	30
7499508	Tongue: Special – for some Ford tractors	28.6	107	45
7499262	Tongue: Special – Cat. 2 extra long for Aebi	27	260	45
7499510	Tongue: Special – Cat. 2	27	107	40



# MAIN FRAME ASSEMBLY

Module(s): 7150711

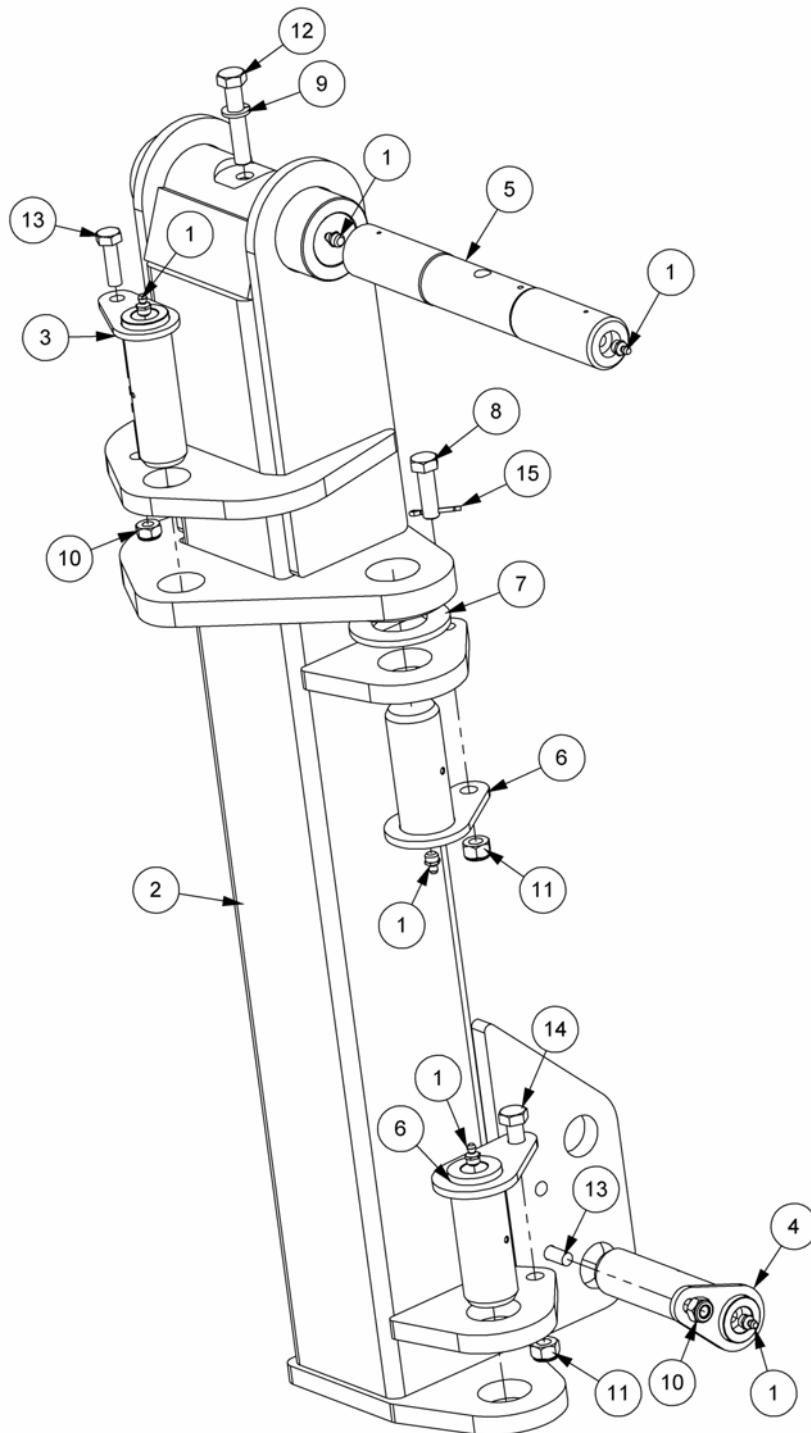
**McCONEL**



**MAIN FRAME ASSEMBLY****McCONNEL**

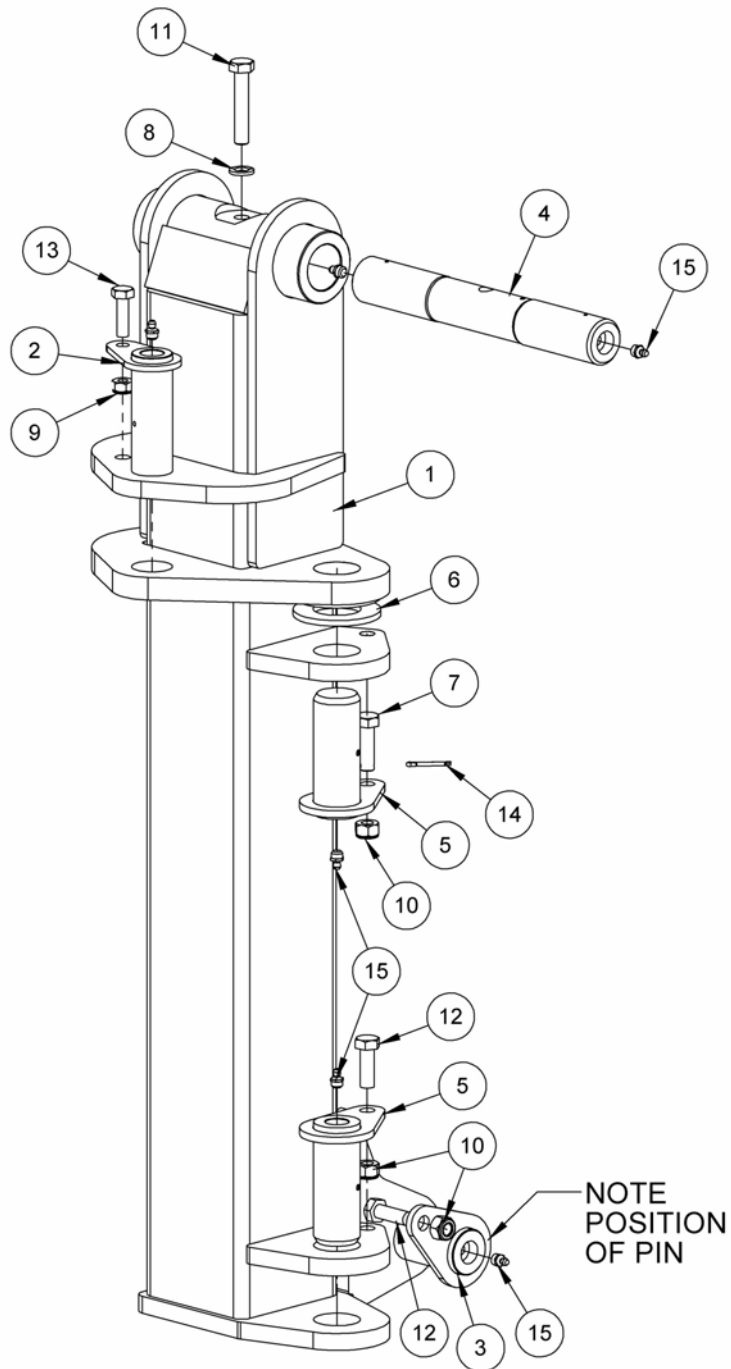
Module(s): 7150711

<b>REF.</b>	<b>QTY.</b>	<b>PART No.</b>	<b>DESCRIPTION</b>
		<b>7150711</b>	<b>MAINFRAME ASSEMBLY - R/H Build</b>
1	2	0431105	SPRING COTTER
2	2	0431217	LINCH PIN
3	1	0901121	GREASE NIPPLE - STRAIGHT
4	2	41559.01	LINKAGE PIN - CAT 2.
5	2	43332.01	LINKAGE SPACER -15mm
6	2	43332.02	LINKAGE SPACER -10mm
7	1	45193.10	MAINFRAME - R/H Build
8	1	45202.05	SLEW BASE PIN
9	6	45210.01	PLASTIC PLUG
10	1	45293.01	STAND LEG - L/H
11	1	45293.02	STAND LEG - R/H
12	2	45297.01	LEG PIN
13	2	7115208	GLACIER BUSH
14	1	7136330	DRIVE SHAFT ASSEMBLY
15	1	9113008	NUT
16	1	9163005	NYLOC NUT
17	1	9313075	SETSCREW
18	1	9313118	SETSCREW



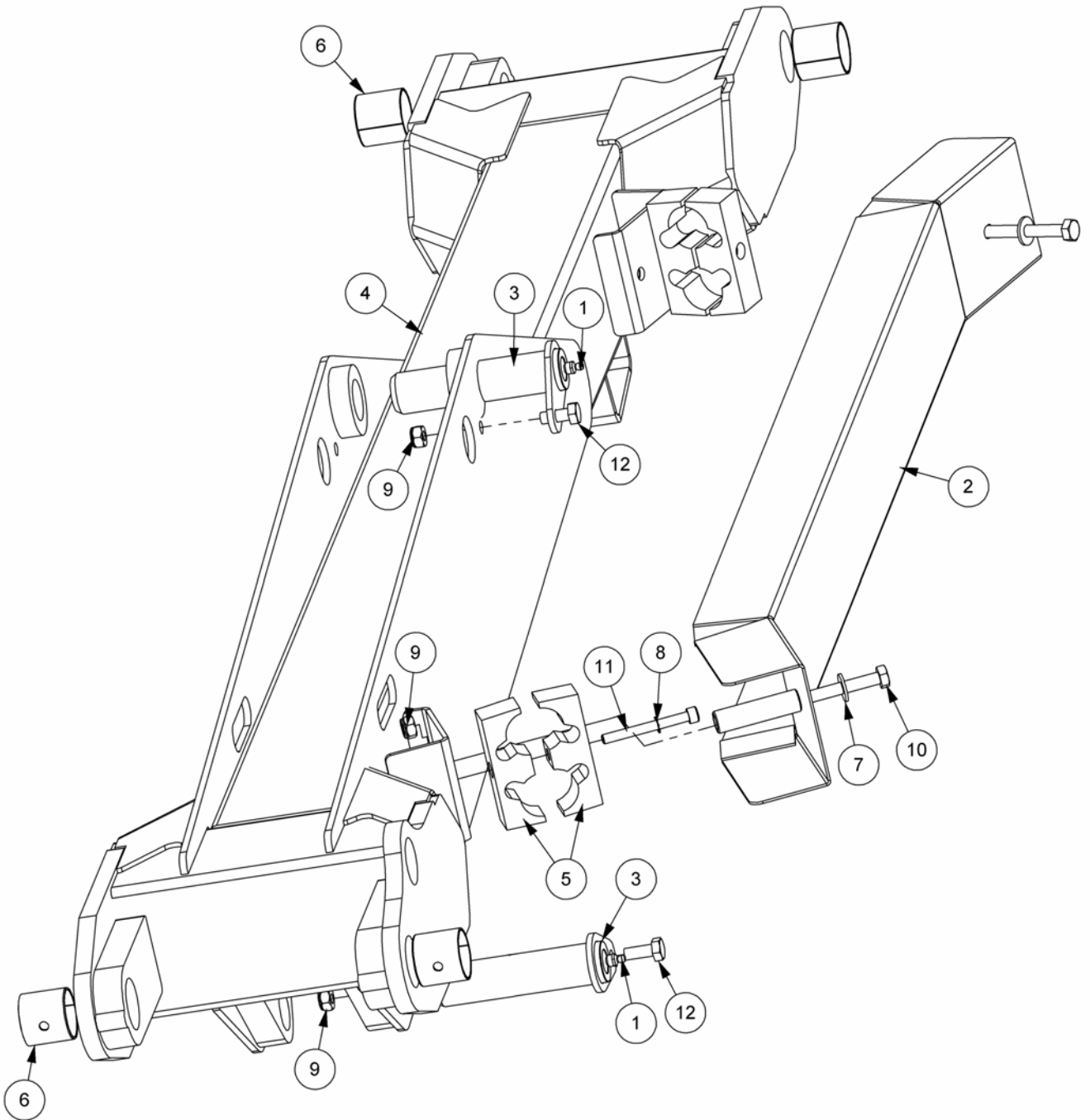
Module(s): 7150715

REF.	QTY.	PART No.	DESCRIPTION
		<b>7150715</b>	<b>PILLAR ASSEMBLY</b>
1	6	0901121	GREASE NIPPLE
2	1	45192.10	PILLAR - R/H Build
3	1	45202.04	PIN
4	1	45202.07	PIN
5	1	45264.03	MAIN PIVOT PIN
6	2	45271.01	SLEW PIVOT PIN
7	1	45298.01	THRUST WASHER
8	1	45416.01	SPECIAL SETCREW
9	1	9100206	SPRING WASHER
10	2	9163005	NYLOC NUT
11	2	9163006	NYLOC NUT
12	1	9213136	BOLT
13	2	9313075	SETSCREW
14	1	9313076	SETSCREW
15	1	9501255	SPLIT PIN



Module(s): 7494775

REF.	QTY.	PART No.	DESCRIPTION
		<b>7494775</b>	<b>PILLAR ASSEMBLY</b>
1	1	45192.12	PILLAR
2	1	45202.04	PIN
3	1	43324.11	PIN
4	1	45264.03	MAIN PIVOT PIN
5	2	45271.01	SLEW PIVOT PIN
6	1	45298.01	THRUST WASHER
7	1	45416.01	SPECIAL SETSCREW
8	1	9100206	SPRING WASHER
9	1	9163005	NYLOC NUT
10	3	9163006	NYLOC NUT
11	1	9213136	BOLT
12	2	9313076	SETSCREW
13	1	9313075	SETSCREW
14	1	9501255	SPLIT PIN
15	7	0901121	GREASE NIPPLE



**MAIN ARM ASSEMBLIES – PA50 & PA55 ECO****McCONNEL**

Module(s): 7494731, 7494732

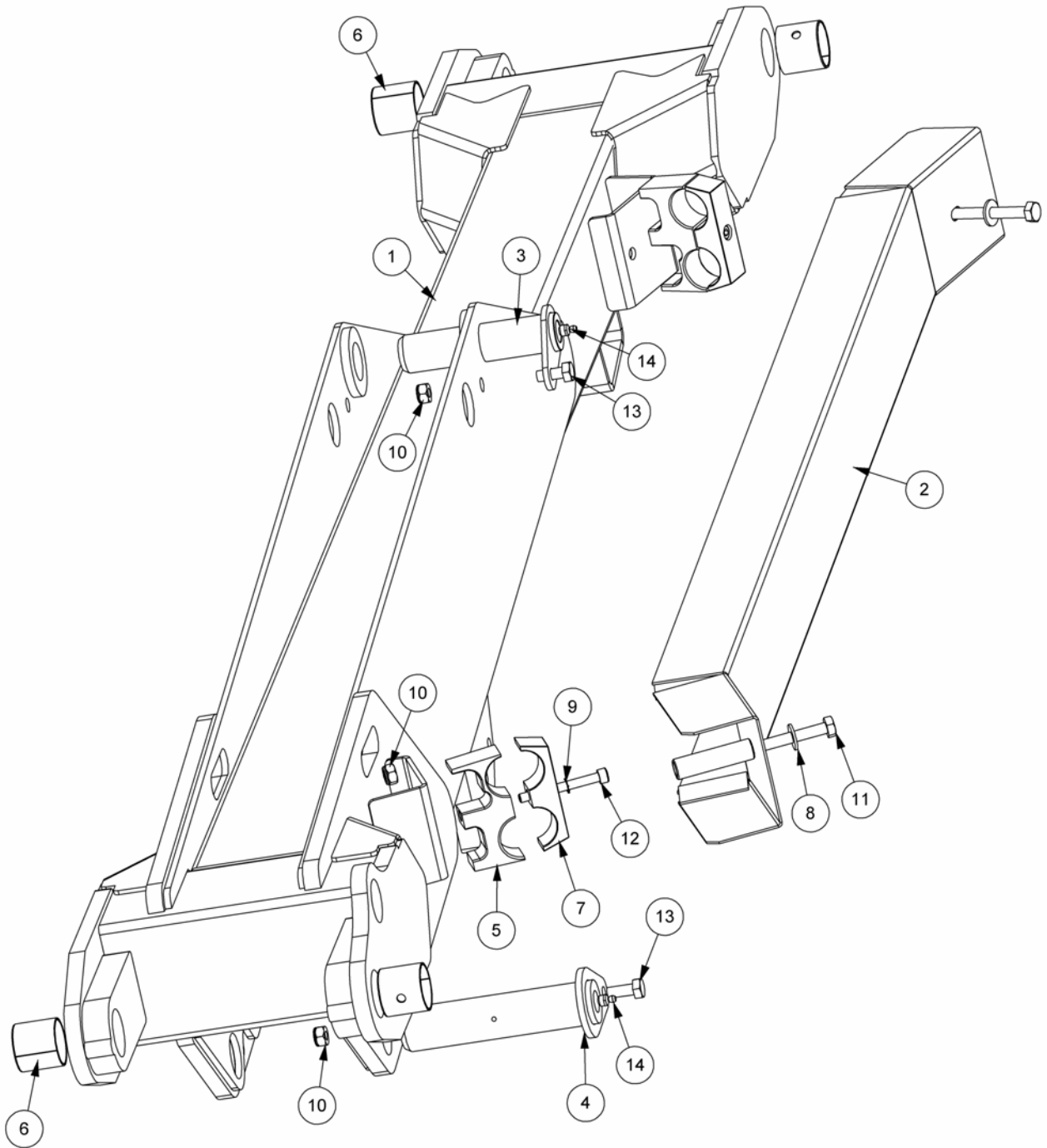
<b>REF.</b>	<b>QTY.</b>	<b>PART NO.</b>	<b>DESCRIPTION</b>
		<b>7494731</b>	<b>MAIN ARM ASSEMBLY - PA50 ECO Mk2</b>
		<b>7494732</b>	<b>MAIN ARM ASSEMBLY - PA55 ECO Mk2</b>
1	2	0901121	GREASE NIPPLE
2	1	22522.01	HOSE GUARD - PA50 ECO Mk2
	1	22522.02	HOSE GUARD - PA55 ECO Mk2
3	2	45202.06	PIN
4	1	45318.04	MAIN ARM - PA50 ECO Mk2
	1	45318.05	MAIN ARM - PA55 ECO Mk2
5	4	45630.01	HOSE CLAMP
6	4	7115208	BUSH
7	2	9100105	FLAT WASHER
8	2	9100404	SHAKEPROOF WASHER
9	4	9163005	NYLOC NUT
10	2	9213205	BOLT
11	2	9243154	CAPSCREW
12	2	9313055	SETSCREW



# MAIN ARM ASSEMBLY – PA60 ECO

**McCONEL**

Module(s): 7494776



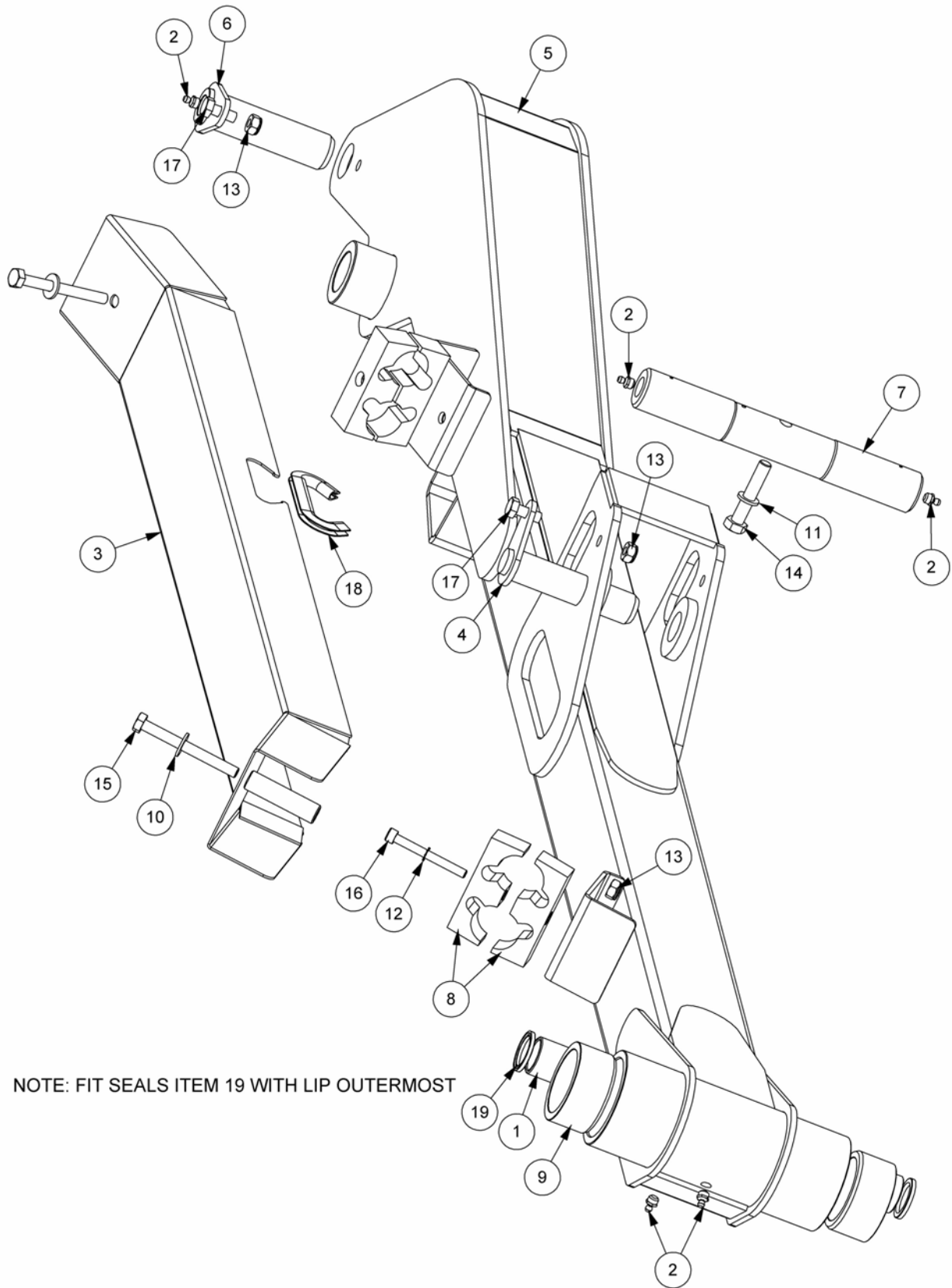
Module(s): 7494776

REF.	QTY.	PART No.	DESCRIPTION
		<b>7494776</b>	<b>MAIN ARM ASSEMBLY - PA60 ECO Mk2</b>
1	1	45318.07	MAIN ARM
2	1	22522.10	HOSE COVER
3	1	45202.06	PIN
4	1	43324.05	PIN
5	2	06.430.18	HOSE CLAMP
6	4	7115208	BUSH
7	2	7193063	CLAMP HALF
8	2	9100105	FLAT WASHER
9	2	9100404	SHAKEPROOF WASHER
10	4	9163005	NYLOC NUT
11	2	9213205	BOLT
12	2	9243154	CAPSCREW
13	2	9313055	SETSCREW
14	2	0901121	GREASE NIPPLE

# DIPPER ARM ASSEMBLIES – Standard Models

Module(s): 7494733, 7494734, 7494777

# McCONEL



NOTE: FIT SEALS ITEM 19 WITH LIP OUTERMOST

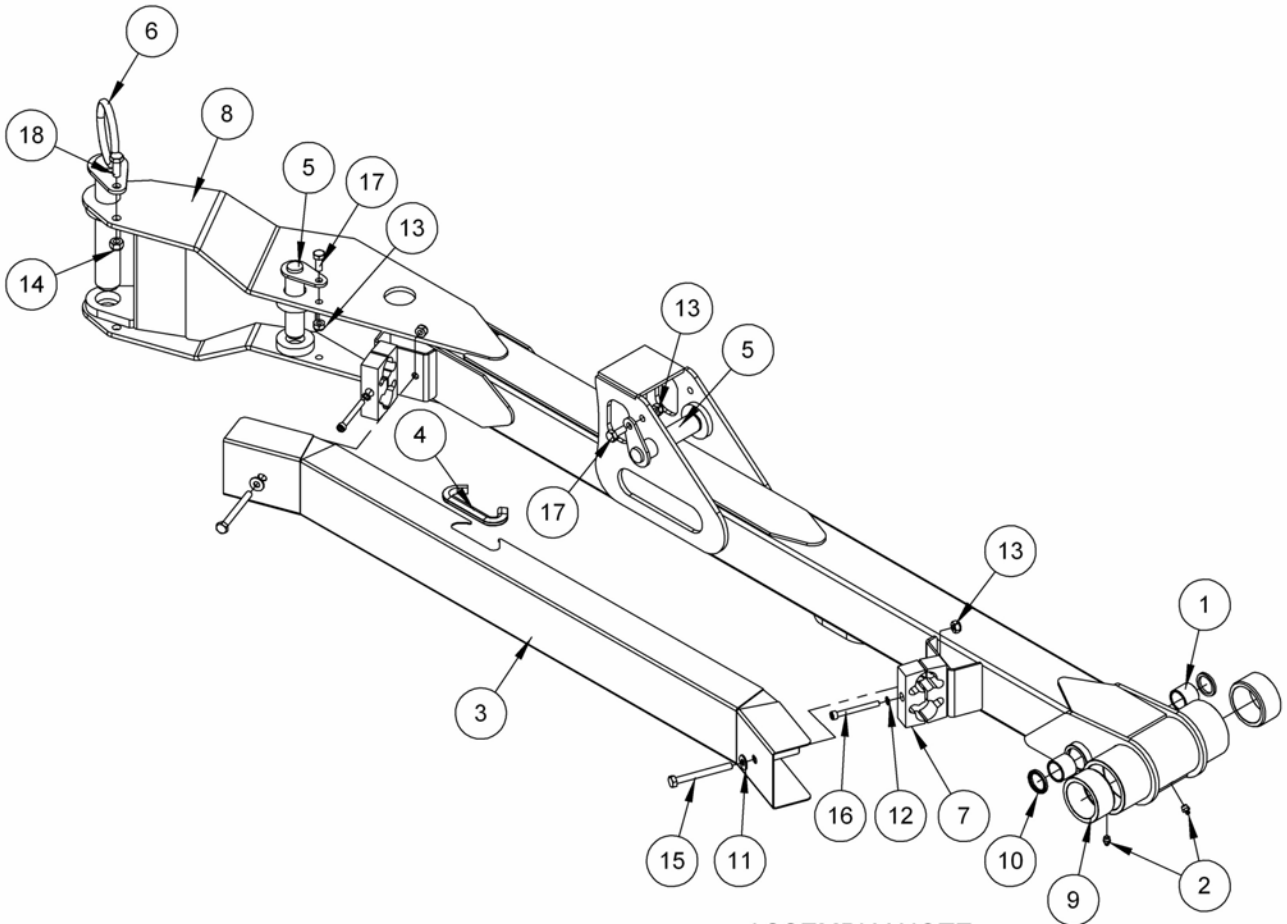
Module(s): 7494733, 7494734, 7494777

REF.	QTY.	PART No.	DESCRIPTION
		<b>7494733</b>	<b>DIPPER ARM ASSEMBLY - PA50 ECO Mk2</b>
		<b>7494734</b>	<b>DIPPER ARM ASSEMBLY - PA55 ECO Mk2</b>
		<b>7494777</b>	<b>DIPPER ARM ASSEMBLY - PA60 ECO Mk2</b>
1	2	08.297.04	BUSH
2	5	0901121	GREASE NIPPLE
3	1	22522.03	HOSE GUARD - PA50 ECO Mk2
	1	22522.04	HOSE GUARD - PA55 ECO Mk2
	1	22522.11	HOSE GUARD - PA60 ECO Mk2
4	1	42684.07	PIN
5	1	45063.13	DIPPER ARM - PA50 ECO Mk2
	1	45063.14	DIPPER ARM - PA55 ECO Mk2
	1	45063.22	DIPPER ARM - PA60 ECO Mk2
6	1	45202.01	PIN
7	1	45264.03	MAIN PIVOT PIN
8	4	45630.01	HOSE CLAMP
9	2	7136035	PLASTIC BUSH
10	2	9100105	FLAT WASHER
11	1	9100206	SPRING WASHER
12	2	9100404	SHAKEPROOF WASHER
13	4	9163005	NYLOC NUT
14	1	9213136	BOLT
15	2	9213205	BOLT
16	2	9243154	CAPSCREW
17	2	9313055	SETSCREW
18	1	41741.16	EDGING STRIP
19	2	8629218	LIP SEAL

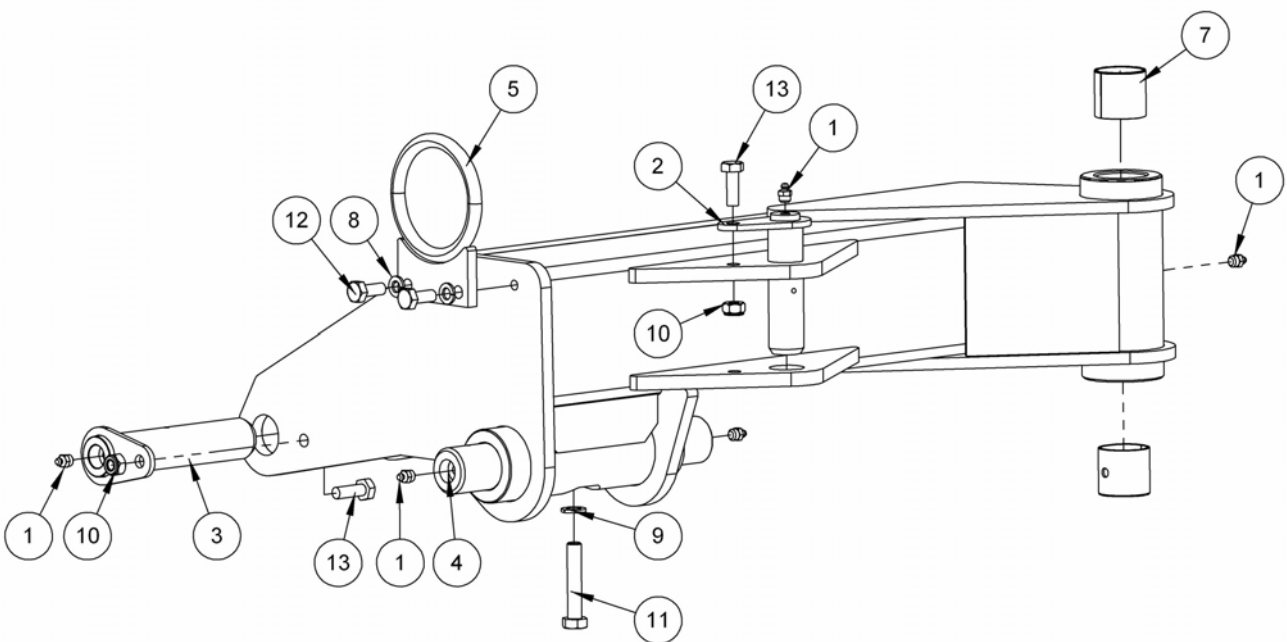
# MIDCUT DIPPER ARM & FORWARD EXTENSION

Module(s): 7494757 – PA50 ECO, 7494758 – PA55 ECO, 7494771

# McCONEL



**ASSEMBLY NOTE:**  
*Fit seals 8629218 with lip outermost*



**MIDCUT DIPPER ARM & FORWARD EXTENSION**

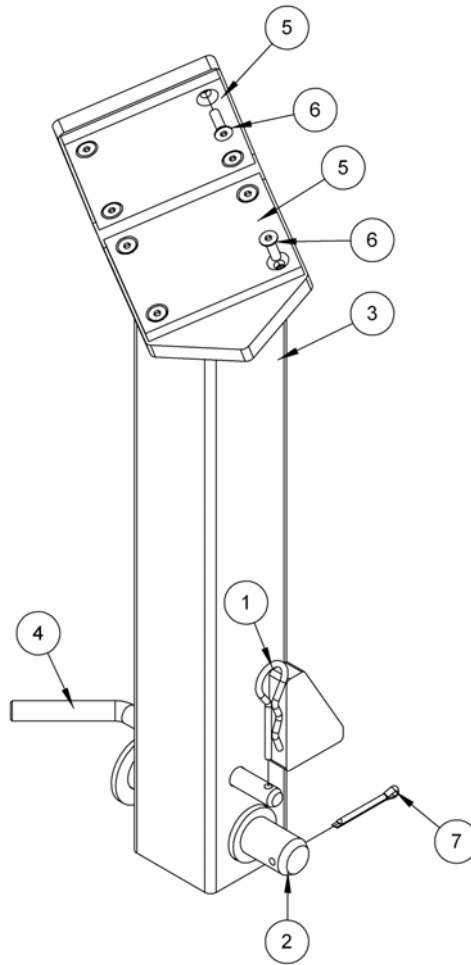
**McCONNEL**

Module(s): 7494757 – PA50 ECO, 7494758 – PA55 ECO, 7494771

REF.	QTY.	PART No.	DESCRIPTION
		<b>7494757</b>	<b>MIDCUT DIPPER ARM (R/H) - PA50M ECO</b>
		<b>7494758</b>	<b>MIDCUT DIPPER ARM (R/H) - PA55M ECO</b>
1	2	08.297.04	BUSH
2	2	0901121	GREASE NIPPLE
3	1	22522.08	HOSE GUARD - <i>PA50M ECO</i>
	1	22522.09	HOSE GUARD - <i>PA55M ECO</i>
4	1	41741.16	EDGING STRIP (160mm)
5	2	42684.03	PIN (FOLD RAM ROD END)
6	1	45609.01	PIN (FOLD RAM BASE END)
7	4	45630.01	HOSE CLAMP
8	1	46048.17	MIDCUT DIPPER ARM - <i>PA50M ECO</i>
	1	46048.18	MIDCUT DIPPER ARM - <i>PA55M ECO</i>
9	2	7136035	PLASTIC BUSH
10	2	8629218	LIP SEAL
11	2	9100105	FLAT WASHER
12	2	9100404	SHAKEPROOF WASHER
13	4	9163005	NYLOC NUT
14	1	9163006	NYLOC NUT
15	2	9213205	BOLT
16	2	9243154	CAPSCREW
17	2	9313055	SETSCREW
18	1	9313066	SETSCREW

REF.	QTY.	PART No.	DESCRIPTION
		<b>7494771</b>	<b>MIDCUT FORWARD EXTENSION</b>
1	5	0901121	GREASE NIPPLE
2	1	42684.02	PIN (RAM BASE)
3	1	45202.08	PIN
4	1	45264.03	MAIN PIVOT PIN
5	1	45974.01	HOSE LOOP
6	1	46047.04	FORWARD EXTENSION - R/H Build
7	2	7115208	BUSH
8	2	9100205	SPRING WASHER
9	1	9100206	SPRING WASHER
10	2	9163005	NYLOC NUT
11	1	9213136	BOLT
12	2	9313055	SETSCREW
13	2	9313065	SETSCREW

Module(s): 7494759



REF.	QTY.	PART No.	DESCRIPTION
		<b>7494759</b>	<b>TRANSPORT PROP MODULE (Midcut)</b>
1	1	0431105	SPRING COTTER
2	1	42038.02	PIN
3	1	43021.21	TRANSPORT PROP - <i>R/H Midcut Models</i>
4	1	43074.01	LOCK PIN
5	2	43091.02	SIDE PAD
6	8	9353043	CAPSCREW
7	1	9501406	SPLIT PIN

Module(s):

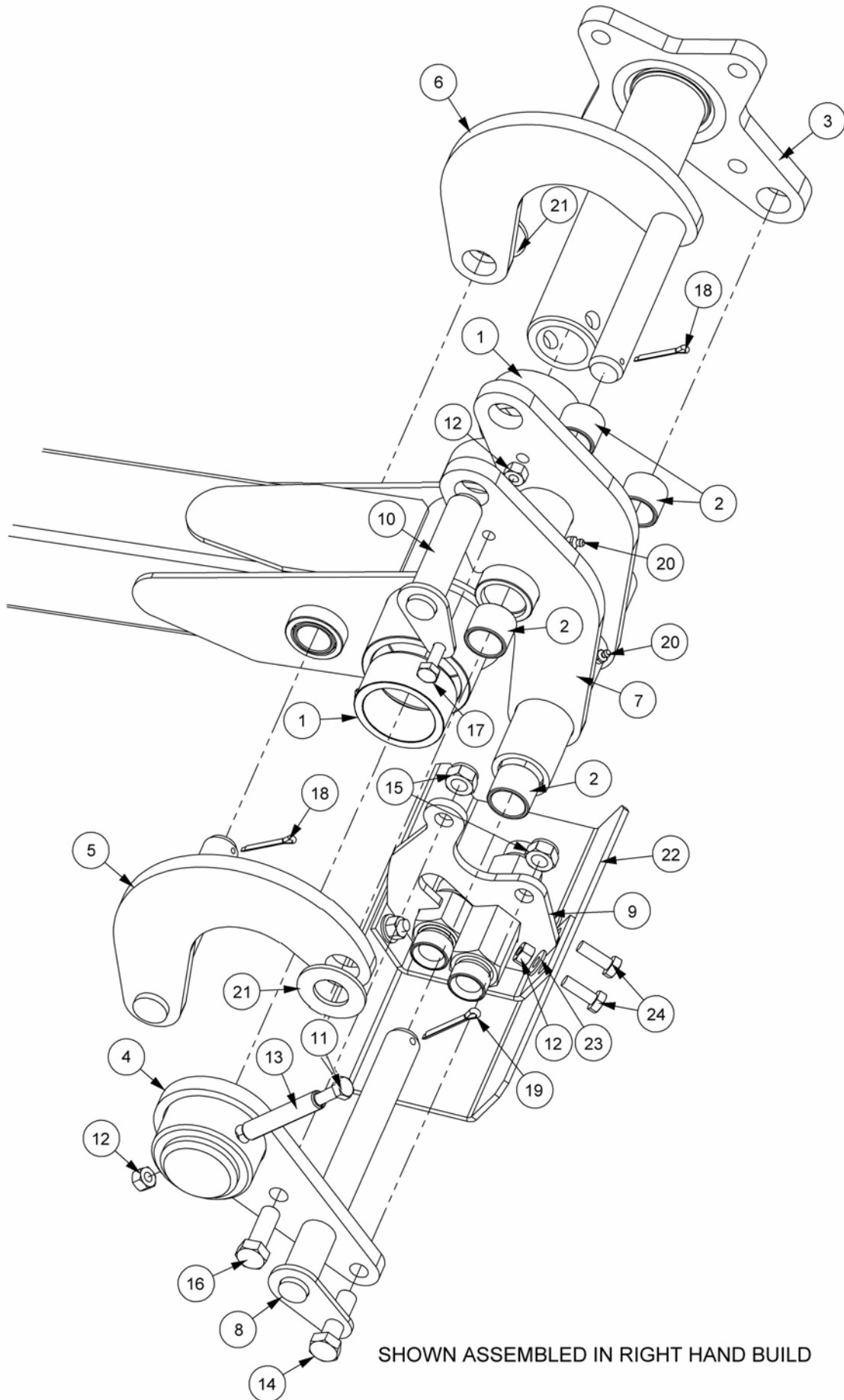
*This page is intentionally blank*



# HEAD ANGLING MECHANISM

Module(s): 7170700

**McCONEL**



SHOWN ASSEMBLED IN RIGHT HAND BUILD

# HEAD ANGLING MECHANISM

**McCONNEL**

Module(s): 7170700

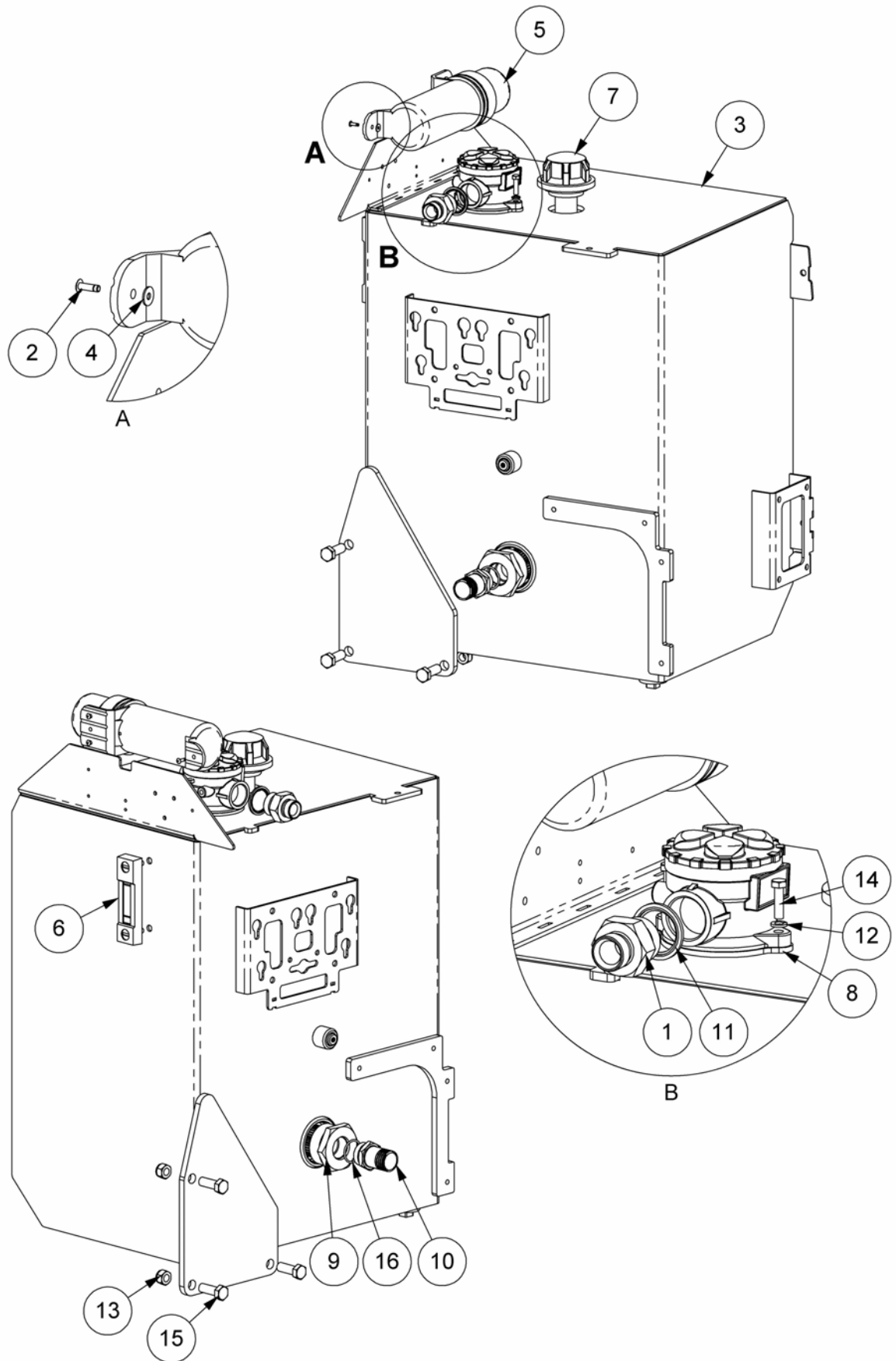
REF.	QTY.	PART No.	DESCRIPTION
		<b>7170700</b>	<b>HEAD ANGLING MECHANISM</b>
1	2	7136035	PLASTIC BUSH
2	4	08.297.04	BUSH
3	1	42649.01	PIVOT TUBE
4	1	42648.01	JAW PLATE
5	1	42646.03	RADIUS ARM - TYPE 1
6	1	42646.04	RADIUS ARM - TYPE 2
7	1	42647.02	SLAVE LINK
8	1	42684.01	PIN
9	1	43055.08	HOSE BRACKET (BSP)
10	1	42684.05	PIN
11	1	9213205	BOLT
12	6	9143005	SELF-LOCKING NUT
13	1	0423556	SPRING DOWEL
14	1	9200023	BOLT
15	2	9100028	SELF-LOCKING NUT
16	1	9200028	BOLT
17	1	9313075	SETSCREW
18	2	9501406	SPLIT PIN
19	1	9501507	SPLIT PIN
20	2	0901121	GREASE NIPPLE
21	2	05.281.18	FLAT WASHER
22	1	7198333	HOSE TRAY
23	4	9100105	FLAT WASHER
24	4	9313065	SETSCREW

**NOTE: Components are identical for both L/H & R/H machine - builds differ only in the assembled orientation of the components.**

# HYDRAULIC TANK ASSEMBLY

**McCONEL**

Module(s): L/H Build 7150704 (*illustrated*), R/H Build 7150705



# HYDRAULIC TANK ASSEMBLY

**McCONNEL**

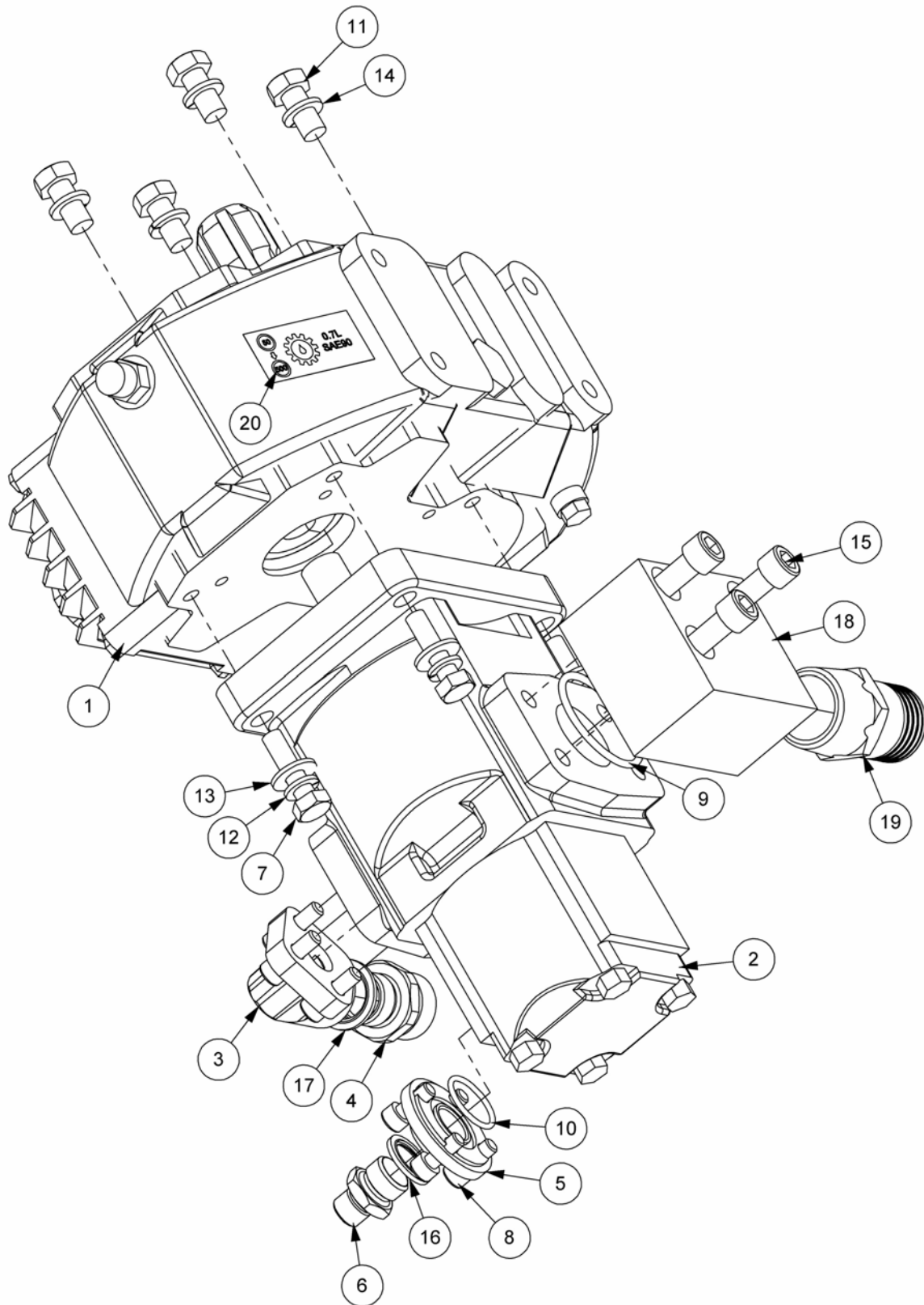
Module(s): L/H Build 7150704 (*illustrated*), R/H Build 7150705

REF.	QTY.	PART No.	DESCRIPTION
		<b>7150704</b>	<b>HYDRAULIC TANK ASSEMBLY - L/H Build</b>
		<b>7150705</b>	<b>HYDRAULIC TANK ASSEMBLY - R/H Build</b>
1	1	05.131.01	ADAPTOR
2	3	21612.02	POP RIVET
3	1	22470.03	TANK - L/H Build
	1	22470.04	TANK - R/H Build
4	3	22530.01	RIVET WASHER
5	1	46505.01	LITERATURE HOLDER
6	1	8401048	LEVEL GAUGE
7	1	8401050	BREATHER
8	1	8401088	FILTER ASSEMBLY - <i>comprising of:</i>
	1	8401089	FILTER ELEMENT (25 Micron)
	1	8401092	FILTER LID SPRING
	1	8401093	FILTER HOUSING SEAL
	1	8700235	O RING
	1	8700092	O RING
	1	212.013.04	FILLER CAP
9	1	8401097	SUCTION STRAINER
10	1	8581260	ADAPTOR
11	1	8650109	BONDED SEAL
12	2	9100204	SPRING WASHER
13	3	9163007	NYLOC NUT
14	2	9313064	SETSCREW
15	3	9313097	SETSCREW
16	1	8700784	O RING

# PUMP & GEARBOX ASSEMBLY

**McCONEL**

Module(s): L/H Build 7153738 (*illustrated*), R/H Build 7153739



**PUMP & GEARBOX ASSEMBLY****McCONNEL**Module(s): L/H Build 7153738 (*illustrated*), R/H Build 7153739

<b>REF.</b>	<b>QTY.</b>	<b>PART No.</b>	<b>DESCRIPTION</b>
		<b>7153738</b>	<b>TI PUMP &amp; GEARBOX ASSEMBLY - L/H Build</b>
		<b>7153739</b>	<b>TI PUMP &amp; GEARBOX ASSEMBLY - R/H Build</b>
1	1	21931.01	CAST IRON GEARBOX 1:4.25 13T SPLINE
2	1	8201700	PUMP TI
3	1	8005052	PRESSURE CONNECTION KIT
4	1	8002086	ADAPTOR
5	1	42029.01	PORT PLATE
6	1	6000112	ADAPTOR
7	4	9313085	SETSCREW
8	4	9300147	CAPSCREW
9	1	8600304	O RING
10	1	8600405	O RING
11	4	9313056	SETSCREW
12	4	9100205	SPRING WASHER
13	4	9100105	FLAT WASHER
14	4	9100206	SPRING WASHER
15	3	9243126	CAPSCREW
16	1	8650104	BONDED SEAL
17	1	8650106	BONDED SEAL
18	1	42142.02	BLOCK - SUCTION TAPER
19	1	8581367	ADAPTOR
20	1	1290092	GEARBOX DECAL

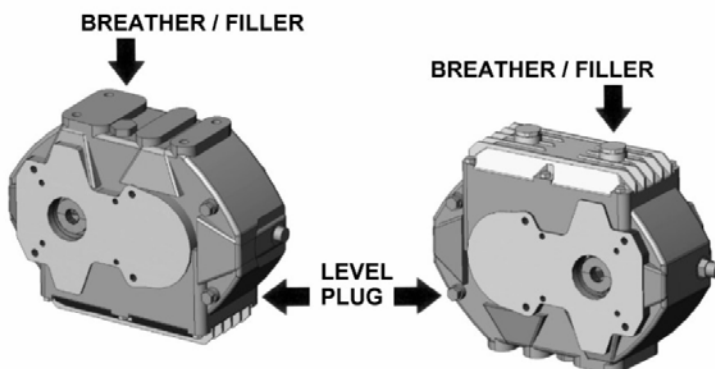
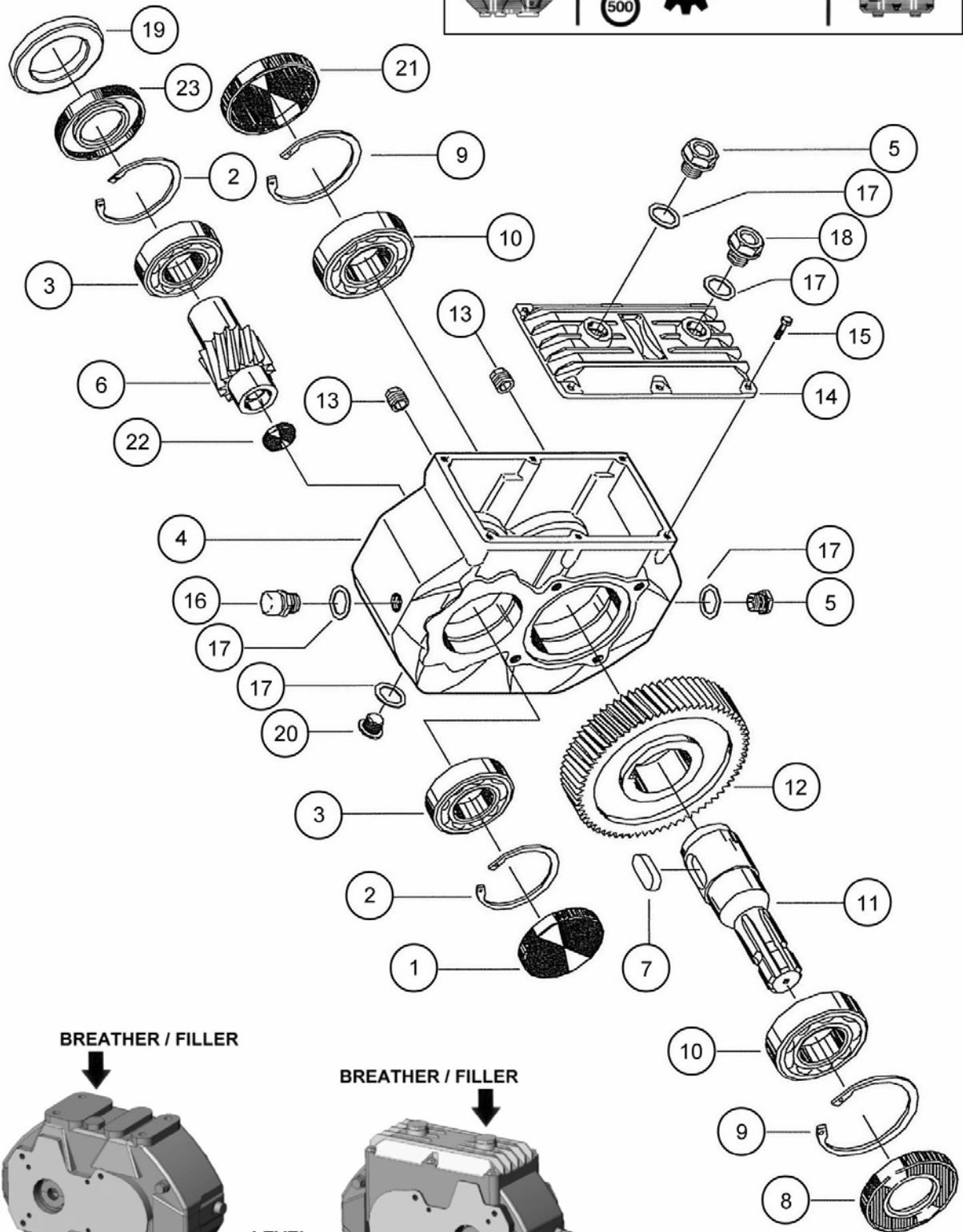
**NOTE:**

L/H &amp; R/H builds contain identical components and differ only in their assembled orientation

# GEARBOX ASSEMBLY (Ratio1:4.25)

# McCONEL

Module(s): 21931.01



NOTE: Plug positions are dependent on gearbox orientation

Module(s): 21931.01

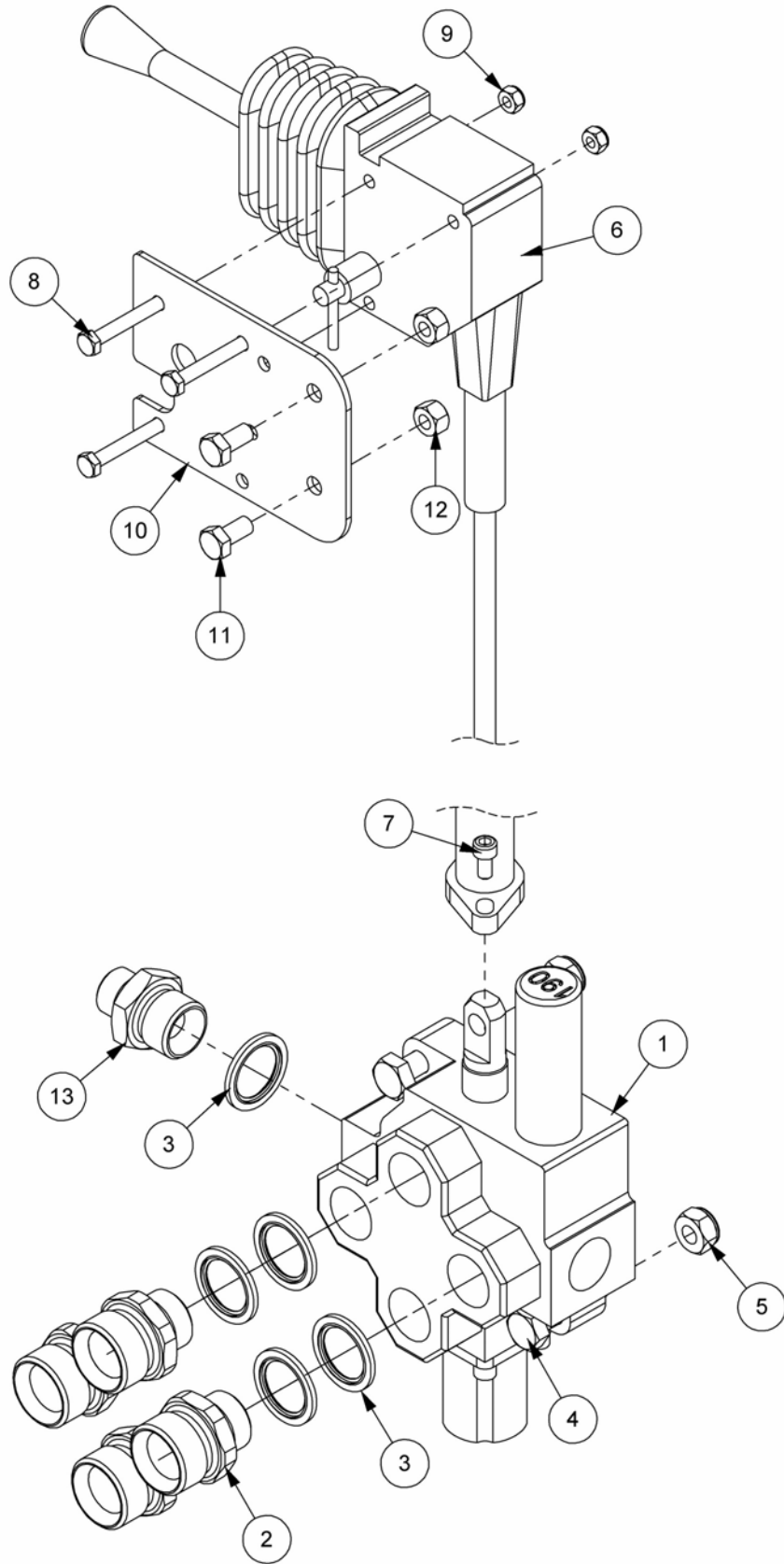
REF.	QTY.	PART No.	DESCRIPTION
		<b>21931.01</b>	<b>GEARBOX ASSEMBLY (Cast Iron)</b>
		<b>Specification:</b>	<b>Ratio 1:4.25 with 13 tooth spline</b>
1	1	8013530	CAP
2	2	8013529	INTERNAL CIRCLIP
3	2	8013528	BEARING
4	1	8013585	GEARBOX CASTING
5	2	8013533	DRAIN PLUG
6	1	8013575	SHAFT
7	1	8013586	DRIVESHAFT KEY
8	2	8013526	SHAFT SEAL
9	2	8013525	INTERNAL CIRCLIP
10	1	8013524	BEARING
11	1	8013522	INPUT SHAFT
12	1	8013587	PRIMARY GEAR
13	2	8013588	LEVEL PLUG
14	1	8013589	GEARBOX COVER
15	6	9313033	SCREW
16	1	8013590	OIL PLUG
17	5	8013591	SEALING WASHER
18	1	8013592	OIL PLUG
19	1	8013576	RING
20	1	8013593	OIL PLUG
21	1	8013527	CAP
22	1	8013594	OIL PLUG
23	1	8699264	GEARBOX SEAL



# CABLE ROTOR CONTROL VALVE

Module(s): 7150738 – R/H Build

**McCONEL**

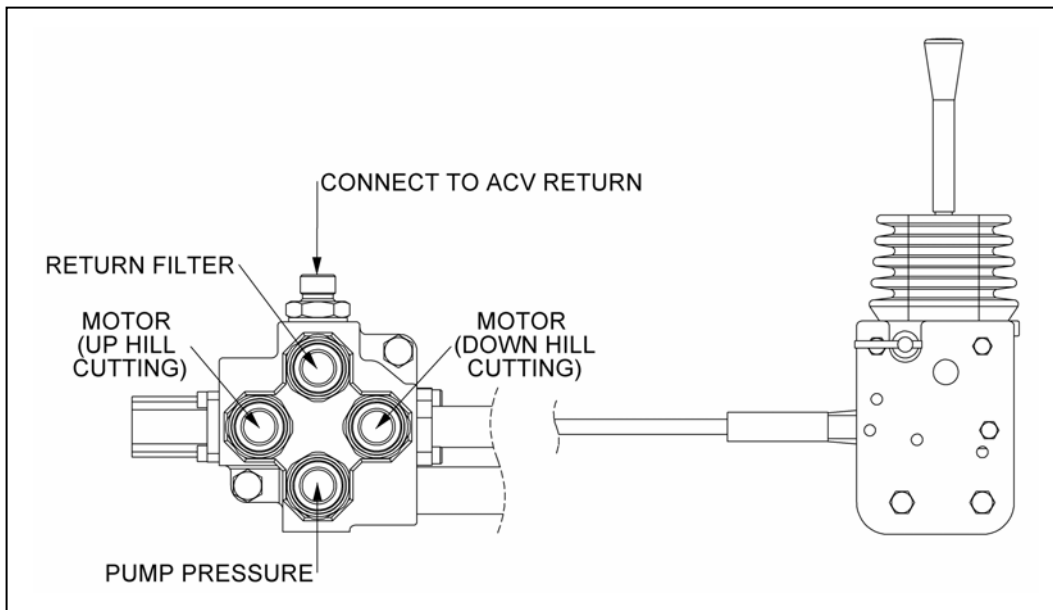


# CABLE ROTOR CONTROL VALVE ASSEMBLY

**McCONNEL**

Module(s): 7150738 – R/H Build

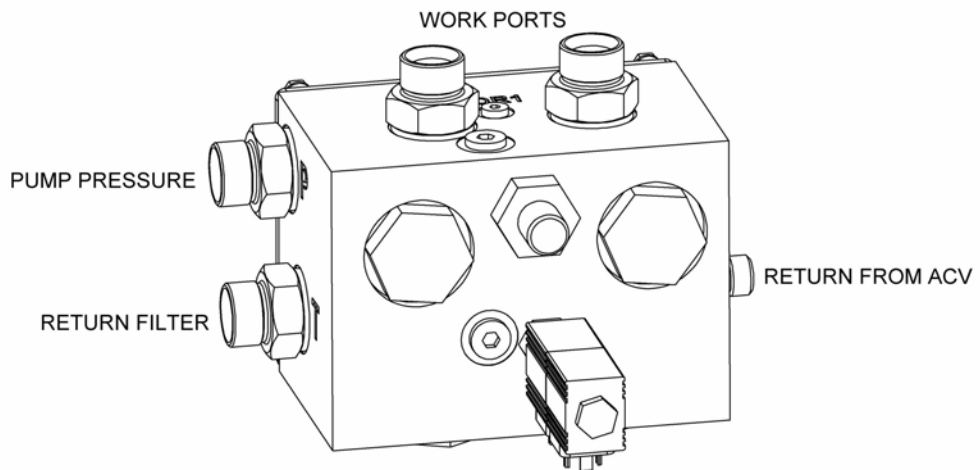
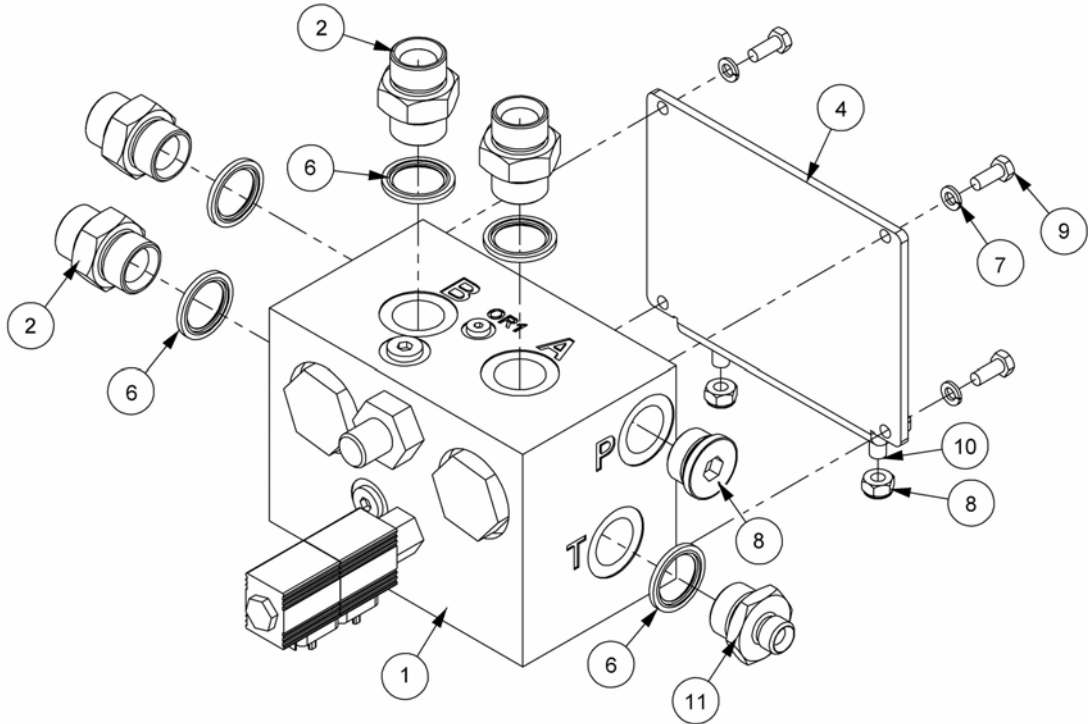
REF.	QTY.	PART No.	DESCRIPTION
		<b>7150738</b>	<b>CABLE RCV ASSEMBLY - R/H Build</b>
1	1	8125356	ROTOR CONTROL VALVE (190BAR)
2	4	8002086	ADAPTOR
3	5	8650106	BONDED SEAL
4	2	9213085	BOLT
5	2	9143005	SELF-LOCKING NUT
6	1	8017065	CONTROL HEAD & CABLE (2.5m)
7	2	9343023	CAPSCREW
8	3	9213113	BOLT
9	3	9143003	SELF-LOCKING NUT
10	1	7650282	CONTROL CABLE BRACKET
11	2	9313034	SETSCREW
12	2	9113004	NUT
13	1	8581130	ADAPTOR



# ELECTRIC ROTOR CONTROL VALVE ASSEMBLY

Module(s): 7150739 – R/H Build

**McCONEL**



## ELECTRIC ROTOR CONTROL VALVE ASSEMBLY

**McCONNEL**

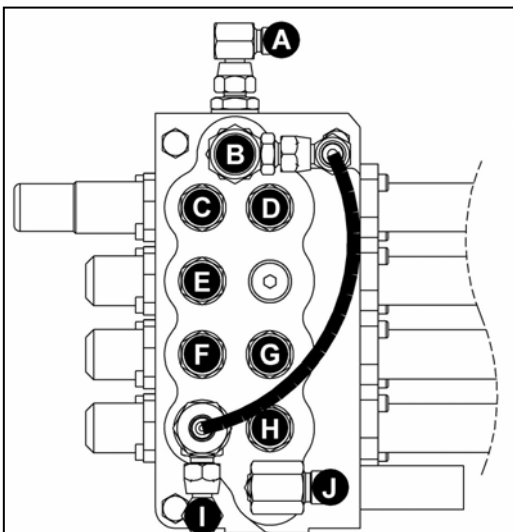
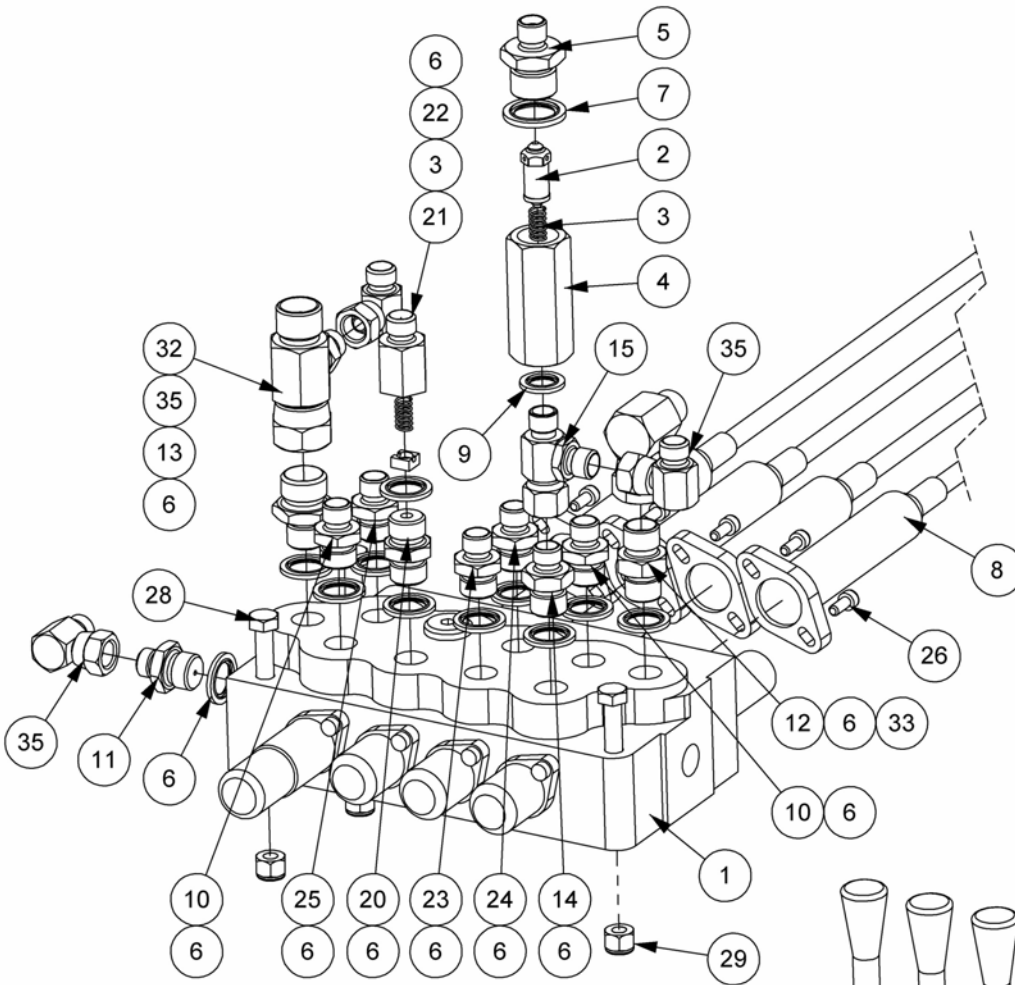
Module(s): 7150739 – R/H Build

REF.	QTY.	PART No.	DESCRIPTION
		<b>7150739</b>	<b>ELECTRIC RCV ASSEMBLY - R/H Build</b>
1	1	42768.01	ELECTRIC ROTOR CONTROL VALVE
	1	8600920	O RING
	1	42768.32	LOGIC ELEMENT
	1	42768.35	SOLENOID
	1	42768.36	ORIFICE PLUG
	1	42768.40	MANIFOLD
	1	42768.41	RELIEF VALVE
	1	42768.43	SOLENOID COIL
	1	42768.45	RELIEF VALVE
	1	42768.49	CARTRIDGE SPOOL VALVE
2	4	05.434.01	ADAPTOR
3	1	43177.26	LOOM - ROTOR REVERSE
4	1	22512.01	MOUNTING PLATE
5	1	8581389	PLUG
6	5	8650108	BONDED SEAL
7	4	9100204	SPRING WASHER
8	2	9143005	SELF-LOCKING NUT
9	4	9313044	SETSCREW
10	2	9313055	SETSCREW
11	1	8581129	ADAPTOR
		<b>8699260</b>	<b>SEAL KIT</b>

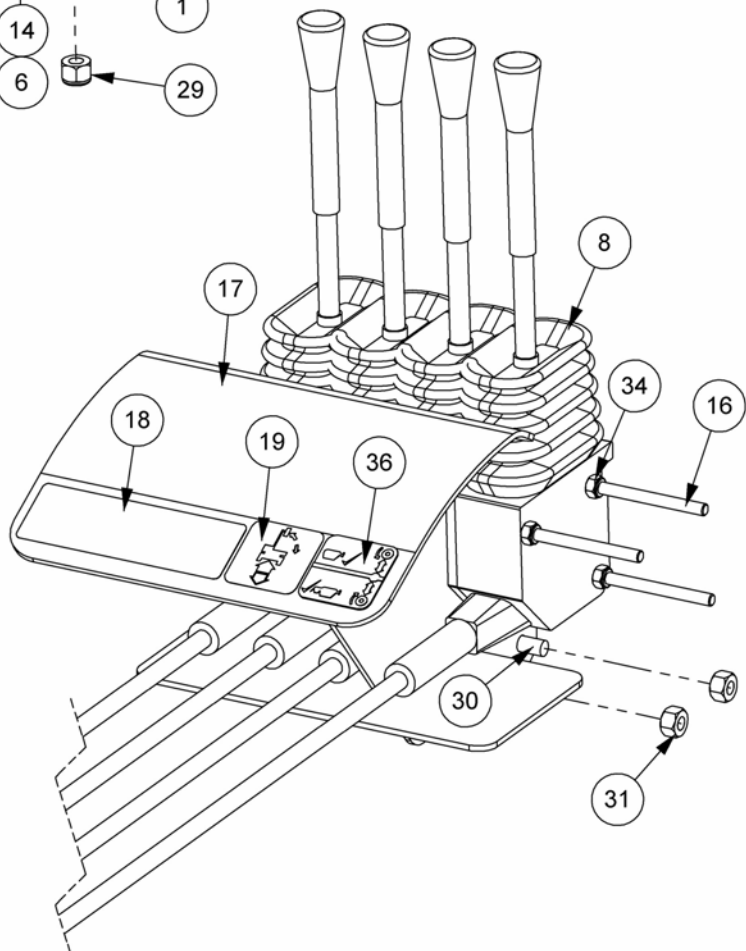
# CABLE CONTROL VALVE ASSEMBLY – Std. Arm

Module(s): 7494737 – R/H Build

**McCONEL**



- A) Lift Gland
- B) RCV Return
- C) Angle Gland
- D) Angle Base
- E) Lift Base
- F) Reach Base
- G) Reach Gland
- H) Slew Base
- I) Slew Gland
- J) Pump Pressure



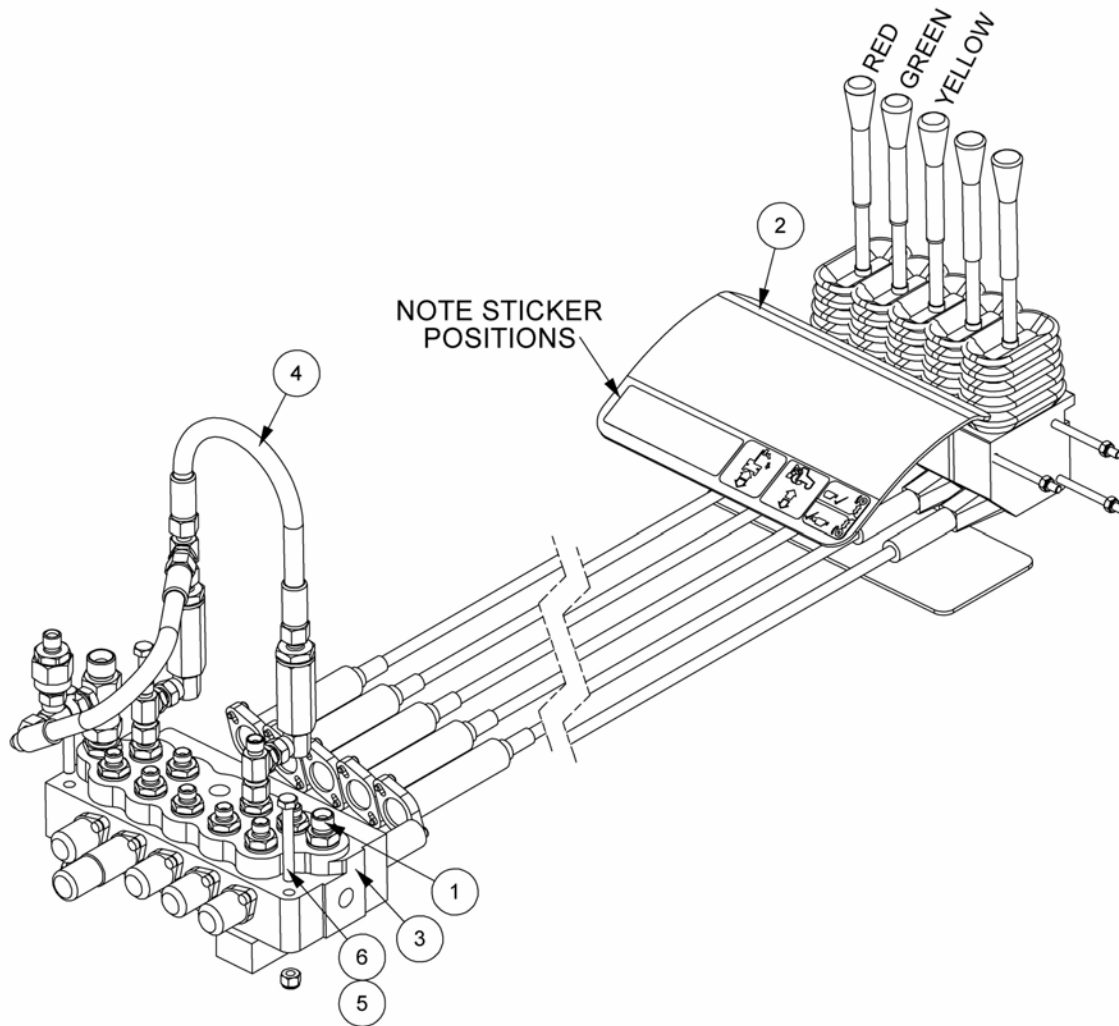
Module(s): 7494737 – R/H Build

REF.	QTY.	PART No.	DESCRIPTION
		<b>7494737</b>	<b>CABLE CONTROL VALVE ASSEMBLY</b>
1	1	8130466	CONTROL VALVE - 4 SPOOL
2	1	8130124	RELIEF VALVE - 140BAR
3	2	8116011	SPRING
4	1	8130156	RELIEF VALVE HOUSING
5	1	8130083	ADAPTOR RELIEF BODY
6	11	8650103	BONDED SEAL
7	1	8650104	BONDED SEAL
8	4	8017058	CONTROL HEAD & CABLE (2.5M)
9	1	8650102	BONDED SEAL
10	2	8130066	RESTRICTOR - 1.15 M
11	1	8130067	RESTRICTOR ADAPTER
12	1	6000113	ADAPTOR
13	1	05.123.01	ADAPTOR
14	1	8581115	ADAPTOR
15	1	8581254	ADAPTOR TEE
16	3	04.282.71	STUD
17	1	7650307	ARMREST - 5 LEVER
18	1	1290368	DECAL - CONTROL
19	1	1290541	DECAL - SLEW
20	1	8581209	ADAPTER
21	1	8581214	RESTRICTOR ADAPTER
22	1	8123044	RESTRICTOR DISC - 1.8MM
23	1	8130047	RESTRICTOR - 1.8 B
24	1	8130046	RESTRICTOR - 1.5 A
25	1	8130048	RESTRICTOR - 1.3 C
26	8	9343022	CAPSCREW
27	1	10.001.08	HOSE - 1/4" BSP FS/FS x 400mm
28	3	9213134	BOLT
29	3	9143004	SELF-LOCKING NUT
30	2	9313034	SETSCREW
31	2	9113004	NUT
32	1	04.056.25	ADAPTOR TEE
33	1	8581117	ADAPTOR ELBOW
34	6	9143003	SELF-LOCKING NUT
35	3	8581190	ADAPTOR ELBOW - 90°
36	1	1290726	DECAL - ROTOR CONTROL

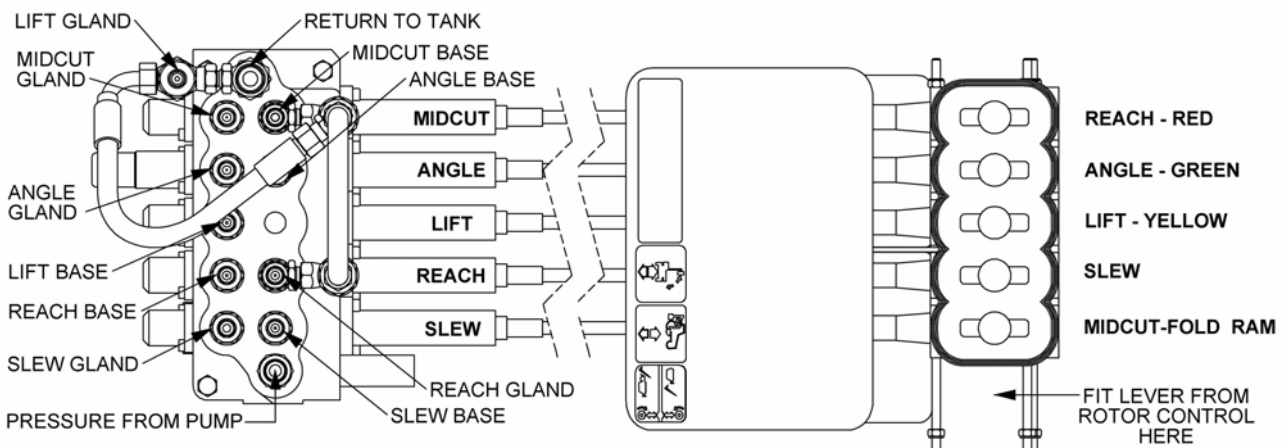
# CABLE CONTROL VALVE ASSEMBLY – Midcut Arm

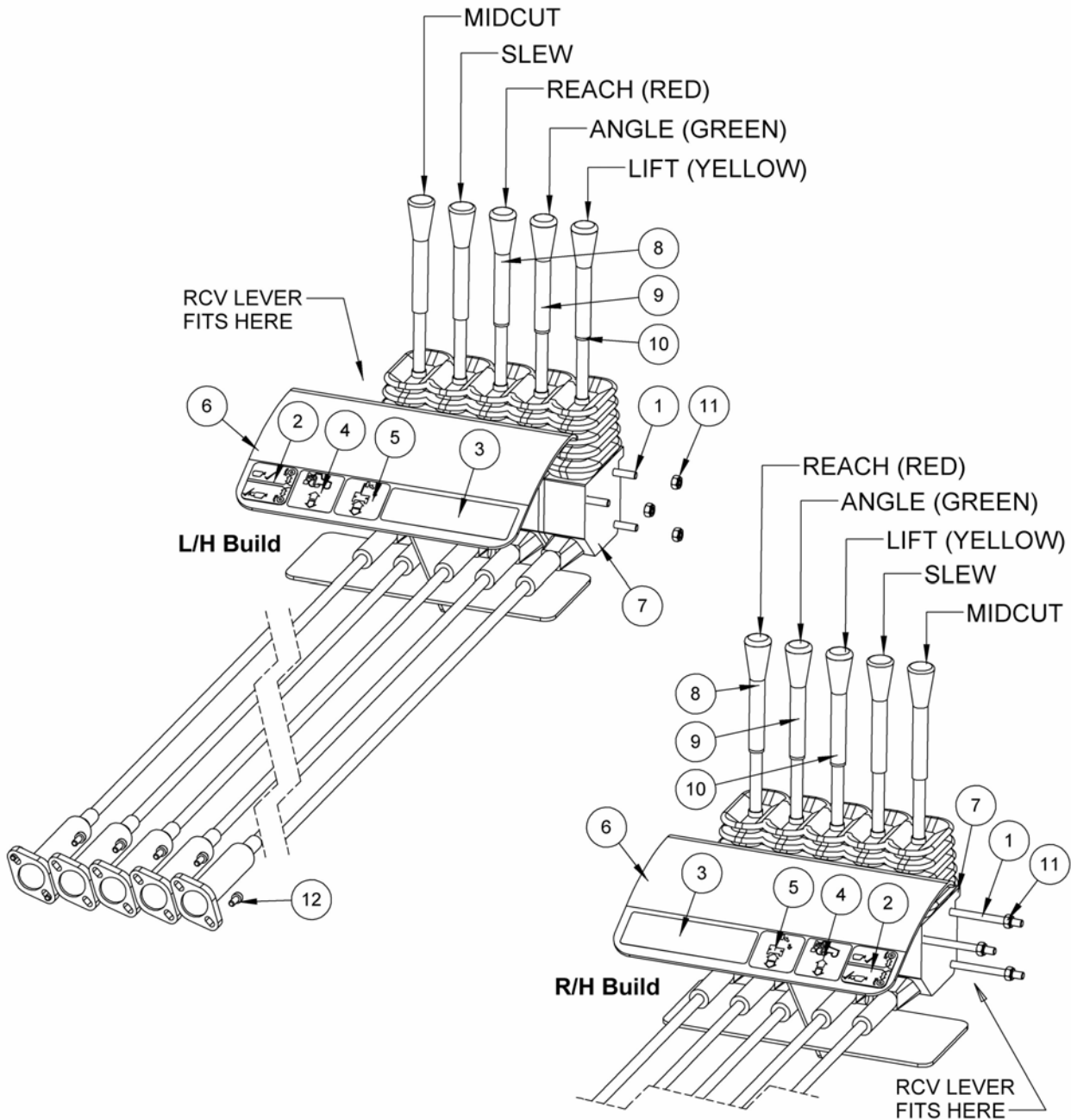
**McCONEL**

Module(s): 7494738 – R/H Build



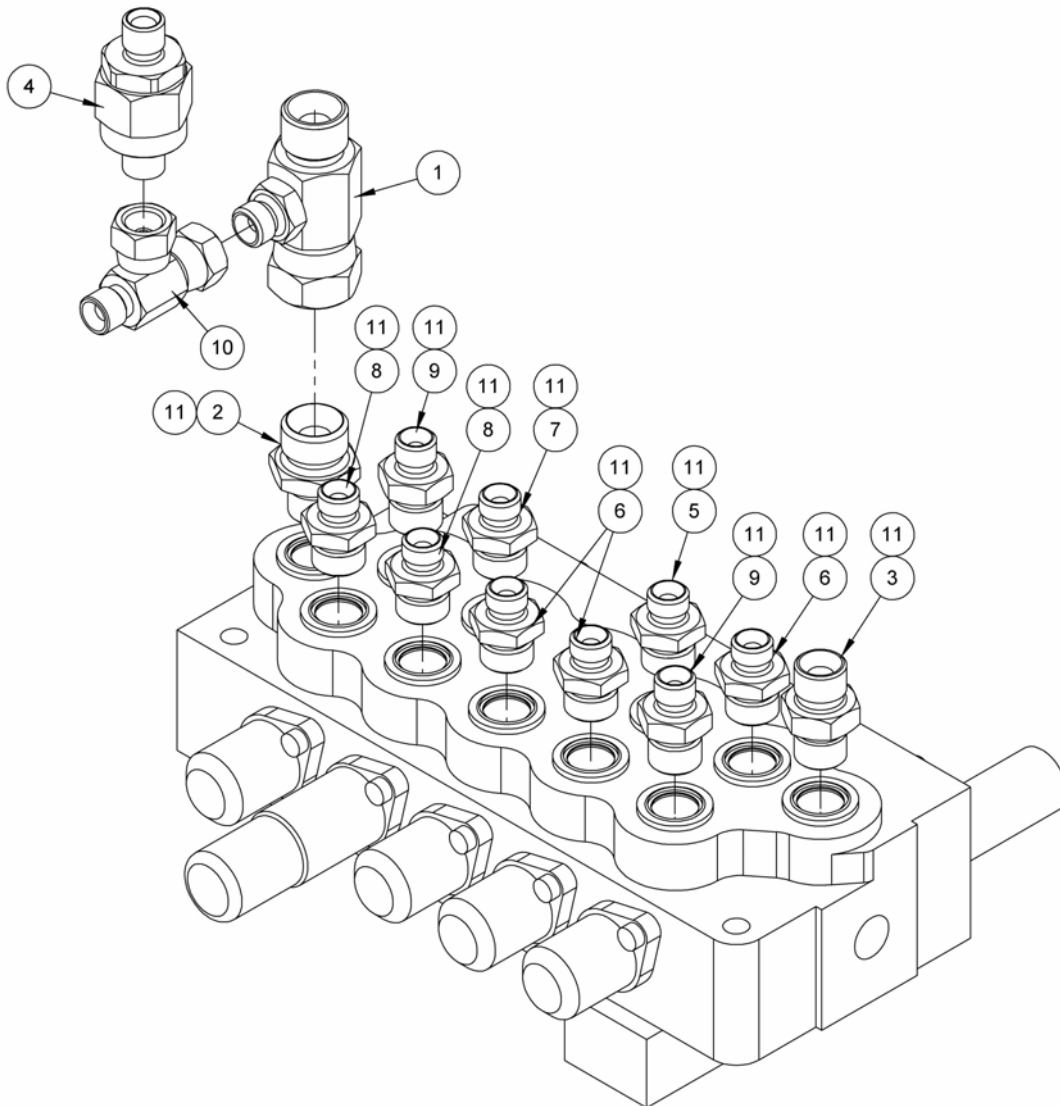
REF.	QTY.	PART NO.	DESCRIPTION
		<b>7494738</b>	<b>CABLE CONTROL VALVE ASSEMBLY (MIDCUT)</b>
1	1	22524.27	ADAPTOR KIT
2	1	22595.07	5 LEVER (+ RC) CABLE CONTROL KIT - 3M
3	1	8130634	VALVE - 5 SPOOL
4	1	8130712	RELIEF VALVE KIT(MIDCUT) - 175 BAR
5	3	9163004	NYLOC NUT
6	3	9213134	BOLT



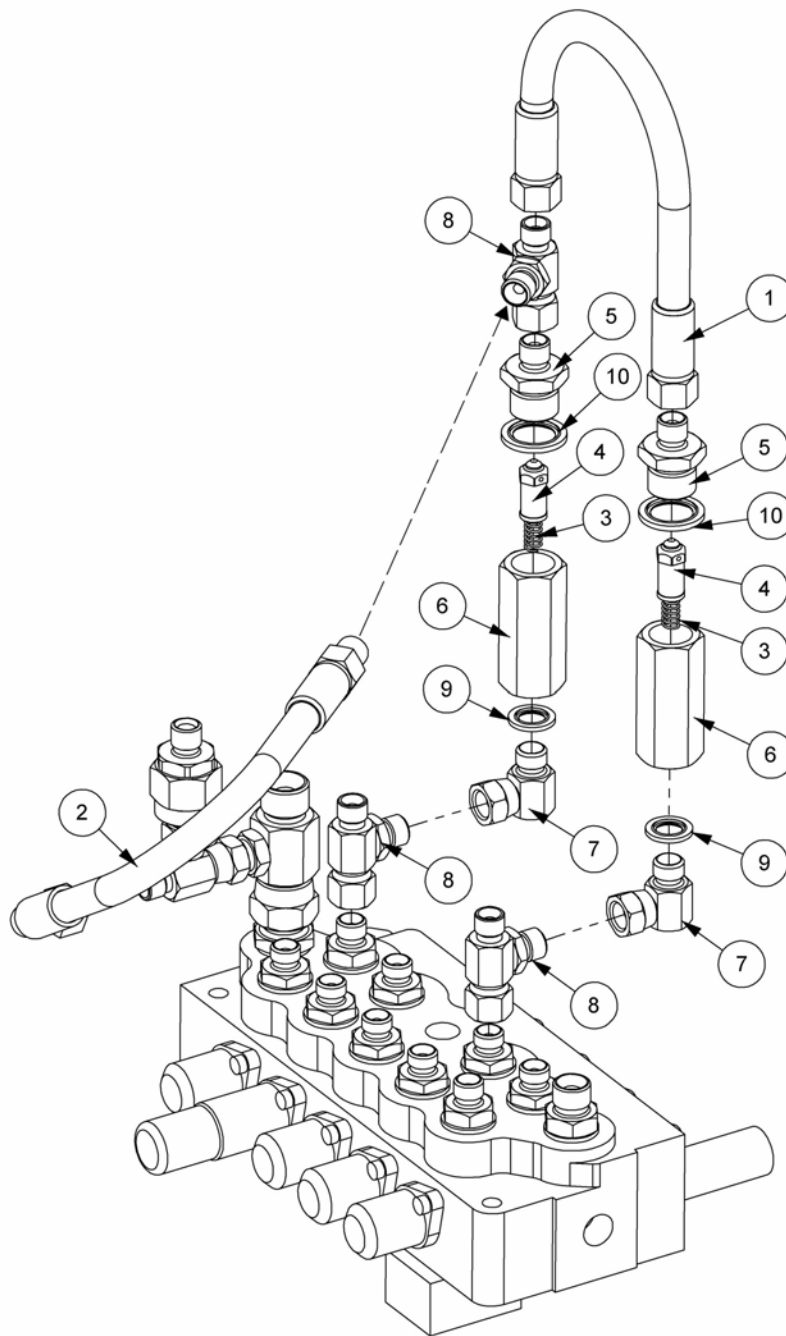


REF.	QTY.	PART NO.	DESCRIPTION
		<b>22595.07</b>	<b>5 LEVER (+ RC) CABLE CONTROL KIT</b>
1	3	04.282.72	STUD
2	1	1290338	DECAL - ROTOR CONTROL VALVE
3	1	1290368	DECAL - REACH / ANGLE / LIFT
4	1	1290446	DECAL - MIDCUT OPERATION
5	1	1290541	DECAL - SLEW
6	1	7650308	CABLE ARMREST (6 LEVER)
7	5	8017066	ARM CONTROL HEAD & CABLE - 3.0M
8	1	09.968.99	CONTROL KNOB - RED
9	1	8017067	CONTROL KNOB - GREEN
10	1	8017068	CONTROL KNOB - YELLOW
11	6	9163003	NYLOC NUT
12	10	9343022	CAPSCREW



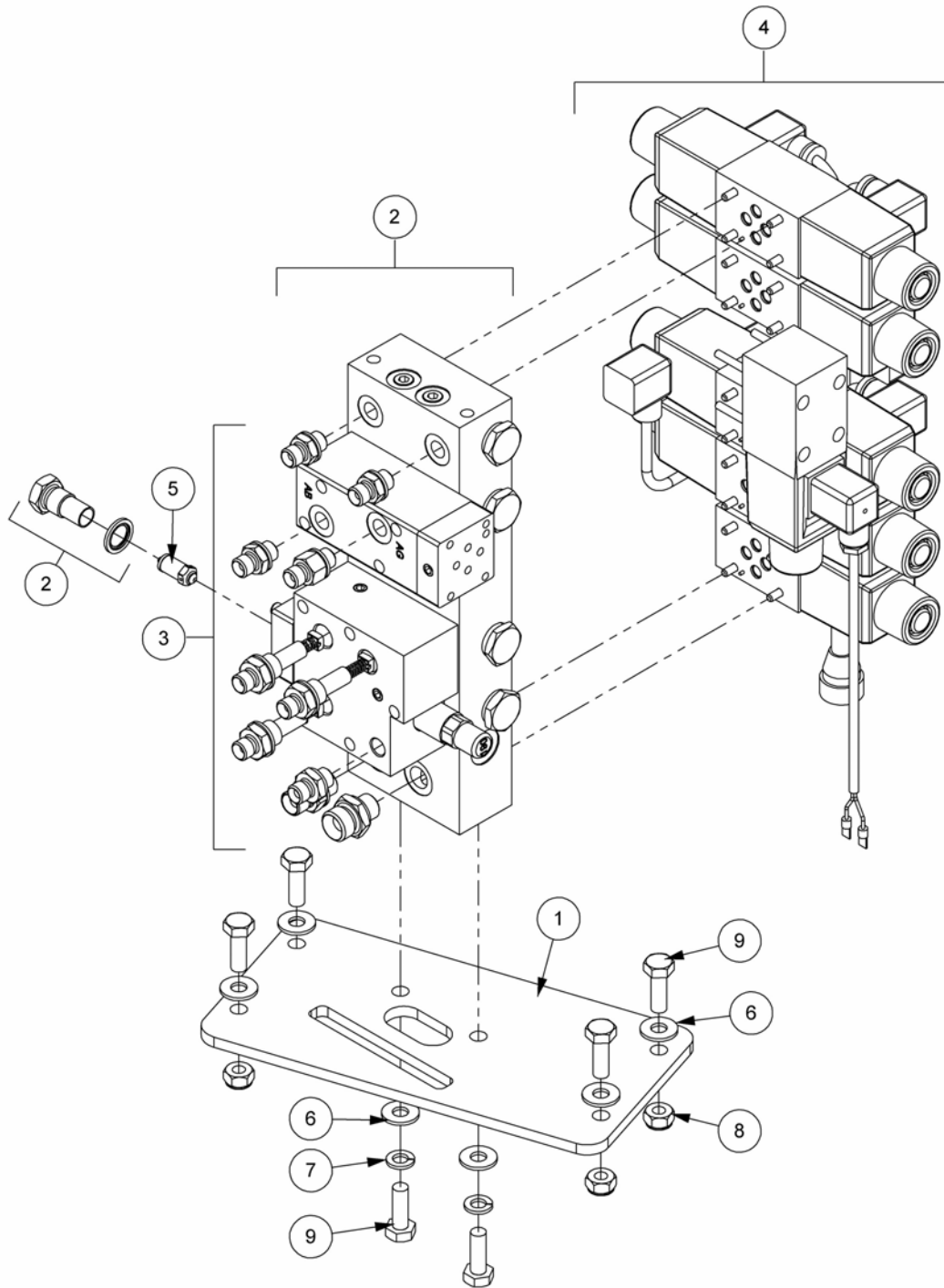


REF.	QTY.	PART NO.	DESCRIPTION
		<b>22524.27</b>	<b>ADAPTOR KIT</b>
1	1	04.056.25	ADAPTOR TEE
2	1	6000112	ADAPTOR
3	1	6000113	ADAPTOR
4	1	8123094	RESTRICTOR UNION - 3.2
5	1	8130046	ADAPTOR RESTRICTOR - 1.5 'A'
6	3	8130047	ADAPTOR RESTRICTOR - 1.8 'B'
7	1	8130048	ADAPTOR RESTRICTOR - 1.3 'C'
8	2	8130066	ADAPTOR RESTRICTOR - 1.15 'M'
9	2	8581115	ADAPTOR
10	1	8581288	ADAPTOR TEE
11	11	8650103	BONDED SEAL

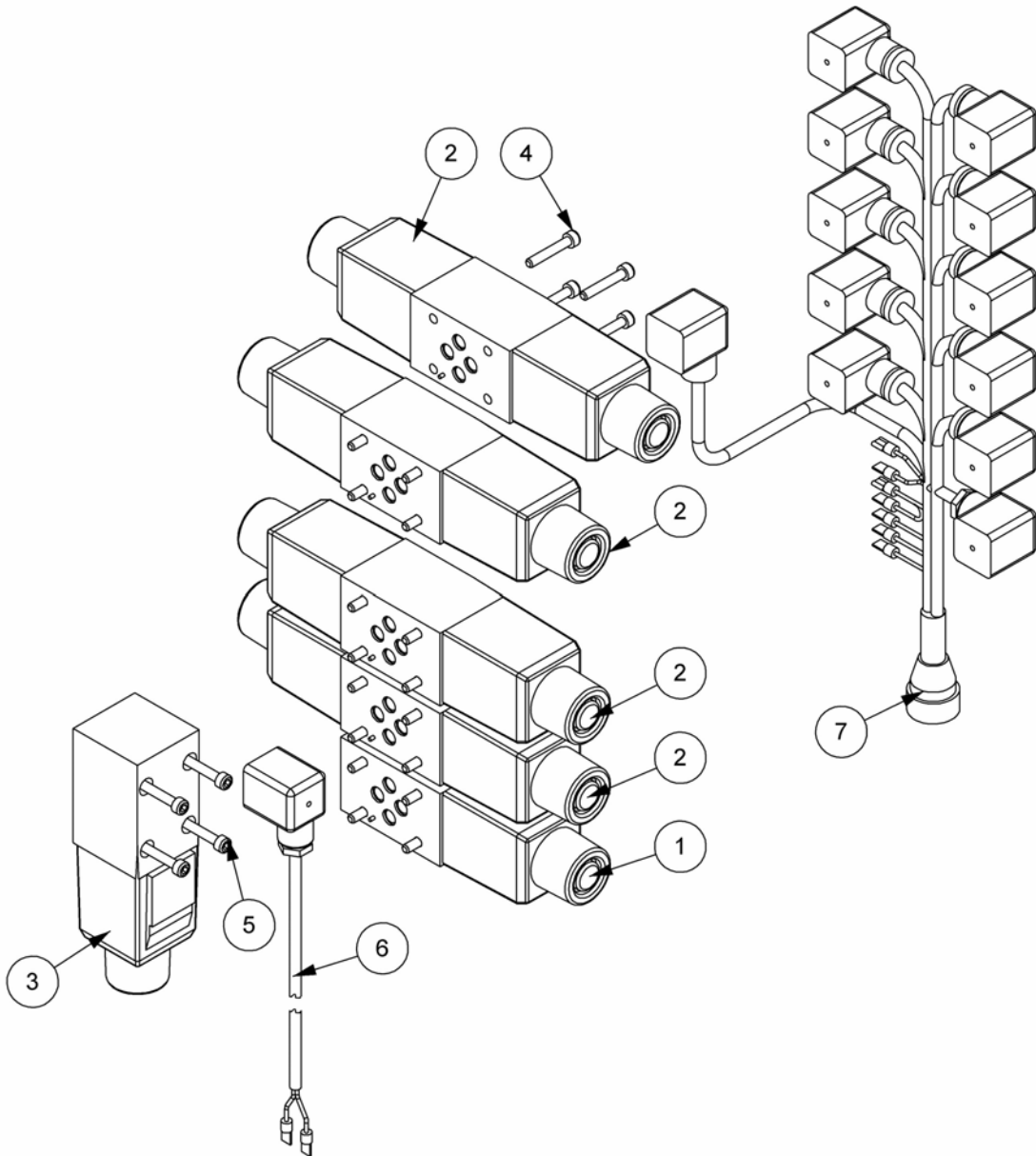


REF.	QTY.	PART NO.	DESCRIPTION
		<b>8130712</b>	<b>RELIEF VALVE KIT (Midcut)</b>
1	1	10.001.07	HOSE - 1/4" BSP FS/FS x 350mm
2	1	10.002.06	HOSE - 1/4" BSP FS/F90 x 300mm
3	2	8116011	SPRING
4	2	8130029	RELIEF VALVE - 175BAR
5	2	8130083	ADAPTOR RELIEF BODY
6	2	8130156	RELIEF VALVE HOUSING
7	2	8581190	90° ADAPTOR ELBOW
8	3	8581254	ADAPTOR TEE
9	2	8650102	BONDED SEAL
10	2	8650104	BONDED SEAL

Module(s): 7494739



REF.	QTY.	PART NO.	DESCRIPTION
		<b>7494739</b>	<b>ELECTRIC CONTROL VALVE (Std. Arm)</b>
1	1	22516.01	MOUNTING PLATE
2	1	22523.12	MANIFOLD ASSEMBLY - 4 BANK
3	1	22524.23	ADAPTOR KIT
4	1	22525.19	CONTROL SOLENOID KIT
5	1	8130092	RELIEF VALVE - 190BAR
6	6	9100105	FLAT WASHER
7	2	9100205	SPRING WASHER
8	4	9163005	NYLOC NUT
9	6	9313065	SETSCREW



REF.	QTY.	PART NO.	DESCRIPTION
		<b>22525.19</b>	<b>CONTROL SOLENOIDS KIT</b>
1	1	8130456	CUT OFF SOLENOID VALVE
2	4	8130629	DOUBLE SOLENOID VALVE
3	1	8130457	SINGLE SOLENOID VALVE
4	20	9243062	CAPSCREW
5	4	9243102	CAPSCREW
6	1	8402338	LOOM - ANGLE FLOAT
7	1	41844.01	LOOM - 19 CORE

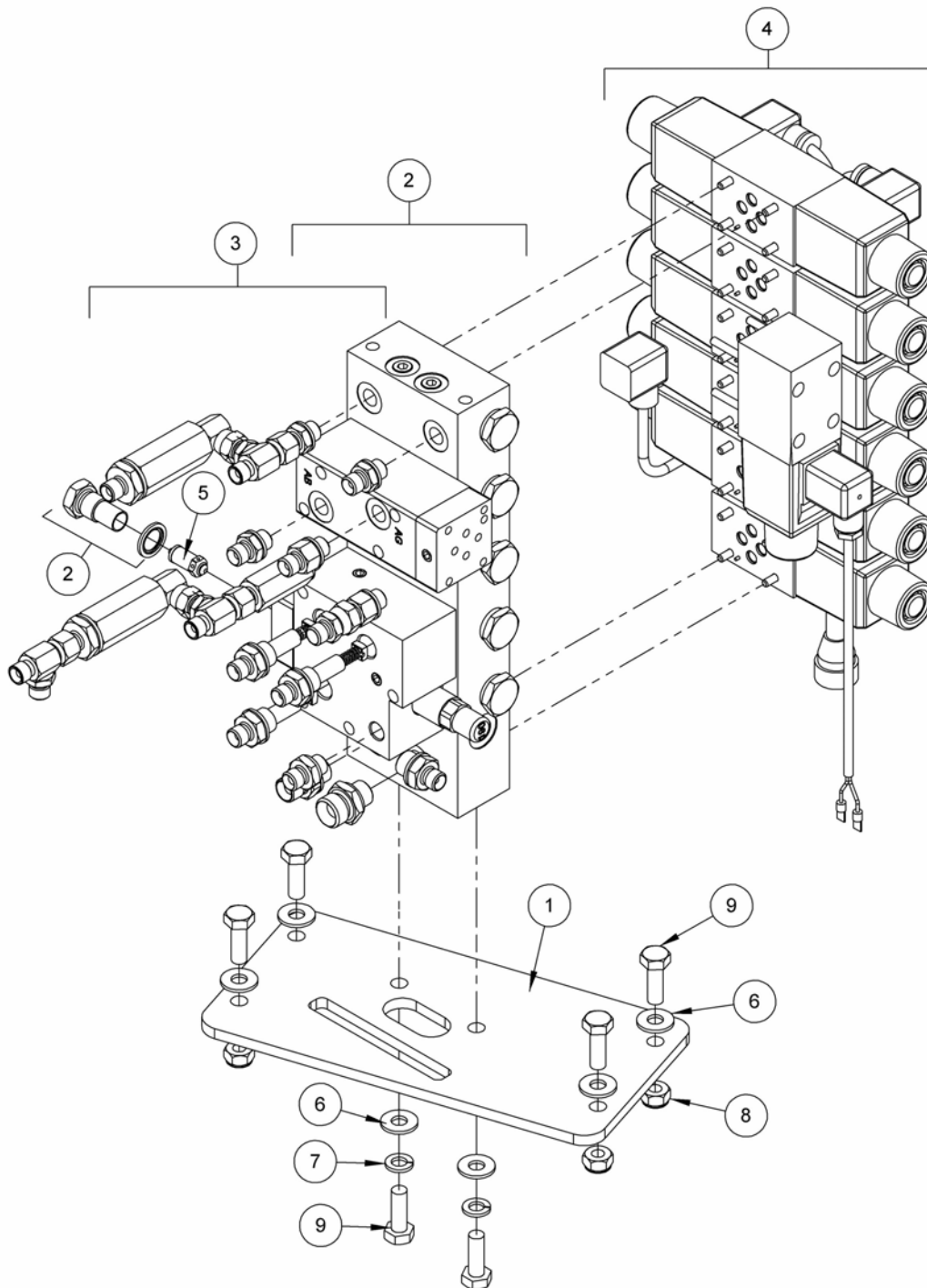
**Service Parts for Solenoid Valves**

**8130175 \* 18W Coil**

**8699224 Seal Kit**

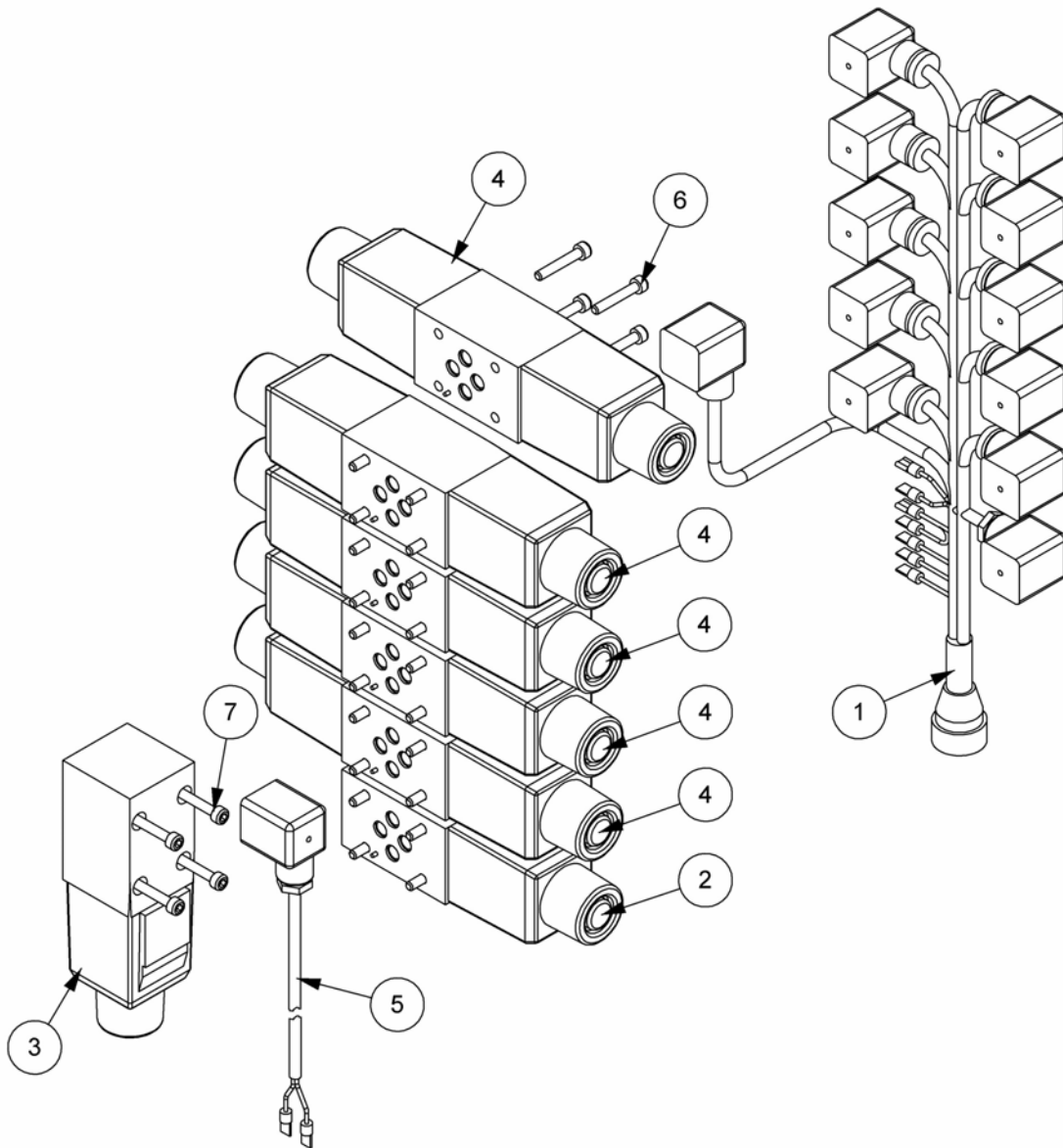
\* NOTE: Double Solenoid Valve 8130629 contains 2x coils 8130175

Module(s): 7494740



REF.	QTY.	PART NO.	DESCRIPTION
		<b>7494740</b>	<b>ELECTRIC CONTROL VALVE (Midcut Arm)</b>
1	1	22516.01	MOUNTING PLATE
2	1	22523.13	MANIFOLD ASSEMBLY - 5 BANK
3	1	22524.25	ADAPTOR KIT
4	1	22525.22	CONTROL SOLENOID KIT
5	1	8130092	RELIEF VALVE - 190BAR
6	6	9100105	FLAT WASHER
7	2	9100205	SPRING WASHER
8	4	9163005	NYLOC NUT
9	6	9313065	SETSCREW

Module(s): 22525.22

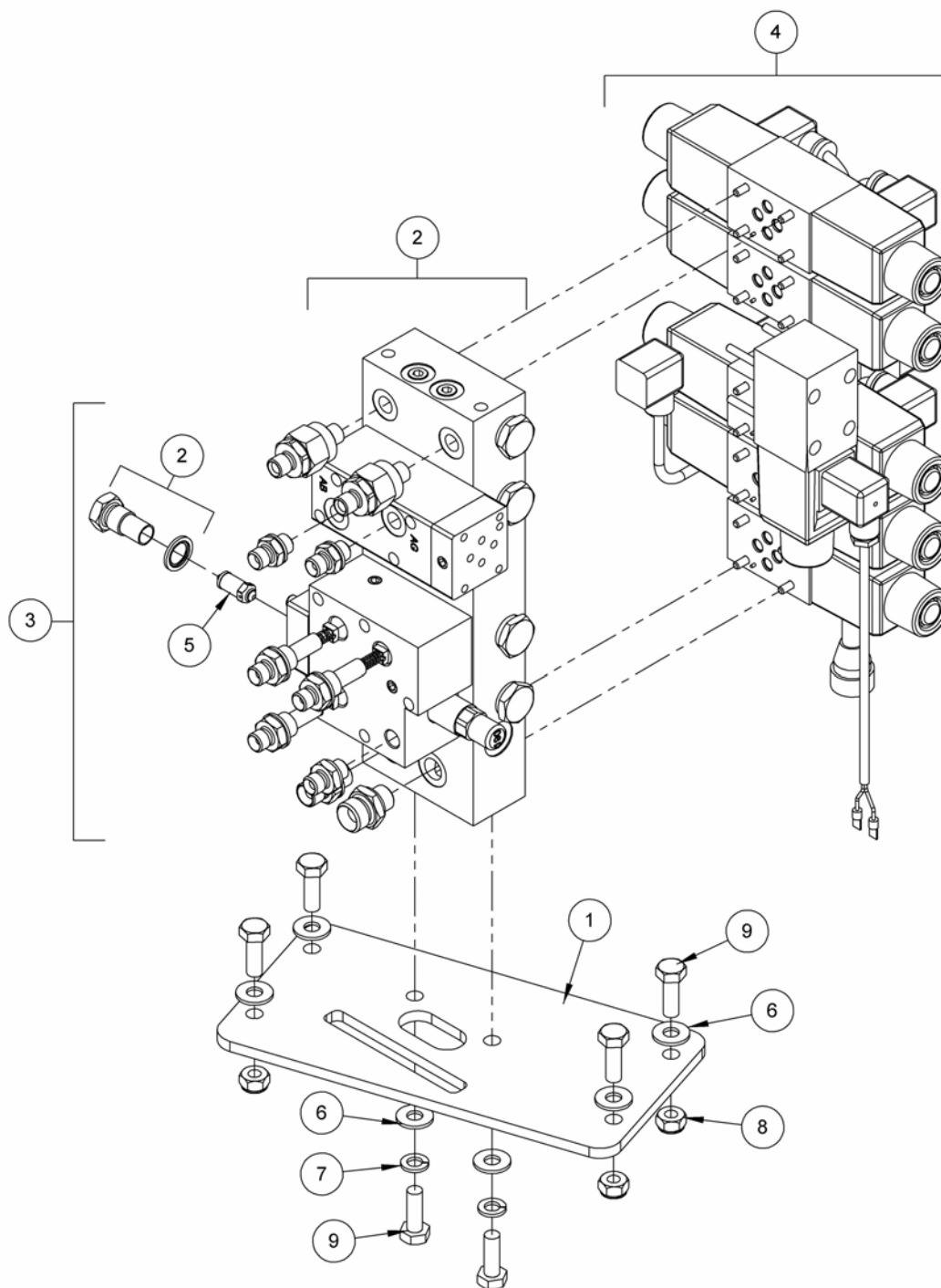


REF.	QTY.	PART NO.	DESCRIPTION
		<b>22525.22</b>	<b>CONTROL SOLENOID KIT</b>
1	1	41844.01	LOOM - 19 CORE
2	1	8130456	CUT OFF SOLENOID VALVE
3	1	8130457	SINGLE SOLENOID VALVE
4	5	8130629	DOUBLE SOLENOID VALVE
5	1	8402338	LOOM - ANGLE FLOAT
6	24	9243062	CAPSCREW
7	4	9243102	CAPSCREW

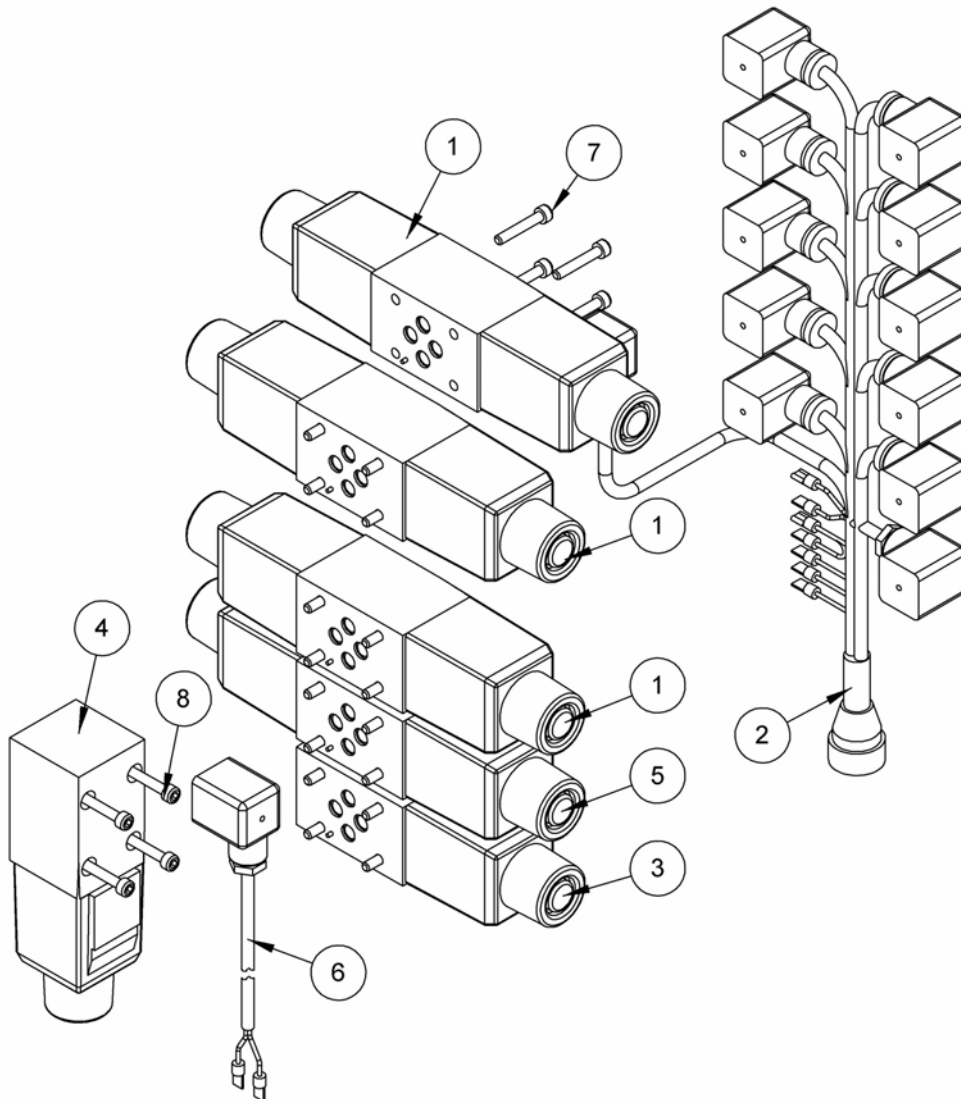
**Service Parts for Solenoid Valves**

- 8130175 \* 18W Coil
- 8699224 Seal Kit

\* NOTE: Double Solenoid Valve 8130629 contains 2x coils 8130175



REF.	QTY.	PART NO.	DESCRIPTION
		<b>7494743</b>	<b>XTC PROP. CONTROL VALVE (Std. Arm)</b>
1	1	22516.01	MOUNTING PLATE
2	1	22523.12	MANIFOLD ASSEMBLY - 4 BANK
3	1	22524.24	ADAPTOR KIT
4	1	22525.20	CONTROL SOLENOID KIT
5	1	8130092	RELIEF VALVE - 190BAR
6	6	9100105	FLAT WASHER
7	2	9100205	SPRING WASHER
8	4	9163005	NYLOC NUT
9	6	9313065	SETSCREW



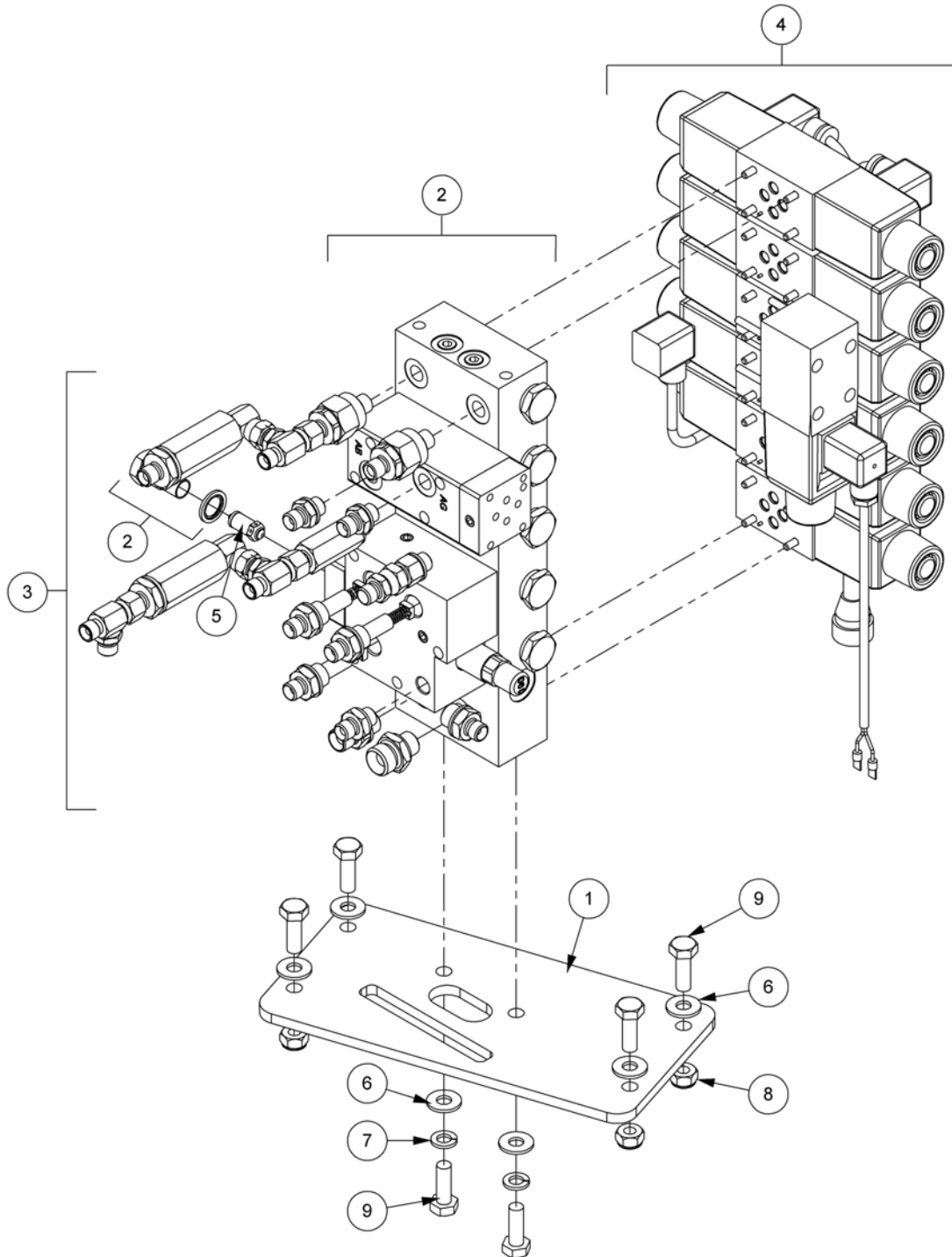
REF.	QTY.	PART No.	DESCRIPTION
		<b>22525.20</b>	<b>CONTROL SOLENOID ASSEMBLY</b>
1	3	41784.48	PROP. DOUBLE SOLENOID VALVE
2	1	41844.01	LOOM - 19 CORE
3	1	8130456	CUT OFF SOLENOID VALVE
4	1	8130457	SINGLE SOLENOID VALVE
5	1	8130629	DOUBLE SOLENOID VALVE
6	1	8402338	LOOM - ANGLE FLOAT
7	20	9243062	CAPSCREW
8	4	9243102	CAPSCREW

**Service Parts for Solenoid Valves**

- 41784.99** Prop. Coil
- 8130175** 18W Coil
- 8699224** Seal Kit

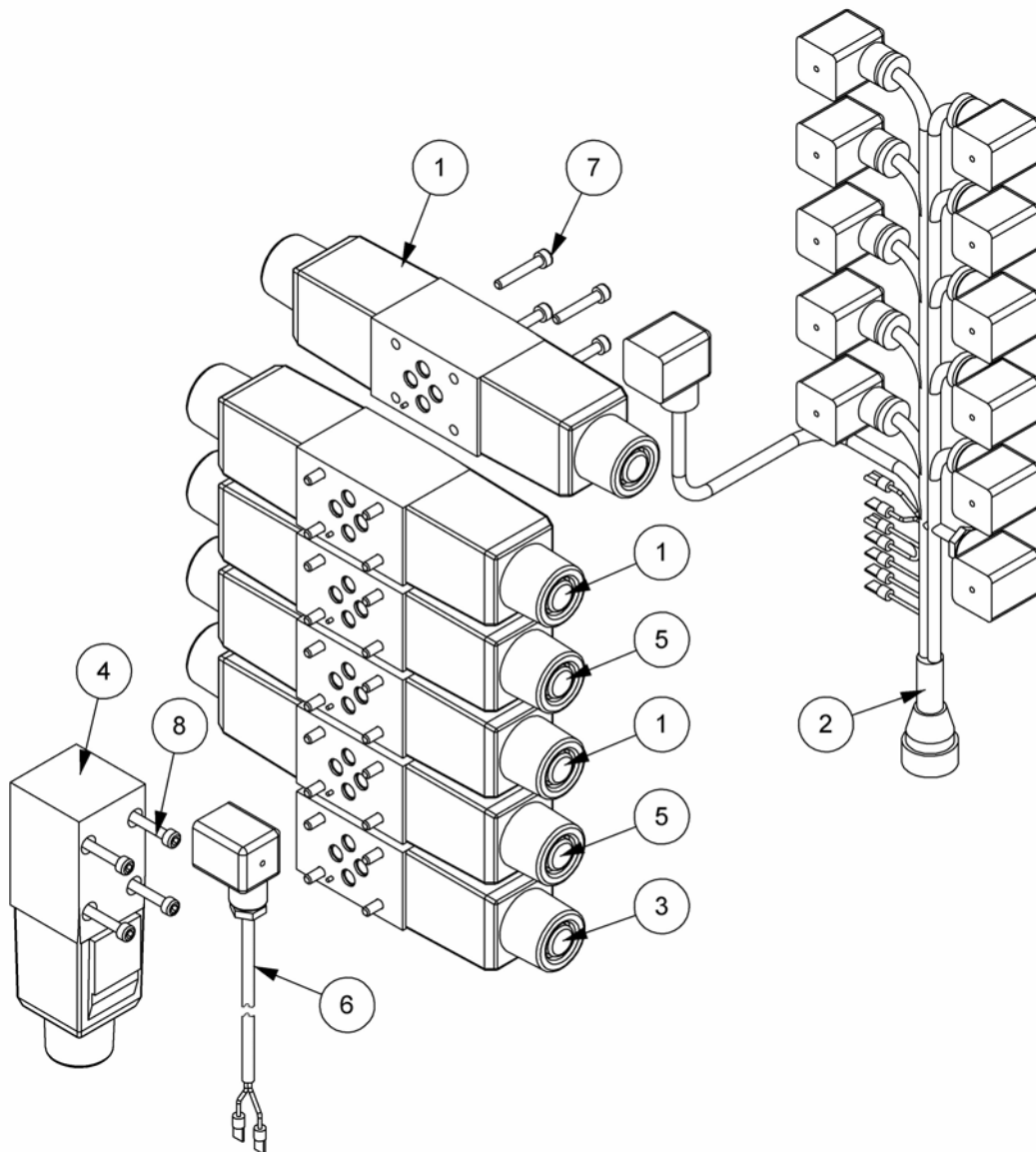
**NOTE:** Double Solenoid Valves contain 2x coils





REF.	QTY.	PART NO.	DESCRIPTION
		<b>7494744</b>	<b>XTC PROP. CONTROL VALVE (Midcut Arm)</b>
1	1	22516.01	MOUNTING PLATE
2	1	22523.13	MANIFOLD ASSEMBLY - 5 BANK
3	1	22524.26	ADAPTOR KIT
4	1	22525.23	CONTROL SOLENOID KIT
5	1	8130092	RELIEF VALVE - 190BAR
6	6	9100105	FLAT WASHER
7	2	9100205	SPRING WASHER
8	4	9163005	NYLOC NUT
9	6	9313065	SETSCREW

Module(s): 22525.23

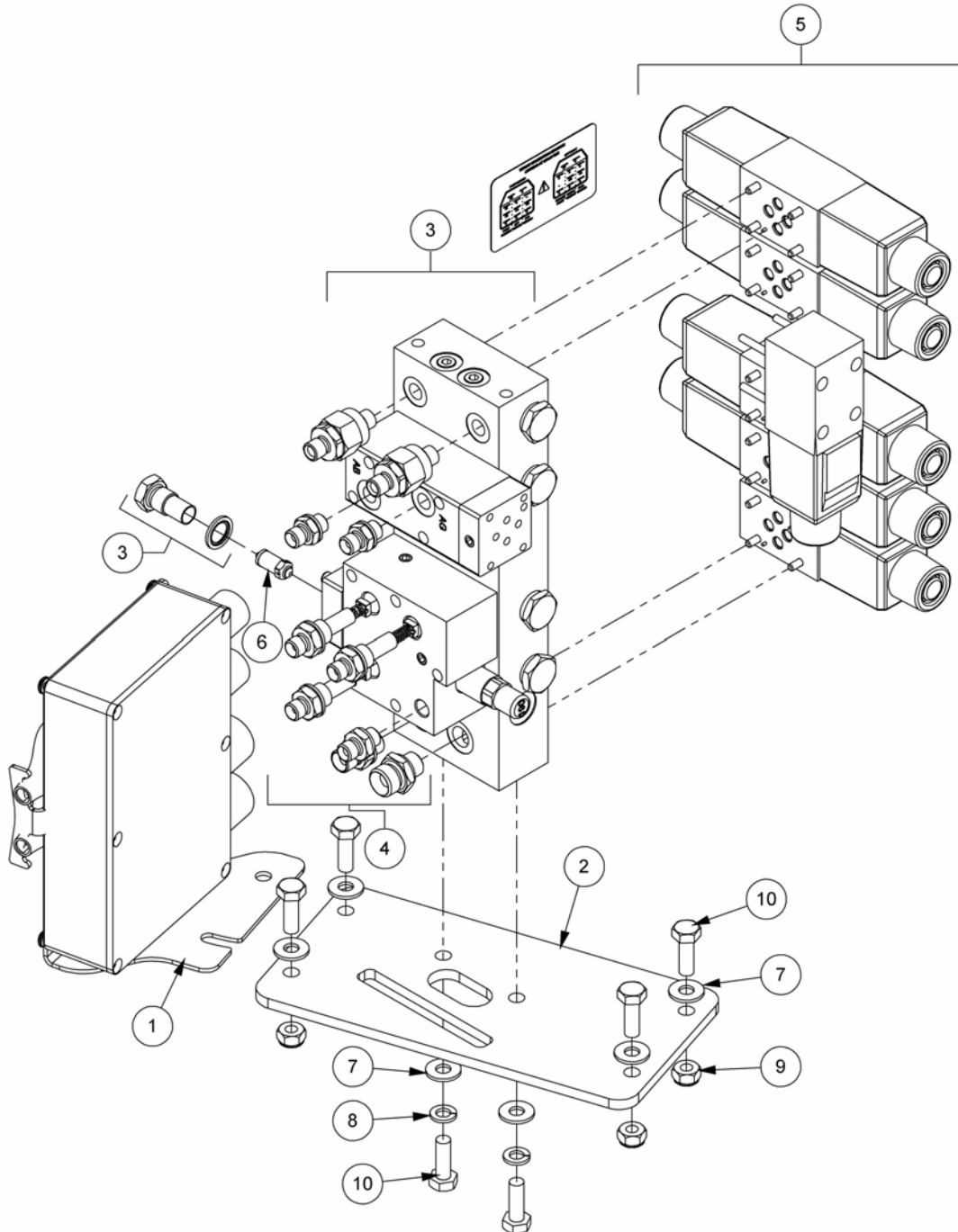


REF.	QTY.	PART No.	DESCRIPTION
		<b>22525.23</b>	<b>CONTROL SOLENOID ASSEMBLY</b>
1	3	41784.48	PROP. DOUBLE SOLENOID VALVE
2	1	41844.01	LOOM - 19 CORE
3	1	8130456	CUT OFF SOLENOID VALVE
4	1	8130457	SINGLE SOLENOID VALVE
5	2	8130629	DOUBLE SOLENOID VALVE
6	1	8402338	LOOM - ANGLE FLOAT
7	24	9243062	CAPSCREW
8	4	9243102	CAPSCREW

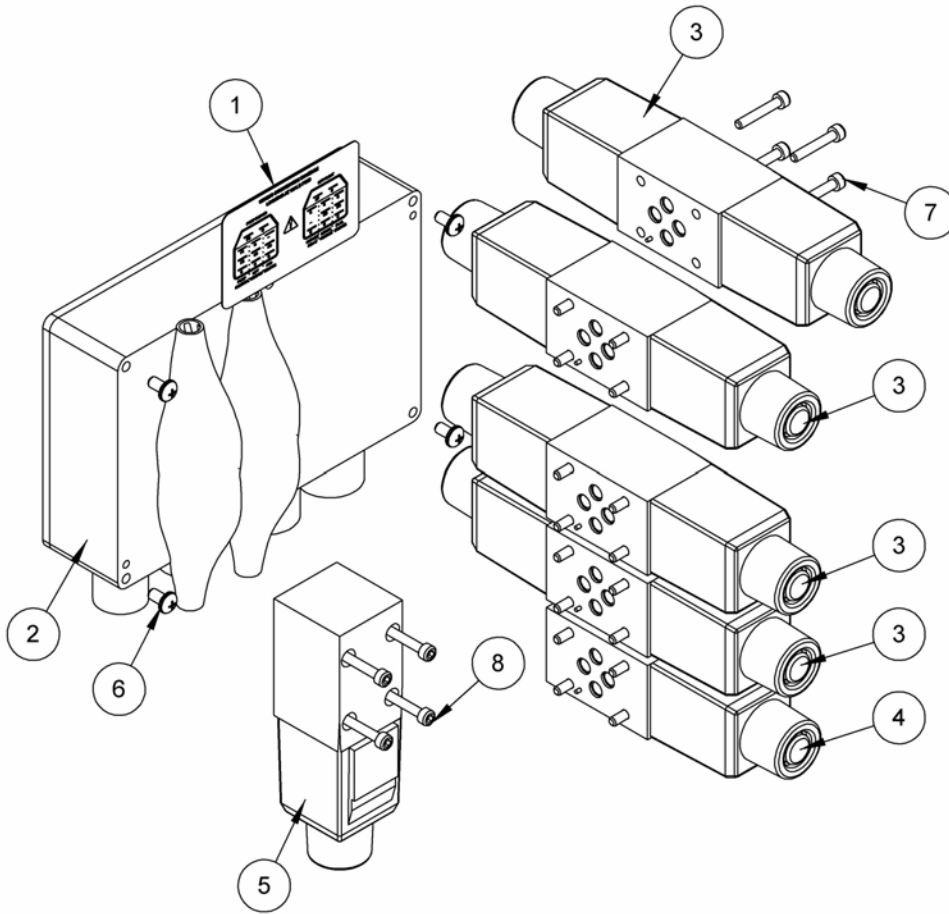
**Service Parts for Solenoid Valves**

<b>41784.99</b>	<b>Prop. Coil</b>
<b>8130175</b>	<b>18W Coil</b>
<b>8699224</b>	<b>Seal Kit</b>

**NOTE:** Double Solenoid Valves contain 2x coils



REF.	QTY.	PART NO.	DESCRIPTION
		<b>7494745</b>	<b>V4 PROP. CONTROL VALVE (Std. Arm)</b>
1	1	21170.12	MOUNTING BRACKET
2	1	22516.01	VALVE MOUNTING PLATE
3	1	22523.12	MANIFOLD ASSEMBLY - 4 BANK
4	1	22524.24	ADAPTOR KIT
5	1	22525.21	CONTROL SOLENOID KIT
6	1	8130092	RELIEF VALVE - 190BAR
7	6	9100105	FLAT WASHER
8	2	9100205	SPRING WASHER
9	4	9163005	NYLOC NUT
10	6	9313065	SETSCREW

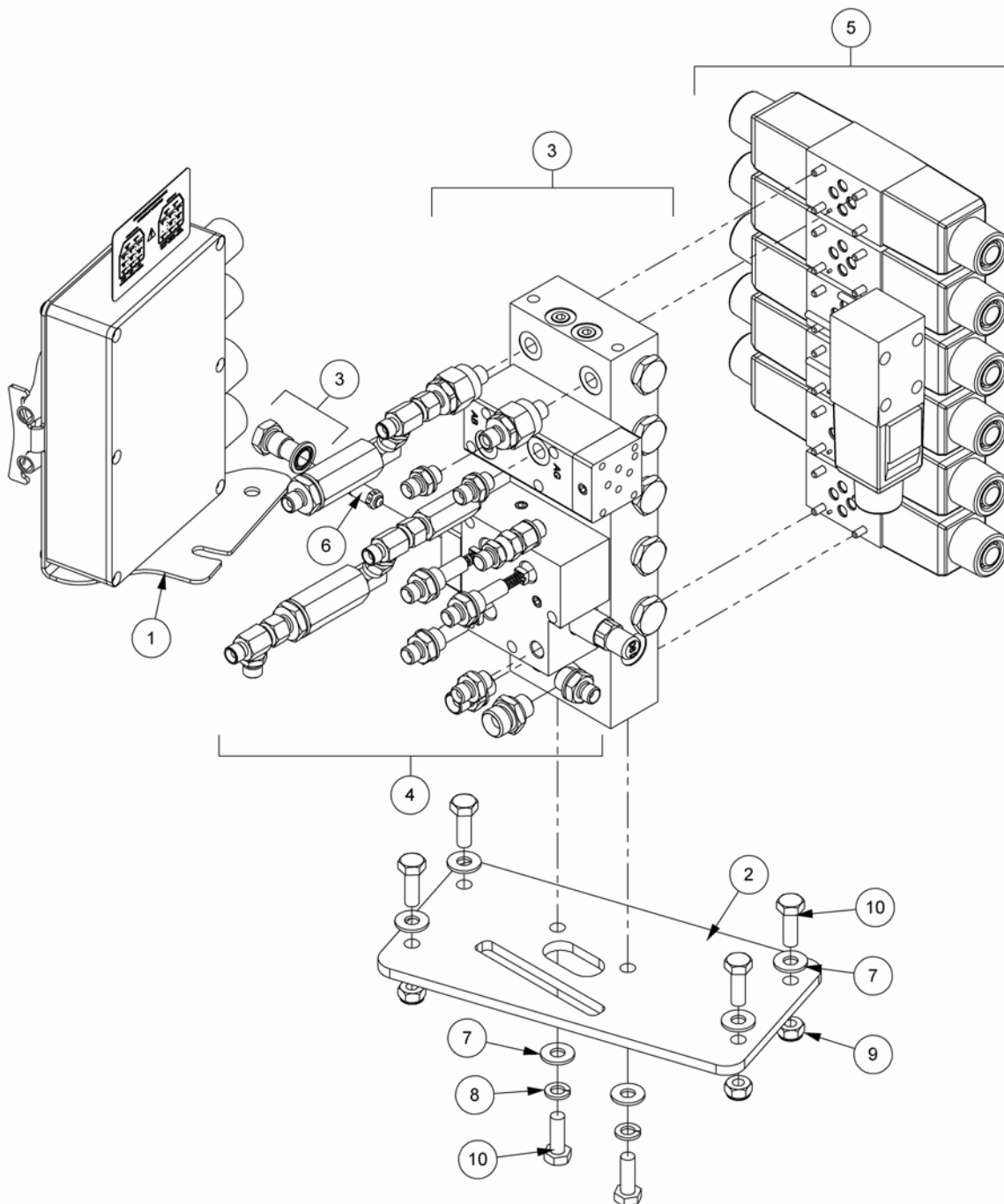


REF.	QTY.	PART No.	DESCRIPTION
		<b>22525.21</b>	<b>CONTROL SOLENOID ASSEMBLY</b>
1	1	1290675	DECAL - ACB WIRING
2	1	21164.07	V4 ACB CONTROLLER MK2
3	4	41784.48	PROP. DOUBLE SOLENOID VALVE
4	1	8130456	CUT OFF SOLENOID VALVE
5	1	8130457	SINGLE SOLENOID VALVE
6	4	9300164	TAPTITE
7	20	9243062	CAPSCREW
8	4	9243102	CAPSCREW

**Service Parts for Solenoid Valves**

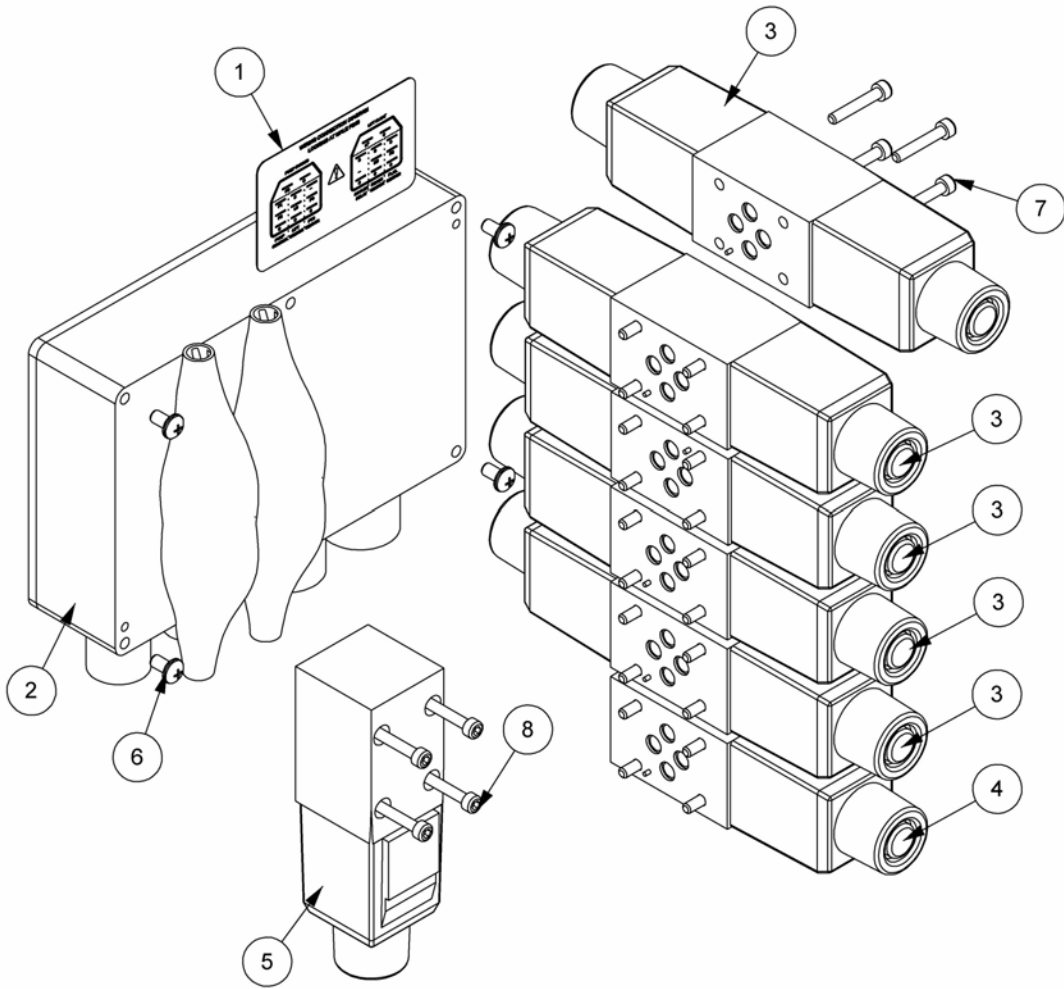
- 41784.99** Prop. Coil
- 8130175** 18W Coil
- 8699224** Seal Kit

**NOTE:** Double Solenoid Valves contain 2x coils



REF.	QTY.	PART NO.	DESCRIPTION
		<b>7494746</b>	<b>V4 PROP. CONTROL VALVE (Midcut)</b>
1	1	21170.12	MOUNTING BRACKET
2	1	22516.01	VALVE MOUNTING PLATE
3	1	22523.13	MANIFOLD ASSEMBLY - 5 BANK
4	1	22524.26	ADAPTOR KIT
5	1	22525.24	CONTROL SOLENOID KIT
6	1	8130092	RELIEF VALVE - 190BAR
7	6	9100105	FLAT WASHER
8	2	9100205	SPRING WASHER
9	4	9163005	NYLOC NUT
10	6	9313065	SETSCREW

Module(s): 22525.24



REF.	QTY.	PART No.	DESCRIPTION
		<b>22525.24</b>	<b>CONTROL SOLENOID ASSEMBLY</b>
1	1	1290675	DECAL - ACB WIRING
2	1	21164.07	V4 ACB CONTROLLER MK2
3	5	41784.48	PROP. DOUBLE SOLENOID VALVE
4	1	8130456	CUT OFF SOLENOID VALVE
5	1	8130457	SINGLE SOLENOID VALVE
6	4	9300164	TAPTITE
7	24	9243062	CAPSCREW
8	4	9243102	CAPSCREW

**Service Parts for Solenoid Valves**

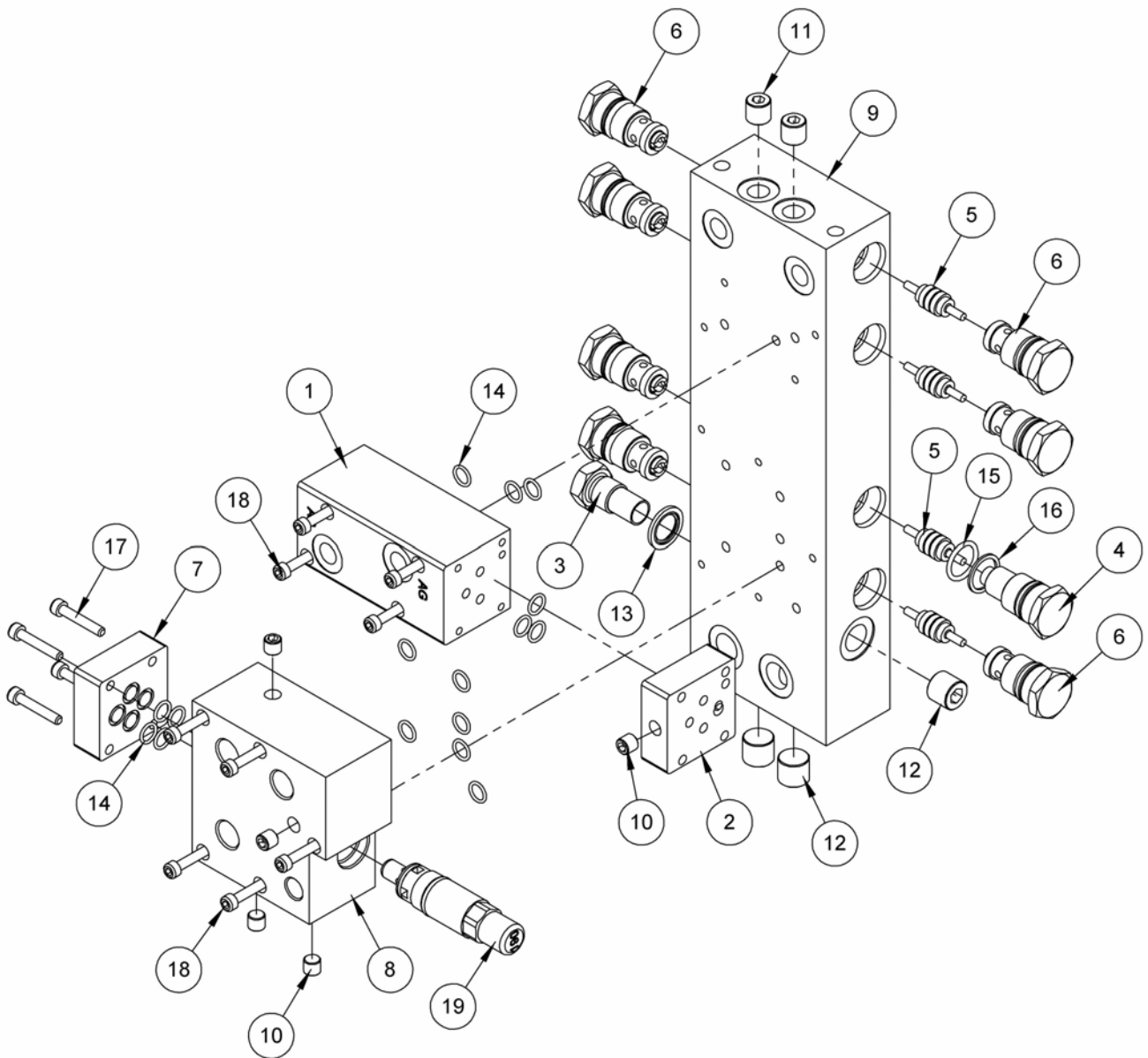
- 41784.99** Prop. Coil
- 8130175** 18W Coil
- 8699224** Seal Kit

**NOTE:** Double Solenoid Valves contain 2x coils

# 4 BANK MANIFOLD ASSEMBLY (Std. Arm Valves)

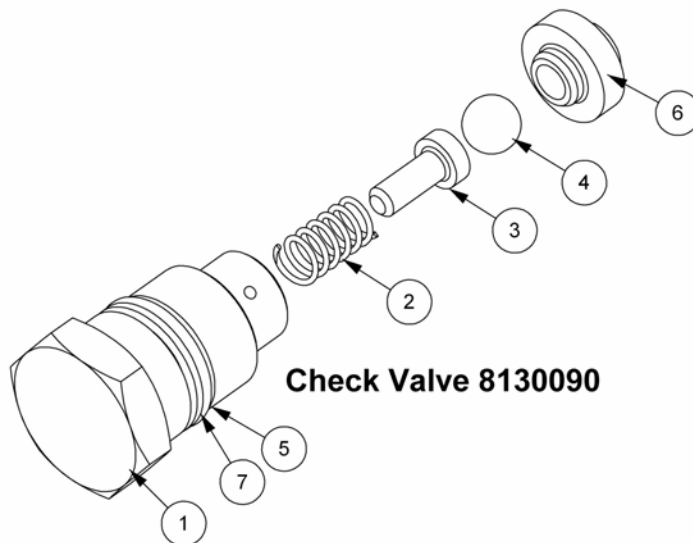
Module(s): 22523.12

**McCONEL**



Module(s): 22523.12

REF.	QTY.	PART NO.	DESCRIPTION
		<b>22523.12</b>	<b>4 BANK MANIFOLD ASSEMBLY</b>
1	1	8126333	FLOAT VALVE BLOCK
2	1	8126334	BRIDGING PLATE
3	1	8130032	RELIEF VALVE CAP
4	1	8130078	CHECK VALVE CAP
5	4	8130087	ACTUATOR
6	7	8130090	CHECK VALVE ASSEMBLY
7	1	8130139	BLANKING PLATE
8	1	8130348	BLOCK - SLEW CIRCUIT
9	1	8132268	BLOCK - MANIFOLD ASSY
10	5	8582041	TAPER PLUG
11	2	8582042	TAPER PLUG
12	3	8582043	TAPER PLUG
13	1	8650103	BONDED SEAL
14	16	8700511	O RING
15	1	8700644	O RING
16	1	8709644	AE RING
17	4	9243062	CAPSCREW
18	9	9243082	CAPSCREW
19	1	G3812542	RELIEF VALVE - 190BAR



**Check Valve 8130090**

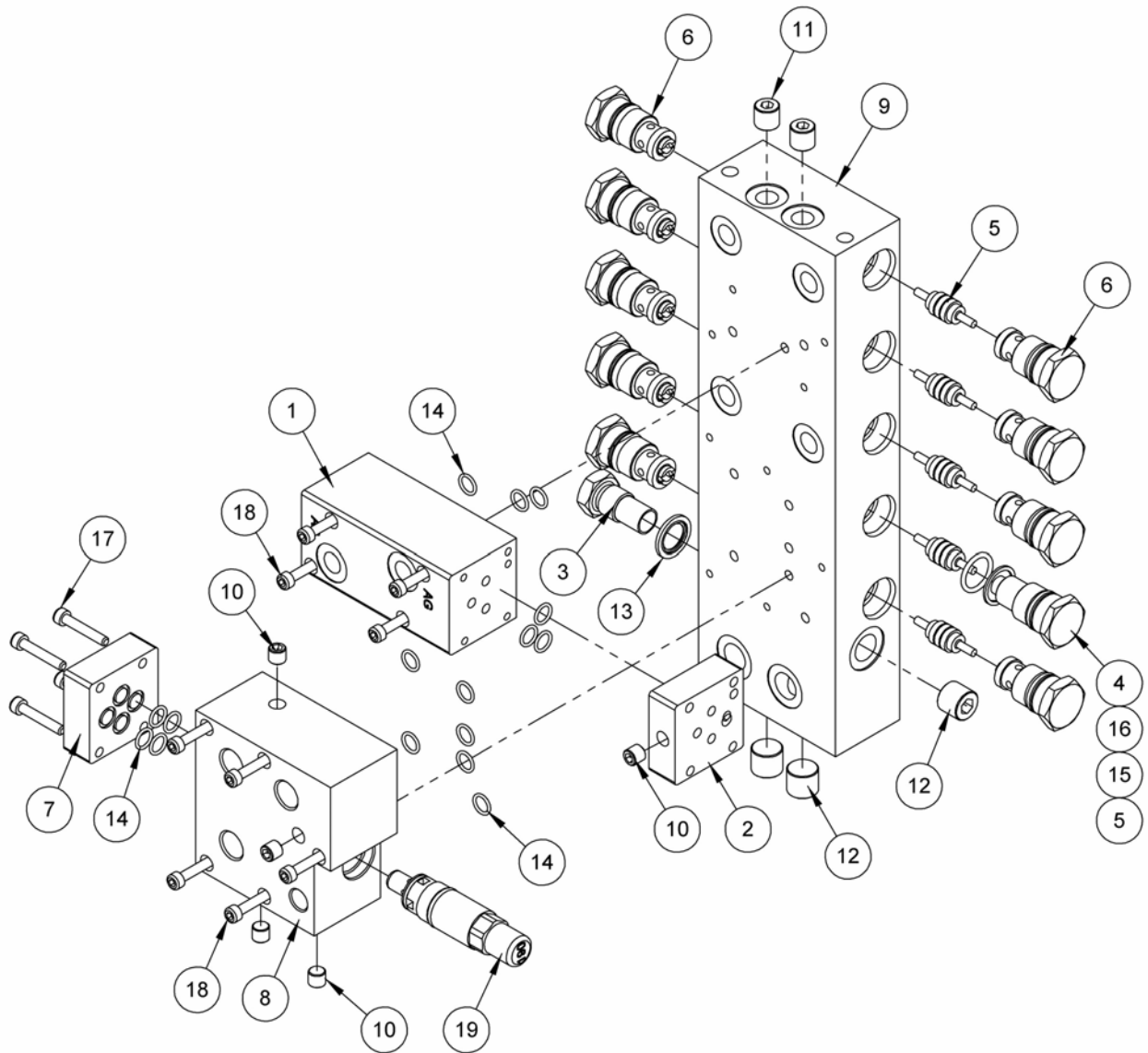
REF.	QTY.	PART No.	DESCRIPTION
		<b>8130090</b>	<b>CHECK VALVE ASSEMBLY</b>
1	1	8130025	CHECK VALVE CAP
2	1	8114045	SPRING
3	1	8130089	SPRING GUIDE
4	1	0905509	STEEL BALL
5	1	8700644	O RING
6	1	8130088	CHECK VALVE SEAT
7	1	8709644	BACK-UP RING



# 5 BANK MANIFOLD ASSEMBLY (Midcut Arm Valves)

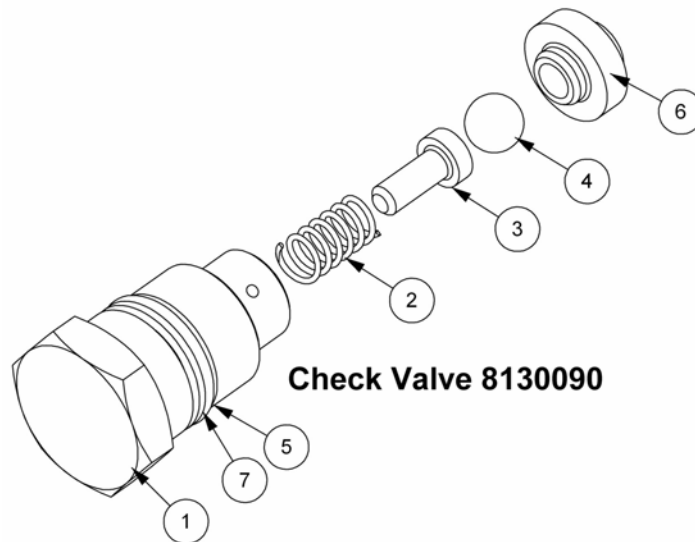
Module(s): 22523.13

**McCONEL**

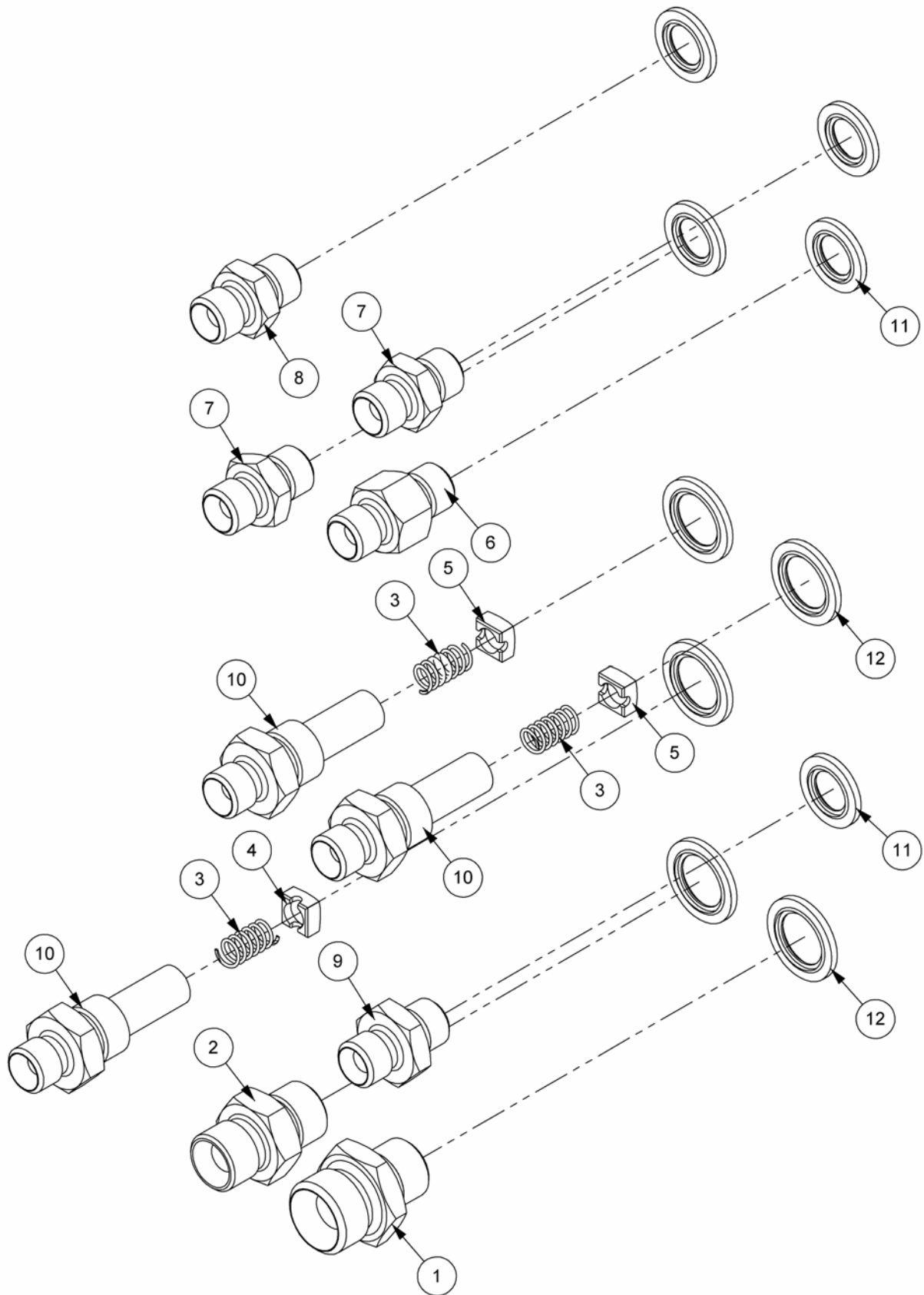


Module(s): 22523.13

REF.	QTY.	PART NO.	DESCRIPTION
		<b>22523.13</b>	<b>5 BANK MANIFOLD ASSEMBLY</b>
1	1	8126333	FLOAT VALVE BLOCK
2	1	8126334	BRIDGING PLATE
3	1	8130032	RELIEF VALVE CAP
4	1	8130078	CHECK VALVE CAP
5	5	8130087	ACTUATOR
6	9	8130090	CHECK VALVE ASSEMBLY
7	1	8130139	BLANKING PLATE
8	1	8130348	BLOCK - SLEW CIRCUIT
9	1	8132269	BLOCK - MANIFOLD ASSY
10	5	8582041	TAPER PLUG
11	2	8582042	TAPER PLUG
12	3	8582043	TAPER PLUG
13	1	8650103	BONDED SEAL
14	16	8700511	O RING
15	1	8700644	O RING
16	1	8709644	AE RING
17	4	9243062	CAPSCREW
18	9	9243082	CAPSCREW
19	1	G3812542	RELIEF VALVE - 190BAR

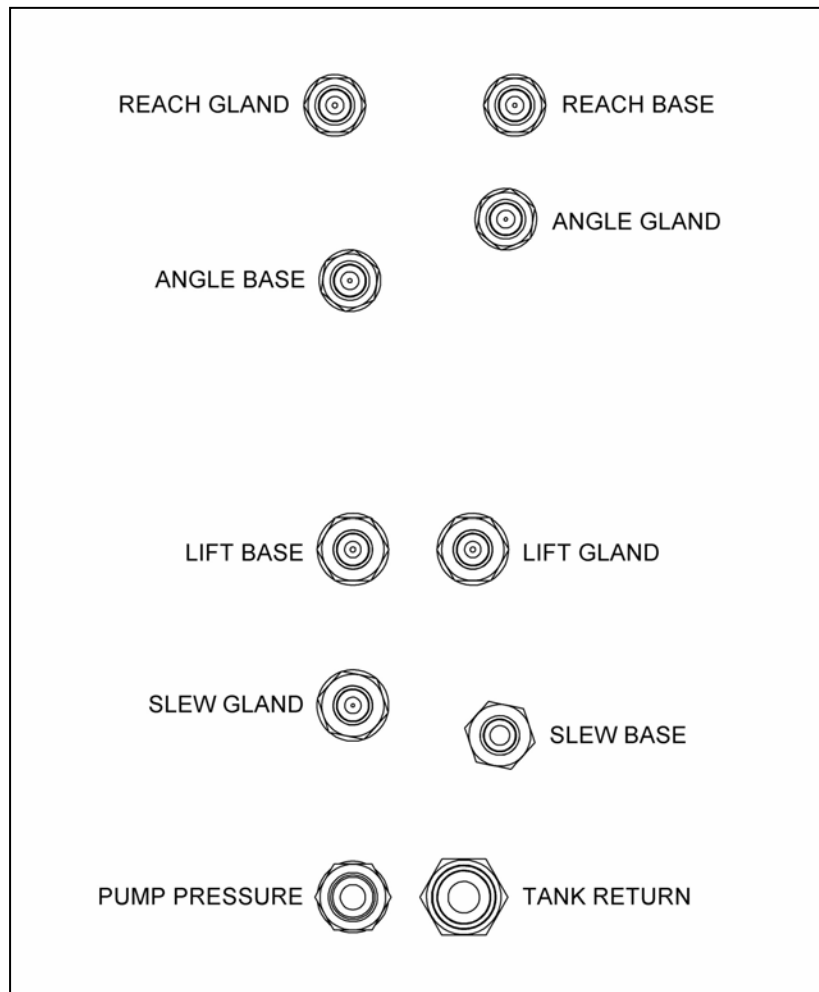


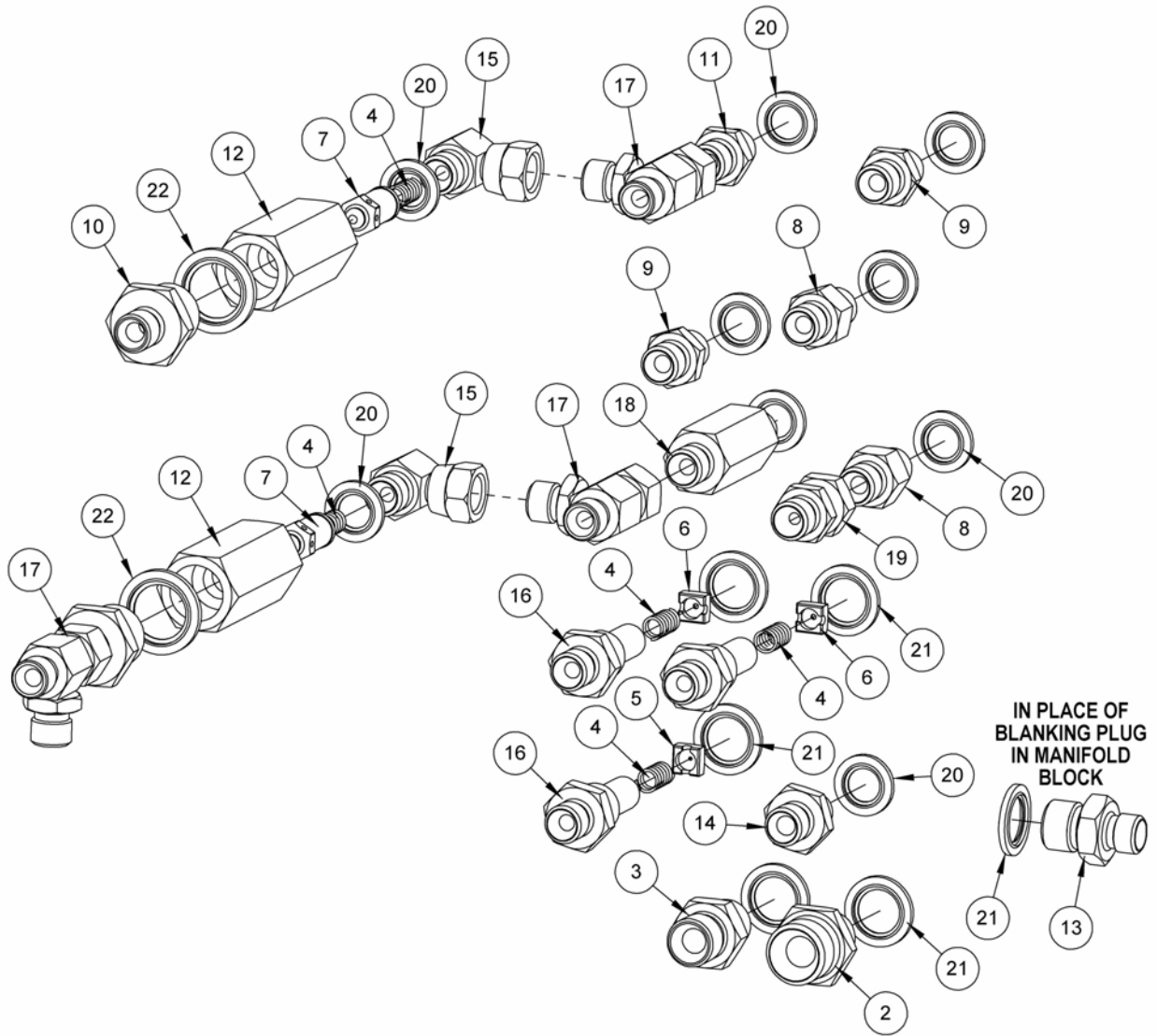
REF.	QTY.	PART No.	DESCRIPTION
		<b>8130090</b>	<b>CHECK VALVE ASSEMBLY</b>
1	1	8130025	CHECK VALVE CAP
2	1	8114045	SPRING
3	1	8130089	SPRING GUIDE
4	1	0905509	STEEL BALL
5	1	8700644	O RING
6	1	8130088	CHECK VALVE SEAT
7	1	8709644	BACK-UP RING



Module(s): 22524.23

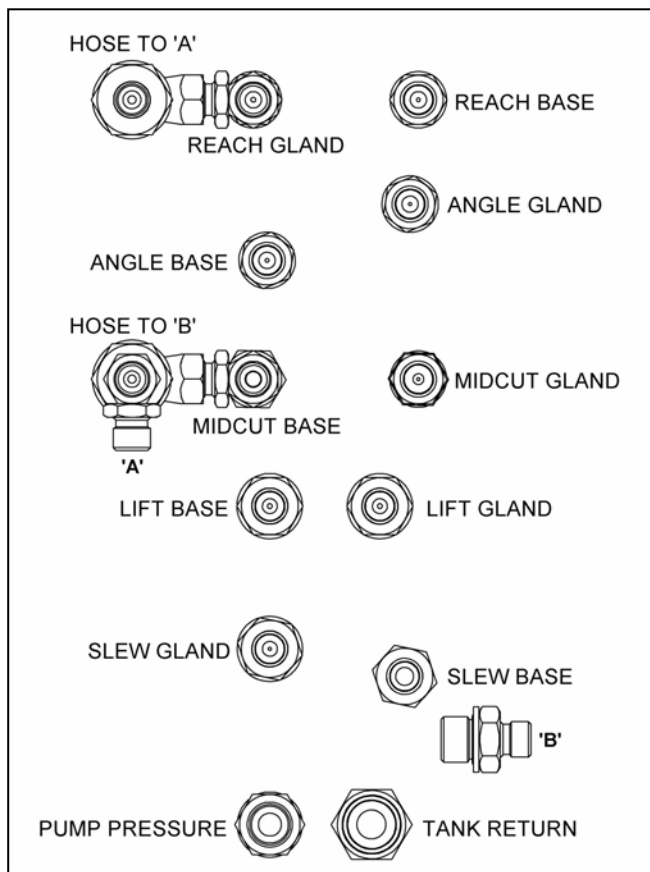
REF.	QTY.	PART NO.	DESCRIPTION
		<b>22524.23</b>	<b>ADAPTOR KIT</b>
1	1	6000112	ADAPTOR
2	1	6000113	ADAPTOR
3	3	8116011	SPRING
4	1	8123041	RESTRICTOR DISC - 1.15 RED
5	2	8123044	RESTRICTOR DISC - 1.8 YELLOW
6	1	8130037	ADAPTOR RESTRICTOR - 1.15 'S'
7	2	8130038	ADAPTOR RESTRICTOR - 1.4 'L'
8	1	8130104	ADAPTOR RESTRICTOR - 1.8 'G'
9	1	8581169	ADAPTOR
10	3	8581210	SPECIAL ADAPTOR
11	5	8650102	BONDED SEAL
12	5	8650103	BONDED SEAL

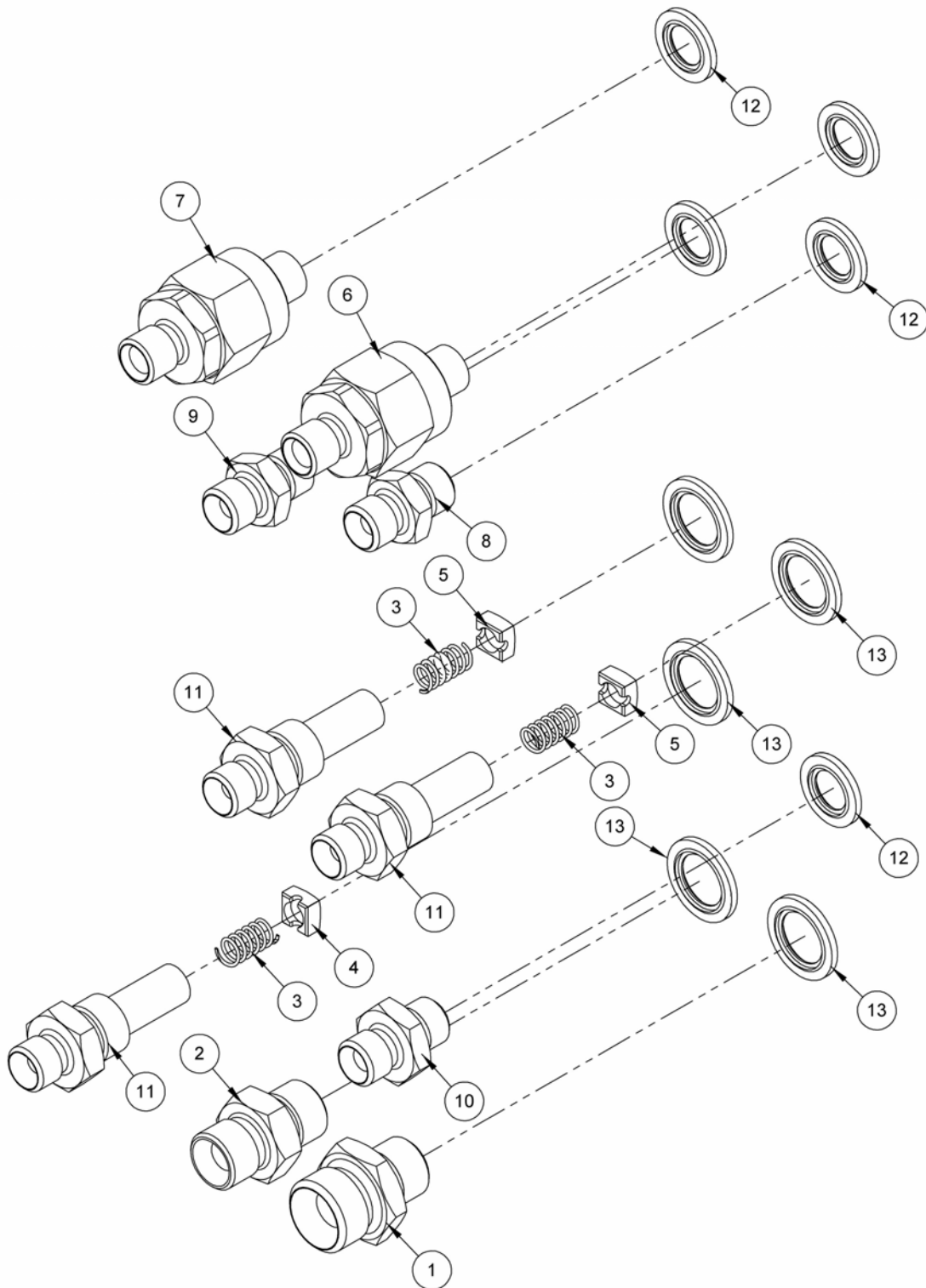




Module(s): 22524.25

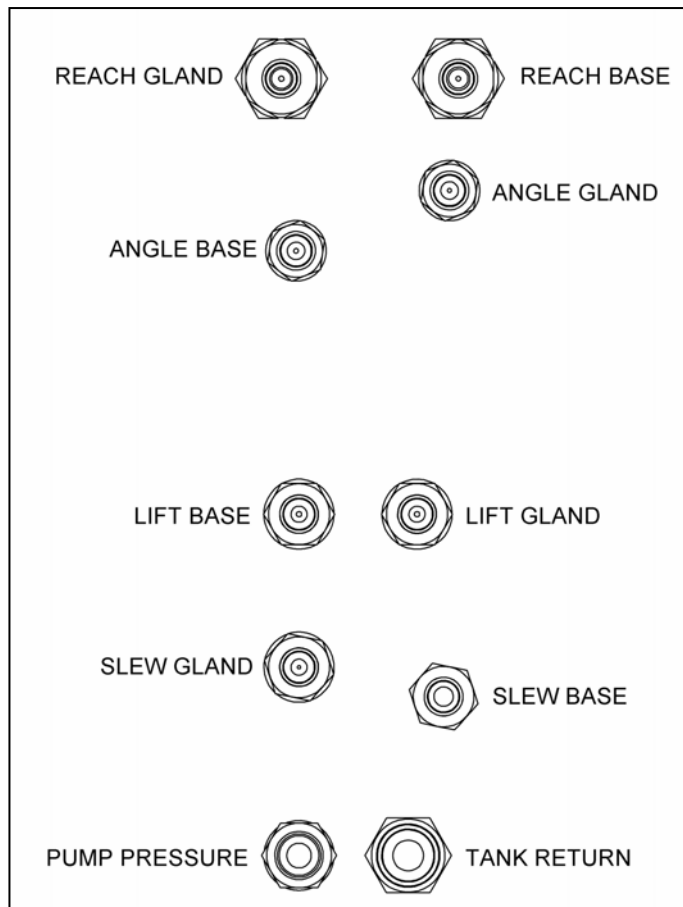
REF.	QTY.	PART NO.	DESCRIPTION
		<b>22524.25</b>	<b>ADAPTOR KIT</b>
1	2	10.002.09	HOSE - 1/4" BSP FS/F90 x 450mm
2	1	6000112	ADAPTOR
3	1	6000113	ADAPTOR
4	5	8116011	SPRING
5	1	8123041	RESTRICTOR DISC - 1.15 RED
6	2	8123044	RESTRICTOR DISC - 1.8 YELLOW
7	2	8130030	RELIEF VALVE - 210BAR
8	2	8130037	ADAPTOR RESTRICTOR - 1.15 'S'
9	2	8130038	ADAPTOR RESTRICTOR - 1.4 'L'
10	2	8130083	ADAPTOR RELIEF BODY
11	1	8130104	ADAPTOR RESTRICTOR - 1.8 'G'
12	2	8130156	RELIEF VALVE HOUSING
13	1	8581115	ADAPTOR
14	1	8581169	ADAPTOR
15	2	8581190	90° ADAPTOR ELBOW
16	3	8581210	SPECIAL ADAPTOR
17	3	8581254	ADAPTOR TEE
18	1	8581279	ADAPTOR EXTENSION
19	1	8581309	SWIVEL ADAPTOR
20	9	8650102	BONDED SEAL
21	6	8650103	BONDED SEAL
22	2	8650104	BONDED SEAL



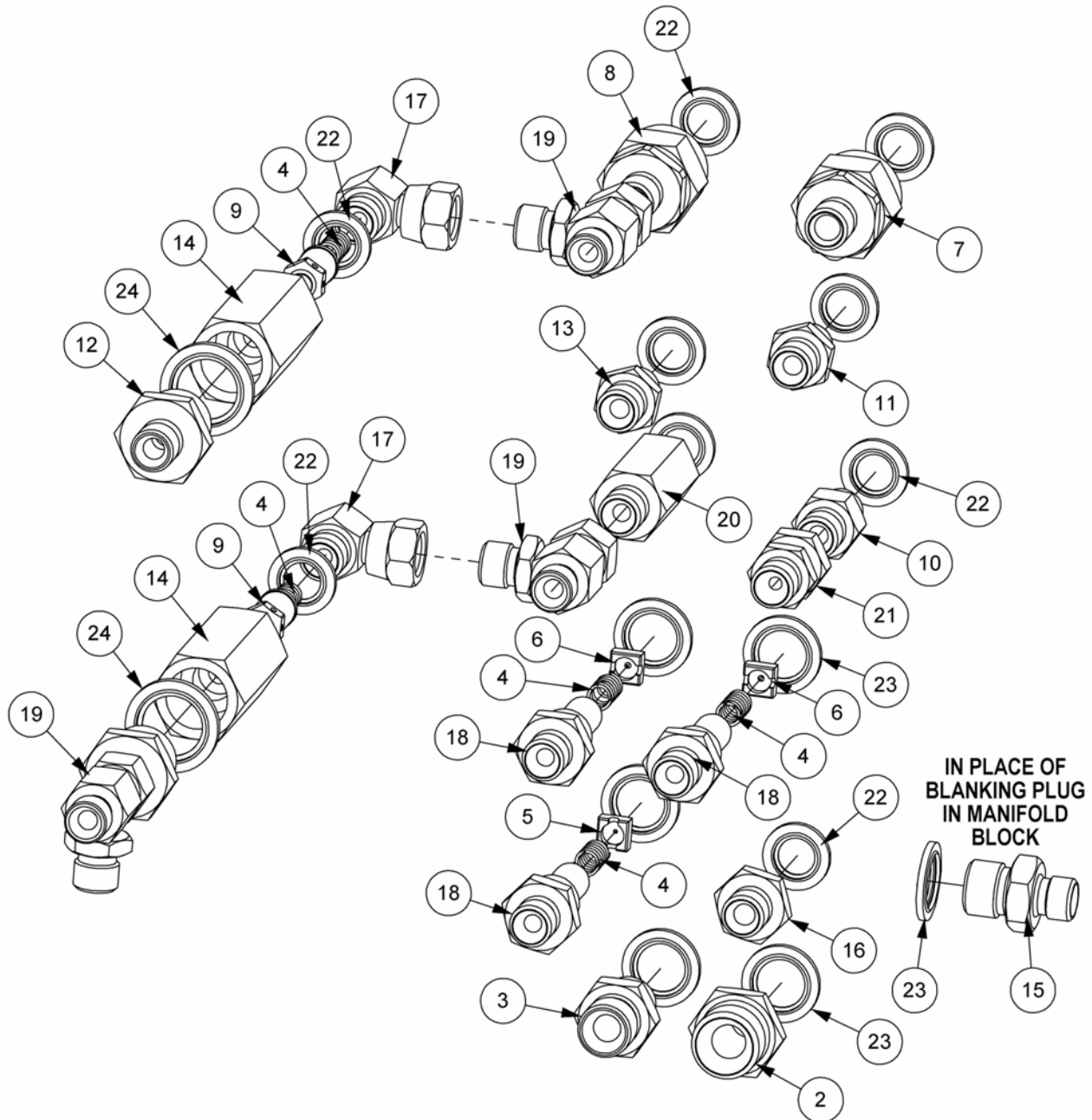


Module(s): 22524.24

REF.	QTY.	PART NO.	DESCRIPTION
		<b>22524.24</b>	<b>ADAPTOR KIT</b>
1	1	6000112	ADAPTOR
2	1	6000113	ADAPTOR
3	3	8116011	SPRING
4	1	8123041	RESTRICTOR DISC - 1.15 RED
5	2	8123044	RESTRICTOR DISC - 1.8 YELLOW
6	1	8123090	RESTRICTOR UNION - 1.6
7	1	8123091	RESTRICTOR UNION - 1.8
8	1	8130038	ADAPTOR RESTRICTOR - 1.4 'L'
9	1	8130105	ADAPTOR RESTRICTOR - 1.6 'H'
10	1	8581169	ADAPTOR
11	3	8581210	SPECIAL ADAPTOR
12	5	8650102	BONDED SEAL
13	5	8650103	BONDED SEAL

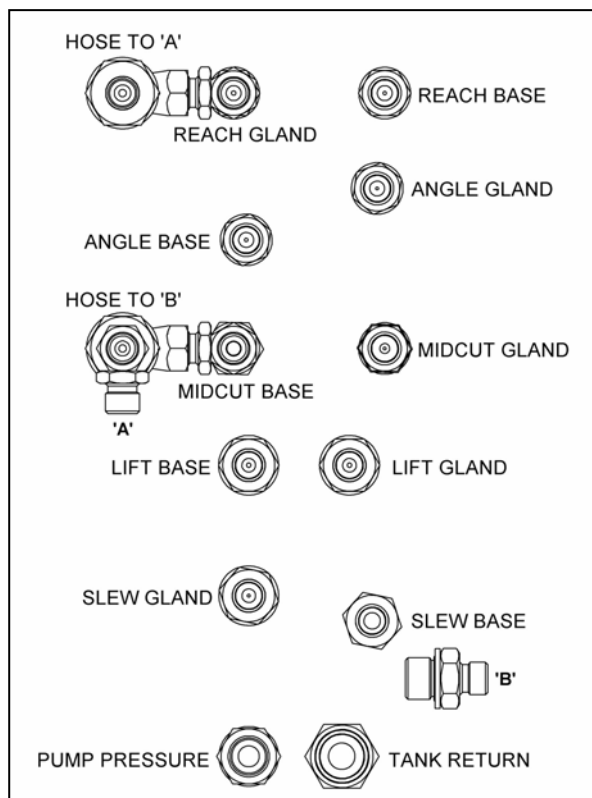






Module(s): 22524.26

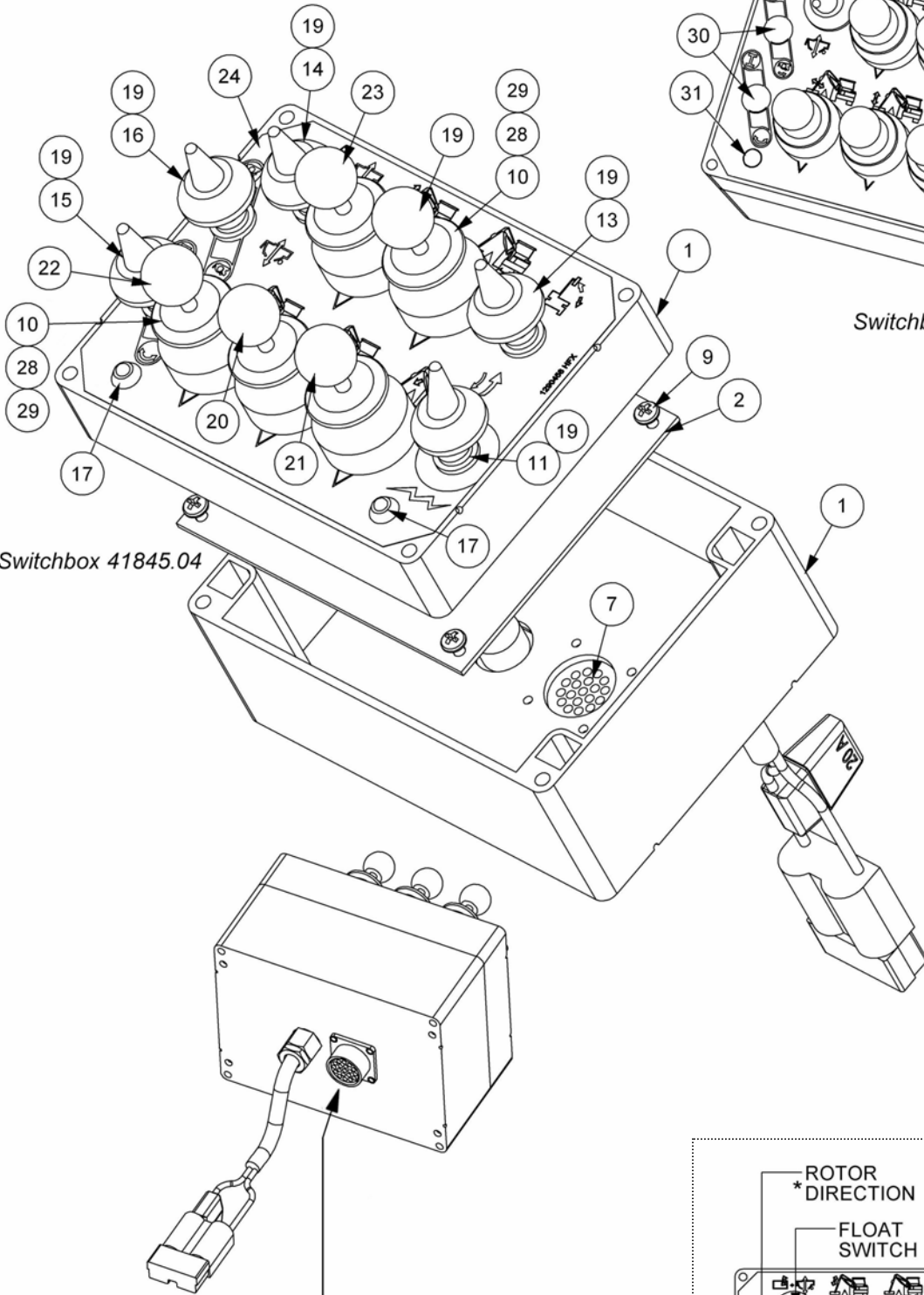
REF.	QTY.	PART NO.	DESCRIPTION
		<b>22524.26</b>	<b>ADAPTOR KIT</b>
1	2	10.002.09	HOSE - 1/4" BSP FS/F90 x 450mm
2	1	6000112	ADAPTOR
3	1	6000113	ADAPTOR
4	5	8116011	SPRING
5	1	8123041	RESTRICTOR DISC - 1.15 RED
6	2	8123044	RESTRICTOR DISC - 1.8 YELLOW
7	1	8123090	RESTRICTOR UNION - 1.6
8	1	8123091	RESTRICTOR UNION - 1.8
9	2	8130030	RELIEF VALVE - 210BAR
10	1	8130037	ADAPTOR RESTRICTOR - 1.15 'S'
11	1	8130038	ADAPTOR RESTRICTOR - 1.4 'L'
12	2	8130083	ADAPTOR RELIEF BODY
13	1	8130105	ADAPTOR RESTRICTOR - 1.6 'H'
14	2	8130156	RELIEF VALVE HOUSING
15	1	8581115	ADAPTOR
16	1	8581169	ADAPTOR
17	2	8581190	90° ADAPTOR ELBOW
18	3	8581210	SPECIAL ADAPTOR
19	3	8581254	ADAPTOR TEE
20	1	8581279	ADAPTOR EXTENSION
21	1	8581309	SWIVEL ADAPTOR
22	9	8650102	BONDED SEAL
23	6	8650103	BONDED SEAL
24	2	8650104	BONDED SEAL



# SWITCHBOX CONTROLS – 5 LEVER

**McCONEL**

Module(s): 41845.03 (Cable RCV), 41845.04 (Electric RCV)



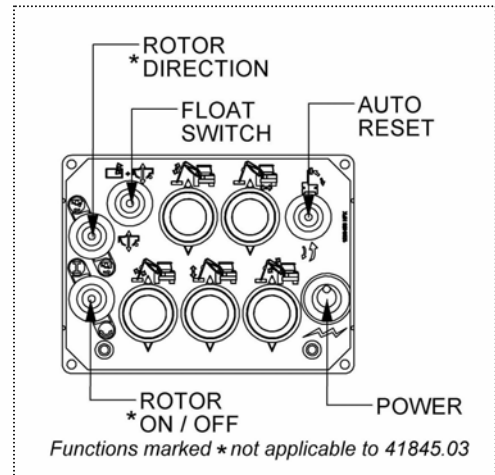
Switchbox 41845.03

Switchbox 41845.04

- A - COMMON
- B - REACH IN
- C - REACH OUT
- D - LIFT UP
- E - LIFT DOWN
- F - COMMON
- G - TELE IN
- H - TELE OUT
- J - ANGLE DOWN
- K - ANGLE UP



- L - SLEW OUT
- M - SLEW IN
- N - COMMON
- P - ANGLE FLOAT
- R - LIFT FLOAT
- S - PUMP 1
- T - PUMP 2
- U - AUTO RESET
- V - CUT OFF



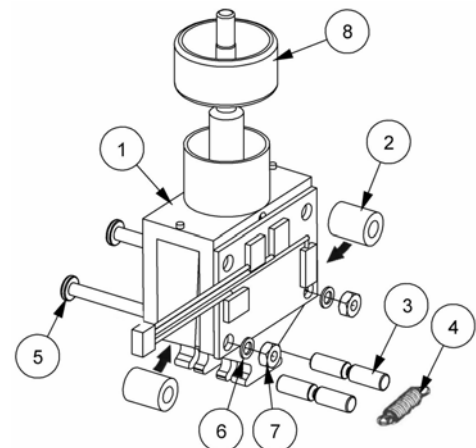
**SWITCHBOX CONTROLS – 5 LEVER**



Module(s): 41845.03 (Cable RCV), 41845.04 (Electric RCV)

REF.	QTY.	PART No.	DESCRIPTION
		<b>41845.03</b>	<b>SWITCHBOX CONTROLS - 5 LEVER (C/RCV)</b>
		<b>41845.04</b>	<b>SWITCHBOX CONTROLS - 5 LEVER (E/RCV)</b>
1	1	41845.31	BOX & LID C/W SCREWS
2	1	41845.33	CIRCUIT BOARD
3	5	41845.34	LOOM (SWITCH UNIT)
4	1	41845.36	LOOM (PUMP CONTROL) - <i>41845.04 only</i>
5	1	41845.37	LOOM (FLOAT SWITCH)
6	1	8402232	POWER HARNESS
7	1	8402189	PANEL MOUNTING SHELL
8	19	8402192	SOCKET CONTACT
9	4	2800203	SCREW
10	5	8402133	SWITCH UNIT
11	1	8402023	SWITCH (POWER ON/OFF)
12	1	8402182	SWITCH (AUTO RESET)
13	1	8402197	SWITCH (FLOAT SELECTION)
14	1	8402173	SWITCH (ROTOR ON/OFF) - <i>41845.04 only</i>
15	1	8402185	SWITCH (ROTOR DIRECTION) - <i>41845.04 only</i>
16	1	8402025	DIODE
17	2	41845.41	LED - <i>Qty 1 on 41845.03</i>
18	5	8402024	SWITCH COVER
19	1	8402056	KNOB - BLACK
20	1	8402027	KNOB - GREEN
21	1	8402028	KNOB - YELLOW
22	1	8402026	KNOB - RED
23	1	8402198	KNOB - BLUE
24	1	1290458	DECAL - SWITCHBOX (5 LEVER)
25	4	8402299	POWER CONTACT
26	2	8402230	RED CONTACTS HOUSING
27	1	43034.02	20 AMP BLADE FUSE
28	5	8402286	RUBBER BOOT (INTERNAL PROTECTOR)
29	5	8402022	LEVER GAITER
30	2	41845.38	BLANKING PLUG - <i>41845.03 only</i>
31	1	41845.40	BLANKING PLUG - <i>41845.03 only</i>

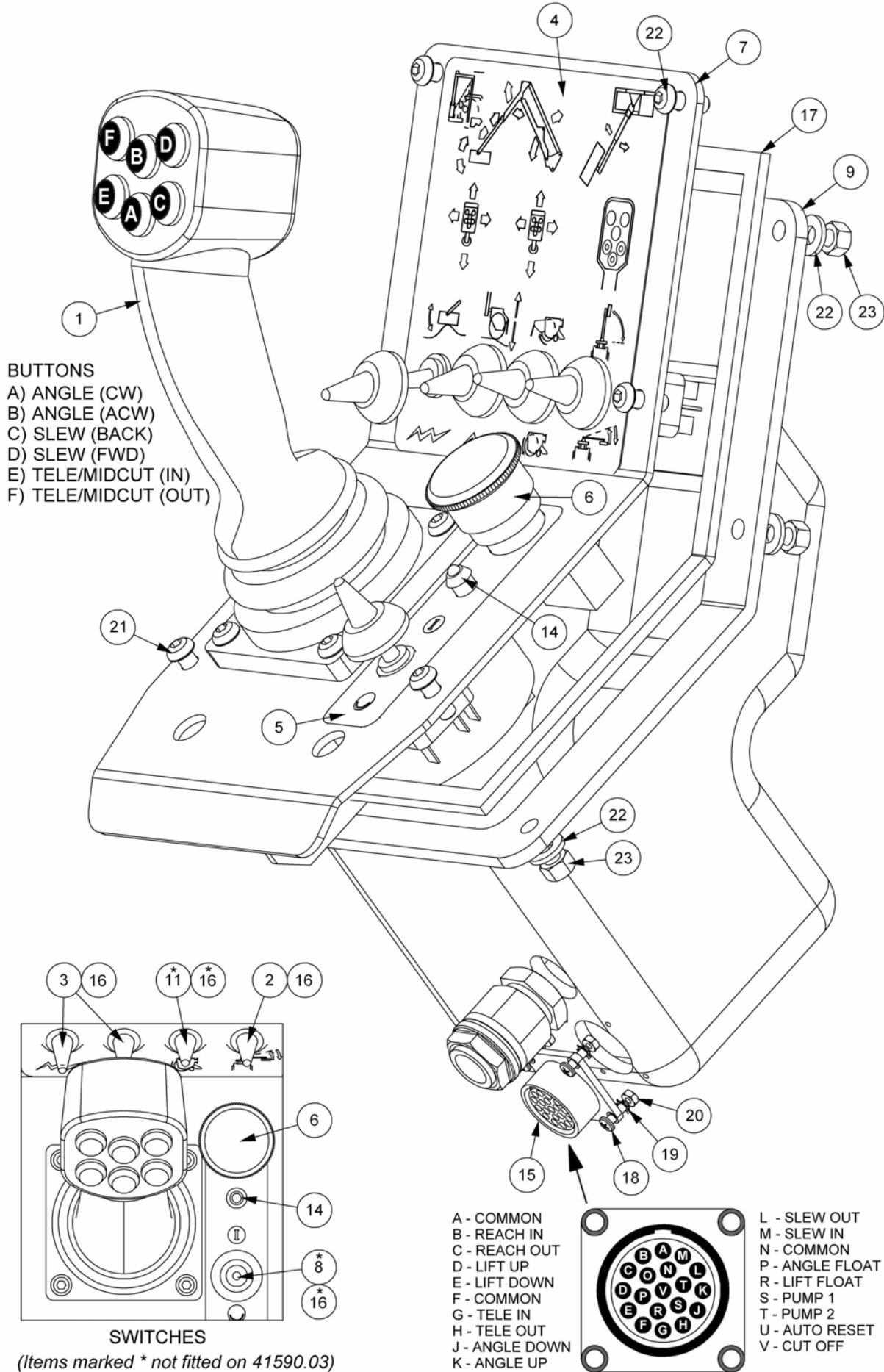
REF.	QTY.	PART No.	DESCRIPTION
1		<b>8402133</b>	<b>SWITCH BODY / LEVER / CIRCUITBOARD</b> <i>c/w:</i>
2		8402334	SPACER
3		8402111	BAR
4		8402101	SPRING
5		9200006	SCREW
6		8402120	PLAIN WASHER
7		9113000	NUT
8		8402051	BEZEL RING



# MONOLEVER CONTROLS (5 FUNCTION)

# McCONEL

Module(s): 41590.03 (Cable RCV), 41590.05 (Electric RCV)



**MONOLEVER CONTROLS (5 FUNCTION)**



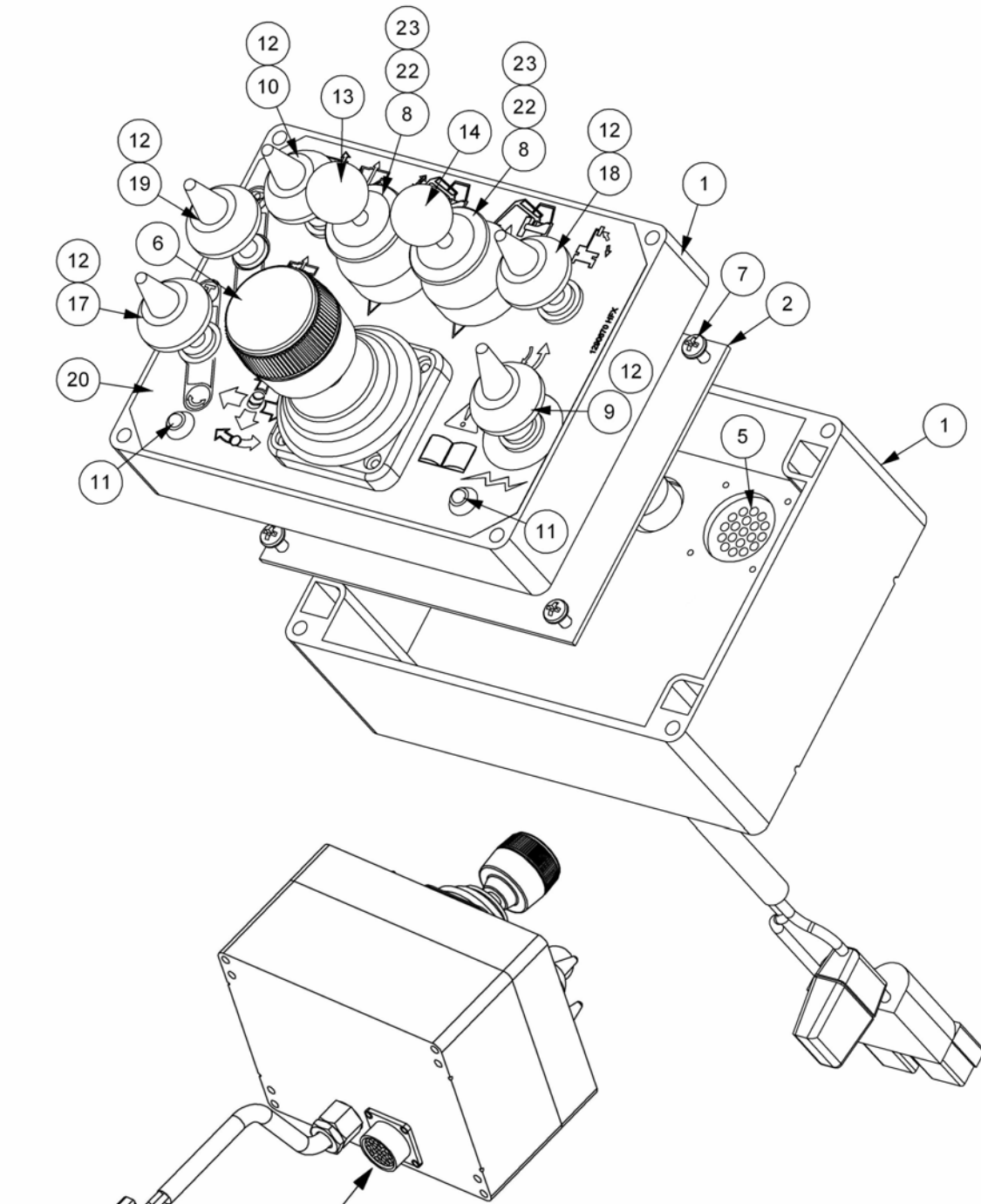
Module(s): 41590.03 (Cable RCV), 41590.05 (Electric RCV)

REF.	QTY.	PART No.	DESCRIPTION
		<b>41590.03</b>	<b>JOYSTICK CONTROLS - 5 FUNCTION (C/RCV)</b>
		<b>41590.05</b>	<b>JOYSTICK CONTROLS - 5 FUNCTION (E/RCV)</b>
1	1	41590.33	JOYSTICK (B/B) - 6 BUTTON
		8402203	CONTROL BUTTON ( <i>Replacement</i> )
2	1	8402182	SWITCH (AUTO RESET)
3	2	8402023	TOGGLE SWITCH (FLOAT SELECTION)
4	1	1290451	CONTROL STICKER
5	1	1290080	POWER STICKER
6	1	8402184	POWER / EMERGENCY STOP BUTTON
7	1	7550339	TOP PLATE
8	1	8402173	SWITCH (ROTOR ON/OFF) - <i>n/a on 41590.03</i>
9	1	7550300	COVER POD
10	4	8402299	POWER CONTACT
11	1	8402185	SWITCH (ROTOR DIRECTION) - <i>n/a on 41590.03</i>
12	2	8402230	RED HOUSING
13	1	43034.02	20 AMP BLADE FUSE
14	1	41845.41	LED
15	1	8402189	PANEL MOUNTING SHELL
16	5	8402024	SWITCH WEATHER COVER ( <i>Qty 3 on 41590.03</i> )
17	1	7290052	SEALING STRIP ( <i>Cut to suit</i> )
18	4	9200007	SCREW
19	4	9100400	SHAKEPROOF WASHER
20	4	9113000	NUT
21	6	9300125	BUTTON HEAD CAPSCREW
22	6	9100103	FLAT WASHER
23	6	9143003	SELF-LOCKING NUT

# XTC PROPORTIONAL SWITCHBOX CONTROLS

**McCONEL**

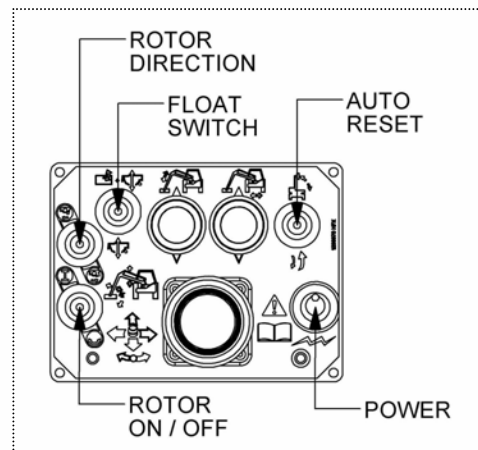
Module(s): 8402395



- A - COMMON
- B - REACH IN
- C - REACH OUT
- D - LIFT UP
- E - LIFT DOWN
- F - COMMON
- G - TELE IN
- H - TELE OUT
- J - ANGLE DOWN
- K - ANGLE UP



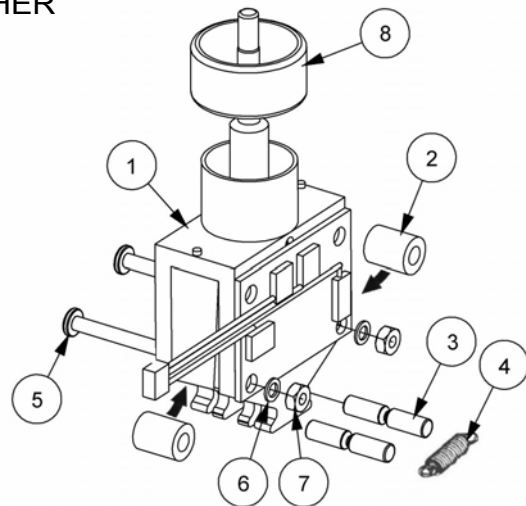
- L - SLEW OUT
- M - SLEW IN
- N - COMMON
- P - ANGLE FLOAT
- R - LIFT FLOAT
- S - PUMP 1
- T - PUMP 2
- U - AUTO RESET
- V - CUT OFF



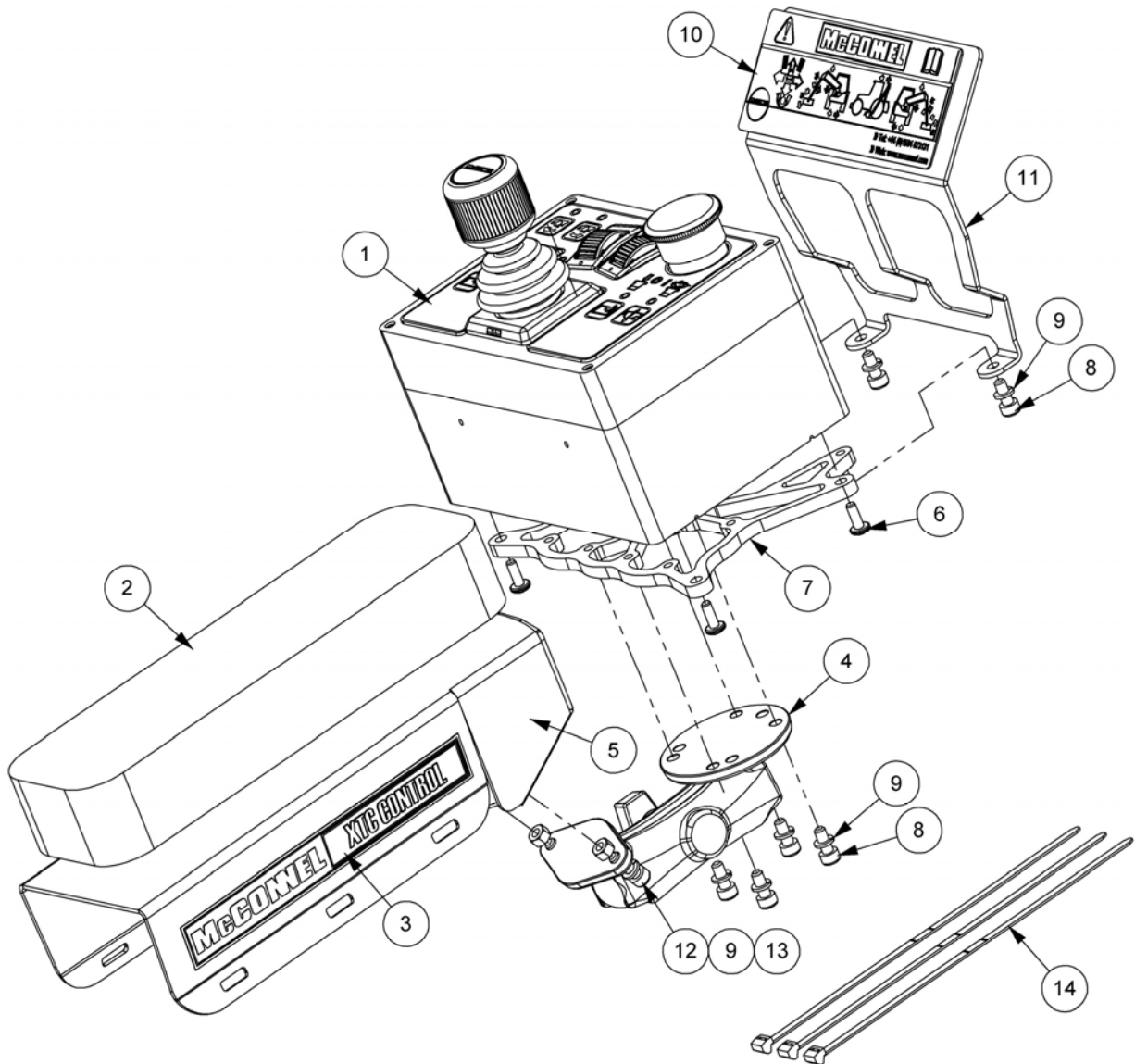
Module(s): 8402395

REF.	QTY.	PART No.	DESCRIPTION
		<b>8402395</b>	<b>XTC PROP. SWITCHBOX CONTROLS</b>
1	1	41845.30	XTC ENCLOSURE
2	1	41845.47	CIRCUIT BOARD
3	2	41845.34	LOOM (SWITCH UNIT)
4	1	41845.37	LOOM (FLOAT SWITCH)
5	1	8402189	PANEL MOUNTING SHELL
6	1	8402246	JOYSTICK (3 AXIS)
7	4	2800203	SCREW
8	2	8402133	SWITCH UNIT
9	1	8402023	SWITCH (POWER ON/OFF)
10	1	8402197	SWITCH (FLOAT SELECTION)
11	2	41845.41	LED
12	5	8402024	SWITCH WEATHER COVER
13	1	8402198	KNOB - BLUE
14	1	8402056	KNOB - BLACK
15	1	8402237	LOOM POWER SUPPLY
16	19	8402192	SOCKET CONTACT
17	1	8402173	SWITCH (ROTOR ON/OFF)
18	1	8402182	SWITCH (AUTO RESET)
19	1	8402185	SWITCH (ROTOR DIRECTION)
20	1	1290670	DECAL - PROP SWITCHBOX
21	1	41845.36	LOOM (PUMP CONTROL)
22	2	8402022	LEVER GAITER
23	2	8402286	RUBBER BOOT (INTERNAL PROTECTOR)

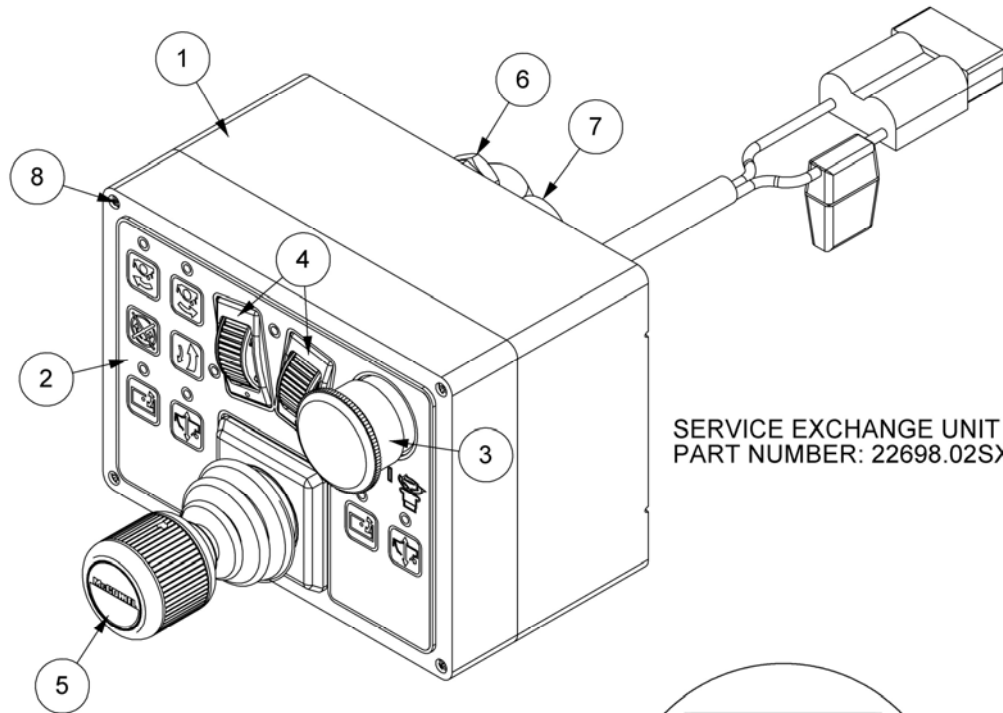
REF.	QTY.	PART No.	DESCRIPTION
1		<b>8402133</b>	<b>SWITCH BODY / LEVER / CIRCUITBOARD c/w:</b>
2		8402334	SPACER
3		8402111	BAR
4		8402101	SPRING
5		9200006	SCREW
6		8402120	PLAIN WASHER
7		9113000	NUT
8		8402051	BEZEL RING





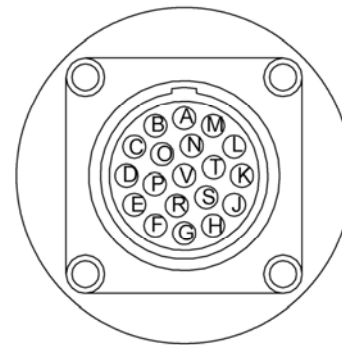


REF.	QTY.	PART No.	DESCRIPTION
		<b>22698.04</b>	<b>XTC Mk2 PROPORTIONAL CONTROLS</b>
1	1	22698.02	XTC CONTROLS 5 SERVICE
2	1	22073.45	ARMREST FOAM
3	2	1290847	DECAL - XTC CONTROL
4	1	22073.08	SCREEN MOUNT
5	1	22698.12	XTC ARMREST
6	4	2800243	SELF TAPPING SCREW
7	1	22698.41	XTC MOUNTING PLATE
8	6	9343022	CAPSCREW
9	8	9100202	SPRING WASHER
10	1	1290848	DECAL - XTC OPERATIONS
11	1	22698.42	DECAL MOUNTING PLATE
12	2	9343032	CAPSCREW
13	2	05.287.09	CLEVELOC
14	3	7135084	CABLE TIE

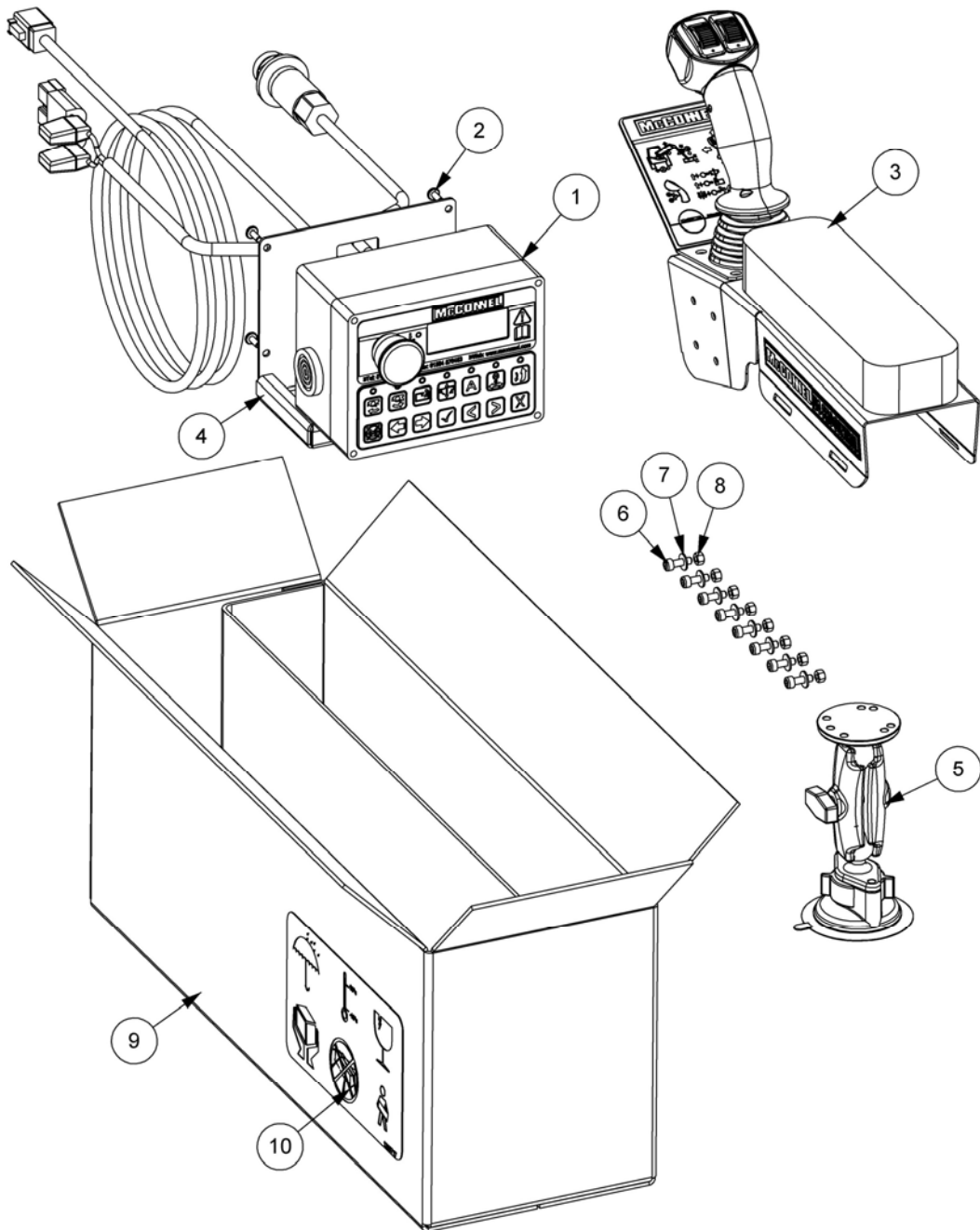


SERVICE EXCHANGE UNIT  
PART NUMBER: 22698.02SX

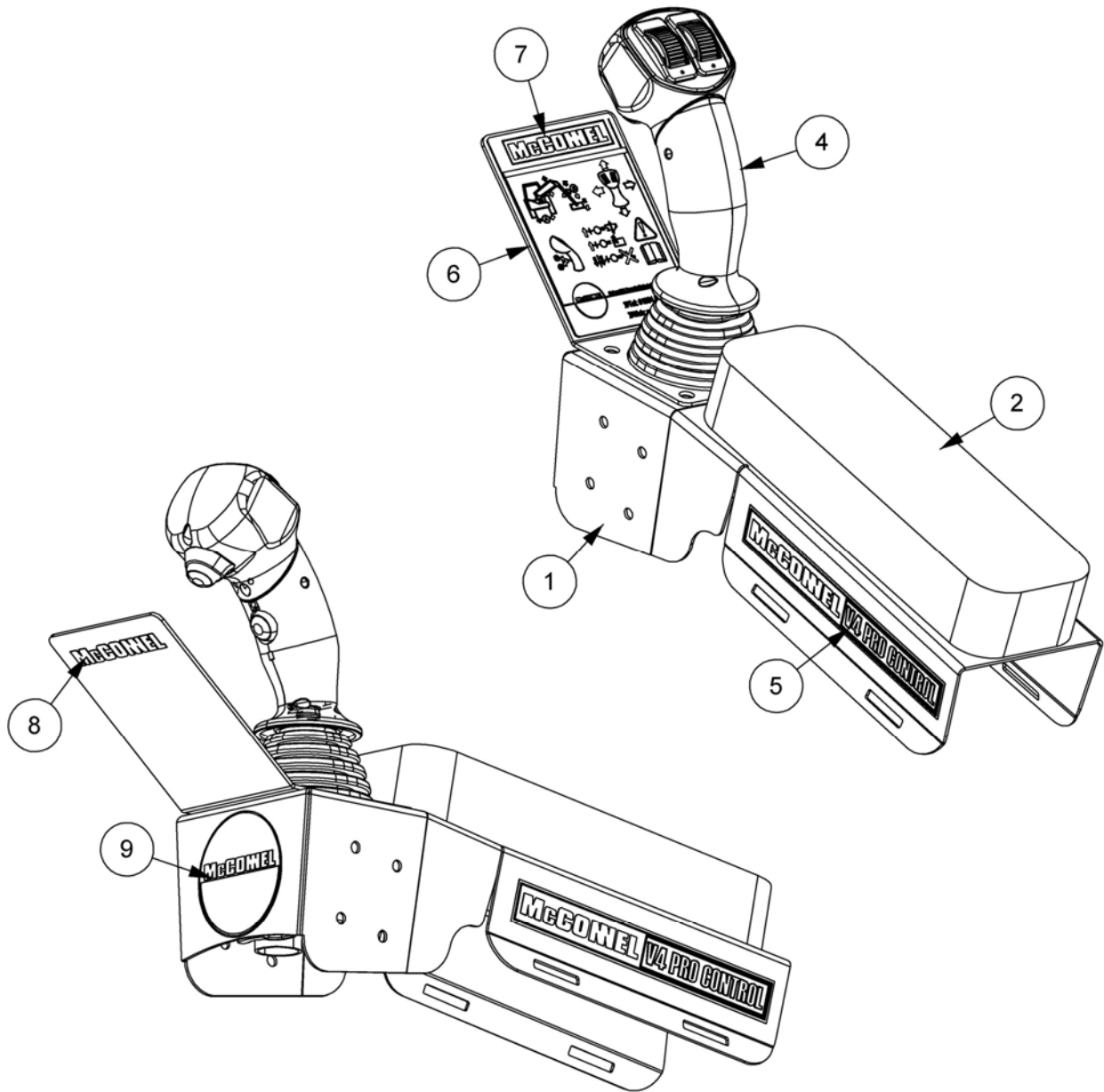
- |   |            |   |             |
|---|------------|---|-------------|
| A | COMMON     | L | SLEW OUT    |
| B | REACH IN   | M | SLEW IN     |
| C | REACH OUT  | N | COMMON      |
| D | LIFT UP    | P | ANGLE FLOAT |
| E | LIFT DOWN  | R | LIFT FLOAT  |
| F | COMMON     | S | PUMP 1      |
| G | TELE IN    | T | PUMP 2      |
| H | TELE OUT   | U | AUTO RESET  |
| J | ANGLE DOWN | V | CUT OFF     |
| K | ANGLE UP   |   |             |



REF.	QTY.	PART No.	DESCRIPTION
		<b>22698.02</b>	<b>XTC Mk2 CONTROL UNIT</b>
1	1	22698.10	XTC ENCLOSURE
2	1	22698.32	XTC 5 SERVICE KEYPAD
3	1	41786.33	SWITCH E/STOP
4	2	22698.35	XTC THUMB WHEEL
5	1	22698.46	JOYSTICK
6	1	8402149	GLAND
7	1	8402189	PANEL MOUNTING SHELL
8	1	22698.43	TURN FASTNER (PACK OF 4)



REF.	QTY.	PART No.	DESCRIPTION
		<b>22073.01</b>	<b>V4 CONTROLS WITH JC6000</b>
1	1	22073.14	V4 CONTROL BOX (MK2)
2	4	2800243	SELF TAPPING SCREW
3	1	22073.03	V4 JOYSTICK ARMREST ASSEMBLY
4	1	22073.58	SCREEN MOUNT
5	1	22073.09	V4 SCREEN MOUNT KIT
6	8	9343032	CAPSCREW
7	8	9100102	FLAT WASHER
8	8	9143002	SELF-LOCKING NUT
9	1	8402700	WATER PROOF CARDBOARD BOX
10	1	1290717	BOX DECAL

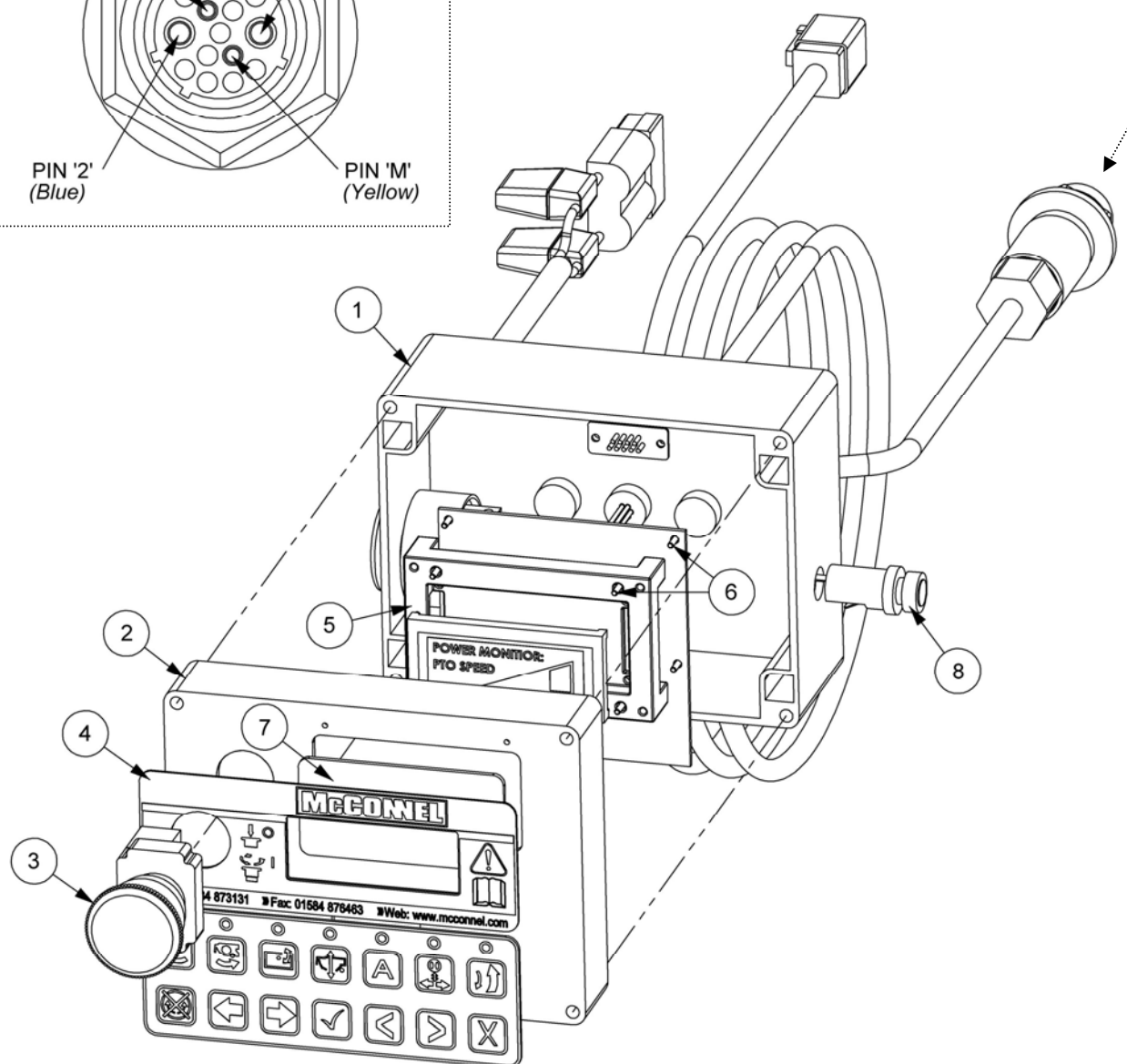
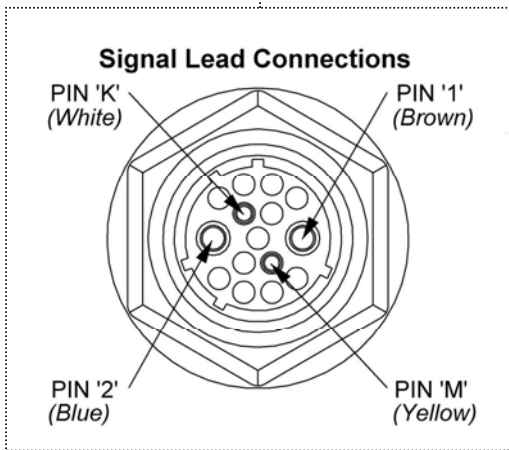


REF.	QTY.	PART No.	DESCRIPTION
		<b>22073.03</b>	<b>V4 JOYSTICK ARMREST ASSEMBLY</b>
1	1	22073.44	JOYSTICK ARMREST MOUNT
2	1	22073.45	ARM REST FOAM
3	2	7106187	NYLON STRAP <i>(Not Illustrated)</i>
4	1	22073.16	JOYSTICK c/w THUMB SWITCHES
5	2	1290740	DECAL - V4 PRO CONTROL
6	1	22073.59	DECAL MOUNT
7	1	1290739	DECAL - V4 OPERATIONS
8	1	1290741	DECAL - McCONNEL
9	1	1290742	DECAL - McCONNEL ROUNDEL

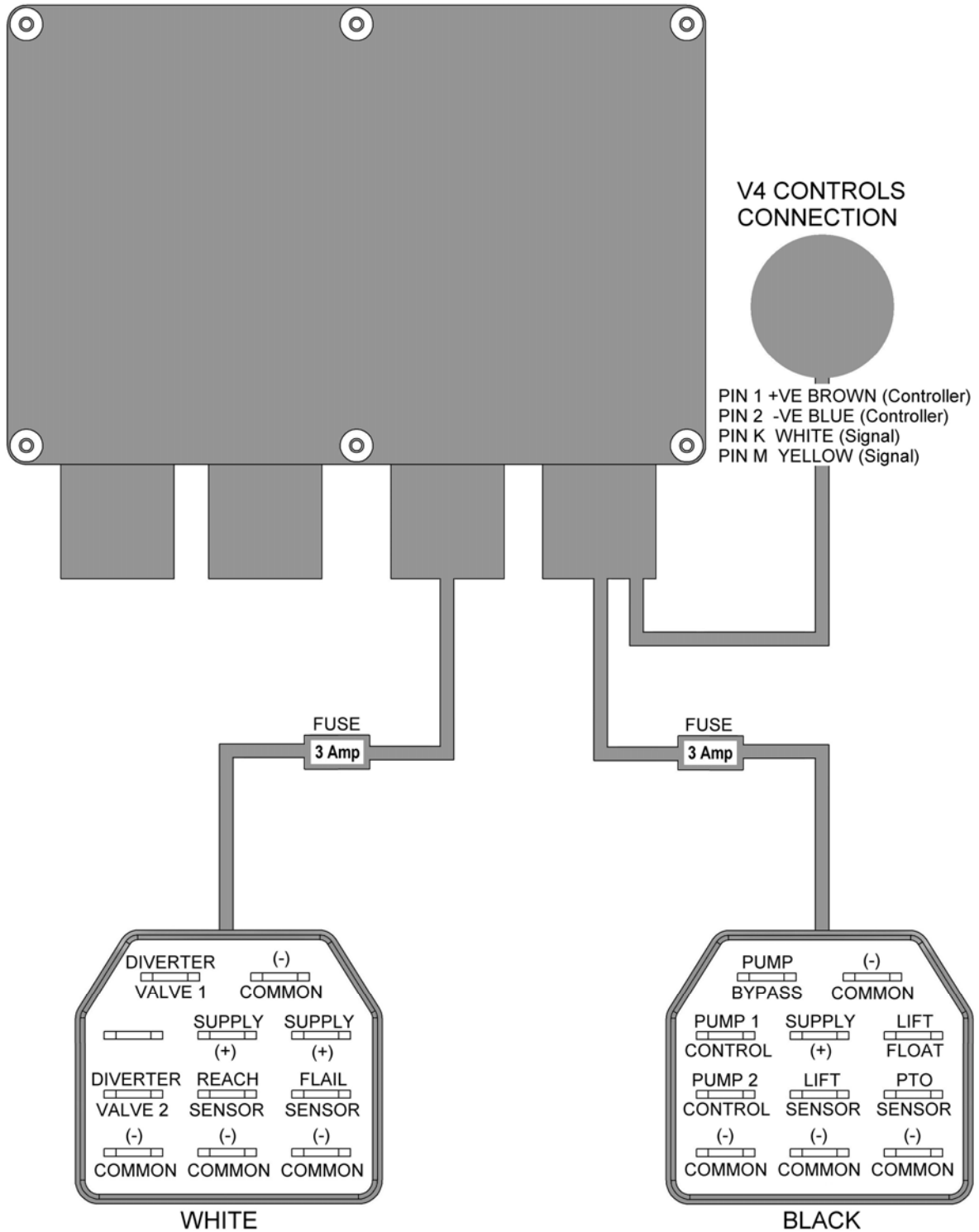
# V4 PROPORTIONAL CONTROL BOX (Mk2)

**McCONNEL**

Module(s): 22073.14



REF.	QTY.	PART No.	DESCRIPTION
		<b>22073.14</b>	<b>V4 CONTROL BOX ASSEMBLY (Mk2)</b>
1	1	22073.62	V4 CONTROL BOX
2	1	22073.32	BOX LID
3	1	41786.33	SWITCH / EMERGENCY STOP
4	1	22073.35	V4 DECAL
5	1	22073.39	V4 SCREEN MOUNT
6	8	22073.42	SELF-TAPPING SCREW
7	1	22073.40	SCREEN COVER
8	1	22073.41	FUSE HOLDER - BAYONET CAP (10A)



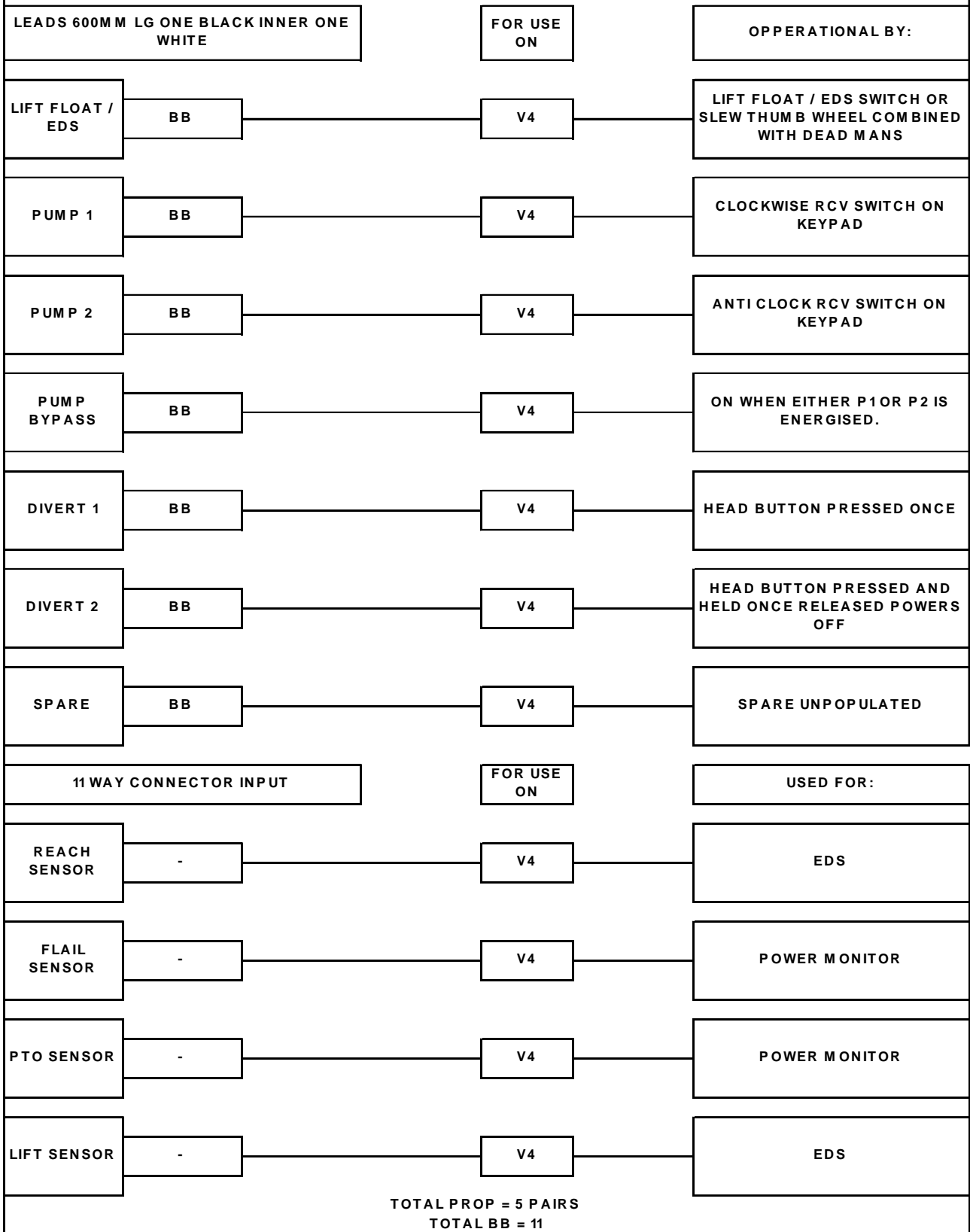
Module(s):

**HIRSCHMANN CONNECTOR BB OR PROP**

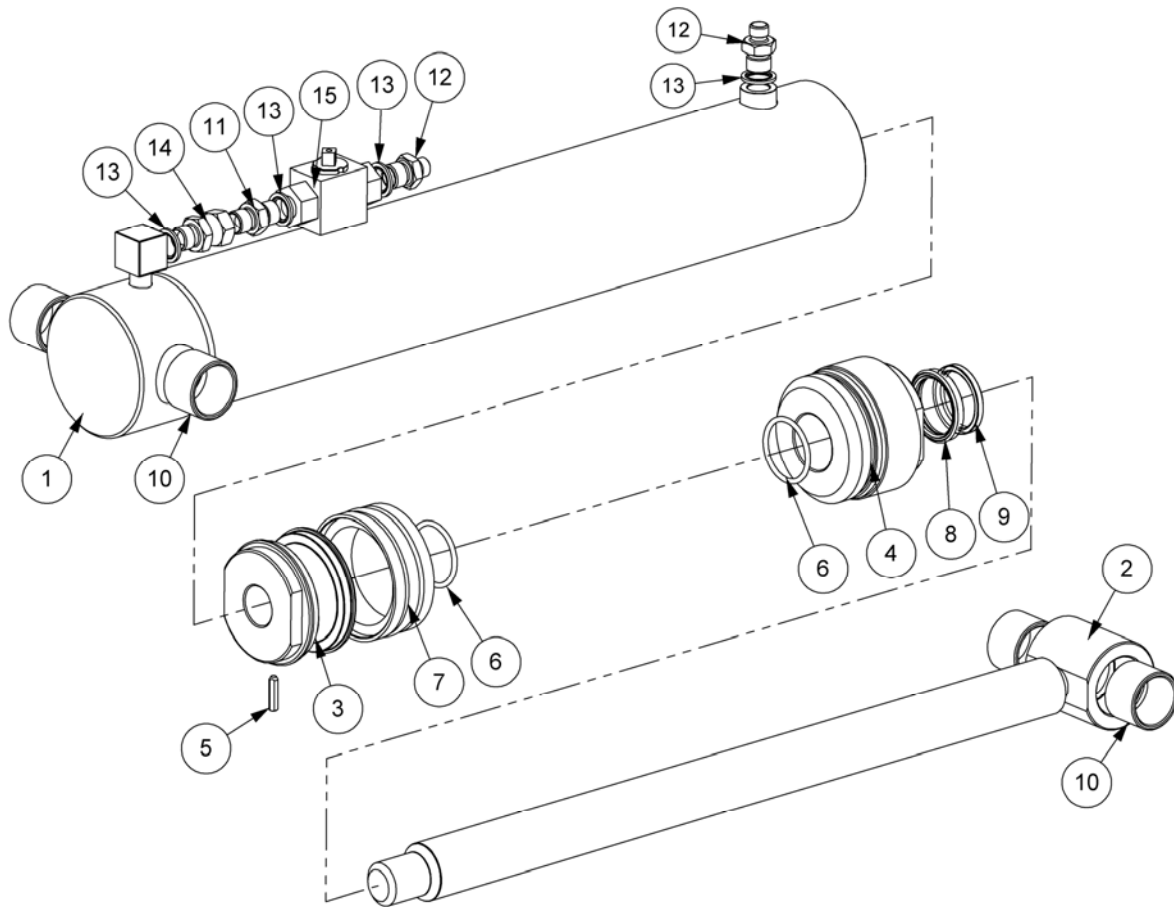
GRAY	TYPE AND LEAD LENGTH	BLACK	FOR USE ON	OPERATIONAL BY:
REACH	PROP 600LG	REACH	V4	JOYSTICK LEFT AND RIGHT
ANGLE	PROP 550LG	ANGLE	V4	LEFT THUMB WHEEL
TELE/MID	PROP 500LG	TELE/MID	V4	RIGHT THUMB WHEEL AFTER SLEW TELE SWAP ACTIVE
LIFT	PROP 450LG	LIFT	V4	JOYSTICK FORWARD AND BACKWARDS
SLEW	PROP 400LG	SLEW	V4	RIGHTHAND THUMB WHEEL
ANGLE FLOAT	BB 350LG	ANGLE FLOAT	ECON	OPERATES FROM ANGLE FLOAT SWITCH AND ANGLE ROCKER COMBINDED WITH DEAD MANS
SPARE	PROP	SPARE	V4	SPARE UNPOPULATED
SPARE	PROP	SPARE	V4	SPARE UNPOPULATED
CUT OFF	BB 600LG		V4	COPERATES WHEN ANY VALVE SERVICE IS ACTIVATED
AUTO RESET	BB 500LG		V4	OPERATES FROM AUTO RESET ON KEYPAD
LIFT CHECK VALVE	BB 550LG		ECON	OPERATES WHEN LIFT SERVICE IS ACTIVATED
ANGLE FLOAT	BB 550LG		V4	OPERATES FROM ANGLE FLOAT SWITCH AND ANGLE ROCKER COMBINDED WITH DEAD MANS

Module(s):

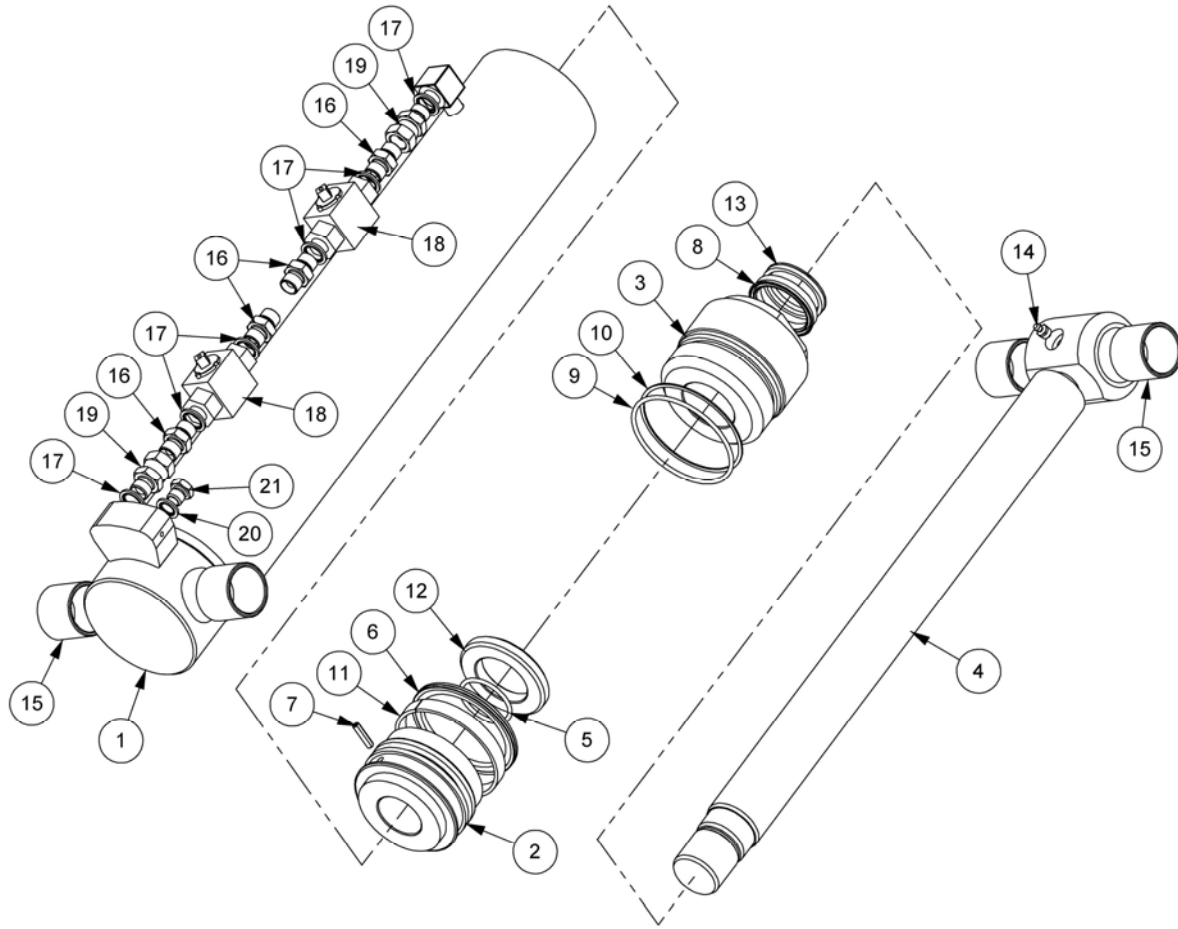
**11 WAY CONNECTOR OUTPUTS BB**







REF.	QTY.	PART No.	DESCRIPTION
		<b>45895.02</b>	<b>LIFT RAM ASSEMBLY</b>
1	1	45895.31	BARREL
2	1	45275.02	PISTON ROD
3	1	43315.31	PISTON
4	1	43315.32	GLAND HOUSING
5	1	42775.01	DOWEL
6	2	8600301	O RING
7	1	8638742	PISTON SEAL
8	1	8629225	GLAND SEAL
9	1	8629208	SCRAPER RING
10	5	08.297.05	BUSH
11	1	6000113	ADAPTOR
12	2	8581115	ADAPTOR
13	4	8650103	BONDED SEAL
14	1	8581178	SWIVEL ADAPTOR
15	1	08.200.01	ISOLATING VALVE
		<b>43315.01</b>	<b>SEAL KIT</b>

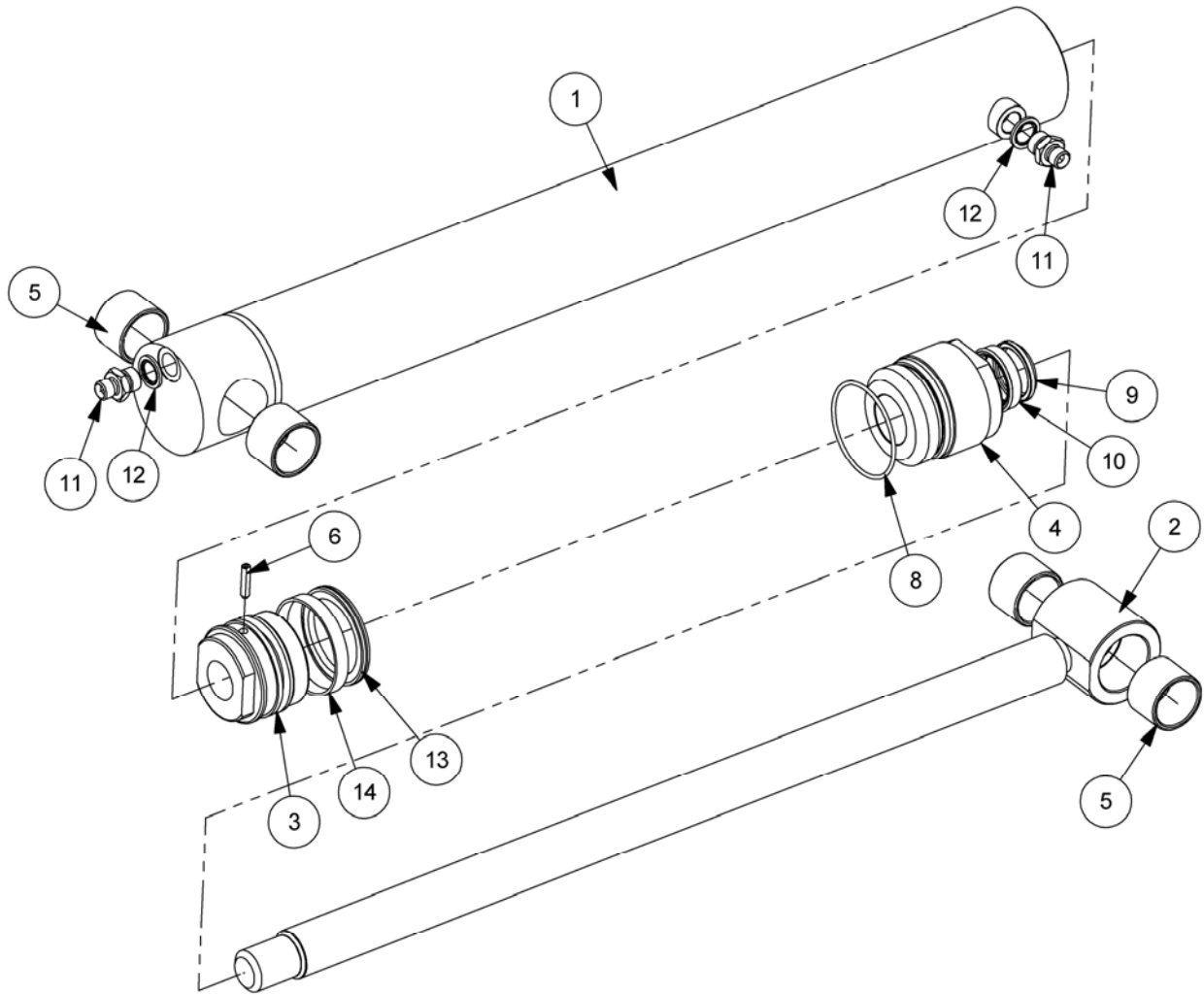


REF.	QTY.	PART No.	DESCRIPTION
		<b>42655.05</b>	<b>LIFT RAM ASSEMBLY</b>
1	1	42655.49	RAM BARREL
2	1	42655.31	PISTON
3	1	42655.48	GLAND HOUSING
4	1	42655.45	PISTON ROD
5	1	8600302	O RING
6	1	8629182	PISTON SEAL
7	1	42775.01	DOWEL
8	1	8629184	SEAL
9	1	8600317	O RING
10		8609317	BACK UP RING
11	1	8629183	BEARING RING
12	1	43062.05	RAM SPACER
13	1	8629227	SEAL - ROD SCRAPER
14	1	0901121	GREASE NIPPLE
15	4	08.297.02	BUSH
16	4	6000113	ADAPTOR
17	6	8650103	BONDED SEAL
18	2	08.200.01	ISOLATING VALVE
19	2	8581178	SWIVEL ADAPTOR
20	1	8650102	BONDED SEAL
21	1	520378	PLUG
		<b>21094.02</b>	<b>SEAL KIT</b>

# REACH RAM ASSEMBLY

**McCONEL**

Module(s): 45288.04

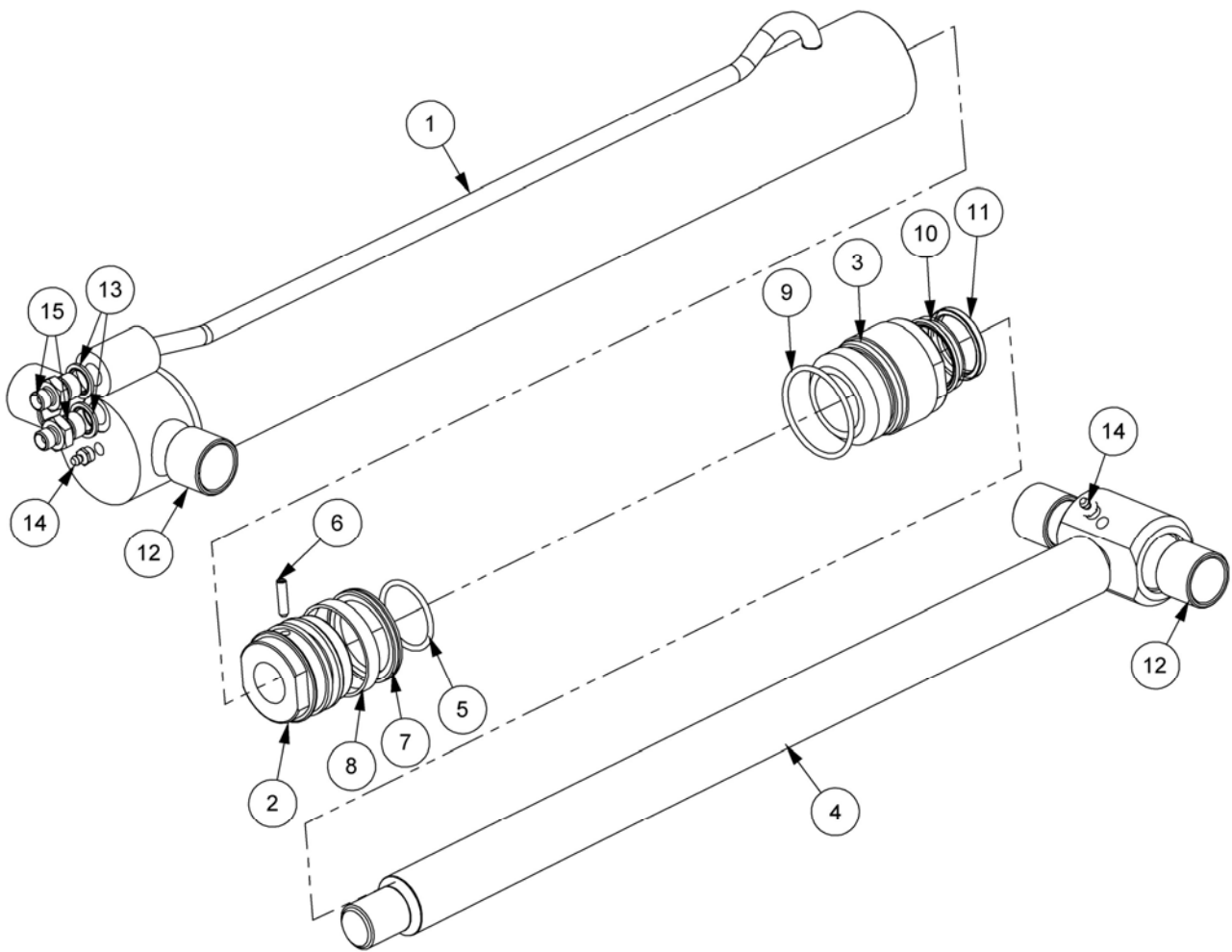


REF.	QTY.	PART NO.	DESCRIPTION
		<b>45288.04</b>	<b>REACH RAM ASSEMBLY</b>
1	1	45273.04	BARREL
2	1	45440.01	ROD
3	1	45441.02	PISTON
4	1	45441.01	GLAND HOUSING
5	4	08.297.05	BUSH
6	1	42775.01	DOWEL
7	1	8600125	O RING
8	1	8600429	O RING
9	1	8629230	SCAPER RING
10	1	8629229	ROD SEAL
11	2	8581115	ADAPTOR
12	2	8650103	BONDED SEAL
13	1	8629189	PISTON SEAL
14	1	8629190	GUIDE RING
		<b>8699258</b>	<b>SEAL KIT</b>

# ANGLING RAM ASSEMBLY

**McCONNEL**

Module(s): 43317.07

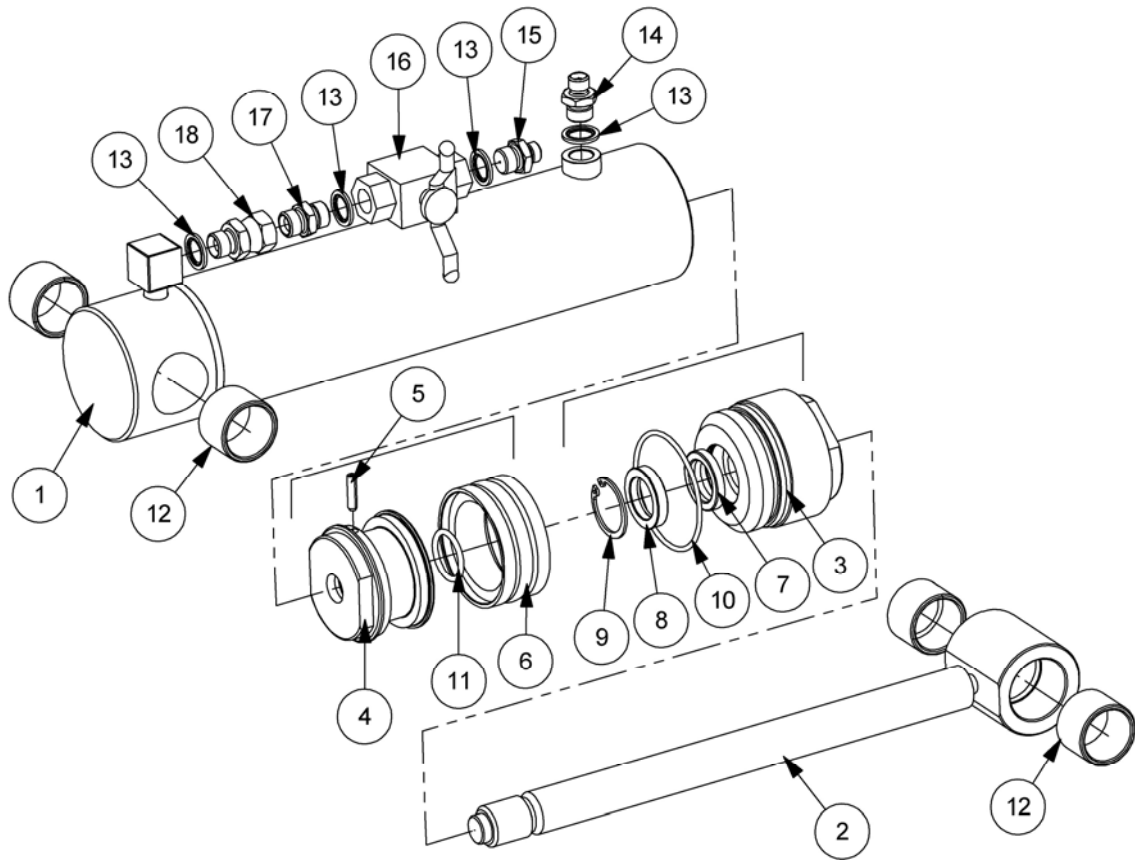


REF.	QTY.	PART No.	DESCRIPTION
		<b>43317.07</b>	<b>ANGLING RAM ASSEMBLY</b>
1	1	43317.33	RAM BARREL
2	1	43317.31	PISTON
3	1	43317.32	GLAND HOUSING
4	1	43317.35	PISTON ROD
5	1	8600301	O RING
6	1	42775.01	DOWEL
7	1	8629156	PISTON SEAL
8	1	8629157	PISTON GUIDE RING
9	1	8600306	O RING
10	1	8629225	ROD GLAND SEAL
11	1	8629208	ROD SCRAPER RING
12	4	08.297.04	BUSH
13	2	8650103	BONDED SEAL
14	2	0901121	GREASER
15	2	8581115	ADAPTOR
		<b>43317.01</b>	<b>SEAL KIT</b>

# SLEW RAM ASSEMBLY

**McCONEL**

Module(s): 45288.05

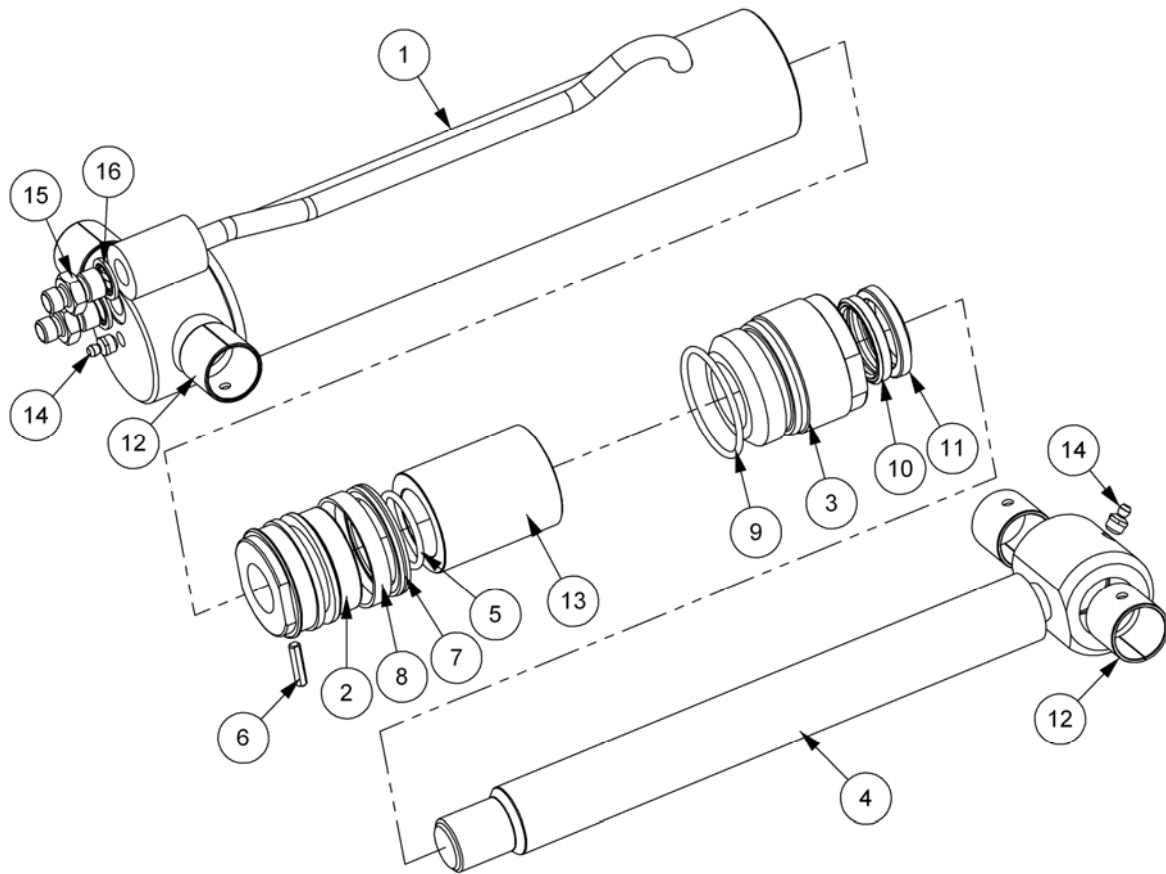


REF.	QTY.	PART NO.	DESCRIPTION
		<b>45288.05</b>	<b>SLEW RAM ASSEMBLY</b>
1	1	45273.05	BARREL
2	1	45275.01	PISTON ROD
3	1	45283.01	GLAND HOUSING
4	1	45276.01	PISTON
5	1	42775.01	DOWEL
6	1	8638740	PISTON SEAL
7	1	8629149	SCRAPER RING
8	1	8629148	GLAND SEAL
9	1	0416240	INTERNAL CIRCLIP
10	1	8700740	O RING
11	1	8600121	O RING
12	4	08.297.05	BUSH
13	4	8650103	BONDED
14	1	8581115	ADAPTOR
15	1	8130066	ADAPTOR RESTRICTOR
16	1	08.200.01	ISOLATING VALVE
17	1	6000113	ADAPTOR
18	1	8581178	SWIVEL ADAPTOR
		<b>8699525</b>	<b>SEAL KIT</b>

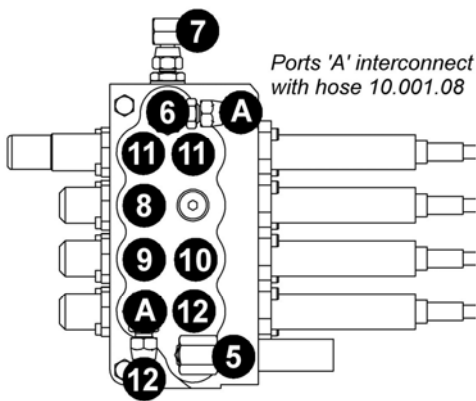
# MIDCUT FOLD RAM ASSEMBLY

**McCONNEL**

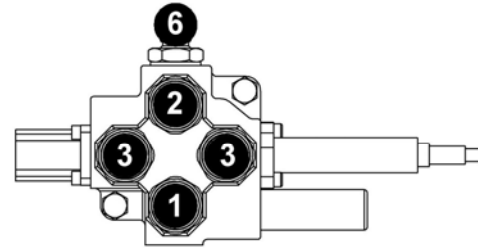
Module(s): 42664.05



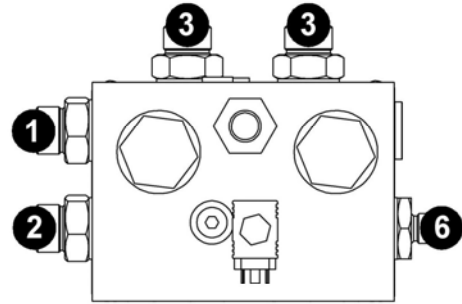
REF.	QTY.	PART No.	DESCRIPTION
		<b>42664.05</b>	<b>MIDCUT FOLD RAM ASSEMBLY</b>
1	1	42664.42	RAM BARREL
2	1	42664.31	PISTON
3	1	42664.32	GLAND HOUSING
4	1	42664.39	PISTON ROD
5	1	8600127	O RING
6	1	42775.01	DOWEL
7	1	8629156	PISTON SEAL
8	1	8629157	GUIDE RING
9	1	8600306	O RING
10	1	8629222	GLAND SEAL
11	1	8629147	SCRAPER RING
12	4	42654.01	BUSH
13	1	43062.01	RAM SPACER
14	2	0901121	GREASE NIPPLE
15	2	8581115	ADAPTOR
16	2	8650103	BONDED SEAL
		<b>42664.08</b>	<b>SEAL KIT</b>



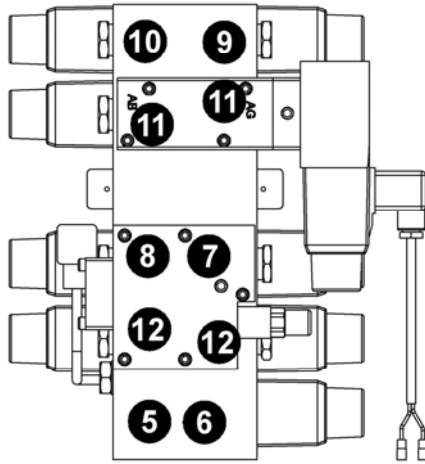
CABLE CONTROL VALVE



CABLE ROTOR CONTROL

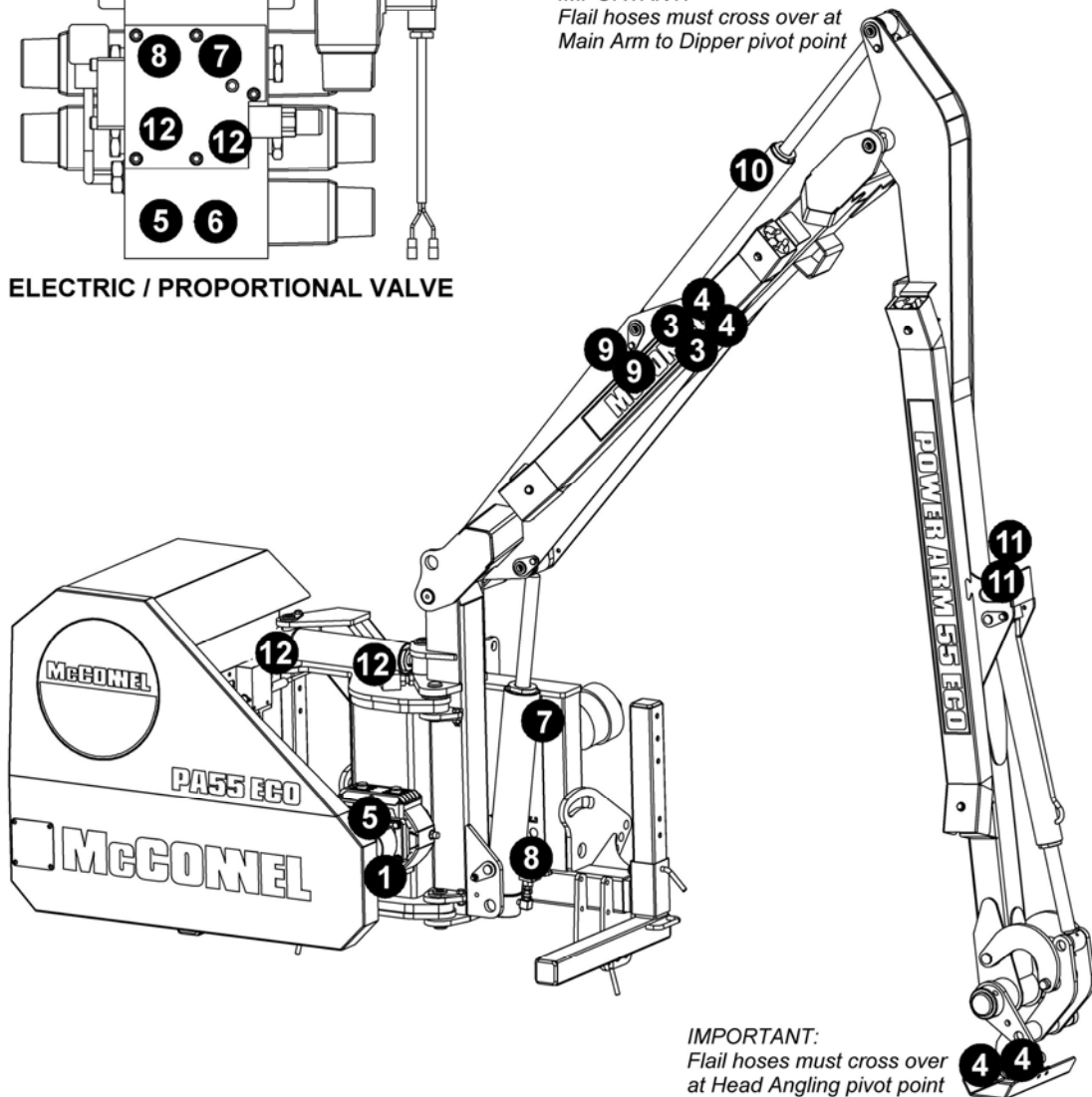


ELECTRIC ROTOR CONTROL



ELECTRIC / PROPORTIONAL VALVE

**IMPORTANT:**  
Flail hoses must cross over at Main Arm to Dipper pivot point



**IMPORTANT:**  
Flail hoses must cross over at Head Angling pivot point

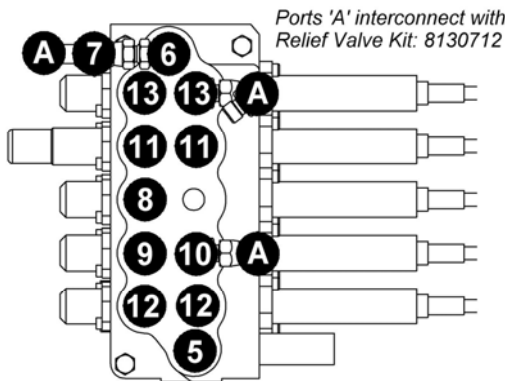
Module(s): 749472220 / 221 / 222 / 223 / 224 / 225

REF.	QTY.						PART No.	DESCRIPTION
							• 749472220 PA50 ECO Mk2 R/H CABLE (C/RCV)	
							• 749472221 PA50 ECO Mk2 R/H ELEC/PROP (C/RCV)	
							• 749472222 PA50 ECO Mk2 R/H ELEC/PROP (E/RCV)	
							• 749472223 PA55 ECO Mk2 R/H CABLE (C/RCV)	
							• 749472224 PA55 ECO Mk2 R/H ELEC/PROP (C/RCV)	
							• 749472225 PA55 ECO Mk2 R/H ELEC/PROP (E/RCV)	
1	1	1	-	1	1	-	10.012.10 HOSE - 1" BSP FS/F90 x 500mm	
	-	-	1	-	-	1	10.025.16 HOSE - 1" BSP FS/F135 x 800mm	
2	1	1	-	1	1	-	10.012.11 HOSE - 1" BSP FS/F90 x 550mm	
	-	-	1	-	-	1	10.011.21 HOSE - 1" BSP FS/FS x 1100mm	
3	2	2	-	2	2	-	10.025.29 HOSE - 1" BSP FS/F135 x 1900mm	
	-	-	2	-	-	2	10.025.28 HOSE - 1" BSP FS/F135 x 1800mm	
4	2	2	2	-	-	-	10.012.42 HOSE - 1" BSP FS/F90 x 3200mm	
	-	-	-	2	2	2	10.012.47 HOSE - 1" BSP FS/F90 x 3700mm	
5	1	-	-	1	-	-	10.004.08 HOSE - 3/8" BSP FS/F90 x 400mm	
	-	1	1	-	1	1	10.004.10 HOSE - 3/8" BSP FS/F90 x 500mm	
6	1	-	-	1	-	-	10.006.11 HOSE - 1/2" BSP FS/F90 x 550mm	
	-	1	1	-	1	1	10.006.14 HOSE - 1/2" BSP FS/F90 x 700mm	
7	1	-	-	1	-	-	10.002.22 HOSE - 1/4" BSP FS/F90 x 1200mm	
	-	1	1	-	1	1	10.002.20 HOSE - 1/4" BSP FS/F90 x 1000mm	
8	1	-	-	1	-	-	10.001.22 HOSE - 1/4" BSP FS/FS x 1200mm	
	-	1	1	-	1	1	10.001.20 HOSE - 1/4" BSP FS/FS x 1000mm	
9	1	-	-	-	-	-	10.001.29 HOSE - 1/4" BSP FS/FS x 1900mm	
	-	-	-	1	-	-	10.001.31 HOSE - 1/4" BSP FS/FS x 2100mm	
	-	1	1	-	-	-	10.001.27 HOSE - 1/4" BSP FS/FS x 1700mm	
	-	-	-	-	1	1	10.001.29 HOSE - 1/4" BSP FS/FS x 1900mm	
10	1	-	-	-	-	-	10.002.36 HOSE - 1/4" BSP FS/F90 x 2600mm	
	-	-	-	1	-	-	10.002.38 HOSE - 1/4" BSP FS/F90 x 2800mm	
	-	1	1	-	-	-	10.002.34 HOSE - 1/4" BSP FS/F90 x 2400mm	
	-	-	-	-	1	1	10.002.36 HOSE - 1/4" BSP FS/F90 x 2600mm	
11	2	-	-	-	-	-	10.002.52 HOSE - 1/4" BSP FS/F90 x 4200mm	
	-	-	-	2	-	-	10.002.57 HOSE - 1/4" BSP FS/F90 x 4700mm	
	-	2	2	-	-	-	10.002.50 HOSE - 1/4" BSP FS/F90 x 4000mm	
	-	-	-	-	2	2	10.002.55 HOSE - 1/4" BSP FS/F90 x 4500mm	
12	2	-	-	2	-	-	10.002.18 HOSE - 1/4" BSP FS/F90 x 900mm	
	-	2	2	-	2	2	10.002.14 HOSE - 1/4" BSP FS/F90 x 700mm	

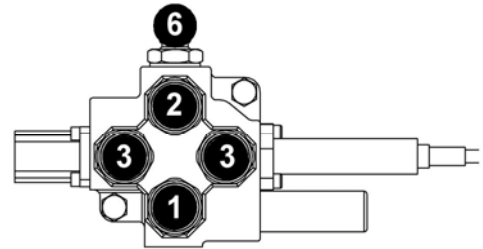
**HOSE LOCATION**

- |                                   |                                       |
|-----------------------------------|---------------------------------------|
| 1 Pump (FS) to Cable RCV (F90)    | 6 ACV Return (FS) to RCV (F90)        |
| Pump (F135) to Electric RCV (FS)  | 7 Lift Gland (F90) to ACV (FS)        |
| 2 Cable RCV (F90) to Tank (FS)    | 8 Lift Base (FS) to ACV (FS)          |
| Electric RCV (FS) to Tank (FS)    | 9 Reach Base (FS) to ACV (FS)         |
| 3 RCV (F135) to Main Arm (FS)     | 10 Reach Gland (F90) to ACV (FS)      |
| 4 Main Arm (FS) to Dipper (F90)   | 11 Angle Base/Gland (F90) to ACV (FS) |
| 5 Pump Pressure (F90) to ACV (FS) | 12 Slew Base/Gland (F90) to ACV (FS)  |

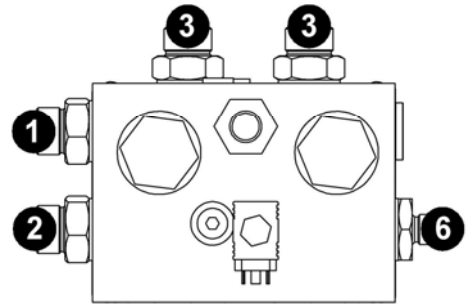




**CABLE CONTROL VALVE**

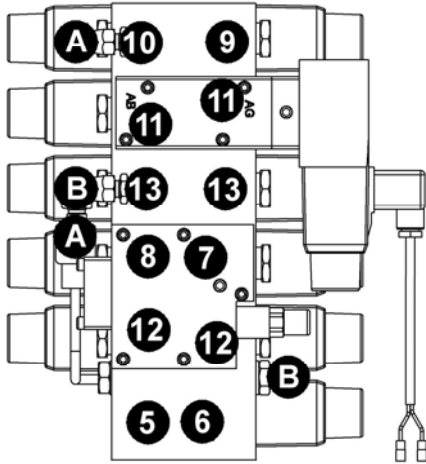


**CABLE ROTOR CONTROL**



**ELECTRIC ROTOR CONTROL**

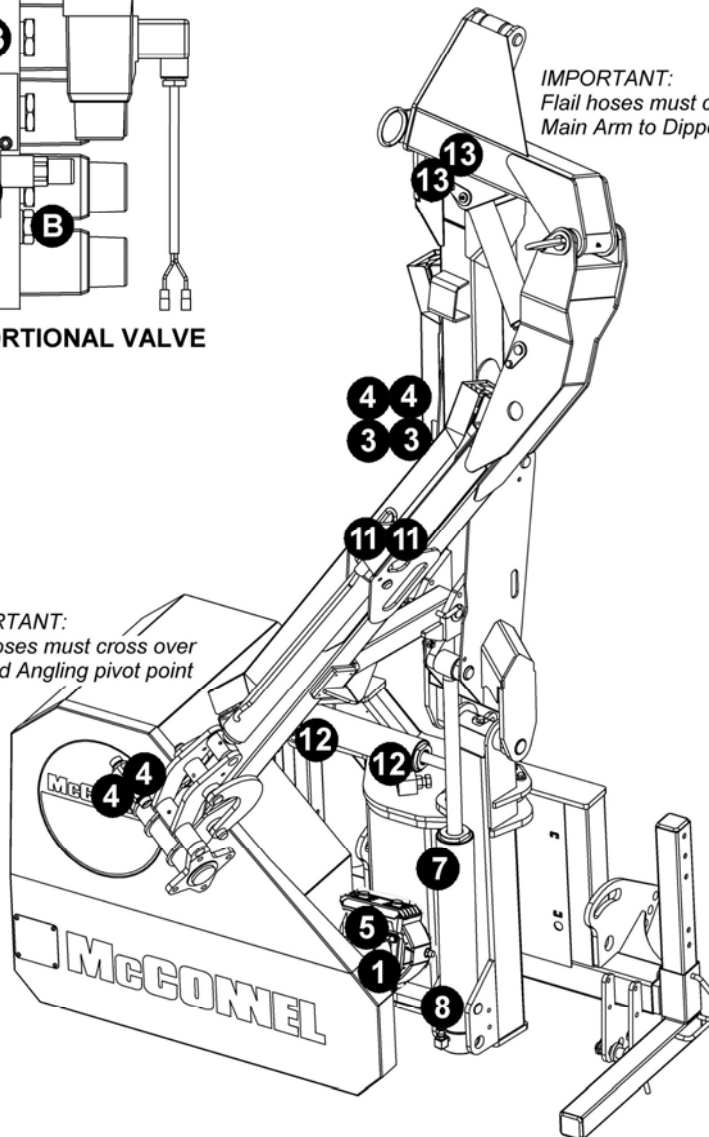
Ports 'A' to 'A' and 'B' to 'B' are each interconnected by a hose 10.002.09



**ELECTRIC / PROPORTIONAL VALVE**

**IMPORTANT:**  
Flail hoses must cross over at Main Arm to Dipper pivot point

**IMPORTANT:**  
Flail hoses must cross over at Head Angling pivot point



Module(s): 749472226 / 227 / 228 / 229 / 230 / 231

REF.	QTY.						PART No.	DESCRIPTION
							749472226 PA50M ECO Mk2 R/H CABLE (C/RCV)	
							749472227 PA50M ECO Mk2 R/H ELEC/PROP (C/RCV)	
							749472228 PA50M ECO Mk2 R/H ELEC/PROP (E/RCV)	
							749472229 PA55M ECO Mk2 R/H CABLE (C/RCV)	
							749472230 PA55M ECO Mk2 R/H ELEC/PROP (C/RCV)	
							749472231 PA55M ECO Mk2 R/H ELEC/PROP (E/RCV)	
1	1	1	-	1	1	-	10.012.10 HOSE - 1" BSP FS/F90 x 500mm	
	-	-	1	-	-	1	10.025.16 HOSE - 1" BSP FS/F135 x 800mm	
2	1	1	-	1	1	-	10.012.11 HOSE - 1" BSP FS/F90 x 550mm	
	-	-	1	-	-	1	10.011.21 HOSE - 1" BSP FS/FS x 1100mm	
3	2	2	-	2	2	-	10.025.29 HOSE - 1" BSP FS/F135 x 1900mm	
	-	-	2	-	-	2	10.025.28 HOSE - 1" BSP FS/F135 x 1800mm	
4	2	2	2	-	-	-	10.012.51 HOSE - 1" BSP FS/F90 x 4100mm	
	-	-	-	2	2	2	10.012.56 HOSE - 1" BSP FS/F90 x 4600mm	
5	1	-	-	1	-	-	10.004.08 HOSE - 3/8" BSP FS/F90 x 400mm	
	-	1	1	-	1	1	10.004.10 HOSE - 3/8" BSP FS/F90 x 500mm	
6	1	-	-	1	-	-	10.006.11 HOSE - 1/2" BSP FS/F90 x 550mm	
	-	1	1	-	1	1	10.006.14 HOSE - 1/2" BSP FS/F90 x 700mm	
7	1	-	-	1	-	-	10.002.22 HOSE - 1/4" BSP FS/F90 x 1200mm	
	-	1	1	-	1	1	10.002.20 HOSE - 1/4" BSP FS/F90 x 1000mm	
8	1	-	-	1	-	-	10.001.22 HOSE - 1/4" BSP FS/FS x 1200mm	
	-	1	1	-	1	1	10.001.20 HOSE - 1/4" BSP FS/FS x 1000mm	
9	1	-	-	-	-	-	10.001.29 HOSE - 1/4" BSP FS/FS x 1900mm	
	-	-	-	1	-	-	10.001.31 HOSE - 1/4" BSP FS/FS x 2100mm	
	-	1	1	-	-	-	10.001.27 HOSE - 1/4" BSP FS/FS x 1700mm	
	-	-	-	-	1	1	10.001.29 HOSE - 1/4" BSP FS/FS x 1900mm	
10	1	-	-	-	-	-	10.002.36 HOSE - 1/4" BSP FS/F90 x 2600mm	
	-	-	-	1	-	-	10.002.38 HOSE - 1/4" BSP FS/F90 x 2800mm	
	-	1	1	-	-	-	10.002.34 HOSE - 1/4" BSP FS/F90 x 2400mm	
	-	-	-	-	1	1	10.002.36 HOSE - 1/4" BSP FS/F90 x 2600mm	
11	2	-	-	-	-	-	10.002.61 HOSE - 1/4" BSP FS/F90 x 5100mm	
	-	-	-	2	-	-	10.002.66 HOSE - 1/4" BSP FS/F90 x 5600mm	
	-	2	2	-	-	-	10.002.59 HOSE - 1/4" BSP FS/F90 x 4900mm	
	-	-	-	-	2	2	10.002.64 HOSE - 1/4" BSP FS/F90 x 5400mm	
12	2	-	-	2	-	-	10.002.18 HOSE - 1/4" BSP FS/F90 x 900mm	
	-	2	2	-	2	2	10.002.14 HOSE - 1/4" BSP FS/F90 x 700mm	
13	2	-	-	-	-	-	10.017.49 HOSE - 1/4" BSP FS/F135 x 3900mm	
	-	-	-	2	-	-	10.017.52 HOSE - 1/4" BSP FS/F135 x 4200mm	
	-	2	2	-	-	-	10.017.47 HOSE - 1/4" BSP FS/F135 x 3700mm	
	-	-	-	-	2	2	10.017.50 HOSE - 1/4" BSP FS/F135 x 4000mm	

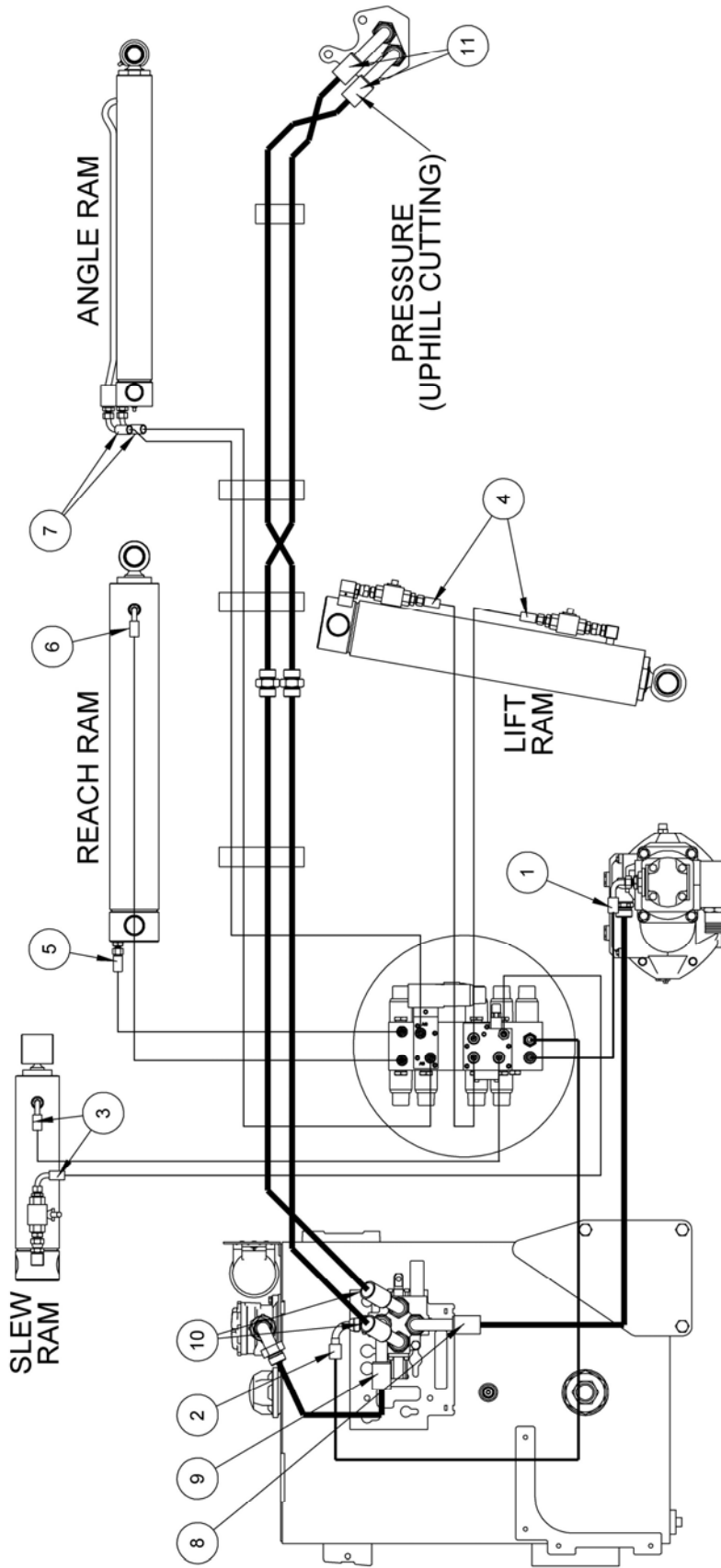
**HOSE LOCATION**

- 1 Pump (FS) to Cable RCV (F90)  
Pump (F135) to Electric RCV (FS)
- 2 Cable RCV (F90) to Tank (FS)  
Electric RCV (FS) to Tank (FS)
- 3 RCV (F135) to Main Arm (FS)
- 4 Main Arm (FS) to Dipper (F90)
- 5 Pump Pressure (F90) to ACV (FS)

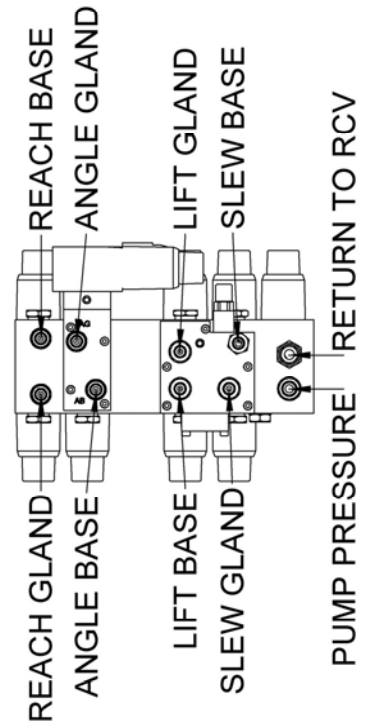
- 6 ACV Return (FS) to RCV (F90)
- 7 Lift Gland (F90) to ACV (FS)
- 8 Lift Base (FS) to ACV (FS)
- 9 Reach Base (FS) to ACV (FS)
- 10 Reach Gland (F90) to ACV (FS)
- 11 Angle Base/Gland (F90) to ACV (FS)
- 12 Slew Base/Gland (F90) to ACV (FS)
- 13 Fold Base/Gland (F135) to ACV (FS)

Module(s): 749472261

**HOSE KIT - PA60 ECO Mk2 R/H ELECTRIC (C/RCV)**

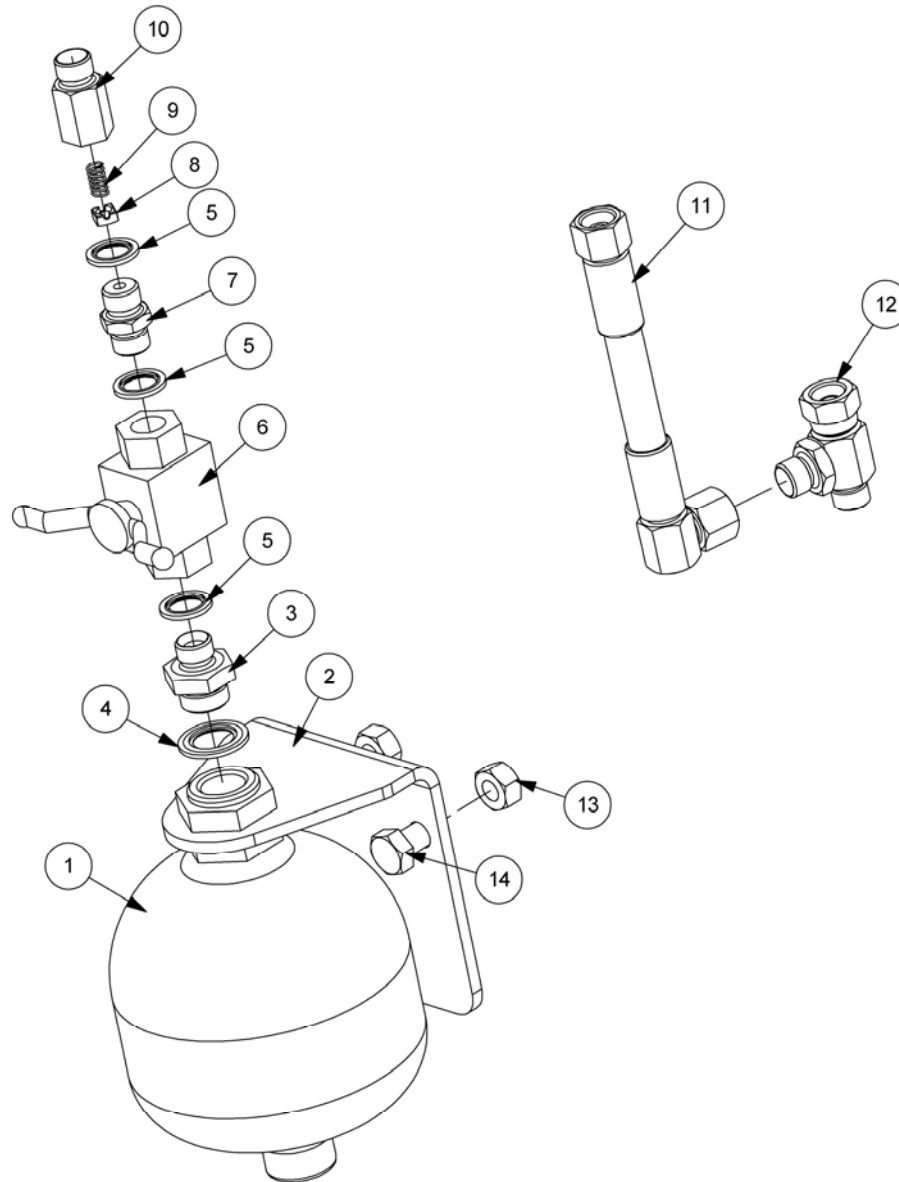


ITEM NO.	QTY.	PART NUMBER	DESCRIPTION
1	1	10.004.10	3/8" BSP FS/F90 500
2	1	10.006.14	1/2" BSP FS/F90 700
3	2	10.002.14	1/4" BSP FS/F90 700
4	2	10.001.34	1/4" BSP FS/FS 2400
5	1	10.001.32	1/4" BSP FS/FS 2200
6	1	10.002.40	1/4" BSP FS/F90 3000
7	2	10.002.59	1/4" BSP FS/F90 4900
8	1	10.012.10	1" BSP FS/F90 500MM LG HOSE
9	1	10.012.11	1" BSP FS/F90 550MM LG HOSE
10	2	10.025.29	1" BSP FS/F135 1900MM LG HOSE
11	2	10.012.51	1" BSP FS/F90 4100MM LG HOSE

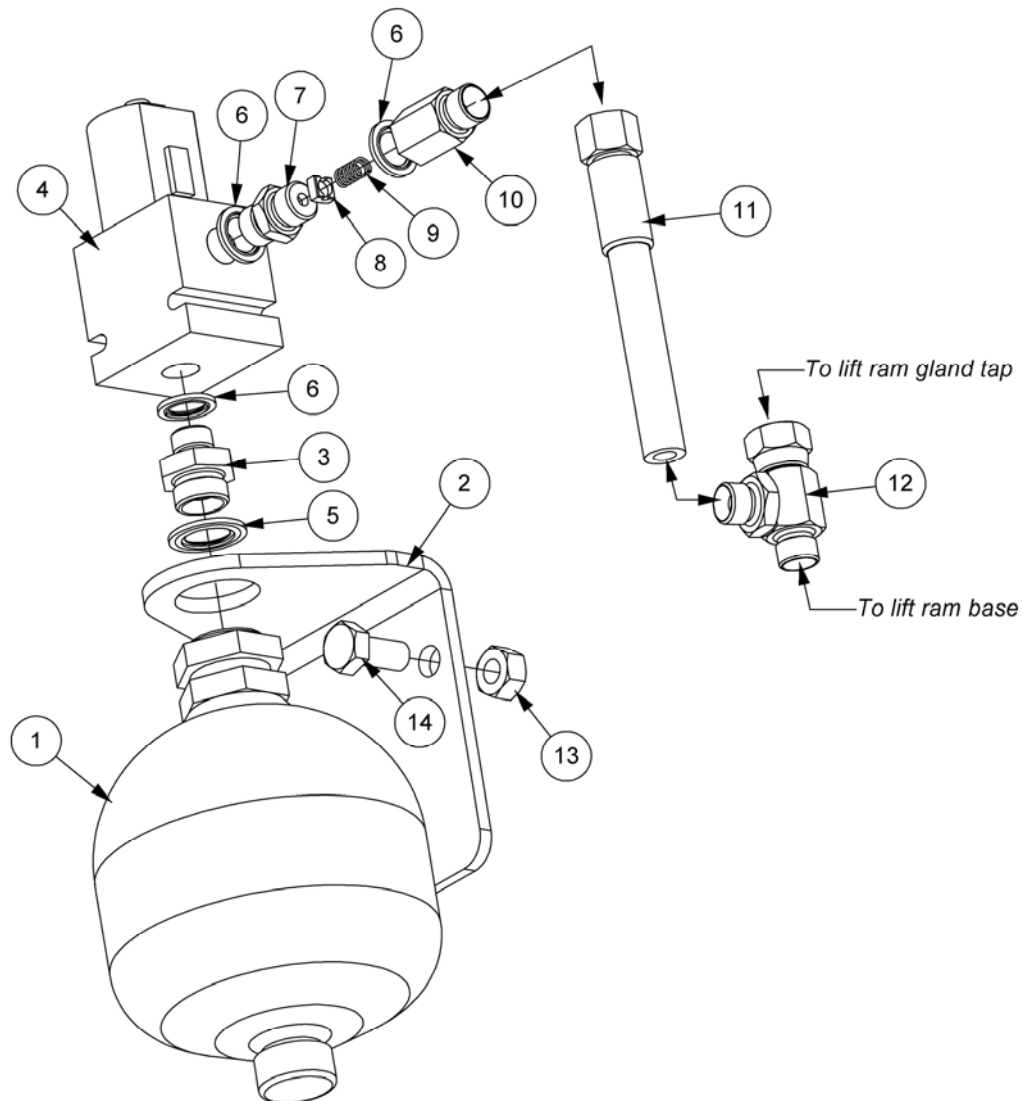


Module(s):

*This page is intentionally blank*



REF.	QTY.	PART No.	DESCRIPTION
		<b>8126326</b>	<b>LIFT FLOAT KIT - Cable Models</b>
1	1	8126044	ACCUMULATOR
2	1	8126318	BRACKET
3	1	G2410380	ADAPTOR
4	1	8650322	BONDED SEAL
5	3	8650103	BONDED SEAL
6	1	08.200.01	ISOLATING VALVE
7	1	8581209	ADAPTOR
8	1	8123041	RESTRICTOR DISC - 1.15 RED
9	1	8116011	SPRING
10	1	8581346	ADAPTOR RESTRICTOR BODY
11	1	10.004.20	HOSE - 3/8" BSP FS/F90 x 1000mm
12	1	11.068.69	ADAPTOR TEE
13	2	9143006	SELF-LOCKING NUT
14	2	9313056	SETSCREW

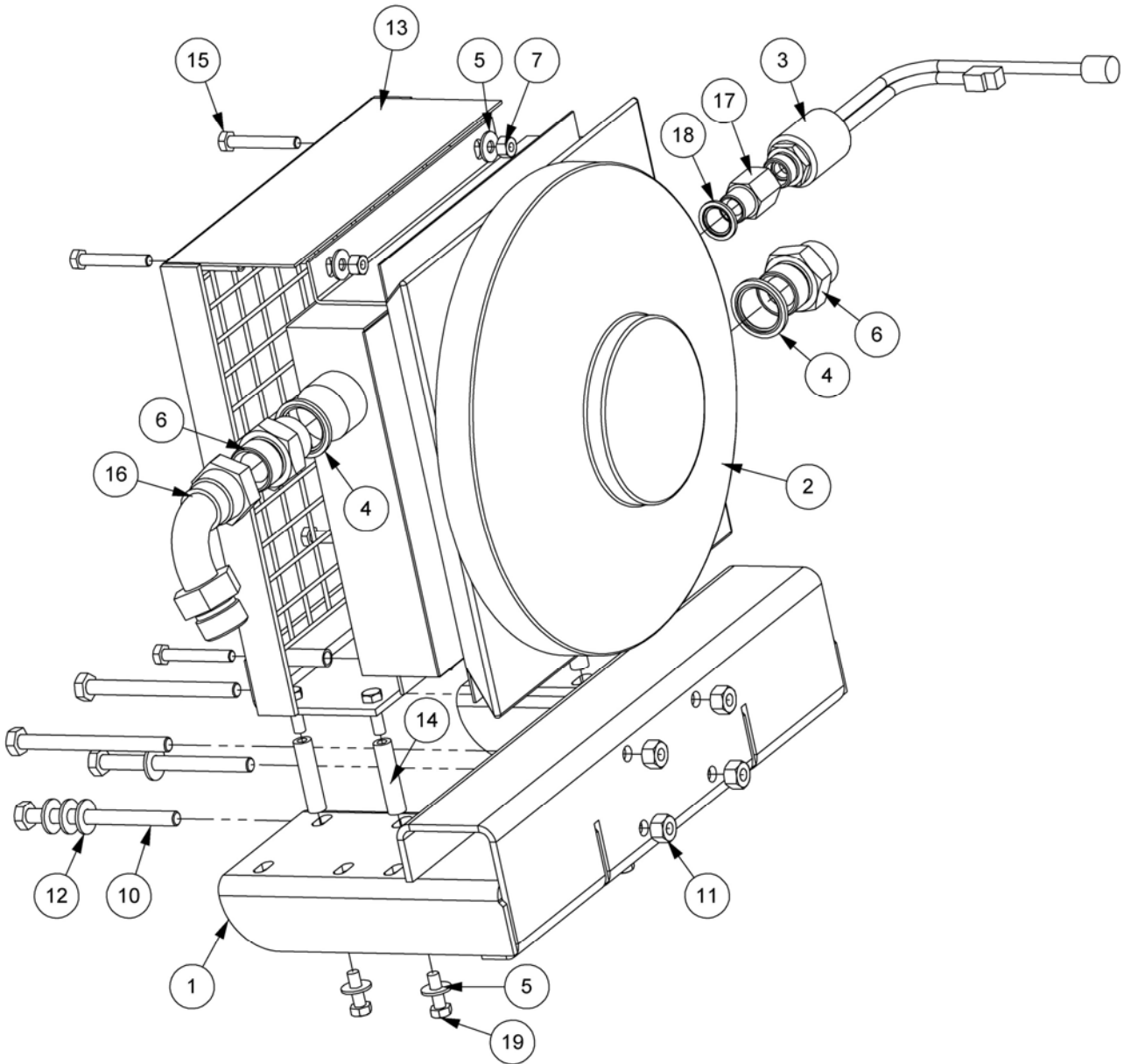


REF.	QTY.	PART No.	DESCRIPTION
		<b>8126327</b>	<b>LIFT FLOAT KIT - Electric Models</b>
1	1	8126044	ACCUMULATOR
2	1	8126318	BRACKET
3	1	G2410380	ADAPTOR
4	1	08.619.09	MODULAR VALVE
5	1	8650322	BONDED SEAL
6	3	8650103	BONDED SEAL
7	1	8581209	ADAPTOR
8	1	8123041	RESTRICTOR DISC - 1.15 RED
9	1	8116011	SPRING
10	1	8581346	ADAPTOR RESTRICTOR BODY
11	1	10.004.18	HOSE - 3/8" BSP FS/F90 x 900mm
12	1	11.068.69	ADAPTOR TEE
13	2	9143006	SELF-LOCKING NUT
14	2	9313056	SETSCREW

# COOLER KIT ASSEMBLY

Module(s): 7451823

**McCONEL**



**COOLER KIT ASSEMBLY****McCONNEL**

Module(s): 7451823

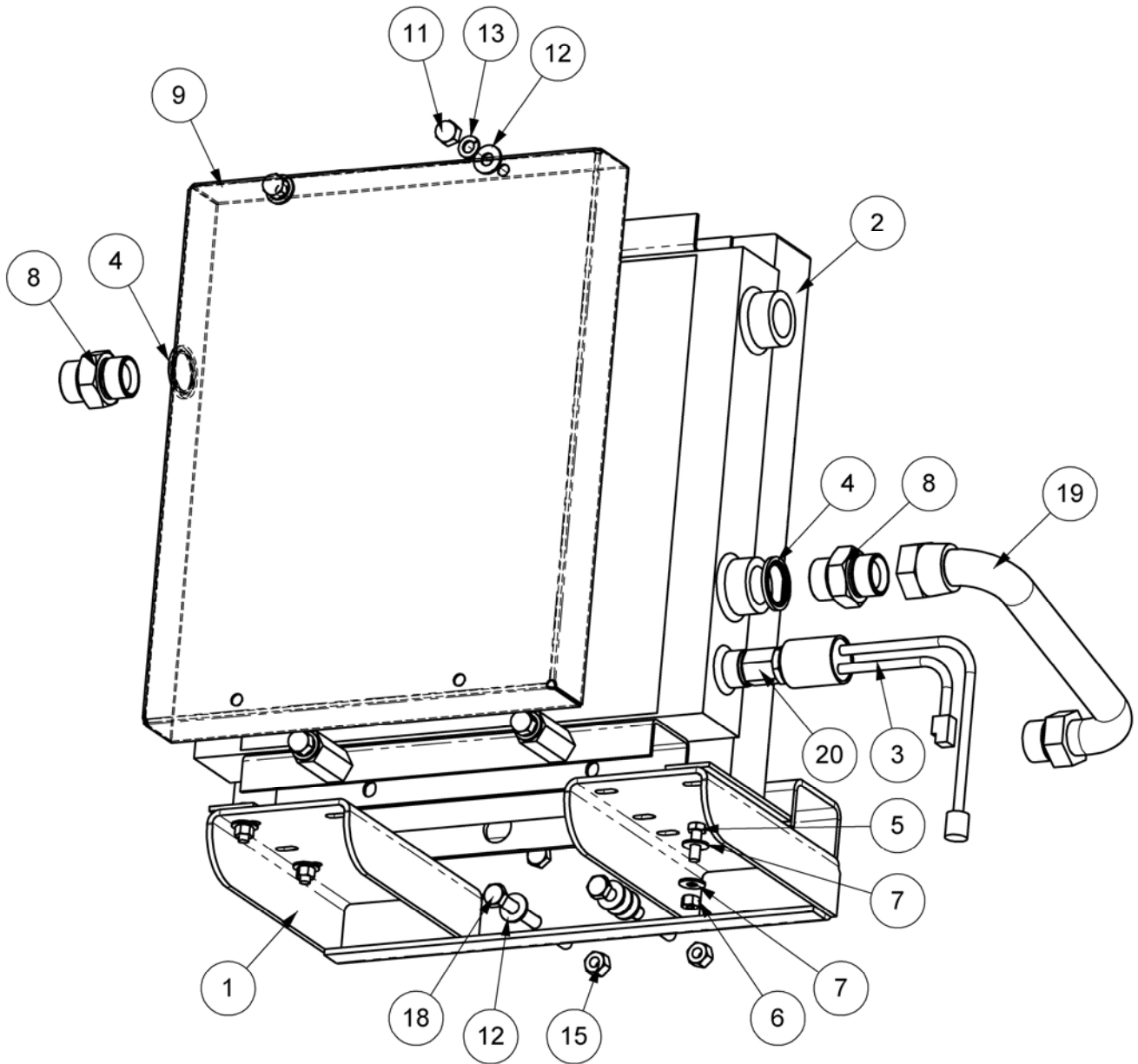
<b>REF.</b>	<b>QTY.</b>	<b>PART No.</b>	<b>DESCRIPTION</b>
		<b>7451823</b>	<b>COOLER KIT ASSEMBLY</b>
1	1	21380.03	COOLER BRACKET
2	1	8402387	COOLER (WITHOUT THERMOSTAT)
3	1	43177.64	COOLER LOOM c/w RELAY
4	2	8650108	BONDED SEAL
5	8	9100104	FLAT WASHER
6	2	05.434.01	ADAPTOR
7	4	9143004	SELF-LOCKING NUT
8	1	10.012.37	HOSE - 1" BSP FS/F90 x 2700mm
9	1	10.011.26	HOSE - 1" BSP FS/FS x 1600mm
10	4	05.292.15	BOLT
11	4	9143005	SELF-LOCKING NUT
12	4	9100105	FLAT WASHER
13	1	8402319	COOLER MOUNTING
14	4	7196053	SPACER (THREADED)
15	4	9213114	BOLT
16	1	8581264	ADAPTOR - SWEPT 90°
17	1	G2410452	ADAPTOR
18	1	8650104	BONDED SEAL
19	4	9313054	SETSCREW



# HIGH CAPACITY COOLER KIT ASSEMBLY

**McCONNEL**

Module(s): 7451824



**HIGH CAPACITY COOLER KIT ASSEMBLY****McCONNEL**

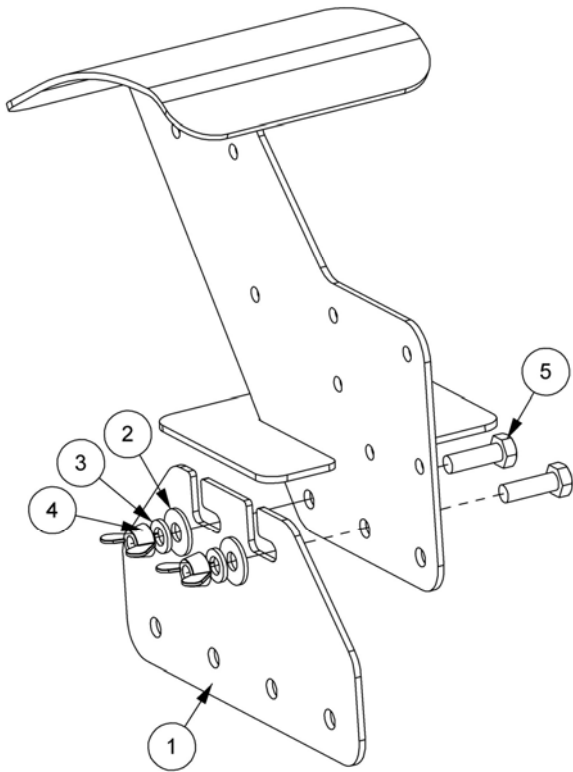
Module(s): 7451824

<b>REF.</b>	<b>QTY.</b>	<b>PART No.</b>	<b>DESCRIPTION</b>
		<b>7154824</b>	<b>HIGH CAPACITY COOLER KIT</b>
1	1	21380.03	COOLER BRACKET
2	1	8402381	OIL COOLER
3	1	43177.64	COOLER LOOM c/w RELAY
4	2	8650108	BONDED SEAL
5	4	9313054	SETSCREW
6	4	9143004	SELF-LOCKING NUT
7	8	9100104	FLAT WASHER
8	2	05.434.01	ADAPTOR
9	1	46046.03	COOLER BASKET
10	4	46041.01	STAND OFF
11	4	9100025	DOME NUT
12	12	9100105	FLAT WASHER
13	4	9100205	SPRING WASHER
14	1	43468.05	EDGING STRIP - 2100mm
15	8	9143005	SELF-LOCKING NUT
16	1	10.012.37	HOSE - 1" BSP FS/F90 x 2700mm
17	1	10.011.26	HOSE - 1" BSP FS/FS 1600mm
18	4	05.292.15	BOLT
19	1	46127.01	HYDRAULIC PIPE
20	1	G2410452	ADAPTOR
21	1	8650104	BONDED SEAL

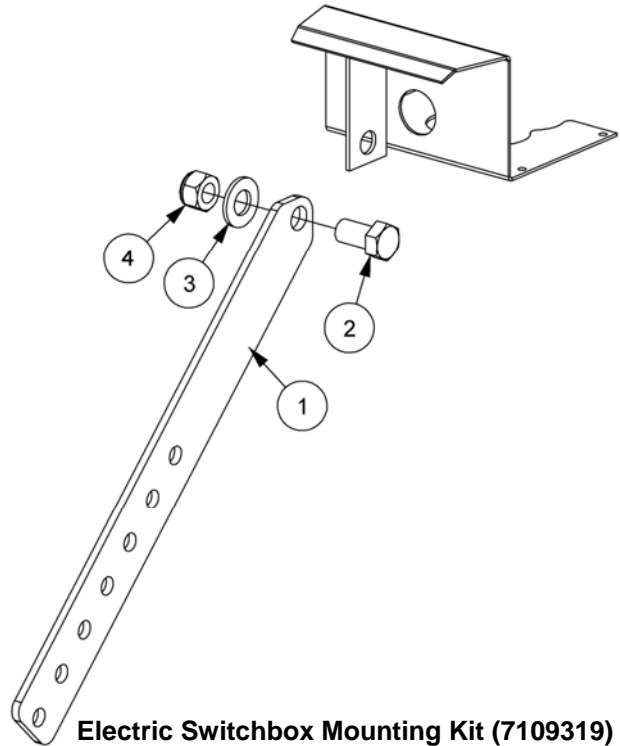
# CONTROL MOUNTING KITS

**McCONNEL**

Module(s): 7109319, 7313282



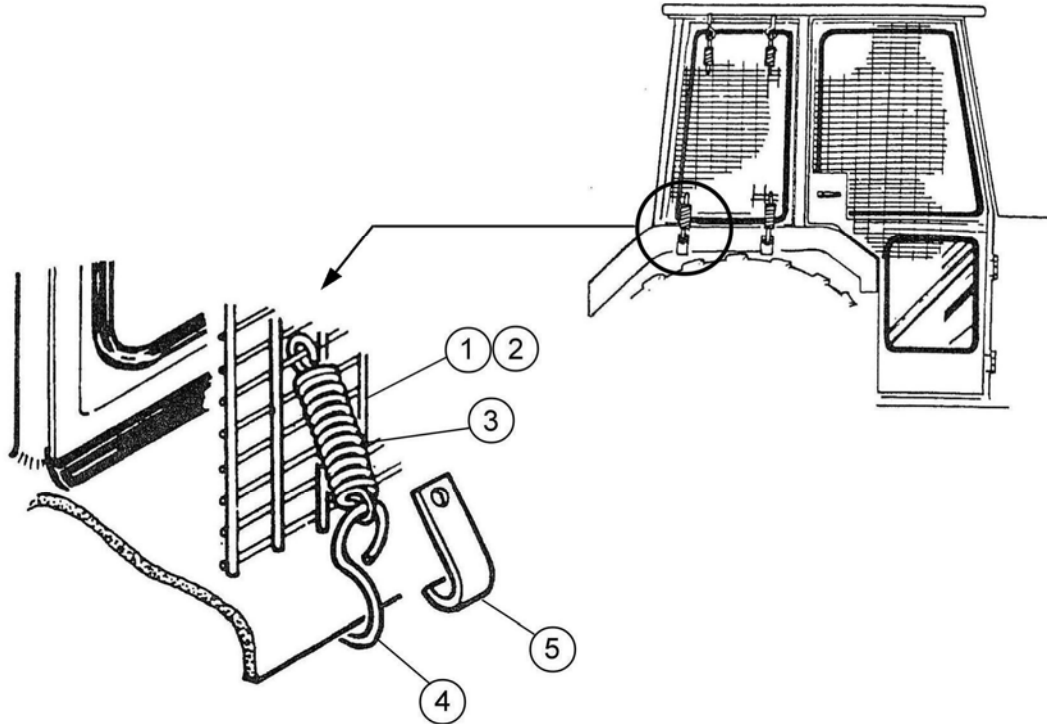
**Cable Control Mounting Kit (7313282)**



**Electric Switchbox Mounting Kit (7109319)**

REF.	QTY.	PART No.	DESCRIPTION
		<b>7313282</b>	<b>CABLE CONTROL MOUNTING KIT</b>
1	1	42491.01	CAB MOUNTING BRACKET
2	2	9100104	FLAT WASHER
3	2	9100204	SPRING WASHER
4	2	9193004	WING NUT
5	2	9313054	SETSCREW
		<b>7109319</b>	<b>ELECTRIC SWITCHBOX MOUNTING KIT</b>
1	1	7109146	CONTROL MOUNTING PILLAR
2	1	9313067	SETSCREW
3	1	0100106	FLAT WASHER
4	1	9163007	NYLOC NUT

Module(s): 7313324

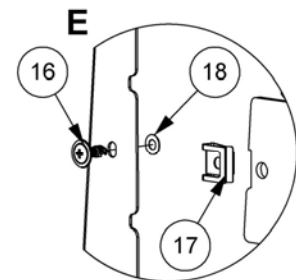
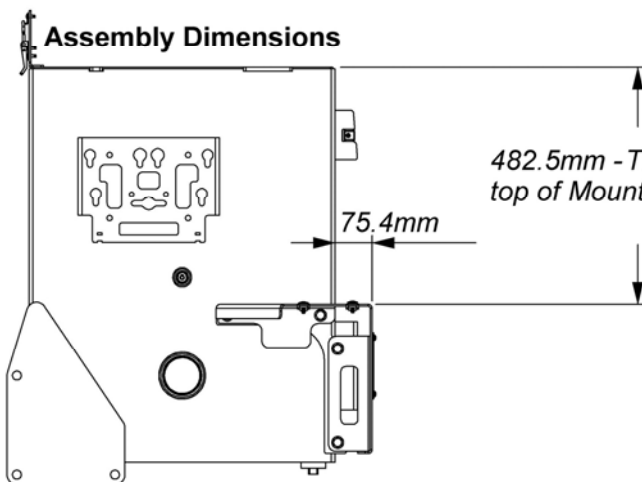
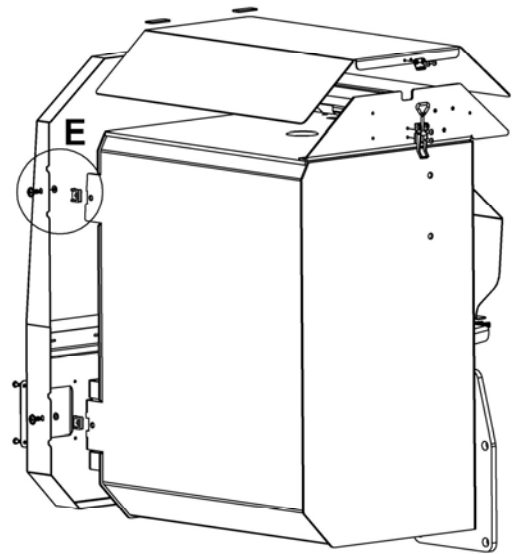
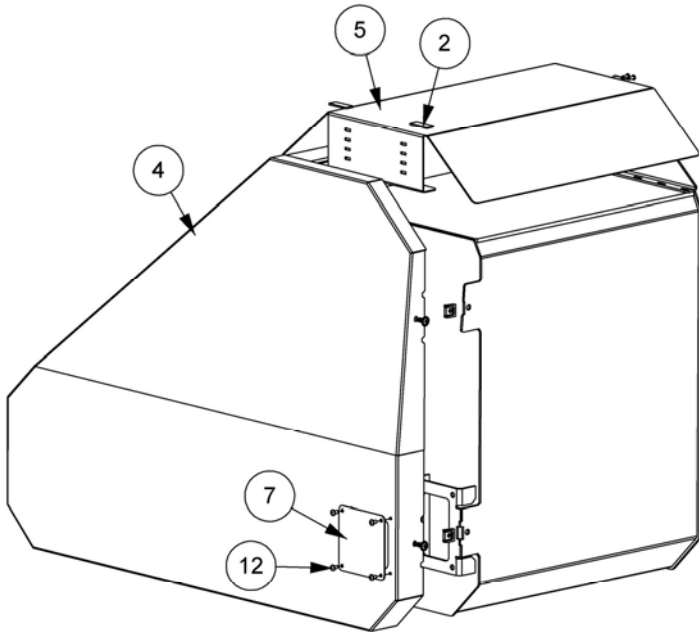
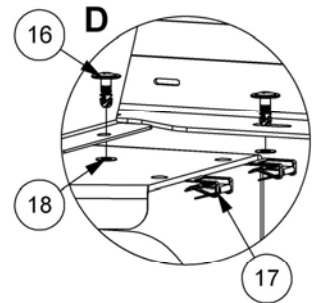
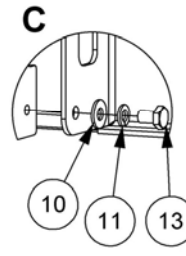
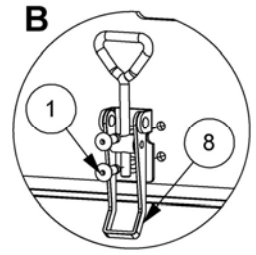
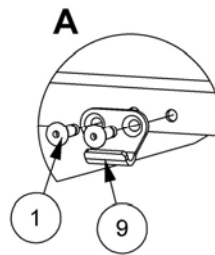
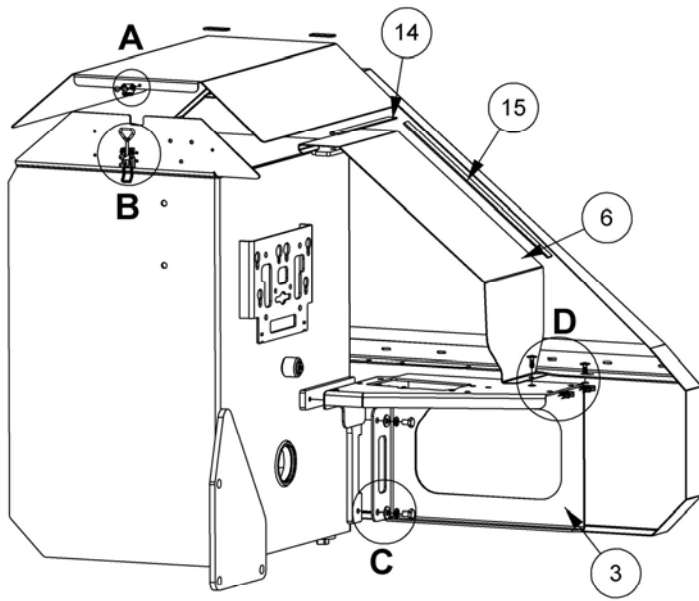


REF.	QTY.	PART No.	DESCRIPTION
		<b>7313324</b>	<b>CAB GUARD &amp; MOUNTING KIT</b>
1	1	7313049	GUARD PANEL - LARGE
2	1	7313050	GUARD PANEL - SMALL
3	12	6001064	SPRING
4	6	6001065	HOOK
5	6	7313051	HOOK

# REAR COVERS ASSEMBLY

# McCONEL

Module(s): L/H Build 7147714 (illustrated), R/H Build 7147715



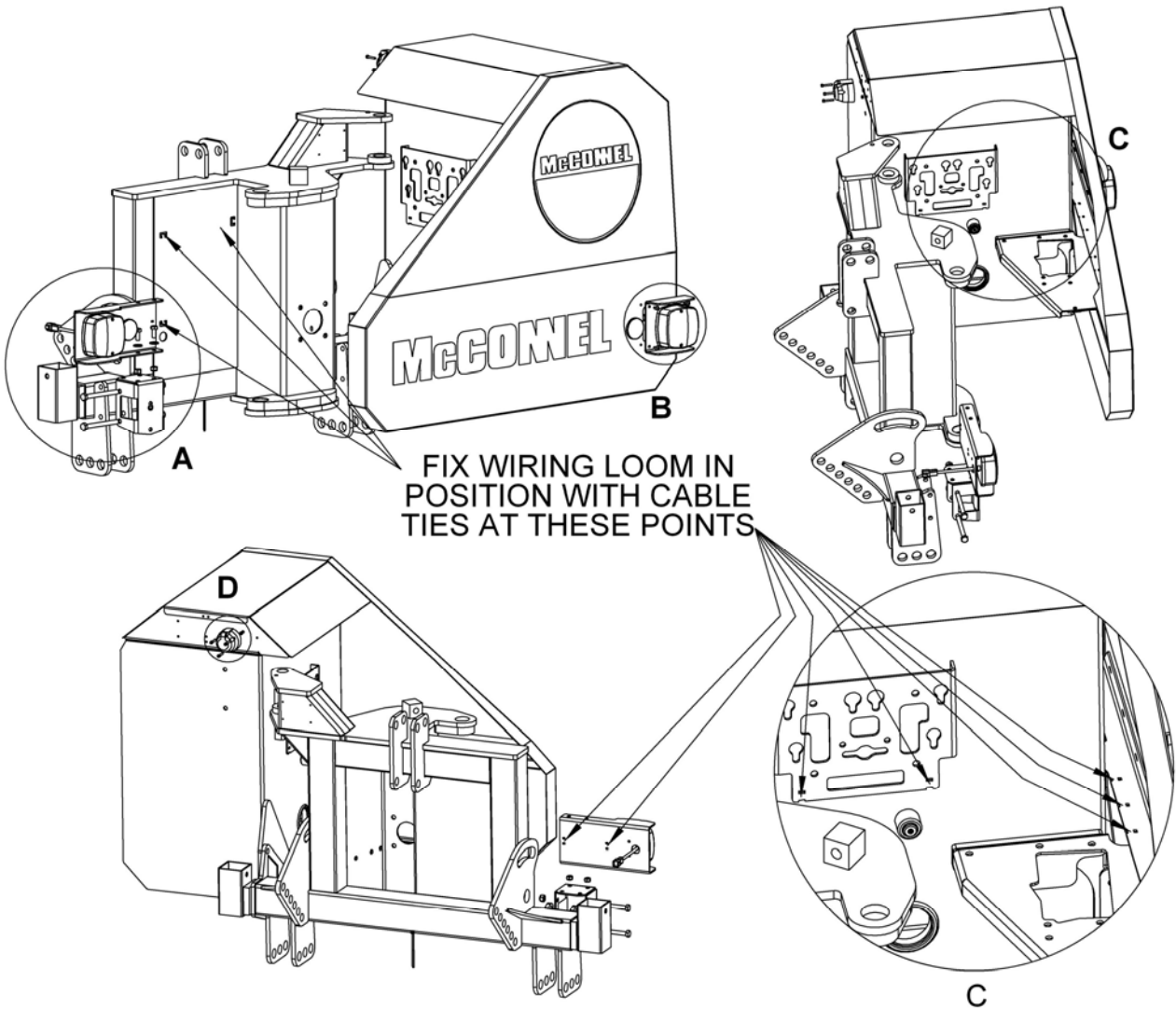
**REAR COVERS ASSEMBLY****McCONNEL**Module(s): L/H Build 7147714 (*illustrated*), R/H Build 7147715

<b>REF.</b>	<b>QTY.</b>	<b>PART No.</b>	<b>DESCRIPTION</b>
		<b>7147714</b>	<b>REAR COVERS ASSEMBLY - L/H Build</b>
		<b>7147715</b>	<b>REAR COVERS ASSEMBLY - R/H Build</b>
1	4	21612.01	POP RIVET
2	2	21726.31	SPONGE PAD
3	1	22472.01	COVER & VALVE MOUNTING - L/H Build
	1	22472.02	COVER & VALVE MOUNTING - R/H Build
4	1	22476.03	REAR COVER - L/H Build
	1	22476.04	REAR COVER - R/H Build
5	1	22477.03	TANK TOP COVER
6	1	22513.01	VALVE COVER - L/H Build
	1	22513.02	VALVE COVER - R/H Build
7	1	22531.01	BLANKING PLATE
8	1	43449.02	OVERCENTRE FASTENER
9	1	46007.01	HOOK (OVERCENTRE FASTENER)
10	4	9100105	FLAT WASHER
11	4	9100205	SPRING WASHER
12	4	9300164	TAPTITE
13	4	9313035	SETSCREW
14	1	21726.34	SELF ADHESIVE FOAM STRIP - 275mm
15	1	21726.35	SELF ADHESIVE FOAM STRIP 410mm
16	4	22549.01	SLOTTED HEAD STUD
17	4	22549.02	SLIP-ON RECEPTACLE
18	4	22549.03	PLASTIC RETAINER (BLACK)

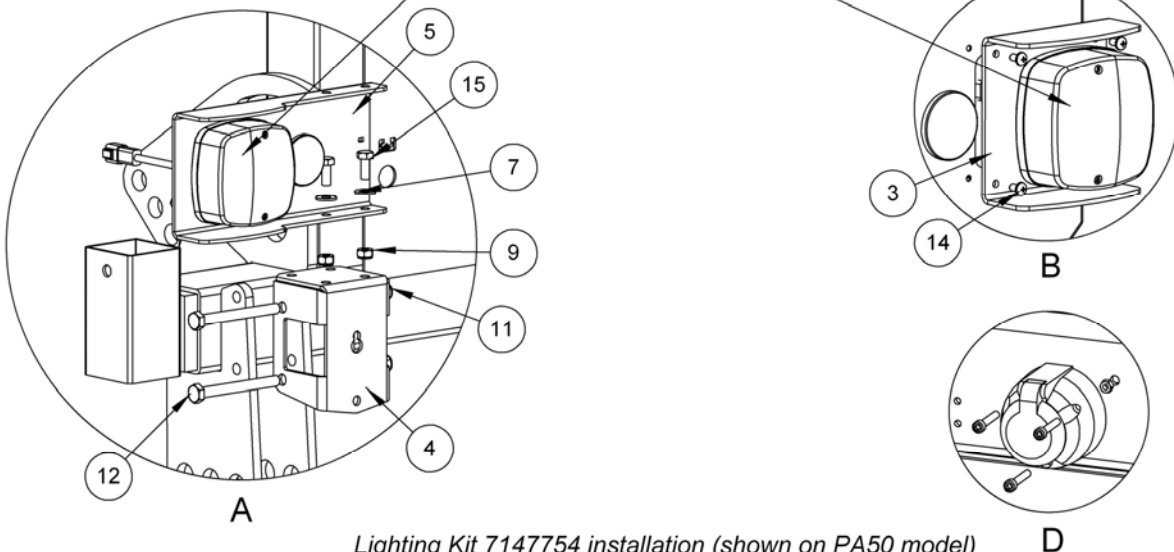
# REAR LIGHTING KIT

Module(s): 7147754

# McCONEL



LIGHT & REFLECTOR FROM 45900.07 KIT



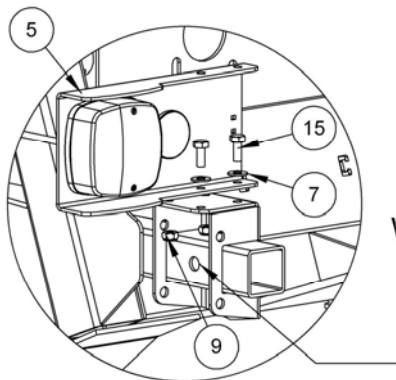
Lighting Kit 7147754 installation (shown on PA50 model)

# REAR LIGHTING KIT

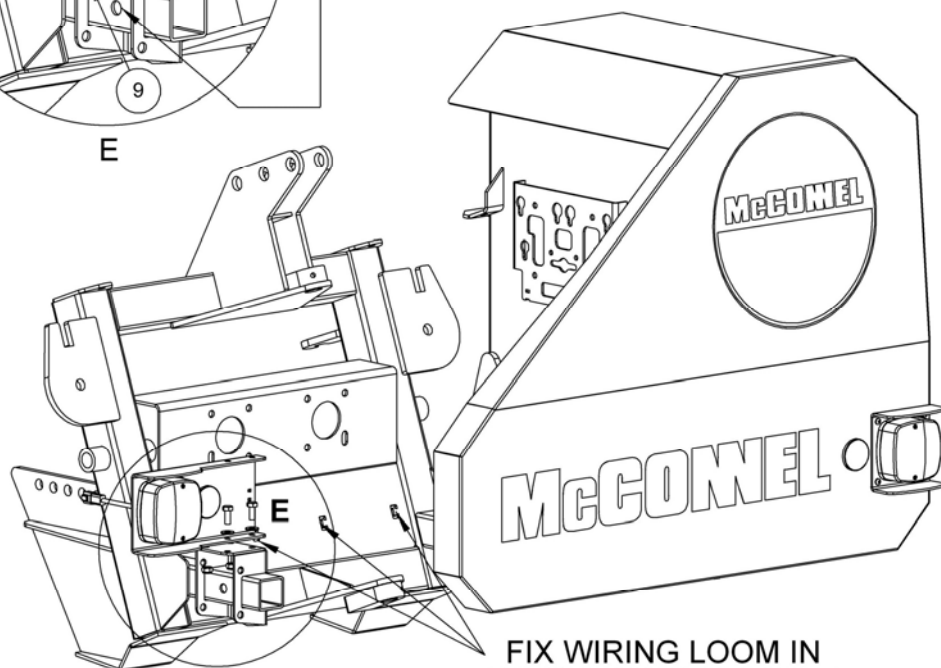
# McCONNEL

Module(s): 7147754

REF.	QTY.	PART No.	DESCRIPTION
		<b>7147754</b>	<b>REAR LIGHTING KIT</b>
1	1	21678.07	7 PIN PLASTIC SOCKET (12v)
2	12	22342.01	CABLE TIE - 120mm
3	1	22484.02	LIGHT GUARD & MOUNTING
4	1	22487.01	LIGHT MOUNTING BRACKET
5	1	22488.01	N/S LIGHT GUARD & MOUNTING
6	1	45900.07	LIGHTING KIT - <i>comprising of:</i>
	1	45656.08	LIGHTING LOOM
	2	45671.01	REFLECTOR (SELF-ADHESIVE)
	6	21150.01	PUSH ON CABLE TIE
	2	45642.02	COMBINATION LAMP
	1	45642.34	REAR LIGHT LENS ( <i>Replacement</i> )
7	4	9100105	FLAT WASHER
8	3	05.287.09	NYLOC NUT
9	4	9163005	NYLOC NUT
10	2	9313065	SETSCREW
11	2	9163006	NYLOC NUT
12	2	9213246	BOLT
13	3	9243062	CAPSCREW
14	4	9300164	TAPTITE
15	2	9313055	SETSCREW

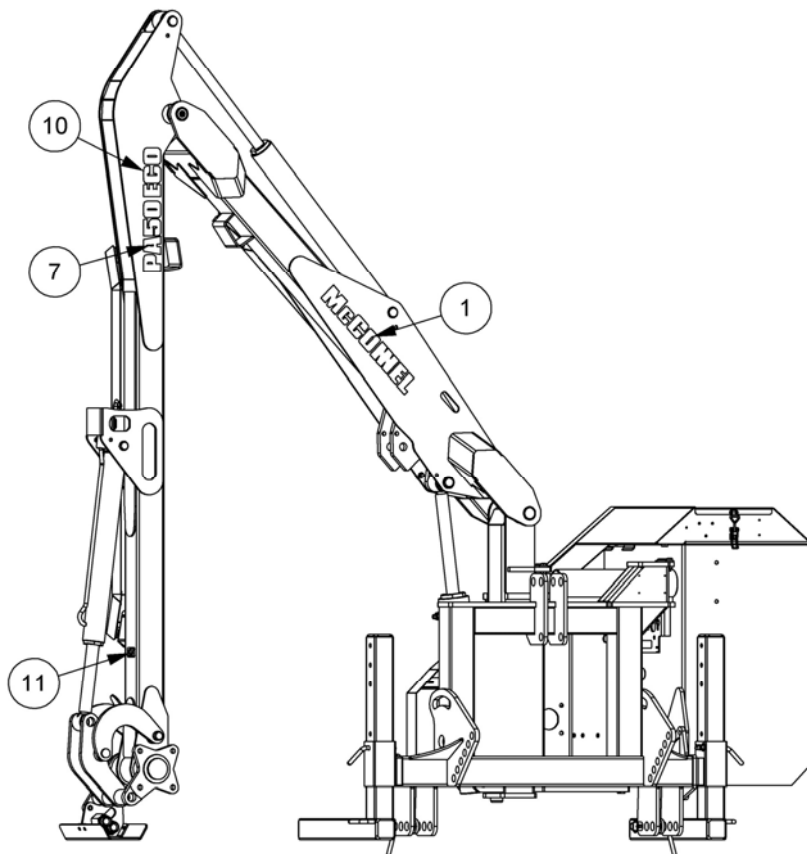
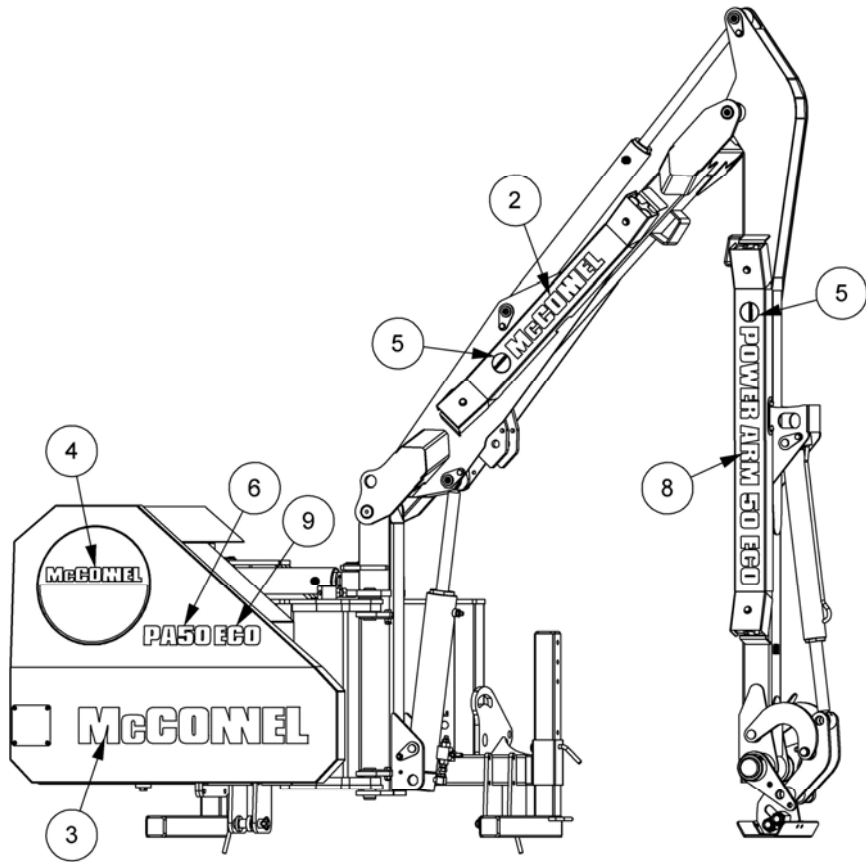


FIX IN POSITION  
WITH EXISTING BOLT



FIX WIRING LOOM IN  
POSITION WITH CABLE  
TIES AT THESE POINTS



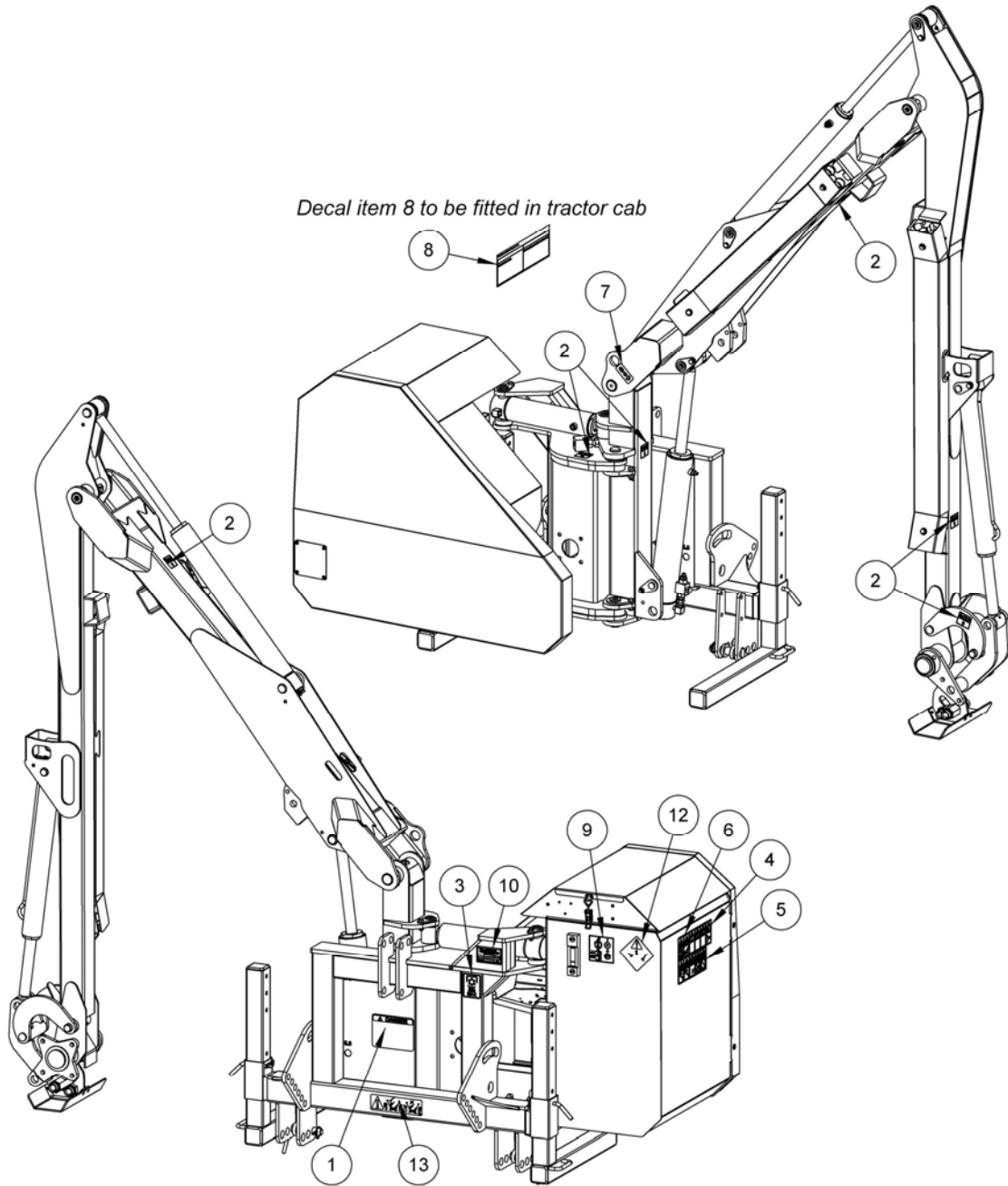


Module(s): 7494750, 7494751

REF.	QTY.	PART NO.	DESCRIPTION
		<b>7494750</b>	<b>DECAL KIT - PA50 ECO Mk2</b>
1	1	1290255	DECAL - McCONNEL (BLACK)
2	1	1290614	DECAL - McCONNEL (WHITE)
3	1	1290649	DECAL - McCONNEL (LARGE WHITE)
4	1	1290697	DECAL - McCONNEL ROUNDEL
5	2	1290742	DECAL - McCONNEL ROUNDEL
6	1	1290750	DECAL - PA50 (WHITE)
7	1	1290751	DECAL - PA50 (BLACK)
8	1	1290752	DECAL - POWER ARM 50 ECO (WHITE)
9	1	1290754	DECAL - ECO (WHITE)
10	1	1290757	DECAL - ECO (BLACK)
11	1	21917.02	DECAL - HEAD ORANGE (102 l/min.)

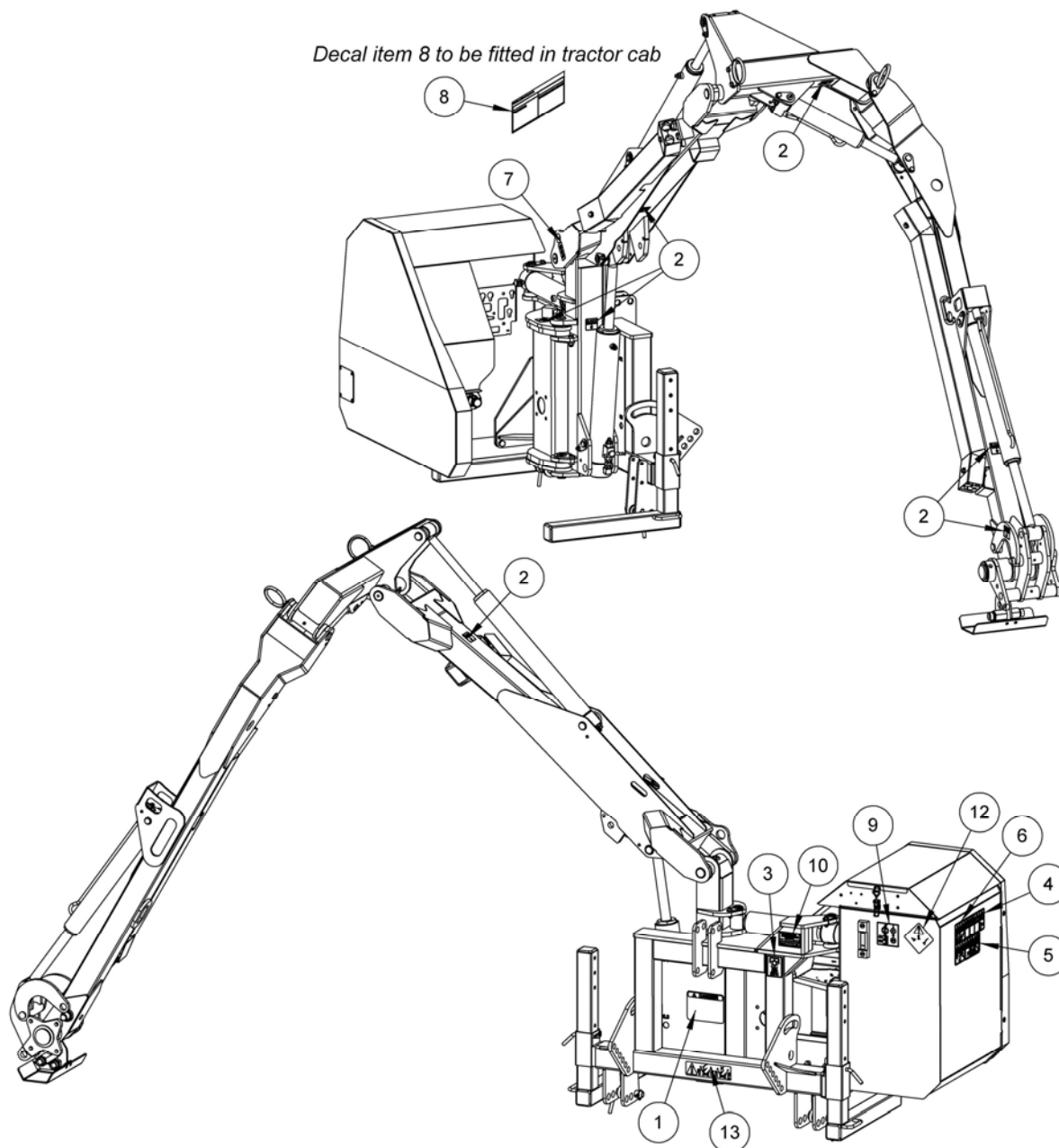
REF.	QTY.	PART NO.	DESCRIPTION
		<b>7494751</b>	<b>DECAL KIT - PA55 ECO Mk2</b>
1	1	1290255	DECAL - McCONNEL (BLACK)
2	1	1290614	DECAL - McCONNEL (WHITE)
3	1	1290649	DECAL - McCONNEL (LARGE WHITE)
4	1	1290697	DECAL - McCONNEL ROUNDEL
5	2	1290742	DECAL - McCONNEL ROUNDEL
6	1	1290755	DECAL - PA55 (WHITE)
7	1	1290713	DECAL - PA55 (BLACK)
8	1	1290753	DECAL - POWER ARM 55 ECO (WHITE)
9	1	1290754	DECAL - ECO (WHITE)
10	1	1290757	DECAL - ECO (BLACK)
11	1	21917.02	DECAL - HEAD ORANGE (102 l/min.)

REF.	QTY.	PART NO.	DESCRIPTION
		<b>7494818</b>	<b>DECAL KIT - PA60 ECO Mk2</b>
1	1	1290255	DECAL - McCONNEL (BLACK)
2	1	1290614	DECAL - McCONNEL (WHITE)
3	1	1290649	DECAL - McCONNEL (LARGE WHITE)
4	1	1290697	DECAL - McCONNEL ROUNDEL
5	2	1290742	DECAL - McCONNEL ROUNDEL
6	1	1290823	DECAL - PA60 (WHITE)
7	1	1290715	DECAL - PA60 (BLACK)
8	1	1290875	DECAL - POWER ARM 60 ECO (WHITE)
9	1	1290754	DECAL - ECO (WHITE)
10	1	1290757	DECAL - ECO (BLACK)
11	1	21917.02	DECAL - HEAD ORANGE (102 l/min.)



**7494748 DECAL KIT - WARNINGS & INSTRUCTIONS**

1	1	00756494	DECAL - DRIVELINE HAZARD
2	6	02962764	DECAL - PINCH POINTS
3	1	09.811.03	DECAL - 500 MAX CW
4	1	09.821.28	DECAL - EURO MINI
5	1	09.821.32	DECAL - EURO MINI
6	1	09.821.35	DECAL - COMBINED EURO
7	1	1290074	DECAL - SLING HERE
8	1	1290352	DECAL - IN CAB INSTRUCTIONS
9	1	1290774	DECAL - OIL FILTER CHANGE
10	1	1335246	SERIAL No. PLATE
11	4	7103230	POP RIVET
12	1	7105130	DECAL - READ INSTRUCTION BOOK
13	1	7135295	DECAL - TIGHTEN CHECK CHAINS



REF.	QTY.	PART NO.	DESCRIPTION
		<b>7494749</b>	<b>DECAL KIT - WARNINGS &amp; INSTRUCTIONS</b>
1	1	00756494	DECAL - DRIVELINE HAZARD
2	7	02962764	DECAL - PINCH POINTS
3	1	09.811.03	DECAL - 500 MAX CW
4	1	09.821.28	DECAL - EURO MINI
5	1	09.821.32	DECAL - EURO MINI
6	1	09.821.35	DECAL - COMBINED EURO
7	1	1290074	DECAL - SLING HERE
8	1	1290352	DECAL - IN CAB INSTRUCTIONS
9	1	1290774	DECAL - OIL FILTER CHANGE
10	1	1335246	SERIAL No. PLATE
11	4	7103230	POP RIVET
12	1	7105130	DECAL - READ INSTRUCTION BOOK
13	1	7135295	DECAL - TIGHTEN CHECK CHAINS



**DEBRIS BLOWER KIT (HIGH FLOW BSP)****McCONNEL**

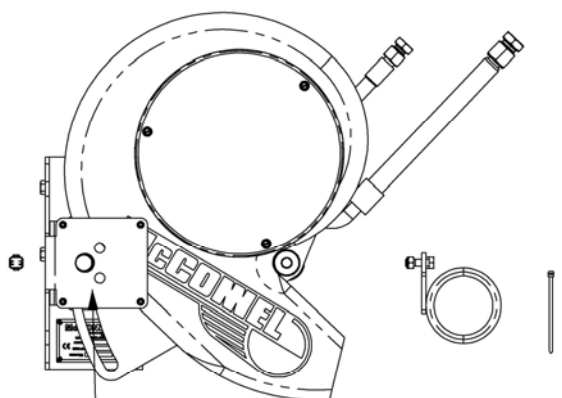
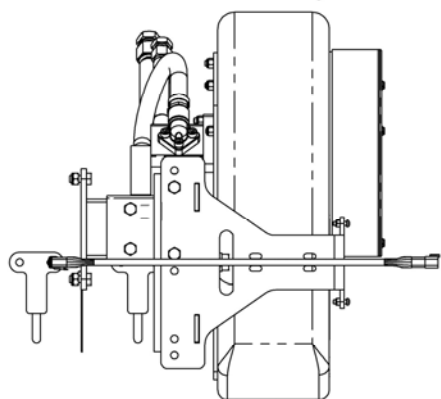
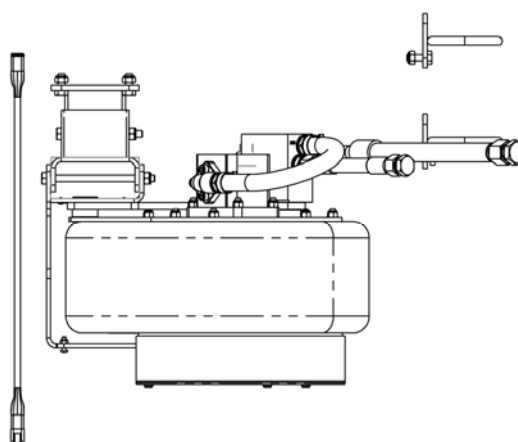
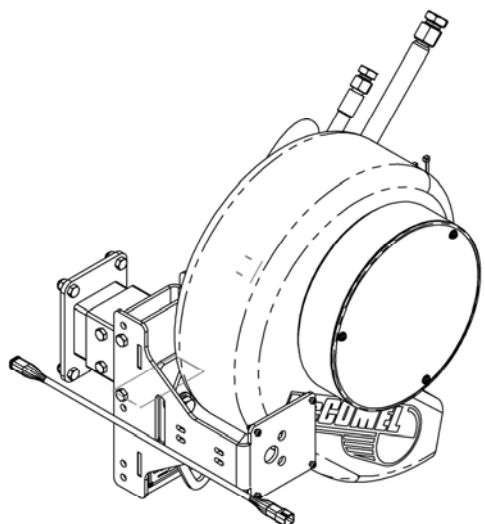
Module(s): 7150800 – L/H Build, 7150801 – R/H Build

REF.	QTY.	PART NO.	DESCRIPTION
		<b>7150800</b>	<b>DEBRIS BLOWER KIT (HIGH FLOW) - L/H Build</b>
		<b>7150801</b>	<b>DEBRIS BLOWER KIT (HIGH FLOW) - R/H Build</b>
1	1	0100106	FLAT WASHER
2	2	05.292.15	BOLT
3	1	05.313.01	BLANKING PLUG
4	1	05.433.06	PLUG - BSP WITH CONE
5	2	0904204	HOSE CLIP
6	1	1290317	McCONNEL DECAL - L/H Build Debris Blower
	1	1290318	McCONNEL DECAL - R/H Build Debris Blower
7	1	1335246	SERIAL No. PLATE
8	2	22342.01	CABLE TIE
9	1	22669.01	MOUNTING BRACKET
10	1	22670.01	HEIGHT ADJUSTMENT BRACKET
11	1	22671.01	BACK PLATE
12	1	22672.01	MAIN MOUNTING BRACKET
13	2	22673.01	HOSE GUIDE BRACKET
14	1	45657.01	LOOM EXTENTION - 500mm
15	4	7103230	POP RIVET
16	3	7319004	GUARD SPACER
17	3	7319005	CASING SPACER
18	1	7319007	BLOWER WHEEL - L/H Build Debris Blower
	1	7319008	BLOWER WHEEL - R/H Build Debris Blower
19	1	7319013	SPECIAL WASHER
20	1	7319014	SPACER
21	1	7319270	FAN CASING
22	1	7319271	SHROUD
23	1	7319272	MESH GUARD
24	1	8002059	RETURN CONNECTION
25	1	8132256	FLOW CONTROL ASSEMBLY (HIGH FLOW)
26	1	8301027	ELBOW c/w O RING, WASHERS & CAPSCREWS
27	1	8301285	HYDRAULIC MOTOR
28	1	8501396	HOSE - 5/8" BORE HOSE x 330mm
29	1	8513024	HOSE - 1/2" BSP FS/FS x 120"
30	1	8537015	HOSE - 3/4" BSP FS/F90 SWEPT x 110"
31	1	8600402	O RING
32	1	8650104	BONDED SEAL
33	3	9100103	FLAT WASHER
34	9	9100104	FLAT WASHER
35	2	9100207	SPRING WASHER
36	4	9163003	NYLOC NUT
37	10	9163004	NYLOC NUT
38	9	9163005	NYLOC NUT
39	4	9213074	BOLT
40	2	9213325	BOLT
41	4	9300143	BUTTON HEAD CAPSCREW
42	1	9313033	SETSCREW
43	1	9313045	SETSCREW
44	3	9313054	SETSCREW
45	4	9313055	SETSCREW
46	1	9313065	SETSCREW
47	2	9313087	SETSCREW
48	3	9343104	CAPSCREW
49	3	9383043	SLOTTED SETSCREW

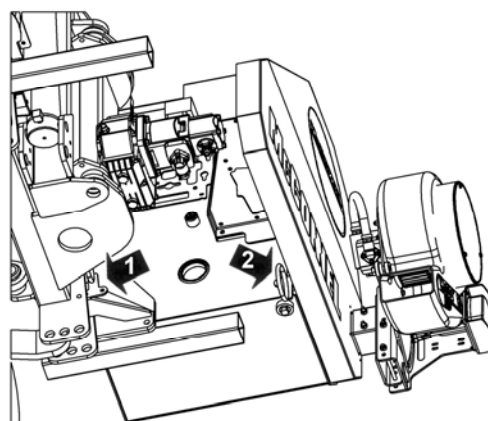
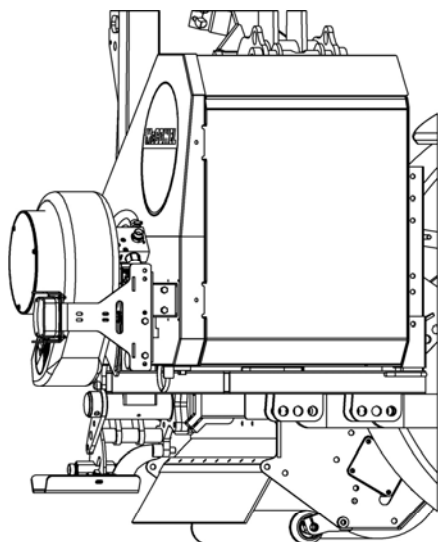
# DEBRIS BLOWER KIT - INSTALLATION

**McCONEL**

Module(s): 7150800 – L/H Build, 7150801 – R/H Build



FIT LIGHT & GUARD FROM COVER  
IN POSITION HERE (IF APPLICABLE).  
FIT EXTENSION ONTO EXISTING LOOM



HOSE GUIDE LOCATIONS

## FITTING INSTRUCTIONS

1. REMOVE REAR COVER
2. FIT TANK MTG BRKT 22669.01
3. FIT LOOM EXTENSION
4. REFIT COVER IN POSITION
5. FIT DEBRIS BLOWER ASSY
6. ATTACH LIGHT IF APPLICABLE
7. RUN HOSES THROUGH HOSE GUIDES
8. ADJUST TO REQUIRED HEIGHT AND ANGLE
9. ENSURE CABLES AND HOSES ARE NOT UNDER TENSION



McConnel Limited, Temeside Works, Ludlow, Shropshire SY8 1JL. England.  
Telephone: 01584 873131. Facsimile: 01584 876463. [www.mcconnel.com](http://www.mcconnel.com)