

Publication 470  
January 2005  
Part No. 41570.70  
Revision: 21.02.08

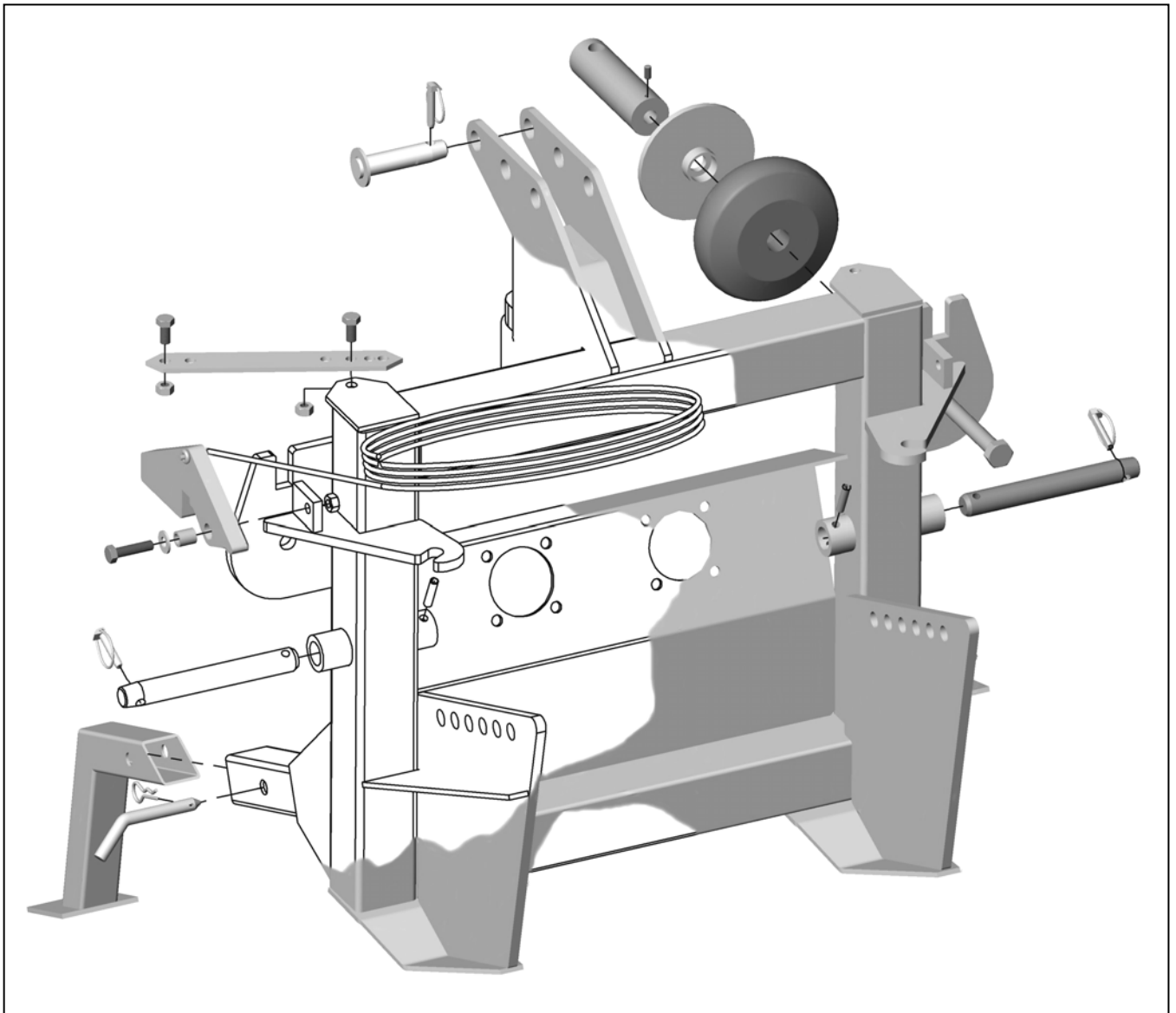


# PA 48

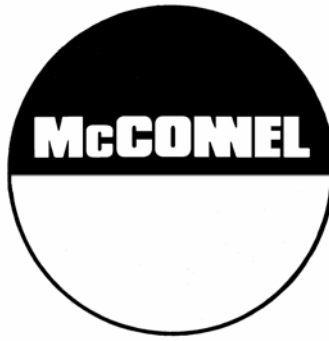
|||||

## HEDGE/GRASS CUTTER

# Parts Manual



# McCONEl



*For best performance...*

## **USE ONLY 'GENUINE McCONNEL' SERVICE PARTS**

To be assured of the latest design improvements purchase your 'Genuine Replacements' from the Original Equipment Manufacturer: **McCONNEL LIMITED** through your local Dealer or Stockist.

Always quote:

- **Machine Type**
- **Serial Number**
- **Part Number**



***Genuine Parts ~ Quality Service***



**Design Improvements may have altered some of the parts listed in this manual – The latest part will always be supplied when it is interchangeable with an earlier one.**

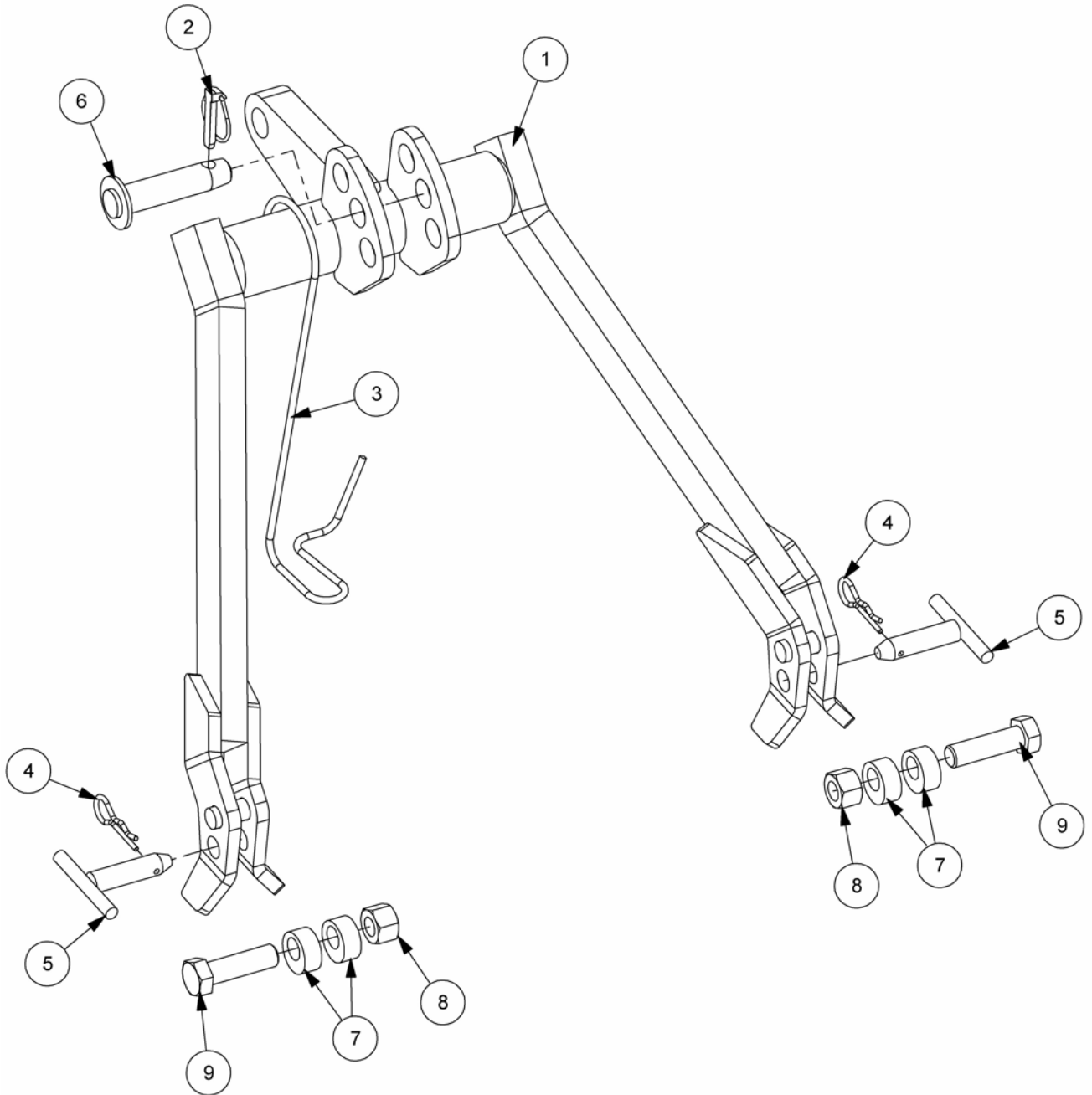


# LIST OF CONTENTS

	<i>Page</i>
<b>Main Frame &amp; Arms</b>	
Stabilizer	2
Main Frame	4
Pillar	6
Rocker	8
Main Arm	10
Dipper Arm	12
Head Angling Mechanism	14
Hydraulic Tank	16
<b>Pumps &amp; Gearboxes</b>	
Pump & Gearbox – <i>SI Models</i>	18
Pump & Gearbox – <i>TI Models</i>	20
Gearbox Assembly	22
<b>Valves &amp; Control Units</b>	
Cable Control Valve & Control Levers	24
Electric Control Valve	26
Proportional Control Valve	28
Solenoid Valves	30
Rotor Relief Valve	32
Rotor Control Valve	34
Switchbox Controls & Loom	36
Monolever Controls & Loom	38
Proportional Control Box – <i>Mini Single Lever</i>	40
Control Mountings	42
<b>Hydraulic Rams</b>	
Angling Ram	43
Lift Ram	44
Reach Ram	45
<b>Hydraulic Hoses</b>	
Armhead Control Valve Hose Connections	46
Hose Installation	48
<b>Float Kits</b>	
Lift Float Kit ( <i>Optional Extra</i> )	50
Angle Float Kit ( <i>Optional Extra</i> )	52
<b>Covers</b>	
Rear Cover Assembly	54
<b>Lighting</b>	
Rear Lighting Kit ( <i>Optional Extra</i> )	56
<b>Decals</b>	
Machine Decals	58
<b>Guarding</b>	
Cab Guard Kit	60
<b>Optional Extras</b>	
Debris Blower Mounting Kit	61

# STABILIZER ASSEMBLY

Module:  
7148750

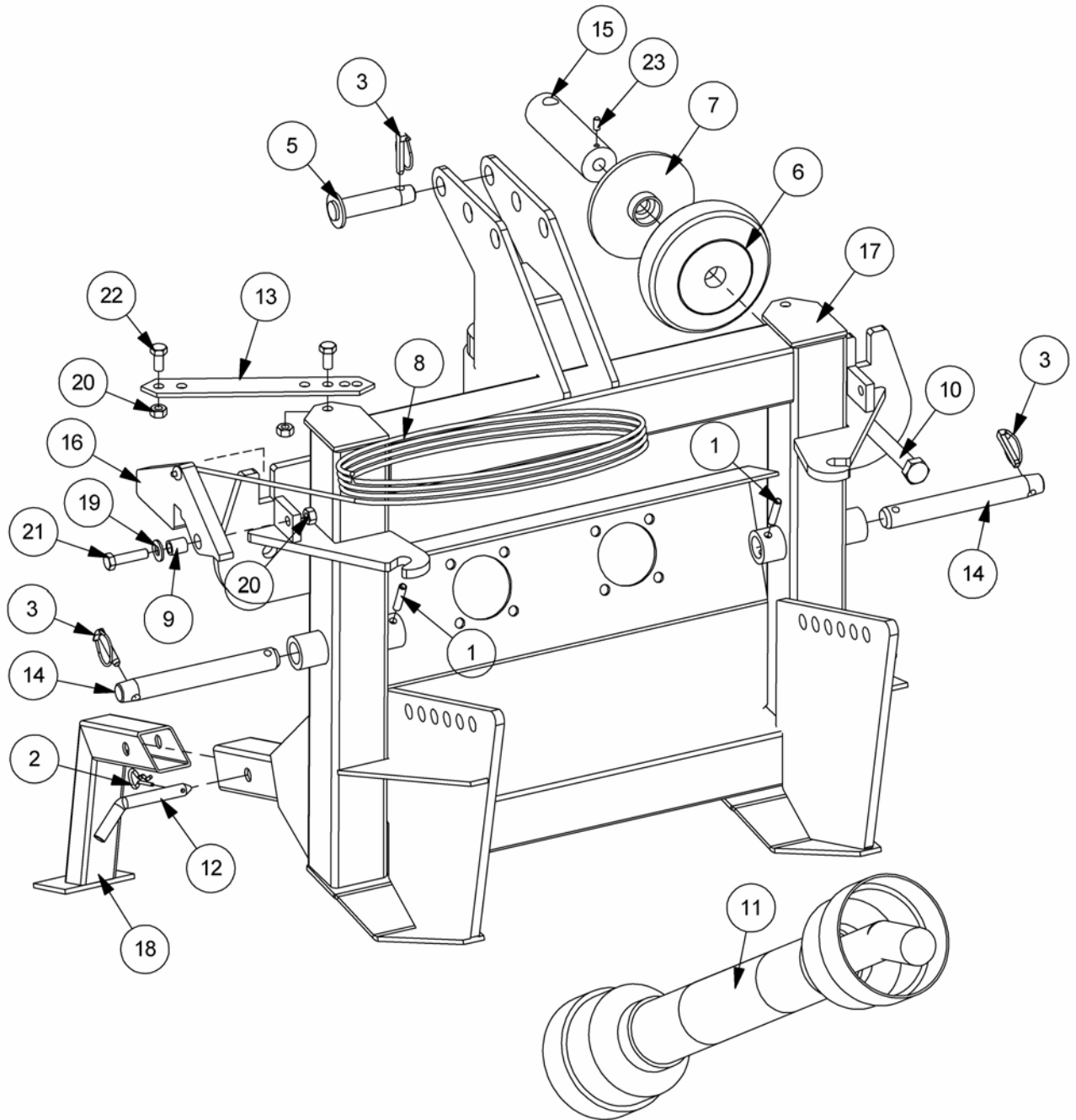


**STABILIZER ASSEMBLY**

REF.	QTY.	PART NO.	DESCRIPTION
		<b>7148750</b>	<b>STABILIZER ASSEMBLY</b>
1	1	7192405	UNIVERSAL STABILIZER
2	1	0431217	LINCH PIN
3	1	21160.03	PTO HOOK
4	2	0431105	SPRING COTTER
5	2	7192027	STABILIZER PIN
6	1	7118112	PIN - STABILIZER
7	4	7192080	ECCENTRIC COLLAR
8	2	9143008	SELF-LOCKING NUT
9	2	9213148	BOLT

# MAIN FRAME ASSEMBLY

Module:  
7148704



**MAIN FRAME ASSEMBLY**

REF.	QTY.	PART NO.	DESCRIPTION
		<b>7148704</b>	<b>MAIN FRAME ASSEMBLY - PA48</b>
1	2	0422628	SPRING DOWEL
2	2	0431105	SPRING COTTER
3	3	0431217	LINCH PIN
4	2	0901121	GREASE NIPPLE
5	1	7118112	PIN
6	1	7135033	RUBBER SPRING
7	1	7135034	BUFFER LOCATING DISC
8	1	71350361	NYLON CORD - 2.5M
9	1	7135097	SPACER
10	1	7135293	BOLT
11	1	7136330	DRIVE SHAFT ASSEMBLY
12	2	7192023	LEG PIN
13	1	7192029	TANK STRAP
14	2	7193020	LINKAGE PIN
15	1	7193323	BUFFER ABUTMENT
16	1	7193325	LATCH
17	1	7193391	MAIN FRAME
18	2	7193480	SUPPORT LEG
19	1	9100106	FLAT WASHER
20	3	9143006	SELF-LOCKING NUT
21	1	9213106	BOLT
22	2	9313056	SETSCREW
23	1	9363034	GRUB SCREW

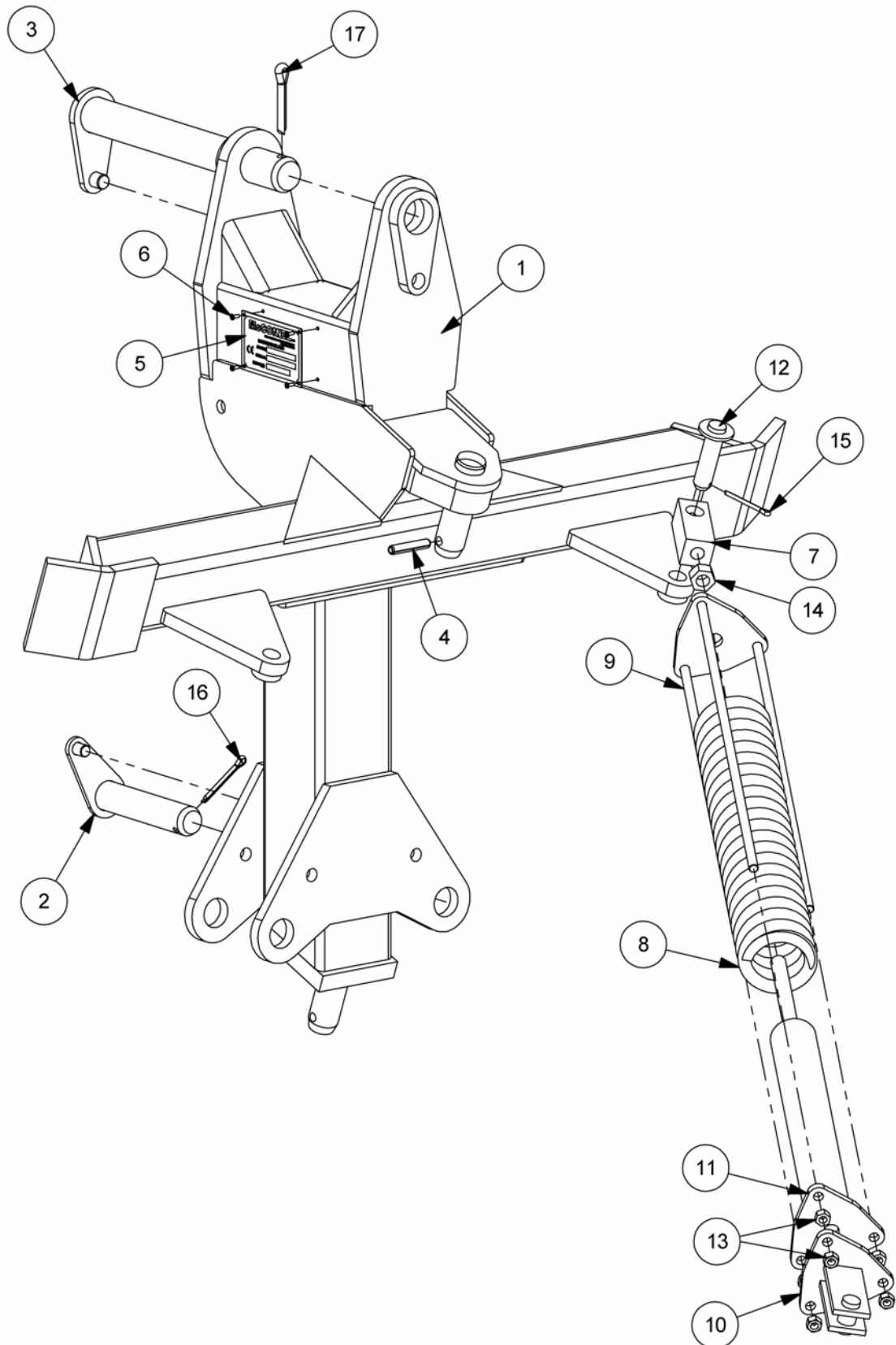


PA48

# PILLAR ASSEMBLY



Module:  
7148706



**PILLAR ASSEMBLY**

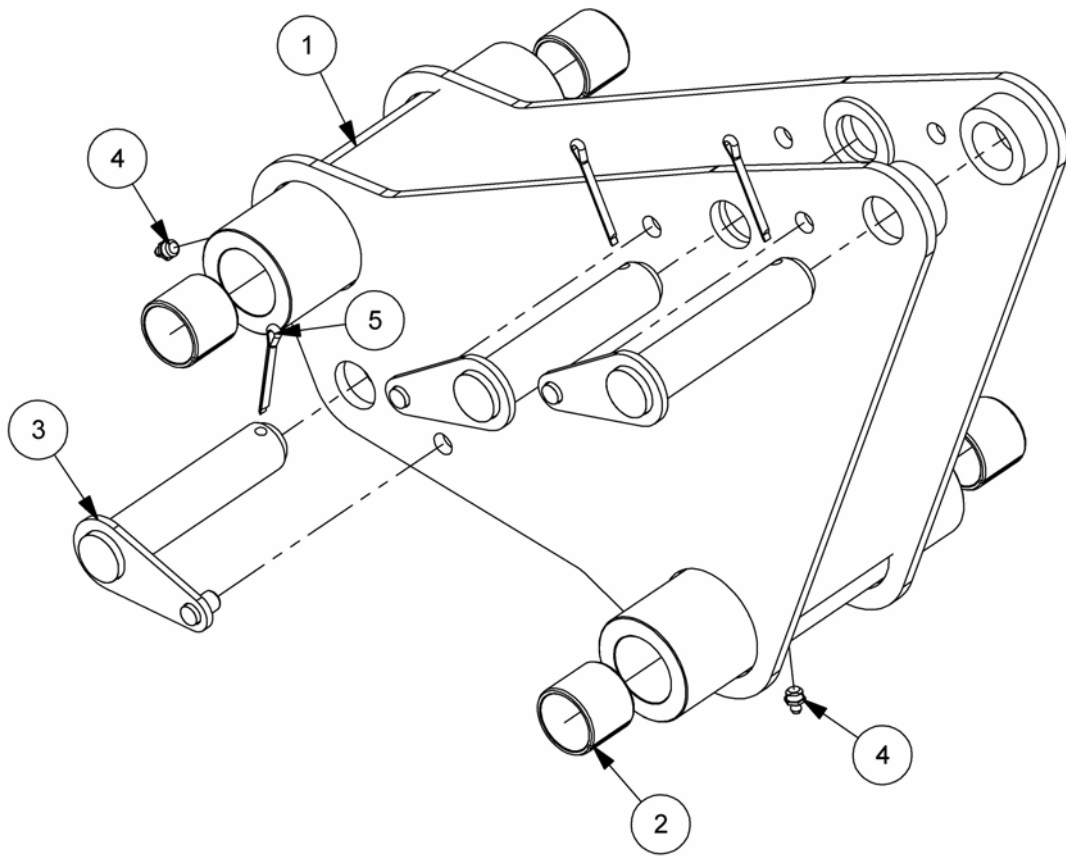
REF.	QTY.	PART NO.	DESCRIPTION
		<b>7148706</b>	<b>PILLAR ASSEMBLY</b>
1	1	7193356	PILLAR
2	1	7193025	PIN
3	1	7193033	PIN
4	1	0422632	SPRING DOWEL
5	1	1335246	SERIAL No. PLATE
6	4	7103230	POP RIVET
7	1	7135081	ROD END
8	1	7135298	BREAKAWAY SPRING
9	1	7135315	SPRING CAGE
10	1	7135317	SPRING UNIT - BASE END
11	1	7190459	TENSION TUBE
12	1	7193021	PIN - SPRING ANCHOR
13	6	0111003	NUT
14	1	0111006	NUT
15	1	9501406	SPLIT PIN
16	1	9501507	SPLIT PIN
17	1	9501509	SPLIT PIN

PA48



# ROCKER ASSEMBLY

Module:  
7148708



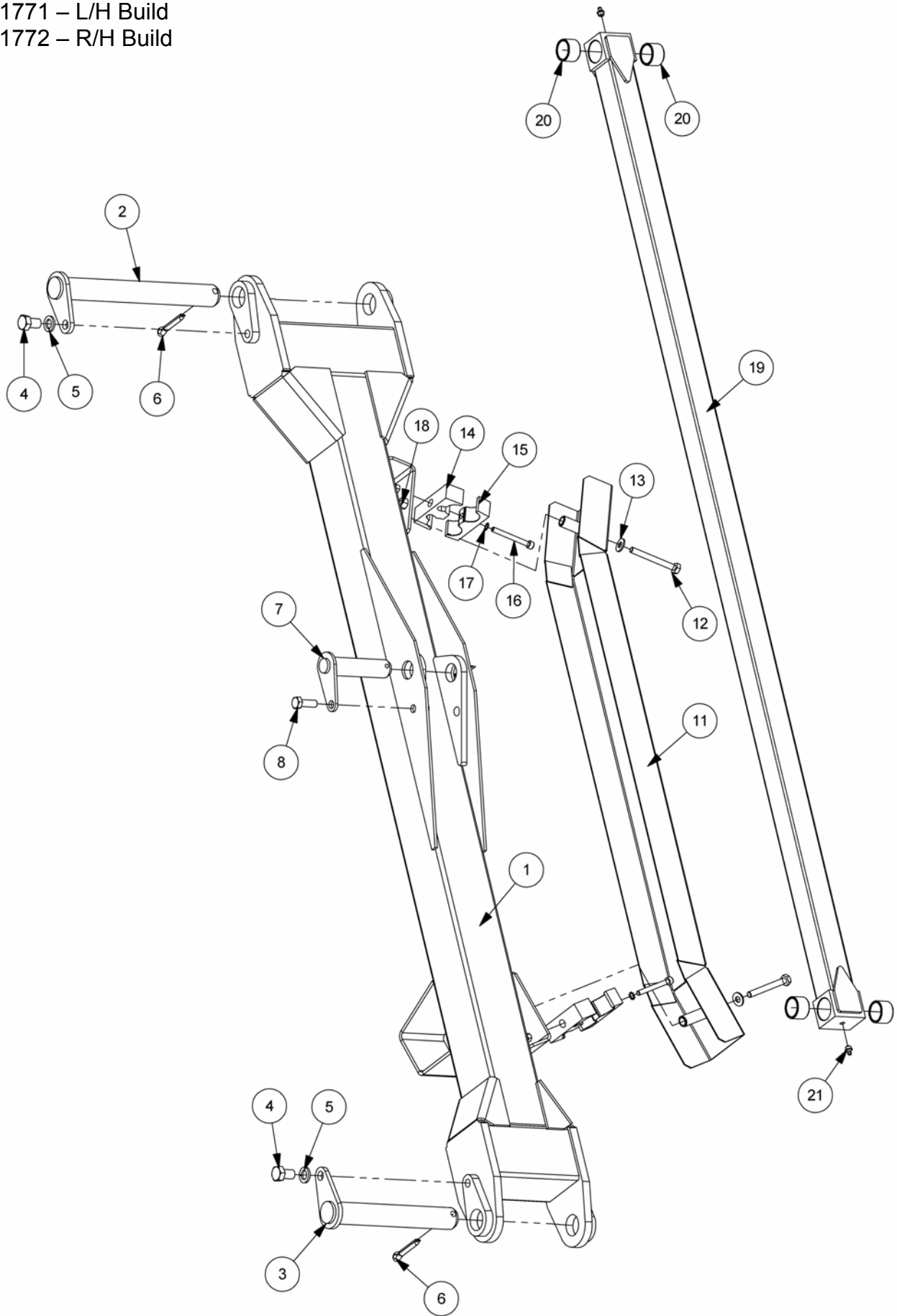
**ROCKER ASSEMBLY**

REF.	QTY.	PART NO.	DESCRIPTION
		<b>7148708</b>	<b>ROCKER ASSEMBLY</b>
1	1	7193330	ROCKER
2	4	7213023	PLASTIC BUSH
3	3	7193025	PIN
4	2	0901121	GREASE NIPPLE
5	3	9501507	SPLIT PIN

# MAIN ARM ASSEMBLY

**Module:**  
7451771 – L/H Build  
7451772 – R/H Build

*Illustrated in Left Hand Build*



**MAIN ARM ASSEMBLY**

REF.	QTY.	PART NO.	DESCRIPTION
		<b>7451771</b>	<b>MAIN ARM ASSEMBLY - L/H Build</b>
		<b>7451772</b>	<b>MAIN ARM ASSEMBLY - R/H Build</b>
1	1	7193474	MAIN ARM - L/H Build
	1	7193475	MAIN ARM - R/H Build
2	1	41686.01	MAIN ARM PIVOT PIN
3	1	41687.01	PIN - DIPPER PIVOT
4	2	9313057	SETSCREW
5	2	05.282.04	SPRING WASHER
6	2	9501509	SPLIT PIN
7	1	41688.01	PIN - REACH RAM ROD
8	1	9313076	SETSCREW
9	1	9143006	SELF-LOCKING NUT
10	1	9501507	SPLIT PIN
11	1	41665.01	HOSE GUARD
12	2	9213185	BOLT
13	2	9100105	FLAT WASHER
14	2	45630.01	HOSE CLAMP (HALF)
15	2	42024.06	HOSE CLAMP (HALF)
16	2	9243154	CAPSCREW
17	2	9100404	SHAKEPROOF WASHER
18	2	9143005	SELF-LOCKING NUT
19	1	7193326	TENSION LINK
20	4	6012032	BUSH
21	2	0901121	GREASE NIPPLE

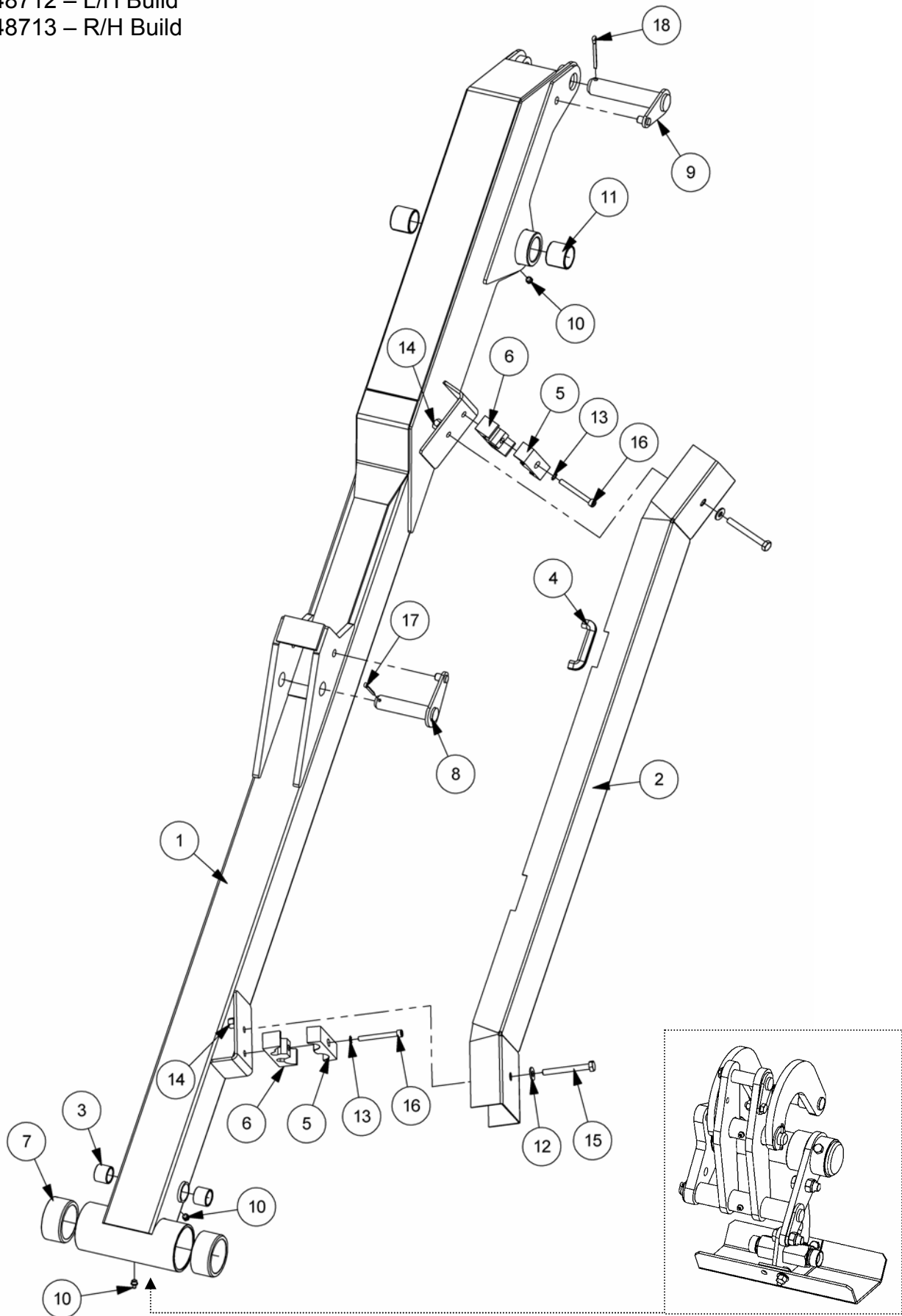
# DIPPER ARM ASSEMBLY

**Modules:**

7148712 – L/H Build

7148713 – R/H Build

*Illustrated in Left Hand Build*



See Head Angling Mechanism page for exploded view of this component.

**DIPPER ARM ASSEMBLY**

REF.	QTY.	PART NO.	DESCRIPTION
		<b>7148712</b>	<b>DIPPER ARM ASSEMBLY - L/H Build</b>
		<b>7148713</b>	<b>DIPPER ARM ASSEMBLY - R/H Build</b>
1	1	7193476	DIPPER ARM - L/H Build
	1	7193477	DIPPER ARM - R/H Build
2	1	41665.03	HOSE GUARD
3	2	41690.01	BUSH
4	1	41741.01	EDGING STRIP
5	2	42024.06	HOSE CLAMP (HALF)
6	2	45630.01	HOSE CLAMP (HALF)
7	2	7136035	PLASTIC BUSH
8	1	7192024	PIN - ANGLE BASE
9	1	7193025	PIN
10	3	0901121	GREASE NIPPLE
11	2	7213023	PLASTIC BUSH
12	2	9100105	FLAT WASHER
13	2	9100404	SHAKEPROOF WASHER
14	2	9143005	SELF-LOCKING NUT
15	2	9213185	BOLT
16	2	9243154	CAPSCREW
17	1	9501406	SPLIT PIN
18	1	9501507	SPLIT PIN



# HEAD ANGLING MECHANISM

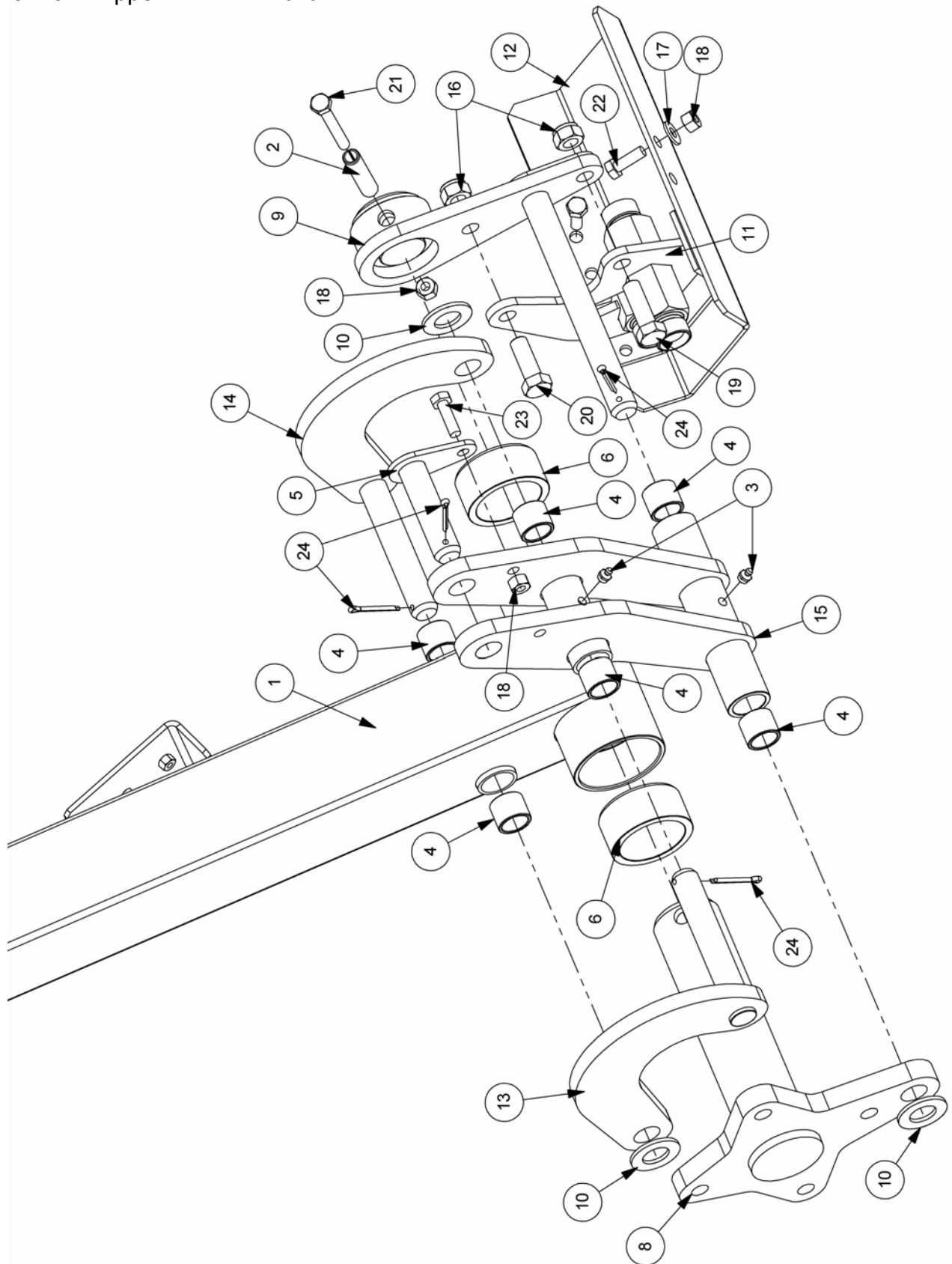
**Modules:**

Sub-Component of:

7148712 – Dipper Arm L/H Build

7148713 – Dipper Arm R/H Build

*Illustrated in Left Hand Build*

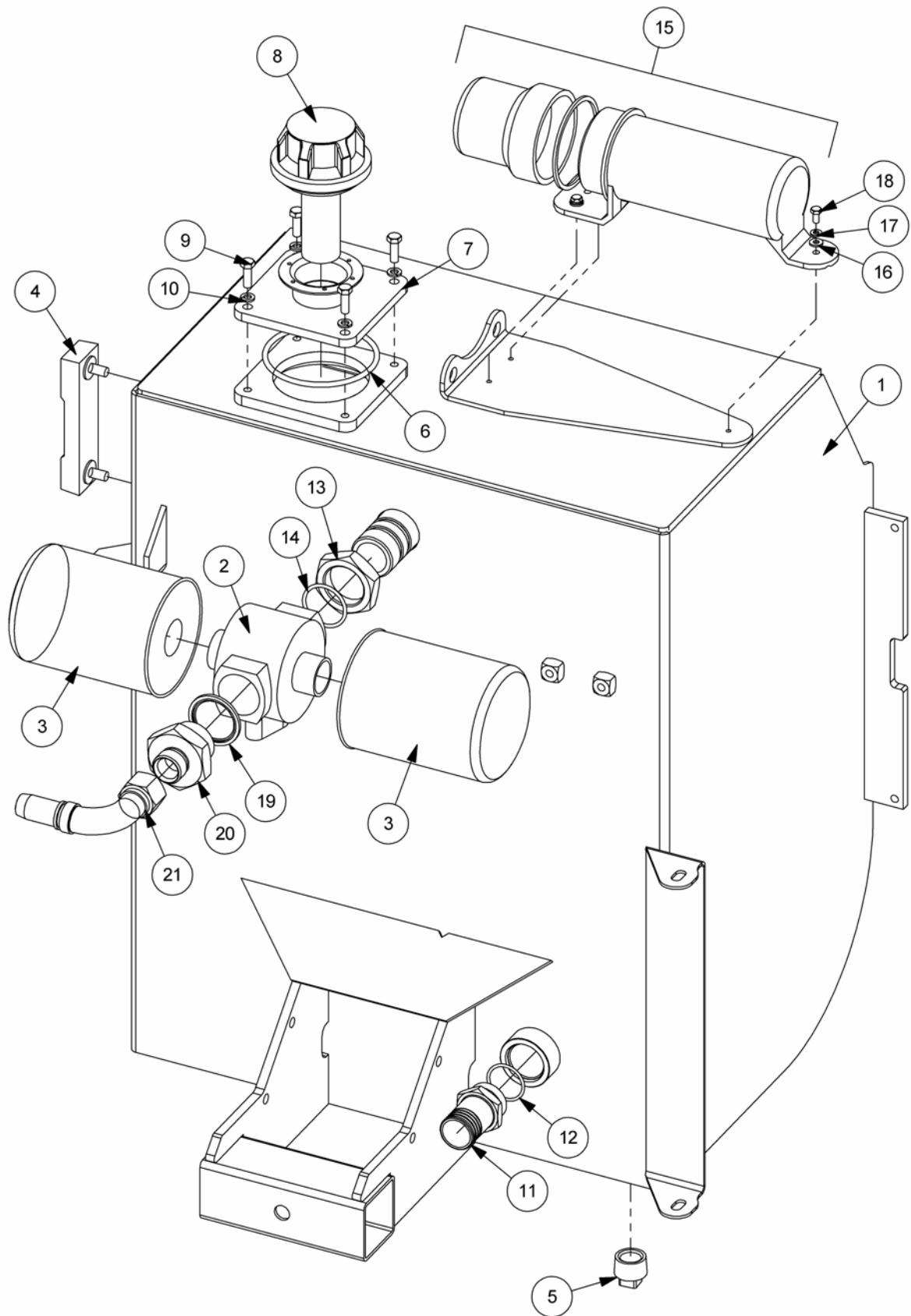


**HEAD ANGLING MECHANISM**

REF.	QTY.	PART NO.	DESCRIPTION
			<b>HEAD ANGLING MECHANISM</b>
<i>Sub-Component of:</i>			
		<b>7148712</b>	<b>DIPPER ARM ASSEMBLY - L/H Build</b>
		<b>7148713</b>	<b>DIPPER ARM ASSEMBLY - R/H Build</b>
1	1	7193476	DIPPER ARM - L/H Build
	1	7193477	DIPPER ARM - R/H Build
2	1	0423548	SPRING DOWEL
3	2	0901121	GREASE NIPPLE
4	6	41690.01	BUSH
5	1	41693.01	PIN - ANGLE ROD END
6	2	7136035	PLASTIC BUSH
7	1	7192009	PIN - SLAVE LINK
8	1	7192308	PIVOT TUBE
9	1	7192316	JAW PLATE
10	3	0100109	FLAT WASHER
11	1	7195303	HOSE BRACKET
12	1	7198333	HOSE TRAY
13	1	7450250	RADIUS ARM - REAR
14	1	7450251	RADIUS ARM - FRONT
15	1	7450252	SLAVE LINK
16	2	9100028	SELF-LOCKING NUT
17	2	9100105	FLAT WASHER
18	4	9143005	SELF-LOCKING NUT
19	1	9200025	BOLT
20	1	9200028	BOLT
21	1	9213185	BOLT
22	2	9313065	SETSCREW
23	1	9313075	SETSCREW
24	4	9501406	SPLIT PIN

Module:  
7148702 – L/H Build

*Illustrated in Left Hand Build*



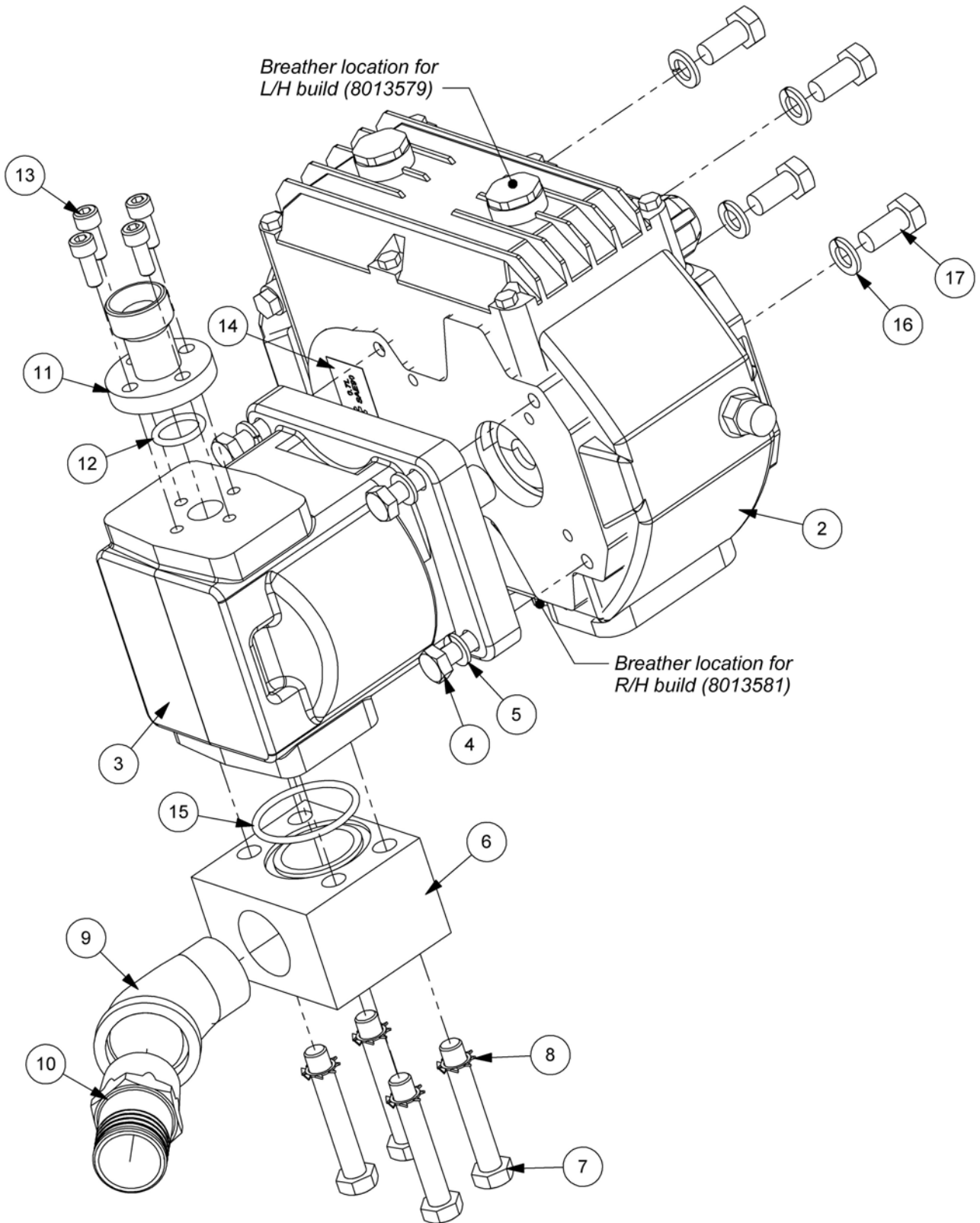
## HYDRAULIC TANK ASSEMBLY



REF.	QTY.	PART No.	DESCRIPTION
		<b>7148702</b>	<b>HYDRAULIC TANK ASSEMBLY - L/H Build</b>
1	1	45243.10	TANK - L/H Build
2	1	8401060	RETURN FILTER HEAD
3	2	8401041	FILTER ELEMENT
4	1	8401048	LEVEL GAUGE
5	1	8581203	TAPER PLUG
6	1	8600151	O RING
7	1	43175.01	COVER PLATE
8	1	8401074	FILLER BREATHER
9	4	9313054	SETSCREW
10	4	9100204	SPRING WASHER
11	1	8581260	ADAPTOR
12	1	8700784	O RING
13	1	8581422	ADAPTOR BACKNUT
14	1	8600302	O RING
15	1	46505.01	LITERATURE HOLDER
16	3	9100103	FLAT WASHER
17	3	9100203	SPRING WASHER
18	3	9313023	SETSCREW
19	1	8650224	BONDED SEAL
20	1	8581291	ADAPTOR
21	1	7114005	ADAPTOR ELBOW

**Modules:**  
8013579 – L/H Build  
8013581 – R/H Build

*Illustrated in Left Hand Build*



**SI PUMP & GEARBOX ASSEMBLY**

REF.	QTY.	PART NO.	DESCRIPTION
		<b>8013579</b>	<b>SI PUMP &amp; GEARBOX ASSEMBLY - L/H Build</b>
		<b>8013581</b>	<b>SI PUMP &amp; GEARBOX ASSEMBLY - R/H Build</b>
1	1	8600523	O RING
2	1	21931.01	GEARBOX - CAST IRON 1:4.25 (13T SPLINE)
3	1	8201686	PUMP - SI
4	4	9313075	SETSCREW
5	4	9100205	SPRING WASHER
6	1	8581312	SUCTION BLOCK
7	4	9213156	BOLT
8	4	9100406	SERRATED WASHER
9	1	8581283	ELBOW - 45°
10	1	8581367	ADAPTOR - LP
11	1	8013090	PUMP CONNECTION
12	1	8600117	O RING
13	4	9300147	CAPSCREW
14	1	1290092	DECAL - GEARBOX
15	1	8600304	O RING
16	4	9100206	SPRING WASHER
17	4	9313056	SETSCREW

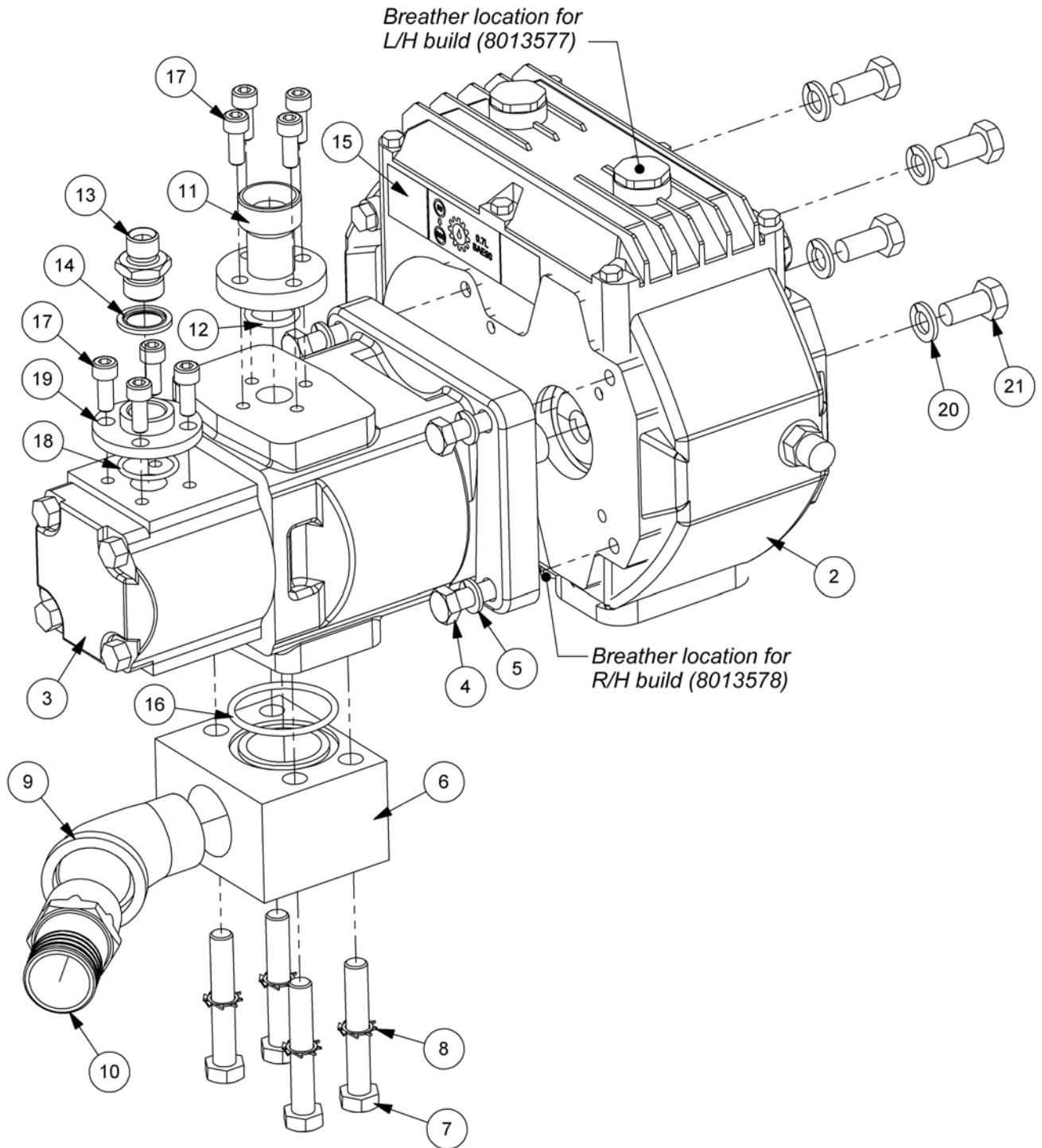
**NOTE: Components for L/H & R/H Builds are identical and differ only in the orientation of the assembled components.**

**Modules:**

8013577 – L/H Build

8013578 – R/H Build

*Illustrated in Left Hand Build*



**TI PUMP & GEARBOX ASSEMBLY**

REF.	QTY.	PART NO.	DESCRIPTION
		<b>8013577</b>	<b>TI PUMP &amp; GEARBOX ASSEMBLY - L/H Build</b>
		<b>8013578</b>	<b>TI PUMP &amp; GEARBOX ASSEMBLY - R/H Build</b>
1	1	8600523	O RING
2	1	21931.01	GEARBOX - CAST IRON 1:4.25 (13T SPLINE)
3	1	8201700	PUMP - TI
4	4	9313075	SETSCREW
5	4	9100205	SPRING WASHER
6	1	8581312	SUCTION BLOCK
7	4	9213156	BOLT
8	4	9100406	SERRATED WASHER
9	1	8581283	ELBOW - 45° ( <i>L/H Build Machines Only</i> )
10	1	8581367	ADAPTOR - LP
11	1	8013090	PUMP CONNECTION
12	1	8600117	O RING
13	1	6000112	ADAPTOR
14	1	8650104	BONDED SEAL
15	1	1290092	DECAL - GEARBOX
16	1	8600304	O RING
17	8	9300147	CAPSCREW
18	1	8600405	O RING
19	1	42029.01	PORT PLATE
20	4	9100206	SPRING WASHER
21	4	9313056	SETSCREW

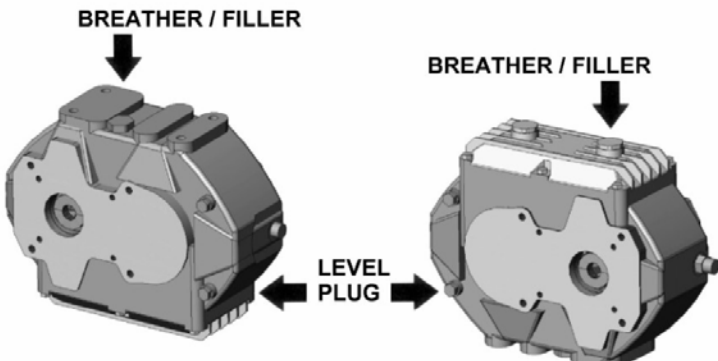
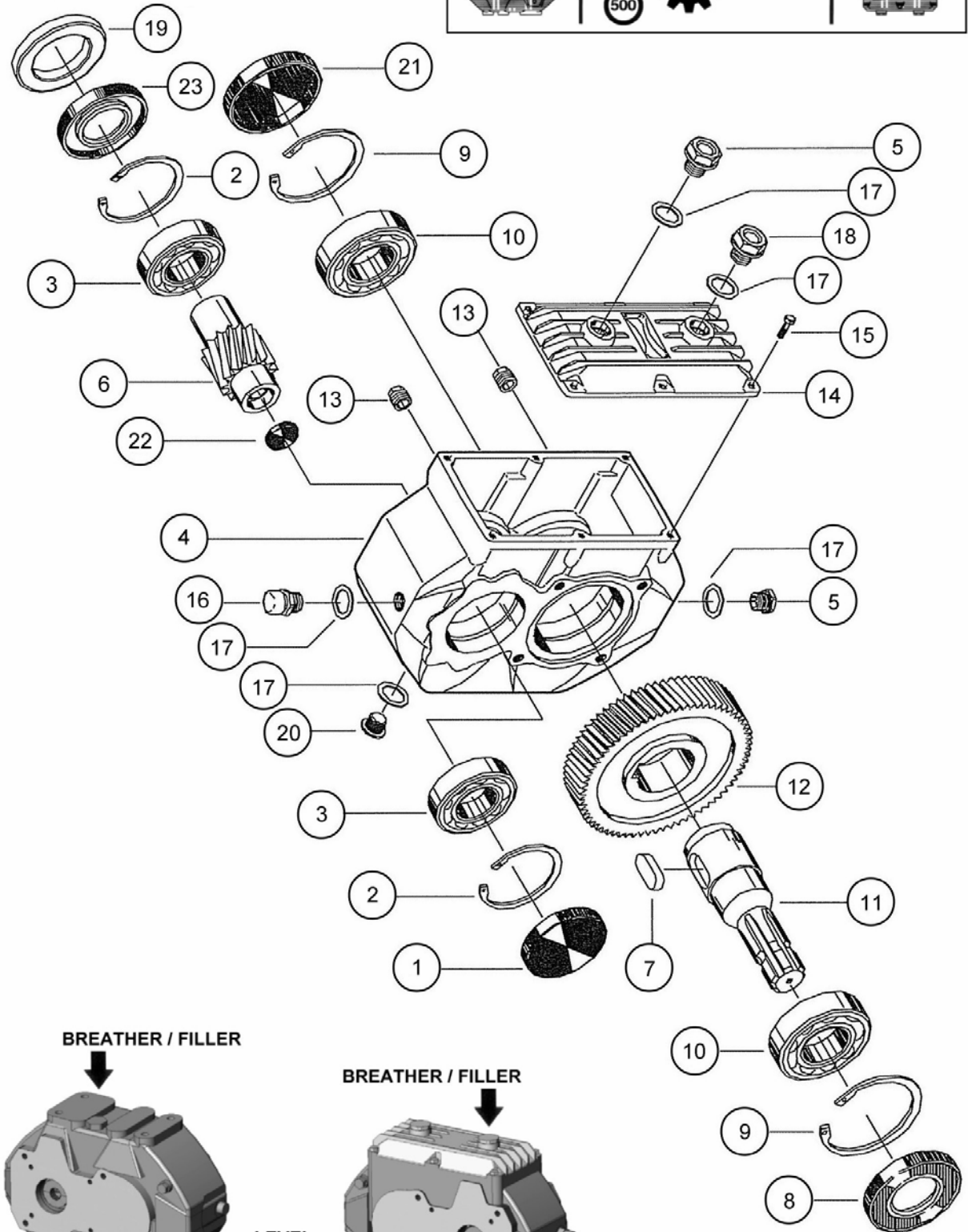
**NOTE:** With the exception of item 9 components for L/H & R/H Builds are identical and differ only in the orientation of the assembled components.



# GEARBOX ASSEMBLY

## Modules:

21931.01 – Gearbox (Ratio 1:4.25) 13T



NOTE: Plug positions are dependent on gearbox orientation

**GEARBOX ASSEMBLY**

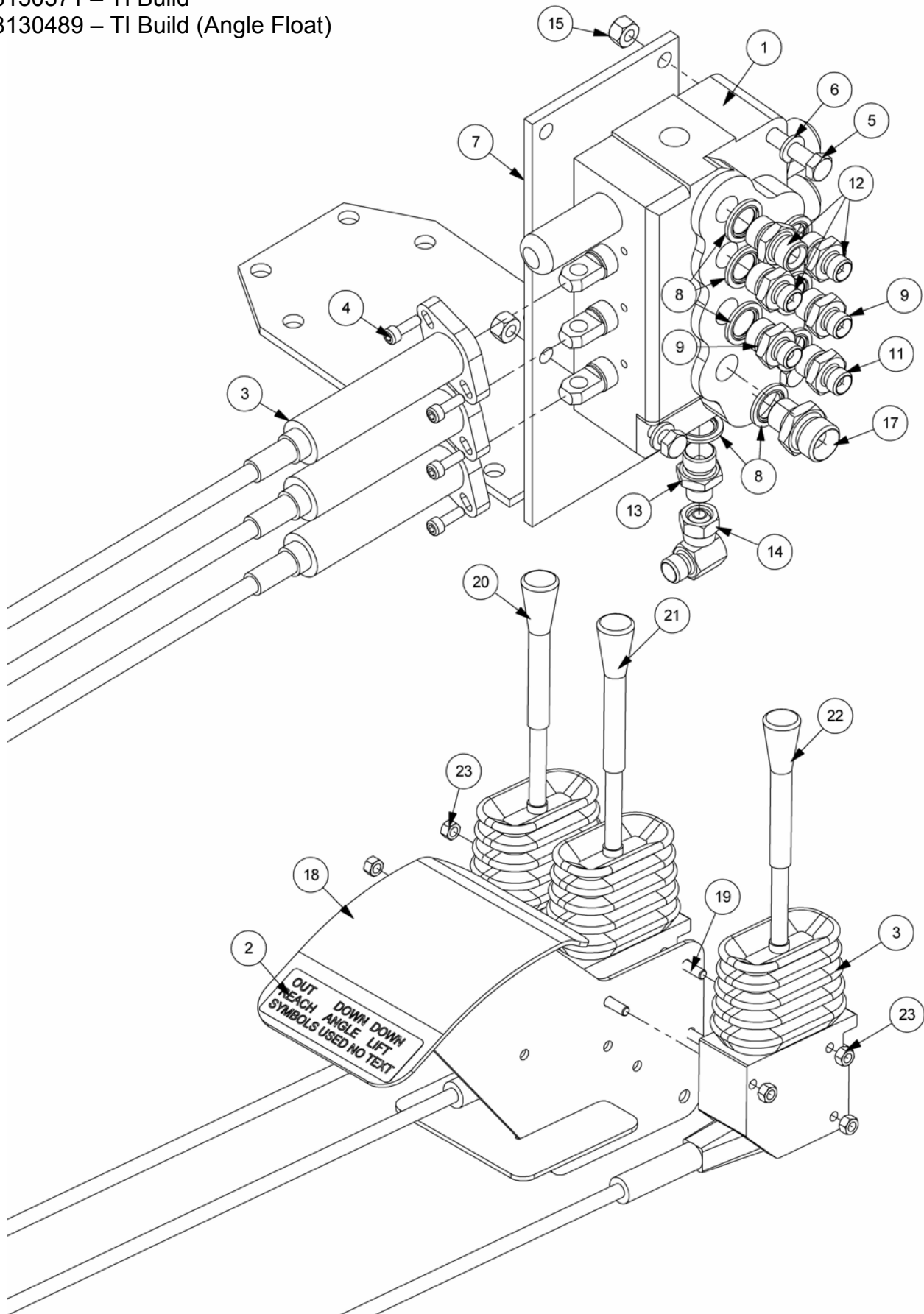
REF.	QTY.	PART No.	DESCRIPTION
		<b>21931.01</b>	<b>GEARBOX ASSEMBLY (Cast Iron)</b>
		<i>Specification:</i>	<i>Ratio 1:4.25 with 13 tooth spline</i>
1	1	8013530	CAP
2	2	8013529	INTERNAL CIRCLIP
3	2	8013528	BEARING
4	1	8013585	GEARBOX CASTING
5	2	8013533	DRAIN PLUG
6	1	8013575	SHAFT
7	1	8013586	DRIVESHAFT KEY
8	2	8013526	SHAFT SEAL
9	2	8013525	INTERNAL CIRCLIP
10	1	8013524	BEARING
11	1	8013522	INPUT SHAFT
12	1	8013587	PRIMARY GEAR
13	2	8013534	LEVEL PLUG
14	1	8013589	GEARBOX COVER
15	6	9313033	SCREW
16	1	8013590	OIL PLUG
17	5	8013591	SEALING WASHER
18	1	8013592	OIL PLUG
19	1	8013576	RING
20	1	8013593	OIL PLUG
21	1	8013527	CAP
22	1	8013594	OIL PLUG
23	1	8699264	GEARBOX SEAL

**Modules:**

8130372 – SI Build

8130371 – TI Build

8130489 – TI Build (Angle Float)



**CABLE CONTROL ASSEMBLY**

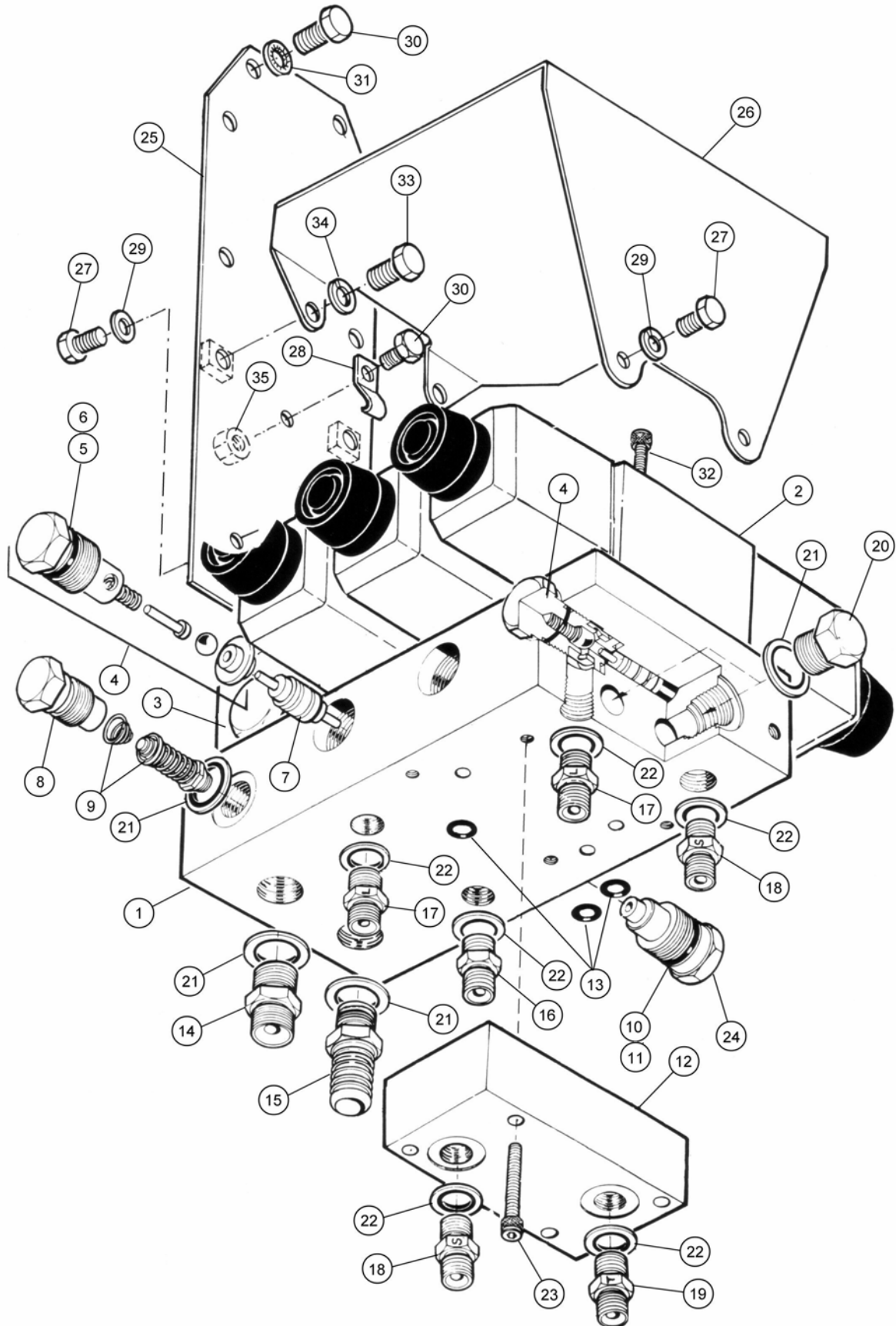
REF.	QTY.	PART NO.	DESCRIPTION
		<b>8130372</b>	<b>SI CABLE CONTROL ASSEMBLY</b>
		<b>8130371</b>	<b>TI CABLE CONTROL ASSEMBLY</b>
		<b>8130489</b>	<b>TI CABLE CONTROL ASSEMBLY (Angle Float)</b>
1	1	8130334	CONTROL VALVE (3 SPOOL)
	1	8130260	CONTROL VALVE (3 SPOOL) with Angle Float
2	1	1290368	CONTROL STICKER
3	3	8017066	ARM CONTROL HEAD & CABLE (3.0m)
4	6	9343032	CAPSCREW
5	3	9213134	BOLT
6	3	9100204	SPRING WASHER
7	1	7193039	VALVE BRACKET
8	8	8650103	BONDED SEAL
9	2	8130046	ADAPTOR RESTRICTOR - 1.5 'A'
10	2	8130048	ADAPTOR RESTRICTOR - 1.3 'C'
11	1	8130066	ADAPTOR RESTRICTOR - 1.15 'M'
12	1	6000113	ADAPTOR
13	1	8581115	ADAPTOR
14	1	8581190	ADAPTOR ELBOW - 90°
15	1	9117004	NUT
16	2	9113004	NUT
17	1	6000112	ADAPTOR - <i>SI Build</i>
	1	8125008	RETURN CONNECTOR ADAPTOR - <i>TI Build</i>
18	1	7650305	CABLE ARMREST - 3 LEVER
19	3	04.282.73	STUD
20	1	09.968.99	KNOB (RED) - <i>Reach Control Lever</i>
21	1	8017067	KNOB (GREEN) - <i>Angle Control Lever</i>
22	1	8017068	KNOB (YELLOW) - <i>Lift Control Lever</i>
23	6	9143003	SELF-LOCKING NUT

PA48

# ELECTRIC CONTROL VALVE



Module:  
8130367



**ELECTRIC CONTROL VALVE**

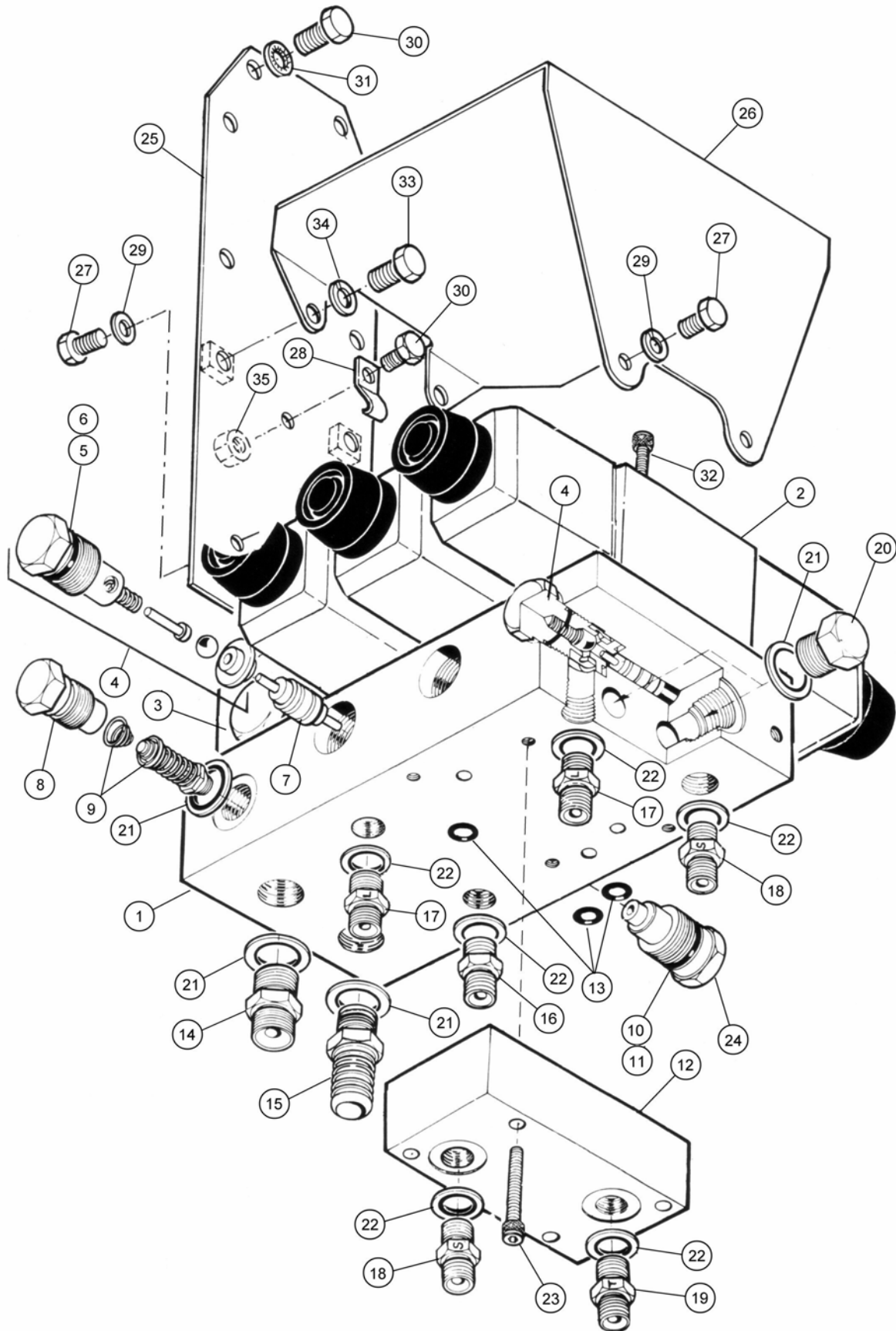
REF.	QTY.	PART NO.	DESCRIPTION
		<b>8130367</b>	<b>ELECTRIC CONTROL VALVE</b>
		8130318	SOLENOID/MANIFOLD ASSEMBLY - <i>Comprising of:</i>
1	1	8130321	MANIFOLD BLOCK
2	3	8130455	DOUBLE SOLENOID VALVE
3	1	8130456	SINGLE SOLENOID VALVE
4	5	8130090	CHECK VALVE ASSEMBLY - <i>includes:</i>
5	1	8700644	O RING
6	1	8709644	ANTI EXTRUSION RING
7	3	8130087	ACTUATOR
8	1	8130032	RELIEF VALVE CAP
9	1	8130124	RELIEF VALVE c/w SPRING
10	1	8709644	ANTI EXTRUSION RING
11	1	8700644	O RING
12	1	8130322	HOSE PLATE - <i>including:</i>
13	3	8700511	O RING
14	1	6000113	UNION
15	1	8125008	RETURN CONNECTION
16	1	8002117	UNION
17	2	8130038	RESTRICTOR UNION 'L'
18	2	8130037	RESTRICTOR UNION 'S'
19	1	8130103	RESTRICTOR UNION 'T'
20	2	8003001	PLUG
21	5	8650103	BONDED SEAL
22	6	8650102	BONDED SEAL
23	4	9243082	SOCKET HEADED SETSCREW
24	1	8130078	CHECK VALVE GALLERY PLUG
25	1	7194003	VALVE MOUNTING PLATE
26	1	7194277	VALVE COVER
27	5	9313034	SETSCREW
28	1	7109151	CABLE CLAMP
29	4	9100204	SPRING WASHER
30	2	9313045	SETSCREW
31	2	9100305	INTERNAL SERRATED WASHER
32	16	9243062	CAPSCREW - SOCKET HEADED
33	2	9313035	SETSCREW
34	2	9100205	SPRING WASHER
35	1	9143004	SELF-LOCKING NUT
		<b>8699197</b>	<b>SEAL KIT</b>

PA48

# PROPORTIONAL CONTROL VALVE



Module:  
8130674



## PROPORTIONAL CONTROL VALVE



REF.	QTY.	PART NO.	DESCRIPTION
		<b>8130674</b>	<b>PROPORTIONAL CONTROL VALVE</b>
1	1	8130321	MANIFOLD BLOCK
2	3	41784.48	DOUBLE SOLENOID VALVE - PROPORTIONAL
3	1	8130456	SINGLE SOLENOID VALVE
4	5	8130089	CHECK VALVE ASSEMBLY - <i>includes:</i>
5	1	8700644	O RING
6	1	8709644	ANTI EXTRUSION RING
7	3	8130087	ACTUATOR
8	1	8130032	RELIEF VALVE CAP
9	1	8130142	RELIEF VALVE c/w SPRING
10	1	8709644	ANTI EXTRUSION RING
11	6	8700644	O RING
12	1	8130322	HOSE PLATE - <i>including:</i>
13	3	8700511	O RING
14	1	6000113	UNION
15	1	8125008	RETURN CONNECTION
16	1	8002117	UNION
17	2	8130038	RESTRICTOR UNION 'L'
18	2	8130037	RESTRICTOR UNION 'S'
19	1	8130103	RESTRICTOR UNION 'T'
20	2	8003001	PLUG
21	5	8650103	BONDED SEAL
22	5	8650102	BONDED SEAL
23	4	9243082	SOCKET HEADED SETSCREW
24	1	8130078	CHECK VALVE GALLERY PLUG
25	1	7194003	VALVE MOUNTING PLATE
26	1	7194277	VALVE COVER
27	5	9313034	SETSCREW
28	1	7109151	CABLE CLAMP
29	4	9100204	SPRING WASHER
30	2	9313045	SETSCREW
31	2	9100105	WASHER
32	16	9243062	CAPSCREW - SOCKET HEADED
33	2	9313035	SETSCREW
34	2	9100205	SPRING WASHER
35	1	9143004	SELF-LOCKING NUT
36	1	41844	LOOM - <i>not illustrated</i>
		<b>8699197</b>	<b>SEAL KIT</b>

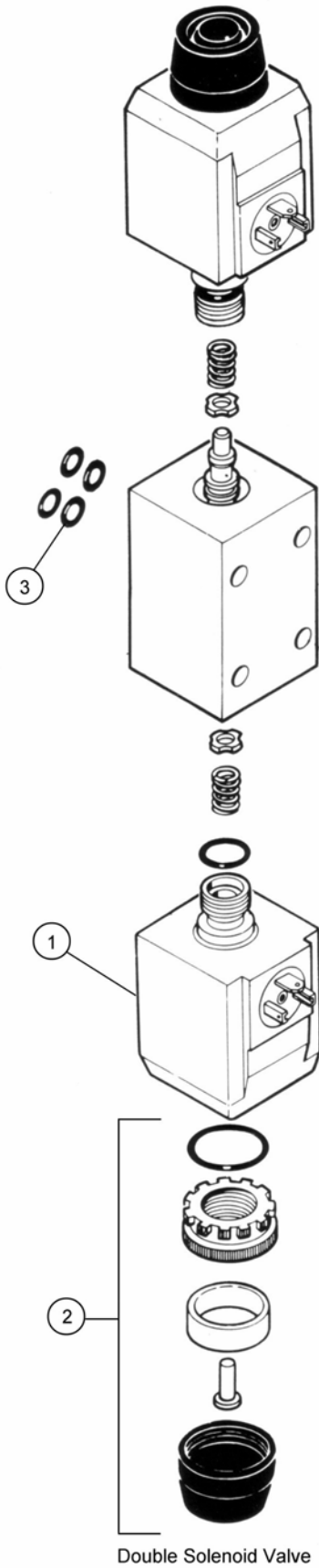


# SOLENOIDS VALVES

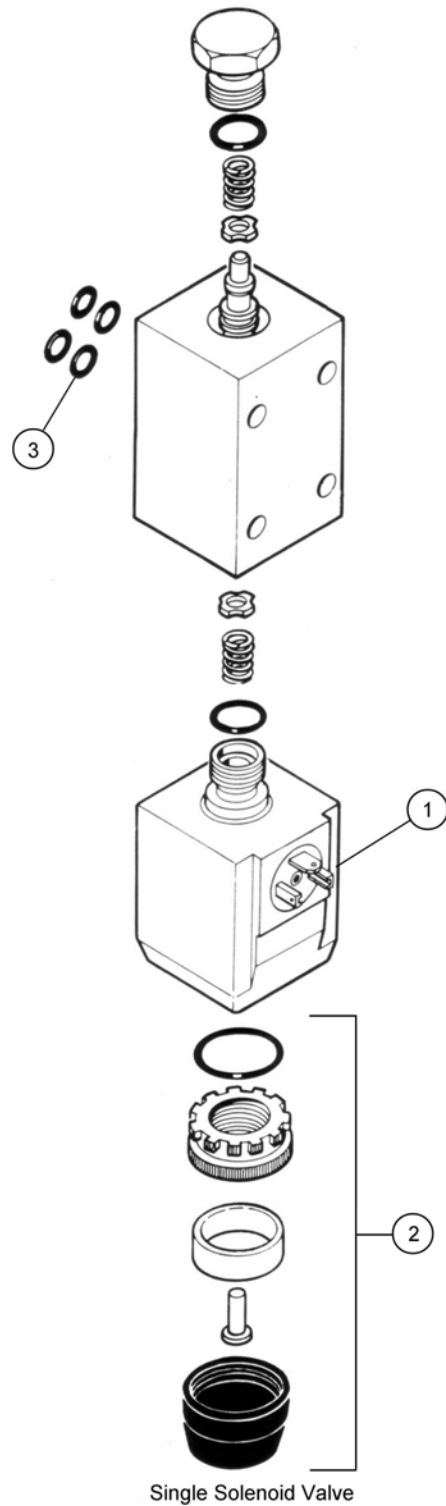
**Modules:**

8130455 – Double Solenoid Valve

8130456 – Single Solenoid Valve



Double Solenoid Valve



Single Solenoid Valve

**SOLENOIDS VALVES**

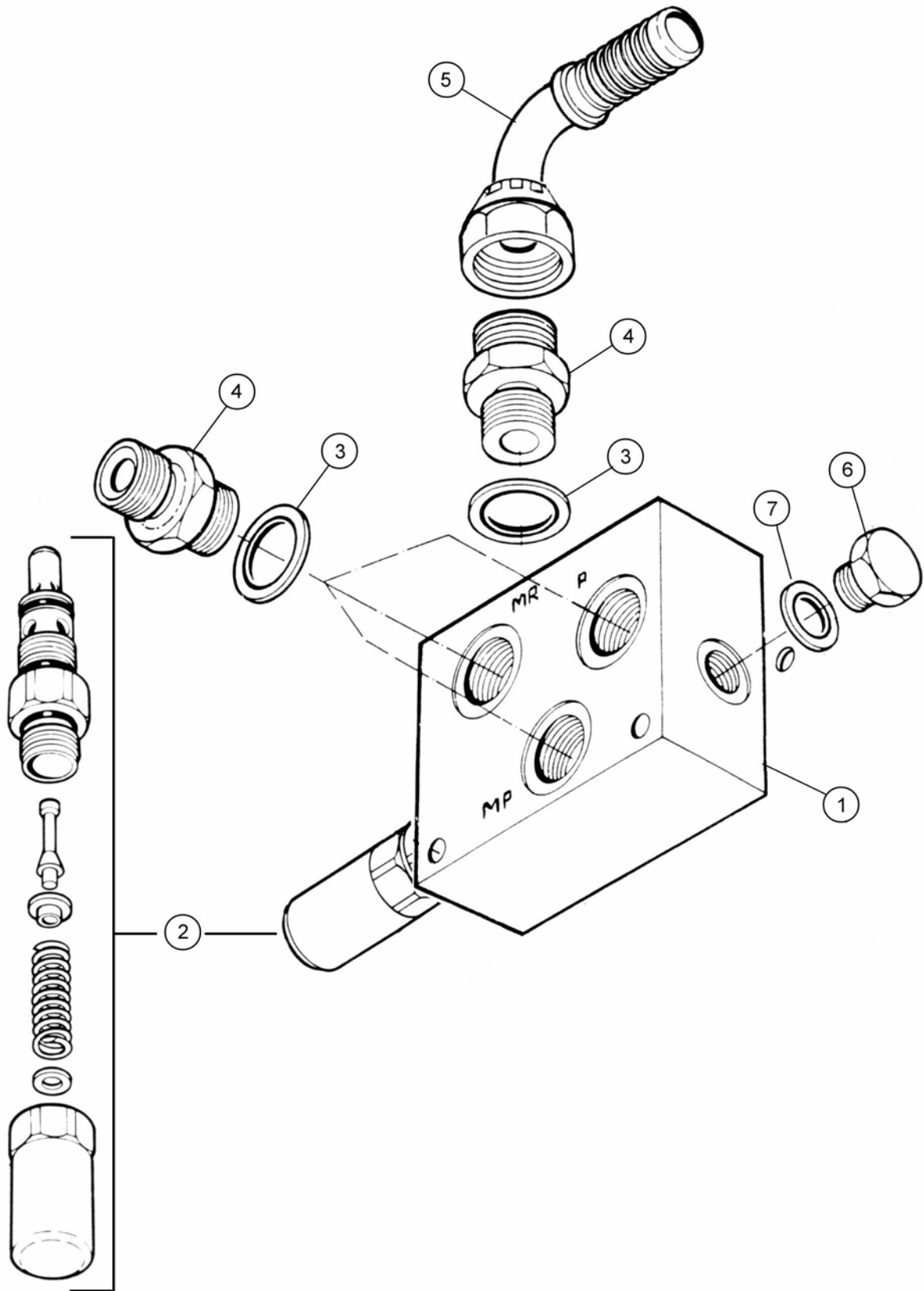
REF.	QTY.	PART NO.	DESCRIPTION
		<b>8130455</b>	<b>DOUBLE SOLENOID VALVE</b>
1	2	8130175	COIL
2	2	8130176	MANUAL OVERRIDE KIT
3	4	8700511	O RING
		<b>8130456</b>	<b>SINGLE SOLENOID VALVE</b>
1	1	8130175	COIL
2	1	8130176	MANUAL OVERRIDE KIT
3	4	8700511	O RING
		<b>8699224</b>	<b>SEAL KIT</b>

PA48

# ROTOR RELIEF VALVE



Module:  
8125400



**ROTOR RELIEF VALVE**

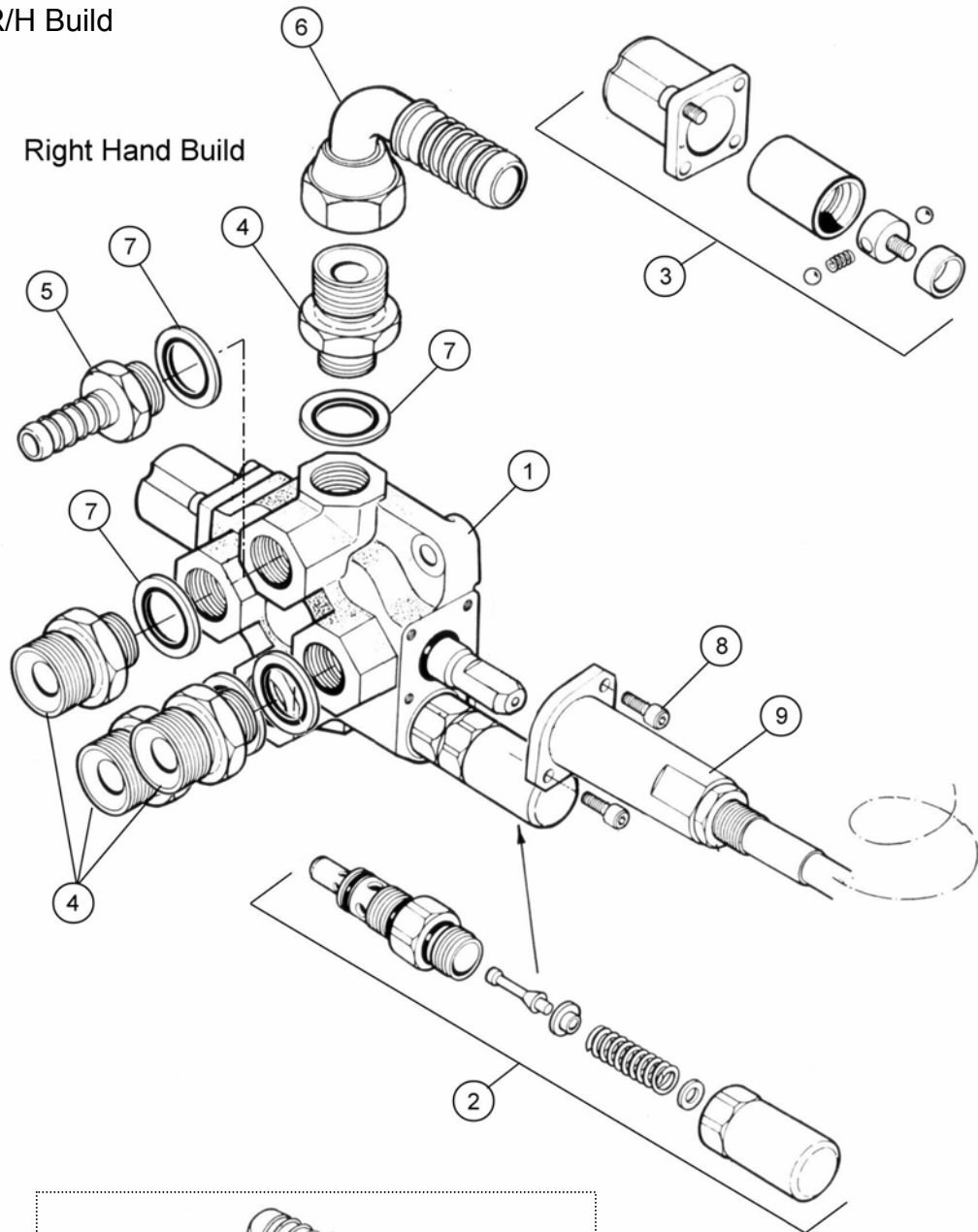
REF.	QTY.	PART No.	DESCRIPTION
		<b>8125400</b>	<b>ROTOR RELIEF VALVE ASSEMBLY</b>
1	1	8125352	RELIEF VALVE BLOCK
2	1	8125108	RELIEF VALVE
3	4	8650106	BONDED SEAL
4	4	8002086	ADAPTER
5	1	7114005	ELBOW
6	1	8003001	PLUG
7	1	8650103	BONDED SEAL

# ROTOR CONTROL VALVE

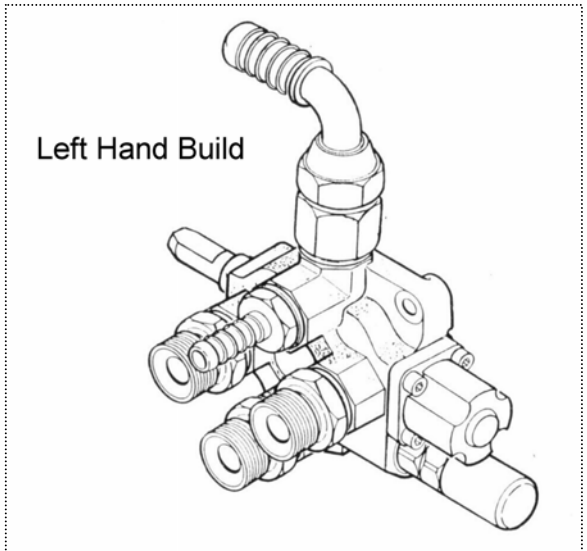
**Modules:**

8125379 – L/H Build

8125380 – R/H Build



Right Hand Build



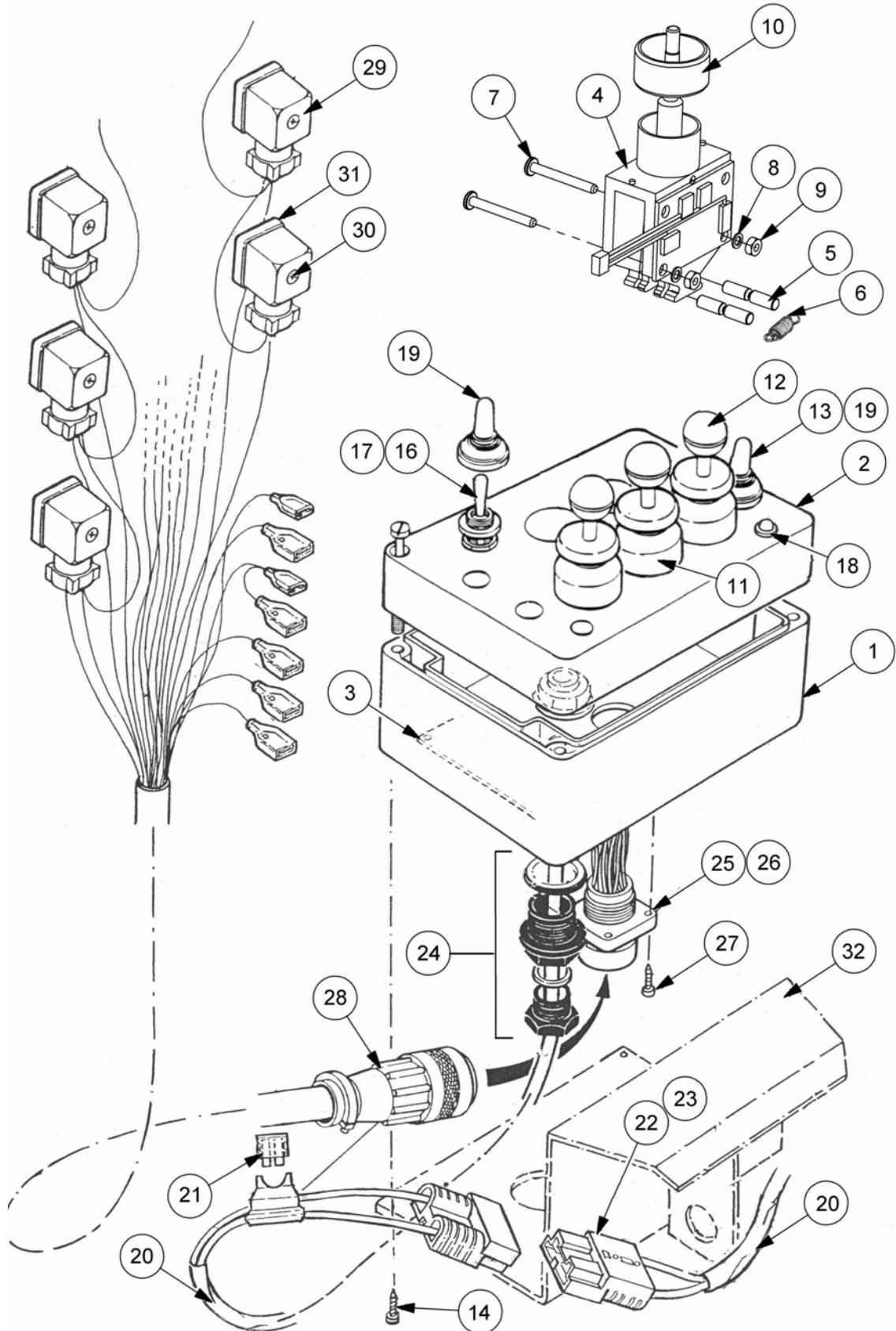
Left Hand Build

**ROTOR CONTROL VALVE**

REF.	QTY.	PART No.	DESCRIPTION
		<b>8125379</b>	<b>ROTOR CONTROL VALVE - L/H Build</b>
		<b>8125380</b>	<b>ROTOR CONTROL VALVE - R/H Build</b>
1	1	8125356	ROTOR CONTROL VALVE - <i>including:</i>
2	1	8125108	RELIEF VALVE ( <i>includes O Rings</i> )
3	1	8125109	DETENT ASSEMBLY
4	4	8002086	ADAPTOR
5	1	8581269	ADAPTOR - LOW PRESSURE
6	1	7114005	ELBOW - LOW PRESSURE
7	5	8650106	BONDED SEAL
8	2	9343033	CAPSCREW
9	1	8017031	CONTROL HEAD & CABLE (3.0M)
10	1	1290338	DECAL - ROTOR CONTROL
11	1	09.968.99	KNOB (RED)
12	5	9100204	SPRING WASHER
13	4	9313034	SETSCREW
14	1	9113004	NUT
		<b>8699218</b>	<b>SEAL KIT</b>

} *not illustrated*

**Module:**  
8402900 - Switchbox & Loom  
41845.01 - Multi 3 Lever Switchbox



## SWITCHBOX CONTROLS &amp; LOOM



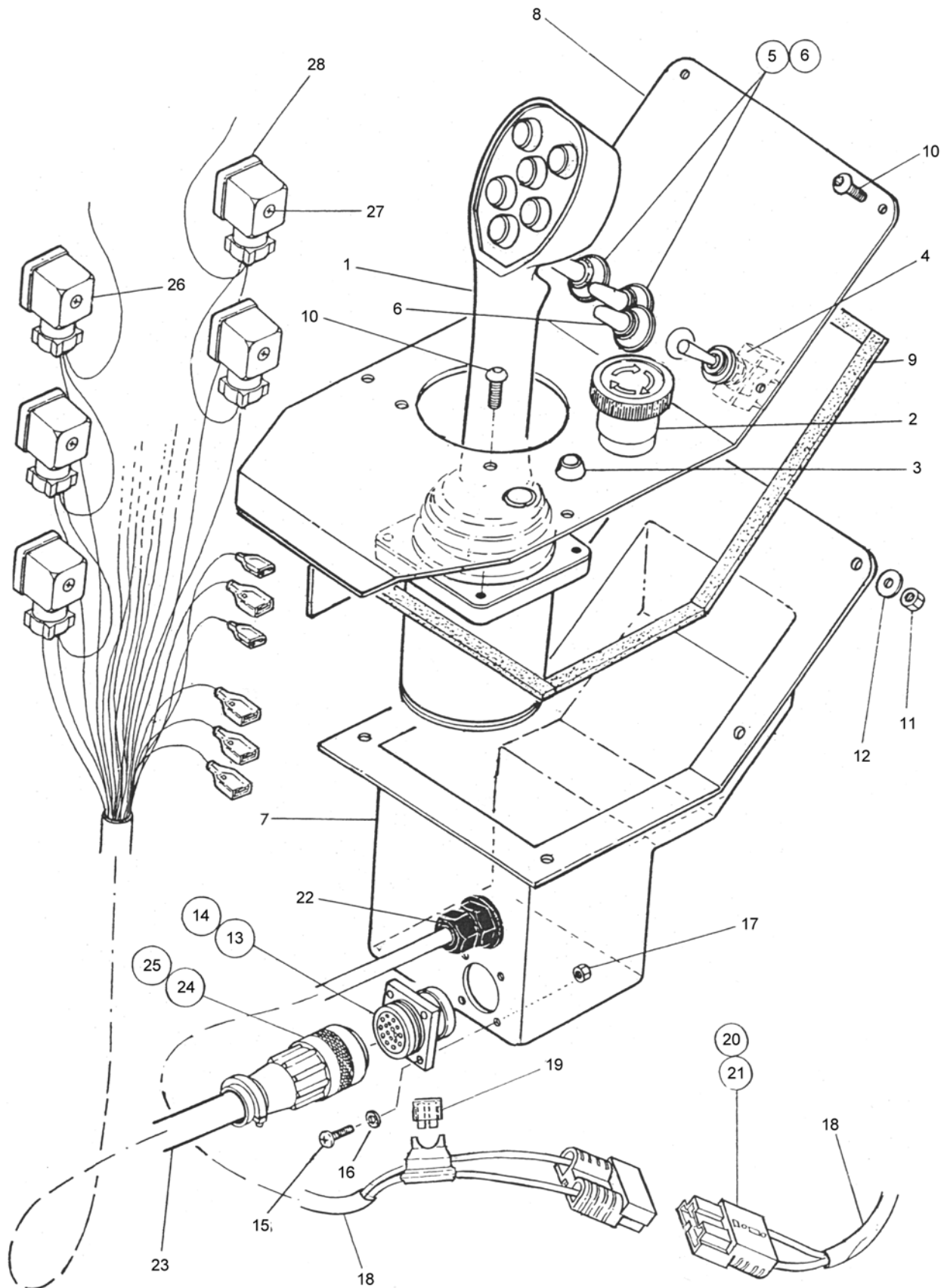
REF.	QTY.	PART NO.	DESCRIPTION
		<b>8402901</b>	<b>SWITCHBOX &amp; LOOM ASSEMBLY</b>
		<b>41845.01</b>	<b>MULTI 3 LEVER SWITCHBOX</b>
1	1	41845.32	BOX
2	1	41845.31	LID c/w SCREWS
3	1	41845.33	CIRCUIT BOARD
			LEVER SWITCH UNIT - <i>comprising of:</i>
4	3	8402133	SWITCH BODY/LEVER/CIRCUIT BOARD c/w
5	2	8402111	BAR
6	1	8402101	SPRING
7	2	9200006	SCREW - POSIDRIVE PANHEAD
8	2	8402120	PLAIN WASHER
9	2	9113000	NUT - PLATED
10	1	8402051	BEZEL RING
11	1	8402022	LEVER GAITER
12	5	8402056	KNOB - BLACK
13	1	8402023	SWITCH - POWER ON/OFF
14	4	2800243	SELF-TAPPING SCREW
15	1	8402193	SPECIAL TOOL - <i>not illustrated</i>
16	1	8402197	SWITCH - FLOAT
17	1	41845.37	LOOM - FLOAT SWITCH
18	1	41845.41	L.E.D. AND LOOM
19	2	8402024	WEATHER GAITER
20	1	8402232	POWER LOOM - <i>including:</i>
21	1	43034.02	FUSE
22	2	8402230	CONTACTS HOUSING
23	4	8402229	CONTACTS
24	1	8402042	GLAND
25	1	8402189	SOCKET SHELL
26	19	8402192	PIN SOCKET
27	4	2800203	SCREW
28	1	8402331	WIRING LOOM - <i>including:</i>
29	12	07.835.04	PLUG - INCLUDING SCREW & GASKET
30	1	07.835.03	SCREW
31	1	07.835.02	GASKET
32	1	8402345	MOUNTING BRACKET



**Modules:**

8402905

8402906 – Electric Rotor Reverse



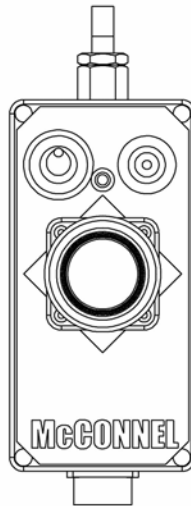


REF.	QTY.	PART NO.	DESCRIPTION
		<b>8402905</b>	<b>MONOLEVER 6 BUTTON CONTROL ASSEMBLY</b>
		<b>8402906</b>	<b>MONOLEVER WITH ELECTRIC ROTOR REVERSE</b>
		<b>41590.03</b>	<b>MONOLEVER 6 BUTTON UNIT</b>
		<b>41590.05</b>	<b>MONOLEVER UNIT - with Electric Rotor Reverse</b>
1	1	41590.32	JOYSTICK - <i>Including Circuit Board</i>
2	1	8402184	POWER ON / EMERGENCY STOP
3	1	8402174	L.E.D. MAIN POWER ON
4	1	8402182	SWITCH - SLEW / AUTO RESET
5	2	8402023	SWITCH - LIFT AND ANGLE FLOAT
6	3	8402024	WEATHER COVER
7	1	7550300	COVER POD
8	1	7550339	TOP PLATE
9	1	7290052	SEALING STRIP ( <i>Cut to suit</i> )
10	10	9300125	SCREW - BUTTON HEAD
11	6	9143003	SELF LOCKING NUT
12	6	9100103	WASHER
13	1	8402189	SOCKET SHELL
14	14	8402192	FEMALE SOCKET PIN
15	4	9200007	SCREW - POSIDRIVE PANHEAD
16	4	9100400	EXTERNAL SERRATED WASHER
17	4	9100013	NUT - PLATED
18	1	8402232	POWER LOOM - <i>Including:</i>
19	1	43034.03	FUSE
20	2	8402230	CONTACT HOUSING
21	4	8402229	CONTACTS
22	1	8402042	GLAND
23	1	41844.01	WIRING LOOM - <i>Including:</i>
24	1	8402188	SHELL
25	1	8402190	CABLE CLAMP
26	12	07.835.04	PLUG - <i>Including:</i>
27	1	07.835.03	SCREW
28	1	07.835.02	GASKET
29	1	8402193	SPECIAL TOOL

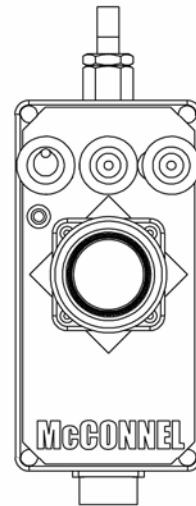
**Modules:**

8402393 Illustrated

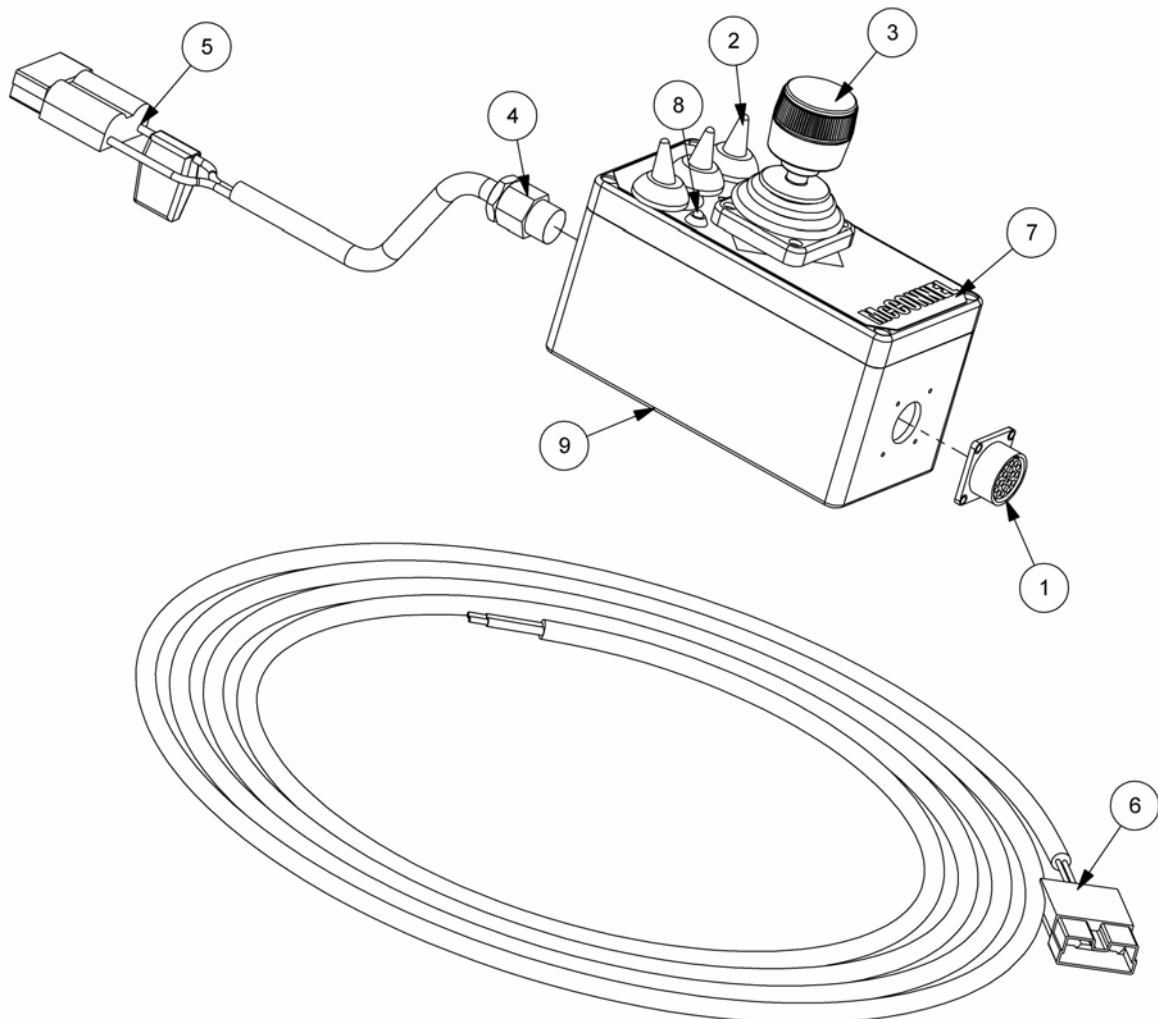
- 8402390 – 3 Service B/B 2 Switch
- 8402391 – 3 Service Prop. B/B 2 Switch
- 8402392 – 3 Service Prop. B/B 3 Switch
- 8402393 – 3 Service Prop. 3 Switch



8402390 & 8402391



8402392 & 8402393



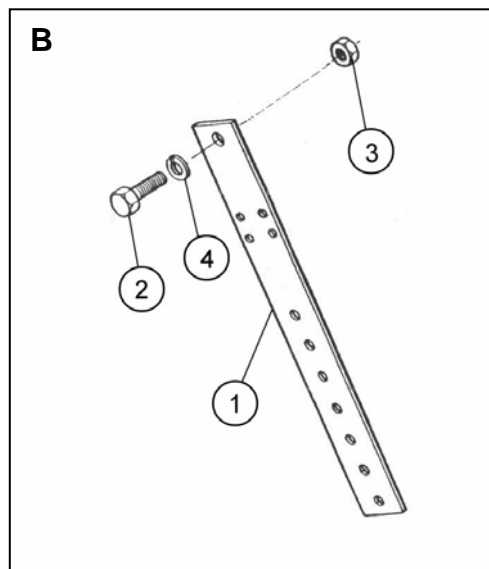
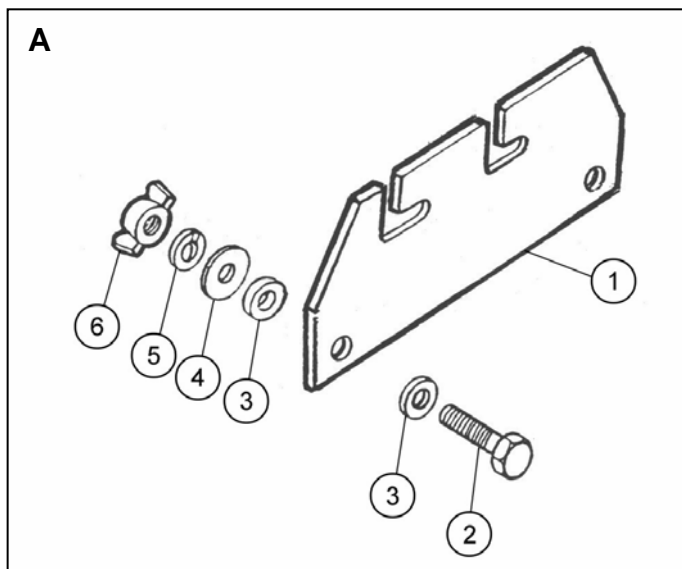


REF.	QTY.	PART No.	DESCRIPTION
		8402390	CONTROL BOX - B/B 2 Switch
		8402391	CONTROL BOX - Prop. B/B 2 Switch
		8402392	CONTROL BOX - Prop. B/B 3 Switch
		8402393	CONTROL BOX - Prop. 3 Switch
1	1	8402189	PANEL MTG SHELL
2	3*	8402024	SWITCH COVER
3	1	8402246	JOYSTICK (4 AXIS)
4	1	8402149	GLAND - PLASTIC
5	1	43022.47	CONNECTOR
6	1	8402237	LOOM POWER SUPPLY
7	1	1290494	DECAL - SWITCH BOX
8	1	41845.41	LED
9	1	8402349	CONTROL BOX
10	1	43034.02	BLADE FUSE - 20 amp

\* Control Boxes 8402390 & 8402391 use 2 off only

**CONTROL MOUNTINGS**
**Modules:**

 7313282 – Cable Controls (*Diagram A*)

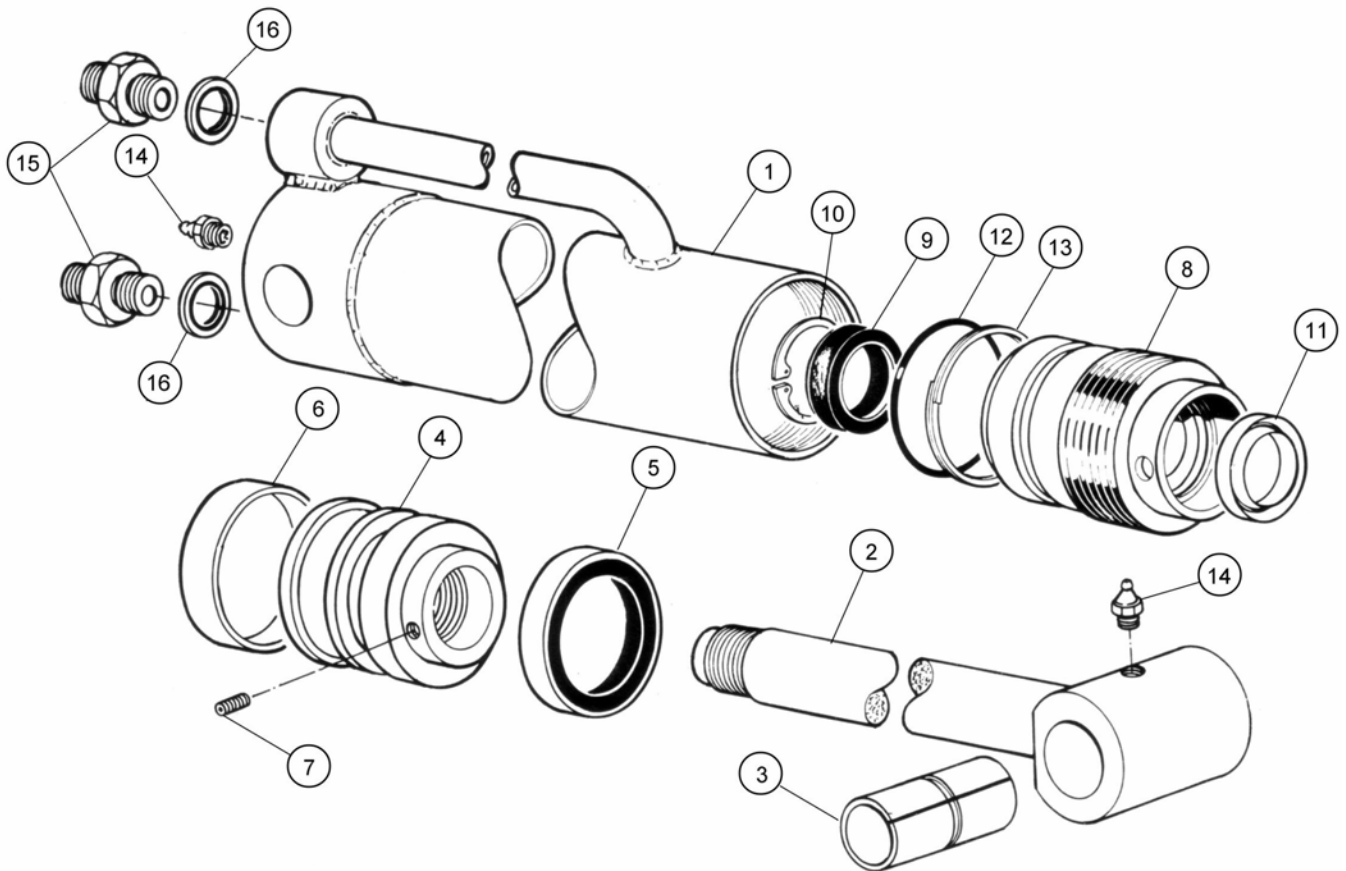
 7109319 – Electric Switchbox (*Diagram B*)


REF.	QTY.	PART NO.	DESCRIPTION
<b>A</b>		<b>7313282</b>	<b>CABLE CONTROL UNIT MOUNTING</b>
1	1	42491	BRACKET
2	2	9313094	SETSCREW
3	4	03.152.01	RUBBER WASHER
4	2	9100104	PLAIN WASHER
5	2	9100204	SPRING WASHER
6	2	9193004	WINGNUT

REF.	QTY.	PART NO.	DESCRIPTION
<b>B</b>		<b>7109319</b>	<b>ELECTRIC SWITCHBOX CONTROL MOUNTING</b>
1	1	7109146	PILLAR
2	1	9311086	SETSCREW
3	1	0111006	NUT
4	1	0100206	SPRING WASHER

# ANGLING RAM ASSEMBLY

Module:  
7560344

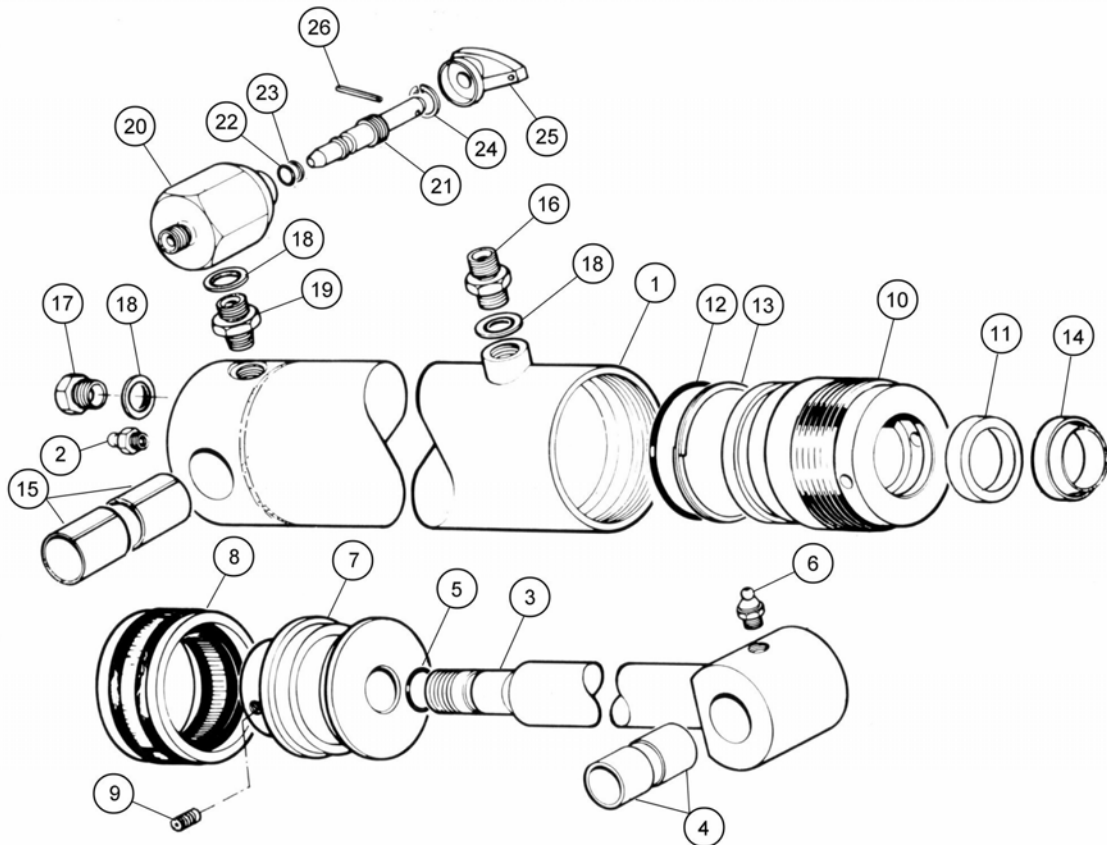


REF.	QTY.	PART No.	DESCRIPTION
		<b>7560344</b>	<b>ANGLING RAM ASSEMBLY</b>
1	1	7135292	CYLINDER
2	1	7135009	ROD
3	1	7105050	BUSH
4	1	7560095	PISTON
5	1	8629187	PISTON SEAL
6	1	8629188	BEARING RING
7*	1	9363023	GRUB SCREW - SOCKET HEAD
8	1	7135291	GLAND HOUSING
9	1	8629148	GLAND SEAL
10	1	0416240	INTERNAL CIRCLIP
11	1	8629149	WIPER SEAL
12	1	8600302	O' RING
13	1	8609302	ANTI EXTRUSION RING
14	2	0901121	GREASER
15	2	8581169	UNION
16	2	8650102	BONDED SEAL
		<b>8699188</b>	<b>SEAL KIT</b>

\* Assembly note: Tighten fully and centre punch edge of hole to secure.

# LIFT RAM ASSEMBLY

Module:  
7193333

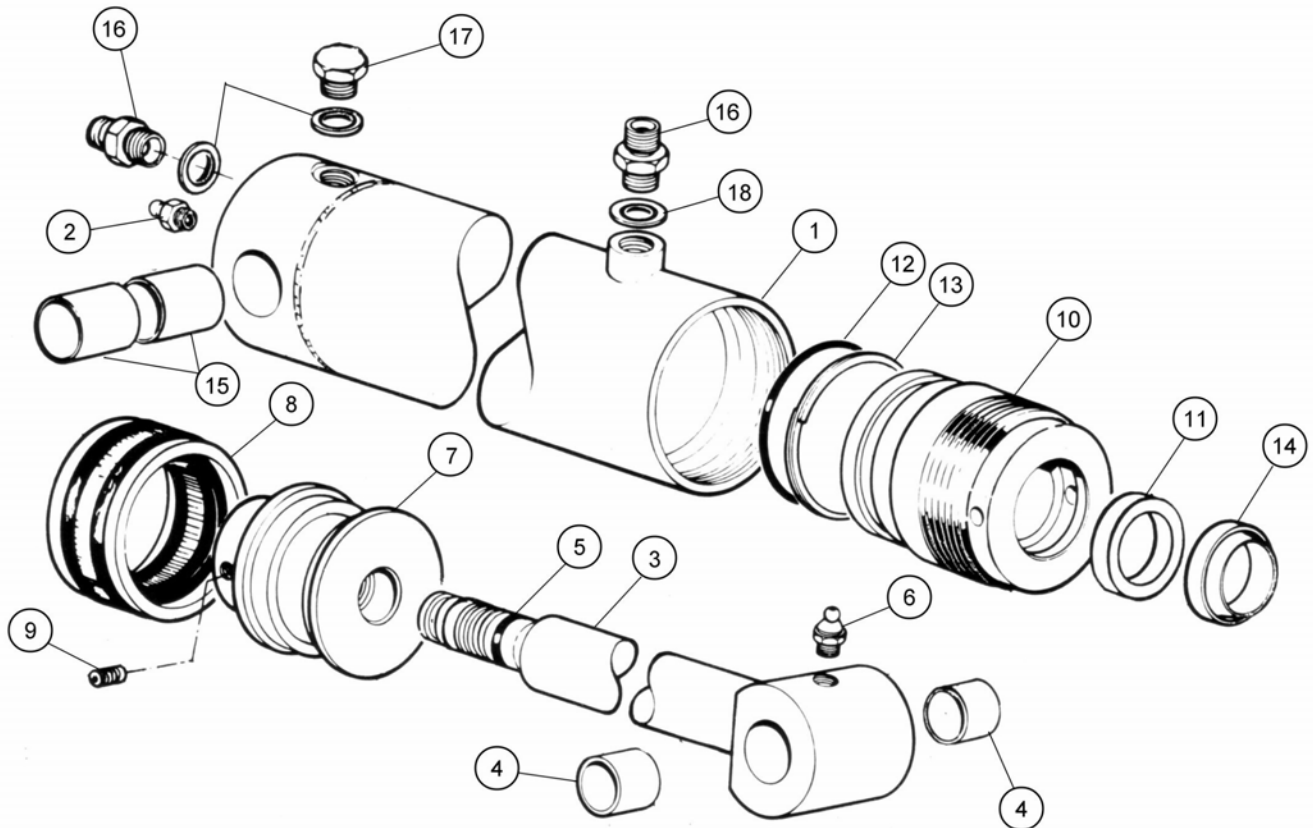


REF.	QTY.	PART No.	DESCRIPTION
		<b>7193333</b>	<b>LIFT RAM ASSEMBLY</b>
1	1	7135283	RAM CYLINDER
2	1	0901121	GREASER
3	1	7193029	PISTON ROD
4	2	6012032	BUSH
5	1	8600119	O RING
6	1	0901121	GREASER
7	1	7135004	PISTON
8	1	8638740	PISTON SEAL
9	1	9363023	GRUB SCREW
10	1	7135282	GLAND HOUSING
11	1	8629164	GLAND SEAL
12	1	8700740	O RING
13	1	8709740	ANTI EXTRUSION RING
14	1	8629147	WIPER
15	2	7101134	BUSH (RAM BASE)
16	1	8581115	UNION
17	1	8003001	PLUG
18	3	8650103	BONDED SEAL
19	1	8005007	TAPER ADAPTOR
	1	7135005	LOCK TAP ASSEMBLY - <i>Comprising of:</i>
20	1	7135284	TAP BODY
21	1	7135006	TAP SPINDLE
22	1	8600107	O RING
23	1	8609107	ANTI EXTRUSION RING
24	1	0416110	INTERNAL CIRCLIP
25	1	8108006	TAP KNOB
26	1	0420820	SPRING DOWEL

**8699187**

**SEAL KIT**

Module:  
7193334



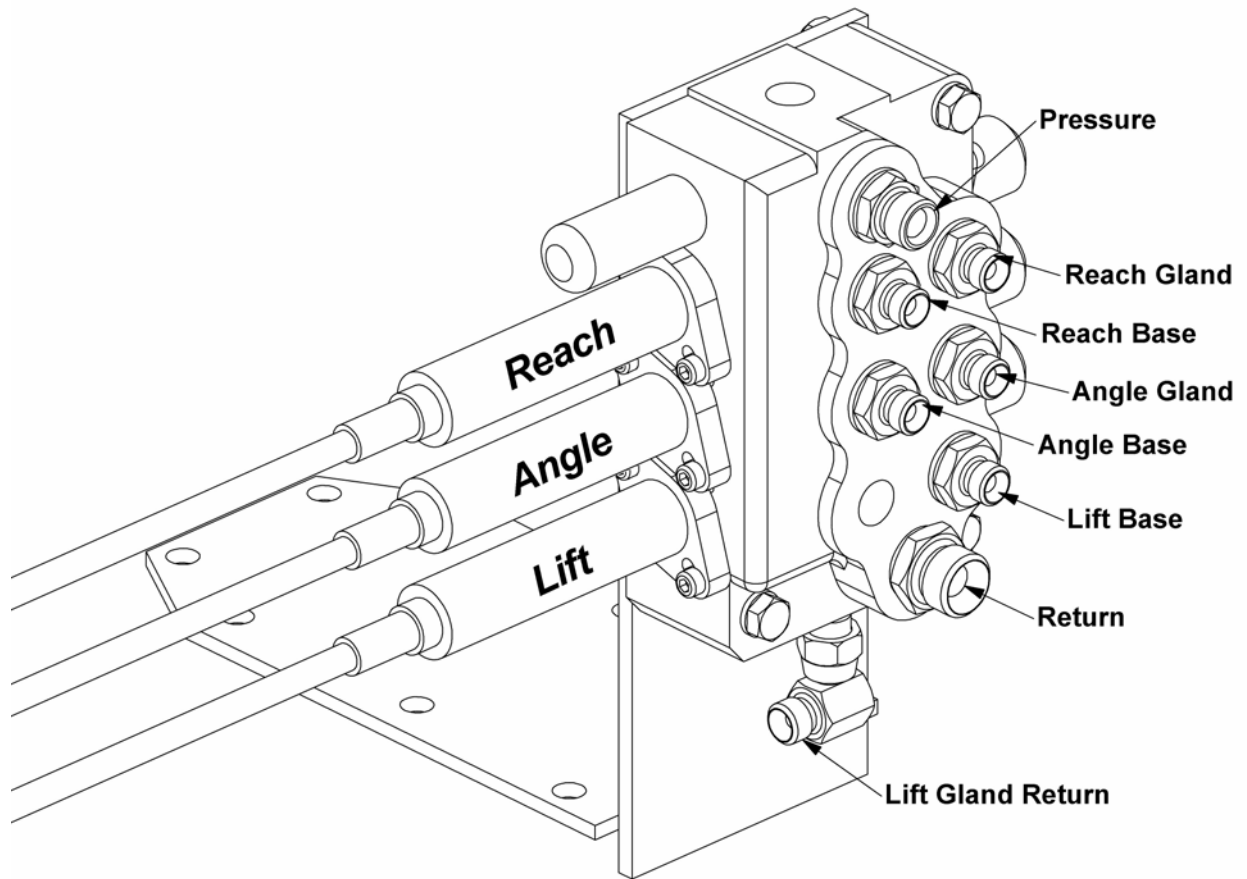
REF.	QTY.	PART No.	DESCRIPTION
		<b>7193334</b>	<b>REACH RAM ASSEMBLY</b>
		7193332	RAM BASE - <i>Comprising of:</i>
1		7135283	RAM CYLINDER
2		0901121	GREASER
3		7193029	PISTON ROD
4		6012032	BUSH
5		8600119	O RING
6		0901121	GREASER
7		7135004	PISTON c/w SEAL & GRUB SCREW
8		8638740	PISTON SEAL
9		9363023	GRUB SCREW
10		7135282	GLAND HOUSING
11		8629164	GLAND SEAL
12		8700740	O RING
13		8709740	ANTI EXTRUSION RING
14		8629147	WIPER
15		7101134	BUSH (RAM BASE)
16		8581115	UNION
17		8003001	PLUG
18		8650103	BONDED SEAL
		<b>8699187</b>	<b>SEAL KIT</b>



# ACV HOSE CONNECTIONS

**Modules:**  
Refer to opposite page for Hose Kit details

*Cable Control Valve illustrated*



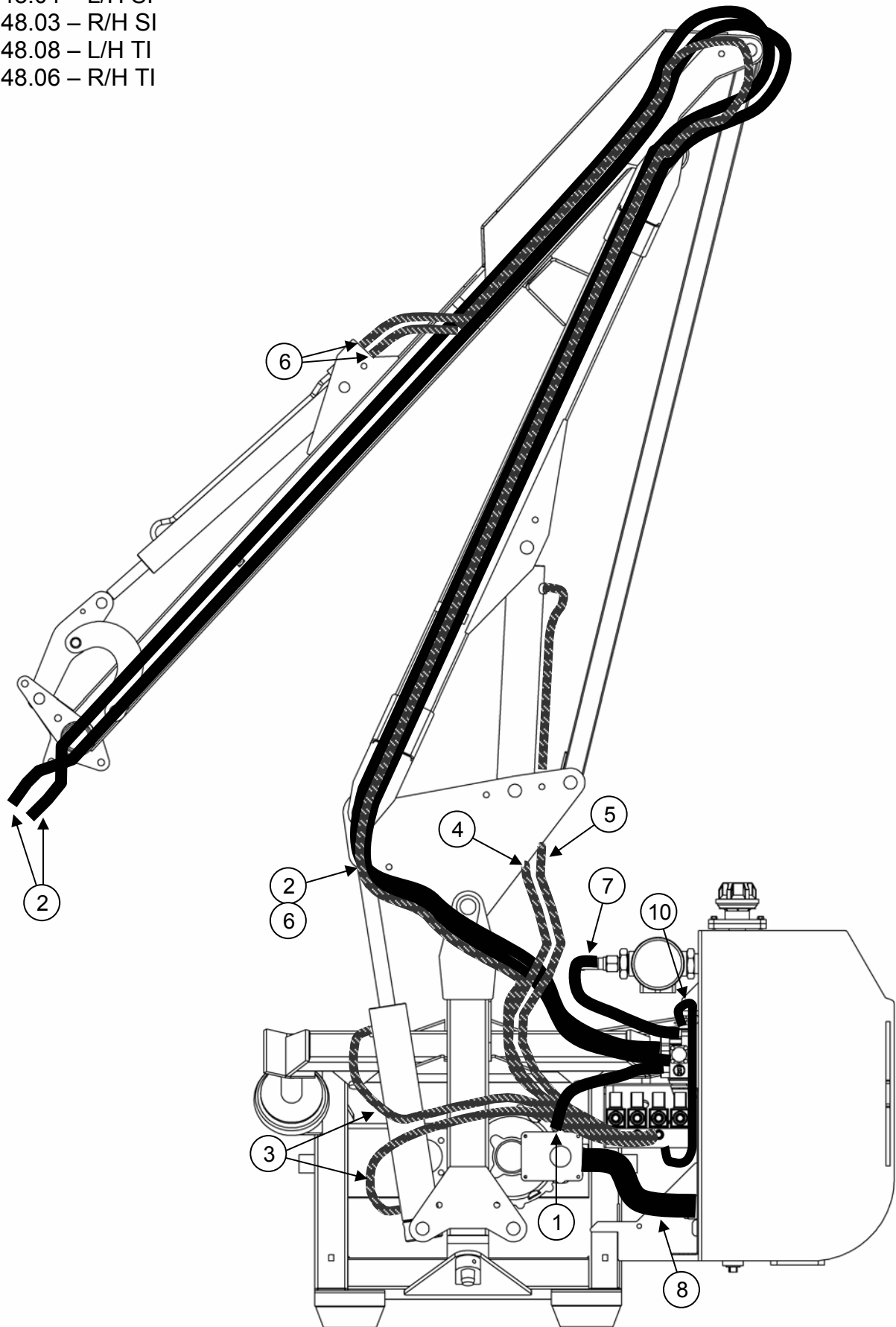


REF.	QTY.	PART NO.	DESCRIPTION	
		<b>41.048.04</b>	<b>PA48 SI HOSE KIT - L/H Build</b>	
1	1	8501186	HOSE - 1" BSP FS/F90 x 20"	Pump to RCV
2	2	8501183	HOSE - 1" BSP FS/F90 x 200"	Flail Motor
3	2	8535022	HOSE - 1/4" BSP FS/F90 x 48"	Lift Base/Gland
4	1	8515132	HOSE - 1/4" BSP FS/FS x 64"	Reach Base
5	1	8535142	HOSE - 1/4" BSP FS/F90 x 80"	Reach Gland
6	2	8515122	HOSE - 1/4" BSP FS/FS x 162"	Angle Base/Gland
7	1	8500834	HOSE - 1" BORE x 864mm	Filter Return
8	1	8501122	HOSE - 1.1/2" BORE x 300mm	Pump Supply
9	1	8532014	HOSE - 1/2" BSP FS/F90 x 80"	Tractor Return
10	1	8531323	HOSE - 3/8" BSP FS/F90 x 80"	Tractor Supply
		<b>41.048.03</b>	<b>PA48 SI HOSE KIT - R/H Build</b>	
1	1	8501169	HOSE - 1" BSP FS/F90 x 29"	Pump to RCV
2	2	8501183	HOSE - 1" BSP FS/F90 x 200"	Flail Motor
3	2	8535022	HOSE - 1/4" BSP FS/F90 x 48"	Lift Base/Gland
4	1	8515132	HOSE - 1/4" BSP FS/FS x 64"	Reach Base
5	1	8535142	HOSE - 1/4" BSP FS/F90 x 80"	Reach Gland
6	2	8515122	HOSE - 1/4" BSP FS/FS x 162"	Angle Base/Gland
7	1	8500834	HOSE - 1" BORE x 864mm	Filter Return
8	1	8501122	HOSE - 1.1/2" BORE x 300mm	Pump Supply
9	1	8532014	HOSE - 1/2" BSP FS/F90 x 80"	Tractor Return
10	1	8531323	HOSE - 3/8" BSP FS/F90 x 80"	Tractor Supply
		<b>41.048.08</b>	<b>PA48 TI HOSE KIT - L/H Build</b>	
1	1	8501201	HOSE - 1" BSP FS/F90 x 17"	Pump to RCV
2	2	8501183	HOSE - 1" BSP FS/F90 x 200"	Flail Motor
3	2	8535022	HOSE - 1/4" BSP FS/F90 x 48"	Lift Base/Gland
4	1	8515132	HOSE - 1/4" BSP FS/FS x 64"	Reach Base
5	1	8535142	HOSE - 1/4" BSP FS/F90 x 80"	Reach Gland
6	2	8515122	HOSE - 1/4" BSP FS/FS x 162"	Angle Base/Gland
7	1	8500834	HOSE - 1" BORE x 864mm	Filter Return
8	1	8501122	HOSE - 1.1/2" BORE x 300mm	Pump Supply
9	1	8531353	HOSE - 3/8" BSP FS/F90 x 22"	Supply
10	1	8501329	HOSE - 5/8" BORE x 800mm	Control Return
		<b>41.048.06</b>	<b>PA48 TI HOSE KIT - R/H Build</b>	
1	1	8501169	HOSE - 1" BSP FS/F90 x 29"	Pump to RCV
2	2	8501183	HOSE - 1" BSP FS/F90 x 200"	Flail Motor
3	2	8535022	HOSE - 1/4" BSP FS/F90 x 48"	Lift Base/Gland
4	1	8515132	HOSE - 1/4" BSP FS/FS x 64"	Reach Base
5	1	8535142	HOSE - 1/4" BSP FS/F90 x 80"	Reach Gland
6	2	8515122	HOSE - 1/4" BSP FS/FS x 162"	Angle Base/Gland
7	1	8500834	HOSE - 1" BORE x 864mm	Filter Return
8	1	8501122	HOSE - 1.1/2" BORE x 300mm	Pump Supply
9	1	8531353	HOSE - 3/8" BSP FS/F90 x 22"	Supply
10	1	8501329	HOSE - 5/8" BORE x 800mm	Control Return

# HYDRAULIC HOSE INSTALLATION

*Left Hand TI Illustrated*

- Modules:**  
41.048.04 – L/H SI  
41.048.03 – R/H SI  
41.048.08 – L/H TI  
41.048.06 – R/H TI

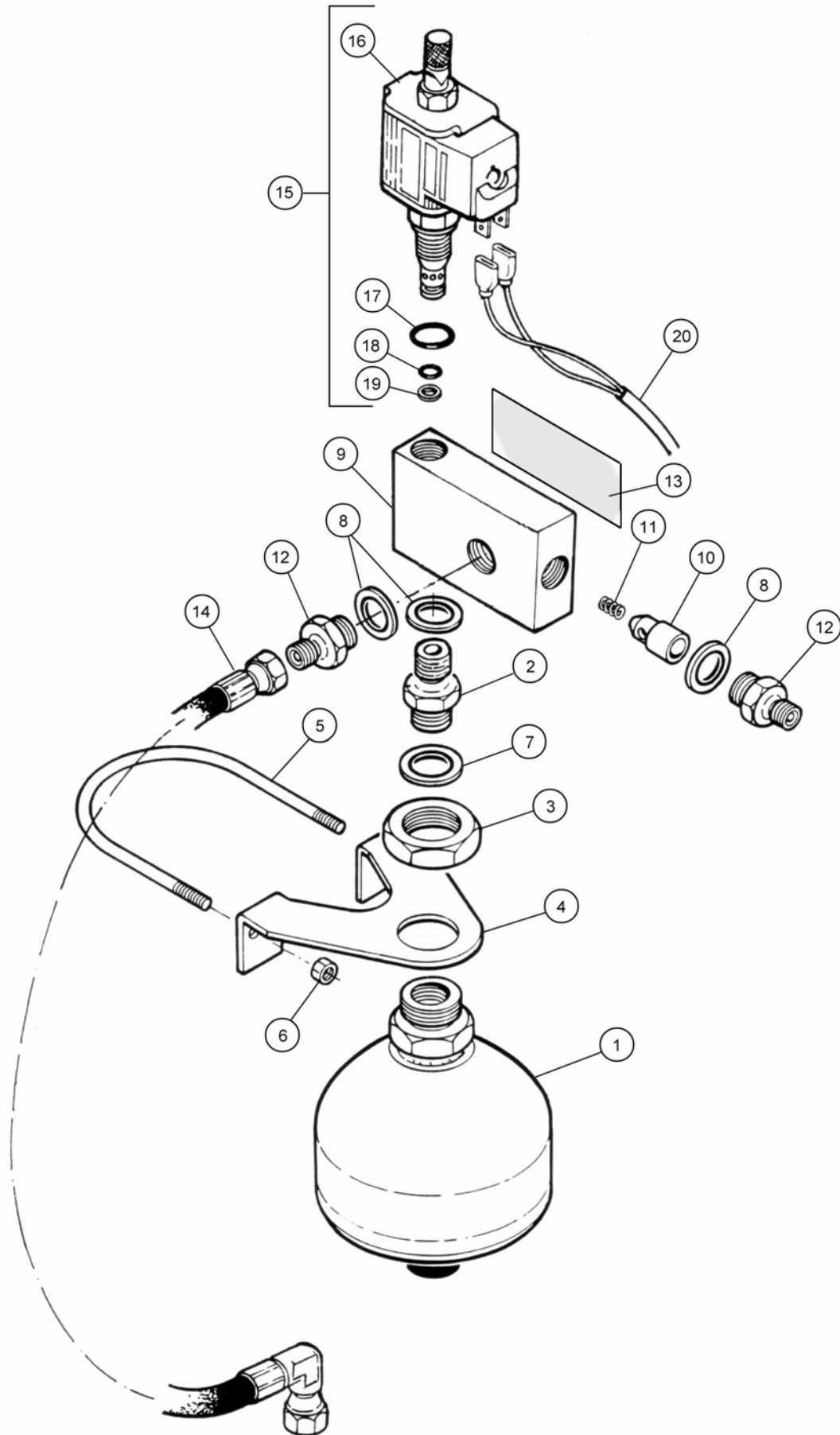




REF.	QTY.	PART NO.	DESCRIPTION	
		<b>41.048.04</b>	<b>PA48 SI HOSE KIT - L/H Build</b>	
1	1	8501186	HOSE - 1" BSP FS/F90 x 20"	Pump to RCV
2	2	8501183	HOSE - 1" BSP FS/F90 x 200"	Flail Motor
3	2	8535022	HOSE - 1/4" BSP FS/F90 x 48"	Lift Base/Gland
4	1	8515132	HOSE - 1/4" BSP FS/FS x 64"	Reach Base
5	1	8535142	HOSE - 1/4" BSP FS/F90 x 80"	Reach Gland
6	2	8515122	HOSE - 1/4" BSP FS/FS x 162"	Angle Base/Gland
7	1	8500834	HOSE - 1" BORE x 864mm	Filter Return
8	1	8501122	HOSE - 1.1/2" BORE x 300mm	Pump Supply
9	1	8532014	HOSE - 1/2" BSP FS/F90 x 80"	Tractor Return
10	1	8531323	HOSE - 3/8" BSP FS/F90 x 80"	Tractor Supply
		<b>41.048.03</b>	<b>PA48 SI HOSE KIT - R/H Build</b>	
1	1	8501169	HOSE - 1" BSP FS/F90 x 29"	Pump to RCV
2	2	8501183	HOSE - 1" BSP FS/F90 x 200"	Flail Motor
3	2	8535022	HOSE - 1/4" BSP FS/F90 x 48"	Lift Base/Gland
4	1	8515132	HOSE - 1/4" BSP FS/FS x 64"	Reach Base
5	1	8535142	HOSE - 1/4" BSP FS/F90 x 80"	Reach Gland
6	2	8515122	HOSE - 1/4" BSP FS/FS x 162"	Angle Base/Gland
7	1	8500834	HOSE - 1" BORE x 864mm	Filter Return
8	1	8501122	HOSE - 1.1/2" BORE x 300mm	Pump Supply
9	1	8532014	HOSE - 1/2" BSP FS/F90 x 80"	Tractor Return
10	1	8531323	HOSE - 3/8" BSP FS/F90 x 80"	Tractor Supply
		<b>41.048.08</b>	<b>PA48 TI HOSE KIT - L/H Build</b>	
1	1	8501201	HOSE - 1" BSP FS/F90 x 17"	Pump to RCV
2	2	8501183	HOSE - 1" BSP FS/F90 x 200"	Flail Motor
3	2	8535022	HOSE - 1/4" BSP FS/F90 x 48"	Lift Base/Gland
4	1	8515132	HOSE - 1/4" BSP FS/FS x 64"	Reach Base
5	1	8535142	HOSE - 1/4" BSP FS/F90 x 80"	Reach Gland
6	2	8515122	HOSE - 1/4" BSP FS/FS x 162"	Angle Base/Gland
7	1	8500834	HOSE - 1" BORE x 864mm	Filter Return
8	1	8501122	HOSE - 1.1/2" BORE x 300mm	Pump Supply
9	1	8531353	HOSE - 3/8" BSP FS/F90 x 22"	Supply
10	1	8501329	HOSE - 5/8" BORE x 800mm	Control Return
		<b>41.048.06</b>	<b>PA48 TI HOSE KIT - R/H Build</b>	
1	1	8501169	HOSE - 1" BSP FS/F90 x 29"	Pump to RCV
2	2	8501183	HOSE - 1" BSP FS/F90 x 200"	Flail Motor
3	2	8535022	HOSE - 1/4" BSP FS/F90 x 48"	Lift Base/Gland
4	1	8515132	HOSE - 1/4" BSP FS/FS x 64"	Reach Base
5	1	8535142	HOSE - 1/4" BSP FS/F90 x 80"	Reach Gland
6	2	8515122	HOSE - 1/4" BSP FS/FS x 162"	Angle Base/Gland
7	1	8500834	HOSE - 1" BORE x 864mm	Filter Return
8	1	8501122	HOSE - 1.1/2" BORE x 300mm	Pump Supply
9	1	8531353	HOSE - 3/8" BSP FS/F90 x 22"	Supply
10	1	8501329	HOSE - 5/8" BORE x 800mm	Control Return

# LIFT FLOAT KIT

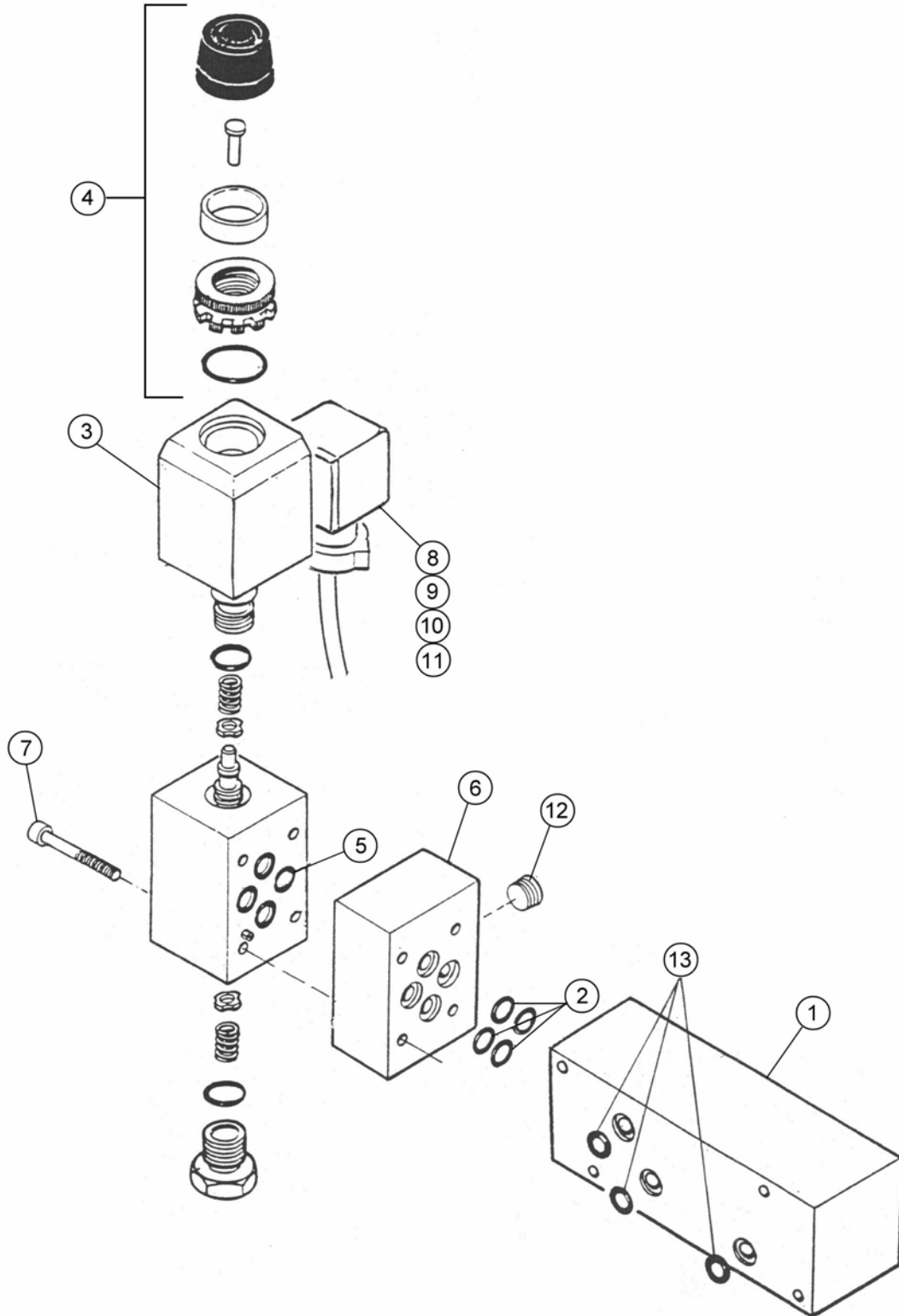
Module:  
8126290



**LIFT FLOAT KIT**

REF.	QTY.	PART No.	DESCRIPTION
		<b>8126290</b>	<b>LIFT FLOAT KIT - Quick Response</b>
1	1	8126042	ACCUMULATOR
2	1	G2410380	ADAPTOR
3	1	8126035	BULKHEAD NUT
4	1	8126286	BRACKET
5	1	8126031	U BOLT
6	2	9143004	SELF-LOCKING NUT
7	1	8650322	BONDED SEAL
8	3	8650103	BONDED SEAL
9	1	8126287	CONTROL BLOCK
10	1	8126037	RESPONSE PISTON
11	1	8116011	SPRING
12	2	8581115	ADAPTOR
13	1	1290061	DECAL - OPERATION
14	1	8535012	HOSE - 1/4" BSP SF/90F x 12"
15	1	8130183	POPPET VALVE - includes:
16	1	8130184	COIL
17	1	8700017	O RING
18	1	8700511	O RING
19	1	8709511	ANTI-EXTRUSION RING
20	1	8402159	HARNES - <i>Electric machines only</i>

Module:  
8126261



**ANGLE FLOAT KIT(Optional Extra)**

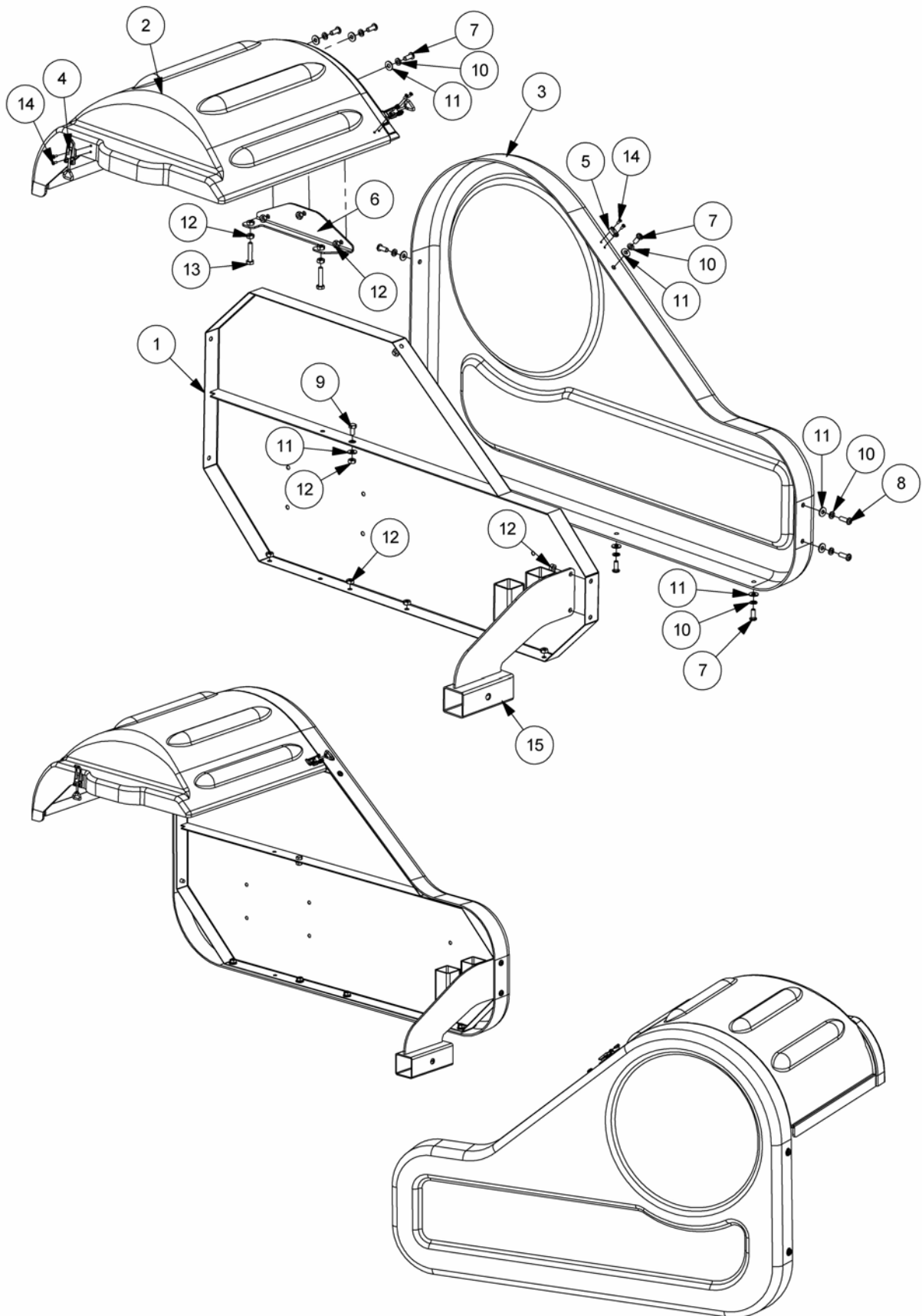
REF.	QTY.	PART No.	DESCRIPTION
		<b>8126261</b>	<b>ANGLE FLOAT KIT</b>
1	1	8130323	FLOAT VALVE BLOCK
2	4	8700511	O RING
	1	8130457	ANGLE FLOAT SOLENOID - <i>includes</i>
3	2	8130175	COIL
4	1	8130176	MANUAL OVERRIDE KIT
5	4	8600107	O RING
6	1	8126280	BRIDGING PLATE
7	4	9243102	SETSCREW - SOCKET HEADED
8	1	8402338	WIRING HARNESS - <i>including Plug &amp; Gasket</i>
9	1	07.835.04	PLUG <i>c/w Screw and Gasket</i>
10	1	07.835.03	SCREW
11	1	07.835.02	GASKET
12	1	8582041	PLUG
13	3	8700511	O RING
		<b>8699224</b>	<b>SOLENOID SEAL KIT</b>



# REAR COVER ASSEMBLY

**Module:**  
7148710 – L/H Build

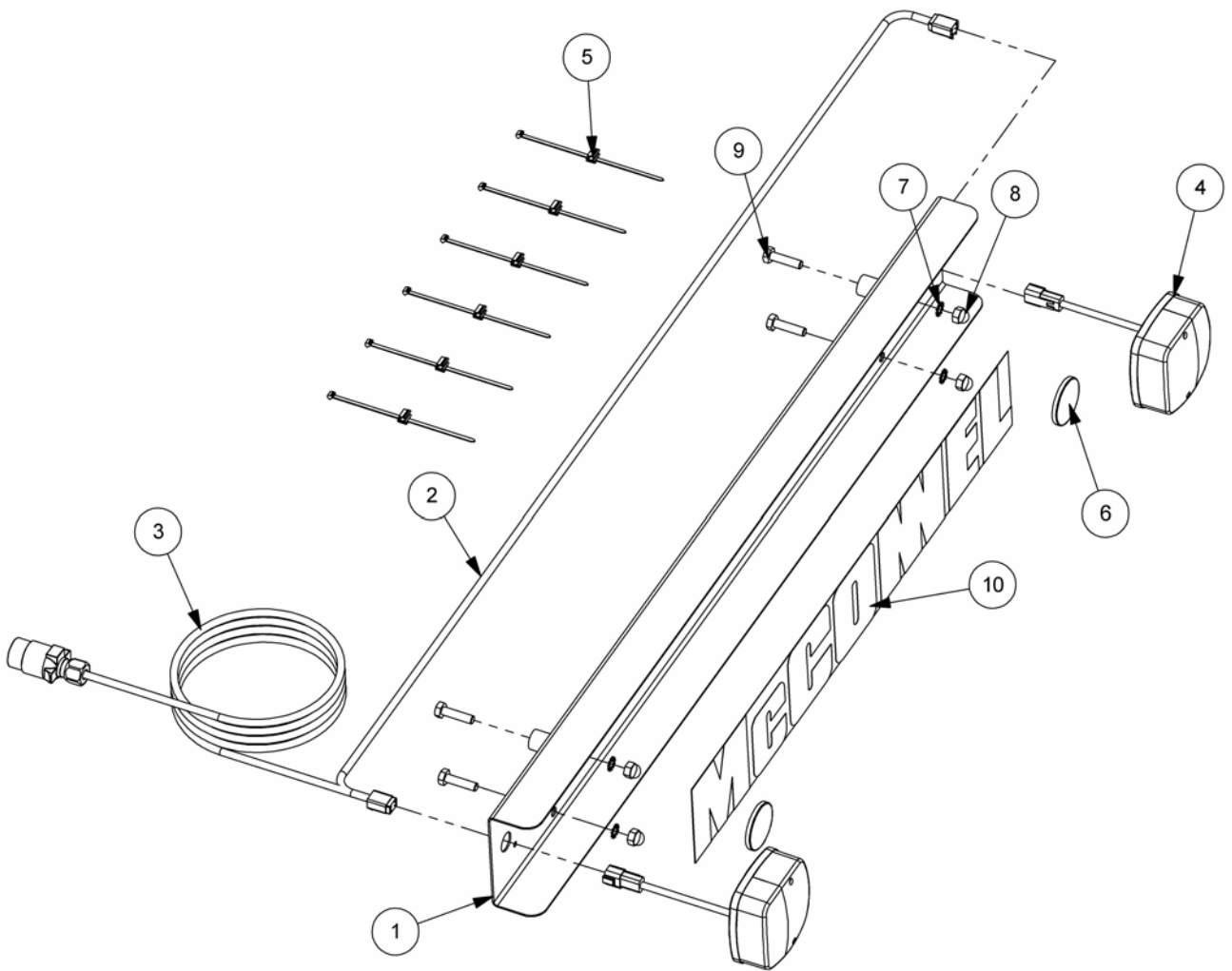
*Illustrated in Left Hand Build*



**REAR COVER ASSEMBLY**

REF.	QTY.	PART No.	DESCRIPTION
		<b>7148710</b>	<b>REAR COVER ASSEMBLY - L/H Build</b>
1	1	21501.01	REAR COVER SUPPORT
2	1	21500.32	TANK COVER
3	1	21306.07	REAR COVER
4	2	43449.02	OVERCENTRE FASTENER
5	1	46007.01	HOOK
6	1	21309.04	SUPPORT ANGLE
7	10	9300154	SOCKET SCREW
8	2	9300166	SOCKET SCREW
9	1	9313045	SETSCREW
10	13	9100205	SPRING WASHER
11	13	9100105	FLAT WASHER
12	13	9113005	NUT
13	2	9313105	SETSCREW
14	6	1069088	POP RIVET
15	1	21500.04	REAR COVER SUPPORT

Module:  
7451780



**REAR LIGHTING KIT**

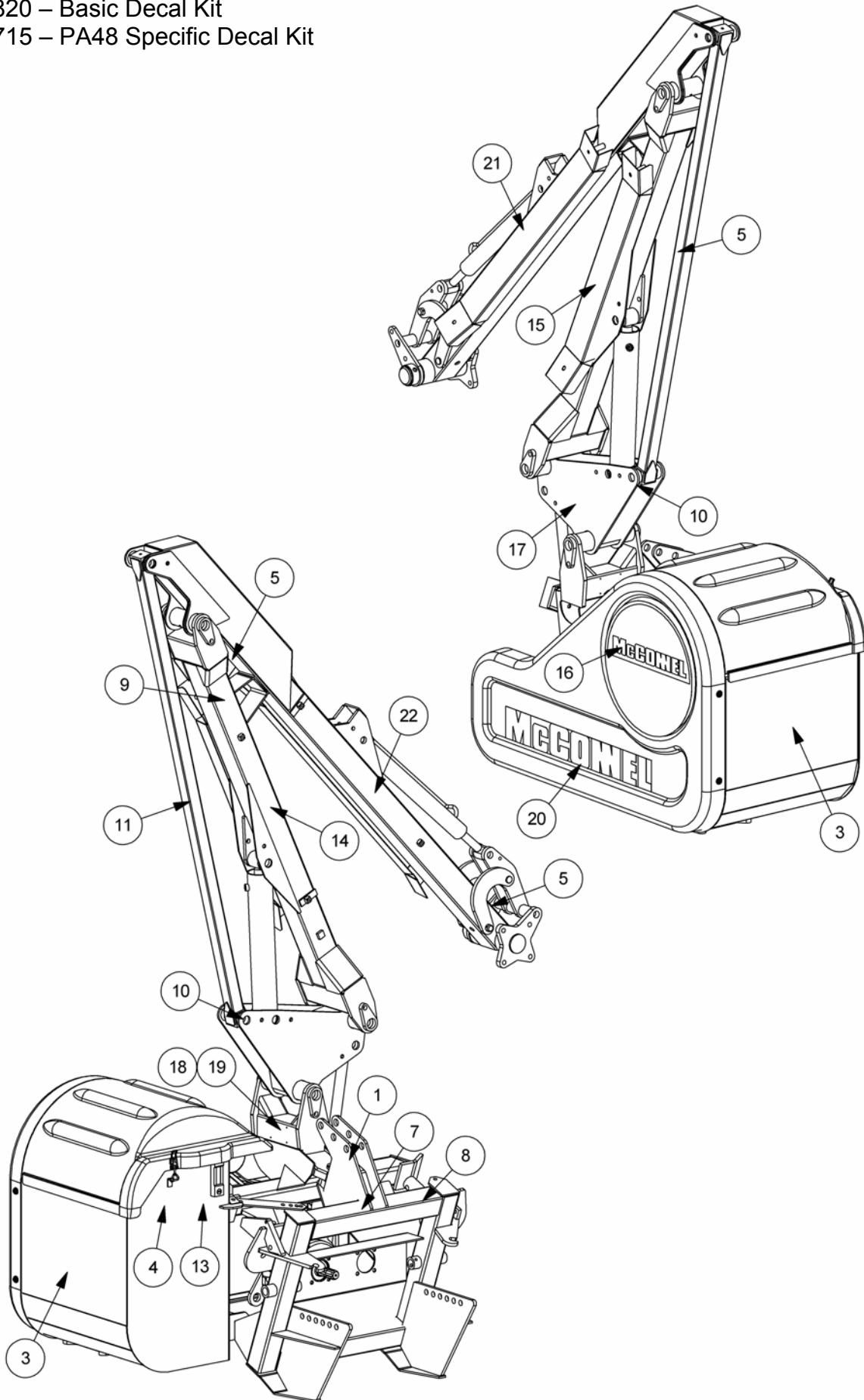
<b>REF.</b>	<b>QTY.</b>	<b>PART No.</b>	<b>DESCRIPTION</b>
		<b>7451780</b>	<b>REAR LIGHTING KIT</b>
1	1	45828.01	LIGHT BAR
2	1	45900.02	LIGHTING KIT - <i>comprising of:</i>
3	1	45656.02	LIGHTING LOOM c/w PLUG
4	2	45642.02	COMBINATION LAMP ASSEMBLY
5	6	21150.01	PUSH ON CABLE TIE
6	2	45671.01	REFLECTOR (SELF-ADHESIVE)
7	4	9100405	SHAKEPROOF WASHER - EXTERNAL
8	4	9100025	DOME NUT
9	4	9213085	BOLT
10	1	1290527	DECAL - McCONNEL

# MACHINE DECALS

**Modules:**

7451820 – Basic Decal Kit

7148715 – PA48 Specific Decal Kit



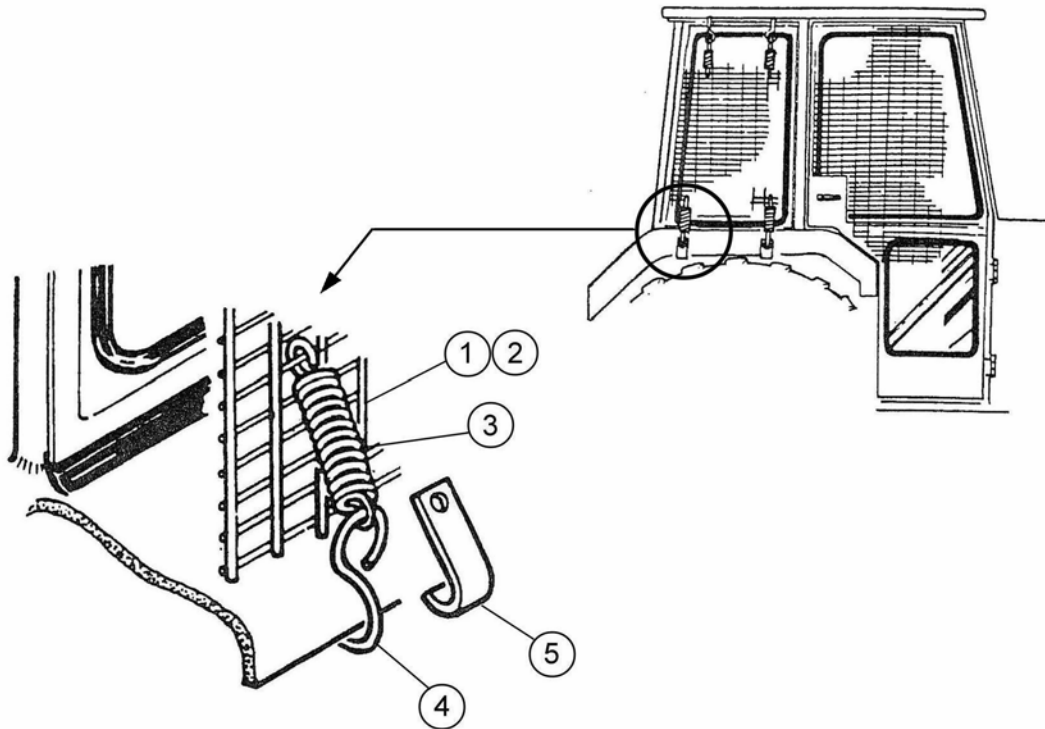
**MACHINE DECALS**

REF.	QTY.	PART No.	DESCRIPTION
		<b>7451820</b>	<b>BASIC DECAL KIT</b>
1	1	7105130	DECAL - READ THE BOOK FIRST
2	1	1290352	DECAL - ENGLISH / FRENCH (CAB)
3	1	1290391	DECAL - GENERAL SAFETY
4	1	00756494	DECAL - DRIVELINE HAZARD
5	6	02962764	DECAL - SPECIFIC PINCH POINT
6	1	1290571	DECAL - QUEENS AWARD
7	1	09.811.03	DECAL - PTO SPEED (500 RPM)
8	1	7135295	DECAL - TIGHTEN CHECK CHAINS
9	1	1290403	DECAL - BREAKAWAY RETURN WARNING
10	2	1290074	DECAL - SLING HERE
11	1	1290406	DECAL - TRANSPORT WARNING
12	1	8402135	DECAL - CAUTION
13	1	1290023	DECAL - OIL FILTER
14	1	1290255	DECAL - McCONNEL (435mm X 63mm)
15	1	1290588	DECAL - McCONNEL (63mm SILVER)
16	1	1290647	DECAL - McCONNEL ROUNDEL (500mm)
17	1	1290296	DECAL - LOGO
18	4	7103230	POP RIVET
19	1	1335246	SERIAL No. PLATE
20	1	1290649	DECAL - McCONNEL (SILVER)
		<b>7148715</b>	<b>SPECIFIC DECAL KIT</b>
21	1	1290643 *	DECAL - PA48 / PA48E (SILVER)
22	1	1290644 *	DECAL - PA48 / PA48E (BLACK)

\* **NOTE: When ordering items 21 & 22 please specify either 'PA48' or 'PA48E'**

**CAB GUARD KIT**

Module:  
7313324

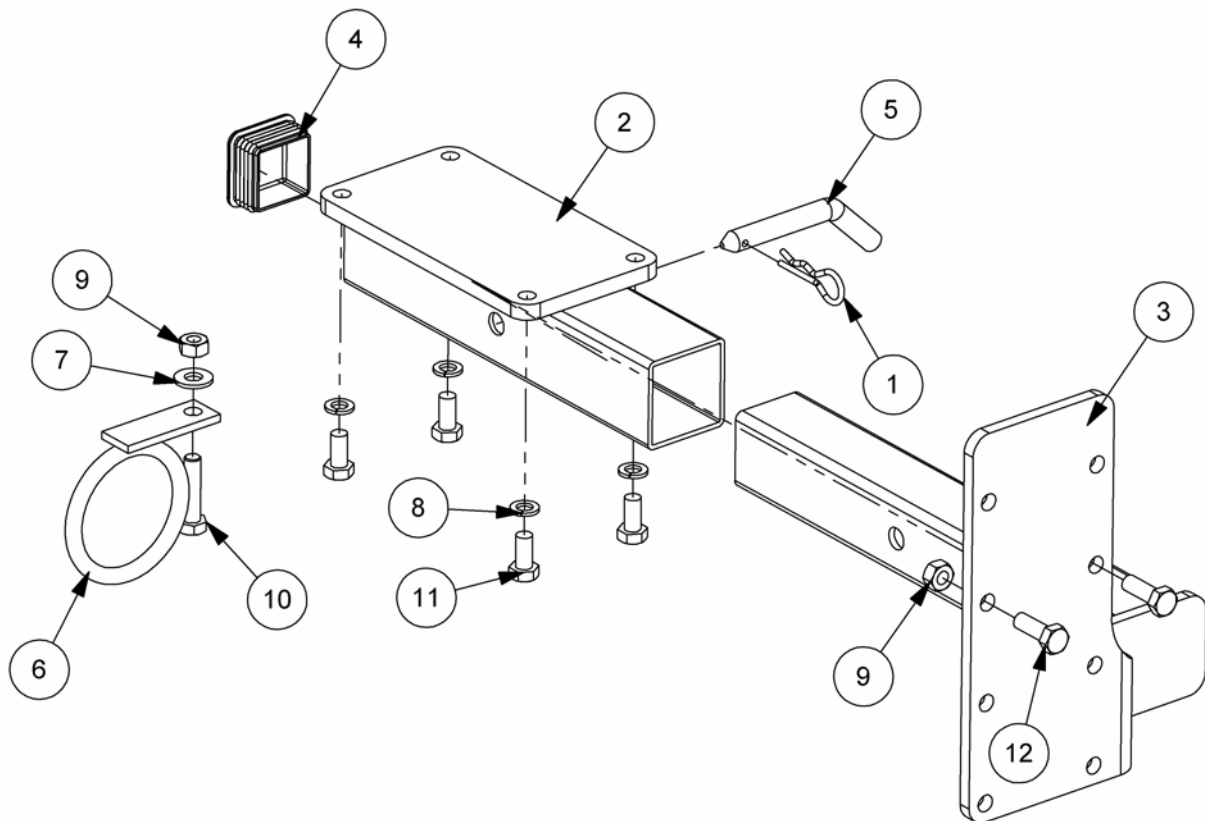


REF.	QTY.	PART No.	DESCRIPTION
		<b>7313324</b>	<b>CAB GUARD &amp; MOUNTING KIT</b>
1	1	7313049	GUARD PANEL - LARGE
2	1	7313050	GUARD PANEL - SMALL
3	12	6001064	SPRING
4	6	6001065	HOOK
5	6	7313051	HOOK

**Modules:**

7150770 – L/H Build

7150771 – R/H Build

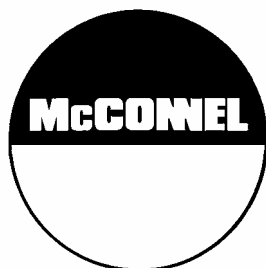
*Illustrated in Left Hand Build*

REF.	QTY.	PART No.	DESCRIPTION
		<b>7150770</b>	<b>DEBRIS BLOWER MOUNTING KIT - L/H Machines</b>
		<b>7150771</b>	<b>DEBRIS BLOWER MOUNTING KIT - R/H Machines</b>
1	1	0431105	SPRING COTTER
2	1	43492.01	BLOWER BRACKET
3	1	43492.05	BLOWER BRACKET - L/H Build
	1	43492.06	BLOWER BRACKET - R/H Build
4	1	7191108	PLASTIC PLUG
5	1	7192023	LEG PIN
6	1	7319282	HOSE RING
7	1	9100106	FLAT WASHER
8	4	9100206	SPRING WASHER
9	3	9143006	SELF-LOCKING NUT
10	1	9213106	BOLT
11	4	9313056	SETSCREW
12	2	9313076	SETSCREW

*Suitable for the following machines:*

PA32, PA41, PA45\*, PA47 Mk1\*, PA47 Mk2, PA48, PA50Mk1\*, PA50 Mk2, PA55/60  
 (\* without lightbars)





McConnel Limited, Temeside Works, Ludlow, Shropshire SY8 1JL. England.  
Telephone: 01584 873131. Facsimile: 01584 876463. [www.mcconnel.com](http://www.mcconnel.com)