

Publication 600  
April 2009  
Part No. 22674.00  
Revision: 19.05.10

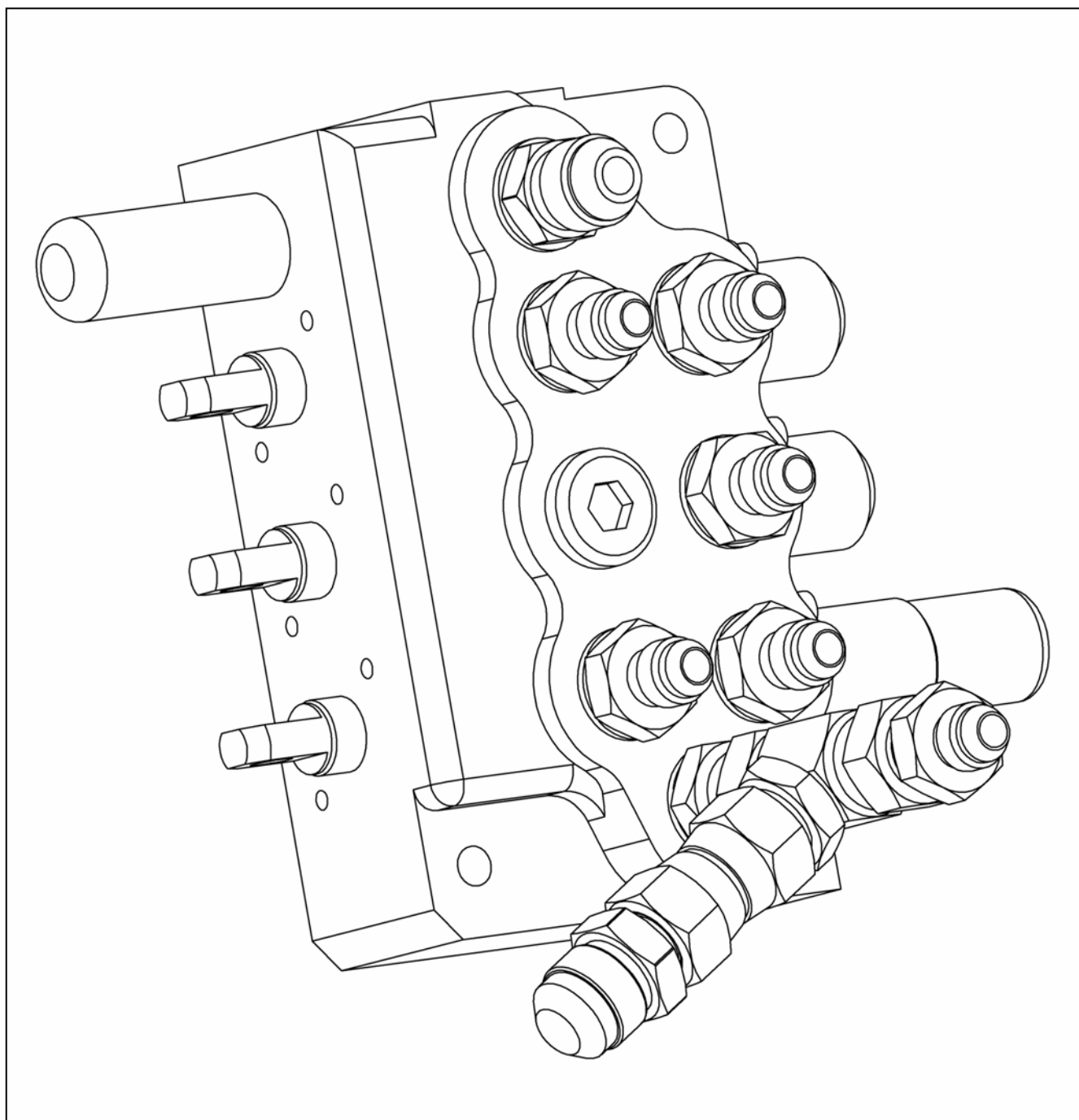


# PA48 *Mk2*

HEDGE CUTTER / MOWER

North American JIC Models

Parts Manual





*For best performance...*

## **USE ONLY McCONNEL GENUINE SERVICE PARTS**

To be assured of the latest design improvements purchase your 'Genuine Replacements' from the **Original Equipment Manufacturer:**

# **McCONNEL LIMITED**

*through your local Dealer or Stockist.*

**Always quote:**

- ***Machine Type***
- ***Serial Number***
- ***Part Number***

### **McConnell Limited**

**Temeside Works, Ludlow, Shropshire, SY8 1JL, England.**

**Telephone: 01584 873131**

**[www.mcconnel.com](http://www.mcconnel.com)**

*Design Improvements may alter some of the components listed in this manual –  
The latest part will always be supplied when it is interchangeable with an earlier one.*

# CONTENTS

---

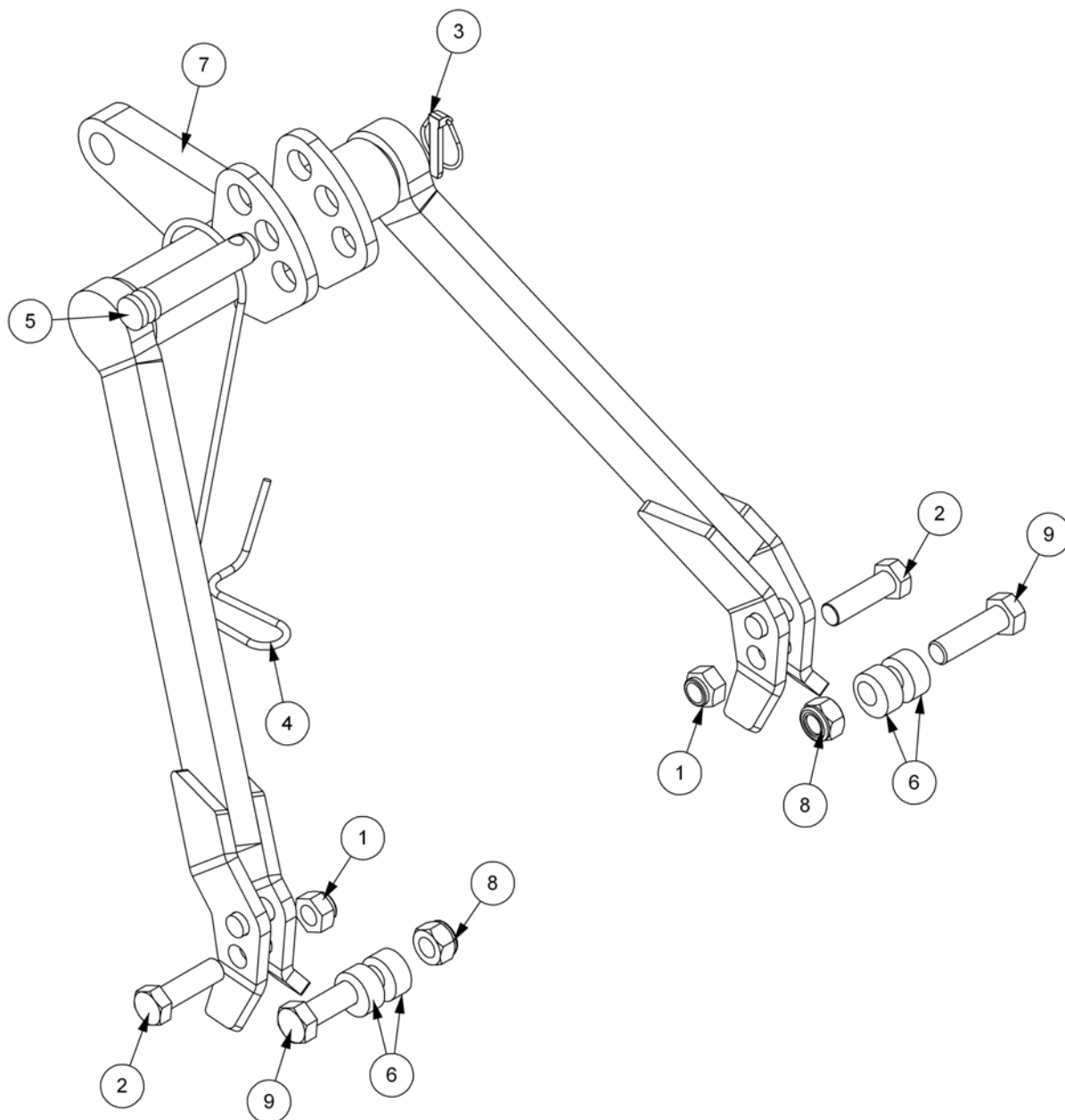
	<i>Page No.</i>
Stabilizer Assembly	1
Main Frame Assembly	2
Pillar Assembly	4
Rocker Assembly	6
Main Arm Assembly	8
Dipper Arm Assembly – <i>Standard Models</i>	10
Dipper Arm Assembly – <i>Fixed Midcut Models</i>	12
Head Angling Mechanism	14
Hydraulic Tank Assembly	16
Pump & Gearbox Assembly	18
Rotor Control Valve Assembly	20
Armhead Control Valve Assembly	22
Adaptor Kit	23
Valve Ports Identification	24
Hydraulic Hose Kit – <i>Standard Model</i>	26
Hydraulic Hose Kit – <i>Fixed Midcut Model</i>	27
Hydraulic Installation – <i>Standard Model</i>	28
Hydraulic Installation – <i>Fixed Midcut Model</i>	30
Lift Ram Assembly	32
Reach Ram Assembly	33
Angling Ram Assembly	34
Lift Float Kit	35
Controls Mounting Kit	36
Cab Guard Kit	37
Rear Covers Assembly	38
Decal Kit – Warning & Safety Information	40
Decal Kit – Identification & Branding	42



# STABILIZER ASSEMBLY

**McCONNEL**

Module(s): 7148754



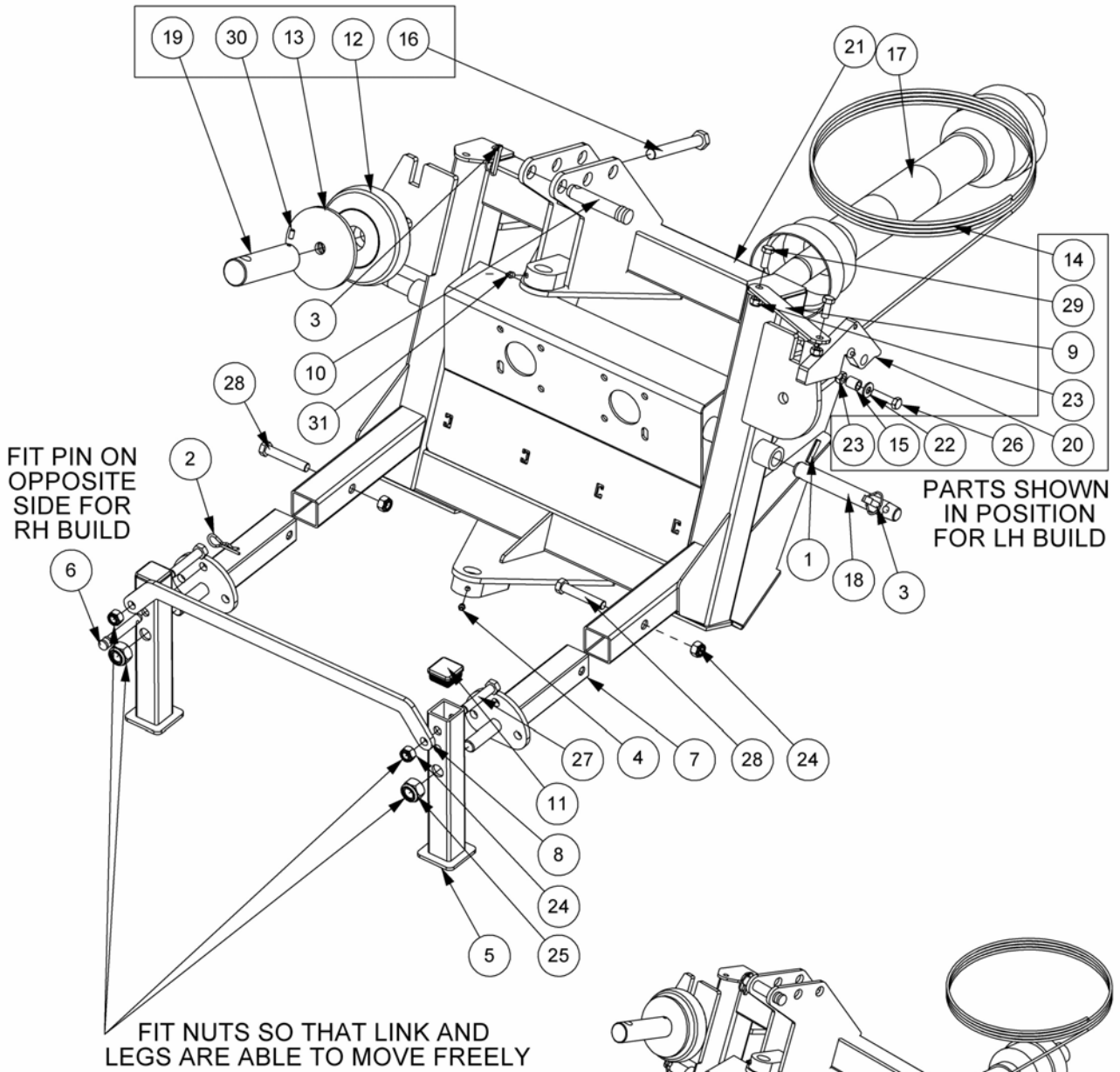
REF.	QTY.	PART NO.	DESCRIPTION
		<b>7148754</b>	<b>STABILIZER ASSEMBLY</b>
1	2	0141007	CLEVELOC NUT
2	2	0211207	BOLT
3	1	0431217	LINCH PIN
4	1	21160.03	PTO HOOK
5	1	41267.06	LINK PIN
6	4	7192080	ECCENTRIC COLLAR
7	1	7192405	UNIVERSAL STABILIZER
8	2	9163008	NYLOC NUT
9	2	9213148	BOLT

# MAIN FRAME ASSEMBLY

**McCONEL**

Module(s): 7148753

PARTS SHOWN IN POSITION FOR LH BUILD



SHOWN ASSEMBLED FOR LH BUILD MACHINE

**MAIN FRAME ASSEMBLY****McCONNEL**

Module(s): 7148753

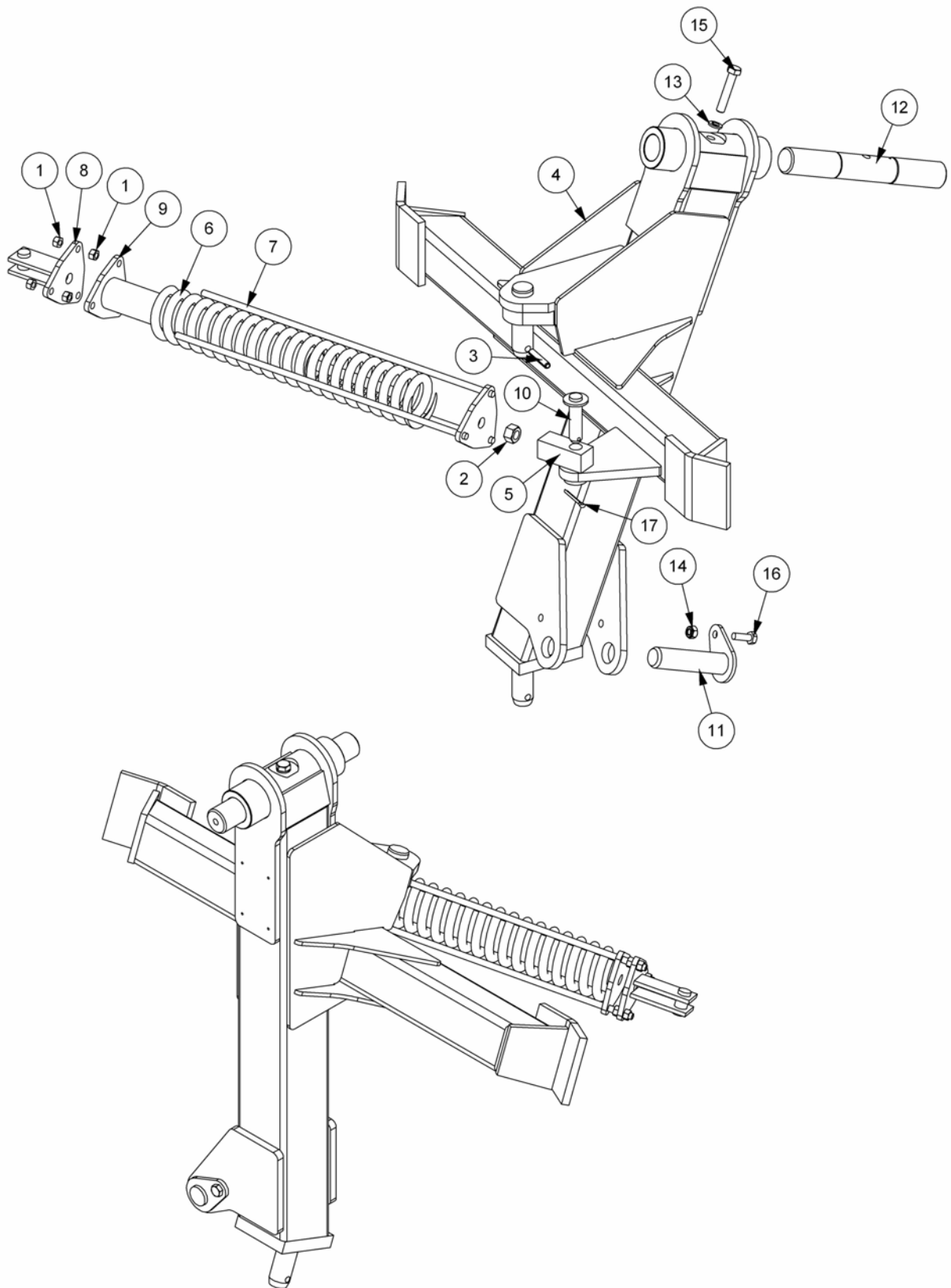
<b>REF.</b>	<b>QTY.</b>	<b>PART NO.</b>	<b>DESCRIPTION</b>
		<b>7148753</b>	<b>MAIN FRAME ASSEMBLY</b>
1	2	0422628	SPRING DOWEL
2	1	0431105	SPRING COTTER
3	3	0431217	LINCH PIN
4	1	0901121	GREASE NIPPLE
5	2	21781.02	STAND LEG
6	1	21997.01	LEG PIN
7	2	22539.01	LEG MOUNTING BRACKET
8	1	22540.01	LEG PARALLEL LINK
9	1	22544.01	TANK STRAP
10	1	41267.06	LINK PIN
11	2	41580.04	PLASTIC PLUG
12	1	7135033	RUBBER SPRING
13	1	7135034	BUFFER LOCATING DISC
14	1	71350361	NYLON CORD
15	1	7135097	SPACER
16	1	7135293	BOLT
17	1	7136330	DRIVE SHAFT ASSEMBLY
18	2	7193020	LINKAGE PIN
19	1	7193323	BUFFER ABUTMENT
20	1	7193325	LATCH
21	1	7193391	MAIN FRAME
22	1	9100106	FLAT WASHER
23	3	9163006	NYLOC NUT
24	4	9163007	NYLOC NUT
25	2	9163009	NYLOC NUT
26	1	9213106	BOLT
27	2	9213167	BOLT
28	2	9213187	BOLT
29	2	9313066	SETSCREW
30	1	9363034	GRUB SCREW
31	1	0901125	GREASE NIPPLE

**Note: L/H & R/H builds use identical components and differ only in the assembled location of the component parts.**

# PILLAR ASSEMBLY

**McCONEL**

Module(s): 7148755 – L/H Build, 7148756 – R/H Build





**PILLAR ASSEMBLY****McCONNEL**

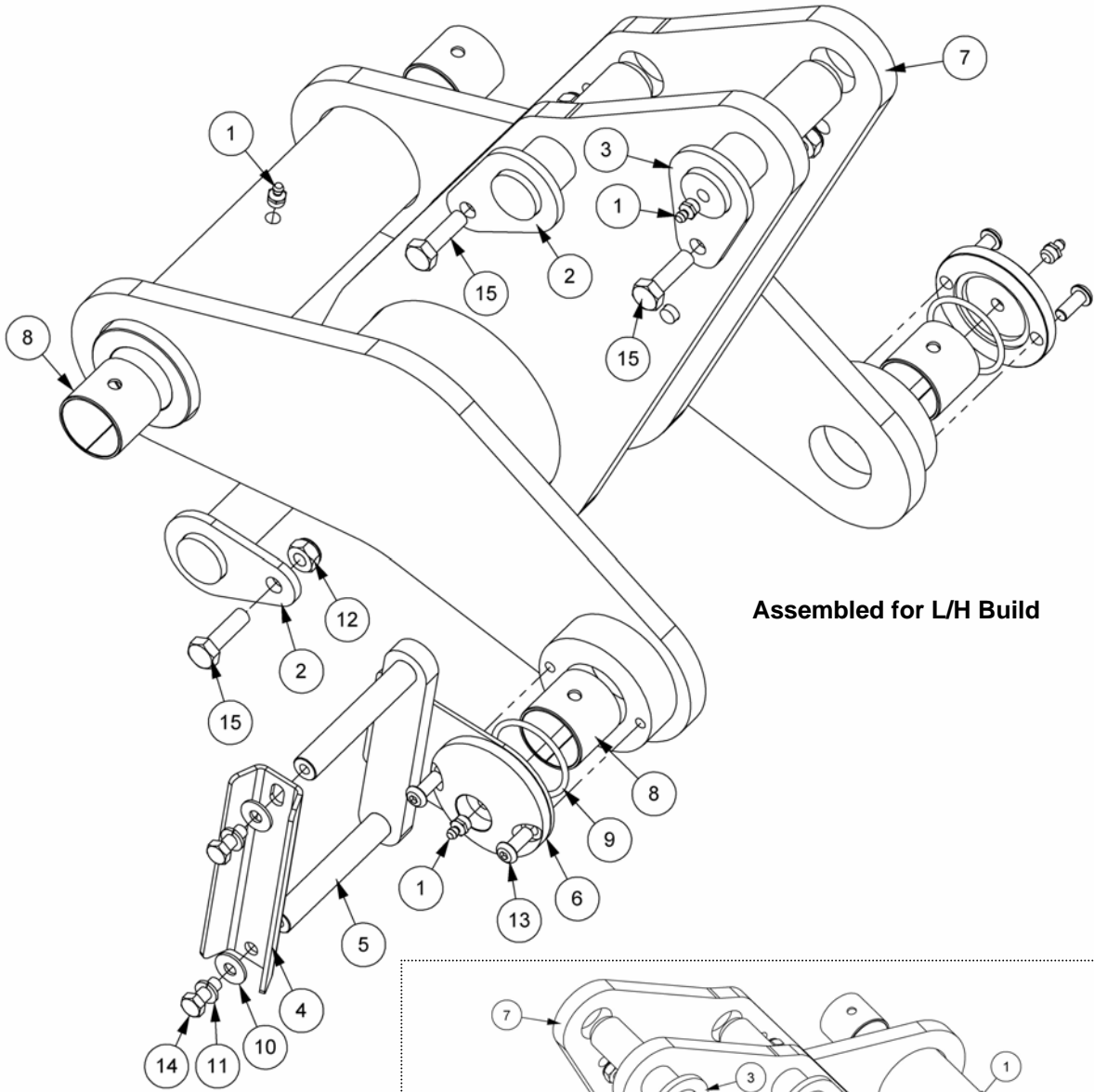
Module(s): 7148755 – L/H Build, 7148756 – R/H Build

REF.	QTY.	PART NO.	DESCRIPTION
		<b>7148755</b>	<b>PILLAR ASSEMBLY - L/H Build</b>
		<b>7148756</b>	<b>PILLAR ASSEMBLY - R/H Build</b>
1	6	0111003	NUT
2	1	0111006	NUT
3	1	0422632	SPRING DOWEL
4	1	22500.01	PILLAR - L/H Build
	1	22500.02	PILLAR - R/H Build
5	1	7135081	ROD END
6	1	7135298	BREAKAWAY SPRING
7	1	7135315	SPRING CAGE
8	1	7135317	SPRING UNIT (BASE END)
9	1	7190459	TENSION TUBE
10	1	7193021	PIN (SPRING ANCHOR)
11	1	41692.11	PIN
12	1	45264.01	MAIN PIVOT PIN
13	1	9100206	SPRING WASHER
14	1	9163005	NYLOC NUT
15	1	9213136	BOLT
16	1	9313065	SETSCREW
17	1	9501406	SPLIT PIN

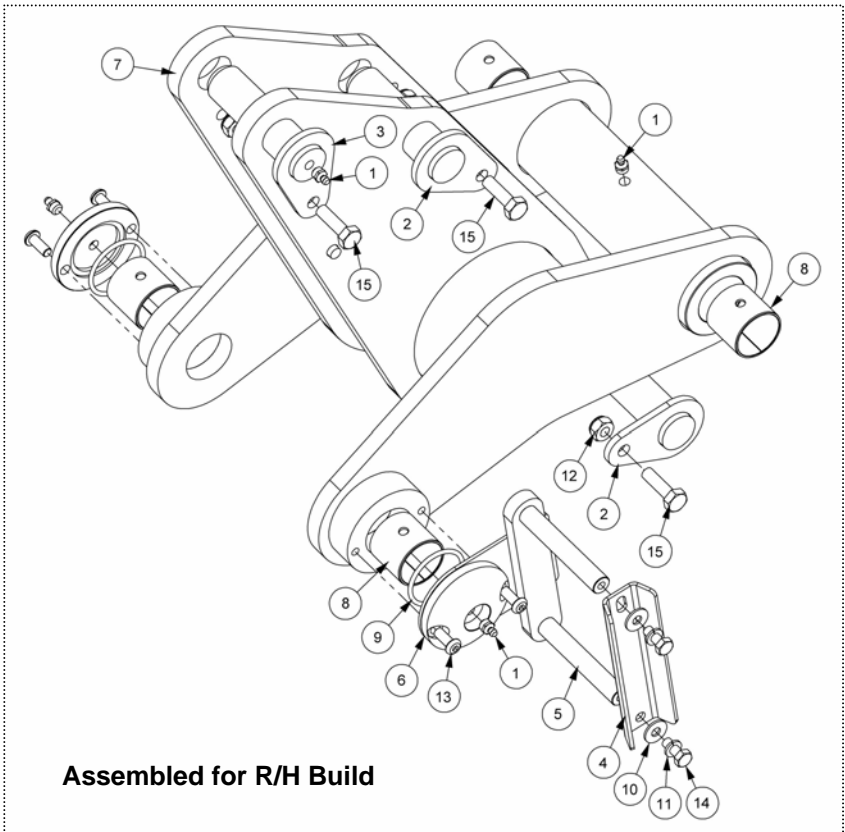
# ROCKER ASSEMBLY

Module(s): 7150743

# McCONEL



**Assembled for L/H Build**



**Assembled for R/H Build**

**ROCKER ASSEMBLY****McCONNEL**

Module(s): 7150743

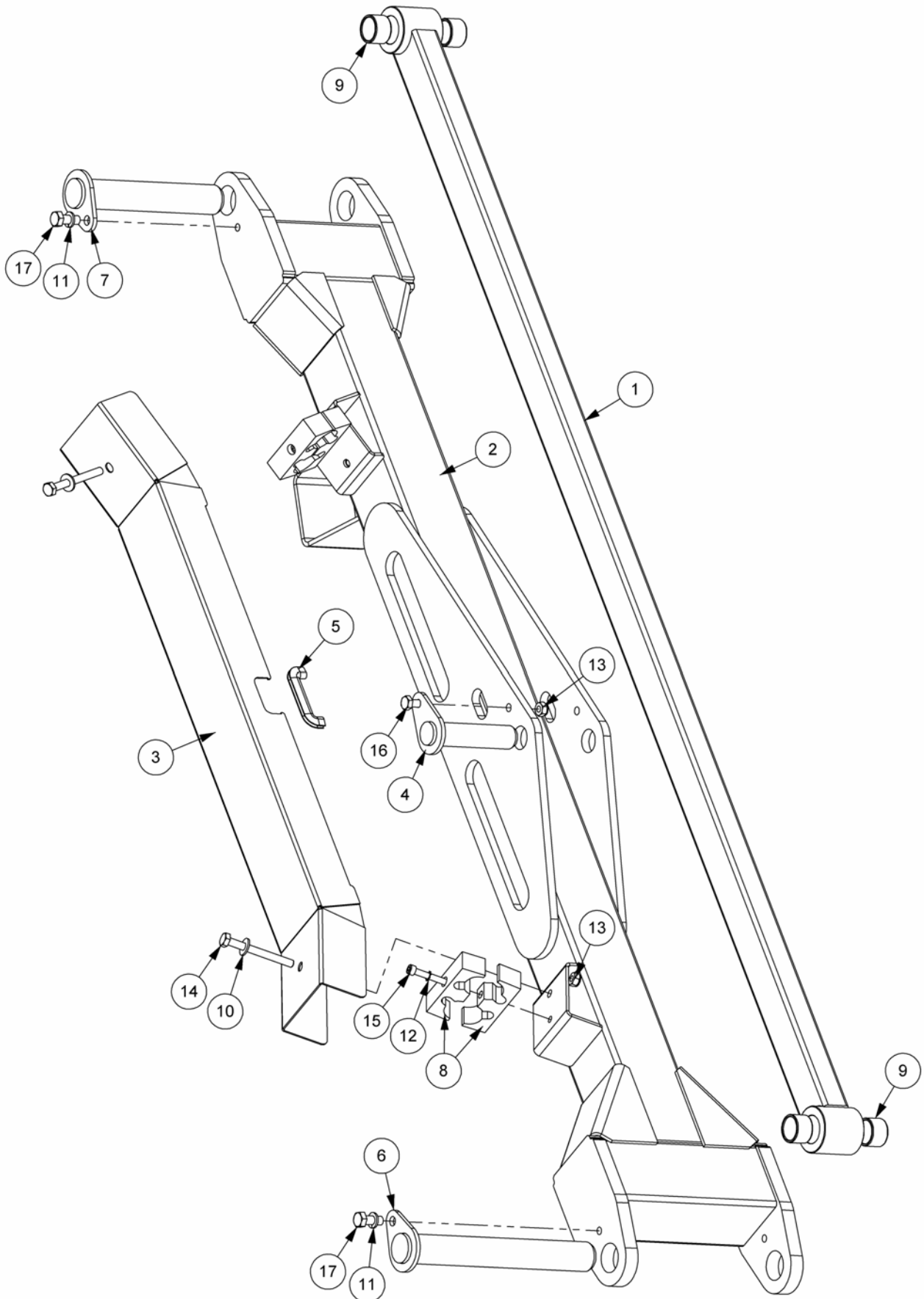
<b>REF.</b>	<b>QTY.</b>	<b>PART No.</b>	<b>DESCRIPTION</b>
		<b>7150743</b>	<b>ROCKER ASSEMBLY</b>
1	4	0901121	GREASE NIPPLE
2	2	41692.12	PIN
3	1	41692.13	PIN
4	1	43048.10	HOSE RETAINER
5	1	43048.14	HOSE RETAINING BRACKET
6	2	45266.01	PIN CAP
7	1	45445.03	ROCKER
8	4	7115208	BUSH
9	2	8600303	O RING
10	2	9100104	FLAT WASHER
11	2	9100204	SPRING WASHER
12	3	9163005	NYLOC NUT
13	4	9300161	SOCKET BUTTON SCREW
14	2	9313044	SETSCREW
15	3	9313075	SETSCREW

**NOTE: The Rocker Assembly for both L/H & R/H builds are the same but differ in the positioning of the assembled components.**

# MAIN ARM ASSEMBLY

Module(s): 7150716 – L/H Build, 7150717 – R/H Build

**McCONEL**



**MAIN ARM ASSEMBLY****McCONNEL**

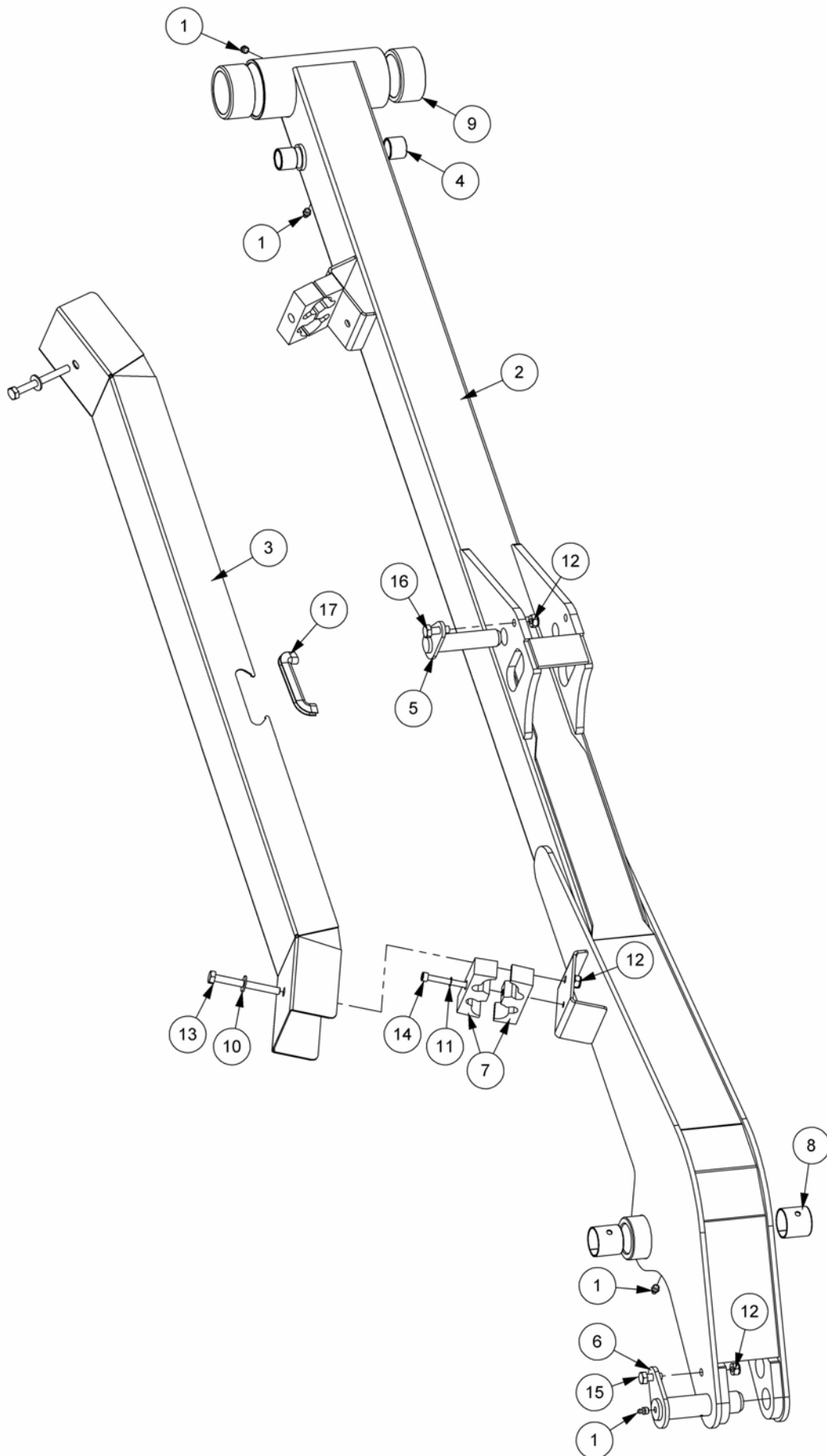
Module(s): 7150716 – L/H Build, 7150717 – R/H Build

<b>REF.</b>	<b>QTY.</b>	<b>PART No.</b>	<b>DESCRIPTION</b>
		<b>7150716</b>	<b>MAIN ARM ASSEMBLY - L/H Build</b>
		<b>7150717</b>	<b>MAIN ARM ASSEMBLY - R/H Build</b>
1	1	22499.02	TENSION LINK
2	1	22501.01	MAIN ARM - L/H Build
	1	22501.02	MAIN ARM - R/H Build
3	1	22522.01	HOSE GUARD
4	1	41692.11	PIN
5	1	41741.11	EDGING STRIP (110mm)
6	1	43324.13	PIN
7	1	43324.14	PIN
8	4	45630.01	HOSE CLAMP
9	4	6012032	BUSH
10	2	9100105	FLAT WASHER
11	2	9100206	SPRING WASHER
12	2	9100404	SHAKEPROOF WASHER
13	3	9163005	NYLOC NUT
14	2	9213205	BOLT
15	2	9243154	CAPSCREW
16	1	9313065	SETSCREW
17	2	9313066	SETSCREW

# DIPPER ARM ASSEMBLY – Standard Models

Module(s): 7150718 – L/H Build, 7150719 – R/H Build

**McCONEL**



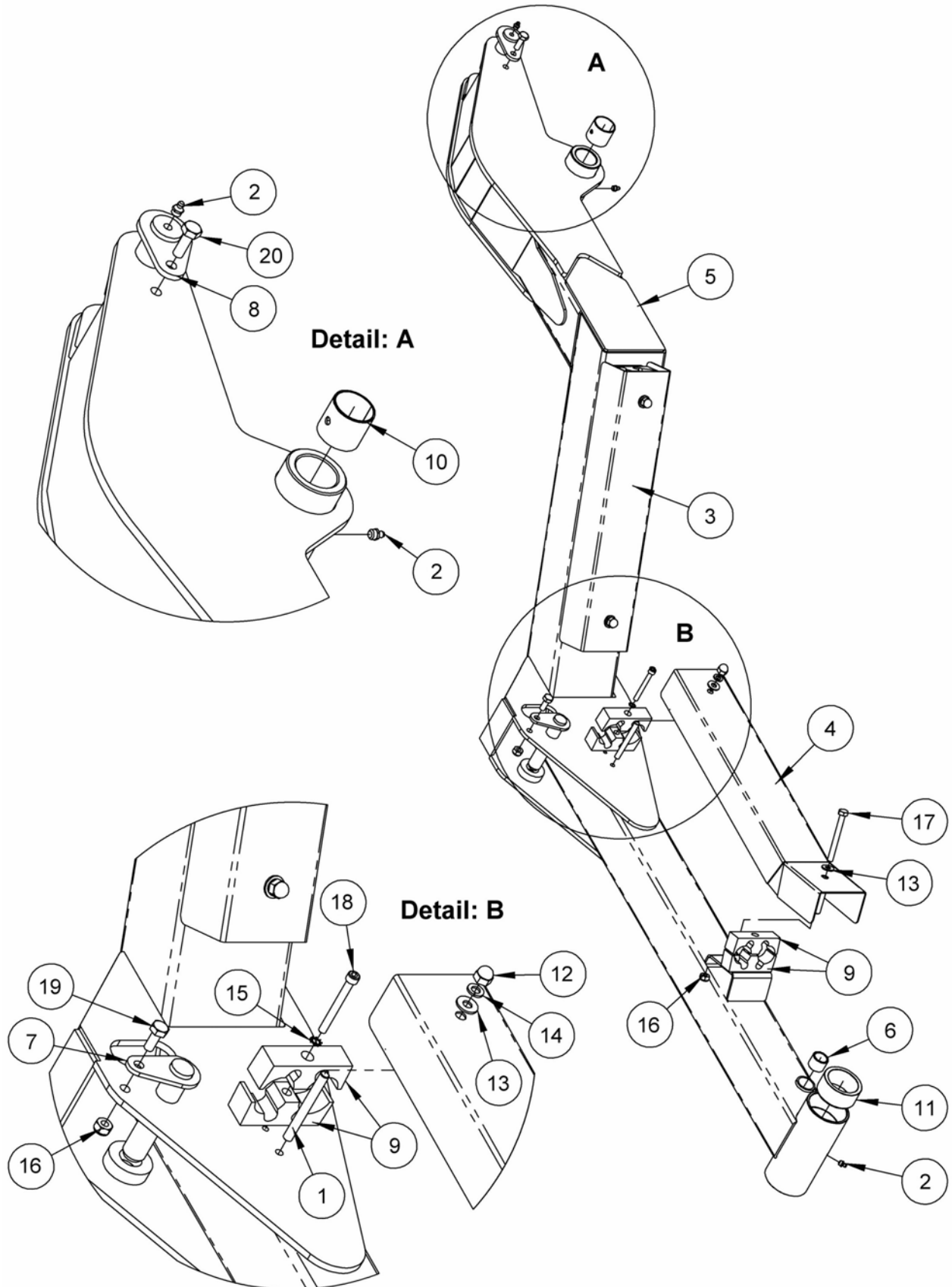
Module(s): 7150718 – L/H Build, 7150719 – R/H Build

REF.	QTY.	PART No.	DESCRIPTION
		<b>7150718</b>	<b>DIPPER ARM ASSEMBLY - L/H Build</b>
		<b>7150719</b>	<b>DIPPER ARM ASSEMBLY - R/H Build</b>
1	4	0901121	GREASE NIPPLE
2	1	22517.02	DIPPER ARM - L/H Build
	1	22517.03	DIPPER ARM - R/H Build
3	1	22522.03	HOSE GUARD
4	2	41690.01	BUSH
5	1	41691.01	PIN - ANGLE BASE END
6	1	41692.14	PIN
7	4	45630.01	HOSE CLAMP
8	2	7115208	BUSH
9	2	7136035	BUSH
10	2	9100105	FLAT WASHER
11	2	9100404	SHAKEPROOF WASHER
12	4	9163005	NYLOC NUT
13	2	9213205	BOLT
14	2	9243154	CAPSCREW
15	1	9313055	SETSCREW
16	1	9313065	SETSCREW
17	1	41741.16	EDGING STRIP (160mm)

DIPPER ARM ASSEMBLY – Fixed Midcut Models

**McCONEL**

Module(s): L/H Build 7150744 (*illustrated*), R/H Build 7150745





DIPPER ARM ASSEMBLY – Fixed Midcut Models

**McCONNEL**

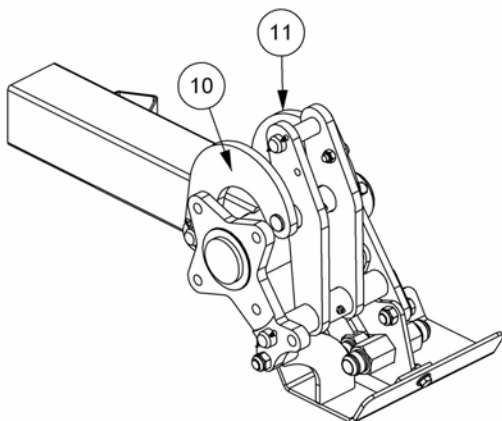
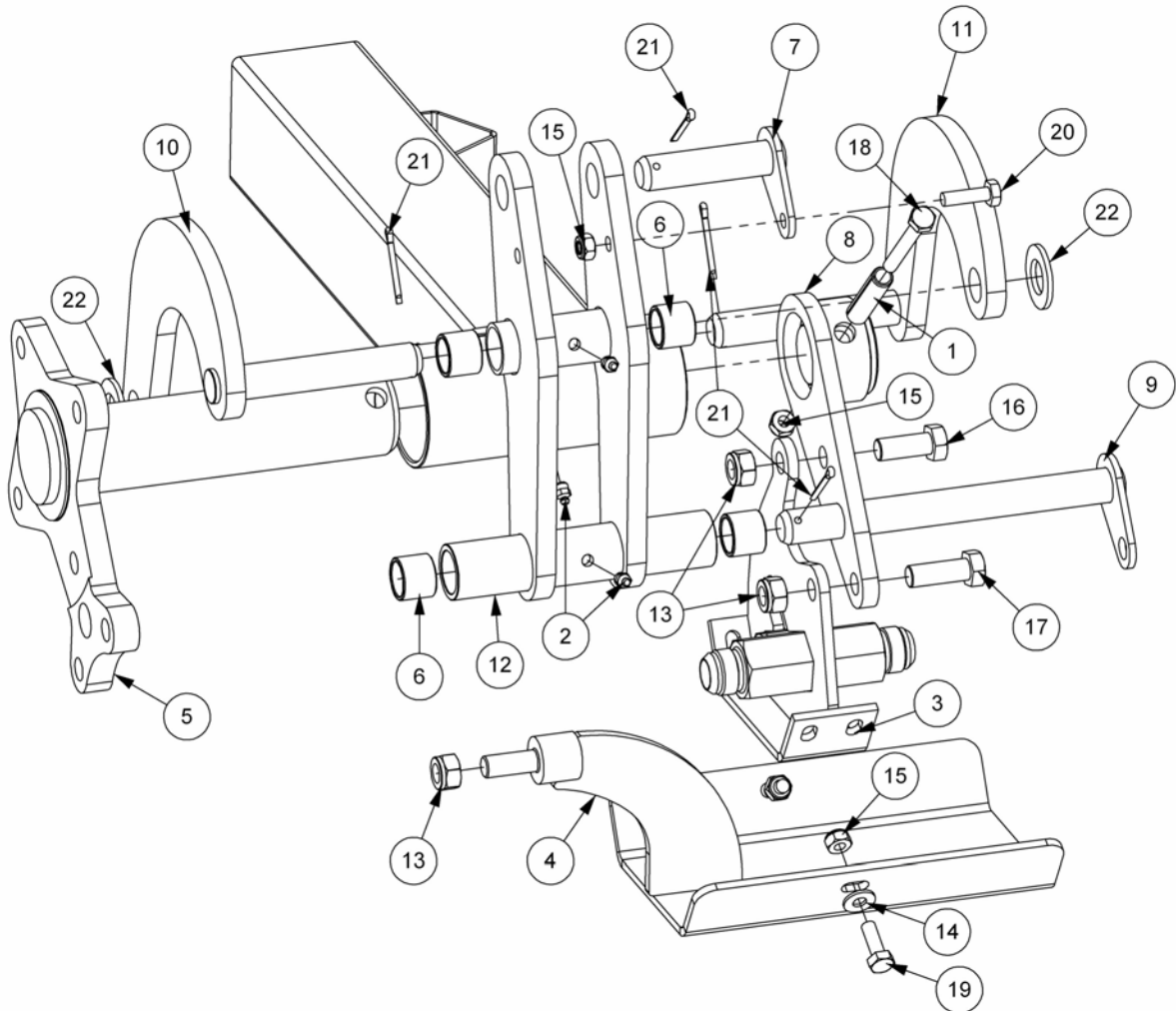
Module(s): L/H Build 7150744 (*illustrated*), R/H Build 7150745

REF.	QTY.	PART No.	DESCRIPTION
		<b>7150744</b>	<b>FIXED MIDCUT DIPPER ARM - L/H Build</b>
		<b>7150745</b>	<b>FIXED MIDCUT DIPPER ARM - R/H Build</b>
1	3	04.282.84	STUD
2	3	0901121	GREASE NIPPLE
3	1	22522.05	CENTRE HOSE GUARD
4	1	22522.06	HOSE GUARD
5	1	22557.03	MIDCUT DIPPER - L/H Build
	1	22557.04	MIDCUT DIPPER - R/H Build
6	2	41690.01	BUSH
7	1	41691.04	PIN
8	1	41692.14	PIN (C/W GREASE POINT)
9	8	45630.01	HOSE CLAMP
10	2	7115208	BUSH
11	2	7136035	BUSH
12	3	9100025	DOME NUT
13	4	9100105	FLAT WASHER
14	3	9100205	SPRING WASHER
15	4	9100404	SHAKEPROOF WASHER
16	3	9163005	NYLOC NUT
17	1	9213205	BOLT
18	4	9243154	CAPSCREW
19	1	9313055	SETSCREW
20	1	9313065	SETSCREW

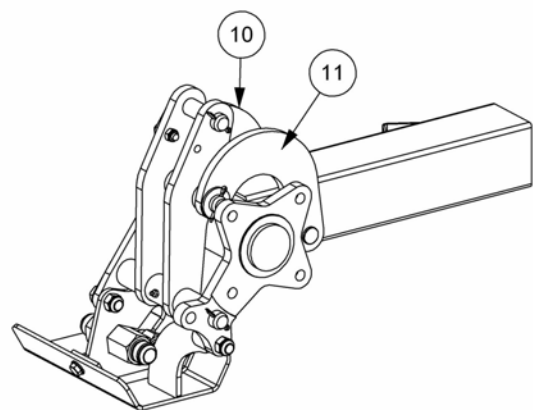
# HEAD ANGLING MECHANISM (JIC)

**McCONEL**

Module(s): 7170707



ASSEMBLED FOR L/H BUILD



ASSEMBLED FOR R/H BUILD

HEAD ANGLING MECHANISM (JIC)

**McCONNEL**

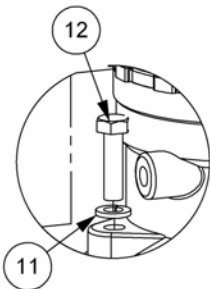
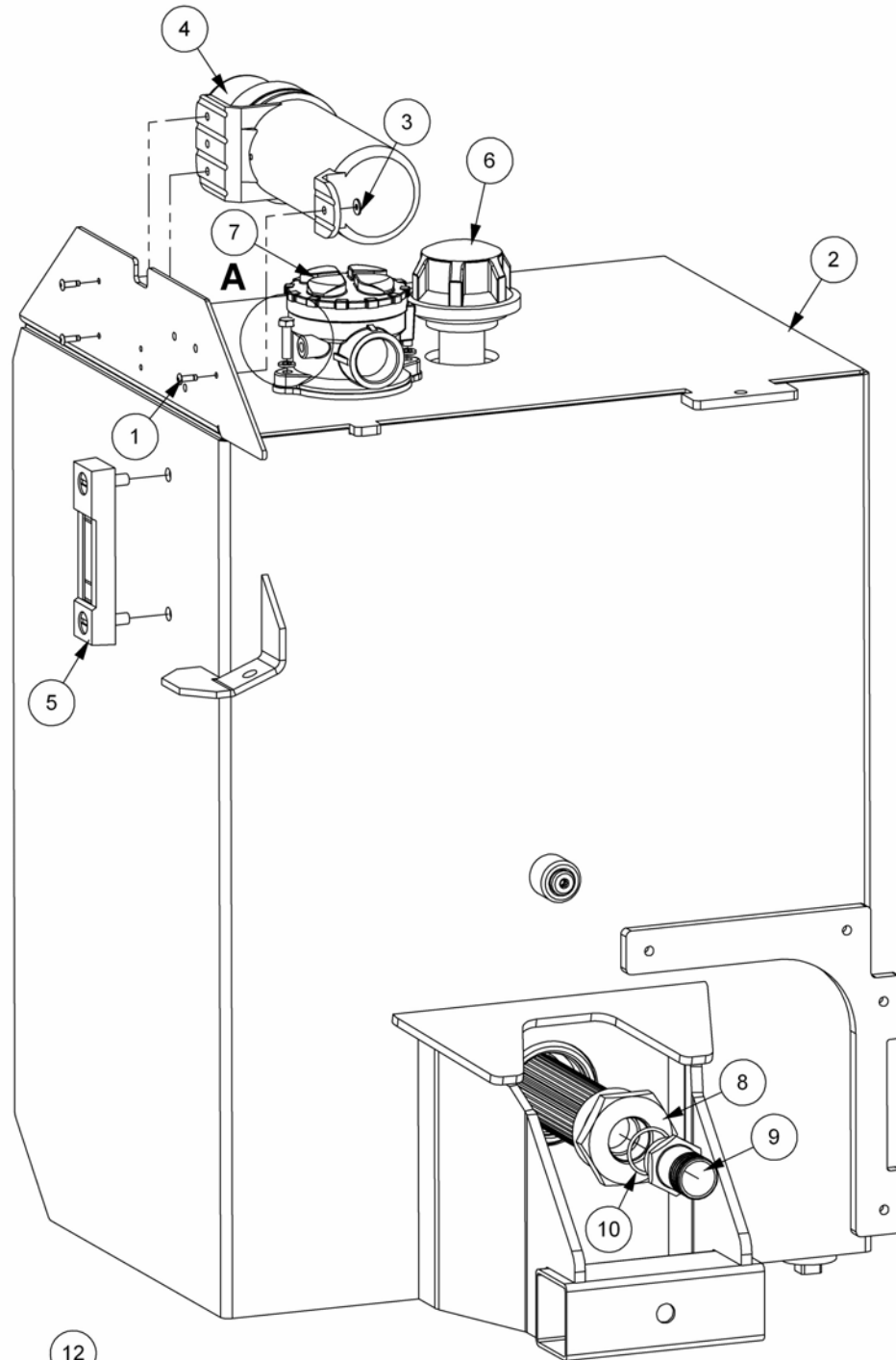
Module(s): 7170707

REF.	QTY.	PART NO.	DESCRIPTION
		<b>7170707</b>	<b>HEAD ANGLING MECHANISM (JIC)</b>
1	1	0423548	SPRING DOWEL
2	3	0901121	GREASE NIPPLE
3	1	21261.05	JUNCTION BRACKET (JIC)
4	1	21262.02	HOSE TRAY
5	1	21263.02	PIVOT TUBE
6	4	41690.01	BUSH
7	1	41693.01	PIN (ANGLE ROD END)
8	1	42648.02	JAW PLATE
9	1	7192009	PIN (SLAVE LINK)
10	1	7450250	RADIUS ARM - REAR
11	1	7450251	RADIUS ARM - FRONT
12	1	7450252	SLAVE LINK
13	3	9100028	SELF-LOCKING NUT
14	2	9100105	FLAT WASHER
15	4	9163005	NYLOC NUT
16	1	30.073.25	BOLT
17	1	9200028	BOLT
18	1	9213185	BOLT
19	2	9313065	SETSCREW
20	1	9313075	SETSCREW
21	4	9501406	SPLIT PIN
22	2	0100109	FLAT WASHER

# HYDRAULIC TANK ASSEMBLY

Module(s): 7148751 – L/H Build, 7148752 – R/H Build

# McCONEL



**A**

# HYDRAULIC TANK ASSEMBLY

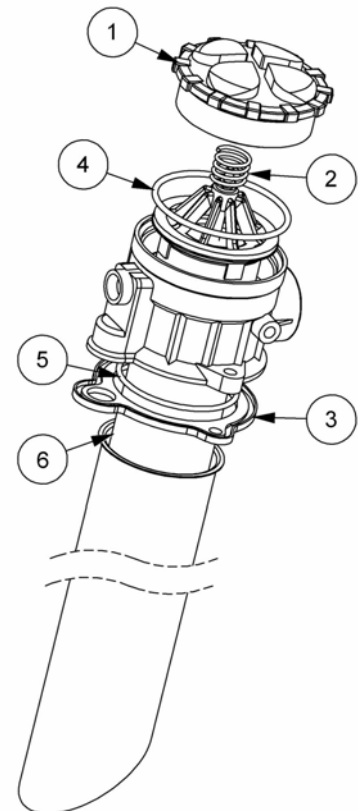
**McCONNEL**

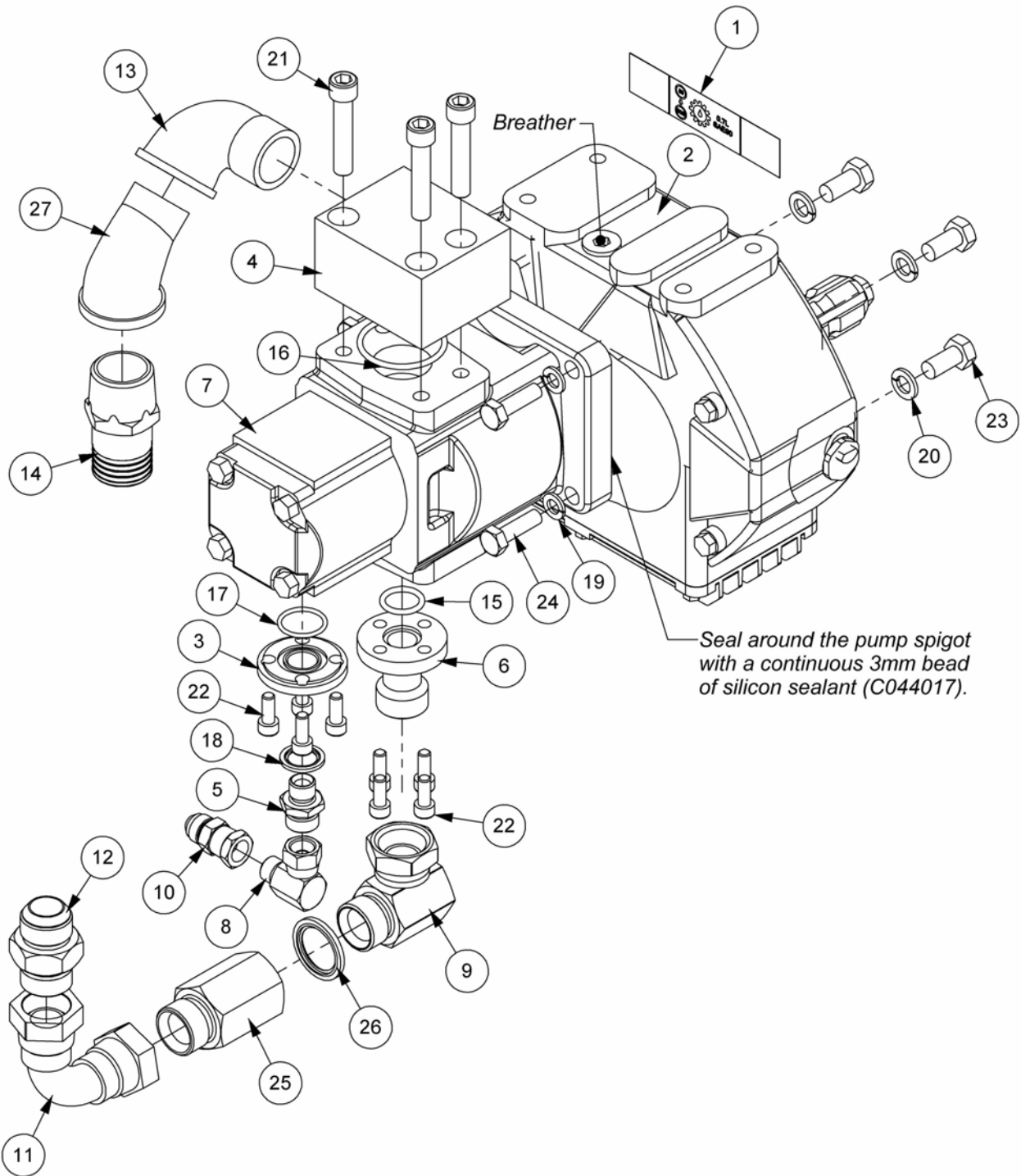
Module(s): 7148751 – L/H Build, 7148752 – R/H Build

REF.	QTY.	PART NO.	DESCRIPTION
		<b>7148751</b>	<b>HYDRAULIC TANK ASSEMBLY - L/H Build</b>
		<b>7148752</b>	<b>HYDRAULIC TANK ASSEMBLY - R/H Build</b>
1	3	21612.02	POP RIVET
2	1	22470.01	TANK - L/H Build
	1	22470.02	TANK - R/H Build
3	3	22530.01	RIVET WASHER
4	1	46505.01	LITERATURE HOLDER
5	1	8401048	LEVEL GAUGE
6	1	8401050	BREATHER
7	1	8401088	FILTER ASSEMBLY
8	1	8401097	SUCTION STRAINER
9	1	8581260	ADAPTOR
10	1	8700784	O RING
11	2	9100204	SPRING WASHER
12	2	9313064	SETSCREW

## SERVICE PARTS FOR FILTER ASSEMBLY 8401088

1	1	212.013.04	FILLER CAP
2	1	212.013.05	SPRING
3	1	212.013.06	FILTER SEAL
4	1	212.013.07	O RING (FILLER CAP)
5	1	212.013.08	O RING (FILLER HOUSING)
6	1	8401089	FILTER ELEMENT (25 Micron)





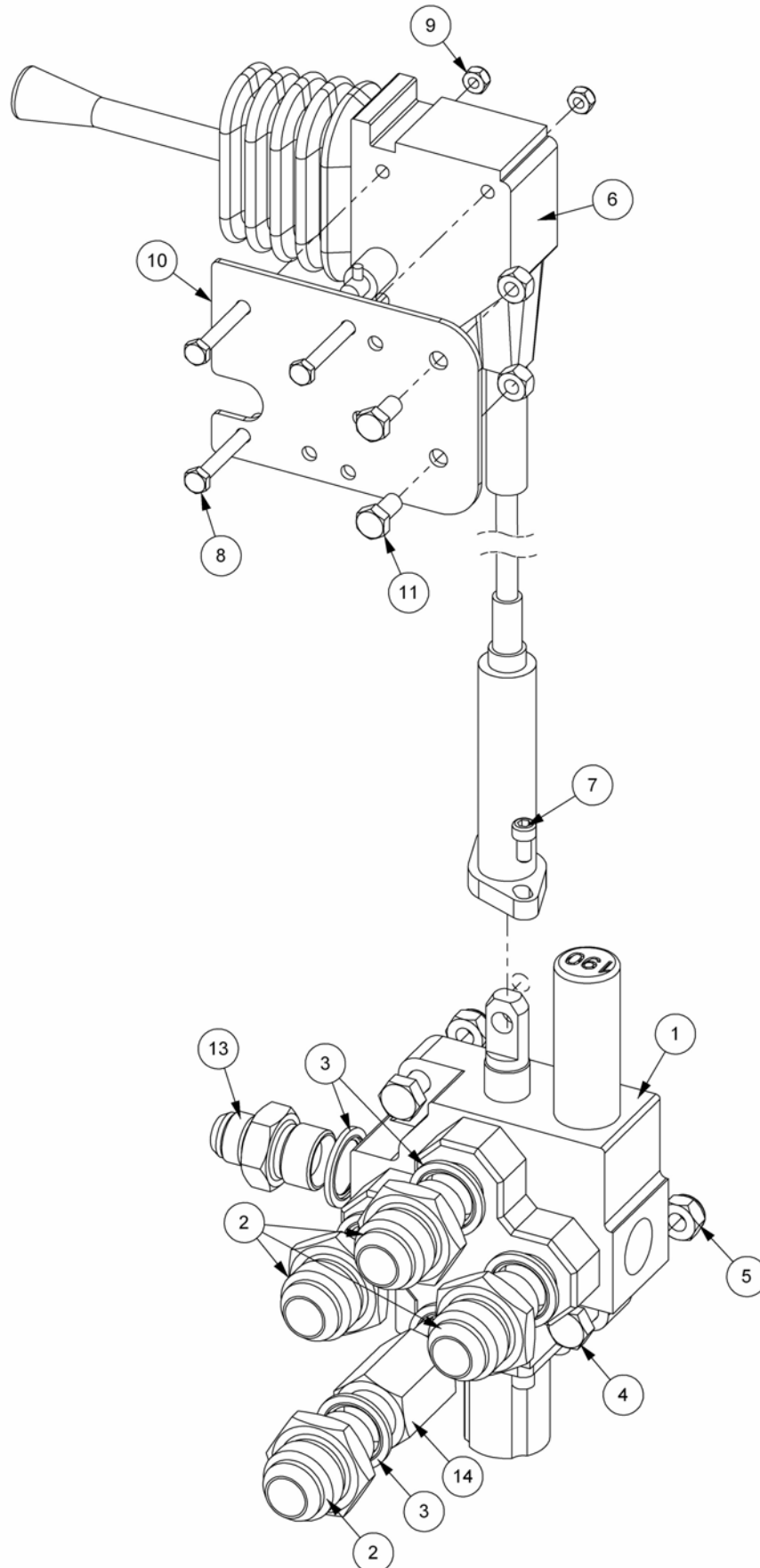
Module(s): 8013610

REF.	QTY.	PART NO.	DESCRIPTION
		<b>8013610</b>	<b>TI PUMP &amp; GEARBOX ASSEMBLY - R/H JIC Build</b>
1	1	1290092	DECAL - GEARBOX
2	1	21931.01	GEARBOX - CAST IRON 1:4.25 (13T SPLINE)
3	1	42029.01	PORT PLATE
4	1	42142.02	BLOCK - SUCTION TAPER
5	1	6000112	ADAPTOR
6	1	8013090	PUMP CONNECTION
7	1	8201700	TANDEM PUMP ASSEMBLY (TI)
	1	8201165	FRONT PUMP (LARGE)
	1	8201728	REAR PUMP (SMALL)
	1	8201729	COUPLING (MM)
8	1	8581117	ADAPTOR ELBOW
9	1	8581212	BLOCK ELBOW - 90°
10	1	8581221	ADAPTOR (JIC)
11	1	8581255	SWEPT ELBOW - 90°
12	1	8581256	ADAPTOR (JIC)
13	1	8581261	ADAPTOR
14	1	8581367	ADAPTOR - LP
15	1	8600117	O RING
16	1	8600304	O RING
17	1	8600405	O RING
18	1	8650104	BONDED SEAL
19	4	9100205	SPRING WASHER
20	4	9100206	SPRING WASHER
21	3	9243126	CAPSCREW
22	8	9300147	CAPSCREW
23	4	9313056	SETSCREW
24	4	9313075	SETSCREW
25	1	8581211	EXTENSION ADAPTOR
26	1	8650108	BONDED SEAL
27	1	8581283	ELBOW

# CABLE ROTOR CONTROL VALVE ASSEMBLY

Module(s): Sub-component of Control Valve Assembly 7148791

**McCONEL**





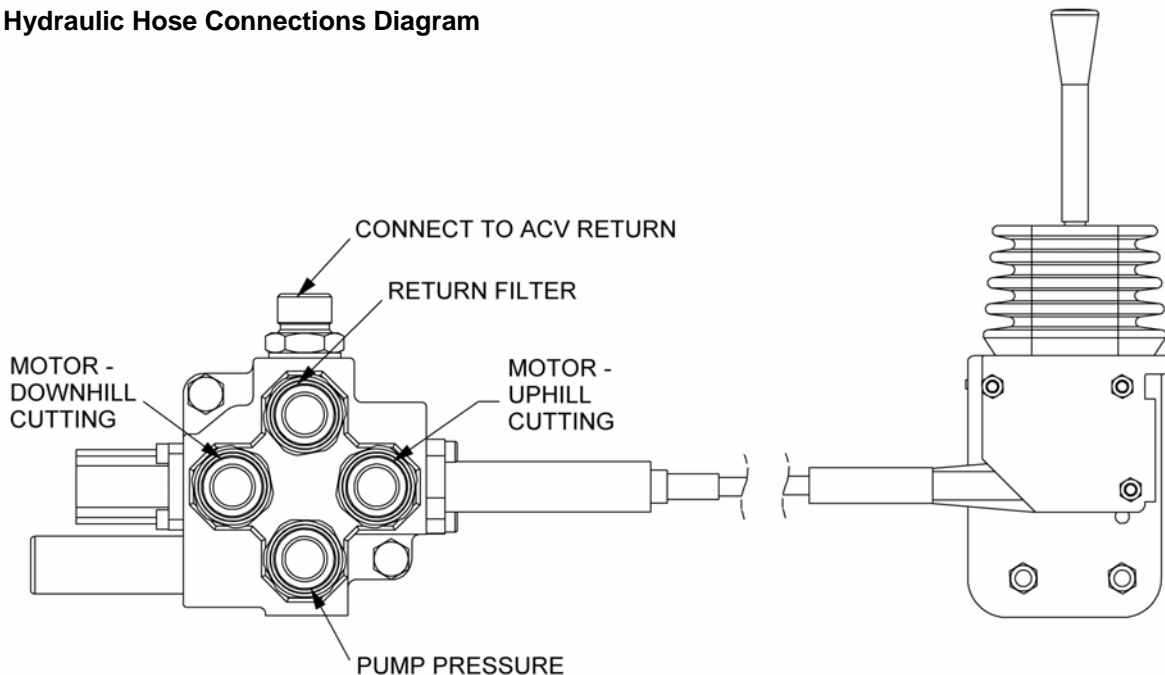
# CABLE ROTOR CONTROL VALVE ASSEMBLY

**McCONEL**

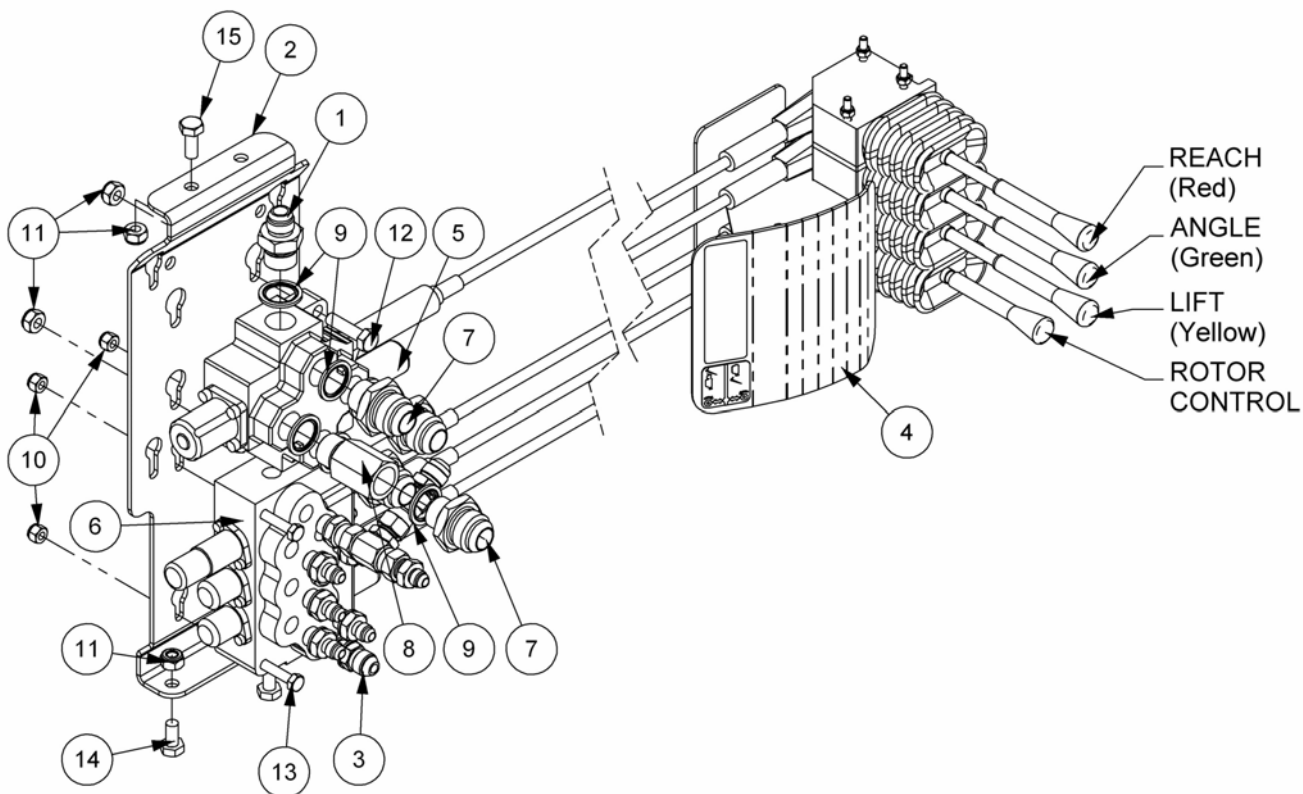
Module(s): Sub-component of Control Valve Assembly 7148791

REF.	QTY.	PART NO.	DESCRIPTION
<i>Sub-component of:</i> <b>7148791</b>			<b>ROTOR CONTROL VALVE - R/H JIC</b>
1	1	8125356	ROTOR CONTROL VALVE - R/H Build
2	4	8581192	ADAPTER (JIC)
3	6	8650106	BONDED SEAL
4	2	9213085	BOLT
5	2	9163005	NYLOC NUT
6	1	8017065	ROTOR CONTROL HEAD & CABLE (2.5m)
7	2	9343023	CAPSCREW
8	3	9213113	BOLT
9	3	9163003	NYLOC NUT
10	1	7650282	CONTROL CABLE BRACKET
11	2	9313034	SETSCREW
12	2	9113004	NUT
13	1	8581271	ADAPTER (JIC)
14	1	8581224	EXTENSION ADAPTER

**Hydraulic Hose Connections Diagram**



Module(s): 7148791 – R/H JIC Build

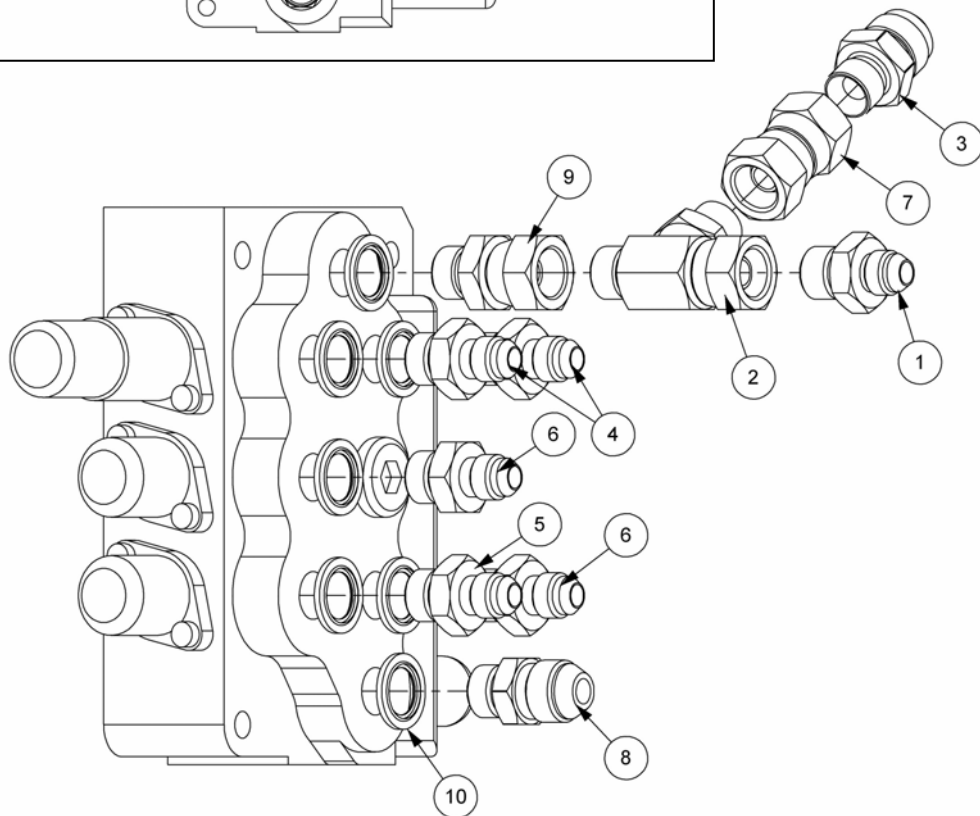
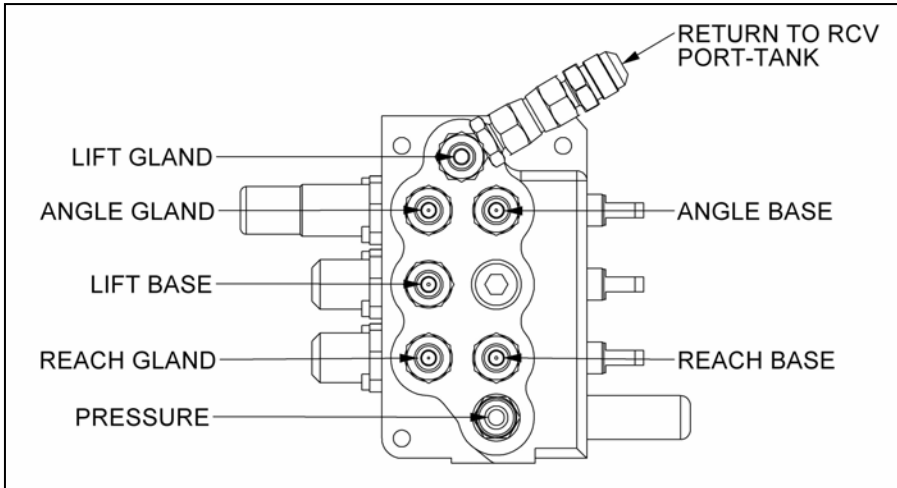


REF.	QTY.	PART NO.	DESCRIPTION
		<b>7148791</b>	<b>CABLE TI ACV &amp; RCV ASSEMBLY - R/H JIC Build</b>
1	1	8581271	ADAPTOR (JIC)
2	1	22506.02	VALVE MOUNTING
3	1	22524.19	ADAPTOR KIT (JIC)
4	1	22595.05	4 LEVER CABLE CONTROL KIT
5	1	8125356	ROTOR CONTROL VALVE (190BAR) - R/H Build
6	1	8130260	3 SPOOL CONTROL VALVE
7	4	8581192	ADAPTOR (JIC)
8	1	8581224	EXTENSION ADAPTER
9	6	8650106	BONDED SEAL
10	3	9163004	NYLOC NUT
11	5	9163005	NYLOC NUT
12	2	9213085	BOLT
13	3	9213134	BOLT
14	2	9313045	SETSCREW
15	1	9313055	SETSCREW

# ADAPTOR KIT – CABLE TI JIC MODELS

**McCONEL**

Module(s): 22524.19

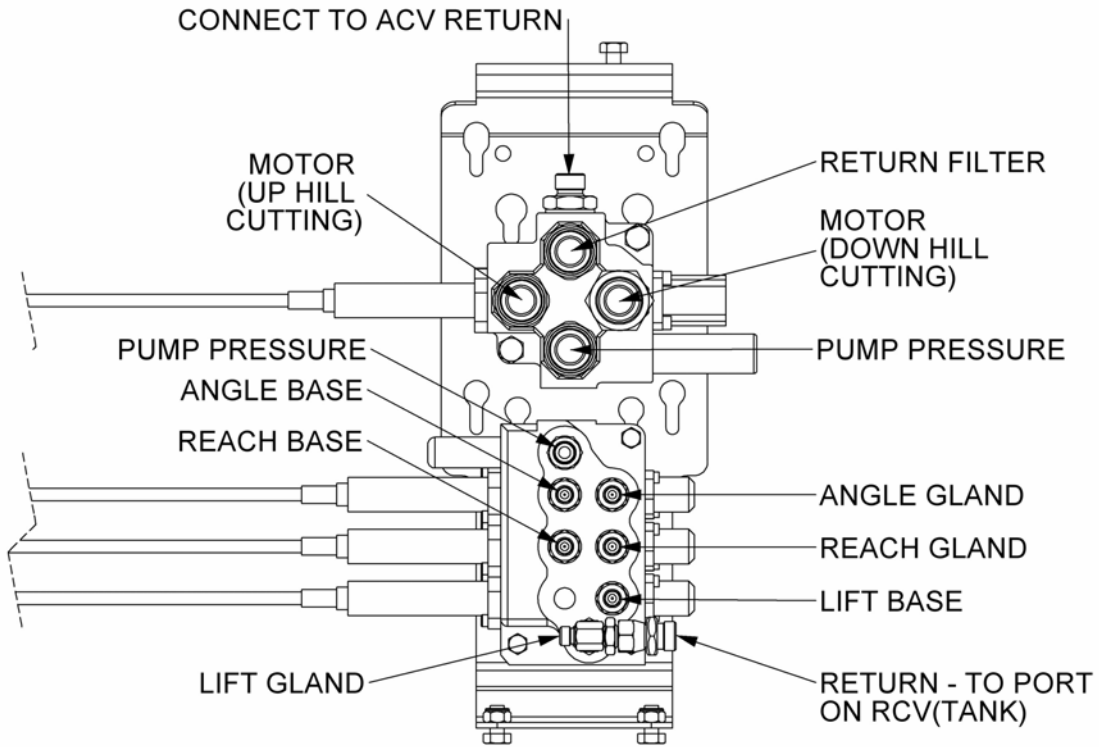


REF.	QTY.	PART NO.	DESCRIPTION
		<b>22524.19</b>	<b>ADAPTOR KIT - Cable TI JIC Models</b>
1	1	08.955.06	ADAPTOR (JIC)
2	1	11.068.69	ADAPTOR TEE
3	1	520622	ADAPTOR (JIC)
4	2	8124120	ADAPTOR RESTRICTOR (JIC) - 1.3MM
5	1	8124121	ADAPTOR RESTRICTOR (JIC) - 1.15MM
6	2	8124125	ADAPTOR RESTRICTOR (JIC) - 1.5MM
7	1	8581139	SWIVEL ADAPTER
8	1	8581170	ADAPTOR (JIC)
		8581178	SWIVEL ADAPTOR
10	7	8650103	BONDED SEAL

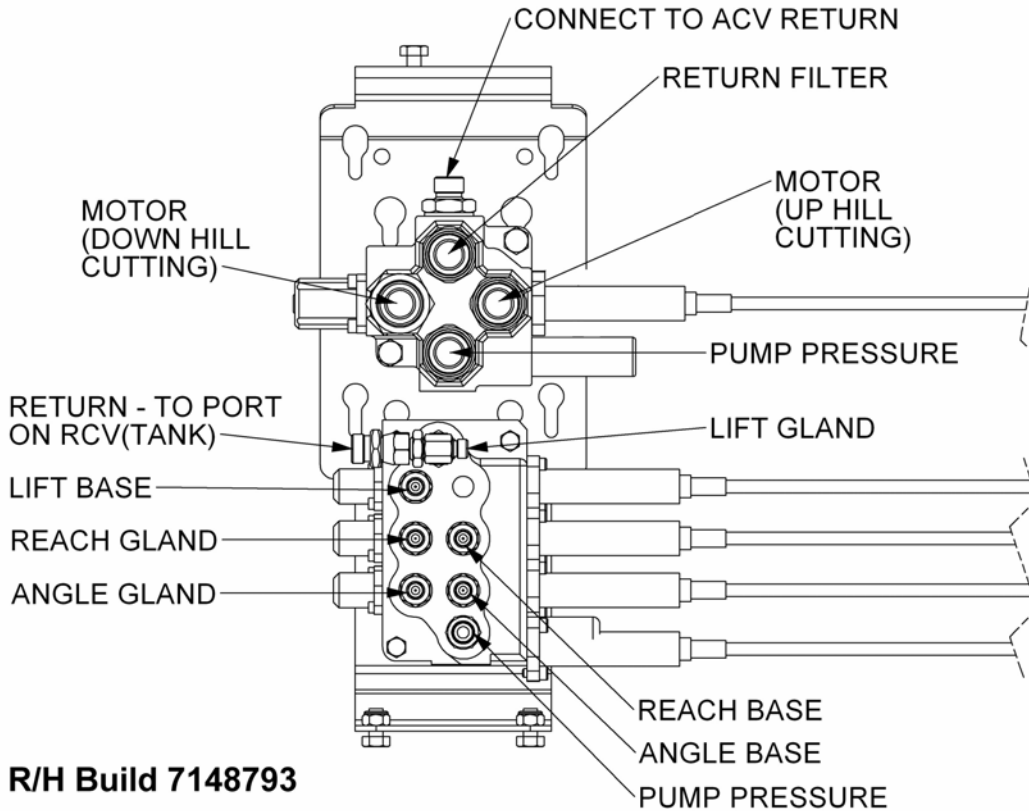
# CABLE TI ACV & RCV PORT IDENTIFICATION



Module(s): 7148792 – L/H Build, 7148793 – R/H Build



**L/H Build 7148792**



**R/H Build 7148793**

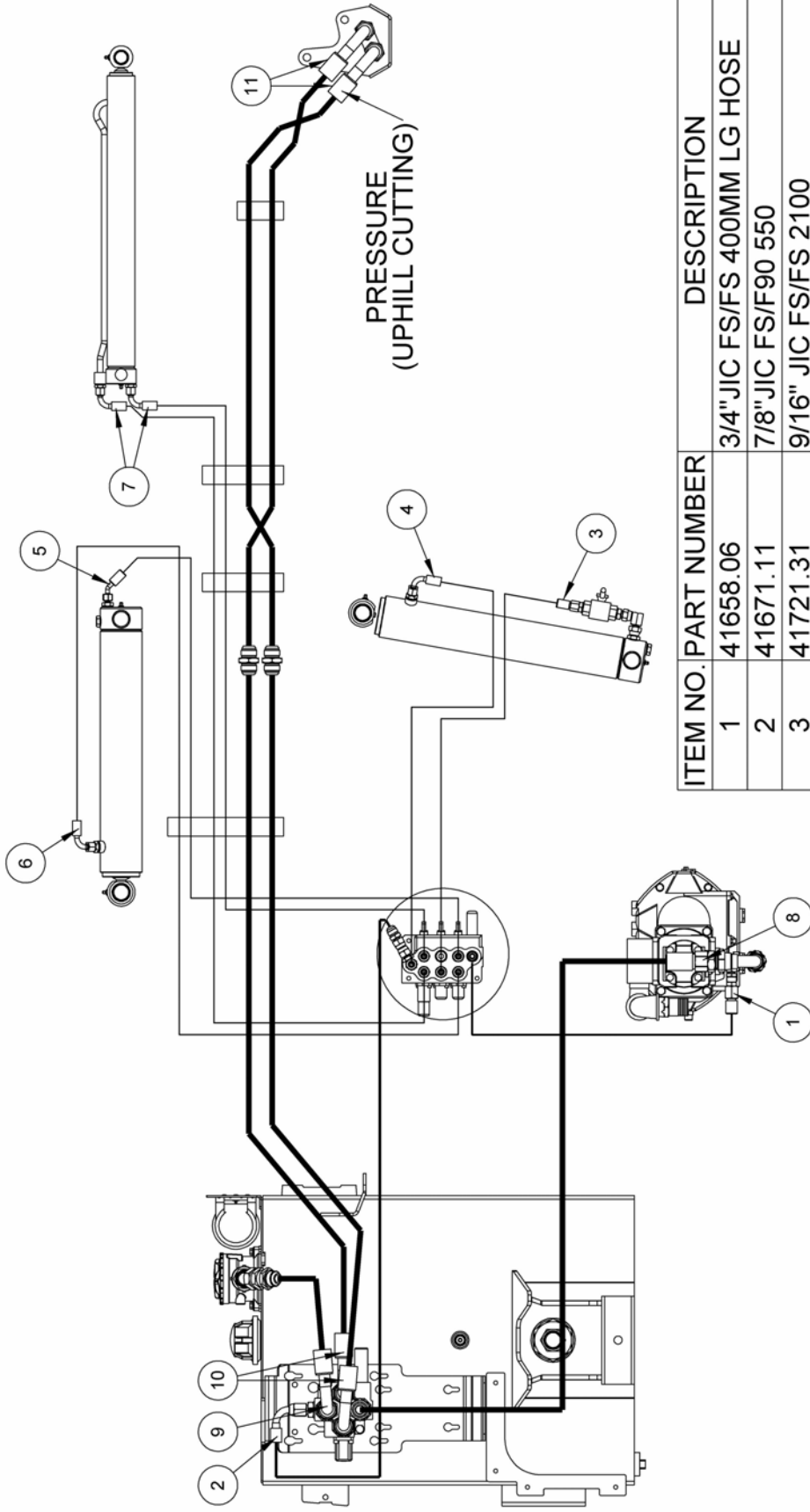
Module(s):

*This page is intentionally blank*

# HYDRAULIC HOSE KIT (JIC) – Standard Arm

Module(s): 714872218

# McCONEL

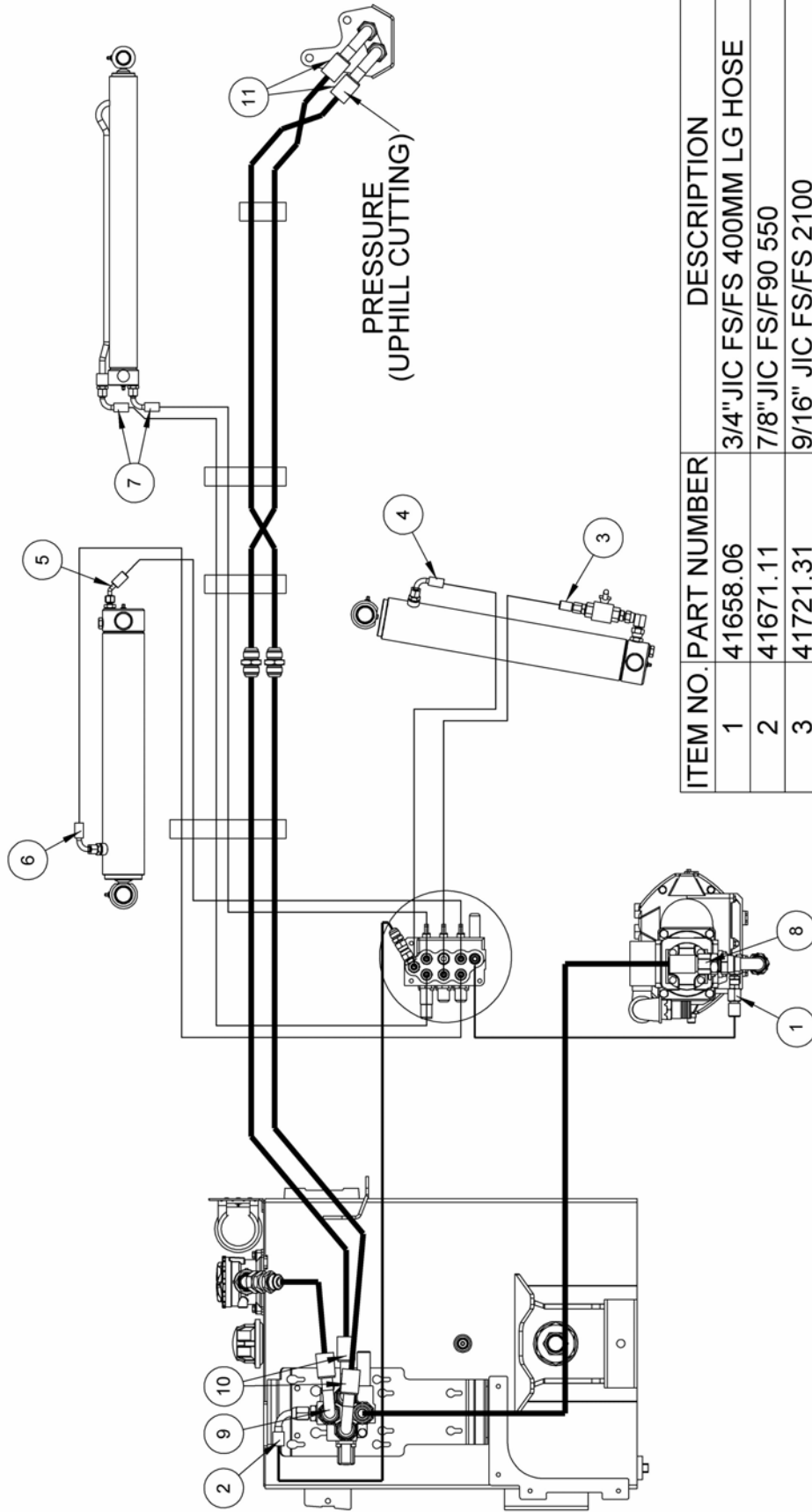


ITEM NO.	PART NUMBER	DESCRIPTION	QTY.
1	41658.06	3/4" JIC FS/FS 400MM LG HOSE	1
2	41671.11	7/8" JIC FS/F90 550	1
3	41721.31	9/16" JIC FS/FS 2100	1
4	08.957.30	9/16" JIC FS/F90 2200	1
5	41677.11	9/16" JIC FS/F135 2800LG HOSE	1
6	08.957.41	9/16" JIC FS/F90 3300	1
7	08.957.53	9/16" JIC FS/F90 4500	2
8	08.962.02	1 5/16" JIC FS/FS 550MM LG HOSE	1
9	08.961.01	1 5/16" JIC FS/F90 500MM LG HOSE	1
10	08.961.35	1 5/16" JIC FS/F90 2400MM LG HOSE	2
11	08.961.42	1 5/16" JIC FS/F90 3100MM LG HOSE	2

# HYDRAULIC HOSE KIT (JIC) – Fixed Midcut Arm

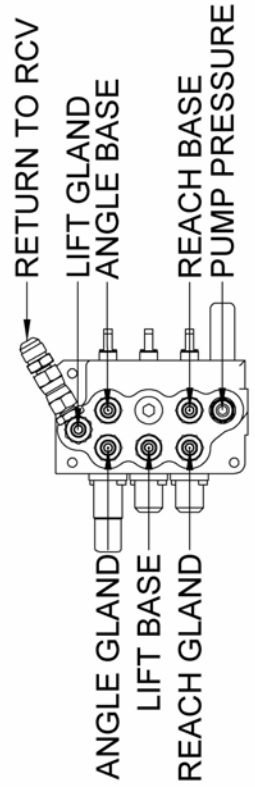


Module(s): 714872219

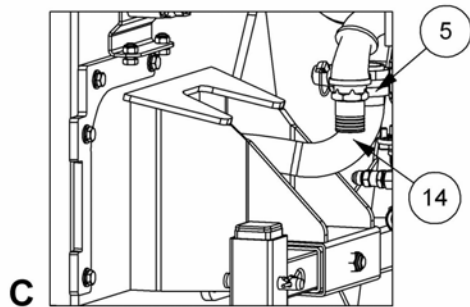
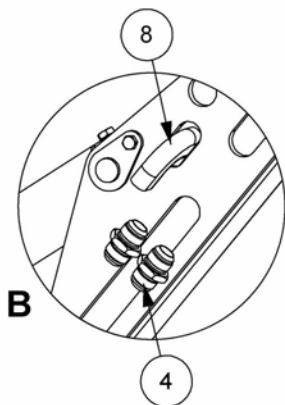
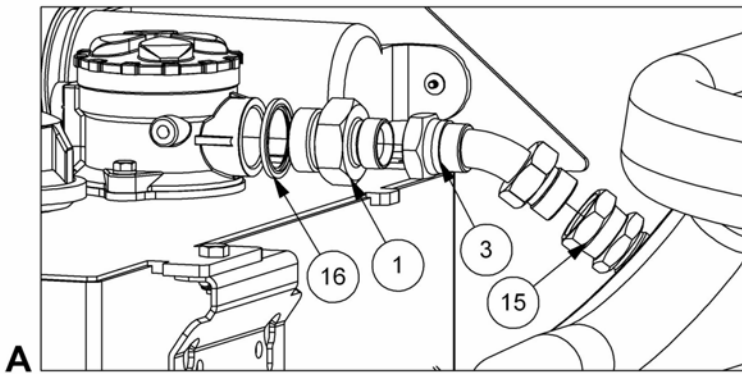
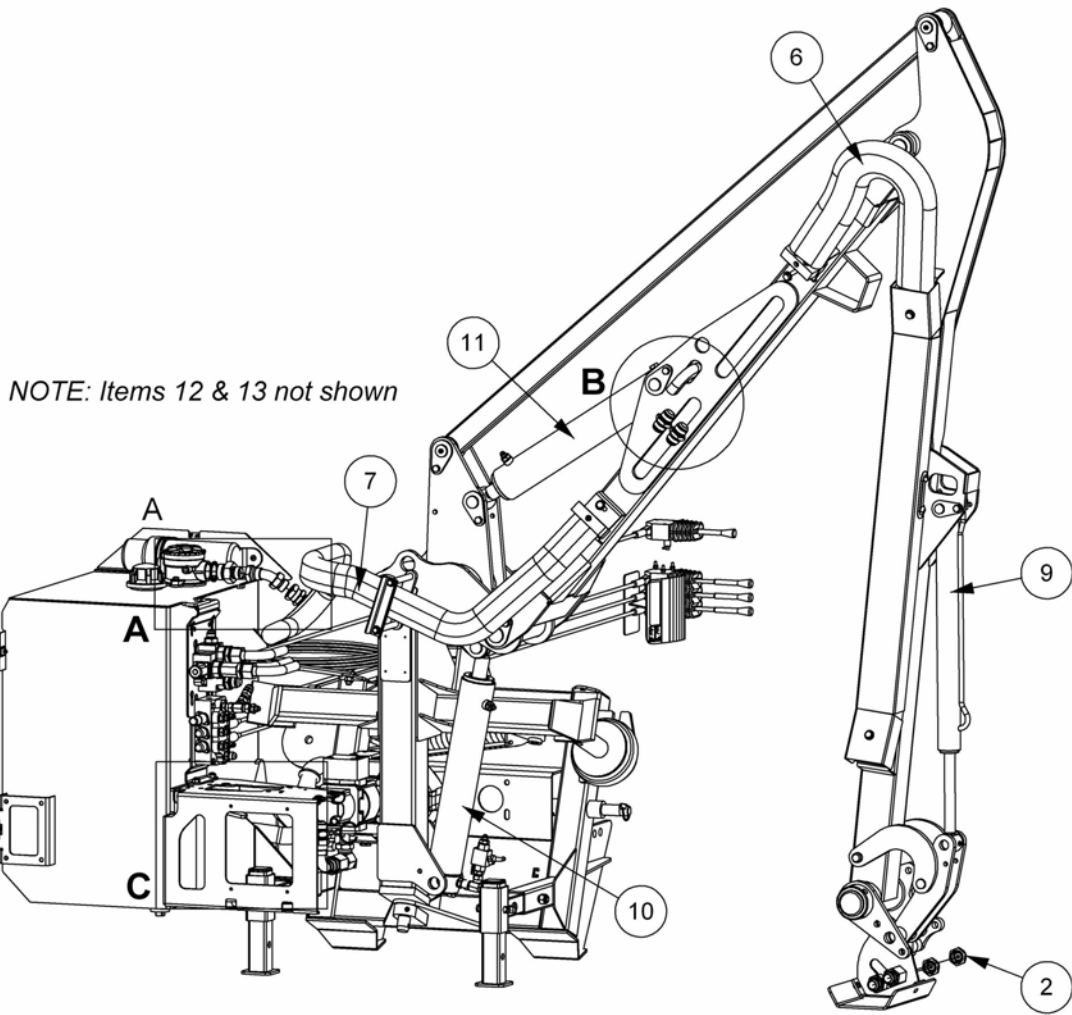


PRESSURE  
(UPHILL CUTTING)

ITEM NO.	PART NUMBER	DESCRIPTION	QTY.
1	41658.06	3/4" JIC FS/FS 400MM LG HOSE	1
2	41671.11	7/8" JIC FS/F90 550	1
3	41721.31	9/16" JIC FS/FS 2100	1
4	08.957.30	9/16" JIC FS/F90 2200	1
5	41677.11	9/16" JIC FS/F135 2800LG HOSE	1
6	08.957.41	9/16" JIC FS/F90 3300	1
7	08.957.56	9/16" JIC FS/F90 4800	2
8	08.962.02	1 5/16" JIC FS/FS 550MM LG HOSE	1
9	08.961.01	1 5/16" JIC FS/F90 500MM LG HOSE	1
10	08.961.35	1 5/16" JIC FS/F90 2400MM LG HOSE	2
11	08.961.46	1 5/16" JIC FS/F90 3500MM LG HOSE	2





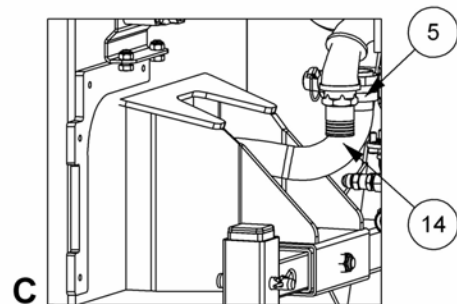
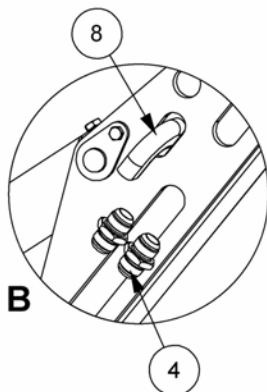
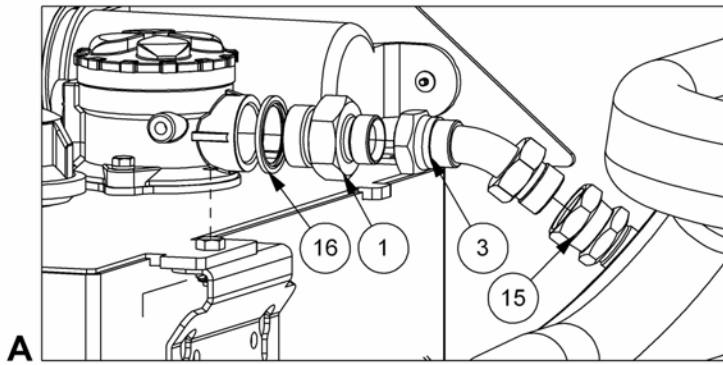
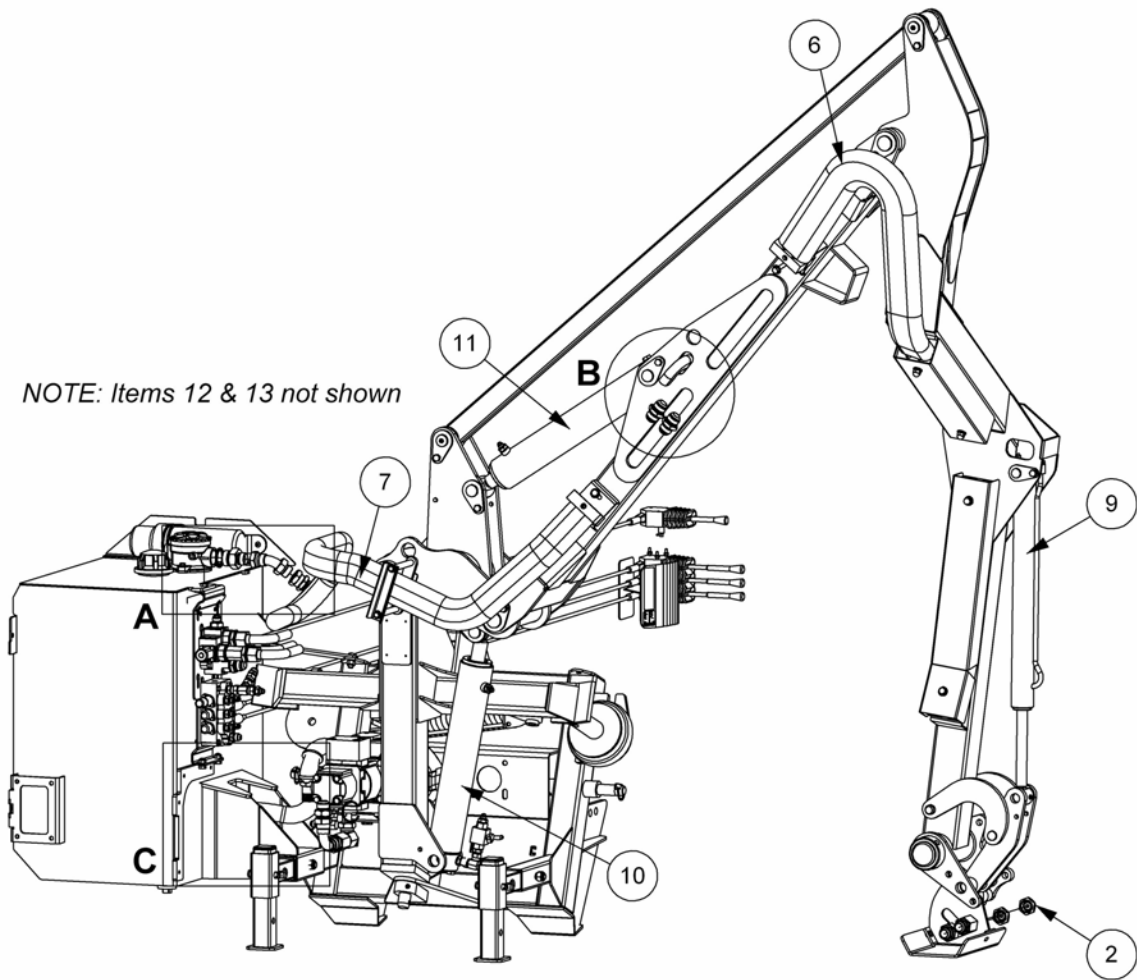


NOTE: To increase clarity some parts may not be shown



Module(s): 7148782

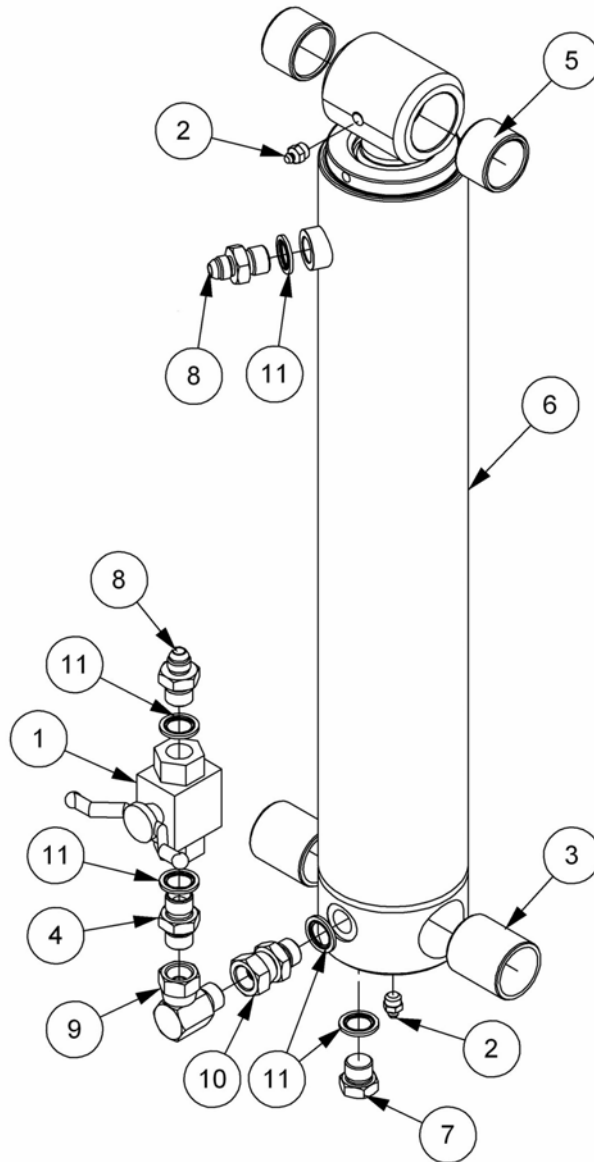
REF.	QTY.	PART NO.	DESCRIPTION
		<b>7148782</b>	<b>HYD. INSTALLATION - CABLE JIC</b>
1	1	05.131.01	ADAPTOR
2	2	05.433.17	BLANKING CAP (JIC)
3	1	08.940.02	ADAPTOR - 135°
4	2	08.955.45	ADAPTOR (JIC)
5	4	0904107	HOSE CLIP
6	1	22590.17	HOSE SLEEVING - 850mm
7	1	22590.26	HOSE SLEEVING - 1600mm
8	1	22591.03	HOSE SLEEVING - 150mm
9	1	22600.01	ANGLE RAM ASSEMBLY (JIC)
10	1	22601.01	LIFT RAM ASSEMBLY (JIC)
11	1	22601.02	REACH RAM ASSEMBLY (JIC)
12	3	7135084	CABLE TIE
13	4	7196045	HOSE TIE
14	1	8501471	1 1/2" BORE SUCTION HOSE
15	1	8581233	SWIVEL ADAPTOR (JIC)
16	1	8650109	BONDED SEAL



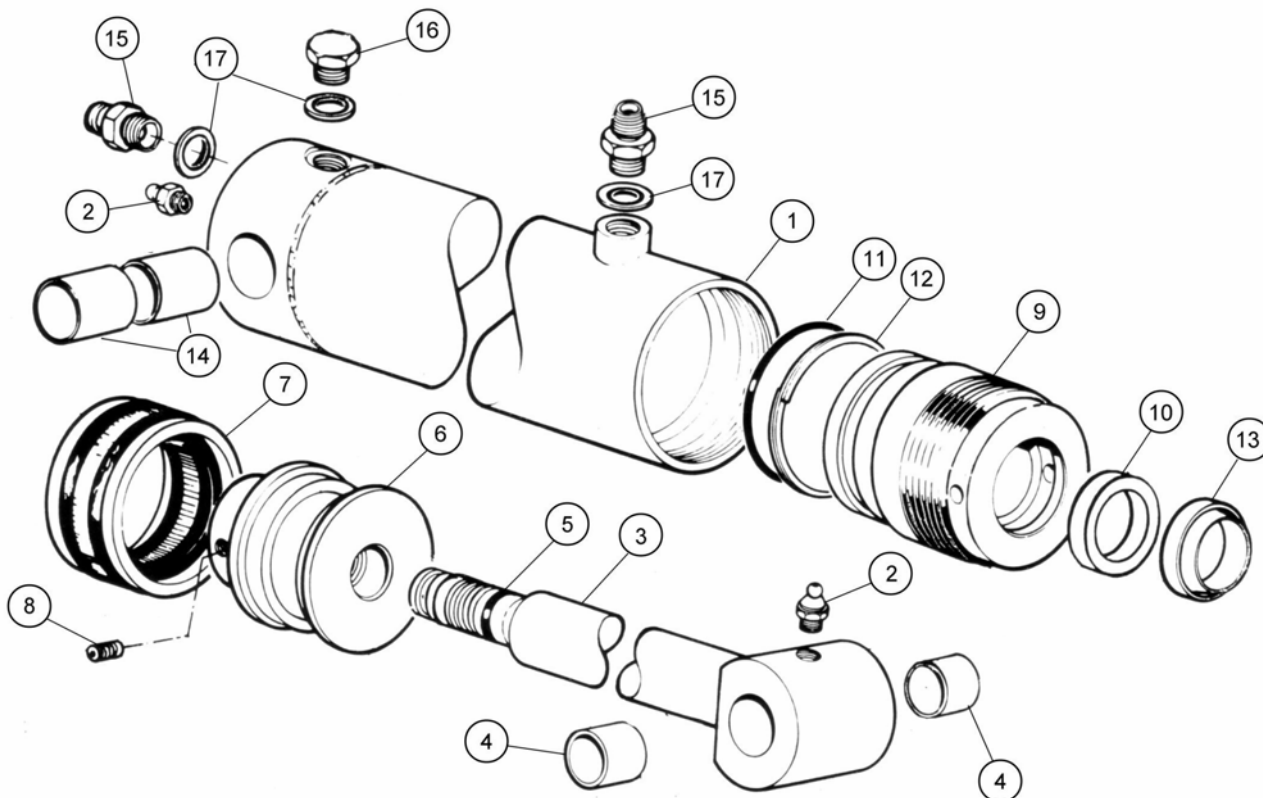
NOTE: To increase clarity some parts may not be shown

Module(s): 7148790

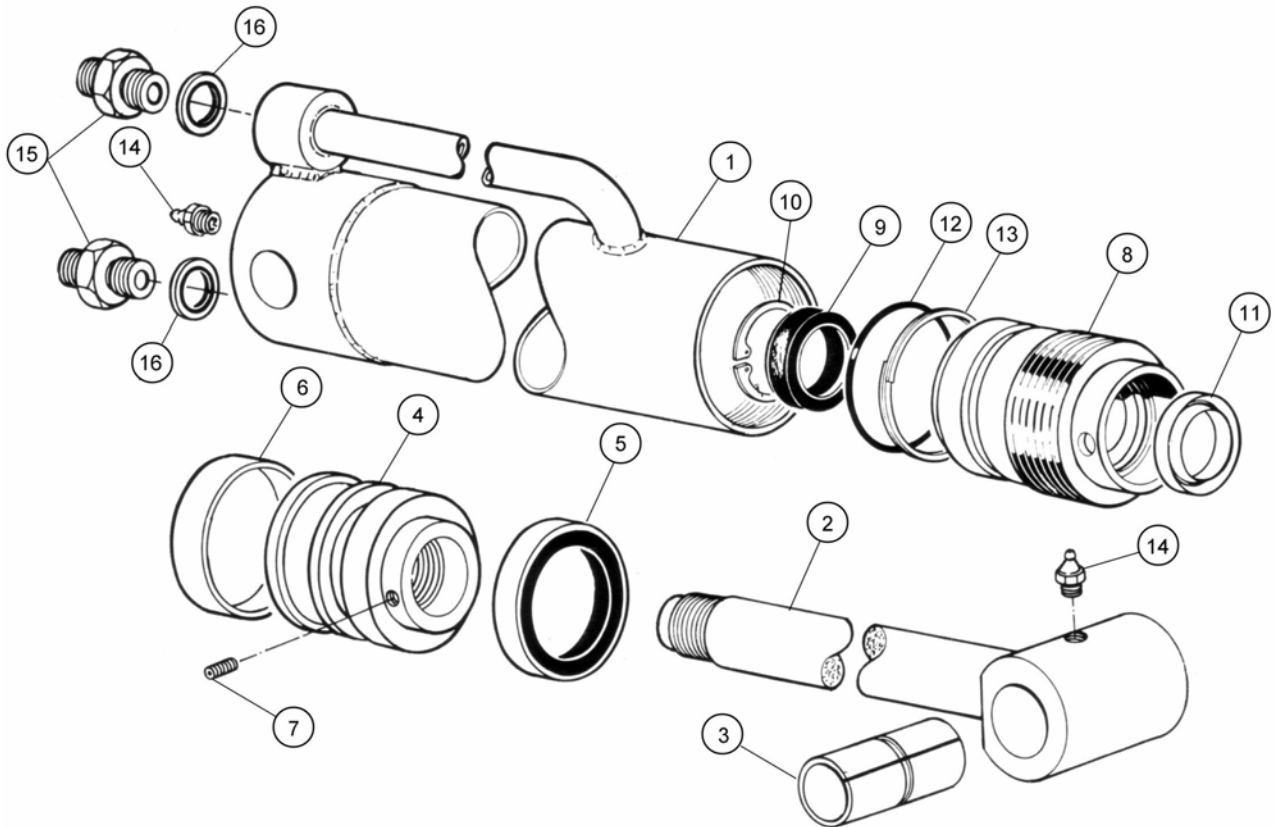
REF.	QTY.	PART NO.	DESCRIPTION
		<b>7148790</b>	<b>HYD. INSTALLATION - MIDCUT CABLE JIC</b>
1	1	05.131.01	ADAPTOR
2	2	05.433.17	BLANKING CAP (JIC)
3	1	08.940.02	ADAPTOR - 135°
4	2	08.955.45	ADAPTOR (JIC)
5	4	0904107	HOSE CLIP
6	1	22590.21	HOSE SLEEVING - 1100mm
7	1	22590.26	HOSE SLEEVING - 1600mm
8	1	22591.03	HOSE SLEEVING - 150mm
9	1	22600.01	ANGLE RAM ASSEMBLY (JIC)
10	1	22601.01	LIFT RAM ASSEMBLY (JIC)
11	1	22601.02	REACH RAM ASSEMBLY (JIC)
12	3	7135084	CABLE TIE
13	4	7196045	HOSE TIE
14	1	8501471	1 1/2" BORE SUCTION HOSE
15	1	8581233	SWIVEL ADAPTOR (JIC)
16	1	8650109	BONDED SEAL



REF.	QTY.	PART NO.	DESCRIPTION
		<b>22601.01</b>	<b>LIFT RAM ASSEMBLY (JIC)</b>
1	1	08.200.01	ISOLATING VALVE
2	2	0901121	GREASE NIPPLE
3	2	21149.02	PLASTIC BUSH
4	1	6000113	ADAPTOR
5	2	6012032	PLASTIC BUSH
6	1	7193332	RAM ASSEMBLY
7	1	8003001	ADAPTOR PLUG
8	2	08.955.06	ADAPTOR (JIC)
9	1	8581117	ADAPTOR ELBOW
10	1	8581178	SWIVEL ADAPTOR
11	5	8650103	BONDED SEAL
		<b>8699187</b>	<b>SEAL KIT</b>

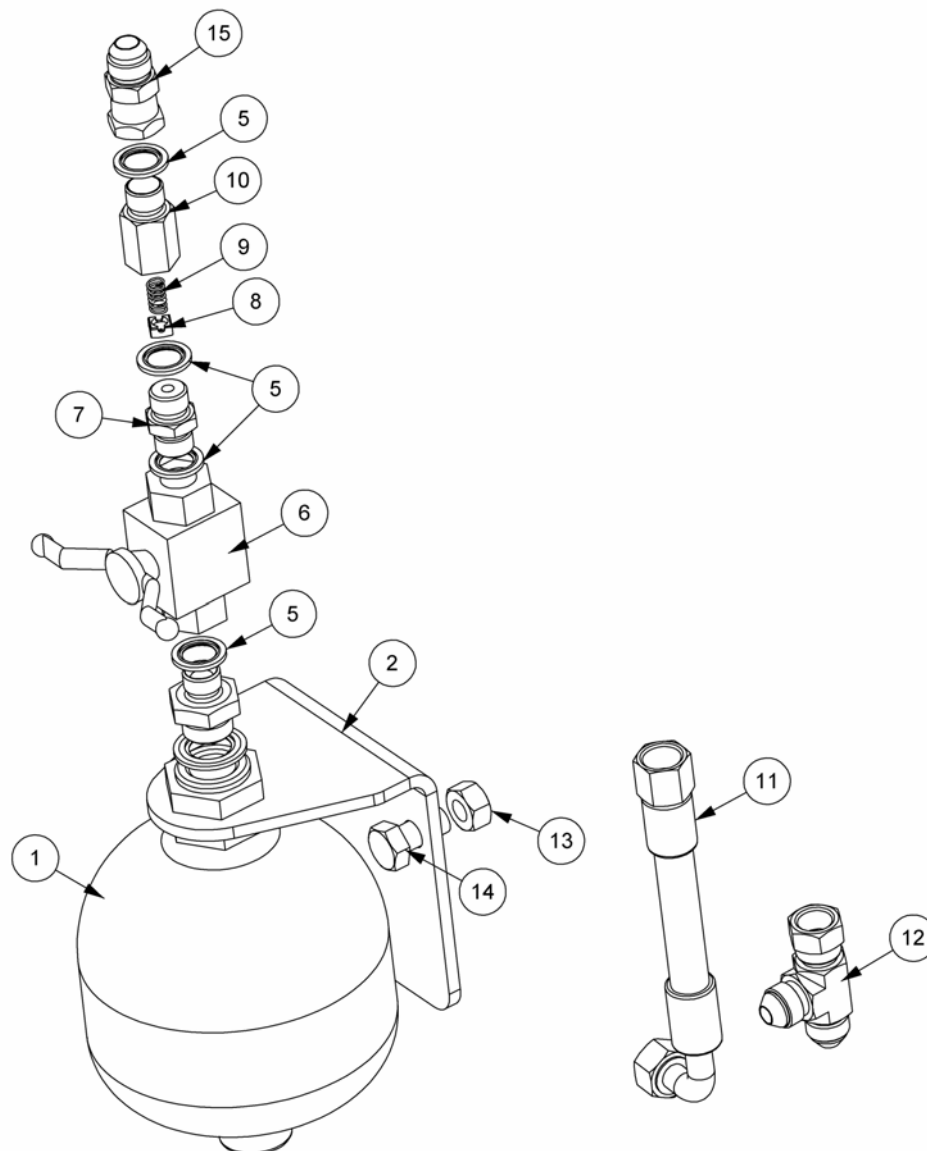


REF.	QTY.	PART No.	DESCRIPTION
		<b>22601.02</b>	<b>REACH RAM ASSEMBLY</b>
		7193332	RAM ASSEMBLY - <i>comprising:</i>
1	1	7135283	RAM CYLINDER
2	2	0901121	GREASER
3	1	7193029	PISTON ROD
4	2	6012032	BUSH
5	1	8600119	O RING
6	1	7135004	PISTON ( <i>includes items 7 &amp; 8</i> )
7	1	8638740	PISTON SEAL
8	1	9363023	GRUB SCREW
9	1	7135282	GLAND HOUSING
10	1	8629164	GLAND SEAL
11	1	8700740	O RING
12	1	8709740	ANTI EXTRUSION RING
13	1	8629147	WIPER
14	2	7101134	BUSH (RAM BASE)
15	2	08.955.06	ADAPTOR (JIC)
16	1	8003001	PLUG
17	3	8650103	BONDED SEAL
		<b>8699187</b>	<b>SEAL KIT</b>

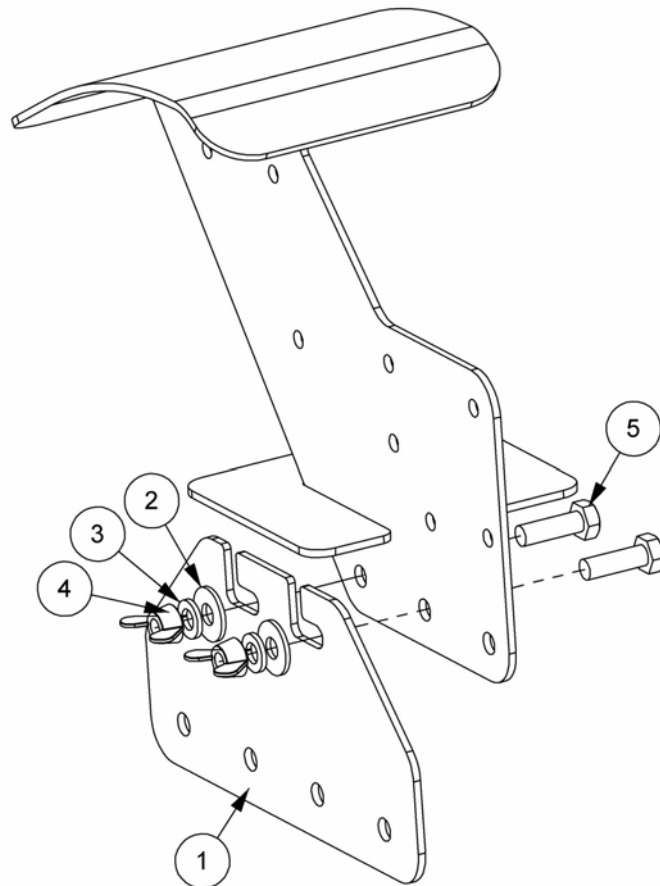


REF.	QTY.	PART No.	DESCRIPTION
		<b>22600.01</b>	<b>ANGLING RAM ASSEMBLY (JIC)</b>
		7560354	ANGLING RAM - <i>Comprising of:</i>
1	1	7135292	CYLINDER
2	1	7135009	ROD
3	1	7105050	BUSH
4	1	7560095	PISTON
5	1	8629187	PISTON SEAL
6	1	8629188	BEARING RING
7*	1	9363023	GRUB SCREW - SOCKET HEAD
8	1	7135291	GLAND HOUSING
9	1	8629148	GLAND SEAL
10	1	0416240	INTERNAL CIRCLIP
11	1	8629149	WIPER SEAL
12	1	8600302	O RING
13	1	8609302	ANTI EXTRUSION RING
14	2	0901121	GREASER
15	2	08.955.01	ADAPTOR (JIC)
16	2	8650102	BONDED SEAL
		<b>8699188</b>	<b>SEAL KIT</b>

\* Assembly note: Tighten fully and centre punch edge of hole to secure.

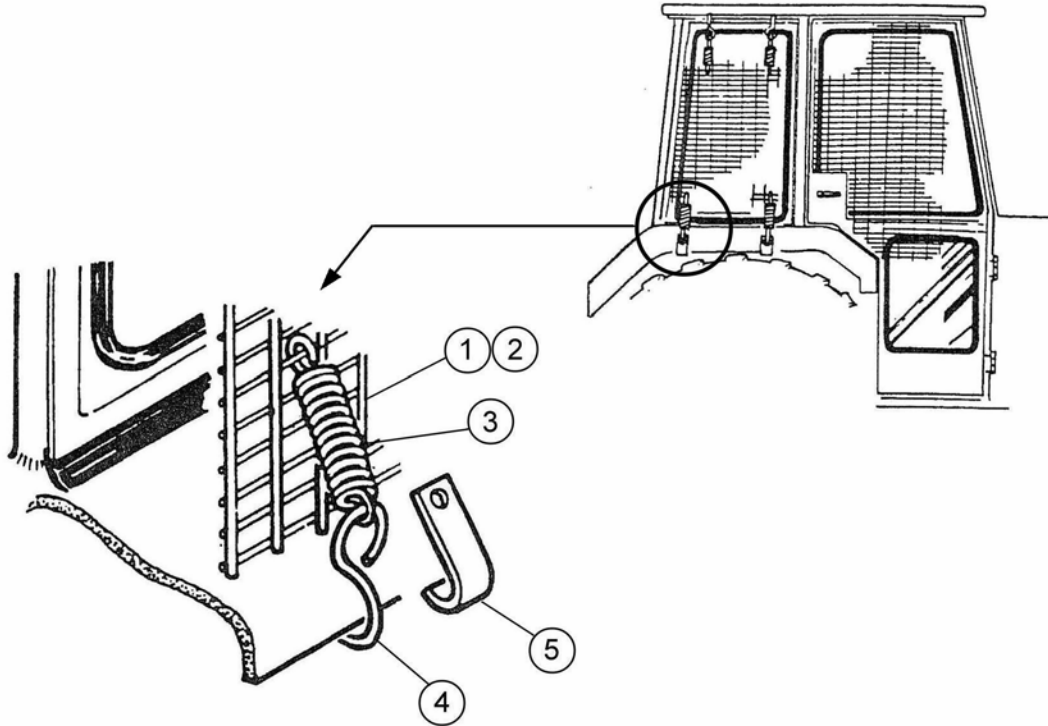


REF.	QTY.	PART NO.	DESCRIPTION
		<b>8126326</b>	<b>LIFT FLOAT KIT (JIC)</b>
1	1	8126044	ACCUMULATOR
2	1	8126318	BRACKET
3	1	G2410380	ADAPTOR
4	1	8650322	BONDED SEAL
5	4	8650103	BONDED SEAL
6	1	08.200.01	ISOLATING VALVE
7	1	8581209	ADAPTOR
8	1	8123041	RESTRICTOR DISC - 1.15 RED
9	1	8116011	SPRING
10	1	8581346	ADAPTOR RESTRICTOR BODY
11	1	08.958.18	HOSE - 3/4" JIC FS/F90 x 1000mm
12	1	234430812	ADAPTOR TEE (JIC)
13	2	9143006	SELF-LOCKING NUT
14	2	9313056	SETSCREW
15	1	8581221	ADAPTOR (JIC)



REF.	QTY.	PART No.	DESCRIPTION
		<b>7313282</b>	<b>CABLE CONTROL MOUNTING KIT</b>
1	1	42491.01	CAB MOUNTING BRACKET
2	2	9100104	FLAT WASHER
3	2	9100204	SPRING WASHER
4	2	9193004	WING NUT
5	2	9313054	SETSCREW



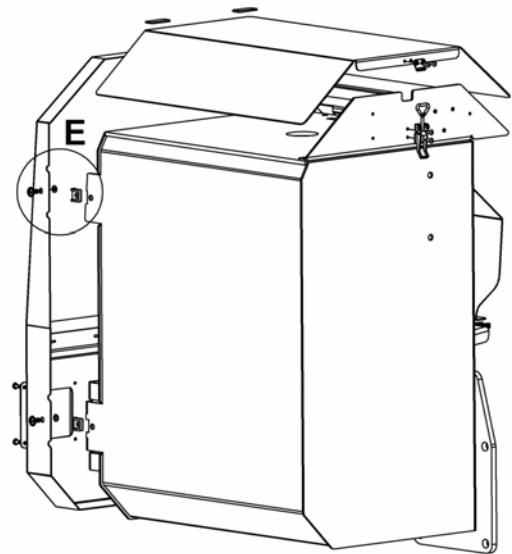
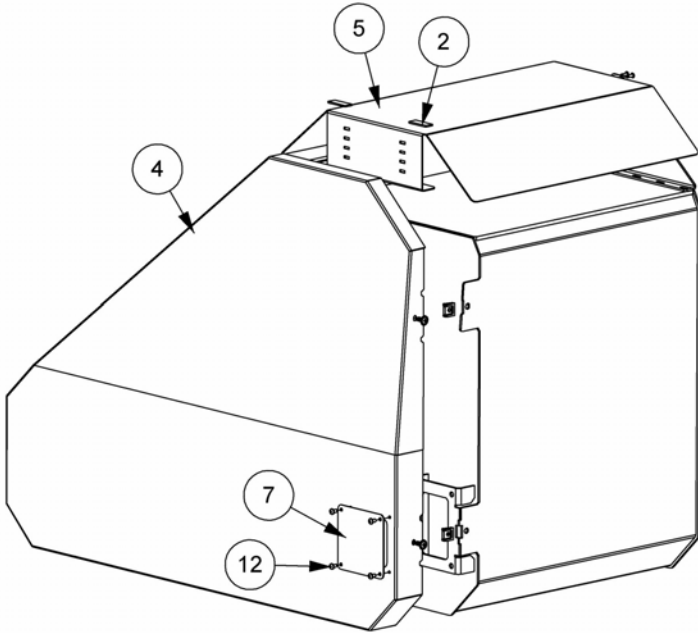
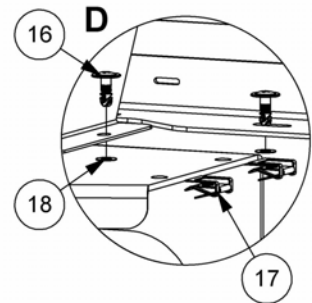
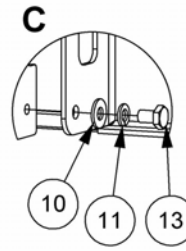
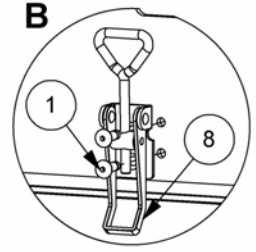
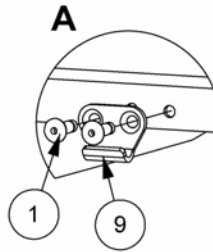
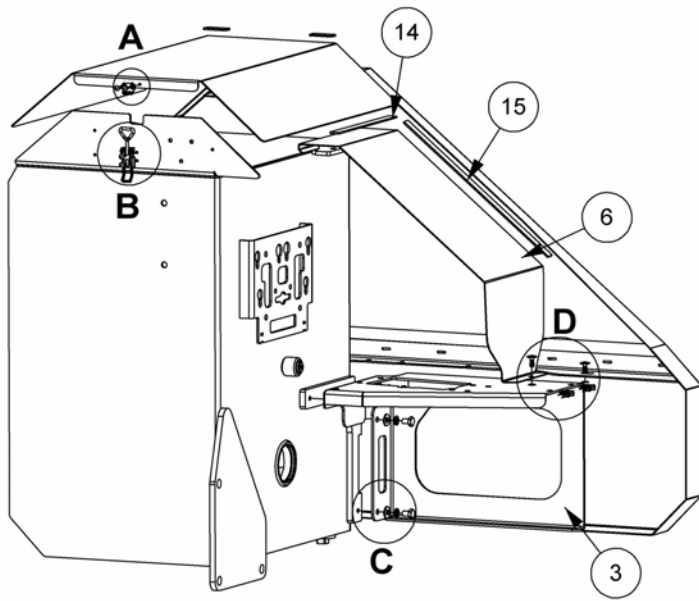


REF.	QTY.	PART No.	DESCRIPTION
		<b>7313324</b>	<b>CAB GUARD &amp; MOUNTING KIT</b>
1	1	7313049	GUARD PANEL - LARGE
2	1	7313050	GUARD PANEL - SMALL
3	12	6001064	SPRING
4	6	6001065	HOOK
5	6	7313051	HOOK

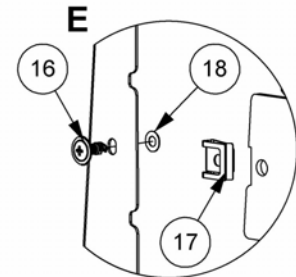
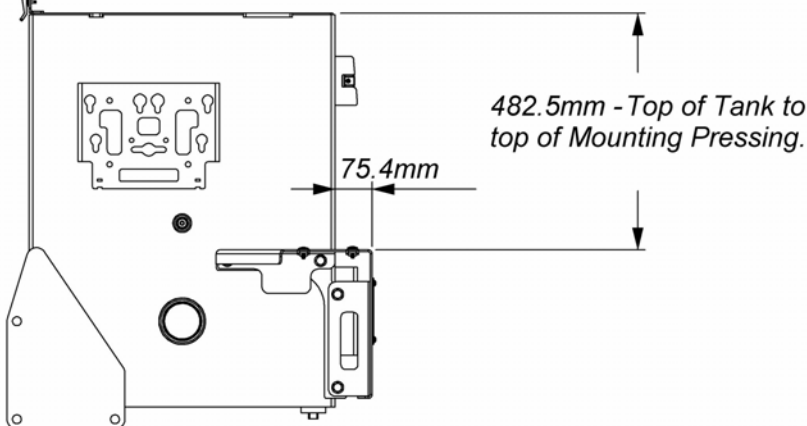
# REAR COVERS ASSEMBLY

# McCONEL

Module(s): L/H Build 7147714 (illustrated), R/H Build 7147715



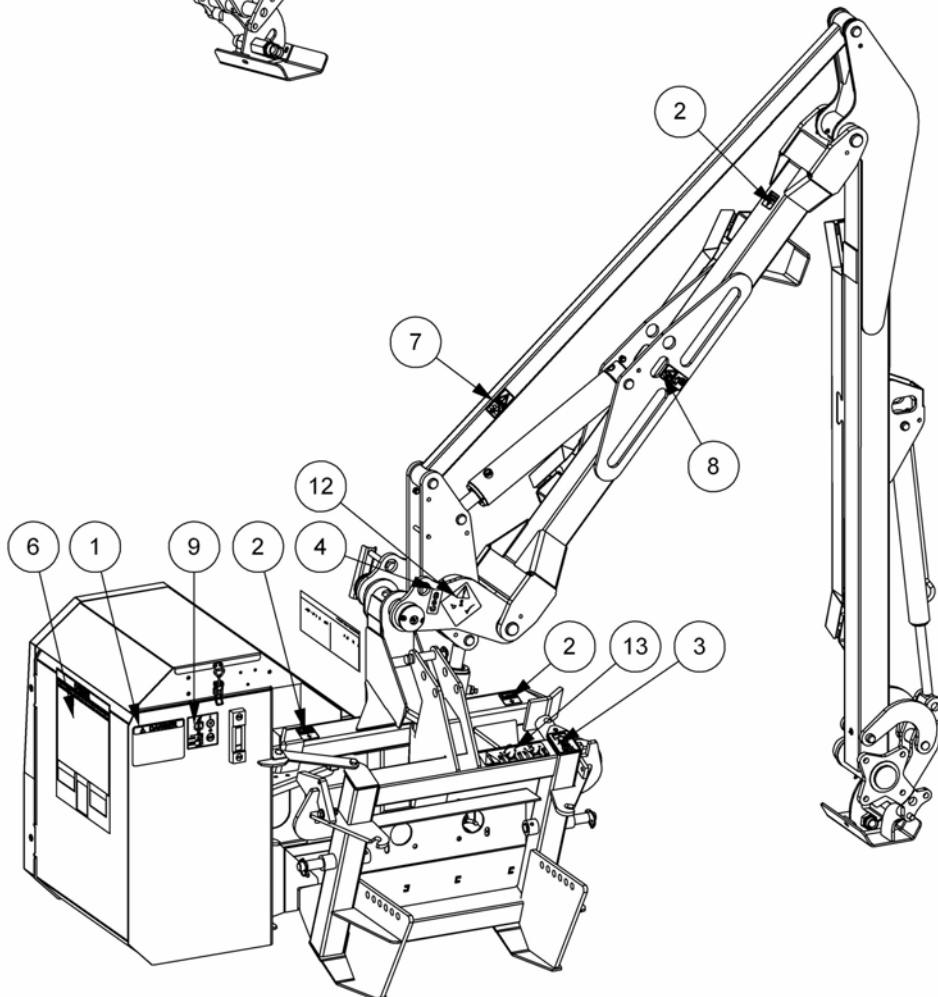
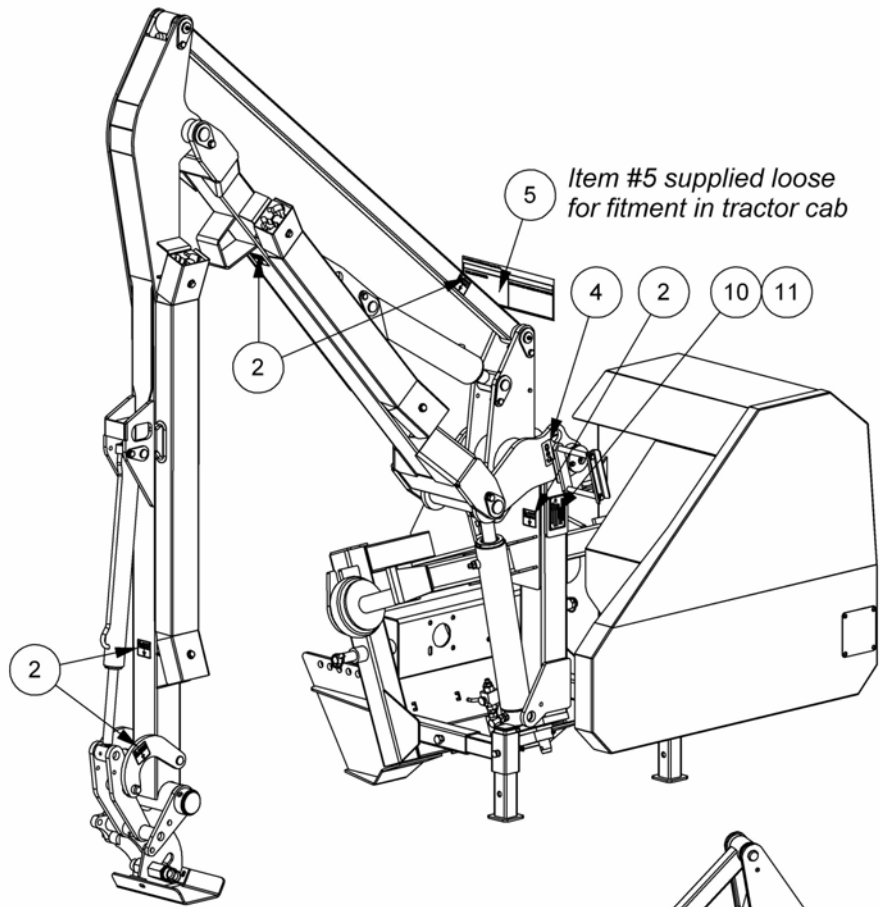
## Assembly Dimensions



**REAR COVERS ASSEMBLY****McCONNEL**Module(s): L/H Build 7147714 (*illustrated*), R/H Build 7147715

<b>REF.</b>	<b>QTY.</b>	<b>PART No.</b>	<b>DESCRIPTION</b>
		<b>7147714</b>	<b>REAR COVERS ASSEMBLY - L/H Build</b>
		<b>7147715</b>	<b>REAR COVERS ASSEMBLY - R/H Build</b>
1	4	21612.01	POP RIVET
2	2	21726.31	SPONGE PAD
3	1	22472.01	COVER & VALVE MOUNTING - L/H Build
	1	22472.02	COVER & VALVE MOUNTING - R/H Build
4	1	22476.03	REAR COVER - L/H Build
	1	22476.04	REAR COVER - R/H Build
5	1	22477.03	TANK TOP COVER
6	1	22513.01	VALVE COVER - L/H Build
	1	22513.02	VALVE COVER - R/H Build
7	1	22531.01	BLANKING PLATE
8	1	43449.02	OVERCENTRE FASTENER
9	1	46007.01	HOOK (OVERCENTRE FASTENER)
10	4	9100105	FLAT WASHER
11	4	9100205	SPRING WASHER
12	4	9300164	TAPTITE
13	4	9313035	SETSCREW
14	1	21726.34	SELF ADHESIVE FOAM STRIP - 275mm
15	1	21726.35	SELF ADHESIVE FOAM STRIP 410mm
16	4	22549.01	SLOTTED HEAD STUD
17	4	22549.02	SLIP-ON RECEPTACLE
18	4	22549.03	PLASTIC RETAINER (BLACK)

Module(s): 7148789

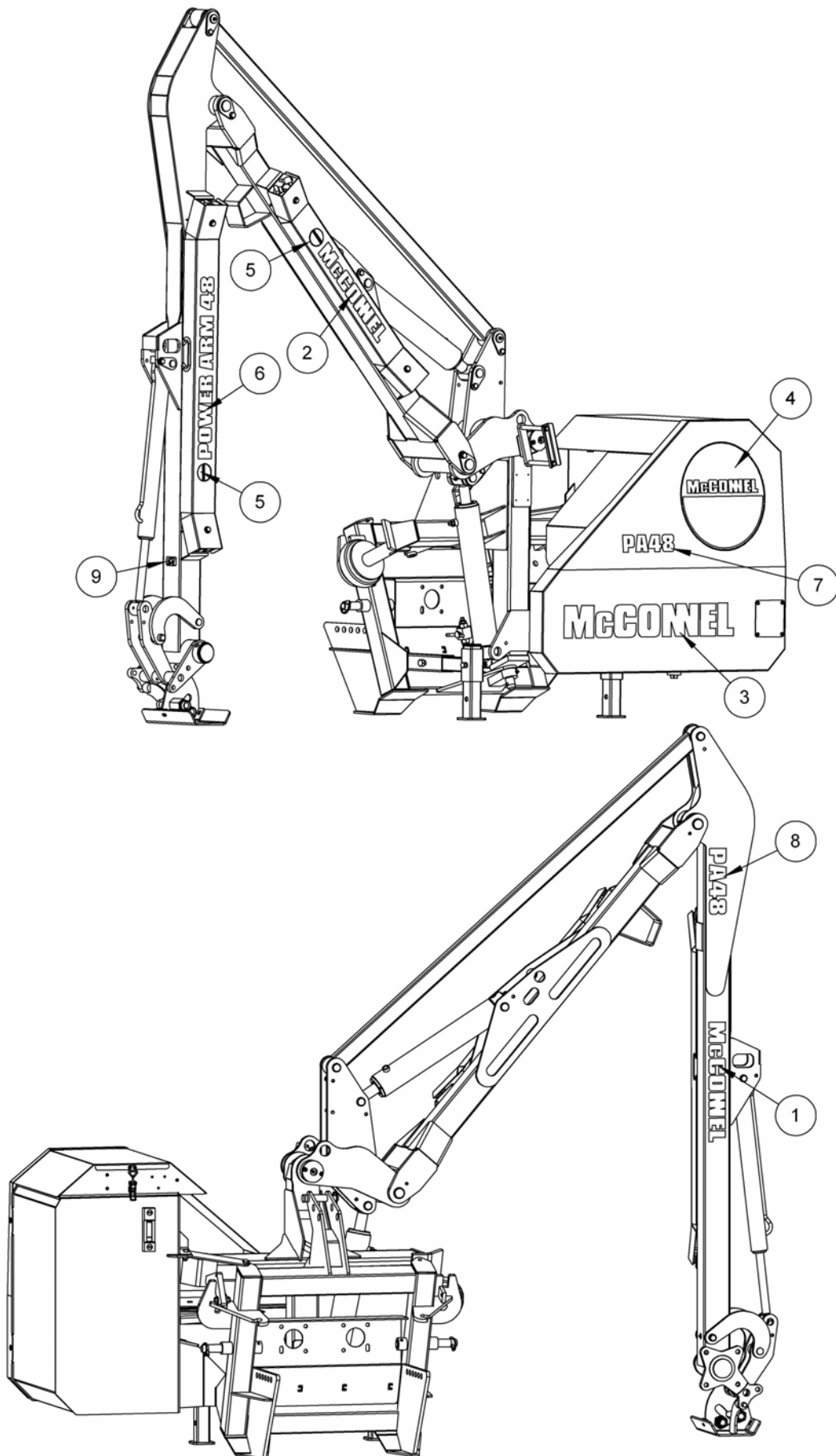


**DECAL KIT – WARNING & SAFETY INFORMATION**



Module(s): 7148789

<b>REF.</b>	<b>QTY.</b>	<b>PART NO.</b>	<b>DESCRIPTION</b>
		<b>7148789</b>	<b>DECAL KIT - WARNINGS</b>
1	1	00756494	DECAL - DRIVELINE HAZARD
2	8	02962764	DECAL - PINCH POINTS
3	1	09.811.03	DECAL - 500 MAX (CW)
4	2	1290074	DECAL - SLING HERE
5	1	1290352	DECAL - IN CAB INSTRUCTIONS
6	1	1290391	DECAL - SAFETY WARNINGS
7	1	1290745	DECAL - CAB CLEARANCE WARNING
8	1	1290746	DECAL - AUTO BREAKAWAY RETURN
9	1	1290774	DECAL - OIL FILTER CHANGE
10	1	1335246	SERIAL No. PLATE
11	4	7103230	POP RIVET
12	1	7105130	DECAL - READ INSTRUCTION BOOK
13	1	7135295	DECAL - TIGHTEN CHECK CHAINS



Module(s): 7148759

REF.	QTY.	PART NO.	DESCRIPTION
		<b>7148759</b>	<b>DECAL KIT - PA48 Mk2</b>
1	1	1290255	DECAL - MCCONNEL (BLACK)
2	1	1290614	DECAL - McCONNEL (WHITE)
3	1	1290649	DECAL - MCCONNEL (WHITE)
4	1	1290697	DECAL - McCONNEL ROUNDEL
5	2	1290742	DECAL - MCCONNEL ROUNDEL
6	1	1290761	DECAL - POWER ARM 48 (WHITE)
7	1	1290762	DECAL - PA48 (WHITE)
8	1	1290764	DECAL - PA48 (BLACK)
9	1	21917.02	HEAD DECAL - ORANGE (102 l/min.)



McConnel Limited, Temeside Works, Ludlow, Shropshire SY8 1JL. England.  
Telephone: 01584 873131. Facsimile: 01584 876463. [www.mcconnel.com](http://www.mcconnel.com)