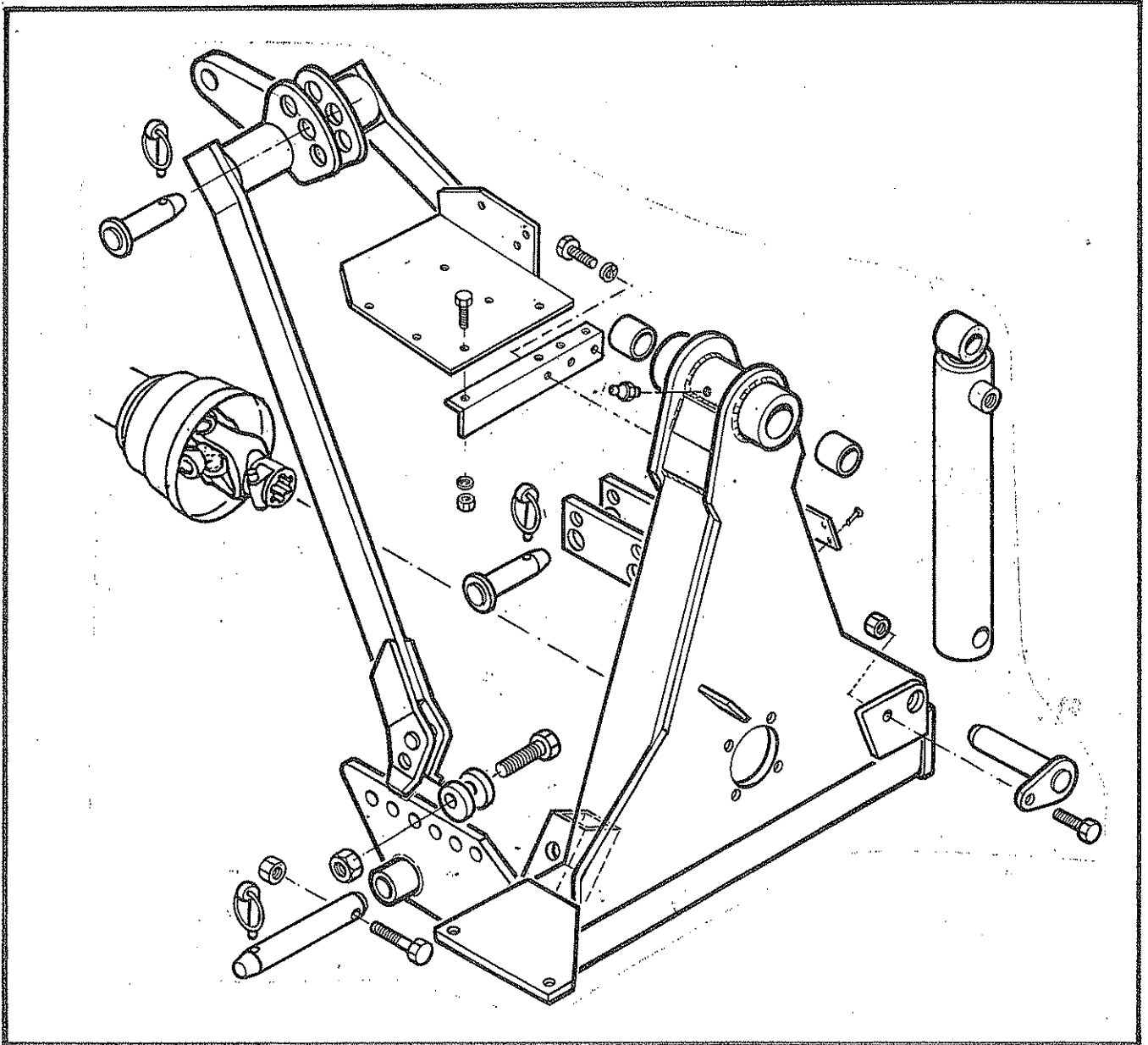


PA 470 C

Spare parts



LIST OF CONTENTS

MAIN FRAME PILLAR AND ARMS

Main Frame	Page 1
Rocker	Page 3
Main arm	Page 5
Dipper	Page 7
Control mounting	Page 9
Operator guard	Page 10

HYDRAULIC INSTALLATIONS

Hydraulic installation - Si	Page 11
Hydraulic installation - Ti	Page 13

CONTROL VALVES

Main control valve	Page 15
Rotor control valve - Ti machines only	Page 17
Rotor relief valve - Si machines only	Page 19
Lever controls	Page 21

GENERAL HYDRAULICS

Pump - Si	Page 23
Pump - Ti	Page 25
Gearbox	Page 27
Hydraulic reservoir	Page 29
Lift float kit - Optional extra	Page 31

HYDRAULIC RAMS

Lift ram	Page 33
Reach ram	Page 35
Breakaway/Park ram	Page 36
Angle ram	Page 37

STICKERS

Stickers	Page 39
----------------	---------

SPARE PARTS MANUAL

FOR BEST PERFORMANCE....

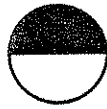
USE ONLY McCONNEL SPARE PARTS

To be assured of the latest design improvements purchase your genuine replacements from the original equipment manufacturer **McConnel Ltd.** through your local dealer or stockist.

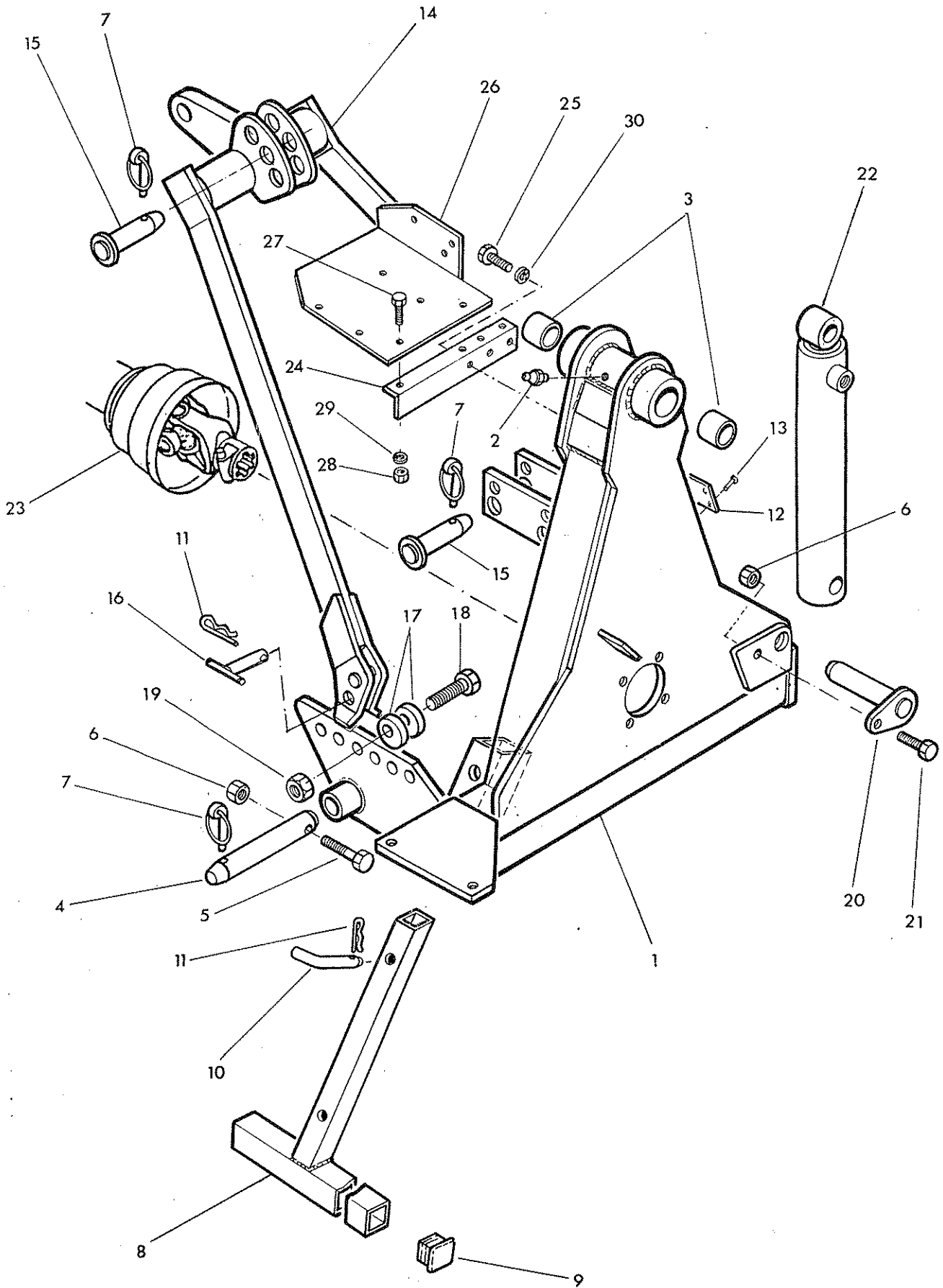
Always quote machine type and serial number as well as the part number.

Design improvement may have altered some of the parts listed in this manual - The latest part will always be supplied when it is interchangeable with an earlier one.

MAIN FRAME & STABILISER



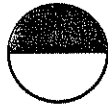
McCormell



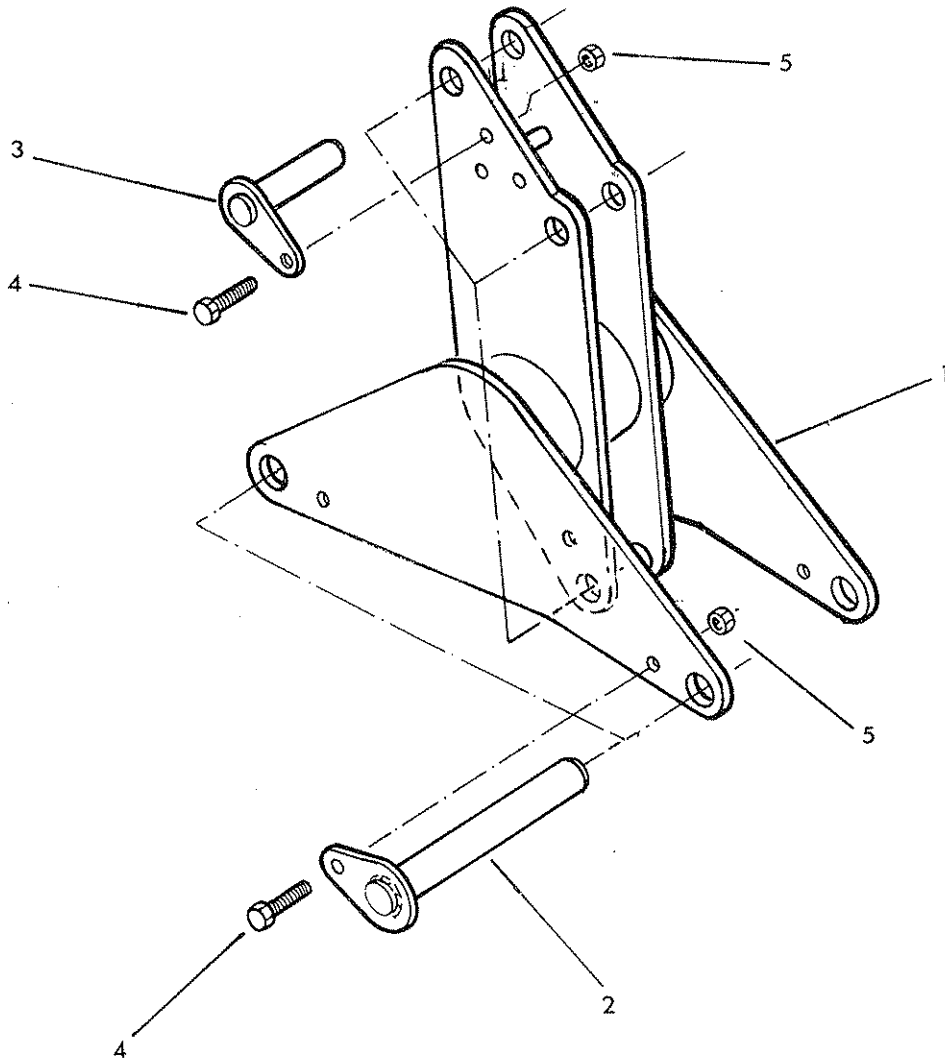


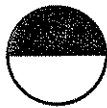
Ref.	Part No.	Qty.	Description
MAINFRAME AND STABILISER			
1	41860.01	1	Mainframe L.Hand - not illus
	41860.02	1	Mainframe R.Hand
2	09 01 121	1	Greaser
3	72 13 023	2	Bush
4	41899.01	2	Linkage pin
5	92 13 125	2	Bolt
6	91 43 005	3	Self locking nut
7	04 31 217	4	Linch pin
8	71 98 046	1	Stand leg - L.Hand - not illus
	71 98 016	1	Stand leg - R.Hand
9	71 91 108	2	Bung
10	71 92 023	2	Leg pin
11	04 31 105	4	Spring cotter
12	13 35 246	1	Serial No. plate
13	71 03 230	4	Pop rivet
14	41915.01	1	Stabiliser
15	71 18 112	2	Top link pin
16	71 92 027	2	Stabiliser pin
17	71 92 080	4	Eccentric collar
18	92 13 148	2	Bolt
19	91 43 008	2	Self locking nut
20	41692.03	1	Pivot pin - lift ram base
21	93 13 065	1	Setscrew
22	71 98 375	1	Lift ram assembly
23	71 14 289	1	P.T.O. shaft
24	71 91 076	1	Valve mounting bracket
25	92 13 055	2	Bolt
26	71 91 079	1	Valve mounting plate
27	93 13 044	2	Setscrew
28	91 13 004	2	Nut
29	91 00 204	2	Spring washer
30	91 00 205	2	Spring washer

ROCKER



McCONEL





Ref. Part No. Qty. Description

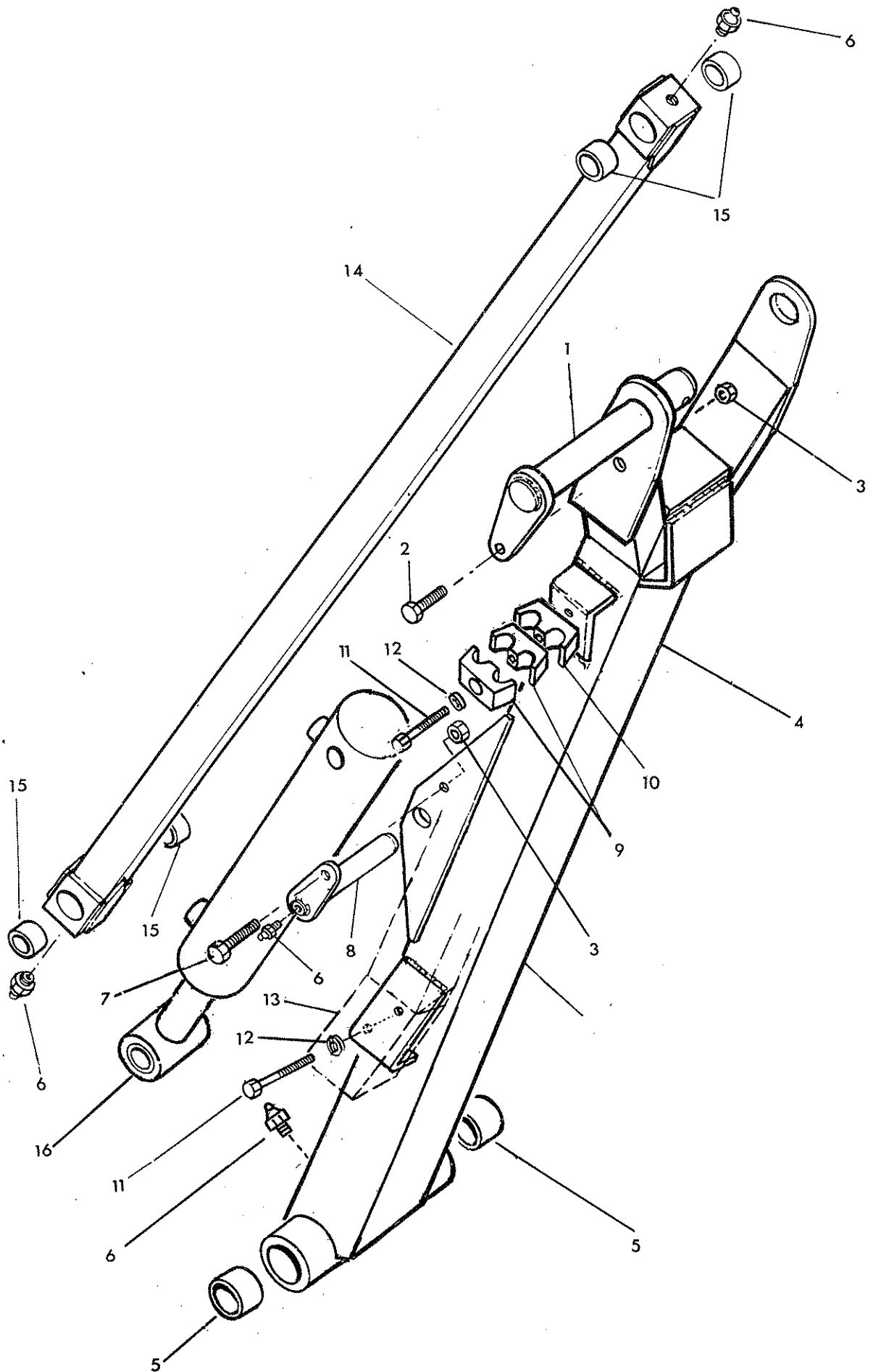
ROCKER

1	41861.01	1	Rocker
2	71 91 033	2	Pivot pin main arm & rocker
3	41692.02	3	Pivot pin lift ram, reach ram & tension link
4	92 13 065	5	Bolt
5	91 43 005	5	Self locking nut

MAIN ARM



McCONEL



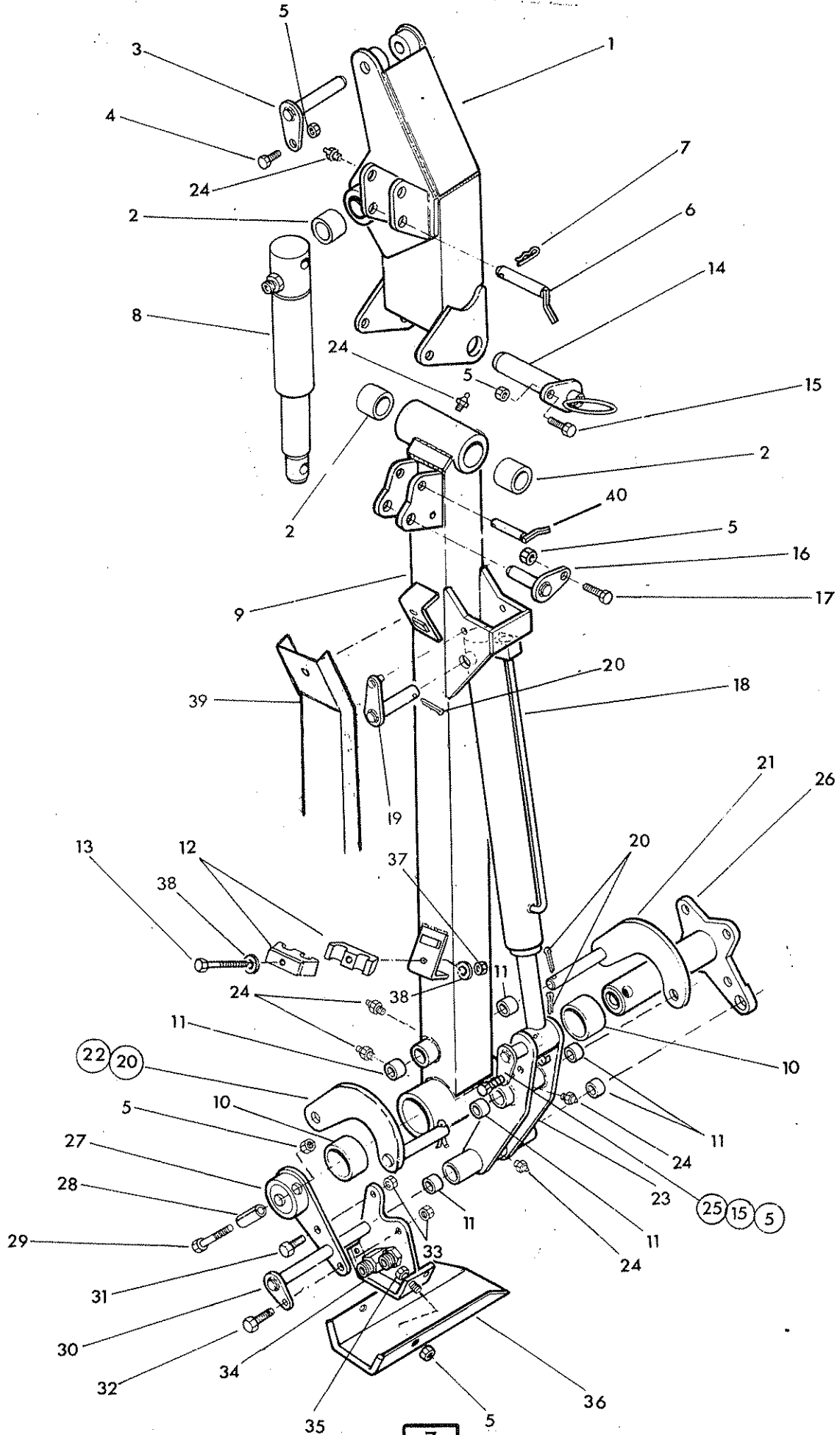


Ref.	Part No.	Qty.	Description
MAIN ARM AND TENSION LINK			
1	71 91 033	1	Pivot pin -dipper arm
2	92 13 075	1	Bolt
3	91 43 005	2	Self locking nut
4	41862.01	1	Main arm L.Hand - not illus
	41862.02	1	Main arm R.Hand
5	72 13 023	2	Bush
6	09 01 121	4	Greaser - straight
7	93 13 075	2	Setscrew
8	41692.03	1	Pivot pin - reach base
9	71 90 148	2	Hose clamp
10	71 93 065	1	Hose clamp
11	92 13 205	2	Bolt
12	91 00 105	2	Plain washer
13	71 98 341	1	Hose cover
14	41662.03	1	Tension link
15	60 12 032	4	Bush
16	71 98 376	1	Reach ram assembly

DIPPER ARM



McCOMEL

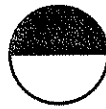


Ref. Part No. Qty. Description

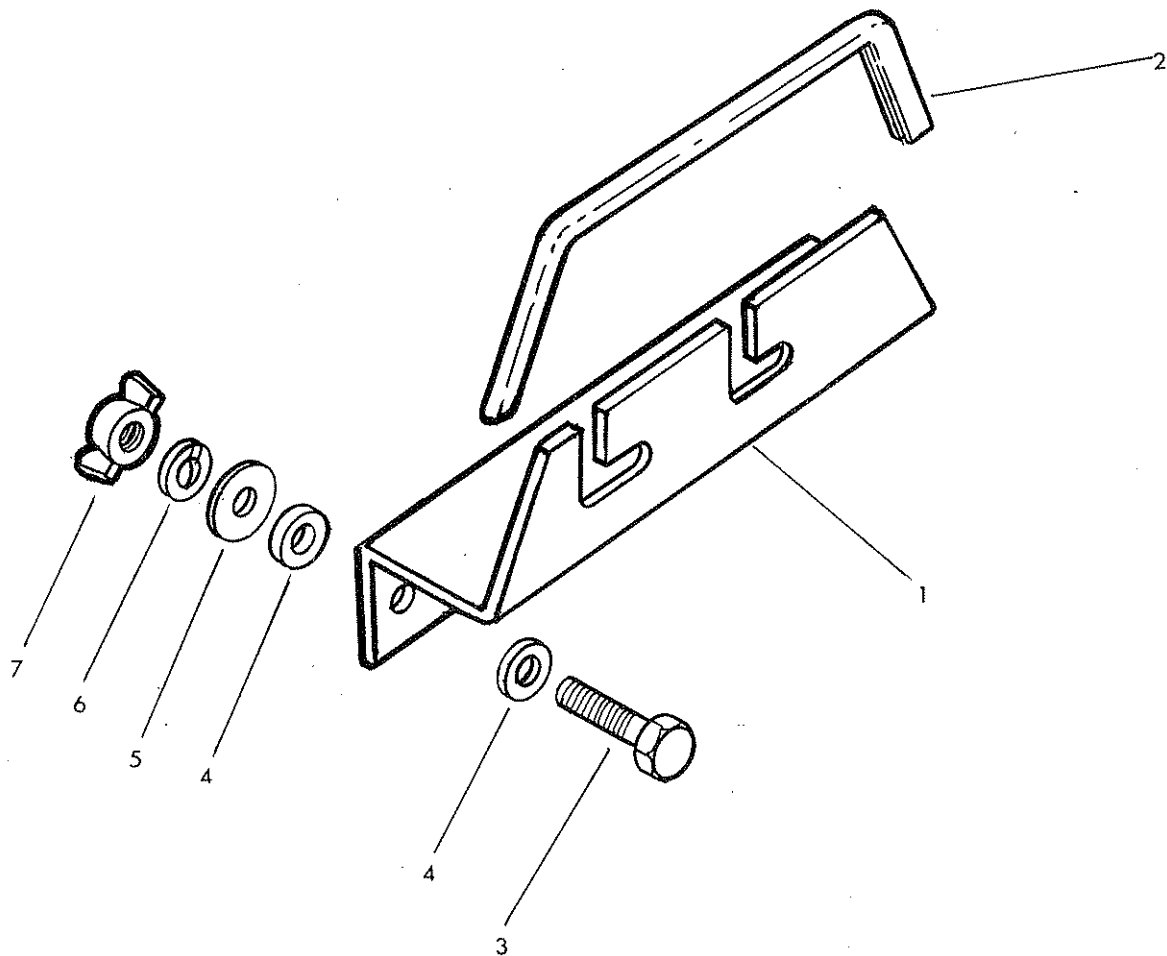
DIPPER ARM AND ANGLING MECHANISM

1	41869.01	1	Dipper arm upper -L.Hand -not illus
	41869.02	1	Dipper arm upper -R.Hand
2	72 13 023	4	Bush
3	41692.04	1	Pivot pin - Tension link
4	93 13 055	2	Setscrew M10 x 25
5	91 43 005	8	Self locking nut
6	71 91 036	1	Pivot pin - B/away ram base
7	04 31 105	2	Spring cotter
8	71 98 357	1	Breakaway ram
9	41870.01	1	Dipper arm lower -L.Hand -not illus
	41870.02	1	Dipper arm lower -R.Hand
10	71 36 035	2	Bush
11	41690.01	6	Bush
12	71 98 077	2	Hose clamp
13	92 13 114	2	Bolt M8 x 55
14	71 98 015	1	Pivot pin - Dipper lower
15	93 13 075	2	Setscrew M10 x 35
16	71 91 037	1	Pivot pin - B/away ram rod
17	93 13 065	1	Setscrew M10 x 30
18	75 60 344	1	Angle ram
19	71 92 024	1	Pivot pin - Angle ram base
20	95 01 406	4	Split pin
21	74 50 251	1	Radius arm
22	74 50 250	1	Radius arm
23	71 92 309	1	Slave link
24	09 01 121	6	Greaser 1/8" BSP straight
25	41693.01	1	Pivot pin Angle ram rod
26	71 92 308	1	Head pivot tube
27	71 92 316	1	Jaw plate
28	04 23 548	1	Spring dowel
29	92 13 185	1	Bolt M10 x 90
30	71 92 009	1	Pivot pin - slave link
31	02 11 126	1	Bolt 5/8" UNF X 1 1/2" long
32	02 11 146	1	Bolt 5/8" UNF X 1 3/4" long
33	01 46 006	2	Self locking nut 5/8" UNF
34	71 92 321	1	Hose junction bracket
35	93 13 045	2	Setscrew M10 x 20
36	71 98 333	1	Hose tray
37	91 13 004	2	Self locking nut M8
38	91 00 104	4	Plain washer dia 8
39	71 98 335	1	Hose cover
40	71 98 363	1	Transport lock pin

**CONTROL MOUNTING
ASSY**



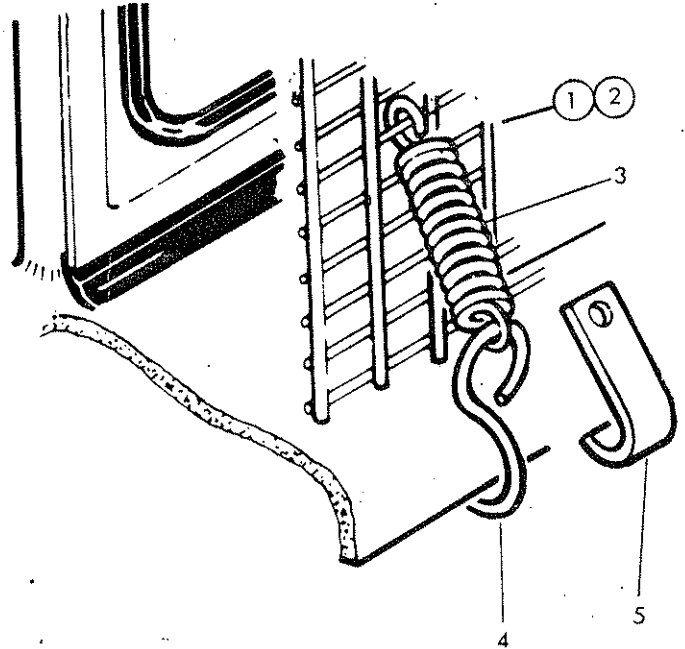
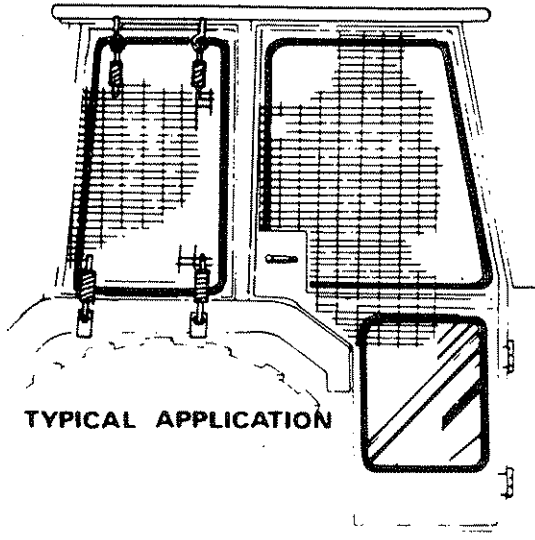
MCCORMEL



Ref	Part No	Qty	Description
-----	---------	-----	-------------

CONTROL UNIT MOUNTING ASSY

1	03.583.01	1	Bracket
2	03.231.02	1	Rubber edge strip
3	93 13 094	2	Setscrew
4	03.152.01	4	Rubber washer
5	91 00 104	2	Plain washer
6	91 00 204	2	Spring washer
7	91 93 004	2	Wingnut

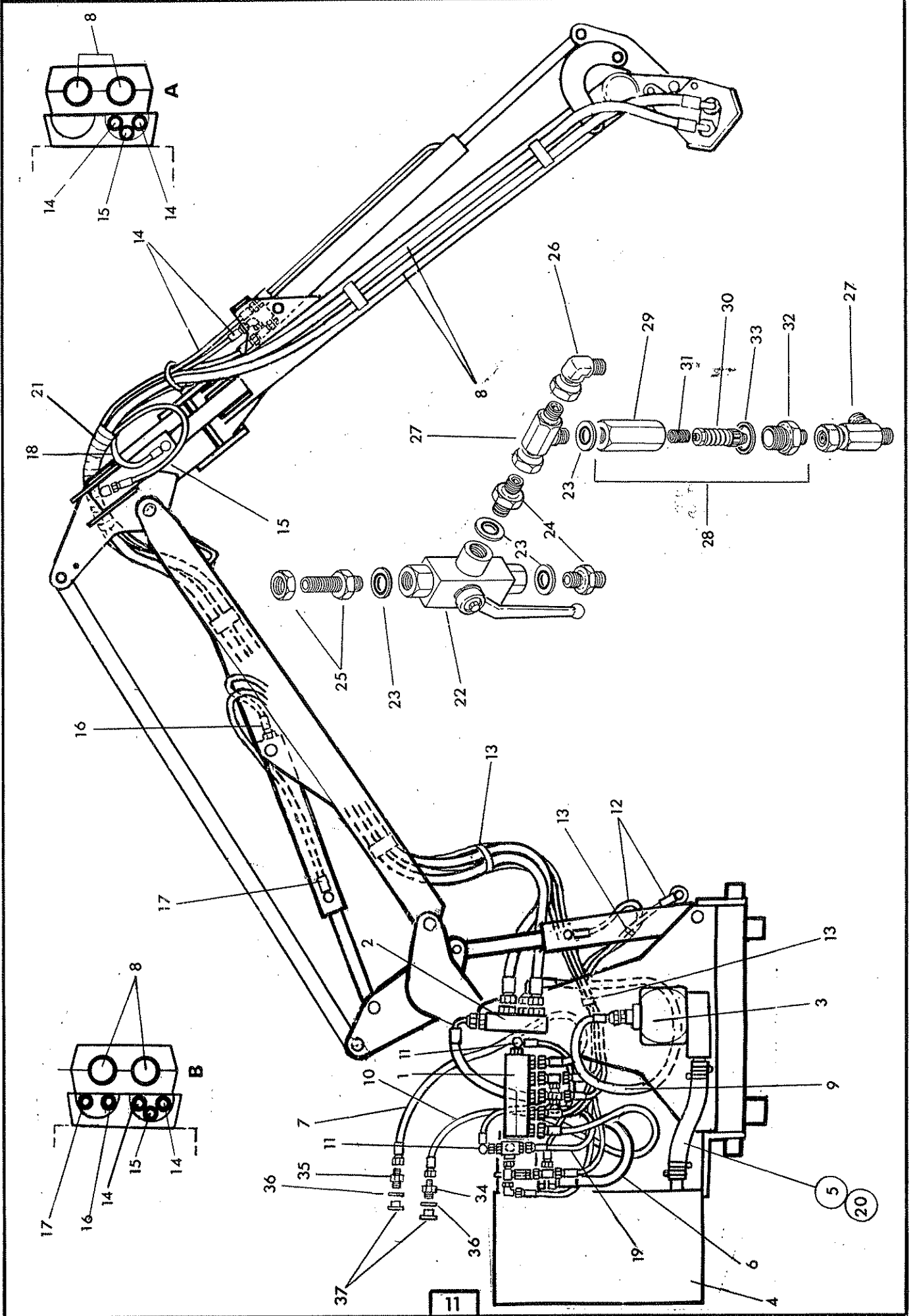


Ref.	Part No.	Qty.	Description
	73-13-324		CAB GUARD KIT
1	73-13-049	1	Guard panel - large
2	73-13-050	1	Guard panel - small
3	60-01-064	12	Spring
4	60-01-065	6	Hook
5	73-13-051	6	Hook

HOSE INSTALLATION - Si



McCONNEL



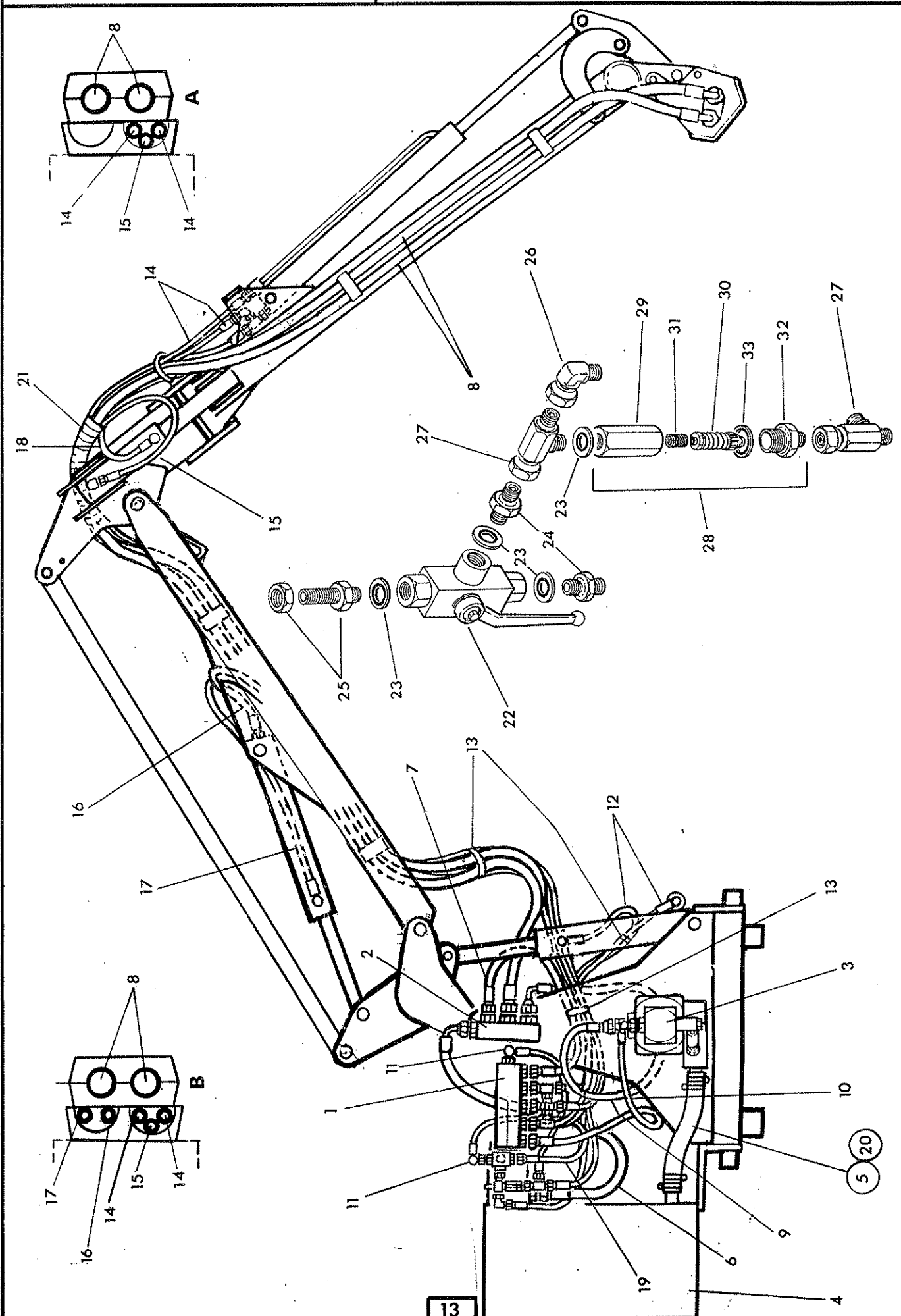


Ref.	Part No.	Qty.	Description
HYDRAULIC INSTALLTION S.I. MACHINES			
1		1	Control valve
2		1	Rotor relief valve
3		1	Pump/gearbox
4		1	Tank
5	85 01 192	1	Hose x 27"long -suction 1 1/2" bore
6	85 01 142	1	Hose 1" BSP x 58"long return to tank
7	85 32 014	1	Hose 1/2" BSP x 80" long -return to tractor
8	85 38 065	2	Hose 3/4" BSP x 203" long -flail motor
9	85 38 115	1	Hose 3/4" BSP x 51" long pump to rotor control valve
10	85 31 323	1	Hose 3/8" BSP x 80" long -supply from tractor valve
11	85 35 092	2	Hose 1/4" BSP x 22" long
12	85 35 192	2	Hose 1/4" BSP x 44" long -lift ram
13	71 35 084	6	Hose tie
14	85 15 012	2	Hose 1/4" BSP x 156" long -angle ram
15	85 15 142	1	Hose 1/4 BSP x 144" long -Breakaway base
16	85 15 242	1	Hose 1/4 BSP x 106" long-reach base
17	85 35 212	1	Hose 1/4 BSP x 124" long -Reach gland
18	85 35 082	1	Hose 1/4 BSP x 34" long. B'away gland - angle ram
19	85 35 102	1	Hose 1/4 BSP x 17" long
20	09 04 107	4	Hose clip
21	71 93 026	1	Hose armour
22	41392.01	1	Diverter
23	86 50 102	4	Bonded seal
24	85 81 119	2	Union
25	71 05 153	1	Bulkhead union with locknut
26	85 81 190	1	Swivel elbow
27	85 81 254	2	Tee piece
28	81 30 153	1	Lift service relief valve assy compr:
29	81 30 156	1	Relief valve housing
30	81 30 029	1	Relief valve
31	81 16 011	1	Spring
32	81 30 083	1	Relief valve body
33	86 50 104	1	Bonded seal
34	60 00 112	1	Adaptor
35	85 81 110	1	Union
36	86 50 104	2	Bonded seal
37	ST134	2	Dust cap

HOSE INSTALLATION - Ti



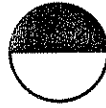
McCONNELL



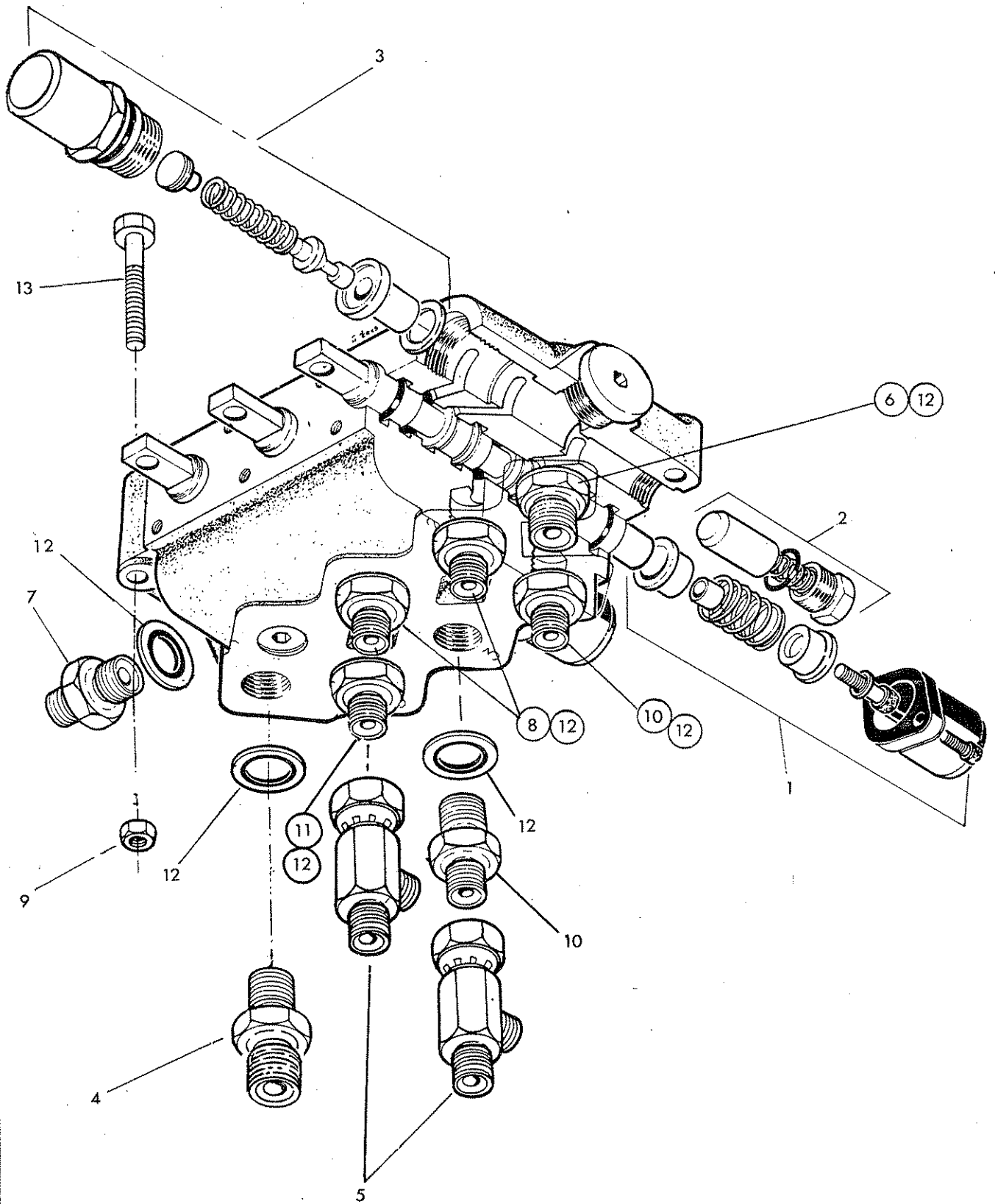


Ref.	Part No.	Qty.	Description
HYDRAULIC INSTALLATION - T.I. MACHINES			
1		1	Control valve
2		1	Rotor control valve
3		1	Pump/gearbox
4		1	Tank
5	85 01 192	1	Hose x 27" long -suction 1 1/2" bore
6	85 01 142	1	Hose 1" BSP x 58" long return to tank
7	85 13 074	1	Hose 1/2 BSP x 46" long control valve to rotor control valve
8	85 38 065	2	Hose 3/4" BSP x 203" long-flail motor
9	85 38 115	1	Hose 3/4" BSP x 51" long pump to rotor control valve
10	85 31 343	1	Hose 3/8" BSP x 36" long-pump to control valve
11	85 35 092	2	Hose 1/4" BSP x 22" long
12	85 35 192	2	Hose 1/4" BSP x 44" long -lift ram
13	71 35 084	6	Hose tie
14	85 15 012	2	Hose 1/4" BSP x 156" long -angle ram
15	85 15 142	1	Hose 1/4 BSP x 144" long-Breakaway base
16	85 15 242	1	Hose 1/4" BSP x 106" long-reach base
17	85 35 212	1	Hose 1/4 BSP x 124" long -Reach gland
18	85 35 082	1	Hose 1/4 BSP x 34" long h'away gland-angle ram
19	85 35 102	1	Hose 1/4 BSP x 17" long
20	09 04 107	4	Hose clip - 1 1/2" bore
21	71 93 026	1	Hose armour
22	41392.01	1	Diverter
23	86 50 102	4	Bonded seal
24	85 81 169	2	Union
25	71 05 153	1	Bulkhead union with locknut
26	85 81 190	1	Swivel elbow
27	85 81 254	2	Tee piece
28	81 30 153	1	Lift service relief valve assy compr:-
29	81 30 156	1	Relief valve housing
30	81 30 029	1	Relief valve
31	81 16 011	1	Spring
32	81 30 083	1	Relief valve body
33	86 50 104	1	Bonded seal

ARM CONTROL VALVE



McCOMEL





Ref. Part No. Qty. Description

ARM CONTROL VALVE ASSEMBLY

	81 30 580	1	Valve including:
1	81 30 134	3	Centering spring assembly
2	81 30 022	1	Non return valve assembly
3	G381 2539	1	Relief valve assembly 2320 PSI (160 BAR)
4	60 00 112	1	Adaptor
5	85 81 254	2	Tee
6	60 00 113	1	Union
7	85 81 115	1	Adaptor
8	81 30 046	2	Restrictor union A
9	91 13 004	3	Self locking nut
10	81 30 066	2	Restrictor union M
11	81 30 048	1	Restrictor union C
12	86 50 103	8	Bonded seal
13	92 13 124	3	Bolt

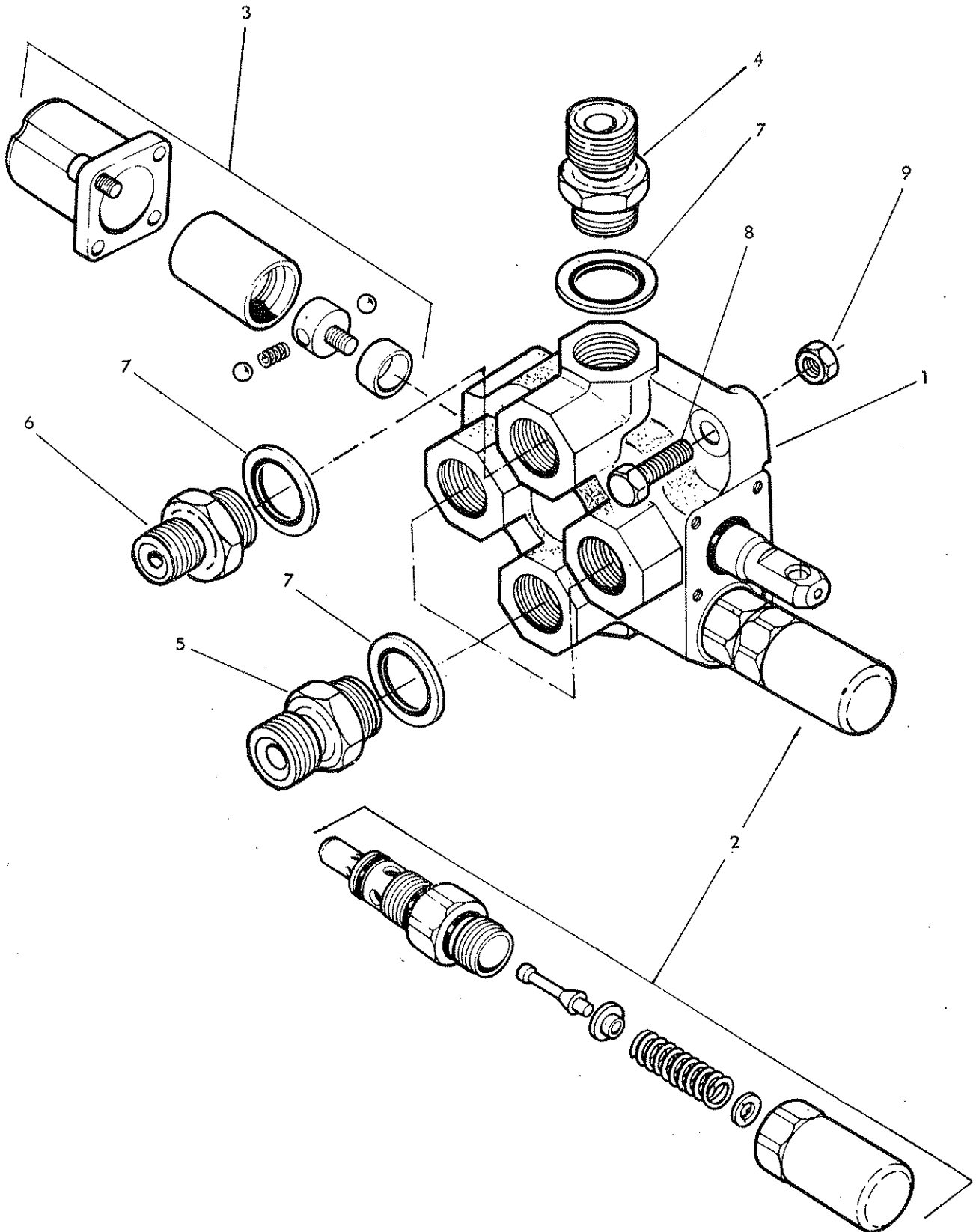
86 99 163

SEAL KIT

ROTOR CONTROL VALVE



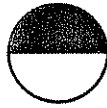
MCCORMICK



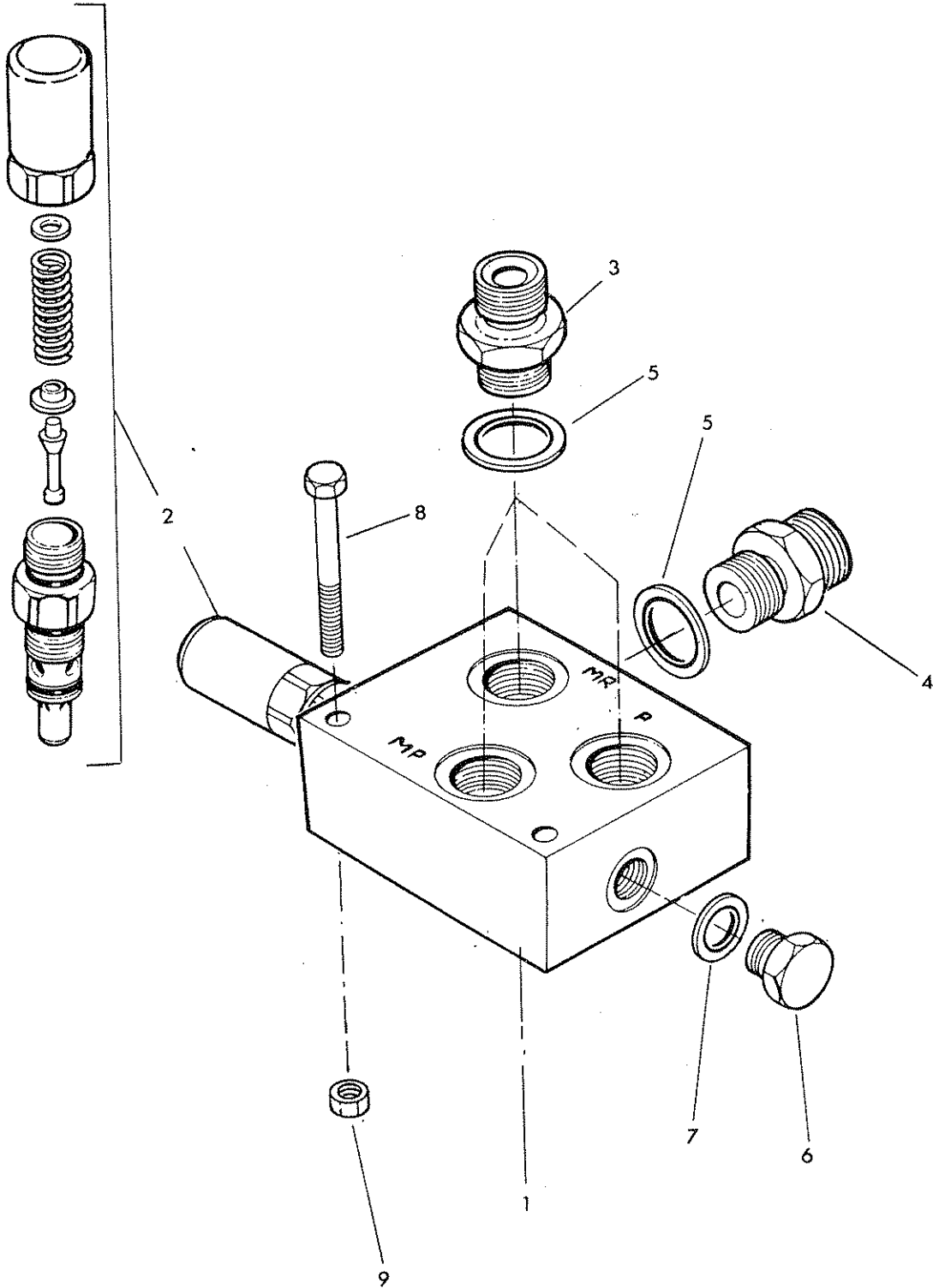


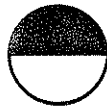
Ref. Part No.	Qty.	Description
81 25 413		ROTOR CONTROL VALVE ASSEMBLY - Cable
1	81 25 355	1 Rotor control valve
2	81 25 095	1 Relief valve
3	81 25 109	1 Detent assembly
4	80 02 086	1 Adaptor
5	85 81 136	3 Union
6	85 81 130	1 Adaptor
7	86 50 106	5 Bonded seal
8	92 13 095	2 Bolt
9	91 43 005	2 Self locking nut
86 99 218		SEAL KIT

ROTOR RELIEF VALVE



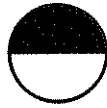
McCormell



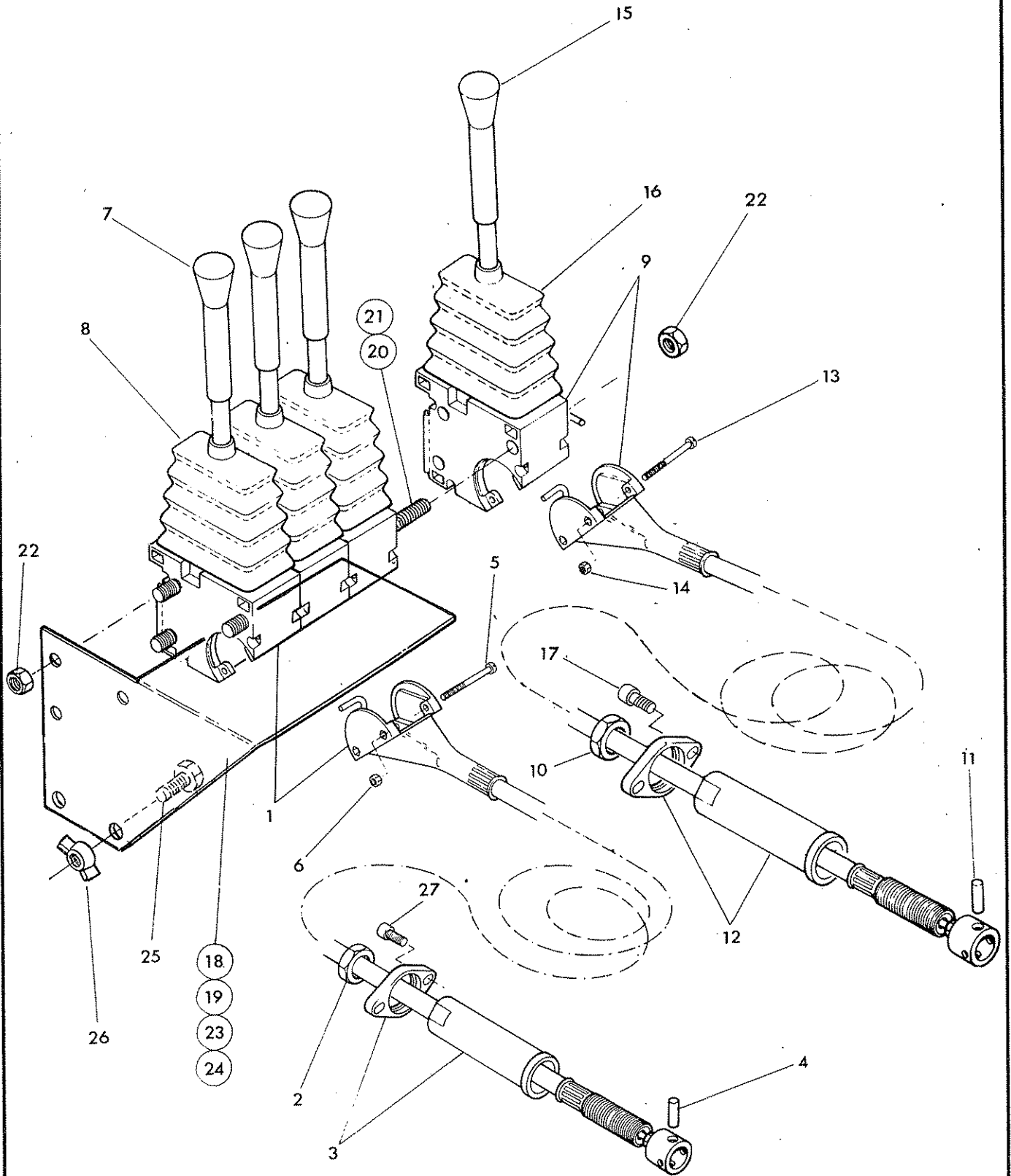


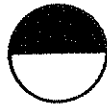
Ref. Part No.	Qty.	Description
81 25 411		ROTOR RELIEF VALVE ASSEMBLY (SI MODELS ONLY)
1 81 25 352	1	Valve block
2 81 25 095	1	Relief valve cartridge incl. 'O' rings
3 85 81 136	3	Union
4 80 02 086	1	Adaptor
5 86 50 106	4	Bonded seal
6 80 03 001	1	Plug
7 86 50 103	1	Bonded seal
8 92 13 135	2	Bolt
9 91 3 005	2	Self locking nut

4 LEVER CONTROLS



MCCORMICK

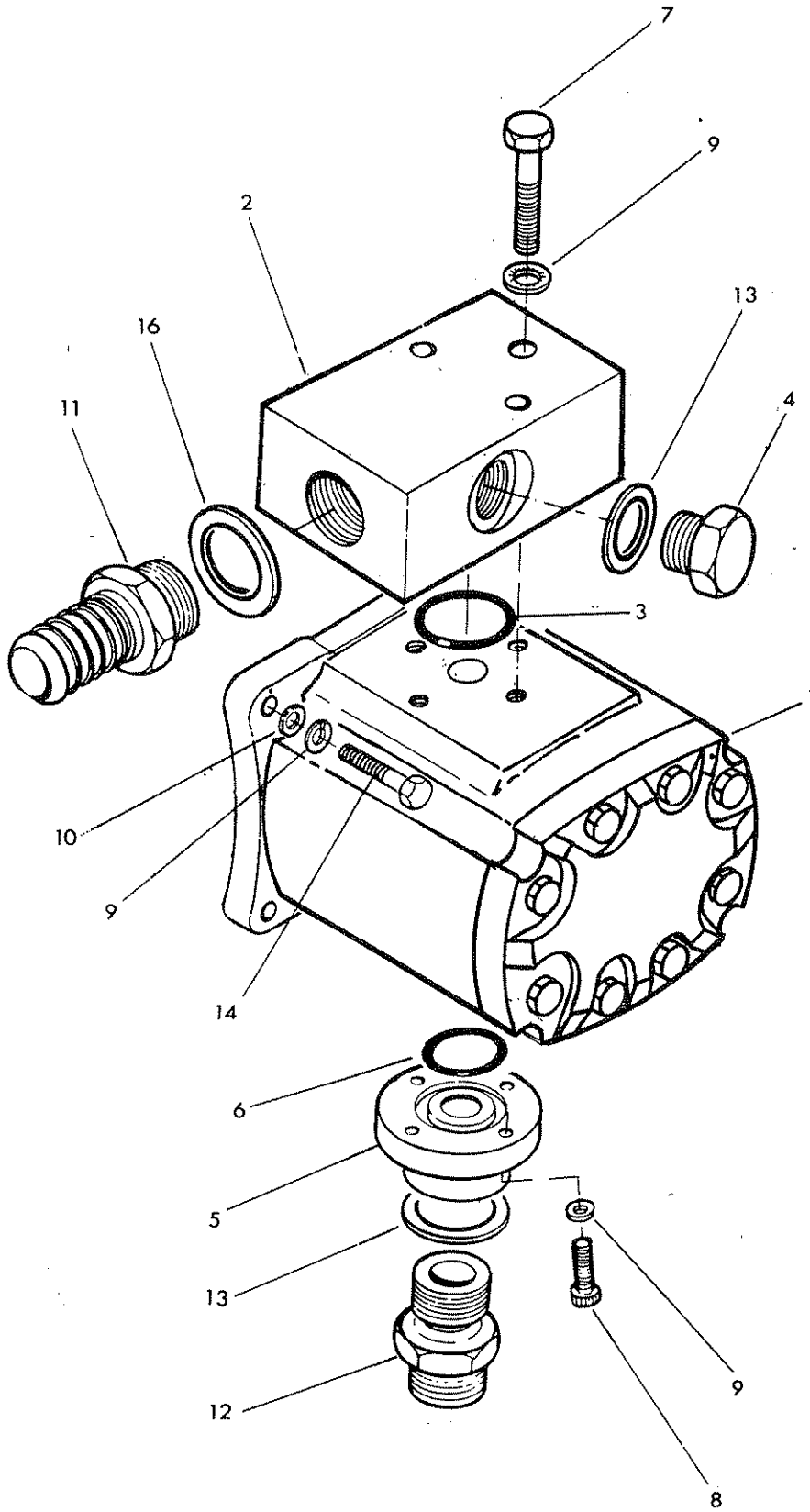
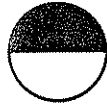


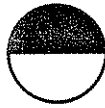


McDONNELL

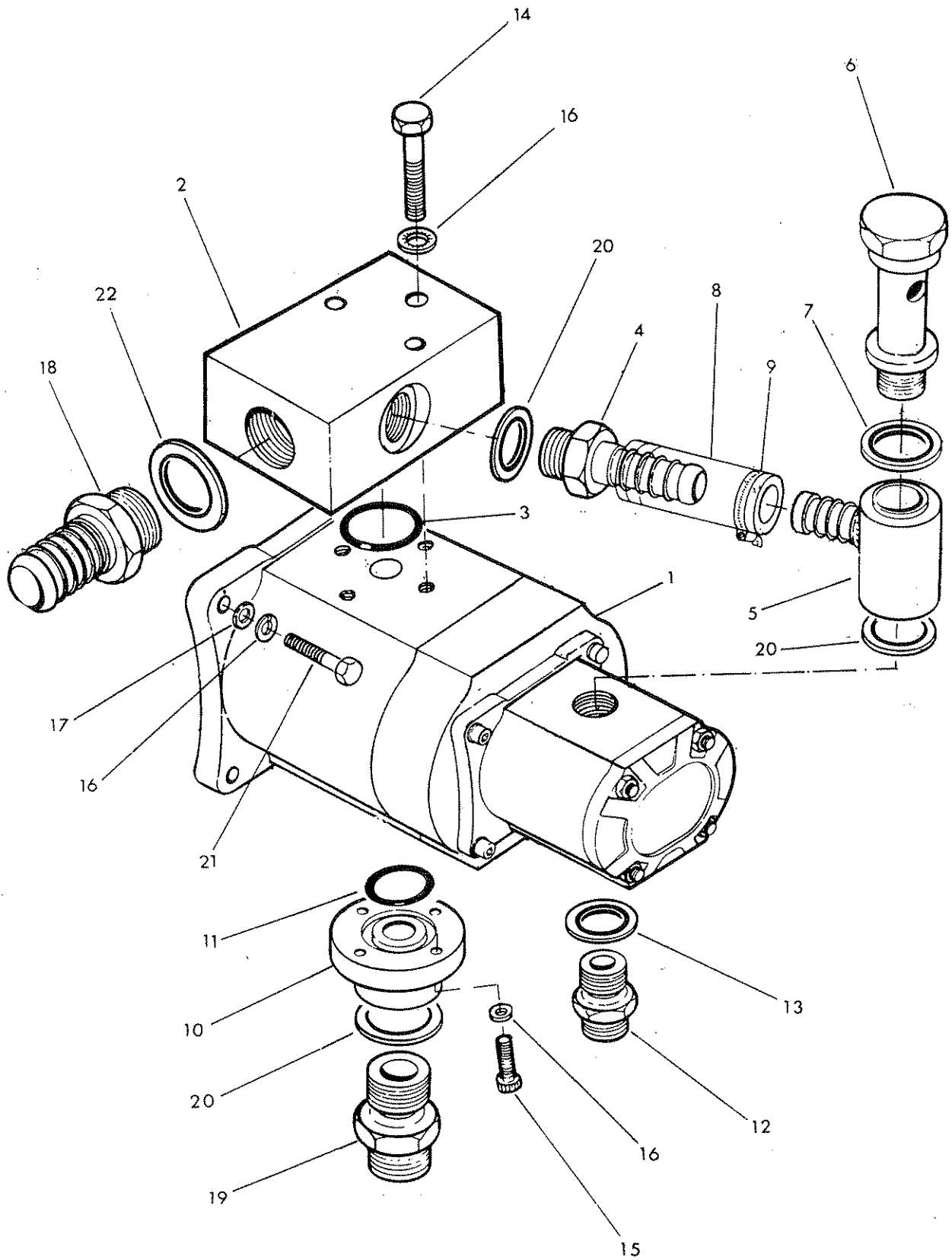
REF	PART NO.	QTY	DESCRIPTION
CONTROL LEVERS AND CABLES			
1	80 17 058	3	Lever and cable assy. lift, reach, angle
2	80 17 014	1	Locknut
3	80 17 013	1	Flange and sleeve
4	80 17 016	1	Spool eye pin
5	93 73 081	2	Screw
6	91 13 001	2	Nut
7	80 17 027	1	Knob
8	80 17 026	1	Weather gaiter
9	80 17 045	1	Lever and cable assembly - Rotor control compr:-
10	80 17 014	1	Locknut
11	80 17 021	1	Pin
12	80 17 018	1	Flange and sleeve
13	93 73 081	2	Screw
14	91 13 001	2	Nut
15	09-968-99	1	Knob
16	80 17 026	1	Weather gaiter
17	93 43 023	2	Capscrew
18	09-970-01	1	Mounting bracket - 4 lever L.Hand
19	09-970-02	1	Mounting bracket - 4 lever R.Hand
20	04-282-70	3	Tie rod - 4 lever
21	04-282-73	3	Tie rod - 3 lever
22	91 43 003	3	Self locking nut
23	41-181-01	1	Mounting bracket - 3 lever L.Hand
24	41-181-02	1	Mounting bracket - 3 lever R.Hand
25	93 13 034	2	Setscrew
26	91 93 004	2	Wingnut
27	93 43 022	6	Capscrew

Ti
only





Ref. Part No.	Qty.	Description
PUMP ASSEMBLY - S.I. MACHINES		
1	82 01 463	1 Pump
2	71 92 371	1 Suction block - L.Hand
	71 92 372	1 Suction block - R.Hand
3	86 00 122	1 'O' ring
4	85 81 302	1 Plug
5	80 13 088	1 Pump flange
6	86 00 119	1 'O' ring
7	92 13 144	3 Bolt
8	93 13 054	4 Setscrew
9	91 00 404	11 Shakeproof washer
10	91 00 104	4 Plain washer
11	85 81 260	1 Adaptor low pressure
12	85 81 136	1 Union
13	86 50 106	2 Bonded seal
14	92 13 094	4 Bolt
15	86 50 109	3 Bonded seal
86 99 231		PUMP SEAL KIT





Ref. Part No. Qty. Description

PUMP ASSEMBLY - FOR T.I. MACHINES

1	82 01 466	1	Tandem pump compr:-
	82 01 684	1	Large pump
	82 01 677	1	Small pump
2	71 92 371	1	Suction block - L.Hand
	71 92 372	1	Suction block - R.Hand
3	86 00 122	1	'O' ring
4	85 81 301	1	Adaptor low pressure
5	80 13 096	1	Banjo
6	80 13 095	1	Banjo bolt
7	86 50 107	1	Bonded seal
8	85 01 213	1	Connecting hose
9	09 04 204	2	Hose clip
10	80 13 088	1	Pump flange
11	86 00 119	1	'O' ring
12	85 81 110	1	Adaptor
13	85 50 104	1	Bonded seal
14	92 13 144	3	Bolt
15	93 13 054	4	Setscrew
16	91 00 404	11	Shakeproof washer
17	91 00 104	4	Plain washer
18	85 81 260	1	Adaptor low pressure
19	85 81 136	1	Union
20	86 50 106	3	Bonded seal
21	92 13 094	4	Bolt
22	86 50 109		Bonded seal

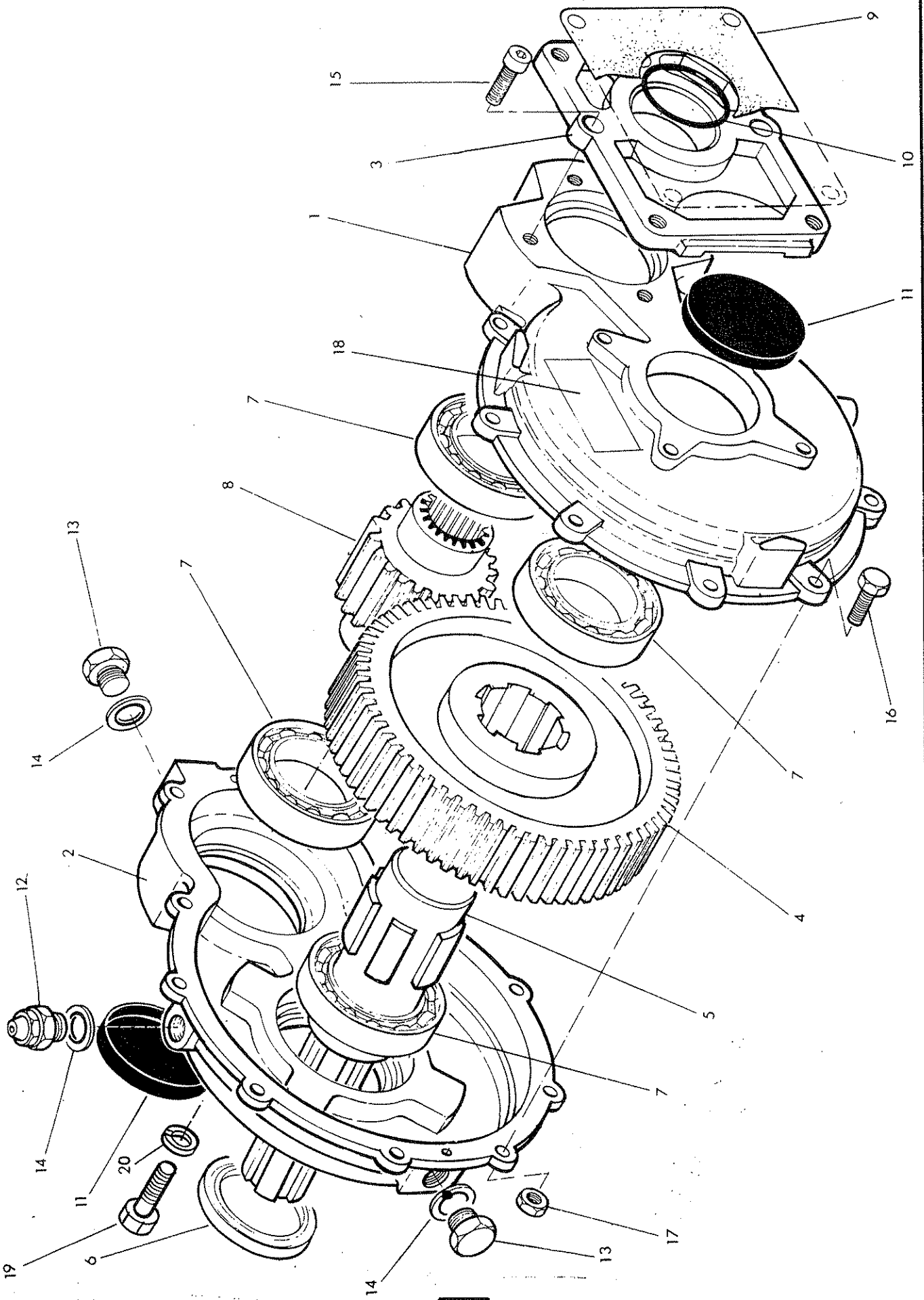
86 99 231

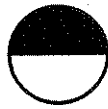
PUMP SEAL KIT

GEARBOX



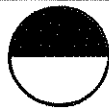
McCOMBELL



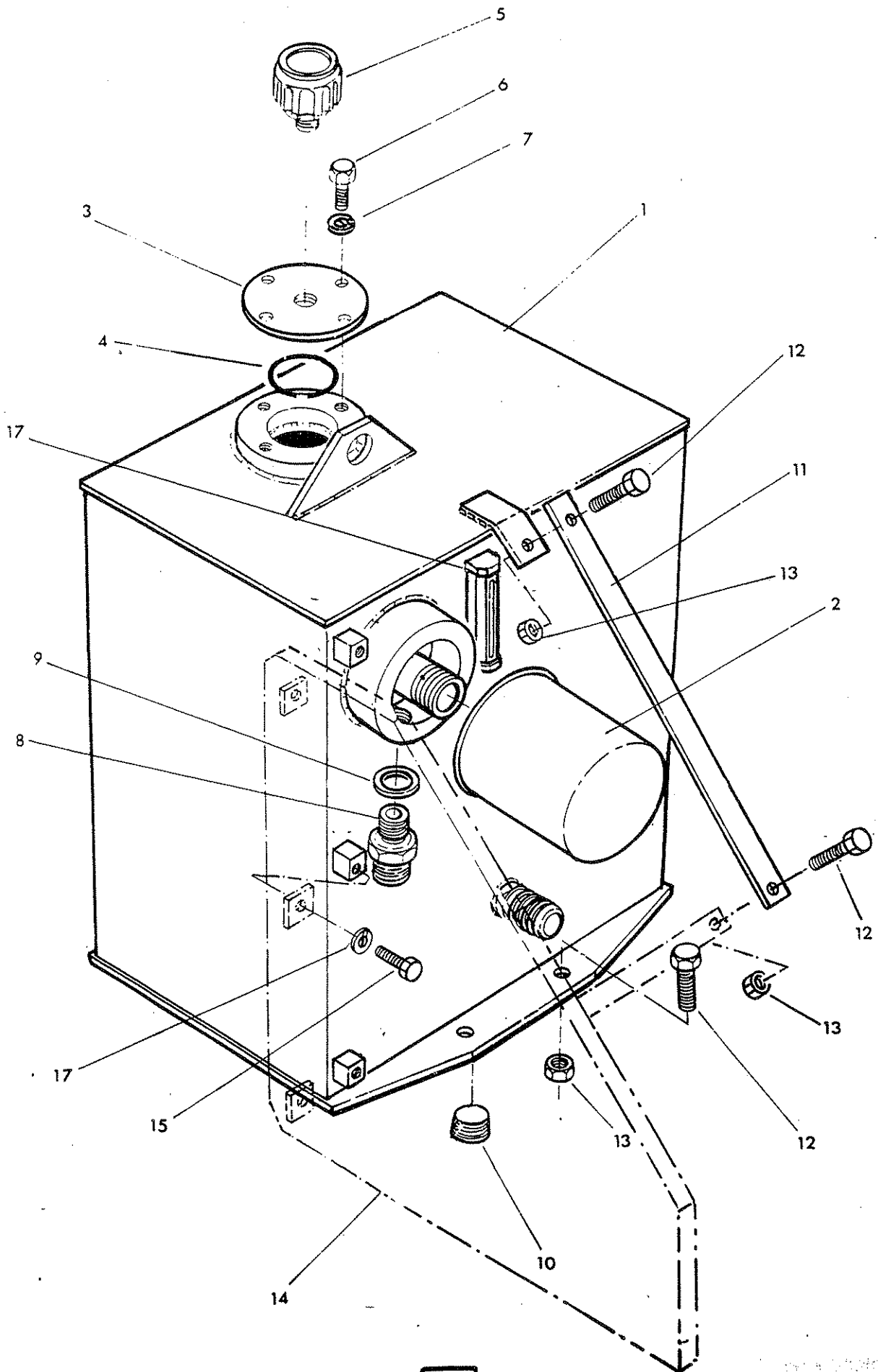


Ref.	Part No.	Qty.	Description
	80 13 444		GEARBOX
1	80 13 100	1	Case - output side
2	80 13 101	1	Case - input side
3	80 13 102	1	Pump mounting flange
4	80 13 103	1	Gear 72t
5	80 13 105	1	Shaft
6	86 29 196	1	Shaft seal
7	06 00 042	4	Bearing
8	80 13 104	1	Pinion 17t
9	80 13 056	1	Gasket
10	86 00 523	1	'O' ring
11	80 13 106	2	End cover
12	80 13 107	1	Breather/adaptor
13	85 81 133	4	Plug
14	86 50 102	4	Bonded seal
15	93 43 045	3	Capscrew socket headed
16	92 13 064	10	Bolt
17	91 43 004	10	Self locking nut
18	12 90 054	1	Sticker
19	93 13 056	4	Setscrew
20	91 00 206	4	Spring washer

OIL TANK



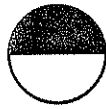
MCCORMEL



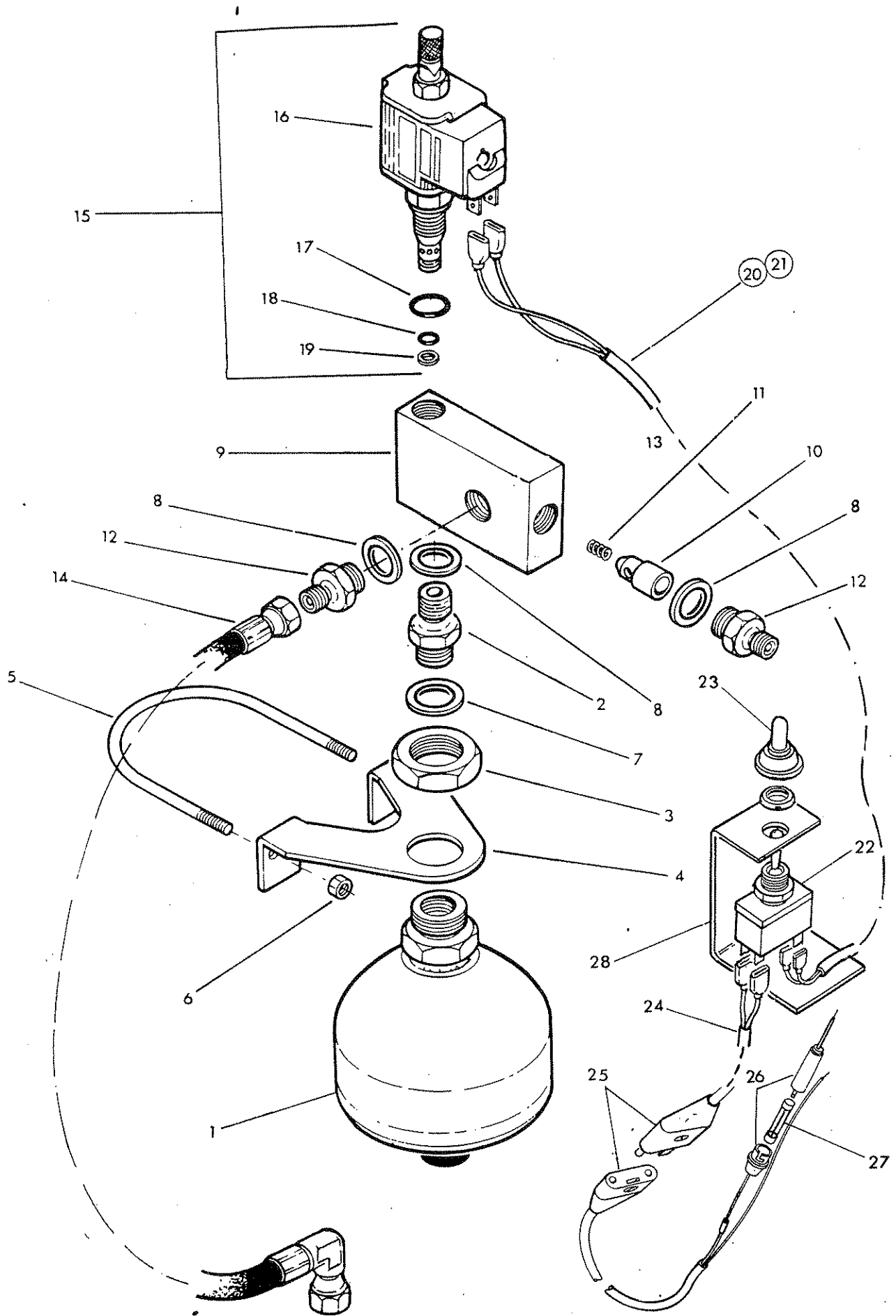


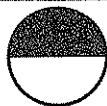
Ref.	Part No.	Qty.	Description
HYDRAULIC TANK ASSEMBLY			
1	41874.01	1	Tank L.Hand - not illustrated
	71 98 269	1	Tank R.Hand
2	84 01 041	1	Filter
3	71 92 063	1	Cover
4	86 00 051	1	O ring
5	84 01 063	1	Breather
6	93 13 054	4	Setscrew
7	91 00 204	4	Spring washer
8	80 02 086	1	Adaptor
9	86 50 106	1	Bonded seal
10	85 81 203	1	Drain plug
11	71 98 020	1	Tank strap
12	93 13 066	4	Bolt
13	91 43 006	4	Self locking nut
14	41875.01	1	Cover plate - L.Hand - not illustrated
	71 98 289	1	Cover plate - R.Hand
15	93 13 045	3	Setscrew
16	91 00 205	3	Spring washer
17	84 01 048	1	Level guage

LIFT FLOAT KIT

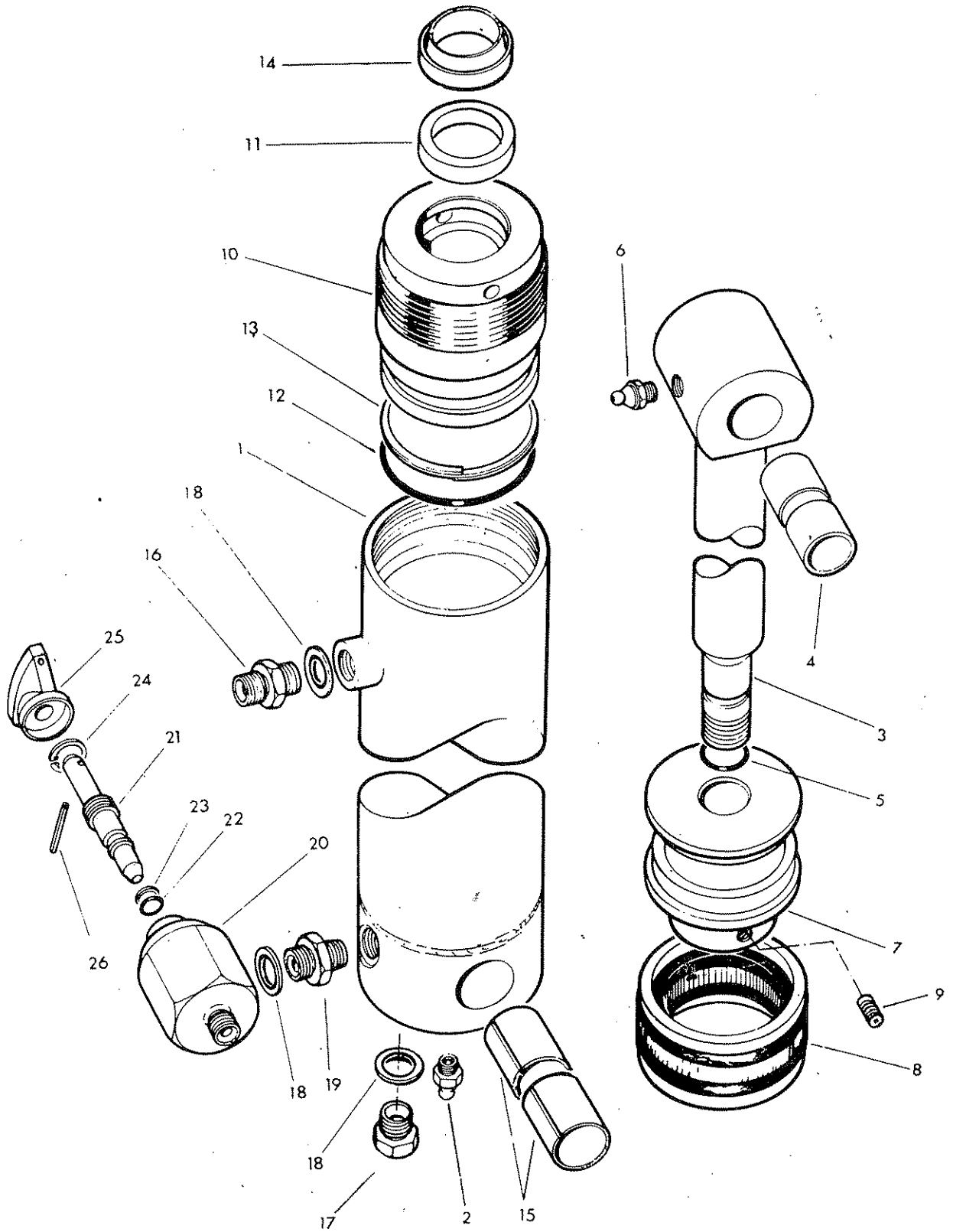
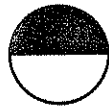


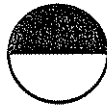
McDOWELL





Ref.	Part No.	Qty.	Description
	81 26 295		LIFT FLOAT KIT - Quick response
1	81 26 042	1	Accumulator
2	G241 0380	1	Adaptor M22
3	81 26 035	1	Bulkhead nut M33
4	81 26 286	1	Bracket
5	81 26 031	1	U bolt
6	91 43 004	2	Self locking nut M8
7	86 50 322	1	Bonded seal M22
8	86 50 103	3	Bonded seal 3/8" BSP
9	81 26 287	1	Control block
10	81 26 037	1	Response piston
11	81 16 011	1	Spring
12	85 81 115	2	Adaptor 3/8" BSP - 1/4" BSP
13	12 90 061	1	Operating sticker
14	85 35 012	1	Hose 1/4" BSP x 12" long SF-90F
15	81 30 183	1	Poppet valve including:-
16	81 30 184	1	Coil
17	87 00 017	1	'O' ring
18	87 00 511	1	'O' ring
19	87 09 511	1	Anti extrusion ring
20	84 02 194	1	Cable assy incl.
21	84 02 194/1	1	Cable
22	84 02 182	1	Switch
23	84 02 024	1	Switch cover
24	84 02 284	1	Supply harness incl.
25	84 02 062	1	Plug/Socket
26	84 02 114	1	Fuse holder
27	84 02 037	1	Fuse 10 amp
28	71 92 081	1	Switch mounting bracket

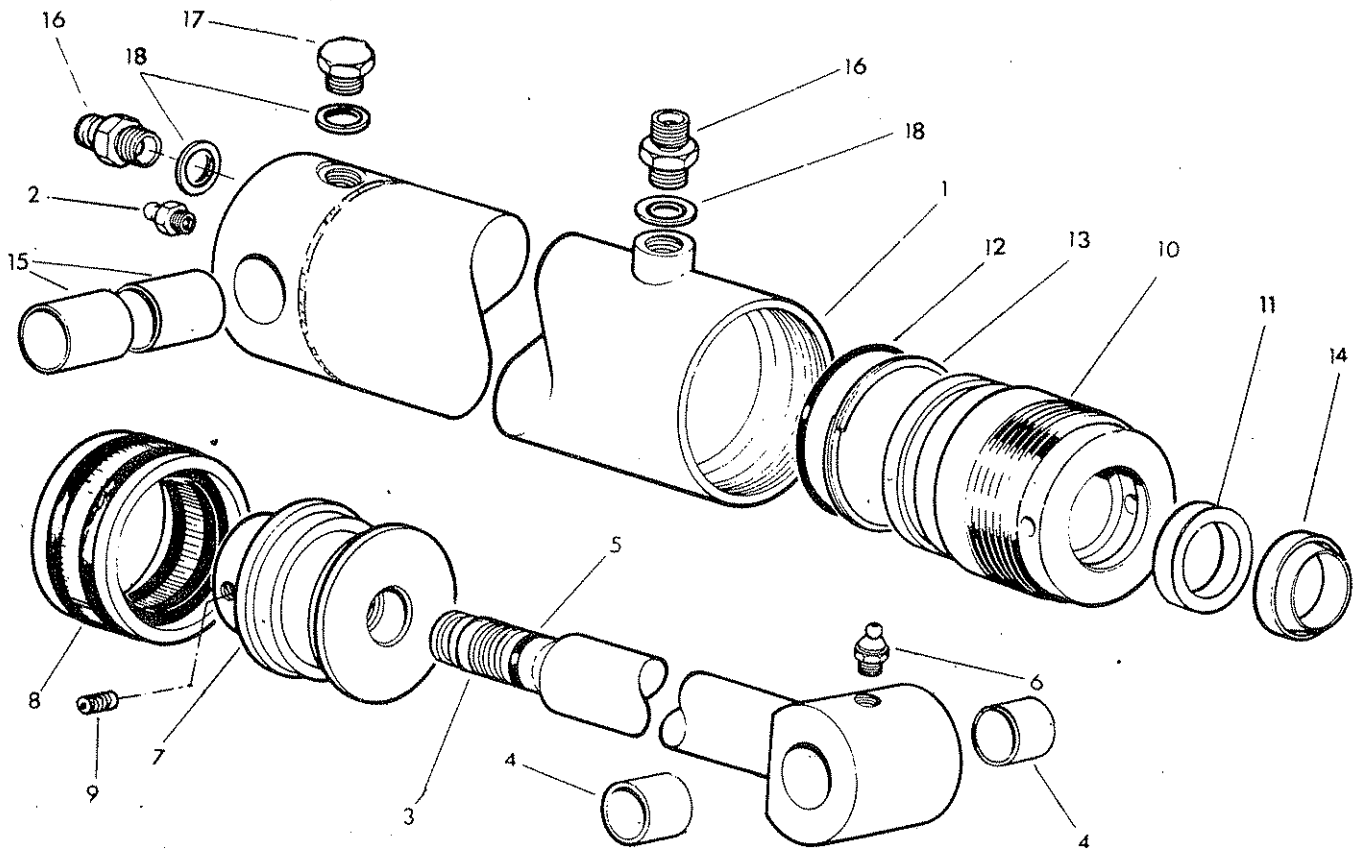
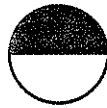




Ref.	Part No.	Qty.	Description
	71 98 375		LIFT RAM ASSEMBLY
1	71 98 378	1	Ram cylinder
2	09 01 121	1	Greaser
3	71 98 091	1	Piston rod
4	60 12 032	2	Bush
5	86 00 119	1	'O' ring
6	09 01 121	1	Greaser
7	71 35 004	1	Piston
8	86 38 740	1	Piston seal
9	93 63 023	1	Grub screw
10	71 35 282	1	Gland housing
11	86 29 164	1	Gland seal
12	87 00 740	1	'O' ring
13	87 09 740	1	Anti extrusion ring
14	86 29 147	1	Wiper
15	71 01 134	2	Bush - ram base
16	85 81 115	1	Union
17	80 03 001	1	Plug
18	86 50 103	3	Bonded seal
19	80 05 007	1	Taper adaptor
	71 35 005	1	Lock tap assembly compr:
20	71 35 284	1	Tap body
21	71 35 006	1	Tap spindle
22	86 00 107	1	'O' ring
23	86 09 107	1	Anti extrusion ring
24	04 16 110	1	Internal circlip
25	81 08 006	1	Tap knob
26	04 20 820	1	Spring dowel

86 99 187 SEAL KIT

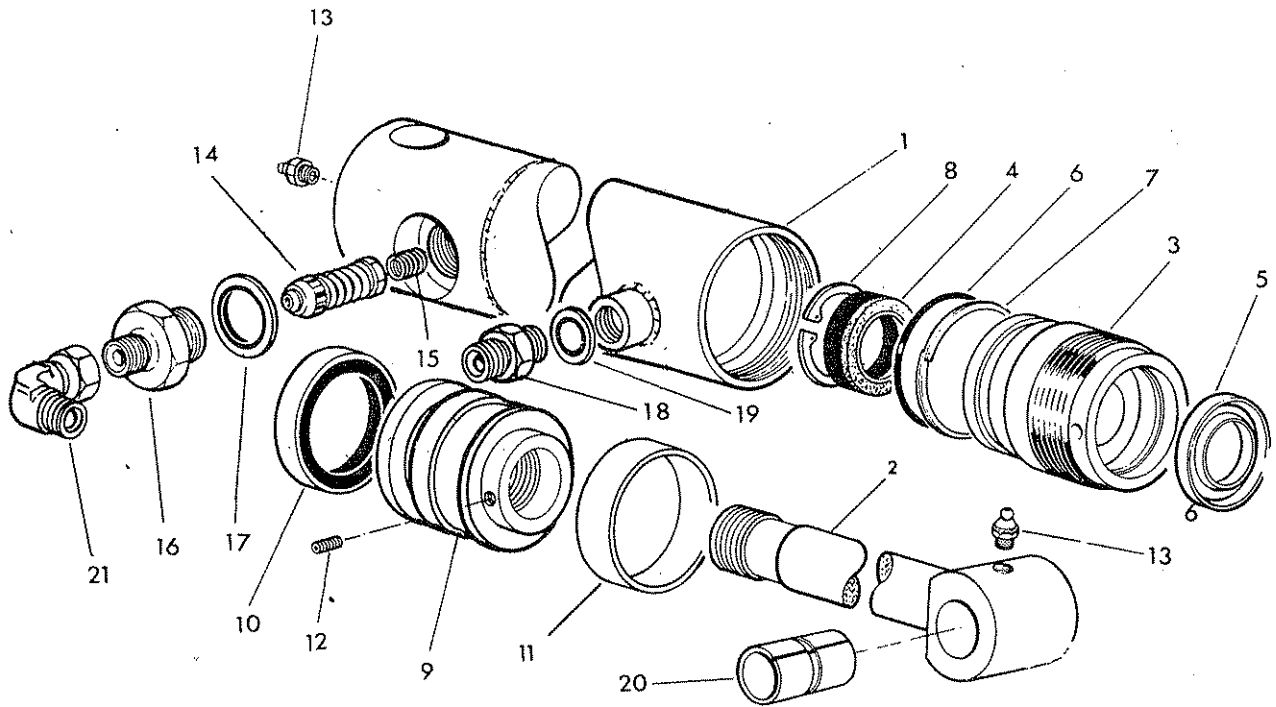
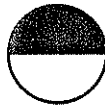
Assembly note Fully tighten item 9 and centre pop edge of hole to retain.



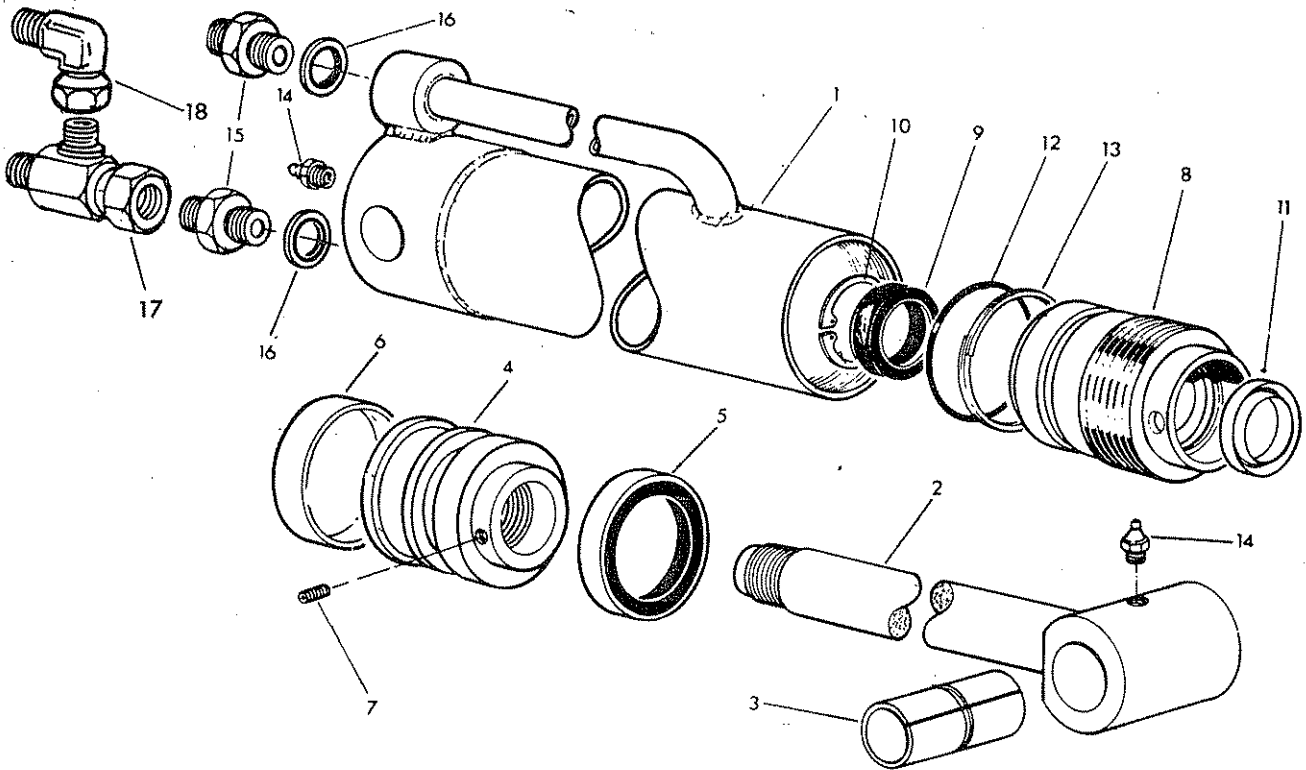
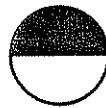
Ref. Part No.	Qty.	Description
71 98 376		REACH RAM ASSEMBLY
1	1	Ram cylinder
2	1	Greaser
3	1	Piston rod
4	2	Bush
5	1	'O' ring
6	1	Greaser
7	1	Piston c/w seal and grub screw
8	1	Piston seal
9	1	Grub screw
10	1	Gland housing
11	1	Gland seal
12	1	'O' ring
13	1	Anti extrusion ring
14	1	Wiper
15	2	Bush - ram base
16	2	Union
17	1	Plug
18	3	Bonded seal

86 99 187 SEAL KIT

Assembly note Fully tighten item 9 and centre pop edge of hole to retain.

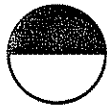


Ref. Part No.	Qty.	Description
71-98-357		BREAKAWAY/PARK RAM ASSY
1	1	Ram barrel
2	1	Rod
3	1	Gland housing
4	1	Gland seal
5	1	Rod wiper seal
6	1	'O' ring
7	1	Anti extrusion ring
8	1	Internal circlip
9	1	Piston
10	1	Piston seal
11	1	Bearing ring
12	1	Grub screw
13	2	Greaser
14	1	Relief valve - 40 bar
15	1	Spring
16	1	Relief valve housing
17	1	Bonded seal
18	1	Union
19	1	Bonded seal
20	1	Bush
21	1	Swivel elbow

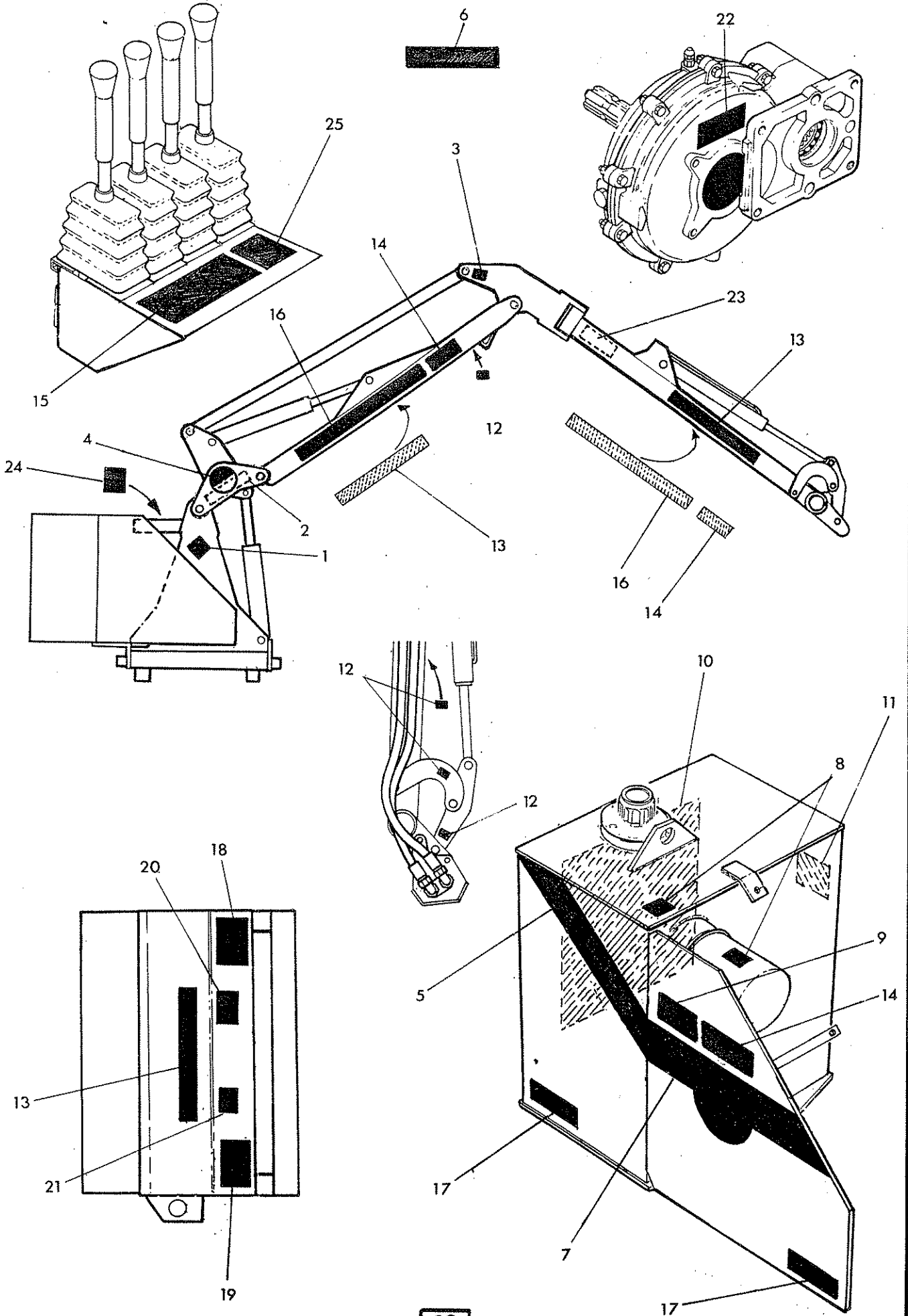
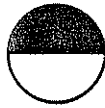


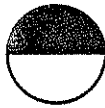
Ref.	Part No.	Qty.	Description
	75-60-344		ANGLING RAM ASSEMBLY
1	71-35-292	1	Cylinder
2	71-35-009	1	Rod
3	71-05-050	1	Bush
4	75-60-095	1	Piston
5	86-29-187	1	Piston seal
6	86-29-188	1	Bearing ring
7*	93-63-023	1	Grub screw socket head
8	71-35-291	1	Gland housing
9	86-29-148	1	Gland seal
10	04-16-240	1	Internal circlip
11	86-29-149	1	Wiper seal
12	86-00-302	1	'O' ring
13	86-09-302	1	Anti extrusion ring
14	09-01-121	2	Greaser
15	85-81-169	2	Union
16	86-50-102	2	Bonded seal
17	85-81-254	1	Tee piece
18	85-81-190	1	Swivel elbow
	86-99-188		SEAL KIT

* Assembly note
Tighten fully and centre punch edge of hole to secure.



McCONNEL



**McCONNEL**

Ref. Part No.	Qty.	Description
STICKERS		
1	71 05 130	1 Read book first
2	71 35 295	1 Tighten check chains
3	12 90 074	1 Sling here symbol
4	12 90 296	1 Logo roundel
5	12 90 454	1 Tank stripe
6	12 90 352	1 Gen. warning - despatched loose
7	12 90 455	1 Fairing stripe/roundel
8	12 90 023	2 Oil filter instructions
9	12 90 453	1 PA
10	12 90 391	1 General warning
11	00756494	1 Fitting P.T.O. shaft
12	00962764	6 Pinch point
13	12 90 255	3 McConnel
14	12 90 466	2 470
15	12 90 368	1 Lever controls
16	12 90 295	2 Power arm
17	12 90 347	2 Chevrons
18	12 90 377	1 Flail head instructions
19	12 90 341	1 Flail head guarding
20	00756485	1 Rotating blade warning
21	12 90 392	1 Use McConnel spares
22	12 90 054	1 Gearbox oil capacity
23	12 90 403	1 Breakaway return warning
24	12 90 082	1 Transport/work
25	12 90 338	1 R.C. valve controls - T.i. only



McConnel Limited, Temeside Works, Ludlow, Shropshire SY8 1JL. England.
Telephone: 01584 873131. Facsimile: 01584 876463. www.mcconnel.com