

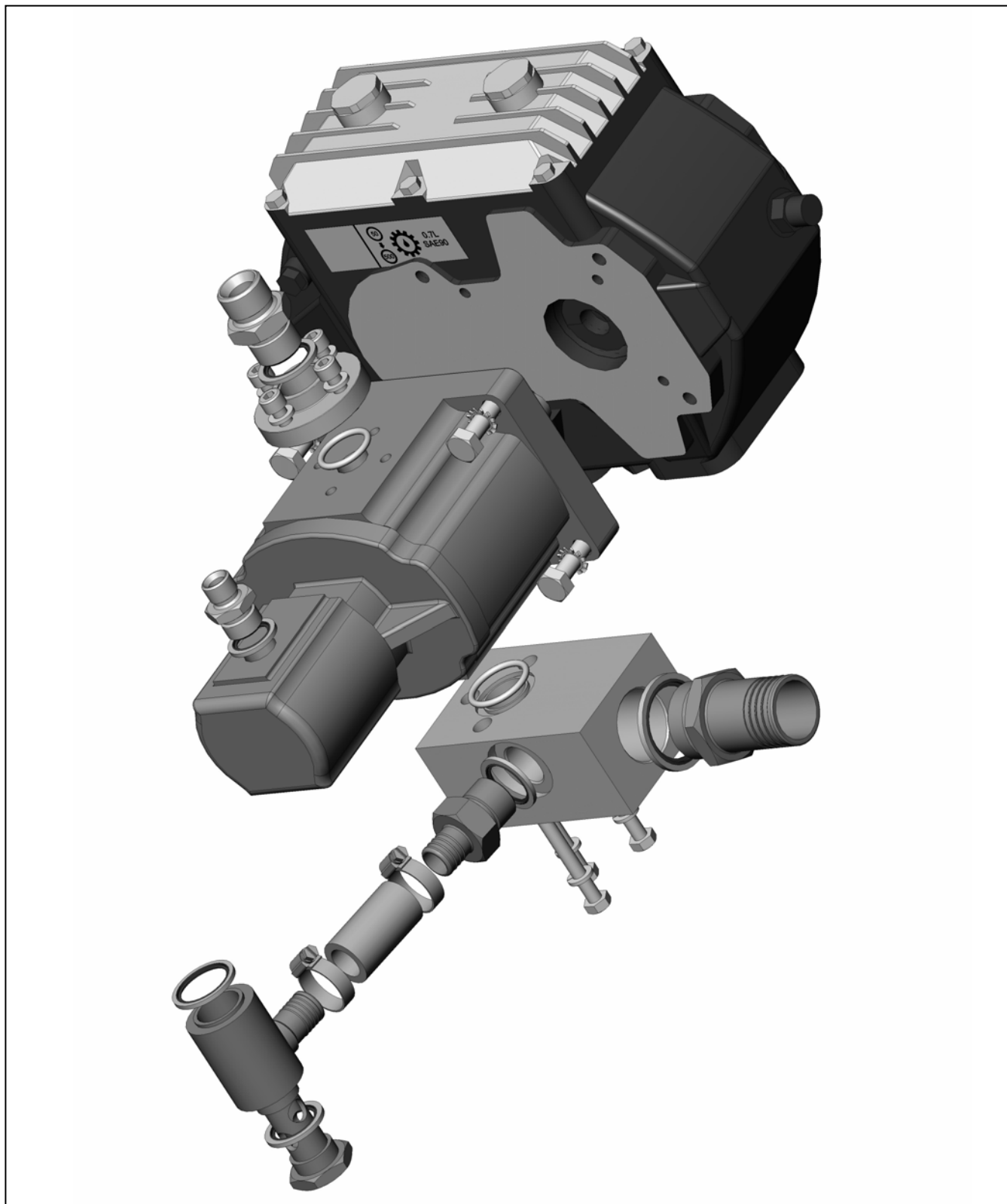
Publication 556  
October 2008  
Part No. 41571.56

# PA47 Mk4

## HEDGE CUTTER / MOWER



### Parts Manual





*For best performance...*

## **USE ONLY McCONNEL GENUINE SERVICE PARTS**

To be assured of the latest design improvements purchase your 'Genuine Replacements' from the **Original Equipment Manufacturer:**

# **McCONNEL LIMITED**

*through your local Dealer or Stockist.*

**Always quote:**

- ***Machine Type***
- ***Serial Number***
- ***Part Number***

### **McConnell Limited**

**Temeside Works, Ludlow, Shropshire, SY8 1JL, England.**

**Telephone: 01584 873131**

**[www.mcconnel.com](http://www.mcconnel.com)**

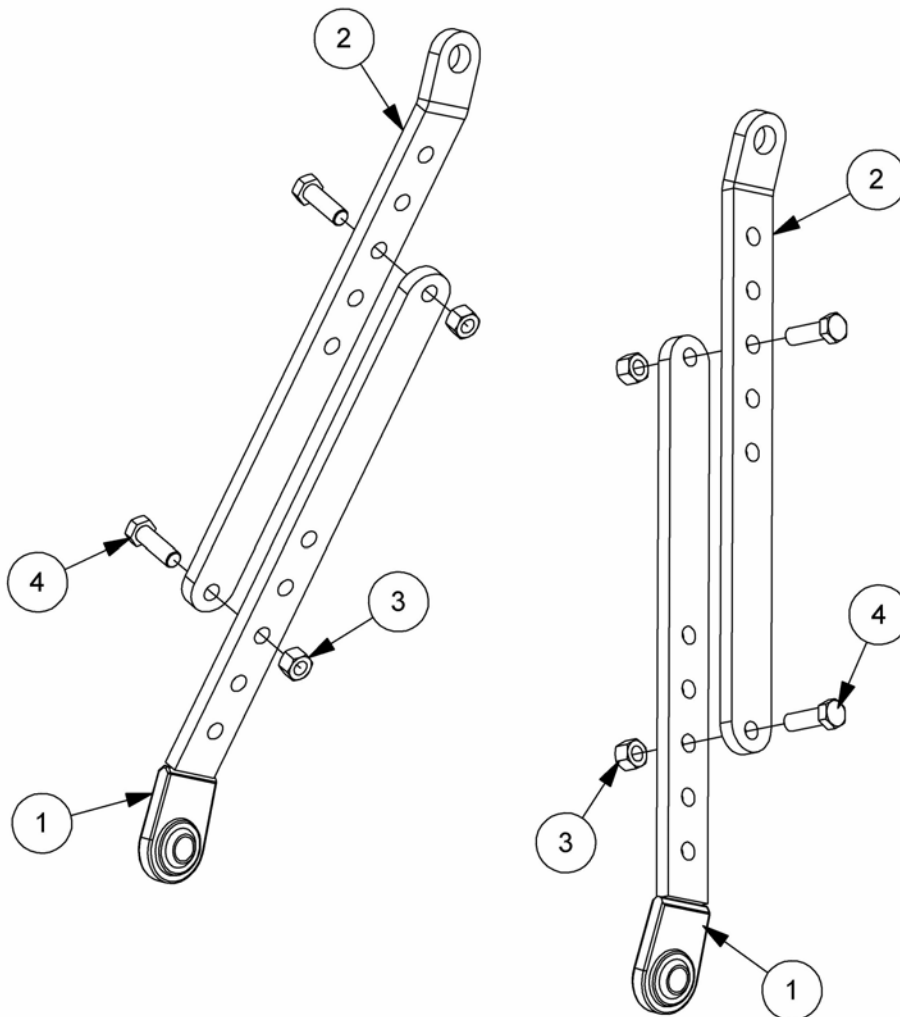
*Design Improvements may have altered some of the parts listed in this manual –  
The latest part will always be supplied when it is interchangeable with an earlier one.*



# STABILIZER ASSEMBLY

# McCONNEL

Module(s): 7146711

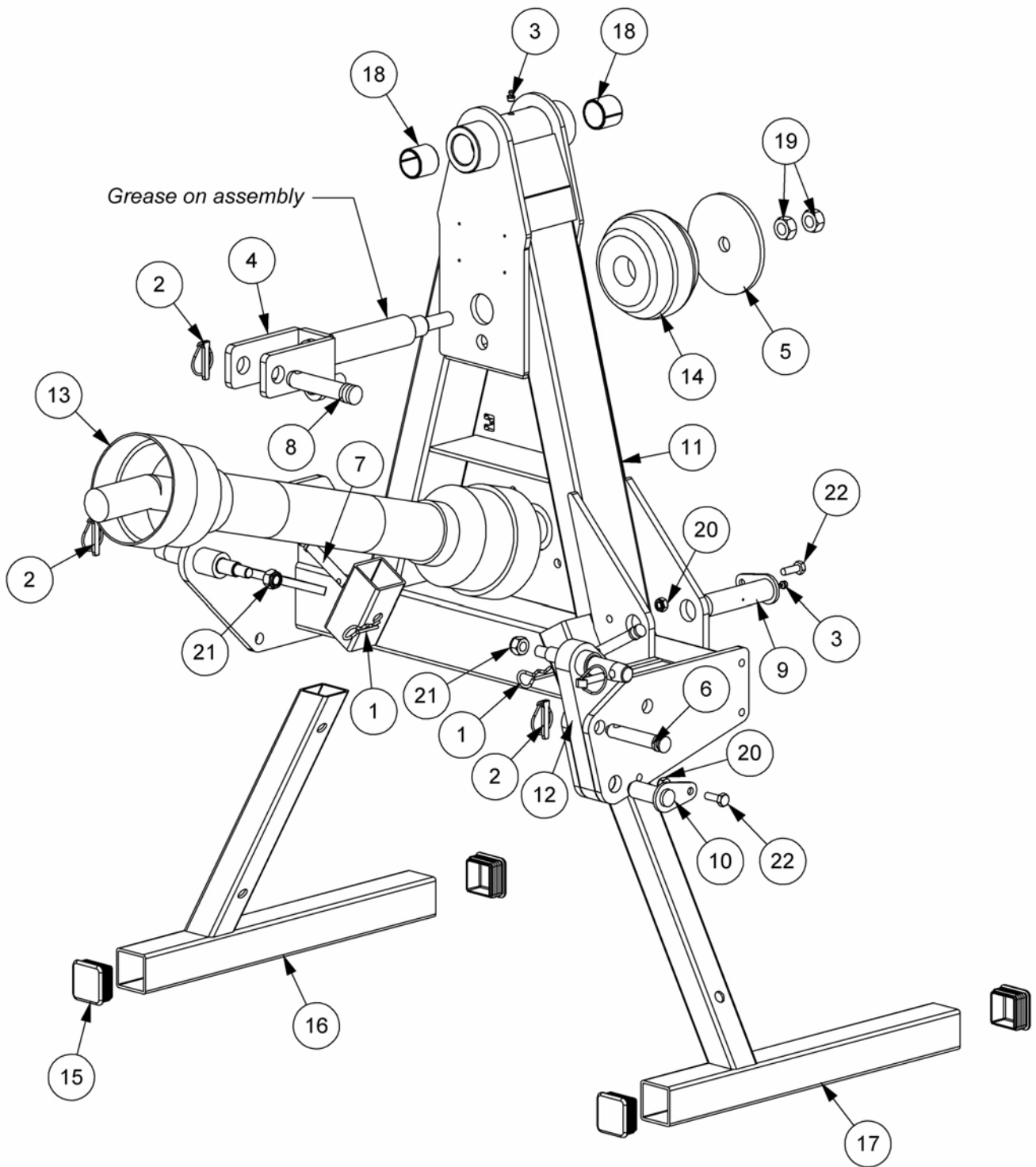


REF.	QTY.	PART No.	DESCRIPTION
		<b>7146711</b>	<b>STABILIZER ASSEMBLY</b>
1	2	42366.06	LOWER STABILIZER
2	2	42366.07	UPPER STABILIZER
3	4	9143007	SELF-LOCKING NUT
4	4	9213107	BOLT

# MAIN FRAME ASSEMBLY – PA47 Mk4

Module(s): L/H Build 7147702 (illustrated), R/H Build 7147703

# McCONEL



**MAIN FRAME ASSEMBLY – PA47 Mk4**



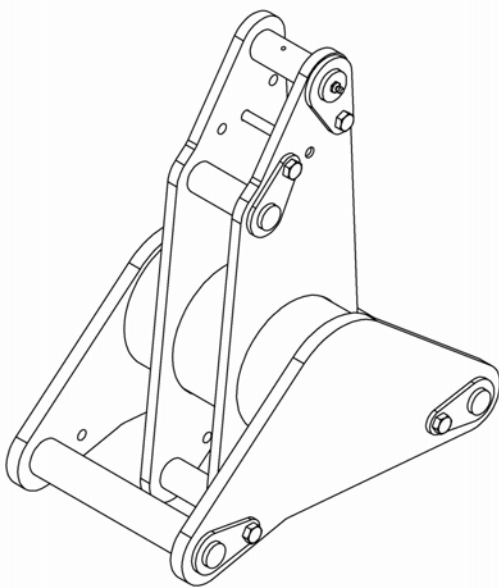
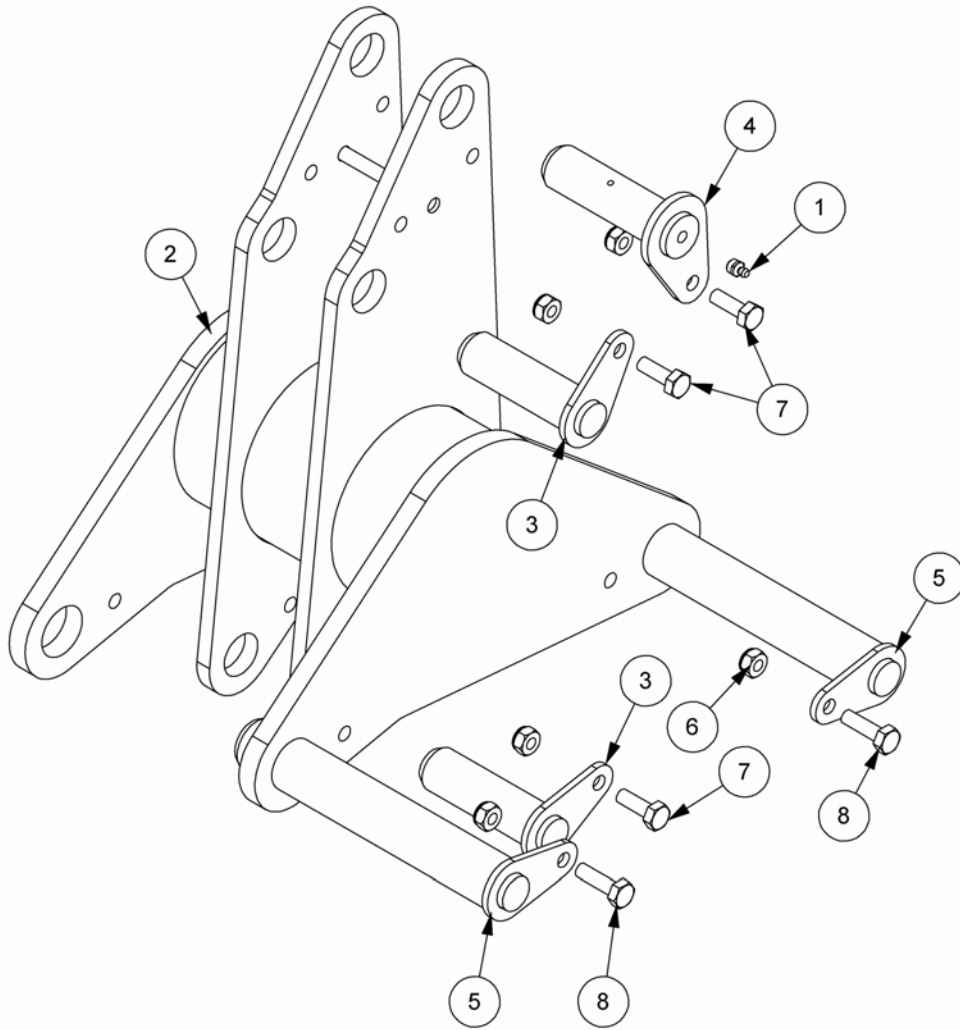
Module(s): L/H Build 7147702 (*illustrated*), R/H Build 7147703

REF.	QTY.	PART No.	DESCRIPTION
		<b>7147702</b>	<b>MAIN FRAME ASSEMBLY - L/H Build</b>
		<b>7147703</b>	<b>MAIN FRAME ASSEMBLY - R/H Build</b>
1	2	0431105	SPRING COTTER
2	4	0431217	LINCH PIN
3	2	0901121	GREASE NIPPLE
4	1	21557.01	TOP HITCH BRACKET
5	1	21558.01	SPRING PLATE
6	1	21770.01	PIN
7	2	21997.01	LEG PIN
8	1	41267.06	LINK PIN
9	1	41692.03	PIN
10	1	41693.06	PIN (SWING LINK)
11	1	41860.09	MAINFRAME - L/H Build
	1	41860.10	MAINFRAME - R/H Build
12	1	42350.05	SWING LINK
13	1	7114289	DRIVE SHAFT ASSEMBLY
14	1	7135033	RUBBER SPRING
15	4	7191108	PLASTIC PLUG
16	1	7198016	R/H STAND LEG
17	1	7198046	L/H STAND LEG
18	2	7213023	PLASTIC BUSH
19	2	9113008	NUT
20	2	9163005	NYLOC NUT
21	2	9163007	NYLOC NUT
22	2	9313065	SETSCREW

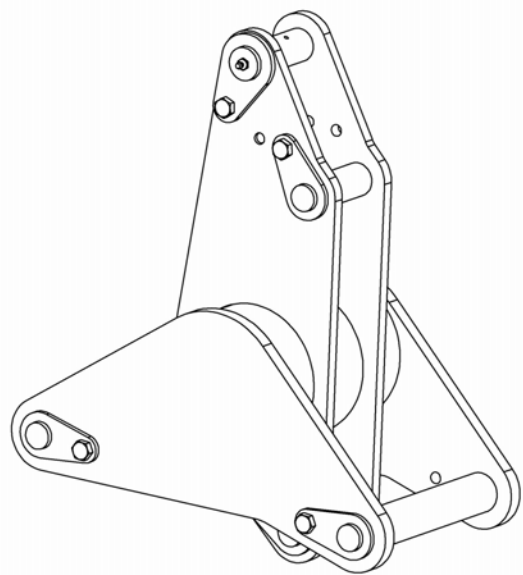
# ROCKER ASSEMBLY

Module(s): 7147705

**McCONEL**



ASSEMBLED FOR L/H BUILD



ASSEMBLED FOR R/H BUILD

**ROCKER ASSEMBLY****McCONNEL**

Module(s): 7147705

<b>REF.</b>	<b>QTY.</b>	<b>PART No.</b>	<b>DESCRIPTION</b>
		<b>7147705</b>	<b>ROCKER ASSEMBLY</b>
1	1	0901121	GREASE NIPPLE
2	1	41861.01	ROCKER
3	2	41692.02	PIN
4	1	41692.13	PIN C/W GREASE POINT
5	2	7191033	PIN (MAIN ARM PIVOT)
6	5	9163005	NYLOC NUT
7	3	9313065	SETSCREW
8	2	9313075	SETSCREW



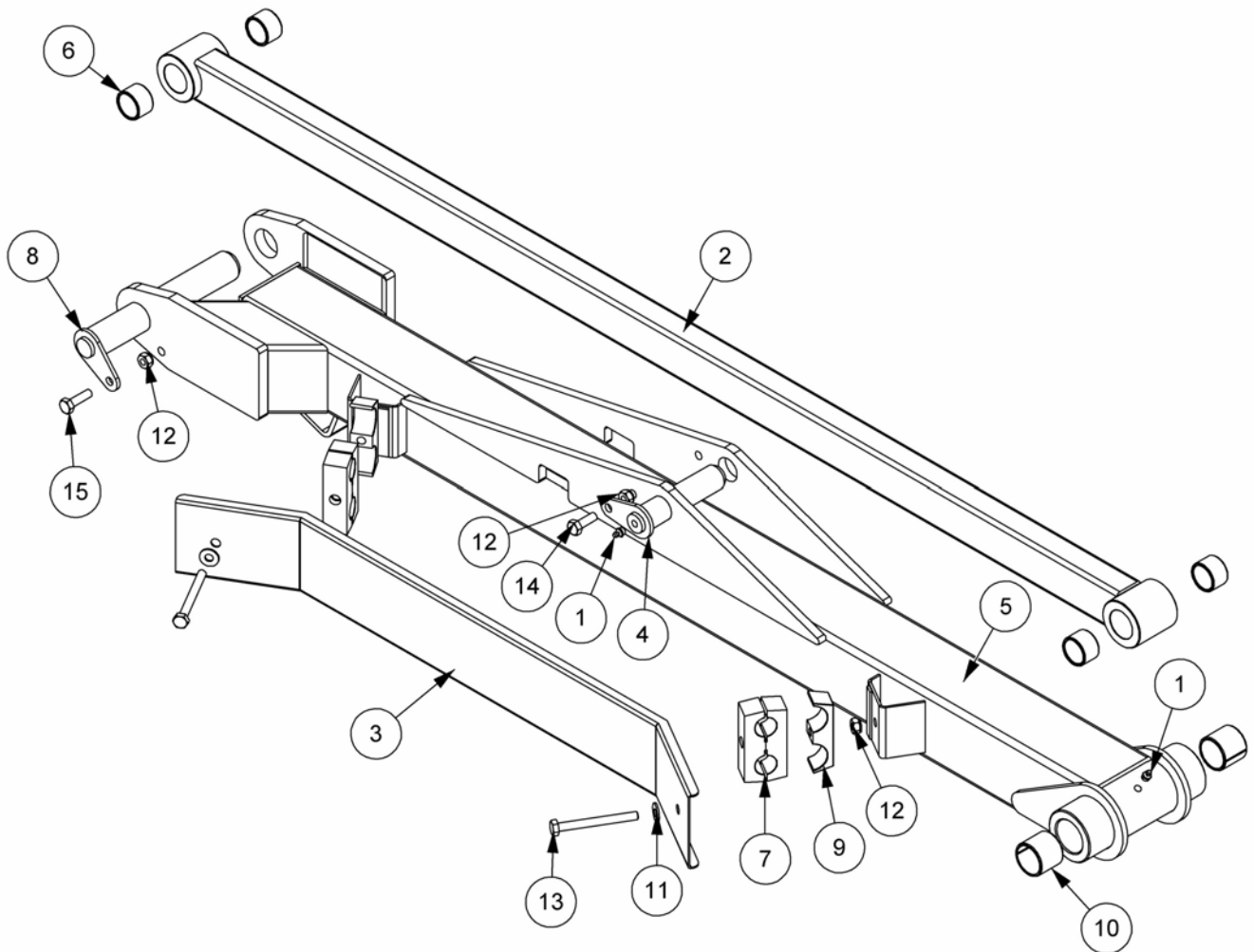
Module(s):

*This page is intentionally blank*

# MAIN ARM ASSEMBLY

**McCONEL**

Module(s): L/H Build 7147706 (illustrated), R/H Build 7147707

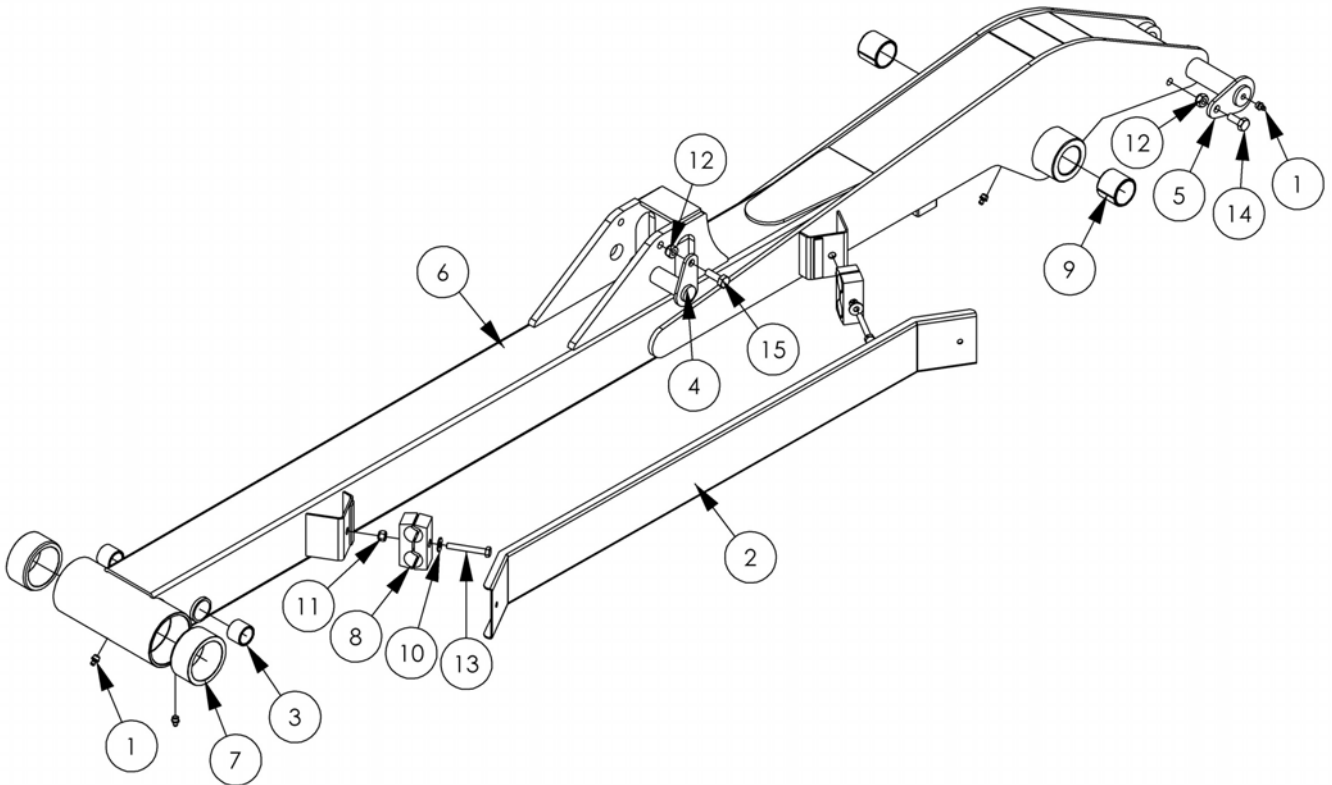


REF.	QTY.	PART No.	DESCRIPTION
		<b>7147706</b>	<b>MAIN ARM ASSEMBLY - L/H Build</b>
		<b>7147707</b>	<b>MAIN ARM ASSEMBLY - R/H Build</b>
1	2	0901121	GREASE NIPPLE
2	1	22499.01	TENSION LINK
3	1	22556.01	HOSE COVER
4	1	41692.03	PIN
5	1	41862.02	MAIN ARM - L/H Build
	1	41862.01	MAIN ARM - R/H Build
6	4	6012032	PLASTIC BUSH
7	2	7190148	PLASTIC CLAMP (1 PAIR)
8	1	7191033	PIN (MAIN ARM PIVOT)
9	2	7193063	CLAMP HALF
10	2	7213023	PLASTIC BUSH
11	2	9100105	FLAT WASHER
12	4	9163005	NYLOC NUT
13	2	9213205	BOLT
14	1	9313065	SETSCREW
15	1	9313075	SETSCREW

# STANDARD DIPPER ARM ASSEMBLY – PA47 Mk4

**McCONEL**

Module(s): L/H Build 7147710 (*illustrated*), R/H Build 7147711

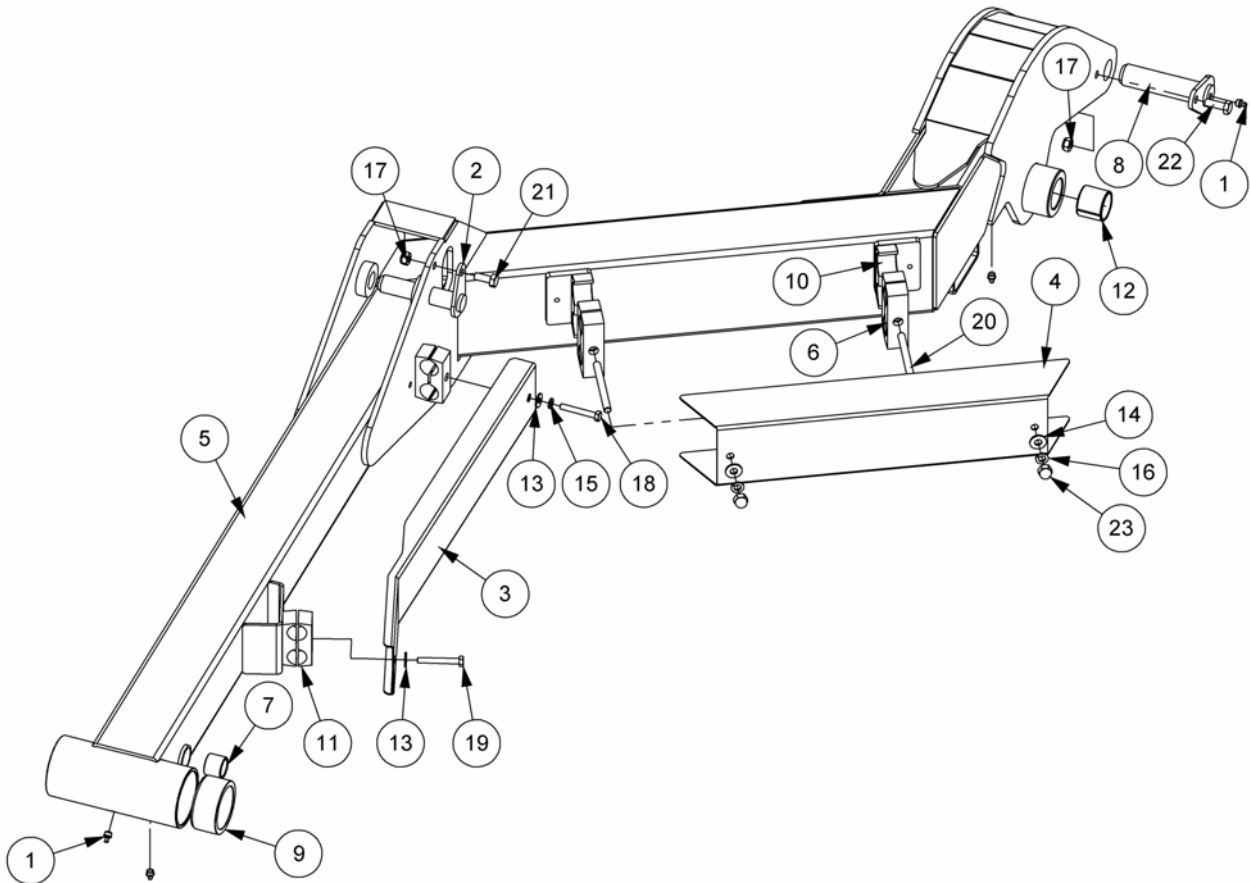


REF.	QTY.	PART No.	DESCRIPTION
		<b>7147710</b>	<b>DIPPER ARM ASSEMBLY - L/H Build</b>
		<b>7147711</b>	<b>DIPPER ARM ASSEMBLY - R/H Build</b>
1	4	0901121	GREASE NIPPLE
2	1	22556.02	HOSE COVER
3	2	41690.01	PLASTIC BUSH
4	1	41691.01	PIN (ANGLE BASE END)
5	1	41692.14	PIN C/W GREASE POINT
6	1	41869.07	DIPPER ARM - L/H Build
	1	41869.08	DIPPER ARM - R/H Build
7	2	7136035	PLASTIC BUSH
8	2	7198077	PIPE CLAMP
9	2	7213023	PLASTIC BUSH
10	2	9100104	FLAT WASHER
11	2	9163004	NYLOC NUT
12	2	9163005	NYLOC NUT
13	2	9213124	BOLT
14	1	9313055	SETSCREW
15	1	9313065	SETSCREW

# FIXED MIDCUT DIPPER ARM ASSEMBLY

# McCONEL

Module(s): L/H Build 7147712 (*illustrated*), R/H Build 7147713

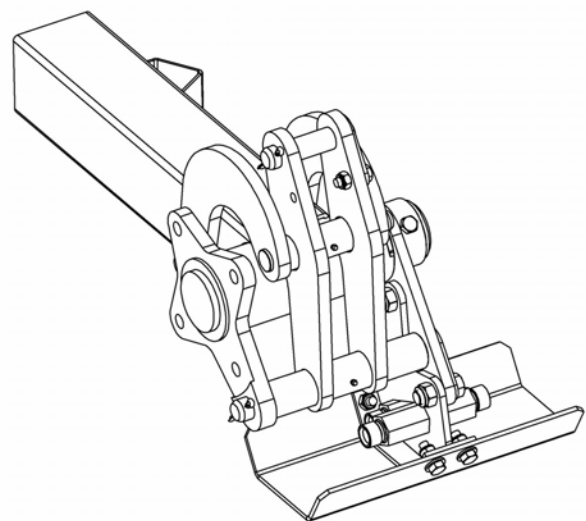
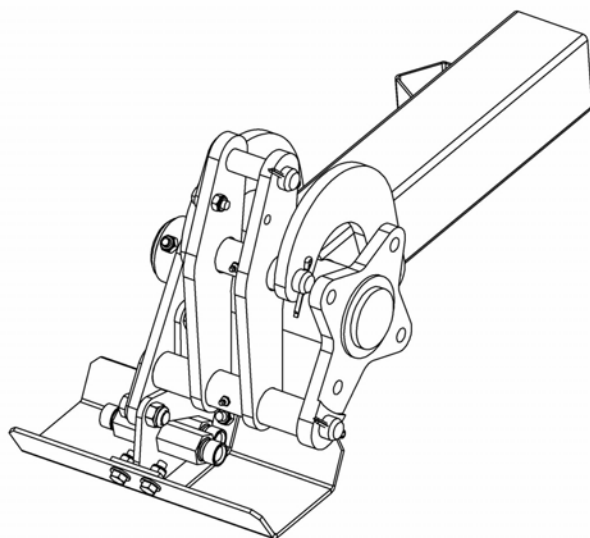
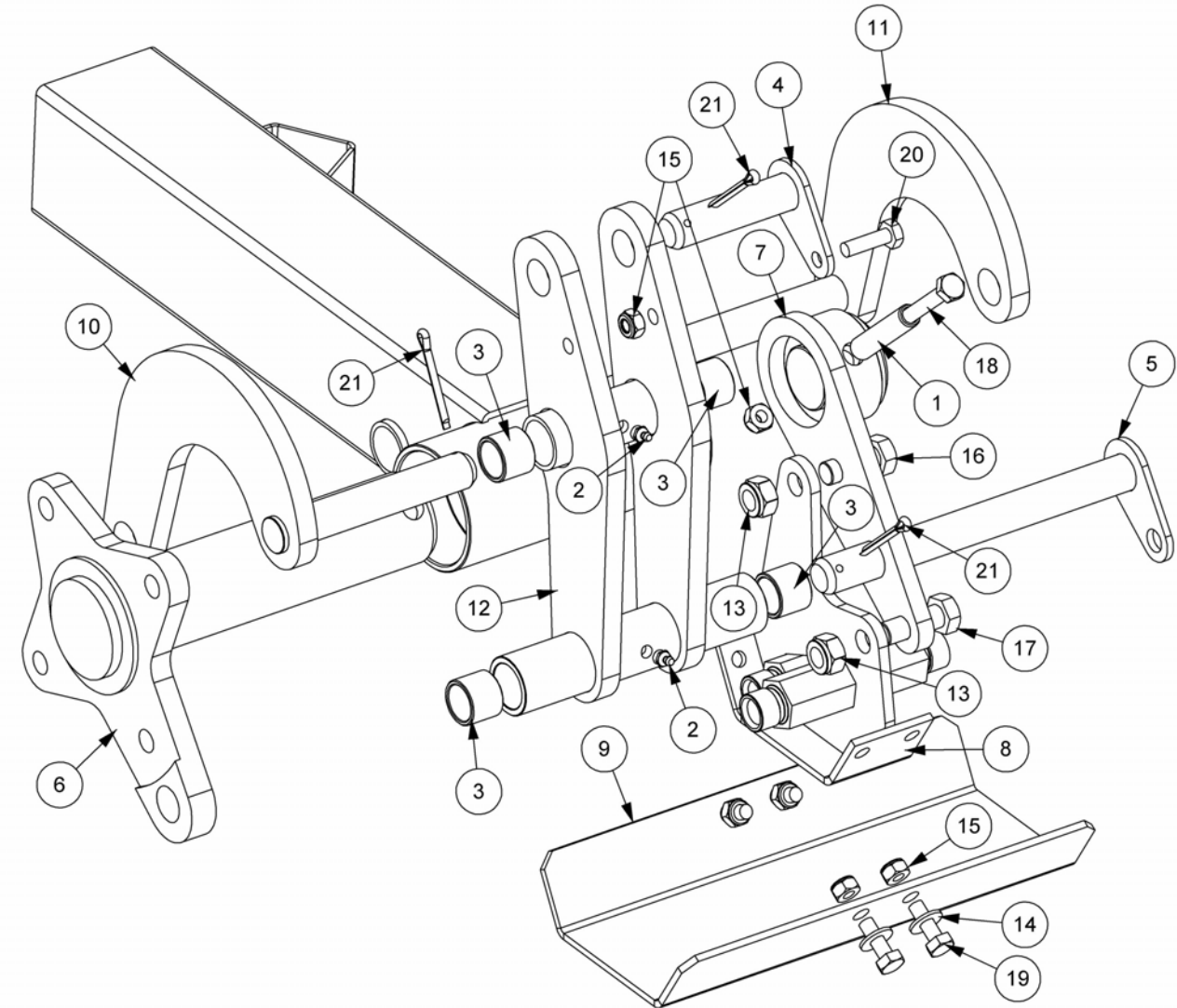


REF.	QTY.	PART No.	DESCRIPTION
		<b>7147712</b>	<b>FIXED MIDCUT DIPPER ARM - L/H Build</b>
		<b>7147713</b>	<b>FIXED MIDCUT DIPPER ARM - R/H Build</b>
1	4	0901121	GREASE NIPPLE
2	1	22168.01	RAM BASE PIN
3	1	22556.04	LOWER HOSE GUARD
4	1	22556.05	CENTRE HOSE COVER
5	1	22557.01	CRANKED DIPPER ARM - L/H Build
	1	22557.02	CRANKED DIPPER ARM - R/H Build
6	2	7190148	PLASTIC CLAMP
7	2	41690.01	PLASTIC BUSH
8	1	41692.14	PIN C/W GREASE POINT
9	2	7136035	PLASTIC BUSH
10	2	7193063	CLAMP HALF
11	2	7198077	PIPE CLAMP
12	2	7213023	PLASTIC BUSH
13	2	9100104	FLAT WASHER
14	2	9100105	FLAT WASHER
15	1	9100204	SPRING WASHER
16	2	9100205	SPRING WASHER
17	2	9163005	NYLOC NUT
18	1	9213114	BOLT
19	1	9213124	BOLT
20	2	04.282.69	STUD
21	1	9313055	SETSCREW
22	1	9313065	SETSCREW
23	2	9100025	DOME NUT

# HEAD ANGLING MECHANISM ASSEMBLY

**McCONEL**

Module(s): 7170702



HEAD ANGLING MECHANISM ASSEMBLY

**McCONNEL**

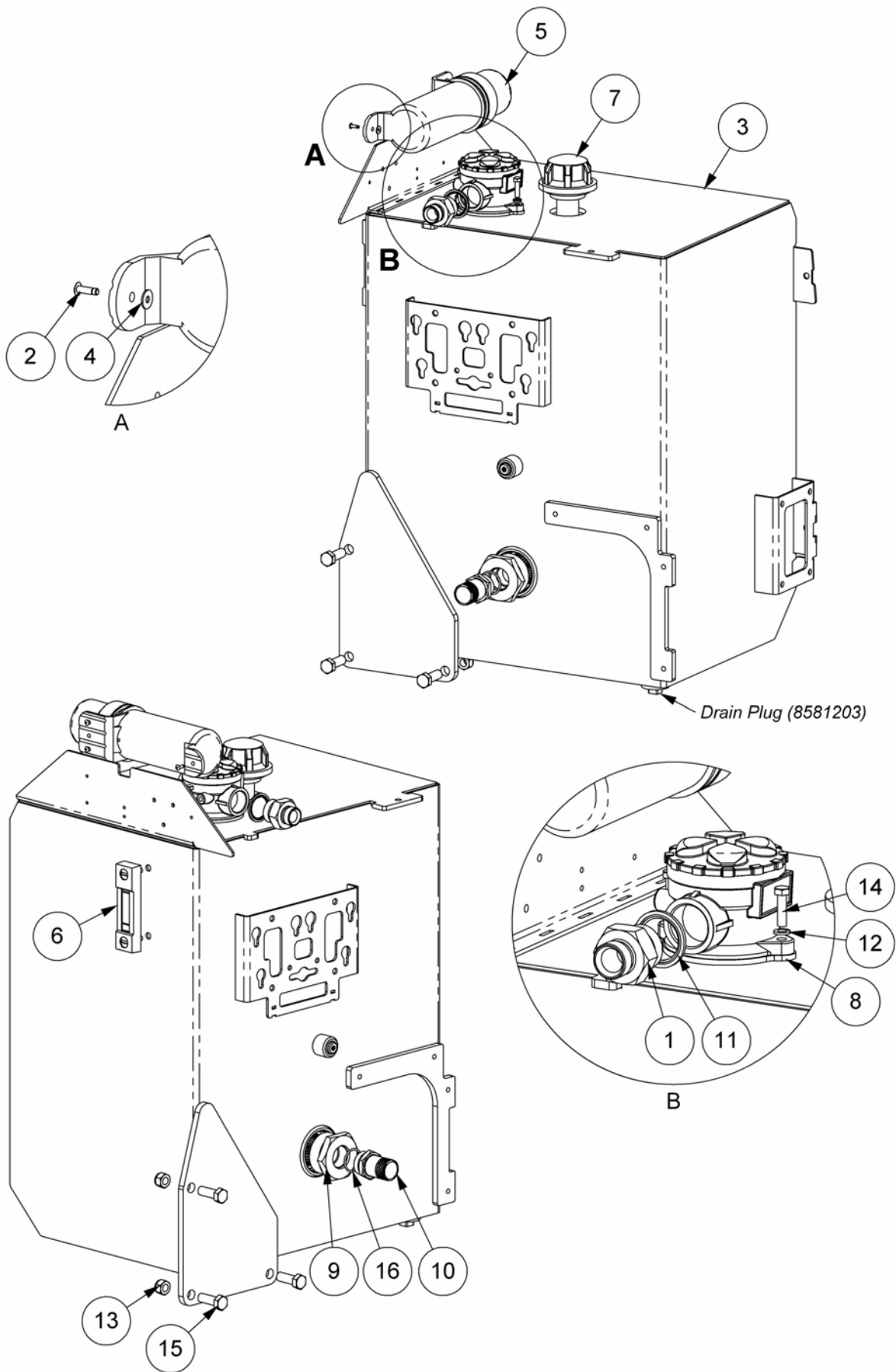
Module(s): 7170702

REF.	QTY.	PART No.	DESCRIPTION
		<b>7170702</b>	<b>HEAD ANGLING MECHANISM</b>
1	1	0423548	SPRING DOWEL
2	3	0901121	GREASE NIPPLE
3	4	41690.01	BUSH
4	1	41693.01	PIN (ANGLE ROD END)
5	1	7192009	PIN (SLAVE LINK)
6	1	7192308	PIVOT TUBE
7	1	7192316	JAW PLATE
8	1	7192321	HOSE BRACKET
9	1	7198333	HOSE TRAY
10	1	7450250	RADIUS ARM - REAR
11	1	7450251	RADIUS ARM - FRONT
12	1	7450252	SLAVE LINK
13	2	9100028	SELF-LOCKING NUT
14	4	9100105	FLAT WASHER
15	6	9163005	NYLOC NUT
16	1	30.073.25	BOLT
17	1	9200028	BOLT
18	1	9213185	BOLT
19	4	9313065	SETSCREW
20	1	9313075	SETSCREW
21	4	9501507	SPLIT PIN

# HYDRAULIC TANK ASSEMBLY

Module(s): L/H Build 7150704 (illustrated), R/H Build 7150705

**McCONEL**



# HYDRAULIC TANK ASSEMBLY

**McCONNEL**

Module(s): L/H Build 7150704 (*illustrated*), R/H Build 7150705

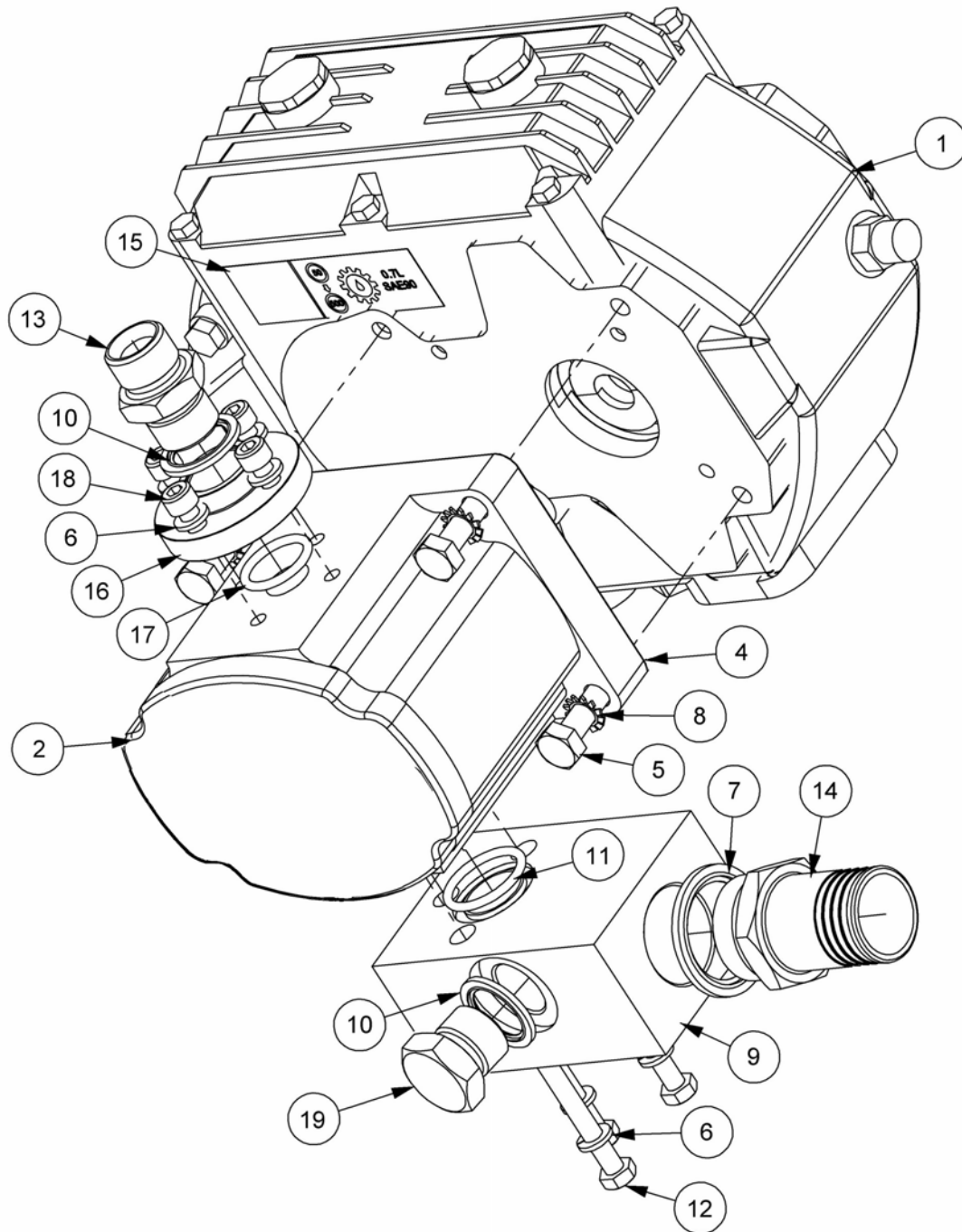
REF.	QTY.	PART No.	DESCRIPTION
		<b>7150704</b>	<b>HYDRAULIC TANK ASSEMBLY - L/H Build</b>
		<b>7150705</b>	<b>HYDRAULIC TANK ASSEMBLY - R/H Build</b>
1	1	05.131.01	ADAPTOR
2	3	21612.02	POP RIVET
3	1	22470.03	TANK - L/H Build ( <i>includes Drain Plug 8581203</i> )
	1	22470.04	TANK - R/H Build ( <i>includes Drain Plug 8581203</i> )
4	3	22530.01	RIVET WASHER
5	1	46505.01	LITERATURE HOLDER
6	1	8401048	LEVEL GAUGE
7	1	8401050	BREATHER
8	1	8401088	FILTER ASSEMBLY - <i>comprising of:</i>
	1	8401089	FILTER ELEMENT (25 Micron)
	1	8401092	FILTER LID SPRING
	1	8401093	FILTER HOUSING SEAL
	1	8700235	O RING
	1	8700092	O RING
	1	212.013.04	FILLER CAP
9	1	8401097	SUCTION STRAINER
10	1	8581260	ADAPTOR
11	1	8650109	BONDED SEAL
12	2	9100204	SPRING WASHER
13	3	9163007	NYLOC NUT
14	2	9313064	SETSCREW
15	3	9313097	SETSCREW
16	1	8700784	O RING



# SI PUMP & GEARBOX ASSEMBLY

Module(s): L/H Build 8013511 (illustrated), R/H Build 8013507

**McCONEL**



## SI PUMP &amp; GEARBOX ASSEMBLY

**McCONNEL**

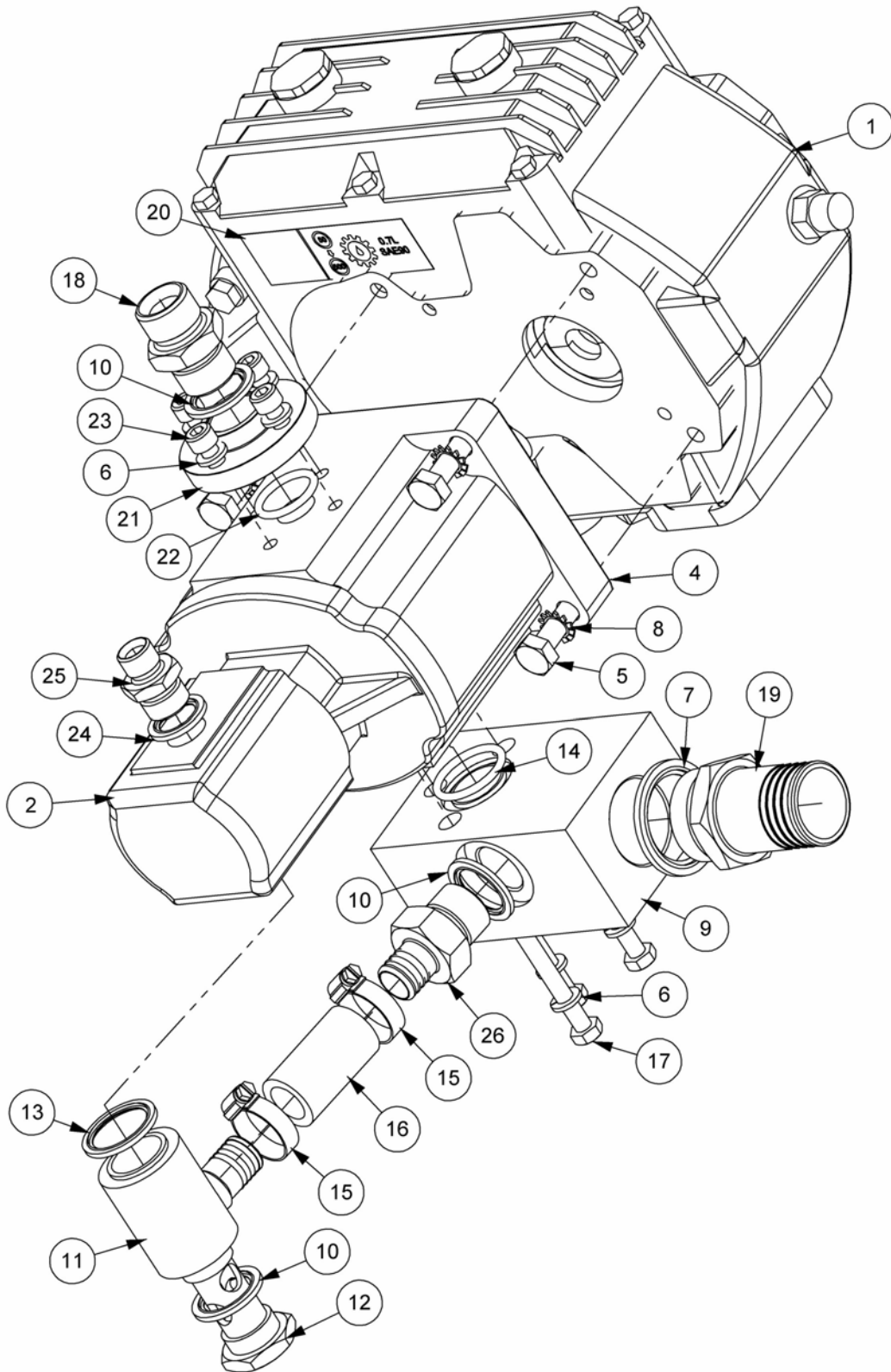
Module(s): L/H Build 8013511 (illustrated), R/H Build 8013507

REF.	QTY.	PART No.	DESCRIPTION	
		<b>8013511</b>	<b>SI PUMP &amp; GEARBOX ASSEMBLY - L/H Build</b>	
		<b>8013507</b>	<b>SI PUMP &amp; GEARBOX ASSEMBLY - R/H Build</b>	
1	1	21931.01	GEARBOX ASSEMBLY 1:4.25 13T SPLINE	
2	1	8201463	PUMP	
3	1	8600523	O RING	
4	1	8013056	GASKET	
5	4	9213075	BOLT	
6	7	9100204	SPRING WASHER	
7	1	8650109	BONDED SEAL	
8	4	9100405	EXTERNAL SHAKEPROOF WASHER	
9	1	7192371	SUCTION BLOCK - L/H Build	
	1	7192372	SUCTION BLOCK - R/H Build ( <i>not illustrated</i> )	
10	2	8650106	BONDED SEAL	
11	14	1	8600122	O RING
12	17	3	9213144	BOLT
13	18	1	8581136	ADAPTOR
14	19	1	8581260	ADAPTOR
15	20	1	1290092	GEARBOX DECAL
16	21	1	8013088	PUMP FLANGE
17	22	1	8600119	O RING
18	23	4	9343054	CAPSCREW
19	26	1	05.313.01	PLUG
		<b>8699231</b>	<b>PUMP SEAL KIT</b>	

# TI PUMP & GEARBOX ASSEMBLY

Module(s): L/H Build 7447562 (illustrated), R/H Build 8013505

**McCONEL**

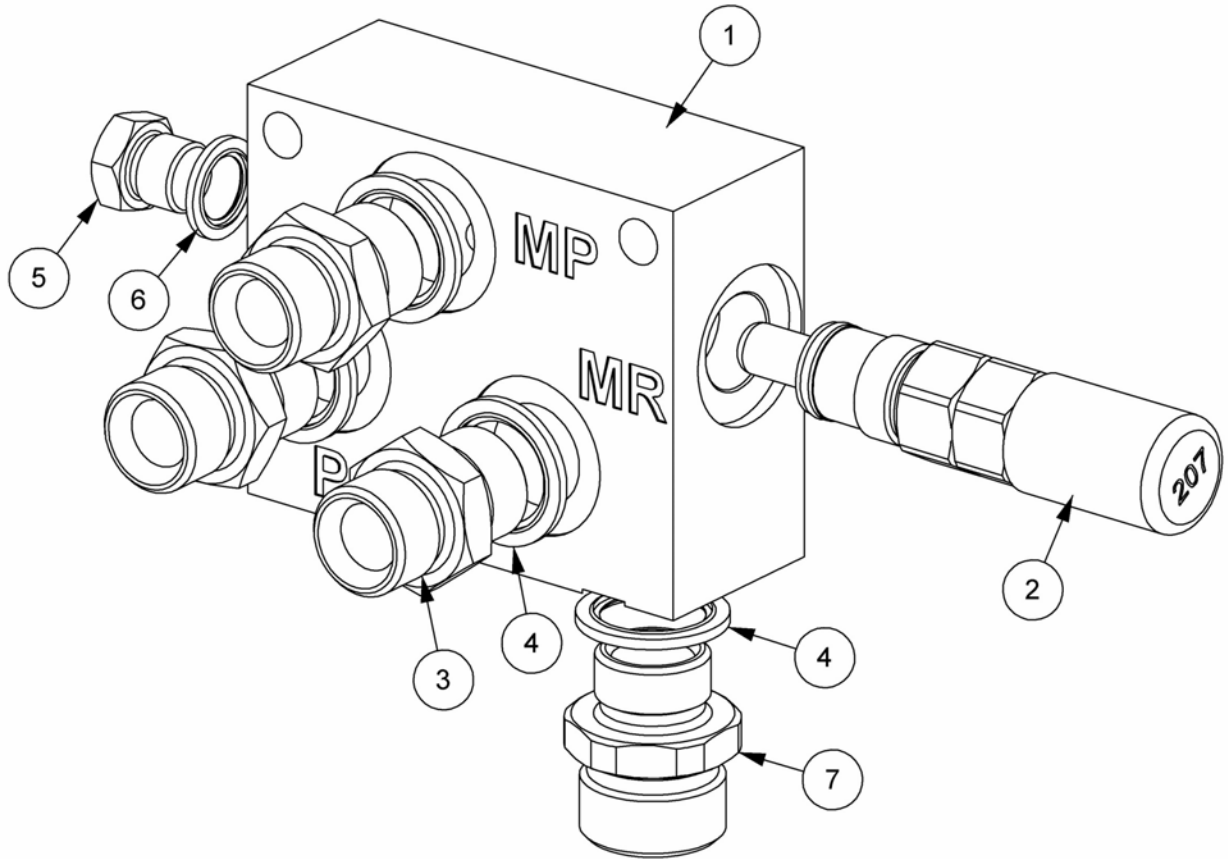


# TI PUMP & GEARBOX ASSEMBLY

# McCONNEL

Module(s): L/H Build 7447562 (*illustrated*), R/H Build 8013505

REF.	QTY.	PART No.	DESCRIPTION
		<b>7447562</b>	<b>TI PUMP &amp; GEARBOX ASSEMBLY - L/H Build</b>
		<b>8013505</b>	<b>TI PUMP &amp; GEARBOX ASSEMBLY - R/H Build</b>
1	1	21931.01	GEARBOX ASSEMBLY 1:4.25 13T SPLINE
2	1	8201466	TANDEM PUMP - <i>comprising of:</i>
	1	8201684	LARGE PUMP
	1	8201677	SMALL PUMP
3	1	8600523	O RING
4	1	8013056	GASKET
5	4	9213075	BOLT
6	7	9100204	SPRING WASHER
7	7	9100404	SHAKEPROOF WASHER
8	4	9100405	EXTERNAL SHAKEPROOF WASHER
9	1	7192371	SUCTION BLOCK - L/H Build
	1	7192372	SUCTION BLOCK - R/H Build
10	3	8650106	BONDED SEAL
11	1	8013096	BANJO ASSEMBLY
12	1	8013095	BANJO BOLT
13	1	8650107	BONDED SEAL
14	1	8600122	O RING
15	2	0904204	HOSE CLIP
16	1	8501213	HOSE - 3/4" BORE x 50mm
17	3	9213144	BOLT
18	1	8581136	ADAPTOR
19	1	8581260	ADAPTOR
20	1	1290092	GEARBOX DECAL
21	1	8013088	PUMP FLANGE
22	1	8600119	O RING
23	4	9343054	CAPSCREW
24	1	8650104	BONDED SEAL
25	1	6000112	ADAPTOR
26	1	8581301	ADAPTOR
27	1	8650109	BONDED SEAL
		<b>8699231</b>	<b>PUMP SEAL KIT</b>



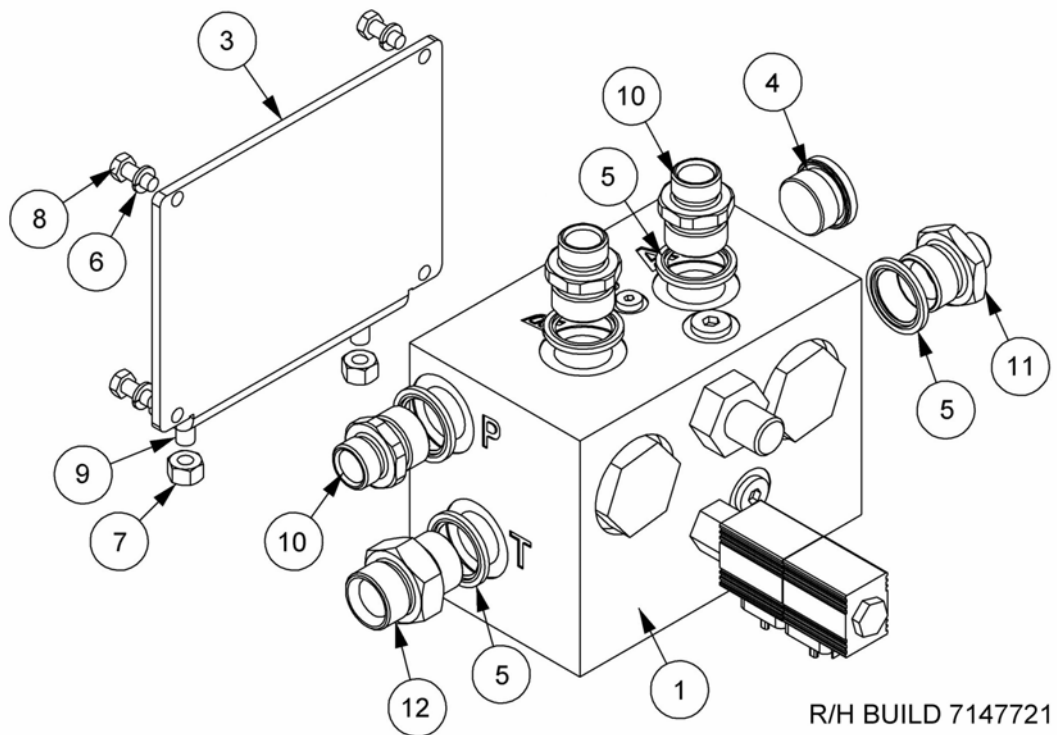
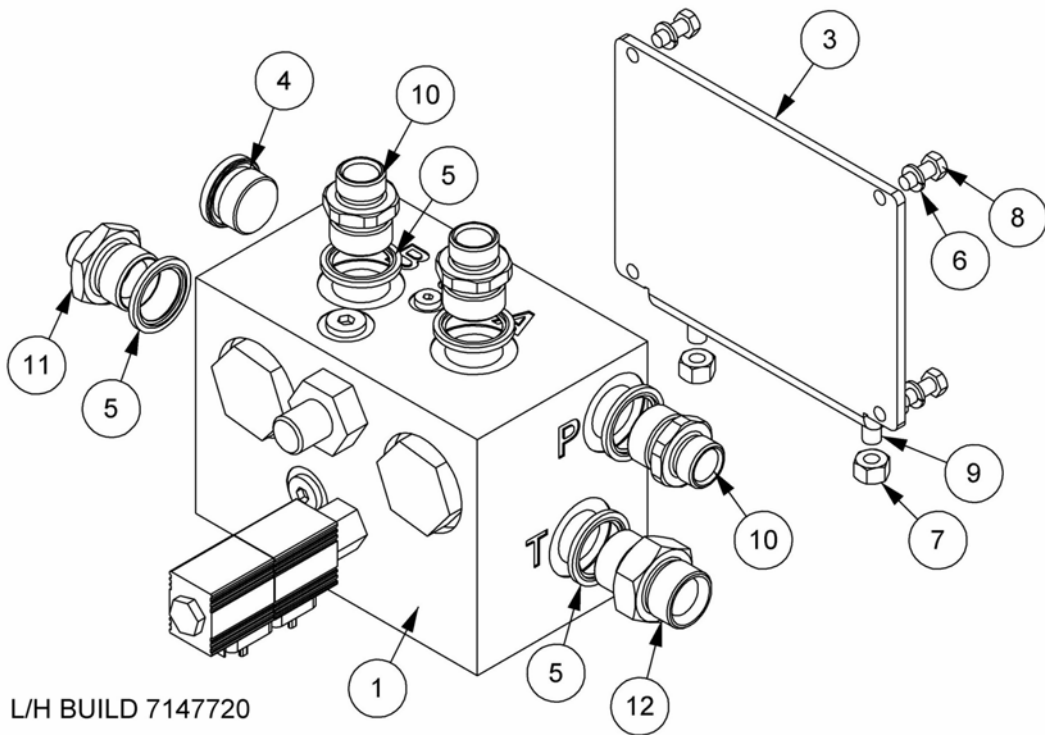
Module(s): 8125411

REF.	QTY.	PART No.	DESCRIPTION
		<b>8125411</b>	<b>ROTOR RELIEF VALVE ASSEMBLY</b>
1	1	8125352	ROTOR RELIEF BLOCK
2	1	8125095	RELIEF VALVE (207 BAR)
3	3	8581136	ADAPTOR
4	4	8650106	BONDED SEAL
5	1	8003001	ADAPTOR PLUG
6	1	8650103	BONDED SEAL
7	1	8002086	ADAPTOR

# ELECTRIC ROTOR CONTROL VALVE ASSEMBLY

Module(s): L/H Build 7147720, R/H Build 7147721

**McCONEL**



**ELECTRIC ROTOR CONTROL VALVE ASSEMBLY****McCONNEL**

Module(s): L/H Build 7147720, R/H Build 7147721

<b>REF.</b>	<b>QTY.</b>	<b>PART No.</b>	<b>DESCRIPTION</b>
		<b>7147720</b>	<b>ELECTRIC ROTOR CONTROL - L/H Build</b>
		<b>7147721</b>	<b>ELECTRIC ROTOR CONTROL - R/H Build</b>
1	1	42768.01	ELECTRIC ROTOR CONTROL VALVE <i>c/o</i> :
	1	42768.40	MANIFOLD
	1	42768.32	LOGIC ELEMENT
	1	42768.35	SOLENOID (1999-2005)
	1	42768.43	SOLENOID (2005 onwards)
	1	42768.36	ORIFICE PLUG
	1	42768.41	RELIEF VALVE
	1	42768.45	RELIEF VALVE
	1	42768.49	CARTRIDGE SPOOL VALVE
	1	8600920	O RING
	1	8699260	SEAL KIT
2	1	43177.26	LOOM - ROTOR REVERSE
3	1	22512.01	RCV MOUNTING BRACKET
4	1	8581389	PLUG
5	5	8650108	BONDED SEAL
6	4	9100204	SPRING WASHER
7	2	9143005	SELF-LOCKING NUT
8	4	9313044	SETSCREW
9	2	9313055	SETSCREW
10	3	8002086	ADAPTOR
11	1	8581129	ADAPTOR
12	1	05.434.01	ADAPTOR

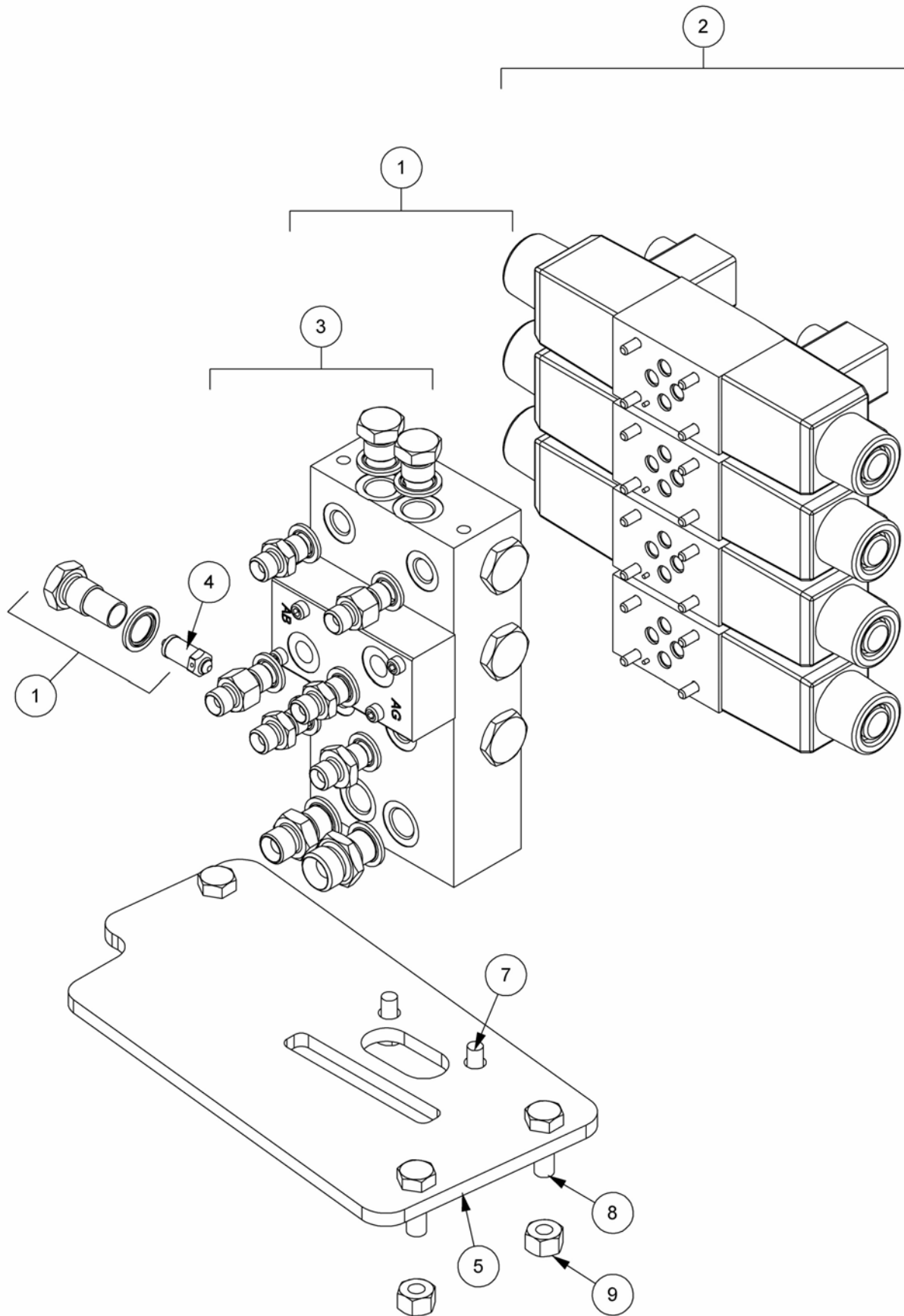
**NOTE: L/H & R/H Builds use identical parts and differ only in the assembled positions**



# ELECTRIC TI ACV ASSEMBLY - 3 Bank

Module(s): L/H Build 7147737 (illustrated), R/H Build 7147738

**McCONEL**



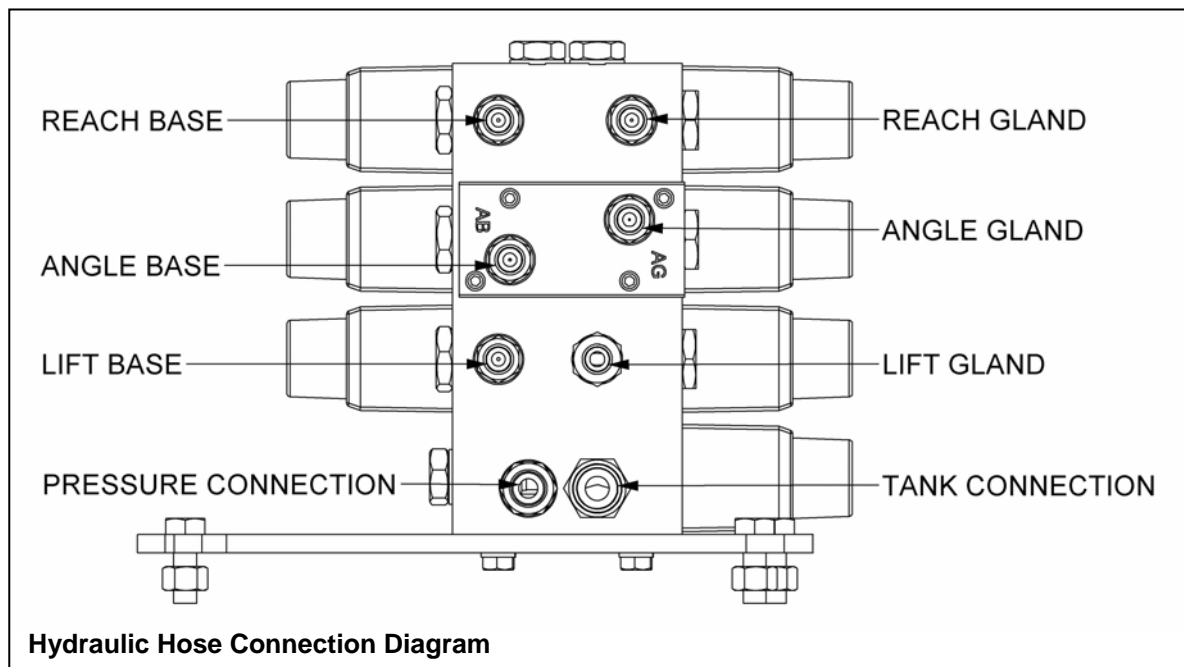
# ELECTRIC TI ACV ASSEMBLY - 3 Bank

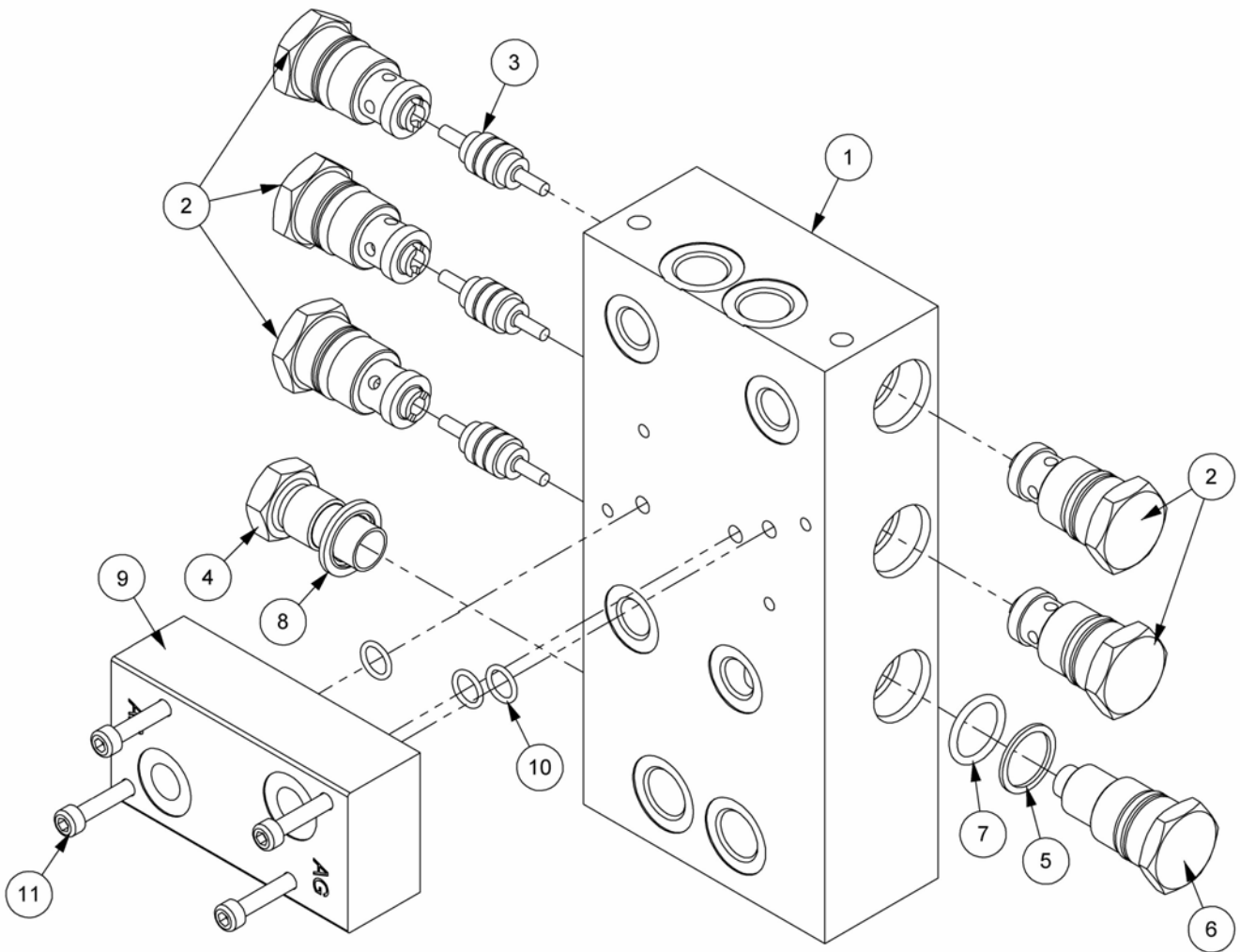
**McCONNEL**

Module(s): L/H Build 7147737 (*illustrated*), R/H Build 7147738

REF.	QTY.	PART No.	DESCRIPTION
		<b>7147737</b>	<b>ELEC. CONTROL VALVE ASSEMBLY - L/H Build</b>
		<b>7147738</b>	<b>ELEC. CONTROL VALVE ASSEMBLY - R/H Build</b>
1	1	22523.03	MANIFOLD MODULE - 3 BANK
2	1	22525.04	CONTROL/SOLENOID MODULE
3	1	22524.07	ADAPTOR MODULE
4	1	8130092	RELIEF VALVE (190BAR)
5	1	22516.02	VALVE MOUNTING PLATE
6	2	9100204	SPRING WASHER
7	2	9313044	SETSCREW
8	3	9313065	SETSCREW
9	3	9143005	SELF-LOCKING NUT

**NOTE:** L/H & R/H builds use identical components and differ only in the assembled orientation of Valve Mounting Plate 22516.02



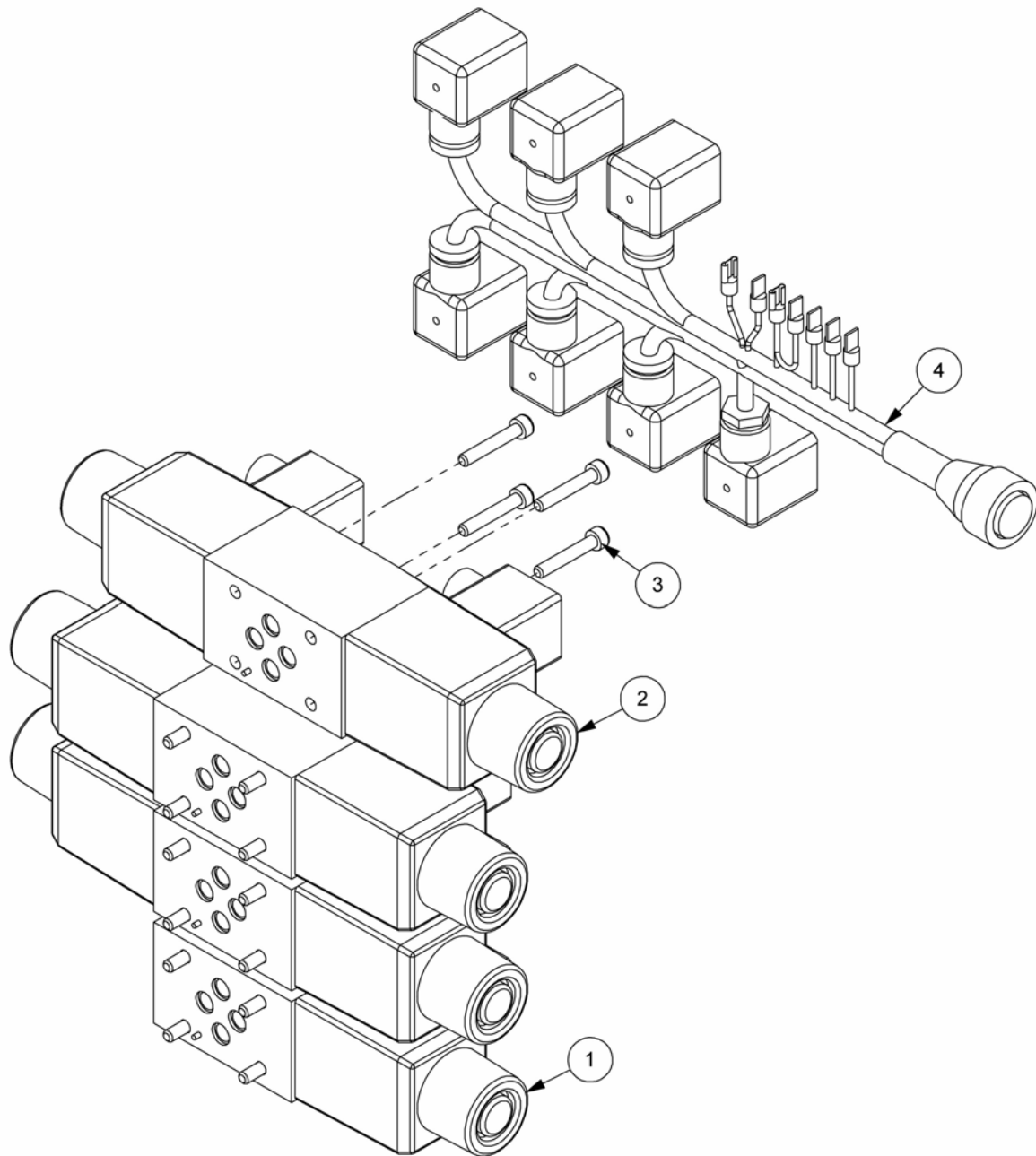


REF.	QTY.	PART No.	DESCRIPTION
		<b>22523.03</b>	<b>MANIFOLD ASSEMBLY - 3 BANK</b>
1	1	8130321	MANIFOLD BLOCK - 3 FUNCTION
2	5	8130090	CHECK VALVE ASSEMBLY - <i>comprising of:</i>
	1	8130025	CHECK VALVE CAP
	1	8114045	SPRING
	1	8130089	SPRING GUIDE
	1	0905509	STEEL BALL
	1	8700644	O RING
	1	8130088	CHECK VALVE SEAT
	1	8709644	BACKUP RING
3	3	8130087	ACTUATOR
4	1	8130032	RELIEF VALVE CAP
5	1	8709644	BACK UP RING
6	1	8130078	CHECK VALVE CAP
7	1	8700644	O RING

# SOLENOID MODULE

**McCONEL**

Module(s): 22525.04

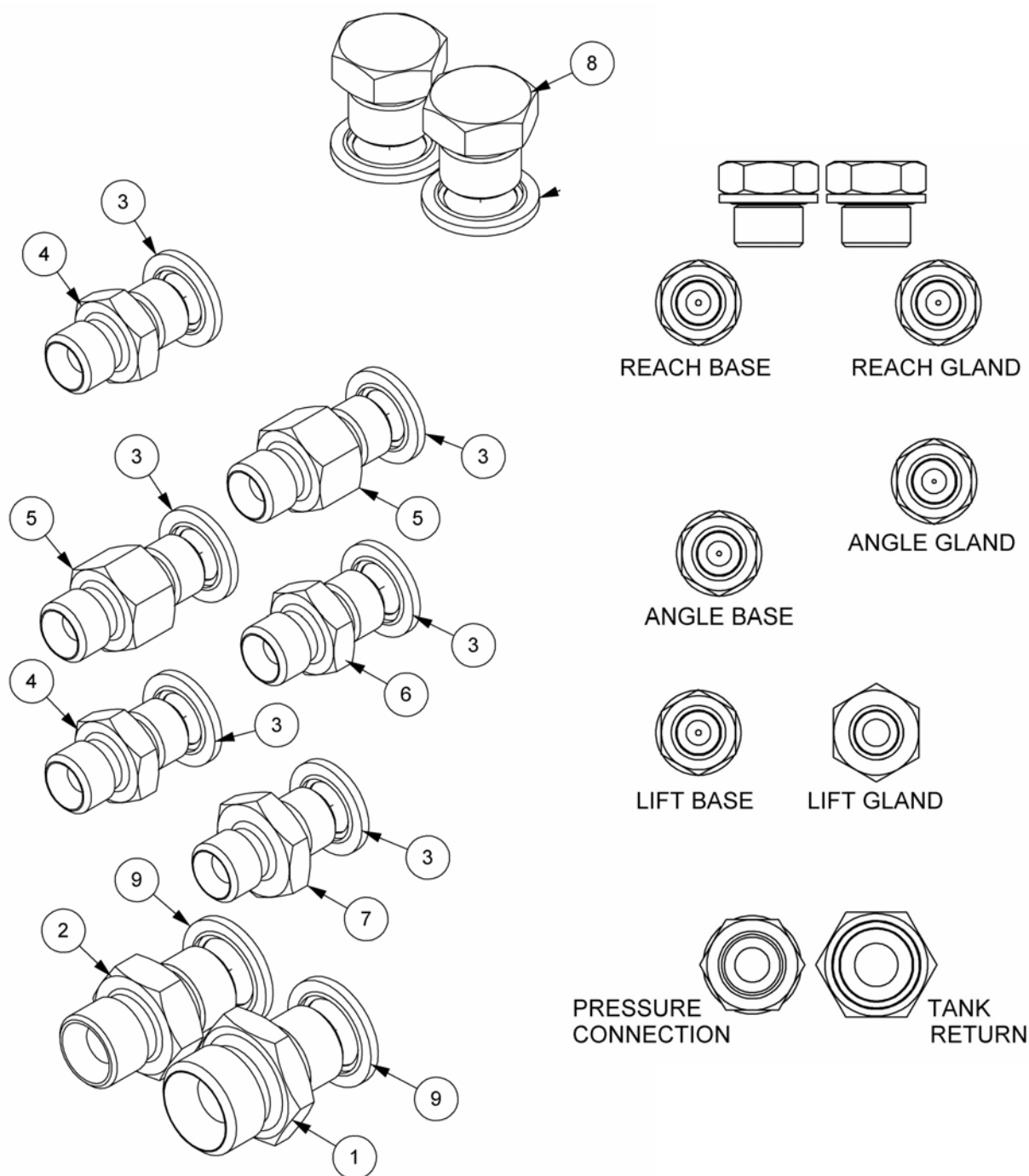


REF.	QTY.	PART No.	DESCRIPTION
		<b>22525.04</b>	<b>SOLENOID MODULE</b>
1	1	8130456	CUT OFF SOLENOID VALVE
	1	8130175	COIL (18W)
2	3	8130629	DOUBLE SOLENOID VALVE
	2	8130175	COIL (18W)
3	16	9243062	CAPSCREW
4	1	41844.02	LOOM - 14 CORE PLUG IN
		<b>8699224</b>	<b>SOLENOID SEAL KIT</b>

# ADAPTOR MODULE

**McCONNEL**

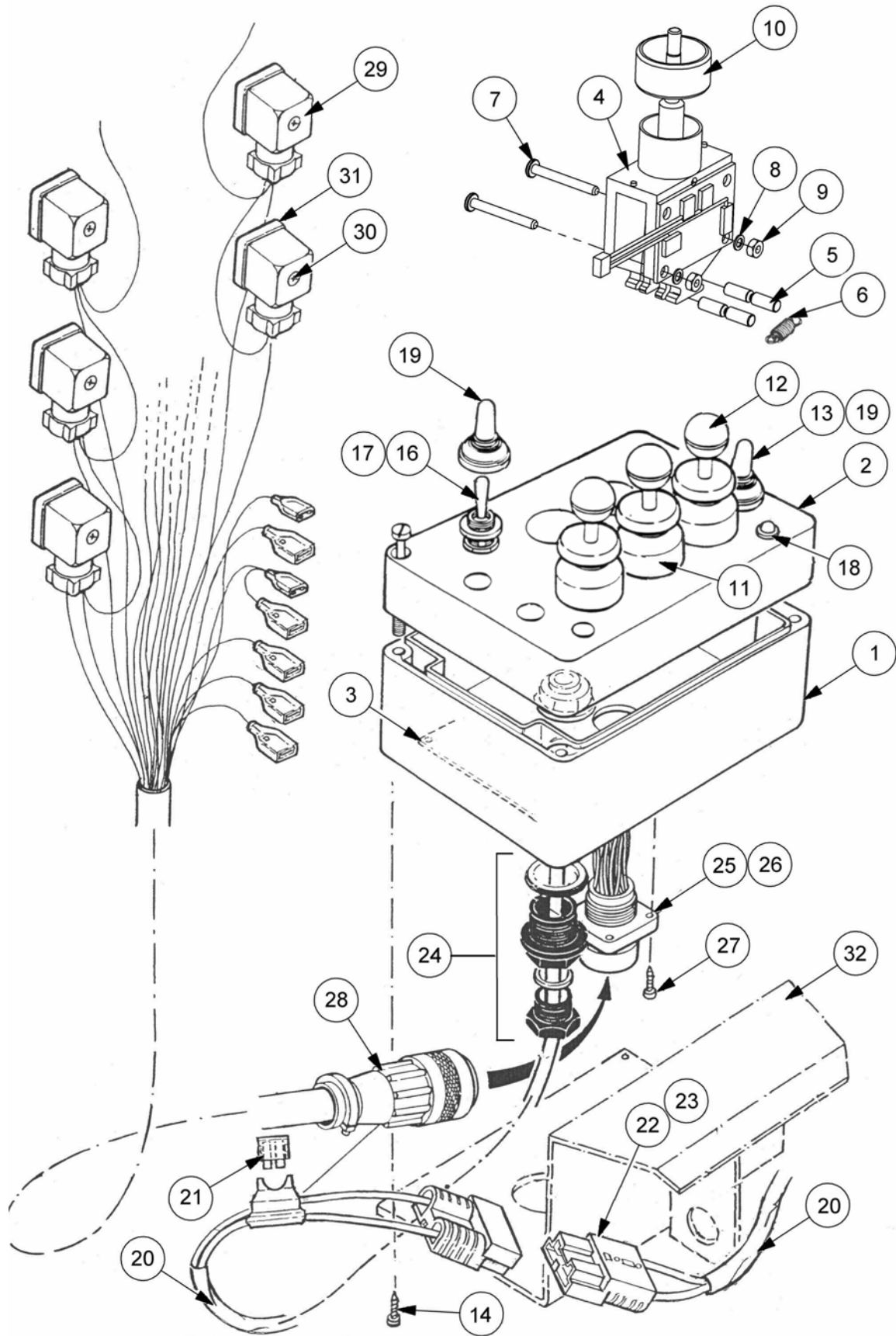
Module(s): 22524.07



REF.	QTY.	PART No.	DESCRIPTION
		<b>22524.07</b>	<b>ADAPTOR MODULE</b>
1	1	6000112	ADAPTOR
2	1	6000113	ADAPTOR
3	6	8650102	BONDED SEAL
4	2	8130038	ADAPTOR RESTRICTOR - 1.4 'L'
5	2	8130037	ADAPTOR RESTRICTOR - 1.15 'S'
6	1	8130103	ADAPTOR RESTRICTOR - 0.9 'T'
7	1	8581169	ADAPTOR
8	2	8003001	ADAPTOR PLUG
9	4	8650103	BONDED SEAL

Module(s):

*This page is intentionally blank*





Module(s): 8402900

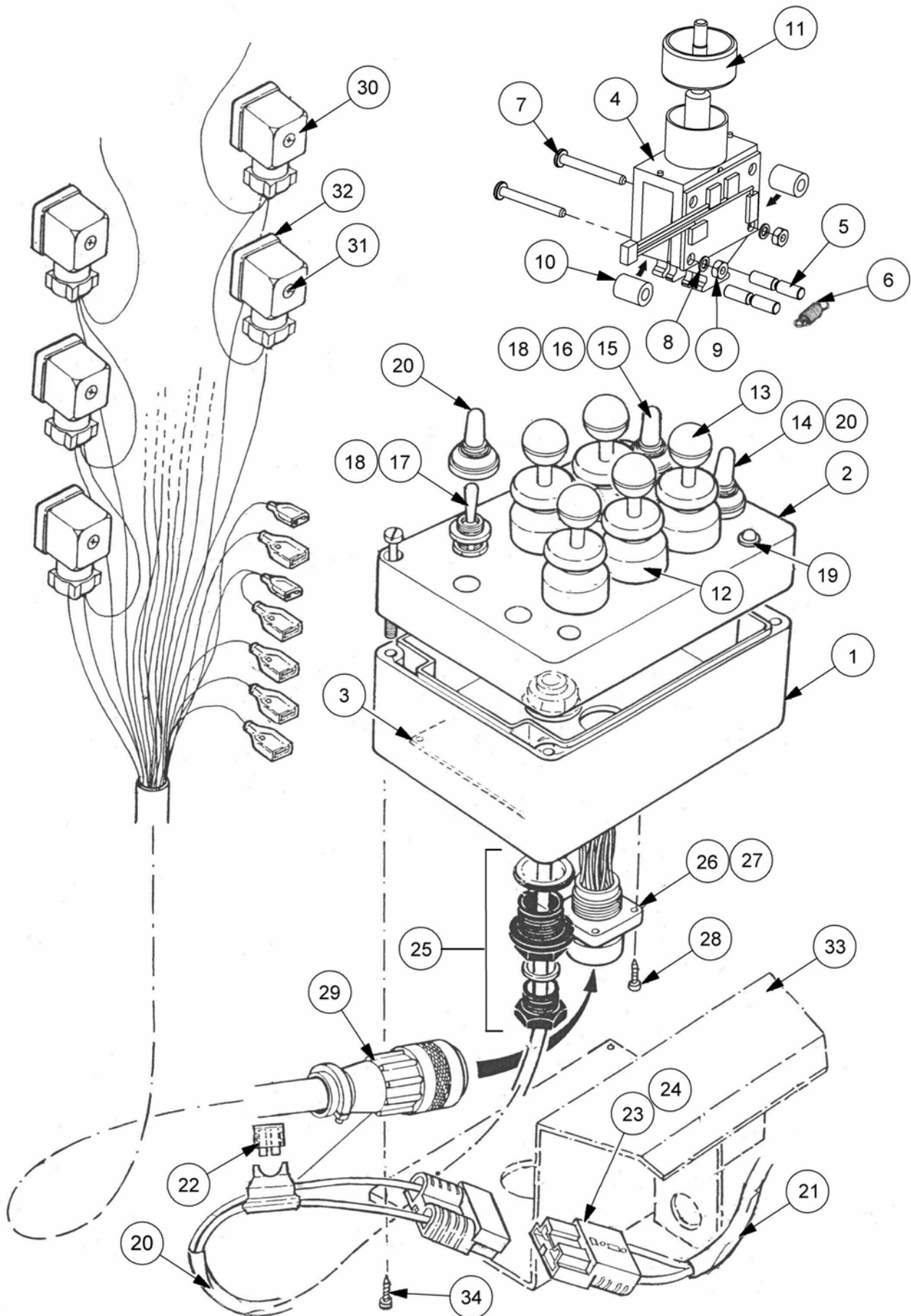
REF.	QTY.	PART NO.	DESCRIPTION
		<b>8402900</b>	<b>SWITCHBOX &amp; LOOM ASSEMBLY</b>
		<b>41845.01</b>	<b>MULTI 3 LEVER SWITCHBOX</b>
1	1	41845.32	BOX
2	1	41845.31	LID c/w SCREWS
3	1	41845.33	CIRCUIT BOARD
			LEVER SWITCH UNIT - <i>comprising of:</i>
4	3	8402133	SWITCH BODY/LEVER/CIRCUIT BOARD c/w
5	2	8402111	BAR
6	1	8402101	SPRING
7	2	9200006	SCREW - POSIDRIVE PANHEAD
8	2	8402120	PLAIN WASHER
9	2	9113000	NUT - PLATED
10	1	8402051	BEZEL RING
11	1	8402022	LEVER GAITER
12	5	8402056	KNOB - BLACK
13	1	8402023	SWITCH - POWER ON/OFF
14	4	2800243	SELF-TAPPING SCREW
15	1	8402193	SPECIAL TOOL - <i>not illustrated</i>
16	1	8402197	SWITCH - FLOAT
17	1	41845.37	LOOM - FLOAT SWITCH
18	1	41845.41	L.E.D. AND LOOM
19	2	8402024	WEATHER GAITER
20	1	8402232	POWER LOOM - <i>including:</i>
21	1	43034.02	FUSE
22	2	8402230	CONTACTS HOUSING
23	4	8402229	CONTACTS
24	1	8402042	GLAND
25	1	8402189	SOCKET SHELL
26	19	8402192	PIN SOCKET
27	4	2800203	SCREW
28	1	41844.06	WIRING LOOM - <i>including:</i>
29	12	07.835.04	PLUG - INCLUDING SCREW & GASKET
30	1	07.835.03	SCREW
31	1	07.835.02	GASKET
32	1	8402345	MOUNTING BRACKET



# ELECTRIC SWITCHBOX CONTROLS – 5 Functions

Module(s): Cable Rotor Control 8402901, Electric Rotor Control 8402902

# McCONEL



## ELECTRIC SWITCHBOX CONTROLS – 5 Functions

**McCONNEL**

Module(s): Cable Rotor Control 8402901, Electric Rotor Control 8402902

REF.	QTY.	PART NO.	DESCRIPTION
		<b>8402901</b>	<b>SWITCHBOX &amp; LOOM ASSEMBLY</b>
		<b>8402902</b>	<b>SWITCHBOX &amp; LOOM ASSEMBLY (Electric RCV)</b>
		<b>41845.03</b>	<b>MULTI 5 LEVER SWITCHBOX</b>
		<b>41845.04</b>	<b>MULTI 5 LEVER SWITCHBOX (Electric RCV)</b>
1	1	41845.32	BOX
2	1	41845.31	LID c/w SCREWS
3	1	41845.33	CIRCUIT BOARD LEVER SWITCH UNIT - <i>comprising of:</i>
4	5	8402133	SWITCH BODY/LEVER/CIRCUIT BOARD c/w
5	2	8402111	BAR
6	1	8402101	SPRING
7	2	9200006	SCREW - POSIDRIVE PANHEAD
8	2	8402280	PLAIN WASHER
9	2	9113000	NUT - PLATED
10	2	8402334	SPACER
11	1	8402051	BEZEL RING
12	1	8402022	LEVER GAITER
13	5	8402056	KNOB - BLACK
14	1	8402023	SWITCH - POWER ON/OFF
15	1	8402182	SWITCH - SLEW/AUTO RESET
16	1	41845.35	LOOM - SLEW/AUTO RESET SWITCH
17	1	8402197	SWITCH - FLOAT
18	1	41845.37	LOOM - FLOAT SWITCH
19	1	41845.41	L.E.D. AND LOOM
20	5	8402024	WEATHER GAITER
21	1	8402232	POWER LOOM - <i>including:</i>
22	1	43034.02	FUSE
23	2	8402230	CONTACTS HOUSING
24	4	8402229	CONTACTS
25	1	8402042	GLAND
26	1	8402189	SOCKET SHELL
27	19	8402192	PIN SOCKET
28	4	2800203	SCREW
29	1	41844.01	WIRING LOOM - <i>including:</i>
30	12	07.835.04	PLUG - INCLUDING SCREW & GASKET
31	1	07.835.03	SCREW
32	1	07.835.02	GASKET
33	1	8402345	MOUNTING BRACKET
34	4	2800243	SELF-TAPPING SCREW
35	1	8402193	SPECIAL TOOL - <i>not illustrated</i>



## ELECTRIC MONOLEVER CONTROLS

**McCONNEL**

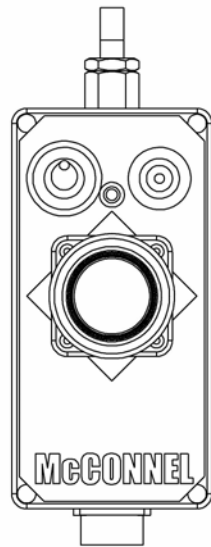
Module(s): Cable Rotor Control 8402905, Electric Rotor Control 8402906

REF.	QTY.	PART NO.	DESCRIPTION
		<b>8402905</b>	<b>MONOLEVER CONTROL UNIT - Cable RCV</b>
		<b>8402906</b>	<b>MONOLEVER CONTROL UNIT - Electric RCV</b>
		<b>41590.03</b>	<b>CONTROL ASSEMBLY - Cable RCV</b>
		<b>41590.05</b>	<b>CONTROL ASSEMBLY - Electric RCV</b>
1	1	41590.32	JOYSTICK - <i>Including Circuit Board</i>
2	1	8402184	POWER ON / EMERGENCY STOP
3	1	8402174	L.E.D. MAIN POWER ON
4	1	8402182	SWITCH - SLEW / AUTO RESET
5	2	8402023	SWITCH - LIFT AND ANGLE FLOAT
6	3	8402024	WEATHER COVER
7	1	7550300	COVER POD
8	1	7550339	TOP PLATE
9	1	7290052	SEALING STRIP ( <i>Cut to suit</i> )
10	10	9300125	SCREW - BUTTON HEAD
11	6	9143003	SELF LOCKING NUT
12	6	9100103	WASHER
13	1	8402189	SOCKET SHELL
14	14	8402192	FEMALE SOCKET PIN
15	4	9200007	SCREW - POSIDRIVE PANHEAD
16	4	9100400	EXTERNAL SERRATED WASHER
17	4	9100013	NUT - PLATED
18	1	8402232	POWER LOOM - <i>Including:</i>
19	1	43034.03	FUSE
20	2	8402230	CONTACT HOUSING
21	4	8402229	CONTACTS
22	1	8402042	GLAND
23	1	41844.01	WIRING LOOM - <i>Including:</i>
24	1	8402188	SHELL
25	1	8402190	CABLE CLAMP
26	12	07.835.04	PLUG - <i>Including:</i>
27	1	07.835.03	SCREW
28	1	07.835.02	GASKET
29	1	8402193	SPECIAL TOOL

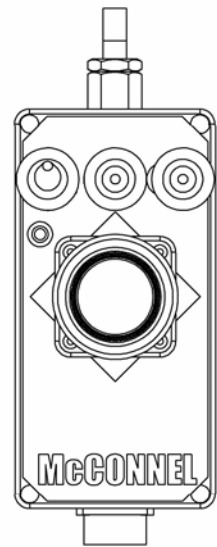
# MINI XTC PROPORTIONAL CONTROLS

Module(s): 8402390, 8402391, 8402392, 8402393

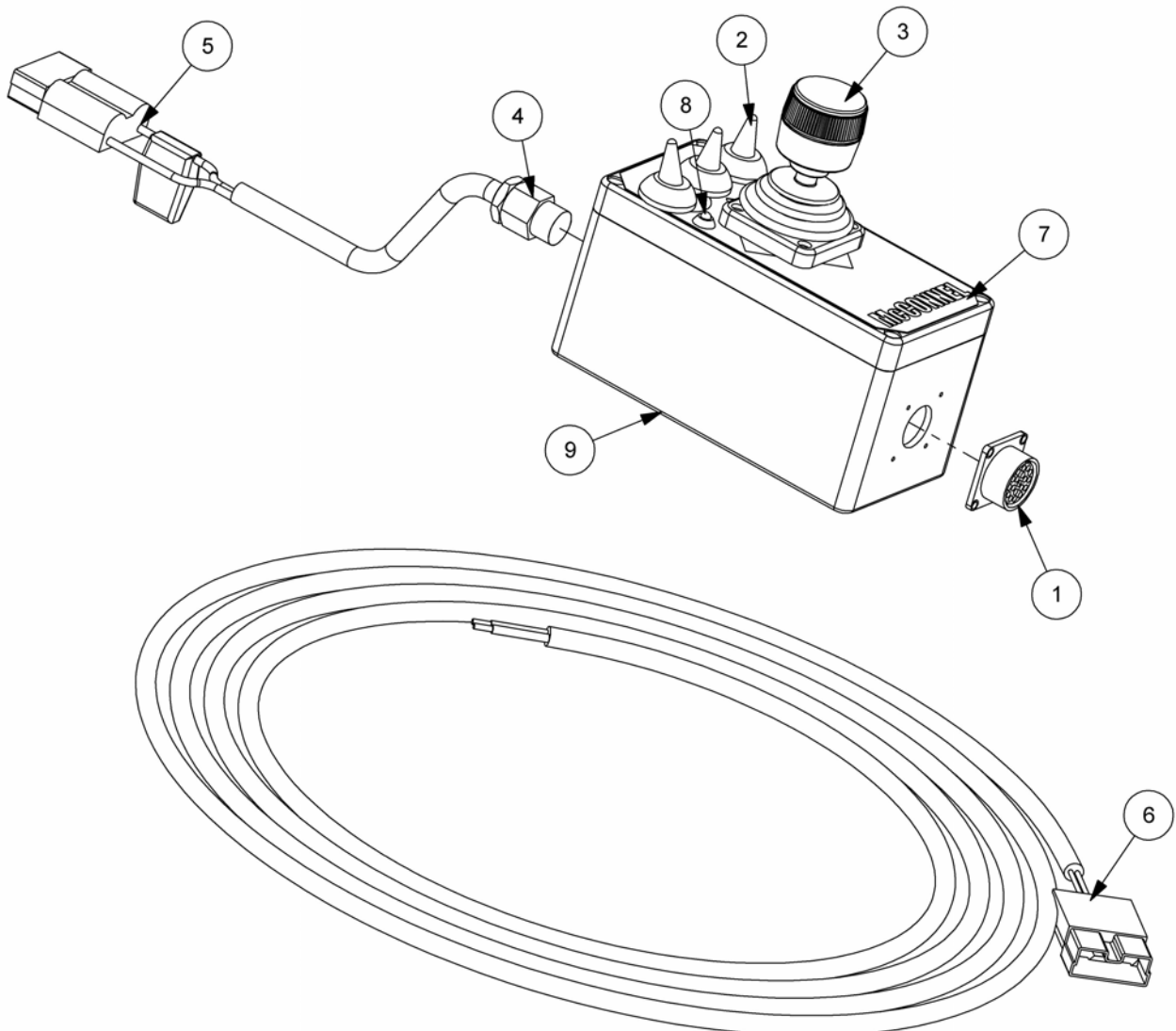
# McCONNEL



8402390 & 8402391



8402392 & 8402393



MINI XTC PROPORTIONAL CONTROLS

**McCONNEL**

Module(s): 8402390, 8402391, 8402392, 8402393

REF.	QTY.	PART No.	DESCRIPTION
		<b>8402390</b>	<b>3 SERVICE CONTROL BOX - B/B (2 Switch)</b>
		<b>8402391</b>	<b>3 SERVICE CONTROL BOX - Prop. B/B (2 Switch)</b>
		<b>8402392</b>	<b>3 SERVICE CONTROL BOX - Prop. B/B (3 Switch)</b>
		<b>8402393</b>	<b>3 SERVICE CONTROL BOX - Full Prop. (3 Switch)</b>
1	1	8402189	PANEL MOUNTING SHELL
2	3*	8402024	SWITCH COVER
3	1	8402246	JOYSTICK (4 AXIS)
4	1	8402149	GLAND - PLASTIC
5	1	43022.47	CONNECTOR
6	1	8402237	POWER SUPPLY LOOM
7	1	1290494	DECAL - SWITCH BOX
8	1	41845.41	LED
9	1	8402349	CONTROL BOX
10	1	43034.02	BLADE FUSE - 20 amp

\* Control Boxes 8402390 & 8402391 use 2 off only

**BRACKET & FIXINGS - not illustrated**

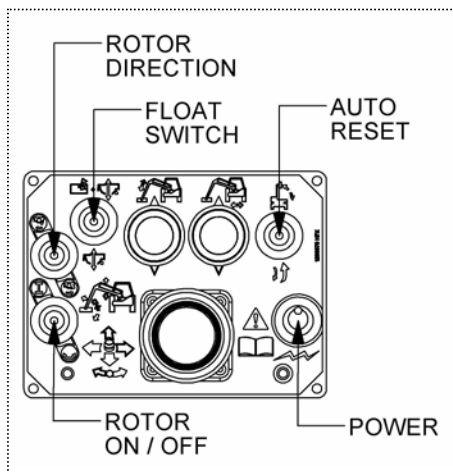
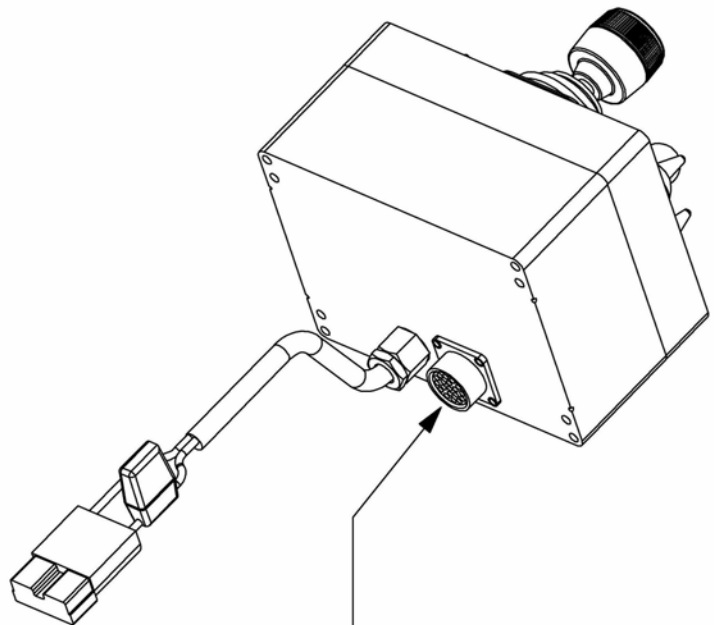
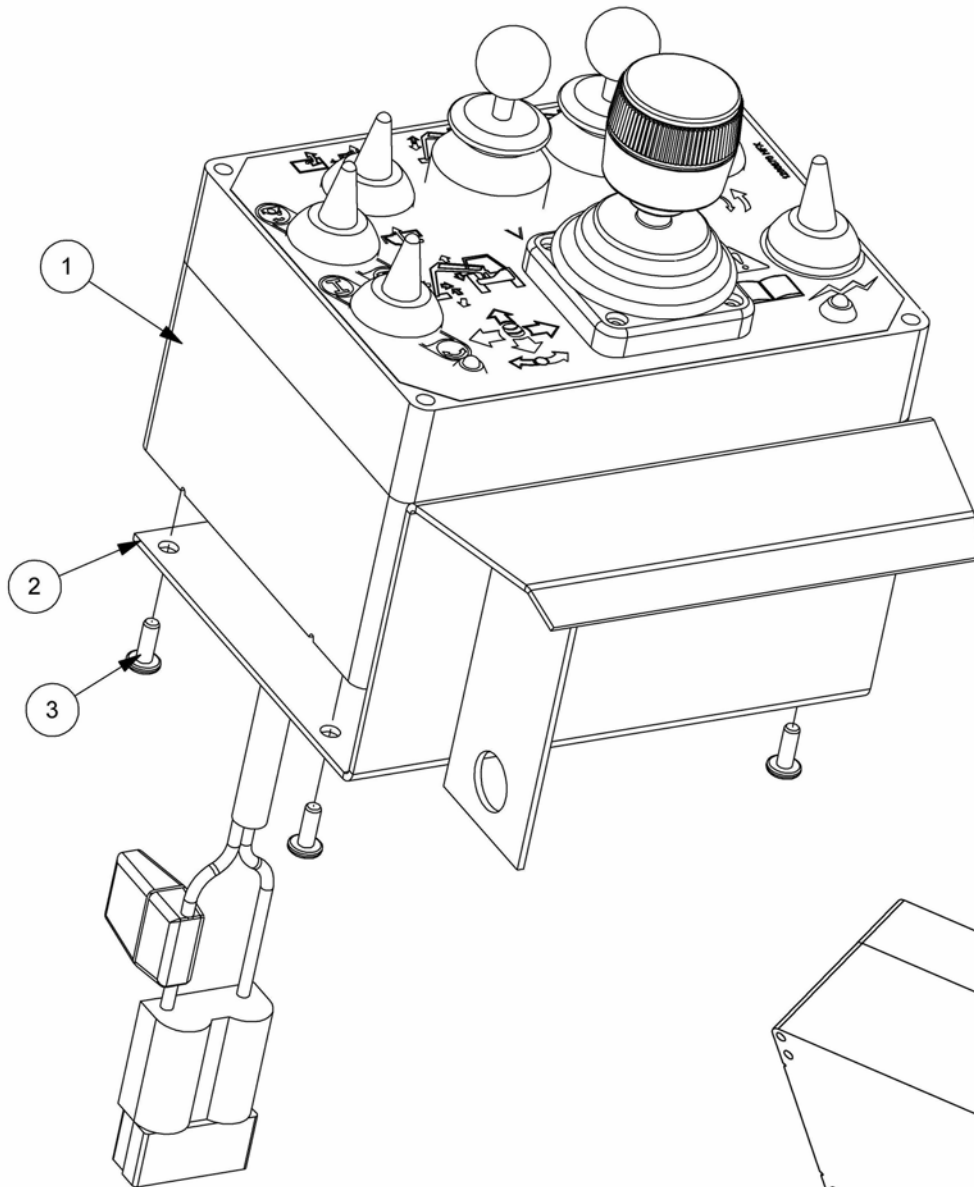
1	42442.01	SWITCHBOX BRACKET
4	2800243	SELF-TAPPER SCREW



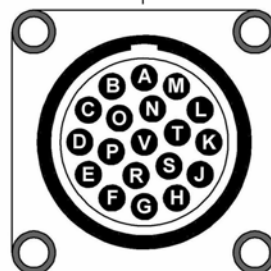
# XTC PROPORTIONAL CONTROLS

**McCONEL**

Module(s): 8402911



- A - COMMON
- B - REACH IN
- C - REACH OUT
- D - LIFT UP
- E - LIFT DOWN
- F - COMMON
- G - TELE IN
- H - TELE OUT
- J - ANGLE DOWN
- K - ANGLE UP



- L - SLEW OUT
- M - SLEW IN
- N - COMMON
- P - ANGLE FLOAT
- R - LIFT FLOAT
- S - PUMP 1
- T - PUMP 2
- U - AUTO RESET
- V - CUT OFF

Module(s): 8402911

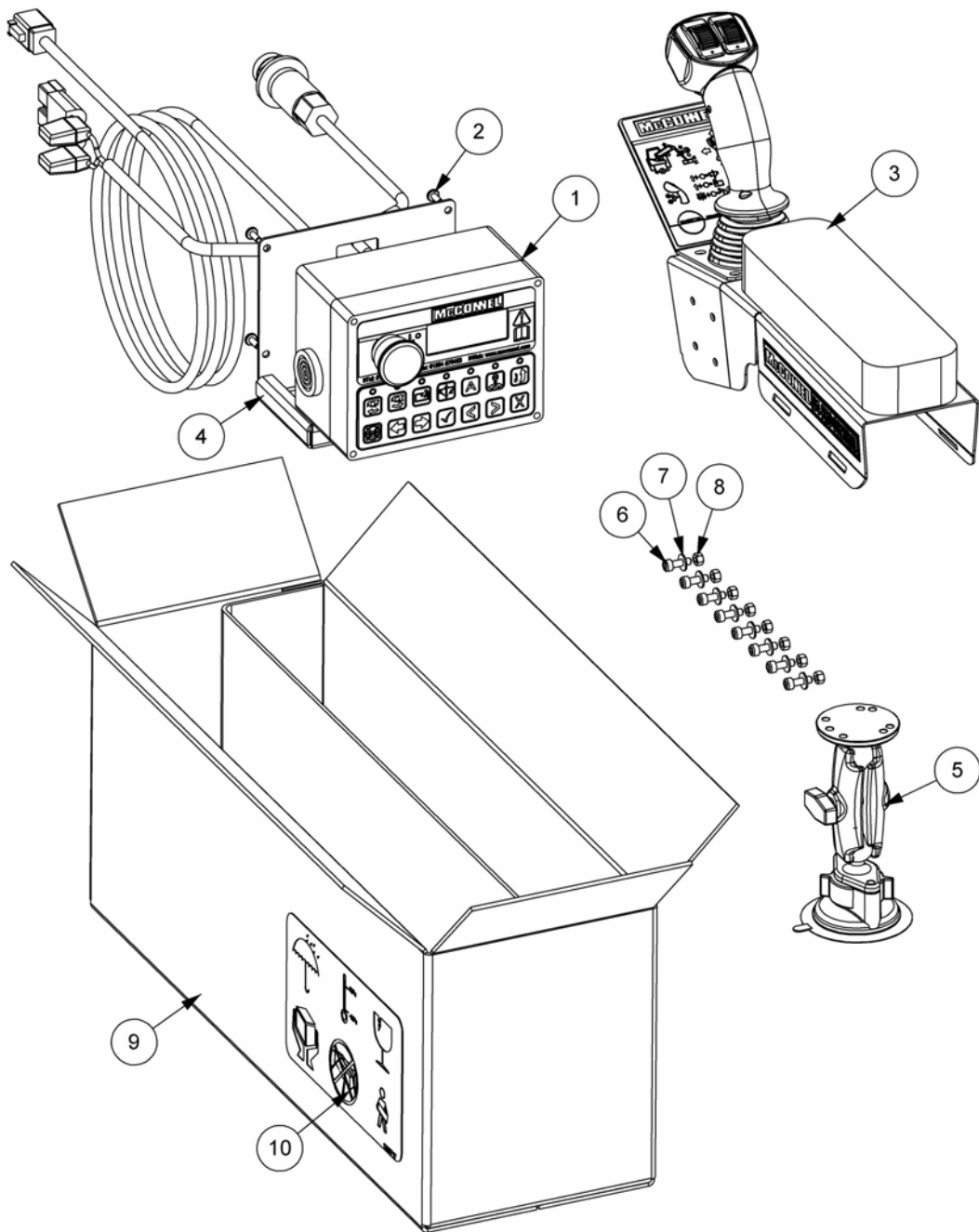
REF.	QTY.	PART NO.	DESCRIPTION
		<b>8402911</b>	<b>PROPORTIONAL SWITCHBOX CONTROLS</b>
1	1	8402395	PROPORTIONAL SWITCHBOX UNIT - <i>comprising of:</i>
	1	41845.44	BOX BASE
	1	41845.45	BOX LID
	1	41845.47	CIRCUIT BOARD
	2	41845.34	LOOM - SWITCH UNIT
	1	41845.37	LOOM - FLOAT SWITCH
	1	43022.49	CONNECTOR - SINGLE FUSE
	1	8402189	PANEL MOUNTING SHELL
	1	8402149	GLAND - PLASTIC
	4	2800203	SCREW
	2	8402122	SWITCH UNIT
	1	8402023	TOGGLE SWITCH
	1	8402197	SWITCH - FLOAT SELECTION
	2	41845.41	LED
	5	8402024	SWITCH COVER
	1	8402198	KNOB - BLUE
	1	8402056	KNOB - BLACK
	1	8402237	LOOM - POWER SUPPLY
	19	8402192	SOCKET CONTACT
	1	8402173	SWITCH - PUMP POWER / RESET
	1	8402182	SWITCH - AUTO RESET
	1	8402185	SWITCH - ROTOR DIRECTION
	1	1290670	DECAL - PROPORTIONAL SWITCHBOX
	1	41845.36	LOOM - PUMP CONTROL
	1	41845.35	LOOM - RESET
	1	8402246	JOYSTICK - 3 AXIS
2	1	8402345	SWITCHBOX MOUNTING BRACKET
3	4	2800243	SELF TAPPING SCREW



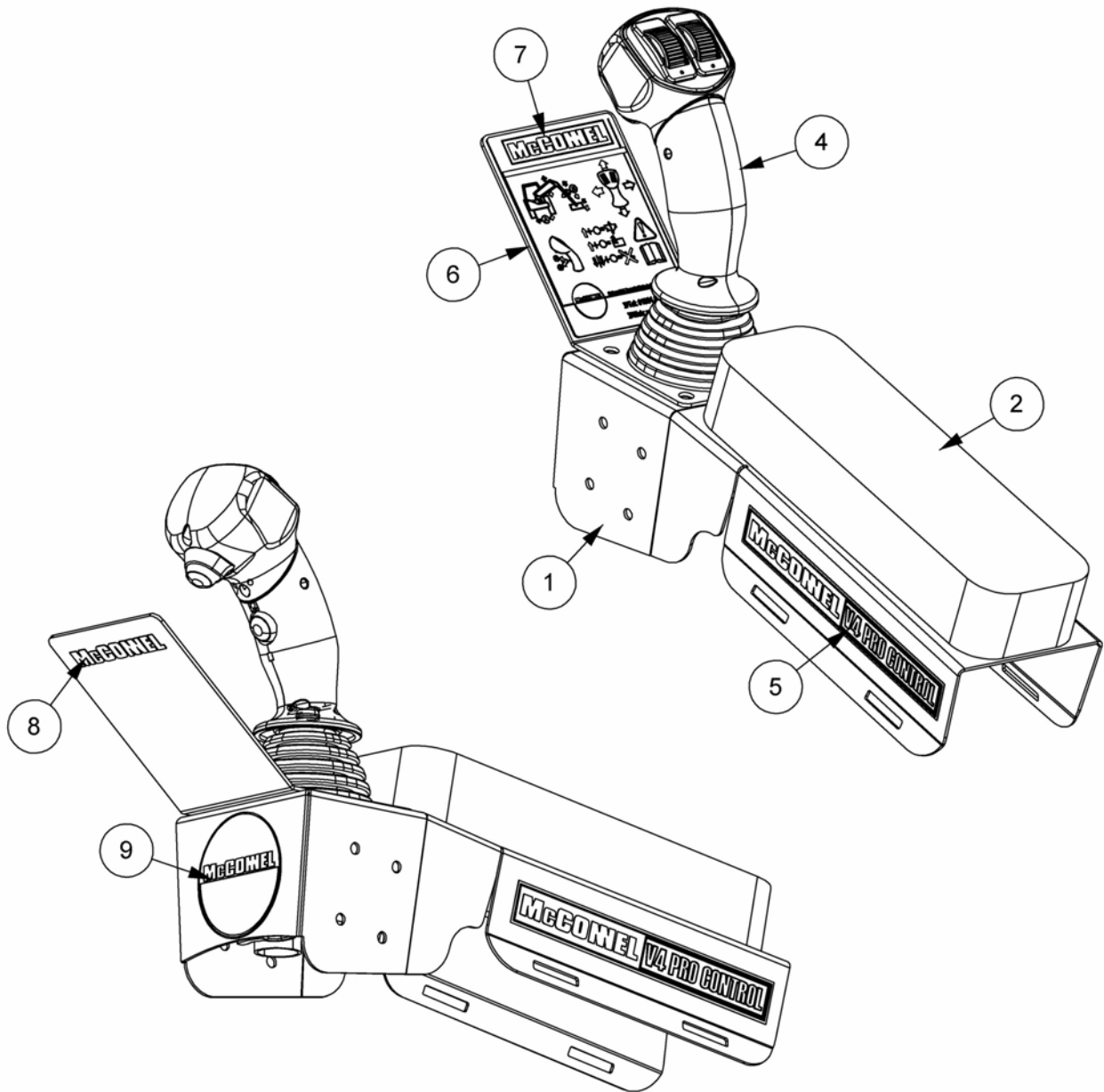
# V4 PROPORTIONAL CONTROLS

**McCONNEL**

Module(s): 22073.01

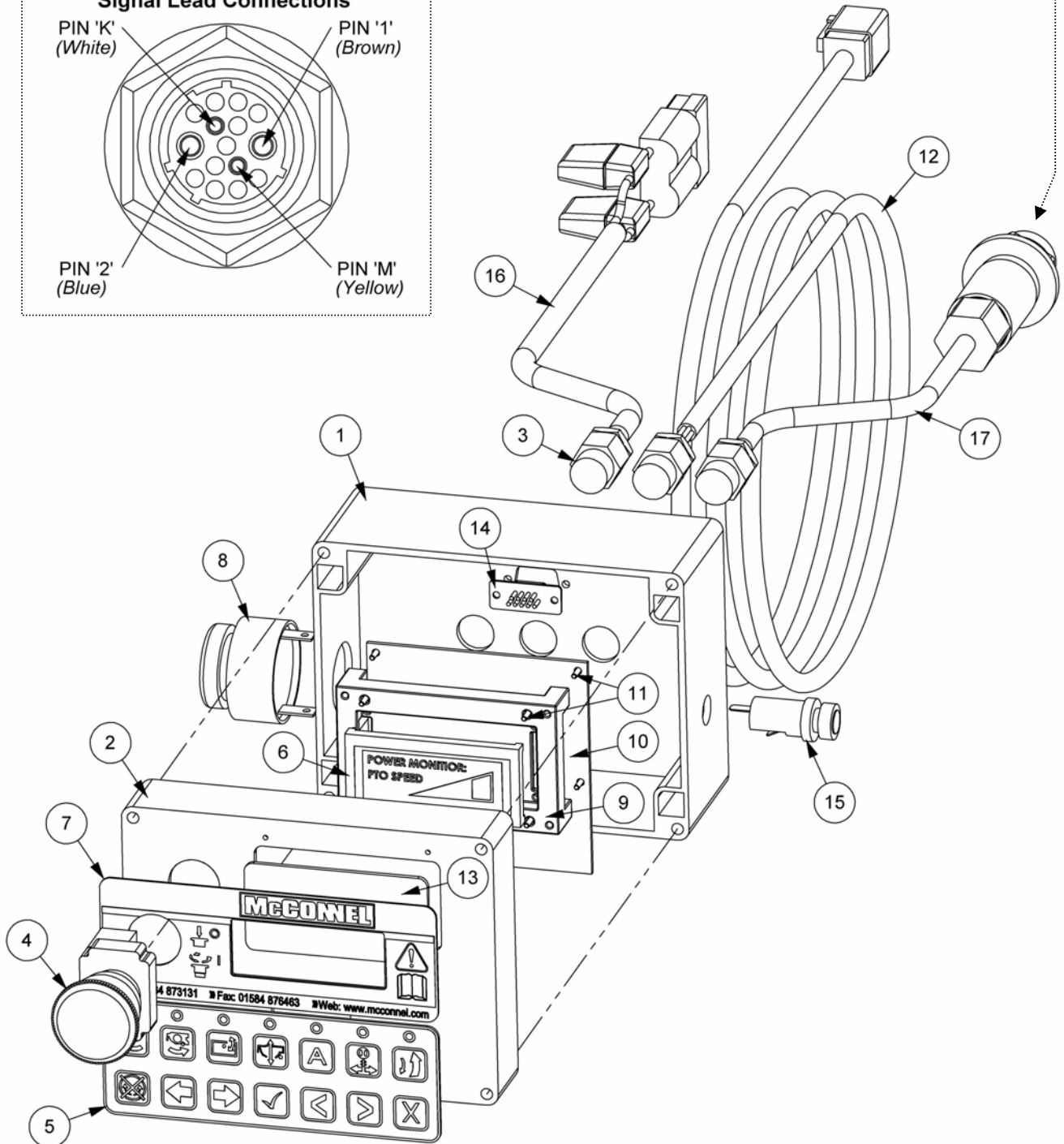
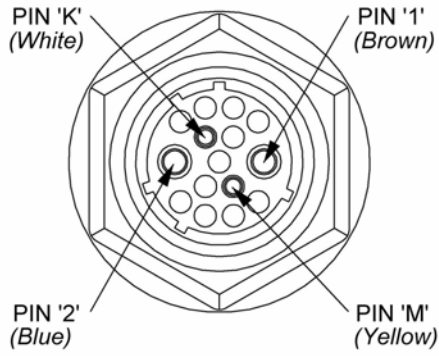


REF.	QTY.	PART No.	DESCRIPTION
		<b>22073.01</b>	<b>V4 CONTROLS WITH JC6000</b>
1	1	22073.14	V4 CONTROL BOX (MK2)
2	4	2800243	SELF TAPPING SCREW
3	1	22073.03	V4 JOYSTICK ARMREST ASSEMBLY
4	1	22073.58	SCREEN MOUNT
5	1	22073.09	V4 SCREEN MOUNT KIT
6	8	9343032	CAPSCREW
7	8	9100102	FLAT WASHER
8	8	9143002	SELF-LOCKING NUT
9	1	8402700	WATER PROOF CARDBOARD BOX
10	1	1290717	BOX DECAL



REF.	QTY.	PART No.	DESCRIPTION
		<b>22073.03</b>	<b>V4 JOYSTICK ARMREST ASSEMBLY</b>
1	1	22073.44	JOYSTICK ARMREST MOUNT
2	1	22073.45	ARM REST FOAM
3	2	7106187	NYLON STRAP <i>(Not Illustrated)</i>
4	1	22073.16	JOYSTICK c/w THUMB SWITCHES
5	2	1290740	DECAL - V4 PRO CONTROL
6	1	22073.59	DECAL MOUNT
7	1	1290739	DECAL - V4 OPERATIONS
8	1	1290741	DECAL - McCONNEL
9	1	1290742	DECAL - McCONNEL ROUNDEL

**Signal Lead Connections**



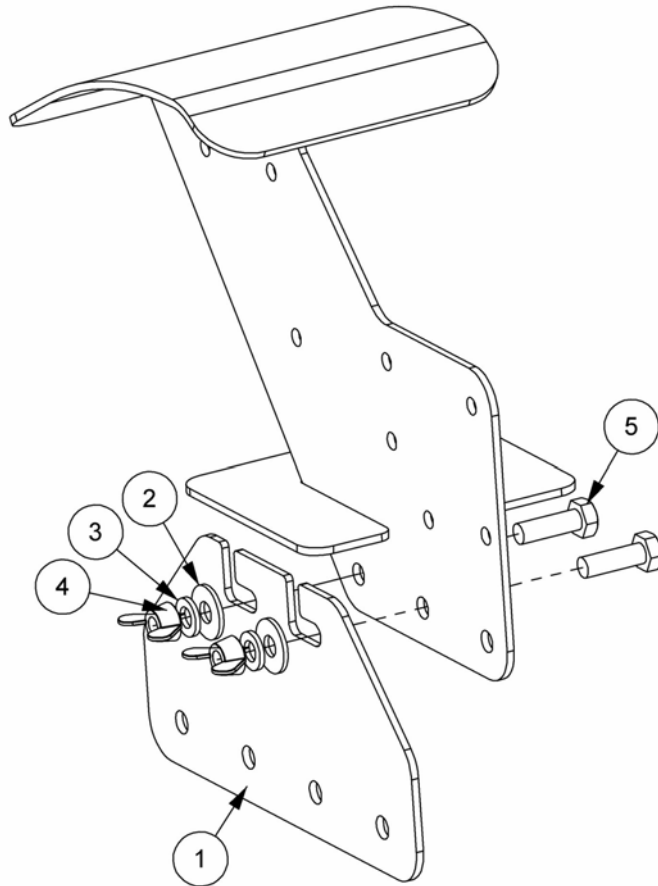
## V4 PROPORTIONAL CONTROL BOX (Mk2)

**McCONNEL**

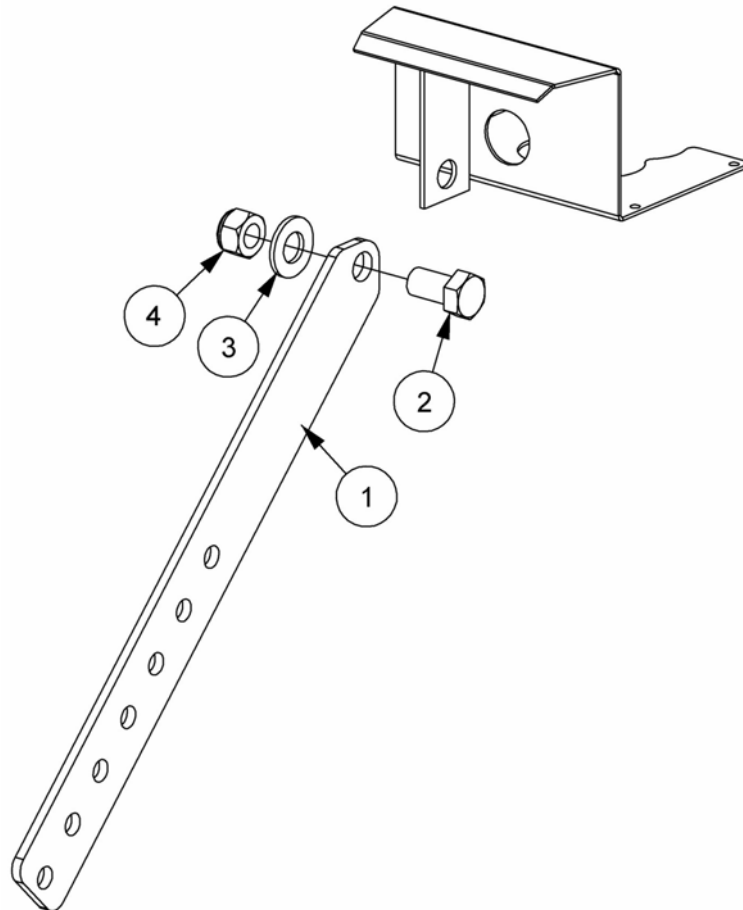
Module(s): 22073.14

REF.	QTY.	PART No.	DESCRIPTION
		<b>22073.14</b>	<b>V4 CONTROL BOX ASSEMBLY (Mk2)</b>
1	1	22073.62	V4 CONTROL BOX
2	1	22073.32	BOX LID
3	3	8402149	* GLAND (PLASTIC)
4	1	41786.33	SWITCH / EMERGENCY STOP
5	1	22073.34	V4 KEY PAD
6	1	43022.52	* LCD SCREEN
7	1	22073.35	V4 DECAL
8	1	22073.37	* SPEAKER
9	1	22073.39	V4 SCREEN MOUNT
10	1	22073.38	V4 PCB
11	8	22073.42	SELF-TAPPING SCREW
12	1	22073.36	* LOOM
13	1	22073.40	SCREEN COVER
14	1	43022.39	* CONNECTOR (9 WAY)
15	1	22073.41	FUSE HOLDER - BAYONET CAP (10A)
16	1	22073.60	* TWIN CORE POWER LOOM
17	1	22073.61	* CONTROL BOX SIGNAL LEAD

*\* Factory replacement items only*



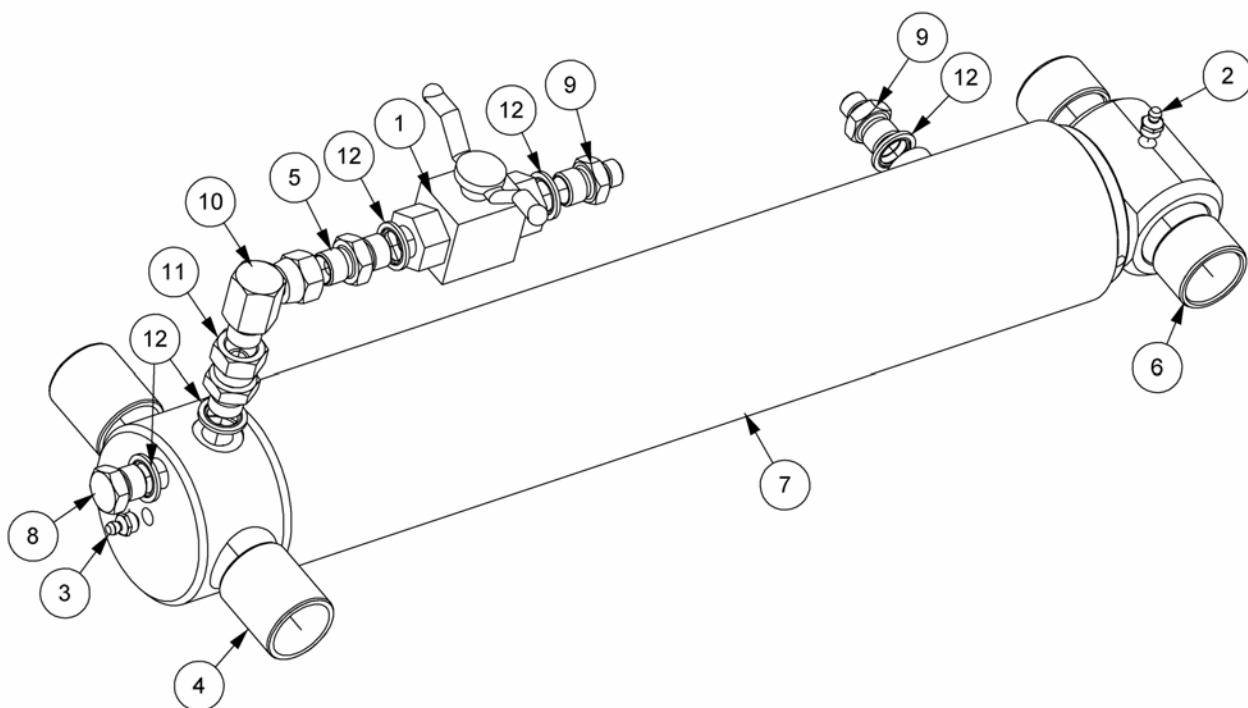
REF.	QTY.	PART No.	DESCRIPTION
		<b>7313282</b>	<b>CABLE CONTROL MOUNTING KIT</b>
1	1	42491.01	CAB MOUNTING BRACKET
2	2	9100104	FLAT WASHER
3	2	9100204	SPRING WASHER
4	2	9193004	WING NUT
5	2	9313054	SETSCREW



REF.	QTY.	PART No.	DESCRIPTION
		<b>7109319</b>	<b>ELECTRIC SWITCHBOX MOUNTING KIT</b>
1	1	7109146	CONTROL MOUNTING PILLAR
2	1	9313067	SETSCREW
3	1	0100106	FLAT WASHER
4	1	9163007	NYLOC NUT

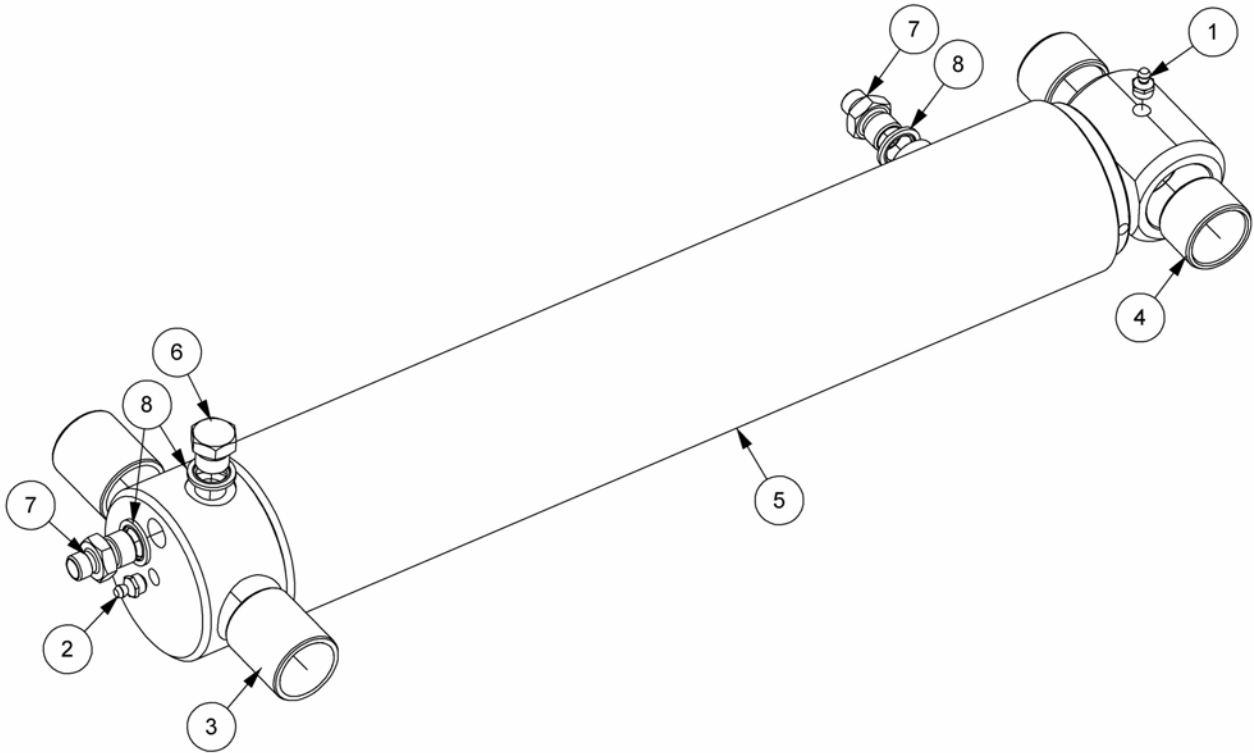
Module(s):

*This page is intentionally blank*



REF.	QTY.	PART No.	DESCRIPTION
		<b>7198375</b>	<b>LIFT RAM ASSEMBLY</b>
1	1	08.200.01	ISOLATING VALVE
2	1	0901121	GREASE NIPPLE - STRAIGHT
3	1	0901124	GREASE NIPPLE - 67°
4	2	21149.02	PLASTIC BUSH
5	1	6000113	ADAPTOR
6	2	6012032	BUSH PLASTIC
7	1	7198377	BASIC RAM ASSEMBLY (80mm)
8	1	8003001	ADAPTOR PLUG
9	2	8581115	ADAPTOR
10	1	8581117	ADAPTOR ELBOW
11	1	8581178	SWIVEL ADAPTOR
12	5	8650103	BONDED SEAL
		<b>8699187</b>	<b>SEAL KIT</b>



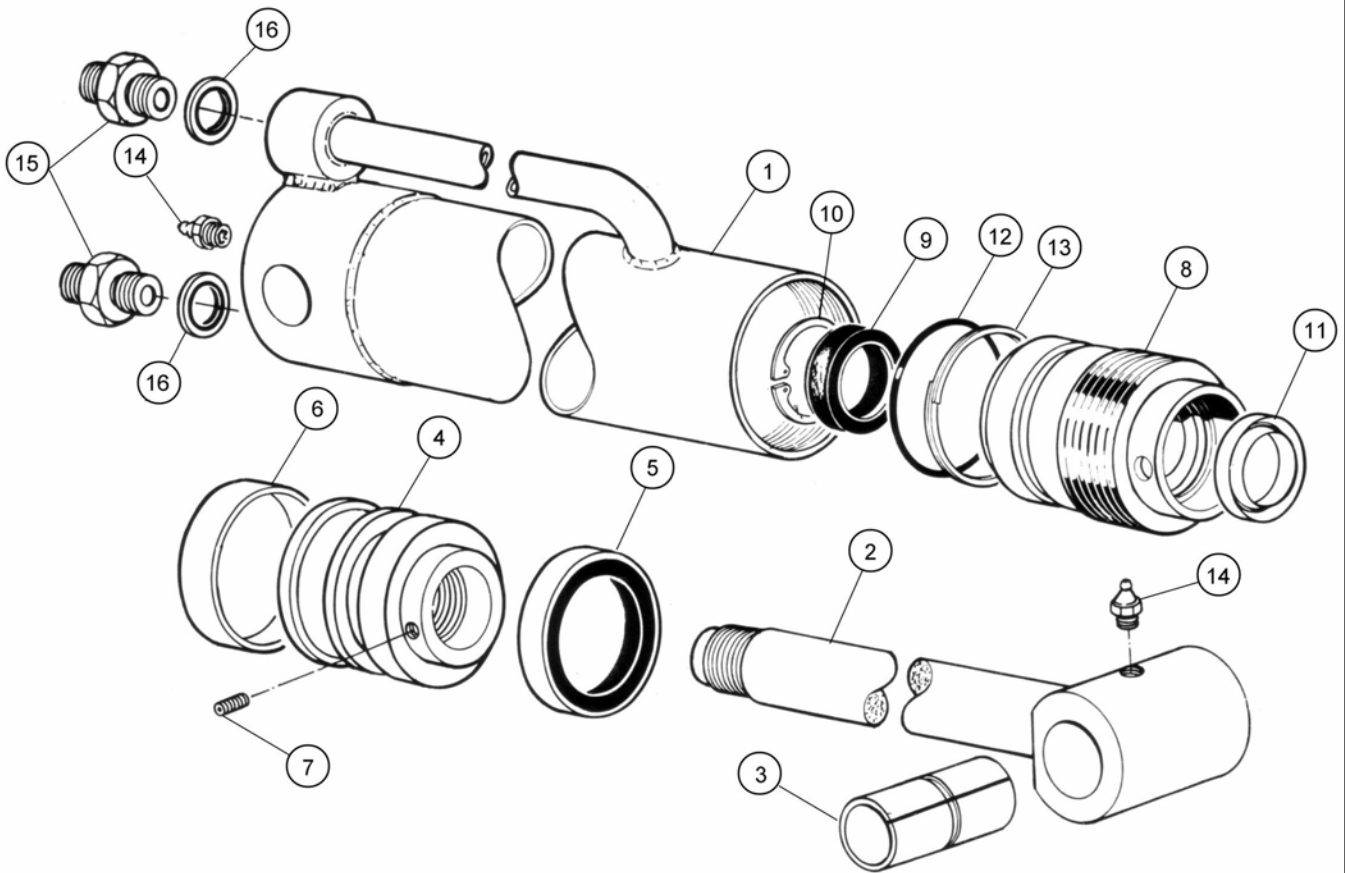


REF.	QTY.	PART No.	DESCRIPTION
		<b>7198376</b>	<b>REACH RAM ASSEMBLY</b>
1	1	0901121	GREASE NIPPLE - STRAIGHT
2	1	0901124	GREASE NIPPLE - 67°
3	2	21149.02	PLASTIC BUSH
4	2	6012032	PLASTIC BUSH
5	1	7198377	BASIC RAM ASSEMBLY (80mm)
6	1	8003001	ADAPTOR PLUG
7	2	8581115	ADAPTOR
8	3	8650103	BONDED SEAL
		<b>8699187</b>	<b>SEAL KIT</b>

# ANGLING RAM ASSEMBLY

**McCONNEL**

Module(s): 7560344



REF.	QTY.	PART No.	DESCRIPTION
		<b>7560344</b>	<b>ANGLING RAM ASSEMBLY</b>
1	1	7135292	CYLINDER
2	1	7135009	ROD
3	1	7105050	BUSH
4	1	7560095	PISTON
5	1	8629187	PISTON SEAL
6	1	8629188	BEARING RING
7*	1	9363023	GRUB SCREW - SOCKET HEAD
8	1	7135291	GLAND HOUSING
9	1	8629148	GLAND SEAL
10	1	0416240	INTERNAL CIRCLIP
11	1	8629149	WIPER SEAL
12	1	8600302	O' RING
13	1	8609302	ANTI EXTRUSION RING
14	2	0901121	GREASER
15	2	8581169	UNION
16	2	8650102	BONDED SEAL

**8699188 SEAL KIT**

\* Assembly note: Tighten fully and centre punch edge of hole to secure.

Module(s):

Module(s): 714772217, 18, 19, 20, 21, 22, 23, 24

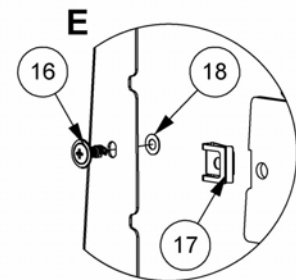
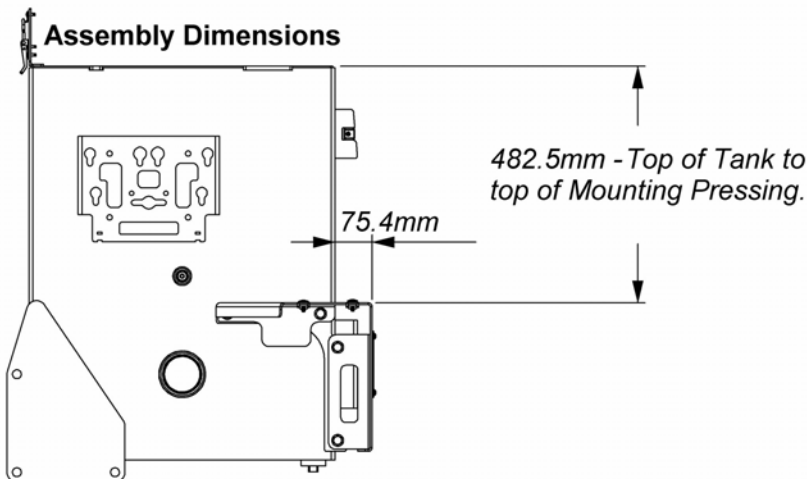
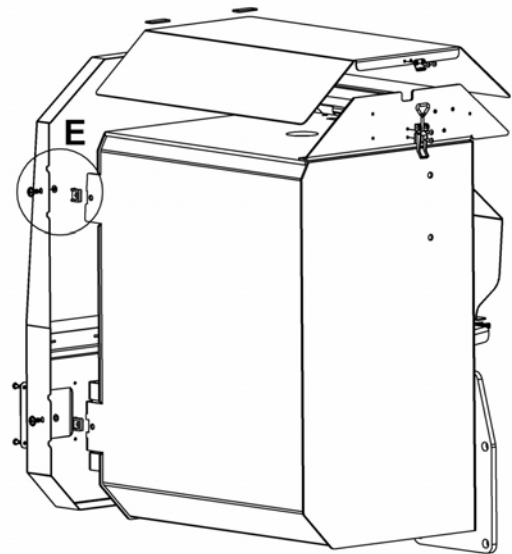
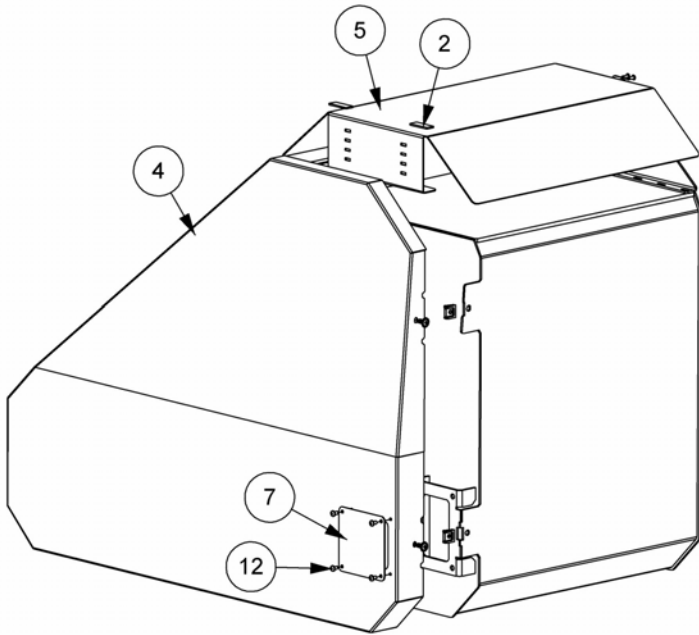
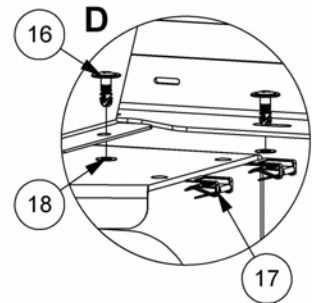
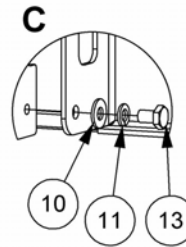
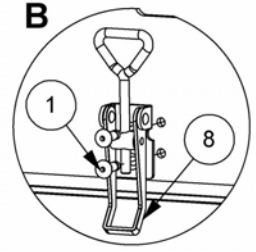
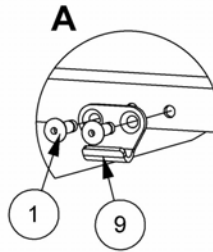
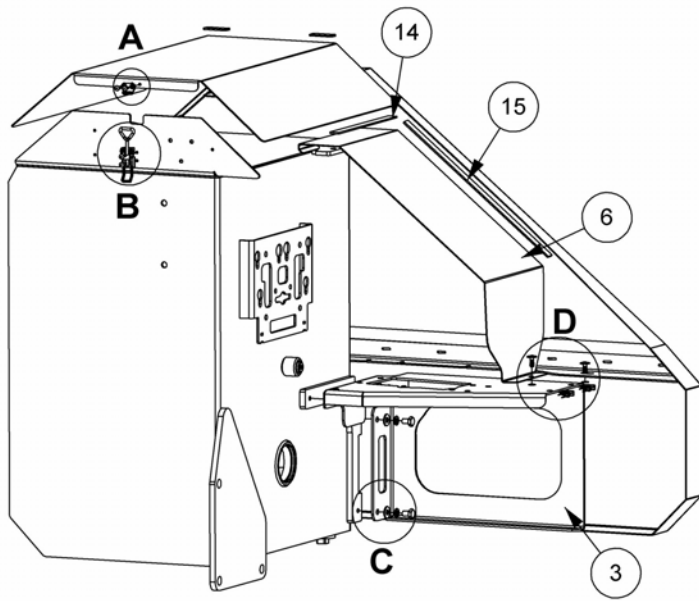
REF.	QTY.	PART NO.	DESCRIPTION
		714772217	HOSE KIT - M/CUT SI CABLE L/H
		714772218	HOSE KIT - M/CUT SI CABLE R/H
		714772219	HOSE KIT - M/CUT TI CABLE L/H
		714772220	HOSE KIT - M/CUT TI CABLE R/H
		714772221	HOSE KIT - M/CUT TI ELEC. (CABLE RC) L/H
		714772222	HOSE KIT - M/CUT TI ELEC. (CABLE RC) R/H
		714772223	HOSE KIT - M/CUT TI ELEC. (ELEC. RC) L/H
		714772224	HOSE KIT - M/CUT TI ELEC. (ELEC. RC) R/H
1	- - - - - 1	10.012.18	HOSE - 1" BSP FS/F90 x 900mm
2	- - - - - 2	10.021.25	HOSE - 3/4" BSP FS/F135 x 1500mm
3	- - - - - 1	10.004.12	HOSE - 3/8" BSP ST/90 x 600mm
4	- - - - - 1	10.006.14	HOSE - 1/2" BSP ST/90 x 700mm
5	- - - - - 2	10.010.43	HOSE - 3/4" BSP FS/F90 x 3300mm
6	- - - - - 2	10.002.48	HOSE - 1/4" BSP FS/F90 x 3800mm
7	- - - - - 1	10.001.32	HOSE - 1/4" BSP ST/ST x 2200mm
8	- - - - - 1	10.002.37	HOSE - 1/4" BSP FS/F90 x 2700mm
9	- - - - - 2	10.001.18	HOSE - 1/4" BSP ST/ST x 900mm

- 1 RCV to Tank
- 2 Flail RCV to Main Arm
- 3 Pump to ACV
- 4 ACV to RCV
- 5 Flail Main Arm to Dipper
- 6 Angle Base & Gland
- 7 Reach Base
- 8 Reach Gland
- 9 Lift Base & Gland

# REAR COVERS ASSEMBLY

# McCONEL

Module(s): L/H Build 7147714 (illustrated), R/H Build 7147715



# REAR COVERS ASSEMBLY

**McCONNEL**

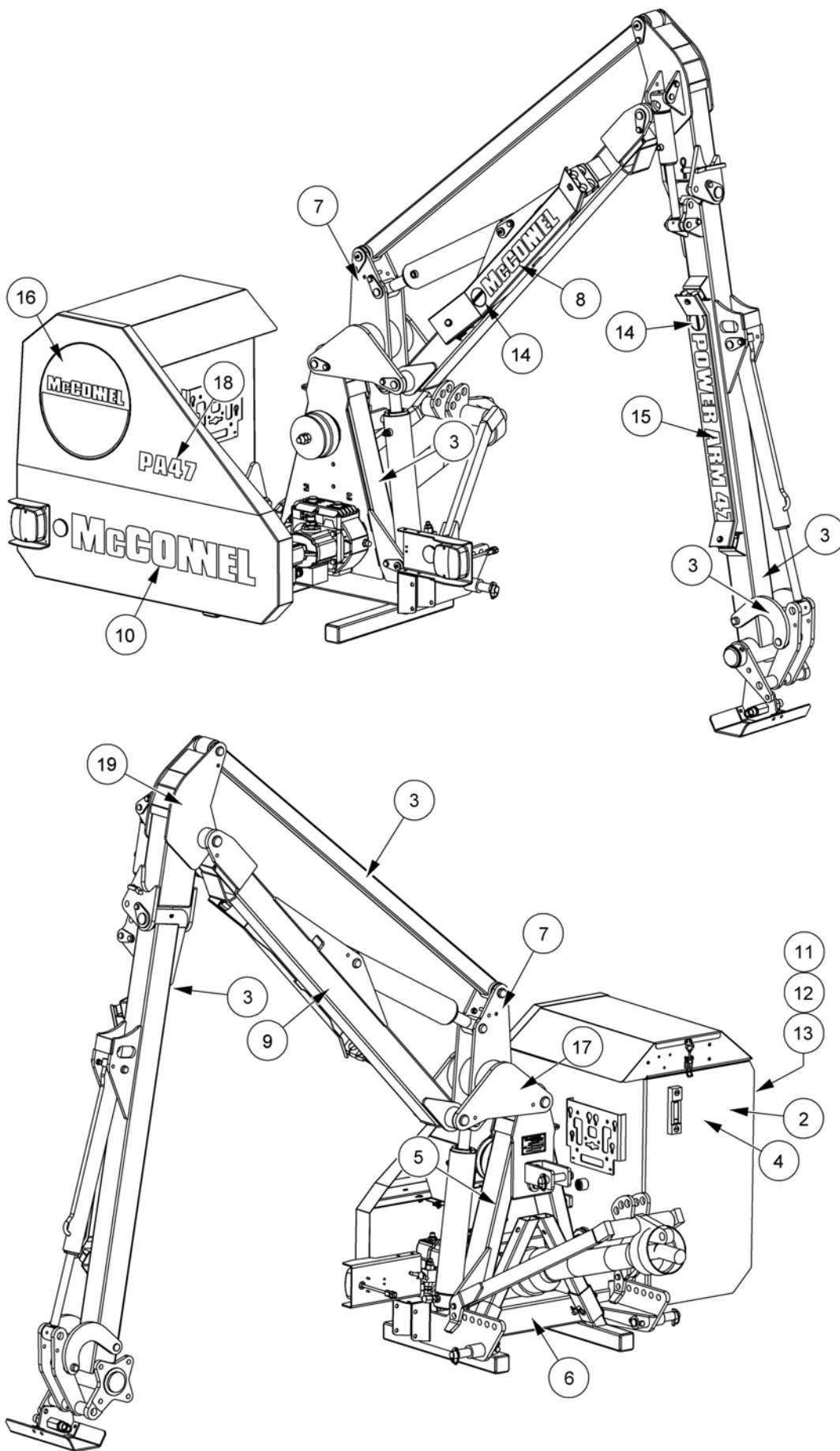
Module(s): L/H Build 7147714 (*illustrated*), R/H Build 7147715

REF.	QTY.	PART No.	DESCRIPTION
		<b>7147714</b>	<b>REAR COVERS ASSEMBLY - L/H Build</b>
		<b>7147715</b>	<b>REAR COVERS ASSEMBLY - R/H Build</b>
1	4	21612.01	POP RIVET
2	2	21726.31	SPONGE PAD
3	1	22472.01	COVER & VALVE MOUNTING - L/H Build
	1	22472.02	COVER & VALVE MOUNTING - R/H Build
4	1	22476.03	REAR COVER - L/H Build
	1	22476.04	REAR COVER - R/H Build
5	1	22477.03	TANK TOP COVER
6	1	22513.01	VALVE COVER - L/H Build
	1	22513.02	VALVE COVER - R/H Build
7	1	22531.01	BLANKING PLATE
8	1	43449.02	OVERCENTRE FASTENER
9	1	46007.01	HOOK (OVERCENTRE FASTENER)
10	4	9100105	FLAT WASHER
11	4	9100205	SPRING WASHER
12	4	9300164	TAPTITE
13	4	9313035	SETSCREW
14	1	21726.34	SELF ADHESIVE FOAM STRIP - 275mm
15	1	21726.35	SELF ADHESIVE FOAM STRIP 410mm
16	4	22549.01	SLOTTED HEAD STUD
17	4	22549.02	SLIP-ON RECEPTACLE
18	4	22549.03	PLASTIC RETAINER (BLACK)

# DECAL KITS

Module(s): 7147751, 7147752, 7147753

# McCONEL



DECAL KITS

**McCONNEL**

Module(s): 7147751, 7147752, 7147753

REF.	QTY.	PART No.	DESCRIPTION
		<b>7147751</b>	<b>BASIC DECAL KIT</b>
1	1	1290352	DECAL - GENERAL WARNING
2	1	00756494	DECAL - DRIVELINE HAZARD
3	5	02962764	DECAL - SPECIFIC PINCH POINT
4	1	1290774	DECAL - OIL FILTER INSTRUCTIONS
5	1	09.811.03	DECAL - PTO SPEED (500 RPM)
6	1	7135295	DECAL - TIGHTEN CHECK CHAINS
7	2	1290074	DECAL - SLING HERE
8	1	1290614	DECAL - McCONNEL (WHITE 63mm)
9	1	1290255	DECAL - McCONNEL (435mm x 63mm)
10	1	1290649	DECAL - McCONNEL (WHITE 120mm)
11	1	09.821.28	DECAL - EURO CAB WARNING
12	1	09.821.32	DECAL - EURO DANGERS TO PERSONS
13	1	09.821.35	DECAL - EURO GENERAL WARNING
14	2	1290742	DECAL - McCONNEL ROUNDEL (65mm)
15	1	1290780	DECAL - POWER ARM 47 (WHITE 45mm)
16	1	1290697	DECAL - McCONNEL ROUNDEL (400mm)
17	1	7105130	DECAL - READ THE BOOK FIRST
		<b>7147752</b>	<b>SPECIFIC DECAL KIT - PA47 CABLE</b>
18	1	1290776	DECAL - PA47 (WHITE 63mm)
19	1	1290778	DECAL - PA47 (BLACK 63mm)
		<b>7147753</b>	<b>SPECIFIC DECAL KIT - PA47 ELEC. &amp; PROP.</b>
18	1	1290777	DECAL - PA47E (WHITE 63mm)
19	1	1290779	DECAL - PA47E (BLACK 63mm)





McConnel Limited, Temeside Works, Ludlow, Shropshire SY8 1JL. England.  
Telephone: 01584 873131. Facsimile: 01584 876463. [www.mcconnel.com](http://www.mcconnel.com)