

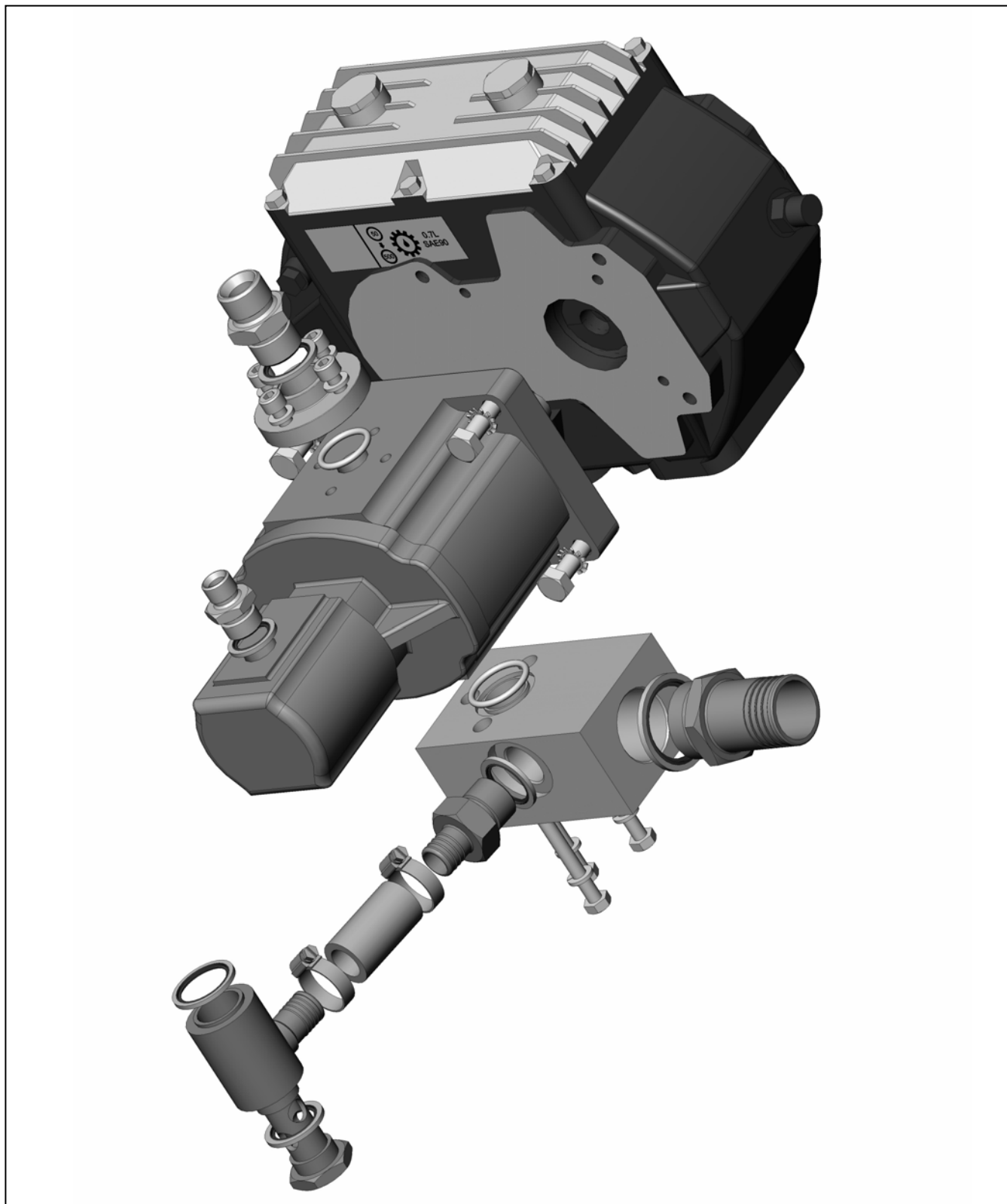
Publication 555
October 2008
Part No. 41571.55
Revision: 17.03.09

PA47 *Mk3*

HEDGE CUTTER / MOWER



Parts Manual





For best performance...

USE ONLY McCONNEL GENUINE SERVICE PARTS

To be assured of the latest design improvements purchase your 'Genuine Replacements' from the **Original Equipment Manufacturer:**

McCONNEL LIMITED

through your local Dealer or Stockist.

Always quote:

- ***Machine Type***
- ***Serial Number***
- ***Part Number***

McConnell Limited

Temeside Works, Ludlow, Shropshire, SY8 1JL, England.

Telephone: 01584 873131

www.mcconnel.com

*Design Improvements may have altered some of the parts listed in this manual –
The latest part will always be supplied when it is interchangeable with an earlier one.*

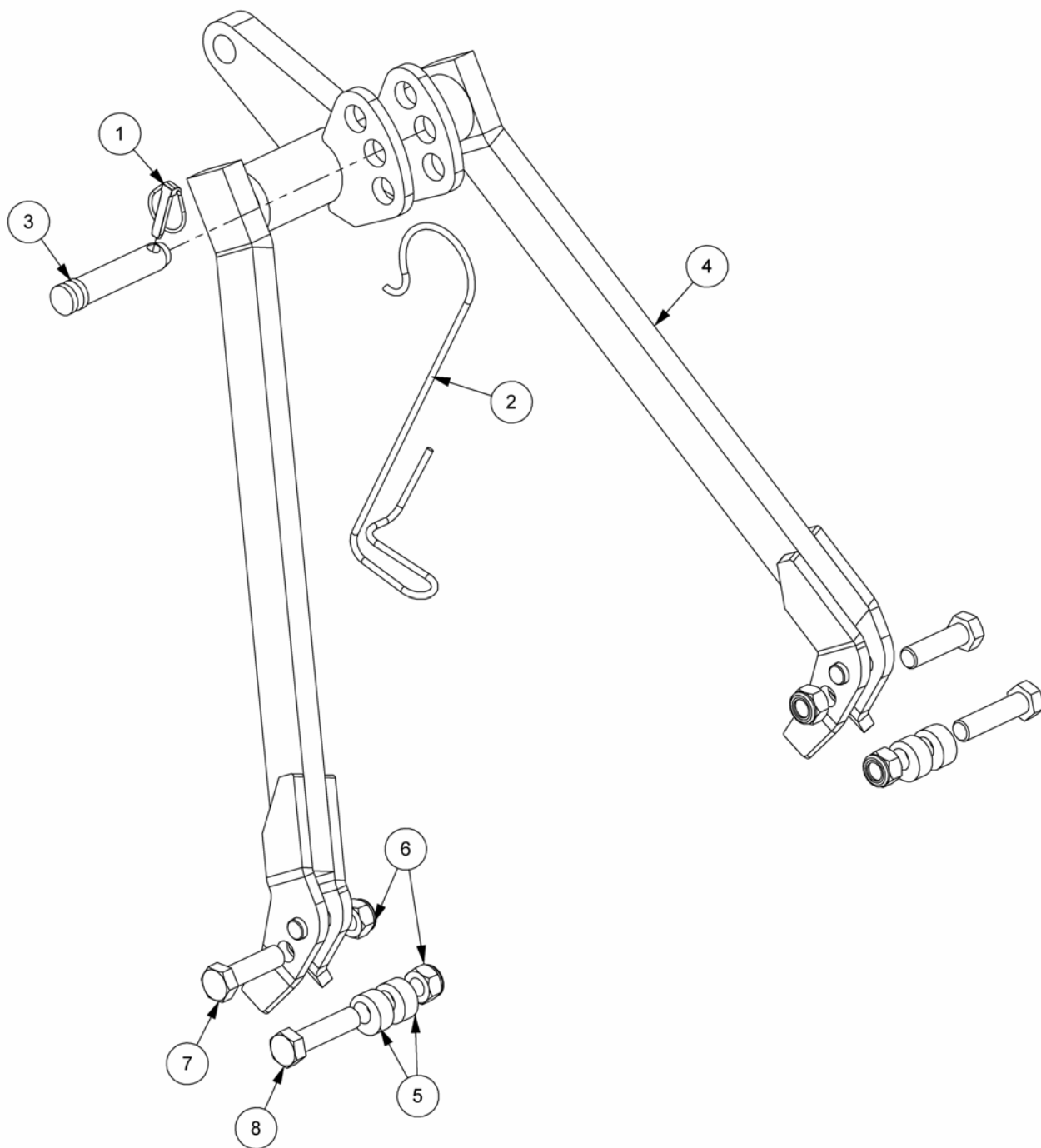
CONTENTS

| | <i>Page No.</i> |
|--|-----------------|
| Stabilizer Assembly | 1 |
| Main Frame Assembly | 2 |
| Rocker Assembly | 4 |
| Main Arm Assembly | 6 |
| Breakback Dipper Arm Assembly | 7 |
| Head Angling Mechanism | 8 |
| Hydraulic Tank Assembly | 10 |
| SI Pump & Gearbox Assembly | 12 |
| TI Pump & Gearbox Assembly | 14 |
| Rotor Relief Valve Assembly | 16 |
| Electric Rotor Control Valve Assembly | 18 |
| Control Valve Assembly – <i>Electric TI Models</i> | 20 |
| Control Valve Assembly – <i>XTC Proportional TI Models</i> | 22 |
| Manifold Assembly – <i>3 Bank</i> | 24 |
| Adaptor Module | 25 |
| Solenoid Module – <i>Electric Models</i> | 26 |
| Solenoid Module – <i>XTC Proportional Models</i> | 27 |
| Electric Switchbox Controls – <i>3 Function</i> | 28 |
| Electric Switchbox Controls – <i>5 Function</i> | 30 |
| Electric Monolever Controls | 32 |
| Mini XTC Proportional Controls | 34 |
| XTC Proportional Controls | 36 |
| V4 Proportional Controls | 38 |
| V4 Joystick Armrest Assembly | 39 |
| V4 Proportional Control Box | 40 |
| Cab Mounting Kits for Controls | 42 |
| Lift Ram Assembly | 44 |
| Reach Ram Assembly | 45 |
| Angling Ram Assembly | 46 |
| Breakback / Park Ram Assembly | 47 |
| Breakaway & Power Park Assembly | 48 |
| Manual Lift Float Kit | 49 |
| Electric Lift Float Kit | 51 |
| Hydraulic Hose Installation | 52 |
| Rear Covers Assembly | 54 |
| Decal Kits | 56 |

STABILIZER ASSEMBLY

McCONNEL

Module(s): 7147704

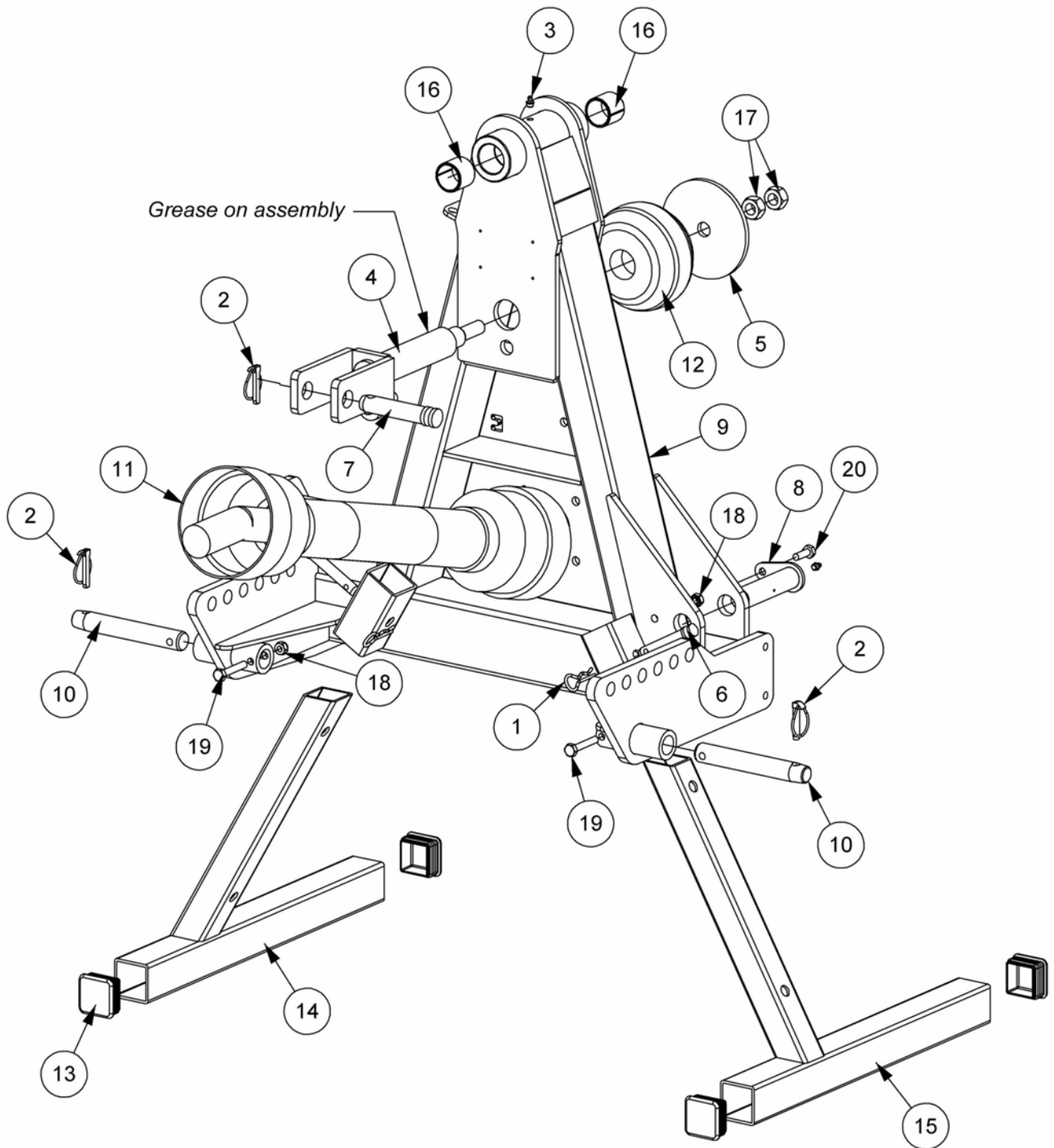


| REF. | QTY. | PART No. | DESCRIPTION |
|------|------|----------------|----------------------------|
| | | 7147704 | STABILIZER ASSEMBLY |
| 1 | 1 | 0431217 | LINCH PIN |
| 2 | 1 | 21160.03 | PTO HOOK |
| 3 | 1 | 41267.06 | LINK PIN |
| 4 | 1 | 41915.01 | STABILIZER |
| 5 | 4 | 7192080 | ECCENTRIC COLLAR |
| 6 | 4 | 9163008 | NYLOC NUT |
| 7 | 2 | 9213148 | BOLT |
| 8 | 2 | 9213168 | BOLT |

MAIN FRAME ASSEMBLY – PA47 Mk3

Module(s): L/H Build 7147700 (illustrated), R/H Build 7147701

McCONEL



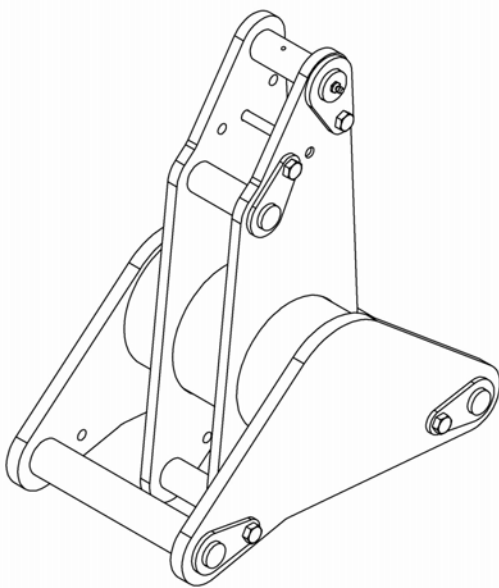
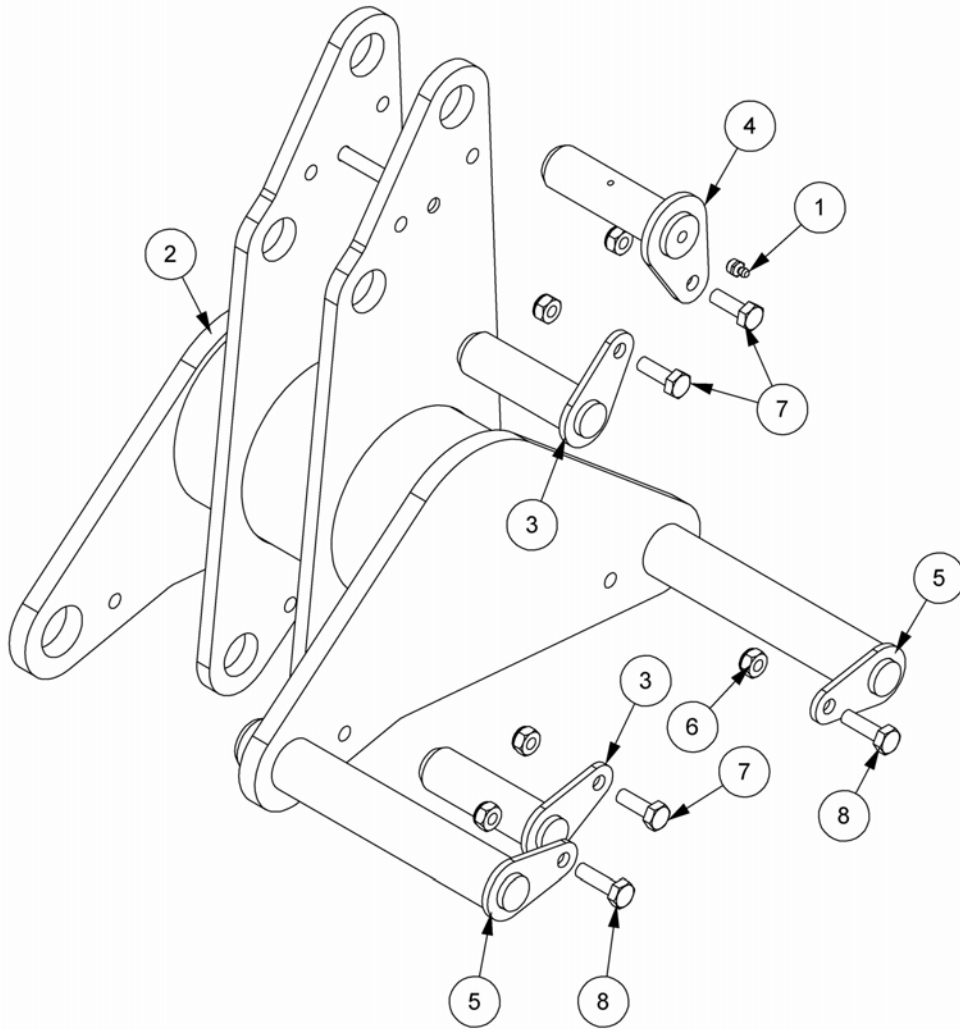
MAIN FRAME ASSEMBLY – PA47 Mk3**McCONNEL**Module(s): L/H Build 7147700 (*illustrated*), R/H Build 7147701

| REF. | QTY. | PART No. | DESCRIPTION |
|-------------|-------------|-----------------|--|
| | | 7147700 | MAIN FRAME ASSEMBLY - L/H Build |
| | | 7147701 | MAIN FRAME ASSEMBLY - R/H Build |
| 1 | 2 | 0431105 | SPRING COTTER |
| 2 | 3 | 0431217 | LINCH PIN |
| 3 | 2 | 0901121 | GREASE NIPPLE |
| 4 | 1 | 21557.01 | TOP HITCH BRACKET |
| 5 | 1 | 21558.01 | SPRING PLATE |
| 6 | 2 | 21997.01 | LEG PIN |
| 7 | 1 | 41267.06 | LINK PIN |
| 8 | 1 | 41692.03 | PIN |
| 9 | 1 | 41860.07 | MAIN FRAME - L/H Build |
| | 1 | 41860.08 | MAIN FRAME - R/H Build |
| 10 | 2 | 41899.01 | LINKAGE PIN |
| 11 | 1 | 7114289 | DRIVE SHAFT ASSEMBLY |
| 12 | 1 | 7135033 | RUBBER SPRING |
| 13 | 4 | 7191108 | PLASTIC PLUG |
| 14 | 1 | 7198016 | R/H STAND LEG |
| 15 | 1 | 7198046 | L/H STAND LEG |
| 16 | 2 | 7213023 | PLASTIC BUSH |
| 17 | 2 | 9113008 | NUT |
| 18 | 3 | 9163005 | NYLOC NUT |
| 19 | 2 | 9213125 | BOLT |
| 20 | 1 | 9313065 | SETSCREW |

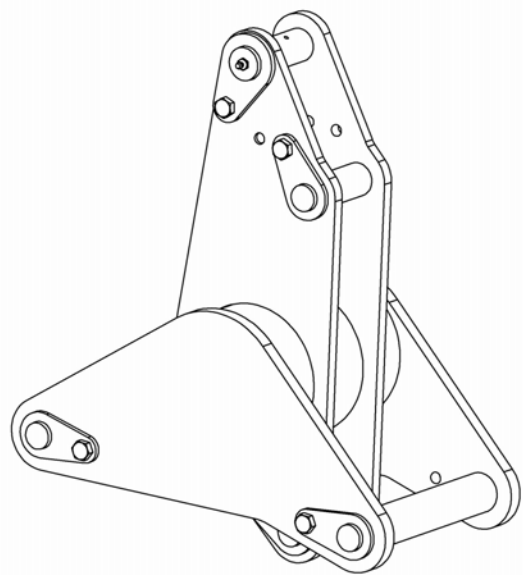
ROCKER ASSEMBLY

Module(s): 7147705

McCONEL



ASSEMBLED FOR L/H BUILD



ASSEMBLED FOR R/H BUILD

ROCKER ASSEMBLY



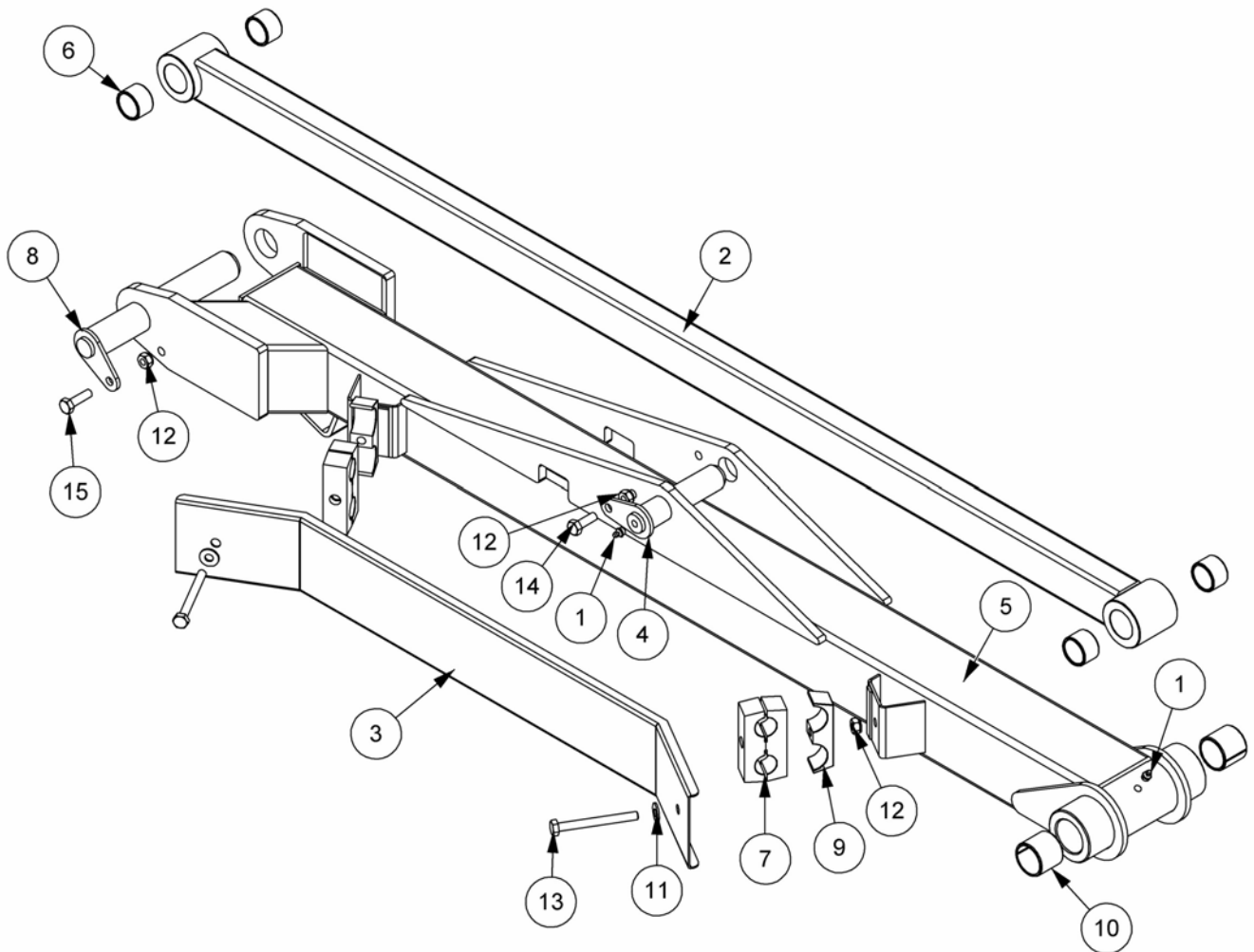
Module(s): 7147705

| REF. | QTY. | PART No. | DESCRIPTION |
|------|------|----------------|------------------------|
| | | 7147705 | ROCKER ASSEMBLY |
| 1 | 1 | 0901121 | GREASE NIPPLE |
| 2 | 1 | 41861.01 | ROCKER |
| 3 | 2 | 41692.02 | PIN |
| 4 | 1 | 41692.13 | PIN C/W GREASE POINT |
| 5 | 2 | 7191033 | PIN (MAIN ARM PIVOT) |
| 6 | 5 | 9163005 | NYLOC NUT |
| 7 | 3 | 9313065 | SETSCREW |
| 8 | 2 | 9313075 | SETSCREW |

MAIN ARM ASSEMBLY

McCONEL

Module(s): L/H Build 7147706 (*illustrated*), R/H Build 7147707

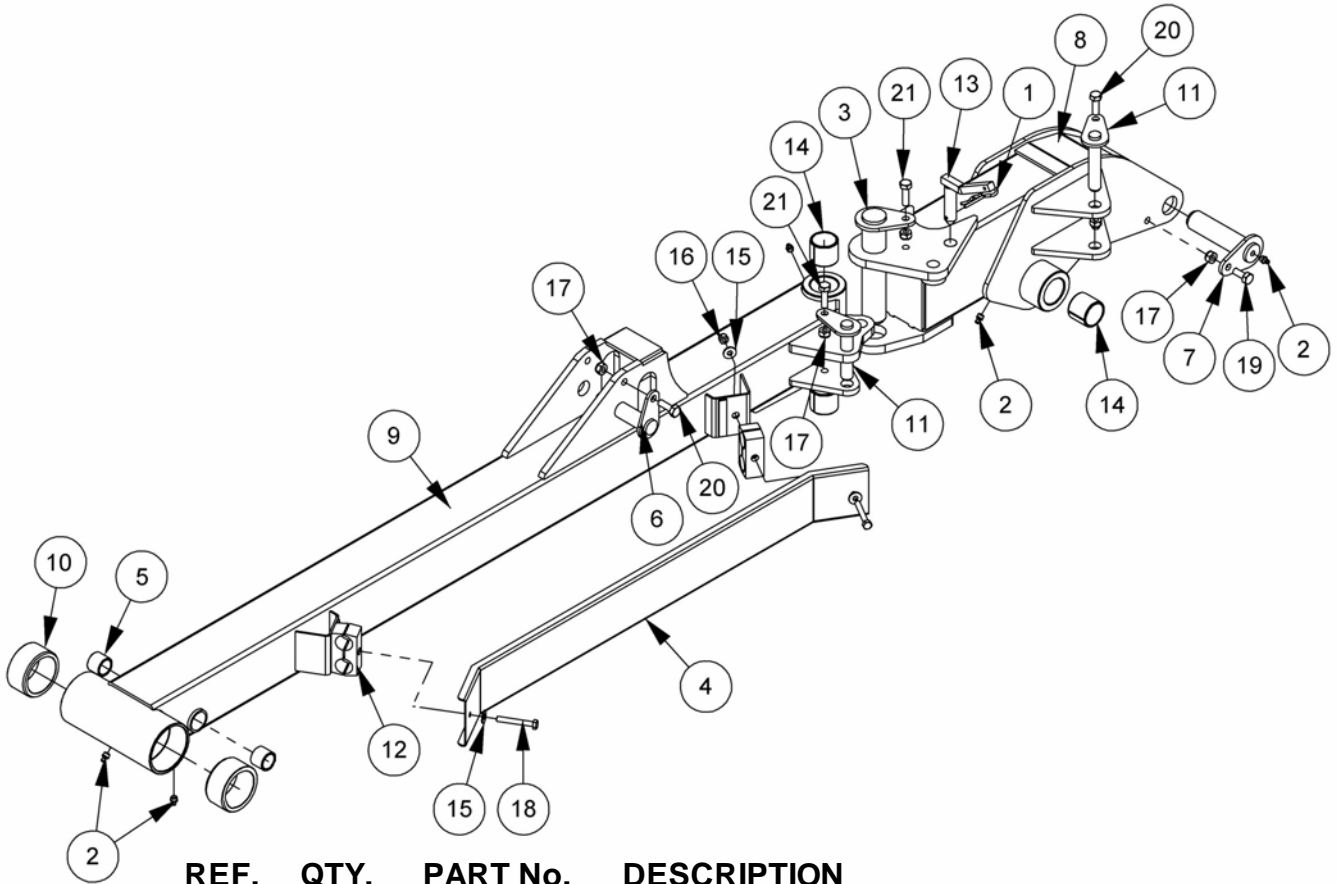


| REF. | QTY. | PART No. | DESCRIPTION |
|------|------|----------------|--------------------------------------|
| | | 7147706 | MAIN ARM ASSEMBLY - L/H Build |
| | | 7147707 | MAIN ARM ASSEMBLY - R/H Build |
| 1 | 2 | 0901121 | GREASE NIPPLE |
| 2 | 1 | 22499.01 | TENSION LINK |
| 3 | 1 | 22556.01 | HOSE COVER |
| 4 | 1 | 41692.03 | PIN |
| 5 | 1 | 41862.02 | MAIN ARM - L/H Build |
| | 1 | 41862.01 | MAIN ARM - R/H Build |
| 6 | 4 | 6012032 | PLASTIC BUSH |
| 7 | 2 | 7190148 | PLASTIC CLAMP (1 PAIR) |
| 8 | 1 | 7191033 | PIN (MAIN ARM PIVOT) |
| 9 | 2 | 7193063 | CLAMP HALF |
| 10 | 2 | 7213023 | PLASTIC BUSH |
| 11 | 2 | 9100105 | FLAT WASHER |
| 12 | 4 | 9163005 | NYLOC NUT |
| 13 | 2 | 9213205 | BOLT |
| 14 | 1 | 9313065 | SETSCREW |
| 15 | 1 | 9313075 | SETSCREW |

BREAKBACK DIPPER ARM ASSEMBLY – PA47 Mk3

McCONEL

Module(s): L/H Build 7147708 (illustrated), R/H Build 7147709

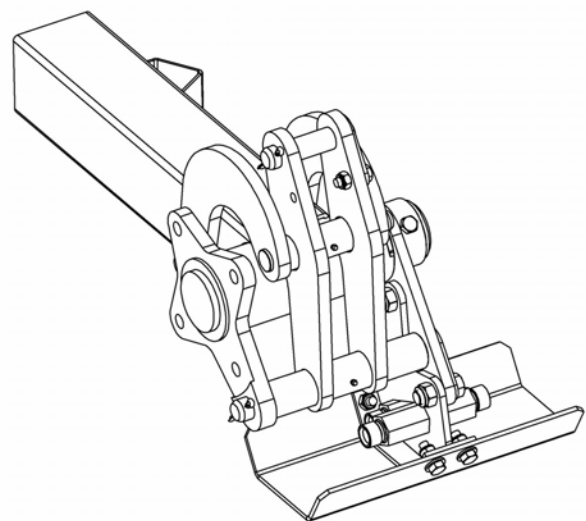
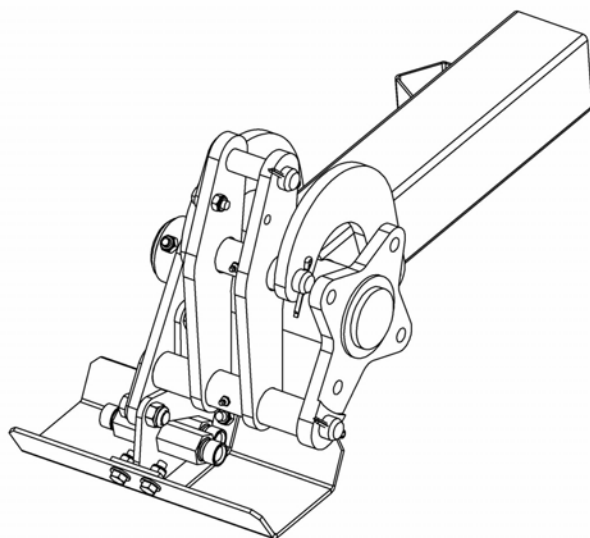
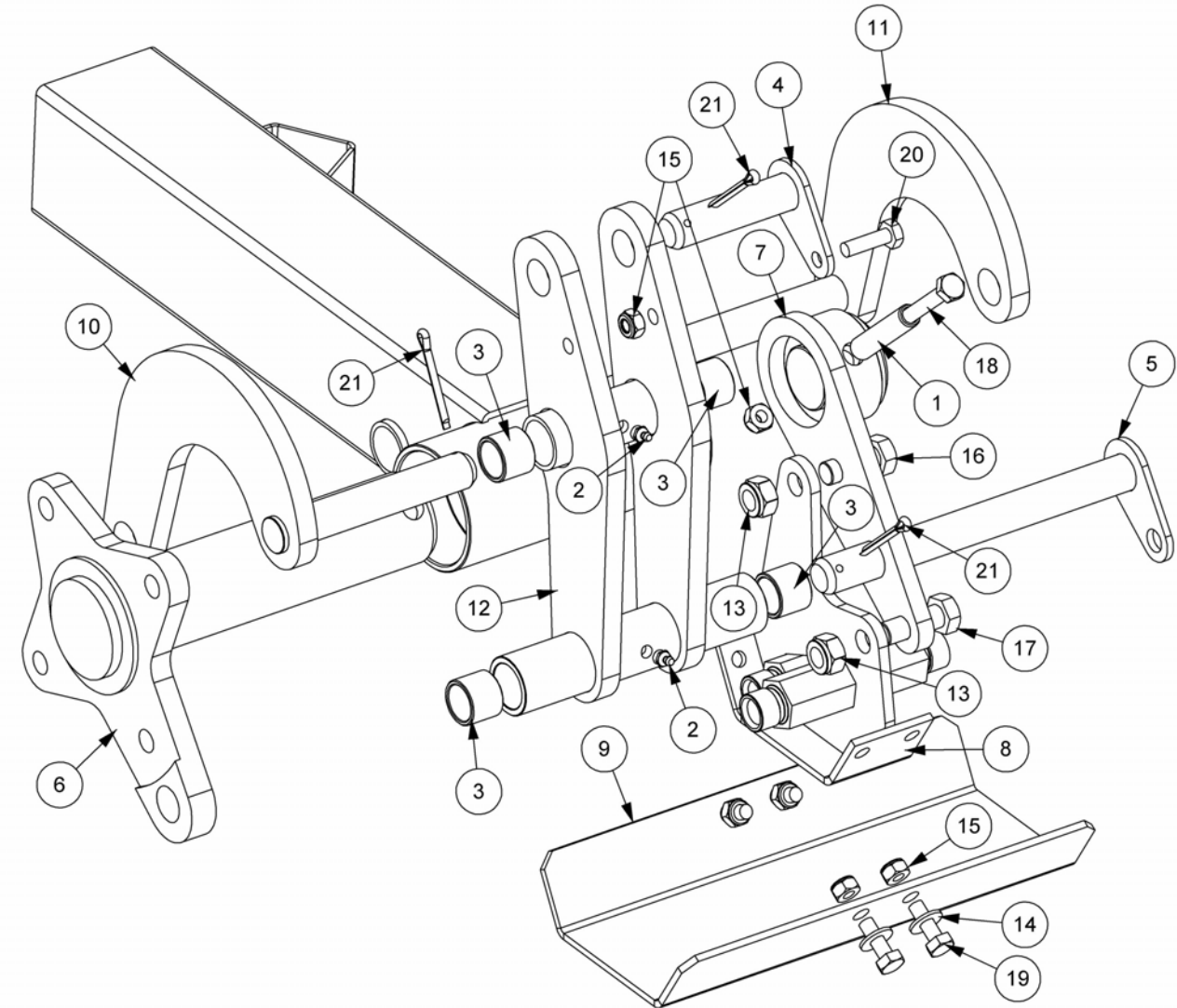


| REF. | QTY. | PART No. | DESCRIPTION |
|------|------|----------------|---|
| | | 7147708 | BREAKBACK DIPPER ARM - L/H Build |
| | | 7147709 | BREAKBACK DIPPER ARM - R/H Build |
| 1 | 1 | 0431105 | SPRING COTTER |
| 2 | 5 | 0901121 | GREASE NIPPLE |
| 3 | 1 | 22555.01 | PIN (BREAKAWAY PIVOT) |
| 4 | 1 | 22556.03 | HOSE COVER |
| 5 | 2 | 41690.01 | PLASTIC BUSH |
| 6 | 1 | 41691.01 | PIN (ANGLE BASE END) |
| 7 | 1 | 41692.14 | PIN C/W GREASE POINT |
| 8 | 1 | 41869.09 | UPPER DIPPER ARM - L/H Build |
| | 1 | 41869.10 | UPPER DIPPER ARM - R/H Build |
| 9 | 1 | 41870.09 | LOWER DIPPER ARM - L/H Build |
| | 1 | 41870.10 | LOWER DIPPER ARM - R/H Build |
| 10 | 2 | 7136035 | PLASTIC BUSH |
| 11 | 2 | 7191037 | PIN (B/A ROD END) |
| 12 | 2 | 7198077 | PIPE CLAMP |
| 13 | 1 | 7198363 | LOCKING PIN |
| 14 | 4 | 7213023 | PLASTIC BUSH |
| 15 | 4 | 9100104 | FLAT WASHER |
| 16 | 2 | 9163004 | NYLOC NUT |
| 17 | 5 | 9163005 | NYLOC NUT |
| 18 | 2 | 9213124 | BOLT |
| 19 | 1 | 9313055 | SETSCREW |
| 20 | 2 | 9313065 | SETSCREW |
| 21 | 2 | 9313075 | SETSCREW |

HEAD ANGLING MECHANISM ASSEMBLY

McCONEL

Module(s): 7170702



HEAD ANGLING MECHANISM ASSEMBLY

McCONNEL

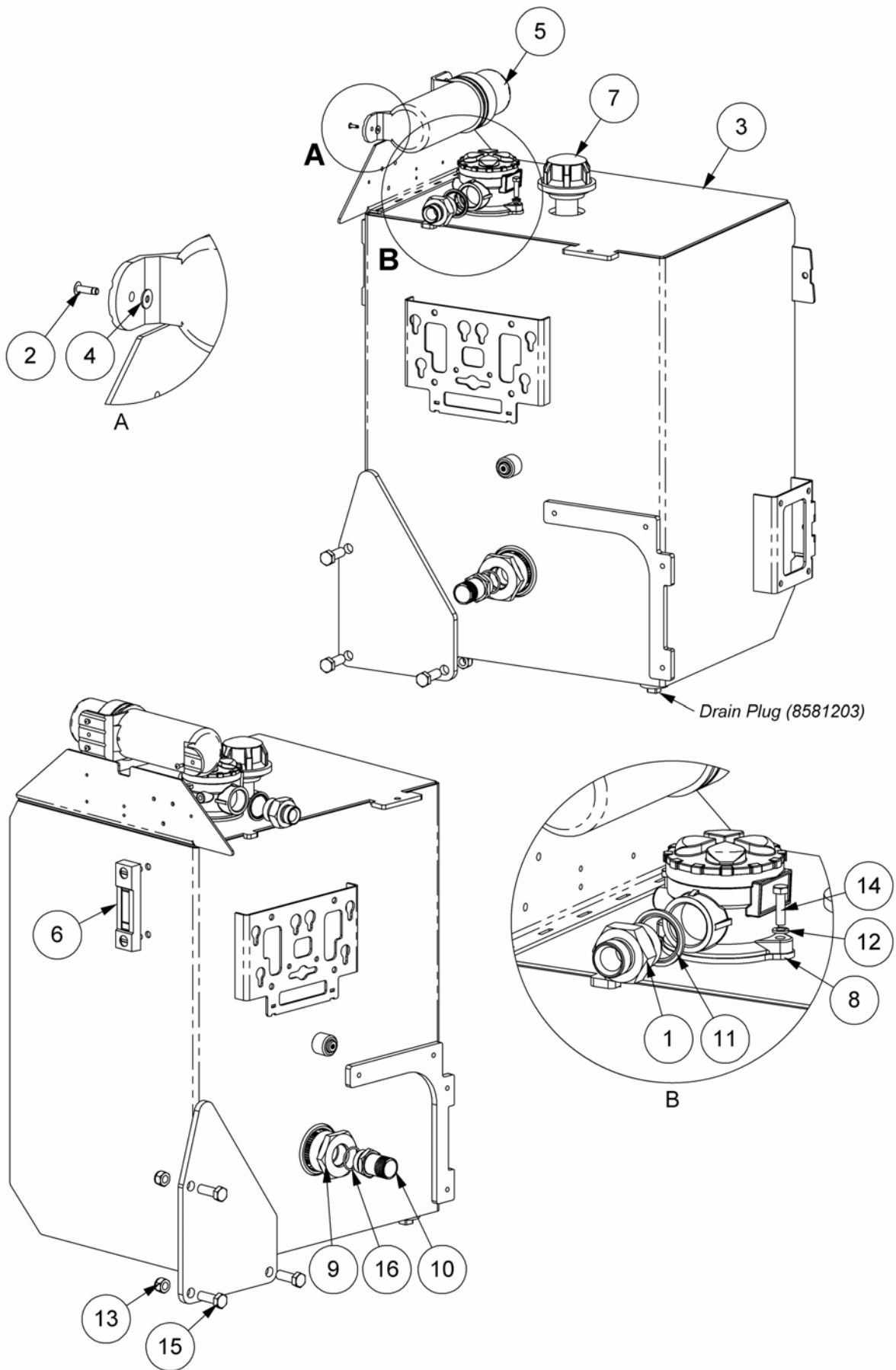
Module(s): 7170702

| REF. | QTY. | PART No. | DESCRIPTION |
|------|------|----------------|-------------------------------|
| | | 7170702 | HEAD ANGLING MECHANISM |
| 1 | 1 | 0423548 | SPRING DOWEL |
| 2 | 3 | 0901121 | GREASE NIPPLE |
| 3 | 4 | 41690.01 | BUSH |
| 4 | 1 | 41693.01 | PIN (ANGLE ROD END) |
| 5 | 1 | 7192009 | PIN (SLAVE LINK) |
| 6 | 1 | 7192308 | PIVOT TUBE |
| 7 | 1 | 7192316 | JAW PLATE |
| 8 | 1 | 7192321 | HOSE BRACKET |
| 9 | 1 | 7198333 | HOSE TRAY |
| 10 | 1 | 7450250 | RADIUS ARM - REAR |
| 11 | 1 | 7450251 | RADIUS ARM - FRONT |
| 12 | 1 | 7450252 | SLAVE LINK |
| 13 | 2 | 9100028 | SELF-LOCKING NUT |
| 14 | 4 | 9100105 | FLAT WASHER |
| 15 | 6 | 9163005 | NYLOC NUT |
| 16 | 1 | 30.073.25 | BOLT |
| 17 | 1 | 9200028 | BOLT |
| 18 | 1 | 9213185 | BOLT |
| 19 | 4 | 9313065 | SETSCREW |
| 20 | 1 | 9313075 | SETSCREW |
| 21 | 4 | 9501507 | SPLIT PIN |

HYDRAULIC TANK ASSEMBLY

Module(s): L/H Build 7150704 (illustrated), R/H Build 7150705

McCONEL



HYDRAULIC TANK ASSEMBLY

McCONNEL

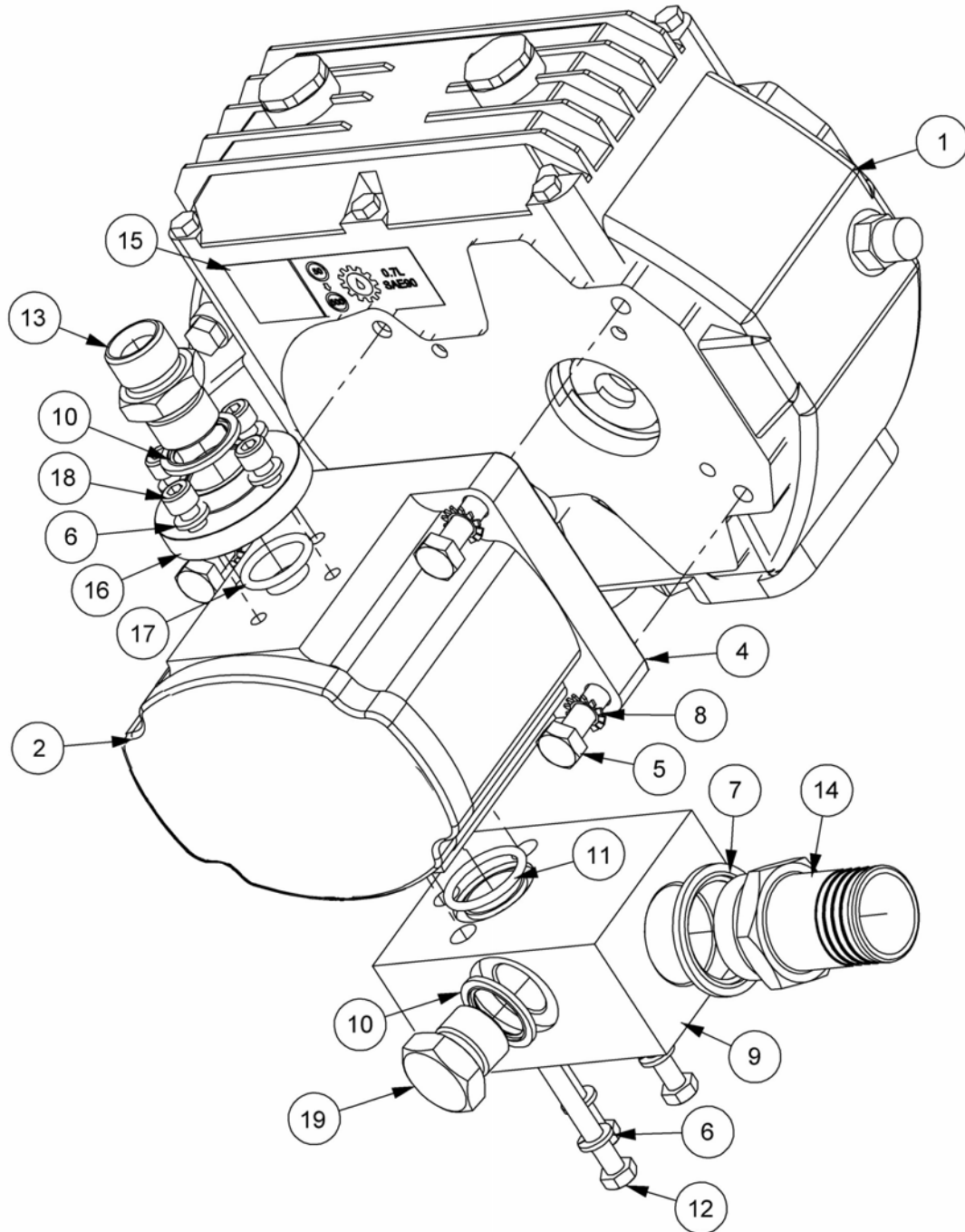
Module(s): L/H Build 7150704 (*illustrated*), R/H Build 7150705

| REF. | QTY. | PART No. | DESCRIPTION |
|------|------|----------------|---|
| | | 7150704 | HYDRAULIC TANK ASSEMBLY - L/H Build |
| | | 7150705 | HYDRAULIC TANK ASSEMBLY - R/H Build |
| 1 | 1 | 05.131.01 | ADAPTOR |
| 2 | 3 | 21612.02 | POP RIVET |
| 3 | 1 | 22470.03 | TANK - L/H Build (<i>includes Drain Plug 8581203</i>) |
| | 1 | 22470.04 | TANK - R/H Build (<i>includes Drain Plug 8581203</i>) |
| 4 | 3 | 22530.01 | RIVET WASHER |
| 5 | 1 | 46505.01 | LITERATURE HOLDER |
| 6 | 1 | 8401048 | LEVEL GAUGE |
| 7 | 1 | 8401050 | BREATHER |
| 8 | 1 | 8401088 | FILTER ASSEMBLY - <i>comprising of:</i> |
| | 1 | 8401089 | FILTER ELEMENT (25 Micron) |
| | 1 | 8401092 | FILTER LID SPRING |
| | 1 | 8401093 | FILTER HOUSING SEAL |
| | 1 | 8700235 | O RING |
| | 1 | 8700092 | O RING |
| | 1 | 212.013.04 | FILLER CAP |
| 9 | 1 | 8401097 | SUCTION STRAINER |
| 10 | 1 | 8581260 | ADAPTOR |
| 11 | 1 | 8650109 | BONDED SEAL |
| 12 | 2 | 9100204 | SPRING WASHER |
| 13 | 3 | 9163007 | NYLOC NUT |
| 14 | 2 | 9313064 | SETSCREW |
| 15 | 3 | 9313097 | SETSCREW |
| 16 | 1 | 8700784 | O RING |

SI PUMP & GEARBOX ASSEMBLY

Module(s): L/H Build 8013511 (illustrated), R/H Build 8013507

McCONEL



SI PUMP & GEARBOX ASSEMBLY

McCONNEL

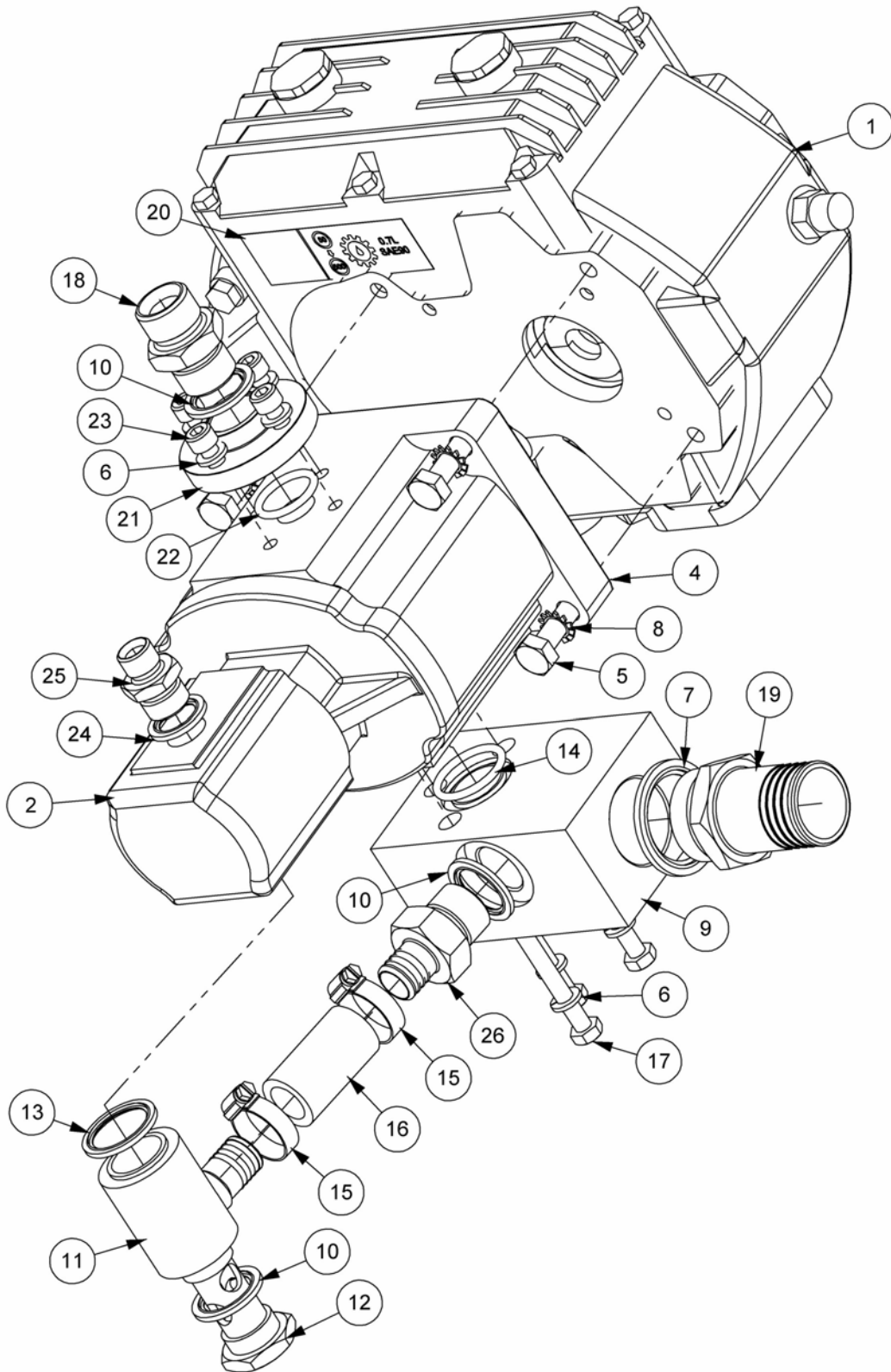
Module(s): L/H Build 8013511 (illustrated), R/H Build 8013507

| REF. | QTY. | PART No. | DESCRIPTION | |
|------|------|----------------|--|---------------|
| | | 8013511 | SI PUMP & GEARBOX ASSEMBLY - L/H Build | |
| | | 8013507 | SI PUMP & GEARBOX ASSEMBLY - R/H Build | |
| 1 | 1 | 21931.01 | GEARBOX ASSEMBLY 1:4.25 13T SPLINE | |
| 2 | 1 | 8201463 | PUMP | |
| 3 | 1 | 8600523 | O RING | |
| 4 | 1 | 8013056 | GASKET | |
| 5 | 4 | 9213075 | BOLT | |
| 6 | 7 | 9100204 | SPRING WASHER | |
| 7 | 1 | 8650109 | BONDED SEAL | |
| 8 | 4 | 9100405 | EXTERNAL SHAKEPROOF WASHER | |
| 9 | 1 | 7192371 | SUCTION BLOCK - L/H Build | |
| | 1 | 7192372 | SUCTION BLOCK - R/H Build (<i>not illustrated</i>) | |
| 10 | 2 | 8650106 | BONDED SEAL | |
| 11 | 14 | 1 | 8600122 | O RING |
| 12 | 17 | 3 | 9213144 | BOLT |
| 13 | 18 | 1 | 8581136 | ADAPTOR |
| 14 | 19 | 1 | 8581260 | ADAPTOR |
| 15 | 20 | 1 | 1290092 | GEARBOX DECAL |
| 16 | 21 | 1 | 8013088 | PUMP FLANGE |
| 17 | 22 | 1 | 8600119 | O RING |
| 18 | 23 | 4 | 9343054 | CAPSCREW |
| 19 | 26 | 1 | 05.313.01 | PLUG |
| | | 8699231 | PUMP SEAL KIT | |

TI PUMP & GEARBOX ASSEMBLY

Module(s): L/H Build 7447562 (illustrated), R/H Build 8013505

McCONEL

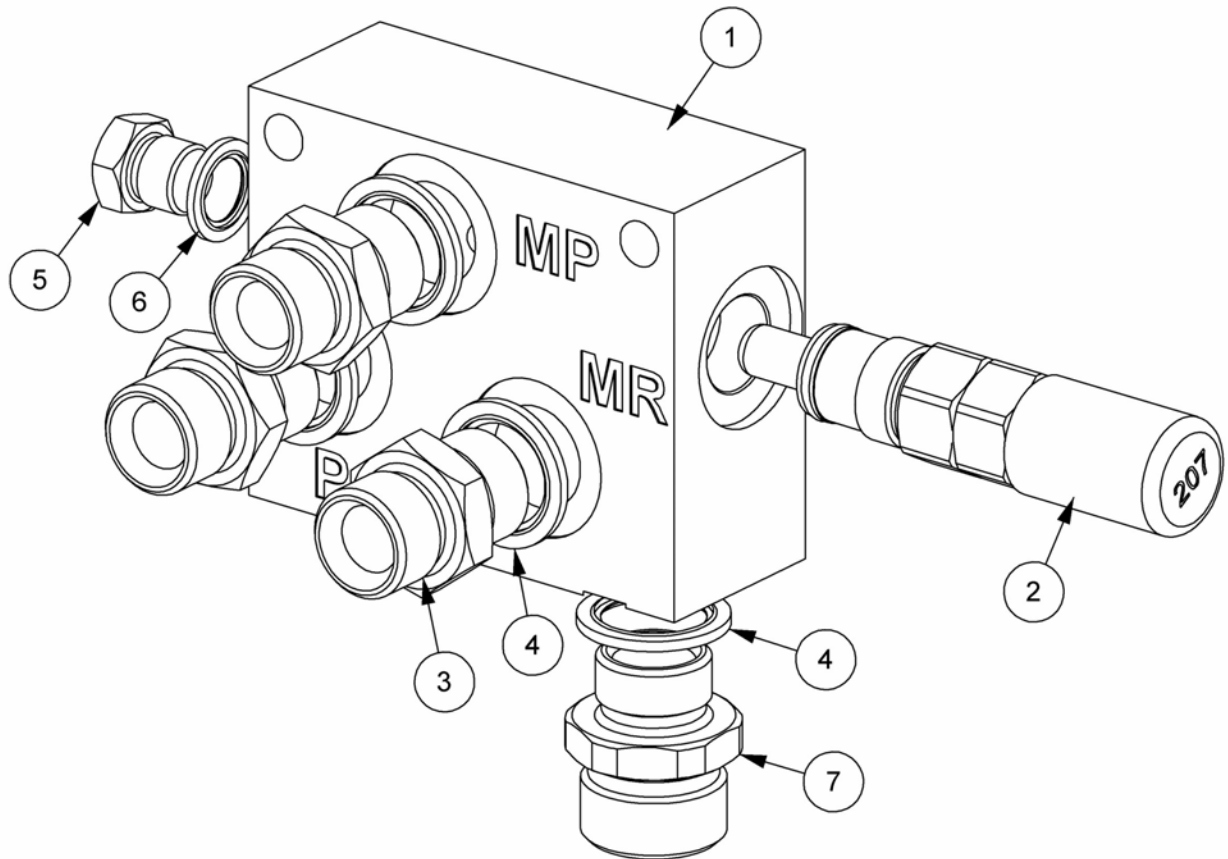


TI PUMP & GEARBOX ASSEMBLY

McCONNEL

Module(s): L/H Build 7447562 (*illustrated*), R/H Build 8013505

| REF. | QTY. | PART No. | DESCRIPTION |
|------|------|----------------|---|
| | | 7447562 | TI PUMP & GEARBOX ASSEMBLY - L/H Build |
| | | 8013505 | TI PUMP & GEARBOX ASSEMBLY - R/H Build |
| 1 | 1 | 21931.01 | GEARBOX ASSEMBLY 1:4.25 13T SPLINE |
| 2 | 1 | 8201466 | TANDEM PUMP - <i>comprising of:</i> |
| | 1 | 8201684 | LARGE PUMP |
| | 1 | 8201677 | SMALL PUMP |
| 3 | 1 | 8600523 | O RING |
| 4 | 1 | 8013056 | GASKET |
| 5 | 4 | 9213075 | BOLT |
| 6 | 7 | 9100204 | SPRING WASHER |
| 7 | 7 | 9100404 | SHAKEPROOF WASHER |
| 8 | 4 | 9100405 | EXTERNAL SHAKEPROOF WASHER |
| 9 | 1 | 7192371 | SUCTION BLOCK - L/H Build |
| | 1 | 7192372 | SUCTION BLOCK - R/H Build |
| 10 | 3 | 8650106 | BONDED SEAL |
| 11 | 1 | 8013096 | BANJO ASSEMBLY |
| 12 | 1 | 8013095 | BANJO BOLT |
| 13 | 1 | 8650107 | BONDED SEAL |
| 14 | 1 | 8600122 | O RING |
| 15 | 2 | 0904204 | HOSE CLIP |
| 16 | 1 | 8501213 | HOSE - 3/4" BORE x 50mm |
| 17 | 3 | 9213144 | BOLT |
| 18 | 1 | 8581136 | ADAPTOR |
| 19 | 1 | 8581260 | ADAPTOR |
| 20 | 1 | 1290092 | GEARBOX DECAL |
| 21 | 1 | 8013088 | PUMP FLANGE |
| 22 | 1 | 8600119 | O RING |
| 23 | 4 | 9343054 | CAPSCREW |
| 24 | 1 | 8650104 | BONDED SEAL |
| 25 | 1 | 6000112 | ADAPTOR |
| 26 | 1 | 8581301 | ADAPTOR |
| 27 | 1 | 8650109 | BONDED SEAL |
| | | 8699231 | PUMP SEAL KIT |



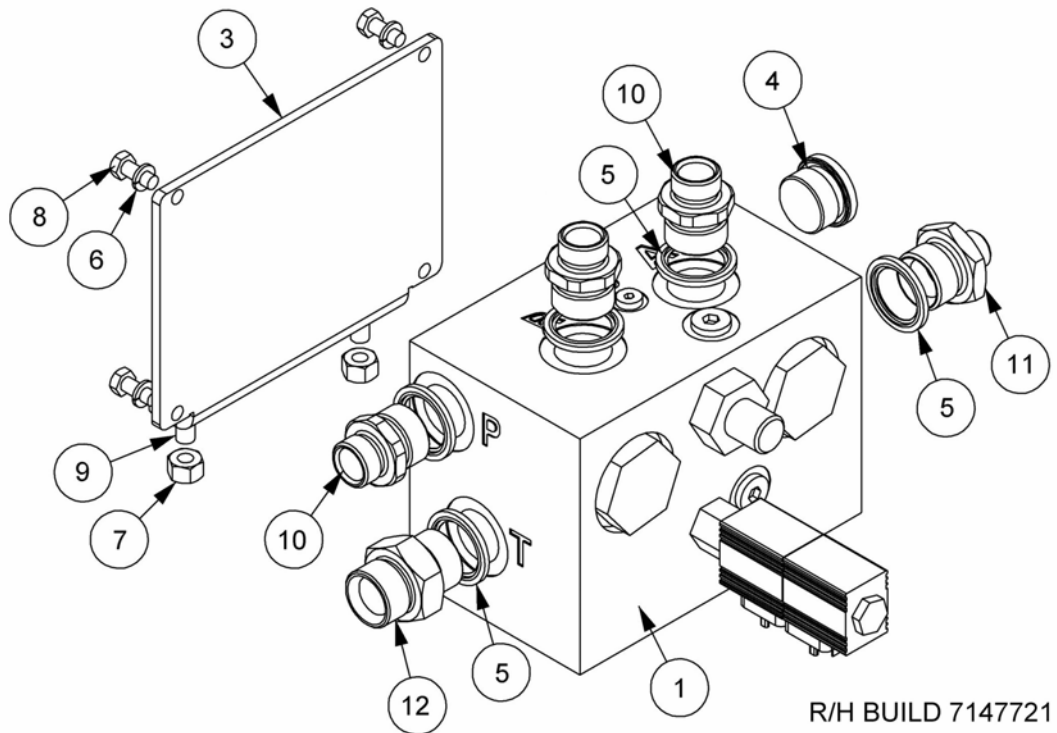
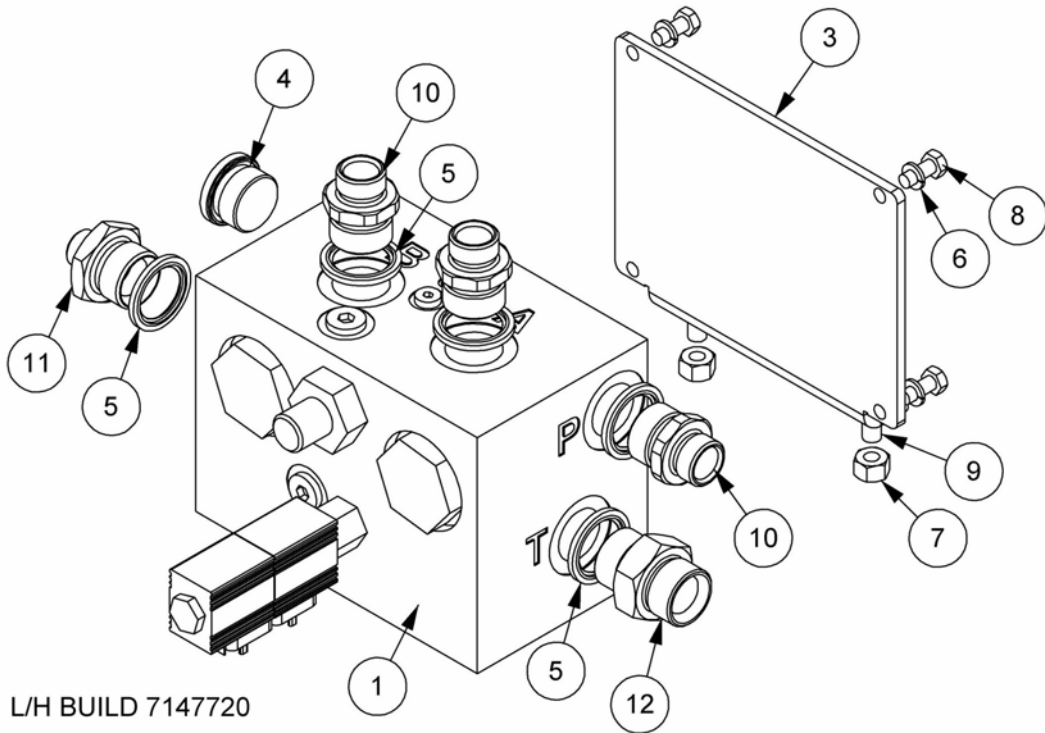
Module(s): 8125411

| REF. | QTY. | PART No. | DESCRIPTION |
|------|------|----------------|------------------------------------|
| | | 8125411 | ROTOR RELIEF VALVE ASSEMBLY |
| 1 | 1 | 8125352 | ROTOR RELIEF BLOCK |
| 2 | 1 | 8125095 | RELIEF VALVE (207 BAR) |
| 3 | 3 | 8581136 | ADAPTOR |
| 4 | 4 | 8650106 | BONDED SEAL |
| 5 | 1 | 8003001 | ADAPTOR PLUG |
| 6 | 1 | 8650103 | BONDED SEAL |
| 7 | 1 | 8002086 | ADAPTOR |

ELECTRIC ROTOR CONTROL VALVE ASSEMBLY

McCONEL

Module(s): L/H Build 7147720, R/H Build 7147721



ELECTRIC ROTOR CONTROL VALVE ASSEMBLY**McCONNEL**

Module(s): L/H Build 7147720, R/H Build 7147721

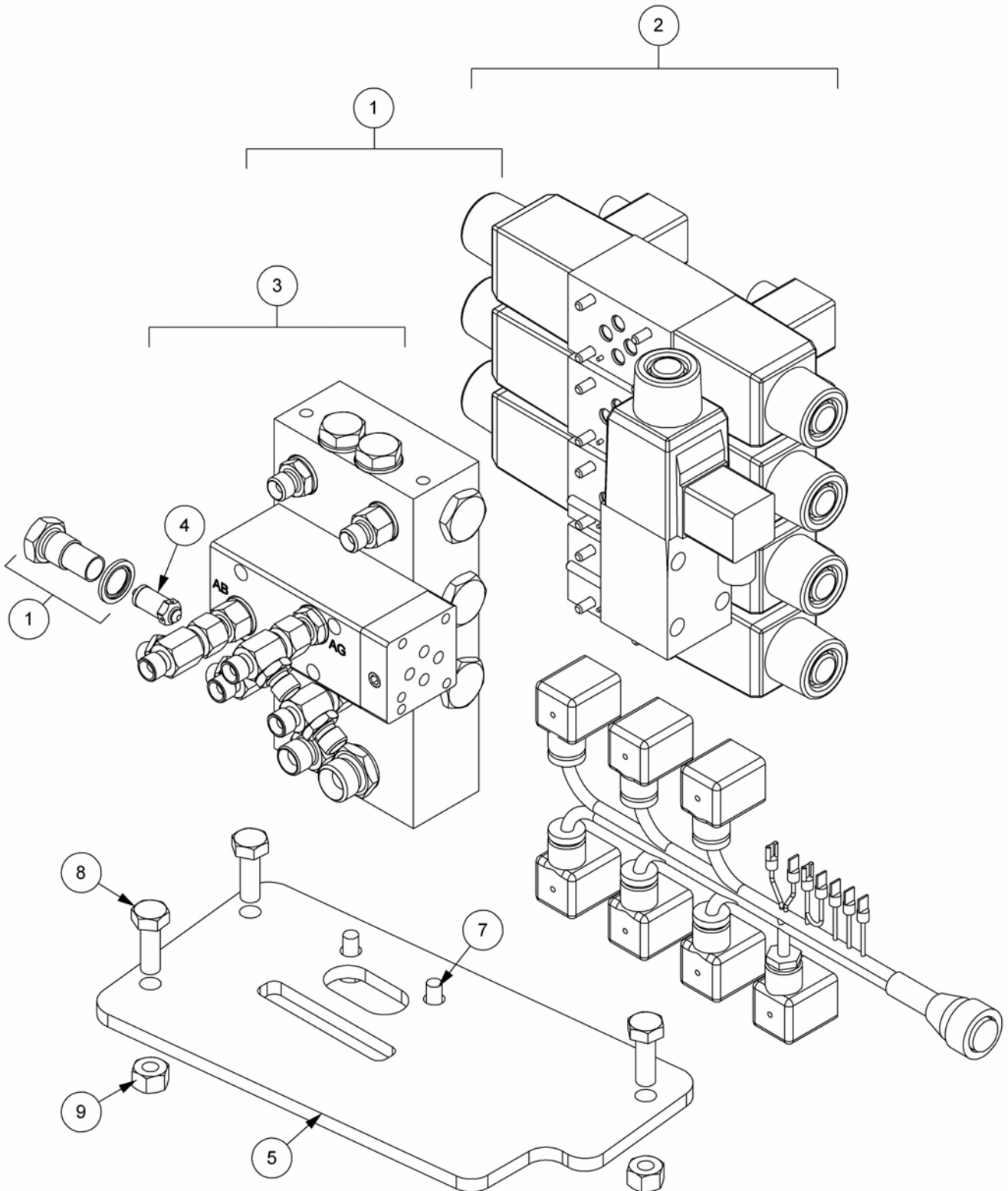
| REF. | QTY. | PART No. | DESCRIPTION |
|-------------|-------------|-----------------|---|
| | | 7147720 | ELECTRIC ROTOR CONTROL - L/H Build |
| | | 7147721 | ELECTRIC ROTOR CONTROL - R/H Build |
| 1 | 1 | 42768.01 | ELECTRIC ROTOR CONTROL VALVE <i>c/o</i> : |
| | 1 | 42768.40 | MANIFOLD |
| | 1 | 42768.32 | LOGIC ELEMENT |
| | 1 | 42768.35 | SOLENOID (1999-2005) |
| | 1 | 42768.43 | SOLENOID (2005 onwards) |
| | 1 | 42768.36 | ORIFICE PLUG |
| | 1 | 42768.41 | RELIEF VALVE |
| | 1 | 42768.45 | RELIEF VALVE |
| | 1 | 42768.49 | CARTRIDGE SPOOL VALVE |
| | 1 | 8600920 | O RING |
| | 1 | 8699260 | SEAL KIT |
| 2 | 1 | 43177.26 | LOOM - ROTOR REVERSE |
| 3 | 1 | 22512.01 | RCV MOUNTING BRACKET |
| 4 | 1 | 8581389 | PLUG |
| 5 | 5 | 8650108 | BONDED SEAL |
| 6 | 4 | 9100204 | SPRING WASHER |
| 7 | 2 | 9143005 | SELF-LOCKING NUT |
| 8 | 4 | 9313044 | SETSCREW |
| 9 | 2 | 9313055 | SETSCREW |
| 10 | 3 | 8002086 | ADAPTOR |
| 11 | 1 | 8581129 | ADAPTOR |
| 12 | 1 | 05.434.01 | ADAPTOR |

NOTE: L/H & R/H Builds use identical parts and differ only in the assembled positions

ELECTRIC TI ACV ASSEMBLY - 3 Bank

Module(s): L/H Build 7147727, R/H Build 7147728 (illustrated)

McCONEL



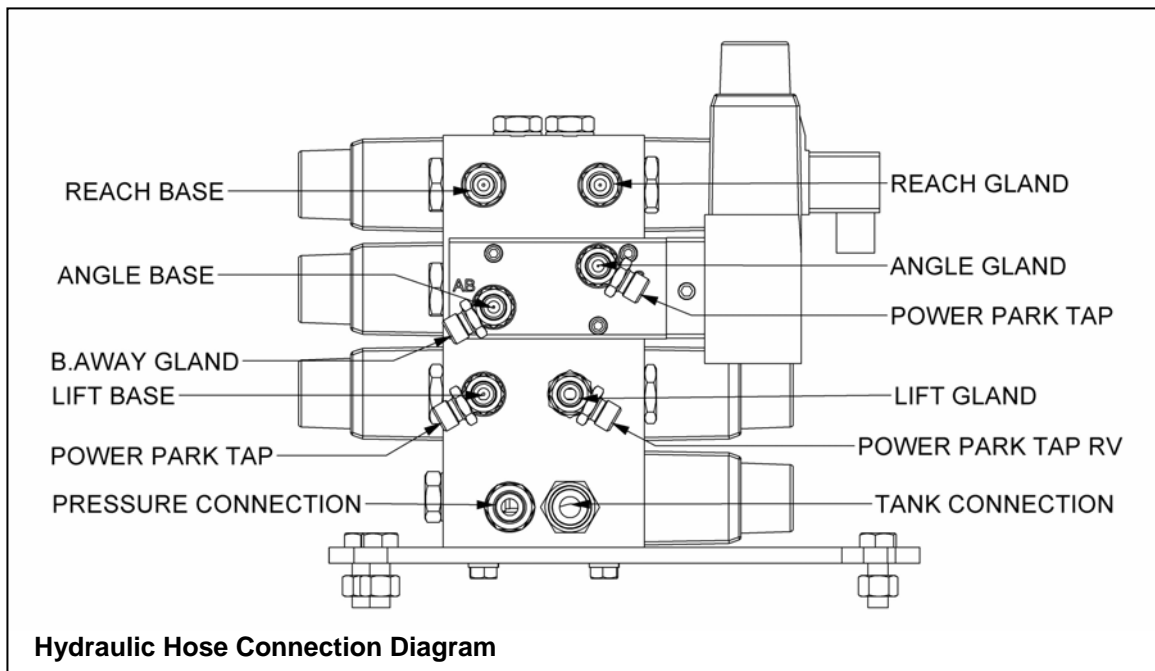
ELECTRIC TI ACV ASSEMBLY - 3 Bank

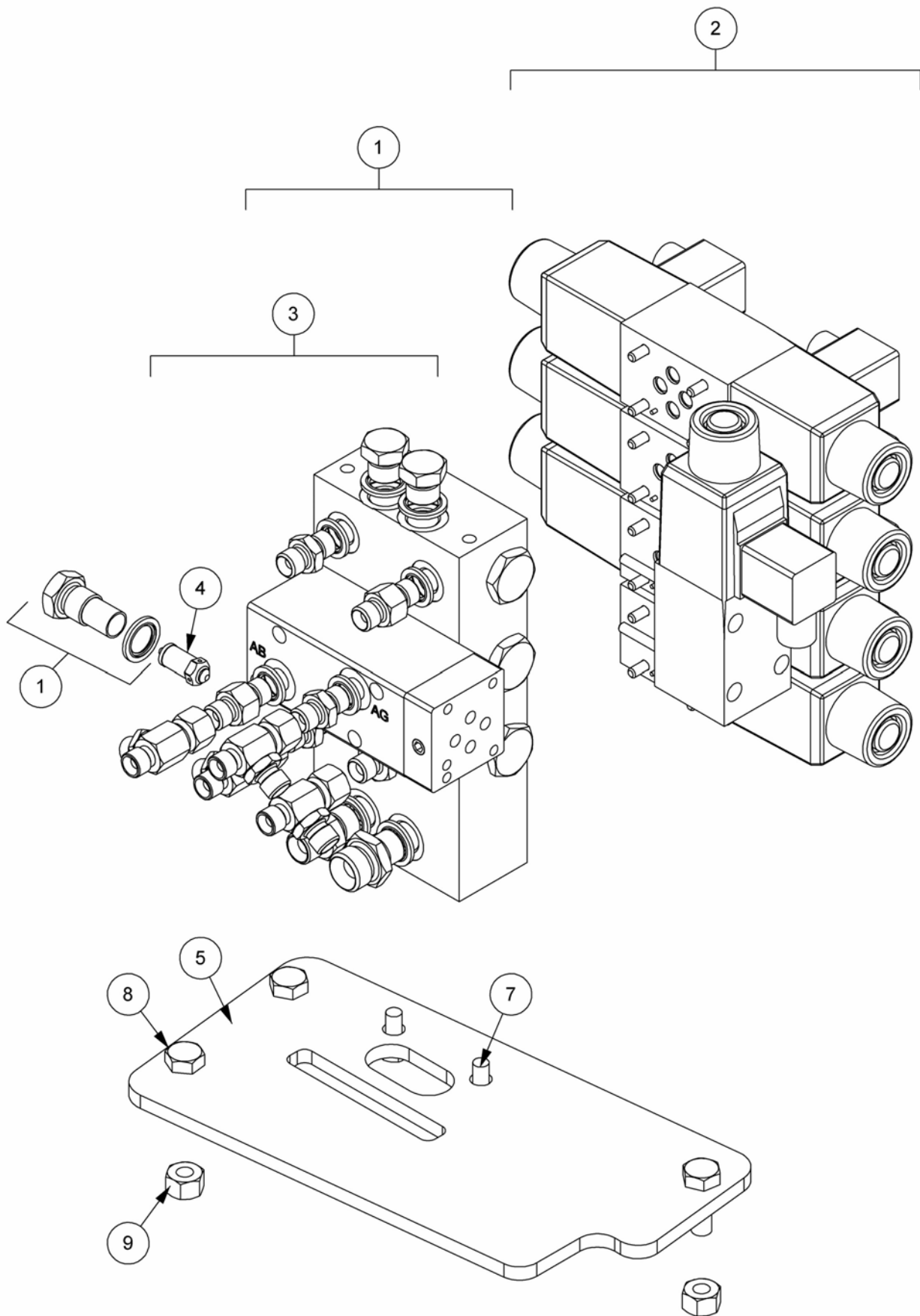
McCONNEL

Module(s): L/H Build 7147727, R/H Build 7147728 (*illustrated*)

| REF. | QTY. | PART No. | DESCRIPTION |
|------|------|----------------|---|
| | | 7147227 | ELEC. CONTROL VALVE ASSEMBLY - L/H Build |
| | | 7147228 | ELEC. CONTROL VALVE ASSEMBLY - R/H Build |
| 1 | 1 | 22523.05 | MANIFOLD MODULE - 3 BANK |
| 2 | 1 | 22525.07 | CONTROLS/SOLENOID MODULE |
| 3 | 1 | 22524.09 | ADAPTOR MODULE |
| 4 | 1 | 8130092 | RELIEF VALVE (190BAR) |
| 5 | 1 | 22516.02 | VALVE MOUNTING PLATE |
| 6 | 2 | 9100204 | SPRING WASHER |
| 7 | 2 | 9313044 | SETSCREW |
| 8 | 3 | 9313065 | SETSCREW |
| 9 | 3 | 9143005 | SELF-LOCKING NUT |

NOTE: L/H & R/H builds use identical components and differ only in the assembled orientation of Valve Mounting Plate 22516.02

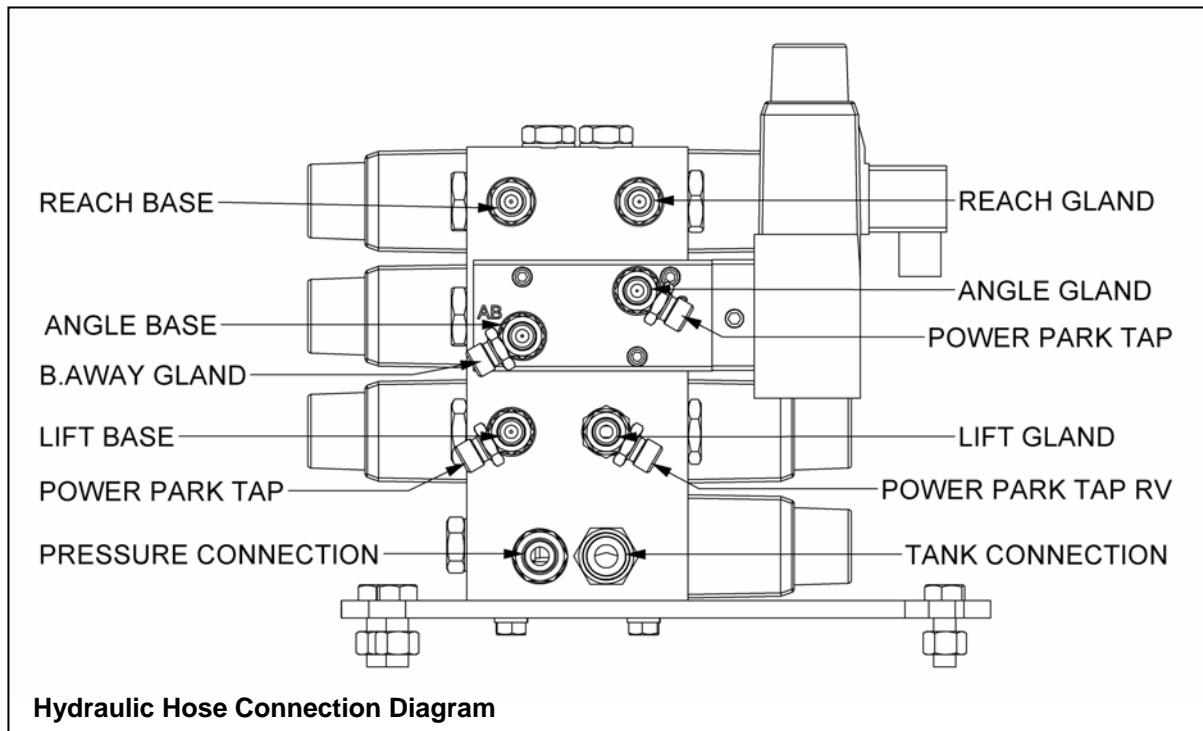


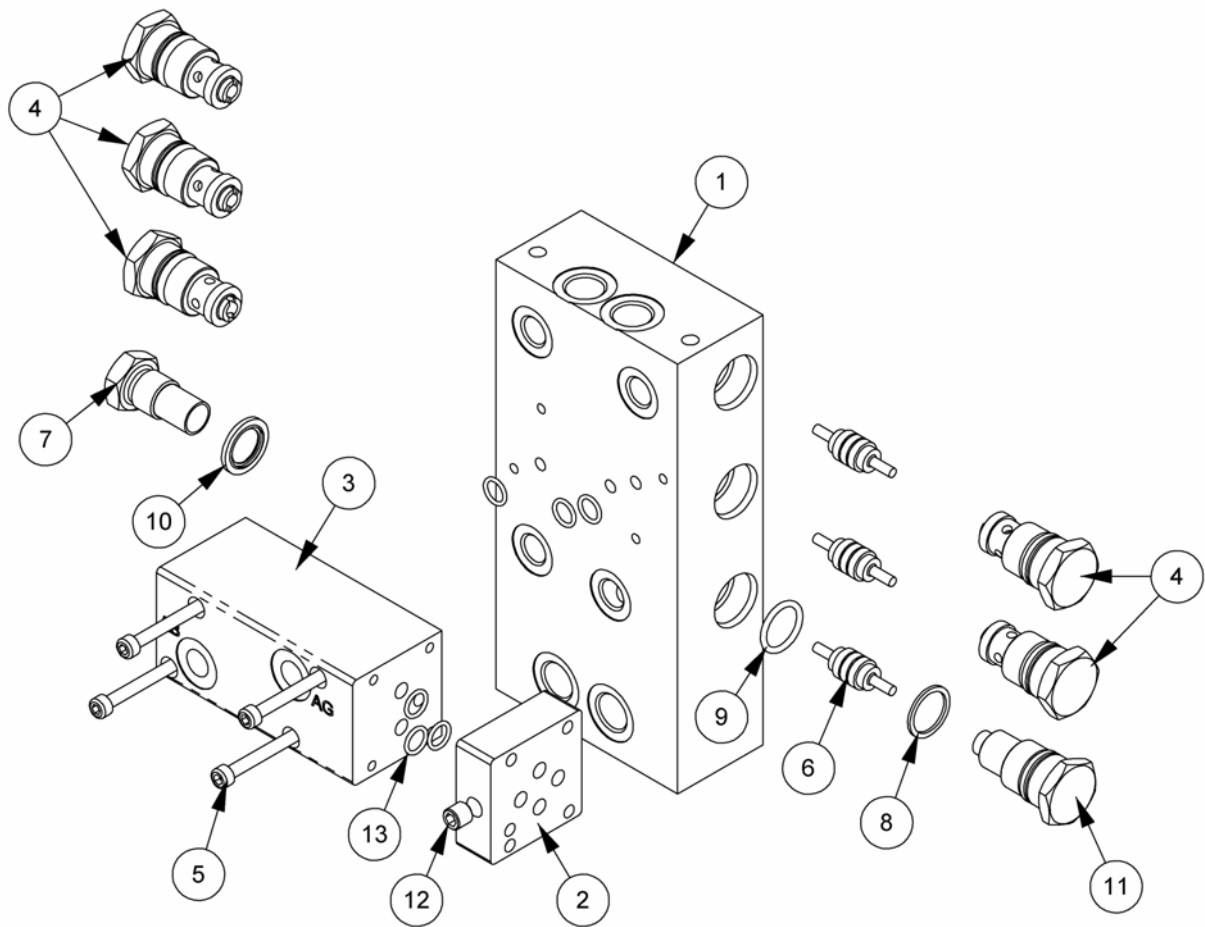


Module(s): L/H Build 7147729, R/H Build 7147730 (*illustrated*)

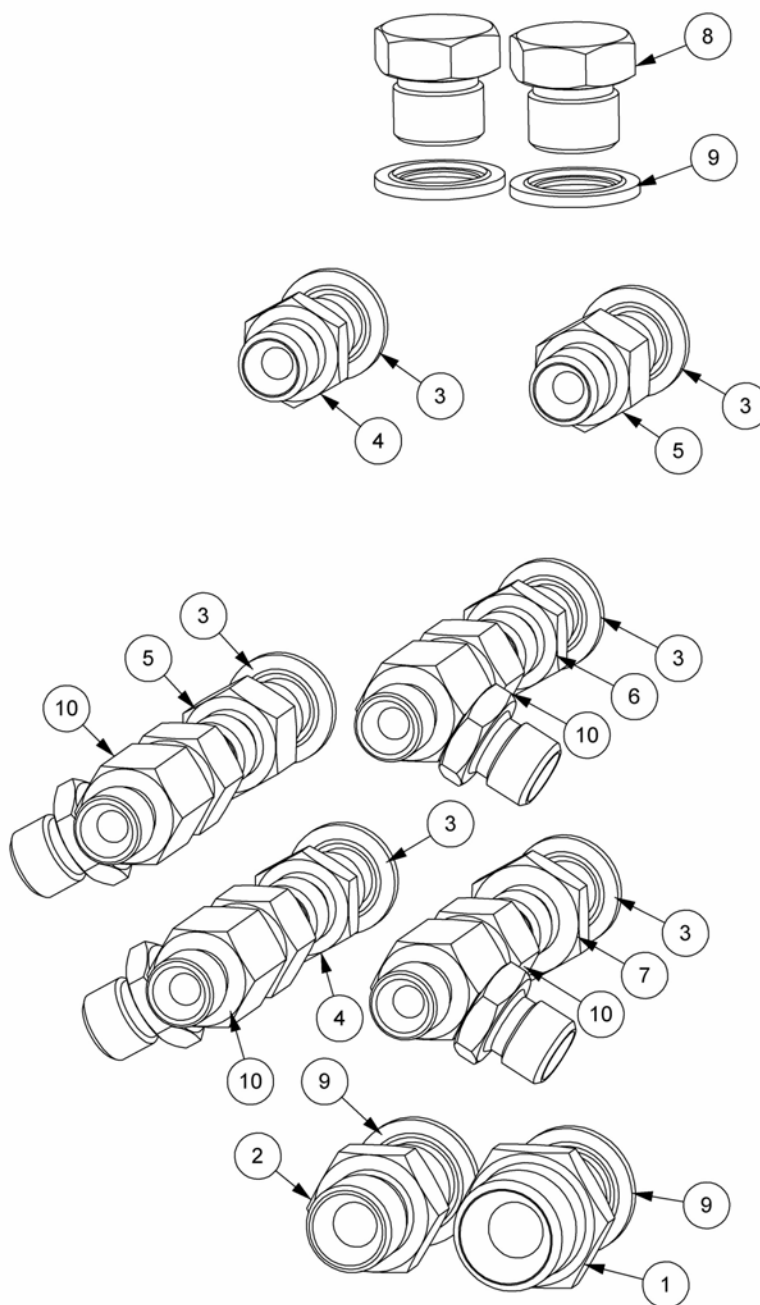
| REF. | QTY. | PART No. | DESCRIPTION |
|------|------|----------------|---|
| | | 7147729 | XTC PROP. CONTROL VALVE ASSEMBLY - L/H Build |
| | | 7147730 | XTC PROP. CONTROL VALVE ASSEMBLY - R/H Build |
| 1 | 1 | 22523.05 | MANIFOLD MODULE - 3 BANK |
| 2 | 1 | 22525.08 | CONTROLS/SOLENOID MODULE - 3 BANK AF |
| 3 | 1 | 22524.09 | ADAPTOR MODULE |
| 4 | 1 | 8130092 | RELIEF VALVE (190BAR) |
| 5 | 1 | 22516.02 | VALVE MOUNTING PLATE |
| 6 | 2 | 9100204 | SPRING WASHER |
| 7 | 2 | 9313044 | SETSCREW |
| 8 | 3 | 9313065 | SETSCREW |
| 9 | 3 | 9143005 | SELF-LOCKING NUT |

NOTE: L/H & R/H builds use identical components and differ only in the assembled orientation of Valve Mounting Plate 22516.02

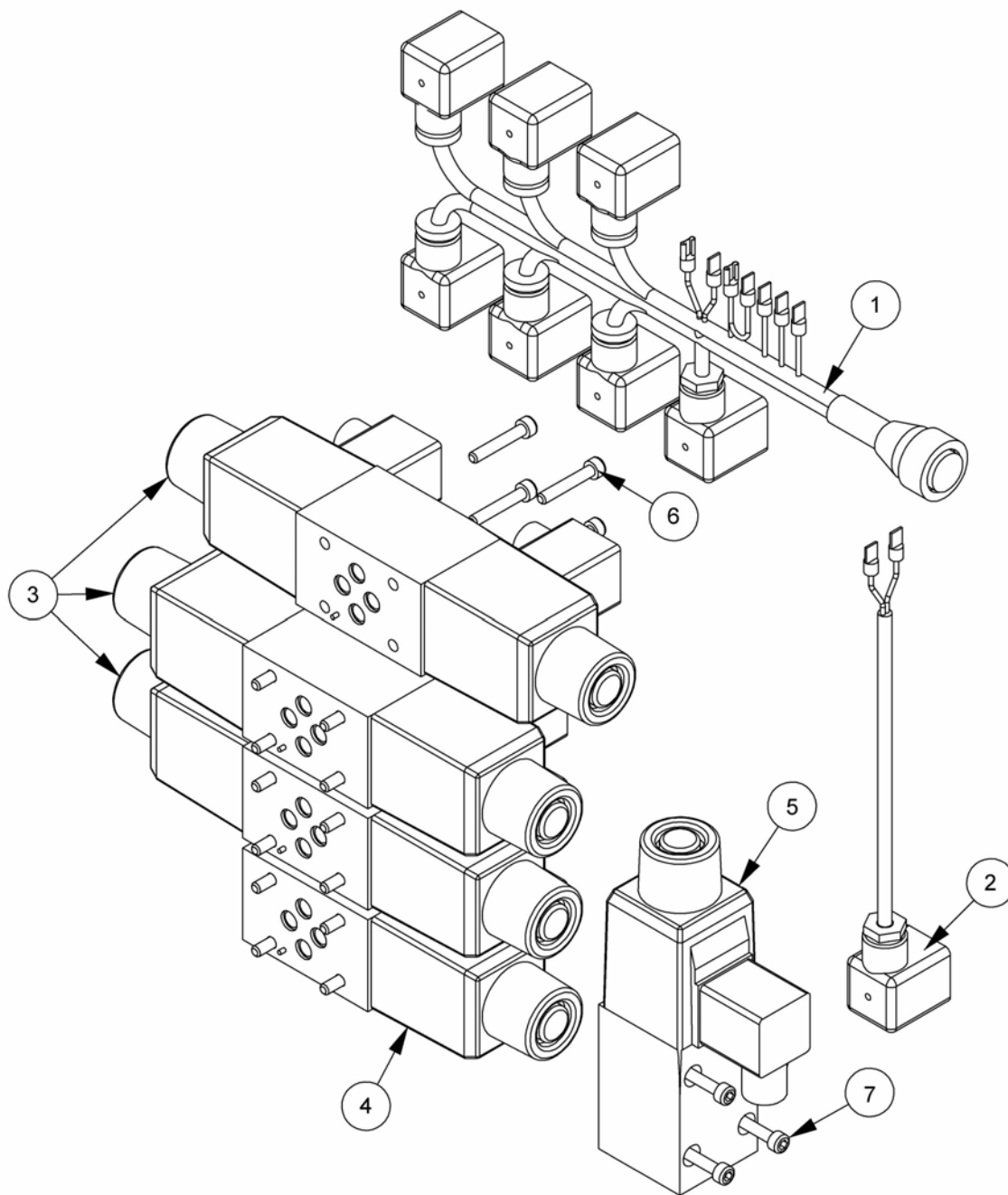




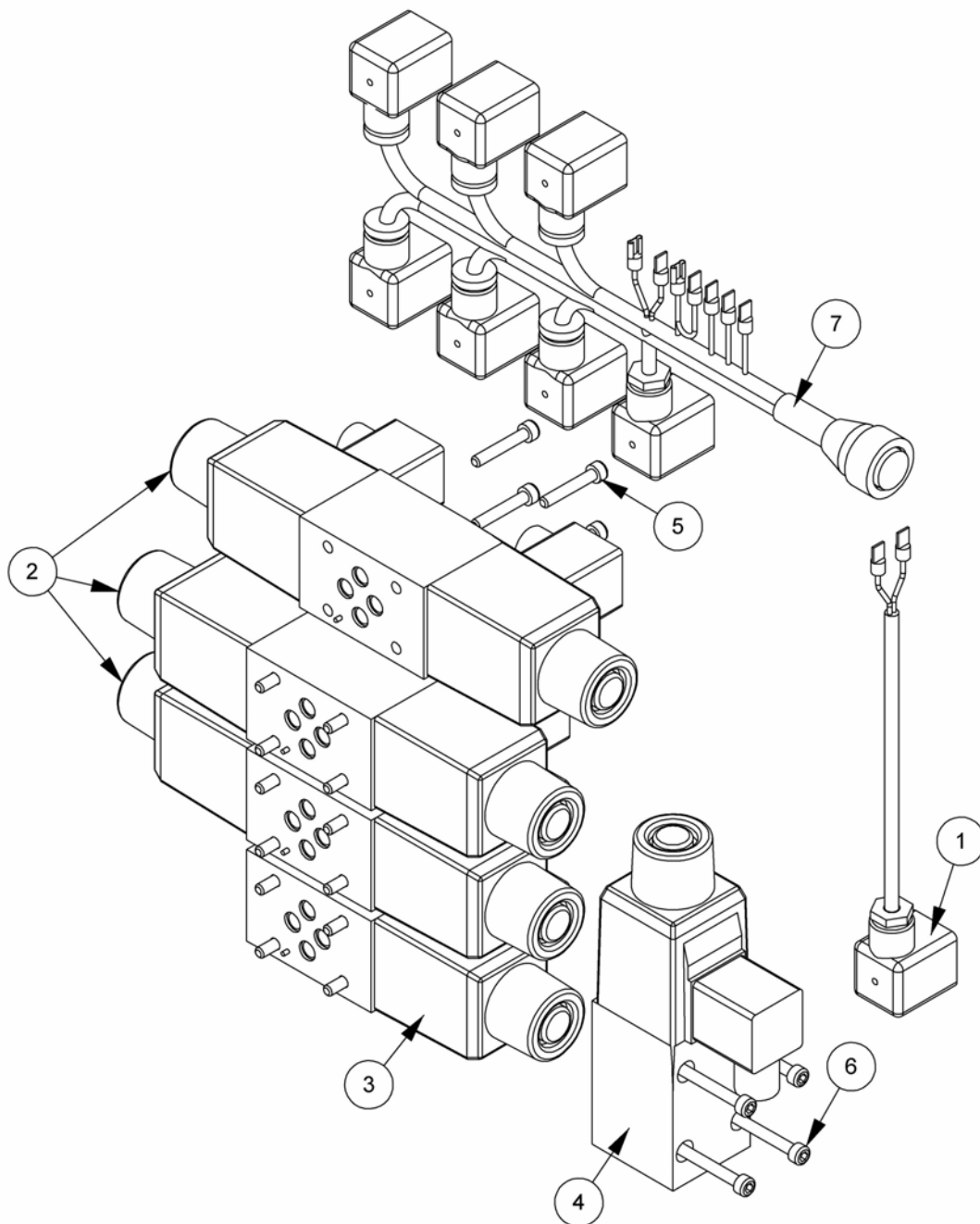
| REF. | QTY. | PART No. | DESCRIPTION |
|------|------|-----------------|--|
| | | 22523.05 | MANIFOLD ASSEMBLY - 3 BANK |
| 1 | 1 | 8130321 | MANIFOLD BLOCK - 3 FUNCTION |
| 2 | 1 | 8126280 | BRIDGING PLATE |
| 3 | 1 | 8130323 | FLOAT VALVE BLOCK |
| 4 | 5 | 8130090 | CHECK VALVE ASSEMBLY - <i>comprising of:</i> |
| | 1 | 8130025 | CHECK VALVE CAP |
| | 1 | 8114045 | SPRING |
| | 1 | 8130089 | SPRING GUIDE |
| | 1 | 0905509 | STEEL BALL |
| | 1 | 8700644 | O RING |
| | 1 | 8130088 | CHECK VALVE SEAT |
| | 1 | 8709644 | BACKUP RING |
| 5 | 4 | 9243082 | CAPSCREW |
| 6 | 3 | 8130087 | ACTUATOR |
| 7 | 1 | 8130032 | RELIEF VALVE CAP |
| 8 | 1 | 8709644 | BACK UP RING |
| 9 | 1 | 8700644 | O RING |
| 10 | 1 | 8650103 | BONDED SEAL |
| 11 | 1 | 8130078 | CHECK VALVE CAP |
| 12 | 1 | 8582041 | TAPER PLUG |
| 13 | 6 | 8700511 | O RING |



| REF. | QTY. | PART No. | DESCRIPTION |
|------|------|-----------------|-------------------------------|
| | | 22524.09 | ADAPTOR MODULE |
| 1 | 1 | 6000112 | ADAPTOR |
| 2 | 1 | 6000113 | ADAPTOR |
| 3 | 6 | 8650102 | BONDED SEAL |
| 4 | 2 | 8130038 | ADAPTOR RESTRICTOR - 1.4 'L' |
| 5 | 2 | 8130037 | ADAPTOR RESTRICTOR - 1.15 'S' |
| 6 | 1 | 8130103 | ADAPTOR RESTRICTOR - 0.9 'T' |
| 7 | 1 | 8581169 | ADAPTOR |
| 8 | 2 | 8003001 | ADAPTOR PLUG |
| 9 | 4 | 8650103 | BONDED SEAL |
| 10 | 4 | 8581254 | ADAPTOR TEE |



| REF. | QTY. | PART No. | DESCRIPTION |
|------|------|-----------------|--------------------------|
| | | 22525.07 | SOLENOID MODULE |
| 1 | 1 | 41844.02 | LOOM - 14 CORE PLUG IN |
| 2 | 1 | 8402338 | LOOM - ANGLE FLOAT |
| 3 | 3 | 8130629 | DOUBLE SOLENOID VALVE |
| | 2 | 8130175 | COIL (18W) |
| 4 | 1 | 8130456 | CUT OFF SOLENOID VALVE |
| | 1 | 8130175 | COIL (18W) |
| 5 | 1 | 8130457 | SINGLE SOLENOID VALVE |
| | 1 | 8130175 | COIL (18W) |
| 6 | 16 | 9243062 | CAPSCREW |
| 7 | 4 | 9243102 | CAPSCREW |
| | | 8699224 | SOLENOID SEAL KIT |



| REF. | QTY. | PART No. | DESCRIPTION |
|------|------|-----------------|-----------------------------|
| | | 22525.08 | SOLENOID MODULE |
| 1 | 1 | 8402338 | LOOM - ANGLE FLOAT |
| 2 | 3 | 41784.48 | DOUBLE SOLENOID PROP. VALVE |
| | 2 | 41784.99 | PROPORTIONAL COIL (18W) |
| 3 | 1 | 8130456 | CUT OFF SOLENOID VALVE |
| | 1 | 8130175 | COIL (18W) |
| 4 | 1 | 8130457 | SINGLE SOLENOID VALVE |
| | 1 | 8130175 | COIL (18W) |
| 5 | 16 | 9243062 | CAPSCREW |
| 6 | 4 | 9243102 | CAPSCREW |
| 7 | 1 | 41844.02 | LOOM - 14 CORE PLUG IN |
| | | 8699224 | SOLENOID SEAL KIT |

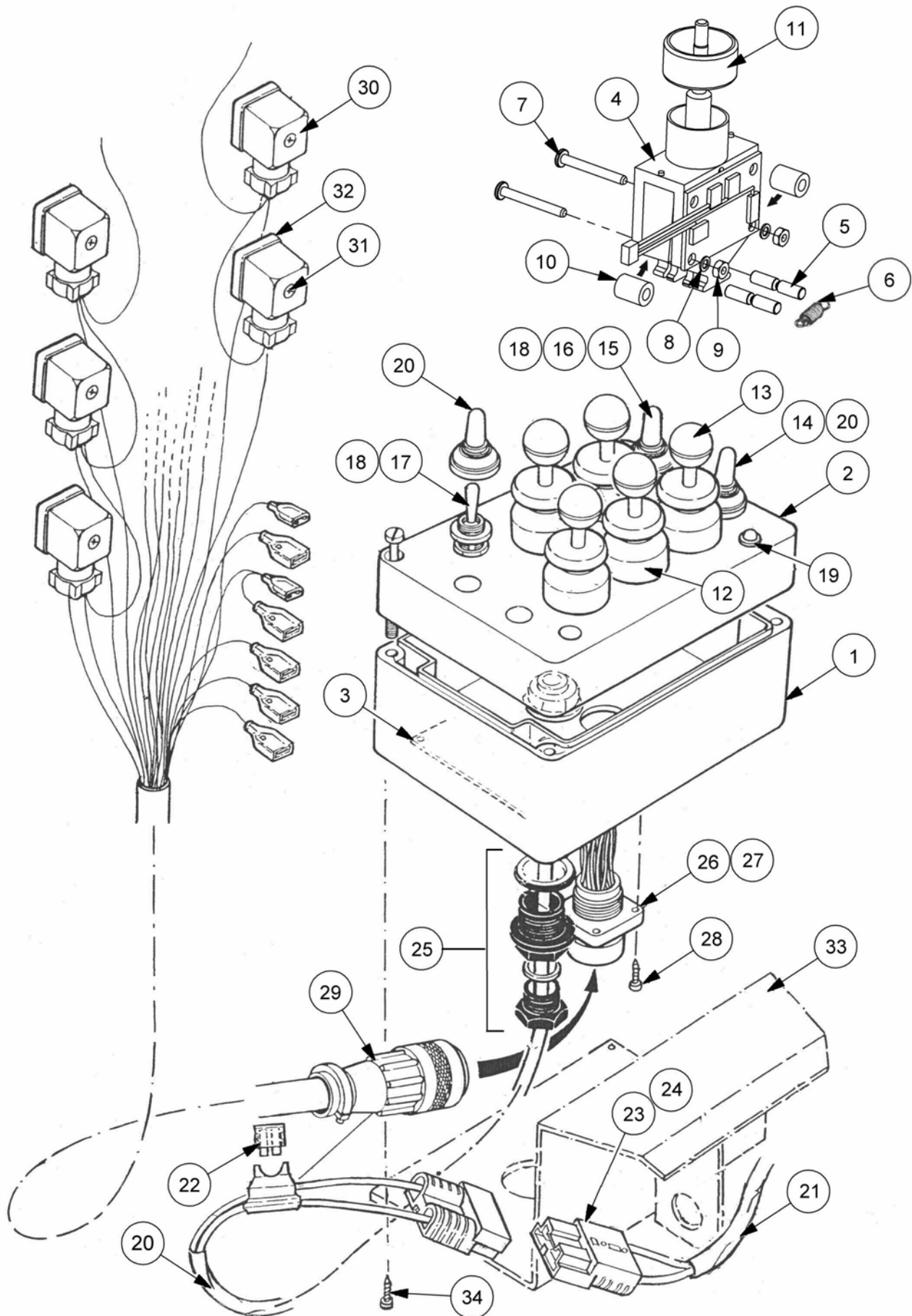
Module(s): 8402900

| REF. | QTY. | PART NO. | DESCRIPTION |
|------|------|-----------------|---|
| | | 8402900 | SWITCHBOX & LOOM ASSEMBLY |
| | | 41845.01 | MULTI 3 LEVER SWITCHBOX |
| 1 | 1 | 41845.32 | BOX |
| 2 | 1 | 41845.31 | LID c/w SCREWS |
| 3 | 1 | 41845.33 | CIRCUIT BOARD |
| | | | LEVER SWITCH UNIT - <i>comprising of:</i> |
| 4 | 3 | 8402133 | SWITCH BODY/LEVER/CIRCUIT BOARD c/w |
| 5 | 2 | 8402111 | BAR |
| 6 | 1 | 8402101 | SPRING |
| 7 | 2 | 9200006 | SCREW - POSIDRIVE PANHEAD |
| 8 | 2 | 8402280 | PLAIN WASHER |
| 9 | 2 | 9113000 | NUT - PLATED |
| 10 | 1 | 8402051 | BEZEL RING |
| 11 | 1 | 8402022 | LEVER GAITER |
| 12 | 5 | 8402056 | KNOB - BLACK |
| 13 | 1 | 8402023 | SWITCH - POWER ON/OFF |
| 14 | 4 | 2800243 | SELF-TAPPING SCREW |
| 15 | 1 | 8402193 | SPECIAL TOOL - <i>not illustrated</i> |
| 16 | 1 | 8402197 | SWITCH - FLOAT |
| 17 | 1 | 41845.37 | LOOM - FLOAT SWITCH |
| 18 | 1 | 41845.41 | L.E.D. AND LOOM |
| 19 | 2 | 8402024 | WEATHER GAITER |
| 20 | 1 | 8402232 | POWER LOOM - <i>including:</i> |
| 21 | 1 | 43034.02 | FUSE |
| 22 | 2 | 8402230 | CONTACTS HOUSING |
| 23 | 4 | 8402229 | CONTACTS |
| 24 | 1 | 8402042 | GLAND |
| 25 | 1 | 8402189 | SOCKET SHELL |
| 26 | 19 | 8402192 | PIN SOCKET |
| 27 | 4 | 2800203 | SCREW |
| 28 | 1 | 41844.06 | WIRING LOOM - <i>including:</i> |
| 29 | 12 | 07.835.04 | PLUG - INCLUDING SCREW & GASKET |
| 30 | 1 | 07.835.03 | SCREW |
| 31 | 1 | 07.835.02 | GASKET |
| 32 | 1 | 8402345 | MOUNTING BRACKET |

ELECTRIC SWITCHBOX CONTROLS – 5 Functions

Module(s): Cable Rotor Control 8402901, Electric Rotor Control 8402902

McCONEL



ELECTRIC SWITCHBOX CONTROLS – 5 Functions

McCONNEL

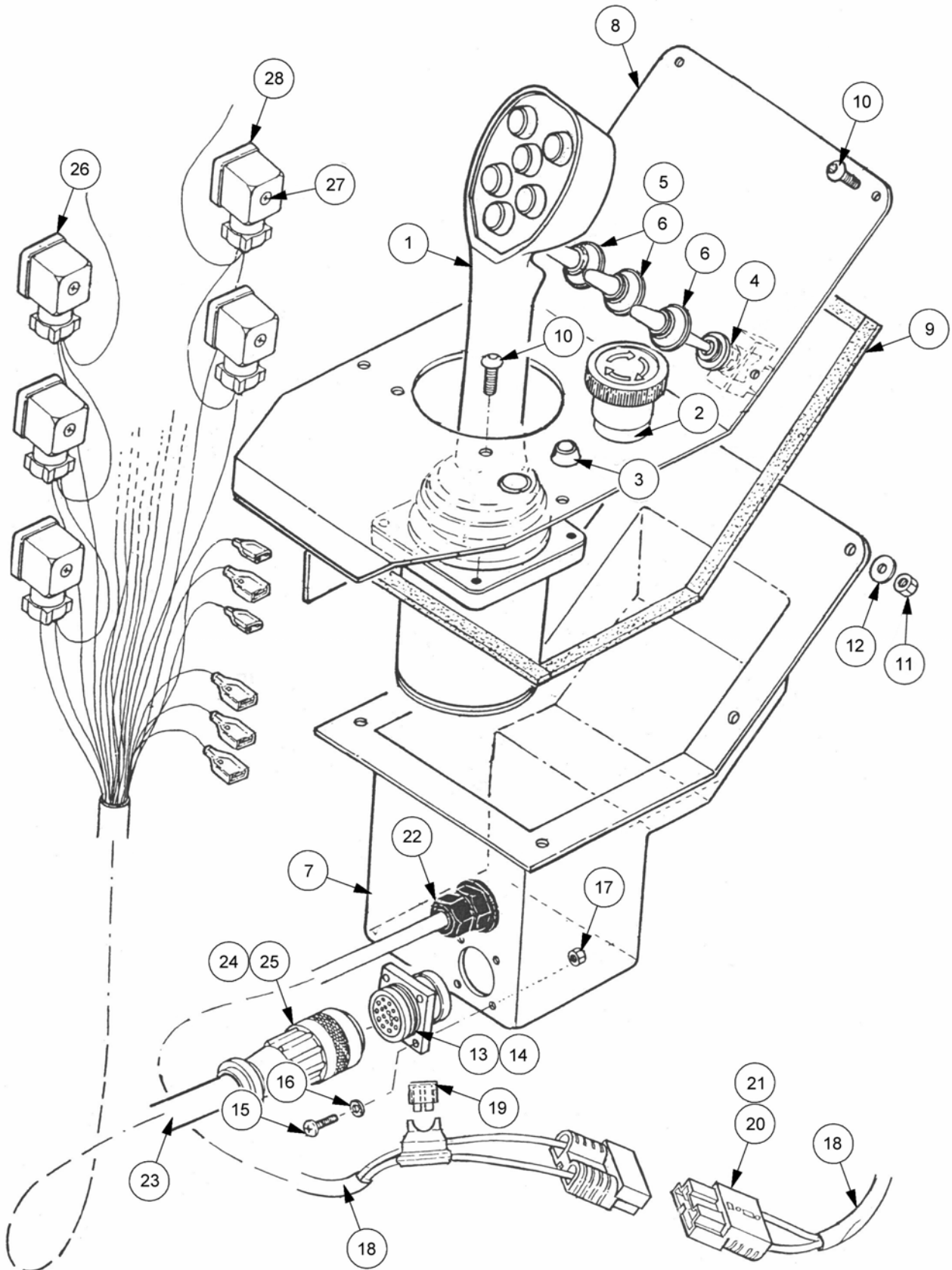
Module(s): Cable Rotor Control 8402901, Electric Rotor Control 8402902

| REF. | QTY. | PART NO. | DESCRIPTION |
|------|------|-----------------|--|
| | | 8402901 | SWITCHBOX & LOOM ASSEMBLY |
| | | 8402902 | SWITCHBOX & LOOM ASSEMBLY (Electric RCV) |
| | | 41845.03 | MULTI 5 LEVER SWITCHBOX |
| | | 41845.04 | MULTI 5 LEVER SWITCHBOX (Electric RCV) |
| 1 | 1 | 41845.32 | BOX |
| 2 | 1 | 41845.31 | LID c/w SCREWS |
| 3 | 1 | 41845.33 | CIRCUIT BOARD LEVER SWITCH UNIT - <i>comprising of:</i> |
| 4 | 5 | 8402133 | SWITCH BODY/LEVER/CIRCUIT BOARD c/w |
| 5 | 2 | 8402111 | BAR |
| 6 | 1 | 8402101 | SPRING |
| 7 | 2 | 9200006 | SCREW - POSIDRIVE PANHEAD |
| 8 | 2 | 8402120 | PLAIN WASHER |
| 9 | 2 | 9113000 | NUT - PLATED |
| 10 | 2 | 8402334 | SPACER |
| 11 | 1 | 8402051 | BEZEL RING |
| 12 | 1 | 8402022 | LEVER GAITER |
| 13 | 5 | 8402056 | KNOB - BLACK |
| 14 | 1 | 8402023 | SWITCH - POWER ON/OFF |
| 15 | 1 | 8402182 | SWITCH - SLEW/AUTO RESET |
| 16 | 1 | 41845.35 | LOOM - SLEW/AUTO RESET SWITCH |
| 17 | 1 | 8402197 | SWITCH - FLOAT |
| 18 | 1 | 41845.37 | LOOM - FLOAT SWITCH |
| 19 | 1 | 41845.41 | L.E.D. AND LOOM |
| 20 | 5 | 8402024 | WEATHER GAITER |
| 21 | 1 | 8402232 | POWER LOOM - <i>including:</i> |
| 22 | 1 | 43034.02 | FUSE |
| 23 | 2 | 8402230 | CONTACTS HOUSING |
| 24 | 4 | 8402229 | CONTACTS |
| 25 | 1 | 8402042 | GLAND |
| 26 | 1 | 8402189 | SOCKET SHELL |
| 27 | 19 | 8402192 | PIN SOCKET |
| 28 | 4 | 2800203 | SCREW |
| 29 | 1 | 41844.01 | WIRING LOOM - <i>including:</i> |
| 30 | 12 | 07.835.04 | PLUG - INCLUDING SCREW & GASKET |
| 31 | 1 | 07.835.03 | SCREW |
| 32 | 1 | 07.835.02 | GASKET |
| 33 | 1 | 8402345 | MOUNTING BRACKET |
| 34 | 4 | 2800243 | SELF-TAPPING SCREW |
| 35 | 1 | 8402193 | SPECIAL TOOL - <i>not illustrated</i> |

ELECTRIC MONOLEVER CONTROLS

Module(s): Cable Rotor Control 8402905, Electric Rotor Control 8402906

McCONEL



ELECTRIC MONOLEVER CONTROLS

McCONNEL

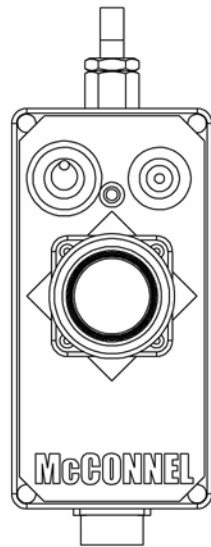
Module(s): Cable Rotor Control 8402905, Electric Rotor Control 8402906

| REF. | QTY. | PART NO. | DESCRIPTION |
|------|------|-----------------|--|
| | | 8402905 | MONOLEVER CONTROL UNIT - Cable RCV |
| | | 8402906 | MONOLEVER CONTROL UNIT - Electric RCV |
| | | 41590.03 | CONTROL ASSEMBLY - Cable RCV |
| | | 41590.05 | CONTROL ASSEMBLY - Electric RCV |
| 1 | 1 | 41590.32 | JOYSTICK - <i>Including Circuit Board</i> |
| 2 | 1 | 8402184 | POWER ON / EMERGENCY STOP |
| 3 | 1 | 8402174 | L.E.D. MAIN POWER ON |
| 4 | 1 | 8402182 | SWITCH - SLEW / AUTO RESET |
| 5 | 2 | 8402023 | SWITCH - LIFT AND ANGLE FLOAT |
| 6 | 3 | 8402024 | WEATHER COVER |
| 7 | 1 | 7550300 | COVER POD |
| 8 | 1 | 7550339 | TOP PLATE |
| 9 | 1 | 7290052 | SEALING STRIP <i>(Cut to suit)</i> |
| 10 | 10 | 9300125 | SCREW - BUTTON HEAD |
| 11 | 6 | 9143003 | SELF LOCKING NUT |
| 12 | 6 | 9100103 | WASHER |
| 13 | 1 | 8402189 | SOCKET SHELL |
| 14 | 14 | 8402192 | FEMALE SOCKET PIN |
| 15 | 4 | 9200007 | SCREW - POSIDRIVE PANHEAD |
| 16 | 4 | 9100400 | EXTERNAL SERRATED WASHER |
| 17 | 4 | 9100013 | NUT - PLATED |
| 18 | 1 | 8402232 | POWER LOOM - <i>Including:</i> |
| 19 | 1 | 43034.03 | FUSE |
| 20 | 2 | 8402230 | CONTACT HOUSING |
| 21 | 4 | 8402229 | CONTACTS |
| 22 | 1 | 8402042 | GLAND |
| 23 | 1 | 41844.01 | WIRING LOOM - <i>Including:</i> |
| 24 | 1 | 8402188 | SHELL |
| 25 | 1 | 8402190 | CABLE CLAMP |
| 26 | 12 | 07.835.04 | PLUG - <i>Including:</i> |
| 27 | 1 | 07.835.03 | SCREW |
| 28 | 1 | 07.835.02 | GASKET |
| 29 | 1 | 8402193 | SPECIAL TOOL |

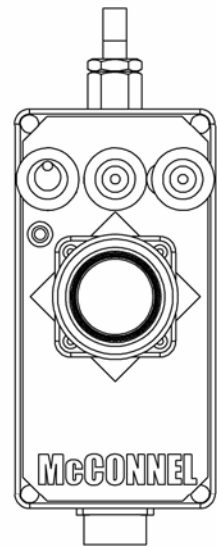
MINI XTC PROPORTIONAL CONTROLS

Module(s): 8402390, 8402391, 8402392, 8402393

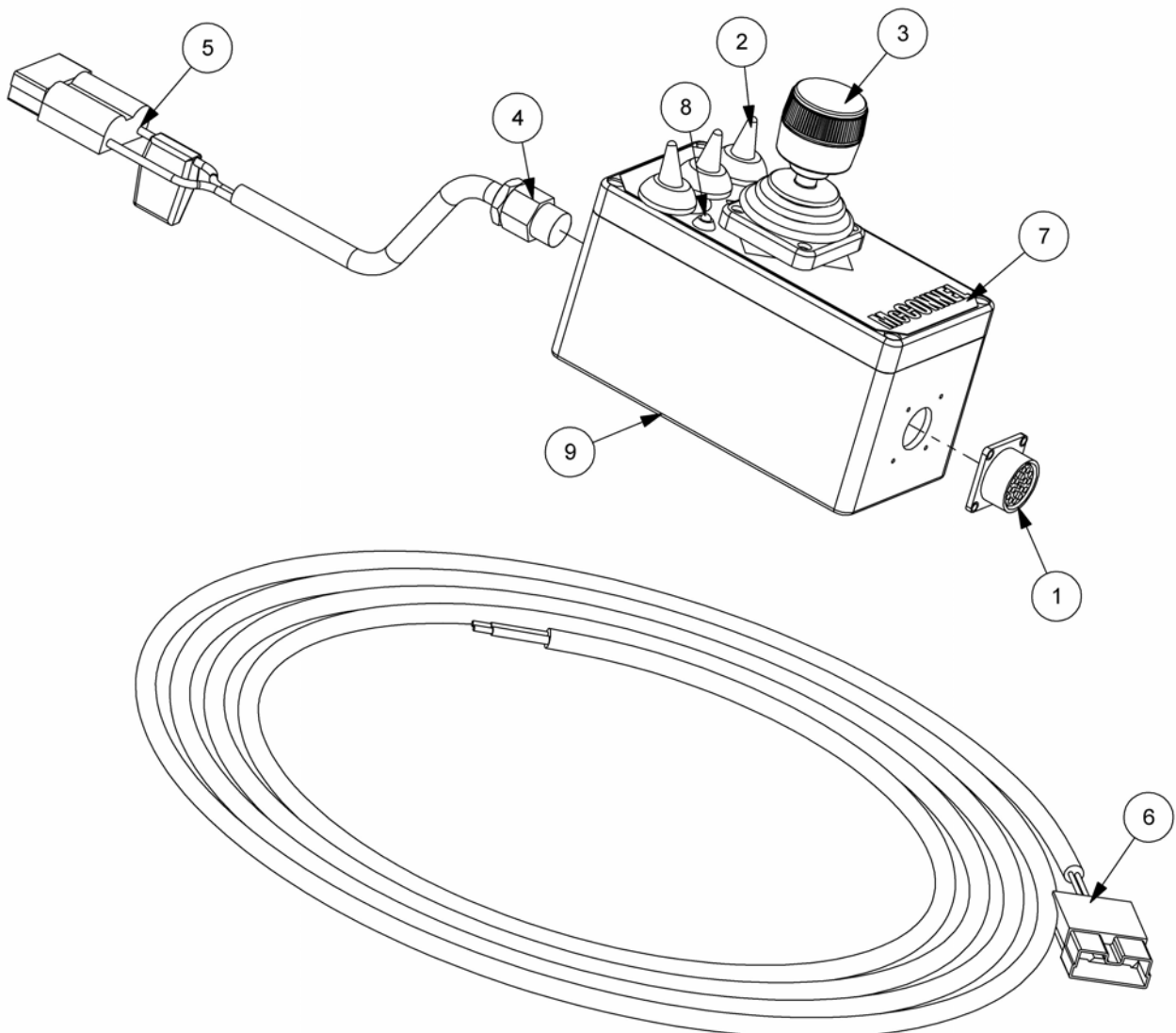
McCONNEL



8402390 & 8402391



8402392 & 8402393



MINI XTC PROPORTIONAL CONTROLS

McCONNEL

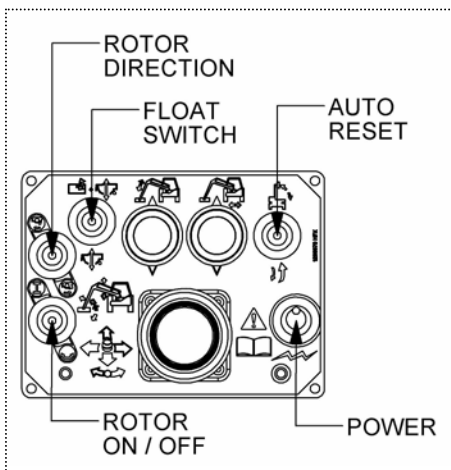
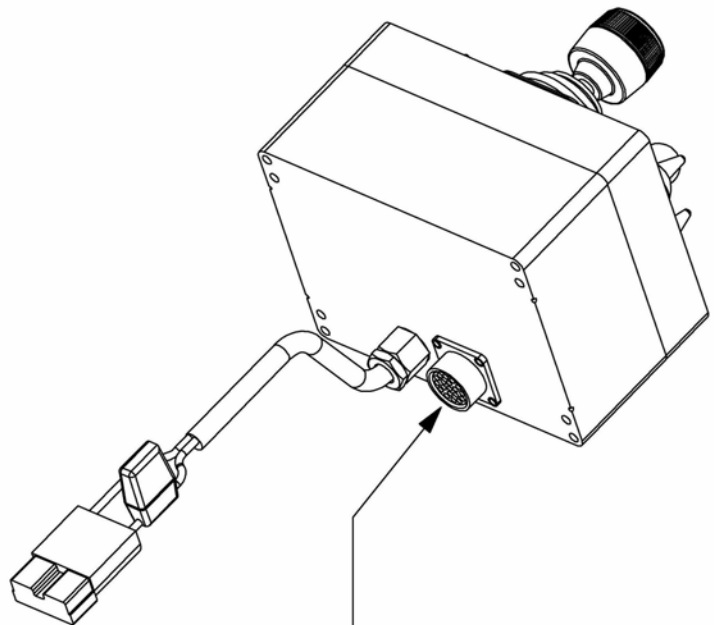
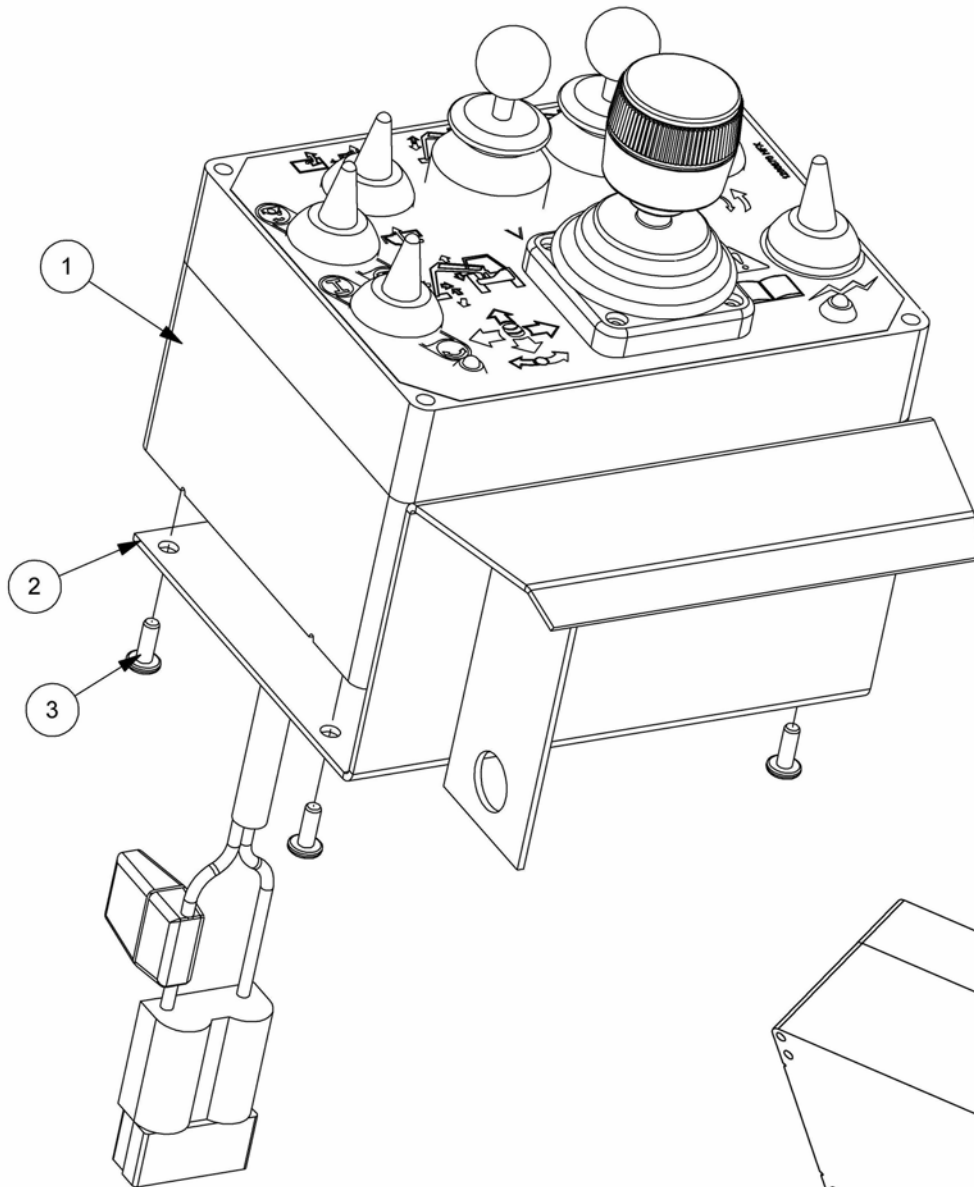
Module(s): 8402390, 8402391, 8402392, 8402393

| REF. | QTY. | PART No. | DESCRIPTION |
|------|------|----------------|--|
| | | 8402390 | 3 SERVICE CONTROL BOX - B/B (2 Switch) |
| | | 8402391 | 3 SERVICE CONTROL BOX - Prop. B/B (2 Switch) |
| | | 8402392 | 3 SERVICE CONTROL BOX - Prop. B/B (3 Switch) |
| | | 8402393 | 3 SERVICE CONTROL BOX - Full Prop. (3 Switch) |
| 1 | 1 | 8402189 | PANEL MOUNTING SHELL |
| 2 | 3* | 8402024 | SWITCH COVER |
| 3 | 1 | 8402246 | JOYSTICK (4 AXIS) |
| 4 | 1 | 8402149 | GLAND - PLASTIC |
| 5 | 1 | 43022.47 | CONNECTOR |
| 6 | 1 | 8402237 | POWER SUPPLY LOOM |
| 7 | 1 | 1290494 | DECAL - SWITCH BOX |
| 8 | 1 | 41845.41 | LED |
| 9 | 1 | 8402349 | CONTROL BOX |
| 10 | 1 | 43034.02 | BLADE FUSE - 20 amp |

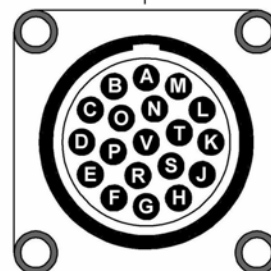
* Control Boxes 8402390 & 8402391 use 2 off only

BRACKET & FIXINGS - not illustrated

| | | |
|---|----------|-------------------|
| 1 | 42442.01 | SWITCHBOX BRACKET |
| 4 | 2800243 | SELF-TAPPER SCREW |



- A - COMMON
- B - REACH IN
- C - REACH OUT
- D - LIFT UP
- E - LIFT DOWN
- F - COMMON
- G - TELE IN
- H - TELE OUT
- J - ANGLE DOWN
- K - ANGLE UP



- L - SLEW OUT
- M - SLEW IN
- N - COMMON
- P - ANGLE FLOAT
- R - LIFT FLOAT
- S - PUMP 1
- T - PUMP 2
- U - AUTO RESET
- V - CUT OFF

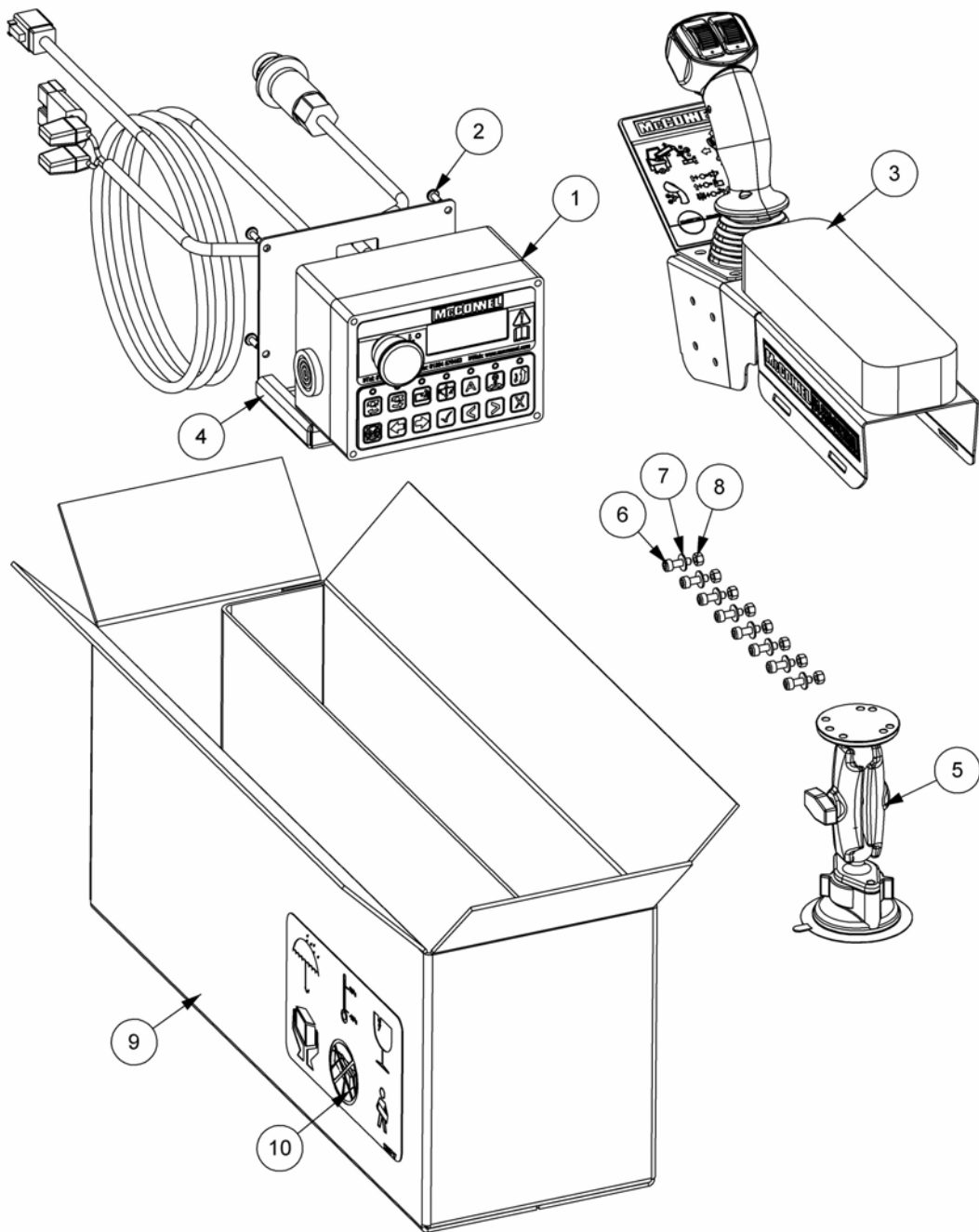
Module(s): 8402911

| REF. | QTY. | PART NO. | DESCRIPTION |
|------|------|----------------|---|
| | | 8402911 | PROPORTIONAL SWITCHBOX CONTROLS |
| 1 | 1 | 8402395 | PROPORTIONAL SWITCHBOX UNIT - <i>comprising of:</i> |
| | 1 | 41845.44 | BOX BASE |
| | 1 | 41845.45 | BOX LID |
| | 1 | 41845.47 | CIRCUIT BOARD |
| | 2 | 41845.34 | LOOM - SWITCH UNIT |
| | 1 | 41845.37 | LOOM - FLOAT SWITCH |
| | 1 | 43022.49 | CONNECTOR - SINGLE FUSE |
| | 1 | 8402189 | PANEL MOUNTING SHELL |
| | 1 | 8402149 | GLAND - PLASTIC |
| | 4 | 2800203 | SCREW |
| | 2 | 8402122 | SWITCH UNIT |
| | 1 | 8402023 | TOGGLE SWITCH |
| | 1 | 8402197 | SWITCH - FLOAT SELECTION |
| | 2 | 41845.41 | LED |
| | 5 | 8402024 | SWITCH COVER |
| | 1 | 8402198 | KNOB - BLUE |
| | 1 | 8402056 | KNOB - BLACK |
| | 1 | 8402237 | LOOM - POWER SUPPLY |
| | 19 | 8402192 | SOCKET CONTACT |
| | 1 | 8402173 | SWITCH - PUMP POWER / RESET |
| | 1 | 8402182 | SWITCH - AUTO RESET |
| | 1 | 8402185 | SWITCH - ROTOR DIRECTION |
| | 1 | 1290670 | DECAL - PROPORTIONAL SWITCHBOX |
| | 1 | 41845.36 | LOOM - PUMP CONTROL |
| | 1 | 41845.35 | LOOM - RESET |
| | 1 | 8402246 | JOYSTICK - 3 AXIS |
| 2 | 1 | 8402345 | SWITCHBOX MOUNTING BRACKET |
| 3 | 4 | 2800243 | SELF TAPPING SCREW |

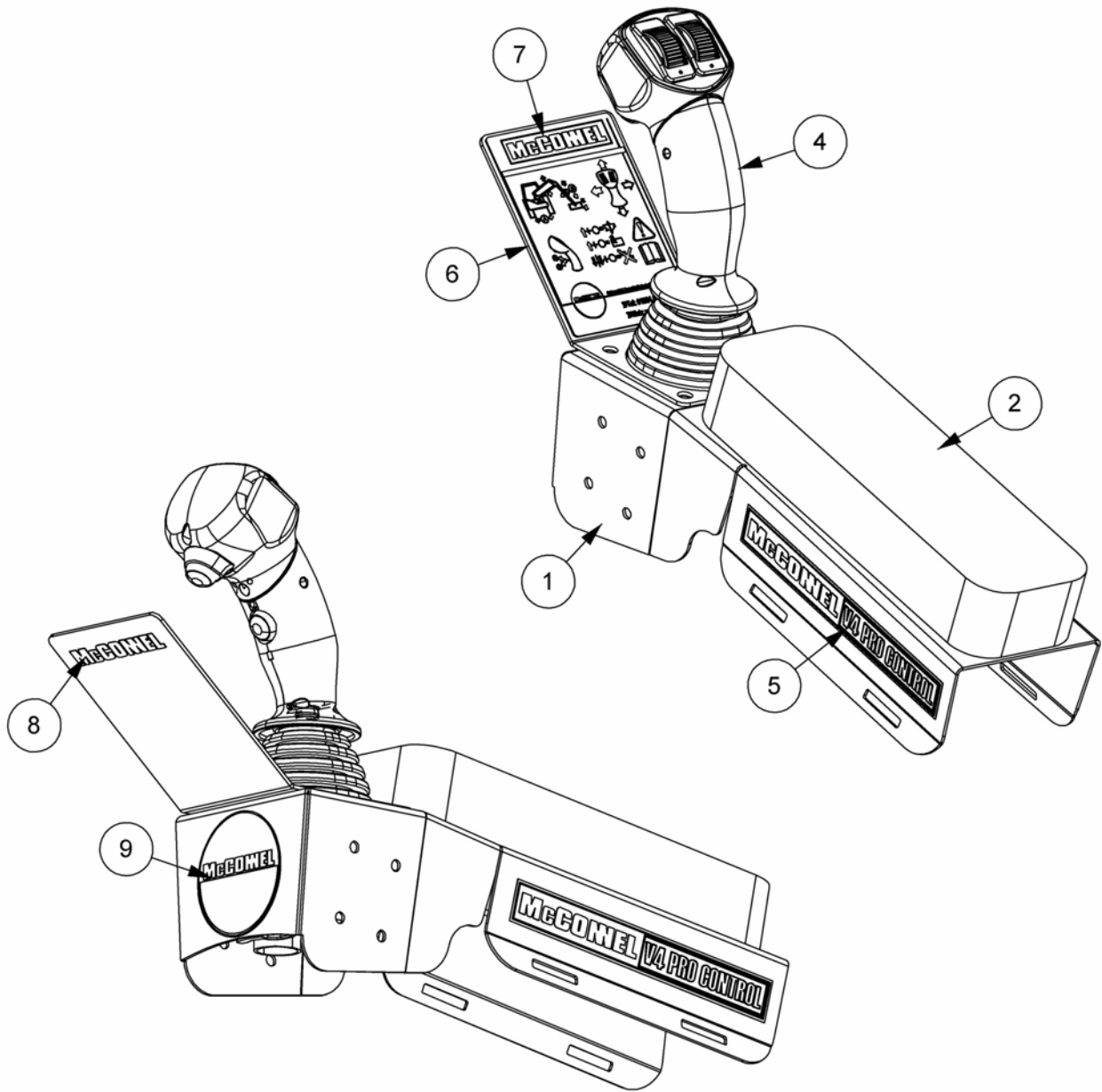
V4 PROPORTIONAL CONTROLS

McCONNEL

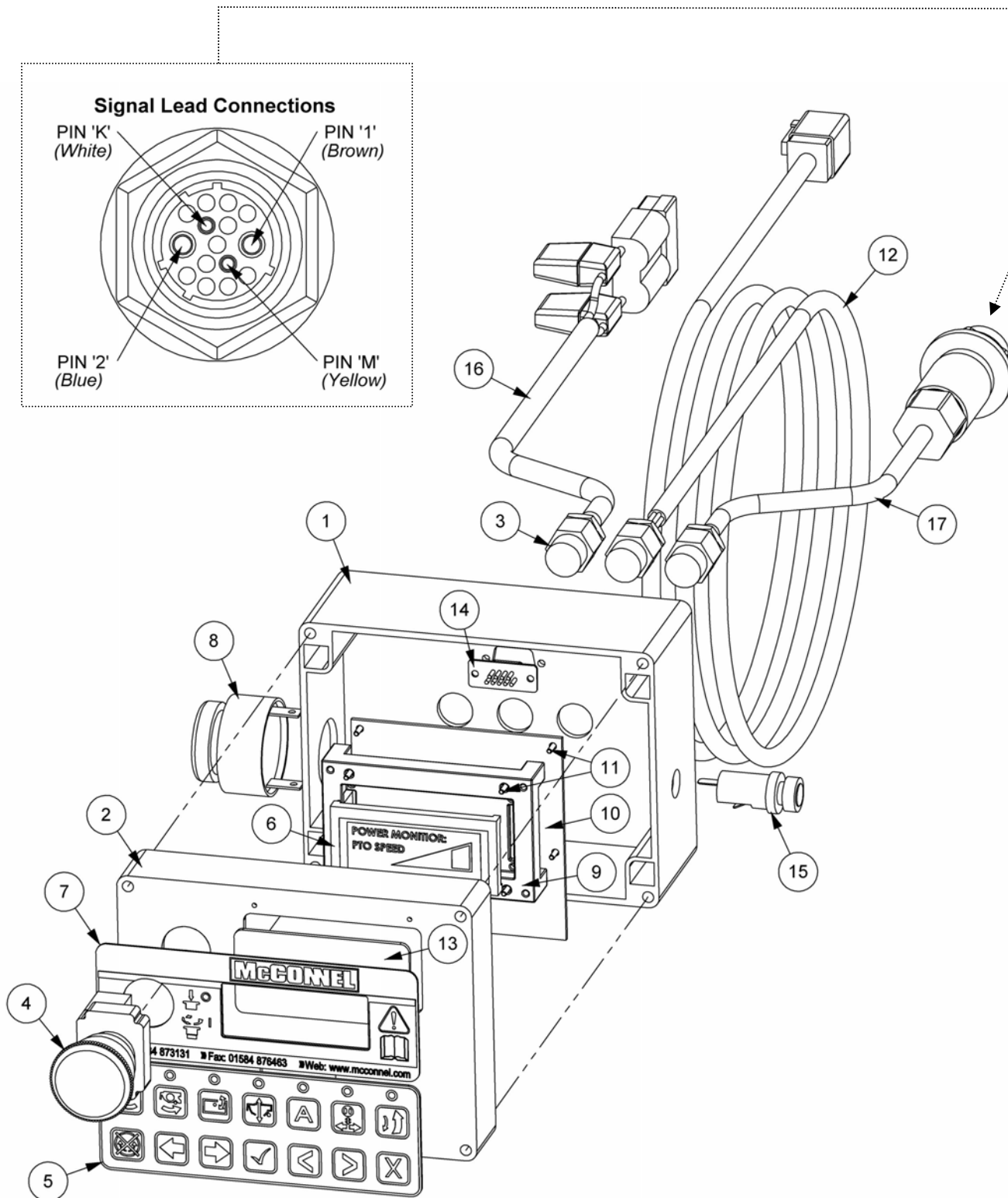
Module(s): 22073.01



| REF. | QTY. | PART No. | DESCRIPTION |
|------|------|-----------------|--------------------------------|
| | | 22073.01 | V4 CONTROLS WITH JC6000 |
| 1 | 1 | 22073.14 | V4 CONTROL BOX (MK2) |
| 2 | 4 | 2800243 | SELF TAPPING SCREW |
| 3 | 1 | 22073.03 | V4 JOYSTICK ARMREST ASSEMBLY |
| 4 | 1 | 22073.58 | SCREEN MOUNT |
| 5 | 1 | 22073.09 | V4 SCREEN MOUNT KIT |
| 6 | 8 | 9343032 | CAPSCREW |
| 7 | 8 | 9100102 | FLAT WASHER |
| 8 | 8 | 9143002 | SELF-LOCKING NUT |
| 9 | 1 | 8402700 | WATER PROOF CARDBOARD BOX |
| 10 | 1 | 1290717 | BOX DECAL |



| REF. | QTY. | PART No. | DESCRIPTION |
|------|------|-----------------|--------------------------------------|
| | | 22073.03 | V4 JOYSTICK ARMREST ASSEMBLY |
| 1 | 1 | 22073.44 | JOYSTICK ARMREST MOUNT |
| 2 | 1 | 22073.45 | ARM REST FOAM |
| 3 | 2 | 7106187 | NYLON STRAP <i>(Not Illustrated)</i> |
| 4 | 1 | 22073.16 | JOYSTICK c/w THUMB SWITCHES |
| 5 | 2 | 1290740 | DECAL - V4 PRO CONTROL |
| 6 | 1 | 22073.59 | DECAL MOUNT |
| 7 | 1 | 1290739 | DECAL - V4 OPERATIONS |
| 8 | 1 | 1290741 | DECAL - McCONNEL |
| 9 | 1 | 1290742 | DECAL - McCONNEL ROUNDEL |



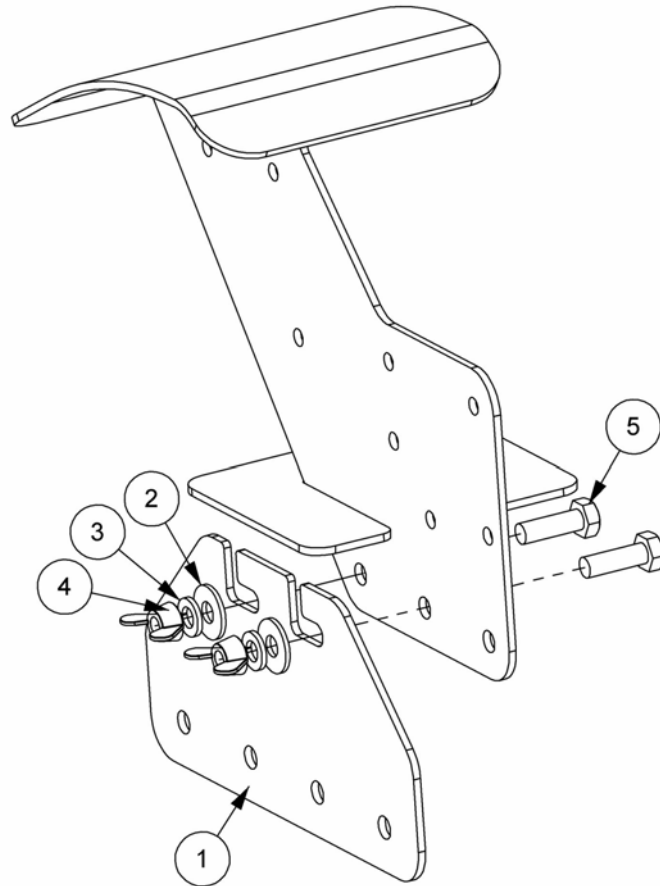
V4 PROPORTIONAL CONTROL BOX (Mk2)

McCONNEL

Module(s): 22073.14

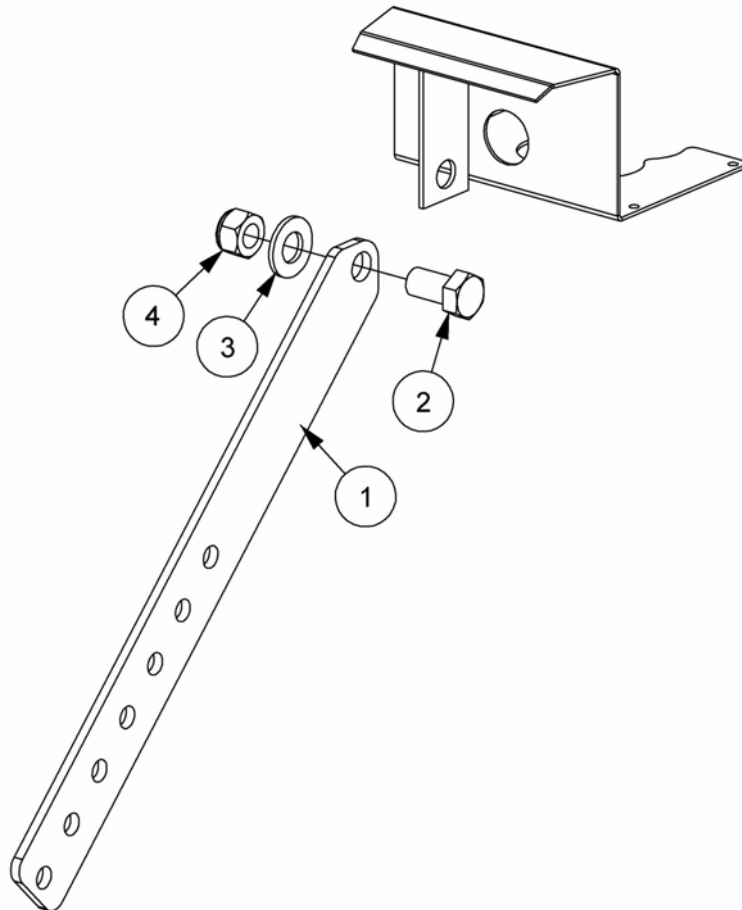
| REF. | QTY. | PART No. | DESCRIPTION |
|------|------|-----------------|--------------------------------------|
| | | 22073.14 | V4 CONTROL BOX ASSEMBLY (Mk2) |
| 1 | 1 | 22073.62 | V4 CONTROL BOX |
| 2 | 1 | 22073.32 | BOX LID |
| 3 | 3 | 8402149 | * GLAND (PLASTIC) |
| 4 | 1 | 41786.33 | SWITCH / EMERGENCY STOP |
| 5 | 1 | 22073.34 | V4 KEY PAD |
| 6 | 1 | 43022.52 | * LCD SCREEN |
| 7 | 1 | 22073.35 | V4 DECAL |
| 8 | 1 | 22073.37 | * SPEAKER |
| 9 | 1 | 22073.39 | V4 SCREEN MOUNT |
| 10 | 1 | 22073.38 | V4 PCB |
| 11 | 8 | 22073.42 | SELF-TAPPING SCREW |
| 12 | 1 | 22073.36 | * LOOM |
| 13 | 1 | 22073.40 | SCREEN COVER |
| 14 | 1 | 43022.39 | * CONNECTOR (9 WAY) |
| 15 | 1 | 22073.41 | FUSE HOLDER - BAYONET CAP (10A) |
| 16 | 1 | 22073.60 | * TWIN CORE POWER LOOM |
| 17 | 1 | 22073.61 | * CONTROL BOX SIGNAL LEAD |

* *Factory replacement items only*

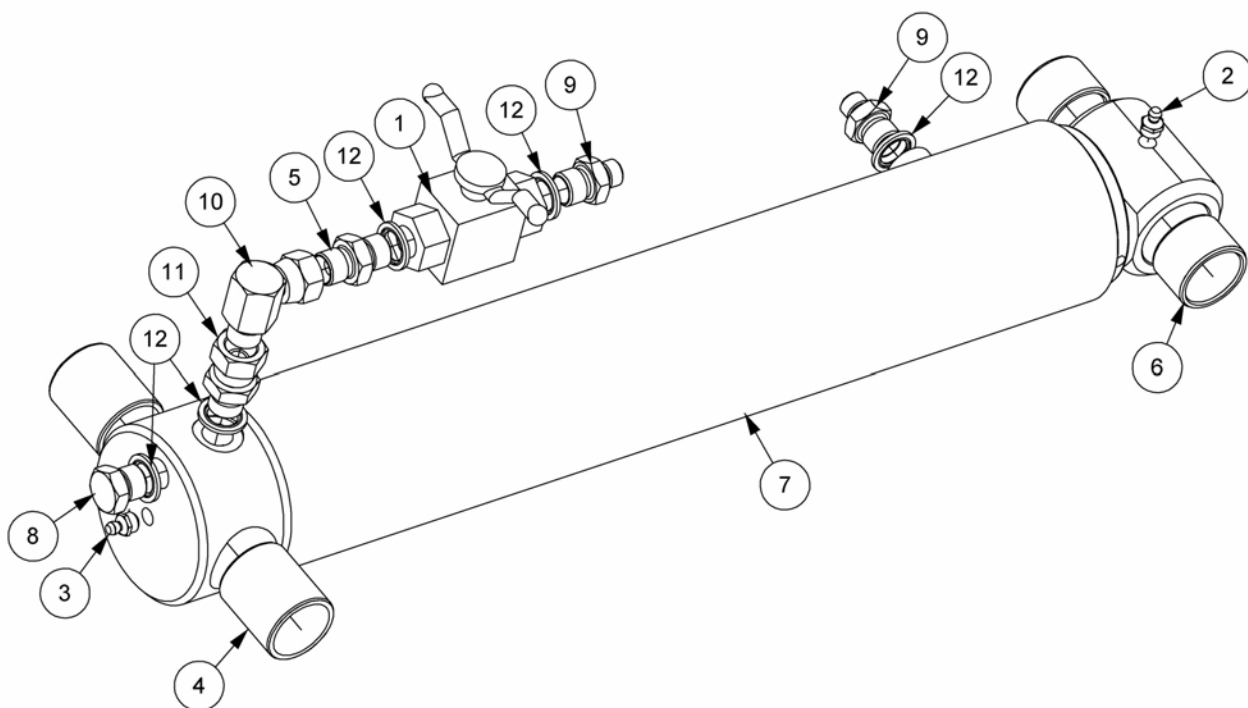


| REF. | QTY. | PART No. | DESCRIPTION |
|------|------|----------------|-----------------------------------|
| | | 7313282 | CABLE CONTROL MOUNTING KIT |
| 1 | 1 | 42491.01 | CAB MOUNTING BRACKET |
| 2 | 2 | 9100104 | FLAT WASHER |
| 3 | 2 | 9100204 | SPRING WASHER |
| 4 | 2 | 9193004 | WING NUT |
| 5 | 2 | 9313054 | SETSCREW |

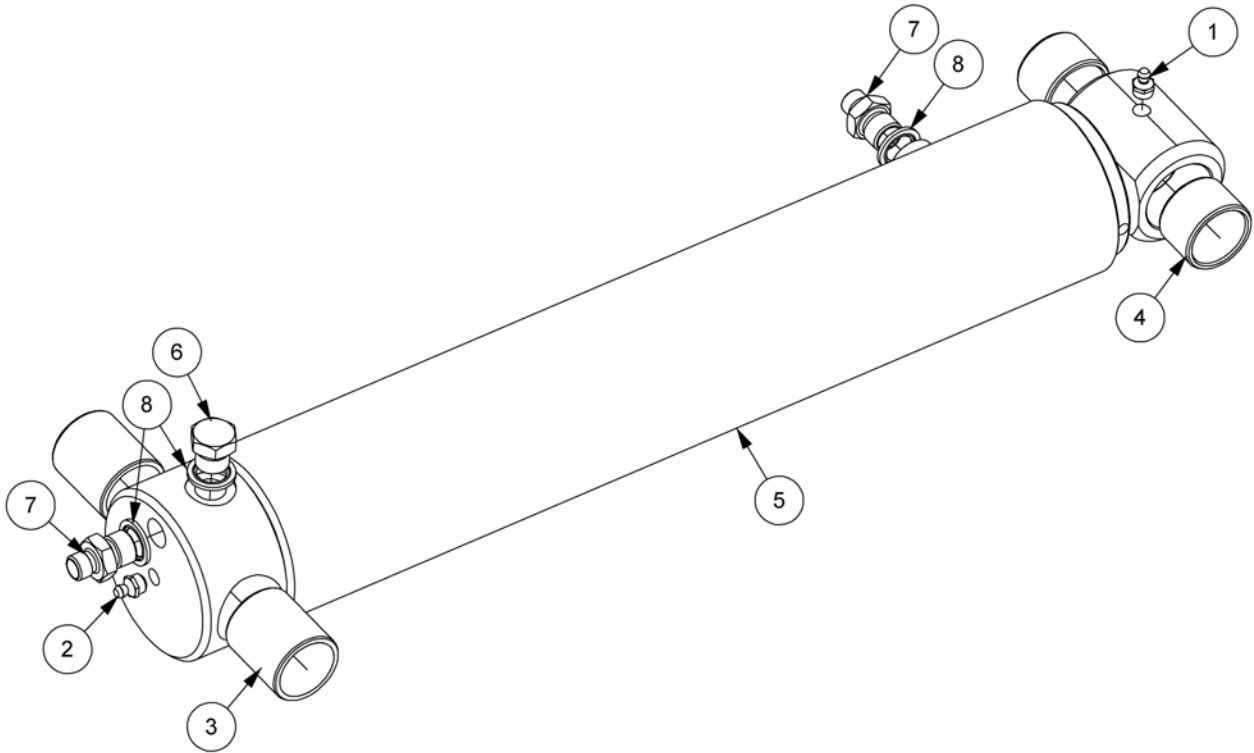
Module(s): 7109319



| REF. | QTY. | PART No. | DESCRIPTION |
|------|------|----------------|--|
| | | 7109319 | ELECTRIC SWITCHBOX MOUNTING KIT |
| 1 | 1 | 7109146 | CONTROL MOUNTING PILLAR |
| 2 | 1 | 9313067 | SETSCREW |
| 3 | 1 | 0100106 | FLAT WASHER |
| 4 | 1 | 9163007 | NYLOC NUT |



| REF. | QTY. | PART No. | DESCRIPTION |
|------|------|----------------|---------------------------|
| | | 7198375 | LIFT RAM ASSEMBLY |
| 1 | 1 | 08.200.01 | ISOLATING VALVE |
| 2 | 1 | 0901121 | GREASE NIPPLE - STRAIGHT |
| 3 | 1 | 0901124 | GREASE NIPPLE - 67° |
| 4 | 2 | 21149.02 | PLASTIC BUSH |
| 5 | 1 | 6000113 | ADAPTOR |
| 6 | 2 | 6012032 | BUSH PLASTIC |
| 7 | 1 | 7198377 | BASIC RAM ASSEMBLY (80mm) |
| 8 | 1 | 8003001 | ADAPTOR PLUG |
| 9 | 2 | 8581115 | ADAPTOR |
| 10 | 1 | 8581117 | ADAPTOR ELBOW |
| 11 | 1 | 8581178 | SWIVEL ADAPTOR |
| 12 | 5 | 8650103 | BONDED SEAL |
| | | 8699187 | SEAL KIT |

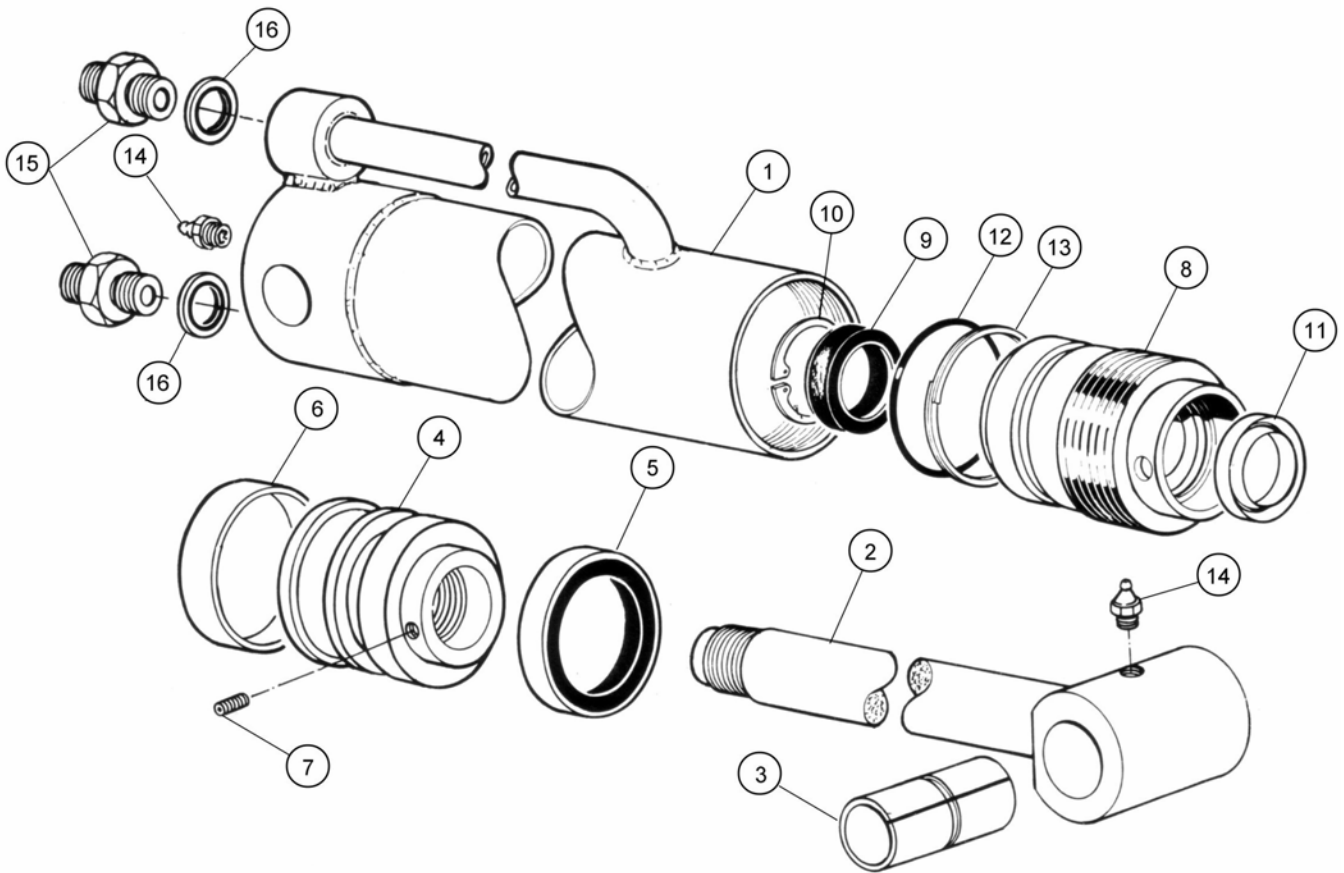


| REF. | QTY. | PART No. | DESCRIPTION |
|------|------|----------------|---------------------------|
| | | 7198376 | REACH RAM ASSEMBLY |
| 1 | 1 | 0901121 | GREASE NIPPLE - STRAIGHT |
| 2 | 1 | 0901124 | GREASE NIPPLE - 67° |
| 3 | 2 | 21149.02 | PLASTIC BUSH |
| 4 | 2 | 6012032 | PLASTIC BUSH |
| 5 | 1 | 7198377 | BASIC RAM ASSEMBLY (80mm) |
| 6 | 1 | 8003001 | ADAPTOR PLUG |
| 7 | 2 | 8581115 | ADAPTOR |
| 8 | 3 | 8650103 | BONDED SEAL |
| | | 8699187 | SEAL KIT |

ANGLING RAM ASSEMBLY

McCONNEL

Module(s): 7560344

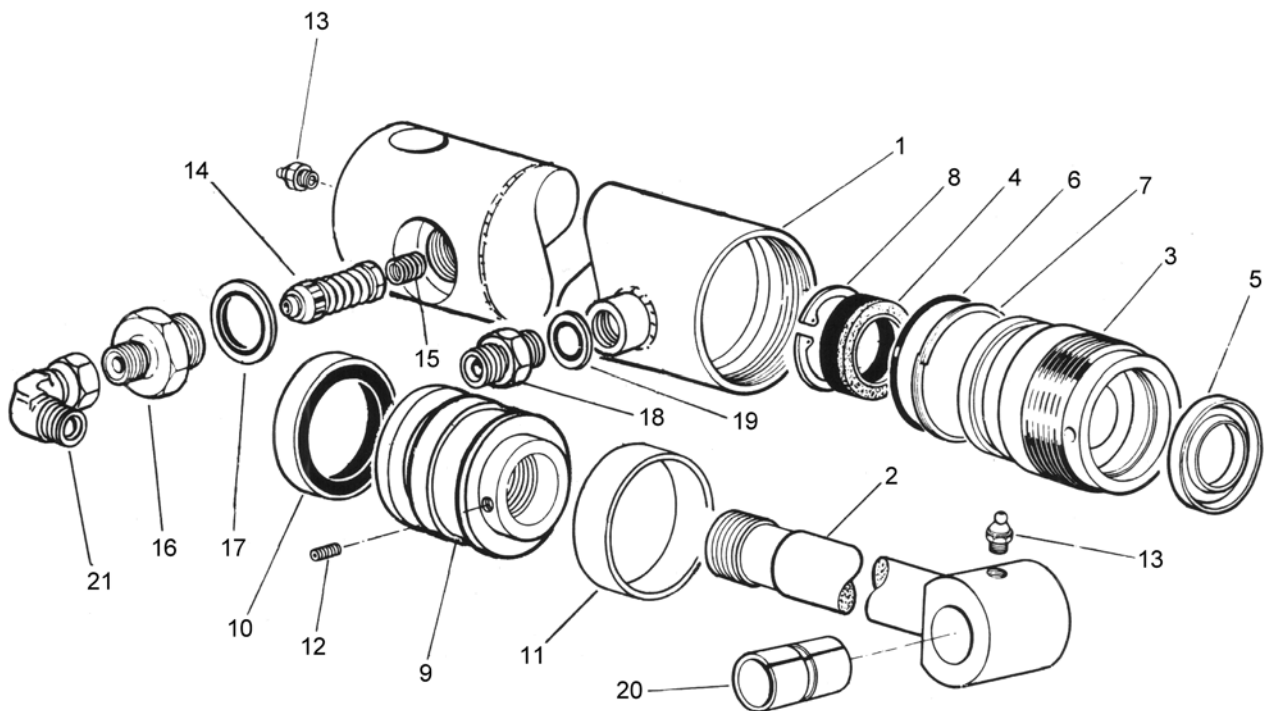


| REF. | QTY. | PART No. | DESCRIPTION |
|------|------|----------------|-----------------------------|
| | | 7560344 | ANGLING RAM ASSEMBLY |
| 1 | 1 | 7135292 | CYLINDER |
| 2 | 1 | 7135009 | ROD |
| 3 | 1 | 7105050 | BUSH |
| 4 | 1 | 7560095 | PISTON |
| 5 | 1 | 8629187 | PISTON SEAL |
| 6 | 1 | 8629188 | BEARING RING |
| 7* | 1 | 9363023 | GRUB SCREW - SOCKET HEAD |
| 8 | 1 | 7135291 | GLAND HOUSING |
| 9 | 1 | 8629148 | GLAND SEAL |
| 10 | 1 | 0416240 | INTERNAL CIRCLIP |
| 11 | 1 | 8629149 | WIPER SEAL |
| 12 | 1 | 8600302 | O' RING |
| 13 | 1 | 8609302 | ANTI EXTRUSION RING |
| 14 | 2 | 0901121 | GREASER |
| 15 | 2 | 8581169 | UNION |
| 16 | 2 | 8650102 | BONDED SEAL |

8699188 SEAL KIT

* Assembly note: Tighten fully and centre punch edge of hole to secure.

Module(s): 7198357

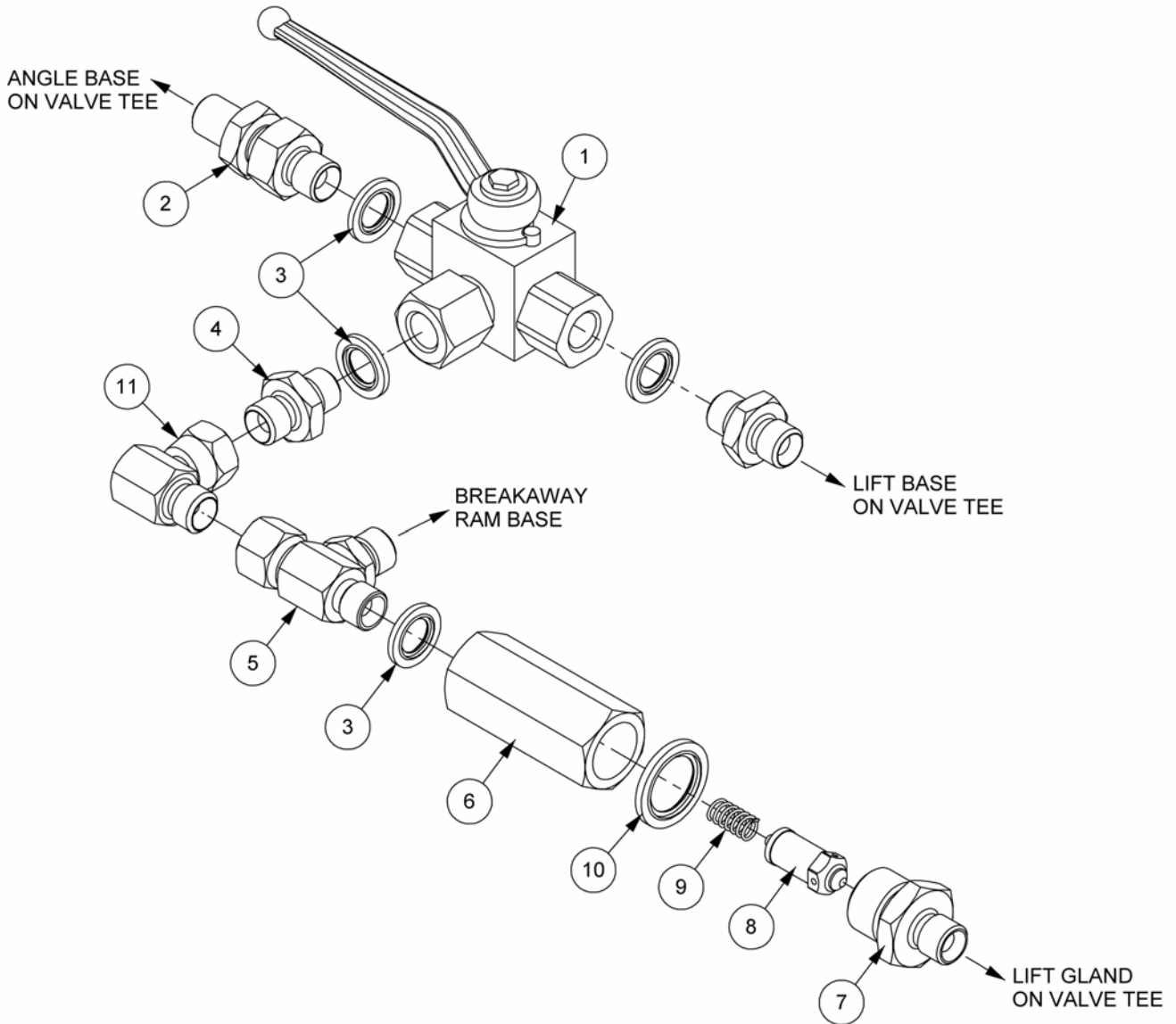


| REF. | QTY. | PART No. | DESCRIPTION |
|------|------|----------------|--------------------------------------|
| | | 7198357 | BREAKAWAY / PARK RAM ASSEMBLY |
| 1 | 1 | 7198358 | RAM BARREL |
| 2 | 1 | 7198361 | ROD |
| 3 | 1 | 7135291 | GLAND HOUSING |
| 4 | 1 | 8629148 | GLAND SEAL |
| 5 | 1 | 8629149 | ROD WIPER SEAL |
| 6 | 1 | 8600302 | O RING |
| 7 | 1 | 8609302 | ANTI EXTRUSION RING |
| 8 | 1 | 0416240 | INTERNAL CIRCLIP |
| 9 | 1 | 7560095 | PISTON |
| 10 | 1 | 8629187 | PISTON SEAL |
| 11 | 1 | 8629188 | BEARING RING |
| 12 | 1 | 9363023 | GRUB SCREW |
| 13 | 2 | 0901121 | GREASER |
| 14 | 1 | 8130189 | RELIEF VALVE (40 BAR) |
| 15 | 1 | 8116011 | SPRING |
| 16 | 1 | 8130083 | RELIEF VALVE HOUSING |
| 17 | 1 | 8650104 | BONDED SEAL |
| 18 | 1 | 8581169 | UNION |
| 19 | 1 | 8650102 | BONDED SEAL |
| 20 | 1 | 1090005 | BUSH |
| 21 | 1 | 8581190 | SWIVEL ELBOW |
| | | 8699188 | SEAL KIT |

BREAKAWAY & POWER PARK ASSEMBLY

McCONEL

Module(s): 7147717

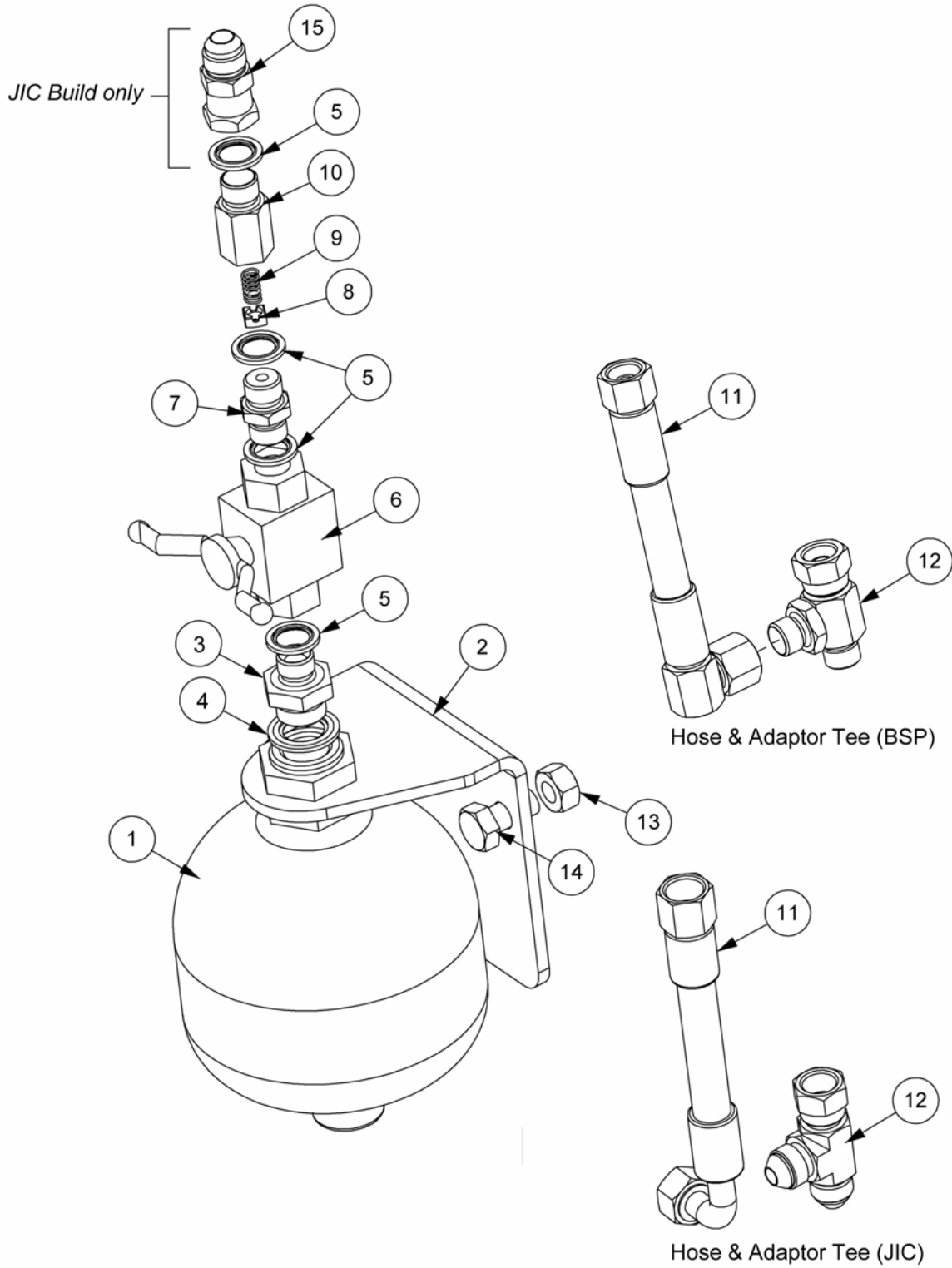


| REF. | QTY. | PART No. | DESCRIPTION |
|------|------|----------------|-----------------------------------|
| | | 7147717 | BREAKAWAY & POWER PARK |
| 1 | 1 | 41392.01 | TAP - 3WAY BALL VALVE |
| 2 | 1 | 7105153 | BULKHEAD ADAPTOR |
| 3 | 4 | 8650102 | BONDED SEAL |
| 4 | 2 | 8581169 | ADAPTOR |
| 5 | 1 | 8581254 | ADAPTOR TEE |
| 6 | 1 | 8130156 | RELIEF VALVE HOUSING |
| 7 | 1 | 8130083 | ADAPTOR RELIEF BODY |
| 8 | 1 | 8130029 | RELIEF VALVE (175BAR) |
| 9 | 1 | 8116011 | SPRING |
| 10 | 1 | 8650104 | BONDED SEAL |
| 11 | 1 | 8581190 | ADAPTOR ELBOW - 90° |

MANUAL LIFT FLOAT KIT

Module(s): 8126326 (BSP), 8126347 (JIC)

McCONEL



MANUAL LIFT FLOAT KIT**McCONNEL**

Module(s): 8126326 (BSP), 8126347 (JIC)

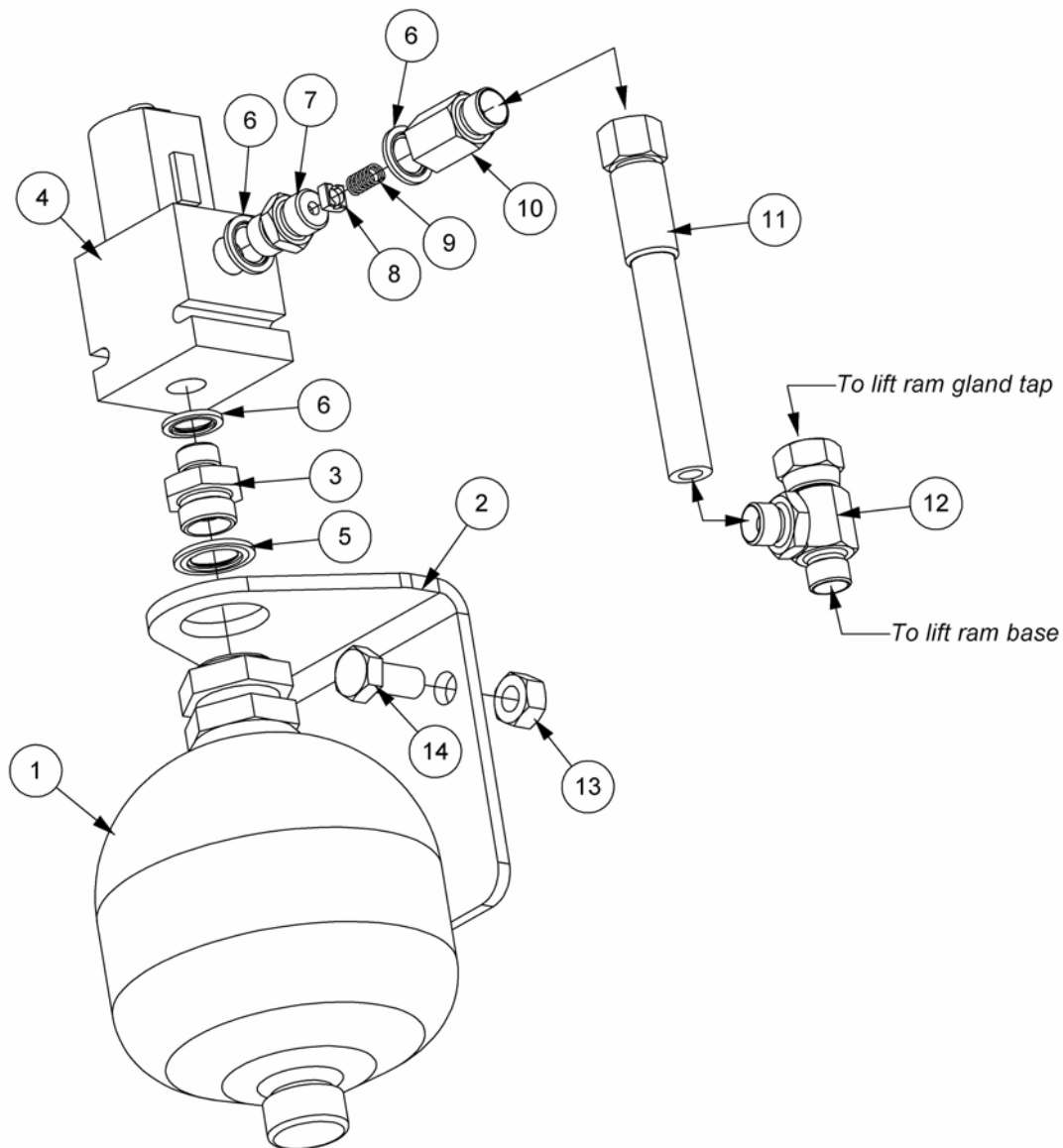
| REF. | QTY. | PART NO. | DESCRIPTION |
|-------------|-------------|-----------------|-----------------------------------|
| | | 8126326 | LIFT FLOAT KIT - BSP Build |
| 1 | 1 | 8126044 | ACCUMULATOR |
| 2 | 1 | 8126318 | BRACKET |
| 3 | 1 | G2410380 | ADAPTOR |
| 4 | 1 | 8650322 | BONDED SEAL |
| 5 | 3 | 8650103 | BONDED SEAL |
| 6 | 1 | 08.200.01 | ISOLATING VALVE |
| 7 | 1 | 8581209 | ADAPTOR |
| 8 | 1 | 8123041 | RESTRICTOR DISC - 1.15 RED |
| 9 | 1 | 8116011 | SPRING |
| 10 | 1 | 8581346 | ADAPTOR RESTRICTOR BODY |
| 11 | 1 | 10.004.20 | HOSE - 3/8" BSP FS/F90 x 1000mm |
| 12 | 1 | 11.068.69 | ADAPTOR TEE (BSP) |
| 13 | 2 | 9143006 | SELF-LOCKING NUT |
| 14 | 2 | 9313056 | SETSCREW |

| REF. | QTY. | PART NO. | DESCRIPTION |
|-------------|-------------|-----------------|-----------------------------------|
| | | 8126347 | LIFT FLOAT KIT - JIC Build |
| 1 | 1 | 8126044 | ACCUMULATOR |
| 2 | 1 | 8126318 | BRACKET |
| 3 | 1 | G2410380 | ADAPTOR |
| 4 | 1 | 8650322 | BONDED SEAL |
| 5 | 4 | 8650103 | BONDED SEAL |
| 6 | 1 | 08.200.01 | ISOLATING VALVE |
| 7 | 1 | 8581209 | ADAPTOR |
| 8 | 1 | 8123041 | RESTRICTOR DISC - 1.15 RED |
| 9 | 1 | 8116011 | SPRING |
| 10 | 1 | 8581346 | ADAPTOR RESTRICTOR BODY |
| 11 | 1 | 08.958.18 | HOSE - 3/4" JIC FS/F90 x 1000mm |
| 12 | 1 | 234430812 | ADAPTOR TEE (JIC) |
| 13 | 2 | 9143006 | SELF-LOCKING NUT |
| 14 | 2 | 9313056 | SETSCREW |
| 15 | 1 | 8581221 | ADAPTOR (JIC) |

ELECTRIC LIFT FLOAT KIT

McCONNEL

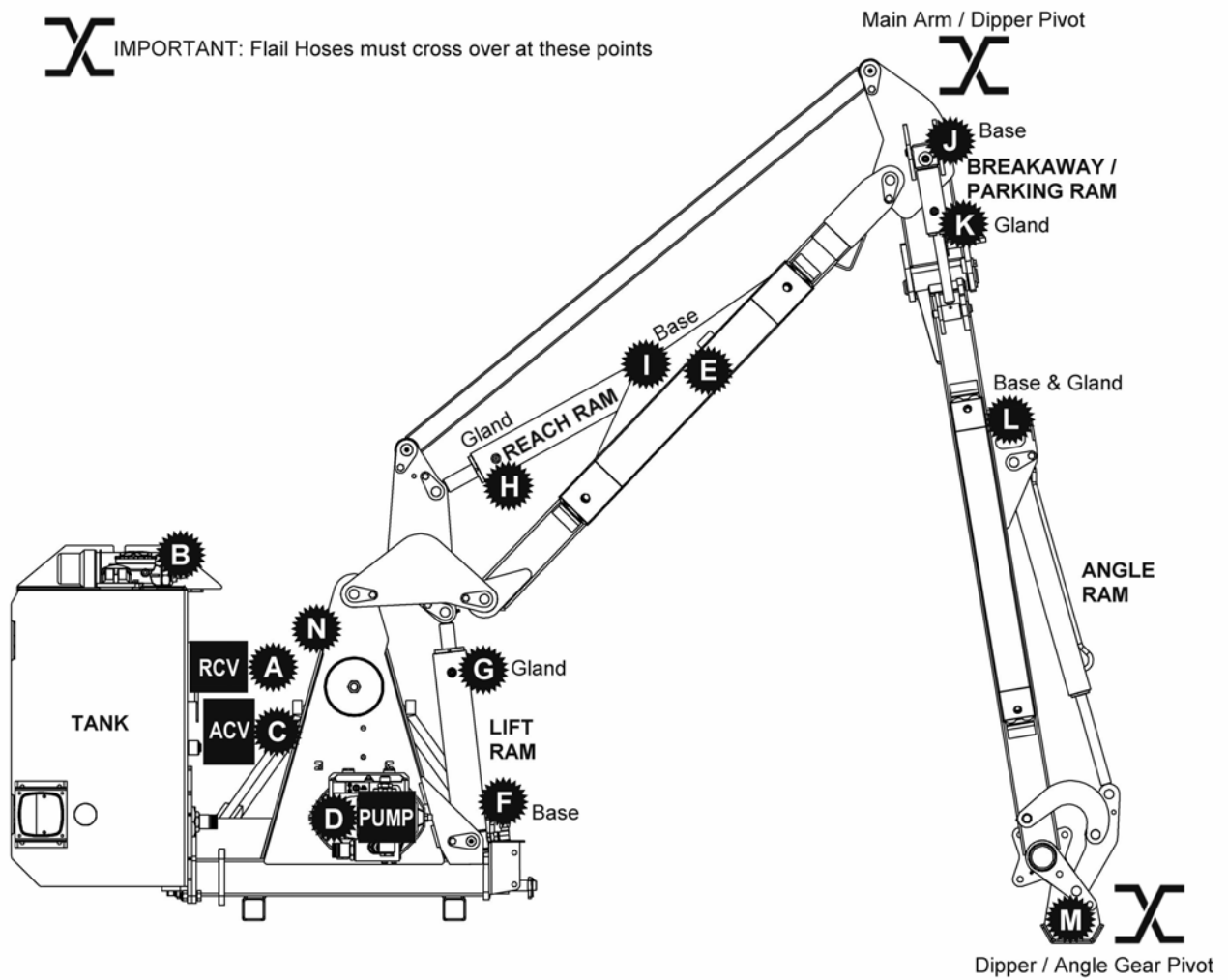
Module(s): 8126327



| REF. | QTY. | PART No. | DESCRIPTION |
|------|------|----------------|--------------------------------|
| | | 8126327 | LIFT FLOAT KIT |
| 1 | 1 | 8126044 | ACCUMULATOR |
| 2 | 1 | 8126318 | BRACKET |
| 3 | 1 | G2410380 | ADAPTOR |
| 4 | 1 | 08.619.09 | MODULAR VALVE |
| 5 | 1 | 8650322 | BONDED SEAL |
| 6 | 3 | 8650103 | BONDED SEAL |
| 7 | 1 | 8581209 | ADAPTOR |
| 8 | 1 | 8123041 | RESTRICTOR DISC - 1.15 RED |
| 9 | 1 | 8116011 | SPRING |
| 10 | 1 | 8581346 | ADAPTOR RESTRICTOR BODY |
| 11 | 1 | 10.004.18 | HOSE - 3/8" BSP FS/F90 x 900mm |
| 12 | 1 | 11.068.69 | ADAPTOR TEE |
| 13 | 2 | 9143006 | SELF-LOCKING NUT |
| 14 | 2 | 9313056 | SETSCREW |



IMPORTANT: Flail Hoses must cross over at these points



| REF. | FUNCTION | LOCATION |
|------|--------------------------|----------|
| 1 | Pump to RCV | A - D |
| 2 | RCV to Tank | A - B |
| 3 | Flail RCV to Main Arm | A - E |
| 4 | Flail Main Arm to Dipper | E - M |
| 5 | Pump to ACV | C - D |
| 6 | ACV to RCV | A - C |
| 7 | Angle Base & Gland | C - L |
| 8 | Reach Base | C - I |
| 9 | Reach Gland | C - H |
| 10 | Lift Base | C - G |
| 10 | Lift Gland | C - F |
| 11 | Breakaway Base | J - N |
| 11 | Breakaway Gland | K - L |
| 12 | Tap to Lift Gland Port | C - N |
| 13 | Tap to Lift Base Port | C - N |
| 14 | Tap to Angle Base Port | C - N |

HOSE INSTALLATION



Module(s): 71477228

| REF. | QTY. | PART NO. | DESCRIPTION |
|------|------|-----------------|--|
| | | 71477228 | HOSE KIT - STD. TI ELEC. (E/RCV) P.P. R/H |
| 1 | 1 | 10.010.11 | HOSE - 3/4" BSP FS/F90 x 550mm |
| 2 | 1 | 10.012.18 | HOSE - 1" BSP FS/F90 x 900mm |
| 3 | 2 | 10.021.25 | HOSE - 3/4" BSP FS/F135 x 1500mm |
| 4 | 2 | 10.010.39 | HOSE - 3/4" BSP FS/F90 x 2900mm |
| 5 | 1 | 10.004.12 | HOSE - 3/8" BSP ST/90 x 600mm |
| 6 | 1 | 10.006.14 | HOSE - 1/2" BSP ST/90 x 700mm |
| 7 | 2 | 10.010.39 | HOSE - 3/4" BSP FS/F90 x 2900mm |
| 8 | 2 | 10.002.44 | HOSE - 1/4" BSP FS/F90 x 3400mm |
| 9 | 1 | 10.001.32 | HOSE - 1/4" BSP ST/ST x 2200mm |
| 10 | 1 | 10.002.37 | HOSE - 1/4" BSP FS/F90 x 2700mm |
| 11 | 2 | 10.001.18 | HOSE - 1/4" BSP ST/ST x 900mm |
| 12 | 2 | 10.002.38 | HOSE - 1/4" BSP FS/F90 x 2800mm |
| 13 | 1 | 10.002.16 | HOSE - 1/4" BSP FS/F90 x 800mm |
| 14 | 1 | 10.002.14 | HOSE - 1/4" BSP FS/F90 x 700mm |
| 15 | 1 | 10.002.18 | HOSE - 1/4" BSP FS/F90 x 900mm |

1 Pump to RCV

2 RCV to Tank

3 Flail RCV to Main Arm

4 Flail Main Arm to Dipper

5 Pump to ACV

6 ACV to RCV

7 Flail Main Arm to Dipper

8 Angle Base & Gland

9 Reach Base

10 Reach Gland

11 Lift Base & Gland

12 Breakaway Base & Gland

13 Tap to Lift Gland Port

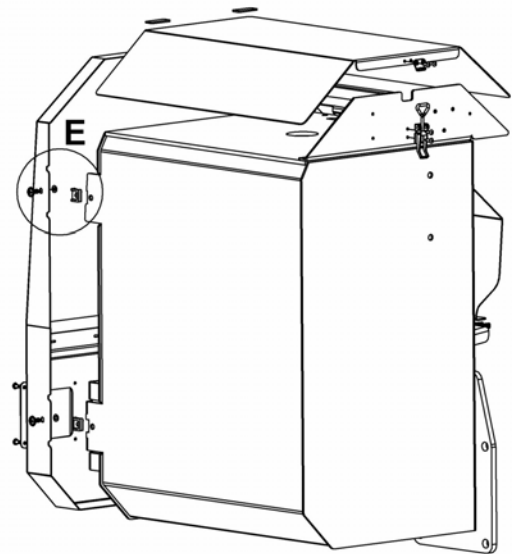
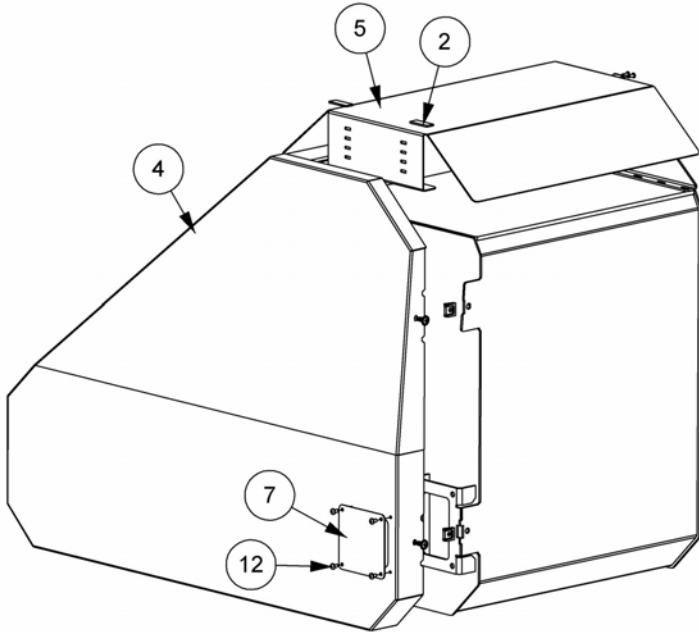
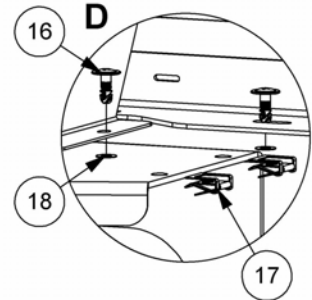
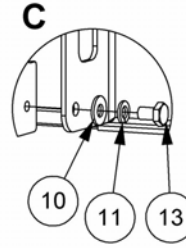
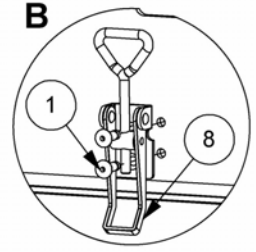
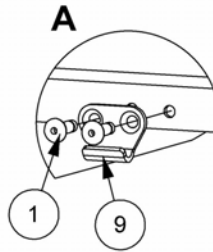
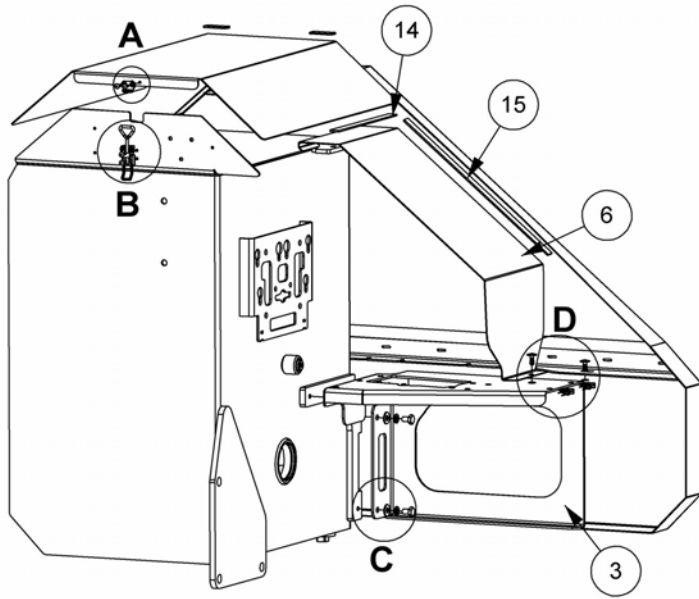
14 Tap to Lift Base Port

15 Tap to Angle Base Port

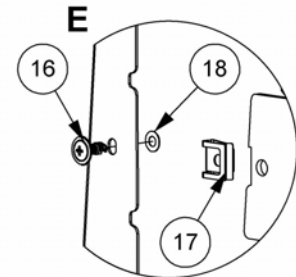
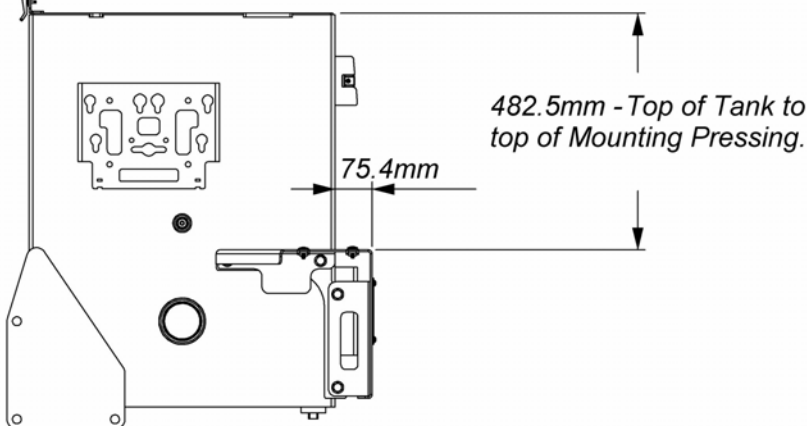
REAR COVERS ASSEMBLY

McCONEL

Module(s): L/H Build 7147714 (illustrated), R/H Build 7147715



Assembly Dimensions



REAR COVERS ASSEMBLY**McCONNEL**Module(s): L/H Build 7147714 (*illustrated*), R/H Build 7147715

| REF. | QTY. | PART No. | DESCRIPTION |
|-------------|-------------|-----------------|---|
| | | 7147714 | REAR COVERS ASSEMBLY - L/H Build |
| | | 7147715 | REAR COVERS ASSEMBLY - R/H Build |
| 1 | 4 | 21612.01 | POP RIVET |
| 2 | 2 | 21726.31 | SPONGE PAD |
| 3 | 1 | 22472.01 | COVER & VALVE MOUNTING - L/H Build |
| | 1 | 22472.02 | COVER & VALVE MOUNTING - R/H Build |
| 4 | 1 | 22476.03 | REAR COVER - L/H Build |
| | 1 | 22476.04 | REAR COVER - R/H Build |
| 5 | 1 | 22477.03 | TANK TOP COVER |
| 6 | 1 | 22513.01 | VALVE COVER - L/H Build |
| | 1 | 22513.02 | VALVE COVER - R/H Build |
| 7 | 1 | 22531.01 | BLANKING PLATE |
| 8 | 1 | 43449.02 | OVERCENTRE FASTENER |
| 9 | 1 | 46007.01 | HOOK (OVERCENTRE FASTENER) |
| 10 | 4 | 9100105 | FLAT WASHER |
| 11 | 4 | 9100205 | SPRING WASHER |
| 12 | 4 | 9300164 | TAPTITE |
| 13 | 4 | 9313035 | SETSCREW |
| 14 | 1 | 21726.34 | SELF ADHESIVE FOAM STRIP - 275mm |
| 15 | 1 | 21726.35 | SELF ADHESIVE FOAM STRIP 410mm |
| 16 | 4 | 22549.01 | SLOTTED HEAD STUD |
| 17 | 4 | 22549.02 | SLIP-ON RECEPTACLE |
| 18 | 4 | 22549.03 | PLASTIC RETAINER (BLACK) |



McConnel Limited, Temeside Works, Ludlow, Shropshire SY8 1JL. England.
Telephone: 01584 873131. Facsimile: 01584 876463. www.mcconnel.com