

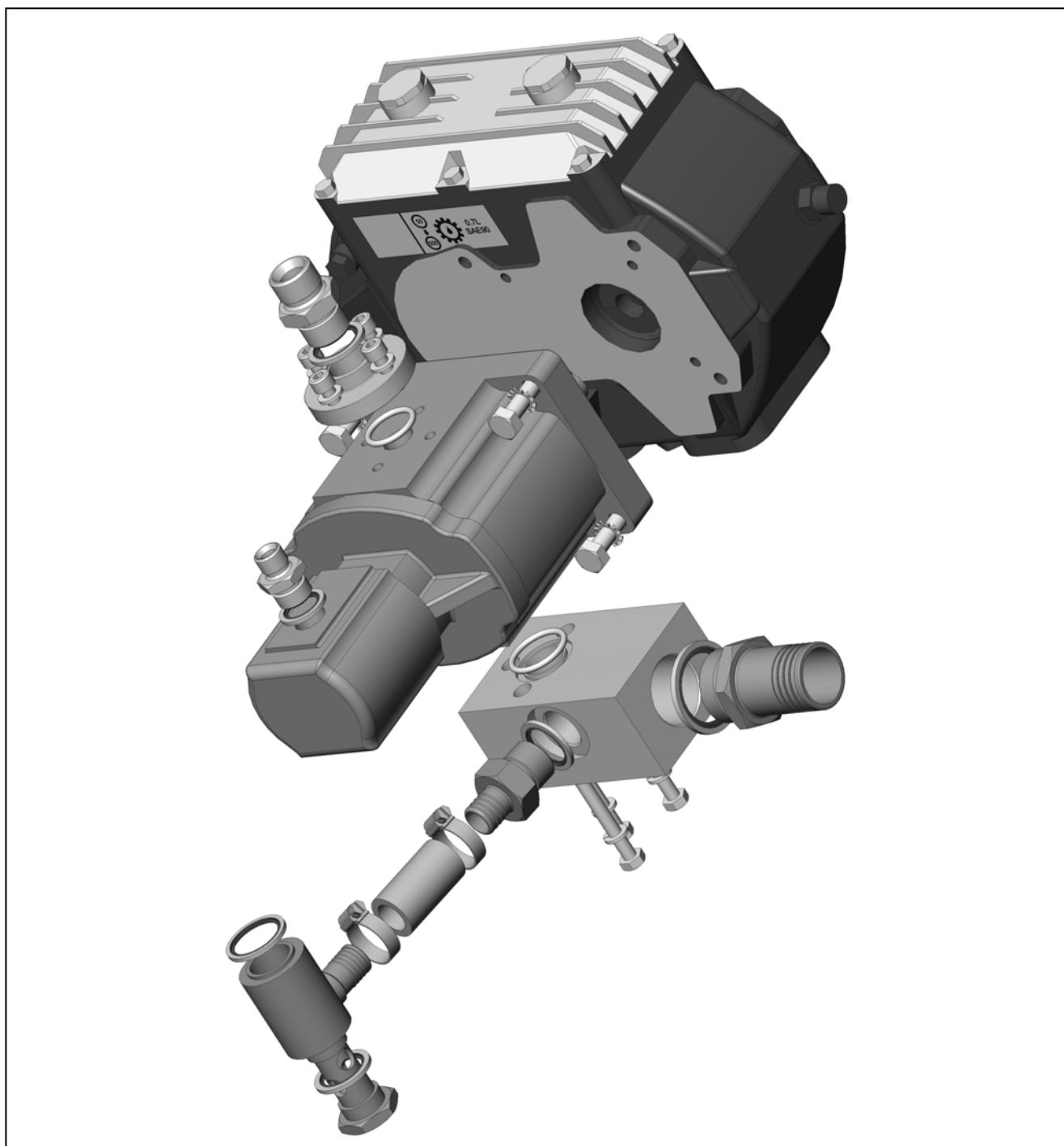
Publication 435
July 2003
Part No. 41570.35
Revision: 29.02.08



PA45

HEDGE/GRASS TRIMMER

Parts Manual





For best performance...

USE ONLY McCONNEL SERVICE PARTS

To be assured of the latest design improvements purchase your
'Genuine Replacements' from the Original Equipment Manufacturer:

McCONNEL LIMITED

through your local Dealer or Stockist.

Always quote:

- ***Machine Type***
- ***Serial Number***
- ***Part Number***

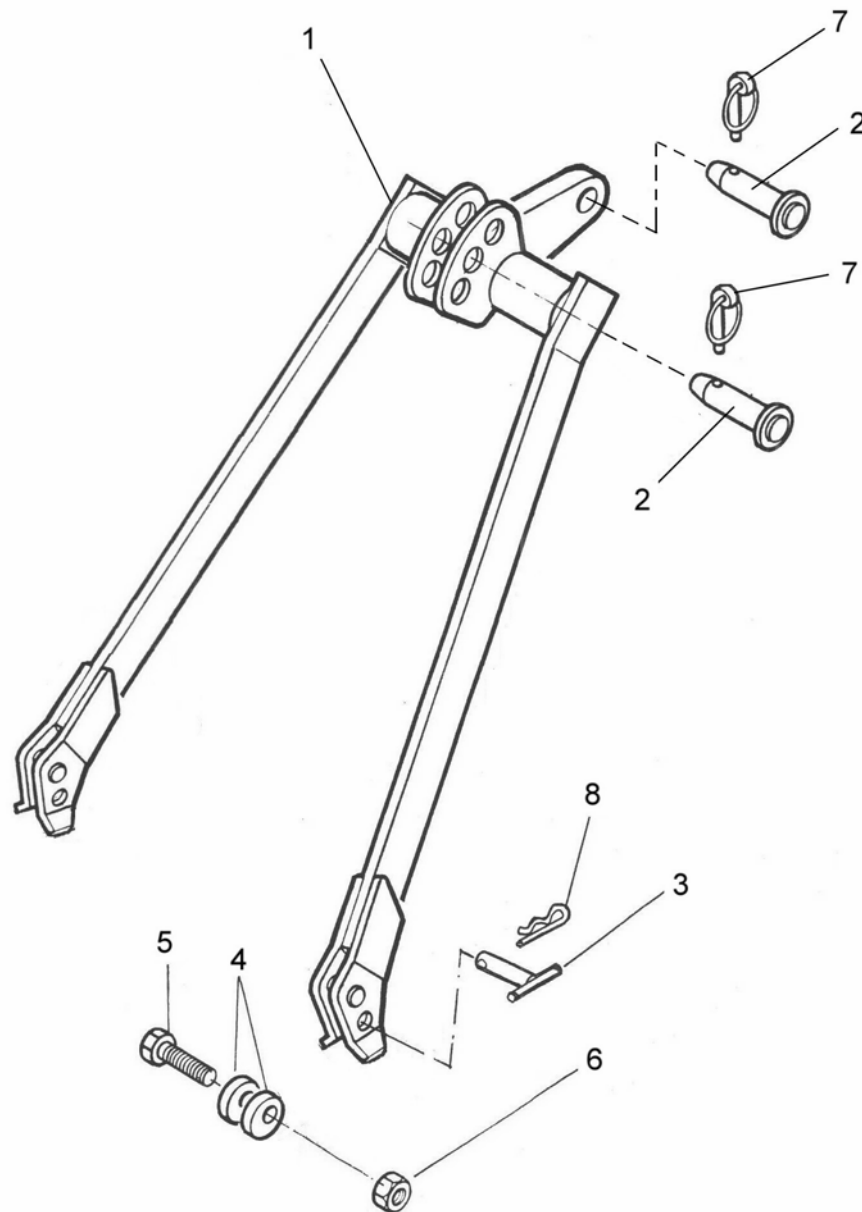
*Design Improvements may have altered some of the parts listed in this manual –
The latest part will always be supplied when it is interchangeable with an earlier one.*

Contents

| COMPONENT | <i>Page No.</i> |
|---|-----------------|
| Stabiliser Assembly | 1 |
| Main Frame Assembly | 3 |
| Main Arm Assembly | 5 |
| Dipper Arm Assembly – <i>Upper & Lower</i> | 7 |
| Hydraulic Tank Assembly | 9 |
| Pump Assembly – <i>SI models</i> | 11 |
| Pump Assembly – <i>TI models</i> | 13 |
| Gearbox Assembly | 15 |
| Cable Controls Assembly – <i>SI models</i> | 17 |
| Cable Controls Assembly – <i>TI models</i> | 19 |
| Rotor Relief Valve Assembly – <i>SI models</i> | 21 |
| Rotor Reverse Valve Assembly – <i>TI models</i> | 23 |
| Arm Control Valve Assembly | 25 |
| Lift Float Kit – <i>Optional Extra</i> | 27 |
| Hose Installation – <i>SI & TI models</i> | 29 |
| Angling Ram Assembly | 31 |
| Breakaway Ram Assembly | 32 |
| Lift Ram Assembly | 33 |
| Reach Ram Assembly | 34 |
| Flail Head Assembly | 35 |
| Cable Control Mounting | 39 |
| Cab Guard Kit | 40 |
| Rear Covers Assembly | 41 |
| Lighting Kit – <i>Optional Extra</i> | 43 |
| Machine Decals | 45 |
| Debris Blower Mounting Kits – <i>Optional Extra</i> | 46 |

STABILISER ASSEMBLY

Module:
7447513

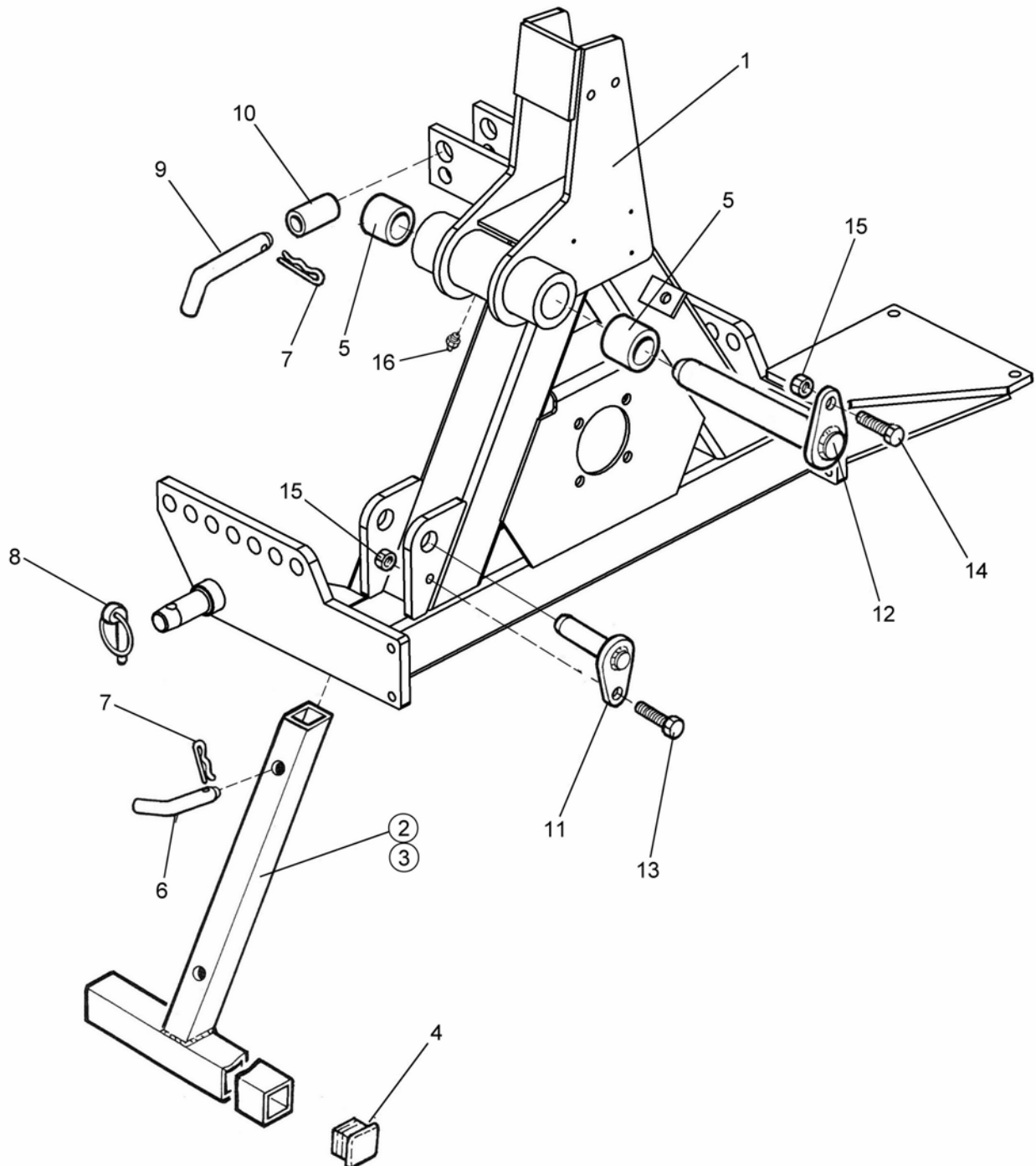


**STABILISER ASSEMBLY**

| REF. | QTY. | PART No. | DESCRIPTION |
|------|------|----------------|----------------------------|
| | | 7447513 | STABILISER ASSEMBLY |
| 1 | 1 | 41915.01 | STABILISER |
| 2 | 2 | 7118112 | TOP LINK PIN |
| 3 | 2 | 7192027 | STABILISER PIN |
| 4 | 4 | 7192080 | ECCENTRIC COLLAR |
| 5 | 2 | 9213148 | BOLT |
| 6 | 2 | 9143008 | SELF LOCKING NUT |
| 7 | 2 | 0431217 | LINCH PIN |
| 8 | 2 | 0431105 | SPRING COTTER |

MAIN FRAME ASSEMBLY

Module:
7445700

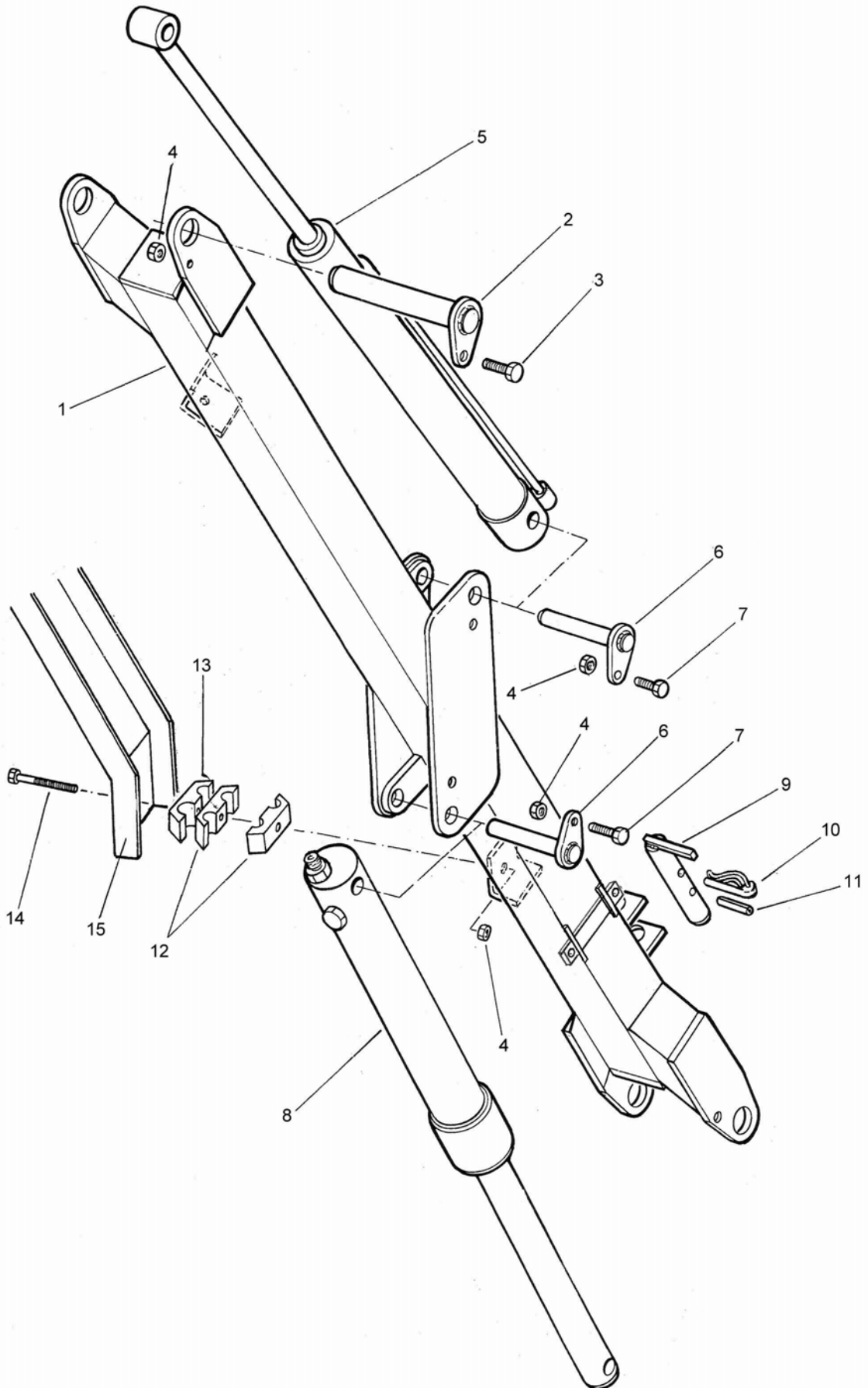


**MAIN FRAME ASSEMBLY**

| REF. | QTY. | PART No. | DESCRIPTION |
|------|------|----------------|---|
| | | 7445700 | PA45 MECHANICAL MODULE (Parent Assembly) |
| 1 | 1 | 7198406 | MAINFRAME |
| 2 | 1 | 7198016 | STAND LEG - R/H |
| 3 | 1 | 7198046 | STAND LEG - L/H |
| 4 | 4 | 7191108 | PLASTIC BUNG |
| 5 | 2 | 7213023 | PLASTIC BUSH |
| 6 | 2 | 7192023 | LEG PIN |
| 7 | 3 | 0431105 | SPRING COTTER |
| 8 | 2 | 0431217 | MEDIUM LINCH PIN |
| 9 | 1 | 7192026 | TOP LINK PIN |
| 10 | 1 | 1467063 | SLEEVE |
| 11 | 1 | 7198014 | PIVOT PIN - LIFT RAM ROD |
| 12 | 1 | 7191033 | PIVOT PIN - MAIN ARM |
| 13 | 1 | 9313165 | SETSCREW |
| 14 | 1 | 9313075 | SETSCREW |
| 15 | 2 | 9143005 | SELF-LOCKING NUT |
| 16 | 1 | 0901121 | GREASER |
| 17 | 1 | 7114289 | PTO SHAFT - <i>not illustrated</i> |

MAIN ARM ASSEMBLY

Module:
7445703 – includes Upper & Lower Dipper Arms



**MAIN ARM ASSEMBLY**

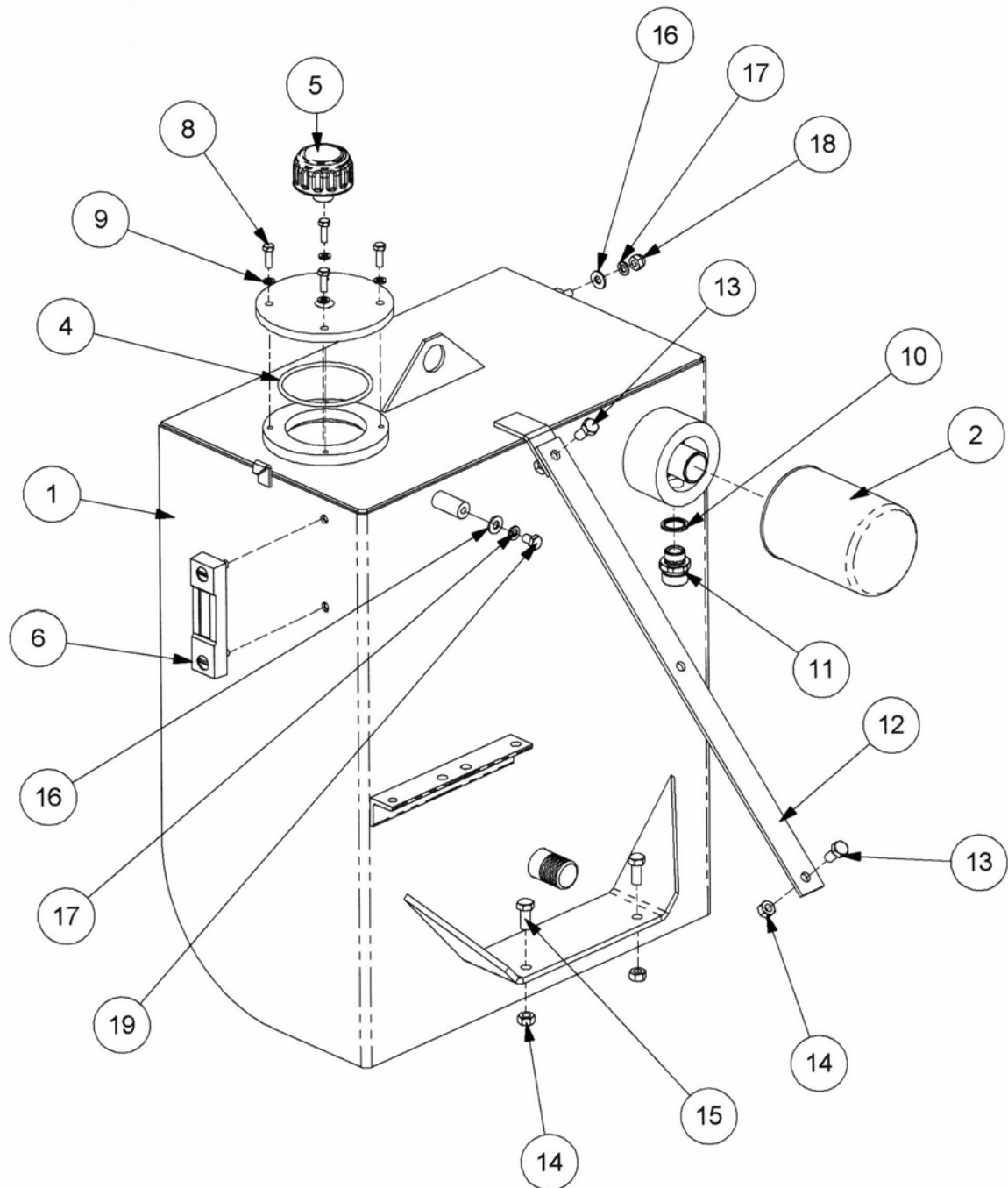
| REF. | QTY. | PART No. | DESCRIPTION |
|-------------|-------------|-----------------|---|
| | | 7445703 | ARM ASSEMBLY - Inc. Upper & Lower Dipper |
| 1 | 1 | 7198407 | MAIN ARM |
| 2 | 1 | 7191033 | PIVOT PIN - DIPPER ARM |
| 3 | 1 | 9313075 | SERSCREW |
| 4 | 5 | 9143005 | SELF-LOCKING NUT |
| 5 | 1 | 7198266 | REACH RAM |
| 6 | 2 | 7191038 | PIVOT PIN - REACH RAM BASE/LIFT RAM BASE |
| 7 | 2 | 9313055 | SETSCREW |
| 8 | 1 | 7198043 | LIFT RAM |
| 9 | 1 | 7198017 | TRANSPORT LOCK PIN |
| 10 | 1 | 0431216 | LINCH PIN |
| 11 | 1 | 0428140 | SPRING DOWEL |
| 12 | 2 | 7190148 | HOSE CLAMP |
| 13 | 1 | 7193063 | HOSE CLAMP |
| 14 | 1 | 9213225 | BOLT |
| 15 | 1 | 7198342 | HOSE COVER |

**UPPER & LOWER DIPPER ARM**

| REF. | QTY. | PART No. | DESCRIPTION |
|------|------|----------------|--|
| | | 7445703 | ARM ASSEMBLY - including Main Arm |
| 1 | 1 | 7198408 | DIPPER ARM - UPPER |
| 2 | 4 | 7213023 | BUSH |
| 3 | 1 | 41692.04 | PIVOT PIN - TENSION LINK |
| 4 | 2 | 9313055 | SETSCREW |
| 5 | 8 | 9143005 | SELF LOCKING NUT |
| 6 | 1 | 7191036 | PIVOT PIN - BREAKAWAY RAM BASE |
| 7 | 2 | 0431105 | SPRING COTTER |
| 8 | 1 | 7198357 | BREAKAWAY RAM |
| 9 | 1 | 41870.01 | DIPPER ARM - LOWER |
| 10 | 2 | 7136035 | BUSH |
| 11 | 6 | 41690.01 | BUSH |
| 12 | 2 | 7198077 | HOSE CLAMP |
| 13 | 2 | 9213114 | BOLT |
| 14 | 1 | 7198015 | PIVOT PIN - DIPPER LOWER |
| 15 | 2 | 9313075 | SETSCREW |
| 16 | 1 | 7191037 | PIVOT PIN - BREAKAWAY RAM ROD |
| 17 | 1 | 9313065 | SETSCREW |
| 18 | 1 | 7560344 | ANGLE RAM |
| 19 | 1 | 7192093 | PIVOT PIN - ANGLE RAM BASE |
| 20 | 4 | 9501406 | SPLIT PIN |
| 21 | 1 | 7450251 | RADIUS ARM |
| 22 | 1 | 7450250 | RADIUS ARM |
| 23 | 1 | 7450252 | SLAVE LINK |
| 24 | 7 | 0901121 | GREASER |
| 25 | 1 | 41693.01 | PIVOT PIN - ANGLE RAM ROD |
| 26 | 1 | 7192308 | HEAD PIVOT TUBE |
| 27 | 1 | 7192316 | JAW PLATE |
| 28 | 1 | 0423548 | SPRING DOWEL |
| 29 | 1 | 9213185 | BOLT |
| 30 | 1 | 7192009 | PIVOT PIN - SLAVE LINK |
| 31 | 1 | 0311126 | BOLT |
| 32 | 1 | 0211146 | BOLT |
| 33 | 2 | 0146006 | SELF LOCKING NUT |
| 34 | 1 | 7192321 | HOSE JUNCTION BRACKET |
| 35 | 2 | 9313045 | SETSCREW |
| 36 | 1 | 7198333 | HOSE TRAY |
| 37 | 2 | 9113004 | SELF LOCKING NUT |
| 38 | 4 | 9100104 | PLAIN WASHER |
| 39 | 1 | 7198335 | HOSE COVER |
| 40 | 1 | 7198363 | TRANSPORT LOCK PIN |

HYDRAULIC TANK ASSEMBLY

Module:
7447541



**HYDRAULIC TANK ASSEMBLY**

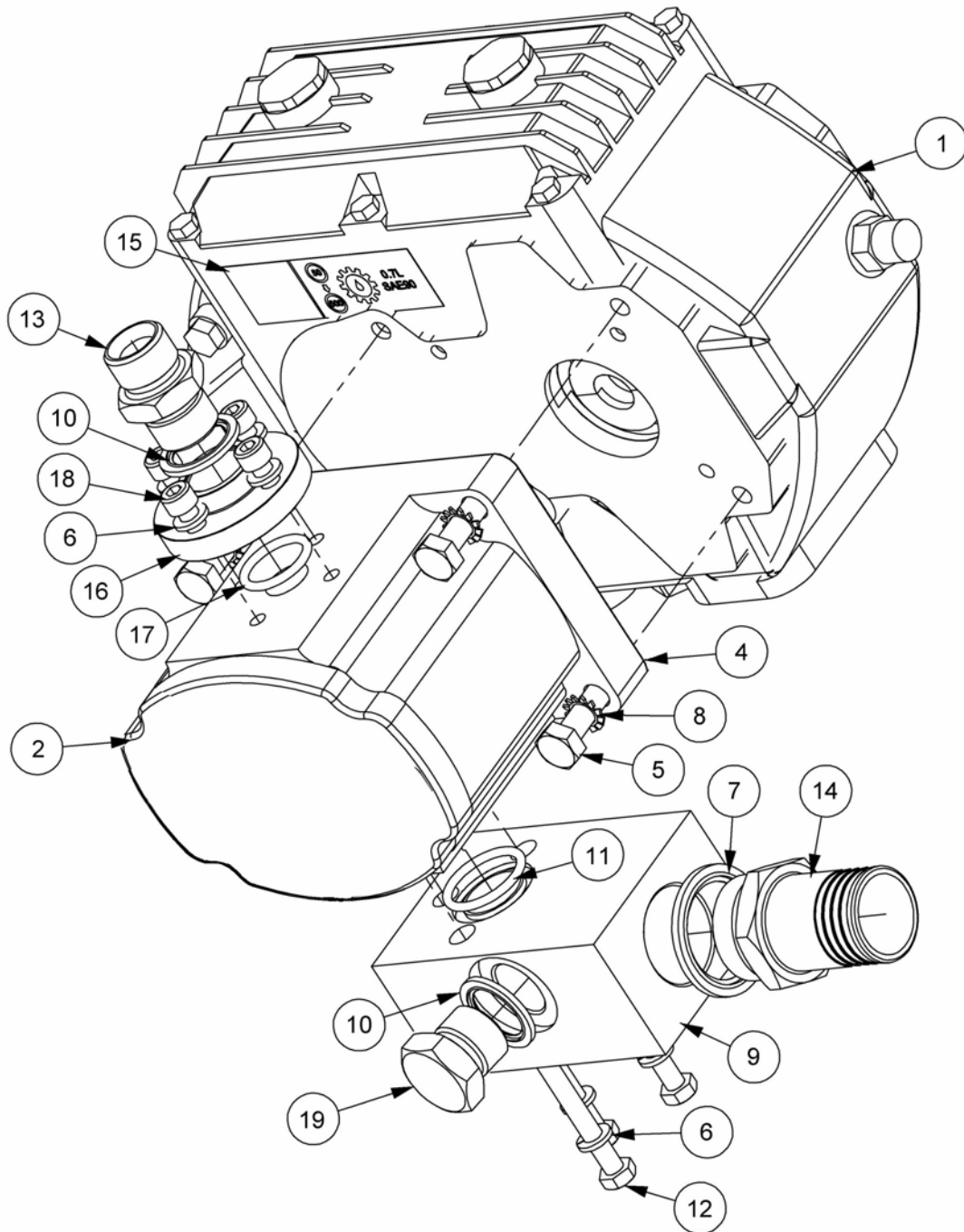
| REF. | QTY. | PART No. | DESCRIPTION |
|-------------|-------------|-----------------|------------------------------------|
| | | 7447541 | HYDRAULIC TANK ASSEMBLY L/H |
| 1 | 1 | 45243.05 | HYDRAULIC TANK |
| 2 | 1 | 8401041 | FILTER ELEMENT |
| 3 | 1 | 7192063 | COVER PLATE - TAPPED |
| 4 | 1 | 8600151 | 'O' RING 348 |
| 5 | 1 | 8401063 | TANK BREATHER |
| 6 | 1 | 8401048 | LEVEL GAUGE |
| 7 | 1 | 8581203 | TAPER PLUG - HOLLOW |
| 8 | 4 | 9313054 | SETSCREW |
| 9 | 4 | 9100204 | SPRING WASHER |
| 10 | 1 | 8650106 | BONDED SEAL |
| 11 | 1 | 8002086 | ADAPTOR |
| 12 | 1 | 45865.01 | TANK STRAP |
| 13 | 2 | 9313056 | SETSCREW |
| 14 | 4 | 9143006 | SELF LOCKING NUT |
| 15 | 2 | 9313066 | SETSCREW |
| 16 | 3 | 9100105 | FLAT WASHER |
| 17 | 3 | 9100205 | SPRING WASHER |
| 18 | 2 | 9100025 | DOME NUT |
| 19 | 1 | 9313035 | SETSCREW |

SI PUMP & GEARBOX ASSEMBLY

Modules:

- 8013511 – L/H Build
- 8013507 – R/H Build

Illustrated in Left Hand Build




SI PUMP & GEARBOX ASSEMBLY

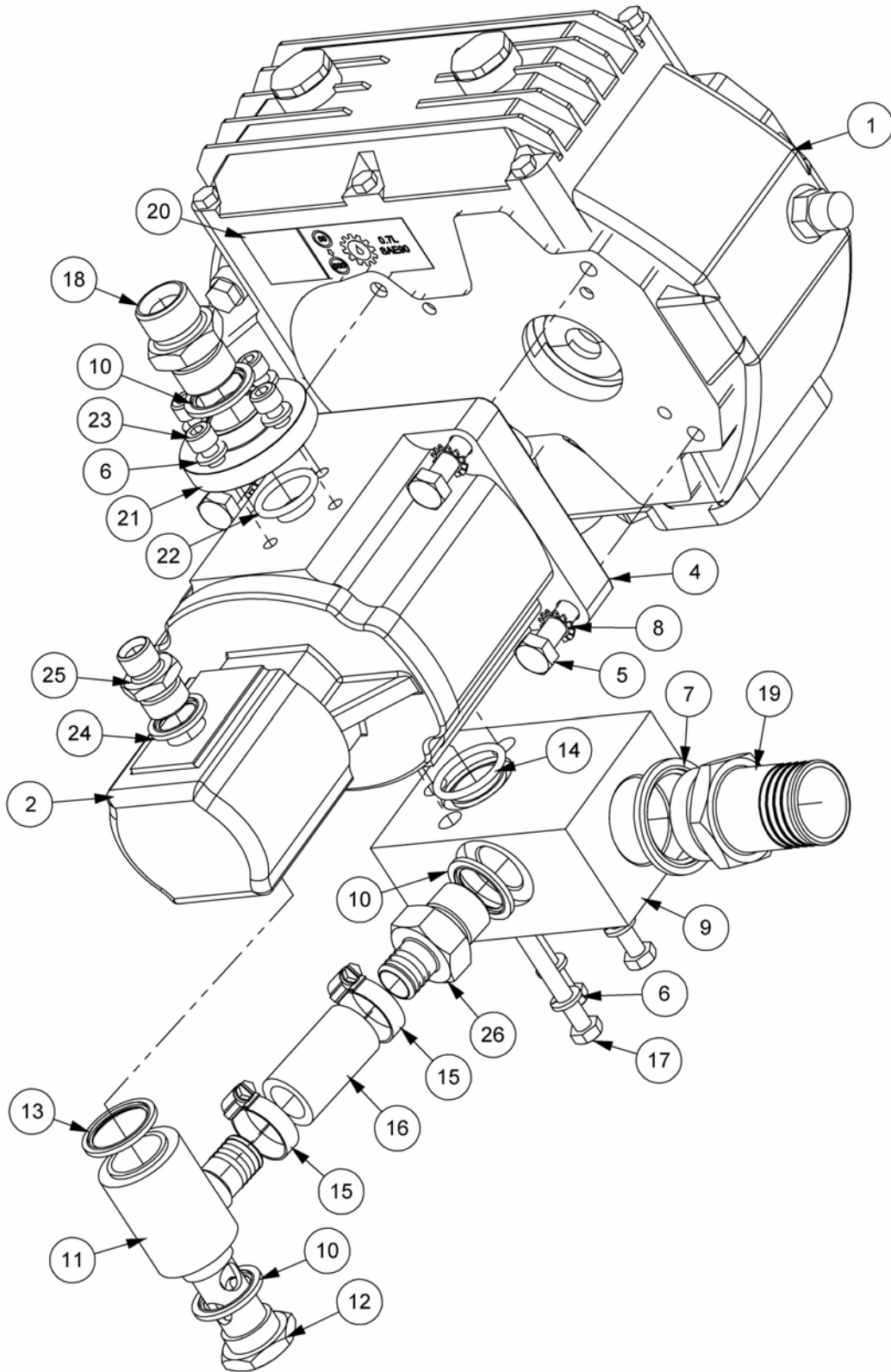
| REF. | QTY. | PART No. | DESCRIPTION | |
|------|------|----------------|--|---------------|
| | | 8013511 | SI PUMP & GEARBOX ASSEMBLY - L/H Build | |
| | | 8013507 | SI PUMP & GEARBOX ASSEMBLY - R/H Build | |
| 1 | 1 | 21931.01 | GEARBOX ASSEMBLY 1:4.25 13T SPLINE | |
| 2 | 1 | 8201463 | PUMP | |
| 3 | 1 | 8600523 | O RING | |
| 4 | 1 | 8013056 | GASKET | |
| 5 | 4 | 9213075 | BOLT | |
| 6 | 7 | 9100204 | SPRING WASHER | |
| 7 | 1 | 8650109 | BONDED SEAL | |
| 8 | 4 | 9100405 | EXTERNAL SHAKEPROOF WASHER | |
| 9 | 1 | 7192371 | SUCTION BLOCK - L/H Build | |
| | 1 | 7192372 | SUCTION BLOCK - R/H Build (<i>not illustrated</i>) | |
| 10 | 2 | 8650106 | BONDED SEAL | |
| 11 | 14 | 1 | 8600122 | O RING |
| 12 | 17 | 3 | 9213144 | BOLT |
| 13 | 18 | 1 | 8581136 | ADAPTOR |
| 14 | 19 | 1 | 8581260 | ADAPTOR |
| 15 | 20 | 1 | 1290092 | GEARBOX DECAL |
| 16 | 21 | 1 | 8013088 | PUMP FLANGE |
| 17 | 22 | 1 | 8600119 | O RING |
| 18 | 23 | 4 | 9343054 | CAPSCREW |
| 19 | 26 | 1 | 05.313.01 | PLUG |
| | | 8699231 | PUMP SEAL KIT | |

TI PUMP & GEARBOX ASSEMBLY

Modules:

- 7447562 – L/H Build
- 8013505 – R/H Build

Illustrated in Left Hand Build



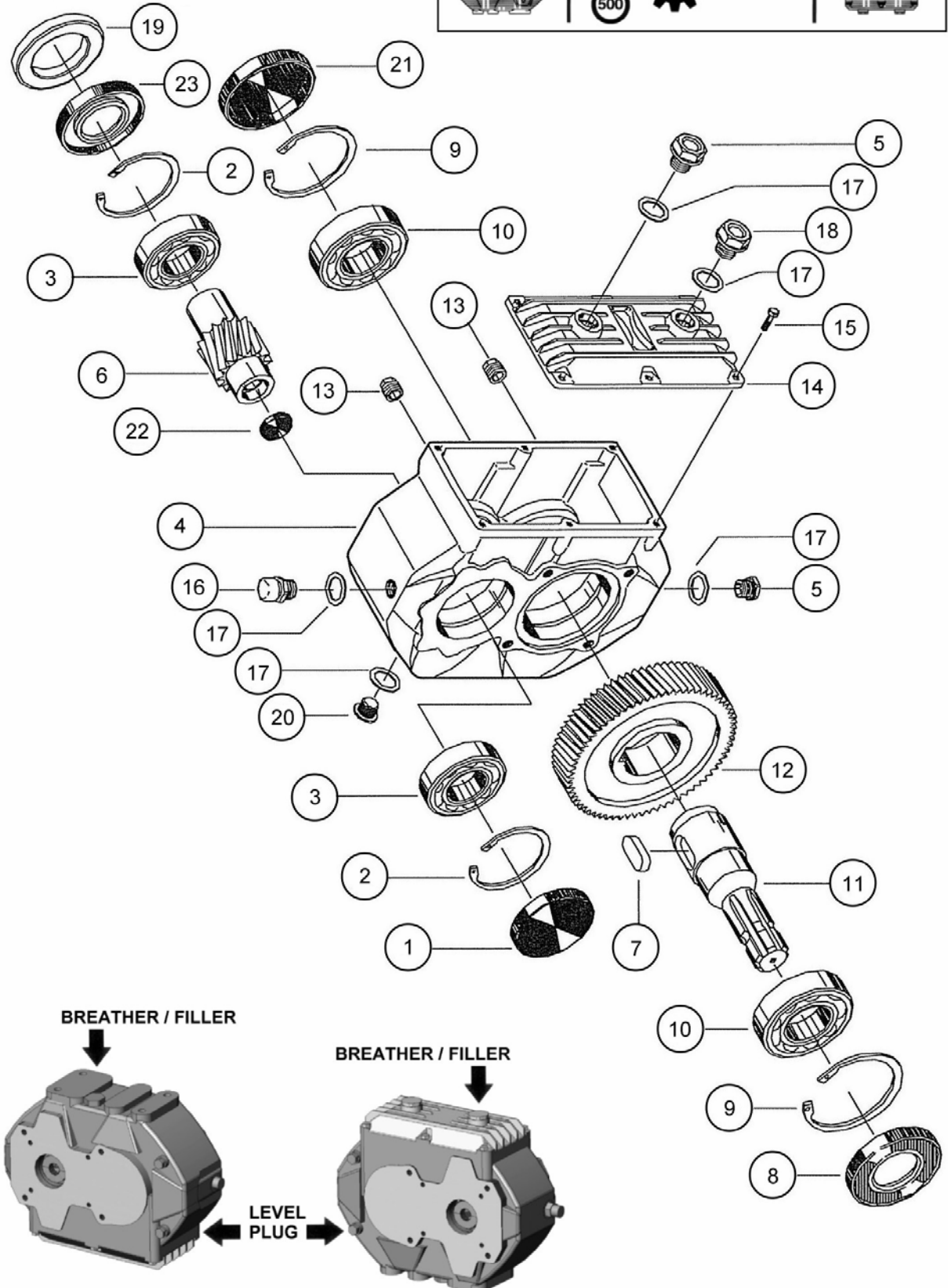

TI PUMP & GEARBOX ASSEMBLY

| REF. | QTY. | PART No. | DESCRIPTION |
|------|------|----------------|---|
| | | 7447562 | TI PUMP & GEARBOX ASSEMBLY - L/H Build |
| | | 8013505 | TI PUMP & GEARBOX ASSEMBLY - R/H Build |
| 1 | 1 | 21931.01 | GEARBOX ASSEMBLY 1:4.25 13T SPLINE |
| 2 | 1 | 8201466 | TANDEM PUMP - <i>comprising of:</i> |
| | 1 | 8201684 | LARGE PUMP |
| | 1 | 8201677 | SMALL PUMP |
| 3 | 1 | 8600523 | O RING |
| 4 | 1 | 8013056 | GASKET |
| 5 | 4 | 9213075 | BOLT |
| 6 | 7 | 9100204 | SPRING WASHER |
| 7 | 7 | 9100404 | SHAKEPROOF WASHER |
| 8 | 4 | 9100405 | EXTERNAL SHAKEPROOF WASHER |
| 9 | 1 | 7192371 | SUCTION BLOCK - L/H Build |
| | 1 | 7192372 | SUCTION BLOCK - R/H Build |
| 10 | 3 | 8650106 | BONDED SEAL |
| 11 | 1 | 8013096 | BANJO ASSEMBLY |
| 12 | 1 | 8013095 | BANJO BOLT |
| 13 | 1 | 8650107 | BONDED SEAL |
| 14 | 1 | 8600122 | O RING |
| 15 | 2 | 0904204 | HOSE CLIP |
| 16 | 1 | 8501213 | HOSE - 3/4" BORE x 50mm |
| 17 | 3 | 9213144 | BOLT |
| 18 | 1 | 8581136 | ADAPTOR |
| 19 | 1 | 8581260 | ADAPTOR |
| 20 | 1 | 1290092 | GEARBOX DECAL |
| 21 | 1 | 8013088 | PUMP FLANGE |
| 22 | 1 | 8600119 | O RING |
| 23 | 4 | 9343054 | CAPSCREW |
| 24 | 1 | 8650104 | BONDED SEAL |
| 25 | 1 | 6000112 | ADAPTOR |
| 26 | 1 | 8581301 | ADAPTOR |
| 27 | 1 | 8650109 | BONDED SEAL |
| | | 8699231 | PUMP SEAL KIT |

GEARBOX ASSEMBLY

Modules:

21931.01 – Gearbox (Ratio 1:4.25) 13T



NOTE: Plug positions are dependent on gearbox orientation

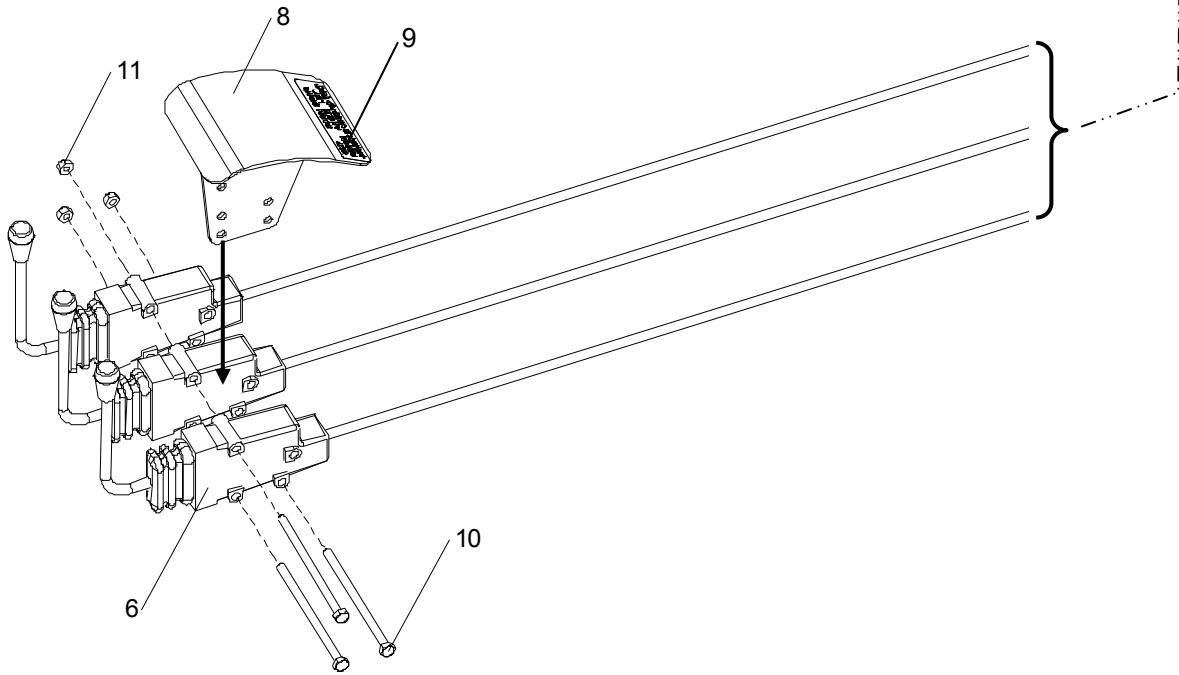
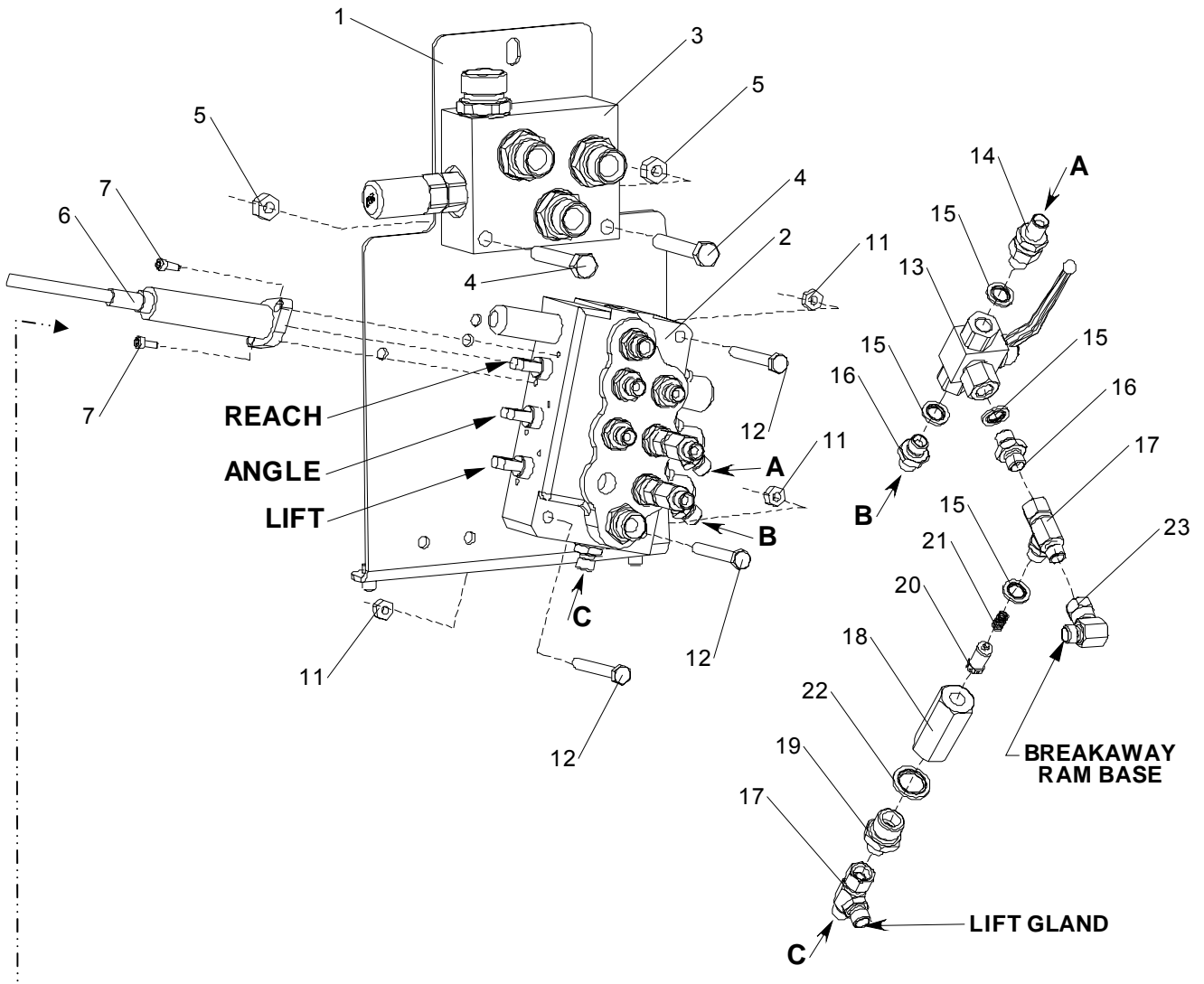


GEARBOX ASSEMBLY

| REF. | QTY. | PART No. | DESCRIPTION |
|------|------|-----------------------|--|
| | | 21931.01 | GEARBOX ASSEMBLY (Cast Iron) |
| | | <i>Specification:</i> | <i>Ratio 1:4.25 with 13 tooth spline</i> |
| 1 | 1 | 8013530 | CAP |
| 2 | 2 | 8013529 | INTERNAL CIRCLIP |
| 3 | 2 | 8013528 | BEARING |
| 4 | 1 | 8013585 | GEARBOX CASTING |
| 5 | 2 | 8013533 | DRAIN PLUG |
| 6 | 1 | 8013575 | SHAFT |
| 7 | 1 | 8013586 | DRIVESHAFT KEY |
| 8 | 2 | 8013526 | SHAFT SEAL |
| 9 | 2 | 8013525 | INTERNAL CIRCLIP |
| 10 | 1 | 8013524 | BEARING |
| 11 | 1 | 8013522 | INPUT SHAFT |
| 12 | 1 | 8013587 | PRIMARY GEAR |
| 13 | 2 | 8013588 | LEVEL PLUG |
| 14 | 1 | 8013589 | GEARBOX COVER |
| 15 | 6 | 9313033 | SCREW |
| 16 | 1 | 8013590 | OIL PLUG |
| 17 | 5 | 8013591 | SEALING WASHER |
| 18 | 1 | 8013592 | OIL PLUG |
| 19 | 1 | 8013576 | RING |
| 20 | 1 | 8013593 | OIL PLUG |
| 21 | 1 | 8013527 | CAP |
| 22 | 1 | 8013594 | OIL PLUG |
| 23 | 1 | 8699264 | GEARBOX SEAL |

CABLE CONTROL ASSEMBLY - SI

Module:
7447528

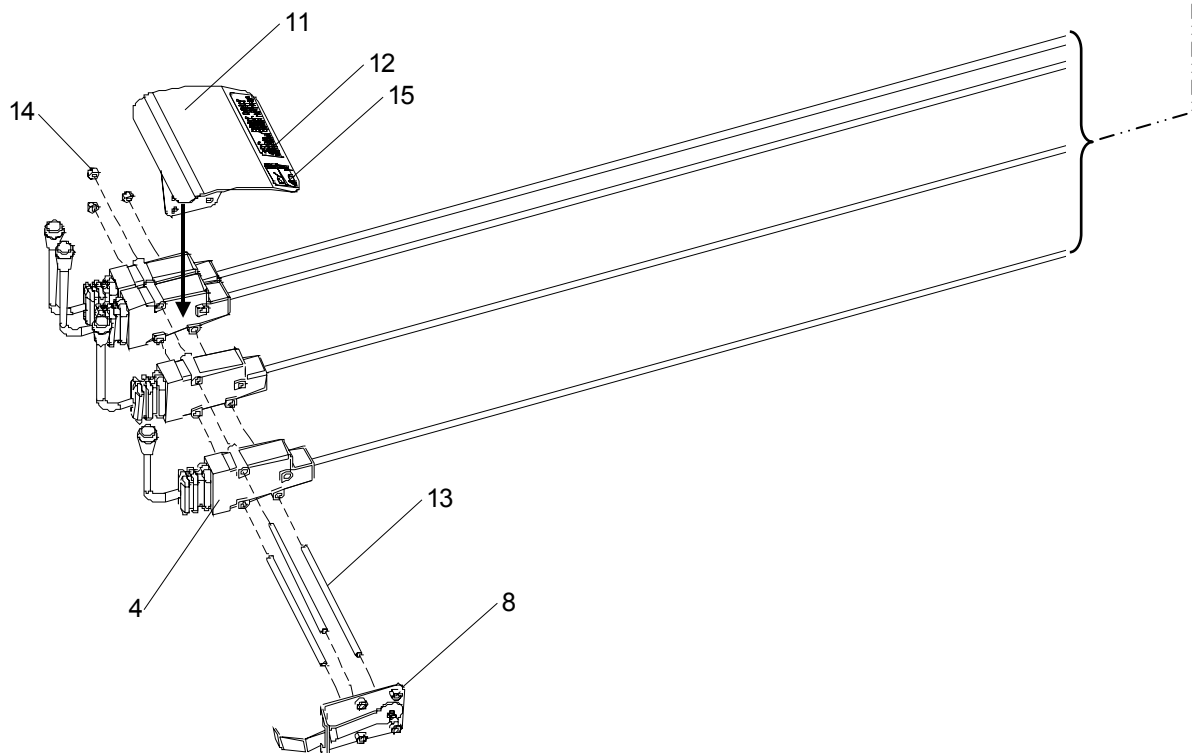
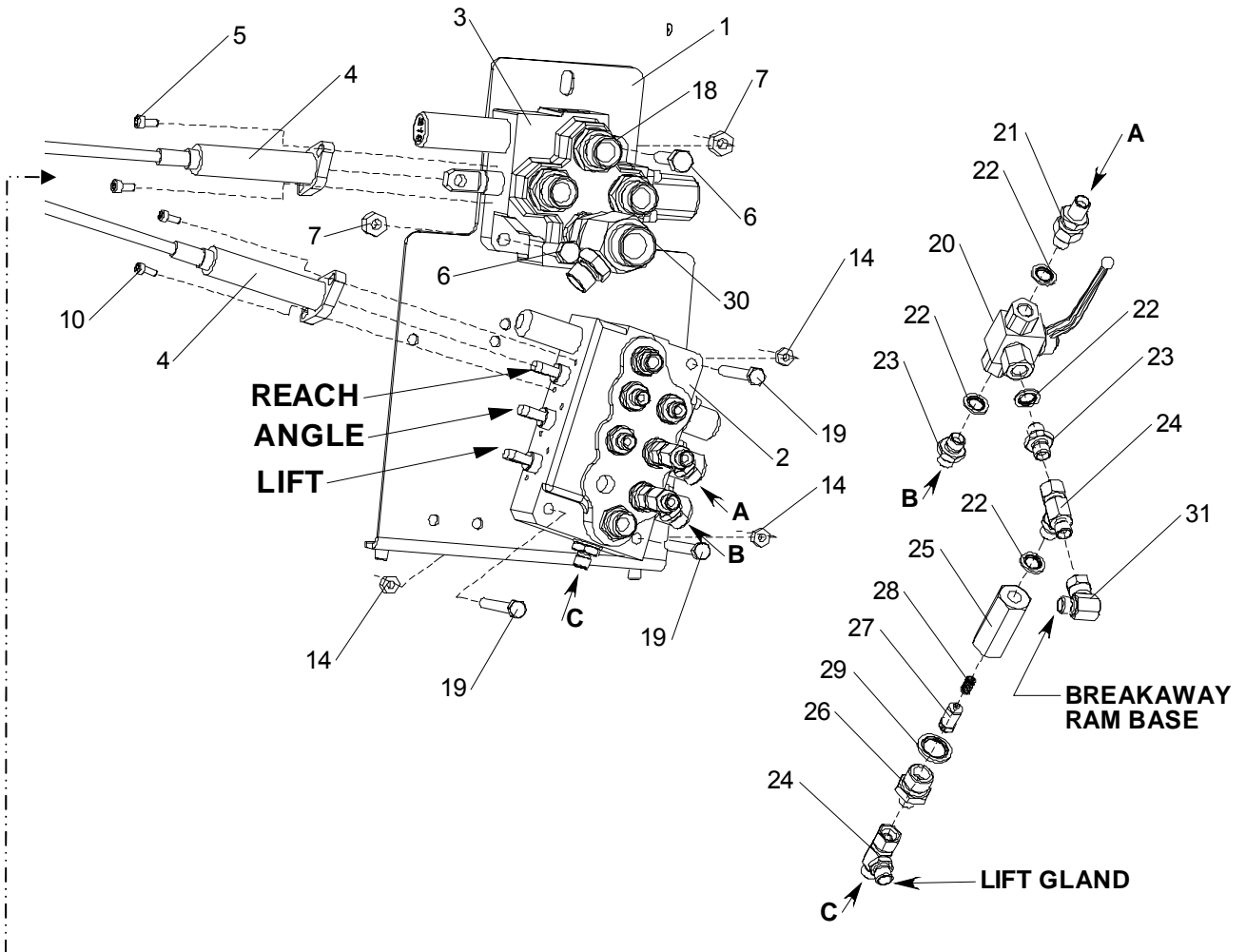


**CABLE CONTROL ASSEMBLY - SI**

| REF. | QTY. | PART No. | DESCRIPTION |
|------|------|----------------|--|
| | | 7447528 | CABLE CONTROL ASSEMBLY - SI Models |
| 1 | 1 | 45850.01 | VALVE BRACKET |
| 2 | 1 | 8130589 | ACV ASSEMBLY |
| 3 | 1 | 8125411 | ROTOR RELIEF ASSEMBLY |
| 4 | 2 | 9213145 | BOLT |
| 5 | 2 | 9143005 | SELF-LOCKING NUT |
| 6 | 3 | 04.265.82 | CABLE ASSEMBLY 2.5m ARM |
| 7 | 6 | 9243022 | CAPSCREW |
| 8 | 1 | 42256.02 | ARM REST |
| 9 | 1 | 1290368 | CONTROL STICKER |
| 10 | 3 | 9213284 | BOLT |
| 11 | 6 | 9143004 | SELF-LOCKING NUT |
| 12 | 3 | 9213134 | BOLT |
| 13 | 1 | 41392.01 | TAP 3 WAY BALL VALVE |
| 14 | 1 | 7105153 | ADAPTOR BULKHEAD |
| 15 | 4 | 8650102 | BONDED SEAL |
| 16 | 2 | 8581169 | ADAPTOR |
| 17 | 2 | 8581254 | ADAPTOR TEE |
| 18 | 1 | 8130156 | ADAPTOR RELIEF HOUSING |
| 19 | 1 | 8130083 | ADAPTOR RELIEF BODY |
| 20 | 1 | 8130029 | RELIEF VALVE 175BAR |
| 21 | 1 | 8116011 | SPRING |
| 22 | 1 | 8650104 | BONDED SEAL |
| 23 | 1 | 8581190 | ADAPTOR ELBOW |
| 24 | 3 | 10.002.06 | HOSE - FS/F90 1/4"BSP x 300mm (<i>not illustrated</i>) |

CABLE CONTROL ASSEMBLY - TI

Module:
7447530

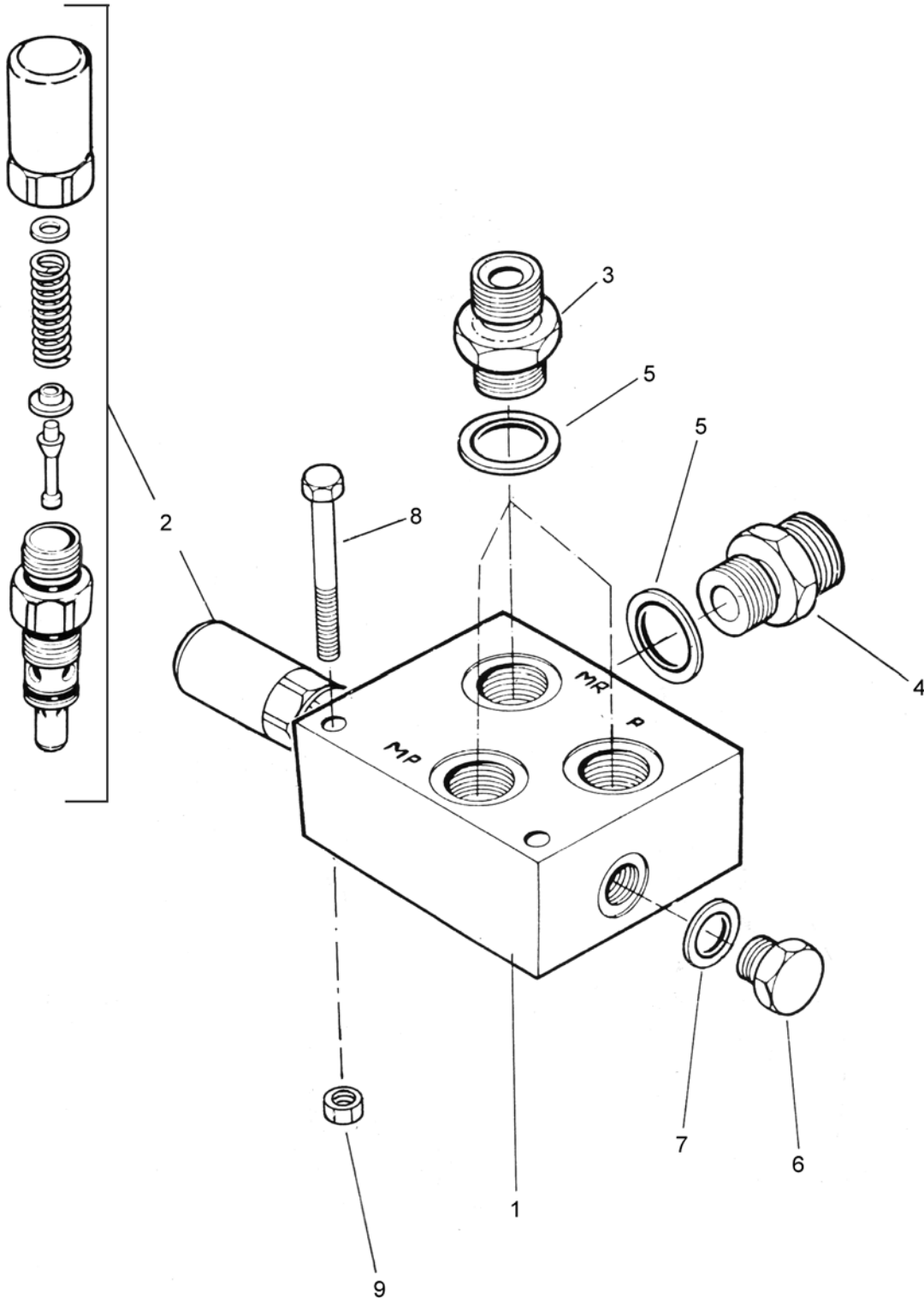


**CABLE CONTROL ASSEMBLY - TI**

| REF. | QTY. | PART No. | DESCRIPTION |
|------|------|----------------|--|
| | | 7447530 | CABLE CONTROL ASSEMBLY - TI Models |
| 1 | 1 | 45850.01 | VALVE BRACKET |
| 2 | 1 | 8130589 | ACV ASSEMBLY |
| 3 | 1 | 8125355 | ROTOR CONTROL VALVE - L/H BUILD |
| 4 | 2 | 04.265.92 | CABLE ASSEMBLY 2.5m ROTOR |
| 5 | 2 | 9343023 | CAPSCREW |
| 6 | 2 | 9213085 | BOLT |
| 7 | 2 | 9143005 | SELF-LOCKING NUT |
| 8 | 1 | 42511.01 | BALKING ASSEMBLY MORSE CABLES |
| 9 | 3 | 04.265.82 | CABLE ASSEMBLY 2.5m - ARM |
| 10 | 6 | 9243022 | CAPSCREW |
| 11 | 1 | 42256.01 | ARM REST 4 BANK |
| 12 | 1 | 1290368 | CONTROL STICKER |
| 13 | 3 | 04.282.01 | STUD |
| 14 | 6 | 9143004 | SELF-LOCKING NUT |
| 15 | 1 | 1290338 | DECAL - ROTOR REVERSE |
| 16 | 4 | 8650106 | BONDED SEAL |
| 17 | 1 | 8002086 | ADAPTOR |
| 18 | 3 | 8581136 | ADAPTOR |
| 19 | 3 | 9213134 | BOLT |
| 20 | 1 | 41392.01 | TAP 3WAY BALL VALVE |
| 21 | 1 | 7105153 | ADAPTOR BULKHEAD |
| 22 | 4 | 8650102 | BONDED SEAL |
| 23 | 2 | 8581169 | ADAPTOR |
| 24 | 2 | 8581254 | ADAPTOR TEE |
| 25 | 1 | 8130156 | ADAPTOR RELIEF HOUSING |
| 26 | 1 | 8130083 | ADAPTOR RELIEF BODY |
| 27 | 1 | 8130029 | RELIEF VALVE 175BAR |
| 28 | 1 | 8116011 | SPRING |
| 29 | 1 | 8650104 | BONDED SEAL |
| 30 | 1 | 04.056.34 | ADAPTOR TEE |
| 31 | 1 | 8581190 | ADAPTOR ELBOW |
| 32 | 3 | 10.002.06 | HOSE - FS/F90 1/4"BSP x 300mm (<i>not illustrated</i>) |

ROTOR RELIEF VALVE – SI models

Module:
8125411

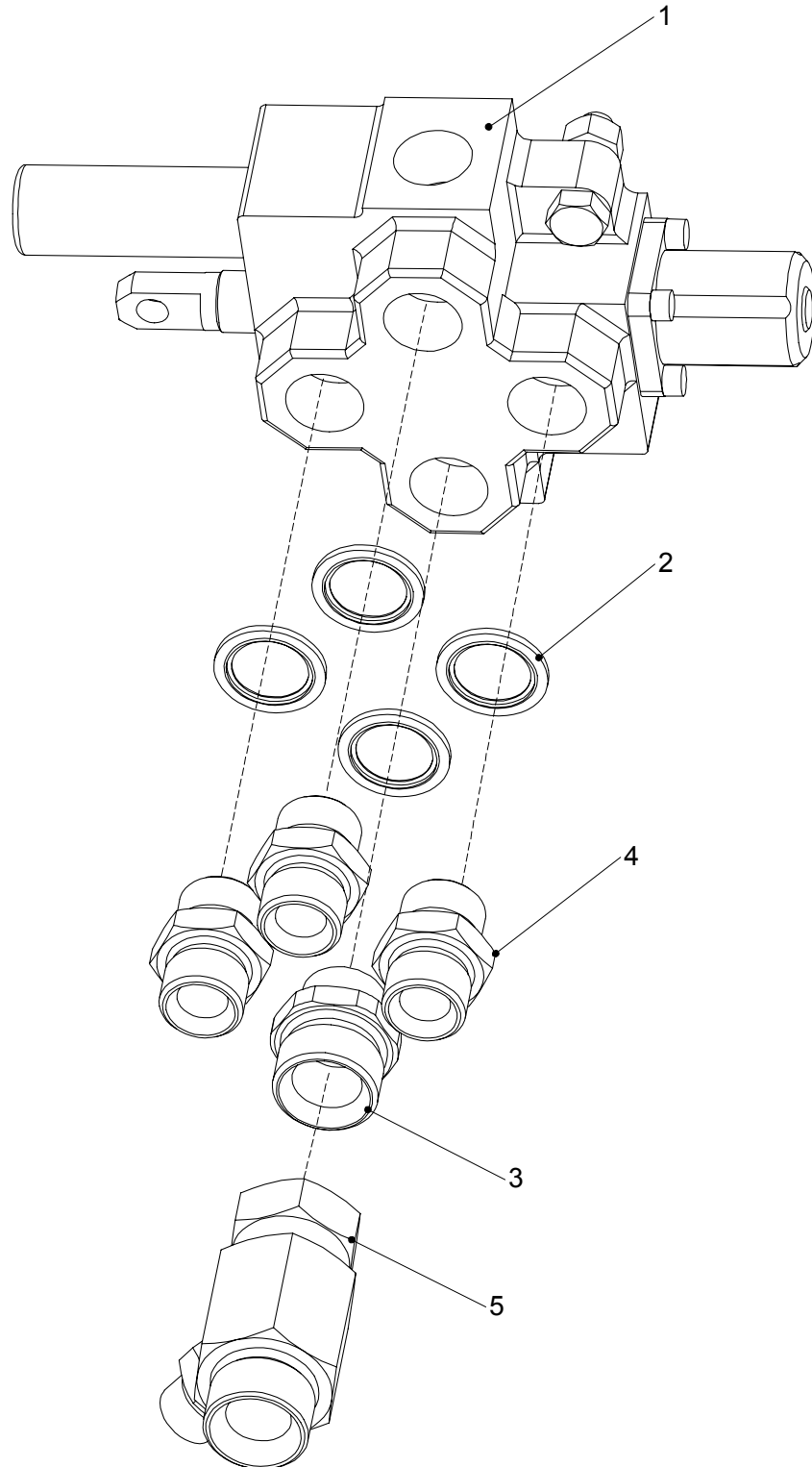


**ROTOR RELIEF VALVE – SI models**

| REF. | QTY. | PART No. | DESCRIPTION |
|------|------|----------------|---|
| | | 8125411 | ROTOR RELIEF VALVE ASSEMBLY - SI models |
| 1 | 1 | 8125352 | VALVE BLOCK |
| 2 | 1 | 8125095 | RELIEF VALVE CARTRIDGE - <i>incl. 'O' rings</i> |
| 3 | 3 | 8581136 | UNION |
| 4 | 1 | 8002086 | ADAPTOR |
| 5 | 4 | 8650106 | BONDED SEAL |
| 6 | 1 | 8003001 | PLUG |
| 7 | 1 | 8650103 | BONDED SEAL |
| 8 | 2 | 9213135 | BOLT |
| 9 | 2 | 9143005 | SELF LOCKING NUT |

ROTOR REVERSE VALVE - TI

Module:
8125355

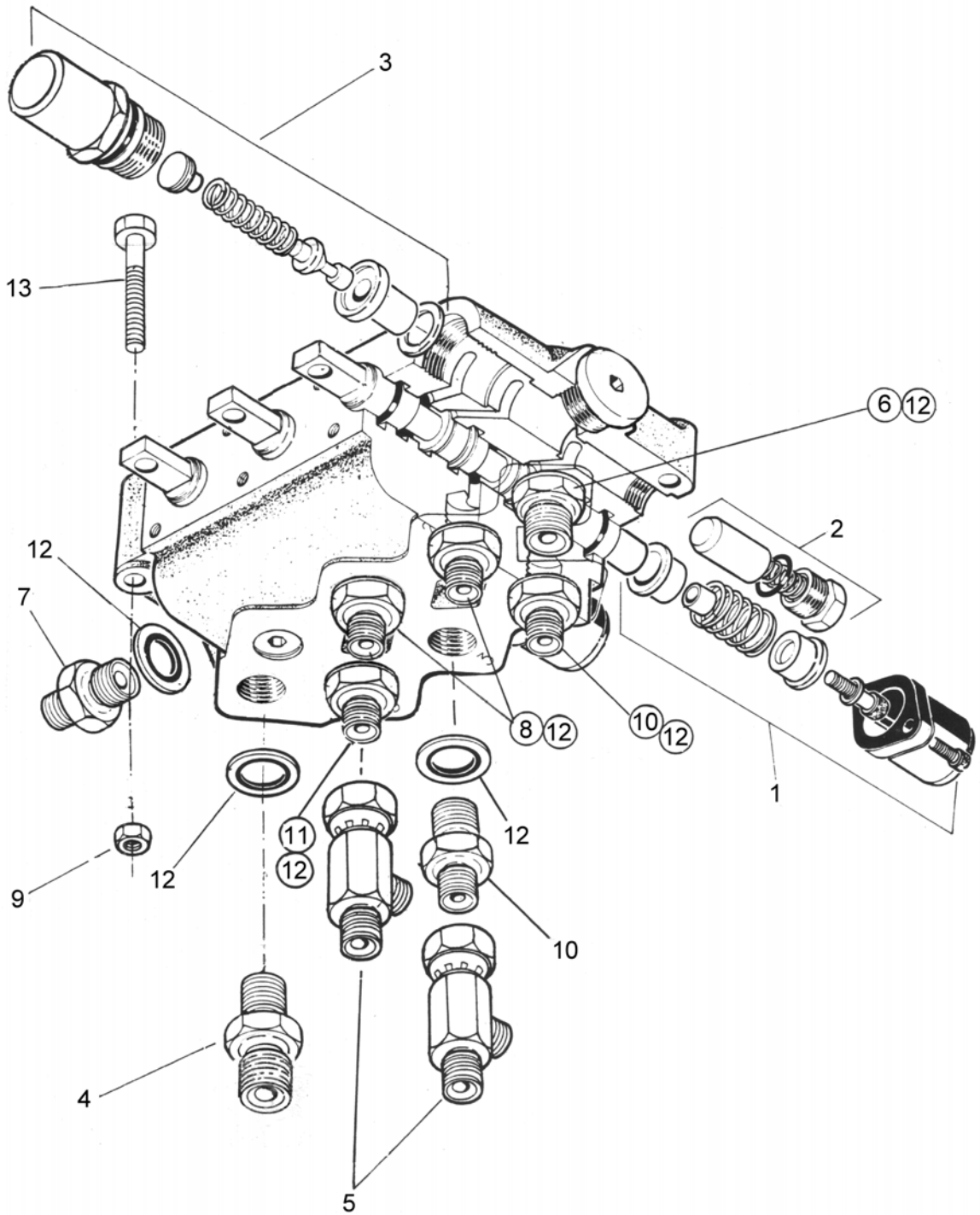


**ROTOR REVERSE VALVE - TI**

| REF. | QTY. | PART No. | DESCRIPTION |
|------|------|----------------|--|
| | | 8125355 | ROTOR REVERSE VALVE - TI models |
| 1 | 1 | 8125355 | ROTOR REVERSE VALVE |
| 2 | 4 | 8650106 | BONDED SEAL |
| 3 | 1 | 8002086 | ADAPTOR |
| 4 | 3 | 8581136 | ADAPTOR |
| 5 | 1 | 04.056.34 | ADAPTOR TEE |

ARM CONTROL VALVE

Module:
8130589



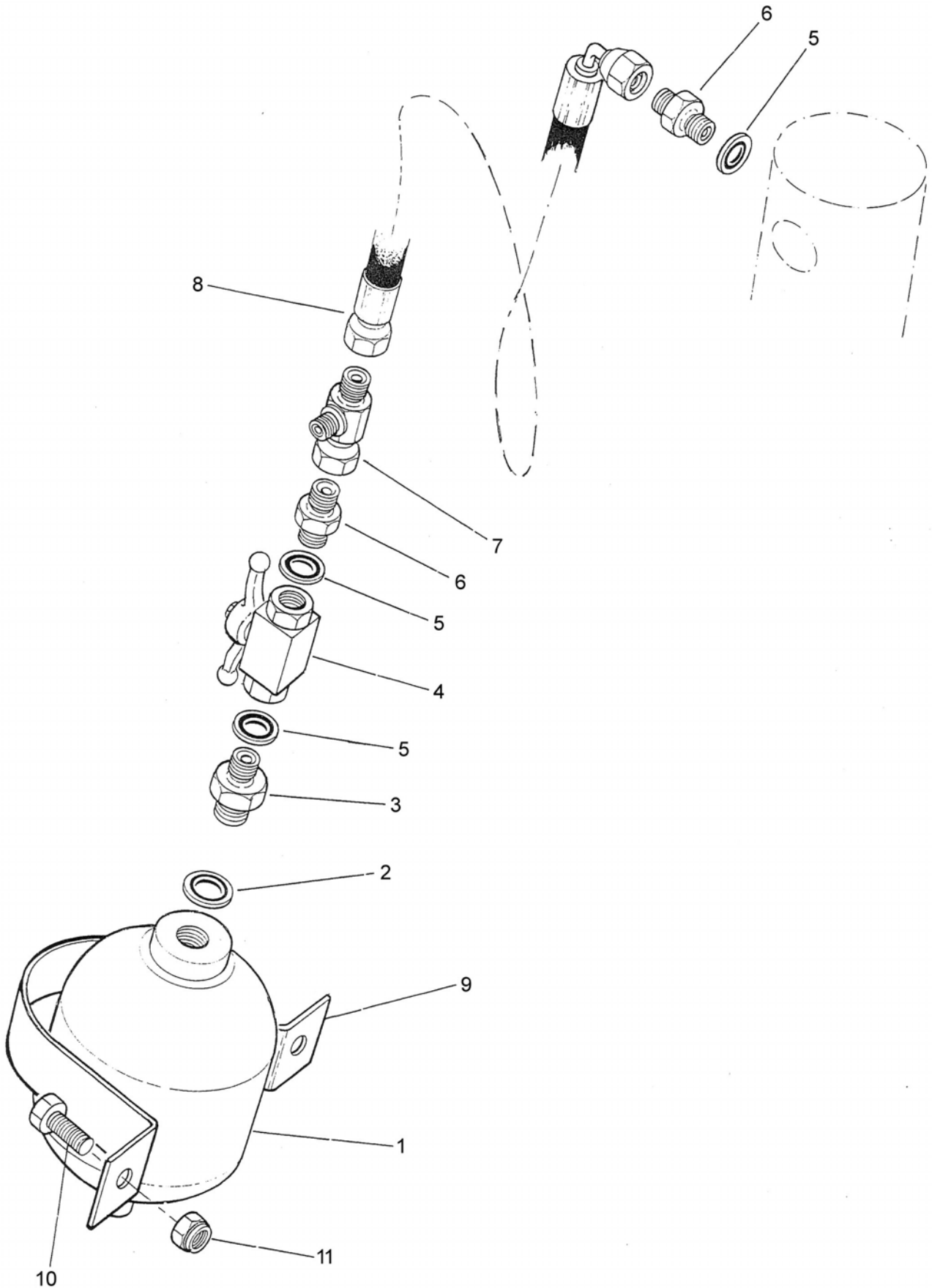


ARM CONTROL VALVE

| REF. | QTY. | PART No. | DESCRIPTION |
|------|------|----------------|--|
| | | 8130589 | ARM CONTROL VALVE ASSEMBLY |
| | | 8130580 | VALVE - <i>including:</i> |
| 1 | 3 | 8130134 | CENTERING SPRING ASSEMBLY |
| 2 | 1 | 8130022 | NON RETURN VALVE ASSEMBLY |
| 3 | 1 | G3812539 | RELIEF VALVE ASSEMBLY 2320 psi (160 bar) |
| 4 | 1 | 6000112 | ADAPTER |
| 5 | 2 | 8581254 | TEE |
| 6 | 1 | 6000113 | UNION |
| 7 | 1 | 8581115 | ADAPTER |
| 8 | 2 | 8130046 | RESTRICTOR UNION 'A' |
| 9 | 3 | 9113004 | SELF LOCKING NUT |
| 10 | 2 | 8130066 | RESTRICTOR UNION 'M' |
| 11 | 1 | 8130048 | RESTRICTOR UNION 'C' |
| 12 | 8 | 8650103 | BONDED SEAL |
| 13 | 3 | 9213124 | BOLT |
| | | 8699163 | SEAL KIT |

LIFT FLOAT KIT – Optional Extra

Module:
8126305



**LIFT FLOAT KIT – Optional Extra**

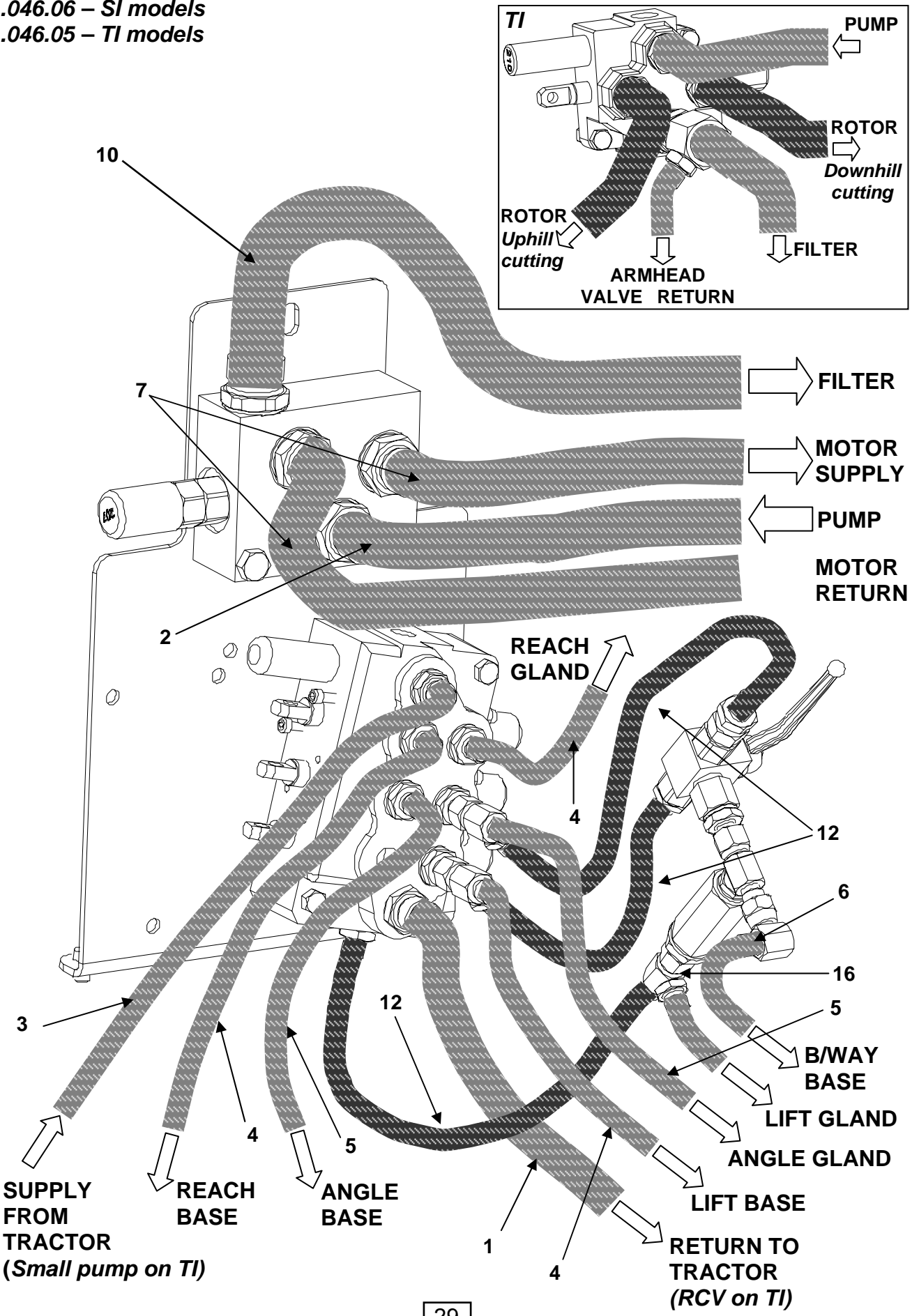
| REF. | QTY. | PART No. | DESCRIPTION |
|------|------|----------------|----------------------------|
| | | 8126305 | LIFT FLOAT KIT |
| 1 | 1 | 41451.01 | ACCUMMULATOR |
| 2 | 1 | 8650104 | BONDED SEAL |
| 3 | 1 | 6000112 | ADAPTOR |
| 4 | 1 | 08.200.01 | TAP |
| 5 | 3 | 8650103 | BONDED SEAL |
| 6 | 2 | 6000113 | ADAPTOR |
| 7 | 1 | 04.056.16 | TEE |
| 8 | 1 | 8531353 | HOSE - 3/8" BSP x 22" LONG |
| 9 | 1 | 00.858.01 | CLAMP STRAP |
| 10 | 2 | 9313075 | SETSCREW |
| 11 | 2 | 9143005 | SELF-LOCKING NUT |

HOSE INSTALLATION – SI & TI

Modules:

41.046.06 – SI models

41.046.05 – TI models





HOSE INSTALLATION – SI & TI

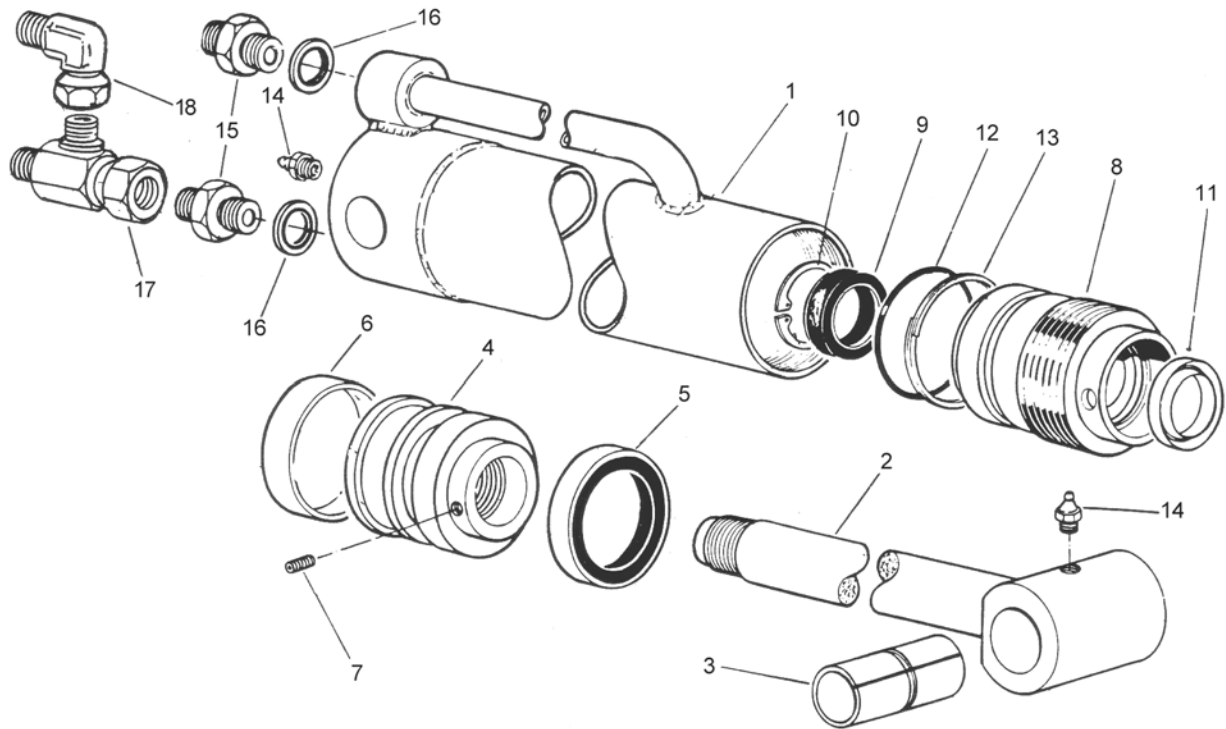
| REF. | QTY. | PART No. | DESCRIPTION |
|------|------|-----------|--|
| | | 41.046.06 | HOSE KIT - SI models |
| | | 41.046.05 | HOSE KIT - TI models |
| 1 | 1 | n/a | HOSE - 1/2" BSP FS/F90 X 80" LONG |
| 2 | 1 | 1 | HOSE - 3/4" BSP ST/90F SWEPT x 41" LONG |
| 3 | 1 | n/a | HOSE - 3/8" BSP FS/F90 x 80" LONG |
| 4 | 3 | 3 | HOSE - 1/4" BSP FS/FS x 82" LONG |
| 5 | 2 | 2 | HOSE - 1/4" BSP FS/FS x 156" LONG |
| 6 | 1 | 1 | HOSE - 1/4" BSP FS/FS x 144" LONG |
| 7 | 2 | 2 | HOSE - 3/4" BSP FS/90F SWEPT x 203" LONG |
| 8 | 1 | 1 | HOSE - 1/4" BSP FS/F90 x 34" LONG |
| 9 | n/a | 1 | HOSE - 3/8" BSP ST/90 x 40" LONG |
| 10 | 1 | 1 | HOSE - 1" BSP FS/F90 x 1200mm LONG |
| 11 | 1 | 1 | SUCTION HOSE 1 1/2" BORE |
| 12 | 3 | 3 | HOSE - 1/4" BSP FS/F90 x 300mm LONG |
| 13 | 4 | 4 | HOSE CLIP 40-55MM |
| 14 | 4 | 4 | HOSE CLIP 30-40MM |
| 15 | 1 | 1 | HOSE SLEEVING |
| 16 | 8 | 8 | HOSE TIE - 180MM LG |
| 17 | 1 | 1 | HOSE SLEEVING |
| 18 | 1 | 1 | TEE -1/4" BSP M-F-M |

Hose Locations

- 1 - *Return to Tractor*
- 2 - *Rotor Control Valve to Pump*
- 3 - *Supply from Tractor*
- 4 - *Valve to Reach Ram Base*
- 4 - *Valve to Reach Ram Gland*
- 4 - *Valve to Lift Ram*
- 5 - *Valve to Angle Ram Base*
- 5 - *Valve to Angle Ram Gland*
- 6 - *Valve to Breakback Ram Base*
- 7 - *Valve to Flail Head (x2)*
- 8 - *Breakback Ram Gland to Tee on Angle Ram Base*
- 9 - *Pump to Control Valve*
- 10 - *Rotor Control Valve to Tank*
- 11 - *Tank to Pump*
- 12 - *Valve to Power/Park Tap (x3)*

ANGLING RAM ASSEMBLY

Module:
7560344



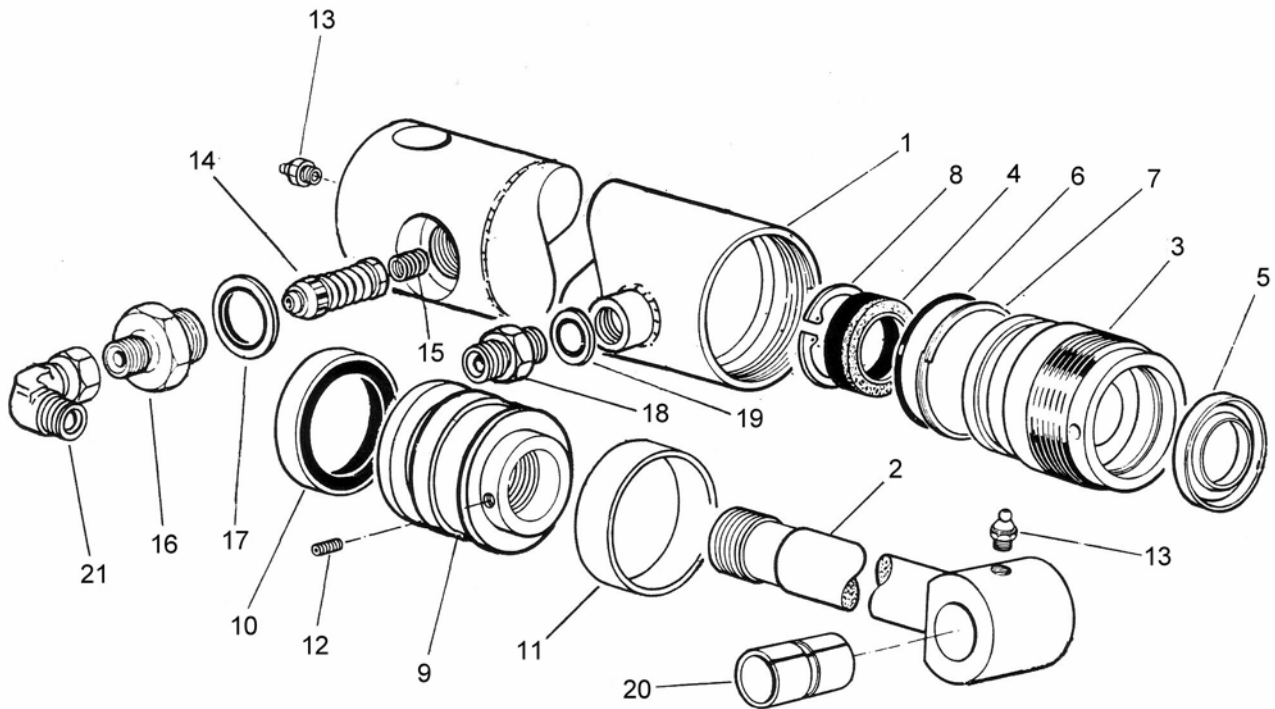
| REF. | QTY. | PART No. | DESCRIPTION |
|------|------|----------------|-----------------------------|
| | | 7560344 | ANGLING RAM ASSEMBLY |
| 1 | 1 | 7135292 | CYLINDER |
| 2 | 1 | 7135009 | ROD |
| 3 | 1 | 7105050 | BUSH |
| 4 | 1 | 7560095 | PISTON |
| 5 | 1 | 8629187 | PISTON SEAL |
| 6 | 1 | 8629188 | BEARING RING |
| 7* | 1 | 9363023 | GRUB SCREW - SOCKET HEAD |
| 8 | 1 | 7135291 | GLAND HOUSING |
| 9 | 1 | 8629148 | GLAND SEAL |
| 10 | 1 | 0416240 | INTERNAL CIRCLIP |
| 11 | 1 | 8629149 | WIPER SEAL |
| 12 | 1 | 8600302 | O RING |
| 13 | 1 | 8609302 | ANTI-EXTRUSION RING |
| 14 | 2 | 0901121 | GREASER |
| 15 | 2 | 8581169 | UNION |
| 16 | 2 | 8650102 | BONDED SEAL |
| 17 | 1 | 8581254 | TEE PIECE |
| 18 | 1 | 8581190 | SWIVEL ELBOW |
| | | 8699188 | SEAL KIT |

*** Assembly Note**

Tighten fully and centre punch edge of hole to secure.

BREAKAWAY RAM ASSEMBLY

Module:
7198357



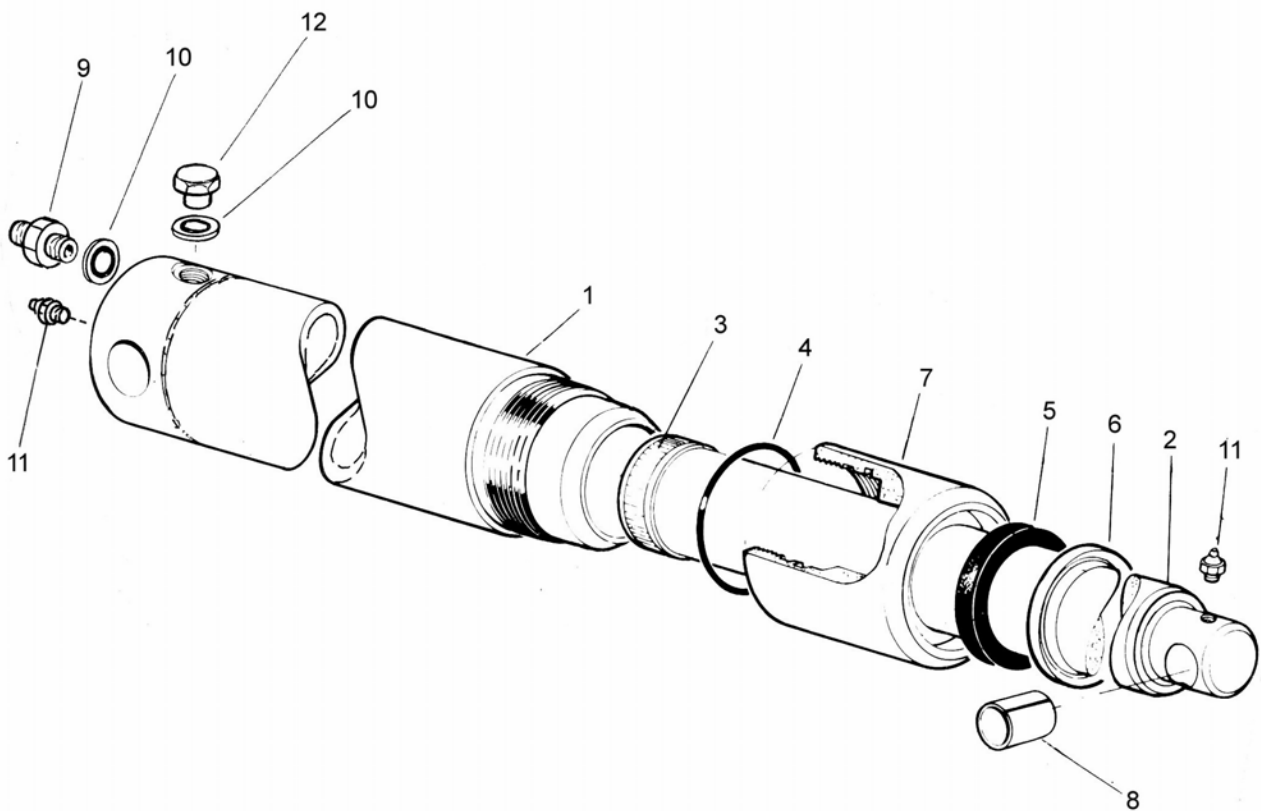
| REF. | QTY. | PART No. | DESCRIPTION |
|------|------|----------------|-------------------------------|
| | | 7198357 | BREAKAWAY RAM ASSEMBLY |
| 1 | 1 | 7198358 | RAM BARREL |
| 2 | 1 | 7198361 | ROD |
| 3 | 1 | 7135291 | GLAND HOUSING |
| 4 | 1 | 8629148 | GLAND SEAL |
| 5 | 1 | 8629149 | ROD WIPER SEAL |
| 6 | 1 | 8600302 | O RING |
| 7 | 1 | 8609302 | ANTI-EXTRUSION RING |
| 8 | 1 | 0416240 | INTERNAL CIRCLIP |
| 9 | 1 | 7560095 | PISTON |
| 10 | 1 | 8629187 | PISTON SEAL |
| 11* | 1 | 8629188 | BEARING RING |
| 12 | 1 | 9363023 | GRUB SCREW |
| 13 | 2 | 0901121 | GREASER |
| 14 | 1 | 8130189 | RELIEF VALVE - 40 BAR |
| 15 | 1 | 8116011 | SPRING |
| 16 | 1 | 8130083 | RELIEF VALVE HOUSING |
| 17 | 1 | 8650104 | BONDED SEAL |
| 18 | 1 | 8581169 | UNION |
| 19 | 1 | 8650102 | BONDED SEAL |
| 20 | 1 | 1090005 | BUSH |
| 21 | 1 | 8581190 | SWIVEL ELBOW |

*** Assembly Note**

Tighten fully and centre punch edge of hole to secure.

LIFT RAM ASSEMBLY

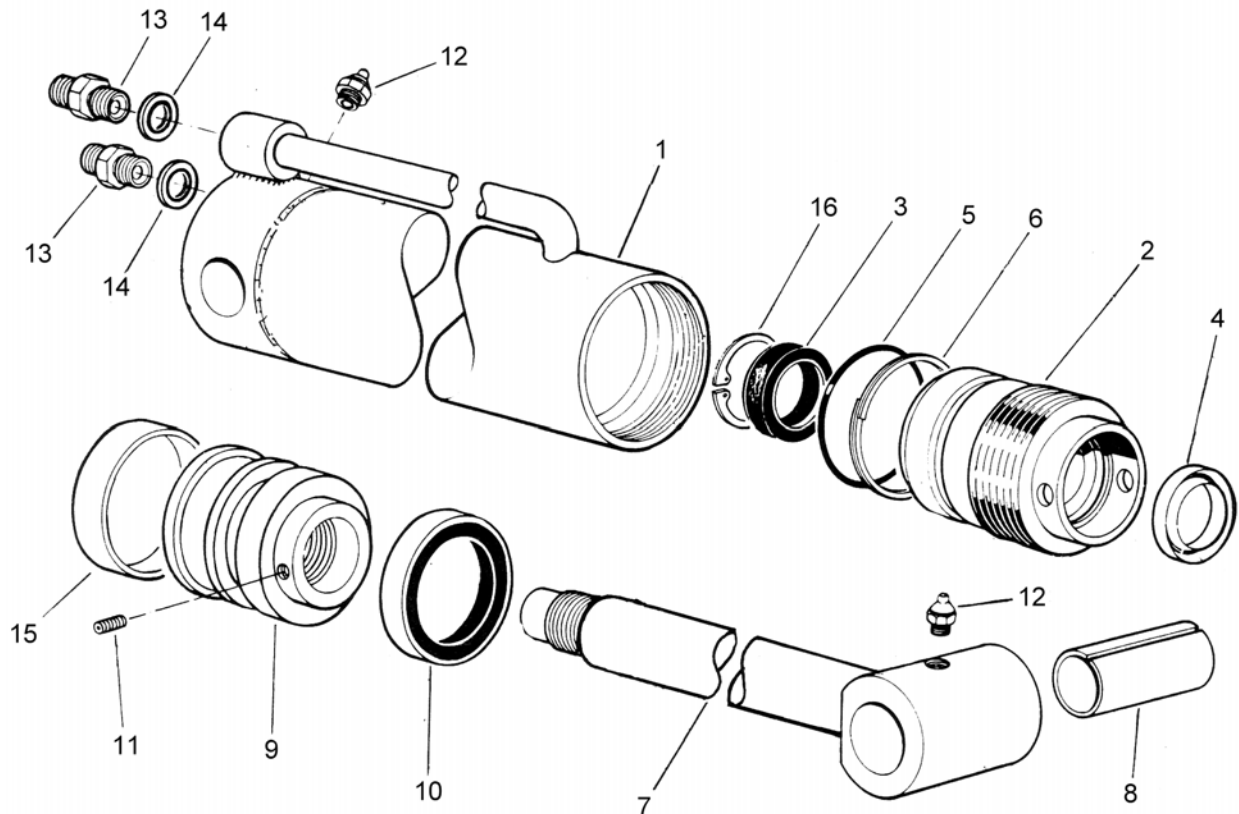
Module:
7198043



| REF. | QTY. | PART No. | DESCRIPTION |
|------|------|----------------|-------------------------------|
| | | 7198043 | LIFT RAM ASSEMBLY |
| | | 7192332 | RAM ASSEMBLY - comprising of: |
| 1 | 1 | 7192333 | RAM CYLINDER |
| 2 | 1 | 7192334 | RAM ROD |
| 3 | 1 | 8629174 | WEAR RING |
| 4 | 1 | 8600435 | O RING |
| 5 | 1 | 8629172 | ROD SEAL |
| 6 | 1 | 8629173 | ROD WIPER |
| 7 | 1 | 7192033 | CYLINDER HEAD |
| 8 | 1 | 7105050 | ROD BUSH |
| 9 | 1 | 8515115 | ADAPTOR |
| 10 | 2 | 8650103 | BONDED SEAL |
| 11 | 2 | 0901121 | GREASER |
| 12 | 1 | 8003001 | PLUG |
| | | 8699213 | SEAL KIT |

REACH RAM ASSEMBLY

Module:
7198266



| REF. | QTY. | PART No. | DESCRIPTION |
|------|------|----------------|---------------------------|
| | | 7198266 | REACH RAM ASSEMBLY |
| 1 | 1 | 7191306 | RAM BARREL |
| 2 | 1 | 7136312 | GLAND HOUSING |
| 3 | 1 | 8629148 | GLAND SEAL |
| 4 | 1 | 8629149 | WIPER SEAL |
| 5 | 1 | 8600306 | O RING |
| 6 | 1 | 8609306 | ANTI-EXTRUSION RING |
| 7 | 1 | 7198267 | PISTON ROD |
| 8 | 1 | 7105050 | BUSH |
| 9 | 1 | 7120368 | PISTON |
| 10 | 1 | 8629156 | PISTON SEAL |
| 11* | 1 | 9363023 | GRUB SCREW |
| 12 | 2 | 0901121 | GREASER |
| 13 | 2 | 8515115 | ADAPTOR |
| 14 | 1 | 8650103 | BONDED SEAL |
| 15 | 1 | 8629157 | GUIDE RING |
| 16 | 1 | 0416240 | INTERNAL CIRCLIP |
| | | 8699190 | SEAL KIT |

*** Assembly Note**

Tighten fully and centre punch edge of hole to secure.

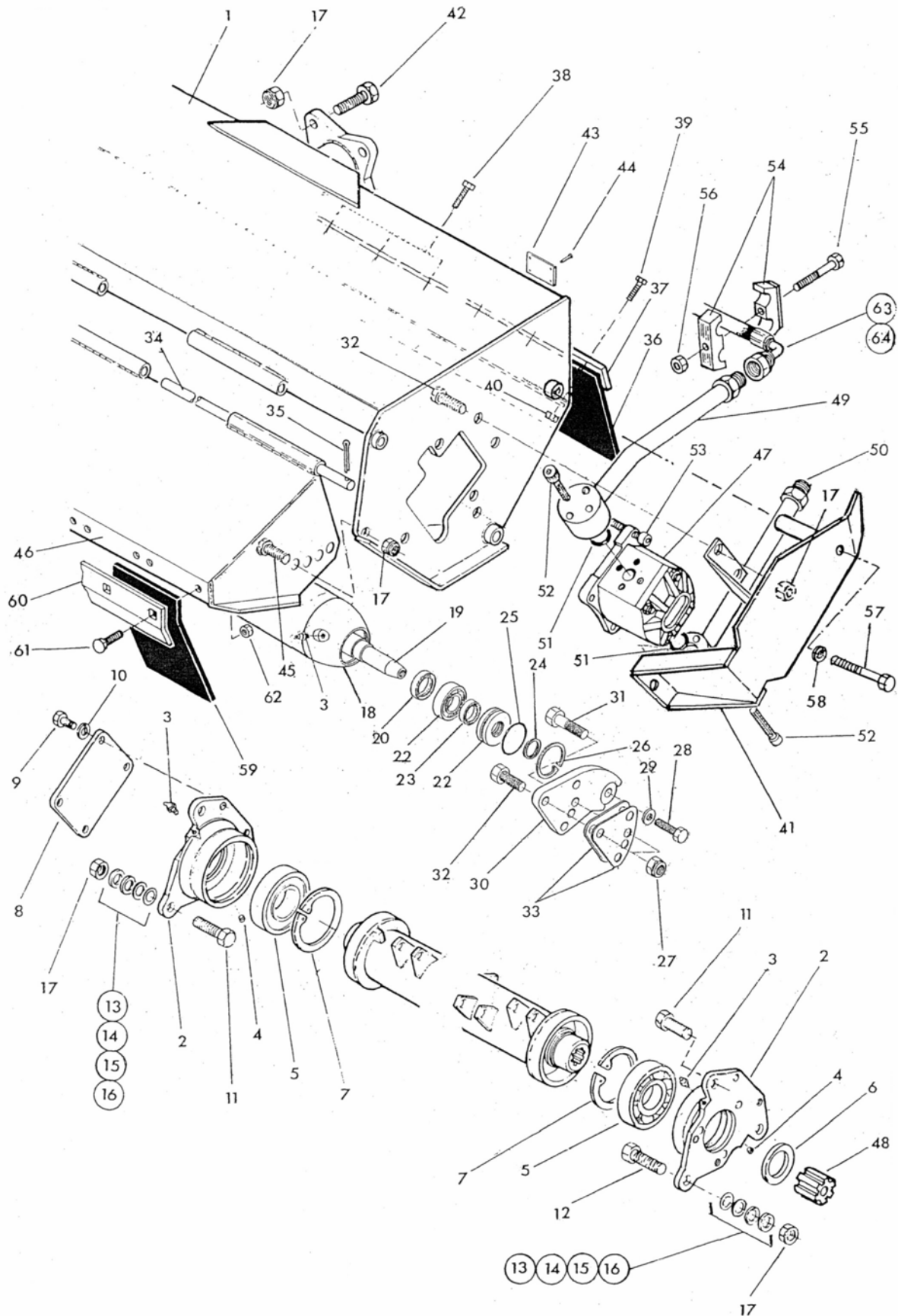
FLAIL HEAD ASSEMBLY – 1.2m

Modules:

7345800 - Hedge

7345801 - Universal

7345802 - Grass




FLAIL HEAD ASSEMBLY – 1.2m

| REF. | QTY. | PART No. | DESCRIPTION |
|------|-----------------|-----------------|---|
| | | 7345800 | 1.2 m FLAIL HEAD - Hedge |
| | | 7345801 | 1.2 m FLAIL HEAD - Universal |
| | | 7345802 | 1.2 m FLAIL HEAD - Grass |
| 1 | 1 | 7192388 | FLAIL CASING |
| 2 | 2 | 7190261 | BEARING HOUSING |
| 3 | 4 | 0901124 | GREASER |
| 4 | 2 | 8582041 | PLUG |
| 5 | 2 | 0600018 | BALL BEARING |
| 6 | 1 | 7190015 | MOTOR LOCATING WASHER |
| 7 | 2 | 7190022 | INTERNAL CIRCLIP |
| 8 | 1 | 7190444 | COVER PLATE |
| 9 | 4 | 9313045 | SETSCREW |
| 10 | 4 | 9100205 | SPRING WASHER |
| 11 | 5 | 0311126 | SETSCREW |
| 12 | 1 | 0311146 | SETSCREW |
| 13 | <i>as req'd</i> | 8121044 | SHIM |
| 14 | <i>as req'd</i> | 8121043 | SHIM |
| 15 | <i>as req'd</i> | 7191099 | SHIM |
| 16 | <i>as req'd</i> | 7191098 | SHIM |
| 17 | 14 | 0141006 | SELF-LOCKING NUT |
| | 1 | 42241.23 | ROLLER ASSEMBLY - comprising of: |
| 18 | 1 | 42241.11 | ROLLER |
| 19 | 1 | 42242.05 | AXLE |
| 20 | 2 | 8629215 | SEAL |
| 21 | 2 | 0600088 | BEARING |
| 22 | 2 | 42573.01 | SEAL CARRIER |
| 23 | 2 | 8629216 | SEAL |
| 24 | 2 | 04.12.117 | SPRING RING |
| 25 | 2 | 8600422 | O RING |
| 26 | 2 | 0411262 | INTERNAL CIRCLIP |
| 27 | 4 | 9143007 | SELF-LOCKING NUT |
| 28 | 1 | 9300149 | SPECIAL SCREW - Right Hand |
| | 1 | 9300150 | SPECIAL SCREW - Left Hand |
| 29 | 2 | 42503.02 | SPECIAL WASHER |
| 30 | 1 | 42246.05 | ROLLER BRACKET - Right Hand |
| | 1 | 42246.04 | ROLLER BRACKET - Left Hand |
| 31 | 2 | 9213117 | BOLT |
| 32 | 2 | 9313097 | SETSCREW |
| 33 | <i>as req'd</i> | 42257.03 | SHIM |
| | <i>as req'd</i> | 42257.04 | SHIM |
| 34 | 1 | 7191116 | HOOD PIVOT PIN |
| 35 | 1 | 9501406 | SPLIT PIN |

continued...

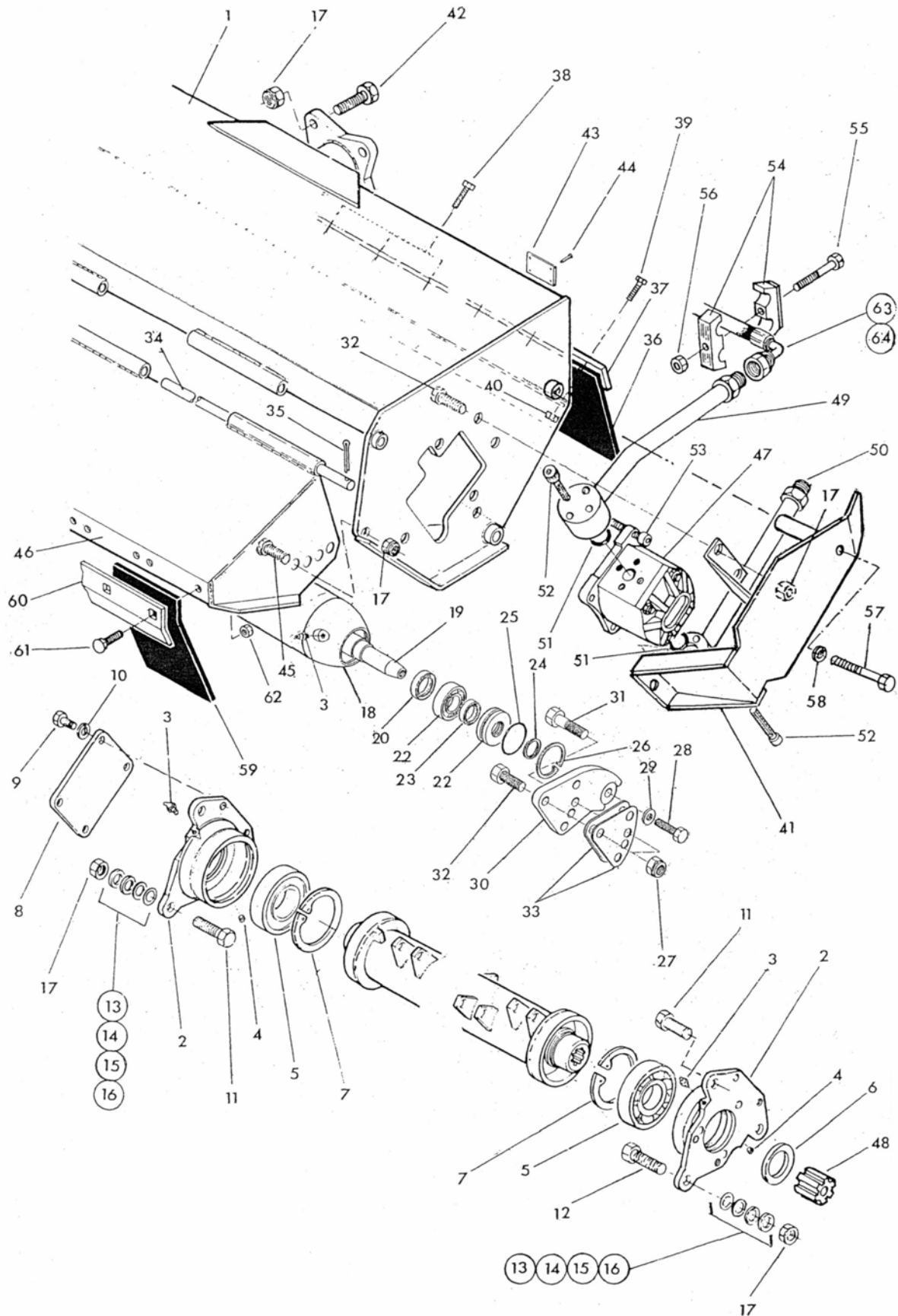
FLAIL HEAD ASSEMBLY – 1.2m

Modules:

7345800 - Hedge

7345801 - Universal

7345802 - Grass

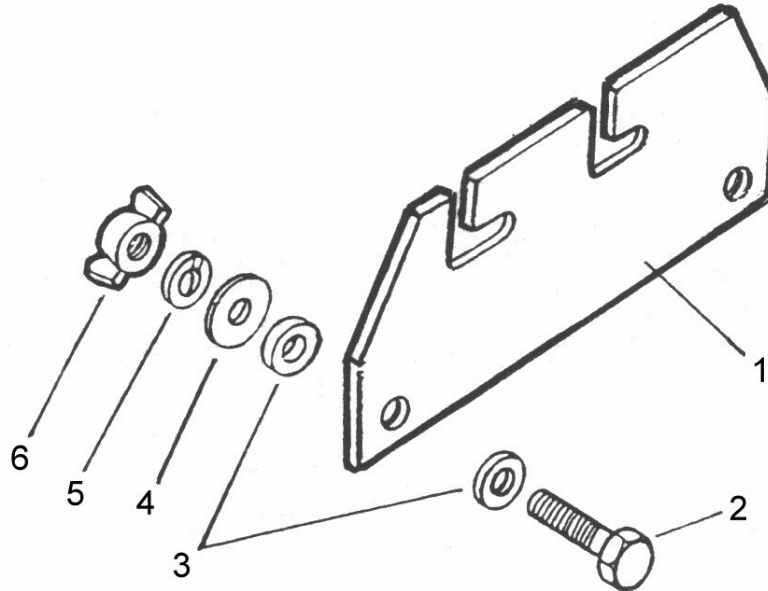



FLAIL HEAD ASSEMBLY – 1.2m

| REF. | QTY. | PART No. | DESCRIPTION |
|------|----------|----------------|--|
| 36 | 1 | 7191361 | REAR FLAP |
| 37 | 1 | 7191362 | CLAMP STRIP |
| 38 | 3 | 9313075 | SETSCREW |
| 39 | 7 | 9313055 | SETSCREW |
| 40 | 10 | 9143005 | SELF-LOCKING NUT |
| 41 | 1 | 42282.02 | MOTOR COVER |
| 42 | 4 | 0211186 | BOLT |
| 43 | 1 | 1335246 | SERIAL No. PLATE |
| 44 | 4 | 7103230 | POP RIVET |
| 45 | 4 | 0311106 | SETSCREW |
| 46 | 1 | 7191352 | FRONT HOOD |
| 47 | 1 | 8301281 | HYDRAULIC MOTOR |
| 48 | 1 | 7190573 | DRIVE COUPLING |
| 49 | 1 | 7190376 | RIGID PIPE - Upper |
| 50 | 1 | 7190377 | RIGID PIPE - Lower |
| 51 | 1 | 8600121 | O RING |
| 52 | 6 | 9300014 | CAPSCREW |
| 53 | 4 | 9300144 | CAPSCREW |
| 54 | 1 | 7190148 | HOSE CLAMP ASSEMBLY |
| 55 | 1 | 9213165 | BOLT |
| 56 | 1 | 9143005 | SELF-LOCKING NUT |
| 57 | 1 | 0211446 | BOLT |
| 58 | 1 | 0100206 | SPRING WASHER |
| | 1 | 7290375 | FRONT FLAP KIT - comprising of: |
| 59 | 8 | 7290053 | FRONT FLAP |
| 60 | 1 | 7190304 | CLAMP |
| 61 | 16 | 9293054 | BOLT - CUP SQUARE |
| 62 | 16 | 9143004 | SELF-LOCKING NUT |
| | | | FLAIL HEAD WITH OUTBOARD MOTOR |
| 63 | 2 | 8538015 | HOSE - 3/4" BSP x 34" LONG |
| | | | FLAIL HEAD WITH INBOARD MOTOR |
| 64 | 2 | 8538025 | HOSE - 3/4" BSP x 42" LONG |
| | | 8699236 | SEAL KIT for Hydraulic Motor |

CABLE CONTROL MOUNTING

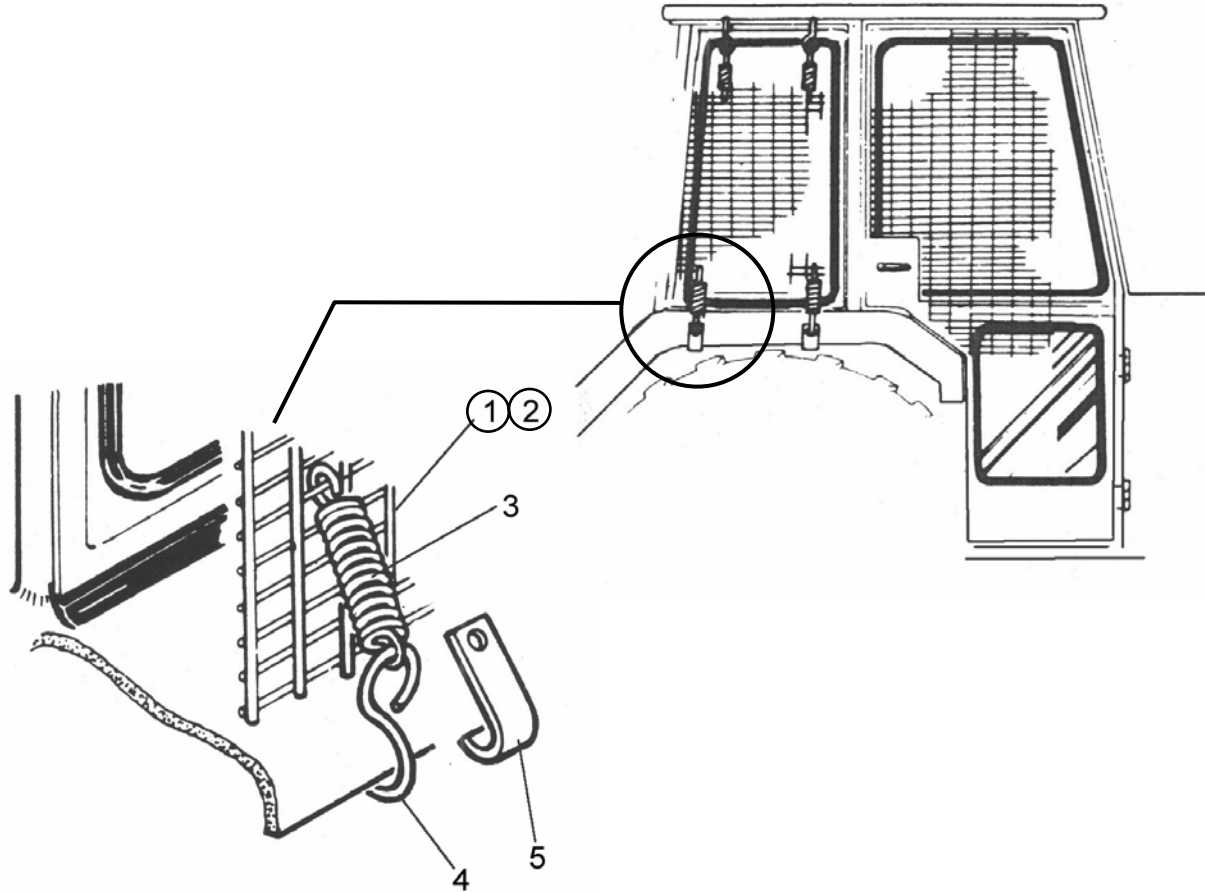
Module:
7313282



| REF. | QTY. | PART NO. | DESCRIPTION |
|------|------|----------------|------------------------------------|
| | | 7313282 | CABLE CONTROL UNIT MOUNTING |
| 1 | 1 | 42491.01 | BRACKET |
| 2 | 2 | 9313094 | SETSCREW |
| 3 | 4 | 03.152.01 | RUBBER WASHER |
| 4 | 2 | 9100104 | PLAIN WASHER |
| 5 | 2 | 9100204 | SPRING WASHER |
| 6 | 2 | 9193004 | WINGNUT |

CAB GUARD KIT

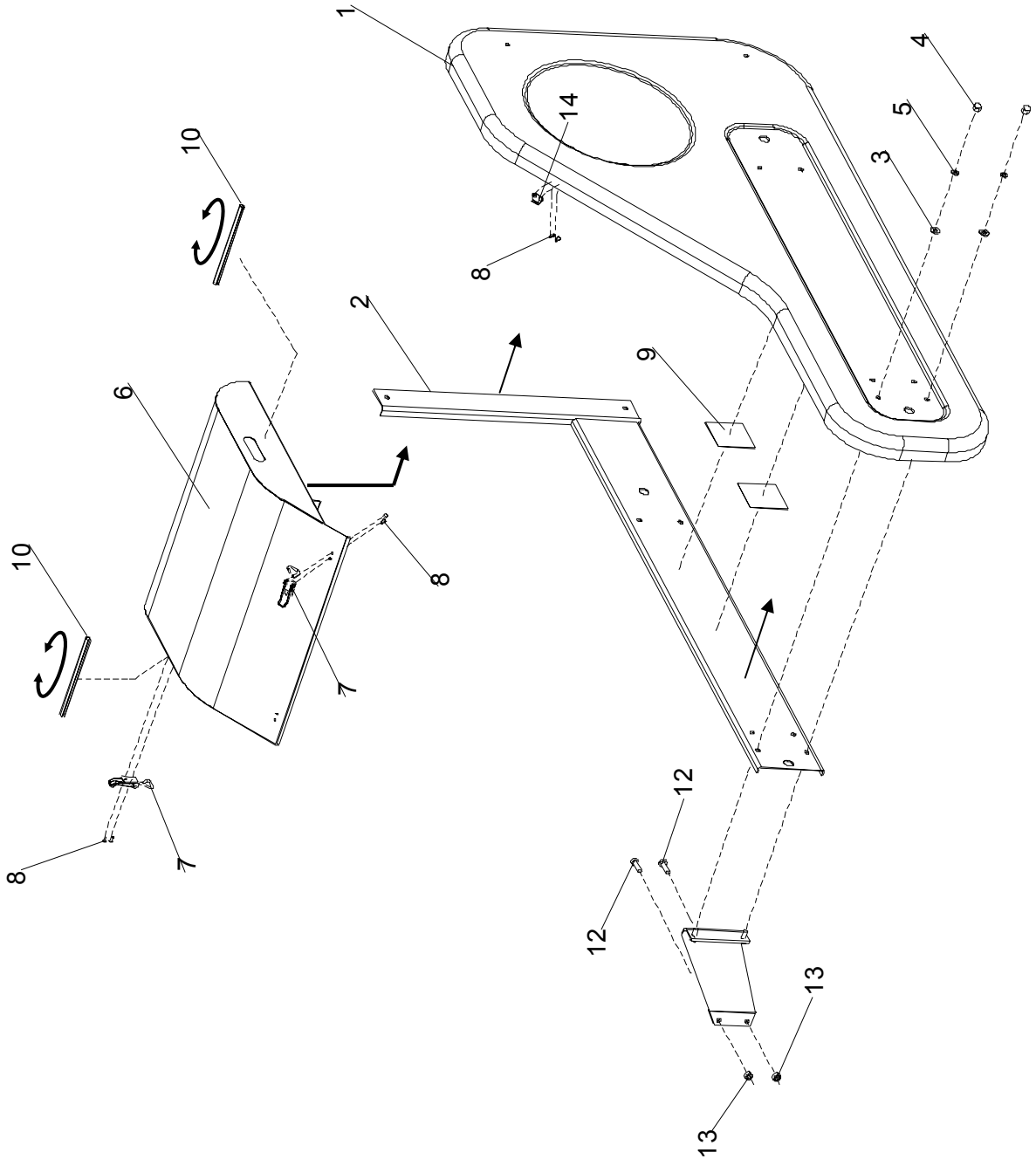
Module:
7313324



| REF. | QTY. | PART No. | DESCRIPTION |
|------|------|----------------|-------------------------------------|
| | | 7313324 | CAB GUARD & MOUNTING KIT |
| 1 | 1 | 7313049 | GUARD PANEL - LARGE |
| 2 | 1 | 7313050 | GUARD PANEL - SMALL |
| 3 | 12 | 6001064 | SPRING |
| 4 | 6 | 6001065 | HOOK |
| 5 | 6 | 7313051 | HOOK |

REAR COVERS ASSEMBLY

Module:
7445706

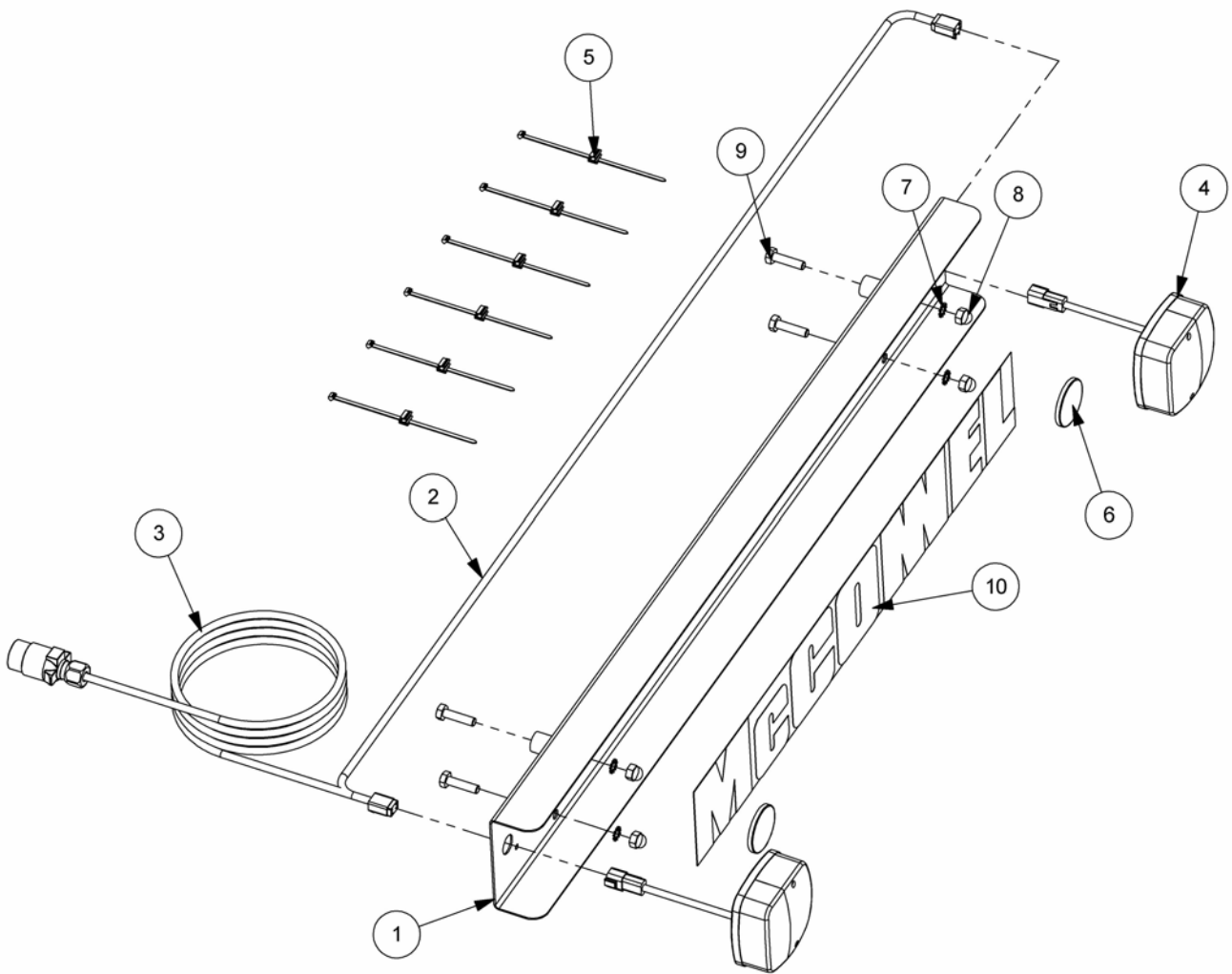


**REAR COVERS ASSEMBLY**

| REF. | QTY. | PART No. | DESCRIPTION |
|-------------|-------------|-----------------|-----------------------------|
| | | 7445706 | REAR COVERS ASSEMBLY |
| 1 | 1 | 45256.01 | REAR COVER MOULDING |
| 2 | 1 | 45537.01 | COVER MOUNT |
| 3 | 2 | 9100105 | FLAT WASHER |
| 4 | 2 | 9100025 | DOME NUT |
| 5 | 2 | 9100205 | SPRING WASHER |
| 6 | 1 | 45252.01 | VALVE COVER |
| 7 | 2 | 43449.02 | OVERCENTRE FASTENER |
| 8 | 6 | 1069088 | POP RIVET |
| 9 | 2 | 45831.01 | SELF-ADHESIVE PAD |
| 10 | 2 | 43468.03 | EDGING STRIP (230MM LONG) |
| 11 | 1 | 45873.03 | SUPPORT BRACKET |
| 12 | 2 | 9313075 | SETSCREW |
| 13 | 2 | 9143005 | SELF-LOCKING NUT |
| 14 | 1 | 46007.01 | HOOK - OVERCENTRE FASTENER |

LIGHTING KIT – Optional Extra

Module:
7451780



**LIGHTING KIT – Optional Extra**

| REF. | QTY. | PART No. | DESCRIPTION |
|-------------|-------------|-----------------|--------------------------------------|
| | | 7451780 | REAR LIGHTING KIT |
| 1 | 1 | 45828.01 | LIGHT BAR |
| 2 | 1 | 45900.02 | LIGHTING KIT - <i>comprising of:</i> |
| 3 | 1 | 45656.02 | LIGHTING LOOM c/w PLUG |
| 4 | 2 | 45642.02 | COMBINATION LAMP ASSEMBLY |
| 5 | 6 | 21150.01 | PUSH ON CABLE TIE |
| 6 | 2 | 45671.01 | REFLECTOR (SELF-ADHESIVE) |
| 7 | 4 | 9100405 | SHAKEPROOF WASHER - EXTERNAL |
| 8 | 4 | 9100025 | DOME NUT |
| 9 | 4 | 9213085 | BOLT |
| 10 | 1 | 1290527 | DECAL - McCONNEL |



MACHINE DECALS

**Module:
7445705**

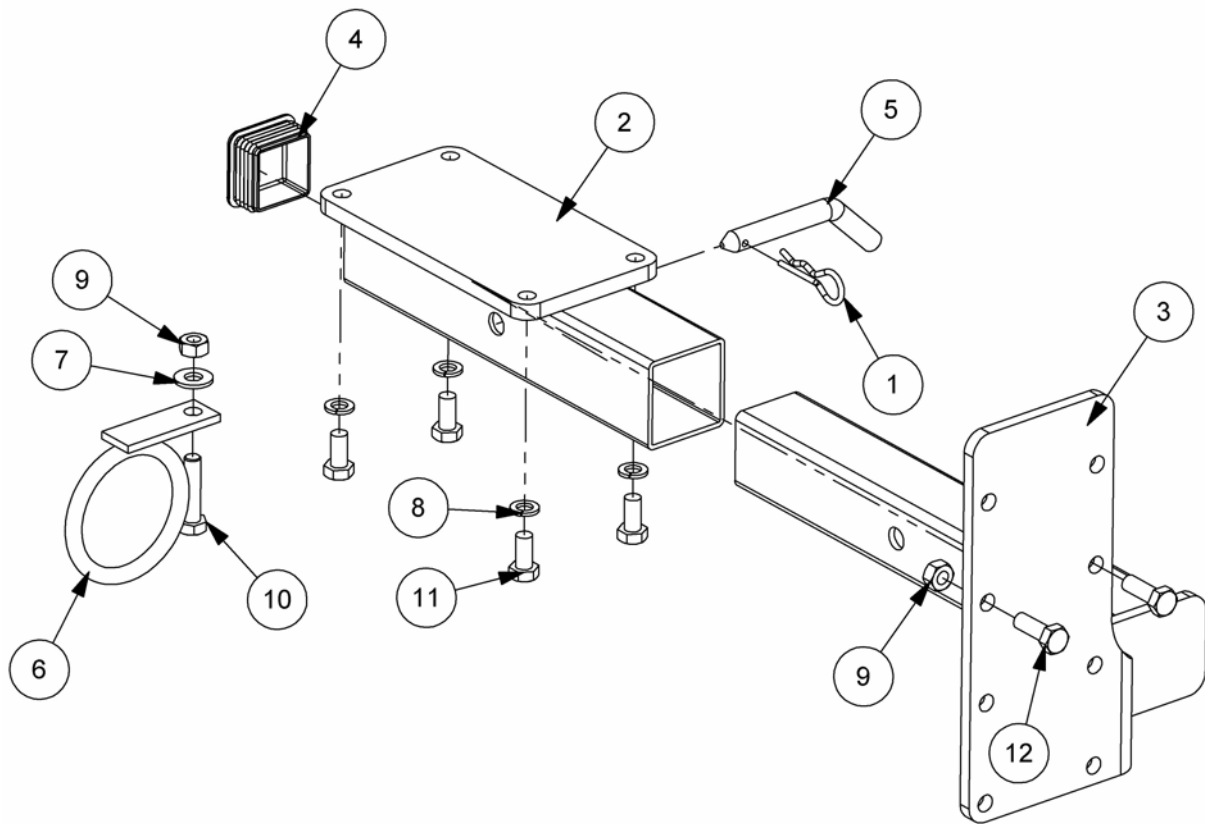
**MACHINE DECALS**

| REF. | QTY. | PART No. | DESCRIPTION |
|------|------|----------------|---------------------------------|
| | | 7445705 | MACHINE DECAL KIT - PA45 |
| 1 | 1 | 1290524 | DECAL - ROUNDEL YELLOW |
| 2 | 1 | 1290525 | DECAL - McCONNEL YELLOW |
| 3 | 1 | 1290539 | DECAL - YELLOW BACKING PANEL |
| 4 | 1 | 1290527 | DECAL - LARGE McCONNEL BLACK |
| 5 | 1 | 7105130 | DECAL - READ INSTRUCTION BOOK |
| 6 | 1 | 1290352 | DECAL - GENERAL WARNING |
| 7 | 1 | 1290391 | DECAL - SAFETY WARNING |
| 8 | 1 | 00756494 | DECAL - PTO SHAFT |
| 9 | 6 | 02962764 | DECAL - PINCH POINT |
| 10 | 1 | 09.811.03 | DECAL - 500 RPM |
| 11 | 1 | 7135295 | DECAL - TIGHTEN CHECK CHAINS |
| 12 | 1 | 1290403 | DECAL - BREAKAWAY WARNING |
| 13 | 1 | 1290074 | DECAL - SLING HERE |
| 14 | 2 | 1290255 | DECAL - McCONNEL BLACK |
| 15 | 1 | 1290528 | DECAL - WARNING CHEVRON |
| 16 | 1 | 1290296 | DECAL - ROUNDEL - BLACK |
| 17 | 2 | 1290023 | DECAL - OIL FILTER INSTRUCTIONS |
| 18 | 2 | 1290453 | DECAL - PA |
| 19 | 2 | 1290578 | DECAL - 45 |
| 20 | 1 | 1290082 | DECAL - PARK/WORK |
| 21 | 2 | 1290295 | DECAL - POWER ARM |

DEBRIS BLOWER MOUNTING KIT
Modules:

7150770 – L/H Build

7150771 – R/H Build

Illustrated in Left Hand Build

| REF. | QTY. | PART No. | DESCRIPTION |
|------|------|----------------|--|
| | | 7150770 | DEBRIS BLOWER MOUNTING KIT - L/H Machines |
| | | 7150771 | DEBRIS BLOWER MOUNTING KIT - R/H Machines |
| 1 | 1 | 0431105 | SPRING COTTER |
| 2 | 1 | 43492.01 | BLOWER BRACKET |
| 3 | 1 | 43492.05 | BLOWER BRACKET - L/H Build |
| | 1 | 43492.06 | BLOWER BRACKET - R/H Build |
| 4 | 1 | 7191108 | PLASTIC PLUG |
| 5 | 1 | 7192023 | LEG PIN |
| 6 | 1 | 7319282 | HOSE RING |
| 7 | 1 | 9100106 | FLAT WASHER |
| 8 | 4 | 9100206 | SPRING WASHER |
| 9 | 3 | 9143006 | SELF-LOCKING NUT |
| 10 | 1 | 9213106 | BOLT |
| 11 | 4 | 9313056 | SETSCREW |
| 12 | 2 | 9313076 | SETSCREW |

Suitable for the following machines:

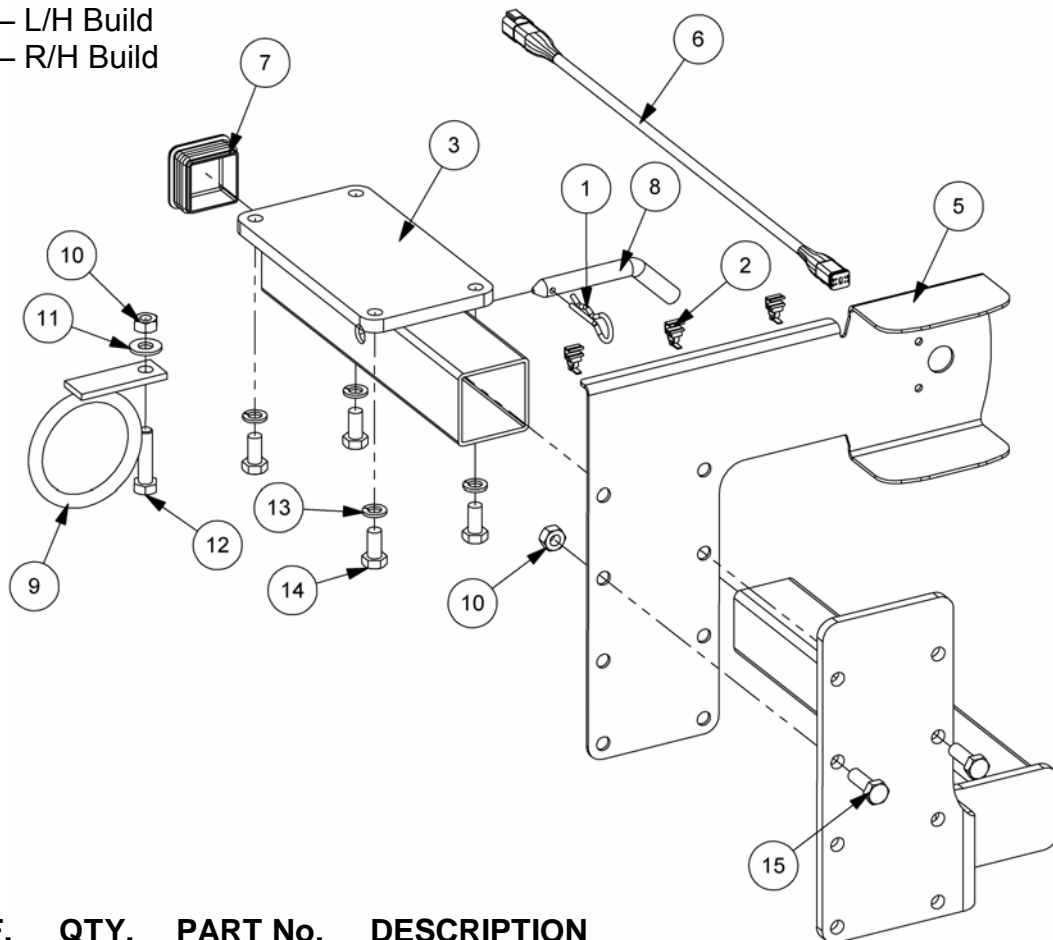
PA32, PA41, PA45, PA47 Mk1*, PA47 Mk2, PA48, PA50Mk1*, PA50 Mk2, PA55/60
(* without lightbars)*

DEBRIS BLOWER MOUNTING KIT

Modules:

7456770 – L/H Build

7456771 – R/H Build

Illustrated in Left Hand Build

| REF. | QTY. | PART No. | DESCRIPTION |
|------|------|----------------|--|
| | | 7456770 | DEBRIS BLOWER MOUNTING KIT - L/H Machines |
| | | 7456771 | DEBRIS BLOWER MOUNTING KIT - R/H Machines |
| 1 | 1 | 0431105 | SPRING COTTER |
| 2 | 3 | 21150.01 | PUSH ON CABLE TIE |
| 3 | 1 | 43492.01 | BLOWER BRACKET |
| 4 | 1 | 43492.05 | BLOWER BRACKET - L/H Build |
| | 1 | 43492.06 | BLOWER BRACKET - R/H Build |
| 5 | 1 | 43492.07 | LIGHT BRACKET - L/H Build |
| | 1 | 43492.08 | LIGHT BRACKET - R/H Build |
| 6 | 1 | 45657.01 | LOOM EXTENTION |
| 7 | 1 | 7191108 | PLASTIC PLUG |
| 8 | 1 | 7192023 | LEG PIN |
| 9 | 1 | 7319282 | HOSE RING |
| 10 | 3 | 9143006 | SELF-LOCKING NUT |
| 11 | 1 | 9100106 | FLAT WASHER |
| 12 | 1 | 9213106 | BOLT |
| 13 | 4 | 9100206 | SPRING WASHER |
| 14 | 4 | 9313056 | SETSCREW |
| 15 | 2 | 9313076 | SETSCREW |

Suitable for the following machines:

PA45, PA47 Mk1*, PA50 Mk1*, PA52, PA59, PA550, PA650, PA8000*

(with lightbars)*



McConnel Limited, Temeside Works, Ludlow, Shropshire SY8 1JL. England.
Telephone: 01584 873131. Facsimile: 01584 876463. www.mcconnel.com