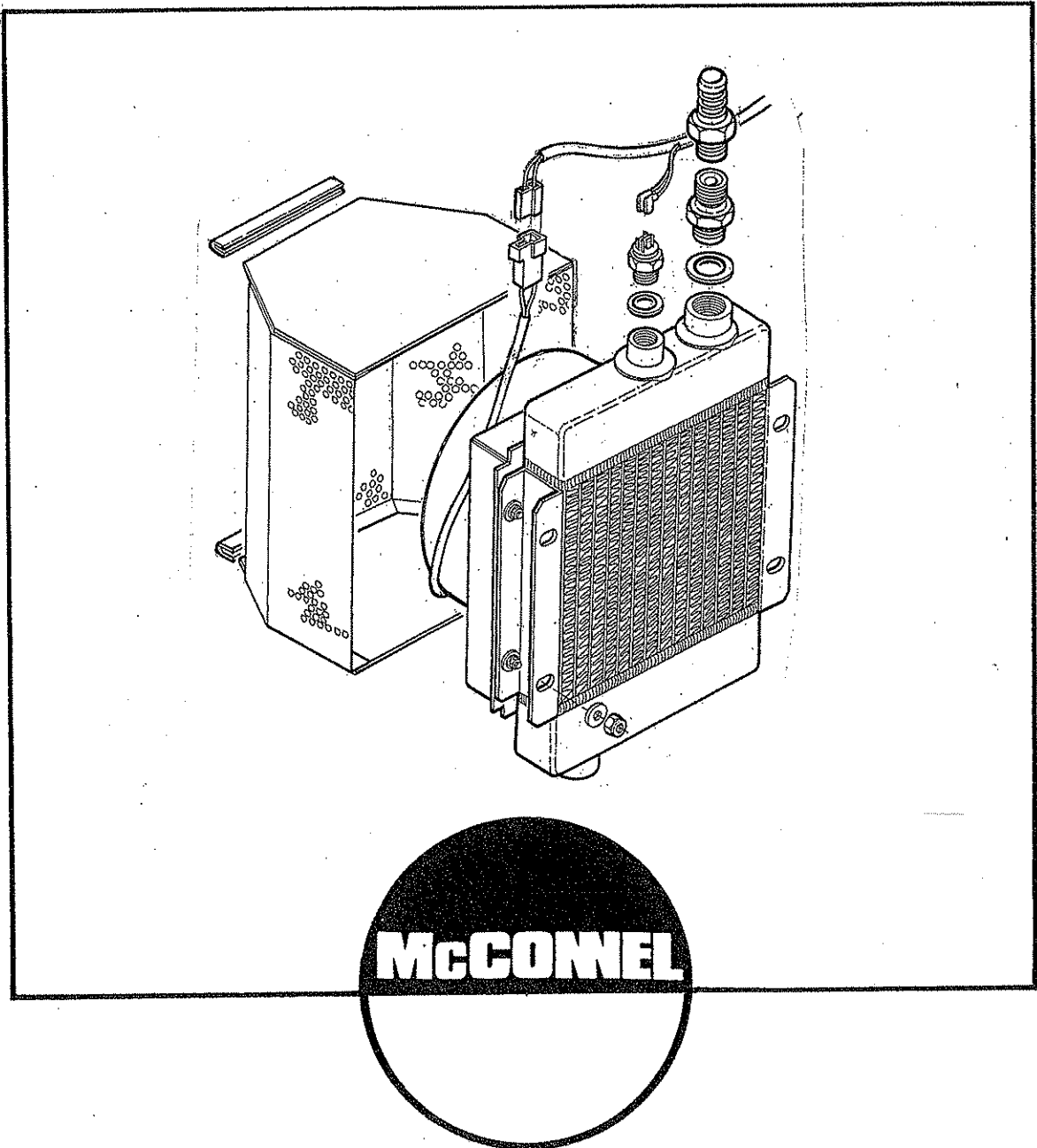


Parts Manual
For
Hy Reach Superior 550 and 650
With
Std E controls and piston hydraulics



SPARE PARTS MANUAL

FOR BEST PERFORMANCE....

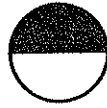
To be assured of the latest design improvements purchase your genuine replacements from the original equipment manufacturer

Always quote machine type and serial number as well as the part number.

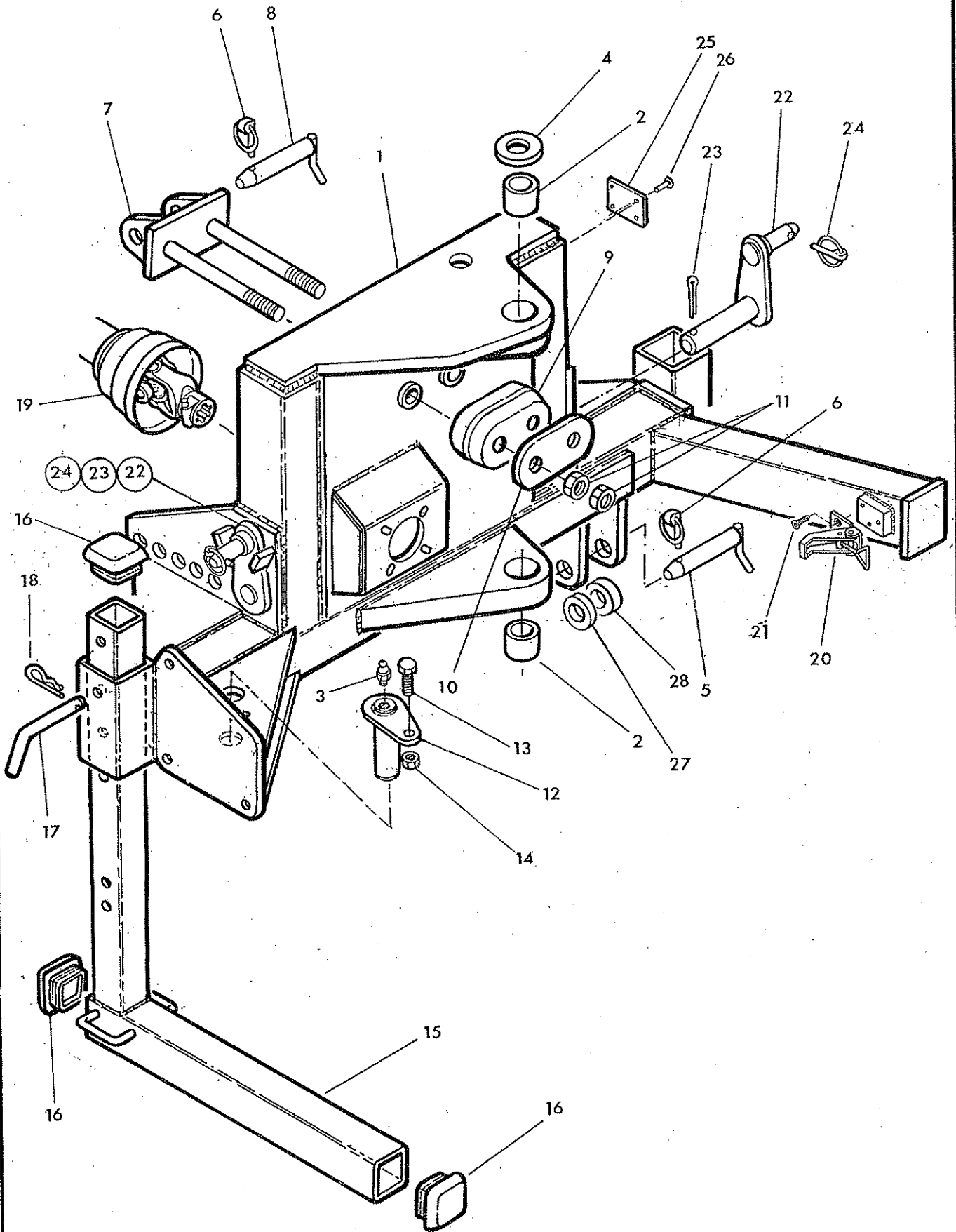
Design improvement may have altered some of the parts listed in this manual - The latest part will always be supplied when it is interchangeable with an earlier one.

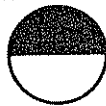
Aa 1

MAIN FRAME



McCOMEL

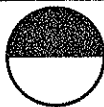




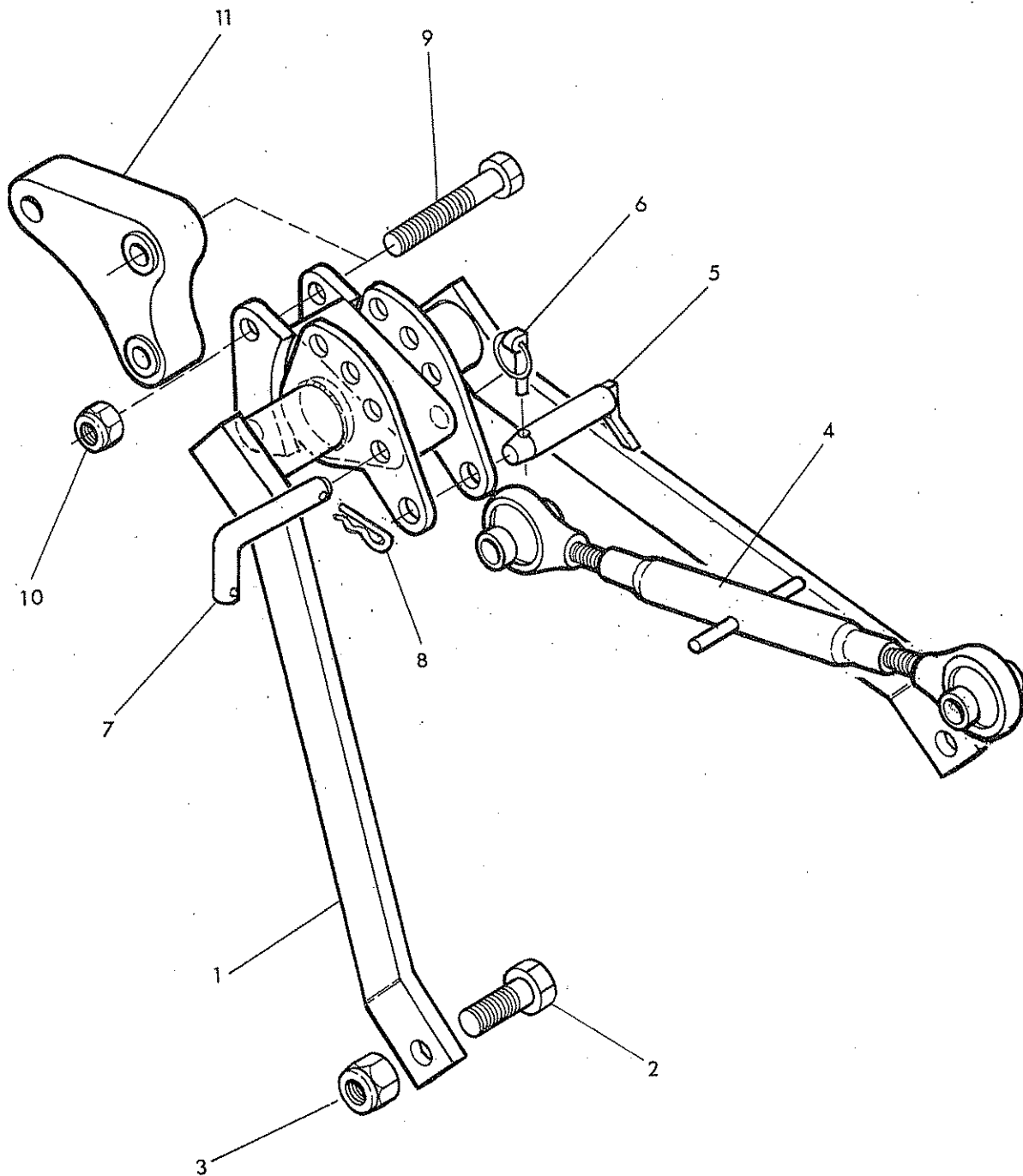
Ref	Part No.	Qty.	Description.
MAIN FRAME			
1	43278.02	1	Main frame R.Hand
	43278.01	1	Main frame L.Hand – not illus
2	08.297.01	2	Bush
3	09 01 121	1	Greaser 1/8" BSP straight
4	75 60 056	1	Thrust washer
5	41559.01	2	Mounting pin
6	04 31 217	3	Linch pin
7	75 60 398	1	Top hitch bracket
8	43342.01	1	Top link pin
9	75 60 140	1	Rubber damper
10	75 60 130	1	Reaction plate
11	91 13 009	4	Hexagon nut M24
12	43324.02	1	Pivot pin – slew base
13	92 13 086	1	Bolt M12 x 40
14	91 43 006	1	Self locking nut M12
15	43320.01	2	Stand leg
16	41580.01	6	Plastic bung
17	43327.01	2	Leg pin
18	04 31 105	1	Spring cotter
19	76 50 250	1	P.T.O. shaft
20	43449.01	1	Overcentre clip fastener
21	93 53 022	3	Countersunk screw M5 x 12
22	43319.01	2	Lift link pin
23	95 01 509	2	Split pin dia 10 x 50
24	04 31 217	2	Linch pin
25	13 35 246	1	Serial No. plate
26	71 03 230	4	Pop rivet 1/8" dia
27	43332.02	2	Spacer 10mm } some linkage
28	43332.01	2	Spacer 15mm } machines only

Ab 1

STABILISER



McCOMELL

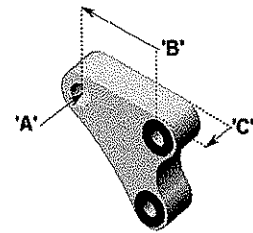


STABILISER

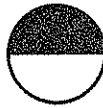
Ref.	Qty.	Part No.	Description
1	1	41205.03	Stabiliser
2	2	9213149	Bolt
3	2	9143009	Self-Locking Nut
4	1	07.584.02	Top Link
5	1	43342.01	Top Link Pin
6	1	04.31.217	Linch Pin
7	1	7192026	Tongue Locating Pin
8	1	0431105	Spring Cotter
9	2	9213228	Bolt
10	2	9143008	Self-Locking Nut
11	1	7499501	Tongue - Standard Cat 2

McCONNEL STABILISER TONGUES

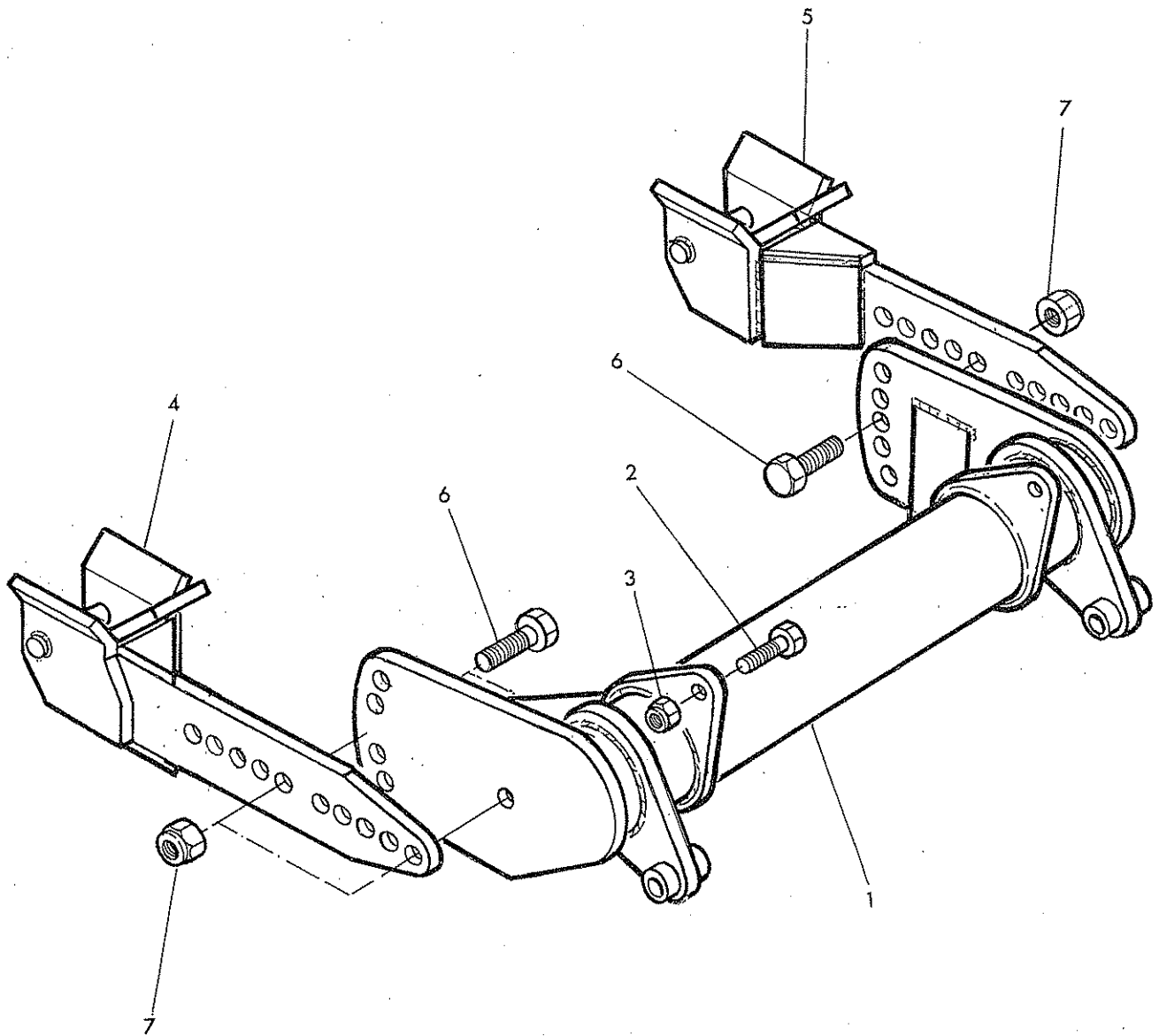
- 'A' – Hole diameter
 'B' – Hole center spacing
 'C' – Stabiliser width

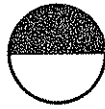
*(Dimensions in mm)*

Part No.	Description	'A'	'B'	'C'
7499501	Tongue: Standard – Cat. 2	27	107	45
7499500	Tongue: Special – Cat. 2 narrow	27	107	35
7499502	Tongue: Special – Cat. 2 long	27	217	45
7499503	Tongue: Special – Cat. 3 long	32	217	45
7499504	Tongue: Special – Cat. 1	19.5	107	35
7499505	Tongue: Special – Cat. 2 for Case TX tractors	25	120	50
7499506	Tongue: Special – Cat. 3	32	107	45
7499507	Tongue: Special – Cat. 3 narrow	32	107	30
7499508	Tongue: Special – for some Ford tractors	28.6	107	45
7499262	Tongue: Special – Cat. 2 extra long for Aebi	27	260	45
7499510	Tongue: Special – Cat. 2	27	107	40

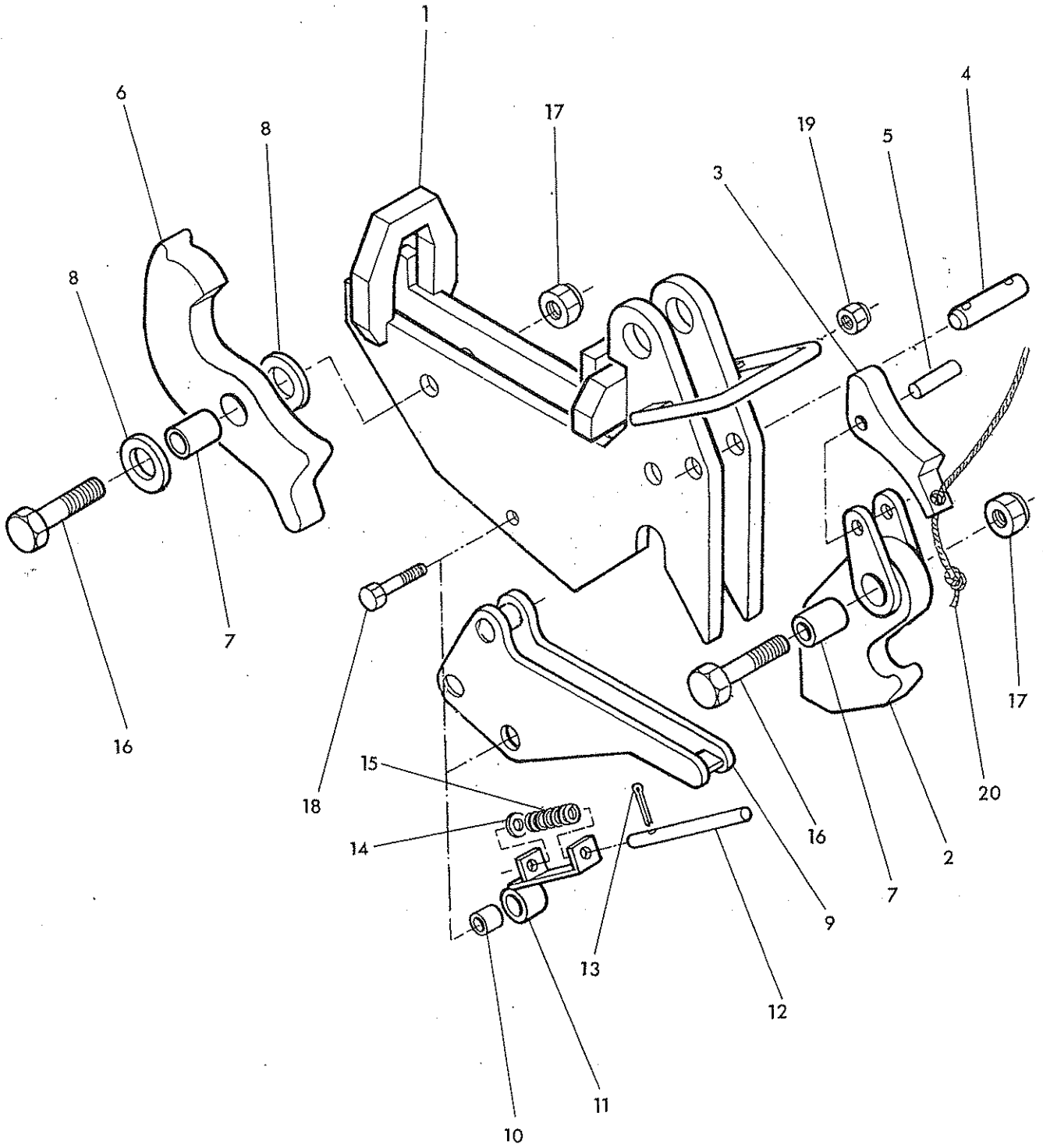


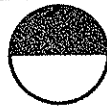
AXLE MOUNT





Ref.	Part No.	Qty.	Description
AXLE BRACKET LIFT LINK			
1	43306.01	1	Lift frame
2	92 13 139	2	Bolt M24 x 65
3	91 43 009	2	Self locking nut M24
4	43318.01	1	Hitch arm – type 1
5	43318.02	1	Hitch arm – type 2
6	92 00 033	4	Bolt M30 x 80
7	91 00 023	4	Self locking nut M30





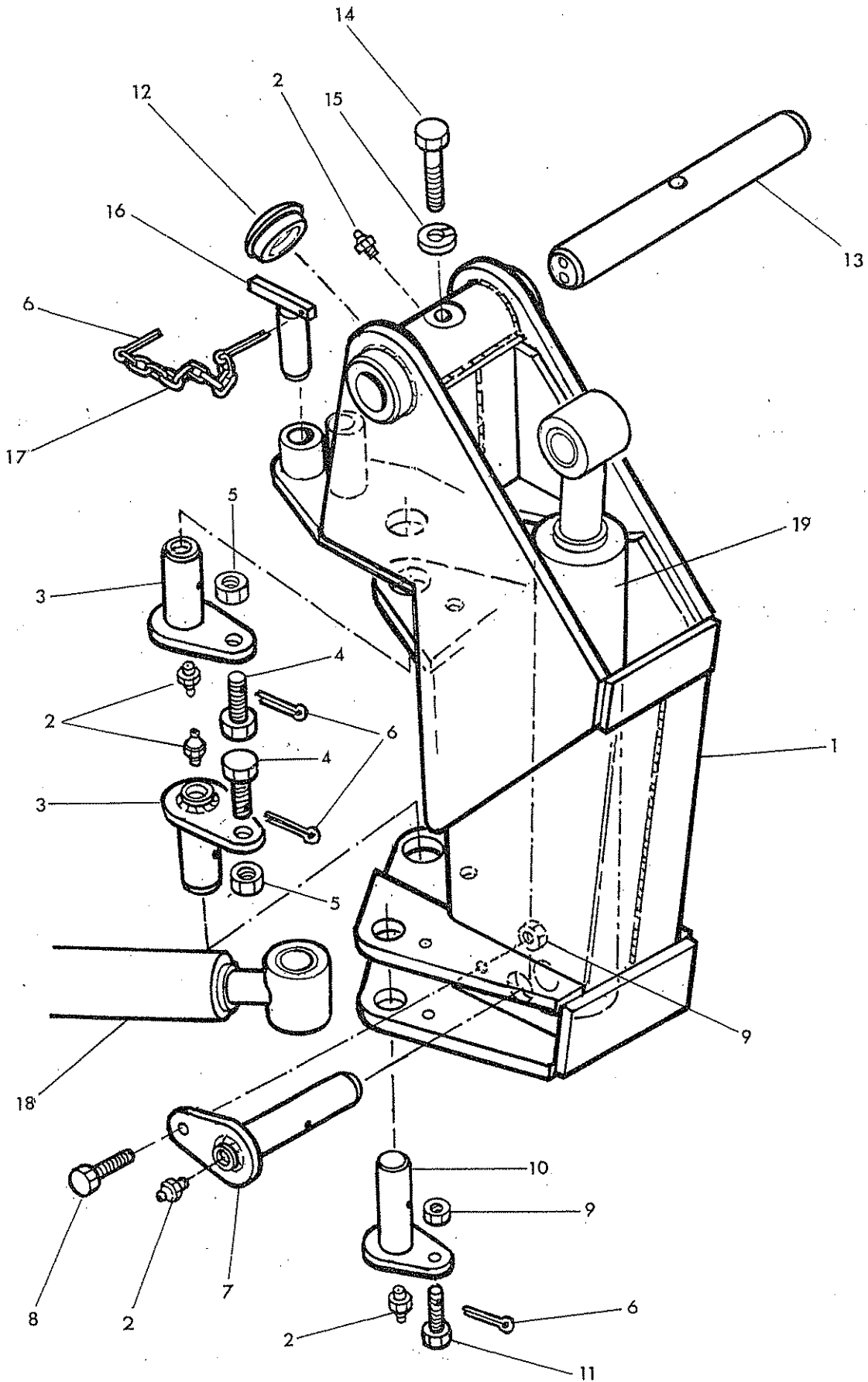
Ref.	Part No.	Qty.	Description
	20 20 999		AXLE CATCH ASSEMBLY
1	20 20 901	1	Catch body
2	20 20 902	1	Hitch hook
3	20 20 903	1	Hook release
4	20 20 904	1	Locking pin
5	20 20 906	1	Pivot – hook release
6	20 20 907	1	Plate latch
7	20 20 908	2	Pivot sleeve
8	20 20 909	2	Spacer – plate latch
9	20 20 910	1	Catch lock
10	20 20 911	1	Sleeve – spring rocker
11	20 20 912	1	Spring rocker
12	20 20 913	1	Spring shaft
13	95 01 325	1	Split pin
14	91 00 105	1	Plain washer
15	20 20 914	1	Spring
16	92 13 188	2	Bolt
17	91 43 008	2	Self locking nut
18	92 13 166	1	Bolt
19	91 43 006	1	Self locking nut
20	20 20 915	1	Release cord

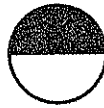
Ac 1

PILLAR

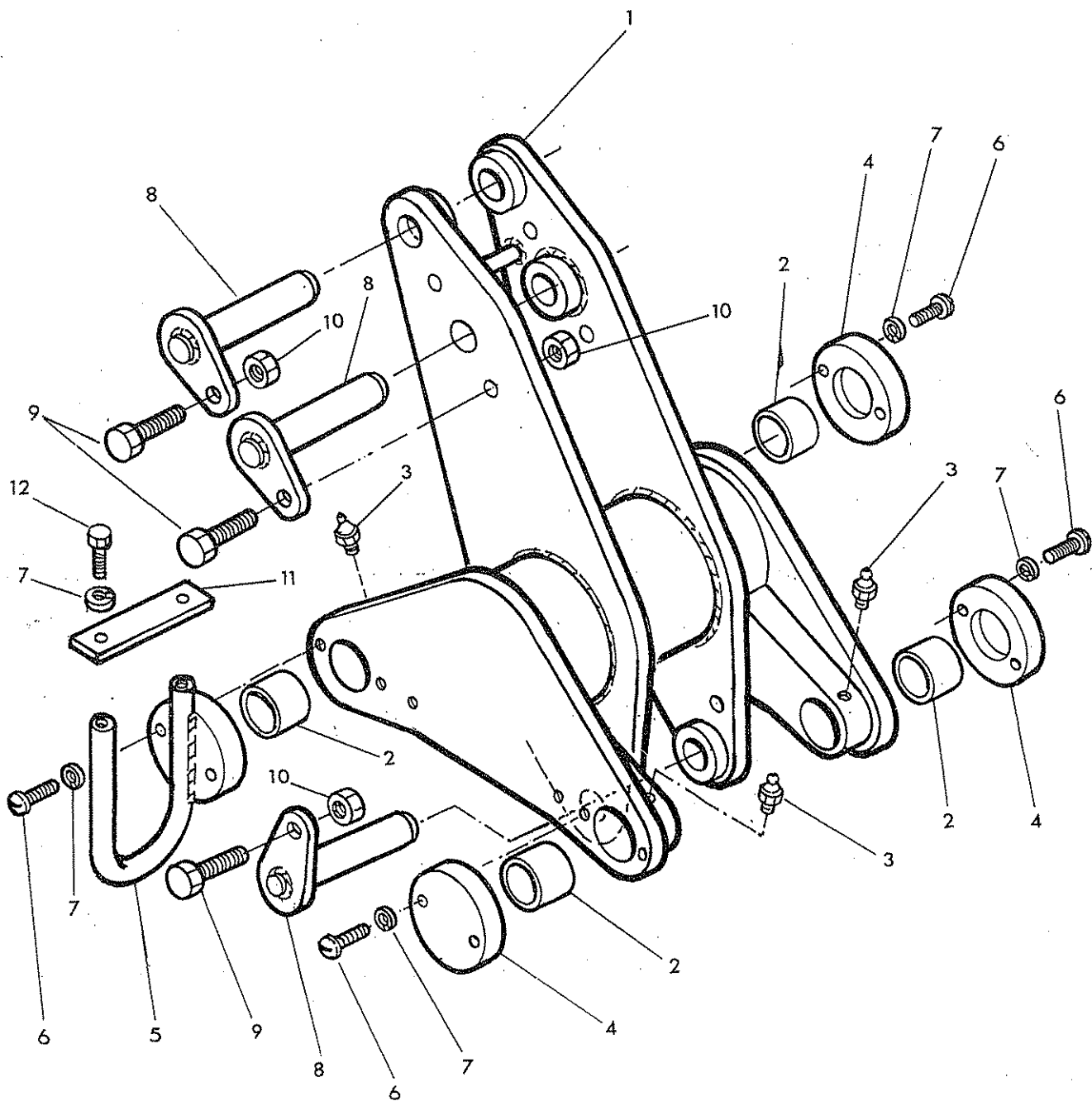
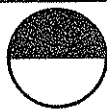


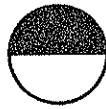
McCONNELL



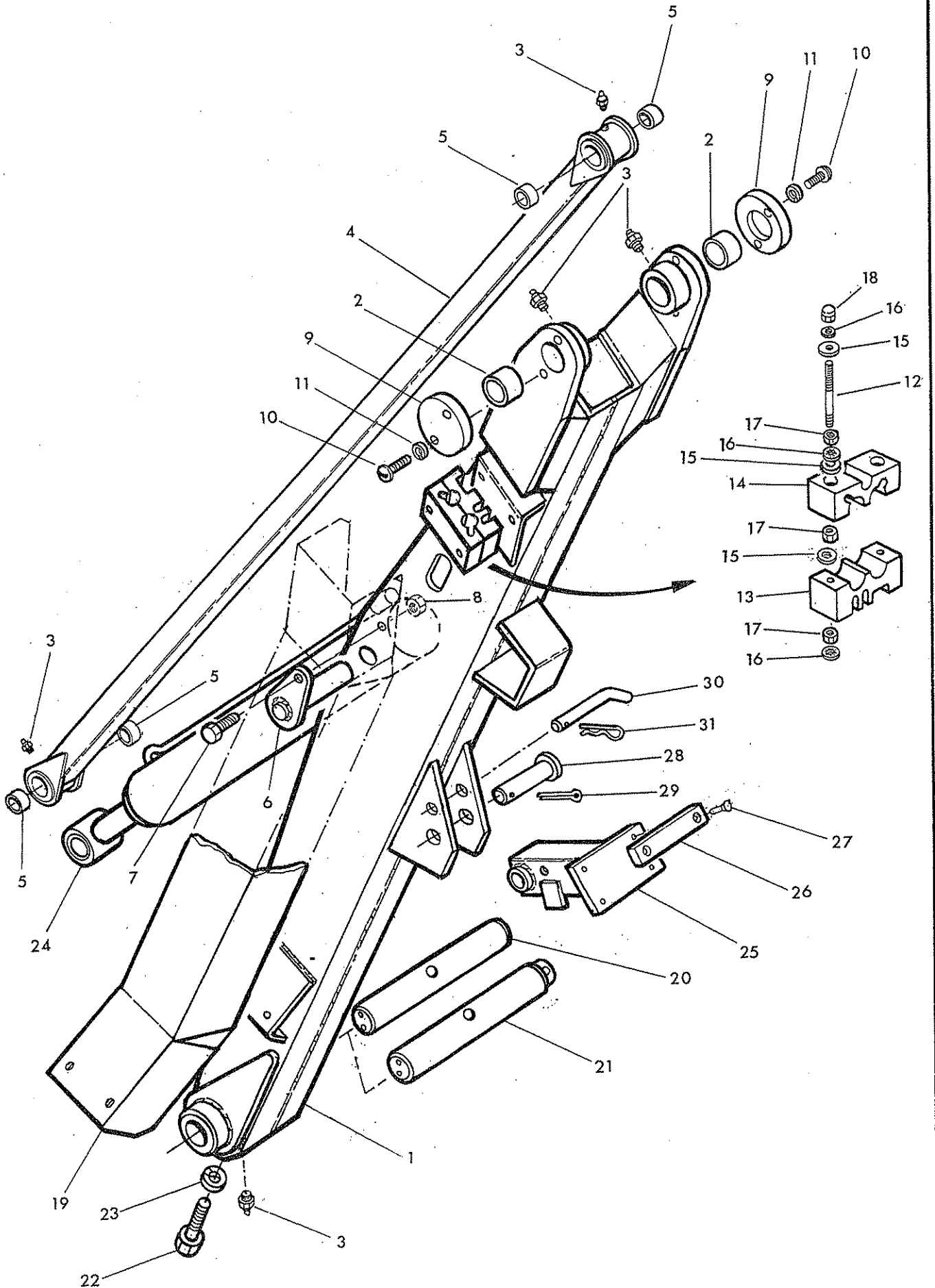
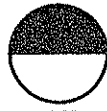


Ref.	Part No.	Qty.	Description
SLEWING PILLAR			
1	43279.02	1	pillar - R.Hand
	43279.01	1	Pillar - L.Hand - Not illus
2	09 01 121	5	Greaser 1/8" BSP straight
3	43322.01	2	Pivot pin - pillar
4	42269.03	2	Special bolt M16
5	91 43 007	2	Self locking nut M16
6	95 01 255	6	Split pin dia 4 x 25
7	43324.01	1	Pivot pin - lift ram base
8	93 13 066	1	Setscrew M12 x 30
9	91 43 006	2	Self lockin g nut M12
10	43324.02	1	Pivot pin - slew ram rod
11	42269.04	1	Special bolt M12 x 50
12	43358.01	1	Plastic bung
13	43013.02	1	Pivot pin - rocker
14	92 13 187	1	Bolt M16 x 90
15	91 00 207	1	Spring washer dia 16
16	43323.01	1	Transport lock pin
17	14 67 086	1	Chain
18	43316.02	1	Slew ram assembly
19	42655.03	1	Lift ram assembly





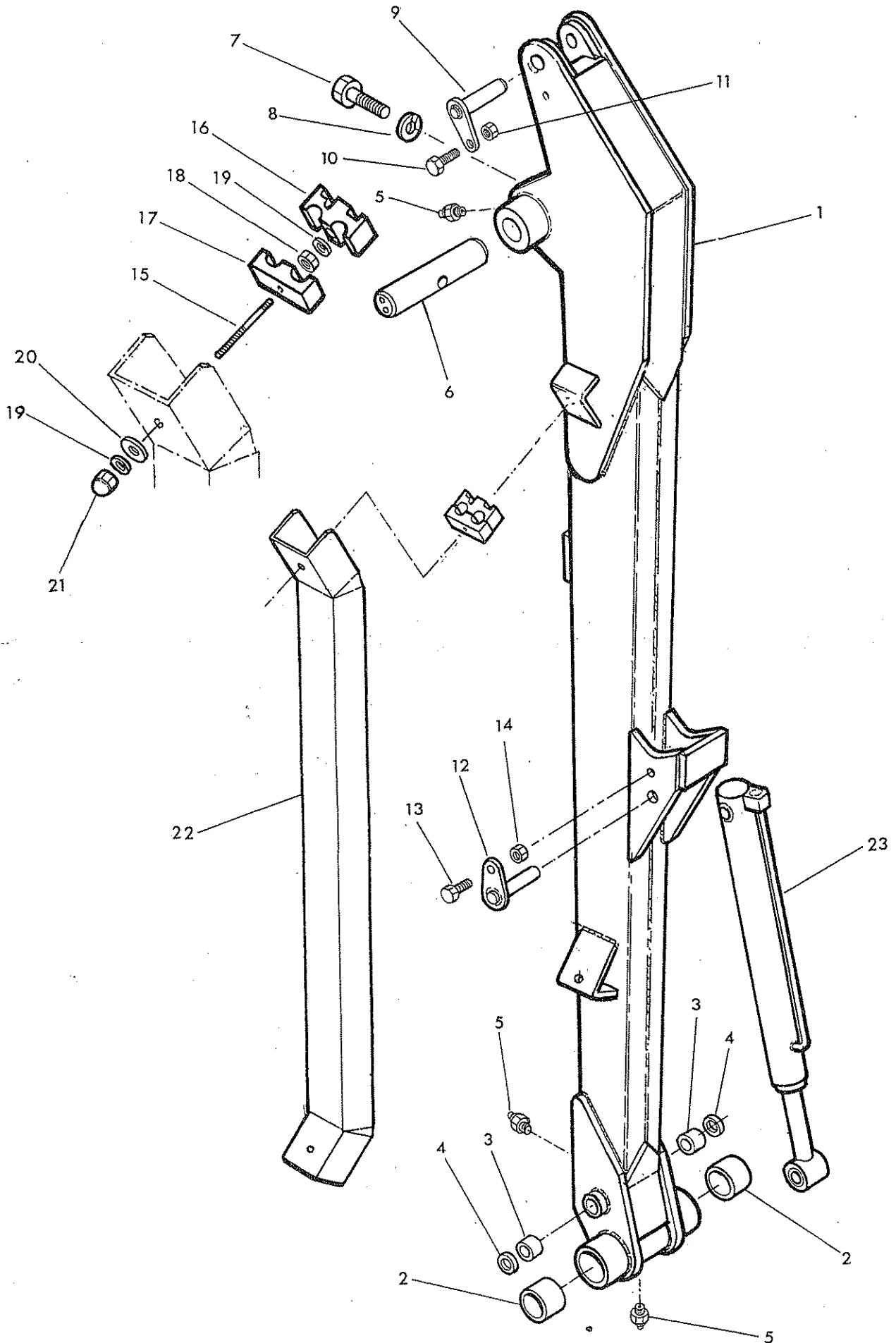
Ref.	Part No.	Qty.	Description
ROCKER			
1	43280.01	1	Rocker
2	08.297.01	4	Bush
3	09 01 121	4	Greaser 1/8" BSP straight
4	43048.01	3	Pin cap
5	43048.03	1	Pin cap
6	93 00 158	8	Button head screw M8 x 25
7	91 00 204	10	Spring washer dia 8
8	43324.03	3	Pivot pin – lift ram rod, reach ram rod and tension link
9	92 13 086	3	Bolt M12 x 40
10	91 43 006	3	Self locking nut M12
11	43048.04	1	Hose retainer
12	93 13 044	2	Setscrew M8 x 20

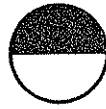




Ref.	Part No.	Qty.	Description
MAIN ARM AND TENSION LINK			
1	41597.08	1	Main arm - R.Hand
	41597.07	1	Main arm - L.Hand - not illus
2	08.297.01	2	Bush
3	09 01 121	5	Greaser 1/8" BSP straight
4	41662.05	1	Tension link
5	08.297.02	4	Bush
6	43324.03	1	Pivot pin - Reach base
7	92 13 096	1	Bolt M12 x 45
8	91 43 006	1	Self locking nut M12
9	43048.01	2	Pin cap
10	93 00 158	4	Button head screw M8 x 25
11	91 00 204	4	Spring washer dia 8
12	42198.01	4	Stud M10 x 135
13	42024.02	2	Hose clamp - lower
14	42024.03	2	Hose clamp - upper
15	91 00 105	12	Plain washer dia 10
16	91 00 405	12	External serrated washer dia 10
17	91 13 005	12	Plain nut M10
18	91 00 025	4	Dome nut M10
19	41665.16	1	Hose cover
20	43013.02	1	Pivot pin - main arm - standard
21	43013.04	1	Pivot pin - main arm - E.D.S. only
22	92 13 187	1	Bolt M16 x 90
23	91 00 207	1	Spring washer dia 16
24	43315.02	1	Reach ram assembly
25	43021.06	1	Transport prop
26	10 75 041	2	Pad
27	10 75 047	4	Countersunk screw M6 x 25
28	43023.01	1	Pin - prop pivot
29	95 01 406	1	Split pin dia 5 x 40
30	43020.01	1	Pin - prop stowage
31	04 31 105	1	Spring cotter

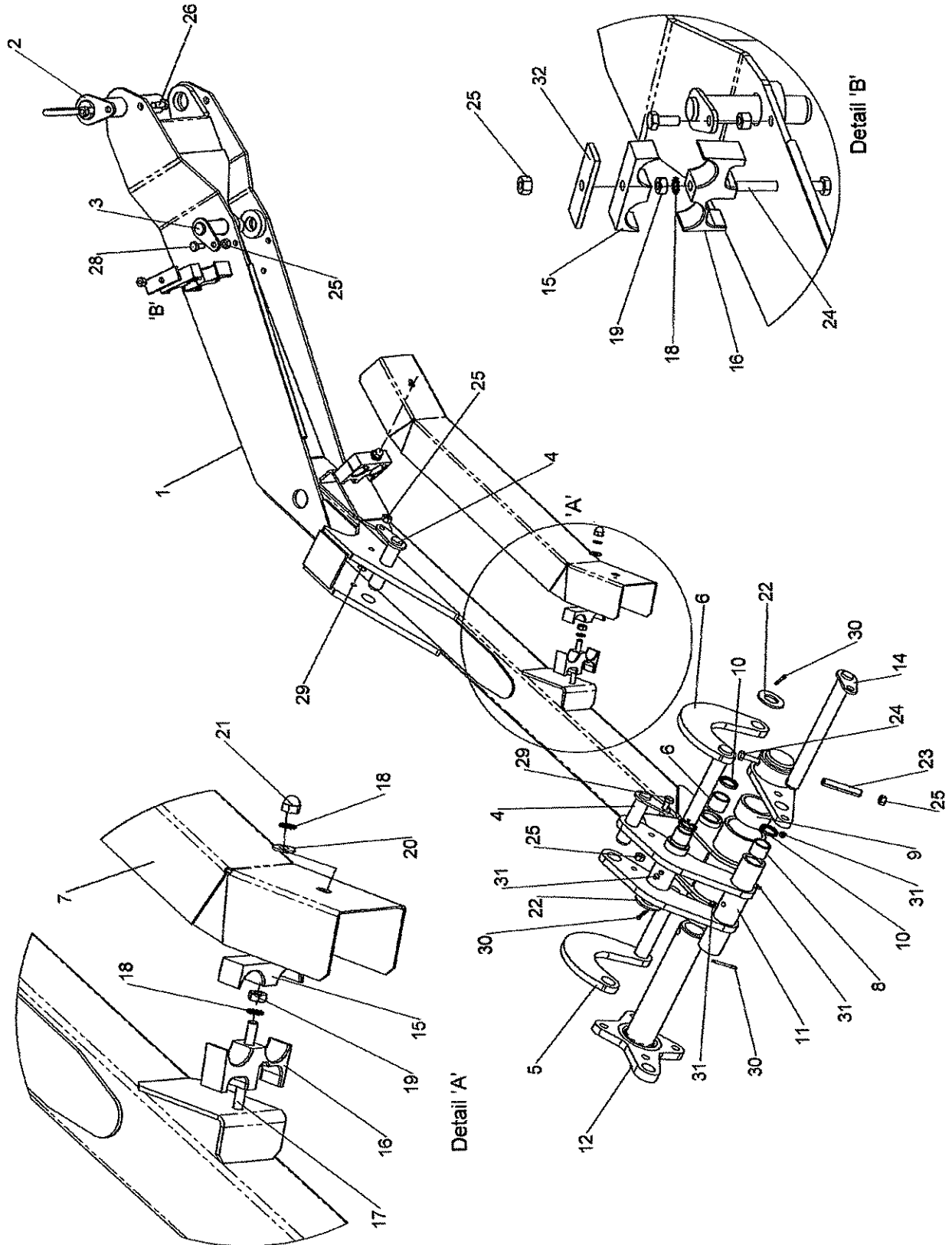
DIPPER ARM





Ref.	Part No.	Qty.	Description
DIPPER ARM –Standard			
1	41649.06	1	Dipper arm – R.Hand
	41649.05	1	Dipper arm – L.Hand – not illus
2	71 36 035	2	Head bush
3	08.297.04	2	Bush
4	86 29 218	2	Seal
5	09 01 121	3	Greaser 1/8" BSP straight
6	43013.02	1	Pivot pin – dipper
7	92 13 187	1	Bolt M16 x 90
8	91 00 207	1	Spring washer dia16
9	43324.02	1	Pivot pin – tension link
10	92 13 086	1	Bolt M12 x 40
11	91 43 006	1	Self locking nut M12
12	42684.05	1	Pivot pin – angle ram base
13	93 13 075	1	Setscrew M10 x 35
14	91 43 005	1	Self locking nut M10
15	42198.02	2	Stud M10
16	06.430.18	2	Hose clamp - lower
17	06.430.17	2	Hose clamp – upper
18	91 13 005	2	Plain nut M10
19	91 00 405	4	External serrated washer dia 10
20	91 00 105	2	Plain washer dia 10
21	91 00 025	2	Dome nut M10
22	41665.07	1	Hose cover
23	43317.02	1	Angle ram assembly

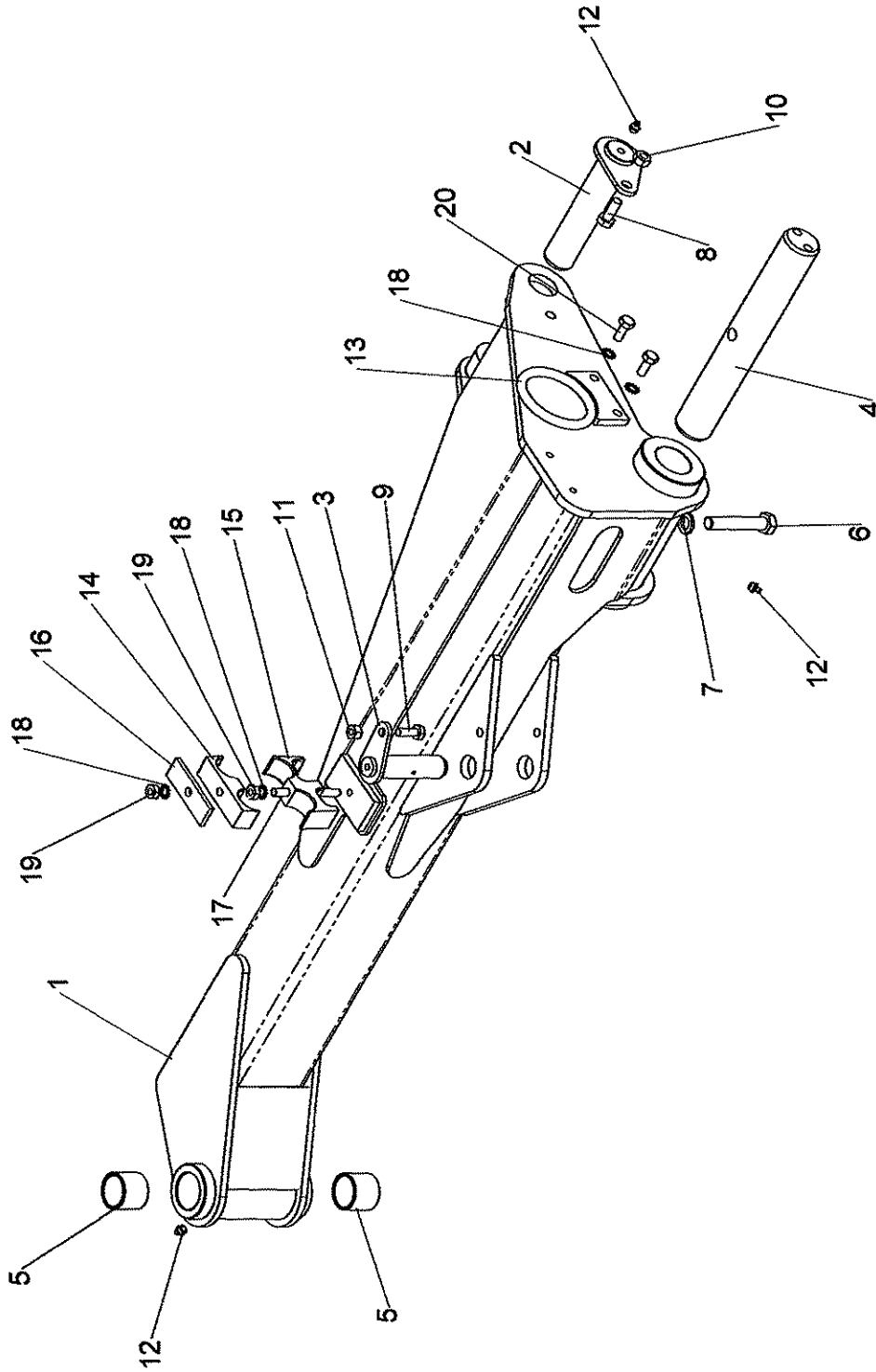
MIDCUT DIPPER ARM ASSEMBLY



MIDCUT DIPPER ARM ASSEMBLY

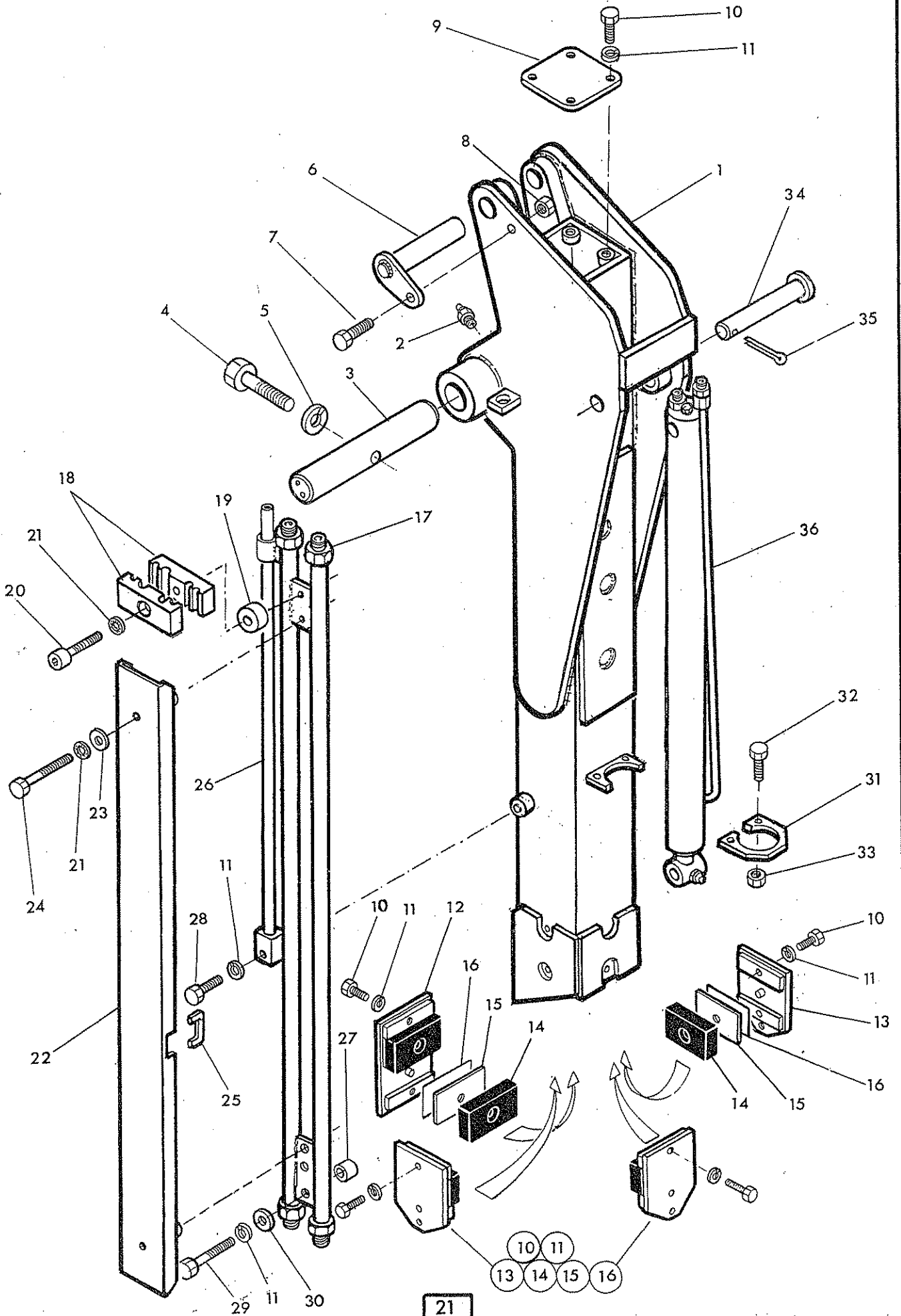
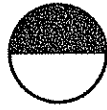
REF.	QTY.	PART NO.	DESCRIPTION
		7455806	PA 550 MIDCUT DIPPER ARM
1	1	45602.01	MIDCUT DIPPER-LH
2	1	45609.01	PIN - MIDCUT FOLD
3	1	42684.03	PIN - FOLD RAM ROD END
4	2	42684.05	PIN
5	1	42646.03	RADIUS ARM - TYPE 1
6	1	42646.04	RADIUS ARM - TYPE 2
7	1	41665.19	HOSE COVER - 550 MIDCUT
8	6	08.297.04	BUSH 37x 30 x 30
9	2	7136035	PLASTIC BUSH
10	6	8629218	LIP SEAL 30 x 40 x 4
11	1	42647.02	SLAVE LINK
12	1	42649.01	PIVOT TUBE
13	1	42648.01	JAW PLATE
14	1	42684.01	PIN -SLAVE LINK
15	3	06.430.17	HOSE CLAMP - UPPER
16	3	06.430.18	HOSE CLAMP - LOWER
17	2	42198.02	STUD M10 x 112
18	5	9100405	M10 EXT. SHAKEPROOF WASHER
19	3	9113005	NUT M10
20	2	9100105	FLAT WASHER M10
21	2	9100025	M10 DOME NUT
22	2	05.281.18	FLAT WASHER M30
23	1	0423556	SPRING DOWEL 5/8" x 3 1/2"
24	2	9213205	BOLT M10 x 100
25	5	9143005	SELF-LOCKING NUT M10
26	1	9313066	SETSCREW M12 x 30
27	1	9143006	SELF-LOCKING NUT M12
28	1	9313055	SETSCREW M10 x 25
29	2	9313075	SETSCREW M10 x 35
30	3	9501406	SPLIT PIN M5 x 40
31	4	0901121	GREASE NIPPLE 3/8" BSP -Straight
32	1	06.418.05	CLAMP PLATE - PIPE CLAMP

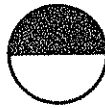
MIDCUT FORWARD EXTENTION



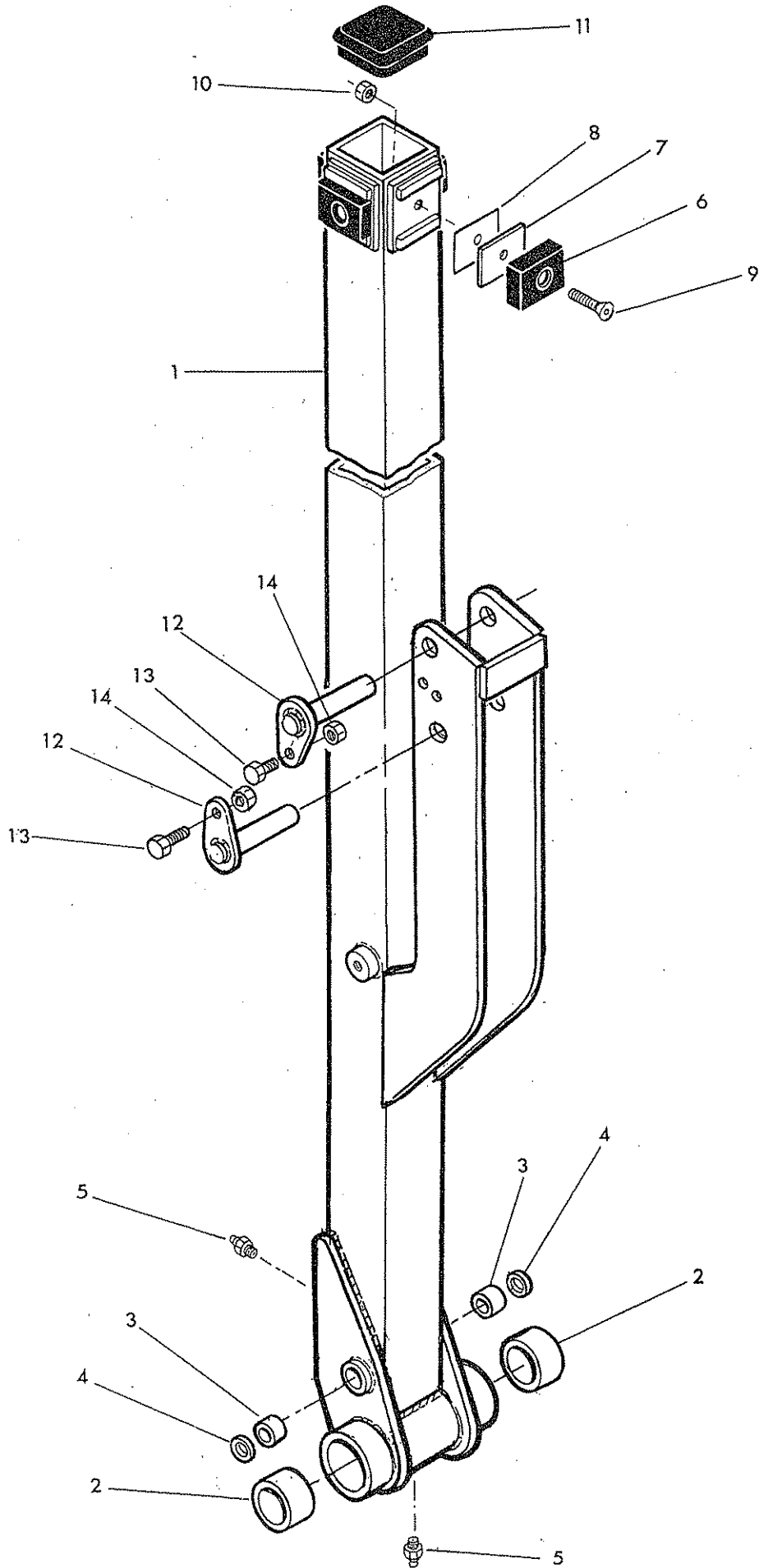
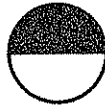
MIDCUT FORWARD EXTENTION

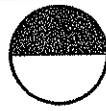
REF.	QTY.	PART NO.	DESCRIPTION
		7455804	PA 550 MIDCUT FORWARD EXTENTION
1	1	45502.01	FORWARD EXTENTION - L/H
2	1	43324.01	PIN - LIFT BASE
3	1	42684.02	PIN - RAM BASE
4	1	43013.02	PIVOT PIN
5	2	08.297.02	BUSH 47x 40 x 40
6	1	9213187	BOLT M16 x 90
7	1	9100207	SPRING WASHER M16
8	1	9313066	SETSCREW M12 x 30
9	1	9313065	SETSCREW M10 x 30
10	1	9143006	SELF-LOCKING NUT M12
11	1	9143005	SELF-LOCKING NUT M10
12	3	0901121	GREASE NIPPLE 3/8" BSP - Straight
13	1	45974.01	HOSE LOOP
14	1	06.430.17	HOSE CLAMP - UPPER
15	1	06.430.18	HOSE CLAMP - LOWER
16	1	06.418.05	CLAMP PLATE - PIPE CLAMP
17	1	04.282.69	STUD M10 x 105
18	4	9100405	SHAKEPROOF WASHER M10 EXTERIOR
19	2	9113005	NUT M10
20	2	9313055	SETSCREW M10 x 25



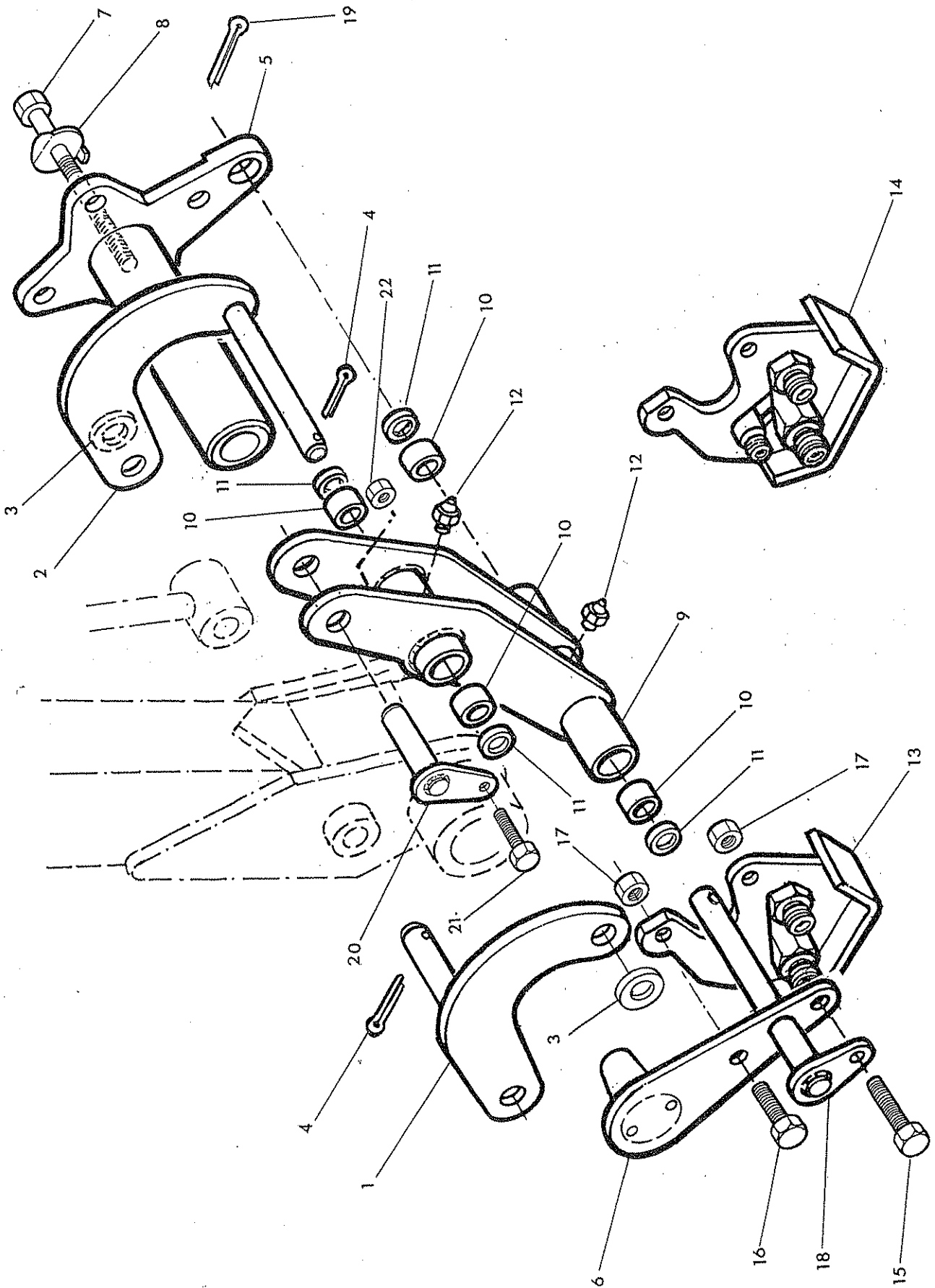
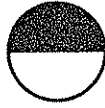


Ref.	Part No.	Qty.	Description
TELE DIPPER SOCKET			
1	42217.02	1	Dipper socket
2	09 01 121	1	Greaser 1/8" BSP straight
3	43013.02	1	Pivot pin – dipper
4	92 13 187	1	Bolt M16 x 90
5	91 00 207	1	Spring washer dia 16
6	43324.01	1	Pivot pin – tension link
7	92 13 086	1	Bolt M12 x 40
8	91 43 006	1	Self locking nut M12
9	71 36 069	1	Cover plate
10	93 13 046	12	Setscrew M12 x 20
11	91 00 206	14	Spring washer dia 12
12	43463.01	1	Wear pad carrier – lower
13	43463.02	3	Wear pad carrier – top and sides
14	71 36 001	5	Wear pad
15	71 36 059	5	Shim 1 mm
16	71 36 058	5	Shim 0.25 mm
17	42211.03	1	Rigid pipes
18	42024.04	4	Hose clamp
19	42215.01	2	Spacer
20	93 43 105	2	Capscrew M10 x 50
21	91 00 305	4	Internal serrated washer dia 10
22	42205.05	1	Pipe cover
23	90 00 105	2	Plain washer dia 10
24	92 13 135	2	Bolt M10 x 65
25	41741.01	1	Edge strip
26	43347.01	1	Guide tube
27	71 97 009	1	Spacer
28	92 13 106	1	Bolt M12 x 50
29	92 13 136	1	Bolt M12 x 65
30	91 00 106	1	Plain washer
31	43457.01	1	Tele ram restraint
32	93 13 054	2	Setscrew M8 x 25
33	91 43 004	2	Self locking nut M8
34	43381.01	1	Pivot pin – tele ram base
35	95 01 507	1	Split pin dia 6 x 50
36	43377.02	1	Tele ram assembly





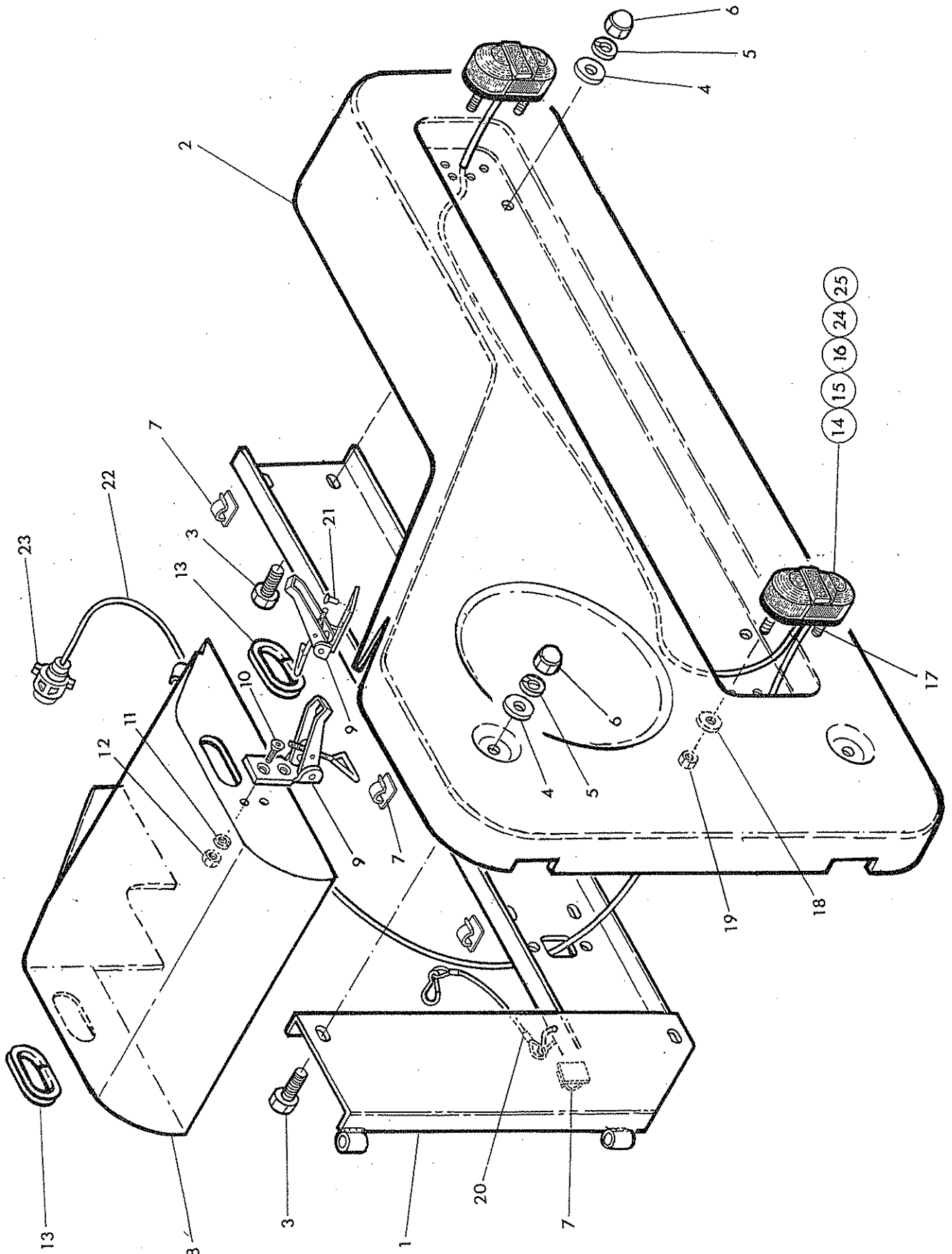
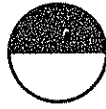
Ref.	Part No.	Qty.	Description
TELE DIPPER SLIDER			
1	43343.03	1	Dipper slider
2	71 36 035	2	Head bush
3	08.297.04	2	Bush
4	86 29 218	2	Seal
5	09 01 121	2	Greaser 1/8" BSP straight
6	71 36 001	4	Wear pad
7	71 36 059	4	Shim 1 mm
8	71 36 058	4	Shim 0.25 mm
9	93 53 075	4	Countersunk screw M10 x 35
10	91 43 005	4	Self locking nut M10
11	71 36 148	1	Plastic bung
12	42684.05	2	Pivot pin - tele ram rod and angle ram base
13	93 13 075	2	Setscrew M10 x 35
14	91 43 005	2	Self locking nut M10

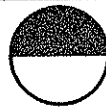


Ref. Part No. Qty. Description

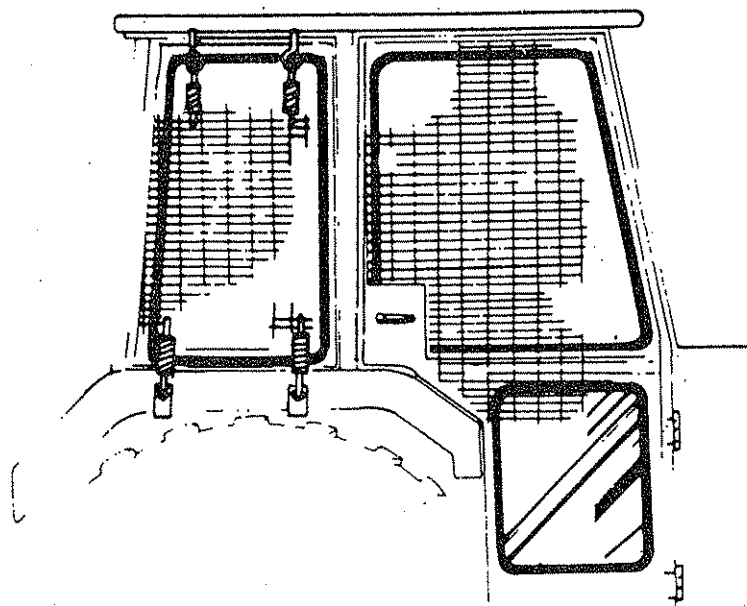
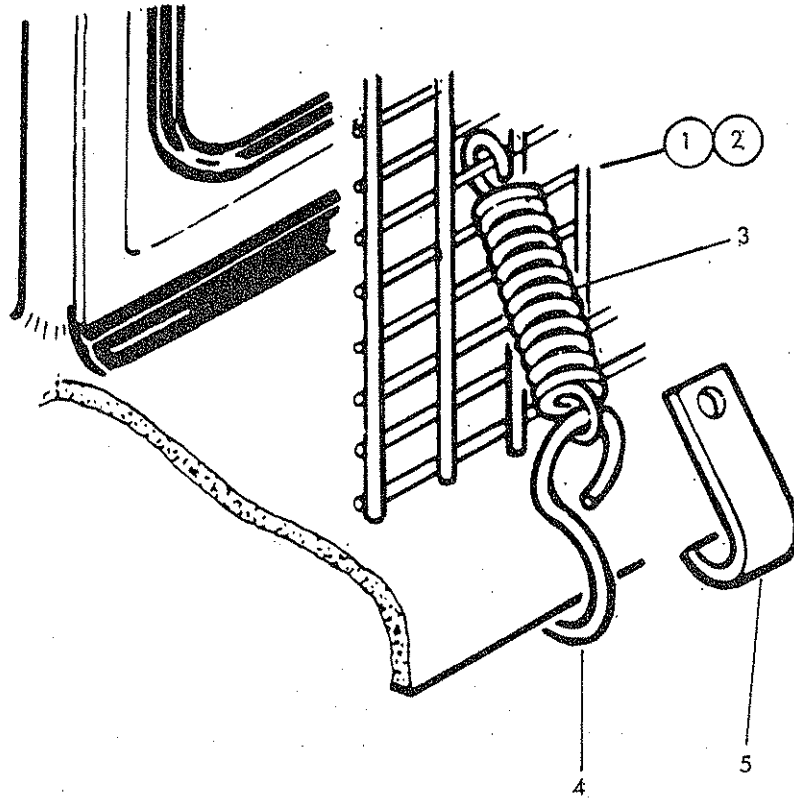
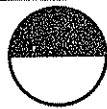
HEAD ANGLING MECHANISM

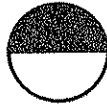
1	42646.03	1	Radius arm type 1
2	42646.04	1	Radius arm type 2
3	05.281.18	2	Plain washer
4	95 01 406	2	Split pin dia 5 x 40
5	43098.03	1	Head pivot tube
6	43099.02	1	Jaw plate
7	92 13 457	1	Bolt M16 x 225
8	43442.01	1	Tab washer
9	42647.02	1	Slave link
10	08.297.04	4	Bush
11	86 29 218	4	Seal
12	09 01 121	2	Greaser 1/8" BSP straight
13	43055.03	1	Hose junction bracket – gear hydraulics
14	43055.02	1	Hose junction bracket – piston hydraulics
15	92 00 028	1	Special bolt M16 x 1.5p x 45 long
16	92 00 025	1	Special bolt M16 x 1.5p x 50 long
17	91 00 028	2	Special self locking nut M16 x 1.5p
18	42684.01	1	Pivot pin – slave link
19	95 01 507	1	Split pin dia 6 x 50
20	42684.05	1	Pivot pin – angle ram rod
21	93 13 075	1	Setscrew M10 x 35
22	91 43 005	1	Self locking nut M10



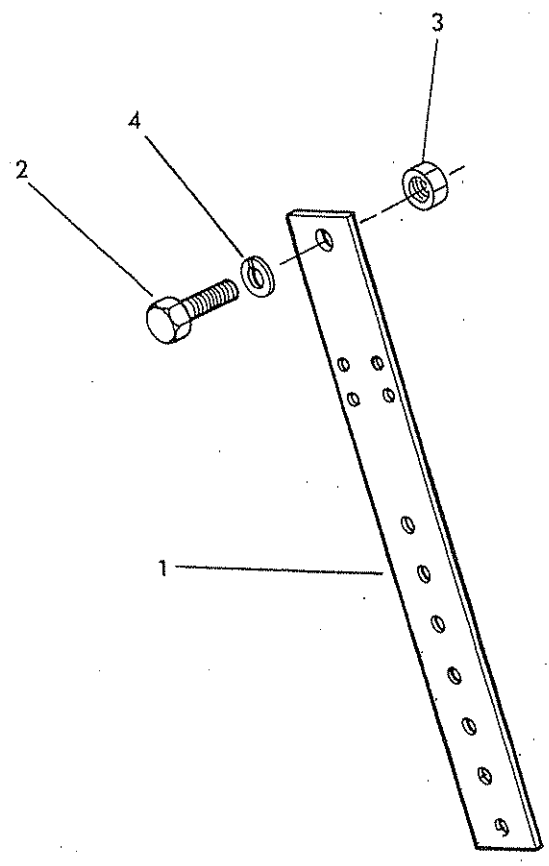
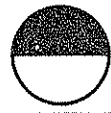


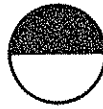
Ref.	Part No.	Qty.	Description
COVERS AND LIGHTS			
1	43434.02	1	Rear cover mounting – R.Hand
	43434.01	1	Rear cover mounting – L.Hand – not illus
2	43304.04	1	Rear cover R.Hand
	43304.03	1	Rear cover L.Hand – not illus
3	93 13 045	6	Setscrew M10 x 20
4	91 00 105	6	Plain washer dia 10
5	91 00 205	6	Spring washer dia 10
6	91 00 025	6	Dome nut M10
7	43357.01	4	Self adhesive cable clip
8	43353.02	1	Top cover – R.Hand
	43353.01	1	Top cover – L.Hand – not illus
9	43449.02	3	Overcentre clip fastener
10	93 53 022	6	Countersunk screw M5 x 12
11	91 00 202	6	Spring washer dia 5
12	91 00 014	4	Hexagon nut M5
13	43468.01	2	Edge strip x 230 long
14	43328.01	1	Rear lamp including bulbs etc.
15	75 60 087	1	Stop/tail bulb
16	75 60 088	1	Flasher bulb
17	93 13 033	4	Screw M6 x 16
18	91 00 103	4	Plain washer dia 6
19	91 43 003	4	Self locking nut M6
20	43429.01	1	Restraint cable
21	10 69 088	2	Pop rivet dia 4.5 mm
22	75 60 090	1	Power cable including plug
23	75 60 089	1	Plug
24	43490.01	1	Connector strip 10 bank cut to 4 4 2 not illus :-
25	81 14 057	3	Self tapping screw x 5/16" long inside lights



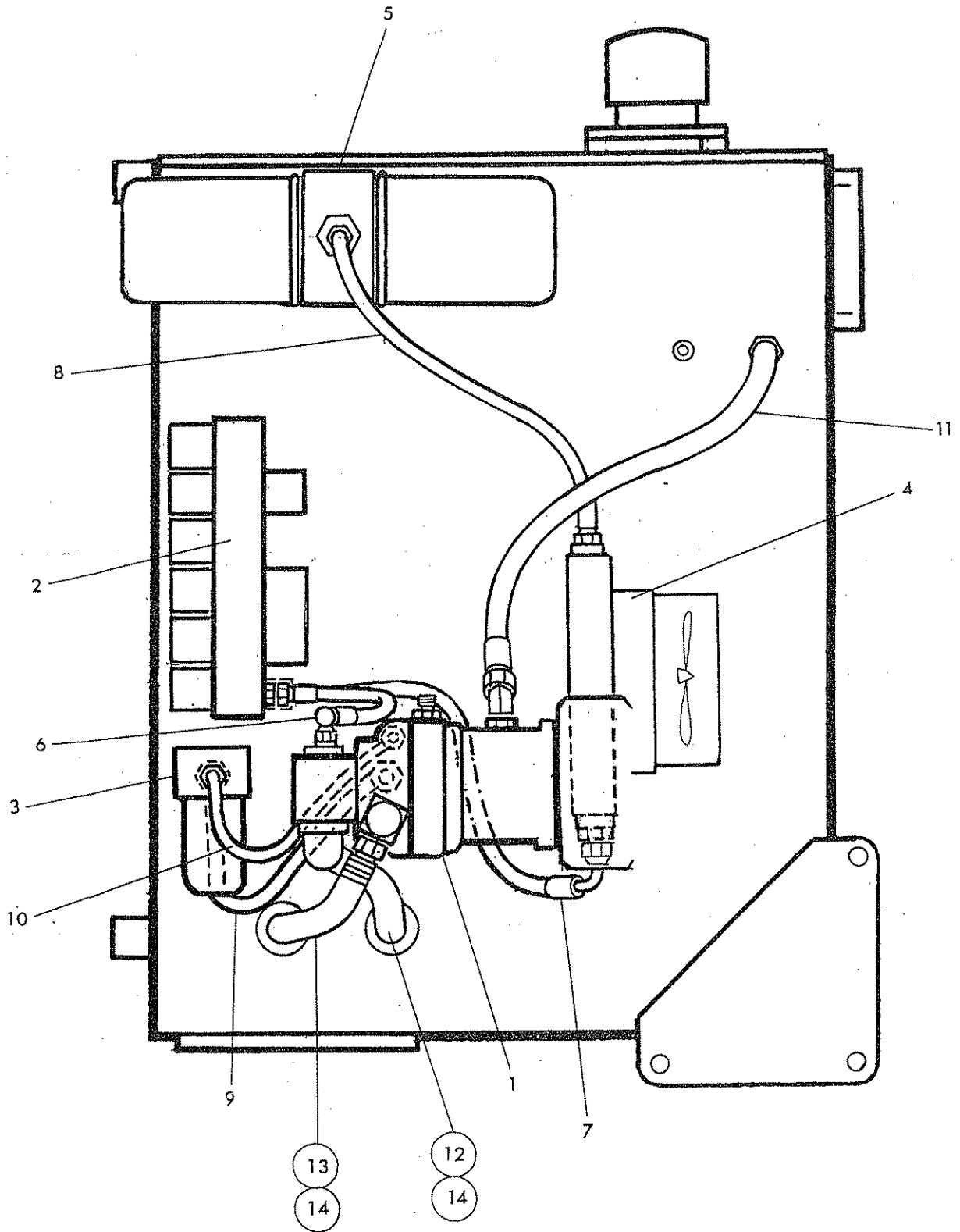
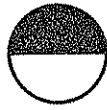


Ref.	Part No.	Qty.	Description
	73 13 324		CAB GUARD KIT
1	73 13 049	1	Guard panel – large
2	73 13 050	1	Guard panel – small
3	60 01 064	12	Spring
4	60 01 065	6	Hook
5	73 13 051	6	Hook





Ref.	Part No.	Qty.	Description
	71 09 319		CONTROL MOUNTING KIT
1	71 09 146	1	Pillar
2	93 11 086	1	Setscrew 5/8" UNF x 1" long
3	01 11 006	1	Hexagon nut 5/8" UNF
4	01 00 206	1	Spring washer 5/8" dia



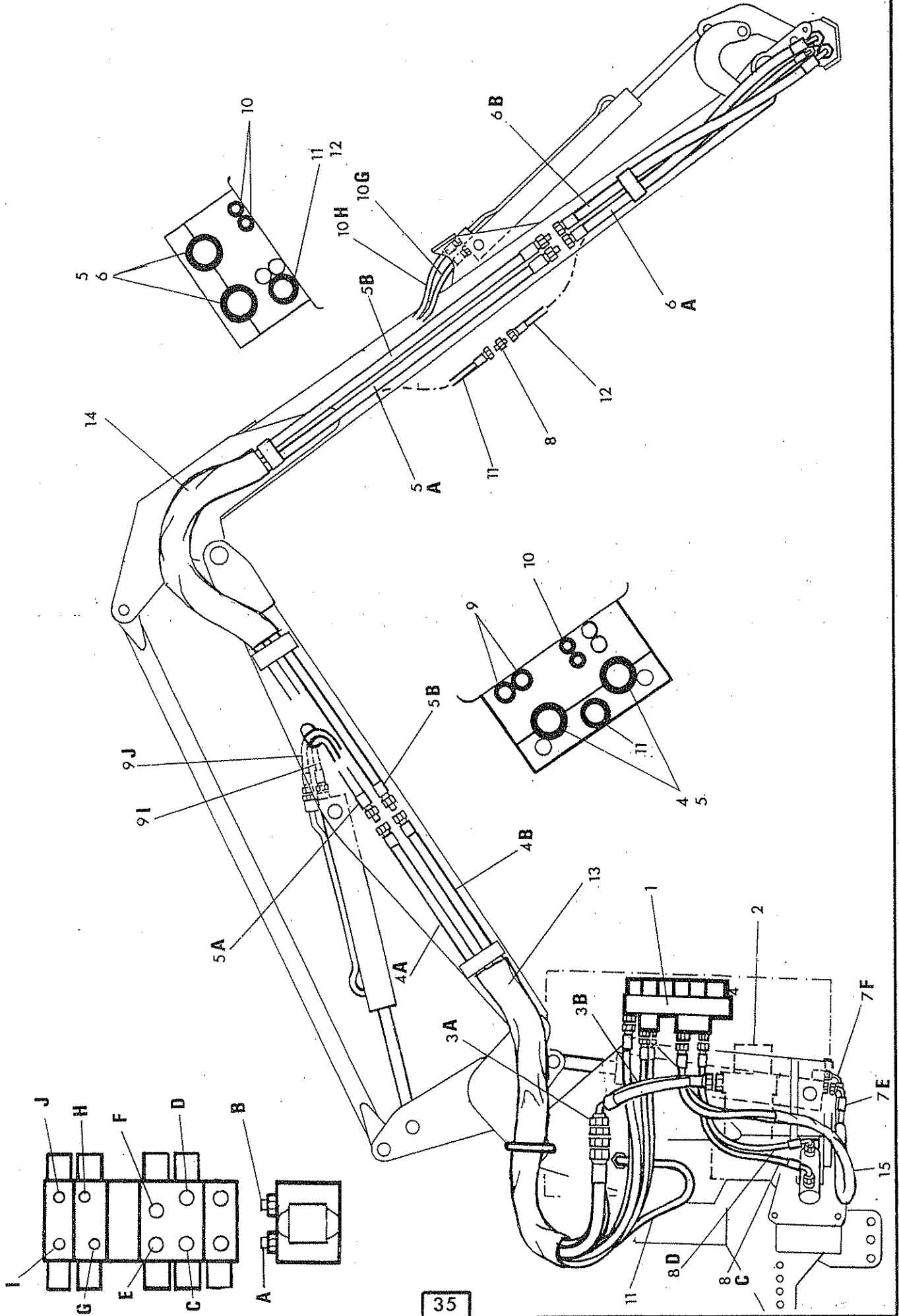
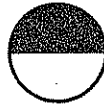


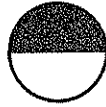
Ref. Part No. Qty. Description

PRIMARY HYDRAULIC CIRCUIT

For :- 550 and 650 machines

Ref.	Part No.	Qty.	Description
1			Pump
2			Arm control valve
3			Charge filter
4			Oil cooler
5			Return filter
6	42721.08	1	Hose M18 x 400 long - supply to control valve
7	42724.12	1	Hose M22 x 600 long - control valve to cooler
8	42724.09	1	Hose M22 x 450 long - cooler to return filter
9	42724.11	1	Hose M22 x 550 long - pump to charge filter
10	42721.09	1	Hose M18 x 450 long - charge filter to pump
11	42726.11	1	Hose M26 x 550 long - pump to tank
12	85 00 800	1	Hose 1" bore x 300 long - suction to small pump
13	85 00 800	1	Hose 1" bore x 200 long - suction to large pump
14	09 04 106	8	Hose clip - 1" bore hose

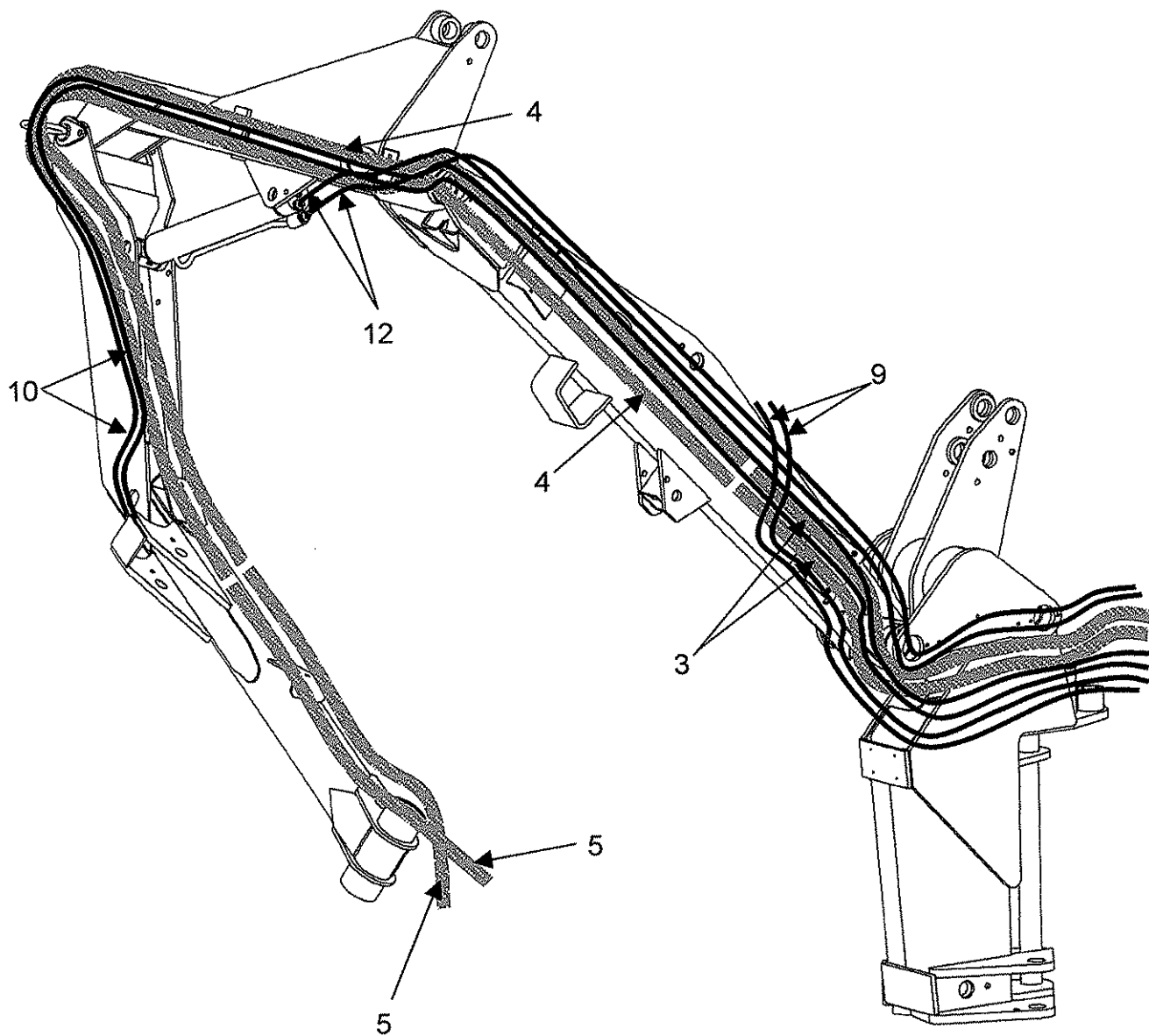




Ref.	Part No.	Qty.	Description
------	----------	------	-------------

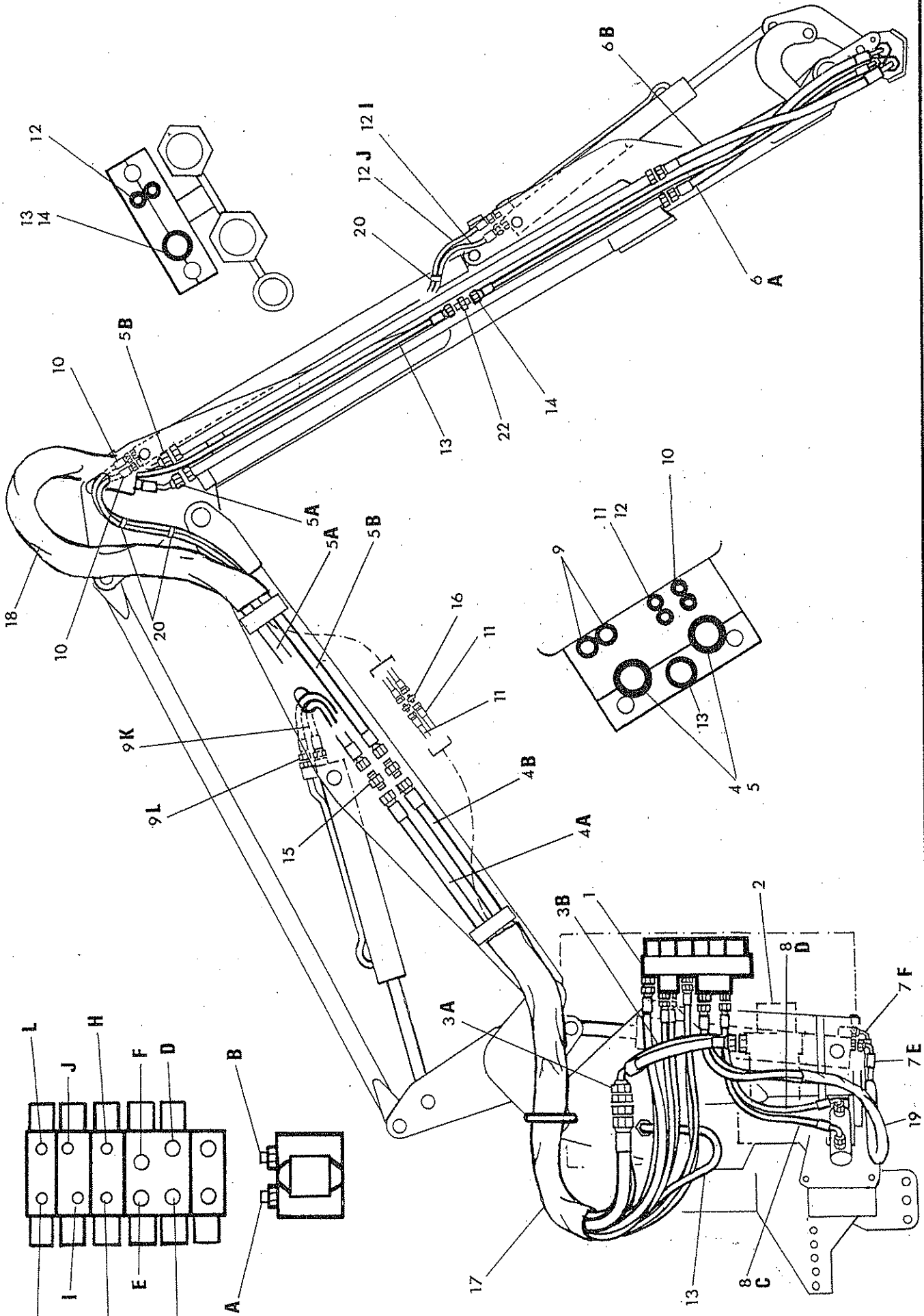
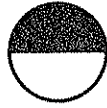
**SERVICE HYDRAULIC CIRCUITS :-
for 550 machines**

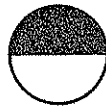
1			Main control valve
2			Pump
3	43054.12	2	Hose M36 x 600 long – pump – bulkhead
4	42734.36	2	Hose M36 x 2600 long – bulkhead – main arm junction
5	43371.36	2	Hose M36 x 2600long - dipper pivot
6	42733.18	2	Hose M36 x 900 long - dipper junction – head bracket
7	42721.24	2	Hose M18 x 1400 long - lift
8	42718.14	2	Hose M14 x 700 long - slew
9	42720.47	2	Hose M18 x 3700 long - reach
10	42717.64	2	Hose M14 x 5400 long – angle
11	42727.56	1	Hose M26 x 4600 long drain. – tank – dipper join
12	42727.25	1	Hose M26 x 1500 long drain. – dipper join – head brkt
13	43491.22	1	Hose sleeve x 1800 long
14	43491.41	1	Hose sleeve x 900 long
15	00900913	1	Hose sleeve x 800 long
16	71 96 045	as reqd	Hose tie x 300 long
17	71 35 084	as reqd	Hose tie x 175 long
18	85 81 404	1	Union M26 MM



MIDCUT HOSES

REF.	QTY.	PART NO.	DESCRIPTION
		7455722 / 8	PA 550 MIDCUT HOSE KIT - GEAR MODELS
		7455722 / 9	PA 550 MIDCUT HOSE KIT - PISTON MODELS
1	1	n/a	8501277 HOSE M36 x 1" SAE - 600mm <i>Pump to Valve</i>
2	1	n/a	8501302 HOSE M36 F90/F90 - 600mm <i>Valve to Cooler Tee</i>
3	2	n/a	42735.36 HOSE M36 FS/FS - 2600mm <i>Valve to Main Arm</i>
4	2	2	43372.52 HOSE M36 MS/MS - 4200mm <i>Main Arm to Dipper Arm</i>
5	2	n/a	42733.18 HOSE M36 FS/F90 - 900mm <i>Dipper to Junc. Brkt.</i>
6	1	1	42721.08 HOSE M18 FS/F90 - 400mm <i>Armhead Pressure</i>
7	1	1	42724.12 HOSE M22 FS/F90 - 600mm <i>Armhead Valve to Cooler</i>
8	2	2	42721.24 HOSE M18 FS/F90 - 1400mm <i>Lift Base</i>
9	2	2	42720.47 HOSE M18 FS/FS - 3700mm <i>Reach Base</i>
10	2	2	42717.80 HOSE M14 FS/FS - 7000mm <i>Angle Base</i>
11	2	2	42718.14 HOSE M14 FS/F90 - 700mm <i>Slew Base</i>
12	2	2	42717.57 HOSE M14 FS/FS - 4700mm <i>Midcut</i>
13	n/a	2	43054.12 HOSE M36 FS/F135 - 600mm <i>Pump to Bulkhead Adpt.</i>
14	n/a	2	43052.36 HOSE M36 FS/FS - 2600mm <i>Valve to Main Arm</i>
15	n/a	2	43053.18 HOSE M36 FS/F90 - 900mm <i>Dipper to Junc. Brkt.</i>
16	n/a	1	42724.09 HOSE M22 FS/F90 - 450mm <i>Cooler to Return</i>
17	n/a	1	42724.11 HOSE M22 FS/F90 - 550mm <i>Pump to Filter</i>
18	n/a	1	42721.09 HOSE M18 FS/F90 - 450mm <i>Filter to Pump</i>
19	n/a	1	42727.35 HOSE M26 FS/F90 - 2500mm <i>Dipper to Pivot</i>
20	n/a	1	42727.56 HOSE M26 FS/F90 - 4600mm <i>Tank to Dipper</i>
21	n/a	1	42726.11 HOSE M26 FS/FS - 550mm <i>Pump to Tank</i>

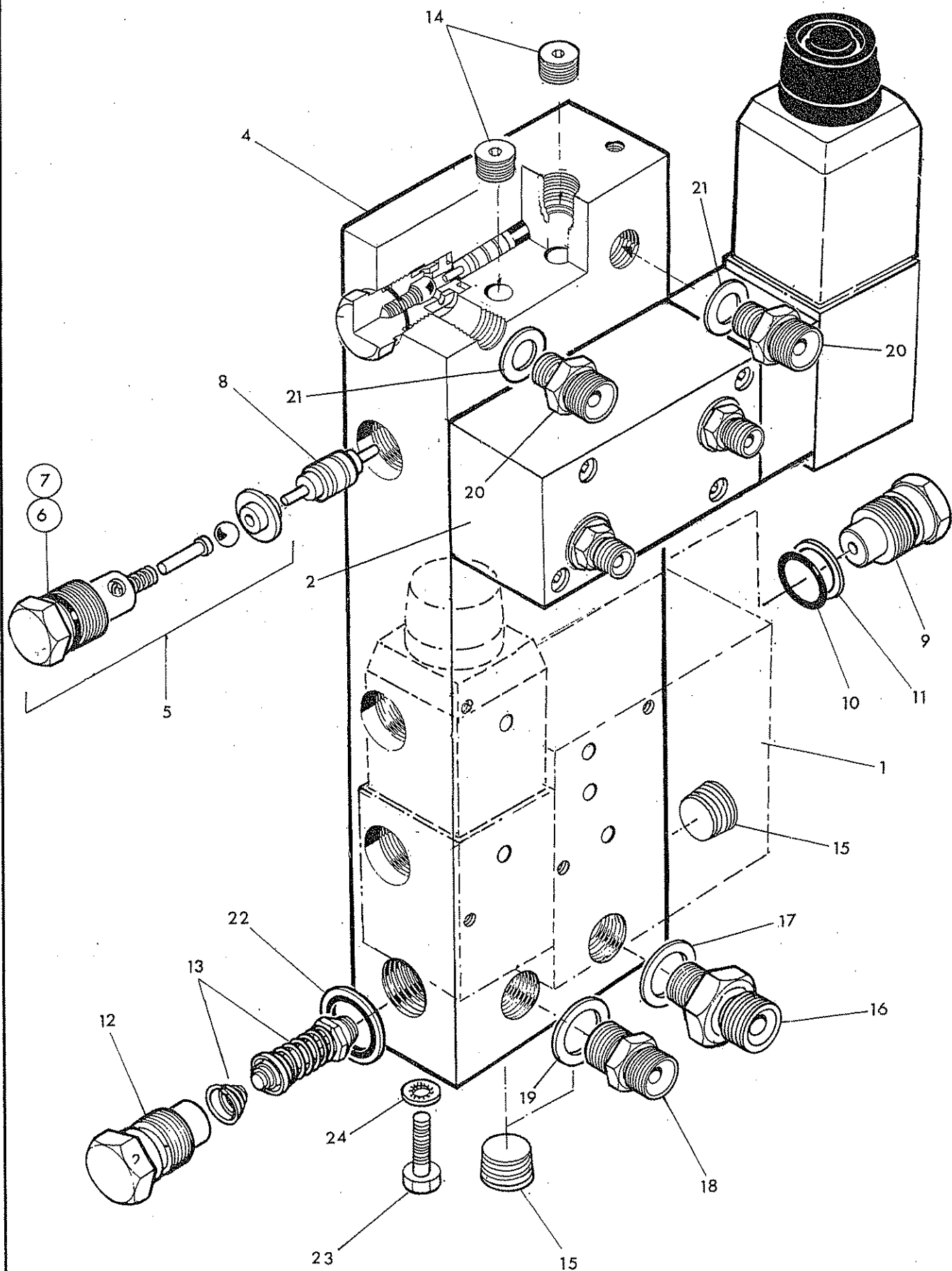
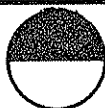


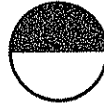


Ref.	Part No.	Qty.	Description
------	----------	------	-------------

**SERVICE HYDRAULIC CIRCUITS :-
for 650 machines**

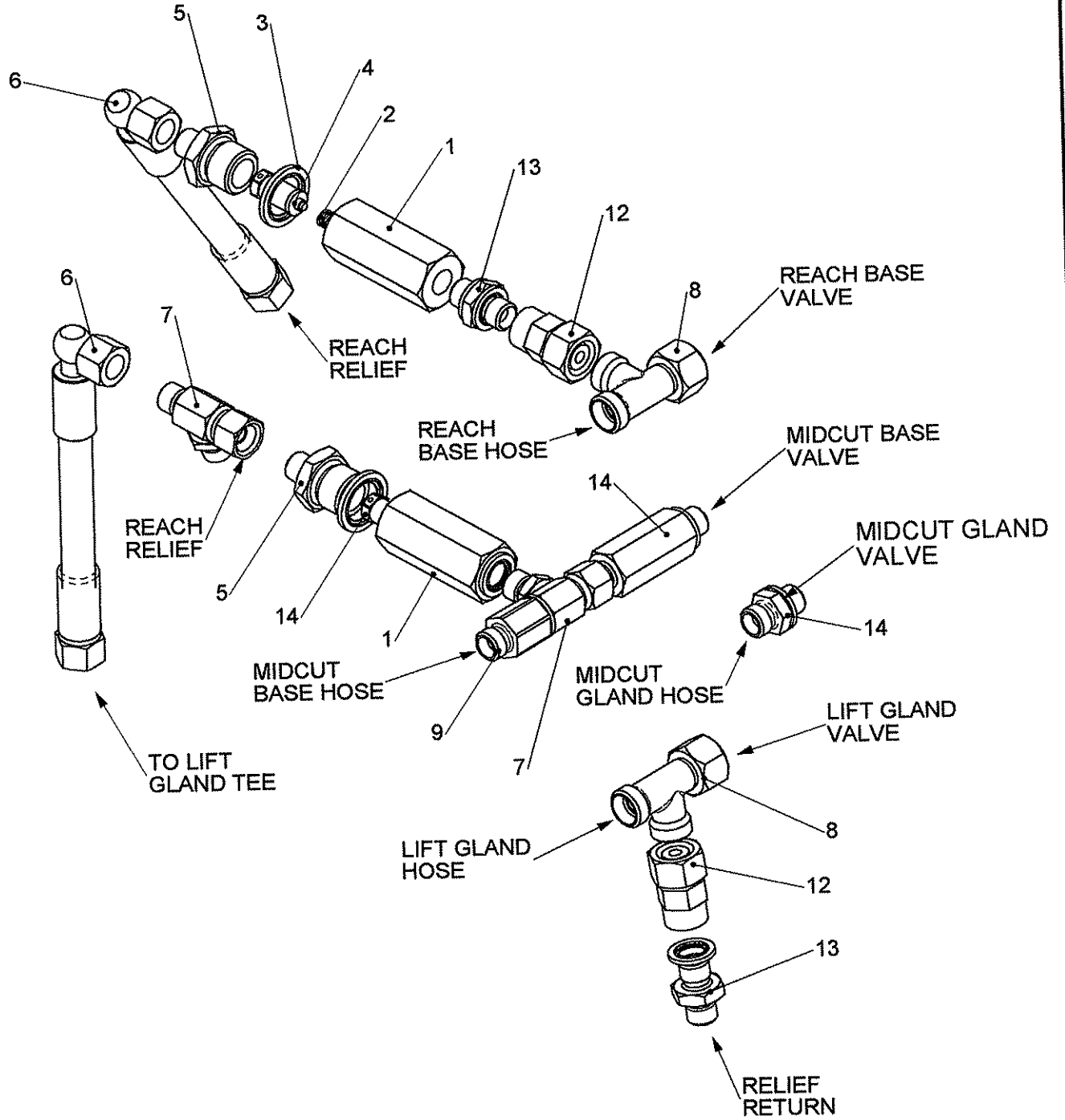
1			Main control valve
2			Pump
3	43054.12	2	Hose M36 x 600 long pump - bulkhead
4	42732.36	2	Hose M36 x 2600 long - bulkhead - main arm junction
5	43374.30	2	Hose M36 x 2000 long - dipper pivot
6	42733.16	2	Hose M36 x 800 long - rigid pipes - head bracket
7	42721.24	2	Hose M18 x 1400 long - lift
8	42718.14	2	Hose M14 x 700 long - slew
9	42720.42	2	Hose M18 x 3700 long - reach
10	42717.56	2	Hose M14 x 4600 long - tele
11	42717.40	2	Hose M14 x 3000 long - angle. Valve - junction
12	42717.45	2	Hose M14 x 3500 long - angle. Junction - ram
13	42727.67	1	Hose M26 x 5700 long - drain. - tank- dipper join
14	42727.25	1	Hose M26 x 1500 long - drain. - dipper join - head join
15	85 81 405	2	Union M36 MM
16	85 81 382	2	Union M14 MM
17	43491.22	1	Hose sleeve x 1800 long
18	43491.22	1	Hose sleeve x 1600 long
19	00900913	1	Hose sleeve x 800 long
20	71 96 045	as reqd	Hose tie x 300 long
21	71 35 084	as reqd	Hose tie x 175 long
22	85 81 404	1	Union M26 MM





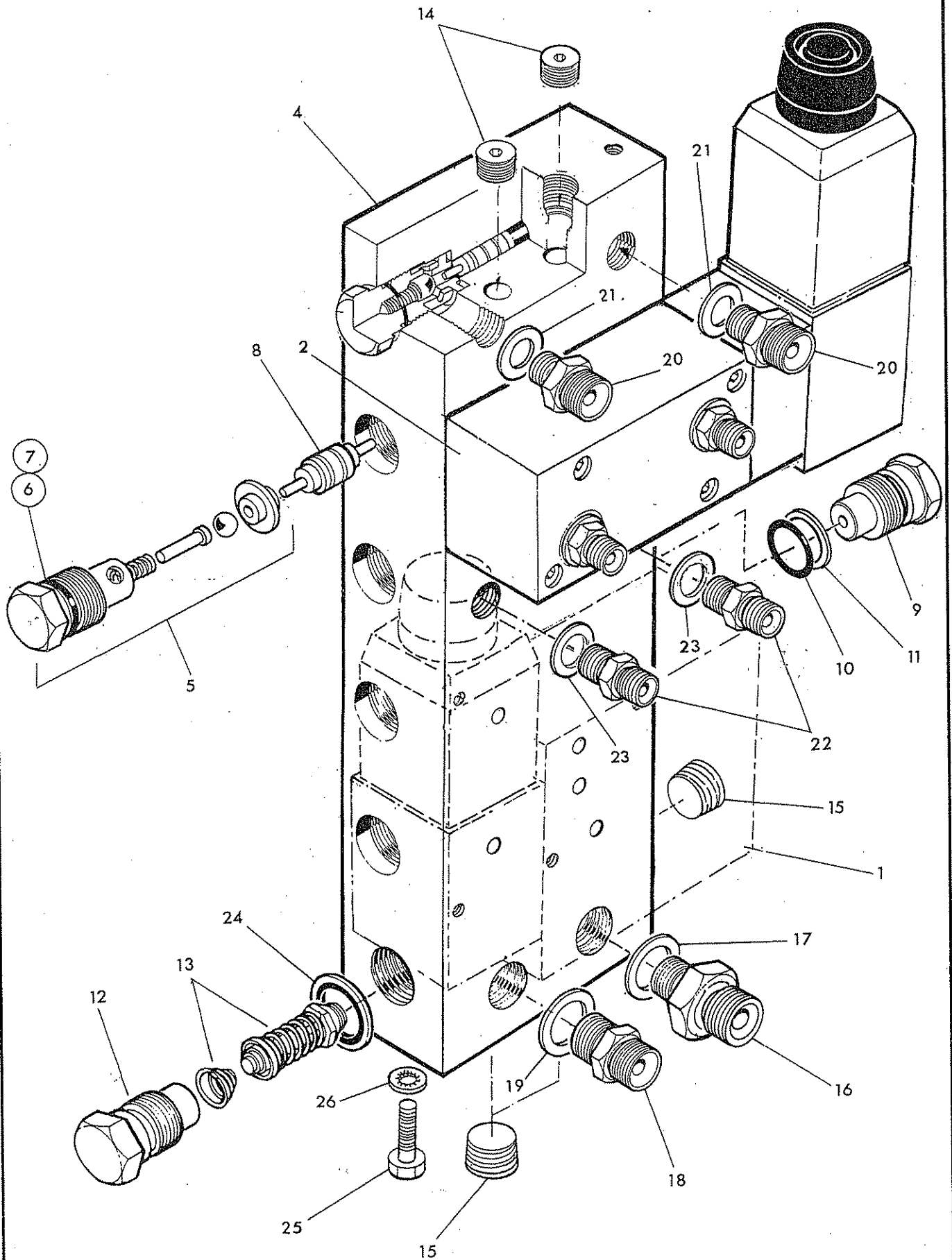
Ref.	Part No.	Qty.	Description
CONTROL VALVE – Standard arm			
1		1	Slew valve
2		1	Angle float valve
3		5	Solenoids – not illus
4	81 32 280	1	manifold block
5	81 30 090	7	Check valve assembly
6	87 00 644	1	Check valve O ring
7	87 09 644	1	Check valve anti extrusion ring
8	81 30 087	4	Actuator
9	81 30 078	1	Check valve blank
10	87 00 644	1	O ring
11	87 09 644	1	Anti extrusion ring
12	81 30 032	1	Relief valve cap
13	81 30 029	1	Relief valve c/w spring – 175 Bar
14	85 82 042	2	Taper plug 1/4" BSPT
15	85 82 043	3	Taper plug 3/8" BSPT
16	85 81 391	1	Adaptor 3/8" BSP – M22 including seal
17	86 50 403	1	Seal
18	85 81 370	1	Adaptor 3/8" BSP – M18 including seal
19	86 50 403	1	Seal
20	85 81 390	2	Adaptor 1/4" BSP – M18 including seal
21	86 50 402	1	Seal
22	86 50 103	1	Bonded seal 3/8" BSP
23	93 13 055	2	Setscrew M10 x 25
24	91 00 305	2	Internal shakeproof washer
	86 99 197		SEAL KIT

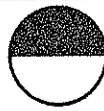
MIDCUT ROTOR RELIEF



MIDCUT ROTOR RELIEF

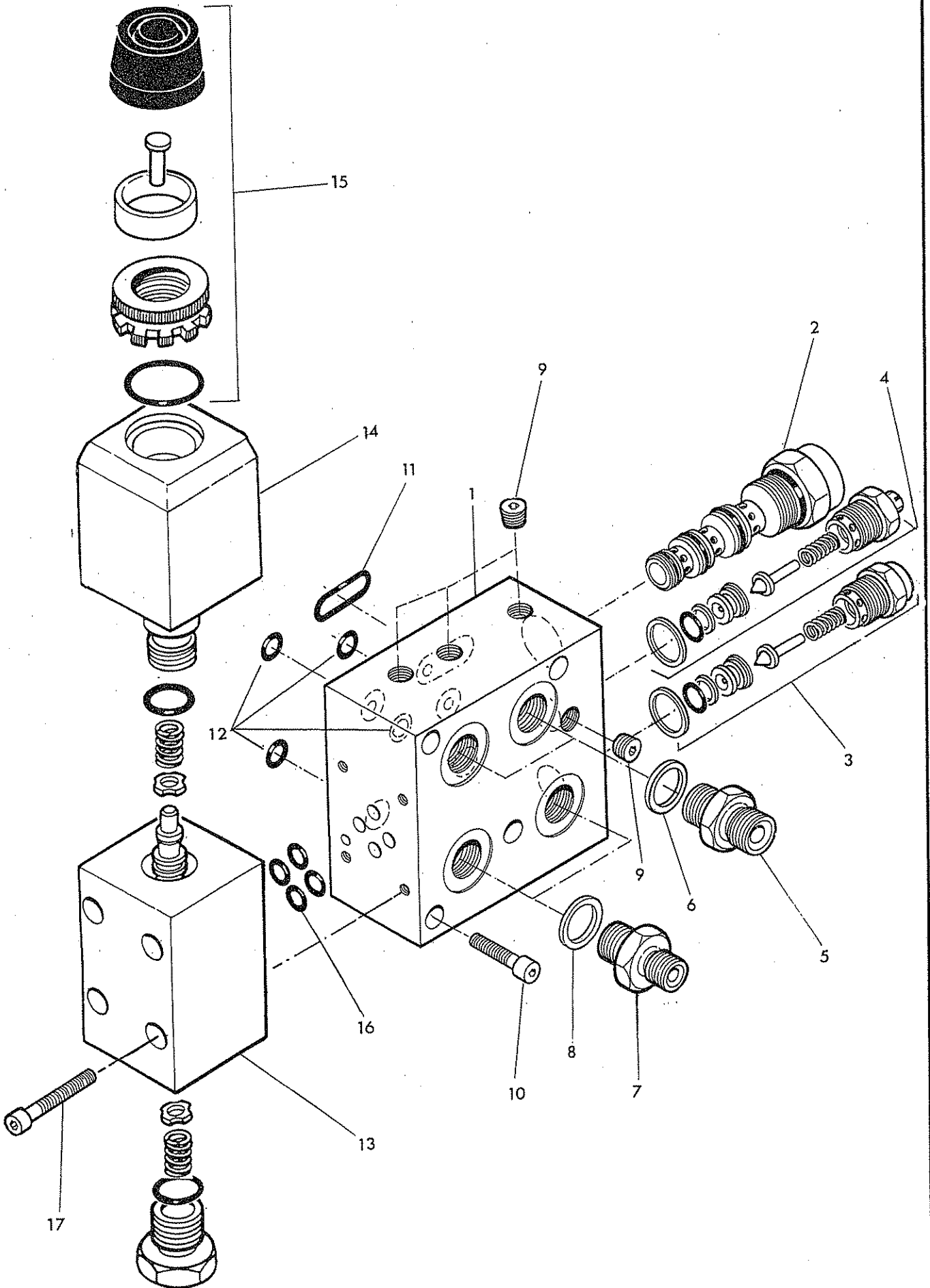
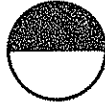
REF.	QTY.	PART NO.	DESCRIPTION
		7455810	PA 550 MIDCUT ROTOR RELIEF
1	2	8130156	ADAPTOR RELIEF HOUSING
2	2	8116011	SPRING OD.275 x 5/8" LONG
3	2	8650104	BONDED SEAL 1/2" BSP
4	2	8130092	RELIEF VALVE 190BAR
5	2	8130083	ADAPTOR RELIEF BODY
6	2	10.002.08	HOSE 1/4" BSP FS/F90 x 400mm
7	2	8581254	ADAPTOR TEE 1/4" BSP MFM
8	2	8581413	ADAPTOR TEE M18 MFM
9	1	8581360	ADAPTOR 1/4" x M14 FM
10	1	8581279	ADAPTOR EXT 1/4" BSP MM
11	7	8650102	BONDED SEAL 1/4" BSP
12	2	8581433	ADAPTOR M18 x 1/4" FF SWIVEL
13	2	8581169	ADAPTOR 1/4" BSP MM
14	1	8124134	ADAPTOR RESTRICTOR 1.3 'C'

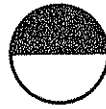




Ref.	Part No.	Qty.	Description
CONTROL VALVE – Tele arm			
1		1	Slew valve
2		1	Angle float valve
3		1	Solenoids – not illus
4	81 32 281	1	Manifold block
5	81 30 090	7	Check valve assembly
6	87 00 644	1	Check valve O ring
7	87 09 644	1	Check valve anti extrusion ring
8	81 30 087	5	Actuator
9	81 30 078	1	Check valve blank
10	87 00 644	1	O ring
11	87 09 644	1	Anti extrusion ring
12	81 30 032	1	Relief valve cap
13	81 30 029	1	Relief valve c/w spring 175 Bar
14	85 82 042	2	Taper plug 1/4"BSPT
15	85 82 043	3	Taper plug 3/8" BSPT
16	85 81 391	1	Adaptor 3/8" BSP – M22 including seal
17	86 50 403	1	Seal
18	85 81 370	1	Adaptor 3/8" BSP – M18 including seal
19	86 50 403	1	Seal
20	85 81 390	2	Adaptor 1/4"BSPT – M18 including seal
21	86 50 402	1	Seal
22	85 81 374	2	Adaptor 1/4"BSPT – M14 including seal
23	86 50 402	1	Seal
24	86 50 103	1	Bonded seal 3/8" BSP
25	93 13 055	2	Setscrew M10 x 25
26	91 00 205	2	Internal shakeproof washer
	86 99 197		SEAL KIT

SLEW VALVE

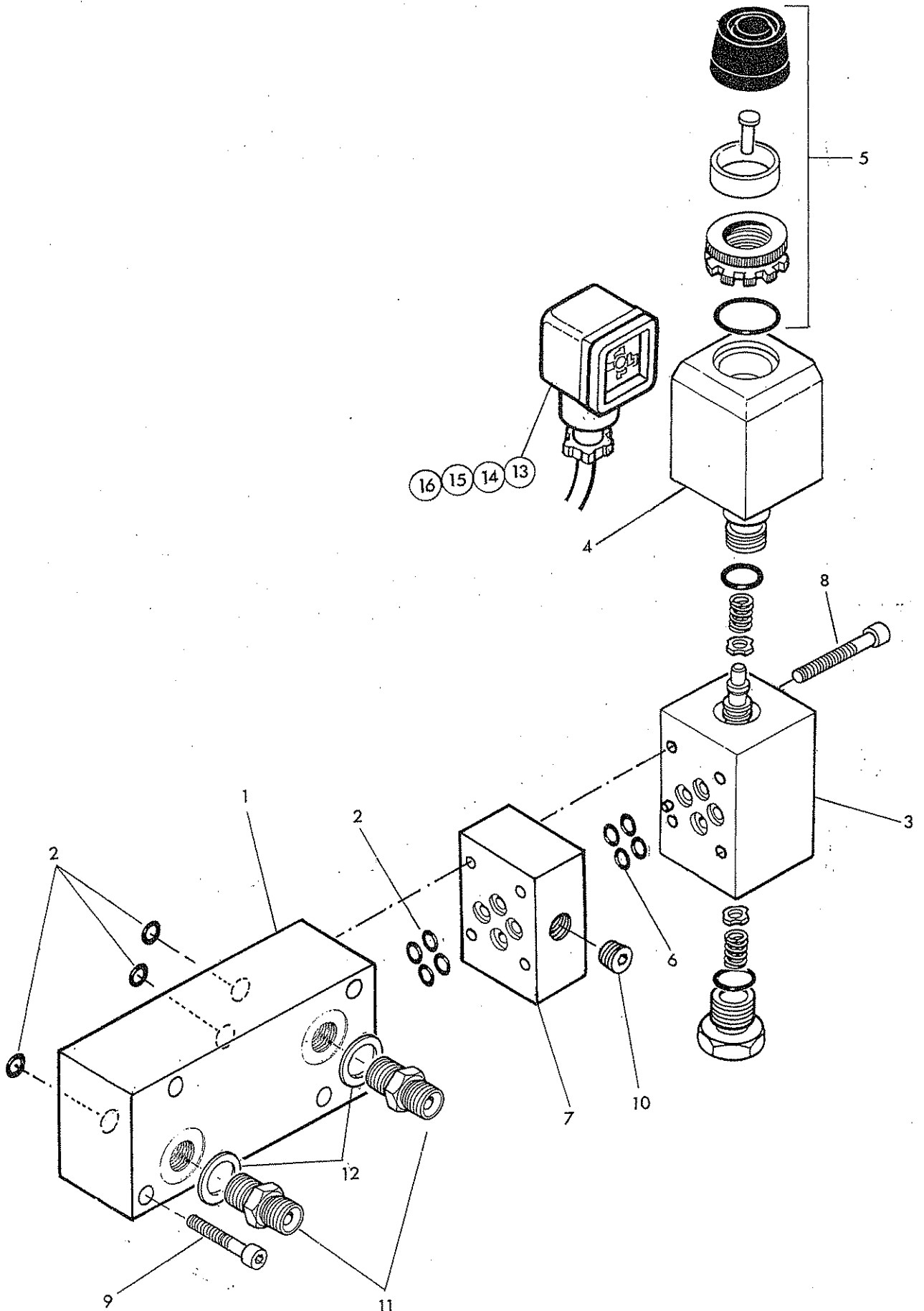
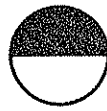


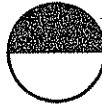


Ref.	Part No.	Qty.	Description
SLEW VALVE ASSEMBLY			
1	81 32 279	1	Valve block
2	81 30 204	1	Three way spool valve
3	81 28 022	1	Relief valve 175 Bar – slew base
4	81 28 065	1	Relief valve 40 Bar – lift gland
5	85 81 370	2	Adaptor 3/8" BSP – M18 MM including seal
6	86 50 403	1	Seal
7	85 81 368	2	Adaptor 3/8" BSP – M14 MM including seal
8	86 50 403	1	Seal
9	85 82 041	4	Taper plug 1/8" BSPT
10	92 43 062	4	Capscrew – socket headed M5 x 30
11	87 00 525	1	O ring
12	87 00 511	4	O ring
13	81 30 457	1	Single solenoid valve including :-
14	81 30 175	1	Coil
15	81 30 176	1	Manual over-ride kit
16	86 00 107	4	O ring
17	92 43 082	4	Capscrew – socket headed M5 x 40

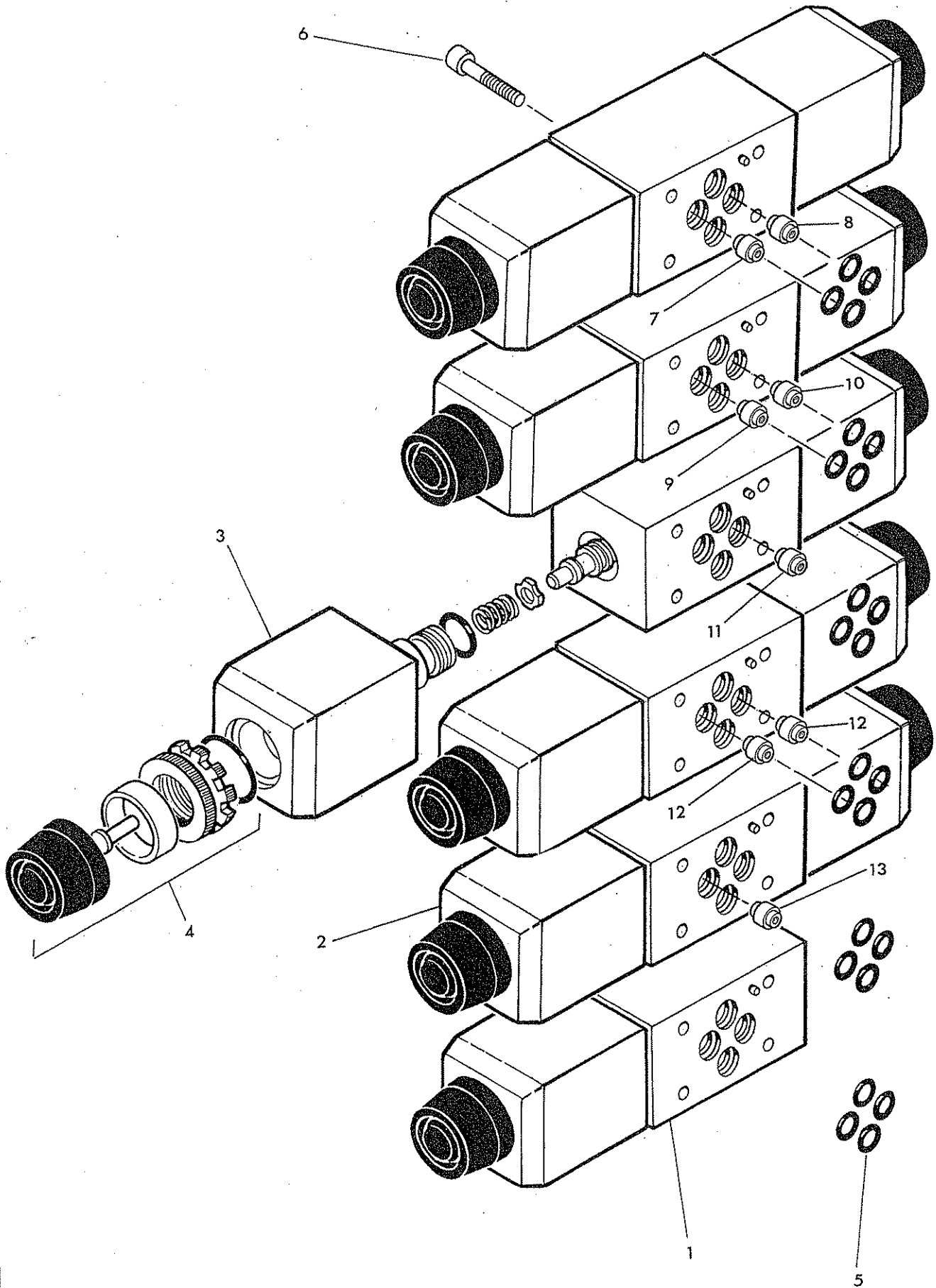
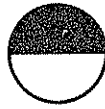
86 99 224

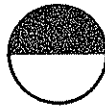
SOLENOID SEAL KIT





Ref.	PartNo.	Qty.	Description
ANGLE FLOAT KIT			
1	81 30 323	1	Float valve block
2	87 00 511	7	O ring
3	81 30 457	1	Single solenoid valve including :-
4	81 30 175	1	Coil
5	81 30 176	1	Manual over-ride kit
6	86 00 107	4	O ring
7	81 26 280	1	Bridging plate
8	92 43 102	4	Capscrew – socket headed M5 x 50
9	92 43 082	4	Capscrew – socket headed M5 x 40
10	85 82 041	1	Plug 1/8" BSP
11	85 81 374	2	Adaptor 1/4" Bsp – M14 MM including seal
12	86 50 402	1	Seal
13	84 02 338	1	Loom including plug
14	07.835.04	1	Plug including screw and gasket
15	07.835.03	1	Screw
16	07.835.02	1	Gasket
			} Standard E } Machines only
	86 99 224		SOLENOID SEAL KIT





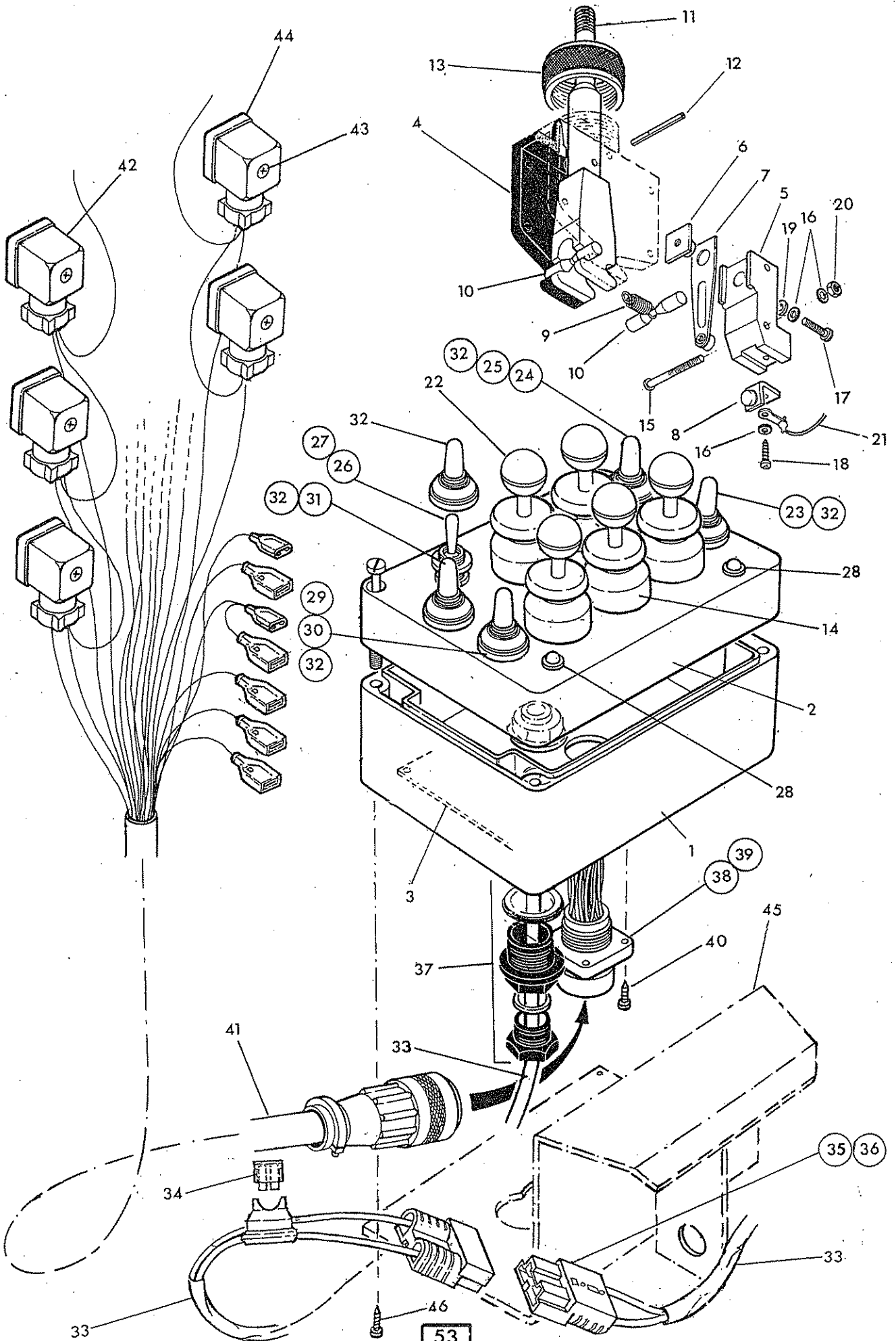
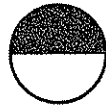
Ref.	Part No.	Qty.	Description
------	----------	------	-------------

SERVICE SOLENOIDS

1	81 30 456	1	Single solenoid
2	81 30 629	4 or 5	Double solenoid

Items 3, 4, 5 and 6 are common to both solenoid assemblies

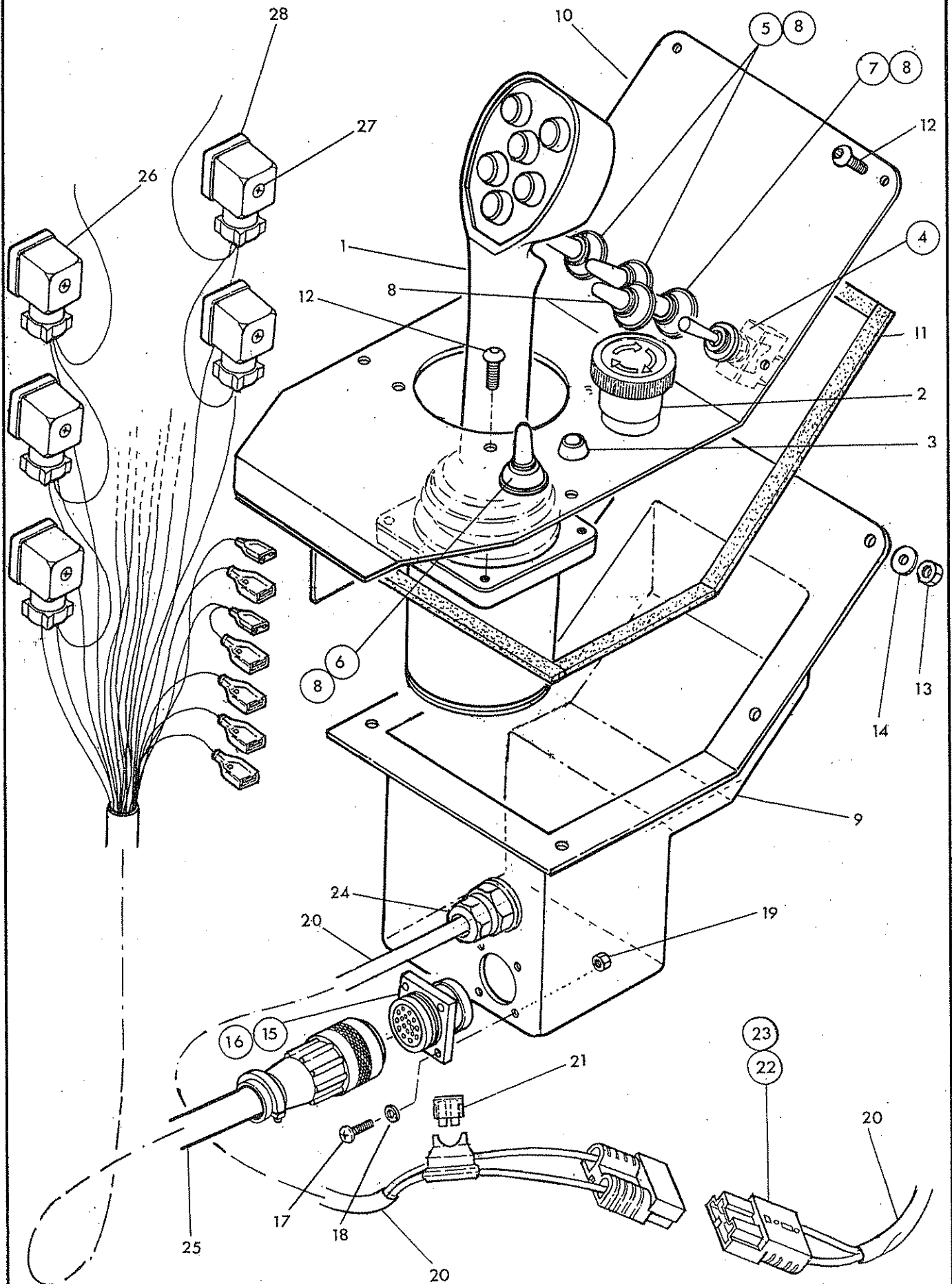
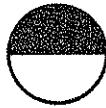
3	81 30 175	1	Coil
4	81 30 176	1	Manual over-ride kit
5	86 00 107	4	O ring
6	92 43 062	4	Capscrew – socket headed M5 x 30
7	42989.07	1	Restrictor insert – reach base
8	42989.04	1	Restrictor insert – reach gland
9	42989.04	1	Restrictor insert – angle base
10	42989.03	1	Restrictor insert – angle gland
11	42989.04	1	Restrictor insert – Tele/midcut gland – if fitted
12	42989.08	2	Restrictor insert – lift
13	42989.04	1	Restrictor insert – slew base

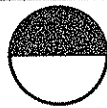




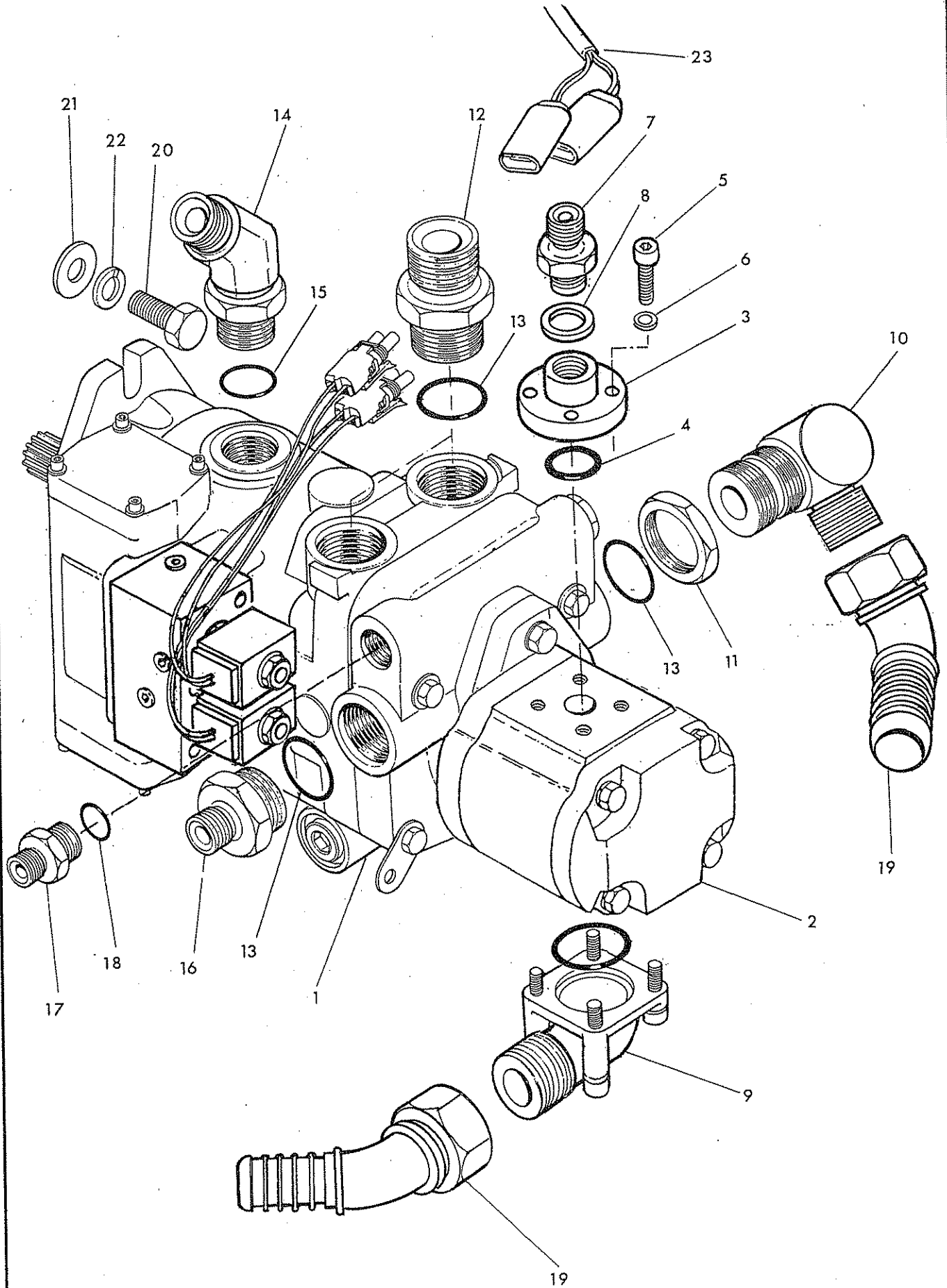
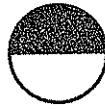
SWITCHBOX CONTROLS & LOOM

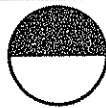
REF.	QTY.	PART NO.	DESCRIPTION
		41845.04	MULTI 5 LEVER SWITCHBOX - Electric Rotor Control
1	1	41845.32	BOX
2	1	41845.31	LID c/w SCREWS
3	1	41845.33	CIRCUIT BOARD
	5	8402122	LEVER SWITCH UNIT - <i>comprising of:</i>
4	1	8402285	SWITCH BODY
5	2	8402106	CONTACT HOLDER
6	2	8402109	SPRING CONTACT RETAINER
7	2	8402113	SPRING CONTACT
8	2	8402108	FIXED CONTACT
9	1	8402101	SPRING
10	2	8402111	BAR
11	1	8402256	LEVER
12	1	0425320	SPRING DOWEL
13	1	8402051	BEZEL RING
14	1	8402022	LEVER GAITER
15	4	9200006	SCREW - POSIDRIVE PANHEAD
16	8	9100400	EXTERNAL SERRATED WASHER
17	2	9200005	SCREW - POSIDRIVE PANHEAD
18	2	8402119	SELFTAPPING SCREW
19	2	8402280	PLAIN WASHER
20	2	9113000	NUT - PLATED
21	5	41845.34	LOOM - LEVER SWITCH
22	5	8402056	KNOB - BLACK
23	1	8402023	SWITCH - POWER ON/OFF
24	1	8402182	SWITCH - SLEW/AUTO RESET
25	1	41845.35	LOOM - SLEW/AUTO RESET SWITCH
26	1	8402197	SWITCH - FLOAT
27	1	41845.37	LOOM - FLOAT SWITCH
28	1	41845.41	L.E.D. AND LOOM
29	1	8402173	SWITCH - POWER RESET
30	1	41845.36	LOOM - POWER RESET SWITCH
31	1	8402185	SWITCH
32	5	8402024	WEATHER GAITER
33	1	8402232	POWER LOOM - <i>including:</i>
34	1	43034.02	FUSE
35	2	8402230	CONTACTS HOUSING
36	4	8402229	CONTACTS
37	1	8402042	GLAND
38	1	8402186	SOCKET SHELL
39	19	8402192	PIN SOCKET
40	4	2800203	SCREW
41	1	41844.01	WIRING LOOM - <i>including:</i>
42	12	07.835.04	PLUG - INCLUDING SCREW & GASKET
43	1	07.835.03	SCREW
44	1	07.835.02	GASKET
45	1	8402345	MOUNTING BRACKET
46	4	2800243	SELF-TAPPING SCREW



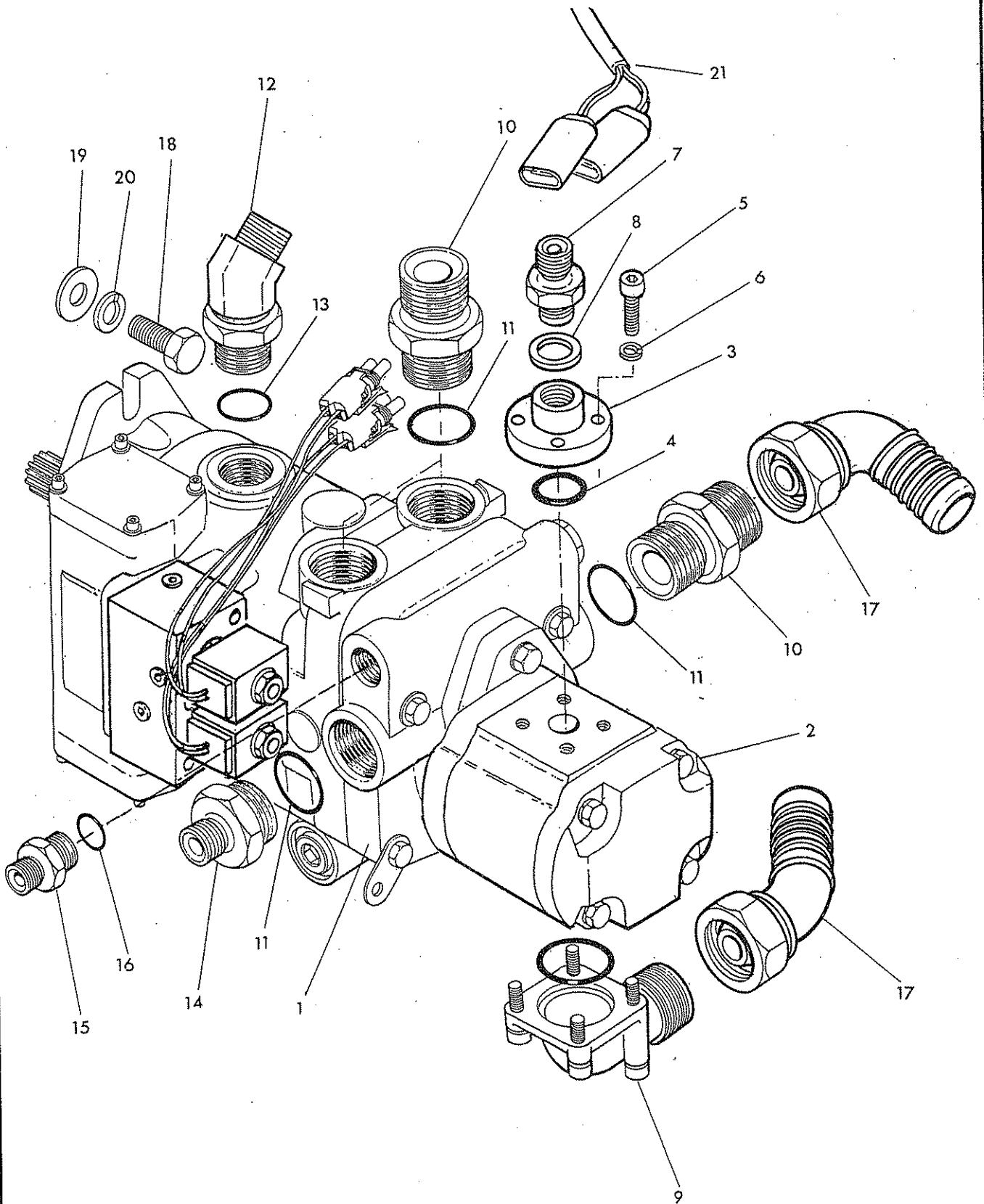
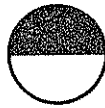


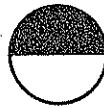
Ref.	Part No.	Qty.	Description
	41590.05		MONOLEVER CONTROL ASSY.
1	41590.33	1	Joystick
2	84 02 184	1	Power on / emergency stop
3	84 02 174	1	L.E.D. main power on
4	84 02 182	1	Switch – slew / auto reset
5	84 02 023	2	Switch – lift and angle float
6	84 02 173	1	Switch – power reset
7	84 02 185	1	Switch
8	84 02 024	5	Weather cover
9	75 50 300	1	Cover pod
10	75 50 399	1	Top plate
11	72 90 052	1	Sealing strip – cut to suit
12	93 00 125	10	Screw - button head M6 x 16
13	91 43 003	6	Self locking nut M6
14	91 00 103	6	Plain washer dia 6
15	84 02 189	1	Socket shell
16	84 02 192	19	Female socket pin
17	92 00 007	4	Screw - posidrive panhead M3 x 10
18	91 00 400	4	External serrated washer dia 3
19	91 00 013	4	Hexagon nut – plated M3
20	84 02 232	1	Power loom including :-
21	43034.03	1	Fuse
22	84 02 230	2	Contact housing
23	84 02 229	4	Contacts
24	84 02 042	1	Gland
25	41844.01	1	Loom and plug including :-
26	07.835.04	12	Plug including screw and gasket
27	07.835.03	1	Screw
28	07.835.02	1	Gasket





Ref.	Part No.	Qtyt.	Description
PUMP ASSEMBLY R.Hand			
1	82 01 699	1	Large piston pump
2	82 01 706	1	Small gear pump
3	80 13 123	1	Pressure flange
4	86 00 115	1	O ring
5	93 43 043	4	Capscrew M6 x 20
6	91 00 203	4	Spring washer dia 6
7	85.81 370	1	Adaptor 3/8" BSP – M18 MM including seal
8	86 50 403	1	Seal
9	80 13 124	1	Suction flange including screws and O ring
10	85 81 409	1	Elbow 90 degrees 1 5/16" J.I.C – M36
11	75 50 047	1	Thin hexagon nut 1 5/16" J.I.C.
12	85 81 375	2	Adaptor 1 5/16" J.I.C. – M36 MM
13	86 00 916	4	O ring 1 5/16"
14	85 81 395	1	Elbow 45 degrees 1 1/16" J.I.C. – M26 MM
15	86 00 912	1	O ring 1 1/16"
16	85 81 396	1	Adaptor 1 5/16" J.I.C. – M22 MM
17	85 81 394	1	Adaptor 7/8" J.I.C. – M18 MM
18	86 00 910	1	O ring 7/8"
19	85 81 407	2	Adaptor elbow M36 F – 1" low pressure
20	05.839.01	2	Special bolt M14 x 35
21	91 00 020	2	Plain washer dia 14
22	05.282.08	2	Spring washer dia 14
23	43177.27	1	Loom – rotor control



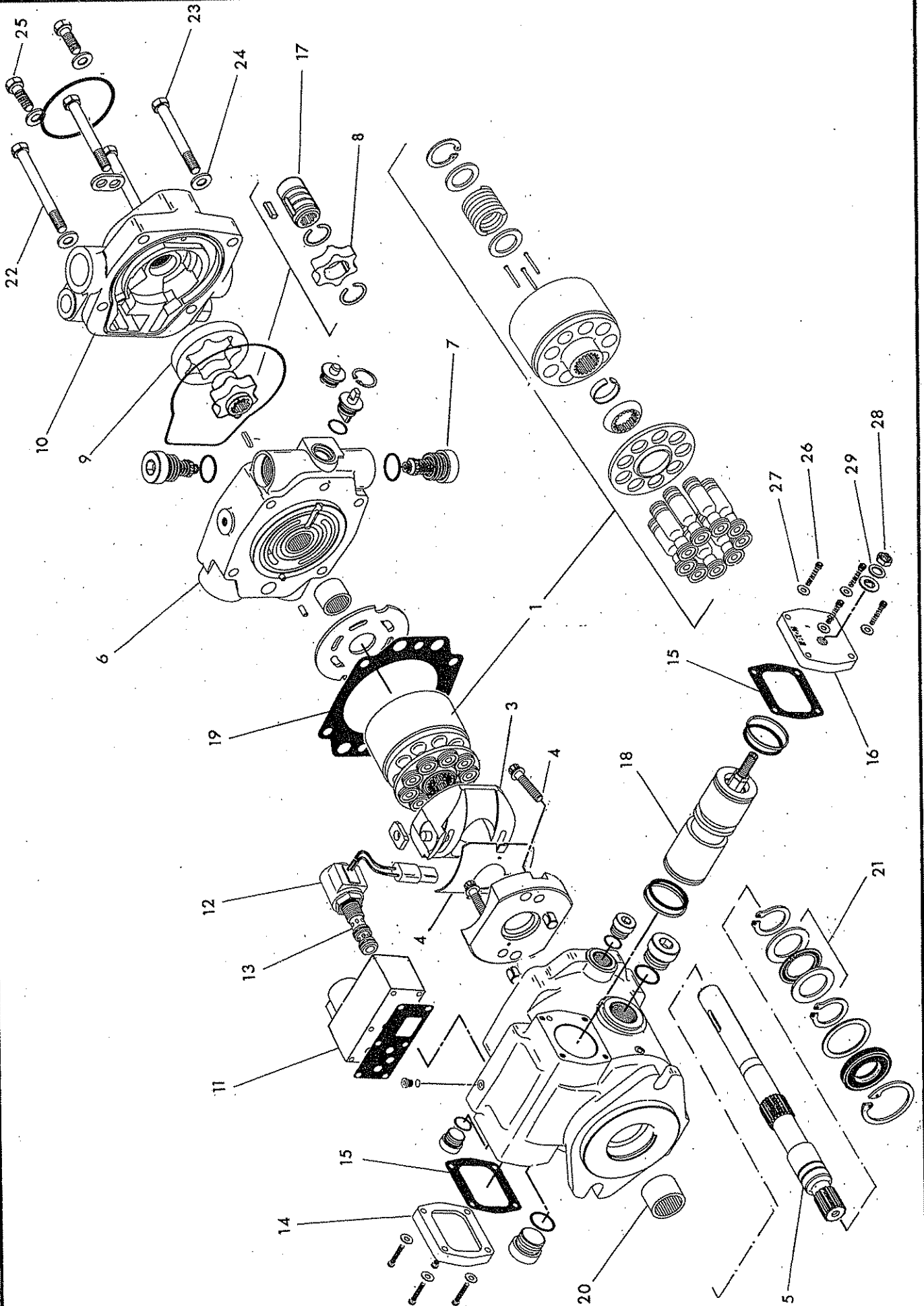


Ref.	Part No.	Qtyt.	Description
PUMP ASSEMBLY L.Hand			
1	82 01 699	1	Large piston pump
2	82 01 706	1	Small gear pump
3	80 13 123	1	Pressure flange
4	86 00 115	1	O ring
5	93 43 043	4	Capscrew M6 x 20
6	91 00 203	4	Spring washer dia 6
7	85 81 370	1	Adaptor 3/8" BSP - M18 MM including seal
8	86 50 403	1	Seal
9	80 13 124	1	Suction flange including screws and O ring.
10	85 81 375	3	Adaptor 1 5/16" J.I.C. - M36 MM
11	86 00 916	4	O ring 1 5/16"
12	85 81 395	1	Elbow 45 degrees 1 1/16" J.I.C. - M26 MM
13	86 00 912	1	O ring 1 1/16"
14	85 81 396	1	Adaptor 1 5/16" J.I.C. - M22 MM
15	85 81 394	1	Adaptor 7/8" J.I.C. - M18 MM
16	86 00 910	1	O ring 7/8"
17	85 81 407	2	Adaptor elbow M36 F - 1" low pressure
18	05.839.01	2	Special bolt M14 x 35
19	91 00 020	2	Plain washer dia 14
20	05.282.08	2	Spring washer dia 14
21	43177.27	1	Loom - rotor control

PISTON PUMP



McCOMBI



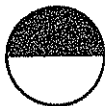


Ref.	Part No.	Qty.	Description
	82 01 699		PISTON PUMP ASSEMBLY
1	82 01 169	1	Rotating kit
2	82 01 170	1	Valve plate
3	82 01 171	1	Cam plate
4	82 01 172	1	Cam bushing
5	82 01 173	1	Shaft
6	82 01 174	1	Back plate assembly
7	82 01 175	1	Relief valve
8	82 01 176	1	Gerotor – inner ring
9	82 01 177	1	Gerotor – outer ring
10	82 01 178	1	Charge assembly
11	82 01 192	1	Pump/rotor control including :-
12	82 01 197	2	Coil
13	82 01 198	2	Cartridge
14	82 01 181	1	Cover plate
15	82 01 182	2	Gasket
16	82 01 183	1	Cover plate
17	82 01 185	1	Coupler
18	82 01 180	1	Servo piston assembly
19	82 01 187	1	Gasket
20	83 01 038	1	Needle bearing
21	83 01 039	1	Thrust washer
22	02 12 323	3	Bolt
23	02 12 283	3	Bolt
24	01 00 103	8	Washer
25	03 11 103	2	Setscrew
26	03 42 080	8	Capscrew
27	01 00 100	8	Washer
28	01 12 003	1	Nut
29	01 00 103	1	Washer
	86 99 239		SEAL KIT

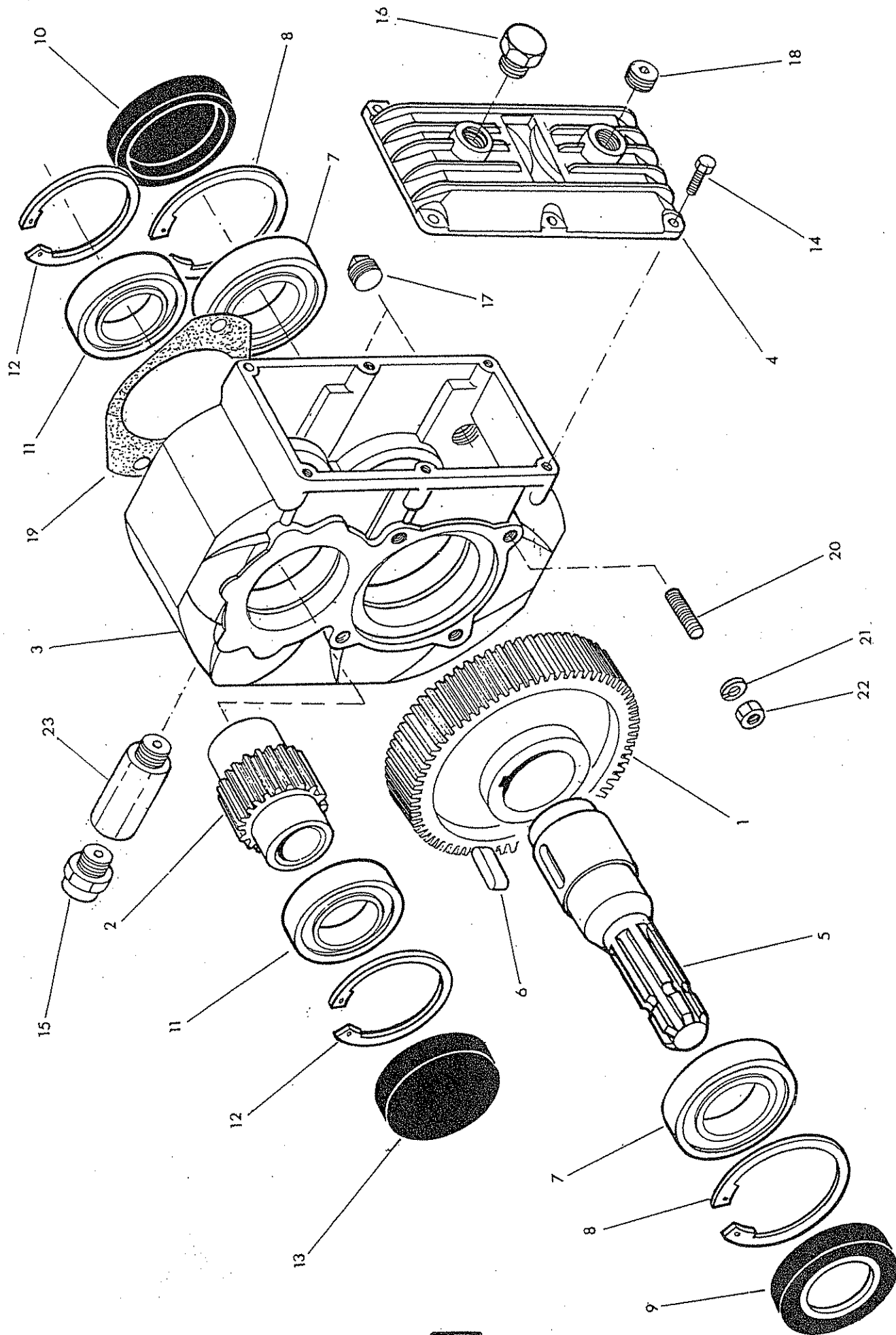
To safeguard warranty rights during the warranty period the pump **must not** be dismantled prior to examination by McConnel engineers.

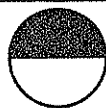
Subsequently, when servicing, always be aware that piston pumps are manufactured to very fine tolerances and, with the exception of replacing item 7, any **service work must** be carried out by **qualified** specialist technicians working in a **clean dust free environment**.

If in **any doubt** contact McConnel service department for advice.

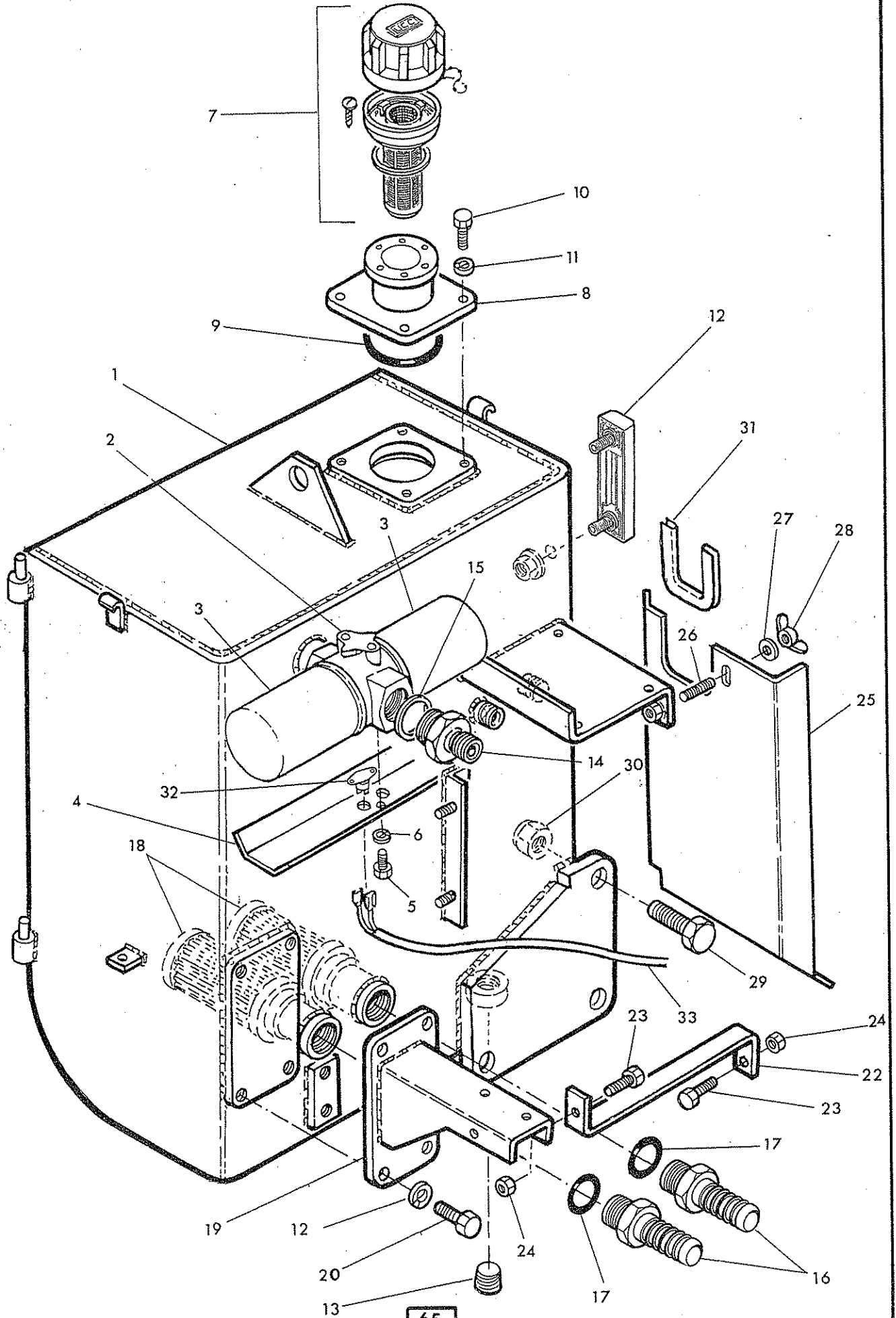
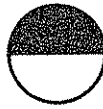


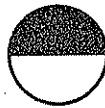
WAGNER



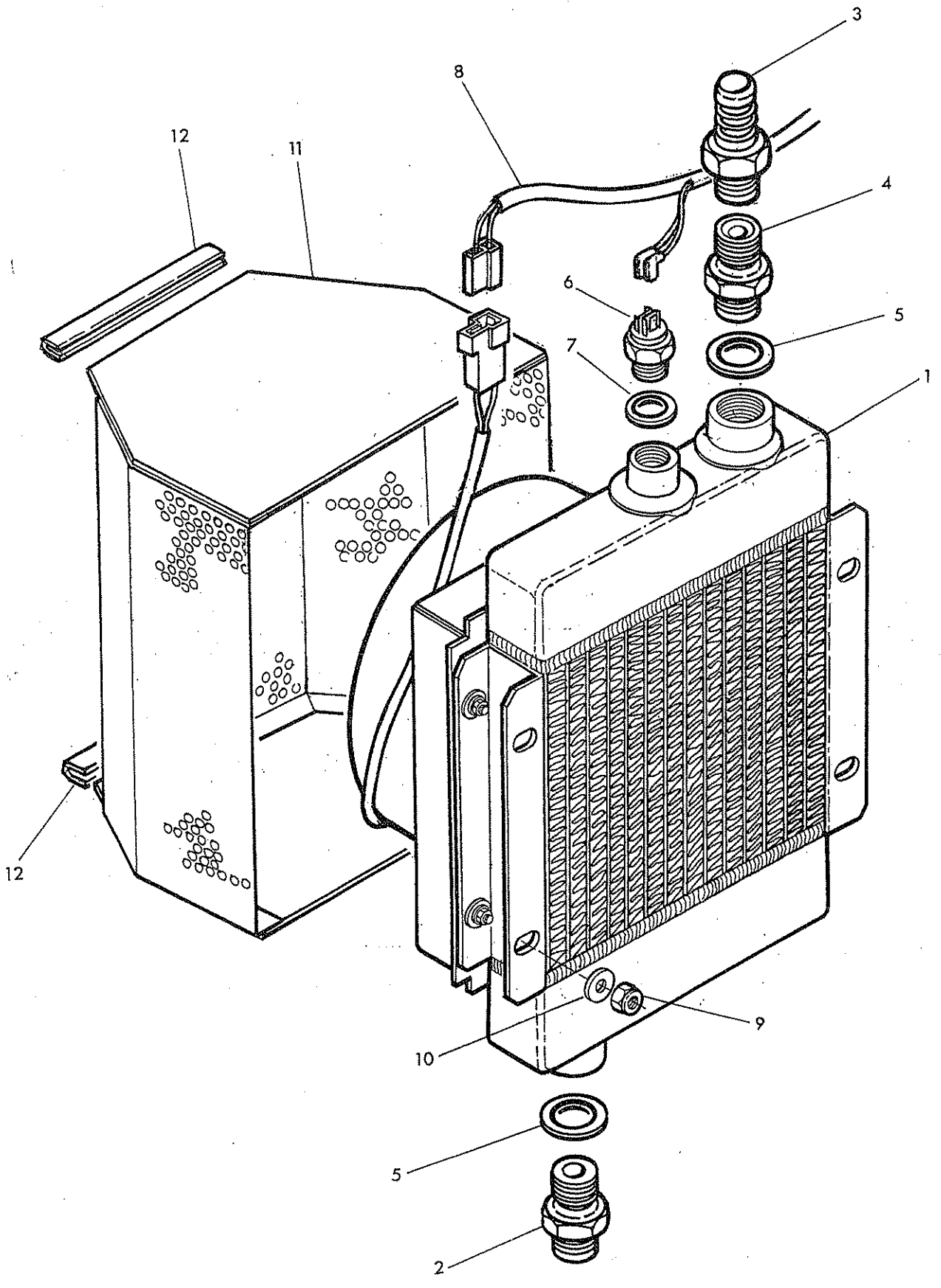
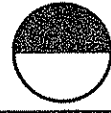


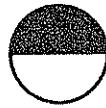
Ref.	Part No.	Qty.	Description
	80 13 512		GEARBOX ASSY. 3:1 - 540 RPM For gear hydraulic machines
	80 13 513		GEARBOX ASSY. 3:1 - 1000 RPM For piston hydraulic machines
	80 13 514		GEARBOX ASSY. 3.547:1 - 800 RPM For piston hydraulic machines
1	80 13 515	1	Primary gear - For 540 rpm & 1000 rpm machines
	80 13 516	1	Primary gear - For 800 rpm machines
2	80 13 517	1	Driven gear - For 540 rpm machines
	80 13 518	1	Driven gear - For 800 rpm machines
	80 13 519	1	Driven gear - For 1000 rpm machines
3	80 13 520	1	Case
4	80 13 521	1	Cover
5	80 13 522	1	Input shaft
6	80 13 523	1	Key 16 x 10 x 40
7	80 13 524	2	Bearing
8	80 13 525	2	Internal circlip dia 90
9	80 13 526	1	Shaft seal
10	80 13 527	1	Cap 90 dia
11	80 13 528	2	Bearing
12	80 13 529	2	internal circlip dia 80
13	80 13 530	1	Cap dia 80
14	80 13 531	6	Setscrew M6 x 16
15	80 13 532	1	Breather
16	80 13 533	1	Drain plug
17	80 13 534	2	Level plug
18	80 13 535	1	Cover plug
19	75 50 048	1	Pump face gasket
20	04.282.17	4	Stud M12 x 41
21	91 00 206	4	Spring washer dia 12
22	91 13 006	4	Plain nut M12
23	85 81 355	1	Extension adaptor



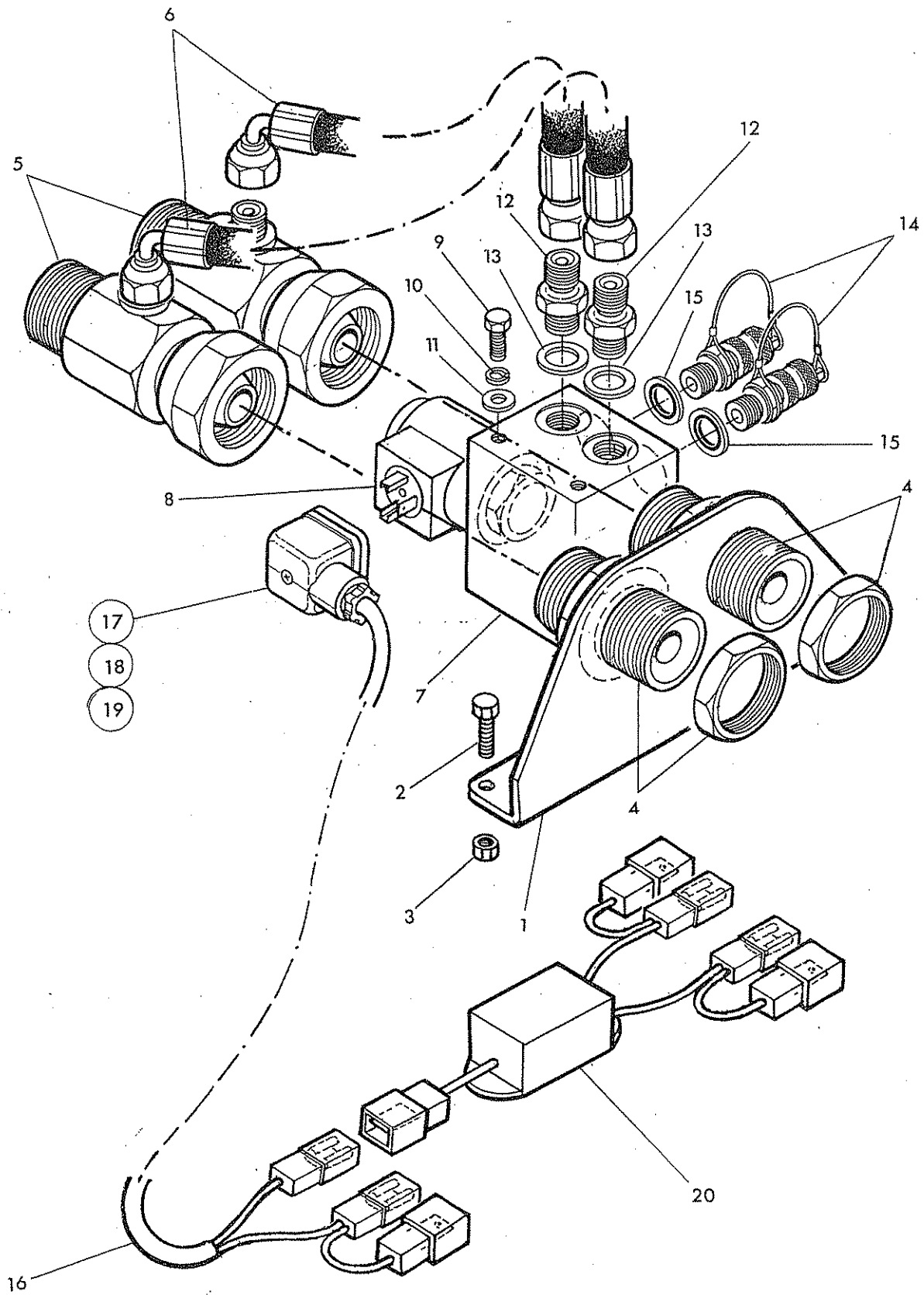
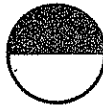


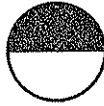
Ref.	Part No.	Qty.	Description
TANK ASSEMBLY			
1	43326.02	1	Tank – R.Hand
	43326.01	1	Tank – L.Hand – not illus
2	84 01 060	1	Filter head
3	84 01 070	2	Filter canister
4	43471.01	1	Drip tray
5	93 13 035	2	Setscrew M10 x 16
6	91 00 205	2	Spring washer dia 10
7	84 01 074	1	Breather
8	43175.01	1	Cover plate
9	86 00 151	1	O ring
10	93 13 044	4	Bolt M8 x 20
11	91 00 104	4	Plain washer dia 8
12	84 01 080	1	Level guage
13	85 81 203	1	Drain plug
14	84 84 401	1	Adaptor 1 1/2" BSP – M22 including seal
15	86 50 412	1	Seal
16	85 81 383	2	Adaptor 1 1/4" BSP – 1" low pressure
17	87 00 784	2	O ring
18	84 01 047	2	Strainer
19	43348.02	1	Valve mounting bracket – R.Hand
	43348.01	1	Valve mounting bracket – L.Hand – not illus
20	93 13 056	4	Setscrew M x 25
21	91 00 206	4	Spring washer dia 12
22	43350.01	1	Cooler stay
23	91 13 055	2	Setscrew M 10 x 25
24	91 43 005	2	Self locking nut M10
25	43354.02	1	Cooler shield R.Hand
	43354.01	1	Cooler shield L.Hand – not illus
26	03.917.01	1	Stud M10 x 36
27	91 00 105	1	Plain washer dia 10
28	91 93 005	1	Wingnut M10
29	92 13 107	3	Bolt M16 x 50
30	91 43 007	3	Self locking nut M16
31	43468.01	1	Edge strip
32	84 02 236	1	Cut out thermostat
33	43177.30	1	Loom



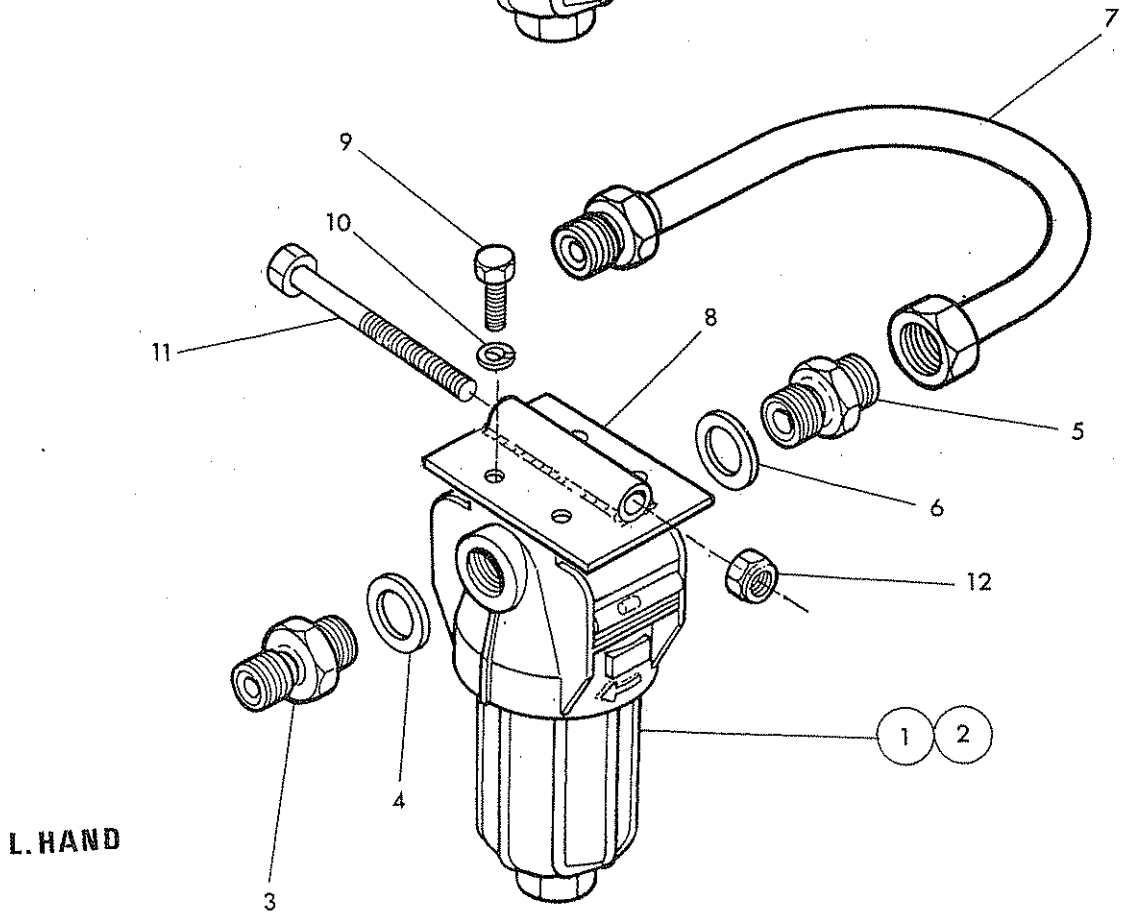
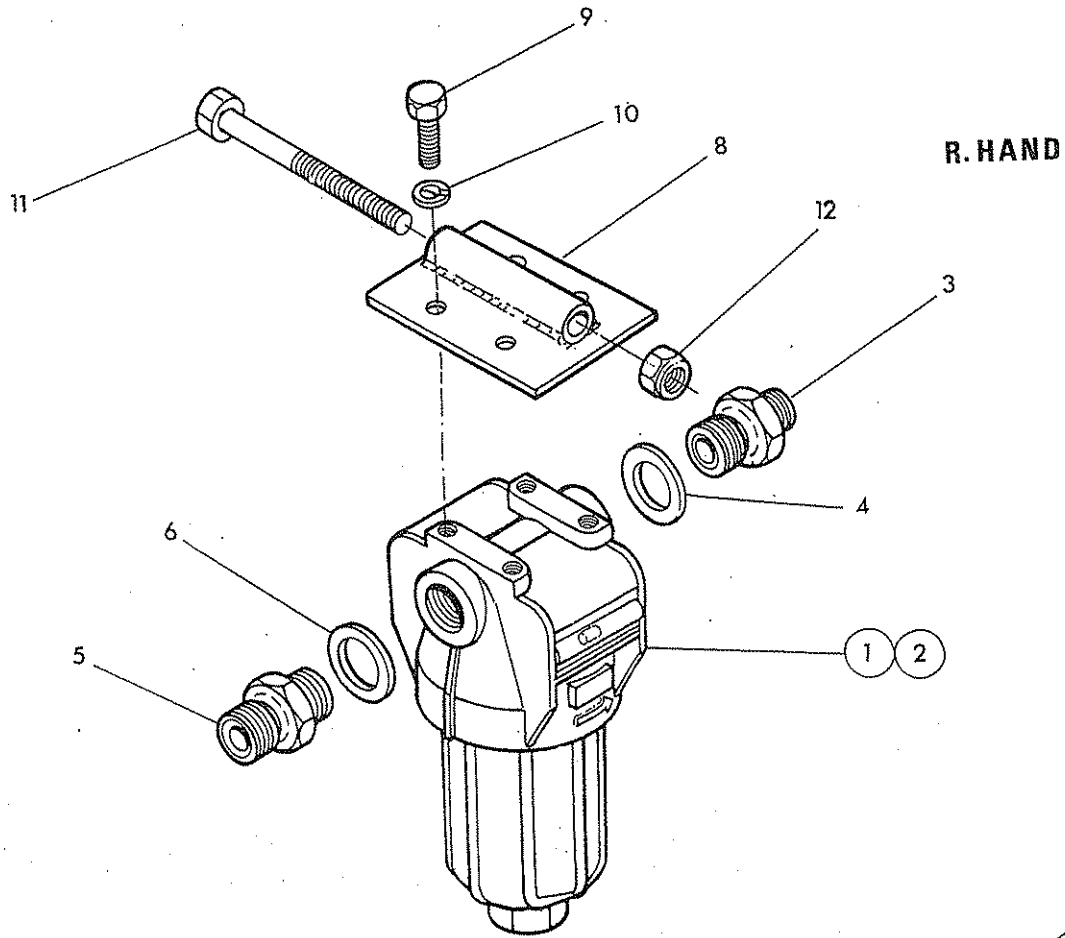
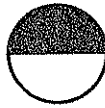


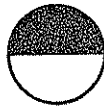
Ref.	Part No.	Qty.	Description
	74 55 767		OIL COOLER ASSEMBLY :- For machines with standard electric controls and gear hydraulics
	74 55 768		OIL COOLER ASSEMBLY :- For machines with standard electric controls and piston hydraulics
1	307480	1	Oil cooler and fan assembly
2	85 81 364	1	Adaptor 3/4" BSP – M22 MM
3	85 81 301	1	Adaptor 3/4 " BSP – 3/4"low pressure – gear hydraulics
4	85 81 364	1	Adaptor 3/4" BSP – M22 – piston hydraulics
5	86 50 106	2	Bonded seal 3/4" BSP
6	84 02 160	1	Thermostatic switch
7	86 50 322	1	Bonded seal M22
8	71 90 494	1	Power loom
9	91 43 004	2	Self locking nut M8
10	91 00 104	2	Plain washer dia 8
11	43459.01	1	Cooler screen
12	43468.01	2	Edge strip



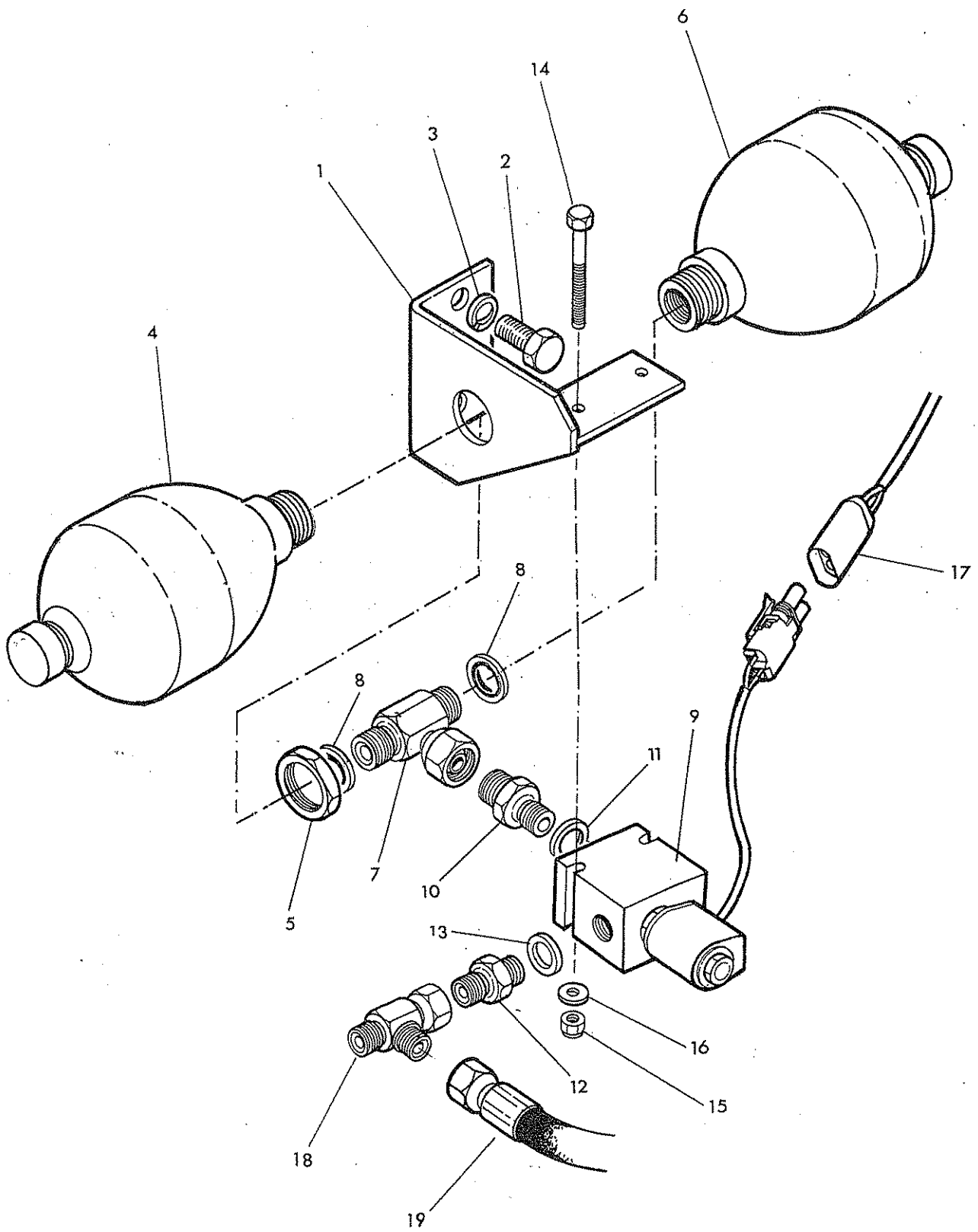
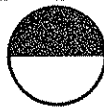


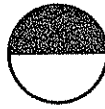
Ref.	Part No.	Qty.	Description
	42783.03		PUMP BY-PASS ASSEMBLY For :- Standard E monolever control
	42783.04		PUMP BY-PASS ASSEMBLY For:- Proportional control
1	43386.01	1	Mounting bracket
2	93 13 044	2	Setscrew M8x 20
3	91 43 004	2	Self locking nut M8
4	85 81 399	2	Bulkhead union M36 including locknut
5	85 81 398	2	Adaptor M36 – M14 straight swivel FM
6	42718.06	2	Hose M14 x 300 long
7	81 32 270	1	Valve block
8	81 30 192	1	Solenoid valve
9	93 13 034	2	Setscrew M8 x 16
10	91 00 204	2	Spring washer dia 8
11	91 00 104	2	Plain washer dia 8
12	85 81 374	2	Adaptor 1/4" BSP – M14 MM including seal
13	86 50 402	1	Seal
14	81 30 008	2	Test point union 1/4" BSP
15	86 50 102	2	Bonded seal 1/4" BSP
16	43177.29	1	Loom including plug
17	07.835.04	1	Plug including screw and gasket
18	07.835.05	1	Screw
19	07.835.02	1	gasket
20	84 02 373	1	Cut off unit – Std. E monolever controls only



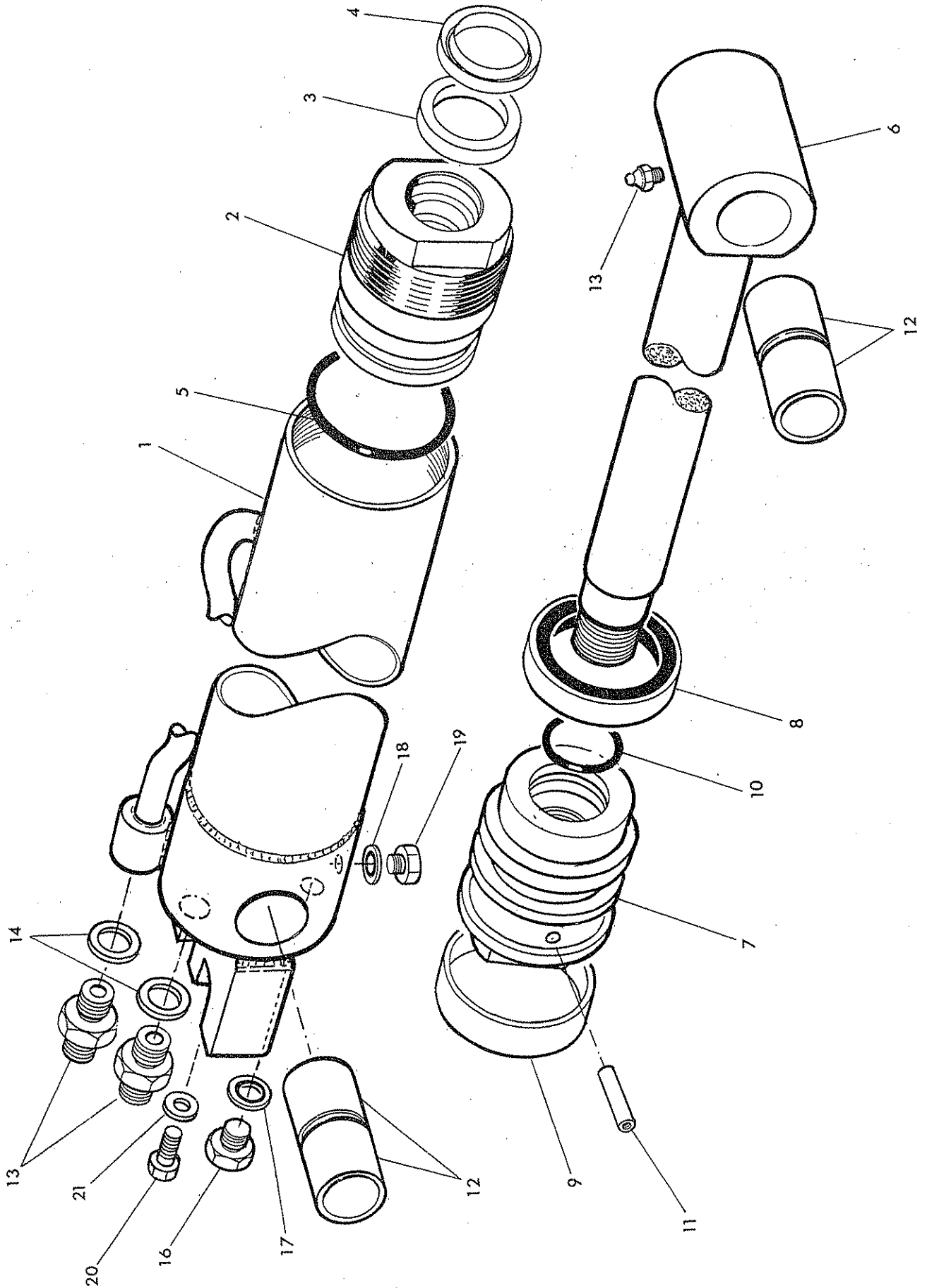
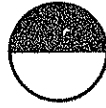


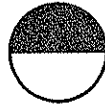
Ref.	Part No.	Qty.	Description
CHARGE FILTER ASSEMBLY			
1	84 01 066	1	Charge filter including element
2	84 01 067	1	Element
3	85 81 386	1	Adaptor 1/2" BSP – M18 MM including seal
4	86 50 404	1	Seal
5	G381 2674	1	Adaptor 1/2" BSP – M22 MM including seal
6	86 50 404	1	Seal
7	42782.31	1	U Bend M22 FM – used on L.Hand only
8	43388.01	1	Mounting bracket
9	93 13 023	4	Setscrew M6 x 12
10	91 00 203	4	Spring washer dia 6
11	92 13 225	1	Bolt M10 x 110
12	91 43 005	1	Self locking nut M10





Ref.	Part No.	Qty.	Description
LIFT FLOAT KIT - Optional extra			
1	43488.01	1	Mounting bracket
2	93 13 046	2	Setscrew M12 x 20
3	91 00 206	2	Spring washer dia 12
4	41451.02	1	Accumulator - 30 Bar
5	81 26 035	1	Locknut M33
6	41451.05	1	Accumulator
7	85 81 412	1	Tee 1/2" BSP MMF
8	86 50 104	2	Bonded seal 1/2" BSP
9	08.619.09	1	Solenoid valve
10	60 00 112	1	Adaptor 3/8" BSP - 1/2" BSP MM
11	86 50 103	1	Bonded seal 3/8" BSP
12	85 81 370	1	Adaptor 3/8" BSP - M18 MM including seal
13	86 50 403	1	Seal
14	92 13 133	2	Bolt M6 x 65
15	91 43 003	2	Hexagon nut M6
16	91 00 103	2	Plain washer dia 6
17	43177.28	1	Loom
18	85 81 413	1	Tee M18 FMM
19	42721.10	1	Hose M18 x 500 long



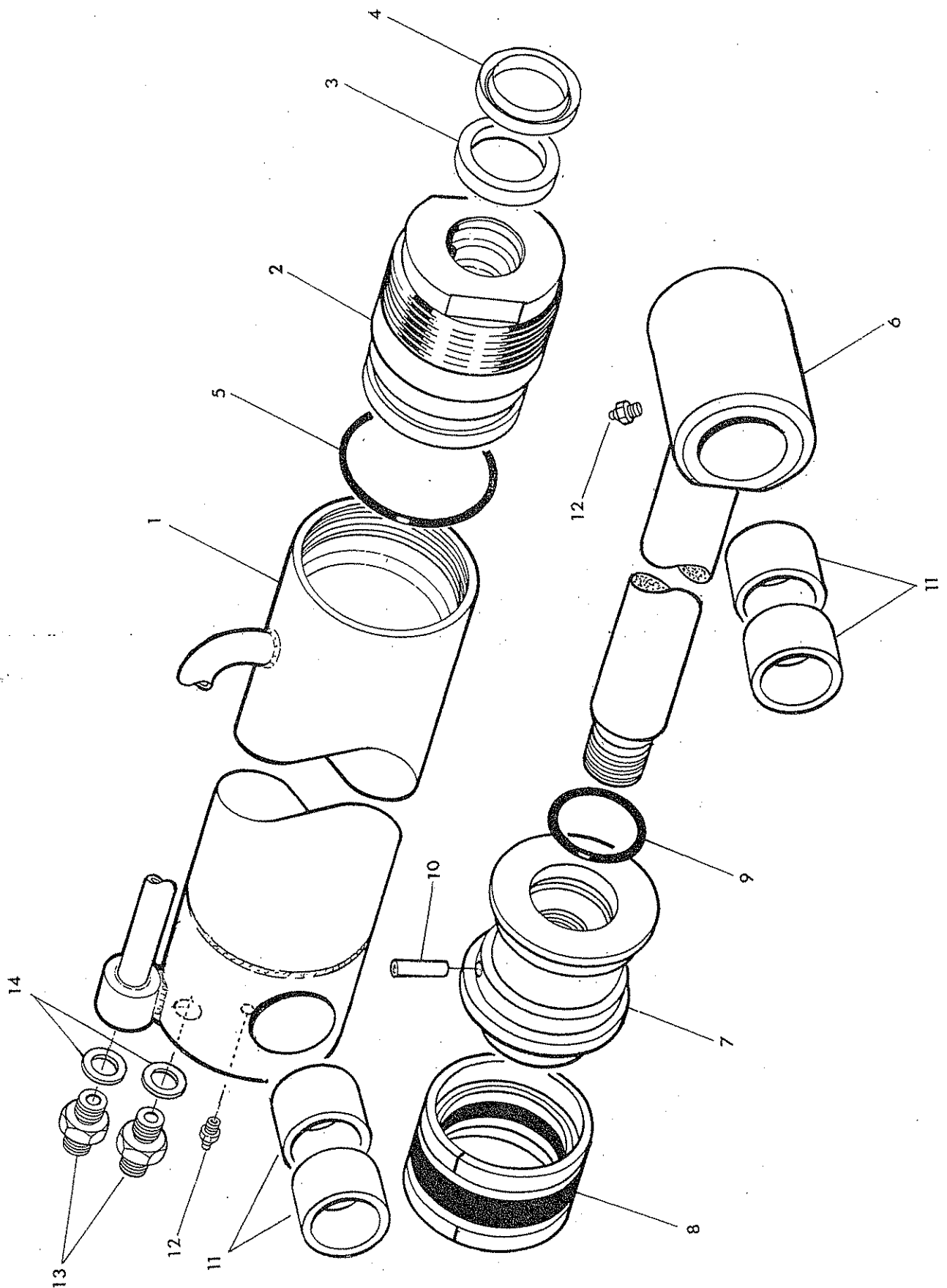


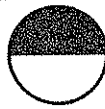
Ref.	Part No.	Qty.	Description
	42655.03		LIFT RAM ASSEMBLY
1	42655.42	1	Ram barrel
2	42655.32	1	Gland housing
3	82 29 184	1	Gland seal
4	86 29 185	1	Piston rod woper seal
5	86 00 317	1	O ring
6	42655.45	1	Piston rod
7	42655.31	1	Piston
8	86 29 182	1	Piston seal
9	86 29 183	1	Guide ring
10	86 00 302	1	O ring
11	42775.01	1	Dowel M6 x 25
12	08.295.02	4	Bush
13	09 01 121	1	Greaser 1/8" BSP straight
14	85 81 370	2	Adaptor 3/8" BSP - M18 MM including seal
15	86 50 403	1	Seal
16	520378	1	Blanking plug 1/4" BSP
17	86 50 102	1	Bonded seal 1/4" BSP
18	86 50 207	1	Bonded seal 7/16" dia
19	85 81 408	1	Blanking plug 7/16" UNF
20	93 13 034	1	Setscrew M8 x 16
21	91 00 204	1	Plain washer dia 8
	86 99 223		SEAL KIT

REACH RAM



McCONNELL

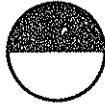




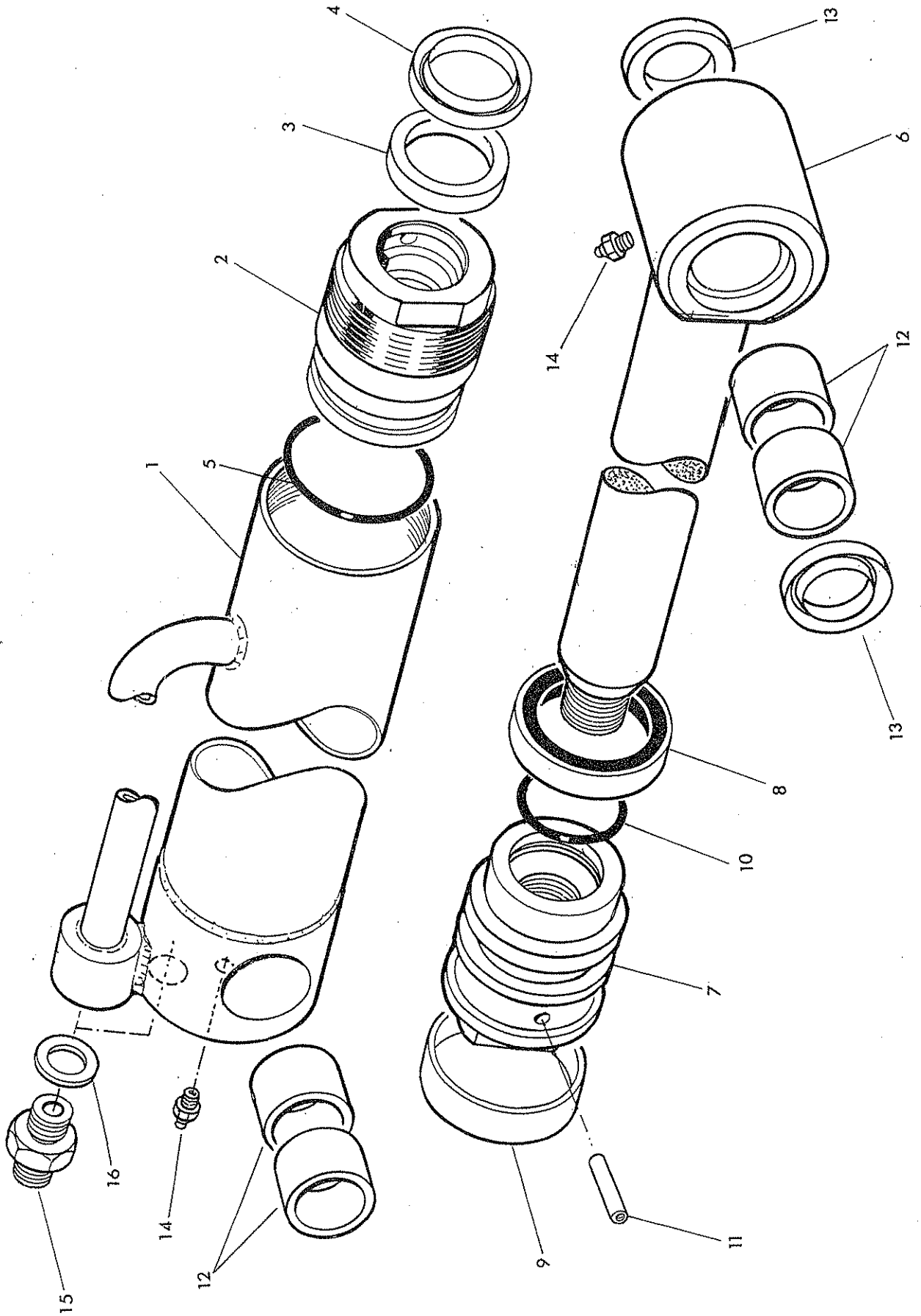
Ref.	Part No.	Qty.	Description
	43315.02		REACH RAM ASSEMBLY
1	43315.36	1	Ram barrel
2	43325.32	1	Gland housing
3	86 29 225	1	Gland seal
4	86 29 208	1	Piston rod wiper seal
5	86 00 742	1	O ring
6	43315.33	1	Piston rod
7	43315.31	1	Piston
8	86 38 742	1	Piston seal
9	86 00 301	1	O ring
10	42775.01	1	Dowel dia 6 x 25
11	08.297.370	4	Bush
12	09 01 121	2	Greaser 1/8" BSP straight
13	85 81 370	2	Adaptor 3/8" BSP - M18 MM including seal
14	86 50 403	1	Seal

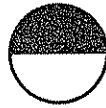
43315.01 SEAL KIT

ANGLE RAM

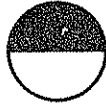


McCONNELL

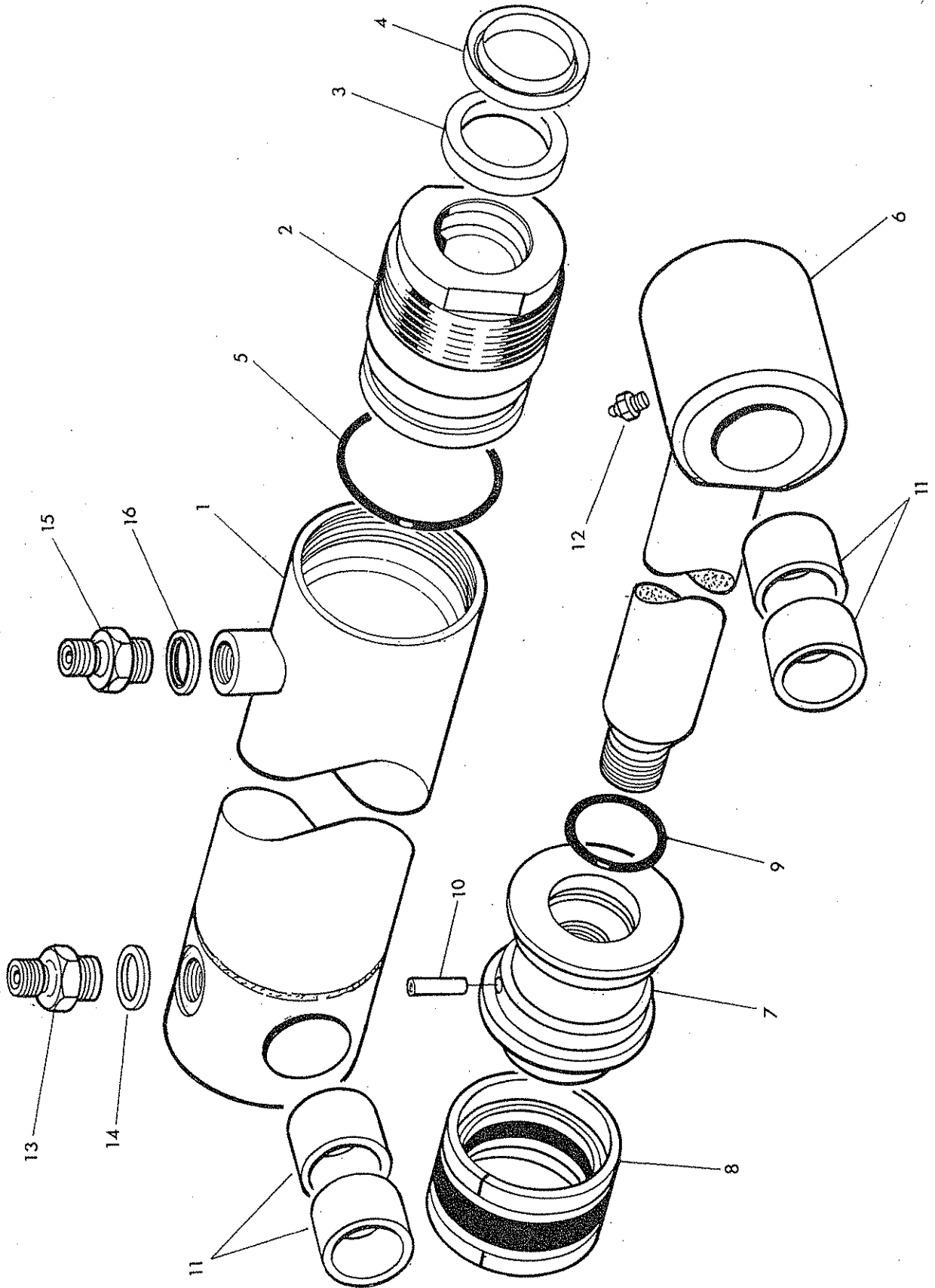


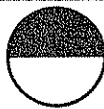


Ref.	Part No.	Qty.	Description
	43317.02		ANGLE RAM ASSEMBLY
1	43317.33	1	Ram barrel
2	43317.32	1	Gland housing
3	86 29 255	1	Gland seal
4	86 29 208	1	Piston rod wiper seal
5	86 00 306	1	O ring
6	43317.35	1	Piston rod
7	43317.31	1	Piston
8	86 29 156	1	Piston seal
9	86 29 157	1	Guide ring
10	86 00 301	1	O ring
11	42775.01	1	Dowel dia 6 x 25
12	08.294.04	4	Bush
13	86 29 218	2	Seal
14	09 01 121	2	Greaser 1/8" BSP straight
15	85 81 369	2	Adaptor 3/8" BSP - M14 MM including seal
16	86 50 403	2	Seal
	43317.01		SEAL KIT



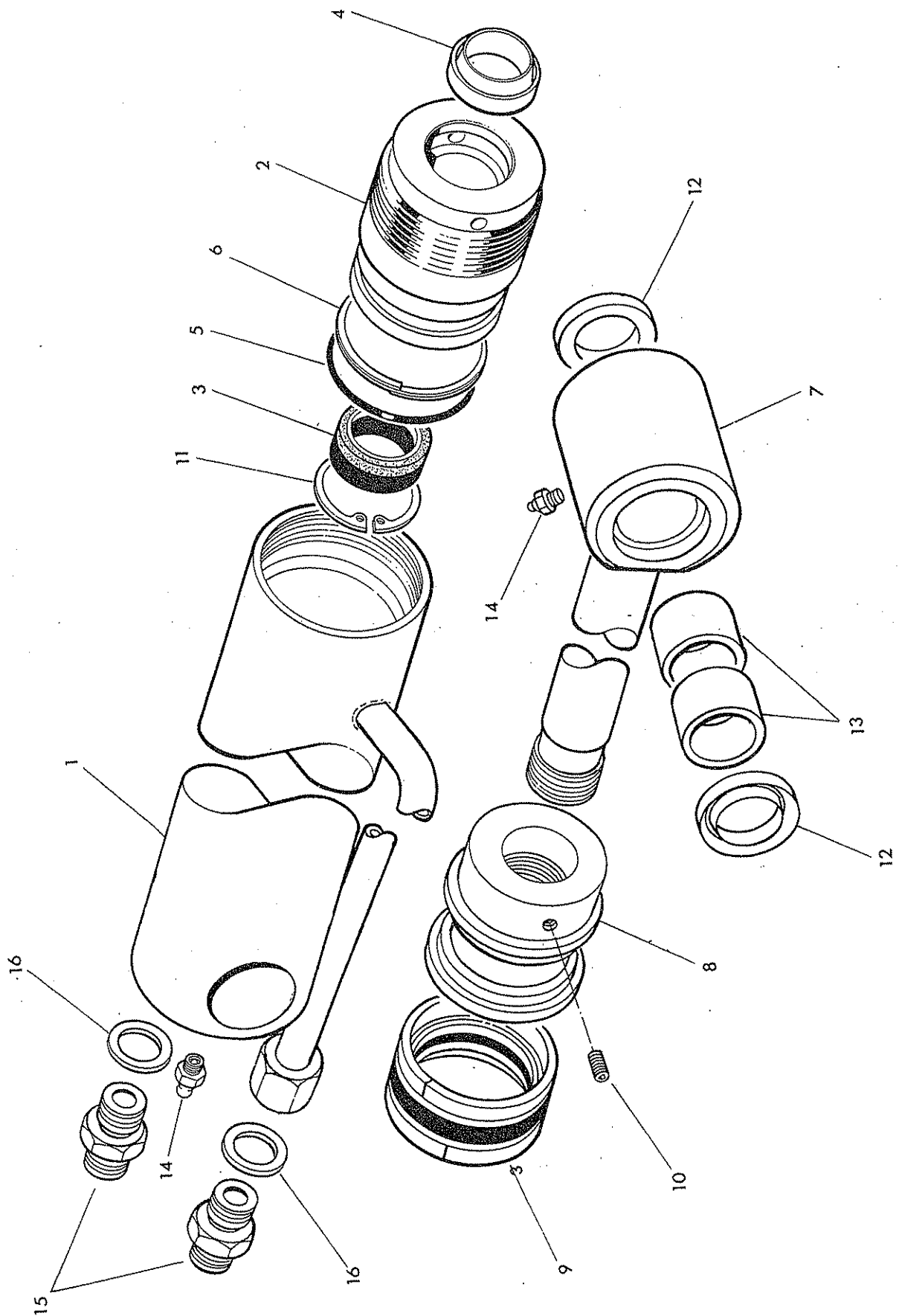
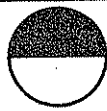
WABCO

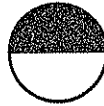




Ref.	Part No.	Qty.	Description
	43316.02		SLEW RAM ASSEMBLY
1	43316.36	1	Ram barrel
2	43316.32	1	Gland housing
3	86 29 225	1	Gland seal
4	86 29 208	1	Piston rod wiper seal
5	86 00 740	1	O ring
6	43316033	1	Piston rod
7	43316.31	1	Piston
8	86 38 740	1	Piston seal
9	86 00 301	1	O ring
10	42775.01	1	Dowel dia 6 x 25
11	08.297.02	4	Bush
12	09 01 121	1	Greaser 1/8" BSP straight
13	85 81 369	1	Adaptor 3/8" BSP – M14 MM including seal
14	86 50 403	1	Seal
15	81 24 105	1	Restrictor adaptor 3/8" BSP – M14 MM
16	86 50 103	1	Bonded seal 3/8" BSP

43316.01 SEAL KIT

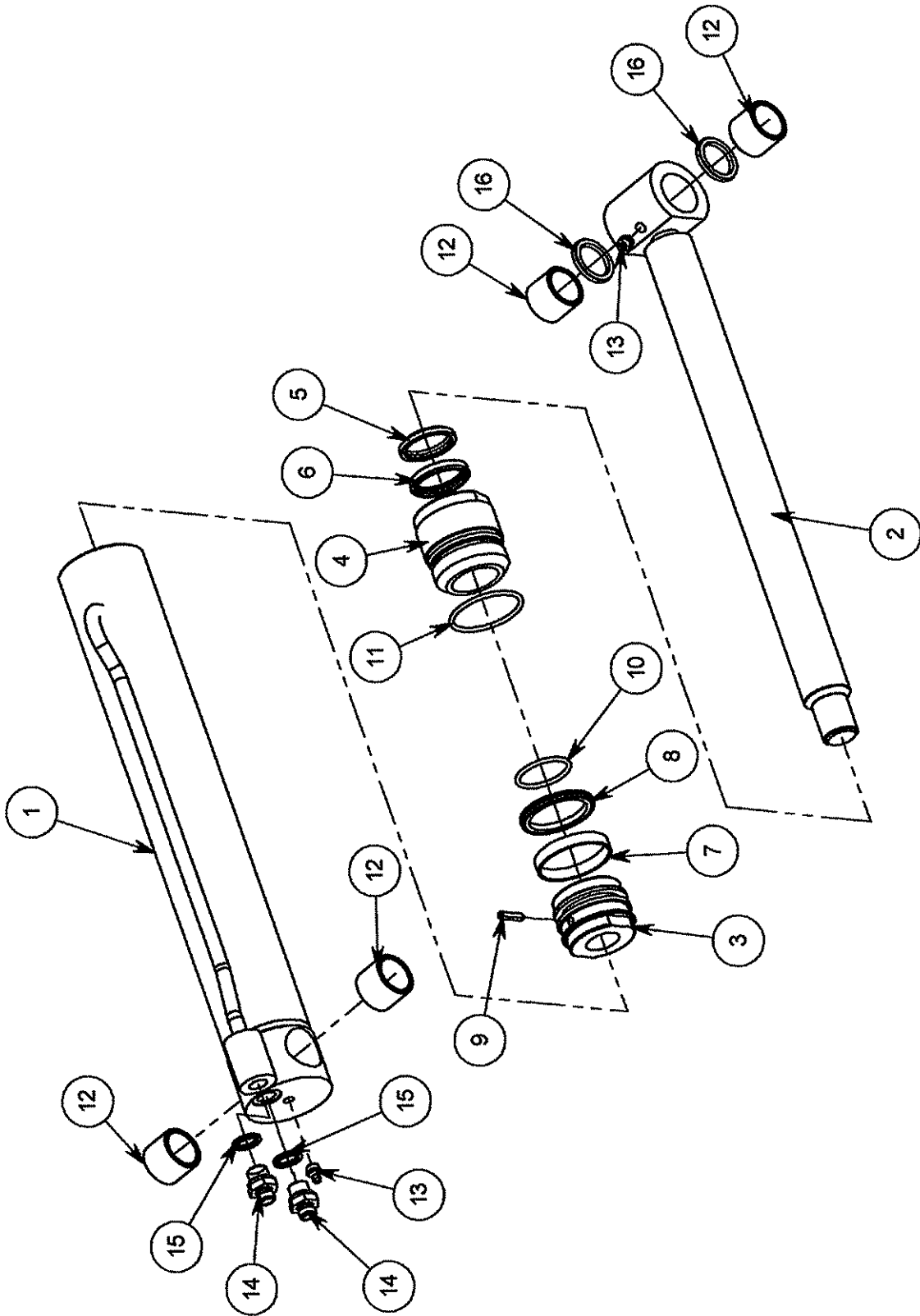




Ref.	Part No.	Qty.	Description
	43377.02		TELE RAM ASSEMBLY
1	43377.31	1	Ram barrel
2	71 35 291	1	Gland housing
3	86 29 148	1	Gland seal
4	86 29 149	1	Piston rod wiper seal
5	86 00 302	1	O ring
6	86 09 302	1	Anti extrusion ring
7	43377.33	1	Piston rod
8	71 35 008	1	Piston rod
9	86 38 788	1	Piston seal
10	93 63 023	1	Grubscrew M6 x 12
11	04 16 240	1	Internal circlip
12	86 29 218	2	Seal
13	08.297.04	2	Bush
14	09 01 121	2	Greaser 1/8" BSP straight
15	85 81 374	2	Adaptor 1/4" BSP - M14 MM including seal
16	86 50 402	1	Seal
	43377.01		SEAL KIT

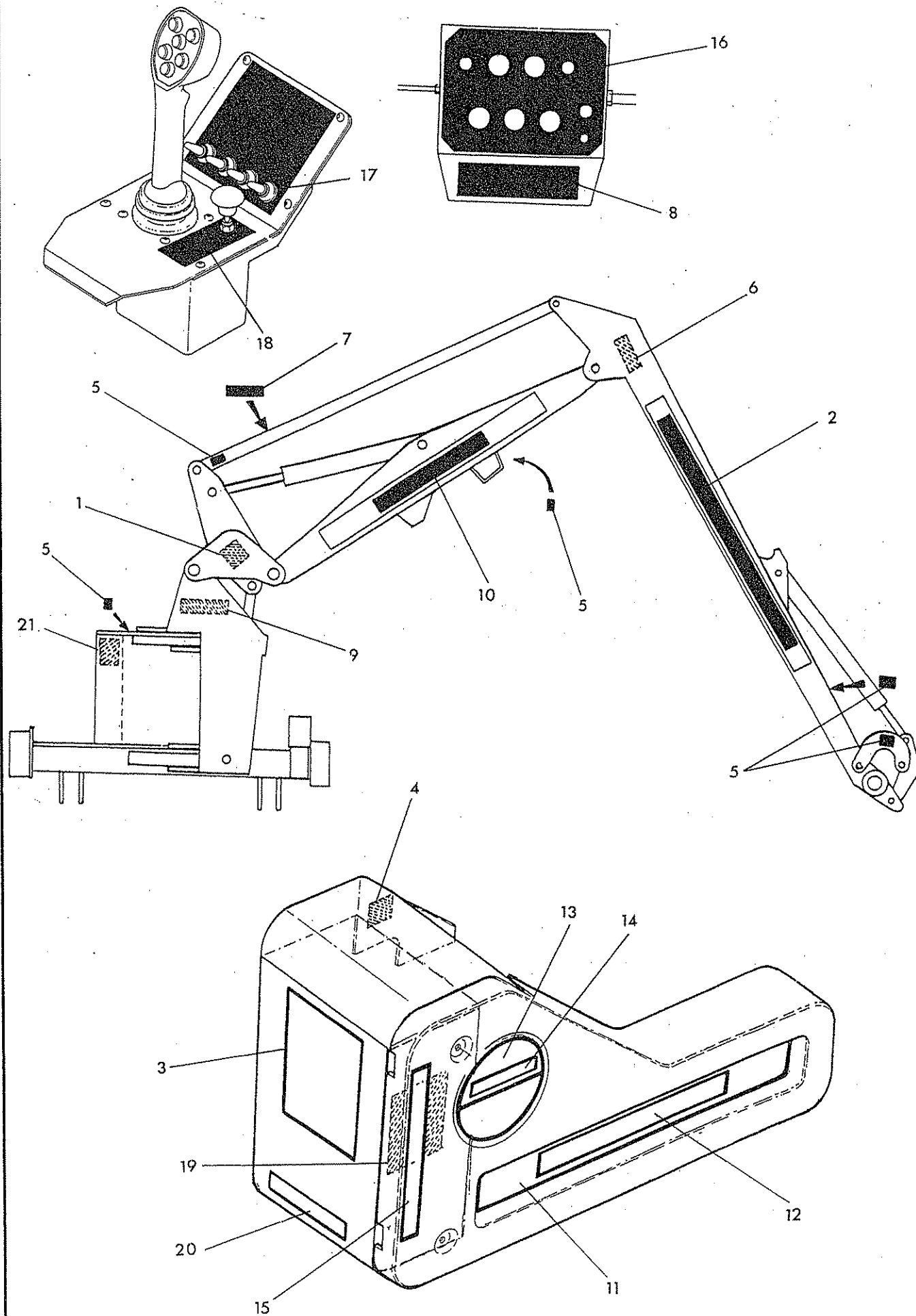
FOLD RAM ASSEMBLY (Midcut)

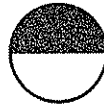
Module:
43317.03



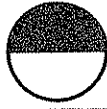
FOLD RAM ASSEMBLY (Midcut)

REF.	QTY.	PART No.	DESCRIPTION
		43317.03	FOLD RAM ASSEMBLY
1	1	43317.40	Barrel
2	1	43317.43	Piston Rod
3	1	43317.31	Piston
4	1	43317.32	Gland Housing
5	1	8629208	Scraper Ring
6	1	8629225	Gland Seal
7	1	8629157	Guide Ring
8	1	8629156	Piston Seal
9	1	42775.01	Dowel
10	1	8600301	O Ring
11	1	8600306	O Ring
12	4	08.297.04	Bush
13	2	0901121	Grease Nipple
14	2	8581369	Adaptor
15	2	8650103	Bonded seal
16	2	8629218	Lip Seal
		43317.01	SEAL KIT

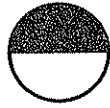




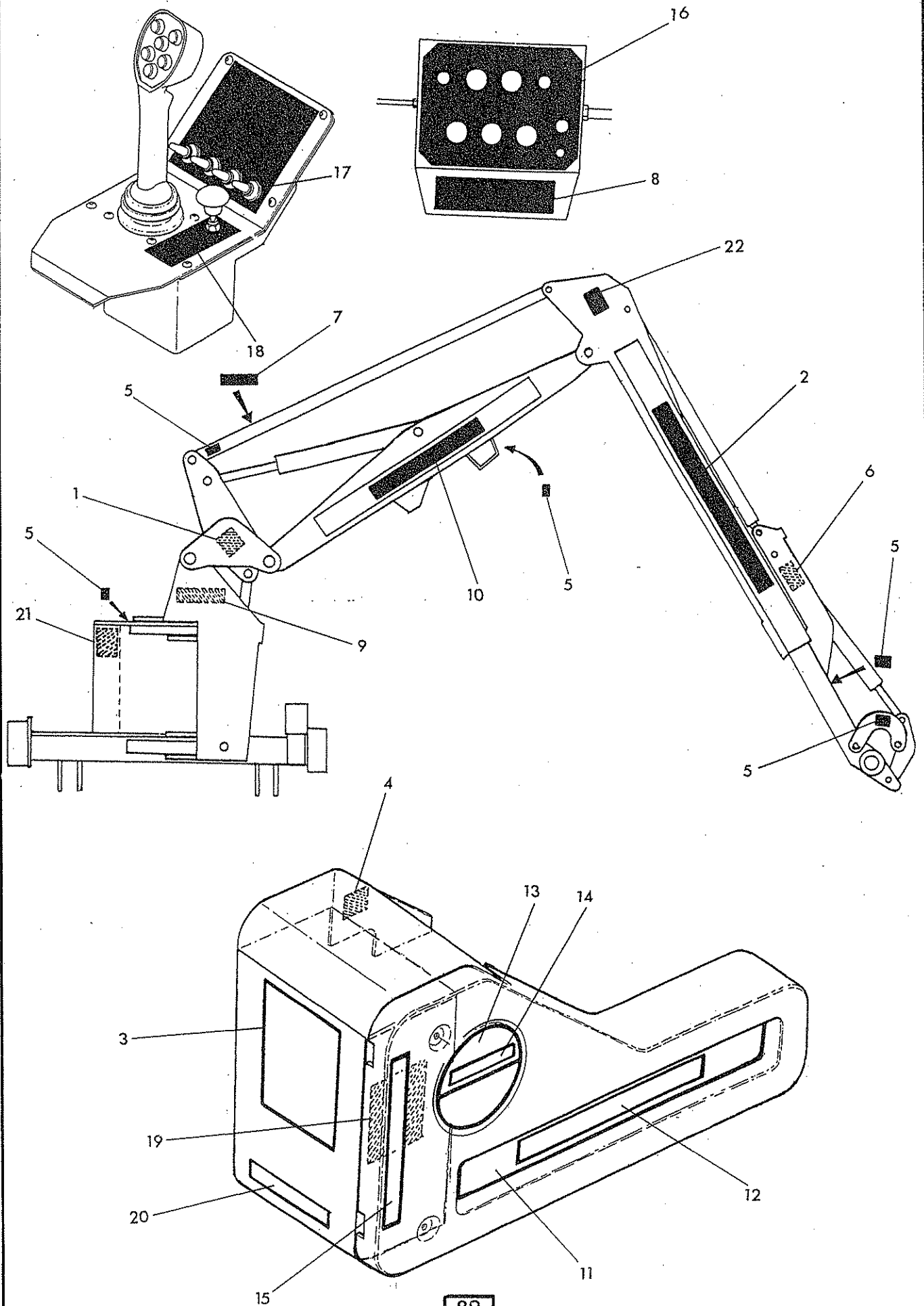
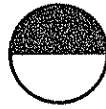
Ref.	Part No.	Qty.	Description
STICKERS 550			
1	71 05 130	1	Read book first
2	12 90 522	2	Hy Reach superior 550
3	12 90 391	1	General warning
4	00756494	1	P.T.O. shaft
5	02962764	5	Pinch point
6	12 90 403	1	Breakaway return warning
7	12 90 406	1	Transport warning
8	84 02 138	1	Slew warning – supplied loose when with monolever
9	71 35 295	1	Tighten check chains
10	12 90 255	2	McConnel
11	12 90 526	1	Yellow panel
12	12 90 527	1	McConnel
13	12 90 524	1	Logo roundel – yellow
14	12 90 525	1	McConnel – yellow
15	12 90 529	1	Rear marker – R.Hand
	12 90 528	1	Rear marker – L.Hand – not illus.
16	12 90 458	1	Switchbox controls – Multilever only
17	12 90 451	1	Joystick controls Monolever only
18	12 90 066	1	Power Monolever only
19	12 90 465	1	Wiring connections
20	12 90 482	1	Piston system
21	12 90 086	1	800 Rpm

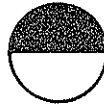


WELLS FARGO

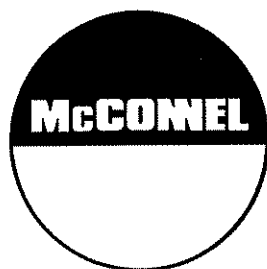


WAGGONER





Ref.	Part No.	Qty.	Description
STICKERS 650			
1	71 05 130	1	Read book first
2	12 90 521	2	Hy Reach superior 650
3	12 90 391	1	General warning
4	00756494	1	P.T.O. shaft
5	02962764	5	Pinch point
6	12 90 403	1	Breakaway return warning
7	12 90 406	1	Transport warning
8	84 02 138	1	Slew warning – supplied loose when with monolever
9	71 35 295	1	Tighten check chains
10	12 90 255	2	McConnel
11	12 90 526	1	Yellow panel
12	12 90 527	1	McConnel
13	12 90 524	1	Logo roundel – yellow
14	12 90 525	1	McConnel – yellow
15	12 90 529	1	Rear marker – R.Hand
	12 90 528	1	Rear marker – L.Hand – not illus.
16	12 90 458	1	Switchbox controls – Multilever only
17	12 90 451	1	Joystick controls Monolever only
18	12 90 066	1	Power Monolever only
19	12 90 465	1	Wiring connections
20	12 90 482	1	Piston system
21	12 90 086	1	800 Rpm
22	12 90 005	1	Grease socket



McConnel Limited, Temeside Works, Ludlow, Shropshire SY8 1JL. England.
Telephone: 01584 873131. Facsimile: 01584 876463. www.mcconnel.com