

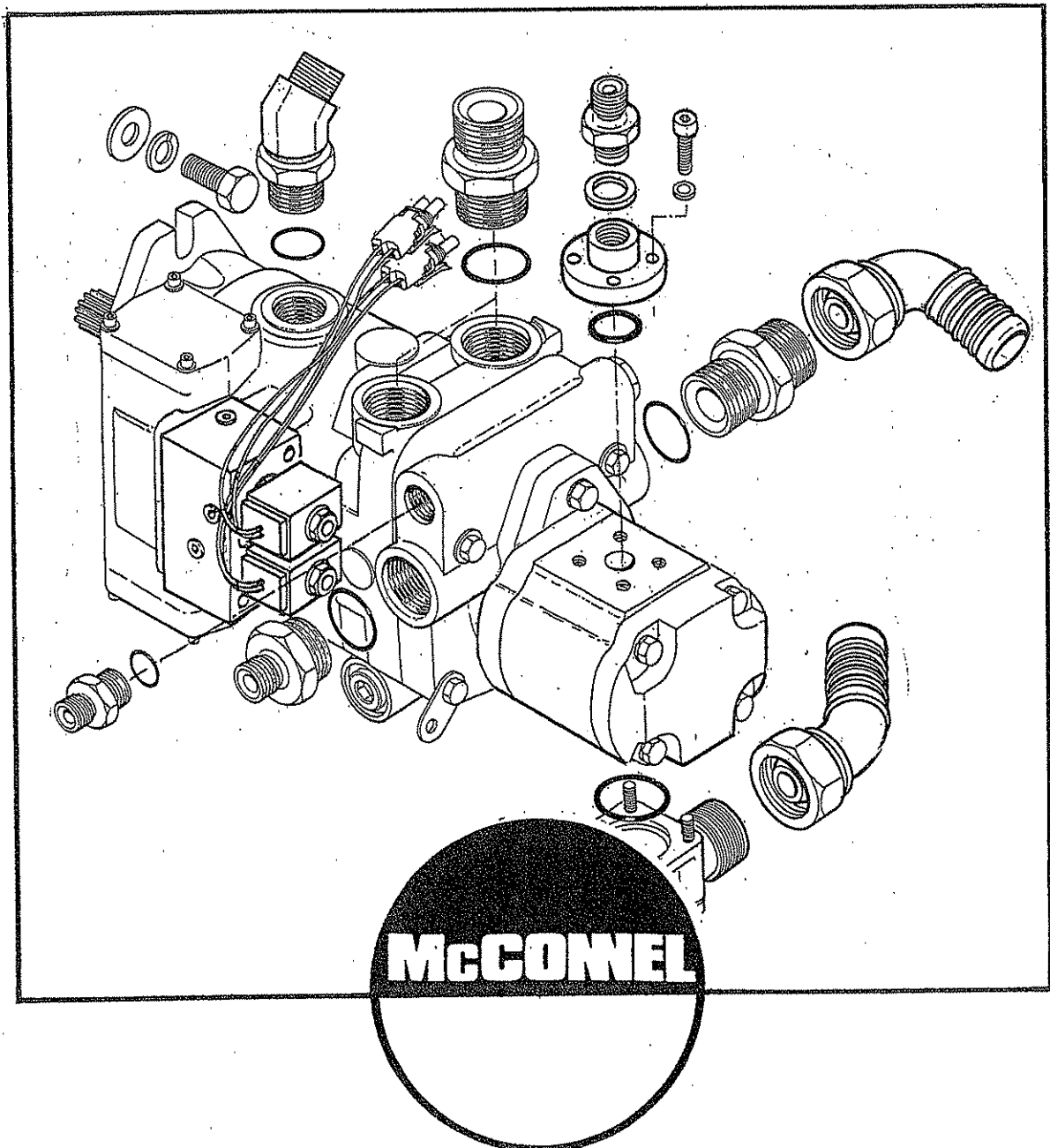
Parts Manual

For

Hy Reach Supreme 550 and 650

With

piston hydraulics



SPARE PARTS MANUAL

FOR BEST PERFORMANCE....

To be assured of the latest design improvements purchase your genuine replacements from the original equipment manufacturer

Always quote machine type and serial number as well as the part number.

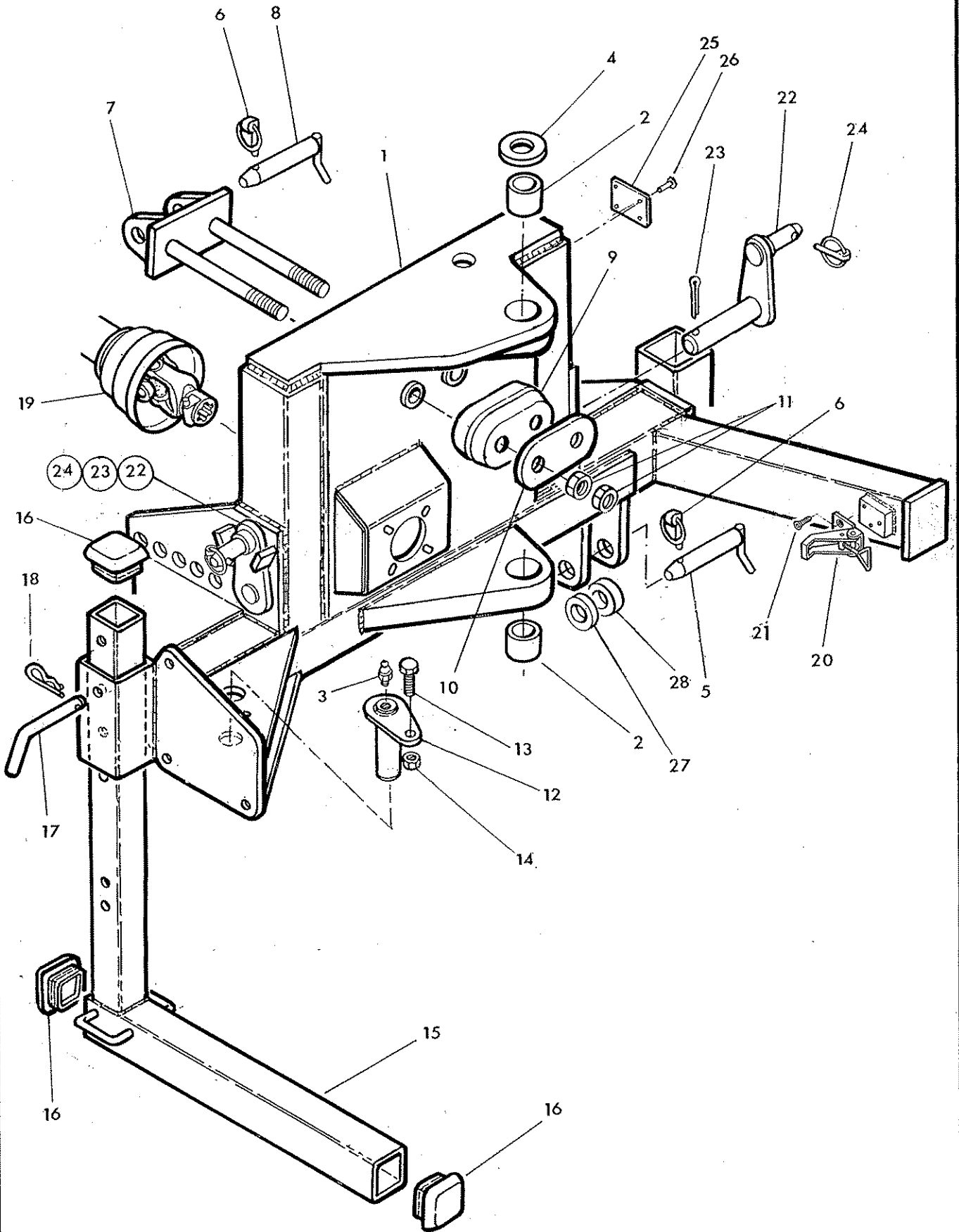
Design improvement may have altered some of the parts listed in this manual - The latest part will always be supplied when it is interchangeable with an earlier one.

Aa 1

MAIN FRAME



McCONEL





| Ref | Part No. | Qty. | Description. |
|-------------------|-----------|------|-------------------------------|
| MAIN FRAME | | | |
| 1 | 43278.02 | 1 | Main frame R.Hand |
| | 43278.01 | 1 | Main frame L.Hand – not illus |
| 2 | 08.297.01 | 2 | Bush |
| 3 | 09 01 121 | 1 | Greaser 1/8" BSP straight |
| 4 | 75 60 056 | 1 | Thrust washer |
| 5 | 41559.01 | 2 | Mounting pin |
| 6 | 04 31 217 | 3 | Linch pin |
| 7 | 75 60 398 | 1 | Top hitch bracket |
| 8 | 43342.01 | 1 | Top link pin |
| 9 | 75 60 140 | 1 | Rubber damper |
| 10 | 75 60 130 | 1 | Reaction plate |
| 11 | 91 13 009 | 4 | Hexagon nut M24 |
| 12 | 43324.02 | 1 | Pivot pin – slew base |
| 13 | 92 13 086 | 1 | Bolt M12 x 40 |
| 14 | 91 43 006 | 1 | Self locking nut M12 |
| 15 | 43320.01 | 2 | Stand leg |
| 16 | 41580.01 | 6 | Plastic bung |
| 17 | 43327.01 | 2 | Leg pin |
| 18 | 04 31 105 | 1 | Spring cotter |
| 19 | 76 50 250 | 1 | P.T.O. shaft |
| 20 | 43449.01 | 1 | Overcentre clip fastener |
| 21 | 93 53 022 | 3 | Countersunk screw M5 x 12 |
| 22 | 43319.01 | 2 | Lift link pin |
| 23 | 95 01 509 | 2 | Split pin dia 10 x 50 |
| 24 | 04 31 217 | 2 | Linch pin |
| 25 | 13 35 246 | 1 | Serial No. plate |
| 26 | 71 03 230 | 4 | Pop rivet 1/8" dia |
| 27 | 43332.02 | 2 | Spacer 10mm |
| 28 | 43332.01 | 2 | Spacer 15mm |

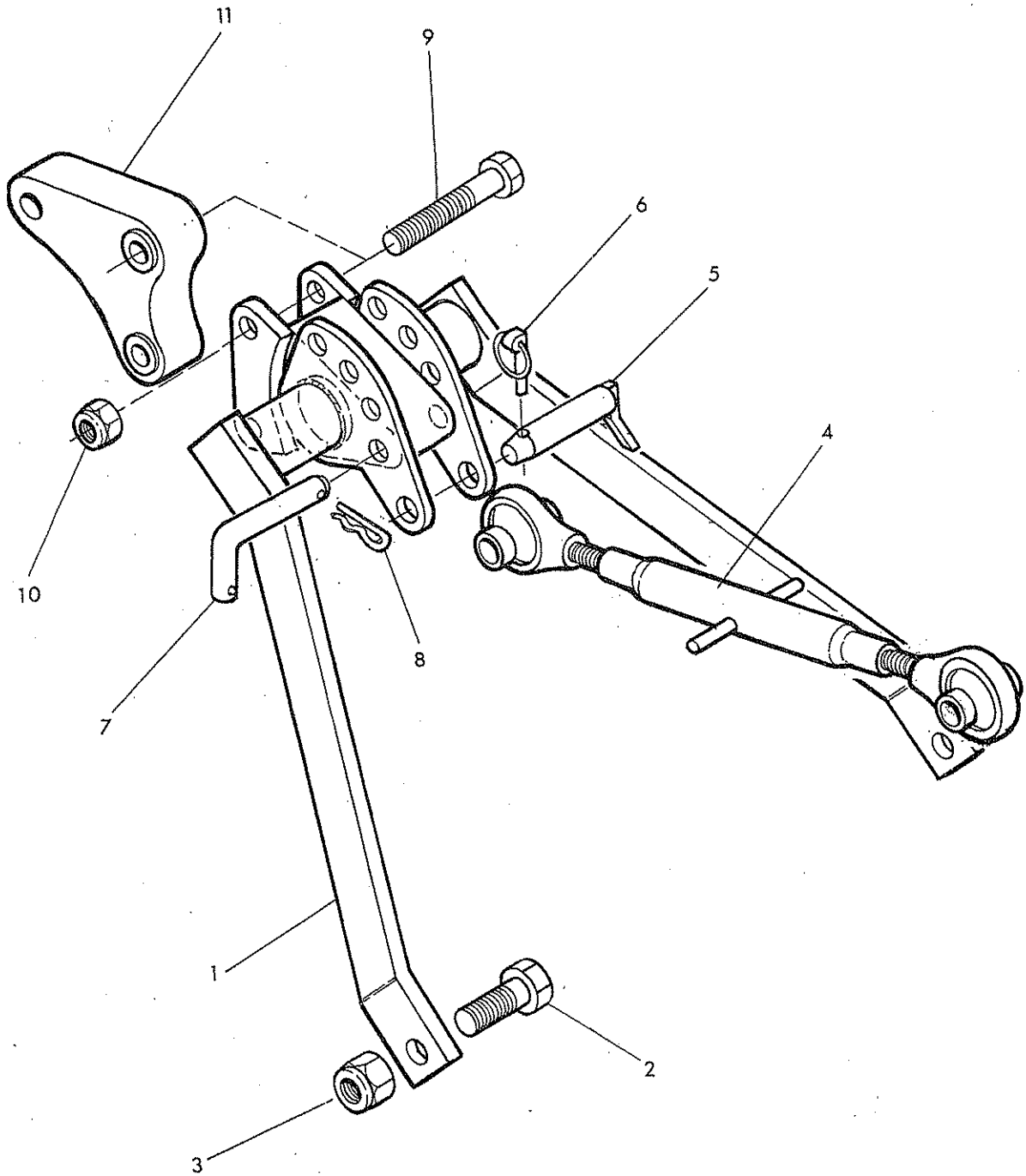
} Axle
mount
only

Ab 1

STABILISER



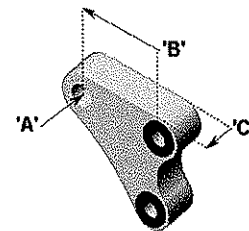
McCOMBELL



| Ref. | Qty. | Part No. | Description |
|------|------|-----------|-------------------------|
| 1 | 1 | 41205.03 | Stabiliser |
| 2 | 2 | 9213149 | Bolt |
| 3 | 2 | 9143009 | Self-Locking Nut |
| 4 | 1 | 07.584.02 | Top Link |
| 5 | 1 | 43342.01 | Top Link Pin |
| 6 | 1 | 04.31.217 | Linch Pin |
| 7 | 1 | 7192026 | Tongue Locating Pin |
| 8 | 1 | 0431105 | Spring Cotter |
| 9 | 2 | 9213228 | Bolt |
| 10 | 2 | 9143008 | Self-Locking Nut |
| 11 | 1 | 7499501 | Tongue - Standard Cat 2 |

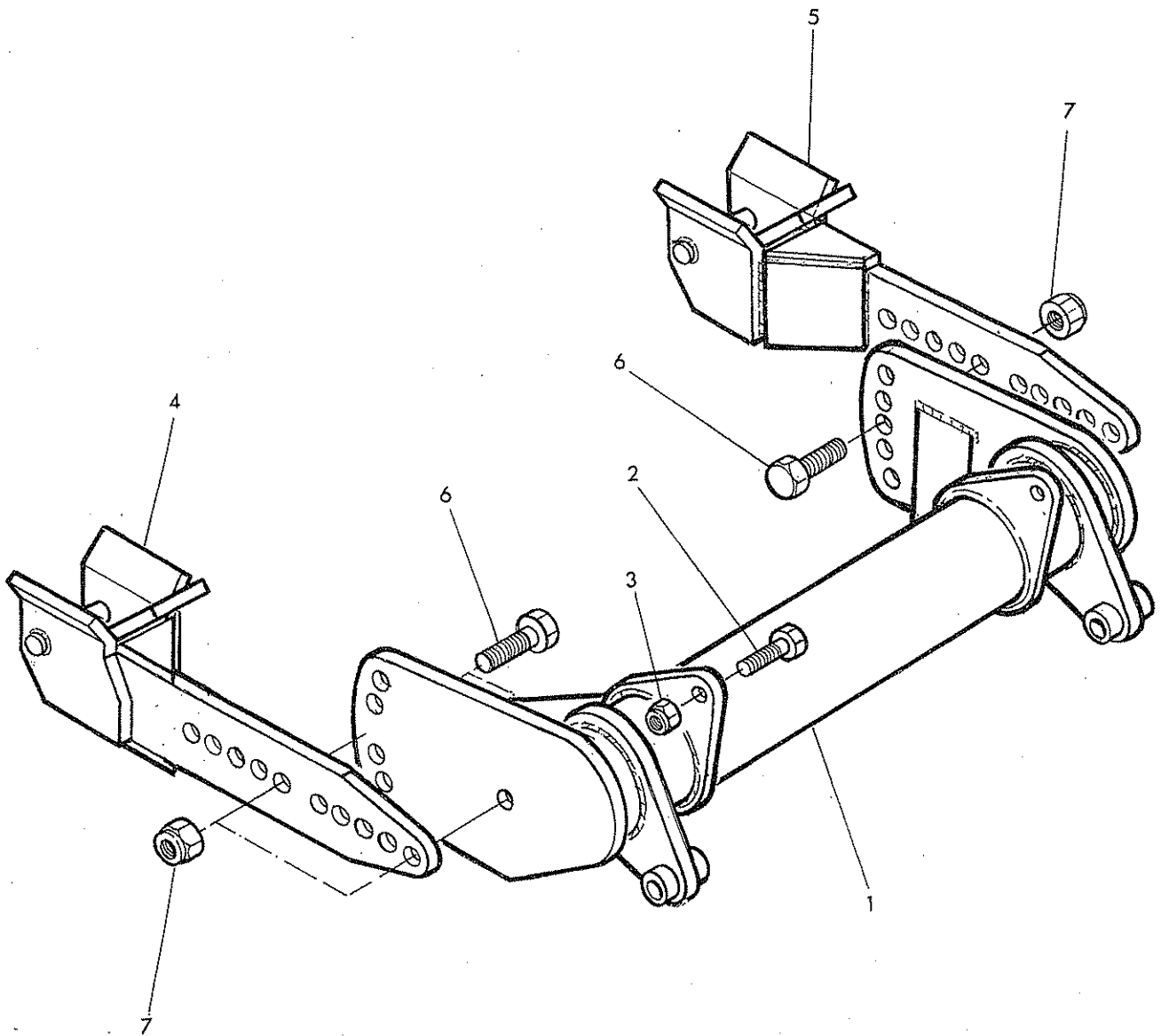
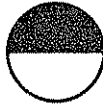
McCONNEL STABILISER TONGUES

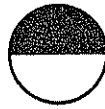
- 'A' – Hole diameter
 'B' – Hole center spacing
 'C' – Stabiliser width



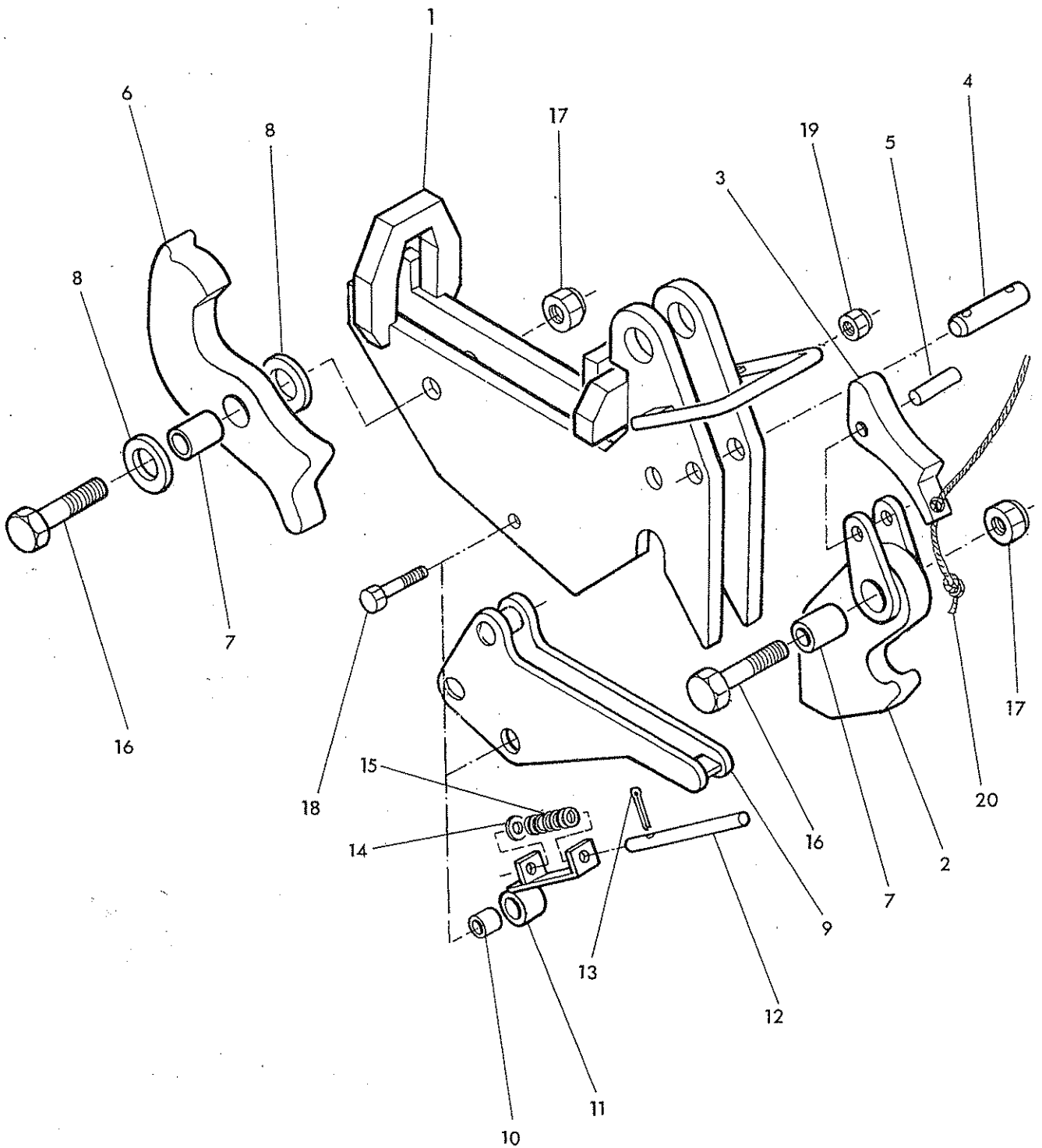
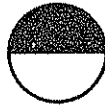
(Dimensions in mm)

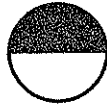
| Part No. | Description | 'A' | 'B' | 'C' |
|----------|---|------|-----|-----|
| 7499501 | Tongue: Standard – Cat. 2 | 27 | 107 | 45 |
| 7499500 | Tongue: Special – Cat. 2 narrow | 27 | 107 | 35 |
| 7499502 | Tongue: Special – Cat. 2 long | 27 | 217 | 45 |
| 7499503 | Tongue: Special – Cat. 3 long | 32 | 217 | 45 |
| 7499504 | Tongue: Special – Cat. 1 | 19.5 | 107 | 35 |
| 7499505 | Tongue: Special – Cat. 2 for Case TX tractors | 25 | 120 | 50 |
| 7499506 | Tongue: Special – Cat. 3 | 32 | 107 | 45 |
| 7499507 | Tongue: Special – Cat. 3 narrow | 32 | 107 | 30 |
| 7499508 | Tongue: Special – for some Ford tractors | 28.6 | 107 | 45 |
| 7499262 | Tongue: Special – Cat. 2 extra long for Aebi | 27 | 260 | 45 |
| 7499510 | Tongue: Special – Cat. 2 | 27 | 107 | 40 |



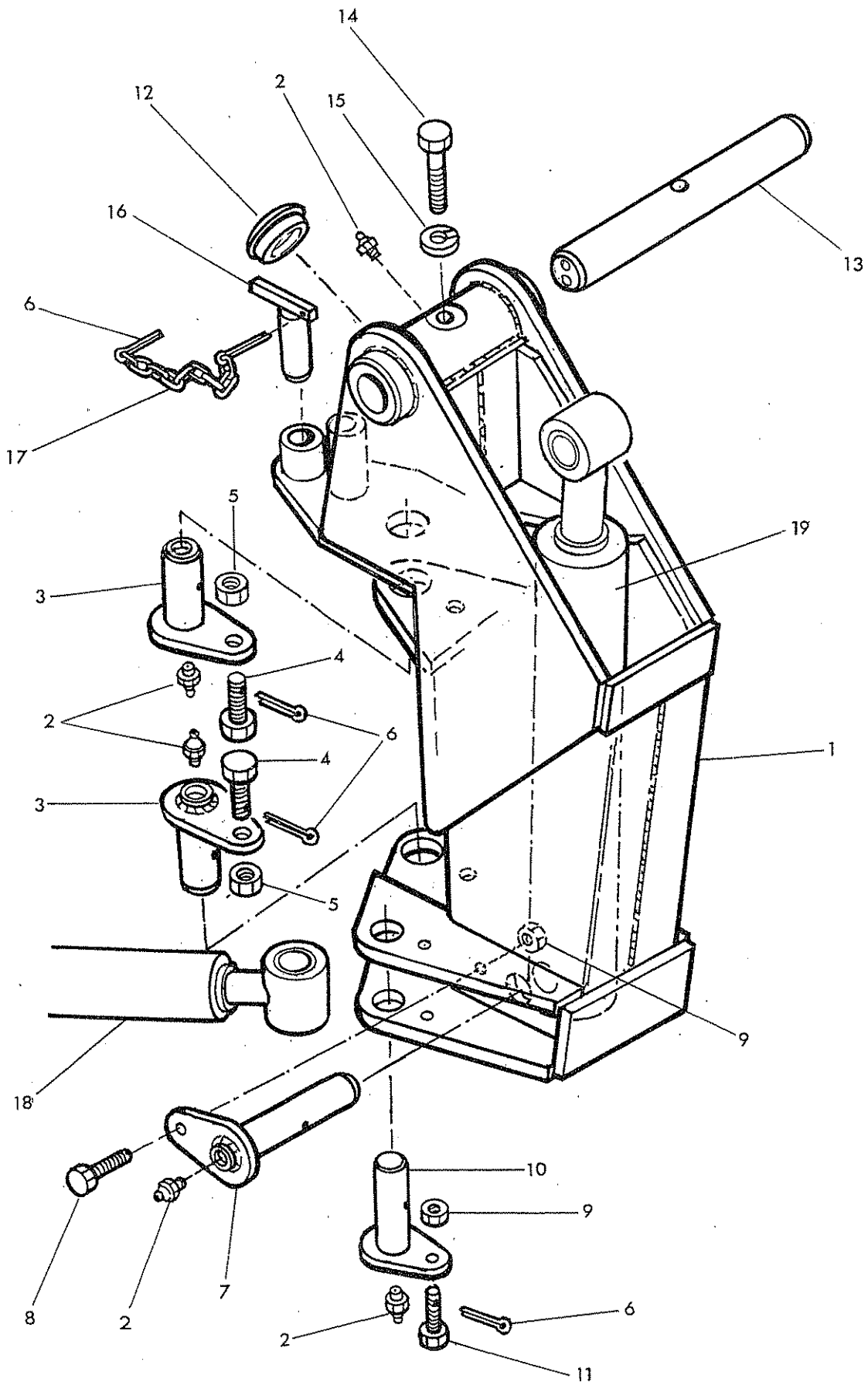


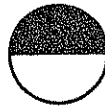
| Ref. | Part No. | Qty. | Description |
|-------------------------------|-----------|------|----------------------|
| AXLE BRACKET LIFT LINK | | | |
| 1 | 43306.01 | 1 | Lift frame |
| 2 | 92 13 139 | 2 | Bolt M24 x 65 |
| 3 | 91 43 009 | 2 | Self locking nut M24 |
| 4 | 43318.01 | 1 | Hitch arm – type 1 |
| 5 | 43318.02 | 1 | Hitch arm – type 2 |
| 6 | 92 00 033 | 4 | Bolt M30 x 80 |
| 7 | 91 00 023 | 4 | Self locking nut M30 |



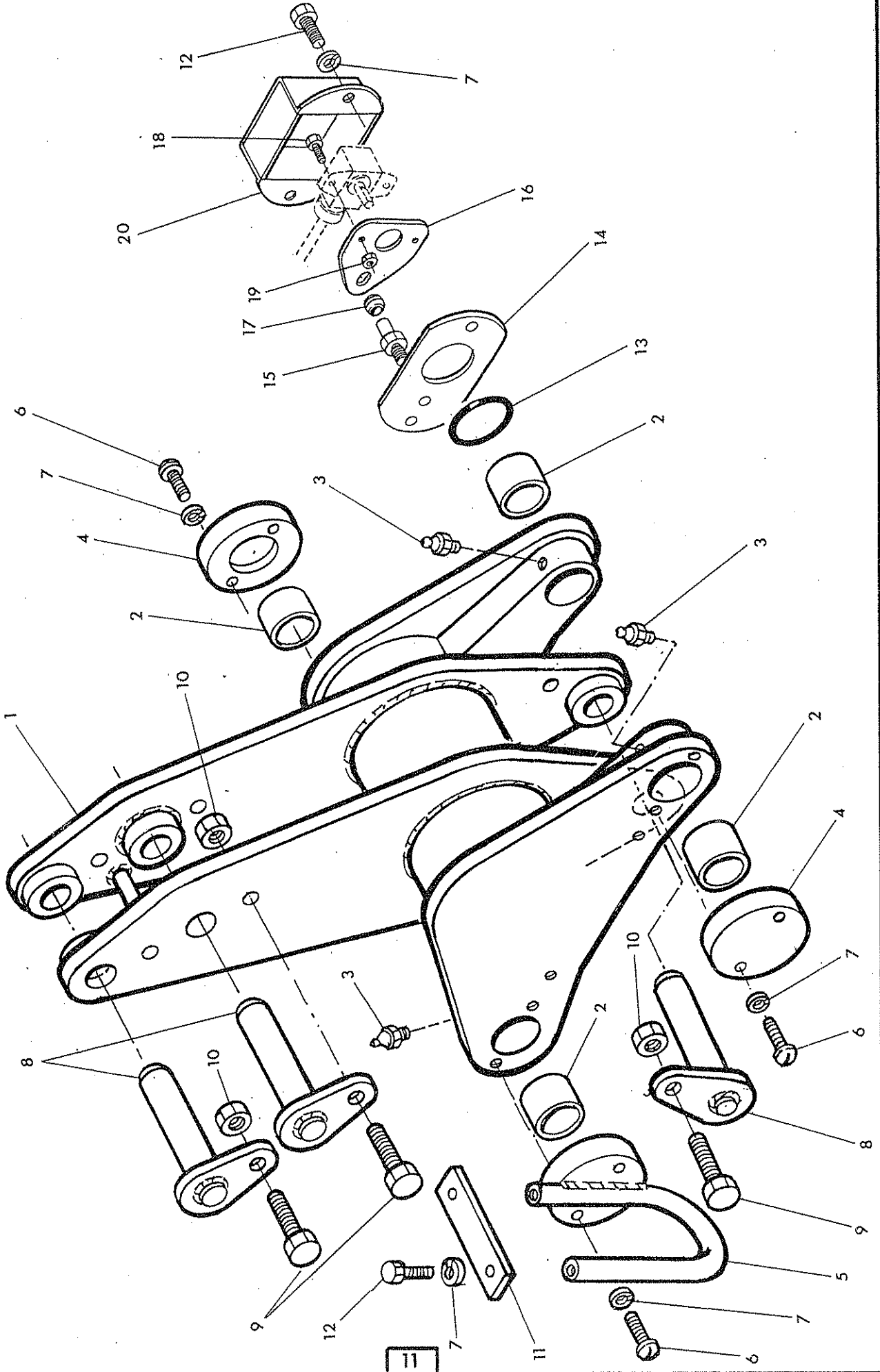
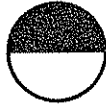


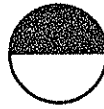
| Ref. | Part No. | Qty. | Description |
|------|------------------|------|----------------------------|
| | 20 20 999 | | AXLE CATCH ASSEMBLY |
| 1 | 20 20 901 | 1 | Catch body |
| 2 | 20 20 902 | 1 | Hitch hook |
| 3 | 20 20 903 | 1 | Hook release |
| 4 | 20 20 904 | 1 | Locking pin |
| 5 | 20 20 906 | 1 | Pivot – hook release |
| 6 | 20 20 907 | 1 | Plate latch |
| 7 | 20 20 908 | 2 | Pivot sleeve |
| 8 | 20 20 909 | 2 | Spacer – plate latch |
| 9 | 20 20 910 | 1 | Catch lock |
| 10 | 20 20 911 | 1 | Sleeve – spring rocker |
| 11 | 20 20 912 | 1 | Spring rocker |
| 12 | 20 20 913 | 1 | Spring shaft |
| 13 | 95 01 325 | 1 | Split pin |
| 14 | 91 00 105 | 1 | Plain washer |
| 15 | 20 20 914 | 1 | Spring |
| 16 | 92 13 188 | 2 | Bolt |
| 17 | 91 43 008 | 2 | Self locking nut |
| 18 | 92 13 166 | 1 | Bolt |
| 19 | 91 43 006 | 1 | Self locking nut |
| 20 | 20 20 915 | 1 | Release cord |



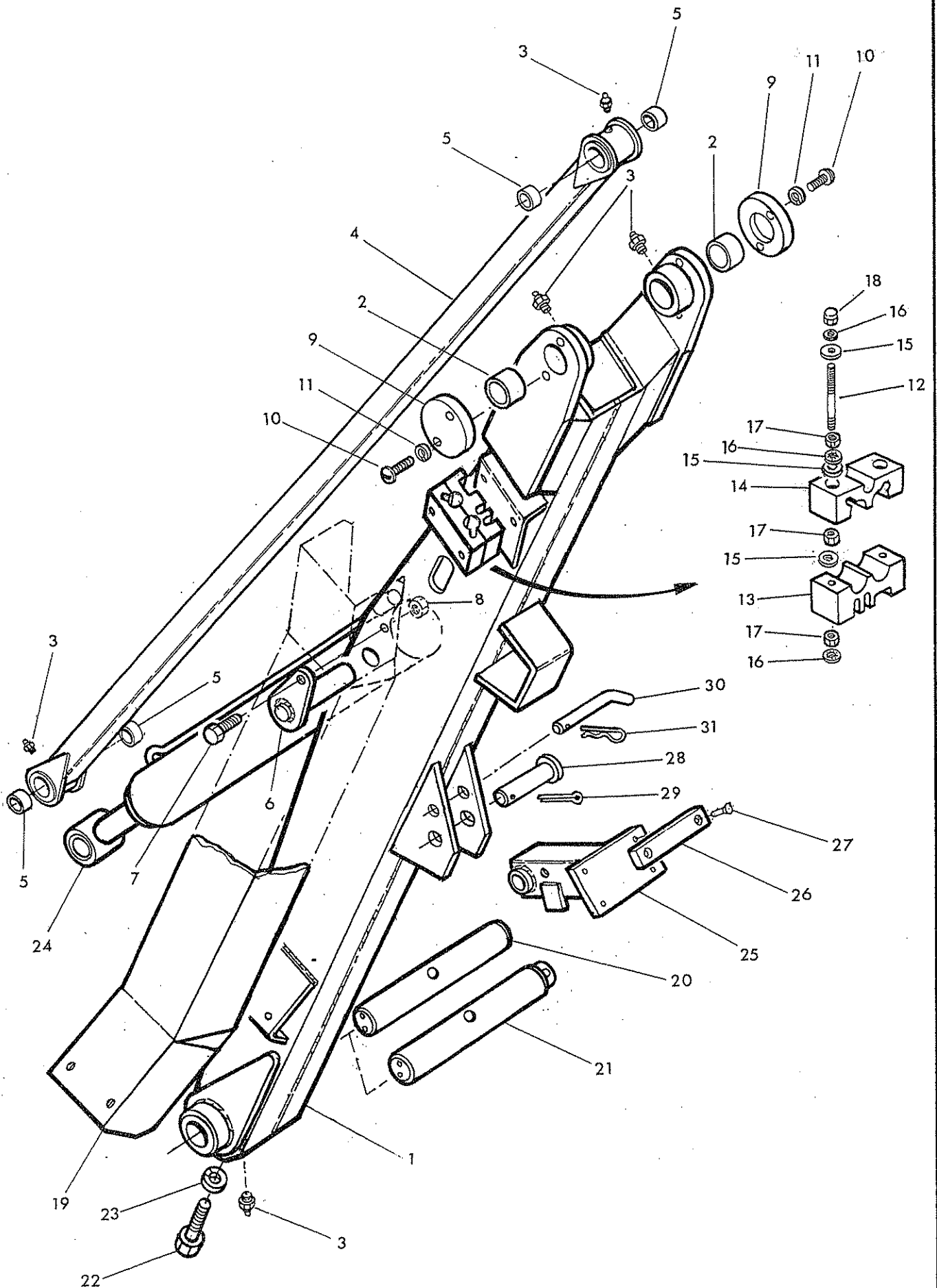
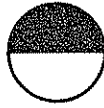


| Ref. | Part No. | Qty. | Description |
|-----------------------|-----------|------|-----------------------------|
| SLEWING PILLAR | | | |
| 1 | 43279.02 | 1 | pillar - R.Hand |
| | 43279.01 | 1 | Pillar - L.Hand - Not illus |
| 2 | 09 01 121 | 5 | Greaser 1/8" BSP straight |
| 3 | 43322.01 | 2 | Pivot pin - pillar |
| 4 | 42269.03 | 2 | Special bolt M16 |
| 5 | 91 43 007 | 2 | Self locking nut M16 |
| 6 | 95 01 255 | 6 | Split pin dia 4 x 25 |
| 7 | 43324.01 | 1 | Pivot pin - lift ram base |
| 8 | 93 13 066 | 1 | Setscrew M12 x 30 |
| 9 | 91 43 006 | 2 | Self lockin g nut M12 |
| 10 | 43324.02 | 1 | Pivot pin - slew ram rod |
| 11 | 42269.04 | 1 | Special bolt M12 x 50 |
| 12 | 43358.01 | 1 | Plastic bung |
| 13 | 43013.02 | 1 | Pivot pin - rocker |
| 14 | 92 13 187 | 1 | Bolt M16 x 90 |
| 15 | 91 00 207 | 1 | Spring washer dia 16 |
| 16 | 43323.01 | 1 | Transport lock pin |
| 17 | 14 67 086 | 1 | Chain |
| 18 | 43316.02 | 1 | Slew ram assembly |
| 19 | 42655.03 | 1 | Lift ram assembly |



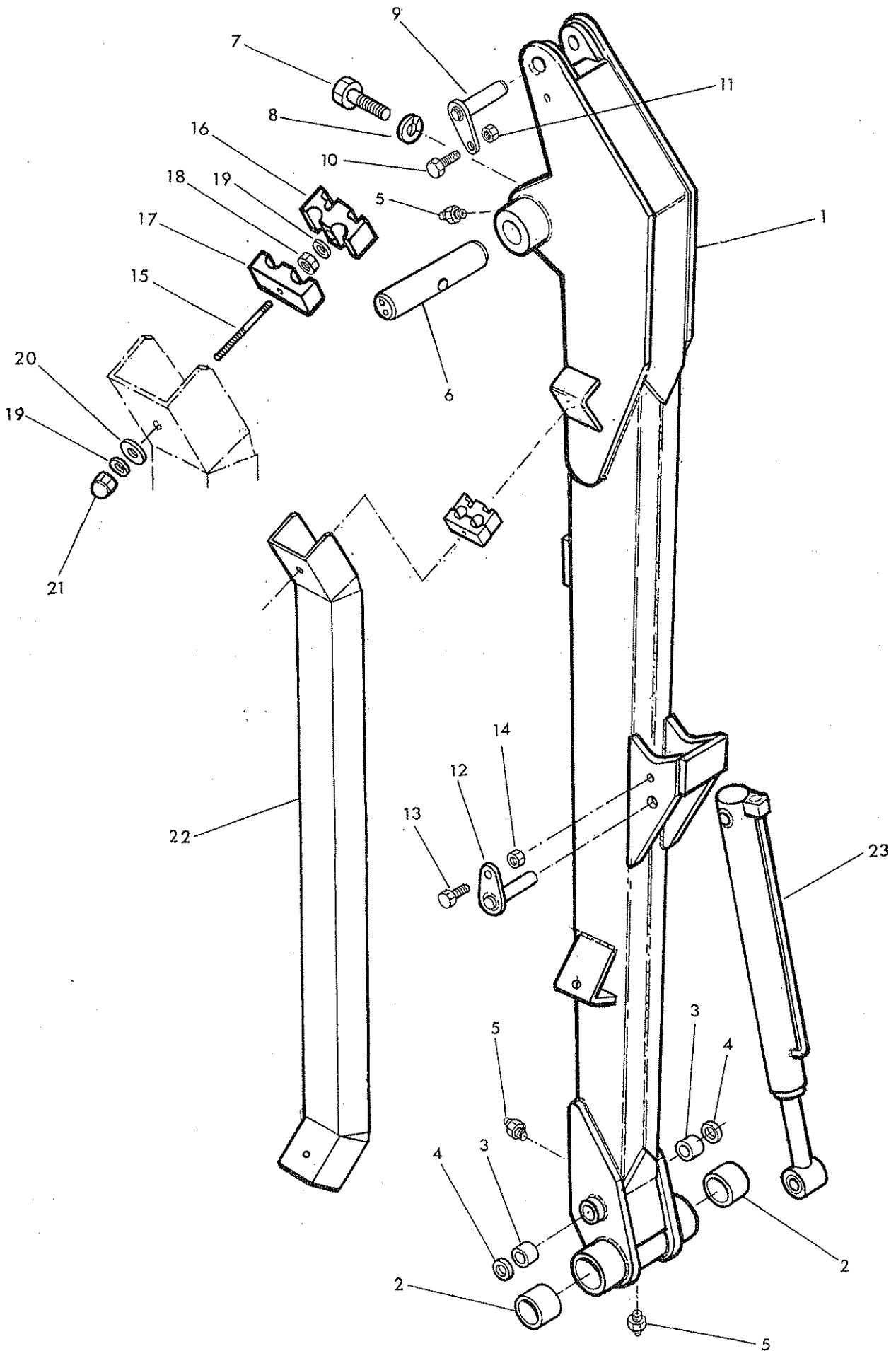
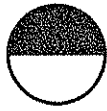


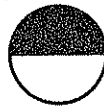
| Ref. | Part No. | Qty. | Description |
|---------------|------------|------|--|
| ROCKER | | | |
| 1 | 43280.01 | 1 | Rocker |
| 2 | 08.297.01 | 4 | Bush |
| 3 | 09 01 121 | 4 | Greaser 1/8" BSP straight |
| 4 | 43048.01 | 2 | Pin cap |
| 5 | 43048.03 | 1 | Pin cap |
| 6 | 93 00 158 | 6 | Button head screw M8 x 25 |
| 7 | 91 00 204 | 12 | Spring washer dia 8 |
| 8 | 43324.03 | 3 | Pivot pin – lift ram rod, reach ram rod and tension link |
| 9 | 92 13 086 | 3 | Bolt M12 x 40 |
| 10 | 91 43 006 | 3 | Self locking nut M12 |
| 11 | 43048.04 | 1 | Hose retainer |
| 12 | 93 13 044 | 4 | Setscrew M8 x 20 |
| 13 | 86 00 416 | 1 | O ring |
| 14 | 43047.02 | 1 | Spacer plate |
| 15 | 43014.02 | 1 | Reaction stud |
| 16 | 43015.02 | 1 | Reaction plate |
| 17 | 43356.01 | 1 | Grommet |
| 18 | 91 00 132 | 2 | Screw M4 x 12 |
| 19 | 05.948.33. | 2 | Hexagon nut M4 |
| 20 | 43016.02 | 1 | Cover |





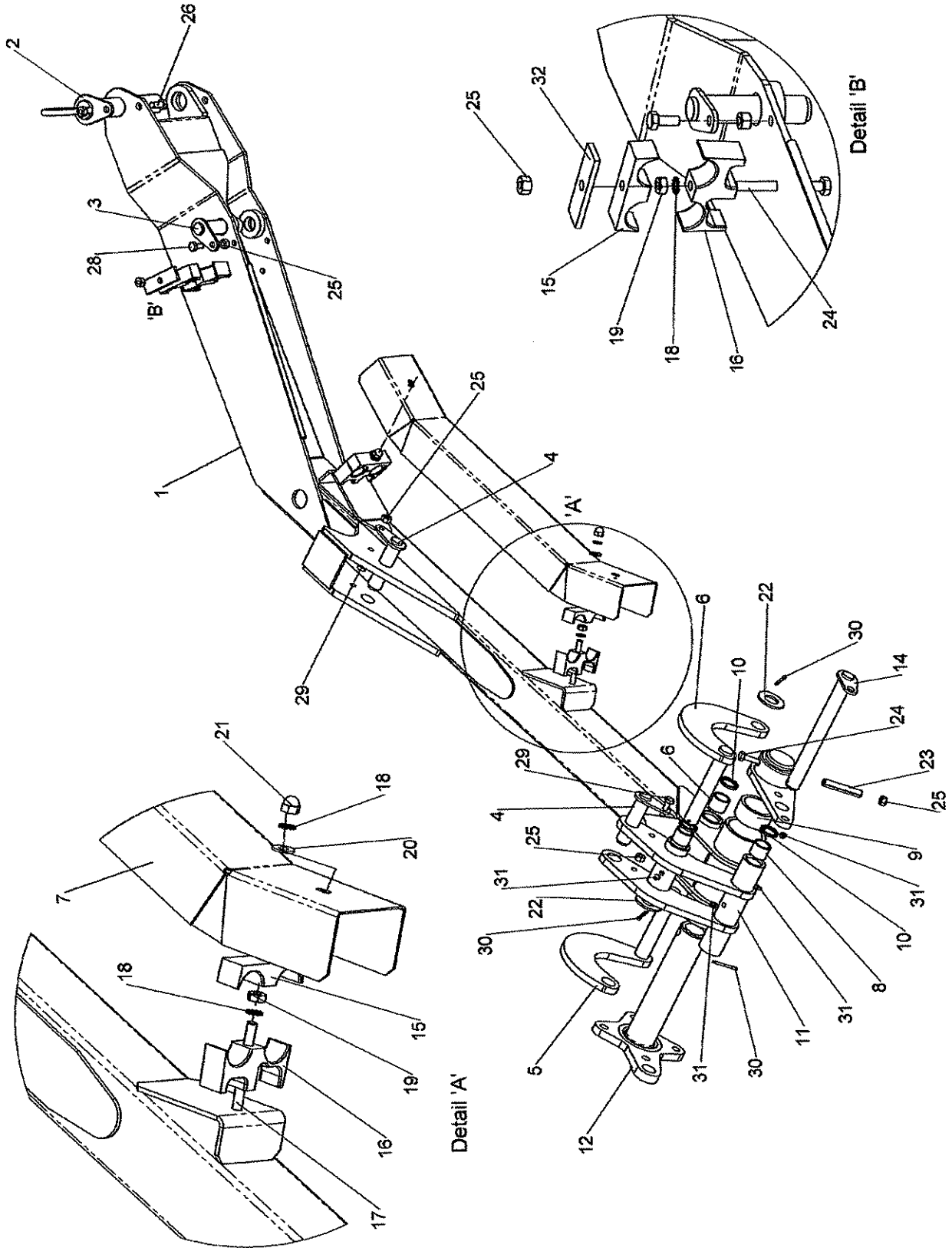
| Ref. | Part No. | Qty. | Description |
|----------------------------------|-----------|------|------------------------------------|
| MAIN ARM AND TENSION LINK | | | |
| 1 | 41597.08 | 1 | Main arm - R.Hand |
| | 41597.07 | 1 | Main arm - L.Hand - not illus |
| 2 | 08.297.01 | 2 | Bush |
| 3 | 09 01 121 | 5 | Greaser 1/8" BSP straight |
| 4 | 41662.05 | 1 | Tension link |
| 5 | 08.297.02 | 4 | Bush |
| 6 | 43324.03 | 1 | Pivot pin - Reach base |
| 7 | 92 13 096 | 1 | Bolt M12 x 45 |
| 8 | 91 43 006 | 1 | Self locking nut M12 |
| 9 | 43048.01 | 2 | Pin cap |
| 10 | 93 00 158 | 4 | Button head screw M8 x 25 |
| 11 | 91 00 204 | 4 | Spring washer dia 8 |
| 12 | 42198.01 | 4 | Stud M10 x 135 |
| 13 | 42024.02 | 2 | Hose clamp - lower |
| 14 | 42024.03 | 2 | Hose clamp - upper |
| 15 | 91 00 105 | 12 | Plain washer dia 10 |
| 16 | 91 00 405 | 12 | External serrated washer dia 10 |
| 17 | 91 13 005 | 12 | Plain nut M10 |
| 18 | 91 00 025 | 4 | Dome nut M10 |
| 19 | 41665.16 | 1 | Hose cover |
| 20 | 43013.02 | 1 | Pivot pin - main arm - standard |
| 21 | 43013.04 | 1 | Pivot pin - main arm - E.D.S. only |
| 22 | 92 13 187 | 1 | Bolt M16 x 90 |
| 23 | 91 00 207 | 1 | Spring washer dia 16 |
| 24 | 43315.02 | 1 | Reach ram assembly |
| 25 | 43021.06 | 1 | Transport prop |
| 26 | 10 75 041 | 2 | Pad |
| 27 | 10 75 047 | 4 | Countersunk screw M6 x 25 |
| 28 | 43023.01 | 1 | Pin - prop pivot |
| 29 | 95 01 406 | 1 | Split pin dia 5 x 40 |
| 30 | 43020.01 | 1 | Pin - prop stowage |
| 31 | 04 31 105 | 1 | Spring cotter |





| Ref. | Part No. | Qty. | Description |
|-----------------------------|-----------|------|---------------------------------|
| DIPPER ARM –Standard | | | |
| 1 | 41649.06 | 1 | Dipper arm – R.Hand |
| | 41649.05 | 1 | Dipper arm – L.Hand – not illus |
| 2 | 71 36 035 | 2 | Head bush |
| 3 | 08.297.04 | 2 | Bush |
| 4 | 86 29 218 | 2 | Seal |
| 5 | 09 01 121 | 3 | Greaser 1/8" BSP straight |
| 6 | 43013.02 | 1 | Pivot pin – dipper |
| 7 | 92 13 187 | 1 | Bolt M16 x 90 |
| 8 | 91 00 207 | 1 | Spring washer dia16 |
| 9 | 43324.02 | 1 | Pivot pin – tension link |
| 10 | 92 13 086 | 1 | Bolt M12 x 40 |
| 11 | 91 43 006 | 1 | Self locking nut M12 |
| 12 | 42684.05 | 1 | Pivot pin – angle ram base |
| 13 | 93 13 075 | 1 | Setscrew M10 x 35 |
| 14 | 91 43 005 | 1 | Self locking nut M10 |
| 15 | 42198.02 | 2 | Stud M10 |
| 16 | 06.430.18 | 2 | Hose clamp - lower |
| 17 | 06.430.17 | 2 | Hose clamp – upper |
| 18 | 91 13 005 | 2 | Plain nut M10 |
| 19 | 91 00 405 | 4 | External serrated washer dia 10 |
| 20 | 91 00 105 | 2 | Plain washer dia 10 |
| 21 | 91 00 025 | 2 | Dome nut M10 |
| 22 | 41665.07 | 1 | Hose cover |
| 23 | 43317.02 | 1 | Angle ram assembly |

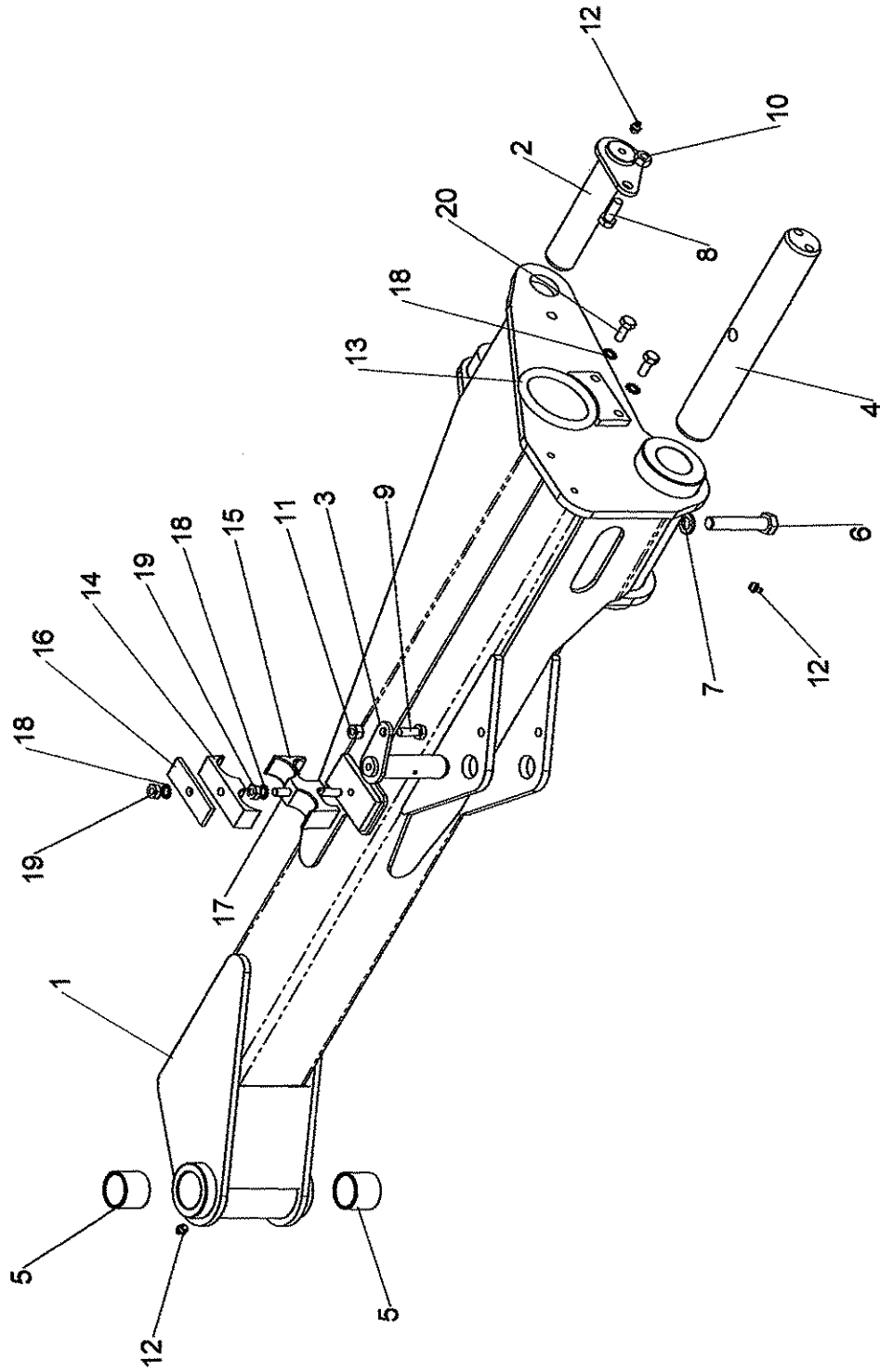
MIDCUT DIPPER ARM ASSEMBLY



MIDCUT DIPPER ARM ASSEMBLY

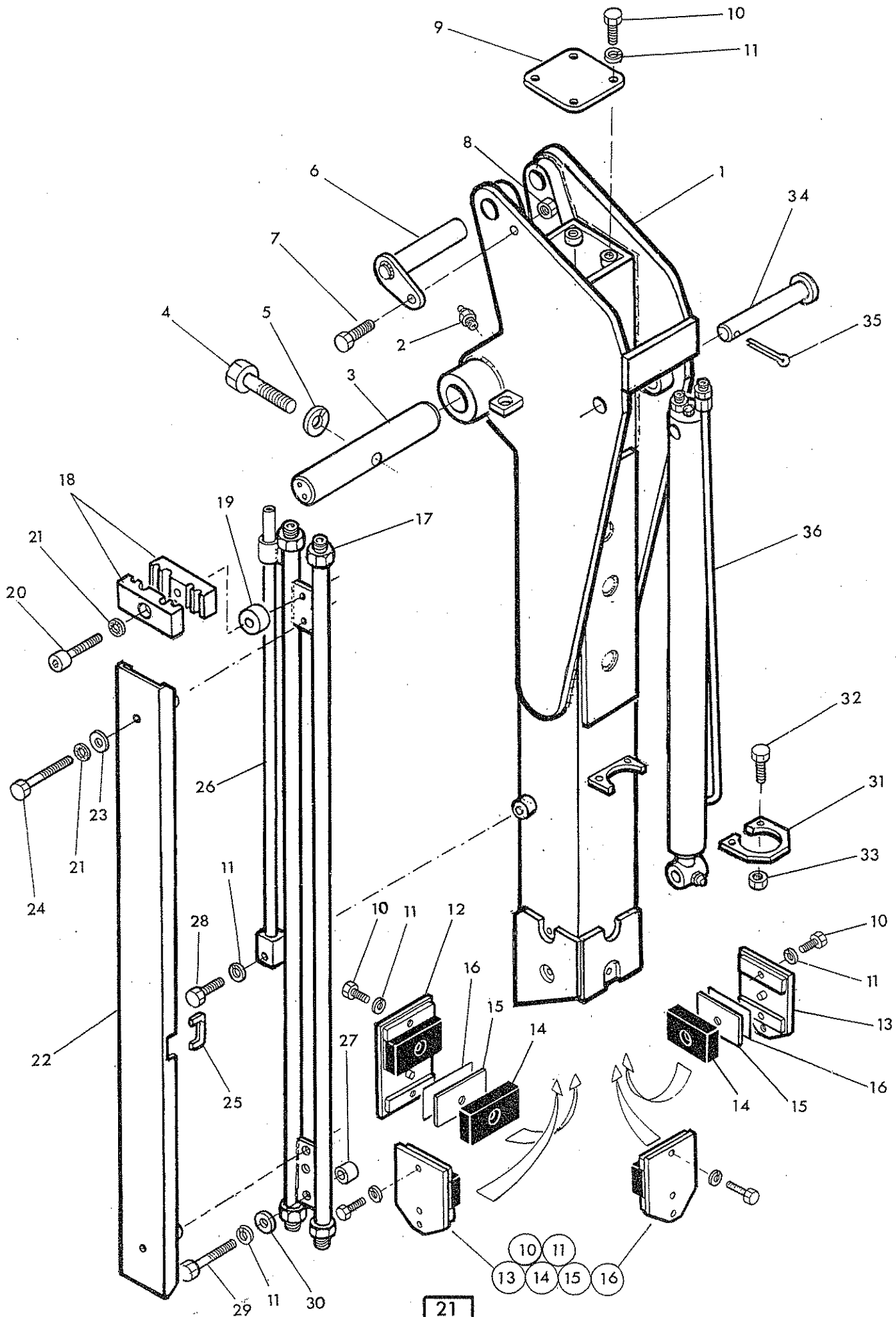
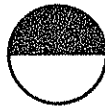
| REF. | QTY. | PART NO. | DESCRIPTION |
|------|------|----------------|----------------------------------|
| | | 7455806 | PA 550 MIDCUT DIPPER ARM |
| 1 | 1 | 45602.01 | MIDCUT DIPPER-LH |
| 2 | 1 | 45609.01 | PIN - MIDCUT FOLD |
| 3 | 1 | 42684.03 | PIN - FOLD RAM ROD END |
| 4 | 2 | 42684.05 | PIN |
| 5 | 1 | 42646.03 | RADIUS ARM - TYPE 1 |
| 6 | 1 | 42646.04 | RADIUS ARM - TYPE 2 |
| 7 | 1 | 41665.19 | HOSE COVER - 550 MIDCUT |
| 8 | 6 | 08.297.04 | BUSH 37x 30 x 30 |
| 9 | 2 | 7136035 | PLASTIC BUSH |
| 10 | 6 | 8629218 | LIP SEAL 30 x 40 x 4 |
| 11 | 1 | 42647.02 | SLAVE LINK |
| 12 | 1 | 42649.01 | PIVOT TUBE |
| 13 | 1 | 42648.01 | JAW PLATE |
| 14 | 1 | 42684.01 | PIN -SLAVE LINK |
| 15 | 3 | 06.430.17 | HOSE CLAMP - UPPER |
| 16 | 3 | 06.430.18 | HOSE CLAMP - LOWER |
| 17 | 2 | 42198.02 | STUD M10 x 112 |
| 18 | 5 | 9100405 | M10 EXT. SHAKEPROOF WASHER |
| 19 | 3 | 9113005 | NUT M10 |
| 20 | 2 | 9100105 | FLAT WASHER M10 |
| 21 | 2 | 9100025 | M10 DOME NUT |
| 22 | 2 | 05.281.18 | FLAT WASHER M30 |
| 23 | 1 | 0423556 | SPRING DOWEL 5/8" x 3 1/2" |
| 24 | 2 | 9213205 | BOLT M10 x 100 |
| 25 | 5 | 9143005 | SELF-LOCKING NUT M10 |
| 26 | 1 | 9313066 | SETSCREW M12 x 30 |
| 27 | 1 | 9143006 | SELF-LOCKING NUT M12 |
| 28 | 1 | 9313055 | SETSCREW M10 x 25 |
| 29 | 2 | 9313075 | SETSCREW M10 x 35 |
| 30 | 3 | 9501406 | SPLIT PIN M5 x 40 |
| 31 | 4 | 0901121 | GREASE NIPPLE 3/8" BSP -Straight |
| 32 | 1 | 06.418.05 | CLAMP PLATE - PIPE CLAMP |

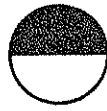
MIDCUT FORWARD EXTENTION



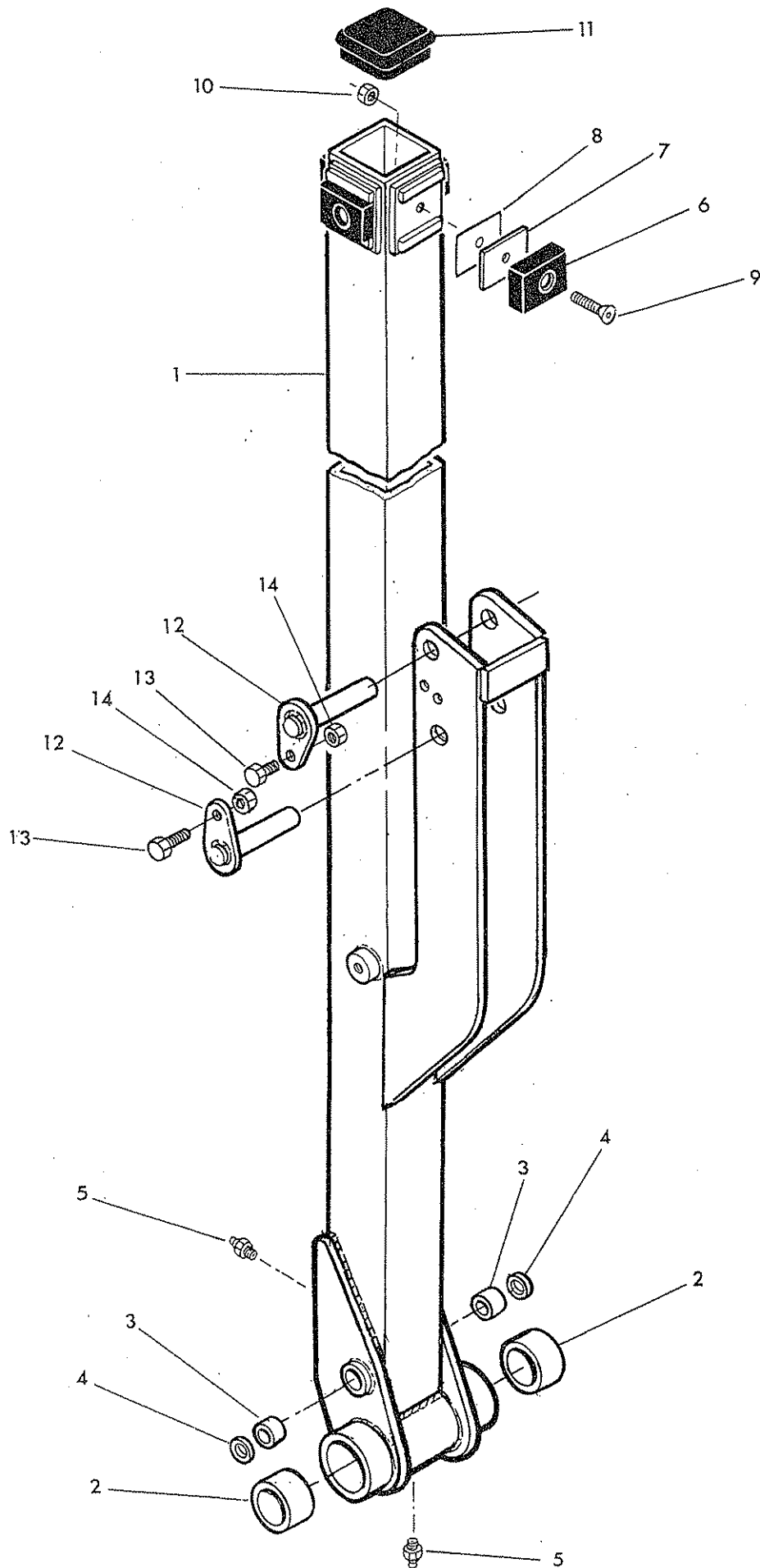
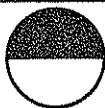
MIDCUT FORWARD EXTENTION

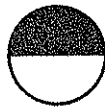
| REF. | QTY. | PART NO. | DESCRIPTION |
|------|------|----------------|--|
| | | 7455804 | PA 550 MIDCUT FORWARD EXTENTION |
| 1 | 1 | 45502.01 | FORWARD EXTENTION - L/H |
| 2 | 1 | 43324.01 | PIN - LIFT BASE |
| 3 | 1 | 42684.02 | PIN - RAM BASE |
| 4 | 1 | 43013.02 | PIVOT PIN |
| 5 | 2 | 08.297.02 | BUSH 47x 40 x 40 |
| 6 | 1 | 9213187 | BOLT M16 x 90 |
| 7 | 1 | 9100207 | SPRING WASHER M16 |
| 8 | 1 | 9313066 | SETSCREW M12 x 30 |
| 9 | 1 | 9313065 | SETSCREW M10 x 30 |
| 10 | 1 | 9143006 | SELF-LOCKING NUT M12 |
| 11 | 1 | 9143005 | SELF-LOCKING NUT M10 |
| 12 | 3 | 0901121 | GREASE NIPPLE 3/8" BSP - Straight |
| 13 | 1 | 45974.01 | HOSE LOOP |
| 14 | 1 | 06.430.17 | HOSE CLAMP - UPPER |
| 15 | 1 | 06.430.18 | HOSE CLAMP - LOWER |
| 16 | 1 | 06.418.05 | CLAMP PLATE - PIPE CLAMP |
| 17 | 1 | 04.282.69 | STUD M10 x 105 |
| 18 | 4 | 9100405 | SHAKEPROOF WASHER M10 EXTERIOR |
| 19 | 2 | 9113005 | NUT M10 |
| 20 | 2 | 9313055 | SETSCREW M10 x 25 |



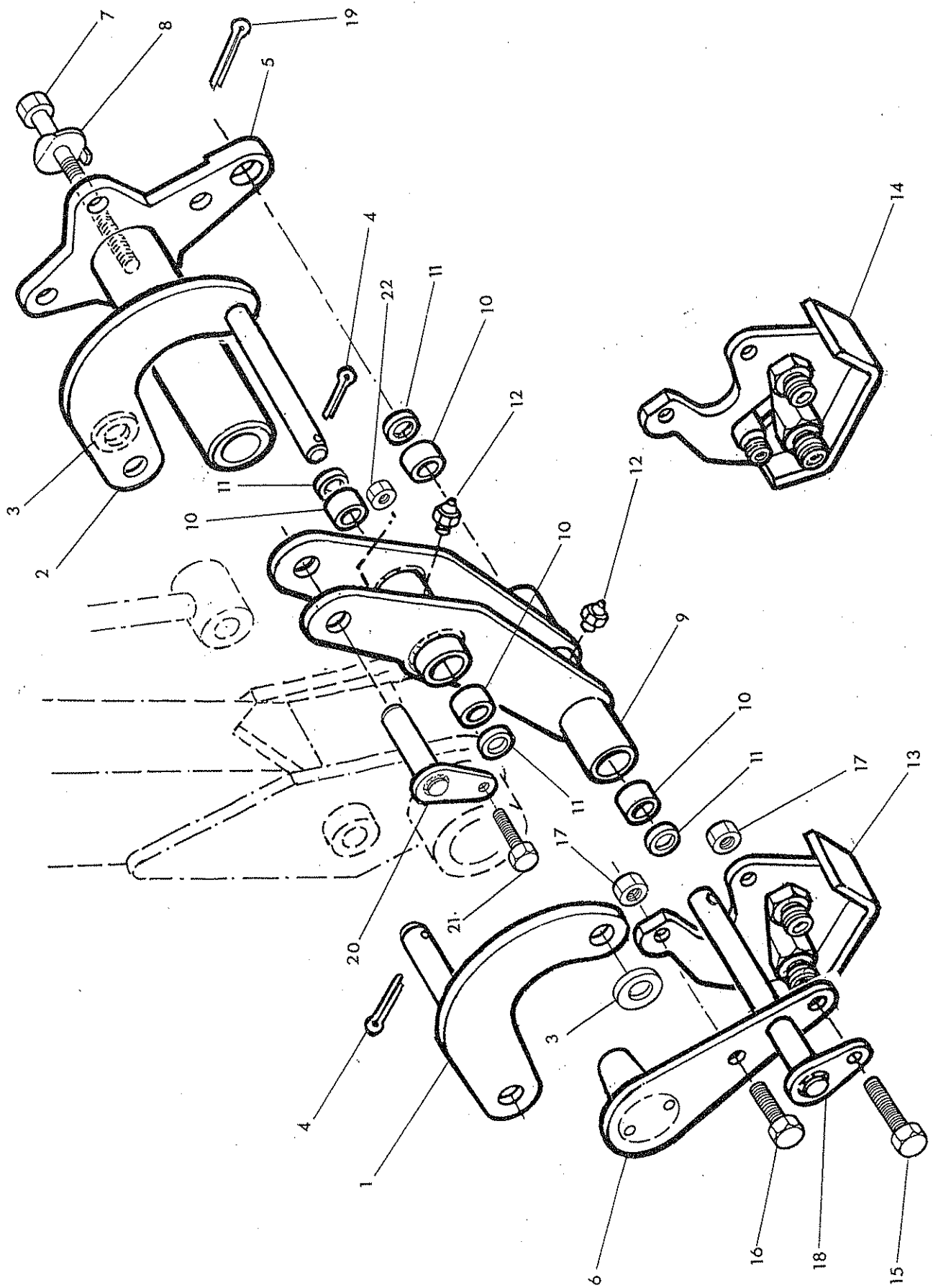
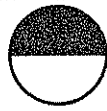


| Ref. | Part No. | Qty. | Description |
|---------------------------|-----------|------|----------------------------------|
| TELE DIPPER SOCKET | | | |
| 1 | 42217.02 | 1 | Dipper socket |
| 2 | 09 01 121 | 1 | Greaser 1/8" BSP straight |
| 3 | 43013.02 | 1 | Pivot pin – dipper |
| 4 | 92 13 187 | 1 | Bolt M16 x 90 |
| 5 | 91 00 207 | 1 | Spring washer dia 16 |
| 6 | 43324.01 | 1 | Pivot pin – tension link |
| 7 | 92 13 086 | 1 | Bolt M12 x 40 |
| 8 | 91 43 006 | 1 | Self locking nut M12 |
| 9 | 71 36 069 | 1 | Cover plate |
| 10 | 93 13 046 | 12 | Setscrew M12 x 20 |
| 11 | 91 00 206 | 14 | Spring washer dia 12 |
| 12 | 43463.01 | 1 | Wear pad carrier – lower |
| 13 | 43463.02 | 3 | Wear pad carrier – top and sides |
| 14 | 71 36 001 | 5 | Wear pad |
| 15 | 71 36 059 | 5 | Shim 1 mm |
| 16 | 71 36 058 | 5 | Shim 0.25 mm |
| 17 | 42211.03 | 1 | Rigid pipes |
| 18 | 42024.04 | 4 | Hose clamp |
| 19 | 42215.01 | 2 | Spacer |
| 20 | 93 43 105 | 2 | Capscrew M10 x 50 |
| 21 | 91 00 305 | 4 | Internal serrated washer dia 10 |
| 22 | 42205.05 | 1 | Pipe cover |
| 23 | 90 00 105 | 2 | Plain washer dia 10 |
| 24 | 92 13 135 | 2 | Bolt M10 x 65 |
| 25 | 41741.01 | 1 | Edge strip |
| 26 | 43347.01 | 1 | Guide tube |
| 27 | 71 97 009 | 1 | Spacer |
| 28 | 92 13 106 | 1 | Bolt M12 x 50 |
| 29 | 92 13 136 | 1 | Bolt M12 x 65 |
| 30 | 91 00 106 | 1 | Plain washer |
| 31 | 43457.01 | 1 | Tele ram restraint |
| 32 | 93 13 054 | 2 | Setscrew M8 x 25 |
| 33 | 91 43 004 | 2 | Self locking nut M8 |
| 34 | 43381.01 | 1 | Pivot pin – tele ram base |
| 35 | 95 01 507 | 1 | Split pin dia 6 x 50 |
| 36 | 43377.02 | 1 | Tele ram assembly |





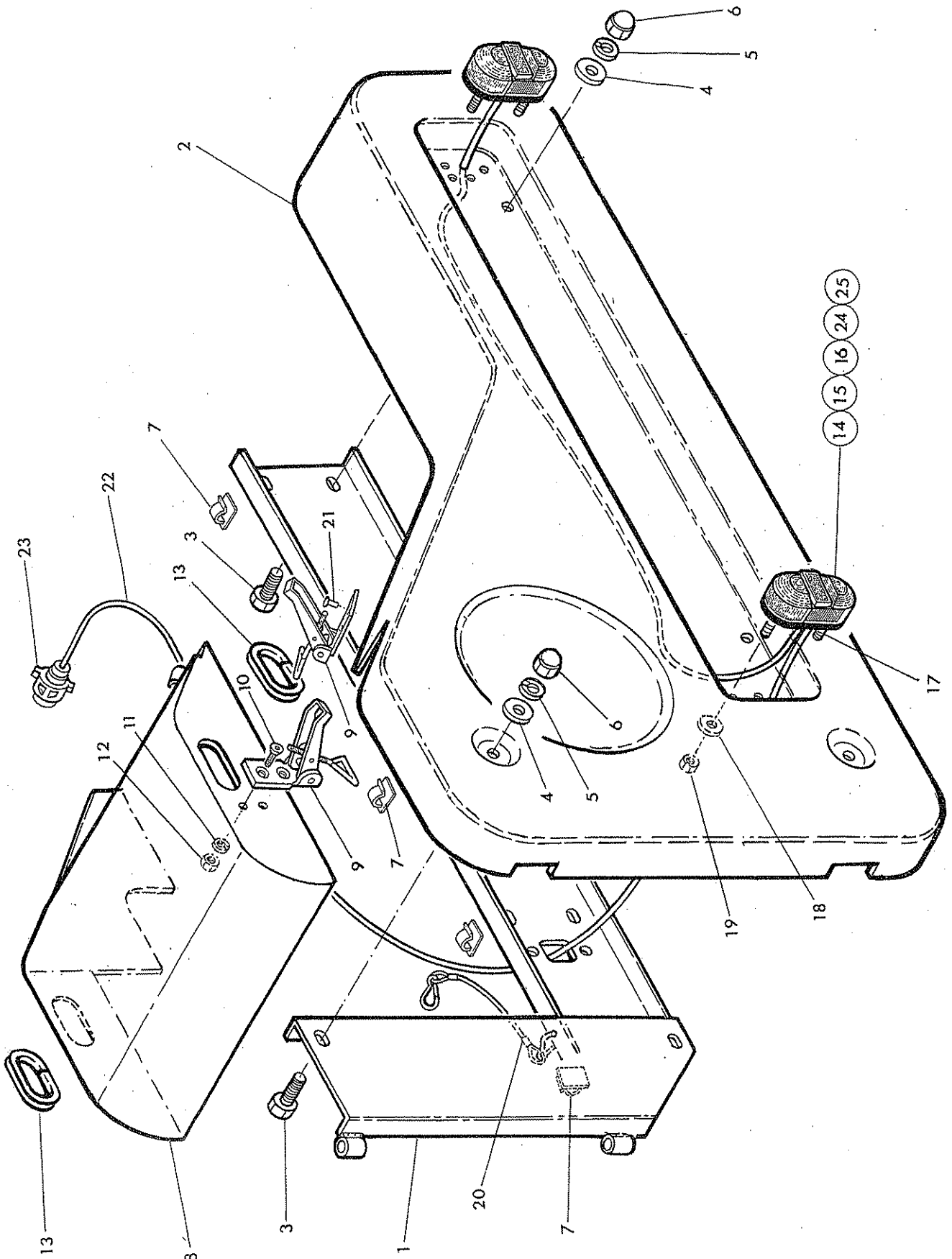
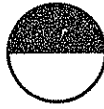
| Ref. | Part No. | Qty. | Description |
|---------------------------|-----------|------|---|
| TELE DIPPER SLIDER | | | |
| 1 | 43343.03 | 1 | Dipper slider |
| 2 | 71 36 035 | 2 | Head bush |
| 3 | 08.297.04 | 2 | Bush |
| 4 | 86 29 218 | 2 | Seal |
| 5 | 09 01 121 | 2 | Greaser 1/8" BSP straight |
| 6 | 71 36 001 | 4 | Wear pad |
| 7 | 71 36 059 | 4 | Shim 1 mm |
| 8 | 71 36 058 | 4 | Shim 0.25 mm |
| 9 | 93 53 075 | 4 | Countersunk screw M10 x 35 |
| 10 | 91 43 005 | 4 | Self locking nut M10 |
| 11 | 71 36 148 | 1 | Plastic bung |
| 12 | 42684.05 | 2 | Pivot pin – tele ram rod and angle ram base |
| 13 | 93 13 075 | 2 | Setscrew M10 x 35 |
| 14 | 91 43 005 | 2 | Self locking nut M10 |

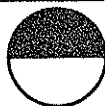


Ref. Part No. Qty. Description

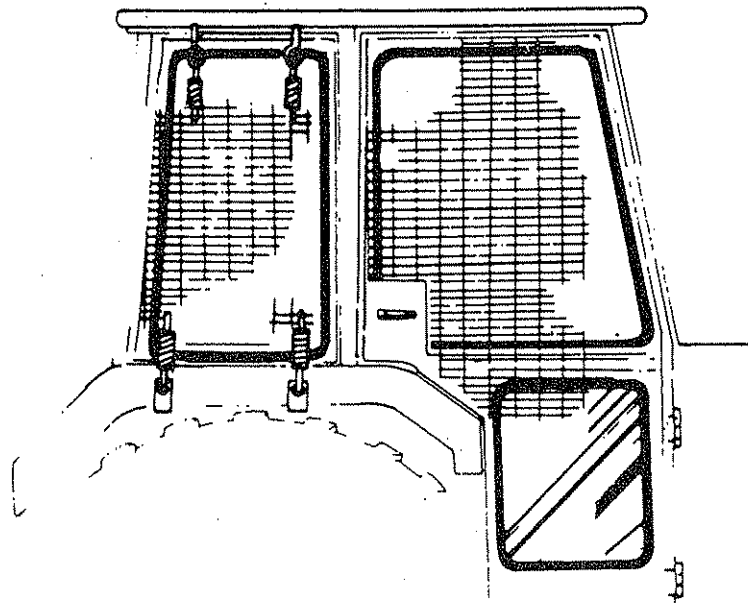
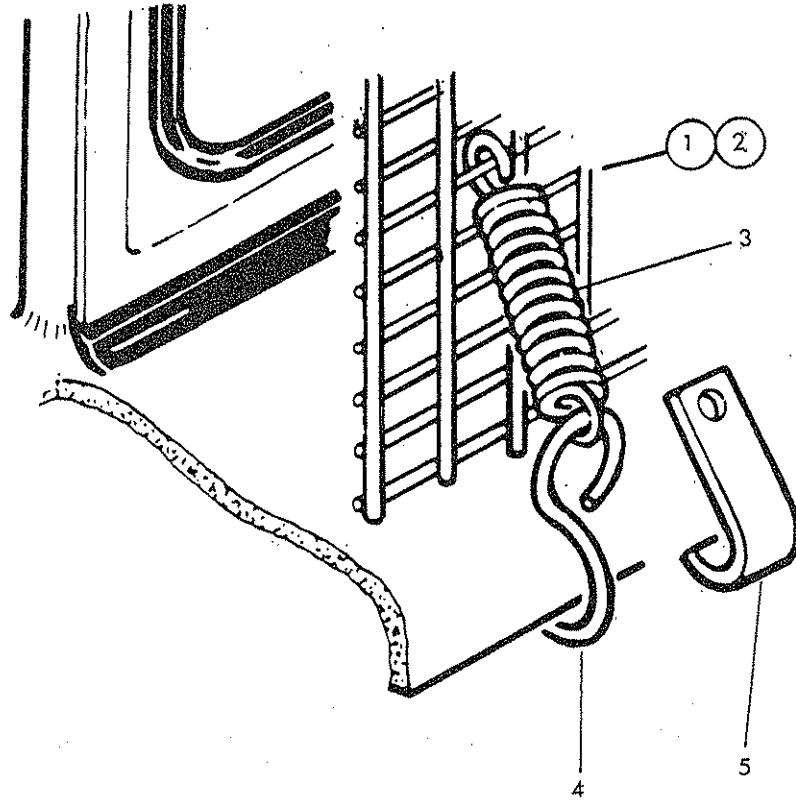
HEAD ANGLING MECHANISM

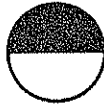
| | | | |
|----|-----------|---|---|
| 1 | 42646.03 | 1 | Radius arm type 1 |
| 2 | 42646.04 | 1 | Radius arm type 2 |
| 3 | 05.281.18 | 2 | Plain washer |
| 4 | 95 01 406 | 2 | Split pin dia 5 x 40 |
| 5 | 43098.03 | 1 | Head pivot tube |
| 6 | 43099.02 | 1 | Jaw plate |
| 7 | 92 13 457 | 1 | Bolt M16 x 225 |
| 8 | 43442.01 | 1 | Tab washer |
| 9 | 42647.02 | 1 | Slave link |
| 10 | 08.297.04 | 4 | Bush |
| 11 | 86 29 218 | 4 | Seal |
| 12 | 09 01 121 | 2 | Greaser 1/8" BSP straight |
| 13 | 43055.03 | 1 | Hose junction bracket – gear hydraulics |
| 14 | 43055.02 | 1 | Hose junction bracket – piston hydraulics |
| 15 | 92 00 028 | 1 | Special bolt M16 x 1.5p x 45 long |
| 16 | 92 00 025 | 1 | Special bolt M16 x 1.5p x 50 long |
| 17 | 91 00 028 | 2 | Special self locking nut M16 x 1.5p |
| 18 | 42684.01 | 1 | Pivot pin – slave link |
| 19 | 95 01 507 | 1 | Split pin dia 6 x 50 |
| 20 | 42684.05 | 1 | Pivot pin – angle ram rod |
| 21 | 93 13 075 | 1 | Setscrew M10 x 35 |
| 22 | 91 43 005 | 1 | Self locking nut M10 |



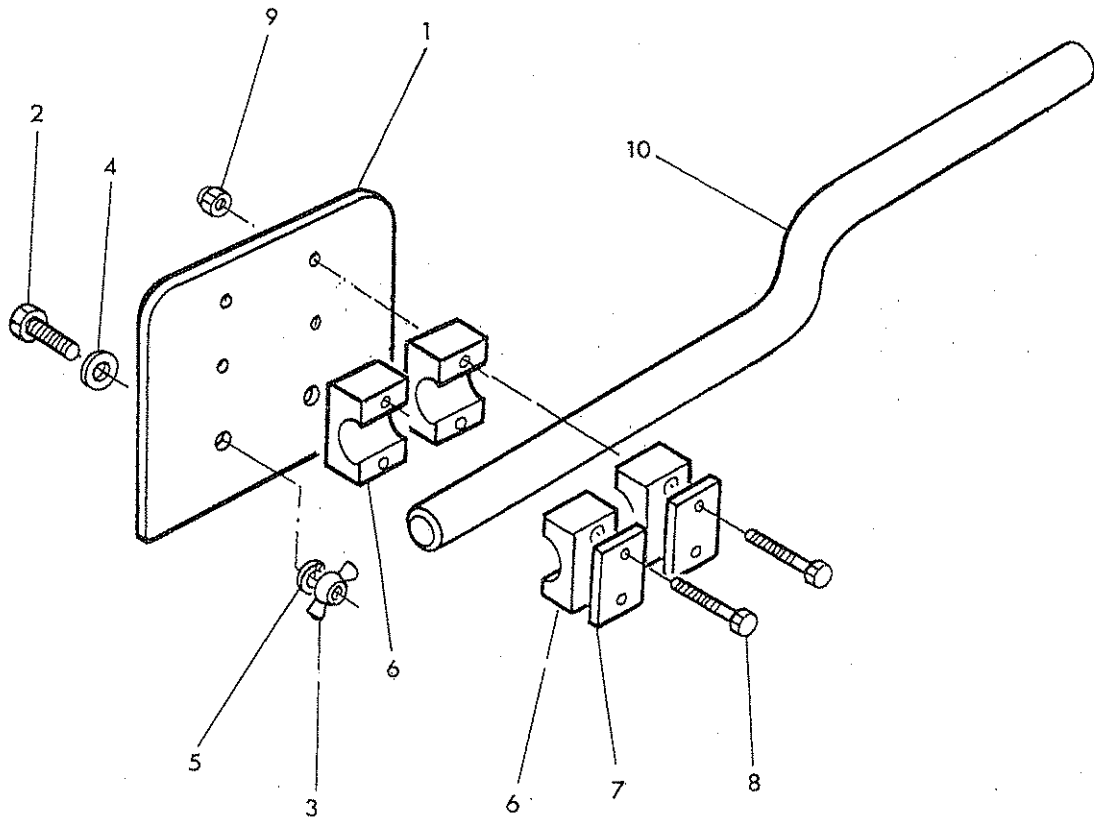
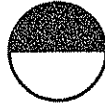


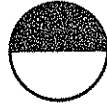
| Ref. | Part No. | Qty. | Description |
|--------------------------|-----------|------|---|
| COVERS AND LIGHTS | | | |
| 1 | 43434.02 | 1 | Rear cover mounting – R.Hand |
| | 43434.01 | 1 | Rear cover mounting – L.Hand – not illus |
| 2 | 43304.04 | 1 | Rear cover R.Hand |
| | 43304.03 | 1 | Rear cover L.Hand – not illus |
| 3 | 93 13 045 | 6 | Setscrew M10 x 20 |
| 4 | 91 00 105 | 6 | Plain washer dia 10 |
| 5 | 91 00 205 | 6 | Spring washer dia 10 |
| 6 | 91 00 025 | 6 | Dome nut M10 |
| 7 | 43357.01 | 4 | Self adhesive cable clip |
| 8 | 43353.02 | 1 | Top cover – R.Hand |
| | 43353.01 | 1 | Top cover – L.Hand – not illus |
| 9 | 43449.02 | 3 | Overcentre clip fastener |
| 10 | 93 53 022 | 6 | Countersunk screw M5 x 12 |
| 11 | 91 00 202 | 6 | Spring washer dia 5 |
| 12 | 91 00 014 | 4 | Hexagon nut M5 |
| 13 | 43468.01 | 2 | Edge strip x 230 long |
| 14 | 43328.01 | 1 | Rear lamp including bulbs etc. |
| 15 | 75 60 087 | 1 | Stop/tail bulb |
| 16 | 75 60 088 | 1 | Flasher bulb |
| 17 | 93 13 033 | 4 | Screw M6 x 16 |
| 18 | 91 00 103 | 4 | Plain washer dia 6 |
| 19 | 91 43 003 | 4 | Self locking nut M6 |
| 20 | 43429.01 | 1 | Restraint cable |
| 21 | 10 69 088 | 2 | Pop rivet dia 4.5 mm |
| 22 | 75 60 090 | 1 | Power cable including plug |
| 23 | 75 60 089 | 1 | Plug |
| 24 | 43490.01 | 1 | Connector strip 10 bank cut to 4 4 2 not illus :- |
| 25 | 81 14 057 | 3 | Self tapping screw x 5/16" long inside lights |



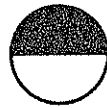


| Ref. | Part No. | Qty. | Description |
|------|------------------|------|----------------------|
| | 73 13 324 | | CAB GUARD KIT |
| 1 | 73 13 049 | 1 | Guard panel – large |
| 2 | 73 13 050 | 1 | Guard panel – small |
| 3 | 60 01 064 | 12 | Spring |
| 4 | 60 01 065 | 6 | Hook |
| 5 | 73 13 051 | 6 | Hook |

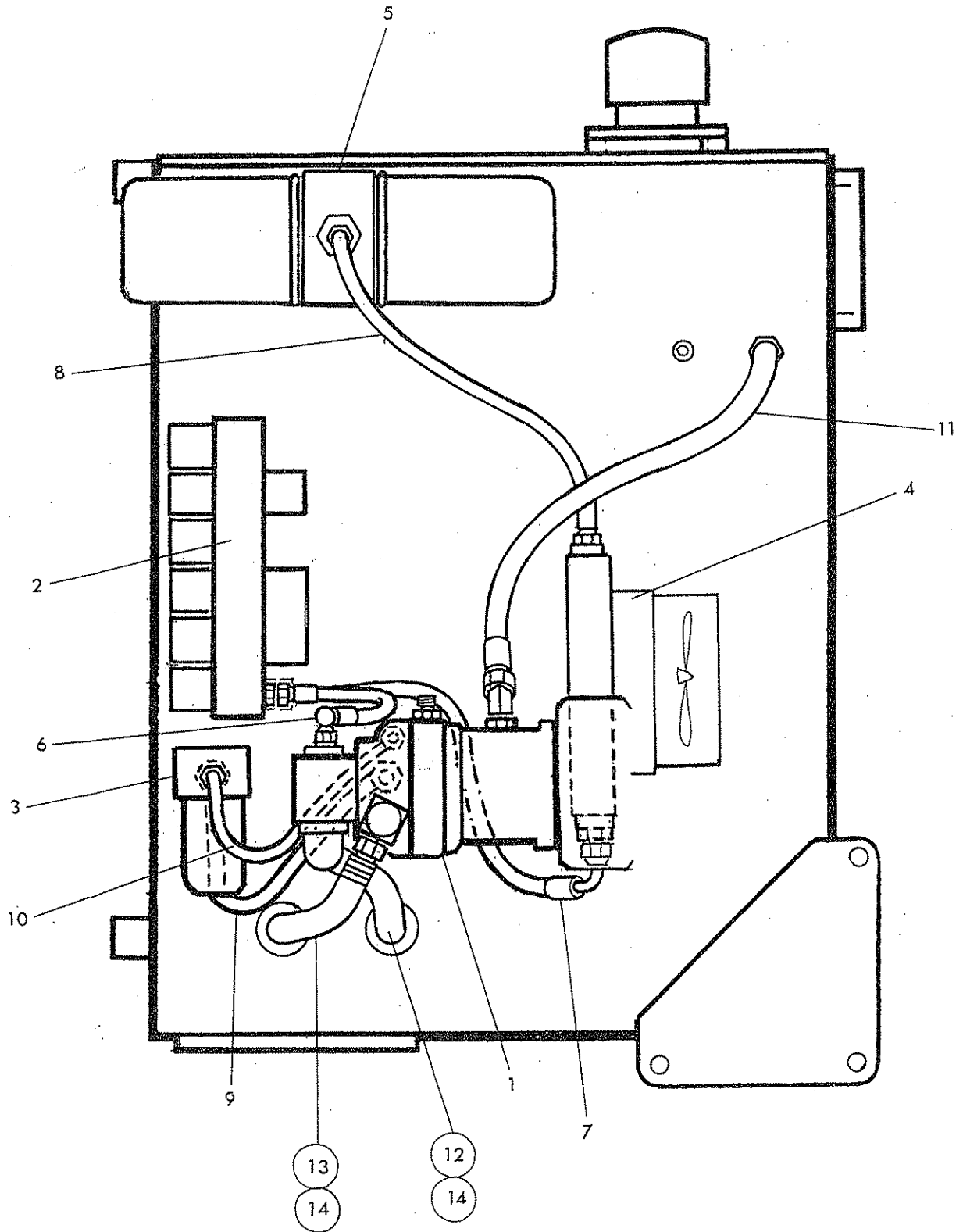


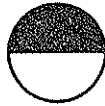


| Ref. | Part No. | Qty. | Description |
|------|------------------|------|-----------------------------|
| | 73 13 275 | | CONTROL MOUNTING KIT |
| 1 | 08.317.01 | 1 | Control mounting bracket |
| 2 | 93 13 054 | 2 | Setscrew M8 x 25 |
| 3 | 91 93 004 | 2 | Wingnut M8 |
| 4 | 91 00 104 | 2 | Plain washer dia 8 |
| 5 | 91 00 204 | 2 | Spring washer dia 8 |
| 6 | 30.209.71 | 6 | Clamp |
| 7 | 30.209.33 | 3 | Cover plate |
| 8 | 30.068.88 | 6 | Bolt M6 x 45 |
| 9 | 91 63 003 | 4 | Self locking nut M6 |
| 10 | 42312.01 | 1 | Mounting bar |



PRIMARY CIRCUIT





| Ref. | Part No. | Qty. | Description |
|------|----------|------|-------------|
|------|----------|------|-------------|

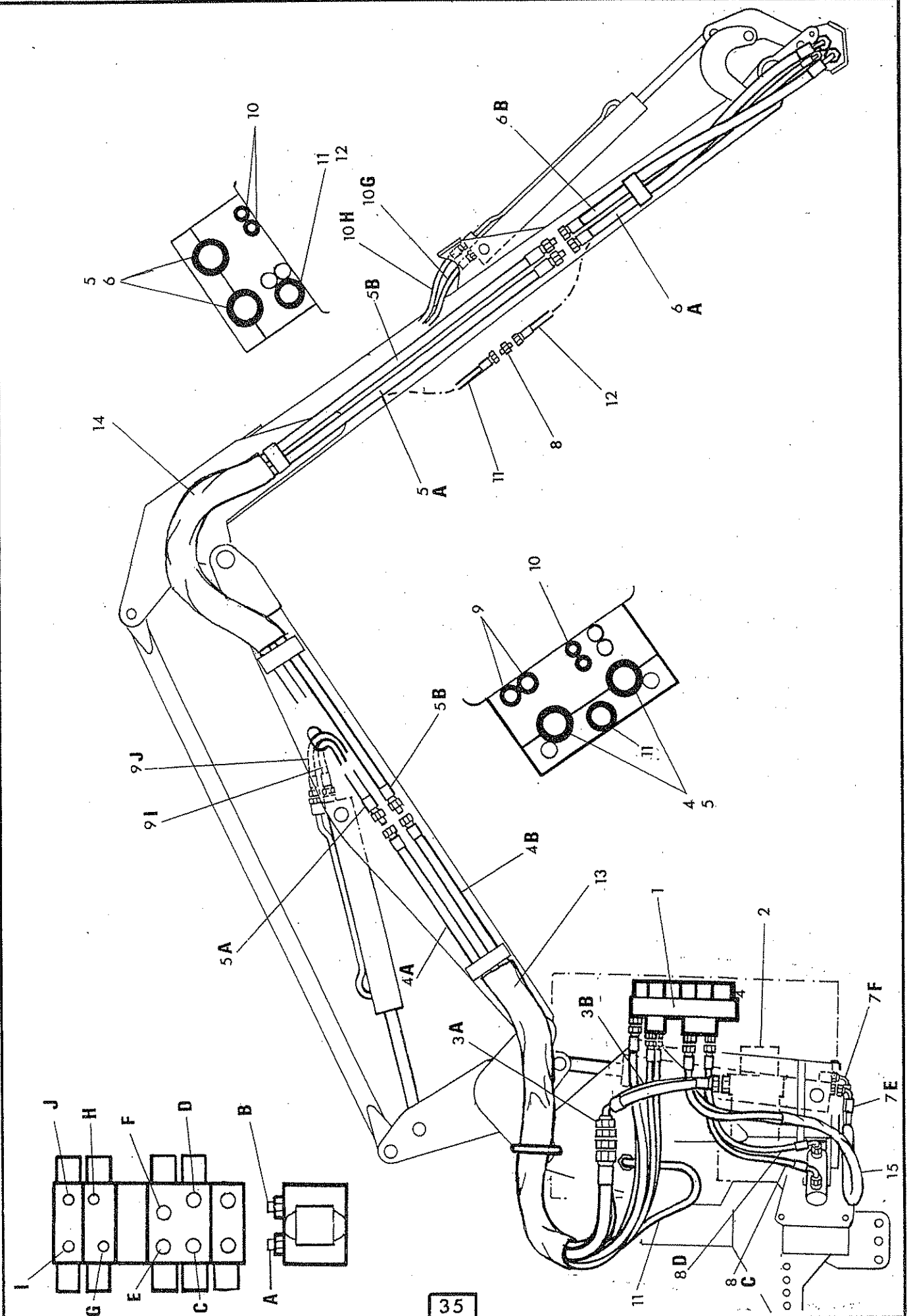
PRIMARY HYDRAULIC CIRCUIT

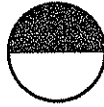
For :- 550 and 650 machines

| | | | |
|----|-----------|---|---|
| 1 | | | Pump |
| 2 | | | Arm control valve |
| 3 | | | Charge filter |
| 4 | | | Oil cooler |
| 5 | | | Return filter |
| 6 | 42721.08 | 1 | Hose M18 x 400 long - supply to control valve |
| 7 | 42724.12 | 1 | Hose M22 x 600 long - control valve to cooler |
| 8 | 42724.09 | 1 | Hose M22 x 450 long - cooler to return filter |
| 9 | 42724.11 | 1 | Hose M22 x 550 long - pump to charge filter |
| 10 | 42721.09 | 1 | Hose M18 x 450 long - charge filter to pump |
| 11 | 42726.11 | 1 | Hose M26 x 550 long - pump to tank |
| 12 | 85 00 800 | 1 | Hose 1" bore x 300 long - suction to small pump |
| 13 | 85 00 800 | 1 | Hose 1" bore x 200 long - suction to large pump |
| 14 | 09 04 106 | 8 | Hose clip - 1" bore hose |

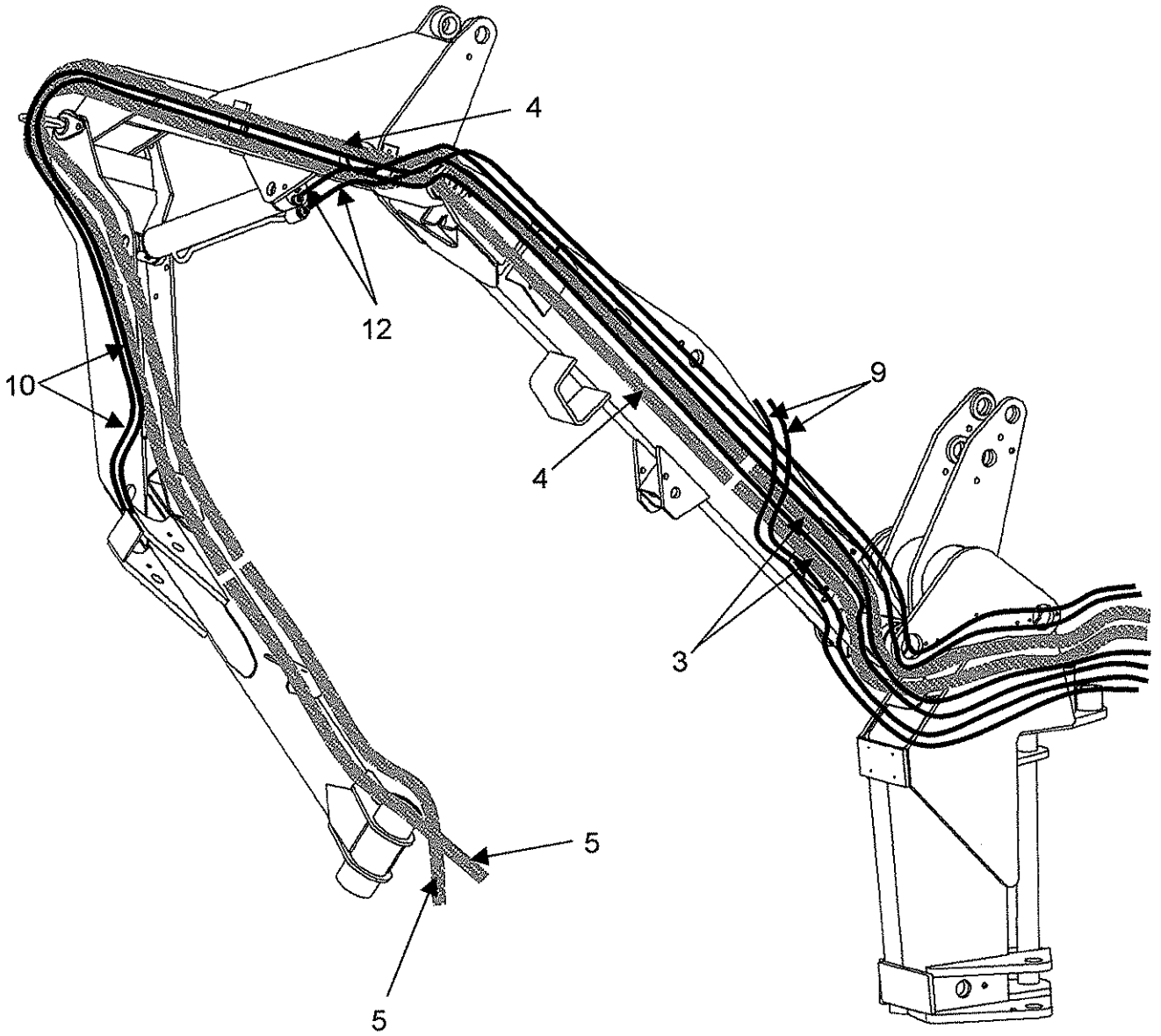


ROCKWELL



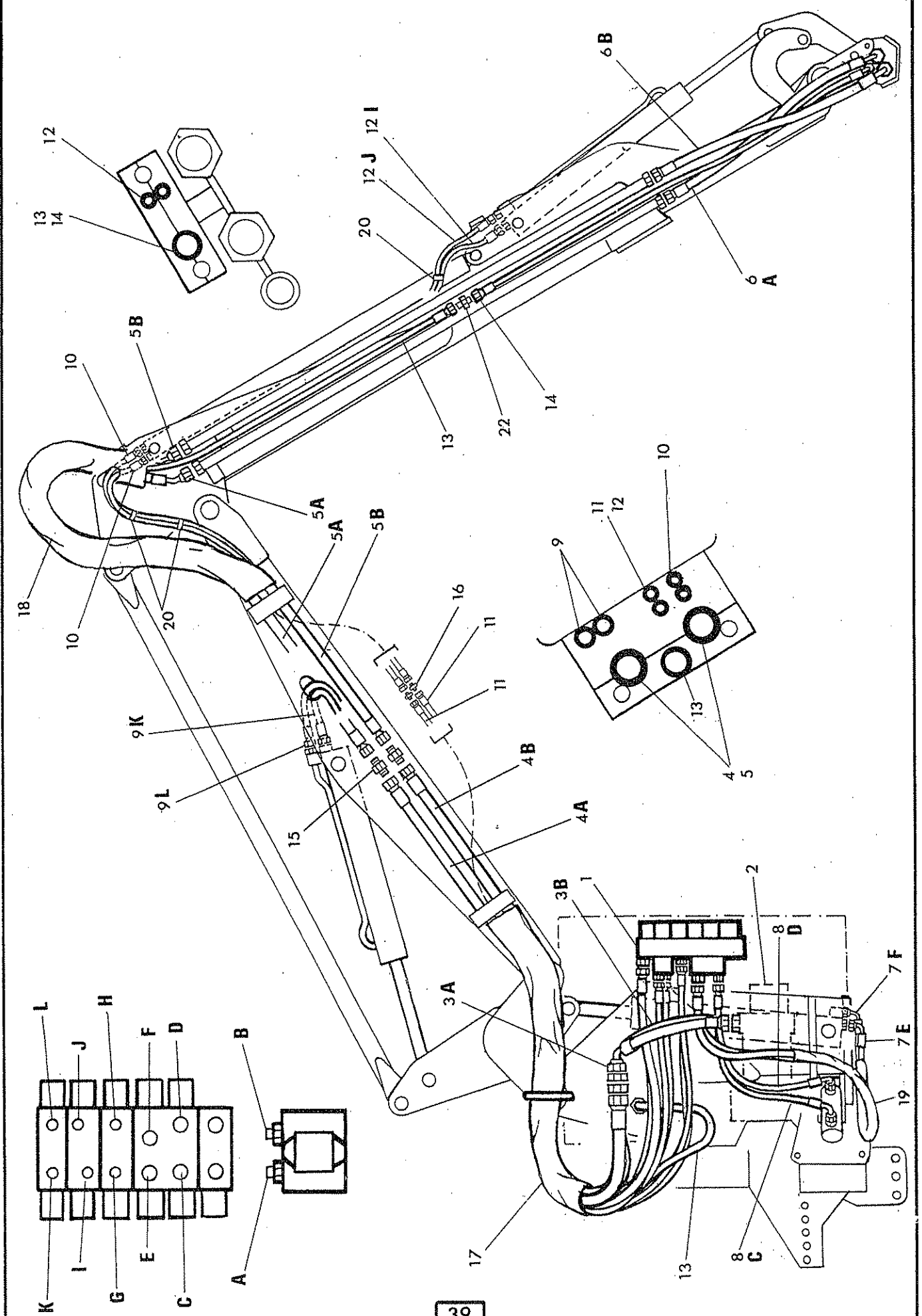


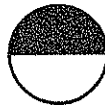
| Ref. | Part No. | Qty. | Description |
|---|-----------|---------|---|
| SERVICE HYDRAULIC CIRCUITS :- for 550 machines | | | |
| 1 | | | Main control valve |
| 2 | | | Pump |
| 3 | 43054.12 | 2 | Hose M36 x 600 long – pump – bulkhead |
| 4 | 42734.36 | 2 | Hose M36 x 2600 long – bulkhead – main arm junction |
| 5 | 43371.36 | 2 | Hose M36 x 2600 long - dipper pivot |
| 6 | 42733.18 | 2 | Hose M36 x 900 long - dipper junction – head bracket |
| 7 | 42721.24 | 2 | Hose M18 x 1400 long - lift |
| 8 | 42718.14 | 2 | Hose M14 x 700 long - slew |
| 9 | 42720.47 | 2 | Hose M18 x 3700 long - reach |
| 10 | 42717.64 | 2 | Hose M14 x 5400 long – angle |
| 11 | 42727.56 | 1 | Hose M26 x 4600 long drain. – tank – dipper join |
| 12 | 42727.25 | 1 | Hose M26 x 1500 long drain. – dipper join – head brkt |
| 13 | 43491.22 | 1 | Hose sleeve x 1800 long |
| 14 | 43491.41 | 1 | Hose sleeve x 900 long |
| 15 | 00900913 | 1 | Hose sleeve x 800 long |
| 16 | 71 96 045 | as reqd | Hose tie x 300 long |
| 17 | 71 35 084 | as reqd | Hose tie x 175 long |
| 18 | 85 81 404 | 1 | Union M26 MM |



MIDCUT HOSES

| REF. | QTY. | PART NO. | DESCRIPTION |
|------|------|--------------|--|
| | | 7455722 / 8 | PA 550 MIDCUT HOSE KIT - GEAR MODELS |
| | | 7455722 / 9 | PA 550 MIDCUT HOSE KIT - PISTON MODELS |
| 1 | 1 | n/a 8501277 | HOSE M36 x 1" SAE - 600mm <i>Pump to Valve</i> |
| 2 | 1 | n/a 8501302 | HOSE M36 F90/F90 - 600mm <i>Valve to Cooler Tee</i> |
| 3 | 2 | n/a 42735.36 | HOSE M36 FS/FS - 2600mm <i>Valve to Main Arm</i> |
| 4 | 2 | 2 43372.52 | HOSE M36 MS/MS - 4200mm <i>Main Arm to Dipper Arm</i> |
| 5 | 2 | n/a 42733.18 | HOSE M36 FS/F90 - 900mm <i>Dipper to Junc. Brkt.</i> |
| 6 | 1 | 1 42721.08 | HOSE M18 FS/F90 - 400mm <i>Armhead Pressure</i> |
| 7 | 1 | 1 42724.12 | HOSE M22 FS/F90 - 600mm <i>Armhead Valve to Cooler</i> |
| 8 | 2 | 2 42721.24 | HOSE M18 FS/F90 - 1400mm <i>Lift Base</i> |
| 9 | 2 | 2 42720.47 | HOSE M18 FS/FS - 3700mm <i>Reach Base</i> |
| 10 | 2 | 2 42717.80 | HOSE M14 FS/FS - 7000mm <i>Angle Base</i> |
| 11 | 2 | 2 42718.14 | HOSE M14 FS/F90 - 700mm <i>Slew Base</i> |
| 12 | 2 | 2 42717.57 | HOSE M14 FS/FS - 4700mm <i>Midcut</i> |
| 13 | n/a | 2 43054.12 | HOSE M36 FS/F135 - 600mm <i>Pump to Bulkhead Adpt.</i> |
| 14 | n/a | 2 43052.36 | HOSE M36 FS/FS - 2600mm <i>Valve to Main Arm</i> |
| 15 | n/a | 2 43053.18 | HOSE M36 FS/F90 - 900mm <i>Dipper to Junc. Brkt.</i> |
| 16 | n/a | 1 42724.09 | HOSE M22 FS/F90 - 450mm <i>Cooler to Return</i> |
| 17 | n/a | 1 42724.11 | HOSE M22 FS/F90 - 550mm <i>Pump to Filter</i> |
| 18 | n/a | 1 42721.09 | HOSE M18 FS/F90 - 450mm <i>Filter to Pump</i> |
| 19 | n/a | 1 42727.35 | HOSE M26 FS/F90 - 2500mm <i>Dipper to Pivot</i> |
| 20 | n/a | 1 42727.56 | HOSE M26 FS/F90 - 4600mm <i>Tank to Dipper</i> |
| 21 | n/a | 1 42726.11 | HOSE M26 FS/FS - 550mm <i>Pump to Tank</i> |

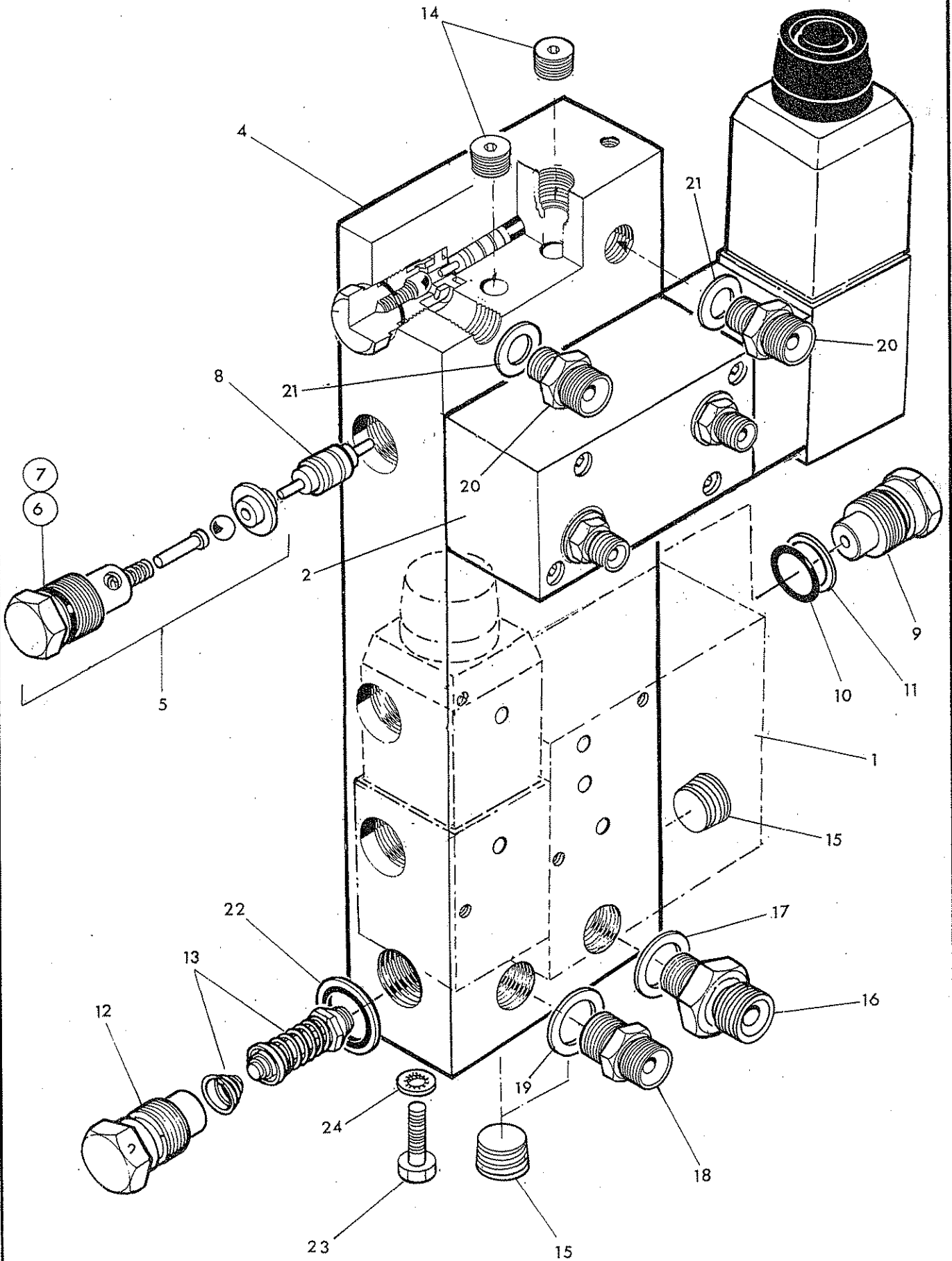


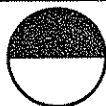


| Ref. | Part No. | Qty. | Description |
|--|-----------|---------|---|
| SERVICE HYDRAULIC CIRCUITS :- for 650 machines | | | |
| 1 | | | Main control valve |
| 2 | | | Pump |
| 3 | 43054.12 | 2 | Hose M36 x 600 long pump - bulkhead |
| 4 | 42732.36 | 2 | Hose M36 x 2600 long - bulkhead - main arm junction |
| 5 | 43374.30 | 2 | Hose M36 x 2000 long - dipper pivot |
| 6 | 42733.16 | 2 | Hose M36 x 800 long - rigid pipes - head bracket |
| 7 | 42721.24 | 2 | Hose M18 x 1400 long - lift |
| 8 | 42718.14 | 2 | Hose M14 x 700 long - slew |
| 9 | 42720.42 | 2 | Hose M18 x 3700 long - reach |
| 10 | 42717.56 | 2 | Hose M14 x 4600 long - tele |
| 11 | 42717.40 | 2 | Hose M14 x 3000 long - angle. Valve - junction |
| 12 | 42717.45 | 2 | Hose M14 x 3500 long - angle. Junction - ram |
| 13 | 42727.67 | 1 | Hose M26 x 5700 long - drain. - tank- dipper join |
| 14 | 42727.25 | 1 | Hose M26 x 1500 long - drain. - dipper join - head join |
| 15 | 85 81 405 | 2 | Union M36 MM |
| 16 | 85 81 382 | 2 | Union M14 MM |
| 17 | 43491.22 | 1 | Hose sleeve x 1800 long |
| 18 | 43491.22 | 1 | Hose sleeve x 1600 long |
| 19 | 00900913 | 1 | Hose sleeve x 800 long |
| 20 | 71 96 045 | as reqd | Hose tie x 300 long |
| 21 | 71 35 084 | as reqd | Hose tie x 175 long |
| 22 | 85 81 404 | 1 | Union M26 MM |



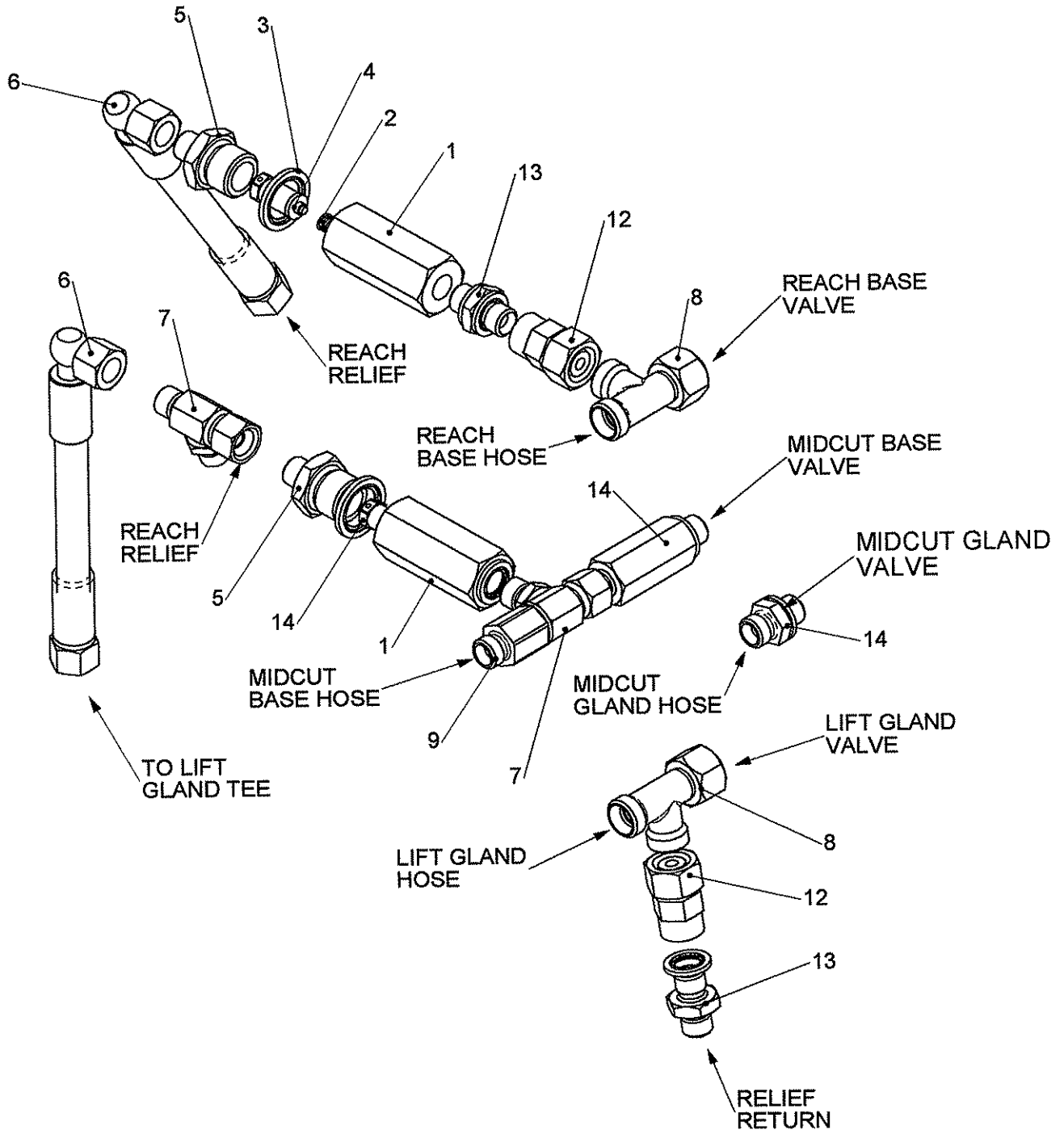
MANIFOLD - Std





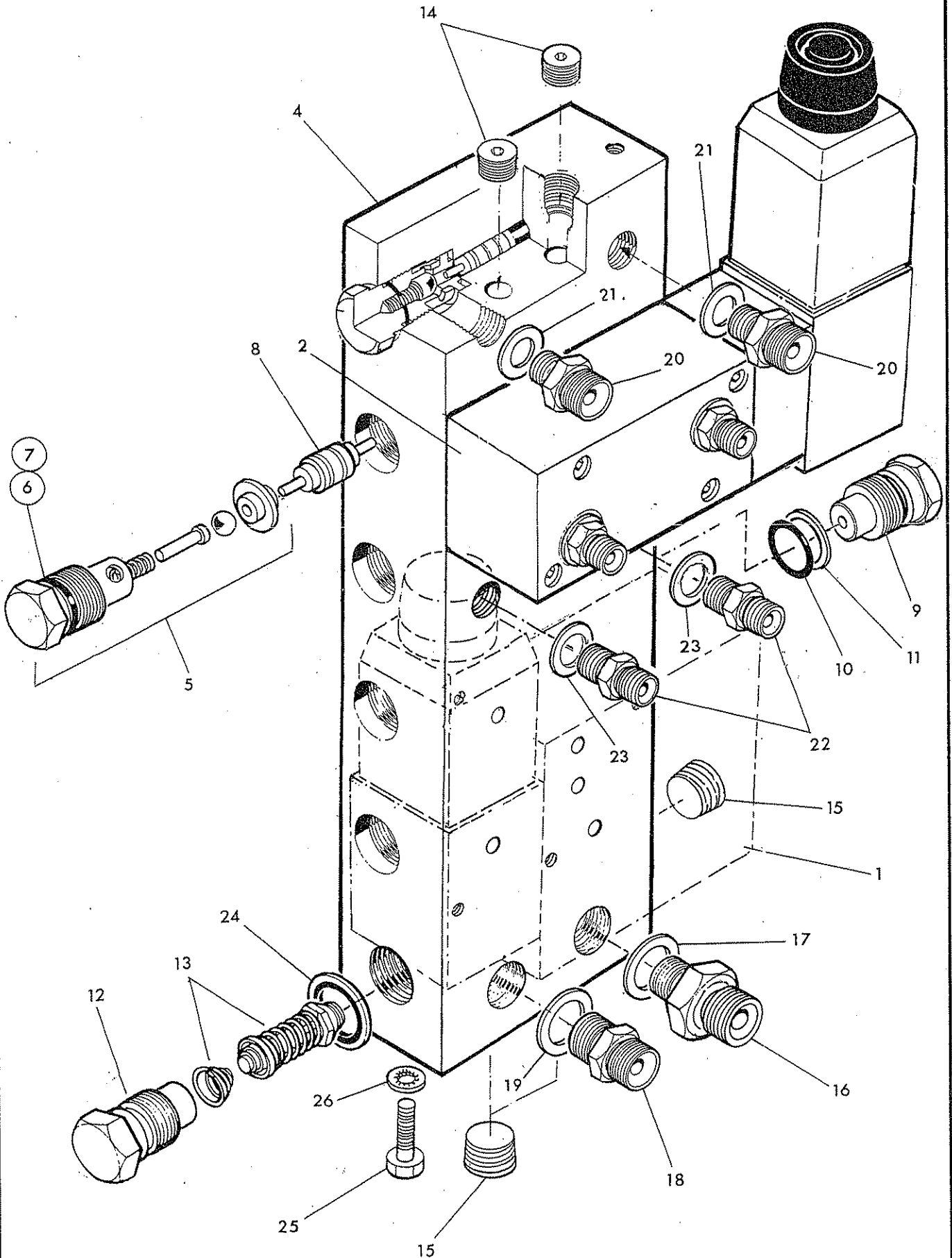
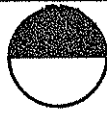
| Ref. | Part No. | Qty. | Description |
|-------------------------------------|------------------|------|---------------------------------------|
| CONTROL VALVE – Standard arm | | | |
| 1 | | 1 | Slew valve |
| 2 | | 1 | Angle float valve |
| 3 | | 5 | Solenoids – not illus |
| 4 | 81 32 280 | 1 | manifold block. |
| 5 | 81 30 090 | 7 | Check valve assembly |
| 6 | 87 00 644 | 1 | Check valve O ring |
| 7 | 87 09 644 | 1 | Check valve anti extrusion ring |
| 8 | 81 30 087 | 4 | Actuator |
| 9 | 81 30 078 | 1 | Check valve blank |
| 10 | 87 00 644 | 1 | O ring |
| 11 | 87 09 644 | 1 | Anti extrusion ring |
| 12 | 81 30 032 | 1 | Relief valve cap |
| 13 | 81 30 029 | 1 | Relief valve c/w spring – 175 Bar |
| 14 | 85 82 042 | 2 | Taper plug 1/4" BSPT |
| 15 | 85 82 043 | 3 | Taper plug 3/8" BSPT |
| 16 | 85 81 391 | 1 | Adaptor 3/8" BSP – M22 including seal |
| 17 | 86 50 403 | 1 | Seal |
| 18 | 85 81 370 | 1 | Adaptor 3/8" BSP – M18 including seal |
| 19 | 86 50 403 | 1 | Seal |
| 20 | 85 81 390 | 2 | Adaptor 1/4" BSP – M18 including seal |
| 21 | 86 50 402 | 1 | Seal |
| 22 | 86 50 103 | 1 | Bonded seal 3/8" BSP |
| 23 | 93 13 055 | 2 | Setscrew M10 x 25 |
| 24 | 91 00 305 | 2 | Internal shakeproof washer |
| | 86 99 197 | | SEAL KIT |

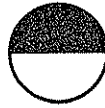
MIDCUT ROTOR RELIEF



MIDCUT ROTOR RELIEF

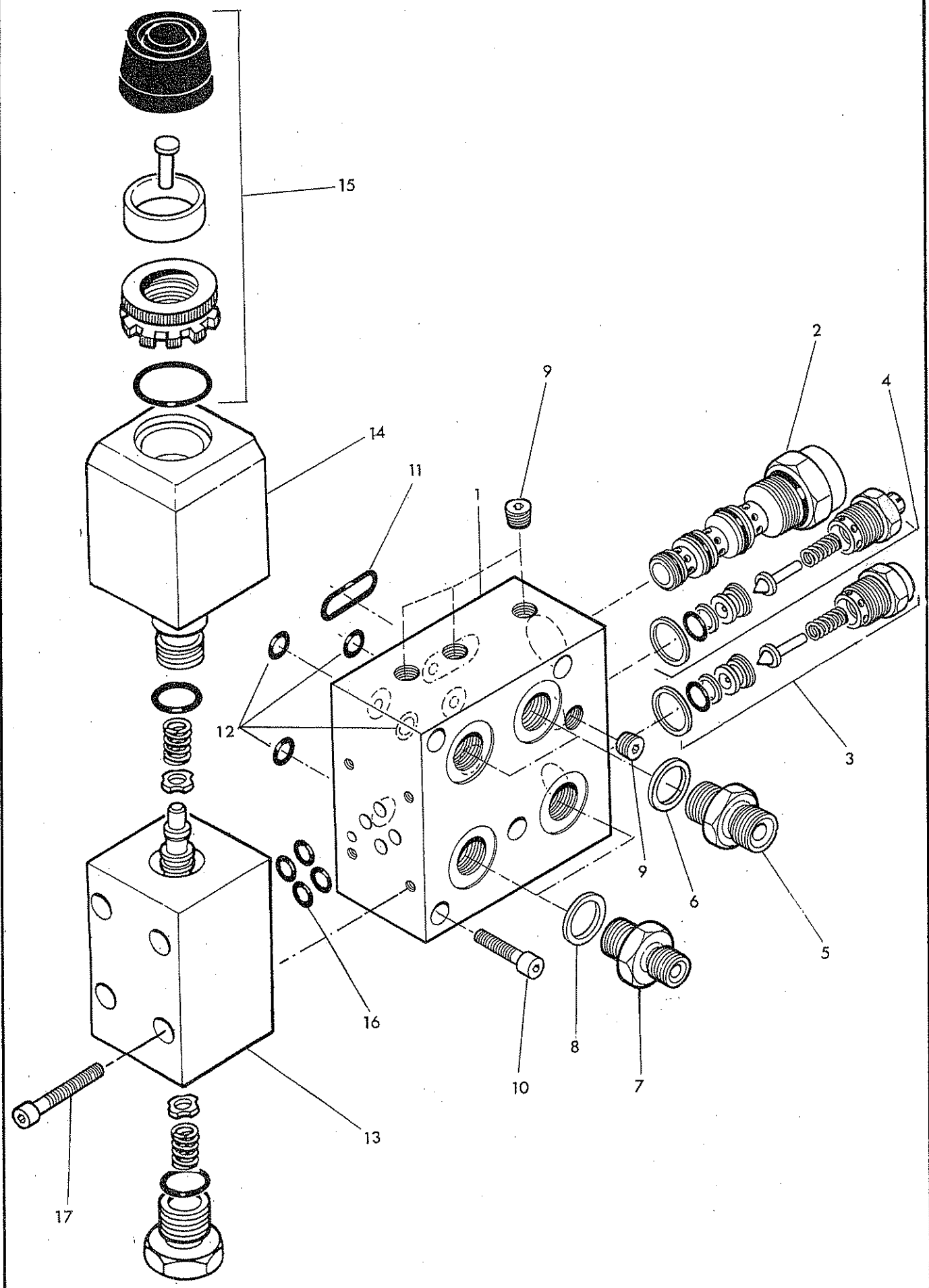
| REF. | QTY. | PART NO. | DESCRIPTION |
|------|------|----------------|-----------------------------------|
| | | 7455810 | PA 550 MIDCUT ROTOR RELIEF |
| 1 | 2 | 8130156 | ADAPTOR RELIEF HOUSING |
| 2 | 2 | 8116011 | SPRING OD.275 x 5/8" LONG |
| 3 | 2 | 8650104 | BONDED SEAL 1/2" BSP |
| 4 | 2 | 8130092 | RELIEF VALVE 190BAR |
| 5 | 2 | 8130083 | ADAPTOR RELIEF BODY |
| 6 | 2 | 10.002.08 | HOSE 1/4" BSP FS/F90 x 400mm |
| 7 | 2 | 8581254 | ADAPTOR TEE 1/4" BSP MFM |
| 8 | 2 | 8581413 | ADAPTOR TEE M18 MFM |
| 9 | 1 | 8581360 | ADAPTOR 1/4" x M14 FM |
| 10 | 1 | 8581279 | ADAPTOR EXT 1/4" BSP MM |
| 11 | 7 | 8650102 | BONDED SEAL 1/4" BSP |
| 12 | 2 | 8581433 | ADAPTOR M18 x 1/4" FF SWIVEL |
| 13 | 2 | 8581169 | ADAPTOR 1/4" BSP MM |
| 14 | 1 | 8124134 | ADAPTOR RESTRICTOR 1.3 'C' |

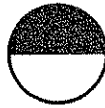




| Ref. | Part No. | Qty. | Description |
|---------------------------------|------------------|------|---------------------------------------|
| CONTROL VALVE – Tele arm | | | |
| 1 | | 1 | Slew valve |
| 2 | | 1 | Angle float valve |
| 3 | | 1 | Solenoids – not illus |
| 4 | 81 32 281 | 1 | Manifold block |
| 5 | 81 30 090 | 7 | Check valve assembly |
| 6 | 87 00 644 | 1 | Check valve O ring |
| 7 | 87 09 644 | 1 | Check valve anti extrusion ring |
| 8 | 81 30 087 | 5 | Actuator |
| 9 | 81 30 078 | 1 | Check valve blank |
| 10 | 87 00 644 | 1 | O ring |
| 11 | 87 09 644 | 1 | Anti extrusion ring |
| 12 | 81 30 032 | 1 | Relief valve cap |
| 13 | 81 30 029 | 1 | Relief valve c/w spring 175 Bar |
| 14 | 85 82 042 | 2 | Taper plug 1/4"BSPT |
| 15 | 85 82 043 | 3 | Taper plug 3/8" BSPT |
| 16 | 85 81 391 | 1 | Adaptor 3/8" BSP – M22 including seal |
| 17 | 86 50 403 | 1 | Seal |
| 18 | 85 81 370 | 1 | Adaptor 3/8" BSP – M18 including seal |
| 19 | 86 50 403 | 1 | Seal |
| 20 | 85 81 390 | 2 | Adaptor 1/4" BSP – M18 including seal |
| 21 | 86 50 402 | 1 | Seal |
| 22 | 85 81 374 | 2 | Adaptor 1/4" BSP – M14 including seal |
| 23 | 86 50 402 | 1 | Seal |
| 24 | 86 50 103 | 1 | Bonded seal 3/8" BSP |
| 25 | 93 13 055 | 2 | Setscrew M10 x 25 |
| 26 | 91 00 205 | 2 | Internal shakeproof washer |
| | 86 99 197 | | SEAL KIT |

SLEW VALVE

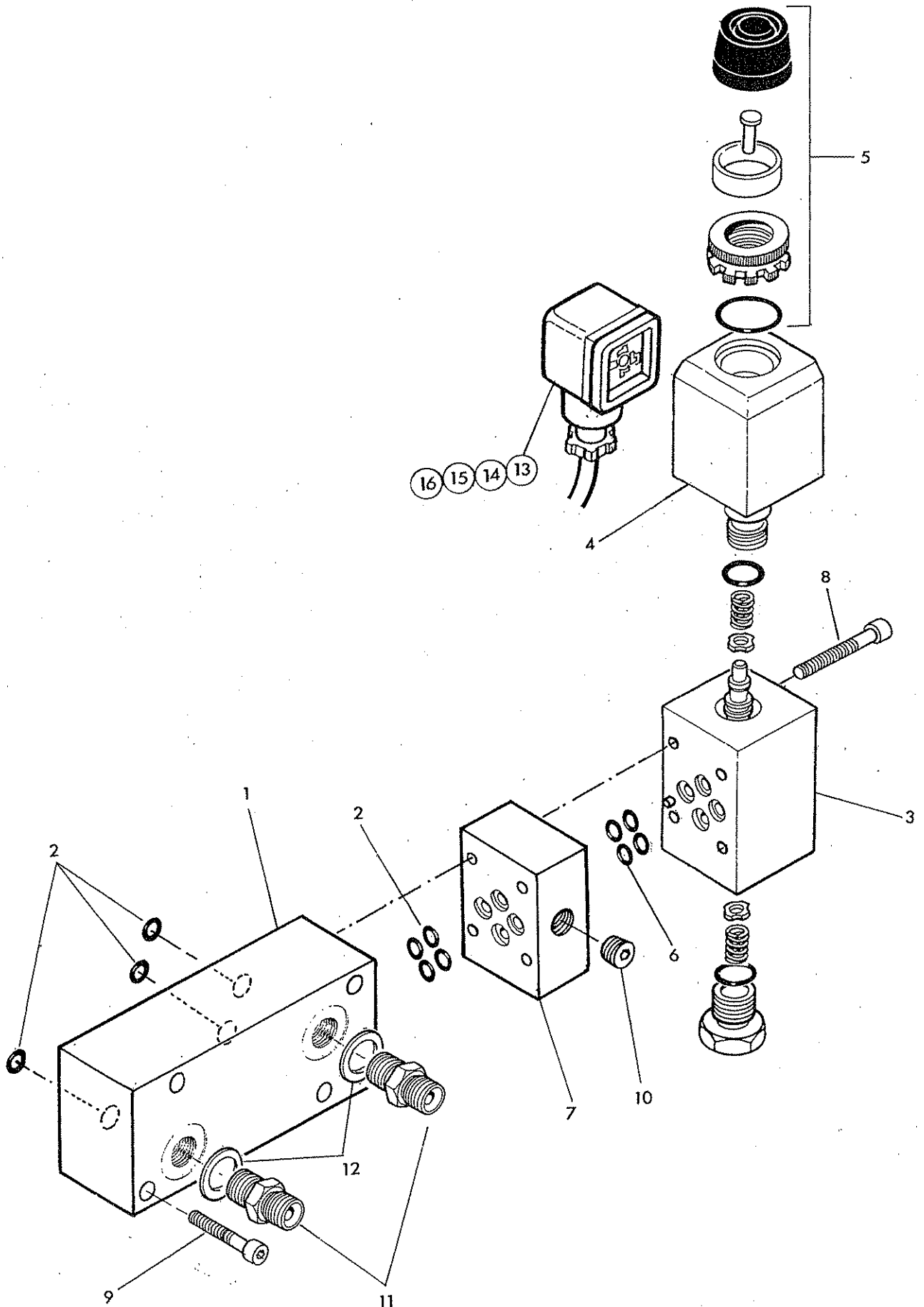
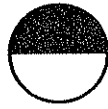


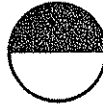


| Ref. | Part No. | Qty. | Description |
|----------------------------|-----------|------|--|
| SLEW VALVE ASSEMBLY | | | |
| 1 | 81 32 279 | 1 | Valve block |
| 2 | 81 30 204 | 1 | Three way spool valve |
| 3 | 81 28 022 | 1 | Relief valve 175 Bar – slew base |
| 4 | 81 28 065 | 1 | Relief valve 40 Bar – lift gland |
| 5 | 85 81 370 | 2 | Adaptor 3/8" BSP – M18 MM including seal |
| 6 | 86 50 403 | 1 | Seal |
| 7 | 85 81 368 | 2 | Adaptor 3/8" BSP – M14 MM including seal |
| 8 | 86 50 403 | 1 | Seal |
| 9 | 85 82 041 | 4 | Taper plug 1/8" BSPT |
| 10 | 92 43 062 | 4 | Capscrew – socket headed M5 x 30 |
| 11 | 87 00 525 | 1 | O ring |
| 12 | 87 00 511 | 4 | O ring |
| 13 | 81 30 457 | 1 | Single solenoid valve including :- |
| 14 | 81 30 175 | 1 | Coil |
| 15 | 81 30 176 | 1 | Manual over-ride kit |
| 16 | 86 00 107 | 4 | O ring |
| 17 | 92 43 082 | 4 | Capscrew – socket headed M5 x 40 |

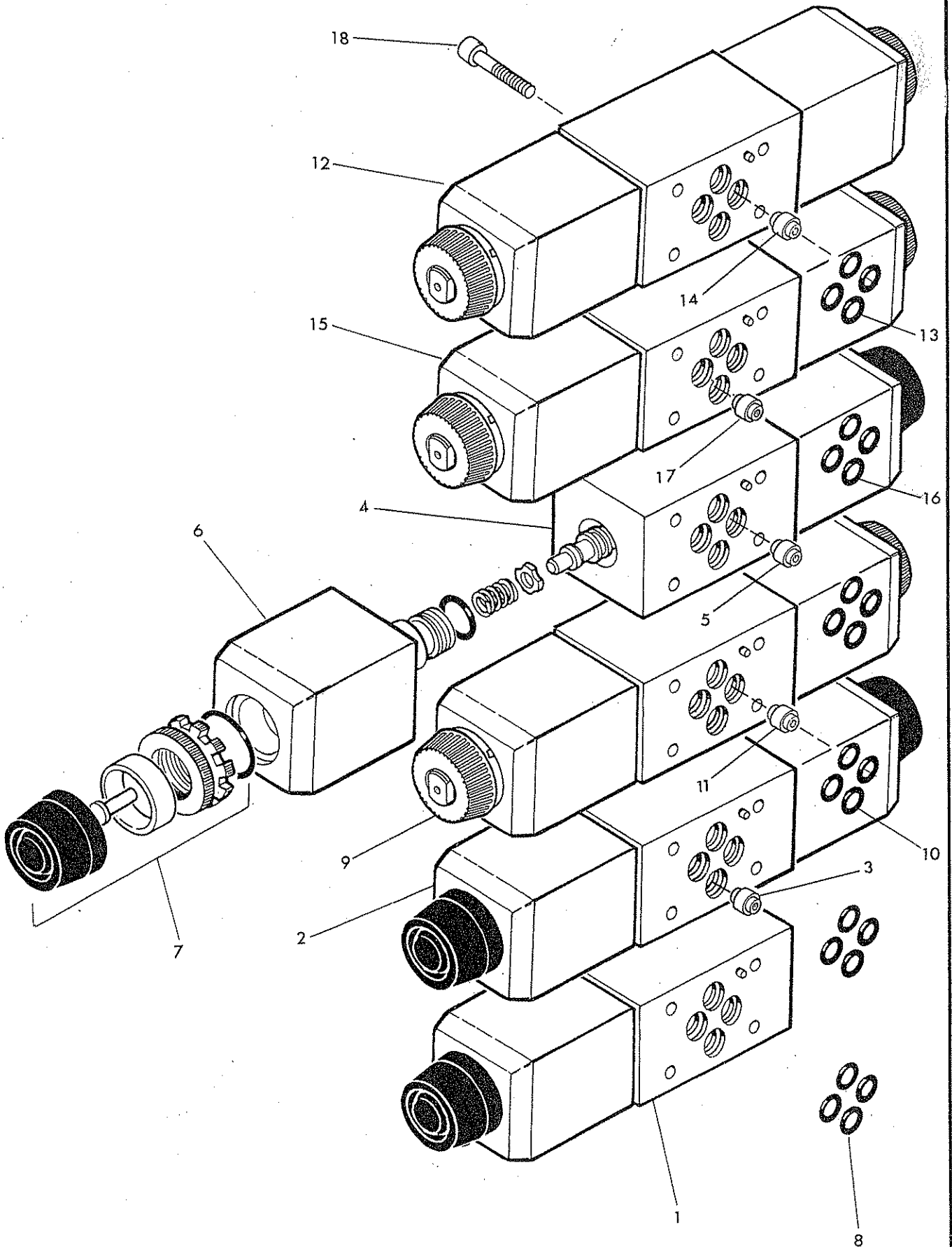
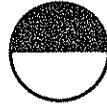
86 99 224

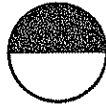
SOLENOID SEAL KIT





| Ref. | PartNo. | Qty. | Description |
|------------------------|------------------|------|--|
| ANGLE FLOAT KIT | | | |
| 1 | 81 30 323 | 1 | Float valve block |
| 2 | 87 00 511 | 7 | O ring |
| 3 | 81 30 457 | 1 | Single solenoid valve including :- |
| 4 | 81 30 175 | 1 | Coil |
| 5 | 81 30 176 | 1 | Manual over-ride kit |
| 6 | 86 00 107 | 4 | O ring |
| 7 | 81 26 280 | 1 | Bridging plate |
| 8 | 92 43 102 | 4 | Capscrew – socket headed M5 x 50 |
| 9 | 92 43 082 | 4 | Capscrew – socket headed M5 x 40 |
| 10 | 85 82 041 | 1 | Plug 1/8" BSP |
| 11 | 85 81 374 | 2 | Adaptor 1/4" Bsp – M14 MM including seal |
| 12 | 86 50 402 | 1 | Seal |
| 13 | 84 02 338 | 1 | Loom including plug |
| 14 | 07.835.04 | 1 | Plug including screw and gasket |
| 15 | 07.835.03 | 1 | Screw |
| 16 | 07.835.02 | 1 | Gasket |
| | | | } Standard E Machines only |
| | 86 99 224 | | SOLENOID SEAL KIT |





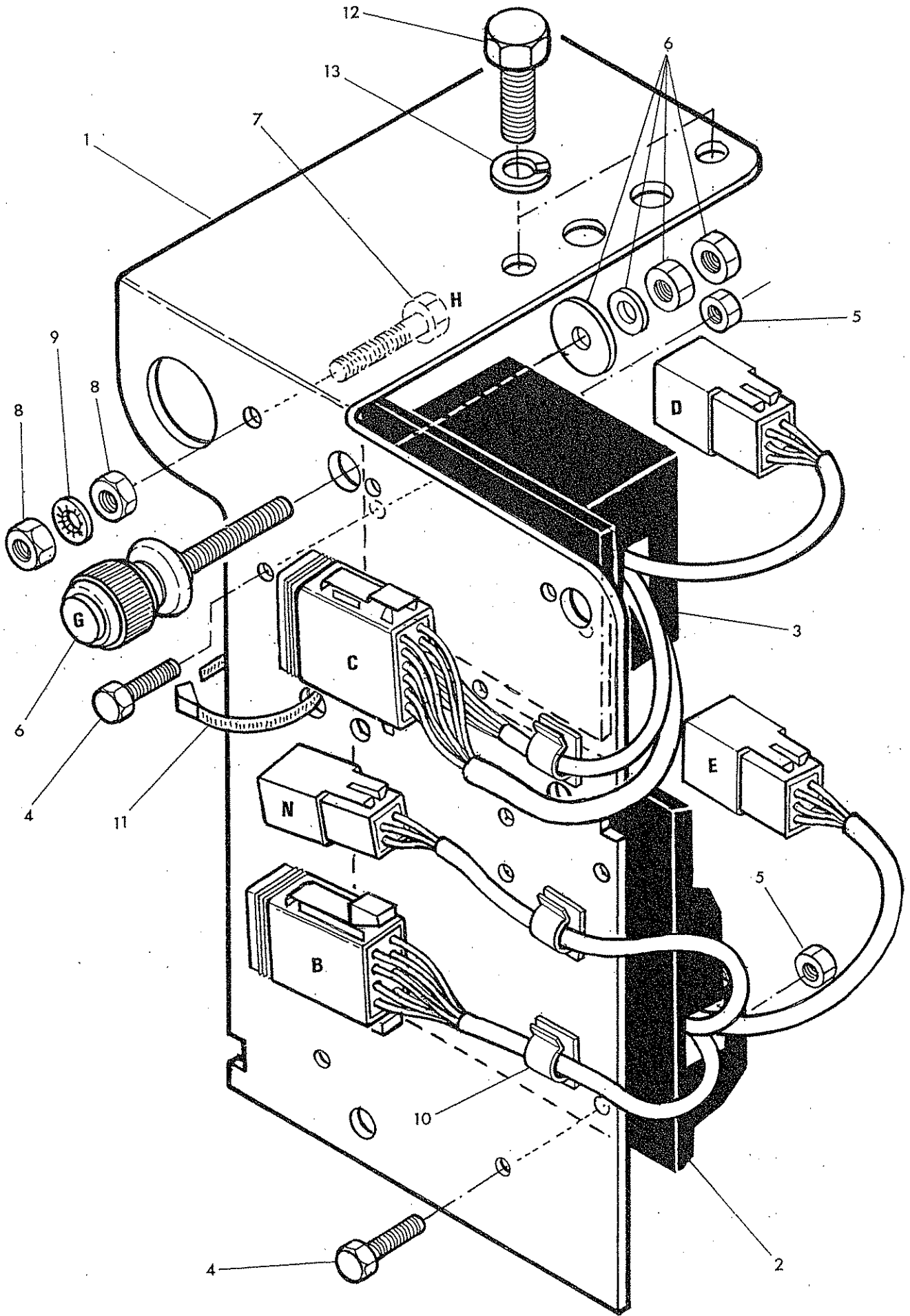
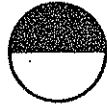
| Ref. | Part No. | Qty. | Description |
|--------------------------|-----------|------|--|
| SERVICE SOLENOIDS | | | |
| 1 | 81 30 456 | 1 | Single solenoid – standard – cut off |
| 2 | 81 30 629 | 1 | Double solenoid – standard – slew |
| 3 | 42989.05 | 1 | Restrictor insert |
| 4 | 81 30 629 | 1 | Double solenoid – standard – tele/midcut if fitted |
| 5 | 42989.03 | 1 | Restrictor insert |

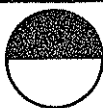
Items 6,7and 8 are common to all standard solenoid valves

| | | | |
|----|-----------|---|--|
| 6 | 81 30 175 | 1 | Coil |
| 7 | 81 30 176 | 1 | Manual over- ride kit |
| 8 | 86 00 107 | 4 | O ring |
| 9 | 41784.31 | 1 | Double solenoid – proportional – lift |
| 10 | 86 00 107 | 4 | Oring |
| 11 | 42989.08 | 1 | Restrictor insert |
| 12 | 41784.31 | 1 | Double solenoid – proportional – reach |
| 13 | 86 00 107 | 4 | O ring |
| 14 | 42989.08 | 1 | Restrictor insert |
| 15 | 41784.31 | 1 | Double solenoid – proportional – angle |
| 16 | 86 00 107 | 4 | O ring |
| 17 | 42989.05 | 1 | Restrictor insert |

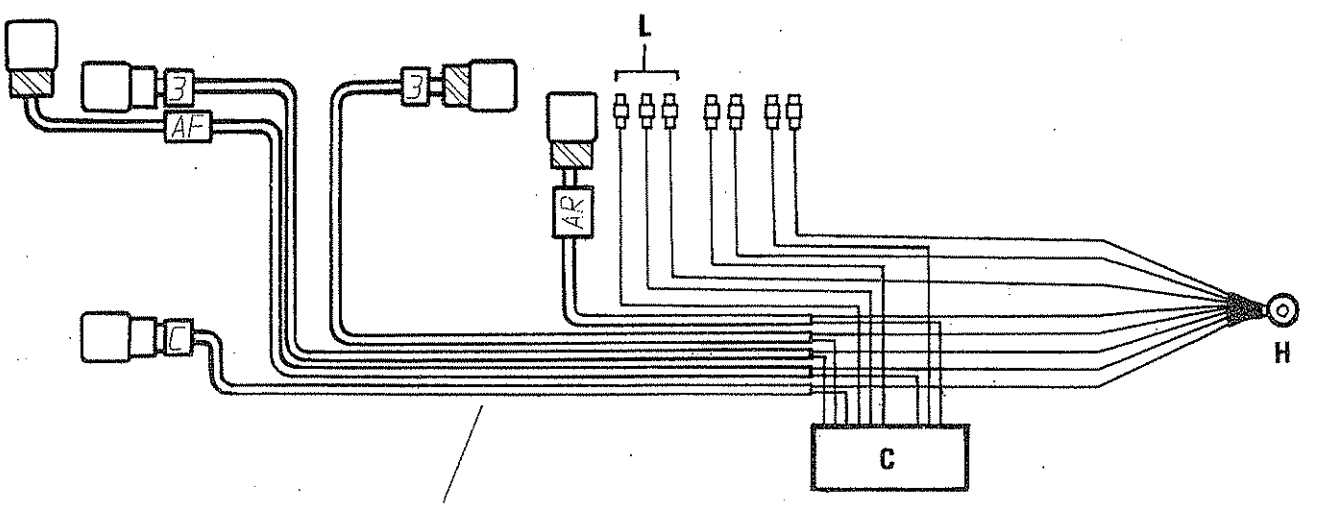
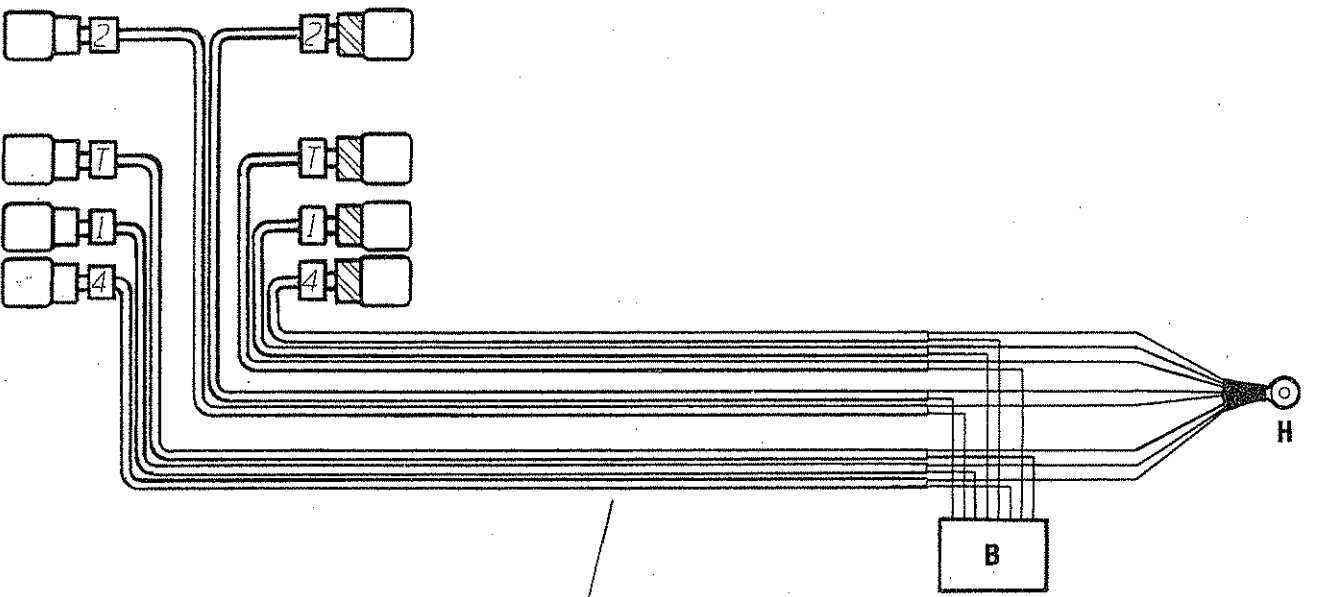
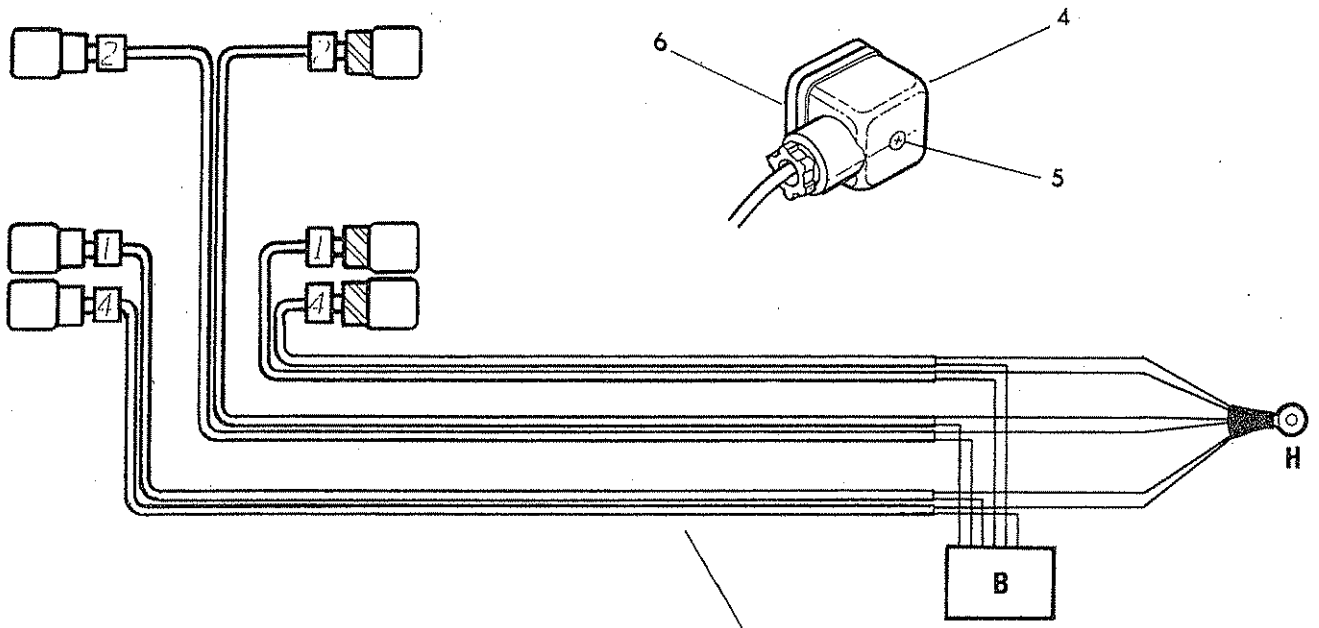
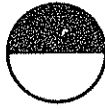
Item 18 is common to all solenoid valves

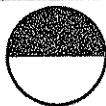
| | | | |
|----|-----------|----|----------------------------------|
| 18 | 92 43 062 | 24 | Capscrew – socket headed M5 x 30 |
|----|-----------|----|----------------------------------|





| Ref. | Part No. | Qty. | Description |
|---------------------------------|-----------|------|--|
| ELECTRONIC CONTROL BOXES | | | |
| 1 | 43081.01 | 1 | Control mounting plate |
| 2 | 43060.32 | 1 | Control box including connectors – large |
| 3 | 43060.33 | 1 | Control box including connectors – small |
| 4 | 93 00 132 | 6 | Screw M4 x 12 |
| 5 | 05.948.33 | 6 | Self locking nut M4 |
| 6 | 84 02 227 | 1 | Power terminal – insulated |
| 7 | 93 13 043 | 1 | Setscrew M6 x 20 |
| 8 | 91 13 003 | 2 | Plain nut M6 |
| 9 | 91 00 303 | 1 | Internal shakeproof washer dia 6 |
| 10 | 43357.01 | 3 | Cable clip – self adhesive |
| 11 | 71 35 084 | 2 | Cable tie |
| 12 | 93 13 025 | 2 | Setscrew M10 x 12 |
| 13 | 91 00 205 | 2 | Spring washer dia 10 |

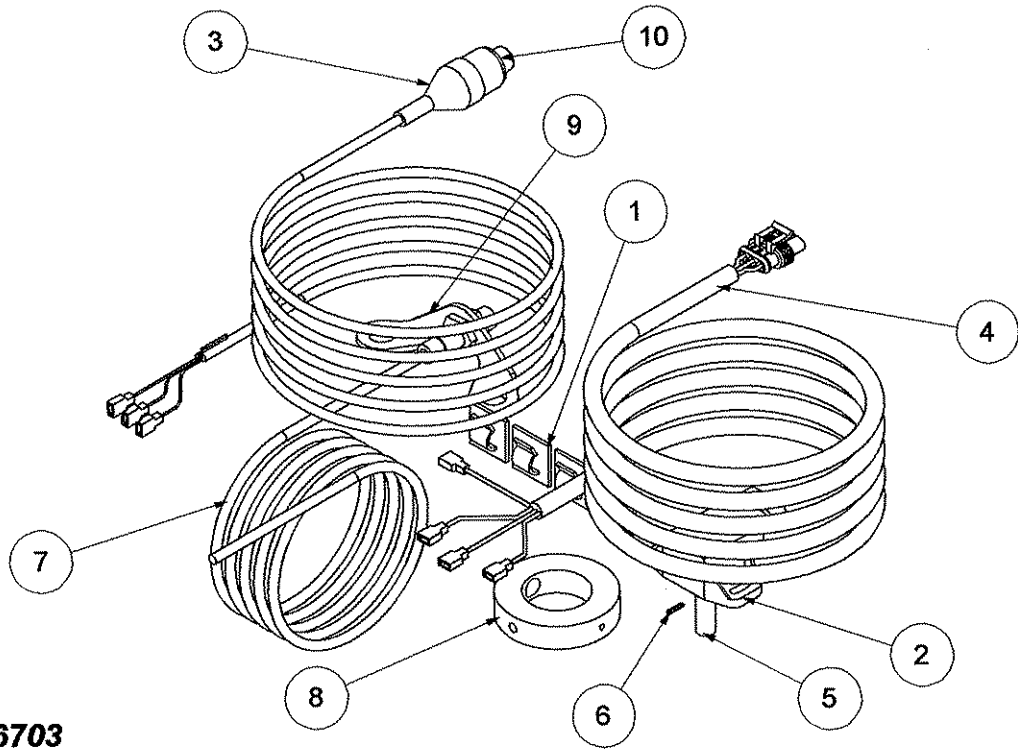




| Ref. | Part No. | Qty. | Description |
|----------------------|----------|------|--|
| CONTROL LOOMS | | | |
| 1 | 43177.25 | 1 | Service loom including plug connectors –to angle and auxiliary functions.Used on all machines |
| 2 | 43177.17 | 1 | Service loom including plug connectors – to lift,reach and slew.Used on standard arm machines |
| 3 | 43177.10 | 1 | Service loom including plug connectors – to lift ,reach, slew and tele/midcut.Used on Tele and midcut machines |

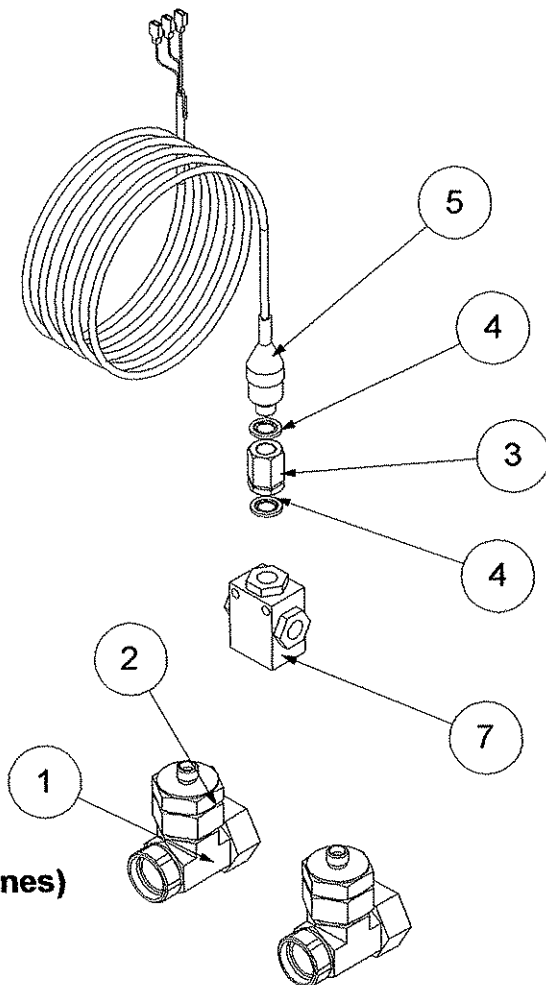
Items 4,5 and 6 refer to the plug connectors used on all looms

| | | | |
|---|-----------|----------|---------------------------------|
| 4 | 07.835.04 | as reqd. | Plug including screw and gasket |
| 5 | 07.835.03 | 1 | Screw |
| 6 | 07.835.02 | 1 | Gasket |



7556703

EDS Sensor Kit (Gear & Piston Machines)



7556705

Power Monitor Kit (Piston Machines)



| REF. | QTY. | PART No. | DESCRIPTION |
|------|------|----------------|--|
| | | 7556703 | EDS SENSOR KIT - GEAR & PISTON MODELS |
| 1 | 4 | 43357.01 | CLIP (SELF ADHESIVE PAD) |
| 2 | 1 | 8402235 | REACH SENSOR |
| 3 | 1 | 8402253 | PRESSURE SENSOR c/w LOOM |
| 4 | 1 | 21163.01 | REACH SENSOR LOOM |
| 5 | 1 | 45425.07 | SENSOR EXTENSION |
| 6 | 1 | 0430110 | SPRING DOWEL |
| 7 | 1 | 8402251 | PTO SENSOR |
| 8 | 1 | 8402252 | PTO MAGNETIC RING |
| 9 | 1 | 21170.04 | PTO SENSOR BRACKET |
| 10 | 1 | 8650102 | BONDED SEAL |

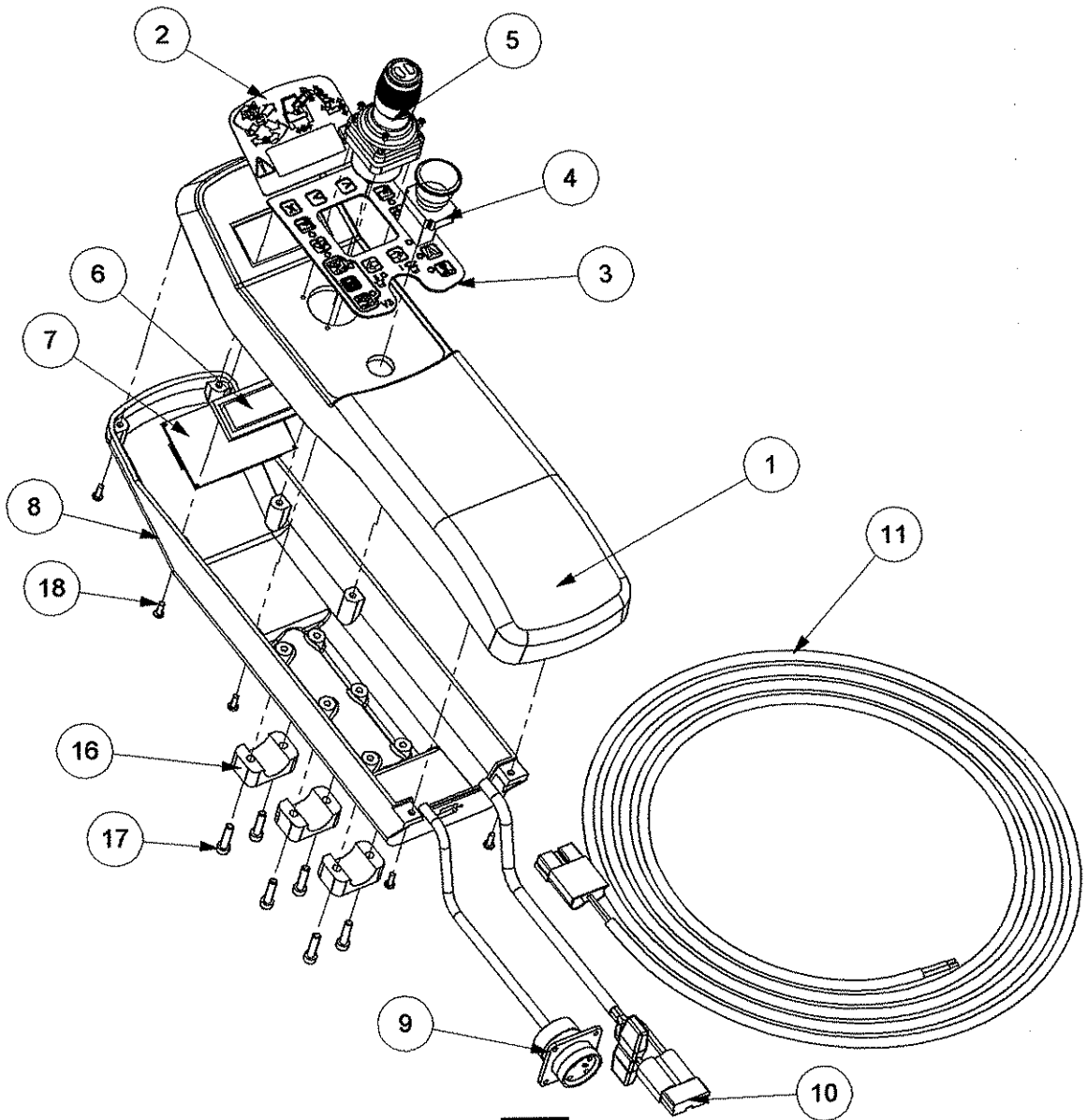
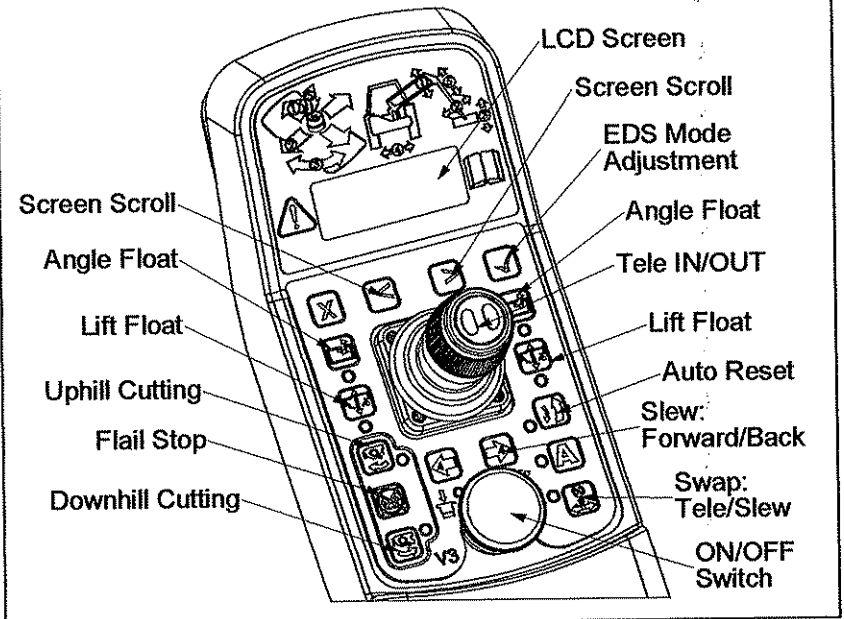
| | | | |
|---|---|----------------|---|
| | | 7556705 | POWER MONITOR KIT - PISTON MODELS |
| 1 | 2 | 8581397 | ADAPTOR TEE |
| 2 | 2 | 8581398 | ADAPTOR |
| 3 | 1 | 8581448 | ADAPTOR |
| 4 | 2 | 8650102 | BONDED SEAL |
| 5 | 1 | 8402254 | PRESSURE SENSOR |
| 6 | 2 | 42718.09 | HOSE FS/F90 - 450mm long - <i>not illustrated</i> |
| 7 | 1 | 09.820.01 | SHUTTLE VALVE |
| 8 | 3 | 8581449 | ADAPTOR - <i>not illustrated</i> |

MODULES:

43022.20 – Proportional

43022.21 – Proportional EDS

OPERATOR CONTROLS/FUNCTIONS



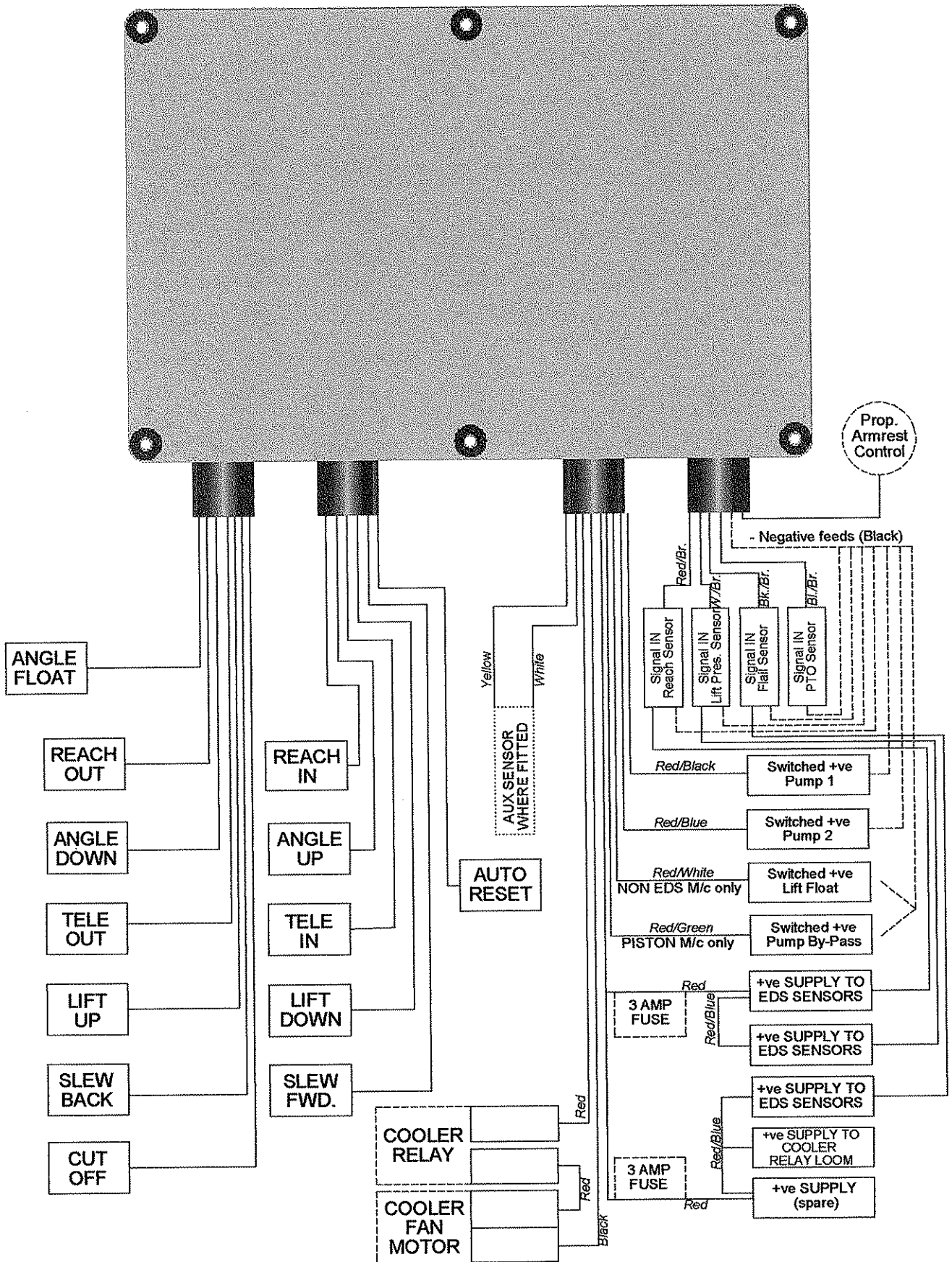


| REF. | QTY. | PART No. | DESCRIPTION |
|------|------|-----------|---|
| | | 43022.20 | v.3 PROPORTIONAL ARMREST CONTROLS |
| | | 43022.21 | v.3 PROPORTIONAL ARMREST CONTROLS - EDS |
| 1 | 1 | 43022.324 | ARMREST LID - GREY |
| 2 | 1 | 43022.50 | FRONT DECAL |
| 3 | 1 | 43022.51 | JOYSTICK KEYPAD |
| 4 | 1 | 41786.33 | SWITCH - EMERGENCY STOP |
| 5 | 1 | 45710.96 | JOYSTICK - <i>inc. fixing screws</i> |
| 6 | 1 | 43022.52 | LCD SCREEN |
| 7 | 1 | 43022.53 | CIRCUIT BOARD |
| 8 | 1 | 43022.321 | ARMREST BASE - YELLOW |
| 9 | 1 | 43022.46 | CONNECTOR & LEAD |
| 10 | 1 | 43022.47 | CONNECTOR & POWER LEAD (2 FUSES) |
| 11 | 2 | 8402237 | LOOM - POWER SUPPLY |
| 12 | 2 | 8402149 | GLAND |
| 13 | 1 | 43022.39 | CONNECTOR 9 WAY |
| 14 | 1 | 8600119 | O RING - <i>not illustrated</i> |
| 15 | 1 | 8402239 | PUSH ON COVER - <i>not illustrated</i> |
| 16 | 3 | 30.209.71 | PIPE CLAMP |
| 17 | 6 | 9343053 | CAPSCREW |
| 18 | 8 | 9300132 | PANHEAD SCREW |

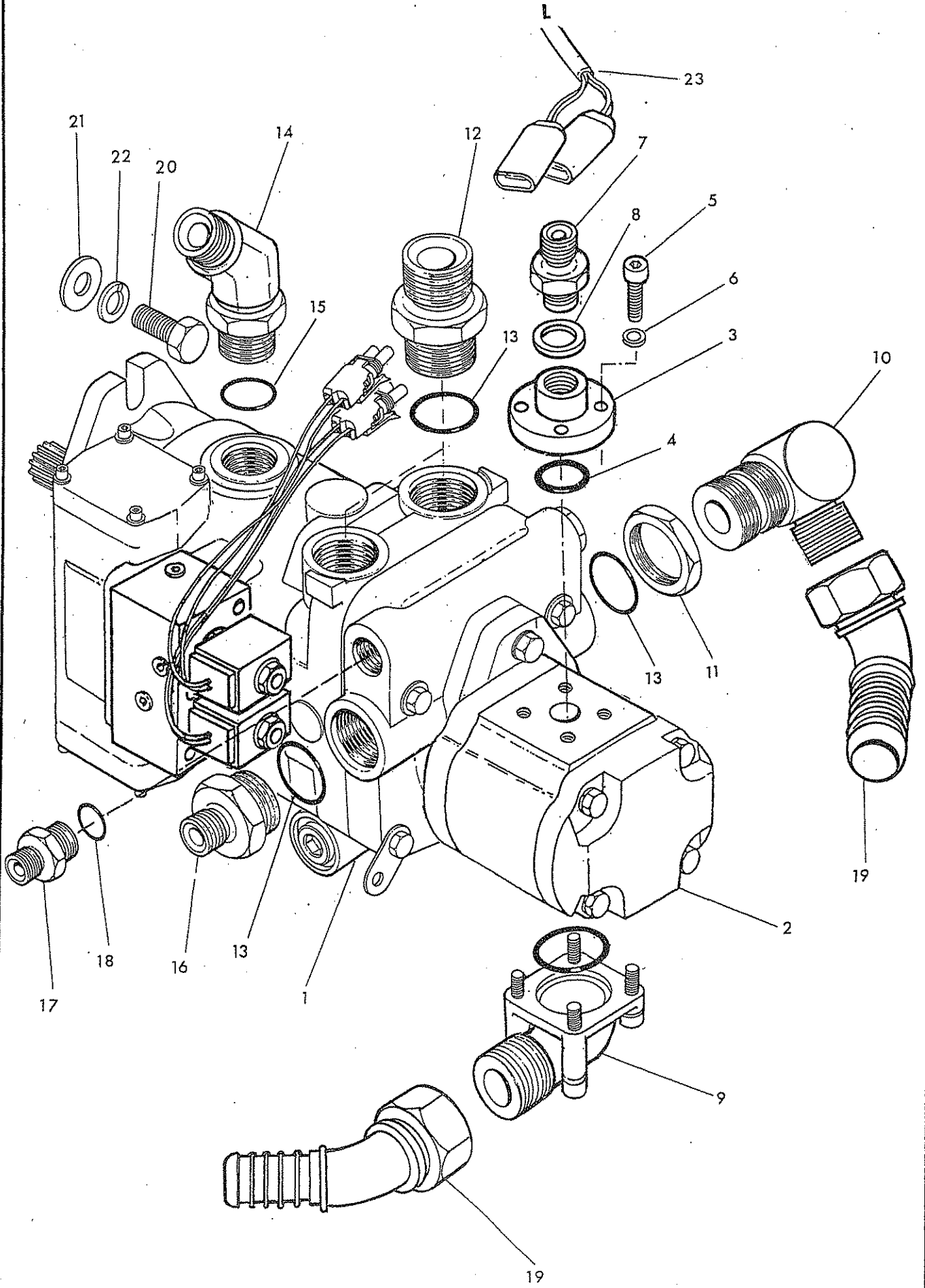
PA 550/650 Hy Reach
AUXILIARY BOX

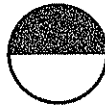


MODULE:
 21164.03

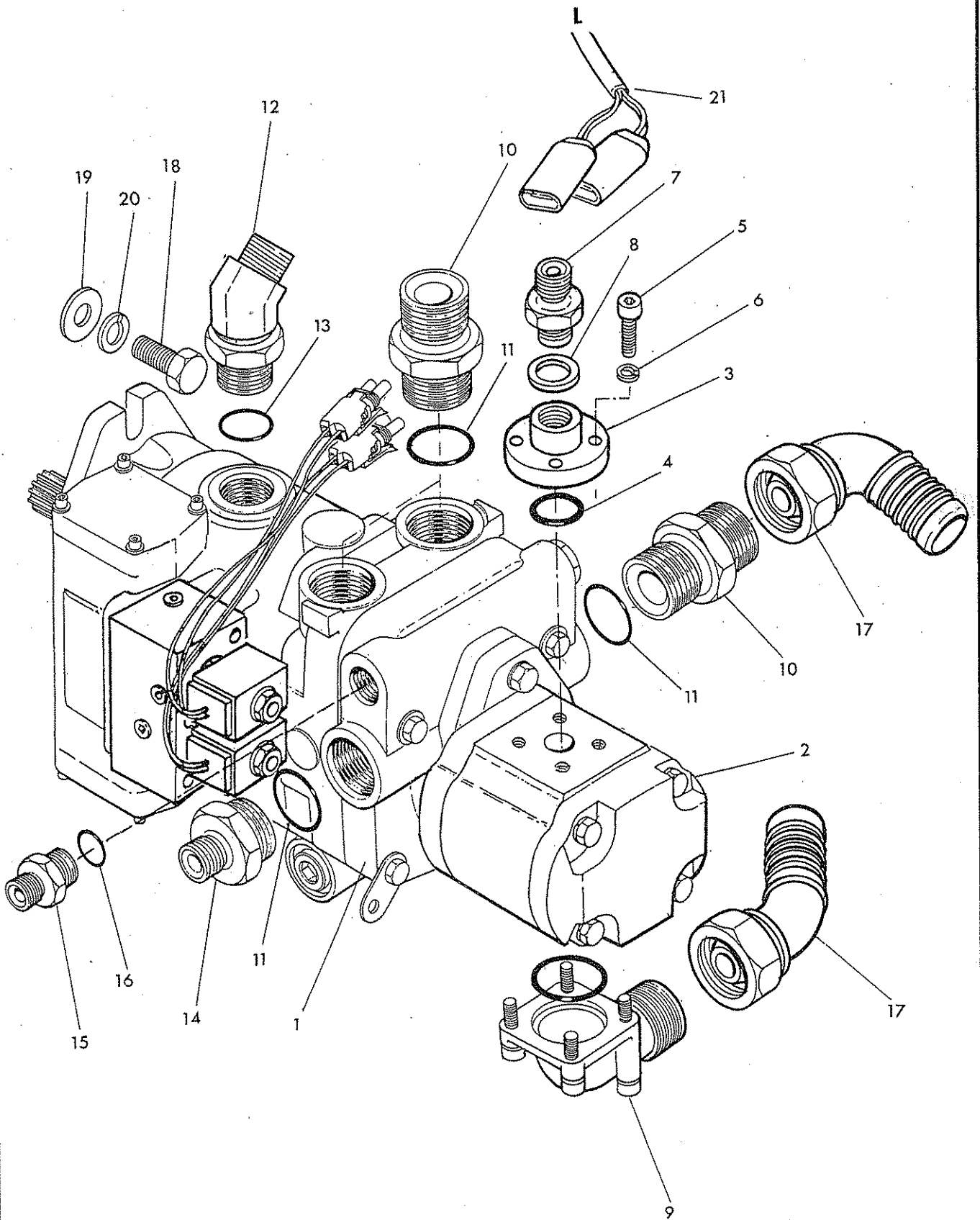
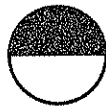


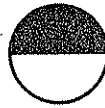






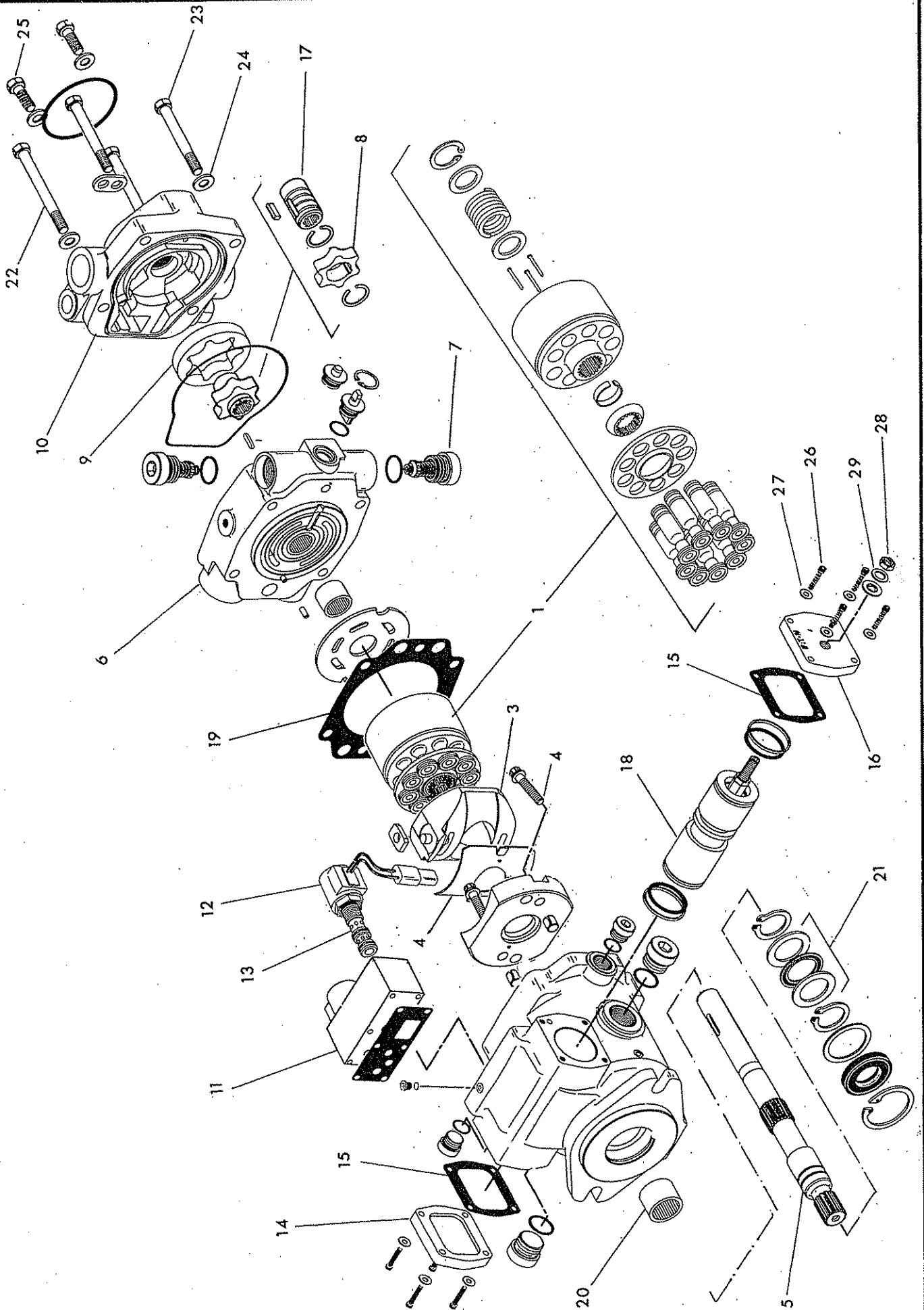
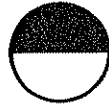
| Ref. | Part No. | Qty. | Description |
|-----------------------------|-----------|------|--|
| PUMP ASSEMBLY R.Hand | | | |
| 1 | 82 01 699 | 1 | Large piston pump |
| 2 | 82 01 706 | 1 | Small gear pump |
| 3 | 80 13 123 | 1 | Pressure flange |
| 4 | 86 00 115 | 1 | O ring |
| 5 | 93 43 043 | 4 | Capscrew M6 x 20 |
| 6 | 91 00 203 | 4 | Spring washer dia 6 |
| 7 | 85 81 370 | 1 | Adaptor 3/8" BSP - M18 MM including seal |
| 8 | 86 50 403 | 1 | Seal |
| 9 | 80 13 124 | 1 | Suction flange including screws and O ring |
| 10 | 85 81 409 | 1 | Elbow 90 degrees 1 5/16" J.I.C. - M36 |
| 11 | 75 50 047 | 1 | Thin hexagon nut 1 5/16" J.I.C. |
| 12 | 85 81 375 | 2 | Adaptor 1 5/16" J.I.C. - M36 MM |
| 13 | 86 00 916 | 4 | O ring 1 5/16" |
| 14 | 85 81 395 | 1 | Elbow 45 degrees 1 1/16" J.I.C. - M26 MM |
| 15 | 86 00 912 | 1 | O ring 1 1/16" |
| 16 | 85 81 396 | 1 | Adaptor 1 5/16" J.I.C. - M22 MM |
| 17 | 85 81 394 | 1 | Adaptor 7/8" J.I.C. - M18 MM |
| 18 | 86 00 910 | 1 | O ring 7/8" |
| 19 | 85 81 407 | 2 | Adaptor elbow M36 F - 1" low pressure |
| 20 | 05.839.01 | 2 | Special bolt M14 x 35 |
| 21 | 91 00 020 | 2 | Plain washer dia 14 |
| 22 | 05.282.08 | 2 | Spring washer dia 14 |
| 23 | 43177.27 | 1 | Loom - rotor control |





| Ref. | Part No. | Qty. | Description |
|-----------------------------|-----------|------|---|
| PUMP ASSEMBLY L.Hand | | | |
| 1 | 82 01 699 | 1 | Large piston pump |
| 2 | 82 01 706 | 1 | Small gear pump |
| 3 | 80 13 123 | 1 | Pressure flange |
| 4 | 86 00 115 | 1 | O ring |
| 5 | 93 43 043 | 4 | Capscrew M6 x 20 |
| 6 | 91 00 203 | 4 | Spring washer dia 6 |
| 7 | 85 81 370 | 1 | Adaptor 3/8" BSP - M18 MM including seal |
| 8 | 86 50 403 | 1 | Seal |
| 9 | 80 13 124 | 1 | Suction flange including screws and O ring. |
| 10 | 85 81 375 | 3 | Adaptor 1 5/16" J.I.C. - M36 MM |
| 11 | 86 00 916 | 4 | O ring 1 5/16" |
| 12 | 85 81 395 | 1 | Elbow 45 degrees 1 1/16" J.I.C. - M26 MM |
| 13 | 86 00 912 | 1 | O ring 1 1/16" |
| 14 | 85 81 396 | 1 | Adaptor 1 5/16" J.I.C. - M22 MM |
| 15 | 85 81 394 | 1 | Adaptor 7/8" J.I.C. - M18 MM |
| 16 | 86 00 910 | 1 | O ring 7/8" |
| 17 | 85 81 407 | 2 | Adaptor elbow M36 F - 1" low pressure |
| 18 | 05.839.01 | 2 | Special bolt M14 x 35 |
| 19 | 91 00 020 | 2 | Plain washer dia 14 |
| 20 | 05.282.08 | 2 | Spring washer dia 14 |
| 21 | 43177.27 | 1 | Loom - rotor control |

PISTON PUMP



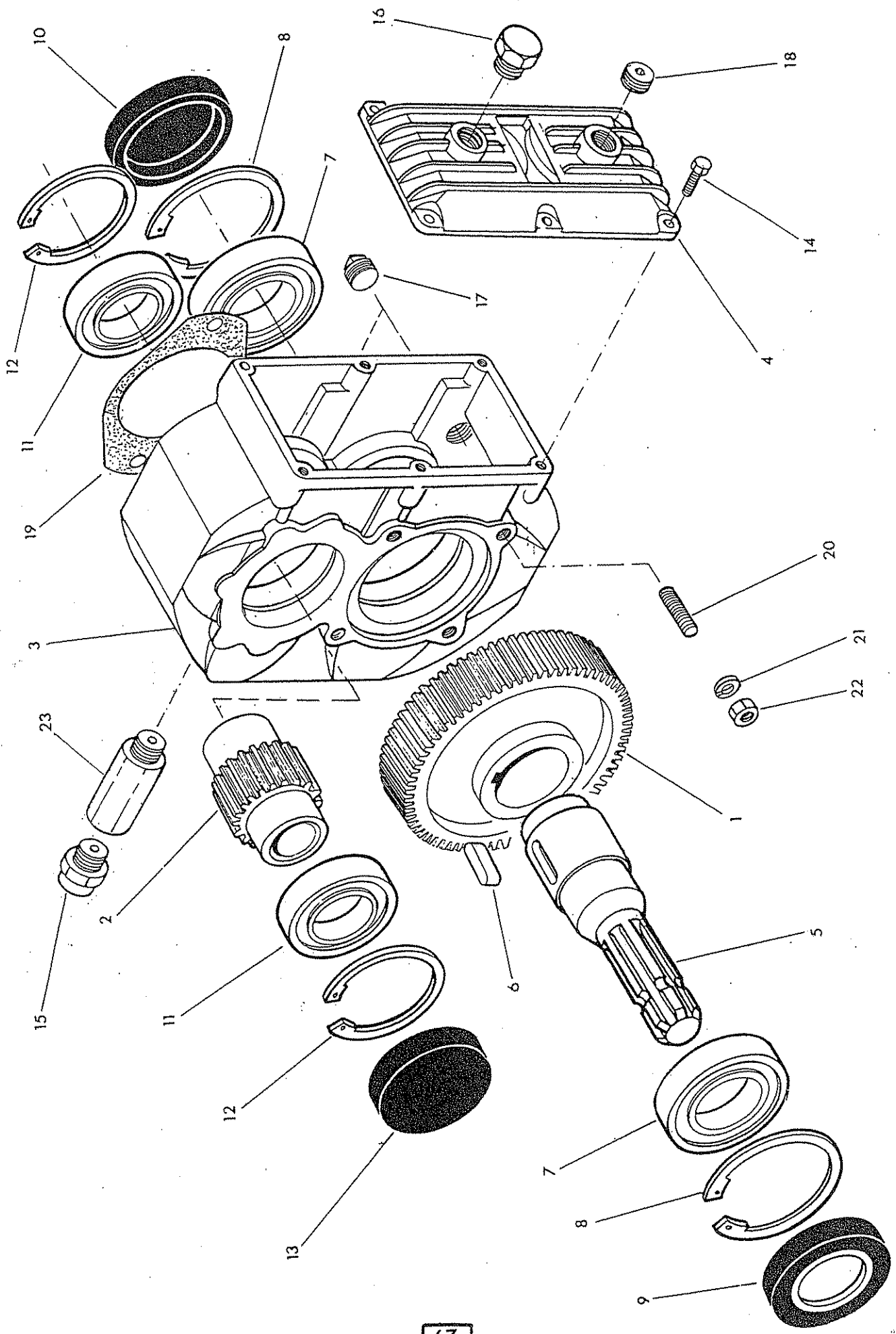


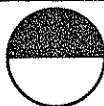
| Ref. | Part No. | Qty. | Description |
|------|------------------|------|---------------------------------|
| | 82 01 699 | | PISTON PUMP ASSEMBLY |
| 1 | 82 01 169 | 1 | Rotating kit |
| 2 | 82 01 170 | 1 | Valve plate |
| 3 | 82 01 171 | 1 | Cam plate |
| 4 | 82 01 172 | 1 | Cam bushing |
| 5 | 82 01 173 | 1 | Shaft |
| 6 | 82 01 174 | 1 | Back plate assembly |
| 7 | 82 01 175 | 1 | Relief valve |
| 8 | 82 01 176 | 1 | Gerotor – inner ring |
| 9 | 82 01 177 | 1 | Gerotor – outer ring |
| 10 | 82 01 178 | 1 | Charge assembly |
| 11 | 82 01 192 | 1 | Pump/rotor control including :- |
| 12 | 82 01 197 | 2 | Coil |
| 13 | 82 01 198 | 2 | Cartridge |
| 14 | 82 01 181 | 1 | Cover plate |
| 15 | 82 01 182 | 2 | Gasket |
| 16 | 82 01 183 | 1 | Cover plate |
| 17 | 82 01 185 | 1 | Coupler |
| 18 | 82 01 180 | 1 | Servo piston assembly |
| 19 | 82 01 187 | 1 | Gasket |
| 20 | 83 01 038 | 1 | Needle bearing |
| 21 | 83 01 039 | 1 | Thrust washer |
| 22 | 02 12 323 | 3 | Bolt |
| 23 | 02 12 283 | 3 | Bolt |
| 24 | 01 00 103 | 8 | Washer |
| 25 | 03 11 103 | 2 | Setscrew |
| 26 | 03 42 080 | 8 | Capscrew |
| 27 | 01 00 100 | 8 | Washer |
| 28 | 01 12 003 | 1 | Nut |
| 29 | 01 00 103 | 1 | Washer |
| | 86 99 239 | | SEAL KIT |

To safeguard warranty rights during the warranty period the pump **must not** be dismantled prior to examination by McConnel engineers.

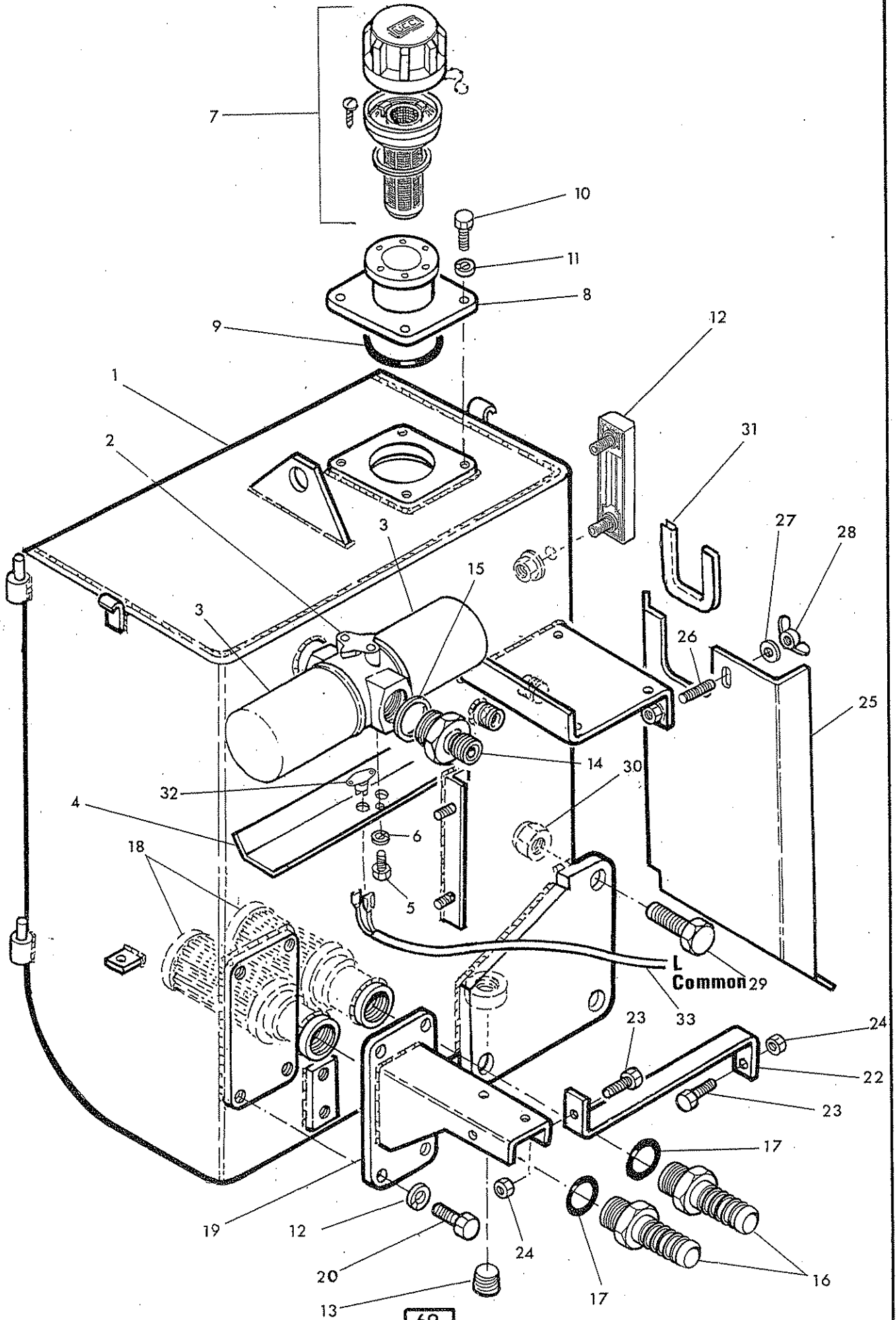
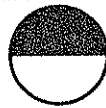
Subsequently, when servicing, always be aware that piston pumps are manufactured to very fine tolerances and, with the exception of replacing item 7, any **service work must** be carried out by **qualified** specialist technicians working in a **clean dust free environment**.

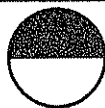
If in **any doubt** contact McConnel service department for advice.



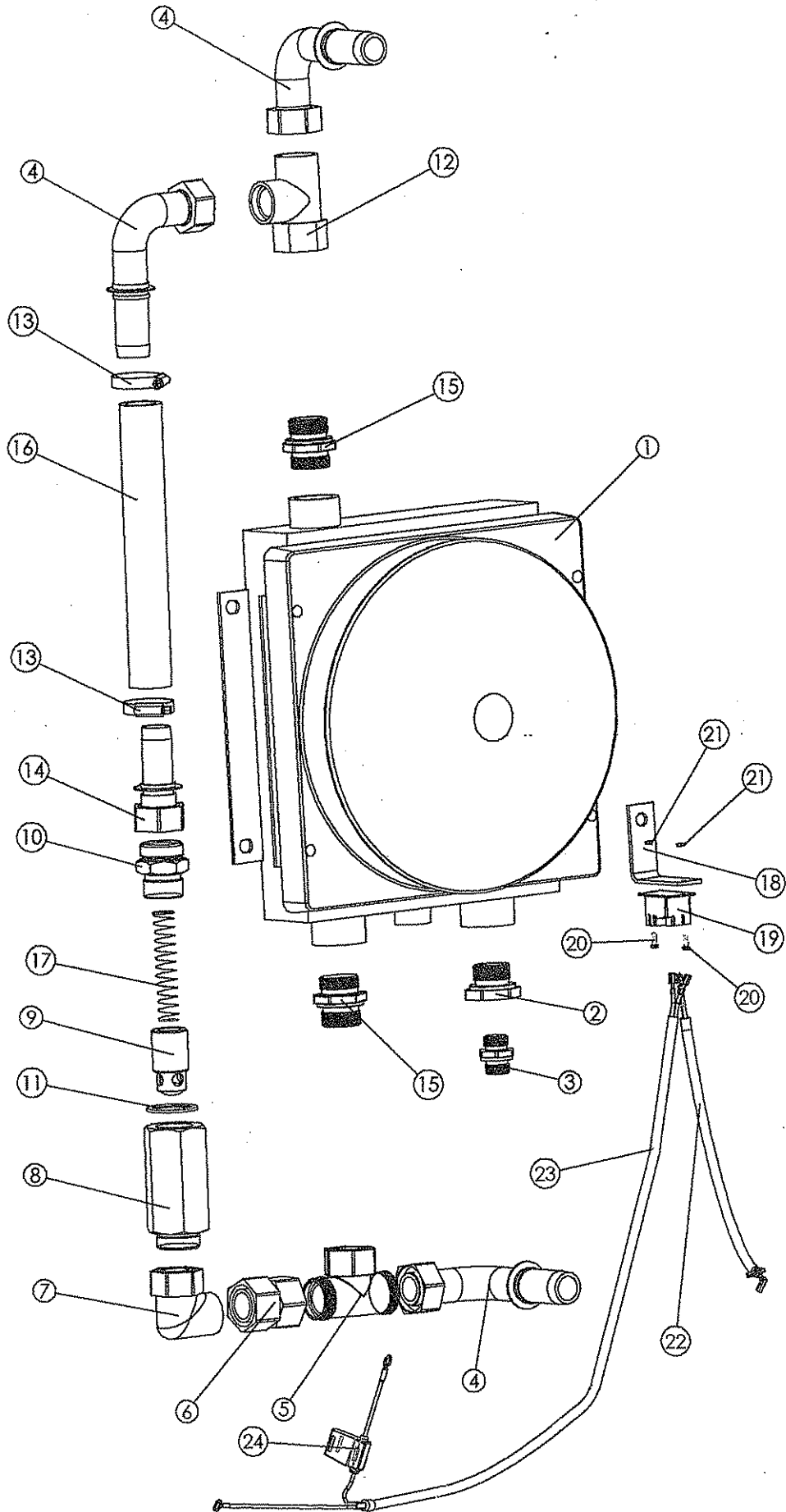


| Ref. | Part No. | Qty. | Description |
|------|------------------|------|---|
| | 80 13 512 | | GEARBOX ASSY. 3:1 - 540 RPM For gear hydraulic machines |
| | 80 13 513 | | GEARBOX ASSY. 3:1 - 1000 RPM For piston hydraulic machines |
| | 80 13 514 | | GEARBOX ASSY. 3.547:1 - 800 RPM For piston hydraulic machines |
| 1 | 80 13 515 | 1 | Primary gear - For 540 rpm & 1000 rpm machines |
| | 80 13 516 | 1 | Primary gear - For 800 rpm machines |
| 2 | 80 13 517 | 1 | Driven gear - For 540 rpm machines |
| | 80 13 518 | 1 | Driven gear - For 800 rpm machines |
| | 80 13 519 | 1 | Driven gear - For 1000 rpm machines |
| 3 | 80 13 520 | 1 | Case |
| 4 | 80 13 521 | 1 | Cover |
| 5 | 80 13 522 | 1 | Input shaft |
| 6 | 80 13 523 | 1 | Key 16 x 10 x 40 |
| 7 | 80 13 524 | 2 | Bearing |
| 8 | 80 13 525 | 2 | Internal circlip dia 90 |
| 9 | 80 13 526 | 1 | Shaft seal |
| 10 | 80 13 527 | 1 | Cap 90 dia |
| 11 | 80 13 528 | 2 | Bearing |
| 12 | 80 13 529 | 2 | internal circlip dia 80 |
| 13 | 80 13 530 | 1 | Cap dia 80 |
| 14 | 80 13 531 | 6 | Setscrew M6 x 16 |
| 15 | 80 13 532 | 1 | Breather |
| 16 | 80 13 533 | 1 | Drain plug |
| 17 | 80 13 534 | 2 | Level plug |
| 18 | 80 13 535 | 1 | Cover plug |
| 19 | 75 50 048 | 1 | Pump face gasket |
| 20 | 04.282.17 | 4 | Stud M12 x 41 |
| 21 | 91 00 206 | 4 | Spring washer dia 12 |
| 22 | 91 13 006 | 4 | Plain nut M12 |
| 23 | 85 81 355 | 1 | Extension adaptor |



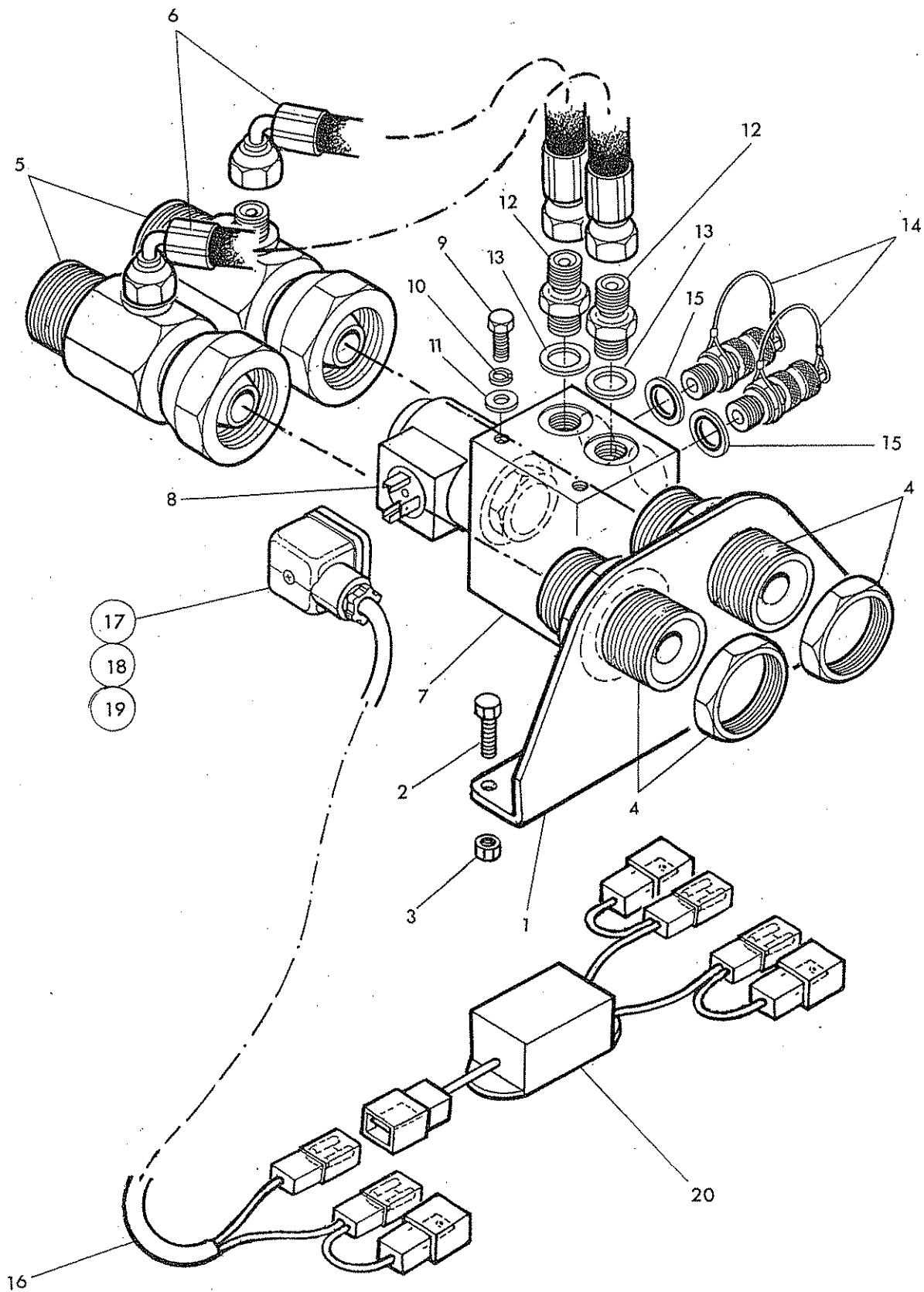
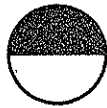


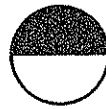
| Ref. | Part No. | Qty. | Description |
|----------------------|-----------|------|---|
| TANK ASSEMBLY | | | |
| 1 | 43326.02 | 1 | Tank – R.Hand |
| | 43326.01 | 1 | Tank – L.Hand – not illus |
| 2 | 84 01 060 | 1 | Filter head |
| 3 | 84 01 070 | 2 | Filter canister |
| 4 | 43471.01 | 1 | Drip tray |
| 5 | 93 13 035 | 2 | Setscrew M10 x 16 |
| 6 | 91 00 205 | 2 | Spring washer dia 10 |
| 7 | 84 01 074 | 1 | Breather |
| 8 | 43175.01 | 1 | Cover plate |
| 9 | 86 00 151 | 1 | O ring |
| 10 | 93 13 044 | 4 | Bolt M8 x 20 |
| 11 | 91 00 104 | 4 | Plain washer dia 8 |
| 12 | 84 01 080 | 1 | Level guage |
| 13 | 85 81 203 | 1 | Drain plug |
| 14 | 84 84 401 | 1 | Adaptor 1 1/2" BSP – M22 including seal |
| 15 | 86 50 412 | 1 | Seal |
| 16 | 85 81 383 | 2 | Adaptor 1 1/4" BSP – 1" low pressure |
| 17 | 87 00 784 | 2 | O ring |
| 18 | 84 01 047 | 2 | Strainer |
| 19 | 43348.02 | 1 | Valve mounting bracket – R.Hand |
| | 43348.01 | 1 | Valve mounting bracket – L.Hand – not illus |
| 20 | 93 13 056 | 4 | Setscrew M x 25 |
| 21 | 91 00 206 | 4 | Spring washer dia 12 |
| 22 | 43350.01 | 1 | Cooler stay |
| 23 | 91 13 055 | 2 | Setscrew M 10 x 25 |
| 24 | 91 43 005 | 2 | Self locking nut M10 |
| 25 | 43354.02 | 1 | Cooler shield R.Hand |
| | 43354.01 | 1 | Cooler shield L.Hand – not illus |
| 26 | 03.917.01 | 1 | Stud M10 x 36 |
| 27 | 91 00 105 | 1 | Plain washer dia 10 |
| 28 | 91 93 005 | 1 | Wingnut M10 |
| 29 | 92 13 107 | 3 | Bolt M16 x 50 |
| 30 | 91 43 007 | 3 | Self locking nut M16 |
| 31 | 43468.01 | 1 | Edge strip |
| 32 | 84 02 236 | 1 | Cut out thermostat |
| 33 | 43177.30 | 1 | Loom |



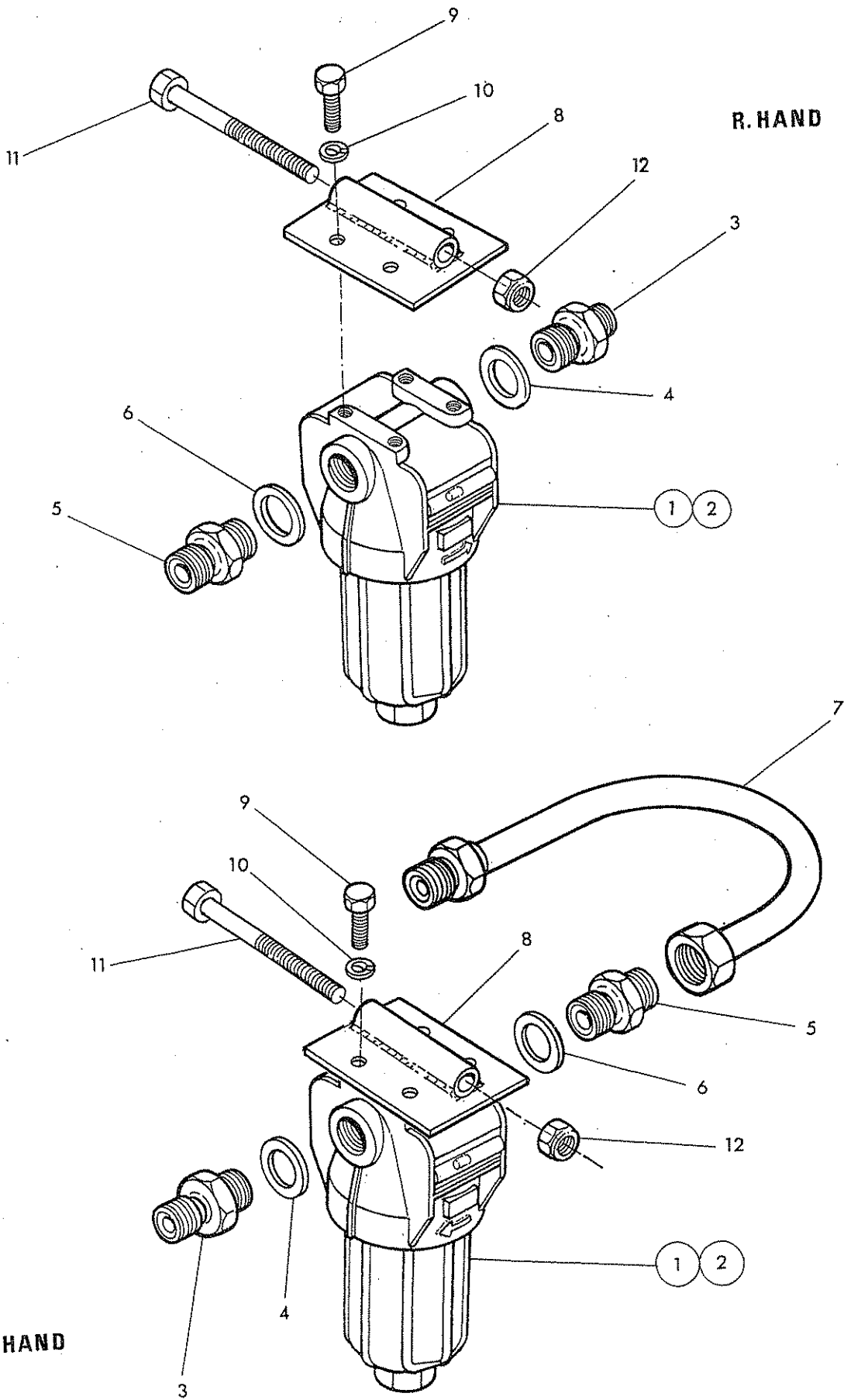
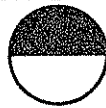


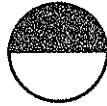
| Ref. | Part No. | Qty. | Description |
|------|------------------|------|--|
| | 74 55 785 | | OIL COOLER ASSEMBLY <i>For Machines with EDS</i> |
| 1 | 84 02 318 | 1 | Oil Cooler and Fan Assembly |
| 2 | 85 81 417 | 1 | Adaptor 1" x ½" BSP MF |
| 3 | G3812674 | 1 | Adaptor ½" BSP x M22 |
| 4 | 85 81 416 | 3 | Elbow Adaptor M36 x 1" BSP |
| 5 | 85 81 418 | 1 | Tee Adaptor M36 MMF |
| 6 | 85 81 415 | 1 | Adaptor M36 FF |
| 7 | 85 81 376 | 1 | Elbow Adaptor M36 MF |
| 8 | 42949.34 | 1 | Adaptor M36 x 1" BSP MF |
| 9 | 42949.36 | 1 | Piston |
| 10 | 42949.35 | 1 | Adaptor 1" BSP x M36 MM SP |
| 11 | 86 50 108 | 1 | Bonded Seal 1" BSP |
| 12 | 85 81 397 | 1 | Tee Adaptor M36 MFM |
| 13 | 09 04 106 | 2 | Hose Clip |
| 14 | 85 81 419 | 1 | Adaptor M36 x 1" BSP LP |
| 15 | 85 81 387 | 2 | Adaptor M36 x 1" BSP |
| 16 | 85 00 800 | 1 | Hose 240mm x 1" BSP |
| 17 | 71 03 078 | 1 | Spring |
| 18 | 43362.01 | 1 | Mounting Bracket – Relay |
| 19 | 84 02 226 | 1 | Relay |
| 20 | 92 00 007 | 2 | Screw – panhead M3 x 10 |
| 21 | 91 13 000 | 2 | Hexagon Nut M3 |
| 22 | 43177.01 | 1 | Loom |
| 23 | 43177.06 | 1 | Loom – including fuse |
| 24 | 43034.04 | 1 | Fuse – 3 Amp |





| Ref. | Part No. | Qty. | Description |
|------|-----------------|------|--|
| | 42783.03 | | PUMP BY-PASS ASSEMBLY For :- Standard E monolever control |
| | 42783.04 | | PUMP BY-PASS ASSEMBLY For:- Proportional control |
| 1 | 43386.01 | 1 | Mounting bracket |
| 2 | 93 13 044 | 2 | Setscrew M8x 20 |
| 3 | 91 43 004 | 2 | Self locking nut M8 |
| 4 | 85 81 399 | 2 | Bulkhead union M36 including locknut |
| 5 | 85 81 398 | 2 | Adaptor M36 – M14 straight swivel FM |
| 6 | 42718.06 | 2 | Hose M14 x 300 long |
| 7 | 81 32 270 | 1 | Valve block |
| 8 | 81 30 192 | 1 | Solenoid valve |
| 9 | 93 13 034 | 2 | Setscrew M8 x 16 |
| 10 | 91 00 204 | 2 | Spring washer dia 8 |
| 11 | 91 00 104 | 2 | Plain washer dia 8 |
| 12 | 85 81 374 | 2 | Adaptor 1/4" BSP – M14 MM including seal |
| 13 | 86 50 402 | 1 | Seal |
| 14 | 81 30 008 | 2 | Test point union 1/4" BSP |
| 15 | 86 50 102 | 2 | Bonded seal 1/4" BSP |
| 16 | 43177.29 | 1 | Loom including plug |
| 17 | 07.835.04 | 1 | Plug including screw and gasket |
| 18 | 07.835.05 | 1 | Screw |
| 19 | 07.835.02 | 1 | gasket |
| 20 | 84 02 273 | 1 | Cut off unit – Std. E monolever controls only |



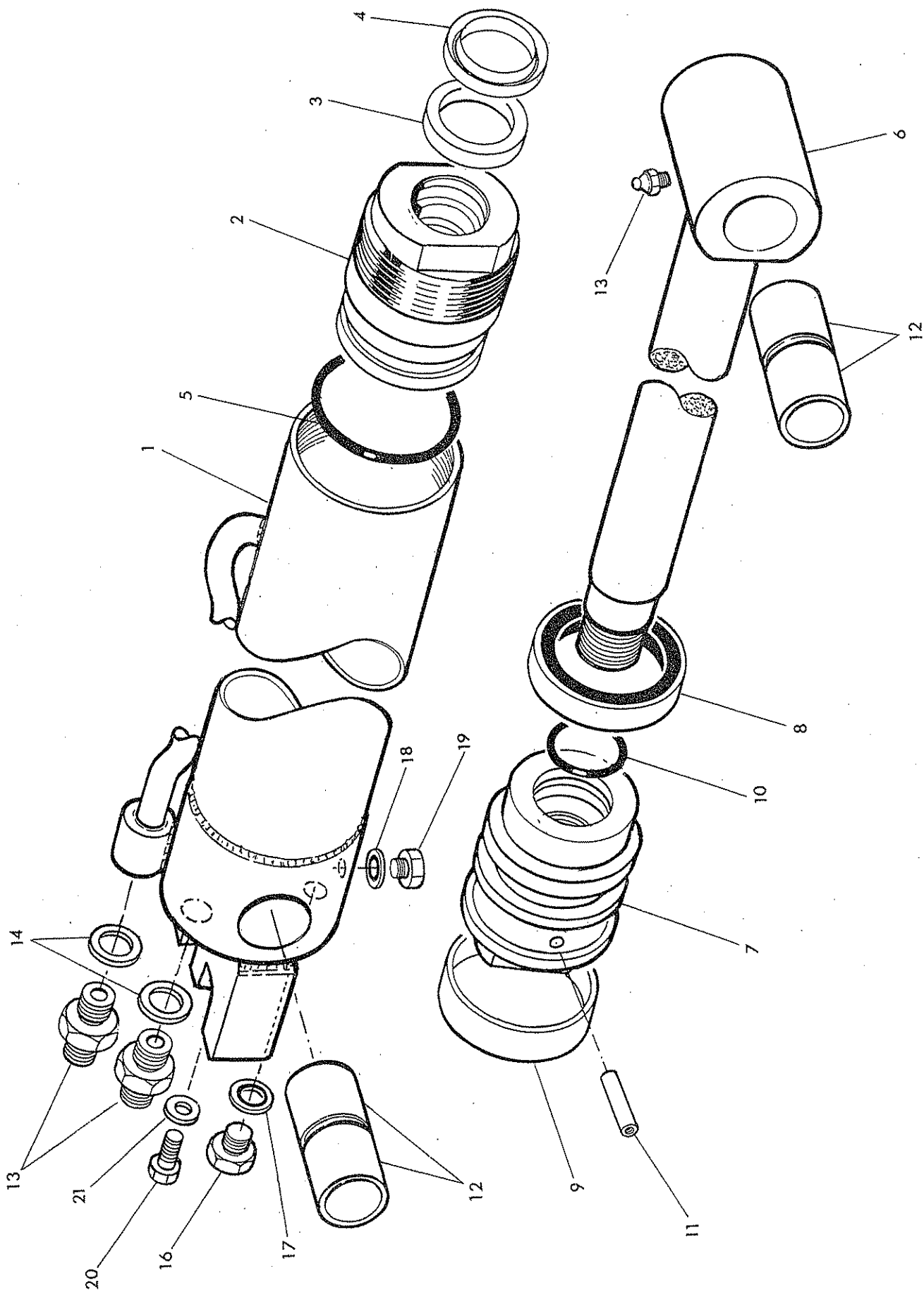


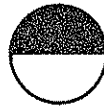
| Ref. | Part No. | Qty. | Description |
|-------------------------------|-----------|------|--|
| CHARGE FILTER ASSEMBLY | | | |
| 1 | 84 01 066 | 1 | Charge filter including element |
| 2 | 84 01 067 | 1 | Element |
| 3 | 85 81 386 | 1 | Adaptor 1/2" BSP – M18 MM including seal |
| 4 | 86 50 404 | 1 | Seal |
| 5 | G381 2674 | 1 | Adaptor 1/2"BSP – M22 MM including seal |
| 6 | 86 50 404 | 1 | Seal |
| 7 | 42782.31 | 1 | U Bend M22 FM – used on L.Hand only |
| 8 | 43388.01 | 1 | Mounting bracket |
| 9 | 93 13 023 | 4 | Setscrew M6 x 12 |
| 10 | 91 00 203 | 4 | Spring washer dia 6 |
| 11 | 92 13 225 | 1 | Bolt M10 x 110 |
| 12 | 91 43 005 | 1 | Self locking nut M10 |

LIFT RAM



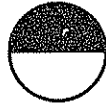
WILCOX



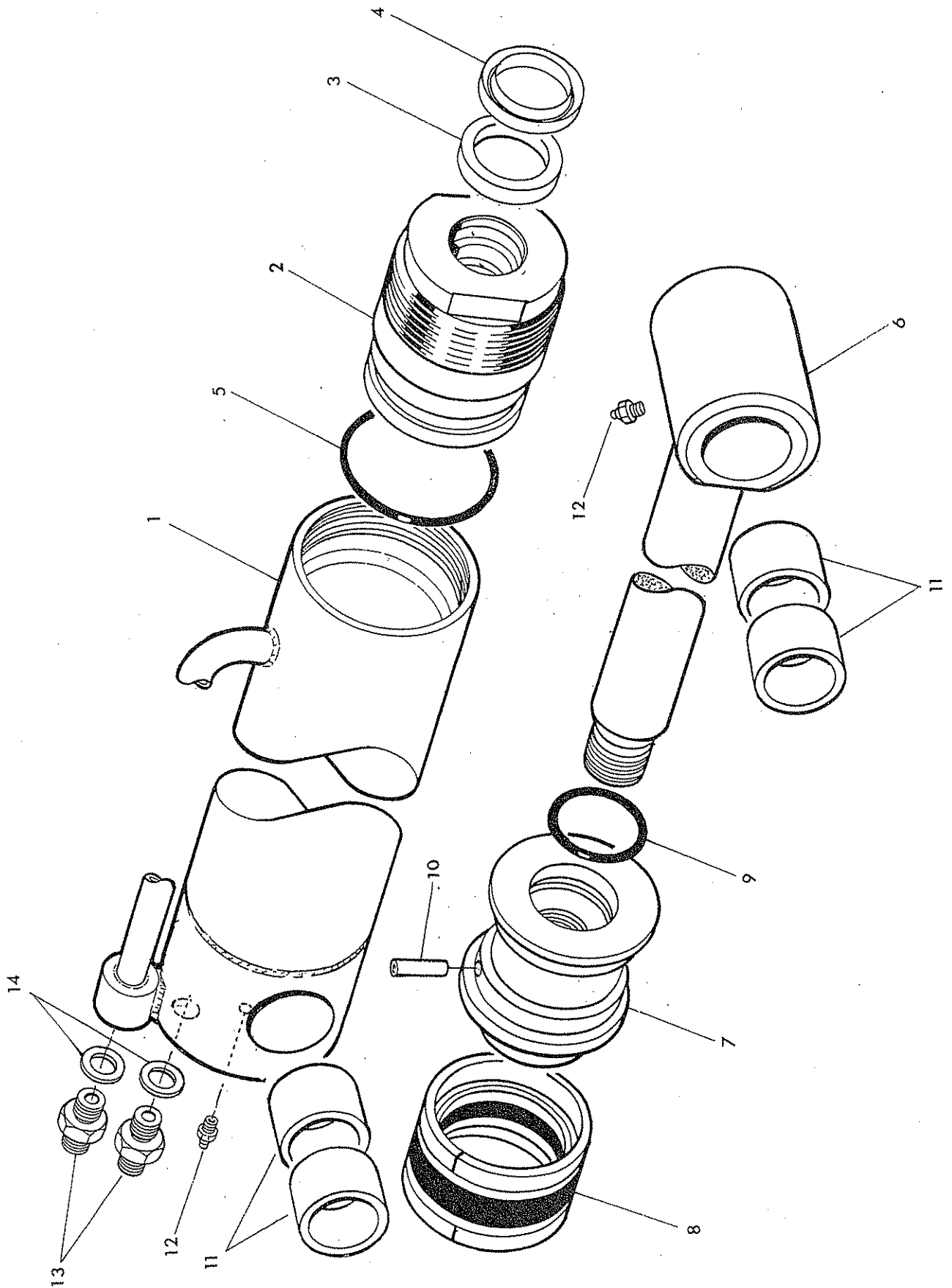


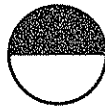
| Ref. | Part No. | Qty. | Description |
|------|------------------|------|--|
| | 42655.03 | | LIFT RAM ASSEMBLY |
| 1 | 42655.42 | 1 | Ram barrel |
| 2 | 42655.32 | 1 | Gland housing |
| 3 | 82 29 184 | 1 | Gland seal |
| 4 | 86 29 185 | 1 | Piston rod woper seal |
| 5 | 86 00 317 | 1 | O ring |
| 6 | 42655.45 | 1 | Piston rod |
| 7 | 42655.31 | 1 | Piston |
| 8 | 86 29 182 | 1 | Piston seal |
| 9 | 86 29 183 | 1 | Guide ring |
| 10 | 86 00 302 | 1 | O ring |
| 11 | 42775.01 | 1 | Dowel M6 x 25 |
| 12 | 08.295.02 | 4 | Bush |
| 13 | 09 01 121 | 1 | Greaser 1/8" BSP straight |
| 14 | 85 81 370 | 2 | Adaptor 3/8" BSP - M18 MM including seal |
| 15 | 86 50 403 | 1 | Seal |
| 16 | 520378 | 1 | Blanking plug 1/4" BSP |
| 17 | 86 50 102 | 1 | Bonded seal 1/4" BSP |
| 18 | 86 50 207 | 1 | Bonded seal 7/16" dia |
| 19 | 85 81 408 | 1 | Blanking plug 7/16" UNF |
| 20 | 93 13 034 | 1 | Setscrew M8 x 16 |
| 21 | 91 00 204 | 1 | Plain washer dia 8 |
| | 86 99 223 | | SEAL KIT |

REACH RAM

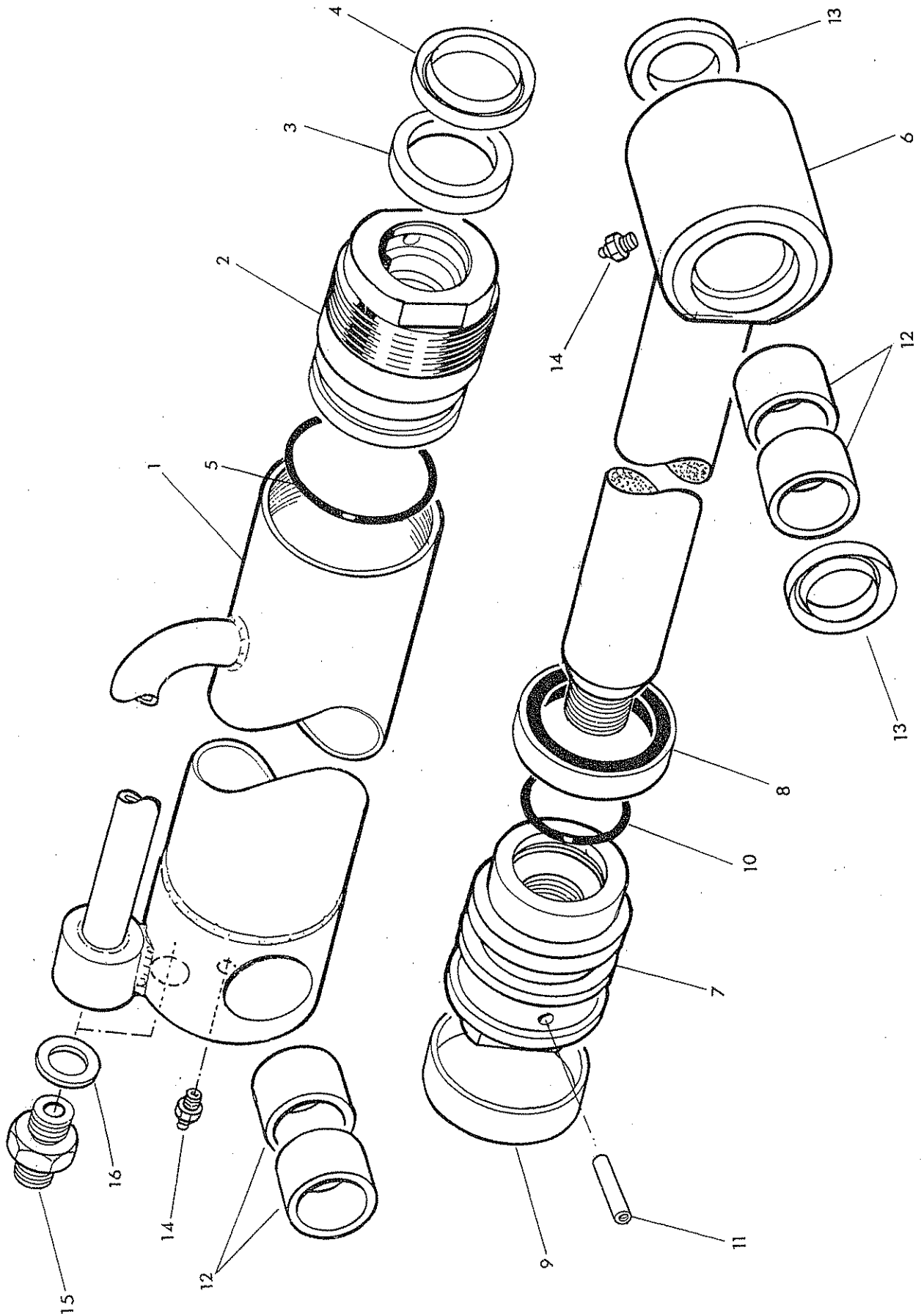
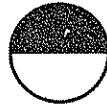


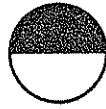
REACH RAM



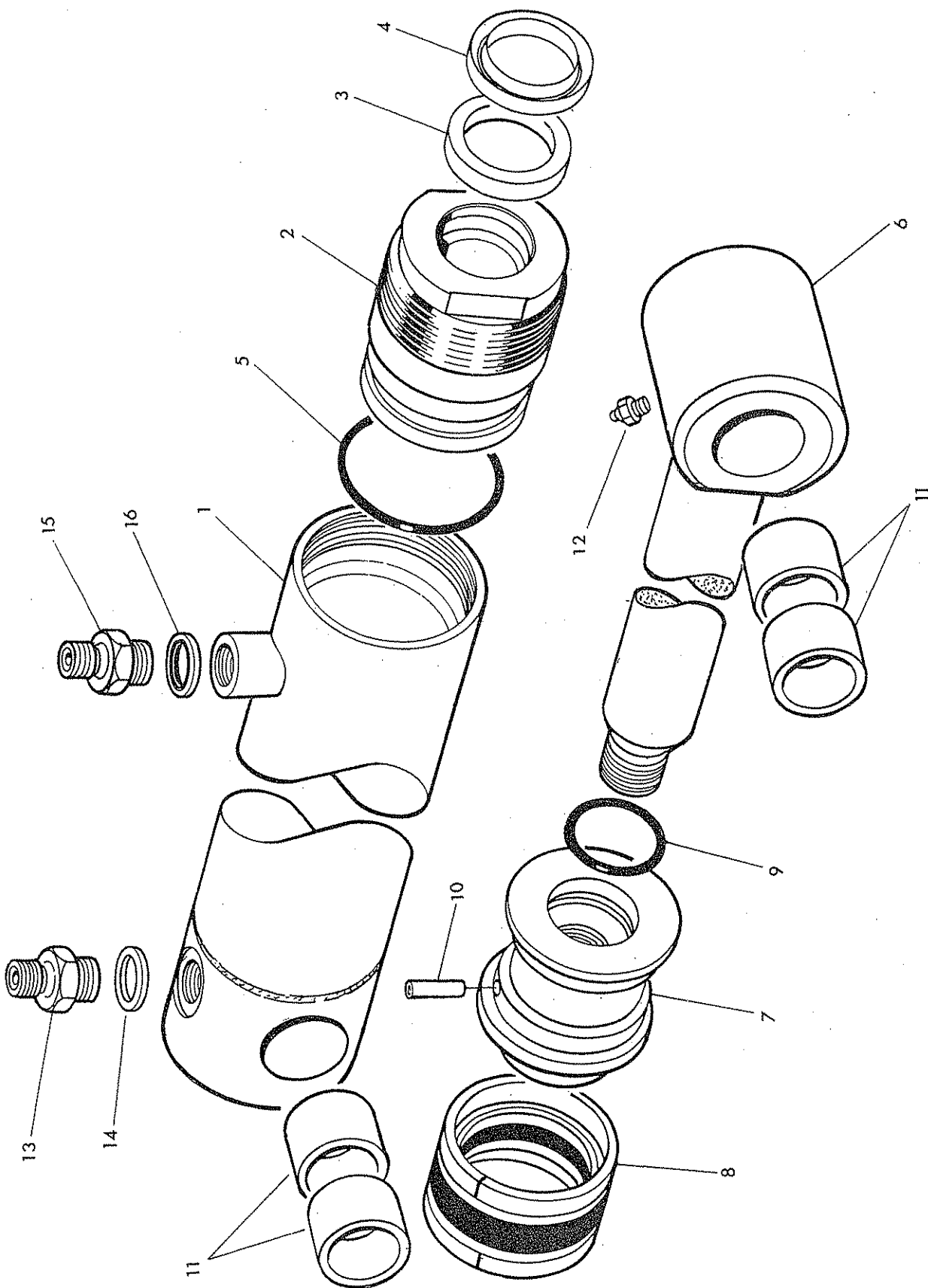
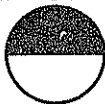


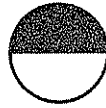
| Ref. | Part No. | Qty. | Description |
|------|-----------------|------|--|
| | 43315.02 | | REACH RAM ASSEMBLY |
| 1 | 43315.36 | 1 | Ram barrel |
| 2 | 43325.32 | 1 | Gland housing |
| 3 | 86 29 225 | 1 | Gland seal |
| 4 | 86 29 208 | 1 | Piston rod wiper seal |
| 5 | 86 00 742 | 1 | O ring |
| 6 | 43315.33 | 1 | Piston rod |
| 7 | 43315.31 | 1 | Piston |
| 8 | 86 38 742 | 1 | Piston seal |
| 9 | 86 00 301 | 1 | O ring |
| 10 | 42775.01 | 1 | Dowel dia 6 x 25 |
| 11 | 08.297.370 | 4 | Bush |
| 12 | 09 01 121 | 2 | Greaser 1/8" BSP straight |
| 13 | 85 81 370 | 2 | Adaptor 3/8" BSP - M18 MM including seal |
| 14 | 86 50 403 | 1 | Seal |
| | 43315.01 | | SEAL KIT |



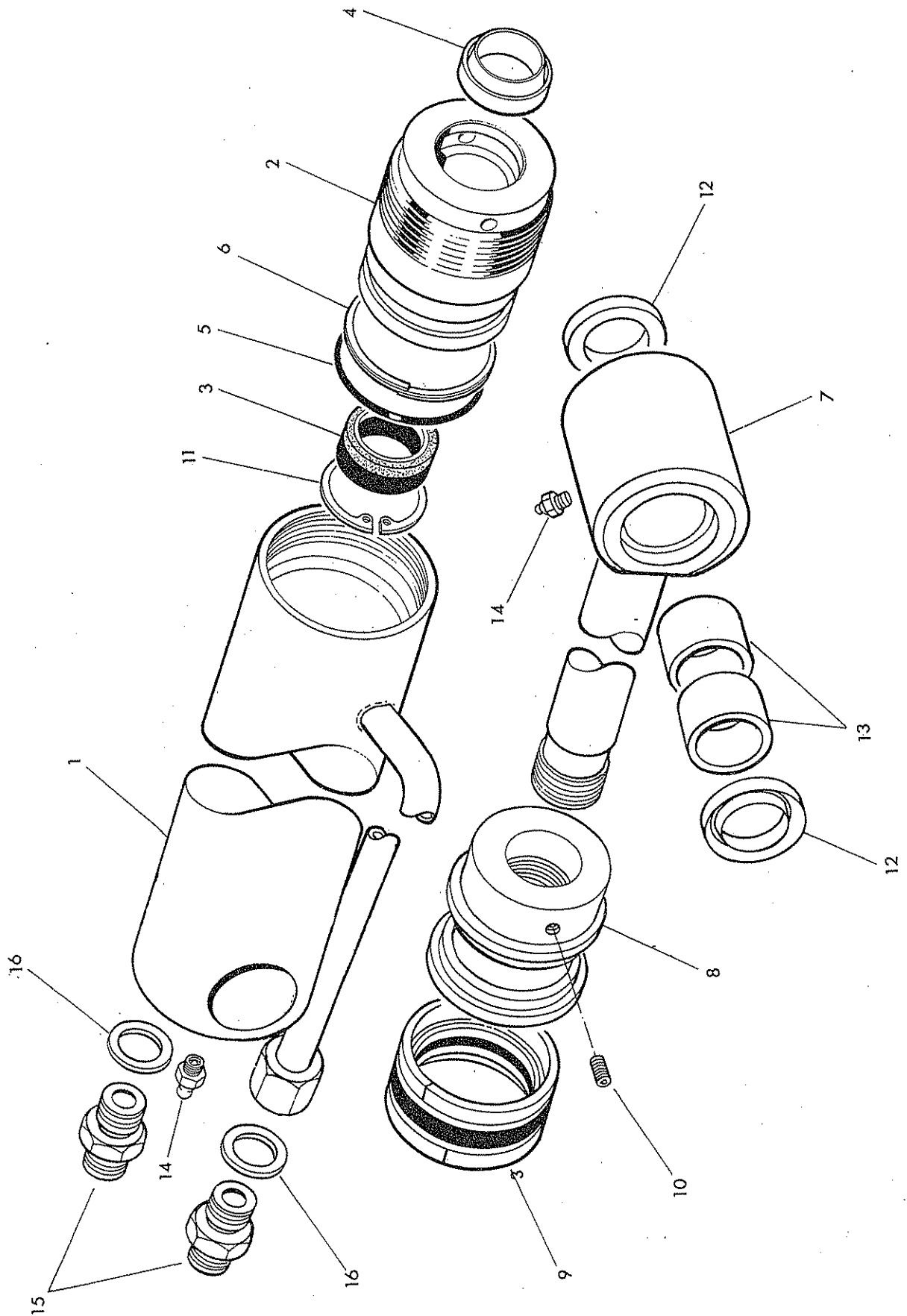
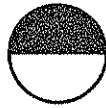


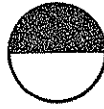
| Ref. | Part No. | Qty. | Description |
|------|-----------------|------|--|
| | 43317.02 | | ANGLE RAM ASSEMBLY |
| 1 | 43317.33 | 1 | Ram barrel |
| 2 | 43317.32 | 1 | Gland housing |
| 3 | 86 29 255 | 1 | Gland seal |
| 4 | 86 29 208 | 1 | Piston rod wiper seal |
| 5 | 86 00 306 | 1 | O ring |
| 6 | 43317.35 | 1 | Piston rod |
| 7 | 43317.31 | 1 | Piston |
| 8 | 86 29 156 | 1 | Piston seal |
| 9 | 86 29 157 | 1 | Guide ring |
| 10 | 86 00 301 | 1 | O ring |
| 11 | 42775.01 | 1 | Dowel dia 6 x 25 |
| 12 | 08.294.04 | 4 | Bush |
| 13 | 86 29 218 | 2 | Seal |
| 14 | 09 01 121 | 2 | Greaser 1/8" BSP straight |
| 15 | 85 81 369 | 2 | Adaptor 3/8" BSP - M14 MM including seal |
| 16 | 86 50 403 | 2 | Seal |
| | 43317.01 | | SEAL KIT |





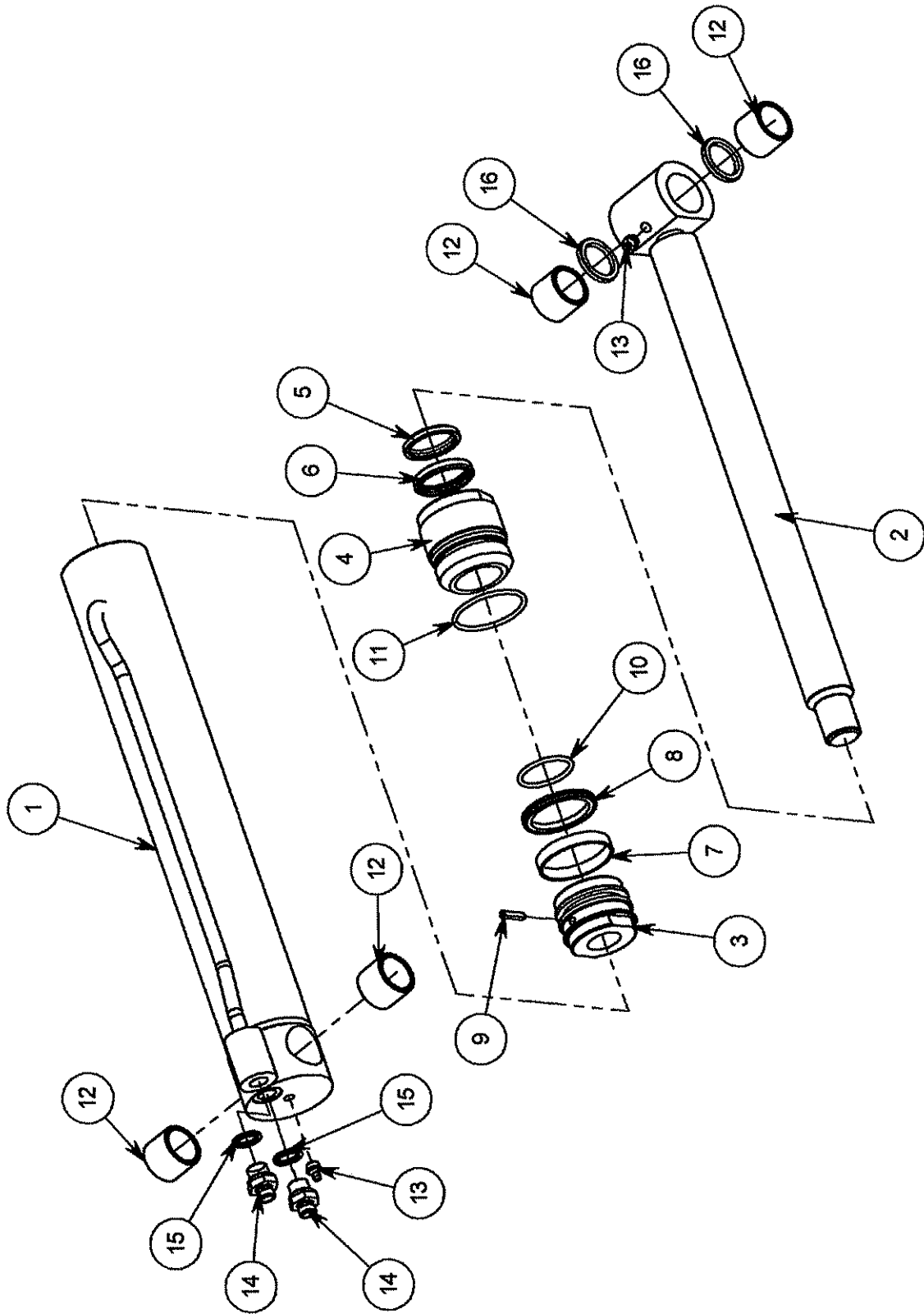
| Ref. | Part No. | Qty. | Description |
|------|-----------------|------|--|
| | 43316.02 | | SLEW RAM ASSEMBLY |
| 1 | 43316.36 | 1 | Ram barrel |
| 2 | 43316.32 | 1 | Gland housing |
| 3 | 86 29 225 | 1 | Gland seal |
| 4 | 86 29 208 | 1 | Piston rod wiper seal |
| 5 | 86 00 740 | 1 | O ring |
| 6 | 43316033 | 1 | Piston rod |
| 7 | 43316.31 | 1 | Piston |
| 8 | 86 38 740 | 1 | Piston seal |
| 9 | 86 00 301 | 1 | O ring |
| 10 | 42775.01 | 1 | Dowel dia 6 x 25 |
| 11 | 08.297.02 | 4 | Bush |
| 12 | 09 01 121 | 1 | Greaser 1/8" BSP straight |
| 13 | 85 81 369 | 1 | Adaptor 3/8" BSP – M14 MM including seal |
| 14 | 86 50 403 | 1 | Seal |
| 15 | 81 24 105 | 1 | Restrictor adaptor 3/8" BSP – M14 MM |
| 16 | 86 50 103 | 1 | Bonded seal 3/8" BSP |
| | 43316.01 | | SEAL KIT |





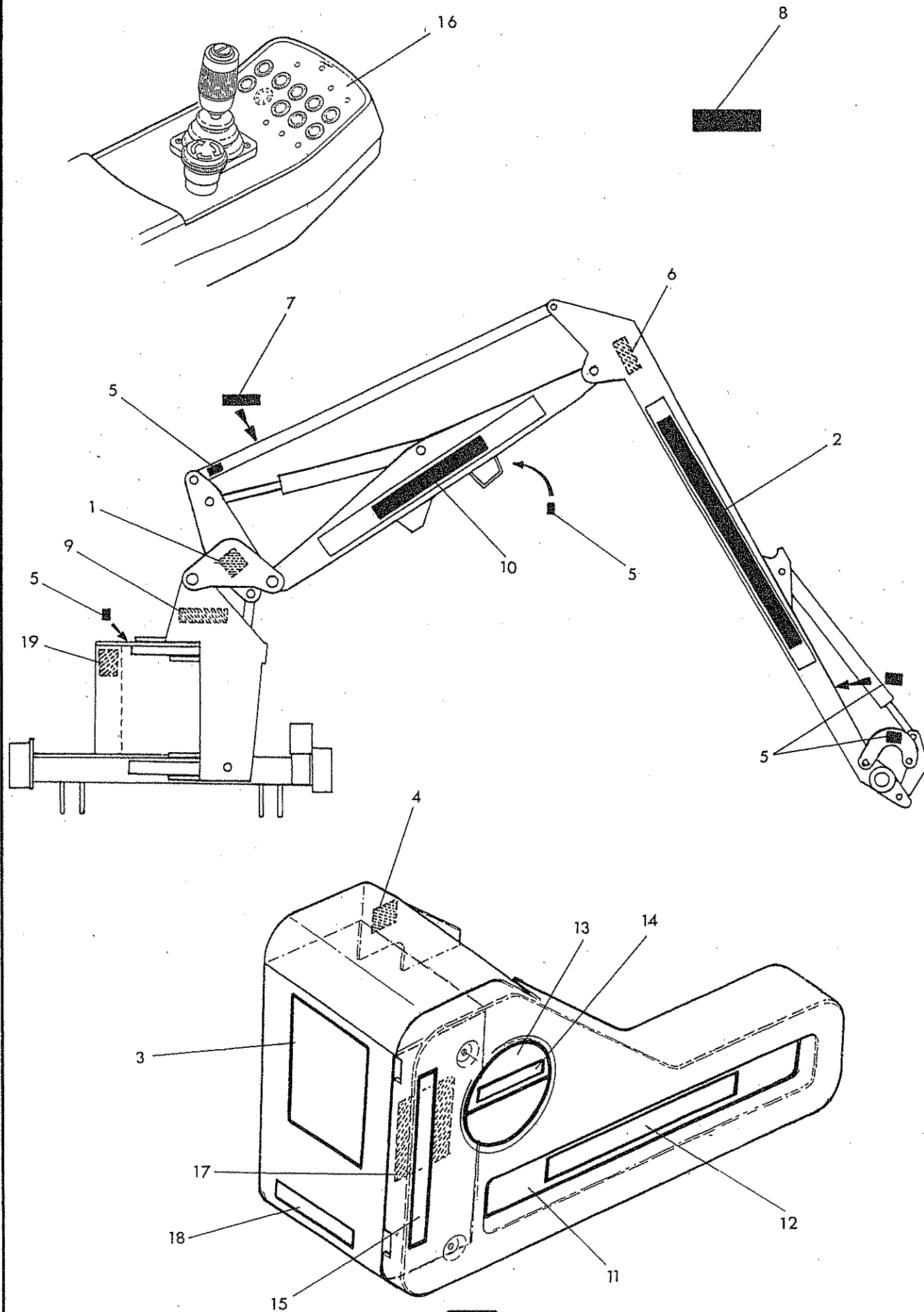
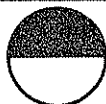
| Ref. | Part No. | Qty. | Description |
|------|-----------------|------|--|
| | 43377.02 | | TELE RAM ASSEMBLY |
| 1 | 43377.31 | 1 | Ram barrel |
| 2 | 71 35 291 | 1 | Gland housing |
| 3 | 86 29 148 | 1 | Gland seal |
| 4 | 86 29 149 | 1 | Piston rod wiper seal |
| 5 | 86 00 302 | 1 | O ring |
| 6 | 86 09 302 | 1 | Anti extrusion ring |
| 7 | 43377.33 | 1 | Piston rod |
| 8 | 71 35 008 | 1 | Piston rod |
| 9 | 86 38 788 | 1 | Piston seal |
| 10 | 93 63 023 | 1 | Grubscrew M6 x 12 |
| 11 | 04 16 240 | 1 | Internal circlip |
| 12 | 86 29 218 | 2 | Seal |
| 13 | 08.297.04 | 2 | Bush |
| 14 | 09 01 121 | 2 | Greaser 1/8" BSP straight |
| 15 | 85 81 374 | 2 | Adaptor 1/4" BSP - M14 MM including seal |
| 16 | 86 50 402 | 1 | Seal |
| | 43377.01 | | SEAL KIT |

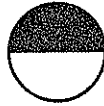
Module:
43317.03



**FOLD RAM ASSEMBLY (Midcut)**

| REF. | QTY. | PART No. | DESCRIPTION |
|------|------|-----------------|--------------------------|
| | | 43317.03 | FOLD RAM ASSEMBLY |
| 1 | 1 | 43317.40 | Barrel |
| 2 | 1 | 43317.43 | Piston Rod |
| 3 | 1 | 43317.31 | Piston |
| 4 | 1 | 43317.32 | Gland Housing |
| 5 | 1 | 8629208 | Scraper Ring |
| 6 | 1 | 8629225 | Gland Seal |
| 7 | 1 | 8629157 | Guide Ring |
| 8 | 1 | 8629156 | Piston Seal |
| 9 | 1 | 42775.01 | Dowel |
| 10 | 1 | 8600301 | O Ring |
| 11 | 1 | 8600306 | O Ring |
| 12 | 4 | 08.297.04 | Bush |
| 13 | 2 | 0901121 | Grease Nipple |
| 14 | 2 | 8581369 | Adaptor |
| 15 | 2 | 8650103 | Bonded seal |
| 16 | 2 | 8629218 | Lip Seal |
| | | 43317.01 | SEAL KIT |





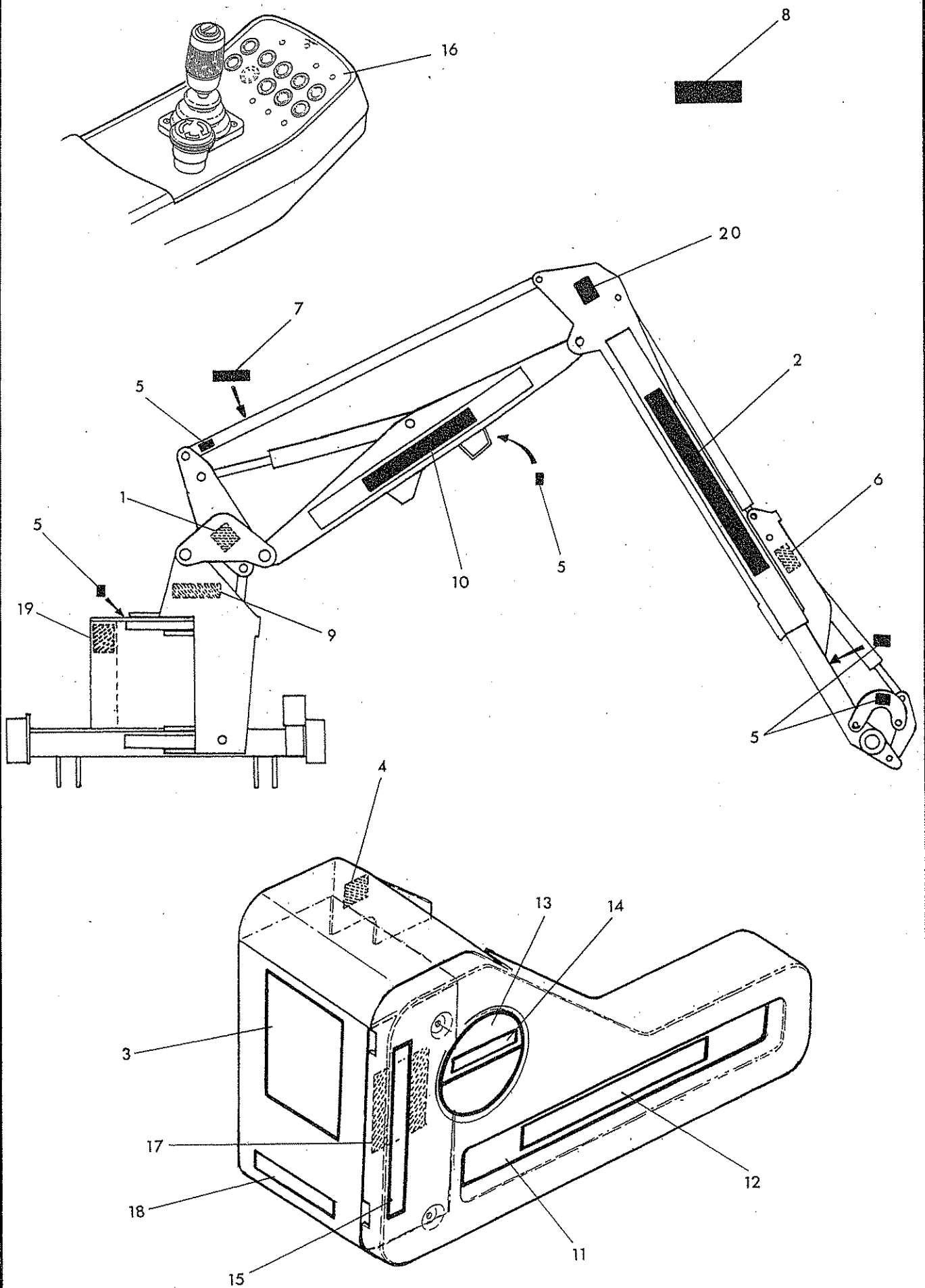
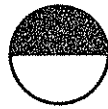
| Ref. | Part No. | Qty. | Description |
|---------------------|-----------|------|---|
| STICKERS 550 | | | |
| 1 | 71 05 130 | 1 | Read book first |
| 2 | 12 90 520 | 2 | Hy Reach supreme 550 E.D.S. |
| 3 | 12 90 391 | 1 | General warning |
| 4 | 00756494 | 1 | P.T.O. shaft |
| 5 | 02962764 | 5 | Pinch point |
| 6 | 12 90 403 | 1 | Breakaway return warning |
| 7 | 12 90 406 | 1 | Transport warning |
| 8 | 84 02 138 | 1 | Slew warning – supplied loose when with monolever |
| 9 | 71 35 295 | 1 | Tighten check chains |
| 10 | 12 90 255 | 2 | McConnel |
| 11 | 12 90 526 | 1 | Yellow panel |
| 12 | 12 90 527 | 1 | McConnel |
| 13 | 12 90 524 | 1 | Logo roundel – yellow |
| 14 | 12 90 525 | 1 | McConnel – yellow |
| 15 | 12 90 529 | 1 | Rear marker – R.Hand |
| | 12 90 528 | 1 | Rear marker – L.Hand – not iilus. |
| 16 | 12 90 514 | 1 | Machine controls |
| 17 | 12 90 534 | 1 | Information sticker |
| 18 | 12 90 482 | 1 | Piston system |
| 19 | 12 90 086 | 1 | 800 Rpm |

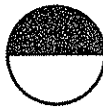


McCONNEL

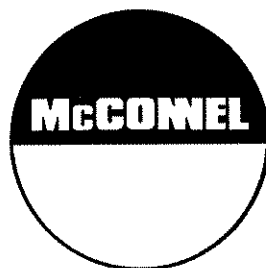


McCONNEL





| Ref. | Part No. | Qty. | Description |
|---------------------|-----------|------|---|
| STICKERS 650 | | | |
| 1 | 71 05 130 | 1 | Read book first |
| 2 | 12 90 519 | 2 | Hy Reach supreme 650 E.D.S. |
| 3 | 12 90 391 | 1 | General warning |
| 4 | 00756494 | 1 | P.T.O. shaft |
| 5 | 02962764 | 5 | Pinch point |
| 6 | 12 90 403 | 1 | Breakaway return warning |
| 7 | 12 90 406 | 1 | Transport warning |
| 8 | 84 02 138 | 1 | Slew warning – supplied loose when with monolever |
| 9 | 71 35 295 | 1 | Tighten check chains |
| 10 | 12 90 255 | 2 | McConnel |
| 11 | 12 90 526 | 1 | Yellow panel |
| 12 | 12 90 527 | 1 | McConnel |
| 13 | 12 90 524 | 1 | Logo roundel – yellow |
| 14 | 12 90 525 | 1 | McConnel – yellow |
| 15 | 12 90 529 | 1 | Rear marker – R.Hand |
| | 12 90 528 | 1 | Rear marker – L.Hand – not illus. |
| 16 | 12 90 514 | 1 | Machine controls |
| 17 | 12 90 534 | 1 | Information sticker |
| 18 | 12 90 482 | 1 | Piston system |
| 19 | 12 90 086 | 1 | 800 Rpm |
| 20 | 12 90 005 | 1 | Grease socket |



McConnel Limited, Temeside Works, Ludlow, Shropshire SY8 1JL. England.
Telephone: 01584 873131. Facsimile: 01584 876463. www.mcconnel.com