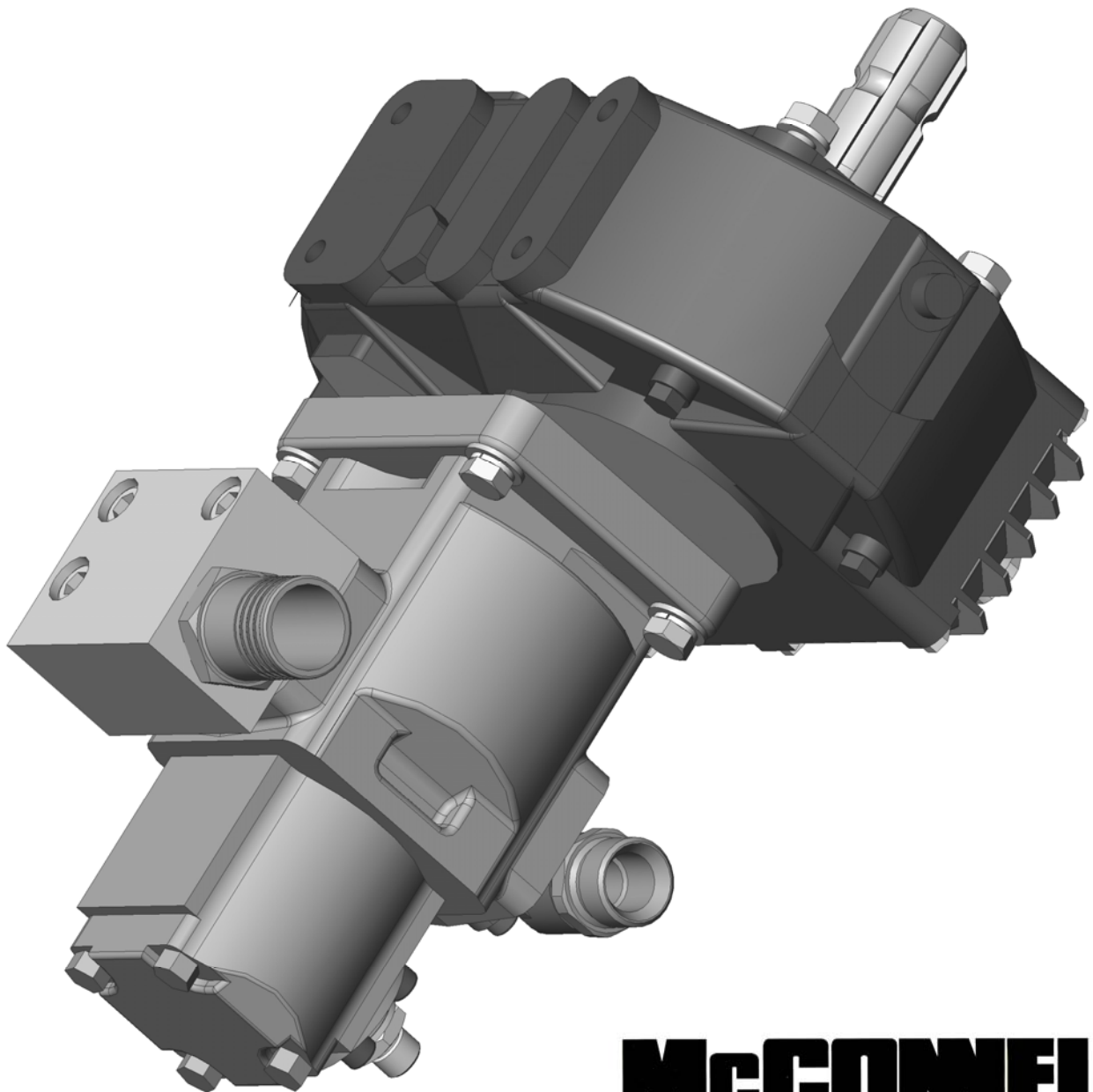


Publication 492
November 2005
Part No. 41570.92
Revision: 04.10.10



PA 53 HY REACH

Parts Manual



McCONEl



For best performance...

USE ONLY McCONNEL SERVICE PARTS

To be assured of the latest design improvements purchase your
'Genuine Replacements' from the **Original Equipment Manufacturer:**

McCONNEL LIMITED

through your local Dealer or Stockist.

Always quote:

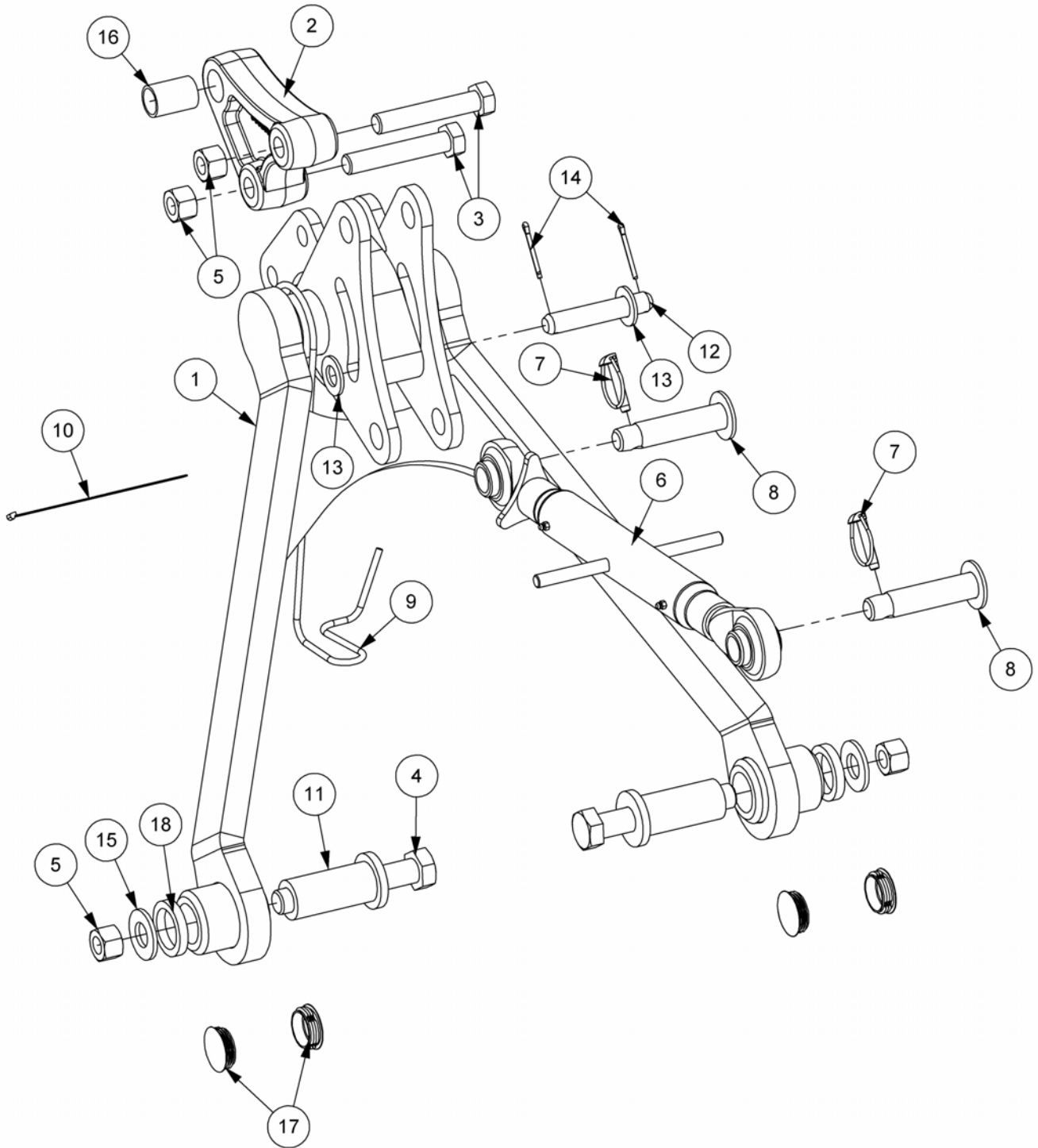
- ***Machine Type***
- ***Serial Number***
- ***Part Number***

*Design Improvements may have altered some of the parts listed in this manual –
The latest part will always be supplied when it is interchangeable with an earlier one.*

CONTENTS

	<i>Page No.</i>
Stabilizer Assembly	4
Axle Bracket Kit – <i>Standard Type</i>	6
Axle Bracket Kit – <i>Alternative Type</i>	8
Main Frame Assembly	10
Pillar Assembly	12
Rocker Assembly – <i>Standard Models</i>	14
Rocker Assembly – <i>EDS Models</i>	16
Main Arm Assembly	18
Dipper Arm Assembly – <i>Standard Models</i>	20
Dipper Arm Assembly – <i>Midcut Models</i>	22
Transport Props	24
Head Angling Mechanism Assembly	26
Hydraulic Tank Assembly	28
Pump & Gearbox Assembly – <i>SI Models</i>	30
Pump & Gearbox Assembly – <i>TI Models</i>	32
Gearbox Assembly	34
Rotor Relief Valve Assembly – <i>SI Models</i>	36
Cable Rotor Control Valve Assembly	38
Electric Rotor Control Valve – <i>Models without Oil Cooler</i>	40
Electric Rotor Control Valve – <i>Models with Oil Cooler</i>	42
Cable Control Valve Assembly – <i>Standard Type</i>	44
Cable Control Valve Assembly – <i>Alternate Type</i>	46
Electric Control Valve Assembly	48
Midcut Electric Control Valve Assembly	50
XTC Proportional Electric Control Valve Assembly	52
Proportional Electric Control Valve Assembly	54
Control Valve Hose Installation – <i>Cable Models</i>	56
Control Valve Hose Installation – <i>Electric & Proportional Electric Models</i>	58
Machine Hose Locations	60
Angling Ram Assembly	61
Lift Ram Assembly	62
Reach Ram Assembly	63
Slew Ram Assembly	64
Midcut Fold Ram Assembly	66
Switchbox Control Unit	68
Monolever Control Unit Assembly	69
Proportional Switchbox Control Unit Assembly	70
Auxiliary Box for Proportional Armrest Controls	72
Proportional Armrest Control Unit Assembly	74
Control Mountings – <i>All Models</i>	76
Sensor Kits – <i>EDS, Power Monitor & PTO</i>	78
Lift Float Kit – <i>Cable Models</i>	80
Lift Float Kit – <i>Electric Models</i>	82
Overcentre Kit – <i>Cable Models</i>	84
Rear Covers Assembly – <i>Models without Oil Cooler</i>	86
Rear Covers Assembly – <i>Models with Oil Cooler</i>	88
Cooler Assembly – <i>Standard Type Cooler</i>	90
Additional Cooler Assembly – <i>High Capacity Type Cooler</i>	92
Machine Decals	94
Cab Guarding	96
Lift Stop Kit – <i>Optional Extra</i>	97

Module:
7499632



STABILIZER ASSEMBLY

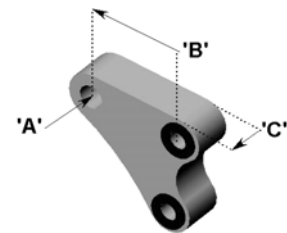
REF.	QTY.	PART No.	DESCRIPTION
		7499632	STABILIZER ASSEMBLY
1	1	41205.13	STABILIZER
2	1	7499506C	STABILIZER TONGUE - CAT.3
3	2	9213228	BOLT
4	2	9213309	BOLT
5	4	9143008	SELF-LOCKING NUT
6	1	21370.01	TOP LINK ASSEMBLY
7	2	0431217	LINCH PIN
8	2	7560144	TOP LINK PIN
9	1	21160.03	PTO HOOK
10	1	7196045	HOSE TIE
11	2	45999.05	SPACER SLEEVE
12	1	22072.01	QUADRANT PIN
13	2	9100108	FLAT WASHER
14	2	9501406	SPLIT PIN
15	2	9100109	FLAT WASHER
16	1	21883.01	SLEEVE - CAT.2 TO CAT.3
17	4	21388.01	PLASTIC INSERT
18	2	45999.04	SPACER

McCONNEL STABILISER TONGUES

'A' – Hole diameter

'B' – Hole center spacing

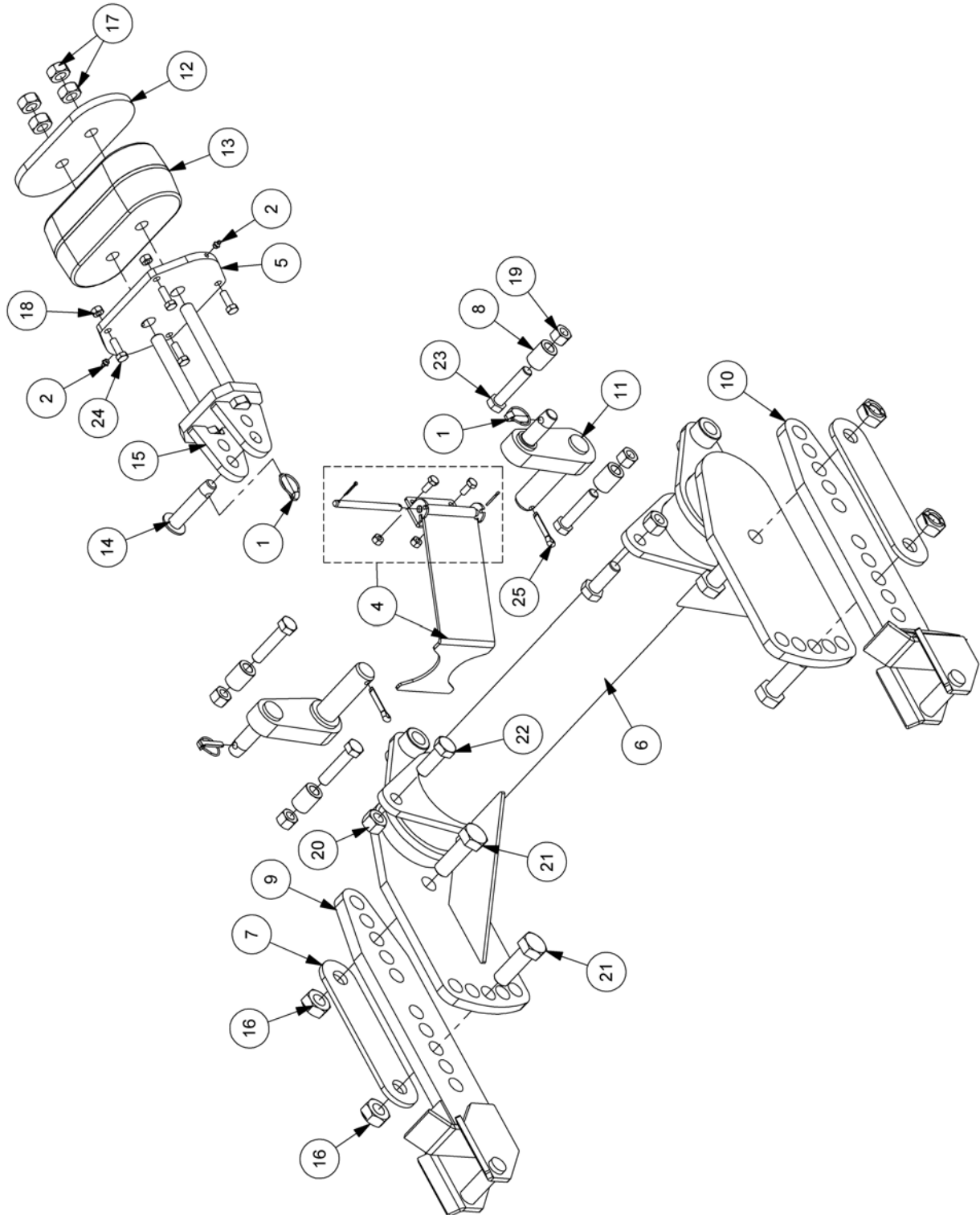
'C' – Stabiliser width



(Dimensions in mm)

Part No.	Description	'A'	'B'	'C'
7499501	Tongue: Standard – Cat. 2	27	107	45
7499500	Tongue: Special – Cat. 2 narrow	27	107	35
7499502	Tongue: Special – Cat. 2 long	27	217	45
7499503	Tongue: Special – Cat. 3 long	32	217	45
7499504	Tongue: Special – Cat. 1	19.5	107	35
7499505	Tongue: Special – Cat. 2 for Case TX tractors	25	120	50
7499506	Tongue: Special – Cat. 3	32	107	45
7499507	Tongue: Special – Cat. 3 narrow	32	107	30
7499508	Tongue: Special – for some Ford tractors	28.6	107	45
7499262	Tongue: Special – Cat. 2 extra long for Aebi	27	260	45
7499510	Tongue: Special – Cat. 2	27	107	40

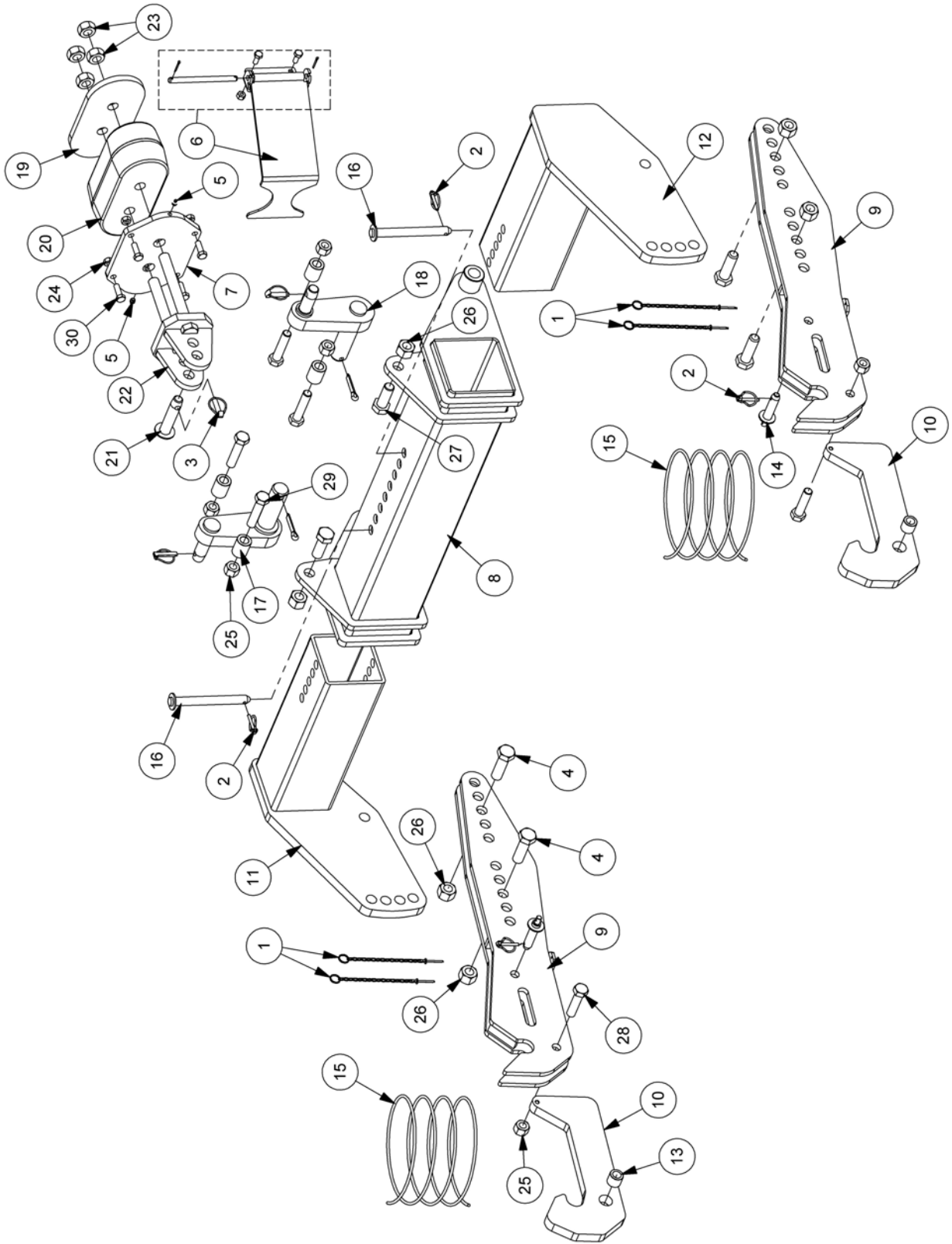
Module:
7153716



AXLE BRACKET KIT – Standard

REF.	QTY.	PART No.	DESCRIPTION
		7153716	AXLE BRACKET KIT - Standard Type
1	3	0431217	LINCH PIN
2	2	0901121	GREASE NIPPLE
3	1	2020999	LATCH ASSEMBLY (1 PAIR)
4	1	21187.01	PTO SUPPORT BRACKET KIT - <i>Comprising of:</i>
	1	21184.01	DRIVE SHAFT SUPPORT BRACKET
	1	21186.01	PIN
	1	21183.01	PTO SUPPORT BRACKET
	2	9313055	SETSCREW
	2	9143005	SELF-LOCKING NUT
	2	9501255	SPLIT PIN
5	1	21277.01	WEAR PLATE
6	1	21278.01	BRACKET FRAME
7	2	21358.01	CLAMP PLATE
8	4	21887.01	STOP TUBE
9	1	43318.01	HITCH ARM -TYPE 1
10	1	43318.02	HITCH ARM -TYPE 2
11	2	43319.02	LIFT LINK (SHORT PIN)
12	1	7560130	REACTION PLATE
13	1	7560141	RUBBER SPRING
14	1	7560144	TOP LINK PIN
15	1	7560398	TOP HITCH BRACKET
16	4	9100023	BINX NUT
17	4	9113009	NUT
18	4	9143006	SELF-LOCKING NUT
19	4	9143008	SELF-LOCKING NUT
20	2	9143009	SELF-LOCKING NUT
21	4	9200035	BOLT
22	2	9213139	BOLT
23	4	9213188	BOLT
24	4	9313076	SETSCREW
25	2	9501509	SPLIT PIN

Module:
7153717



AXLE BRACKET KIT - Alternative

REF.	QTY.	PART No.	DESCRIPTION
		7153717	AXLE BRACKET MOUNTING KIT - Alternative Type
1	4	03.255.05	CHAIN/RING ASSEMBLY
2	4	0431204	LINCH PIN
3	3	0431217	LINCH PIN
4	4	05.285.02	BOLT
5	2	0901121	GREASE NIPPLE
6	1	21187.01	PTO SUPPORT BRACKET KIT - <i>Comprising of:</i>
	1	21184.01	DRIVE SHAFT SUPPORT BRACKET
	1	21186.01	PIN
	1	21183.01	PTO SUPPORT BRACKET
	2	9313055	SETSCREW
	2	9143005	SELF-LOCKING NUT
	2	9501255	SPLIT PIN
7	1	21277.01	WEAR PLATE
8	1	21289.01	HITCH FRAME - ALTERNATIVE TYPE
9	2	21290.01	MOUNTING ARM
10	2	21291.01	LATCH
11	1	21292.01	HITCH MOUNT - TYPE 1
12	1	21292.02	HITCH MOUNT - TYPE 2
13	2	21303.01	PIVOT BUSH
14	2	21330.01	SAFETY PIN
15	2	21331.01	LATCH CORD
16	2	21332.01	BRACKET PIN
17	4	21887.01	STOP TUBE
18	2	43319.02	LIFT LINK (SHORT PIN)
19	1	7560130	REACTION PLATE
20	1	7560141	RUBBER SPRING
21	1	7560144	TOP LINK PIN
22	1	7560398	TOP HITCH BRACKET
23	4	9113009	NUT
24	4	9143006	SELF-LOCKING NUT
25	6	9143008	SELF-LOCKING NUT
26	6	9143009	SELF-LOCKING NUT
27	2	9213139	BOLT
28	2	9213168	BOLT
29	4	9213188	BOLT
30	4	9313076	SETSCREW
31	2	9501509	SPLIT PIN

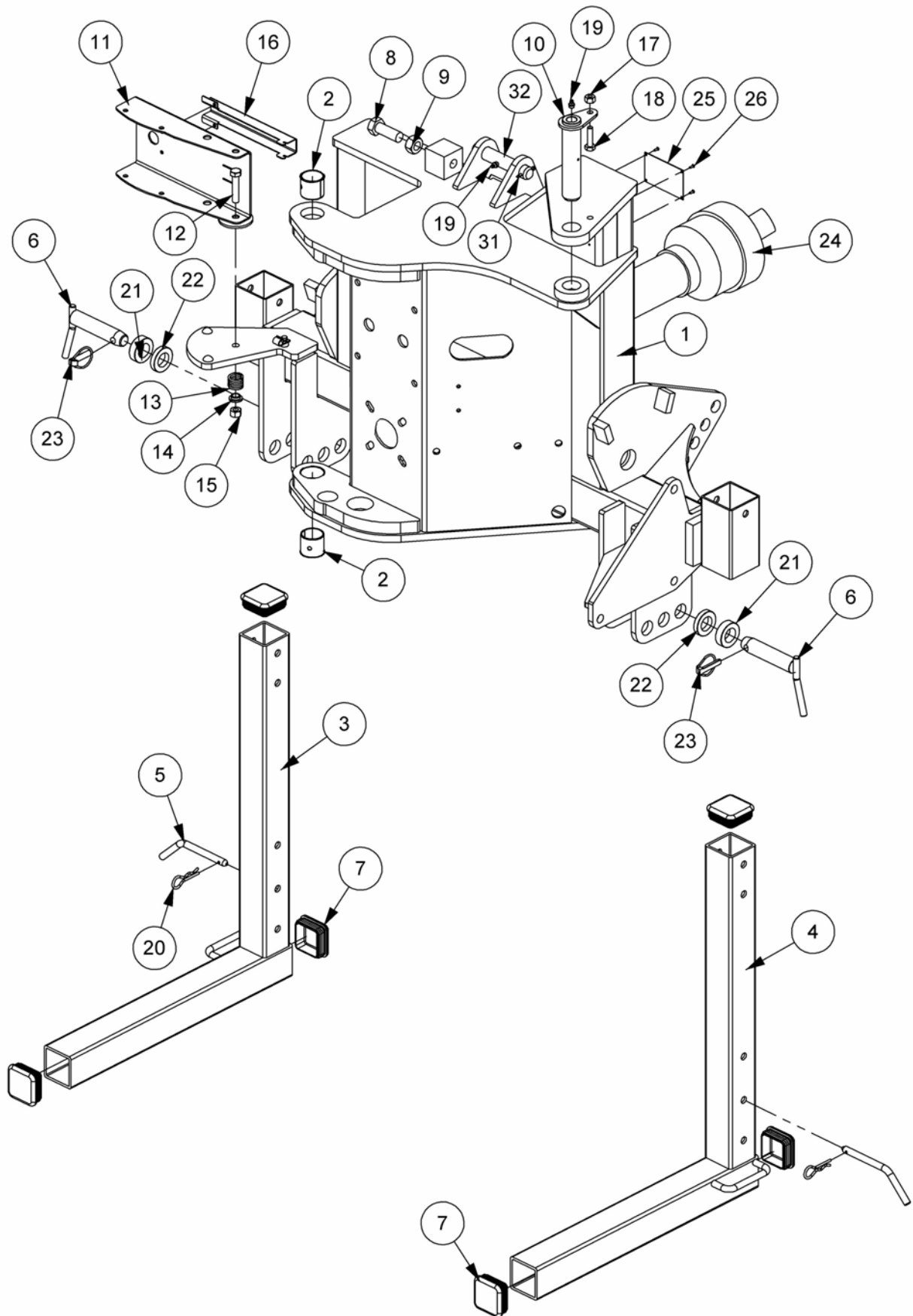
MAIN FRAME ASSEMBLY

Modules:

7452790 – L/H Build

7452791 – R/H Build

Illustrated in Left Hand Build



MAIN FRAME ASSEMBLY

REF.	QTY.	PART No.	DESCRIPTION
		7452790	MAIN FRAME ASSEMBLY - L/H Build
		7452791	MAIN FRAME ASSEMBLY - R/H Build
1	1	21272.12	MAIN FRAME - L/H Build
	1	21272.13	MAIN FRAME - R/H Build
2	2	7115208	GLACIER BUSH
3	1	45293.03	STAND LEG - L/H
4	1	45293.04	STAND LEG - R/H
5	2	45297.01	LEG PIN
6	2	41559.01	LINKAGE PIN - CAT 2.
7	6	45210.01	PLASTIC PLUG
8	1	9313118	SETSCREW
9	1	9113008	NUT
10	1	45202.08	PIN
11	1	21283.07	LAMP BRACKET - L/H Build
	1	21283.08	LAMP BRACKET - R/H Build
12	1	9213126	BOLT
13	1	8020178	COMPRESSION SPRING
14	1	21757.01	SPRING LOCATOR
15	1	9143006	SELF-LOCKING NUT
16	1	21755.01	CABLE COVER
17	1	9143005	SELF-LOCKING NUT
18	1	9213085	BOLT
19	2	0901121	GREASE NIPPLE
20	2	0431105	SPRING COTTER
21	2	43332.01	LINKAGE SPACER
22	2	43332.02	LINKAGE SPACER
23	2	0431217	LINCH PIN
24	1	7550346	PTO SHAFT
25	1	1335246	SERIAL No. PLATE
26	4	7103230	POP RIVET
27	2	21151.01	D CLIP
28	2	9100101	FLAT WASHER
29	2	9100203	SPRING WASHER
30	2	9313023	SETSCREW
31	2	9501326	SPLIT PIN
32	1	21774.01	PIN - TOP LINK ROCKER

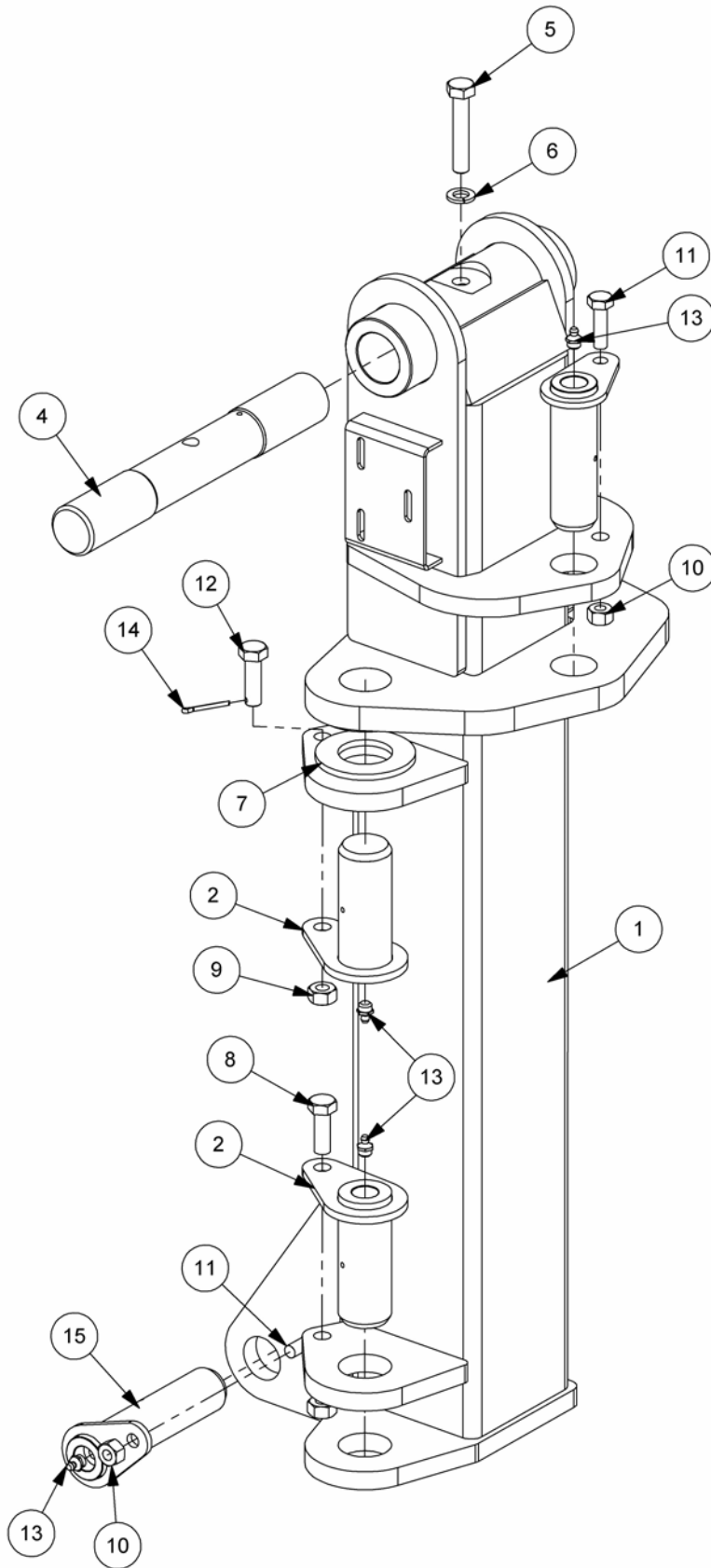
PILLAR ASSEMBLY

Modules:

7452792 – L/H Build

7452793 – R/H Build

Illustrated in Left Hand Build

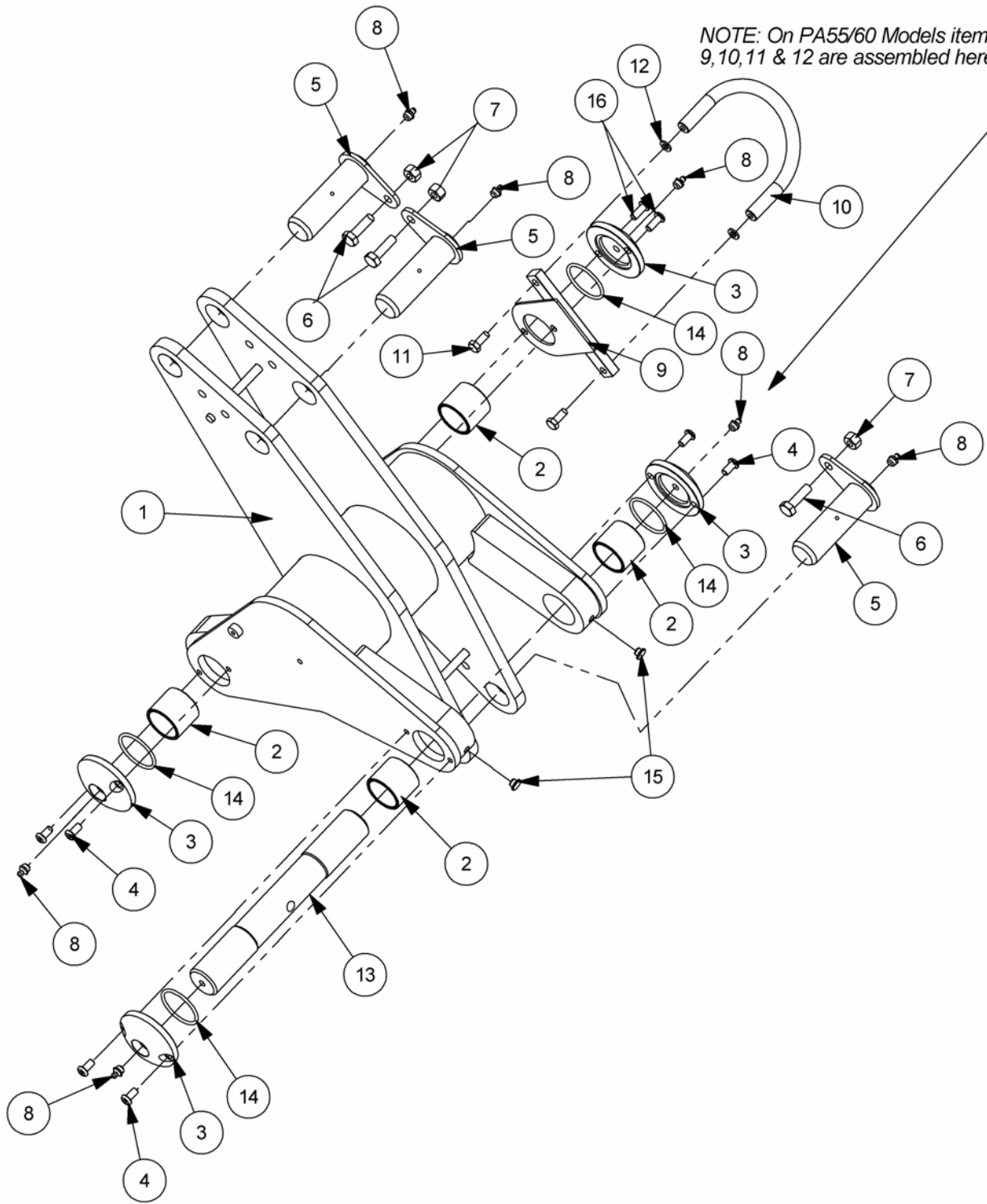


PILLAR ASSEMBLY

REF.	QTY.	PART No.	DESCRIPTION
		7452792	PILLAR ASSEMBLY - L/H Build
		7452793	PILLAR ASSEMBLY - R/H Build
1	1	45192.05	PILLAR - L/H Build
	1	-	PILLAR - R/H Build
2	2	45271.01	PIN - SLEW PIVOT
3	1	45202.04	PIN - SLEW ROD
4	1	45264.01	PIN - MAIN PIVOT
5	1	9213136	BOLT
6	1	9100206	SPRING WASHER
7	1	45298.01	THRUST WASHER
8	1	9313076	SETSCREW
9	2	9143006	SELF-LOCKING NUT
10	2	9143005	SELF-LOCKING NUT
11	2	9313075	SETSCREW
12	1	45416.01	SPECIAL SETCREW
13	4	0901121	GREASE NIPPLE
14	1	9501255	SPLIT PIN
15	1	45202.07	PIN - LIFT RAM BASE

Module:
7452710

Illustrated in Left Hand Build

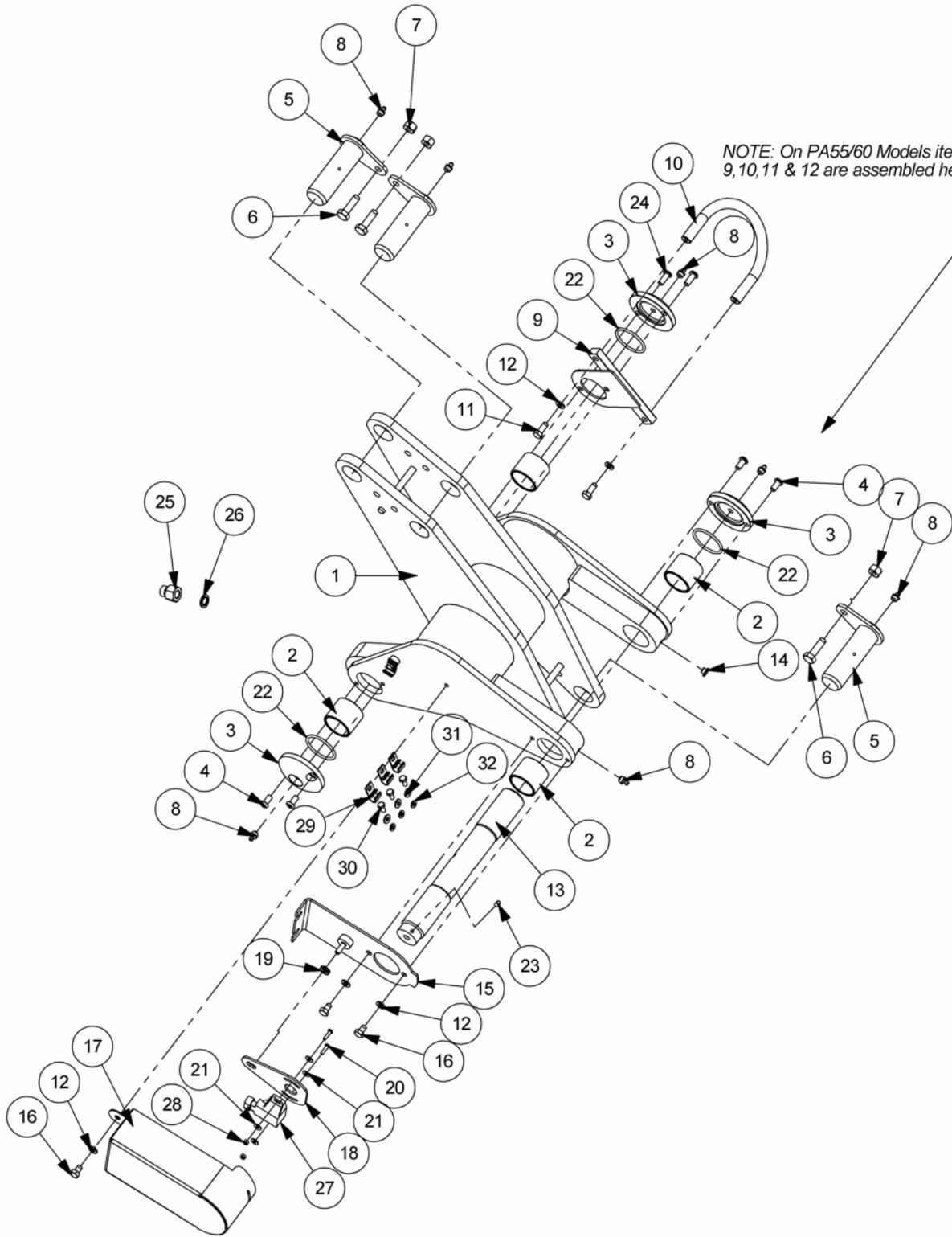


ROCKER ASSEMBLY – Standard

REF.	QTY.	PART No.	DESCRIPTION
		7452710	ROCKER ASSEMBLY - STANDARD
1	1	45059.02	ROCKER
2	4	08.297.02	BUSH
3	4	45266.01	PIN CAP
4	6	9300159	BOLT - BUTTON / SOCKET HEAD
5	3	45202.04	SLEW ROD PIN
6	3	9313075	SETSCREW
7	3	9143005	SELF-LOCKING NUT
8	7	0901121	GREASE NIPPLE - Straight
9	1	43048.06	RETAINING BRACKET
10	1	43048.05	HOOK
11	2	9313044	SETSCREW
12	2	9100204	SPRING WASHER
13	1	45264.01	MAIN PIVOT PIN
14	4	8600303	'O' RING 225
15	2	42964.02	PLASTIC PLUG
16	2	9300161	SOCKET BUTTON SCREW

Module:
7452711

Illustrated in Left Hand Build



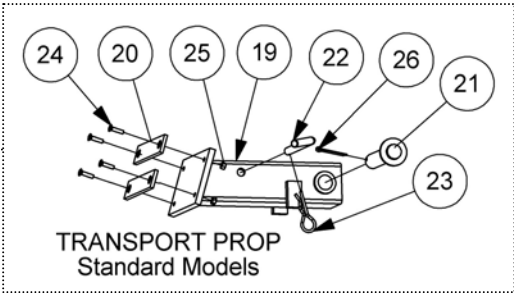
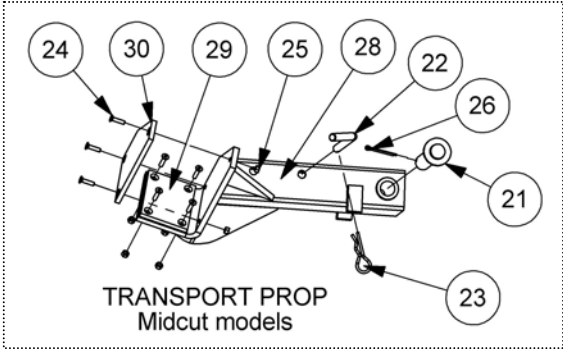
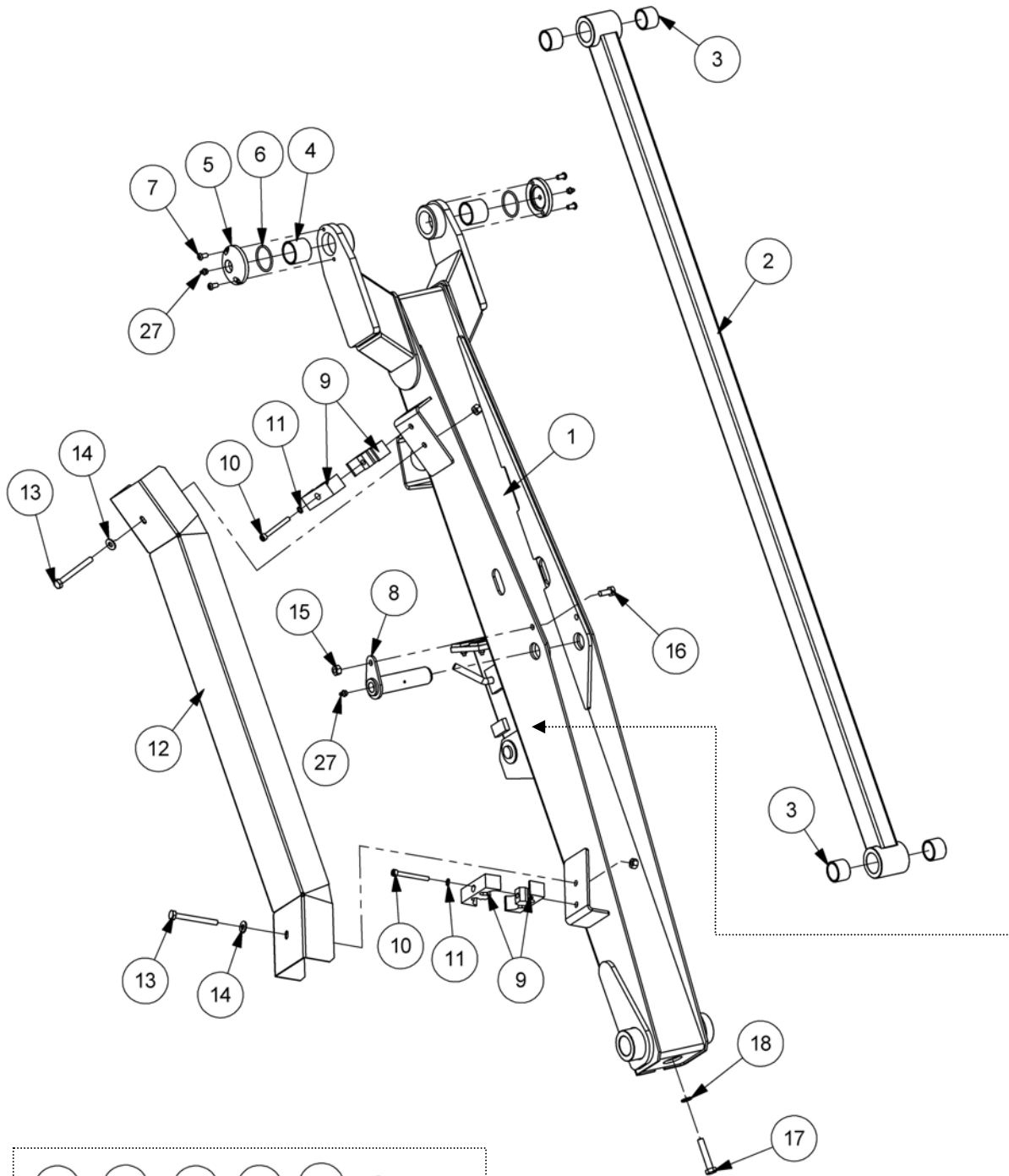
ROCKER ASSEMBLY – EDS Models

REF.	QTY.	PART No.	DESCRIPTION
		7452711	ROCKER ASSEMBLY - EDS Models
1	1	45059.02	ROCKER
2	4	08.297.02	BUSH
3	3	45266.01	PIN CAP
4	4	9300159	BUTTON HEAD SOCKET SCREW
5	3	45202.04	PIN
6	3	9313075	SETSCREW
7	3	9143005	SELF-LOCKING NUT
8	7	0901121	GREASE NIPPLE
9	1	43048.06	RETAINING BRACKET
10	1	43048.05	HOOK
11	2	9313044	SETSCREW
12	5	9100204	SPRING WASHER
13	1	45264.02	MAIN PIVOT PIN - EDS
14	1	42964.02	PLASTIC PLUG
15	1	45425.05	LOCATION PLATE
16	3	9313024	SETSCREW
17	1	45425.03	COVER
18	1	45425.06	SENSOR BRACKET
19	1	43356.01	GROMMET
20	2	9300162	POSI PANHEAD SCREW
21	4	9100102	FLAT WASHER
22	3	8600303	O RING
23	1	9363023	GRUB SCREW
24	2	9300161	SOCKET BUTTON SCREW
25	1	8103005	ADAPTOR
26	1	8650102	BONDED SEAL
27	1	8402235	REACH SENSOR
28	2	05.948.33	SELF-LOCKING NUT
29	4	21151.01	D CLIP
30	4	9313023	SETSCREW
31	4	9100103	FLAT WASHER
32	4	9100203	SPRING WASHER

MAIN ARM ASSEMBLY

Modules:
Refer to Parts List

Illustrated in Left Hand Build



MAIN ARM ASSEMBLY

REF.	QTY.			PART No.	DESCRIPTION
				7452712	MAIN ARM ASSEMBLY - L/H Standard Models
				7452713	MAIN ARM ASSEMBLY - R/H Standard Models
				7452762	MAIN ARM ASSEMBLY - L/H Front Mount
				7452761	MAIN ARM ASSEMBLY - R/H Front Mount
				7452763	MAIN ARM ASSEMBLY - L/H Midcut Models
				7452764	MAIN ARM ASSEMBLY - R/H Midcut Models
	<i>Std.</i>	<i>M/cut</i>	<i>F/M</i>		
1	1	1	1	45056.07	MAIN ARM - L/H Build (R/H on Front Mount Models)
	1	1	1	45056.08	MAIN ARM - R/H Build (L/H on Front Mount Models)
2	1	1	1	45064.03	TENSION LINK
3	4	4	4	08.297.05	BUSH
4	2	2	2	08.297.02	BUSH
5	2	2	2	45266.01	PIN CAP
6	2	2	2	8600303	O RING
7	4	4	4	9300159	BOLT - BUTTON HEADED SOCKET
8	1	1	1	45202.03	PIN
9	4	4	4	45630.01	HOSE CLAMP
10	2	2	2	9243154	CAPSCREW
11	2	2	2	9100404	SHAKEPROOF WASHER
12	1	1	1	41665.21	HOSE COVER
13	2	2	2	9213205	BOLT
14	2	2	2	9100105	FLAT WASHER
15	3	3	3	9143005	SELF-LOCKING NUT
16	1	1	1	9313055	SETSCREW
17	1	1	1	9213136	BOLT
18	1	1	1	9100206	SPRING WASHER
19	1	<i>n/a</i>	<i>n/a</i>	43021.08	TRANSPORT PROP
20	2	<i>n/a</i>	<i>n/a</i>	43091.03	PAD - TRANSPORT PROP
21	1	1	<i>n/a</i>	43023.01	PIN -TRANSPORT PROP
22	1	1	<i>n/a</i>	43074.01	LOCK PIN -TRANSPORT PROP
23	1	1	<i>n/a</i>	0431105	SPRING COTTER
24	4	7	<i>n/a</i>	9353053	CAPSCREW - SOCKET HEADED
25	4	7	<i>n/a</i>	9143003	SELF-LOCKING NUT
26	1	1	<i>n/a</i>	9501406	SPLIT PIN
27	3	3	3	0901121	GREASE NIPPLE
28	<i>n/a</i>	1	<i>n/a</i>	43021.03	TRANSPORT CRADLE - L/H Build
	<i>n/a</i>	1	<i>n/a</i>	43021.04	TRANSPORT CRADLE - R/H Build
29	<i>n/a</i>	1	<i>n/a</i>	43091.01	MAIN PAD
30	<i>n/a</i>	1	<i>n/a</i>	43091.02	SIDE PAD

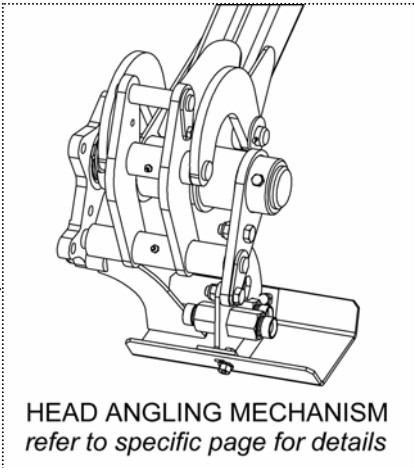
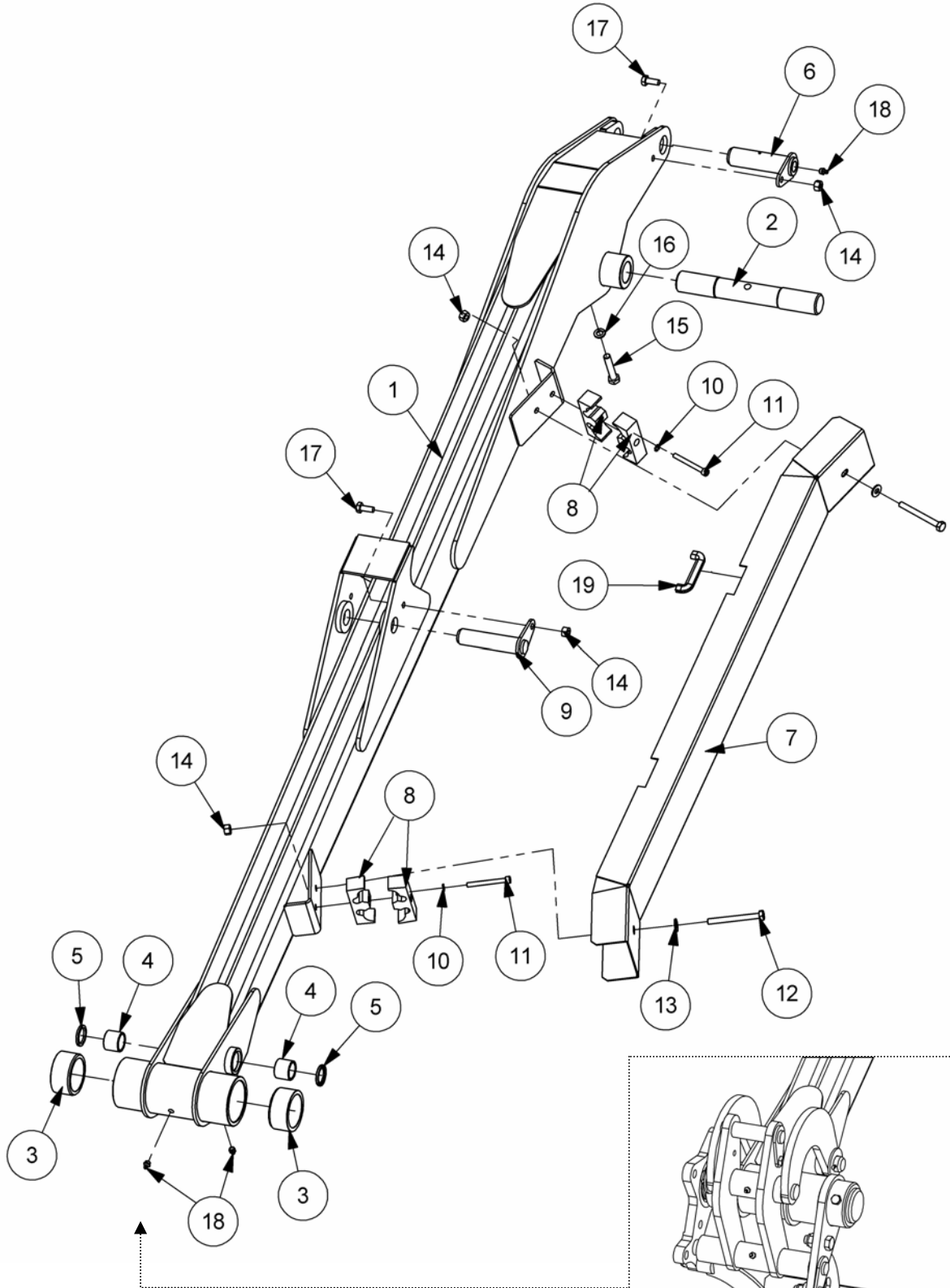
DIPPER ARM ASSEMBLY

Modules:

7452714 – L/H Build

7452715 – R/H Build

Illustrated in Left Hand Build



DIPPER ARM ASSEMBLY

REF.	QTY.	PART No.	DESCRIPTION
		7452714	DIPPER ARM ASSEMBLY - L/H Build
		7452715	DIPPER ARM ASSEMBLY - R/H Build
1	1	45063.07	DIPPER ARM - L/H Build
	1	45063.08	DIPPER ARM - R/H Build
2	1	45264.01	MAIN PIVOT PIN
3	2	7136035	PLASTIC BUSH
4	2	08.297.04	BUSH
5	2	8629218	LIP SEAL
6	1	45202.01	PIN
7	1	41665.24	HOSE GUARD
8	4	45630.01	CLAMP HOSE
9	1	42684.07	PIN
10	2	9100404	SHAKEPROOF WASHER
11	2	9243154	CAPSCREW
12	2	9213205	BOLT
13	2	9100105	FLAT WASHER
14	4	9143005	SELF-LOCKING NUT
15	1	9213136	BOLT
16	1	9100206	SPRING WASHER
17	2	9313055	SETSCREW
18	3	0901121	GREASE NIPPLE
19	1	41741.01	EDGING STRIP

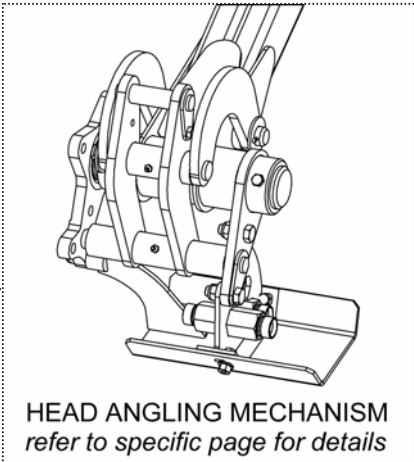
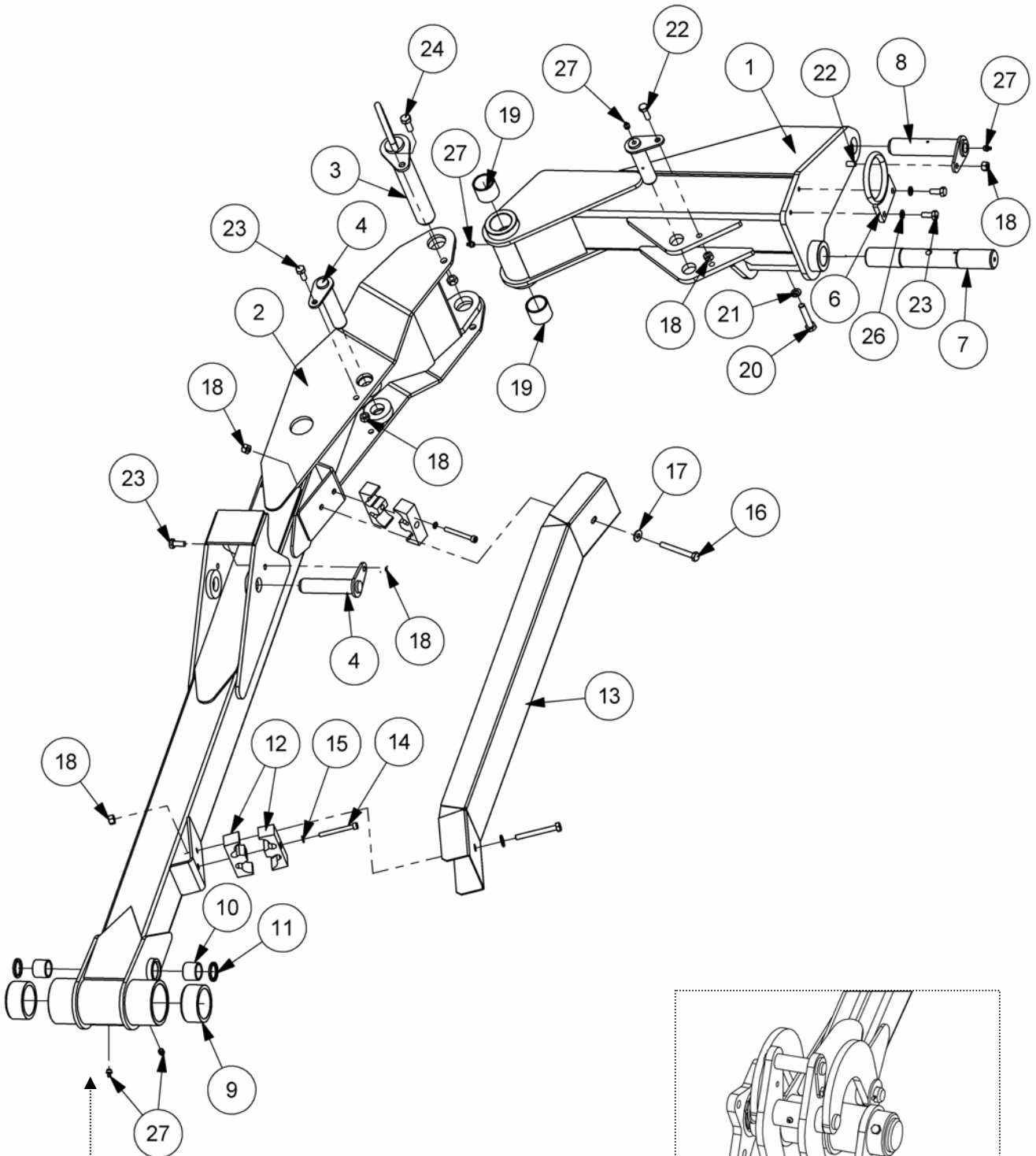
Refer to separate Head Angling Mechanism page for details of that component

Modules:

7452748 – L/H Build

7452749 – R/H Build

Illustrated in Left Hand Build



MIDCUT DIPPER ARM ASSEMBLY

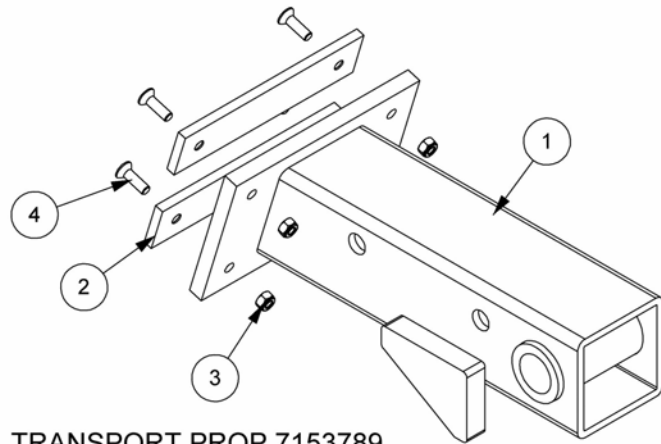
REF.	QTY.	PART No.	DESCRIPTION
		7452748	MIDCUT DIPPER ARM ASSEMBLY - L/H Build
		7452749	MIDCUT DIPPER ARM ASSEMBLY - R/H Build
1	1	46047.01	FORWARD EXTENSION - L/H Build
	1	46047.02	FORWARD EXTENSION - R/H Build
2	1	46048.01	MIDCUT DIPPER - L/H Build
	1	46048.02	MIDCUT DIPPER - R/H Build
3	1	45609.01	PIN - MIDCUT FOLD
4	2	42684.03	PIN - FOLD RAM ROD END
5	1	42684.02	PIN - RAM BASE
6	1	45974.01	HOSE LOOP
7	1	45264.01	MAIN PIVOT PIN
8	1	45202.08	PIN
9	2	7136035	PLASTIC BUSH
10	2	08.297.04	BUSH
11	2	8629218	LIP SEAL
12	4	45630.01	CLAMP - HOSE
13	1	41665.01	HOSE GUARD
14	2	9243154	CAPSCREW
15	2	9100404	SHAKEPROOF WASHER
16	2	9213185	BOLT
17	2	9100105	FLAT WASHER
18	6	9143005	SELF-LOCKING NUT
19	2	08.297.02	BUSH
20	1	9213136	BOLT
21	1	9100206	SPRING WASHER
22	2	9313065	SETSCREW
23	4	9313055	SETSCREW
24	1	9313066	SETSCREW
25	1	9143006	SELF-LOCKING NUT
26	2	9100205	SPRING WASHER
27	5	0901121	GREASE NIPPLE

Refer to separate Head Angling Mechanism page for details of that component

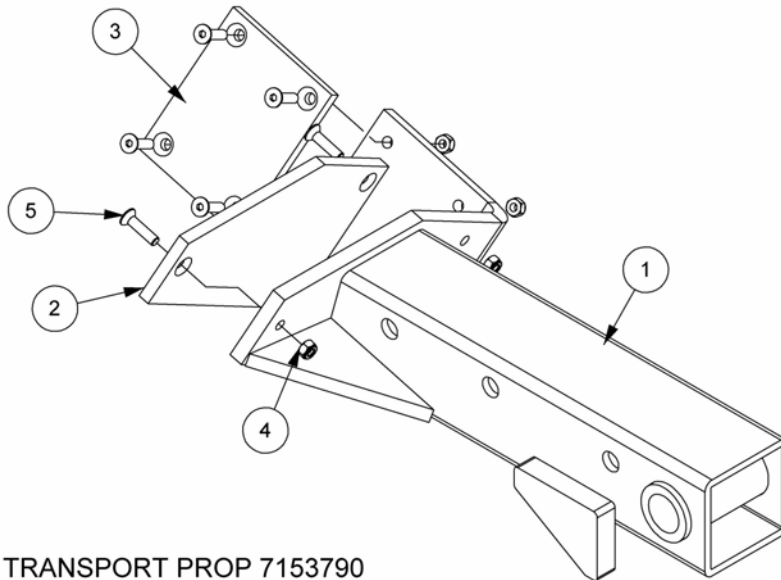
TRANSPORT PROPS

Modules:

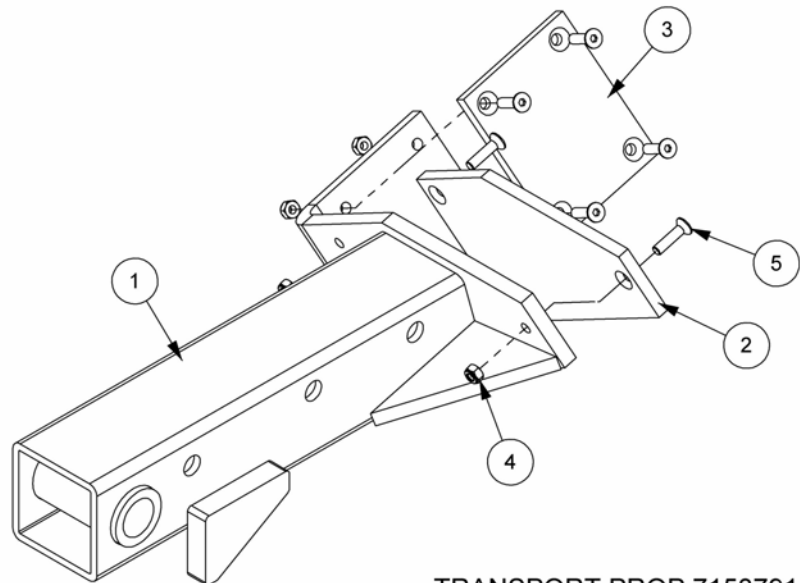
- 7153789 – Standard Builds
- 7153790 – L/H Midcut Builds
- 7153791 – R/H Midcut Builds



TRANSPORT PROP 7153789



TRANSPORT PROP 7153790



TRANSPORT PROP 7153791

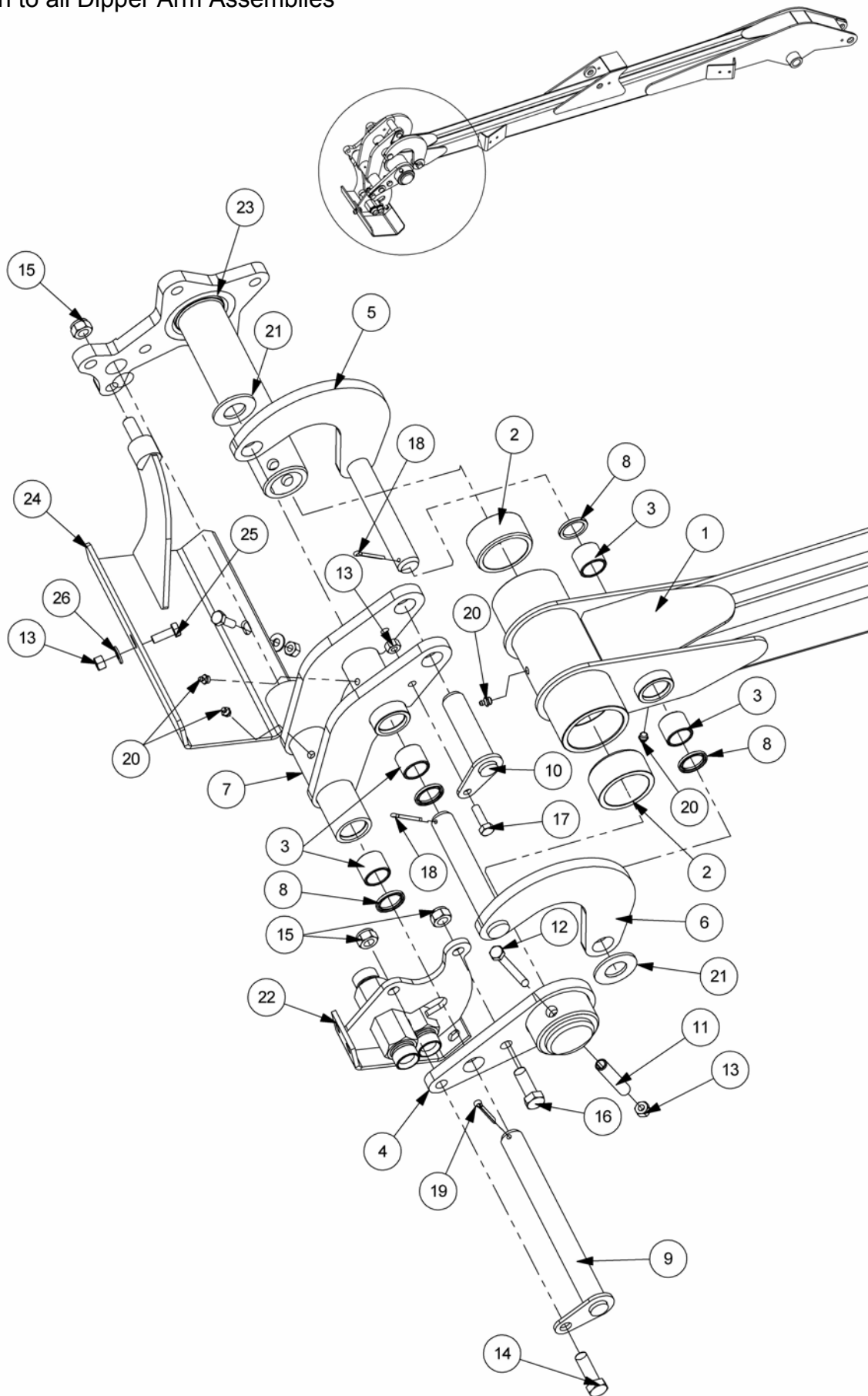

TRANSPORT PROPS

REF.	QTY.	PART NO.	DESCRIPTION
		7153789	TRANSPORT PROP - Standard Builds
1	1	43021.08	TRANSPORT PROP
2	2	43091.03	PAD
3	4	9163003	NYLOC NUT
4	4	9353043	CAPSCREW
		7153790	TRANSPORT PROP - L/H Midcut Builds
1	1	43021.03	TRANSPORT CRADLE - L/H Build
2	1	43091.01	MAIN PAD
3	1	43091.02	SIDE PAD
4	7	9163003	NYLOC NUT
5	7	9353053	CAPSCREW
		7153791	TRANSPORT PROP - R/H Midcut Builds
1	1	43021.04	TRANSPORT CRADLE - R/H Build
2	1	43091.01	MAIN PAD
3	1	43091.02	SIDE PAD
4	7	9163003	NYLOC NUT
5	7	9353053	CAPSCREW

HEAD ANGLING MECHANISM

Modules:
Common to all Dipper Arm Assemblies

Illustrated in Left Hand Build



HEAD ANGLING MECHANISM

REF.	QTY.	PART No.	DESCRIPTION
			HEAD ANGLING MECHANISM
1	1	<i>all builds</i>	DIPPER ARM
2	2	7136035	PLASTIC BUSH
3	6	08.297.04	BUSH
4	1	42648.01	JAW PLATE
5	1	42646.03	RADIUS ARM - TYPE 1
6	1	42646.04	RADIUS ARM - TYPE 2
7	1	42647.02	SLAVE LINK
8	6	8629218	LIP SEAL
9	1	42684.01	PIN - SLAVE LINK
10	1	42684.05	PIN
11	1	0423556	SPRING DOWEL
12	1	9213205	BOLT
13	4	9143005	SELF-LOCKING NUT
14	1	9200025	BOLT
15	3	9100028	SELF LOCKING NUT
16	1	9200028	BOLT
17	1	9313075	SETSCREW
18	2	9501406	SPLIT PIN
19	1	9501507	SPLIT PIN
20	4	0901121	GREASE NIPPLE
21	2	05.281.18	FLAT WASHER
22	1	21261.02	JUNCTION BRACKET
23	1	21263.01	PIVOT TUBE
24	1	21262.01	HOSE TRAY
25	2	9313065	SETSCREW
26	2	9100105	FLAT WASHER

HYDRAULIC TANK ASSEMBLY

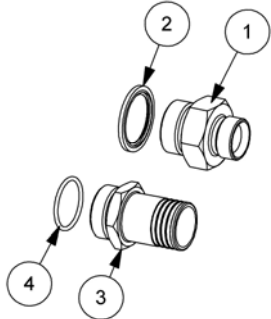
Modules:

7153700 – L/H Build

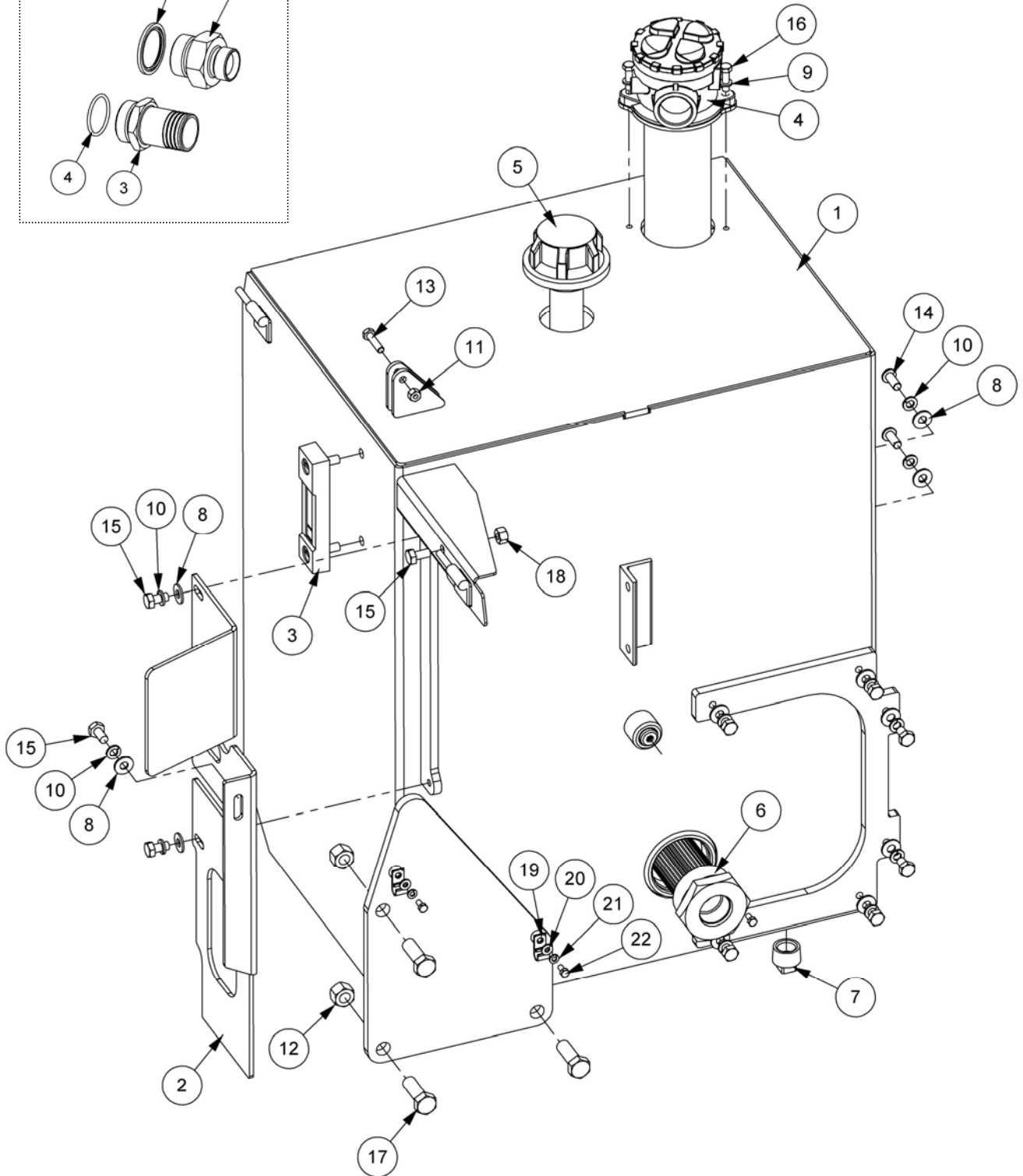
7153701 – R/H Build

Illustrated in Left Hand Build

Tank Fittings - 7153724



NOTE: APPLY SEALANT TO FILTER GASKET AND SETSCREW THREADS



HYDRAULIC TANK ASSEMBLY

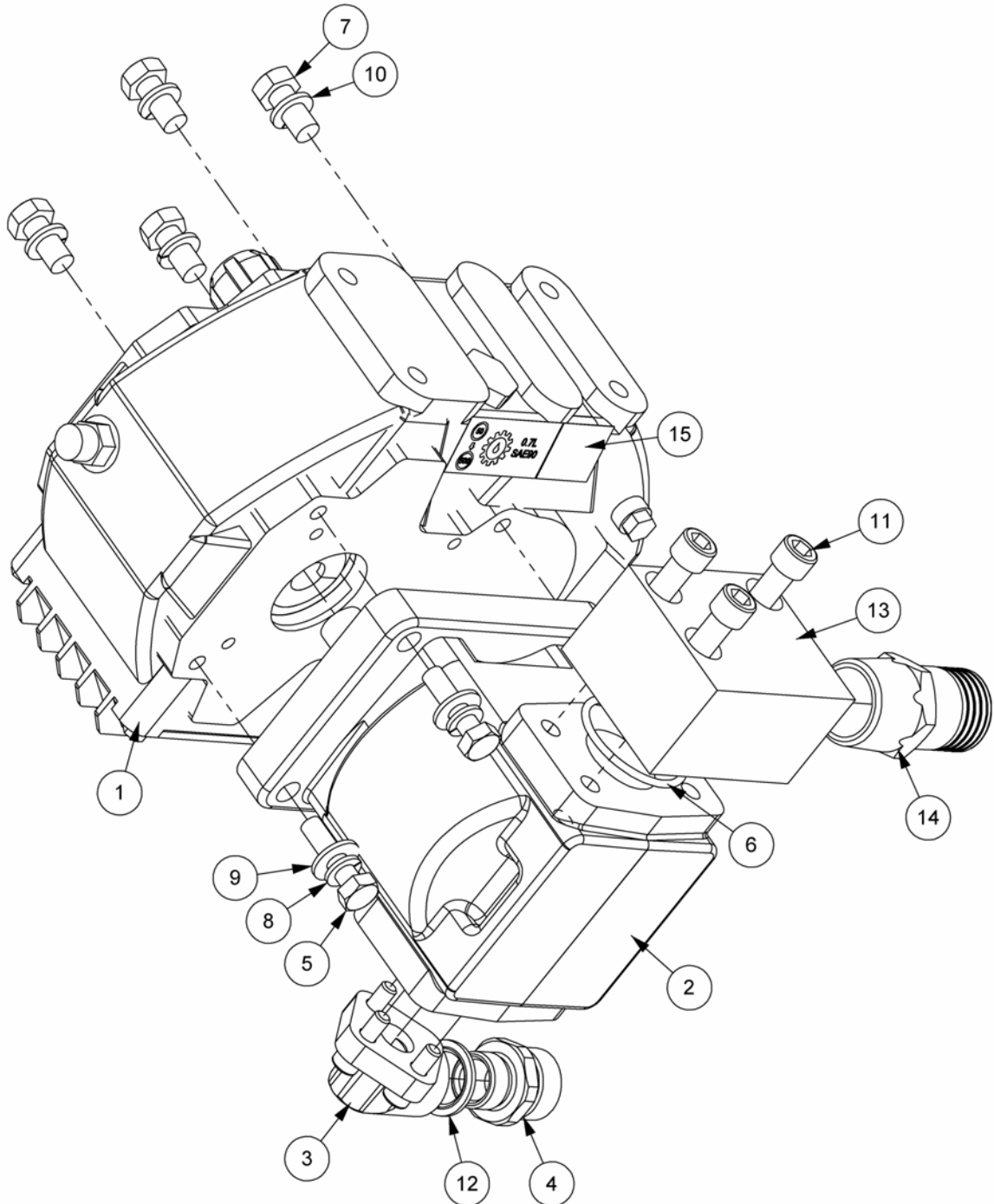
REF.	QTY.	PART No.	DESCRIPTION
		7153700	HYDRAULIC TANK ASSEMBLY - L/H Build
		7153701	HYDRAULIC TANK ASSEMBLY - R/H Build
1	1	21306.12	HYDRAULIC TANK - L/H Build
	1	21306.13	HYDRAULIC TANK - R/H Build
2	1	21314.01	SHIELD PLATE - L/H Build
	1	21314.02	SHIELD PLATE - R/H Build
3	1	8401048	LEVEL GAUGE
4	1	8401088	FILTER ASSEMBLY (Including Element)
5	1	8401050	BREATHER
6	1	8401097	SUCTION STRAINER
7	1	8581203	TAPER PLUG
8	11	9100105	FLAT WASHER M6
9	2	9100204	SPRING WASHER
10	11	9100205	SPRING WASHER
11	1	9143004	SELF-LOCKING NUT
12	3	9143007	SELF-LOCKING NUT
13	1	9213074	BOLT
14	2	9300154	SOCKET SCREW
15	8	9313045	SETSCREW
16	2	9313064	SETSCREW
17	3	9313097	SETSCREW
18	1	9143005	SELF-LOCKING NUT
19	3	21151.01	D CLIP
20	3	9100103	FLAT WASHER
21	3	9100203	SPRING WASHER
22	3	9313023	SETSCREW
23	2	9313035	SETSCREW
		7153724	TANK FITTINGS MODULE
1	1	05.131.01	ADAPTOR
2	1	8650109	BONDED SEAL
3	1	8581260	ADAPTOR
4	1	8700784	O RING

Modules:

7153740 – L/H Build

7153741 – R/H Build

Illustrated in Left Hand Build



SI PUMP & GEARBOX ASSEMBLY

REF.	QTY.	PART No.	DESCRIPTION
		7153740	SI PUMP & GEARBOX ASSEMBLY - L/H Build
		7153741	SI PUMP & GEARBOX ASSEMBLY - R/H Build
1	1	21931.01	CAST IRON GEARBOX 1:4.25 13T SPLINE
2	1	8201686	PUMP SI
3	1	8005052	PRESSURE CONNECTION KIT
4	1	8002086	ADAPTOR
5	4	9313085	SETSCREW
6	1	8600304	O RING
7	4	9313056	SETSCREW
8	4	9100205	SPRING WASHER
9	4	9100105	FLAT WASHER
10	4	9100206	SPRING WASHER
11	3	9243126	CAPSCREW
12	1	8650106	BONDED SEAL
13	1	42142.02	BLOCK - SUCTION TAPER
14	1	8581367	ADAPTOR
15	1	1290092	GEARBOX DECAL

NOTE:

L/H & R/H builds contain identical components and differ only in their assembled orientation

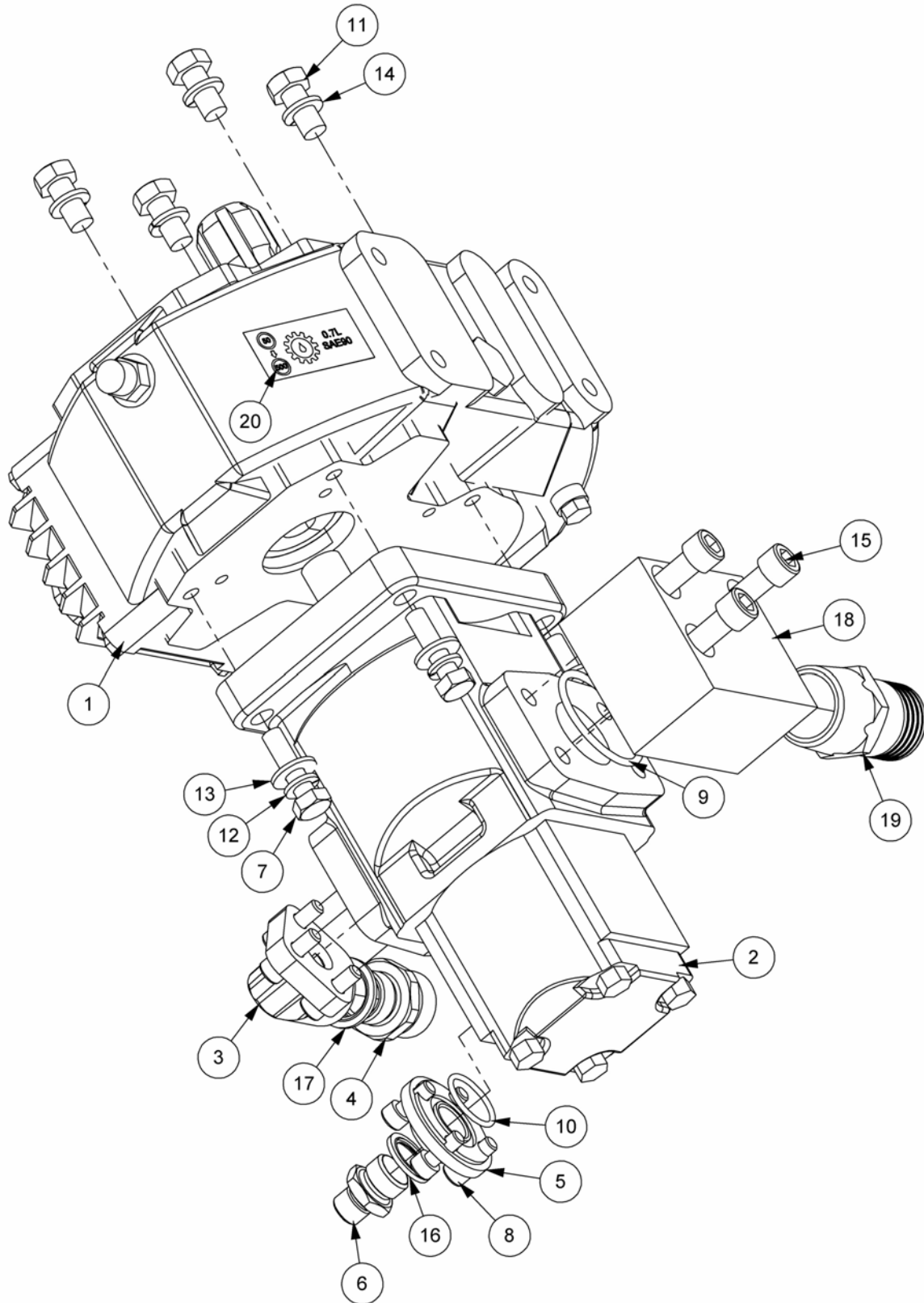
TI PUMP & GEARBOX ASSEMBLY

Modules:

7153738 – L/H Build

7153739 – R/H Build

Illustrated in Left Hand Build



TI PUMP & GEARBOX ASSEMBLY

REF.	QTY.	PART No.	DESCRIPTION
		7153738	TI PUMP & GEARBOX ASSEMBLY - L/H Build
		7153739	TI PUMP & GEARBOX ASSEMBLY - R/H Build
1	1	21931.01	CAST IRON GEARBOX 1:4.25 13T SPLINE
2	1	8201700	PUMP TI
3	1	8005052	PRESSURE CONNECTION KIT
4	1	8002086	ADAPTOR
5	1	42029.01	PORT PLATE
6	1	6000112	ADAPTOR
7	4	9313085	SETSCREW
8	4	9300147	CAPSCREW
9	1	8600304	O RING
10	1	8600405	O RING
11	4	9313056	SETSCREW
12	4	9100205	SPRING WASHER
13	4	9100105	FLAT WASHER
14	4	9100206	SPRING WASHER
15	3	9243126	CAPSCREW
16	1	8650104	BONDED SEAL
17	1	8650106	BONDED SEAL
18	1	42142.02	BLOCK - SUCTION TAPER
19	1	8581367	ADAPTOR
20	1	1290092	GEARBOX DECAL

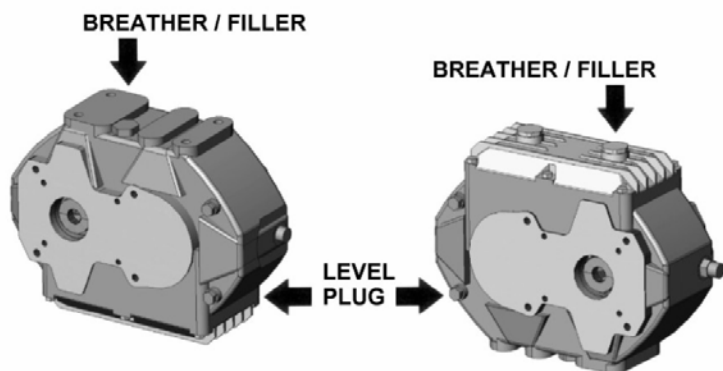
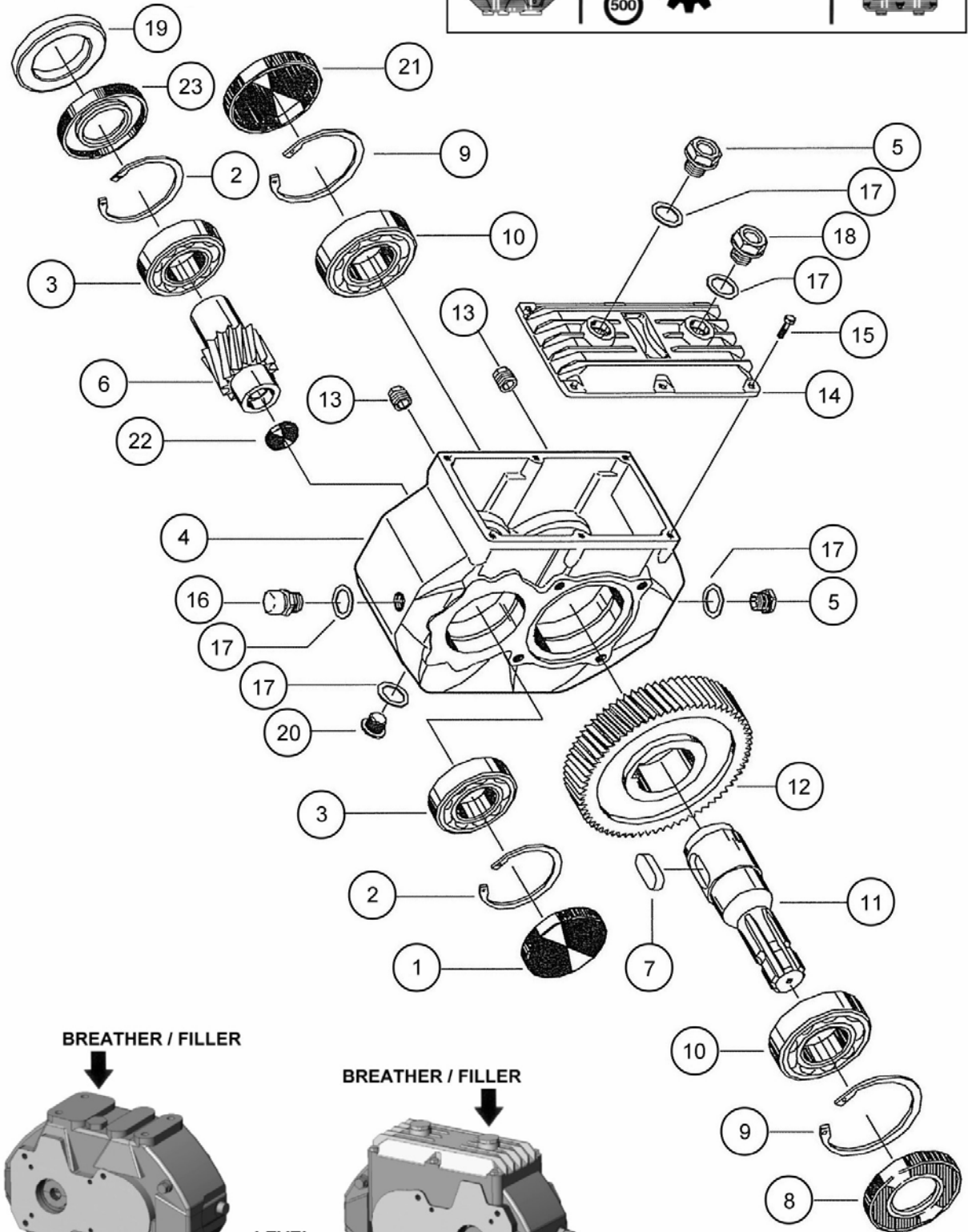
NOTE:

L/H & R/H builds contain identical components and differ only in their assembled orientation

GEARBOX ASSEMBLY

Modules:

21931.01 – Gearbox (Ratio 1:4.25) 13T



NOTE: Plug positions are dependent on gearbox orientation

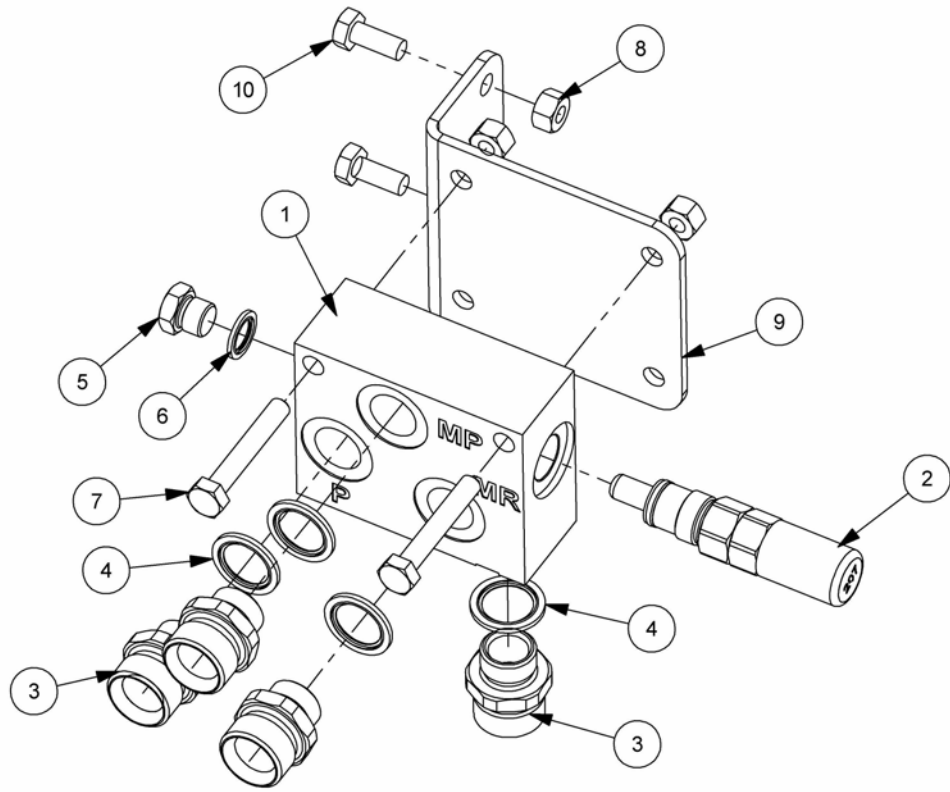
GEARBOX ASSEMBLY

REF.	QTY.	PART No.	DESCRIPTION
		21931.01	GEARBOX ASSEMBLY (Cast Iron)
		<i>Specification:</i>	<i>Ratio 1:4.25 with 13 tooth spline</i>
1	1	8013530	CAP
2	2	8013529	INTERNAL CIRCLIP
3	2	8013528	BEARING
4	1	8013585	GEARBOX CASTING
5	2	8013533	DRAIN PLUG
6	1	8013575	SHAFT
7	1	8013586	DRIVESHAFT KEY
8	2	8013526	SHAFT SEAL
9	2	8013525	INTERNAL CIRCLIP
10	1	8013524	BEARING
11	1	8013522	INPUT SHAFT
12	1	8013587	PRIMARY GEAR
13	2	8013588	LEVEL PLUG
14	1	8013589	GEARBOX COVER
15	6	9313033	SCREW
16	1	8013590	OIL PLUG
17	5	8013591	SEALING WASHER
18	1	8013592	OIL PLUG
19	1	8013576	RING
20	1	8013593	OIL PLUG
21	1	8013527	CAP
22	1	8013594	OIL PLUG
23	1	8699264	GEARBOX SEAL

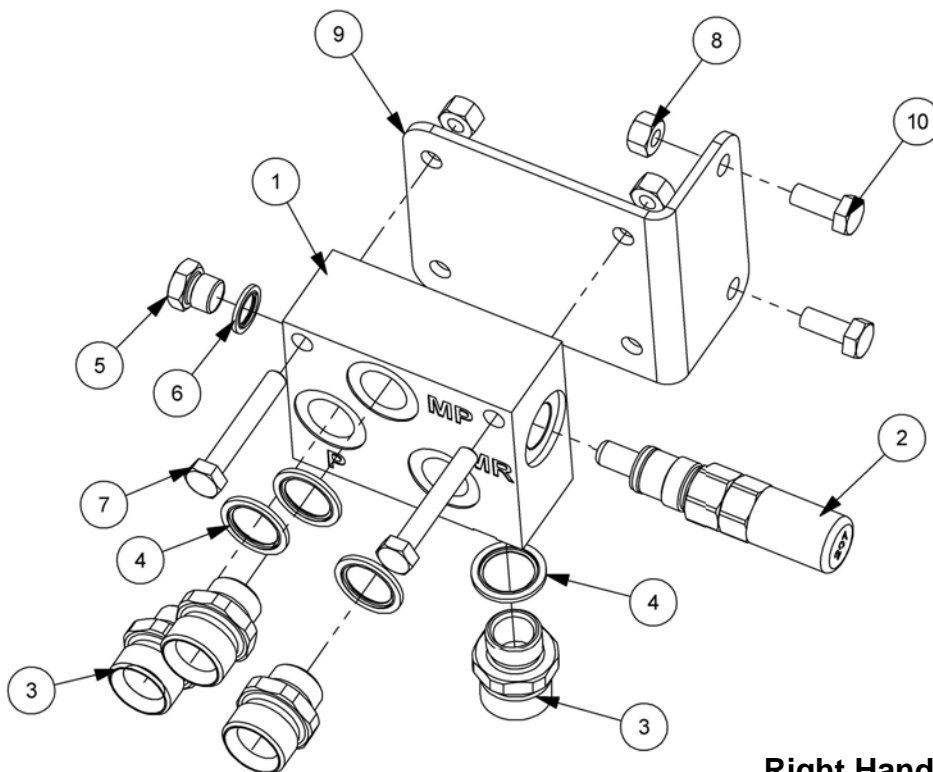
Modules:

7155762 – L/H Build

7155763 – R/H Build



Left Hand Build - 7155762



Right Hand Build - 7155763



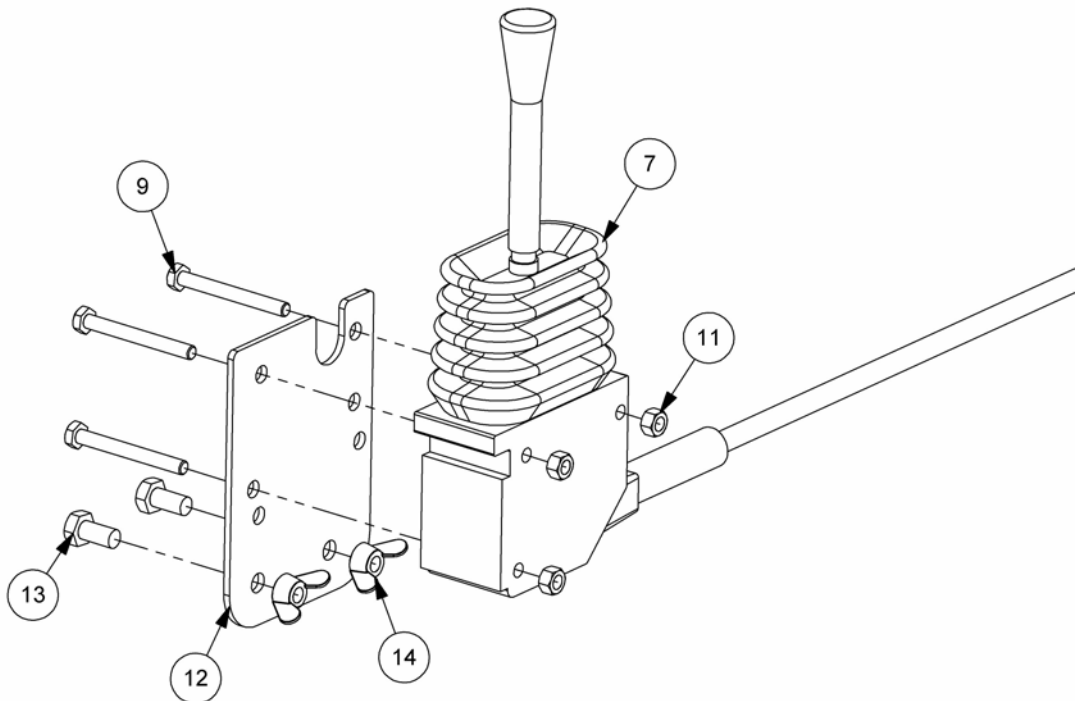
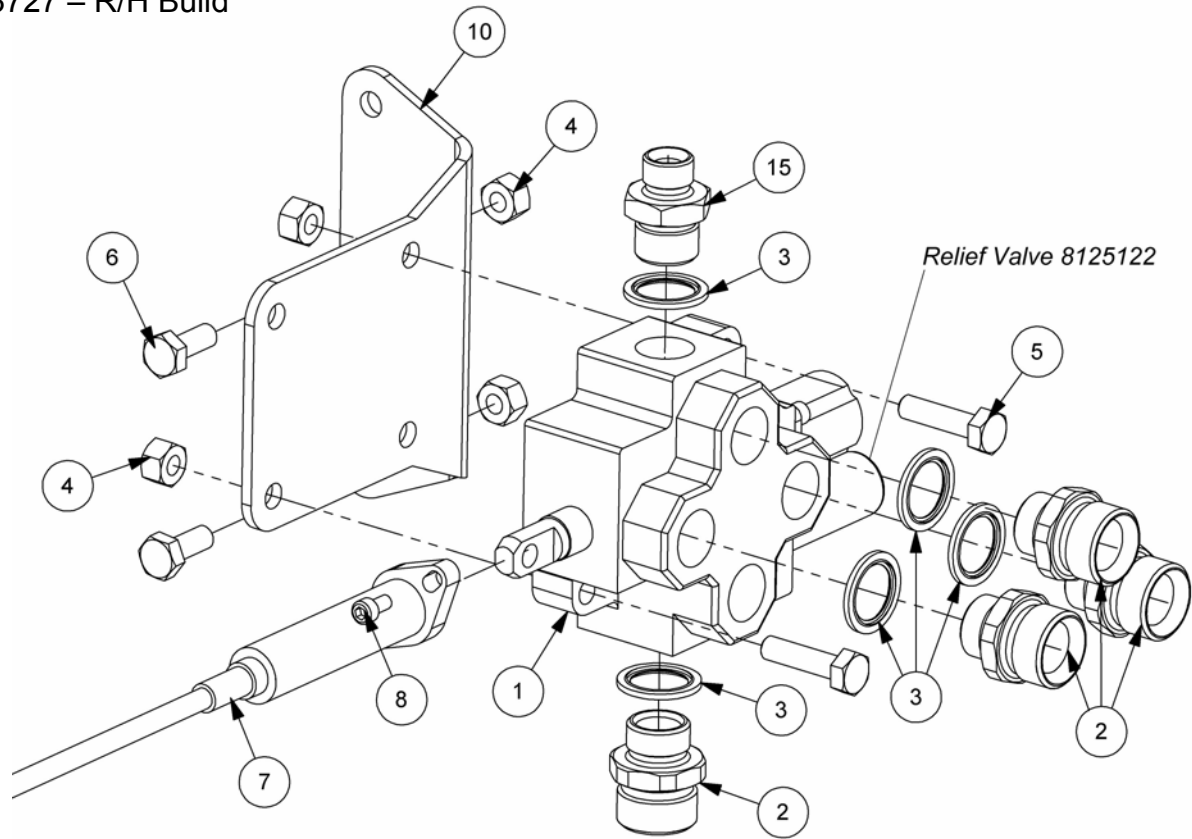
REF.	QTY.	PART No.	DESCRIPTION
		7155762	ROTOR RELIEF VALVE ASSEMBLY - L/H Build
		7155763	ROTOR RELIEF VALVE ASSEMBLY - R/H Build
1	1	8125352	ROTOR RELIEF BLOCK
2	1	8125122	RELIEF VALVE
3	4	8002086	ADAPTOR
4	4	8650106	BONDED SEAL
5	1	8003001	ADAPTOR PLUG
6	1	8650103	BONDED SEAL
7	2	9213135	BOLT
8	4	9143005	SELF-LOCKING NUT
9	1	21354.02	BRACKET
10	2	9313055	SETSCREW

Modules:

7153726 – L/H Build

7153727 – R/H Build

Illustrated in Left Hand Build



CABLE ROTOR CONTROL VALVE

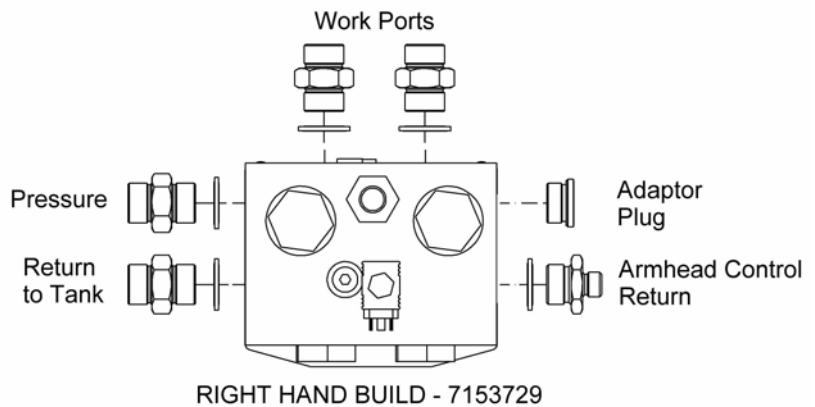
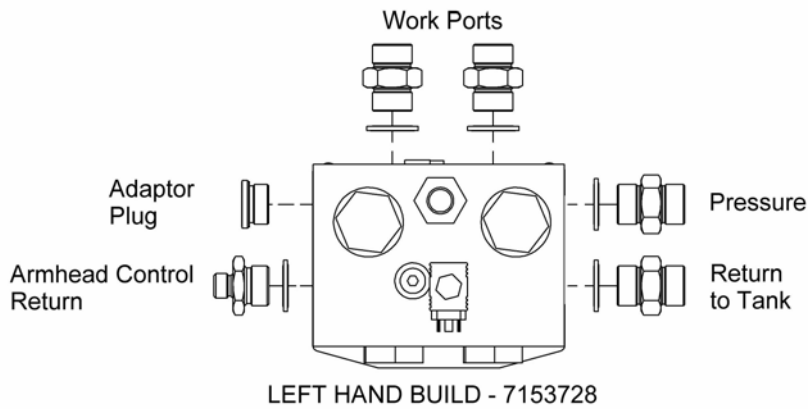
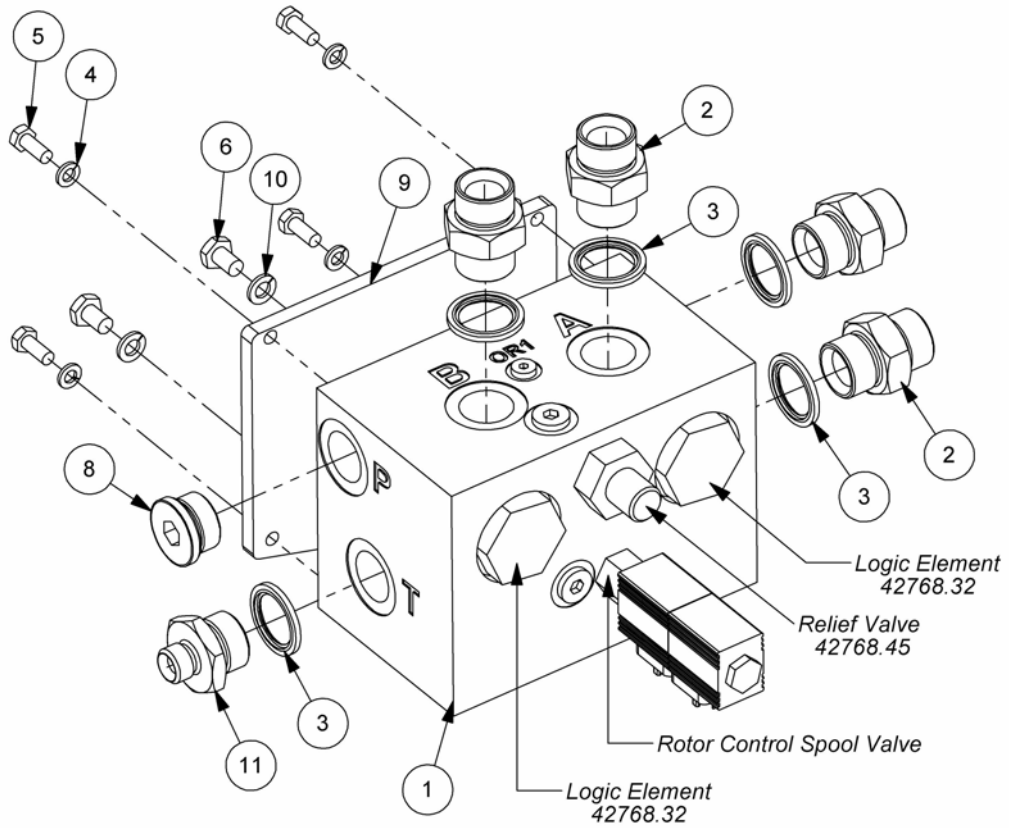
REF.	QTY.	PART No.	DESCRIPTION
		7153726	CABLE ROTOR CONTROL VALVE - L/H Build
		7153727	CABLE ROTOR CONTROL VALVE - R/H Build
1	1	8125423	ROTOR CONTROL VALVE - L/H Build
	1	8125422	ROTOR CONTROL VALVE - R/H Build
2	4	8002086	ADAPTOR
3	5	8650106	BONDED SEAL
4	4	9143005	SELF-LOCKING NUT
5	2	9213085	BOLT
6	2	9313055	SETSCREW
7	1	8017065	ROTOR CONTROL HEAD & CABLE (2.5m)
8	2	9343023	CAPSCREW
9	3	9213113	BOLT
10	1	21354.01	BRACKET - CABLE RCV
11	3	9143003	SELF-LOCKING NUT
12	1	7650282	CONTROL CABLE BRACKET - SINGLE
13	2	9313034	SETSCREW
14	2	9193004	WING NUT
15	1	8581130	ADAPTOR
16	1	8125122	RELIEF VALVE

Modules:

7153728 – L/H Build

7153729 – R/H Build

Illustrated in Left Hand Build





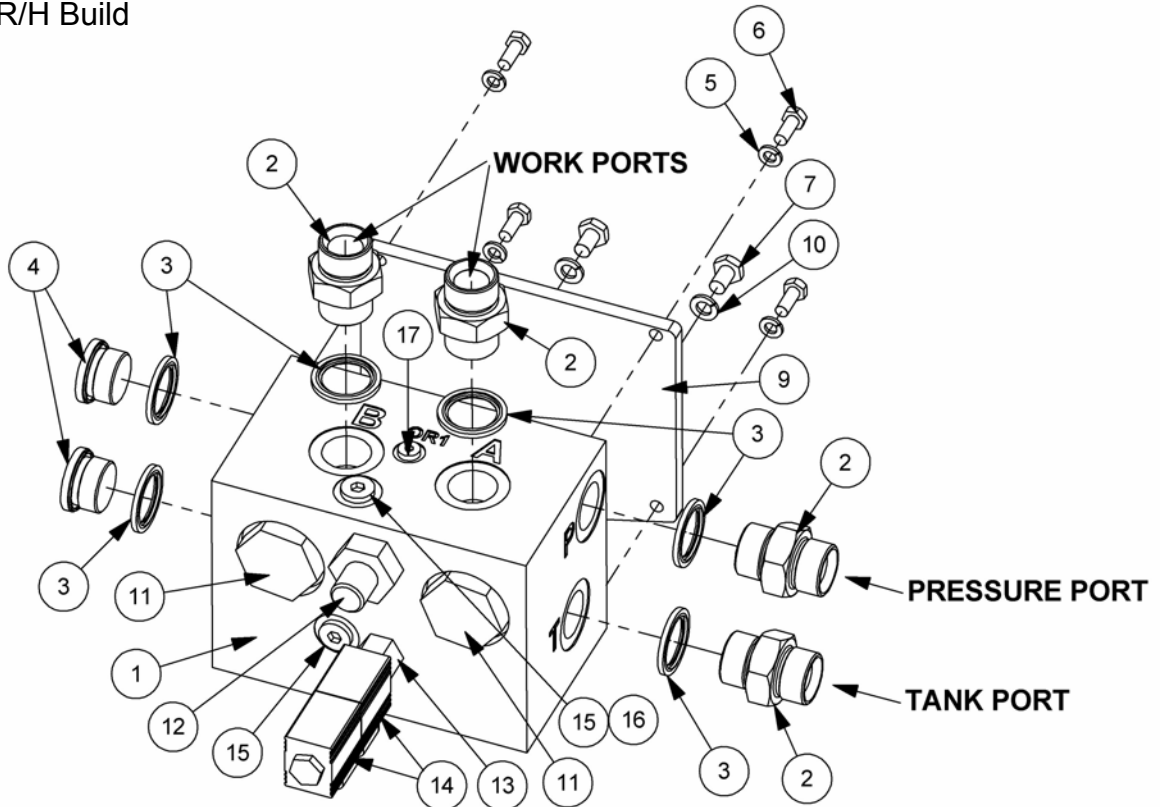
REF.	QTY.	PART No.	DESCRIPTION
		7153728	ELECTRIC ROTOR CONTROL VALVE - L/H Build
		7153729	ELECTRIC ROTOR CONTROL VALVE - R/H Build
1	1	42768.01	ELECTRIC RCV
2	4	05.434.01	ADAPTOR
3	5	8650108	BONDED SEAL
4	4	9100204	SPRING WASHER
5	4	9313044	SETSCREW
6	2	9313035	SETSCREW
7	1	43177.26 *	LOOM - ROTOR REVERSE
8	1	8581389	ADAPTOR PLUG
9	1	21352.01	RCV MOUNTING PLATE
10	2	9100205	SPRING WASHER
11	1	8581129	ADAPTOR

* *Not illustrated*

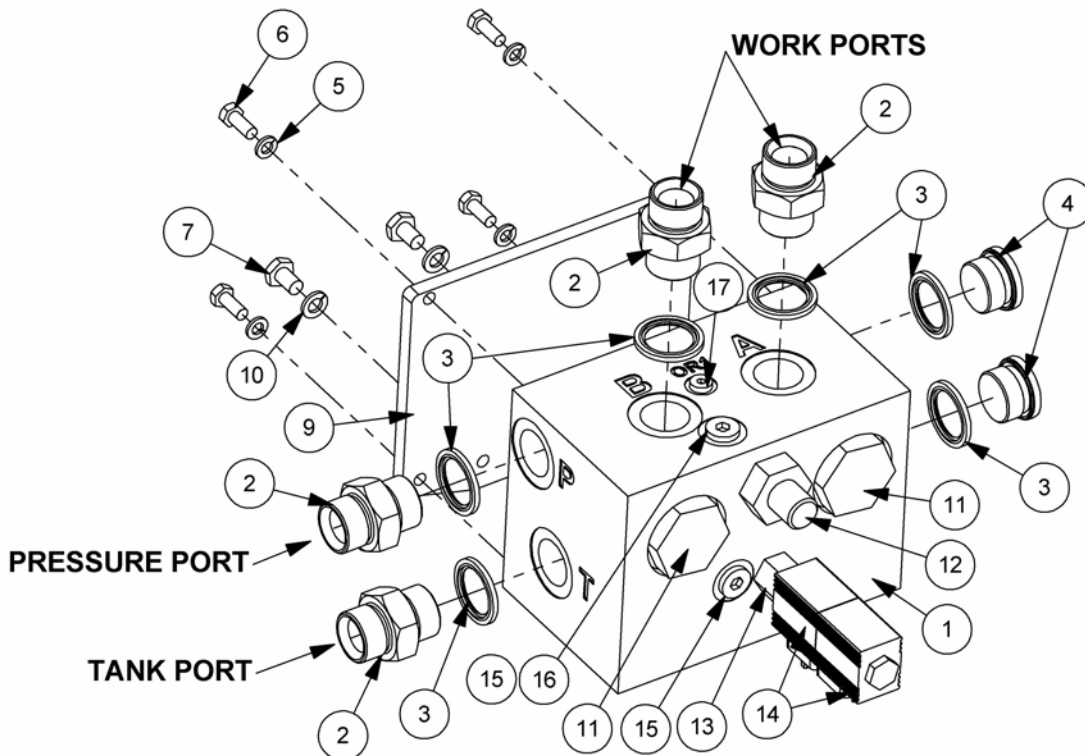
Modules:

7155768 – L/H Build

7155769 – R/H Build



Electric RCV - L/H Build (7155768)



Electric RCV - R/H Build (7155769)

ELEC. RCV (Cooler Models)

REF.	QTY.	PART No.	DESCRIPTION
		7155768	ELECTRIC ROTOR CONTROL VALVE - L/H Build
		7155769	ELECTRIC ROTOR CONTROL VALVE - R/H Build
1	1	42768.01	ELECTRIC REVERSING VALVE
2	4	05.434.01	ADAPTOR
3	6	8650108	BONDED SEAL
4	2	8581389	ADAPTOR PLUG
5	4	9100204	SPRING WASHER
6	4	9313044	SETSCREW
7	2	9313035	SETSCREW
8	1	43177.26	LOOM - ROTOR REVERSE
9	1	21352.01	RCV MOUNTING PLATE
10	2	9100205	SPRING WASHER
11	4	42768.32	LOGIC ELEMENT
12	1	42768.33	* RELIEF VALVE
	1	42768.45	** RELIEF VALVE
13	1	42768.34	SPOOL - OPEN CENTRE
14	2	42768.35	SOLENOID
15	2	42768.36	ORIFICE PLUG
16	1	42768.39	PLUG
17	1	42768.42	ORIFICE PLUG

* For early version Manifold Block (Part No. 42768.31)

** For later version Manifold Block (Part No. 42768.40)

Note: Relief Valves and Manifold Blocks are not interchangeable.

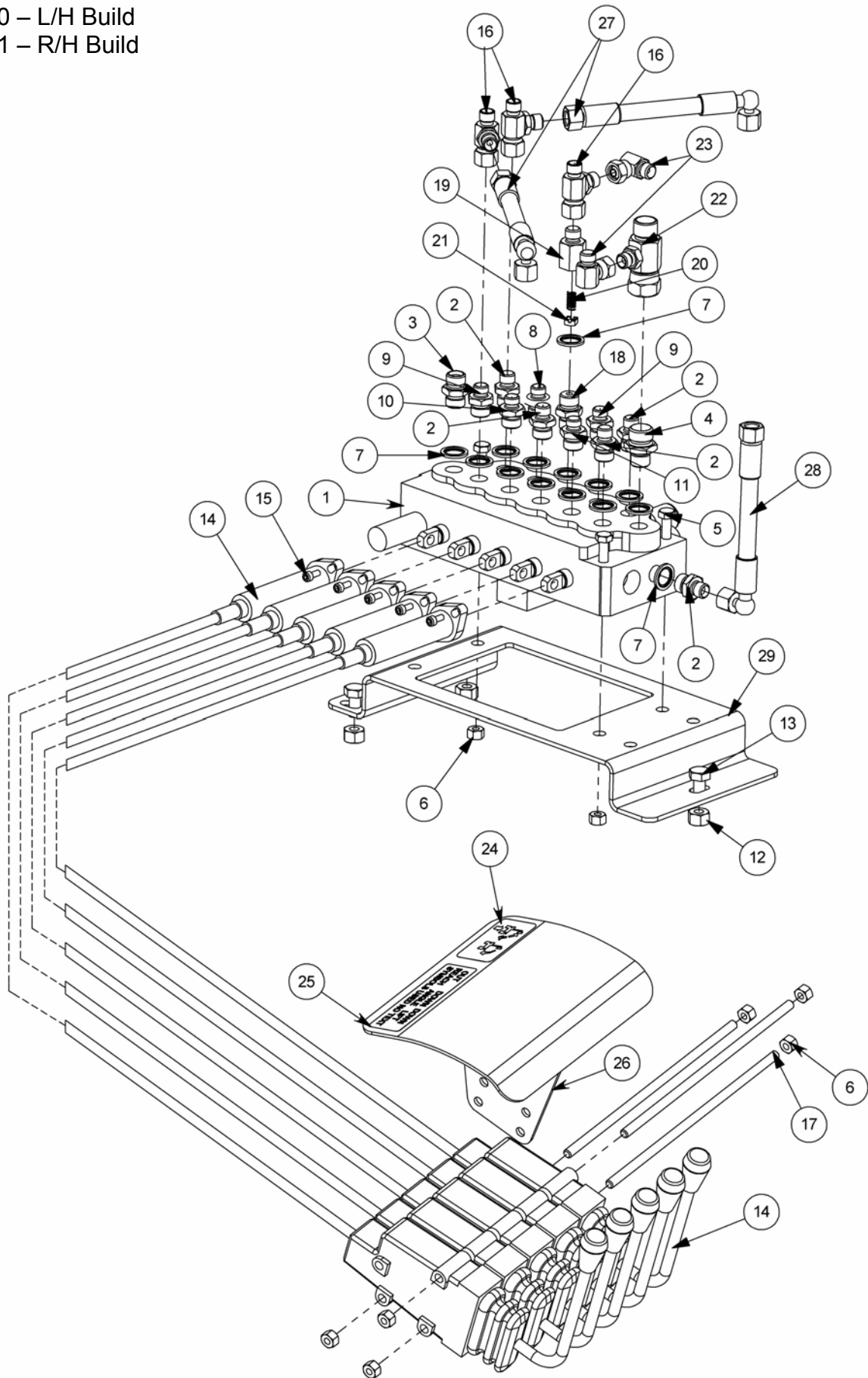
CABLE CONTROL VALVE (Std.)



Modules:

- 7155740 – L/H Build
- 7155741 – R/H Build

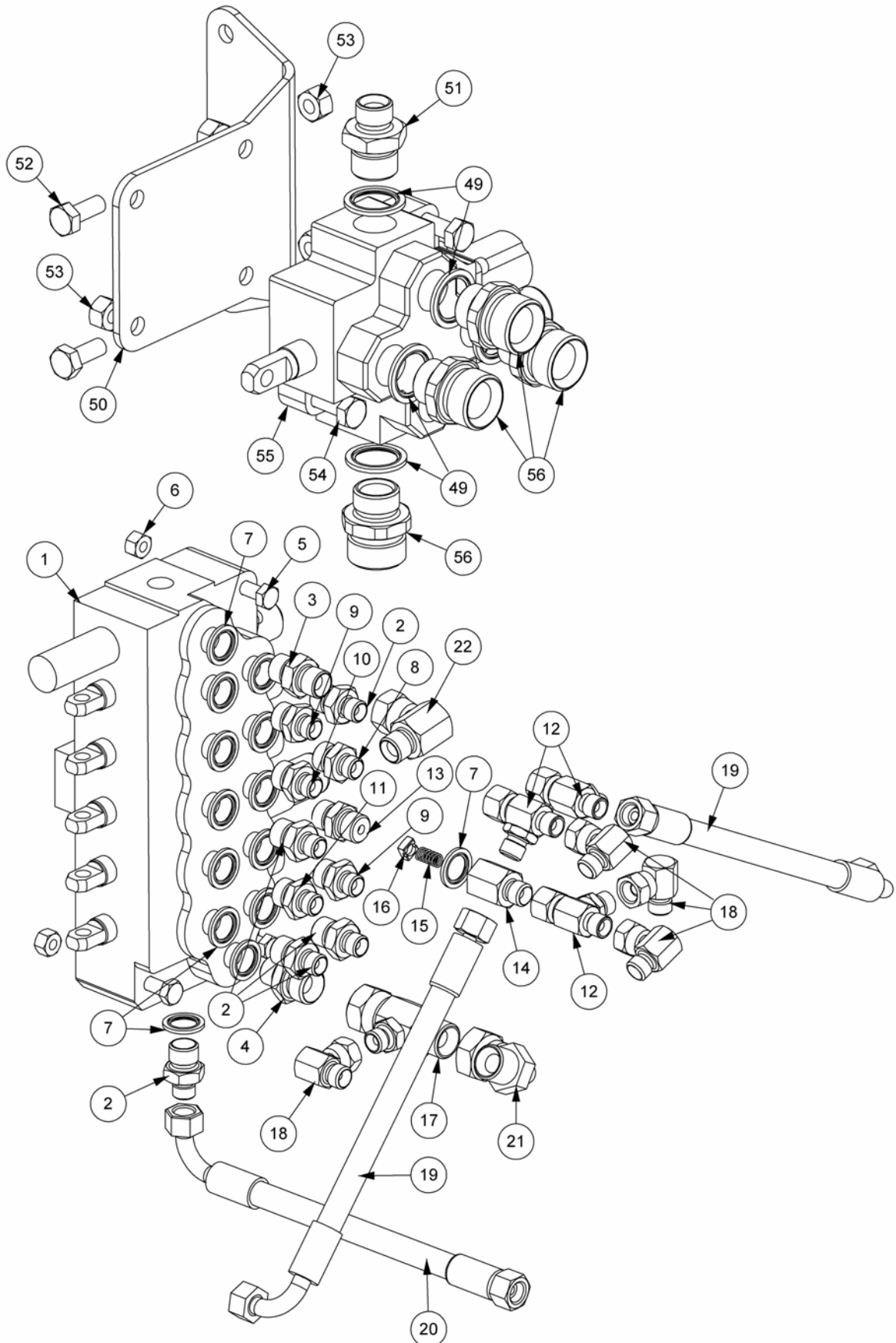
Illustrated in Left Hand build



CABLE CONTROL VALVE (Std.)

REF.	QTY.	PART No.	DESCRIPTION
		7155740	CABLE CONTROL VALVE - Std. L/H Models
		7155741	CABLE CONTROL VALVE - Std. R/H Models
1	1	8130656	CONTROL VALVE - 5 SPOOL.
2	5	8581115	ADAPTOR
3	1	6000113	ADAPTOR
4	1	6000112	ADAPTOR
5	3	9213134	BOLT
6	9	9143004	SELF-LOCKING NUT
7	14	8650103	BONDED SEAL
8	1	8130047	ADAPTOR RESTRICTOR - 1.8 'B'
9	2	8130066	ADAPTOR RESTRICTOR - 1.15 'M'
10	1	8130046	ADAPTOR RESTRICTOR - 1.5 'A'
11	1	8130048	ADAPTOR RESTRICTOR - 1.3 'C'
12	3	9143005	SELF-LOCKING NUT
13	3	9313045	SETSCREW
14	5	04.265.87	CABLE ASSEMBLY - 3.0m
15	10	9343022	CAPSCREW
16	3	8581254	ADAPTOR TEE
17	3	04.282.43	STUD
18	1	8581209	ADAPTOR
19	1	8581214	ADAPTOR
20	1	8116011	SPRING
21	1	8123043	RESTRICTOR DISC - 1.6 GREEN
22	1	04.056.25	ADAPTOR TEE
23	2	8581190	ADAPTOR ELBOW - 90°
24	1	1290357	CONTROL STICKER
25	1	1290368	CONTROL STICKER
26	1	42256.03	ARM REST
27	2	10.002.04	HOSE -1/4" BSP FS/F90 x 200mm LONG
28	1	10.002.08	HOSE -1/4" BSP FS/F90 x 400mm LONG
29	1	21355.01	BRACKET - CABLE ARMHEAD VALVE

Module:
7153781 (Valves)



**CABLE CONTROL VALVE (Alt.)**

REF.	QTY.	PART No.	DESCRIPTION
1	1	8130656	CONTROL VALVE - 5 SPOOL.
2	5	8581115	ADAPTOR
3	1	6000113	ADAPTOR
4	1	6000112	ADAPTOR
5	3	9213134	BOLT
6	3	9143004	SELF-LOCKING NUT
7	14	8650103	BONDED SEAL
8	1	8130047	ADAPTOR RESTRICTOR - 1.8 'B'
9	2	8130066	ADAPTOR RESTRICTOR - 1.15 'M'
10	1	8130046	ADAPTOR RESTRICTOR - 1.5 'A'
11	1	8130048	ADAPTOR RESTRICTOR - 1.3 'C'
12	3	8581254	ADAPTOR TEE
13	1	8581209	ADAPTOR
14	1	8581214	ADAPTOR BODY
15	1	8116011	SPRING
16	1	8123043	RESTRICTOR DISC - 1.6 GREEN
17	1	04.056.25	ADAPTOR TEE
18	4	8581190	ADAPTOR ELBOW - 90°
19	2	10.002.04	HOSE - 1/4" BSP x FS/F90 x 200mm
20	1	10.002.08	HOSE - 1/4" BSP FS/F90 x 400mm
21	1	8581215	SWEPT ADAPTOR - 90°
22	1	8581117	ADAPTOR ELBOW
23	1	8130391	CONTROL BLOCK - 3 BANK
24	6	8130144	CABLE SPINDLE
25	2	7114071	CONTROL BLOCK MOUNTING BASE
26	1	7196310	CONTROL LATCH
27	2	8017006	CONTROL BRACKET
28	1	7196054	SPECIAL CONTROL BLOCK
29	1	7196055	SHOLDER BOLT
30	1	8125089	CONTROL GATE ASSEMBLY
31	5	G2410627	CABLE ASSEMBLY
32	1	G2410631	CABLE ASSEMBLY
33	12	0425540	SPRING DOWEL
34	6	8130065	LEVER PIVOT BOX ASSEMBLY
35	3	7109131	LEVER
36	3	7109132	LEVER
37	1	0903112	LEVER KNOB - RED
38	1	0903113	LEVER KNOB - GREEN
39	1	0903114	LEVER KNOB - YELLOW
40	3	0903121	LEVER KNOB - BLACK
41	6	9113004	NUT
42	6	9100104	FLAT WASHER

**CABLE CONTROL VALVE (Alt.)**

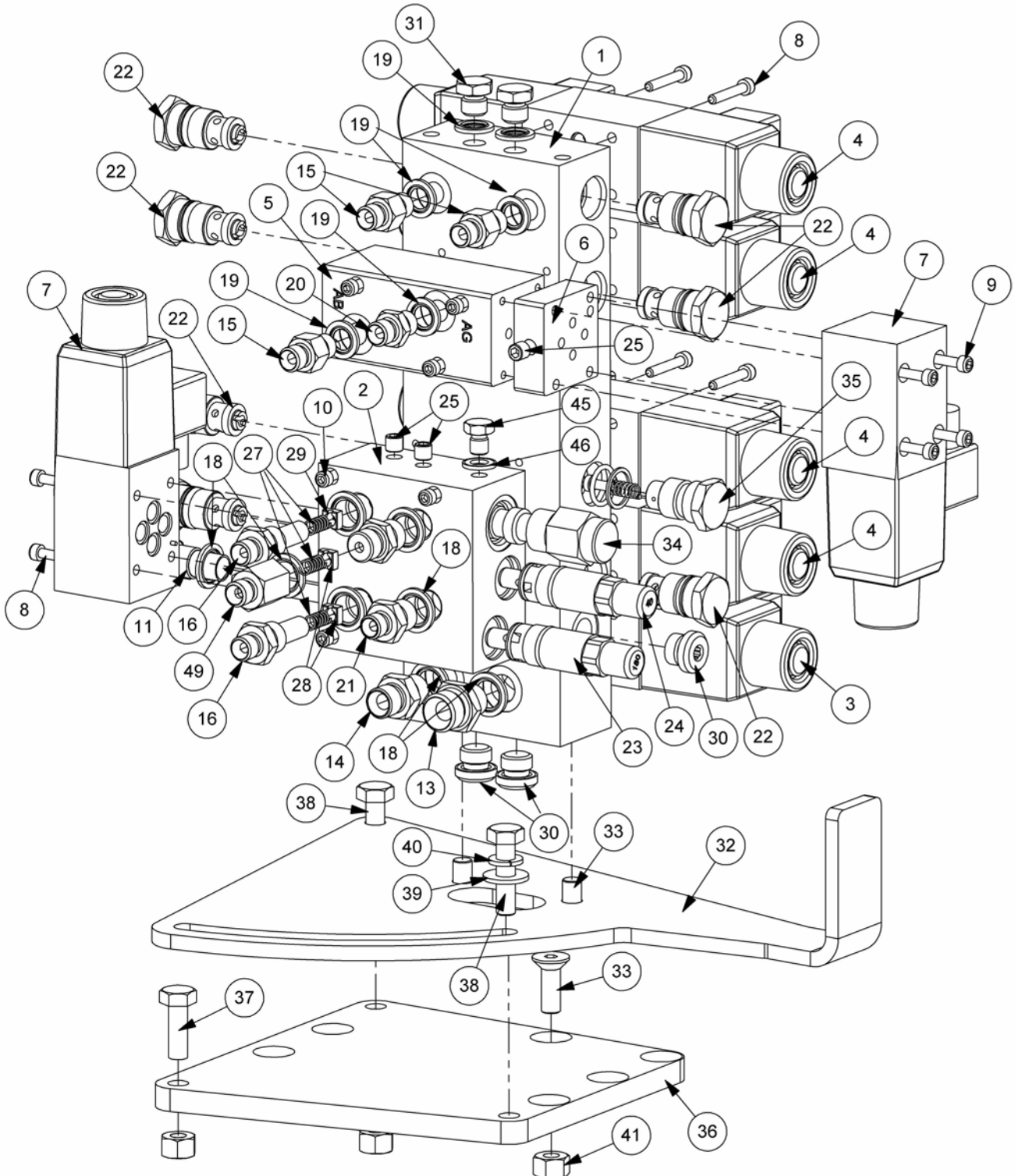
REF.	QTY.	PART No.	DESCRIPTION
43	8	9100204	SPRING WASHER
44	8	9313034	SETSCREW
45	12	9343022	CAPSCREW
46	1	1290368	CONTROL STICKER
47	1	1290357	CONTROL STICKER
48	1	1290338	DECAL - ROTOR REVERSE
49	5	8650106	BONDED SEAL
50	1	21354.01	CABLE RCV BRACKET
51	1	8581130	ADAPTOR
52	2	9313055	SETSCREW
53	4	9143005	SELF-LOCKING NUT
54	2	9213085	BOLT M10x40
55	1	8125423	RCV (50 BAR) - L/H Build
56	4	8002086	ADAPTOR

Modules:

7153760 – L/H Build

7153761 – R/H Build

Illustrated in Left Hand build



ELECTRIC CONTROL VALVE

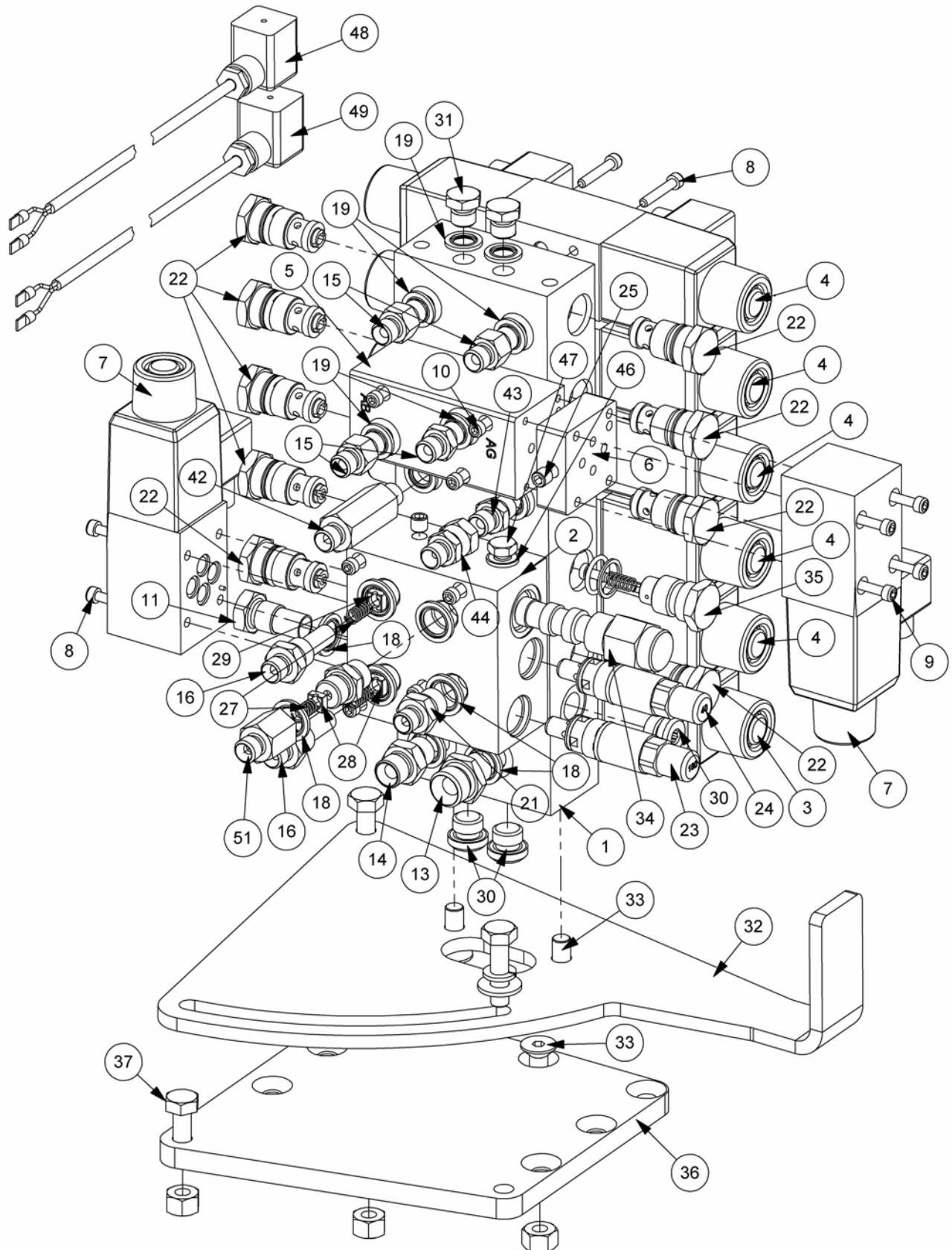
REF.	QTY.	PART No.	DESCRIPTION
		7153760	ELECTRIC CONTROL VALVE - L/H Build
		7153761	ELECTRIC CONTROL VALVE - R/H Build
1	1	8132280	MANIFOLD BLOCK
2	1	8132288	AUTO RESET BLOCK
3	1	8130456	CUT OFF SOLENOID VALVE
4	4	8130629	DOUBLE SOLENOID VALVE
5	1	8126333	FLOAT VALVE BLOCK
6	1	8126334	BRIDGING PLATE
7	2	8130457	SINGLE SOLENOID VALVE
8	24	9243062	CAPSCREW
9	4	9243102	CAPSCREW
10	8	9243082	CAPSCREW
11	1	8130032	RELIEF VALVE CAP
12	4	8130087	ACTUATOR
13	1	6000112	ADAPTOR
14	1	6000113	ADAPTOR
15	3	8130037	ADAPTOR RESTRICTOR - 1.15 'S'
16	2	8581210	SPECIAL ADAPTOR
17	1	8130092	RELIEF VALVE - 190BAR
18	8	8650103	BONDED SEAL
19	6	8650102	BONDED SEAL
20	1	8130103	ADAPTOR RESTRICTOR - 0.9 'T'
21	1	8581115	ADAPTOR
22	7	8130090	CHECK VALVE ASSEMBLY
23	1	G3812541	RELIEF VALVE - 180BAR
24	1	8130150	RELIEF VALVE - 40BAR
25	3	8582041	TAPER PLUG
26	11	8700511	O RING
27	3	8116011	SPRING
28	2	8123041	RESTRICTOR DISC - 1.15 RED
29	1	8123043	RESTRICTOR DISC - 1.6 GREEN
30	3	8581436	PLUG - SOFT SEAL
31	2	520378	ADAPTOR PLUG
32	1	21351.01	VALVE MOUNTING PLATE - L/H Build
	1	21351.02	VALVE MOUNTING PLATE - R/H Build
33	3	9353065	CAPSCREW
34	1	8130204	CARTRIDGE SPOOL VALVE
35	1	8130354	CHECK VALVE ASSEMBLY
36	1	21350.01	VALVE SPACER PLATE
37	1	9313065	SETSCREW
38	2	9213085	BOLT
39	1	9100105	FLAT WASHER
40	1	9100205	SPRING WASHER
41	3	9143005	SELF-LOCKING NUT
42	1	8700525	O RING
43	1	41844.01	LOOM - 19 CORE
44	1	8402338	LOOM - ANGLE FLOAT
45	1	8581444	BLANKING PLUG
46	1	05.290.01	BONDED SEAL
47	1	8700522	O RING
48	1	8581209	ADAPTOR
49	1	8581214	ADAPTOR BODY

Module:

7153762 – L/H Build

7153763 – R/H Build

Illustrated in Left Hand Build



MIDCUT ELEC. CONTROL VALVE

REF.	QTY.	PART No.	DESCRIPTION
		7153762	ELECTRIC MIDCUT CONTROL VALVE - L/H Build
		7153763	ELECTRIC MIDCUT CONTROL VALVE - R/H Build
1	1	8132281	MANIFOLD BLOCK - 5 SERVICE
2	1	8132288	AUTO RESET BLOCK
3	1	8130456	CUT OFF SOLENOID VALVE
4	5	8130629	DOUBLE SOLENOID VALVE
5	1	8126333	FLOAT VALVE BLOCK
6	1	8126334	BRIDGING PLATE
7	2	8130457	SINGLE SOLENOID VALVE
8	28	9243062	CAPSCREW
9	4	9243102	CAPSCREW
10	8	9243082	CAPSCREW
11	1	8130032	RELIEF VALVE CAP
12	5	8130087	ACTUATOR
13	1	6000112	ADAPTOR
14	1	6000113	ADAPTOR
15	3	8130037	ADAPTOR RESTRICTOR - 1.15 'S'
16	2	8581210	SPECIAL ADAPTOR
17	1	8130092	RELIEF VALVE - 190BAR
18	8	8650103	BONDED SEAL
19	8	8650102	BONDED SEAL
20	1	8130103	ADAPTOR RESTRICTOR - 0.9 'T'
21	1	8581115	ADAPTOR
22	9	8130090	CHECK VALVE ASSEMBLY
23	1	G3812541	RELIEF VALVE - 180BAR
24	1	8130150	RELIEF VALVE - 40BAR
25	3	8582041	TAPER PLUG
26	12	8700511	O RING
27	3	8116011	SPRING
28	2	8123041	RESTRICTOR DISC - 1.15 RED
29	1	8123044	RESTRICTOR DISC - 1.8 YELLOW
30	3	8581436	PLUG - SOFT SEAL
31	2	520378	ADAPTOR PLUG
32	1	21351.01	VALVE MOUNTING PLATE - L/H Build
	1	21351.02	VALVE MOUNTING PLATE - R/H Build
33	3	9353065	CAPSCREW
34	1	8130204	CARTRIDGE SPOOL VALVE
35	1	8130354	CHECK VALVE ASSEMBLY
36	1	21350.01	VALVE SPACER PLATE
37	1	9313065	SETSCREW
38	1	9100105	FLAT WASHER
39	1	9100205	SPRING WASHER
40	2	9213085	BOLT
41	3	9143005	SELF-LOCKING NUT
42	1	8581279	ADAPTOR EXTENTION
43	1	8130038	ADAPTOR RESTRICTOR - 1.4 'L'
44	1	8581309	SWIVEL ADAPTOR
45	1	8700525	O RING
46	1	05.290.01	BONDED SEAL
47	1	8581444	BLANKING PLUG
48	1	41844.01	LOOM - 19 CORE
49	1	8402338	LOOM - ANGLE FLOAT
50	1	8581209	ADAPTOR
51	1	8581214	ADAPTOR BODY

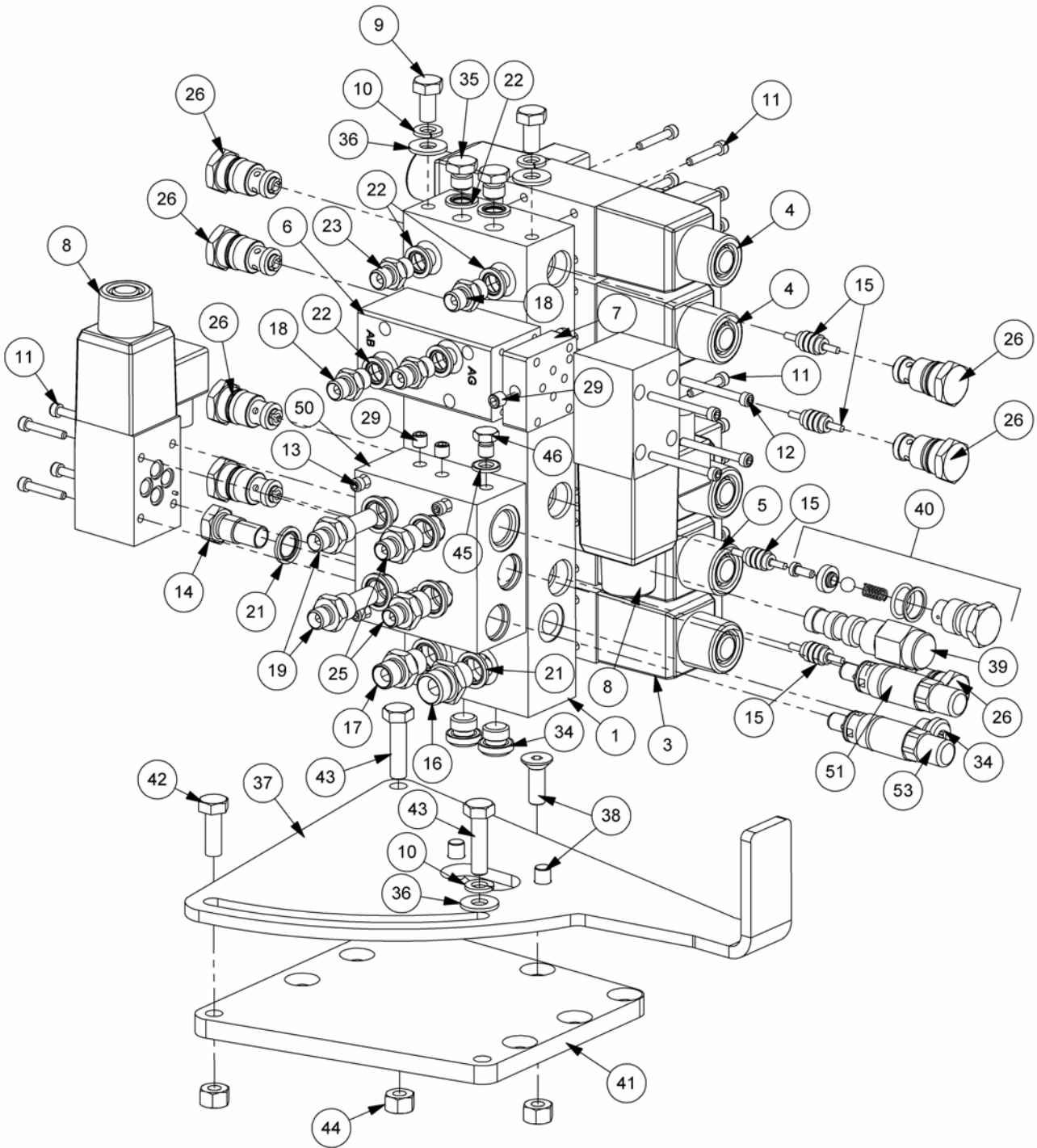
XTC PROP. CONTROL VALVE

Modules:

7155807 – L/H Build

7155808 – R/H Build

Illustrated in Left Hand Build



XTC PROP. CONTROL VALVE

REF.	QTY.	PART No.	DESCRIPTION
		7155807	PROPORTIONAL VALVE ASSEMBLY - L/H Build
		7155808	PROPORTIONAL VALVE ASSEMBLY - R/H Build
1	1	8132280	MANIFOLD BLOCK
3	1	8130456	CUT OFF SOLENOID VALVE
4	3	41784.48	DOUBLE SOLENOID PROPORTIONAL VALVE
5	1	8130629	DOUBLE SOLENOID VALVE
6	1	8126333	FLOAT VALVE BLOCK
7	1	8126334	BRIDGING PLATE
8	2	8130457	SINGLE SOLENOID VALVE
9	2	9313045	SETSCREW
10	3	9100205	SPRING WASHER
11	24	9243062	CAPSCREW
12	4	9243102	CAPSCREW
13	8	9243082	CAPSCREW
14	1	8130032	RELIEF VALVE CAP
15	4	8130087	ACTUATOR
16	1	6000112	ADAPTOR
17	1	6000113	ADAPTOR
18	2	8130105	ADAPTOR RESTRICTOR - 1.6 'H'
19	2	8581210	SPECIAL ADAPTOR
20	1	8130092	RELIEF VALVE - 190BAR
21	7	8650103	BONDED SEAL
22	6	8650102	BONDED SEAL
23	1	8130104	ADAPTOR RESTRICTOR - 1.8 'G'
24	1	8130038	ADAPTOR RESTRICTOR - 1.4 'L'
25	2	8581115	ADAPTOR
26	7	8130090	CHECK VALVE ASSEMBLY
29	3	8582041	TAPER PLUG
30	11	8700511	O RING
31	2	8116011	SPRING
32	1	8123041	RESTRICTOR DISC - 1.15 RED
33	1	8123043	RESTRICTOR DISC - 1.6 GREEN
34	3	8581436	PLUG - SOFT SEAL
35	2	520378	ADAPTOR PLUG
36	3	9100105	FLAT WASHER
37	1	21351.01	VALVE MOUNTING PLATE - L/H Build
	1	21351.02	VALVE MOUNTING PLATE - R/H Build
38	3	9353065	CAPSCREW
39	1	8130204	CARTRIDGE SPOOL VALVE
40	1	8130354	CHECK VALVE ASSEMBLY
41	1	21350.01	VALVE SPACER PLATE
42	1	9313065	SETSCREW
43	2	9213085	BOLT
44	3	9143005	SELF-LOCKING NUT
45	1	05.290.01	BONDED SEAL
46	1	8581444	BLANKING PLUG
47	1	41844.01	LOOM - 19 CORE
48	1	8402338	LOOM - ANGLE FLOAT
49	1	8700525	O RING
50	1	8132279	AUTO RESET BLOCK
51	2	8128065	RELIEF VALVE
52	1	8700522	O RING
53	1	8128022	RELIEF VALVE

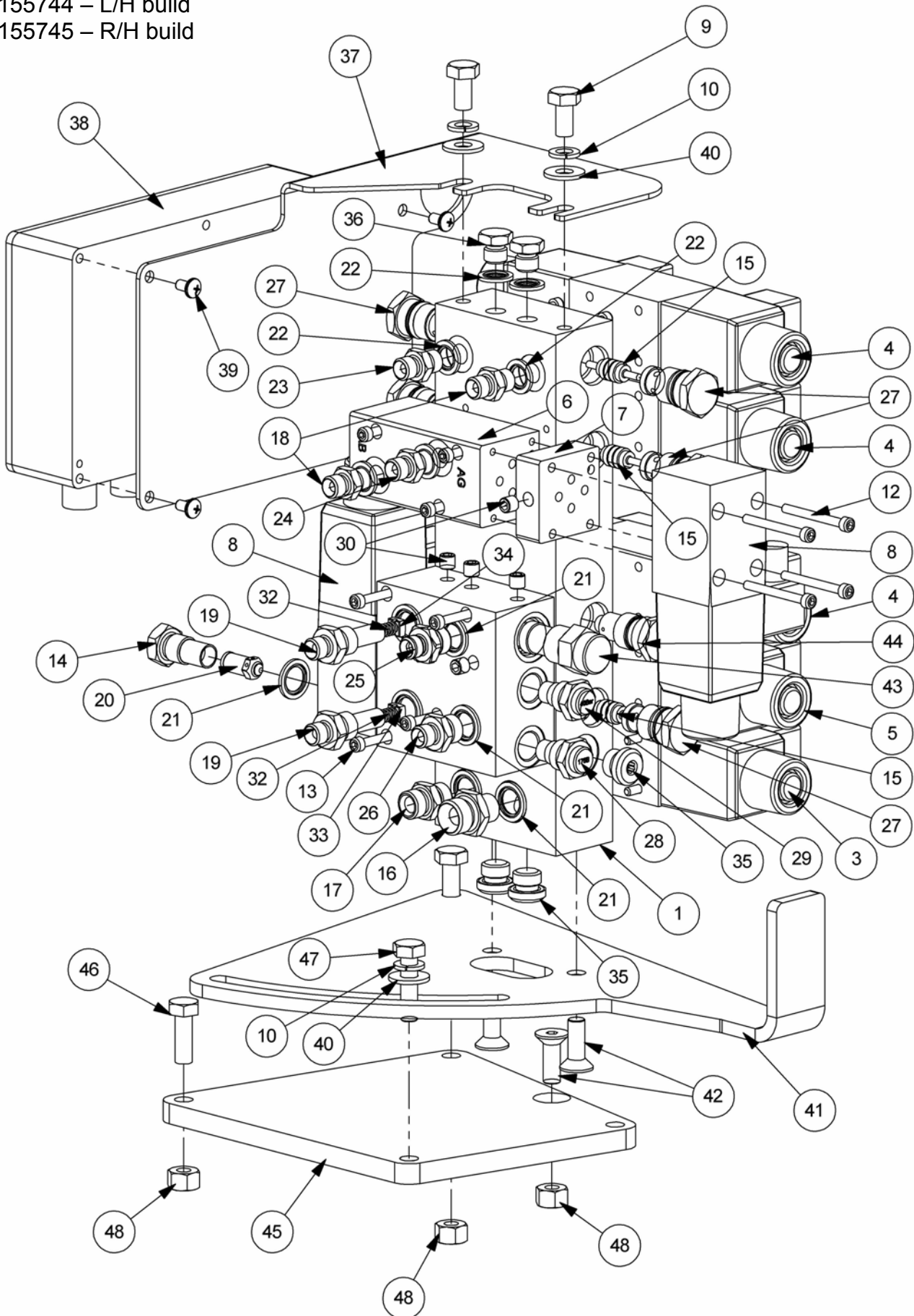
PROPORTIONAL CONTROL VALVE

Modules:

7155744 – L/H build

7155745 – R/H build

Illustrated in Left Hand build



PROPORTIONAL CONTROL VALVE

REF.	QTY.	PART No.	DESCRIPTION
		7155744	PROP. CONTROL VALVE - Std. L/H Models
		7155745	PROP. CONTROL VALVE - Std. R/H Models
1	1	8132280	MANIFOLD BLOCK
2	1	8132279	AUTO RESET BLOCK
3	1	8130456	CUT OFF SOLENOID VALVE
4	3	41784.48	DOUBLE SOLENOID PROPORTIONAL VALVE
5	1	8130629	VALVE DOUBLE SOLENOID
6	1	8126333	FLOAT VALVE BLOCK
7	1	8126334	BRIDGING PLATE
8	2	8130457	SOLENOID VALVE SINGLE
9	2	9313045	SETSCREW
10	3	9100205	SPRING WASHER
11	24	9243062	CAPSCREW
12	4	9243102	CAPSCREW
13	8	9243082	CAPSCREW
14	1	8130032	RELIEF VALVE CAP
15	4	8130087	ACTUATOR
16	1	6000112	ADAPTOR
17	1	6000113	ADAPTOR
18	2	8130105	ADAPTOR RESTRICTOR
19	2	8581210	ADAPTOR - SPECIAL
20	1	8130092	RELIEF VALVE - 190BAR
21	7	8650103	BONDED SEAL
22	6	8650102	BONDED SEAL
23	1	8130104	ADAPTOR RESTRICTOR - 1.8 'G'
24	1	8130038	ADAPTOR RESTRICTOR - 1.4 'L'
25	1	8130068	ADAPTOR RESTRICTOR - 0.9 'T'
26	2	8581115	ADAPTOR
27	7	8130090	CHECK VALVE ASSEMBLY
28	1	8128022	VALVE SERVICE RELIEF 50-220BAR
29	1	8128065	VALVE SERVICE RELIEF 40BAR
30	5	8582041	TAPER PLUG
31	12	8700511	O RING
32	2	8116011	SPRING
33	1	8123041	RESTRICTOR DISC - 1.15 RED
34	1	8123044	RESTRICTOR DISC - 1.8 YELLOW
35	3	8581436	PLUG - SOFT SEAL
36	2	520378	ADAPTOR PLUG
37	1	21170.01	CONTROLLER MOUNTING BRACKET - L/H Build
	1	21170.03	CONTROLLER MOUNTING BRACKET - R/H Build
38	1	21164.03	CONTROLLER ASSEMBLY - v.3
39	4	9300164	TAPTITE
40	3	9100105	FLAT WASHER
41	1	21351.01	VALVE MOUNTING PLATE - L/H build
	1	21351.02	VALVE MOUNTING PLATE - R/H build
42	3	9353065	CAPSCREW
43	1	8130204	CARTRIDGE SPOOL VALVE
44	1	8130207	CHECK VALVE CAP - DRILLED
45	1	21350.01	VALVE SPACER PLATE
46	1	9313065	SETSCREW
47	2	9213085	BOLT
48	3	9143005	SELF-LOCKING NUT

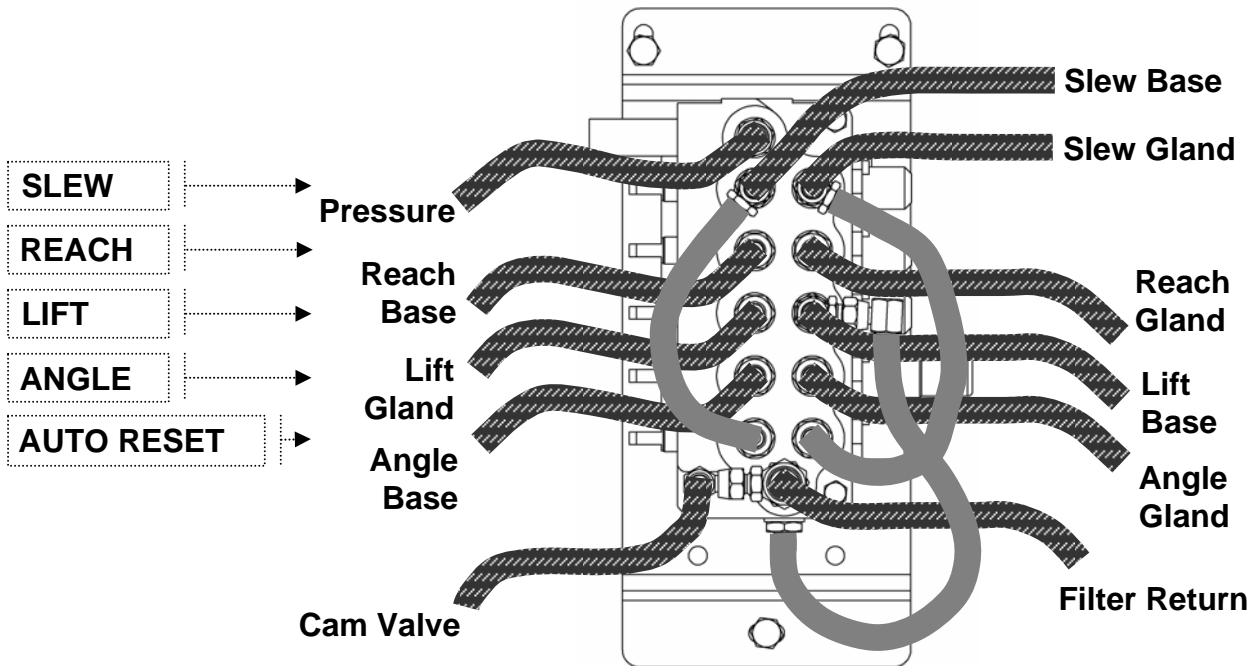
ACV HOSES – Cable Models

Modules:

7155740 – L/H Standard Cable Build

7155741 – R/H Standard Cable Build

Illustrated in Left Hand Build





HYDRAULIC HOSE KITS

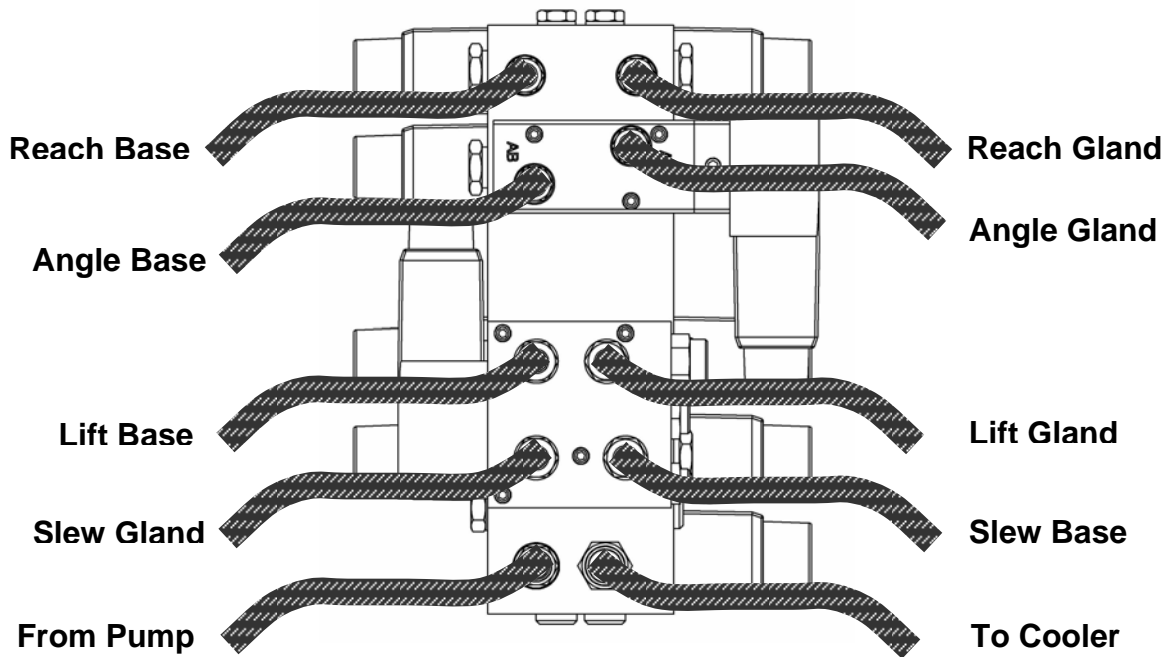
REF.	QTY.	PART No.	DESCRIPTION
		71537221	STANDARD ARM - L/H Cable SI
		71537222	STANDARD ARM - R/H Cable SI
		71537223	STANDARD ARM - L/H Cable TI
		71537224	STANDARD ARM - R/H Cable TI
		71537225	STANDARD ARM - L/H Electric / Cable TI
		71537226	STANDARD ARM - R/H Electric / Cable TI
		71537227	STANDARD ARM - L/H Electric / Electric TI
		71537228	STANDARD ARM - R/H Electric / Electric TI
		71537229	STANDARD ARM - L/H Electric / EDS TI
		715372210	STANDARD ARM - R/H Electric / EDS TI
		715372216	MIDCUT ARM - R/H Electric / Electric TI
1	- 1 - 1 - 1 - 1 - 1 1	10.011.16	HOSE - 1" BSP FS/FS x 800mm
	1 - 1 - 1 - - - - -	10.011.20	HOSE - 1" BSP FS/FS x 1000mm
	- - - - - 1 - 1 - -	10.011.17	HOSE - 1" BSP FS/FS x 850mm
2	- - 2 2 2 2 2 2 2 2 2	10.025.28	HOSE - 1" BSP FS/F135 x 1800mm
	2 2 - - - - - - - -	10.025.29	HOSE - 1" BSP FS/F135 x 1900mm
3	2 2 2 2 2 2 2 2 2 2 -	10.050.44	HOSE - 1" BSP FS/F90 x 3400mm
	- - - - - - - - - - 2	10.050.52	HOSE - 1" BSP FS/F90 x 4200mm
4	1 1 - - - - - - - - -	10.011.13	HOSE - 1" BSP FS/FS x 650mm
	- - 1 1 1 1 - - - - -	10.012.14	HOSE - 1" BSP FS/F90 x 700mm
	- - - - - 1 1 - - - -	10.012.23	HOSE - 1" BSP ST/90 x 1300mm
5	- - - - - - - - 1 1 1	10.012.15	HOSE - 1" BSP ST/90 x 750mm
6	- - - - - - - - 1 1 1	10.012.24	HOSE - 1" BSP FS/F90 x 1400mm
7	1 1 - - - - - - - - -	10.004.30	HOSE - 3/8" BSP FS/F90 x 2000mm
	- - 1 - 1 - 1 1 - - -	10.004.18	HOSE - 3/8" BSP FS/F90 x 900mm
	- - 1 1 - 1 - 1 1	10.004.14	HOSE - 3/8" BSP FS/F90 x 700mm
8	1 1 - - - - - - - - -	10.006.31	HOSE - 1/2" BSP FS/F90 x 2100mm
	- - 1 1 1 1 1 1 - - -	10.006.11	HOSE - 1/2" BSP ST/90 x 550mm
	- - - - - - - - 1 1 1	10.006.20	HOSE - 1/2" BSP ST/90 x 1000mm
9	2 2 2 2 - - - - - - -	10.002.13	HOSE - 1/4" BSP FS/F90 x 650mm
	- - - - 2 2 2 2 2 2 2	10.002.11	HOSE - 1/4" BSP FS/F90 x 550mm
10	1 1 1 1 1 1 1 1 1 1 1	10.002.22	HOSE - 1/4" BSP ST/90 x 1200mm
11	1 1 1 1 1 1 1 1 1 1 1	10.001.23	HOSE - 1/4" BSP ST/ST x 1300mm
12	1 1 1 1 1 1 1 1 1 1 1	10.001.37	HOSE - 1/4" BSP FS/FS x 2700mm
13	1 1 1 1 1 1 1 1 1 1 1	10.002.42	HOSE - 1/4" BSP FS/F90 x 3200mm
14	2 2 2 2 2 2 2 2 2 2 -	10.001.52	HOSE - 1/4" BSP FS/FS x 4200mm
	- - - - - - - - - - 2	10.001.58	HOSE - 1/4" BSP ST/ST x 4800mm
15	1 1 1 1 - - - - - - -	10.002.14	HOSE - 1/4" BSP FS/F90 x 700mm
16	1 1 1 1 - - - - - - -	10.002.23	HOSE - 1/4" BSP FS/F90 x 1300mm
17	- - - - - - - - - - 2	10.001.45	HOSE - 1/4" BSP ST/ST x 3500mm

ACV HOSES – Elec./Prop Models

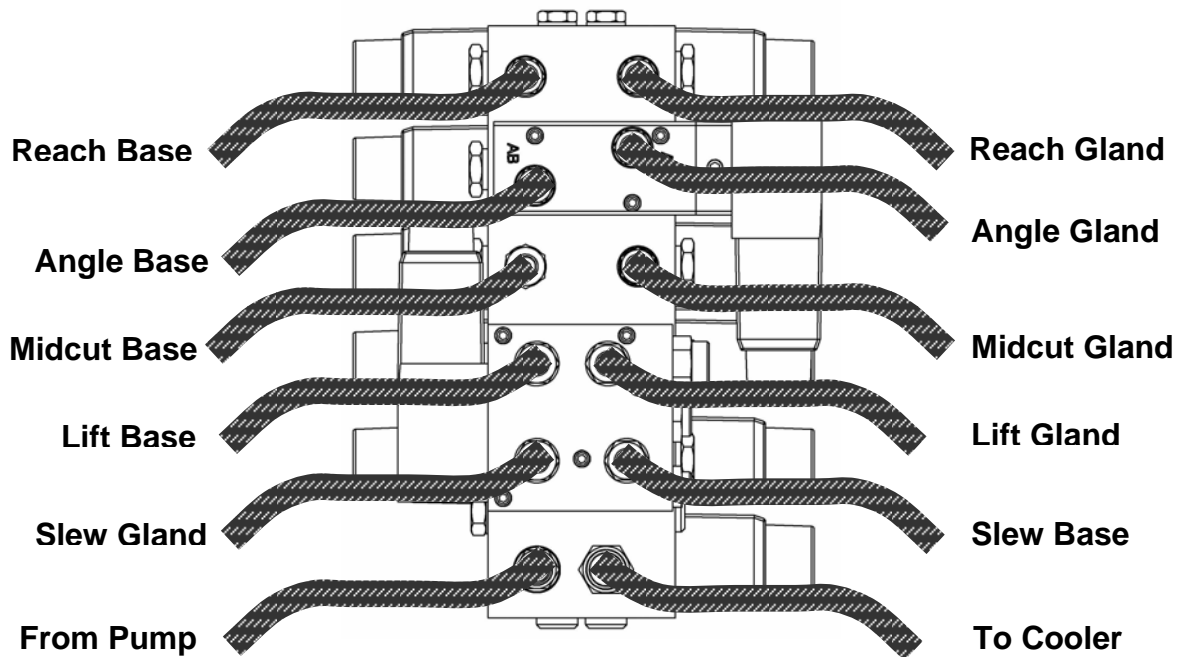
Modules:

- 7155742 – L/H Standard Electric Build
- 7155743 – R/H Standard Electric Build
- 7155744 – L/H Standard Proportional Build
- 7155745 – R/H Standard Proportional Build
- 7155758 – L/H Midcut Electric Build
- 7155759 – R/H Midcut Electric Build
- 7155760 – L/H Proportional Midcut Build
- 7155761 – R/H Proportional Midcut Build

STANDARD ELECTRIC / PROPORTIONAL



MIDCUT ELECTRIC / PROPORTIONAL





HYDRAULIC HOSE KITS

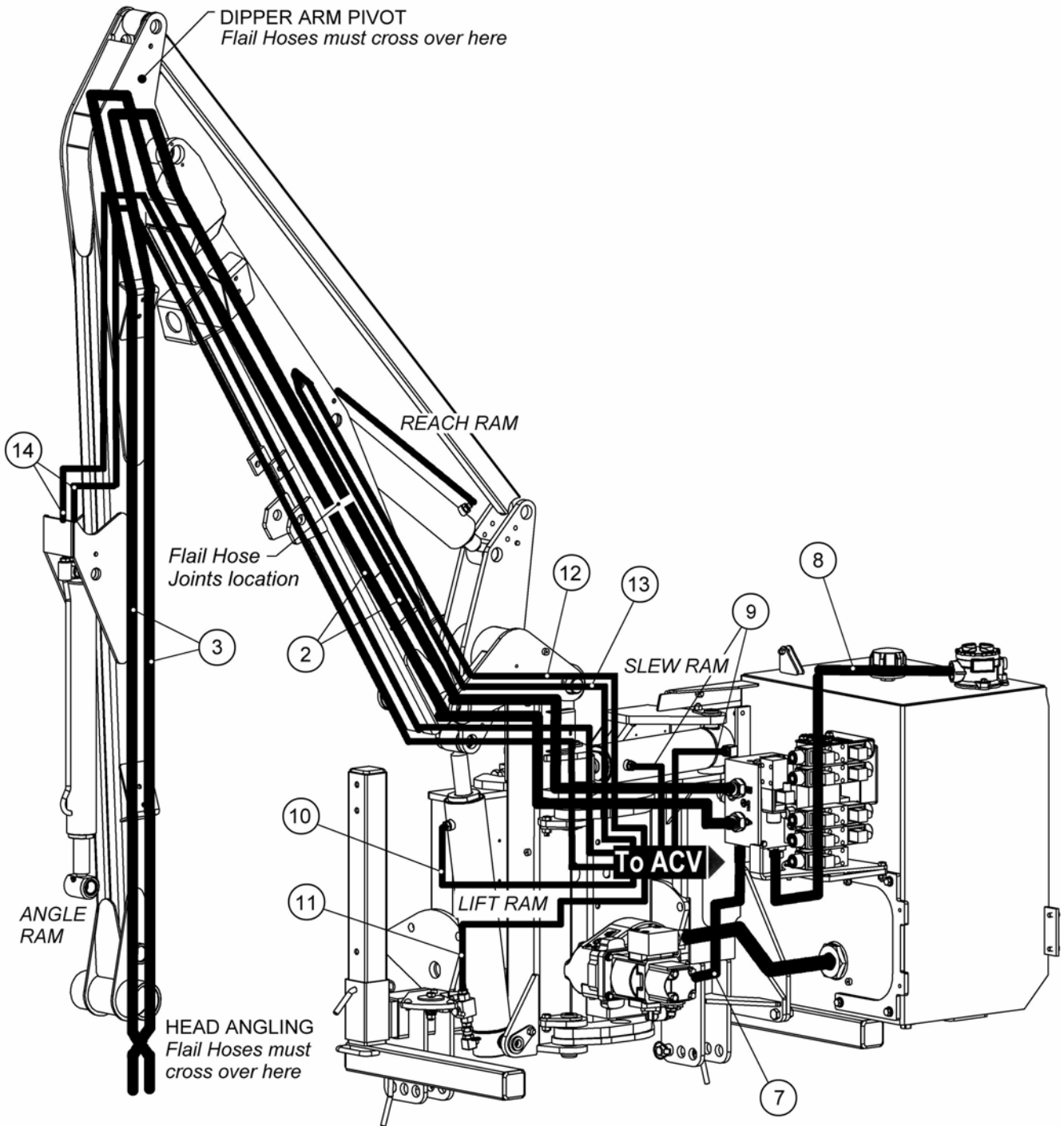
REF.	QTY.	PART No.	DESCRIPTION
		71537221	STANDARD ARM - L/H Cable SI
		71537222	STANDARD ARM - R/H Cable SI
		71537223	STANDARD ARM - L/H Cable TI
		71537224	STANDARD ARM - R/H Cable TI
		71537225	STANDARD ARM - L/H Electric / Cable TI
		71537226	STANDARD ARM - R/H Electric / Cable TI
		71537227	STANDARD ARM - L/H Electric / Electric TI
		71537228	STANDARD ARM - R/H Electric / Electric TI
		71537229	STANDARD ARM - L/H Electric / EDS TI
		715372210	STANDARD ARM - R/H Electric / EDS TI
		715372216	MIDCUT ARM - R/H Electric / Electric TI
1	- 1 - 1 - 1 - 1 - 1 1	10.011.16	HOSE - 1" BSP FS/FS x 800mm
	1 - 1 - 1 - - - - -	10.011.20	HOSE - 1" BSP FS/FS x 1000mm
	- - - - - 1 - 1 - -	10.011.17	HOSE - 1" BSP FS/FS x 850mm
2	- - 2 2 2 2 2 2 2 2 2	10.025.28	HOSE - 1" BSP FS/F135 x 1800mm
	2 2 - - - - - - - -	10.025.29	HOSE - 1" BSP FS/F135 x 1900mm
3	2 2 2 2 2 2 2 2 2 2 -	10.050.44	HOSE - 1" BSP FS/F90 x 3400mm
	- - - - - - - - - - 2	10.050.52	HOSE - 1" BSP FS/F90 x 4200mm
4	1 1 - - - - - - - -	10.011.13	HOSE - 1" BSP FS/FS x 650mm
	- - 1 1 1 1 - - - - -	10.012.14	HOSE - 1" BSP FS/F90 x 700mm
	- - - - - 1 1 - - -	10.012.23	HOSE - 1" BSP ST/90 x 1300mm
5	- - - - - - - - 1 1 1	10.012.15	HOSE - 1" BSP ST/90 x 750mm
6	- - - - - - - - 1 1 1	10.012.24	HOSE - 1" BSP FS/F90 x 1400mm
7	1 1 - - - - - - - -	10.004.30	HOSE - 3/8" BSP FS/F90 x 2000mm
	- - 1 - 1 - 1 1 - -	10.004.18	HOSE - 3/8" BSP FS/F90 x 900mm
	- - 1 1 - 1 - 1 1	10.004.14	HOSE - 3/8" BSP FS/F90 x 700mm
8	1 1 - - - - - - - -	10.006.31	HOSE - 1/2" BSP FS/F90 x 2100mm
	- - 1 1 1 1 1 1 - - -	10.006.11	HOSE - 1/2" BSP ST/90 x 550mm
	- - - - - - - - 1 1 1	10.006.20	HOSE - 1/2" BSP ST/90 x 1000mm
9	2 2 2 2 - - - - - - -	10.002.13	HOSE - 1/4" BSP FS/F90 x 650mm
	- - - - 2 2 2 2 2 2 2	10.002.11	HOSE - 1/4" BSP FS/F90 x 550mm
10	1 1 1 1 1 1 1 1 1 1 1	10.002.22	HOSE - 1/4" BSP ST/90 x 1200mm
11	1 1 1 1 1 1 1 1 1 1 1	10.001.23	HOSE - 1/4" BSP ST/ST x 1300mm
12	1 1 1 1 1 1 1 1 1 1 1	10.001.37	HOSE - 1/4" BSP FS/FS x 2700mm
13	1 1 1 1 1 1 1 1 1 1 1	10.002.42	HOSE - 1/4" BSP FS/F90 x 3200mm
14	2 2 2 2 2 2 2 2 2 2 -	10.001.52	HOSE - 1/4" BSP FS/FS x 4200mm
	- - - - - - - - - - 2	10.001.58	HOSE - 1/4" BSP ST/ST x 4800mm
15	1 1 1 1 - - - - - - -	10.002.14	HOSE - 1/4" BSP FS/F90 x 700mm
16	1 1 1 1 - - - - - - -	10.002.23	HOSE - 1/4" BSP FS/F90 x 1300mm
17	- - - - - - - - - - 2	10.001.45	HOSE - 1/4" BSP ST/ST x 3500mm

MACHINE HOSE LOCATIONS

Modules:

Electric T1 Model Illustrated

Refer to Parts List on opposite page for specific build.



- | | |
|------------------------|--------------------------------|
| 1. Pump to Valve | 10. Lift Gland |
| 2. RRV/RCV to Main Arm | 11. Lift Base |
| 3. Main Arm to Pivot | 12. Reach Base |
| 4. RRV/RCV to Tank | 13. Reach Gland |
| 5. RCV to Cooler | 14. Angle Base & Gland |
| 6. Cooler to Tank | 15. Lift Gland to O/C Valve |
| 7. Supply | 16. O/C Valve to Control Valve |
| 8. Return | 17. Midcut Fold |
| 9. Slew Base & Gland | |



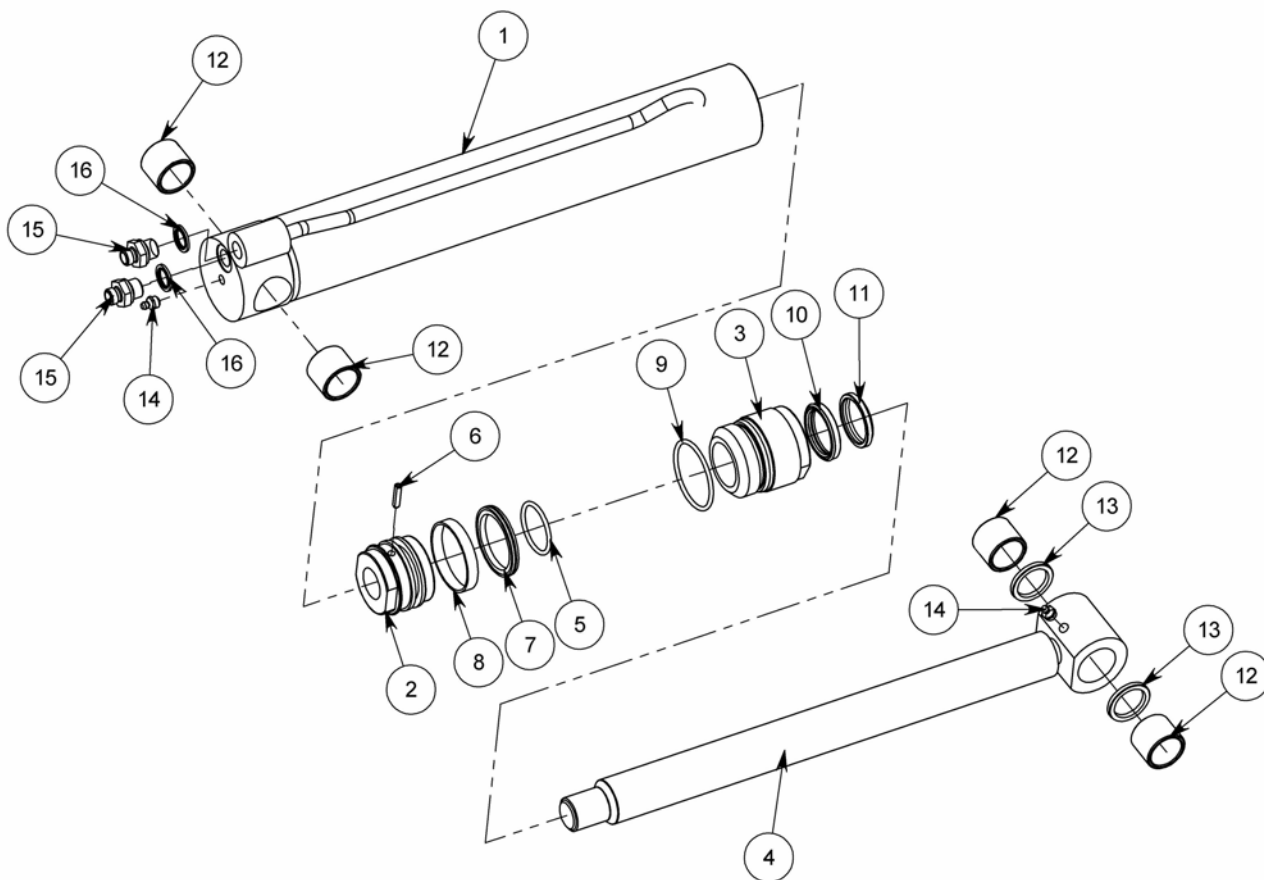
HYDRAULIC HOSE KITS

REF.	QTY.	PART No.	DESCRIPTION
		71537221	STANDARD ARM - L/H Cable SI
		71537222	STANDARD ARM - R/H Cable SI
		71537223	STANDARD ARM - L/H Cable TI
		71537224	STANDARD ARM - R/H Cable TI
		71537225	STANDARD ARM - L/H Electric / Cable TI
		71537226	STANDARD ARM - R/H Electric / Cable TI
		71537227	STANDARD ARM - L/H Electric / Electric TI
		71537228	STANDARD ARM - R/H Electric / Electric TI
		71537229	STANDARD ARM - L/H Electric / EDS TI
		715372210	STANDARD ARM - R/H Electric / EDS TI
		715372216	MIDCUT ARM - R/H Electric / Electric TI

1	- 1 - 1 - 1 - 1 - 1 1	10.011.16	HOSE - 1" BSP FS/FS x 800mm
	1 - 1 - 1 - - - - -	10.011.20	HOSE - 1" BSP FS/FS x 1000mm
	- - - - - 1 - 1 - -	10.011.17	HOSE - 1" BSP FS/FS x 850mm
2	- - 2 2 2 2 2 2 2 2	10.025.28	HOSE - 1" BSP FS/F135 x 1800mm
	2 2 - - - - - - - -	10.025.29	HOSE - 1" BSP FS/F135 x 1900mm
3	2 2 2 2 2 2 2 2 2 -	10.050.44	HOSE - 1" BSP FS/F90 x 3400mm
	- - - - - - - - - 2	10.050.52	HOSE - 1" BSP FS/F90 x 4200mm
4	1 1 - - - - - - - -	10.011.13	HOSE - 1" BSP FS/FS x 650mm
	- - 1 1 1 1 - - - -	10.012.14	HOSE - 1" BSP FS/F90 x 700mm
	- - - - - 1 1 - - -	10.012.23	HOSE - 1" BSP ST/90 x 1300mm
5	- - - - - - - 1 1 1	10.012.15	HOSE - 1" BSP ST/90 x 750mm
6	- - - - - - - 1 1 1	10.012.24	HOSE - 1" BSP FS/F90 x 1400mm
7	1 1 - - - - - - - -	10.004.30	HOSE - 3/8" BSP FS/F90 x 2000mm
	- - 1 - 1 - 1 1 - -	10.004.18	HOSE - 3/8" BSP FS/F90 x 900mm
	- - 1 1 - 1 - 1 1	10.004.14	HOSE - 3/8" BSP FS/F90 x 700mm
8	1 1 - - - - - - - -	10.006.31	HOSE - 1/2" BSP FS/F90 x 2100mm
	- - 1 1 1 1 1 1 - -	10.006.11	HOSE - 1/2" BSP ST/90 x 550mm
	- - - - - - - 1 1 1	10.006.20	HOSE - 1/2" BSP ST/90 x 1000mm
9	2 2 2 2 - - - - - -	10.002.13	HOSE - 1/4" BSP FS/F90 x 650mm
	- - - - 2 2 2 2 2 2	10.002.11	HOSE - 1/4" BSP FS/F90 x 550mm
10	1 1 1 1 1 1 1 1 1 1	10.002.22	HOSE - 1/4" BSP ST/90 x 1200mm
11	1 1 1 1 1 1 1 1 1 1	10.001.23	HOSE - 1/4" BSP ST/ST x 1300mm
12	1 1 1 1 1 1 1 1 1 1	10.001.37	HOSE - 1/4" BSP FS/FS x 2700mm
13	1 1 1 1 1 1 1 1 1 1	10.002.42	HOSE - 1/4" BSP FS/F90 x 3200mm
14	2 2 2 2 2 2 2 2 2 -	10.001.52	HOSE - 1/4" BSP FS/FS x 4200mm
	- - - - - - - - - 2	10.001.58	HOSE - 1/4" BSP ST/ST x 4800mm
15	1 1 1 1 - - - - - -	10.002.14	HOSE - 1/4" BSP FS/F90 x 700mm
16	1 1 1 1 - - - - - -	10.002.23	HOSE - 1/4" BSP FS/F90 x 1300mm
17	- - - - - - - - - 2	10.001.45	HOSE - 1/4" BSP ST/ST x 3500mm

ANGLING RAM ASSEMBLY

Module:
43317.07



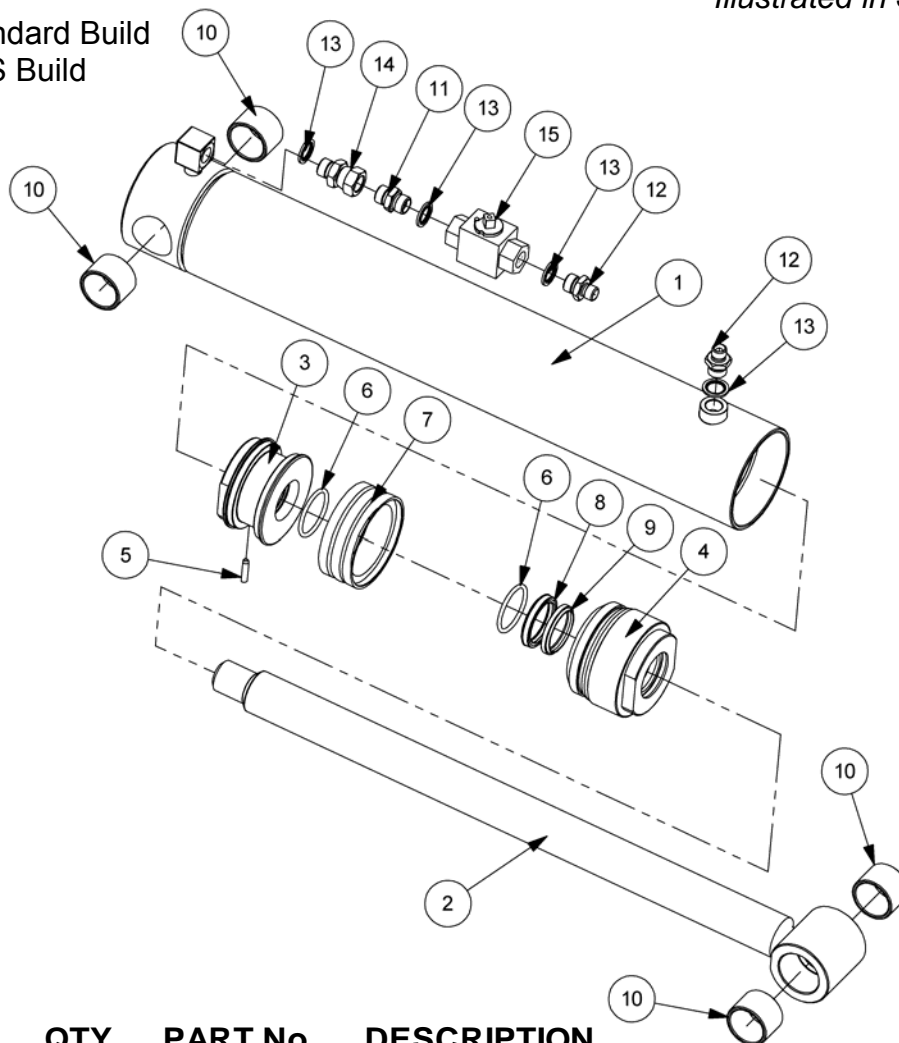
REF.	QTY.	PART No.	DESCRIPTION
		43317.07	ANGLING RAM ASSEMBLY
1	1	43317.33	BARREL
2	1	43317.31	PISTON
3	1	43317.32	GLAND HOUSING
4	1	43317.35	PISTON ROD
5	1	8600301	O RING
6	1	42775.01	DOWEL
7	1	8629156	PISTON SEAL
8	1	8629157	PISTON GUIDE RING
9	1	8600306	O RING
10	1	8629225	ROD GLAND SEAL
11	1	8629208	ROD SCRAPER RING
12	4	08.297.04	BUSH
13	2	8629218	SEAL
14	2	0901121	GREASER
15	2	8581115	ADAPTOR
16	2	8650103	BONDED SEAL
		43317.01	SEAL KIT

LIFT RAM ASSEMBLY

Module:

45895.02 – Standard Build
 45895.07 – EDS Build

Illustrated in Standard Build

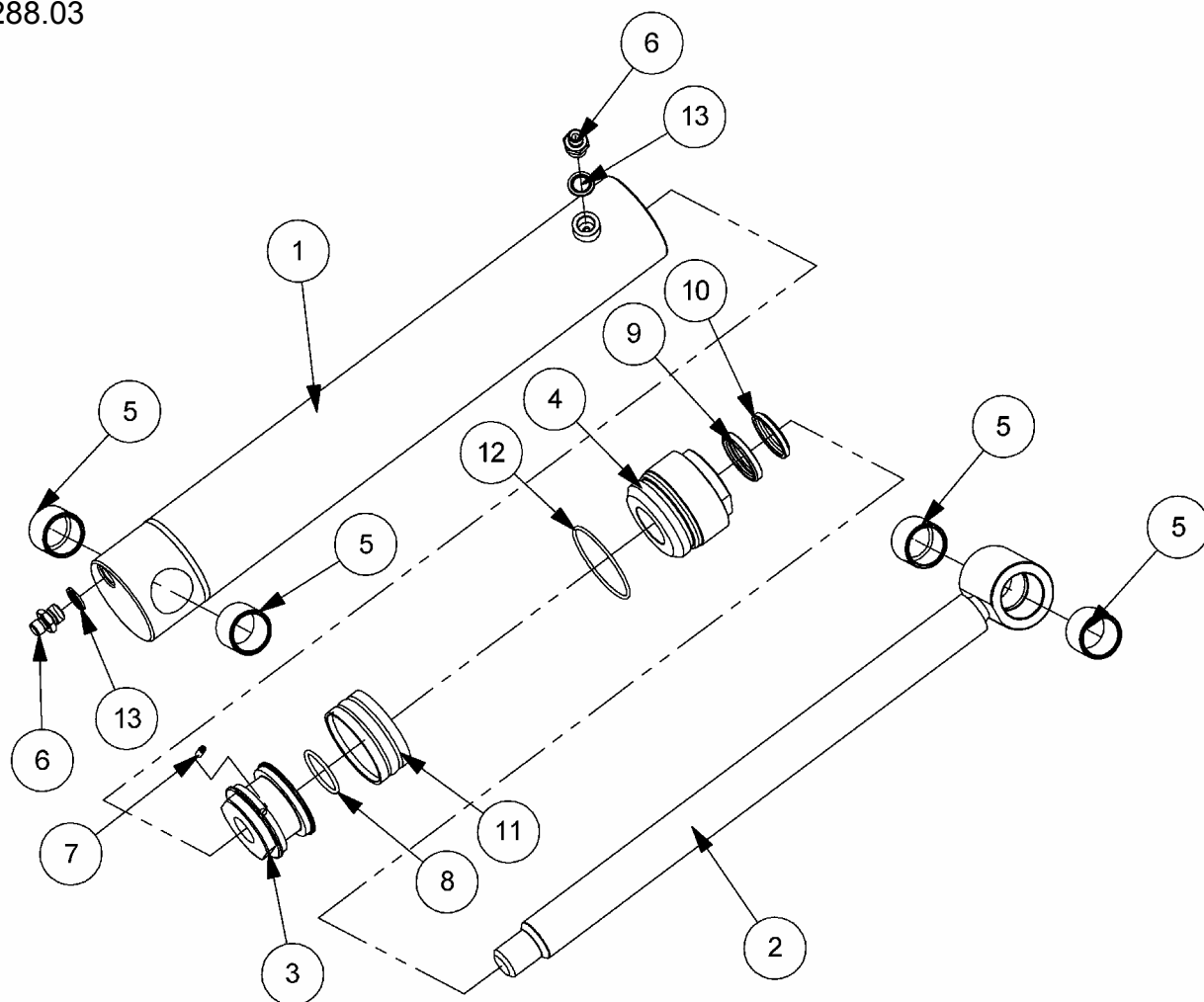


REF.	QTY.	PART No.	DESCRIPTION
		45895.02	LIFT RAM ASSEMBLY - Std. Models
		45895.07	LIFT RAM ASSEMBLY - EDS Models
		45895.04	BASIC RAM ASSEMBLY - Std. Build
		45895.06	BASIC RAM ASSEMBLY - EDS Build
1	1	45895.31	BARREL - Std. Build
		45895.41	BARREL - EDS Build (<i>not illustrated</i>)
2	1	45275.02	PISTON ROD
3	1	43315.31	PISTON
4	1	43315.32	GLAND HOUSING
5	1	42775.01	DOWEL
6	2	8600301	O RING
7	1	8638742	PISTON SEAL
8	1	8629225	GLAND SEAL
9	1	8629208	SCRAPER RING
*	1	8600742	O RING - <i>EDS Build only</i>
10	4	08.297.05	BUSH
11	1	6000113	ADAPTOR
12	2	8581115	ADAPTOR
13	4	8650103	BONDED SEAL
14	1	8581178	ADAPTOR
15	1	08.200.01	ISOLATING VALVE
16	1	05.433.01	PLUG - <i>EDS Build only (not illustrated)</i>
		43315.01	SEAL KIT

REACH RAM ASSEMBLY



Module:
45288.03

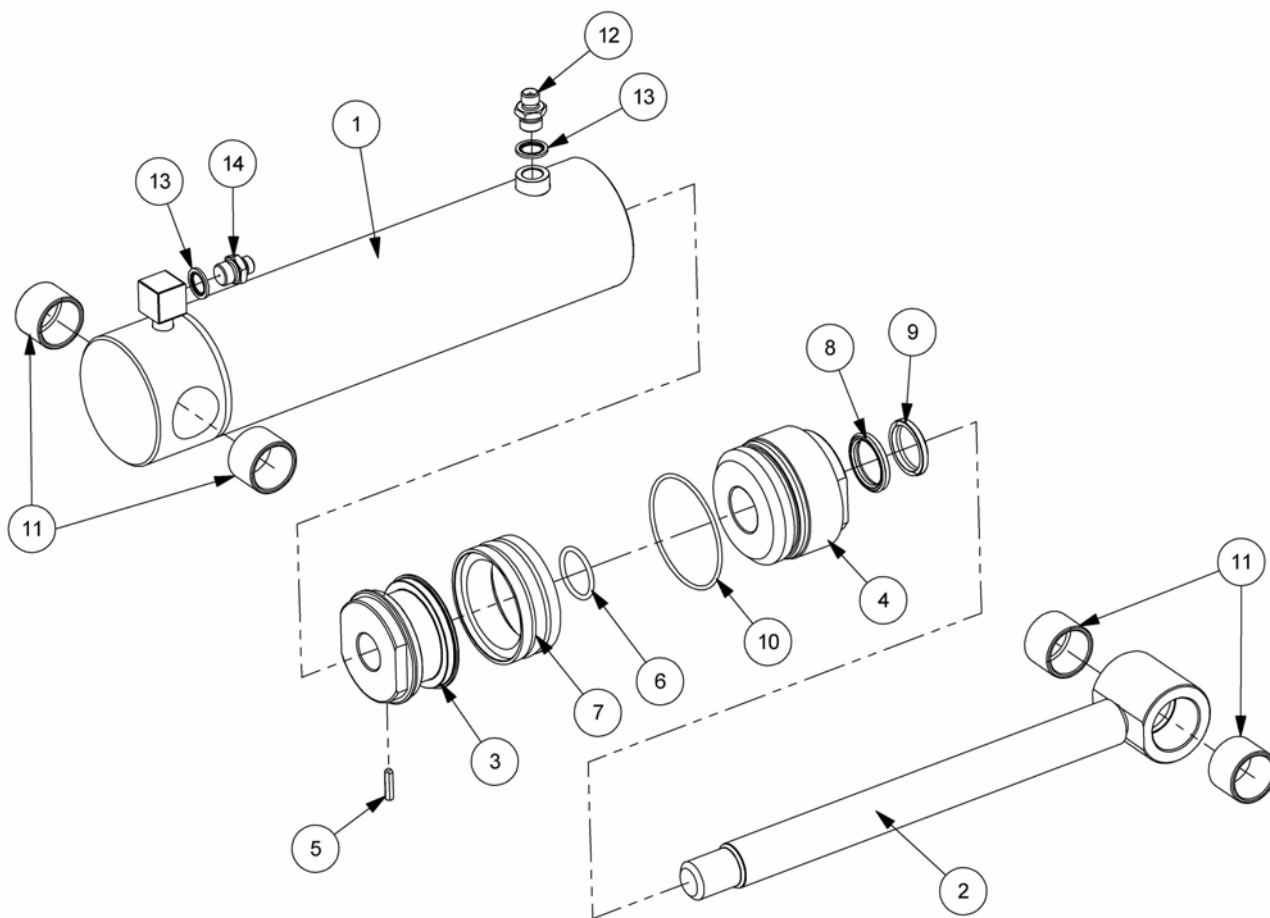


REF.	QTY.	PART No.	DESCRIPTION
		45288.03	REACH RAM ASSEMBLY
1	1	45273.02	REACH RAM BARREL
2	1	45275.03	PISTON ROD
3	1	43316.31	PISTON
4	1	43316.32	GLAND HOUSING
5	4	08.297.05	BUSH
6	2	8581115	ADAPTOR
7	1	42775.01	DOWEL
8	1	8600301	O RING
9	1	8629225	GLAND SEAL
10	1	8629208	SCRAPER RING
11	1	8638740	PISTON SEAL
12	1	8700740	O RING
13	2	8650103	BONDED SEAL
		43316.01	SEAL KIT

SLEW RAM ASSEMBLY



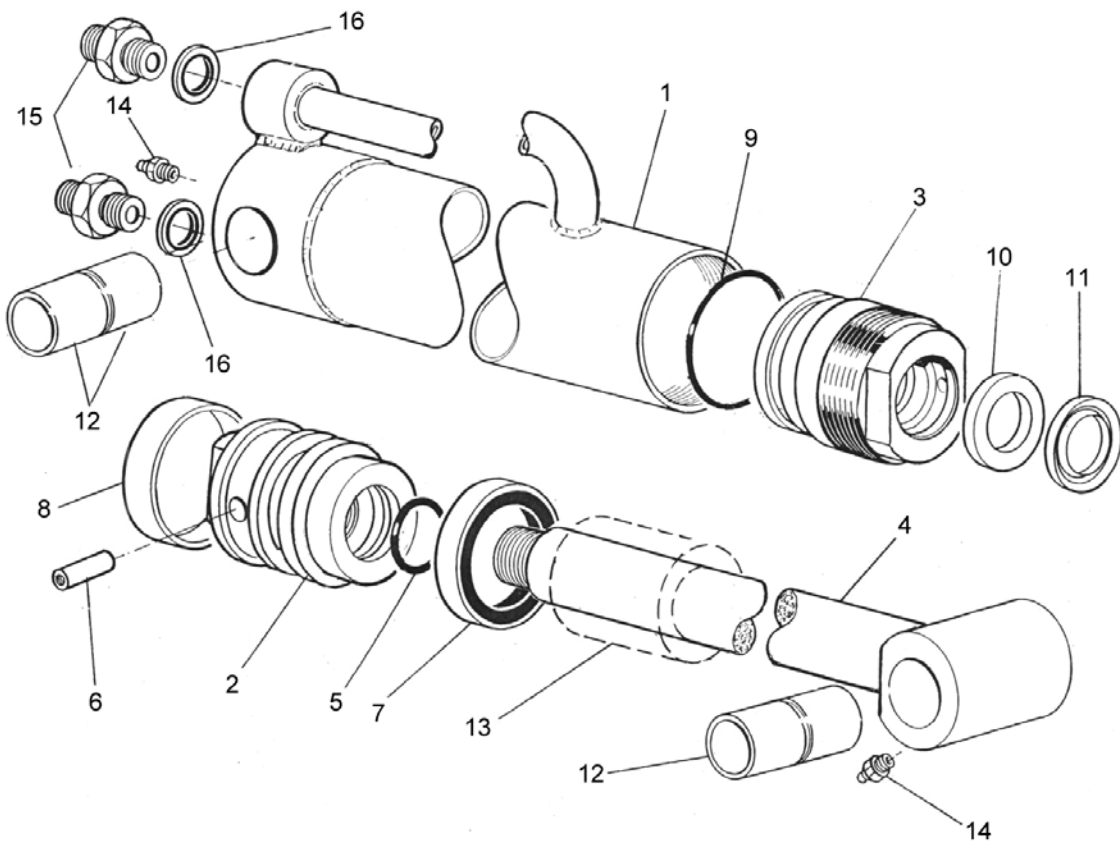
Module:
45910.04



REF.	QTY.	PART No.	DESCRIPTION
		45910.04	SLEW RAM ASSEMBLY
1	1	45910.35	BARREL
2	1	45910.37	RAM ROD
3	1	45910.33	PISTON
4	1	45910.34	GLAND HOUSING
5	1	42775.01	DOWEL
6	1	8600125	O RING
7	1	8638742	PISTON SEAL
8	1	8629210	GLAND SEAL
9	1	8629211	WIPER SEAL
10	1	8600742	O RING
11	4	08.297.05	BUSH
12	1	8581115	ADAPTOR
13	2	8650103	BONDED SEAL
14	1	8130066	ADAPTOR RESTRICTOR
		8699254	SEAL KIT

MIDCUT FOLD RAM ASSEMBLY

Module:
42664.05



REF.	QTY.	PART No.	DESCRIPTION
		42664.05	FOLD RAM ASSEMBLY - MIDCUT MODELS
1	1	42664.42	BARREL
2	1	42664.31	PISTON
3	1	42664.32	GLAND HOUSING
4	1	42664.39	PISTON ROD
5	1	8600127	O RING
6	1	42775.01	DOWEL
7	1	8629156	PISTON SEAL
8	1	8629157	PISTON GUIDE RING
9	1	8600306	O RING
10	1	8629222	ROD GLAND SEAL
11	1	8629147	ROD SCRAPER RING
12	4	42654.01	BUSH
13	1	43062.01	SPACER
14	2	0901121	GREASER
15	2	8581115	UNION
16	2	8650103	BONDED SEAL
		42664.01	SEAL KIT

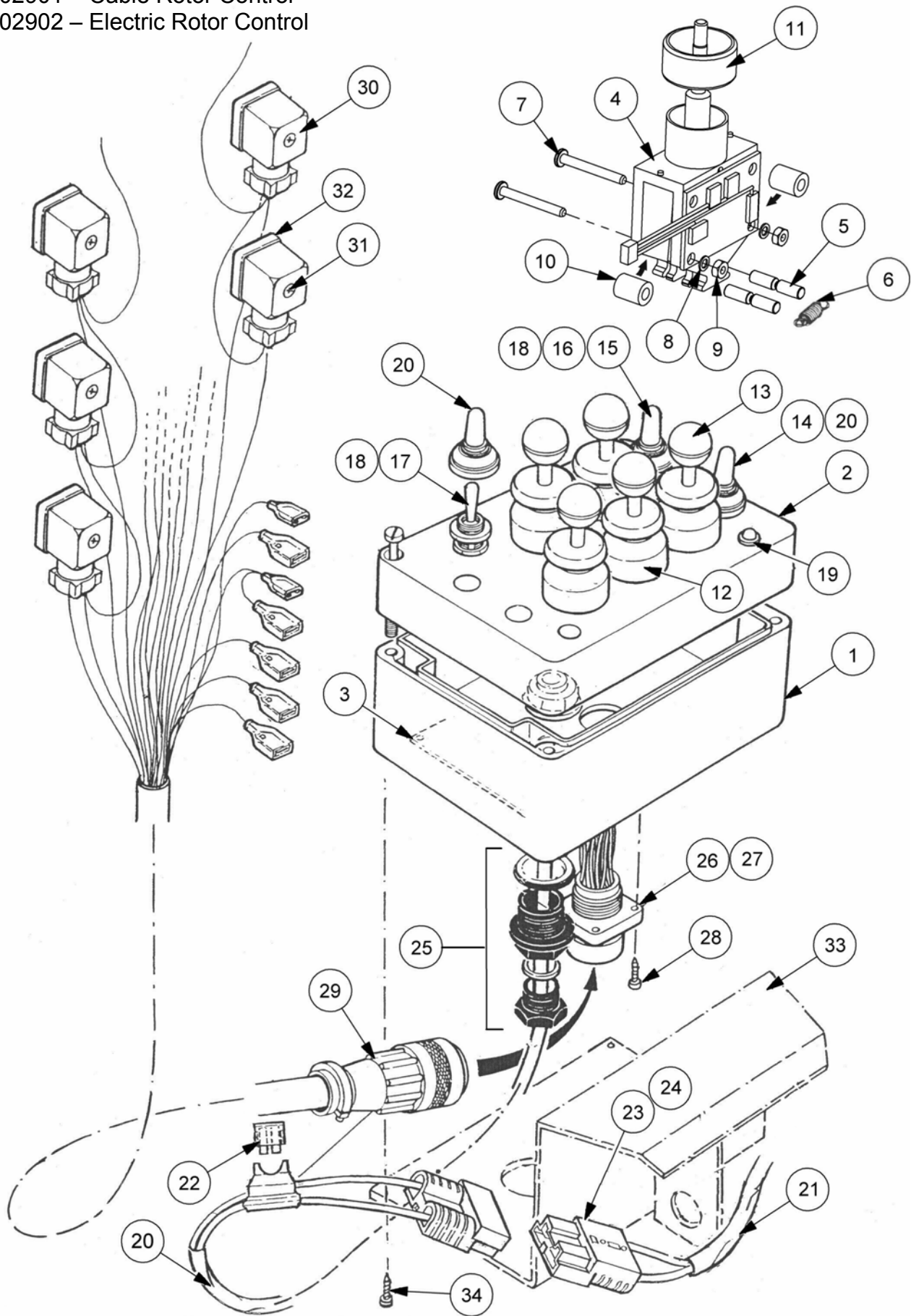


This page is intentionally blank

Modules:

8402901 – Cable Rotor Control

8402902 – Electric Rotor Control



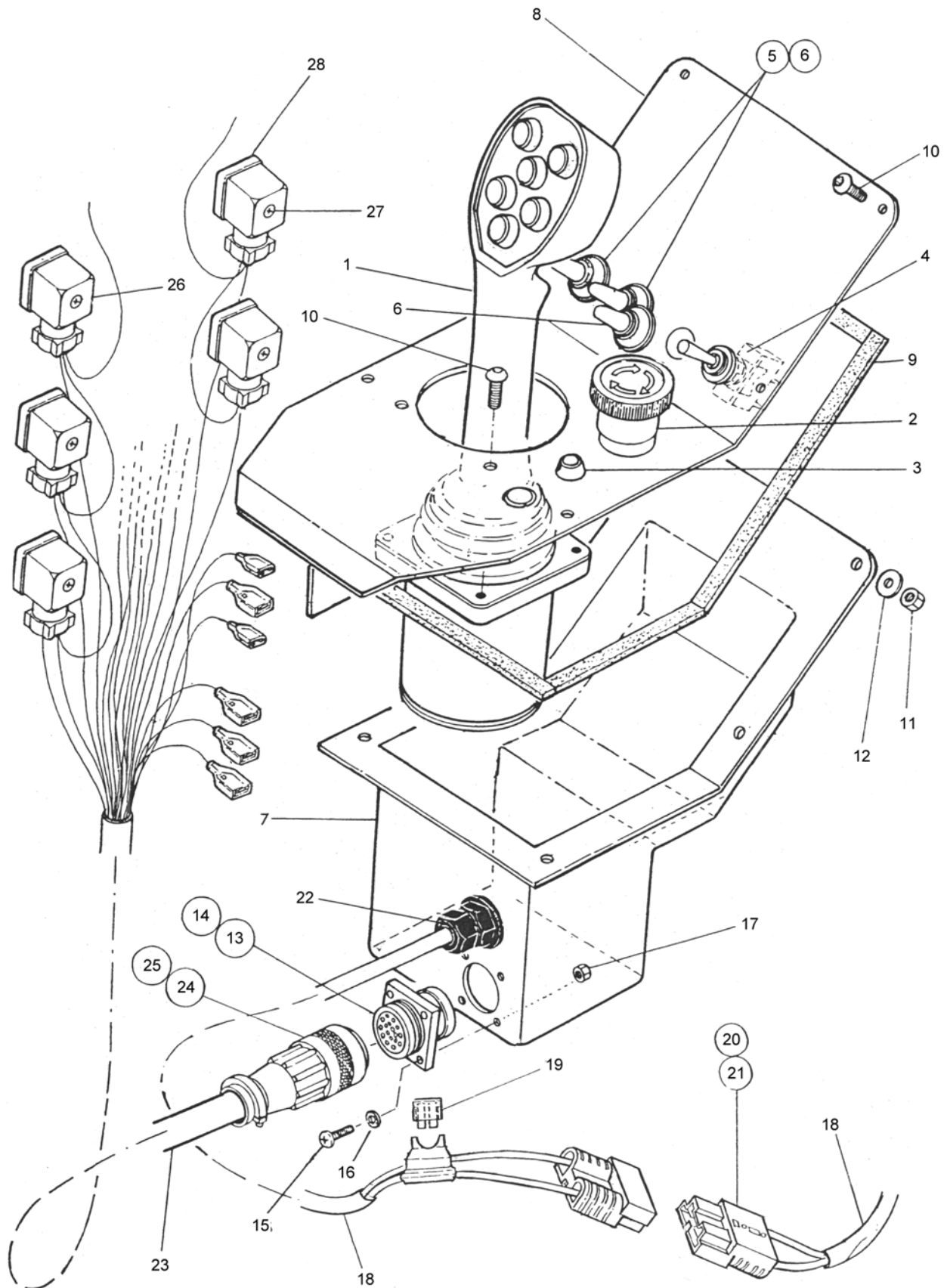


REF.	QTY.	PART NO.	DESCRIPTION
		8402901	SWITCHBOX & LOOM ASSEMBLY (Cable RCV)
		41845.03	MULTI 5 LEVER SWITCHBOX (Cable RCV)
		8402902	SWITCHBOX & LOOM ASSEMBLY (Electric RCV)
		41845.04	MULTI 5 LEVER SWITCHBOX (Electric RCV)
1	1	41845.32	BOX
2	1	41845.31	LID c/w SCREWS
3	1	41845.33	CIRCUIT BOARD
			LEVER SWITCH UNIT - <i>comprising of:</i>
4	5	8402133	SWITCH BODY/LEVER/CIRCUIT BOARD c/w
5	2	8402111	BAR
6	1	8402101	SPRING
7	2	9200006	SCREW - POSIDRIVE PANHEAD
8	2	8402120	PLAIN WASHER
9	2	9113000	NUT - PLATED
10	2	8402334	SPACER
11	1	8402051	BEZEL RING
12	1	8402022	LEVER GAITER
13	5	8402056	KNOB - BLACK
14	1	8402023	SWITCH - POWER ON/OFF
15	1	8402182	SWITCH - SLEW/AUTO RESET
16	1	41845.35	LOOM - SLEW/AUTO RESET SWITCH
17	1	8402197	SWITCH - FLOAT
18	1	41845.37	LOOM - FLOAT SWITCH
19	1	41845.41	L.E.D. AND LOOM
20	5	8402024	WEATHER GAITER
21	1	8402232	POWER LOOM - <i>including:</i>
22	1	43034.02	FUSE
23	2	8402230	CONTACTS HOUSING
24	4	8402229	CONTACTS
25	1	8402042	GLAND
26	1	8402189	SOCKET SHELL
27	19	8402192	PIN SOCKET
28	4	2800203	SCREW
29	1	41844.01	WIRING LOOM - <i>including:</i>
30	12	07.835.04	PLUG - INCLUDING SCREW & GASKET
31	1	07.835.03	SCREW
32	1	07.835.02	GASKET
33	1	8402345	MOUNTING BRACKET
34	4	2800243	SELF-TAPPING SCREW
35	1	8402193	SPECIAL TOOL - <i>not illustrated</i>

Modules:

8402905

8402906 – Electric Rotor Reverse

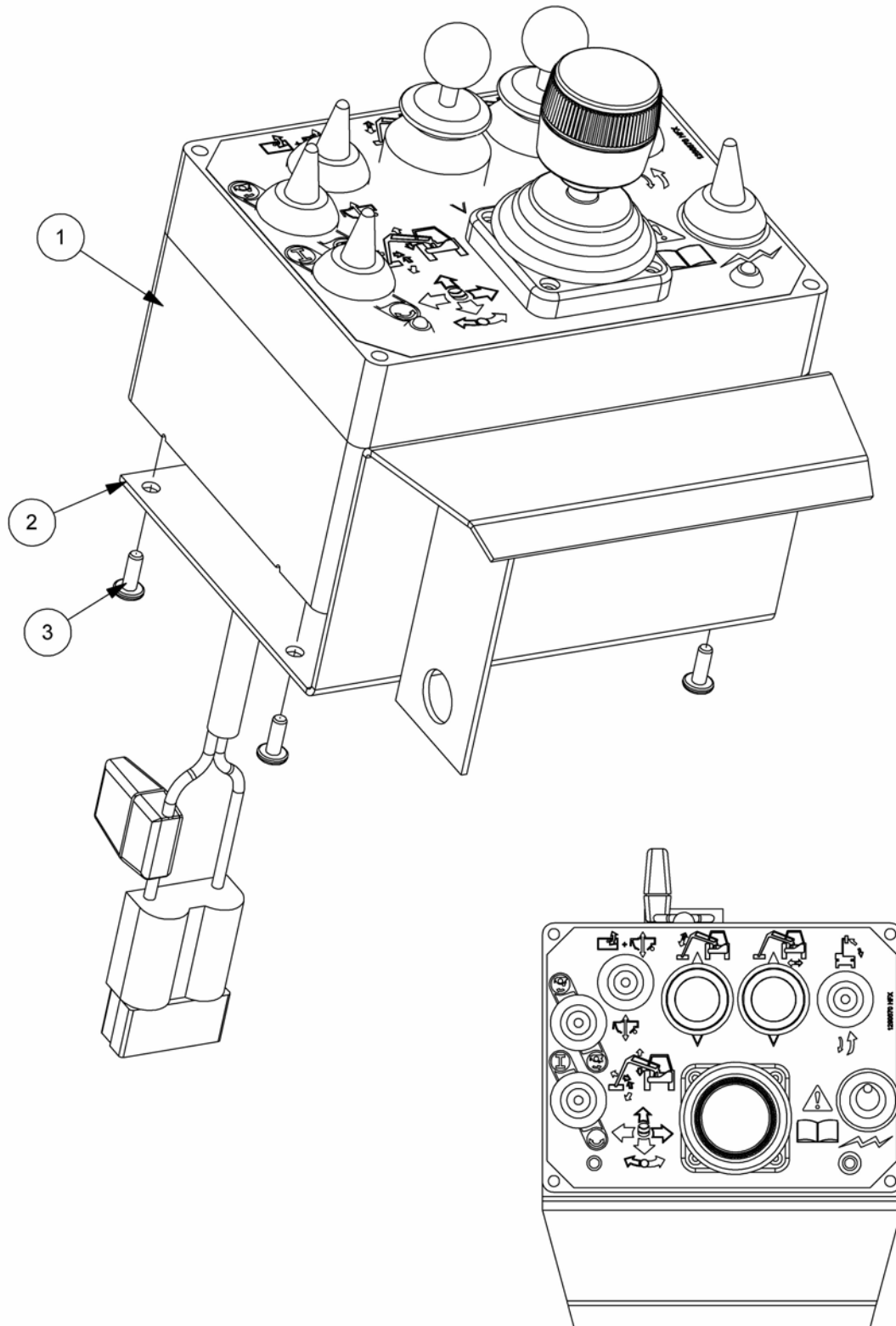




REF.	QTY.	PART NO.	DESCRIPTION
		8402905	MONOLEVER 6 BUTTON CONTROL ASSEMBLY
		8402906	MONOLEVER WITH ELECTRIC ROTOR REVERSE
		41590.03	MONOLEVER 6 BUTTON UNIT
		41590.05	MONOLEVER UNIT - with Electric Rotor Reverse
1	1	41590.32	JOYSTICK - <i>Including Circuit Board</i>
2	1	8402184	POWER ON / EMERGENCY STOP
3	1	8402174	L.E.D. MAIN POWER ON
4	1	8402182	SWITCH - SLEW / AUTO RESET
5	2	8402023	SWITCH - LIFT AND ANGLE FLOAT
6	3	8402024	WEATHER COVER
7	1	7550300	COVER POD
8	1	7550339	TOP PLATE
9	1	7290052	SEALING STRIP (<i>Cut to suit</i>)
10	10	9300125	SCREW - BUTTON HEAD
11	6	9143003	SELF LOCKING NUT
12	6	9100103	WASHER
13	1	8402189	SOCKET SHELL
14	14	8402192	FEMALE SOCKET PIN
15	4	9200007	SCREW - POSIDRIVE PANHEAD
16	4	9100400	EXTERNAL SERRATED WASHER
17	4	9100013	NUT - PLATED
18	1	8402232	POWER LOOM - <i>Including:</i>
19	1	43034.03	FUSE
20	2	8402230	CONTACT HOUSING
21	4	8402229	CONTACTS
22	1	8402042	GLAND
23	1	41844.01	WIRING LOOM - <i>Including:</i>
24	1	8402188	SHELL
25	1	8402190	CABLE CLAMP
26	12	07.835.04	PLUG - <i>Including:</i>
27	1	07.835.03	SCREW
28	1	07.835.02	GASKET
29	1	8402193	SPECIAL TOOL

PROPORTIONAL SWITCHBOX

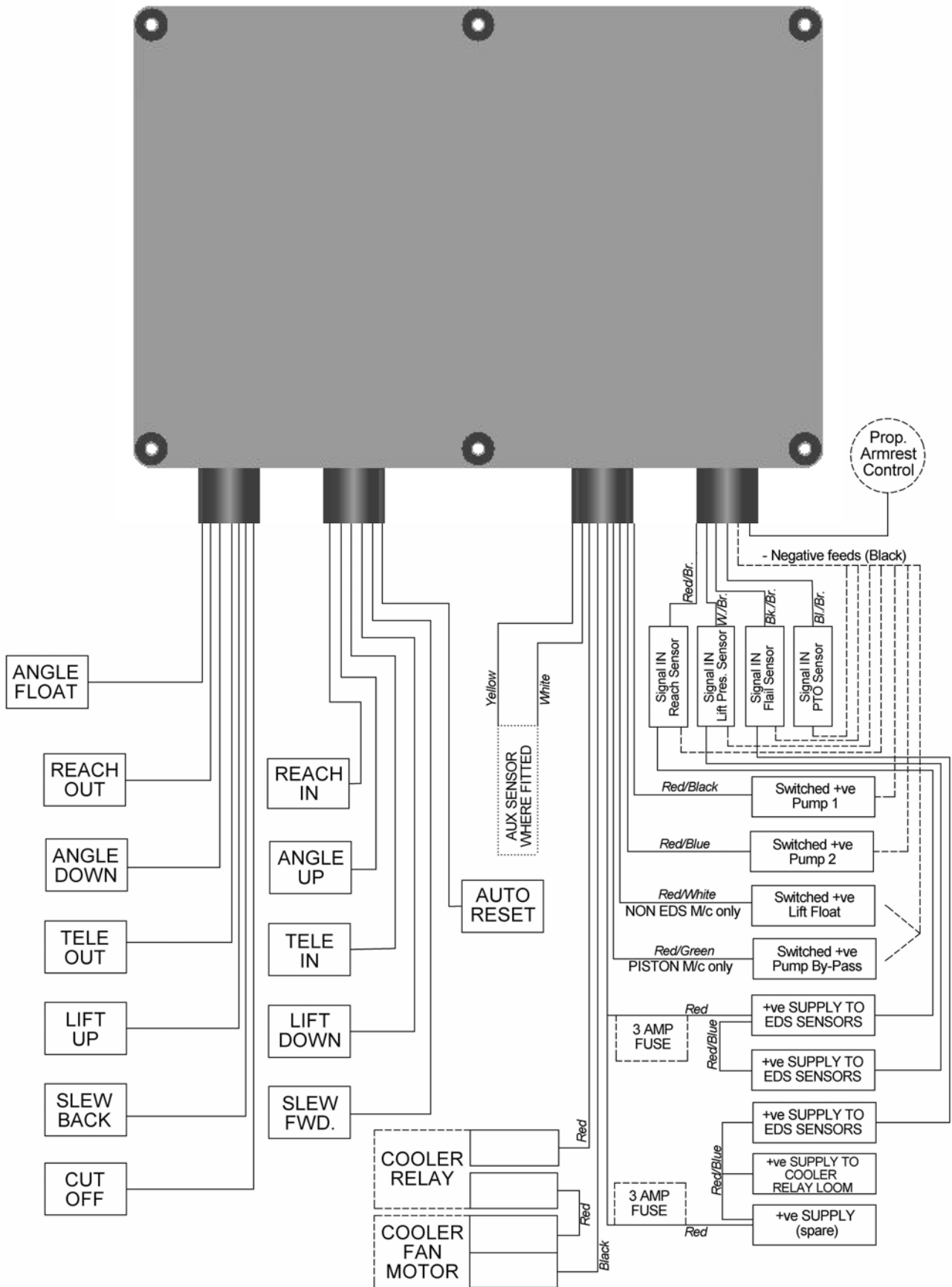
Module:
8402911



REF.	QTY.	PART NO.	DESCRIPTION
		8402911	PROPORTIONAL SWITCHBOX CONTROL
1	1	8402395	PROPORTIONAL SWITCHBOX UNIT
2	1	8402345	SWITCHBOX MOUNTING BRACKET
3	4	2800243	SELF TAPPING SCREW

Module:
21164.03

Machines with v.3 Proportional Armrest Controls only

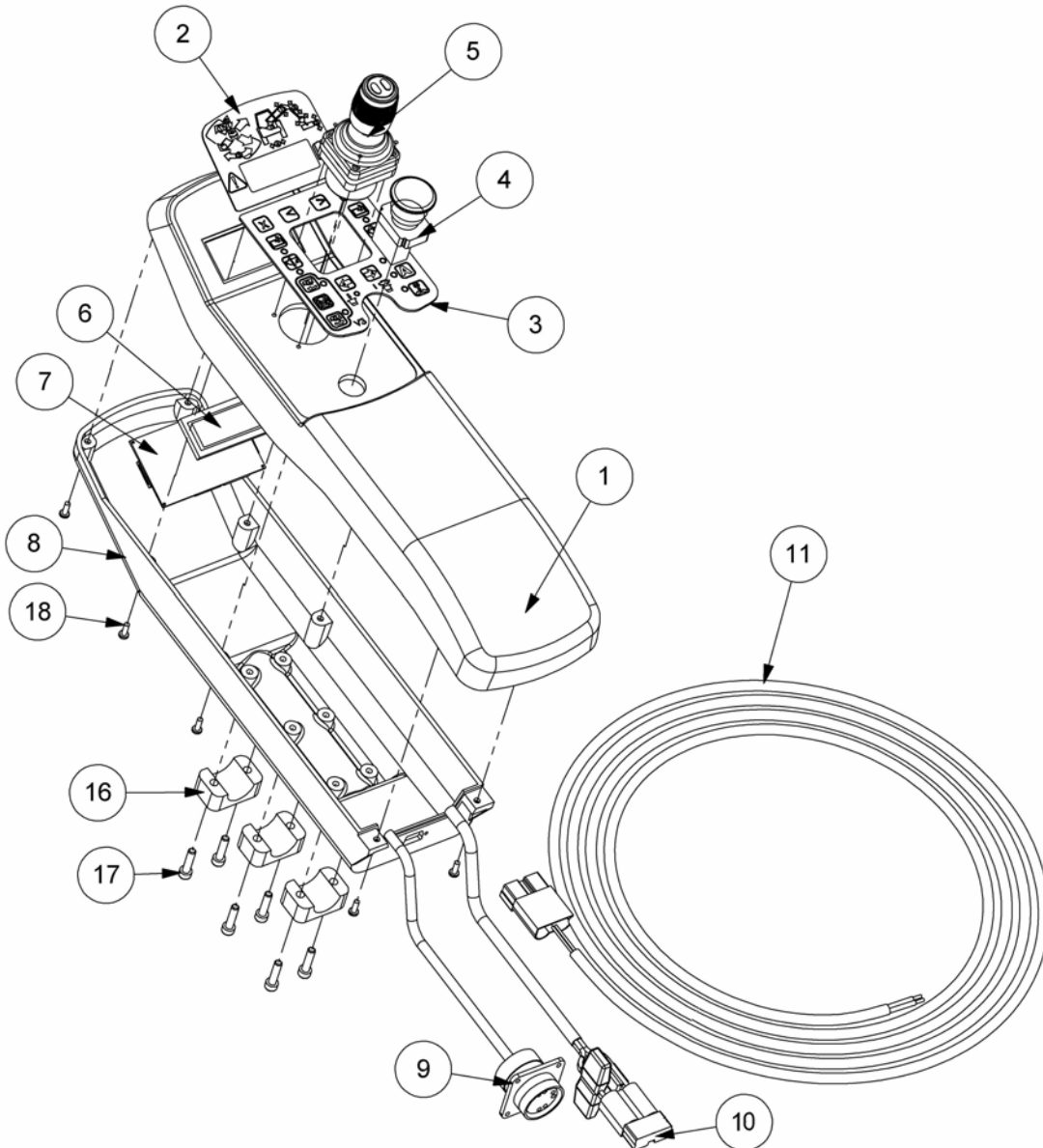
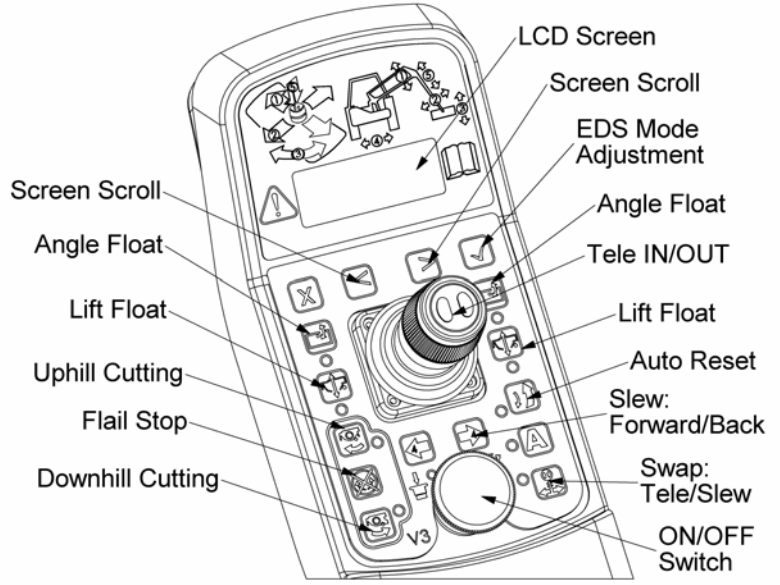


Modules:

43022.20 - Proportional

43022.21 - Proportional EDS

OPERATOR CONTROLS/FUNCTIONS



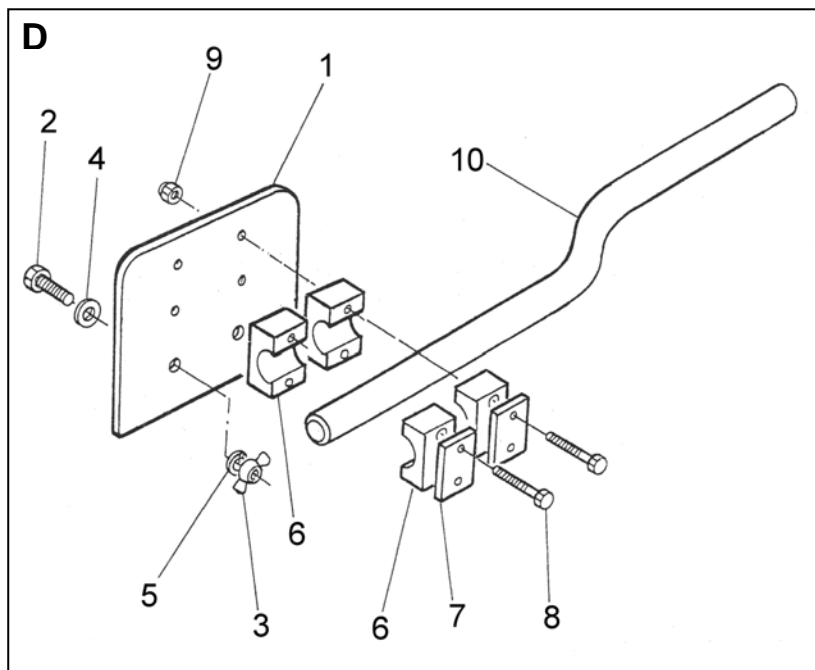
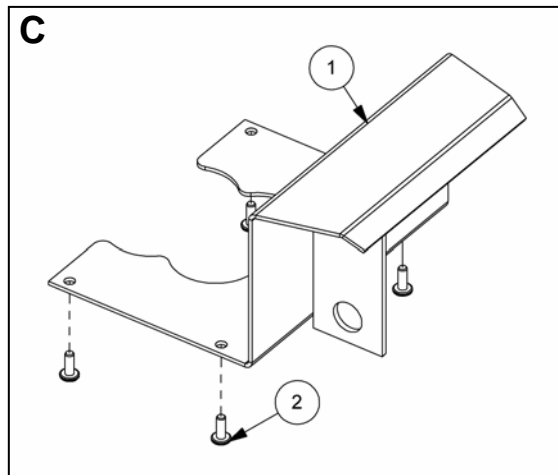
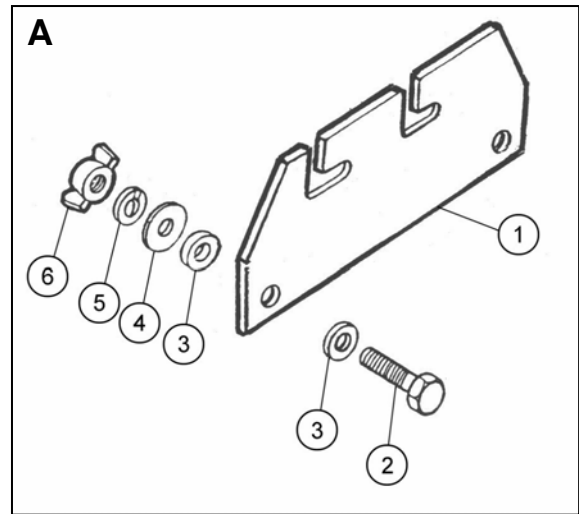
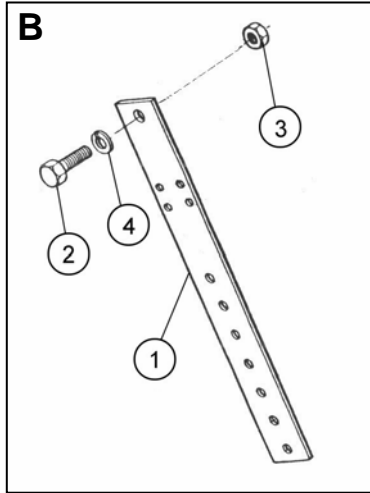
PROPORTIONAL CONTROLS - v.3

REF.	QTY.	PART No.	DESCRIPTION
		43022.20	v.3 PROPORTIONAL ARMREST CONTROLS - Std.
		43022.21	v.3 PROPORTIONAL ARMREST CONTROLS - EDS
1	1	43022.324	ARMREST LID - GREY
2	1	43022.50	FRONT DECAL
3	1	43022.51	JOYSTICK KEYPAD - <i>Factory replacement only</i>
4	1	41786.33	SWITCH - EMERGENCY STOP
5	1	45710.96	JOYSTICK - inc. fixing screws
6	1	43022.52	LCD SCREEN - <i>Factory replacement only</i>
7	1	43022.53	CIRCUIT BOARD - <i>Factory replacement only</i>
8	1	43022.321	ARMREST BASE - YELLOW
9	1	43022.46	CONNECTOR & LEAD
10	1	43022.47	CONNECTOR & POWER LEAD (2 FUSES)
11	1	8402237	LOOM - POWER SUPPLY
12	2	8402149	GLAND
13	1	43022.39	CONNECTOR 9 WAY
14	1	8600119	O RING - not illustrated
15	1	8402239	PUSH ON COVER - not illustrated
16	3	30.209.71	PIPE CLAMP
17	6	9343053	CAPSCREW
18	8	9300132	PANHEAD SCREW

CONTROL MOUNTINGS

Module:

- 7313282 – Cable Controls (A)
- 7109319 – Electric Switchbox (B)
- 8402345 – Electric Switchbox (C)
- 7313275 – Proportional Armrest Control (D)



CONTROL MOUNTINGS

REF.	QTY.	PART NO.	DESCRIPTION
A		7313282	CABLE CONTROL UNIT MOUNTING
1	1	42491.01	BRACKET
2	2	9313094	SETSCREW
3	4	03.152.01	RUBBER WASHER
4	2	9100104	PLAIN WASHER
5	2	9100204	SPRING WASHER
6	2	9193004	WINGNUT

REF.	QTY.	PART NO.	DESCRIPTION
B		7109319	ELECTRIC SWITCHBOX CONTROL MOUNTING
1	1	7109146	PILLAR
2	1	9311086	SETSCREW
3	1	0111006	NUT
4	1	0100206	SPRING WASHER

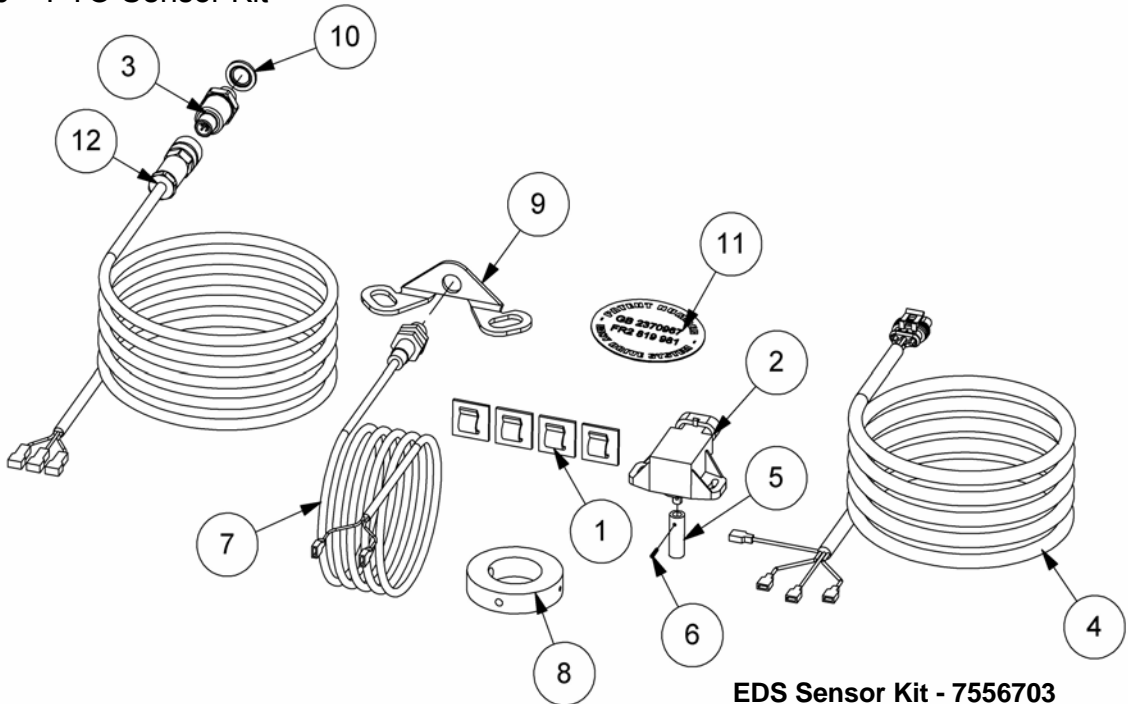
REF.	QTY.	PART No.	DESCRIPTION
C		8402345	ELECTRIC SWITCHBOX CONTROL MOUNTING
1	1	8402345	MOUNTING BRACKET
2	4	2800243	SELF TAPPING SCREW

REF.	QTY.	PART NO.	DESCRIPTION
D		7313275	PROPORTIONAL CONTROL MOUNTING
1	1	08.317.01	CONTROL MOUNTING BRACKET
2	2	9313054	SETSCREW
3	2	9193004	WINGNUT
4	2	9100104	PLAIN WASHER
5	2	9100204	SPRING WASHER
6	6	30.209.71	CLAMP
7	3	30.209.33	COVER PLATE
8	6	30.068.88	BOLT
9	4	9163003	SELF LOCKING NUT
10	1	42312.01	MOUNTING BAR

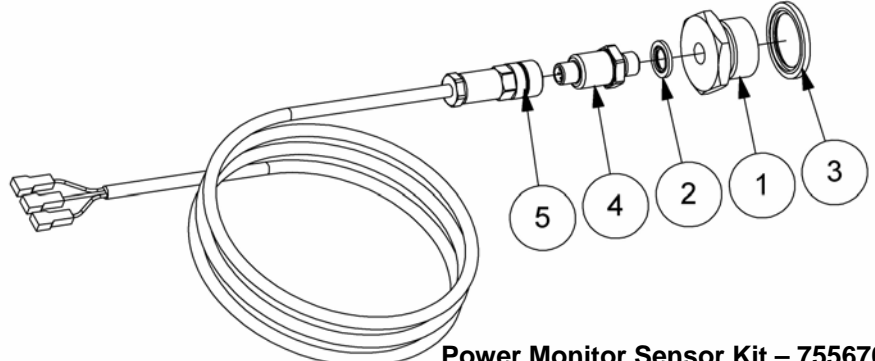
SENSOR KITS

Modules:

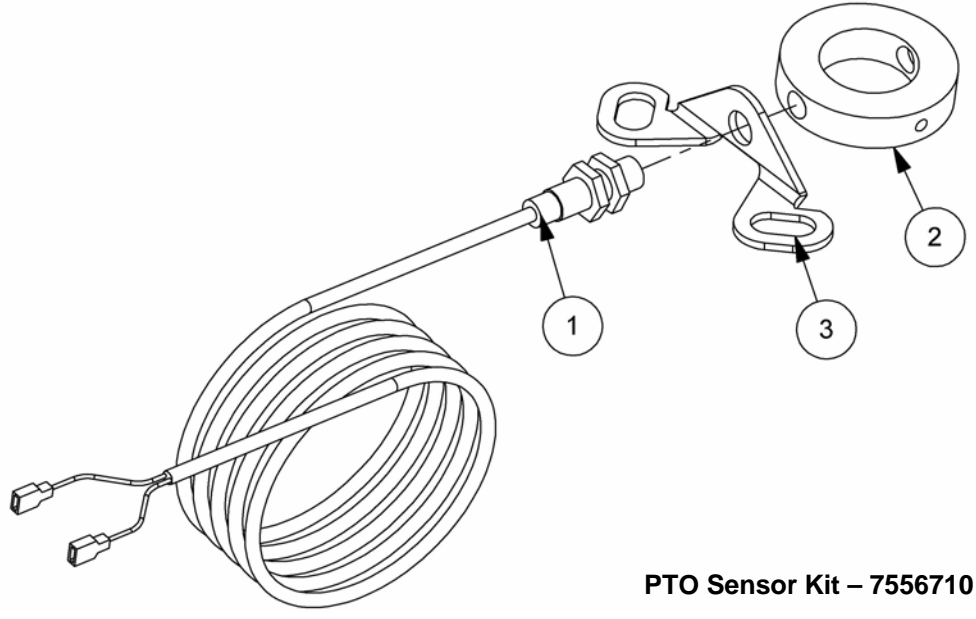
- 7556703 – EDS Sensor Kit
- 7556707 – Power Monitor Kit
- 7556710 – PTO Sensor Kit



EDS Sensor Kit - 7556703



Power Monitor Sensor Kit – 7556707



PTO Sensor Kit – 7556710

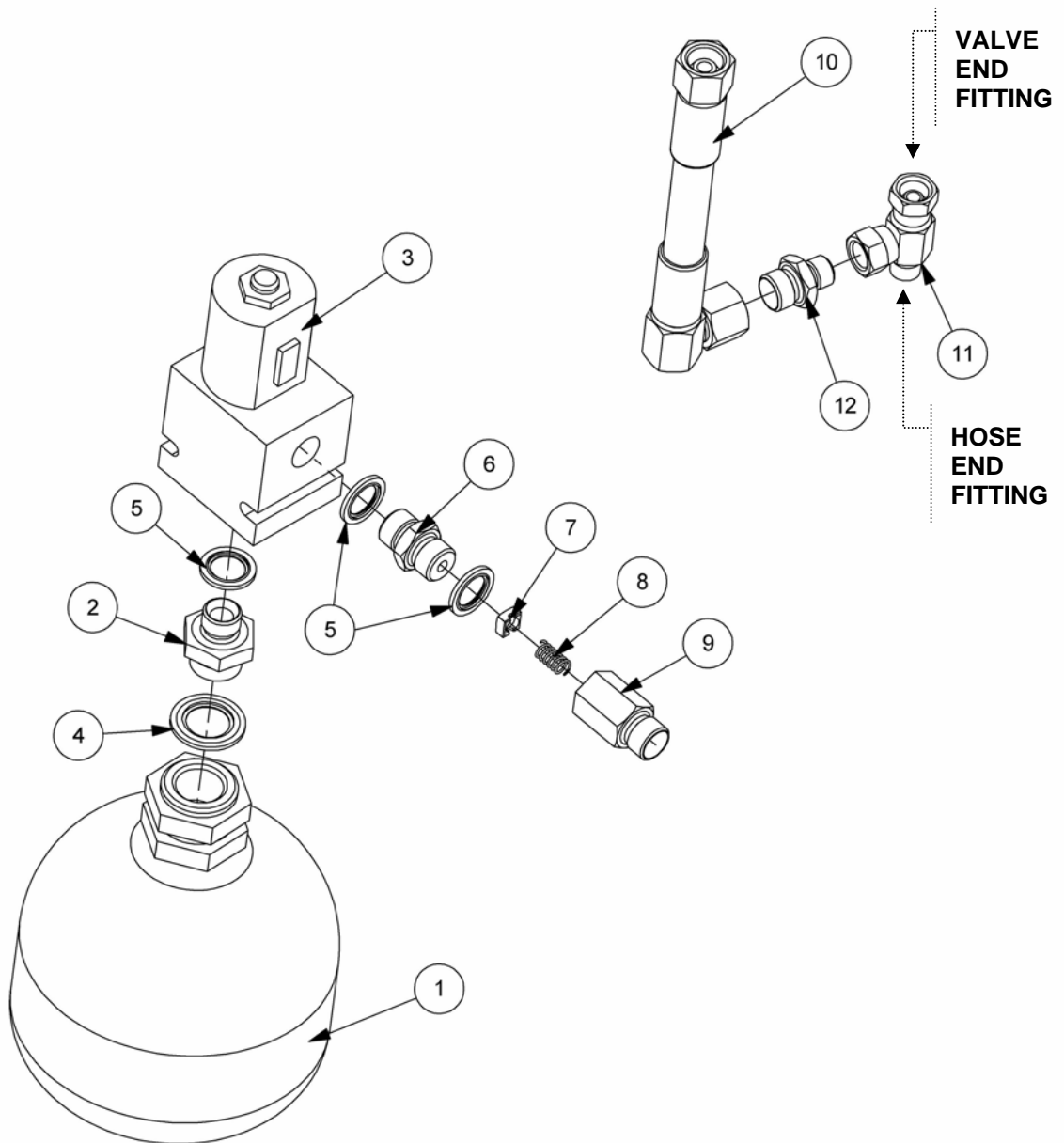
SENSOR KITS

REF.	QTY.	PART No.	DESCRIPTION
		7556703	EDS SENSOR KIT
1	4	43357.01	CLIP (SELF ADHESIVE PAD)
2	1	8402235	REACH SENSOR
3	1	8402253	PRESSURE SENSOR - 0 TO 250 BAR
4	1	21163.01	LOOM - REACH SENSOR
5	1	45425.07	SENSOR EXTENSION
6	1	0430110	SPRING DOWEL
7	1	8402251	PTO SENSOR
8	1	8402252	PTO MAGNETIC RING
9	1	21170.04	PTO SENSOR BRACKET
10	1	8650102	BONDED SEAL
11	1	21365.01	PATENT DECAL
12	1	43177.52	LOOM - PRESSURE TRANSDUCER

REF.	QTY.	PART No.	DESCRIPTION
		7556707	POWER MONITOR SENSOR KIT
1	1	8581451	ADAPTOR
2	1	8650102	BONDED SEAL
3	1	8650108	BONDED SEAL
4	1	8402253	PRESSURE SENSOR - 0 TO 250 BAR
5	1	43177.53	LOOM - PRESSURE SENSOR

REF.	QTY.	PART No.	DESCRIPTION
		7556710	PTO SENSOR KIT
1	1	8402251	PTO SENSOR
2	1	8402252	PTO MAGNETIC RING
3	1	21170.04	PTO SENSOR BRACKET

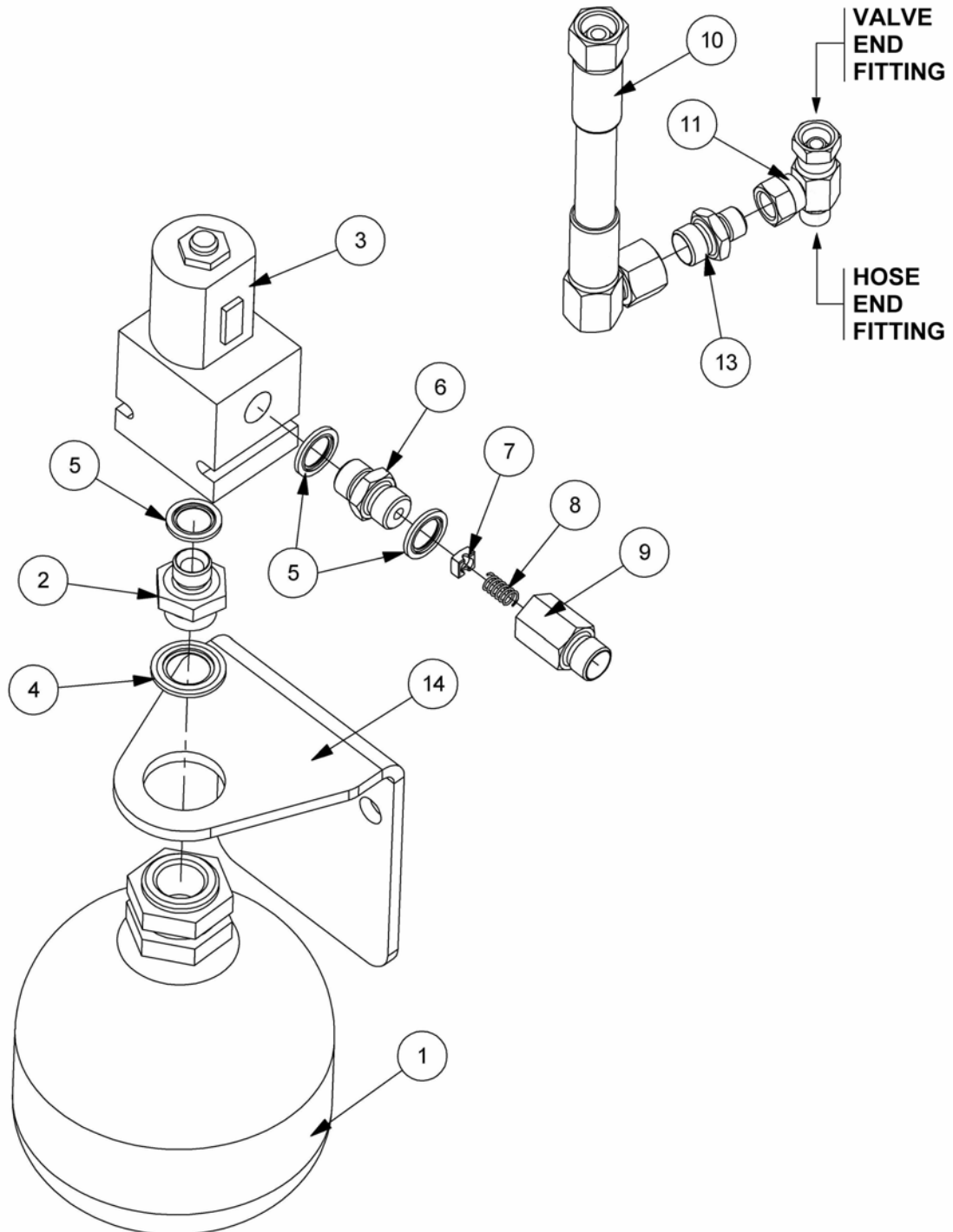
Module:
8126336



LIFT FLOAT KIT – Cable Models

REF.	QTY.	PART No.	DESCRIPTION
		8126336	LIFT FLOAT KIT - CABLE
1	1	8126044	ACCUMULATOR
2	1	G2410380	ADAPTOR
3	1	08.619.09	VALVE - MODULAR
4	1	8650322	BONDED SEAL
5	3	8650103	BONDED SEAL
6	1	8581209	ADAPTOR
7	1	8123041	RESTRICTOR DISC - 1.15 RED
8	1	8116011	SPRING
9	1	8581346	ADAPTOR RESTRICTOR BODY
10	1	10.004.18	HOSE - 3/8"BSP FS/F90 x 900MM LONG
11	1	8581288	ADAPTOR TEE
12	1	8581115	ADAPTOR
13	1	8402208	SWITCH KIT - <i>not illustrated</i>

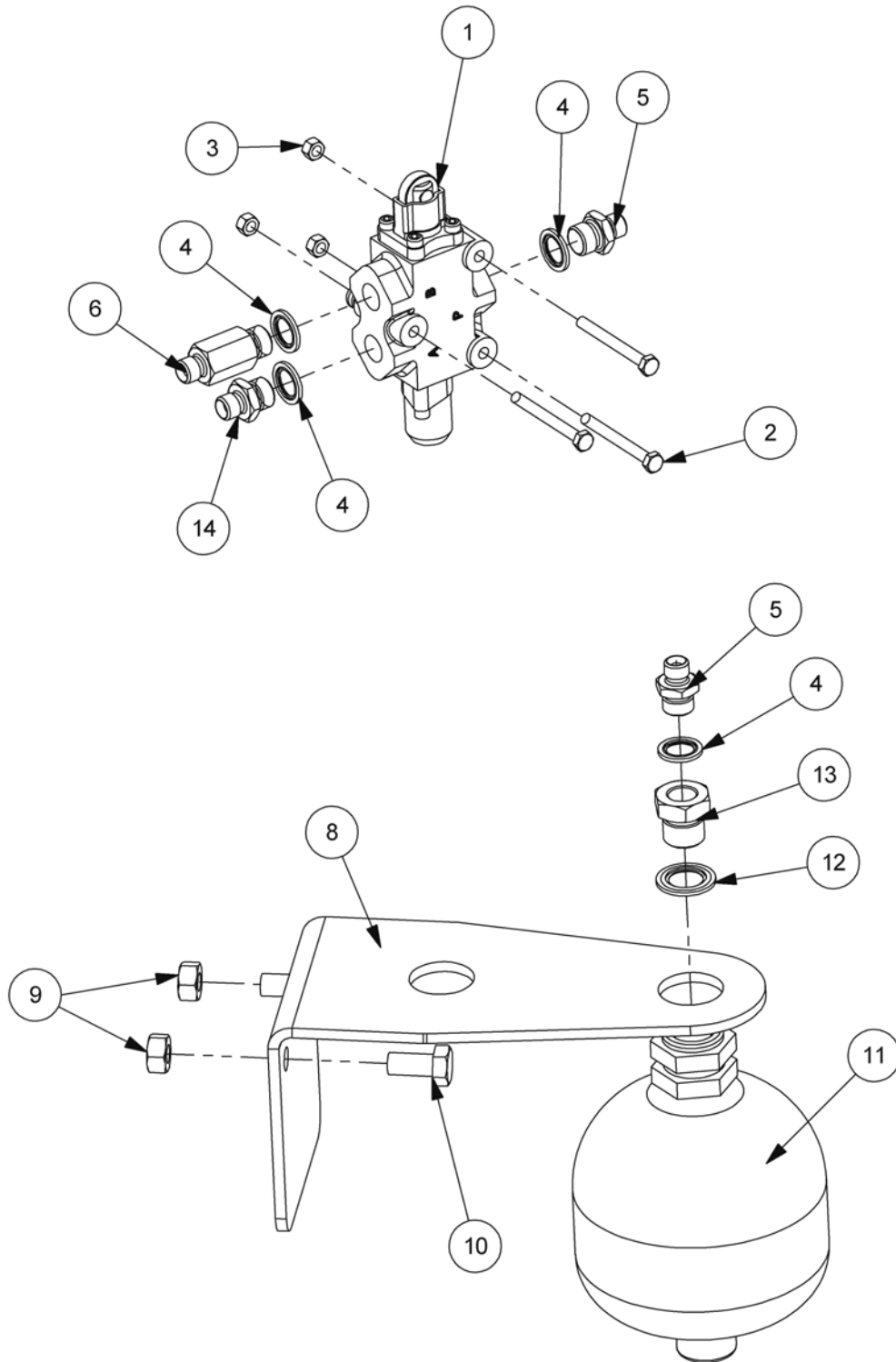
Module:
8126335





REF.	QTY.	PART No.	DESCRIPTION
		8126335	LIFT FLOAT KIT - ELECTRIC
1	1	8126044	ACCUMULATOR
2	1	G2410380	ADAPTOR
3	1	08.619.09	VALVE - MODULAR
4	1	8650322	BONDED SEAL
5	3	8650103	BONDED SEAL
6	1	8581209	ADAPTOR
7	1	8123041	RESTRICTOR DISC - 1.15 RED
8	1	8116011	SPRING
9	1	8581346	ADAPTOR RESTRICTOR BODY
10	1	10.004.16	HOSE - 3/8" BSP FS/F90 x 800MM LONG
11	1	8581288	ADAPTOR TEE
12	1	8402207	LOOM - <i>not illustrated</i>
13	1	8581115	ADAPTOR
14	1	8126318	BRACKET - FLOAT KIT

Module:
7452755





REF.	QTY.	PART No.	DESCRIPTION
		7452755	OVER CENTRE VALVE KIT
1	1	45913.02	CAM VALVE DIVERTER - 3 WAY
2	3	9213123	BOLT
3	3	9143003	SELF-LOCKING NUT
4	4	8650103	BONDED SEAL
5	2	8581115	ADAPTOR
6	1	8581146	ADAPTOR
7	6	9100103	FLAT WASHER
8	1	8126330	ACCUMULATOR BRACKET
9	2	9143006	SELF-LOCKING NUT
10	2	9313056	SETSCREW
11	1	8126044	ACCUMULATOR
12	1	8650322	BONDED SEAL
13	1	8581284	ADAPTOR
14	1	8130046	ADAPTOR RESTRICTOR

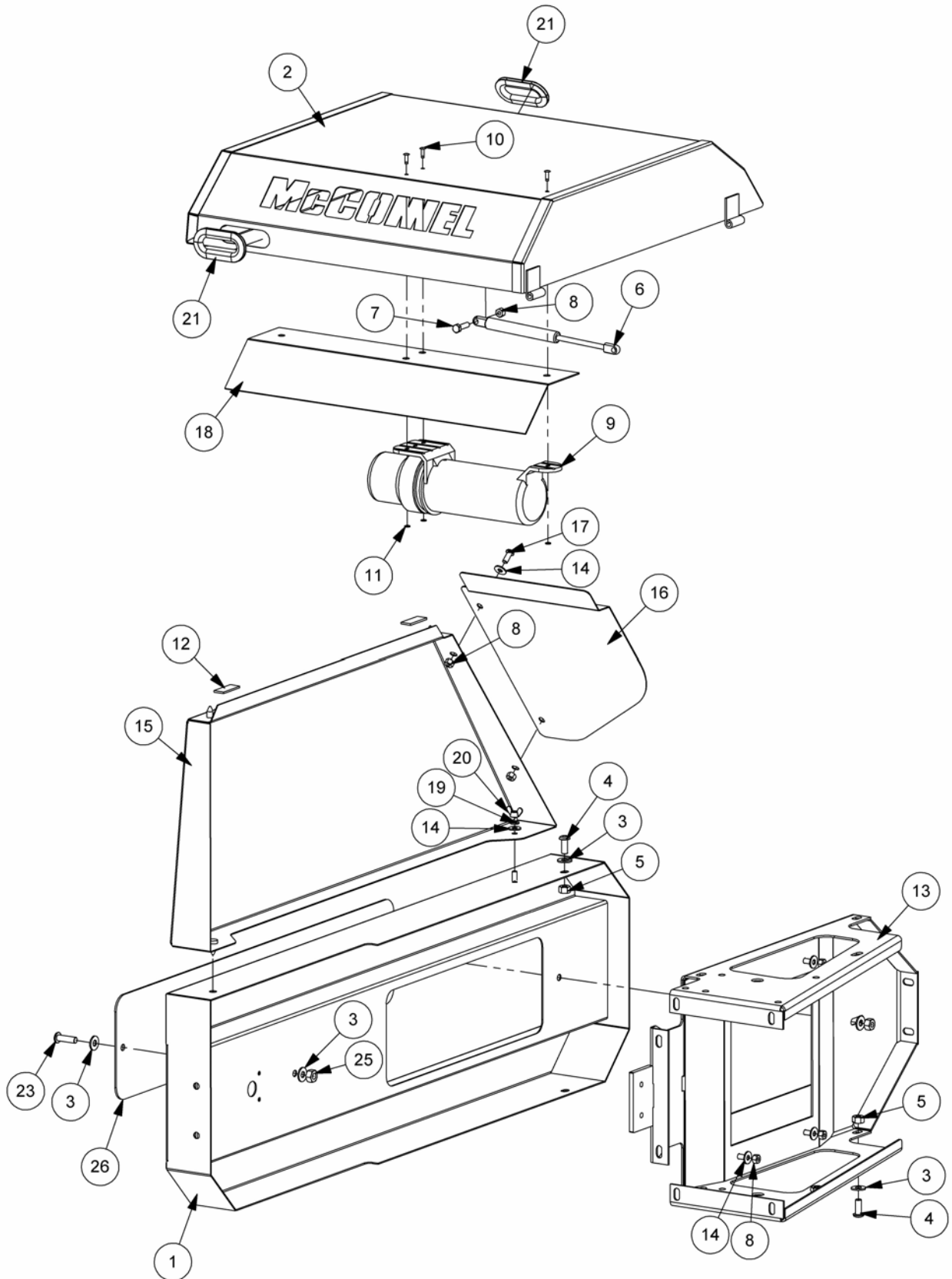
COVERS – Models without Cooler

Modules:

7153702 – L/H Build

7153703 – R/H Build

Illustrated in Left Hand Build



COVERS – Models without Cooler

REF.	QTY.	PART No.	DESCRIPTION
		7153702	COVERS ASSEMBLY (No Cooler Models) - L/H Build
		7153703	COVERS ASSEMBLY (No Cooler Models) - R/H Build
1	1	21723.03	LIGHT BAR - L/H Build
	1	21723.04	LIGHT BAR - R/H Build
2	1	21309.12	TANK COVER - L/H Build
	1	21309.13	TANK COVER - R/H Build
3	6	9100105	FLAT WASHER
4	2	9300154	SOCKET SCREW
5	3	9143005	SELF-LOCKING NUT
6	1	21288.03	GAS SPRING
7	1	9313064	SETSCREW
8	7	9143004	SELF-LOCKING NUT
9	1	46505.01	LITERATURE HOLDER
10	3	21612.01	POP RIVET
11	3	9100101	FLAT WASHER
12	2	21726.31	SPONGE PAD
13	1	21305.01	COVER MOUNT
14	7	9100104	FLAT WASHER
15	1	21712.02	REAR COVER - L/H Build
	1	21712.03	REAR COVER - R/H Build
16	1	21880.01	VALVE COVER - L/H Build
	1	21880.02	VALVE COVER - R/H Build
17	2	9300161	SOCKET BUTTON SCREW
18	1	21881.01	COVER INSERT
19	1	9100204	SPRING WASHER
20	1	9193004	M8 WING NUT
21	2	43468.10	EDGING
22	2	21464.01	SPACER - BLANK PLATE
23	1	9300175	SOCKET SCREW
24	1	9300185	SOCKET SCREW
25	1	9147006	SELF LOCK NUT
26	1	21363.02	BLANKING PLATE

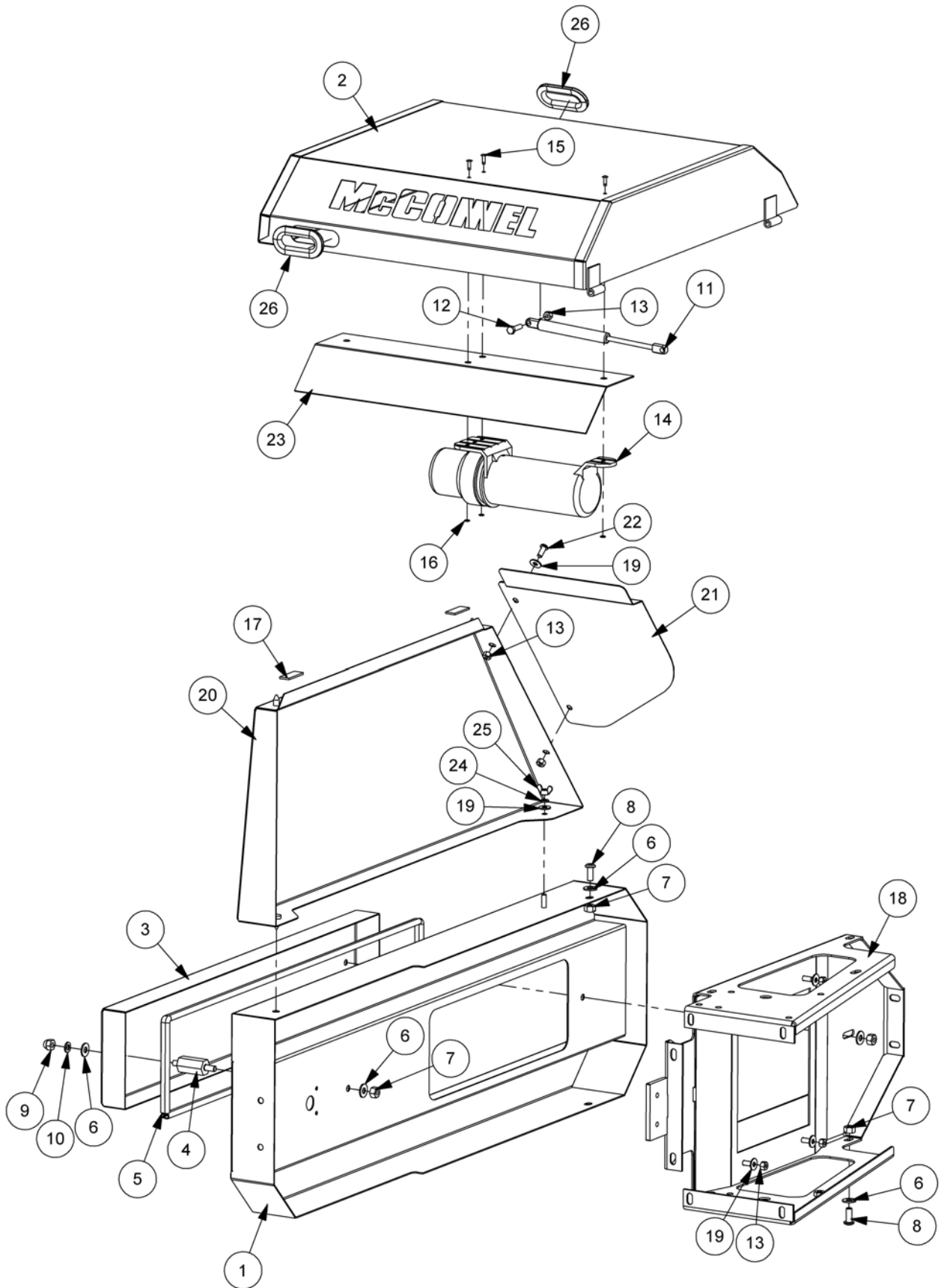
COVERS – Models with Cooler

Modules:

7153704 – L/H Build

7153705 – R/H Build

Illustrated in Left Hand Build



COVERS – Models with Cooler

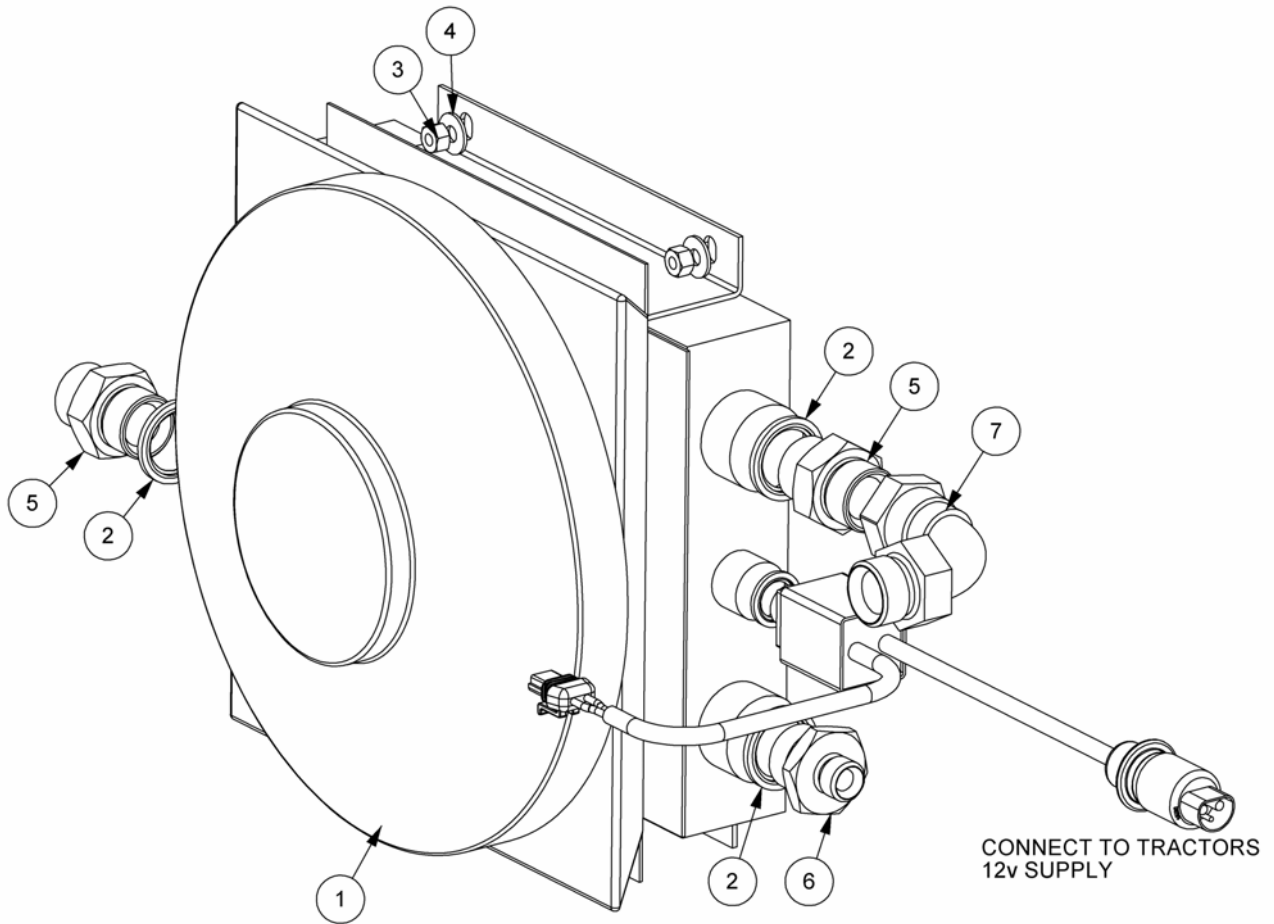
REF.	QTY.	PART No.	DESCRIPTION
		7153704	COVERS ASSEMBLY (Cooler Models) - L/H Build
		7153705	COVERS ASSEMBLY (Cooler Models) - R/H Build
1	1	21723.03	LIGHT BAR - L/H Build
	1	21723.04	LIGHT BAR - R/H Build
2	1	21309.12	TANK COVER - L/H Build
	1	21309.13	TANK COVER - R/H Build
3	1	46046.01	COOLER FILTER BASKET
4	2	46041.01	STAND OFF
5	1	43468.05	EDGING STRIP
6	6	9100105	FLAT WASHER
7	4	9143005	SELF-LOCKING NUT
8	2	9300154	SOCKET SCREW
9	2	9100025	DOME NUT
10	2	9100205	SPRING WASHER
11	1	21288.03	GAS SPRING
12	1	9313064	SETSCREW
13	7	9143004	SELF-LOCKING NUT
14	1	46505.01	LITERATURE HOLDER
15	3	21612.01	POP RIVET
16	3	9100101	FLAT WASHER
17	2	21726.31	SPONGE PAD
18	1	21305.01	COVER MOUNT
19	7	9100104	FLAT WASHER
20	1	21712.02	REAR COVER - L/H Build
	1	21712.03	REAR COVER - R/H Build
21	1	21880.01	VALVE COVER - L/H Build
	1	21880.02	VALVE COVER - R/H Build
22	2	9300161	SOCKET BUTTON SCREW
23	1	21881.01	COVER INSERT
24	1	9100204	SPRING WASHER
25	1	9193004	WING NUT
26	2	43468.10	EDGING

COOLER ASSEMBLY

Modules:

- 7153756 – L/H Build
- 7153757 – R/H Build

Illustrated in Left hand Build

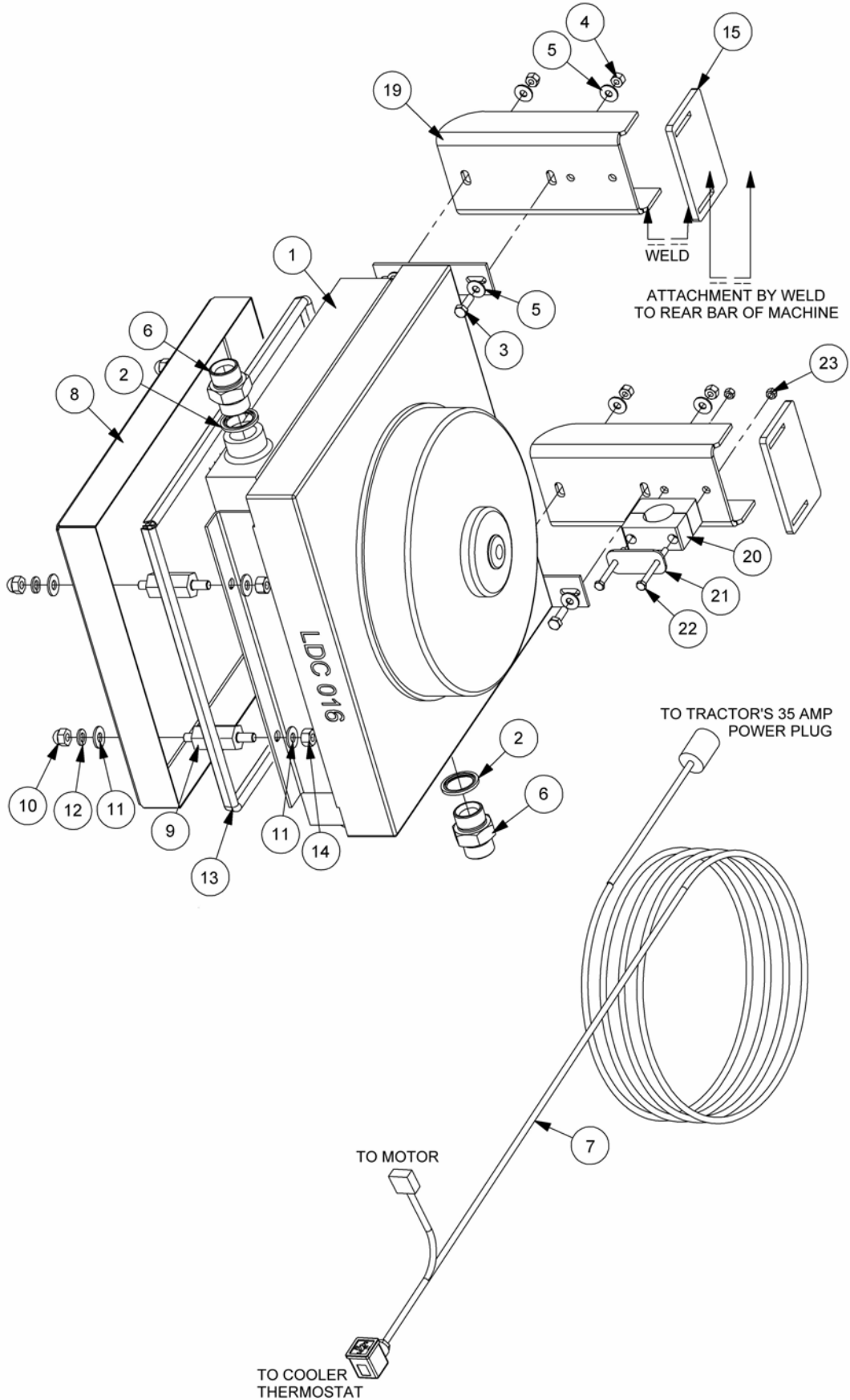


COOLER ASSEMBLY

REF.	QTY.	PART No.	DESCRIPTION
		7153756	COOLER ASSEMBLY - L/H Build
		7153757	COOLER ASSEMBLY - R/H Build
1	1	8402379	COOLER c/w THERMO SWITCH AND LOOM
2	3	8650108	BONDED SEAL
3	4	9143004	SELF-LOCKING NUT
4	4	9100104	FLAT WASHER
5	2	05.434.01	ADAPTOR
6	1	8581129	ADAPTOR
7	1	8581264	ADAPTOR - SWEPT 90°

NOTE: Component parts for L/H & R/H builds are identical builds differ only in the assembled positions of components

Module:
7153744



ADDITIONAL COOLER KIT (Option)

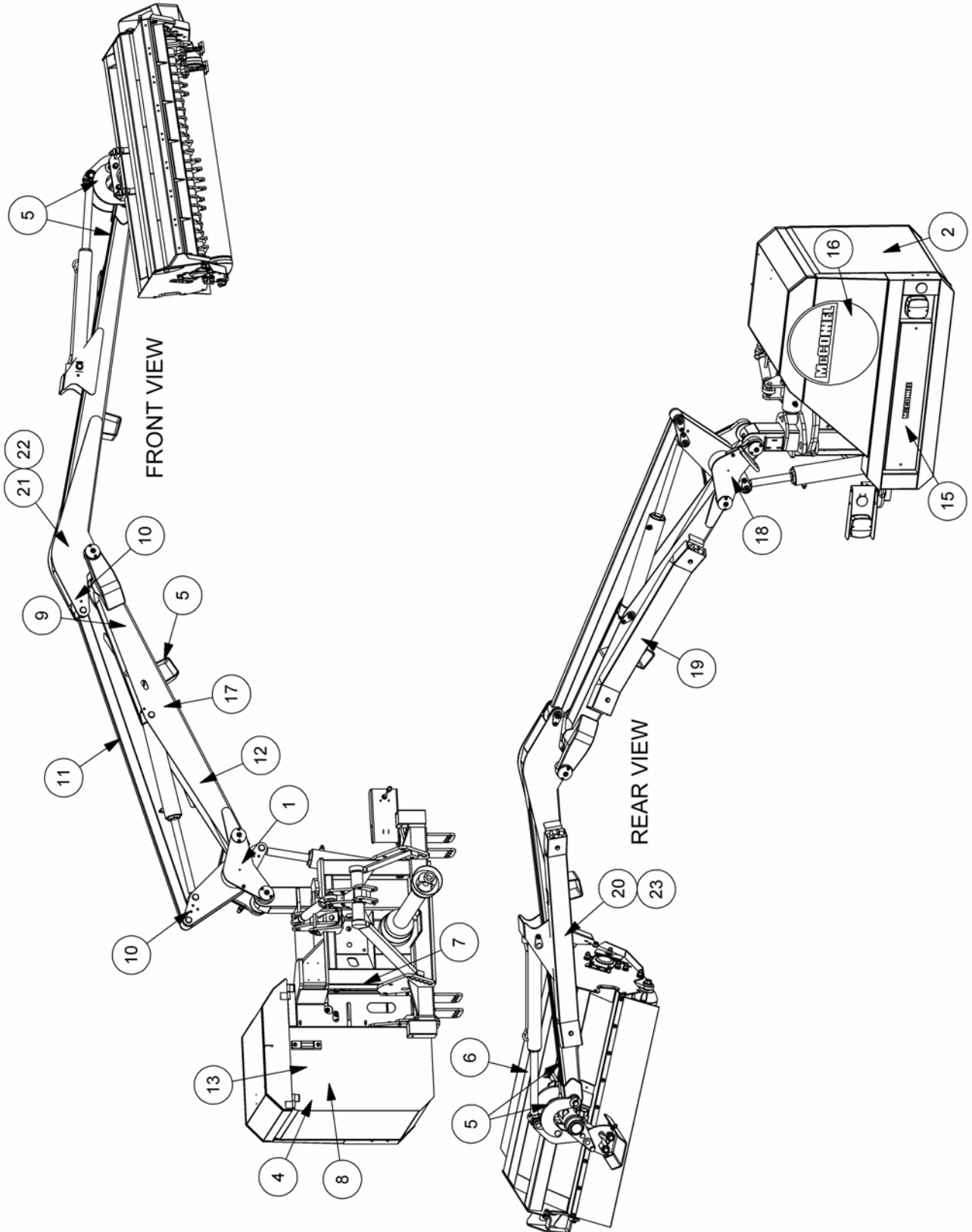
REF.	QTY.	PART No.	DESCRIPTION
		7153744	ADDITIONAL COOLER KIT - Optional
1	1	8402381	OIL COOLER
2	3	8650108	BONDED SEAL
3	4	9313054	SETSCREW
4	4	9143004	SELF-LOCKING NUT
5	8	9100104	FLAT WASHER
6	2	05.434.01	ADAPTOR
7	1	43177.38	LOOM
8	1	46046.03	COOLER BASKET
9	4	46041.01	STAND OFF
10	4	9100025	DOME NUT
11	8	9100105	FLAT WASHER
12	4	9100205	SPRING WASHER
13	1	43468.05	EDGING STRIP
14	4	9143005	SELF-LOCKING NUT
15	2	21380.02	PAD (COOLER MOUNT)
16	1	8582058	* BLANKING CAP
17	1	8581215	* ELBOW - 90° SWEPT
18	1	8581129	ADAPTOR
19	2	21380.01	COOLER PLATE
20	1	42024.10	CLAMP - SINGLE PAIR
21	1	EYC0035	CLAMP PLATE - SINGLE
22	2	9213143	BOLT
23	2	9143003	SELF-LOCKING NUT
24	1	10.012.37	* HOSE - 1" BSP FS/F90 x 2700mm
25	1	10.006.28	* 1/2" HOSE ASSEMBLY
26	1	10.011.26	* HOSE - 1" BSP FS/FS x 1600mm
27	1	04.056.34	* ADAPTOR TEE

* *not illustrated*

MACHINE DECALS

Modules:

- 7153775 – Basic Decal Kit (All Models)
- 7153770 – Cable Models
- 7153771 – Electric & Proportional Models
- 7153772 – Electric & Proportional EDS Models

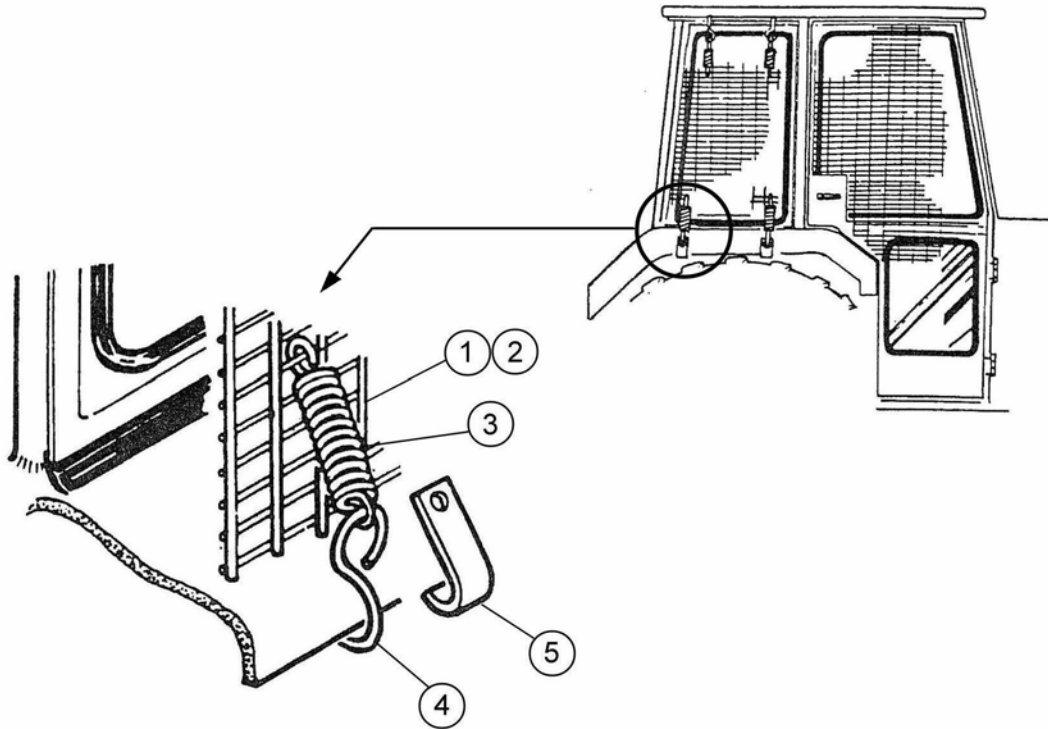




MACHINE DECALS

REF.		PART No.	DESCRIPTION
		7153775	BASIC DECAL KIT - PA53 All Models
1	1	7105130	DECAL - READ INSTRUCTION BOOK
2	1	1290352	DECAL - GENERAL WARNING
3	1	1290391	DECAL - SAFETY WARNING
4	1	00756494	DECAL - PTO SHAFT
5	6	02962764	DECAL - PINCH POINT
6	1	1290571	DECAL - QUEENS AWARD
7	1	09.811.03	DECAL - 500 RPM
8	1	7135295	DECAL - TIGHTEN CHECK CHAINS
9	1	1290403	DECAL - BREAKAWAY WARNING
10	2	1290074	DECAL - SLING HERE
11	1	1290406	DECAL - TRANSPORT WARNING
12	1	8402135	DECAL - SLEW WARNING
13	1	1290023	DECAL - OIL FILTER LABEL
14	1	1290255	DECAL - McCONNEL (BLACK)
15	1	1290514	DECAL - McCONNEL (WHITE)
16	1	1290697	DECAL - McCONNEL ROUNDEL
17	1	1290598	DECAL - McCONNEL (BLACK)
18	1	1290296	DECAL - LOGO ROUNDEL
Model Specific Decal Kits			
		7153770	DECAL KIT - PA53 Cable Models
19	1	1290255	DECAL - McCONNEL (BLACK)
20	1	1290698	DECAL - PA53 HY-REACH (WHITE)
21	1	1290682	DECAL - PA53 (BLACK)
		7153771	DECAL KIT - PA53 Electric & Prop. Models
19	1	1290255	DECAL - McCONNEL (BLACK)
20	1	1290699	DECAL - PA53E HY-REACH (WHITE)
21	1	1290683	DECAL - PA53E (BLACK)
		7153772	DECAL KIT - PA53 Electric & Prop. EDS Models
19	1	1290255	DECAL - McCONNEL (BLACK)
20	1	1290699	DECAL - PA53E HY-REACH (WHITE)
21	1	1290683	DECAL - PA53E (BLACK)
22	1	1290518	DECAL - EDS (BLACK)
23	1	1290700	DECAL - EDS (WHITE)

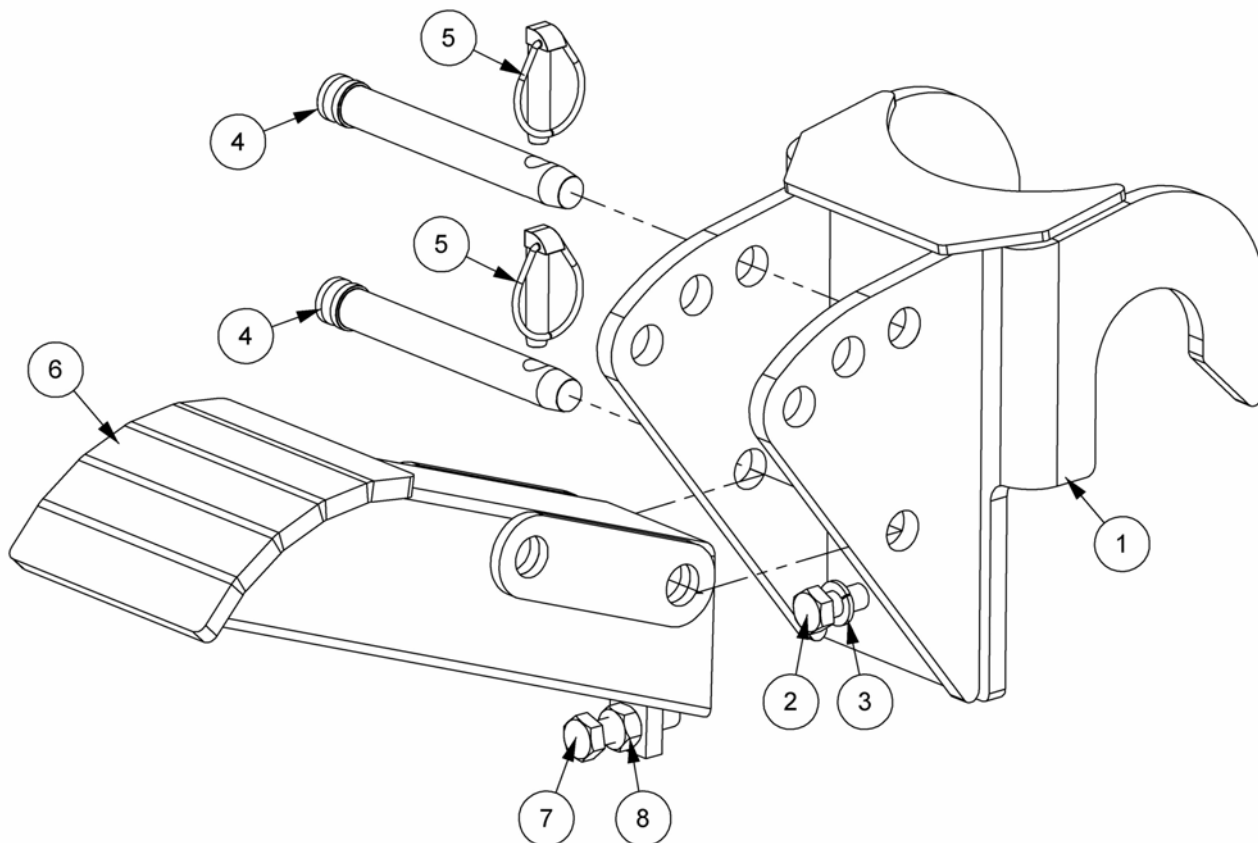
Module:
7313324



REF.	QTY.	PART No.	DESCRIPTION
		7313324	CAB GUARD & MOUNTING KIT
1	1	7313049	GUARD PANEL - LARGE
2	1	7313050	GUARD PANEL - SMALL
3	12	6001064	SPRING
4	6	6001065	HOOK
5	6	7313051	HOOK

LIFT STOP KIT – Optional Extra

Module:
22493.01



REF.	QTY.	PART No.	DESCRIPTION
		22493.01	LIFT STOP KIT
1	1	22483.01	STOP BRACKET
2	1	9313056	SETSCREW
3	1	9100206	SPRING WASHER
4	2	03.874.01	PIN
5	2	0431217	LINCH PIN
6	1	22485.02	PROP
7	1	9313106	SETSCREW
8	1	9113006	NUT



McConnel Limited, Temeside Works, Ludlow, Shropshire SY8 1JL. England.
Telephone: 01584 873131. Facsimile: 01584 876463. www.mcconnel.com