

Publication 490  
October 2005  
Part No. 41570.90  
Revision: 07.11.08



# PA 52

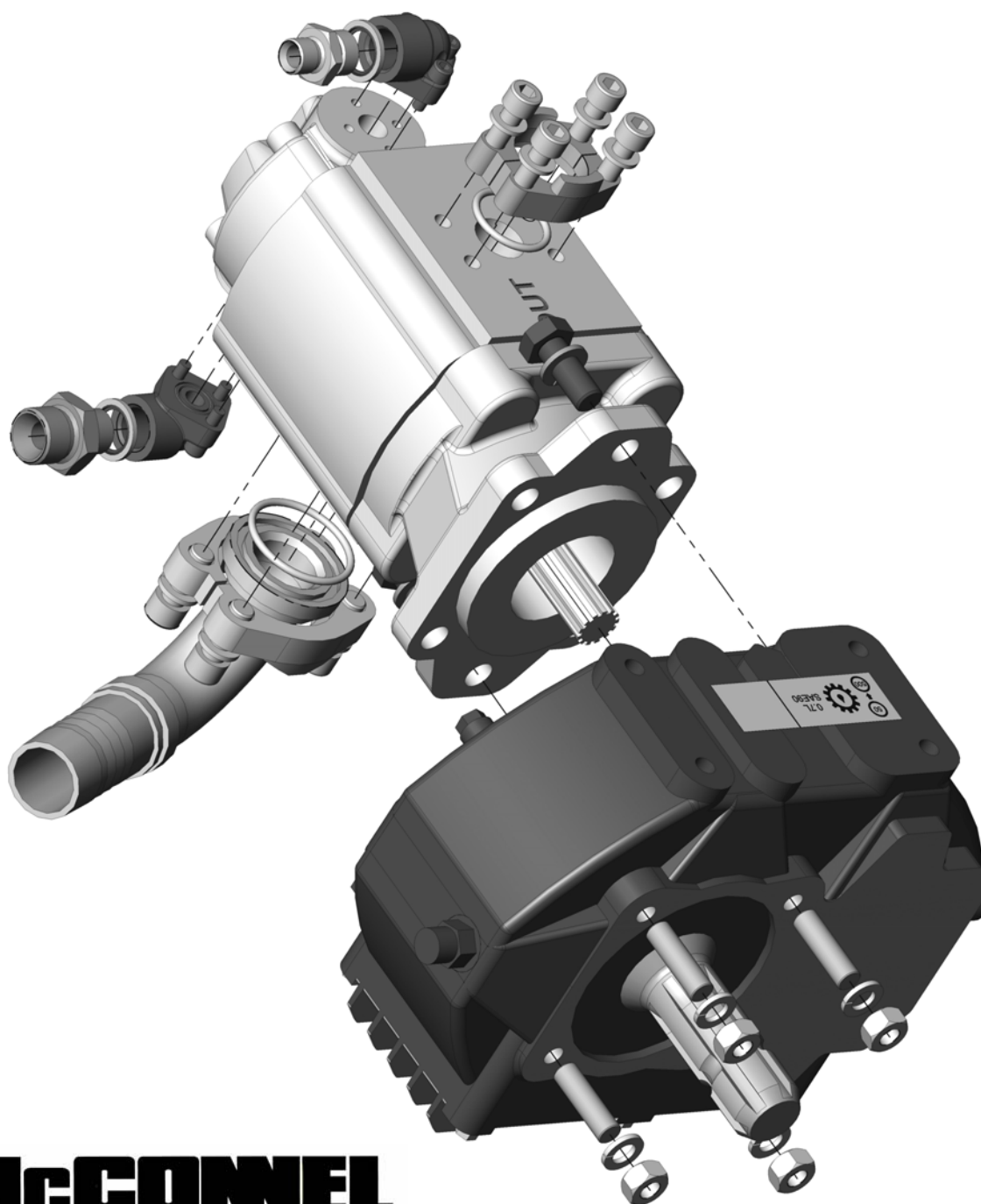
## HY REACH

---

### *Mk2 Models*

---

## Parts Manual



**McCONEL**



***For best performance...***

**USE ONLY McCONNEL SERVICE PARTS**

*To be assured of the latest design improvements purchase your  
'Genuine Replacements' from the Original Equipment Manufacturer:*

**McCONNEL LIMITED**

*through your local Dealer or Stockist.*

**Always quote:**

- ***Machine Type***
- ***Serial Number***
- ***Part Number***

*Design Improvements may have altered some of the parts listed in this manual –  
The latest part will always be supplied when it is interchangeable with an earlier one.*

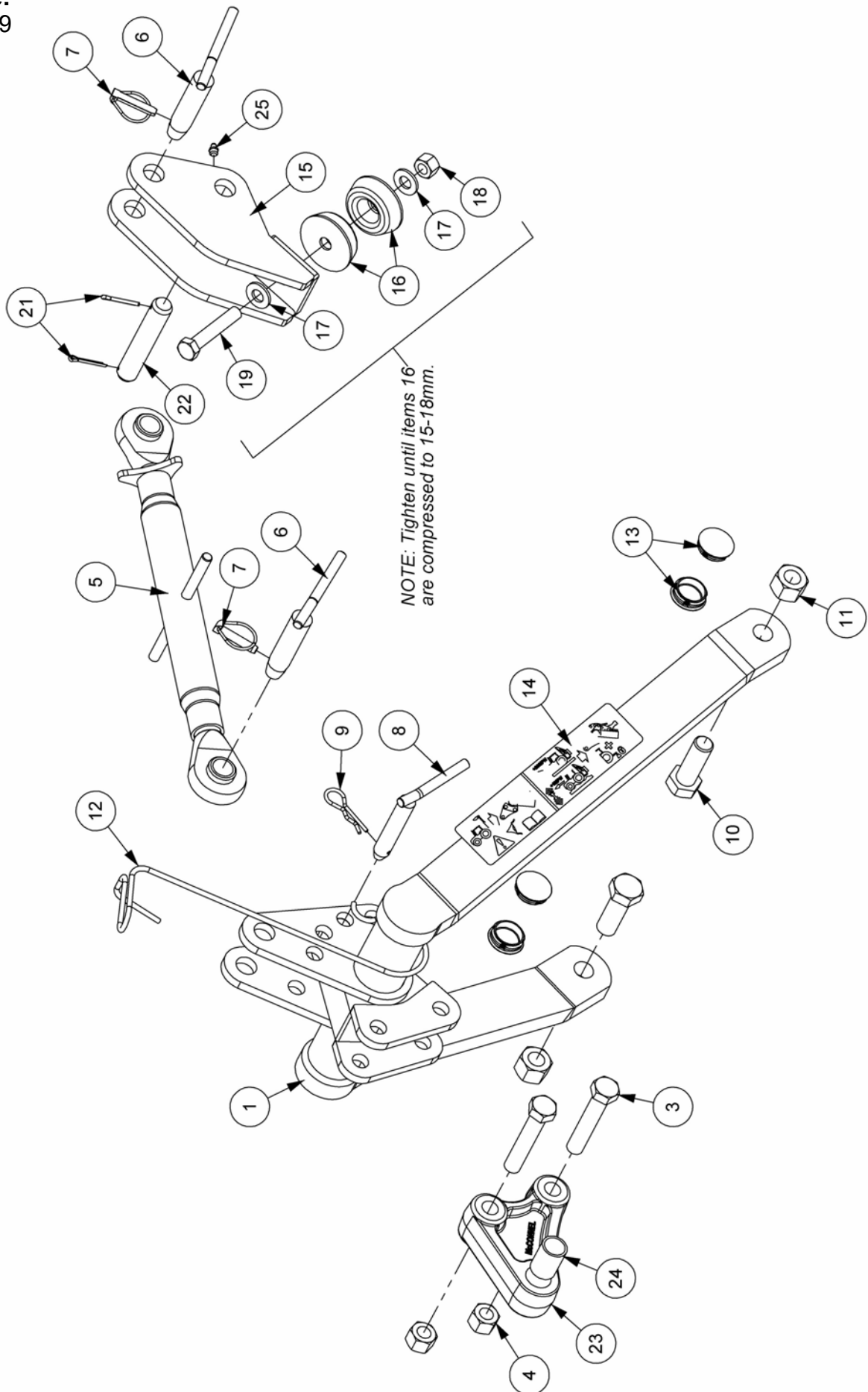


# CONTENTS

	<b>Page No.</b>
<b>Frame &amp; Tank Assemblies</b>	
Stabilizer	4
Main Frame	6
Pillar	8
Rocker	10
Main Arm	12
Dipper Arm	14
Dipper Arm Head Angling Mechanism	16
Hydraulic Tank	18
<b>Pump &amp; Gearbox Assembly</b>	
Pump & Gearbox	20
Gearbox Assembly	22
<b>Valves</b>	
Electric Rotor Control Valve	24
Electric Armhead Control Valve	26
Control Valve Hose Connections	28
Hose Kit	29
<b>Hydraulic Rams</b>	
Angling Ram	30
Lift Ram	31
Reach Ram	32
Slew Ram	33
<b>Controls</b>	
Electric Switchbox Controls	34
Control Mountings	36
<b>Rear Cover Assemblies</b>	
Cooler Module	38
Rear Covers	40
Rear Lighting Kit	42
<b>Decals</b>	
Machine Decal Kits	44

# STABILIZER ASSEMBLY

Module:  
7499629



**STABILIZER ASSEMBLY**

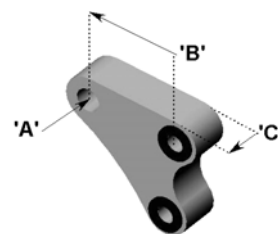
REF.	QTY.	PART No.	DESCRIPTION
		<b>7499629</b>	<b>STABILIZER ASSEMBLY</b>
1	1	41205.10	STABILIZER
3	2	9213228	BOLT
4	2	9143008	SELF-LOCKING NUT
5	1	21370.01	TOP LINK ASSEMBLY
6	2	43342.01	TOP LINK PIN
7	2	0431217	LINCH PIN
8	1	45784.01	QUADRANT PIN
9	1	0431105	SPRING COTTER
10	2	9213149	BOLT
11	2	9143009	SELF-LOCKING NUT
12	1	21160.03	PTO HOOK
13	4	21388.01	PLASTIC INSERT
14	1	1290630	DECAL - STABILIZER INSTRUCTION
15	1	21754.01	TOP HITCH ROCKER
16	2	21372.02	RUBBER PAD
17	2	0100106	WASHER
18	1	9143007	SELF-LOCKING NUT
19	1	9213187	BOLT
21	2	9501326	SPLIT PIN
22	1	21774.01	PIN - TOP LINK ROCKER
23	1	7499506C	STABILIZER TONGUE - CAT.3 (CAST)
24	1	21883.01	SLEEVE - CAT.2 TO CAT.3
25	1	0901121	GREASE NIPPLE - STRAIGHT

**McCONNELL STABILISER TONGUES**

'A' – Hole diameter

'B' – Hole center spacing

'C' – Stabiliser width



(Dimensions in mm)

Part No.	Description	'A'	'B'	'C'
7499501	Tongue: Standard – Cat. 2	27	107	45
7499500	Tongue: Special – Cat. 2 narrow	27	107	35
7499502	Tongue: Special – Cat. 2 long	27	217	45
7499503	Tongue: Special – Cat. 3 long	32	217	45
7499504	Tongue: Special – Cat. 1	19.5	107	35
7499505	Tongue: Special – Cat. 2 for Case TX tractors	25	120	50
7499506	Tongue: Special – Cat. 3	32	107	45
7499507	Tongue: Special – Cat. 3 narrow	32	107	30
7499508	Tongue: Special – for some Ford tractors	28.6	107	45
7499262	Tongue: Special – Cat. 2 extra long for Aebi	27	260	45
7499510	Tongue: Special – Cat. 2	27	107	40

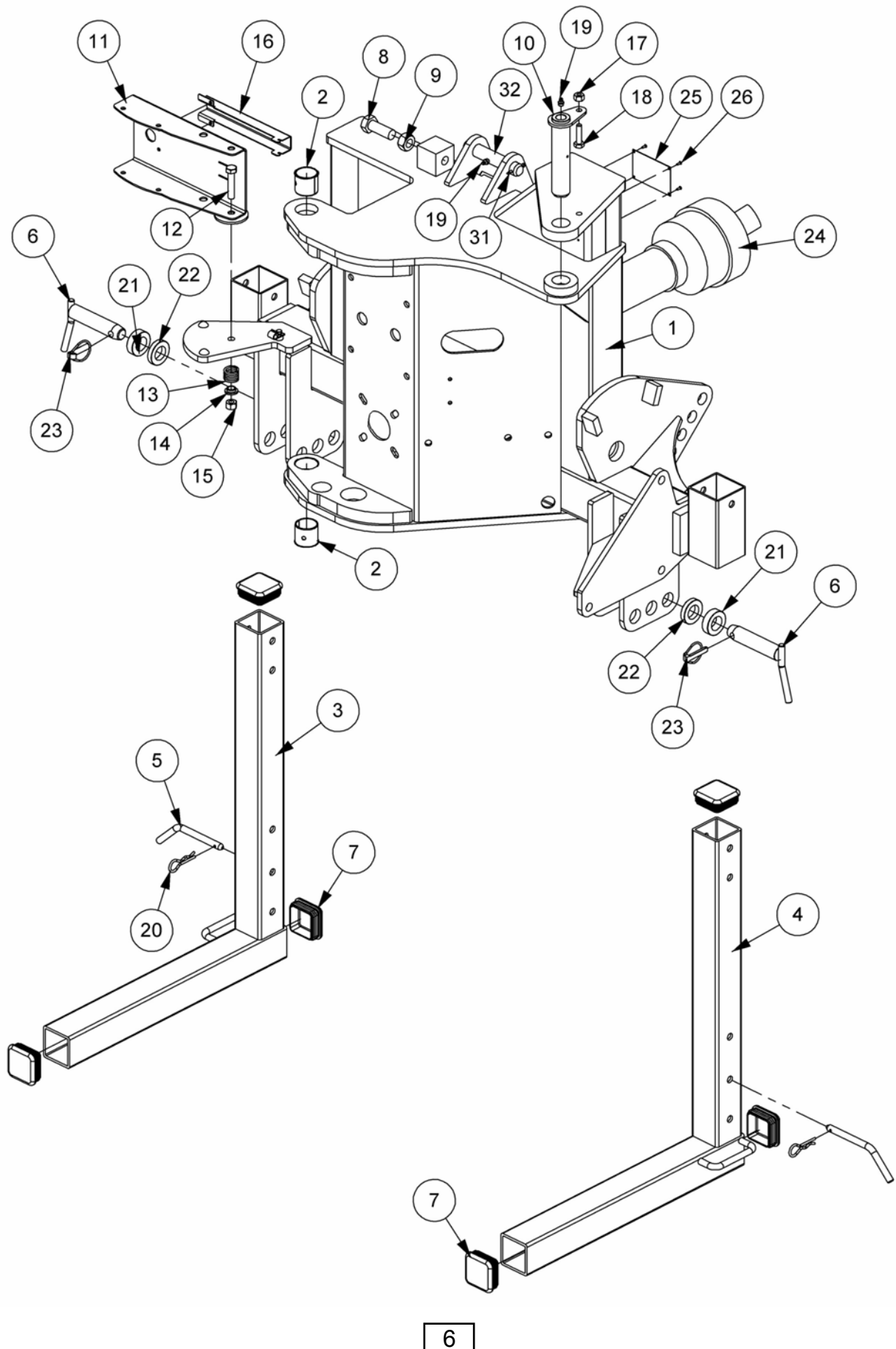
# MAIN FRAME ASSEMBLY

**Modules:**

7452790 – L/H Build

7452791 – R/H Build

*Illustrated in Left Hand Build*



**MAIN FRAME ASSEMBLY**

REF.	QTY.	PART No.	DESCRIPTION
		<b>7452790</b>	<b>MAIN FRAME ASSEMBLY - L/H Build</b>
		<b>7452791</b>	<b>MAIN FRAME ASSEMBLY - R/H Build</b>
1	1	21272.12	MAIN FRAME - L/H Build
	1	21272.13	MAIN FRAME - R/H Build
2	2	7115208	GLACIER BUSH
3	1	45293.03	STAND LEG - L/H
4	1	45293.04	STAND LEG - R/H
5	2	45297.01	LEG PIN
6	2	41559.01	LINKAGE PIN - CAT 2.
7	6	45210.01	PLASTIC PLUG
8	1	9313118	SETSCREW
9	1	9113008	NUT
10	1	45202.08	PIN
11	1	21283.07	LAMP BRACKET - L/H Build
	1	21283.08	LAMP BRACKET - R/H Build
12	1	9213126	BOLT
13	1	8020178	COMPRESSION SPRING
14	1	21757.01	SPRING LOCATOR
15	1	9143006	SELF-LOCKING NUT
16	1	21755.01	CABLE COVER
17	1	9143005	SELF-LOCKING NUT
18	1	9213085	BOLT
19	2	0901121	GREASE NIPPLE
20	2	0431105	SPRING COTTER
21	2	43332.01	LINKAGE SPACER
22	2	43332.02	LINKAGE SPACER
23	2	0431217	LINCH PIN
24	1	7550346	PTO SHAFT
25	1	1335246	SERIAL No. PLATE
26	4	7103230	POP RIVET
27	2	21151.01	D CLIP
28	2	9100101	FLAT WASHER
29	2	9100203	SPRING WASHER
30	2	9313023	SETSCREW
31	2	9501326	SPLIT PIN
32	1	21774.01	PIN - TOP LINK ROCKER



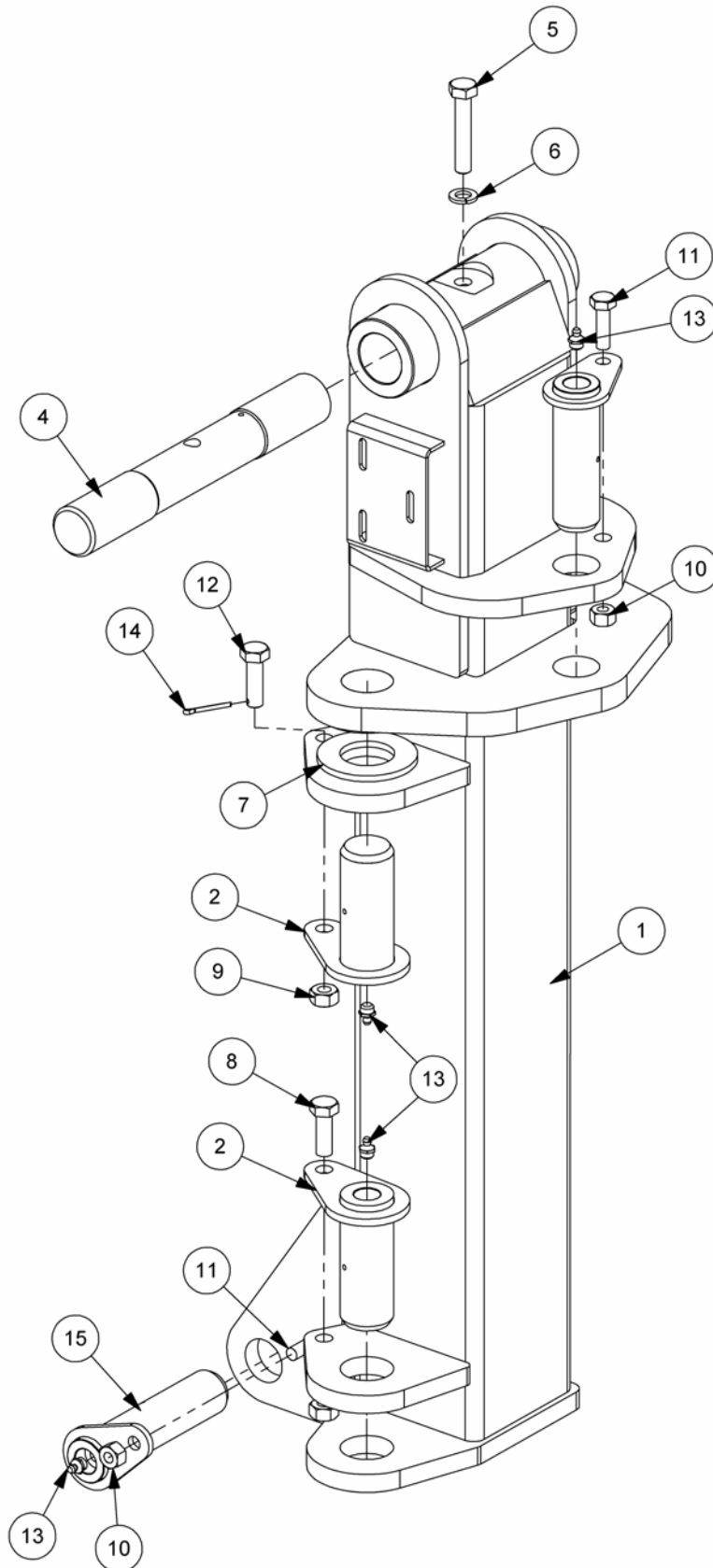
# PILLAR ASSEMBLY

**Modules:**

7452792 – L/H Build

7452793 – R/H Build

*Illustrated in Left Hand Build*

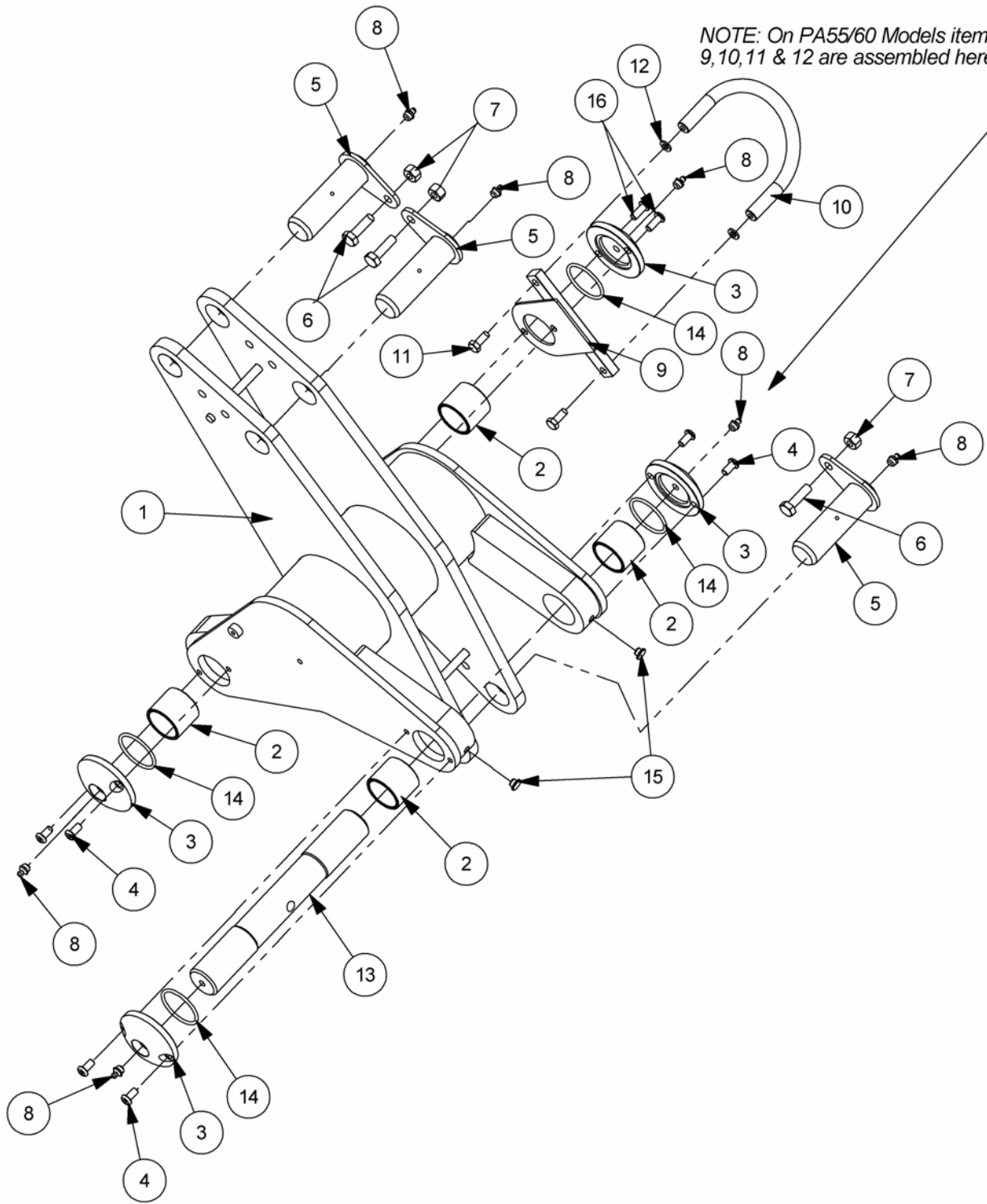


**PILLAR ASSEMBLY**

REF.	QTY.	PART No.	DESCRIPTION
		<b>7452792</b>	<b>PILLAR ASSEMBLY - L/H Build</b>
		<b>7452793</b>	<b>PILLAR ASSEMBLY - R/H Build</b>
1	1	45192.05	PILLAR - L/H Build
	1	-	PILLAR - R/H Build
2	2	45271.01	PIN - SLEW PIVOT
3	1	45202.04	PIN - SLEW ROD
4	1	45264.01	PIN - MAIN PIVOT
5	1	9213136	BOLT
6	1	9100206	SPRING WASHER
7	1	45298.01	THRUST WASHER
8	1	9313076	SETSCREW
9	2	9143006	SELF-LOCKING NUT
10	2	9143005	SELF-LOCKING NUT
11	2	9313075	SETSCREW
12	1	45416.01	SPECIAL SETCREW
13	4	0901121	GREASE NIPPLE
14	1	9501255	SPLIT PIN
15	1	45202.07	PIN - LIFT RAM BASE

**Module:**  
7452710

*Illustrated in Left Hand Build*



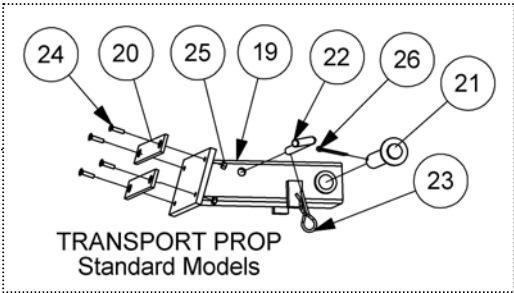
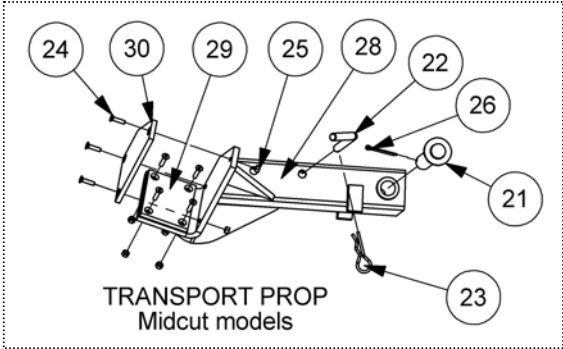
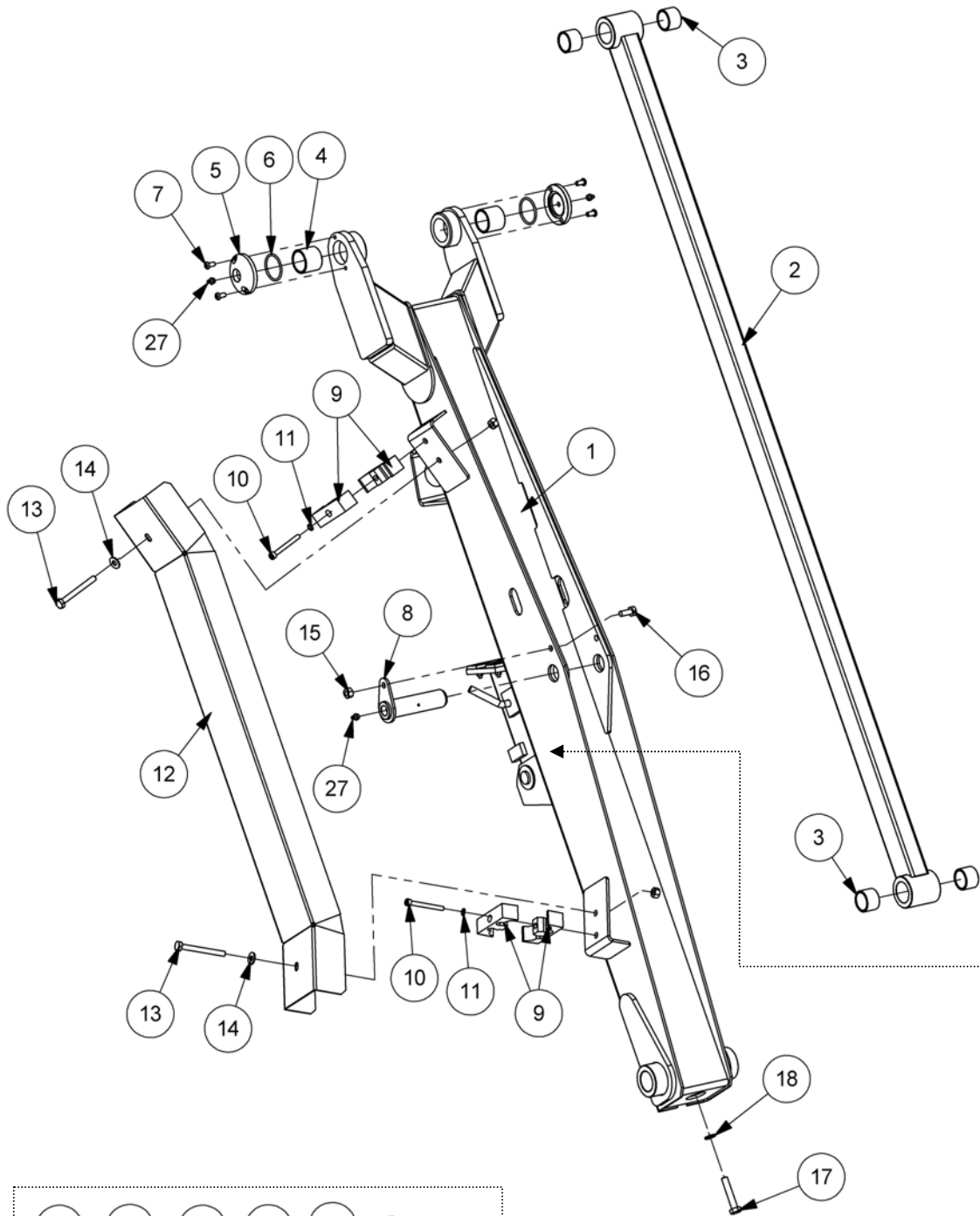
**ROCKER ASSEMBLY – Standard**

<b>REF.</b>	<b>QTY.</b>	<b>PART No.</b>	<b>DESCRIPTION</b>
		<b>7452710</b>	<b>ROCKER ASSEMBLY - STANDARD</b>
1	1	45059.02	ROCKER
2	4	08.297.02	BUSH
3	4	45266.01	PIN CAP
4	6	9300159	BOLT - BUTTON / SOCKET HEAD
5	3	45202.04	SLEW ROD PIN
6	3	9313075	SETSCREW
7	3	9143005	SELF-LOCKING NUT
8	7	0901121	GREASE NIPPLE - Straight
9	1	43048.06	RETAINING BRACKET
10	1	43048.05	HOOK
11	2	9313044	SETSCREW
12	2	9100204	SPRING WASHER
13	1	45264.01	MAIN PIVOT PIN
14	4	8600303	'O' RING 225
15	2	42964.02	PLASTIC PLUG
16	2	9300161	SOCKET BUTTON SCREW

# MAIN ARM ASSEMBLY

**Modules:**  
Refer to Parts List

*Illustrated in Left Hand Build*



**MAIN ARM ASSEMBLY**

REF.	QTY.			PART No.	DESCRIPTION
				7452712	MAIN ARM ASSEMBLY - L/H Standard Models
				7452713	MAIN ARM ASSEMBLY - R/H Standard Models
				7452762	MAIN ARM ASSEMBLY - L/H Front Mount
				7452761	MAIN ARM ASSEMBLY - R/H Front Mount
				7452763	MAIN ARM ASSEMBLY - L/H Midcut Models
				7452764	MAIN ARM ASSEMBLY - R/H Midcut Models
	<i>Std.</i>	<i>M/cut</i>	<i>F/M</i>		
1	1	1	1	45056.07	MAIN ARM - L/H Build (R/H on Front Mount Models)
	1	1	1	45056.08	MAIN ARM - R/H Build (L/H on Front Mount Models)
2	1	1	1	45064.03	TENSION LINK
3	4	4	4	08.297.05	BUSH
4	2	2	2	08.297.02	BUSH
5	2	2	2	45266.01	PIN CAP
6	2	2	2	8600303	O RING
7	4	4	4	9300159	BOLT - BUTTON HEADED SOCKET
8	1	1	1	45202.03	PIN
9	4	4	4	45630.01	HOSE CLAMP
10	2	2	2	9243154	CAPSCREW
11	2	2	2	9100404	SHAKEPROOF WASHER
12	1	1	1	41665.21	HOSE COVER
13	2	2	2	9213205	BOLT
14	2	2	2	9100105	FLAT WASHER
15	3	3	3	9143005	SELF-LOCKING NUT
16	1	1	1	9313055	SETSCREW
17	1	1	1	9213136	BOLT
18	1	1	1	9100206	SPRING WASHER
19	1	<i>n/a</i>	<i>n/a</i>	43021.08	TRANSPORT PROP
20	2	<i>n/a</i>	<i>n/a</i>	43091.03	PAD - TRANSPORT PROP
21	1	1	<i>n/a</i>	43023.01	PIN -TRANSPORT PROP
22	1	1	<i>n/a</i>	43074.01	LOCK PIN -TRANSPORT PROP
23	1	1	<i>n/a</i>	0431105	SPRING COTTER
24	4	7	<i>n/a</i>	9353053	CAPSCREW - SOCKET HEADED
25	4	7	<i>n/a</i>	9143003	SELF-LOCKING NUT
26	1	1	<i>n/a</i>	9501406	SPLIT PIN
27	3	3	3	0901121	GREASE NIPPLE
28	<i>n/a</i>	1	<i>n/a</i>	43021.03	TRANSPORT CRADLE - L/H Build
	<i>n/a</i>	1	<i>n/a</i>	43021.04	TRANSPORT CRADLE - R/H Build
29	<i>n/a</i>	1	<i>n/a</i>	43091.01	MAIN PAD
30	<i>n/a</i>	1	<i>n/a</i>	43091.02	SIDE PAD

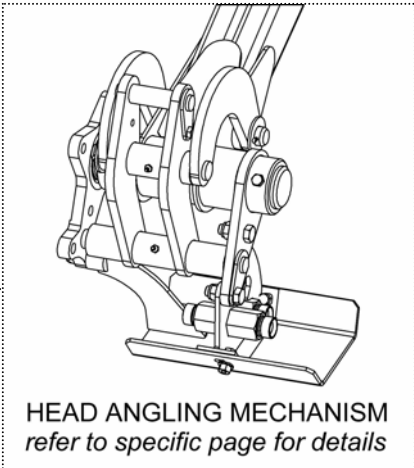
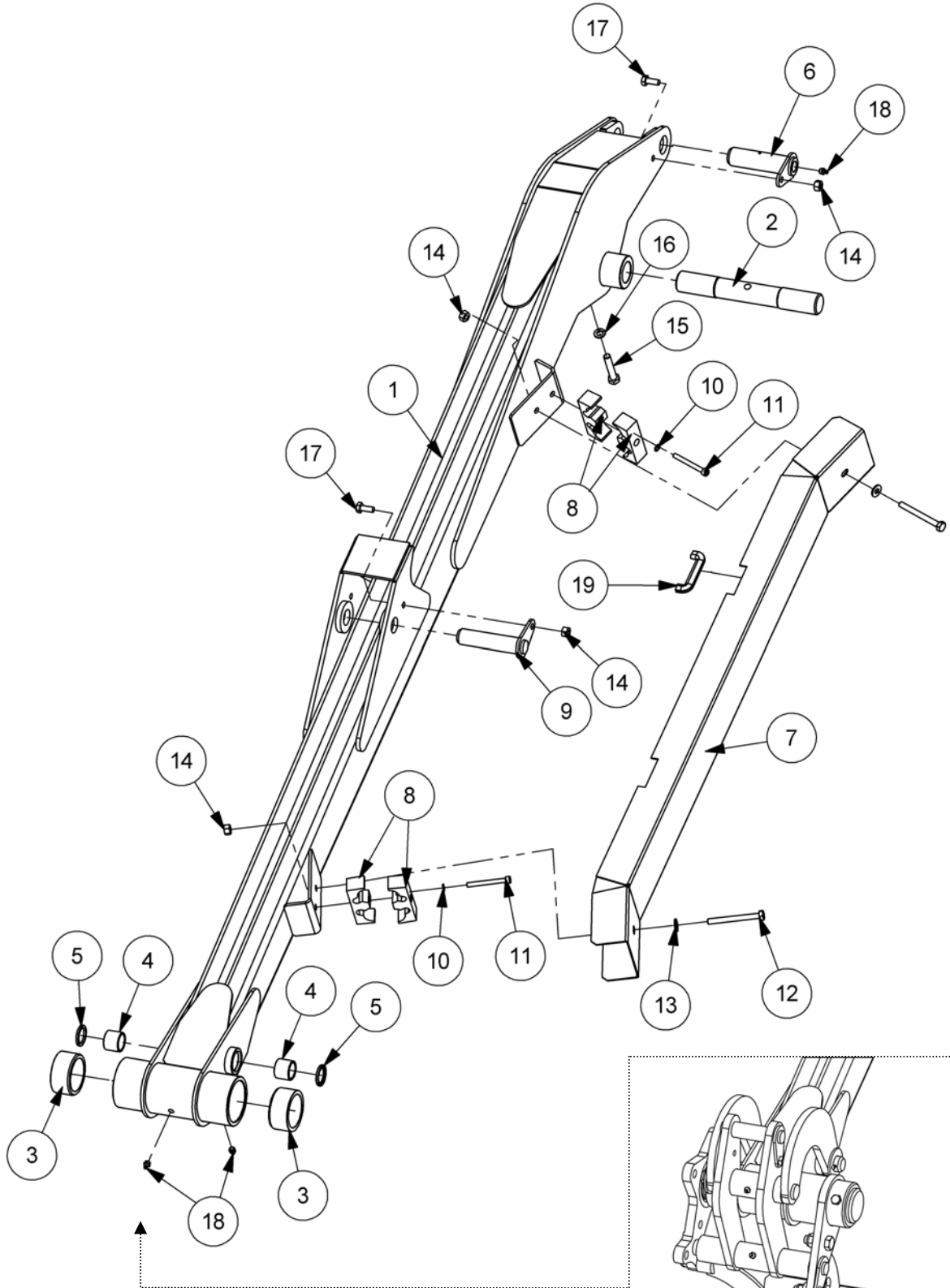
# DIPPER ARM ASSEMBLY

**Modules:**

7452714 – L/H Build

7452715 – R/H Build

*Illustrated in Left Hand Build*



**DIPPER ARM ASSEMBLY**

REF.	QTY.	PART No.	DESCRIPTION
		<b>7452714</b>	<b>DIPPER ARM ASSEMBLY - L/H Build</b>
		<b>7452715</b>	<b>DIPPER ARM ASSEMBLY - R/H Build</b>
1	1	45063.07	DIPPER ARM - L/H Build
	1	45063.08	DIPPER ARM - R/H Build
2	1	45264.01	MAIN PIVOT PIN
3	2	7136035	PLASTIC BUSH
4	2	08.297.04	BUSH
5	2	8629218	LIP SEAL
6	1	45202.01	PIN
7	1	41665.24	HOSE GUARD
8	4	45630.01	CLAMP HOSE
9	1	42684.07	PIN
10	2	9100404	SHAKEPROOF WASHER
11	2	9243154	CAPSCREW
12	2	9213205	BOLT
13	2	9100105	FLAT WASHER
14	4	9143005	SELF-LOCKING NUT
15	1	9213136	BOLT
16	1	9100206	SPRING WASHER
17	2	9313055	SETSCREW
18	3	0901121	GREASE NIPPLE
19	1	41741.01	EDGING STRIP

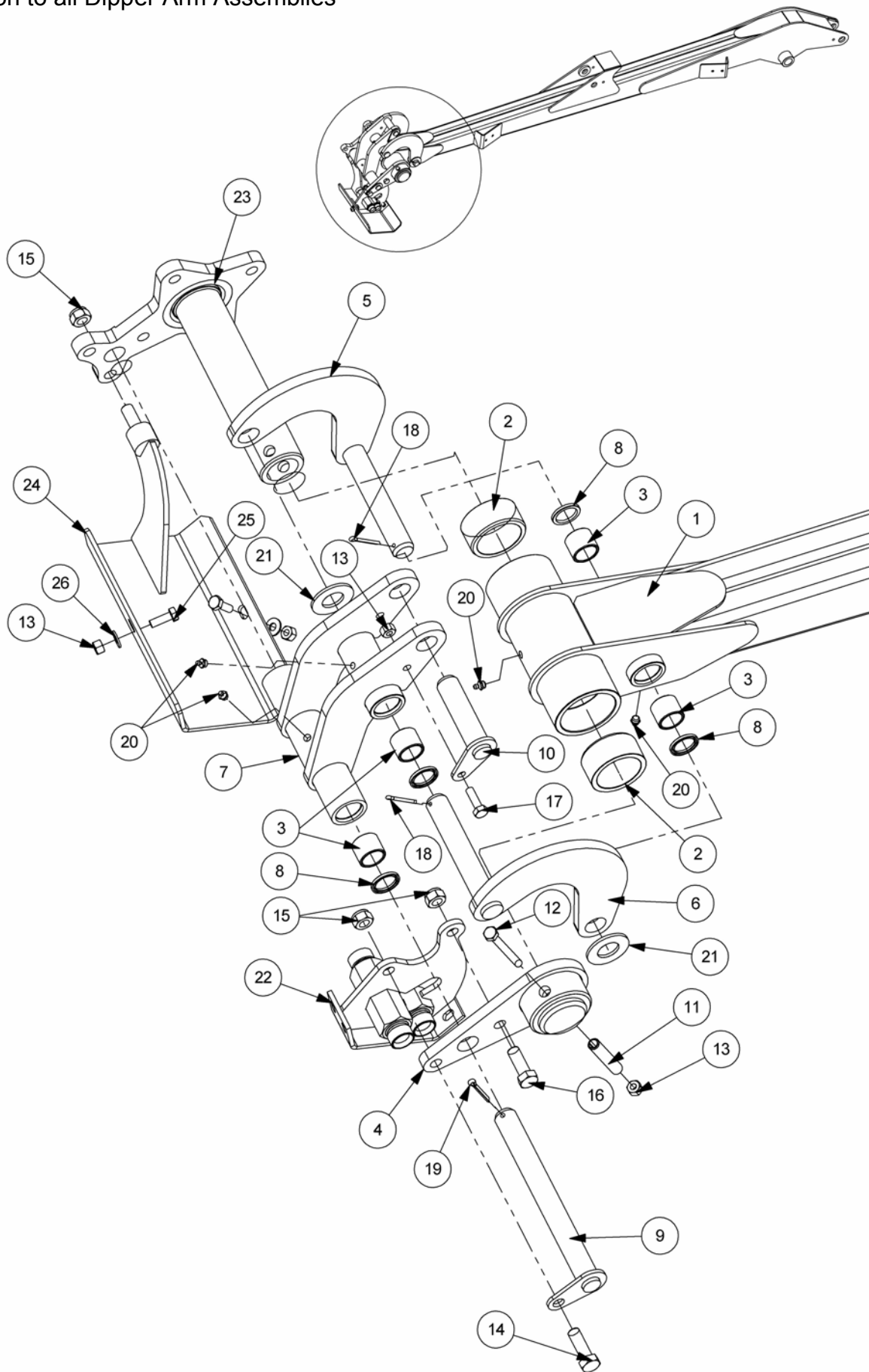
Refer to seperated Head Angling Mechanism page for details of that component



# DIPPER ARM – Angling Mechanism

**Modules:**  
Common to all Dipper Arm Assemblies

*Illustrated in Left Hand Build*



**DIPPER ARM – Angling Mechanism**

REF.	QTY.	PART No.	DESCRIPTION
			<b>HEAD ANGLING MECHANISM</b>
1	1	<i>all builds</i>	DIPPER ARM
2	2	7136035	PLASTIC BUSH
3	6	08.297.04	BUSH
4	1	42648.01	JAW PLATE
5	1	42646.03	RADIUS ARM - TYPE 1
6	1	42646.04	RADIUS ARM - TYPE 2
7	1	42647.02	SLAVE LINK
8	6	8629218	LIP SEAL
9	1	42684.01	PIN - SLAVE LINK
10	1	42684.05	PIN
11	1	0423556	SPRING DOWEL
12	1	9213205	BOLT
13	4	9143005	SELF-LOCKING NUT
14	1	9200025	BOLT
15	3	9100028	SELF LOCKING NUT
16	1	9200028	BOLT
17	1	9313075	SETSCREW
18	2	9501406	SPLIT PIN
19	1	9501507	SPLIT PIN
20	4	0901121	GREASE NIPPLE
21	2	05.281.18	FLAT WASHER
22	1	21261.02	JUNCTION BRACKET
23	1	21263.01	PIVOT TUBE
24	1	21262.01	HOSE TRAY
25	2	9313065	SETSCREW
26	2	9100105	FLAT WASHER

# HYDRAULIC TANK ASSEMBLY

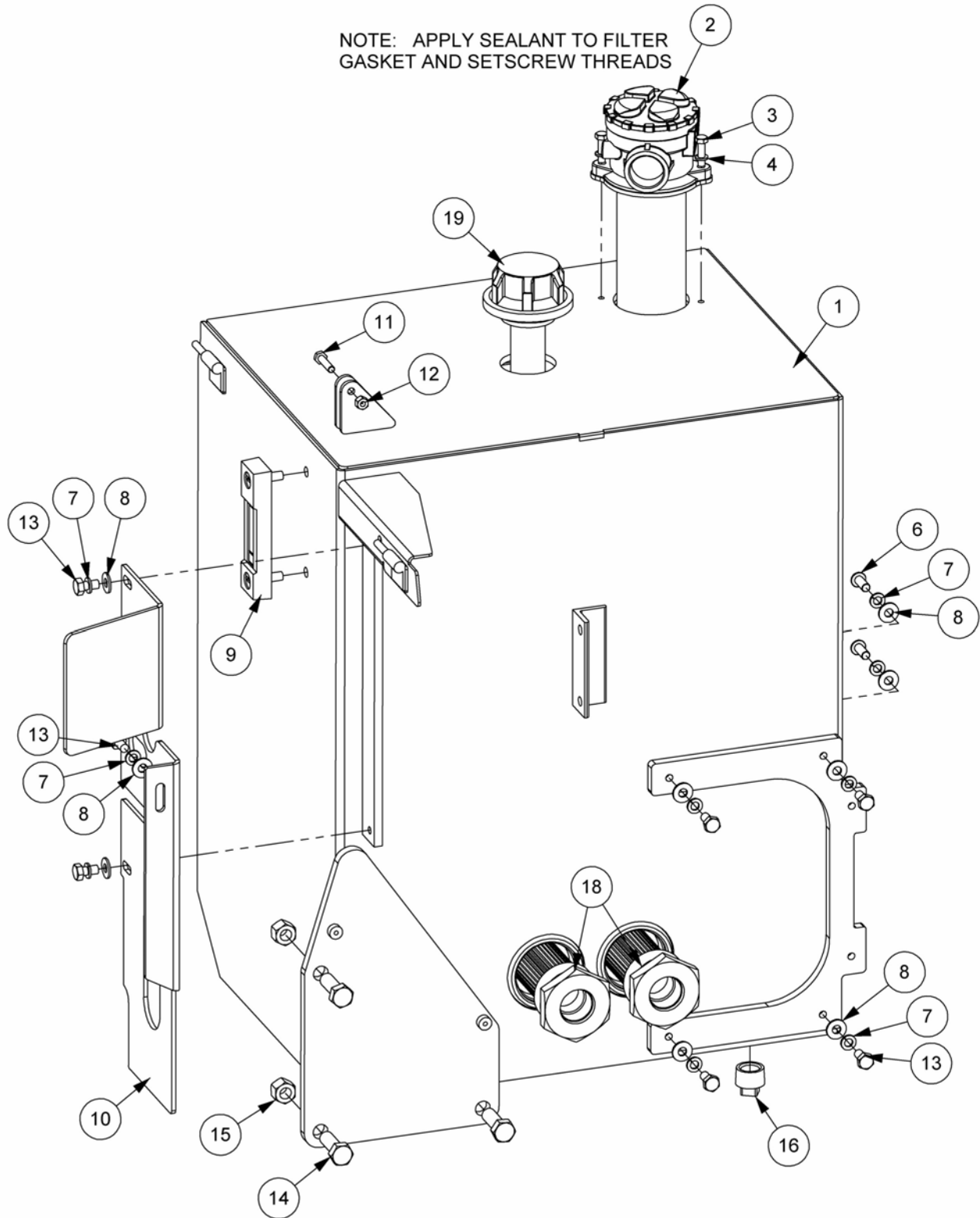
**Modules:**

7452801 – L/H Build

7452802 – R/H Build

*Illustrated in Left Hand Build*

NOTE: APPLY SEALANT TO FILTER GASKET AND SETSCREW THREADS



**HYDRAULIC TANK ASSEMBLY**

REF.	QTY.	PART No.	DESCRIPTION
		<b>7452801</b>	<b>HYDRAULIC TANK ASSEMBLY - L/H Build</b>
		<b>7452802</b>	<b>HYDRAULIC TANK ASSEMBLY - R/H Build</b>
1	1	21306.10	HYDRAULIC TANK - L/H Build
	1	-	HYDRAULIC TANK - R/H Build
2	1	8401088	FILTER ASSEMBLY (Including Element)
3	2	9313064	SETSCREW
4	2	9100204	SPRING WASHER
5	1	8401090	BREATHER
6	2	9300154	BUTTON HEAD SOCKET SCREW
7	9	9100205	SPRING WASHER
8	9	9100105	FLAT WASHER
9	1	8401048	LEVEL GAUGE
10	1	21314.01	SHIELD PLATE - L/H Build
	1	21314.02	SHIELD PLATE - R/H Build
11	1	9213074	BOLT
12	1	9143004	SELF-LOCKING NUT
13	7	9313045	SETSCREW
14	3	9313097	SETSCREW
15	3	9143007	SELF-LOCKING NUT
16	1	8581203	TAPER PLUG
18	2	8401097	SUCTION STRAINER
19	1	8401050	BREATHER

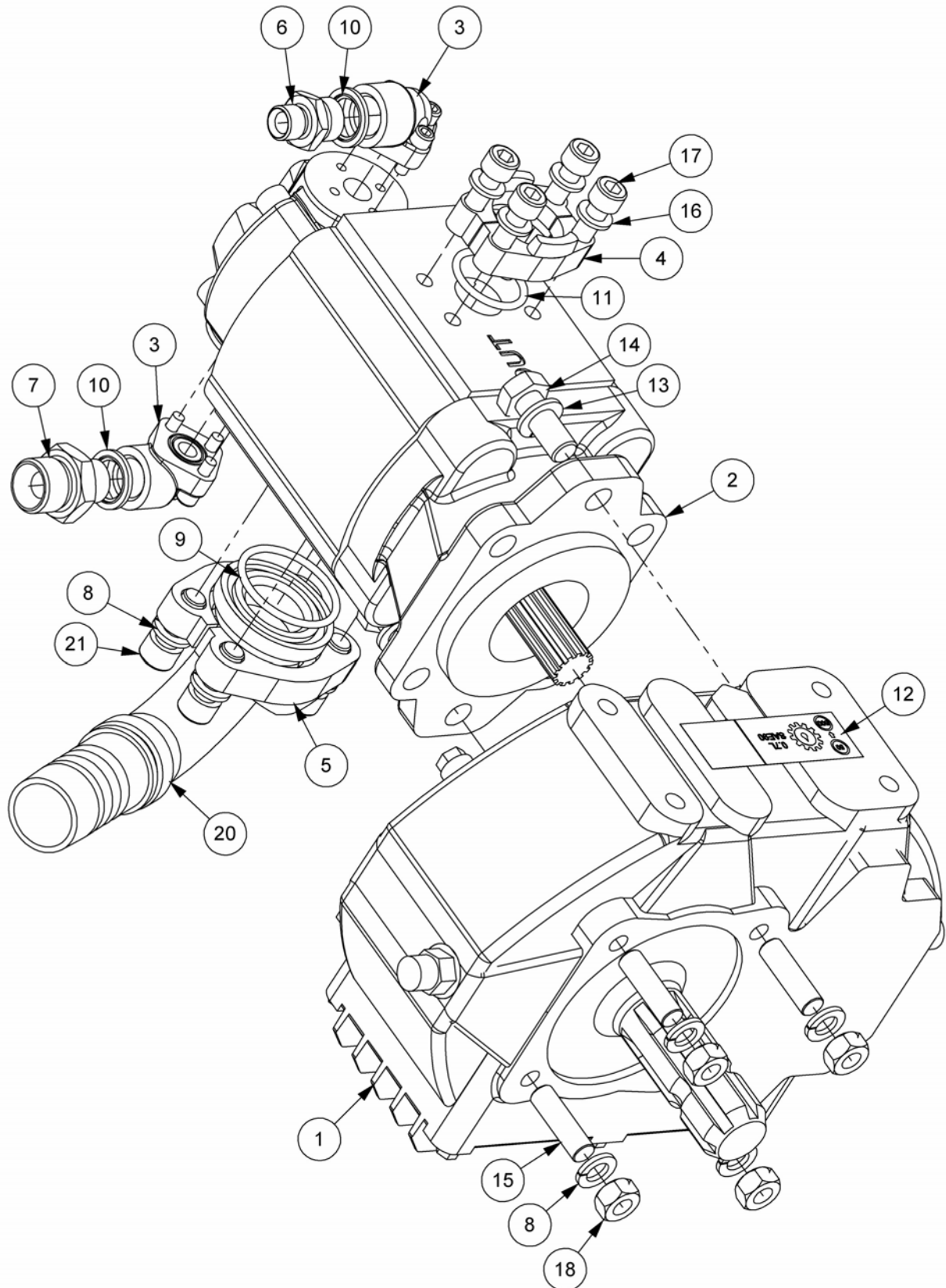
# TI PUMP & GEARBOX ASSEMBLY

**Modules:**

7155735 – L/H Build

7155736 – R/H Build

*Illustrated in Left Hand Build*



**TI PUMP & GEARBOX ASSEMBLY**

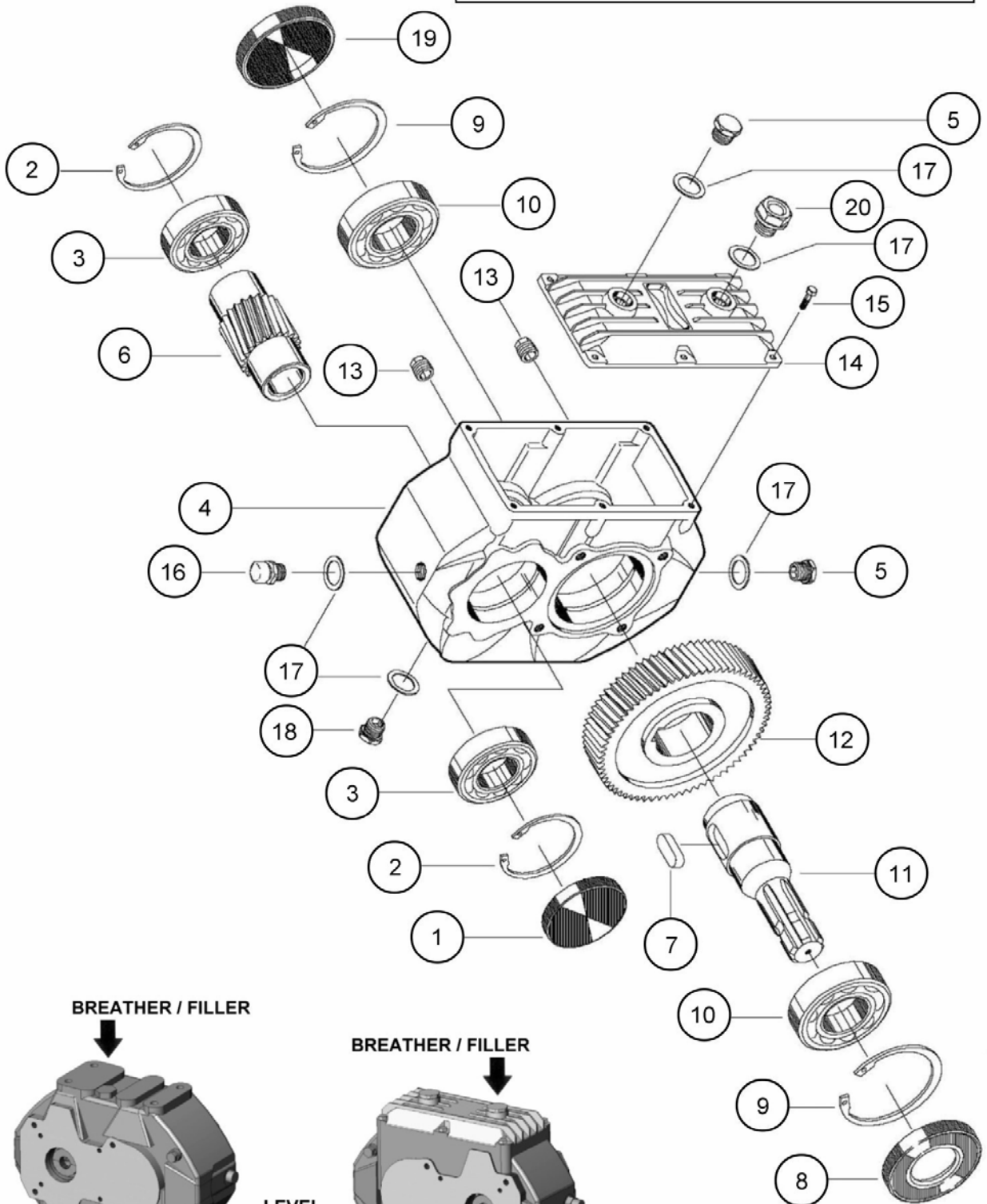
REF.	QTY.	PART No.	DESCRIPTION
		<b>7155735</b>	<b>TI PUMP &amp; GEARBOX ASSEMBLY - L/H Build</b>
		<b>7155736</b>	<b>TI PUMP &amp; GEARBOX ASSEMBLY - R/H Build</b>
1	1	21930.01	CAST IRON GEARBOX 1:4.25 13T SPLINE
2	1	8201718	PUMP
3	2	8301045	ELBOW c/w CAPSCREWS & O RING
4	1	01.697.03	SPLIT FLANGE
5	1	41.294.01	SPLIT FLANGE (PAIR)
6	1	6000112	ADAPTOR
7	1	8581130	ADAPTOR
8	8	9100206	SPRING WASHER
9	1	8600303	O RING
10	2	8650104	BONDED SEAL
11	1	8600124	O RING
12	1	1290092	GEARBOX DECAL
13	2	05.282.08	SPRING WASHER
14	2	05.839.01	BOLT
15	4	04.282.17	STUD
16	4	9100205	SPRING WASHER
17	4	9343065	CAPSCREW
18	4	9113006	NUT
19	1	10.010.14	HOSE - 3/4" BSP FS/F90 x 700mm
20	1	8581489	ADAPTOR (LP)
21	4	9343066	CAPSCREW

**Note: L/H and R/H builds differ only in the placement of the gearbox decal which should be on the uppermost surface of the gearbox in the specific build when viewed in its fitted position.**

# GEARBOX ASSEMBLY

**Modules:**

21930.01 – Gearbox (Ratio 1:4.25) 13T



NOTE: Plug positions are dependent on gearbox orientation

**GEARBOX ASSEMBLY**

REF.	QTY.	PART No.	DESCRIPTION
		<b>21930.01</b>	<b>GEARBOX ASSEMBLY (Cast Iron)</b>
			<b>Specification: Ratio 1:4.25 with 13 tooth spline</b>
1	1	8013530	CAP
2	2	8013529	CIRCLIP
3	2	8013528	BEARING
4	1	8013598	HOUSING
5	2	8013533	OIL PLUG
6	1	8013600	SHAFT
7	1	8013586	KEY
8	1	8013526	OIL SEAL
9	2	8013525	CIRCLIP
10	2	8013524	BEARING
11	1	8013522	INPUT SHAFT
12	1	8013601	GEAR
13	2	8013588	OIL PLUG
14	1	8013589	COVER
15	6	9313033	SCREW
16	1	8013590	OIL PLUG
17	5	8013591	WASHER
18	1	8013593	OIL PLUG
19	1	8013527	CAP
20	1	8013599	OIL PLUG

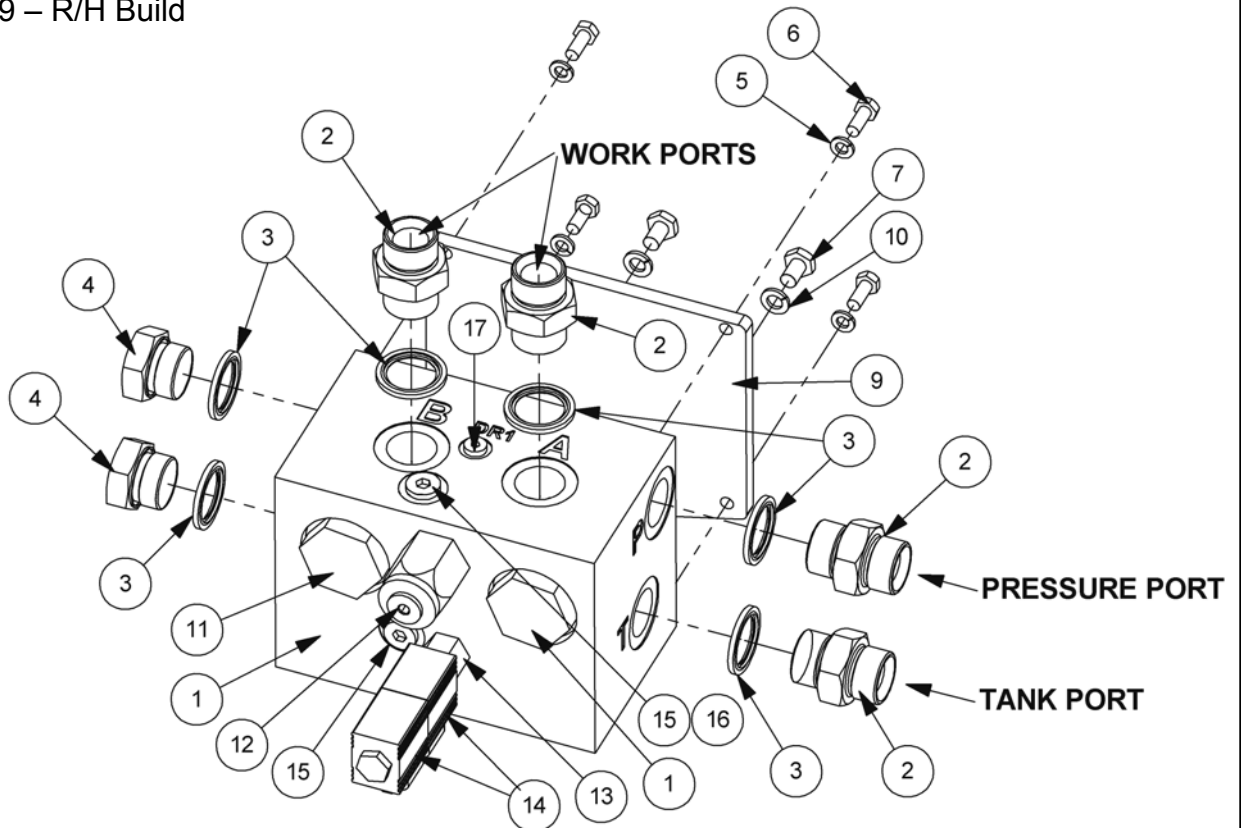


# ELECTRIC R/CONTROL VALVE

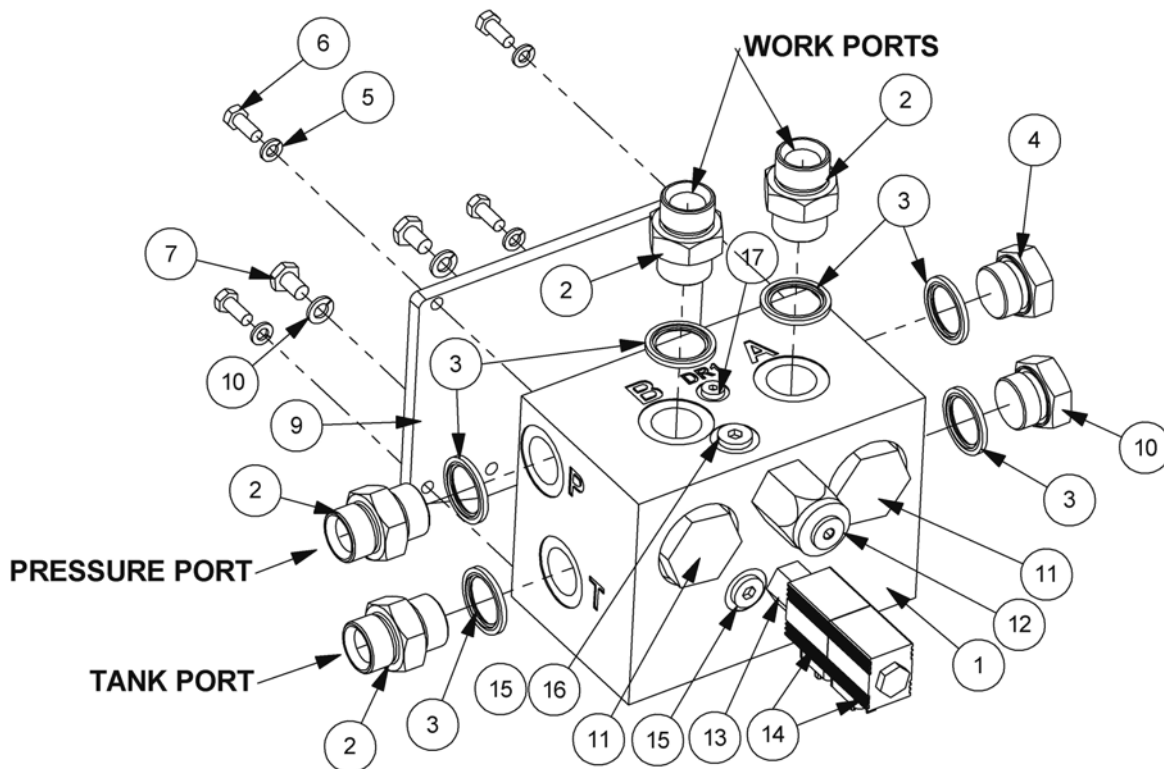
**Modules:**

7155768 – L/H Build

7155769 – R/H Build



Electric RCV - L/H Build (7155768)



Electric RCV - R/H Build (7155769)

**ELECTRIC R/CONTROL VALVE**

REF.	QTY.	PART No.	DESCRIPTION
		7155768	ELECTRIC ROTOR CONTROL VALVE - L/H Build
		7155769	ELECTRIC ROTOR CONTROL VALVE - R/H Build
1	1	42768.01	ELECTRIC REVERSING VALVE
2	4	05.434.01	ADAPTOR
3	6	8650108	BONDED SEAL
4	2	8581389	ADAPTOR PLUG
5	4	9100204	SPRING WASHER
6	4	9313044	SETSCREW
7	2	9313035	SETSCREW
8	1	43177.26	LOOM - ROTOR REVERSE
9	1	21352.01	RCV MOUNTING PLATE
10	2	9100205	SPRING WASHER
11	4	42768.32	LOGIC ELEMENT
12	1	42768.33	* RELIEF VALVE
	1	42768.41	** RELIEF VALVE
13	1	42768.34	SPOOL - OPEN CENTRE
14	2	42768.35	SOLENOID
15	2	42768.36	ORIFICE PLUG
16	1	42768.39	PLUG
17	1	42768.42	ORIFICE PLUG

\* For early version Manifold Block (Part No. 42768.31)

\*\* For later version Manifold Block (Part No. 42768.40)

*Note: Relief Valves and Manifold Blocks are not interchangeable.*

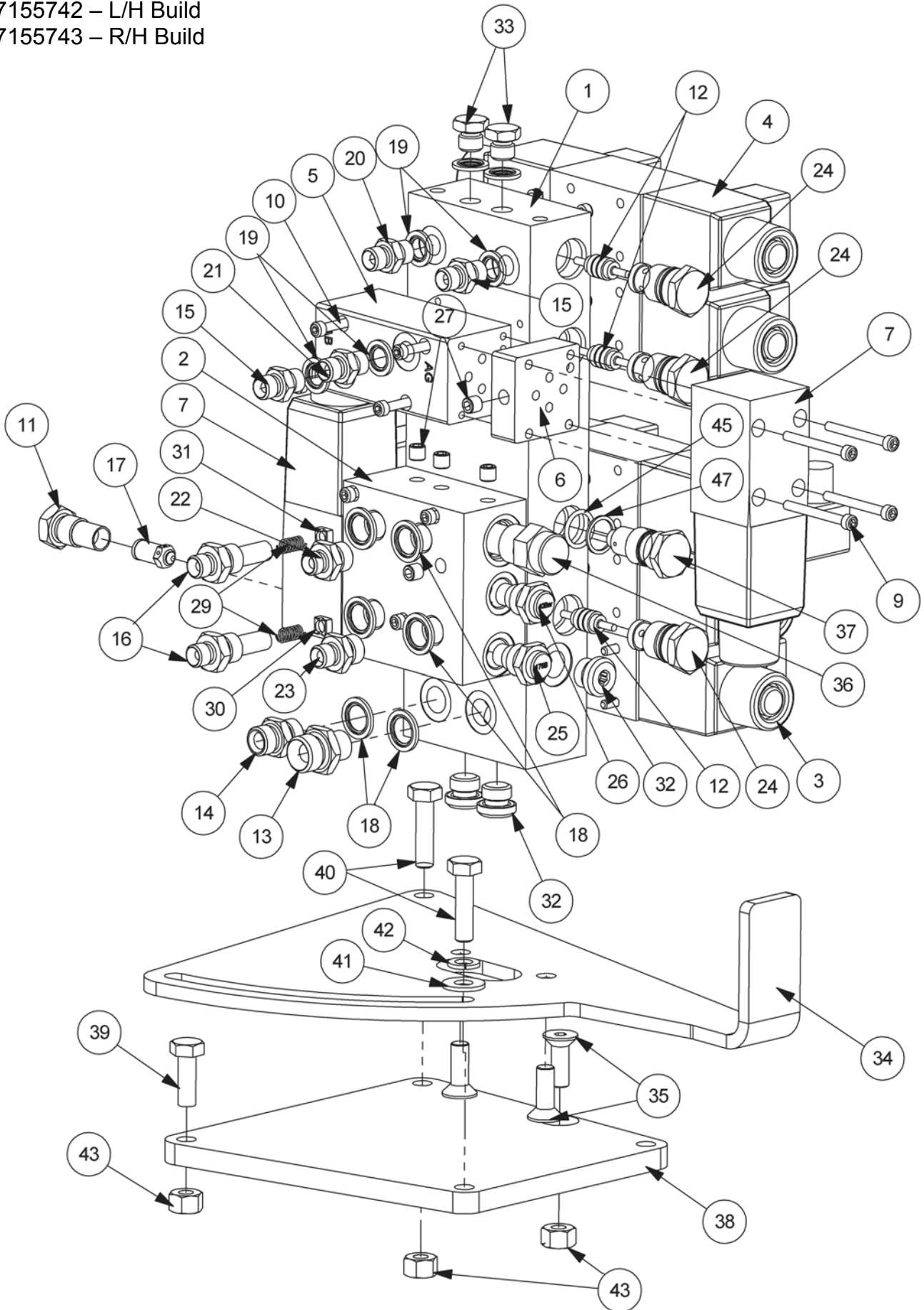
# ELECTRIC CONTROL VALVE

**Modules:**

7155742 – L/H Build

7155743 – R/H Build

*Illustrated in Left Hand build*



**ELECTRIC CONTROL VALVE**

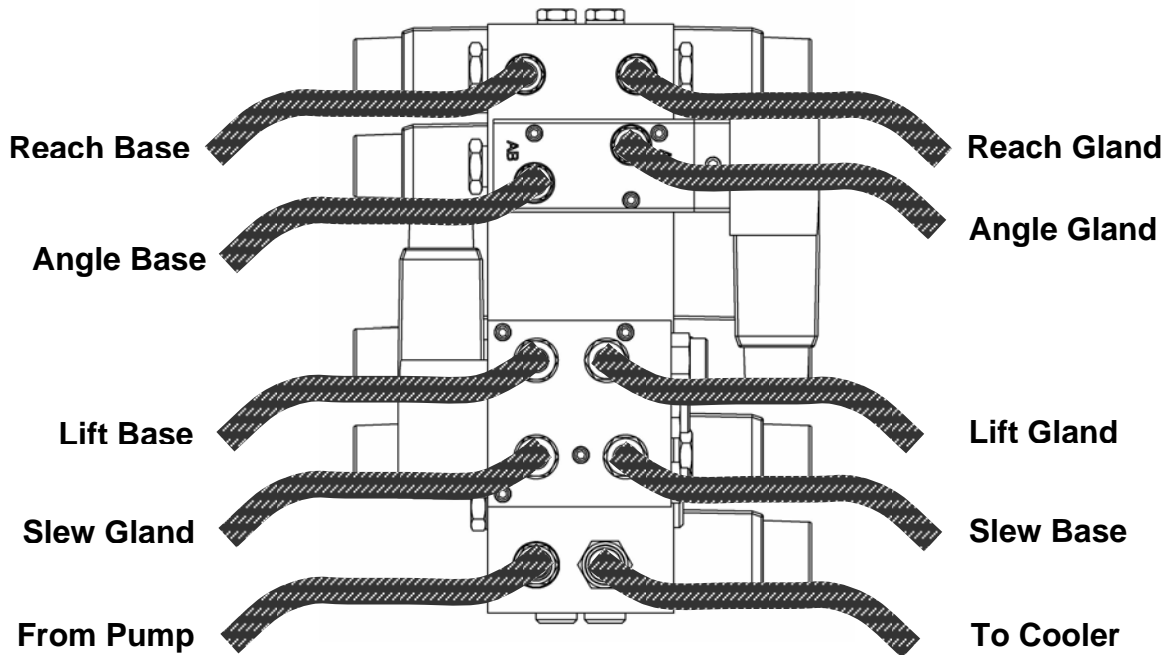
REF.	QTY.	PART No.	DESCRIPTION
		<b>7155742</b>	<b>ELECTRIC CONTROL VALVE - Std. L/H Models</b>
		<b>7155743</b>	<b>ELECTRIC CONTROL VALVE - Std. R/H Models</b>
1	1	8132280	MANIFOLD BLOCK
2	1	8132279	AUTO RESET BLOCK
3	1	8130456	CUT OFF SOLENOID VALVE
4	4	8130629	VALVE DOUBLE SOLENOID
5	1	8126333	FLOAT VALVE BLOCK
6	1	8126334	BRIDGING PLATE
7	2	8130457	SOLENOID VALVE - SINGLE
8	24	9243062	CAPSCREW
9	4	9243102	CAPSCREW
10	8	9243082	CAPSCREW
11	1	8130032	RELIEF VALVE CAP
12	4	8130087	ACTUATOR
13	1	6000112	ADAPTOR
14	1	6000113	ADAPTOR
15	2	8130105	ADAPTOR RESRICTOR - 1.6 'H'
16	2	8581210	ADAPTOR
17	1	8130092	RELIEF VALVE - 190BAR
18	7	8650103	BONDED SEAL
19	6	8650102	BONDED SEAL
20	1	8130104	ADAPTOR RESRICTOR - 1.8 'G'
21	1	8130038	ADAPTOR RESRICTOR - 1.4 'L'
22	1	8130068	ADAPTOR RESRICTOR - 0.9 'T'
23	1	8581115	ADAPTOR
24	7	8130090	CHECK VALVE ASSEMBLY
25	1	8128022	VALVE - SERVICE RELIEF 50-220BAR
26	1	8128065	VALVE - SERVICE RELIEF 40BAR
27	5	8582041	TAPER PLUG
28	12	8700511	O RING
29	2	8116011	SPRING
30	1	8123041	RESTRICTOR DISC - 1.15 RED
31	1	8123044	RESTRICTOR DISC - 1.8 YELLOW
32	3	8581436	PLUG - SOFT SEAL
33	2	520378	ADAPTOR PLUG
34	1	21351.01	VALVE MOUNTING PLATE - L/H build
		21351.02	VALVE MOUNTING PLATE - R/H build
35	3	9353065	CAPSCREW
36	1	8130204	CARTRIDGE SPOOL VALVE
37	1	8130207	CHECK VALVE CAP - DRILLED
38	1	21350.01	VALVE SPACER PLATE
39	1	9313065	SETSCREW
40	2	9213085	BOLT
41	1	9100105	FLAT WASHER
42	1	9100205	SPRING WASHER
43	3	9143005	SELF-LOCKING NUT
44	1	8700525	O RING - METRIC
45	1	8700644	O RING - METRIC
46	1	41844.01	LOOM - 19 CORE ( <i>not illustrated</i> )
47	1	8709644	BACK UP RING
48	1	8402338	LOOM - ANGLE FLOAT ( <i>not illustrated</i> )

### ACV HOSES – Elect/Prop/Midcut

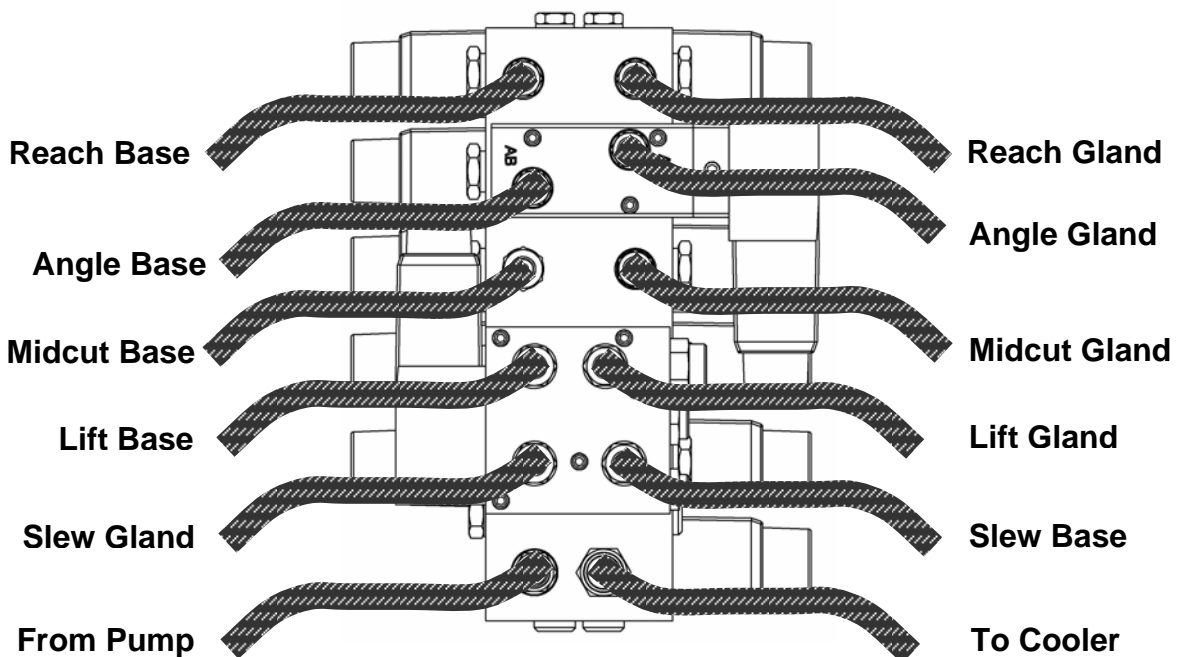
**Modules:**

- 7155742 – L/H Standard Electric Build
- 7155743 – R/H Standard Electric Build
- 7155744 – L/H Standard Proportional Build
- 7155745 – R/H Standard Proportional Build
- 7155760 – L/H Proportional Midcut Build
- 7155761 – R/H Proportional Midcut Build

#### STANDARD ELECTRIC & PROPORTIONAL



#### PROPORTIONAL MIDCUT

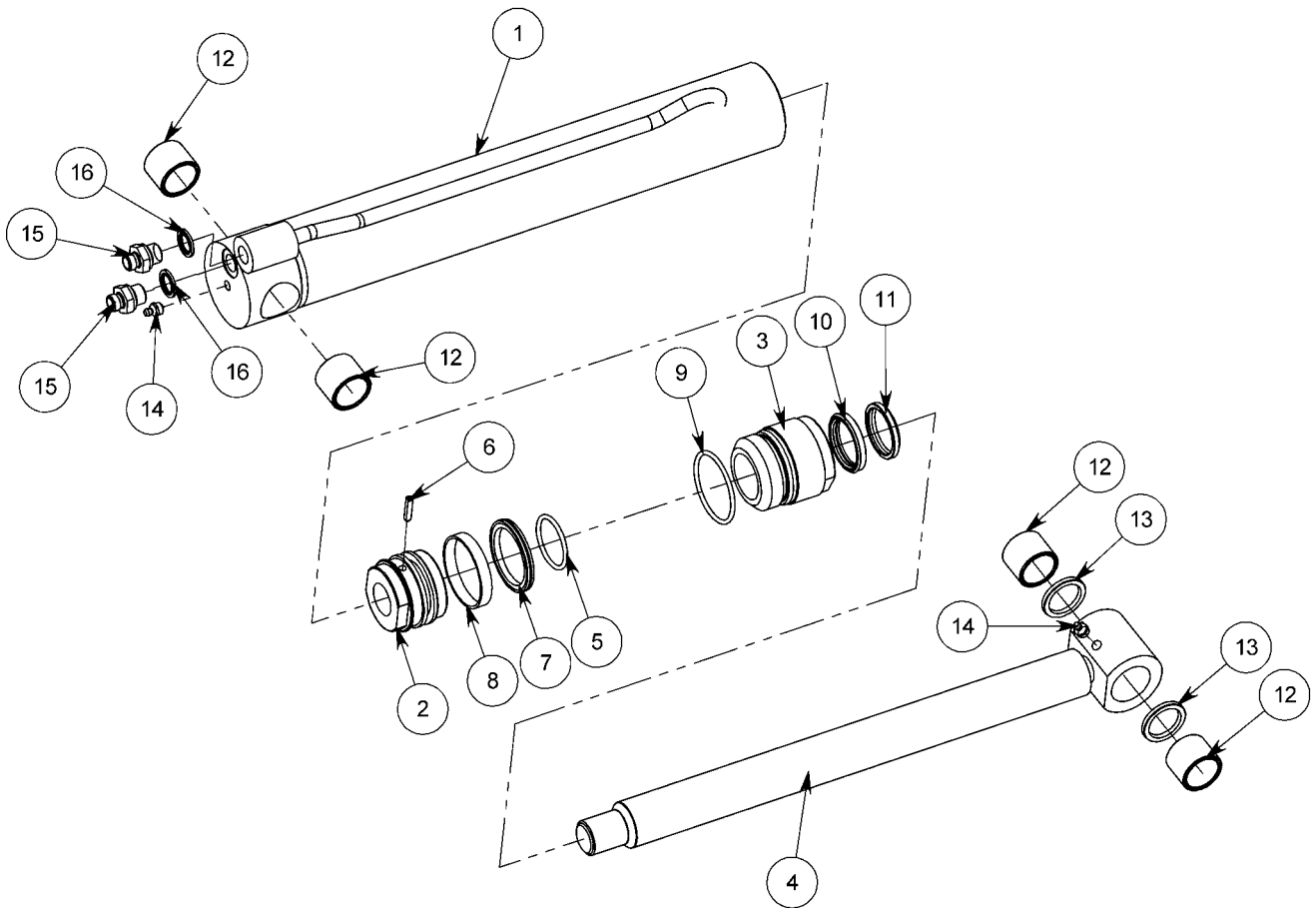


**HOSE KIT – Electric Ti Models**

REF.	QTY.	PART No.	DESCRIPTION
		<b>71527227</b>	<b>PA 52 Mk2 ELECTRIC Ti Electric Reverse</b>
1	1	10.012.15	HOSE 1" BSP FS/F90 x 750mm <i>Pump to Valve</i>
2	2	10.025.28	HOSE 1" BSP FS/F135 x 1800mm <i>Valve to Pivot</i>
3	2	10.050.44	HOSE 1" BSP FS/F90 x 3400mm <i>Pivot to Head</i>
4	1	10.012.24	HOSE 1" BSP FS/F90 x 1400mm <i>Pump to Tank</i>
5	1	10.006.20	HOSE 1/2" BSP FS/F90 x 1000mm <i>Return</i>
6	1	10.004.18	HOSE 3/8" BSP FS/F90 x 900mm <i>Supply</i>
7	2	10.002.11	HOSE 1/4" BSP FS/F90 x 550mm <i>Slew Base/Gland</i>
8	1	10.002.22	HOSE 1/4" BSP FS/F90 x 1200mm <i>Lift Gland</i>
9	1	10.001.23	HOSE 1/4" BSP FS/FS x 1300mm <i>Lift Base</i>
10	1	10.001.37	HOSE 1/4" BSP FS/FS x 2700mm <i>Reach Base</i>
11	1	10.002.42	HOSE 1/4" BSP FS/F90 x 3200mm <i>Reach Gland</i>
12	2	10.001.52	HOSE 1/4" BSP FS/FS x 4200mm <i>Angle Base/Gland</i>

# ANGLING RAM ASSEMBLY

Module:  
43317.07



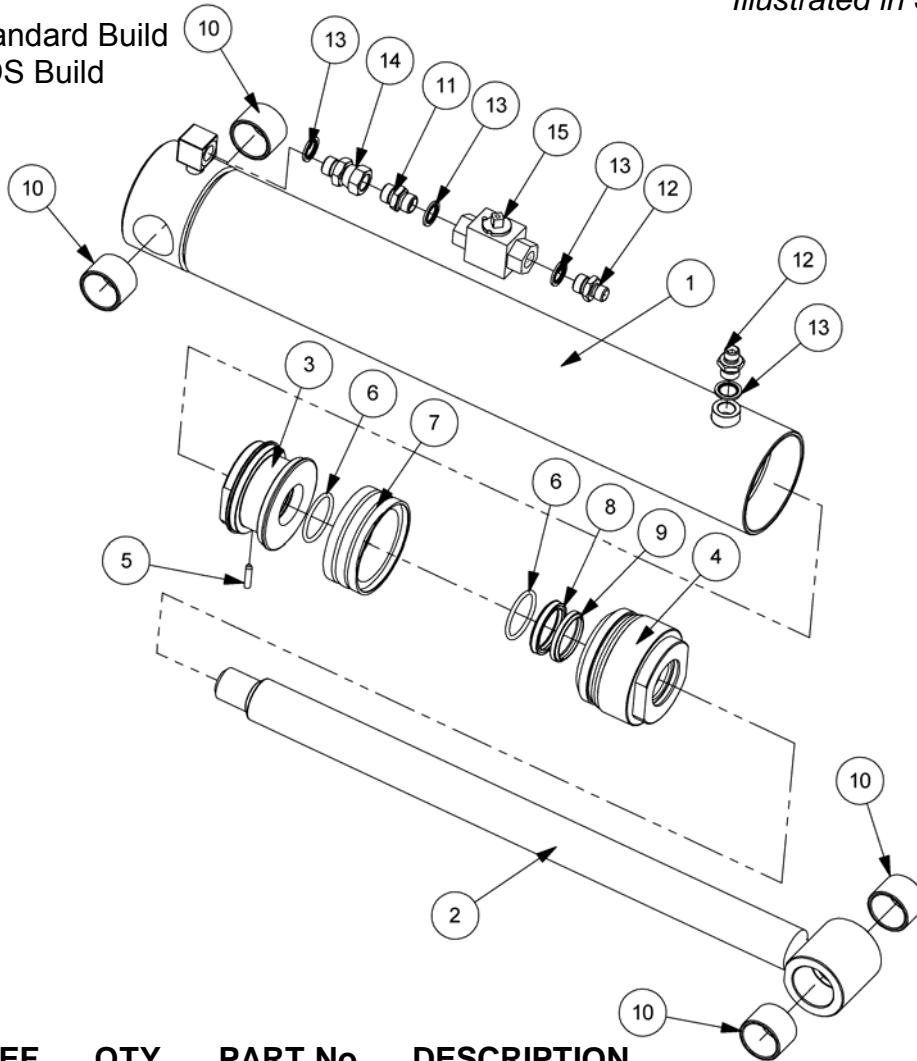
REF.	QTY.	PART No.	DESCRIPTION
		<b>43317.07</b>	<b>ANGLING RAM ASSEMBLY</b>
1	1	43317.33	BARREL
2	1	43317.31	PISTON
3	1	43317.32	GLAND HOUSING
4	1	43317.35	PISTON ROD
5	1	8600301	O RING
6	1	42775.01	DOWEL
7	1	8629156	PISTON SEAL
8	1	8629157	PISTON GUIDE RING
9	1	8600306	O RING
10	1	8629225	ROD GLAND SEAL
11	1	8629208	ROD SCRAPER RING
12	4	08.297.04	BUSH
13	2	8629218	SEAL
14	2	0901121	GREASER
15	2	8581115	ADAPTOR
16	2	8650103	BONDED SEAL
		<b>43317.01</b>	<b>SEAL KIT</b>

**LIFT RAM ASSEMBLY**

**Module:**

45895.02 – Standard Build  
 45895.07 – EDS Build

*Illustrated in Standard Build*



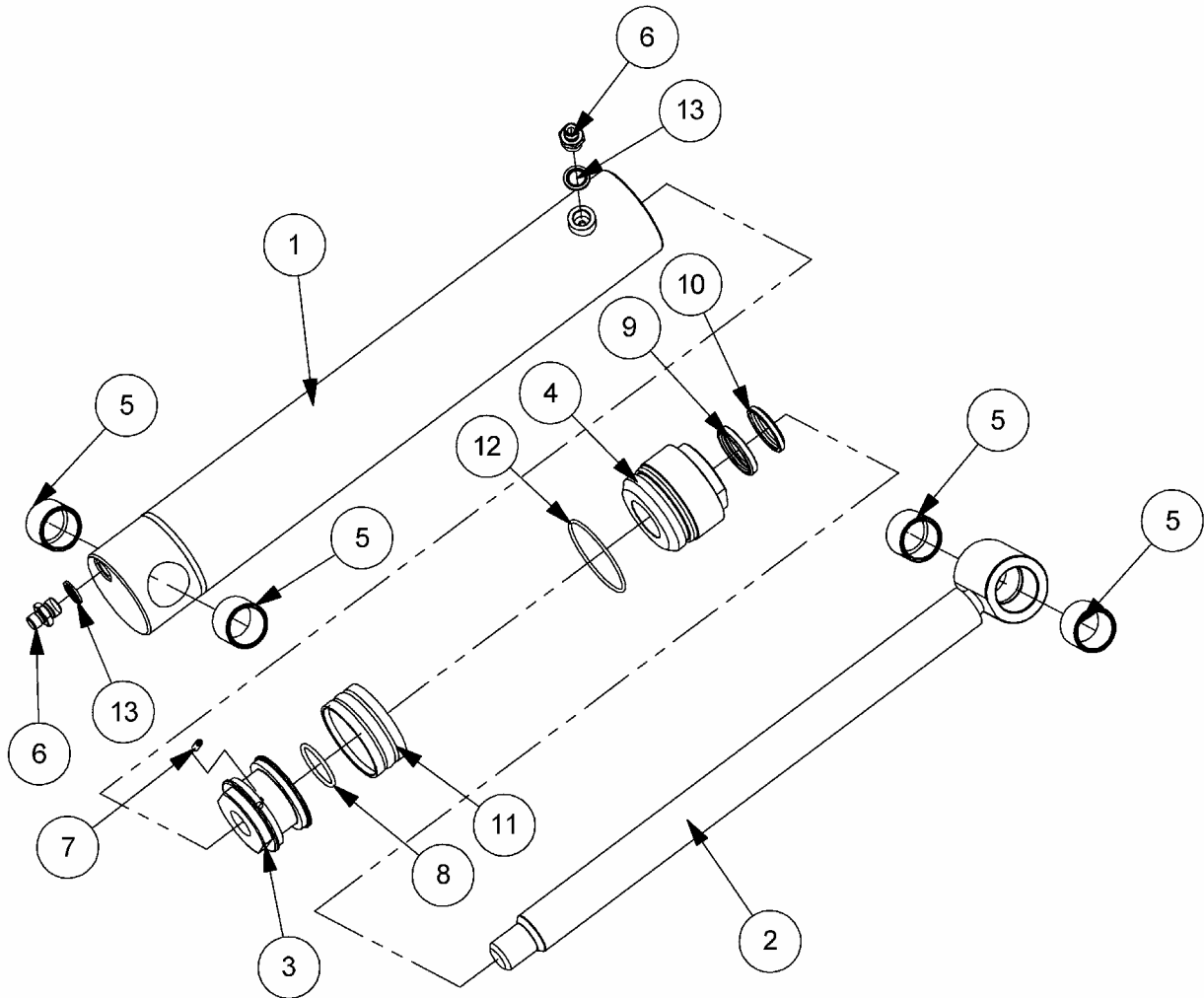
REF.	QTY.	PART No.	DESCRIPTION
		<b>45895.02</b>	<b>LIFT RAM ASSEMBLY - Std. Models</b>
		<b>45895.07</b>	<b>LIFT RAM ASSEMBLY - EDS Models</b>
		45895.04	BASIC RAM ASSEMBLY - Std. Build
		45895.06	BASIC RAM ASSEMBLY - EDS Build
1	1	45895.31	BARREL - Std. Build
*	1	45895.41	BARREL - EDS Build
2	1	45275.02	PISTON ROD
3	1	43315.31	PISTON
4	1	43315.32	GLAND HOUSING
5	1	42775.01	DOWEL
6	2	8600301	O RING
7	1	8638742	PISTON SEAL
8	1	8629225	GLAND SEAL
9	1	8629208	SCRAPER RING
*	1	8600742	O RING - <i>EDS Build only</i>
10	4	08.297.05	BUSH
11	1	6000113	ADAPTOR
12	2	8581115	ADAPTOR
13	4	8650103	BONDED SEAL
14	1	8581178	ADAPTOR
15	1	08.200.01	ISOLATING VALVE
*	1	05.433.01	PLUG - <i>EDS Build only</i>

\* Not illustrated



**REACH RAM ASSEMBLY**

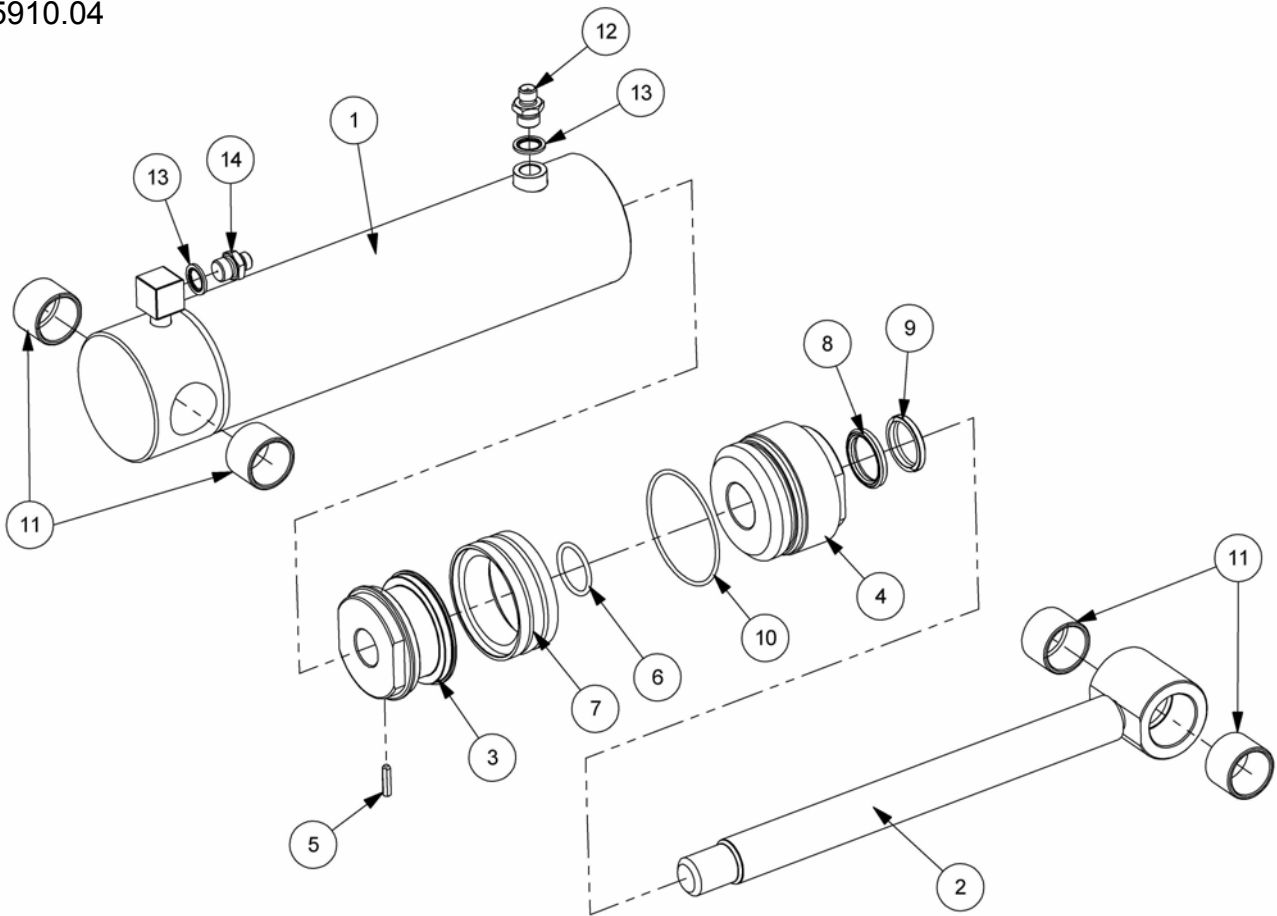
Module:  
45288.03



REF.	QTY.	PART No.	DESCRIPTION
		<b>45288.03</b>	<b>REACH RAM ASSEMBLY</b>
1	1	45273.02	REACH RAM BARREL
2	1	45275.03	PISTON ROD
3	1	43316.31	PISTON
4	1	43316.32	GLAND HOUSING
5	4	08.297.05	BUSH
6	2	8581115	ADAPTOR
7	1	42775.01	DOWEL
8	1	8600301	O RING
9	1	8629225	GLAND SEAL
10	1	8629208	SCRAPER RING
11	1	8638740	PISTON SEAL
12	1	8700740	O RING 740
13	2	8650103	BONDED SEAL

**SLEW RAM ASSEMBLY**

Module:  
45910.04



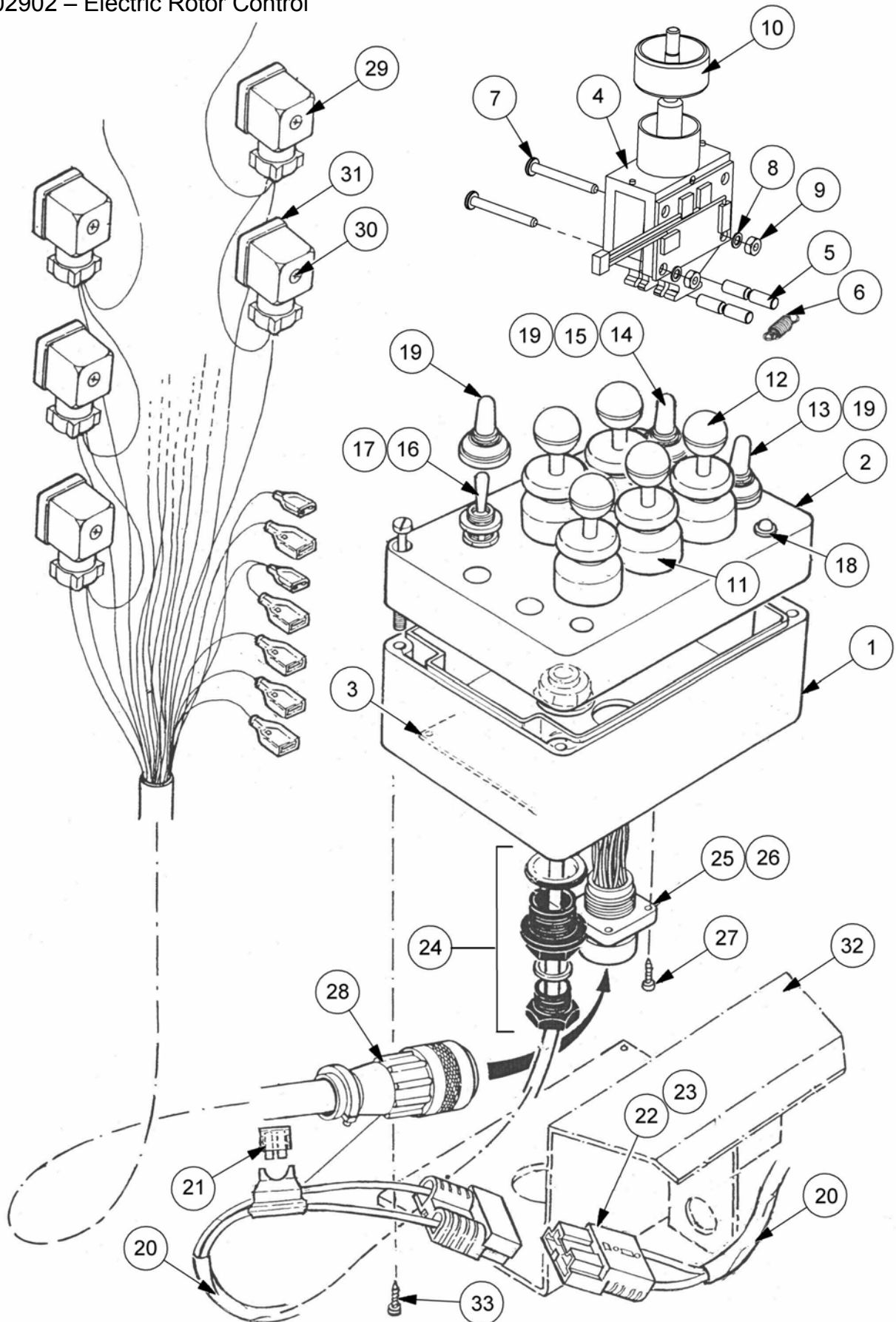
REF.	QTY.	PART No.	DESCRIPTION
		<b>45910.04</b>	<b>SLEW RAM ASSEMBLY</b>
1	1	45910.35	BARREL
2	1	45910.37	RAM ROD
3	1	45910.33	PISTON
4	1	45910.34	GLAND HOUSING
5	1	42775.01	DOWEL
6	1	8600125	O RING
7	1	8638742	PISTON SEAL
8	1	8629210	GLAND SEAL
9	1	8629211	WIPER SEAL
10	1	8600742	O RING
11	4	08.297.05	BUSH
12	1	8581115	ADAPTOR
13	2	8650103	BONDED SEAL
14	1	8130066	ADAPTOR RESTRICTOR
		<b>8699254</b>	<b>SEAL KIT</b>

**SWITCHBOX CONTROLS & LOOM**

**Modules:**

8402901 – Cable Rotor Control

8402902 – Electric Rotor Control



**SWITCHBOX CONTROLS & LOOM**

REF.	QTY.	PART NO.	DESCRIPTION
		<b>41845.03</b>	<b>MULTI 5 LEVER SWITCHBOX - Cable Rotor Control</b>
		<b>41845.04</b>	<b>MULTI 5 LEVER SWITCHBOX - Electric Rotor Control</b>
1	1	41845.32	BOX
2	1	41845.31	LID c/w SCREWS
3	1	41845.33	CIRCUIT BOARD LEVER SWITCH UNIT - <i>comprising of:</i>
4	5	8402133	SWITCH BODY/LEVER/CIRCUIT BOARD c/w
5	2	8402111	BAR
6	1	8402101	SPRING
7	2	9200006	SCREW - POSIDRIVE PANHEAD
8	2	8402120	PLAIN WASHER
9	2	9113000	NUT - PLATED
10	1	8402051	BEZEL RING
11	1	8402022	LEVER GAITER
12	5	8402056	KNOB - BLACK
13	1	8402023	SWITCH - POWER ON/OFF
14	1	8402182	SWITCH - SLEW/AUTO RESET
15	1	41845.35	LOOM - SLEW/AUTO RESET SWITCH
16	1	8402197	SWITCH - FLOAT
17	1	41845.37	LOOM - FLOAT SWITCH
18	1	41845.41	L.E.D. AND LOOM
19	5	8402024	WEATHER GAITER
20	1	8402232	POWER LOOM - <i>including:</i>
21	1	43034.02	FUSE
22	2	8402230	CONTACTS HOUSING
23	4	8402229	CONTACTS
24	1	8402042	GLAND
25	1	8402189	SOCKET SHELL
26	19	8402192	PIN SOCKET
27	4	2800203	SCREW
28	1	41844.01	WIRING LOOM - <i>including:</i>
29	12	07.835.04	PLUG - INCLUDING SCREW & GASKET
30	1	07.835.03	SCREW
31	1	07.835.02	GASKET
32	1	8402345	MOUNTING BRACKET
33	4	2800243	SELF-TAPPING SCREW
34	1	8402193	SPECIAL TOOL - <i>not illustrated</i>

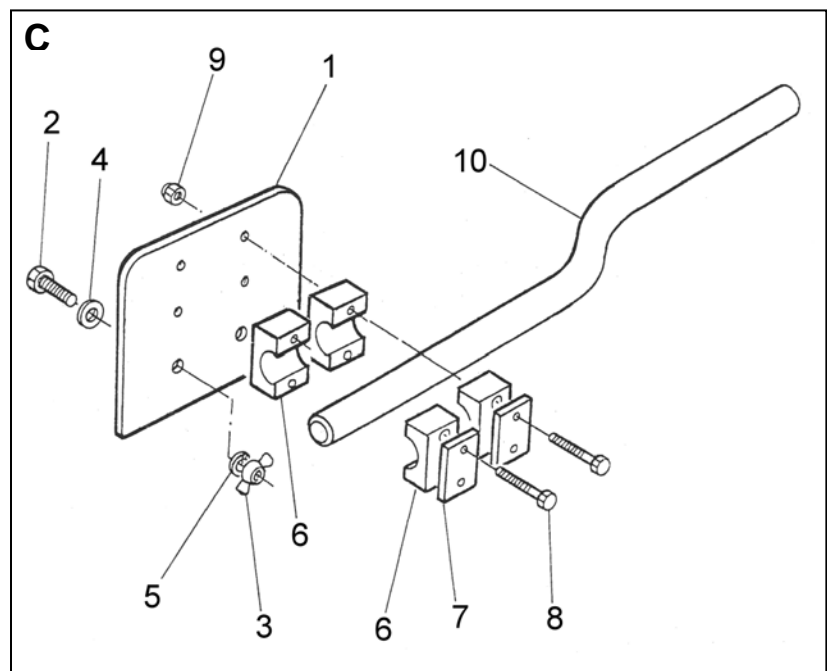
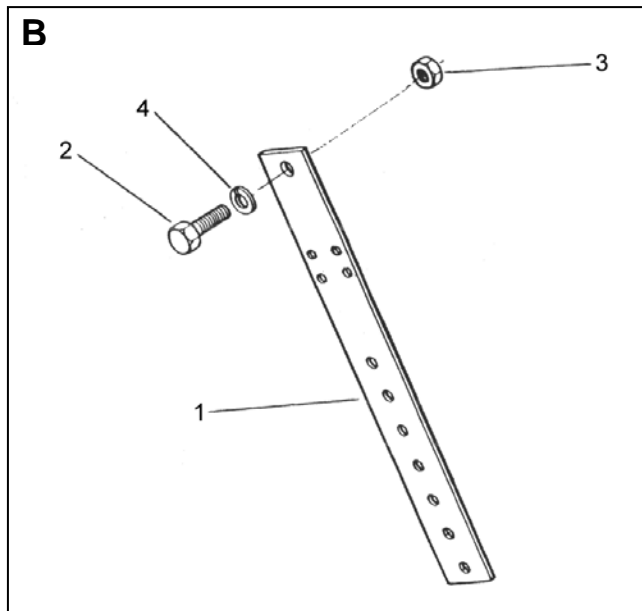
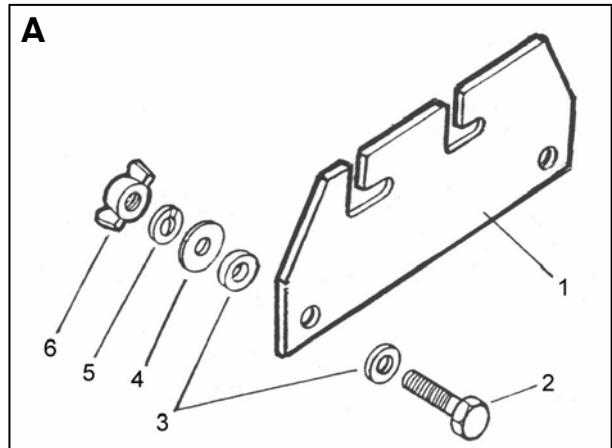
# CONTROL MOUNTINGS

**Modules:**

7313282 – Cable Controls (*Diagram A*)

7109319 – Electric Switchbox (*Diagram B*)

7313275 – Proportional Armrest (*Diagram C*)



**CONTROL MOUNTINGS**

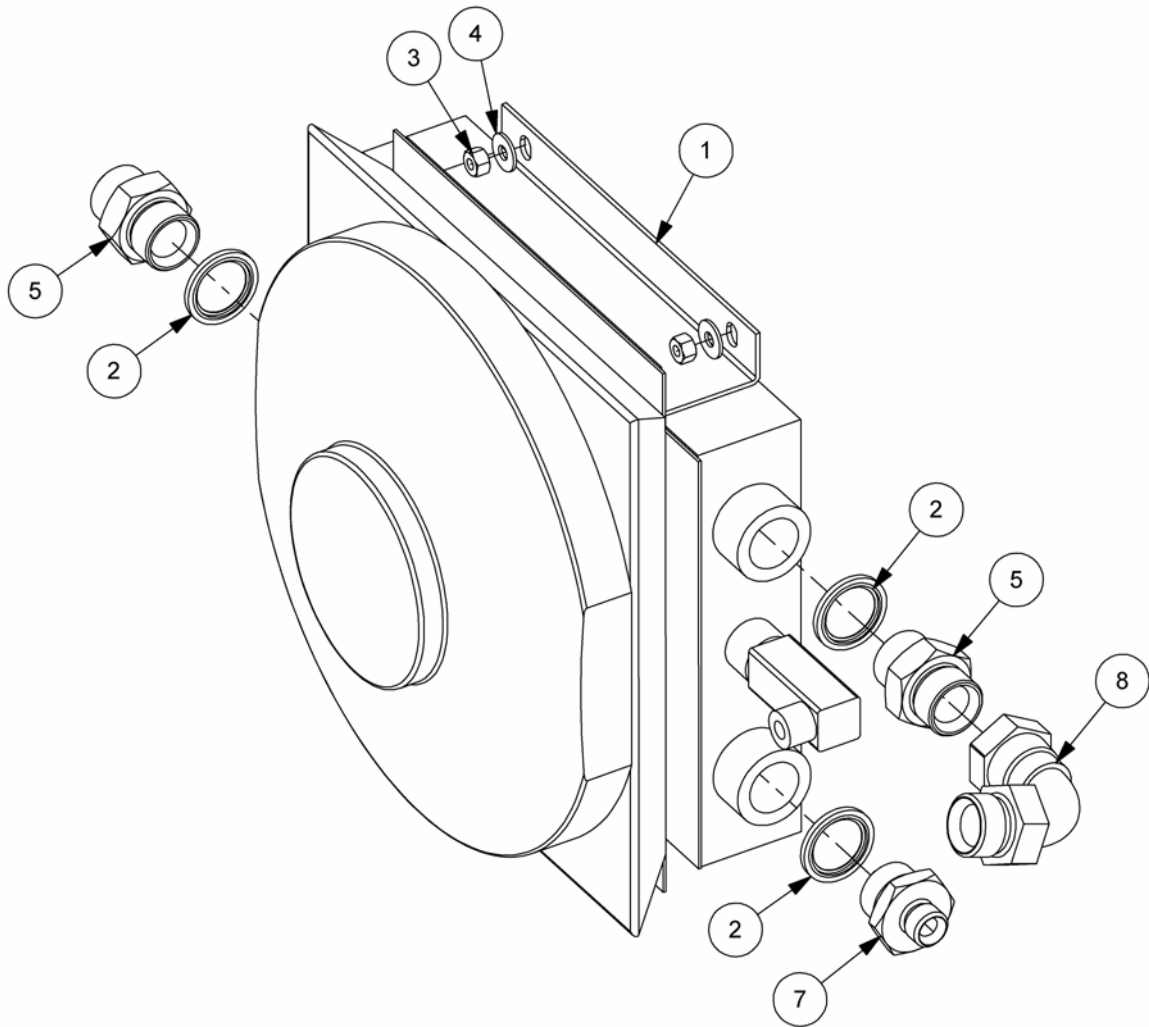
REF.	QTY.	PART NO.	DESCRIPTION
<b>A</b>		<b>7313282</b>	<b>CABLE CONTROL UNIT MOUNTING</b>
1	1	42491.01	BRACKET
2	2	9313094	SETSCREW
3	4	03.152.01	RUBBER WASHER
4	2	9100104	PLAIN WASHER
5	2	9100204	SPRING WASHER
6	2	9193004	WINGNUT

REF.	QTY.	PART NO.	DESCRIPTION
<b>B</b>		<b>7109319</b>	<b>ELECTRIC SWITCHBOX CONTROL MOUNTING</b>
1	1	7109146	PILLAR
2	1	9311086	SETSCREW
3	1	0111006	NUT
4	1	0100206	SPRING WASHER

REF.	QTY.	PART NO.	DESCRIPTION
<b>C</b>		<b>7313275</b>	<b>PROPORTIONAL CONTROL MOUNTING</b>
1	1	08.317.01	CONTROL MOUNTING BRACKET
2	2	9313054	SETSCREW
3	2	9193004	WINGNUT
4	2	9100104	PLAIN WASHER
5	2	9100204	SPRING WASHER
6	6	30.209.71	CLAMP
7	3	30.209.33	COVER PLATE
8	6	30.068.88	BOLT
9	4	9163003	SELF LOCKING NUT
10	1	42312.01	MOUNTING BAR

# COOLER MODULE

Module:  
7152764



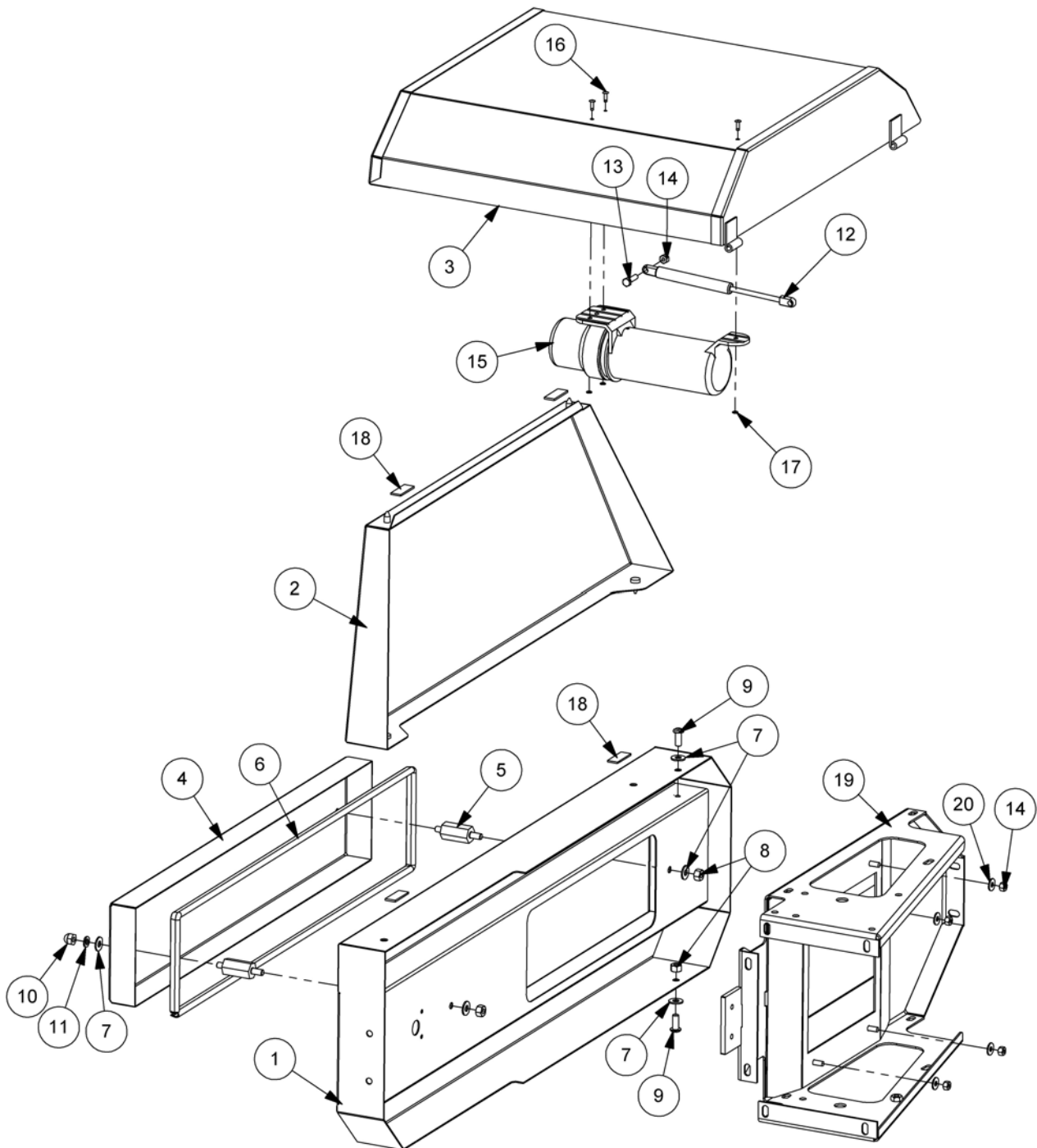
**COOLER MODULE**

REF.	QTY.	PART No.	DESCRIPTION
		<b>7152764</b>	<b>COOLER MODULE - L/H Build</b>
1	1	8402380	OIL COOLER
2	3	8650108	BONDED SEAL
3	4	9143004	SELF-LOCKING NUT
4	4	9100104	FLAT WASHER
5	2	05.434.01	ADAPTOR
6	1	43177.38	LOOM - COOLER KIT ( <i>not illustrated</i> )
7	1	8581129	ADAPTOR
8	1	8581264	ADAPTOR - SWEPT 90°



# REAR COVERS (Cooler Models)

Modules:  
7452805 – L/H Build

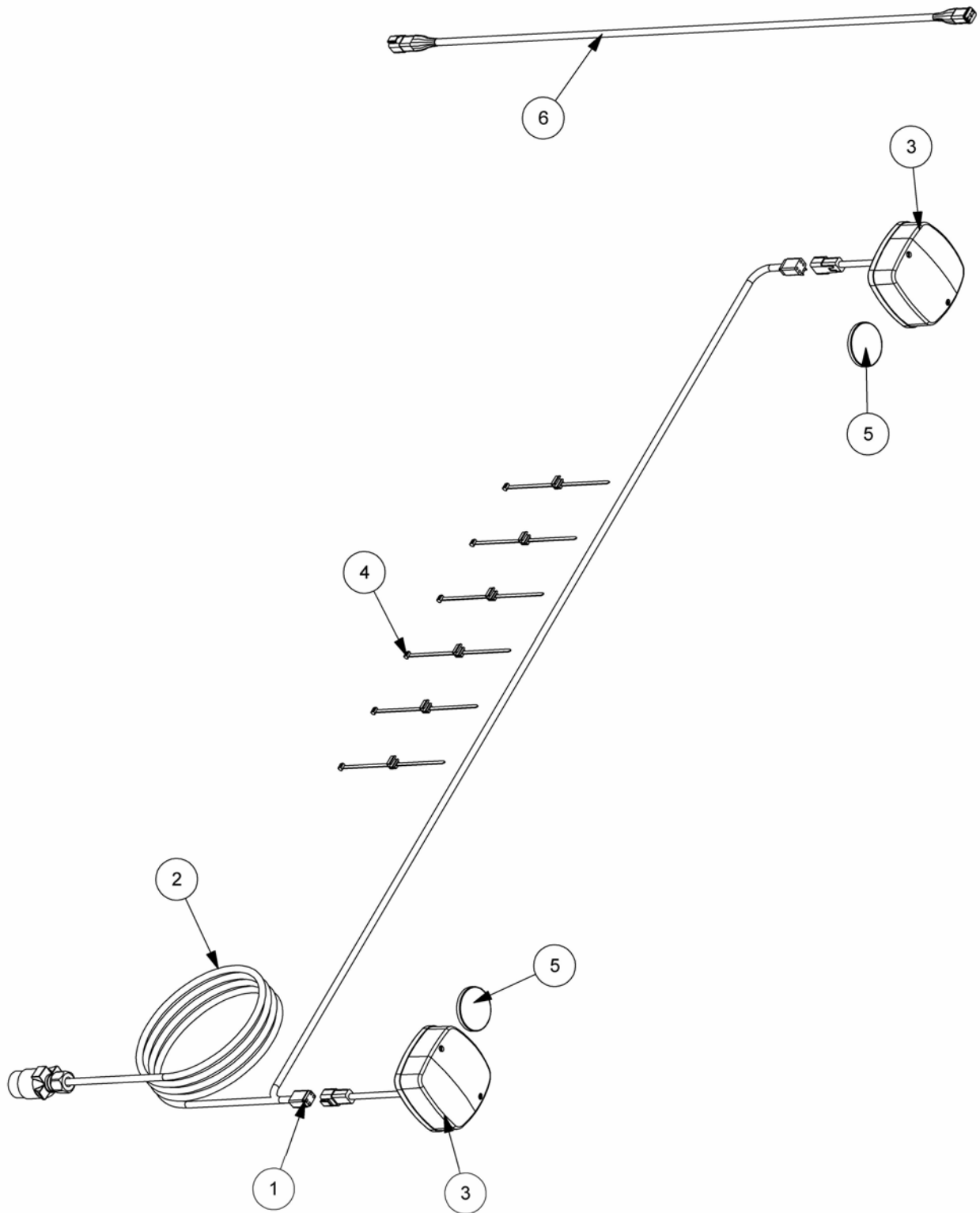


**REAR COVERS (Cooler Models)**

REF.	QTY.	PART No.	DESCRIPTION
		<b>7452805</b>	<b>REAR COVERS - L/H Build (Cooler Models)</b>
		-	<b>REAR COVERS - R/H Build (Cooler Models)</b>
1	1	21723.01	LIGHT BAR - L/H Build
	1	-	LIGHT BAR - R/H Build
2	1	21712.01	REAR COVER - L/H Build
	1	-	REAR COVER - R/H Build
3	1	21309.10	TANK COVER - L/H Build
	1	-	TANK COVER - R/H Build
4	1	46046.01	COOLER FILTER BASKET
5	2	46041.01	STAND OFF
6	1	43468.05	EDGING STRIP
7	6	9100105	FLAT WASHER
8	4	9143005	SELF-LOCKING NUT
9	2	9300154	BUTTON HEAD SOCKET SCREW
10	2	9100025	DOME NUT
11	2	9100205	SPRING WASHER
12	1	21288.03	GAS STRUT
13	1	9313064	SETSCREW
14	5	9143004	SELF-LOCKING NUT
15	1	46505.01	LITERATURE HOLDER
16	3	21612.01	POP RIVET
17	3	9100101	FLAT WASHER
18	4	21726.31	SPONGE PAD
19	1	21305.01	COVER MOUNT
20	4	9100104	FLAT WASHER

REAR LIGHTING KIT

Module:  
7155719



**REAR LIGHTING KIT**

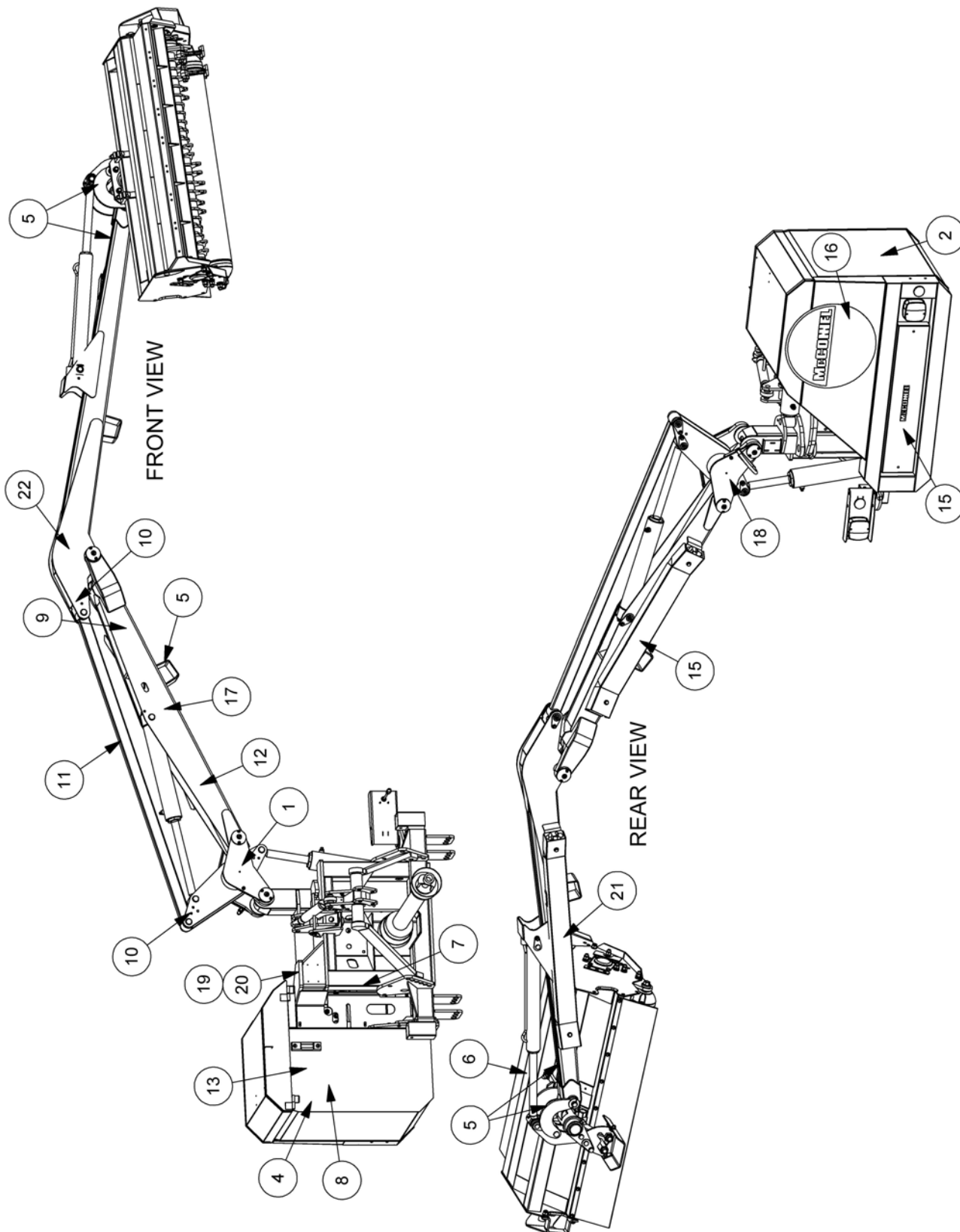
REF.	QTY.	PART No.	DESCRIPTION
		<b>7155719</b>	<b>REAR LIGHTING KIT ASSEMBLY</b>
1	1	45900.02	REAR LIGHTING KIT - <i>comprising of:</i>
2	1	45656.02	LIGHTING LOOM c/w PLUGS
3	2	45642.02	COMBINATION LAMP
4	6	21150.01	CABLE TIE - PUSH ON
5	2	45671.01	REFLECTOR - SELF ADHESIVE
6	1	45657.02	EXTENTION LOOM

# MACHINE DECALS

**Modules:**

7152775 – Basic Decal Kit

7152771 – PA52 Mk2 Decal Kit for Electric Models



**MACHINE DECALS**

REF.		PART No.	DESCRIPTION
		<b>7152775</b>	<b>BASIC DECAL KIT - PA52 Mk2</b>
1	1	7105130	DECAL - READ INSTRUCTION BOOK
2	1	1290352	DECAL - GENERAL WARNING
3	1	1290391	DECAL - SAFETY WARNING
4	1	00756494	DECAL - PTO SHAFT
5	6	02962764	DECAL - PINCH POINT
6	1	1290571	DECAL - QUEENS AWARD
7	1	09.811.03	DECAL - 500 RPM
8	1	7135295	DECAL - TIGHTEN CHECK CHAINS
9	1	1290403	DECAL - BREAKAWAY WARNING
10	2	1290074	DECAL - SLING HERE
11	1	1290406	DECAL - TRANSPORT WARNING
12	1	8402135	DECAL - SLEW WARNING
13	1	1290023	DECAL - OIL FILTER LABEL
14	1	1290255	DECAL - McCONNEL (BLACK)
15	2	1290588	DECAL - McCONNEL (SILVER)
16	1	1290681	DECAL - McCONNEL ROUNDEL (SILVER)
17	1	1290598	DECAL - McCONNEL (BLACK)
18	1	1290296	DECAL - LOGO ROUNDEL
19	1	1335246	SERIAL No. PLATE
20	4	7103230	POP RIVET
		<b>7152771</b>	<b>DECAL KIT - PA52 Mk2 Electric Models</b>
21	1	1290662	DECAL - PA52E HY-REACH (SILVER)
22	1	1290660	DECAL - PA52E (BLACK)



McConnel Limited, Temeside Works, Ludlow, Shropshire SY8 1JL. England.  
Telephone: 01584 873131. Facsimile: 01584 876463. [www.mcconnel.com](http://www.mcconnel.com)