

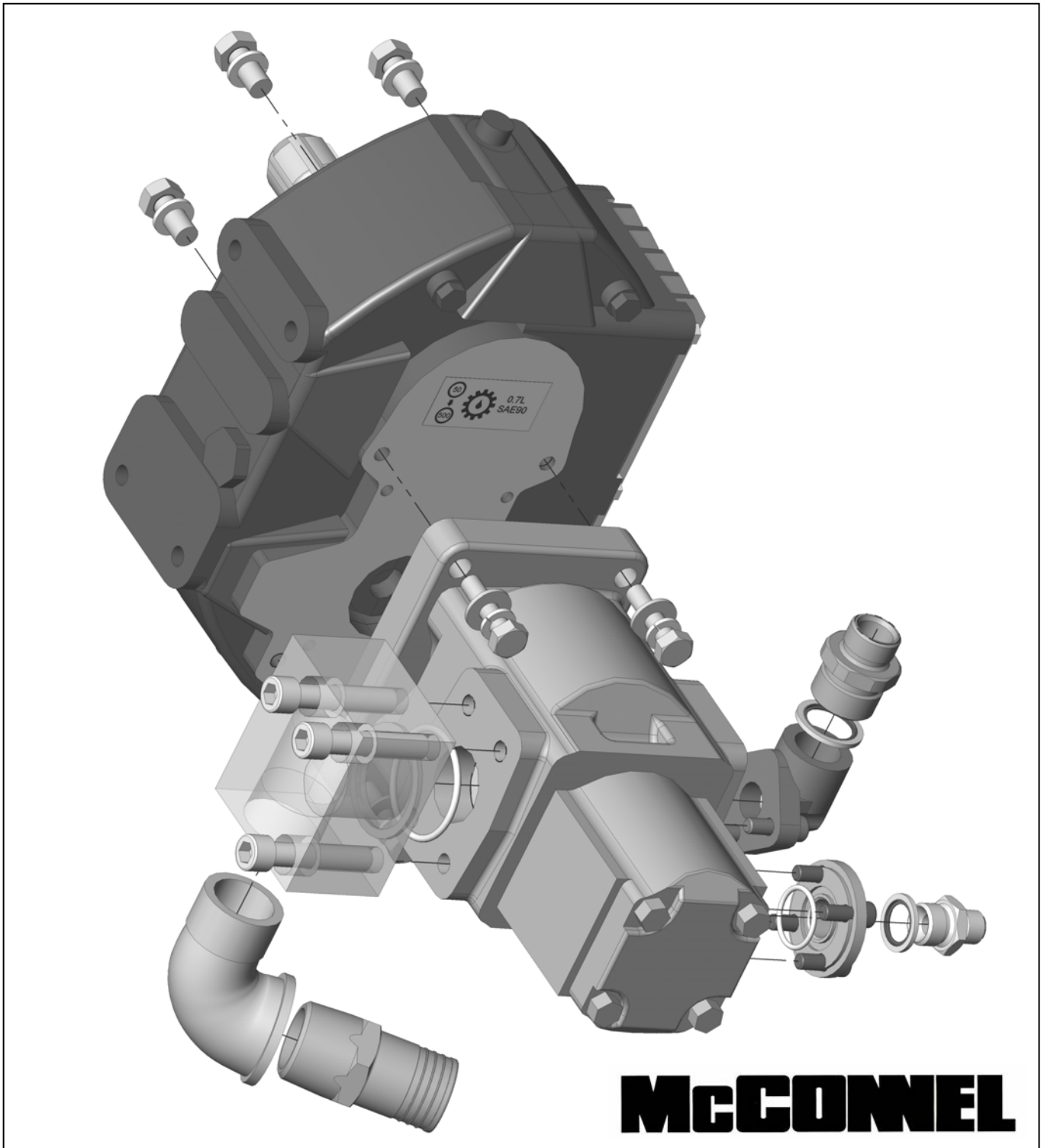
Publication 467  
November 2004  
Part No. 41570.67  
Revision: 01.07.08



# PA 50

## HY REACH (Mk2)

# Parts Manual





*For best performance ...*

## **USE ONLY GENUINE McCONEL SERVICE PARTS**

*To be assured of the latest design improvements purchase your  
'Genuine Replacements' from the 'Original Equipment Manufacturer'*

## **McCONEL LIMITED**

*Through your local Dealer or Stockist*

**Always quote:**

- ***Machine Type***
- ***Serial Number***
- ***Part Number***

*Design improvements may alter some of the parts listed in this manual –  
the latest part will always be supplied when it is interchangeable with an earlier one.*



# CONTENTS

## FRAME AND TANK

Stabiliser	1.
Main Frame	3.
Pillar	5.
Rocker	7.
Main Arm	9.
Dipper Arm	11.
Hydraulic Tank	13.

## PUMPS AND GEARBOXES

SI Pump and Gearbox	15.
TI Pump and Gearbox	17.
Gearbox Assembly	19.

## ROTOR VALVES

SI Rotor Relief Valve	21.
Rotor Control Valve - <i>Cable</i>	23.
Rotor Control Valve - <i>Electric</i>	25.

## ARMHEAD CONTROL VALVES

Armhead Control Valve - <i>Cable models</i>	27.
Armhead Control Valve - <i>Electric models</i>	29.
Armhead Control Valve - <i>Electric Proportional models</i>	31.

## HOSE INSTALLATIONS

Hose installation - <i>Cable models</i>	33.
Hose installation - <i>Electric models</i>	35.
Hose installation - <i>Armhead Control Valves</i>	37.

## LIFT FLOAT KITS

Lift Float Kit - <i>Cable models</i>	39.
Lift Float Kit - <i>Electric models</i>	41.

## HYDRAULIC RAMS

Angling Ram	43.
Reach Ram	44.
Lift Ram	45.
Slew Ram	46.

## MACHINE CONTROLS

Switchbox Controls - <i>Electric models</i>	47.
Monolever Controls - <i>Electric models</i>	49.
Proportional Switchbox Controls - <i>Electric models</i>	51.
Armrest Controls - <i>Electric Proportional models</i>	53.
Auxiliary Box	55.

## COOLER

Cooler Kit	56.
------------	-----

## CONTROL MOUNTINGS

Cable controls mounting	57.
Electric controls mounting	58.

## MACHINE COVERS

Rear Cover	59.
------------	-----

## LIGHTING

Lighting Kit - <i>optional extra</i>	61.
--------------------------------------	-----

## DECALS

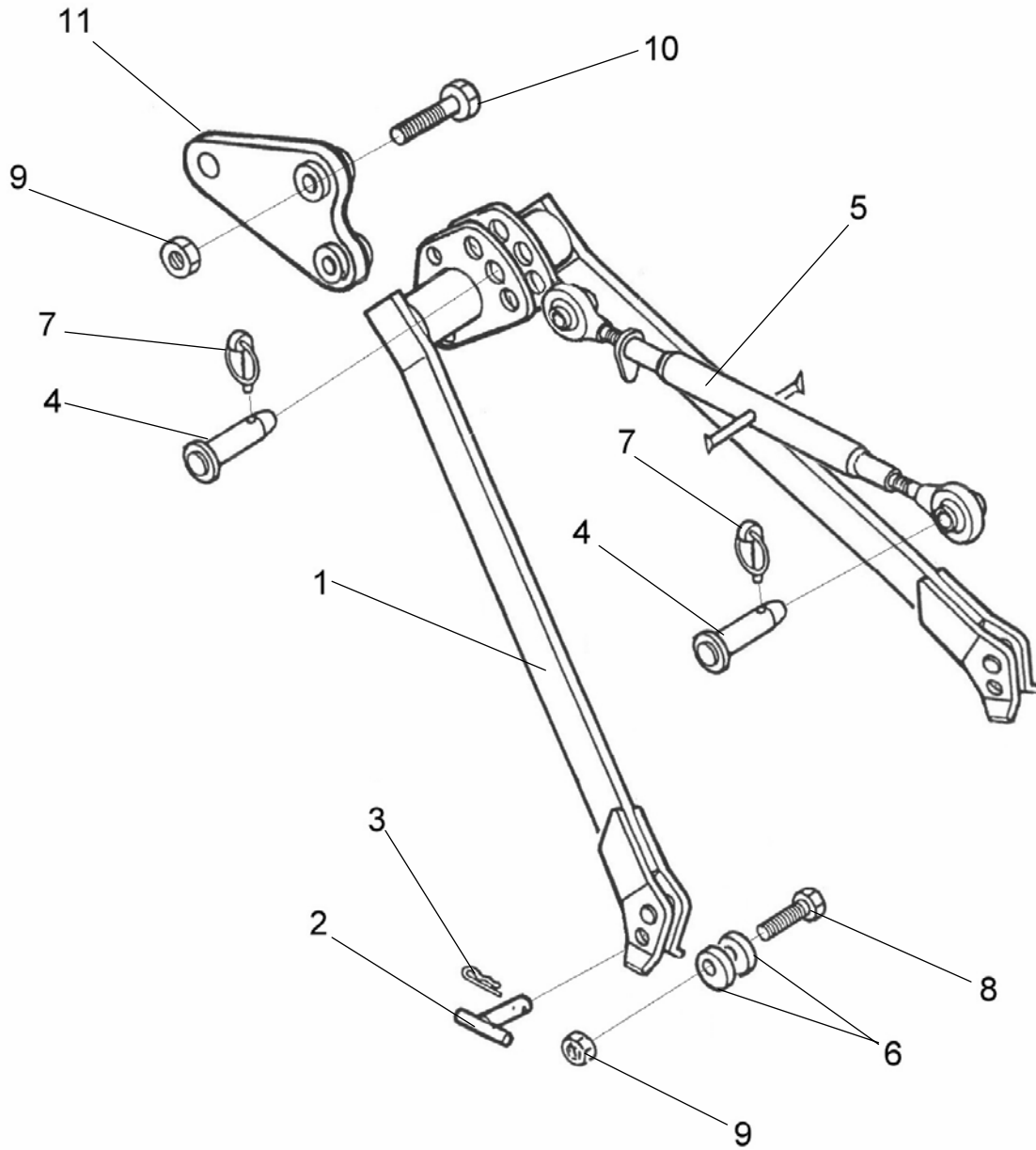
Machine Decals	63.
----------------	-----

## OPTIONAL EXTRAS

Debris Blower Mounting Kit	65.
Lift Stop Kit	66.

# STABILISER ASSEMBLY

Module:  
7499615



**STABILISER ASSEMBLY**

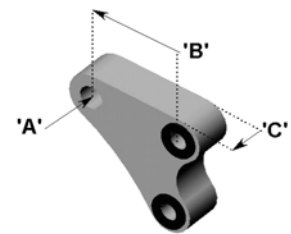
REF.	QTY.	PART NO.	DESCRIPTION
		<b>7499615</b>	<b>STABILIZER ASSEMBLY</b>
1	1	41915.07	STABILIZER
2	2	7192027	STABILIZER PIN
3	4	0431105	SPRING COTTER
4	2	7118112	TOP LINK PIN
5	1	07.584.01	TOP LINK - CAT. II
6	4	7192080	ECCENTRIC COLLAR
7	2	0431217	LINCH PIN
8	2	9213148	BOLT M20 x 70
9	4	9143008	CLEVLOK NUT M20
10	2	9213228	BOLT M20 x 110
11	1	7499501	TONGUE

**McCormick STABILISER TONGUES**

'A' – Hole diameter

'B' – Hole center spacing

'C' – Stabiliser width



(Dimensions in mm)

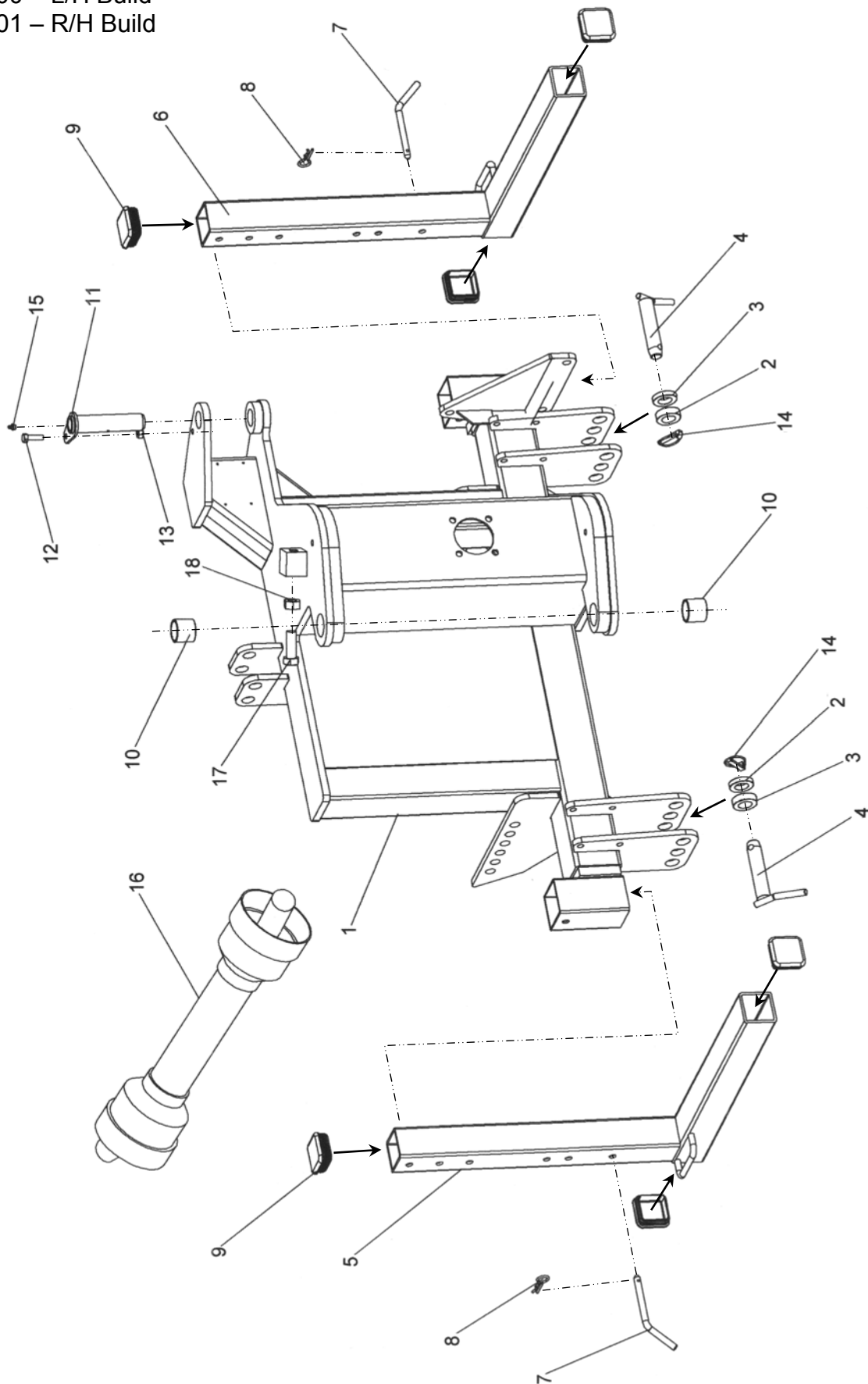
Part No.	Description	'A'	'B'	'C'
7499501	Tongue: Standard – Cat. 2	27	107	45
7499500	Tongue: Special – Cat. 2 narrow	27	107	35
7499502	Tongue: Special – Cat. 2 long	27	217	45
7499503	Tongue: Special – Cat. 3 long	32	217	45
7499504	Tongue: Special – Cat. 1	19.5	107	35
7499505	Tongue: Special – Cat. 2 for Case TX tractors	25	120	50
7499506	Tongue: Special – Cat. 3	32	107	45
7499507	Tongue: Special – Cat. 3 narrow	32	107	30
7499508	Tongue: Special – for some Ford tractors	28.6	107	45
7499262	Tongue: Special – Cat. 2 extra long for Aebi	27	260	45
7499510	Tongue: Special – Cat. 2	27	107	40

# MAINFRAME ASSEMBLY

**Module:**

7451700 – L/H Build  
7451701 – R/H Build

*Illustrated in Left Hand Build*



**MAINFRAME ASSEMBLY**

REF.	QTY.	PART No.	DESCRIPTION
1	1	45193.01	MAIN FRAME - L/H
	1	45193.02	MAIN FRAME - R/H ( <i>not illustrated</i> )
2	2	43332.01	SPACER-LINKAGE.
3	2	43332.02	SPACER-LINKAGE
4	2	41559.01	LINKAGE PIN
5	1	45293.01	STAND LEG - L/H
6	1	45293.02	STAND LEG - R/H
7	2	45297.01	LEG PIN
8	2	0431105	SPRING COTTER
9	6	45210.01	PLASTIC PLUG
10	2	21385.01	PLASTIC BUSH
11	1	45202.05	SLEW BASE PIN
12	1	9313075	SETSCREW
13	1	9143005	SELF-LOCKING NUT
14	2	0431217	LINCH PIN
15	1	0901121	GREASE NIPPLE - Straight
16	1	7136330	DRIVE SHAFT
17	1	9313118	SETSCREW
18	1	9113008	NUT



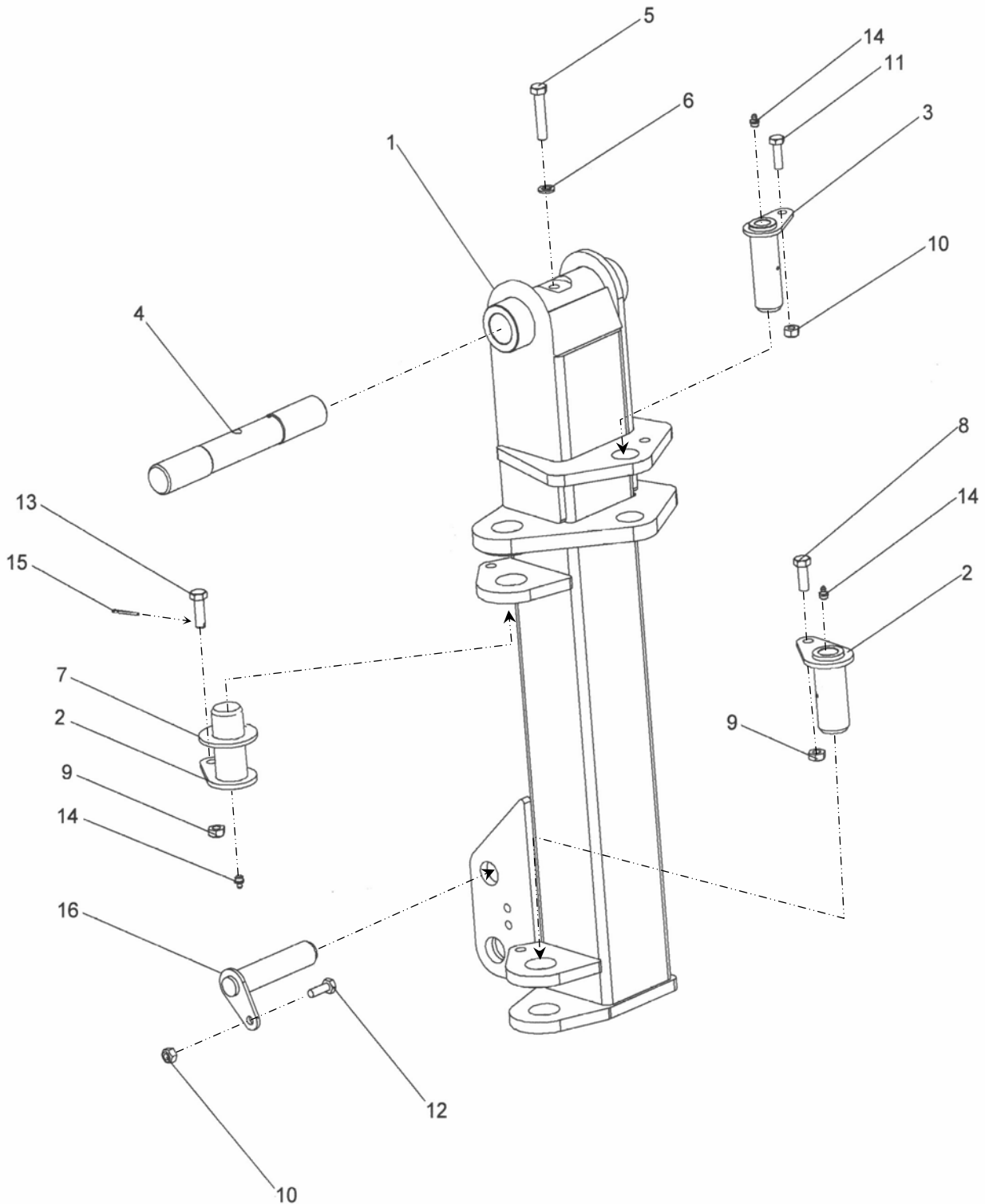
# PILLAR ASSEMBLY

**Modules:**

7451727 – L/H Build

7448707 – R/H Build

*Illustrated in Left Hand Build*



**PILLAR ASSEMBLY**

REF.	QTY.	PART No.	DESCRIPTION
		<b>7451727</b>	<b>PILLAR ASSEMBLY L/H</b>
		<b>7448707</b>	<b>PILLAR ASSEMBLY R/H</b>
1	1	45192.01	PILLAR - L/H
		45192.02	PILLAR - R/H ( <i>not illustrated</i> )
2	2	45271.01	SLEW PIVOT PIN
3	1	45202.04	PIN-SLEW ROD
4	1	45264.01	MAIN PIVOT PIN
5	1	9213136	BOLT
6	1	9100206	SPRING WASHER
7	1	45298.01	THRUST WASHER
8	1	9313076	SETSCREW
9	2	9143006	SELF-LOCKING NUT
10	2	9143005	SELF-LOCKING NUT
11	1	9313075	SETSCREW
12	1	9313065	SETSCREW
13	1	45416.01	SPECIAL SETCREW
14	3	0901121	GREASE NIPPLE - Straight
15	1	9501255	SPLIT PIN
16	1	41692.01	PIN - TENSION LINK



**ROCKER ASSEMBLY**

REF.	QTY.	PART NO.	DESCRIPTION
		<b>7448706</b>	<b>ROCKER ASSEMBLY</b>
1	1	45445.01	ROCKER
2	2	08.297.02	BUSH
3	2	45266.01	PIN CAP
4	4	9300159	BUTTON HEADED CAPSCREW
5	3	41694.03	PIN - LIFT ROD END
6	3	9313066	SETSCREW
7	3	9143006	SELF-LOCKING NUT
8	3	0901121	GREASE NIPPLE - STRAIGHT
9	4	7213023	PLASTIC BUSH
10	3	9501507	SPLIT PIN
11	1	43048.06	RETAINING BRACKET
12	1	43048.05	HOOK
13	2	9313044	SETSCREW
14	2	9100204	SPRING WASHER
15	1	7114076	CLAMP UPPER - <i>not illustrated</i>
16	1	7114075	CLAMP LOWER - <i>not illustrated</i>
17	1	9213094	BOLT - <i>not illustrated</i>

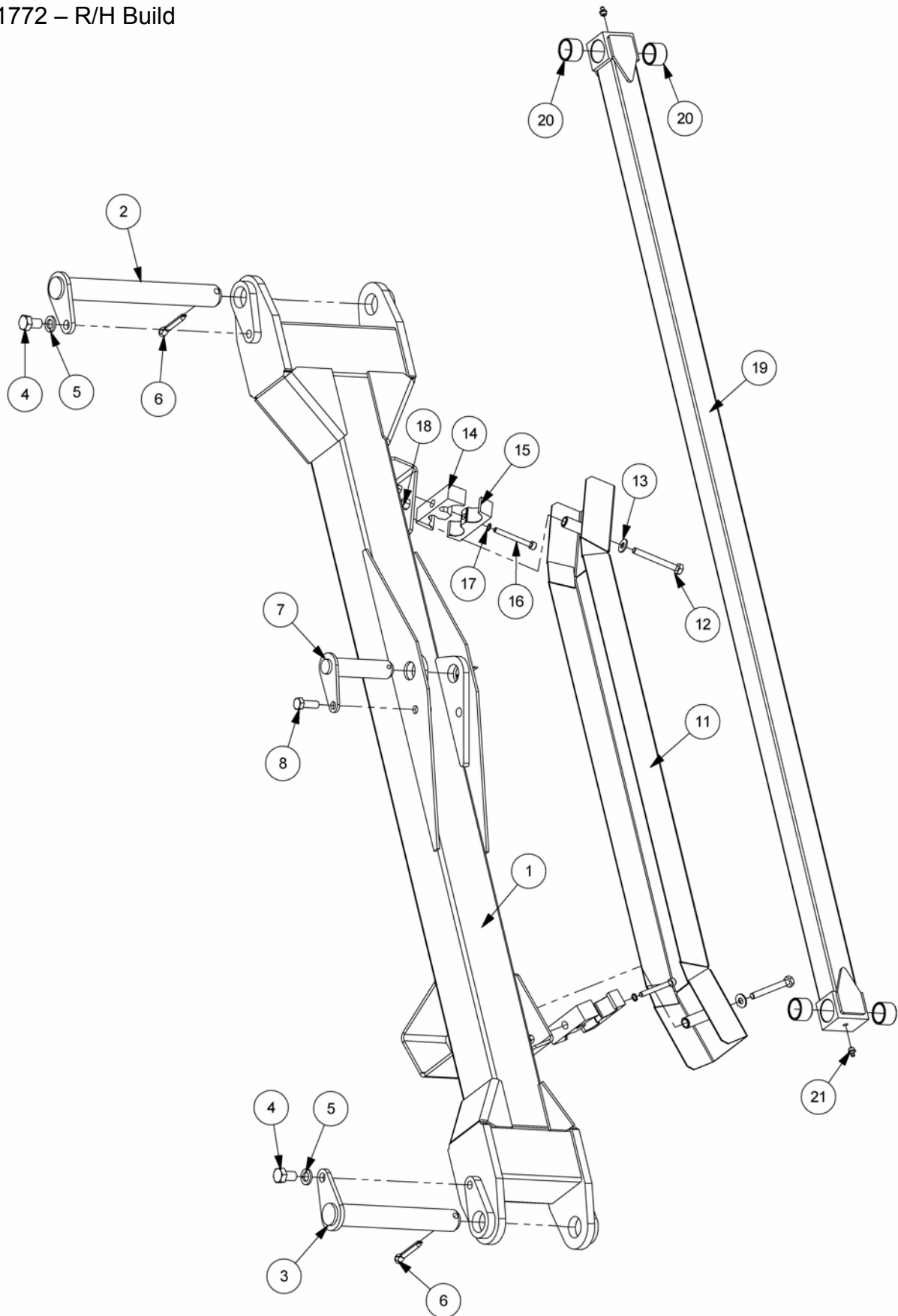
# MAIN ARM ASSEMBLY

**Modules:**

7451771 – L/H Build

7451772 – R/H Build

*Illustrated in Left Hand Build*



**MAIN ARM ASSEMBLY**

REF.	QTY.	PART NO.	DESCRIPTION
		<b>7451771</b>	<b>MAIN ARM ASSEMBLY - L/H Build</b>
		<b>7451772</b>	<b>MAIN ARM ASSEMBLY - R/H Build</b>
1	1	7193474	MAIN ARM - L/H Build
	1	7193475	MAIN ARM - R/H Build
2	1	41686.01	MAIN ARM PIVOT PIN
3	1	41687.01	PIN - DIPPER PIVOT
4	2	9313057	SETSCREW
5	2	05.282.04	SPRING WASHER
6	2	9501509	SPLIT PIN
7	1	41688.01	PIN - REACH RAM ROD
8	1	9313076	SETSCREW
9	1	9143006	SELF-LOCKING NUT
10	1	9501507	SPLIT PIN
11	1	41665.01	HOSE GUARD
12	2	9213185	BOLT
13	2	9100105	FLAT WASHER
14	2	45630.01	HOSE CLAMP (HALF)
15	2	42024.06	HOSE CLAMP (HALF)
16	2	9243154	CAPSCREW
17	2	9100404	SHAKEPROOF WASHER
18	2	9143005	SELF-LOCKING NUT
19	1	7193326	TENSION LINK
20	4	6012032	BUSH
21	2	0901121	GREASE NIPPLE

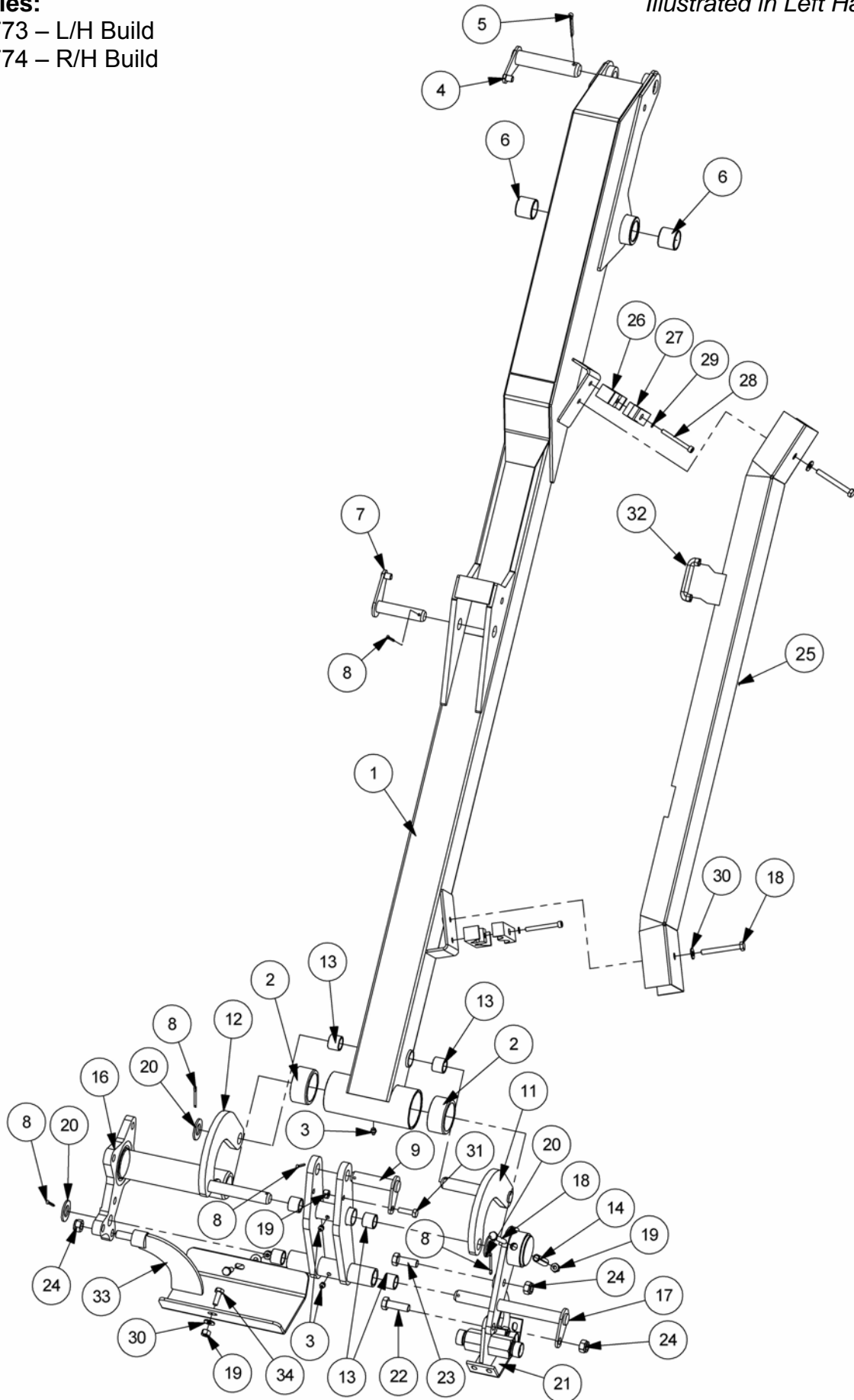
# DIPPER ARM ASSEMBLY

**Modules:**

7451773 – L/H Build

7451774 – R/H Build

*Illustrated in Left Hand Build*



**DIPPER ARM ASSEMBLY**

REF.	QTY.	PART No.	DESCRIPTION
		<b>7451773</b>	<b>DIPPER ARM ASSEMBLY L/H</b>
		<b>7451774</b>	<b>DIPPER ARM ASSEMBLY R/H</b>
1	1	7193476	DIPPER ARM L/H
		7193477	DIPPER ARM R/H ( <i>not illustrated</i> )
2	2	7136035	PLASTIC BUSH
3	5	0901121	GREASE NIPPLE
4	1	7193025	PIN - TENSION LINK
5	1	9501507	SPLIT PIN
6	2	7213023	PLASTIC BUSH
7	1	7192024	PIN - ANGLE BASE
8	5	9501406	SPLIT PIN
9	1	41693.01	PIN - ANGLE ROD END
10	1	7450252	SLAVE LINK
11	1	7450251	RADIUS ARM - FRONT
12	1	7450250	RADIUS ARM - REAR
13	6	41690.01	BUSH - PLASTIC
14	1	0423548	SPRING DOWEL
15	1	42648.02	JAW PLATE
16	1	21263.02	PIVOT TUBE
17	1	7192009	PIN - SLAVE LINK
18	3	9213185	BOLT
19	6	9143005	SELF-LOCKING NUT
20	3	0100109	FLAT WASHER
21	1	21261.02	JUNCTION BRACKET
22	1	9200025	BOLT
23	1	9200028	BOLT
24	3	9100028	SELF LOCKING NUT
25	1	41665.03	HOSE GUARD
26	2	45630.01	HOSE CLAMP - PLASTIC
27	2	42024.06	PIPE CLAMP (HALF)
28	2	9243154	CAPSCREW
29	2	9100404	SHAKEPROOF WASHER
30	4	9100105	FLAT WASHER
31	1	9313075	SETSCREW
32	1	41741.01	EDGING STRIP
33	1	21262.02	HOSE TRAY
34	2	9313065	SETSCREW

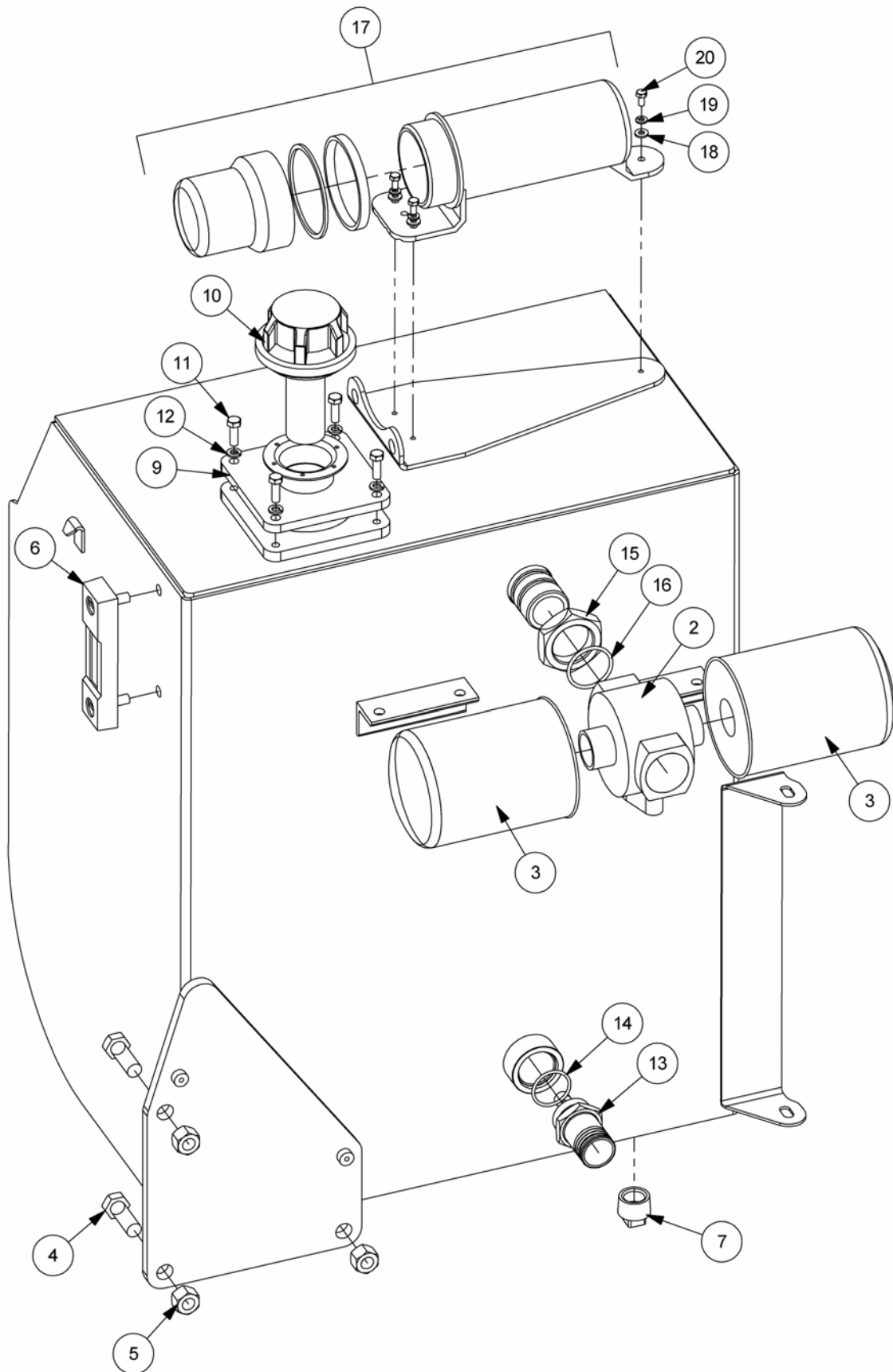


**Modules:**

7451794 – L/H Build

7451805 – R/H Build

*Illustrated in Left Hand Build*



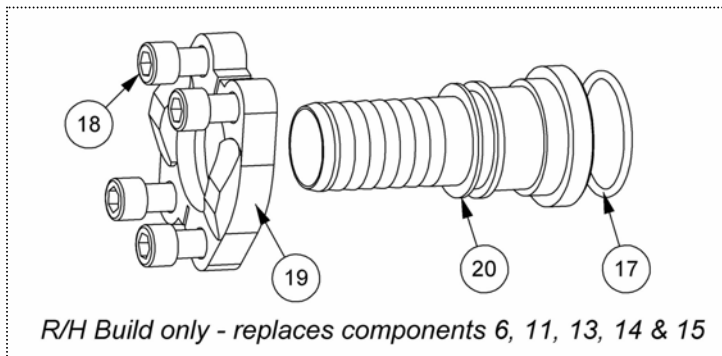
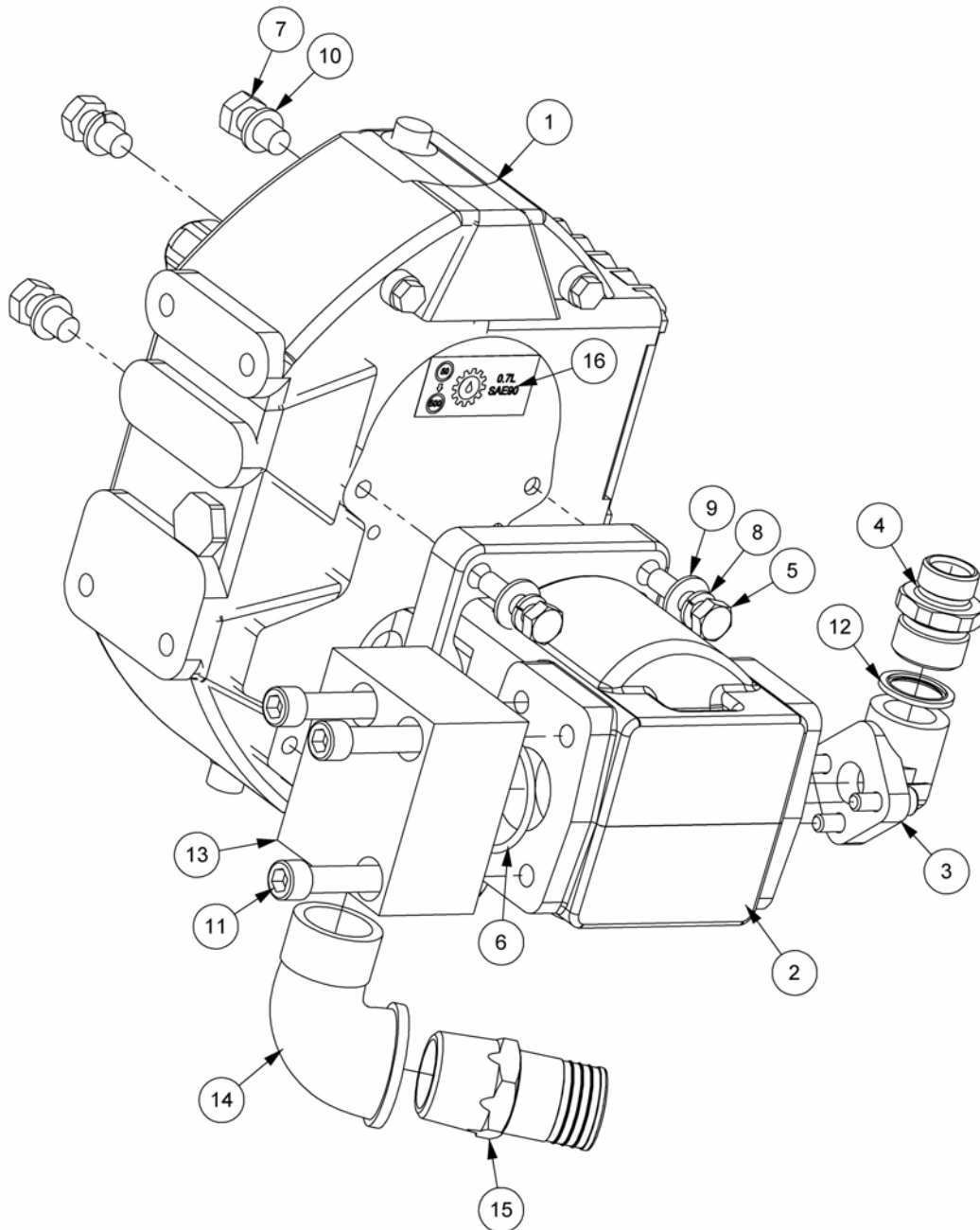
**HYDRAULIC TANK ASSEMBLY**

REF.	QTY.	PART No.	DESCRIPTION
		<b>7451794</b>	<b>HYDRAULIC TANK ASSEMBLY - L/H Build</b>
		<b>7451805</b>	<b>HYDRAULIC TANK ASSEMBLY - R/H Build</b>
1	1	45243.09	HYDRAULIC TANK - L/H Build
	1	45243.13	HYDRAULIC TANK - R/H Build
2	1	8401060	RETURN FILTER HEAD
3	2	8401041	FILTER ELEMENT
4	3	9313097	SETSCREW
5	3	9143007	SELF-LOCKING NUT
6	1	8401048	LEVEL GAUGE
7	1	8581203	TAPER PLUG (HOLLOW)
8	1	8600151	O RING
9	1	43175.01	COVER PLATE
10	1	8401074	FILLER BREATHER
11	4	9313054	SETSCREW
12	4	9100204	SPRING WASHER
13	1	8581260	ADAPTOR
14	1	8700784	O RING
15	1	8581422	ADAPTOR BACKNUT
16	1	8600302	O RING
17	1	46505.01	LITERATURE HOLDER
18	3	9100103	FLAT WASHER
19	3	9100203	SPRING WASHER
20	3	9313023	SETSCREW

**Modules:**

7451762 – L/H Build

7451763 – R/H Build



**SI PUMP & GEARBOX ASSEMBLY**

REF.	QTY.	PART No.	DESCRIPTION
		<b>7451762</b>	<b>SI PUMP &amp; GEARBOX ASSEMBLY - L/H Build</b>
		<b>7451763</b>	<b>SI PUMP &amp; GEARBOX ASSEMBLY - R/H Build</b>
1	1	21931.01	CAST IRON G/BOX 1:4.25 13T SPLINE
2	1	8201686	PUMP (SI)
3	1	8005052	PRESSURE CONNECTION KIT
4	1	8002086	ADAPTOR
5	4	9313085	SETSCREW
6	1	8600304	O RING
7	4	9313056	SETSCREW
8	4	9100205	SPRING WASHER
9	4	9100105	FLAT WASHER
10	4	9100206	SPRING WASHER
11	3	9243126	CAPSCREW
12	1	8650106	BONDED SEAL
13	1	42142.02	BLOCK - SUCTION TAPER
14	1	8581261	ADAPTOR
15	1	8581367	ADAPTOR
16	1	1290092	GEARBOX DECAL

**For R/H build models the following components replace items 6, 11, 13, 14 & 15 above:**

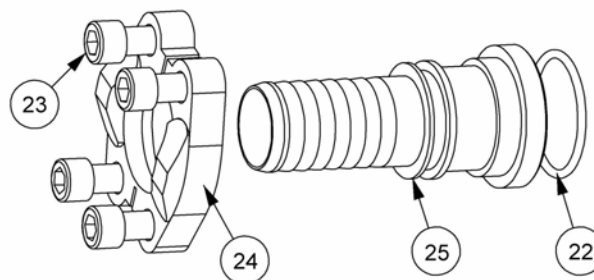
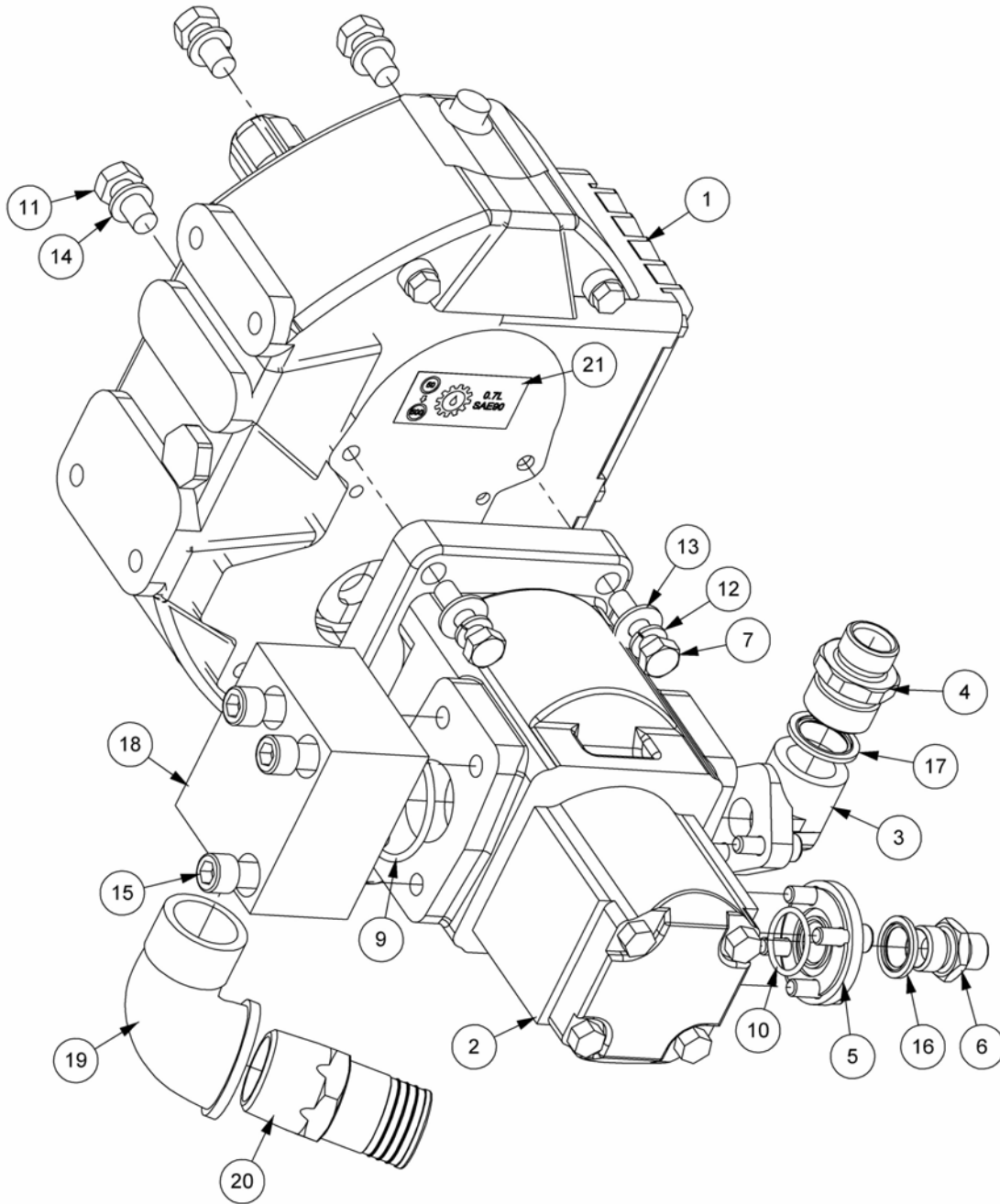
17	1	8600303	O RING
18	4	9343066	CAPSCREW
19	1	41.294.01	SPLIT FLANGE PAIR
20	1	41.294.03	ADAPTOR FLANGE

# TI PUMP & GEARBOX ASSEMBLY

**Modules:**

7451764 – L/H Build

7451765 – R/H Build



*R/H Build only - replaces components 9, 15, 18, 19 & 20*

**TI PUMP & GEARBOX ASSEMBLY**

REF.	QTY.	PART No.	DESCRIPTION
		<b>7451764</b>	<b>TI PUMP &amp; GEARBOX ASSEMBLY - L/H Build</b>
		<b>7451765</b>	<b>TI PUMP &amp; GEARBOX ASSEMBLY - R/H Build</b>
1	1	21931.01	CAST IRON G/BOX 1:4.25 13T SPLINE
2	1	8201700	PUMP (TI)
3	1	8005052	PRESSURE CONNECTION KIT
4	1	8002086	ADAPTOR
5	1	42029.01	PORT PLATE
6	1	6000112	ADAPTOR
7	4	9313085	SETSCREW
8	4	9300147	CAPSCREW
9	1	8600304	O RING
10	1	8600405	O RING
11	4	9313056	SETSCREW
12	4	9100205	SPRING WASHER
13	4	9100105	FLAT WASHER
14	4	9100206	SPRING WASHER
15	3	9243126	CAPSCREW
16	1	8650104	BONDED SEAL
17	1	8650106	BONDED SEAL
18	1	42142.02	BLOCK - SUCTION TAPER
19	1	8581261	ADAPTOR
20	1	8581367	ADAPTOR
21	1	1290092	GEARBOX DECAL

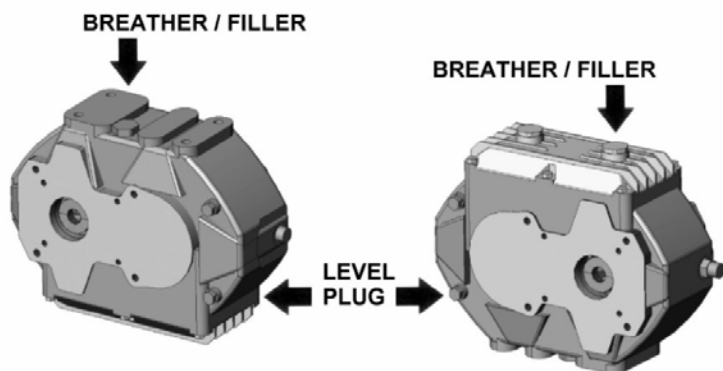
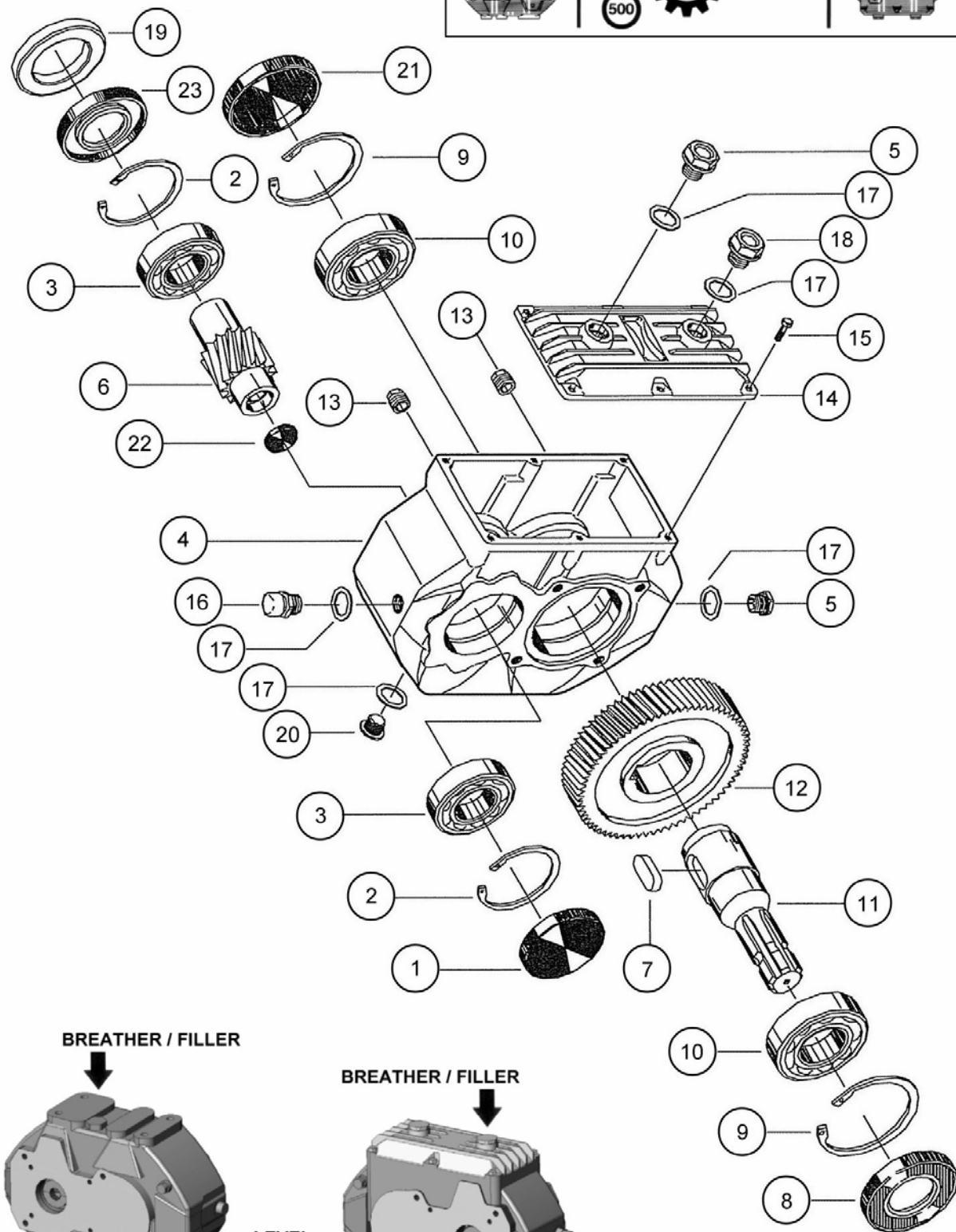
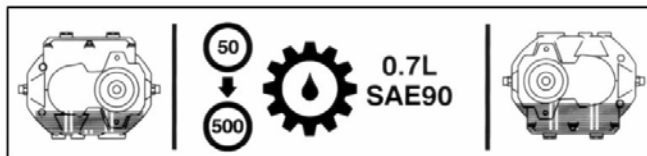
**For R/H build models the following components replace items 9, 15, 18, 19 & 20 above:**

22	1	8600303	O RING
23	4	9343066	CAPSCREW
24	1	41.294.01	SPLIT FLANGE PAIR
25	1	41.294.03	ADAPTOR FLANGE

# GEARBOX ASSEMBLY

## Modules:

21931.01 – Gearbox (Ratio 1:4.25) 13T



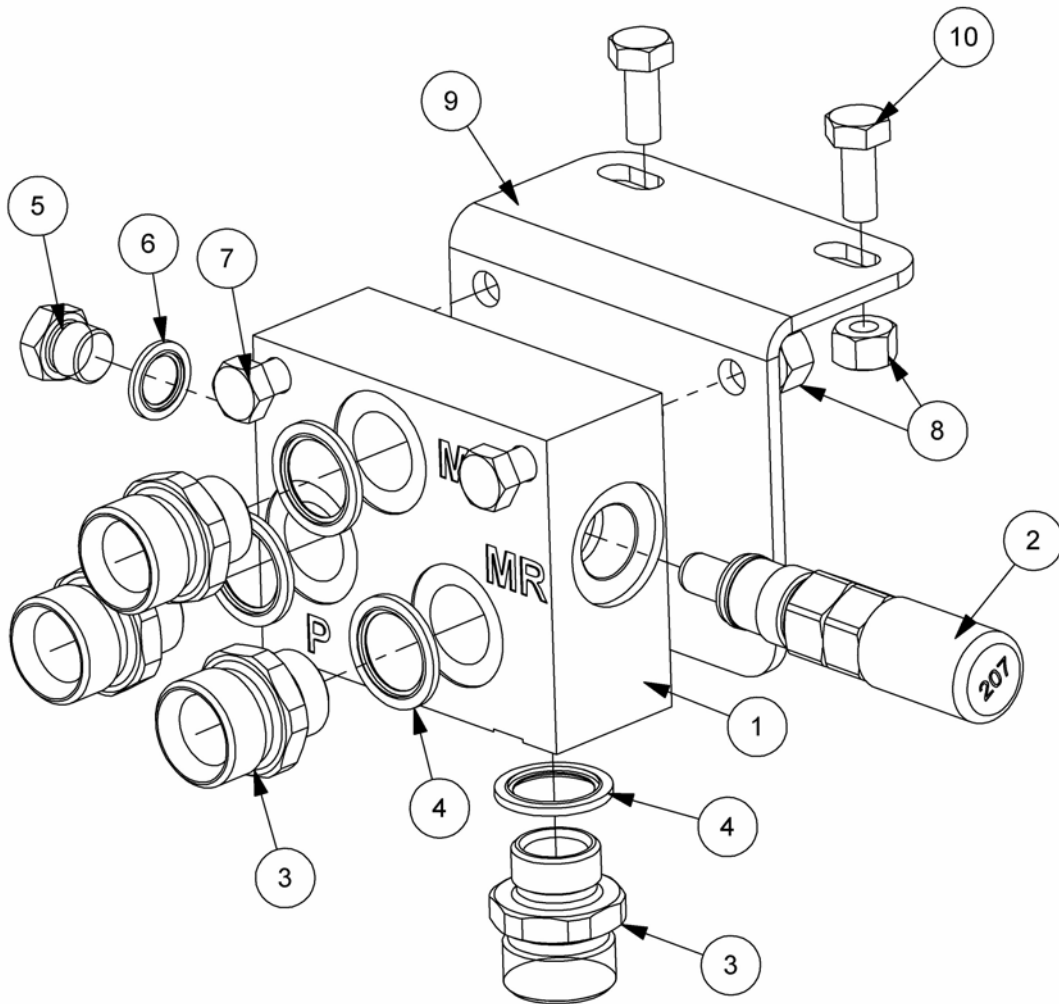
NOTE: Plug positions are dependent on gearbox orientation

**GEARBOX ASSEMBLY**

REF.	QTY.	PART No.	DESCRIPTION
		<b>21931.01</b>	<b>GEARBOX ASSEMBLY (Cast Iron)</b>
		<i>Specification:</i>	<i>Ratio 1:4.25 with 13 tooth spline</i>
1	1	8013530	CAP
2	2	8013529	INTERNAL CIRCLIP
3	2	8013528	BEARING
4	1	8013585	GEARBOX CASTING
5	2	8013533	DRAIN PLUG
6	1	8013575	SHAFT
7	1	8013586	DRIVESHAFT KEY
8	2	8013526	SHAFT SEAL
9	2	8013525	INTERNAL CIRCLIP
10	1	8013524	BEARING
11	1	8013522	INPUT SHAFT
12	1	8013587	PRIMARY GEAR
13	2	8013588	LEVEL PLUG
14	1	8013589	GEARBOX COVER
15	6	9313033	SCREW
16	1	8013590	OIL PLUG
17	5	8013591	SEALING WASHER
18	1	8013592	OIL PLUG
19	1	8013576	RING
20	1	8013593	OIL PLUG
21	1	8013527	CAP
22	1	8013594	OIL PLUG
23	1	8699264	GEARBOX SEAL



Module:  
7451708



**ROTOR RELIEF VALVE – SI Models**

<b>REF.</b>	<b>QTY.</b>	<b>PART No.</b>	<b>DESCRIPTION</b>
		<b>7451708</b>	<b>ROTOR RELIEF ASSEMBLY</b>
1	1	8125352	BLOCK ROTOR RELIEF SI
2	1	8125095	RELIEF VALVE 207 BAR
3	4	8002086	ADAPTOR
4	4	8650106	BONDED SEAL
5	1	8003001	ADAPTOR PLUG
6	1	8650103	BONDED SEAL
7	2	9213135	BOLT
8	4	9143005	SELF-LOCKING NUT
9	1	45338.01	PLATE - RCV
10	2	9313055	SETSCREW

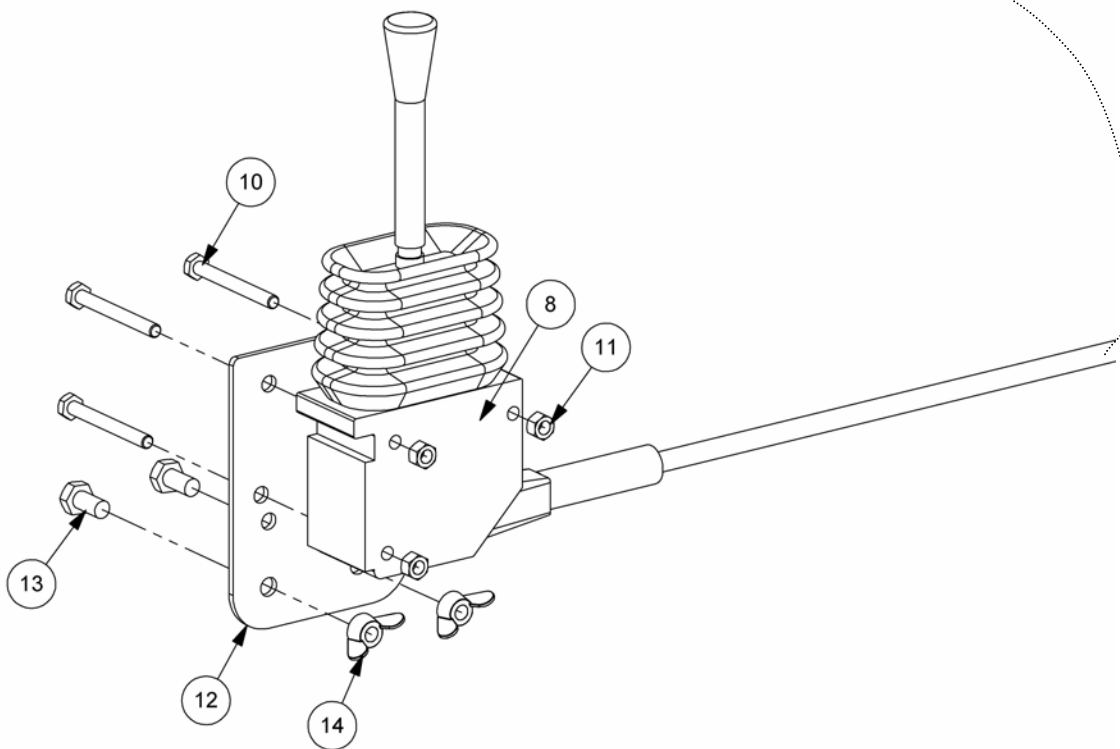
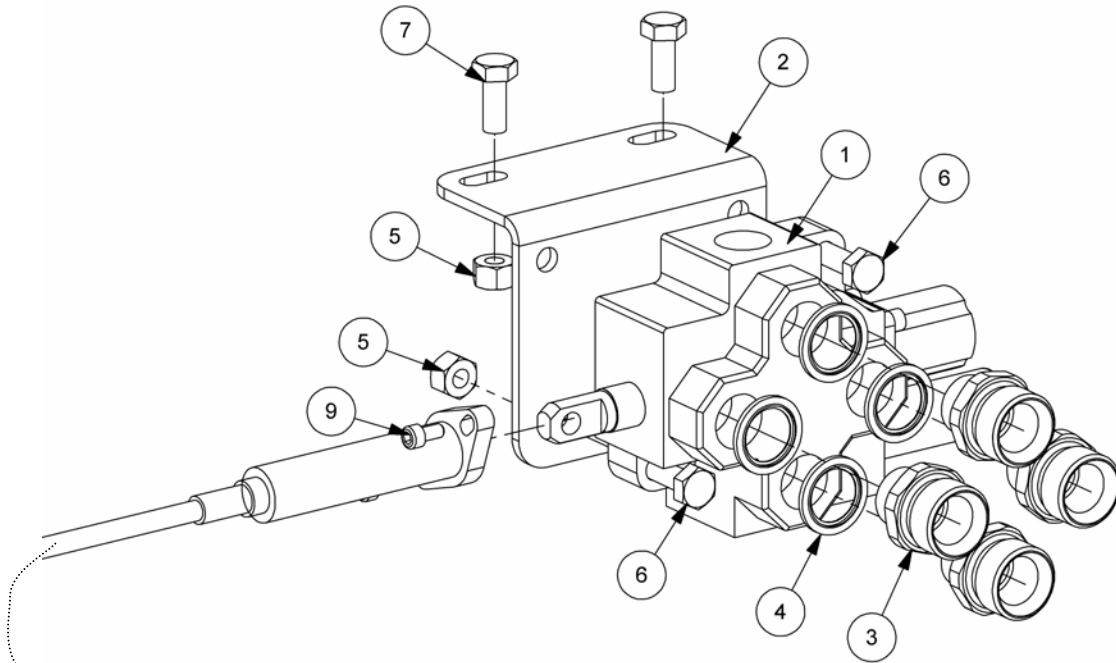
# CABLE ROTOR CONTROL

**Modules:**

7451766 – L/H Build TI Models

7451767 – R/H Build TI Models

*Illustrated in Left Hand Build*



**CABLE ROTOR CONTROL**

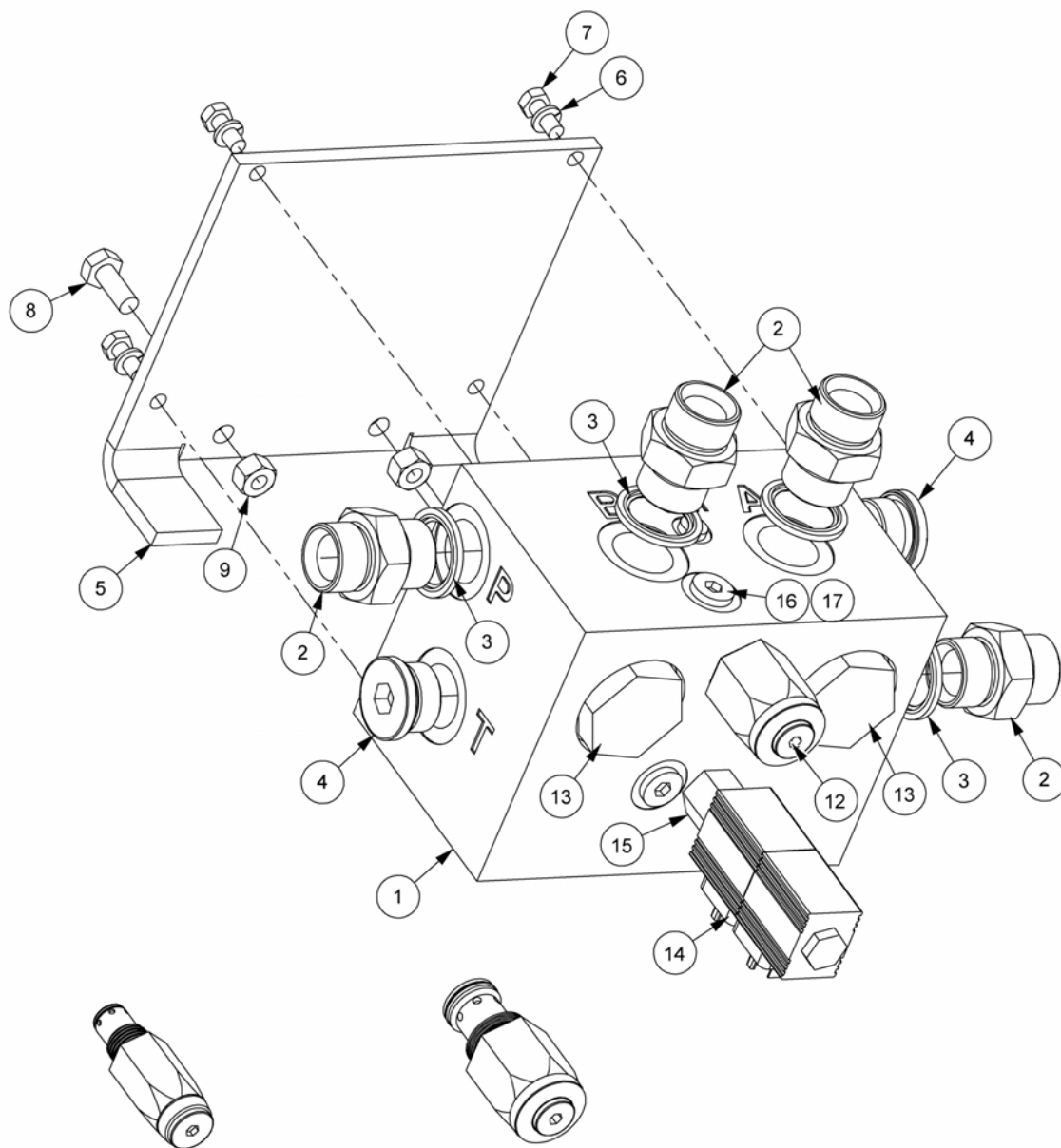
REF.	QTY.	PART No.	DESCRIPTION
		<b>7451766</b>	<b>ROTOR CONTROL VALVE - L/H Build</b>
		<b>7451767</b>	<b>ROTOR CONTROL VALVE - R/H Build</b>
1	1	8125381	ROTOR CONTROL VALVE (190BAR) - L/H Build
	1	8125356	ROTOR CONTROL VALVE (190BAR) - R/H Build
2	1	45338.01	PLATE RCV
3	4	8002086	ADAPTOR
4	4	8650106	BONDED SEAL
5	4	9143005	SELF-LOCKING NUT
6	2	9213085	BOLT
7	2	9313055	SETSCREW
8	1	8017065	ROTOR CONTROL HEAD & CABLE - 2.5m
9	2	9343023	CAPSCREW
10	3	9213113	BOLT
11	3	9143003	SELF-LOCKING NUT
12	1	7650282	CONTROL CABLE BRACKET
13	2	9313034	SETSCREW
14	2	9193004	WING NUT

**Modules:**

7451768 – L/H Build TI Models

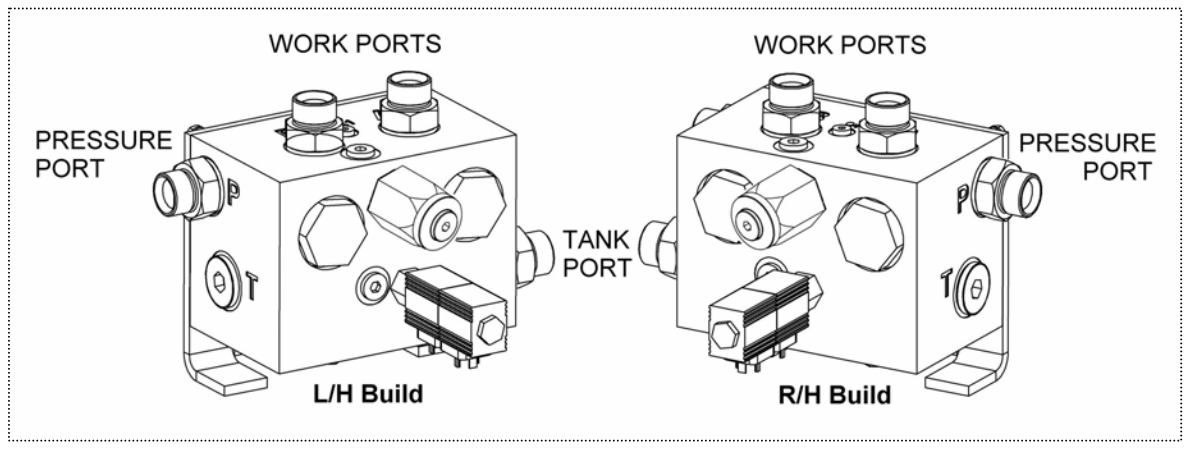
7451769 – R/H Build TI Models

*Illustrated in Left Hand Build*



*Early version Relief Valve 42768.33  
as fitted to Manifold Block 42768.31*

*Later version Relief Valve 42768.41  
as fitted to Manifold Block 42768.40*



**ELECTRIC ROTOR CONTROL**

REF.	QTY.	PART No.	DESCRIPTION
		<b>7451768</b>	<b>ELECTRIC ROTOR CONTROL - L/H Build</b>
		<b>7451769</b>	<b>ELECTRIC ROTOR CONTROL - R/H Build</b>
1	1	42768.01	VALVE RCV ELECTRIC
2	4	05.434.01	ADAPTOR
3	4	8650108	BONDED SEAL
4	3	8581389	ADAPTOR PLUG
5	1	45267.01	RCV BRACKET
6	4	9100204	SPRING WASHER
7	4	9313044	SETSCREW
8	2	9313055	SETSCREW
9	2	9143005	SELF-LOCKING NUT
10	1	43177.26	LOOM ROTOR REVERSE ( <i>not illustrated</i> )
11	1	42768.31	MANIFOLD BLOCK - <i>Early version</i> *
	1	42768.40	MANIFOLD BLOCK - <i>Later version</i> *
12	1	42768.33	RELIEF VALVE - <i>Early version</i> *
	1	42768.41	RELIEF VALVE - <i>Later version</i> *
13	4	42768.32	LOGIC ELEMENT
14	2	42768.35	SOLENOID (12V-28W)
15	1	42768.34	SPOOL - OPEN CENTRE
16	2	42768.39	PLUG
17	1	42768.36	ORIFICE PLUG

\* Early and later versions of these items are not interchangeable with each other

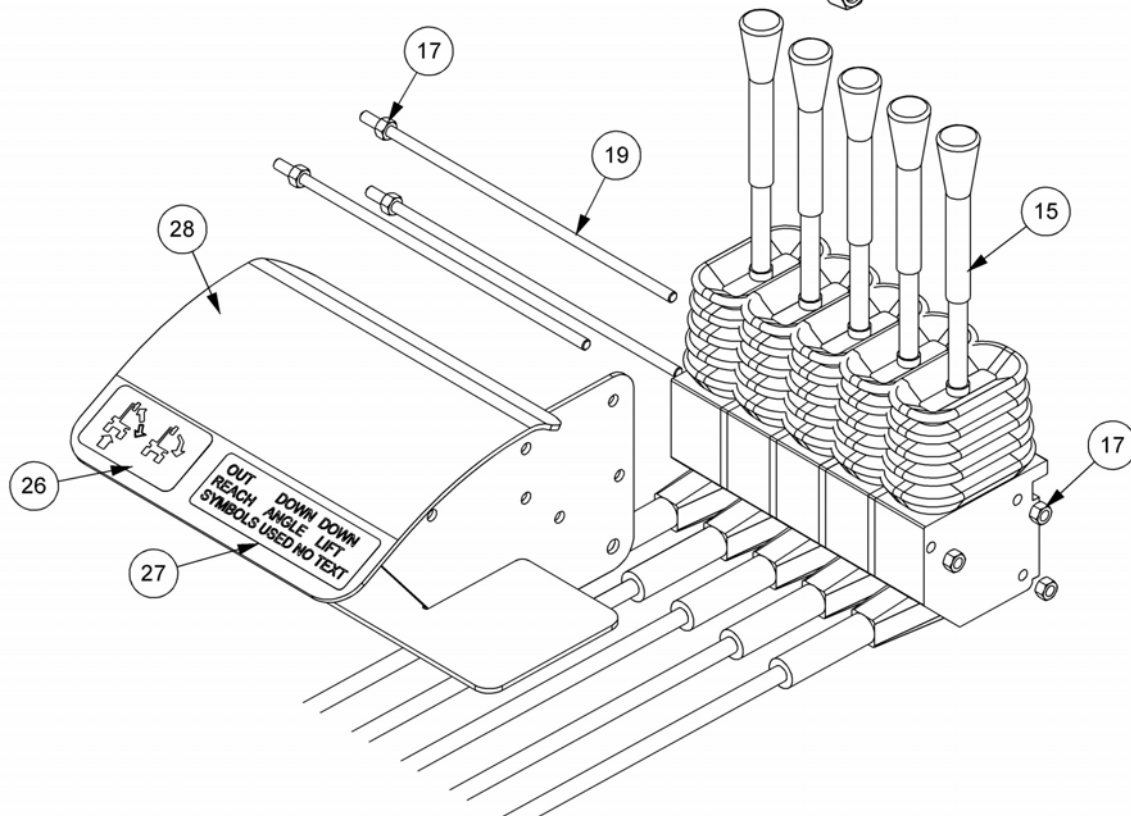
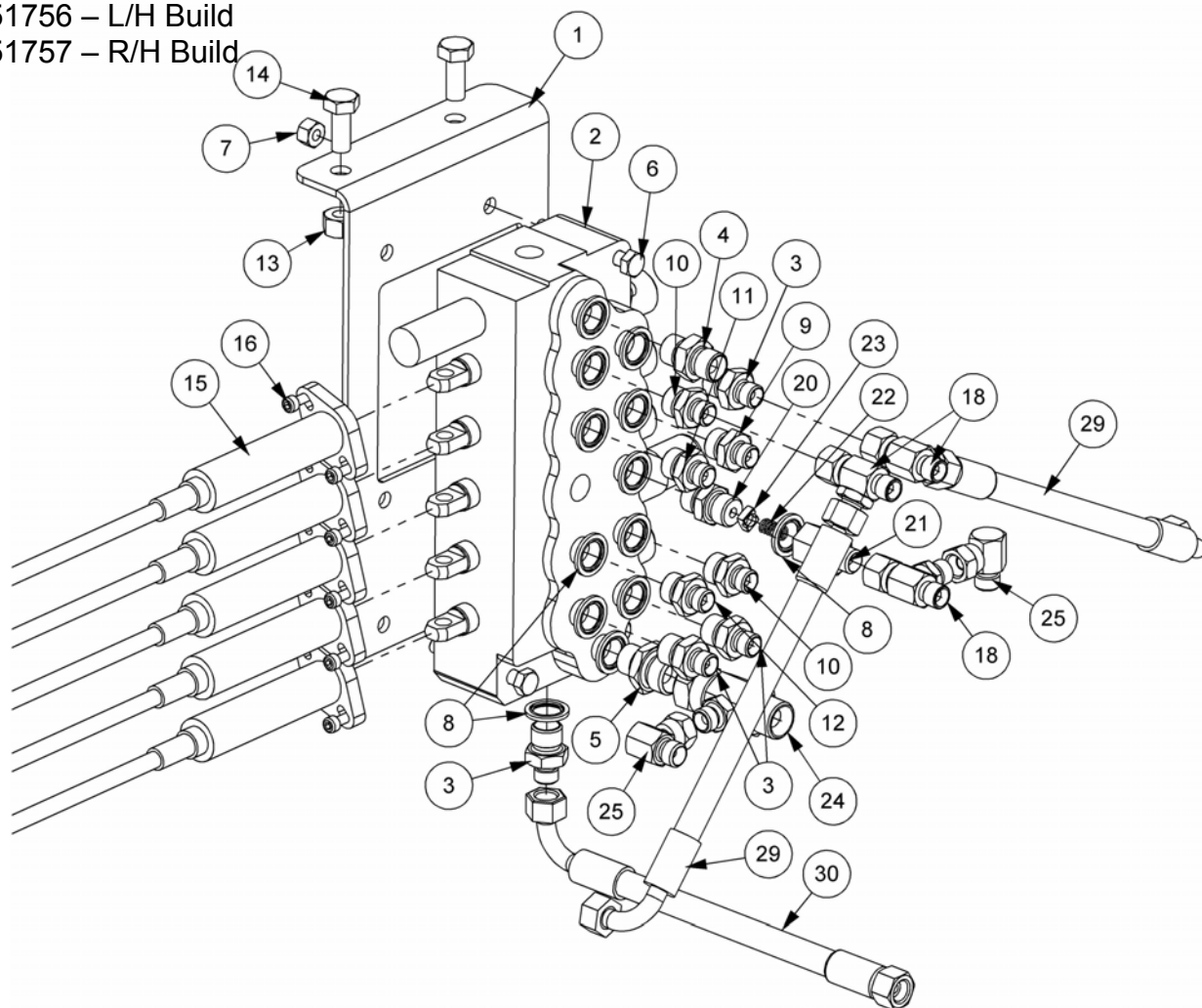
# CABLE CONTROL VALVE

**Modules:**

7451756 – L/H Build

7451757 – R/H Build

*Illustrated in Left Hand Build*



**CABLE CONTROL VALVE**

REF.	QTY.	PART No.	DESCRIPTION
		<b>7451756</b>	<b>CABLE CONTROL VALVE - L/H Build</b>
		<b>7451757</b>	<b>CABLE CONTROL VALVE - R/H Build</b>
1	1	45274.01	VALVE BRACKET - L/H
	1	45274.03	VALVE BRACKET - R/H ( <i>not illustrated</i> )
2	1	8130634	VALVE - 5 SPOOL
3	4	8581115	ADAPTOR
4	1	6000113	ADAPTOR
5	1	6000112	ADAPTOR
6	3	9213134	BOLT
7	9	9143004	SELF-LOCKING NUT
8	13	8650103	BONDED SEAL
9	1	8130047	ADAPTOR RESTRICTOR 1.8 'B'
10	2	8130066	ADAPTOR RESTRICTOR 1.15 'M'
11	1	8130046	ADAPTOR RESTRICTOR 1.5 'A'
12	1	8130048	ADAPTOR RESTRICTOR 1.3 'C'
13	2	9143005	SELF-LOCKING NUT
14	2	9313055	SETSCREW
15	5	8017066	CABLE ASSEMBLY - 3.0m
16	10	9243022	CAPSCREW
17	6	9143003	SELF-LOCKING NUT
18	3	8581254	ADAPTOR TEE
19	3	04.282.71	STUD
20	1	8581209	ADAPTER
21	1	8581214	RESTRICTOR ADAPTER
22	1	8116011	SPRING
23	1	8123043	RESTRICTOR DISC - 1.6 GREEN
24	1	04.056.25	ADAPTOR TEE
25	2	8581190	ADAPTOR ELBOW - 90°
26	1	1290357	CONTROL DECAL
27	1	1290368	CONTROL DECAL
28	1	7650307	CABLE ARMREST - 5 LEVER
29	2	10.002.04	HOSE - 1/4" BSP FS/F90 x 200mm
30	1	10.002.08	HOSE - 1/4" BSP FS/F90 x 400mm
31	1	09.968.99	KNOB - RED
32	1	8017067	KNOB - GREEN
33	1	8017068	KNOB - YELLOW



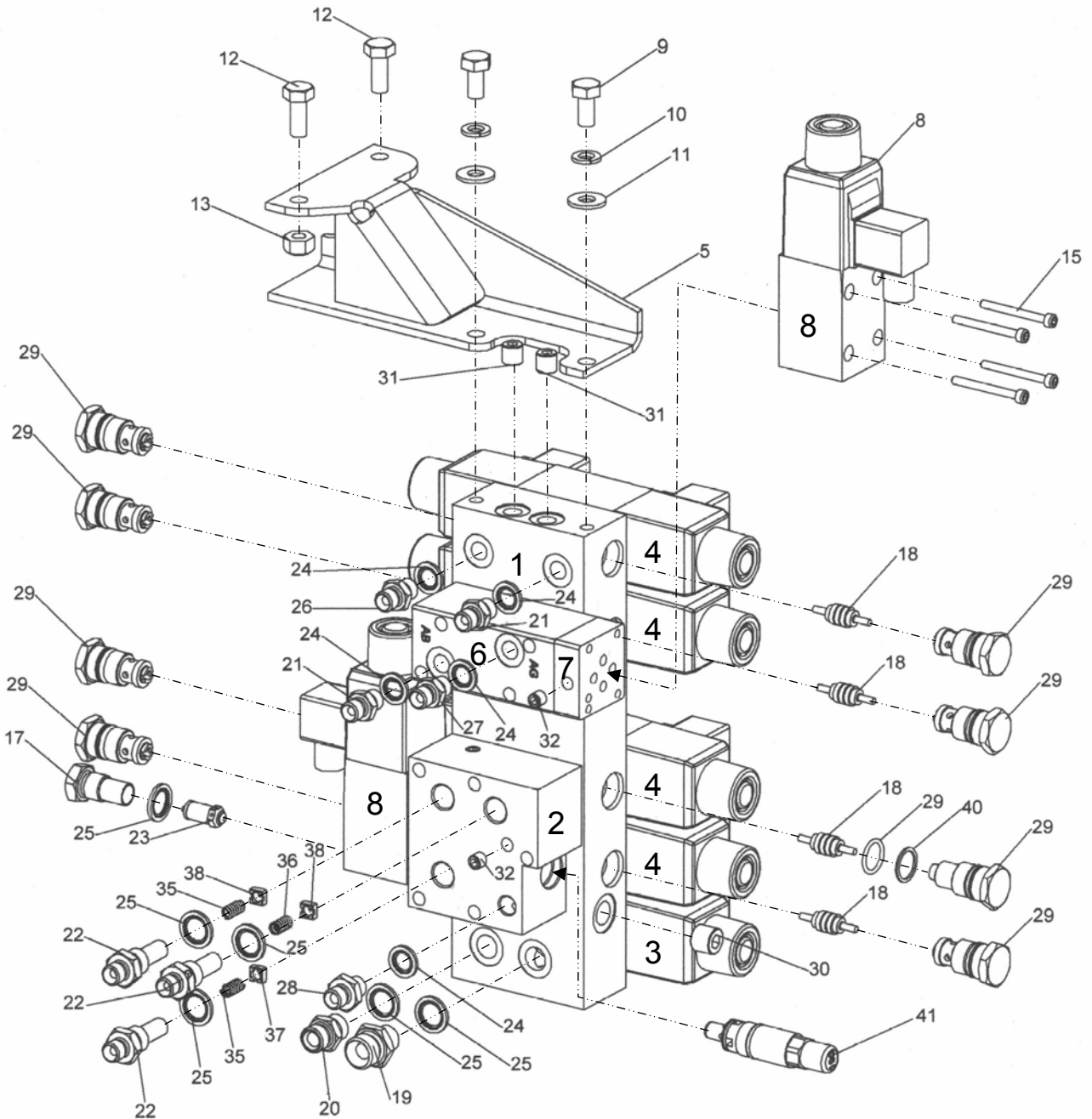
# ELECTRIC CONTROL VALVE

**Modules:**

7451758 – L/H Build

7451759 – R/H Build

*Illustrated in Left Hand Build*



**ELECTRIC CONTROL VALVE**

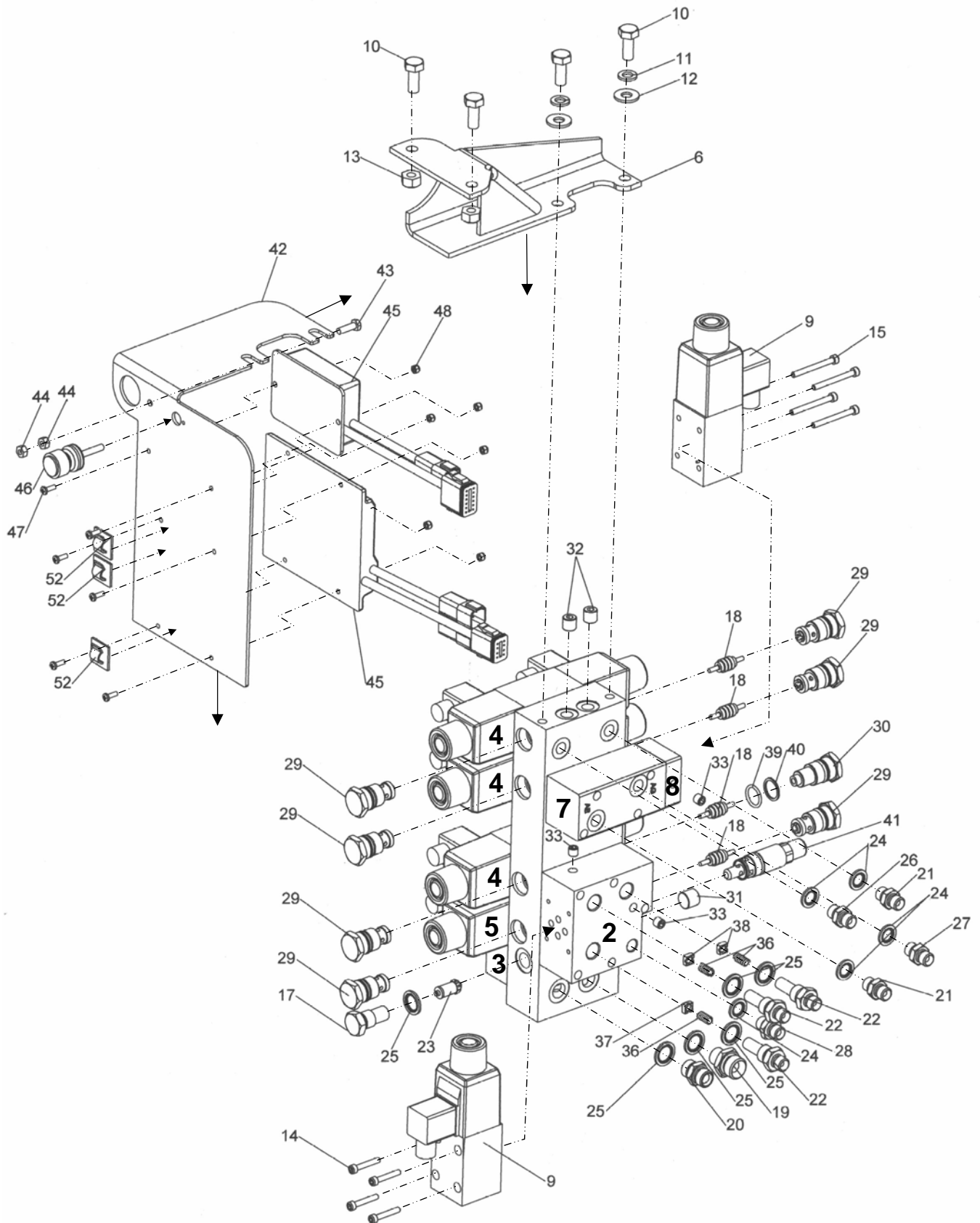
REF.	QTY.	PART No.	DESCRIPTION
		<b>7451758</b>	<b>ELECTRIC CONTROL VALVE ASSEMBLY - L/H Build</b>
		<b>7451759</b>	<b>ELECTRIC CONTROL VALVE ASSEMBLY - R/H Build</b>
1	1	8132268	BLOCK - MANIFOLD ASSEMBLY
2	1	8130348	BLOCK - SLEW CIRCUIT
3	1	8130456	CUT OFF SOLENOID VALVE
4	4	8130629	VALVE DOUBLE SOLENOID
5	1	45277.01	BRACKET - L/H
	1	45277.02	BRACKET - R/H ( <i>not illustrated</i> )
6	1	8130323	FLOAT VALVE BLOCK
7	1	8126280	BRIDGING PLATE
8	2	8130457	SOLENOID VALVE SINGLE
9	2	9313045	SETSCREW
10	2	9100205	SPRING WASHER
11	2	9100105	FLAT WASHER
12	2	9313055	SETSCREW
13	2	9143005	SELF-LOCKING NUT
14	24	9243062	CAPSCREW
15	4	9243102	CAPSCREW
16	9	9243082	CAPSCREW
17	1	8130032	RELIEF VALVE CAP
18	4	8130087	ACTUATOR
19	1	6000112	ADAPTOR
20	1	6000113	ADAPTOR
21	2	8130038	ADAPTOR RESTRICTOR 1.4 'L'
22	3	8581210	ADAPTOR - SPECIAL
23	1	8130092	RELIEF VALVE 190 BAR
24	5	8650102	BONDED SEAL
25	6	8650103	BONDED SEAL
26	1	8130105	ADAPTOR RESTRICTOR 1.6 'H'
27	1	8130037	ADAPTOR RESTRICTOR 1.15 'S'
28	1	8581169	ADAPTOR
29	7	8130090	CHECK VALVE ASSEMBLY
30	1	8130078	CHECK VALVE CAP
31	3	8582043	TAPER PLUG
32	2	8582042	TAPER PLUG
33	5	8582041	TAPER PLUG
34	12	8700511	O RING
35	2	8700525	O RING
36	3	8116011	SPRING
37	1	8123041	RESTRICTOR DISC
38	2	8123043	RESTRICTOR DISC
39	1	8700644	O RING
40	1	8709644	AE RING
41	1	G3812542	RELIEF VALVE 190 BAR
42	1	8402338	LOOM - ANGLE FLOAT
43	1	41844.01	LOOM - 19 CORE HIR

**Modules:**

7451760 – L/H Build

7451761 – R/H Build

*Illustrated in Left Hand Build*

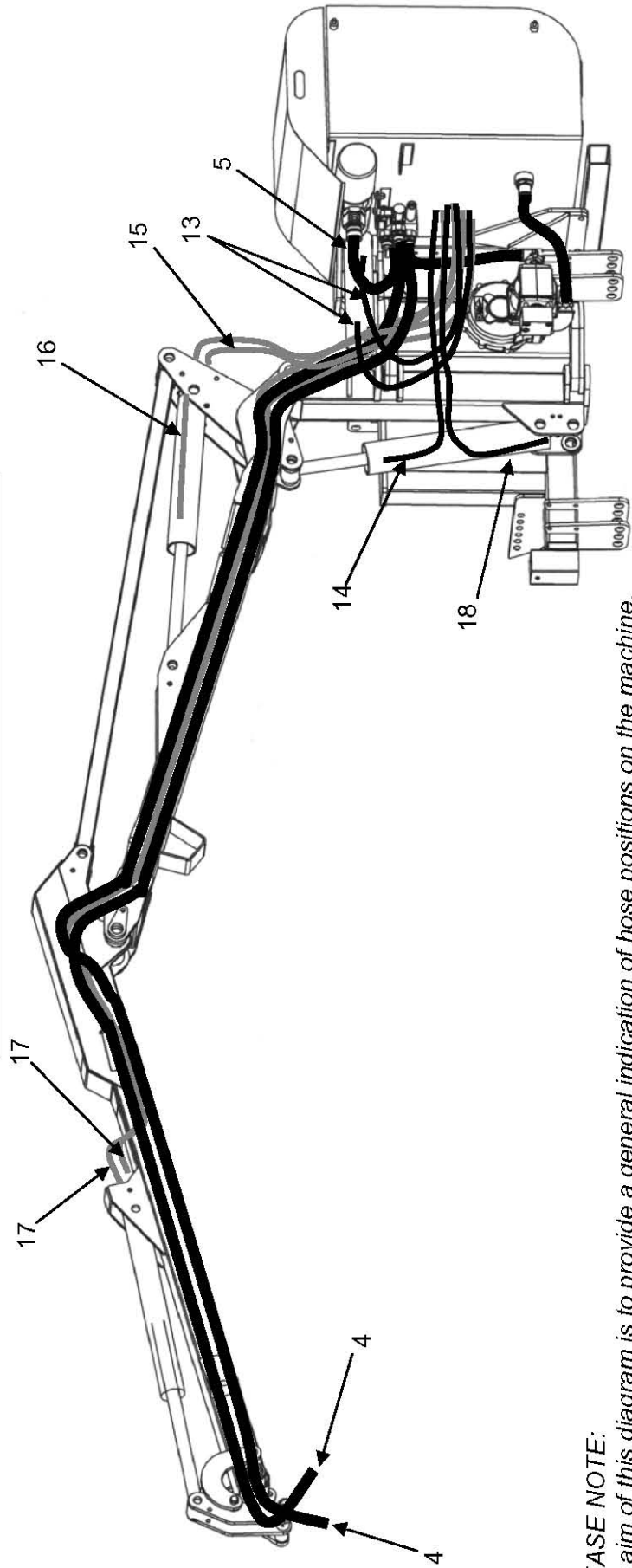
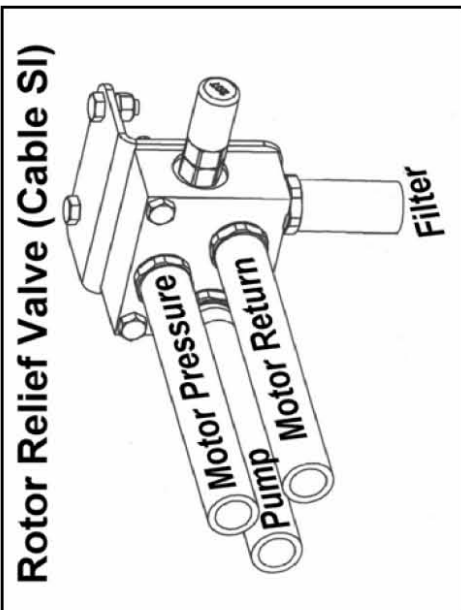
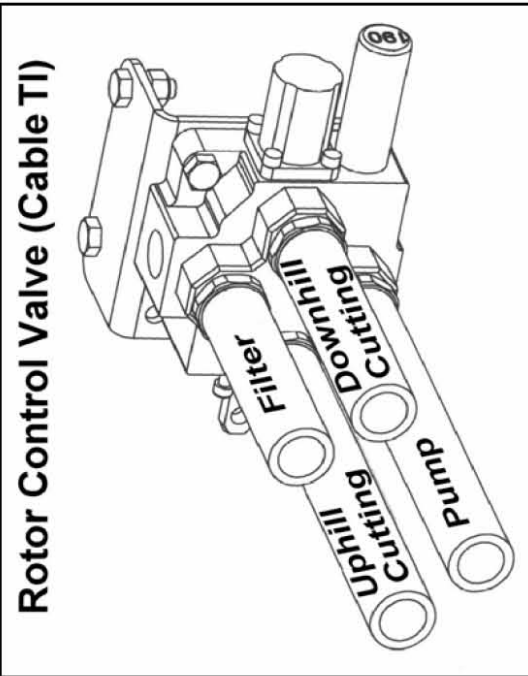




		<b>7451760</b>	<b>PROPORTIONAL CONTROL VALVE - L/H Build</b>
		<b>7451761</b>	<b>PROPORTIONAL CONTROL VALVE - R/H Build</b>
1	1	8132268	BLOCK - MANIFOLD ASSEMBLY
2	1	8130348	BLOCK - SLEW CIRCUIT
3	1	8130456	CUT OFF SOLENOID VALVE
4	3	41784.48	DOUBLE SOLENOID - PROP. VALVE 8 litres / min
5	1	8130629	VALVE DOUBLE SOLENOID
6	1	45277.01	BRACKET - L/H
	1	45277.02	BRACKET - R/H ( <i>not illustrated</i> )
7	1	8130323	FLOAT VALVE BLOCK
8	1	8126280	BRIDGING PLATE
9	2	8130457	SOLENOID VALVE SINGLE
10	4	9313055	SETSCREW
11	2	9100205	SPRING WASHER
12	2	9100105	WASHER
13	2	9143005	SELF-LOCKING NUT
14	24	9243062	CAPSCREW
15	4	9243102	CAPSCREW
16	9	9243082	CAPSCREW
17	1	8130032	RELIEF VALVE CAP
18	4	8130087	ACTUATOR
19	1	6000112	ADAPTOR
20	1	6000113	ADAPTOR
21	2	8130105	ADAPTOR RESTRICTOR 1.6 'H'
22	3	8581210	ADAPTOR - SPECIAL
23	1	8130092	RELIEF VALVE 190BAR
24	5	8650102	BONDED SEAL
25	6	8650103	BONDED SEAL
26	1	8130104	ADAPTOR RESTRICTOR 1.8 'G'
27	1	8130038	ADAPTOR RESTRICTOR 1.4 'L'
28	1	8581169	ADAPTOR
29	7	8130090	CHECK VALVE ASSEMBLY
30	1	8130078	CHECK VALVE CAP
31	3	8582043	TAPER PLUG
32	2	8582042	TAPER PLUG
33	5	8582041	TAPER PLUG
34	12	8700511	O RING
35	2	8700525	O RING
36	3	8116011	SPRING
37	1	8123041	RESTRICTOR DISC
38	2	8123044	RESTRICTOR DISC
39	1	8700644	O RING
40	1	8709644	AE RING
41	1	G3812542	RELIEF VALVE 190BAR
42	1	43081.01	BRACKET - L/H PROP.
43	1	9313043	SETSCREW
44	2	9113003	NUT
45	1	43060.01	CONTROL UNITS B&C
46	1	8402227	POWER TERMINAL
47	6	9300132	PANHEAD SCREW
48	6	05.948.33	SELF-LOCKING NUT
49	1	43177.12	LOOM POWER & BUS
50	1	43177.25	LOOM UNIT C
51	1	43177.10	LOOM UNIT B S,L,T,R
48	2	7135084	CABLE TIE
52	3	43357.01	CLIP (SELF ADHESIVE PAD)
53	2	9100105	FLAT WASHER

HOSE INSTALLATION – Cable

- Modules:**  
 74517221 – Cable SI R/H Build  
 74517222 – Cable SI L/H Build  
 74517223 – Cable TI R/H Build  
 74517224 – Cable TI L/H Build



*Illustrated in Left Hand build*

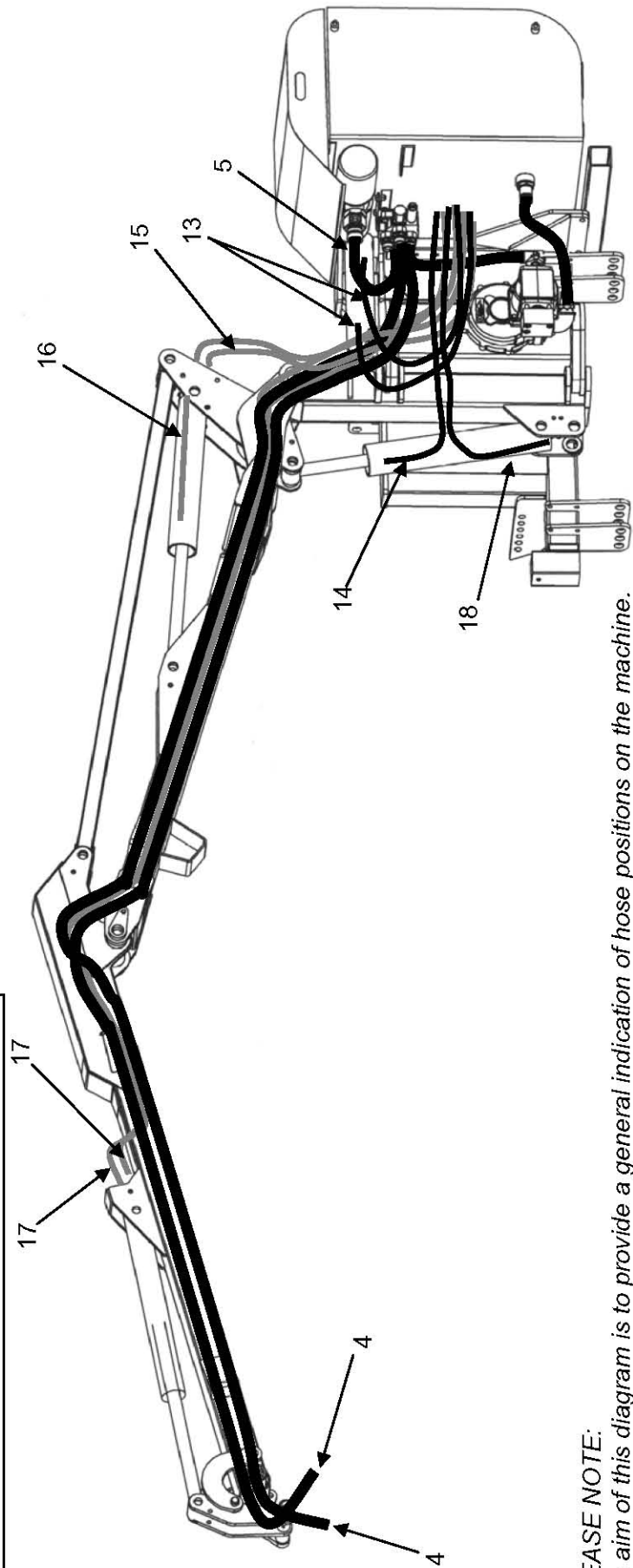
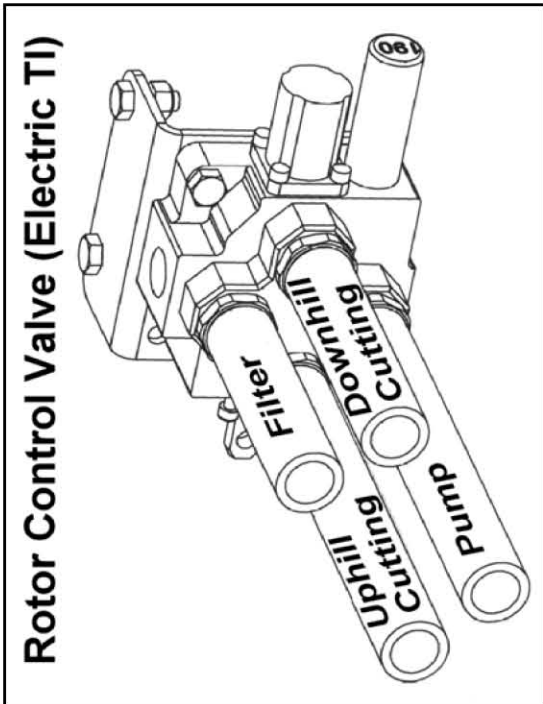
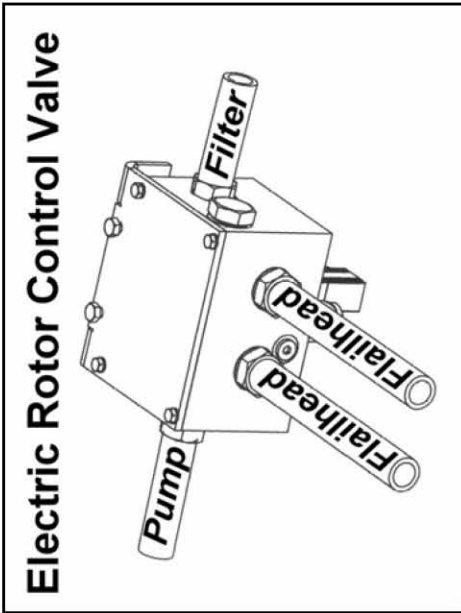
**PLEASE NOTE:**  
 The aim of this diagram is to provide a general indication of hose positions on the machine.  
 It is advisable therefore to note the exact position of any hose prior to attaching a replacement.

**HOSE INSTALLATION – Cable**

REF.	QTY.	PART No.	DESCRIPTION	
		● 74517221	<b>CABLE SI - RIGHT HAND BUILD</b>	
		● 74517222	<b>CABLE SI - LEFT HAND BUILD</b>	
1	1	10.011.12	HOSE 1" BSP FS/FS x 600mm	<i>Pump to Valve</i>
2	-	10.012.16	HOSE 1" BSP FS/F90 x 800mm	<i>Pump to Valve</i>
3	2	8501293	HOSE 1" BSP F90/F135 x 5000mm	<i>Flail pipes</i>
4	-	8501298	HOSE 1" BSP FS/F135 x 5000mm	<i>Flail pipes</i>
5	1	10.012.18	HOSE 1" BSP FS/F90 x 900mm	<i>Valve to Tank</i>
6	1	10.006.30	HOSE 1/2" BSP FS/F90 x 2000mm	<i>SI return</i>
7	-	10.006.06	HOSE 1/2" BSP FS/F90 x 300mm	<i>ACV return</i>
8	-	10.006.12	HOSE 1/2" BSP FS/F90 x 600mm	<i>ACV return</i>
9	1	10.004.30	HOSE 3/8" BSP FS/F90 x 2000mm	<i>SI pressure</i>
10	-	10.004.12	HOSE 3/8" BSP FS/F90 x 600mm	<i>ACV pressure</i>
11	-	10.004.08	HOSE 3/8" BSP FS/F90 x 400mm	<i>ACV pressure</i>
12	-	10.004.10	HOSE 3/8" BSP FS/F90 x 500mm	<i>ACV pressure</i>
13	2	10.002.16	HOSE 1/4" BSP FS/F90 x 800mm	<i>Slew</i>
14	1	10.002.23	HOSE 1/4" BSP FS/F90 x 1300mm	<i>Lift</i>
15	1	10.001.29	HOSE 1/4" BSP FS/FS x 1900mm	<i>Reach base</i>
16	1	10.002.34	HOSE 1/4" BSP FS/F90 x 2400mm	<i>Reach gland</i>
17	2	10.001.56	HOSE 1/4" BSP FS/FS x 4600mm	<i>Angle</i>
18	1	10.001.23	HOSE 1/4" BSP FS/FS x 1300mm	<i>Lift base</i>

REF.	QTY.	PART No.	DESCRIPTION	
		● 74517223	<b>CABLE TI - RIGHT HAND BUILD</b>	
		● 74517224	<b>CABLE TI - LEFT HAND BUILD</b>	
1	1	10.011.12	HOSE 1" BSP FS/FS x 600mm	<i>Pump to Valve</i>
2	-	10.012.16	HOSE 1" BSP FS/F90 x 800mm	<i>Pump to Valve</i>
3	2	8501293	HOSE 1" BSP F90/F135 x 5000mm	<i>Flail pipes</i>
4	-	8501298	HOSE 1" BSP FS/F135 x 5000mm	<i>Flail pipes</i>
5	1	10.012.18	HOSE 1" BSP FS/F90 x 900mm	<i>Valve to Tank</i>
6	-	10.006.30	HOSE 1/2" BSP FS/F90 x 2000mm	<i>SI return</i>
7	1	10.006.06	HOSE 1/2" BSP FS/F90 x 300mm	<i>ACV return</i>
8	-	10.006.12	HOSE 1/2" BSP FS/F90 x 600mm	<i>ACV return</i>
9	-	10.004.30	HOSE 3/8" BSP FS/F90 x 2000mm	<i>SI pressure</i>
10	-	10.004.12	HOSE 3/8" BSP FS/F90 x 600mm	<i>ACV pressure</i>
11	-	10.004.08	HOSE 3/8" BSP FS/F90 x 400mm	<i>ACV pressure</i>
12	1	10.004.10	HOSE 3/8" BSP FS/F90 x 500mm	<i>ACV pressure</i>
13	2	10.002.16	HOSE 1/4" BSP FS/F90 x 800mm	<i>Slew</i>
14	1	10.002.23	HOSE 1/4" BSP FS/F90 x 1300mm	<i>Lift</i>
15	1	10.001.29	HOSE 1/4" BSP FS/FS x 1900mm	<i>Reach base</i>
16	1	10.002.34	HOSE 1/4" BSP FS/F90 x 2400mm	<i>Reach gland</i>
17	2	10.001.56	HOSE 1/4" BSP FS/FS x 4600mm	<i>Angle</i>
18	1	10.001.23	HOSE 1/4" BSP FS/FS x 1300mm	<i>Lift base</i>

- Modules:**  
 74517225 – Electric TI R/H Build  
 74517226 – Electric TI L/H Build  
 74517227 – Electric Reverse R/H Build  
 74517228 – Electric Reverse L/H Build



*Illustrated in Left Hand build*

**PLEASE NOTE:**  
 The aim of this diagram is to provide a general indication of hose positions on the machine.  
 It is advisable therefore to note the exact position of any hose prior to attaching a replacement.

**HOSE INSTALLATION - Electric**

REF.	QTY.	PART No.	DESCRIPTION	
		● 74517225	<b>ELECTRIC TI - RIGHT HAND BUILD</b>	
		● 74517226	<b>ELECTRIC TI - LEFT HAND BUILD</b>	
1	1	10.011.12	HOSE 1" BSP FS/FS x 600mm	<i>Pump to Valve</i>
2	-	10.012.16	HOSE 1" BSP FS/F90 x 800mm	<i>Pump to Valve</i>
3	2	8501293	HOSE 1" BSP F90/F135 x 5000mm	<i>Flail pipes</i>
4	-	8501298	HOSE 1" BSP FS/F135 x 5000mm	<i>Flail pipes</i>
5	1	10.012.18	HOSE 1" BSP FS/F90 x 900mm	<i>Valve to Tank</i>
6	-	10.006.30	HOSE 1/2" BSP FS/F90 x 2000mm	<i>SI return</i>
7	-	10.006.06	HOSE 1/2" BSP FS/F90 x 300mm	<i>ACV return</i>
8	1	10.006.12	HOSE 1/2" BSP FS/F90 x 600mm	<i>ACV return</i>
9	-	10.004.30	HOSE 3/8" BSP FS/F90 x 2000mm	<i>SI pressure</i>
10	1	10.004.12	HOSE 3/8" BSP FS/F90 x 600mm	<i>ACV pressure</i>
11	-	10.004.08	HOSE 3/8" BSP FS/F90 x 400mm	<i>ACV pressure</i>
12	-	10.004.10	HOSE 3/8" BSP FS/F90 x 500mm	<i>ACV pressure</i>
13	2	10.002.16	HOSE 1/4" BSP FS/F90 x 800mm	<i>Slew</i>
14	1	10.002.23	HOSE 1/4" BSP FS/F90 x 1300mm	<i>Lift</i>
15	1	10.001.29	HOSE 1/4" BSP FS/FS x 1900mm	<i>Reach base</i>
16	1	10.002.34	HOSE 1/4" BSP FS/F90 x 2400mm	<i>Reach gland</i>
17	2	10.001.56	HOSE 1/4" BSP FS/FS x 4600mm	<i>Angle</i>
18	1	10.001.23	HOSE 1/4" BSP FS/FS x 1300mm	<i>Lift base</i>

REF.	QTY.	PART No.	DESCRIPTION	
		● 74517227	<b>ELECTRIC REVERSE - RIGHT HAND BUILD</b>	
		● 74517228	<b>ELECTRIC REVERSE - LEFT HAND BUILD</b>	
1	-	10.011.12	HOSE 1" BSP FS/FS x 600mm	<i>Pump to Valve</i>
2	1	10.012.16	HOSE 1" BSP FS/F90 x 800mm	<i>Pump to Valve</i>
3	2	8501293	HOSE 1" BSP F90/F135 x 5000mm	<i>Flail pipes</i>
4	-	8501298	HOSE 1" BSP FS/F135 x 5000mm	<i>Flail pipes</i>
5	1	10.012.18	HOSE 1" BSP FS/F90 x 900mm	<i>Valve to Tank</i>
6	-	10.006.30	HOSE 1/2" BSP FS/F90 x 2000mm	<i>SI return</i>
7	-	10.006.06	HOSE 1/2" BSP FS/F90 x 300mm	<i>ACV return</i>
8	1	10.006.12	HOSE 1/2" BSP FS/F90 x 600mm	<i>ACV return</i>
9	-	10.004.30	HOSE 3/8" BSP FS/F90 x 2000mm	<i>SI pressure</i>
10	1	10.004.12	HOSE 3/8" BSP FS/F90 x 600mm	<i>ACV pressure</i>
11	-	10.004.08	HOSE 3/8" BSP FS/F90 x 400mm	<i>ACV pressure</i>
12	-	10.004.10	HOSE 3/8" BSP FS/F90 x 500mm	<i>ACV pressure</i>
13	2	10.002.16	HOSE 1/4" BSP FS/F90 x 800mm	<i>Slew</i>
14	1	10.002.23	HOSE 1/4" BSP FS/F90 x 1300mm	<i>Lift</i>
15	1	10.001.29	HOSE 1/4" BSP FS/FS x 1900mm	<i>Reach base</i>
16	1	10.002.34	HOSE 1/4" BSP FS/F90 x 2400mm	<i>Reach gland</i>
17	2	10.001.56	HOSE 1/4" BSP FS/FS x 4600mm	<i>Angle</i>
18	1	10.001.23	HOSE 1/4" BSP FS/FS x 1300mm	<i>Lift base</i>



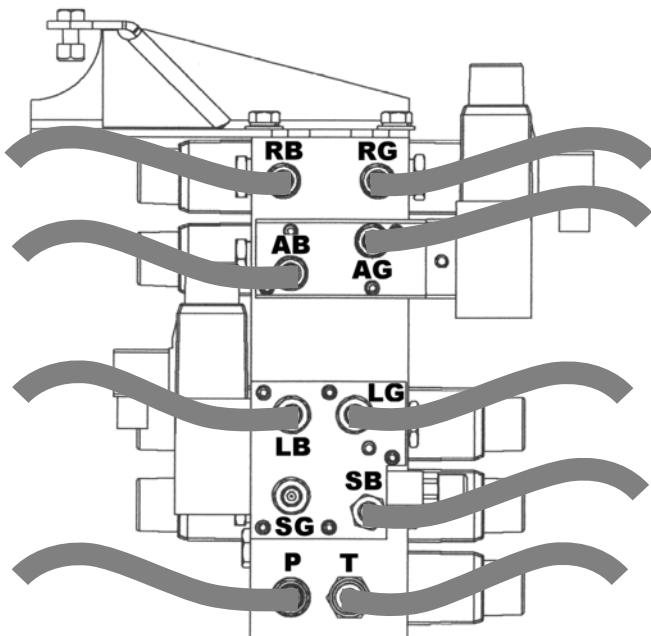
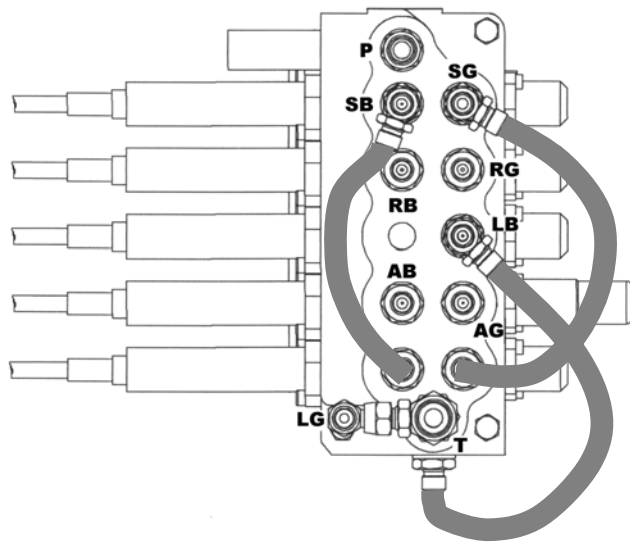
**ACV HOSE INSTALLATION**

**ARMHEAD CONTROL VALVE  
Cable Slew models**

**Modules:**

7451756 - L/H

7451757 - R/H

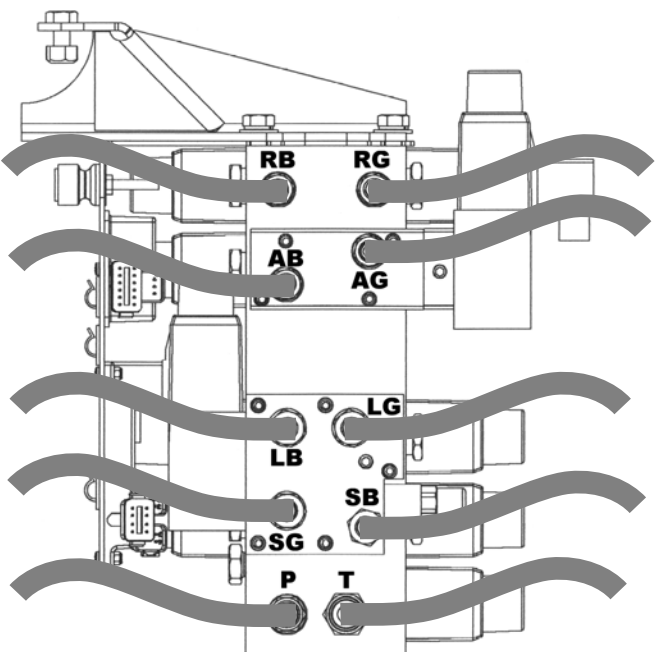


**ARMHEAD CONTROL VALVE  
Electric Slew models**

**Modules:**

7451758 - L/H

7451759 - R/H



**ARMHEAD CONTROL VALVE  
Electric Proportional Slew models**

**Modules:**

7451760 - L/H

7451761 - R/H

T - Tank	P - Pressure
AG - Angle Gland	AB - Angle Base
LB - Lift Base	LG - Lift Gland
RG - Reach Gland	RB - Reach Base
SG - Slew Gland	SB - Slew Base

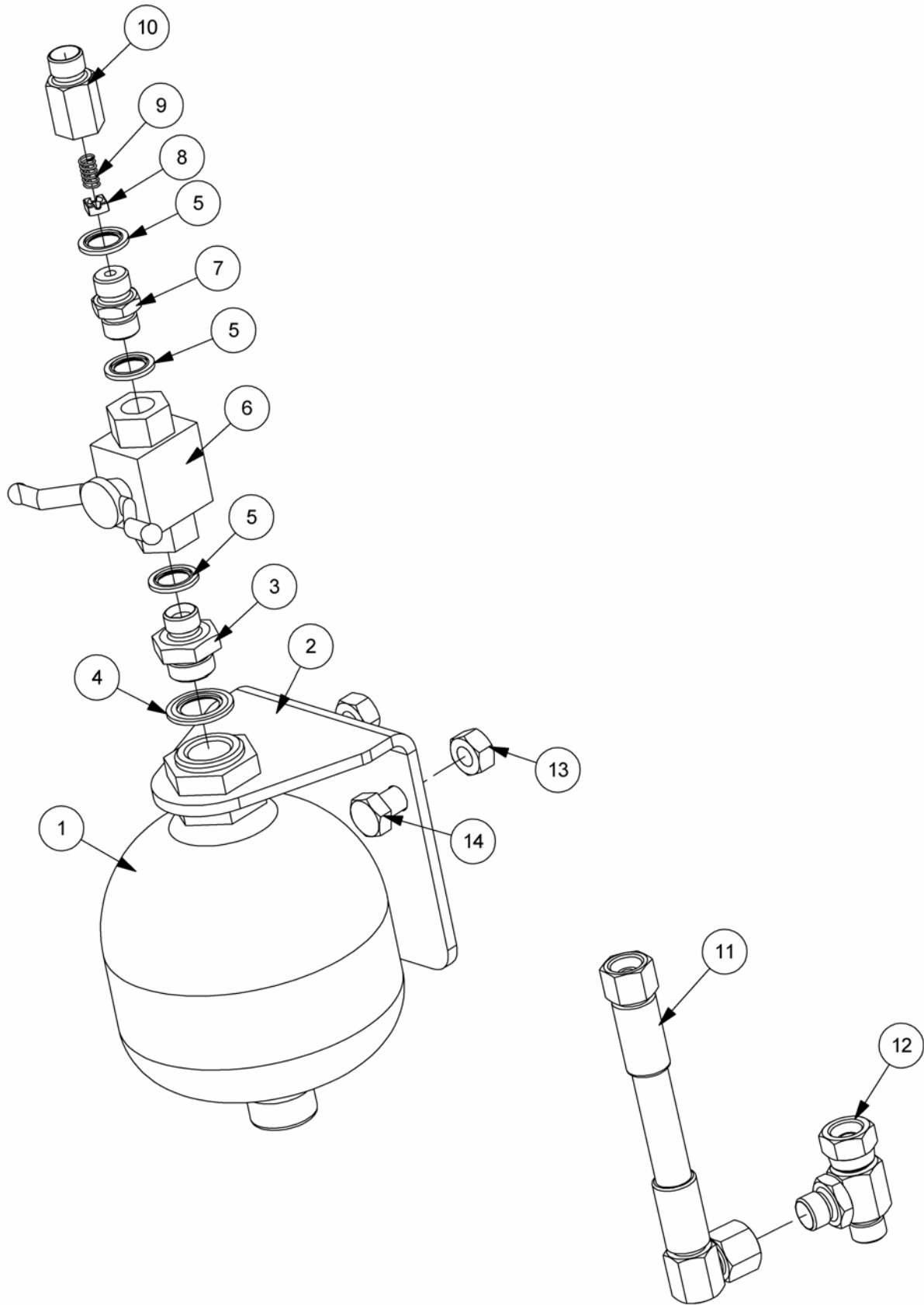
**ACV HOSES**

<b>PART No.</b>	<b>DESCRIPTION</b>	
10.011.12	HOSE 1" BSP FS/FS x 600mm	<i>Pump to Valve</i>
10.012.16	HOSE 1" BSP FS/F90 x 800mm	<i>Pump to Valve</i>
8501293	HOSE 1" BSP F90/F135 x 5000mm	<i>Flail pipes</i>
8501298	HOSE 1" BSP FS/F135 x 5000mm	<i>Flail pipes</i>
10.012.18	HOSE 1" BSP FS/F90 x 900mm	<i>Valve to Tank</i>
10.006.30	HOSE 1/2" BSP FS/F90 x 2000mm	<i>SI return</i>
10.006.06	HOSE 1/2" BSP FS/F90 x 300mm	<i>ACV return</i>
10.006.12	HOSE 1/2" BSP FS/F90 x 600mm	<i>ACV return</i>
10.004.30	HOSE 3/8" BSP FS/F90 x 2000mm	<i>SI pressure</i>
10.004.12	HOSE 3/8" BSP FS/F90 x 600mm	<i>ACV pressure</i>
10.004.08	HOSE 3/8" BSP FS/F90 x 400mm	<i>ACV pressure</i>
10.004.10	HOSE 3/8" BSP FS/F90 x 500mm	<i>ACV pressure</i>
10.002.16	HOSE 1/4" BSP FS/F90 x 800mm	<i>Slew</i>
10.002.23	HOSE 1/4" BSP FS/F90 x 1300mm	<i>Lift</i>
10.001.29	HOSE 1/4" BSP FS/FS x 1900mm	<i>Reach base</i>
10.002.34	HOSE 1/4" BSP FS/F90 x 2400mm	<i>Reach gland</i>
10.001.56	HOSE 1/4" BSP FS/FS x 4600mm	<i>Angle</i>
10.001.23	HOSE 1/4" BSP FS/FS x 1300mm	<i>Lift base</i>

***The hoses used from the above list on the Armhead Control Valves are dependent on the machine model and build, see previous hose installation pages to select the correct hose specific to your machine.***

# LIFT FLOAT – Cable Models

Module:  
8126326

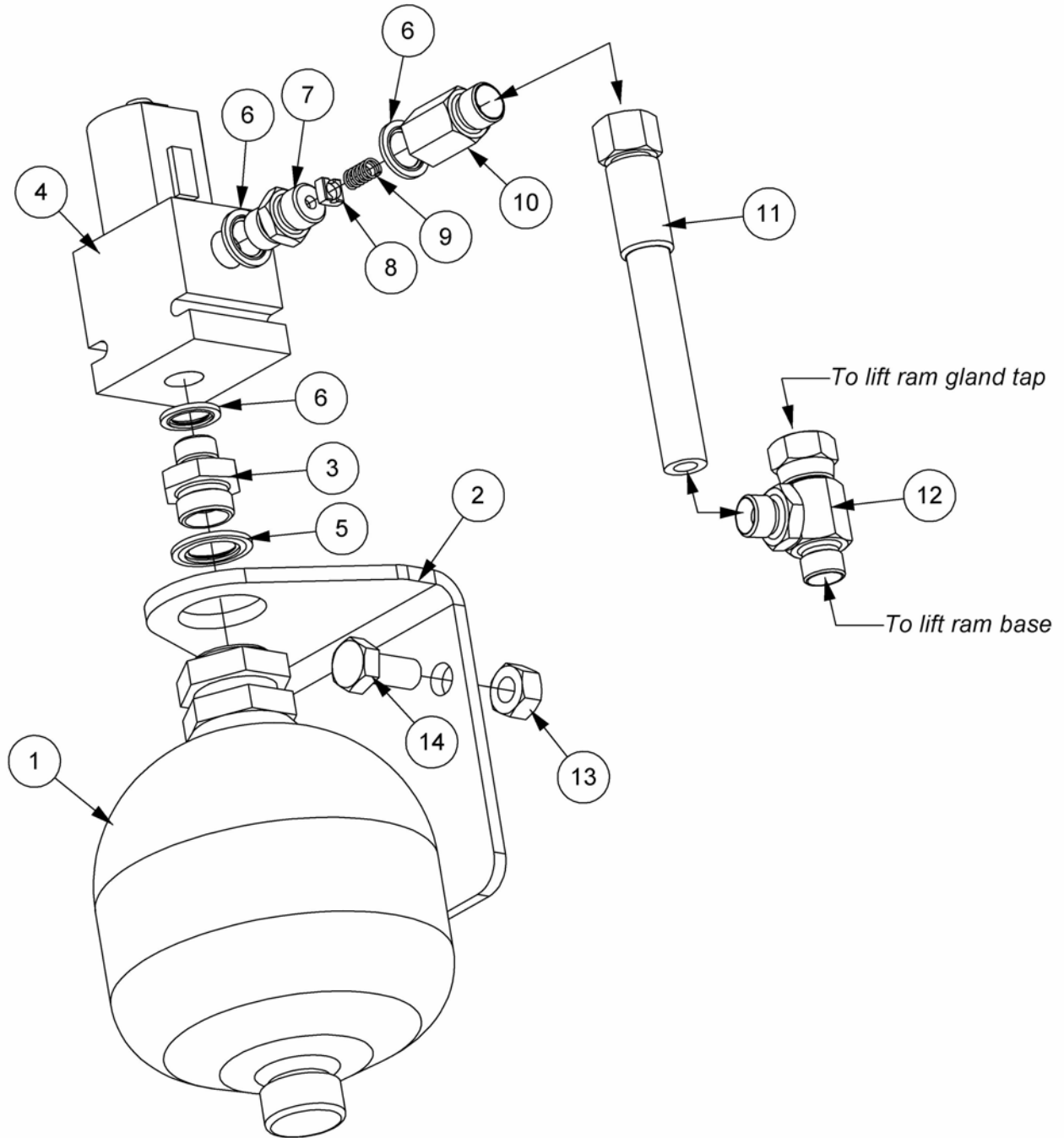


**LIFT FLOAT – Cable Models**

REF.	QTY.	PART NO.	DESCRIPTION
		<b>8126326</b>	<b>LIFT FLOAT KIT</b>
1	1	8126044	ACCUMULATOR
2	1	8126318	BRACKET
3	1	G2410380	ADAPTOR
4	1	8650322	BONDED SEAL
5	3	8650103	BONDED SEAL
6	1	08.200.01	ISOLATING VALVE
7	1	8581209	ADAPTOR
8	1	8123041	RESTRICTOR DISC - 1.15 RED
9	1	8116011	SPRING
10	1	8581346	ADAPTOR RESTRICTOR BODY
11	1	10.004.20	HOSE - 3/8" BSP FS/F90 x 1000mm
12	1	11.068.69	ADAPTOR TEE
13	2	9143006	SELF-LOCKING NUT
14	2	9313056	SETSCREW

**LIFT FLOAT – Elec. & Prop. Models**

**Module:**  
8126327

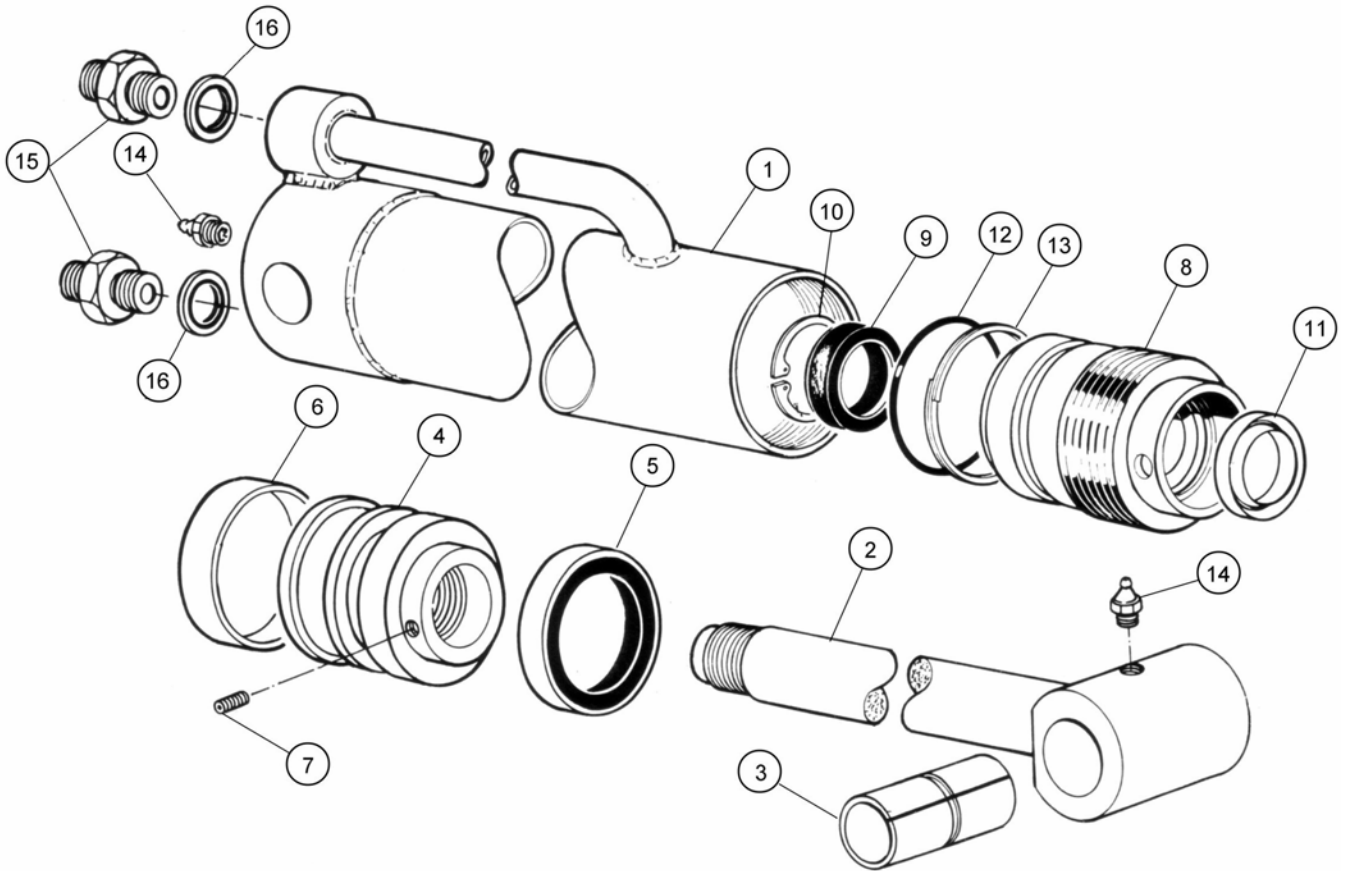


**LIFT FLOAT – Elec. & Prop. Models**

REF.	QTY.	PART No.	DESCRIPTION
		<b>8126327</b>	<b>LIFT FLOAT KIT</b>
1	1	8126044	ACCUMULATOR
2	1	8126318	BRACKET
3	1	G2410380	ADAPTOR
4	1	08.619.09	MODULAR VALVE
5	1	8650322	BONDED SEAL
6	3	8650103	BONDED SEAL
7	1	8581209	ADAPTOR
8	1	8123041	RESTRICTOR DISC - 1.15 RED
9	1	8116011	SPRING
10	1	8581346	ADAPTOR RESTRICTOR BODY
11	1	10.004.18	HOSE - 3/8" BSP FS/F90 x 900mm
12	1	11.068.69	ADAPTOR TEE
13	2	9143006	SELF-LOCKING NUT
14	2	9313056	SETSCREW

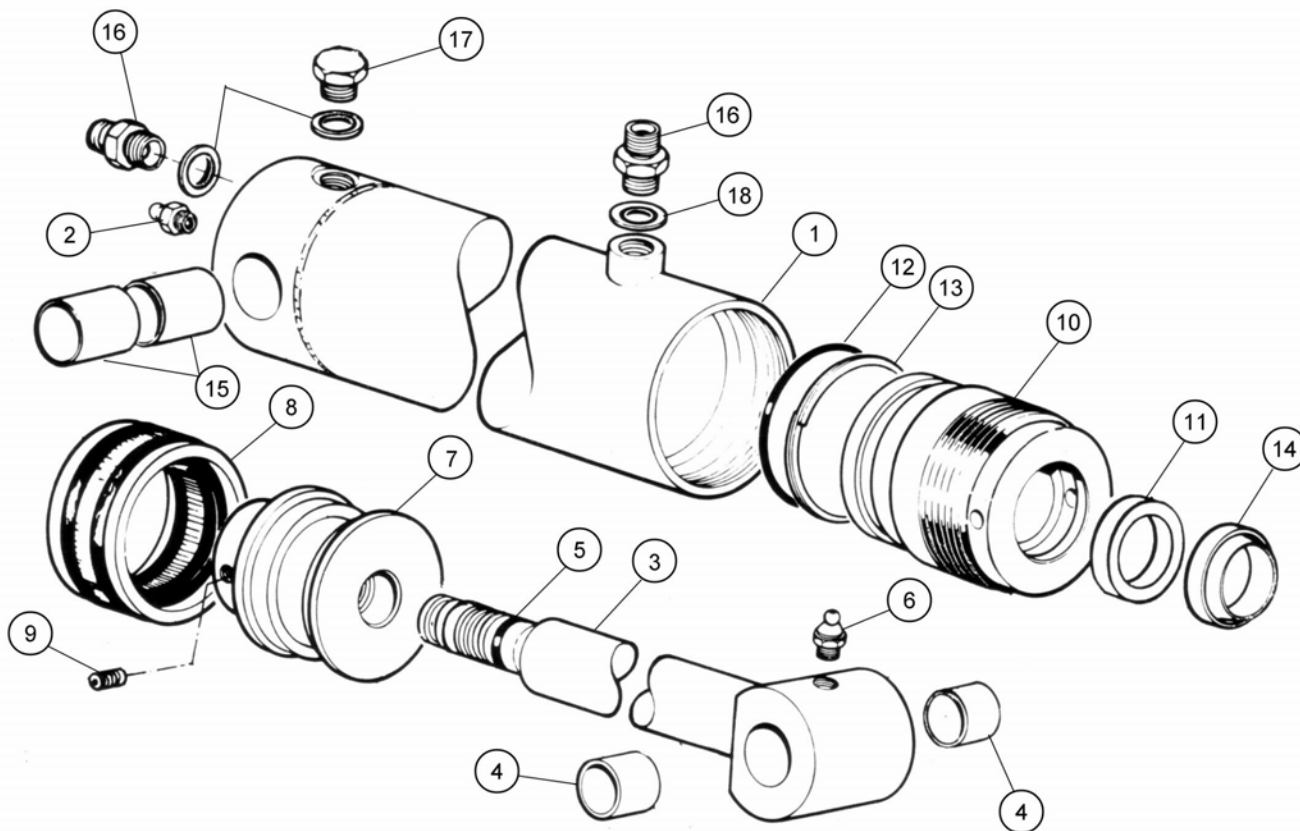
**ANGLING RAM ASSEMBLY**

**Module:**  
7560344



REF.	QTY.	PART No.	DESCRIPTION
		<b>7560344</b>	<b>ANGLING RAM ASSEMBLY</b>
1	1	7135292	CYLINDER
2	1	7135009	ROD
3	1	7105050	BUSH
4	1	7560095	PISTON
5	1	8629187	PISTON SEAL
6	1	8629188	BEARING RING
7*	1	9363023	GRUB SCREW - SOCKET HEAD
8	1	7135291	GLAND HOUSING
9	1	8629148	GLAND SEAL
10	1	0416240	INTERNAL CIRCLIP
11	1	8629149	WIPER SEAL
12	1	8600302	O' RING
13	1	8609302	ANTI EXTRUSION RING
14	2	0901121	GREASER
15	2	8581169	UNION
16	2	8650102	BONDED SEAL
		<b>8699188</b>	<b>SEAL KIT</b>

\* Assembly note: Tighten fully and centre punch edge of hole to secure.

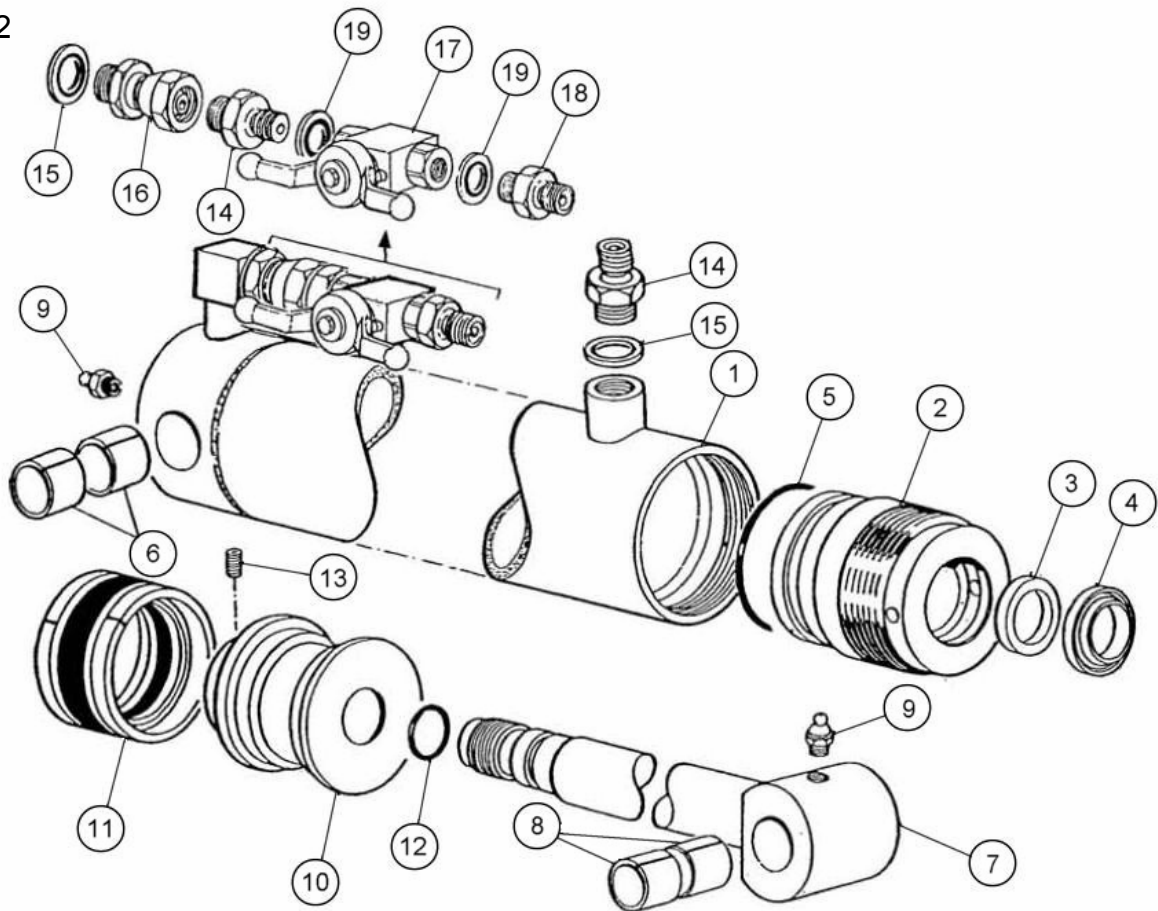
**REACH RAM ASSEMBLY**
**Module:**  
 7193334


REF.	QTY.	PART No.	DESCRIPTION
		<b>7193334</b>	<b>REACH RAM ASSEMBLY</b>
		7193332	RAM BASE - <i>Comprising of:</i>
1		7135283	RAM CYLINDER
2		0901121	GREASER
3		7193029	PISTON ROD
4		6012032	BUSH
5		8600119	O RING
6		0901121	GREASER
7		7135004	PISTON c/w SEAL & GRUB SCREW
8		8638740	PISTON SEAL
9		9363023	GRUB SCREW
10		7135282	GLAND HOUSING
11		8629164	GLAND SEAL
12		8700740	O RING
13		8709740	ANTI EXTRUSION RING
14		8629147	WIPER
15		7101134	BUSH (RAM BASE)
16		8581115	UNION
17		8003001	PLUG
18		8650103	BONDED SEAL
		<b>8699187</b>	<b>SEAL KIT</b>



**LIFT RAM ASSEMBLY**

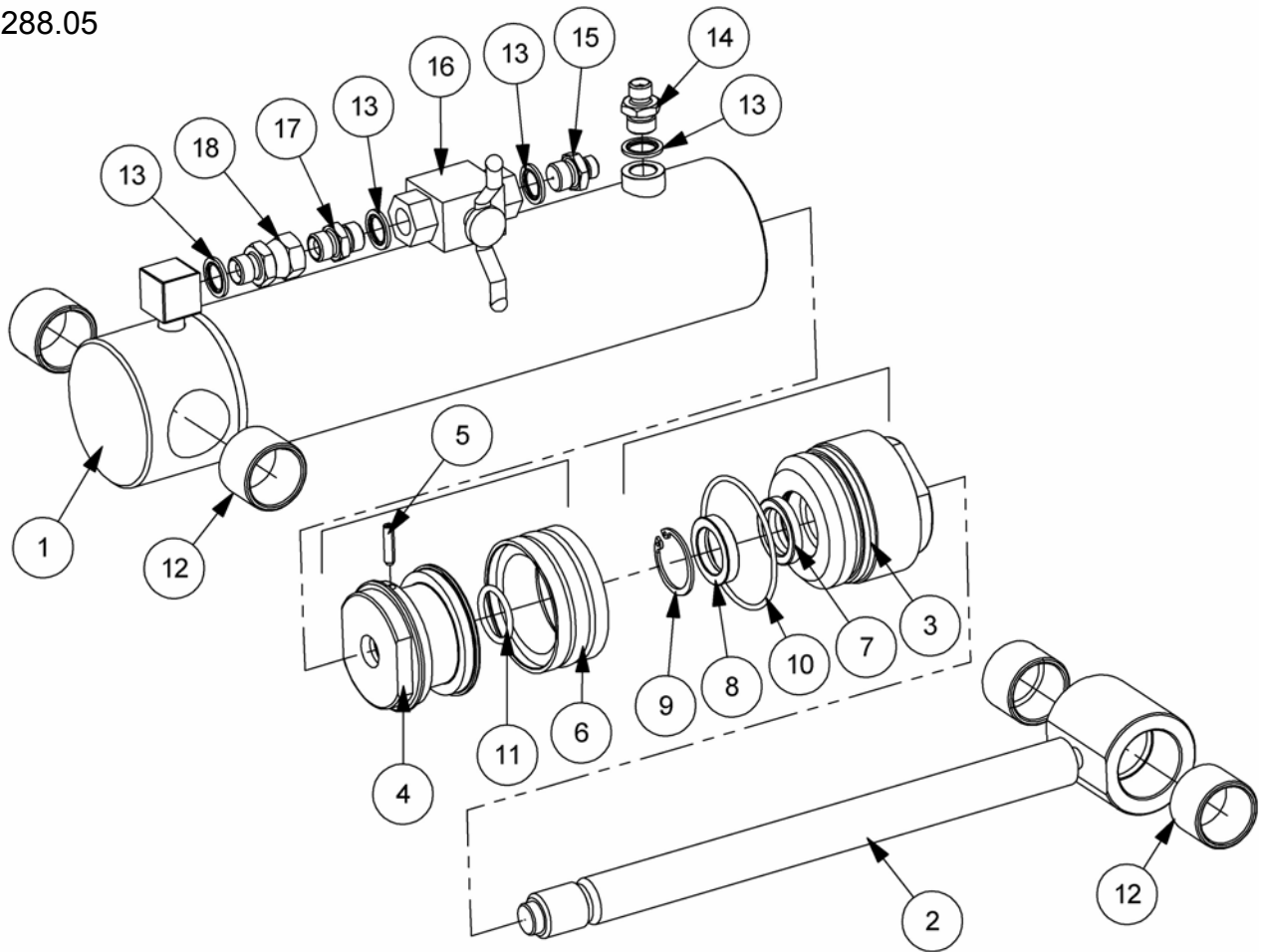
**Module:**  
42095.02



REF.	QTY.	PART NO.	DESCRIPTION
		<b>42095.02</b>	<b>LIFT RAM &amp; TAP ASSEMBLY</b>
		42095.01	LIFT RAM ASSEMBLY - <i>Comprising of:</i>
1	1	42095.31	BARREL
2	1	42095.38	GLAND HOUSING
3	1	8629158	GLAND SEAL
4	1	8629152	ROD WIPER
5	1	8600742	O RING
6	2	7101134	BUSH
7	1	42968.01	ROD
8	2	6012032	BUSH
9	2	0901121	GREASER
10	1	42095.34	PISTON
11	1	8638742	PISTON SEAL
12	1	8600119	O RING
13	1	9363023	GRUBSCREW
14	2	8581115	UNION
15	2	8650103	BONDED SEAL
16	1	8581178	SWIVEL UNION
17	1	8130181	TAP
18	1	8581169	UNION
19	2	8650102	BONDED SEAL
		<b>8699249</b>	<b>SEAL KIT</b>

**SLEW RAM ASSEMBLY**

Module:  
45288.05

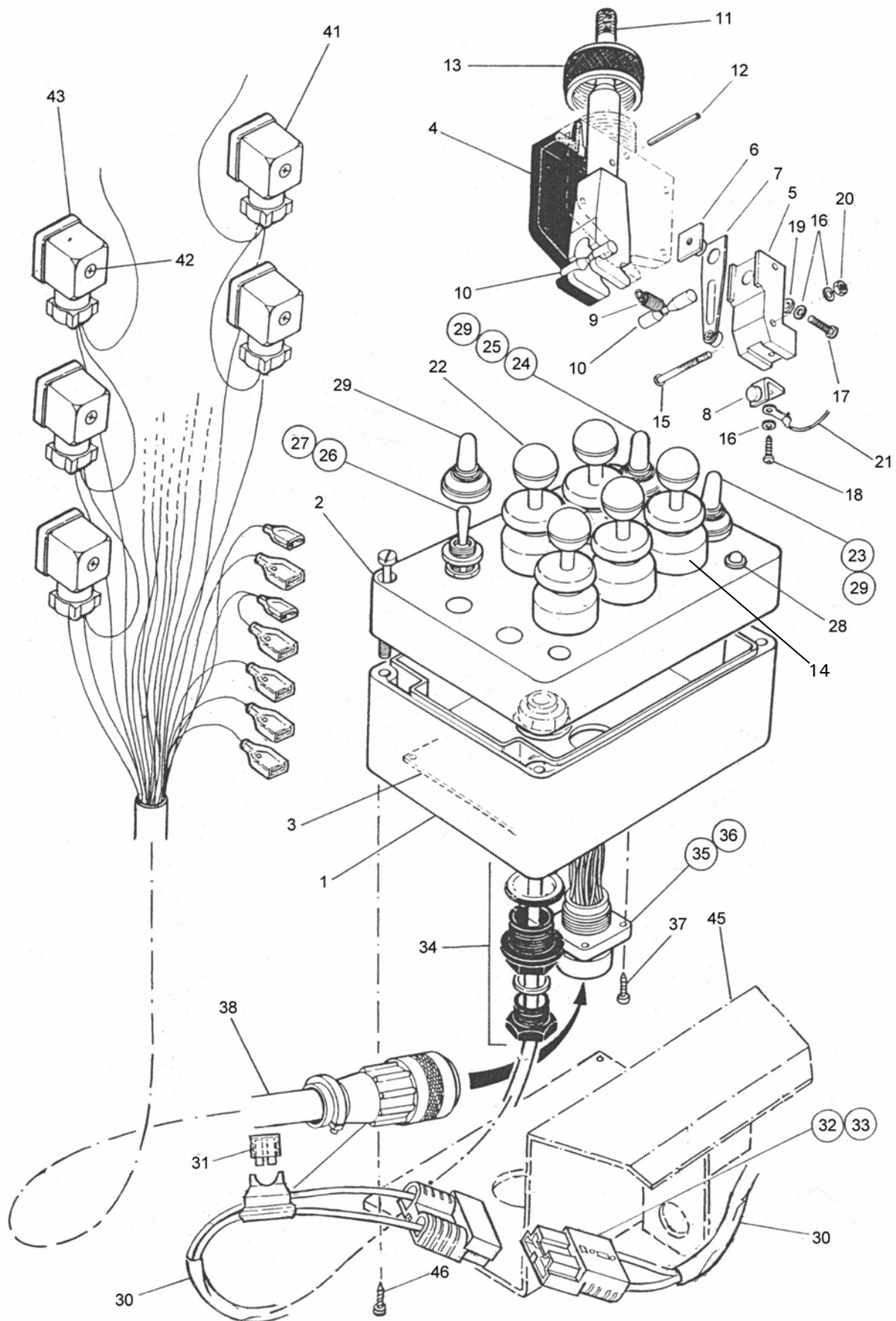


REF.	QTY.	PART NO.	DESCRIPTION
		<b>45288.05</b>	<b>SLEW RAM ASSEMBLY</b>
1	1	45273.05	BARREL
2	1	45275.01	PISTON ROD
3	1	45283.01	GLAND HOUSING
4	1	45276.01	PISTON
5	1	42775.01	DOWEL
6	1	8638740	PISTON SEAL
7	1	8629149	SCRAPER RING
8	1	8629148	GLAND SEAL
9	1	0416240	INTERNAL CIRCLIP
10	1	8700740	O RING
11	1	8600121	O RING
12	4	08.297.05	BUSH
13	4	8650103	BONDED
14	1	8581115	ADAPTOR
15	1	8130066	ADAPTOR RESTRICTOR - 1.15 'M'
16	1	08.200.01	ISOLATING VALVE
17	1	6000113	ADAPTOR
18	1	8581178	SWIVEL ADAPTOR
		<b>8699525</b>	<b>SEAL KIT</b>

Modules:

8402901

8402902 – Electric Rotor Reverse



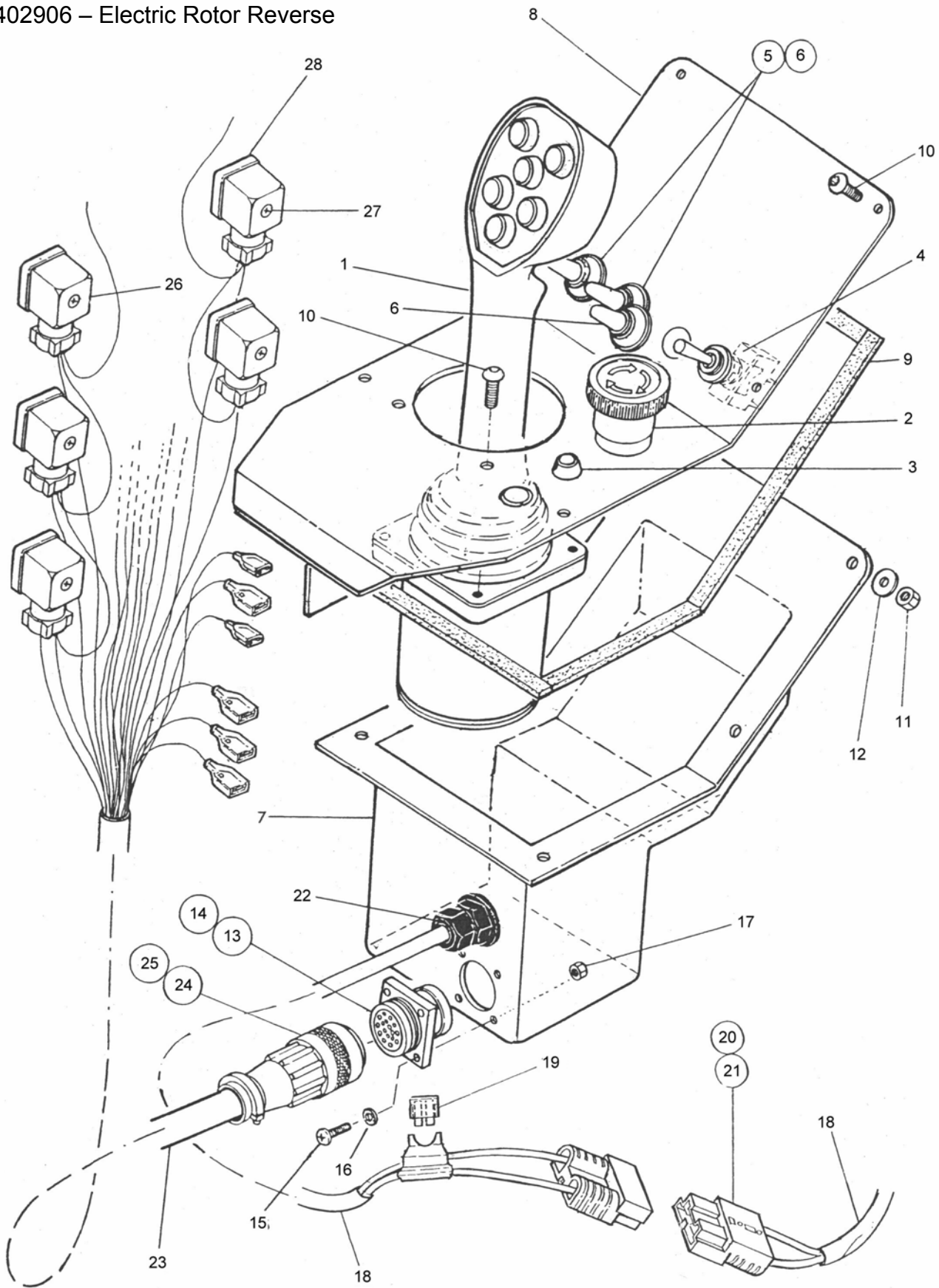
**SWITCHBOX CONTROLS & LOOM**

REF.	QTY.	PART NO.	DESCRIPTION
		<b>41845.03</b>	<b>MULTI 5 LEVER SWITCHBOX</b>
		<b>41845.04</b>	<b>MULTI 5 LEVER SWITCHBOX - Electric Rotor Reverse</b>
1	1	41845.32	BOX
2	1	41845.31	LID c/w SCREWS
3	1	41845.33	CIRCUIT BOARD
	5	8402122	LEVER SWITCH UNIT - COMPRISING:
4	1	8402285	SWITCH BODY
5	2	8402106	CONTACT HOLDER
6	2	8402109	SPRING CONTACT RETAINER
7	2	8402113	SPRING CONTACT
8	2	8402108	FIXED CONTACT
9	1	8402101	SPRING
10	2	8402111	BAR
11	1	8402256	LEVER
12	1	0425320	SPRING DOWEL
13	1	8402051	BEZEL RING
14	1	8402022	LEVER GAITER
15	4	9200006	SCREW - POSIDRIVE PANHEAD
16	8	9100400	EXTERNAL SERRATED WASHER
17	2	9200005	SCREW - POSIDRIVE PANHEAD
18	2	8402119	SELFTAPPING SCREW
19	2	8402120	PLAIN WASHER
20	2	9113000	NUT - PLATED
21	5	41845.34	LOOM - LEVER SWITCH
22	5	8402056	KNOB - BLACK
23	1	8402023	SWITCH - POWER ON/OFF
24	1	8402182	SWITCH - SLEW/AUTO RESET
25	1	41845.35	LOOM - SLEW/AUTO RESET SWITCH
26	1	8402197	SWITCH - FLOAT
27	1	41845.37	LOOM - FLOAT SWITCH
28	1	41845.41	L.E.D. AND LOOM
29	3	8402024	WEATHER GAITER
30	1	8402232	POWER LOOM - INCLUDING:
31	1	43034.02	FUSE
32	2	8402230	CONTACTS HOUSING
33	4	8402229	CONTACTS
34	1	8402042	GLAND
35	1	8402189	SOCKET SHELL
36	17	8402192	PIN SOCKET
37	4	2800203	SCREW
38	1	41844.01	WIRING LOOM - INCLUDING
39	1	8402188	SHELL
40	1	8402190	CABLE CLAMP
41	12	07.835.04	PLUG - INCLUDING SCREW & GASKET
42	1	07.835.03	SCREW
43	1	07.835.02	GASKET
44	1	8402193	SPECIAL TOOL
45	1	8402345	MOUNTING BRACKET
46	4	2800243	SELFTAPPING SCREW

**Modules:**

8402905

8402906 – Electric Rotor Reverse



**MONOLEVER CONTROLS & LOOM**

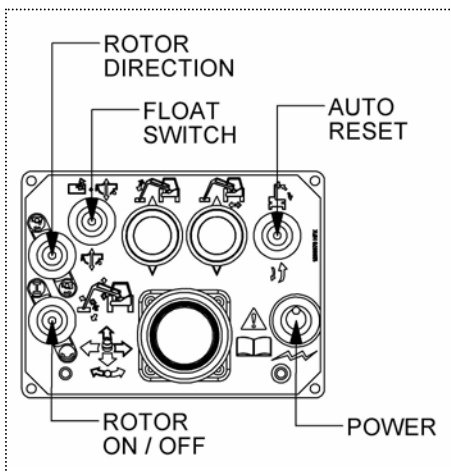
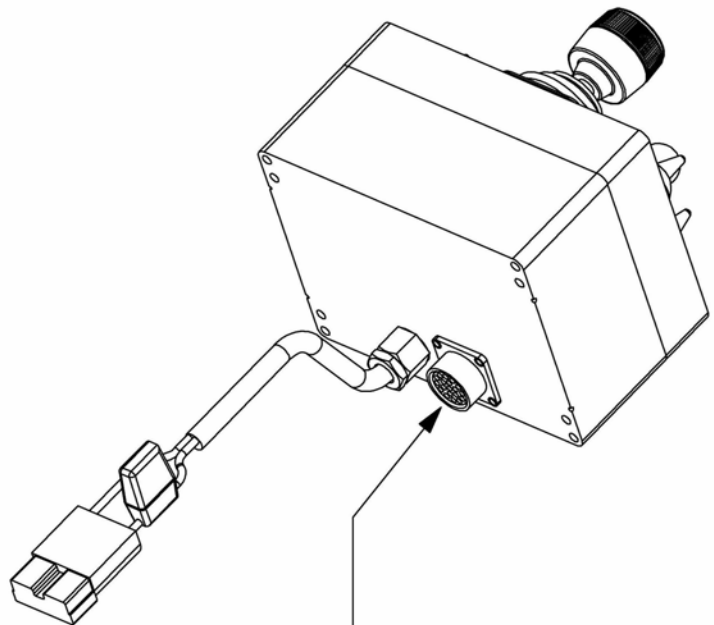
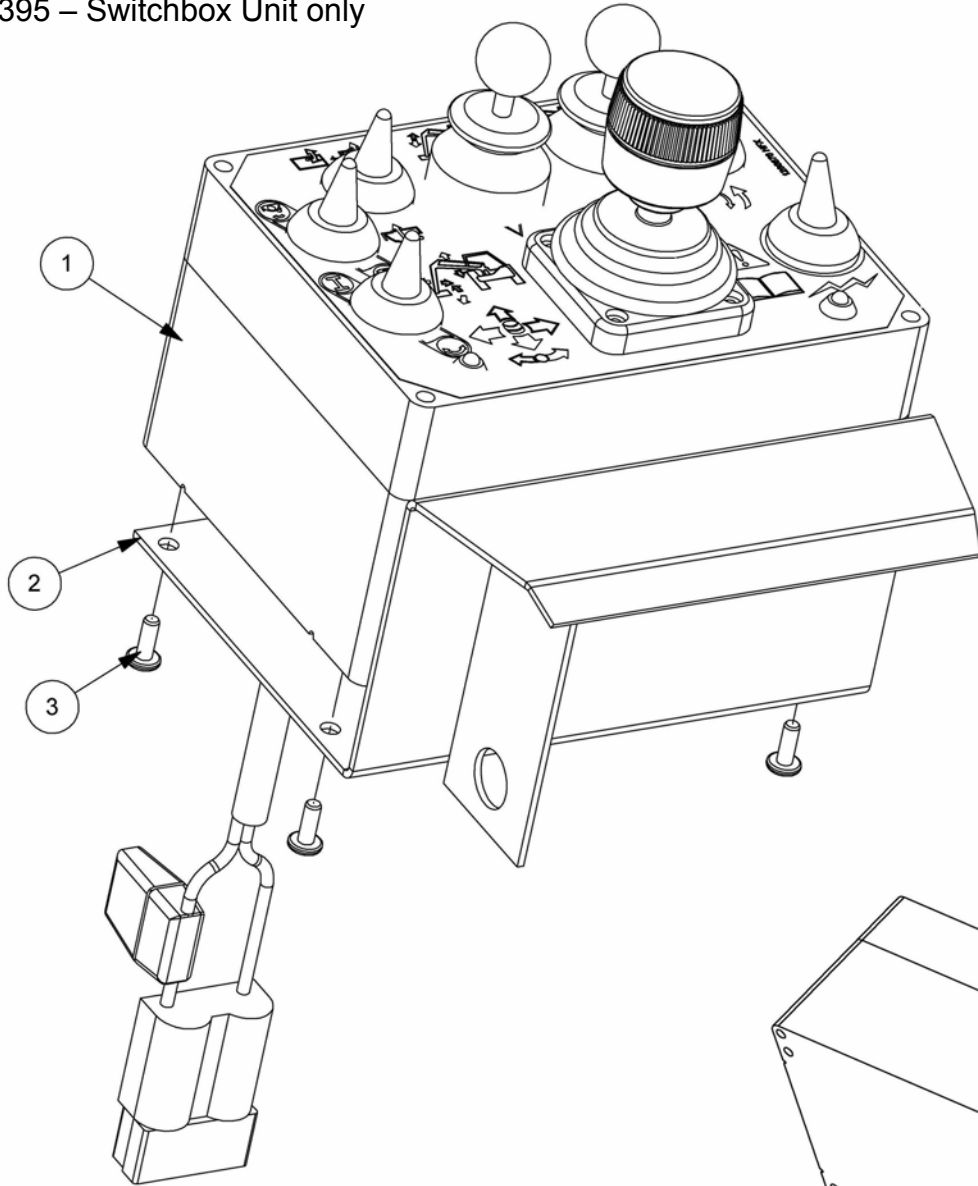
REF.	QTY.	PART NO.	DESCRIPTION
		<b>41590.03</b>	<b>MONOLEVER 6 BUTTON CONTROL ASSEMBLY</b>
		<b>41590.05</b>	<b>MONOLEVER WITH ELECTRIC ROTOR REVERSE</b>
1	1	41590.32	JOYSTICK - INCLUDING CIRCUIT BOARD
2	1	8402184	POWER ON / EMERGENCY STOP
3	1	8402174	L.E.D. MAIN POWER ON
4	1	8402182	SWITCH - SLEW / AUTO RESET
5	2	8402023	SWITCH - LIFT AND ANGLE FLOAT
6	3	8402024	WEATHER COVER
7	1	7550300	COVER POD
8	1	7550339	TOP PLATE
9	1	7290052	SEALING STRIP (CUT TO SUIT)
10	10	9300125	SCREW - BUTTON HEAD
11	6	9143003	SELF LOCKING NUT
12	6	9100103	WASHER
13	1	8402189	SOCKET SHELL
14	14	8402192	FEMALE SOCKET PIN
15	4	9200007	SCREW - POSIDRIVE PANHEAD
16	4	9100400	EXTERNAL SERRATED WASHER
17	4	9100013	NUT - PLATED
18	1	8402232	POWER LOOM - INCLUDING:
19	1	43034.03	FUUSE
20	2	8402230	CONTACT HOUSING
21	4	8402229	CONTACTS
22	1	8402042	GLAND
23	1	41844.01	WIRING LOOM - INCLUDING:
24	1	8402188	SHELL
25	1	8402190	CABLE CLAMP
26	12	07.835.04	PLUG - INCLUDING:
27	1	07.835.03	SCREW
28	1	07.835.02	GASKET
29	1	8402193	SPECIAL TOOL

# PROPORTIONAL SWITCHBOX

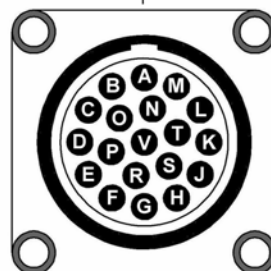
**Modules:**

8402911 – Switchbox Unit c/w Mounting Bracket & Screws

8402395 – Switchbox Unit only



- A - COMMON
- B - REACH IN
- C - REACH OUT
- D - LIFT UP
- E - LIFT DOWN
- F - COMMON
- G - TELE IN
- H - TELE OUT
- J - ANGLE DOWN
- K - ANGLE UP



- L - SLEW OUT
- M - SLEW IN
- N - COMMON
- P - ANGLE FLOAT
- R - LIFT FLOAT
- S - PUMP 1
- T - PUMP 2
- U - AUTO RESET
- V - CUT OFF

**PROPORTIONAL SWITCHBOX**

REF.	QTY.	PART NO.	DESCRIPTION
		<b>8402911</b>	<b>PROPORTIONAL SWITCHBOX CONTROLS</b>
1	1	8402395	PROPORTIONAL SWITCHBOX UNIT - <i>comprising of:</i>
	1	41845.44	BOX BASE
	1	41845.45	BOX LID
	1	41845.47	CIRCUIT BOARD
	2	41845.34	LOOM - SWITCH UNIT
	1	41845.37	LOOM - FLOAT SWITCH
	1	43022.49	CONNECTOR - SINGLE FUSE
	1	8402189	PANEL MOUNTING SHELL
	1	8402149	GLAND - PLASTIC
	4	2800203	SCREW
	2	8402122	SWITCH UNIT
	1	8402023	TOGGLE SWITCH
	1	8402197	SWITCH - FLOAT SELECTION
	2	41845.41	LED
	5	8402024	SWITCH COVER
	1	8402198	KNOB - BLUE
	1	8402056	KNOB - BLACK
	1	8402237	LOOM - POWER SUPPLY
	19	8402192	SOCKET CONTACT
	1	8402173	SWITCH - PUMP POWER / RESET
	1	8402182	SWITCH - AUTO RESET
	1	8402185	SWITCH - ROTOR DIRECTION
	1	1290670	DECAL - PROPORTIONAL SWITCHBOX
	1	41845.36	LOOM - PUMP CONTROL
	1	41845.35	LOOM - RESET
	1	8402246	JOYSTICK - 3 AXIS
2	1	8402345	SWITCHBOX MOUNTING BRACKET
3	4	2800243	SELF TAPPING SCREW

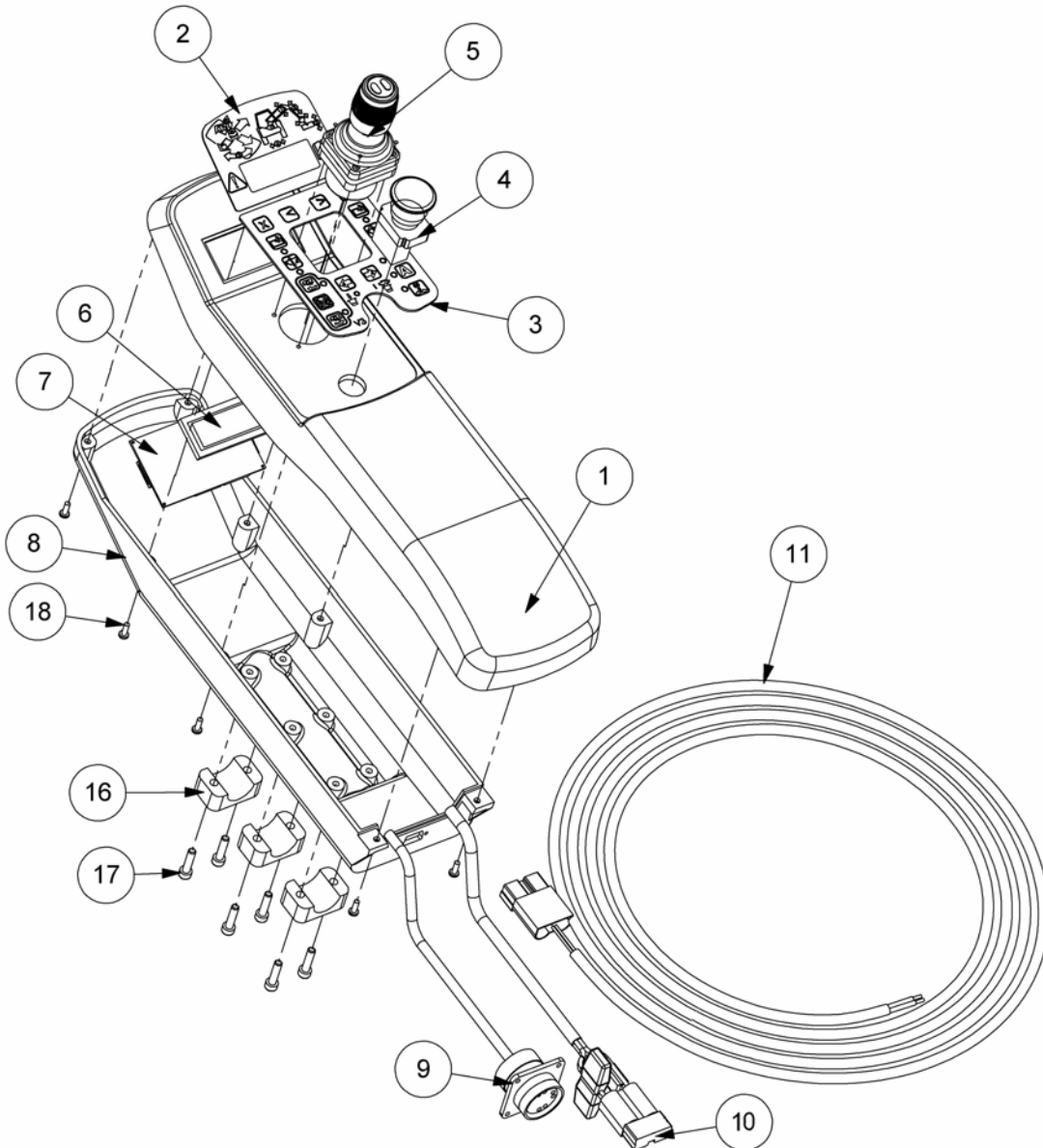
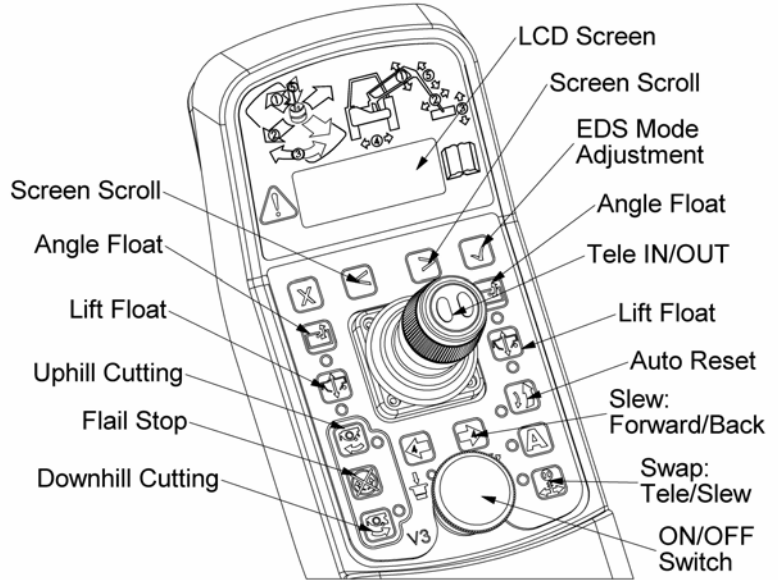


**Modules:**

43022.20 - Proportional

43022.21 – Proportional EDS

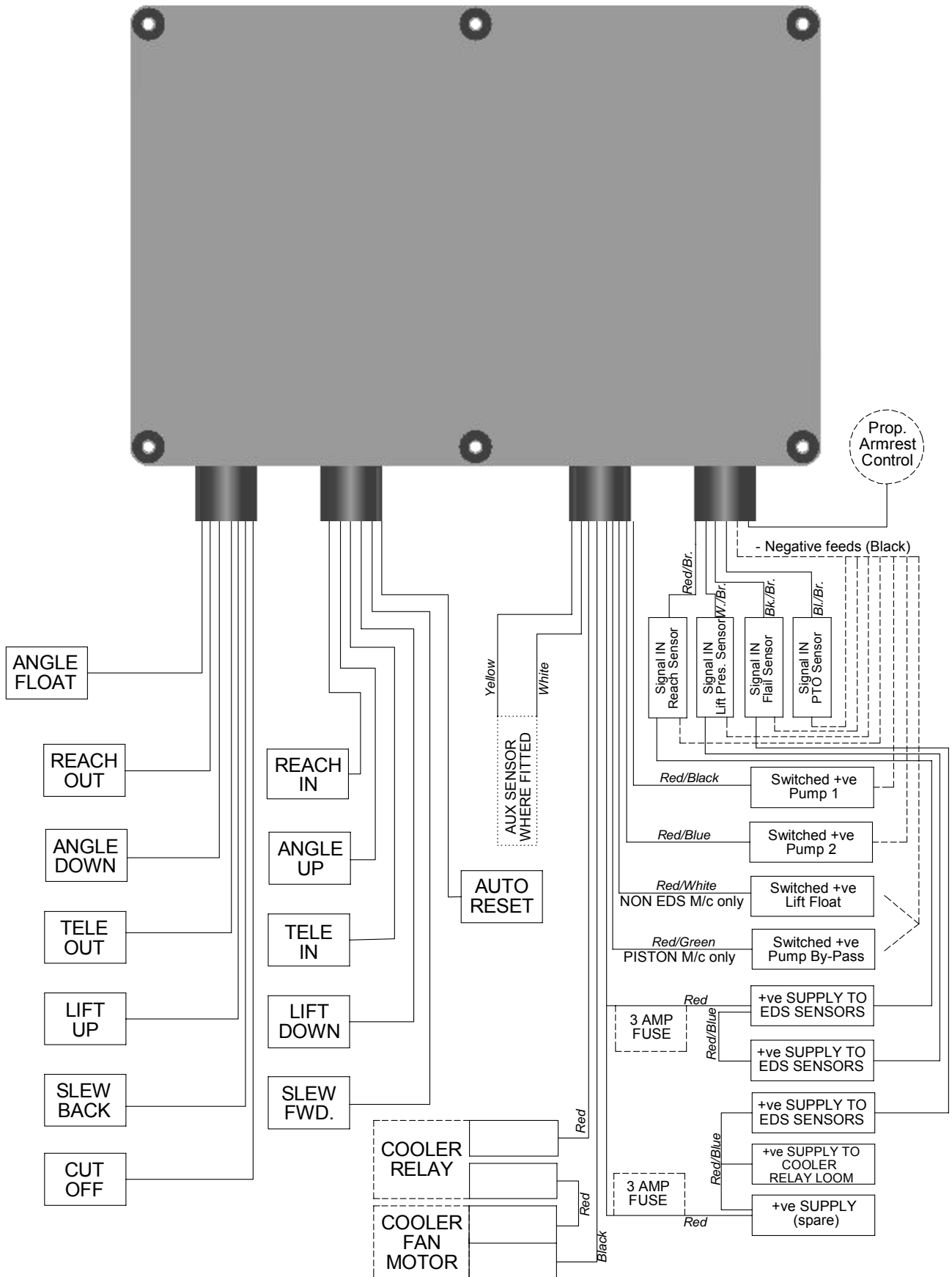
OPERATOR CONTROLS/FUNCTIONS

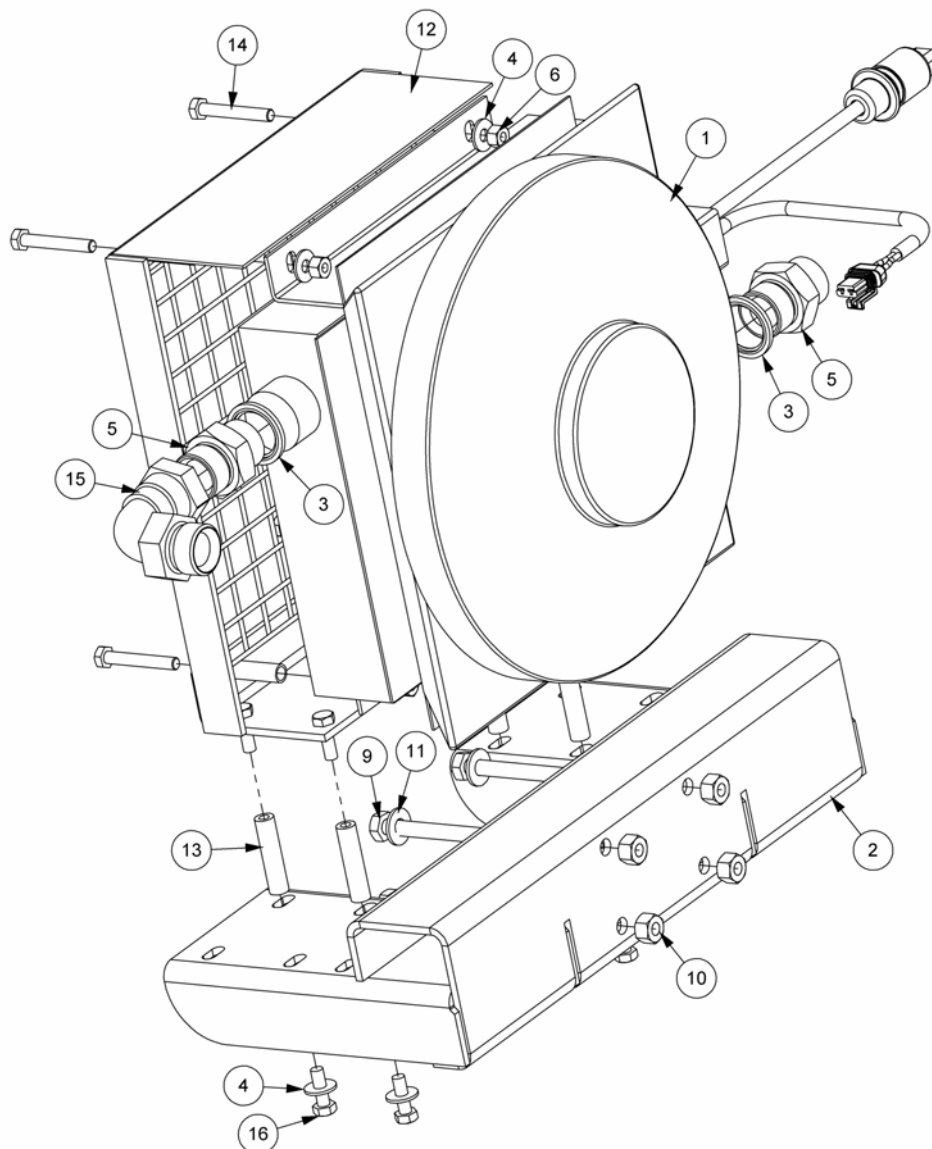


**PROPORTIONAL CONTROLS – v.3**

REF.	QTY.	PART No.	DESCRIPTION
		<b>43022.20</b>	<b>v.3 PROPORTIONAL ARMREST CONTROLS - Std.</b>
		<b>43022.21</b>	<b>v.3 PROPORTIONAL ARMREST CONTROLS - EDS</b>
1	1	43022.324	ARMREST LID - GREY
2	1	43022.50	FRONT DECAL
3	1	43022.51	JOYSTICK KEYPAD - <i>Factory replacement only</i>
4	1	41786.33	SWITCH - EMERGENCY STOP
5	1	45710.96	JOYSTICK - inc. fixing screws
6	1	43022.52	LCD SCREEN - <i>Factory replacement only</i>
7	1	43022.53	CIRCUIT BOARD - <i>Factory replacement only</i>
8	1	43022.321	ARMREST BASE - YELLOW
9	1	43022.46	CONNECTOR & LEAD
10	1	43022.47	CONNECTOR & POWER LEAD (2 FUSES)
11	1	8402237	LOOM - POWER SUPPLY
12	2	8402149	GLAND
13	1	43022.39	CONNECTOR 9 WAY
14	1	8600119	O RING - not illustrated
15	1	8402239	PUSH ON COVER - not illustrated
16	3	30.209.71	PIPE CLAMP
17	6	9343053	CAPSCREW
18	8	9300132	PANHEAD SCREW

Module:  
21164.03

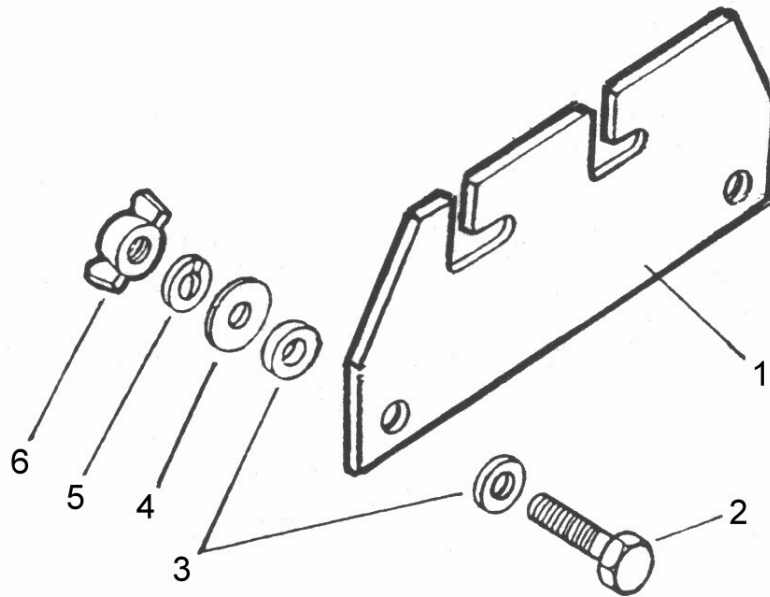


**COOLER KIT**
**Module:**  
 7451830


REF.	QTY.	PART No.	DESCRIPTION
		<b>7451830</b>	<b>COOLER KIT ASSEMBLY</b>
1	1	8402379	OIL COOLER c/w THERMO SWITCH AND LOOM
2	1	21380.03	COOLER BRACKET
3	2	8650108	BONDED SEAL
4	8	9100104	FLAT WASHER
5	2	05.434.01	ADAPTOR
6	4	9143004	SELF-LOCKING NUT
7	1	10.012.37	HOSE - 1" BSP FS/F90 x 2700mm
8	1	10.011.26	HOSE - 1" BSP FS/FS x 1600mm
9	4	05.292.15	BOLT
10	4	9143005	SELF-LOCKING NUT
11	4	9100105	FLAT WASHER
12	1	8402319	COOLER MOUNTING
13	4	7196053	THREADED SPACER
14	4	9213114	BOLT
15	1	8581264	ADAPTOR - SWEPT 90°
16	4	9317054	SETSCREW

**CABLE CONTROL MOUNTING**

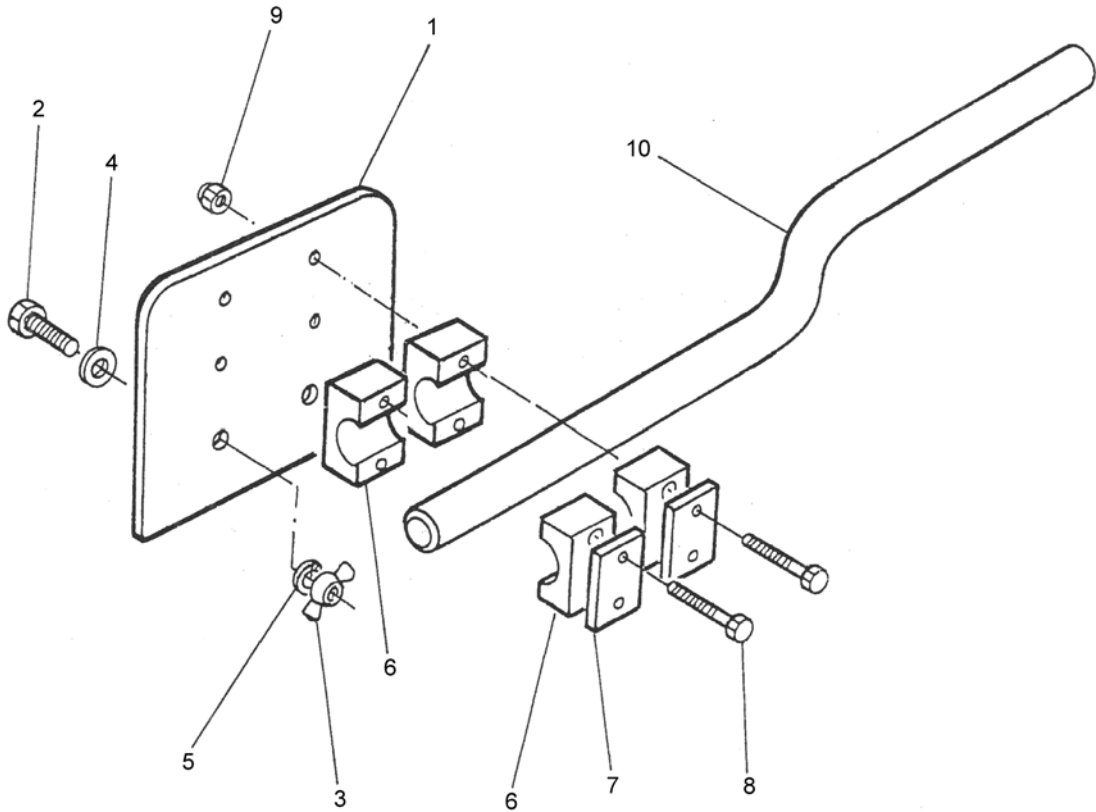
**Module:**  
7313282



REF.	QTY.	PART NO.	DESCRIPTION
		<b>7313282</b>	<b>CABLE CONTROL UNIT MOUNTING</b>
1	1	42491.01	BRACKET
2	2	9313094	SETSCREW
3	4	03.152.01	RUBBER WASHER
4	2	9100104	PLAIN WASHER
5	2	9100204	SPRING WASHER
6	2	9193004	WINGNUT

**ELECTRIC CONTROL MOUNTING**

**Module:**  
7313275



REF.	QTY.	PART NO.	DESCRIPTION
		<b>7313275</b>	<b>CONTROL MOUNTING KIT</b>
1	1	08.317.01	CONTROL MOUNTING BRACKET
2	2	9313054	SETSCREW
3	2	9193004	WINGNUT
4	2	9100104	PLAIN WASHER
5	2	9100204	SPRING WASHER
6	6	30.209.71	CLAMP
7	3	30.209.33	COVER PLATE
8	6	30.068.88	BOLT
9	4	9163003	SELF LOCKING NUT
10	1	42312.01	MOUNTING BAR

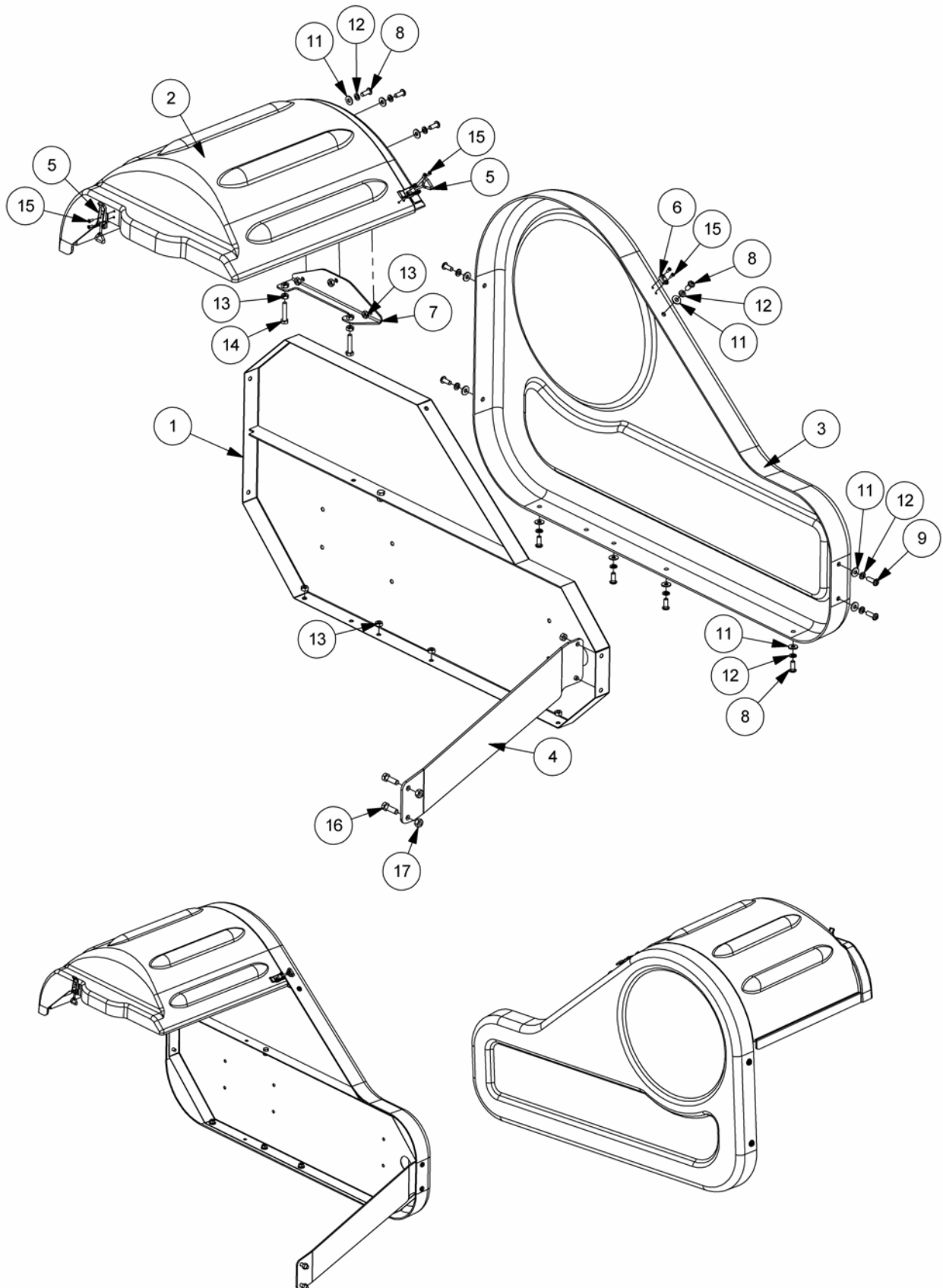
# REAR COVER ASSEMBLY

**Modules:**

7451810 – L/H Build

7451811 – R/H Build

*Illustrated in Left Hand Build*



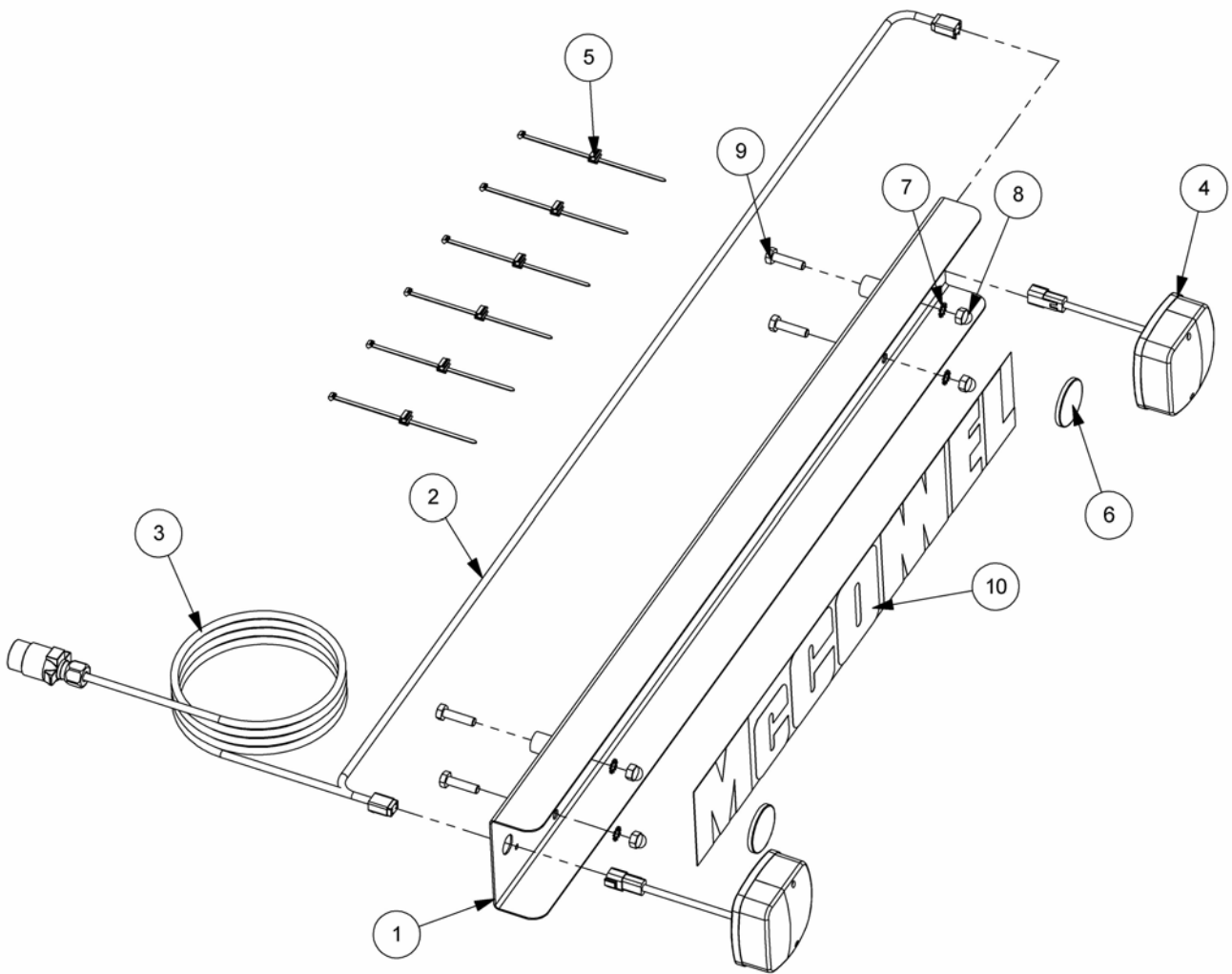
**REAR COVER ASSEMBLY**

REF.	QTY.	PART No.	DESCRIPTION
		<b>7451810</b>	<b>REAR COVERS ASSEMBLY - L/H Build</b>
		<b>7451811</b>	<b>REAR COVERS ASSEMBLY - R/H Build</b>
1	1	21501.01	REAR COVER SUPPORT - L/H Build
	1	21501.02	REAR COVER SUPPORT - R/H Build
2	1	21500.32	TANK COVER - L/H Build
	1	21500.37	TANK COVER - R/H Build
3	1	21306.07	REAR COVER - L/H Build
	1	21306.09	REAR COVER - R/H Build
4	1	21500.33	COVER STAYBAR - L/H Build
	1	21500.38	COVER STAYBAR - R/H Build
5	2	43449.02	OVERCENTRE FASTENER
6	1	46007.01	HOOK-OVERCENTRE FASTENER
7	1	21309.04	SUPPORT ANGLE - L/H Build
	1	21309.06	SUPPORT ANGLE - R/H Build
8	10	9300154	BUTTON HEAD SOCKET SCREW
9	2	9300166	BUTTON HEAD SOCKET SCREW
10	1	9313045	SETSCREW
11	14	9100105	FLAT WASHER
12	13	9100205	SPRING WASHER
13	13	9113005	NUT
14	2	9313105	SETSCREW
15	6	1069088	POP RIVET
16	2	9213086	BOLT
17	2	9143006	SELF-LOCKING NUT



**LIGHTING KIT – Optional Extra**

Module:  
7451780



**LIGHTING KIT – Optional Extra**

<b>REF.</b>	<b>QTY.</b>	<b>PART No.</b>	<b>DESCRIPTION</b>
		<b>7451780</b>	<b>REAR LIGHTING KIT</b>
1	1	45828.01	LIGHT BAR
2	1	45900.02	LIGHTING KIT - <i>comprising of:</i>
3	1	45656.02	LIGHTING LOOM c/w PLUG
4	2	45642.02	COMBINATION LAMP ASSEMBLY
5	6	21150.01	PUSH ON CABLE TIE
6	2	45671.01	REFLECTOR (SELF-ADHESIVE)
7	4	9100405	SHAKEPROOF WASHER - EXTERNAL
8	4	9100025	DOME NUT
9	4	9213085	BOLT
10	1	1290527	DECAL - McCONNEL

# MACHINE DECALS

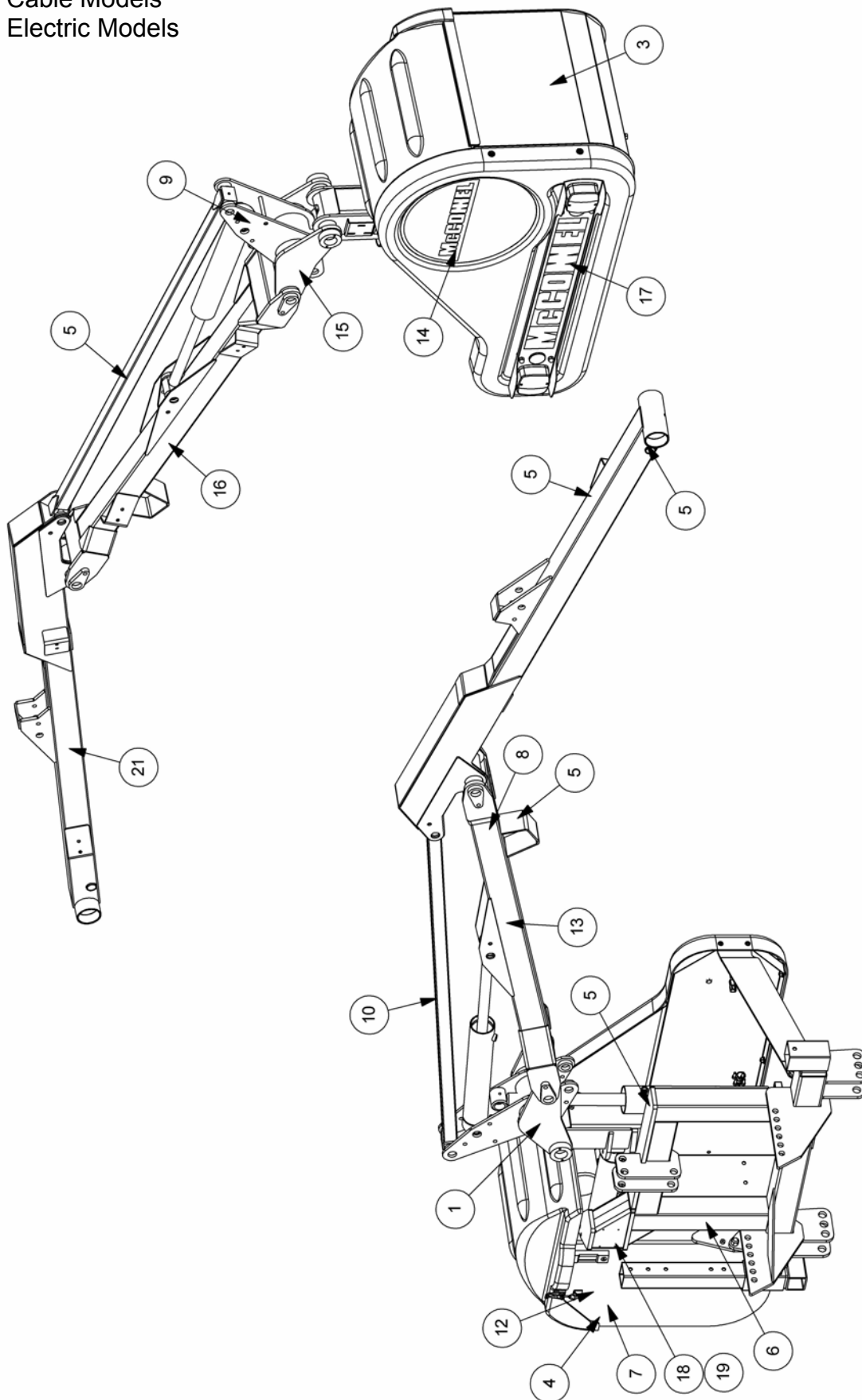
**Modules:**

7451820 – All Models

7451821 – Cable Models

7451822 – Electric Models

*Illustrated in Left Hand Build*



**MACHINE DECALS**

REF.	QTY.	PART No.	DESCRIPTION
		<b>7451820</b>	<b>BASIC DECAL KIT - All Models</b>
1	1	7105130	DECAL - READ INSTRUCTION BOOK FIRST
2	*	1290352	DECAL - CAB
3	1	1290391	DECAL - GENERAL SAFETY
4	1	00756494	DECAL - DRIVELINE HAZARD
5	5	02962764	DECAL - PINCH POINT
6	1	09.811.03	DECAL - PTO SPEED (500RPM)
7	1	7135295	DECAL - TIGHTEN CHECK CHAINS
8	1	1290403	DECAL - BREAKAWAY WARNING
9	2	1290074	DECAL - SLING HERE
10	1	1290406	DECAL - TRANSPORT WARNING
11	**	8402135	DECAL - CAUTION
12	1	1290023	DECAL - OIL FILTER
13	1	1290255	DECAL - McCONNEL
14	1	1290647	DECAL - McCONNEL (REFLECTIVE)
15	1	1290296	DECAL - LOGO
16	1	1290588	DECAL - McCONNEL SILVER
17	1	1290649	DECAL - McCONNEL SILVER
18	1	1335246	SERIAL No. PLATE
19	4	7103230	POP RIVET
		<b>7451821</b>	<b>DECAL KIT - PA50 Cable Models</b>
20	1	1290549	DECAL - PA50
21	1	1290640	DECAL - PA50 HY REACH
		<b>7451822</b>	<b>DECAL KIT - PA50 Electric &amp; Proportional Models</b>
20	1	1290550	DECAL - PA50E
21	1	1290641	DECAL - PA50E HY REACH

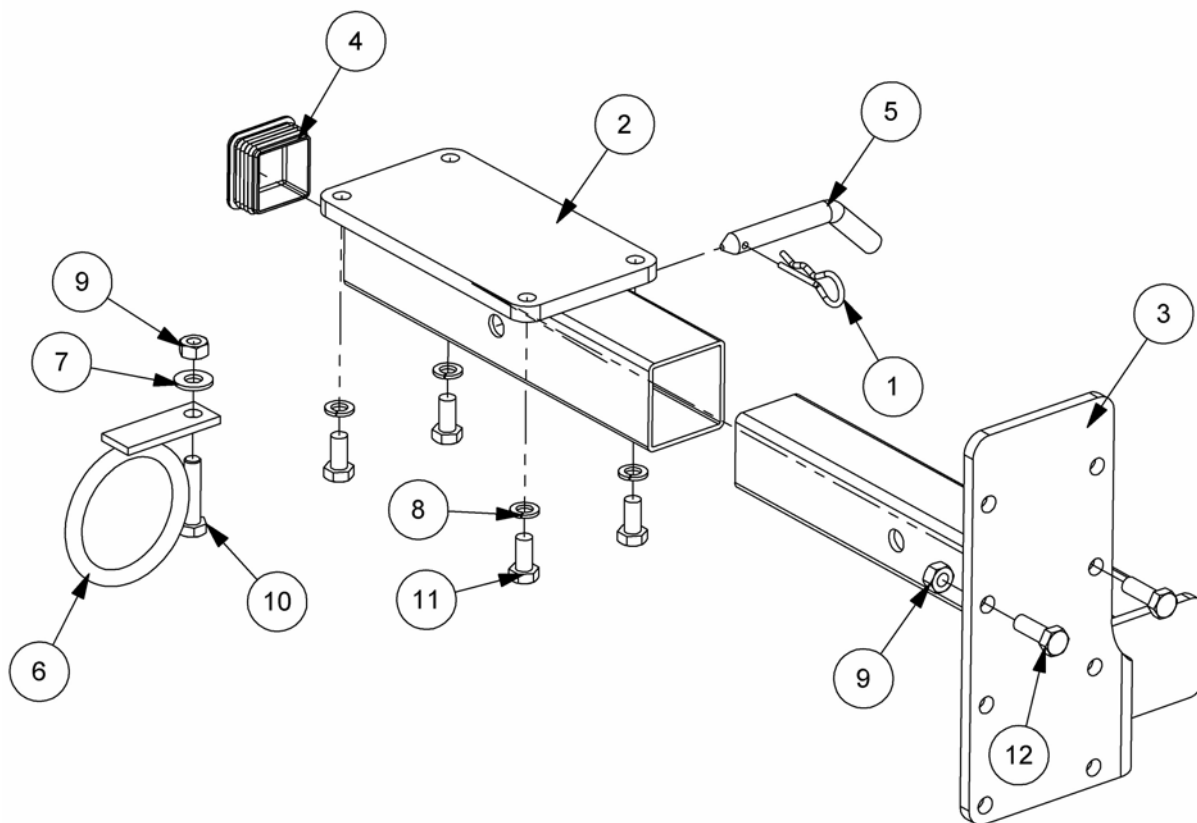
\* *Decal supplied loose for fitment in tractor cab*

\*\* *Decal supplied loose for fitment on (or near to) the controls in tractor cab.*

**DEBRIS BLOWER MOUNTING KIT****Modules:**

7150770 – L/H Build

7150771 – R/H Build

*Illustrated in Left Hand Build*

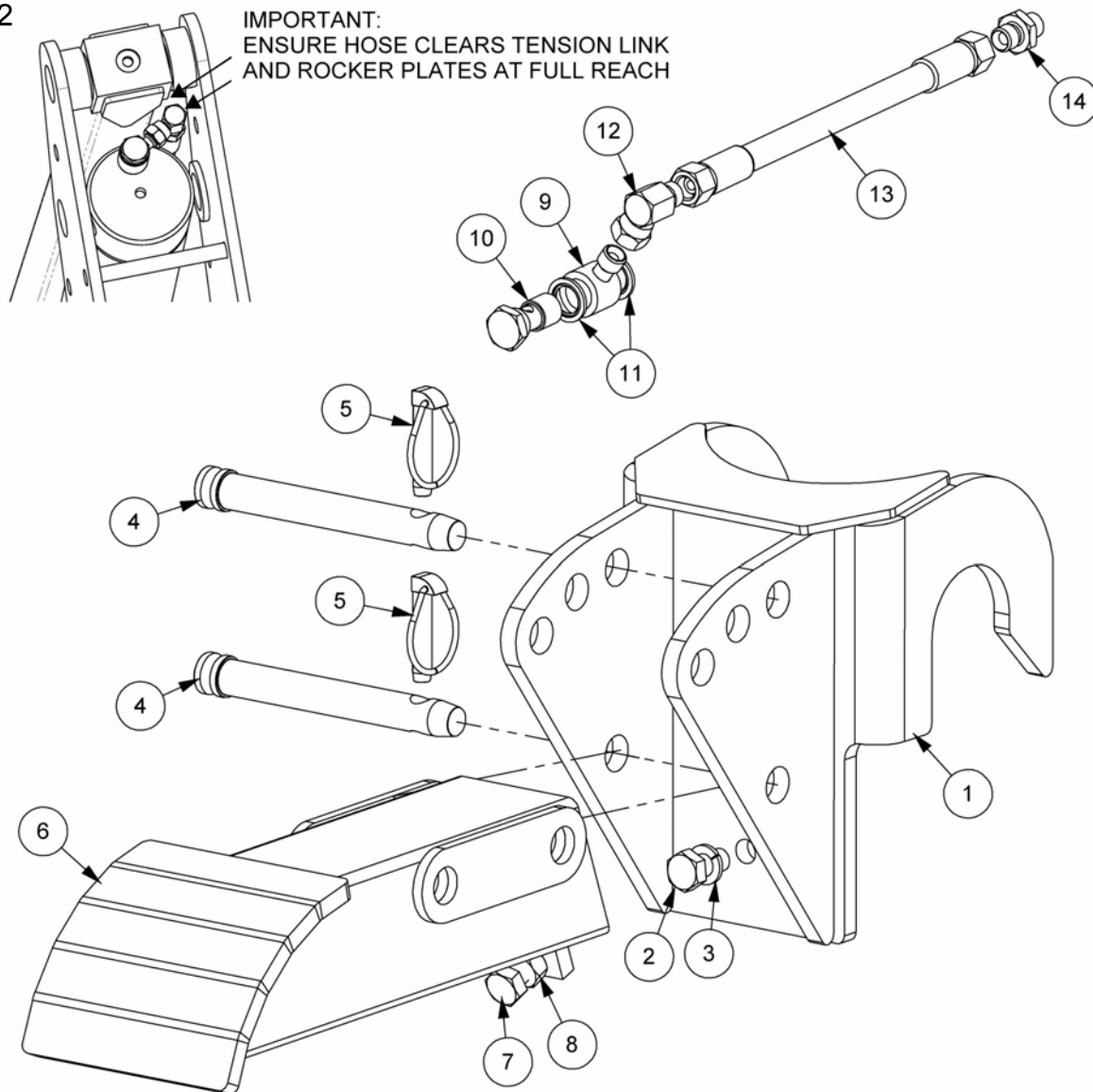
REF.	QTY.	PART No.	DESCRIPTION
		<b>7150770</b>	<b>DEBRIS BLOWER MOUNTING KIT - L/H Machines</b>
		<b>7150771</b>	<b>DEBRIS BLOWER MOUNTING KIT - R/H Machines</b>
1	1	0431105	SPRING COTTER
2	1	43492.01	BLOWER BRACKET
3	1	43492.05	BLOWER BRACKET - L/H Build
	1	43492.06	BLOWER BRACKET - R/H Build
4	1	7191108	PLASTIC PLUG
5	1	7192023	LEG PIN
6	1	7319282	HOSE RING
7	1	9100106	FLAT WASHER
8	4	9100206	SPRING WASHER
9	3	9143006	SELF-LOCKING NUT
10	1	9213106	BOLT
11	4	9313056	SETSCREW
12	2	9313076	SETSCREW

*Suitable for the following machines:*

PA32, PA41, PA45\*, PA47 Mk1\*, PA47 Mk2, PA48, PA50Mk1\*, PA50 Mk2, PA55/60  
 (\* without lightbars)

**LIFT STOP KIT – Optional Extra**

**Module:**  
22493.02



**IMPORTANT:**  
ENSURE HOSE CLEARS TENSION LINK  
AND ROCKER PLATES AT FULL REACH

REF.	QTY.	PART No.	DESCRIPTION
		<b>22493.02</b>	<b>LIFT STOP KIT</b>
1	1	22483.01	STOP BRACKET
2	1	9313056	SETSCREW
3	1	9100206	SPRING WASHER
4	2	22489.01	TOP LINK PIN
5	2	0431217	LINCH PIN
6	1	22485.02	PROP
7	1	9313106	SETSCREW
8	1	9113006	NUT
9	1	8581540	BANJO BODY
10	1	8581543	BANJO BOLT
11	2	8650103	BONDED SEAL
12	1	8581190	ADAPTOR ELBOW - 90°
13	1	10.001.12	HOSE - 1/4" BSP FS/FS x 600mm
14	1	8581169	ADAPTOR



McConnel Limited, Temeside Works, Ludlow, Shropshire SY8 1JL. England.  
Telephone: 01584 873131. Facsimile: 01584 876463. [www.mcconnel.com](http://www.mcconnel.com)