

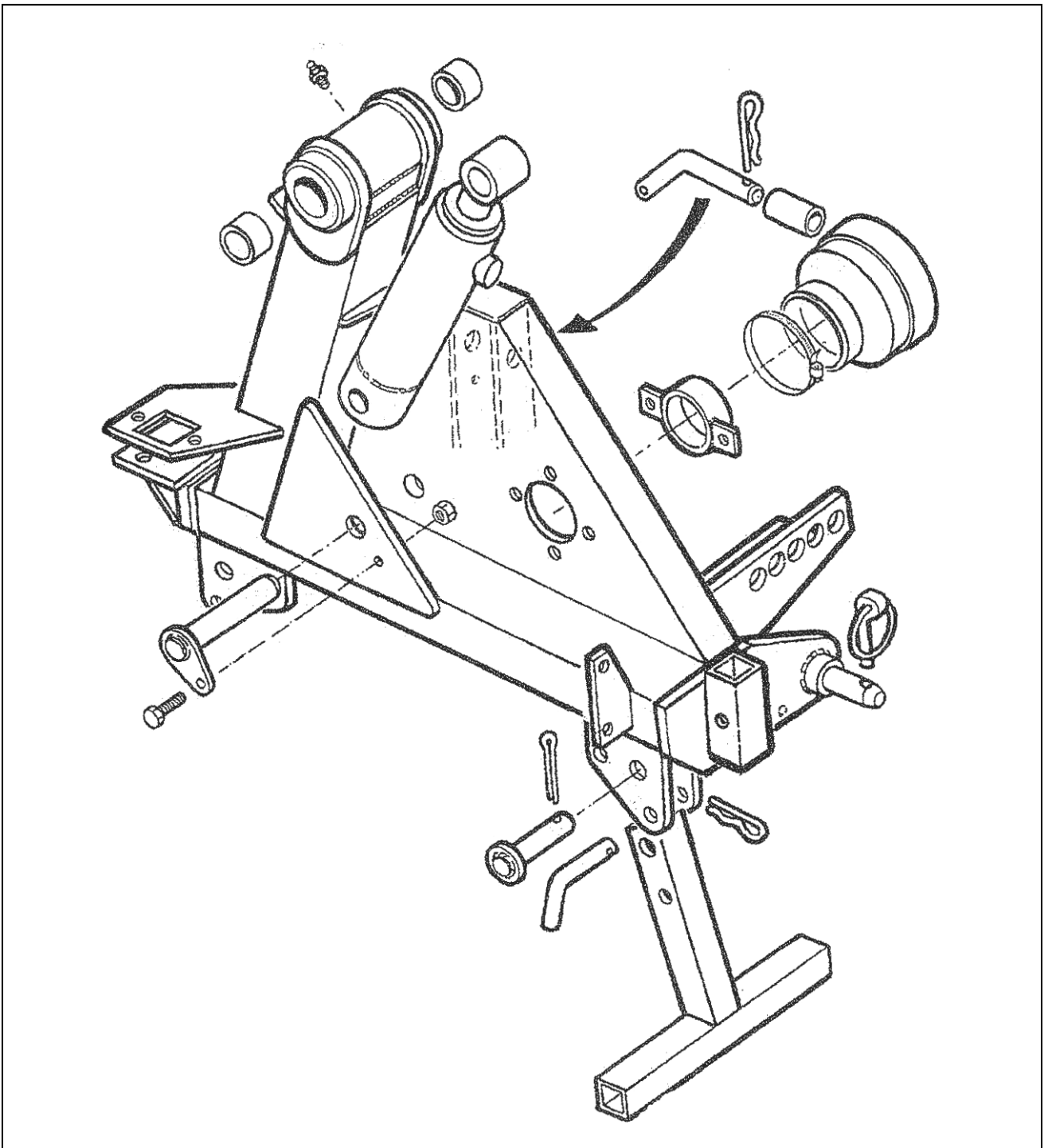
Publication 342
July 2000
Part No. 41569.89
Revision: 17.11.08



PA 41

HEDGE/GRASS TRIMMER

Parts Manual





For best performance ...

USE ONLY GENUINE McCONEL SERVICE PARTS

*To be assured of the latest design improvements purchase your
'Genuine Replacements' from the 'Original Equipment Manufacturer'*

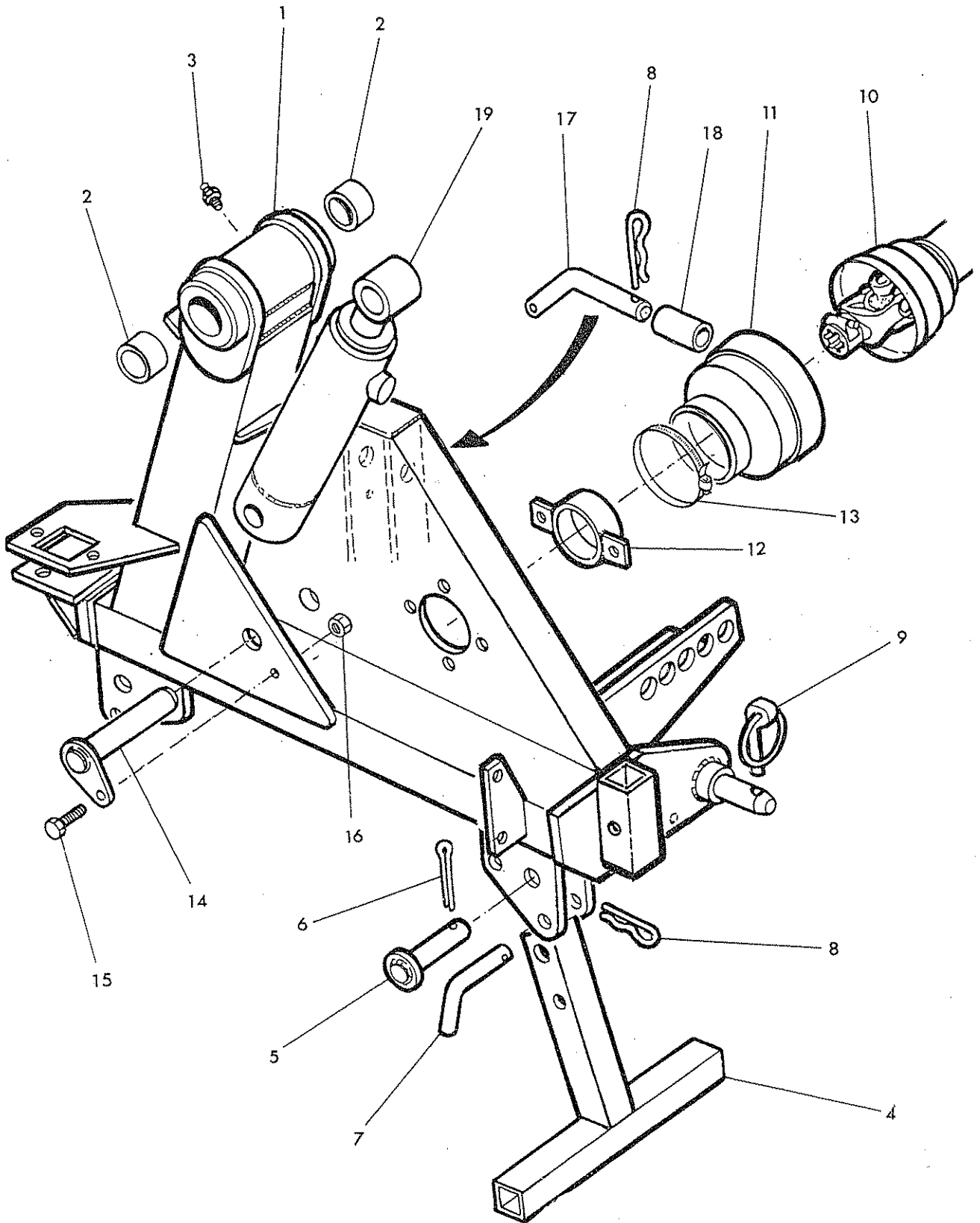
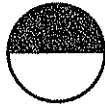
McCONEL LIMITED

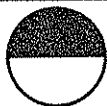
Through your local Dealer or Stockist

Always quote:

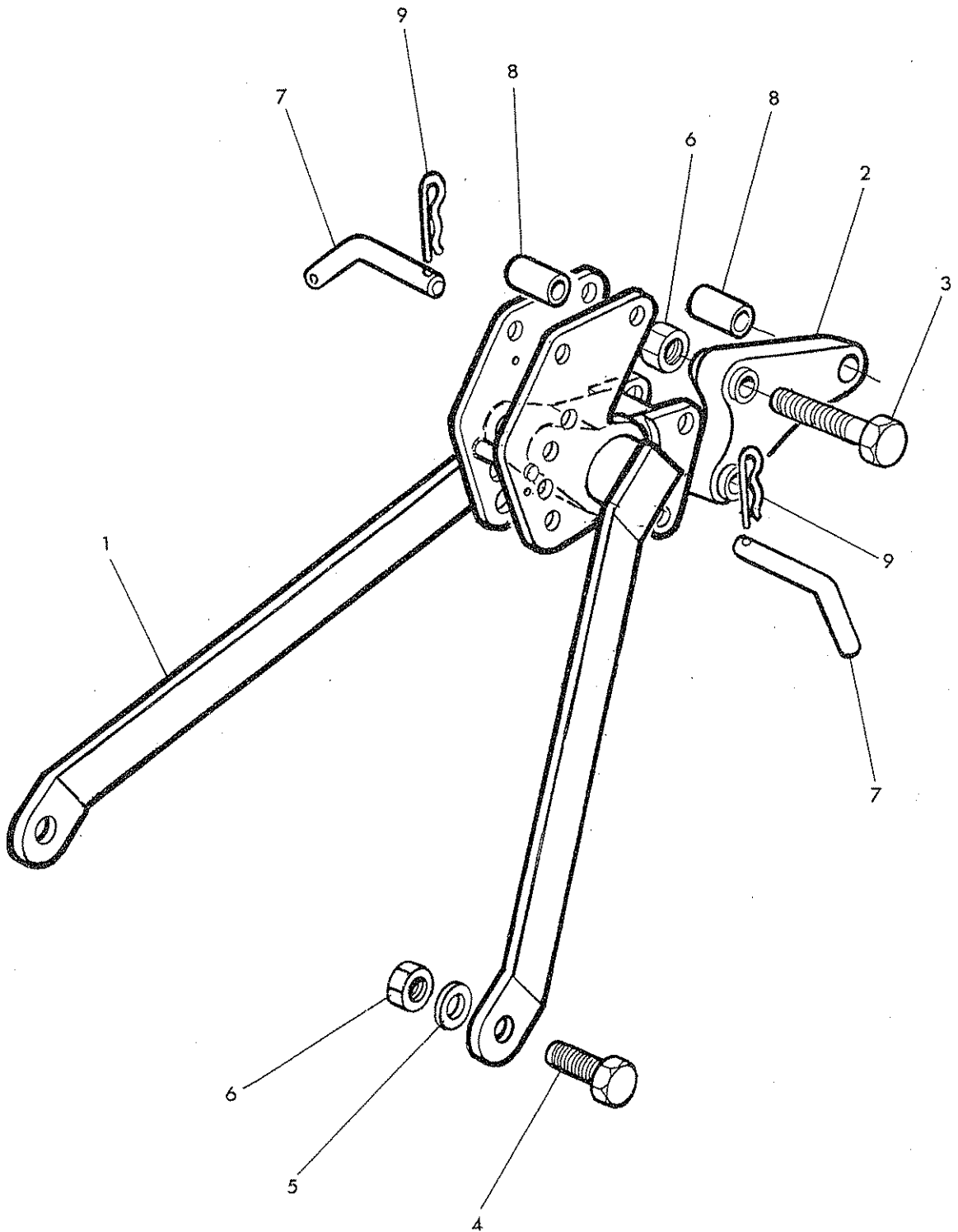
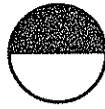
- ***Machine Type***
- ***Serial Number***
- ***Part Number***

*Design improvements may alter some of the parts listed in this manual –
the latest part will always be supplied when it is interchangeable with an earlier one.*





Ref.	Part No.	Qty.	Description
MAIN FRAME			
1	41197.06	1	Main frame - Rear mount R.Hand
	41197.05	1	Main frame - Front mount R.Hand Rear Mount L.Hand
2	71 01 134	2	Bush
3	09 01 121	1	Greaser 1/8" BSP straight
4	41203.02	2	Stand leg
5	10 90 043	2	Leg pivot pin
6	95 01 326	2	Split pin dia 5 x 32
7	43020.02	2	Leg stowage pin
8	04 31 105	3	Spring cotter
9	04 31 217	2	Linch pin
10	74 90 250	1	P.T.O. shaft
11	71 11 038	1	Shaft guard
12	71 91 075	1	Guard mounting collar
13	09 04 114	1	Hose clip
14	41267.02	1	Pin - lift ram base
15	93 13 065	1	Setscrew M10 x 30
16	91 43 005	1	Self locking nut M10
17	71 92 026	1	Top link pin
18	14 67 023	1	Sleeve - cat 2
19	41014.08	1	Lift ram assembly

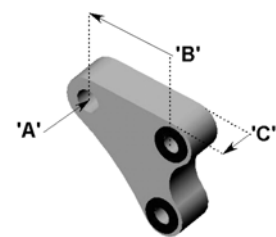


STABILISER

Ref.	Part No.	Qty.	Description
STABILISER			
1	41205.02	1	Stabiliser
2	74 99 501	1	Stabiliser Tongue
3	92 13 228	2	Bolt
4	93 13 118	2	Setscrew
5	91 00 208	2	Spring Washer
6	91 43 008	4	Self-Locking Nut
7	71 92 026	2	Top Link Pin
8	14 67 023	2	Sleeve - Cat 2
9	04 31 105	2	Spring Cotter

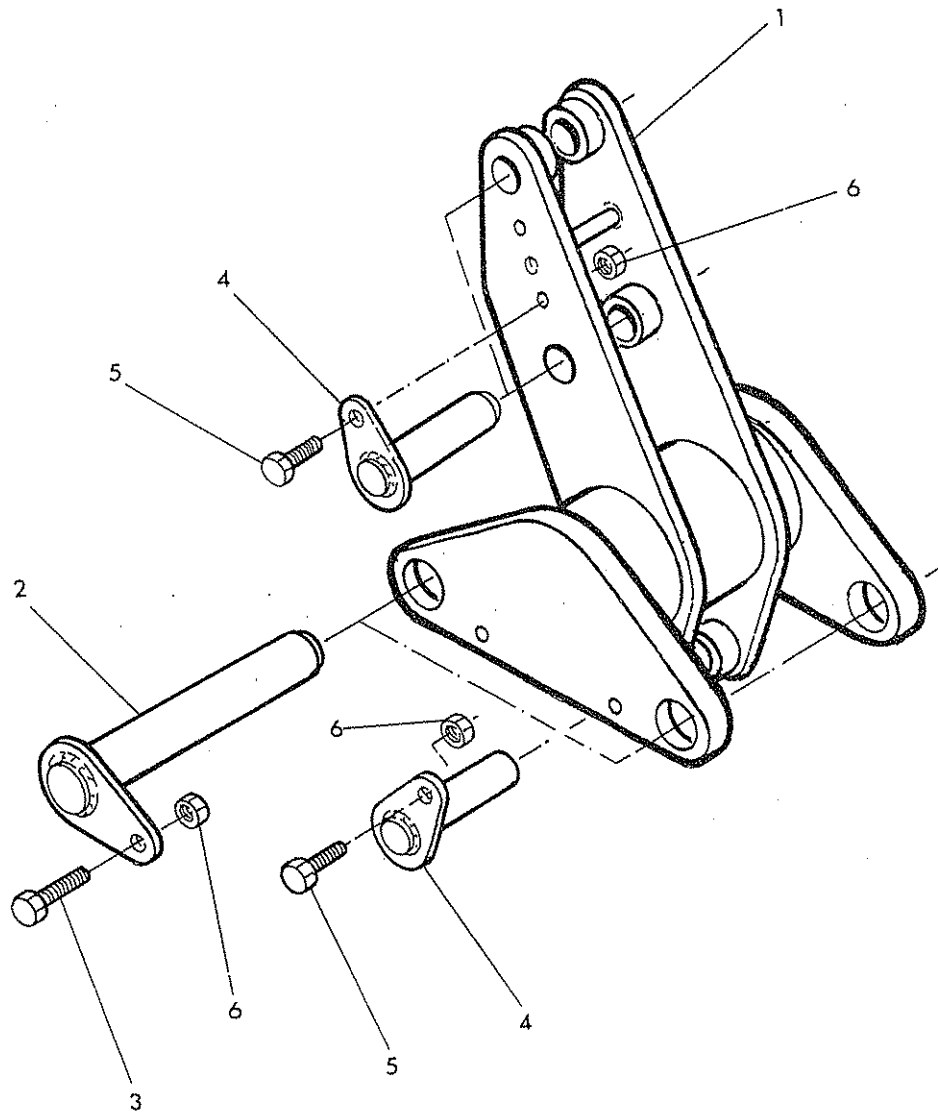
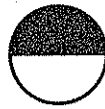
McCONNEL STABILISER TONGUES

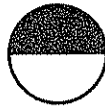
'A' – Hole diameter
 'B' – Hole center spacing
 'C' – Stabiliser width



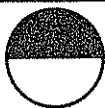
(Dimensions in mm)

Part No.	Description	'A'	'B'	'C'
7499501	Tongue: Standard – Cat. 2	27	107	45
7499500	Tongue: Special – Cat. 2 narrow	27	107	35
7499502	Tongue: Special – Cat. 2 long	27	217	45
7499503	Tongue: Special – Cat. 3 long	32	217	45
7499504	Tongue: Special – Cat. 1	19.5	107	35
7499505	Tongue: Special – Cat. 2 for Case TX tractors	25	120	50
7499506	Tongue: Special – Cat. 3	32	107	45
7499507	Tongue: Special – Cat. 3 narrow	32	107	30
7499508	Tongue: Special – for some Ford tractors	28.6	107	45
7499262	Tongue: Special – Cat. 2 extra long for Aebi	27	260	45
7499510	Tongue: Special – Cat. 2	27	107	40

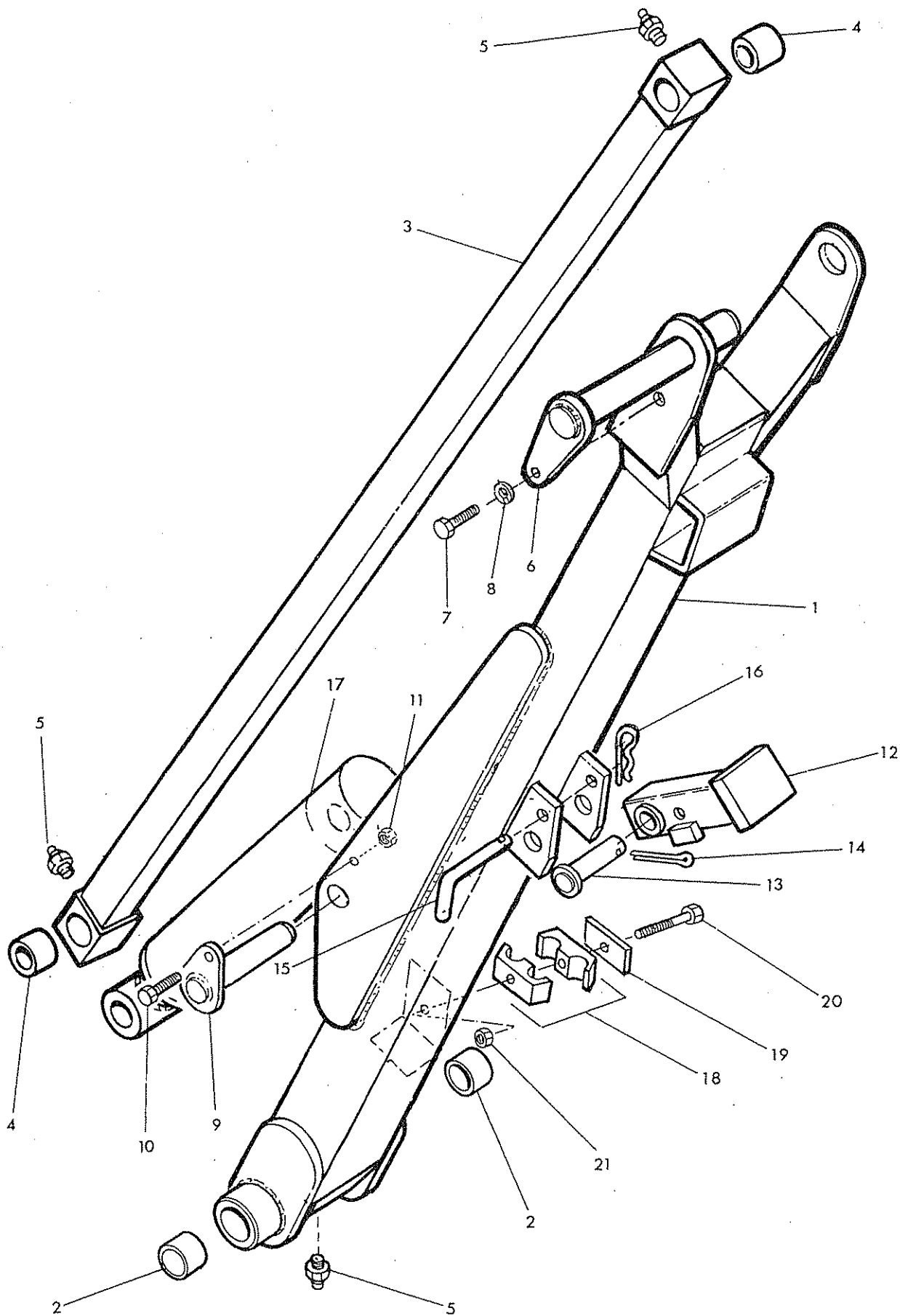


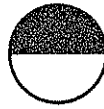


Ref.	Part No.	Qty.	Description
ROCKER ASSEMBLY			
1	41861.02	1	Rocker
2	41268.02	2	Pivot pin
3	93 13 075	2	Setscrew M10 x 35
4	41691.02	3	Pivot pin
5	93 13 065	3	Setscrew M10 x 30
6	91 43 005	5	Self locking nut M10

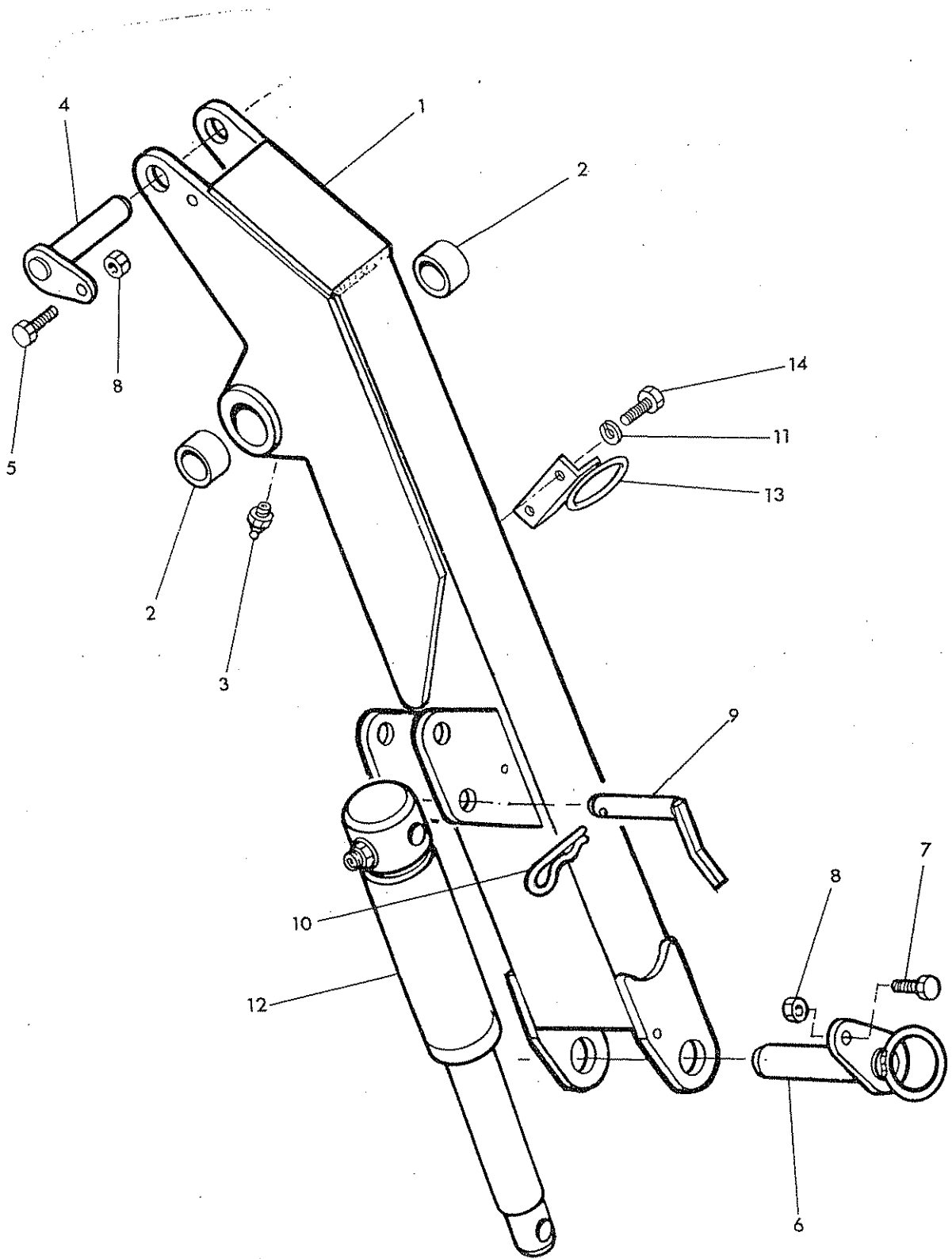
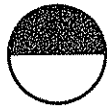


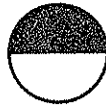
WILSON





Ref.	Part No.	Qty.	Description
MAIN ARM ASSEMBLY			
1	41199.06	1	Main arm – Rear mount R.Hand
	41199.05	1	Main arm – Front mount R.Hand – Rear mount L.Hand
2	71 01 134	2	Bush
3	41200.02	1	Tension link
4	71 05 050	2	Bush
5	09 01 121	3	Greaser 1/8" BSP straight
6	41268.02	1	Pivot pin – dipper arm
7	98 13 075	1	Setscrew M10 x 35
8	91 00 205	1	Spring washer dia10
9	41691.04	1	Pivot pin – reach ram base
10	93 132 065	1	Setscrew M10 x 30
11	91 43 005	1	Self locking nut M10
12	43021.05	1	Transport prop
13	43114.01	1	Pivot pin – prop
14	95 01 326	1	Split pin dia 5 x 32
15	43115.01	1	Stowage pin
16	04 31 105	1	Spring cotter
17	41014.09	1	Reach ram
18	06.430.09	2	Hose clamp
19	06.418.03	2	Clamp plate
20	92 13 134	2	Bolt M8 x 65
21	91 43 004	2	Self locking nut M8

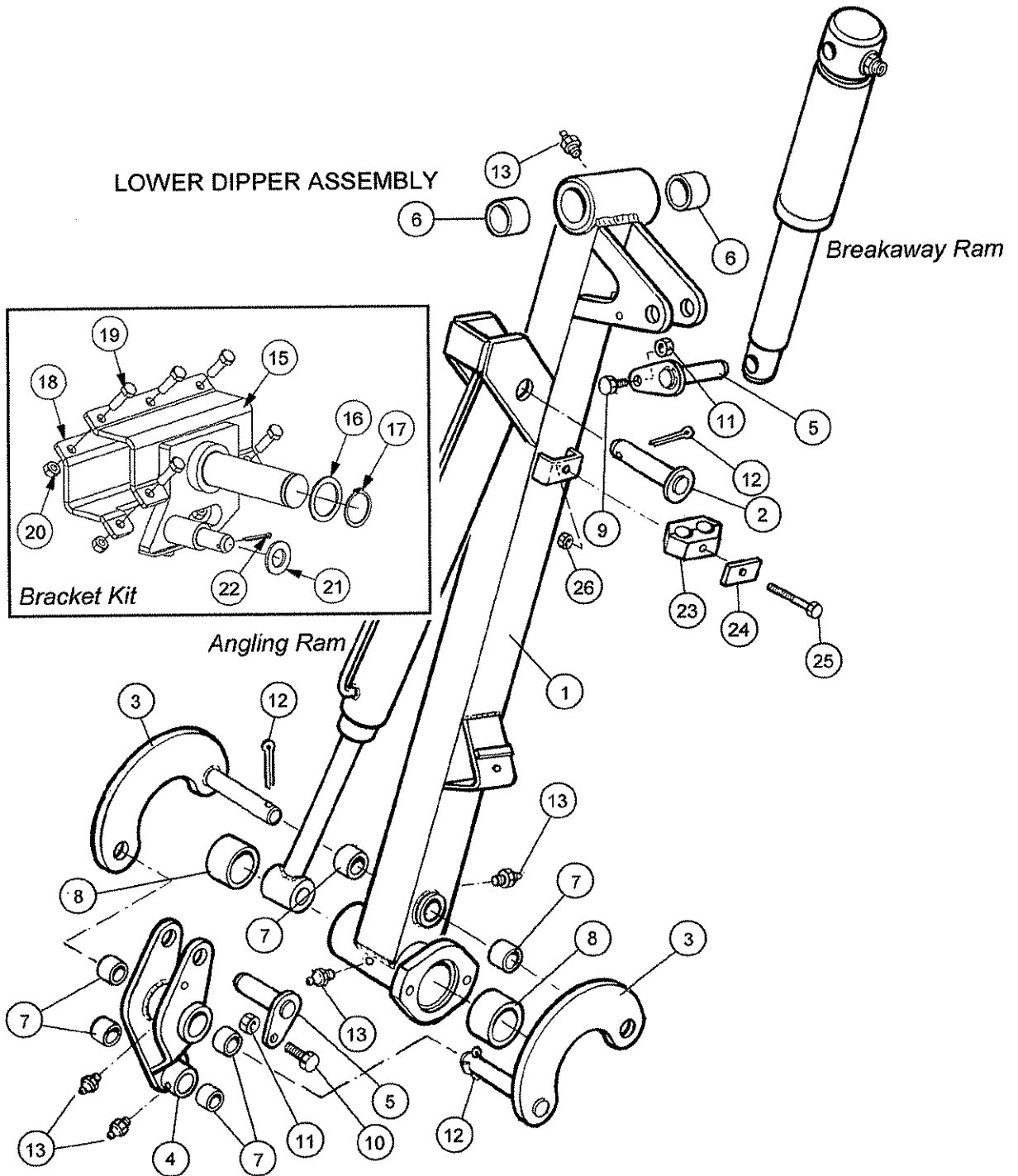




Ref.	Part No.	Qty.	Description
DIPPER UPPER ASSEMBLY			
1	41201.04	1	Dipper upper R.Hand
	41201.03	1	Dipper upper L.Hand
2	71 01 134	2	Bush
3	09 01 121	1	Greaser 1/8" BSP straight
4	41267.05	1	Pivot pin – tension link
5	93 13 055	1	Setscrew M10 x 25
6	41269.01	1	Pivot pin – dipper lower
7	93 132 075	1	Setscrew M10 x 35
8	91 43 005	2	Self locking nut M10
9	71 91 036	1	Pivot pin – breakaway ram base
10	04 31 105	1	Spring cotter
11	91 00 204	2	Spring washer dia8
12	41322.02	1	Breakaway ram
13	43158.01	1	Hose loop
14	93 13 044	2	Setscrew M8 x 20

Modules:

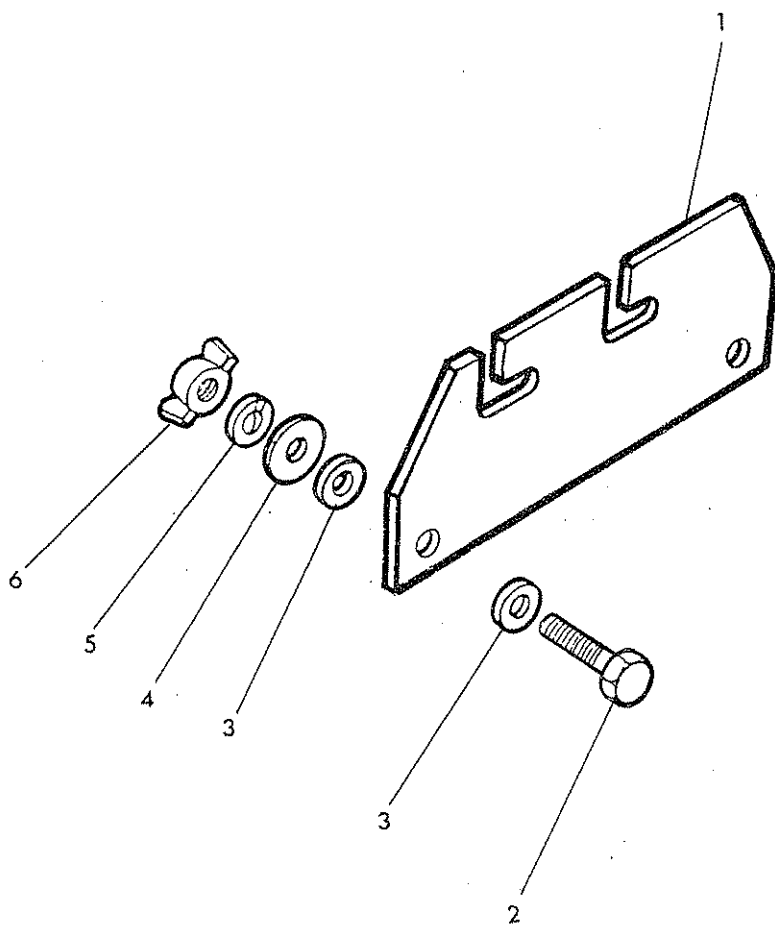
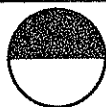
- 7490710 – Lower Dipper Arm Assembly L/H Build
- 7490711 – Lower Dipper Arm Assembly R/H Build

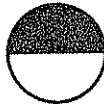


LOWER DIPPER ARM ASSEMBLY



REF.	QTY.	PART No.	DESCRIPTION
		7490710	LOWER DIPPER ARM ASSEMBLY - L/H Build
		7490711	LOWER DIPPER ARM ASSEMBLY - R/H Build
1	1	41202.01	LOWER DIPPER ARM - L/H Build
	1	41202.02	LOWER DIPPER ARM - R/H Build (<i>not illustrated</i>)
2	1	7191041	PIN - ANGLE RAM BASE
3	2	41206.01	RADIUS ARM
4	1	41207.01	SLAVE LINK - L/H Build
	1	41207.02	SLAVE LINK - R/H Build (<i>not illustrated</i>)
5	2	41270.01	PIN - ANGLE RAM ROD
6	2	21149.01	BUSH
7	6	7214060	BUSH
8	2	1090001	BUSH
9	1	9313065	SETSCREW
10	1	9313055	SETSCREW
11	2	9143005	SELF-LOCKING NUT
12	3	9501406	COTTER PIN
13	5	0901121	GREASE NIPPLE
14	1	7490812	BRACKET KIT - L/H Build
	1	7490813	BRACKET KIT - R/H Build
			} <i>comprises of:</i>
15	1	41261.08	PIVOT BRACKET - L/H Build
	1	41261.04	PIVOT BRACKET - R/H Build
16	1	1090037	RETAINING WASHER
17	1	0406247	EXTERNAL CIRCLIP
18	1	21873.01	CLAMP PLATE
19	5	9313086	SETSCREW
20	5	9143006	SELF-LOCKING NUT
21	1	0100109	FLAT WASHER
22	1	9501406	COTTERPIN
23	2	06.430.09	HOSE CLAMP
24	2	06.418.03	CLAMP PLATE
25	2	9213134	BOLT
26	2	9143004	SELF-LOCKING NUT

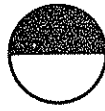




Ref.	Part No.	Qty.	Description
------	----------	------	-------------

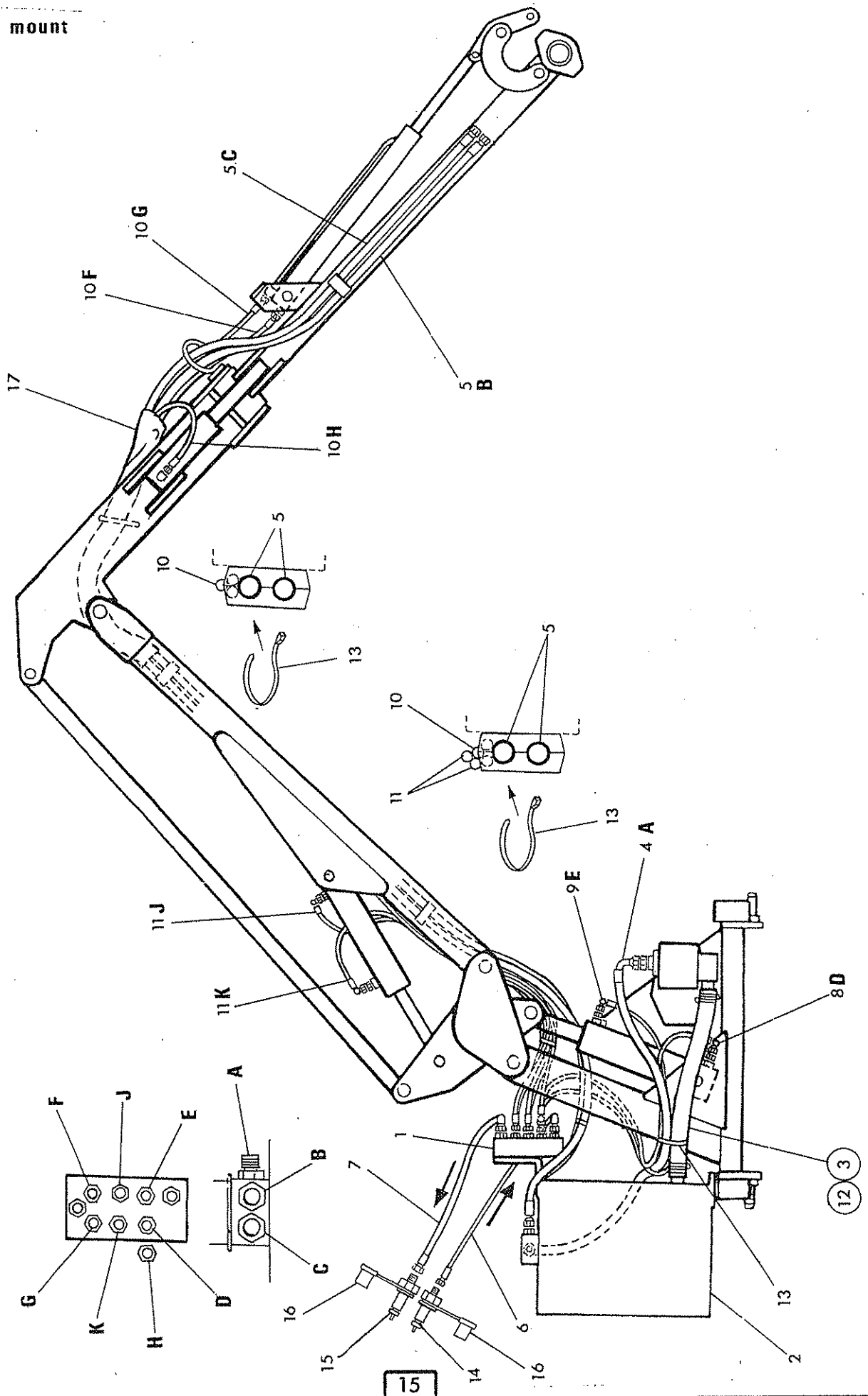
CONTROL MOUNTING ASSEMBLY

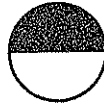
1	03.583.01	1	Bracket
2	93 13 094	2	Setscrew M8 x 45
3	03.152.01	4	Rubber washer
4	91 00 104	2	Plain washer dia 8
5	91 00 204	2	Spring washer dia 8
6	91 93 004	2	Wingnut M8



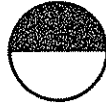
HOSE INSTALLATION Si

Rear mount

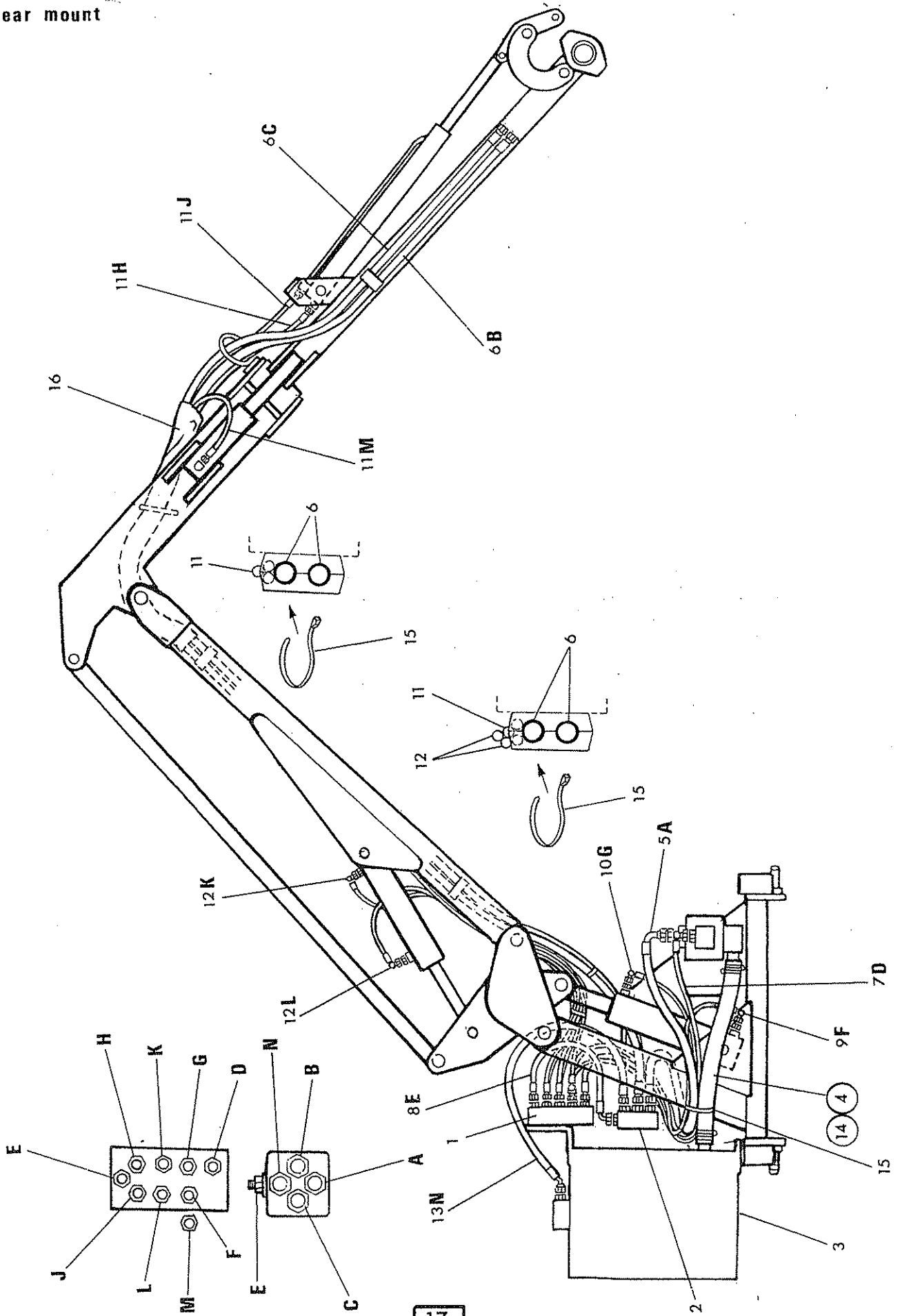




Ref.	Part No.	Qty.	Description
HOSE INSTALLATION S.I. Rear mount			
1			Control valve
3			Tank
3	85 01 273	1	Hose 1 1/4" bore x 27" long
4	42727.22	1	Hose M26 x 1200 long – pump to R.C. Valve
5	42726.55	2	Hose M26 x 4500 long – flail motor
6	42721.30	1	Hose M18 x 2000 long – supply
7	42724.30	1	Hose M22 x 2000 long - return
8	42718.22	1	Hose M14 x 1200 long – lift base
9	42718.21	1	Hose M14 x 1100 long – lift gland
10	42717.45	3	Hose M14 x 3500 long – angle and breakaway
11	42718.24	2	Hose M14 x 1400 long – reach
12	09 04 107	4	Hose clip
13	71 96 045	as reqd	Hose tie 300 long
14	85 90 218	1	Quick connector – male
15	85 90 222	1	Quick connector – male
16	85 90 218	2	Dust cap
17	42374.20	1	Hose sleeve



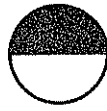
Rear mount



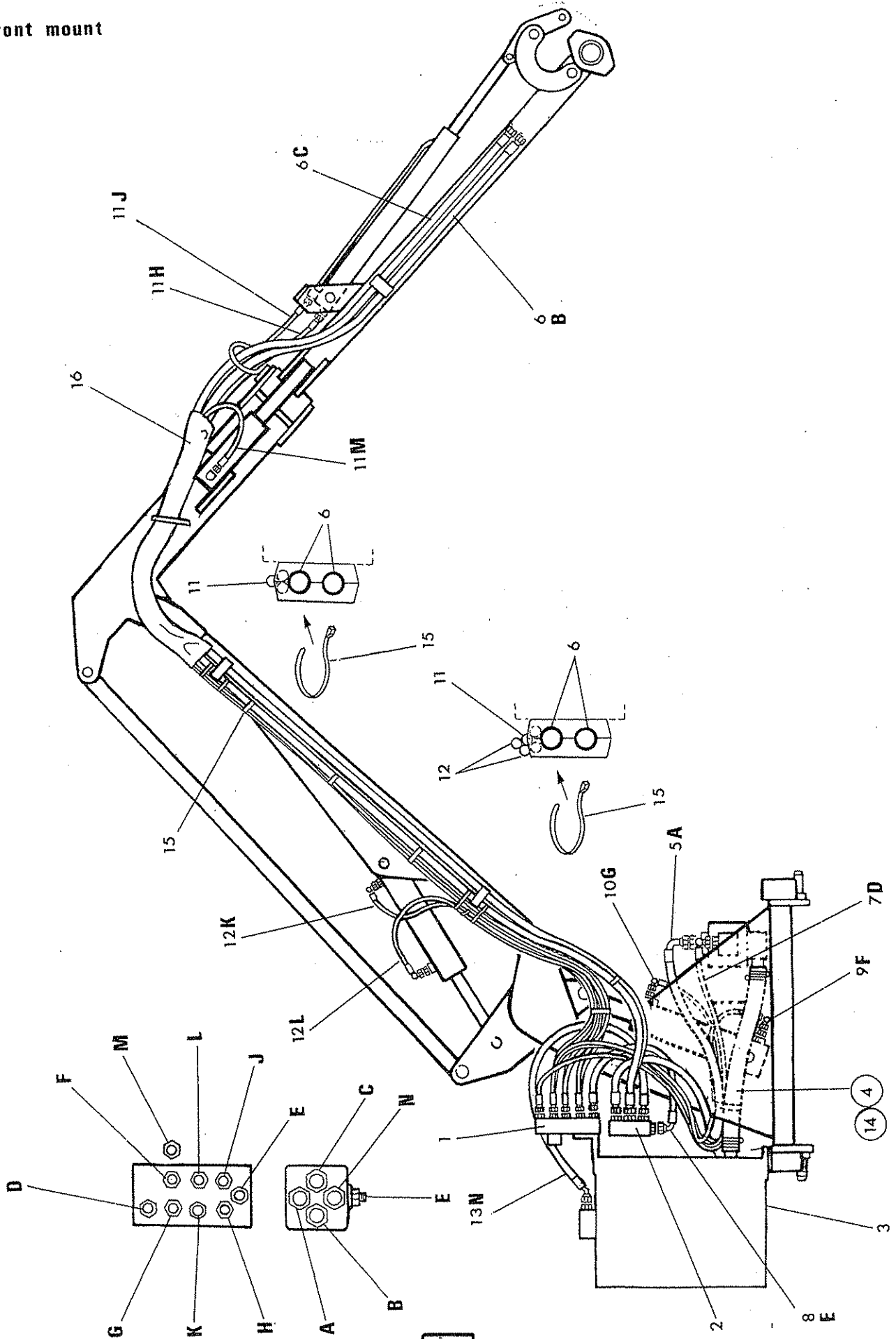


REF.	QTY.	PART NO.	DESCRIPTION
		7441408	HOSE KIT - PA41 Electric & Prop. Ti Rear Mount
1			Control Valve
2			Rotor Control Valve
3			Tank
4	1	8501273	HOSE - 1 1/4" Bore x 27" Long
5	2	42727.22	* HOSE - M26 FS/90F x 1200mm Pump Pressure
6	1	42726.55	* HOSE - M26 FS/FS x 4500mm Flail Hose
7	2	42721.26	* HOSE - M14 FS/90F x 1600mm Valve Supply
8	1	42724.12	* HOSE - M22 FS/90F x 600mm Valve Return
9 +10	2	42718.26	* HOSE - M18 FS/90F x 1600mm Lift Base & Gland
11	3	42717.49	* HOSE - M14 FS/FS x 3900mm Angle & Breakaway
12	2	42718.28	* HOSE - M14 FS/90F x 1800mm Reach
13	1	42728.14	* HOSE - M26 FS/135F x 700mm Flail Return
14	4	0904107	Hose Clip
15	<i>as req'd</i>	7196045	Hose Tie
16	1	42374.20	Hose Sleeve

* *Component parts of Hose Kit 7441408*



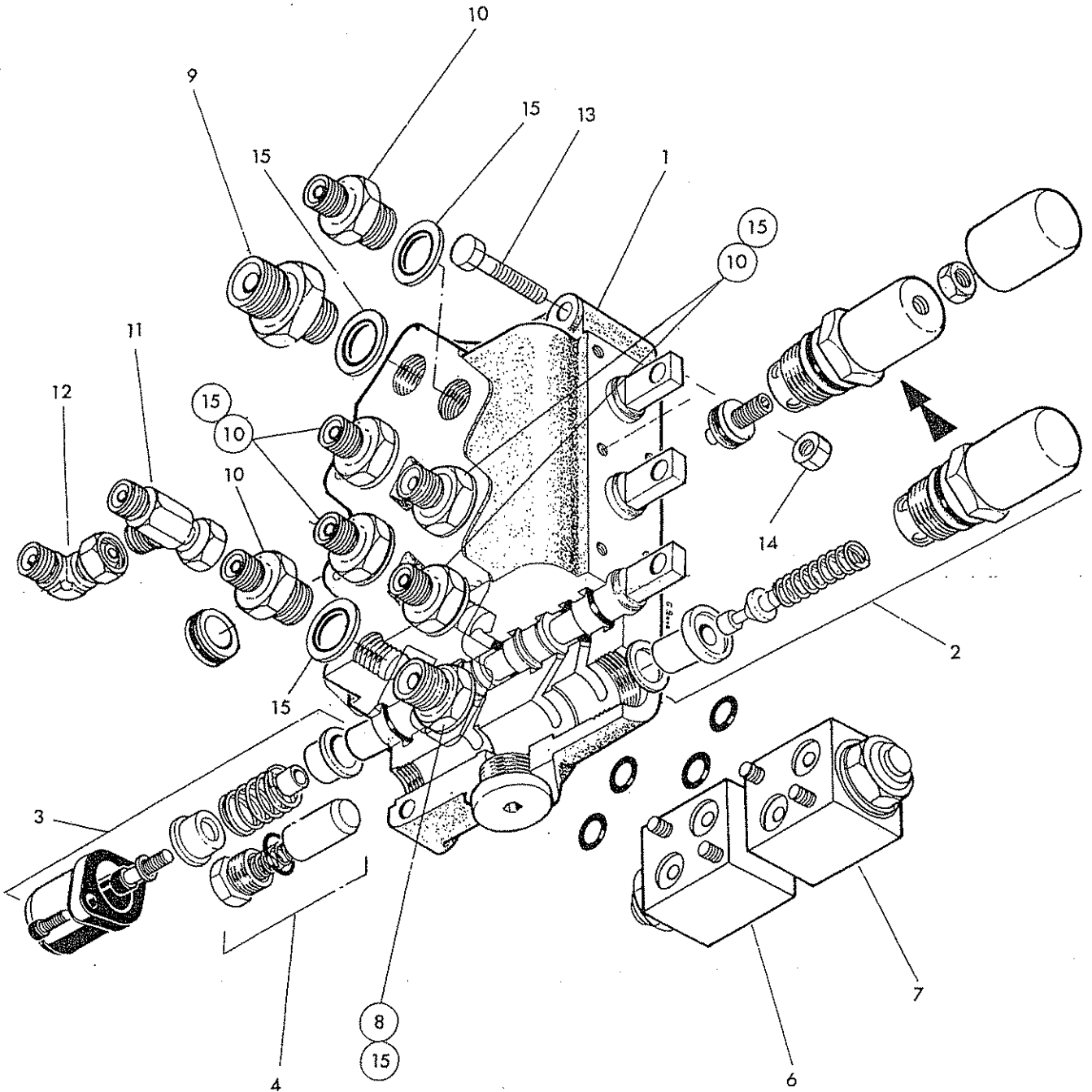
Front mount

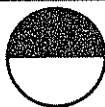




REF.	QTY.	PART NO.	DESCRIPTION
		7441408	HOSE KIT - PA41 Electric & Prop. Ti Front Mount
1			Control Valve
2			Rotor Control Valve
3			Tank
4	1	8501273	HOSE - 1 1/4" Bore x 27" Long
5	2	42727.22	* HOSE - M26 FS/90F x 1200mm Pump Pressure
6	1	42726.55	* HOSE - M26 FS/FS x 4500mm Flail Hose
7	2	42721.26	* HOSE - M14 FS/90F x 1600mm Valve Supply
8	1	42724.12	* HOSE - M22 FS/90F x 600mm Valve Return
9+10	2	42718.26	* HOSE - M18 FS/90F x 1600mm Lift Base & Gland
11	3	42717.49	* HOSE - M14 FS/FS x 3900mm Angle & Breakaway
12	2	42718.28	* HOSE - M14 FS/90F x 1800mm Reach
13	1	42728.14	* HOSE - M26 FS/135F x 700mm Flail Return
14	4	0904107	Hose Clip
15	<i>as req'd</i>	7196045	Hose Tie
16	1	42374.20	Hose Sleeve

* *Component parts of Hose Kit 7441408*





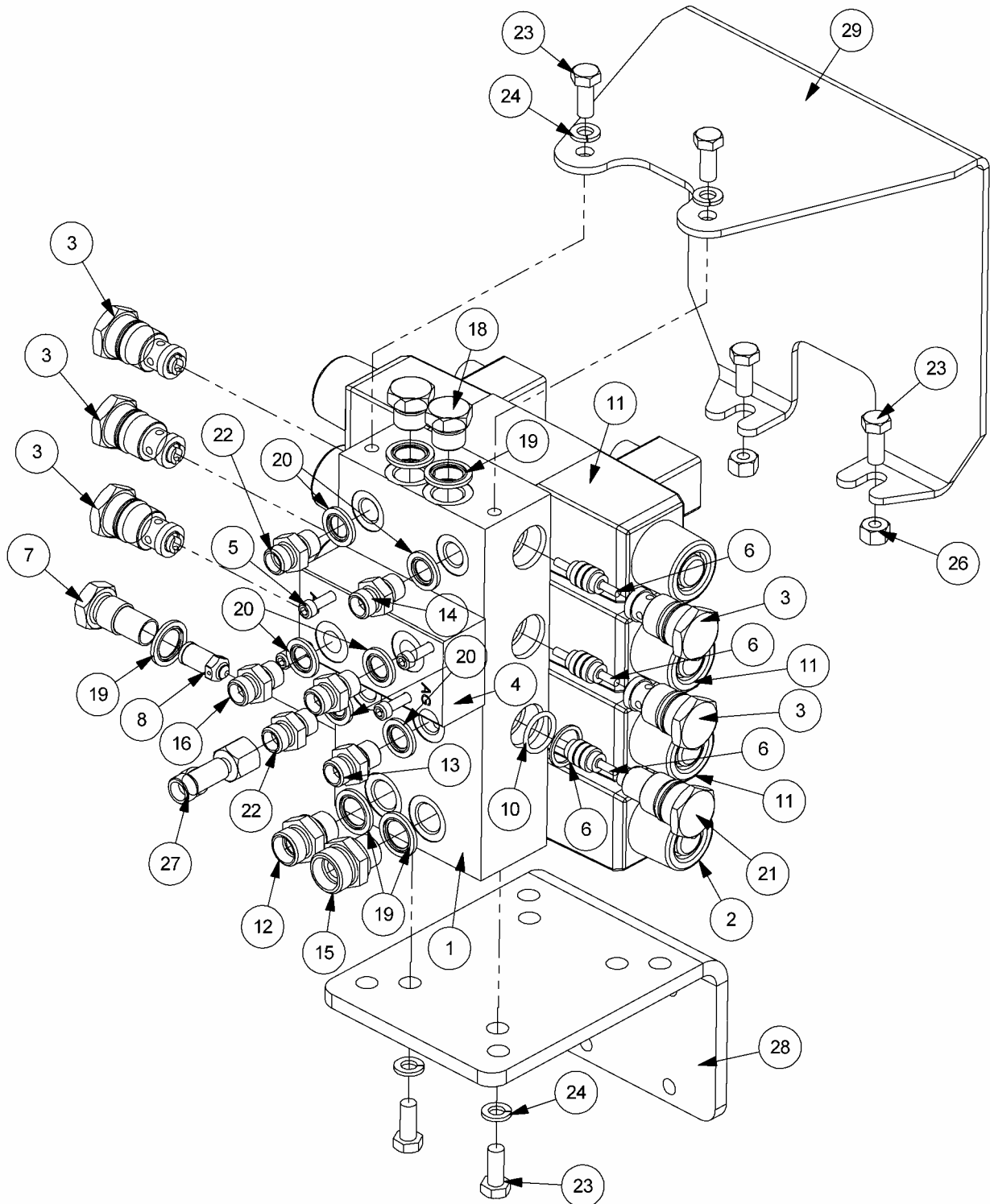
Ref.	Part No.	Qty.	Description
CONTROL VALVE ASSEMBLY			
1	81 30 616	1	Control valve including :-
2	G381 2539	1	Main relief valve 160 Bar (2300 p.s.i.)
3	81 30 134	2	Centering spring assembly
4	81 30 022	1	Non return valve assembly
5	81 30 195	1	Angle detent assembly
6	81 28 022	1	Service relief valve 175 Bar – lift base
7	81 28 065	1	Service relief valve 40 Bar – lift gland
8	G381 2368	1	Adaptor 3/8" BSP – M18 MM
9	85 81 357	1	Adaptor 3/8" BSP – M22 MM
10	85 81 356	6	Adaptor 3/8" BSP – M14 MM
11	85 81 359	1	Tee connector – M14 MFM
12	85 81 363	1	Swivel elbow – M14 MF
13	92 13 134	2	Bolt M8 x 65
14	91 43 004	2	Self locking nut M8
15	86 50 103	8	Bonded seal 3/8" BSP
	86 99 163		SEAL KIT
	87 00 510	4	O ring

PA411

CONTROL VALVE – Ti Prop.



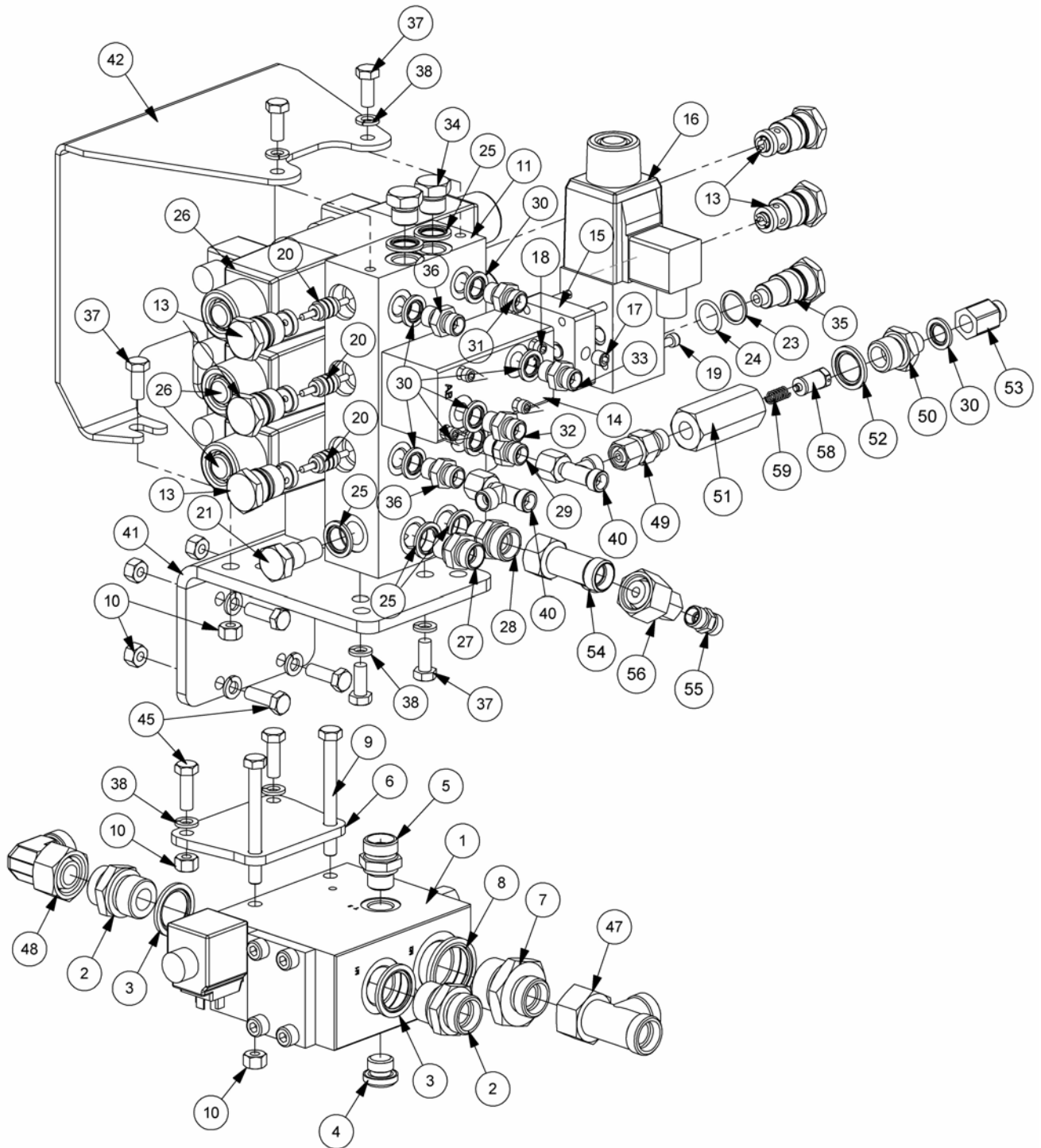
Module:
8130662




CONTROL VALVE – Ti Prop.

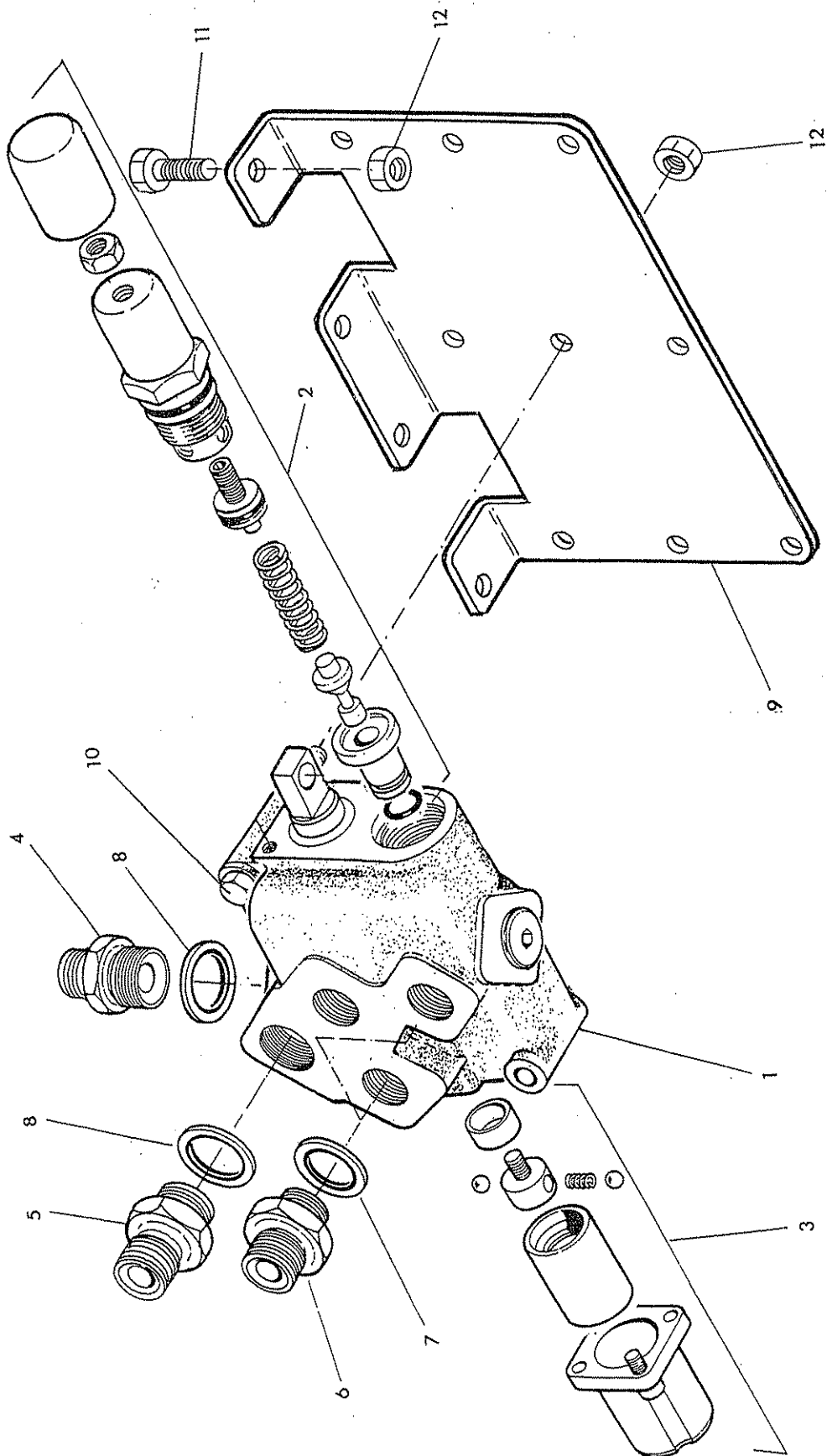
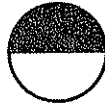
REF.	QTY.	PART No.	DESCRIPTION
		8130662	CONTROL VALVE ASSEMBLY - PROP Ti
1	1	8130321	BLOCK - 3 FUNCTION MANIFOLD
2	1	8130456	CUT OFF SOLENOID VALVE
3	5	8130090	CHECK VALVE ASSEMBLY
4	1	8130322	HOSE PLATE
5	4	9243082	CAPSCREW
6	3	8130087	ACTUATOR
7	1	8130032	RELIEF VALVE CAP
8	1	8130142	RELIEF VALVE - 160BAR
9	1	8709644	BACK UP RING
10	1	8700644	O RING - METRIC
11	3	41784.48	DOUBLE SOLENOID PROPORTIONAL VALVE
12	1	G3812368	ADAPTOR
13	1	8581374	ADAPTOR
14	1	8124132	ADAPTOR RESTRICTOR - 1.5 'A'
15	1	8581357	ADAPTOR
16	1	8124135	ADAPTOR RESTRICTOR - 1.15 'S'
17	1	8124136	ADAPTOR RESTRICTOR - 0.9 'T'
18	2	8003001	ADAPTOR PLUG
19	5	8650103	BONDED SEAL
20	6	8650102	BONDED SEAL
21	1	8130078	CHECK VALVE CAP
22	2	8124133	ADAPTOR RESTRICTOR - 1.8 'B'
23	6	9313044	SETSCREW
24	4	9100204	SPRING WASHER
25	16	9243062	CAPSCREW
26	2	9143004	SELF-LOCKING NUT
27	1	8581359	ADAPTOR TEE
28	1	43497.01	VALVE MOUNTING PLATE
29	1	7194277	VALVE COVER
30	1	41844.02	LOOM - 14 CORE PLUG IN
31	1	7313282	CAB MOUNTING KIT

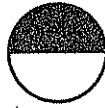
Module:
8130669 – Proportional Front Mount Models



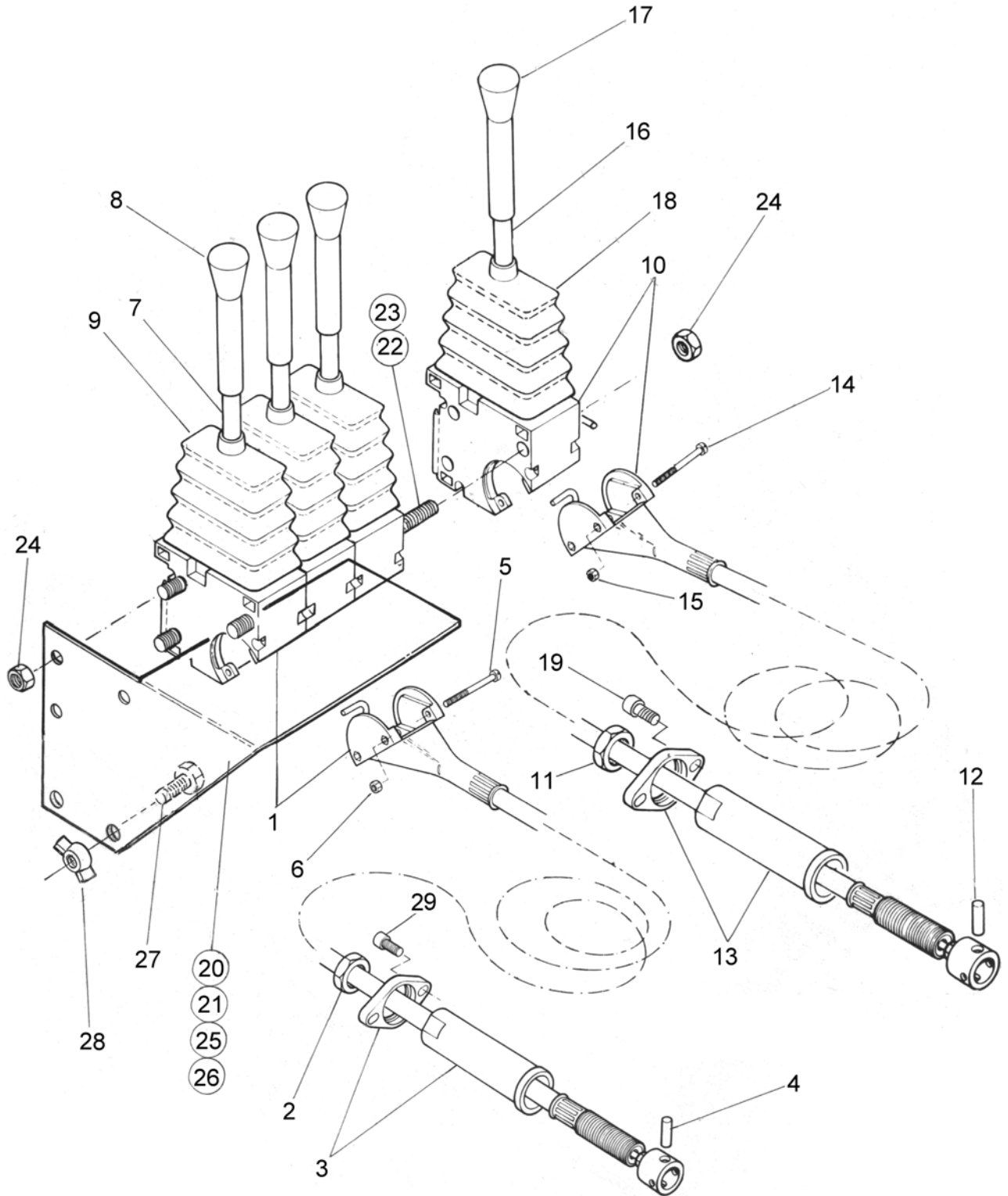
PROPORTIONAL ACV/ELEC. RRV

REF.	QTY.	PART No.	DESCRIPTION
		8130669	PROPORTIONAL ACV / ELEC. RRV
1	1	08.943.01	RELIEF VALVE / DIVERTER
2	2	8581362	ADAPTOR
3	2	8650106	BONDED SEAL
4	1	8581436	PLUG - SOFT SEAL
5	1	8581391	ADAPTOR
6	1	21476.01	ROTOR REVERSE VALVE BRACKET
7	1	8581471	ADAPTOR
8	1	8650108	BONDED SEAL
9	2	9213164	BOLT
10	10	9143004	SELF-LOCKING NUT
11	1	8130653	BLOCK - 3 SERVICE
12	1	8130456	CUT OFF SOLENOID VALVE
13	5	8130090	CHECK VALVE ASSEMBLY
14	1	8130323	FLOAT VALVE BLOCK
15	1	8126280	BRIDGING PLATE
16	1	8130457	SOLENOID VALVE SINGLE
17	1	8582041	TAPER PLUG
18	4	9243082	CAPSCREW
19	4	9243102	CAPSCREW
20	3	8130087	ACTUATOR
21	1	8130032	RELIEF VALVE CAP
22	1	8130142	RELIEF VALVE - 160BAR
23	1	8709644	BACK UP RING
24	1	8700644	O RING - METRIC
25	5	8650103	BONDED SEAL
26	3	41784.48	DOUBLE SOLENOID PROP. VALVE
27	1	G3812368	ADAPTOR
28	1	8581357	ADAPTOR
29	1	8581374	ADAPTOR
30	7	8650102	BONDED SEAL
31	1	8124132	ADAPTOR RESTRICTOR - 1.5 'A'
32	1	8124135	ADAPTOR RESTRICTOR - 1.15 'S'
33	1	8124136	ADAPTOR RESTRICTOR - 0.9 'T'
34	2	8003001	ADAPTOR PLUG
35	1	8130078	CHECK VALVE CAP
36	2	8124133	ADAPTOR RESTRICTOR - 1.8 'B'
37	6	9313044	SETSCREW
38	10	9100204	SPRING WASHER
39	16	9243062	CAPSCREW
40	2	8581359	ADAPTOR TEE
41	1	43497.01	VALVE MOUNTING PLATE
42	1	7194277	VALVE COVER
43	1	41844.02	LOOM - 14 CORE PLUG IN (<i>not illustrated</i>)
44	1	7313282	CAB MOUNTING KIT
45	6	9313054	SETSCREW
46	1	8402338	LOOM - ANGLE FLOAT (<i>not illustrated</i>)
47	1	8581472	ADAPTOR TEE
48	1	8581361	ADAPTOR ELBOW
49	1	8581381	ADAPTOR
50	1	8130083	ADAPTOR RELIEF BODY
51	1	8130156	RELIEF VALVE HOUSING
52	1	8650104	BONDED SEAL
53	1	8581360	ADAPTOR
54	1	8581462	ADAPTOR TEE
55	1	8581382	ADAPTOR
56	1	8581480	ADAPTOR
57	1	42717.05	HOSE - M14 FS/FS x 250MM LG (<i>not illustrated</i>)
58	1	8130164	RELIEF VALVE - 50BAR
59	1	8116011	SPRING





Ref.	Part No.	Qty.	Description
ROTOR CONTROL VALVE ASSY.			
T.I. models only			
1	81 25 343	1	Rotor control valve including :-
2	81 25 095	1	Relief valve 210 Bar (3000 p.s.i.)
3	81 25 109	1	Spool detent assembly
4	85 81 364	1	Adaptor 3/4"BSP – M22 MM
5	85 81 362	1	Adaptor 3/4"BSP – M26 MM
6	G381 2663	3	Adaptor 1/2"BSP – M26 MM
7	86 50 104	3	Bonded seal 1/2"BSP
8	86 50 106	2	Bonded seal 3/4"BSP
9	41328.01	1	Mounting bracket
10	92 13 144	2	Bolt M8 x 70
11	93 13 044	2	Setscrew M8 x 20
12	91 43 004	5	Self locking nut M8
	86 99 218		SEAL KIT





REF.	QTY.	PART No.	DESCRIPTION
			CONTROL LEVERS AND CABLES
1	3	8017054	LEVER & CABLE ASSEMBLY (Lift/Reach/Angle)
2	1	8017014	Locknut
3	1	8017013	Flange and Sleeve
4	1	8017016	Spool Eye Pin
5	2	9373081	Screw
6	2	9113001	Nut
7	1	8017028	Lever
8	1	8017027	Knob
9	1	8017026	Weather Gaiter
10	1	8017045	** LEVER & CABLE ASSEMBLY (Rotor Control)
11	1	8017014	** Locknut
12	1	8017021	** Pin
13	1	8017018	** Flange and Sleeve
14	2	9373081	** Screw
15	2	9113001	** Nut
16	1	8017028	** Lever
17	1	09.968.99	** Knob
18	1	8017026	** Weather Gaiter
19	2	9343023	** Capscrew
20	1	09.970.01	** Mounting Bracket - 4 Lever L/H
21	1	09.970.02	** Mounting Bracket - 4 Lever R/H
22	3	04.282.70	** Tie Rod - 4 Lever
23	3	04.282.73	* Tie Rod - 3 Lever
24	3	9143003	Self Locking Nut
25	1	41.181.01	* Mounting Bracket - 3 Lever L/H
26	1	41.181.02	* Mounting Bracket - 3 Lever R/H
27	2	9313034	Setscrew
28	2	9193004	Wingnut
29	6	9343022	Capscrew

* ***Si Models only***

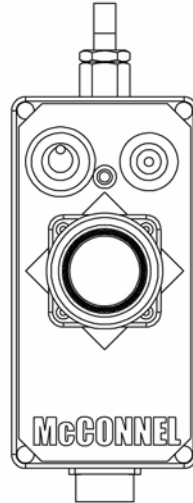
** ***Ti Models only***

CONTROL BOX - Mini Single Lever

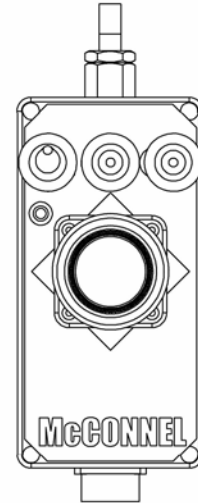
8402393 Illustrated

Modules:

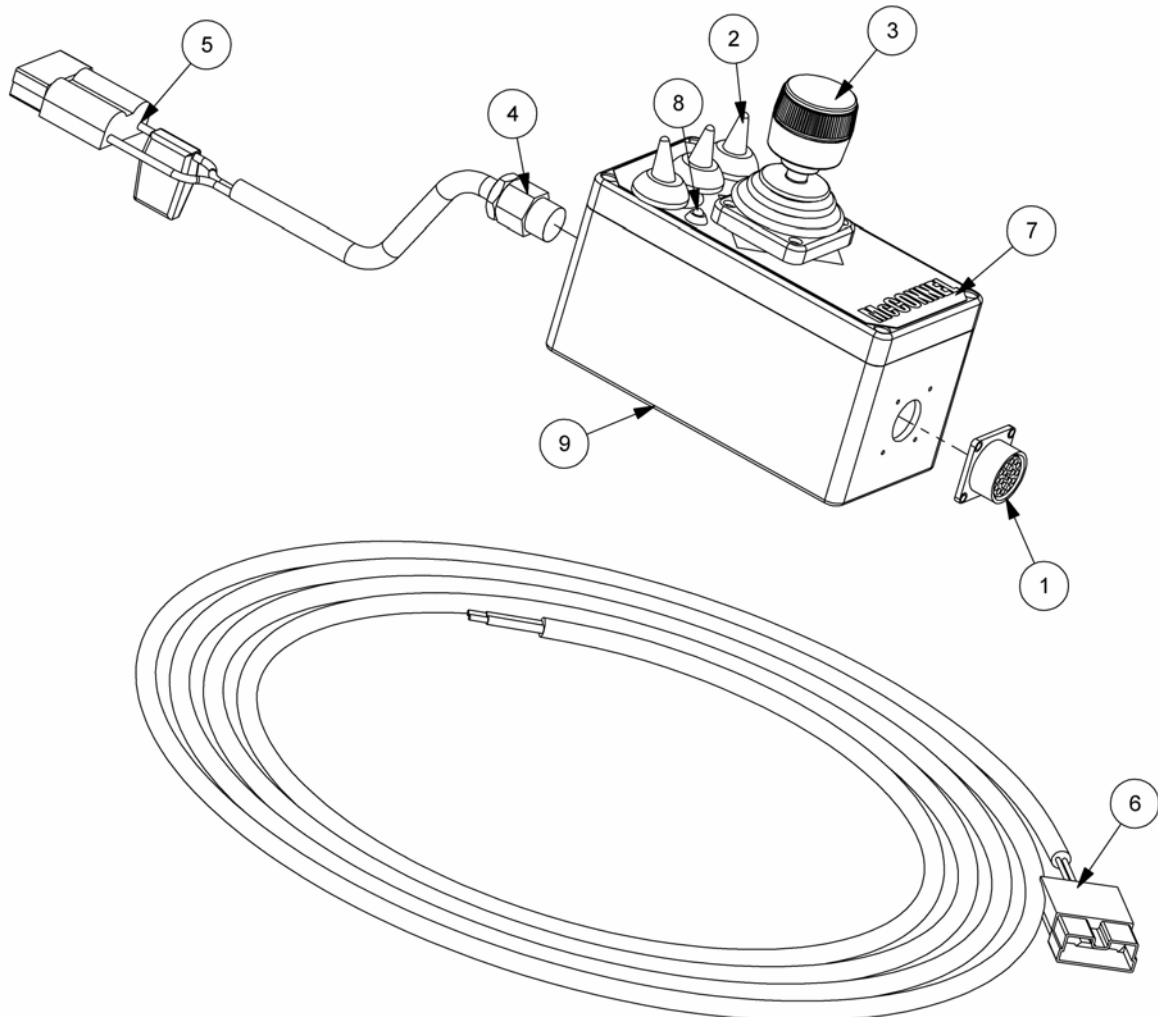
- 8402390 – 3 Service B/B 2 Switch
- 8402391 – 3 Service Prop. B/B 2 Switch
- 8402392 – 3 Service Prop. B/B 3 Switch
- 8402393 – 3 Service Prop. 3 Switch



8402390 & 8402391



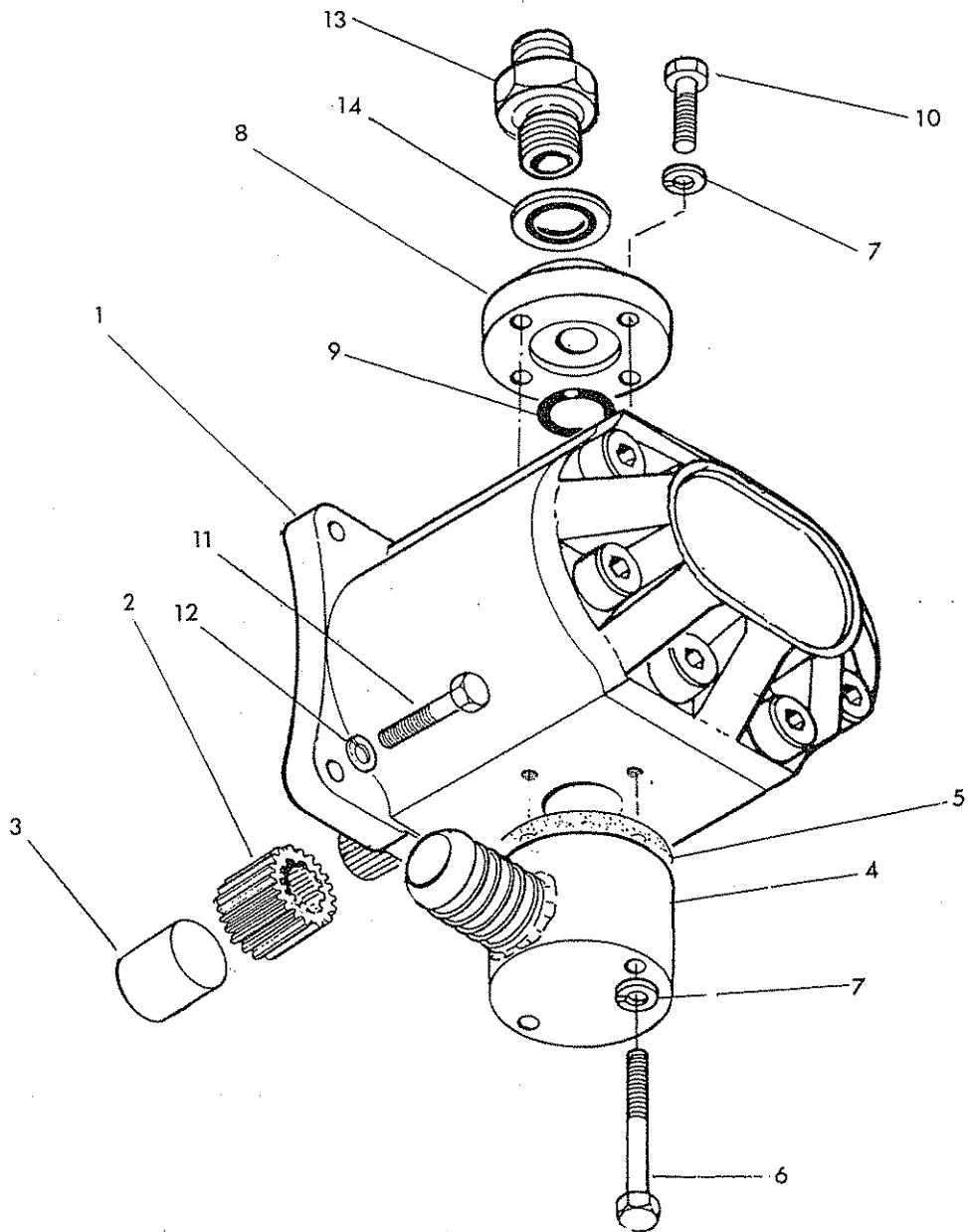
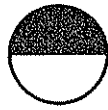
8402392 & 8402393

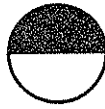


CONTROL BOX - Mini Single Lever

REF.	QTY.	PART No.	DESCRIPTION
		8402390	CONTROL BOX - B/B 2 Switch
		8402391	CONTROL BOX - Prop. B/B 2 Switch
		8402392	CONTROL BOX - Prop. B/B 3 Switch
		8402393	CONTROL BOX - Prop. 3 Switch
1	1	8402189	PANEL MTG SHELL
2	3*	8402024	SWITCH COVER
3	1	8402246	JOYSTICK (4 AXIS)
4	1	8402149	GLAND - PLASTIC
5	1	43022.47	CONNECTOR
6	1	8402237	LOOM POWER SUPPLY
7	1	1290494	DECAL - SWITCH BOX
8	1	41845.41	LED
9	1	8402349	CONTROL BOX
10	1	43034.02	BLADE FUSE - 20 amp

* *Control Boxes 8402390 & 8402391 use 2 off only*

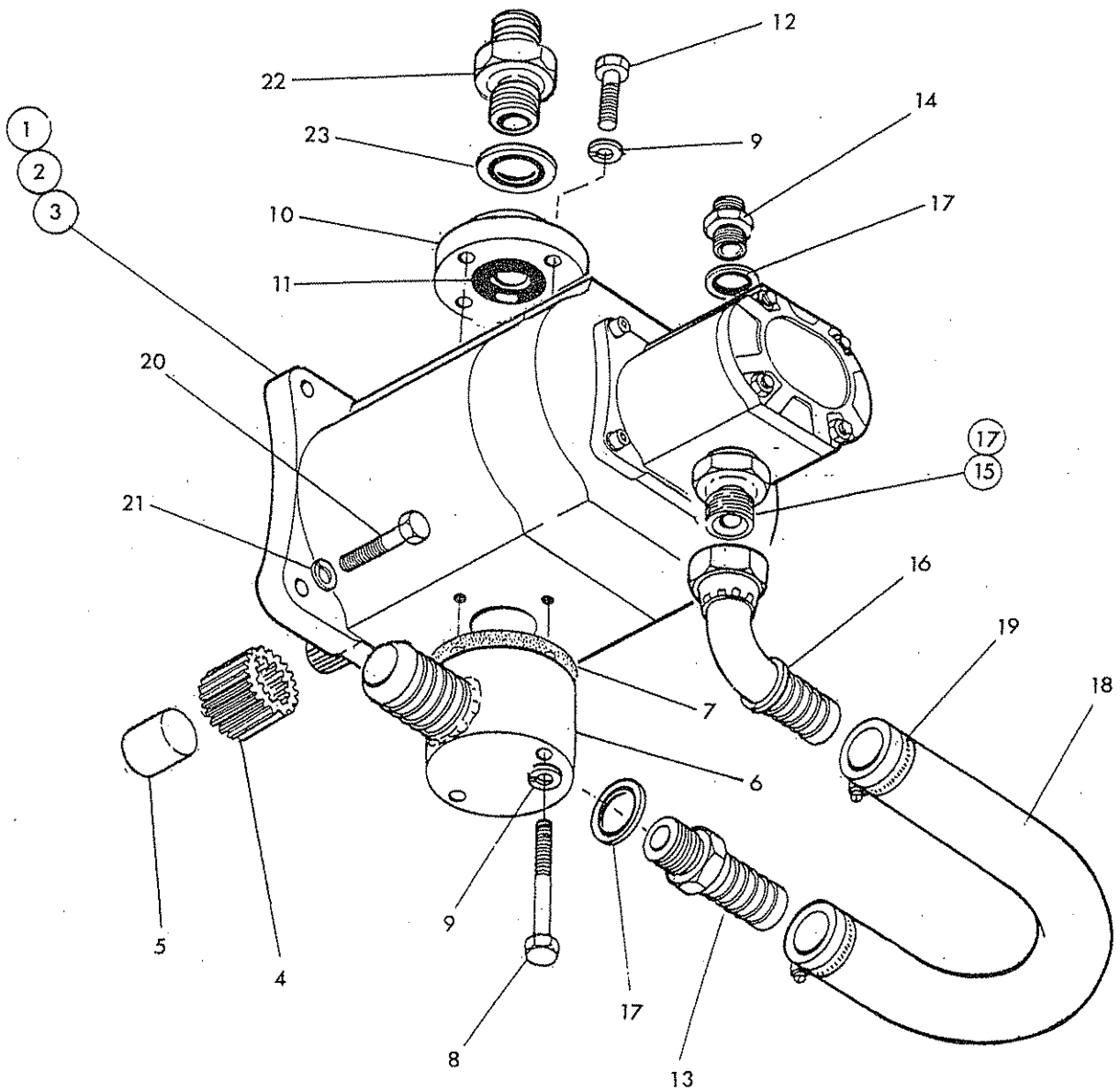


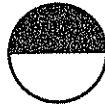


Ref	Part No.	Qty.	Description
PUMP ASSEMBLY – S.I.models only			
1	82 01 463	1	Pump
2	80 13 097	1	Coupling
3	42415.02	1	Spacer
4	80 13 022/B	1	Suction connection
5	80 13 023	1	Gasket
6	92 13 144	2	Bolt M8 x 70
7	91 00 204	6	Spring washer dia 8
8	80 13 088	1	Pressure connection
9	86 00 119	1	O ring
10	93 13 054	4	Setscrew M8 x25
11	92 13 095	4	Bolt M10 x 45
12	91 00 205	4	Spring washer dia 10
13	85 81 362	1	Adaptor 3/4"BSP – M26
14	86 50 106	1	Bonded seal 3/4"BSP
	86 99 231		PUMP SEAL KIT

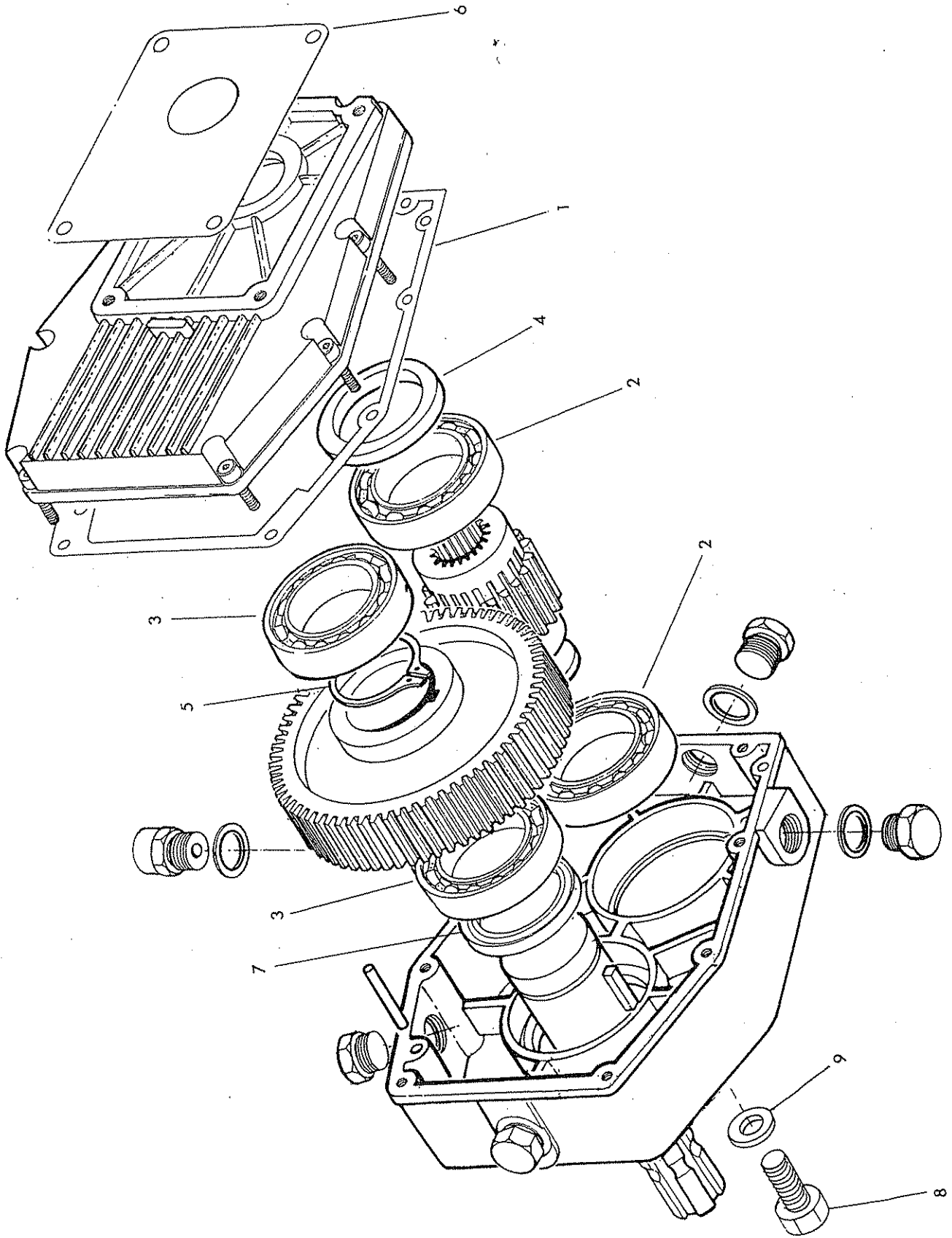
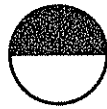


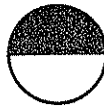
PUMP Ti





Ref.	Part No.	Qty.	Description
PUMP ASSEMBLIES T.I. Models			
1	82 01 693	1	Tandem pump assembly complete – anti clockwise
	82 01 466	1	Tandem pump assembly clockwise comprising:-
2	82 01 684	1	Large pump
3	82 01 677	1	Small pump
4	80 13 097	1	Coupling
5	42415.02	1	Spacer
6	80 13 082	1	Suction connection
7	80 13 023	1	Gasket
8	92 13 144	2	Bolt M8 x 70
9	91 00 204	6	Spring washer dia 8
10	80 13 088	1	Pressure connection
11	86 00 119	1	O ring
12	93 13 054	4	Setscrew M8 x 25 long
13	80 02 059	1	Adaptor 1/2"BSP – 5/8" low pressure
14	G381 2366	1	Adaptor 1/2"BSP – M18 MM
15	G381 2120	1	Adaptor 1/2"BSP – 5/8" BSP MM
16	85 81 173	1	Elbow 5/8"BSP – 5/8" low pressure
17	86 50 104	3	Bonded seal 1/2"BSP
18	85 01 099	1	Hose 5/8" bore x 13" long
19	09 04 204	2	Hose clip
20	92 13 095	4	Bolt M10 x 45 long
21	91 00 205	4	Spring waeher dia 10
22	85 81 362	1	Adaptor 3/4"BSP – M26 MM
23	86 50 106	1	Bonded seal 3/4"BSP
	86 99 231		SEAL KIT For pump

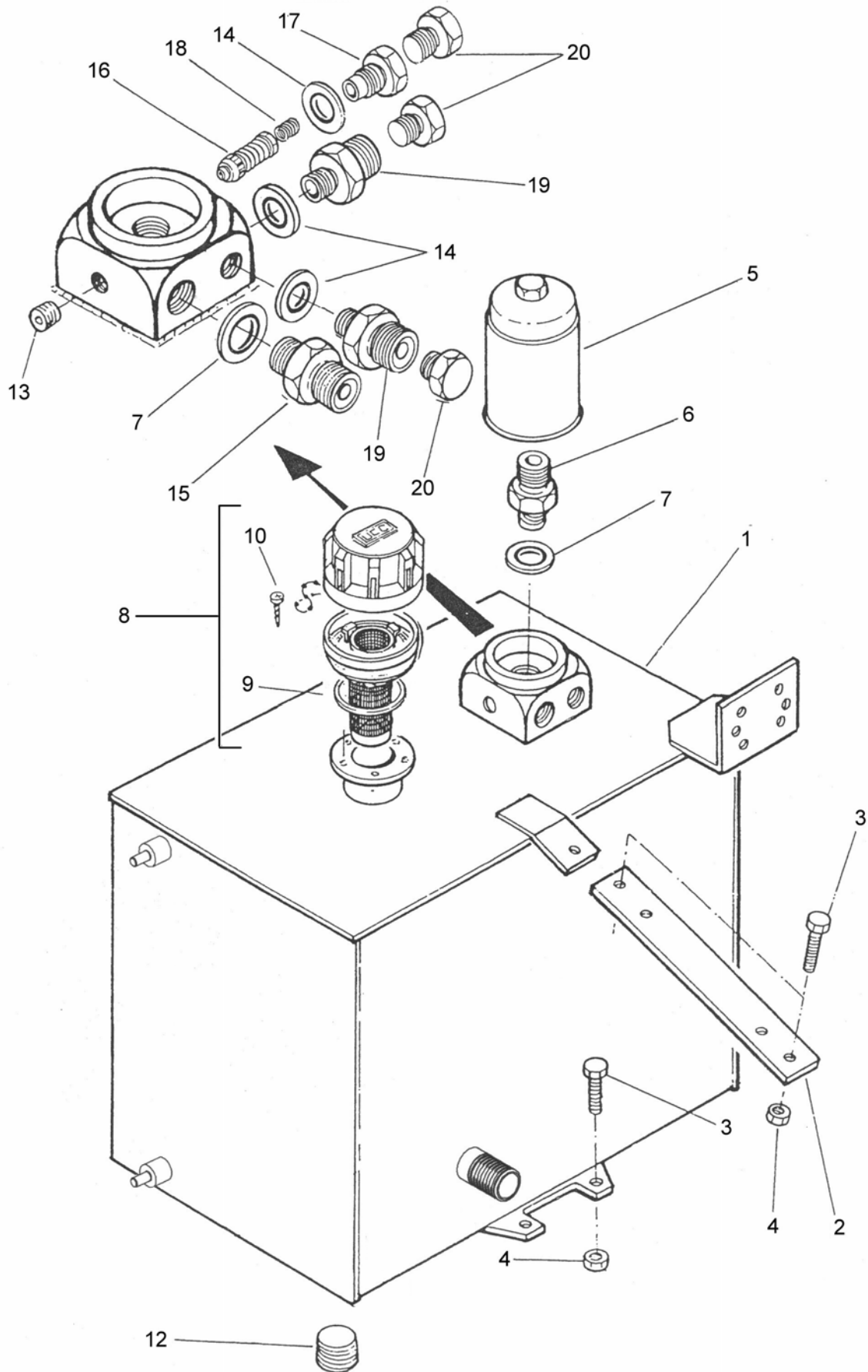




Ref.	Part No.	Qty.	Description
------	----------	------	-------------

GEARBOX ASSEMBLIES

	80 13 443	1	GEARBOX ASSEMBLY 540 r.p.m. 1: 2.6
	80 13 570	1	GEARBOX ASSEMBLY 10000 r.p.m 1:1.5
1	80 13 087	1	Gearbox case sealing gasket
2	06 00 047	2	Bearing
3	06 00 048	2	Bearing
4	86 29 139	1	Seal
5	04 01 250	1	External circlip
6	90 13 056	1	Pump face gasket
7	86 29 134	1	Seal
8	93 13 046	4	Setscrew M12 x 20
9	91 00 206	4	Spring washer dia12



HYDRAULIC TANK ASSEMBLY



REF.	QTY.	PART No.	DESCRIPTION
		7441427	HYDRAULIC OIL TANK ASSEMBLY - <i>Si R/H Build</i>
		7441428	HYDRAULIC OIL TANK ASSEMBLY - <i>Ti R/H Build</i>
		7441429	HYDRAULIC OIL TANK ASSEMBLY - <i>Si L/H Build</i>
		7441430	HYDRAULIC OIL TANK ASSEMBLY - <i>Ti L/H Build</i>
1	1	41196.05	Tank - L/H
2	1	41196.06	Tank - R/H
3	1	41204.01	Tank Strap
4	4	9313065	Setscrew
5	4	9143005	Self Locking Nut
6	1	8401045	Filter
7	1	8581174	Adaptor
8	2	8650104	Bonded Seal
9	1	8401014	Filler/Breather Assembly - <i>comprising of:</i>
10	1	8401017	Gasket
11	6	0300082	Screw - Self Tapping
12	2	9100205	Spring Washer
13	1	8581203	Drain plug
14	1	8582042	Plug
15	3	8650103	Bonded Seal
16	1	G381.2120	Adaptor
17	1	8130030	Relief Valve
18	1	8130031	Relief Valve Housing
19	1	8116011	Spring
20	2	8581175	Adaptor

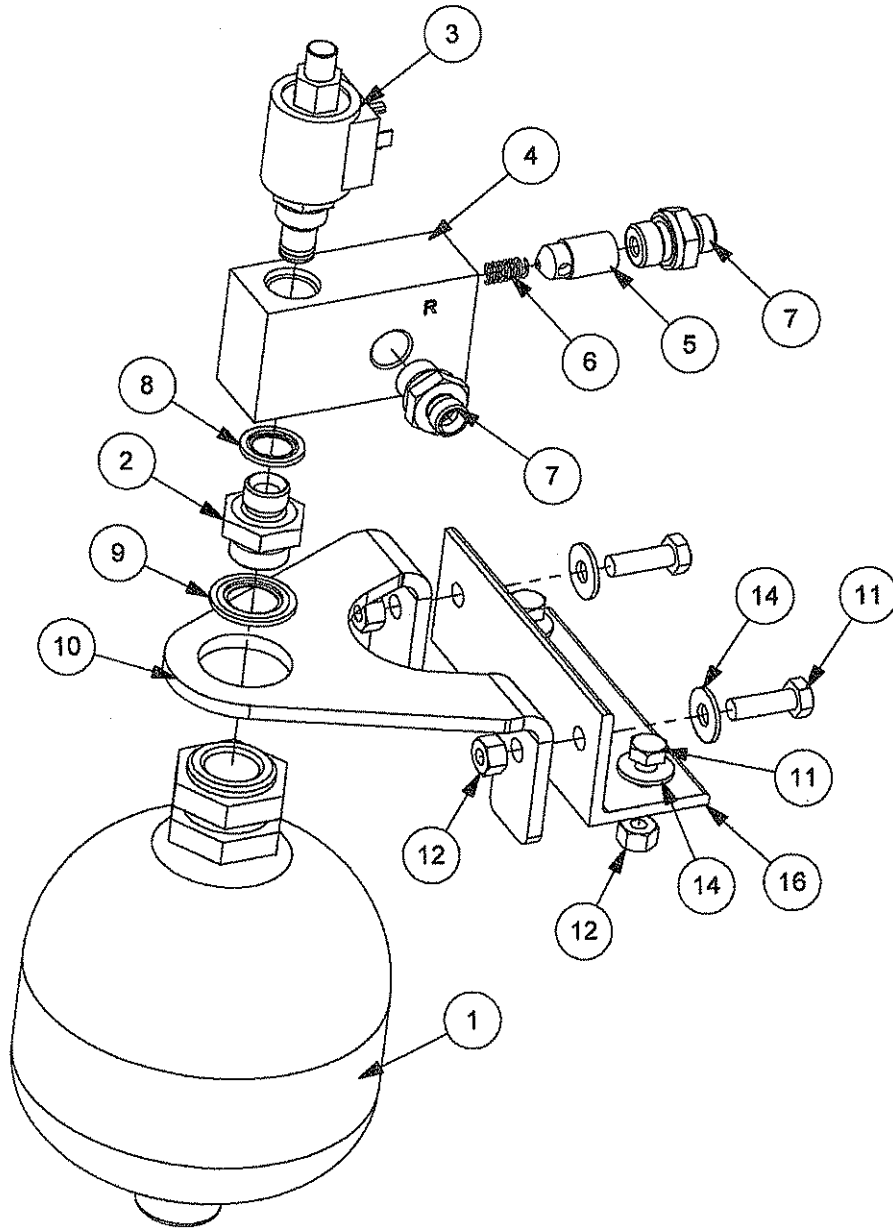
} *Si only*

LIFT FLOAT KITS - Optional

Module:

8126311 – Cable Models

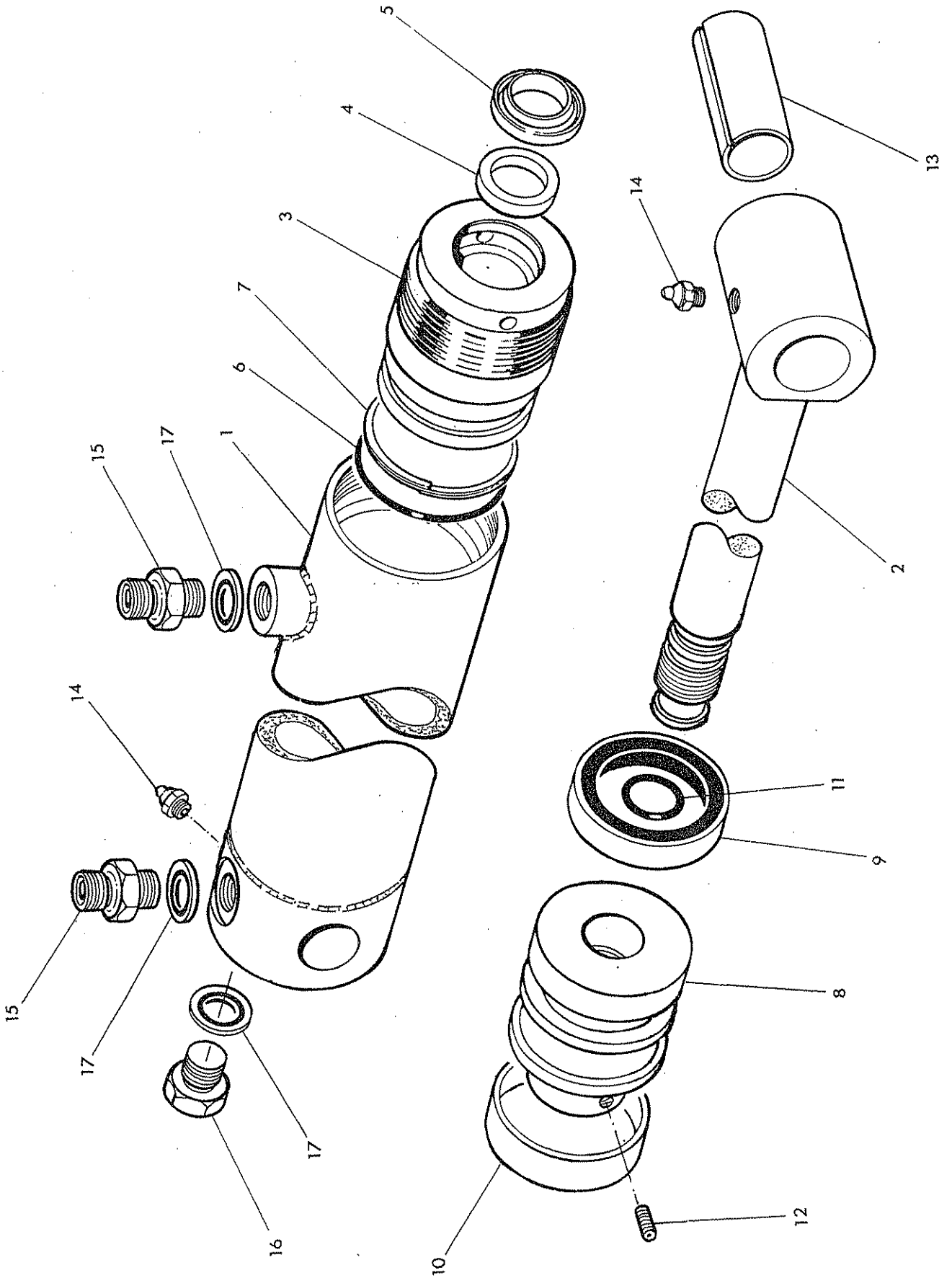
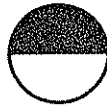
8126340 – Electric & Proportional Models

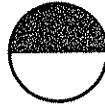




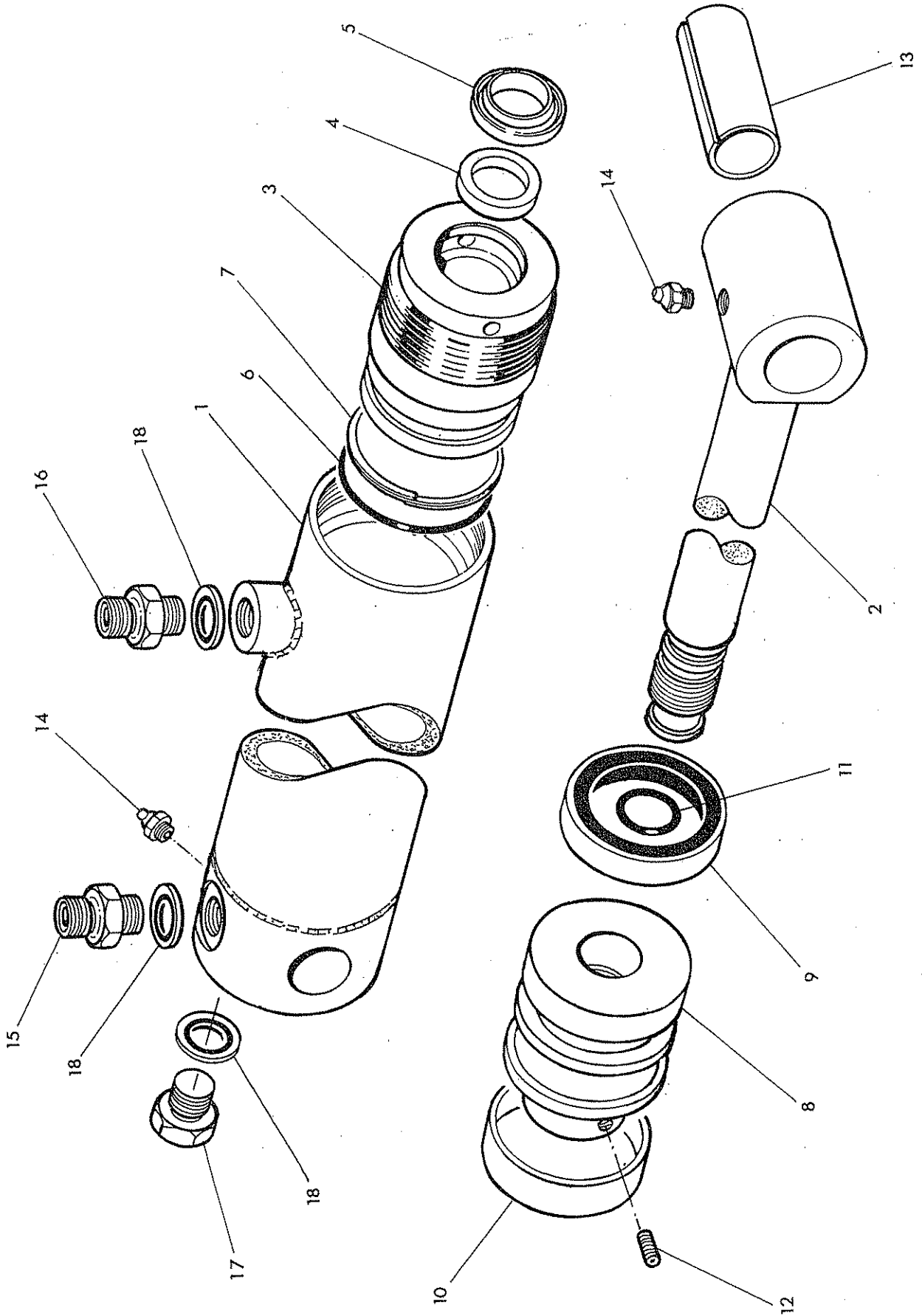
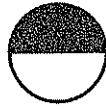
LIFT FLOAT KITS – Optional

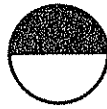
REF.	QTY.	PART NO.	DESCRIPTION
		•8126311	LIFT FLOAT KIT - Cable Models
		•8126340	LIFT FLOAT KIT - Elec. & Prop. Models
1	1	1 8126042	ACCUMULATOR
2	1	1 G2410380	ADAPTOR
3	1	1 8130183	VALVE POPPET
4	1	1 8126287	LIFT FLOAT VALVE BLOCK
5	1	1 8126037	RESPONSE PISTON
6	1	1 8116011	SPRING
7	2	2 8581356	ADAPTOR
8	1	1 8650103	BONDED SEAL
9	1	1 8650322	BONDED SEAL
10	1	1 8126286	ACCUMULATOR BRACKET
11	4	4 9313054	SETSCREW
12	4	4 9143004	SELF-LOCKING NUT
13	1	1 42718.10	HOSE - M14 FS/F90 x 500mm - <i>not illustrated</i>
14	4	4 9100104	FLAT WASHER
15	1	1 1290061	OPERATION DECAL - <i>not illustrated</i>
16	1	1 8126306	MOUNTING ANGLE
17	<i>n/a</i>	1 8402159	HARNESS - <i>not illustrated</i>



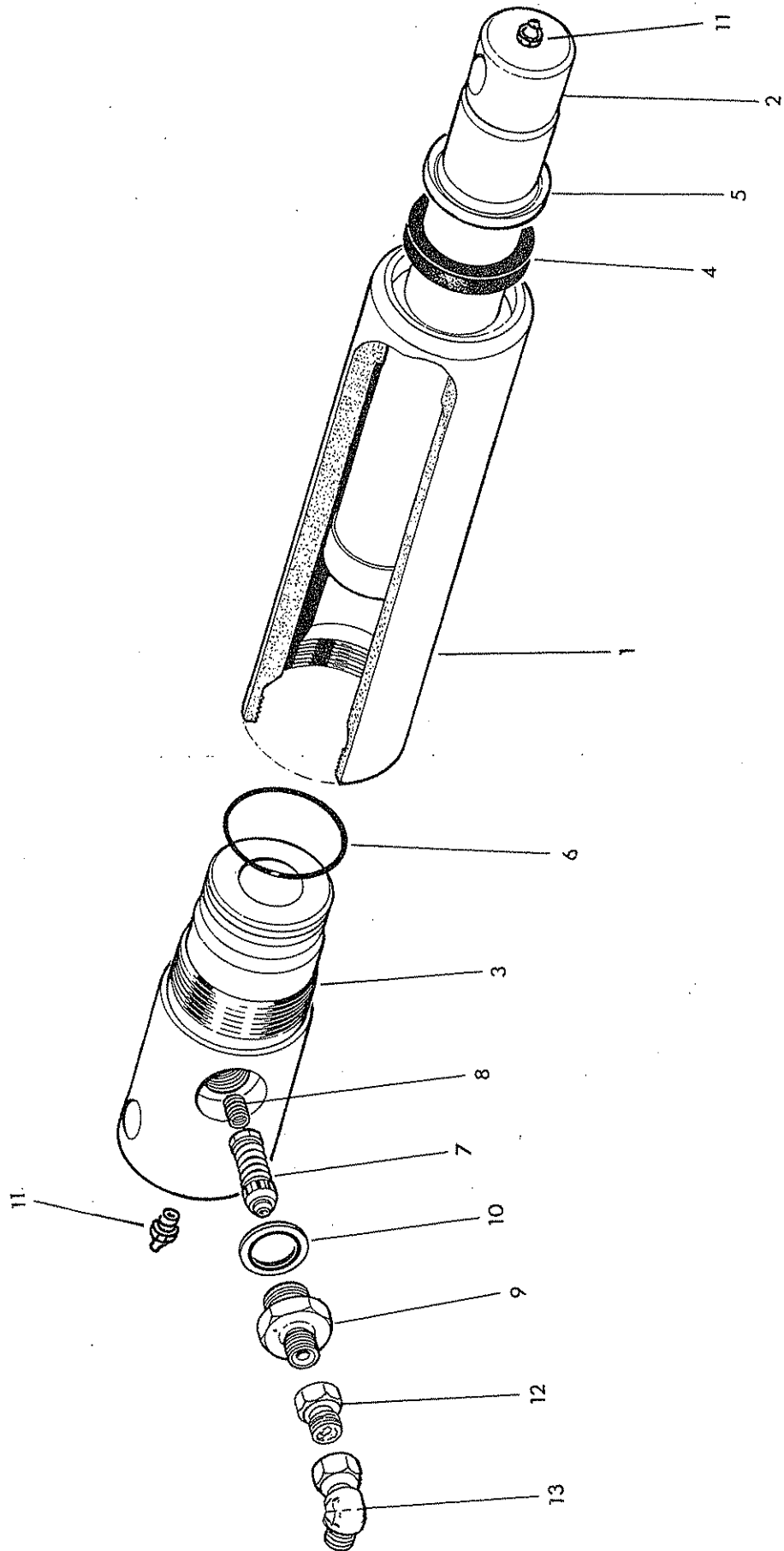


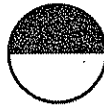
Ref.	PartNo.	Qty.	Description
	41014.08		LIFT RAM ASSEMBLY
1	41034.03	1	Ram barrel
2	41035.03	1	Piston rod
3	71 20 384	1	Gland housing
4	86 29 164	1	Gland seal
5	86 29 147	1	Piston rod wiper seal
6	86 00 429	1	O ring
7	86 09 429	1	Anti extrusion ring
8	71 20 383	1	Piston
9	96 29 189	1	Piston seal
10	86 29 190	1	Guide ring
11	86 00 403	1	O ring
12	93 63 023	1	Grub screw M6 x 12
13	71 05 050	1	Bush
14	09 01 121	2	Greaser 1/8" BSP
15	81 24 103	2	Restrictor adaptor C 3/8" BSP - M14 MM
16	80 03 001	1	Plug 3/8" BSP
17	86 50 103	3	Bonded seal 3/8" BSP
	86 99 228		SEAL KIT





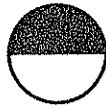
Ref.	PartNo.	Qty.	Description
	41014.09		REACH RAM ASSEMBLY
1	41034.03	1	Ram barrel
2	41035.03	1	Piston rod
3	71 20 384	1	Gland housing
4	86 29 164	1	Gland seal
5	86 29 147	1	Piston rod wiper seal
6	86 00 429	1	O ring
7	86 09 429	1	Anti extrusion ring
8	71 20 383	1	Piston
9	96 29 189	1	Piston seal
10	86 29 190	1	Guide ring
11	86 00 403	1	O ring
12	93 63 023	1	Grub screw M6 x 12
13	71 05 050	1	Bush
14	09 01 121	2	Greaser 1/8" BSP
15	81 24 101	2	Restrictor adaptor A - 3/8" BSP - M14 MM
16	81 24 105	1	Restrictor adaptor S - 3/8" BSP - M14 MM
17	80 03 001	1	Plug 3/8" BSP
18	86 50 103	3	Bonded seal 3/8" BSP
	86 99 228		SEAL KIT



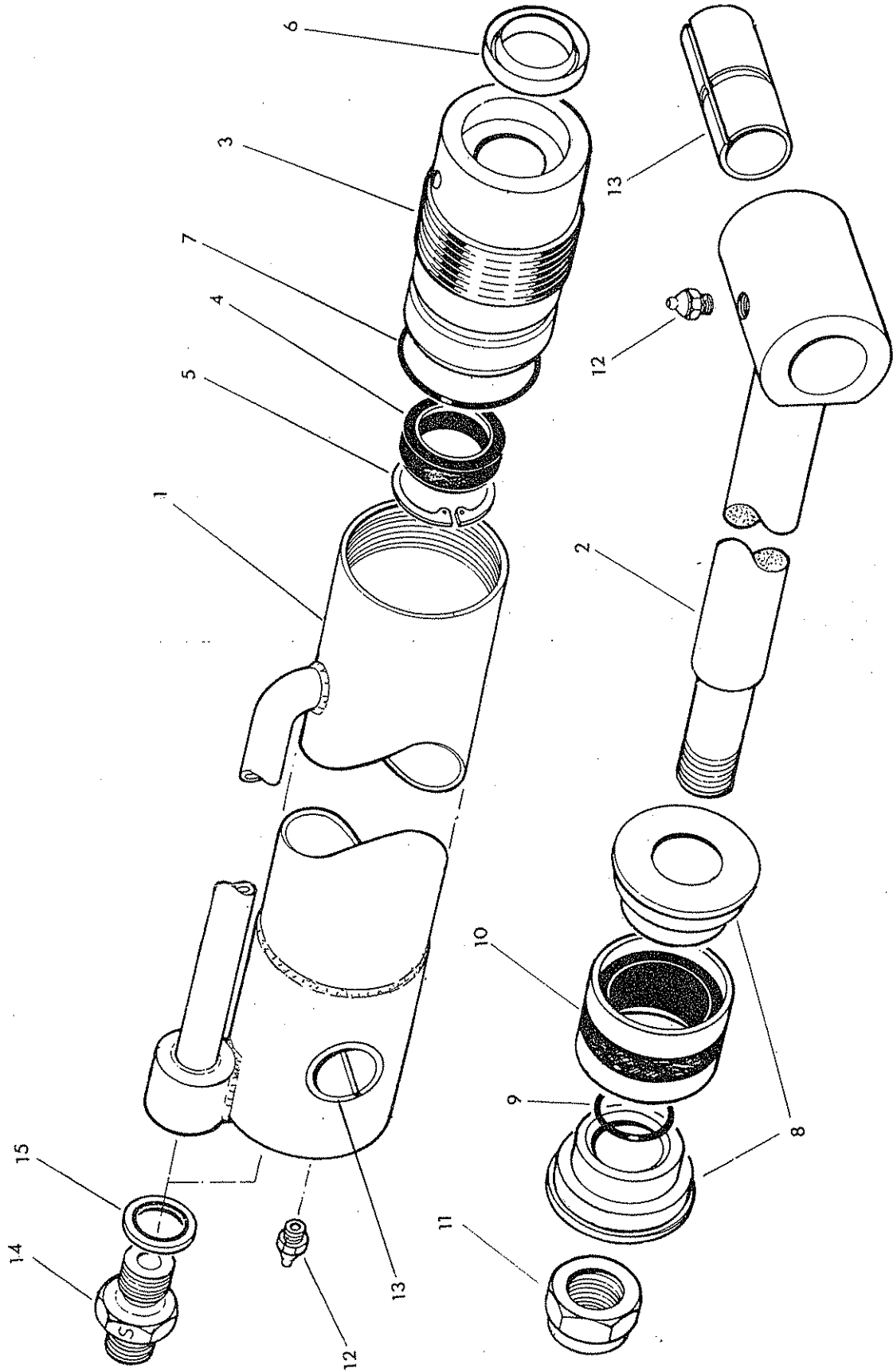


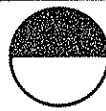
Ref.	Part No.	Qty.	Description
	41322.02		BREAKAWAY RAM ASSEMBLY
1	71 91 308	1	Ram barrel
2	71 91 051	1	Ram rod
3	71 91 299	1	Ram base
4	86 29 158	1	Rod seal
5	85 29 152	1	Wiper seal
6	86 00 302	1	O ring
7	81 30 189	1	Relief valve
8	81 16 011	1	Spring
9	81 30 083	1	Relief valve body
10	86 50 104	1	Bonded seal 1/2"BSP
11	09 01 121	2	Greaser 1/8" BSP straight
12	85 81 360	1	Adaptor 1/4"BSP F - M14 M
13	85 81 363	1	Swivel elbow M14 MF

ANGLE RAM



McCONNELL





Ref.	Part No.	Qty.	Description
	71 91 072		ANGLING RAM ASSEMBLY
1	71 91 296	1	Ram barrel
2	10 90 031	1	Piston rod
3	10 90 273	1	Gland nut
4	86 29 162	1	Gland seal
5	04 16 234	1	Circlip
6	86 29 161	1	Wiper ring
7	86 00 123	1	O ring
8	10 90 034	2	Piston
9	86 00 112	1	O ring
10	86 29 160	1	Piston seal
11	01 41 007	1	Self locking nut
12	09 01 121	1	Greaser 1/8" BSP straight
13	10 90 005	2	Bush
14	10 90 005	2	Restrictor union S 1/4" BSP MM
15	86 50 102	2	Bonded seal 1/4" BSP
16	85 81 360	2	Adaptor 1/4" BSP F - M14 M
	86 99 202		SEAL KIT

Assembly note

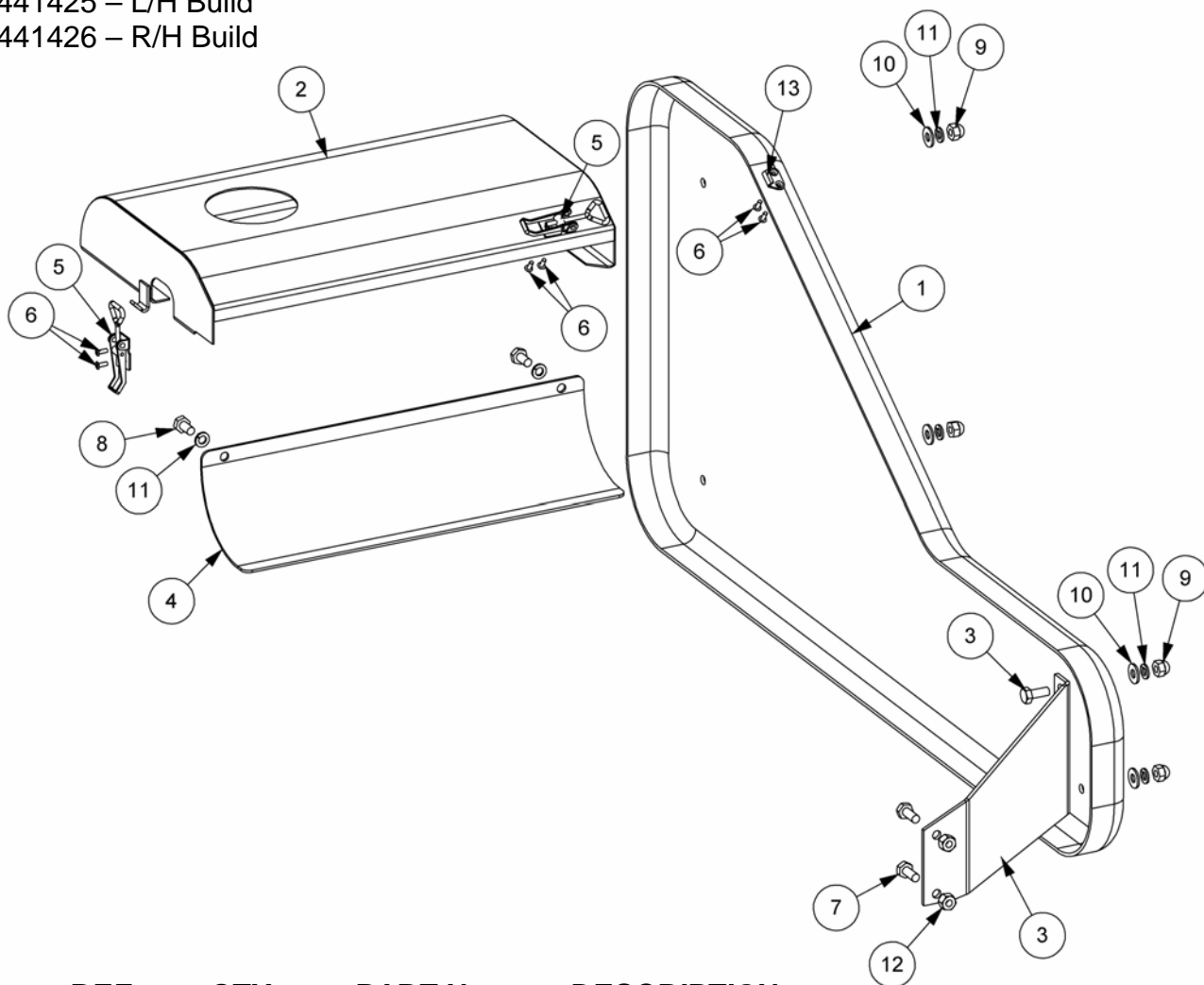
Assemble locknut onto rod using PermaBond A113 or similar medium strength thread locking compound.

REAR COVERS ASSEMBLY

Modules:

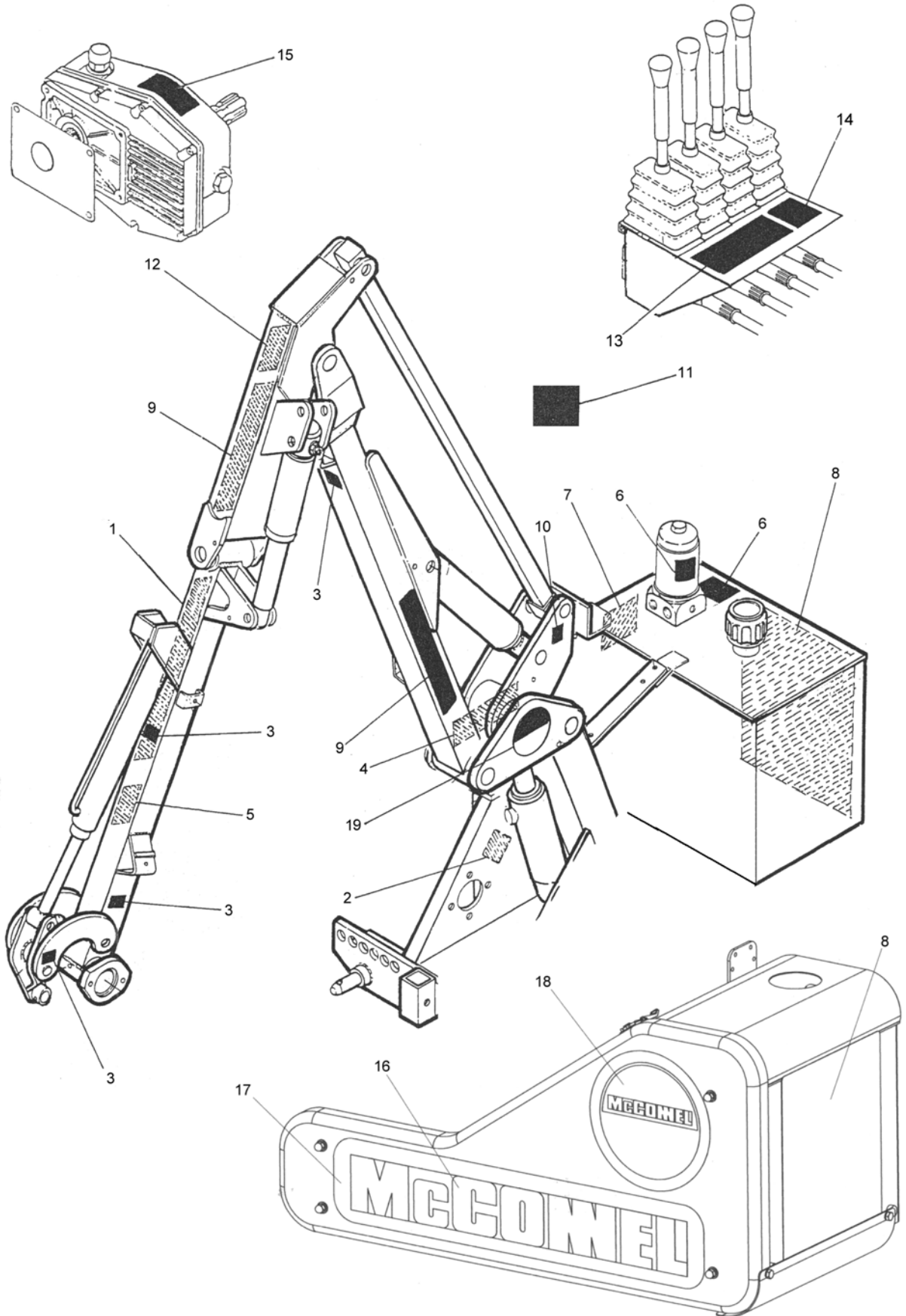
7441425 – L/H Build

7441426 – R/H Build

Illustrated in Left Hand Build

REF.	QTY.	PART No.	DESCRIPTION
		7441425	REAR COVERS ASSEMBLY - L/H Build
		7441426	REAR COVERS ASSEMBLY - R/H Build
1	1	45629.01	REAR COVER MOULDING - L/H Build
	1	45629.02	REAR COVER MOULDING - R/H Build
2	1	45633.01	TANK COVER - L/H Build
	1	45633.02	TANK COVER - R/H Build
3	1	45636.01	SUPPORT BRACKET - L/H Build
	1	45636.03	SUPPORT BRACKET - R/H Build
4	1	45638.01	TANK FAIRING
5	2	43449.02	OVERCENTRE FASTENER
6	6	1069088	POP RIVET
7	2	9313055	SETSCREW
8	2	9313045	SETSCREW
9	4	9100025	DOME NUT
10	4	9100105	FLAT WASHER
11	6	9100205	SPRING WASHER
12	2	9143005	SELF-LOCKING NUT
13	1	46007.01	HOOK (OVERCENTRE FASTENER)

This page is intentionally blank



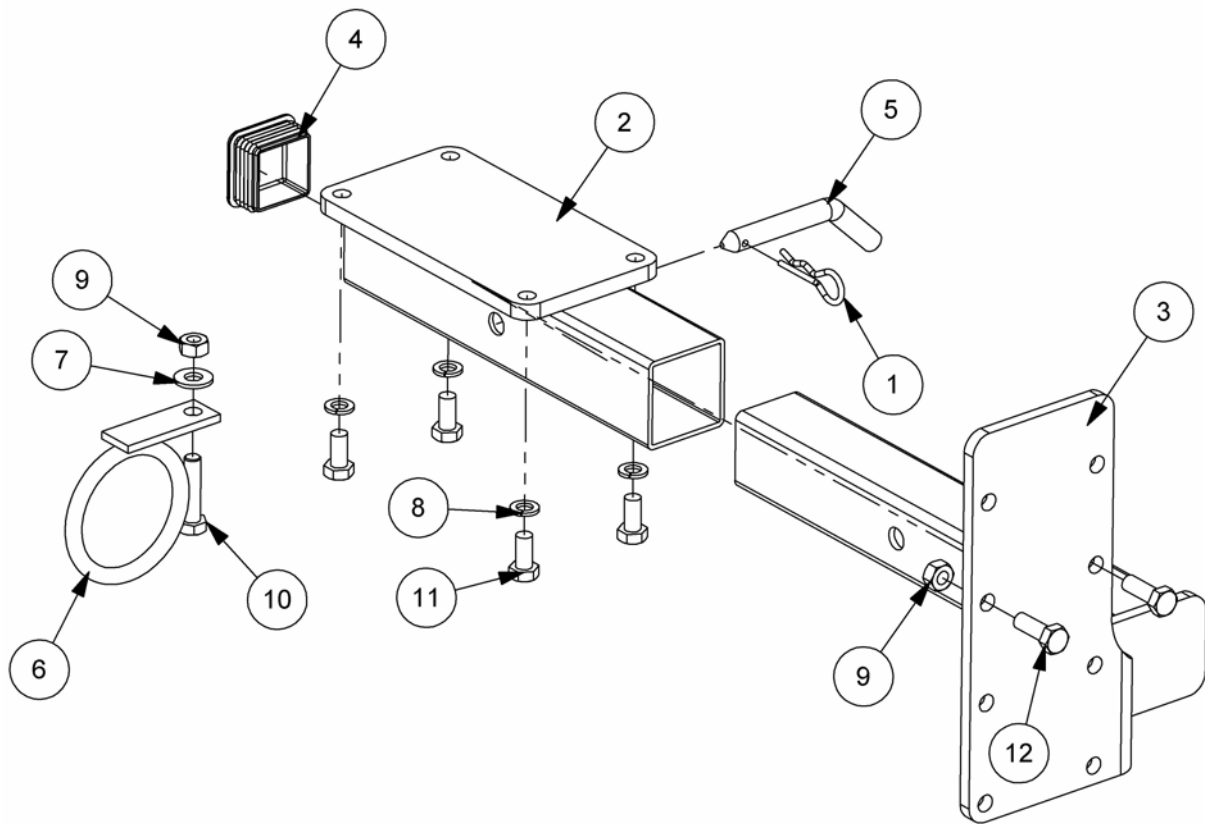

MACHINE DECALS

REF.	QTY.	PART No.	DESCRIPTION
			MACHINE DECALS
1	2	1290453	PA - Black
2	1	7105130	Read Instruction Manual
3	5	02962764	Pinch Point
4	1	7135295	Tighten Check Chains
5	2	1290530	41 - Black
6	1	1290023	Oil Filter Instruction
7	1	00756494	PTO Fitting/Warning
8	1	1290391	General Safety
9	2	1290255	McConnel
10	1	1290074	Sling Here
11	1	1290352	General Warning (<i>Supplied loose for cab location</i>)
12	1	1290403	Breakaway Warning
13	1	1290368	Arm Controls
14	1	1290338	Rotor Controls/Cutterbar ON/OFF
15	1	1290030	Gearbox Oil Instructions
16	1	1290527	McConnel - Large Black
17	1	1290553	Backing Panel - Yellow
18	1	1290554	McConnel Roundel - Yellow
19	1	1290296	Logo
20	1	1335246	Serial No. Plate
21	4	7103230	Pop Rivets

Modules:

7150770 – L/H Build

7150771 – R/H Build

Illustrated in Left Hand Build

REF.	QTY.	PART No.	DESCRIPTION
		7150770	DEBRIS BLOWER MOUNTING KIT - L/H Machines
		7150771	DEBRIS BLOWER MOUNTING KIT - R/H Machines
1	1	0431105	SPRING COTTER
2	1	43492.01	BLOWER BRACKET
3	1	43492.05	BLOWER BRACKET - L/H Build
	1	43492.06	BLOWER BRACKET - R/H Build
4	1	7191108	PLASTIC PLUG
5	1	7192023	LEG PIN
6	1	7319282	HOSE RING
7	1	9100106	FLAT WASHER
8	4	9100206	SPRING WASHER
9	3	9143006	SELF-LOCKING NUT
10	1	9213106	BOLT
11	4	9313056	SETSCREW
12	2	9313076	SETSCREW

Suitable for the following machines:

PA32, PA41, PA45, PA47 Mk1*, PA47 Mk2, PA48, PA50Mk1*, PA50 Mk2, PA55/60
(* without lightbars)*



McConnel Limited, Temeside Works, Ludlow, Shropshire SY8 1JL. England.
Telephone: 01584 873131. Facsimile: 01584 876463. www.mcconnel.com