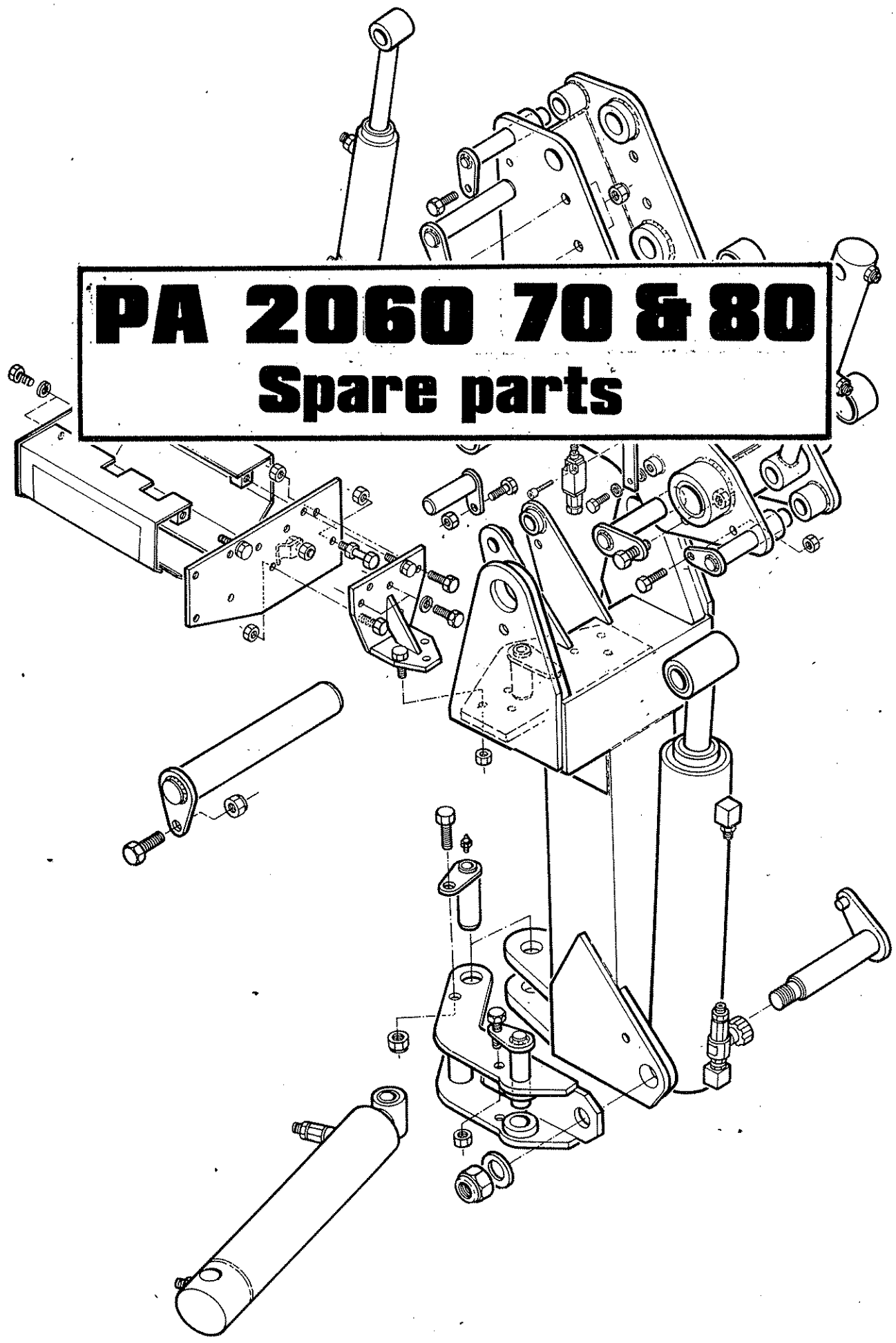


PA 2060 70 & 80
Spare parts



LIST OF CONTENTS

MAIN FRAME PILLAR AND ARMS

Main Frames	Page 1
Pillars	Page 3
Main Arm.....	Page 5
Dipper PA2060.....	Page 7
Dipper Socket PA 2070	Page 9
Dipper PA 2070	Page 11
Dipper PA 2060M & 2080	Page 13
Control mounting.....	Page 15
Operator guard.....	Page 15
Catch assembly	Page 16

FLAIL HEADS

Flail head casing - 90 series	Page 17
Rotors and flails - 90 series	Page 21
Rollers - 90 series	Page 23

HYDRAULIC INSTALLATIONS

Hydraulic installation PA2060	Page 25
Hydraulic installations PA 2070	Page 27
Hydraulic installation PA 2060M & 2080.....	Page 29

MAIN CONTROL VALVE

Main valve PA 2060	Page 31
Main valve PA 2070	Page 33
Main valve PA 2060M & 2080	Page 35
Slew valve PA 2060/PA2070	Page 37
Park work valve PA 2060M & 2080	Page 39
Lift check valve PA 2060M & 2080	Page 39
Compensator valve.....	Page 41
Solenoids	Page 43
Switch box	Page 43

GENERAL HYDRAULICS

Pump	Page 47
Gearbox	Page 49
Rotor Control Valve	Page 51
Hydraulic tank	Page 53
Lift float kit	Page 57
Angle float kit	Page 59

HYDRAULIC RAMS

Lift ram.....	Page 61
Breakaway ram PA 2060M & 2080	Page 63
Slew ram PA 2060/PA2070.....	Page 65
Slew ram PA 2060M & 2080.....	Page 65
Reach ram	Page 67
Angle ram.....	Page 68
Tele rams PA 2070	Page 69
Compensator ram	Page 70
Stickers	Page 71

FOR NOTES

SPARE PARTS MANUAL

FOR BEST PERFORMANCE....

USE ONLY McCONNEL SPARE PARTS

To be assured of the latest design improvements purchase your genuine replacements from the original equipment manufacturer **McConnel Ltd.** through your local dealer or stockist.

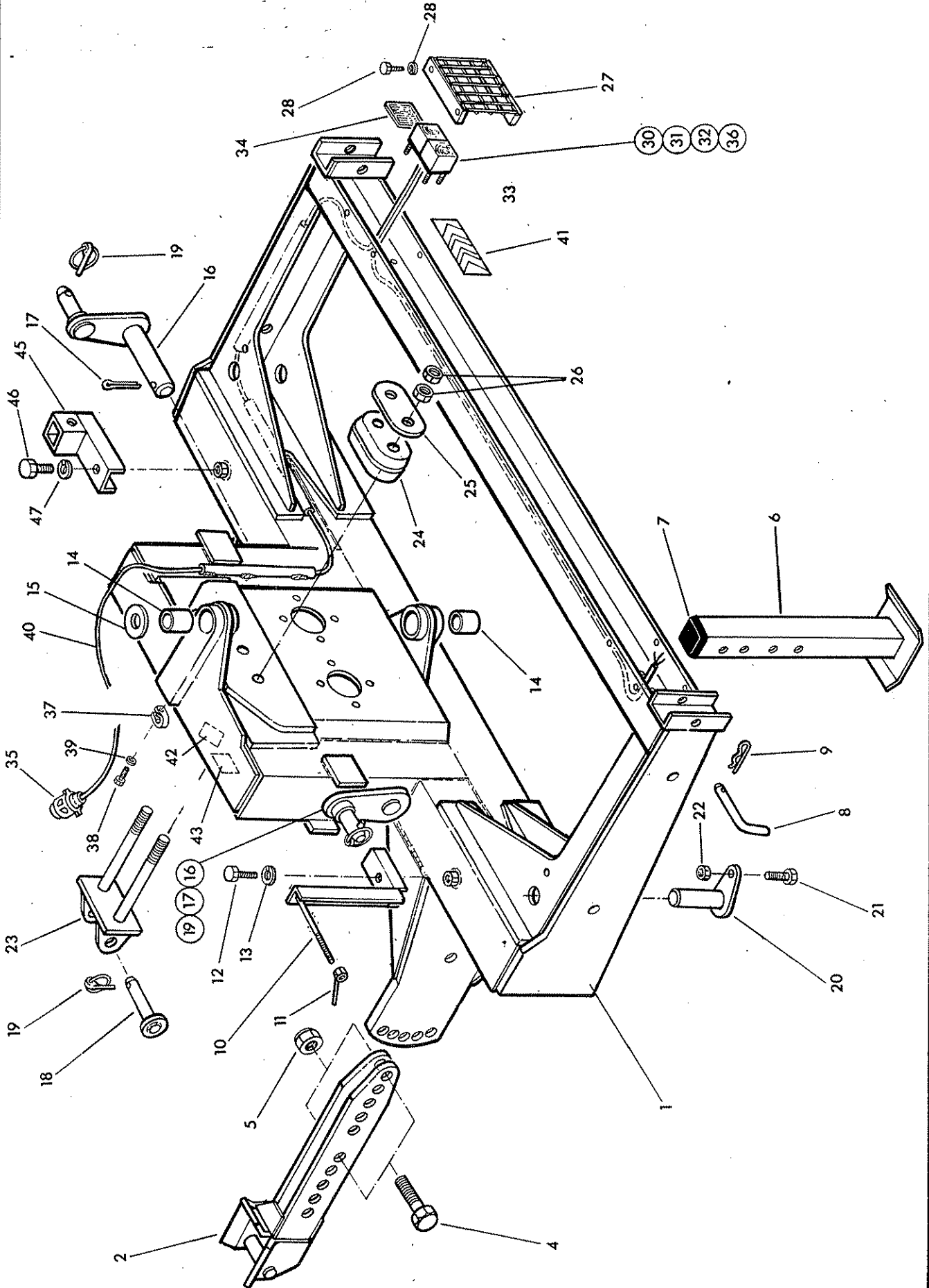
Always quote machine type and serial number as well as the part number.

Design improvement may have altered some of the parts listed in this manual - The latest part will always be supplied when it is interchangeable with an earlier one.

MAIN FRAME



McCOMB





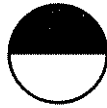
McCORMEL

Ref.	Part No.	Qty.	Description
MAIN FRAME AND FITTINGS			
1	75-60-430	1	Main frame
2	75-60-386	1	Mounting arm 1.0m L.Hand 1.1m R Hand
3	75-60-387	1	Mounting arm 1.0M R.Hand 1.1m L.Hand not illus.
4	92-13-159	4	Bolt
5	91-43-009	4	Self locking nut
6	75-60-021	3	Stand leg
7	71-91-108	3	Plastic bung
8	71-92-023	3	Pin
9	04-31-105	3	Spring cotter
10	75-60-373	1	Leg stay
11	75-60-062	1	Clamp nut
12	93-13-077	1	Setscrew
13	91-00-207	1	Spring washer
14	75-60-050	2	Bush
15	75-60-056	1	Thrust washer
16	75-60-374	2	Lift link pin
17	95-01-509	2	Split pin
18	71-18-112	1	Pin
19	04-31-217	1	Linch pin
20	75-60-057	1	Pin
21	93-13-076	1	Setscrew
22	91-43-006	1	Self locking nut
23	75-60-398	1	Top hitch bracket
24*	75-60-141	1	Rubber damper
25	75-60-130	1	Reaction plate
26	91-13-009	4	Nut
27	75-60-353	2	Light guard
28	93-13-023	8	Setscrew
29	91-00-203	8	Spring washer
MAIN FRAME ANCILLIARIES			
30	75-60-086	2	Rear light
31	75-60-087	2	Stop/tail bulb 12v
32	75-60-088	2	Flasher bulb 12v
33	93-00-142	8	Self tap screw
34	75-60-093	1	Reflector - self adhesive
35	75-60-089	1	Plug
36	75-60-098	8	Connector
37	84-02-148	1	Cable clamp
38	92-13-063	1	Bolt
39	91-00-203	1	Spring washer
40	75-60-090	1	Cable
41	12-90-347	2	Sticker - chevrons
42	71-05-130	1	Read instruction book
43	13-35-246	1	Serial No plate
44	12-90-352	1	Sticker - 'Safety' -not illus-in cab
45	75-80-321		Parking cradle transport socket PA2060M & 2080
46	93-13-077	1	Setscrew
47	91-00-207	1	Spring washer
48	71-36-330	1	P.T.O. shaft - not illus.
49	71-03-230	4	Pop rivet

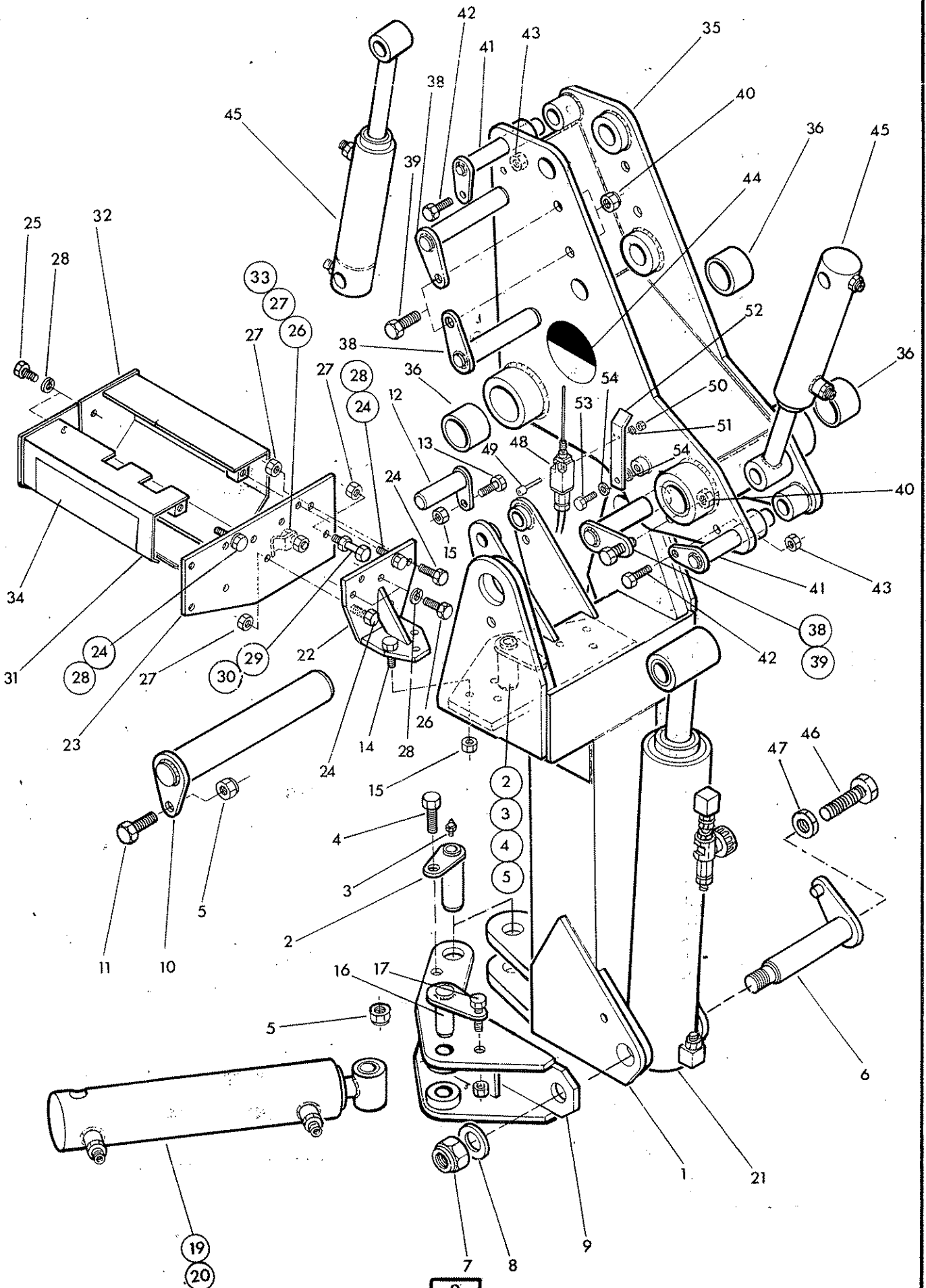
***Assembly note**

The nuts must be tightened until the rubber damper is compressed to 120 mm thick

PILLAR & ROCKER



McDONNELL





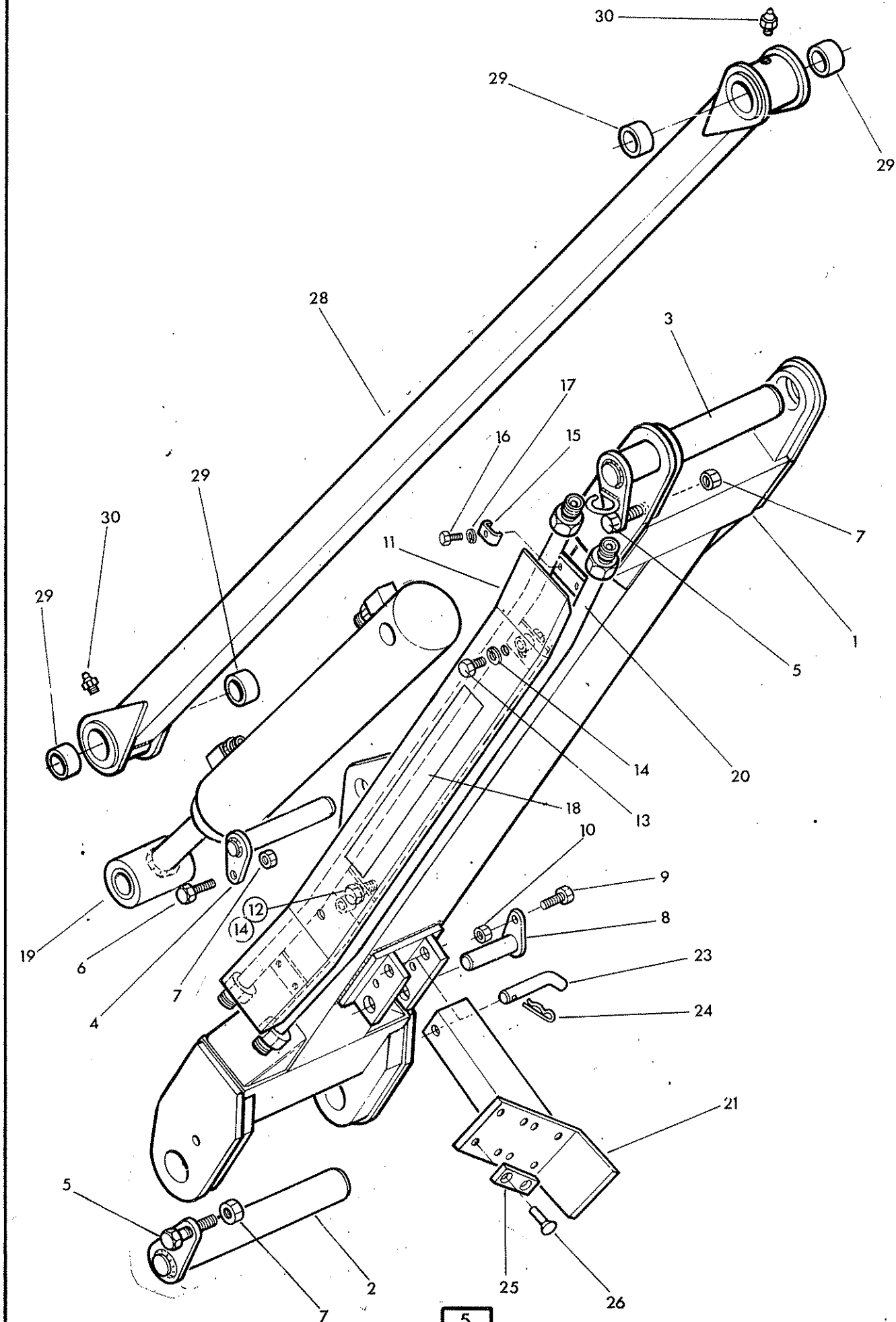
McCONNEL

REF	PART NO.	QTY	DESCRIPTION
PILLAR AND FITTINGS			
1	75 60 332	1	Pillar
2	75 60 058	2	Pin
3	09 01 121	2	Greaser
4	93 13 097	2	Setscrew
5	91 43 007	3	Self locking nut
6	75 60 375	1	Pin
7	91 00 023	1	Self locking nut
8	75 60 070	1	Special washer
9	75 60 395	1	Slew ram bracket
10	75 60 059	1	Pin
11	92 13 137	1	Bolt
12	75 60 064	1	Pin
13	93 13 065	1	Setscrew
14	92 13 095	3	Bolt
15	91 43 005	4	Self locking nut
16	75 60 057	1	Pin
17	93 13 076	1	Setscrew
18	91 43 006	1	Self locking nut
19	75 60 346	1	Slew ram - PA2060/70
20	71 80 315	1	Slew ram - PA2060M & 2080
21	75 60 340	1	Lift ram
22	75 60 041	1	Valve bracket
23	75 60 359	1	Valve plate
24	93 13 055	4	Setscrew
25	93 13 035	2	Setscrew
26	93 13 065	3	Setscrew
27	91 43 005	4	Self locking nut
28	91 00 205	6	Spring washer
29	92 13 125	1	Bolt
30	91 13 005	1	Plain nut
31	75 60 362	1	Solenoid cover R.hand
32	75 60 363	1	Solenoid cover L.hand
33	71 09 151	1	Cable clamp
34	84 02 136	1	Solenoid wiring label
35	75 60 326	1	Rocker
36	75 60 050	4	Bush
37	09 01 121	2	Greaser
38	75 60 061	3	Pin
39	93 13 087	3	Setscrew
40	91 43 007	3	Self locking nut
41	75 60 063	2	Pin
42	93 13 075	2	Bolt
43	91 43 005	2	Self locking nut
44	12 90 296	1	Sticker "McConnel" roundel
45	75 60 356	2	Compensator ram assembly
46	93 13 118	1	Setscrew
47	91 13 008	1	Plain sut
	84 02 150		PA2060M & 2080 'REACH IN' LIMIT SWITCH ASSY.
48	84 02 152	1	Limit switch inc. cable and gland
49	92 43 062	2	Cap screw socket head
50	91 00 014	2	Nut
51	91 00 202	2	Spring washer
52	75 80 317	1	Mounting bracket
53	03 11 065	1	Setscrew
54	01 00 305	1	Shakeproof washer

MAIN ARM & LINK



McCONEL





Ref.	Part No.	Qty.	Description.
MAIN ARM AND FITTINGS			
1	75-60-348	1	Main arm - Up to Jan 1993
	75 60 446	1	Main arm - From Jan 1993 - as illus.
2	75-60-059	1	Pin
3	75-60-060	1	Pin
4	75-60-061	1	Pin
5	92-13-137	2	Bolt
6	93-13-077	1	Setscrew
7	91-43-007	3	Self locking nut
8	75-60-064	1	Pin
9	93-13-075	1	Setscrew
10	91-43-005	1	Self locking nut
11	75-60-365	1	Rigid pipe cover - Up to Jan 1993
	75 60 443	1	Rigid pipe cover - From Jan 1993
12	93-13-055	2	Setscrew
13	93-13-075	2	Setscrew
14	91-00-205	4	Spring washer
15*	71-96-024		Hose clamp
16*	93-13-053		Setscrew
17*	91-00-203		Spring washer

MAIN ARM ANCILLIARIES

18	12-90-255	1	Sticker "McConnel"
19	75-60-437	1	Reach ram -see page 63
20	75-60-364	1	Rigid pipe - Up to Jan 1993
	75 60 441	1	Rigid pipe - From Jan 1993

PA 2060M & 2080 CRADLE AND FITTINGS

21	75-80-323	1	Parking cradle-R.Hand
22	75-80-322	1	Parking cradle L. Hand - not illustrated
23	75-80-015	1	Cradle pin
24	04-31-105	1	Spring cotter
25	10-75-041	4	Cradle pad
26	10-75-047	8	Countersunk rivet

TENSION LINK AND FITTINGS

28	75-60-325	1	Tension link - Up to Jan 1993
	75 60 445	1	Tension link - From Jan 1993
29	71-15-208	4	Bush
30	09-01-121	2	Greaser

Spares Note

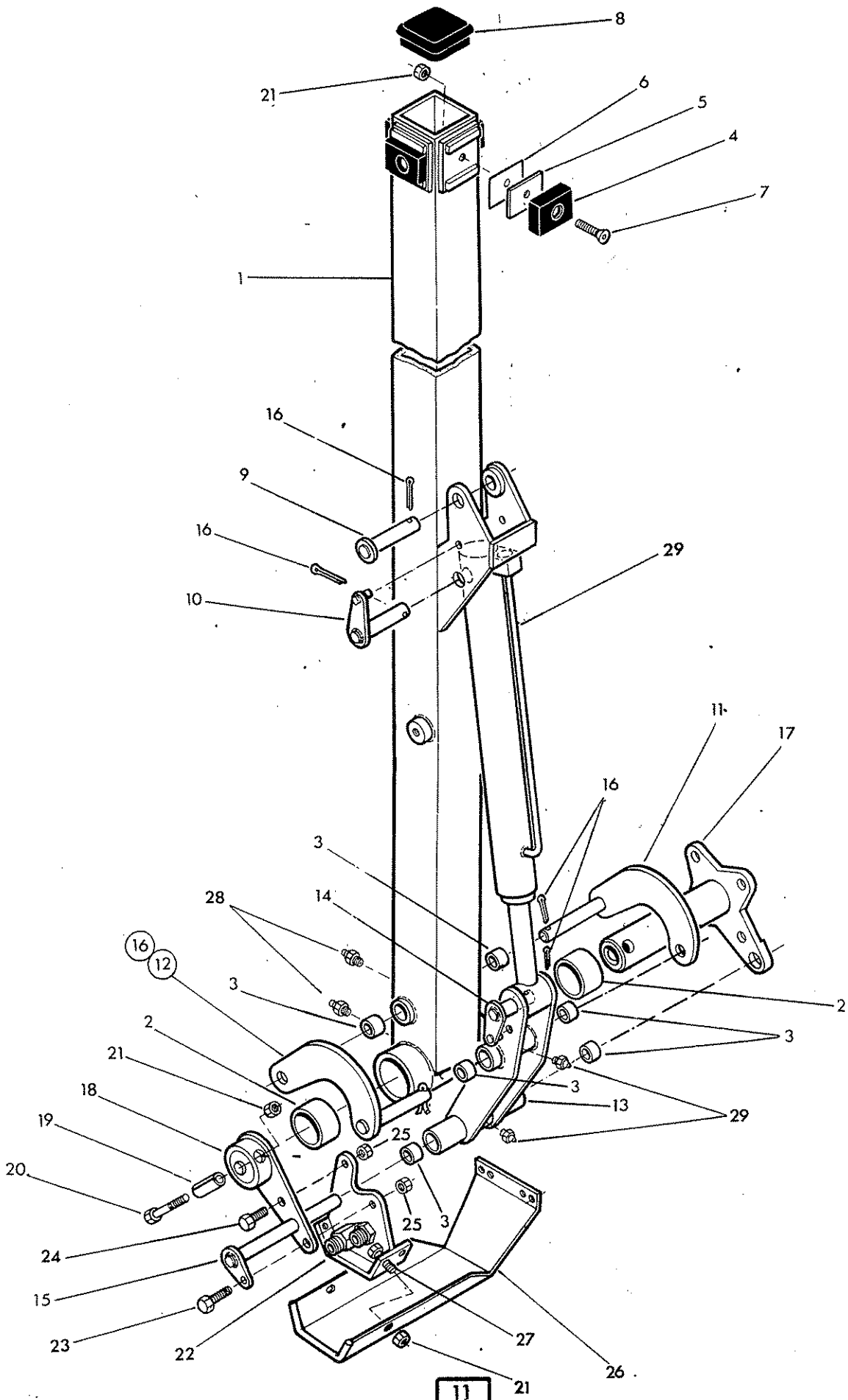
* Quantities are 2 off PA 2060 and 4 off for PA2070 , PA 2060M & 2080



Ref.	Part No.	Qty.	Description
PA 2060 DIPPER ARM AND FITTINGS			
1	76-60-372	1	Dipper arm - Up to Jan 1993
	75 60 439	1	Dipper arm - From Jan 1993
2	75-60-050	2	Bush
3	71-36-035	2	Nylon head bush
4	71-01-083	6	Bush
5	09-01-121	5	Greaser
6	75-60-083	1	Pin
7	93-13-097	1	Bolt
8	91-43-007	1	Self locking nut
9	75-60-367	1	Rigid pipe cover - Up to Jan 1993
	75 60 444	1	Rigid pipe cover - From Jan 1993
10	93-13-045	2	Setscrew
11	93-13-075	2	Setscrew
12	91-00-205	4	Spring washer
13	71-96-024	4	Hose clamp
14	93-13-053	2	Setscrew
15	91-00-203	2	Spring washer
16	71-92-024	1	Pin
17	71-92-311	1	Radius arm front
18	71-92-310	1	Radius arm rear
19	71-92-309	1	Slave link
20	71-92-008	1	Pin
21	71-92-009	1	Pin
22	95-01-406	4	Split pin
23	71-92-308	1	Head pivot tube
24	71-92-316	1	Jaw plate
25	04-23-548	1	Spring dowel
26	92-13-185	1	Bolt
27	91-43-005	1	Self locking nut
28	71-95-303	1	Hose junction bracket
29	02-11-146	1	Bolt
30	02-11-126	1	Bolt
31	01-41-006	2	Self locking nut
32	71-92-324	1	Hose tray
33	92-13-045	2	Setscrew
34	91-43-005	2	Self locking nut
DIPPER ARM ANCILLIARIES			
35	12-90-295	1	Sticker "Power Arm"
36	12-90-350	1	Sticker "2060"
37	75-60-366	1	Rigid pipe - Up to Jan 1993
	75 60 442	1	Rigid pipe - From Jan 1993
38	75-60-344	1	Angling ram - see page 64



Ref.	Part No.	Qty.	Description
PA2070 DIPPER AND FITTINGS			
1	75-70-300	1	Tele dipper socket up to serial No. 2070/061
	75-70-308	1	Tele dipper socket from serial No. 2070/NF062
2	75-60-050	2	Bush
3	09-01-121	1	Greaser
4	75-60-061	1	Pin dia
5	93-13-077	1	Bolt
6	91-43-007	1	Self locking nut
7	75-70-006	1	Pin
8	95-01-406	1	Split pin dia
9	71-97-012	1	Guide rod up to serial No. 2070/061
	75-70-316	1	Guide rod from serial No. 2070/NF062
10	92-13-125	1	Bolt
11	75-70-002	1	Rigid pipe cover up to serial No. 2070/061
	75-70-317	1	Rigid pipe cover from serial No. 2070/NF062
12	93-13-055	2	Setscrew
13	91-00-205	2	Spring washer
14	71-96-024	6	Hose clamp
15	93-13-053	3	Setscrew
16	91-00-203	3	Spring washer
17	71-36-069	1	Cover plate
18	71-36-315	1	Wear pad carrier - lower
19	71-36-314	3	Wear pad carrier sides and top
20	03-11-065	12	Setscrew
21	01-00-205	12	Spring washer
22	71-36-001	5	Wear pad
23	71-36-058	as reqd.	Shim
24	71-36-059	as reqd	Shim
25	92-17-406	1	Bolt
26	91-00-106	1	Plain washer
27	91-43-006	1	Self locking nut
28	71-97-009	1	Spacer
TELE SOCKET ANCILLIARIES			
29	12-90-005	2	Sticker "Grease socket"
30	12-90-295	1	Sticker "Power Arm"
31	12-90-349	1	Sticker "2070"
32	75-70-305	1	Rigid pipes up to serial No. 2070/061
	75-70-321	1	Rigid pipes from serial No. 2070/NF062
33	71-36-275	1	Tele ram assy up to serial No. 2070/061
	75-70-318	1	Tele ram assy from serial No. 2070/NF062 - see page 69





Ref.	Part No.	Qty.	Description
PA2070 DIPPER AND FITTINGS-continued			
1	71-97-280	1	Tele dipper arm up to machine serial No. 2070/061
	75-70-314	1	Tele dipper arm from machine serial No. 2070/NF062
2	71-36-035	2	Nylon head bush
3	71-01-083	6	Bush
4	71-36-001	4	Wear pad
5	71-36-058	as reqd	Shim
6	71-36-059	as reqd	Shim
7	93-53-075	4	Socket hd c/sunk screw
8	71-36-148	1	Plastic bung
9	71-97-004	1	Pin
10	71-92-024	1	Pin
11	71-92-311	1	Radius arm front
12	71-92-310	1	Radius arm rear
13	71-92-309	1	Slave link
14	71-92-008	1	Pin
15	71-92-009	1	Pin
16	95-01-406	5	Split pin dia
17	71-92-308	1	Head pivot tube
18	71-92-316	1	Jaw plate
19	04-23-548	1	Spring dowel
20	92-13-185	1	Bolt
21	91-43-005	7	Self locking nut
22	71-95-303	1	Hose juntion bracket
23	02-11-146	1	Bolt
24	02-11-126	1	Bolt
25	01-41-006	2	Self locking nut
26	71-92-324	1	Hose tray
27	92-13-045	2	Setscrew
28	09-01-121	4	Greaser

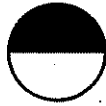
TELE DIPPER ANCILLIARIES

29	75-60-344	1	Angling ram see page 68
----	-----------	---	-------------------------

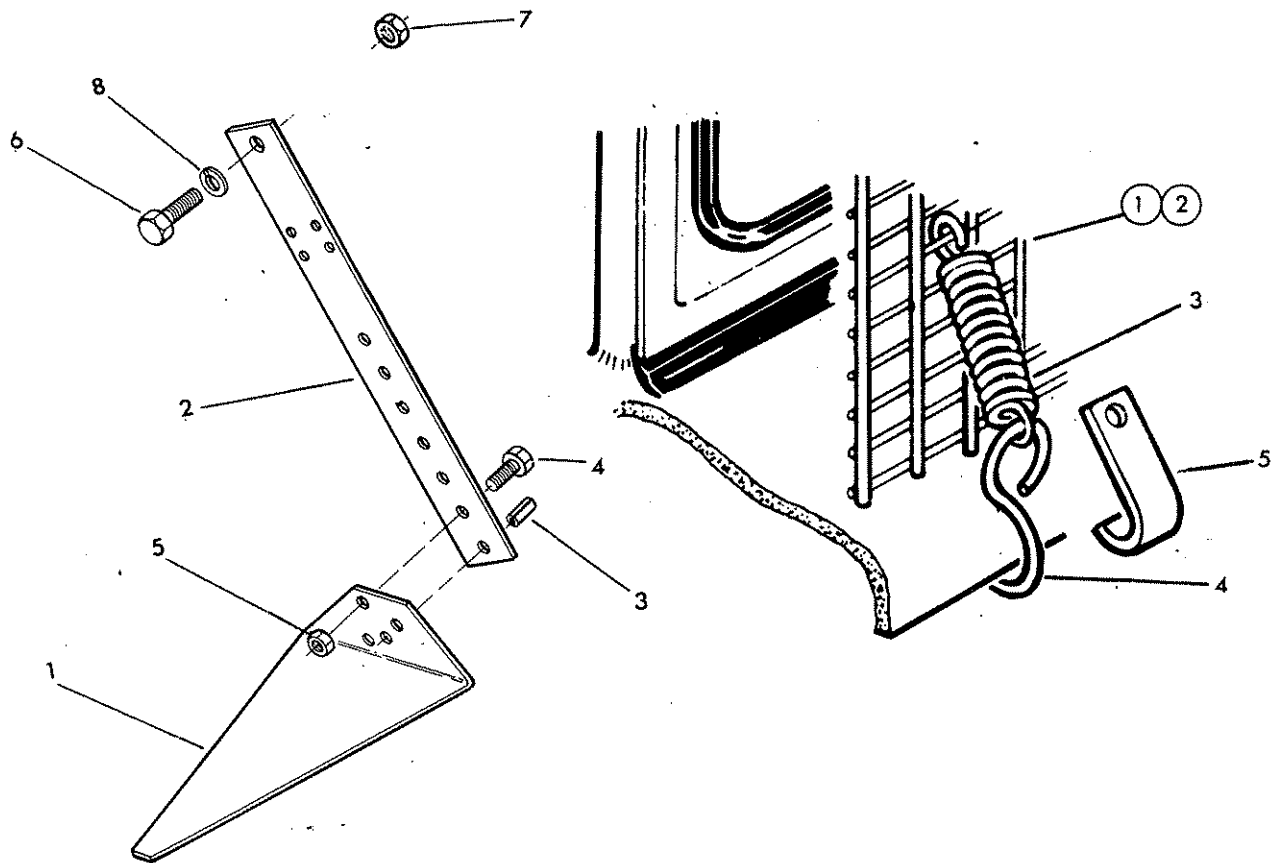


Ref.	Part No.	Qty.	Description
PA 2080M & 2080 DIPPER ARM AND FITTINGS			
1	75-80-303	1	Dipper arm - PA 2080
	75 60 447	1	Dipper arm - PA 2080M
2	71-38-035	1	Nylon head bush
3	71-01-083	6	Bush
4	09-01-121	2	Greaser
5	75-80-023	1	Pin
6	92-13-107	1	Bolt
7	91-43-007	1	Self locking nut
8	75-60-063	1	Pin
9	75-60-367	1	Rigid pipe cover - PA 2080
	75 60 444	1	Rigid pipe cover - PA 2080M
10	93-13-045	3	Setscrew
11	93-13-075	2	Setscrew
12	91-00-205	5	Spring washer
13	71-96-024	4	Hose clamp
14	93-13-053	2	Setscrew
15	91-00-203	2	Spring washer
16	71-92-024	1	Pin
17	71-92-311	1	Radius arm front
18	71-92-310	1	Radius arm rear
19	71-92-309	1	Slave link
20	71-92-008	1	Pin
21	71-92-009	1	Pin
22	95-01-406	4	Split pin
23	71-92-308	1	Head pivot tube
24	71-92-316	1	Jaw plate
25	04-23-548	1	Spring dowel
26	92-13-185	1	Bolt
27	91-43-005	1	Self locking nut
28	71-95-303	1	Hose junction bracket
29	02-11-146	1	Bolt
30	02-11-126	1	Bolt
31	01-41-006	2	Self locking nut
32	71-92-324	1	Hose tray
33	92-13-045	2	Setscrew
34	91-43-005	2	Self locking nut
DIPPER ANCILLIARIES			
35	12-90-295	1	Sticker "Power Arm"
36		1	Sticker
37	75-60-344	1	Angling ram - see page 64
38	75-60-366	1	Rigid pipes - PA 2080
	75 60 442	1	Rigid pipes - PA 2080M
FORWARD EXTENSION AND FITTINGS			
39	75-80-313	1	Forward extension 1.0m R. Hand
40	75-80-318	1	Forward extension 1.25m R. Hand
41	75-80-314	1	Forward extension 1.0m L. Hand
42	75-80-319	1	Forward extension 1.25m L. Hand
43	75-60-050	4	Bush
44	09-01-121	2	Greaser
45	75-60-083	1	Pin
46	93-13-077	1	Bolt
47	91-43-007	1	Self locking nut
48	75-60-064	1	Pin
49	92-13-065	1	Bolt
50	91-43-005	1	Self locking nut
FORWARD EXTENSION ANCILLIARIES			
51	75-80-300	1	Breakaway ram - see page 61

**CONTROL MOUNTING
OPERATOR GUARD**

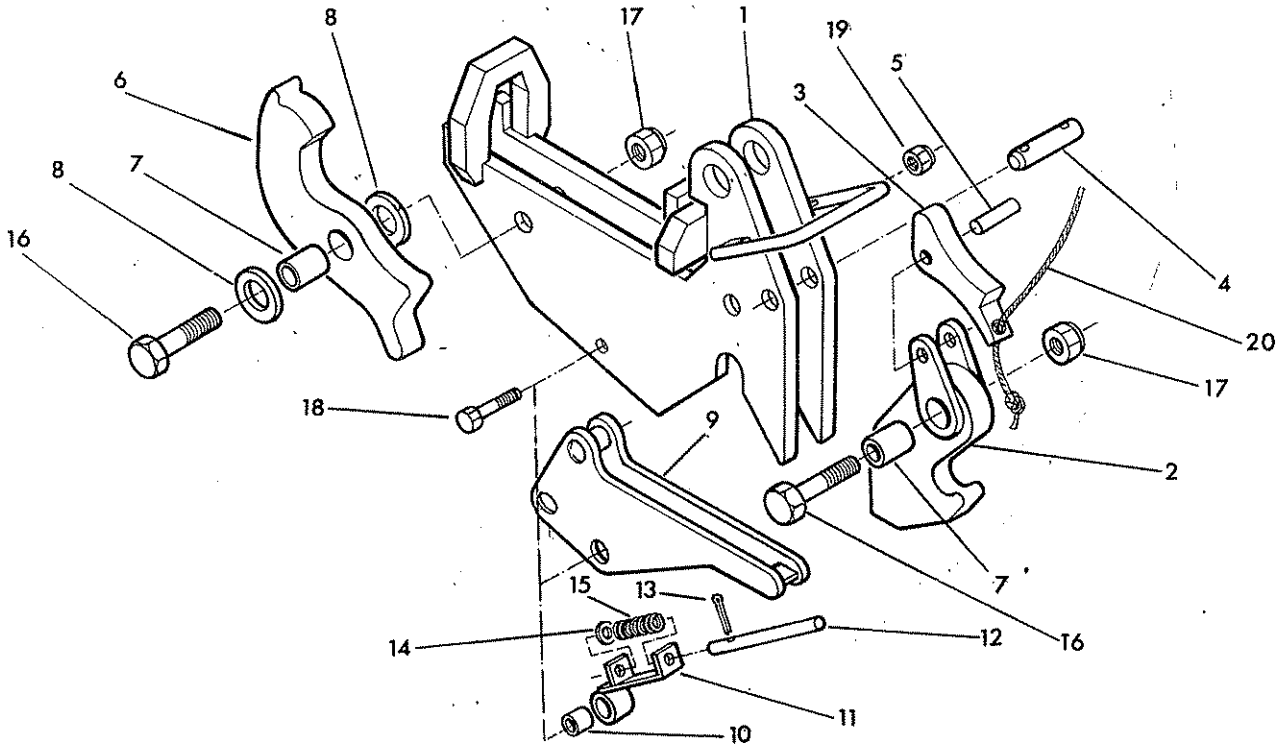


McCONEL



Ref.	Part No.	Qty.	Description
	71-90-319		CONTROL MOUNTING ASSEMBLY
1	71-09-320	1	Sandwich plate
2	71-09-146	1	Pillar including spring dowel
3	04-22-816	1	Spring dowel
4	93-13-066	1	Setscrew
5	91-13-006	1	Nut
6	93-11-086	1	Setscrew
7	01-11-006	1	Nut
8	01-00-206	1	Spring washer

Ref.	Part No.	Qty.	Description
	73-13-324		CAB GUARD KIT
1	73-13-049	1	Guard panel - large
2	73-13-050	1	Guard panel - small
3	60-01-064	12	Spring
4	60-01-065	6	Hook
5	73-13-051	6	Hook



Ref.	Part No.	Qty.	Description
	20-20-999		CATCH ASSEMBLY
1	20-20-901	1	Catch body
2	20-20-902	1	Hitch hook
3	20-20-903	1	Hook release
4	20-20-904	1	Locking pin
5	20-20-906	1	Pivot - hook release
6	20-20-907	1	Plate latch
7	20-20-908	2	Pivot sleeve
8	20-20-909	2	Spacer - plate latch
9	20-20-910	1	Catch lock
10	20-20-911	1	Sleeve - spring rocker
11	20-20-912	1	Spring rocker
12	20-20-913	1	Spring shaft
13	95-01-325	1	Split pin
14	91-00-105	1	Plain washer
15	20-20-914	1	Spring
16	92-13-188	2	Bolt
17	91-43-008	2	Self locking nut
18	92-13-166	1	Bolt
19	91-43-006	1	Self locking nut
20	20-20-915	1	Release cord



McCONNEL

Ref.	Part No.	Qty.	Description
FLAIL HEAD CASING 1.2M & 1.6M - 90 series			
1	71 90 262	1	Flail casing 1.2M
2	71 90 406	1	Flail casing 1.6M
3	12 90 377	1	Flail head instruction sticker
4	12 90 255	1	Sticker 'McConnel'
5	12 90 341	1	Sticker - 'Flail guarding'
6	13 35 246	1	Serial No. plate
7	02 11 186	4	Bolt
8	71 90 261	2	Bearing housing
9	02 11 166	6	Bolt
10	01 41 006	13	Self locking nut
11	81 21 043	as reqd	Shim .015"
12	81 21 044	as reqd	Shim .025"
13	09 01 121	4	Greaser
14	06 00 018	2	Bearing
15	71 90 022	1	Internal circlip
16	71 90 472	1	Rotor hub
17	71 90 444	1	Cover plate
18	93 13 045	4	Setscrew
19	91 00 205	4	Spring washer
20	71 90 009	1	Drive coupling
21	71 90 488	1	Motor cover
22	02 11 266	1	Bolt
23	03 11 126	2	Setscrew
24	71 90 297	1	Motor pipe - upper
25	71 90 298	1	Motor pipe - lower
26	86 00 121	2	'O' ring
27	93 00 014	6	Capscrew 'wedglok'
28	71 90 288	1	Front hood 1.2M
29	71 90 401	1	Front hood 1.6M
30	03 11 106	2	Setscrew
31	71 90 314	1	Rear flap 1.2M
32	71 90 425	1	Rear flap 1.6M
33	71 90 312	1	Mounting strip 1.2M
34	71 90 426	1	Mounting strip 1.6M
35	71 90 313	1	Clamp strip 1.2M
36	71 90 427	1	Clamp strip 1.6M
37	93 13 065	as reqd	Setscrew
38	93 13 075	2	Setscrew
39	91 43 005	as reqd	Self locking nut
40	93 00 144	4	Capscrew wedglok



FLAIL HEAD CASINGS for 90 series. Continued

41	83 01 283	1	Hydraulic motor 1.6 head
	83 01 282	1	Hydraulic motor 1.2 head
42	71 90 015	1	Motor locating washer
43	85 01 097	2	Hose 1" BSP SF-90 deg F x 34" long for 1.2 heads. with motor outboard
44	85 01 154	2	Hose 1" BSP SF-90 deg F x 42" long for 1.6 heads with motor outboard
45	85 01 154	2	Hose 1" BSP SF-90 deg F x 42" long for 1.2 heads with motor inboard
46	85 01 206	2	Hose 1" BSP SF - 90 deg F x 50" long for 1.6 heads with motor inboard

86 99 236

SEAL KIT for both hydraulic motors

ADDITIONAL PARTS FOR GRASS CUTTING

47	71 90 300	1	Skid R. Hand - not illus
48	71 90 301	1	Skid L. Hand
49	73 14 323	2	Replaceable skid
50	03 11 146	2	Setscrew
51	71 90 020	as reqd	Flap
52	71 90 304	1	Flap clamp strip 1.2M
53	71 90 405	1	Flap clamp strip 1.6M
54	92 93 054	as reqd	Cup square bolt
55	91 43 004	16	Self locking nut
56	03 11 086	2	Setscrew
57	01 41 006	4	Self locking nut
58	93 33 065	6	Setscrew c/sunk
59	91 43 005	6	Self locking nut

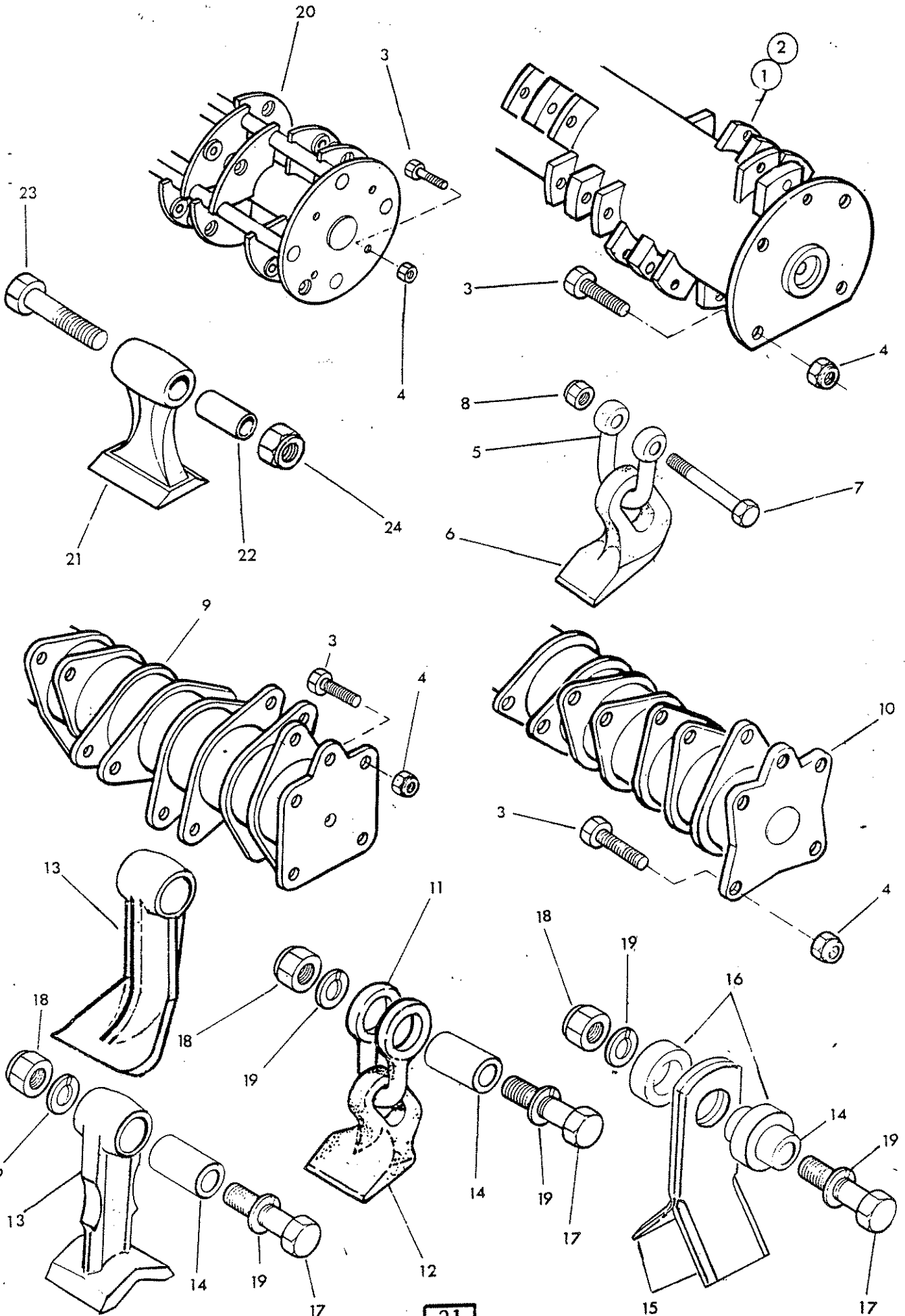
EXTRAS FOR DOWNWARD CUTTING FLAILS

	71 90 310	1	Rear hood kit for 1.2M heads
	71 90 085	1	Rear hood kit for 1.6M heads
60	71 90 285	1	Rear hood 1.2M
61	71 90 443	1	Rear hood 1.6M
62	03 11 106	4	Bolt
63	01 41 006	4	Self locking nut
64	93 13 045	as reqd	Setscrew
65	93 13 055	2	Setscrew
66	91 43 005	as reqd	Self locking nut

ROTOR & FLAIL OPTIONS



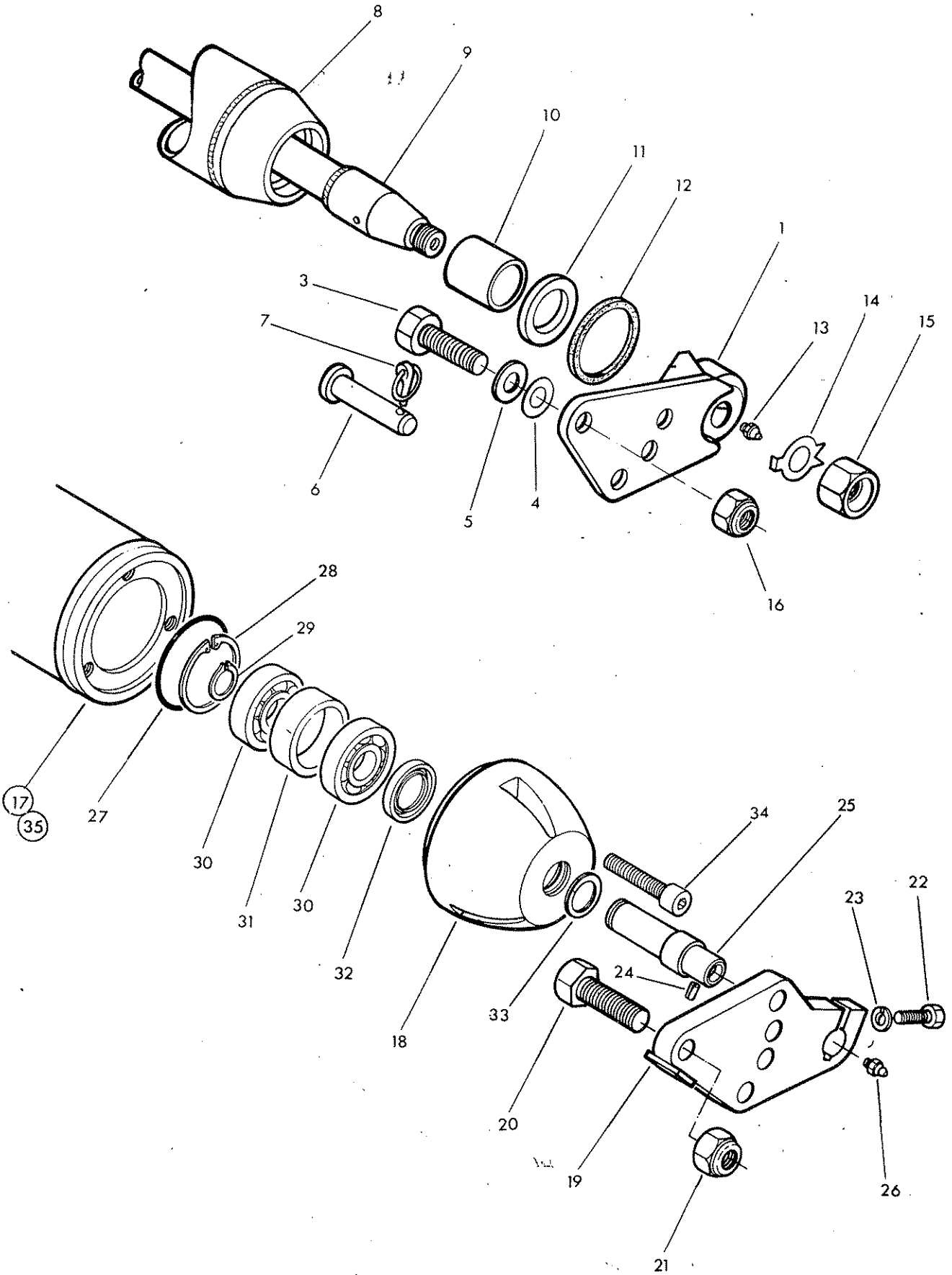
McCONEL





McCORMEL

Ref Part No	Qty	Description
140mm DIA ROTOR SUITABLE FOR 1.2m HI POWER AND 1.6m FLAIL HEADS		
1	71 90 422	1 Rotor 1.6m PA2050/2060 only - 44 flail stations
2	71 90 424	1 Rotor 1.2m - 32 flail stations
3	03 11 146	4 Setscrew 5/8 UNFx 1 3/4" long
4	01 41 006	4 Self locking nut 5/8 UNF
FLAIL OPTIONS FOR 140mm DIA ROTORS - Quantities shown are per flail station		
5	71 90 086	1 Shackle
6	71 90 463	1 Flail
7	71 90 088	1 Special bolt
8	01 41 004	1 Self locking nut 7/16 UNF
120mm DIA ROTOR FOR 1.6m FLAIL HEADS		
9	71 90 423	1 Rotor 1.6m PA2050 and 2060 only
100mm DIA ROTOR FOR 1.2m FLAIL HEADS		
10	71 90 320	1 Rotor 1.2 - 24 flail stations
FLAIL OPTIONS FOR 100 & 120mm DIA ROTORS - Quantities shown are per flail station		
11	71 90 106	1 Shackle
12	71 90 462	1 Flail
13	73 14 366	1 Flail F10H
	73 90 276	1 Flail - alternative single edged
14	73 14 223	1 Pivot bush
15	71 90 315	2 Flail
16	71 90 010	2 Flail spacer
17	73 14 210	1 Special bolt
18	01 41 006	1 Self locking nut 5/8 UNF
19	01 00 206	2 Spring washer 5/8" dia
OMEGA ROTOR - FOR 1.2m FLAIL HEADS		
20	71 90 465	1 Rotor (20 flail stations)
FLAIL FOR OMEGA ROTOR - Qtys are per flail station		
21	71 90 464	1 Flail
22	71 90 117	1 Bush
23	71 90 118	1 Special bolt
24	01 41 006	1 Self locking nut 5/8" UNF





Ref.	Part No.	Qty.	Description
ROLLERS OPTIONS FOR 1.2M 90 SERIES FLAIL HEADS			
BUSHED ROLLER ASSEMBLY			
1	71 90 306	1	Roller bracket L. Hand
2	71 90 305	1	Roller bracket R. Hand - not illus
3	02 11 166	2	Bolt
4	81 21 043	as reqd	Shim
5	81 21 044	as reqd.	Shim
6	71 90 032	2	Pin
7	04 31 213	2	Linch pin
8	71 90 307	1	Roller
9	71 90 308	1	Roller tie rod
10	72 13 023	2	Bush
11	71 90 026	2	Thrust washer
12	71 90 028	2	Felt seal
13	09 01 121	2	Greaser
14	71 90 023	2	Tab washer
15	71 14 176	2	Special nut
16	01 41 006	4	Self locking nut

BALL BEARING ROLLER ASSEMBLY

17	71 90 434	1	Roller
18	71 90 429	2	Roller end
19	71 90 428	2	Mounting bracket
20	02 11 206	4	Bolt
21	01 41 006	4	Self locking nut
22	02 11 123	2	Bolt
23	01 00 203	2	Spring washer
24	04 25 408	2	Spring dowel
25	71 90 430	2	Stub axle
26	09 01 121	2	Greaser
27	86 00 139	2	'O' ring
28	04 11 262	2	Internal circlip
29	04 01 225	2	External circlip
30	06 00 088	4	Bearing
31	71 90 082	2	Spacer
32	86 29 125	2	Seal
33	04 31 232	2	Spring ring
34	93 00 104	6	Capscrew - self locking

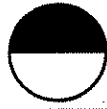
ROLLER FOR 1.6 METRE 90 SERIES FLAIL HEAD

BALL BEARING ROLLER ASSEMBLY ONLY

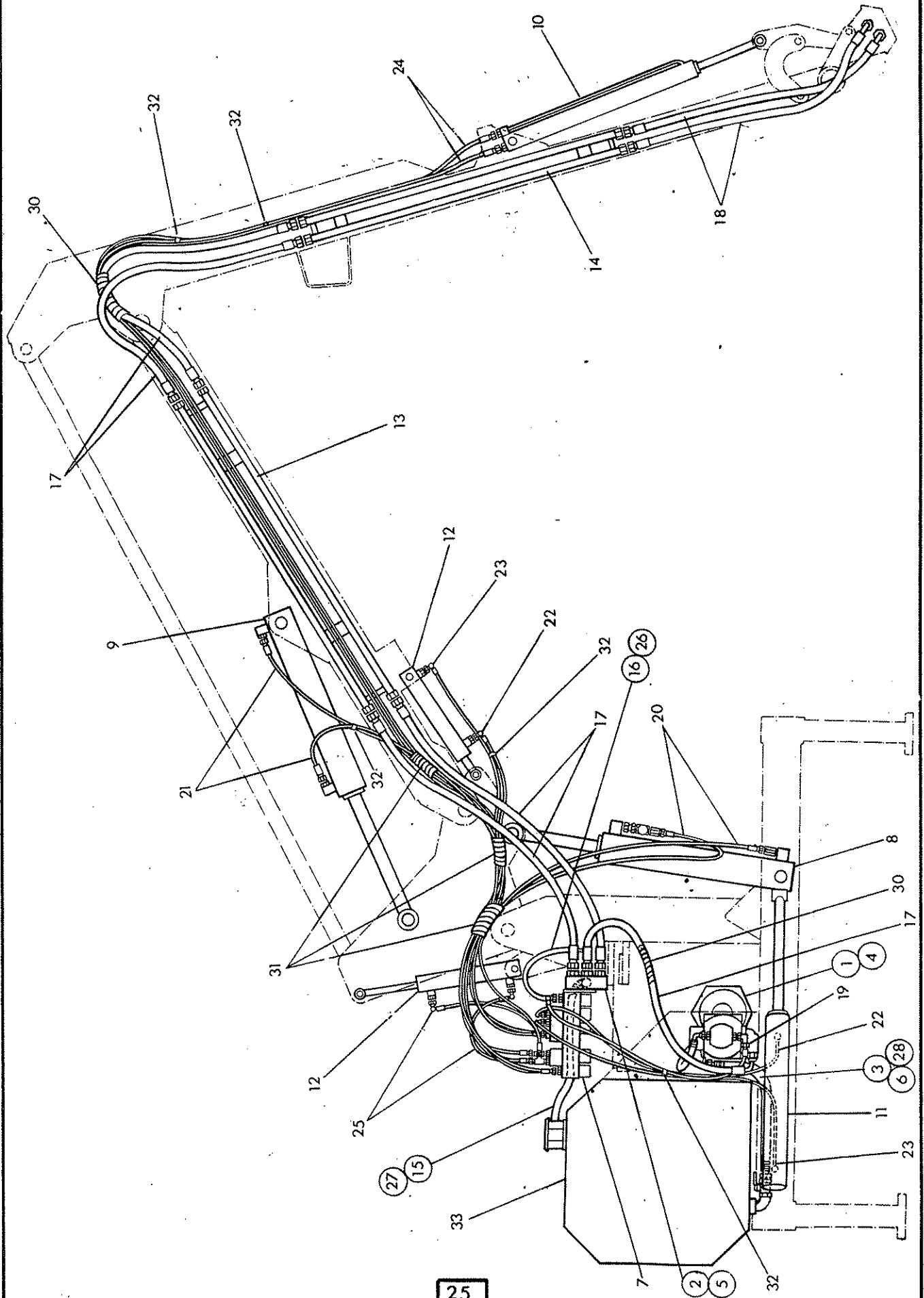
The parts list is identical with the 1.2m ball bearing roller with the following exception

35	71 90 435	1	Roller
----	-----------	---	--------

PA 2060 HYDRAULIC HOSES & INSTALLATION



McCONNEL





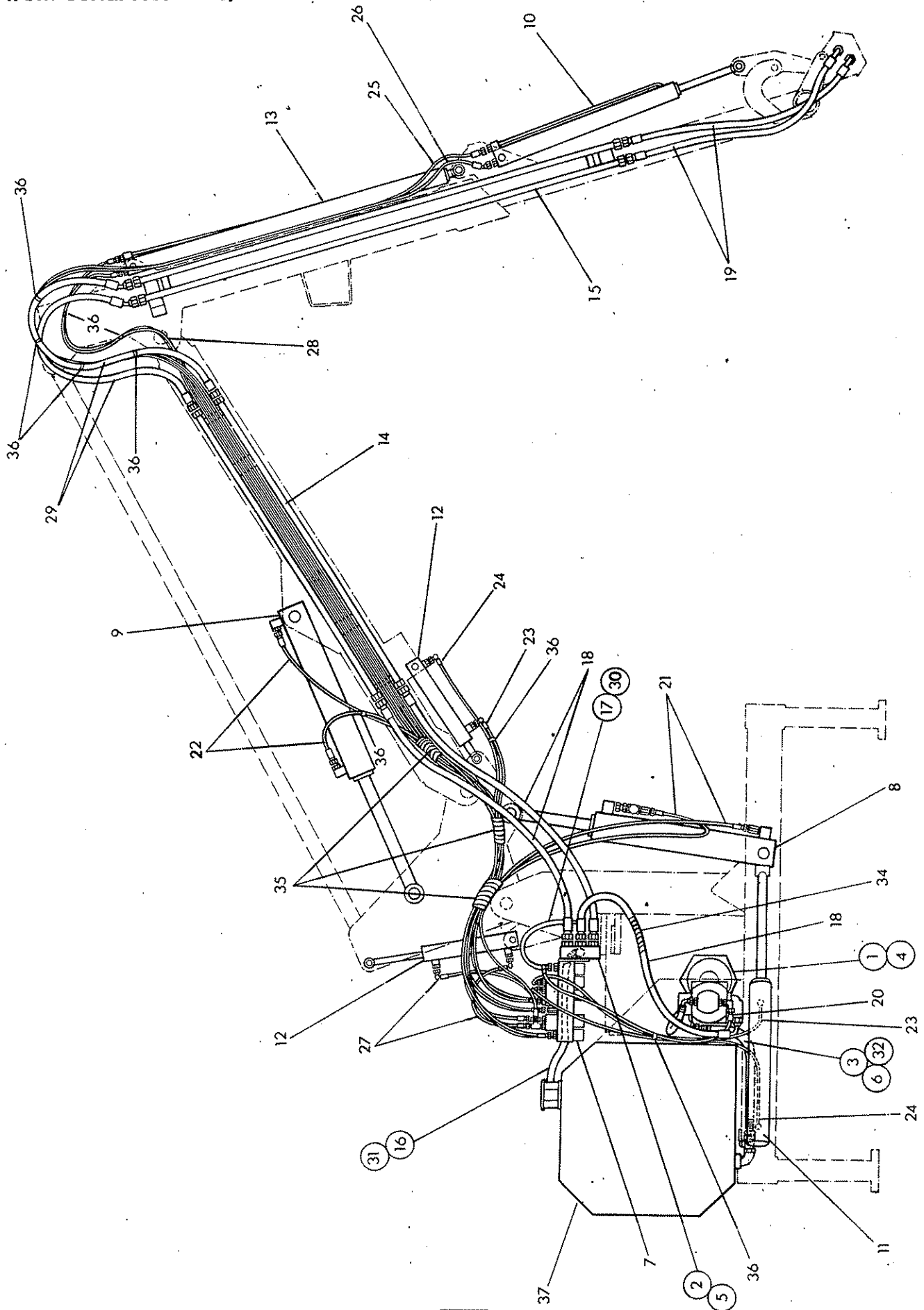
Ref.	Part No.	Qty.	Description
PA 2060 R.HAND HYDRAULIC INSTALLATION			
1		1	Pump and Gearbox see pages
2	81-25-366	1	Rotor control valve assembly see page 61
3	85-01-192	1	Hose 1 1/2" bore x 27" long - Suction
PA 2060 L.HAND HYDRAULIC INSTALLATION			
4		1	Pump and Gearbox see pages
5	81-25-364	1	Rotor control valve assembly see page
6	85-01-207	1	Hose 1 1/2" bore x 22" long-Suction
The remaining items are common to both hydraulic installations			
7	81-30-451	1	Armhead control valve assembly see page
8	75-60-340	1	Lift ram assembly see page
9	75-60-437	1	Reach ram assembly see page
10	75-60-344	1	Angling ram assembly see page
11	75-60-346	1	Slew ram assembly see page
12	75-60-356	2	Compensator ram assembly see page
13	75-60-364	1	Rigid pipes - main arm
14	75-60-366	1	Rigid pipes - dipper
15	85-00-858	1	Hose 1" bore x 58" long- return
16	85-01-099	1	Hose 5/8" bore x 13" long return AHV- RCV
17	85-01-060	5	Hose 1" BSP x 43" long-Flail supply. RCV-pipes. Dipper pivot
18	85-01-097	2	Hose 1" BSP x 34" long.Pipes- head pivot
19	85-31-243	1	Hose 3/8" BSP x 51" long Small pump-AHV
20	85-11-283	2	Hose 3/8" BSP x 64" long Lift
21	85-11-333	2	Hose 3/8" BSP x 86" long- Reach
22	85-35-072	2	Hose 1/4" BSP x 60" long. Slew gland. Comp reach gland SF - 90F
23	85-35-112	2	Hose 1/4" BSP x 66" long. Slew base.Comp reach base SF - 90F
24	85-15-072	2	Hose 1/4 BSP x 174" long . Angle. To Jan 1993
	85 15 182	2	Hose 1/4" BSP x 200" long. Angle. From Jan 1993
25	85-35-092	2	Hose 1/4" BSP x 22" long. Comp lift.
26	09-04-204	2	Hose clip - 5/8 bore
27	09-04-106	4	Hose clip- 1" bore
28	09-04-107	4	Hose clip - 1 1/2" bore
29	71-35-090	3	Hose armour
30	71-36-143	3	Hose armour
31	71-96-046	4	Hose armour
32	71-96-045	5	Hose tie
33		1	Hydraulic tank assembly see page 53 - 56

PA 2070 HYDRAULIC HOSES & INSTALLATION



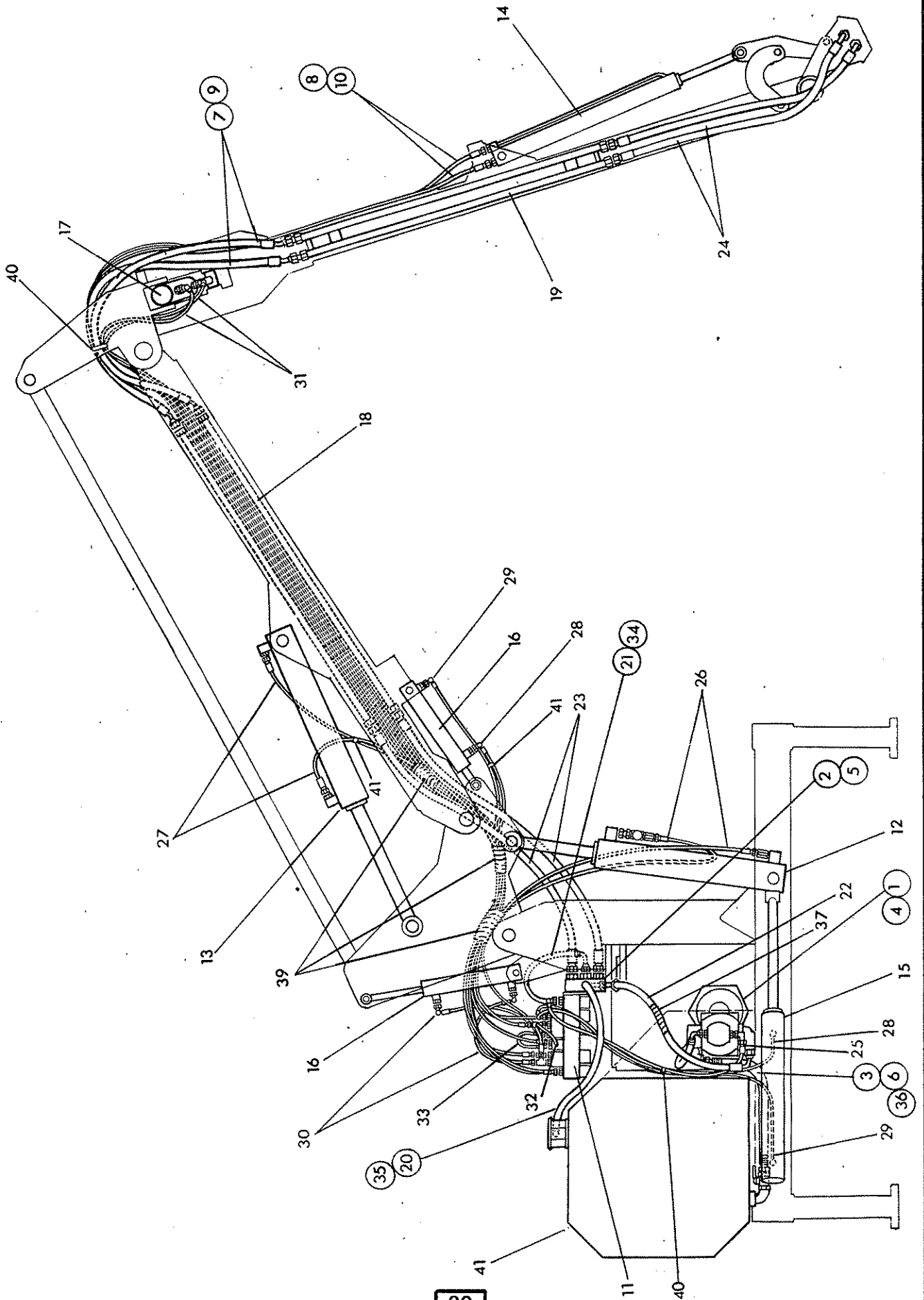
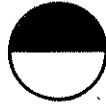
McCONNEL

from serial No. 70/NF062





Ref.	Part No.	Qty.	Description
HYDRAULIC INSTALLATIONS FOR PA2070			
R. HAND HYDRAULIC INSTALLATION			
1		1	Pump and Gearbox - see pages 47 - 50
2	81-25-366	1	Rotor control valve assembly - see page 51
3	85-01-192	1	Hose 1 1/2" bore x 27" long
L HAND HYDRAULIC INSTALLATION			
4		1	Pump and Gearbox - see pages 47 - 50
5	81-25-364	1	Rotor control valve assembly - see page 51
6	85-01-207	1	Hose 1 1/2" bore x 22" long
The remaining items are common to both hydraulic installations			
8	81-30-449	1	Armhead control valve assembly see page 33
9	75-60-340	1	Lift ram assembly see page 61
10	75-60-437	1	Reach ram assembly see page 67
11	75-60-344	1	Angling ram assembly see page 68
12	75-60-346	1	Slew ram assembly see page 65
13	75-60-356	2	Compensating ram assembly see page 70
14	75-70-318	1	Tele ram assembly see page 69
15	75-60-364	1	Rigid pipes - main arm
16	75-70-305	1	Rigid pipes - Tele
17	85-00-858	1	Hose 1" bore x 58" long. Return
18	85-01-099	1	Hose 5/8" bore x 13" long. Return AHV- RCV
19	85-01-060	3	Hose 1" BSP x 43" long. Flail supply. RCV.Pipes
20	85-01-097	2	Hose 1" BSPx 34" long. Tele pipes- head pivot
21	85-31-243	1	Hose 3/8 BSP x 51" long. Small pump. AHV
22	85-11-283	2	Hose 3/8" BSP x 64" long - Lift
23	85-11-333	2	Hose 3/8" BSP x 86" long. Reach
24	85-35-072	2	Hose 1/4 BSP x 60" long. Slew gland. Comp reach gland
25	85-35-112	2	Hose 1/4 BSP x 66" long. Slew base. Comp reach base
26	85-15-222	1	Hose 1/4" BSP x 248" long. Angle gland
27	85-45-072	1	Hose 1/4" BSP x 248" long. Angle base
28	85-35-092	2	Hose 1/4" BSP x 22" long. Comp lift
29	85-15-142	2	Hose 1/4" BSP x 144" long . Tele
30	85-01-211	2	Hose 1" BSP x 77" long. Dipper pivot
31	09-04-204	2	Hose clip
32	09-04-106	4	Hose clip
33	09-04-107	4	Hose clip
34	71-35-090	3	Hose armour
35	71-36-143	3	Hose armour
36	71-96-046	4	Hose armour
37	71-96-045	5	Hose tie
		1	Hydraulic tank assembly see page 53-56

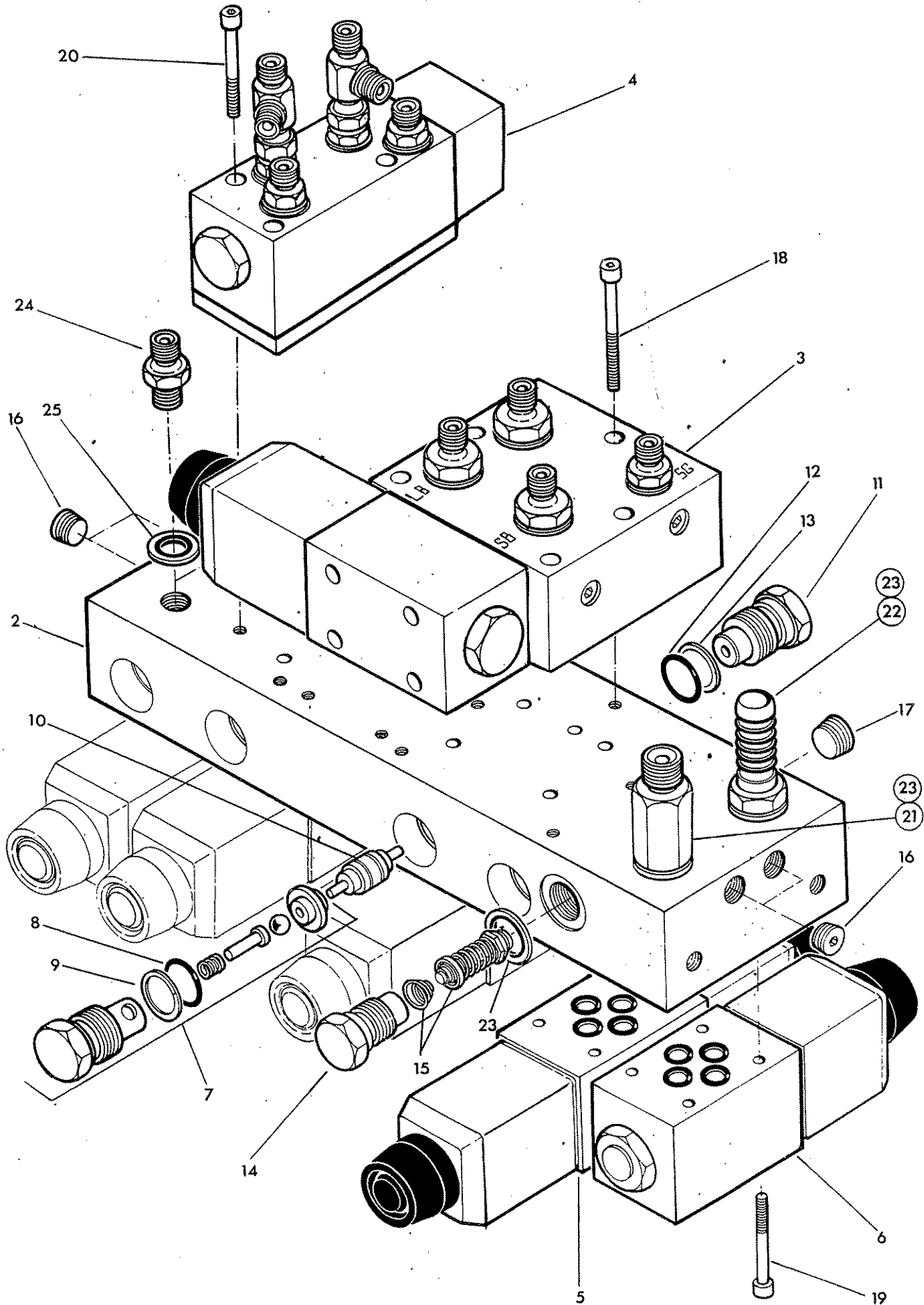




Ref.	Part No.	Qty.	Description
	80-17-384		PA2060M & 2080 R. HAND HYDRAULIC INSTALLATION
1	80-13-408	1	Pump and Gearbox see pages
2	81-25-368	1	Rotor control valve assembly - see page
3	85-01-192	1	Hose 1 1/2" bore x 27" long - Suction
	80-17-385		PA2060M & 2080 L.HAND HYDRAULIC INSTALLATION
4	80-13-409		Pump and Gearbox see pages
5	81-25-370	1	Rotor control valve assembly - see page
6	85-01-207	1	Hose 1 1/2" bore x 22" long - Suction
			PA2060M & 2080 WITH 1 M. F'WARD EXT.
7	85-01-194	2	Hose 1" BSP x 65" long-Dipper pivot 135F - 135F
8	85-15-182	2	Hose 1/4 BSP x 200" long - Angle - PA 2080 SF - SF
	85 15 022	2	Hose 1/4" BSP x 224" long. Angle. - PA2060M SF-SF
			PA 2060M & 2080 WITH 1.25 M. F'WARD EXT.
9	85-01-193	2	Hose 1" BSP x 71" long-Dipper pivot 135F - 135F
10	85-15-172	2	Hose 1/4" BSP x 212" long -Angle PA2080SF - SF
	85 15 252	2	Hose 1/4" BSP x 232" long - Angle.PA2060M SF-SF

The remaining items are common to all PA2060M & 2080 hydraulic installations

11	81-30-447	1	Armhead control valve assembly see page
12	75-60-340	1	Lift ram assembly see page
13	75-60-437	1	Reach ram assembly see page
14	75-60-344	1	Angling ram assembly see page
15	75-80-315	1	Slew ram assembly see page
16	75-60-356	2	Compensating ram assembly see page
17	75-80-300	1	Breakaway ram assembly - see page
18	75-60-364	1	Rigid pipes - main arm
19	75-60-366	1	Rigid pipes - dipper
20	85-00-858	1	Hose 1" bore x 58 long. Return
21	85-01-099	1	Hose 5/8 bore x 13" long.Return AHV- RCV
22	85-01-142	1	Hose 1" BSP x 58" long. Big pump RCV SF - 90F
23	85-01-060	2	Hose 1" BSP x 43" long RCV - pipes SF - SF
24	85-01-097	2	Hose 1" BSP x 34"long.Dipper- head pivotSF - 90F
25	85-31-243	1	Hose 3/8 BSP x 51"long.Small pump. AHV SF - 90F
26	85-11-283	2	Hose 3/8" BSP x 64" long. Lift SF - SF
27	85-11-333	2	Hose 3/8" BSP x 86" long. Reach SF - SF
28	85-35-072	2	Hose 1/4 BSP x 60"long. Slew gland. Comp reach gland SF - 90F
29	85-35-112	2	Hose 1/4 BSP x 66" long. Slew base. Comp reach base SF - 90F
30	85-35-092	2	Hose 1/4 BSP x 22" long.Comp lift SF - 90F
31	85-35-122	2	Hose 1/4 BSP x 142" long.Breakaway SF - 90F
32	85-35-102	1	Hose 1/4BSP x 17"long.Lift pilot SF - 90F
33	85-15-092	1	Hose 1/4 BSP x 12" long. Lift check SF - SF
34	09-04-204	2	Hose clip 5/8 bore
35	09-04-106	4	Hose clip 1" bore
36	09-04-107	4	Hose clip 1 1/2" bore
37	71-35-090	3	Hose armour - small 50mm long
38	71-36-143	3	Hose armour - large 80mm long
39	71-96-046	4	Hose armour - large 200mm long
40	71-96-045	5	Hose tie
41		1	Hydraulic tank assembly





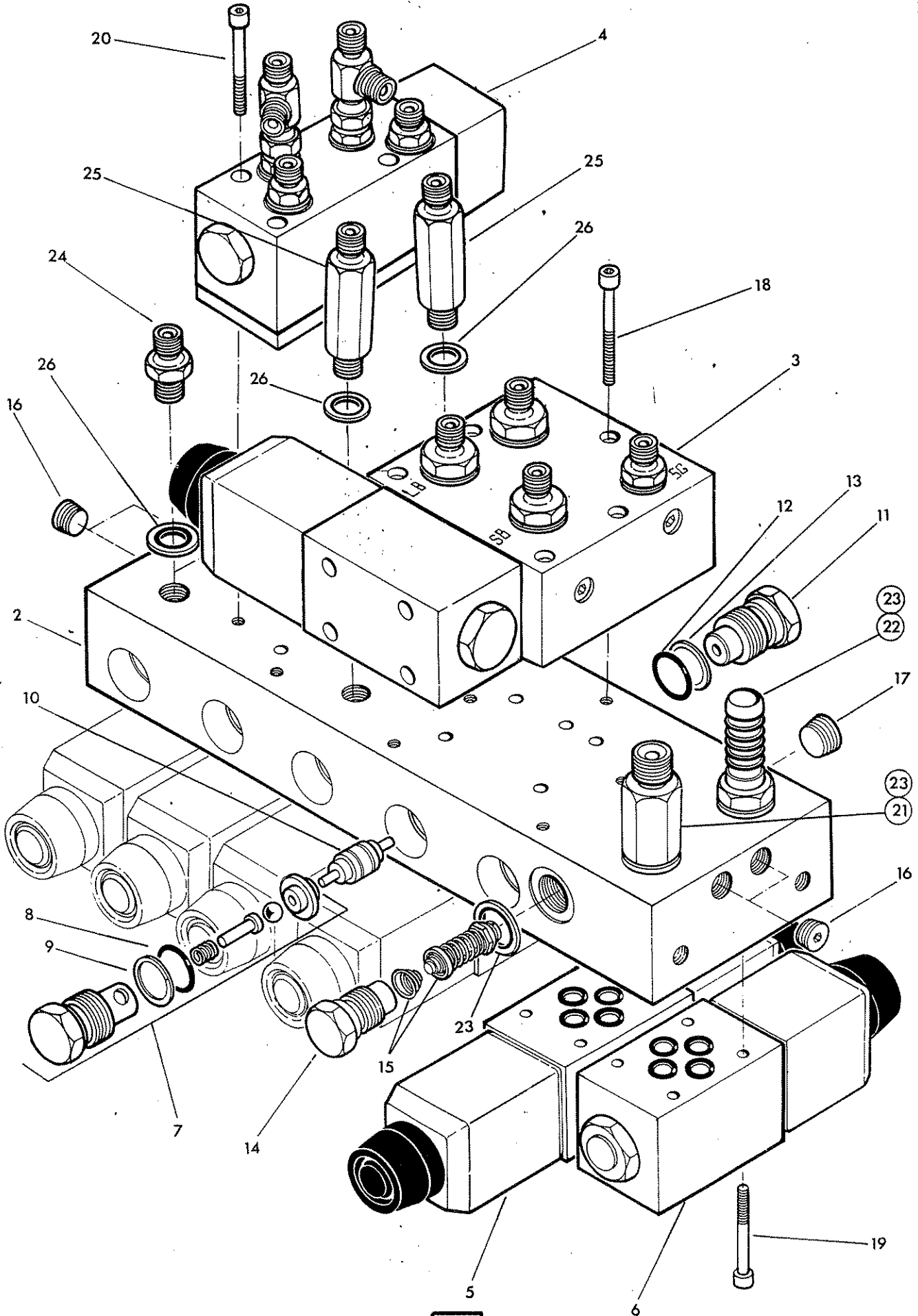
81-30-451

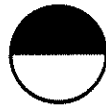
PA2060 ARMHEAD CONTROL ASSY.

1	81-30-477	1	Solenoid/manifold assembly compr:-	
2	81-30-346	1	Manifold block	
3	81-30-472	1	Slew circuit valve assembly see page 37	
4	81-30-453	1	Head compensator valve assembly see page 41	
5	81-30-455	4	Double solenoid valve - see page 43	
6	81-30-456	1	Single solenoid valve - see page 43	
7	81-30-090	7	Check valve assembly	
8	87-00-644	1	Check valve 'O' ring	
9	87-09-644	1	Check valve anti extrusion ring	
10	81-30-087	4	Actuator	
11	81-30-078	1	Check valve blank	
12	87-00-644	1	'O' ring	
13	87-09-644	1	Anti extrusion ring	
14	81-30-032	1	Relief valve cap	
15	81-30-124	1	Relief valve c/w spring	
16	85-82-042	4	Taper plug	
17	85-82-043	1	Taper plug	
18	92-43-082	5	Socket head cap screw	
19	92-43-062	20	Socket head capscrew	
20	92-43-102	4	Socket head capscrew	
21	85-81-236	1	Extended union	
22	85-25-008	1	Adaptor	
23	86-50-103	3	Bonded seal	
24	85-81-169	2	Union	
25	86-50-102	2	Bonded seal	
		1	Switch box assembly, mounting bracket and screws - not illus - see page 45	
26	75-60-041	1	Valve bracket	<p>Not illustrated</p> <p>See page 3</p>
27	75-60-359	1	Valve plate	
28	75-60-362	1	Solenoid cover R.Hand	
29	75-60-363	1	Solenoid cover L. Hand	
30	84-02-136	1	Solenoid wiring label	
31	71-09-151	1	Cable clamp	
32	93-13-055	4	Setscrew	
33	93-13-035	2	Setscrew	
34	91-00-205	6	Spring washer	
35	92-13-125	1	Bolt	
36	91-43-005	1	Self locking	
37	91-13-005	1	Nut	

86-99-197

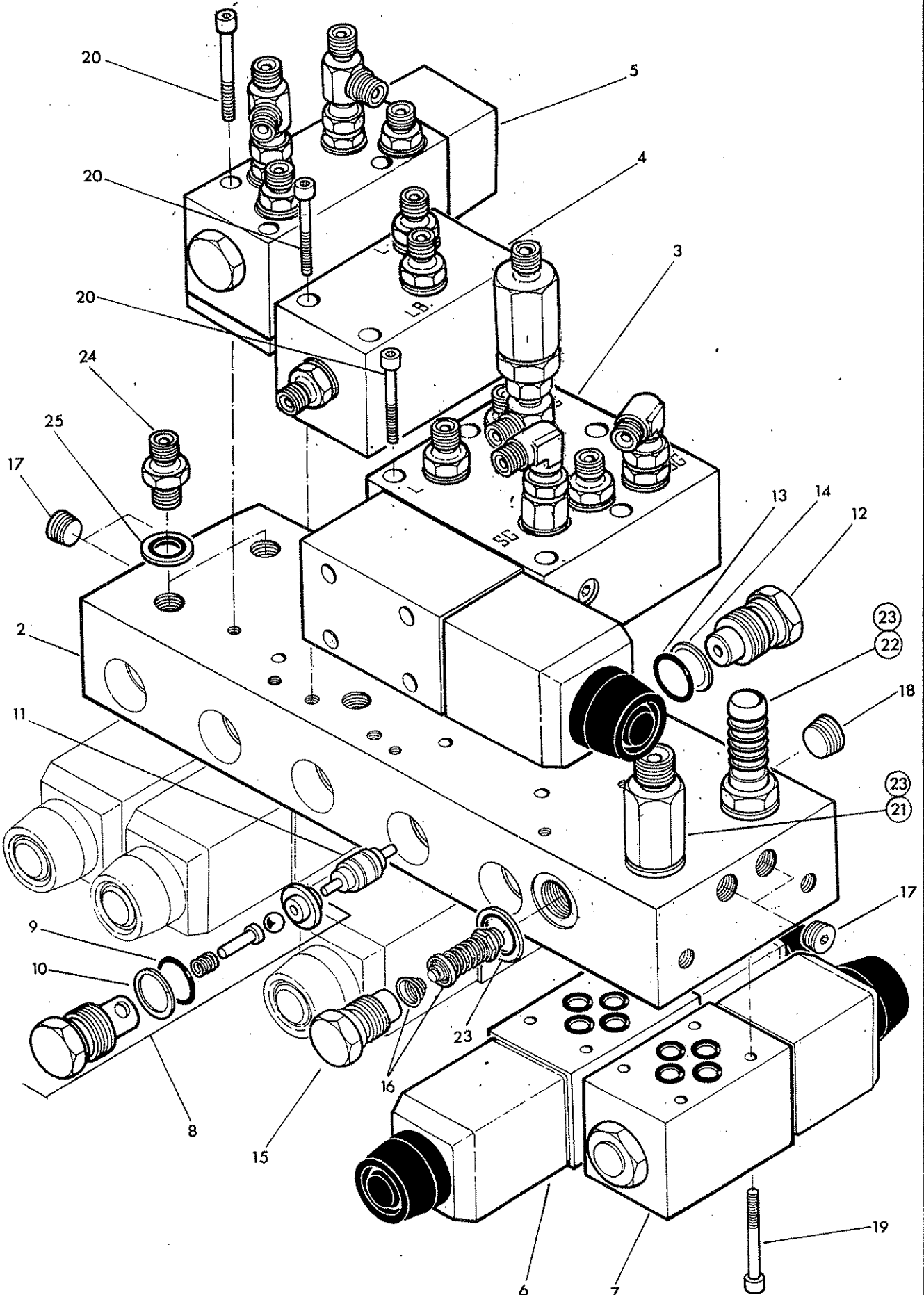
SEAL KIT

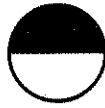




Ref.	Part No.	Qty.	Description
	81-30-449		PA2070 ARMHEAD CONTROL ASSY
1	81-30-479	1	Solenoid/manifold assembly compr:-
2	81-30-347	1	Manifold block
3	81-30-472	1	Slew circuit valve assembly see page 37
4	81-30-453	1	Head compensator valve assembly see page 41
5	81-30-455-	5	Double solenoid valve - see page 43
6	81-30-456	1	Single solenoid valve - see page 43
7	81-30-090	9	Check valve assembly
8	87-00-644	1	Check valve 'O' ring
9	87-09-644	1	Check valve anti extrusion ring
10	81-30-087	5	Actuator
11	81-30-078	1	Check valve blank
12	87-00-644	1	'O' ring
13	87-09-644	1	Anti extrusion ring
14	81-30-032	1	Relief valve cap
15	81-30-142	1	Relief valve c/w spring
16	85-82-042	4	Taper plug
17	85-82-043	1	Taper plug
18	92-43-082	5	Socket head cap screw
19	92-43-062	24	Socket head capscrew
20	92-43-102	4	Socket head capscrew
21	85-81-236	1	Extended union
22	85-25-008	1	Adaptor
23	86-50-103	2	Bonded seal
24	85-81-169	2	Union
25	85-81-279	2	Extended union
26	86-50-102	4	Bonded seal
		1	Switch box, mounting bracket etc. -see page 45
27	75-60-041	1	Valve bracket
28	75-60-359	1	Valve plate
29	75-60-362	1	Solenoid cover R. Hand
30	75-60-363	1	Solenoid cover L. Hand
31	84-02-136	1	Solenoid wiring label
32	71-09-151	1	Cable clamp
33	93-13-055	4	Setscrew
34	93-13-035	2	Setscrew
35	91-00-205	6	Spring washer
36	92-13-125	1	Bolt
37	91-43-005	1	Self locking nut
38	91-13-005	1	Nut
	86-99-197		SEAL KIT

Not
illustrated
See
page 3

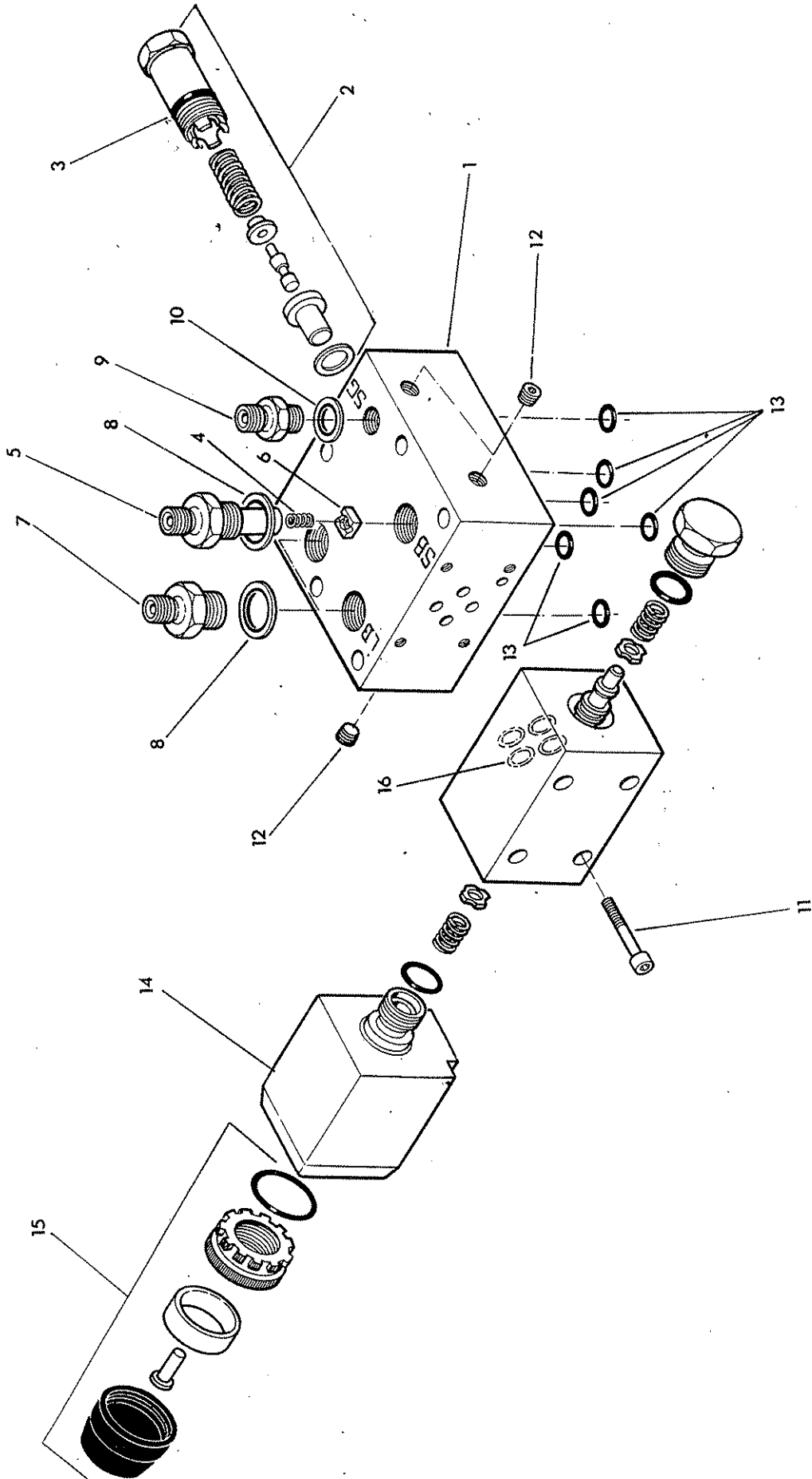




Ref.	Part No.	Qty.	Description
	81-30-447		PA 2060M & 2080 ARMHEAD CONTROL ASSY
1	81-30-481	1	Solenoid/manifold assembly compr:-
2	81-30-346	1	Manifold block
3	81-30-475	1	Park/Work valve assy see page 39
4	81-30-182	1	Lift check valve assy see page 39
5	81-30-453	1	Head compensator valve assembly see page 41
6	81-30-455	4	Double solenoid valve-see page 43
7	81-30-456	1	Single solenoid valve - see page 43
8	81-30-090	7	Check valve assembly
9	87-00-644	1	Check valve 'O' ring
10	87-09-644	1	Check valve anti extrusion ring
11	81-30-087	4	Actuator
12	81-30-078	1	Check valve blank
13	87-00-644	1	'O' ring
14	87-09-644	1	Anti extrusion ring
15	81-30-032	1	Relief valve cap
16	81-30-124	1	Relief valve c/w spring
17	85-82-042	4	Taper plug
18	85-82-043	1	Taper plug
19	92-43-062	20	Socket head capscrew
20	92-43-102	11	Socket head capscrew
21	85-81-236	1	Extended union
22	85-25-008	1	Adaptor
23	86-50-103	2	Bonded seal
24	85-81-169	2	Union
25	86-50-102	2	Bonded seal
		1	Switchbox, mounting bracket etc. -see page 45
26	75-60-041	1	Valve bracket
27	75-60-359	1	Valve plate
28	75-60-362	1	Solenoid cover R. Hand
29	75-60-363	1	Solenoid cover L. Hand
30	84-02-136	1	Solenoid wiring label
31	71-09-151	1	Cable clamp
32	93-13-055	4	Setscrew
33	93-13-035	2	Setscrew
34	91-00-205	6	Spring washer
35	92-13-125	1	Bolt
36	91-43-005	1	Self locking nut
37	91-13-005	1	Nut
	86-99-197		SEAL KIT

Not
illustrated

See page 3





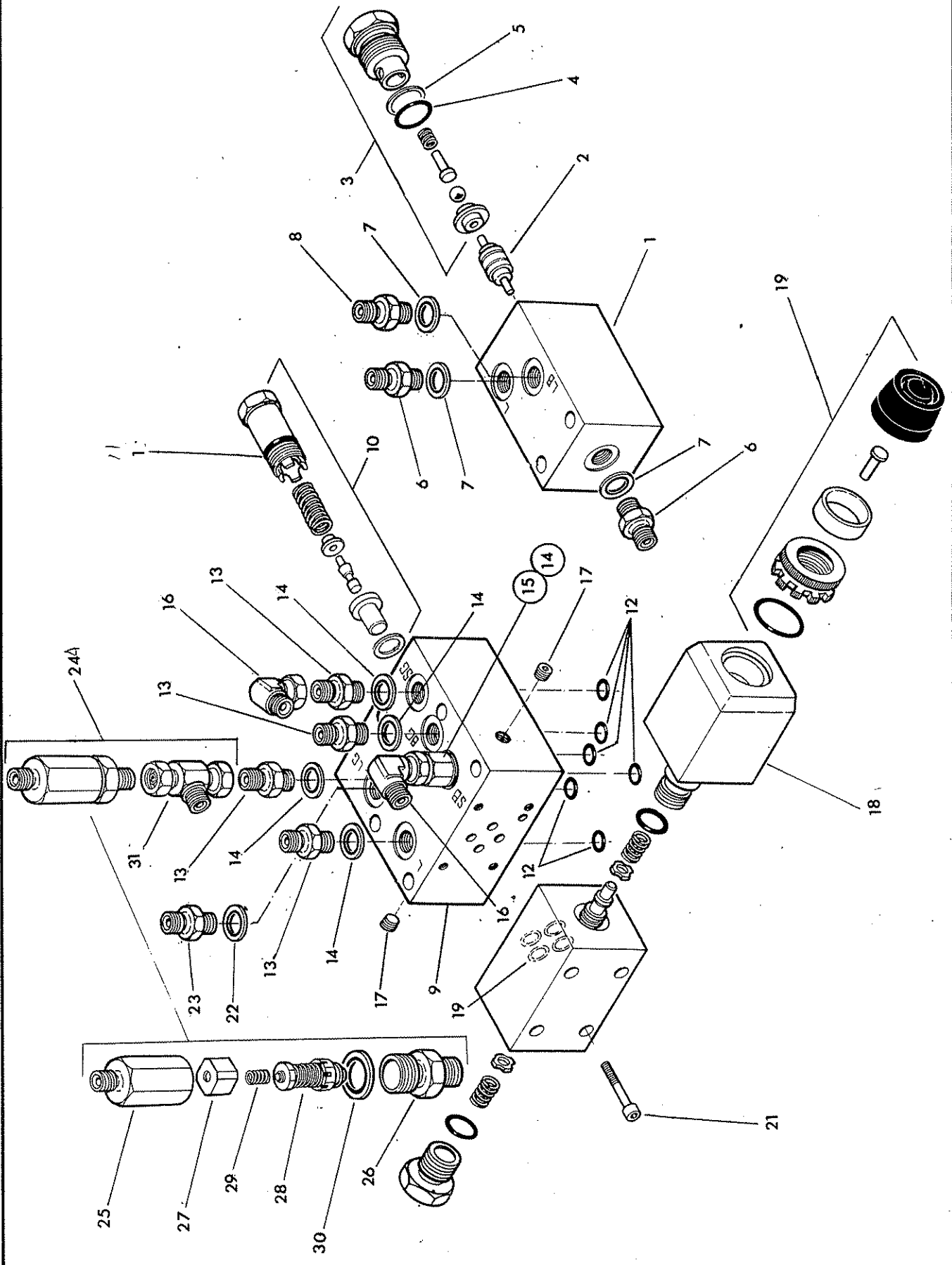
Ref.	Part No.	Qty.	Description
	81-30-472		PA 2060/PA 2070 SLEW VALVE ASSEMBLY
1	81-30-348	1	Valve block
2	81-30-149	1	Relief valve assembly
3	86-00-113	1	Relief valve 'O' ring
4	81-16-011	1	Spring
5	85-81-210	1	Special union
6	81-23-041	1	Restrictor disc - red
7	60-00-113	2	Adaptor
8	86-50-103	3	Bonded seal
9	85-81-169	1	Adaptor
10	86-50-102	1	Bonded seal
11	92-43-062	4	Capscrew socket head
12	85-82-041	4	Plug
13	87-00-511	6	O ring
	81-30-457	1	Single solenoid valve incl :-
14	81-30-175	1	Coil
15	81-30-176	1	Manual override kit
16	87-00-511	4	O ring
	86-99-224		SOLENOID SEAL KIT

2060M
2080

PARK / WORK VALVE
LIFT VALVE



McCOMEL





Ref.	Part No.	Qty.	Description
	81-30-182		PA 2060M & 2080 LIFT CHECK VALVE ASSEMBLY
1	81-30-440	1	Lift check block
2	81-30-087	1	Actuator
3	81-30-090	1	Check valve assembly
4	87-00-644	1	Check valve 'O' ring
5	87-09-644	1	Check valve anti extrusion ring
6	85-81-169	2	Adaptor
7	86-50-102	3	Bonded seal
8	85-81-115	1	Adaptor

	81-30-475		PA 2060M & 2080 PARK/WORK VALVE ASSEMBLY
9	81-30-474	1	Valve block
10	81-30-149	1	Relief valve assembly 1800 PSI (125 bar)
11	86-00-113	1	Relief valve 'O' ring
12	87-00-511	6	'O' ring
13	85-81-169	4	Adaptor
14	86-50-102	5	Bonded seal
15	85-81-279	1	Extended adaptor
16	85-81-190	2	Elbow
17	85-82-041	2	Taper plug
	81-30-458	1	Single solenoid valve incl :-
18	81-30-175	1	Coil
19	81-30-176	1	Manual override kit
20	87-00-511	4	'O' ring
21	92-43-062	4	Capscrew socket headed
22	86-50-103	1	Bonded seal
23	60-00-113	1	Union

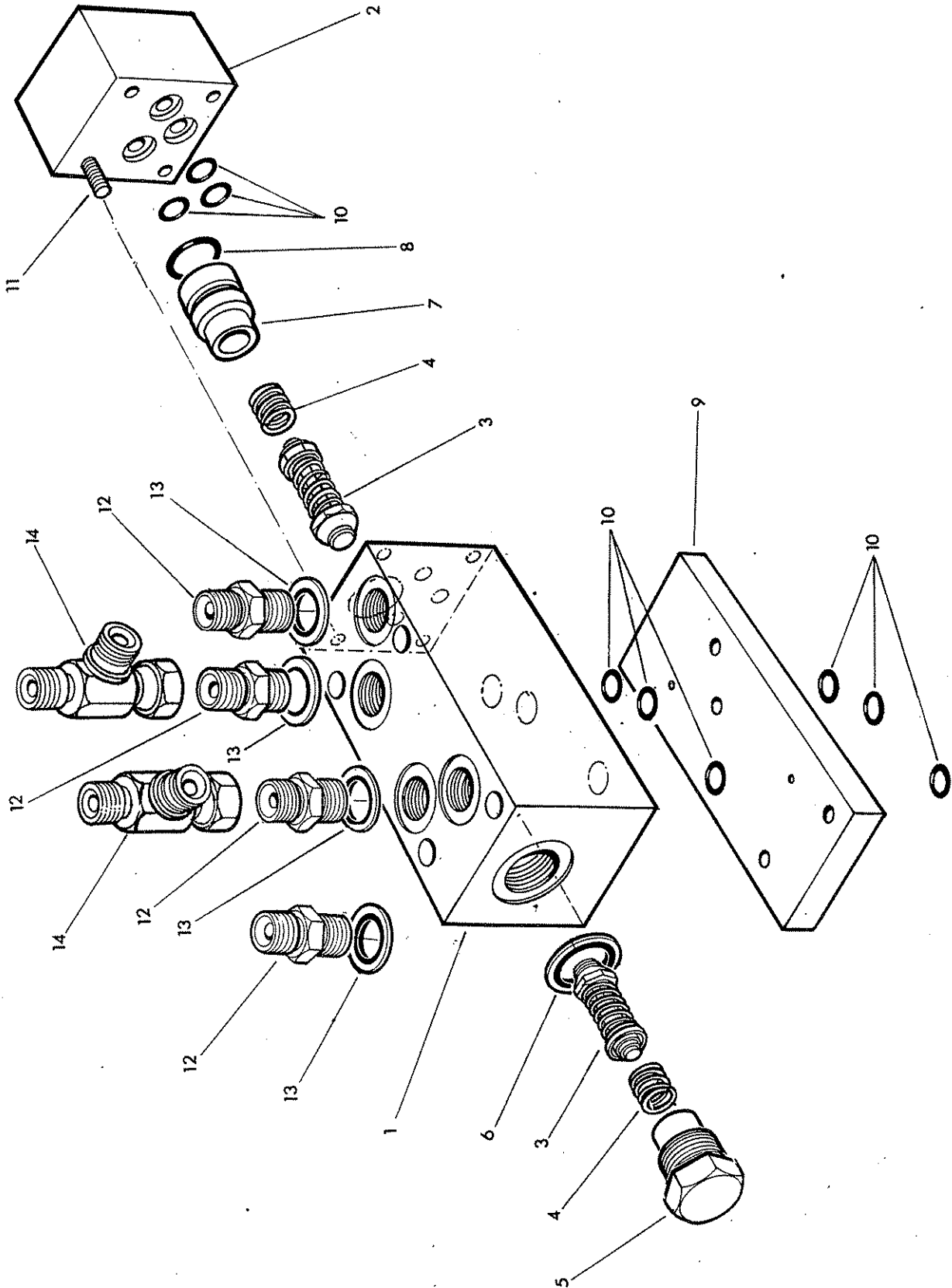
86-99-224**SOLENOID SEAL KIT****PARK/WORK VALVE ANCILLIARIES**

24	81-30-172	1	Relief valve assembly comprising
25	81-30-173	1	Relief valve housing
26	81-30-083	1	Relief valve body
27	81-30-174	1	Support plug
28	81-30-141	1	Relief valve Code 05
29	81-16-011	1	Spring
30	86-50-104	1	Bonded seal
31	85-81-289	1	Tee

COMPENSATOR VALVE



McCONNEL



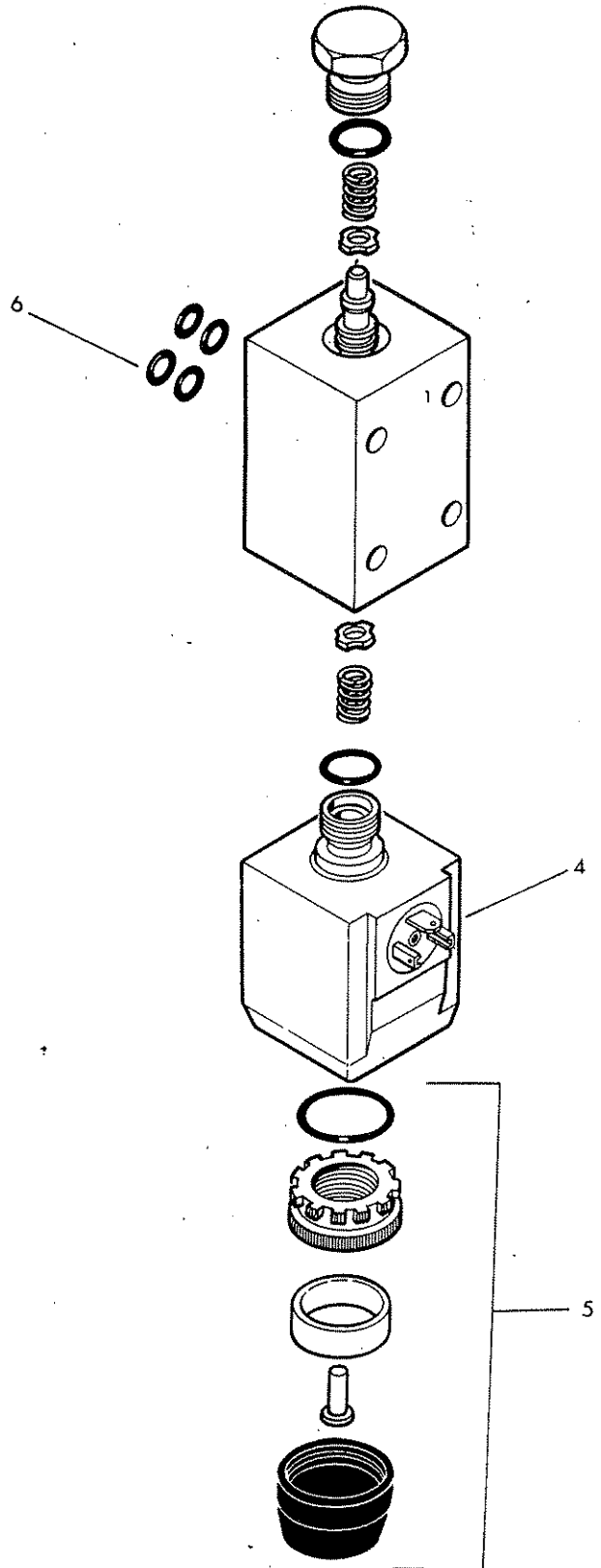
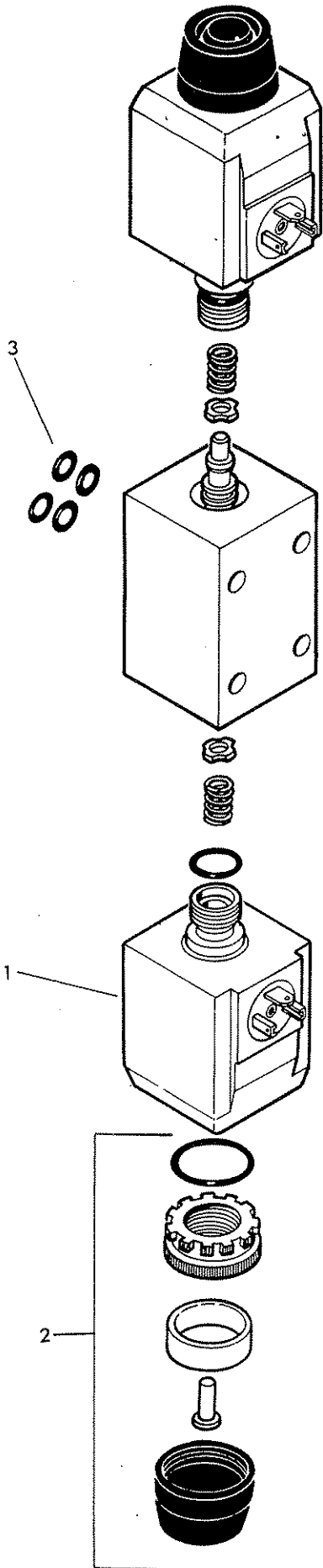


Ref.	Part No.	Qty.	Description
	81-30-453		HEAD COMPENSATOR VALVE
1	81-30-361	1	Valve block
2	81-30-139	1	Blanking plate
3	81-30-124	2	Relief valve
4	81-16-011	2	Spring
5	81-30-032	1	Relief valve cap
6	86-50-103	1	Bonded seal
7	81-30-140	1	Valve plug
8	86-00-109	1	'O' ring
9	81-30-439	1	Restrictor plate
10	87-00-511	9	'O' ring
11	92-43-062	5	Capscrew socket head
12	85-81-169	4	Adaptor
13	86-50-102	4	Bonded seal
14	85-81-254	2	Tee

SOLENOIDS



McDONNELL





81-30-455

DOUBLE SOLENOID VALVE

1	81-30-175	2
2	81-30-176	2
3	87-00-511	4

Coil
Manual override kit
'O' ring

81-30-456

SINGLE SOLENOID VALVE

4	81-30-175	1
5	81-30-176	1
6	87-00-511	4

Coil
Manual override kit
'O' ring

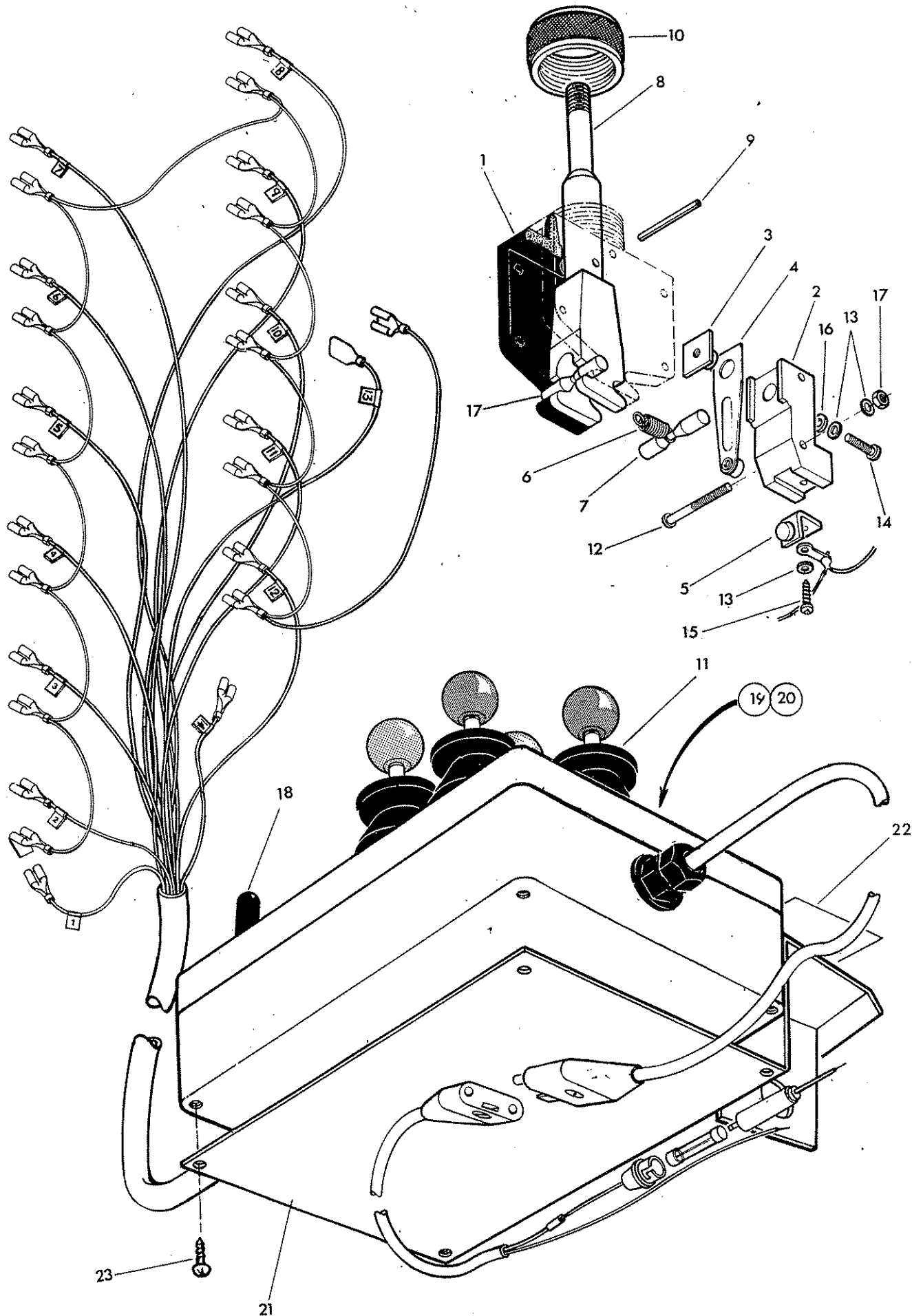
86-99-224

SEAL KIT

SWITCHBOX



McCONEL





Ref.	Part No.	Qty.	Description
	84-02-290		PA 2060/PA2070 SWITCH BOX ASSEMBLY
	84-02-122	5	Switch unit compr:
1	84-02-285	1	Switch body
2	84-02-106	2	Contact holder
3	84-02-109	2	Spring contact retainer
4	84-02-113	2	Spring contact
5	84-02-108	2	Fixed contact
6	84-02-101	1	Spring
7	84-02-111	2	Bar
8	84-02-256	1	Lever
9	04-25-320	1	Spring dowel
10	84-02-051	1	Bezel ring
11	84-02-022	1	Lever gaiter
12	92-00-006	4	Screw - posidrive - panhead
13	91-00-400	8	External serrated washer
14	92-00-005	2	Screw - posidrive - panhead
15	84-02-119	2	Self tapping screw
16	84-02-280	2	Plain washer
17	91-13-000	2	Hexagon nut - plated
18	84-02-024	3	Toggle switch weather gaiter
19	12-90-351	1	Operating label - not illustrated

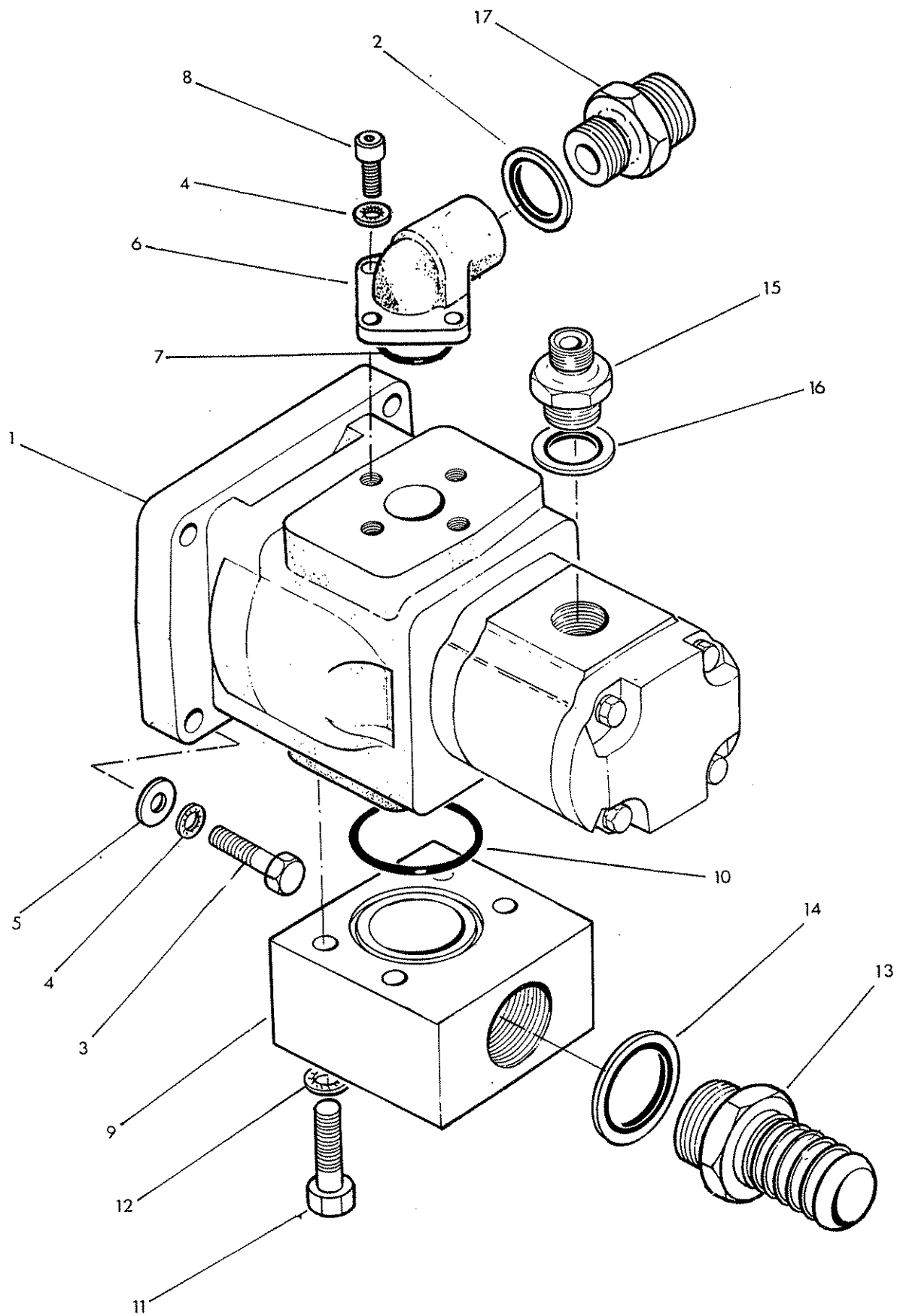
84-02-296**PA2060M & 2080 SWITCH BOX ASSEMBLY**

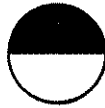
The switch box assemblies are **not interchangeable** due to circuitry variations. Available spares are identical to above plus the following addition.

20	12-90-034	1	Park/work overlay sticker - not illus
----	-----------	---	---------------------------------------

SWITCH BOX ANCILLIARIES

21	84-02-294	1	Switch box mounting bracket c/w label
22	84-02-135	1	'Slew caution' label
23	28-00-203	4	Self tapping screw





Ref.	Part No.	Qty.	Description
PUMP ASSEMBLY			
1	82 01 688	1	Tandem pump incl -
	82 01 165	1	Large pump
	82 01 167	1	Small pump
2	86 50 106	1	Bonded seal
3	93-13-074	4	Bolt
4	91-00-404	7	Shakeproof washer
5	91-00-104	4	Plain washer
6	80-05-052	1	Pressure connection
7	86-00-403	1	'O'ring
8	93-43-054	3	Cap screw
9*	85 81 312	1	Suction flange
10	86-00-304	1	'O' ring
11	92-13-146	4	Bolt
12	91-00-406	4	Shakeproof washer
13*	85-81-260	1	Adaptor
14	86-50-109	1	Bonded seal
15	60-00-112	1	Adaptor
16	86-50-104	2	Bonded seal
17	80-02-086	1	Adaptor

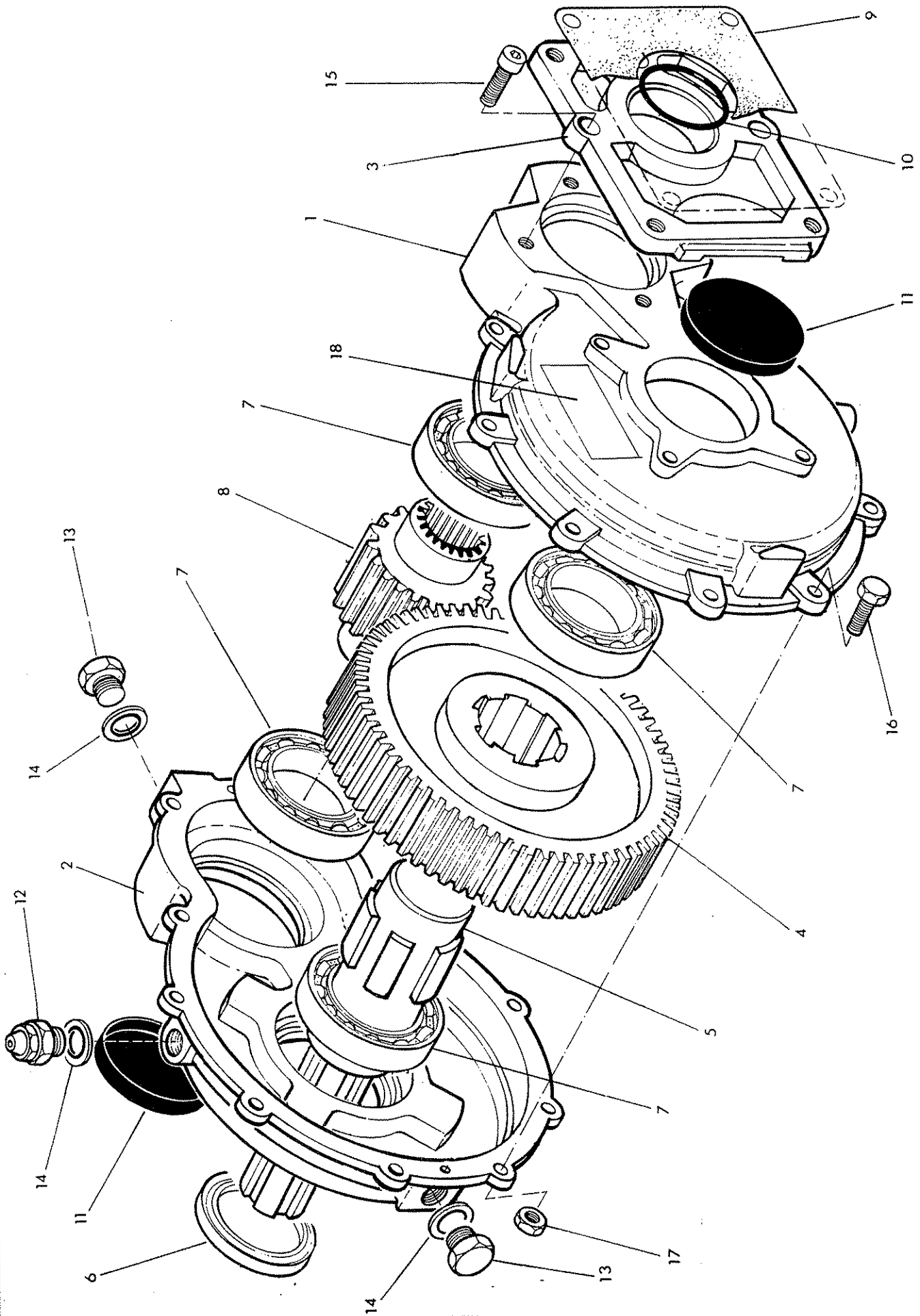
86-99-234

PUMP SEAL KIT

GEARBOX



McCONNELL



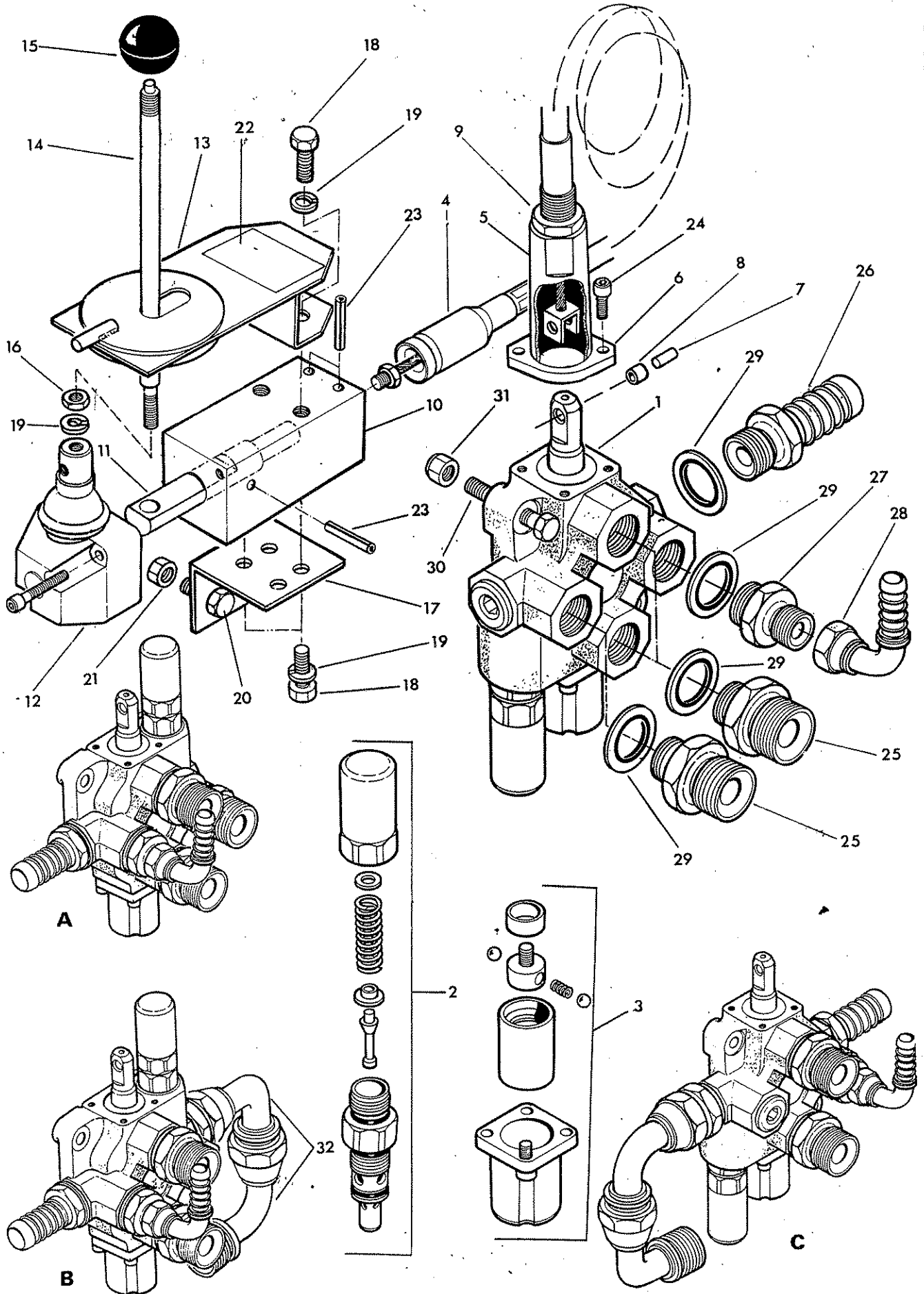


Ref	Part No	Qty	Description
	80 13 444		GEARBOX
1	80 13 100	1	Case - output side
2	80 13 101	1	Case - input side
3	80 13 102	1	Pump mounting flange
4	80 13 105	1	Gear
5	80 13 105	1	Shaft
6	86 29 196	1	Shaft seal
7	06 00 042	4	Bearing
8	80 13 104	1	Pinion
9	80 13 056	1	Gasket
10	86 00 523	1	'O' ring
11	80 13 106	2	End cover
12	80 13 107	1	Breather/adaptor
13	85 81 133	4	Plug
14	86 50 102	4	Bonded seal
15	93 43 045	3	Capscrew socket headed
16	92 13 064	10	Bolt
17	91 43 004	10	Self locking nut
18	12 90 054	1	Sticker

ROTOR CONTROL VALVE



McCormel





MCCORMEL

Ref.	Part No.	Qty.	Description
	81-25-366		PA2060 / PA2070 ROTOR CONTROL VALVE R. HAND as illustrated
A	81-25-364		PA 2060/PA2070 ROTOR CONTROL VALVE L. HAND
B	81-25-368		PA 2060M & 2080 ROTOR CONTROL VALVE R.HAND
C	81-25-370		PA 2060M & 2080 ROTOR CONTROL VALVE L.HAND

The parts list are identical for all R.C. valves which vary only in assembly.

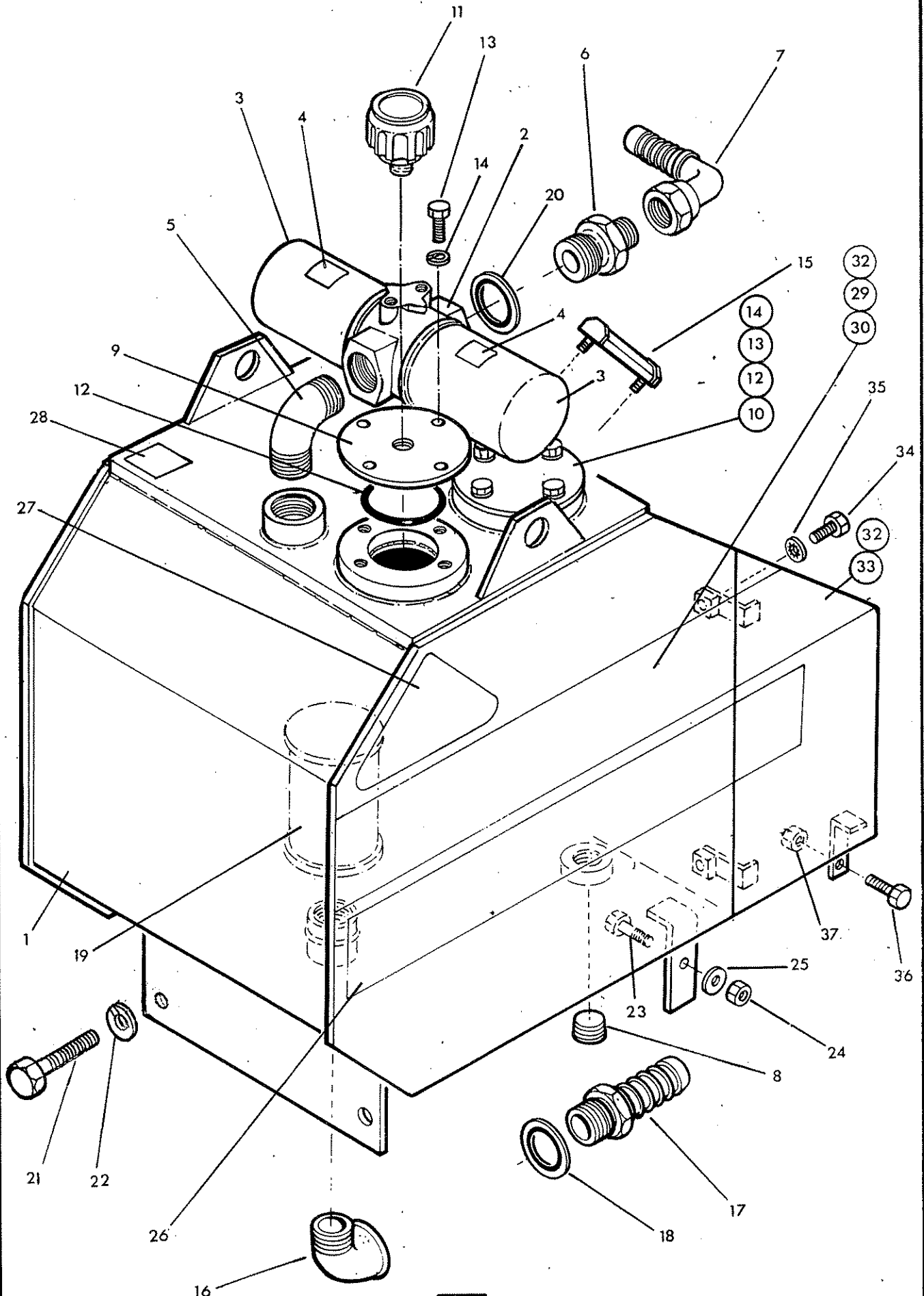
1	81-25-356	1	Rotor control valve
2	81-25-108	1	Relief valve 2750 PSI (190 Bar)
3	81-25-109	1	Detent assembly
4	81-25-102	1	Cable assembly comprising:-
5	81-25-097	1	Sleeve
6	81-25-098	1	Flange
7	81-25-099	1	Pin
8	81-25-100	1	Bush
9	01-31-006	1	Thin locknut
10	81-25-093	1	Control block
11	81-30-053	1	Control spindle
12	81-30-065	1	Pivot box assembly
13	81-25-089	1	Lever control gate
14	71-14-072	1	Lever
15	09-03-121	1	Lever knob - black
16	91-13-004	1	Thin locknut
17	81-25-070	1	Control block mounting bracket
18	93-13-034	4	Setscrew
19	91-00-204	5	Spring washer
20	93-13-044	2	Setscrew
21	91-43-004	2	Self locking nut
22	12-90-338	1	Operating sticker
23	04-25-540	3	Spring dowel
24	93-43-033	2	Capscrew socket head
25	80-02-086	3	Adaptor
26	85-81-246	1	Adaptor
27	85-81-270	1	Adaptor
28	85-81-173	1	Elbow 90 degrees
29	86-50-106	5	Bonded seal
	86-99-218		SEAL KIT
			ROTOR CONTROL VALVE ANCILLIARIES
30	92-13-085	2	Setscrew
31	91-43-005	2	Self locking nut
32	85-81-264	2	Swept elbow

PA2060M & 2080 only

HYDRAULIC TANK



McCONEL

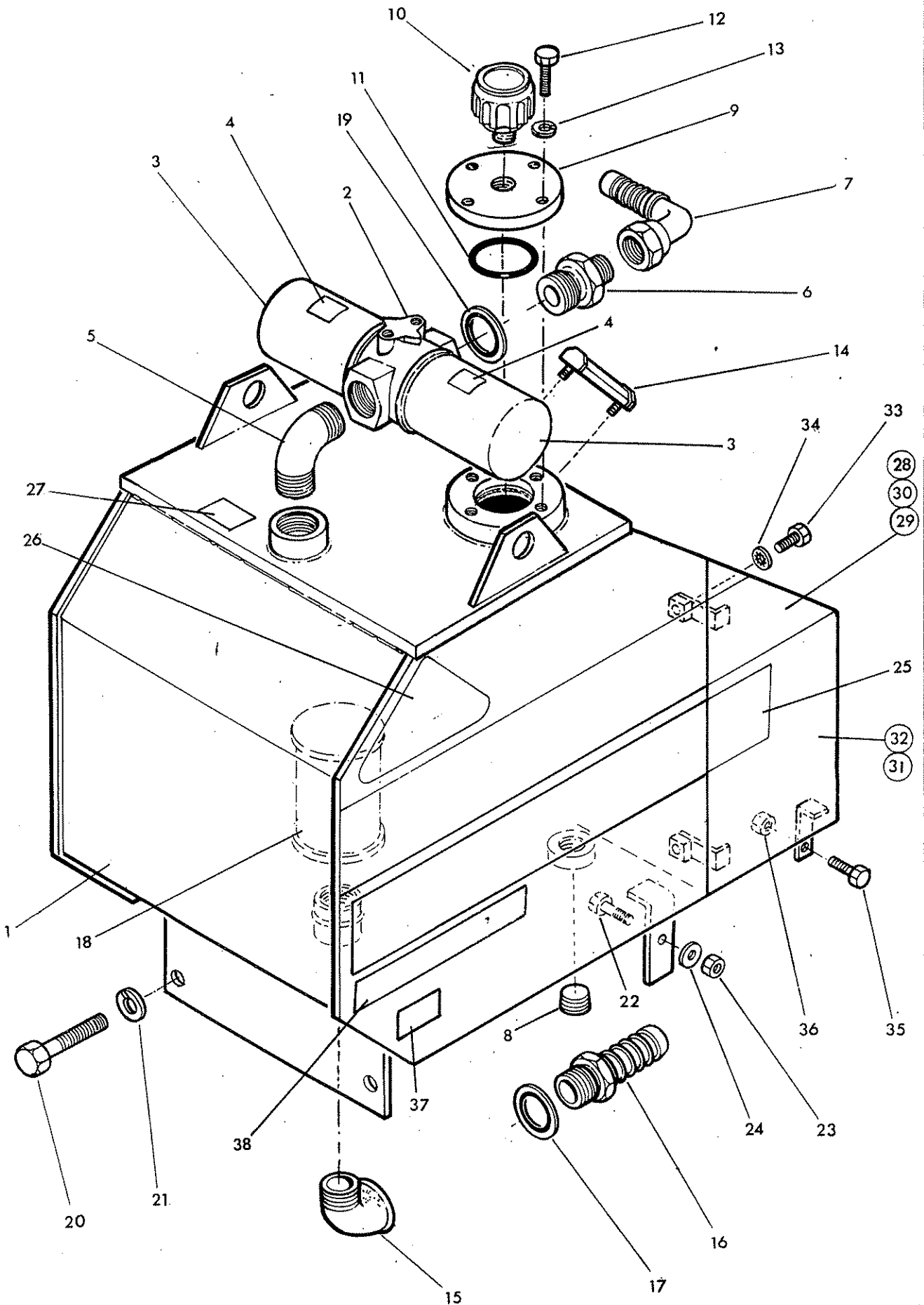


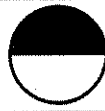


Ref	Part No.	Qty.	Description
OIL TANK AND FITTINGS			
	75-60-413	1	Oil tank assembly compr:-
1	75-60-411	1	Oil tank
2	84-01-060	1	Filter body
3	84-01-062	2	Filter element
4	12-90-023	2	Oil filter sticker
5*	85-81-292	1	Elbow
6	85-81-291	1	Adaptor
7	71-14-005	1	Swept elbow
8	85-81-203	1	Drain plug
9	71-92-063	1	Access cover - Tapped
10	71-92-062	1	Access cover - plain
11	84-01-063	1	Breather
12	86-50-151	2	O ring
13	93-13-054	8	Setscrew
14	91-00-204	8	Spring washer
15	84-01-048	1	Oil level gauge
16*	85-81-261	1	90 degrees elbow
17	85-81-260	1	Suction connection
18	86-50-109	1	Bonded seal
19	84-01-047	1	Strainer
20	86-50-224	1	Bonded seal
21	92-13-187	2	Bolt
22	91-00-207	2	Spring washer
23	93-13-055	1	Setscrew
24	91-43-005	1	Self locking nut
25	91-00-105	1	Plain washer
TANK ANCILLIARIES			
26	12-90-345	1	Sticker "McConnel" striped
27	12-90-346	1	Sticker "Warning triangle"
28	12-90-023	1	Sticker "Oil filter"
29	12-90-342	1	Sticker "PA2080"
30	12-90-343	1	Sticker "PA2070"
31	12-90-344	1	Sticker "PA2060"
32	75-60-012	1	Tank extension plate R hand build
33	75-60-013	1	Tank extension plate L.hand build - not illus
34	93-13-045	2	Setscrew
35	91-00-305	2	Internal serrated washer
37	93-13-055	1	Setscrew
37	91-43-005	1	Self locking nut

Assembly note

* To be fitted using PTFE tape, Permabond A121 or similar





Ref	Part No.	Qty.	Description
-----	----------	------	-------------

ENDURO OIL TANK AND FITTINGS

	75-60-436	1	Oil tank assembly compr:-
1	75-60-431	1	Oil tank
2	84-01-060	1	Filter body
3	84-01-062	2	Filter element
4	12-90-023	2	Oil filter sticker
5*	85-81-292	1	Elbow
6	85-81-291	1	Adaptor
7	71-14-005	1	Swept elbow
8	85-81-203	1	Drain plug
9	71-92-063	1	Access cover - Tapped
10	84-01-063	1	Breather
11	86-50-151	1	O ring
12	93-13-054	4	Setscrew
13	91-00-204	4	Spring washer
14	84-01-048	1	Oil level gauge
15*	85-81-261	1	90 degrees elbow
16	85-81-260	1	Suction connection
17	86-50-109	1	Bonded seal
18	84-01-047	1	Strainer
19	86-50-224	1	Bonded seal
20	92-13-187	2	Bolt
21	91-00-207	2	Spring washer
22	93-13-055	1	Setscrew
23	91-43-005	1	Self locking nut
24	91-00-105	1	Plain washer

TANK ANCILLIARIES

25	12-90-345	1	Sticker "McConnel" striped
26	12-90-346	1	Sticker "Warning triangle"
27	12-90-023	1	Sticker "Oil filter"
28	12-90-342	1	Sticker "PA2080"
29	12-90-343	1	Sticker "PA2070"
30	12-90-344	1	Sticker "PA2060"
31	75-60-012	1	Tank extension plate R hand build
32	75-60-013	1	Tank extension plate L hand build - not illus
33	93-13-045	2	Setscrew
34	91-00-305	2	Internal serrated washer
35	93-13-055	1	Setscrew
36	91-43-005	1	Self locking nut
37	12-90-053	1	Sticker - Enduro
38	12 90 361	1	Sticker - Midcut - PA2060M only

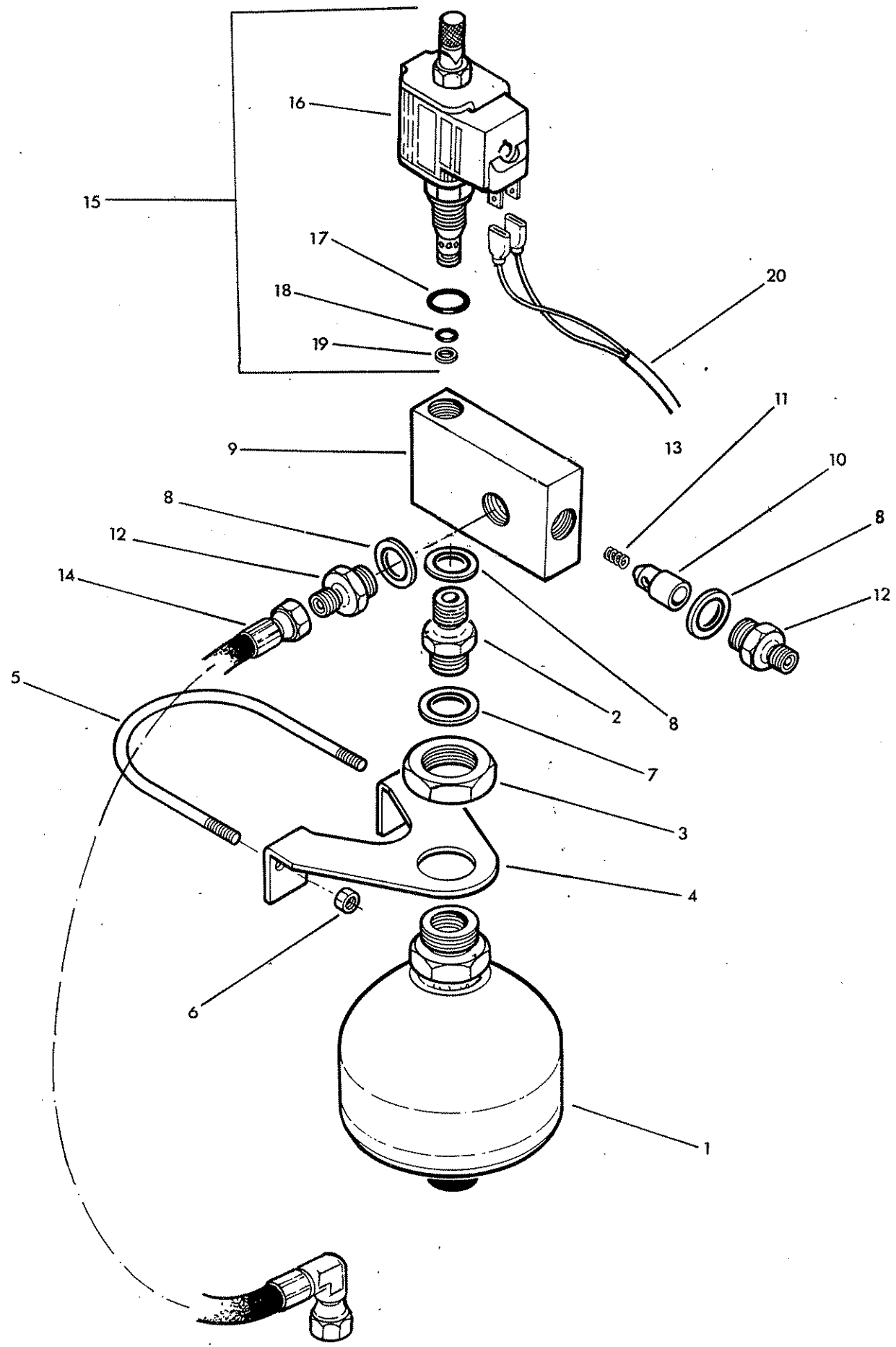
Assembly note

* To be fitted using PTFE tape, Permabond A121 or similar

LIFT FLOAT KIT

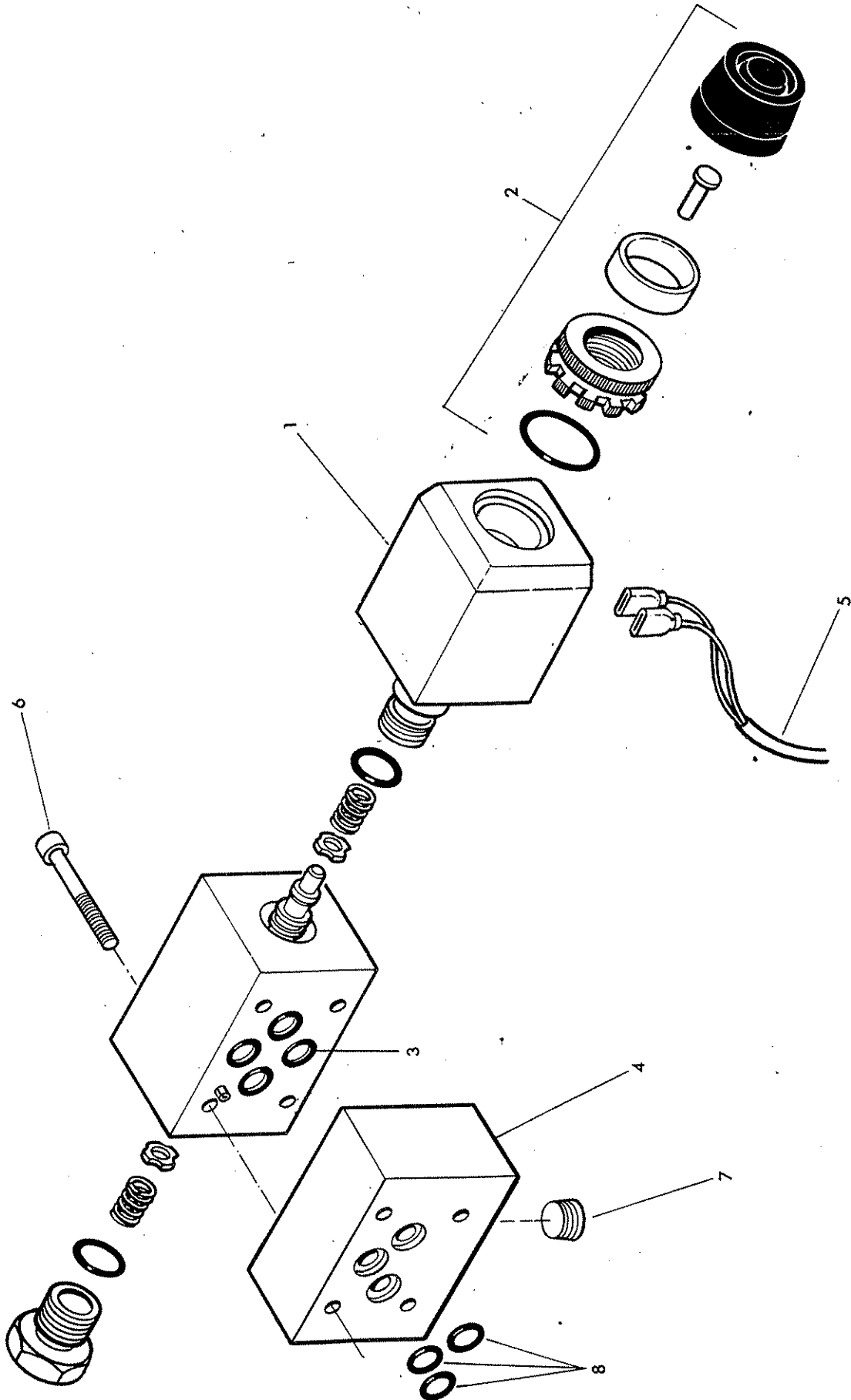


McCOMEL





Ref.	Part No.	Qty.	Description
	81 26 288		LIFT FLOAT KIT - Quick response
1	81 26 034	1	Accumulator
2	G241 0380	1	Adaptor
3	81 26 035	1	Bulkhead nut
4	81 26 284	1	Bracket
5	81 26 038	1	U bolt
6	91 43 004	2	Self locking nut
7	86 50 322	1	Bonded seal
8	86 50 103	3	Bonded seal
9	81 26 287	1	Control block
10	81 26 037	1	Response piston
11	81 16 011	1	Spring
12	60 00 113	2	Adaptor
13	12 90 061	1	Operating sticker
14	85 31 353	1	Hose
15	81 30 183	1	Poppet valve including :-
16	81 30 184	1	Coil
17	87 00 017	1	O ring
18	87 00 511	1	O ring
19	87 09 511	1	Anti extrusion ring
20	84 02 159	1	Cable



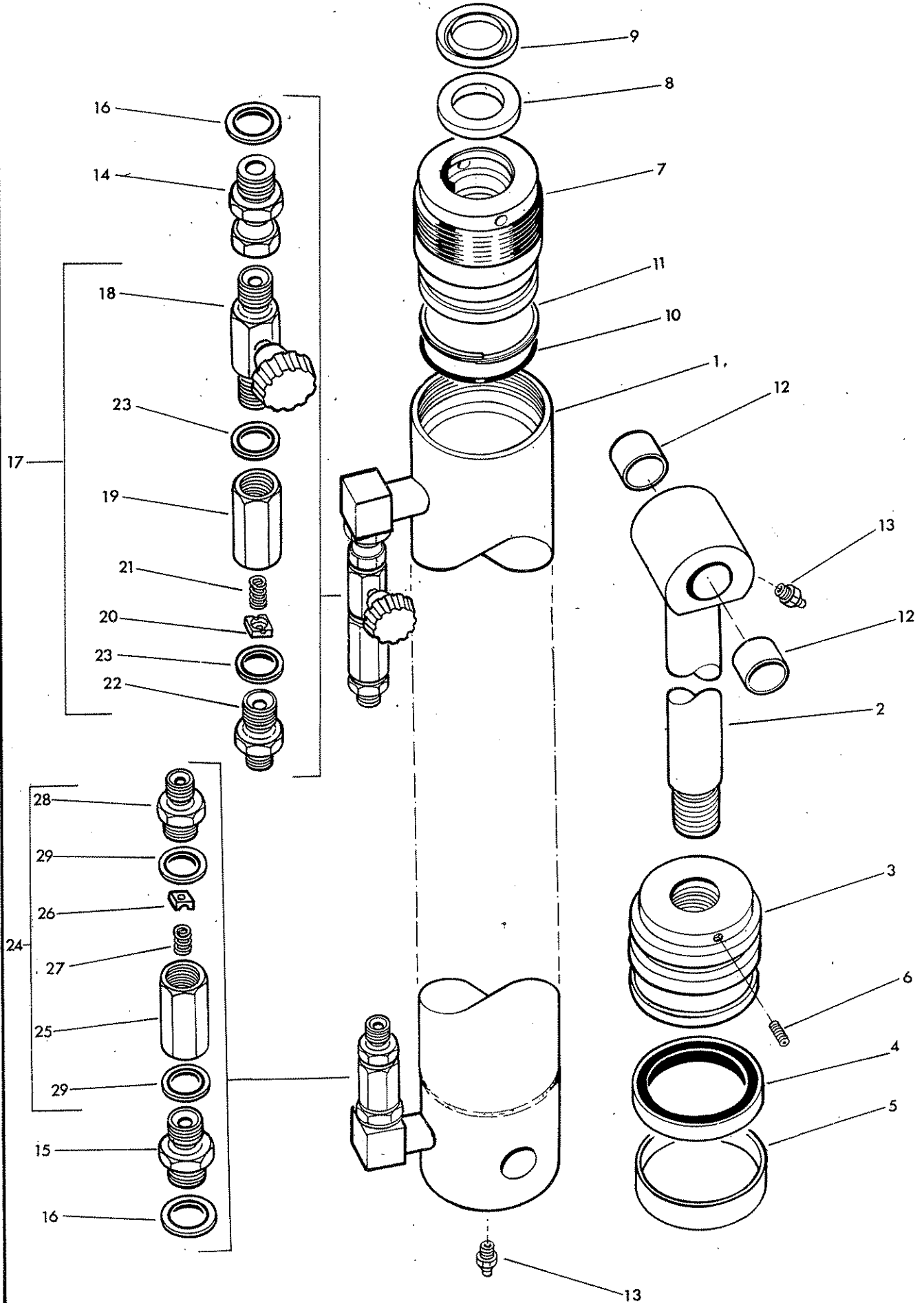


Ref.	Part No.	Qty.	Description
	81-26-281		ANGLE FLOAT KIT . Optional extra for ground cutting
	81-30-457	1	Single solenoid valve compr:-
1	81-30-175	1	Coil
2	81-30-176	1	Manual override kit
3	87-00-511	4	O ring
4	81-26-280	1	Bridging plate
5	84-02-059	1	Wiring harness
6	92-43-102	4	Capscrew - socket headed
7	85-82-041	1	Plug
8	87-00-511	3	'O' ring
	86-99-224		SOLENOID SEAL KIT

LIFT RAM



MCCORMEL





75-60-340

LIFT RAM ASSEMBLY

1	75-60-301	1	Cylinder
2	75-60-001	1	Rod
3	75-60-302	1	Piston
4	86-29-182	1	Piston seal
5	86-29-183	1	Bearing ring
6*	93-63-033	1	Grubscrew socket head
7	75-60-303	1	Gland housing
8	86-29-184	1	Rod seal
9	86-29-185	1	Wiper seal
10	86-00-317	1	'O' ring
11	86-09-317	1	Anti extrusion ring
12	71-15-208	2	Bush
13	09-01-121	2	Greaser
14	85-81-285	1	Straight swivel adaptor
15	60-00-112	1	Adaptor
16	86-50-104	2	Bonded seal

86-99-223

SEAL KIT

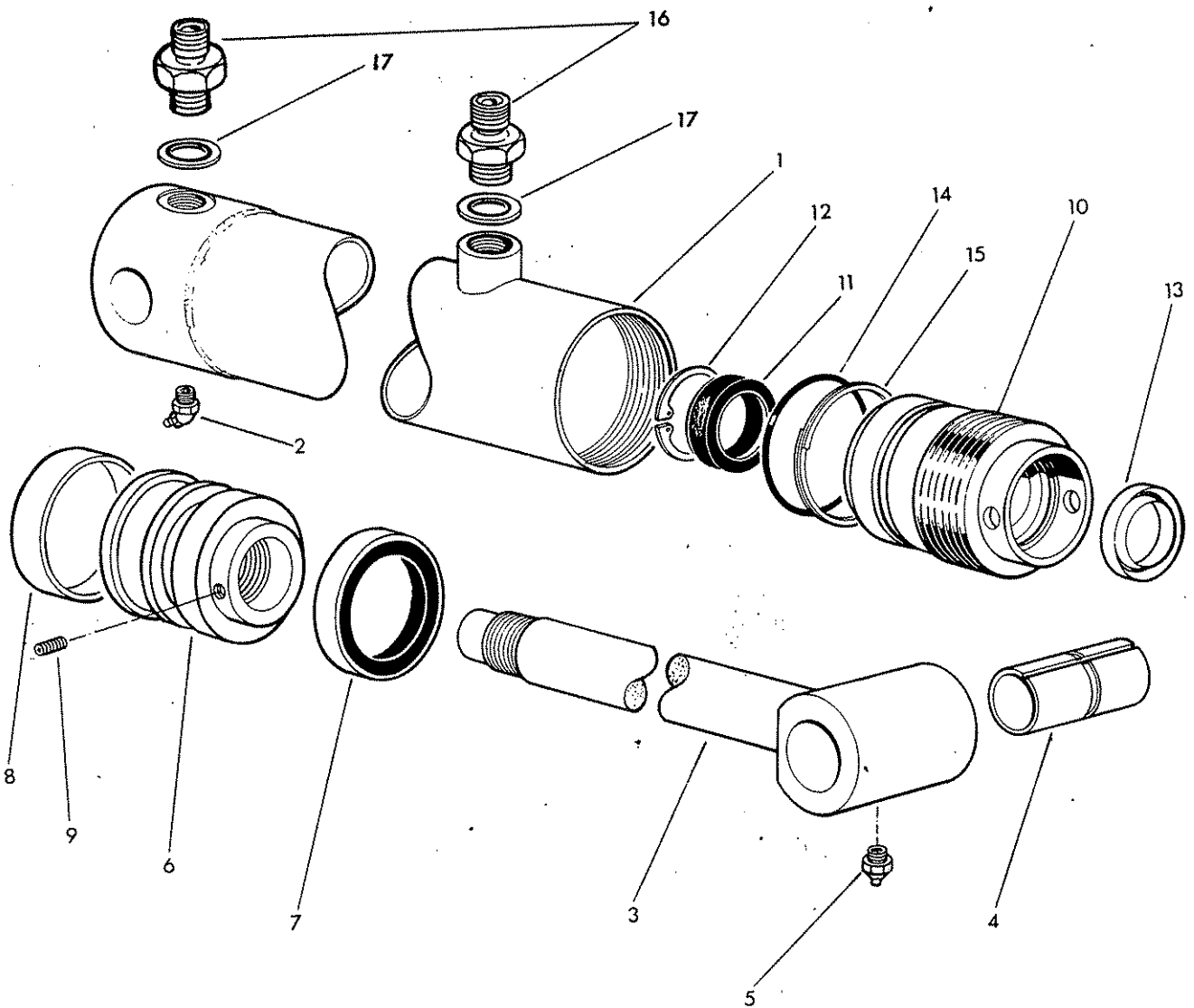
* **Assembly note** :- Screw item 6 firmly home and centre punch edge of hole to retain.

17 81-23-053 1 TAP AND RESTRICTOR ASSEMBLY

18	81-30-109	1	Tap
19	85-81-225	1	Restrictor housing
20	81-23-046	1	Restrictor disc - black - Gland
21	81-16-011	1	Spring
22	85-81-209	1	Adaptor
23	86-50-103	2	Bonded seal

24 81-23-054 1 RESTRICTOR ASSEMBLY

25	85-81-225	1	Restrictor housing
26	81-23-046	1	Restrictor disc - black - Base
27	81-16-011	1	Spring
28	85-81-209	1	Adaptor
29	86-50-103	2	Bonded seal





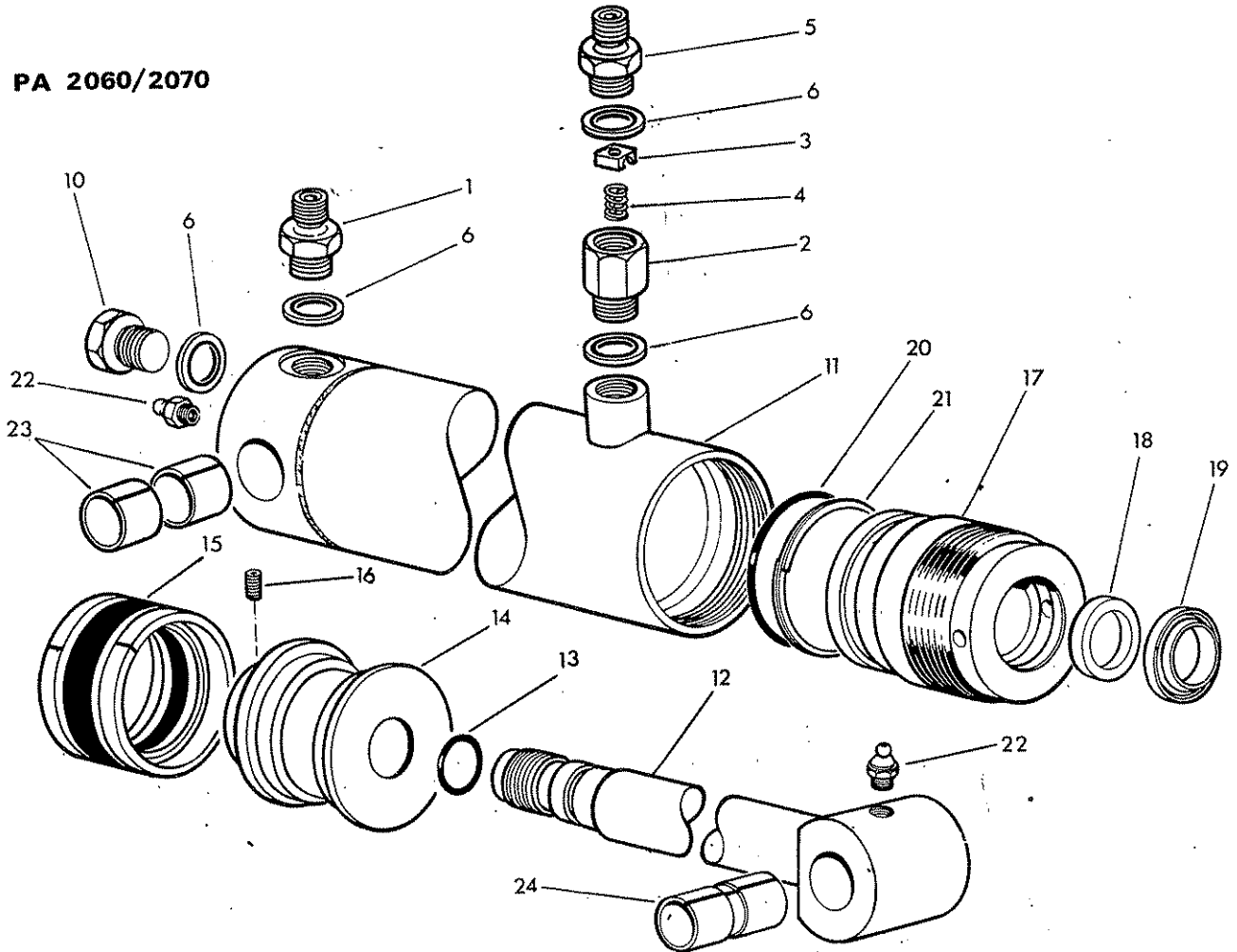
Ref.	Part No.	Qty.	Description
	75-80-300		PA2060M & 2080 BR'AWAY RAM ASSEMBLY
1	71-36-065	1	Cylinder
2	09-01-124	1	Greaser
3	71-36-062	1	Rod
4	71-05-050	1	Bush - rod
5	09-01-121	1	Greaser
6	71-20-368	1	Piston
7	86-29-156	1	Piston seal
8	86-29-157	1	Guide ring
9	93-63-023	1	Grub screw socket head
10	71-36-312	1	Gland housing
11	86-29-148	1	Gland seal
12	04-16-240	1	Internal circlip
13	86-29-149	1	Wiper seal
14	86-00-306	1	'O' ring
15	86-09-306	1	Anti extrusion ring
16	85-81-115	2	Adaptor
17	86-50-103	2	Bonded seal
	86-99-190		SEAL KIT

SLEW RAMS

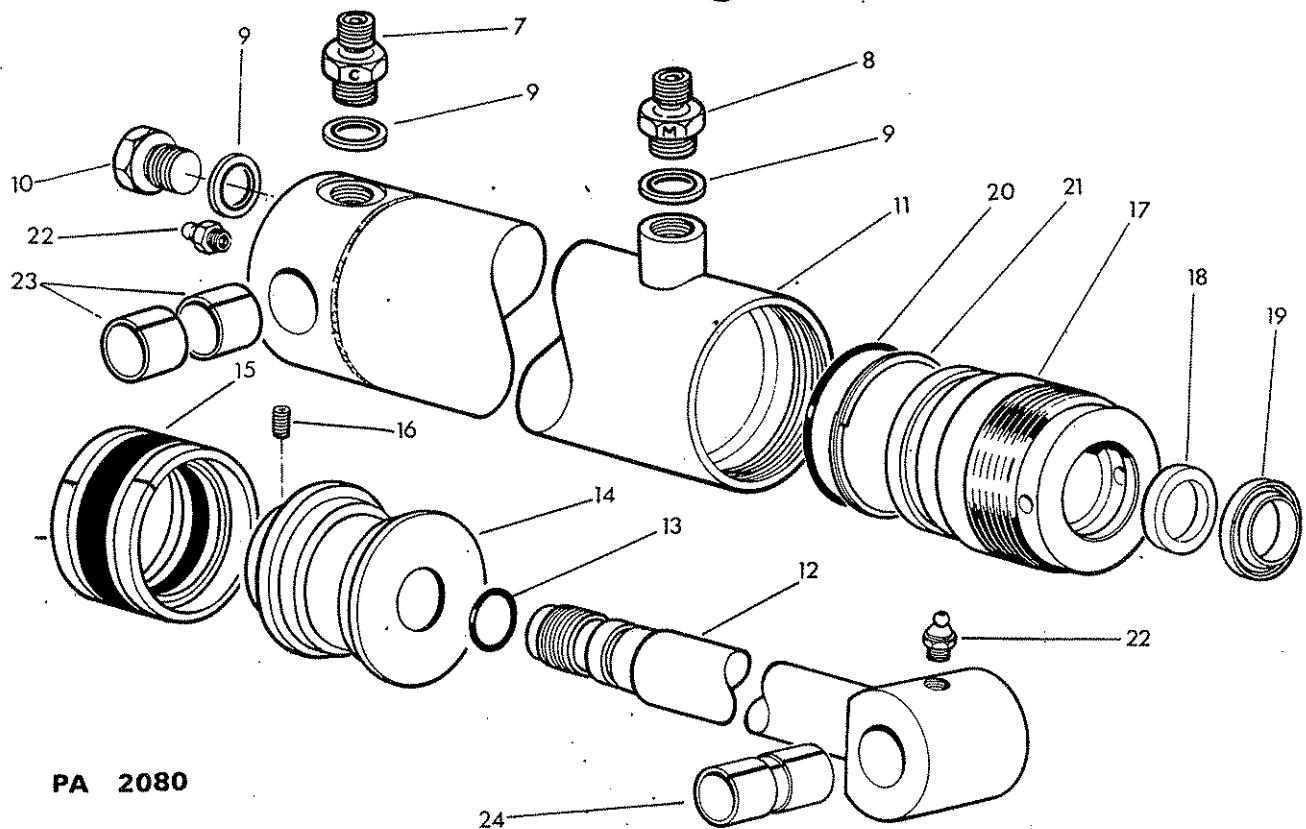


McCONNEL

PA 2060/2070



PA 2080





Ref.	Part No.	Qty.	Description
	75-60-346		PA 2060 AND PA 2070 SLEW RAM ASSEMBLY
1	85-81-115	1	Adaptor
2	85-81-208	1	Restrictor body
3	81-23-041	1	Restrictor disc - Red
4	81-16-011	1	Spring
5	85-81-145	1	Adaptor
6	86-50-103	4	Bonded seal

	75-80-315		PA 2060M & 2080 SLEW RAM ASSEMBLY
7	81-30-048	1	Restricted adaptor 'C'
8	81-30-066	1	Restricted adaptor 'M'
9	86-50-103	3	Bonded seal

The remaining items are common to all slew ram assemblies

10	80-03-001	1	Plug
11	71-35-283	1	Cylinder
12*	71-93-029	1	Rod
13	86-00-119	1	'O' ring
14*	71-35-004	1	Piston
15	86-38-740	1	Piston seal
16*	93-63-023	1	Grubscrew socket head
17	71-35-282	1	Gland housing
18	86-29-164	1	Gland seal
19	86-29-147	1	Wiper seal
20	87-00-740	1	'O' ring
21	87-09-740	1	Anti extrusion ring
22	09-01-121	2	Greaser
23	71-01-134	2	Bush - cylinder
24	60-12-032	2	Bush - rod

86-99-187 SEAL KIT

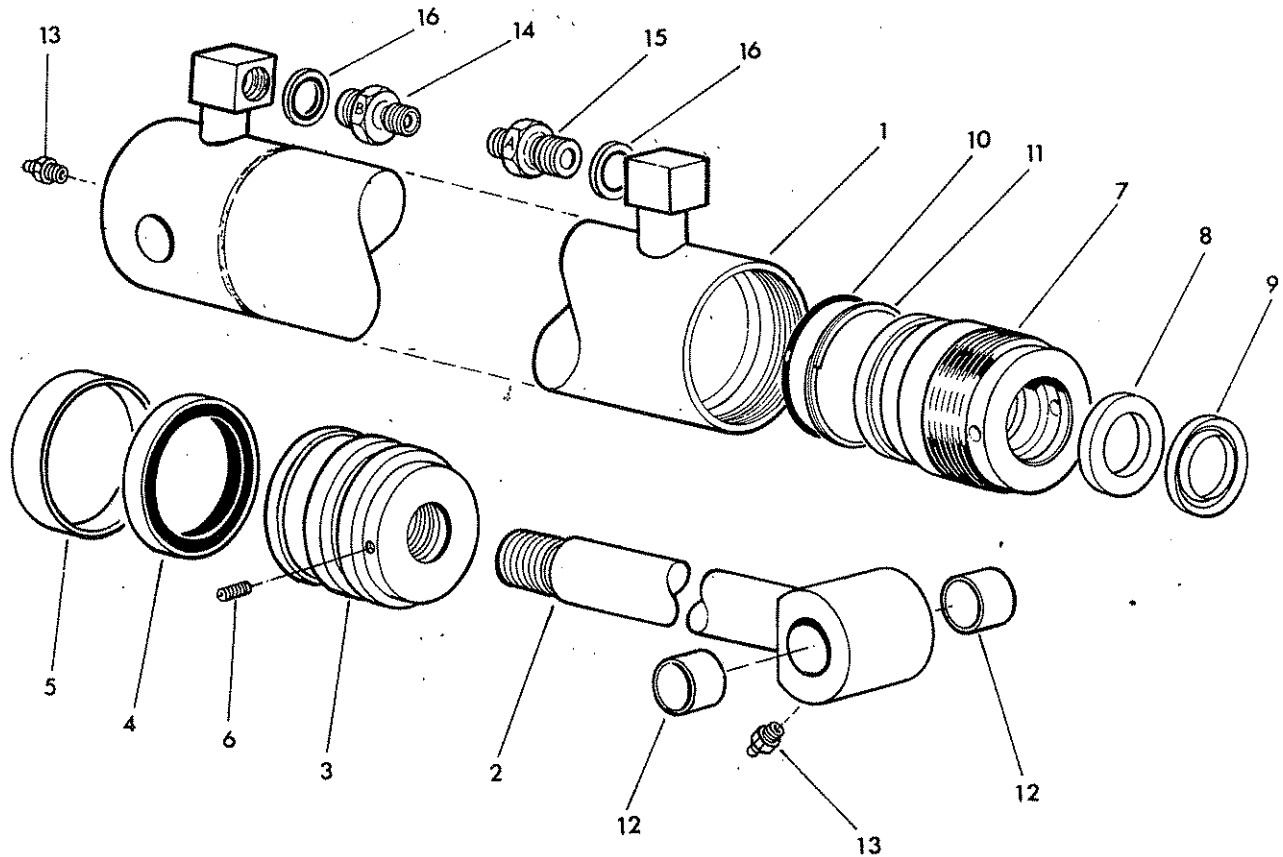
*** Assembly note**

Assemble piston onto rod using 'Permabond A113' or similar medium strength thread locking compound. Tighten grubscrew firmly and centre punch

REACH RAM



McDONNELL



Ref.	Part No.	Qty.	Description
	75-60-437		REACH RAM ASSEMBLY
1	75-60-301	1	Cylinder
2	75-60-001	1	Rod
3	75-60-302	1	Piston
4	86-29-182	1	Piston seal
5	86-29-183	1	Bearing ring
6*	93-63-033	1	Grubscrew socket head
7	75-60-303	1	Gland housing
8	86-29-184	1	Gland seal
9	86-29-185	1	Wiper seal
10	86-00-317	1	'O' ring
11	86-09-317	1	Anti extrusion ring
12	71-15-208	2	Bush
13	09-01-121	2	Greaser
14	81-24-063	1	Restricted adaptor 'B'
15	81-24-062	1	Restricted adaptor 'A'
16	86-50-104	1	Bonded seal

86-99-223 SEAL KIT

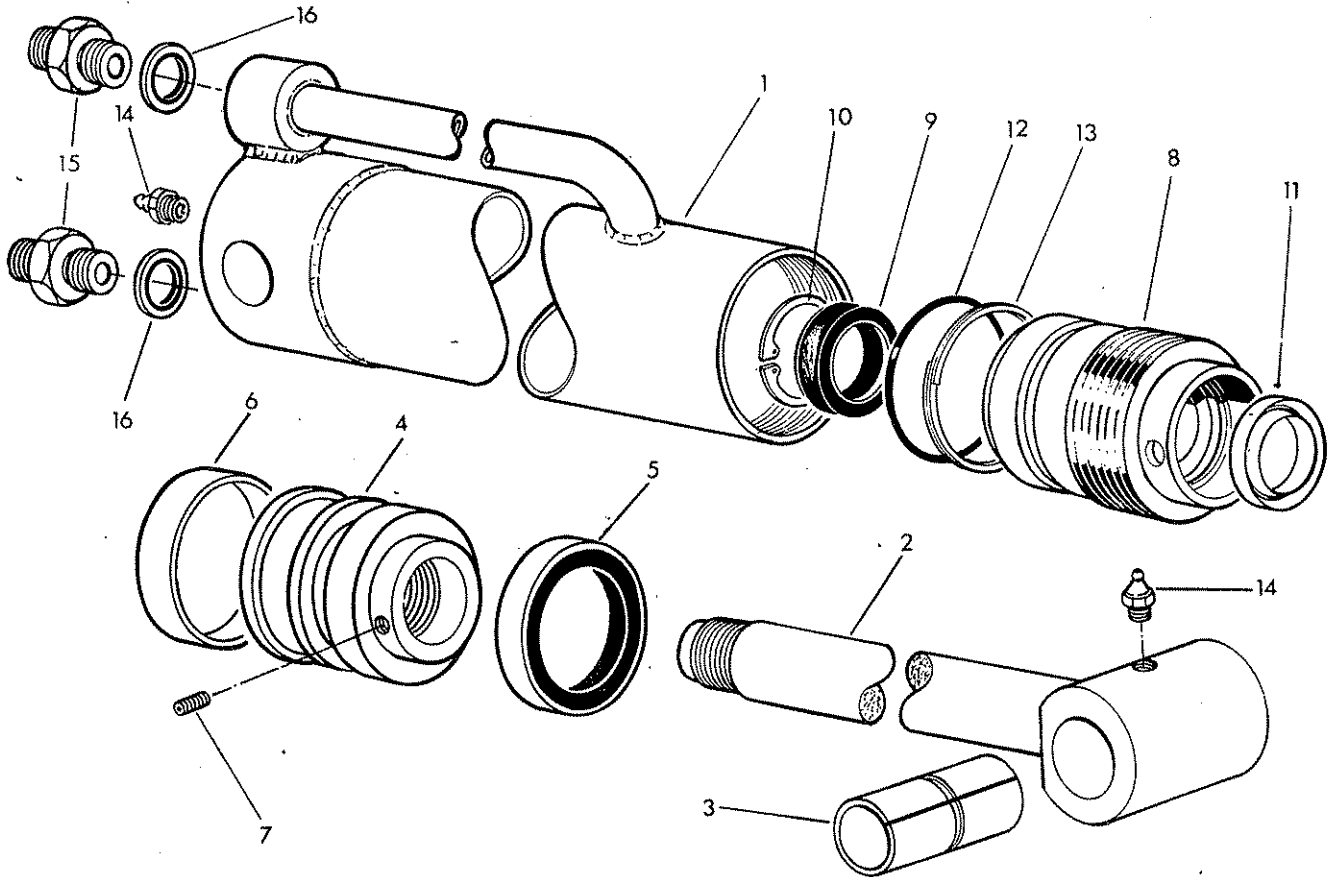
*** Assembly note**

Screw firmly in and centre punch edge of hole to retain

ANGLING RAM



McCONEL



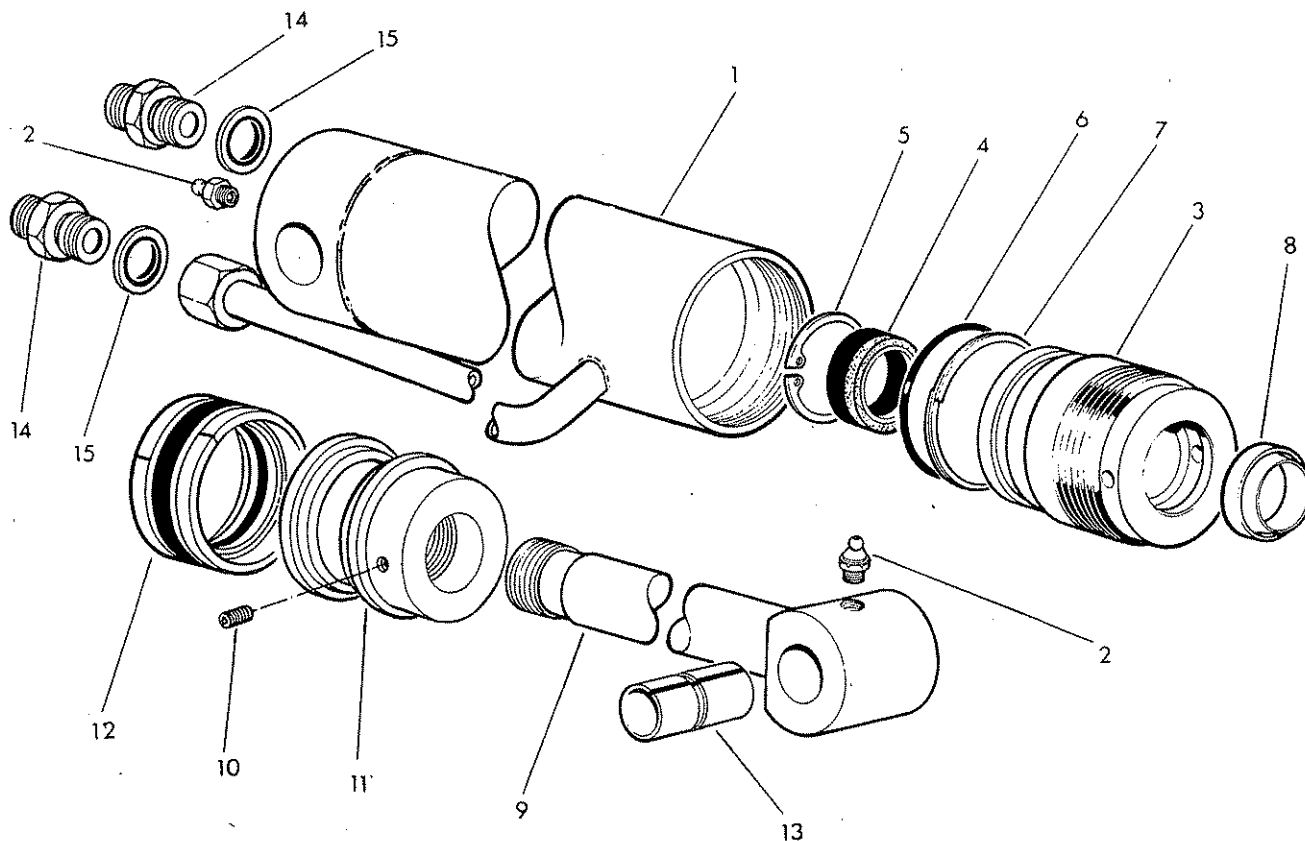
Ref.	Part No.	Qty.	Description
	75-60-344		ANGLING RAM ASSEMBLY
1	71-35-292	1	Cylinder
2	71-35-009	1	Rod
3	71-05-050	1	Bush
4	75-60-095	1	Piston
5	86-29-187	1	Piston seal
6	86-29-188	1	Bearing ring
7*	93-63-023	1	Grub screw socket head
8	71-35-291	1	Gland housing
9	86-29-148	1	Gland seal
10	04-16-240	1	Internal circlip
11	86-29-149	1	Wiper seal
12	86-00-302	1	'O' ring
13	86-09-302	1	Anti extrusion ring
14	09-01-121	2	Greaser
15	85-81-169	2	Union
16	86-50-102	2	Bonded seal
	86-99-188		SEAL KIT

*** Assembly note**

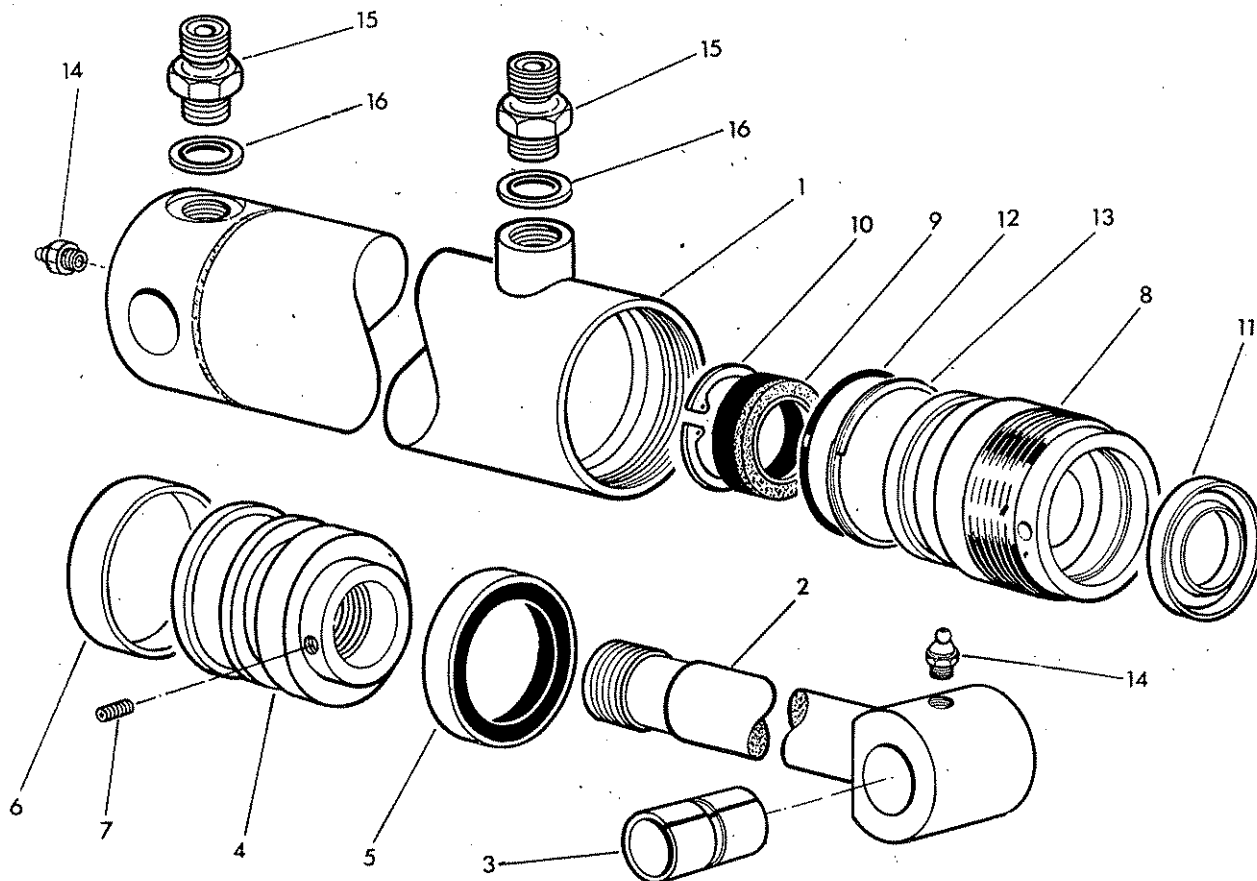
Tighten fully and centre punch edge of hole to secure.



from machine serial No. 70/NF062



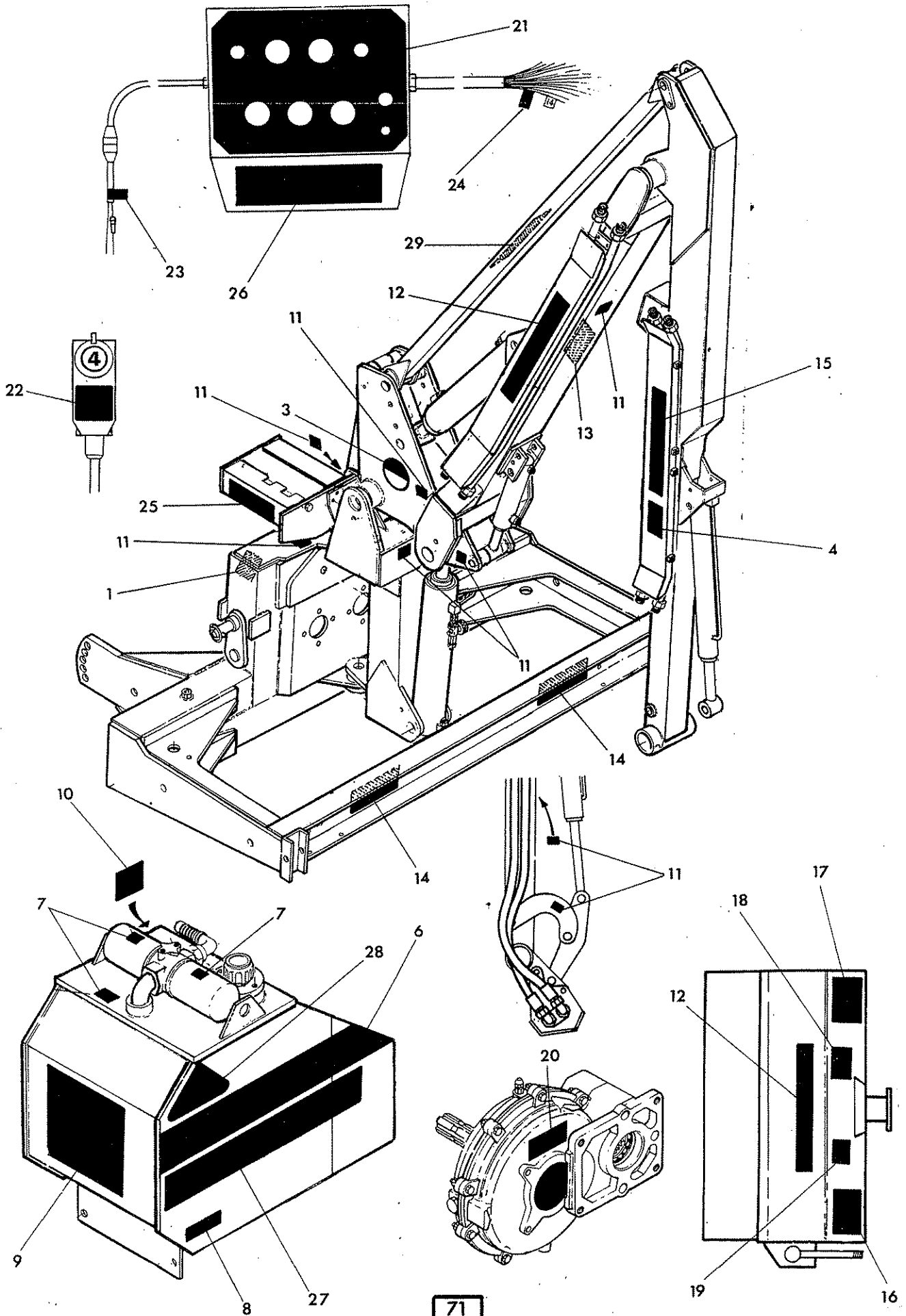
Ref	Part No	Qty	Description
	75-70-318		PA 2070 'TELE' RAM ASSEMBLY from machine serial No. 70/NF062
1	75-70-319	1	Ram cylinder
2	09-01-121	2	Greaser
3	71-35-291	1	Gland housing
4	86-29-148	1	Gland seal
5	04-16-240	1	Internal circlip
6	86-00-302	1	'O' ring
7	86-09-302	1	Anti extrusion ring
8	86-29-149	1	Piston rod wiper seal
9	75-70-008	1	Piston rod
10	93-63-023	1	Grubscrew - socket headed
11	71-35-008	1	Piston
12	86-38-788	1	Piston seal
13	71-05-050	1	Bush
14	85-81-169	2	Union
15	86-50-102	2	Bonded seal
	86-99-188		SEAL KIT



Ref.	Part No.	Qty.	Description
	75-60-356		COMPENSATOR RAM ASSEMBLY
1	71-95-305	1	Cylinder
2	71-95-010	1	Rod
3	71-05-050	1	Bush
4	75-60-095	1	Piston
5	86-29-187	1	Piston seal
6	86-29-188	1	Bearing ring
7	93-63-023	1	Grubscrew socket head
8	71-35-291	1	Gland housing
9	86-29-148	1	Gland seal
10	04-16-240	1	Internal circlip
11	86-29-149	1	Wiper seal
12	86-00-302	1	'O' ring
13	86-09-302	1	Anti extrusion ring
14	09-01-121	2	Greaser
15	85-81-169	2	Union
16	86-50-102	2	Bonded seal
	86-99-188		SEAL KIT

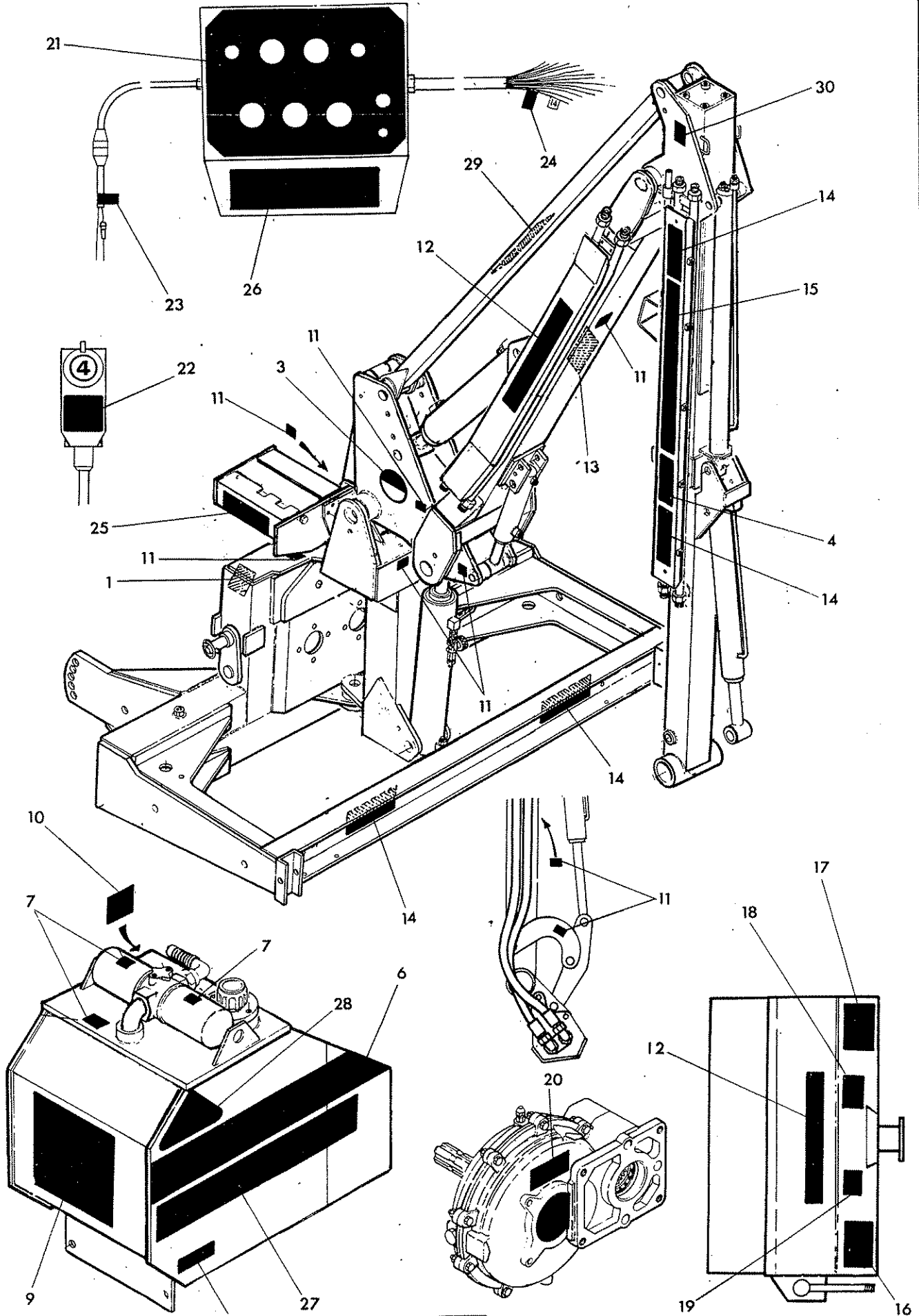
*** Assembly note**

Tighten fully and centre punch edge of hole to secure.



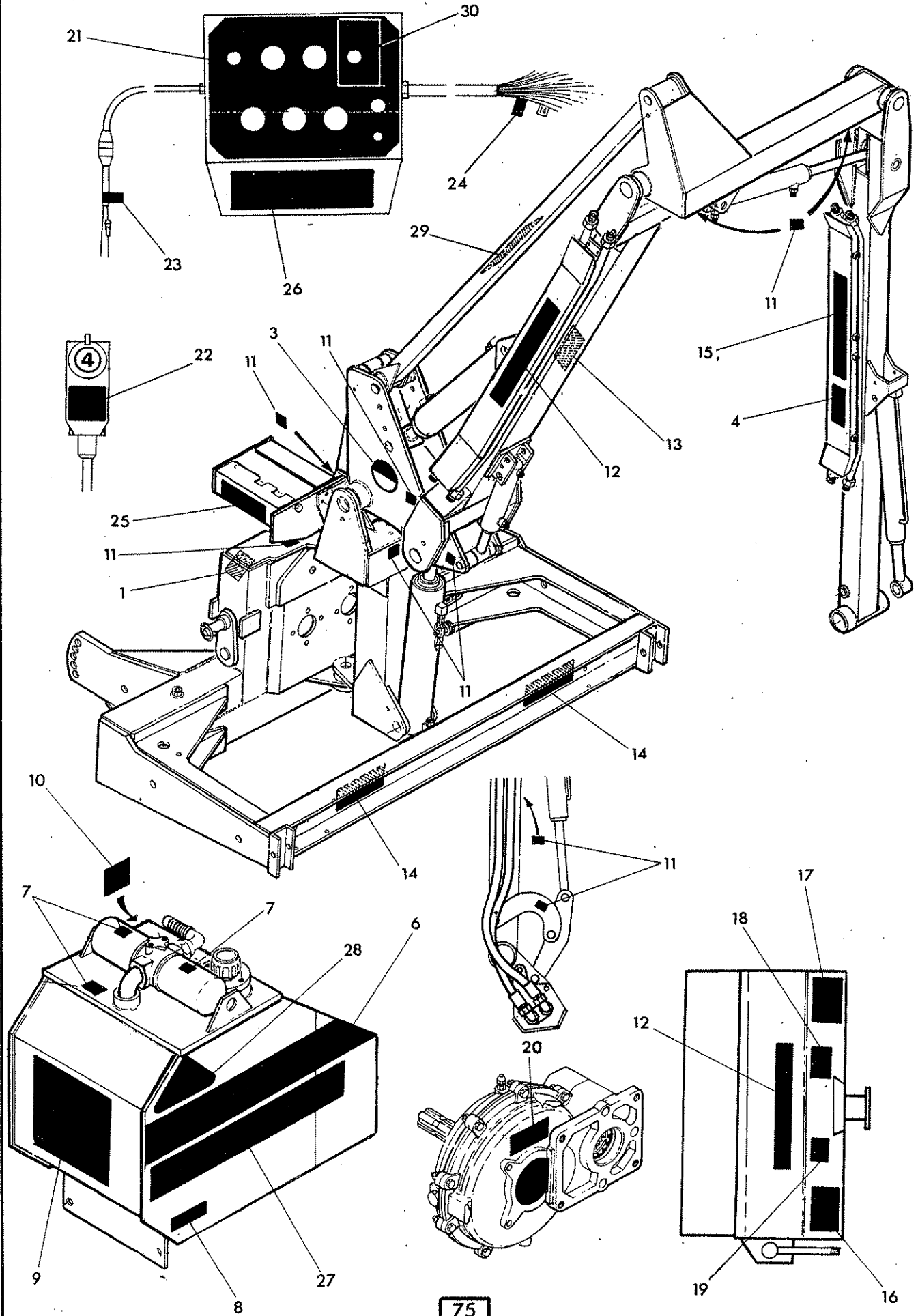


Ref	Part No	Qty	Description
STICKERS - PA2060			
1	71 05 130	1	Read book first
2	60 55 002	1	Sling here symbol - not illus - on packing strap
3	12 90 296	1	Logo roundel
4	12 90 350	1	2060
5	12 90 352	1	Gen. warning - despatched loose
6	12 90 344	1	PA2060
7	12 90 023	3	Oil filter instructions
8	12 90 376	1	Enduro tank
9	12 90 391	1	General warning
10	0075 6494	1	Fitting P.T.O. shaft
11	0096 2764	8	Pinch point
12	12 90 255	2	McConnel
13	12 90 403	1	Breakaway return warning
14	12 90 347	2	Chevrons
15	12 90 295	1	Power Arm
16	12 90 377	1	Flail head instructions
17	12 90 341	1	Flail head gaurding
18	0075 6485	1	Rotating blade warning
19	12 90 392	1	Use McConnel spares
20	12 90 054	1	Gearbox oil capacity
21	12 90 351	1	Switch box controls
22	12 90 338	1	R.C. valve controls
23	84 02 105	1	Polarity label
24	84 02 121	1	Connection warning
25	84 02 136	1	Solenoid connections
26	84 02 135	1	Slew warning
27	12 90 345	1	McConnel - striped
28	12 90 346	1	Warning triangle
29	12 90 406	1	Transport warning



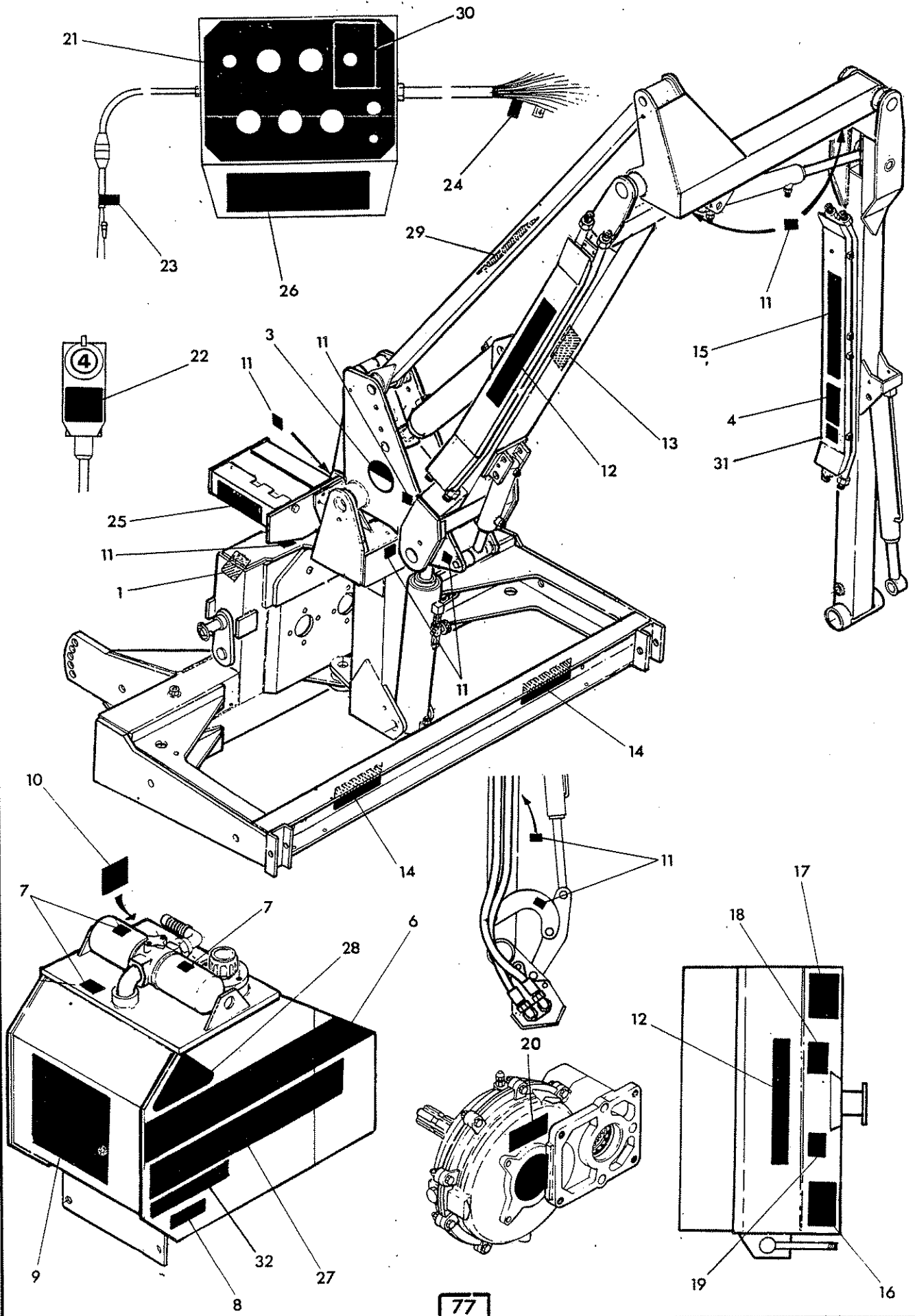


Ref	Part No	Qty	Description
STICKERS - PA2070			
1	71 05 130	1	Read book first
2	60 55 002	1	Sling here symbol - not illus - on packing strap
3	12 90 296	1	Logo roundel
4	12 90 349	1	2070
5	12 90 352	1	Gen. warning - despatched loose
6	12 90 343	1	PA2070
7	12 90 023	3	Oil filter instructions
8	12 90 376	1	Enduro tank
9	12 90 391	1	General warning
10	0075 6494	1	Fitting P.T.O. shaft
11	0096 2764	8	Pinch point
12	12 90 255	2	McConnel
13	12 90 403	1	Breakaway return warning
14	12 90 347	4	Chevrons
15	12 90 295	1	Power Arm
16	12 90 377	1	Flail head instructions
17	12 90 341	1	Flail head gaurding
18	0075 6485	1	Rotating blade warning
19	12 90 392	1	Use McConnel spares
20	12 90 054	1	Gearbox oil capacity
21	12 90 351	1	Switch box controls
22	12 90 338	1	R.C. valve controls
23	84 02 105	1	Polarity label
24	84 02 121	1	Connection warning
25	84 02 136	1	Solenoid connections
26	84 02 135	1	Slew warning
27	12 90 345	1	McConnel - striped
28	12 90 346	1	Warning triangle
29	12 90 406	1	Transport warning
30	12 90 005	1	Grease socket





Ref	Part No	Qty	Description
STICKERS - PA2080			
1	71 05 130	1	Read book first
2	60 55 002	1	Sling here symbol - not illus - on packing strap
3	12 90 296	1	Logo roundel
4	12 90 348	1	2080
5	12 90 352	1	Gen. warning - despatched loose
6	12 90 342	1	PA2080
7	12 90 023	3	Oil filter instructions
8	12 90 376	1	Enduro tank
9	12 90 391	1	General warning
10	0075 6494	1	Fitting P.T.O. shaft
11	0096 2764	9	Pinch point
12	12 90 255	2	McConnel
13	12 90 403	1	Breakaway return warning
14	12 90 347	4	Chevrons
15	12 90 295	1	Power Arm
16	12 90 377	1	Flail head instructions
17	12 90 341	1	Flail head gaurding
18	0075 6485	1	Rotating blade warning
19	12 90 392	1	Use McConnel spares
20	12 90 054	1	Gearbox oil capacity
21	12 90 351	1	Switch box controls
22	12 90 338	1	R.C. valve controls
23	84 02 105	1	Polarity label
24	84 02 121	1	Connection warning
25	84 02 136	1	Solenoid connections
26	84 02 135	1	Slew warning
27	12 90 345	1	McConnel - striped
28	12 90 346	1	Warning triangle
29	12 90 406	1	Transport warning
30	12 90 034	1	Park/work overlay





Ref	Part No	Qty	Description
			STICKERS - PA2060 M
1	71 05 130	1	Read book first
2	60 55 002	1	Sling here symbol - not illus - on packing strap
3	12 90 296	1	Logo roundel
4	12 90 350	1	2060
5	12 90 352	1	Gen. warning - despatched loose
6	12 90 344	1	PA2060
7	12 90 023	3	Oil filter instructions
8	12 90 376	1	Enduro tank
9	12 90 391	1	General warning
10	0075 6494	1	Fitting P.T.O. shaft
11	0096 2764	8	Pinch point
12	12 90 255	2	McConnel
13	12 90 403	1	Breakaway return warning
14	12 90 347	4	Chevrons
15	12 90 295	1	Power Arm
16	12 90 377	1	Flail head instructions
17	12 90 341	1	Flail head gaurding
18	0075 6485	1	Rotating blade warning
19	12 90 392	1	Use McConnel spares
20	12 90 054	1	Gearbox oil capacity
21	12 90 351	1	Switch box controls
22	12 90 338	1	R.C. valve controls
23	84 02 105	1	Polarity label
24	84 02 121	1	Connection warning
25	84 02 136	1	Solenoid connections
26	84 02 135	1	Slew warning
27	12 90 345	1	McConnel - striped
28	12 90 346	1	Warning triangle
39	12 90 406	1	Transport warning
30	12 90 034	1	Park/work overlay
31	12 90 059	1	M
32	12 90 361	1	Midcut



McCOMEL

Peel off sticker and affix to tractor in operators view.

Vignette à coller au poste de conduite de votre tracteur
bien en vue du conducteur.

McCOMEL	McCOMEL
VITAL SAFETY RULES	IMPORTANTES REGLES DE SECURITE
<ul style="list-style-type: none"> - Read the instruction book first - Fit safety screens - If no cab fitted wear helmet and goggles - Keep all bolts and nuts tight. - PTO speed 500 R.P.M. - Always disengage PTO when rotor is OFF - Grease daily 	<ul style="list-style-type: none"> - Avant la premier mise en route, vous reporter au manue de l'utilisateur - Mettez en place les grilles de protection - Si le tracteur n'est pas equipe d'une cabine, portez un casque et des lunettes de securite - Verifier tous les jours, le bon serrage des boulons et de ecrous - En position de transport, debrazay la prise de force - Ne jamais dépasser 500 T/MN à la prise de force - Graisseur tous les jours

5

CAUTION

CHECK ARM/CAB CLEARANCE
WHEN SLEWING.

26



28



3

McCOMEL

27

! DANGER !

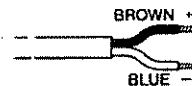
FAILING TO FOLLOW SAFETY MESSAGES AND OPERATING INSTRUCTIONS CAN CAUSE SERIOUS INJURY OR DEATH TO OPERATOR OR OTHERS IN AREA.

1. Study operator manual and safety decals for tractor and flail mower thoughtfully to prevent misuse, abuse and accidents. Practice before operating.
2. Operate only with safety cab or roll bars to prevent injury and possible crushing death from overturn. Allow no riders on machine. Falling off can cause serious injury or death by being run over by the tractor or by being cut by the mower. Allow no bystanders, especially children, near the tractor/mower.
3. Operator and assistants must wear a hard hat, safety glasses and shoes to prevent injury from falling or thrown objects.
4. Before transport, engage all transport devices. See operator manual.
5. Block up or support machine securely before placing any part of the body beneath the machine to prevent crushing, injury or death from sudden dropping. Make certain area is clear before lowering.
6. Make certain lights, reflectors, and in U.S.A., the CMV sign is clearly visible. Follow highway regulations. Slow down at night, in turns and on hillsides.
7. Before dismounting, secure flail mower in transport position or lower to ground. Stop P.T.O., put tractor in park or set hand brake, stop engine and remove the key. Never mount or dismount a moving vehicle to prevent possible injury or death.
8. Each rear wheel must have a minimum of 1000lbs contact with ground to prevent lateral instability and possible tip over and bodily injury. Widen wheel track and add weights if needed. Contact manufacturer for counterweight procedure.
9. Rear mounted flail mowers move centre of gravity to rear and remove weight from front wheels. Add front ballast unit at least 20% of the tractor's weight is on front wheels to prevent rearing up, loss of steering control and possible injury.
10. Never operate unit without an operator guard to prevent injury from falling or thrown objects. Keep bystanders at a safe distance. Stop cutting if they enter the danger area.
11. Never operate the machine without the correct flail head guards in position. Ensure they are in good condition.
12. Beware overhead obstructions. Keep at least five feet away from power lines to prevent accidental contact or electronic flashover and possible serious injury or death.
13. Transport carefully! Slow down even more on slopes and when turning. Never turn up a slope sharply or at high speed and use extra care in rough or bumpy areas to prevent overturn and possible crushing injury or death. If your view to the rear is blocked it is your responsibility to install mirrors that provide a rear view to prevent accidents from blind spots.

0.5L SAE 30\50

20

CAUTION
CONNECT BROWN TO +
CONNECT BLUE TO -
INCORRECT CONNECTION
MAY DAMAGE CONTROL UNIT



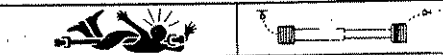
23

! DANGER !

1. MAKE CERTAIN DRIVELINES ARE OF THE CORRECT LENGTH AND SECURELY ATTACHED. DRIVELINE SEPARATION AND/OR PTO SHAFT FAILURE CAN CAUSE INJURY OR DEATH (See Operator's Manual for procedure)



2. MAKE CERTAIN THAT DRIVELINE SHIELDS ARE INSTALLED CORRECTLY AND TURN FREELY TO PREVENT INJURY OR DEATH FROM ENTANGLEMENT



3. IF DRIVELINE SHIELDS HAVE TETHER CHAINS ATTACH TETHER CHAINS SECURELY TO MOWER AND TRACTOR TO PREVENT SHIELD ROTATION BELL AND OR SHIELD FAILURE AND SERIOUS INJURY OR DEATH

4. 540 PTO RPM UNLESS SPECIFICALLY MARKED OTHERWISE

10

NOTE
CONNECT ONLY WHEN
AUXILIARY FUNCTION
IS FITTED. EG. HEAD
ANGLE FLOAT KIT (SEE
INSTRUCTION BOOK)

NOTE
CONNECT ONLY WHEN
AUXILIARY FUNCTION
IS FITTED. EG. HEAD
ANGLE FLOAT KIT (SEE
INSTRUCTION BOOK)

24

! DANGER !



KEEP AWAY - ROTATING BLADES

SERIOUS INJURY OR DEATH CAN RESULT
FROM THROWN OBJECTS OR BLADE CONTACT.

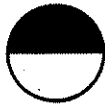
- STOP MOWING IF PERSONS ARE NOT CLEAR OF THROWN OBJECTS
- DO NOT STAND ON OR NEAR MACHINE WHEN IN OPERATION
- DO NOT OPERATE WITH DEFLECTORS OR GUARDS REMOVED

18

GUARDING REQUIREMENTS EQUIPMENTS DE SECURITE

<p>GROUND CUTTING COUPE DE SOL</p> <p>Always cut upwards. Roller set below flails. Skids recommended.</p> <p>Toujours couper en aspiration. Rouleau regle sous les flaux. Patins recommandés.</p>	<p>HEDGE CUTTING TAILLE DE MAIES</p> <p>With flails cutting upwards. Roller set above flails.</p> <p>Les flauxs travaillent on aspiration. Rouleau regle au dessus des flauxs.</p>	<p>HEDGE CUTTING TAILLE DE MAIES</p> <p>With flails cutting downwards. Roller set above flails.</p> <p>Les flauxs travaillent on attaque. Rouleau regle au dessus des flauxs.</p>
------------------------------------------------------------------------------------------------------------------------------------------------------------------------------------------------------------------------------	-------------------------------------------------------------------------------------------------------------------------------------------------------------------------------------------------------	------------------------------------------------------------------------------------------------------------------------------------------------------------------------------------------------------

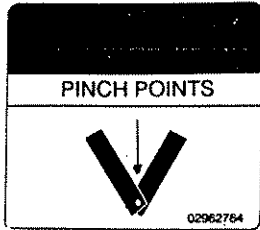
17



McCONNEL

McCONNEL

12



11



**EVERY 200 HOURS
REMOVE END COVER
AND RE-GREASE
INSIDE OF SOCKET.**

30-2070



14

Power Arm

15



2

PA 2060

PA 2070

PA 2080

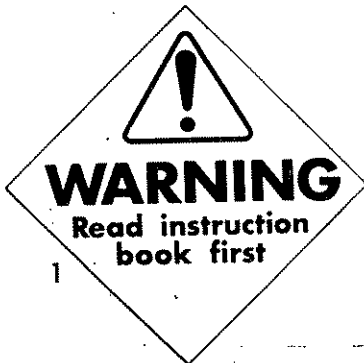
6

2060 2080 2070

4

Enduro Tank

8

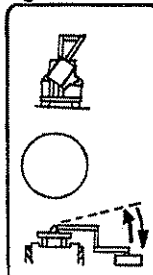


WARNING
Read instruction
book first

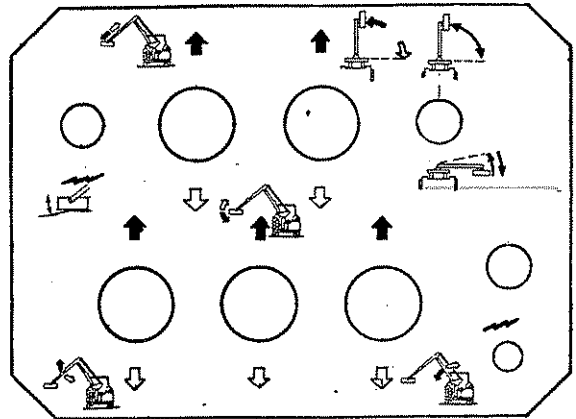
1



29



30-2080



21

MID-CUT

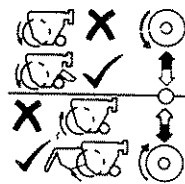
31
2060 M

IMPORTANT

We recommend that Element is replaced after first 50 hours service and every 500 hours service thereafter. Apply Oil film to gasket when replacing element.

Nous recommandons de remplacer la cartouche une première fois après 50 heures de service puis ensuite toutes les 500 heures. Enduire le joint d'une pellicule d'huile lorsqu'on change la cartouche.

7

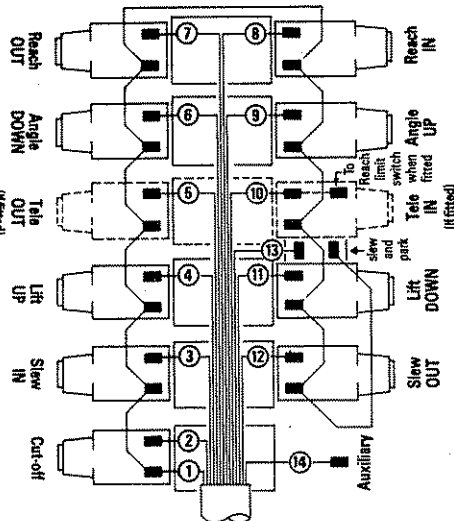


22

M

32
2060 M

To adjust position of arms or flail head with hydraulic supply on but electrical supply disconnected, push in plunger on end of solenoid required and at the same time depress plunger on cut-off solenoid.



To adjust position of arms or flail head with hydraulic supply on but electrical supply disconnected, push in plunger on end of solenoid required and at the same time depress plunger on cut-off solenoid.

25

⚠ DANGER ⚠

**BEWARE AUTOMATIC BREAKAWAY
RETURN. KEEP WELL CLEAR OF THE
FRONT OF THE ARM AND HEAD.**

13

⚠ ATTENTION ⚠

Recommended P.T.O.
speed 500 r.p.m.

Vitesse recommandée
500 T/min à la
prise de force.

DANGER
Rotating cutters under here.

DANGER
Rotor ne pas approcher.

KEEP BOLTS TIGHT
Check bolt tightness after 1 hour,
4 hours, 10 hours and thereafter daily.

**MAINTENEZ LES
BOULONS SERRÉS**
Et contrôlez serrage après 1 heure,
4 heures, 10 heures ou chaque jour.

**BEWARE OF FLYING DEBRIS. KEEP PEOPLE AWAY.
ATTENTION AUX PROJECTIONS. SE TENIR A L'ECART.**



FLAIL PARTS INFORMATION

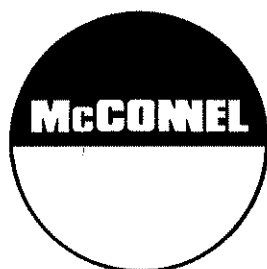
McCormick Flail Mowers use dynamically balanced and mated system components for Cutter Shafts (Rotors), Knives (Flails), Knife Hangers (Shackles), Bolts, Bushes, Rollers, Drivetrain Components, Bearings Belts and Belt Pulleys. McCormick parts are made and tested to meet close-tolerance specifications of balance, quality and consistency that assure long, trouble-free service. "Will-Fit" parts do not ordinarily meet McCormick Standards and could reduce Mower performance, void warranties, and present an increase in the safety hazard-potential.

DON'T GAMBLE!
USE GENUINE McCONNEL SERVICE PARTS
See your McCormick dealer

19

16

80



McConnel Limited, Temeside Works, Ludlow, Shropshire SY8 1JL. England.
Telephone: 01584 873131. Facsimile: 01584 876463. www.mcconnel.com