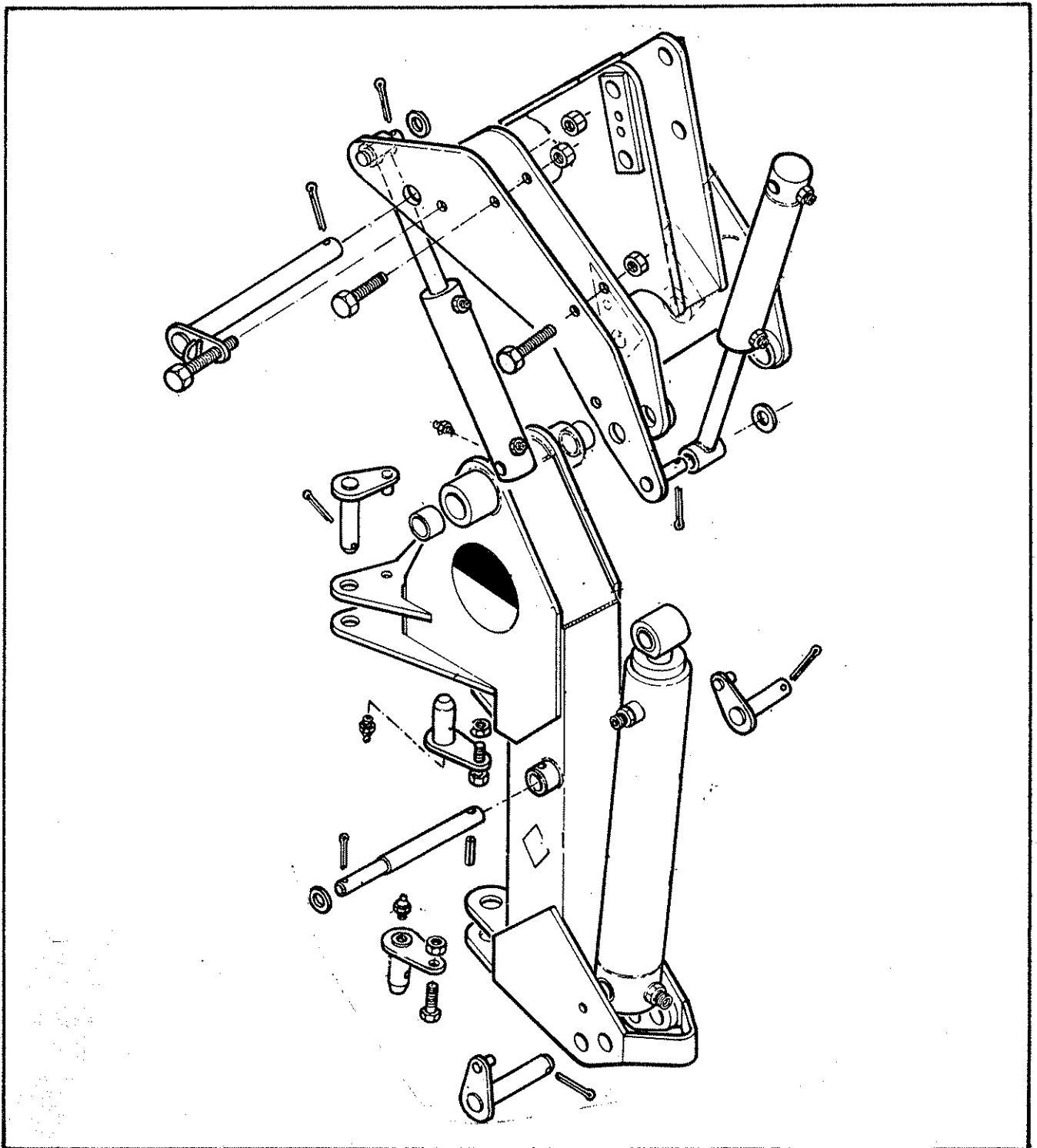


PA 2050 Series with A.H.C. Spare parts



LIST OF CONTENTS

MAIN FRAME PILLAR AND ARMS

Main Frames	Page 2
Pillar and rocker	Page 4
Main Arm.....	Page 6
Dipper - Std. arm.....	Page 8
Dipper - Tele arm	Page 10
Dipper - Midcut arm.....	Page 12
Control mounting.....	Page 14
Operator guard.....	Page 14
Catch assembly.....	Page 15

FLAIL HEADS

Flail head casing - 90 series	Page 16
Rotors and flails - 90 series	Page 20
Rollers - 90 series	Page 22

HYDRAULIC INSTALLATIONS

Hydraulic installation Std. arm.....	Page 24
Hydraulic installation Tele arm	Page 26
Hydraulic installation Midcut arm.....	Page 28

MAIN CONTROL VALVE

Main valve Std. arm	Page 30
Main valve Tele arm.....	Page 32
Main valve Midcut arm	Page 34
Slew valve All except midcut	Page 36
Park/work and lift check valves Midcut only	Page 38
Compensator valve.....	Page 40
Solenoids	Page 42
Switch box.....	Page 44

GENERAL HYDRAULICS

Pump	Page 46
Gearbox	Page 48
Rotor Control Valve	Page 50
Hydraulic tank	Page 52
Lift float kit	Page 54
Angle float kit	Page 56

HYDRAULIC RAM

Slew/breakaway ram	Page 58
Lift and reach ram.....	Page 59
Angle ram.....	Page 60
Tele ram Tele only	Page 61
Compensator ram	Page 62
Breakawayb ram Midcut only.....	Page 63

STICKERS

Std arm	Page 64
Tele arm	Page 66
Midcut arm.....	Page 68
Sticker illustrations	Page 70

FOR NOTES

SPARE PARTS MANUAL

FOR BEST PERFORMANCE....

USE ONLY McCONNEL SPARE PARTS

To be assured of the latest design improvements purchase your genuine replacements from the original equipment manufacturer **McConnel Ltd.** through your local dealer or stockist.

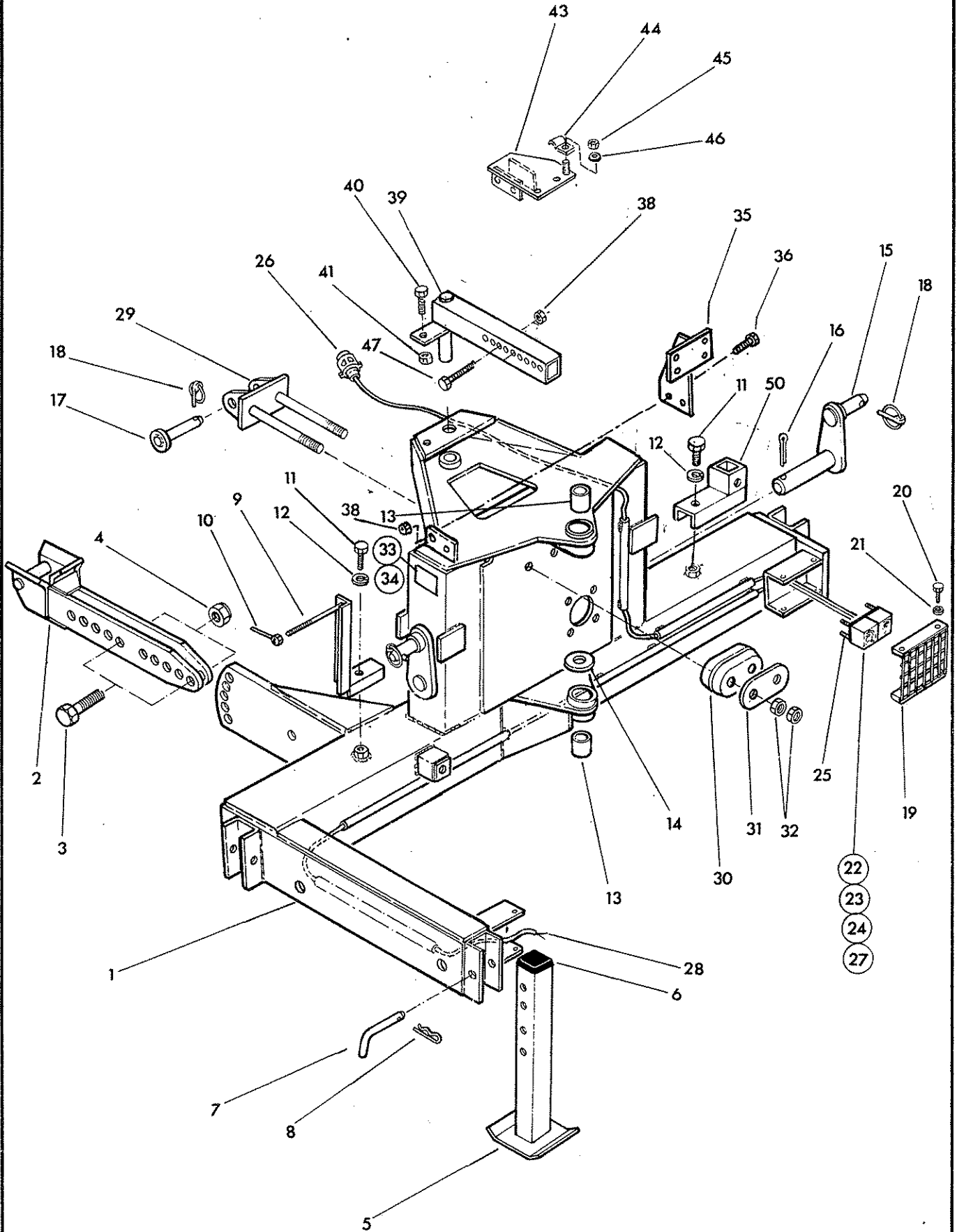
Always quote machine type and serial number as well as the part number.

Design improvement may have altered some of the parts listed in this manual - The latest part will always be supplied when it is interchangeable with an earlier one.

MAIN FRAME



McCONEL





Ref	Part No.	Qty	Description
MAIN FRAME			
1	75 50 280	1	Main frame - R. Hand
	75 50 281	1	Main frame L. Hand - not illus
2	75 60 386	1	Mounting arm 1.0 m L. Hand 1.1m R. Hand
	75 60 387	1	Mounting arm 1.1m L. Hand 1.0 m R. Hand
3	92 13 159	4	Bolt
4	91 43 009	4	Self locking nut
5	75 60 021	3	Stand leg
6	71 91 108	3	Plastic bung
7	71 92 023	3	Pin
8	04 31 105	3	Spring cotter
9	75 60 373	1	Leg stay
10	75 60 062	1	Clamp nut
11	93 13 077	1	Setscrew
12	91 00 207	1	Spring washer
13	70 16 010	2	Bush
14	60 01 136	1	Thrust washer
15	75 60 374	2	Lift link pin
16	95 01 509	2	Split pin
17	71 18 112	1	Pin
18	04 31 217	3	Linch pin
19	75 60 353	2	Light guard
20	93 13 023	8	Setscrew
21	91 00 203	8	Spring washer
22	75 60 086	2	Rear light
23	75 60 087	2	Stop / tail bulb 12v
24	75 60 088	2	Flasher bulb 12v
25	93 00 142	8	Self tapping screw
26	75 60 089	1	Plug
27	75 60 098	8	Connector
28	75 60 090	1	Cable
29	75 60 398	1	Top hitch bracket
30	75 60 141	1	Rubber damper
31	75 60 130	1	Reaction plate
32*	91 13 009	4	Nut
33	13 35 246	1	Serial No. plate
34	71 03 230	4	Pop rivet
35	75 50 014	1	Rotor control valve bracket
36	93 13 055	2	Setscrew
37	93 13 065	1	Setscrew
38	91 43 005	3	Self locking nut
39	75 50 021	1	Pin
40	92 13 066	1	Bolt
41	91 43 006	1	Self locking nut
42	71 36 330	1	PTO shaft - not illus
43	75 50 027	1	Valve mounting bracket - electric machines
44	71 09 151	1	Cable clamp
45	91 13 004	1	Nut
46	91 00 204	1	Spring washer
47	92 13 225	2	Bolt
48	75 80 321	1	Parking cradle transport socket - 2050 M only

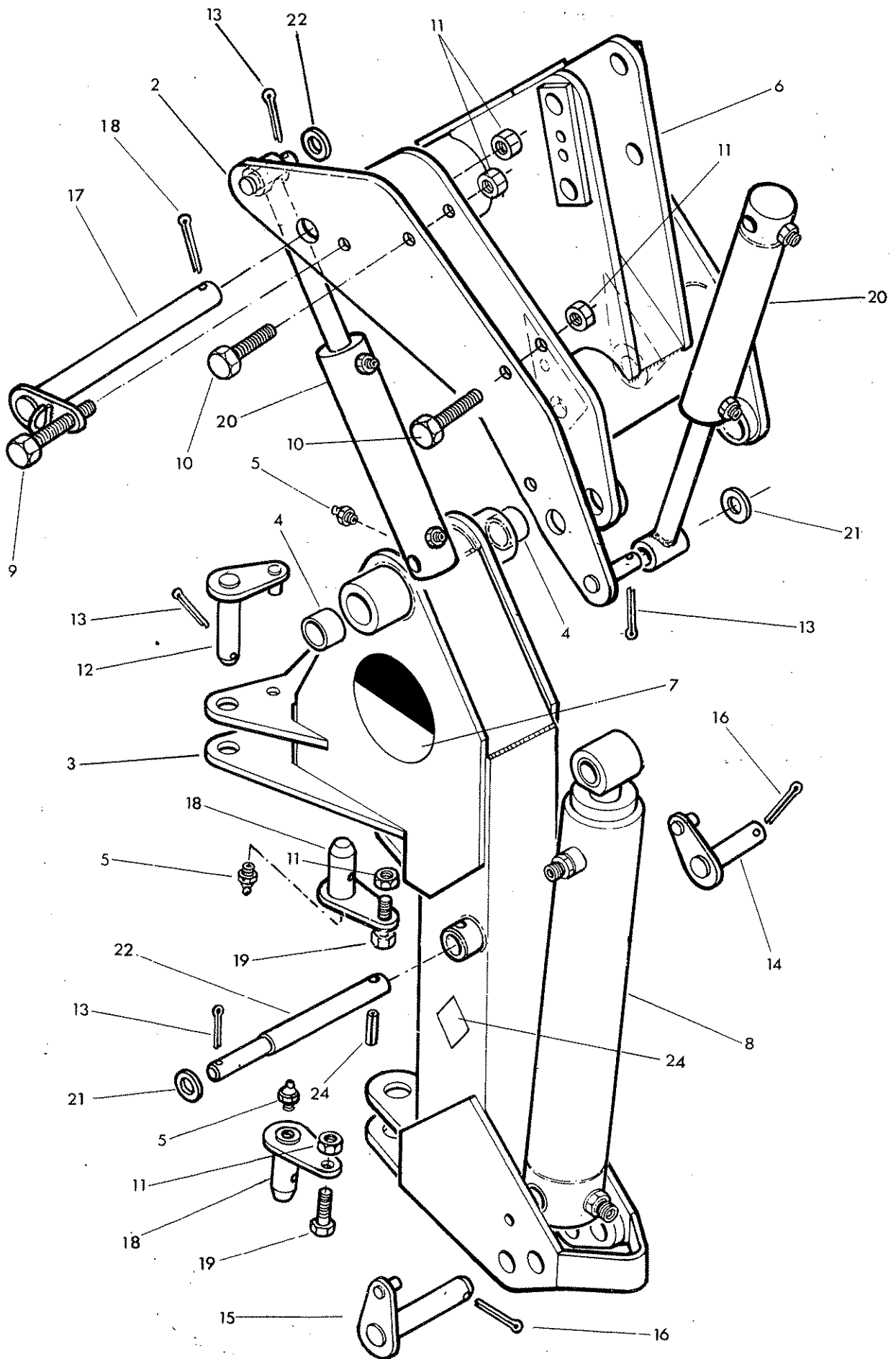
*** Assembly note**

Nuts must be tightened until the rubber damper is compressed to 120 mm thick

**SLEW COLUMN AND
ROCKER**



McCOMEL



**McCORMICK**

Ref.	Part No.	Qty.	Description
			SLEW COLUMN AND ROCKER FOR R.HAND MACHINES
1	71 96 306	1	Compensator ram plate - R.Hand. not illus
			SLEW COLUMN AND ROCKER FOR L.HAND MACHINES
2	71 96 307	1	Compensator ram plate - L.Hand

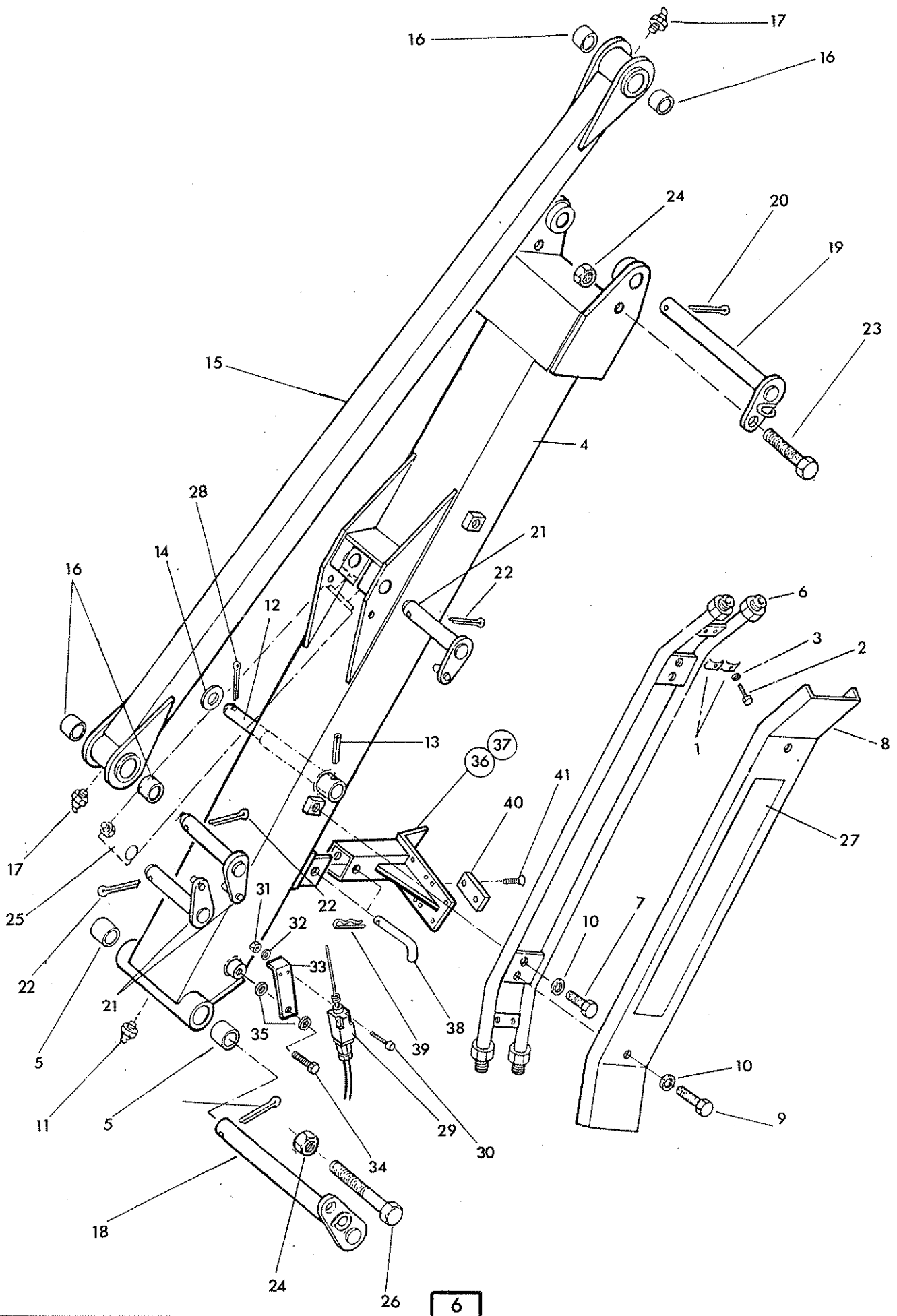
The following items are common to both assys.

3	71 96 291	1	Slew column
4	71 96 047	2	Bush
5	09 01 121	3	Greaser
6	71 96 303	1	Rocker
7	12 90 286	1	Sticker - roundel
8	71 36 270	1	Lift ram assembly
9	92 13 127	1	Bolt
10	92 13 107	2	Bolt
11	91 43 007	5	Self locking nut
12	71 96 021	1	Pivot pin-slew/breakaway ram rod
13	95 01 406	4	Split pin
14	71 96 016	1	Pivot pin - lift ram rod
15	71 96 017	1	Pivot pin - lift ram base
16	95 01 507	2	Split pin
17	71 96 018	1	Pivot pin - rocker
18	71 96 020	2	Pivot pin - slew column
19	93 13 087	2	Bolt
20	71 95 318	2	Compensator ram
21	71 92 001	3	Washer
22	71 96 011	1	Pivot pin-Lift compensator ram base
23	04 22 628	1	Spring dowel
24	71 05 130	1	'Read instruction book first' sticker

MAIN ARM AND TENSION LINK



McCONEL





McCONNEL

Ref.	Part No.	Qty.	Description
MAIN ARM AND TENSION LINK - STD ARM			
1	71 96 024	2	Hose clamp
2	93 13 053	2	Setscrew
3	91 00 203	2	Spring washer
MAIN ARM AND TENSION LINK - TELESCOPIC			
1	71 96 024	4	Hose clamp
2	93 13 053	4	Setscrew
3	91 00 203	4	Spring washer

the following items are common to both

4	75 50 251	1	Main arm
5	71 96 047	2	Bush
6	75 50 279	1	Rigid pipes
7	93 13 045	2	Setscrew
8	75 50 278	1	Pipe cover
9	92 13 075	2	Bolt
10	91 00 305	4	Internal serrated washer
11	09 01 121	1	Greaser
12	71 96 012	1	Pivot pin - reach compensator ram base
13	04 22 628	1	Spring dowel
14	71 92 001	1	Washer
15	75 50 253	1	Tension link
16	60 12 032	4	Bush
17	09 01 125	2	Greaser
18	71 96 044	1	Pivot pin - main arm
19	71 96 019	1	Pivot pin - dipper arm
20	05 03 166	1	Split pin
21	71 96 017	3	Pivot pin - reach ram & tension link lower
22	95 01 507	3	Split pin dia
23	93 13 087	1	Bolt
24	91 43 007	2	Self locking nut
25	71 36 270	1	Reach ram
26	93 13 167	1	Bolt
27	12 90 255	1	Sticker 'McConnel'
28	95 01 406	1	Split pin

84 02 150

PA 2050M REACH IN LIMIT STOP SWITCH ASSY

29	84 02 152	1	Limit switch incl. cable and gland
30	92 43 062	2	Cap screw socket headed
31	91 00 014	2	Nut
32	91 00 202	2	Spring washer
33	75 80 317	1	Mounting bracket
34	03 11 065	1	Setscrew
35	01 00 305	1	Shakeproof washer

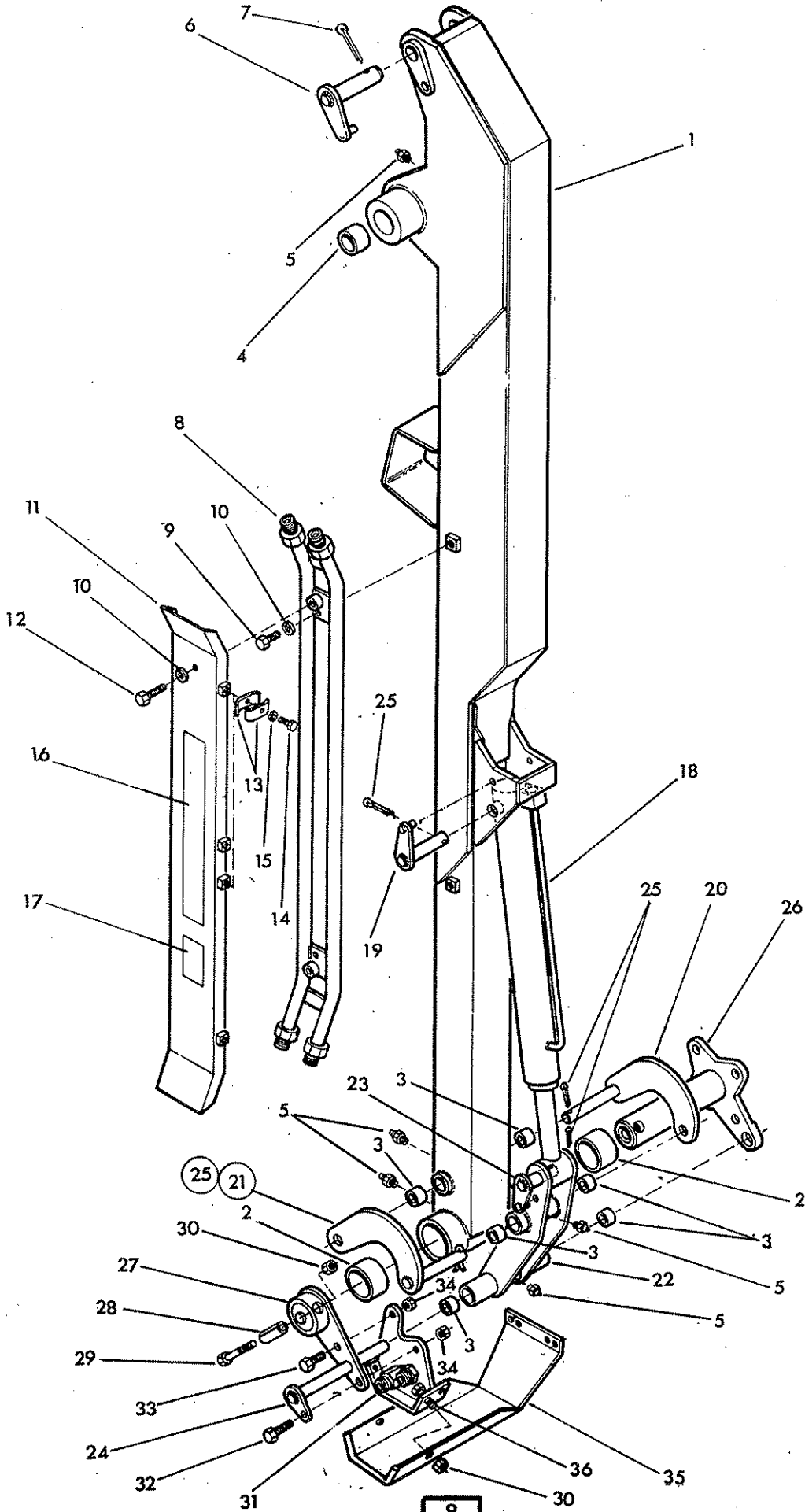
PA2050M PARKING CRADLE AND FITTINGS

36	75 80 323	1	Parking cradle R - hand
37	75 80 322	1	Parking cradle - L hand
38	75 80 015	1	Cradle pin
39	04 31 105	1	Spring cotter
40	10 75 041	4	Cradle pad
41	10 75 047	8	Countersunk rivet

DIPPER - Std arm



McCONEL



**McCORMEL**

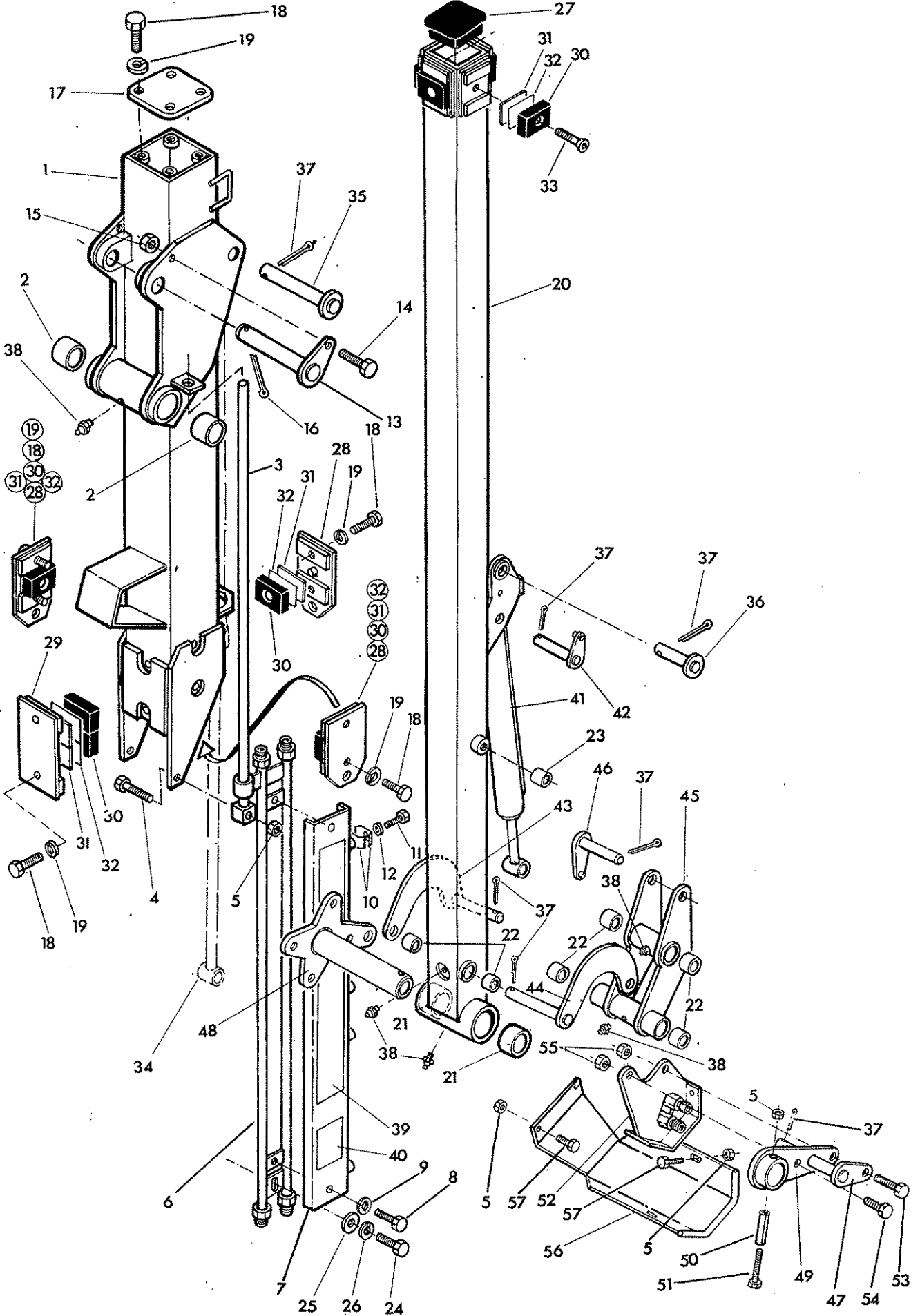
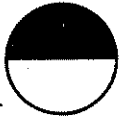
Ref.	Part No.	Qty.	Description
DIPPER ARM & ANGLING MECHANISM FOR PA2050 STANDARD ARM			
1	75 50 252	1	Dipper arm
2	71 36 035	2	Bush - head pivot
3	71 01 083	6	Bush - Radius arm pivot and slave link
4	70 16 010	2	Bush - Dipper pivot
5	09 01 121	5	Greaser
6	71 96 017	1	Pivot pin - Tension link
7	95 01 507	1	Split pin
8	75 50 287	1	Rigid pipe
9	93 13 045	2	Setscrew
10	91 00 305	4	Internal serrated washer
11	75 50 286	1	Pipe cover
12	92 13 075	2	Bolt
13	71 96 024	4	Hose clamp
14	93 13 053	2	Setscrew
15	91 00 203	2	Spring washer
16	12 90 295	1	Sticker "Power Arm"
17	12 90 397	1	Sticker 2050
18	75 60 344	1	Angle ram assembly
19	71 92 024	1	Pivot pin - Angle ram base
20	71 92 311	1	Radius arm - front
21	71 92 310	1	Radius arm - rear
22	71 92 309	1	Slave link
23	71 92 008	1	Pivot pin - Angle ram rod
24	71 92 009	1	Pivot pin - Slave link
25	95 01 406	5	Split pin dia
26	71 92 308	1	Head pivot tube
27	71 92 316	1	Jaw plate
28	04 23 548	1	Spring dowel
29	92 13 185	1	Bolt
30	91 43 005	5	Self locking nut
31	71 95 303	1	Hose junction bracket
32	02 11 146	1	Bolt
33	02 11 126	1	Bolt
34	01 41 006	2	Self locking nut
35	71 92 324	1	Hose tray
36	93 13 045	4	Setscrew

Model

TELESCOPIC DIPPER ARM

McCONEL

Temeside Works, Ludlow,
Shropshire, SY8 1JL, England.
Telephone: (0584) 3131.
Telex 35313. Facsimile: (0584) 6463.



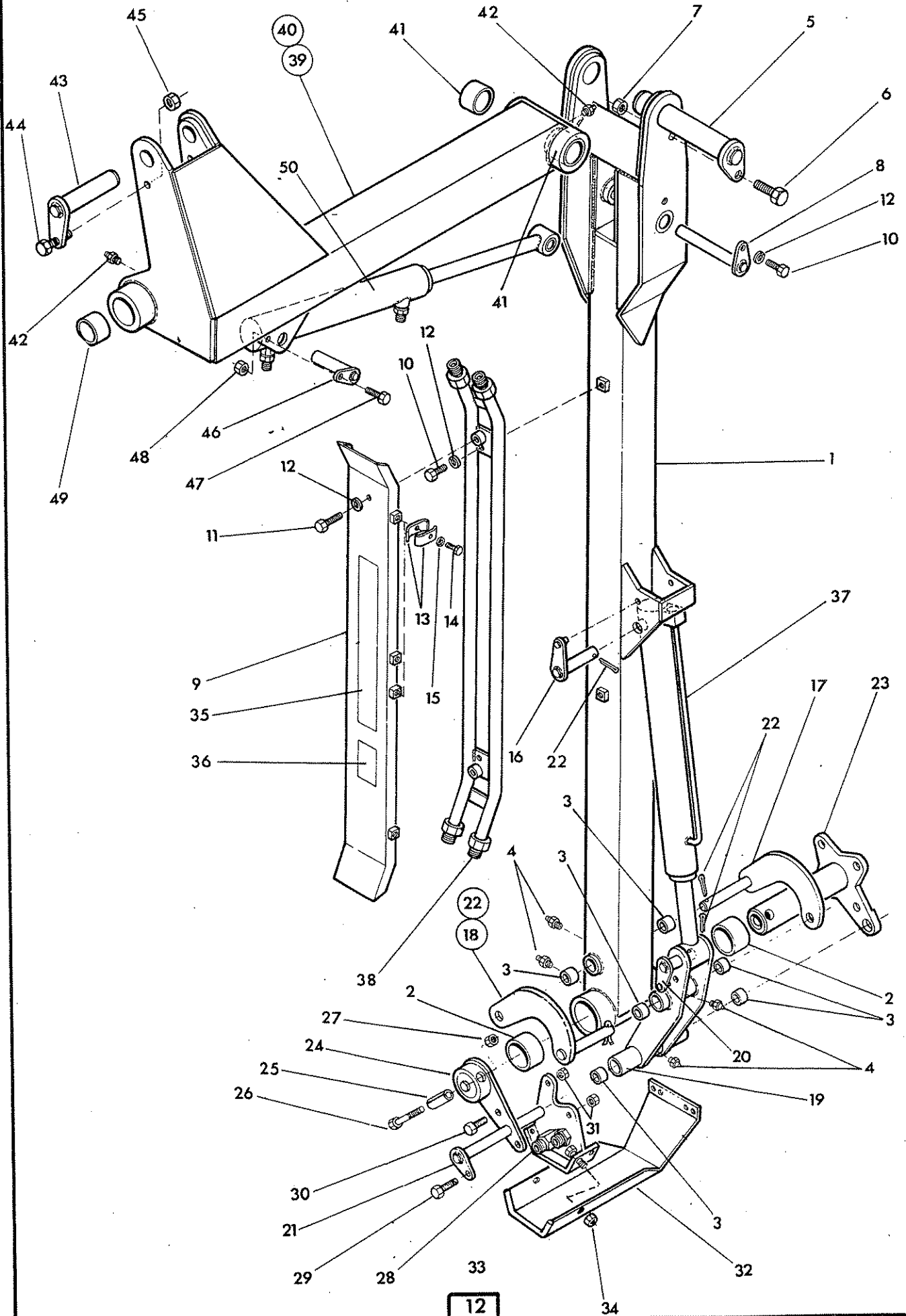


Ref.	Part No.	Qty.	Description
DIPPER ARM AND ANGLING MECHANISM FOR 2050 - TELESCOPIC			
1	71 97 281	1	Dipper socket
2	70 16 010	2	Bush
3	71 97 012	1	Guide rod
4	92 13 125	1	Bolt
5	91 43 005	6	Self locking nut
6	71 97 282	1	Pipe assembly
7	71 97 015	1	Pipe cover
8	93 13 055	2	Setscrew
9	91 00 305	2	Internal serrated washer
10	71 96 024	4	Hose clamp
11	93 13 053	2	Setscrew
12	91 00 203	2	Spring washer
13	71 97 005	1	Pivot pin - tension link upper
14	92 13 066	1	Bolt
15	91 43 006	1	Self locking nut
16	95 01 507	1	Split pin
17	71 36 069	1	Cover plate
18	03 11 065	12	Setscrew
19	01 00 205	12	Spring washer
20	71 97 280	1	Tele dipper
21	71 36 035	2	Bush
22	71 01 083	6	Bush
23	71 97 009	1	Spacer
24	92 17 406	1	Bolt
25	91 00 106	1	Plain washer
26	91 00 206	1	Spring washer
27	71 36 148	1	Plastic bung
28	71 36 314	3	Wear pad carrier - side and top
29	71 36 315	1	Wear pad carrier - bottom
30	71 36 001	13	Wear pad
31	71 36 059	as reqd	Shim 1mm
32	71 36 058	as reqd	Shim 0.25 mm
33	93 53 075	4	Socket head c/sunk screw
34	71 36 275	1	'Tele' ram assembly
35	71 97 003	1	Pivot pin - 'tele' ram base
36	71 97 004	1	Pivot pin - 'tele' ram rod
37	95 01 406	7	Split pin dia
38	09 01 121	5	Greaser
39	12 90 295	1	Sticker 'Power Arm'
40	12 90 397	1	Sticker '2050'
41	75 60 344	1	Angle ram assembly
42	71 92 024	1	Pivot pin -Angle ram base
43	71 92 311	1	Radius arm - front
44	71 92 310	1	Radius arm - rear
45	71 92 309	1	Slave link
46	71 92 008	1	Pivot pin -Angle ram rod
47	71 92 009	1	Pivot pin - Slave link
48	71 92 308	1	Head pivot tube
49	71 92 316	1	Jaw plate
50	04 23 548	1	Spring dowel
51	92 13 185	1	Bolt
52	71 95 303	1	Hose junction bracket
53	02 11 146	1	Bolt
54	02 11 126	1	Bolt
55	01 41 006	2	Self locking nut
56	71 92 324	1	Hose tray
57	93 13 045	4	Setscrew



McCONEL

DIPPER ARM - Midcut





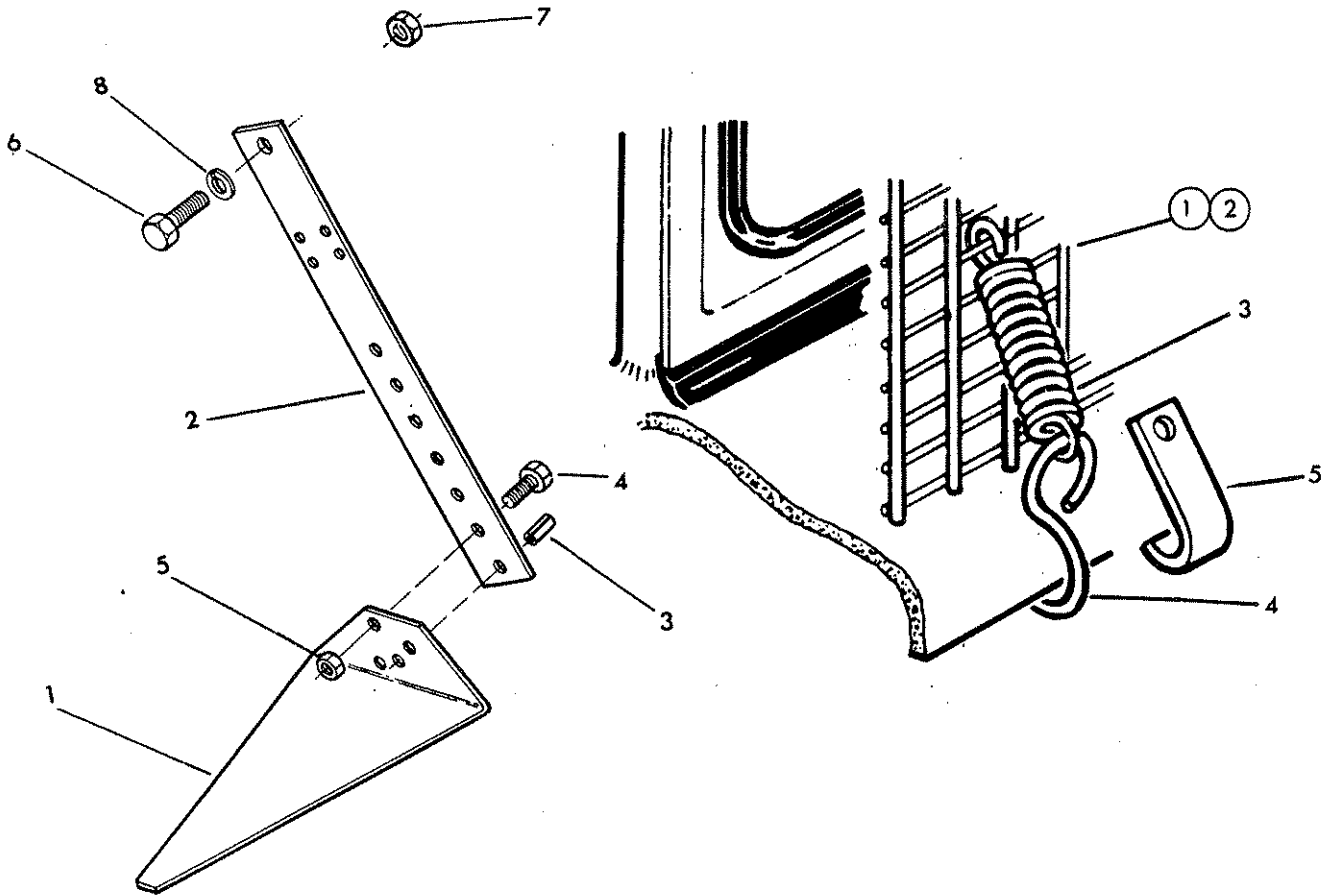
MCCORMEL

Ref.	Part No.	Qty.	Description
PA 2050M DIPPER ARM AND FITTINGS			
1	75-50-269	1	Dipper arm
2	71-36-035	1	Nylon head bush
3	71-01-083	6	Bush
4	09-01-121	4	Greaser
5	75-80-023	1	Pin dia
6	92-13-107	1	Bolt
7	91-43-007	1	Self locking nut
8	75-60-063	1	Pin
9	75-50 276	1	Rigid pipe cover
10	93-13-045	3	Setscrew
11	93-13-075	2	Setscrew
12	91-00-205	5	Spring washer
13	71-96-024	4	Hose clamp
14	93-13-053	2	Setscrew
15	91-00-203	2	Spring washer
16	71-92-024	1	Pin
17	71-92-311	1	Radius arm front
18	71-92-310	1	Radius arm rear
19	71-92-309	1	Slave link
20	71-92-008	1	Pin
21	71-92-009	1	Pin
22	95-01-406	4	Split pin dia
23	71-92-308	1	Head pivot tube
24	71-92-316	1	Jaw plate
25	04-23-548	1	Spring dowel
26	92-13-185	1	Bolt
27	91-43-005	1	Self locking
28	71-95-303	1	Hose junction bracket
29	02-11-146	1	Bolt
30	02-11-126	1	Bolt
31	01-41-006	2	Self locking
32	71-92-324	1	Hose tray
33	92-13-045	2	Setscrew
34	91-43-005	2	Self locking nut
DIPPER ANCILLIARIES			
35	12-90-295	1	Sticker "Power Arm"
36	12-90-397	1	Sticker "2050"
37	75-60-344	1	Angling ram
38	75-50 277	1	Rigid pipes
FORWARD EXTENSION AND FITTINGS			
39	75-50 267	1	Forward extension 1.0m R. Hand
40	75-50 268	1	Forward extension 1.0m L. Hand
41	75-60-050	2	Bush
42	09-01-121	2	Greaser
43	75-50 013	1	Pin
44	93-13-077	1	Bolt
45	91-43-007	1	Self locking nut
46	75-60-064	1	Pin
47	92-13-065	1	Bolt
48	91-43-005	1	Self locking nut
49	70 16 010	2	Bush
FORWARD EXTENSION ANCILLIARIES			
50	75-50 288	1	Breakaway ram

**CONTROL MOUNTING
OPERATOR GUARD**



McDONNELL



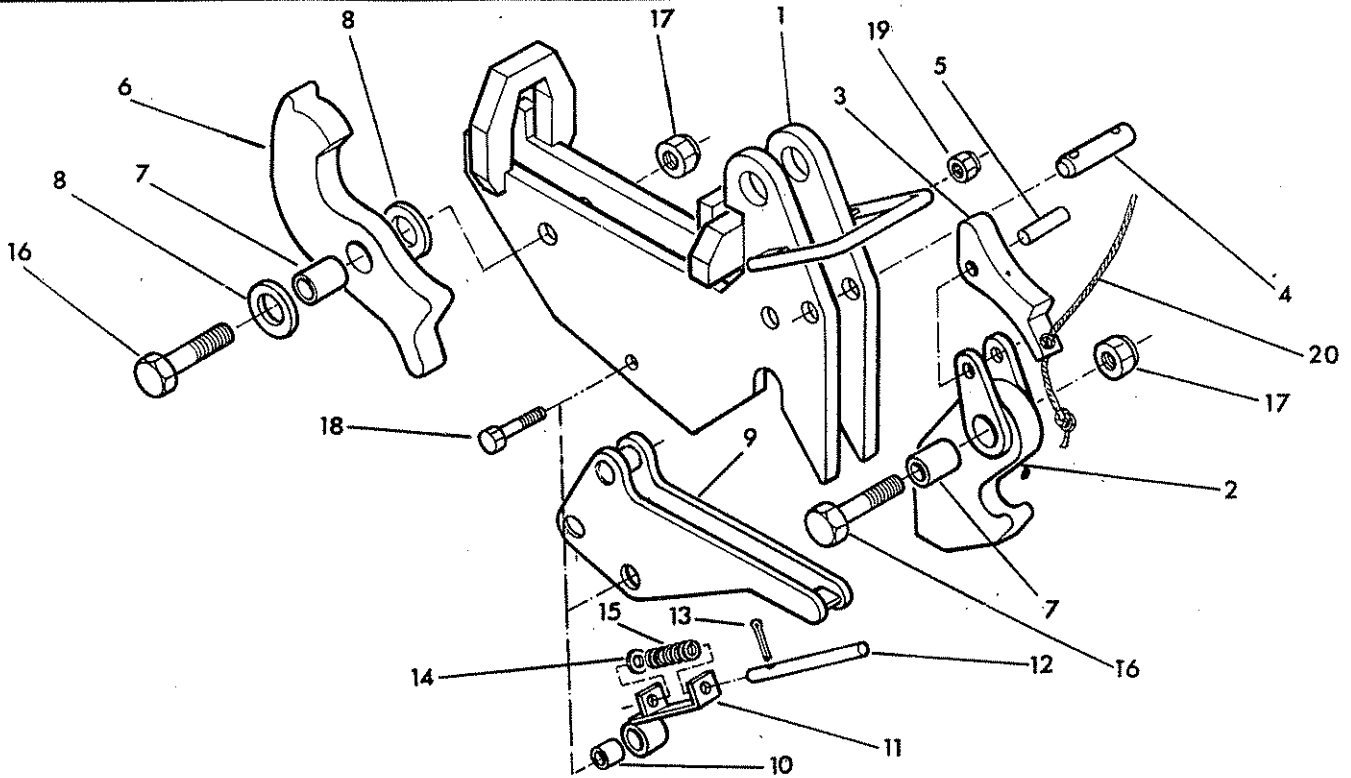
Ref.	Part No.	Qty.	Description
	71-90-319		CONTROL MOUNTING ASSEMBLY
1	71-09-320	1	Sandwich plate
2	71-09-146	1	Pillar including spring dowel
3	04-22-816	1	Spring dowel
4	93-13-066	1	Setscrew
5	91-13-006	1	Nut
6	93-11-086	1	Setscrew
7	01-11-006	1	Nut
8	01-00-206	1	Spring washer

Ref.	Part No.	Qty.	Description
	73-13-324		CAB GUARD KIT
1	73-13-049	1	Guard panel - large
2	73-13-050	1	Guard panel - small
3	60-01-064	12	Spring
4	60-01-065	6	Hook
5	73-13-051	6	Hook

CATCH ASSEMBLY Cat 2



McDONNELL



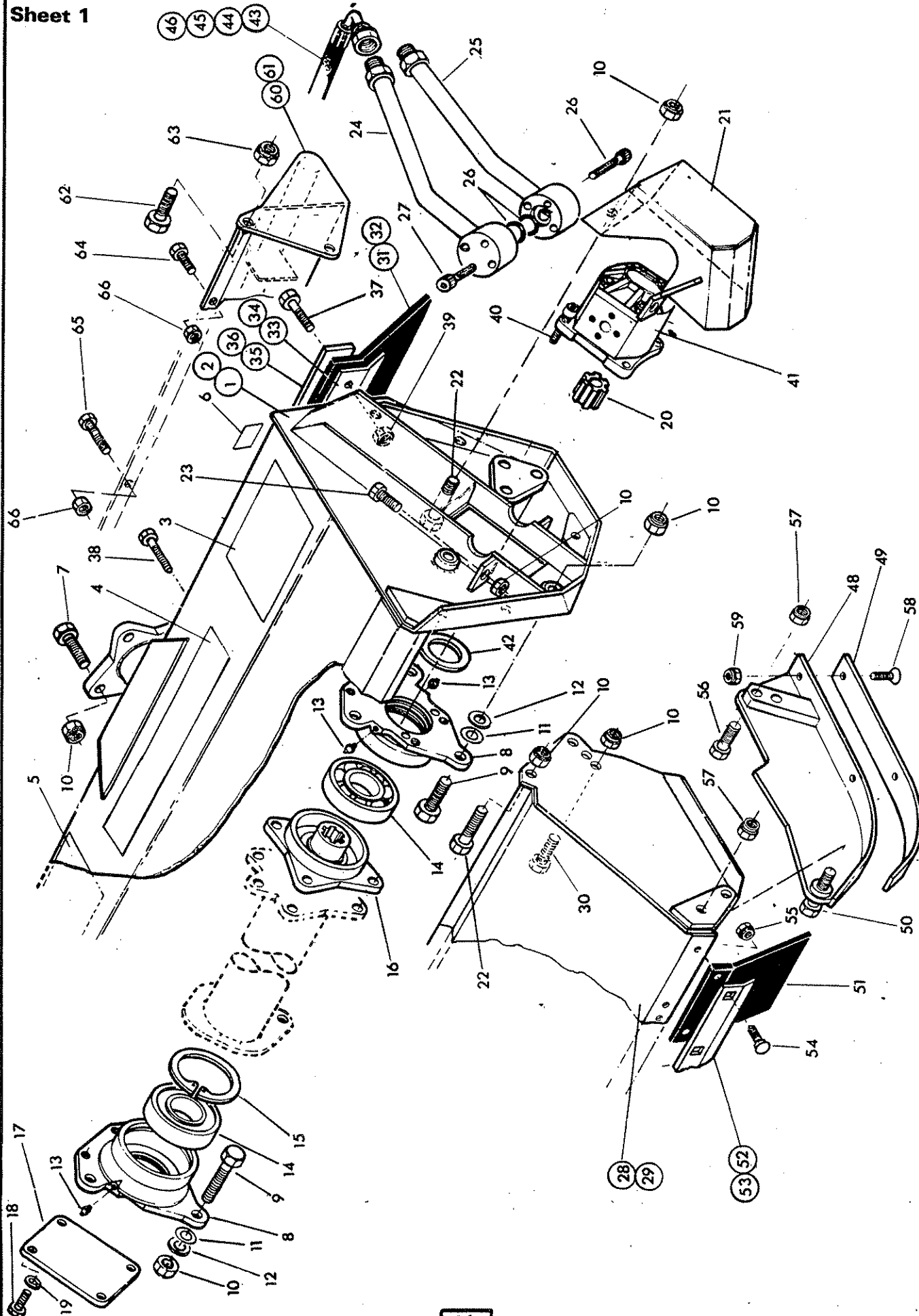
Ref.	Part No.	Qty.	Description
	20-20-999		CATCH ASSEMBLY
1	20-20-901	1	Catch body
2	20-20-902	1	Hitch hook
3	20-20-903	1	Hook release
4	20-20-904	1	Locking pin
5	20-20-906	1	Pivot - hook release
6	20-20-907	1	Plate latch
7	20-20-908	2	Pivot sleeve
8	20-20-909	2	Spacer - plate latch
9	20-20-910	1	Catch lock
10	20-20-911	1	Sleeve - spring rocker
11	20-20-912	1	Spring rocker
12	20-20-913	1	Spring shaft
13	95-01-325	1	Split pin
14	91-00-105	1	Plain washer
15	20-20-914	1	Spring
16	92-13-188	2	Bolt
17	91-43-008	2	Self locking nut
18	92-13-166	1	Bolt
19	91-43-006	1	Self locking nut
20	20-20-915	1	Release cord

FLAIL HEAD CASING 1-2M & 1-6M
90 Series



McCONNELL

Sheet 1





McCONNEL

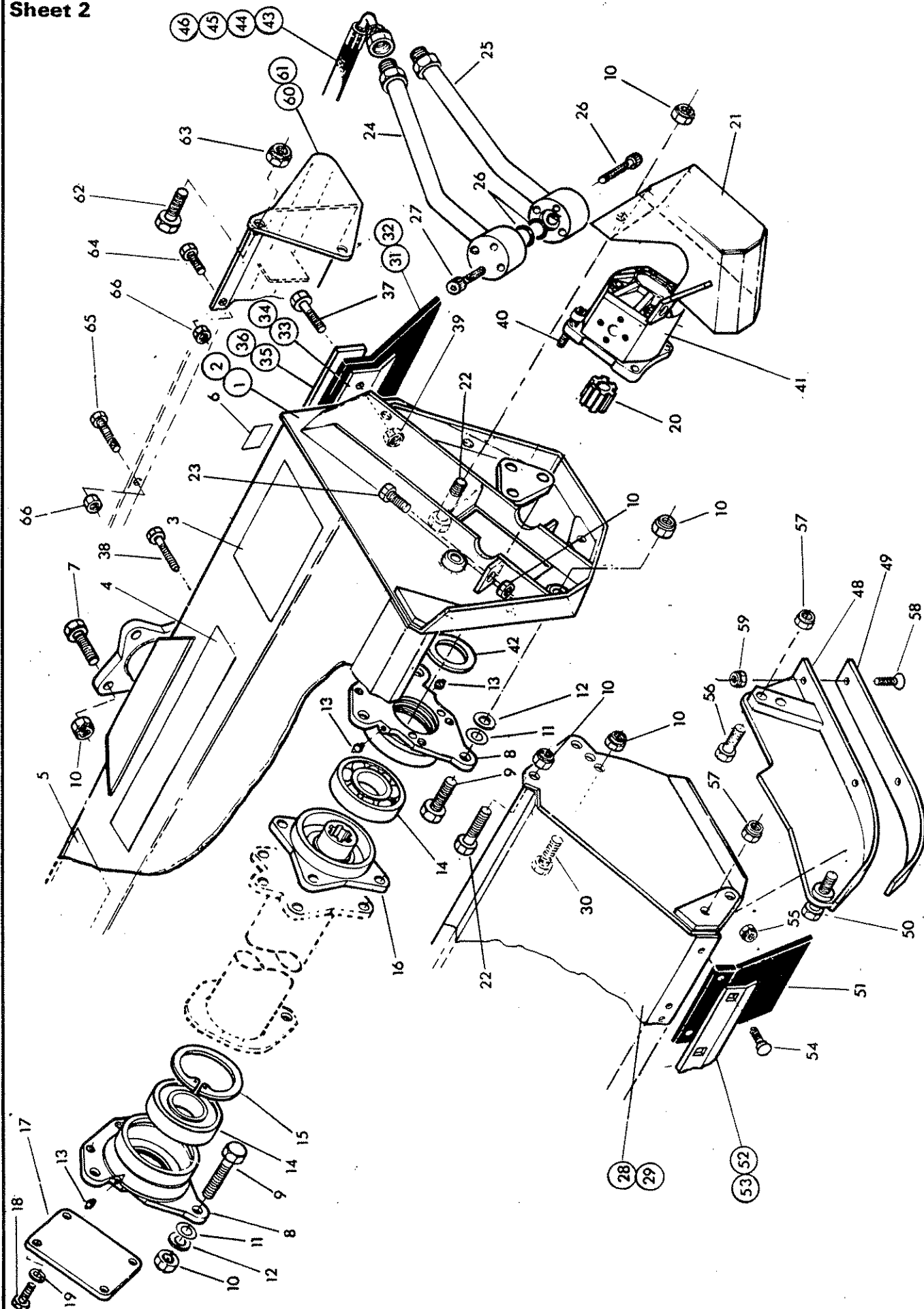
Ref.	Part No.	Qty.	Description
FLAIL HEAD CASING 1.2M & 1.6M - 90 series			
1	71 90 262	1	Flail casing 1.2M
2	71 90 406	1	Flail casing 1.6M
3	12 90 377	1	Flail head instruction sticker
4	12 90 255	1	Sticker 'McConnel'
5	12 90 341	1	Sticker - 'Flail guarding'
6	13 35 246	1	Serial No. plate
7	02 11 186	4	Bolt
8	71 90 261	2	Bearing housing
9	02 11 166	6	Bolt
10	01 41 006	13	Self locking nut
11	81 21 043	as reqd	Shim .015"
12	81 21 044	as reqd	Shim .025"
13	09 01 121	4	Greaser
14	06 00 018	2	Bearing
15	71 90 022	1	Internal circlip
16	71 90 472	1	Rotor hub
17	71 90 444	1	Cover plate
18	93 13 045	4	Setscrew
19	91 00 205	4	Spring washer
20	71 90 009	1	Drive coupling
21	71 90 488	1	Motor cover
22	02 11 266	1	Bolt
23	03 11 126	2	Setscrew
24	71 90 297	1	Motor pipe - upper
25	71 90 298	1	Motor pipe - lower
26	86 00 121	2	'O' ring
27	93 00 014	6	Capscrew 'wedglok'
28	71 90 288	1	Front hood 1.2M
29	71 90 401	1	Front hood 1.6M
30	03 11 106	2	Setscrew
31	71 90 314	1	Rear flap 1.2M
32	71 90 425	1	Rear flap 1.6M
33	71 90 312	1	Mounting strip 1.2M
34	71 90 426	1	Mounting strip 1.6M
35	71 90 313	1	Clamp strip 1.2M
36	71 90 427	1	Clamp strip 1.6M
37	93 13 065	as reqd	Setscrew
38	93 13 075	2	Setscrew
39	91 43 005	as reqd	Self locking nut
40	93 00 144	4	Capscrew wedglok

FLAIL HEAD CASING 1-2M & 1-6M
90 Series



McCONNELL

Sheet 2





FLAIL HEAD CASINGS for 90 series. Continued

41	83 01 283	1	Hydraulic motor 1.6 head
	83 01 282	1	Hydraulic motor 1.2 head
42	71 90 015	1	Motor locating washer
43	85 01 097	2	Hose 1" BSP SF-90 deg F x 34" long for 1.2 heads. with motor outboard
44	85 01 154	2	Hose 1" BSP SF-90 deg F x 42" long for 1.6 heads with motor outboard
45	85 01 154	2	Hose 1" BSP SF-90 deg F x 42" long for 1.2 heads with motor inboard
46	85 01 206	2	Hose 1" BSP SF - 90 deg F x 50" long for 1.6 heads with motor inboard

86 99 236

SEAL KIT for both hydraulic motors

ADDITIONAL PARTS FOR GRASS CUTTING

47	71 90 300	1	Skid R. Hand - not illus
48	71 90 301	1	Skid L. Hand
49	73 14 323	2	Replaceable skid
50	03 11 146	2	Setscrew
51	71 90 020	as reqd	Flap
52	71 90 304	1	Flap clamp strip 1.2M
53	71 90 405	1	Flap clamp strip 1.6M
54	92 93 054	as reqd	Cup square bolt
55	91 43 004	16	Self locking nut
56	03 11 086	2	Setscrew
57	01 41 006	4	Self locking nut
58	93 33 065	6	Setscrew c/sunk
59	91 43 005	6	Self locking nut

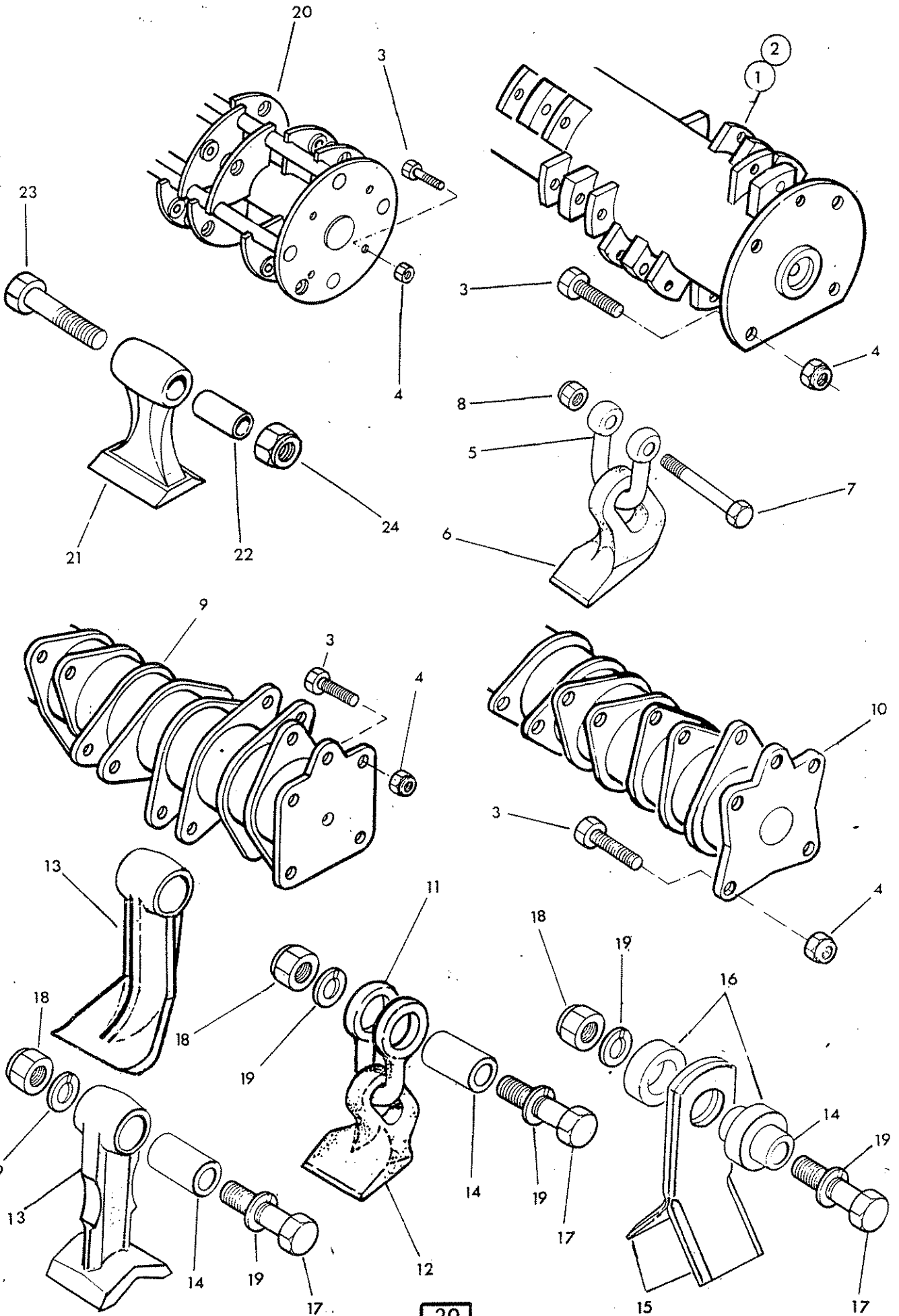
EXTRAS FOR DOWNWARD CUTTING FLAILS

	71 90 310	1	Rear hood kit for 1.2M heads
	71 90 085	1	Rear hood kit for 1.6M heads
60	71 90 285	1	Rear hood 1.2M
61	71 90 443	1	Rear hood 1.6M
62	03 11 106	4	Bolt
63	01 41 006	4	Self locking nut
64	93 13 045	as reqd	Setscrew
65	93 13 055	2	Setscrew
66	91 43 005	as reqd	Self locking nut

ROTOR & FLAIL OPTIONS



McDONNELL





Ref Part No Qty Description

140mm DIA ROTOR SUITABLE FOR 1.2m HI POWER AND 1.6m FLAIL HEADS

1	71 90 422	1	Rotor 1.6m PA2050/2060 only - 44 flail stations
2	71 90 424	1	Rotor 1.2m - 32 flail stations
3	03 11 146	4	Setscrew 5/8 UNFx 1 3/4" long
4	01 41 006	4	Self locking nut 5/8 UNF

FLAIL OPTIONS FOR 140mm DIA ROTORS - Quantities shown are per flail station

5	71 90 086	1	Shackle
6	71 90 463	1	Flail
7	71 90 088	1	Special bolt
8	01 41 004	1	Self locking nut 7/16 UNF

120mm DIA ROTOR FOR 1.6m FLAIL HEADS

9	71 90 423	1	Rotor 1.6m PA2050 and 2060 only
---	-----------	---	---------------------------------

100mm DIA ROTOR FOR 1.2m FLAIL HEADS

10	71 90 320	1	Rotor 1.2 - 24 flail stations
----	-----------	---	-------------------------------

FLAIL OPTIONS FOR 100 & 120mm DIA ROTORS - Quantities shown are per flail station

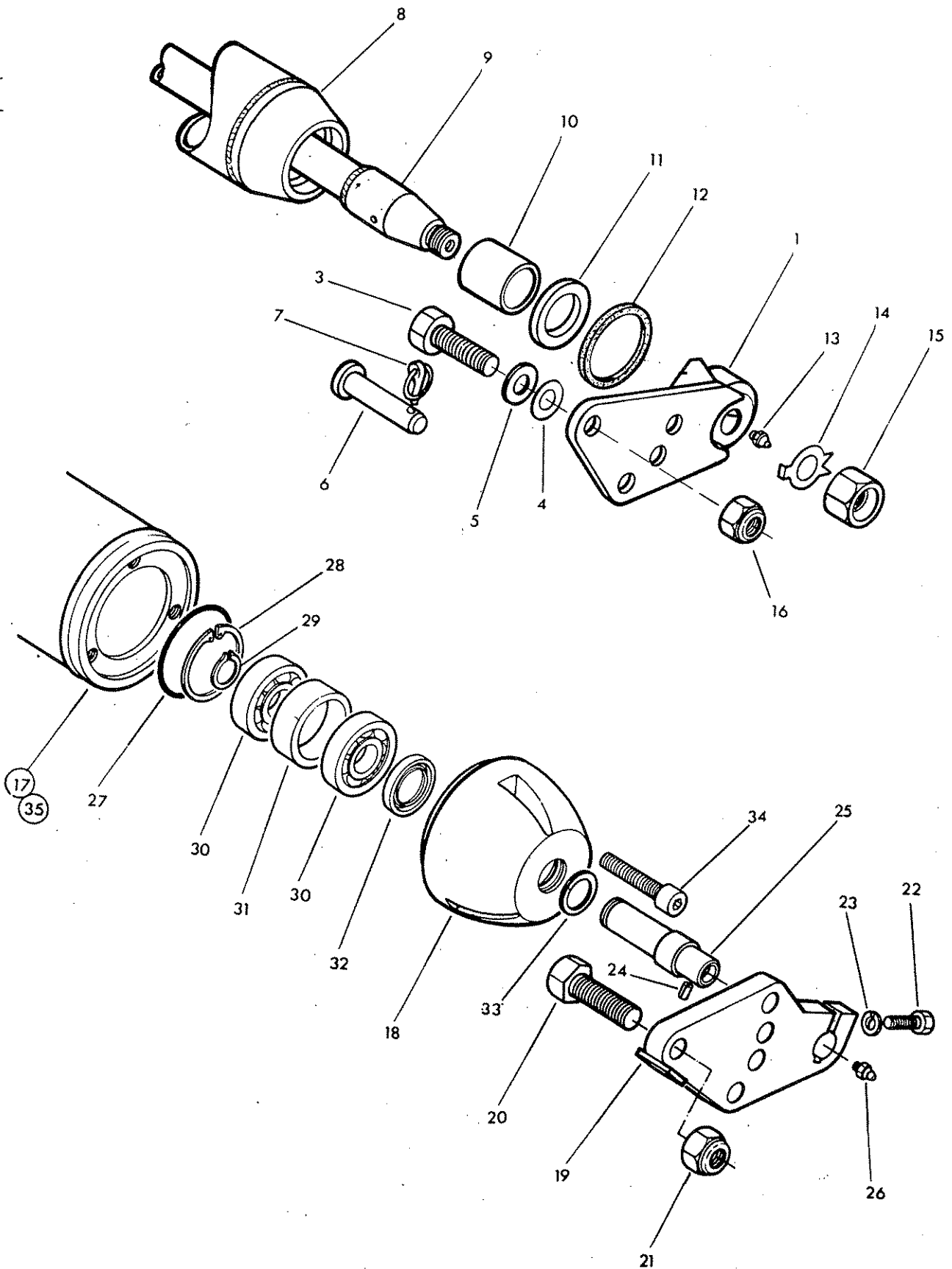
11	71 90 106	1	Shackle
12	71 90 462	1	Flail
13	73 14 366	1	Flail F10H
	73 90 276	1	Flail - alternative single edged
14	73 14 223	1	Pivot bush
15	71 90 315	2	Flail
16	71 90 010	2	Flail spacer
17	73 14 210	1	Special bolt
18	01 41 006	1	Self locking nut 5/8 UNF
19	01 00 206	2	Spring washer 5/8" dia

OMEGA ROTOR - FOR 1.2m FLAIL HEADS

20	71 90 465	1	Rotor (20 flail stations)
----	-----------	---	---------------------------

FLAIL FOR OMEGA ROTOR - Qtys are per flail station

21	71 90 464	1	Flail
22	71 90 117	1	Bush
23	71 90 118	1	Special bolt
24	01 41 006	1	Self locking nut 5/8" UNF





Ref.	Part No.	Qty.	Description
ROLLERS OPTIONS FOR 1.2M 90 SERIES FLAIL HEADS			
BUSHED ROLLER ASSEMBLY			
1	71 90 306	1	Roller bracket L. Hand
2	71 90 305	1	Roller bracket R. Hand - not illus
3	02 11 166	2	Bolt
4	81 21 043	as reqd	Shim .015"
5	81 21 044	as reqd.	Shim .025"
6	71 90 032	2	Pin
7	04 31 213	2	Linch pin
8	71 90 307	1	Roller
9	71 90 308	1	Roller tie rod
10	72 13 023	2	Bush
11	71 90 026	2	Thrust washer
12	71 90 028	2	Felt seal
13	09 01 121	2	Greaser
14	71 90 023	2	Tab washer
15	71 14 176	2	Special nut
16	01 41 006	4	Self locking nut

BALL BEARING ROLLER ASSEMBLY

17	71 90 434	1	Roller
18	71 90 429	2	Roller end
19	71 90 428	2	Mounting bracket
20	02 11 206	4	Bolt
21	01 41 006	4	Self locking
22	02 11 123	2	Bolt
23	01 00 203	2	Spring washer
24	04 25 408	2	Spring dowel
25	71 90 430	2	Stub axle
26	09 01 121	2	Greaser
27	86 00 139	2	'O' ring
28	04 11 262	2	Internal circlip
29	04 01 225	2	External circlip
30	06 00 088	4	Bearing
31	71 90 082	2	Spacer
32	86 29 125	2	Seal
33	04 31 232	2	Spring ring
34	93 00 104	6	Capscrew - self locking

ROLLER FOR 1.6 METRE 90 SERIES FLAIL HEAD FLAIL HEAD

BALL BEARING ROLLER ASSEMBLY ONLY

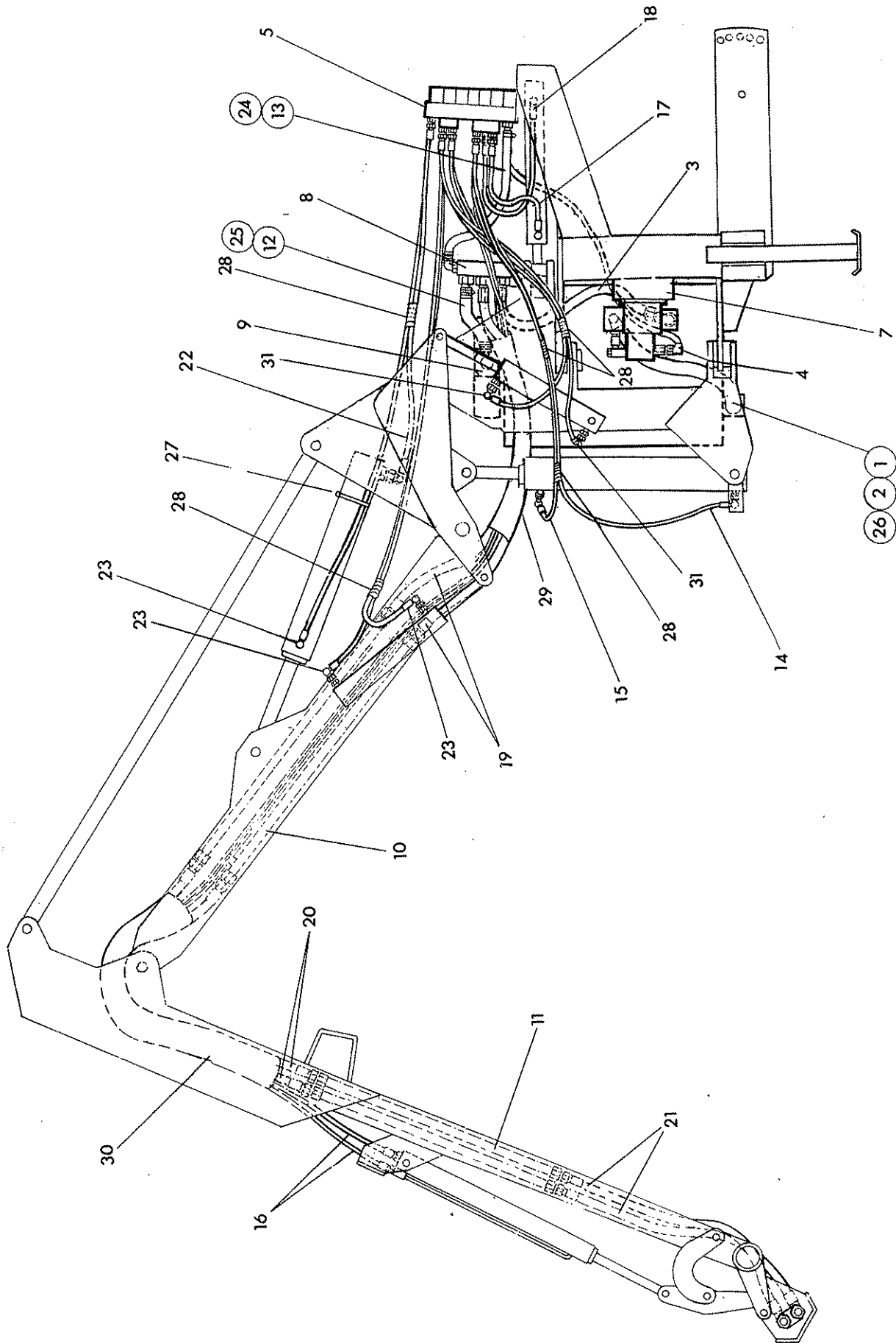
The parts list is identical with the 1.2m ball bearing roller with the following exception

35	71 90 435	1	Roller
----	-----------	---	--------

HYDRAULIC INSTALLATION -
Std arm electric machines



McCOMB

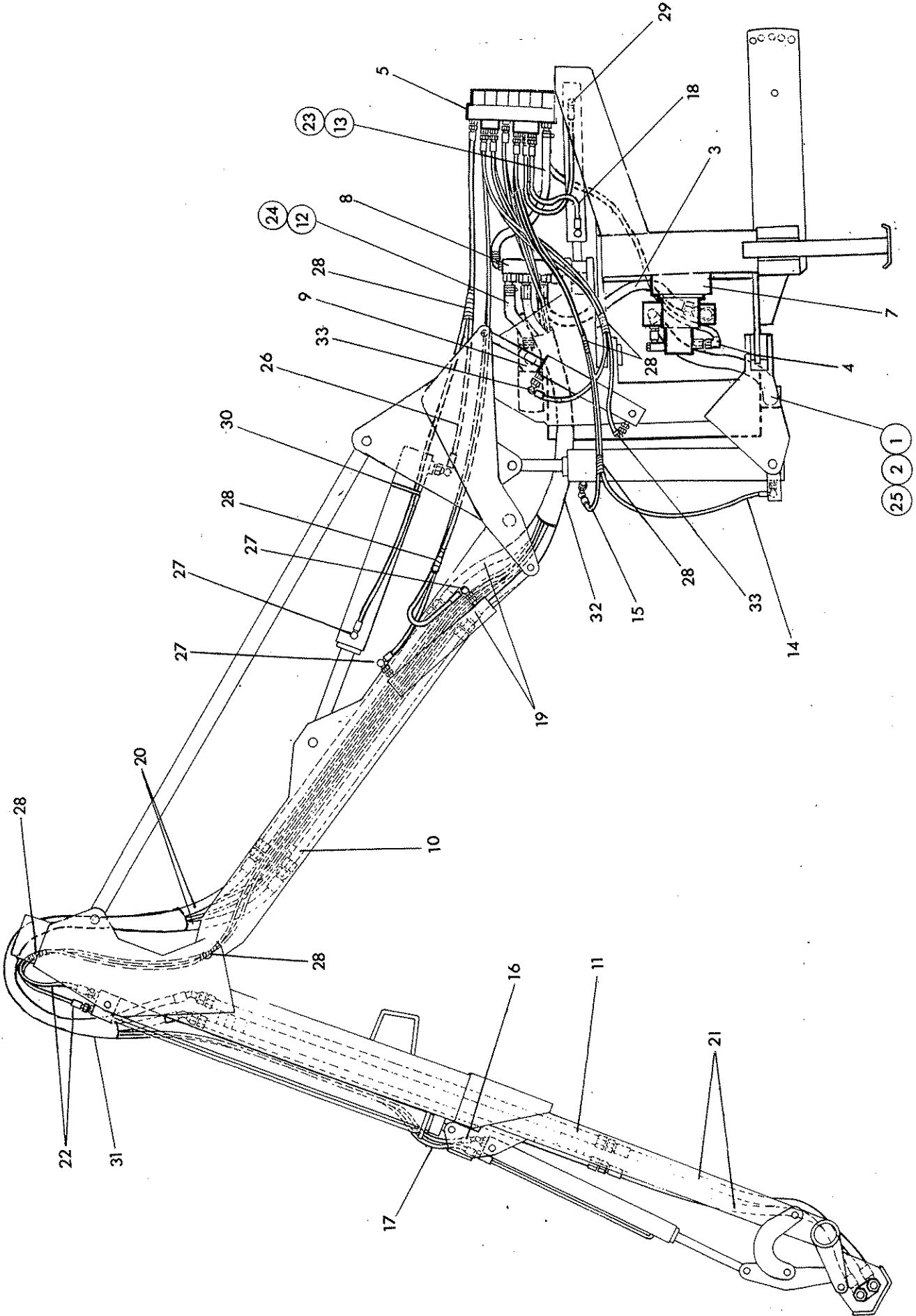




Ref.	Part No.	Qty.	Description
HYDRAULIC INSTALLATION ELECTRIC STD. ARM MACHINES			
1	85 01 207	1	Hose 1 1/2" bore x 22" long Suction L.Hand only
2	85 01 192	1	Hose 1 1/2" bore x 27" long Suction R.Hand only
3	85 01 170	1	Hose 1" BSP x 37" long Pump R.C. Valve L.Hand only
	85 01 098	1	Hose 1" BSP x 48" long Pump R.C. Valve R.Hand only

The remaining items are common to both right and left hand installation

4	85 31 243	1	Hose 3/8" BSP x 51" long Supply small pump
5		1	Control valve assembly
6	71 09 319	1	Control mounting assembly
7		1	Pump/gearbox assemblies
8		1	Rotor control valve assemblies
9		1	Tank assembly
10		1	Rigid pipe - Main arm ref only
11		1	Rigid pipe - Dipper - ref only
12	85 00 836	1	Hose 1" bore x 36" long
13	85 01 158	1	Hose 5/8 bore x 24" long return Control valve - RC valve
14	85 35 072	1	Hose 1/4" BSP x 60" long Lift base
15	85 35 022	1	Hose 1/4" BSP x 40" long Lift gland
16	85 15 182	2	Hose 1/4" BSP x 200" long Angle
17	85 35 012	1	Hose 1/4" BSP x 18" long -Slew gland
18	85 35 092	1	Hose 1/4" BSP x 22" long - Slew base
19	85 01 179	2	Hose 1" BSP x 53" long R.C.Valve - rigid pipes
20	85 01 060	2	Hose 1" BSP x 43" long - Dipper pivot
21	85 01 097	2	Hose 1" BSP x 34" long - Dipper junction
22	85 35 192	1	Hose 1/4" BSP x 44" long Reach base
23	85 35 112	3	Hose 1/4" BSP x 66" long Reach gland & comp
24	09 04 204	2	Hose clip
25	09 04 106	4	Hose clip
26	09 04 107	4	Hose clip
27	71 35 084	1	Hose tie
28	71 35 090	6	Hose armour cable.
29	75 50 026	1	Sleeve
30	75 50 025	1	Sleeve
31	85 35 162	2	Hose 1/4" BSP x 36" long Lift comp

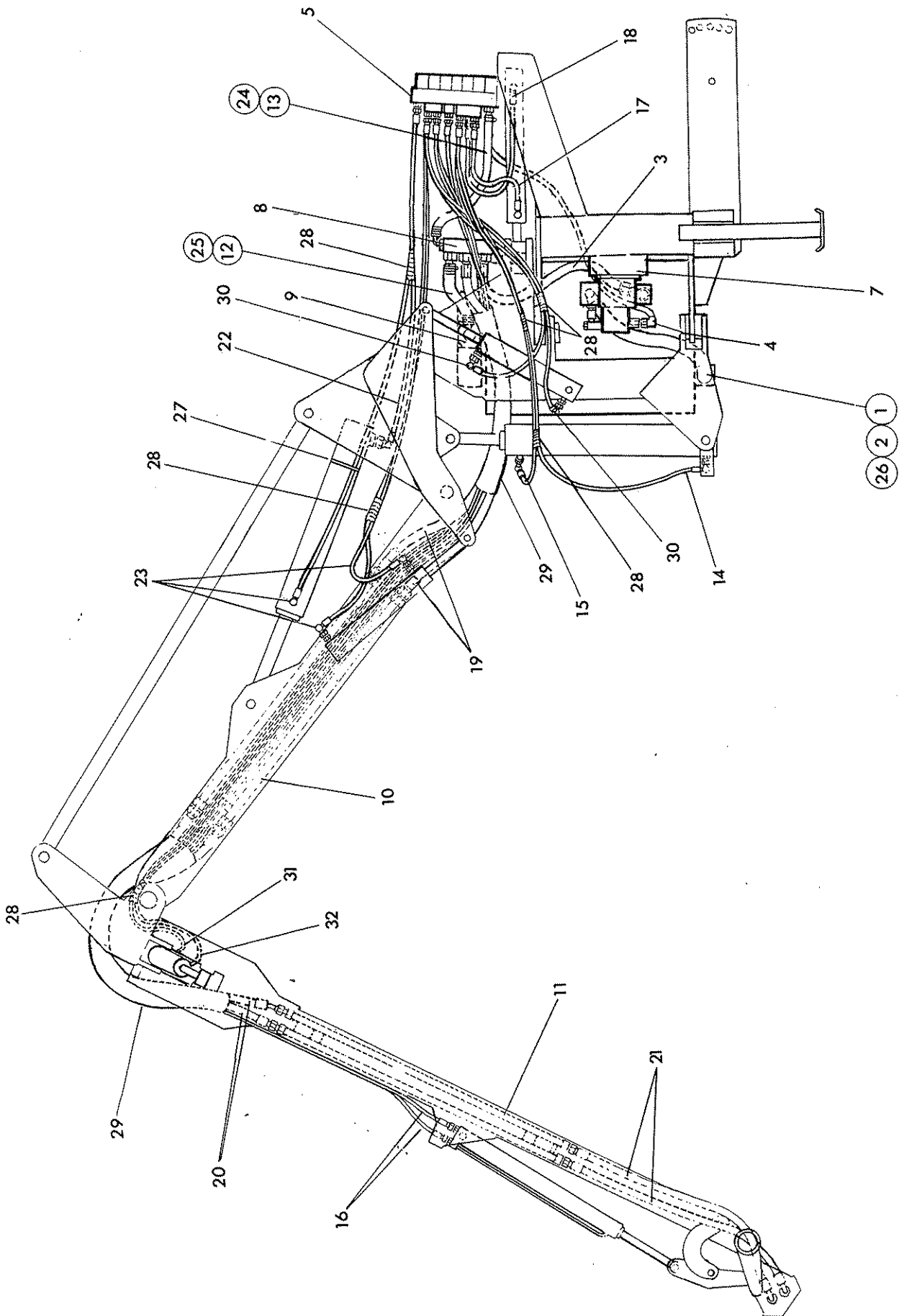




Ref.	Part No.	Qty.	Description
HYDRAULIC INSTALLATION - ELECTRIC TELESCOPIC MACHINES			
1	85 01 207	1	Hose 1 1/2" bore x 22" long Suction L.Hand
2	85 01 192	1	Hose 1 1/2" bore x 27" long Suction R.Hand
3	85 01 170	1	Hose 1" BSP x 37" long Pump R.C.Valve L.Hand
	85 01 098	1	Hose 1" BSP x 48" long Pump R.C.Valve R.Hand

The remaining items are common to both right and left hand install

4	85 31 243	1	Hose 3/8" BSP x 51" long supply small pump
5		1	Control valve assembly
6	71 09 319	1	Control mounting assembly
7		1	Pump/gearbox assemblies
8		1	Rotor control valve assemblies
9		1	Tank assembly
10	71 96 298	1	Rigid pipe - main arm - ref only
11	71 97 282	1	Rigid pipe - dipper arm - ref only
12	85 00 836	1	Hose 1" bore x 36" long
13	85 01 158	1	Hose 5/8 bore x 24" long return Control valve - RC valve
14	85 35 072	1	Hose 1/4" BSP x 60" long Lift base
15	85 35 022	1	Hose 1/4" BSP x 40" long Lift gland
16	85 45 012	1	Hose 1/4" BSP x 212" long Angle base
17	85 15 022	1	Hose 1/4" BSP x 212" long Angle gland
18	85 35 012	1	Hose 1/4" BSP x 18" long -Slew gland
19	85 01 179	1	Hose 1" BSP x 53" long RC Valve Rigid pipes
20	85 01 161	2	Hose 1" BSP x 65 long Pipes-pipes
21	85 01 097	2	Hose 1" BSP x 34" long rigid pipes- head junction
22	85 15 122	2	Hose 1/4" BSP x 162" long
23	09 04 204	2	Hose clip 5/8" bore hose
24	09 04 106	4	Hose clip 1" bore hose
25	09 04 107	4	Hose clip 1 1/2" bore hose
26	85 35 192	1	Hose 1/4" BSP x 44" long Reach base
27	85 35 112	3	Hose 1/4" BSP x 66" long Reach gland & comp
28	71 35 090	6	Hose armour cable 3/8" dia x 50mm long
29	85 35 092	1	Hose 1/4" BSP x 22" long Slew base
30	71 35 084	1	Hose tie
31	75 50 025	1	Sleeve 53" long
32	75 50 026	1	Sleeve 66" long
33	85 35 162	2	Hose 1/4" BSP x 36" long Lift comp





Ref.	Part No.	Qty.	Description
HYDRAULIC INSTALLATION ELECTRIC MID CUT ARM MACHINES			
1	85 01 207	1	Hose 1 1/2" bore x 22" long-Suction L.Hand only
2	85 01 192	1	Hose 1 1/2" bore x 27" long-Suction R.Hand only
3	85 01 170	1	Hose 1" BSP x 37" long. Pump R.C. Valve L.Hand only
4	85 01 098	1	Hose 1" BSP x 48" long. Pump R.C. Valve R.Hand only

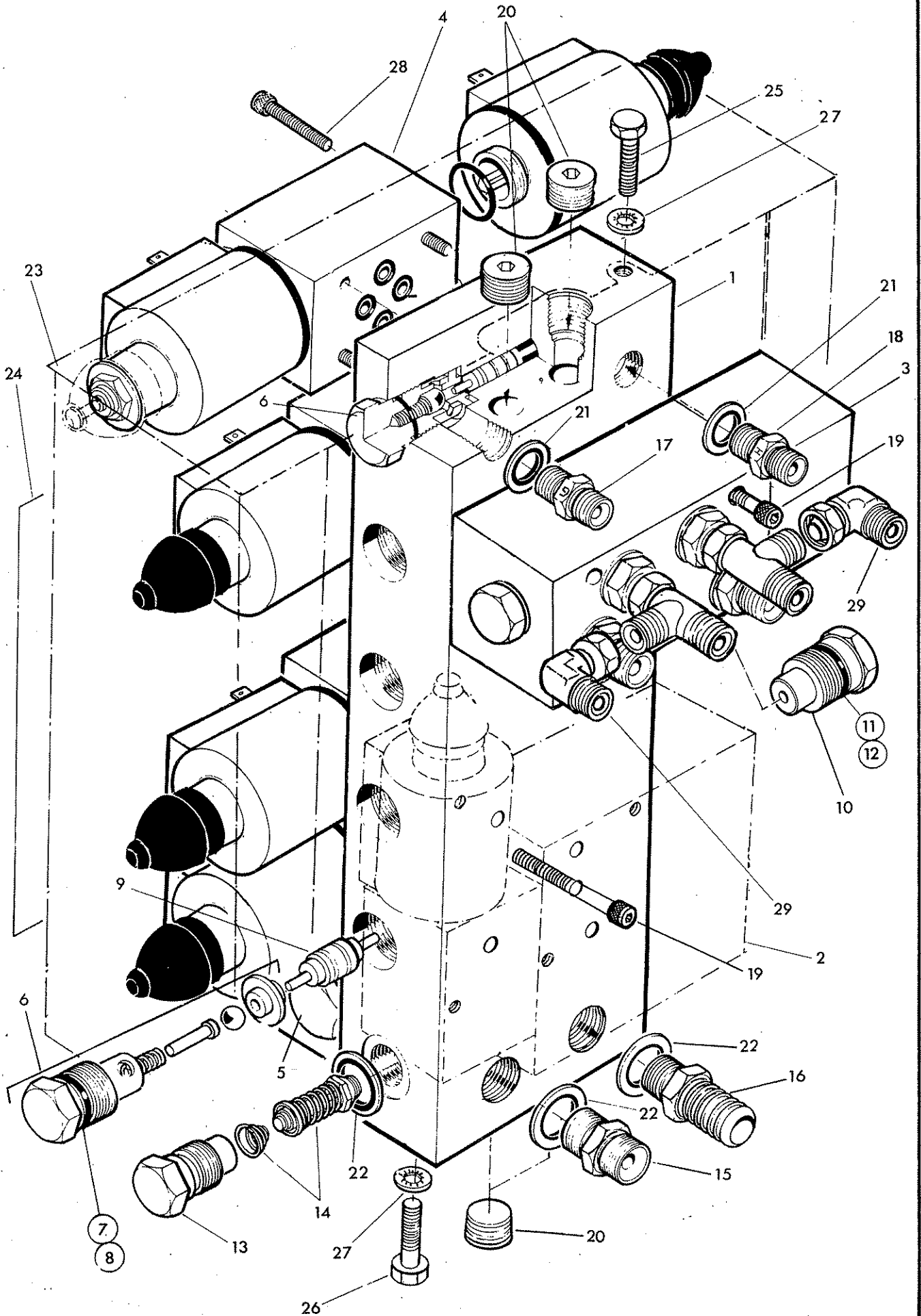
The remaining items are common to both right and left hand installation

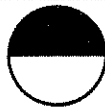
4	85 31 243	1	Hose 3/8" BSP x 51" long Supply small pump
5		1	Control valve assembly
6	71 09 319	1	Control mounting assembly
7		1	Pump/gearbox assemblies
8		1	Rotor control valve assemblies
9		1	Tank assembly
10		1	Rigid pipe - Main arm ref only
11		1	Rigid pipe - Dipper - ref only
12	85 00 836	1	Hose 1" bore x 36" long
13	85 01 158	1	Hose 5/8 bore x 24" long return Control valve - RC valve
14	85 35 072	1	Hose 1/4" BSP x 60" long Lift baseS90
15	85 35 022	1	Hose 1/4" BSP x 40" long Lift gland
16	85 15 022	2	Hose 1/4" BSP x 224" long Angle
17	85 35 012	1	Hose 1/4" BSP x 18" long -Slew gland
18	85 35 092	1	Hose 1/4" BSP x 22" long - Slew base
19	85 01 179	2	Hose 1" BSP x 53" long R.C.Valve - rigid pipes
20	85 01 190	2	Hose 1" BSP x 70" long - Dipper pivot
21	85 01 097	2	Hose 1" BSP x 34" long - Dipper junction
22	85 35 192	1	Hose 1/4" BSP x 44" long Reach base
23	85 35 112	3	Hose 1/4" BSP x 66" long Reach gland & comp
24	09 04 204	2	Hose clip
25	09 04 106	4	Hose clip
26	09 04 107	4	Hose clip
27	71 35 084	1	Hose tie
28	71 35 090	6	Hose armour cable
29	75 50 026	2	Sleeve 66" long
30	85 35 162	2	Hose 1/4" BSP x 36" long Lift comp
31	85 45 092	1	Hose 1/4" BSP x 163" long - Breakaway base
32	85 15 122	1	Hose 1/4" BSP x 162" long - Breakaway gland

CONTROL VALVE - Std arm



McCONEL





Ref.	Part No.	Qty.	Description
	81 30 387		ELECTRIC CONTROL PACK - STD. ARM
	81 30 383	1	Solenoid/manifold valve assembly compr:
1	81 30 346	1	Manifold block
2	81 30 349	1	Slew circuit valve assembly
3	81 30 362	1	Head compensator valve assy
4	81 30 455	4	Double solenoid valve
5	81 30 456	1	Single solenoid valve
6	81 30 090	7	Check valve assembly incl. 'O' ring
7	87 00 644	1	'O' ring
8	87 09 644	1	Anti extrusion ring
9	81 30 087	4	Actuator
10	81 30 078	1	Check valve blank
11	87 00 644	1	'O' ring
12	87 09 644	1	Anti extrusion ring
13	81 30 032	1	Relief valve cap
14	81 30 029	1	Relief valve cartridge c/w spring
15	60 00 113	1	Union
16	81 25 008	1	Return connection
17	81 30 104	1	Restrictor union 'G' reach base
18	81 30 105	1	Restrictor union 'H' reach gland
19	92 43 082	9	Socket headed cap screw
20	85 82 042	4	Taper plug
21	86 50 102	2	Bonded seal
22	86 50 103	3	Bonded seal
23	71 96 302	1	Solenoid cover
24	84 02 136	1	Solenoid wiring sticker
25	93 13 035	2	Setscrew
26	93 13 055	2	Setscrew
27	91 00 305	4	Internal serrated washer
28	92 43 102	20	Capscrew socket headed
29	85 81 190	2	Elbow

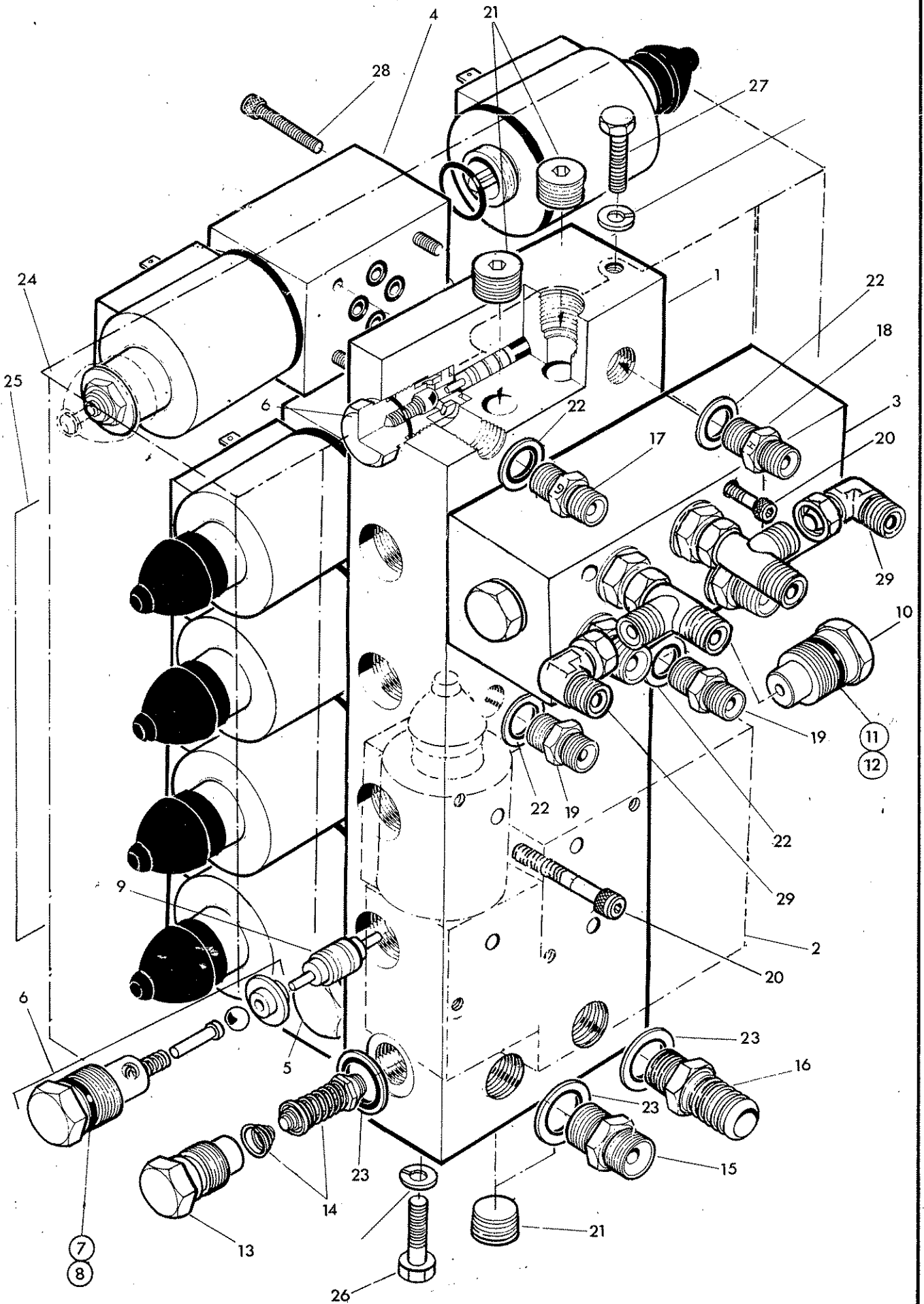
86 99 197

SEAL KIT

CONTROL VALVE - Tele arm



McDONNELL



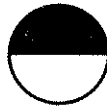


Ref.	Part No.	Qty.	Description
	81 30 388		ELECTRIC SOLENOID PACK - TELESCOPIC
	81 30 384	1	Solenoid/manifold valve assembly compr:
1	81 30 347	1	Manifold block
2	81 30 349	1	Slew circuit valve assembly
3	81 30 362	1	Head compensator valve
4	81 30 455	5	Double solenoid valve
5	81 30 456	1	Single solenoid valve
6	81 30 090	9	Check valve assembly inc. 'O' ring etc
7	87 00 644	1	'O' ring
8	87 09 644	1	Anti extrusion ring
9	81 30 087	5	Actuator
10	81 30 078	1	Check valve blank
11	87 00 644	1	'O' ring
12	87 09 644	1	Anti extrusion ring
13	81 30 032	1	Relief valve cap
14	81 30 092	1	Relief valve cartridge cw spring
15	60 00 113	1	Union
16	81 25 008	1	Return connection
17	81 30 104	1	Restrictor union 'G' reach base
18	81 30 105	1	Restrictor union 'H' reach gland
19	80 02 177	2	Union
20	92 43 082	9	Capscrew -socket headed
21	85 82 042	4	Taper plug
22	86 50 102	4	Bonded seal
23	86 50 103	3	Bonded seal
24	71 36 302	1	Solenoid cover
25	84 02 136	1	Solenoid wiring label
26	93 13 055	2	Setscrew
27	93 13 085	2	Setscrew
28	92 43 102	24	Capscrew socket headed
29	85 81 190	2	Elbow

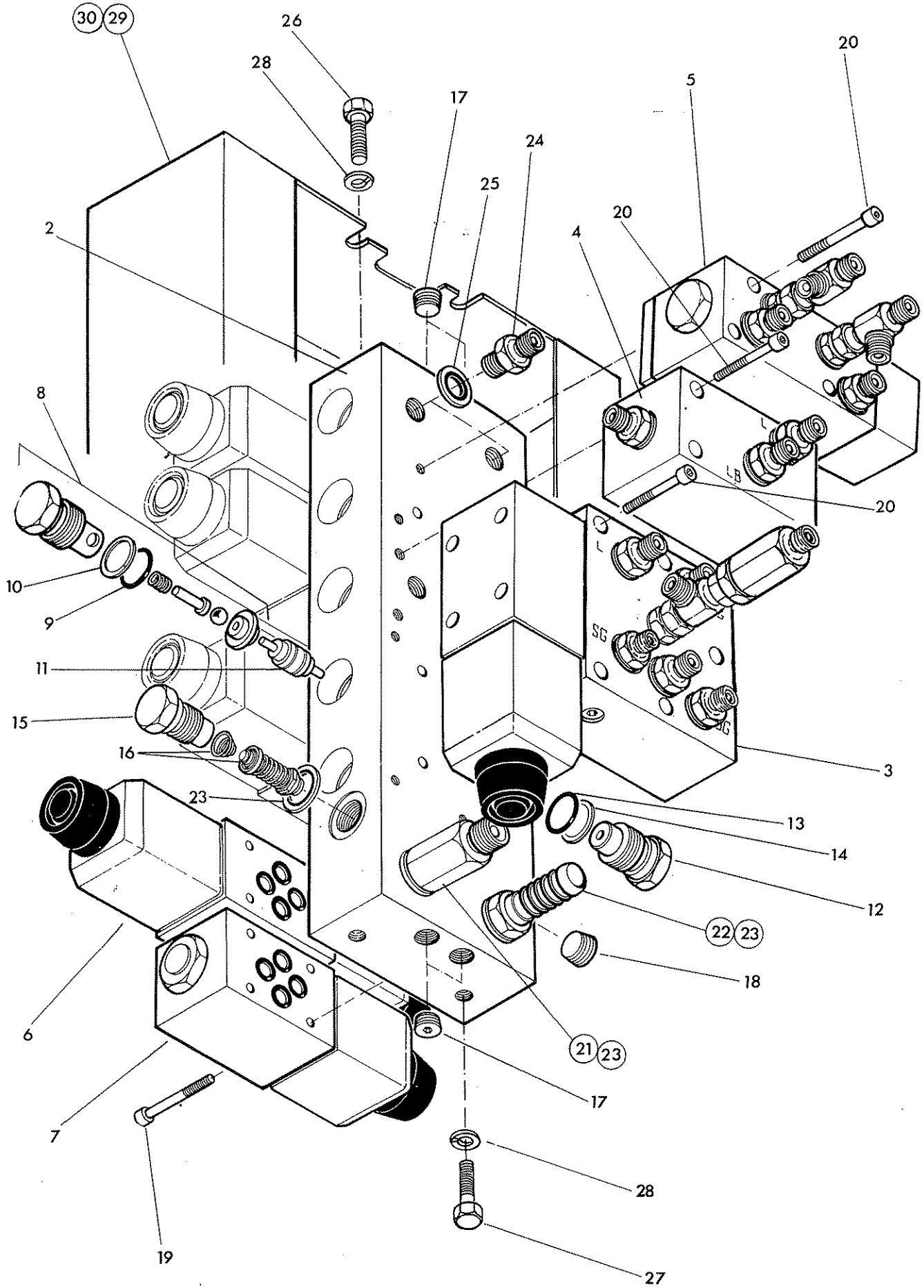
86 99 197

SEAL KIT

ELECTRIC VALVE - Midcut arm

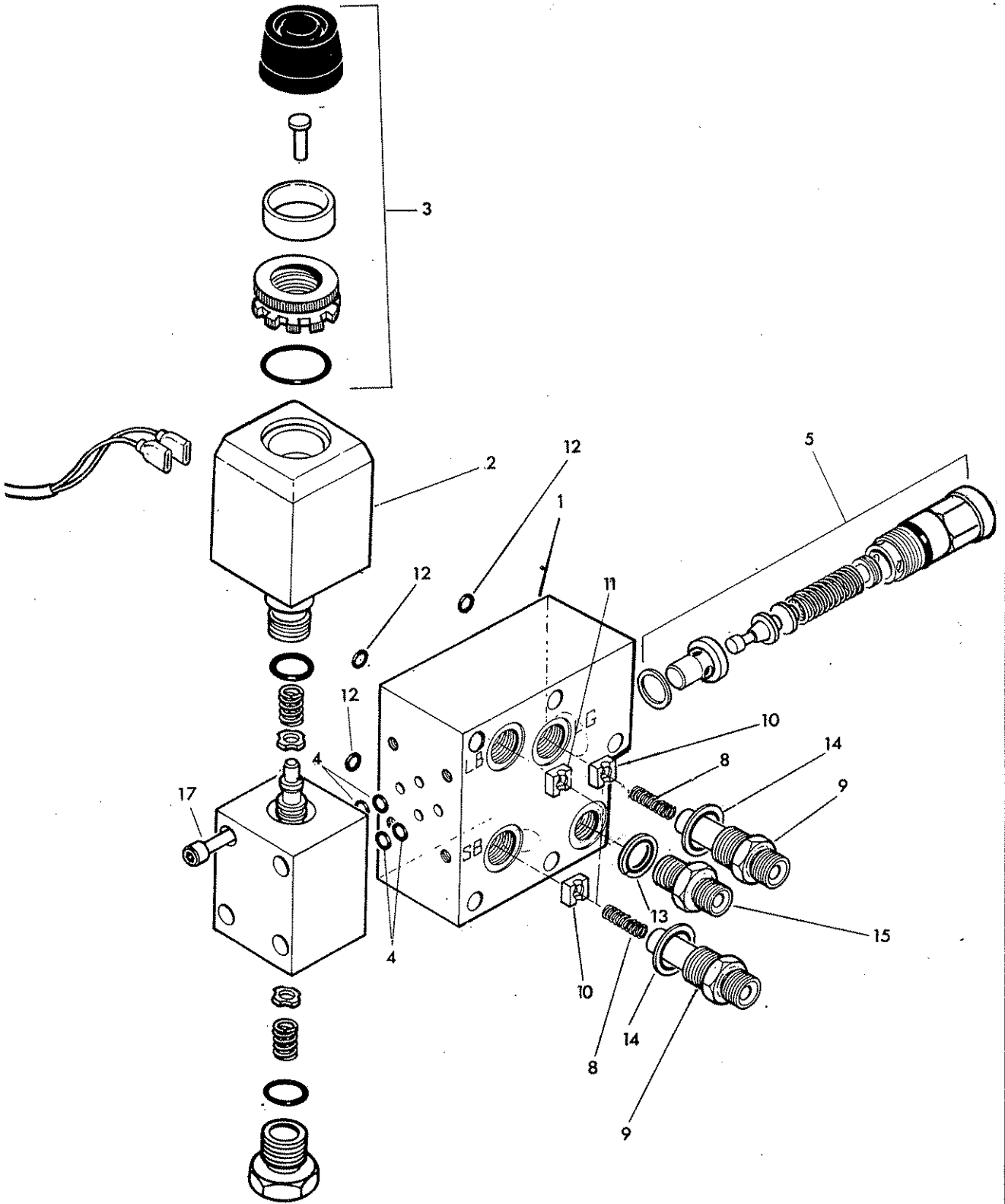


MCCORMEL





Ref.	Part No.	Qty.	Description
PA 2050M ARMHEAD CONTROL ASSY.			
1	81-30-481	1	Solenoid/manifold assembly compr:-
2	81-30-346	1	Manifold block
3	81-30-475	1	Park/Work valve assy
4	81-30-182	1	Lift check valve assy
5	81-30-362	1	Head compensator valve assembly
6	81-30-455	4	Double solenoid valve
7	81-30-456	1	Single solenoid valve
8	81-30-090	7	Check valve assembly
9	87-00-644	1	Check valve 'O' ring
10	87-09-644	1	Check valve anti extrusion ring
11	81-30-087	4	Actuator
12	81-30-078	1	Check valve blank
13	87-00-644	1	'O' ring
14	87-09-644	1	Anti extrusion ring
15	81-30-032	1	Relief valve cap
16	81-30-124	1	Relief valve c/w spring code 09
17	85-82-042	4	Taper plug
18	85-82-043	1	Taper plug
19	92-43-062	20	Socket head capscrew
20	92-43-102	11	Socket head capscrew
21	85-81-236	1	Extended union
22	85-25-008	1	Adaptor
23	86-50-103	2	Bonded seal
24	85-81-169	2	Union
25	86-50-102	2	Bonded seal
26	93 13 035	2	Setscrew
27	93 13 055	2	Setscrew
28	91 00 305	4	Internal serrated washer
29	71 96 302	1	Solenoid cover
30	84 02 136	1	Solenoid wiring diagram
		1	Switchbox, mounting bracket etc.



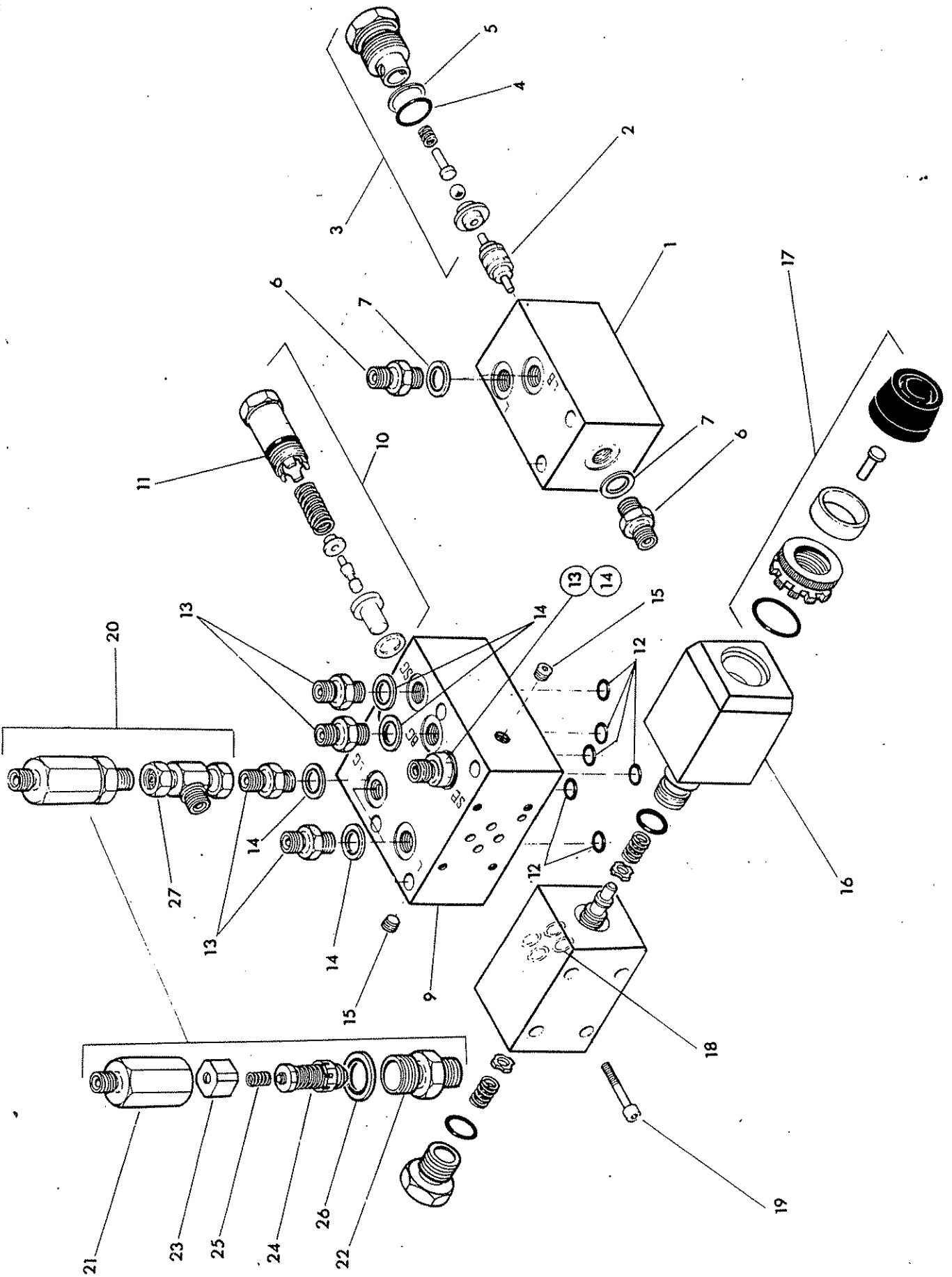


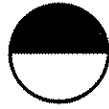
Ref.	Part No.	Qty.	Description
	81 30 349		SLEW VALVE ASSEMBLY
1	81 30 348	1	Valve block
	81 30 457	1	Single solenoid valve inc:-
2	81 30 175	1	Coil
3	81 30 176	1	Manuel override kit
4	87 00 511	4	'O' ring
5	G381 2540	1	Relief valve assembly 170 bar (2500 PSI)
9	85 81 210	3	Special union
10	81 23 041	2	Restrictor disc red-Lift gland, slew base
11	81 23 043	1	Restrictor disc green - Lift base
12	87 00 511	3	'O' ring
13	86 50 102	1	Bonded seal
14	86 50 103	3	Bonded seal
15	85 81 169	1	Union
16	85 82 041	4	Plug
17	92 43 102	4	Capscrew - socket headed
	86 99 224		SOLENOID SEAL KIT

PARK / WORK VALVE
LIFT VALVE]-2050M only



McCONNEL



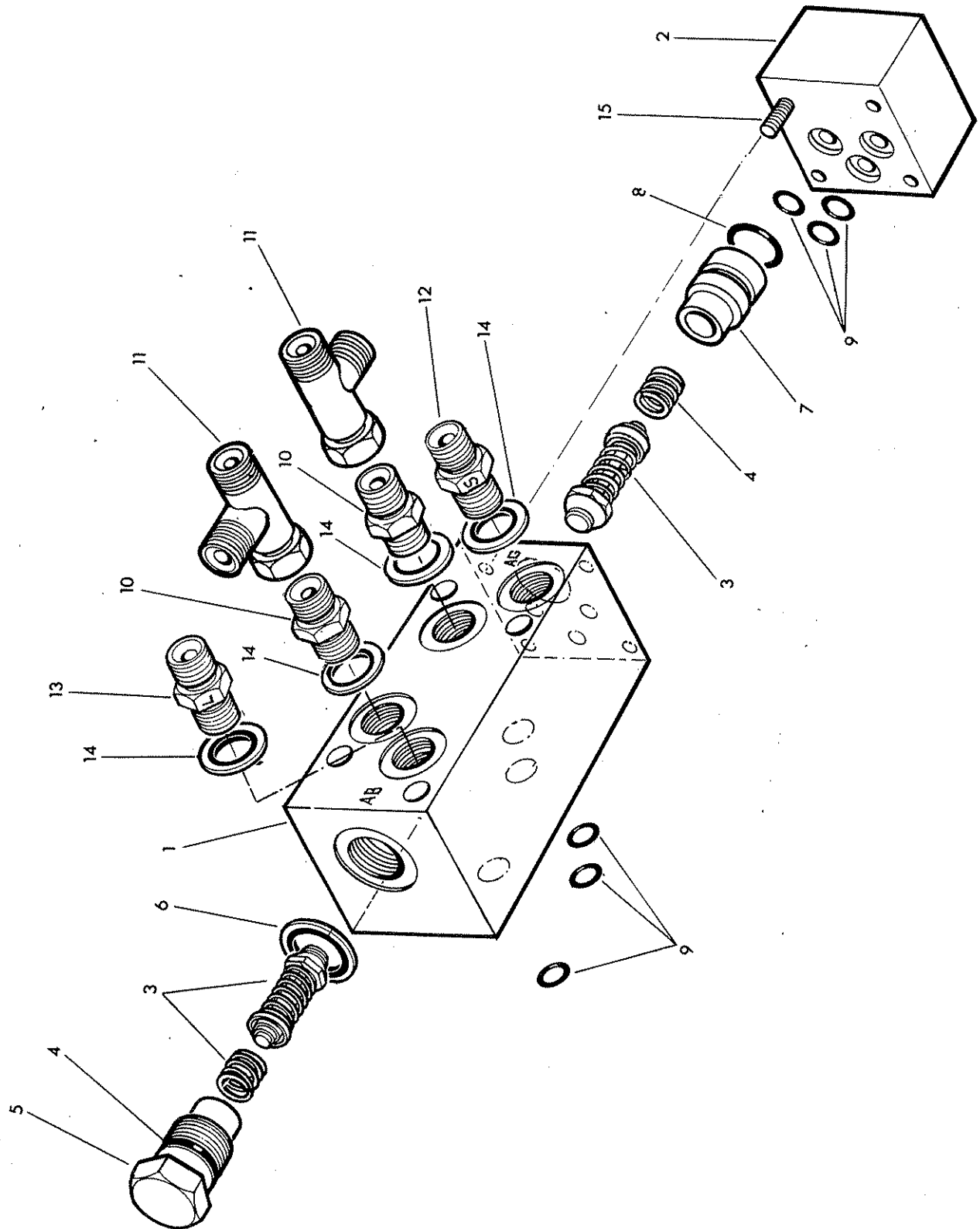


Ref.	Part No.	Qty.	Description
	81-30-171		PA 2050M LIFT CHECK VALVE ASSEMBLY
1	81-30-440	1	Lift check block
2	81-30-087	1	Actuator
3	81-30-090	1	Check valve assembly
4	87-00-644	1	Check valve 'O' ring
5	87-09-644	1	Check valve anti extrusion ring
6	85-81-169	2	Adaptor
7	86-50-102	3	Bonded seal
8	85 81 169	1	Adaptor
	81-30-517		PA 2050M PARK/WORK VALVE ASSEMBLY
9	81-30-474	1	Valve block
10	81-30-149	1	Relief valve assembly 1800 PSI (125 bar)
11	86-00-113	1	Relief valve 'O' ring
12	87-00-511	6	'O' ring
13	85-81-169	5	Adaptor
14	86-50-102	5	Bonded seal
15	85-82-041	2	Taper plug
	81-30-458	1	Single solenoid valve incl :-
16	81-30-175	1	Coil
17	81-30-176	1	Manual override kit
18	87-00-511	4	'O' ring
19	92-43-062	4	Capscrew socket headed
	86-99-224		SOLENOID SEAL KIT
			PARK/WORK VALVE ANCILLIARIES
20	81-30-172	1	Relief valve assembly comprising
21	81-30-173	1	Relief valve housing
22	81-30-083	1	Relief valve body
23	81-30-174	1	Support plug
24	81-30-141	1	Relief valve .Code 05
25	81-16-011	1	Spring
26	86-50-104	1	Bonded seal
27	85-81-289	1	Tee

HEAD COMPENSATOR
VALVE



McCONEL





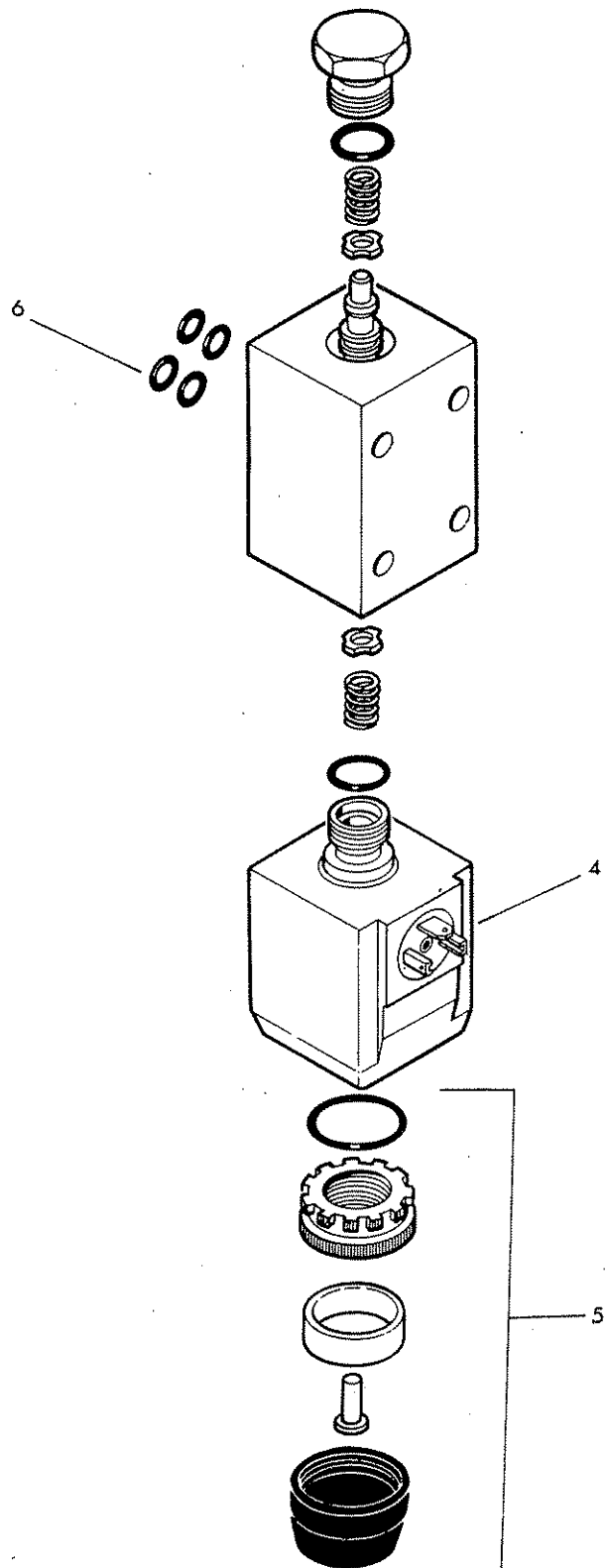
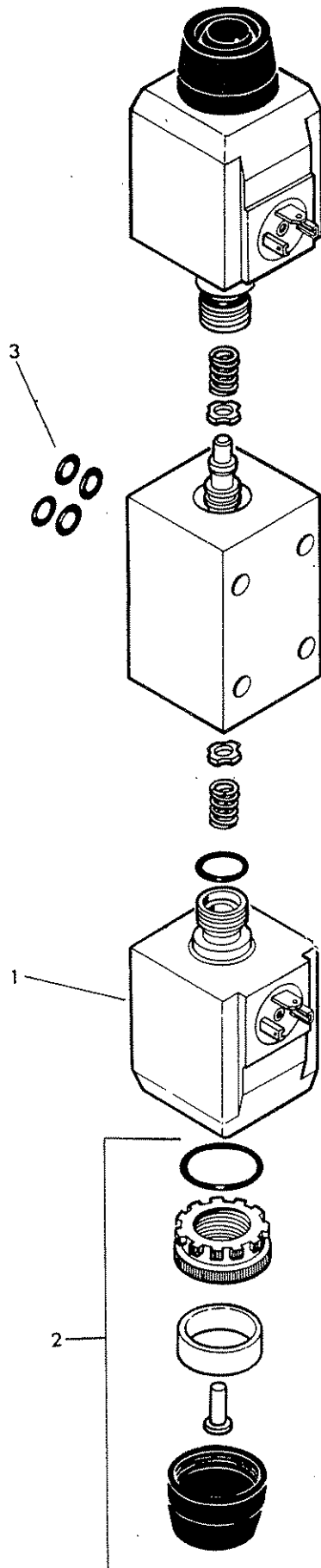
Ref.	Part No.	Qty.	Description
	81 30 362		HEAD COMPENSATOR VALVE
1	81 30 361	1	Valve block
2	81 30 139	1	Blanking plate
3	81 30 141	2	Relief valve cartridge
4	81 16 011	2	Spring
5	81 30 032	1	Relief valve cap
6	86 50 103	1	Bonded seal
7	81 30 140	1	Relief valve plug
8	86 00 109	1	'O' ring
9	87 00 511	6	'O' ring
10	85 81 169	2	Union
11	85 81 254	2	Tee piece M.F.M.
12	81 30 037	1	Restrictor union 'S'
13	81 30 038	1	Restrictor union 'L'
14	86 50 102	4	Bonded seal
15	92 43 062	4	Capscrew -socket headed

Model:

SOLENOID ASSEMBLIES

McCONEL

Temeside Works, Ludlow,
Shropshire, SY8 1JL, England.
Telephone: (0584) 3131.
Telex 35313. Facsimile: (0584) 6463.





81-30-455

1	81-30-175	2
2	81-30-176	2
3	87-00-511	4

DOUBLE SOLENOID VALVE

Coil
Manual override kit
'O' ring

81-30-456

4	81-30-175	1
5	81-30-176	1
6	87-00-511	4

SINGLE SOLENOID VALVE

Coil
Manual override kit
'O' ring

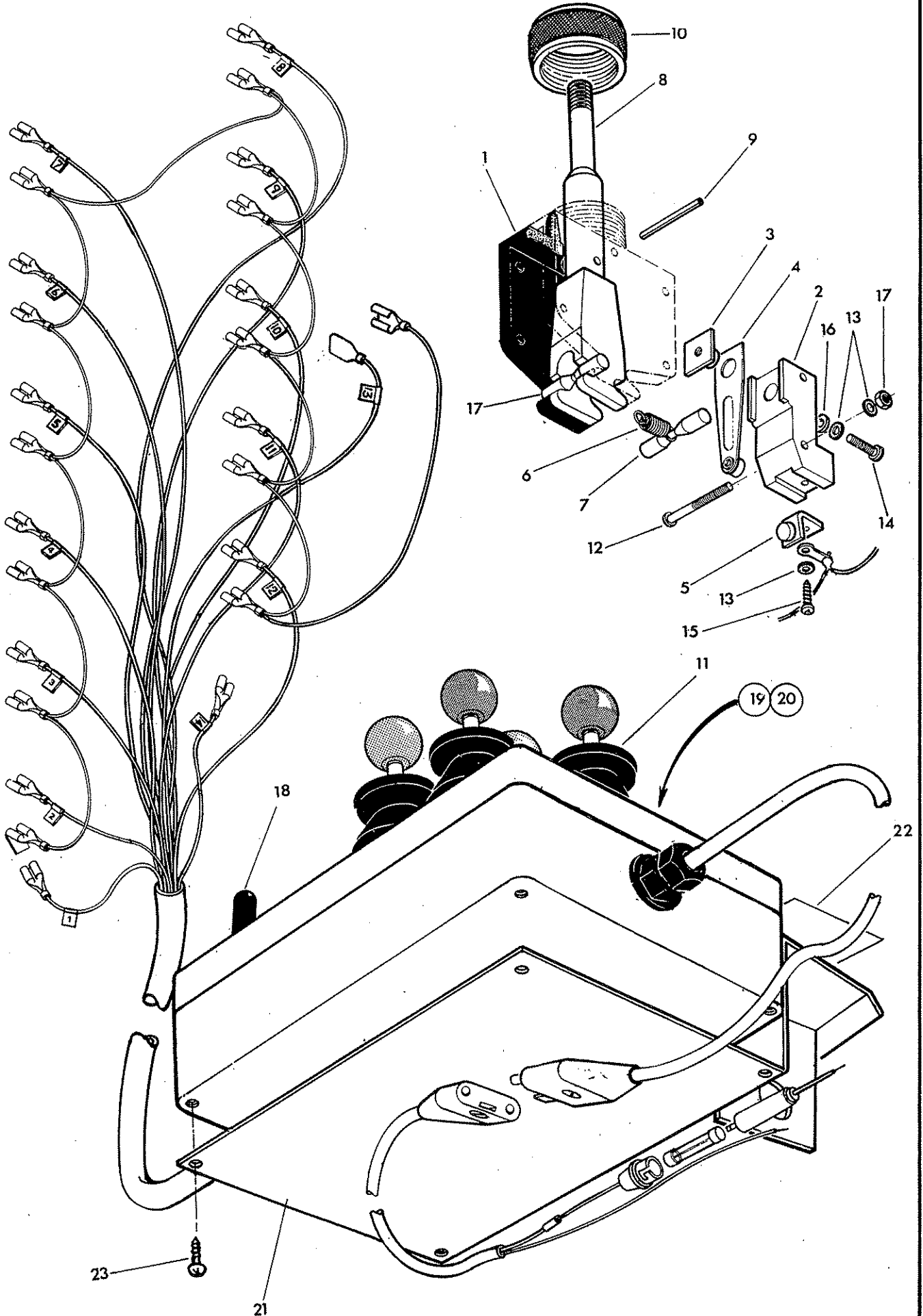
86-99-224

SEAL KIT

SWITCHBOX



McCormel





Ref.	Part No.	Qty.	Description
	84-02-290		PA 2050 (Std and tele arm) SWITCH BOX ASSEMBLY
	84-02-122	5	Switch unit compr:
1	84-02-285	1	Switch body
2	84-02-106	2	Contact holder
3	84-02-109	2	Spring contact retainer
4	84-02-113	2	Spring contact
5	84-02-108	2	Fixed contact
6	84-02-101	1	Spring
7	84-02-111	2	Bar
8	84-02-256	1	Lever
9	04-25-320	1	Spring dowel
10	84-02-051	1	Bezel ring
11	84-02-022	1	Lever gaiter
12	92-00-006	4	Screw - posidrive - panhead
13	91-00-400	8	External serrated washer
14	92-00-005	2	Screw - posidrive - panhead
15	84-02-119	2	Self tapping screw
16	84-02-280	2	Plain washer
17	91-13-000	2	Hexagon nut - plated
18	84-02-024	3	Toggle switch weather gaiter
19	12-90-351	1	Operating label - not illustrated

84-02-296**PA2050 M SWITCH BOX ASSEMBLY**

The switch box assemblies are **not interchangeable** due to circuitry variations. Available spares are identical to above plus the following addition.

20	12-90-034	1	Park/work overlay sticker - not illus
----	-----------	---	---------------------------------------

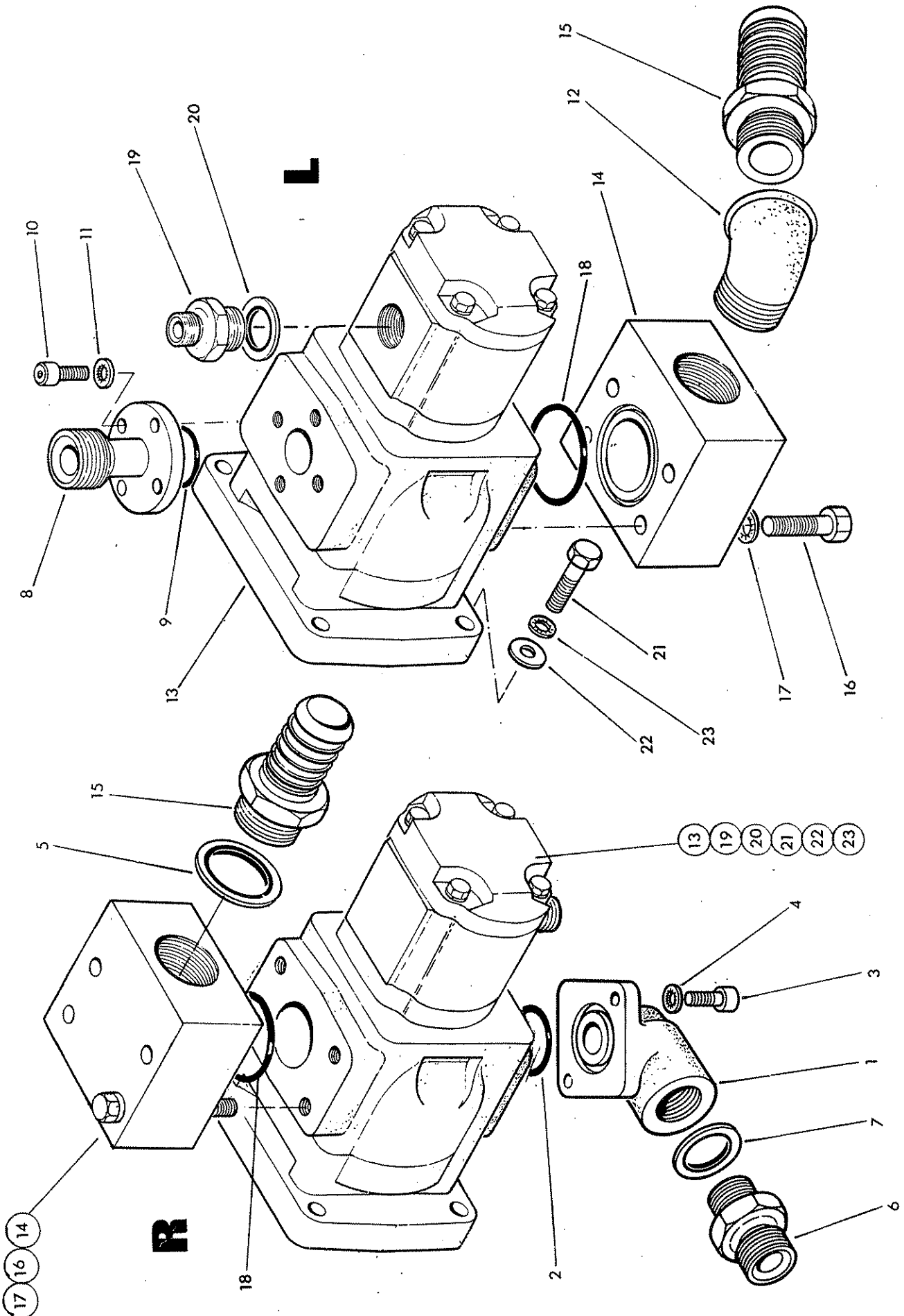
SWITCH BOX ANCILLIARIES

21	84-02-294	1	Switch box mounting bracket c/w label
22	84-02-135	1	'Slew caution' label
23	28-00-203	4	Self tapping screw

PUMP



McCOMBI





Ref.	Part No.	Qty.	Description
PUMP ASSEMBLY R.HAND - Designated R			
1	80 05 052	1	Pressure connection
2	86 00 403	1	'O' ring
3	93 43 054	3	Capscrew
4	91 00 404	3	Shakeproof washer
5	86 50 109	1	Bonded seal
6	80 02 086	1	Adaptor
7	86 50 106	1	Bonded seal

PUMP ASSEMBLY L.HAND - Designated L

8	80 13 090	1	Pressure connection
9	86 00 117	1	'O' ring
10	93 43 054	4	Capscrew
11	91 00 404	4	Shakeproof washer
12	85 81 261	1	Adaptor

The remaining items are common to both pump assemblies.

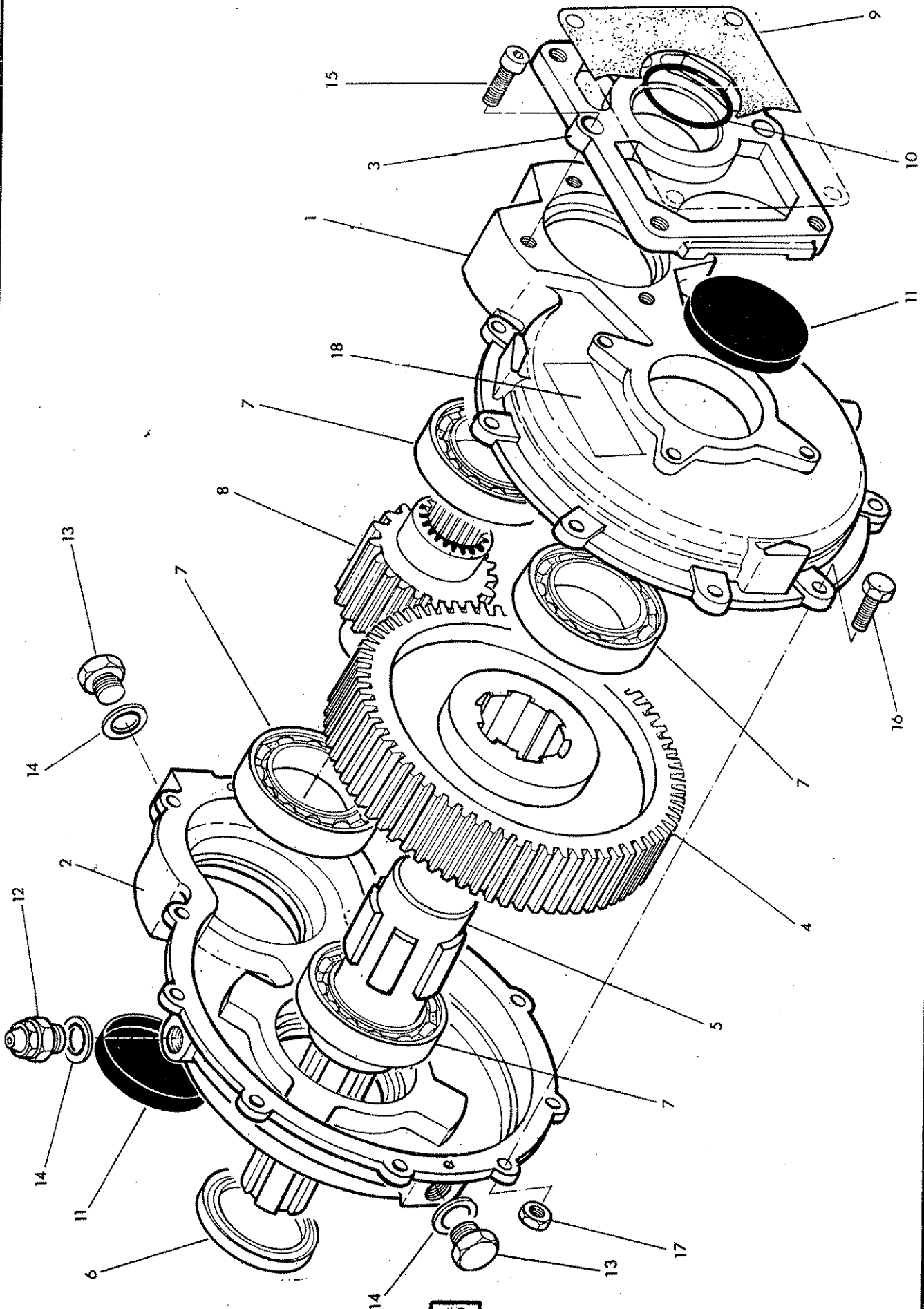
13	82 01 685	1	Tandem pump compr:-
	82 01 165	1	Large-pump
	82 01 166	1	Small-pump
14	85 81 312	1	Suction flange
15	85 81 260	1	Adaptor
16	92 13 146	4	Bolt
17	91 00 406	4	Shakeproof washer
18	86 00 304	1	'O' ring
19	60 00 112	1	Adaptor
20	86 50 104	1	Bonded seal
21	93 13 074	4	Bolt
22	91 00 104	4	Plain washer
23	91 00 404	4	Shakeproof washer

86 99 234**SEAL KIT**

GEARBOX



McCONNELL



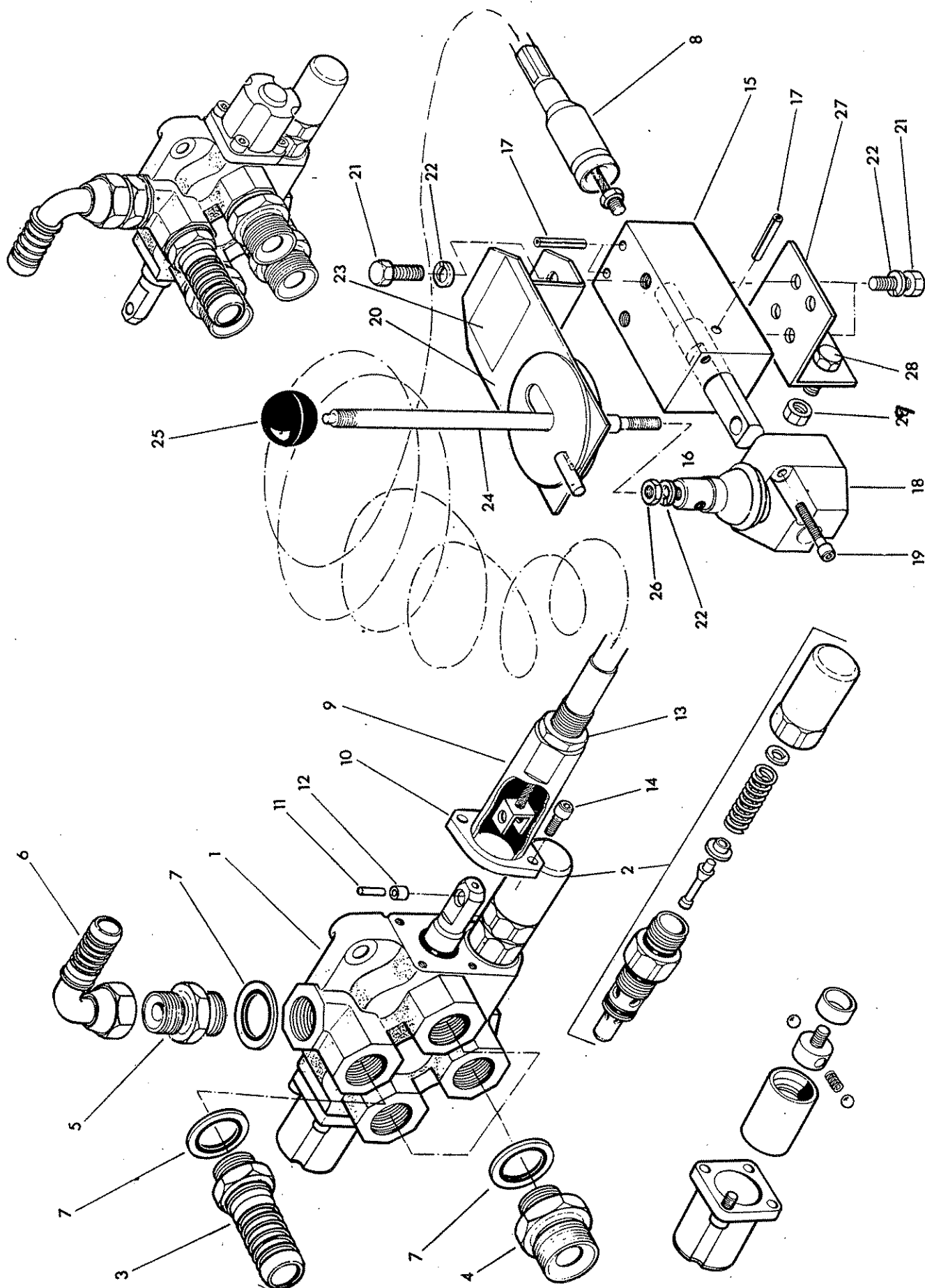
**McDONNELL**

Ref	Part No	Qty	Description
	80 13 444		GEARBOX
1	80 13 100	1	Case - output side
2	80 13 101	1	Case - input side
3	80 13 102	1	Pump mounting flange
4	80 13 105	1	Gear
5	80 13 105	1	Shaft
6	86 29 196	1	Shaft seal
7	06 00 042	4	Bearing
8	80 13 104	1	Pinion
9	80 13 056	1	Gasket
10	86 00 523	1	'O' ring
11	80 13 106	2	End cover
12	80 13 107	1	Breather/adaptor
13	85 81 133	4	Plug
14	86 50 102	4	Bonded seal
15	93 43 045	3	Capscrew socket headed
16	92 13 064	10	Bolt
17	91 43 004	10	Self locking nut
18	12 90 054	1	Sticker

ROTOR CONTROL VALVE -
Electric machines



McCONNELL





Ref.	Part No.	Qty.	Description
	81 25 403		ROTOR CONTROL VALVE ASSEMBLY FOR ELECTRIC MACHINES R.HAND - AS SHOWN EXPLODED
	81 25 404		ROTOR CONTROL VALVE ASSEMBLY FOR ELECTRIC MACHINES L.HAND -SHOWN INSET

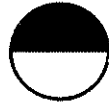
The spare parts for both assemblies are identical and vary only in build

1	81 25 356	1	Rotor control valve
2	81 25 108	1	Relief valve 2750 PSI (190 Bar)
3	85 81 246	1	Adaptor
4	80 02 086	3	Adaptor
5	85 81 270	1	Adaptor
6	85 81 173	1	Elbow
7	86 50 106	5	Bonded seal
8	81 25 096	1	Cable assembly c/w sleeve flange etc
9	81 25 097	1	Sleeve
10	81 25 098	1	Flange
11	81 25 099	1	Pin
12	81 25 100	1	Bush
13	01 31 006	1	Thin locknut
14	93 43 033	2	Capscrew -socket headed
15	81 25 093	1	Control block
16	81 30 053	1	Control spindle
17	05 25 525	3	Spring dowel dia
18	81 30 065	1	Pivot box assembly
19	92 13 072	2	Capscrew -socket headed
20	81 25 089	1	Lever control gate
21	93 13 034	4	Setscrew
22	91 00 204	4	Spring washer
23	12 90 338	1	Operating label
24	71 14 072	1	Lever
25	09 03 121	1	Knob -black
26	91 13 004	1	Thin nut
27	81 25 070	1	Mounting bracket
28	93 13 044	2	Setscrew
29	91 43 004	2	Self locking nut

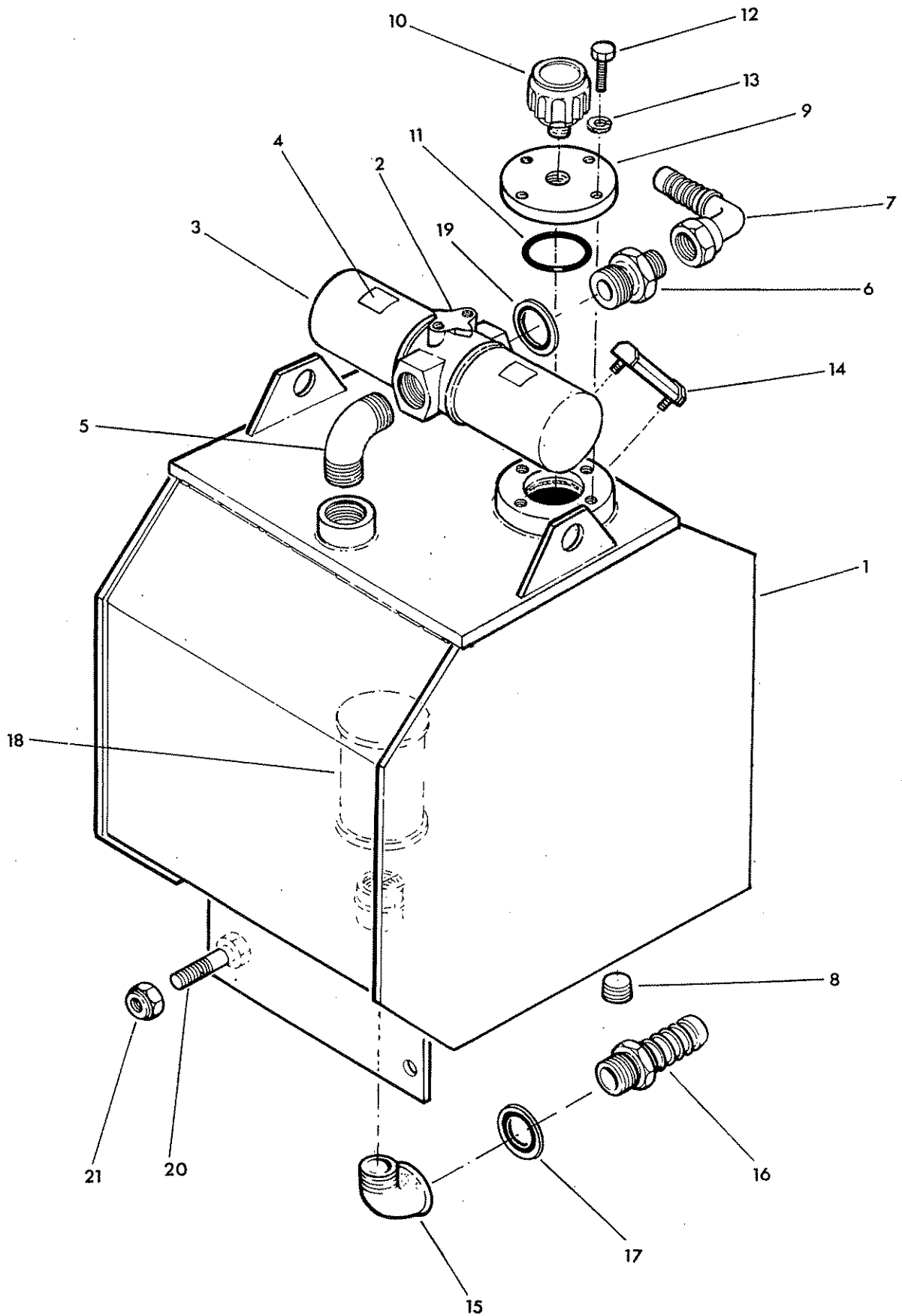
86 99 218

SEAL KIT

HYDRAULIC TANK



McDONNELL





Ref.	Part No.	Qty.	Description
ENDURO OIL TANK AND FITTINGS			
	75 60 436	1	Oil tank assembly compr:-
1	75 60 431	1	Oil tank
2	84 01 060	1	Filter body
3	84 01 062	2	Filter element
4	12 90 023	2	Oil filter sticker
5*	85 81 292	1	Elbow
6	85 81 291	1	Adaptor
7	71 14 005	1	Swept elbow
8	85 81 203	1	Drain plug
9	71 92 063	1	Access cover - Tapped
10	84 01 063	1	Breather
11	86 50 151	1	'O' ring
12	93 13 054	4	Setscrew
13	91 00 204	4	Spring washer
14	84 01 048	1	Oil level gauge
15*	85 81 261	1	90 degrees elbow
16	85 81 260	1	Suction connection
17	86 50 109	1	Bonded seal
18	84 01 047	1	Strainer
19	86 50 224	1	Bonded seal
20	92 13 187	2	Bolt
21	91 00 207	2	Spring washer

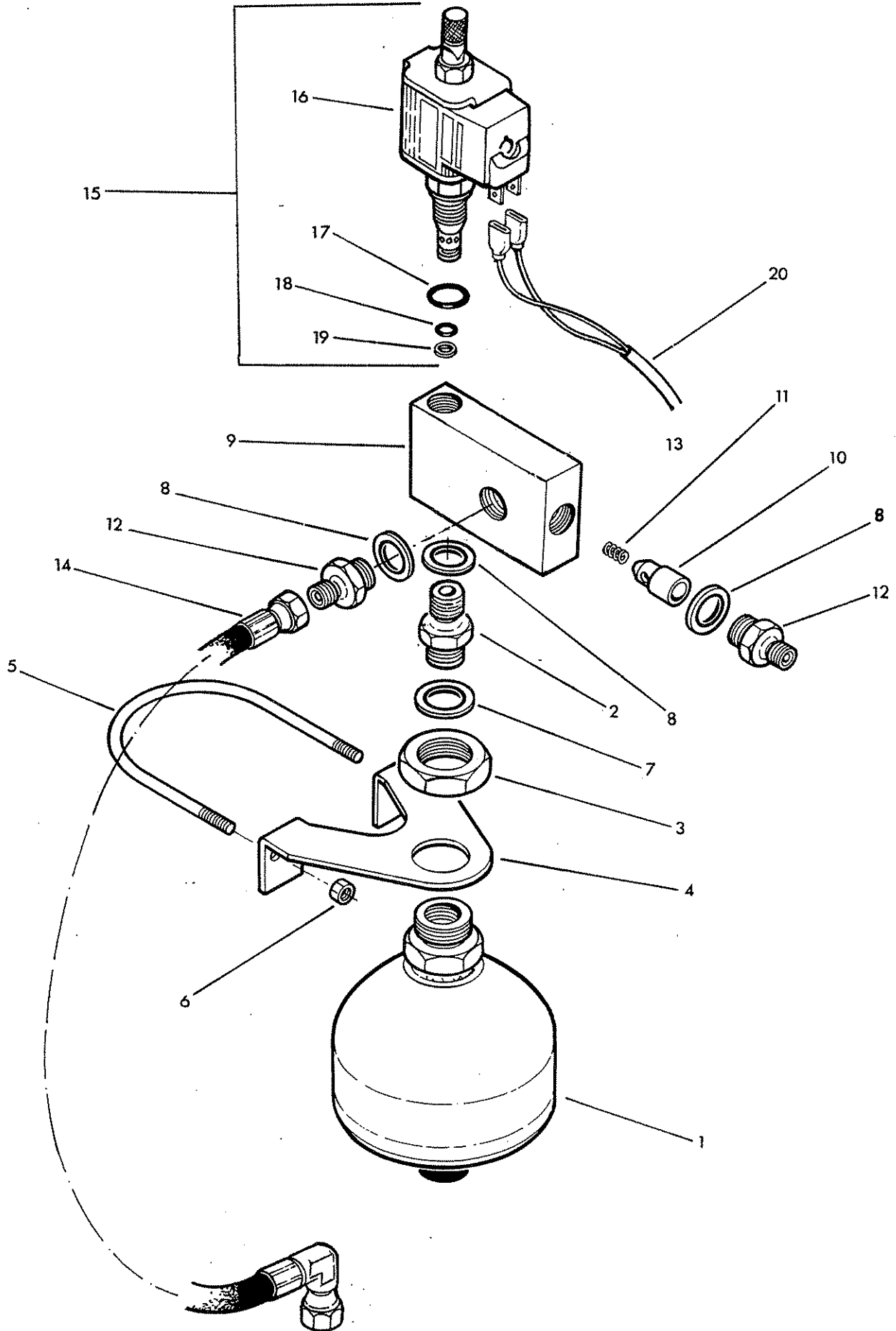
Assembly note

*To be fitted using PTFE tape, Permabond A121 or similar

LIFT FLOAT KIT



McCOMBELL





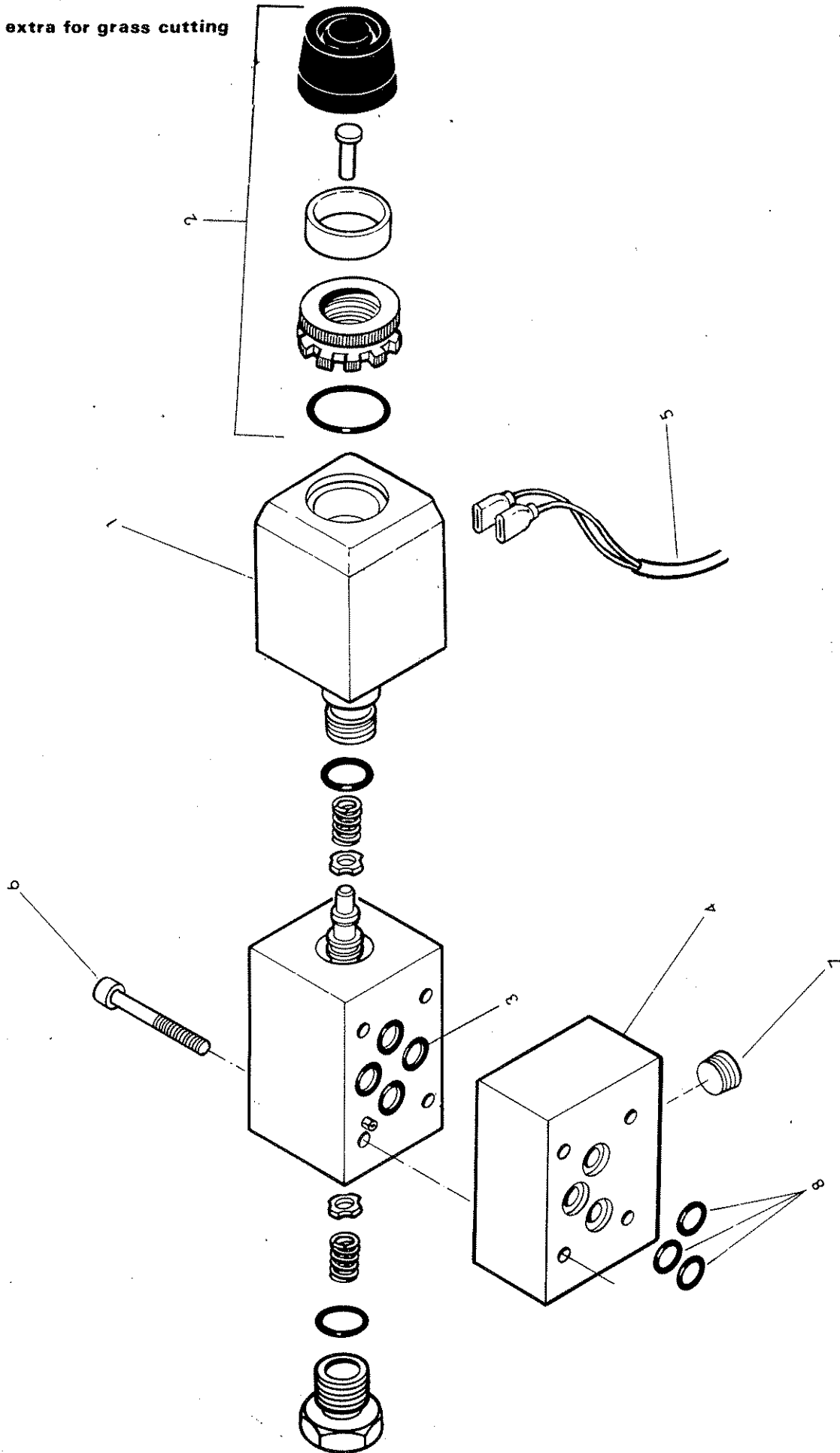
Ref.	Part No.	Qty.	Description
	81 26 290		LIFT FLOAT KIT - Quick response
1	81 26 042	1	Accumulator
2	G241 0380	1	Adaptor
3	81 26 035	1	Bulkhead nut
4	81 26 286	1	Bracket
5	81 26 031	1	U. bolt
6	91 43 004	2	Self locking nut
7	86 50 322	1	Bonded seal
8	86 50 103	3	Bonded seal
9	81 26 287	1	Control block
10	81 26 037	1	Response piston
11	81 16 011	1	Spring
12	85 81 115	2	Adaptor
13	12 90 061	1	Operating sticker
14	85 35 012	1	Hose
15	81 30 183	1	Poppet valve including :-
16	81 30 184	1	Coil
17	87 00 017	1	O ring
18	87 00 511	1	O ring
19	87 09 511	1	Anti extrusion ring
20	84 02 159	1	Cable - electric machines only

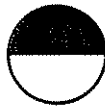
ANGLE FLOAT KIT



McCONEL

Optional extra for grass cutting



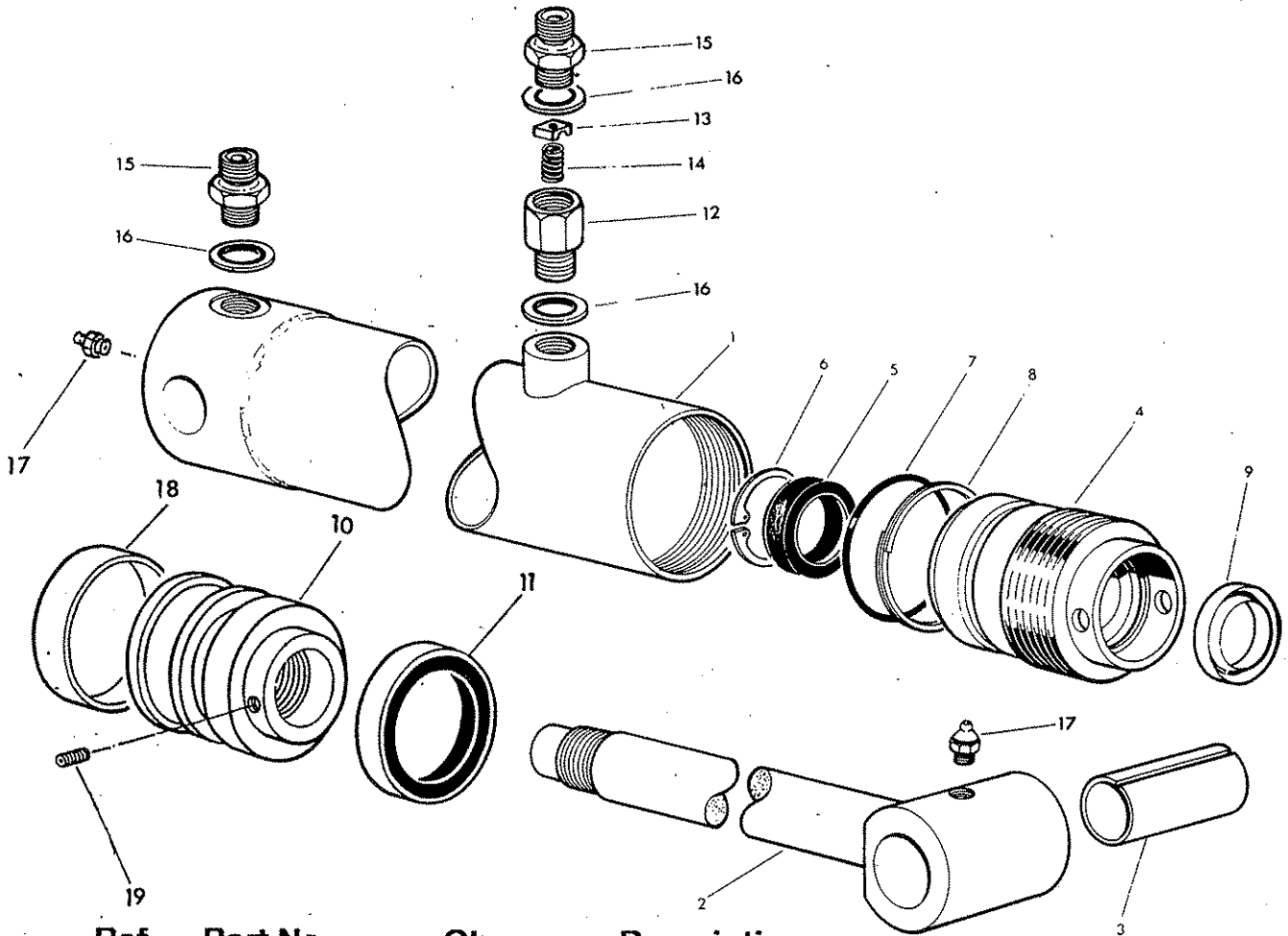


Ref.	Part No.	Qty.	Description
	81-26-281		ANGLE FLOAT KIT . Optional extra for ground cutting
	81-30-457	1	Single solenoid valve compr:-
1	81-30-175	1	Coil
2	81-30-176	1	Manual override kit
3	87-00-511	4	O ring
4	81-26-280	1	Bridging plate
5	84-02-059	1	Wiring harness
6	92-43-102	4	Capscrew - socket headed
7	85-82-041	1	Plug
8	87-00-511	3	'O' ring
	86-99-224		SOLENOID SEAL KIT

SLEW/BREAKAWAY RAM



McCORMEL



Ref.	Part No.	Qty.	Description
	71 36 274		SLEW/BREAKAWAY RAM ASSEMBLY
	71 36 061	1	Ram assembly basic
1	71 36 065	1	Ram barrel
2	71 36 062	1	Piston rod
3	71 05 050	1	Bush
4	71 36 312	1	Gland housing
5	86 29 148	1	Gland seal
6	04 16 240	1	Internal circlip
7	86 00 306	1	'O' ring
8	86 09 306	1	Anti extrusion ring
9	86 29 149	1	Rod wiper ring
10	71 20 368	1	Piston
11	86 29 156	1	Piston seal
12	85 81 208	1	Restrictor body
13	81 23 047	1	Restrictor disc-green and white
14	81 16 011	1	Spring
15	85 81 145	2	Union
16	86 50 103	3	Bonded seal
17	09 01 121	2	Greaser
18	86 29 157	1	Guide ring
19	93 63 023	1	Grubscrew socket headed

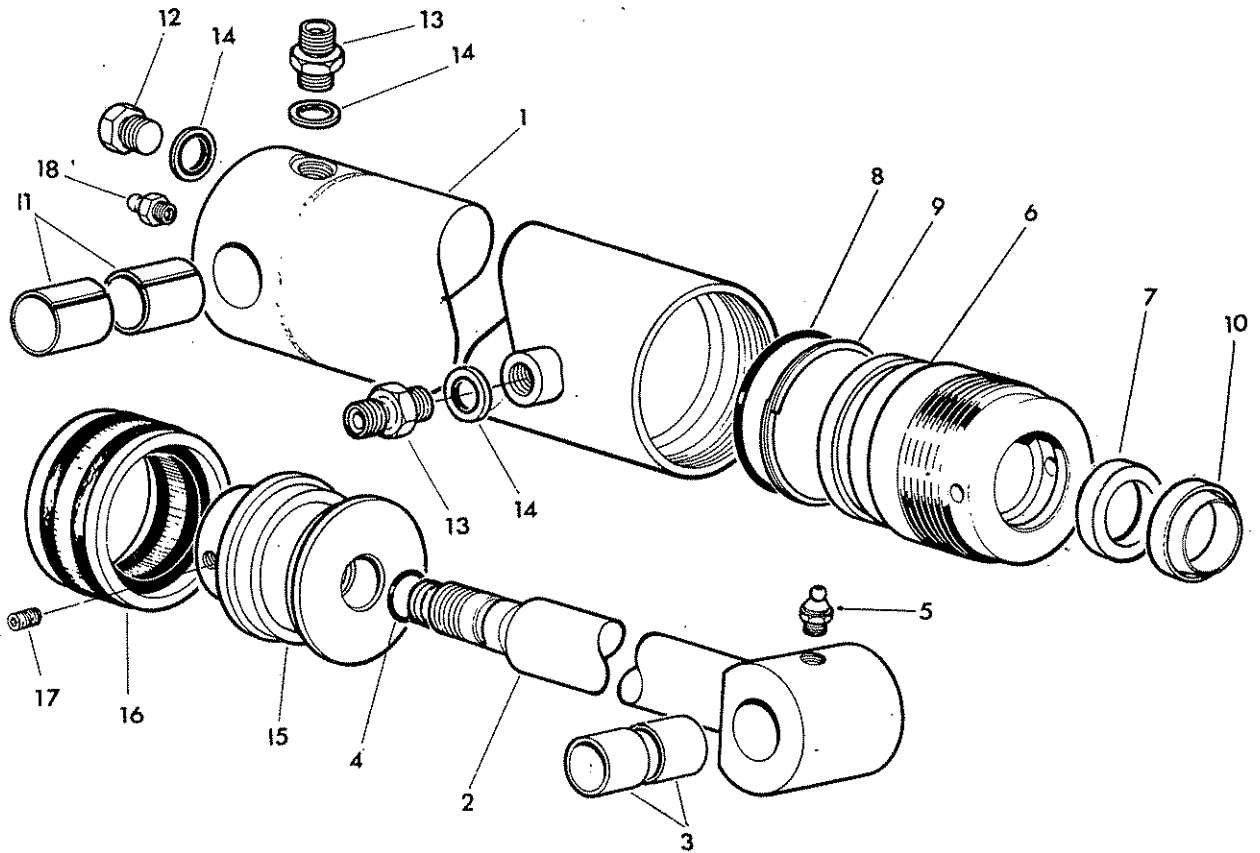
86 99 190

SEAL KIT

**LIFT AND REACH RAM
ASSEMBLY**



McCORMICK

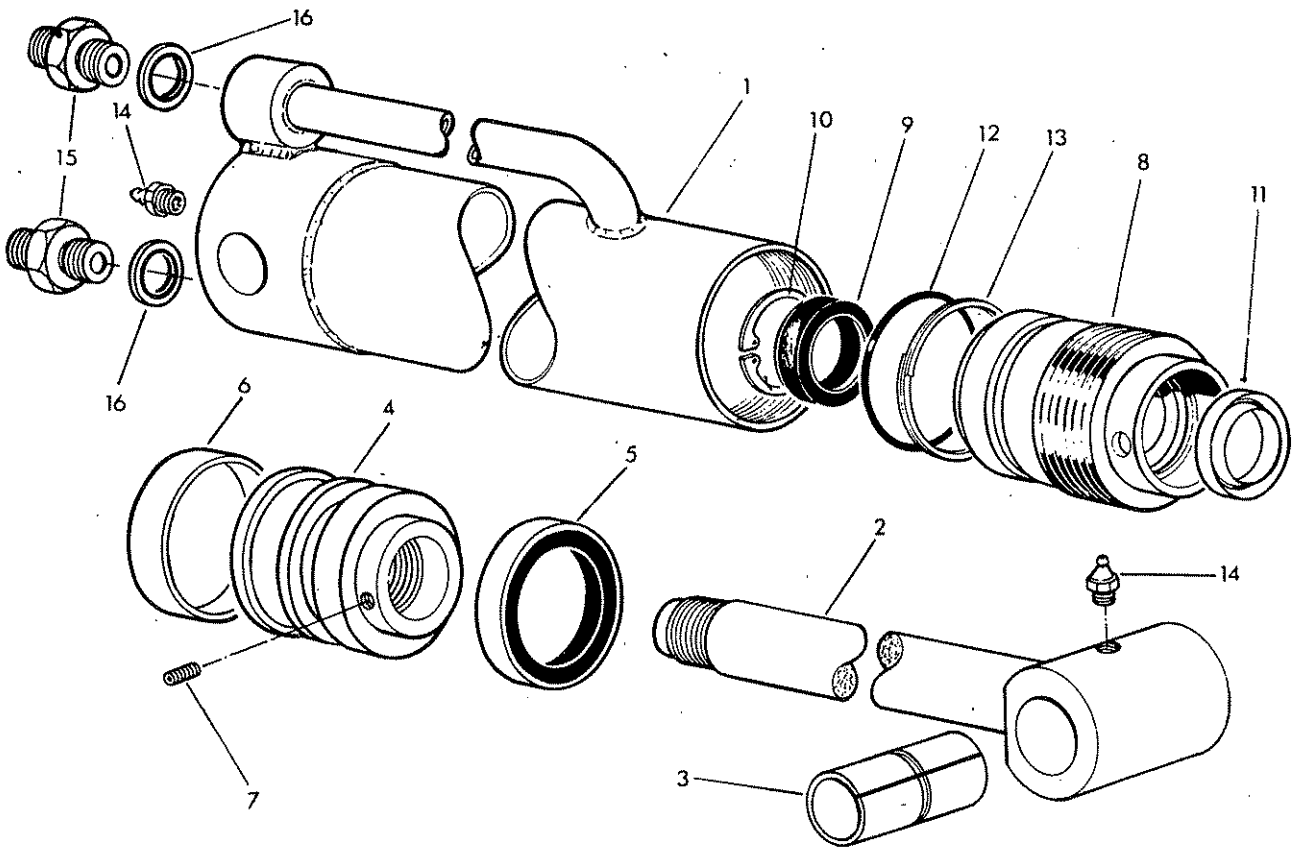


Ref.	Part No.	Qty.	Description
	71 36 270		LIFT AND REACH RAM ASSEMBLY
1	71 36 271	1	Ram cylinder
2	71 36 333	1	Piston rod
3	60 12 032	2	Bush
4	86 00 119	1	'O' ring
5	09 01 121	1	Greaser
6	71 35 282	1	Gland housing
7	86 29 164	1	Gland seal
8	87 00 740	1	'O' ring
9	87 09 740	1	Anti extrusion ring
10	86 29 147	1	Piston rod wiper ring
11	71 01 134	2	Bush
12	80 03 001	1	Plug
13	85 81 115	2	Union
14	86 50 103	3	Bonded seal
15	71 35 004	1	Piston
16	86 38 740	1	Piston seal
17	93 63 023	1	Grub screw
18	09 01 121	1	Greaser
	86 99 187		SEAL KIT

ANGLING RAM



MCCORMEL



Ref.	Part No.	Qty.	Description
	75-60-344		ANGLING RAM ASSEMBLY
1	71-35-292	1	Cylinder
2	71-35-009	1	Rod
3	71-05-050	1	Bush
4	75-60-095	1	Piston
5	86-29-187	1	Piston seal
6	86-29-188	1	Bearing ring
7*	93-63-023	1	Grub screw socket head
8	71-35-291	1	Gland housing
9	86-29-148	1	Gland seal
10	04-16-240	1	Internal circlip
11	86-29-149	1	Wiper seal
12	86-00-302	1	'O' ring
13	86-09-302	1	Anti extrusion ring
14	09-01-121	2	Greaser
15	85-81-169	2	Union
16	86-50-102	2	Bonded seal

86-99-188

SEAL KIT

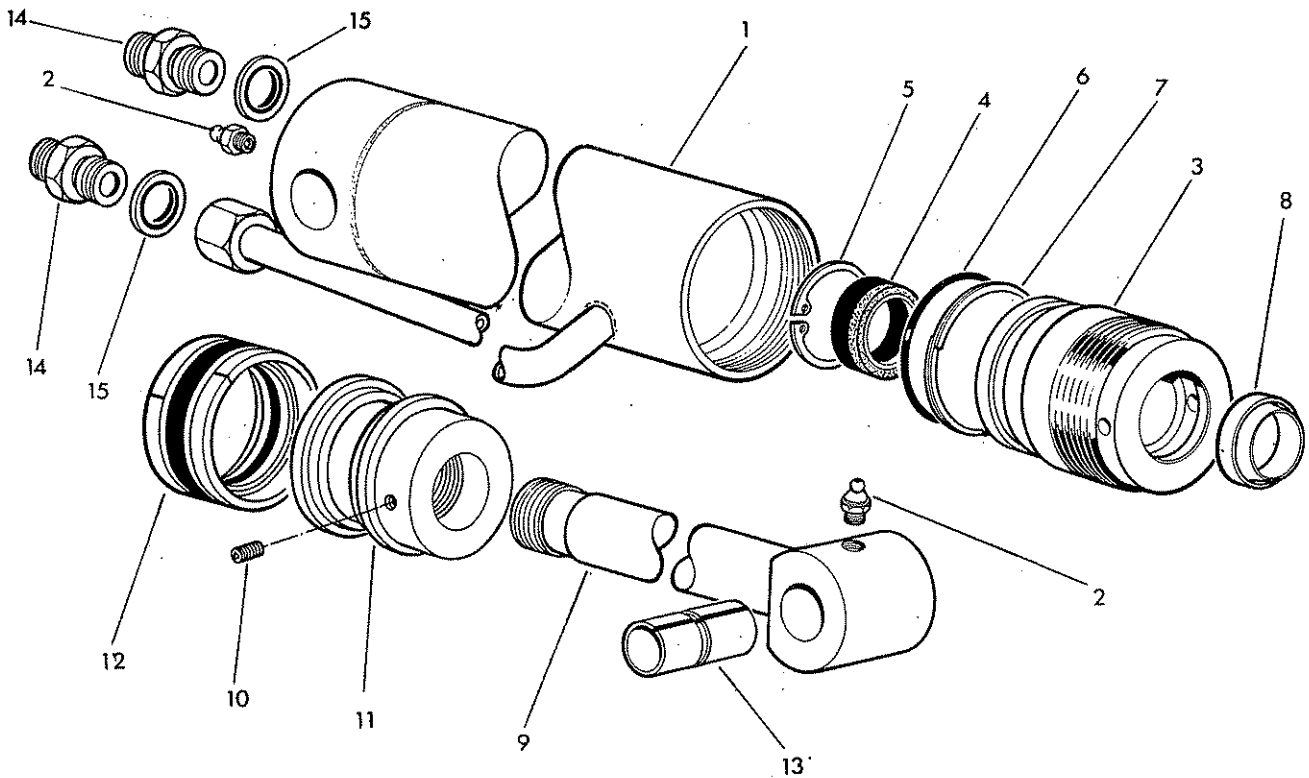
* Assembly note

Tighten fully and centre punch edge of hole to secure.

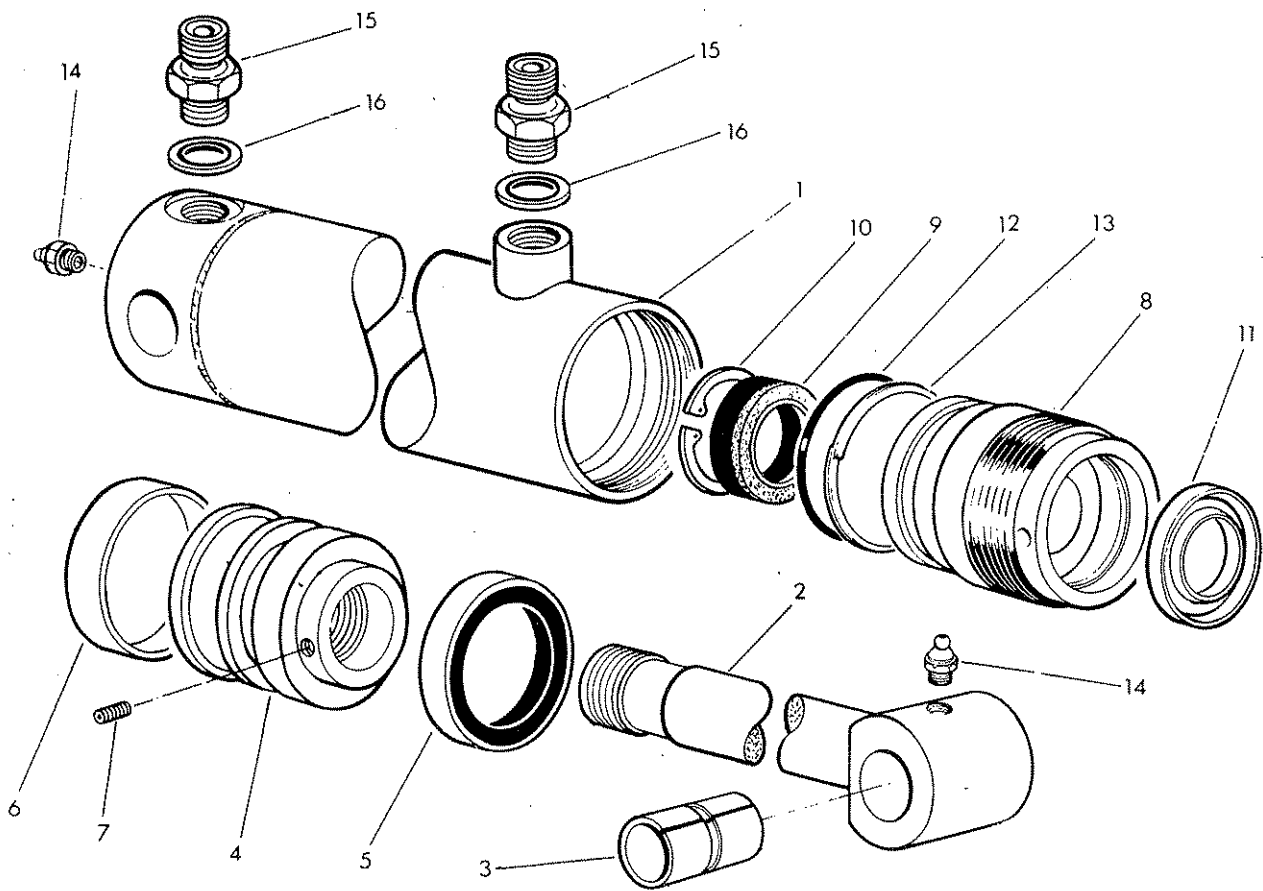
TELE RAM



McCOMEL



Ref	Part No	Qty	Description
	71-36-275		TELE RAM ASSEMBLY
1	71-36-276	1	Ram cylinder
2	09-01-121	2	Greaser
3	71-35-291	1	Gland housing
4	86-29-148	1	Gland seal
5	04-16-240	1	Internal circlip
6	86-00-302	1	'O' ring
7	86-09-302	1	Anti extrusion ring
8	86-29-149	1	Piston rod wiper seal
9	71-36-104	1	Piston rod
10	93-63-023	1	Grubscrew - socket headed
11	71-35-008	1	Piston
12	86-38-788	1	Piston seal
13	71-05-050	1	Bush
14	85-81-169	2	Union
15	86-50-102	2	Bonded seal
	86-99-188		SEAL KIT



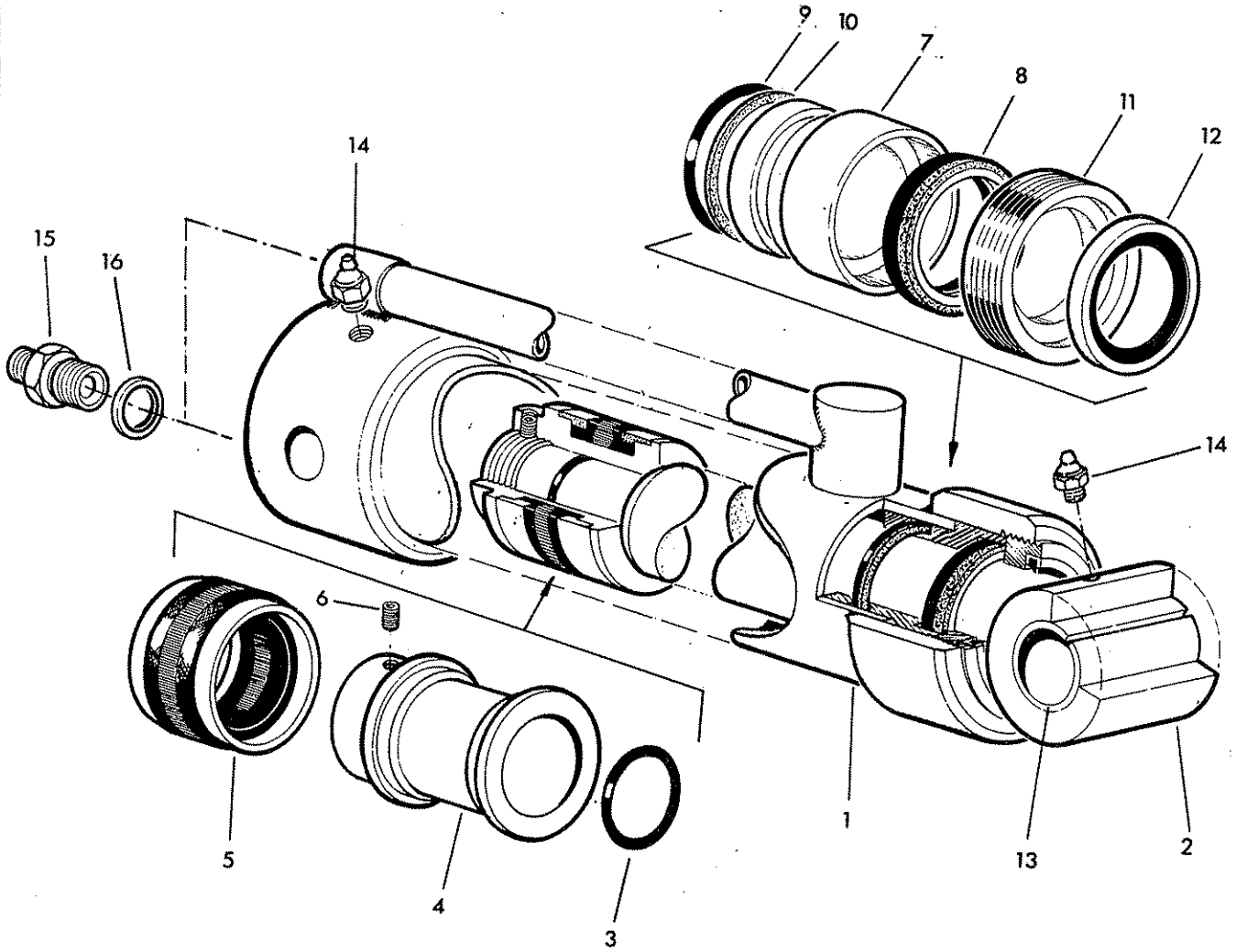
Ref.	Part No.	Qty.	Description
	71-95-318		COMPENSATOR RAM ASSEMBLY
1	71-95-305	1	Cylinder
2	71-95-012	1	Rod
3	70-12-037	1	Bush
4	75-60-095	1	Piston
5	86-29-187	1	Piston seal
6	86-29-188	1	Bearing ring
7	93-63-023	1	Grubscrew socket head
8	71-35-291	1	Gland housing
9	86-29-148	1	Gland seal
10	04-16-240	1	Internal circlip
11	86-29-149	1	Wiper seal
12	86-00-302	1	'O' ring
13	86-09-302	1	Anti extrusion ring
14	09-01-121	2	Greaser
15	85-81-169	2	Union
16	86-50-102	2	Bonded seal

86-99-188

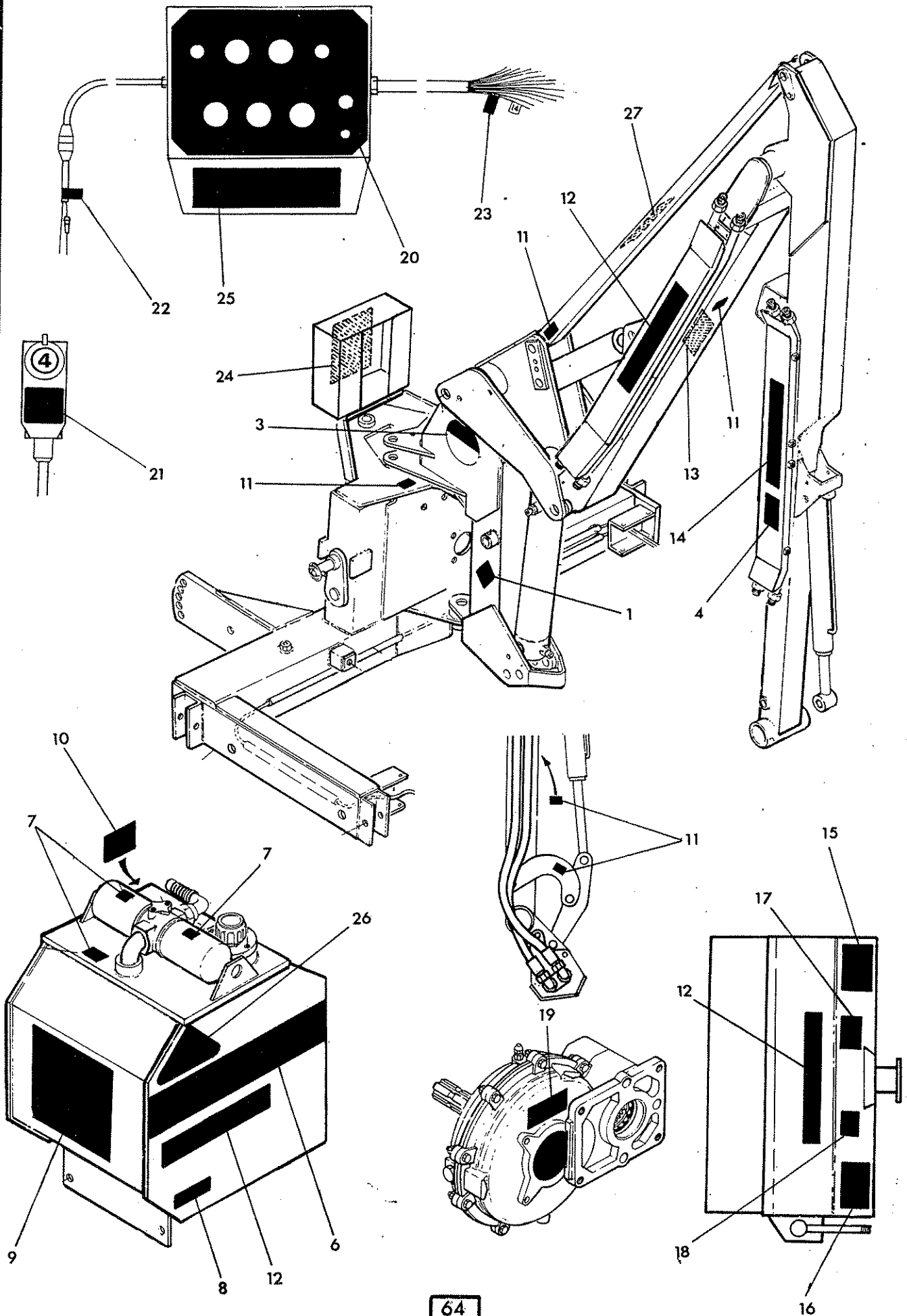
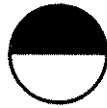
SEAL KIT

*** Assembly note**

Tighten fully and centre punch edge of hole to secure.

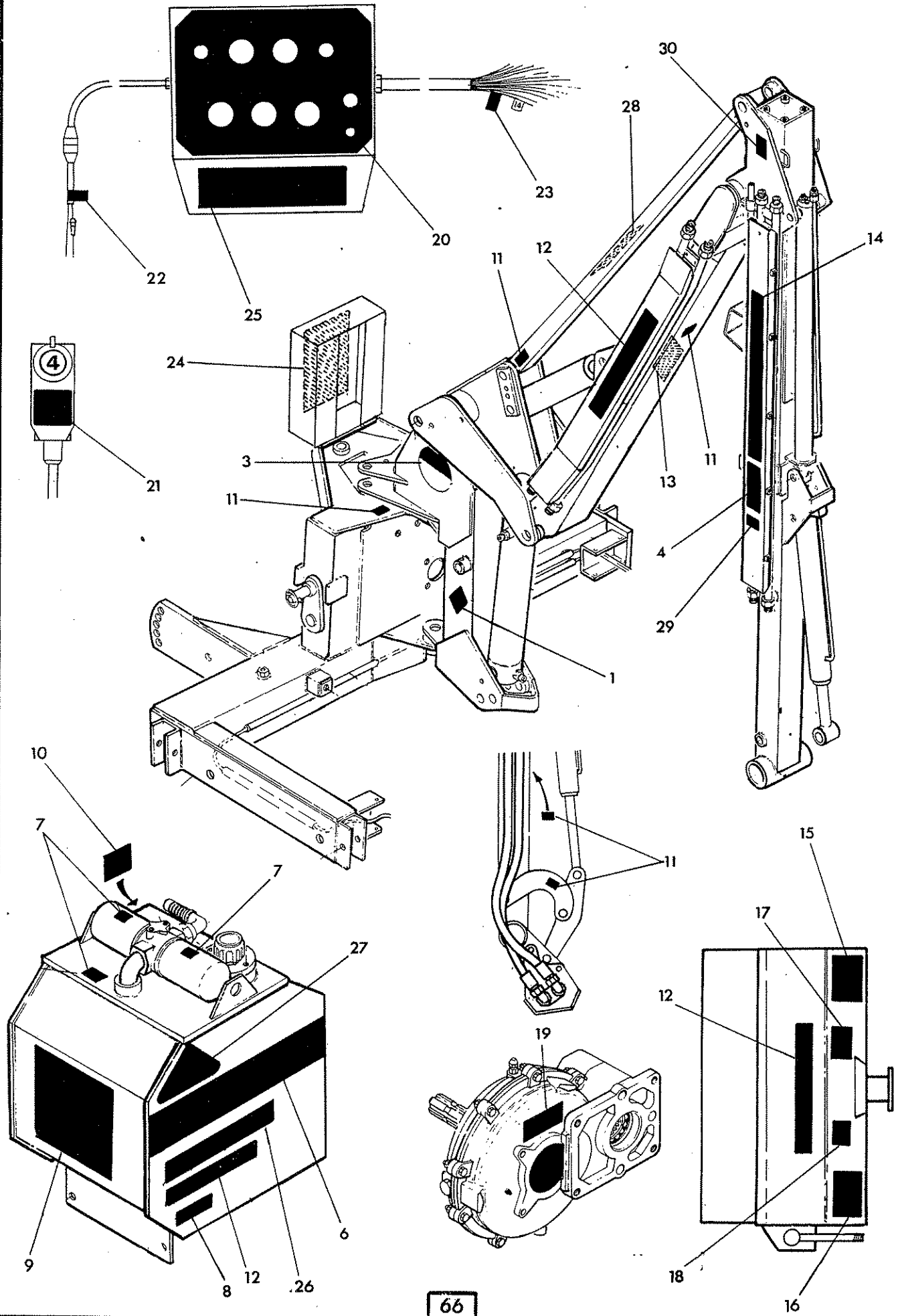


Ref.	Part no.	Qty.	Description.
	75 50 288		BREAKAWAY RAM (2050M only)
1	72 12 272	1	Ram cylinder
2	72 14 004	1	Piston rod
3	86 00 119	1	O ring
4	71 01 165	1	Piston
5	86 36 131	1	Piston seal
6	93 00 110	1	Grub screw
7	71 01 099	1	Gland seal housing
8	86 22 127	1	Gland seal
9	86 00 304	1	O ring
10	86 09 304	1	Anti extrusion ring
11	71 01 100	1	Gland nut
12	86 40 328	1	Piston rod wiper
13	71 05 050	1	Bush
14	09 01 121	2	Greaser
15	85 81 115	2	Union
16	86 50 103	2	Bonded seal
	86 99 102		RAM SEAL KIT



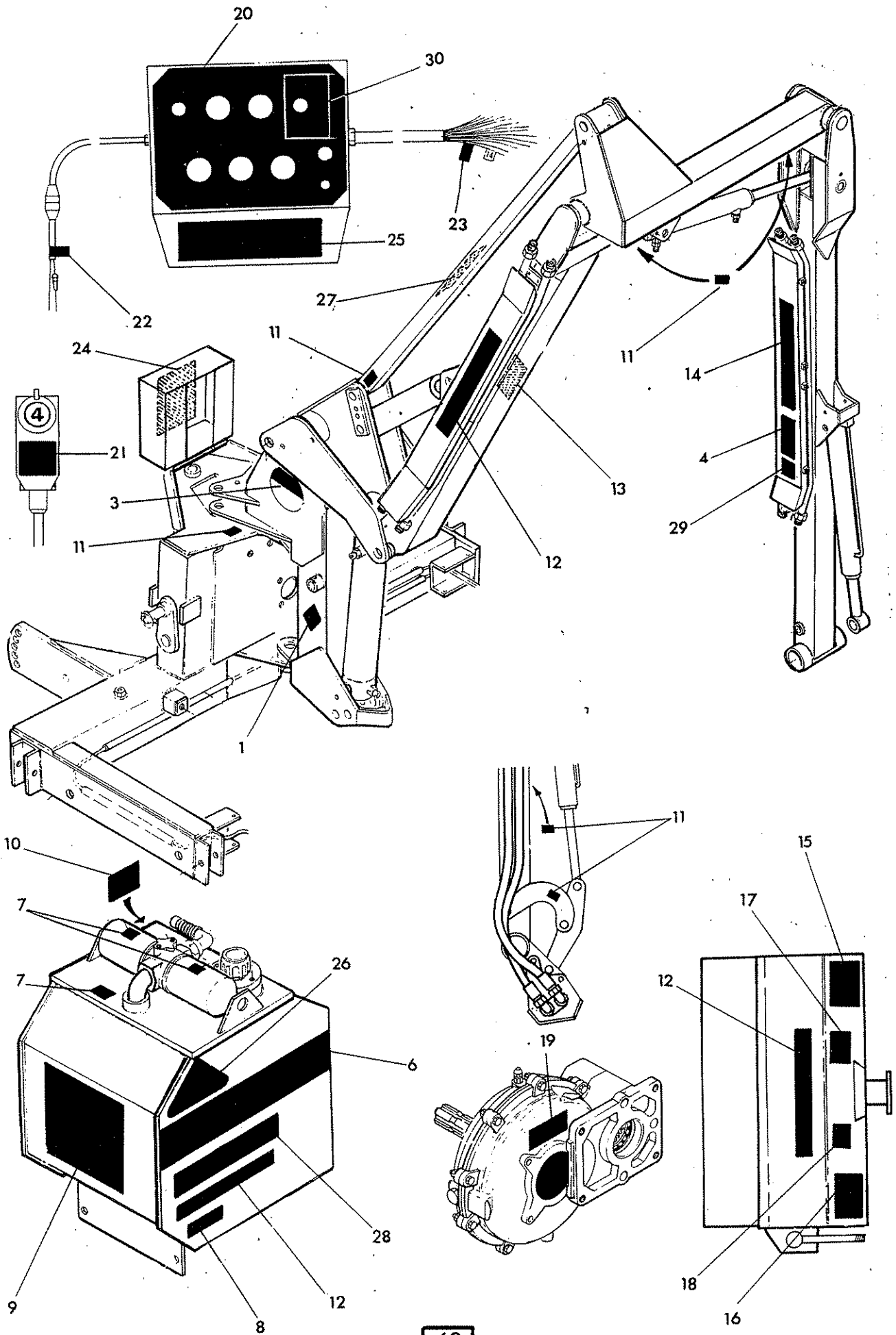
**McCONNEL**

Ref.	Part No.	Qty.	Description
			STICKERS - PA2050 STD ARM - ELECTRIC MACHINE
1	71 05 130	1	Read book first
2	60 55 002	1	Sling here symbol - not illus -on packing strap
3	12 90 296	1	Logo roundel
4	12 90 397	1	2050
5	12 90 352	1	Gen. warning - despatched loose
6	12 90 395	1	PA2050
7	12 90 023	3	Oil filter instructions
8	12 90 376	1	Enduro tank
9	12 90 391	1	General warning
10	0075 6494	1	Fitting P.T.O. shaft
11	0096 2764	8	Pinch point
12	12 90 255	3	McConnel
13	12 90 403	1	Breakaway return warning
14	12 90 295	1	Power Arm
15	12 90 377	1	Flail head instructions
16	12 90 341	1	Flail head gaurding
17	0075 6485	1	Rotating blade warning
18	12 90 392	1	Use McConnel spares
19	12 90 054	1	Gearbox oil capacity
20	12 90 351	1	Switch box controls
21	12 90 338	1	R.C. valve controls
22	84 02 105	1	Polarity label
23	84 02 121	1	Connection warning
24	84 02 136	1	Solenoid connections
25	84 02 135	1	Slew warning
26	12 90 346	1	Warning triangle
27	12 90 406	1	Transport warning



**McCONNEL**

Ref.	Part No.	Qty.	Description
STICKERS - PA2050 TELESCOPIC ELECTRIC MACHINE			
1	71 05 130	1	Read book first
2	60 55 002	1	Sling here symbol -not illus -on packing strap
3	12 90 296	1	Logo roundel
4	12 90 397	1	2050
5	12 90 352	1	Gen. warning - despatched loose
6	12 90 395	1	PA2050
7	12 90 023	3	Oil filter instructions
8	12 90 376	1	Enduro tank
9	12 90 391	1	General warning
10	0075 6494	1	Fitting P.T.O. shaft
11	0096 2764	8	Pinch point
12	12 90 255	3	McConnel
13	12 90 403	1	Breakaway return warning
14	12 90 347	2	Chevrons
15	12 90 295	1	Power Arm
16	12 90 377	1	Flail head instructions
17	12 90 341	1	Flail head gaurding
18	0075 6485	1	Rotating blade warning
19	12 90 392	1	Use McConnel spares
20	12 90 054	1	Gearbox oil capacity
21	12 90 351	1	Switch box controls
22	12 90 338	1	R.C. valve controls
23	84 02 105	1	Polarity label
24	84 02 121	1	Connection warning
25	84 02 136	1	Solenoid connections
26	84 02 135	1	Slew warning
27	12 90 396	1	Telescopic
28	12 90 346	1	Warning triangle
29	12 90 406	1	Transport warning
30	12 90 057	1	T



**McCONNEL**

Ref.	Part No.	Qty.	Description
			STICKERS - PA2050 MIDCUT ARM - ELECTRIC MACHINE
1	71 05 130	1	Read book first
2	60 55 002	1	Sling here symbol - not illus -on packing strap
3	12 90 296	1	Logo roundel
4	12 90 397	1	2050
5	12 90 352	1	Gen. warning - despatched loose not illus - in cab
6	12 90 395	1	PA2050
7	12 90 023	3	Oil filter instructions
8	12 90 376	1	Enduro tank
9	12 90 391	1	General warning
10	0075 6494	1	Fitting P.T.O. shaft
11	0096 2764	8	Pinch point
12	12 90 255	3	McConnel
13	12 90 403	1	Breakaway return warning
14	12 90 295	1	Power Arm
15	12 90 377	1	Flail head instructions
16	12 90 341	1	Flail head guarding
17	0075 6485	1	Rotating blade warning
18	12 90 392	1	Use McConnel spares
19	12 90 054	1	Gearbox oil capacity
20	12 90 351	1	Switch box controls
21	12 90 338	1	R.C. valve controls
22	84 02 105	1	Polarity label
23	84 02 121	1	Connection warning
24	84 02 136	1	Solenoid connections
25	84 02 135	1	Slew warning
26	12 90 346	1	Warning triangle
27	12 90 406	1	Transport warning
28	12 90 361	1	Midcut
29	12 90 059	1	M
30	12 90 034	1	Park/work overlay



McCORMICK

Peel off sticker and affix to tractor in operators view.

Vignette à coller au poste de conduite de votre tracteur bien en vue du conducteur.



McCORMICK	McCORMICK
VITAL SAFETY RULES	IMPORTANTES REGLES DE SECURITE
<ul style="list-style-type: none"> Read the instruction book first Fit safety screens If no cab fitted wear helmet and goggles Keep all bolts and nuts tight. PTO speed 500 R.P.M. Always disengage PTO when rotor is OFF Grease daily 	<ul style="list-style-type: none"> Avant la premier mise en route, vous reporter au manuel de l'utilisateur Mettez en place les grilles de protection Si le tracteur n'est pas équipe d'une cabine, portez un casque et des lunettes de securite Verifier tous les jours, le bon serrage des boulons et de ecrous En position de transport, debrayez la prise de force Ne jamais dépasser 500 T/MN à la prise de force Graisseur tous les jours

12 90 406

12 90 352



12 90 395

CAUTION
CHECK ARM/CAB CLEARANCE
WHEN SLEWING.
84 02 135



12 90 346



12 90 296

Telescopic
12 90 396

! DANGER !

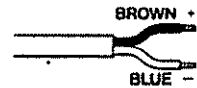
FAILING TO FOLLOW SAFETY MESSAGES AND OPERATING INSTRUCTIONS CAN CAUSE SERIOUS INJURY OR DEATH TO OPERATOR OR OTHERS IN AREA.

1. Study operator manual and safety decals for tractor and flail mower thoroughly to prevent misuse, abuse and accidents. Practise before operating.
2. Operate only with safety cab or roll bars to prevent injury and possible crushing death from overturn. Allow no riders on machine. Falling off can cause serious injury or death by being run over by the tractor or by being cut by the mower. Allow no bystanders, especially children, near the tractor/mower.
3. Operator and assistants must wear a hard hat, safety glasses and shoes to prevent injury from falling or thrown objects.
4. Before transport, engage all transport devices. See operator manual.
5. Block up or support machine securely before placing any part of the body beneath the machine to prevent crushing, injury or death from sudden dropping. Make certain area is clear before lowering.
6. Make certain lights, reflectors, and in U.S.A., the SMV sign is clearly visible. Follow highway regulations. Slow down at night, in turns and on hillsides.
7. Before dismounting, secure flail mower in transport position or lower to ground. Stop P.T.O., put tractor in park or set hand brake, stop engine and remove the key. Never mount or dismount a moving vehicle to prevent possible injury or death.
8. Each rear wheel must have a minimum of 100lbs contact with ground to prevent lateral instability and possible tip-over and bodily injury. Widen wheel track and add weights if needed. Contact manufacturer for counterweight procedure.
9. Rear mounted flail mowers move centre of gravity to rear and remove weight from front wheels. Add front ballast until at least 20% of the tractor's weight is on front wheels to prevent rearing up, loss of steering control and possible injury.
10. Never operate unit without an operator guard to prevent injury from falling or thrown objects. Keep bystanders at a safe distance. Stop cutting if they enter the danger area.
11. Never operate the machine without the correct flail head guards in position. Ensure they are in good condition.
12. Beware overhead obstructions. Keep at least five feet away from power lines to prevent accidental contact or electronic (flashover and possible serious injury and death.
13. Transport carefully! Slow down even more on slopes and when turning. Never turn up a slope sharply or at high speed and use extra care in rough or bumpy areas to prevent overturn and possible crushing injury or death. If your view to the rear is blocked it is your responsibility to install mirrors that provide a rear view to prevent accidents from blind spots.



12 90 054

CAUTION
CONNECT BROWN TO +
CONNECT BLUE TO -
INCORRECT CONNECTION
MAY DAMAGE CONTROL UNIT



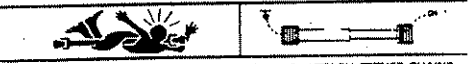
84 02 105



1 MAKE CERTAIN DRIVELINE ARE OF THE CORRECT LENGTH AND SECURELY ATTACHED. DRIVELINE SEPARATION AND/OR PTO SHAFT FAILURE CAN CAUSE INJURY OR DEATH (See Operator's Manual for procedure)



2 MAKE CERTAIN THAT DRIVELINE SHIELDS ARE INSTALLED CORRECTLY AND TURN FREELY TO PREVENT INJURY OR DEATH FROM ENTANGLEMENT



3 IF DRIVELINE SHIELDS HAVE TETHER CHAINS, ATTACH TETHER CHAINS SECURELY TO MOWER AND TRACTOR TO PREVENT SHIELD ROTATION BELL AND/OR SHIELD FAILURE AND SERIOUS INJURY OR DEATH

4 540 PTO RPM UNLESS SPECIFICALLY MARKED OTHERWISE

0075 6494

NOTE
CONNECT ONLY WHEN
AUXILIARY FUNCTION
IS FITTED. EG. HEAD
ANGLE FLOAT KIT (SEE
INSTRUCTION BOOK)

NOTE
CONNECT ONLY WHEN
AUXILIARY FUNCTION
IS FITTED. EG. HEAD
ANGLE FLOAT KIT (SEE
INSTRUCTION BOOK)

84 02 121

**GUARDING REQUIREMENTS
EQUIPMENTS DE SECURITE**

GROUND CUTTING COUPE DE SOL	HEDGE CUTTING TAILLE DE HAIES	HEDGE CUTTING TAILLE DE HAIES
Always cut upwards. Roller set below flails. Slide recommended. Toujours couper en ascension. Rouleaux réglés sous les fléaux. Passe recommandée.	With flails cutting upwards. Roller set above flails. Les fléaux travaillent en ascension. Rouleaux réglés au dessus des fléaux.	With flails cutting downwards. Roller set above flails. Les fléaux travaillent en descension. Rouleaux réglés au dessus des fléaux.

12 90 341



KEEP AWAY - ROTATING BLADES

**SERIOUS INJURY OR DEATH CAN RESULT
FROM THROWN OBJECTS OR BLADE CONTACT.**

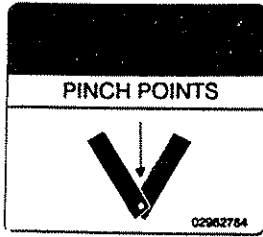
- STOP MOWING IF PERSONS ARE NOT CLEAR OF THROWN OBJECTS
- DO NOT STAND ON OR NEAR MACHINE WHEN IN OPERATION
- DO NOT OPERATE WITH DEFLECTORS OR GUARDS REMOVED

0075 6485



McCONNEL

McCONNEL
12 90 255



0096 2764



**EVERY 200 HOURS
REMOVE END COVER
AND RE-GREASE
INSIDE OF SOCKET.**

12 90 005

MID-CUT

12 90 361

M

12 90 059

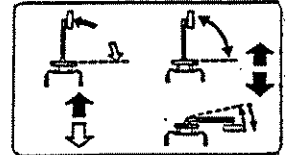
C055 002

Power Arm

12 90 295

Enduro Tank

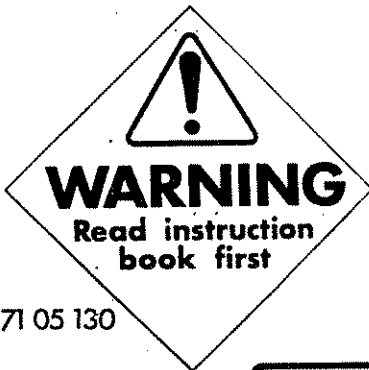
12 90 376



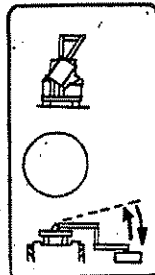
12 90 357



12 90 060



71 05 130



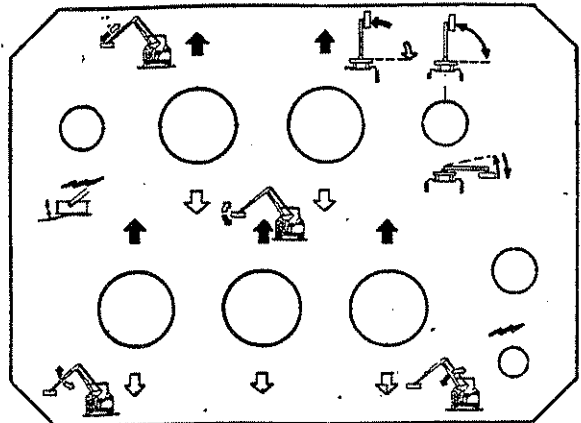
12 90 034

2050

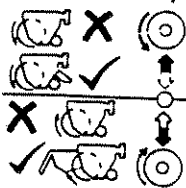
12 90 397

T

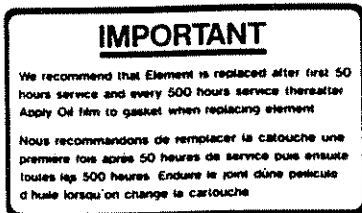
12 90 057



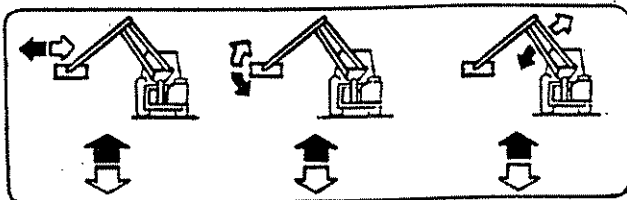
12 90 351



12 90 338



12 90 023

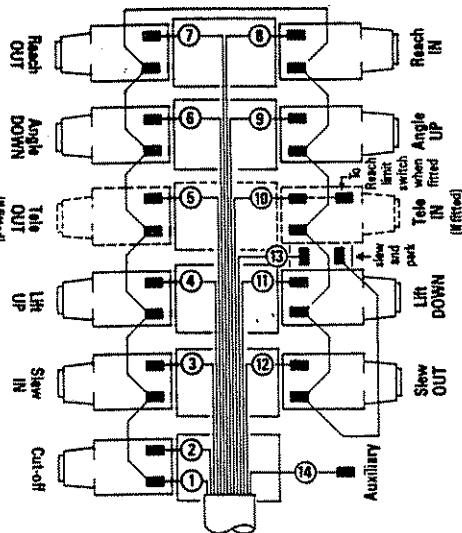


12 90 368

▲ DANGER ▲
**BEWARE AUTOMATIC BREAKAWAY
RETURN. KEEP WELL CLEAR OF THE
FRONT OF THE ARM AND HEAD.**

12 90 403

To adjust position of arms or full head with hydraulic supply on but electrical supply disconnected, push in plunger on end of solenoid required and at the same time depress plunger on cut-off solenoid.



To adjust position of arms or full head with hydraulic supply on but electrical supply disconnected, push in plunger on end of solenoid required and at the same time depress plunger on cut-off solenoid.

84.02 136

ATTENTION

Recommended P.T.O.
speed 500 r.p.m.
Vitesse recommandee
500 T min a la
prise de force.

DANGER
Rotating cutters under here.
DANGER
Rotor ne pas approcher.

KEEP BOLTS TIGHT
Check bolt tightness after 1 hour,
4 hours, 10 hours and thereafter daily.
**MAINTENEZ LES
BOULONS SERRES**
Et contrölez serrage apres 1 heure,
4 heures, 10 heures puis chaque jour.

**BEWARE OF FLYING DEBRIS. KEEP PEOPLE AWAY.
ATTENTION AUX PROJECTIONS. SE TENIR A L'ECART.**

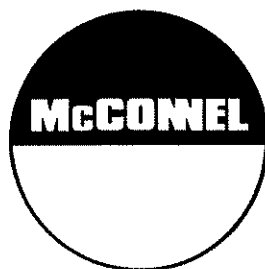
12 90 377

McCONNEL
FLAIL PARTS INFORMATION

McConnel Flail Mowers use dynamically balanced and mated system components for Cutter Shafts (Rotors), Knives (Flails), Knife Hangers (Shackles), Bolts, Bushes, Rollers, Drivetrain Components, Bearings Belts and Belt Pulleys. McConnel parts are made and tested to meet close-tolerance specifications of balance, quality and consistency that assure long, trouble-free service. "Will-Fit" parts do not ordinarily meet McConnel Standards and could reduce Mower performance, void warranties, and present an increase in the safety hazard-potential.

DON'T GAMBLE!
USE GENUINE McCONNEL SERVICE PARTS
See your McConnel dealer

12 90 392



McConnel Limited, Temeside Works, Ludlow, Shropshire SY8 1JL. England.
Telephone: 01584 873131. Facsimile: 01584 876463. www.mcconnel.com