

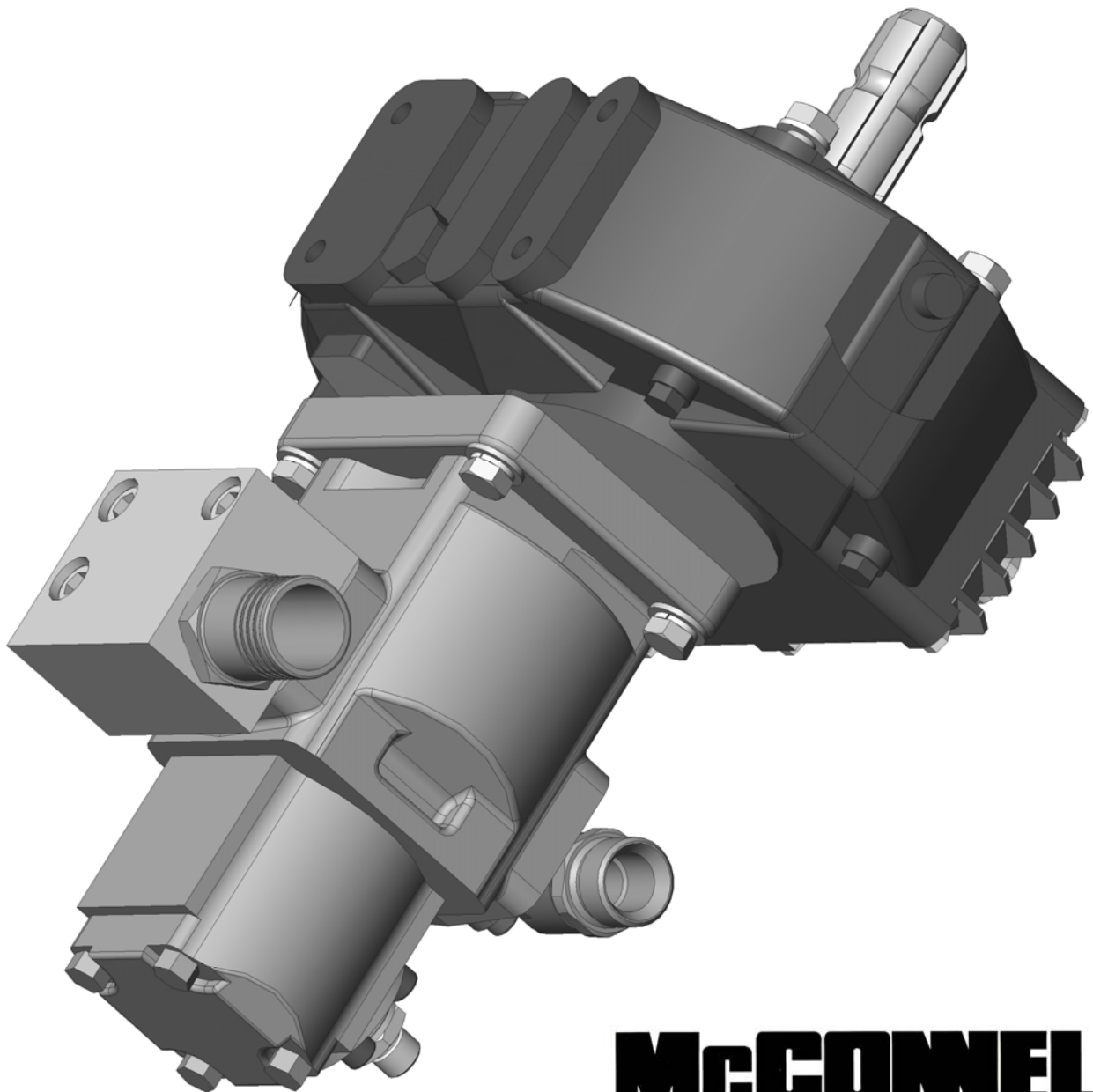
Publication 500
February 2006
Part No. 41570.00
Revision: 01.10.10



MAG530

DÉBROUSSAILLEUSE

Manuel de pièces de rechange



McCONEl



For best performance...

USE ONLY McCONNEL SERVICE PARTS

*To be assured of the latest design improvements purchase your
'Genuine Replacements' from the Original Equipment Manufacturer:*

McCONNEL LIMITED

through your local Dealer or Stockist.

Always quote:

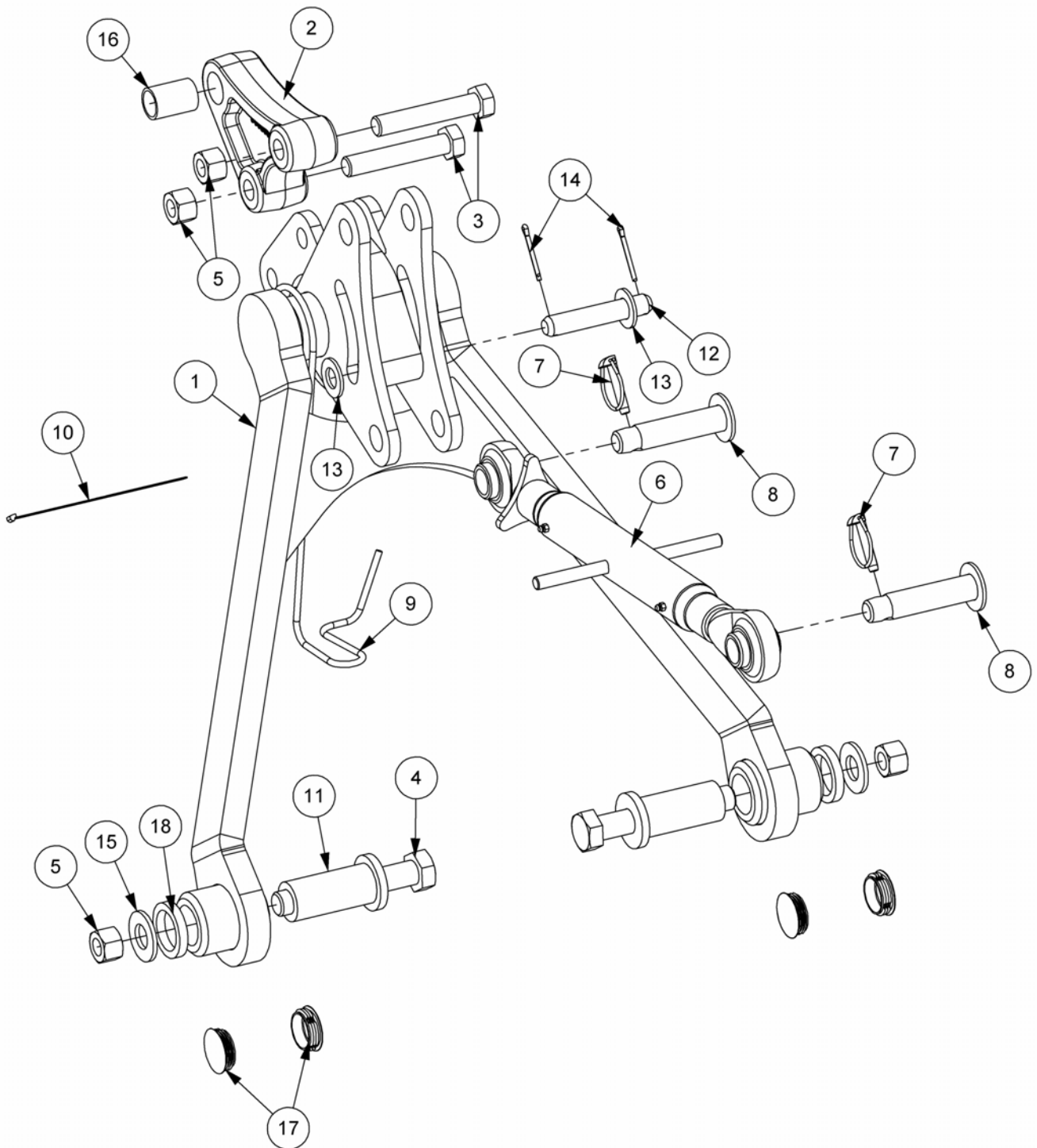
- ***Machine Type***
- ***Serial Number***
- ***Part Number***

*Design Improvements may have altered some of the parts listed in this manual –
The latest part will always be supplied when it is interchangeable with an earlier one.*

CONTENTS

	<i>Page No.</i>
Stabilizer Assembly	4
Axle Brackets Assembly – <i>Standard Type</i>	6
Axle Brackets Assembly – <i>Alternative Type</i>	8
Main Frame Assembly	10
Pillar Assembly	12
Rocker Assembly – <i>Standard Models</i>	14
Rocker Assembly – <i>EDS Models</i>	16
Main Arm Assembly	18
Dipper Arm Assembly – <i>Standard Models</i>	20
Dipper Arm Assembly – <i>Midcut Models</i>	22
Head Angling Mechanism Assembly	24
Hydraulic Tank Assembly	26
Pump & Gearbox Assembly – <i>SI Models</i>	28
Pump & Gearbox Assembly – <i>TI Models</i>	30
Gearbox Assembly	32
Rotor Relief Valve Assembly – <i>SI Models</i>	34
Cable Rotor Control Valve Assembly	36
Electric Rotor Control Valve – <i>Models without Oil Cooler</i>	38
Electric Rotor Control Valve – <i>Models with Oil Cooler</i>	40
Control Valve Assemblies	42
Control Valve Hose Installation – <i>Cable Models</i>	58
Control Valve Hose Installation – <i>Electric & Proportional Electric Models</i>	60
Machine Hose Locations	62
Angling Ram Assembly	64
Lift Ram Assembly	65
Reach Ram Assembly	66
Slew Ram Assembly	67
Midcut Fold Ram Assembly	68
Midcut Relief Module	69
Switchbox Control Unit	70
Monolever Control Unit Assembly	72
Proportional Switchbox Control Unit Assembly	74
Auxiliary Box for Proportional Armrest Controls	75
Proportional Armrest Control Unit Assembly	76
V4 Proportional Controls	78
Control Mountings	82
Sensor Kits – <i>EDS, Power Monitor & PTO</i>	84
Lift Float Kit – <i>Cable Models</i>	86
Lift Float Kit – <i>Electric Models</i>	88
Overcentre Kit – <i>Cable Models</i>	90
Rear Covers Assembly – <i>Models without Oil Cooler</i>	92
Rear Covers Assembly – <i>Models with Oil Cooler</i>	94
Cooler Assembly	96
Machine Decals	98

Module:
7499632



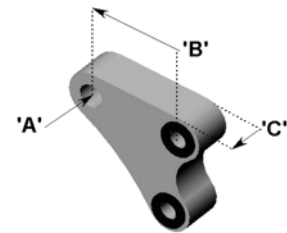
REF.	QTY.	PART No.	DESCRIPTION
		7499632	STABILIZER ASSEMBLY
1	1	41205.13	STABILIZER
2	1	7499506C	STABILIZER TONGUE - CAT.3
3	2	9213228	BOLT
4	2	9213309	BOLT
5	4	9143008	SELF-LOCKING NUT
6	1	21370.01	TOP LINK ASSEMBLY
7	2	0431217	LINCH PIN
8	2	7560144	TOP LINK PIN
9	1	21160.03	PTO HOOK
10	1	7196045	HOSE TIE
11	2	45999.05	SPACER SLEEVE
12	1	22072.01	QUADRANT PIN
13	2	9100108	FLAT WASHER
14	2	9501406	SPLIT PIN
15	2	9100109	FLAT WASHER
16	1	21883.01	SLEEVE - CAT.2 TO CAT.3
17	4	21388.01	PLASTIC INSERT
18	2	45999.04	SPACER

McCormick STABILISER TONGUES

'A' – Hole diameter

'B' – Hole center spacing

'C' – Stabiliser width



(Dimensions in mm)

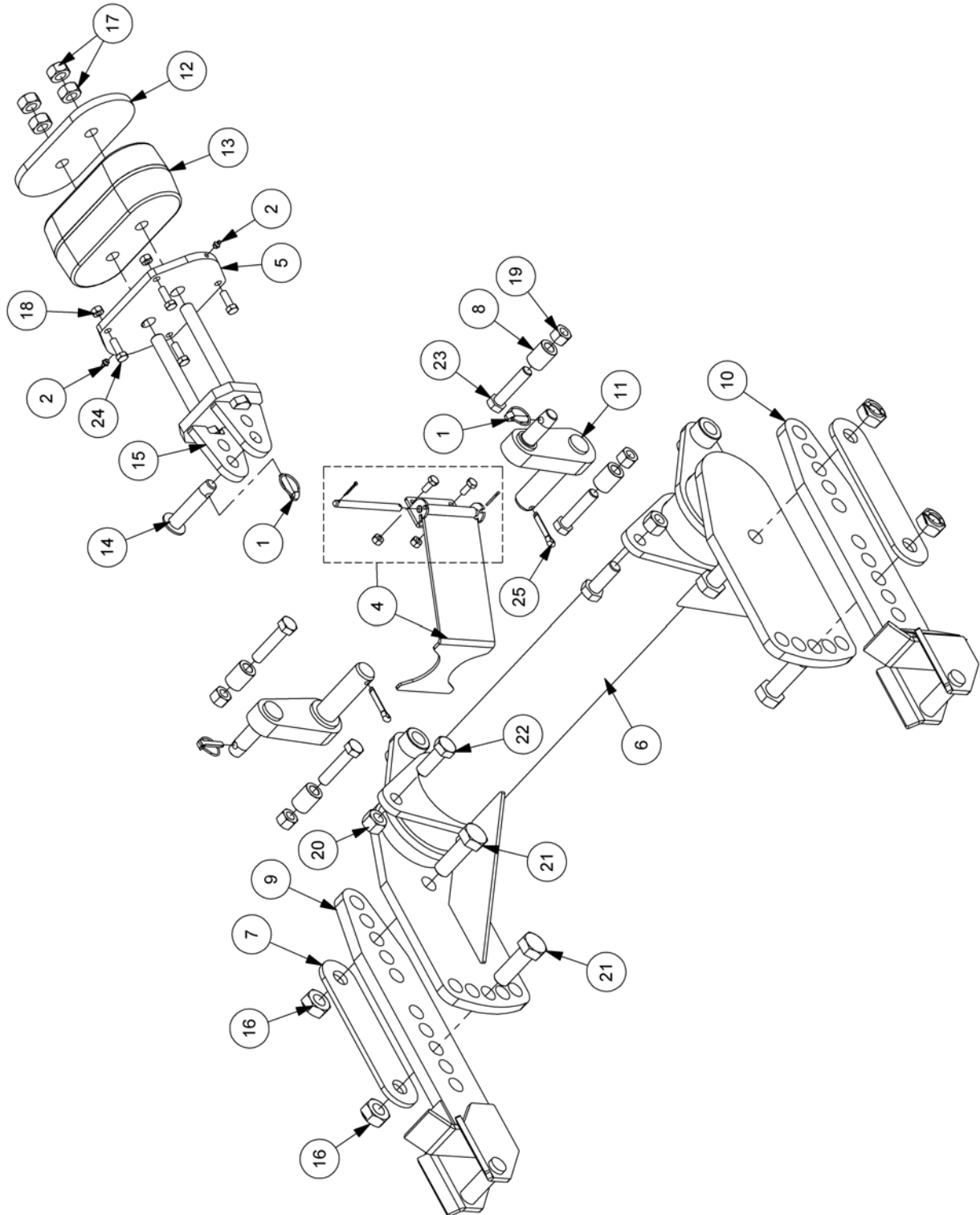
Part No.	Description	'A'	'B'	'C'
7499501	Tongue: Standard – Cat. 2	27	107	45
7499500	Tongue: Special – Cat. 2 narrow	27	107	35
7499502	Tongue: Special – Cat. 2 long	27	217	45
7499503	Tongue: Special – Cat. 3 long	32	217	45
7499504	Tongue: Special – Cat. 1	19.5	107	35
7499505	Tongue: Special – Cat. 2 for Case TX tractors	25	120	50
7499506	Tongue: Special – Cat. 3	32	107	45
7499507	Tongue: Special – Cat. 3 narrow	32	107	30
7499508	Tongue: Special – for some Ford tractors	28.6	107	45
7499262	Tongue: Special – Cat. 2 extra long for Aebi	27	260	45
7499510	Tongue: Special – Cat. 2	27	107	40

MAG 530

AXLE BRACKET KIT – Standard



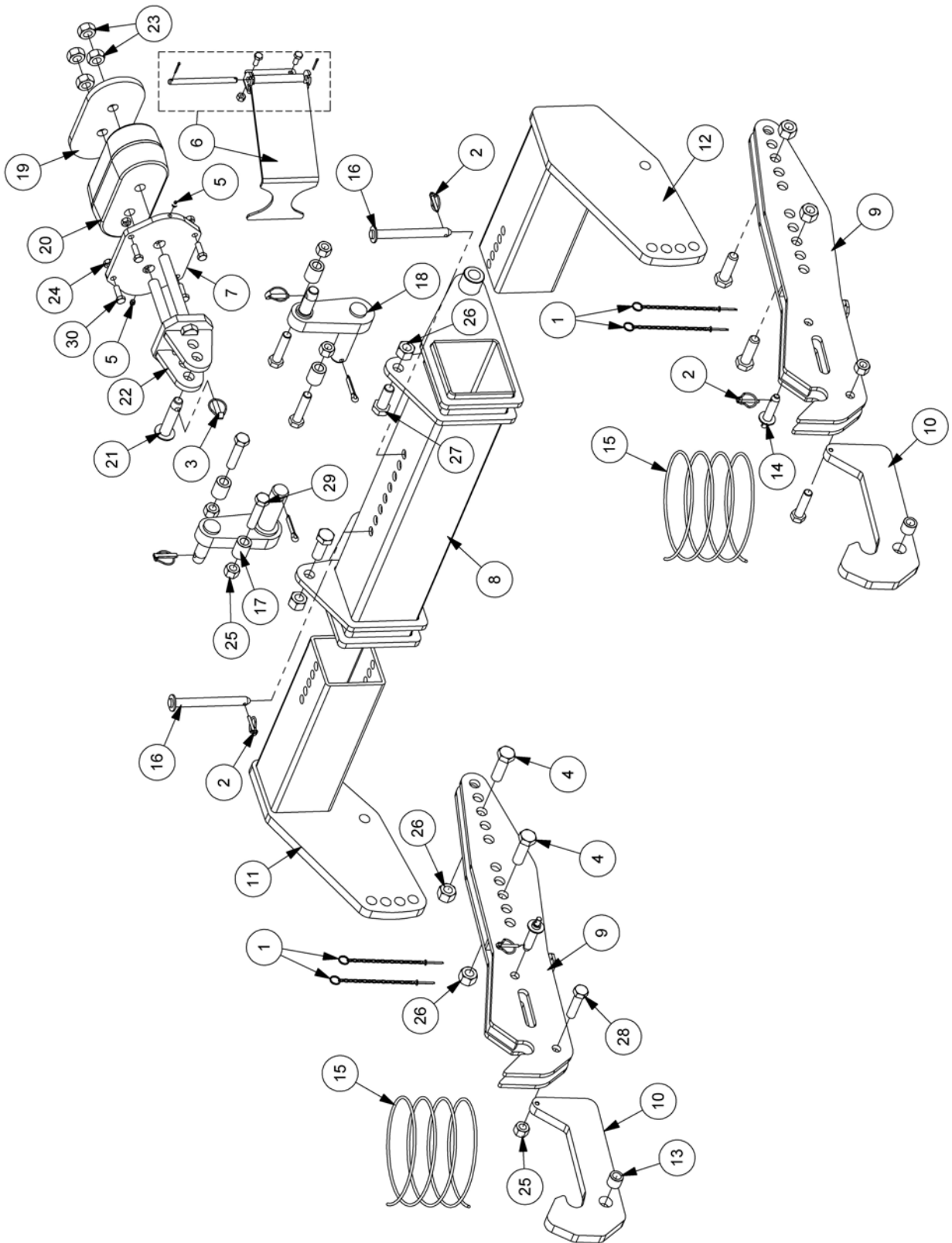
Module:
7153716



AXLE BRACKET KIT – Standard

REF.	QTY.	PART No.	DESCRIPTION
		7153716	AXLE BRACKET KIT - Standard Type
1	3	0431217	LINCH PIN
2	2	0901121	GREASE NIPPLE
3	1	2020999	LATCH ASSEMBLY (1 PAIR)
4	1	21187.01	PTO SUPPORT BRACKET KIT - <i>Comprising of:</i>
	1	21184.01	DRIVE SHAFT SUPPORT BRACKET
	1	21186.01	PIN
	1	21183.01	PTO SUPPORT BRACKET
	2	9313055	SETSCREW
	2	9143005	SELF-LOCKING NUT
	2	9501255	SPLIT PIN
5	1	21277.01	WEAR PLATE
6	1	21278.01	BRACKET FRAME
7	2	21358.01	CLAMP PLATE
8	4	21887.01	STOP TUBE
9	1	43318.01	HITCH ARM -TYPE 1
10	1	43318.02	HITCH ARM -TYPE 2
11	2	43319.02	LIFT LINK (SHORT PIN)
12	1	7560130	REACTION PLATE
13	1	7560141	RUBBER SPRING
14	1	7560144	TOP LINK PIN
15	1	7560398	TOP HITCH BRACKET
16	4	9100023	BINX NUT
17	4	9113009	NUT
18	4	9143006	SELF-LOCKING NUT
19	4	9143008	SELF-LOCKING NUT
20	2	9143009	SELF-LOCKING NUT
21	4	9200035	BOLT
22	2	9213139	BOLT
23	4	9213188	BOLT
24	4	9313076	SETSCREW
25	2	9501509	SPLIT PIN

Module:
7153717



AXLE BRACKET KIT - Alternative

REF.	QTY.	PART No.	DESCRIPTION
		7153717	AXLE BRACKET MOUNTING KIT - Alternative Type
1	4	03.255.05	CHAIN/RING ASSEMBLY
2	4	0431204	LINCH PIN
3	3	0431217	LINCH PIN
4	4	05.285.02	BOLT
5	2	0901121	GREASE NIPPLE
6	1	21187.01	PTO SUPPORT BRACKET KIT - <i>Comprising of:</i>
	1	21184.01	DRIVE SHAFT SUPPORT BRACKET
	1	21186.01	PIN
	1	21183.01	PTO SUPPORT BRACKET
	2	9313055	SETSCREW
	2	9143005	SELF-LOCKING NUT
	2	9501255	SPLIT PIN
7	1	21277.01	WEAR PLATE
8	1	21289.01	HITCH FRAME - ALTERNATIVE TYPE
9	2	21290.01	MOUNTING ARM
10	2	21291.01	LATCH
11	1	21292.01	HITCH MOUNT - TYPE 1
12	1	21292.02	HITCH MOUNT - TYPE 2
13	2	21303.01	PIVOT BUSH
14	2	21330.01	SAFETY PIN
15	2	21331.01	LATCH CORD
16	2	21332.01	BRACKET PIN
17	4	21887.01	STOP TUBE
18	2	43319.02	LIFT LINK (SHORT PIN)
19	1	7560130	REACTION PLATE
20	1	7560141	RUBBER SPRING
21	1	7560144	TOP LINK PIN
22	1	7560398	TOP HITCH BRACKET
23	4	9113009	NUT
24	4	9143006	SELF-LOCKING NUT
25	6	9143008	SELF-LOCKING NUT
26	6	9143009	SELF-LOCKING NUT
27	2	9213139	BOLT
28	2	9213168	BOLT
29	4	9213188	BOLT
30	4	9313076	SETSCREW
31	2	9501509	SPLIT PIN

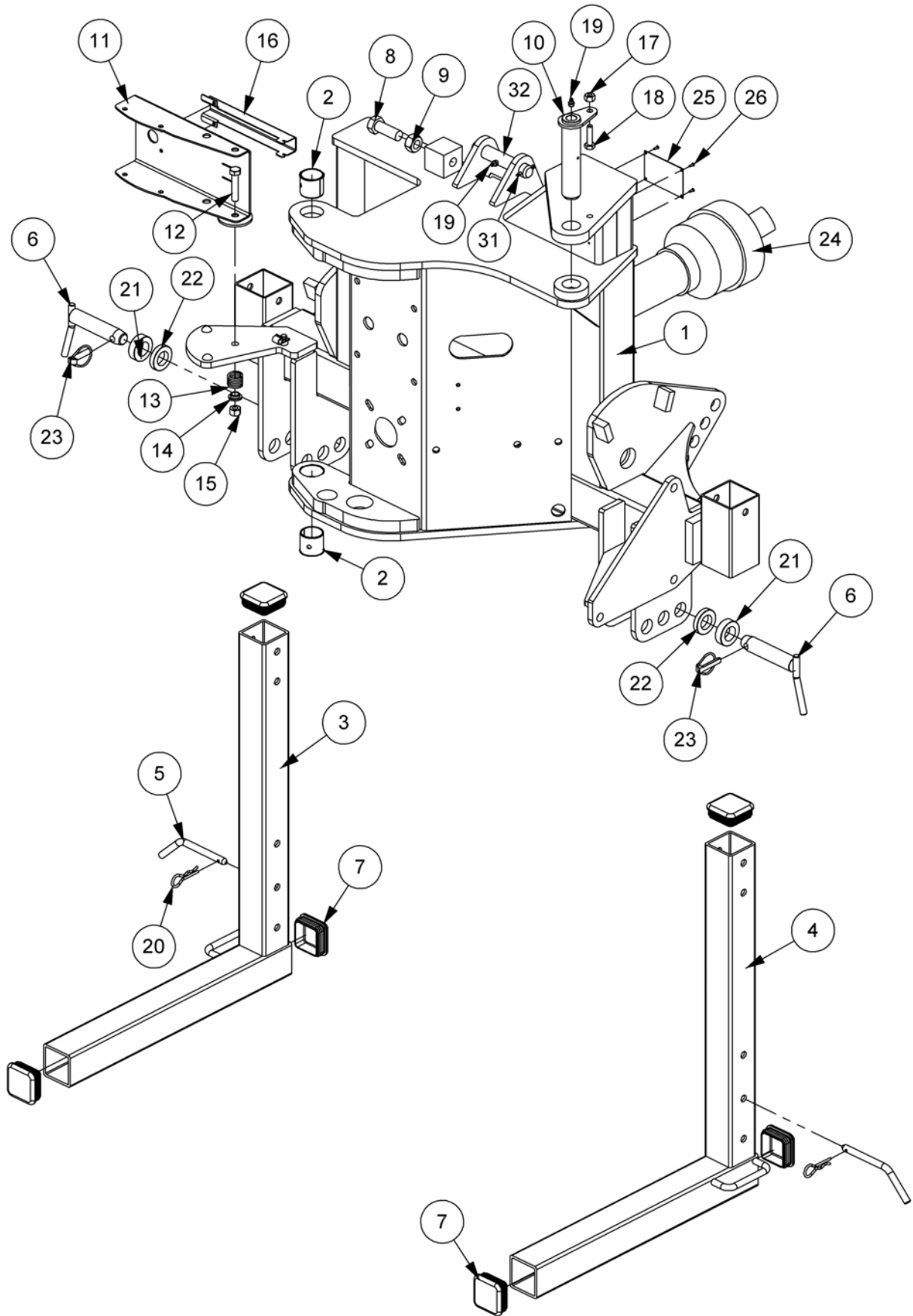
MAIN FRAME ASSEMBLY

Modules:

7452790 – L/H Build

7452791 – R/H Build

Illustrated in Left Hand Build



MAIN FRAME ASSEMBLY

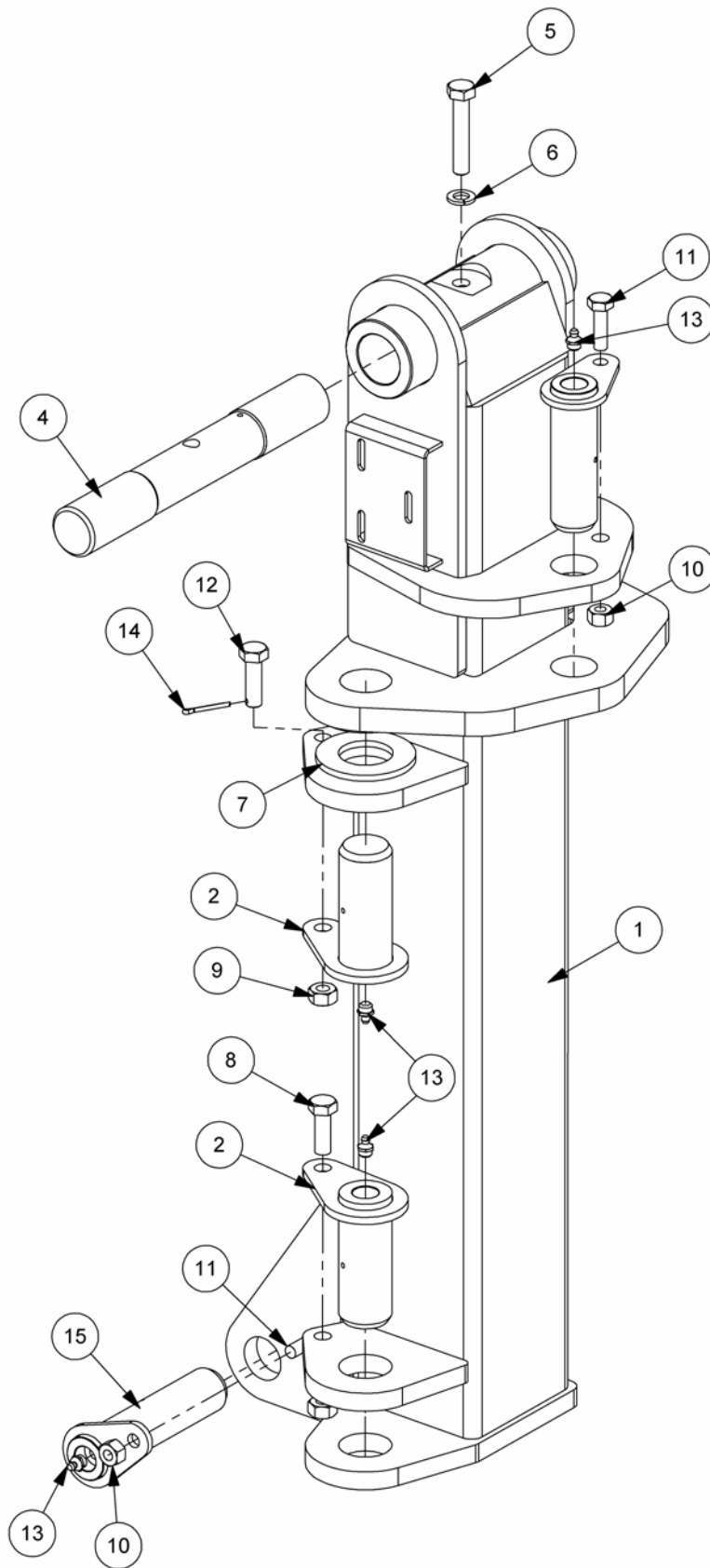
REF.	QTY.	PART No.	DESCRIPTION
		7452790	MAIN FRAME ASSEMBLY - L/H Build
		7452791	MAIN FRAME ASSEMBLY - R/H Build
1	1	21272.12	MAIN FRAME - L/H Build
	1	21272.13	MAIN FRAME - R/H Build
2	2	7115208	GLACIER BUSH
3	1	45293.03	STAND LEG - L/H
4	1	45293.04	STAND LEG - R/H
5	2	45297.01	LEG PIN
6	2	41559.01	LINKAGE PIN - CAT 2.
7	6	45210.01	PLASTIC PLUG
8	1	9313118	SETSCREW
9	1	9113008	NUT
10	1	45202.08	PIN
11	1	21283.07	LAMP BRACKET - L/H Build
	1	21283.08	LAMP BRACKET - R/H Build
12	1	9213126	BOLT
13	1	8020178	COMPRESSION SPRING
14	1	21757.01	SPRING LOCATOR
15	1	9143006	SELF-LOCKING NUT
16	1	21755.01	CABLE COVER
17	1	9143005	SELF-LOCKING NUT
18	1	9213085	BOLT
19	2	0901121	GREASE NIPPLE
20	2	0431105	SPRING COTTER
21	2	43332.01	LINKAGE SPACER
22	2	43332.02	LINKAGE SPACER
23	2	0431217	LINCH PIN
24	1	7550346	PTO SHAFT
25	1	1335246	SERIAL No. PLATE
26	4	7103230	POP RIVET
27	2	21151.01	D CLIP
28	2	9100101	FLAT WASHER
29	2	9100203	SPRING WASHER
30	2	9313023	SETSCREW
31	2	9501326	SPLIT PIN
32	1	21774.01	PIN - TOP LINK ROCKER

Modules:

7452792 – L/H Build

7452793 – R/H Build

Illustrated in Left Hand Build



PILLAR ASSEMBLY

REF.	QTY.	PART No.	DESCRIPTION
		7452792	PILLAR ASSEMBLY - L/H Build
		7452793	PILLAR ASSEMBLY - R/H Build
1	1	45192.05	PILLAR - L/H Build
	1	-	PILLAR - R/H Build
2	2	45271.01	PIN - SLEW PIVOT
3	1	45202.04	PIN - SLEW ROD
4	1	45264.01	PIN - MAIN PIVOT
5	1	9213136	BOLT
6	1	9100206	SPRING WASHER
7	1	45298.01	THRUST WASHER
8	1	9313076	SETSCREW
9	2	9143006	SELF-LOCKING NUT
10	2	9143005	SELF-LOCKING NUT
11	2	9313075	SETSCREW
12	1	45416.01	SPECIAL SETCREW
13	4	0901121	GREASE NIPPLE
14	1	9501255	SPLIT PIN
15	1	45202.07	PIN - LIFT RAM BASE

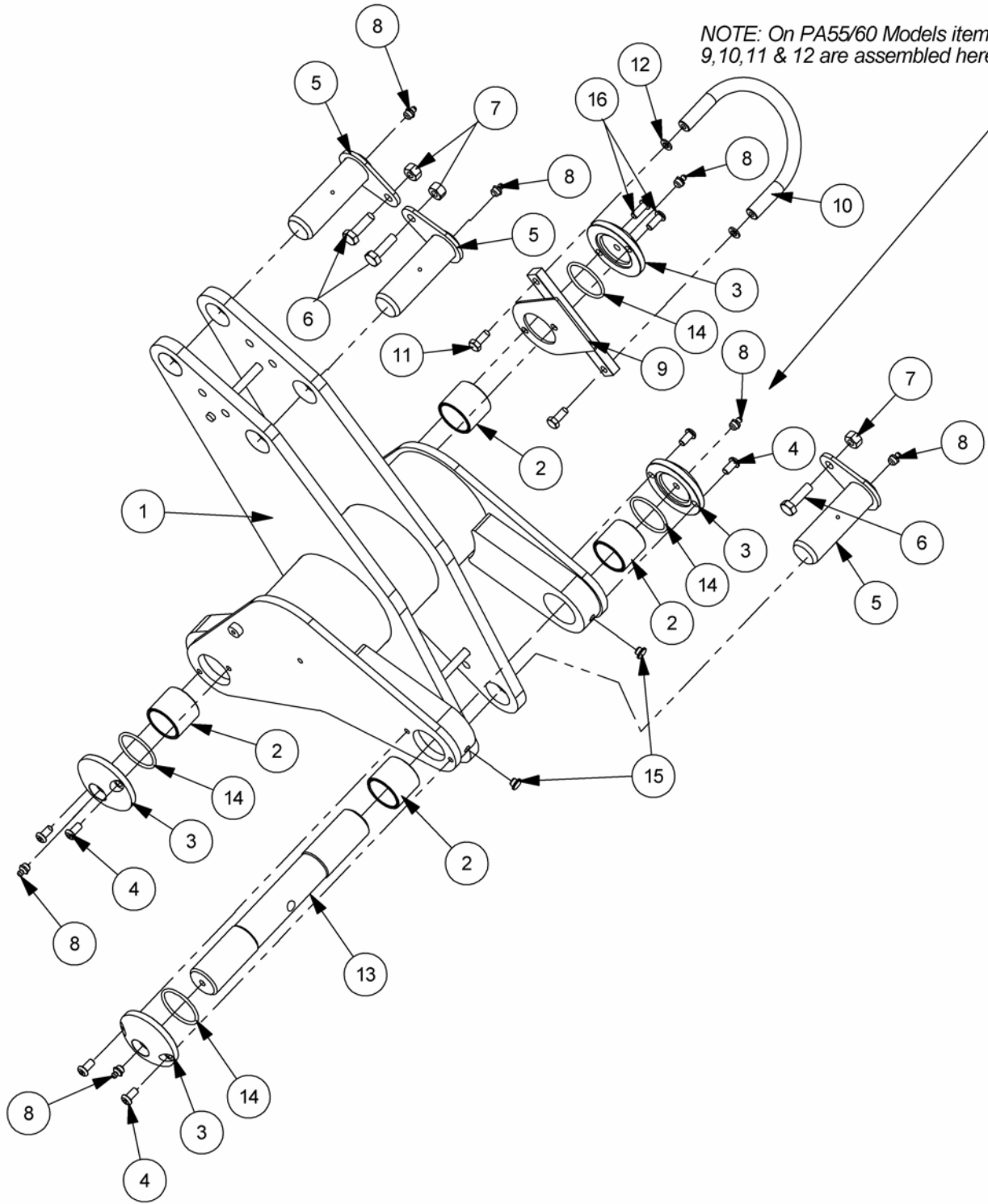
MAG 530

ROCKER ASSEMBLY - Standard



Module:
7452710

Illustrated in Left Hand Build

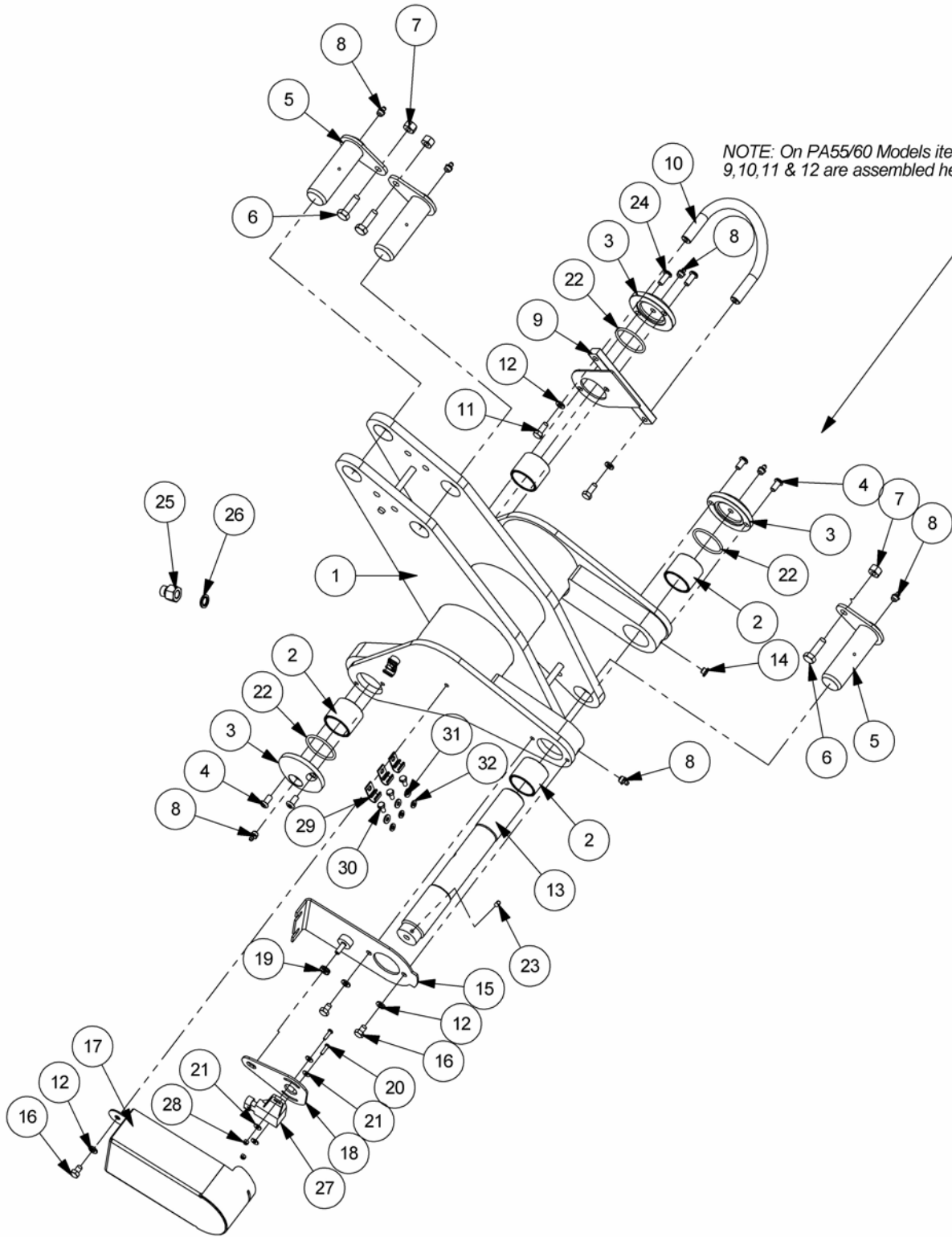




REF.	QTY.	PART No.	DESCRIPTION
		7452710	ROCKER ASSEMBLY - STANDARD
1	1	45059.02	ROCKER
2	4	08.297.02	BUSH
3	4	45266.01	PIN CAP
4	6	9300159	BOLT - BUTTON / SOCKET HEAD
5	3	45202.04	SLEW ROD PIN
6	3	9313075	SETSCREW
7	3	9143005	SELF-LOCKING NUT
8	7	0901121	GREASE NIPPLE - Straight
9	1	43048.06	RETAINING BRACKET
10	1	43048.05	HOOK
11	2	9313044	SETSCREW
12	2	9100204	SPRING WASHER
13	1	45264.01	MAIN PIVOT PIN
14	4	8600303	'O' RING 225
15	2	42964.02	PLASTIC PLUG
16	2	9300161	SOCKET BUTTON SCREW

Module:
7452711

Illustrated in Left Hand Build



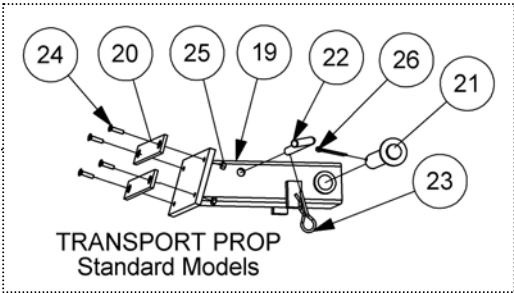
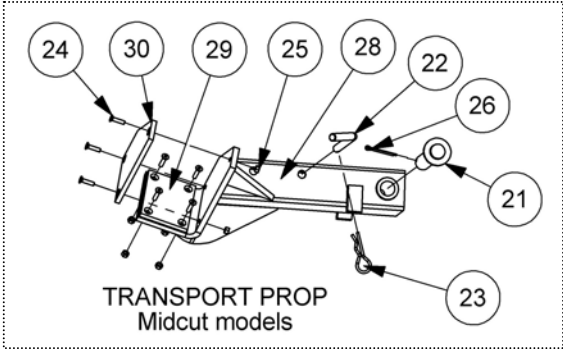
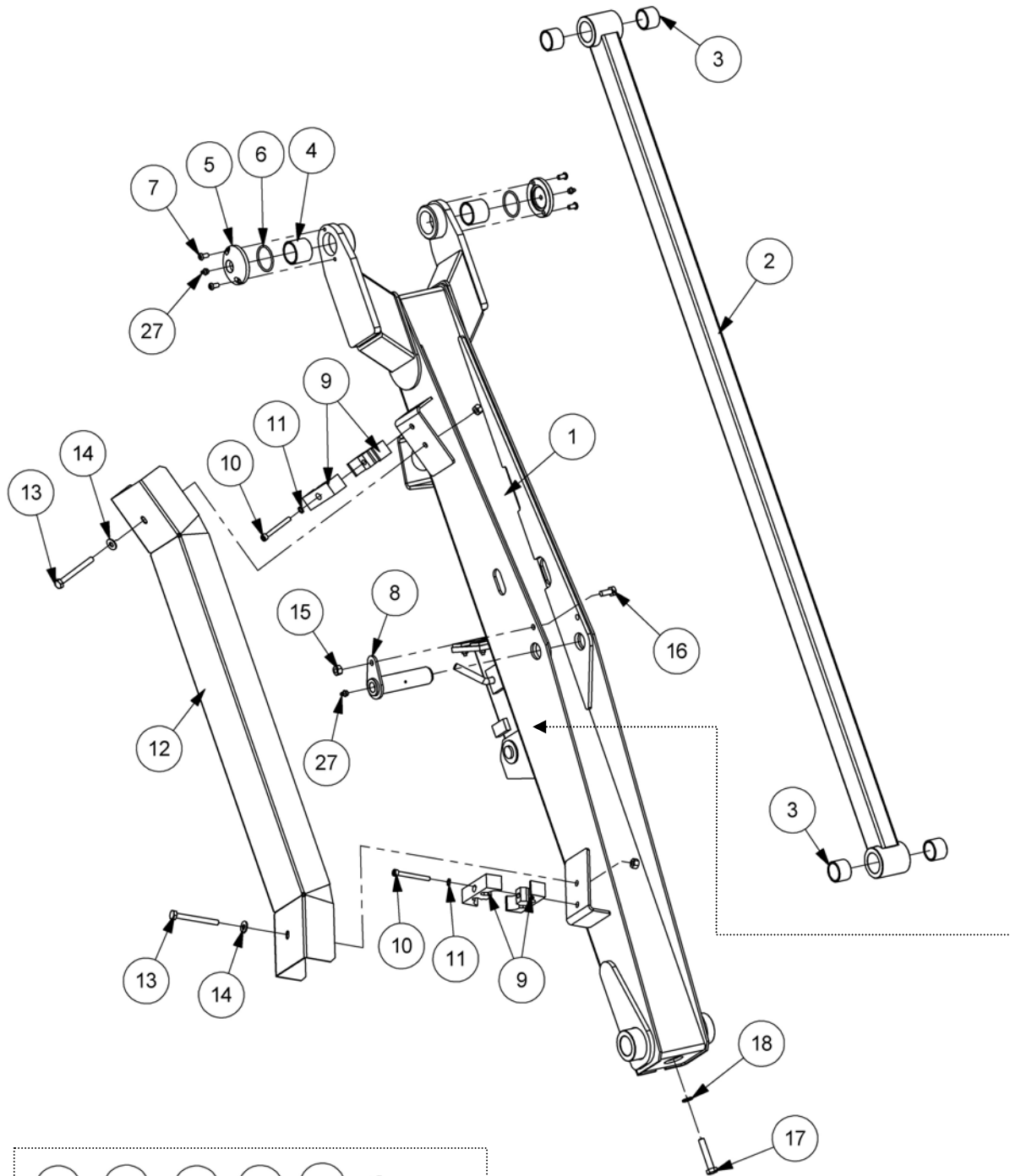
ROCKER ASSEMBLY – EDS Models

REF.	QTY.	PART No.	DESCRIPTION
		7452711	ROCKER ASSEMBLY - EDS Models
1	1	45059.02	ROCKER
2	4	08.297.02	BUSH
3	3	45266.01	PIN CAP
4	4	9300159	BUTTON HEAD SOCKET SCREW
5	3	45202.04	PIN
6	3	9313075	SETSCREW
7	3	9143005	SELF-LOCKING NUT
8	7	0901121	GREASE NIPPLE
9	1	43048.06	RETAINING BRACKET
10	1	43048.05	HOOK
11	2	9313044	SETSCREW
12	5	9100204	SPRING WASHER
13	1	45264.02	MAIN PIVOT PIN - EDS
14	1	42964.02	PLASTIC PLUG
15	1	45425.05	LOCATION PLATE
16	3	9313024	SETSCREW
17	1	45425.03	COVER
18	1	45425.06	SENSOR BRACKET
19	1	43356.01	GROMMET
20	2	9300162	POSI PANHEAD SCREW
21	4	9100102	FLAT WASHER
22	3	8600303	O RING
23	1	9363023	GRUB SCREW
24	2	9300161	SOCKET BUTTON SCREW
25	1	8103005	ADAPTOR
26	1	8650102	BONDED SEAL
27	1	8402235	REACH SENSOR
28	2	05.948.33	SELF-LOCKING NUT
29	4	21151.01	D CLIP
30	4	9313023	SETSCREW
31	4	9100103	FLAT WASHER
32	4	9100203	SPRING WASHER

MAIN ARM ASSEMBLY

Modules:
Refer to Parts List

Illustrated in Left Hand Build



MAIN ARM ASSEMBLY

REF.	QTY.			PART No.	DESCRIPTION
				7452712	MAIN ARM ASSEMBLY - L/H Standard Models
				7452713	MAIN ARM ASSEMBLY - R/H Standard Models
				7452762	MAIN ARM ASSEMBLY - L/H Front Mount
				7452761	MAIN ARM ASSEMBLY - R/H Front Mount
				7452763	MAIN ARM ASSEMBLY - L/H Midcut Models
				7452764	MAIN ARM ASSEMBLY - R/H Midcut Models
	<i>Std.</i>	<i>M/cut</i>	<i>F/M</i>		
1	1	1	1	45056.07	MAIN ARM - L/H Build (R/H on Front Mount Models)
	1	1	1	45056.08	MAIN ARM - R/H Build (L/H on Front Mount Models)
2	1	1	1	45064.03	TENSION LINK
3	4	4	4	08.297.05	BUSH
4	2	2	2	08.297.02	BUSH
5	2	2	2	45266.01	PIN CAP
6	2	2	2	8600303	O RING
7	4	4	4	9300159	BOLT - BUTTON HEADED SOCKET
8	1	1	1	45202.03	PIN
9	4	4	4	45630.01	HOSE CLAMP
10	2	2	2	9243154	CAPSCREW
11	2	2	2	9100404	SHAKEPROOF WASHER
12	1	1	1	41665.21	HOSE COVER
13	2	2	2	9213205	BOLT
14	2	2	2	9100105	FLAT WASHER
15	3	3	3	9143005	SELF-LOCKING NUT
16	1	1	1	9313055	SETSCREW
17	1	1	1	9213136	BOLT
18	1	1	1	9100206	SPRING WASHER
19	1	<i>n/a</i>	<i>n/a</i>	43021.08	TRANSPORT PROP
20	2	<i>n/a</i>	<i>n/a</i>	43091.03	PAD - TRANSPORT PROP
21	1	1	<i>n/a</i>	43023.01	PIN -TRANSPORT PROP
22	1	1	<i>n/a</i>	43074.01	LOCK PIN -TRANSPORT PROP
23	1	1	<i>n/a</i>	0431105	SPRING COTTER
24	4	7	<i>n/a</i>	9353053	CAPSCREW - SOCKET HEADED
25	4	7	<i>n/a</i>	9143003	SELF-LOCKING NUT
26	1	1	<i>n/a</i>	9501406	SPLIT PIN
27	3	3	3	0901121	GREASE NIPPLE
28	<i>n/a</i>	1	<i>n/a</i>	43021.03	TRANSPORT CRADLE - L/H Build
	<i>n/a</i>	1	<i>n/a</i>	43021.04	TRANSPORT CRADLE - R/H Build
29	<i>n/a</i>	1	<i>n/a</i>	43091.01	MAIN PAD
30	<i>n/a</i>	1	<i>n/a</i>	43091.02	SIDE PAD

DIPPER ARM ASSEMBLY

REF.	QTY.	PART No.	DESCRIPTION
		7153719	DIPPER ARM ASSEMBLY - MAG530 R/H Build
1	1	45063.06	DIPPER ARM - R/H Build
2	1	45264.01	MAIN PIVOT PIN
3	2	7136035	PLASTIC BUSH
4	6	08.297.04	BUSH
5	1	21263.01	PIVOT TUBE
6	1	42648.01	JAW PLATE
7	1	42646.03	RADIUS ARM - TYPE 1
8	1	42646.04	RADIUS ARM - TYPE 2
9	1	42647.02	SLAVE LINK
10	6	8629218	LIP SEAL
11	1	42684.01	SLAVE LINK PIN
12	1	21261.02	JUNCTION BRACKET
13	1	45202.01	PIN
14	1	41665.25	HOSE COVER
15	4	45630.01	HOSE CLAMP
16	1	42684.05	PIN
17	1	42684.07	PIN
18	2	9100404	SHAKEPROOF WASHER
19	2	9243154	CAPSCREW
20	3	9213205	BOLT
21	4	9100105	FLAT WASHER
22	8	9143005	SELF-LOCKING NUT
23	1	0423556	SPRING DOWEL
24	1	9213136	BOLT
25	1	9100206	SPRING WASHER
26	1	9200023	BOLT
27	3	9100028	SELF-LOCKING NUT
28	1	9200028	BOLT
29	1	9313075	SETSCREW
30	2	9313055	SETSCREW
31	2	9501406	SPLIT PIN
32	1	9501507	SPLIT PIN
33	5	0901121	GREASE NIPPLE
34	2	05.281.18	FLAT WASHER
35	1	41741.01	EDGING STRIP
36	1	21262.01	HOSE TRAY
37	2	9313065	SETSCREW

Refer to Head Angling Mechanism page for exploded view of that component.

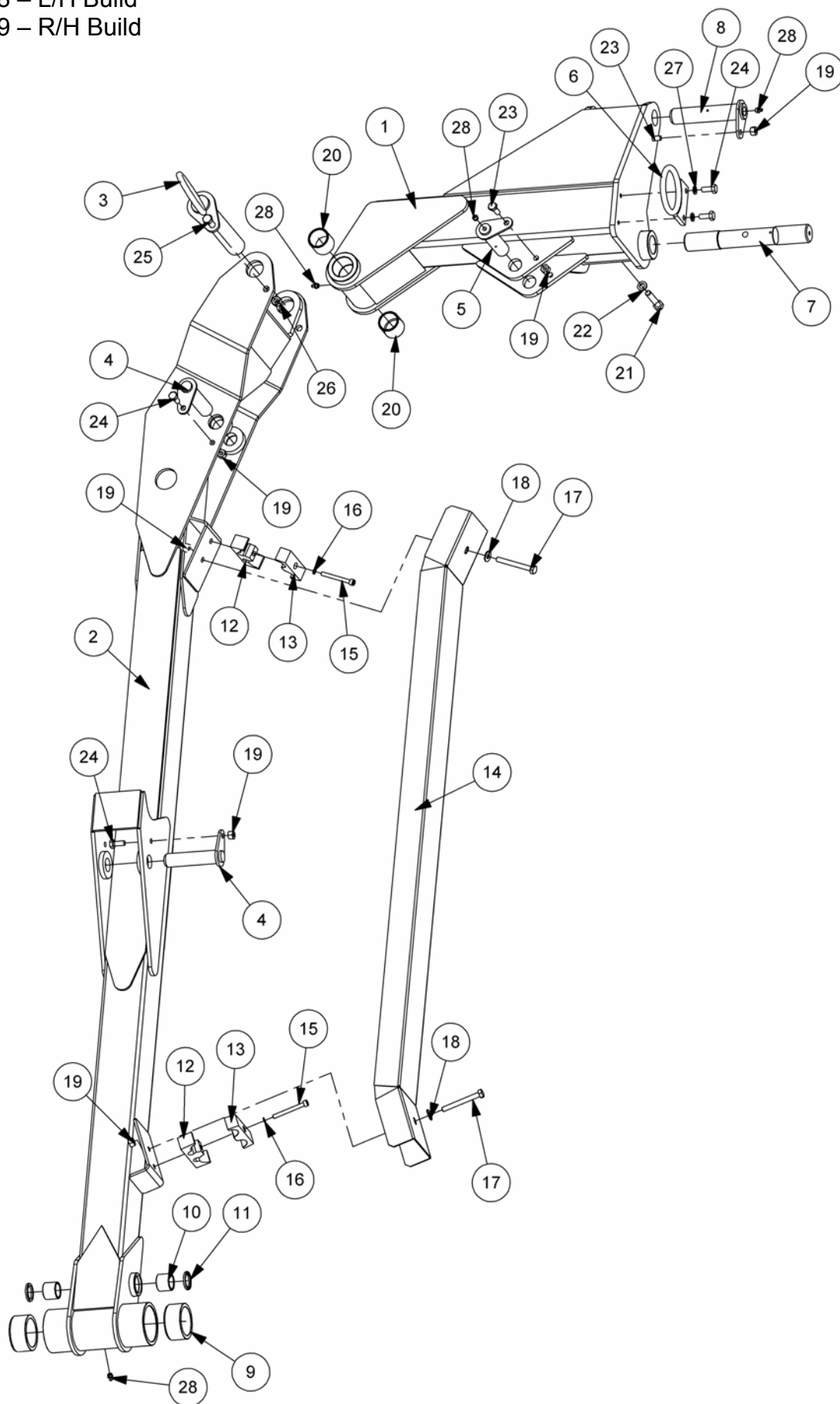
Référez-vous à la page de pêche à la ligne tête de mécanisme pour la vue éclatée de ce composant.

Modules:

7459708 – L/H Build

7459709 – R/H Build

Illustrated in Left Hand Build



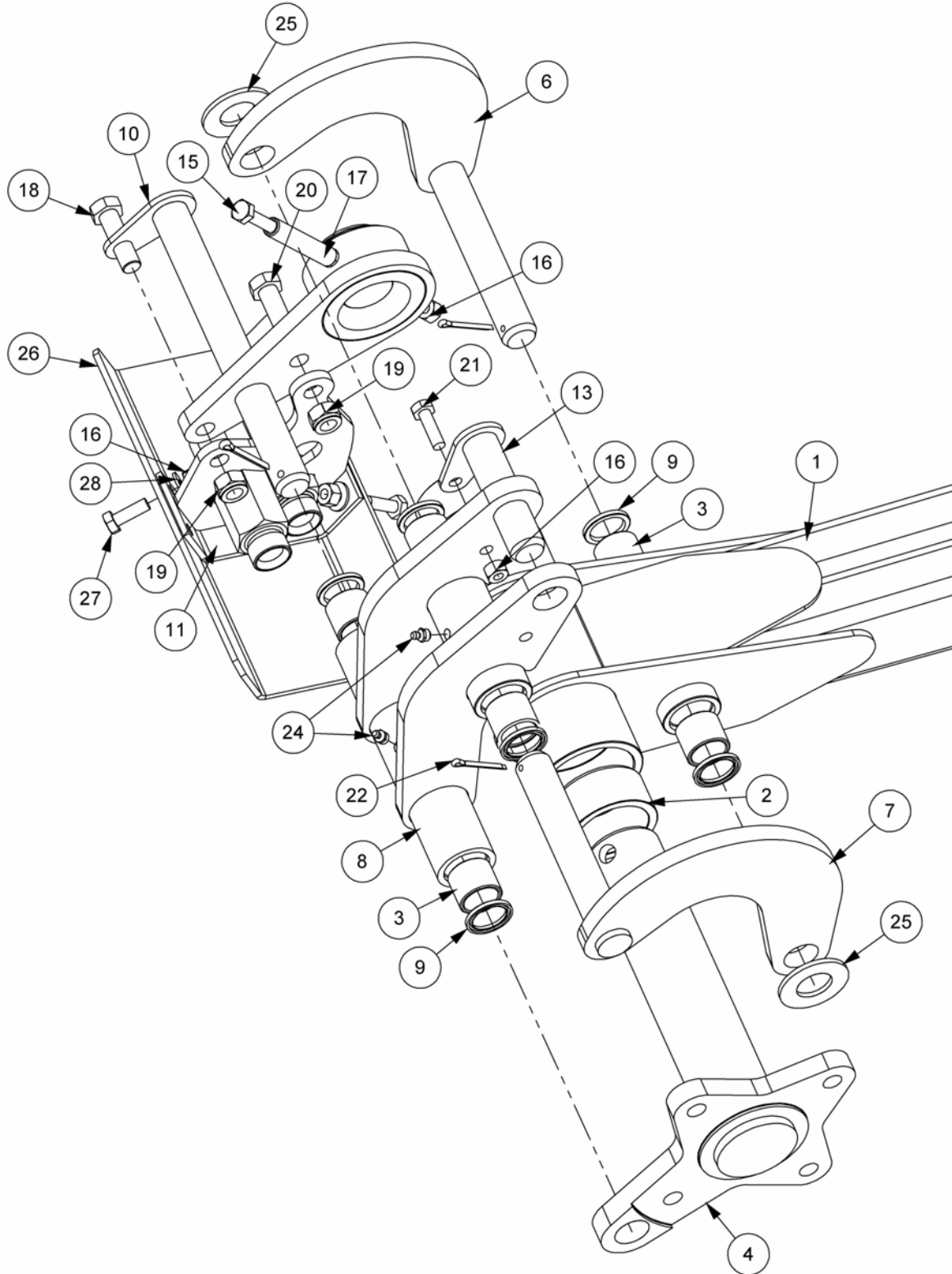
MIDCUT DIPPER ARM ASSEMBLY

REF.	QTY.	PART No.	DESCRIPTION
		7459708	MIDCUT DIPPER ARM ASSEMBLY - L/H Build
		7459709	MIDCUT DIPPER ARM ASSEMBLY - R/H Build
1	1	46047.01	FORWARD EXTENSION - L/H Build
	1	46047.02	FORWARD EXTENSION - R/H Build
2	1	46048.03	MIDCUT DIPPER ARM - L/H Build
	1	46048.04	MIDCUT DIPPER ARM - R/H Build
3	1	45609.01	PIN - FOLD RAM
4	2	42684.03	PIN - FOLD RAM (ROD END)
5	1	42684.02	PIN - RAM BASE
6	1	45974.01	HOSE LOOP
7	1	45264.01	MAIN PIVOT PIN
8	1	45202.08	PIN
9	2	7136035	PLASTIC BUSH
10	2	08.297.04	BUSH
11	2	8629218	LIP SEAL
12	2	45630.01	HOSE CLAMP
13	2	42024.06	HOSE CLAMP (HALF)
14	1	41665.26	HOSE COVER
15	2	9243154	CAPSCREW
16	2	9100404	SHAKEPROOF WASHER
17	2	9213185	BOLT
18	2	9100105	FLAT WASHER
19	6	9143005	SELF-LOCKING NUT
20	2	08.297.02	BUSH
21	1	9213136	BOLT
22	1	9100206	SPRING WASHER
23	2	9313065	SETSCREW
24	4	9313055	SETSCREW
25	1	9313066	SETSCREW
26	1	9143006	SELF-LOCKING NUT
27	2	9100205	SPRING WASHER
28	5	0901121	GREASE NIPPLE - STRAIGHT

Refer to Head Angling Mechanism page for exploded view of those components

Modules:

Sub-component of Dipper Arm



HEAD ANGLING MECHANISM

REF.	QTY.	PART No.	DESCRIPTION
			HEAD ANGLING MECHANISM
1	1	<i>all builds</i>	DIPPER ARM
2	2	7136035	PLASTIC BUSH
3	6	08.297.04	BUSH
4	1	42649.01	PIVOT TUBE
5	1	42648.01	JAW PLATE
6	1	42646.03	RADIUS ARM - TYPE 1
7	1	42646.04	RADIUS ARM - TYPE 2
8	1	42647.02	SLAVE LINK
9	6	8629218	LIP SEAL
10	1	42684.01	PIN - SLAVE LINK
11	1	43055.08	HOSE BRACKET
12	1	45202.01	PIN
13	1	42684.05	PIN
14	1	42684.07	PIN
15	1	9213205	BOLT
16	4	9143005	SELF-LOCKING NUT
17	1	0423556	SPRING DOWEL
18	1	9200023	BOLT
19	2	9100028	SELF-LOCKING NUT
20	1	9200028	BOLT
21	1	9313075	SETSCREW
22	2	9501406	SPLIT PIN
23	1	9501507	SPLIT PIN
24	4	0901121	GREASE NIPPLE
25	2	05.281.18	FLAT WASHER
26	1	7198333	HOSE TRAY
27	2	9313065	SETSCREW
28	2	9100105	FLAT WASHER

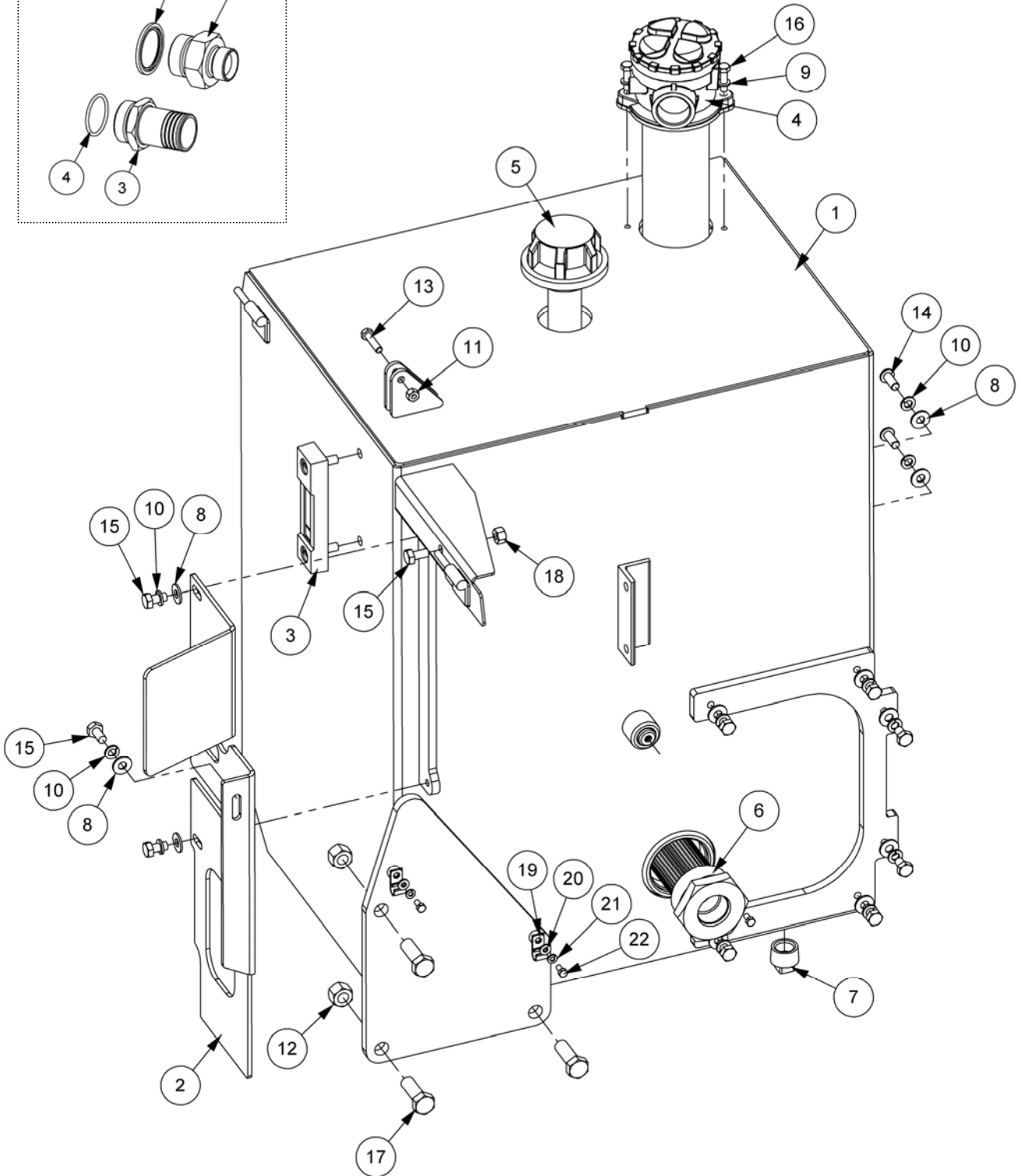
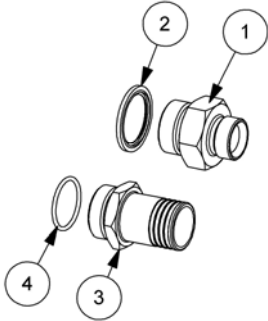
Modules:

7153700 – L/H Build

7153701 – R/H Build

Illustrated in Left Hand Build

Tank Fittings - 7153724



HYDRAULIC TANK ASSEMBLY

REF.	QTY.	PART No.	DESCRIPTION
		7153700	HYDRAULIC TANK ASSEMBLY - L/H Build
		7153701	HYDRAULIC TANK ASSEMBLY - R/H Build
1	1	21306.12	HYDRAULIC TANK - L/H Build
	1	21306.13	HYDRAULIC TANK - R/H Build
2	1	21314.01	SHIELD PLATE - L/H Build
	1	21314.02	SHIELD PLATE - R/H Build
3	1	8401048	LEVEL GAUGE
4	1	8401088	FILTER ASSEMBLY (Including Element)
5	1	8401050	BREATHER
6	1	8401097	SUCTION STRAINER
7	1	8581203	TAPER PLUG
8	11	9100105	FLAT WASHER M6
9	2	9100204	SPRING WASHER
10	11	9100205	SPRING WASHER
11	1	9143004	SELF-LOCKING NUT
12	3	9143007	SELF-LOCKING NUT
13	1	9213074	BOLT
14	2	9300154	SOCKET SCREW
15	8	9313045	SETSCREW
16	2	9313064	SETSCREW
17	3	9313097	SETSCREW
18	1	9143005	SELF-LOCKING NUT
19	3	21151.01	D CLIP
20	3	9100103	FLAT WASHER
21	3	9100203	SPRING WASHER
22	3	9313023	SETSCREW
23	2	9313035	SETSCREW
		7153724	TANK FITTINGS MODULE
1	1	05.131.01	ADAPTOR
2	1	8650109	BONDED SEAL
3	1	8581260	ADAPTOR
4	1	8700784	O RING



REF.	QTY.	PART No.	DESCRIPTION
		7153740	SI PUMP & GEARBOX ASSEMBLY - L/H Build
		7153741	SI PUMP & GEARBOX ASSEMBLY - R/H Build
1	1	21931.01	CAST IRON GEARBOX 1:4.25 13T SPLINE
2	1	8201686	PUMP SI
3	1	8005052	PRESSURE CONNECTION KIT
4	1	8002086	ADAPTOR
5	4	9313085	SETSCREW
6	1	8600304	O RING
7	4	9313056	SETSCREW
8	4	9100205	SPRING WASHER
9	4	9100105	FLAT WASHER
10	4	9100206	SPRING WASHER
11	3	9243126	CAPSCREW
12	1	8650106	BONDED SEAL
13	1	42142.02	BLOCK - SUCTION TAPER
14	1	8581367	ADAPTOR
15	1	1290092	GEARBOX DECAL

NOTE:

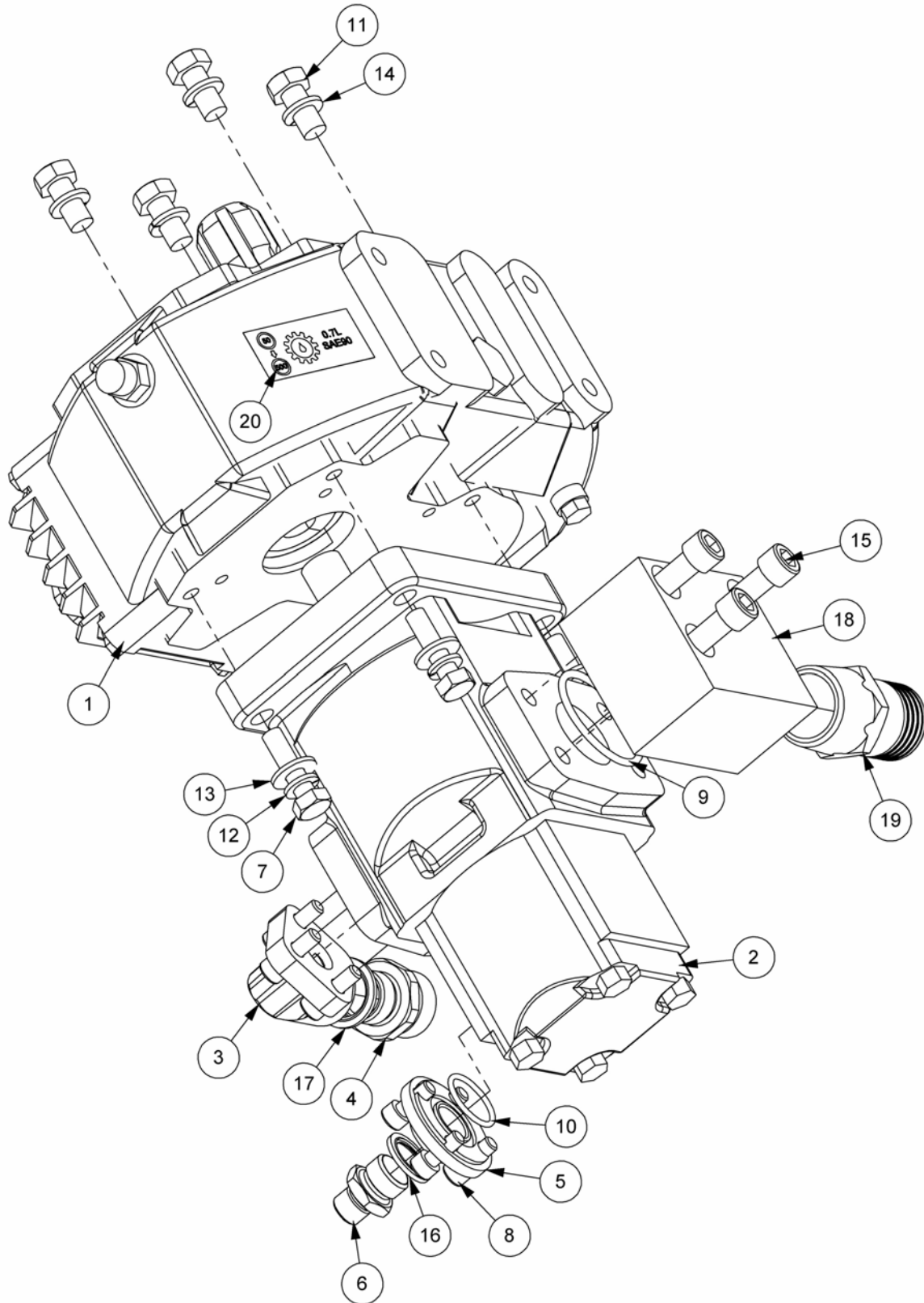
L/H & R/H builds contain identical components and differ only in their assembled orientation

Modules:

7153738 – L/H Build

7153739 – R/H Build

Illustrated in Left Hand Build



TI PUMP & GEARBOX ASSEMBLY

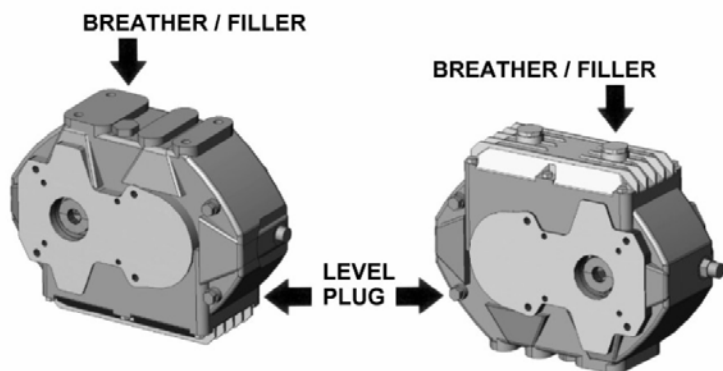
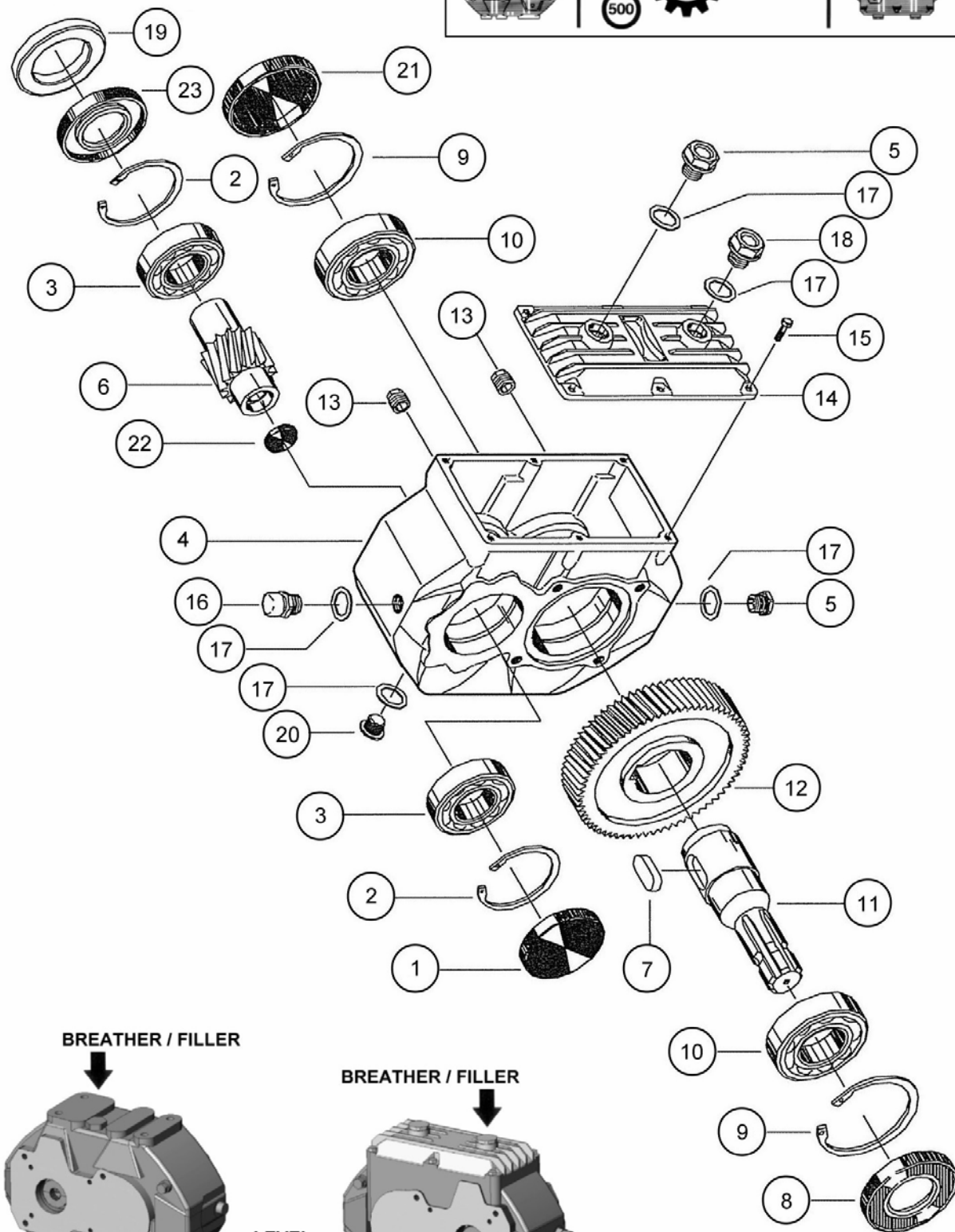
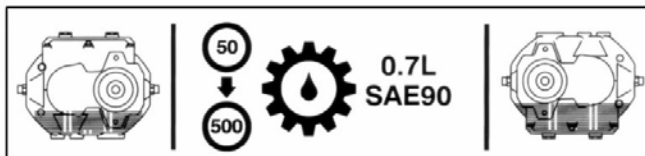
REF.	QTY.	PART No.	DESCRIPTION
		7153738	TI PUMP & GEARBOX ASSEMBLY - L/H Build
		7153739	TI PUMP & GEARBOX ASSEMBLY - R/H Build
1	1	21931.01	CAST IRON GEARBOX 1:4.25 13T SPLINE
2	1	8201700	PUMP TI
3	1	8005052	PRESSURE CONNECTION KIT
4	1	8002086	ADAPTOR
5	1	42029.01	PORT PLATE
6	1	6000112	ADAPTOR
7	4	9313085	SETSCREW
8	4	9300147	CAPSCREW
9	1	8600304	O RING
10	1	8600405	O RING
11	4	9313056	SETSCREW
12	4	9100205	SPRING WASHER
13	4	9100105	FLAT WASHER
14	4	9100206	SPRING WASHER
15	3	9243126	CAPSCREW
16	1	8650104	BONDED SEAL
17	1	8650106	BONDED SEAL
18	1	42142.02	BLOCK - SUCTION TAPER
19	1	8581367	ADAPTOR
20	1	1290092	GEARBOX DECAL

NOTE:

L/H & R/H builds contain identical components and differ only in their assembled orientation

Modules:

21931.01 – Gearbox (Ratio 1:4.25) 13T



NOTE: Plug positions are dependent on gearbox orientation

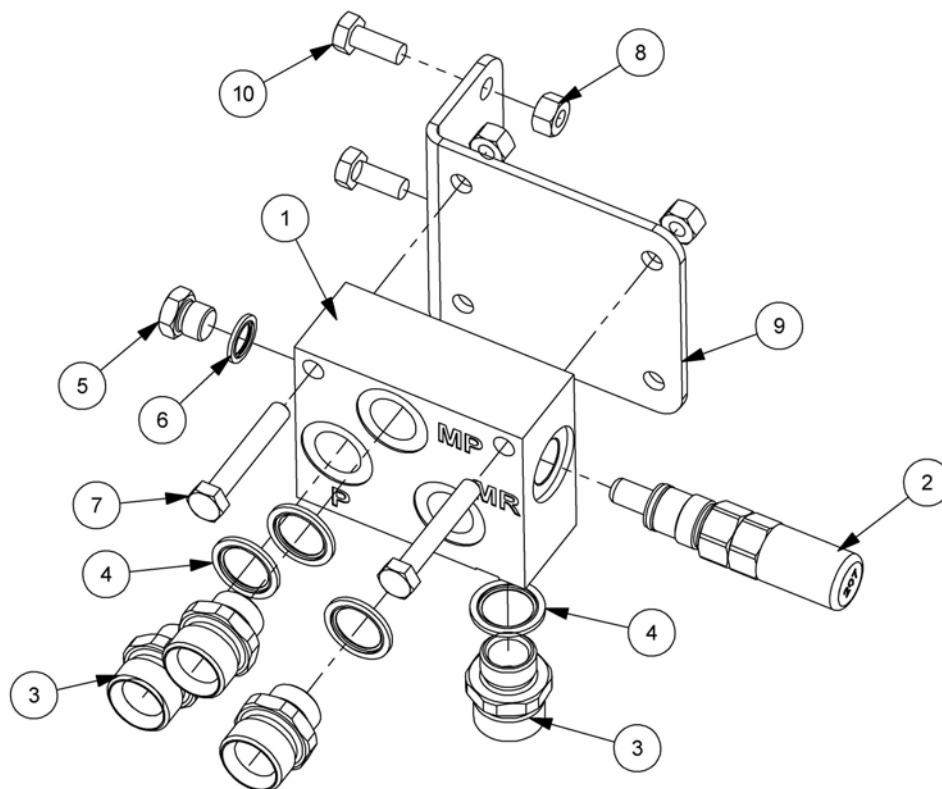
GEARBOX ASSEMBLY

REF.	QTY.	PART No.	DESCRIPTION
		21931.01	GEARBOX ASSEMBLY (Cast Iron)
		<i>Specification:</i>	<i>Ratio 1:4.25 with 13 tooth spline</i>
1	1	8013530	CAP
2	2	8013529	INTERNAL CIRCLIP
3	2	8013528	BEARING
4	1	8013585	GEARBOX CASTING
5	2	8013533	DRAIN PLUG
6	1	8013575	SHAFT
7	1	8013586	DRIVESHAFT KEY
8	2	8013526	SHAFT SEAL
9	2	8013525	INTERNAL CIRCLIP
10	1	8013524	BEARING
11	1	8013522	INPUT SHAFT
12	1	8013587	PRIMARY GEAR
13	2	8013588	LEVEL PLUG
14	1	8013589	GEARBOX COVER
15	6	9313033	SCREW
16	1	8013590	OIL PLUG
17	5	8013591	SEALING WASHER
18	1	8013592	OIL PLUG
19	1	8013576	RING
20	1	8013593	OIL PLUG
21	1	8013527	CAP
22	1	8013594	OIL PLUG
23	1	8699264	GEARBOX SEAL

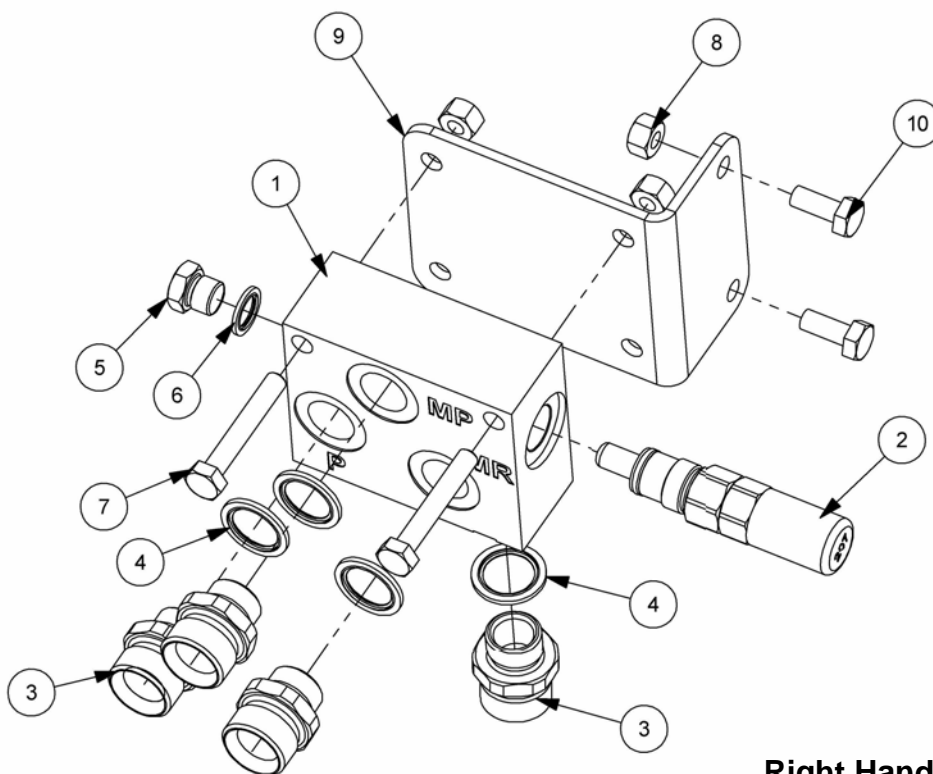
Modules:

7155762 – L/H Build

7155763 – R/H Build



Left Hand Build - 7155762



Right Hand Build - 7155763



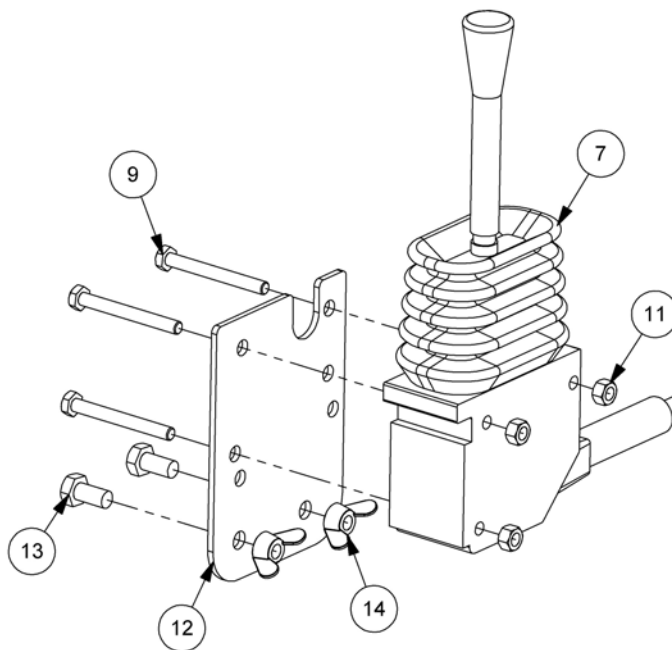
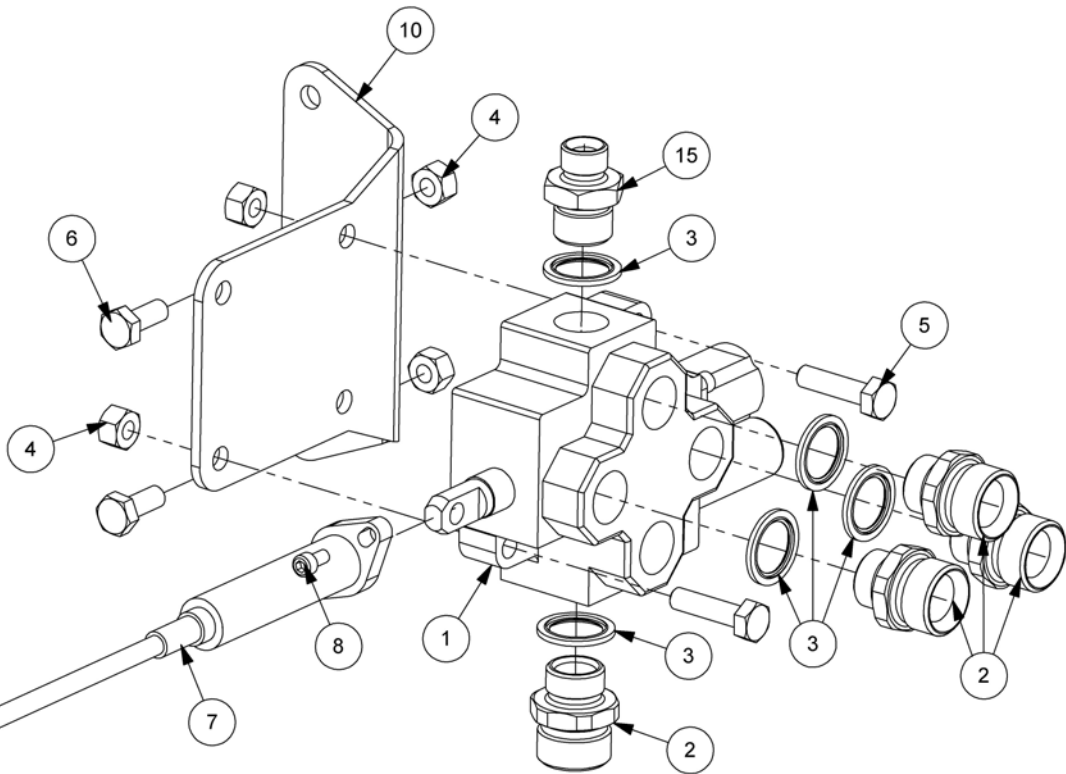
REF.	QTY.	PART No.	DESCRIPTION
		7155762	ROTOR RELIEF VALVE ASSEMBLY - L/H Build
		7155763	ROTOR RELIEF VALVE ASSEMBLY - R/H Build
1	1	8125352	ROTOR RELIEF BLOCK
2	1	8125095	RELIEF VALVE - 207 BAR
3	4	8002086	ADAPTOR
4	4	8650106	BONDED SEAL
5	1	8003001	ADAPTOR PLUG
6	1	8650103	BONDED SEAL
7	2	9213135	BOLT
8	4	9143005	SELF-LOCKING NUT
9	1	21354.02	BRACKET
10	2	9313055	SETSCREW

Modules:

7153726 – L/H Build

7153727 – R/H Build

Illustrated in Left Hand Build



CABLE ROTOR CONTROL VALVE

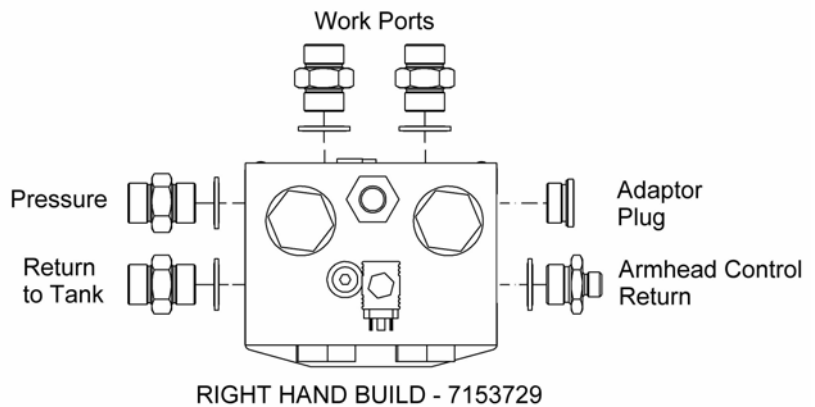
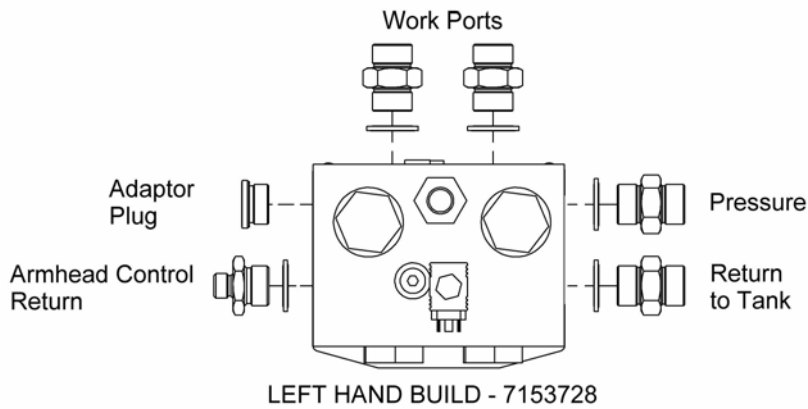
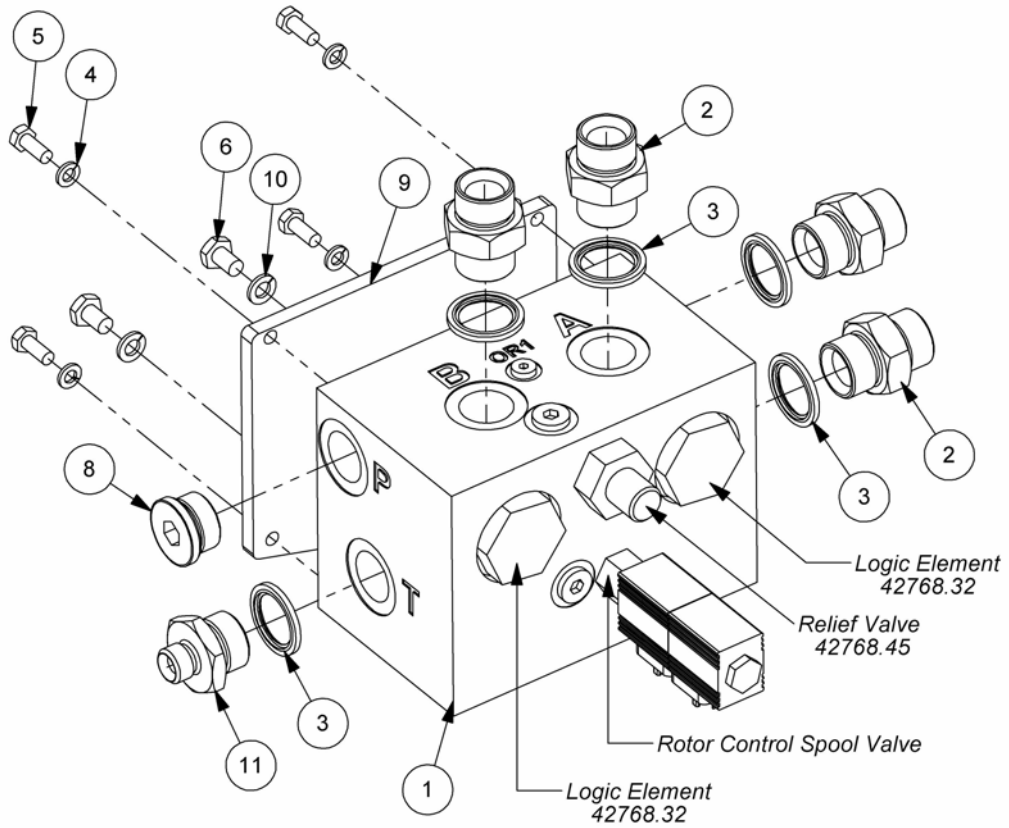
REF.	QTY.	PART No.	DESCRIPTION
		7153726	CABLE ROTOR CONTROL VALVE - L/H Build
		7153727	CABLE ROTOR CONTROL VALVE - R/H Build
1	1	8125423	ROTOR CONTROL VALVE - L/H Build
	1	8125422	ROTOR CONTROL VALVE - R/H Build
2	4	8002086	ADAPTOR
3	5	8650106	BONDED SEAL
4	4	9143005	SELF-LOCKING NUT
5	2	9213085	BOLT
6	2	9313055	SETSCREW
7	1	8017065	ROTOR CONTROL HEAD & CABLE (2.5m)
8	2	9343023	CAPSCREW
9	3	9213113	BOLT
10	1	21354.01	BRACKET - CABLE RCV
11	3	9143003	SELF-LOCKING NUT
12	1	7650282	CONTROL CABLE BRACKET - SINGLE
13	2	9313034	SETSCREW
14	2	9193004	WING NUT
15	1	8581130	ADAPTOR

Modules:

7153728 – L/H Build

7153729 – R/H Build

Illustrated in Left Hand Build





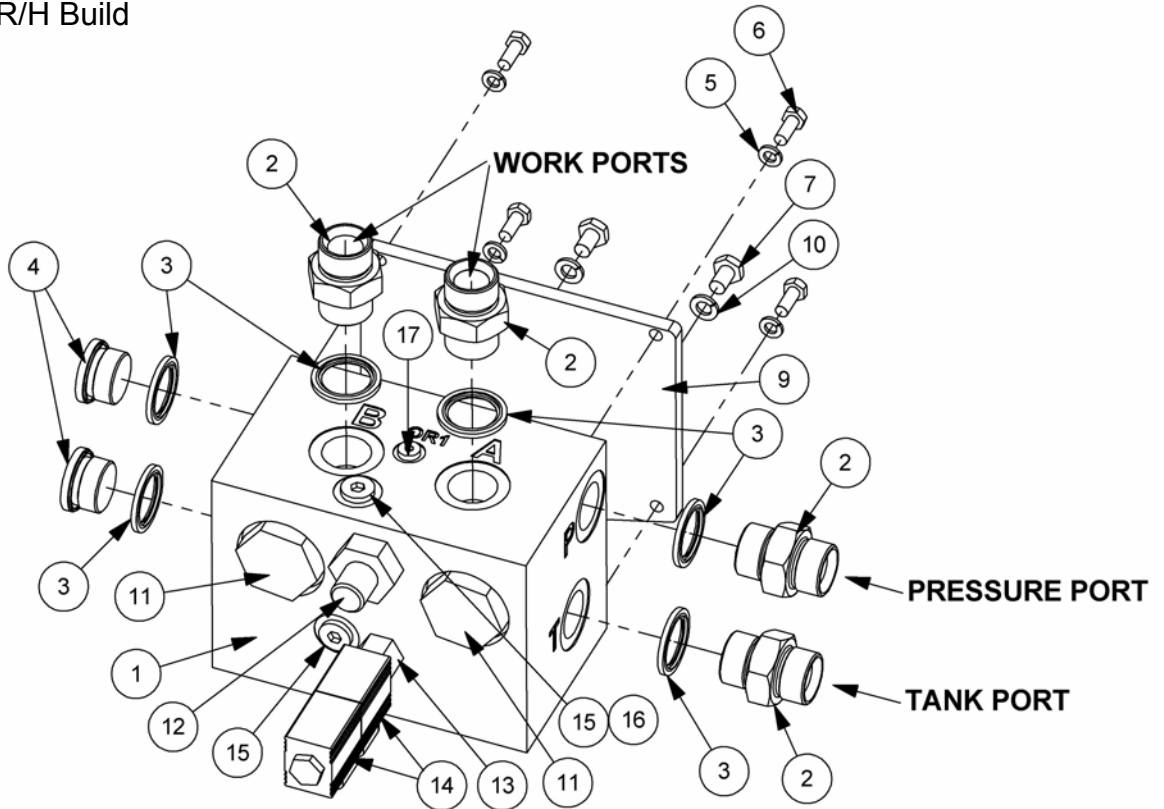
REF.	QTY.	PART No.	DESCRIPTION
		7153728	ELECTRIC ROTOR CONTROL VALVE - L/H Build
		7153729	ELECTRIC ROTOR CONTROL VALVE - R/H Build
1	1	42768.01	ELECTRIC RCV
2	4	05.434.01	ADAPTOR
3	5	8650108	BONDED SEAL
4	4	9100204	SPRING WASHER
5	4	9313044	SETSCREW
6	2	9313035	SETSCREW
7	1	43177.26 *	LOOM - ROTOR REVERSE
8	1	8581389	ADAPTOR PLUG
9	1	21352.01	RCV MOUNTING PLATE
10	2	9100205	SPRING WASHER
11	1	8581129	ADAPTOR

* *Not illustrated*

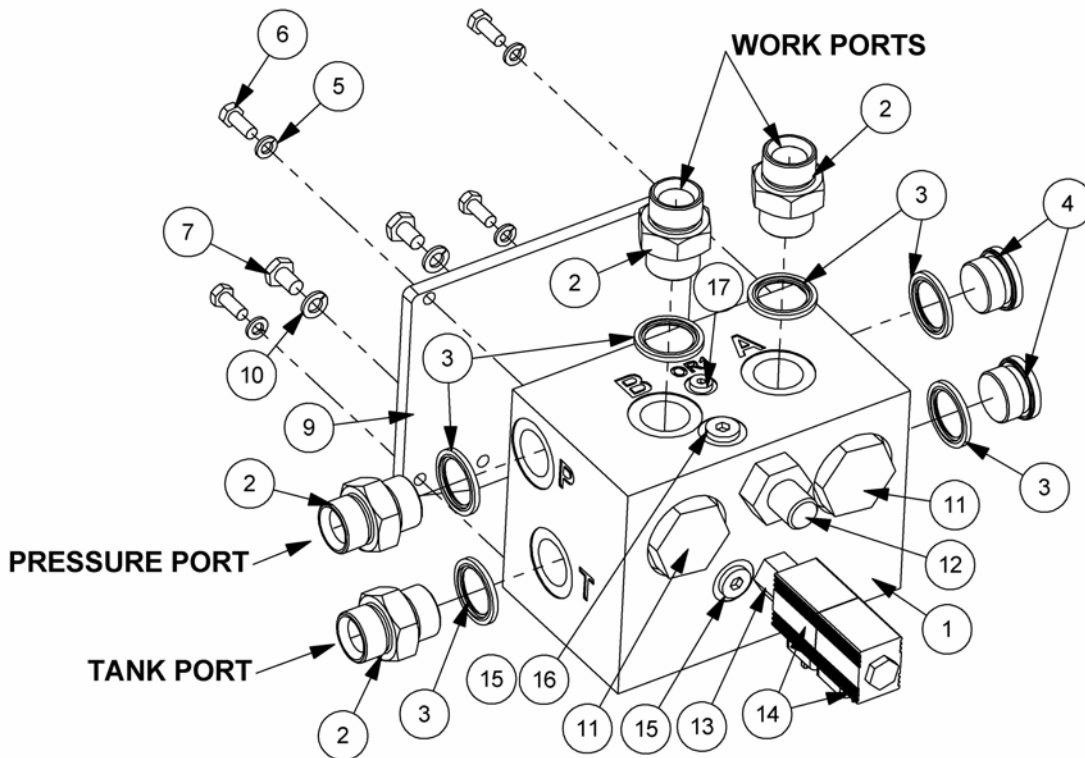
Modules:

7155768 – L/H Build

7155769 – R/H Build



Electric RCV - L/H Build (7155768)



Electric RCV - R/H Build (7155769)

ELEC. RCV (Cooler Models)

REF.	QTY.	PART No.	DESCRIPTION
		7155768	ELECTRIC ROTOR CONTROL VALVE - L/H Build
		7155769	ELECTRIC ROTOR CONTROL VALVE - R/H Build
1	1	42768.01	ELECTRIC REVERSING VALVE
2	4	05.434.01	ADAPTOR
3	6	8650108	BONDED SEAL
4	2	8581389	ADAPTOR PLUG
5	4	9100204	SPRING WASHER
6	4	9313044	SETSCREW
7	2	9313035	SETSCREW
8	1	43177.26	LOOM - ROTOR REVERSE
9	1	21352.01	RCV MOUNTING PLATE
10	2	9100205	SPRING WASHER
11	4	42768.32	LOGIC ELEMENT
12	1	42768.33	* RELIEF VALVE
	1	42768.45	** RELIEF VALVE
13	1	42768.34	SPOOL - OPEN CENTRE
14	2	42768.35	SOLENOID
15	2	42768.36	ORIFICE PLUG
16	1	42768.39	PLUG
17	1	42768.42	ORIFICE PLUG

* For early version Manifold Block (Part No. 42768.31)

** For later version Manifold Block (Part No. 42768.40)

Note: Relief Valves and Manifold Blocks are not interchangeable.

MAG 530

CABLE CONTROL VALVE (Std.)

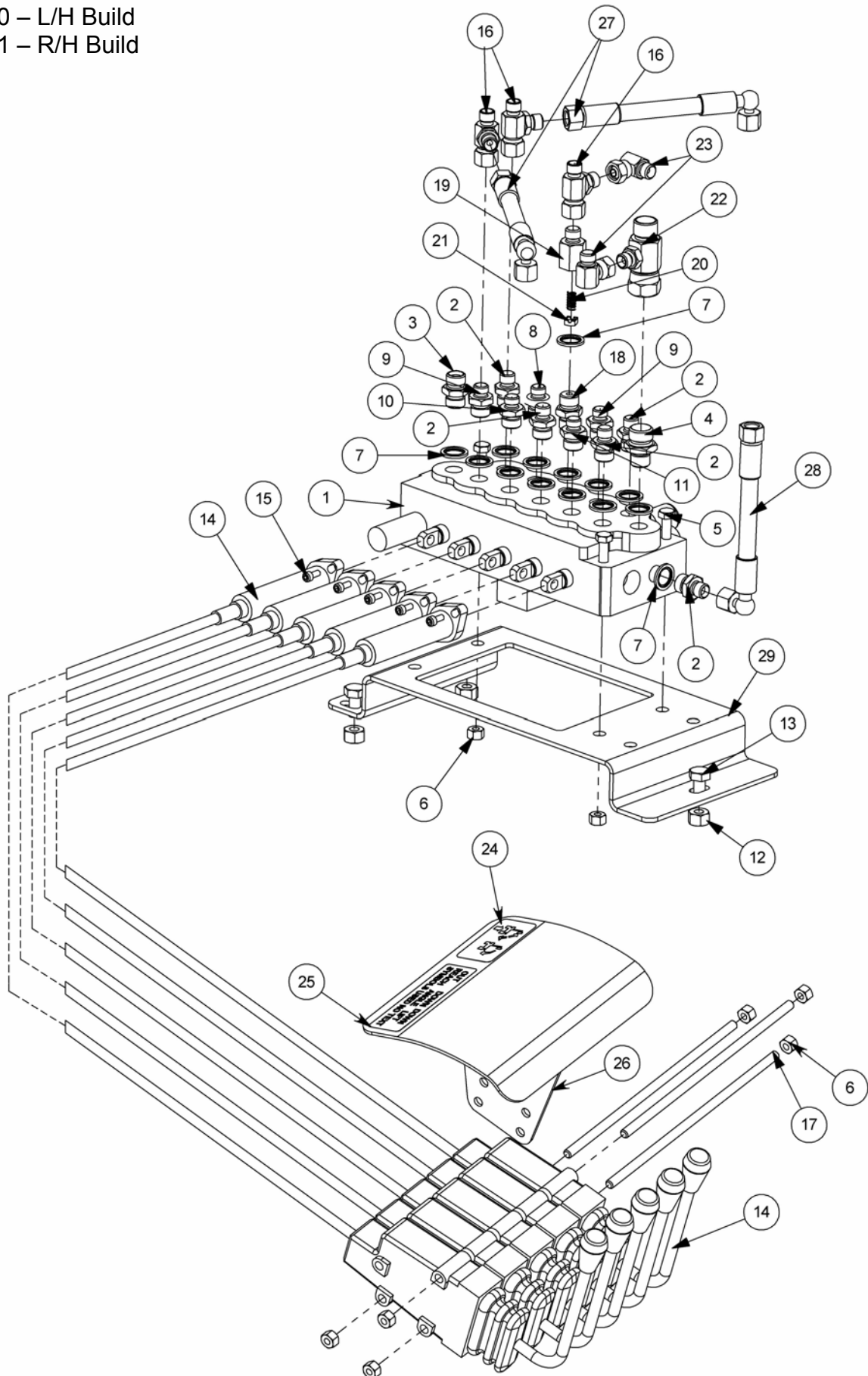


Modules:

7155740 – L/H Build

7155741 – R/H Build

Illustrated in Left Hand build



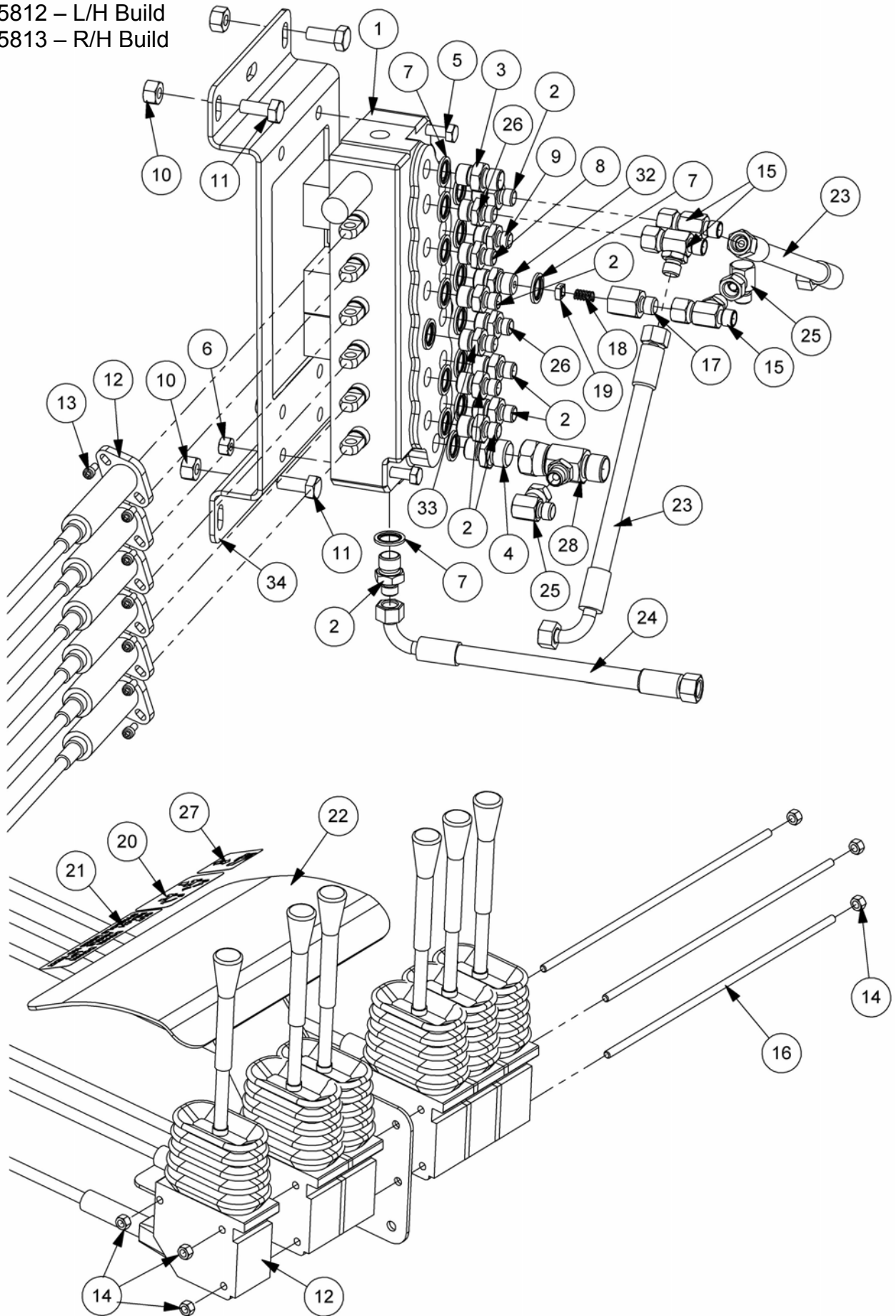
CABLE CONTROL VALVE (Std.)

REF.	QTY.	PART No.	DESCRIPTION
		7155740	CABLE CONTROL VALVE - Std. L/H Models
		7155741	CABLE CONTROL VALVE - Std. R/H Models
1	1	8130656	CONTROL VALVE - 5 SPOOL.
2	5	8581115	ADAPTOR
3	1	6000113	ADAPTOR
4	1	6000112	ADAPTOR
5	3	9213134	BOLT
6	9	9143004	SELF-LOCKING NUT
7	14	8650103	BONDED SEAL
8	1	8130047	ADAPTOR RESTRICTOR - 1.8 'B'
9	2	8130066	ADAPTOR RESTRICTOR - 1.15 'M'
10	1	8130046	ADAPTOR RESTRICTOR - 1.5 'A'
11	1	8130048	ADAPTOR RESTRICTOR - 1.3 'C'
12	3	9143005	SELF-LOCKING NUT
13	3	9313045	SETSCREW
14	5	04.265.87	CABLE ASSEMBLY - 3.0m
15	10	9343022	CAPSCREW
16	3	8581254	ADAPTOR TEE
17	3	04.282.43	STUD
18	1	8581209	ADAPTOR
19	1	8581214	ADAPTOR
20	1	8116011	SPRING
21	1	8123043	RESTRICTOR DISC - 1.6 GREEN
22	1	04.056.25	ADAPTOR TEE
23	2	8581190	ADAPTOR ELBOW - 90°
24	1	1290357	CONTROL STICKER
25	1	1290368	CONTROL STICKER
26	1	42256.03	ARM REST
27	2	10.002.04	HOSE -1/4" BSP FS/F90 x 200mm LONG
28	1	10.002.08	HOSE -1/4" BSP FS/F90 x 400mm LONG
29	1	21355.01	BRACKET - CABLE ARMHEAD VALVE

Modules:

- 7155812 – L/H Build
- 7155813 – R/H Build

Illustrated in Left Hand Build



CABLE CONTROL VALVE (M/cut)

REF.	QTY.	PART No.	DESCRIPTION
		7155812	CABLE MIDCUT VALVE & CONTROLS - L/H Build
		7155813	CABLE MIDCUT VALVE & CONTROLS - R/H Build
1	1	8130660	VALVE 6 SPOOL c/w AUTO RESET
2	7	8581115	ADAPTOR
3	1	6000113	ADAPTOR
4	1	6000112	ADAPTOR
5	3	9213134	BOLT
6	3	9143004	SELF-LOCKING NUT
7	16	8650103	BONDED SEAL
8	1	8130046	ADAPTOR RESTRICTOR - 1.5 'A'
9	1	8130047	ADAPTOR RESTRICTOR - 1.8 'B'
10	3	9143005	SELF-LOCKING NUT
11	3	9313055	SETSCREW
12	6	8017066	ARM CONTROL HEAD & CABLE - 3.0m
13	12	9343022	CAPSCREW
14	6	9143003	SELF-LOCKING NUT
15	3	8581254	ADAPTOR TEE
16	3	04.282.72	STUD
17	1	8581214	ADAPTOR BODY
18	1	8116011	SPRING
19	1	8123043	RESTRICTOR DISC - 1.6 GREEN
20	1	1290357	CONTROL STICKER
21	1	1290368	CONTROL STICKER
22	1	7650308	CABLE ARMREST - 6 LEVER
23	2	10.002.04	HOSE - 1/4" BSP FS/F90 x 200mm
24	1	10.002.08	HOSE - 1/4" BSP FS/F90 x 400mm
25	2	8581190	ADAPTOR ELBOW - 90°
26	2	8130066	ADAPTOR RESTRICTOR - 1.15 'M'
27	1	1290446	DECAL - MIDCUT OPERATION
28	1	04.056.25	ADAPTOR TEE
29	1	09.968.99	KNOB - RED
30	1	8017067	KNOB - GREEN
31	1	8017068	KNOB - YELLOW
32	1	8581209	ADAPTOR
33	1	8130048	ADAPTOR RESTRICTOR - 1.3 'C'
34	1	21355.01	BRACKET - CABLE ARMHEAD VALVE

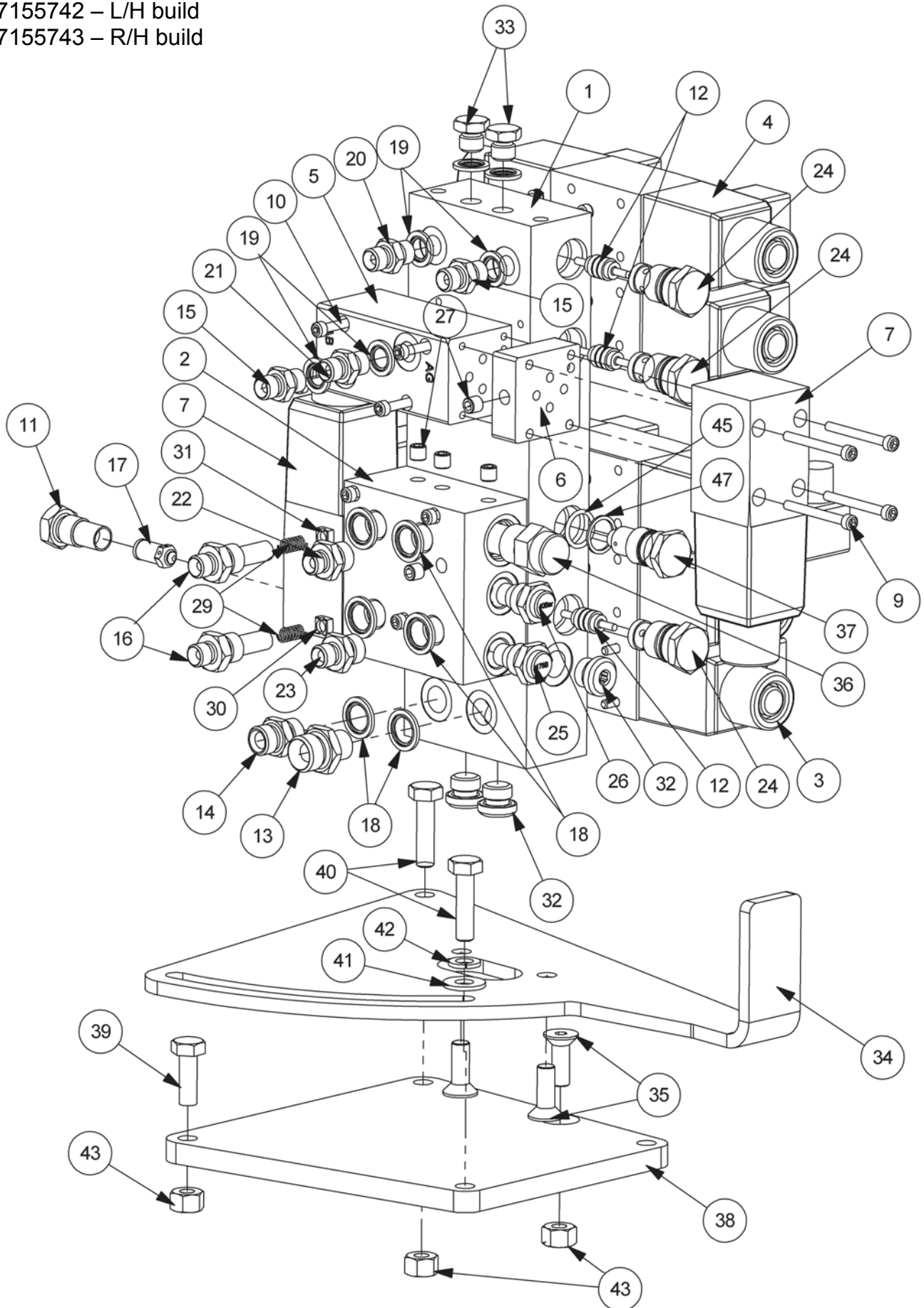
Note: Components for L/H & R/H Builds are identical but assembly locations of items 21 & 27 swap places and cables positions are changed to match.

Modules:

7155742 – L/H build

7155743 – R/H build

Illustrated in Left Hand build





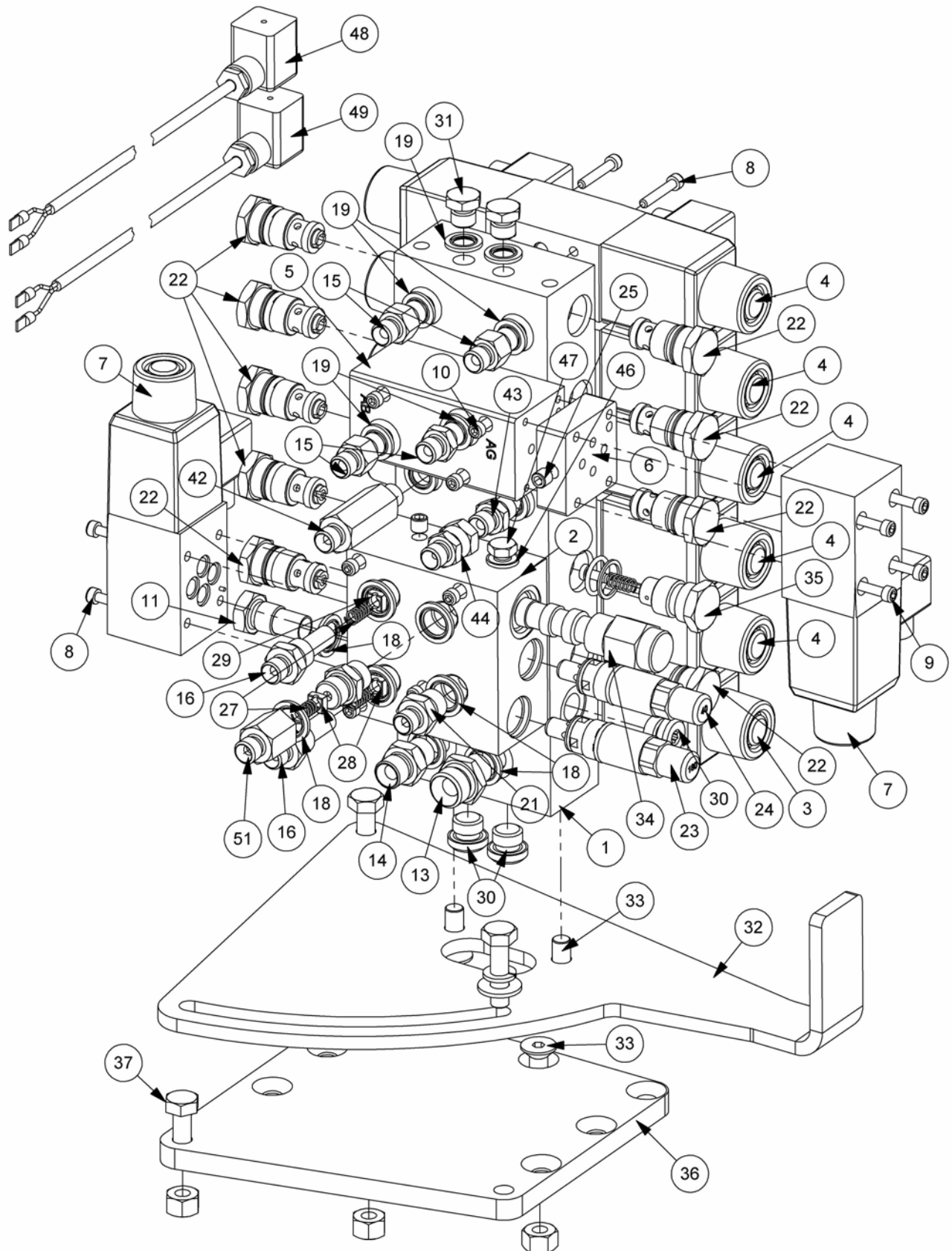
REF.	QTY.	PART No.	DESCRIPTION
		7155742	ELECTRIC CONTROL VALVE - Std. L/H Models
		7155743	ELECTRIC CONTROL VALVE - Std. R/H Models
1	1	8132280	MANIFOLD BLOCK
2	1	8132279	AUTO RESET BLOCK
3	1	8130456	CUT OFF SOLENOID VALVE
4	4	8130629	VALVE DOUBLE SOLENOID
5	1	8126333	FLOAT VALVE BLOCK
6	1	8126334	BRIDGING PLATE
7	2	8130457	SOLENOID VALVE - SINGLE
8	24	9243062	CAPSCREW
9	4	9243102	CAPSCREW
10	8	9243082	CAPSCREW
11	1	8130032	RELIEF VALVE CAP
12	4	8130087	ACTUATOR
13	1	6000112	ADAPTOR
14	1	6000113	ADAPTOR
15	2	8130105	ADAPTOR RESRICTOR - 1.6 'H'
16	2	8581210	ADAPTOR
17	1	8130092	RELIEF VALVE - 190BAR
18	7	8650103	BONDED SEAL
19	6	8650102	BONDED SEAL
20	1	8130104	ADAPTOR RESRICTOR - 1.8 'G'
21	1	8130038	ADAPTOR RESRICTOR - 1.4 'L'
22	1	8130068	ADAPTOR RESRICTOR - 0.9 'T'
23	1	8581115	ADAPTOR
24	7	8130090	CHECK VALVE ASSEMBLY
25	1	8128022	VALVE - SERVICE RELIEF 50-220BAR
26	1	8128065	VALVE - SERVICE RELIEF 40BAR
27	5	8582041	TAPER PLUG
28	12	8700511	O RING
29	2	8116011	SPRING
30	1	8123041	RESTRICTOR DISC - 1.15 RED
31	1	8123044	RESTRICTOR DISC - 1.8 YELLOW
32	3	8581436	PLUG - SOFT SEAL
33	2	520378	ADAPTOR PLUG
34	1	21351.01	VALVE MOUNTING PLATE - L/H build
		21351.02	VALVE MOUNTING PLATE - R/H build
35	3	9353065	CAPSCREW
36	1	8130204	CARTRIDGE SPOOL VALVE
37	1	8130207	CHECK VALVE CAP - DRILLED
38	1	21350.01	VALVE SPACER PLATE
39	1	9313065	SETSCREW
40	2	9213085	BOLT
41	1	9100105	FLAT WASHER
42	1	9100205	SPRING WASHER
43	3	9143005	SELF-LOCKING NUT
44	1	8700525	O RING - METRIC
45	1	8700644	O RING - METRIC
46	1	41844.01	LOOM - 19 CORE (<i>not illustrated</i>)
47	1	8709644	BACK UP RING
48	1	8402338	LOOM - ANGLE FLOAT (<i>not illustrated</i>)

Modules:

7153762 – L/H Build

7153763 – R/H Build

Illustrated in Left Hand Build



ELEC. M/CUT CONTROL VALVE

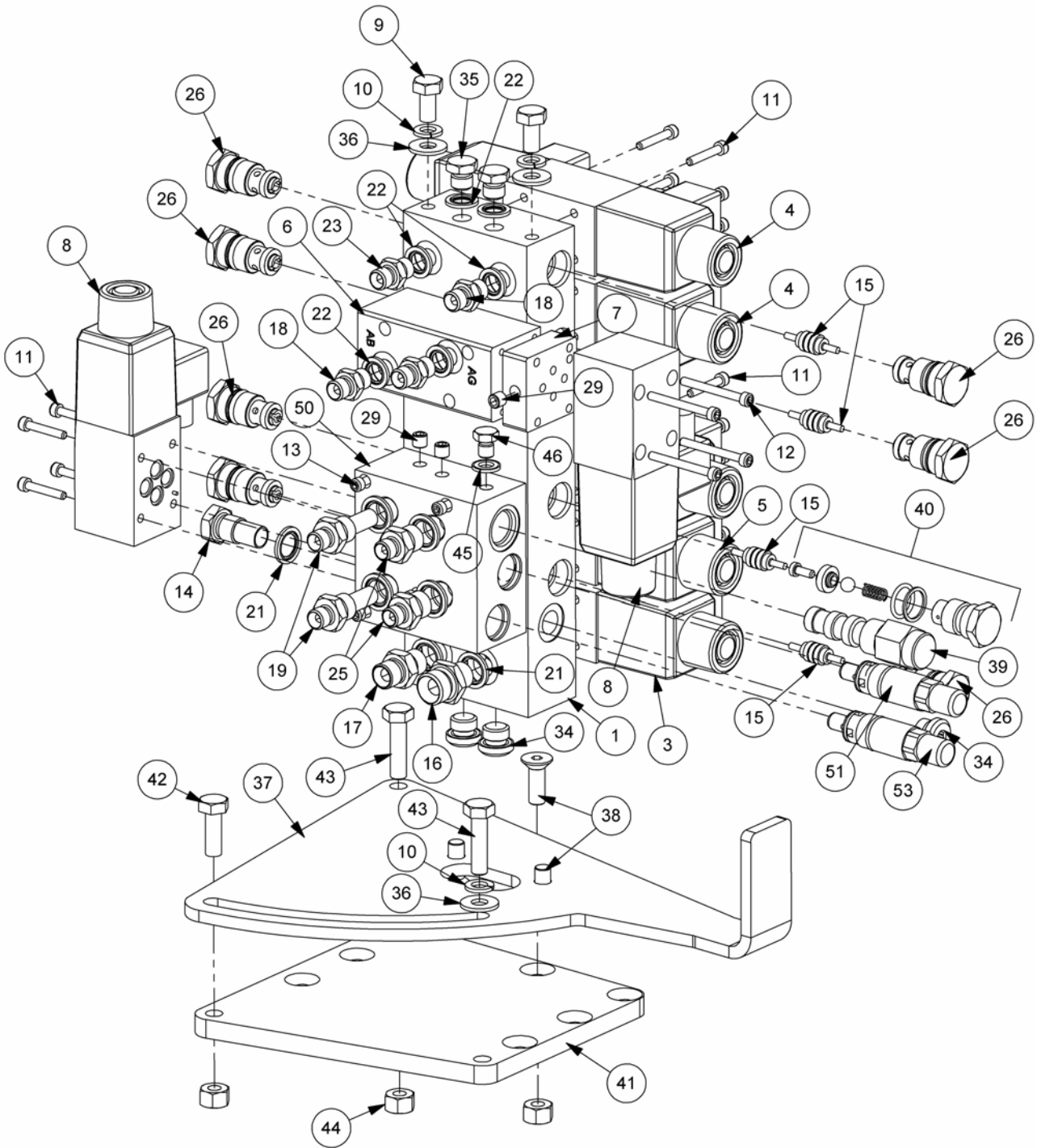
REF.	QTY.	PART No.	DESCRIPTION
		7153762	ELECTRIC MIDCUT CONTROL VALVE - L/H Build
		7153763	ELECTRIC MIDCUT CONTROL VALVE - R/H Build
1	1	8132281	MANIFOLD BLOCK - 5 SERVICE
2	1	8132288	AUTO RESET BLOCK
3	1	8130456	CUT OFF SOLENOID VALVE
4	5	8130629	DOUBLE SOLENOID VALVE
5	1	8126333	FLOAT VALVE BLOCK
6	1	8126334	BRIDGING PLATE
7	2	8130457	SINGLE SOLENOID VALVE
8	28	9243062	CAPSCREW
9	4	9243102	CAPSCREW
10	8	9243082	CAPSCREW
11	1	8130032	RELIEF VALVE CAP
12	5	8130087	ACTUATOR
13	1	6000112	ADAPTOR
14	1	6000113	ADAPTOR
15	3	8130037	ADAPTOR RESTRICTOR - 1.15 'S'
16	2	8581210	SPECIAL ADAPTOR
17	1	8130092	RELIEF VALVE - 190BAR
18	8	8650103	BONDED SEAL
19	8	8650102	BONDED SEAL
20	1	8130103	ADAPTOR RESTRICTOR - 0.9 'T'
21	1	8581115	ADAPTOR
22	9	8130090	CHECK VALVE ASSEMBLY
23	1	G3812541	RELIEF VALVE - 180BAR
24	1	8130150	RELIEF VALVE - 40BAR
25	3	8582041	TAPER PLUG
26	12	8700511	O RING
27	3	8116011	SPRING
28	2	8123041	RESTRICTOR DISC - 1.15 RED
29	1	8123044	RESTRICTOR DISC - 1.8 YELLOW
30	3	8581436	PLUG - SOFT SEAL
31	2	520378	ADAPTOR PLUG
32	1	21351.01	VALVE MOUNTING PLATE - L/H Build
	1	21351.02	VALVE MOUNTING PLATE - R/H Build
33	3	9353065	CAPSCREW
34	1	8130204	CARTRIDGE SPOOL VALVE
35	1	8130354	CHECK VALVE ASSEMBLY
36	1	21350.01	VALVE SPACER PLATE
37	1	9313065	SETSCREW
38	1	9100105	FLAT WASHER
39	1	9100205	SPRING WASHER
40	2	9213085	BOLT
41	3	9143005	SELF-LOCKING NUT
42	1	8581279	ADAPTOR EXTENTION
43	1	8130038	ADAPTOR RESTRICTOR - 1.4 'L'
44	1	8581309	SWIVEL ADAPTOR
45	1	8700525	O RING
46	1	05.290.01	BONDED SEAL
47	1	8581444	BLANKING PLUG
48	1	41844.01	LOOM - 19 CORE
49	1	8402338	LOOM - ANGLE FLOAT
50	1	8581209	ADAPTOR
51	1	8581214	ADAPTOR BODY

Modules:

7155807 – L/H Build

7155808 – R/H Build

Illustrated in Left Hand Build



XTC PROP. CONTROL VALVE

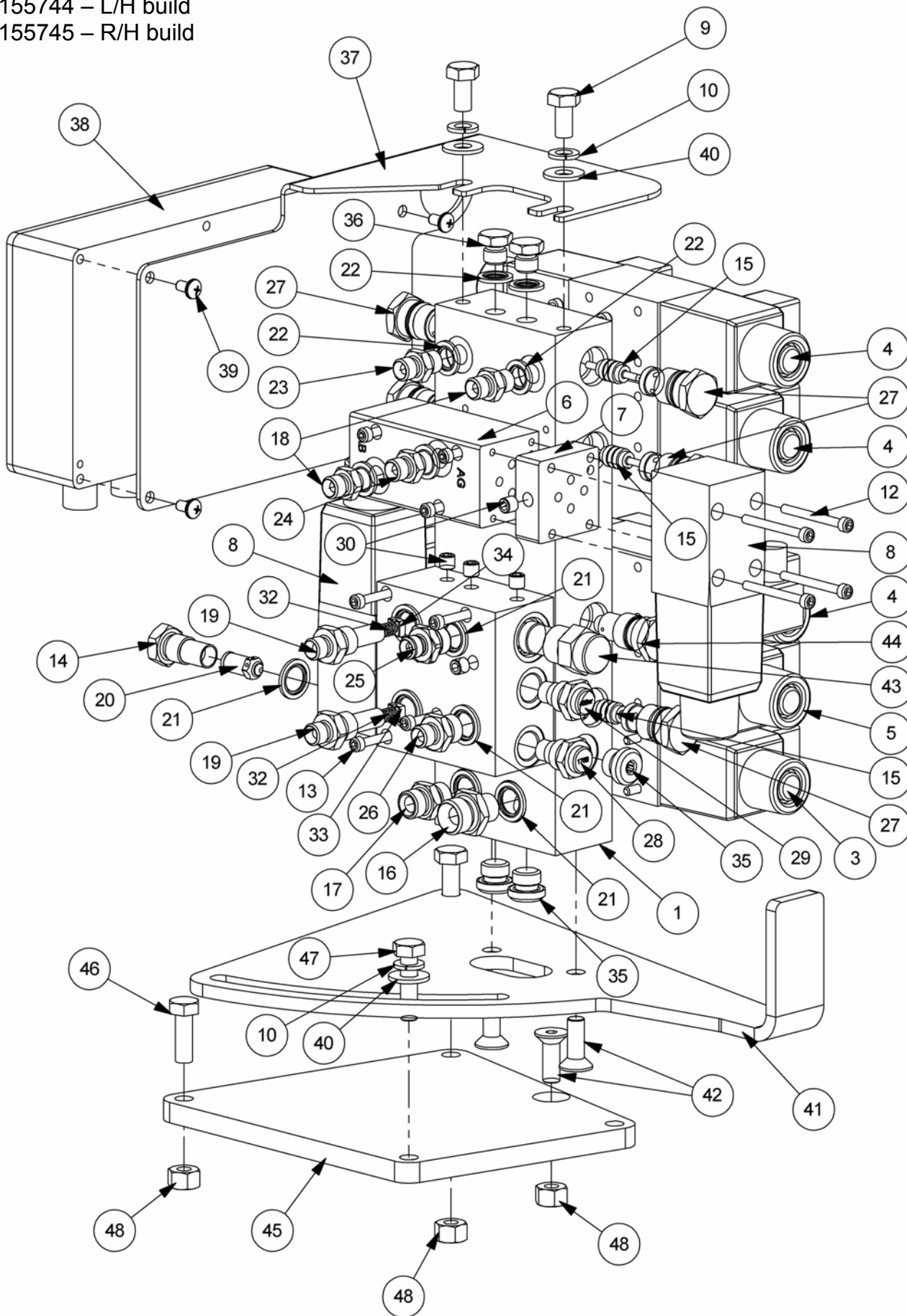
REF.	QTY.	PART No.	DESCRIPTION
		7155807	PROPORTIONAL VALVE ASSEMBLY - L/H Build
		7155808	PROPORTIONAL VALVE ASSEMBLY - R/H Build
1	1	8132280	MANIFOLD BLOCK
3	1	8130456	CUT OFF SOLENOID VALVE
4	3	41784.48	DOUBLE SOLENOID PROPORTIONAL VALVE
5	1	8130629	DOUBLE SOLENOID VALVE
6	1	8126333	FLOAT VALVE BLOCK
7	1	8126334	BRIDGING PLATE
8	2	8130457	SINGLE SOLENOID VALVE
9	2	9313045	SETSCREW
10	3	9100205	SPRING WASHER
11	24	9243062	CAPSCREW
12	4	9243102	CAPSCREW
13	8	9243082	CAPSCREW
14	1	8130032	RELIEF VALVE CAP
15	4	8130087	ACTUATOR
16	1	6000112	ADAPTOR
17	1	6000113	ADAPTOR
18	2	8130105	ADAPTOR RESTRICTOR - 1.6 'H'
19	2	8581210	SPECIAL ADAPTOR
20	1	8130092	RELIEF VALVE - 190BAR
21	7	8650103	BONDED SEAL
22	6	8650102	BONDED SEAL
23	1	8130104	ADAPTOR RESTRICTOR - 1.8 'G'
24	1	8130038	ADAPTOR RESTRICTOR - 1.4 'L'
25	2	8581115	ADAPTOR
26	7	8130090	CHECK VALVE ASSEMBLY
29	3	8582041	TAPER PLUG
30	11	8700511	O RING
31	2	8116011	SPRING
32	1	8123041	RESTRICTOR DISC - 1.15 RED
33	1	8123043	RESTRICTOR DISC - 1.6 GREEN
34	3	8581436	PLUG - SOFT SEAL
35	2	520378	ADAPTOR PLUG
36	3	9100105	FLAT WASHER
37	1	21351.01	VALVE MOUNTING PLATE - L/H Build
	1	21351.02	VALVE MOUNTING PLATE - R/H Build
38	3	9353065	CAPSCREW
39	1	8130204	CARTRIDGE SPOOL VALVE
40	1	8130354	CHECK VALVE ASSEMBLY
41	1	21350.01	VALVE SPACER PLATE
42	1	9313065	SETSCREW
43	2	9213085	BOLT
44	3	9143005	SELF-LOCKING NUT
45	1	05.290.01	BONDED SEAL
46	1	8581444	BLANKING PLUG
47	1	41844.01	LOOM - 19 CORE
48	1	8402338	LOOM - ANGLE FLOAT
49	1	8700525	O RING
50	1	8132279	AUTO RESET BLOCK
51	2	8128065	RELIEF VALVE
52	1	8700522	O RING
53	1	8128022	RELIEF VALVE

Modules:

7155744 – L/H build

7155745 – R/H build

Illustrated in Left Hand build



PROPORTIONAL CONTROL VALVE



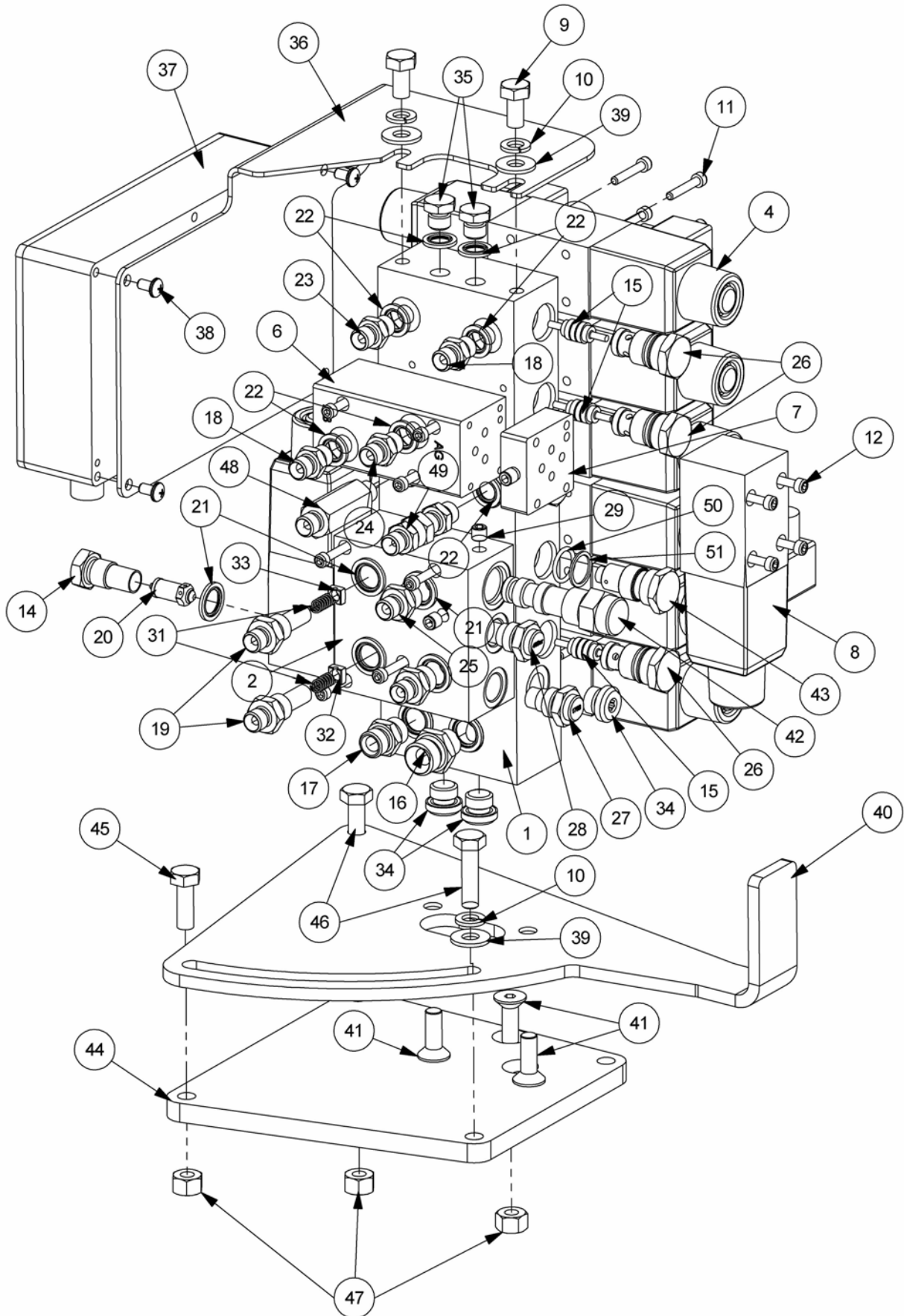
REF.	QTY.	PART No.	DESCRIPTION
		7155744	PROP. CONTROL VALVE - Std. L/H Models
		7155745	PROP. CONTROL VALVE - Std. R/H Models
1	1	8132280	MANIFOLD BLOCK
2	1	8132279	AUTO RESET BLOCK
3	1	8130456	CUT OFF SOLENOID VALVE
4	3	41784.48	DOUBLE SOLENOID PROPORTIONAL VALVE
5	1	8130629	VALVE DOUBLE SOLENOID
6	1	8126333	FLOAT VALVE BLOCK
7	1	8126334	BRIDGING PLATE
8	2	8130457	SOLENOID VALVE SINGLE
9	2	9313045	SETSCREW
10	3	9100205	SPRING WASHER
11	24	9243062	CAPSCREW
12	4	9243102	CAPSCREW
13	8	9243082	CAPSCREW
14	1	8130032	RELIEF VALVE CAP
15	4	8130087	ACTUATOR
16	1	6000112	ADAPTOR
17	1	6000113	ADAPTOR
18	2	8130105	ADAPTOR RESTRICTOR
19	2	8581210	ADAPTOR - SPECIAL
20	1	8130092	RELIEF VALVE - 190BAR
21	7	8650103	BONDED SEAL
22	6	8650102	BONDED SEAL
23	1	8130104	ADAPTOR RESTRICTOR - 1.8 'G'
24	1	8130038	ADAPTOR RESTRICTOR - 1.4 'L'
25	1	8130068	ADAPTOR RESTRICTOR - 0.9 'T'
26	2	8581115	ADAPTOR
27	7	8130090	CHECK VALVE ASSEMBLY
28	1	8128022	VALVE SERVICE RELIEF 50-220BAR
29	1	8128065	VALVE SERVICE RELIEF 40BAR
30	5	8582041	TAPER PLUG
31	12	8700511	O RING
32	2	8116011	SPRING
33	1	8123041	RESTRICTOR DISC - 1.15 RED
34	1	8123044	RESTRICTOR DISC - 1.8 YELLOW
35	3	8581436	PLUG - SOFT SEAL
36	2	520378	ADAPTOR PLUG
37	1	21170.01	CONTROLLER MOUNTING BRACKET - L/H Build
	1	21170.03	CONTROLLER MOUNTING BRACKET - R/H Build
38	1	21164.03	CONTROLLER ASSEMBLY - v.3
39	4	9300164	TAPTITE
40	3	9100105	FLAT WASHER
41	1	21351.01	VALVE MOUNTING PLATE - L/H build
	1	21351.02	VALVE MOUNTING PLATE - R/H build
42	3	9353065	CAPSCREW
43	1	8130204	CARTRIDGE SPOOL VALVE
44	1	8130207	CHECK VALVE CAP - DRILLED
45	1	21350.01	VALVE SPACER PLATE
46	1	9313065	SETSCREW
47	2	9213085	BOLT
48	3	9143005	SELF-LOCKING NUT

Modules:

7155760 – L/H Build

7155761 – R/H Build

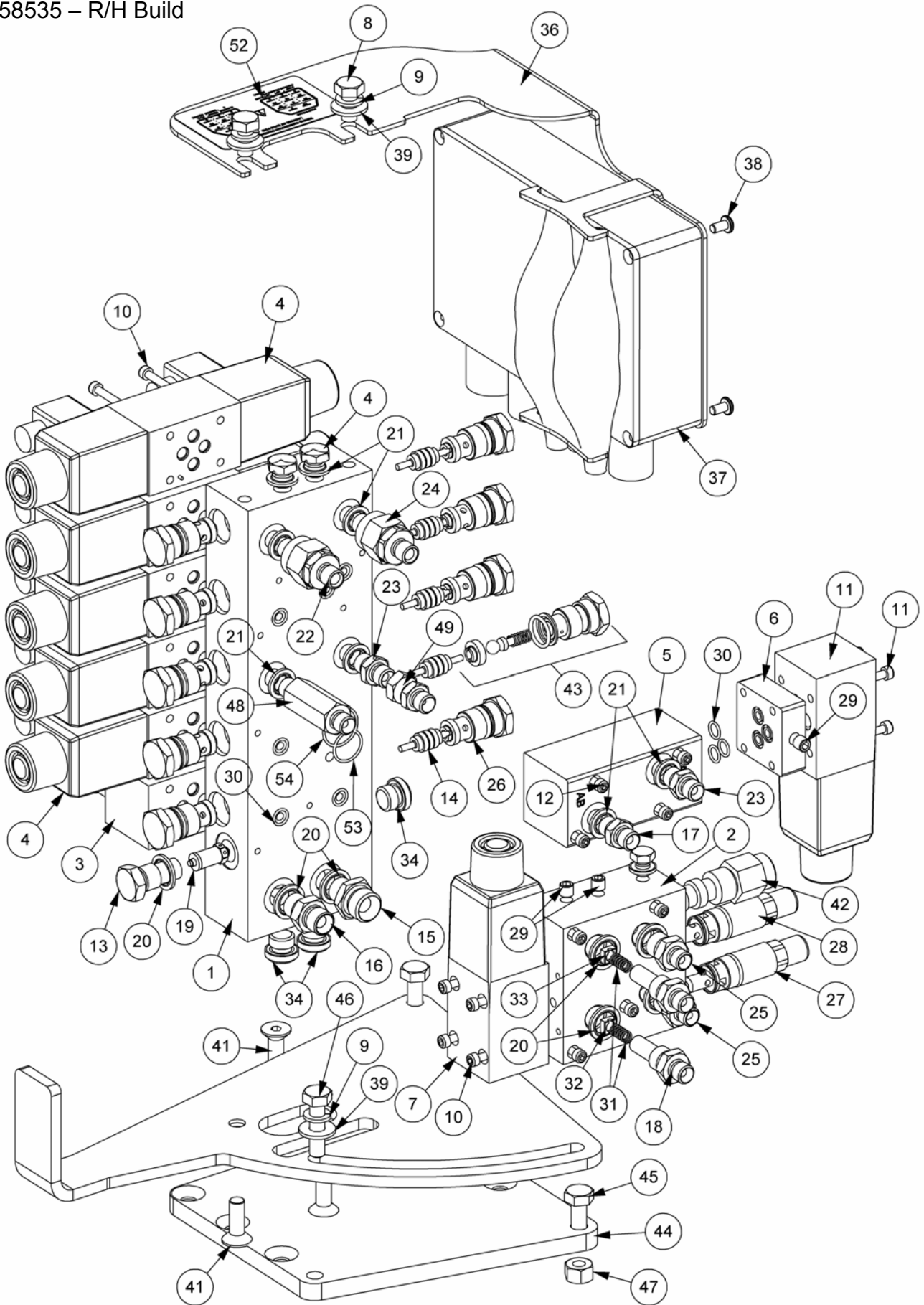
Illustrated in Left-Hand Build





REF.	QTY.	PART No.	DESCRIPTION
		7155760	PROP. CONTROL VALVE - Midcut L/H Models
		7155761	PROP. CONTROL VALVE - Midcut R/H Models
1	1	8132281	MANIFOLD BLOCK - 5 SERVICE
2	1	8132279	AUTO RESET BLOCK
3	1	8130456	CUT OFF SOLENOID VALVE
4	3	41784.48	DOUBLE SOLENOID PROPORTIONAL VALVE
5	2	8130629	VALVE DOUBLE SOLENOID
6	1	8126333	FLOAT VALVE BLOCK
7	1	8126334	BRIDGING PLATE
8	2	8130457	SOLENOID VALVE SINGLE
9	2	9313045	SETSCREW
10	3	9100205	SPRING WASHER
11	28	9243062	CAPSCREW
12	4	9243102	CAPSCREW
13	8	9243082	CAPSCREW
14	1	8130032	RELIEF VALVE CAP
15	5	8130087	ACTUATOR
16	1	6000112	ADAPTOR
17	1	6000113	ADAPTOR
18	2	8130105	ADAPTOR RESTRICTOR - 1.6 'H'
19	2	8581210	ADAPTOR
20	1	8130092	RELIEF VALVE - 190BAR
21	7	8650103	BONDED SEAL
22	8	8650102	BONDED SEAL
23	1	8130104	ADAPTOR RESTRICTOR - 1.8 'G'
24	2	8130038	ADAPTOR RESTRICTOR - 1.4 'L'
25	2	8581115	ADAPTOR
26	9	8130090	CHECK VALVE ASSEMBLY
27	1	8128022	VALVE SERVICE RELIEF50-220BAR
28	1	8128065	VALVE SERVICE RELIEF 40BAR
29	5	8582041	TAPER PLUG
30	12	8700511	O RING
31	2	8116011	SPRING
32	1	8123041	RESTRICTOR DISC - 1.15 RED
33	1	8123044	RESTRICTOR DISC - 1.8 YELLOW
34	3	8581436	PLUG
35	2	520378	ADAPTOR PLUG
36	1	21170.01	CONTROLLER MOUNTING BRACKET - L/H Build
	1	21170.03	CONTROLLER MOUNTING BRACKET - R/H Build
37	1	21164.03	CONTROLLER V3 ASSY
38	4	9300164	TAPTITE
39	3	9100105	FLAT WASHER
40	1	21351.01	VALVE MOUNTING PLATE - L/H Build
	1	21351.02	VALVE MOUNTING PLATE - R/H Build
41	3	9353065	CAPSCREW
42	1	8130204	CARTRIDGE SPOOL VALVE
43	1	8130207	CHECK VALVE CAP - DRILLED
44	1	21350.01	VALVE SPACER PLATE
45	1	9313065	SETSCREW
46	2	9213085	BOLT
47	3	9143005	SELF-LOCKING NUT
48	1	8581279	ADAPTOR EXTENTION
49	1	8581309	SWIVEL ADAPTOR
50	1	8700644	O RING
51	1	8709644	BACK UP RING
52	1	8700525	O RING

Module:
7458535 – R/H Build



V4 PROP. MIDCUT VALVE

REF.	QTY.	PART No.	DESCRIPTION
		7458535	V4 PROP. MIDCUT VALVE - R/H Build
1	1	8132281	MANIFOLD BLOCK - 5 SERVICE
2	1	8132288	AUTO RESET BLOCK
3	1	8130456	CUT OFF SOLENOID VALVE
4	5	41784.48	DOUBLE SOLENOID PROP. VALVE
5	1	8126333	FLOAT VALVE BLOCK
6	1	8126334	BRIDGING PLATE
7	2	8130457	SINGLE SOLENOID VALVE
8	2	9313045	SETSCREW
9	3	9100205	SPRING WASHER
10	28	9243062	CAPSCREW
11	4	9243102	CAPSCREW
12	8	9243082	CAPSCREW
13	1	8130032	RELIEF VALVE CAP
14	5	8130087	ACTUATOR
15	1	6000112	ADAPTOR
16	1	6000113	ADAPTOR
17	1	8130105	ADAPTOR RESTRICTOR - 1.6 'H'
18	2	8581210	SPECIAL ADAPTOR
19	1	8130092	RELIEF VALVE - 190BAR
20	7	8650103	BONDED SEAL
21	8	8650102	BONDED SEAL
22	1	8123091	RESTRICTOR UNION - 1.8
23	2	8130038	ADAPTOR RESTRICTOR - 1.4 'L'
24	1	8123090	RESTRICTOR UNION - 1.6
25	2	8581115	ADAPTOR
26	9	8130090	CHECK VALVE ASSEMBLY
27	1	G3812541	RELIEF VALVE - 180BAR
28	1	8130150	RELIEF VALVE - 40BAR
29	3	8582041	TAPER PLUG
30	9	8700511	O RING
31	2	8116011	SPRING
32	1	8123041	RESTRICTOR DISC - 1.15 RED
33	1	8123043	RESTRICTOR DISC - 1.6 GREEN
34	3	8581436	PLUG - SOFT SEAL
35	2	520378	ADAPTOR PLUG
36	1	21170.03	CONTROLLER MOUNT BRACKET - R/H Build
37	1	21164.07	V4 ACB CONTROLLER (MK2)
38	4	9300164	TAPTITE
39	3	9100105	FLAT WASHER
40	1	21351.02	VALVE MOUNTING PLATE - R/H Build
41	3	9353065	CAPSCREW
42	1	8130204	CARTRIDGE SPOOL VALVE
43	1	8130354	CHECK VALVE ASSEMBLY
44	1	21350.01	VALVE SPACER PLATE
45	1	9313065	SETSCREW
46	2	9213085	BOLT
47	3	9143005	SELF-LOCKING NUT
48	1	8581279	ADAPTOR EXTENSION
49	1	8581309	SWIVEL ADAPTOR
50	1	05.290.01	BONDED SEAL
51	1	8581444	BLANKING PLUG
52	1	1290724	DECAL - V4 ACB WIRING
53	1	8700522	O RING
54	1	8700525	O RING

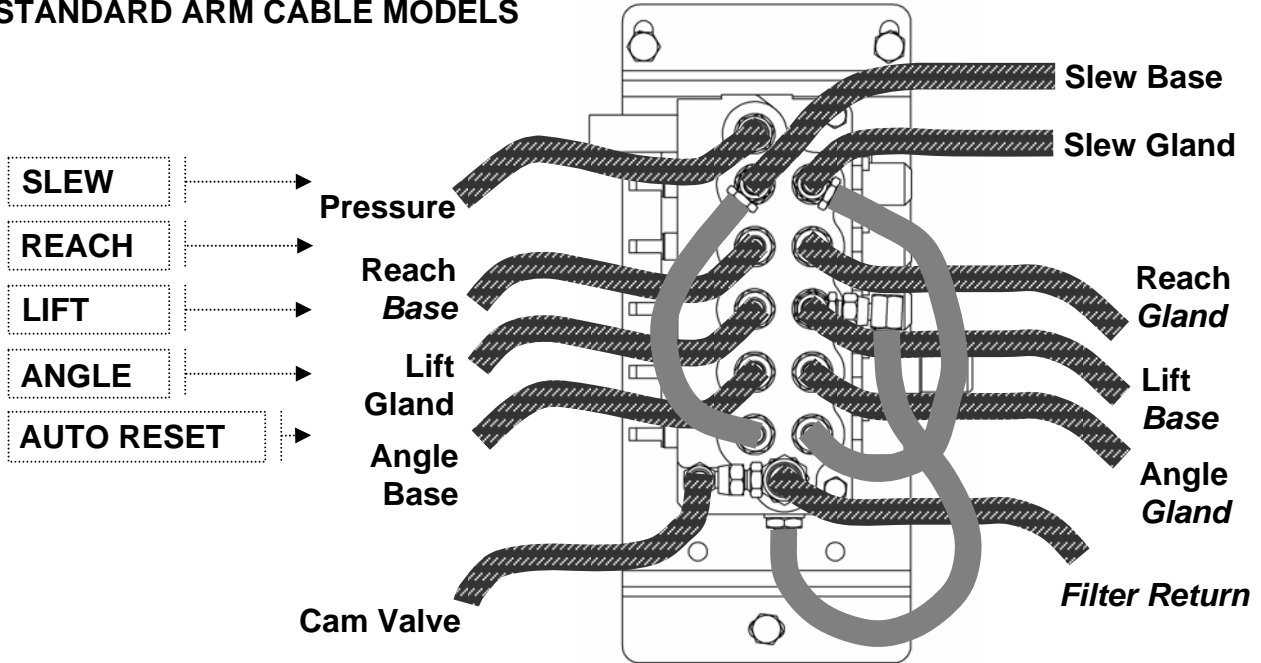
ACV HOSES – Cable Models

Modules:

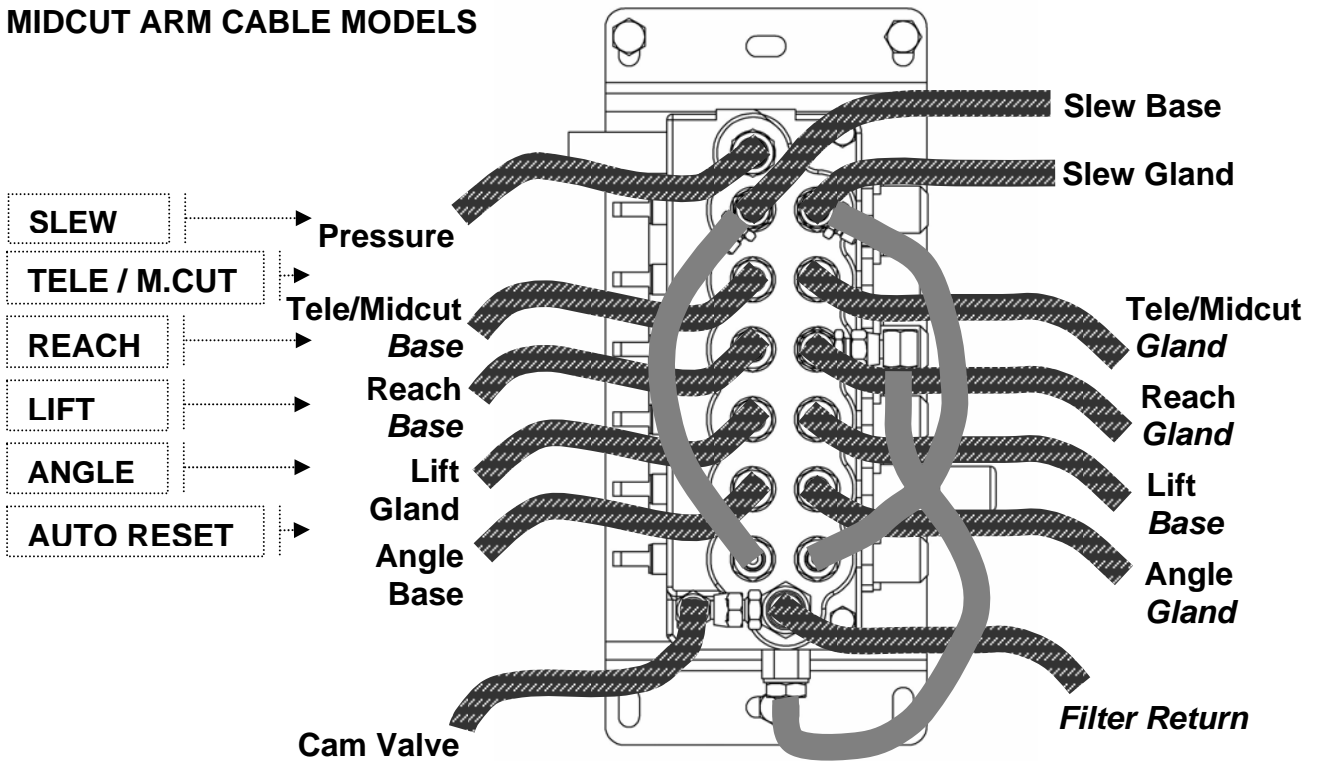
7155740 – L/H Standard Cable
 7155812 – L/H Midcut Cable

7155741 – R/H Standard Cable
 7155813 – R/H Midcut Cable

STANDARD ARM CABLE MODELS



MIDCUT ARM CABLE MODELS





HOSE KITS

REF.	QTY.								PART No.	DESCRIPTION
									715372211	STANDARD ARM - R/H Cable SI
									715372212	STANDARD ARM - R/H Cable TI
									715372225	MIDCUT ARM - R/H Cable TI
									715372213	STANDARD ARM - R/H Electric / Cable TI
									715372214	STANDARD ARM - R/H Electric / Electric TI
									715372215	STANDARD ARM - R/H Electric / EDS TI
									715372226	MIDCUT ARM - R/H Electric / Cable TI
									715372218	MIDCUT ARM - R/H Electric / Electric TI
1	1	1	1	1	1	1	1	1	10.011.16	HOSE - 1" BSP FS/FS x 800mm
	-	-	-	-	-	-	-	-	10.011.20	HOSE - 1" BSP FS/FS x 1000mm
	-	-	-	-	-	-	-	-	10.011.17	HOSE - 1" BSP FS/FS x 850mm
2	-	2	-	2	2	-	2	-	10.025.28	HOSE - 1" BSP FS/F135 x 1800mm
	2	-	2	-	-	-	2	-	10.025.29	HOSE - 1" BSP FS/F135 x 1900mm
3	2	2	-	2	2	-	-	-	10.050.49	HOSE - 1" BSP FS/F90 x 3900mm
	-	-	2	-	-	-	2	2	10.050.57	HOSE - 1" BSP FS/F90 x 4700mm
4	1	-	-	-	-	-	-	-	10.011.13	HOSE - 1" BSP FS/FS x 650mm
	-	1	1	1	-	-	1	-	10.012.14	HOSE - 1" BSP FS/F90 x 700mm
	-	-	-	-	1	-	-	-	10.012.23	HOSE - 1" BSP ST/90 x 1300mm
5	-	-	-	-	-	1	-	1	10.012.15	HOSE - 1" BSP ST/90 x 750mm
6	-	-	-	-	-	1	-	1	10.012.24	HOSE - 1" BSP FS/F90 x 1400mm
7	1	-	-	-	-	-	-	-	10.004.30	HOSE - 3/8" BSP FS/F90 x 2000mm
	-	1	1	1	1	1	1	1	10.004.14	HOSE - 3/8" BSP FS/F90 x 700mm
8	1	-	-	-	-	-	-	-	10.006.31	HOSE - 1/2" BSP FS/F90 x 2100mm
	-	1	1	1	1	-	1	-	10.006.11	HOSE - 1/2" BSP ST/90 x 550mm
	-	-	-	-	-	1	-	1	10.006.20	HOSE - 1/2" BSP ST/90 x 1000mm
9	2	2	-	-	-	-	-	-	10.002.13	HOSE - 1/4" BSP FS/F90 x 650mm
	-	-	2	2	2	2	2	2	10.002.11	HOSE - 1/4" BSP FS/F90 x 550mm
10	1	1	1	1	1	1	1	1	10.002.22	HOSE - 1/4" BSP ST/90 x 1200mm
11	1	1	1	1	1	1	1	1	10.001.23	HOSE - 1/4" BSP ST/ST x 1300mm
12	1	1	1	1	1	1	1	1	10.001.37	HOSE - 1/4" BSP FS/FS x 2700mm
13	1	1	1	1	1	1	1	1	10.002.42	HOSE - 1/4" BSP FS/F90 x 3200mm
14	2	2	-	2	2	-	-	-	10.001.57	HOSE - 1/4" BSP FS/FS x 4700mm
	-	-	2	-	-	-	2	2	10.001.64	HOSE - 1/4" BSP FS/FS x 5400mm
15	1	1	-	-	-	-	-	-	10.002.14	HOSE - 1/4" BSP FS/F90 x 700mm
	-	-	1	-	-	-	-	-	10.002.27	HOSE - 1/4" BSP FS/F90 x 1700mm
16	1	1	1	-	-	-	-	-	10.002.23	HOSE - 1/4" BSP FS/F90 x 1300mm
17	-	-	2	-	-	-	2	2	10.001.45	HOSE - 1/4" BSP FS/FS x 3500mm

- 1 Pump to Valve
- 2 RCV/RRV to Main Arm
- 3 Main Arm to Pivot
- 4 RRV/RCV to Tank
- 5 RCV to Cooler
- 6 Cooler to Tank
- 7 Supply
- 8 Return
- 9 Slew Base & Gland

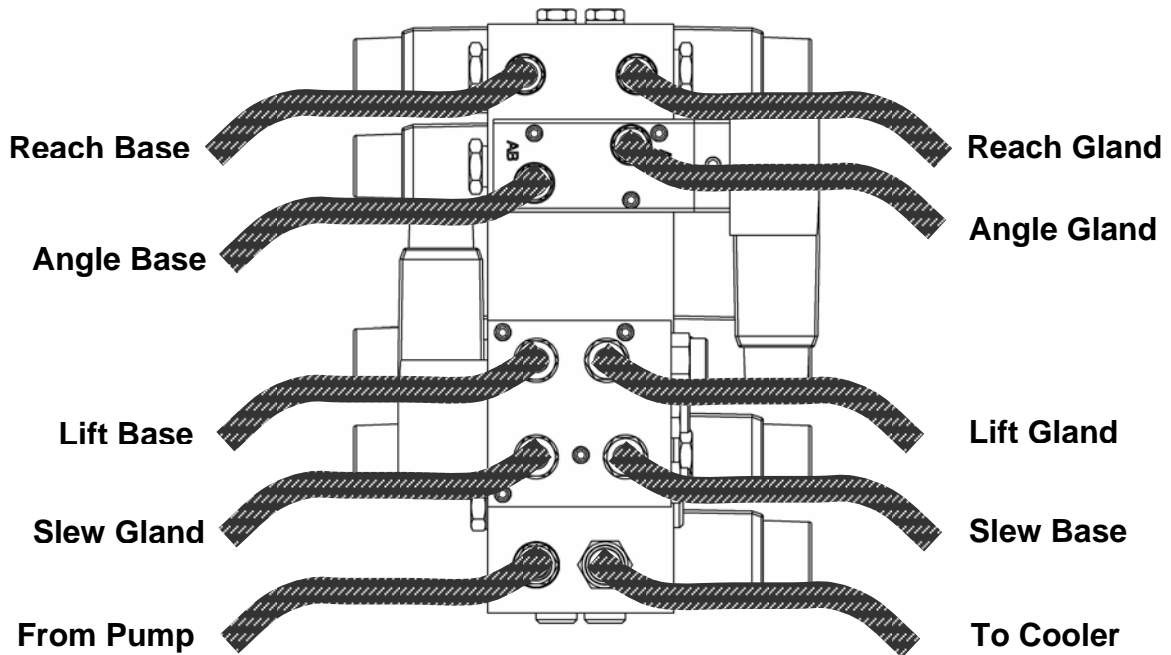
- 10 Lift Gland / O/C Valve to Accumulator
- 11 Lift Base
- 12 Reach Base
- 13 Reach Gland
- 14 Angle Base & Gland
- 15 Lift Gland to O/C Valve
- 16 O/C Valve to Control Valve
- 17 Midcut Base & Gland

Modules:

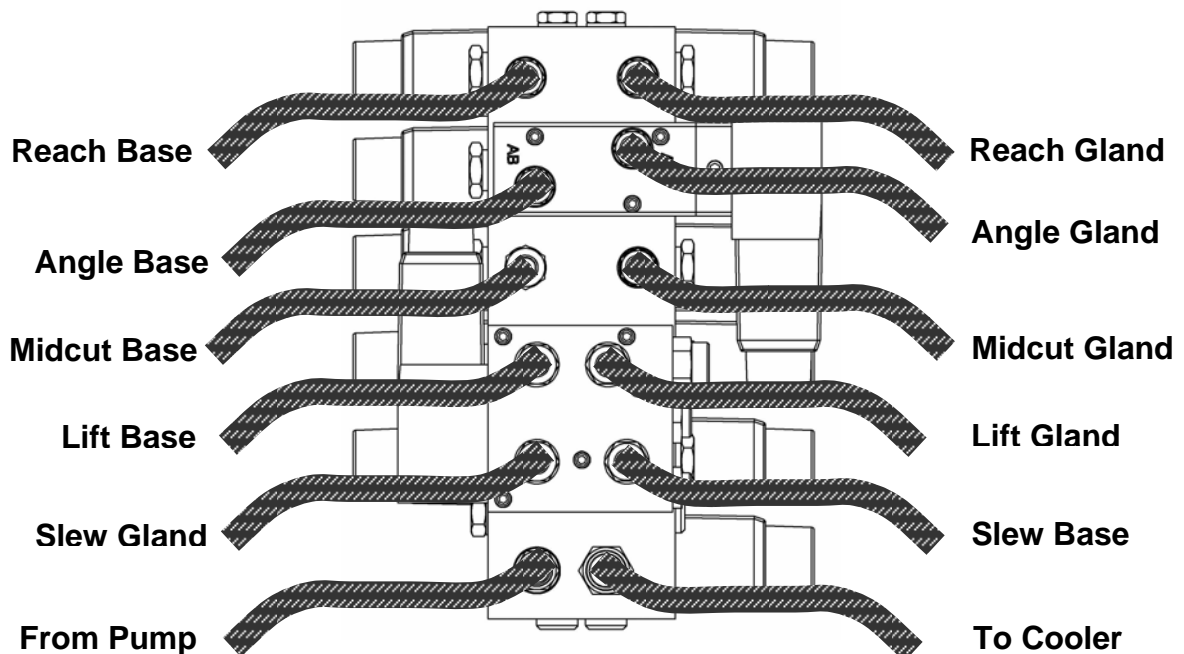
7155742 – L/H Standard Electric Build
7155744 – L/H Standard Proportional Build
7155807 – L/H XTC Proportional Build
7153762 – L/H Electric Midcut Build
7155760 – L/H Proportional Midcut Build
7458535 – R/H V4 Proportional Midcut

7155743 – R/H Standard Electric Build
7155745 – R/H Standard Proportional Build
7155808 – R/H XTC Proportional Build
7153763 – R/H Electric Midcut Build
7155761 – R/H Proportional Midcut Build

STANDARD ARM ELECTRIC/PROPORTIONAL MODELS



MIDCUT ARM ELECTRIC/PROPORTIONAL MODELS





HOSE KITS

REF.	QTY.								PART No.	DESCRIPTION
									715372211	STANDARD ARM - R/H Cable SI
									715372212	STANDARD ARM - R/H Cable TI
									715372225	MIDCUT ARM - R/H Cable TI
									715372213	STANDARD ARM - R/H Electric / Cable TI
									715372214	STANDARD ARM - R/H Electric / Electric TI
									715372215	STANDARD ARM - R/H Electric / EDS TI
									715372226	MIDCUT ARM - R/H Electric / Cable TI
									715372218	MIDCUT ARM - R/H Electric / Electric TI
1	1	1	1	1	1	1	1	1	10.011.16	HOSE - 1" BSP FS/FS x 800mm
	-	-	-	-	-	-	-	-	10.011.20	HOSE - 1" BSP FS/FS x 1000mm
	-	-	-	-	-	-	-	-	10.011.17	HOSE - 1" BSP FS/FS x 850mm
2	-	2	-	2	2	-	2	-	10.025.28	HOSE - 1" BSP FS/F135 x 1800mm
	2	-	2	-	-	-	2	-	10.025.29	HOSE - 1" BSP FS/F135 x 1900mm
3	2	2	-	2	2	2	-	-	10.050.49	HOSE - 1" BSP FS/F90 x 3900mm
	-	-	2	-	-	-	2	2	10.050.57	HOSE - 1" BSP FS/F90 x 4700mm
4	1	-	-	-	-	-	-	-	10.011.13	HOSE - 1" BSP FS/FS x 650mm
	-	1	1	1	-	-	1	-	10.012.14	HOSE - 1" BSP FS/F90 x 700mm
	-	-	-	-	1	-	-	-	10.012.23	HOSE - 1" BSP ST/90 x 1300mm
5	-	-	-	-	-	1	-	1	10.012.15	HOSE - 1" BSP ST/90 x 750mm
6	-	-	-	-	-	1	-	1	10.012.24	HOSE - 1" BSP FS/F90 x 1400mm
7	1	-	-	-	-	-	-	-	10.004.30	HOSE - 3/8" BSP FS/F90 x 2000mm
	-	1	1	1	1	1	1	1	10.004.14	HOSE - 3/8" BSP FS/F90 x 700mm
8	1	-	-	-	-	-	-	-	10.006.31	HOSE - 1/2" BSP FS/F90 x 2100mm
	-	1	1	1	1	-	1	-	10.006.11	HOSE - 1/2" BSP ST/90 x 550mm
	-	-	-	-	-	1	-	1	10.006.20	HOSE - 1/2" BSP ST/90 x 1000mm
9	2	2	-	-	-	-	-	-	10.002.13	HOSE - 1/4" BSP FS/F90 x 650mm
	-	-	2	2	2	2	2	2	10.002.11	HOSE - 1/4" BSP FS/F90 x 550mm
10	1	1	1	1	1	1	1	1	10.002.22	HOSE - 1/4" BSP ST/90 x 1200mm
11	1	1	1	1	1	1	1	1	10.001.23	HOSE - 1/4" BSP ST/ST x 1300mm
12	1	1	1	1	1	1	1	1	10.001.37	HOSE - 1/4" BSP FS/FS x 2700mm
13	1	1	1	1	1	1	1	1	10.002.42	HOSE - 1/4" BSP FS/F90 x 3200mm
14	2	2	-	2	2	2	-	-	10.001.57	HOSE - 1/4" BSP FS/FS x 4700mm
	-	-	2	-	-	-	2	2	10.001.64	HOSE - 1/4" BSP FS/FS x 5400mm
15	1	1	-	-	-	-	-	-	10.002.14	HOSE - 1/4" BSP FS/F90 x 700mm
	-	-	1	-	-	-	-	-	10.002.27	HOSE - 1/4" BSP FS/F90 x 1700mm
16	1	1	1	-	-	-	-	-	10.002.23	HOSE - 1/4" BSP FS/F90 x 1300mm
17	-	-	2	-	-	-	2	2	10.001.45	HOSE - 1/4" BSP FS/FS x 3500mm

- 1 Pump to Valve
- 2 RCV/RRV to Main Arm
- 3 Main Arm to Pivot
- 4 RRV/RCV to Tank
- 5 RCV to Cooler
- 6 Cooler to Tank
- 7 Supply
- 8 Return
- 9 Slew Base & Gland

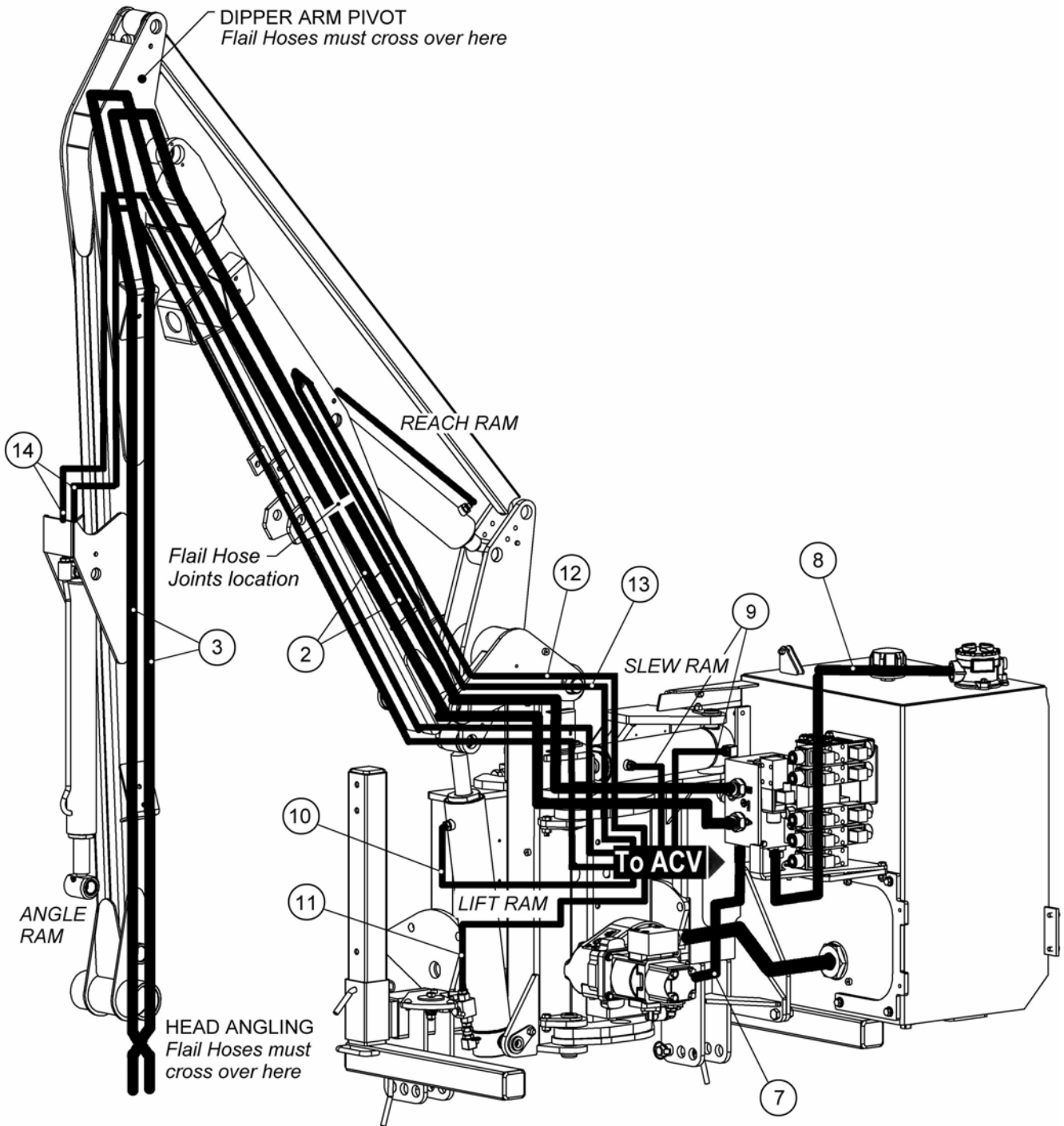
- 10 Lift Gland / O/C Valve to Accumulator
- 11 Lift Base
- 12 Reach Base
- 13 Reach Gland
- 14 Angle Base & Gland
- 15 Lift Gland to O/C Valve
- 16 O/C Valve to Control Valve
- 17 Midcut Base & Gland

MACHINE HOSE LOCATIONS

Modules:

Standard Electric TI Model Illustrated

Refer to Parts List on opposite page for specific build.



- | | |
|-----------------------|-------------------------------|
| 1 Pump to Valve | 9 Slew Base & Gland |
| 2 RCV/RRV to Main Arm | 10 Lift Gland |
| 3 Main Arm to Pivot | 11 Lift Base |
| 4 RRV/RCV to Tank | 12 Reach Base |
| 5 RCV to Cooler | 13 Reach Gland |
| 6 Cooler to Tank | 14 Angle Base & Gland |
| 7 Supply | 15 Lift Gland to O/C Valve |
| 8 Return | 16 O/C Valve to Control Valve |



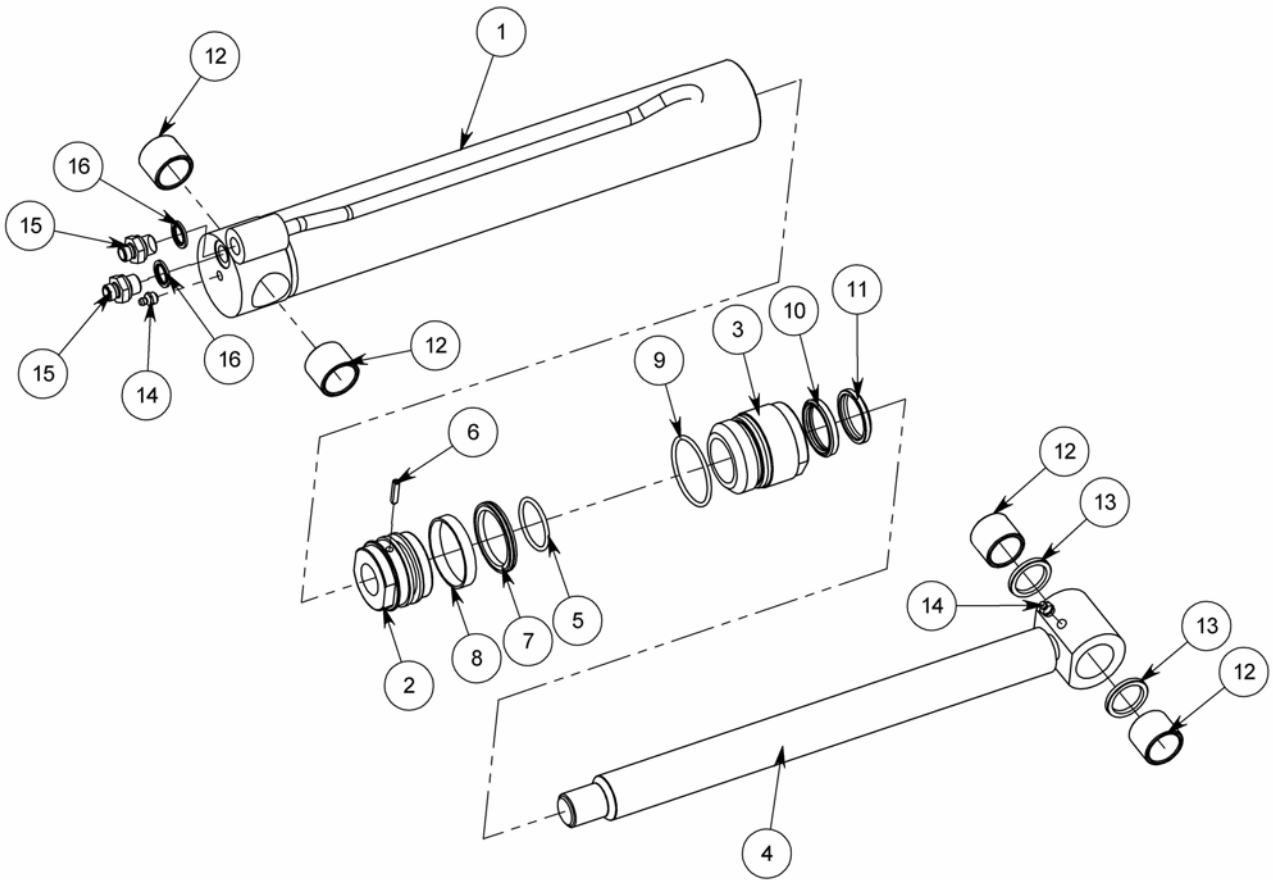
MACHINE HOSE KITS

REF.	QTY.								PART No.	DESCRIPTION
									715372211	STANDARD ARM - R/H Cable SI
									715372212	STANDARD ARM - R/H Cable TI
									715372225	MIDCUT ARM - R/H Cable TI
									715372213	STANDARD ARM - R/H Electric / Cable TI
									715372214	STANDARD ARM - R/H Electric / Electric TI
									715372215	STANDARD ARM - R/H Electric / EDS TI
									715372226	MIDCUT ARM - R/H Electric / Cable TI
									715372218	MIDCUT ARM - R/H Electric / Electric TI
1	1	1	1	1	1	1	1	1	10.011.16	HOSE - 1" BSP FS/FS x 800mm
	-	-	-	-	-	-	-	-	10.011.20	HOSE - 1" BSP FS/FS x 1000mm
	-	-	-	-	-	-	-	-	10.011.17	HOSE - 1" BSP FS/FS x 850mm
2	-	2	-	2	2	-	2	-	10.025.28	HOSE - 1" BSP FS/F135 x 1800mm
	2	-	2	-	-	-	2	-	10.025.29	HOSE - 1" BSP FS/F135 x 1900mm
3	2	2	-	2	2	-	-	-	10.050.49	HOSE - 1" BSP FS/F90 x 3900mm
	-	-	2	-	-	-	2	2	10.050.57	HOSE - 1" BSP FS/F90 x 4700mm
4	1	-	-	-	-	-	-	-	10.011.13	HOSE - 1" BSP FS/FS x 650mm
	-	1	1	1	-	-	1	-	10.012.14	HOSE - 1" BSP FS/F90 x 700mm
	-	-	-	-	1	-	-	-	10.012.23	HOSE - 1" BSP ST/90 x 1300mm
5	-	-	-	-	-	1	-	1	10.012.15	HOSE - 1" BSP ST/90 x 750mm
6	-	-	-	-	-	1	-	1	10.012.24	HOSE - 1" BSP FS/F90 x 1400mm
7	1	-	-	-	-	-	-	-	10.004.30	HOSE - 3/8" BSP FS/F90 x 2000mm
	-	1	1	1	1	1	1	1	10.004.14	HOSE - 3/8" BSP FS/F90 x 700mm
8	1	-	-	-	-	-	-	-	10.006.31	HOSE - 1/2" BSP FS/F90 x 2100mm
	-	1	1	1	1	-	1	-	10.006.11	HOSE - 1/2" BSP ST/90 x 550mm
	-	-	-	-	-	1	-	1	10.006.20	HOSE - 1/2" BSP ST/90 x 1000mm
9	2	2	-	-	-	-	-	-	10.002.13	HOSE - 1/4" BSP FS/F90 x 650mm
	-	-	2	2	2	2	2	2	10.002.11	HOSE - 1/4" BSP FS/F90 x 550mm
10	1	1	1	1	1	1	1	1	10.002.22	HOSE - 1/4" BSP ST/90 x 1200mm
11	1	1	1	1	1	1	1	1	10.001.23	HOSE - 1/4" BSP ST/ST x 1300mm
12	1	1	1	1	1	1	1	1	10.001.37	HOSE - 1/4" BSP FS/FS x 2700mm
13	1	1	1	1	1	1	1	1	10.002.42	HOSE - 1/4" BSP FS/F90 x 3200mm
14	2	2	-	2	2	-	-	-	10.001.57	HOSE - 1/4" BSP FS/FS x 4700mm
	-	-	2	-	-	-	2	2	10.001.64	HOSE - 1/4" BSP FS/FS x 5400mm
15	1	1	-	-	-	-	-	-	10.002.14	HOSE - 1/4" BSP FS/F90 x 700mm
	-	-	1	-	-	-	-	-	10.002.27	HOSE - 1/4" BSP FS/F90 x 1700mm
16	1	1	1	-	-	-	-	-	10.002.23	HOSE - 1/4" BSP FS/F90 x 1300mm
17	-	-	2	-	-	-	2	2	10.001.45	HOSE - 1/4" BSP FS/FS x 3500mm

- 1 Pump to Valve
- 2 RCV/RRV to Main Arm
- 3 Main Arm to Pivot
- 4 RRV/RCV to Tank
- 5 RCV to Cooler
- 6 Cooler to Tank
- 7 Supply
- 8 Return
- 9 Slew Base & Gland

- 10 Lift Gland / O/C Valve to Accumulator
- 11 Lift Base
- 12 Reach Base
- 13 Reach Gland
- 14 Angle Base & Gland
- 15 Lift Gland to O/C Valve
- 16 O/C Valve to Control Valve
- 17 Midcut Base & Gland

Module:
43317.07



REF.	QTY.	PART No.	DESCRIPTION
		43317.07	ANGLING RAM ASSEMBLY
1	1	43317.33	BARREL
2	1	43317.31	PISTON
3	1	43317.32	GLAND HOUSING
4	1	43317.35	PISTON ROD
5	1	8600301	O RING
6	1	42775.01	DOWEL
7	1	8629156	PISTON SEAL
8	1	8629157	PISTON GUIDE RING
9	1	8600306	O RING
10	1	8629225	ROD GLAND SEAL
11	1	8629208	ROD SCRAPER RING
12	4	08.297.04	BUSH
13	2	8629218	SEAL
14	2	0901121	GREASER
15	2	8581115	ADAPTOR
16	2	8650103	BONDED SEAL
		43317.01	SEAL KIT

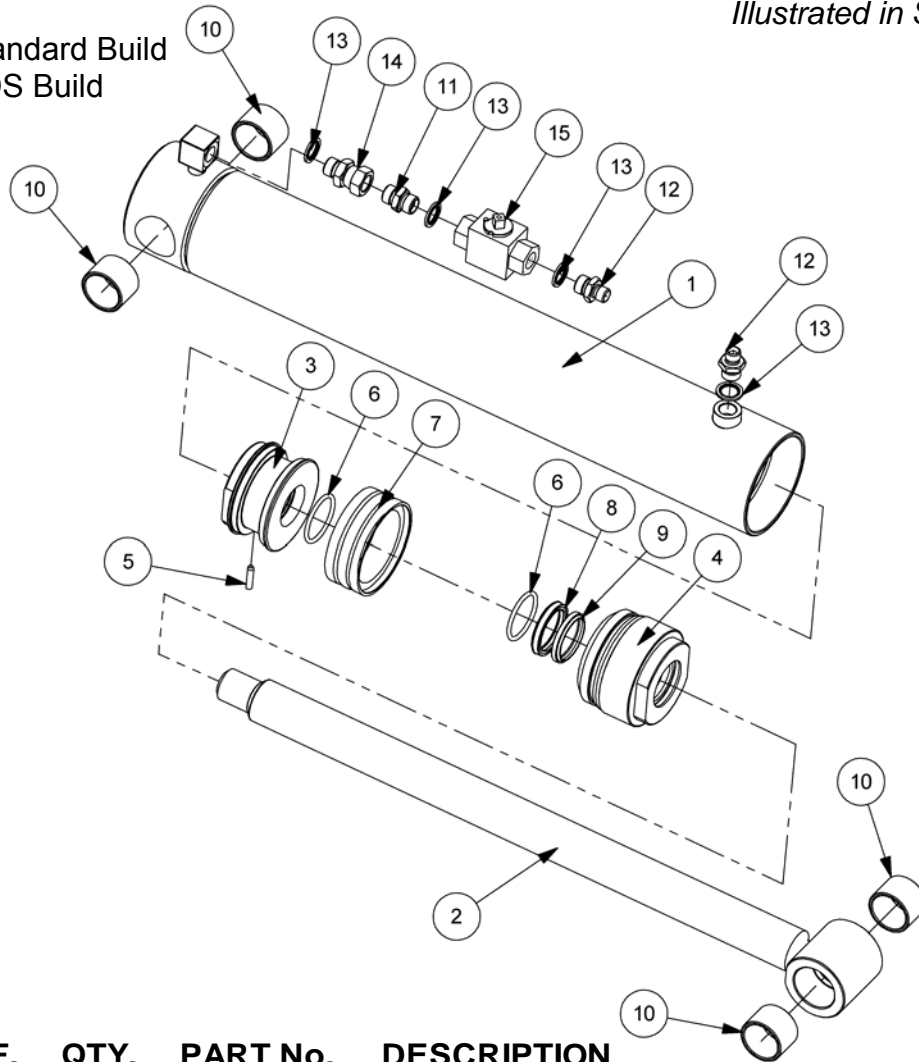
LIFT RAM ASSEMBLY

Module:

45895.02 – Standard Build

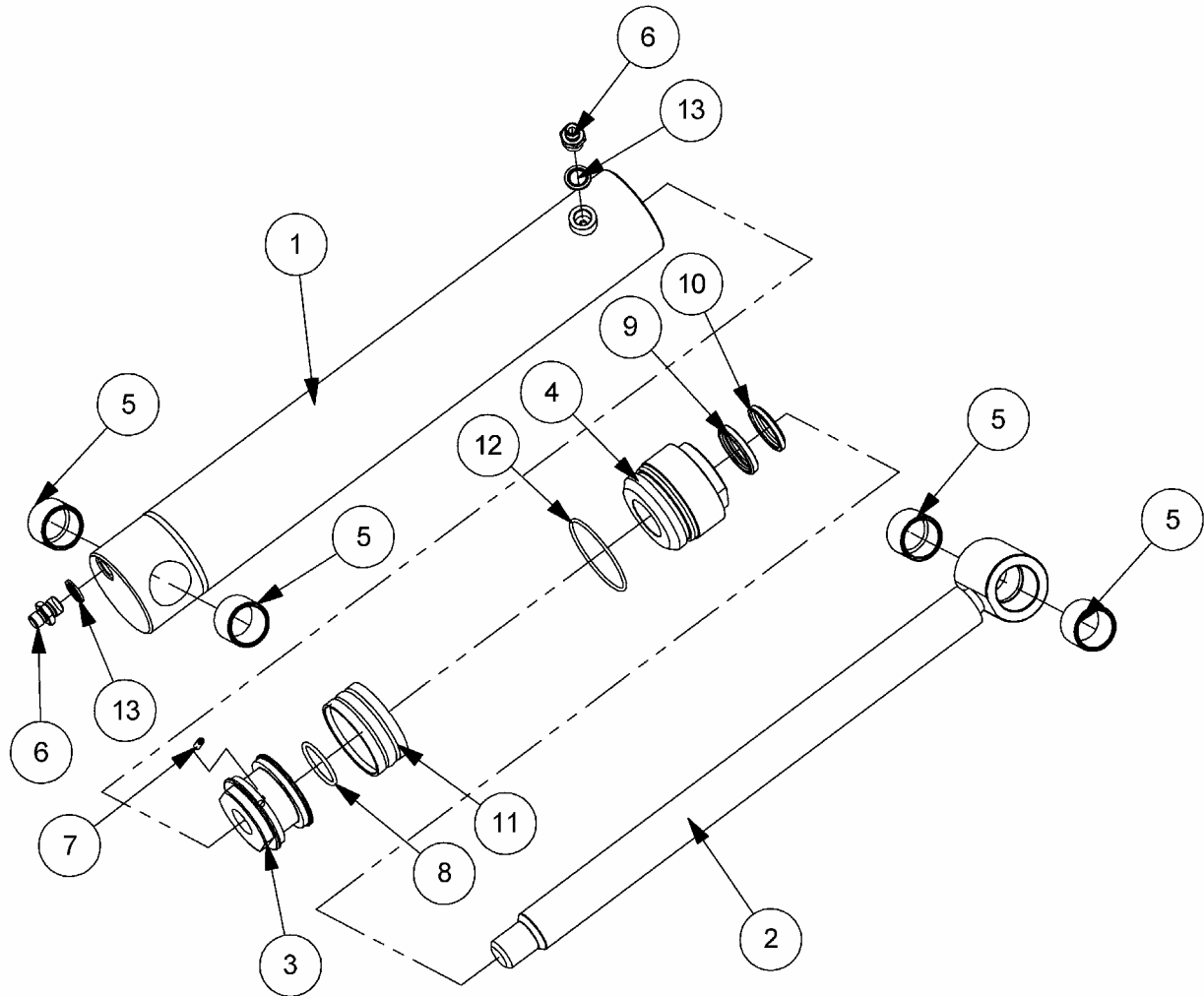
45895.07 – EDS Build

Illustrated in Standard Build



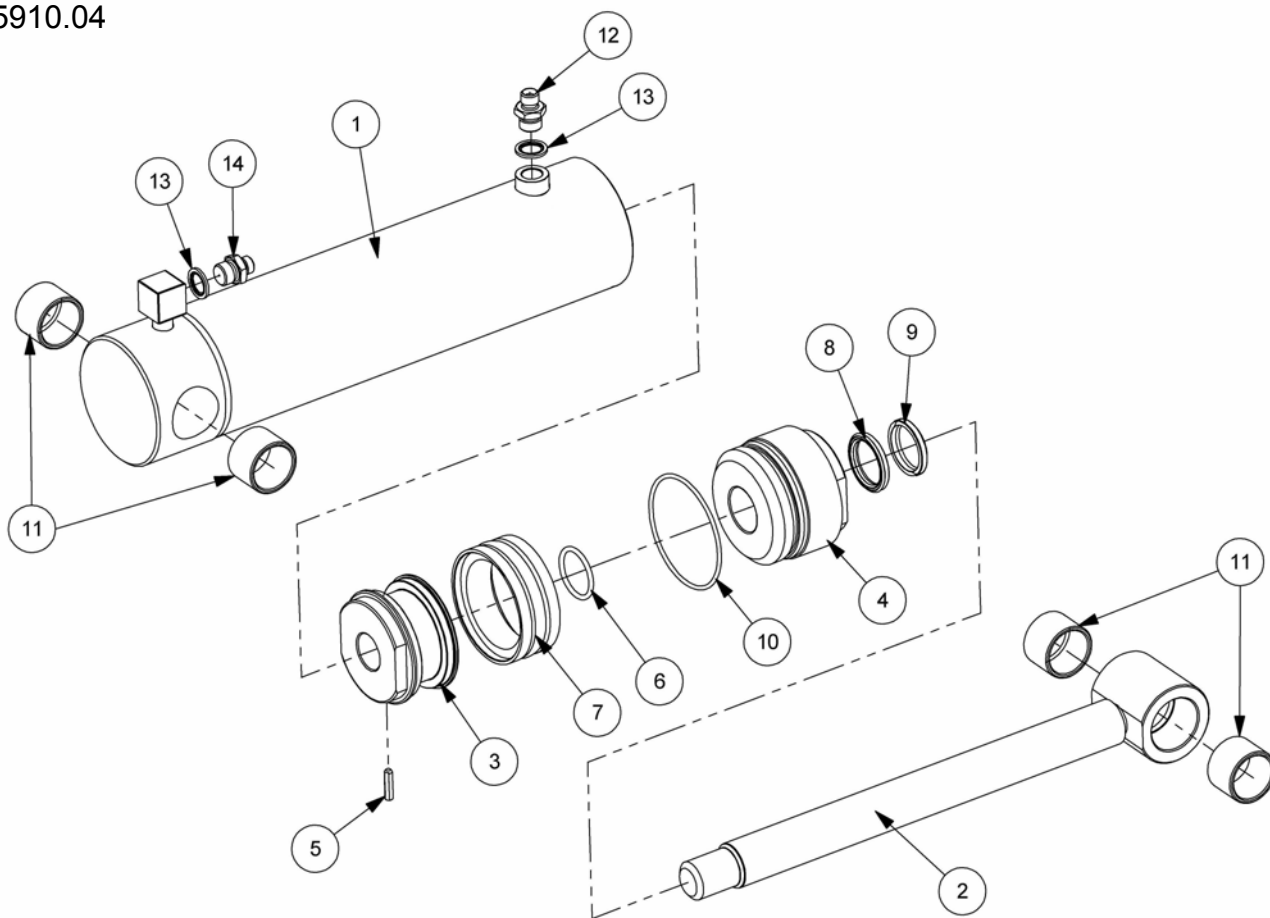
REF.	QTY.	PART No.	DESCRIPTION
		45895.02	LIFT RAM ASSEMBLY - Std. Models
		45895.07	LIFT RAM ASSEMBLY - EDS Models
		45895.04	BASIC RAM ASSEMBLY - Std. Build
		45895.06	BASIC RAM ASSEMBLY - EDS Build
1	1	45895.31	BARREL - Std. Build
		45895.41	BARREL - EDS Build (<i>not illustrated</i>)
2	1	45275.02	PISTON ROD
3	1	43315.31	PISTON
4	1	43315.32	GLAND HOUSING
5	1	42775.01	DOWEL
6	2	8600301	O RING
7	1	8638742	PISTON SEAL
8	1	8629225	GLAND SEAL
9	1	8629208	SCRAPER RING
*	1	8600742	O RING - <i>EDS Build only</i>
10	4	08.297.05	BUSH
11	1	6000113	ADAPTOR
12	2	8581115	ADAPTOR
13	4	8650103	BONDED SEAL
14	1	8581178	ADAPTOR
15	1	08.200.01	ISOLATING VALVE
16	1	05.433.01	PLUG - <i>EDS Build only (not illustrated)</i>
		43315.01	SEAL KIT

Module:
45288.03

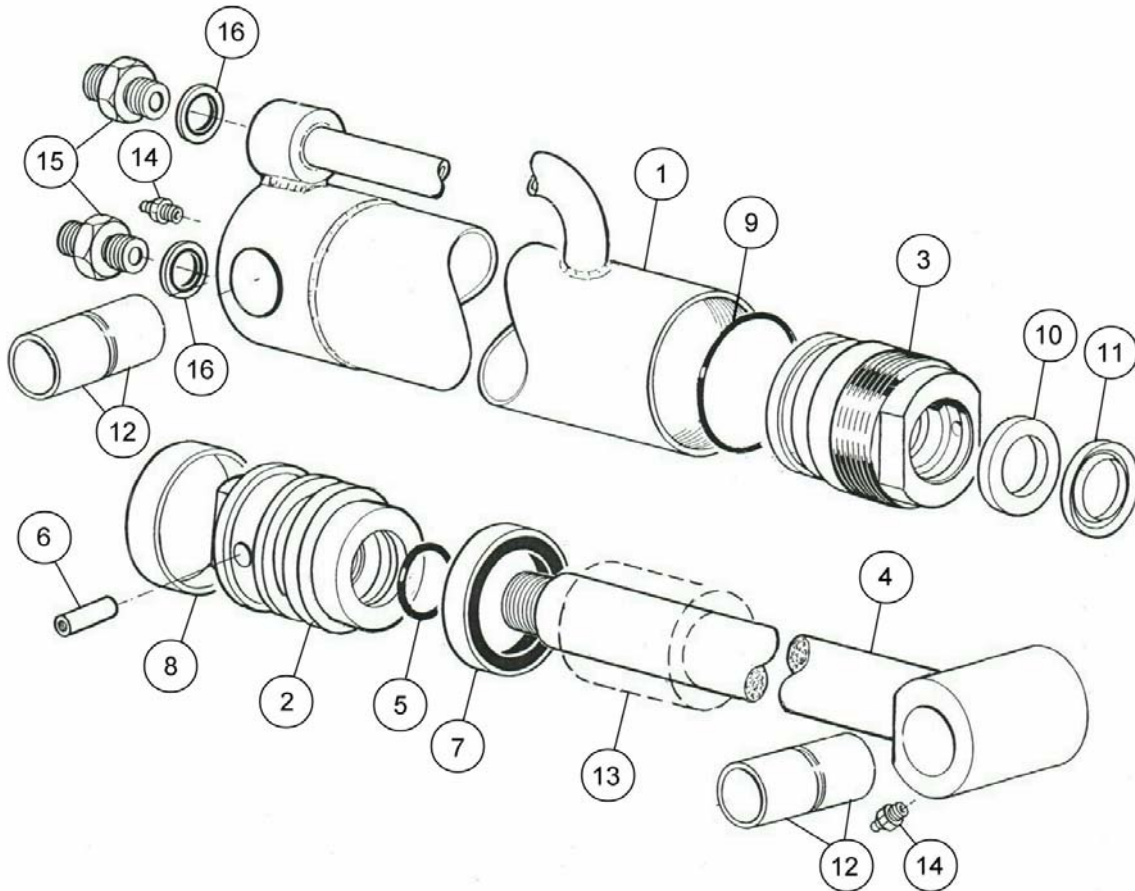


REF.	QTY.	PART No.	DESCRIPTION
		45288.03	REACH RAM ASSEMBLY
1	1	45273.02	REACH RAM BARREL
2	1	45275.03	PISTON ROD
3	1	43316.31	PISTON
4	1	43316.32	GLAND HOUSING
5	4	08.297.05	BUSH
6	2	8581115	ADAPTOR
7	1	42775.01	DOWEL
8	1	8600301	O RING
9	1	8629225	GLAND SEAL
10	1	8629208	SCRAPER RING
11	1	8638740	PISTON SEAL
12	1	8700740	O RING
13	2	8650103	BONDED SEAL
		43316.01	SEAL KIT

Module:
45910.04

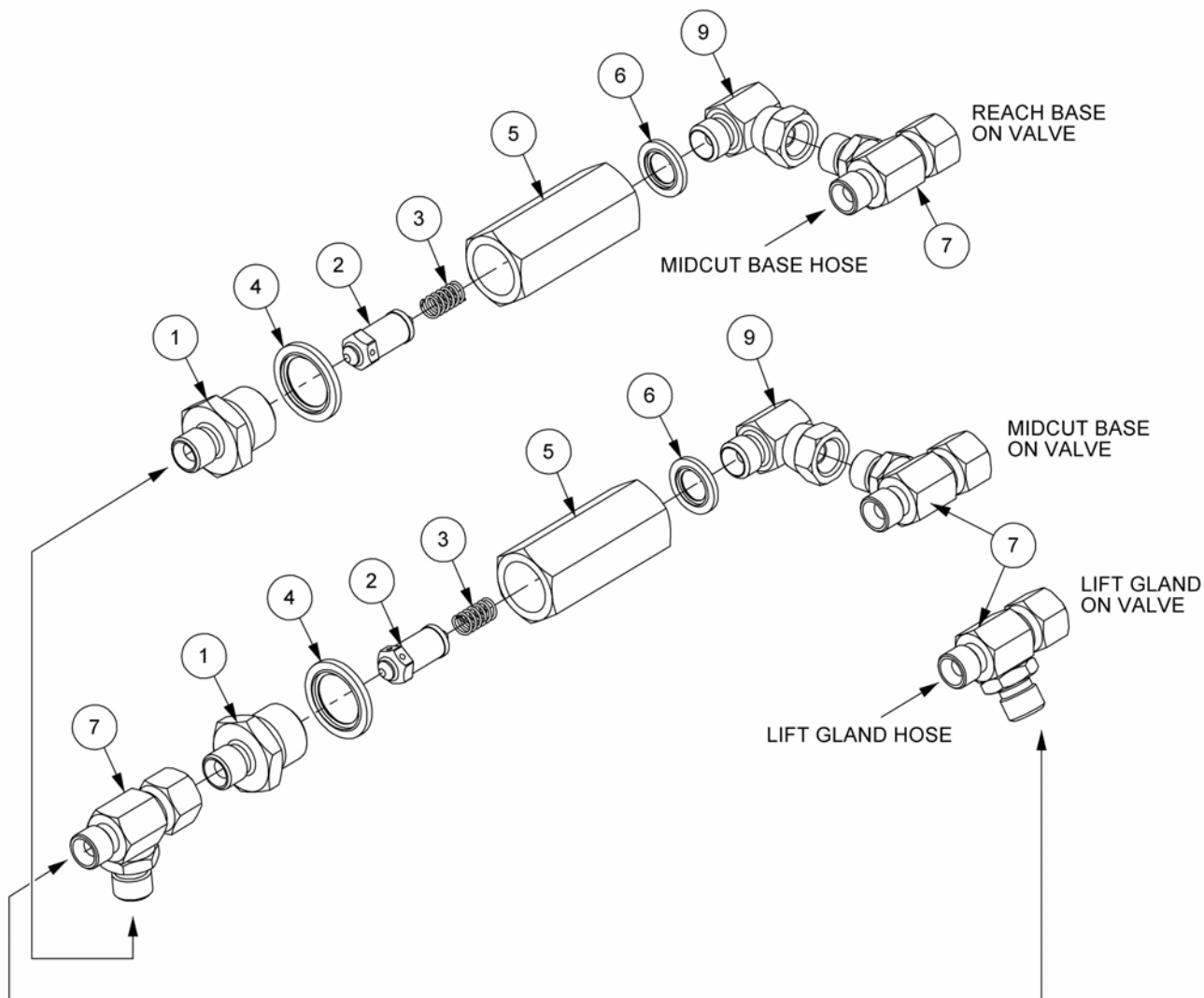


REF.	QTY.	PART No.	DESCRIPTION
		45910.04	SLEW RAM ASSEMBLY
1	1	45910.35	BARREL
2	1	45910.37	RAM ROD
3	1	45910.33	PISTON
4	1	45910.34	GLAND HOUSING
5	1	42775.01	DOWEL
6	1	8600125	O RING
7	1	8638742	PISTON SEAL
8	1	8629210	GLAND SEAL
9	1	8629211	WIPER SEAL
10	1	8600742	O RING
11	4	08.297.05	BUSH
12	1	8581115	ADAPTOR
13	2	8650103	BONDED SEAL
14	1	8130066	ADAPTOR RESTRICTOR
		8699254	SEAL KIT

MIDCUT FOLD RAM ASSEMBLY
Module:
 42664.05


REF.	QTY.	PART No.	DESCRIPTION
		42664.05	FOLD RAM ASSEMBLY - MIDCUT MODELS
1	1	42664.42	BARREL
2	1	42664.31	PISTON
3	1	42664.32	GLAND HOUSING
4	1	42664.39	PISTON ROD
5	1	8600127	O RING
6	1	42775.01	DOWEL
7	1	8629156	PISTON SEAL
8	1	8629157	PISTON GUIDE RING
9	1	8600306	O RING
10	1	8629222	ROD GLAND SEAL
11	1	8629147	ROD SCRAPER RING
12	4	42654.01	BUSH
13	1	43062.01	SPACER
14	2	0901121	GREASER
15	2	8581115	UNION
16	2	8650103	BONDED SEAL
		42664.01	SEAL KIT

Module:
8130705

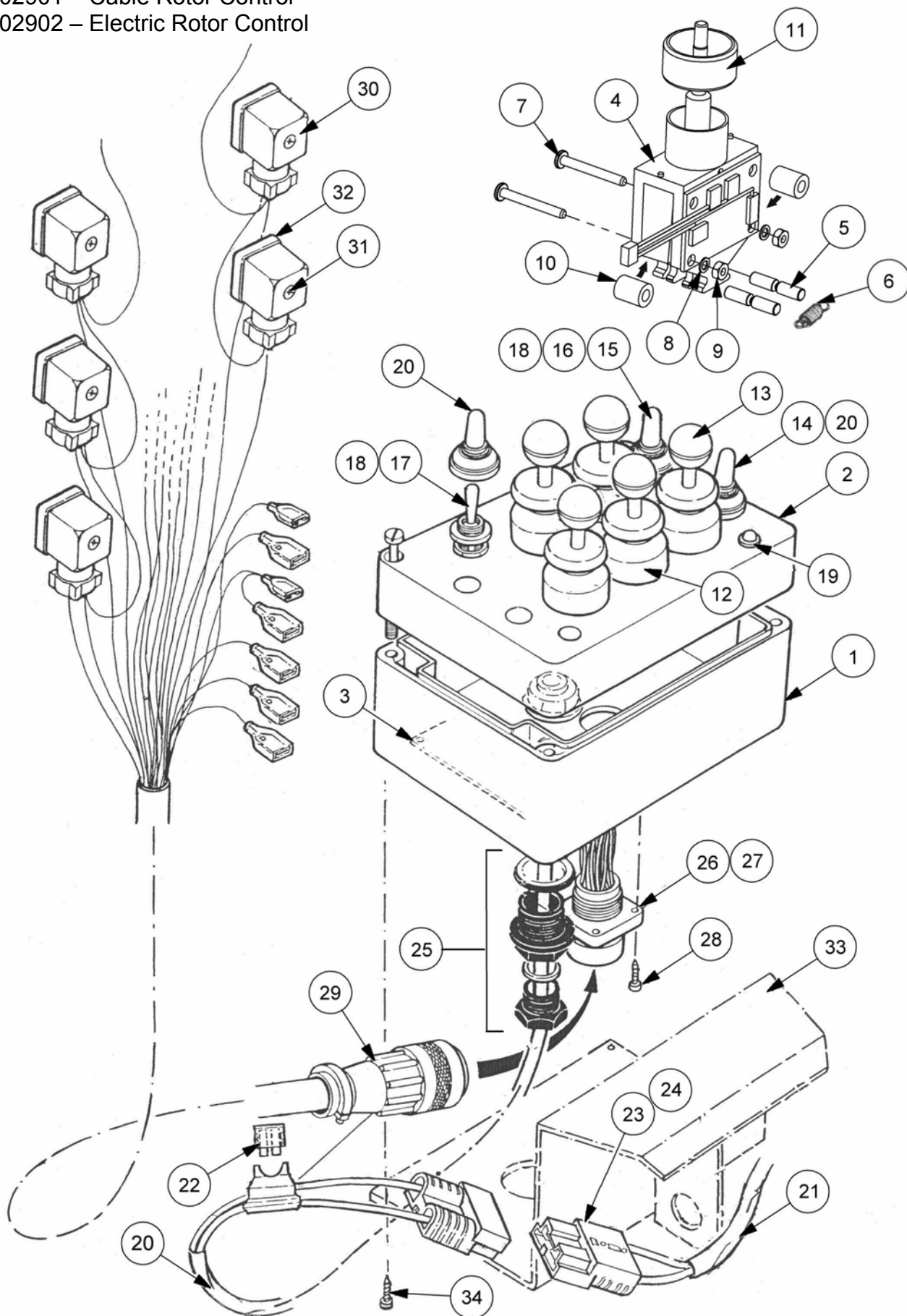


REF.	QTY.	PART No.	DESCRIPTION
		8130705	MIDCUT RELIEF MODULE
1	2	8130083	ADAPTOR RELIEF BODY
2	2	8130092	RELIEF VALVE - 190BAR
3	2	8116011	SPRING
4	2	8650104	BONDED SEAL
5	2	8130156	RELIEF VALVE HOUSING
6	2	8650102	BONDED SEAL
7	4	8581254	ADAPTOR TEE
8	2	8535102	HOSE - 1/4" BSP FS/F90 x 17"
9	2	8581190	ADAPTOR ELBOW - 90°

Modules:

8402901 – Cable Rotor Control

8402902 – Electric Rotor Control



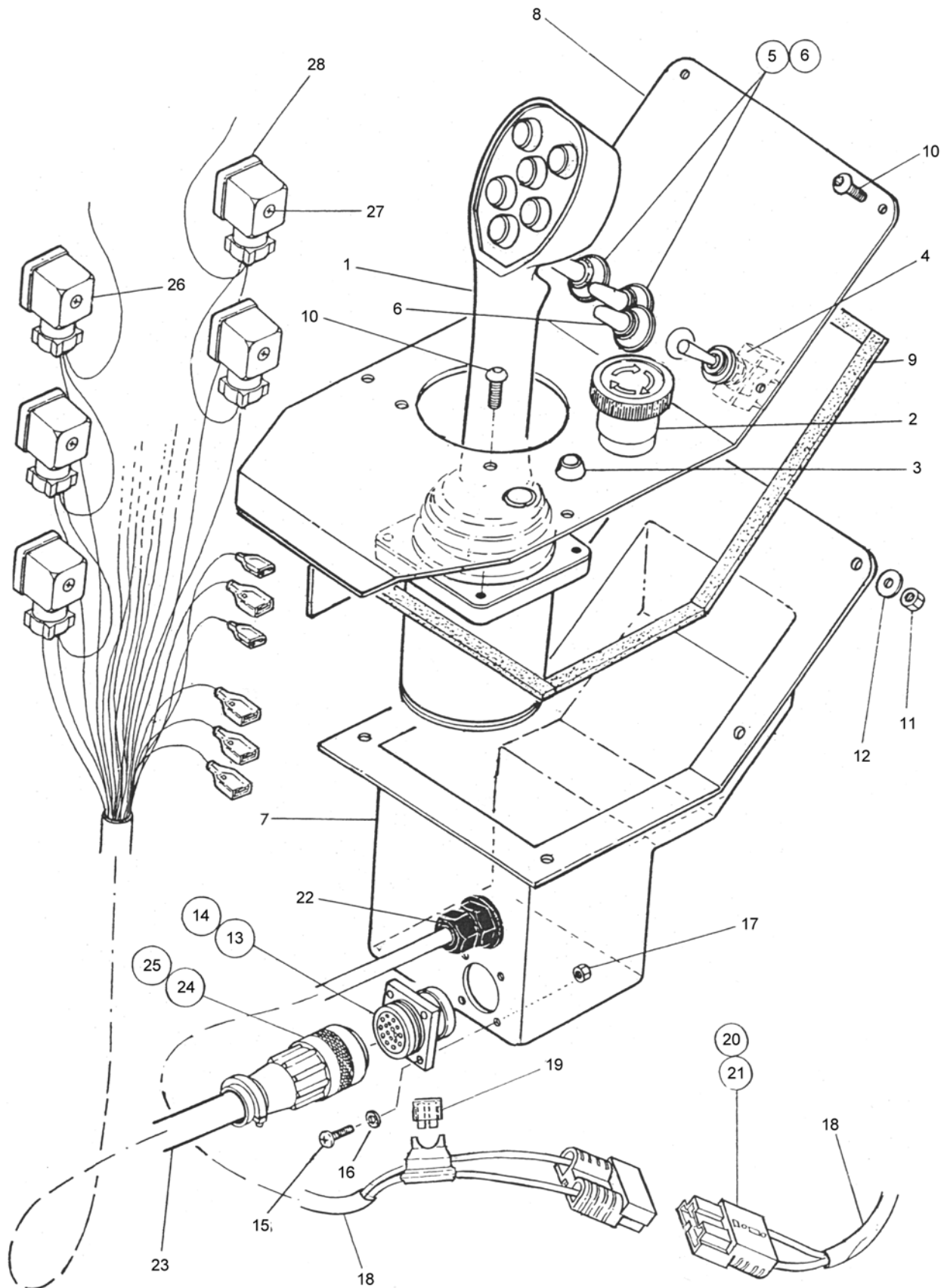


REF.	QTY.	PART NO.	DESCRIPTION
		41845.03	MULTI 5 LEVER SWITCHBOX - Cable Rotor Control
1	1	41845.32	BOX
2	1	41845.31	LID c/w SCREWS
3	1	41845.33	CIRCUIT BOARD LEVER SWITCH UNIT - <i>comprising of:</i>
4	5	8402133	SWITCH BODY/LEVER/CIRCUIT BOARD c/w
5	2	8402111	BAR
6	1	8402101	SPRING
7	2	9200006	SCREW - POSIDRIVE PANHEAD
8	2	8402120	PLAIN WASHER
9	2	9113000	NUT - PLATED
10	2	8402334	SPACER
11	1	8402051	BEZEL RING
12	1	8402022	LEVER GAITER
13	5	8402056	KNOB - BLACK
14	1	8402023	SWITCH - POWER ON/OFF
15	1	8402182	SWITCH - SLEW/AUTO RESET
16	1	41845.35	LOOM - SLEW/AUTO RESET SWITCH
17	1	8402197	SWITCH - FLOAT
18	1	41845.37	LOOM - FLOAT SWITCH
19	1	41845.41	L.E.D. AND LOOM
20	5	8402024	WEATHER GAITER
21	1	8402232	POWER LOOM - <i>including:</i>
22	1	43034.02	FUSE
23	2	8402230	CONTACTS HOUSING
24	4	8402229	CONTACTS
25	1	8402042	GLAND
26	1	8402186	SOCKET SHELL
27	19	8402192	PIN SOCKET
28	4	2800203	SCREW
29	1	41844.01	WIRING LOOM - <i>including:</i>
30	12	07.835.04	PLUG - INCLUDING SCREW & GASKET
31	1	07.835.03	SCREW
32	1	07.835.02	GASKET
33	1	8402345	MOUNTING BRACKET
34	4	2800243	SELF-TAPPING SCREW
35	1	8402193	SPECIAL TOOL - <i>not illustrated</i>

Modules:

8402905

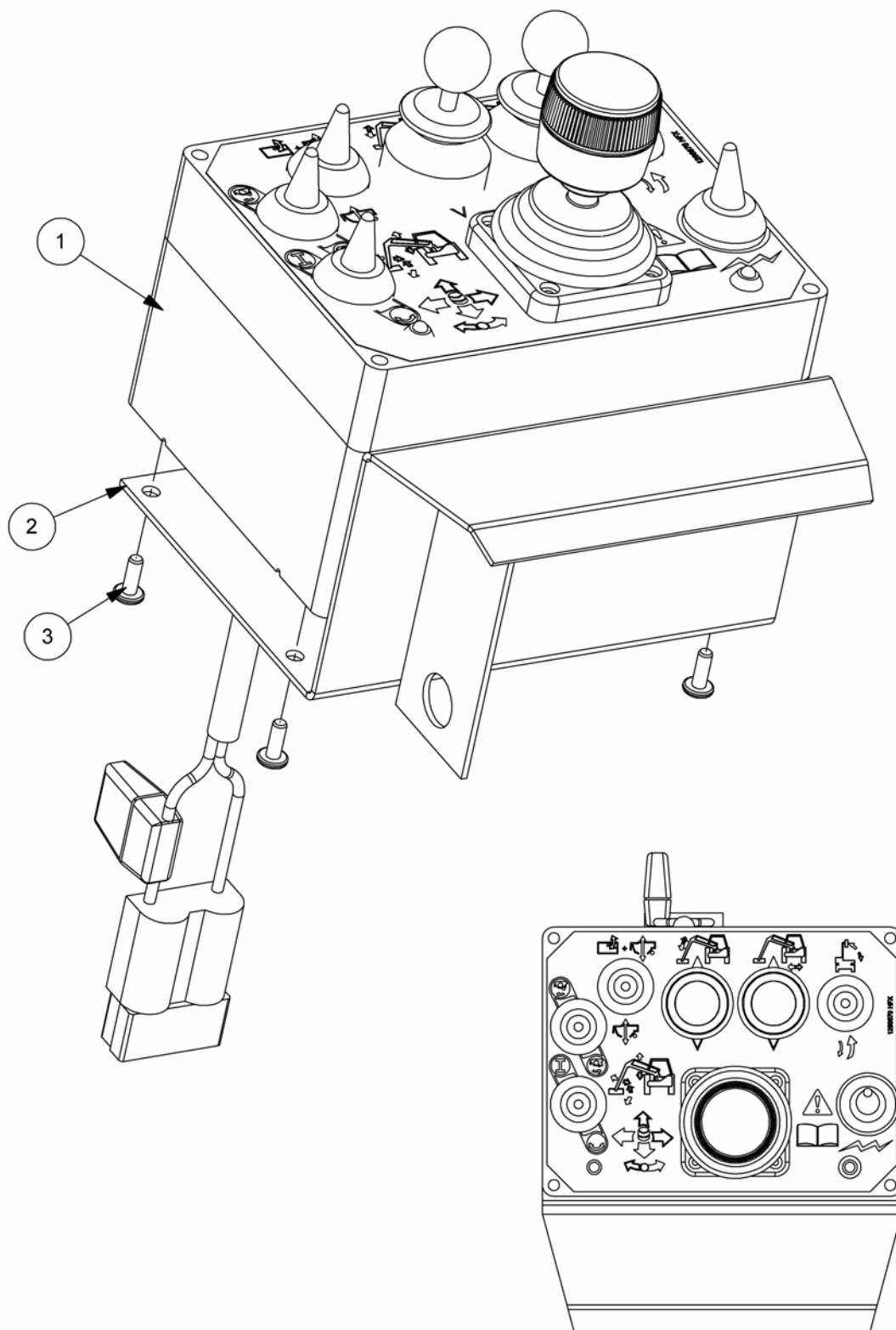
8402906 – Electric Rotor Reverse





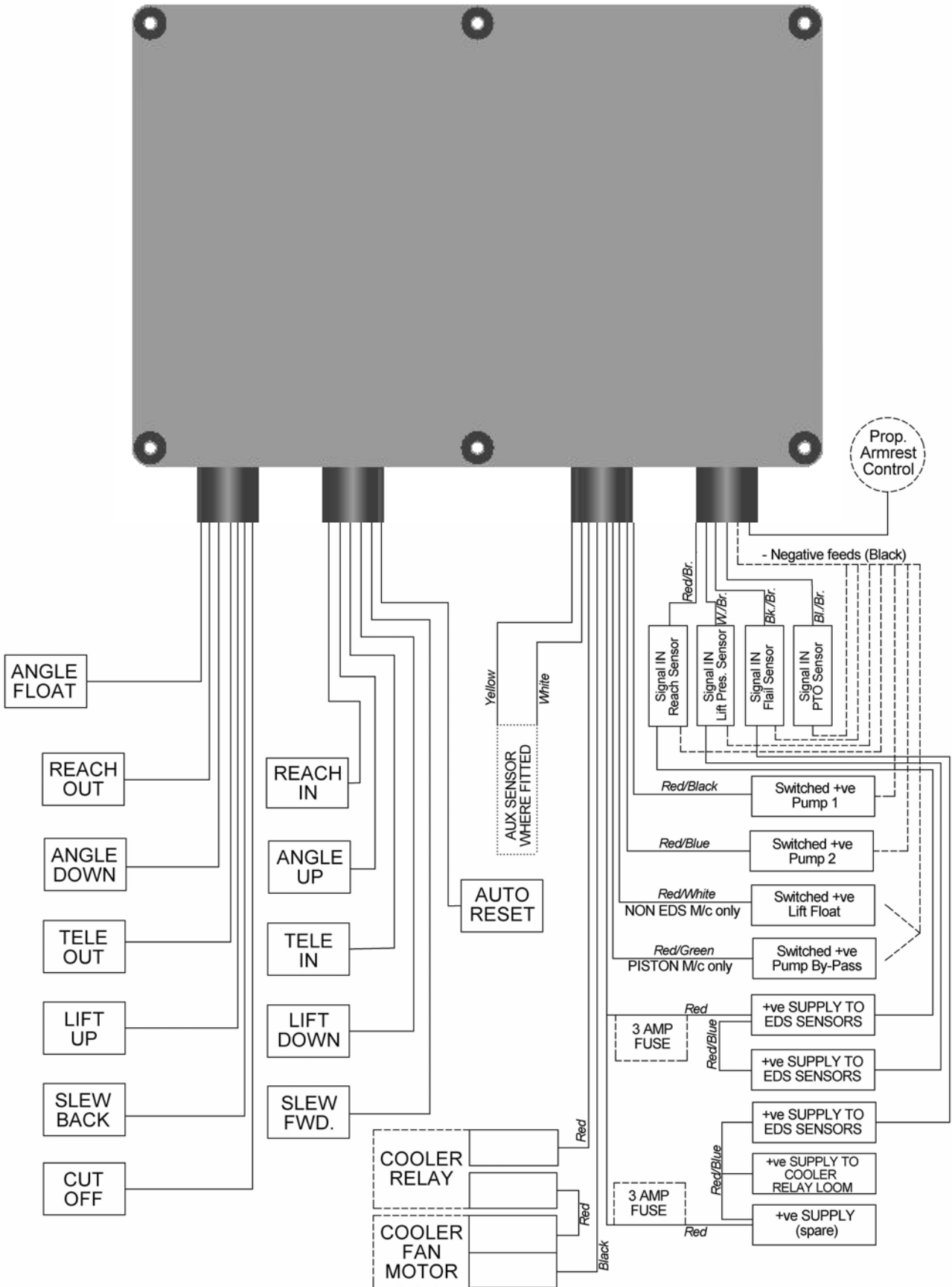
REF.	QTY.	PART NO.	DESCRIPTION
		8402905	MONOLEVER 6 BUTTON CONTROL ASSEMBLY
		8402906	MONOLEVER WITH ELECTRIC ROTOR REVERSE
		41590.03	MONOLEVER 6 BUTTON UNIT
		41590.05	MONOLEVER UNIT - with Electric Rotor Reverse
1	1	41590.32	JOYSTICK - <i>Including Circuit Board</i>
2	1	8402184	POWER ON / EMERGENCY STOP
3	1	8402174	L.E.D. MAIN POWER ON
4	1	8402182	SWITCH - SLEW / AUTO RESET
5	2	8402023	SWITCH - LIFT AND ANGLE FLOAT
6	3	8402024	WEATHER COVER
7	1	7550300	COVER POD
8	1	7550339	TOP PLATE
9	1	7290052	SEALING STRIP (<i>Cut to suit</i>)
10	10	9300125	SCREW - BUTTON HEAD
11	6	9143003	SELF LOCKING NUT
12	6	9100103	WASHER
13	1	8402189	SOCKET SHELL
14	14	8402192	FEMALE SOCKET PIN
15	4	9200007	SCREW - POSIDRIVE PANHEAD
16	4	9100400	EXTERNAL SERRATED WASHER
17	4	9100013	NUT - PLATED
18	1	8402232	POWER LOOM - <i>Including:</i>
19	1	43034.03	FUSE
20	2	8402230	CONTACT HOUSING
21	4	8402229	CONTACTS
22	1	8402042	GLAND
23	1	41844.01	WIRING LOOM - <i>Including:</i>
24	1	8402188	SHELL
25	1	8402190	CABLE CLAMP
26	12	07.835.04	PLUG - <i>Including:</i>
27	1	07.835.03	SCREW
28	1	07.835.02	GASKET
29	1	8402193	SPECIAL TOOL

Module:
8402911



REF.	QTY.	PART NO.	DESCRIPTION
		8402911	PROPORTIONAL SWITCHBOX CONTROL
1	1	8402395	PROPORTIONAL SWITCHBOX UNIT
2	1	8402345	SWITCHBOX MOUNTING BRACKET
3	4	2800243	SELF TAPPING SCREW

Module:
21164.03

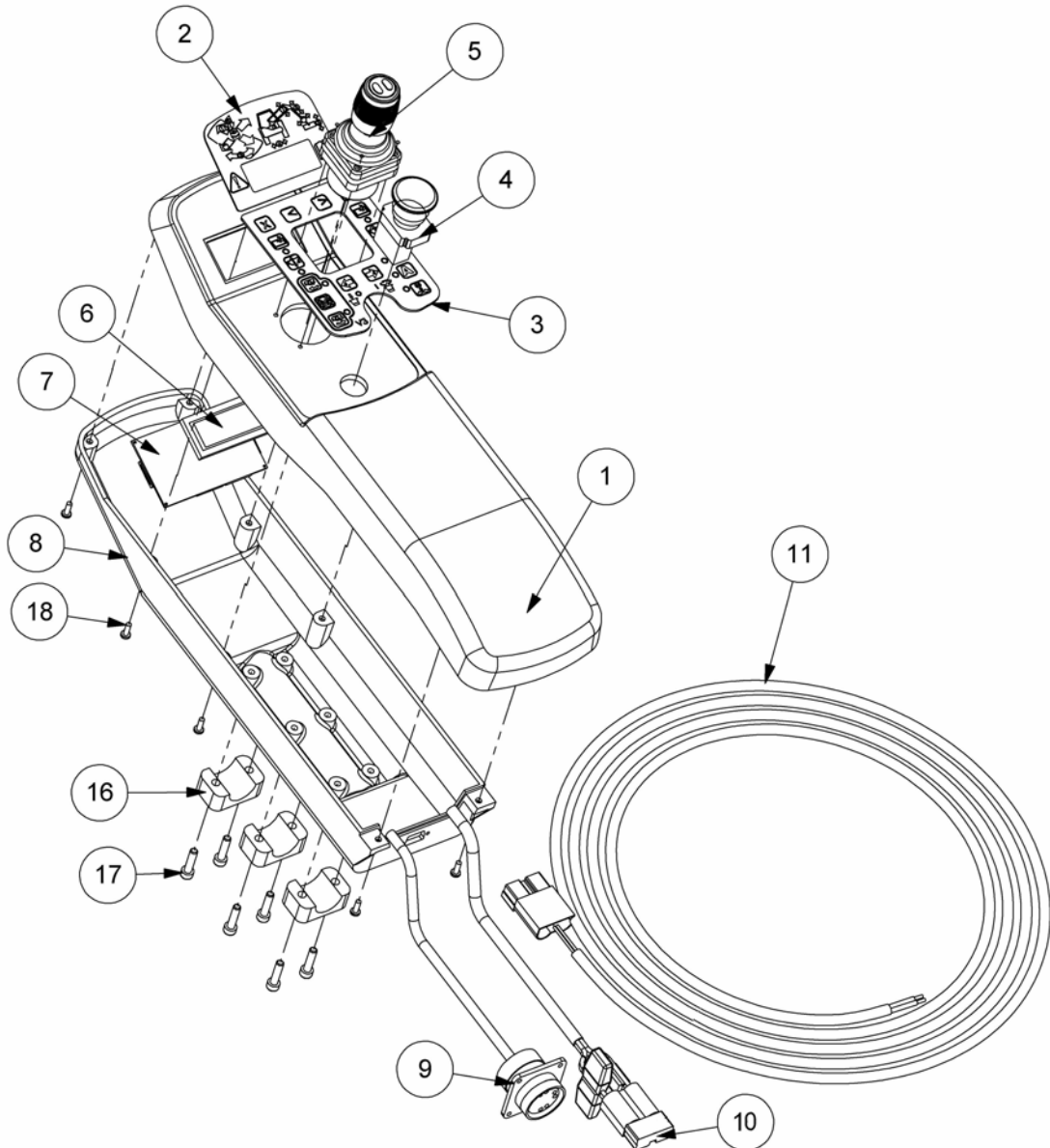
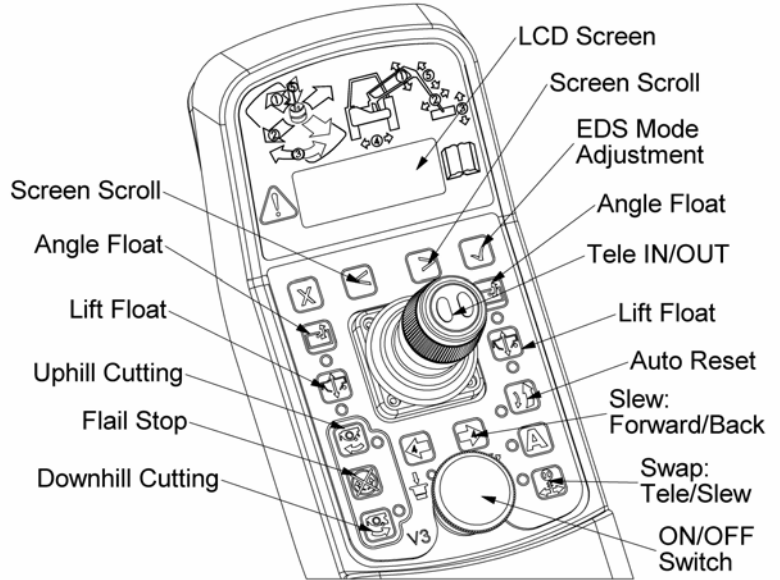


Modules:

43022.20 - Proportional

43022.21 - Proportional EDS

OPERATOR CONTROLS/FUNCTIONS

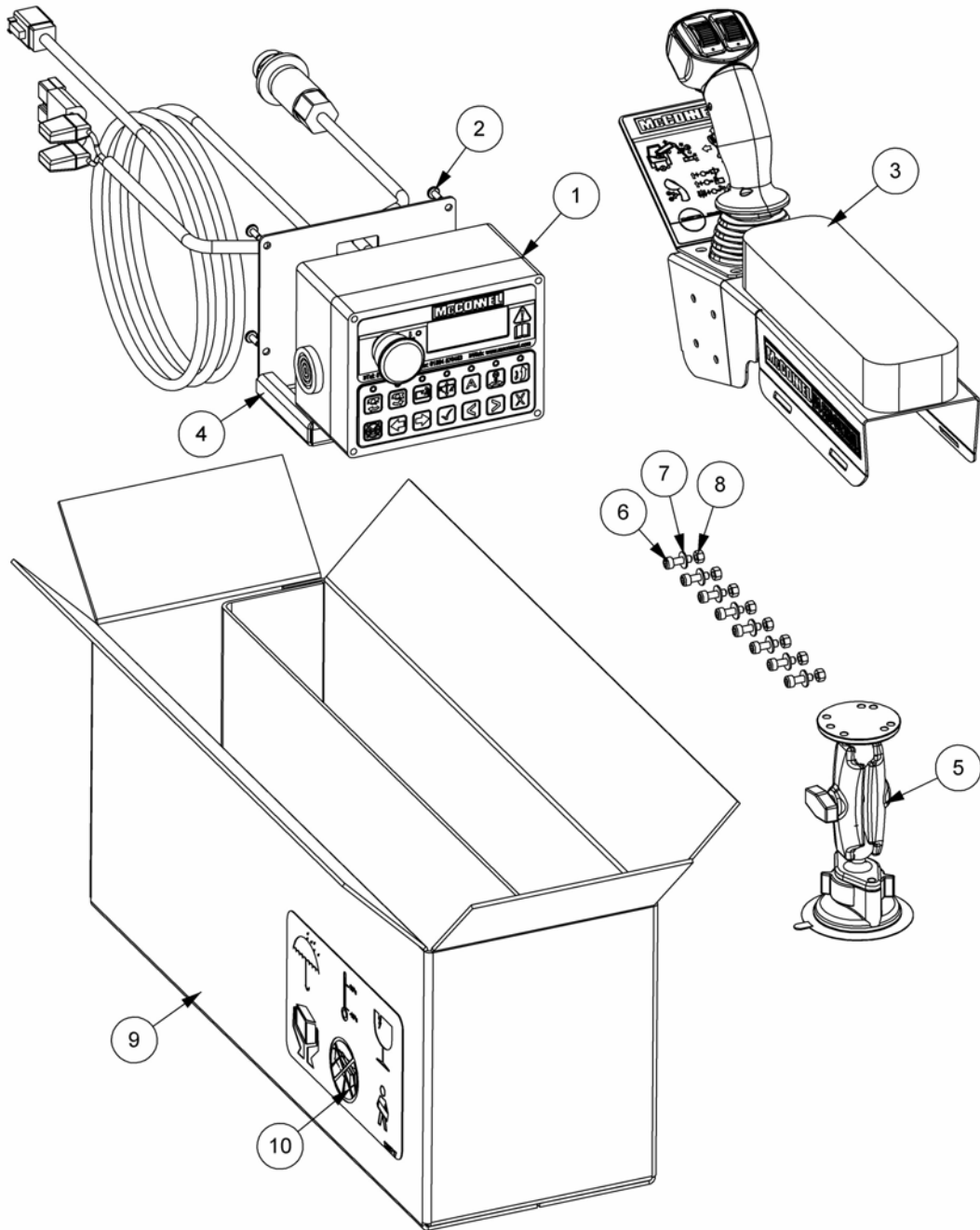


V3 PROPORTIONAL CONTROLS

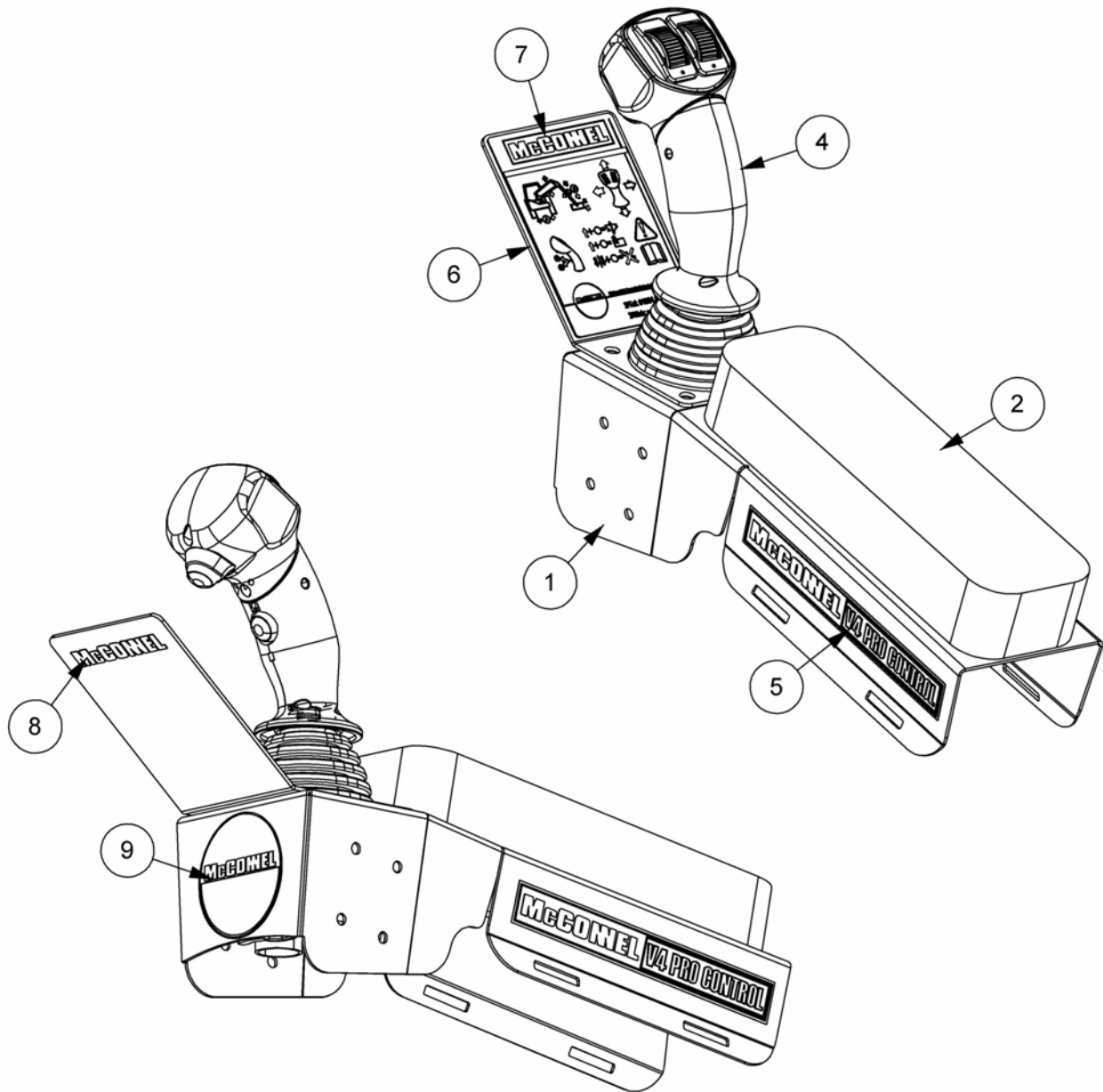
REF.	QTY.	PART No.	DESCRIPTION
		43022.20	v.3 PROPORTIONAL ARMREST CONTROLS - Std.
		43022.21	v.3 PROPORTIONAL ARMREST CONTROLS - EDS
1	1	43022.324	ARMREST LID - GREY
2	1	43022.50	FRONT DECAL
3	1	43022.51	JOYSTICK KEYPAD - <i>Factory replacement only</i>
4	1	41786.33	SWITCH - EMERGENCY STOP
5	1	45710.96	JOYSTICK - inc. fixing screws
6	1	43022.52	LCD SCREEN - <i>Factory replacement only</i>
7	1	43022.53	CIRCUIT BOARD - <i>Factory replacement only</i>
8	1	43022.321	ARMREST BASE - YELLOW
9	1	43022.46	CONNECTOR & LEAD
10	1	43022.47	CONNECTOR & POWER LEAD (2 FUSES)
11	1	8402237	LOOM - POWER SUPPLY
12	2	8402149	GLAND
13	1	43022.39	CONNECTOR 9 WAY
14	1	8600119	O RING - not illustrated
15	1	8402239	PUSH ON COVER - not illustrated
16	3	30.209.71	PIPE CLAMP
17	6	9343053	CAPSCREW
18	8	9300132	PANHEAD SCREW

V4 ARMREST CONTROLS

Module:
22073.01



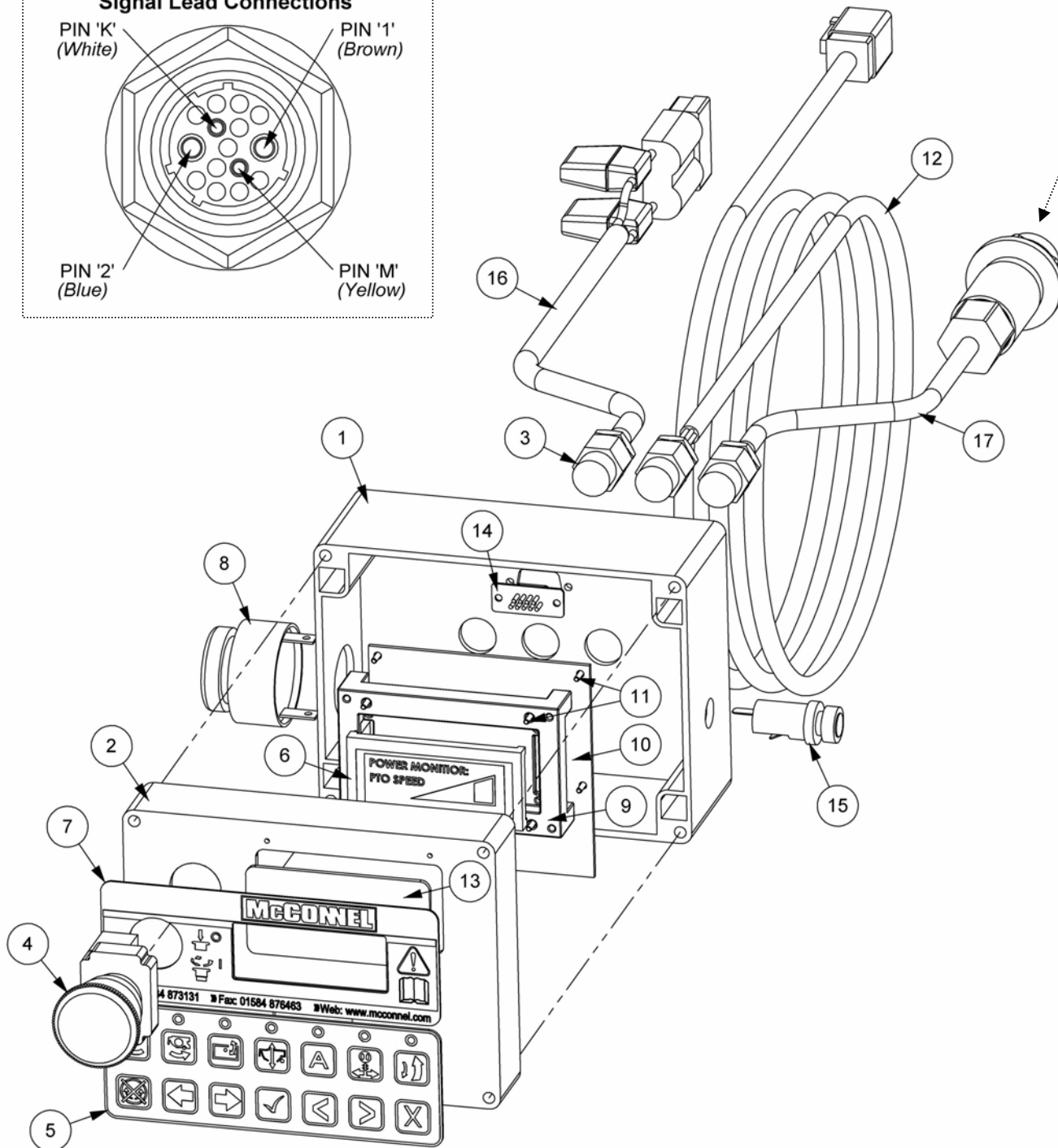
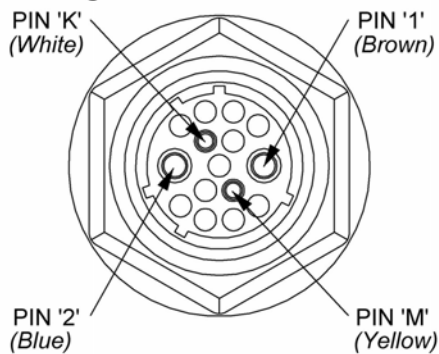
REF.	QTY.	PART No.	DESCRIPTION
		22073.01	V4 CONTROLS WITH JC6000
1	1	22073.14	V4 CONTROL BOX (MK2)
2	4	2800243	SELF TAPPING SCREW
3	1	22073.03	V4 JOYSTICK ARMREST ASSEMBLY
4	1	22073.58	SCREEN MOUNT
5	1	22073.09	V4 SCREEN MOUNT KIT
6	8	9343032	CAPSCREW
7	8	9100102	FLAT WASHER
8	8	9143002	SELF-LOCKING NUT
9	1	8402700	WATER PROOF CARDBOARD BOX
10	1	1290717	BOX DECAL

V4 ARMREST ASSEMBLY
Module:
 22073.03


REF.	QTY.	PART No.	DESCRIPTION
		22073.03	V4 JOYSTICK ARMREST ASSEMBLY
1	1	22073.44	JOYSTICK ARMREST MOUNT
2	1	22073.45	ARM REST FOAM
3	2	7106187	NYLON STRAP <i>(Not Illustrated)</i>
4	1	22073.16	JOYSTICK c/w THUMB SWITCHES
5	2	1290740	DECAL - V4 PRO CONTROL
6	1	22073.59	DECAL MOUNT
7	1	1290739	DECAL - V4 OPERATIONS
8	1	1290741	DECAL - McCONNEL
9	1	1290742	DECAL - McCONNEL ROUNDEL

Module:
22073.14

Signal Lead Connections



V4 CONTROL BOX (Mk2)

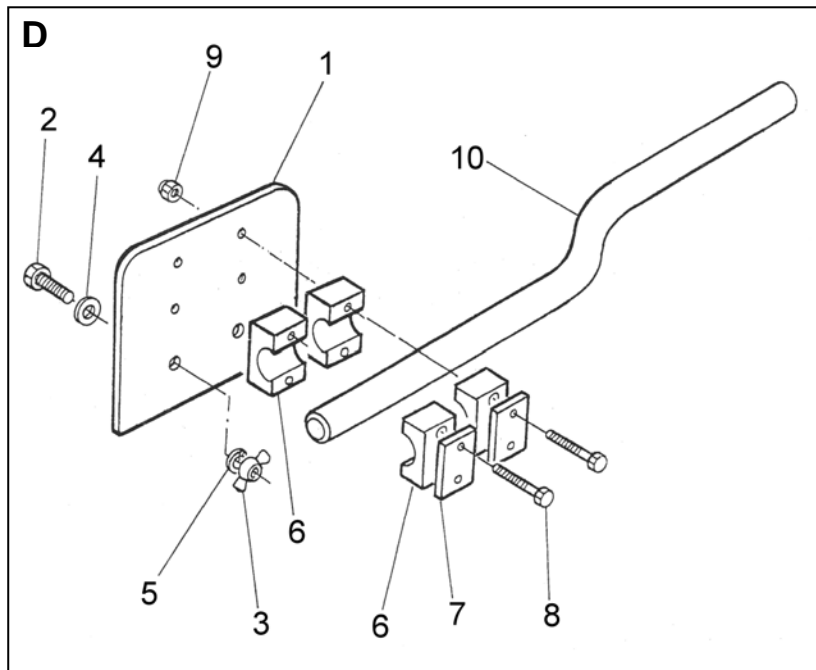
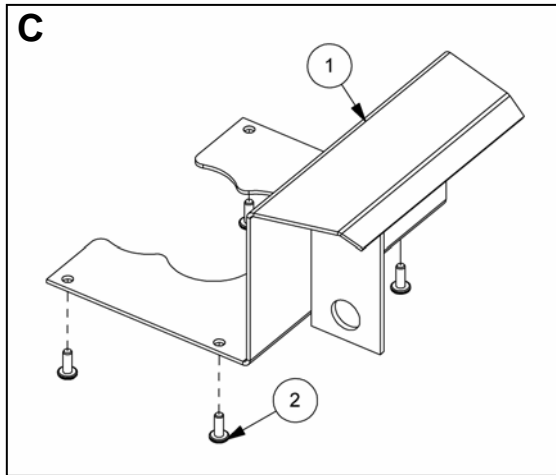
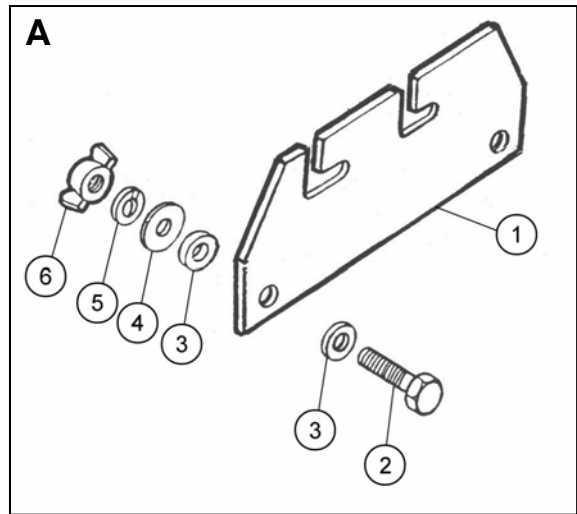
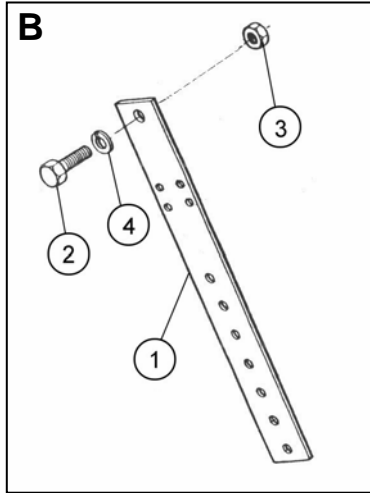
REF.	QTY.	PART No.	DESCRIPTION
		22073.14	V4 CONTROL BOX ASSEMBLY (Mk2)
1	1	22073.62	V4 CONTROL BOX
2	1	22073.32	BOX LID
3	3	8402149	* GLAND (PLASTIC)
4	1	41786.33	SWITCH / EMERGENCY STOP
5	1	22073.34	V4 KEY PAD
6	1	43022.52	* LCD SCREEN
7	1	22073.35	V4 DECAL
8	1	22073.37	* SPEAKER
9	1	22073.39	V4 SCREEN MOUNT
10	1	22073.38	V4 PCB
11	8	22073.42	SELF-TAPPING SCREW
12	1	22073.36	* LOOM
13	1	22073.40	SCREEN COVER
14	1	43022.39	* CONNECTOR (9 WAY)
15	1	22073.41	FUSE HOLDER - BAYONET CAP (10A)
16	1	22073.60	* TWIN CORE POWER LOOM
17	1	22073.61	* CONTROL BOX SIGNAL LEAD

* *Factory replacement items only*

CONTROL MOUNTINGS

Module:

- 7313282 – Cable Controls (A)
- 7109319 – Electric Switchbox (B)
- 8402345 – Electric Switchbox (C)
- 7313275 – Proportional Armrest Control (D)



CONTROL MOUNTINGS

REF.	QTY.	PART NO.	DESCRIPTION
A		7313282	CABLE CONTROL UNIT MOUNTING
1	1	42491.01	BRACKET
2	2	9313094	SETSCREW
3	4	03.152.01	RUBBER WASHER
4	2	9100104	PLAIN WASHER
5	2	9100204	SPRING WASHER
6	2	9193004	WINGNUT

REF.	QTY.	PART NO.	DESCRIPTION
B		7109319	ELECTRIC SWITCHBOX CONTROL MOUNTING
1	1	7109146	PILLAR
2	1	9311086	SETSCREW
3	1	0111006	NUT
4	1	0100206	SPRING WASHER

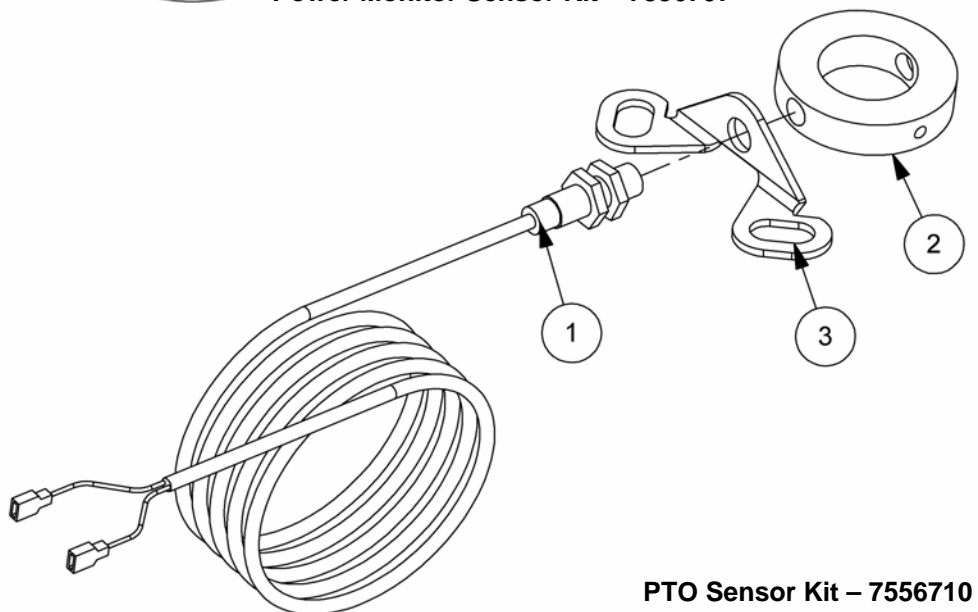
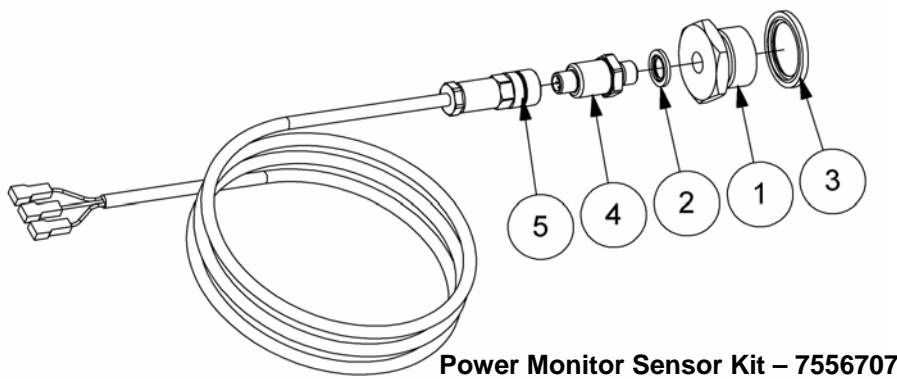
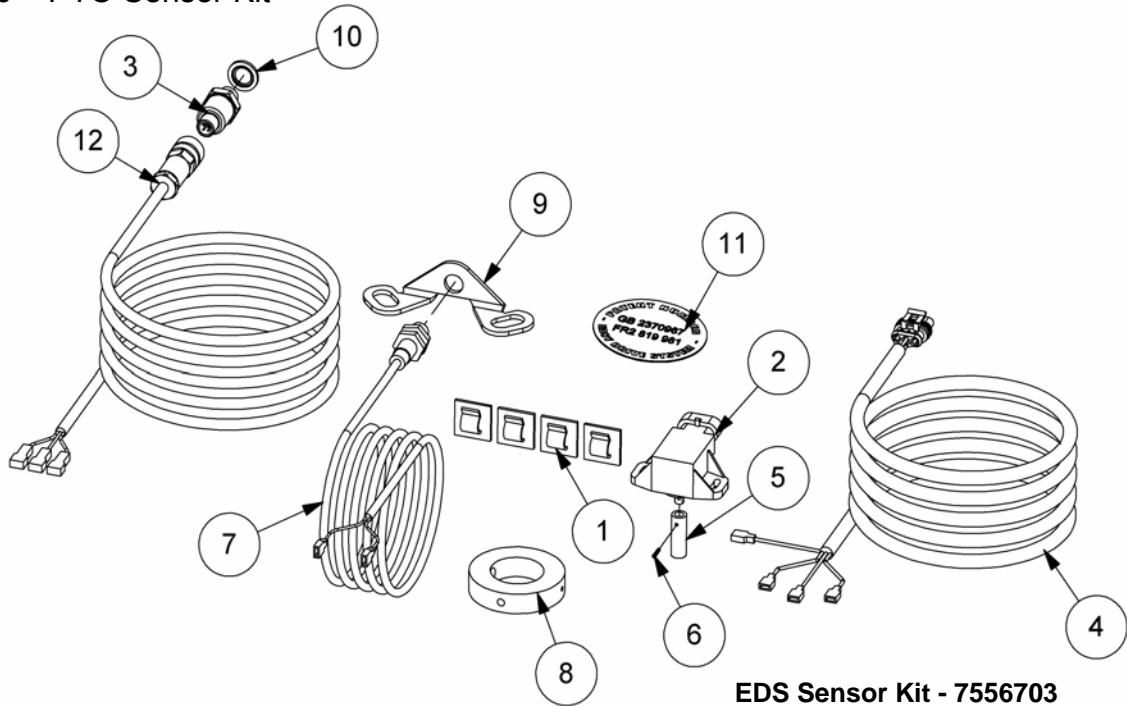
REF.	QTY.	PART No.	DESCRIPTION
C		8402345	ELECTRIC SWITCHBOX CONTROL MOUNTING
1	1	8402345	MOUNTING BRACKET
2	4	2800243	SELF TAPPING SCREW

REF.	QTY.	PART NO.	DESCRIPTION
D		7313275	PROPORTIONAL CONTROL MOUNTING
1	1	08.317.01	CONTROL MOUNTING BRACKET
2	2	9313054	SETSCREW
3	2	9193004	WINGNUT
4	2	9100104	PLAIN WASHER
5	2	9100204	SPRING WASHER
6	6	30.209.71	CLAMP
7	3	30.209.33	COVER PLATE
8	6	30.068.88	BOLT
9	4	9163003	SELF LOCKING NUT
10	1	42312.01	MOUNTING BAR

SENSOR KITS

Modules:

- 7556703 – EDS Sensor Kit
- 7556707 – Power Monitor Kit
- 7556710 – PTO Sensor Kit



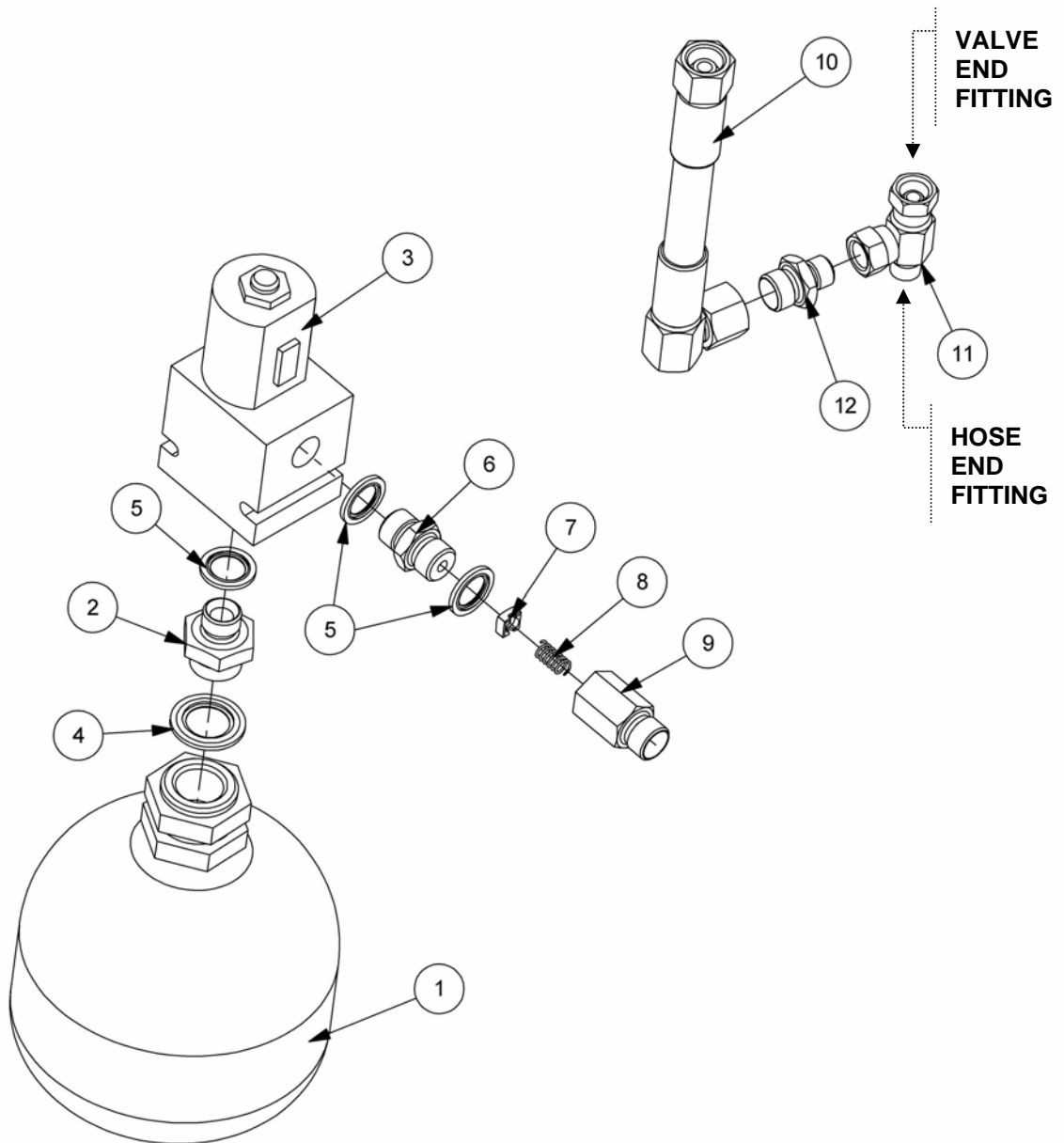
SENSOR KITS

REF.	QTY.	PART No.	DESCRIPTION
		7556703	EDS SENSOR KIT
1	4	43357.01	CLIP (SELF ADHESIVE PAD)
2	1	8402235	REACH SENSOR
3	1	8402253	PRESSURE SENSOR - 0 TO 250 BAR
4	1	21163.01	LOOM - REACH SENSOR
5	1	45425.07	SENSOR EXTENSION
6	1	0430110	SPRING DOWEL
7	1	8402251	PTO SENSOR
8	1	8402252	PTO MAGNETIC RING
9	1	21170.04	PTO SENSOR BRACKET
10	1	8650102	BONDED SEAL
11	1	21365.01	PATENT DECAL
12	1	43177.52	LOOM - PRESSURE TRANSDUCER

REF.	QTY.	PART No.	DESCRIPTION
		7556707	POWER MONITOR SENSOR KIT
1	1	8581451	ADAPTOR
2	1	8650102	BONDED SEAL
3	1	8650108	BONDED SEAL
4	1	8402253	PRESSURE SENSOR - 0 TO 250 BAR
5	1	43177.53	LOOM - PRESSURE SENSOR

REF.	QTY.	PART No.	DESCRIPTION
		7556710	PTO SENSOR KIT
1	1	8402251	PTO SENSOR
2	1	8402252	PTO MAGNETIC RING
3	1	21170.04	PTO SENSOR BRACKET

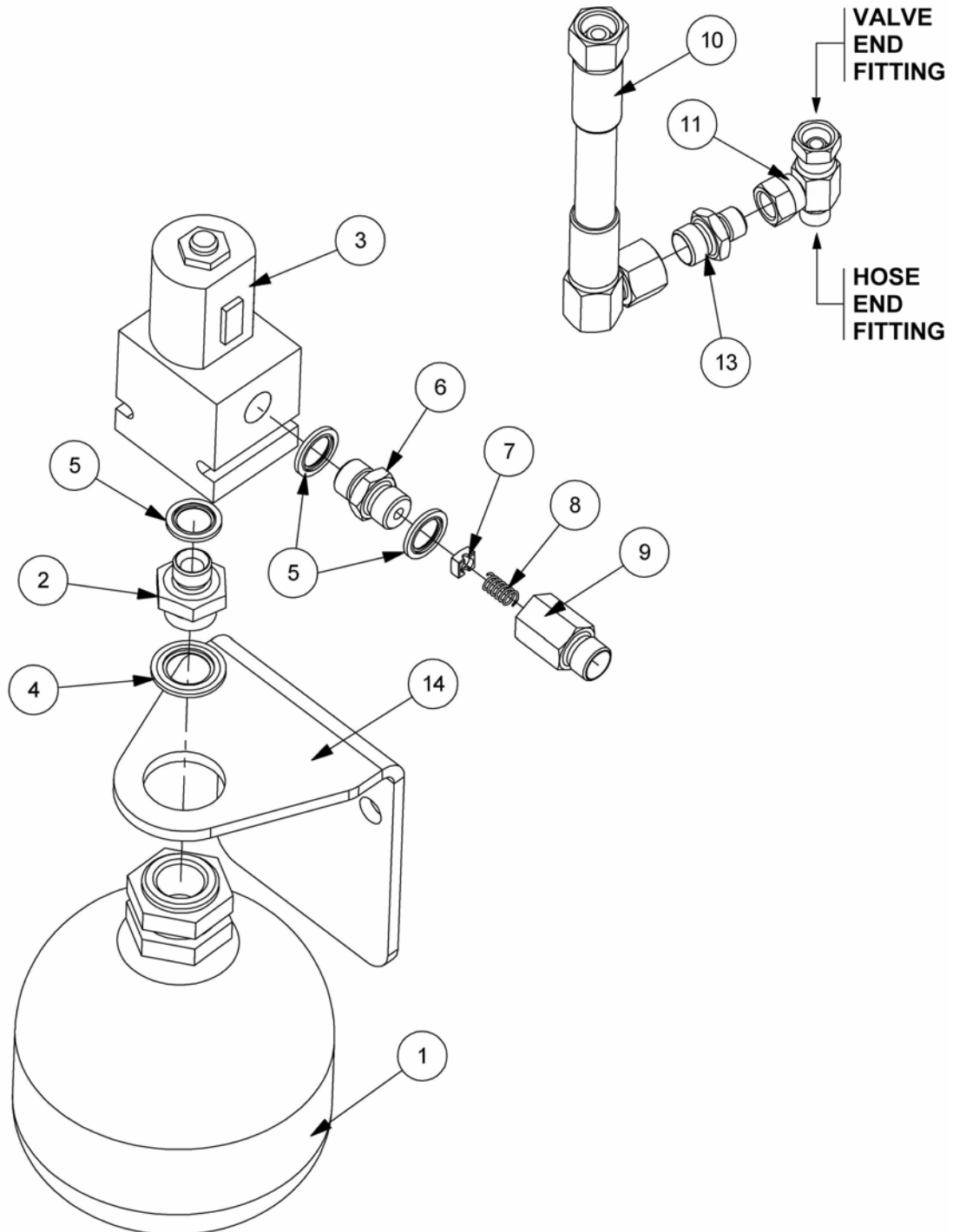
Module:
8126336



LIFT FLOAT KIT - Cable

REF.	QTY.	PART No.	DESCRIPTION
		8126336	LIFT FLOAT KIT - CABLE
1	1	8126044	ACCUMULATOR
2	1	G2410380	ADAPTOR
3	1	08.619.09	VALVE - MODULAR
4	1	8650322	BONDED SEAL
5	3	8650103	BONDED SEAL
6	1	8581209	ADAPTOR
7	1	8123041	RESTRICTOR DISC - 1.15 RED
8	1	8116011	SPRING
9	1	8581346	ADAPTOR RESTRICTOR BODY
10	1	10.004.18	HOSE - 3/8"BSP FS/F90 x 900MM LONG
11	1	8581288	ADAPTOR TEE
12	1	8581115	ADAPTOR
13	1	8402208	SWITCH KIT - <i>not illustrated</i>

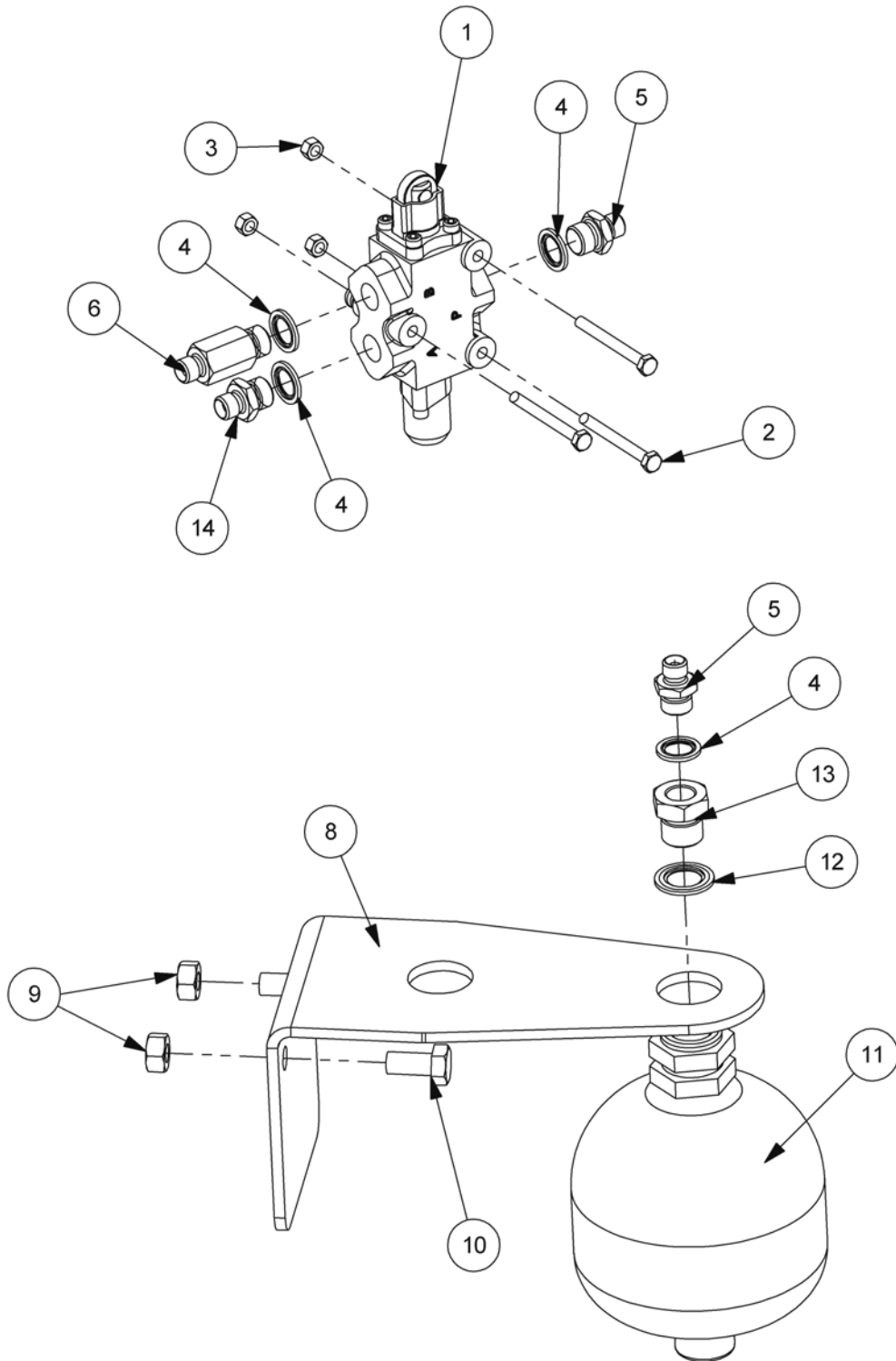
Module:
8126335



LIFT FLOAT KIT - Electric

REF.	QTY.	PART No.	DESCRIPTION
		8126335	LIFT FLOAT KIT - ELECTRIC
1	1	8126044	ACCUMULATOR
2	1	G2410380	ADAPTOR
3	1	08.619.09	VALVE - MODULAR
4	1	8650322	BONDED SEAL
5	3	8650103	BONDED SEAL
6	1	8581209	ADAPTOR
7	1	8123041	RESTRICTOR DISC - 1.15 RED
8	1	8116011	SPRING
9	1	8581346	ADAPTOR RESTRICTOR BODY
10	1	10.004.16	HOSE - 3/8" BSP FS/F90 x 800MM LONG
11	1	8581288	ADAPTOR TEE
12	1	8402207	LOOM - <i>not illustrated</i>
13	1	8581115	ADAPTOR
14	1	8126318	BRACKET - FLOAT KIT

Module:
7452755





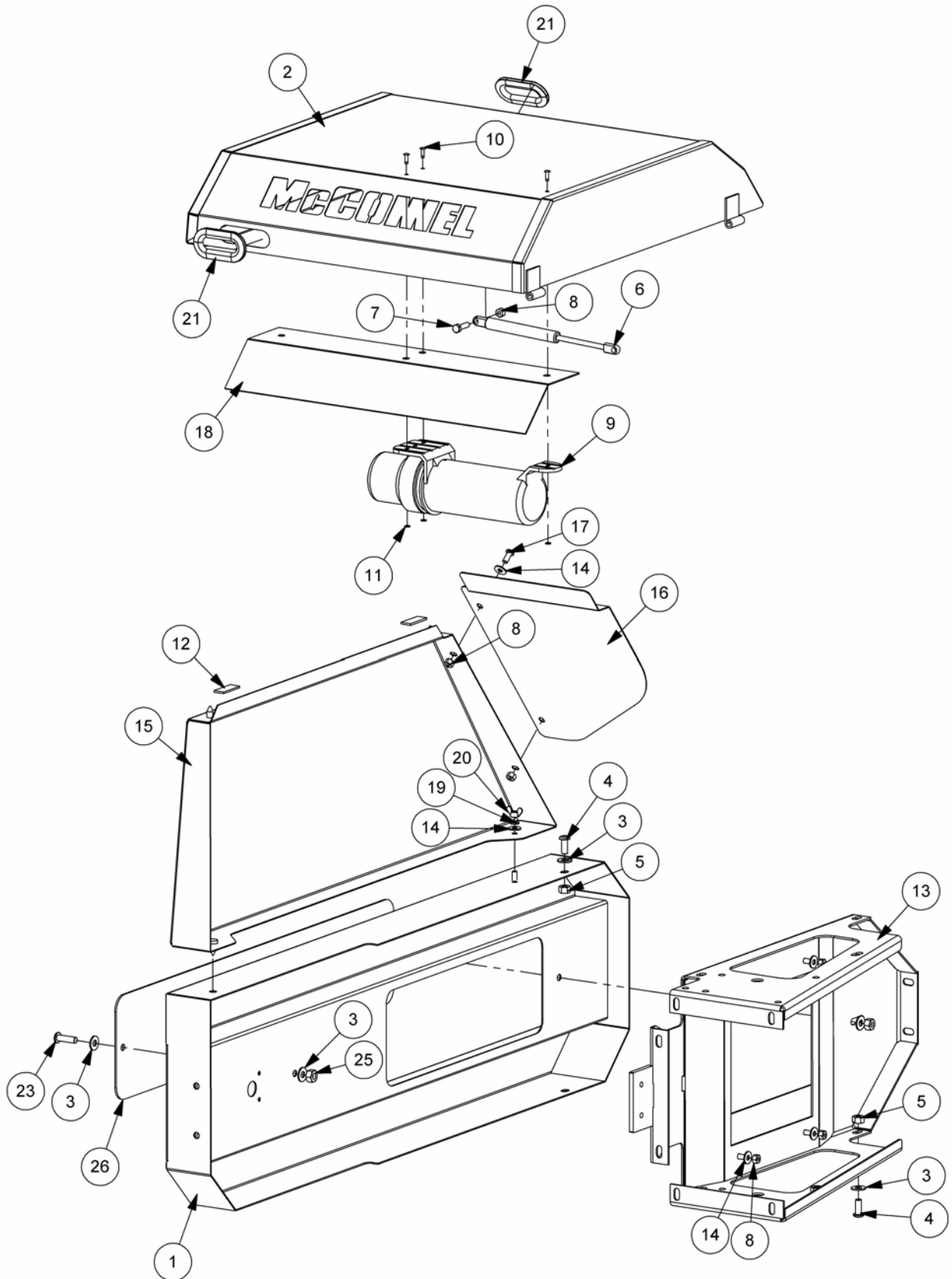
REF.	QTY.	PART No.	DESCRIPTION
		7452755	OVER CENTRE VALVE KIT
1	1	45913.02	CAM VALVE DIVERter - 3 WAY
2	3	9213123	BOLT
3	3	9143003	SELF-LOCKING NUT
4	4	8650103	BONDED SEAL
5	2	8581115	ADAPTOR
6	1	8581146	ADAPTOR
7	6	9100103	FLAT WASHER
8	1	8126330	ACCUMULATOR BRACKET
9	2	9143006	SELF-LOCKING NUT
10	2	9313056	SETSCREW
11	1	8126044	ACCUMULATOR
12	1	8650322	BONDED SEAL
13	1	8581284	ADAPTOR
14	1	8130046	ADAPTOR RESTRICTOR

Modules:

7153702 – L/H Build

7153703 – R/H Build

Illustrated in Left Hand Build



COVERS – Models without Cooler

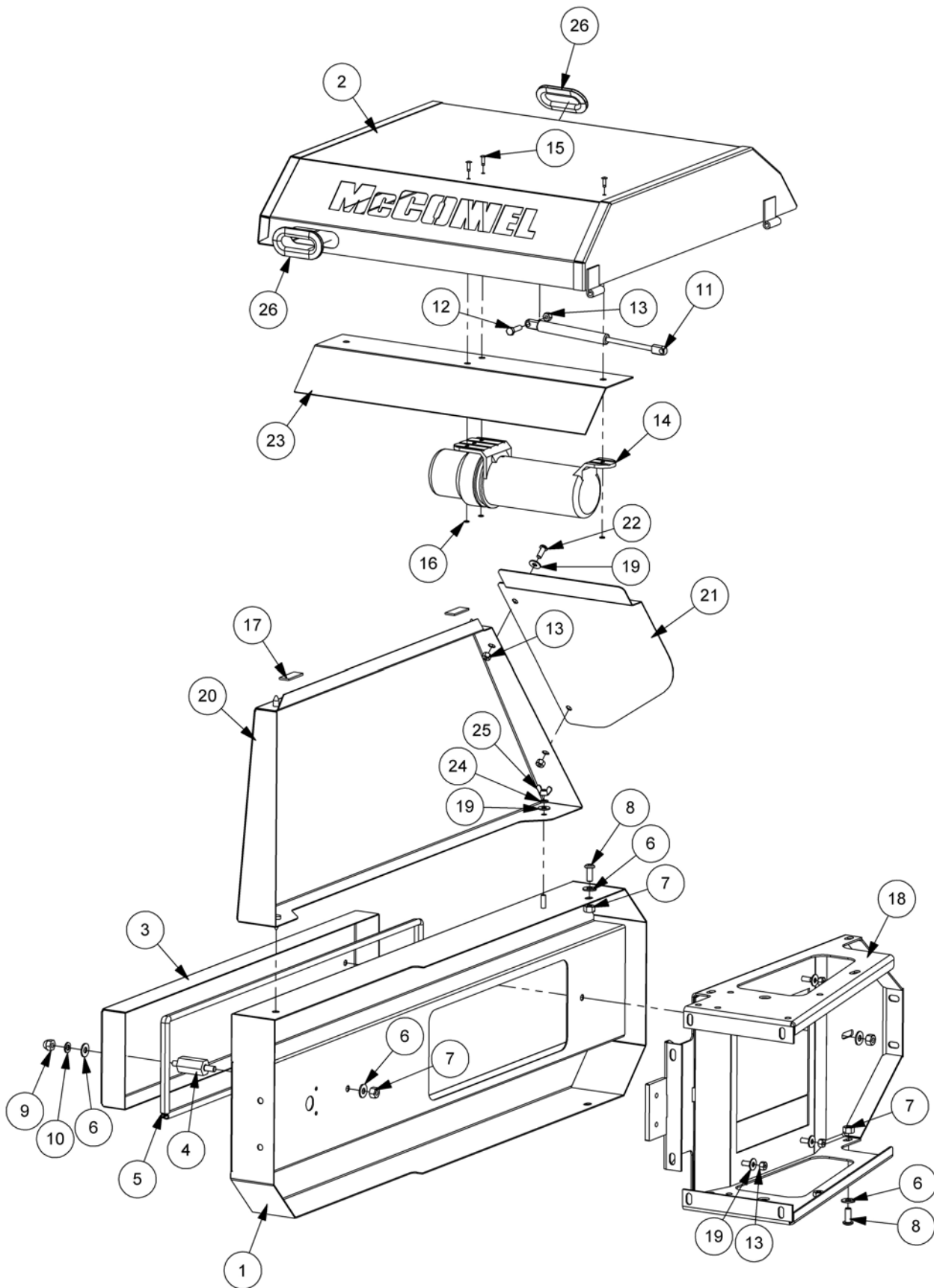
REF.	QTY.	PART No.	DESCRIPTION
		7153702	COVERS ASSEMBLY (No Cooler Models) - L/H Build
		7153703	COVERS ASSEMBLY (No Cooler Models) - R/H Build
1	1	21723.03	LIGHT BAR - L/H Build
	1	21723.04	LIGHT BAR - R/H Build
2	1	21309.12	TANK COVER - L/H Build
	1	21309.13	TANK COVER - R/H Build
3	6	9100105	FLAT WASHER
4	2	9300154	SOCKET SCREW
5	3	9143005	SELF-LOCKING NUT
6	1	21288.03	GAS SPRING
7	1	9313064	SETSCREW
8	7	9143004	SELF-LOCKING NUT
9	1	46505.01	LITERATURE HOLDER
10	3	21612.01	POP RIVET
11	3	9100101	FLAT WASHER
12	2	21726.31	SPONGE PAD
13	1	21305.01	COVER MOUNT
14	7	9100104	FLAT WASHER
15	1	21712.02	REAR COVER - L/H Build
	1	21712.03	REAR COVER - R/H Build
16	1	21880.01	VALVE COVER - L/H Build
	1	21880.02	VALVE COVER - R/H Build
17	2	9300161	SOCKET BUTTON SCREW
18	1	21881.01	COVER INSERT
19	1	9100204	SPRING WASHER
20	1	9193004	M8 WING NUT
21	2	43468.10	EDGING
22	2	21464.01	SPACER - BLANK PLATE
23	1	9300175	SOCKET SCREW
24	1	9300185	SOCKET SCREW
25	1	9147006	SELF LOCK NUT
26	1	21363.02	BLANKING PLATE

Modules:

7153704 – L/H Build

7153705 – R/H Build

Illustrated in Left Hand Build



COVERS – Models with Cooler

REF.	QTY.	PART No.	DESCRIPTION
		7153704	COVERS ASSEMBLY (Cooler Models) - L/H Build
		7153705	COVERS ASSEMBLY (Cooler Models) - R/H Build
1	1	21723.03	LIGHT BAR - L/H Build
	1	21723.04	LIGHT BAR - R/H Build
2	1	21309.12	TANK COVER - L/H Build
	1	21309.13	TANK COVER - R/H Build
3	1	46046.01	COOLER FILTER BASKET
4	2	46041.01	STAND OFF
5	1	43468.05	EDGING STRIP
6	6	9100105	FLAT WASHER
7	4	9143005	SELF-LOCKING NUT
8	2	9300154	SOCKET SCREW
9	2	9100025	DOME NUT
10	2	9100205	SPRING WASHER
11	1	21288.03	GAS SPRING
12	1	9313064	SETSCREW
13	7	9143004	SELF-LOCKING NUT
14	1	46505.01	LITERATURE HOLDER
15	3	21612.01	POP RIVET
16	3	9100101	FLAT WASHER
17	2	21726.31	SPONGE PAD
18	1	21305.01	COVER MOUNT
19	7	9100104	FLAT WASHER
20	1	21712.02	REAR COVER - L/H Build
	1	21712.03	REAR COVER - R/H Build
21	1	21880.01	VALVE COVER - L/H Build
	1	21880.02	VALVE COVER - R/H Build
22	2	9300161	SOCKET BUTTON SCREW
23	1	21881.01	COVER INSERT
24	1	9100204	SPRING WASHER
25	1	9193004	WING NUT
26	2	43468.10	EDGING

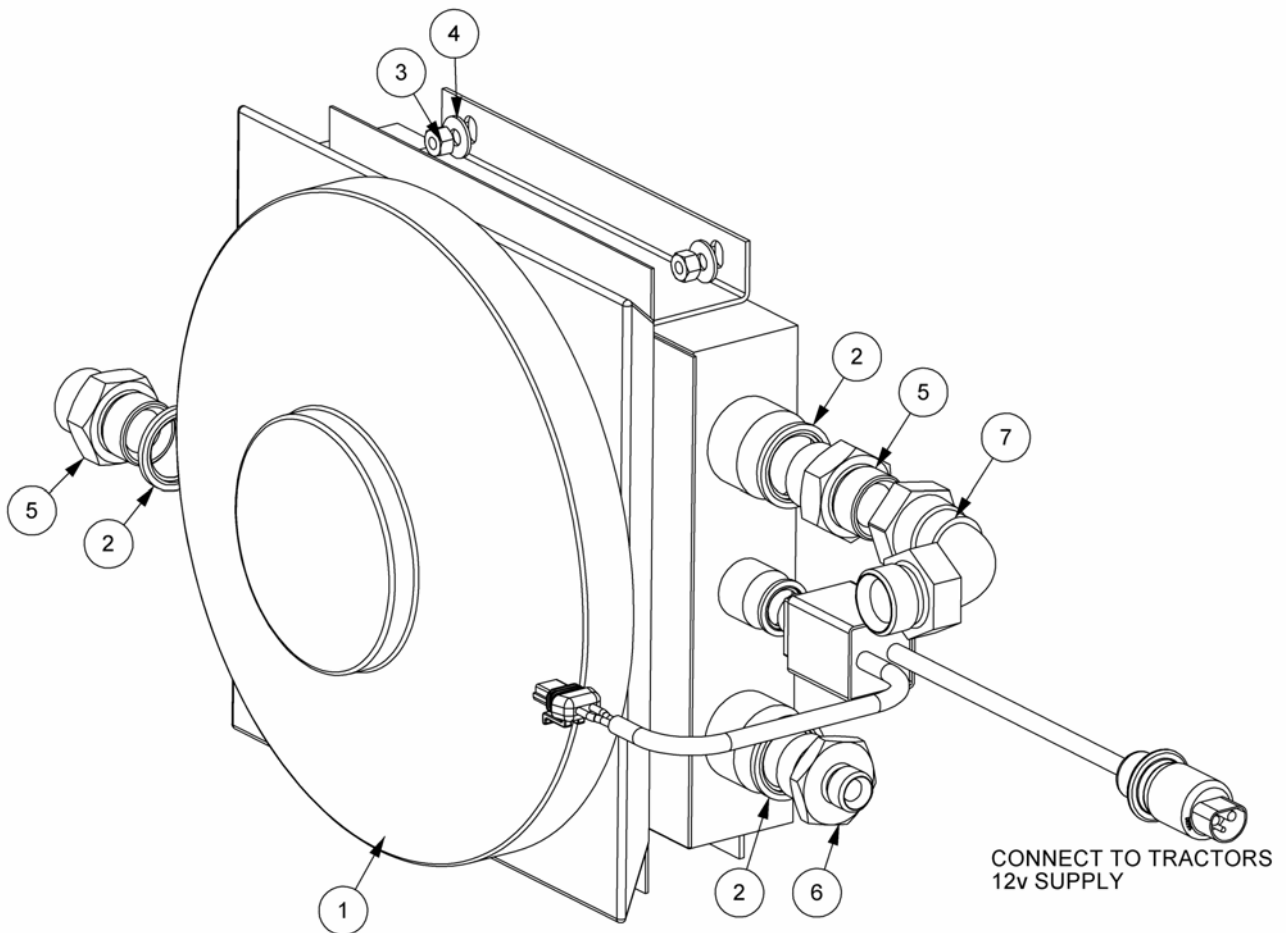
COOLER ASSEMBLY

Modules:

7153756 – L/H Build

7153757 – R/H Build

Illustrated in Left Hand Build



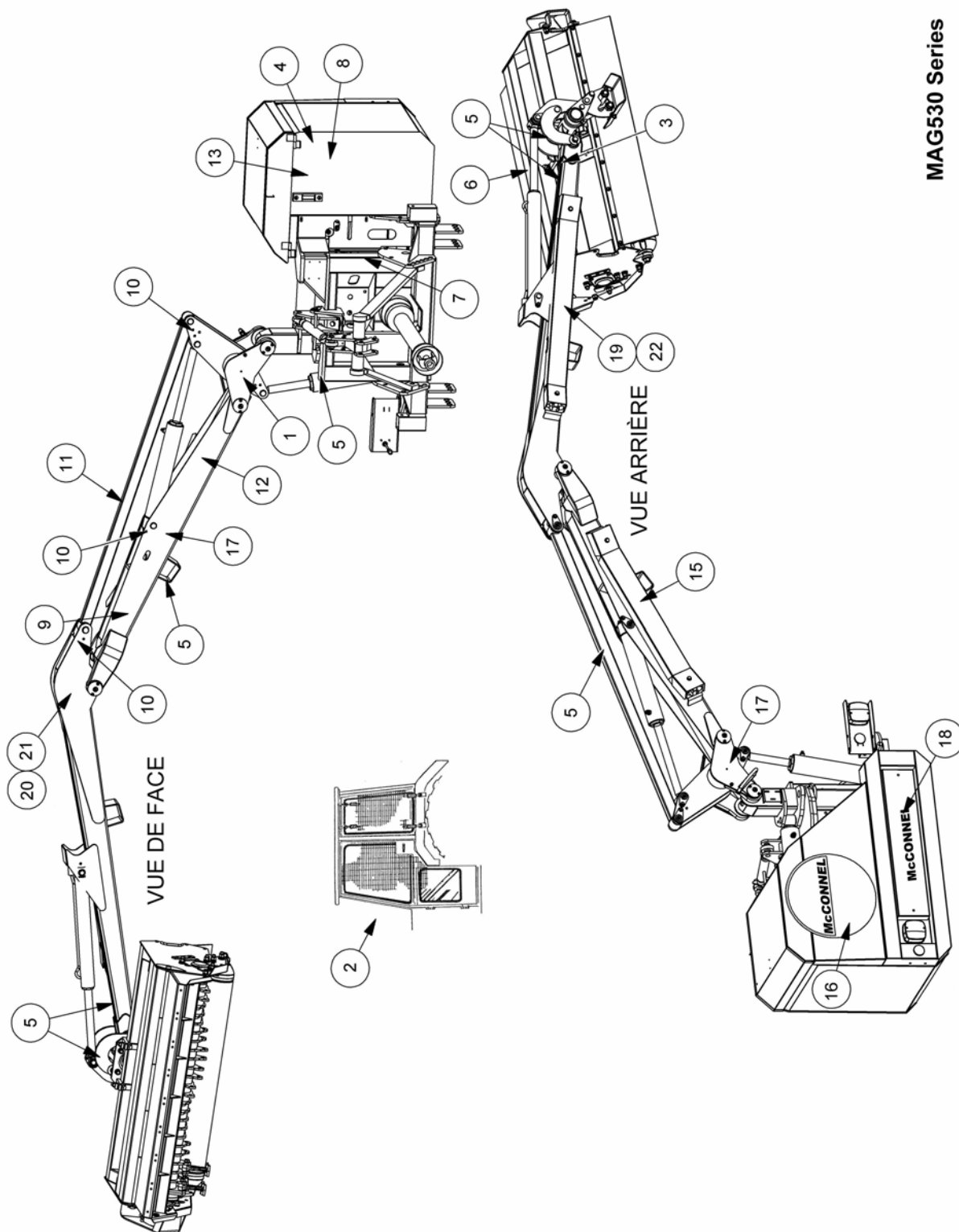
COOLER ASSEMBLY

REF.	QTY.	PART No.	DESCRIPTION
		7153756	COOLER ASSEMBLY - L/H Build
		7153757	COOLER ASSEMBLY - R/H Build
1	1	8402379	COOLER c/w THERMO SWITCH AND LOOM
2	3	8650108	BONDED SEAL
3	4	9143004	SELF-LOCKING NUT
4	4	9100104	FLAT WASHER
5	2	05.434.01	ADAPTOR
6	1	8581129	ADAPTOR
7	1	8581264	ADAPTOR - SWEPT 90°

NOTE: Component parts for L/H & R/H builds are identical builds differ only in the assembled positions of components

Modules:

- 7153776 – Basic Decal Kit (All Models)
- 7153777 – Cable Models
- 7153778 – Electric & Proportional Models
- 7153780 – Proportional Models
- 7153779 – Electric & Proportional EDS Models



MAG530 Series

MACHINE DECALS

REF.		PART No.	DESCRIPTION
		7153776	BASIC DECAL KIT - MAG530 All Models
1	1	7105130	DECAL - READ INSTRUCTION BOOK
2	1	1290352	DECAL - GENERAL WARNING
3	1	21917.02	DECAL - HEAD (ORANGE 102 l/min)
4	1	00756494	DECAL - PTO SHAFT
5	6	02962764	DECAL - PINCH POINT
6	1	1290571	DECAL - QUEENS AWARD
7	1	09.811.03	DECAL - 500 RPM
8	1	7135295	DECAL - TIGHTEN CHECK CHAINS
9	1	1290450	DECAL - BREAKAWAY WARNING
10	2	1290074	DECAL - SLING HERE
11	1	09.821.12	DECAL - TRANSPORT WARNING
12	1	8402138	DECAL - SLEW WARNING
13	1	1290023	DECAL - OIL FILTER LABEL
14	1	1290255	DECAL - McCONNEL (BLACK)
15	1	1290588	DECAL - McCONNEL (SILVER)
16	1	1290697	DECAL - McCONNEL ROUNDEL
17	1	1290296	DECAL - LOGO ROUNDEL
Model Specific Decal Kits			
		7153777	DECAL KIT - MAG530 Cable Models
18	1	1290255	DECAL - McCONNEL (BLACK)
19	1	1290694	DECAL - MAG530 (SILVER)
20	1	1290692	DECAL - MAG530 (BLACK)
		7153778	DECAL KIT - MAG530 Electric & Prop. Models
18	1	1290255	DECAL - McCONNEL (BLACK)
19	1	1290695	DECAL - MAG530E (SILVER)
20	1	1290693	DECAL - MAG530E (BLACK)
		7153780	DECAL KIT - MAG530 Proportional Models
18	1	1290588	DECAL - McCONNEL (SILVER)
19	1	1290695	DECAL - MAG530E (SILVER)
20	1	1290693	DECAL - MAG530E (BLACK)
		7153779	DECAL KIT - MAG530 Electric & Prop. EDS Models
18	1	1290588	DECAL - McCONNEL (SILVER)
19	1	1290695	DECAL - MAG530E (SILVER)
20	1	1290693	DECAL - MAG530E (BLACK)
21	1	1290518	DECAL - EDS (BLACK)
22	1	1290593	DECAL - EDS (SILVER)



McConnel Limited, Temeside Works, Ludlow, Shropshire SY8 1JL. England.
Telephone: 01584 873131. Facsimile: 01584 876463. www.mcconnel.com