

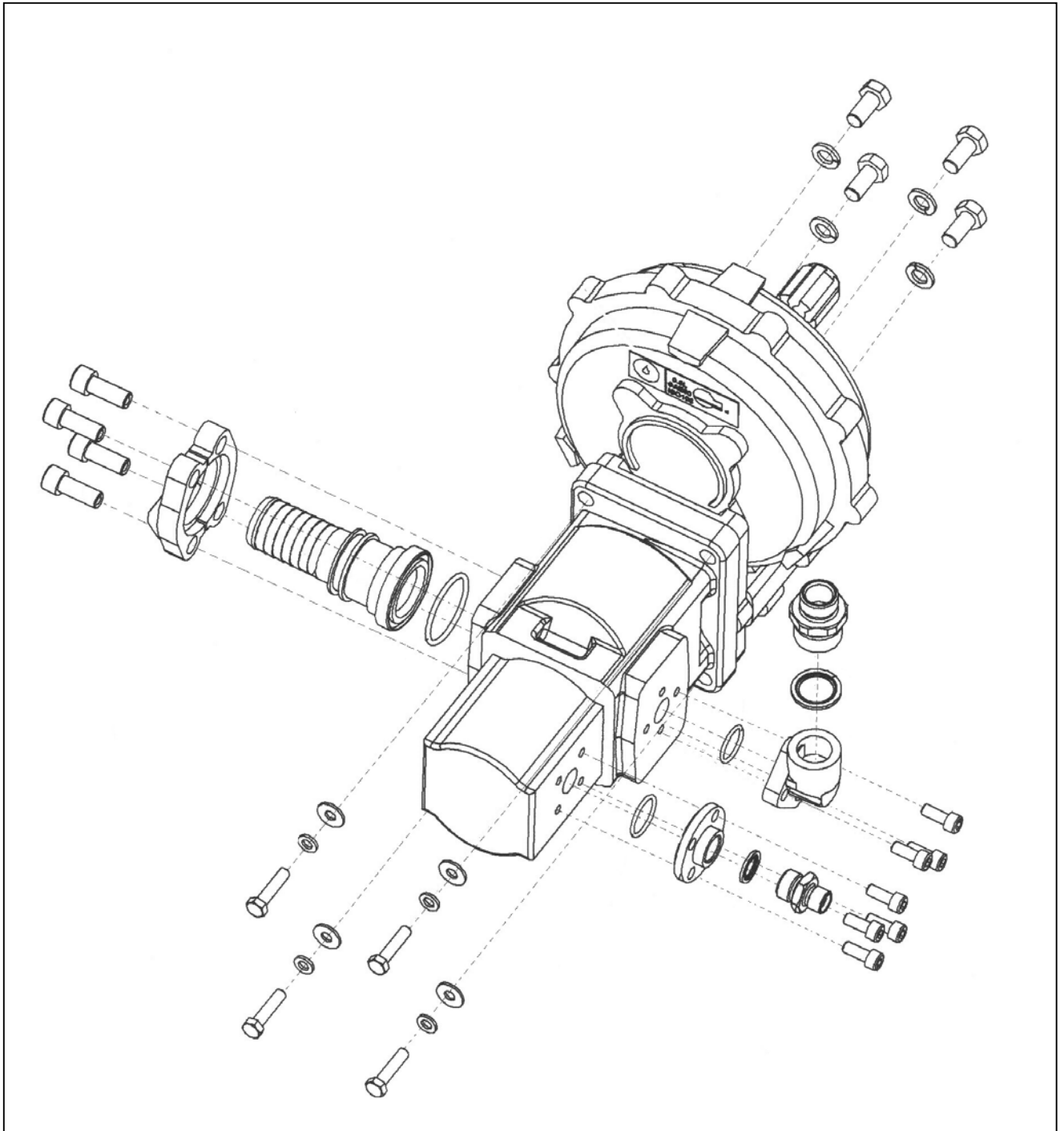
Publication 404
May 2001
Part No. 41570.05

SERIE MAG 480S

Modeles C, E, et E ARC



Pièces détachées





MANUEL DE PIÈCES DETACHÉES

***Pour avoir les meilleures performances...
Utiliser exclusivement les pièces détachées Payen***

Pour être certains d'avoir les dernières améliorations apportées, acheter vos pièces de remplacement chez le fabricant d'origine de votre équipement Payen, chez votre concessionnaire ou stockiste local.

Donner toujours votre type et numéro de série de machine en même temps que le numéro de la pièce.

Des améliorations de conception peuvent avoir modifié certaines pièces listées dans ce manuel - La pièce la plus récente vous sera toujours fournie si elle est interchangeable avec la plus ancienne.



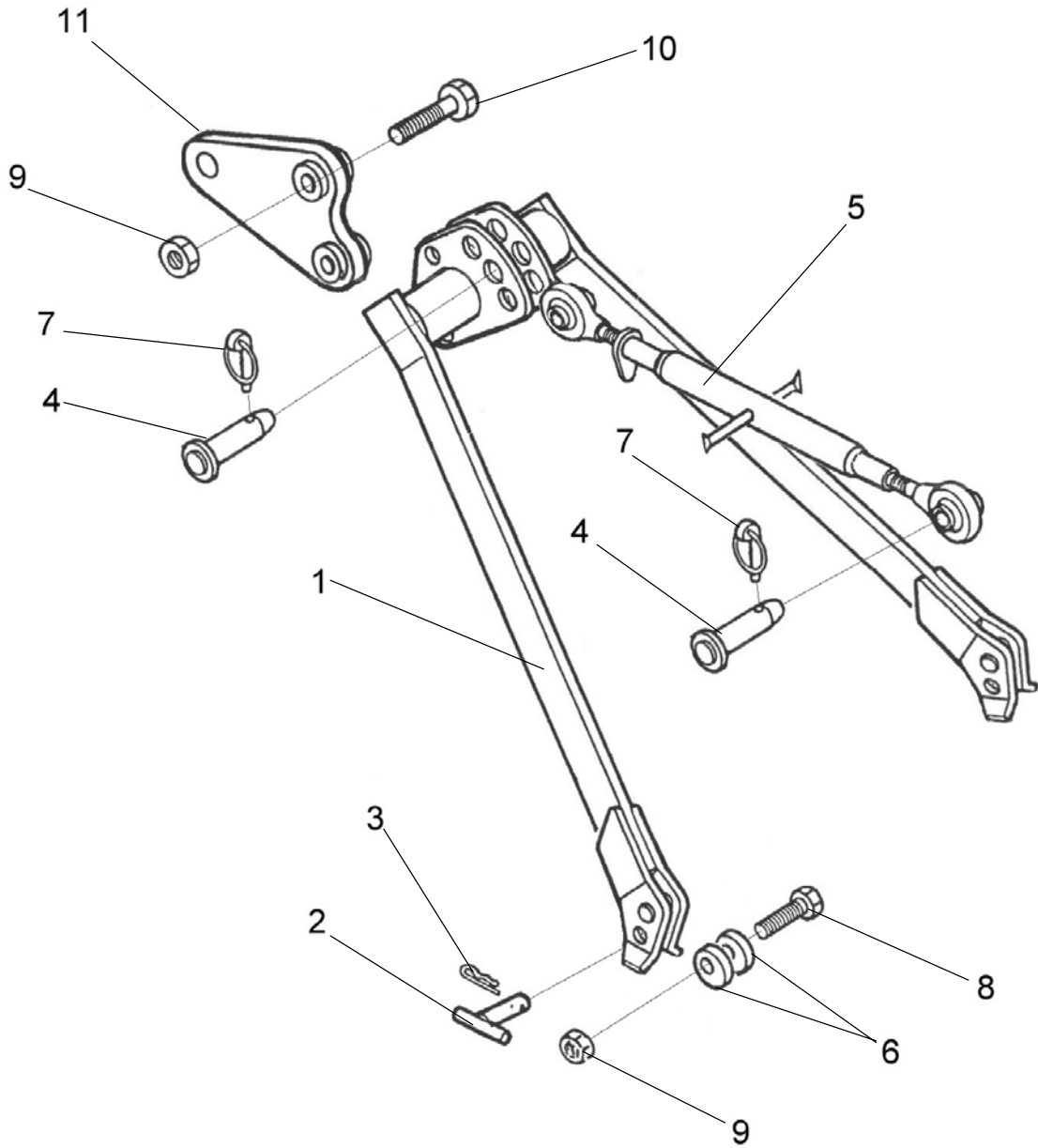
Genuine Parts ~ Quality Service

LIST OF CONTENTS

| | <i>Page No.</i> |
|--|-----------------|
| Machine Components | |
| Stabilizer | 1 |
| Main Frame & Fittings | 3 |
| Pillar & Fittings | 5 |
| Pillar & Fittings - <i>AHC models</i> | 7 |
| Rocker & Fittings | 9 |
| Rocker & Fittings - <i>AHC models</i> | 11 |
| | |
| Arms | |
| Main Arm & Fittings | 13 |
| Dipper Arm & Fittings | 15 |
| Dipper Arm & Fittings - <i>Midcut models</i> | 17 |
| | |
| Hydraulic Oil Tank | |
| Tank Assembly & Fittings - <i>All models</i> | 19 |
| | |
| Pump & Gearbox | |
| Pump & Gearbox Assembly | 21 |
| | |
| Controls | |
| Rotor Control Valve - <i>All models</i> | 23 |
| Armhead Control Valve - <i>Cable models</i> | 25 |
| Armhead Control Valve - <i>Electric models</i> | 27 |
| Armhead Control Valve - <i>AHC models</i> | 29 |
| Switchbox Controls & Loom - <i>Electric models</i> | 31 |
| Monolever Controls & Loom - <i>Electric models</i> | 33 |
| Control Mounting - <i>Cable models</i> | 35 |
| Control Mounting - <i>Electric models</i> | 36 |
| | |
| Float Kits | |
| Lift Float Kit - <i>Cable models</i> | 37 |
| Lift Float Kit - <i>Electric models</i> | 39 |
| | |
| Rams | |
| Angling Ram | 41 |
| Lift Ram | 42 |
| Reach Ram | 43 |
| Slew Ram | 44 |
| Compensator Ram - <i>AHC models</i> | 45 |
| | |
| Hydraulic Hoses | |
| Hose Installation - <i>Cable & Cable Midcut models</i> | 47 |
| Hose Installation - <i>Electric & Electric Midcut models</i> | 49 |
| Hose Installation - <i>Electric AHC & Electric AHC Midcut models</i> | 51 |

LIST OF CONTENTS (Continued)

| | <i>Page No.</i> |
|--|-----------------|
| Flail Heads | |
| 1.2m Direct Drive Flailhead | 53 |
| 1.2m Belt Drive Flailhead | 57 |
| Rotors & Flails | 61 |
| Roller Assemblies | 63 |
| | |
| Cooler | |
| Cooler Kit - <i>Proportional Electric Models</i> | 65 |
| | |
| Covers | |
| Rear Covers & Fittings - <i>All models</i> | 67 |
| | |
| Decals | |
| Decals / Warning Stickers | 69 |



| REF. | QTY. | PART NO. | DESCRIPTION |
|------|------|-----------|--------------------|
| 1 | 1 | 41915.06 | STABILIZER |
| 2 | 2 | 7192027 | STABILIZER PIN |
| 3 | 4 | 0431105 | SPRING COTTER |
| 4 | 2 | 7118112 | TOP LINK PIN |
| 5 | 1 | 07.584.01 | TOP LINK - CAT. II |
| 6 | 4 | 7192080 | ECCENTRIC COLLAR |
| 7 | 2 | 0431217 | LINCH PIN |
| 8 | 2 | 9213148 | BOLT M20 x 70 |
| 9 | 4 | 9143008 | CLEVLOK NUT M20 |
| 10 | 2 | 9213228 | BOLT M20 x 110 |
| 11 | 1 | 7499501 | TONGUE |

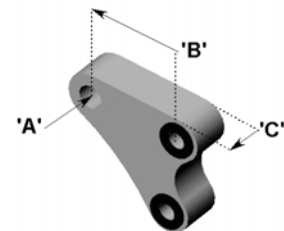
McCONNEL STABILISER TONGUES

'A' – Hole diameter

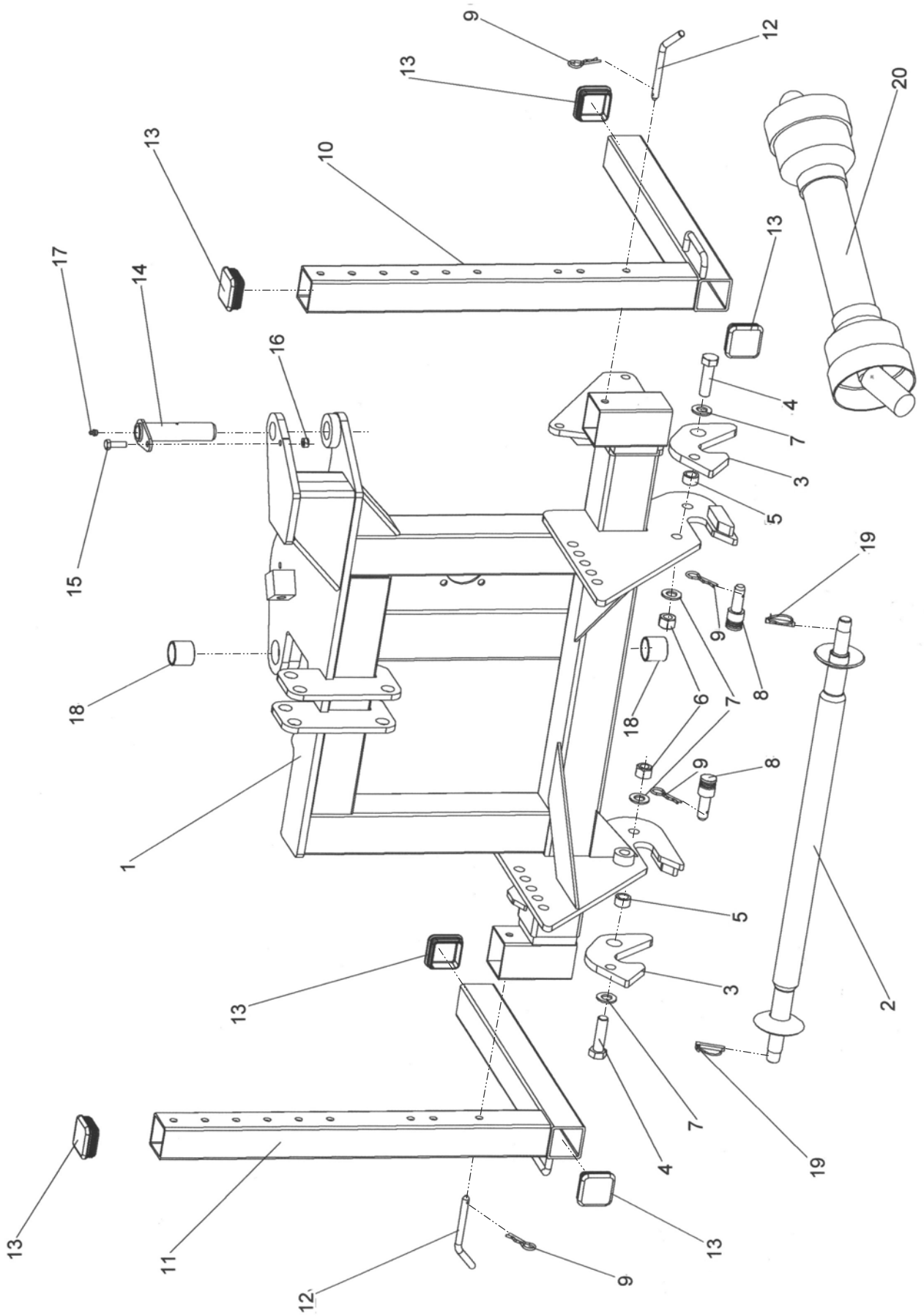
'B' – Hole center spacing

'C' – Stabiliser width

(Dimensions in mm)



| Part No. | Description | 'A' | 'B' | 'C' |
|----------|---|------|-----|-----|
| 7499501 | Tongue: Standard – Cat. 2 | 27 | 107 | 45 |
| 7499500 | Tongue: Special – Cat. 2 narrow | 27 | 107 | 35 |
| 7499502 | Tongue: Special – Cat. 2 long | 27 | 217 | 45 |
| 7499503 | Tongue: Special – Cat. 3 long | 32 | 217 | 45 |
| 7499504 | Tongue: Special – Cat. 1 | 19.5 | 107 | 35 |
| 7499505 | Tongue: Special – Cat. 2 for Case TX tractors | 25 | 120 | 50 |
| 7499506 | Tongue: Special – Cat. 3 | 32 | 107 | 45 |
| 7499507 | Tongue: Special – Cat. 3 narrow | 32 | 107 | 30 |
| 7499508 | Tongue: Special – for some Ford tractors | 28.6 | 107 | 45 |
| 7499262 | Tongue: Special – Cat. 2 extra long for Aebi | 27 | 260 | 45 |
| 7499510 | Tongue: Special – Cat. 2 | 27 | 107 | 40 |

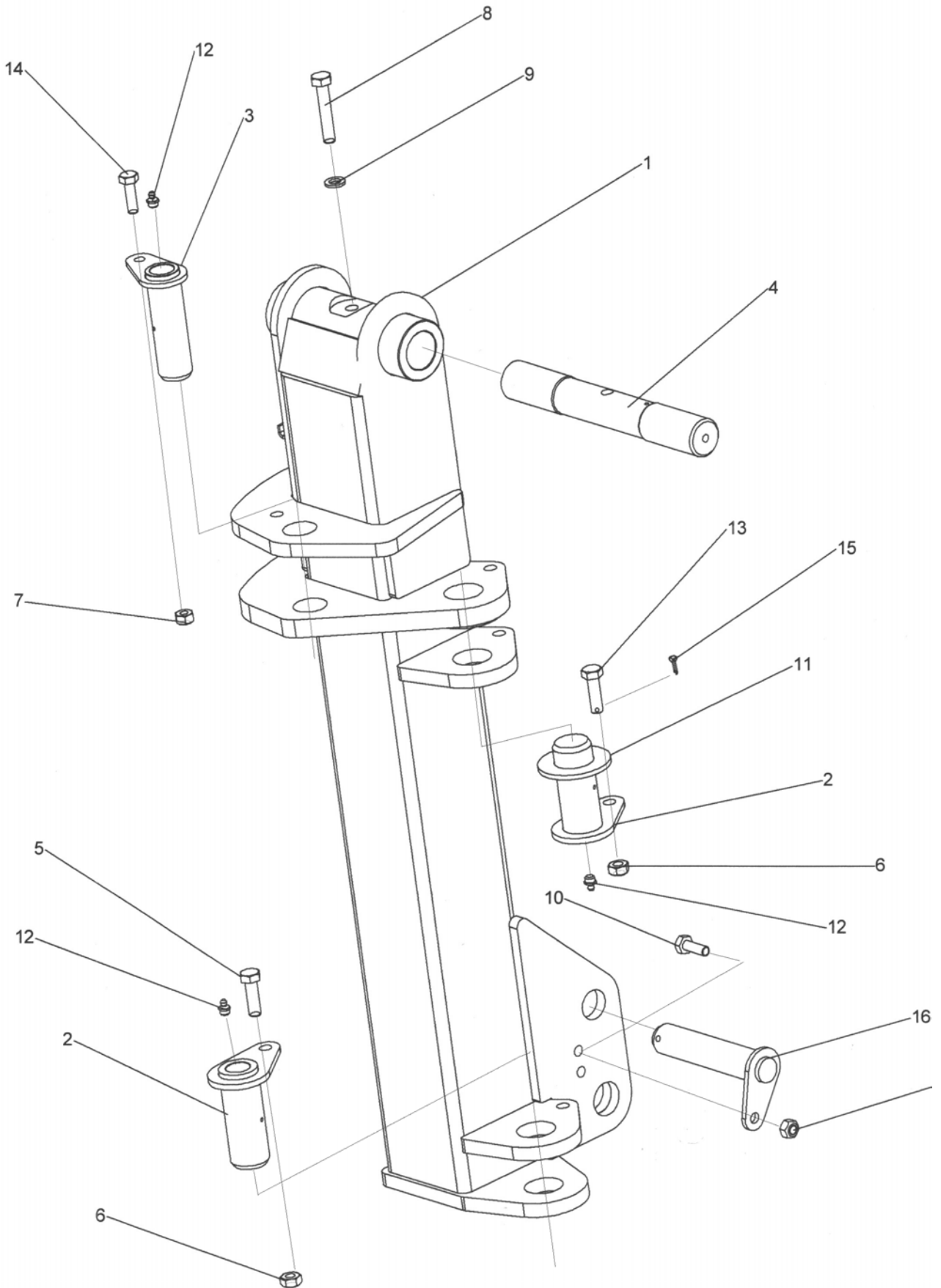


MAIN FRAME ASSEMBLY

| REF. | QTY. | PART No. | DESCRIPTION |
|------|------|-----------|-----------------------------------|
| 1 | 1 | 45193.04 | MAIN FRAME |
| 2 | 1 | 42333.02 | HITCH BAR |
| 3 | 2 | 42591.02 | CATCH HOOK |
| 4 | 2 | 9213148 | BOLT M20 x 70 |
| 5 | 2 | 42801.01 | SPACER SLEEVE |
| 6 | 2 | 9143008 | SELF-LOCKING NUT M20 |
| 7 | 4 | 9100108 | FLAT WASHER M20 |
| 8 | 2 | 45369.01 | LATCH LOCK PIN |
| 9 | 4 | 0431105 | SPRING COTTER |
| 10 | 1 | 45293.01 | STAND LEG - LEFT HAND |
| 11 | 1 | 45293.02 | STAND LEG - RIGHT HAND |
| 12 | 2 | 45297.01 | LEG PIN |
| 13 | 6 | 45210.01 | PLASTIC PLUG 70 x 70 |
| 14 | 1 | 45202.05 | SLEW BASE PIN |
| 15 | 1 | 9313075 | SETSCREW M10 x 35 |
| 16 | 1 | 9143005 | SELF-LOCKING NUT M10 |
| 17 | 1 | 0901121 | GREASE NIPPLE 3/8" BSP - STRAIGHT |
| 18 | 2 | 30.207.68 | PLASTIC BUSH 40 x 47 x 40 |
| 19 | 2 | 0431217 | LINCH PIN |
| 20 | 1 | 7136330 | DRIVE SHAFT |

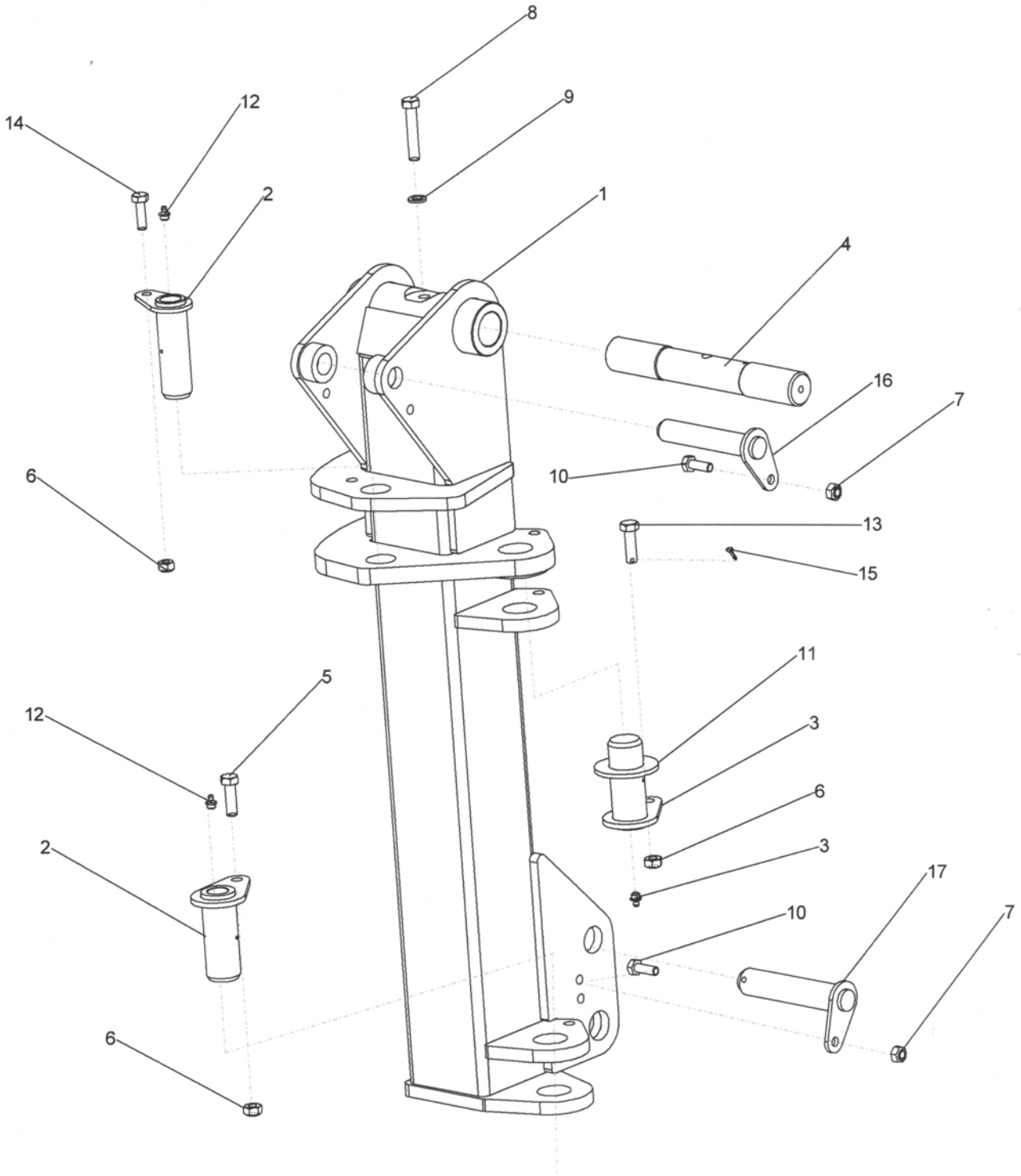
MAG 480 Mk3

PILLAR ASSEMBLY (Non AHC)



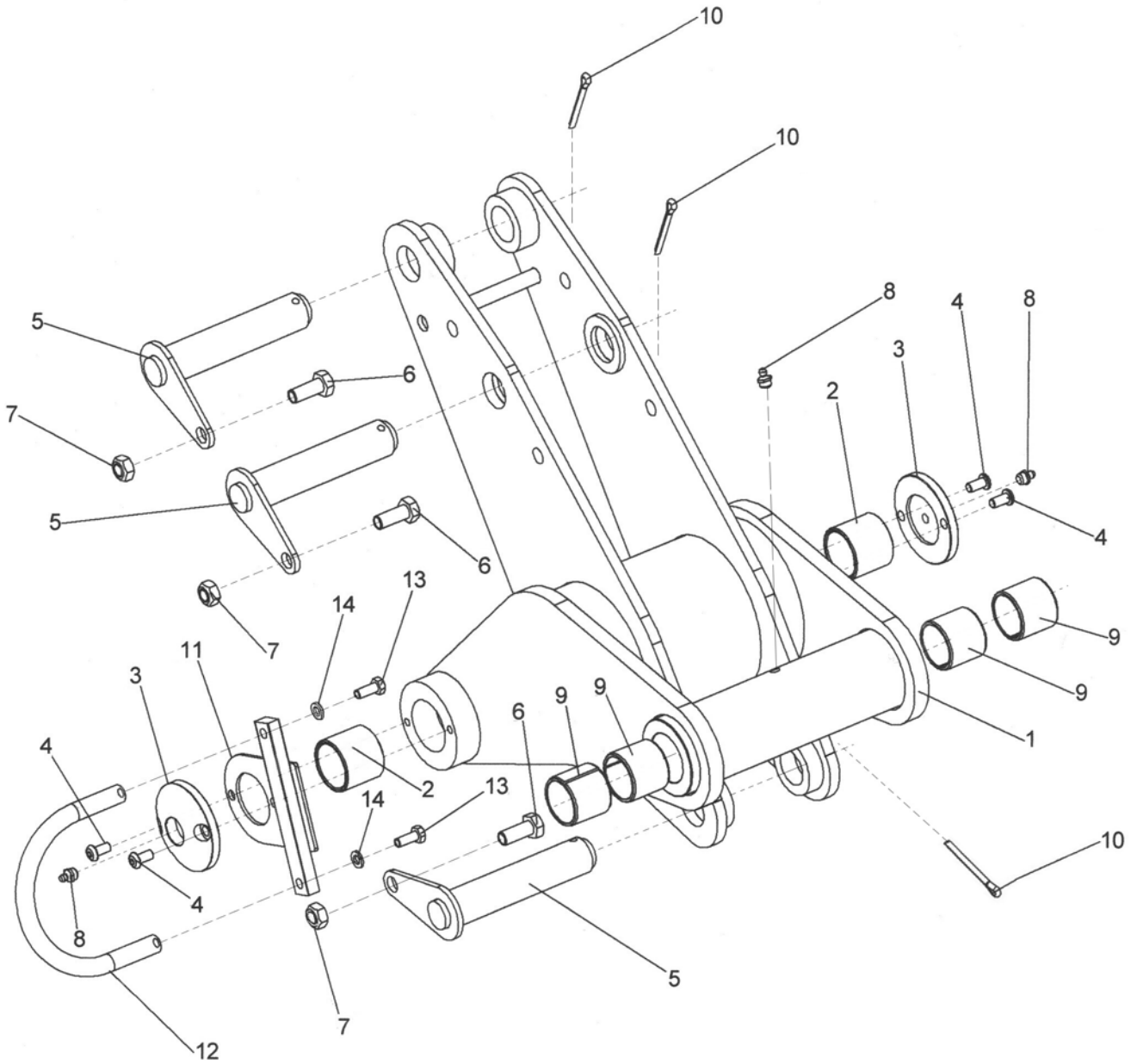
PILLAR ASSEMBLY (Non AHC)

| REF. | QTY. | PART NO. | DESCRIPTION |
|------|------|----------|-----------------------------------|
| 1 | 1 | 45192.02 | PILLAR |
| 2 | 2 | 45271.01 | SLEW PIVOT PIN |
| 3 | 1 | 45202.04 | PIN-SLEW ROD |
| 4 | 1 | 45264.01 | MAIN PIVOT PIN |
| 5 | 1 | 9213086 | BOLT M12 x 40 |
| 6 | 2 | 9143006 | SELF-LOCKING NUT M12 |
| 7 | 2 | 9143005 | SELF-LOCKING NUT M10 |
| 8 | 1 | 9213136 | BOLT M12 x 65 |
| 9 | 1 | 9100206 | SPRING WASHER M12 |
| 10 | 1 | 9313065 | SETSCREW M10 x 30 |
| 11 | 1 | 45298.01 | THRUST WASHER 75 x 41 x 5 |
| 12 | 3 | 0901121 | GREASE NIPPLE 3/8" BSP - STRAIGHT |
| 13 | 1 | 45416.01 | SPECIAL SETCREW M12 x 40 |
| 14 | 1 | 9313075 | SETSCREW M10 x 35 |
| 15 | 1 | 9501255 | SPLIT PIN M4 x 25 |
| 16 | 1 | 45202.07 | PIN - RAM BASE |



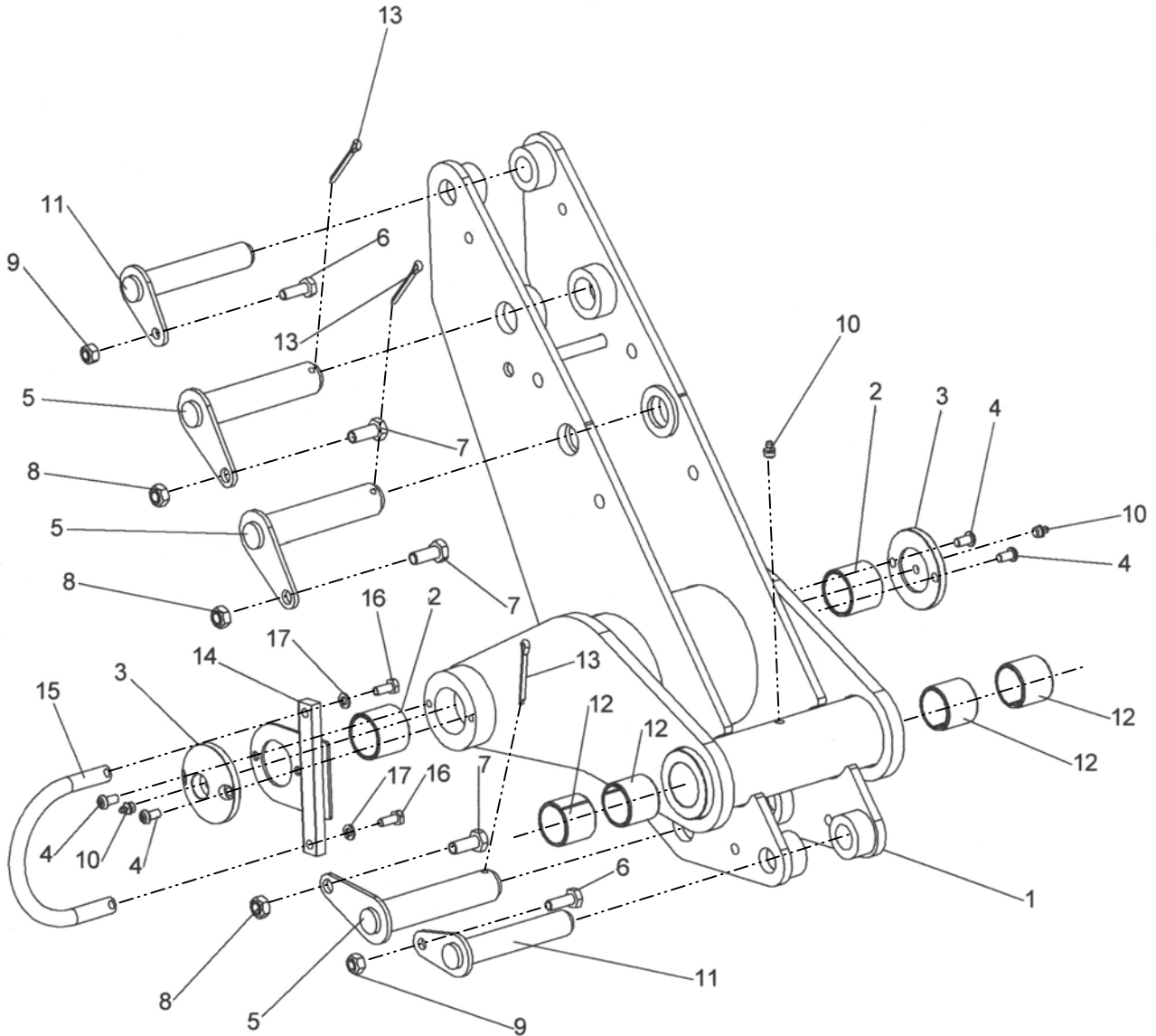


| REF. | QTY. | PART NO. | DESCRIPTION |
|------|------|----------|-----------------------------------|
| 1 | 1 | 45192.03 | PILLAR-AHC |
| 2 | 2 | 45271.01 | SLEW PIVOT PIN |
| 3 | 1 | 45202.04 | PIN -SLEW ROD |
| 4 | 1 | 45264.01 | MAIN PIVOT PIN |
| 5 | 1 | 9213086 | BOLT M12 x 40 |
| 6 | 2 | 9143006 | SELF LOCKING NUT M12 |
| 7 | 3 | 9143005 | SELF LOCKING NUT M10 |
| 8 | 1 | 9213136 | BOLT M12 x 65 |
| 9 | 1 | 9100206 | SPRING WASHER M12 |
| 10 | 2 | 9313065 | SETSCREW M10 x 30 |
| 11 | 1 | 45298.01 | THRUST WASHER 75 x 41 x 5 |
| 12 | 3 | 0901121 | GREASE NIPPLE 3/8" BSP - STRAIGHT |
| 13 | 1 | 45416.01 | SPECIAL SETCREW M12 x40 |
| 14 | 1 | 9313075 | SETSCREW M10 x 35 |
| 15 | 1 | 9501255 | SPLIT PIN M4 x 25 |
| 16 | 1 | 45613.01 | PIN - AHC RAM |
| 17 | 1 | 41692.01 | PIN - TENSION LINK |



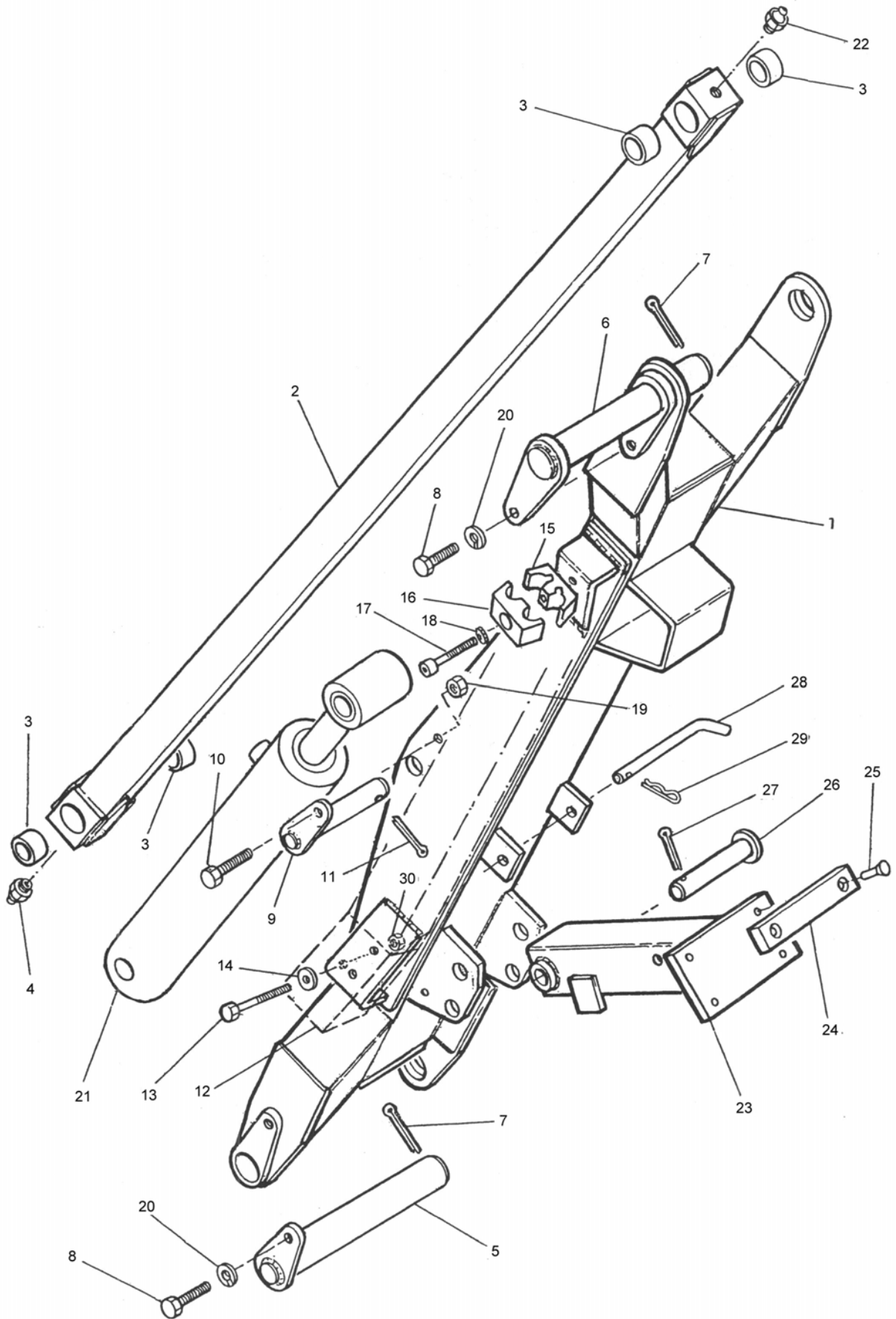
ROCKER ASSEMBLY (Non AHC)

| REF. | QTY. | PART NO. | DESCRIPTION |
|------|------|-----------|-----------------------------------|
| 1 | 1 | 45445.01 | ROCKER |
| 2 | 2 | 08.297.02 | BUSH 47 x 40 x 40 |
| 3 | 2 | 45266.01 | PIN CAP |
| 4 | 4 | 9300159 | BUTTON HEADED CAPSCREW M8 x 16 |
| 5 | 3 | 41694.03 | PIN - LIFT ROD END |
| 6 | 3 | 9313066 | SETSCREW M12 x 30 |
| 7 | 3 | 9143006 | SELF-LOCKING NUT M12 |
| 8 | 3 | 0901121 | GREASE NIPPLE 3/8" BSP - STRAIGHT |
| 9 | 4 | 7213023 | PLASTIC BUSH 1 1/2" x 1 3/4" |
| 10 | 3 | 9501507 | SPLIT PIN M6 x 50 |
| 11 | 1 | 43048.06 | RETAINING BRACKET |
| 12 | 1 | 43048.05 | HOOK |
| 13 | 2 | 9313044 | SETSCREW M8 x 20 |
| 14 | 2 | 9100204 | SPRING WASHER M8 |



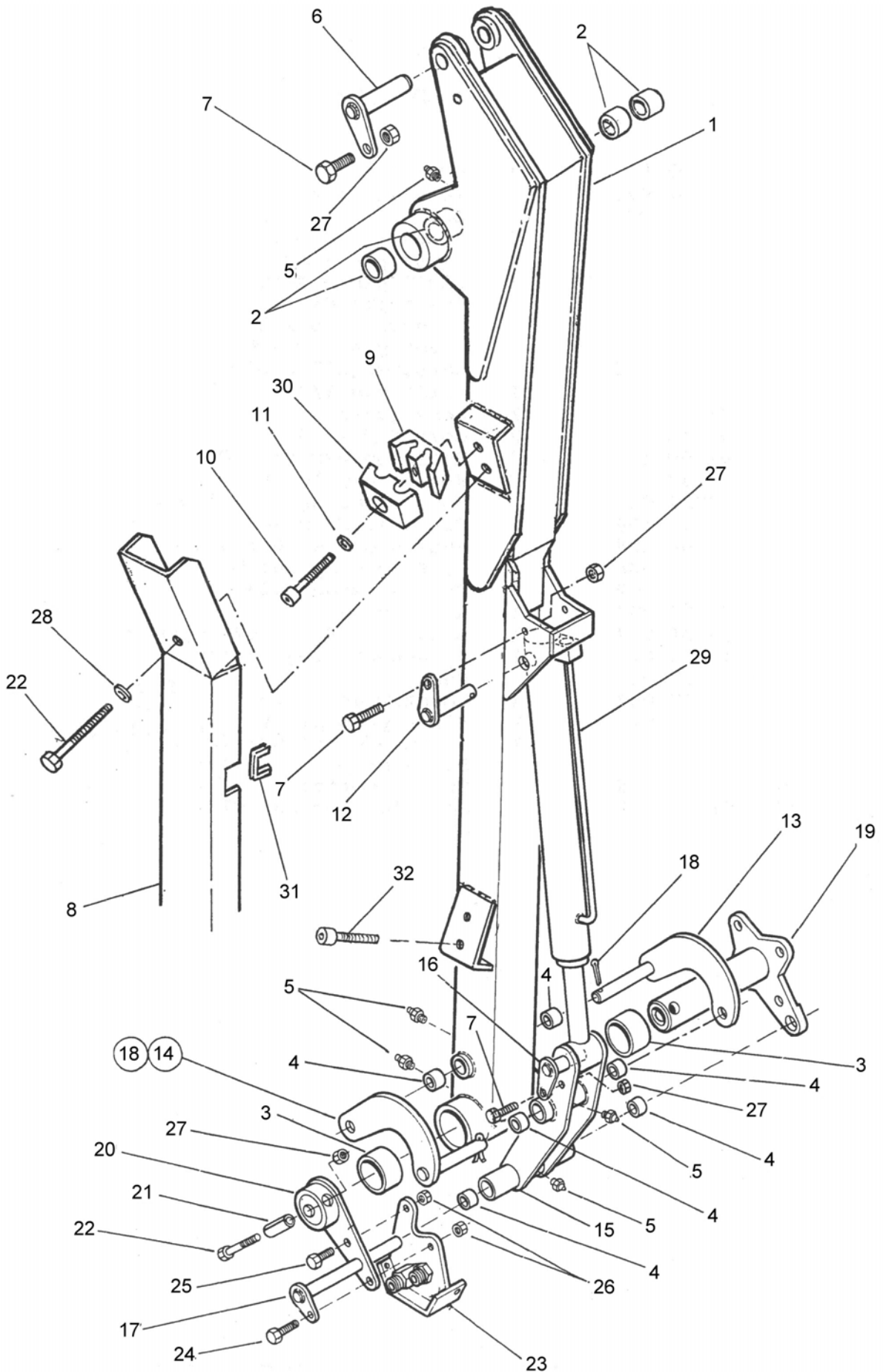


| REF | QTY. | PART NO. | DESCRIPTION |
|-----|------|-----------|-----------------------------------|
| 1 | 1 | 45445.02 | ROCKER-AHC |
| 2 | 2 | 08.297.02 | BUSH 47 x 40 x 40 |
| 3 | 2 | 45266.01 | PIN CAP |
| 4 | 4 | 9300159 | BUTTON HEADED CAPSCREW M8 x 16 |
| 5 | 3 | 41694.03 | PIN - LIFT ROD END |
| 6 | 2 | 9313065 | SETSCREW M10 x 30 |
| 7 | 3 | 9313066 | SETSCREW M12 x 30 |
| 8 | 3 | 9143006 | SELF-LOCKING NUT M12 |
| 9 | 2 | 9143005 | SELF-LOCKING NUT M10 |
| 10 | 3 | 0901121 | GREASE NIPPLE 3/8" BSP - STRAIGHT |
| 11 | 2 | 45613.01 | PIN - AHC RAM |
| 12 | 4 | 7213023 | PLASTIC BUSH 1 1/2" x 1 3/4" |
| 13 | 3 | 9501507 | SPLIT PIN M6 x 50 |
| 14 | 1 | 43048.06 | RETAINING BRACKET |
| 15 | 1 | 43048.05 | HOOK |
| 16 | 2 | 9313044 | SETSCREW M8 x 20 |
| 17 | 2 | 9100204 | SPRING WASHER M8 |



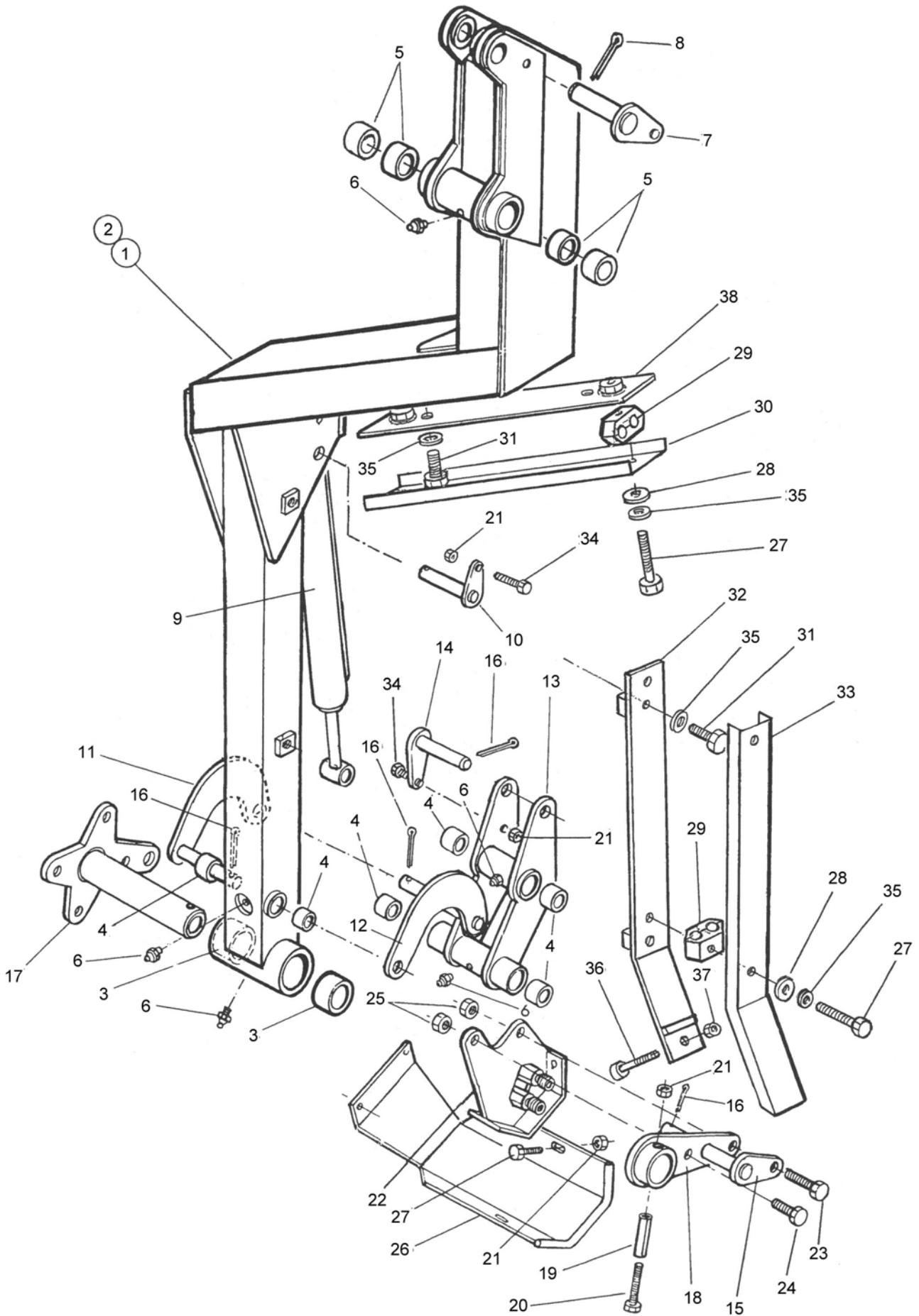
MAIN ARM ASSEMBLY

| REF. | QTY. | PART NO. | DESCRIPTION | |
|------|------|-----------|-------------------------------|--------------------------------|
| 1 | 1 | 41597.06 | MAIN ARM | |
| 2 | 1 | 41662.02 | TENSION LINK | |
| 3 | 4 | 6012032 | BUSH | |
| 4 | 1 | 0901121 | GREASER 1/8" BSP - STRAIGHT | |
| 5 | 1 | 41686.01 | PIVOT PIN - MAIN ARM | |
| 6 | 1 | 41687.01 | PIVOT PIN - DIPPER ARM | |
| 7 | 2 | 9501509 | SPLIT PIN DIA 10 x 50 | |
| 8 | 2 | 9313067 | SETSCREW M16 x 30 | |
| 9 | 1 | 41688.01 | PIVOT PIN - REACH RAM ROD | |
| 10 | 1 | 9313076 | SETSCREW M12 x 35 | |
| 11 | 1 | 0503166 | SPLIT PIN DIA 1/4" x 2" LONG | |
| 12 | 1 | 41665.02 | HOSE GUARD | |
| 13 | 2 | 9213185 | BOLT M10 x 90 | |
| 14 | 2 | 9100105 | PLAIN WASHER DIA 10 | |
| 15 | 2 | 06.430.19 | HOSE CLAMP - LOWER | |
| 16 | 1 | 42024.06 | HOSE CLAMP - UPPER (1 PAIR) | |
| 17 | 2 | 9243154 | CAPSCREW M8 x 75 | |
| 18 | 2 | 9100404 | SHAKEPROOF WASHER DIA 8 | |
| 19 | 1 | 9143006 | SELF LOCKING NUT M12 | |
| 20 | 2 | 9100207 | SPRING WASHER DIA 12 | |
| 21 | 1 | 7193334 | REACH RAM | |
| 22 | 1 | 901124 | GREASER 1/8" BSP - 67 DEGREES | |
| 23 | 1 | 43021.01 | TRANSPORT PROP | } STD. ARM MACHINES ONLY |
| 24 | 2 | 1075041 | PAD | |
| 25 | 4 | 1075047 | COUNTERSUNK RIVET | |
| 26 | 1 | 43023.01 | PIN - PROP PIVOT | |
| 27 | 1 | 9501406 | SPLIT PIN DIA 5 x 40 | |
| 28 | 1 | 43020.01 | PIN - PROP STOWAGE | |
| 29 | 1 | 431105 | SPRING COTTER | |
| 30 | 3 | 9143005 | SELF LOCKING NUT M10 | |



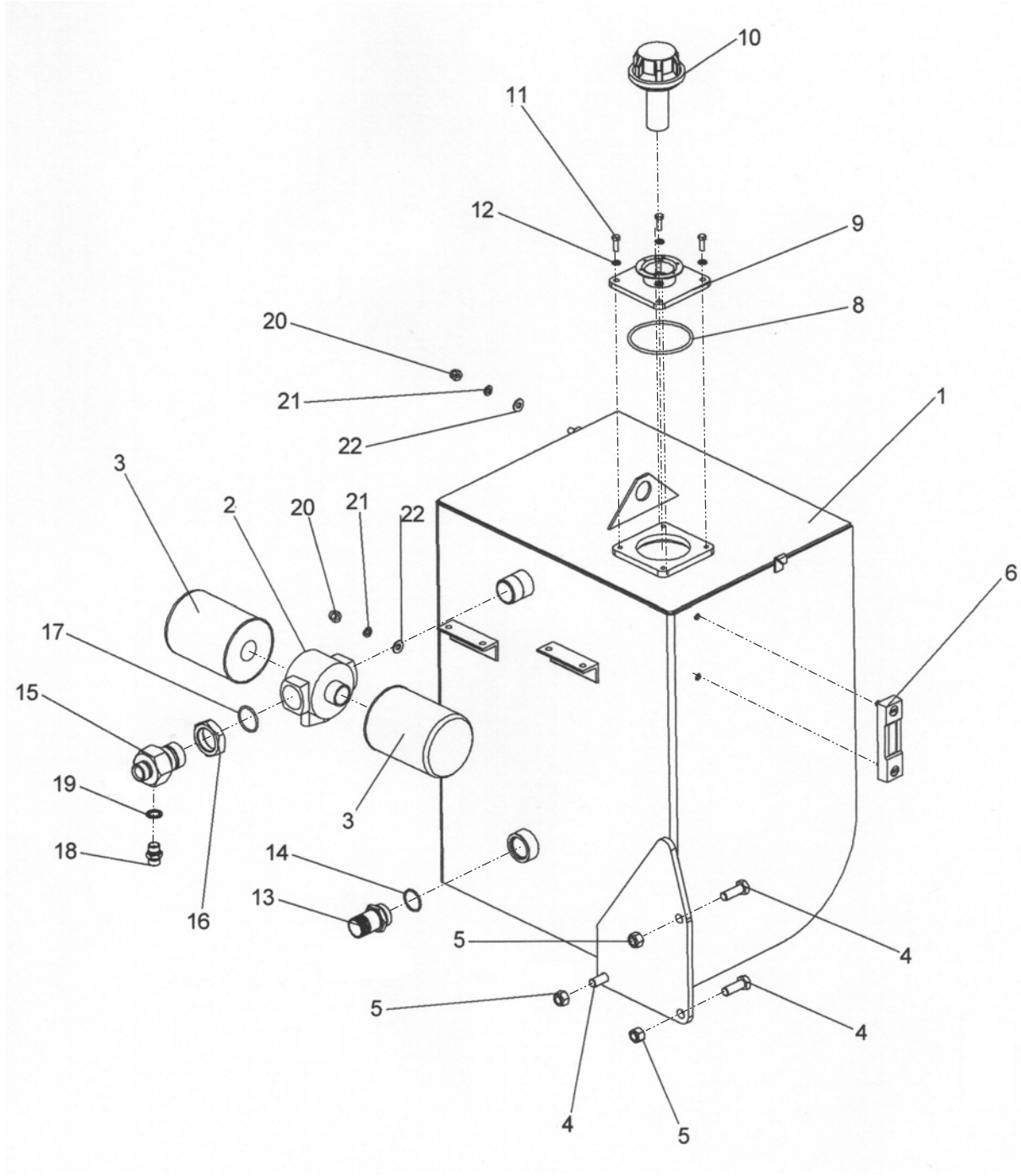
DIPPER ARM ASSEMBLY

| REF. | QTY. | PART NO. | DESCRIPTION |
|------|------|-----------|----------------------------------|
| 1 | 1 | 41649.01 | DIPPER ARM |
| 2 | 4 | 7213023 | BUSH - DIPPER PIVOT |
| 3 | 2 | 7136035 | NYLON HEAD BUSH |
| 4 | 6 | 41690.01 | BUSH 1" DIA. |
| 5 | 5 | 0901121 | GREASER 1/8" BSP - STRAIGHT |
| 6 | 1 | 41692.01 | PIN - TENSION LINK |
| 7 | 3 | 9313075 | SETSCREW M10 x 35 |
| 8 | 1 | 41665.04 | HOSE GUARD |
| 9 | 1 | 06.430.19 | HOSE CLAMP - LOWER |
| 10 | 1 | 9243154 | CAPSCREW M8 x 75 |
| 11 | 2 | 9100404 | SHAKEPROOF WASHER DIA. 8 |
| 12 | 1 | 41691.01 | PIN - ANGLE RAM BASE |
| 13 | 1 | 7450251 | RADIUS ARM - FRONT |
| 14 | 1 | 7450250 | RADIUS ARM - REAR |
| 15 | 1 | 7450252 | SLAVE LINK |
| 16 | 1 | 41693.01 | PIN - ANGLE RAM ROD |
| 17 | 1 | 7192009 | PIN 1" - SLAVE LINK |
| 18 | 4 | 9501406 | SPLIT PIN DIA.5 x 40 |
| 19 | 1 | 7192308 | HEAD PIVOT TUBE |
| 20 | 1 | 7192316 | JAW PLATE |
| 21 | 1 | 0423548 | SPRING DOWEL 5/8" DIA. X 3" LONG |
| 22 | 3 | 9213185 | BOLT M10 x 90 |
| 23 | 1 | 7195303 | HOSE JUNCTION BRACKET |
| 24 | 1 | 0211146 | BOLT 5/8" UNF x 1 3/4" LONG |
| 25 | 1 | 0211126 | BOLT 5/8" UNF x 1 1/2" LONG |
| 26 | 2 | 0141006 | SELF LOCKING NUT 5/8" UNF |
| 27 | 4 | 9143005 | SELF LOCKING NUT M10 |
| 28 | 2 | 9100105 | PLAIN WASHER DIA.10 |
| 29 | 1 | 7560344 | ANGLING RAM |
| 30 | 1 | 7193065 | HOSE CLAMP - UPPER |
| 31 | 1 | 41741.01 | RUBBER EDGE STRIP |
| 32 | 1 | 9243124 | CAPSCREW M8 x 60 |



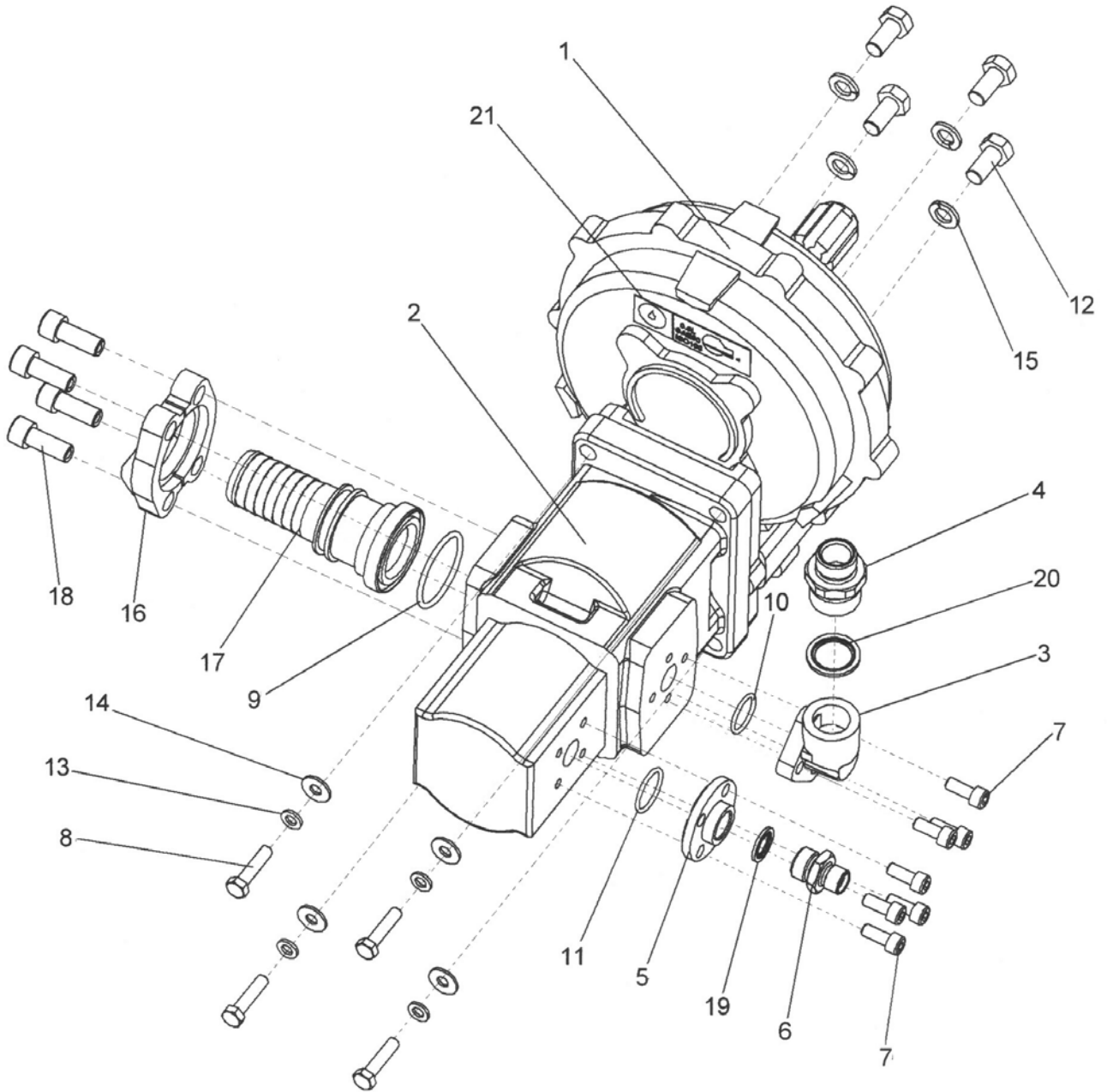
MIDCUT DIPPER ARM ASSEMBLY

| REF. | QTY. | PART NO. | DESCRIPTION |
|------|------|----------|--|
| 1 | 1 | 7193345 | DIPPER ARM |
| 2 | 2 | 7136035 | BUSH - HEAD PIVOT |
| 3 | 6 | 41690.01 | BUSH - RADIUS ARM PIVOT AND SLAVE LINK |
| 4 | 4 | 7213023 | BUSH - DIPPER PIVOT |
| 5 | 5 | 0901121 | GREASER |
| 6 | 1 | 7193025 | PIVOT PIN - TENSION LINK |
| 7 | 1 | 0503166 | SPLIT PIN |
| 8 | 1 | 7560344 | ANGLE RAM ASSEMBLY |
| 9 | 1 | 7193044 | PIVOT PIN - ANGLE RAM BASE |
| 10 | 1 | 7450251 | RADIUS ARM - FRONT |
| 11 | 1 | 7450250 | RADIUS ARM - REAR |
| 12 | 1 | 7192309 | SLAVE LINK |
| 13 | 1 | 41693.01 | PIVOT PIN - ANGLE RAM ROD |
| 14 | 1 | 7192009 | PIVOT PIN - SLAVE LINK |
| 15 | 4 | 9501406 | SPLIT PIN DIA. |
| 16 | 1 | 7192308 | HEAD PIVOT TUBE |
| 17 | 1 | 7192316 | JAW PLATE |
| 18 | 1 | 0423548 | SPRING DOWEL |
| 19 | 1 | 9213185 | BOLT |
| 20 | 6 | 9143005 | SELF LOCKING NUT |
| 21 | 1 | 7195303 | HOSE JUNCTION BRACKET |
| 22 | 1 | 0211146 | BOLT |
| 23 | 1 | 0211126 | BOLT |
| 24 | 2 | 0141006 | SELF LOCKING NUT |
| 25 | 1 | 7192324 | HOSE TRAY - DIRECT DRIVE HEAD |
| | 1 | 7290346 | HOSE TRAY - BELT DRIVE HEAD |
| 26 | 4 | 9213145 | BOLT M10 x 70 |
| 27 | 4 | 9100105 | PLAIN WASHER DIA. 10 |
| 28 | 5 | 42024.06 | HOSE CLAMP - 1 PAIR |
| 29 | 1 | 7193047 | HOSE COVER |
| 30 | 6 | 9313045 | BOLT |
| 31 | 1 | 42951.01 | HOSE GUIDE |
| 32 | 1 | 7193048 | HOSE COVER |
| 33 | 2 | 9313055 | SETSCREW |
| 34 | 8 | 9100305 | INTERNAL SERRATED WASHER |
| 35 | 1 | 9243154 | CAPSCREW |
| 36 | 1 | 9143004 | SELF LOCKING NUT |
| 37 | 1 | 42952.01 | HOSE GUIDE |



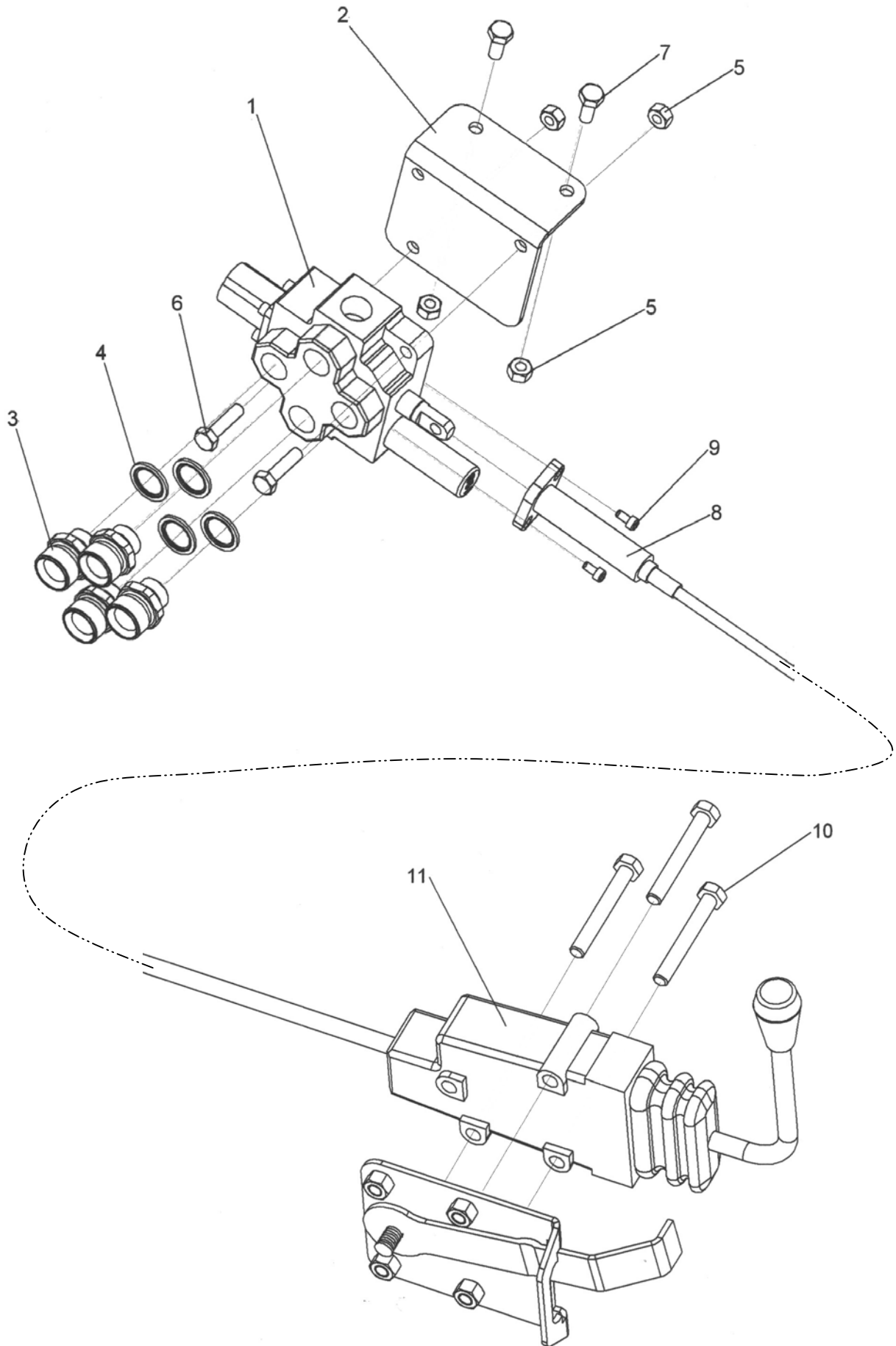


| REF. | QTY. | PART No. | DESCRIPTION |
|------|------|----------|-----------------------------|
| 1 | 1 | 45243.02 | TANK |
| 2 | 1 | 8401060 | RETURN FILTER HEAD |
| 3 | 2 | 8401041 | FILTER ELEMENT |
| 4 | 3 | 9313097 | SETSCREW M16 x 45 |
| 5 | 3 | 9143007 | SELF-LOCKING NUT M16 |
| 6 | 1 | 8401048 | LEVEL GAUGE |
| 7 | 1 | 8581203 | TAPER PLUG 1" BSP HOLLOW |
| 8 | 1 | 8600151 | 'O' RING |
| 9 | 1 | 43175.01 | COVER PLATE |
| 10 | 1 | 8401074 | FILLER BREATHER PRESS. |
| 11 | 4 | 9313054 | SETSCREW M8 x 25 |
| 12 | 4 | 9100204 | SPRING WASHER M8 |
| 13 | 1 | 8581260 | ADAPTOR 1.25" BSP x 1.5" LP |
| 14 | 1 | 8700784 | 'O' RING |
| 15 | 1 | 8581425 | ADAPTOR 1" BSP x 1 1/2" BSP |
| 16 | 1 | 8581422 | ADAPTOR BACKNUT 1.5" BSP |
| 17 | 1 | 8600302 | 'O' RING |
| 18 | 1 | 8581110 | ADAPTOR 1/2" BSP x 1/2" BSP |
| 19 | 1 | 8650104 | BONDED SEAL 1/2" BSP |
| 20 | 2 | 9100025 | DOME NUT M10 |
| 21 | 2 | 9100205 | SPRING WASHER M10 |
| 22 | 2 | 9100105 | FLAT WASHER M10 |



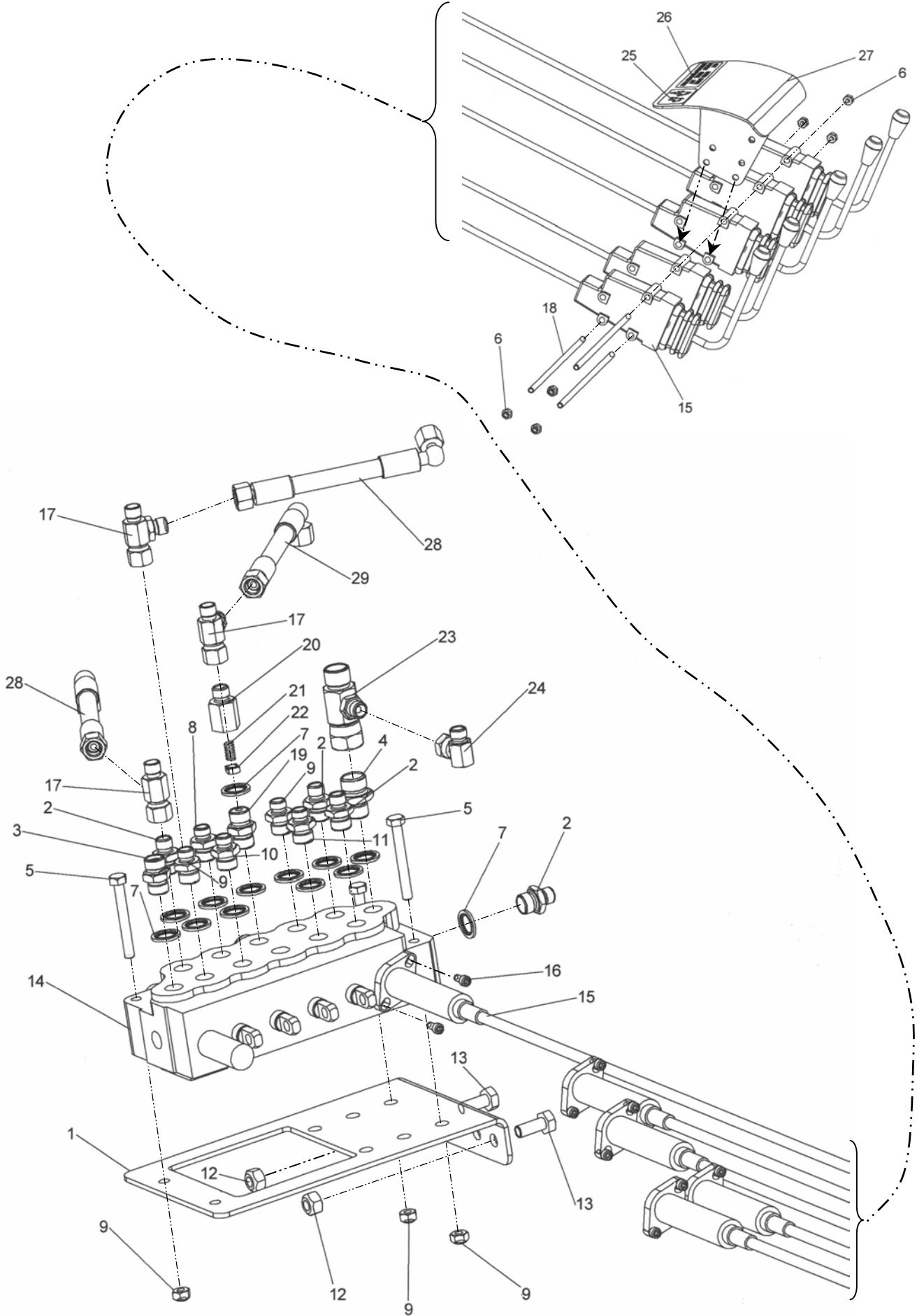
PUMP & GEARBOX ASSEMBLY

| REF. | QTY. | PART NO. | DESCRIPTION |
|------|------|-----------|------------------------------|
| 1 | 1 | 8013444 | GEARBOX LS 4.3 |
| 2 | 1 | 8201700 | PUMP IRON TI |
| 3 | 1 | 8005052 | PRESSURE CONNECTION |
| 4 | 1 | 8002086 | ADAPTOR 3/4" x 1" BSP MM |
| 5 | 1 | 42029.01 | PORT PLATE 1/2" BSP |
| 6 | 1 | 6000112 | ADAPTOR 3/8" x 1/2" BSP MM |
| 7 | 7 | 9300147 | CAPSCREW M8 x 20 |
| 8 | 4 | 9313074 | SETSCREW M8 x 35 |
| 9 | 1 | 8600303 | 'O' RING |
| 10 | 1 | 8600403 | 'O' RING |
| 11 | 1 | 8600405 | 'O' RING |
| 12 | 4 | 9313056 | SETSCREW M12 x 25 |
| 13 | 4 | 9100204 | SPRING WASHER M8 |
| 14 | 4 | 9100104 | FLAT WASHER M8 |
| 15 | 4 | 9100206 | SPRING WASHER M12 |
| 16 | 1 | 41.294.01 | SPLIT FLANGE PAIR 1.1/2" SAE |
| 17 | 1 | 41.294.03 | ADAPTOR FLANGE 1.5SAExLP |
| 18 | 4 | 9343066 | CAPSCREW M12 x 30 |
| 19 | 1 | 8650103 | BONDED SEAL 3/8" BSP |
| 20 | 1 | 8650106 | BONDED SEAL 3/4" BSP |
| 21 | 1 | 1290054 | GEARBOX LABEL |



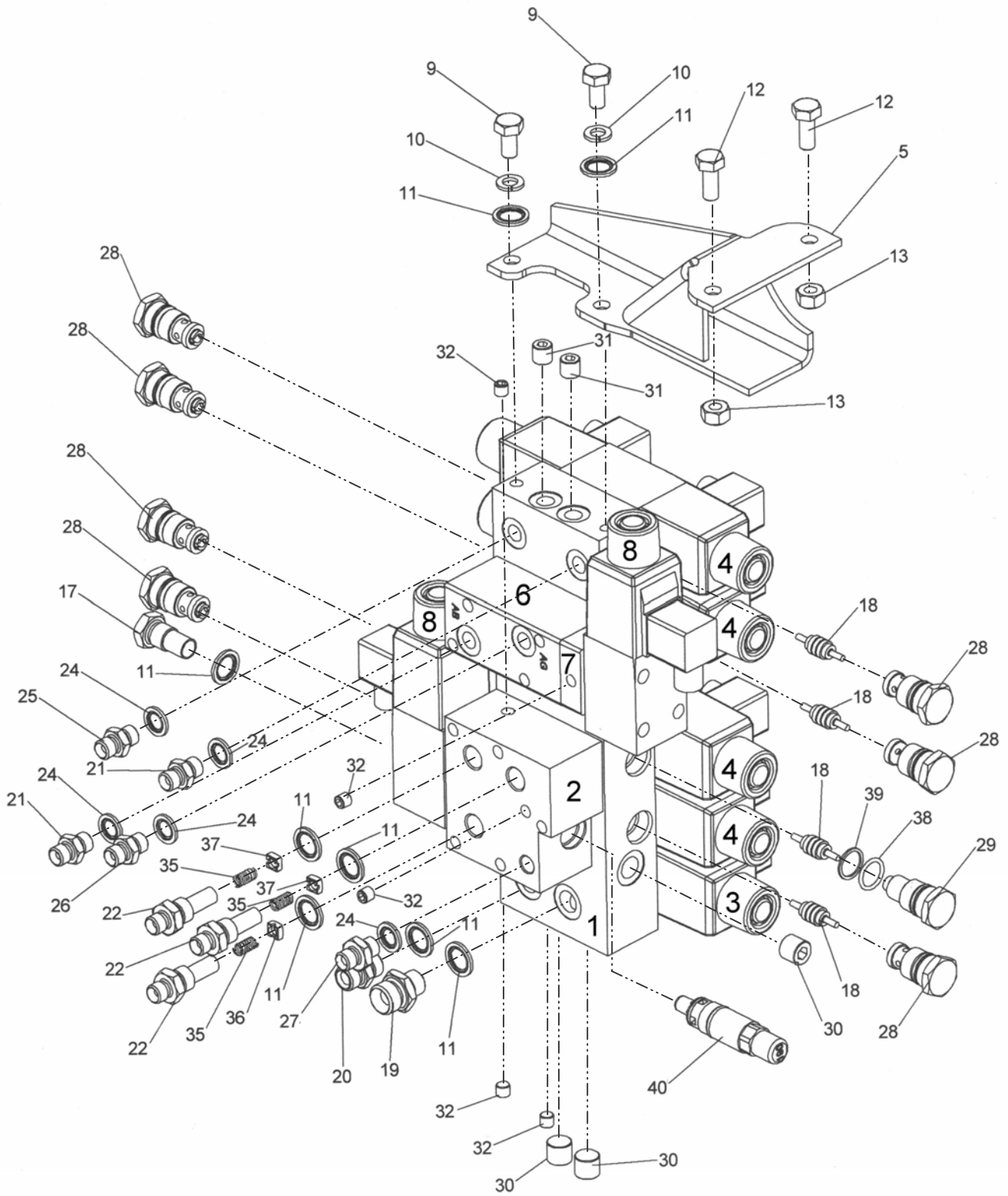
ROTOR CONTROL VALVE

| REF. | QTY. | PART NO. | DESCRIPTION |
|------|------|-----------|---------------------------------|
| 1 | 1 | 8125356 | ROTOR CONTROL VALVE |
| 2 | 1 | 45338.01 | PLATE |
| 3 | 4 | 8002086 | ADAPTOR 3/4 x 1" BSP MM |
| 4 | 4 | 8650106 | BONDED SEAL 3/4" BSP |
| 5 | 4 | 9143005 | SELF-LOCKING NUT M10 |
| 6 | 2 | 9213085 | BOLT M10 x 40 |
| 7 | 2 | 9313055 | SETSCREW M10 x 25 |
| 8 | 1 | 04.265.92 | CABLE ASSEMBLY 2.5m ROTOR |
| 9 | 2 | 9343023 | CAPSCREW M6 x 12 |
| 10 | 3 | 9213124 | BOLT M8 x 60 |
| 11 | 1 | 42511.01 | BALKING ASSEMBLY - MORSE CABLES |



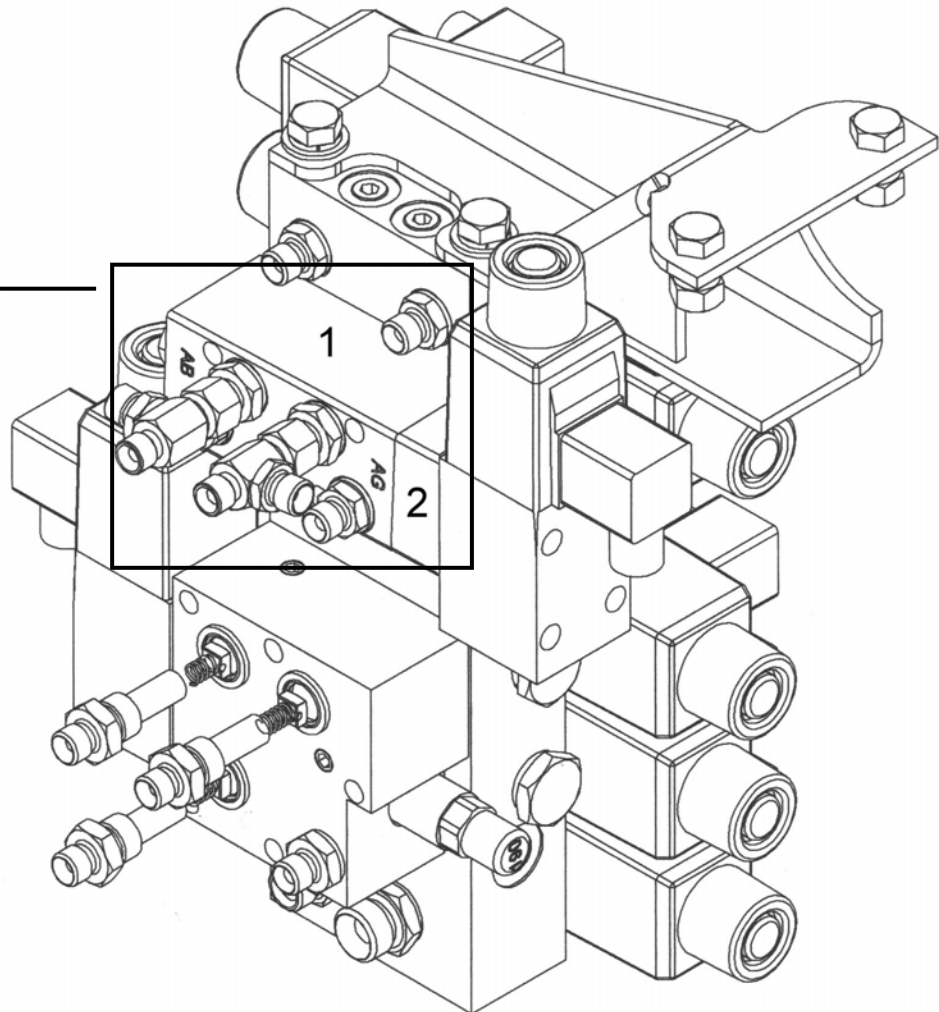
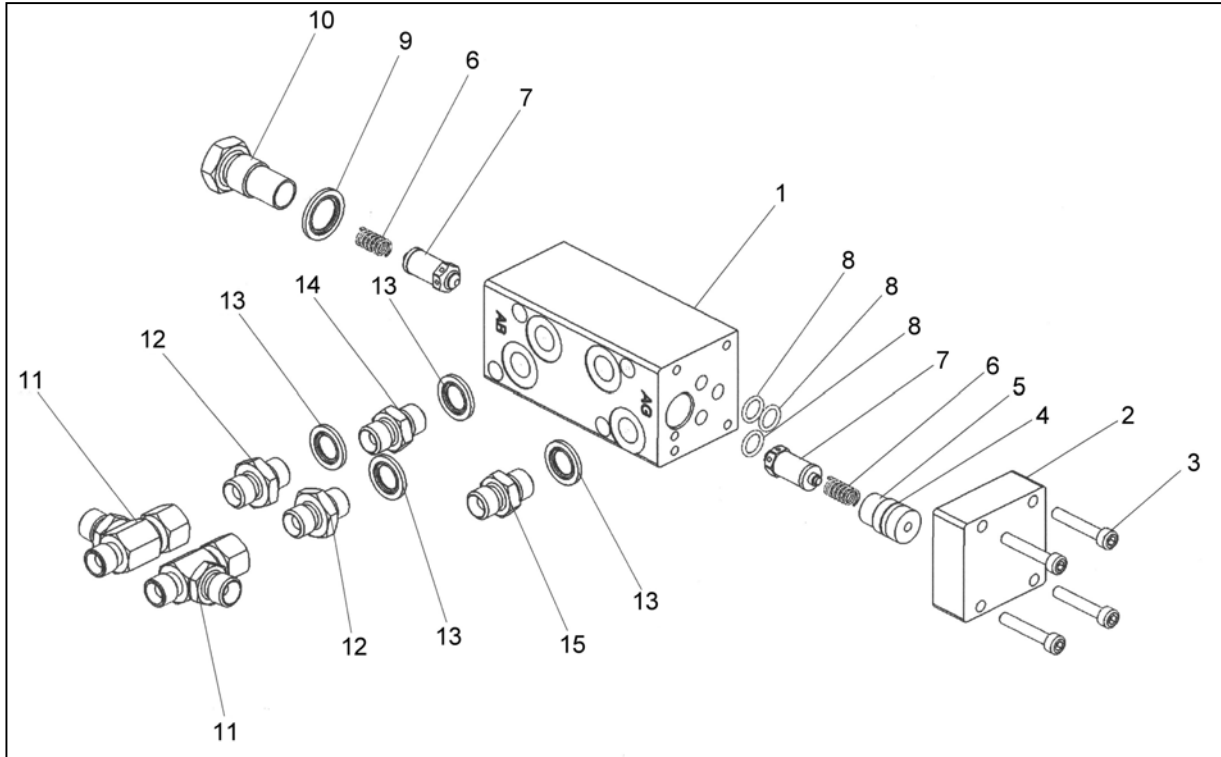
CONTROL VALVE (Cable)

| REF. | QTY. | PART NO. | DESCRIPTION |
|------|------|-----------|-------------------------------|
| 1 | 1 | 45274.03 | VALVE BRACKET |
| 2 | 4 | 8581115 | ADAPTOR 1/4" x 3/8" BSP MM |
| 3 | 1 | 6000113 | ADAPTOR 3/8" BSP MM |
| 4 | 1 | 6000112 | ADAPTOR 3/8" x 1/2" BSP MM |
| 5 | 3 | 9213134 | BOLT M8 x 65 |
| 6 | 9 | 9143004 | SELF-LOCKING NUT M8 |
| 7 | 13 | 8650103 | BONDED SEAL 3/8" BSP |
| 8 | 1 | 8130047 | ADAPTOR RESTRICTOR 1.8 'B' |
| 9 | 2 | 8130066 | ADAPTOR RESTRICTOR 1.15 'M' |
| 10 | 1 | 8130046 | ADAPTOR RESTRICTOR 1.5 'A' |
| 11 | 1 | 8130048 | ADAPTOR RESTRICTOR 1.3 'C' |
| 12 | 2 | 9143005 | SELF-LOCKING NUT M10 |
| 13 | 2 | 9313055 | SETSCREW M10 x 25 |
| 14 | 1 | 8130634 | VALVE 5 SPOOL |
| 15 | 5 | 04.265.87 | CABLE ASSY 3.0m ARM |
| 16 | 10 | 9243022 | CAPSCREW M5 x 12 |
| 17 | 3 | 8581254 | ADAPTOR TEE 1/4" BSP MFM |
| 18 | 3 | 04.282.43 | STUD M8 x 240 |
| 19 | 1 | 8581209 | ADAPTOR 3/8" BSP MM FLAT |
| 20 | 1 | 8581214 | ADAPTOR 3/8" BSP MF BODY |
| 21 | 1 | 8116011 | SPRING OD.275 x 5/8" LG |
| 22 | 1 | 8123041 | RESTRICTOR DISC |
| 23 | 1 | 04.056.25 | ADAPTOR TEE 1/2" BSP MF+1/4"M |
| 24 | 1 | 8581190 | ADAP ELBOW 90 1/4" BSP MF |
| 25 | 1 | 1290357 | CONTROL STICKER |
| 26 | 1 | 1290368 | CONTROL STICKER |
| 27 | 1 | 42256.03 | ARM REST 4 BOWDEN CABLES |
| 28 | 2 | 10.002.04 | HOSE 1/4" BSP FS/F90 200 |
| 29 | 1 | 10.002.08 | HOSE 1/4" BSP FS/F90 400 |



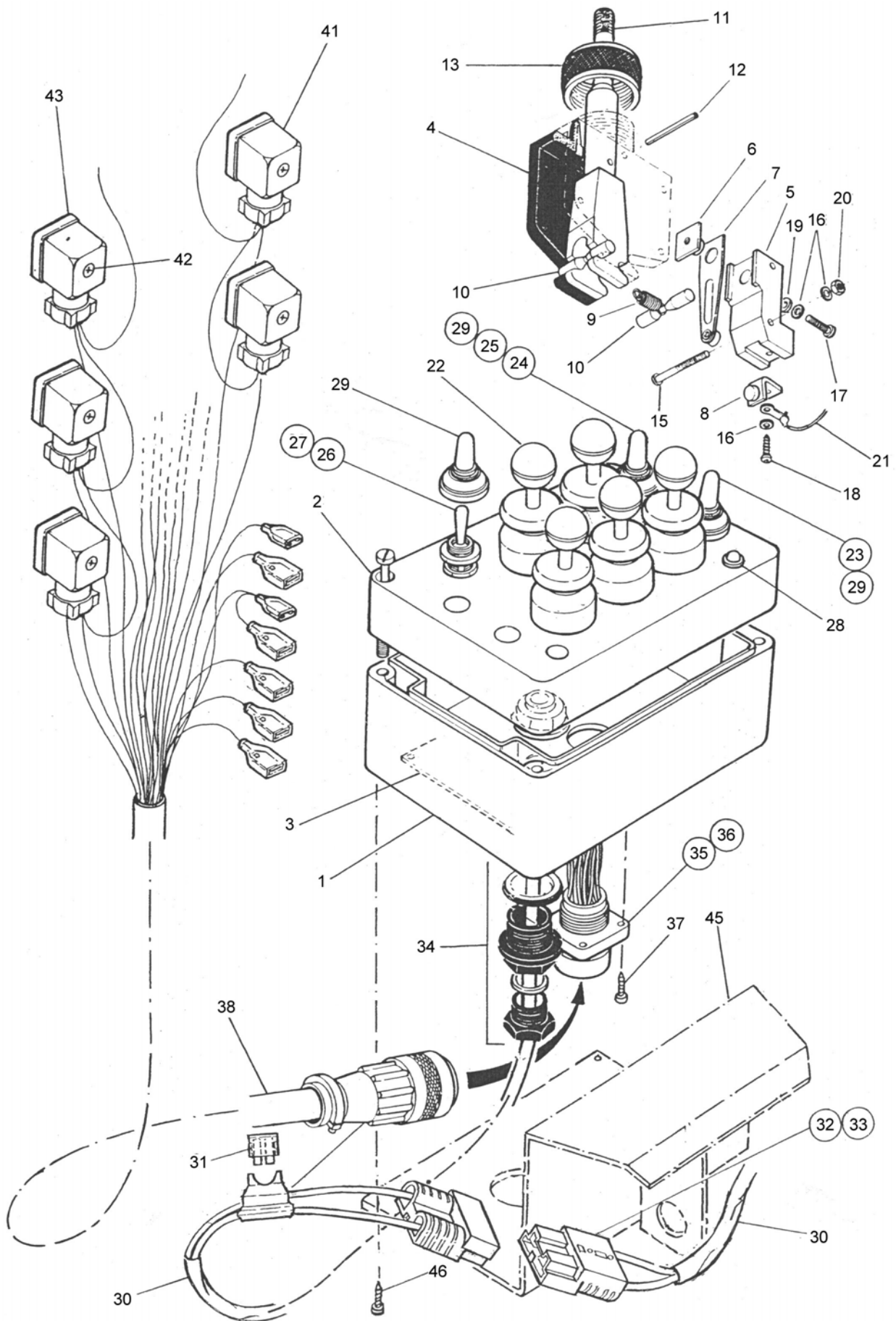
CONTROL VALVE (Std. Electric)

| REF. | QTY. | PART NO. | DESCRIPTION |
|------|------|----------|-----------------------------|
| 1 | 1 | 8132268 | BLOCK - MANIFOLD ASSEMBLY |
| 2 | 1 | 8130348 | BLOCK - SLEW CIRCUIT |
| 3 | 1 | 8130456 | CUT OFF SOLENOID VALVE |
| 4 | 4 | 8130629 | VALVE DOUBLE SOLENOID |
| 5 | 1 | 45277.02 | BRACKET |
| 6 | 1 | 8130323 | FLOAT VALVE BLOCK |
| 7 | 1 | 8126280 | BRIDGING PLATE |
| 8 | 2 | 8130457 | SOLENOID VALVE - SINGLE |
| 9 | 2 | 9313045 | SETSCREW M10 x 20 |
| 10 | 2 | 9100205 | SPRING WASHER M10 |
| 11 | 8 | 8650103 | BONDED SEAL 3/8" BSP |
| 12 | 2 | 9313055 | SETSCREW M10 x 25 |
| 13 | 2 | 9143005 | SELF-LOCKING NUT M10 |
| 14 | 24 | 9243062 | CAPSCREW M5 x 30 |
| 15 | 4 | 9243102 | CAPSCREW M5 x 50 |
| 16 | 9 | 9243082 | CAPSCREW M5 x 40 |
| 17 | 1 | 8130032 | RELIEF VALVE CAP |
| 18 | 4 | 8130087 | ACTUATOR |
| 19 | 1 | 6000112 | ADAPTOR 3/8" x 1/2" BSP MM |
| 20 | 1 | 6000113 | ADAPTOR 3/8" BSP MM |
| 21 | 2 | 8130038 | ADAPTOR RESTRICTOR 1.4 'L' |
| 22 | 3 | 8581210 | ADAPTOR 3/8" x 1/4" SPECIAL |
| 23 | 1 | 8130092 | RELIEF VALVE 190BAR |
| 24 | 5 | 8650102 | BONDED SEAL 1/4" BSP |
| 25 | 1 | 8130105 | ADAPTOR RESTRICTOR 1.6 'H' |
| 26 | 1 | 8130037 | ADAPTOR RESTRICTOR 1.15 'S' |
| 27 | 1 | 8581169 | ADAPTOR 1/4" BSP MM |
| 28 | 7 | 8130090 | CHECK VALVE ASSEMBLY |
| 29 | 1 | 8130078 | CHECK VALVE CAP |
| 30 | 3 | 8582043 | TAPER PLUG 3/8" BSPT |
| 31 | 2 | 8582042 | TAPER PLUG 1/4" BSPT |
| 32 | 5 | 8582041 | TAPER PLUG 1/8" BSPT |
| 33 | 12 | 8700511 | 'O' RING |
| 34 | 2 | 8700525 | 'O' RING |
| 35 | 3 | 8116011 | SPRING OD.275 x 5/8"LG |
| 36 | 1 | 8123041 | RESTRICTOR DISC |
| 37 | 2 | 8123043 | RESTRICTOR DISC |
| 38 | 1 | 8700644 | 'O' RING |
| 39 | 1 | 8709644 | ANTI EXTRUSION RING |
| 40 | 1 | G3812542 | RELIEF VALVE 190BAR |
| 41 | 1 | 8402338 | LOOM - ANGLE FLOAT |
| 42 | 1 | 41844.01 | LOOM |

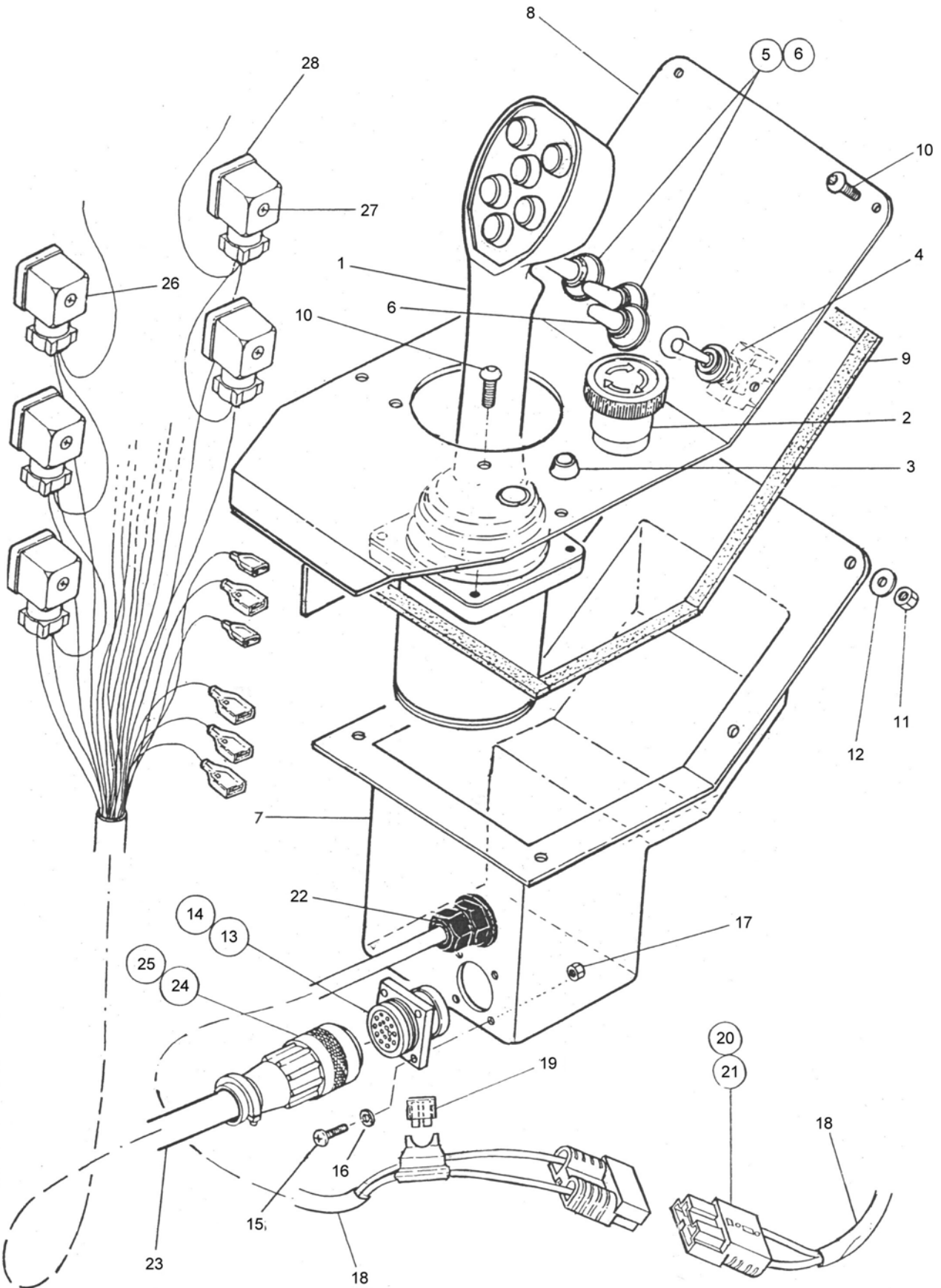


CONTROL VALVE (Electric AHC)

| REF. | QTY. | PART NO. | DESCRIPTION |
|------|------|----------|------------------------------------|
| 1 | 1 | 8130361 | BLOCK - AHC / ANGLE |
| 2 | 1 | 8130139 | BLANKING PLATE |
| 3 | 4 | 9243062 | CAPSCREW M5 x 30 |
| 4 | 1 | 8130140 | VALVE PLUG - AHC |
| 5 | 1 | 8600109 | 'O' RING |
| 6 | 2 | 8116011 | SPRING OD.275 x 5/8" BSP |
| 7 | 2 | 8130141 | RELIEF VALVE |
| 8 | 3 | 8700511 | 'O' RING |
| 9 | 1 | 8650103 | BONDED SEAL 3/8" BSP |
| 10 | 1 | 8130032 | RELIEF VALVE CAP |
| 11 | 2 | 8581254 | TEE ADAPTOR |
| 12 | 2 | 8581169 | ADAPTOR 1/4" BSP MM |
| 13 | 4 | 8650102 | BONDED SEAL 1/4" BSP |
| 14 | 1 | 8130038 | ADAPTOR RESTRICTOR 1/4" x 1/4" BSP |
| 15 | 1 | 8130037 | ADAPTOR RESTRICTOR 1/4" x 1/4" BSP |

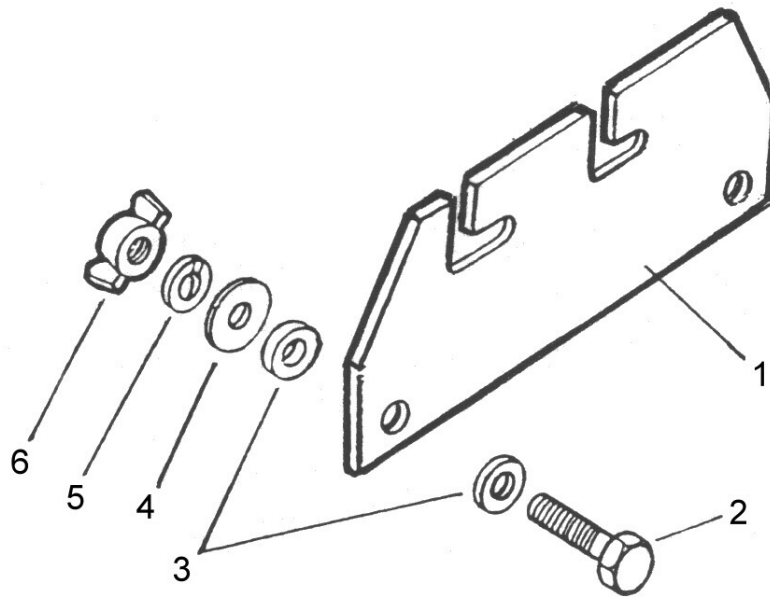


| REF. | QTY. | PART NO. | DESCRIPTION |
|------|------|-----------------|--------------------------------------|
| | | 41845.03 | MULTI 5 LEVER SWITCHBOX |
| 1 | 1 | 41845.32 | BOX |
| 2 | 1 | 41845.31 | LID c/w SCREWS |
| 3 | 1 | 41845.33 | CIRCUIT BOARD |
| | 5 | 8402122 | LEVER SWITCH UNIT - COMPRISING: |
| 4 | 1 | 8402285 | SWITCH BODY |
| 5 | 2 | 8402106 | CONTACT HOLDER |
| 6 | 2 | 8402109 | SPRING CONTACT RETAINER |
| 7 | 2 | 8402113 | SPRING CONTACT |
| 8 | 2 | 8402108 | FIXED CONTACT |
| 9 | 1 | 8402101 | SPRING |
| 10 | 2 | 8402111 | BAR |
| 11 | 1 | 8402256 | LEVER |
| 12 | 1 | 0425320 | SPRING DOWEL DIA. 3 x 20 |
| 13 | 1 | 8402051 | BEZEL RING |
| 14 | 1 | 8402022 | LEVER GAITER |
| 15 | 4 | 9200006 | SCREW - POSIDRIVE PANHEAD M3 x 25 |
| 16 | 8 | 9100400 | EXTERNAL SERRATED WASHER DIA. 3 |
| 17 | 2 | 9200005 | SCREW - POSIDRIVE PANHEAD M3 x 12 |
| 18 | 2 | 8402119 | SELFTAPPING SCREW No.4 type B x 10mm |
| 19 | 2 | 8402280 | PLAIN WASHER DIA. 3 |
| 20 | 2 | 9113000 | NUT - PLATED M3 |
| 21 | 5 | 41845.34 | LOOM - LEVER SWITCH |
| 22 | 5 | 8402056 | KNOB - BLACK |
| 23 | 1 | 8402023 | SWITCH - POWER ON/OFF |
| 24 | 1 | 8402182 | SWITCH - SLEW/AUTO RESET |
| 25 | 1 | 41845.35 | LOOM - SLEW/AUTO RESET SWITCH |
| 26 | 1 | 8402197 | SWITCH - FLOAT |
| 27 | 1 | 41845.37 | LOOM - FLOAT SWITCH |
| 28 | 1 | 41845.38 | L.E.D. AND LOOM |
| 29 | 3 | 8402024 | WEATHER GAITER |
| 30 | 1 | 8402232 | POWER LOOM - INCLUDING: |
| 31 | 1 | 43034.02 | FUSE |
| 32 | 2 | 8402230 | CONTACTS HOUSING |
| 33 | 4 | 8402229 | CONTACTS |
| 34 | 1 | 8402042 | GLAND |
| 35 | 1 | 8402189 | SOCKET SHELL |
| 36 | 17 | 8402192 | PIN SOCKET |
| 37 | 4 | 2800203 | SCREW - No. 10 x 1/2" LONG |
| 38 | 1 | 41844.01 | WIRING LOOM - INCLUDING |
| 39 | 1 | 8402188 | SHELL |
| 40 | 1 | 8402190 | CABLE CLAMP |
| 41 | 12 | 07.835.04 | PLUG - INCLUDING SCREW & GASKET |
| 42 | 1 | 07.835.03 | SCREW |
| 43 | 1 | 07.835.02 | GASKET |
| 44 | 1 | 8402193 | SPECIAL TOOL |
| 45 | 1 | 8402345 | MOUNTING BRACKET |
| 46 | 4 | 2800243 | SELFTAPPING SCREW No.12 x 1/2" |

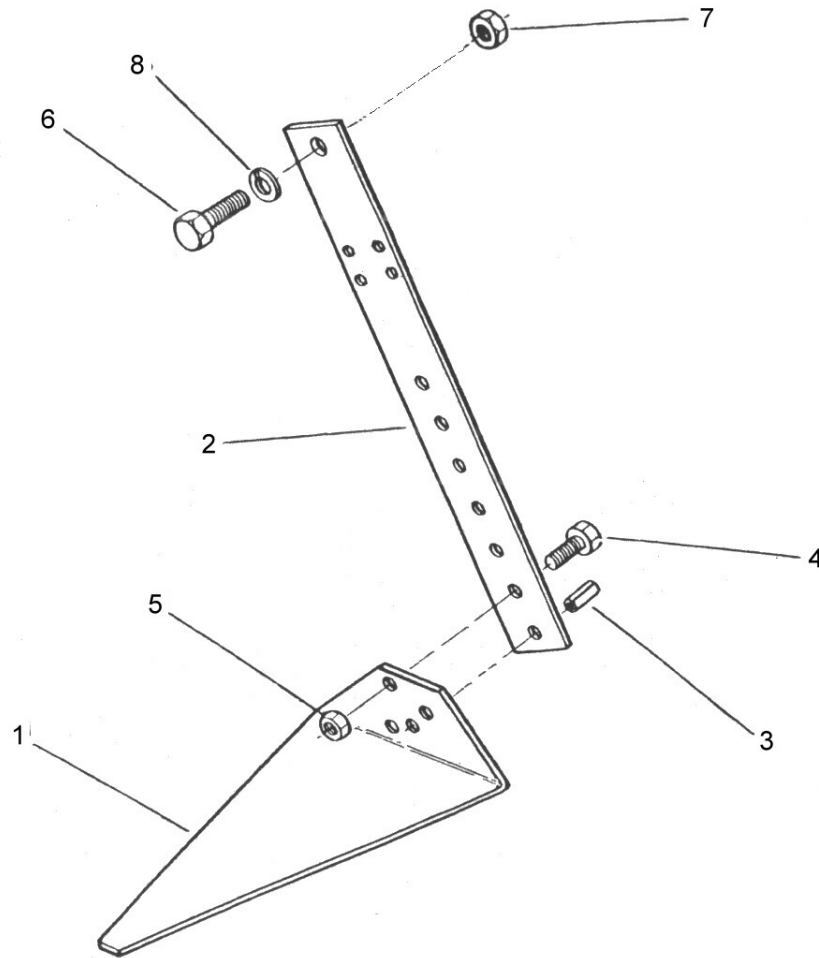




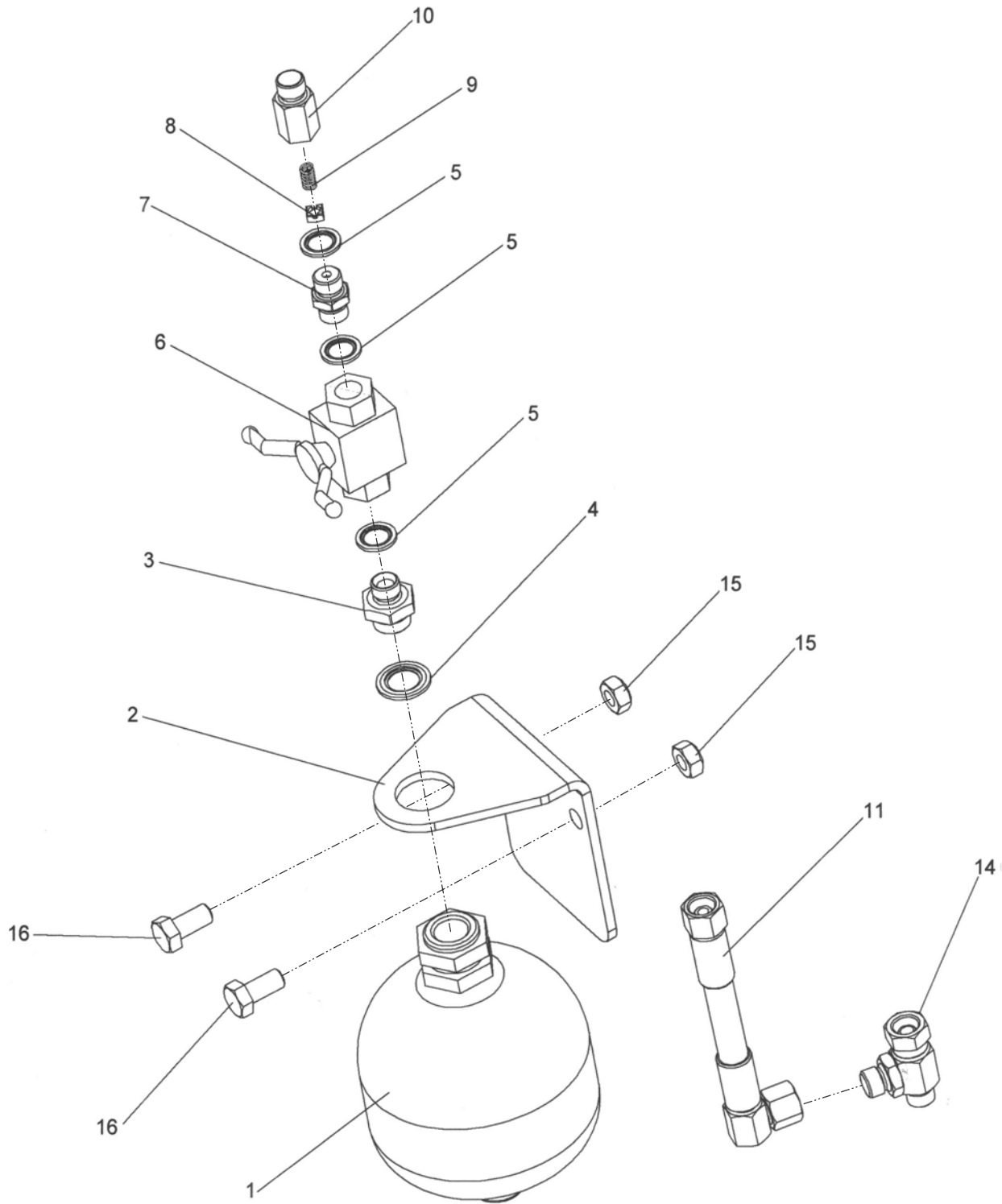
| REF. | QTY. | PART NO. | DESCRIPTION |
|------|------|-----------------|--|
| | | 41590.03 | MONOLEVER 6 BUTTON CONTROL ASSEMBLY |
| 1 | 1 | 41590.32 | JOYSTICK - INCLUDING CIRCUIT BOARD |
| 2 | 1 | 8402184 | POWER ON / EMERGENCY STOP |
| 3 | 1 | 8402174 | L.E.D. MAIN POWER ON |
| 4 | 1 | 8402182 | SWITCH - SLEW / AUTO RESET |
| 5 | 2 | 8402023 | SWITCH - LIFT AND ANGLE FLOAT |
| 6 | 3 | 8402024 | WEATHER COVER |
| 7 | 1 | 7550300 | COVER POD |
| 8 | 1 | 7550339 | TOP PLATE |
| 9 | 1 | 7290052 | SEALING STRIP (CUT TO SUIT) |
| 10 | 10 | 9300125 | SCREW - BUTTON HEAD M6 x 16 |
| 11 | 6 | 9143003 | SELF LOCKING NUT M6 |
| 12 | 6 | 9100103 | WASHER DIA. 6 |
| 13 | 1 | 8402189 | SOCKET SHELL |
| 14 | 14 | 8402192 | FEMALE SOCKET PIN |
| 15 | 4 | 9200007 | SCREW - POSIDRIVE PANHEAD M3 x 10 |
| 16 | 4 | 9100400 | EXTERNAL SERRATED WASHER DIA.3 |
| 17 | 4 | 9100013 | NUT - PLATED M3 |
| 18 | 1 | 8402232 | POWER LOOM - INCLUDING: |
| 19 | 1 | 43034.03 | FUSE |
| 20 | 2 | 8402230 | CONTACT HOUSING |
| 21 | 4 | 8402229 | CONTACTS |
| 22 | 1 | 8402042 | GLAND |
| 23 | 1 | 41844.01 | WIRING LOOM - INCLUDING: |
| 24 | 1 | 8402188 | SHELL |
| 25 | 1 | 8402190 | CABLE CLAMP |
| 26 | 12 | 07.835.04 | PLUG - INCLUDING: |
| 27 | 1 | 07.835.03 | SCREW |
| 28 | 1 | 07.835.02 | GASKET |
| 29 | 1 | 8402193 | SPECIAL TOOL |



| REF. | QTY. | PART NO. | DESCRIPTION |
|------|------|----------------|------------------------------------|
| | | 7313282 | CABLE CONTROL UNIT MOUNTING |
| 1 | 1 | 42491.01 | BRACKET |
| 2 | 2 | 9313094 | SETSCREW M8 x 45 |
| 3 | 4 | 03.152.01 | RUBBER WASHER |
| 4 | 2 | 9100104 | PLAIN WASHER DIA. 8 |
| 5 | 2 | 9100204 | SPRING WASHER DIA. 8 |
| 6 | 2 | 9193004 | WINGNUT M8 |

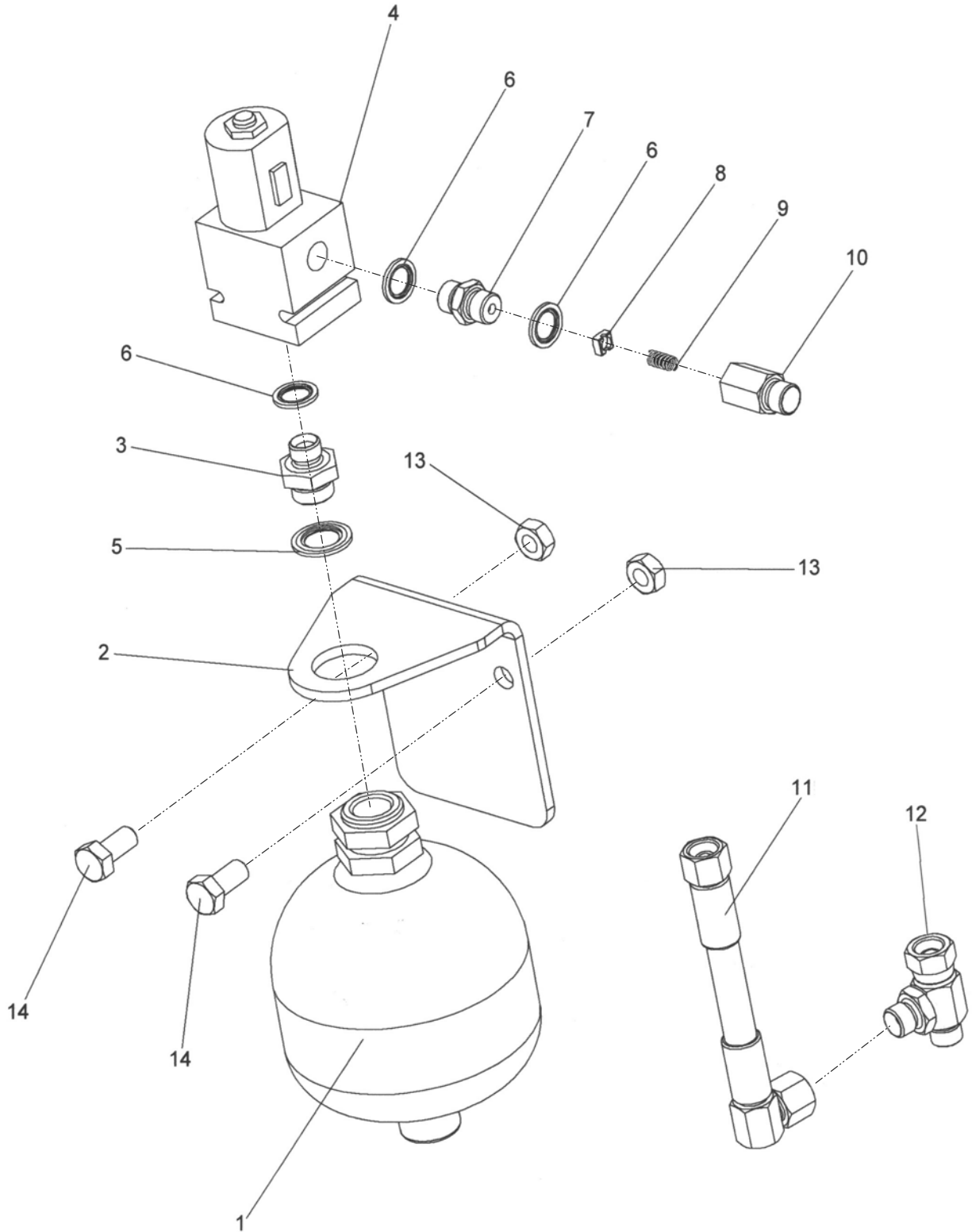


| REF. | QTY. | PART NO. | DESCRIPTION |
|------|------|----------------|---------------------------------------|
| | | 7190319 | ELECTRIC CONTROL UNIT MOUNTING |
| 1 | 1 | 7109320 | SANDWICH PLATE |
| 2 | 1 | 7109146 | PILLAR - INCLUDING SPRING DOWEL |
| 3 | 1 | 0422816 | SPRING DOWEL |
| 4 | 1 | 9313066 | SETSCREW M12 x 30 |
| 5 | 1 | 9113006 | NUT M12 |
| 6 | 1 | 9311086 | SETSCREW 5/8" UNF x 1" LONG |
| 7 | 1 | 0111006 | NUT 5/8" UNF |
| 8 | 1 | 0100206 | SPRING WASHER 5/8" DIA. |



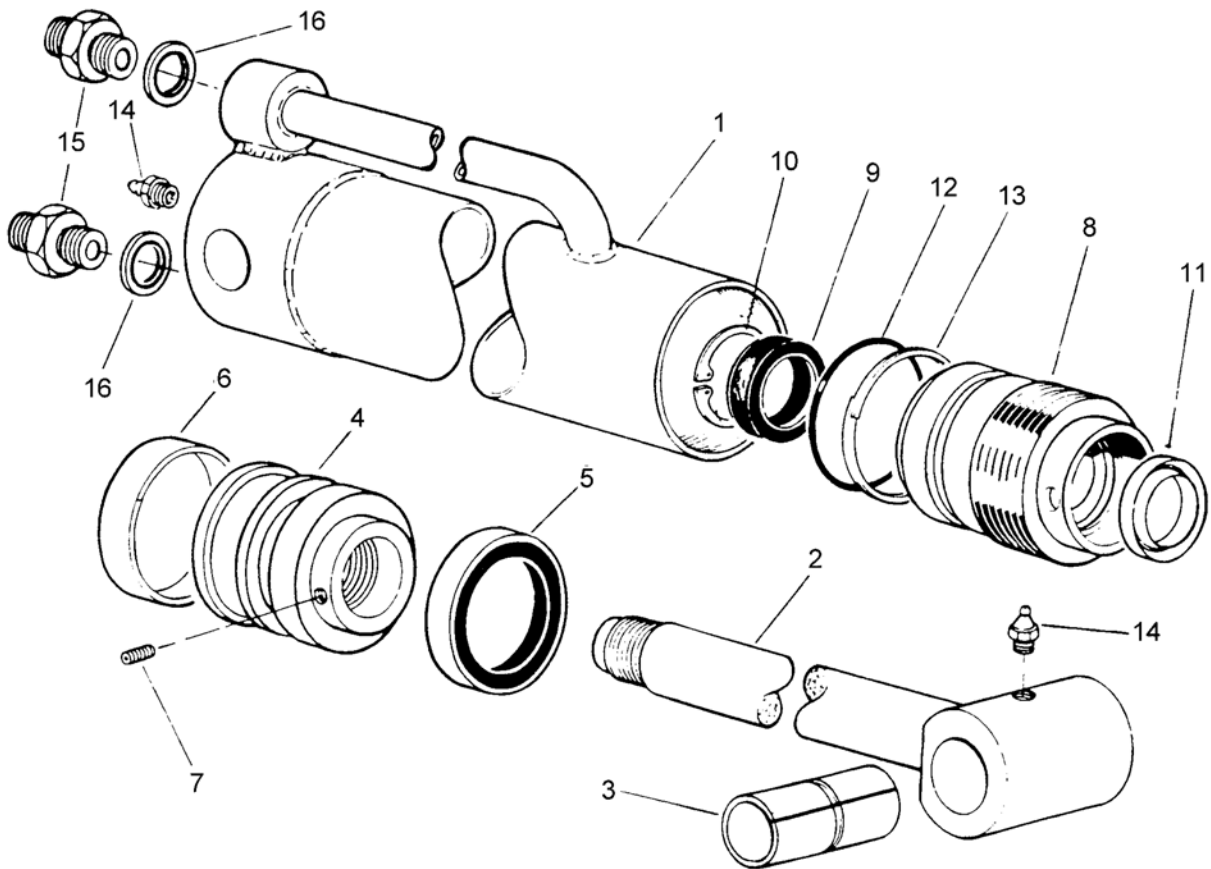
LIFT FLOAT KIT (Cable Models)

| REF. | QTY. | PART NO. | DESCRIPTION |
|------|------|----------------|--|
| | | 8126326 | LIFT FLOAT KIT - CABLE MACHINES |
| 1 | 1 | 8126044 | ACCUMULATOR 1L 25BAR PC |
| 2 | 1 | 8126318 | BRACKET - FLOAT KIT |
| 3 | 1 | G2410380 | ADAPTOR 3/8" BSP x M22 MM |
| 4 | 1 | 8650322 | BONDED SEAL M22 |
| 5 | 3 | 8650103 | BONDED SEAL 3/8" BSP |
| 6 | 1 | 08.200.01 | VALVE - ISOLATING |
| 7 | 1 | 8581209 | ADAPTOR 3/8 BSP MM FLAT |
| 8 | 1 | 8123041 | RESTRICTOR DISC |
| 9 | 1 | 8116011 | SPRING OD.275 x 5/8"LG |
| 10 | 1 | 8581346 | ADAPTOR RESTRICTOR. BODY 3/8mm |
| 11 | 1 | 10.004.20 | HOSE 3/8" BSP FS/F90 1000 |
| 12 | 1 | 11.068.69 | ADAPTOR TEE 3/8" BSP MFM |
| 13 | 2 | 9143006 | SELF-LOCKING NUT M12 |
| 14 | 2 | 9313056 | SETSCREW M12 x 25 |



LIFT FLOAT KIT (Electric Models)

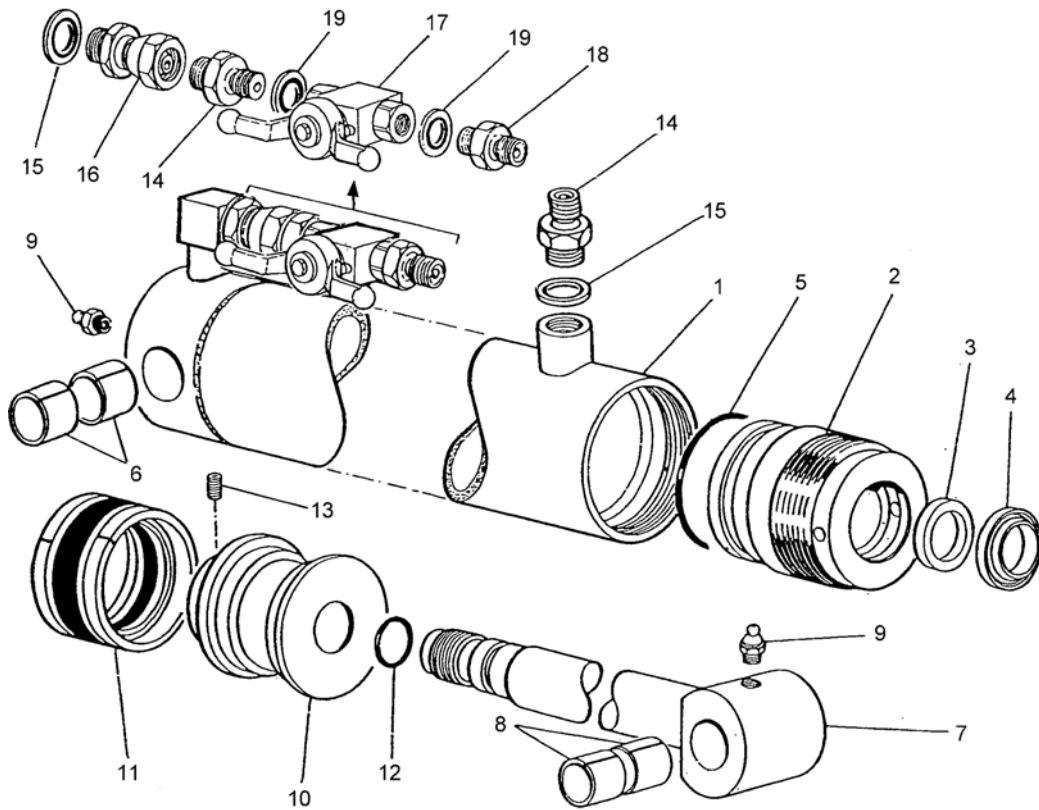
| REF. | QTY. | PART NO. | DESCRIPTION |
|------|------|----------------|--|
| | | 8126327 | LIFT FLOAT KIT - ELECTRIC MACHINES |
| 1 | 1 | 8126044 | ACCUMULATOR 1L 25BAR PC |
| 2 | 1 | 8126318 | BRACKET - FLOAT KIT |
| 3 | 1 | G2410380 | ADAPTOR 3/8" BSP x M22 MM |
| 4 | 1 | 08.619.09 | VALVE - MODULAR |
| 5 | 1 | 8650322 | BONDED SEAL M22 |
| 6 | 3 | 8650103 | BONDED SEAL 3/8" BSP |
| 7 | 1 | 8581209 | ADAPTOR 3/8" BSP MM FLAT |
| 8 | 1 | 8123041 | RESTRICTOR DISC |
| 9 | 1 | 8116011 | SPRING OD.275 x 5/8" LG |
| 10 | 1 | 8581346 | ADAPTOR RESTRICTOR. BODY 3/8" BSP MM |
| 11 | 1 | 10.004.18 | HOSE 3/8" BSP FS/F90 900 |
| 12 | 1 | 11.068.69 | ADAPTOR TEE 3/8" BSP MFM |
| 13 | 2 | 9143006 | SELF-LOCKING NUT M12 |
| 14 | 2 | 9313056 | SETSCREW M12 x 25 |
| 15 | 1 | 84 02 207 | LOOM - LIFT FLOAT - <i>not illustrated</i> |



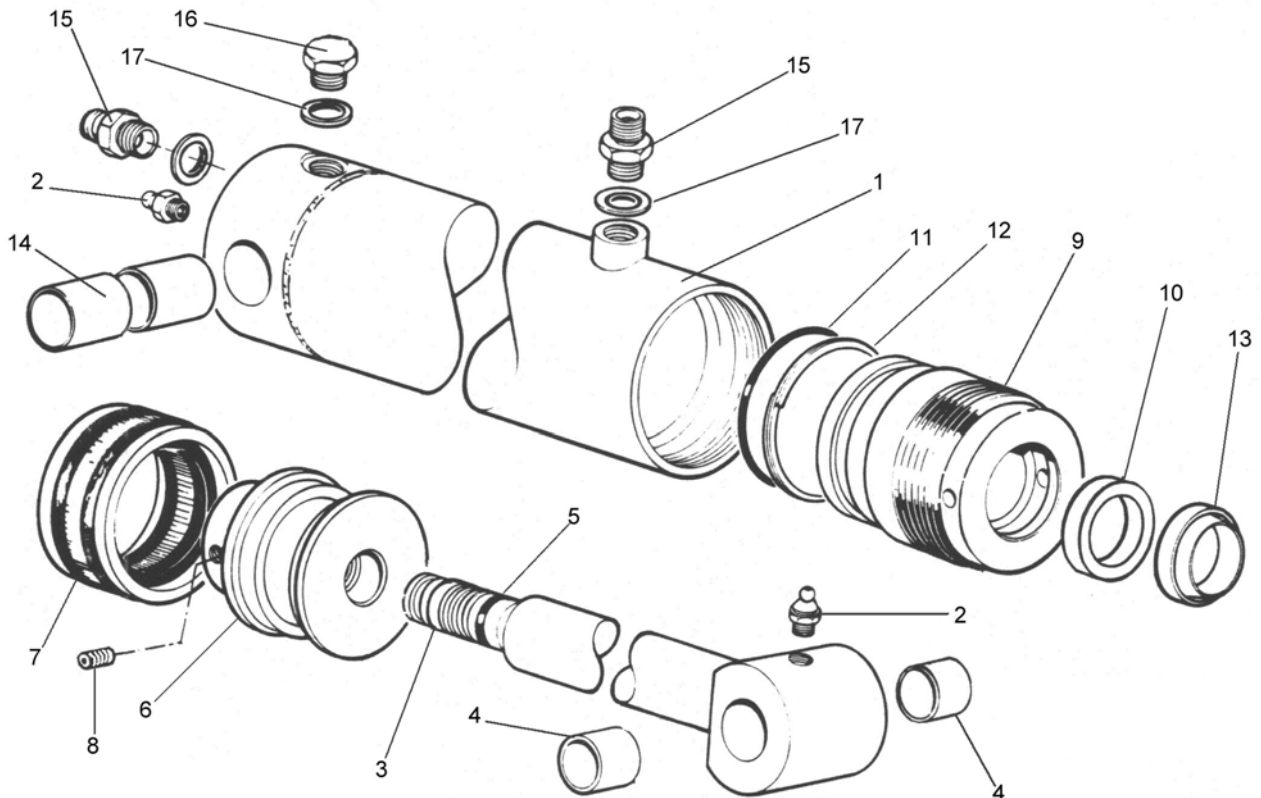
| REF. | QTY. | PART NO. | DESCRIPTION |
|------|------|----------------|----------------------------------|
| | | 7560344 | ANGLING RAM ASSEMBLY |
| 1 | 1 | 7135292 | CYLINDER |
| 2 | 1 | 7135009 | ROD |
| 3 | 1 | 7105050 | BUSH |
| 4 | 1 | 7560095 | PISTON |
| 5 | 1 | 8629187 | PISTON SEAL |
| 6 | 1 | 8629188 | BEARING RING |
| 7* | 1 | 9363023 | GRUB SCREW - SOCKET HEAD M6 x 12 |
| 8 | 1 | 7135291 | GLAND HOUSING |
| 9 | 1 | 8629148 | GLAND SEAL |
| 10 | 1 | 0416240 | INTERNAL CIRCLIP |
| 11 | 1 | 8629149 | WIPER SEAL |
| 12 | 1 | 8600302 | O' RING |
| 13 | 1 | 8609302 | ANTI EXTRUSION RING |
| 14 | 2 | 0901121 | GREASER |
| 15 | 2 | 8581169 | UNION 1/4" BSP MM |
| 16 | 2 | 8650102 | BONDED SEAL 1/4" BSP |
| | | 8699188 | SEAL KIT |

***Assembly note:**

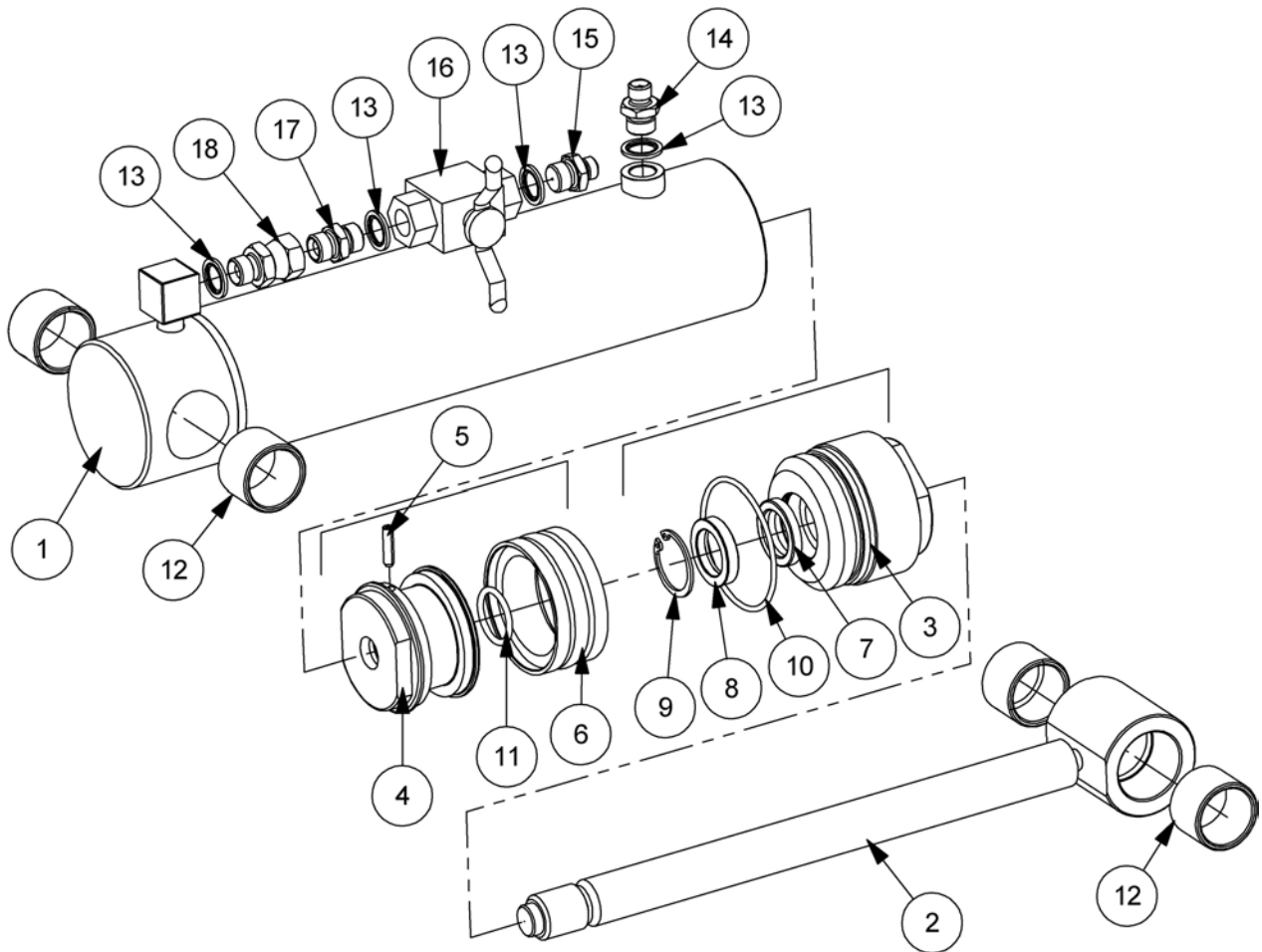
Tighten fully and centre punch edge of hole to secure.



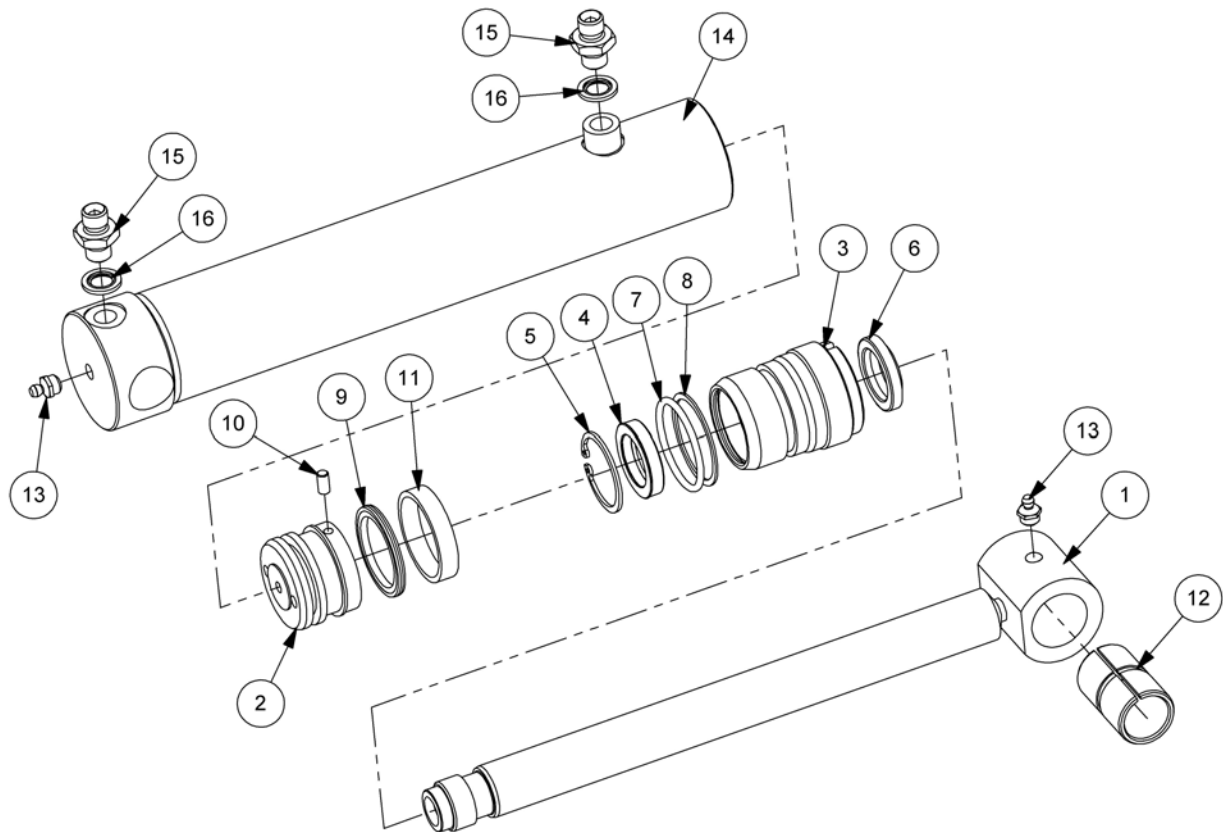
| REF. | QTY. | PART NO. | DESCRIPTION |
|------|------|-----------------|------------------------------|
| | | 42095.02 | LIFT RAM ASSEMBLY |
| | | 42095.01 | LIFT RAM - Comprising: |
| 1 | 1 | 42095.31 | BARREL |
| 2 | 1 | 42095.38 | GLAND HOUSING |
| 3 | 1 | 8629158 | GLAND SEAL |
| 4 | 1 | 8629152 | ROD WIPER |
| 5 | 1 | 8600742 | 'O' RING |
| 6 | 2 | 7101134 | BUSH |
| 7 | 1 | 42968.01 | ROD |
| 8 | 2 | 6012032 | BUSH |
| 9 | 2 | 0901121 | GREASER 1/8" BSP - STRAIGHT |
| 10 | 1 | 42095.34 | PISTON |
| 11 | 1 | 8638742 | PISTON SEAL |
| 12 | 1 | 8600119 | 'O' RING |
| 13 | 1 | 9363023 | GRUBSCREW M6 x 12 |
| 14 | 2 | 8581115 | UNION 3/8" BSP - 1/4" BSP MM |
| 15 | 2 | 8650103 | BONDED SEAL 3/8" BSP |
| 16 | 1 | 8581178 | SWIVEL UNION 3/8" BSP MF |
| 17 | 1 | 8130181 | TAP |
| 18 | 1 | 8581169 | UNION 1/4" BSP MM |
| 19 | 2 | 8650102 | BONDED SEAL 1/4" BSP |
| | | 8699249 | SEAL KIT |



| REF. | QTY. | PART NO. | DESCRIPTION |
|------|------|----------------|----------------------------------|
| | | 7193334 | REACH RAM ASSEMBLY |
| | | | Comprising of: |
| 1 | 1 | 7135283 | RAM CYLINDER |
| 2 | 2 | 0901121 | GREASER 1/8" BSP - STRAIGHT |
| 3 | 1 | 7193029 | PISTON ROD |
| 4 | 2 | 6012032 | BUSH |
| 5 | 1 | 8600119 | O' RING |
| 6 | 1 | 7135004 | PISTON c/w SEAL AND GRUB SCREW |
| 7 | 1 | 8638740 | PISTON SEAL |
| 8 | 1 | 9363023 | GRUB SCREW M6 x 12 - SOCKET HEAD |
| 9 | 1 | 7135282 | GLAND HOUSING |
| 10 | 1 | 8629164 | GLAND SEAL |
| 11 | 1 | 8700740 | O' RING |
| 12 | 1 | 8709740 | ANTI EXTRUSION RING |
| 13 | 1 | 8629147 | WIPER |
| 14 | 2 | 7101134 | BUSH - RAM BASE |
| 15 | 2 | 8581115 | UNION 1/4" BSP - 3/8" BSP M-M |
| 16 | 1 | 8003001 | PLUG 3/8" BSP |
| 17 | 3 | 8650103 | BONDED SEAL 3/8" BSP |

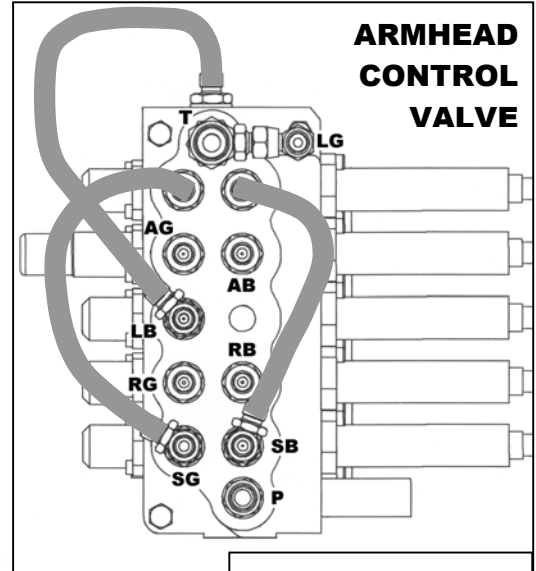
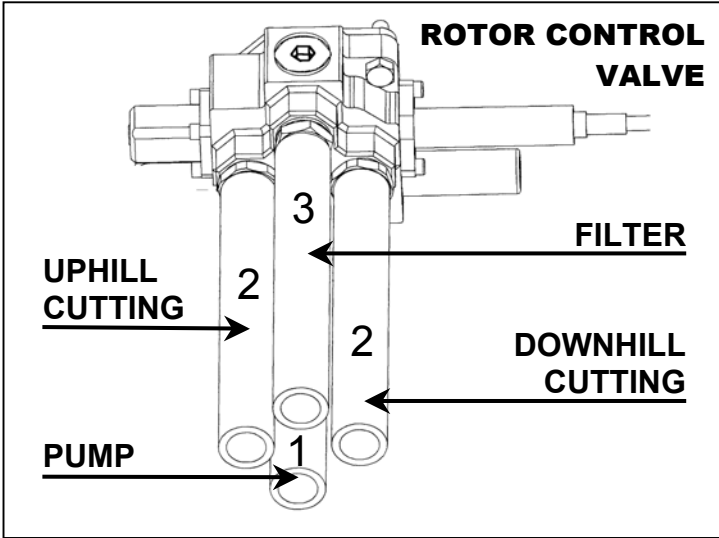


| REF. | QTY. | PART NO. | DESCRIPTION |
|------|------|-----------------|-------------------------------|
| | | 45288.05 | SLEW RAM ASSEMBLY |
| 1 | 1 | 45273.05 | BARREL |
| 2 | 1 | 45275.01 | PISTON ROD |
| 3 | 1 | 45283.01 | GLAND HOUSING |
| 4 | 1 | 45276.01 | PISTON |
| 5 | 1 | 42775.01 | DOWEL |
| 6 | 1 | 8638740 | PISTON SEAL |
| 7 | 1 | 8629149 | SCRAPER RING |
| 8 | 1 | 8629148 | GLAND SEAL |
| 9 | 1 | 0416240 | INTERNAL CIRCLIP |
| 10 | 1 | 8700740 | O RING |
| 11 | 1 | 8600121 | O RING |
| 12 | 4 | 08.297.05 | BUSH |
| 13 | 4 | 8650103 | BONDED |
| 14 | 1 | 8581115 | ADAPTOR |
| 15 | 1 | 8130066 | ADAPTOR RESTRICTOR - 1.15 'M' |
| 16 | 1 | 08.200.01 | ISOLATING VALVE |
| 17 | 1 | 6000113 | ADAPTOR |
| 18 | 1 | 8581178 | SWIVEL ADAPTOR |
| | | 8699525 | SEAL KIT |

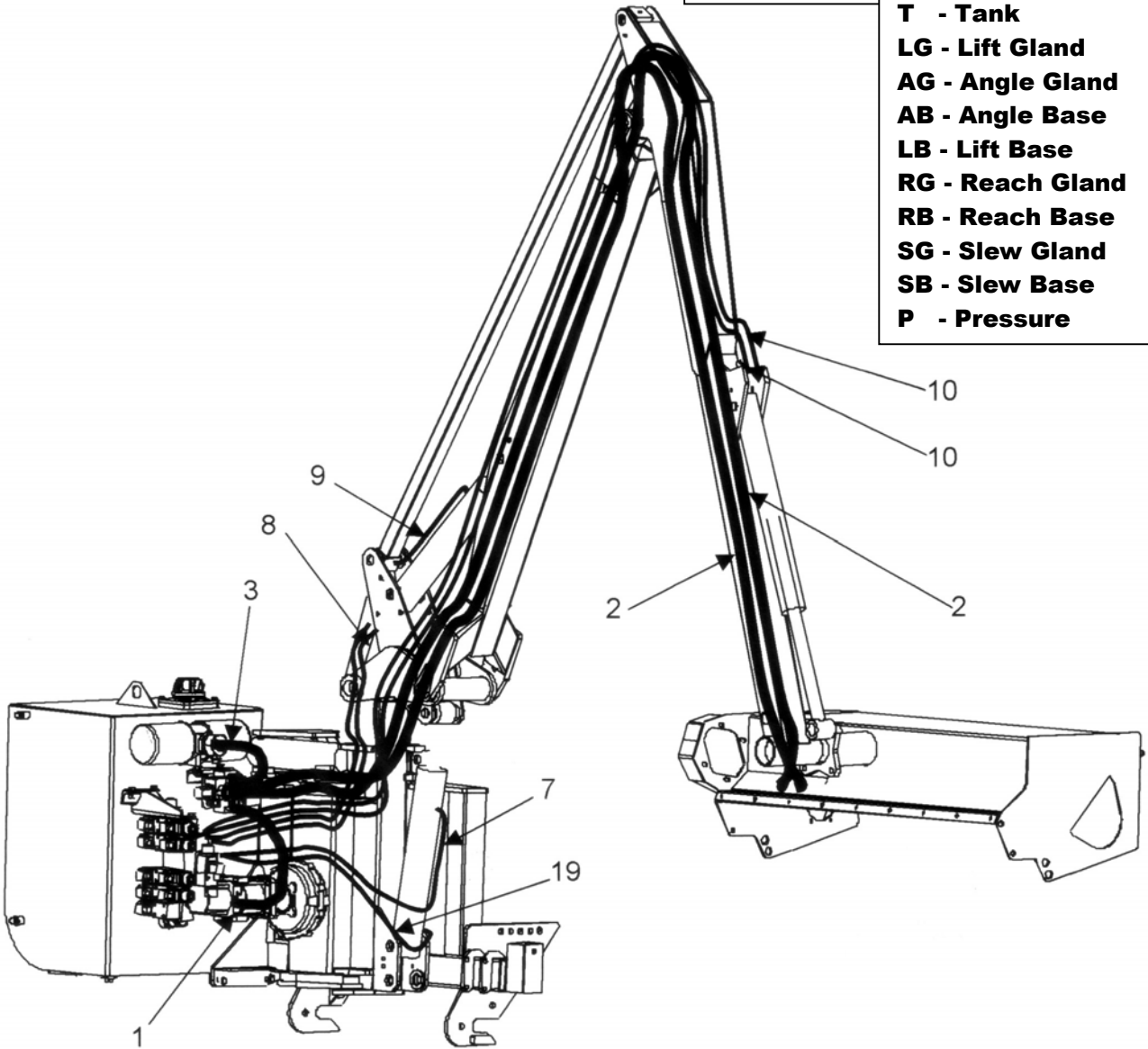


| REF. | QTY. | PART No. | DESCRIPTION |
|------|------|----------------|--|
| | | 7560356 | COMPENSATOR RAM ASSEMBLY - AHC Models |
| 1 | 1 | 7195010 | PISTON ROD |
| 2 | 1 | 7560095 | PISTON |
| 3 | 1 | 7135291 | GLAND HOUSING |
| 4 | 1 | 8629148 | GLAND SEAL |
| 5 | 1 | 0416240 | INTERNAL CIRCLIP |
| 6 | 1 | 8629149 | SCRAPER RING |
| 7 | 1 | 8600302 | O RING |
| 8 | 1 | 8609302 | AE RING |
| 9 | 1 | 8629187 | PISTON SEAL |
| 10 | 1 | 9363023 | GRUB SCREW |
| 11 | 1 | 8629188 | GUIDE RING |
| 12 | 1 | 7105050 | ROD END BUSH |
| 13 | 2 | 0901121 | GREASE NIPPLE |
| 14 | 1 | 7195305 | BARREL |
| 15 | 2 | 8581169 | ADAPTOR |
| 16 | 2 | 8650102 | BONDED SEAL |
| | | 8699188 | SEAL KIT |

This page is intentionally blank



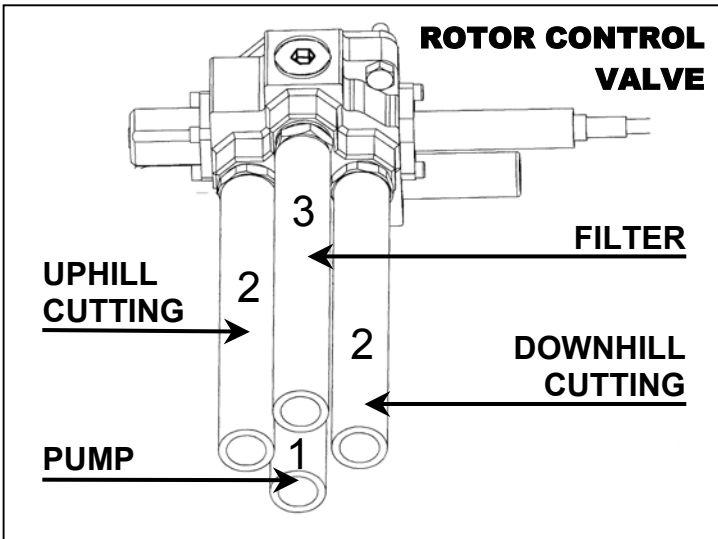
- T - Tank
- LG - Lift Gland
- AG - Angle Gland
- AB - Angle Base
- LB - Lift Base
- RG - Reach Gland
- RB - Reach Base
- SG - Slew Gland
- SB - Slew Base
- P - Pressure



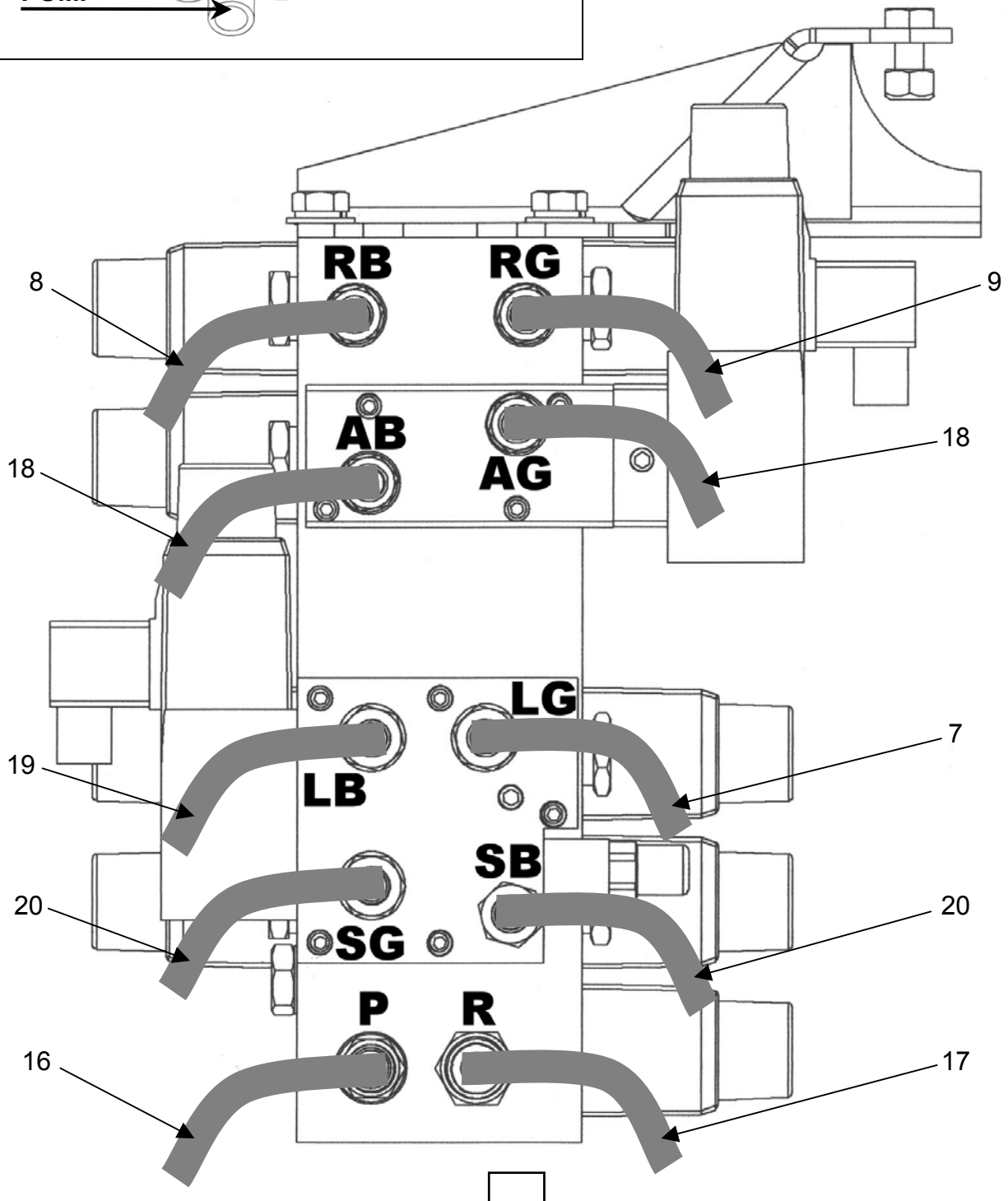
PLEASE NOTE: *The aim of this diagram is to give a general indication of hose positions on the machine. It is advisable to note the exact position of any hose prior to attaching a replacement.*

HOSE INSTALLATION (Cable)

| REF. | QTY | PART NO. | DESCRIPTION | |
|------|-----|------------|----------------------------------|--------------------------|
| | | ● 74487221 | CABLE MACHINES - STANDARD | |
| | | ● 74487222 | CABLE MACHINES - MIDCUT | |
| | | | | |
| 1 | 1 1 | 10.011.12 | HOSE - 1" BSP FS/FS x 600mm | <i>Pump to R/C up</i> |
| 2 | 2 - | 8501285 | HOSE - 1" BSP F90/F135 x 5300mm | <i>Flail Pipes</i> |
| 3 | 1 1 | 10.012.18 | HOSE - 1" BSP FS/F90 x 900mm | <i>Return - R/C up</i> |
| 4 | 1 1 | 10.004.10 | HOSE - 3/8" BSP FS/F90 x 500mm | <i>Pressure - Arms</i> |
| 5 | 1 1 | 10.006.06 | HOSE - 1/2" BSP FS/F90 x 300mm | <i>Return - Arms</i> |
| 6 | 2 2 | 10.002.16 | HOSE - 1/4" BSP FS/F90 x 800mm | <i>Slew</i> |
| 7 | 1 1 | 10.002.23 | HOSE - 1/4" BSP FS/F90 x 1300mm | <i>Lift</i> |
| 8 | 1 1 | 10.001.29 | HOSE - 1/4" BSP FS/FS x 1900mm | <i>Reach Base</i> |
| 9 | 1 1 | 10.002.34 | HOSE - 1/4" BSP FS/F90 x 2400mm | <i>Reach Gland</i> |
| 10 | 2 - | 10.001.56 | HOSE - 1/4" BSP FS/FS x 4600mm | <i>Angle</i> |
| 11 | - 2 | 8501289 | HOSE - 1" BSP F90/F135 x 5500mm | <i>Flail - Midcut</i> |
| 12 | - 2 | 10.001.57 | HOSE - 1/4" BSP FS/FS x 4700mm | <i>Angle - Midcut</i> |
| 13 | - - | 10.002.25 | HOSE - 1/4" BSP FS/F90 x 1500mm | <i>Reach Base - AHC</i> |
| 14 | - - | 10.002.27 | HOSE - 1/4" BSP FS/F90 x 1700mm | <i>Reach Gland - AHC</i> |
| 15 | - - | 10.002.30 | HOSE - 1/4" BSP FS/F90 x 2000mm | <i>Lift - AHC</i> |
| 16 | - - | 10.004.12 | HOSE - 3/8" BSP FS/F90 x 600mm | <i>Pressure Arms</i> |
| 17 | - - | 10.006.12 | HOSE - 1/2" BSP FS/F90 x 600mm | <i>Return Arms</i> |
| 18 | - - | 10.001.53 | HOSE - 1/4" BSP FS/FS x 4300mm | <i>Angle</i> |
| 19 | 1 1 | 10.001.23 | HOSE - 1/4" BSP FS/FS x 1300mm | <i>Lift</i> |
| 20 | - - | 10.002.14 | HOSE - 1/4" BSP FS/F90 x 700mm | <i>Slew</i> |

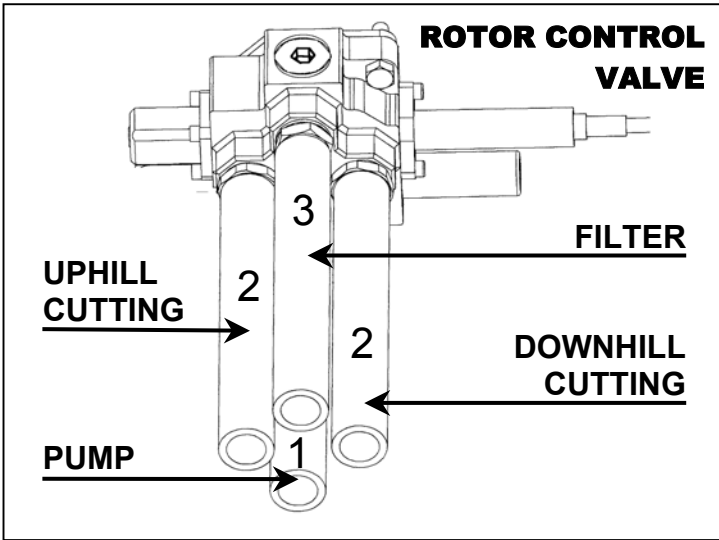


- LG** - Lift Gland
- AG** - Angle Gland
- AB** - Angle Base
- LB** - Lift Base
- RG** - Reach Gland
- RB** - Reach Base
- SG** - Slew Gland
- SB** - Slew Base
- P** - Pressure
- R** - Return

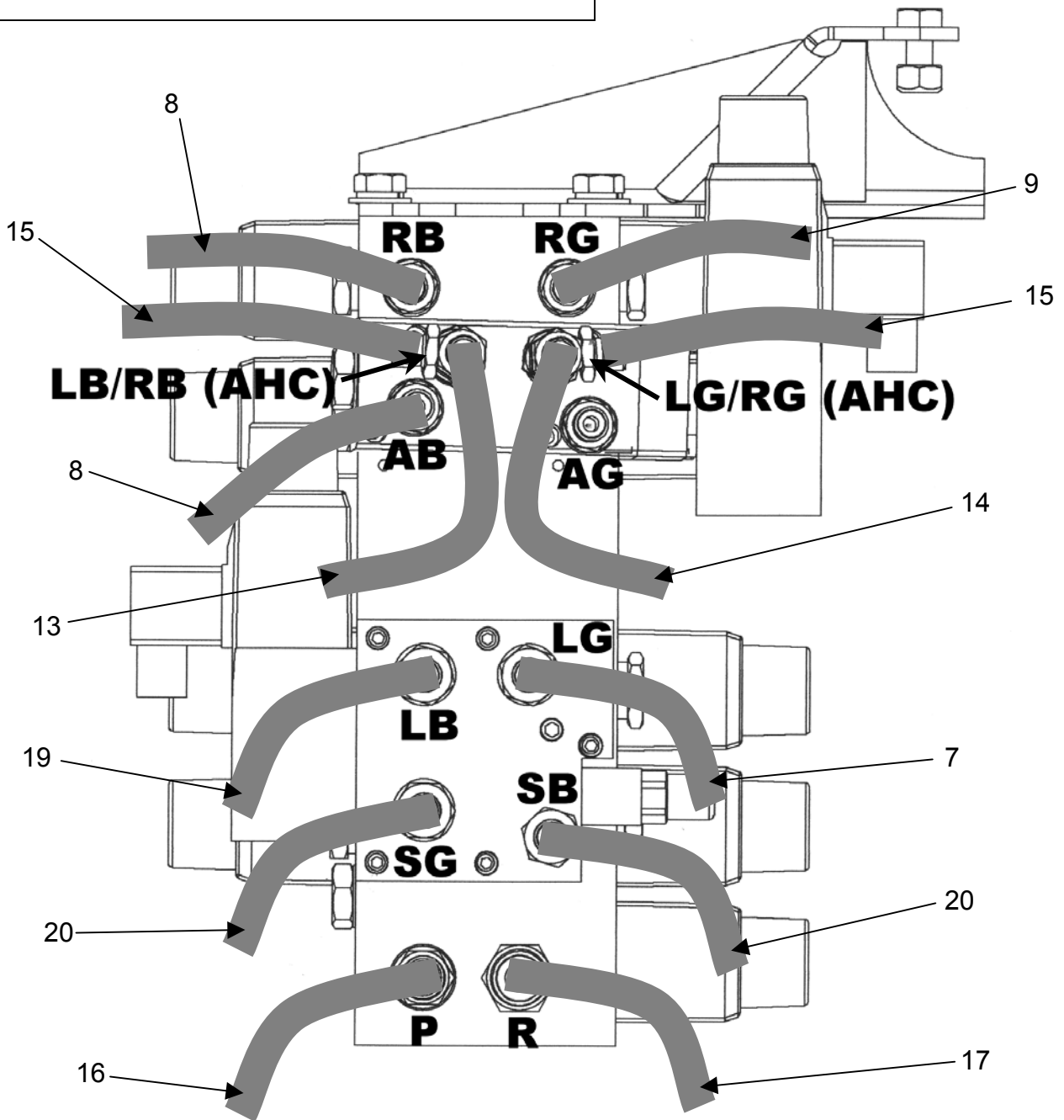


HOSE INSTALLATION (Electric)

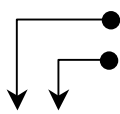
| REF. | QTY | PART NO. | DESCRIPTION |
|------|-------|------------|--|
| | | ● 74487223 | ELECTRIC MACHINES - STANDARD |
| | | ● 74487224 | ELECTRIC MACHINES - MIDCUT |
| | | ● 74487227 | PROPORTIONAL ELECTRIC MACHINES |
| | | ↓ ↓ ↓ | |
| 1 | 1 1 - | 10.011.12 | HOSE - 1" BSP FS/FS x 600mm <i>Pump to R/C up</i> |
| | - - 1 | 10.012.16 | HOSE - 1" BSP FS/F90 x 800mm <i>Pump to R/C up</i> |
| 2 | 2 - - | 8501285 | HOSE - 1" BSP F90/F135 x 5300mm <i>Flail Pipes</i> |
| | - - 2 | 8501359 | HOSE - 1" BSP F90/F135 x 5150mm <i>Flail Pipes</i> |
| 3 | 1 1 - | 10.012.18 | HOSE - 1" BSP FS/F90 x 900mm <i>Return - R/C up</i> |
| 4 | - - - | 10.004.10 | HOSE - 3/8" BSP FS/F90 x 500mm <i>Pressure - Arms</i> |
| 5 | - - - | 10.006.06 | HOSE - 1/2" BSP FS/F90 x 300mm <i>Return - Arms</i> |
| 6 | - - 2 | 10.031.16 | HOSE - 1/4" BSP FS/F90 x 800mm <i>Slew</i> |
| 7 | 1 1 1 | 10.002.23 | HOSE - 1/4" BSP FS/F90 x 1300mm <i>Lift</i> |
| 8 | 1 1 1 | 10.001.29 | HOSE - 1/4" BSP FS/FS x 1900mm <i>Reach Base</i> |
| 9 | 1 1 1 | 10.002.34 | HOSE - 1/4" BSP FS/F90 x 2400mm <i>Reach Gland</i> |
| 10 | - - - | 10.001.56 | HOSE - 1/4" BSP FS/FS x 4600mm <i>Angle</i> |
| 11 | - 2 - | 8501289 | HOSE - 1" BSP F90/F135 x 5500mm <i>Flail - Midcut</i> |
| 12 | - 2 - | 10.001.57 | HOSE - 1/4" BSP FS/FS x 4700mm <i>Angle - Midcut</i> |
| 13 | - - - | 10.002.25 | HOSE - 1/4" BSP FS/F90 x 1500mm <i>Reach Base - AHC</i> |
| 14 | - - - | 10.002.27 | HOSE - 1/4" BSP FS/F90 x 1700mm <i>Reach Gland - AHC</i> |
| 15 | - - - | 10.002.30 | HOSE - 1/4" BSP FS/F90 x 2000mm <i>Lift - AHC</i> |
| 16 | 1 1 1 | 10.004.12 | HOSE - 3/8" BSP FS/F90 x 600mm <i>Pressure Arms</i> |
| 17 | 1 1 - | 10.006.12 | HOSE - 1/2" BSP FS/F90 x 600mm <i>Return Arms</i> |
| 18 | 2 - - | 10.001.53 | HOSE - 1/4" BSP FS/FS x 4300mm <i>Angle</i> |
| | - - 2 | 10.001.52 | HOSE - 1/4" BSP FS/FS x 4200mm <i>Angle</i> |
| 19 | 1 1 1 | 10.001.23 | HOSE - 1/4" BSP FS/FS x 1300mm <i>Lift</i> |
| 20 | 2 2 - | 10.002.14 | HOSE - 1/4" BSP FS/F90 x 700mm <i>Slew</i> |
| 21 | - - 1 | 10.012.19 | HOSE - 1" BSP FS/F90 x 950mm <i>Cooler to Tank</i> |
| 22 | - - 1 | 10.012.22 | HOSE - 1" BSP FS/F90 x 1200mm <i>Valve to Cooler</i> |

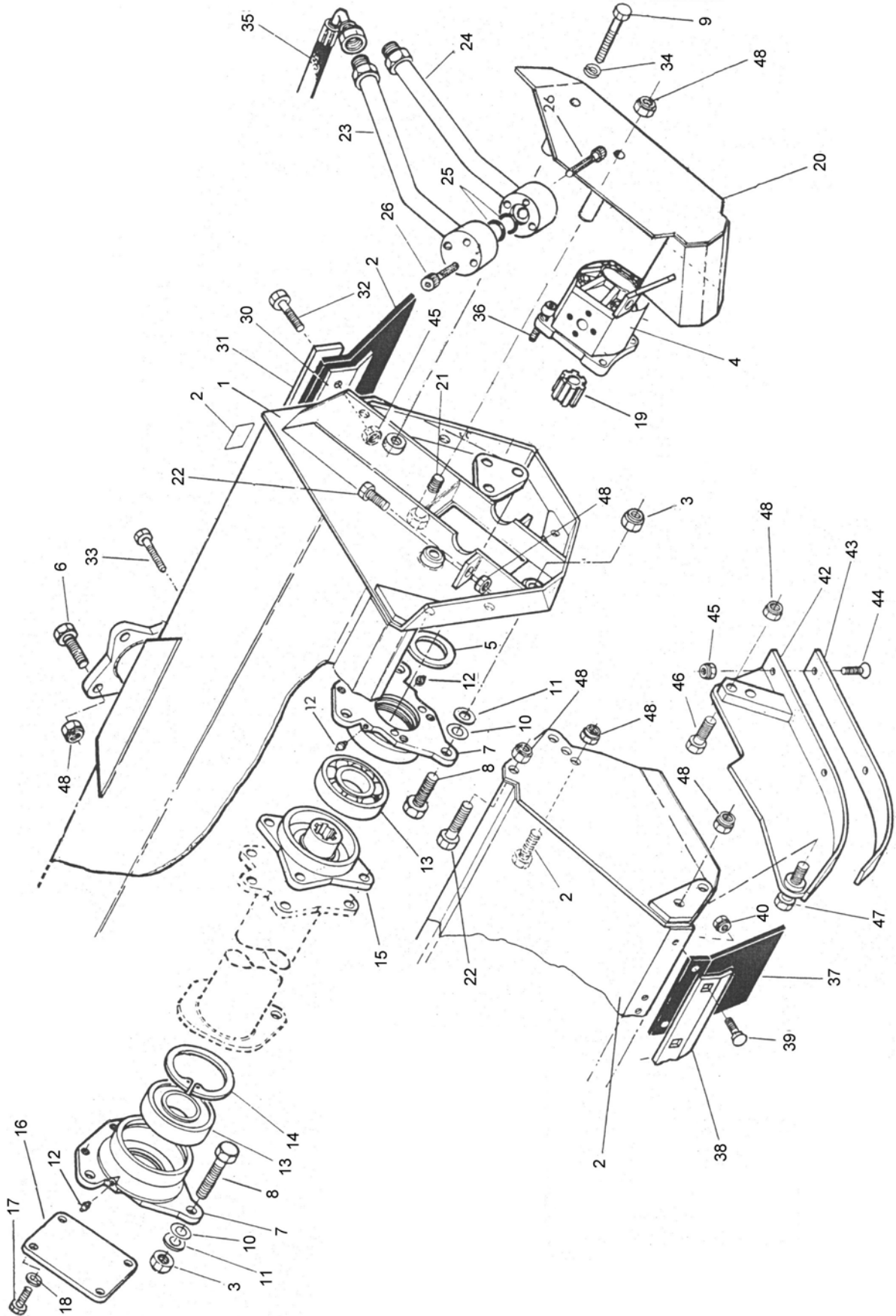


- LG** - Lift Gland
- AG** - Angle Gland
- AB** - Angle Base
- LB** - Lift Base
- RG** - Reach Gland
- RB** - Reach Base
- SG** - Slew Gland
- SB** - Slew Base
- P** - Pressure
- R** - Return



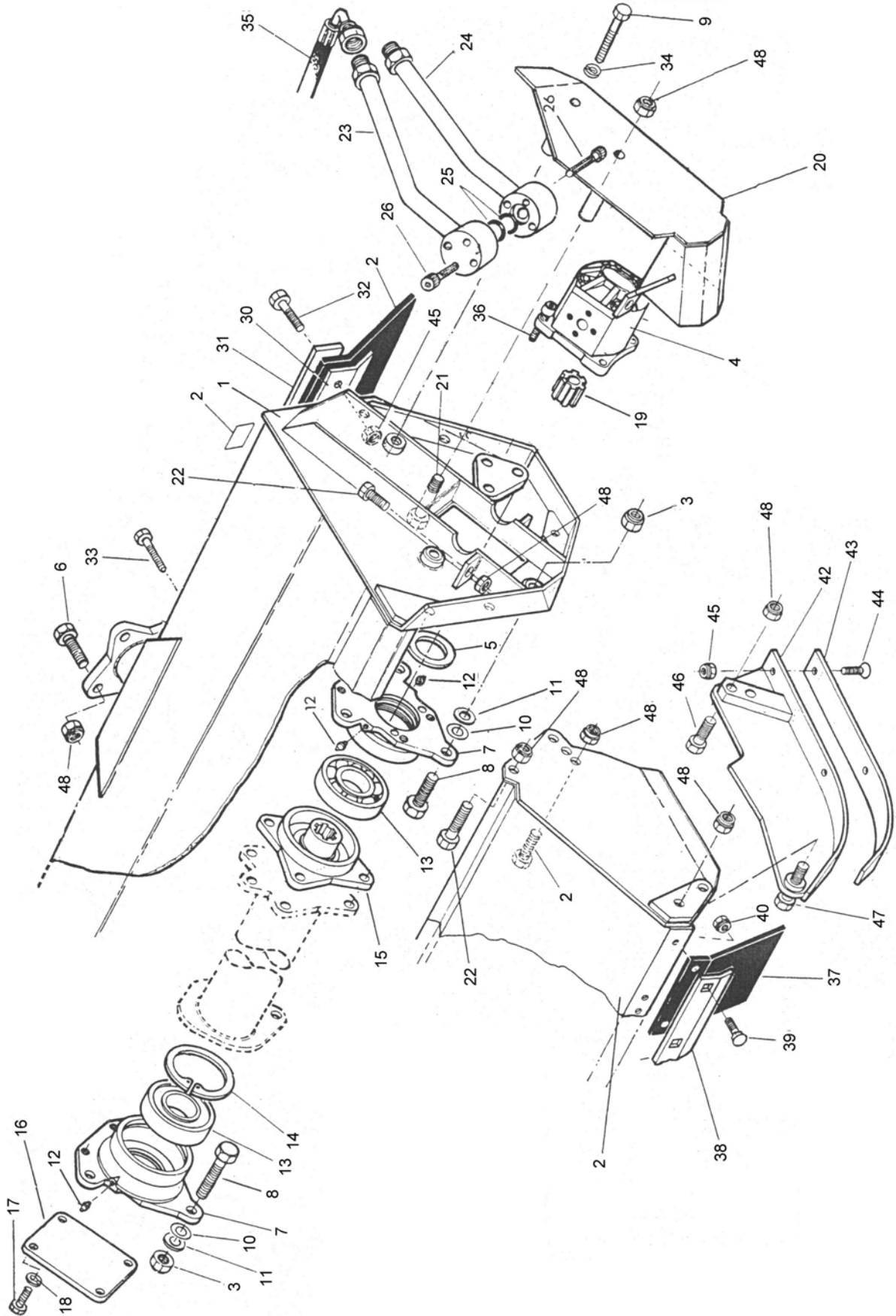
HOSE INSTALLATION (Elec. AHC)

| REF. | QTY | PART NO. | DESCRIPTION | |
|------|-----|------------|---------------------------------------|---|
| | | ● 74487225 | ELECTRIC MACHINES - AHC | |
| | | ● 74487226 | ELECTRIC MACHINES - AHC MIDCUT | |
| | | | |  |
| 1 | 1 1 | 10.011.12 | HOSE - 1" BSP FS/FS x 600mm | Pump to R/C up |
| 2 | 2 - | 8501285 | HOSE - 1" BSP F90/F135 x 5300mm | Flail Pipes |
| 3 | 1 1 | 10.012.18 | HOSE - 1" BSP FS/F90 x 900mm | Return - R/C up |
| 4 | - - | 10.004.10 | HOSE - 3/8" BSP FS/F90 x 500mm | Pressure - Arms |
| 5 | - - | 10.006.06 | HOSE - 1/2" BSP FS/F90 x 300mm | Return - Arms |
| 6 | - - | 10.002.16 | HOSE - 1/4" BSP FS/F90 x 800mm | Slew |
| 7 | 1 1 | 10.002.23 | HOSE - 1/4" BSP FS/F90 x 1300mm | Lift |
| 8 | 1 1 | 10.001.29 | HOSE - 1/4" BSP FS/FS x 1900mm | Reach Base |
| 9 | 1 1 | 10.002.34 | HOSE - 1/4" BSP FS/F90 x 2400mm | Reach Gland |
| 10 | - - | 10.001.56 | HOSE - 1/4" BSP FS/FS x 4600mm | Angle |
| 11 | - 2 | 8501289 | HOSE - 1" BSP F90/F135 x 5500mm | Flail - Midcut |
| 12 | - 2 | 10.001.57 | HOSE - 1/4" BSP FS/FS x 4700mm | Angle - Midcut |
| 13 | 1 1 | 10.002.25 | HOSE - 1/4" BSP FS/F90 x 1500mm | Reach Base - AHC |
| 14 | 1 1 | 10.002.27 | HOSE - 1/4" BSP FS/F90 x 1700mm | Reach Gland - AHC |
| 15 | 2 2 | 10.002.30 | HOSE - 1/4" BSP FS/F90 x 2000mm | Lift - AHC |
| 16 | 1 1 | 10.004.12 | HOSE - 3/8" BSP FS/F90 x 600mm | Pressure Arms |
| 17 | 1 1 | 10.006.12 | HOSE - 1/2" BSP FS/F90 x 600mm | Return Arms |
| 18 | 2 - | 10.001.53 | HOSE - 1/4" BSP FS/FS x 4300mm | Angle |
| | - - | 10.001.52 | HOSE - 1/4" BSP FS/FS x 4200mm | Angle |
| 19 | 1 1 | 10.001.23 | HOSE - 1/4" BSP FS/FS x 1300mm | Lift |
| 20 | 2 2 | 10.002.14 | HOSE - 1/4" BSP FS/F90 x 700mm | Slew |



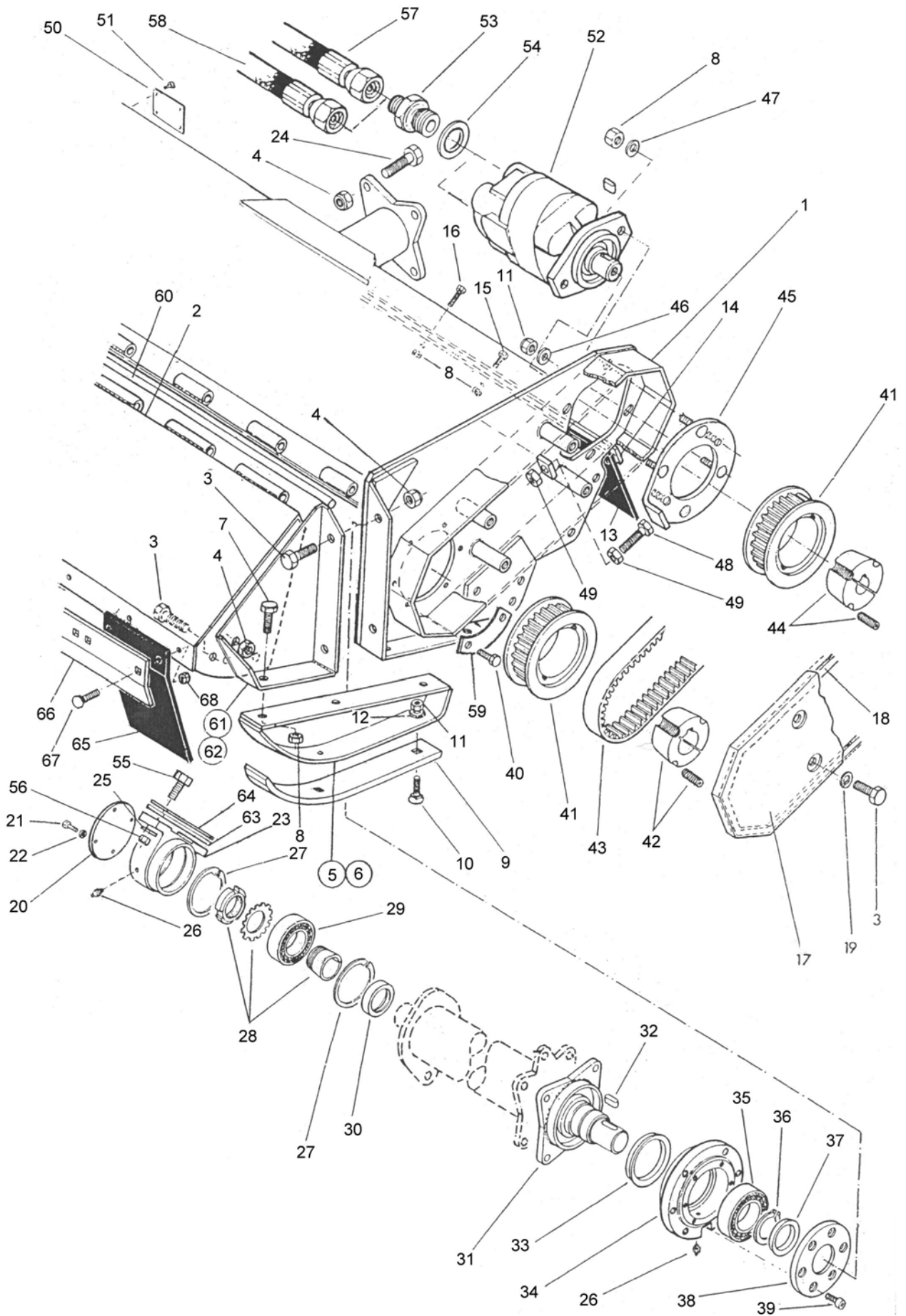
FLAILHEAD – 1.2m Direct Drive

| REF. | QTY. | PART NO. | DESCRIPTION |
|--|-----------------|----------------|-------------------------------------|
| FLAIL HEAD CASING - 1.2M DIRECT DRIVE | | | |
| 1 | 1 | 7190262 | FLAIL CASING |
| 2 | 1 | 1335246 | SERIAL No. PLATE |
| 3 | 6 | 9100024 | SPECIAL NUT M16 FINE |
| 4 | 1 | 8301282 | HYDRAULIC MOTOR |
| 5 | 1 | 7190015 | MOTOR LOCATING WASHER |
| 6 | 4 | 0211186 | BOLT 5/8" UNF x 2 1/4" LONG |
| 7 | 2 | 7190261 | BEARING HOUSING |
| 8 | 6 | 9200023 | SPECIAL BOLT M16 FINE x 55 |
| 9 | 1 | 0211326 | BOLT 5/8" UNF x 4" LONG |
| 10 | <i>as req'd</i> | 8121043 | SHIM .015" |
| 11 | <i>as req'd</i> | 8121044 | SHIM .025" |
| 12 | 4 | 0901121 | GREASER 1/8" BSP - STRAIGHT |
| 13 | 2 | 0600018 | BEARING |
| 14 | 1 | 7190022 | INTERNAL CIRCLIP DIA. 120 |
| 15 | 2 | 7190571 | ROTOR HUB |
| 16 | 1 | 7190444 | COVER PLATE |
| 17 | 4 | 9313045 | SETSCREW M10 x 20 |
| 18 | 4 | 9100205 | SPRING WASHER DIA. 10 |
| 19 | 1 | 7190573 | DRIVE COUPLING |
| 20 | 1 | 42282.01 | MOTOR COVER |
| 21 | 1 | 0211566 | BOLT 5/8" UNF x 7" LONG |
| 22 | 2 | 0311126 | SETSCREW 5/8" UNF x 1 1/2" LONG |
| 23 | 1 | 7190378 | MOTOR PIPE - UPPER |
| 24 | 1 | 7190379 | MOTOR PIPE - LOWER |
| 25 | 2 | 8600121 | 'O' RING |
| 26 | 6 | 9300014 | CAPSCREW 'WEDGLOCK' M10 x 60 |
| 27 | 1 | 7190288 | FRONT HOOD |
| 28 | 2 | 0311106 | SETSCREW 5/8" UNF x 1 1/4" LONG |
| 29 | 1 | 7190314 | REAR FLAP |
| 30 | 1 | 7190312 | MOUNTING STRIP |
| 31 | 1 | 7190313 | CLAMP STRIP |
| 32 | 7 | 9313065 | SETSCREW M10 x 50 |
| 33 | 2 | 9313075 | SETSCREW M10 x 35 |
| 34 | 1 | 0100206 | SPRING WASHER DIA. 5/8" |
| 35 | 2 | 8501154 | HOSE 1" BSP x 42" LONG |
| 36 | 4 | 9300144 | CAPSCREW 'WEDGLOCK' M10 x 45 |
| | | 8699236 | SEAL KIT FOR HYDRAULIC MOTOR |
| | | 8629209 | SHAFT SEAL |



FLAILHEAD – 1.2m Direct Drive

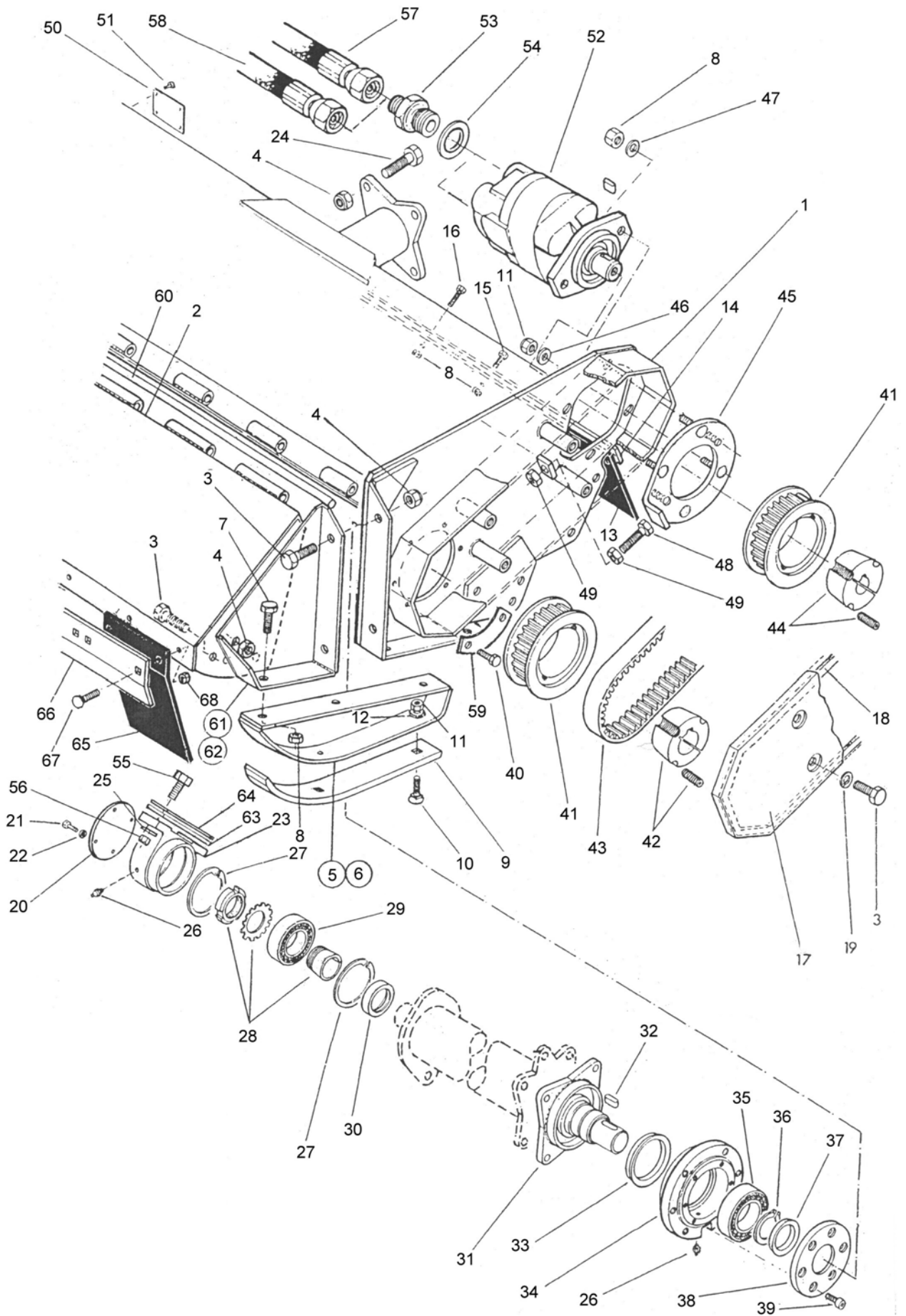
| REF. | QTY. | PART NO. | DESCRIPTION |
|--|------|----------------|---|
| FLAIL HEAD CASING - 1.2M DIRECT DRIVE | | | |
| | | 7290375 | FRONT FLAP KIT - <i>comprising of:</i> |
| 37 | 8 | 7290053 | FLAP |
| 38 | 1 | 7190304 | FLAP CLAMP STRIP |
| 39 | 16 | 9293054 | CUP SQUARE BOLT |
| 40 | 16 | 9143004 | SELF LOCKING NUT |
| | | 7190421 | SKID KIT - <i>comprising of:</i> |
| 41 | 1 | 7190300 | SKID (RIGHT HAND) - <i>not illustrated</i> |
| 42 | 1 | 7190301 | SKID (LEFT HAND) |
| 43 | 1 | 7314323 | WEAR SKID |
| 44 | 6 | 9313065 | SETSCREW - COUNTERSUNK M10 x 30 |
| 45 | 15 | 9143005 | SELF LOCKING NUT M10 |
| 46 | 2 | 0311146 | SETSCREW 5/8" UNF x 1 3/4" LONG |
| 47 | 2 | 0311086 | SETSCREW 5/8" UNF x 2 1/4" LONG |
| 48 | 15 | 0141006 | SELF LOCKING NUT 5/8" UNF |



FLAILHEAD – 1.2m Belt Drive

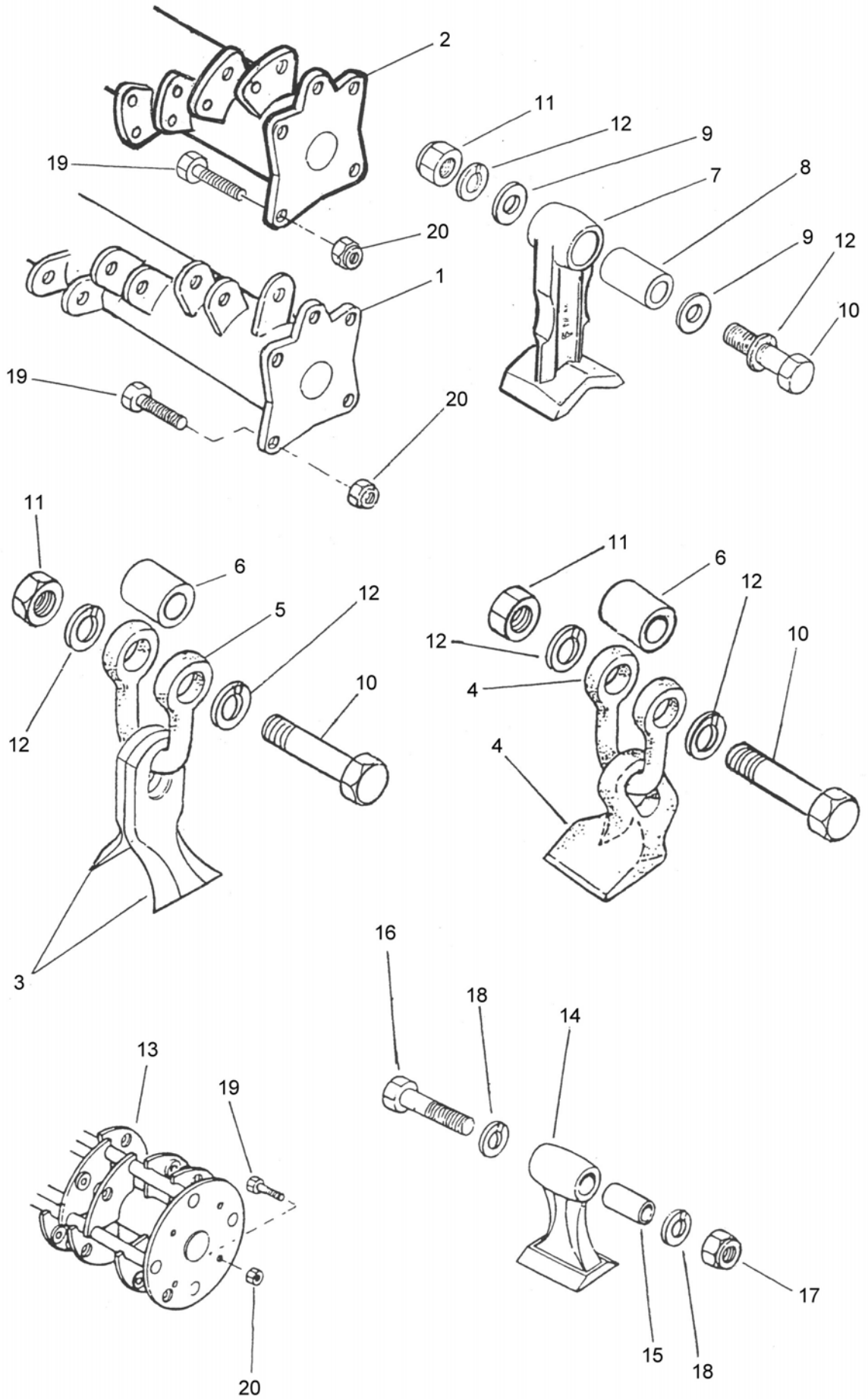
| REF. | QTY. | PART NO. | DESCRIPTION |
|--|------|----------|---------------------------------|
| FLAIL HEAD CASING - 1.2M BELT DRIVE | | | |
| 1 | 1 | 7290333 | HOOD |
| 2 | 1 | 7290386 | FRONT HOOD |
| 3 | 10 | 0311106 | SETSCREW 5/8" UNF x 1 1/4" LONG |
| 4 | 10 | 0141006 | SELF LOCKING NUT 5/8" UNF |
| 5 | 1 | 7290389 | SKID (RIGHT HAND) |
| 6 | 1 | 7290390 | SKID (LEFT HAND) |
| 7 | 6 | 9313055 | SETSCREW M10 x 25 |
| 8 | 23 | 9143005 | SELF LOCKING NUT M10 |
| 9 | 2 | 7290391 | WEAR SKID |
| 10 | 6 | 6012034 | TINE BOLT 7/16" UNC |
| 11 | 10 | 0142004 | SELF LOCKING NUT 7/16" UNC |
| 12 | 6 | 0100104 | PLAIN WASHER 7/16" DIA. |
| 13 | 1 | 7290348 | REAR FLAP |
| 14 | 1 | 7290347 | CLAMP STRIP |
| 15 | 6 | 9313065 | SETSCREW M10 x 30 |
| 16 | 3 | 9313075 | SETSCREW M10 x 35 |
| 17 | 1 | 7290343 | BELT COVER |
| 18 | 1 | 7290052 | SEAL STRIP |
| 19 | 4 | 0100206 | SPRING WASHER 5/8" DIA. |
| 20 | 1 | 7290042 | BEARING COVER - FREE END |
| 21 | 4 | 9313033 | SETSCREW M6 x 16 |
| 22 | 4 | 9100203 | SPRING WASHER DIA. 6 |
| 23 | 1 | 7290322 | BEARING HOUSING |
| 24 | 4 | 0211186 | BOLT 5/8" UNF x 2 1/4" LONG |
| 25 | 2 | 1065077 | SPECIAL WASHER 5/8" DIA. |
| 26 | 2 | 0901121 | GREASER 1/8" BSP - STRAIGHT |
| 27 | 2 | 7290056 | INTERNAL CIRCLIP DIA. 110 |
| 28 | 1 | 0600097 | ADAPTOR SLEEVE ASSEMBLY |
| 29 | 1 | 0600096 | BEARING - FREE END |
| 30 | 1 | 7290013 | BEARING ADAPTOR |
| 31 | 1 | 7290323 | DRIVE HUB |
| 32 | 1 | 7290017 | KEY |
| 33 | 1 | 7290048 | SEAL |
| 34 | 1 | 7290321 | BEARING HOUSING - DRIVE END |
| 35 | 1 | 0600095 | BEARING - DRIVE END |
| 36 | 1 | 0401255 | EXTERNAL CIRCLIP DIA. 55 |
| 37 | 1 | 7290049 | SEAL |
| 38 | 1 | 7290023 | BEARING RETAINER |
| 39 | 6 | 9343034 | CAPSCREW M8 x 16 |
| 40 | 6 | 9313045 | SETSCREW M10 x 20 |

continued...



FLAILHEAD – 1.2m Belt Drive

| REF. | QTY. | PART NO. | DESCRIPTION |
|------|-----------------|-----------|--|
| | | | FLAIL HEAD CASING - 1.2M BELT DRIVE |
| | | | <i>...continued</i> |
| 41 | 2 | 7290047 | DRIVE SPROCKET |
| 42 | 1 | 7290016 | TAPER LOCK DRIVE BUSH DIA. 40 |
| 43 | 1 | 7290046 | BELT |
| 44 | 1 | 05.424.07 | TAPER LOCK DRIVE BUSH DIA. 7/8" |
| 45 | 1 | 7290426 | MOTOR MOUNTING PLATE |
| 46 | 4 | 7290051 | SPECIAL WASHER |
| 47 | 2 | 9100105 | PLAIN WASHER DIA. 10 |
| 48 | 1 | 9313117 | BELT ADJUSTER SCREW M16 x 55 |
| 49 | 2 | 9113007 | NUT M16 |
| 50 | 1 | 1335246 | SERIAL No. PLATE |
| 51 | 4 | 7103230 | POP RIVET 1/8" DIA. |
| 52 | 1 | 43010.03 | HYDRAULIC MOTOR |
| 53 | 2 | 8002086 | ADAPTOR 3/4" BSP - 1" BSP MM |
| 54 | 2 | 8650106 | BONDED SEAL 3/4" BSP |
| 55 | 2 | 9200023 | SPECIAL BOLT M16 FINE x 55 |
| 56 | 2 | 9100024 | SPECIAL NUT M16 FINE |
| 57 | 1 | 8501227 | HOSE 1" BSP x 21" LONG SF-135F |
| 58 | 1 | 8501228 | HOSE 1" BSP x 22 1/2" LONG SF-135F |
| 59 | 3 | 7290073 | TAB WASHER DIA. 10 |
| 60 | 1 | 7290061 | PIVOT ROD |
| 61 | 1 | 7290388 | HOOD CARRIER BRACKET (LEFT HAND) |
| 62 | 1 | 7290387 | HOOD CARRIER BRACKET (RIGHT HAND)... |
| | | | <i>...not illustrated</i> |
| 63 | <i>as req'd</i> | 7290425 | SHIM 3.0mm |
| 64 | <i>as req'd</i> | 7290424 | SHIM 2.0mm |
| | | | 7290375 FRONT FLAP KIT |
| 65 | 8 | 7290053 | FRONT FLAP |
| 66 | 1 | 7190304 | CLAMP STRIP |
| 67 | 16 | 9293054 | DOME HEADED COACH BOLT M8 x 25 |
| 68 | 16 | 9143005 | SELF LOCKING NUT M8 |
| | | | 43010.01 SEAL KIT |
| | | | 8629223 SHAFT SEAL |



ROTORS & FLAILS

| REF. | QTY. | PART NO. | DESCRIPTION |
|------|------|----------|----------------------------|
| 1 | 1 | 7390270 | ROTOR - 24 FLAIL POSITIONS |
| 2 | 1 | 42636.01 | ROTOR - 36 FLAIL POSITIONS |

The following flails are suitable for use with Rotors 7390270 and 42636.01

Note: Quantities are per flail position

| | | | |
|----|---|----------|------------------|
| 3 | 2 | 41654.01 | FLAIL |
| 4 | 1 | 7190462 | FLAIL |
| 5 | 1 | 7390013 | SHACKLE |
| 6 | 1 | 7390018 | SPACER SLEEVE |
| 7 | 1 | 7314366 | FLAIL |
| 8 | 1 | 7314223 | PIVOT BOSS |
| 9 | 2 | 7390005 | SPACER SLEEVE |
| 10 | 1 | 7390006 | SPECIAL BOLT |
| 11 | 1 | 0141006 | SELF LOCKING NUT |
| 12 | 2 | 0100206 | SPRING WASHER |

| | | | |
|-----------|----------|----------------|----------------------|
| 13 | 1 | 7190465 | ROTOR - OMEGA |
|-----------|----------|----------------|----------------------|

The following are used with Rotor 7190465

| | | | |
|----|----|---------|------------------|
| 14 | 20 | 8190464 | FLAIL |
| 15 | 20 | 7190117 | BUSH |
| 16 | 20 | 7390006 | SPECIAL BOLT |
| 17 | 20 | 0141006 | SELF LOCKING NUT |
| 18 | 20 | 0100206 | SPRING WASHER |

The following are used with all rotors

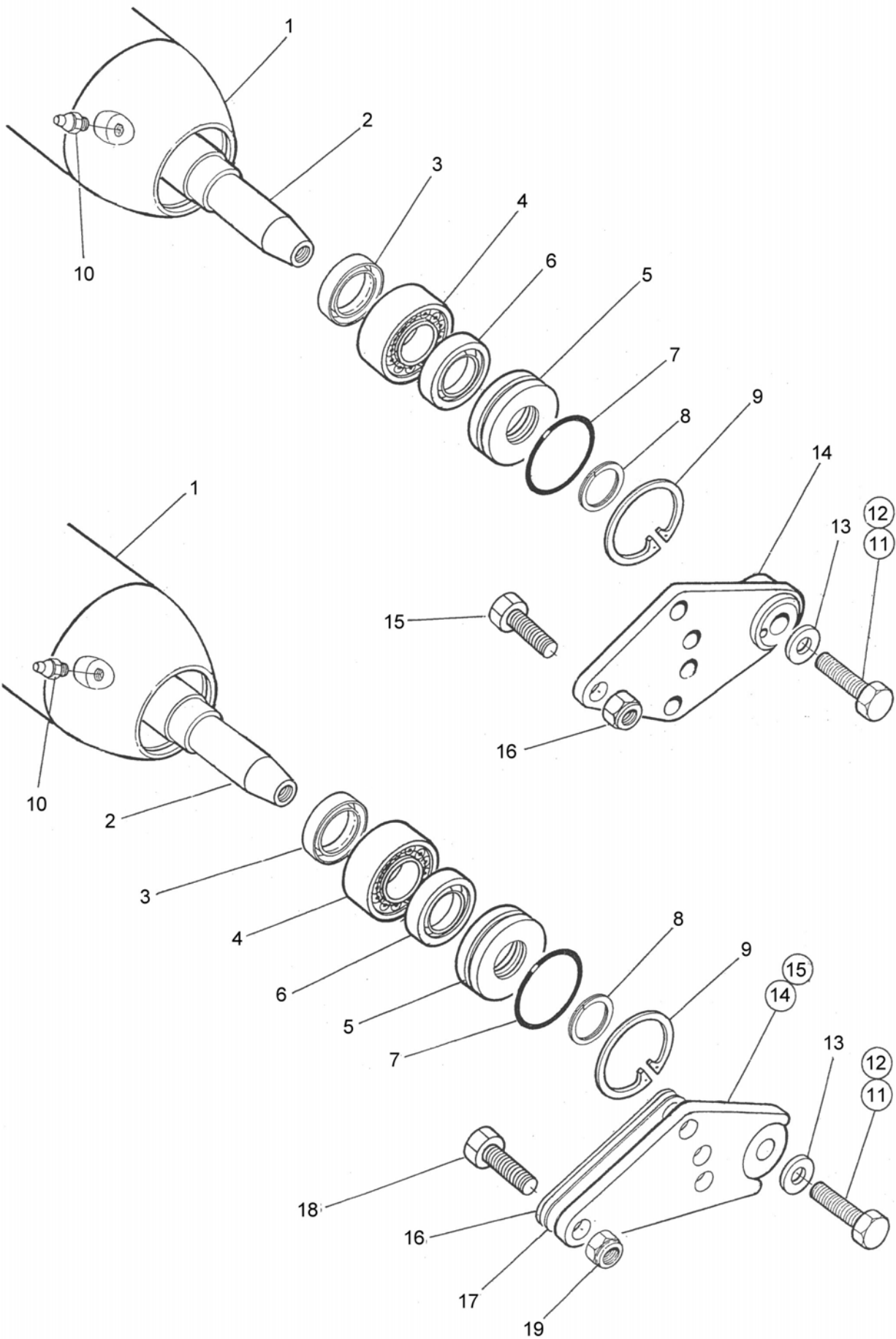
| | | | |
|----|---|---------|--------------|
| 19 | 2 | 9200025 | SPECIAL BOLT |
| 20 | 2 | 9100024 | SPECIAL NUT |

ROTOR ASSEMBLIES - DIRECT DRIVE

| | |
|---------|--|
| 7190501 | ROTOR ASSEMBLY 24 POSITION - HEDGE |
| 7190502 | ROTOR ASSEMBLY 24 POSITION - GRASS |
| 7190503 | ROTOR ASSEMBLY 24 POSITION - UNIVERSAL |
| 7190581 | ROTOR ASSEMBLY 36 POSITION - HEDGE |
| 7190582 | ROTOR ASSEMBLY 36 POSITION - GRASS |
| 7190583 | ROTOR ASSEMBLY 36 POSITION - UNIVERSAL |
| 7190471 | ROTOR ASSEMBLY - OMEGA |

ROTOR ASSEMBLIES - BELT DRIVE

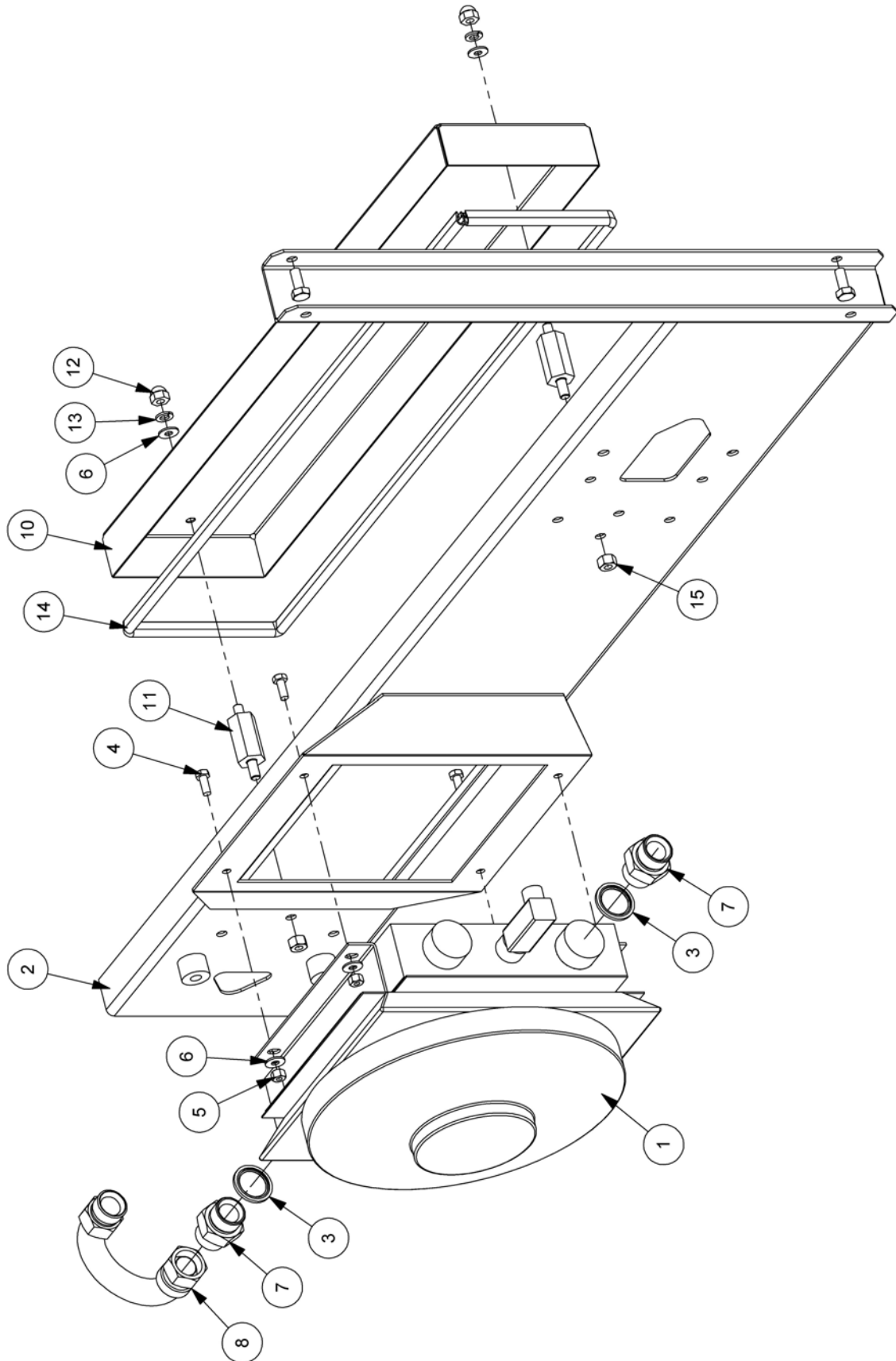
| | |
|---------|--|
| 7390271 | ROTOR ASSEMBLY 24 POSITION - HEDGE |
| 7390272 | ROTOR ASSEMBLY 24 POSITION - GRASS |
| 7390273 | ROTOR ASSEMBLY 24 POSITION - UNIVERSAL |
| 7390319 | ROTOR ASSEMBLY 36 POSITION - HEDGE |
| 7390320 | ROTOR ASSEMBLY 36 POSITION - GRASS |
| 7390321 | ROTOR ASSEMBLY 36 POSITION - UNIVERSAL |
| 7190498 | ROTOR ASSEMBLY - OMEGA |



ROLLER ASSEMBLIES

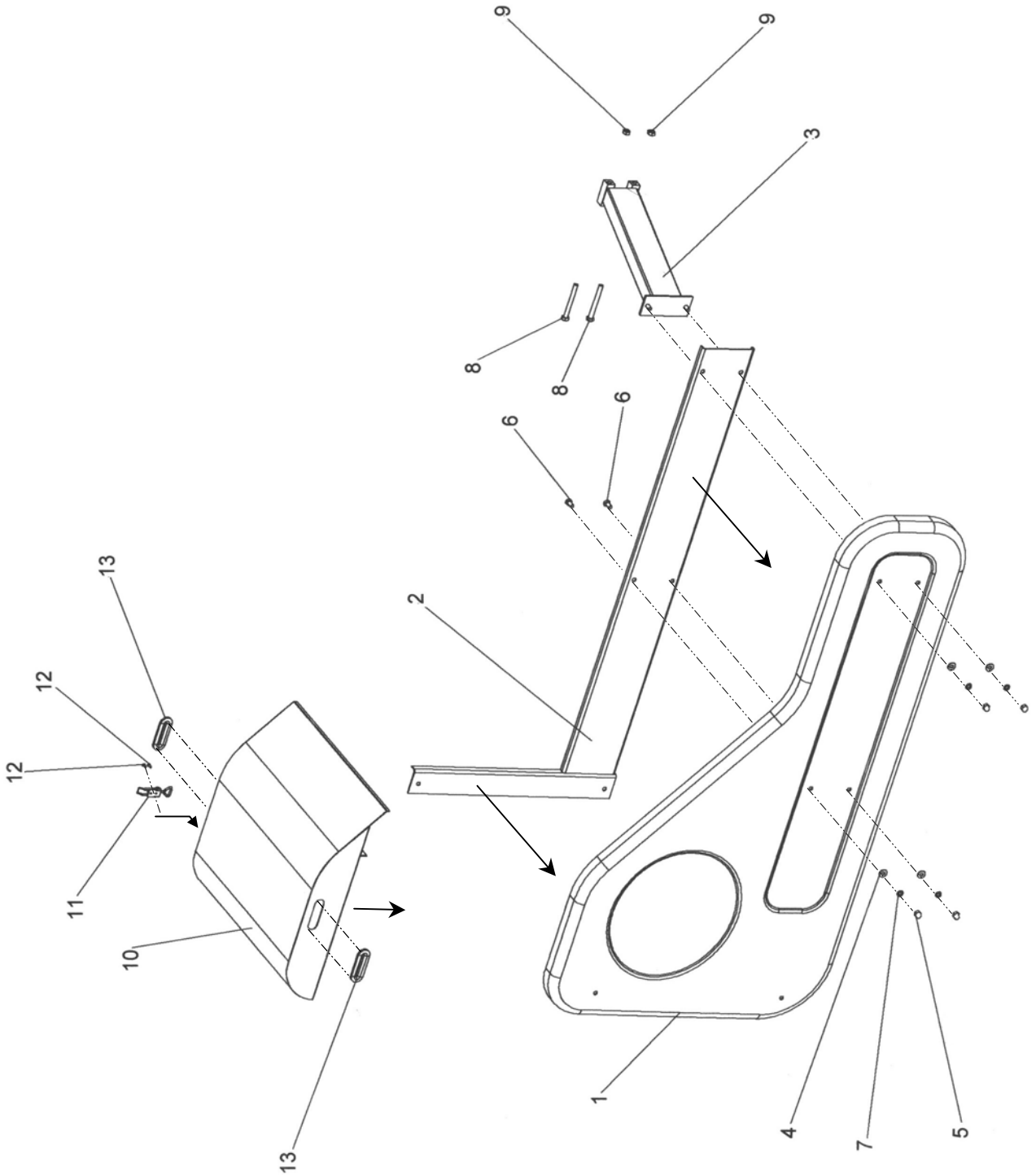
| REF. | QTY. | PART NO. | DESCRIPTION |
|------|-----------------|-----------------|--|
| | | 42241.25 | DIRECT DRIVE HEADS |
| 1 | 1 | 42241.10 | ROLLER |
| 2 | 1 | 42242.04 | ROLLER AXLE |
| 3 | 2 | 8629181 | SEAL |
| 4 | 2 | 0600099 | BEARING |
| 5 | 2 | 7390011 | SEAL CARRIER |
| 6 | 2 | 8629125 | SEAL |
| 7 | 2 | 8600422 | 'O' RING |
| 8 | 2 | 0412120 | SPRING RING |
| 9 | 2 | 0411262 | CIRCLIP - INTERNAL |
| 10 | 2 | 0901121 | GREASER 1/8" BSP - STRAIGHT |
| 11 | 1 | 9300150 | SPECIAL SETSCREW M12 x 30 - LEFT HAND |
| 12 | 1 | 9300149 | SPECIAL SETSCREW M12 x 30 - RIGHT HAND |
| 13 | 2 | 42503.02 | SPECIAL WASHER |
| 14 | 2 | 42246.03 | ROLLER BRACKET |
| 15 | 4 | 0211186 | BOLT M8 UNF x 2 1/4" |
| 16 | 4 | 0141006 | SELF LOCKING NUT 5/8" UNF |
| | | 42241.24 | BELT DRIVE HEADS |
| 1 | 1 | 42241.10 | ROLLER |
| 2 | 1 | 42242.04 | ROLLER AXLE |
| 3 | 2 | 8629181 | SEAL |
| 4 | 2 | 0600099 | BEARING |
| 5 | 2 | 7390011 | SEAL CARRIER |
| 6 | 2 | 8629125 | SEAL |
| 7 | 2 | 8600422 | 'O' RING |
| 8 | 2 | 0412120 | SPRING RING |
| 9 | 2 | 0411262 | CIRCLIP - INTERNAL |
| 10 | 2 | 0901121 | GREASER 1/8" BSP - STRAIGHT |
| 11 | 1 | 9300150 | SPECIAL SETSCREW M12 x 30 - LEFT HAND |
| 12 | 1 | 9300149 | SPECIAL SETSCREW M12 x 30 - RIGHT HAND |
| 13 | 2 | 42503.02 | SPECIAL WASHER |
| 14 | 1 | 42246.01 | ROLLER BRACKET - LEFT HAND |
| 15 | 1 | 42246.02 | ROLLER BRACKET - RIGHT HAND |
| 16 | <i>as req'd</i> | 42257.02 | SHIM 2mm |
| 17 | <i>as req'd</i> | 42257.01 | SHIM 1.2mm |
| 18 | 4 | 9313097 | SETSCREW M16 x 45 |
| 19 | 4 | 9143007 | SELF LOCKING NUT M16 |

Module:
7452747



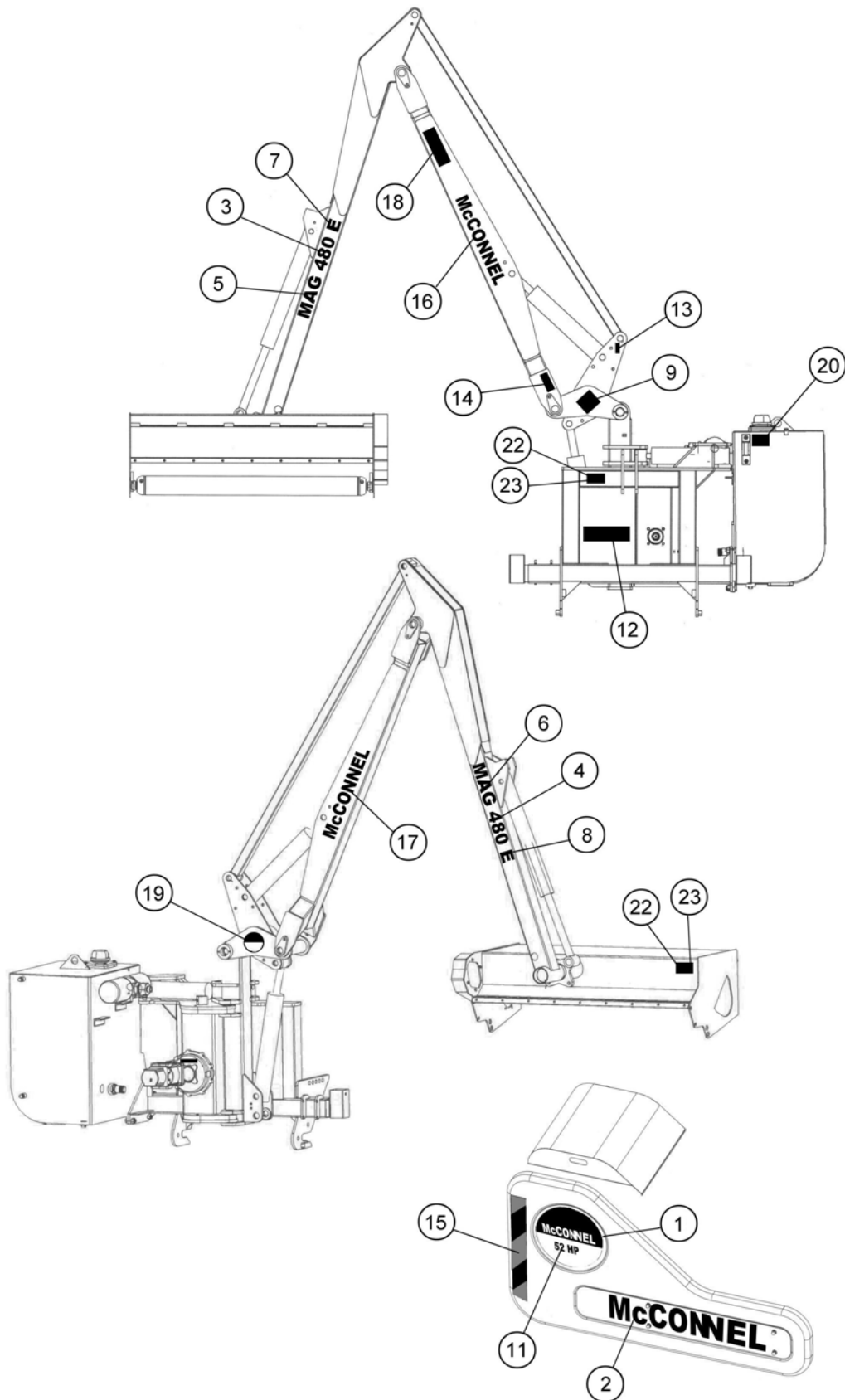
COOLER KIT ASSEMBLY

| REF. | QTY. | PART No. | DESCRIPTION |
|------|------|----------------|-------------------------------|
| | | 7452747 | COOLER ASSEMBLY |
| 1 | 1 | 8402380 | OIL COOLER |
| 2 | 1 | 45537.06 | COVER SUPPORT - R/H Build |
| 3 | 2 | 8650108 | BONDED SEAL |
| 4 | 4 | 9313044 | SETSCREW |
| 5 | 4 | 9143004 | SELF-LOCKING NUT |
| 6 | 6 | 9100104 | FLAT WASHER |
| 7 | 2 | 05.434.01 | ADAPTOR |
| 8 | 1 | 46043.01 | RIGID PIPE |
| 9 | 1 | 43177.38 | LOOM - <i>not illustrated</i> |
| 10 | 1 | 46046.01 | COOLER FILTER BASKET |
| 11 | 2 | 46041.01 | STAND OFF |
| 12 | 2 | 9100025 | DOME NUT |
| 13 | 2 | 9100205 | SPRING WASHER |
| 14 | 1 | 43468.05 | EDGING STRIP |
| 15 | 2 | 9143005 | SELF-LOCKING NUT |



REAR COVER ASSEMBLY

| REF. | QTY. | PART NO. | DESCRIPTION |
|------|------|----------|-----------------------------|
| 1 | 1 | 45256.02 | REAR COVER |
| 2 | 1 | 45537.02 | COVER MOUNT |
| 3 | 1 | 45251.04 | COVER SUPPORT |
| 4 | 4 | 9100105 | FLAT WASHER M10 |
| 5 | 4 | 9100025 | DOME NUT M10 |
| 6 | 2 | 9313045 | SETSCREW M10 x 20 |
| 7 | 4 | 9100205 | SPRING WASHER M10 |
| 8 | 2 | 9213226 | BOLT M12 x 110 |
| 9 | 2 | 9143006 | SELF-LOCKING NUT M12 |
| 10 | 1 | 45252.02 | VALVE COVER |
| 11 | 1 | 43449.02 | OVERCENTRE FASTENER |
| 12 | 2 | 1069088 | POP RIVET 4.5 DIA x 12 LONG |
| 13 | 2 | 43468.01 | EDGING STRIP |



MACHINE DECALS

| REF. | QTY. | PART NO. | DESCRIPTION |
|------|------|-----------|-------------------------------------|
| | | ◆ 7448710 | DECAL KIT - MAG 480 Cable Models |
| | | ◆ 7448711 | DECAL KIT - MAG 480 Electric Models |
| | ↓ | | |
| | ↓ | | |
| 1 | 1 1 | 1290646 | DECAL - REFLECTIVE ROUNDEL 400MM |
| 2 | 1 1 | 1290649 | DECAL - McCONNEL (SILVER) |
| 3 | 1 1 | 1290672 | DECAL - 480 (SILVER) |
| 4 | 1 1 | 1290451 | DECAL - 480 (BLACK) |
| 5 | 1 1 | 1290673 | DECAL - MAG (SILVER) |
| 6 | 1 1 | 1290411 | DECAL - MAG (BLACK) |
| 7 | - 1 | 1290674 | DECAL - E (SILVER) |
| 8 | - 1 | 1290071 | DECAL - E (BLACK) |
| 9 | 1 1 | 7105130 | DECAL - READ INSTRUCTION BOOK |
| 10 | 1 1 | 1290352 | DECAL - GENERAL WARNING (IN CAB) |
| 11 | 1 1 | 1290500 | DECAL - 52 HP |
| 12 | 1 1 | 1290331 | DECAL - TIGHTEN CHECKCHAINS |
| 13 | 1 1 | 1290074 | DECAL - SLING HERE |
| 14 | 1 1 | 8402138 | DECAL - SLEW WARNING |
| 15 | 1 1 | 1290529 | DECAL - CHEVRON |
| 16 | 1 1 | 1290588 | DECAL - McCONNEL (SILVER) |
| 17 | 1 1 | 1290255 | DECAL - McCONNEL (BLACK) |
| 18 | 1 1 | 1290450 | BREAKAWAY WARNING |
| 19 | 1 1 | 1290296 | LOGO ROUNDEL |
| 20 | 1 1 | 1290023 | OIL FILTER |
| 21 | 8 8 | 1290476 | GREASING POINTS |
| 22 | 1 1 | 1335246 | SERIAL No. PLATE |
| 23 | 4 4 | 7103230 | POP RIVETS |