

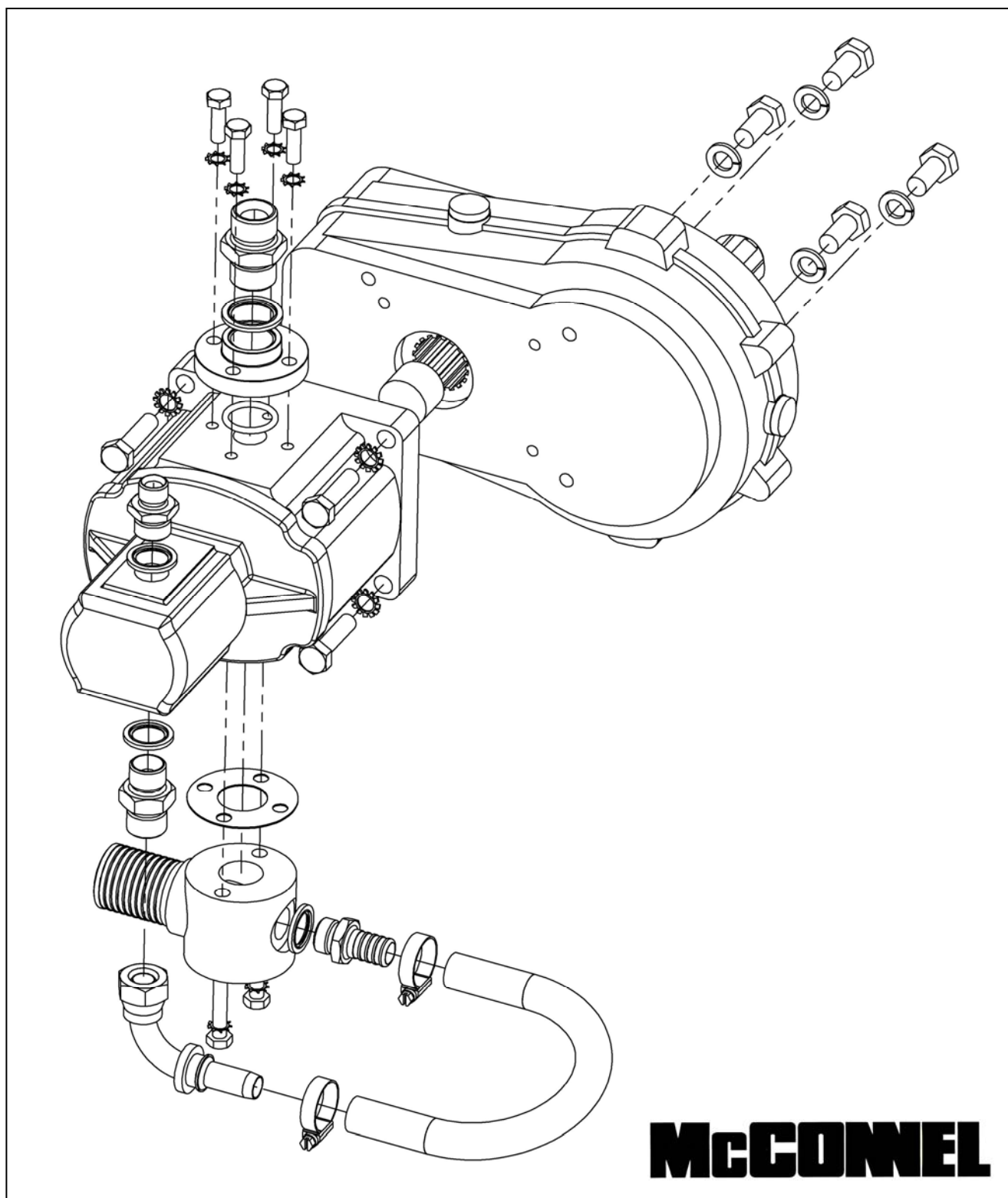
Publication 511
September 2006
Part No. 41571.11
Revision: 17.03.11



AG46 & AG50

Modèles AG46, AG46+ & AG50+
DÉBROUSSAILLEUSE

Manuel de pièces de rechange





For best performance...

USE ONLY McCONNEL SERVICE PARTS

*To be assured of the latest design improvements purchase your
'Genuine Replacements' from the Original Equipment Manufacturer:*

McCONNEL LIMITED

through your local Dealer or Stockist.

Always quote:

- ***Machine Type***
- ***Serial Number***
- ***Part Number***

*Design Improvements may have altered some of the parts listed in this manual –
The latest part will always be supplied when it is interchangeable with an earlier one.*

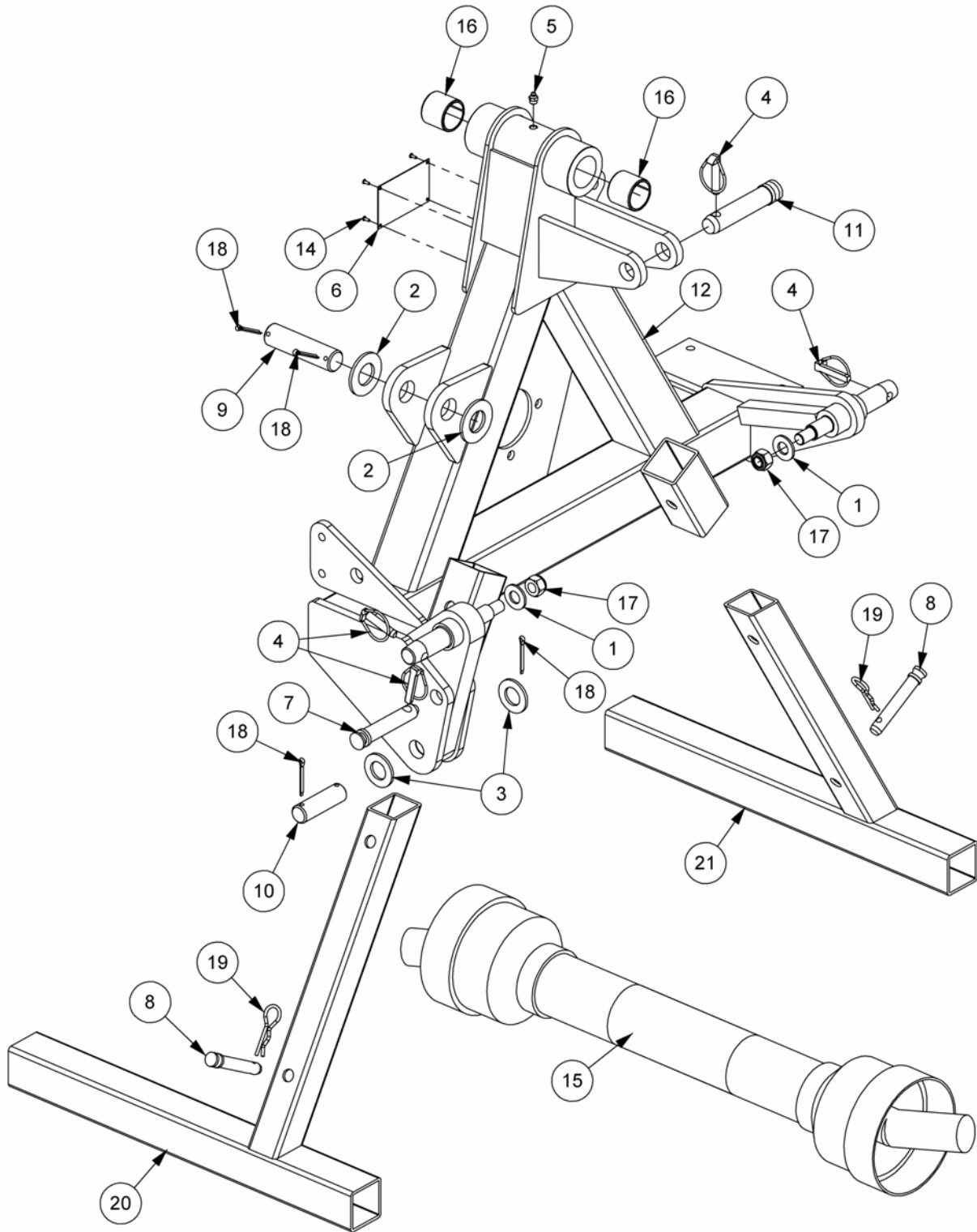
CONTENTS

| | Page No |
|---|----------------|
| Main Frame Assembly ~ <i>AG46 Model</i> | 1 |
| Main Frame Assembly ~ <i>AG46+ & AG50+ Models</i> | 3 |
| Pillar Assembly ~ <i>AG46+ & AG50+ Models</i> | 5 |
| Stabilizer Assembly ~ <i>All Models</i> | 6 |
| Hydraulic Tank Assembly ~ <i>AG46 Models</i> | 7 |
| Hydraulic Tank Assembly ~ <i>AG46+ & AG50+ Models</i> | 9 |
| Main Arm Assembly ~ <i>All Models</i> | 11 |
| Dipper Arm Assembly ~ <i>All Models</i> | 13 |
| Head Angling Mechanism ~ <i>All Models</i> | 15 |
| Pump & Gearbox Assembly ~ <i>All Models</i> | 17 |
| Cable Valve Assembly ~ <i>AG46 Model</i> | 19 |
| Cable Valve Assembly ~ <i>AG46+ & AG50+ Models</i> | 23 |
| Electric Valve Assembly ~ <i>AG46 Model</i> | 27 |
| Electric Valve Assembly ~ <i>AG46+ & AG50+ Models</i> | 29 |
| Electric XTC Valve Assembly ~ <i>AG46 Model</i> | 31 |
| Electric XTC Valve Assembly ~ <i>AG46+ & AG50+ Models</i> | 37 |
| Proportional Valve Assembly ~ <i>AG46 Model</i> | 35 |
| Proportional Valve Assembly ~ <i>AG46+ & AG50+ Models</i> | 37 |
| V3 Proportional Valve Assembly ~ <i>AG50+ Model</i> | 41 |
| Angling Ram Assembly ~ <i>All Models</i> | 45 |
| Lift & Reach Ram Assembly ~ <i>All Models</i> | 46 |
| Slew Ram Assembly ~ <i>AG46+ & AG50+ Models</i> | 47 |
| Lift Float Assembly ~ <i>All Models</i> | 48 |
| Hose Installation (Valves) | 49 |
| Hose Installation (Arms) | 51 |
| Hose Installation (Valves) ~ <i>JIC Machines</i> | 53 |
| Hose Installation (Arms) ~ <i>JIC Machines</i> | 55 |
| Switchbox Controls | 57 |
| Mini Single Lever Controls | 61 |
| XTC Proportional Controls | 63 |
| XTC Mk2 Proportional Controls | 65 |
| Control Mountings | 67 |
| Cover Assembly ~ <i>AG46 Model</i> | 69 |
| Cover Assembly ~ <i>AG46+ & AG50+ Models</i> | 70 |
| Flail Head Casing Assemblies ~ <i>1.0m & 1.2m Heads</i> | 71 |
| Flail Head Motor Assembly | 73 |
| Rotor Assembly ~ <i>1.0m & 1.2m</i> | 75 |
| Roller Assembly ~ <i>1.0m & 1.2m</i> | 77 |
| Skid Kit ~ <i>Optional Extra</i> | 78 |
| Lighting Kit ~ <i>All Models</i> | 79 |
| Machine Decal Kits ~ <i>All Models</i> | 81 |

MAIN FRAME ASSEMBLY

Module:
7146701

AG46 Model only



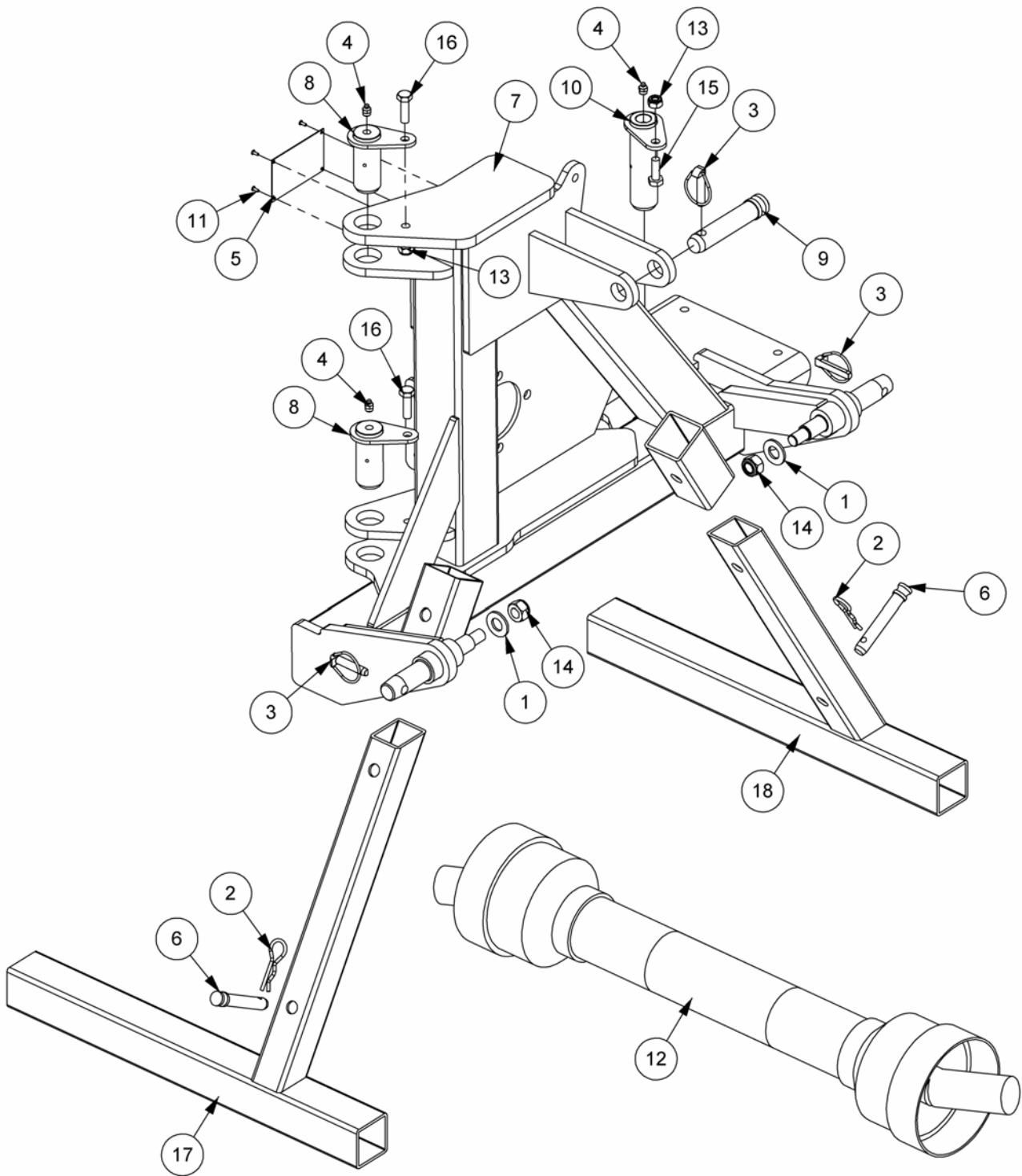
**MAIN FRAME ASSEMBLY**

| REF. | QTY. | PART No. | DESCRIPTION |
|-------------|-------------|-----------------|-----------------------------------|
| | | 7146701 | MAIN FRAME ASSEMBLY - AG46 |
| 1 | 2 | 0100106 | FLAT WASHER |
| 2 | 2 | 05.281.18 | FLAT WASHER |
| 3 | 2 | 0100109 | FLAT WASHER |
| 4 | 4 | 0431217 | LINCH PIN |
| 5 | 1 | 0901121 | GREASE NIPPLE |
| 6 | 1 | 1335246 | SERIAL No. PLATE |
| 7 | 1 | 21770.01 | PIN |
| 8 | 2 | 21997.01 | LEG PIN |
| 9 | 1 | 22002.02 | PIVOT PIN - LIFT RAM (ROD END) |
| 10 | 1 | 22002.04 | PIVOT PIN - SWING LINK |
| 11 | 1 | 41267.06 | LINK PIN |
| 12 | 1 | 42343.07 | MAINFRAME - R/H Build |
| 13 | 1 | 42350.01 | SWING LINK |
| 14 | 4 | 7103230 | POP RIVET |
| 15 | 1 | 7114289 | DRIVE SHAFT ASSEMBLY |
| 16 | 2 | 7213023 | PLASTIC BUSH |
| 17 | 2 | 9143007 | SELF-LOCKING NUT |
| 18 | 4 | 9501406 | SPLIT PIN |
| 19 | 2 | 0431105 | SPRING COTTER |
| 20 | 1 | 7198016 | R/H STAND LEG |
| 21 | 1 | 7198046 | L/H STAND LEG |

MAIN FRAME ASSEMBLY

Module:
7146731

AG46+ / AG50+ Models



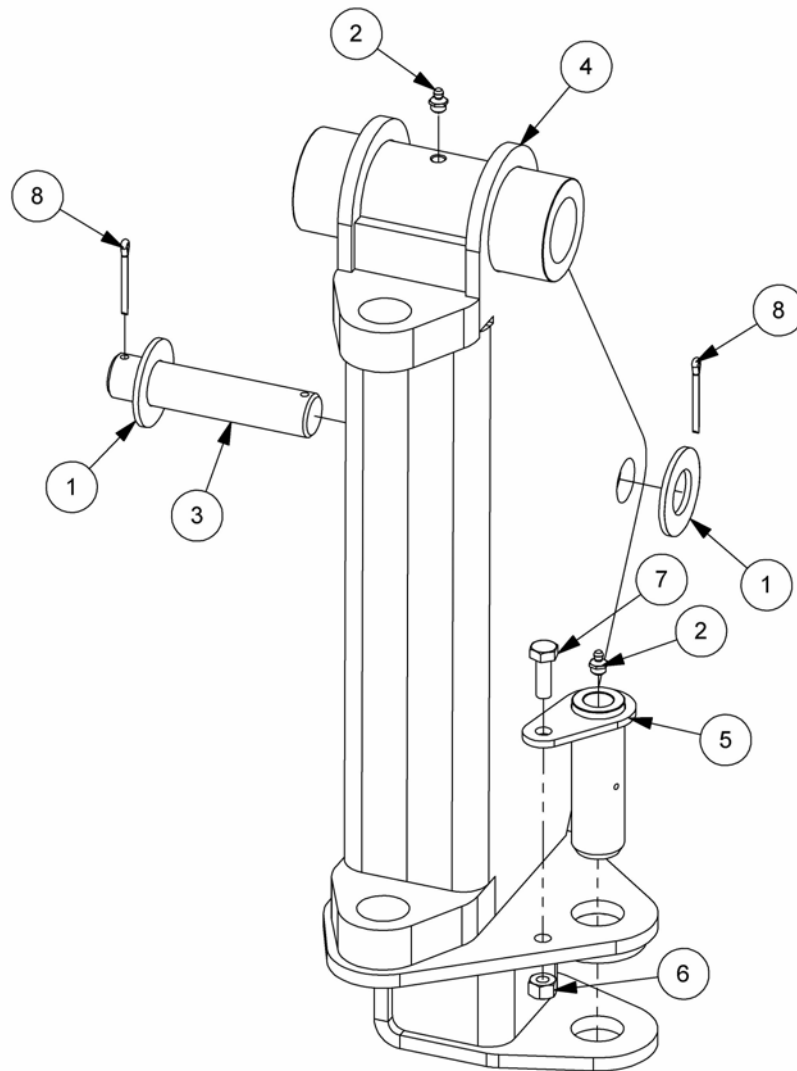
**MAIN FRAME ASSEMBLY**

| REF. | QTY. | PART No. | DESCRIPTION |
|------|------|----------------|--|
| | | 7146731 | MAIN FRAME ASSEMBLY - AG46+ & AG50+ |
| 1 | 2 | 0100106 | FLAT WASHER |
| 2 | 2 | 0431105 | SPRING COTTER |
| 3 | 3 | 0431217 | LINCH PIN |
| 4 | 3 | 0901121 | GREASE NIPPLE |
| 5 | 1 | 1335246 | SERIAL No. PLATE |
| 6 | 2 | 21997.01 | LEG PIN |
| 7 | 1 | 22038.02 | MAIN FRAME - R/H Build |
| 8 | 2 | 22040.01 | SLEW PIVOT PIN |
| 9 | 1 | 41267.06 | LINK PIN |
| 10 | 1 | 45202.01 | PIN |
| 11 | 4 | 7103230 | POP RIVET |
| 12 | 1 | 7114289 | DRIVE SHAFT ASSEMBLY |
| 13 | 3 | 9163005 | NYLOC NUT |
| 14 | 2 | 9163007 | NYLOC NUT |
| 15 | 1 | 9313065 | SETSCREW |
| 16 | 2 | 9313075 | SETSCREW |
| 17 | 1 | 7198016 | R/H STAND LEG |
| 18 | 1 | 7198046 | L/H STAND LEG |

PILLAR ASSEMBLY

Module:
7146733

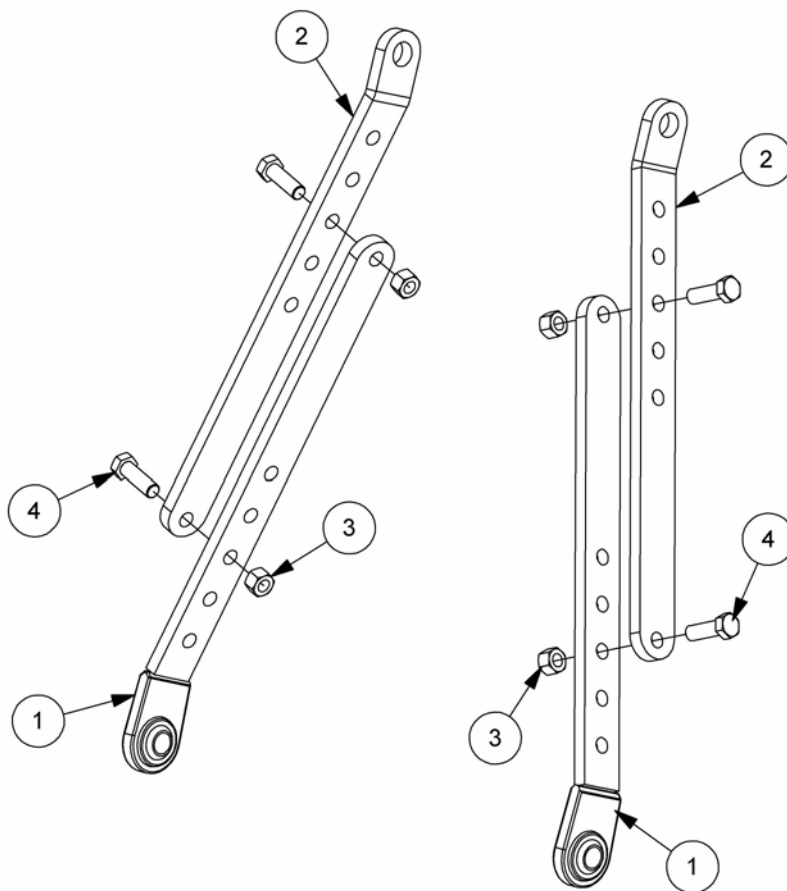
AG46+ / AG50+ Models



| REF. | QTY. | PART No. | DESCRIPTION |
|------|------|----------------|--|
| | | 7146733 | PILLAR ASSEMBLY - AG46+ & AG50+ |
| 1 | 2 | 05.281.18 | FLAT WASHER |
| 2 | 2 | 0901121 | GREASE NIPPLE |
| 3 | 1 | 22002.03 | PIVOT PIN - LIFT RAM (BASE) |
| 4 | 1 | 22039.02 | PILLAR - R/H Build |
| 5 | 1 | 22040.02 | PIN |
| 6 | 1 | 9143005 | SELF-LOCKING NUT |
| 7 | 1 | 9313065 | SETSCREW |
| 8 | 2 | 9501406 | SPLIT PIN |

STABILIZER ASSEMBLY

Module:
7146711

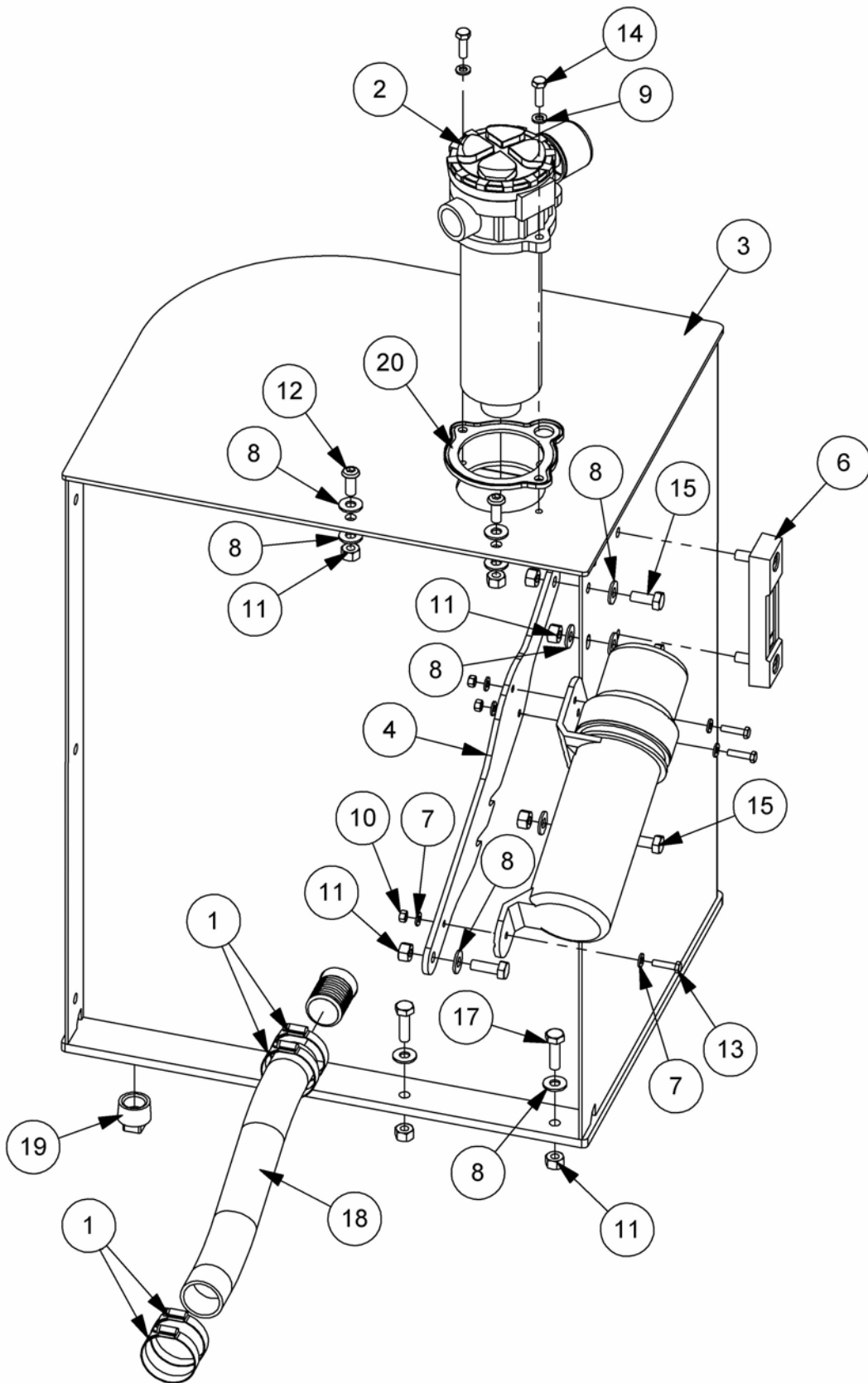


| REF. | QTY. | PART No. | DESCRIPTION |
|------|------|----------------|----------------------------|
| | | 7146711 | STABILIZER ASSEMBLY |
| 1 | 2 | 42366.06 | LOWER STABILIZER |
| 2 | 2 | 42366.07 | UPPER STABILIZER |
| 3 | 4 | 9143007 | SELF-LOCKING NUT |
| 4 | 4 | 9213107 | BOLT |

HYDRAULIC TANK ASSEMBLY

Module:
7146703

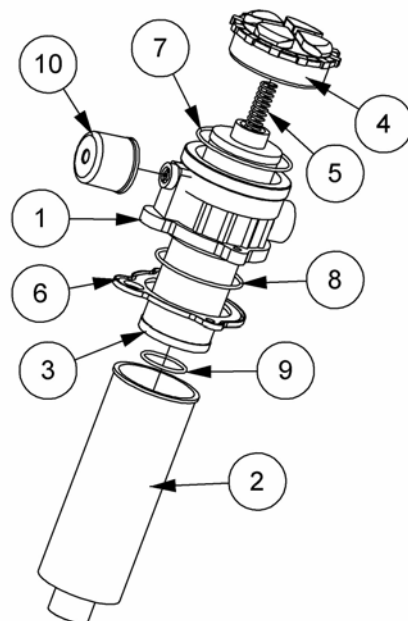
AG46 Model



HYDRAULIC TANK ASSEMBLY

| REF. | QTY. | PART No. | DESCRIPTION |
|------|------|----------------|---------------------------------------|
| | | 7146703 | HYDRAULIC TANK ASSEMBLY - AG46 |
| 1 | 4 | 0904107 | HOSE CLIP |
| 2 | 1 | 212.013 | FILTER ASSEMBLY c/w Breather |
| | | 8401096 | BREATHER |
| 3 | 1 | 21991.02 | TANK - R/H Build |
| 4 | 1 | 21993.01 | TANK STRAP |
| 5 | 1 | 46505.01 | LITERATURE HOLDER |
| 6 | 1 | 8401048 | LEVEL GAUGE |
| 7 | 6 | 9100103 | FLAT WASHER |
| 8 | 12 | 9100105 | FLAT WASHER |
| 9 | 2 | 9100204 | SPRING WASHER |
| 10 | 3 | 9143003 | SELF-LOCKING NUT |
| 11 | 8 | 9143005 | SELF-LOCKING NUT |
| 12 | 2 | 9300154 | SCREW |
| 13 | 3 | 9313053 | SETSCREW |
| 14 | 2 | 9313054 | SETSCREW |
| 15 | 3 | 9313055 | SETSCREW |
| 16 | 1 | 9313065 | SETSCREW |
| 17 | 2 | 9313075 | SETSCREW |
| 18 | 1 | 8501218 | SUCTION HOSE - 1.5" x 348mm Long |
| 19 | 1 | 8581203 | PLUG |
| 20 | 1 | 212.013.06 | FILTER SEAL |

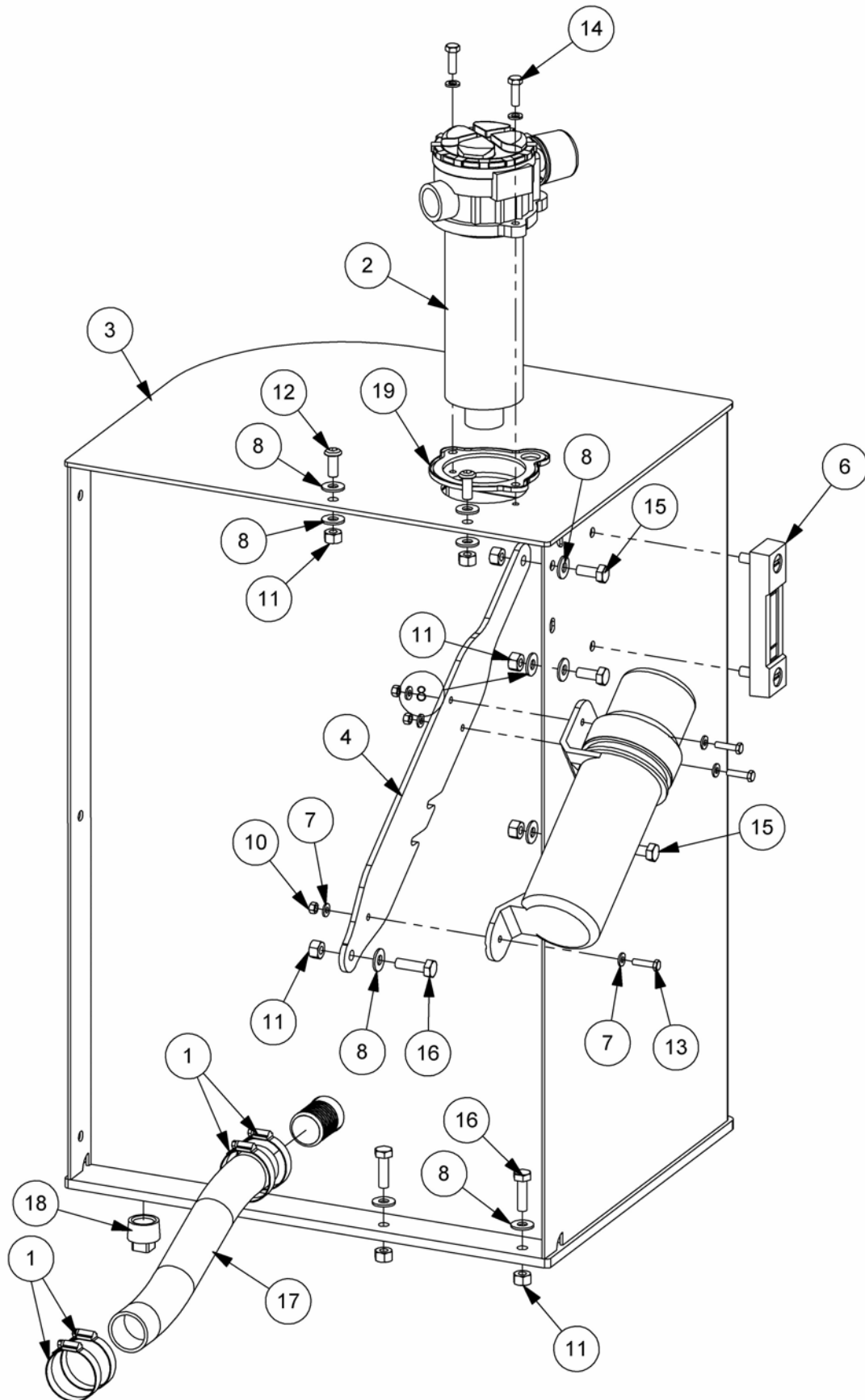
| REF. | QTY. | PART No. | DESCRIPTION |
|------|------|----------------|------------------------|
| | | 212.013 | FILTER ASSEMBLY |
| 1 | 1 | 212.013.01 | FILTER BODY |
| 2 | 1 | 212.013.02 | FILTER HOUSING |
| 3 | 1 | 8401095 | FILTER |
| 4 | 1 | 212.013.04 | FILLER CAP |
| 5 | 1 | 212.013.05 | SPRING |
| 6 | 1 | 212.013.06 | FILTER SEAL |
| 7 | 1 | 212.013.07 | O RING |
| 8 | 1 | 212.013.08 | O RING |
| 9 | 1 | 212.013.09 | O RING |
| 10 | 1 | 8401096 | BREATHER |



HYDRAULIC TANK ASSEMBLY

Module:
7146713

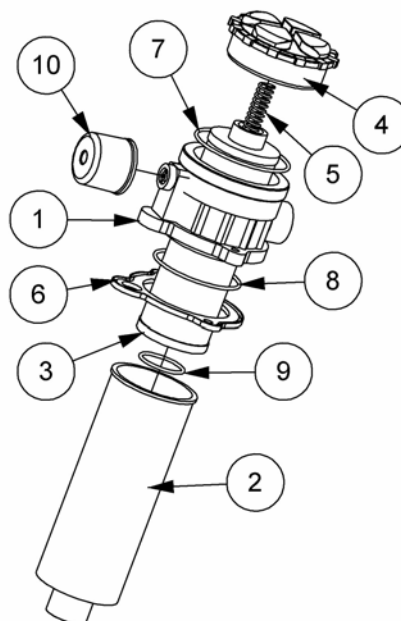
AG46+ / AG50+ Models



HYDRAULIC TANK ASSEMBLY

| REF. | QTY. | PART No. | DESCRIPTION |
|------|------|----------------|--|
| | | 7146713 | HYDRAULIC TANK ASSEMBLY - AG46+ & AG50+ |
| 1 | 4 | 0904107 | HOSE CLIP |
| 2 | 1 | 212.013 | FILTER ASSEMBLY c/w Breather |
| | | 8401096 | BREATHER |
| 3 | 1 | 21991.04 | TANK - R/H Build |
| 4 | 1 | 21993.02 | TANK STRAP |
| 5 | 1 | 46505.01 | LITERATURE HOLDER |
| 6 | 1 | 8401048 | LEVEL GAUGE |
| 7 | 6 | 9100103 | FLAT WASHER |
| 8 | 12 | 9100105 | FLAT WASHER |
| 9 | 2 | 9100204 | SPRING WASHER |
| 10 | 3 | 9143003 | SELF-LOCKING NUT |
| 11 | 8 | 9143005 | SELF-LOCKING NUT |
| 12 | 2 | 9300154 | SCREW |
| 13 | 3 | 9313053 | SETSCREW |
| 14 | 2 | 9313054 | SETSCREW |
| 15 | 3 | 9313055 | SETSCREW |
| 16 | 3 | 9313075 | SETSCREW |
| 17 | 1 | 8501218 | SUCTION HOSE - 1.5" x 554mm Long |
| 18 | 1 | 8581203 | PLUG |
| 19 | 1 | 212.013.06 | FILTER SEAL |

| REF. | QTY. | PART No. | DESCRIPTION |
|------|------|----------------|------------------------|
| | | 212.013 | FILTER ASSEMBLY |
| 1 | 1 | 212.013.01 | FILTER BODY |
| 2 | 1 | 212.013.02 | FILTER HOUSING |
| 3 | 1 | 8401095 | FILTER |
| 4 | 1 | 212.013.04 | FILLER CAP |
| 5 | 1 | 212.013.05 | SPRING |
| 6 | 1 | 212.013.06 | FILTER SEAL |
| 7 | 1 | 212.013.07 | O RING |
| 8 | 1 | 212.013.08 | O RING |
| 9 | 1 | 212.013.09 | O RING |
| 10 | 1 | 8401096 | BREATHER |

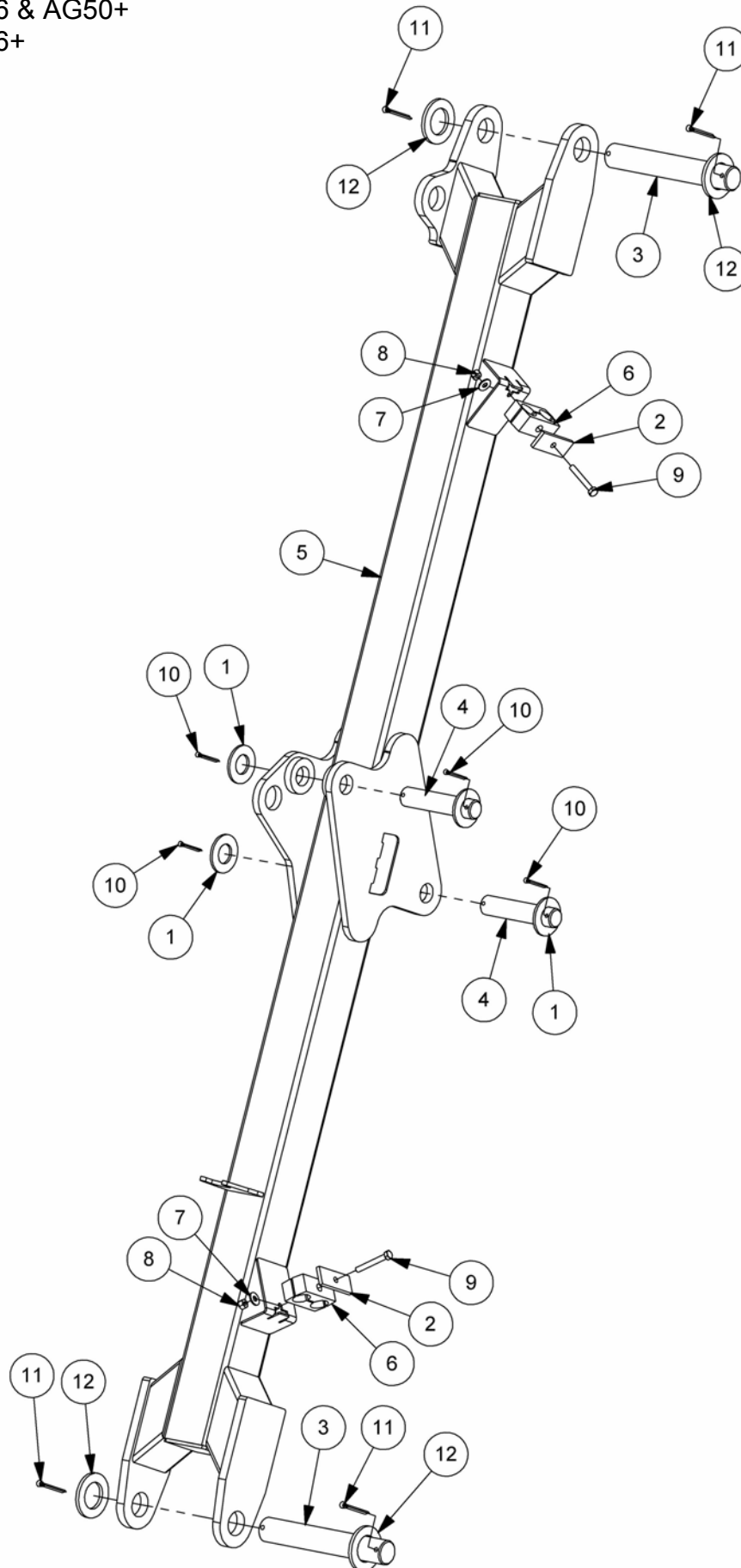


MAIN ARM ASSEMBLY

Module:

7146707 – AG46 & AG50+

7146717 – AG46+



**MAIN ARM ASSEMBLY**

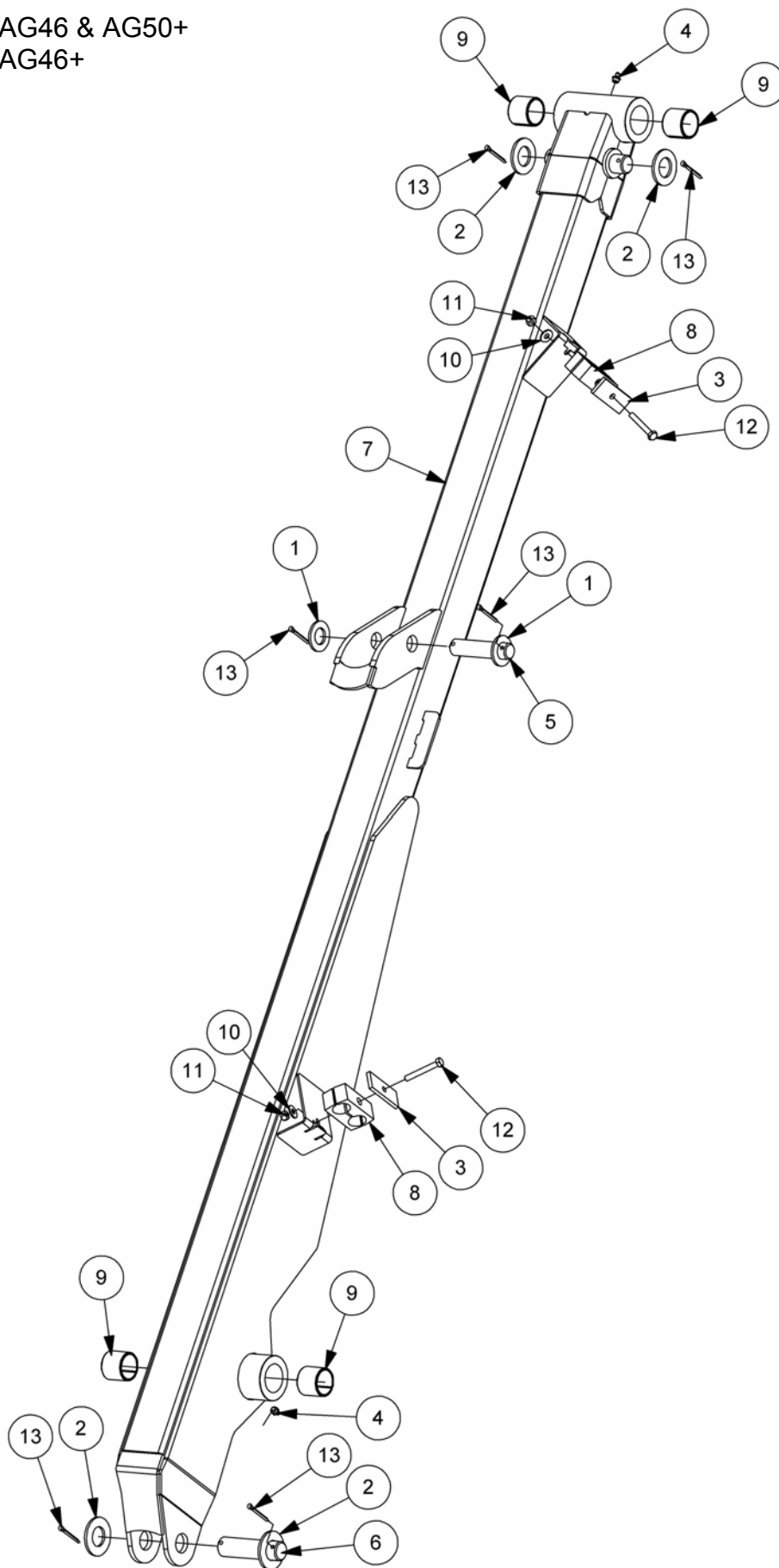
| REF. | QTY. | PART No. | DESCRIPTION |
|------|------|----------------|---|
| | | 7146707 | MAIN ARM ASSEMBLY - AG46 & AG50+ |
| | | 7146717 | MAIN ARM ASSEMBLY - AG46+ |
| 1 | 4 | 05.281.18 | FLAT WASHER |
| 2 | 2 | 7198093 | CLAMP PLATE |
| 3 | 2 | 22001.01 | PIVOT PIN - ARM PIVOTS |
| 4 | 2 | 22002.03 | PIVOT PIN - LIFT & REACH RAM (BASE) |
| 5 | 1 | 42344.08 | MAIN ARM - <i>AG46 & AG50+ Models</i> |
| | 1 | 42344.10 | MAIN ARM - <i>AG46+ Model</i> |
| 6 | 2 | 7198077 | PIPE CLAMP |
| 7 | 2 | 9100104 | FLAT WASHER |
| 8 | 2 | 9143004 | SELF-LOCKING NUT |
| 9 | 2 | 9213124 | BOLT |
| 10 | 4 | 9501406 | SPLIT PIN |
| 11 | 4 | 9501507 | SPLIT PIN |
| 12 | 4 | T6541 | FLAT WASHER |

DIPPER ARM ASSEMBLY

Module:

7146709 – AG46 & AG50+

7146719 – AG46+

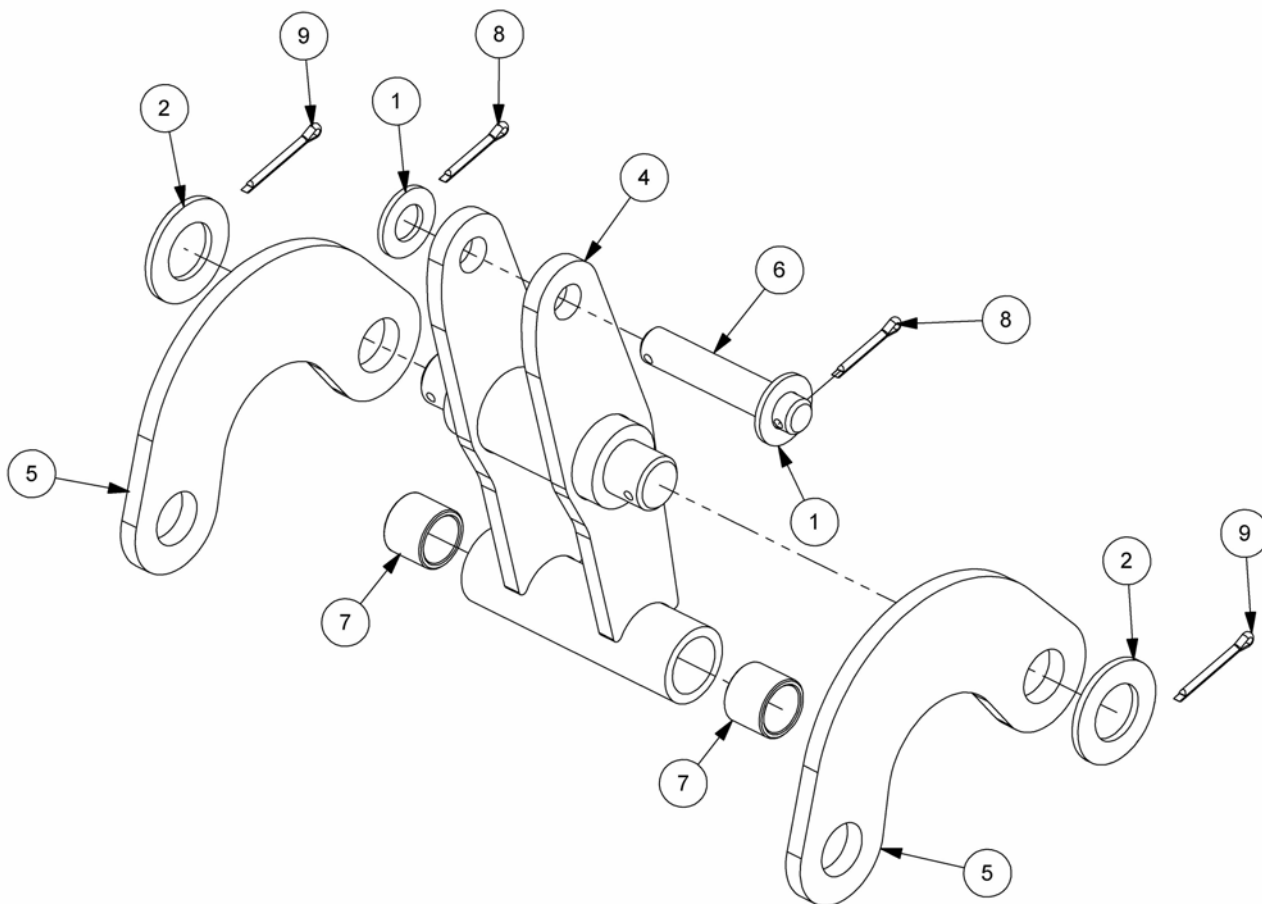


**DIPPER ARM ASSEMBLY**

| REF. | QTY. | PART No. | DESCRIPTION |
|------|------|----------------|---|
| | | 7146709 | DIPPER ARM ASSEMBLY - AG46 & AG50+ |
| | | 7146719 | DIPPER ARM ASSEMBLY - AG46+ |
| 1 | 2 | 0100109 | FLAT WASHER |
| 2 | 4 | 05.281.18 | FLAT WASHER |
| 3 | 2 | 7198093 | CLAMP PLATE |
| 4 | 2 | 0901121 | GREASE NIPPLE |
| 5 | 1 | 22002.01 | PIVOT PIN - ANGLE RAM (BASE) |
| 6 | 1 | 22002.02 | PIVOT PIN - REACH RAM (ROD END) |
| 7 | 1 | 42345.03 | DIPPER ARM - <i>AG46 & AG50+ Models</i> |
| | 1 | 42345.05 | DIPPER ARM - <i>AG46+ Model</i> |
| 8 | 2 | 7198077 | PIPE CLAMP |
| 9 | 4 | 7213023 | PLASTIC BUSH |
| 10 | 2 | 9100104 | FLAT WASHER |
| 11 | 2 | 9143004 | SELF-LOCKING NUT |
| 12 | 2 | 9213124 | BOLT |
| 13 | 6 | 9501406 | SPLIT PIN |

HEAD ANGLING MECHANISM

Module:
7146710



| REF. | QTY. | PART No. | DESCRIPTION |
|------|------|----------------|---------------------------------|
| | | 7146710 | HEAD ANGLING MECHANISM |
| 1 | 2 | 0100107 | FLAT WASHER |
| 2 | 2 | 05.281.18 | FLAT WASHER |
| 3 | 1 | 0901121 | GREASE NIPPLE |
| 4 | 1 | 21999.01 | SLAVE LINK |
| 5 | 2 | 22000.01 | RADIUS ARM |
| 6 | 1 | 22003.01 | PIVOT PIN - ANGLE RAM (ROD END) |
| 7 | 2 | 41690.01 | BUSH PLASTIC |
| 8 | 2 | 9501326 | SPLIT PIN |
| 9 | 2 | 9501406 | SPLIT PIN |



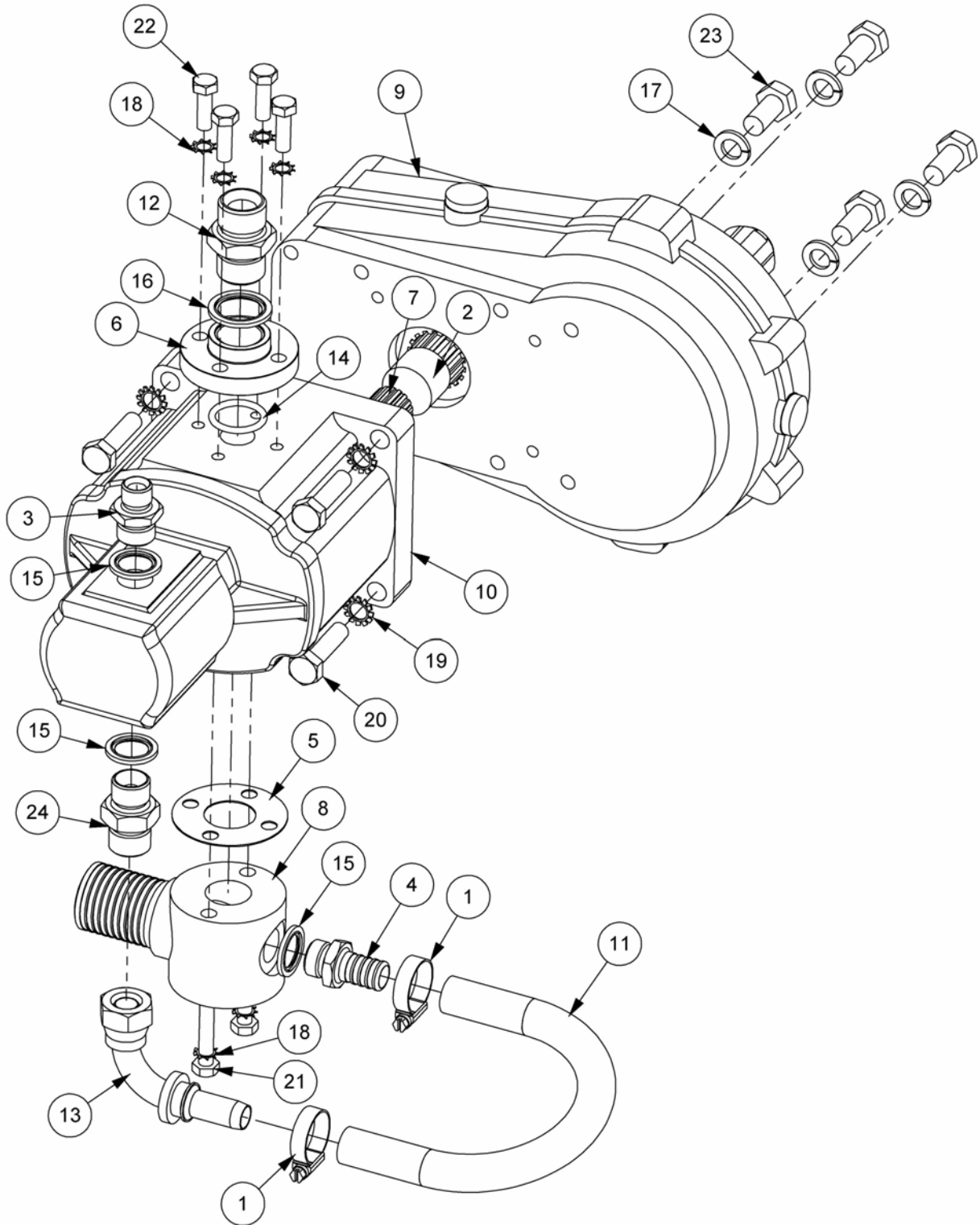
This page is intentionally blank

PUMP & GEARBOX ASSEMBLIES

Modules:

7146729 – Std. Build

7146748 – JIC Build



PUMP & GEARBOX ASSEMBLIES

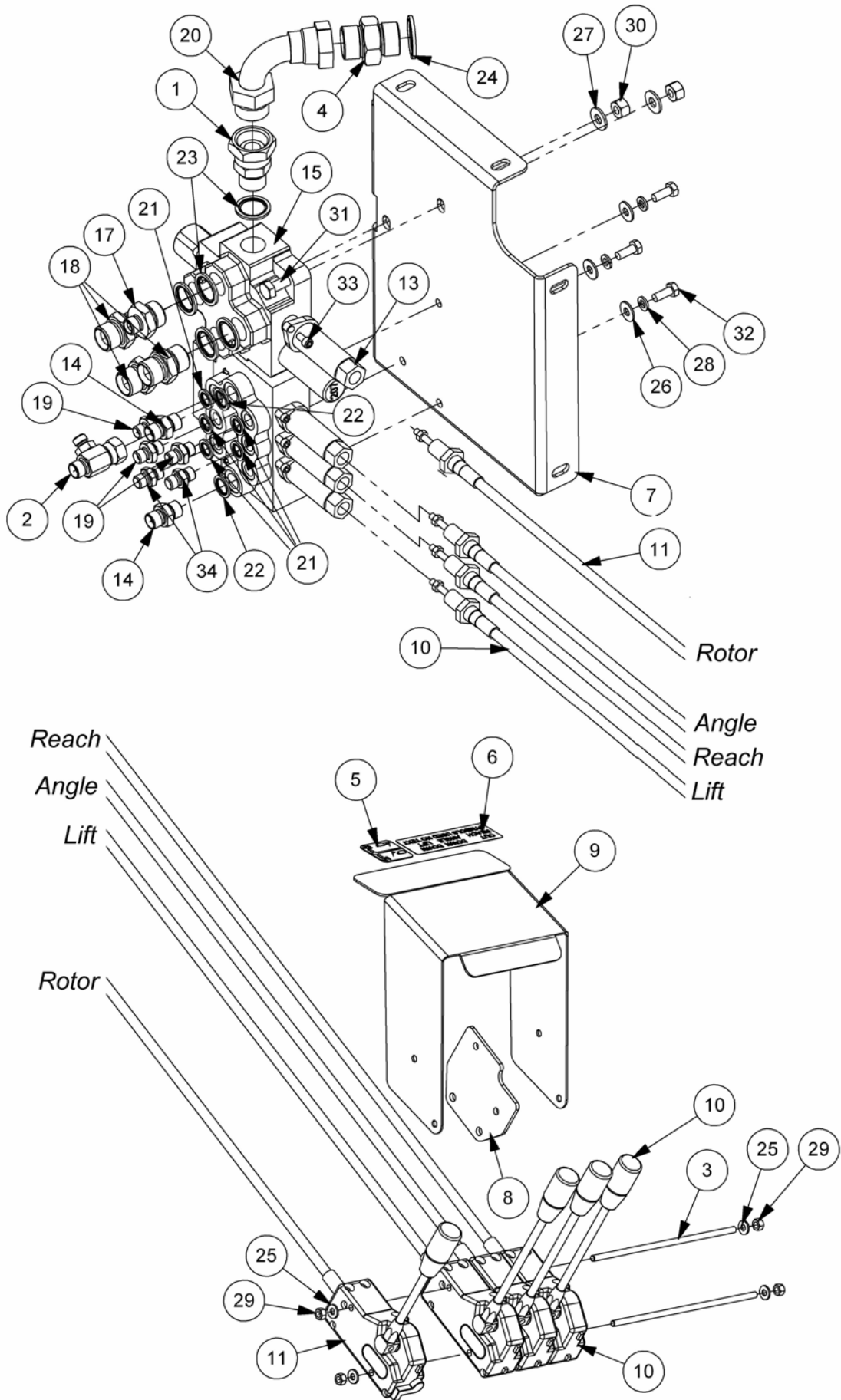
| REF. | QTY. | PART No. | DESCRIPTION |
|------|------|----------------|---|
| | | 7146729 | PUMP & GEARBOX ASSEMBLY (Std.) |
| | | 7146748 | PUMP & GEARBOX ASSEMBLY (JIC) |
| 1 | 2 | 0904204 | HOSE CLIP |
| 2 | 1 | 42415.01 | SPACER |
| 3 | 1 | 6000112 | ADAPTOR - <i>Std. Build</i> |
| | 1 | 8120003 | ADAPTOR - <i>JIC Build</i> |
| 4 | 1 | 8002059 | RETURN CONNECTION |
| 5 | 1 | 8013023 | GASKET - INLET CONNECTION |
| 6 | 1 | 8013088 | PUMP FLANGE |
| 7 | 1 | 8013097 | COUPLING |
| 8 | 1 | 8013098 | SUCTION CONNECTION |
| 9 | 1 | 8013536 | GEARBOX ASSEMBLY |
| 10 | 1 | 8201466 | TANDEM GEAR PUMP |
| 11 | 1 | 8501099 | RUBBER HOSE |
| 12 | 1 | 8581136 | ADAPTOR - <i>Std. Build</i> |
| | 1 | 8581167 | ADAPTOR - <i>JIC Build</i> |
| 13 | 1 | 8581173 | SWEPT ELBOW - 90° |
| 14 | 1 | 8600119 | O RING |
| 15 | 3 | 8650104 | BONDED SEAL |
| 16 | 1 | 8650106 | BONDED SEAL |
| 17 | 4 | 9100206 | SPRING WASHER |
| 18 | 6 | 9100404 | SHAKEPROOF WASHER |
| 19 | 4 | 9100405 | SHAKEPROOF WASHER |
| 20 | 4 | 9213085 | BOLT |
| 21 | 2 | 9213144 | BOLT |
| 22 | 4 | 9313054 | SETSCREW |
| 23 | 4 | 9313056 | SETSCREW |
| 24 | 1 | G3812120 | ADAPTOR |
| | | 8699231 | PUMP SEAL KIT |

NOTE: Std. & JIC builds differ only in the specific adaptors used for items 3 & 12

CABLE VALVE - Non Slew

Module:
7146721

AG46 Model



**CABLE VALVE - Non Slew**

| REF. | QTY. | PART No. | DESCRIPTION |
|------|------|----------------|---|
| | | 7146721 | VALVE & CONTROLS ASSEMBLY - Non Slew |
| 1 | 1 | 02.714.05 | ADAPTOR SWIVEL |
| 2 | 1 | 04.056.16 | ADAPTOR TEE |
| 3 | 2 | 04.282.70 | STUD |
| 4 | 1 | 05.434.01 | ADAPTOR |
| 5 | 1 | 1290338 | DECAL - ROTOR REVERSE |
| 6 | 1 | 1290368 | DECAL - CONTROL |
| 7 | 1 | 21992.02 | VALVE MOUNTING PLATE - AG46 R/H Build |
| 8 | 1 | 22004.01 | MOUNTING PLATE |
| 9 | 1 | 22005.01 | ARMREST |
| 10 | 3 | 47531.10 | 2.5M CABLE - BLACK KNOB |
| 11 | 1 | 47531.07 | 2.5M CABLE (REV LOCK) - RED KNOB |
| 12 | 3 | 47532.01 | CABLE FIXING KIT - ARMHEAD VALVE |
| 13 | 1 | 47539.01 | CABLE FIXING KIT - ROTOR VALVE |
| 14 | 2 | 6000113 | ADAPTOR |
| 15 | 1 | 8125355 | ROTOR CONTROL VALVE - R/H Build |
| 16 | 1 | 8136250 | MONOBLOCK DIRECTIONAL CONTROL VALVE |
| 17 | 1 | 8581131 | ADAPTOR |
| 18 | 3 | 8581136 | ADAPTOR |
| 19 | 3 | 8581169 | ADAPTOR |
| 20 | 1 | 8581264 | ADAPTOR - SWEPT 90° |
| 21 | 5 | 8650102 | BONDED SEAL |
| 22 | 2 | 8650103 | BONDED SEAL |
| 23 | 5 | 8650106 | BONDED SEAL |
| 24 | 1 | 8650108 | BONDED SEAL |
| 25 | 4 | 9100103 | FLAT WASHER |
| 26 | 3 | 9100104 | FLAT WASHER |
| 27 | 2 | 9100105 | FLAT WASHER |
| 28 | 3 | 9100204 | SPRING WASHER |
| 29 | 4 | 9143003 | SELF-LOCKING NUT |
| 30 | 2 | 9143005 | SELF-LOCKING NUT |
| 31 | 2 | 9213085 | BOLT |
| 32 | 3 | 9313044 | SETSCREW |
| 33 | 2 | 9343023 | CAPSCREW |
| 34 | 2 | 8130104 | ADAPTOR RESRICTOR - 1.8 'G' |

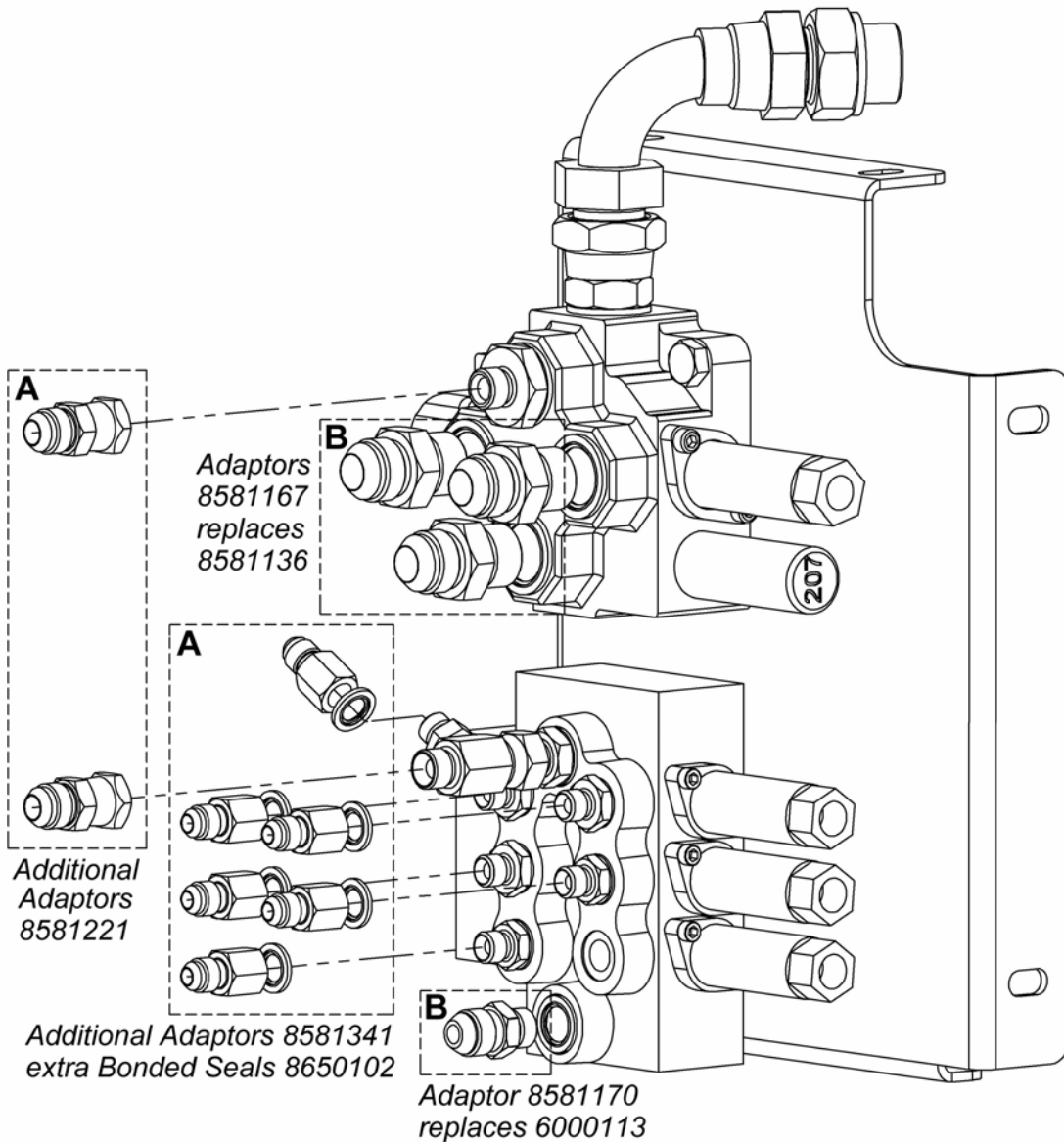
CABLE VALVE – Non Slew (JIC)

Module:
7146746 – JIC Build

AG46 Model

Assembly 7146746 (JIC variant of Std. Assembly 7146721)

Conversion of 7146721 (Std. build) to 7146746 (JIC build) requires the addition of components 'A' and replacement of components 'B'



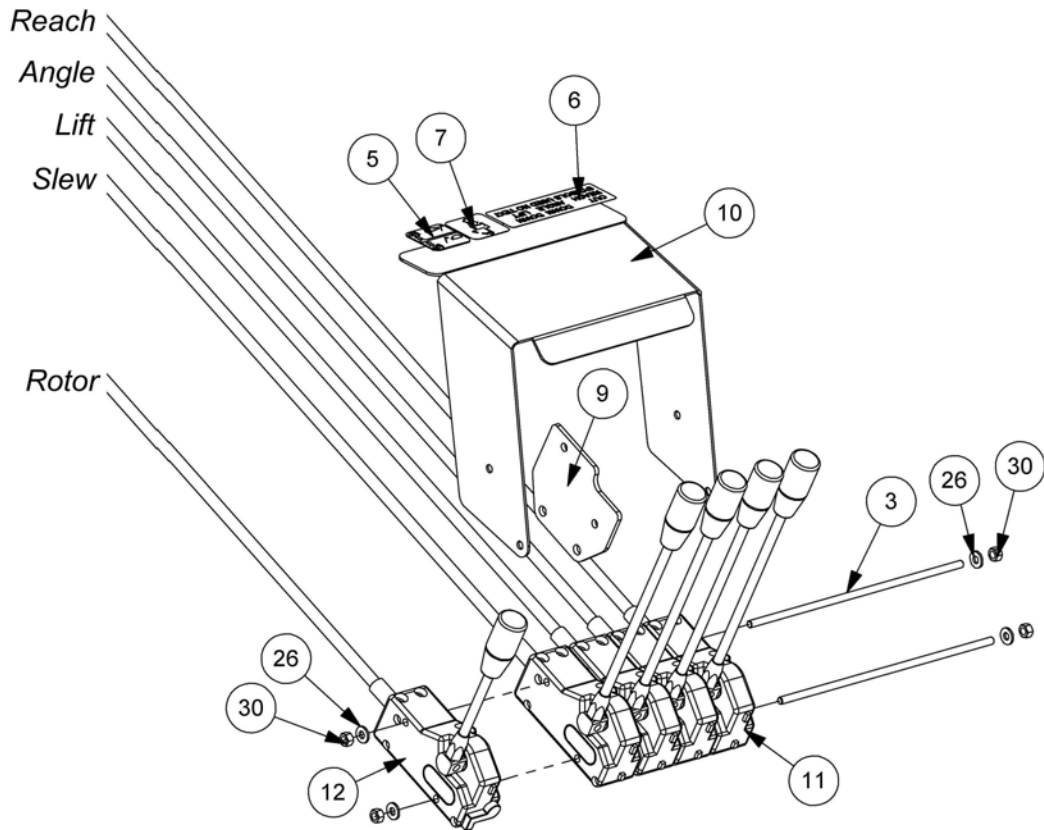
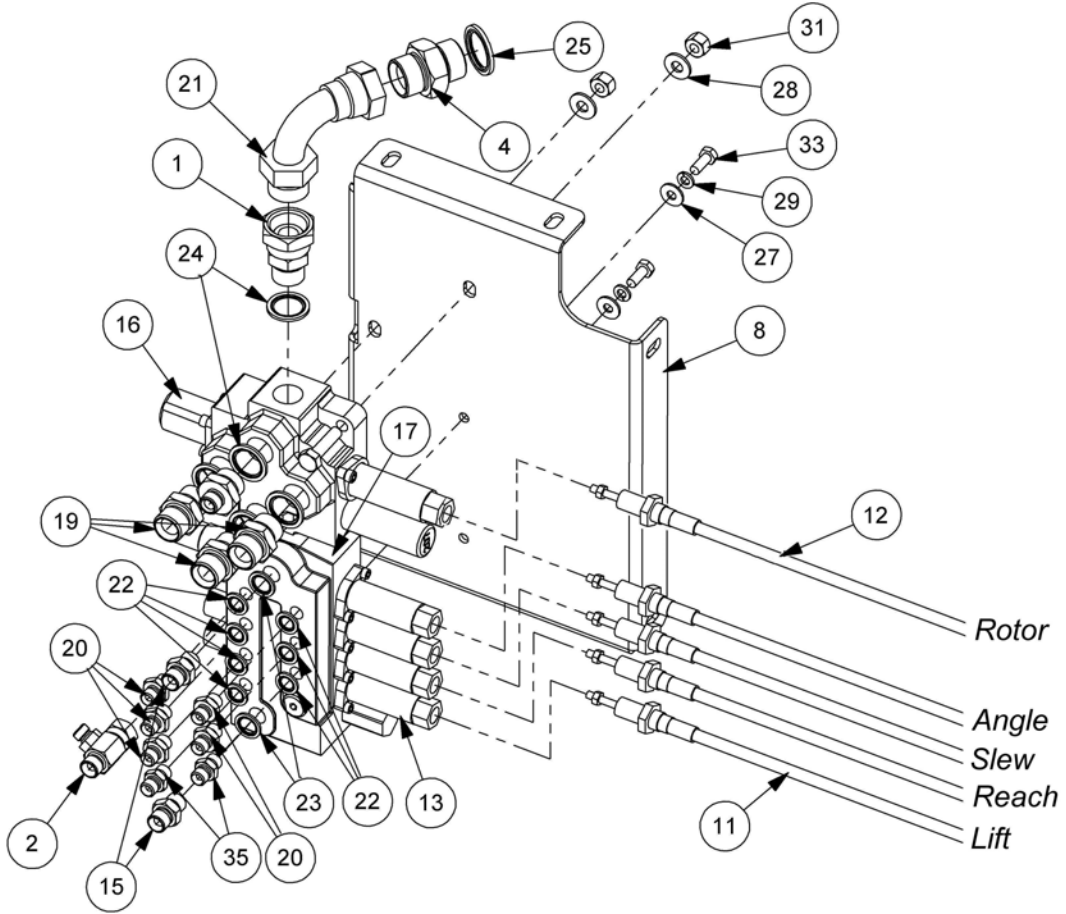
**CABLE VALVE – Non Slew (JIC)**

| REF. | QTY. | PART No. | DESCRIPTION |
|------|------|----------------|---|
| | | 7146721 | VALVES & CABLE CONTROLS - Non Slew |
| | | 7146746 | VALVES & CABLE CONTROLS - Non Slew (JIC) |
| 1 | 1 | 02.714.05 | ADAPTOR SWIVEL |
| 2 | 1 | 04.056.16 | ADAPTOR TEE |
| 3 | 2 | 04.282.70 | STUD |
| 4 | 1 | 05.434.01 | ADAPTOR |
| 5 | 1 | 1290338 | DECAL - ROTOR REVERSE |
| 6 | 1 | 1290368 | DECAL - CONTROL |
| 7 | 1 | 21992.02 | VALVE MOUNTING PLATE |
| 8 | 1 | 22004.01 | MOUNTING PLATE |
| 9 | 1 | 22005.01 | ARMREST |
| 10 | 3 | 47531.10 | 2.5M CABLE - BLACK KNOB |
| 11 | 1 | 47531.07 | 2.5M CABLE (REV LOCK) - RED KNOB |
| 12 | 3 | 47532.01 | CABLE FIXING KIT - ARMHEAD VALVE |
| 13 | 1 | 47539.01 | CABLE FIXING KIT - ROTOR VALVE |
| 14 | 2* | 6000113 | ADAPTOR - * Qty 1 on JIC build |
| 15 | 1 | 8125355 | ROTOR CONTROL VALVE - R/H Build |
| 16 | 1 | 8136250 | MONOBLOCK DIRECTIONAL CONTROL VALVE |
| 17 | 1 | 8581131 | ADAPTOR |
| 18 | 3 | 8581136 | ADAPTOR - <i>Std. build only</i> |
| | 3 | 8581167 | ADAPTOR - <i>JIC build only</i> |
| 19 | 3 | 8581169 | ADAPTOR |
| 20 | 1 | 8581264 | ADAPTOR - SWEPT 90° |
| 21 | 5* | 8650102 | BONDED SEAL - * Qty 11 on JIC build |
| 22 | 2 | 8650103 | BONDED SEAL |
| 23 | 5 | 8650106 | BONDED SEAL |
| 24 | 1 | 8650108 | BONDED SEAL |
| 25 | 4 | 9100103 | FLAT WASHER |
| 26 | 3 | 9100104 | FLAT WASHER |
| 27 | 2 | 9100105 | FLAT WASHER |
| 28 | 3 | 9100204 | SPRING WASHER |
| 29 | 4 | 9143003 | SELF-LOCKING NUT |
| 30 | 2 | 9143005 | SELF-LOCKING NUT |
| 31 | 2 | 9213085 | BOLT |
| 32 | 3 | 9313044 | SETSCREW |
| 33 | 2 | 9343023 | CAPSCREW |
| 34 | 2 | 8130104 | ADAPTOR RESRICTOR - 1.8 'G' |
| 35 | 6 | 8581341 | ADAPTOR - <i>JIC build only</i> |
| 36 | 2 | 8581221 | ADAPTOR - <i>JIC build only</i> |
| 37 | 1 | 8581170 | ADAPTOR - <i>JIC build only</i> |

CABLE VALVE - With Slew

Module:
7146741

AG46+ / AG50+ Models



**CABLE VALVE - With Slew**

| REF. | QTY. | PART No. | DESCRIPTION |
|------|------|----------------|--|
| | | 7146741 | VALVE & CONTROLS ASSEMBLY - with Slew |
| 1 | 1 | 02.714.05 | ADAPTOR SWIVEL |
| 2 | 1 | 04.056.16 | ADAPTOR TEE |
| 3 | 2 | 04.282.71 | STUD |
| 4 | 1 | 05.434.01 | ADAPTOR |
| 5 | 1 | 1290338 | DECAL - ROTOR REVERSE |
| 6 | 1 | 1290368 | DECAL - CONTROL STICKER |
| 7 | 1 | 1290541 | DECAL - SLEW |
| 8 | 1 | 21992.04 | VALVE MOUNTING - R/H Build |
| 9 | 1 | 22004.01 | MOUNTING PLATE |
| 10 | 1 | 22005.02 | ARM REST - 5 FUNCTION |
| 11 | 4 | 47531.06 | 2.5M CABLE - BLACK KNOB |
| 12 | 1 | 47531.07 | 2.5M CABLE (REV LOCK) - RED KNOB |
| 13 | 4 | 47532.01 | CABLE FIXING KIT |
| 14 | 1 | 47539.01 | CABLE FIXING KIT |
| 15 | 2 | 6000113 | ADAPTOR |
| 16 | 1 | 8125355 | ROTOR CONTROL VALVE - R/H Build |
| 17 | 1 | 8136260 | 4 SPOOL VALVE ASSEMBLY |
| 18 | 1 | 8581131 | ADAPTOR |
| 19 | 3 | 8581136 | ADAPTOR |
| 20 | 5 | 8581169 | ADAPTOR |
| 21 | 1 | 8581264 | ADAPTOR - SWEPT 90° |
| 22 | 7 | 8650102 | BONDED SEAL |
| 23 | 2 | 8650103 | BONDED SEAL |
| 24 | 5 | 8650106 | BONDED SEAL |
| 25 | 1 | 8650108 | BONDED SEAL |
| 26 | 4 | 9100103 | FLAT WASHER |
| 27 | 2 | 9100104 | FLAT WASHER |
| 28 | 2 | 9100105 | FLAT WASHER |
| 29 | 2 | 9100204 | SPRING WASHER |
| 30 | 4 | 9143003 | SELF-LOCKING NUT |
| 31 | 2 | 9143005 | SELF-LOCKING NUT |
| 32 | 2 | 9213085 | BOLT |
| 33 | 2 | 9313044 | SETSCREW |
| 34 | 2 | 9343023 | CAPSCREW |
| 35 | 2 | 8130104 | ADAPTOR RESTRICTOR |

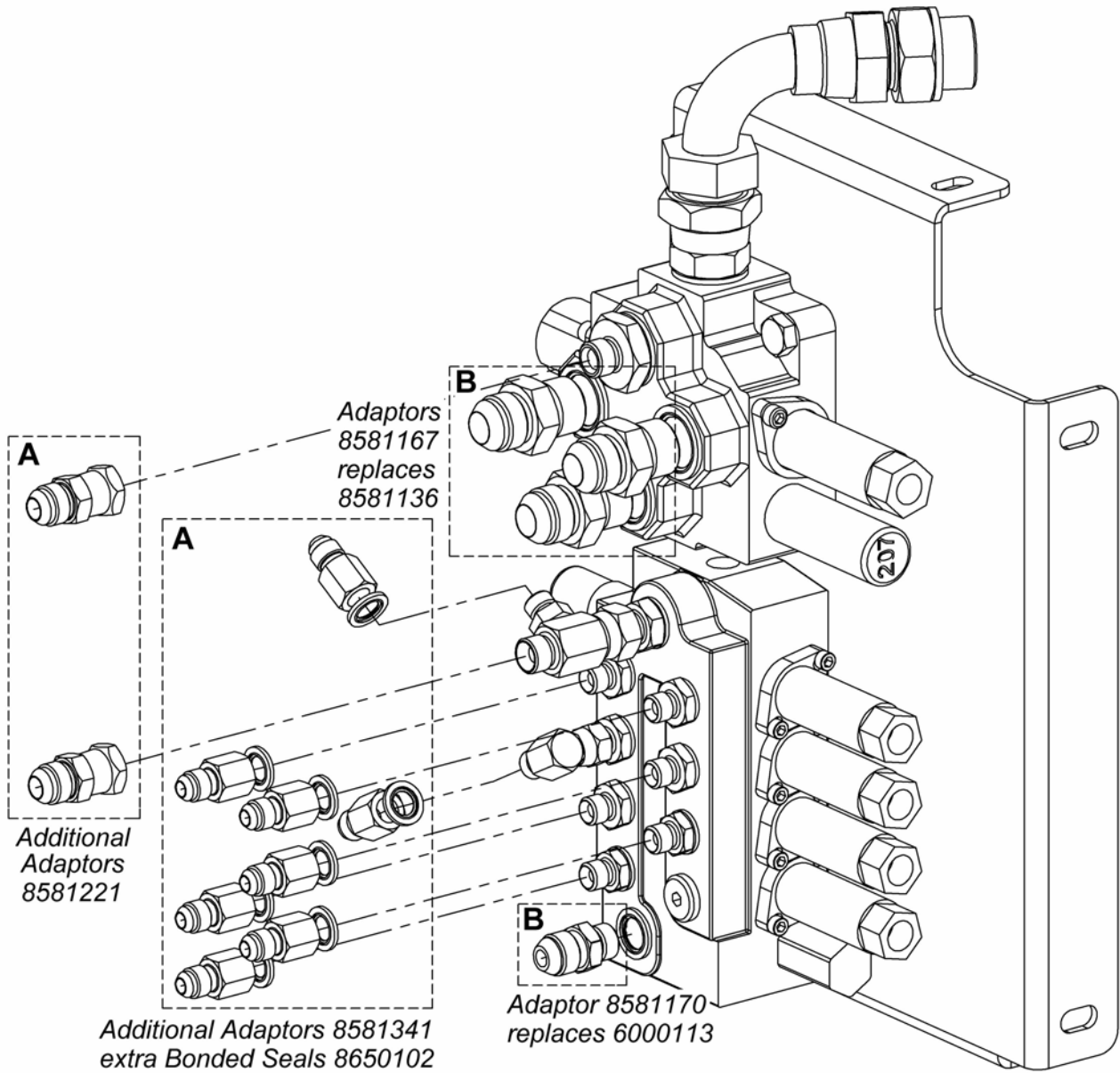
CABLE VALVE – With Slew (JIC)

Module:
7146747 – JIC Build

AG46+ / AG50+ Models

Assembly 7146747 (JIC variant of Std. Assembly 7146741)

Conversion of 7146741 (Std. build) to 7146747 (JIC build) requires the addition of components 'A' and replacement of components 'B'



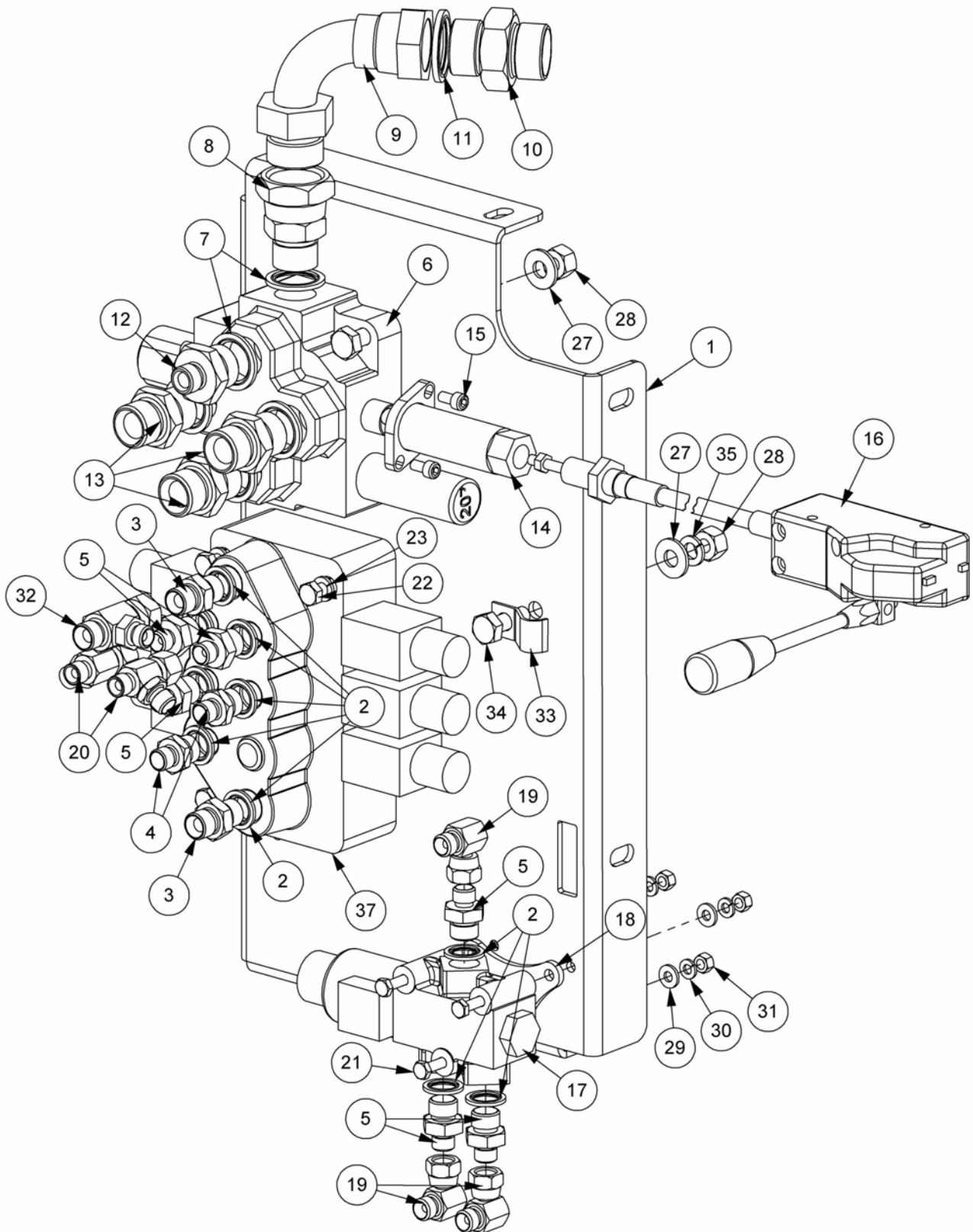
CABLE VALVE – With Slew (JIC)

| REF. | QTY. | PART No. | DESCRIPTION |
|------|------|----------------|--|
| | | 7146741 | CABLE VALVES ASSEMBLY - with Slew |
| | | 7146747 | CABLE VALVES ASSEMBLY - with Slew (JIC) |
| 1 | 1 | 02.714.05 | ADAPTOR SWIVEL |
| 2 | 1 | 04.056.16 | ADAPTOR TEE |
| 3 | 2 | 04.282.71 | STUD |
| 4 | 1 | 05.434.01 | ADAPTOR |
| 5 | 1 | 1290338 | DECAL - ROTOR REVERSE |
| 6 | 1 | 1290368 | DECAL - CONTROL STICKER |
| 7 | 1 | 1290541 | DECAL - SLEW |
| 8 | 1 | 21992.04 | VALVE MOUNTING - R/H Build |
| 9 | 1 | 22004.01 | MOUNTING PLATE |
| 10 | 1 | 22005.02 | ARM REST - 5 FUNCTION |
| 11 | 4 | 47531.10 | 2.5M CABLE - BLACK KNOB |
| 12 | 1 | 47531.07 | 2.5M CABLE (REV LOCK) - RED KNOB |
| 13 | 4 | 47532.01 | CABLE FIXING KIT |
| 14 | 1 | 47539.01 | CABLE FIXING KIT |
| 15 | 2* | 6000113 | ADAPTOR - * Qty 1 on JIC build |
| 16 | 1 | 8125355 | ROTOR CONTROL VALVE - R/H Build |
| 17 | 1 | 8136260 | 4 SPOOL VALVE ASSEMBLY |
| 18 | 1 | 8581131 | ADAPTOR |
| 19 | 3 | 8581136 | ADAPTOR - Std. build only |
| | 3 | 8581167 | ADAPTOR - JIC build only |
| 20 | 5 | 8581169 | ADAPTOR |
| 21 | 1 | 8581264 | ADAPTOR - SWEPT 90° |
| 22 | 7* | 8650102 | BONDED SEAL - * Qty 15 on JIC build |
| 23 | 2 | 8650103 | BONDED SEAL |
| 24 | 5 | 8650106 | BONDED SEAL |
| 25 | 1 | 8650108 | BONDED SEAL |
| 26 | 4 | 9100103 | FLAT WASHER |
| 27 | 2 | 9100104 | FLAT WASHER |
| 28 | 2 | 9100105 | FLAT WASHER |
| 29 | 2 | 9100204 | SPRING WASHER |
| 30 | 4 | 9143003 | SELF-LOCKING NUT |
| 31 | 2 | 9143005 | SELF-LOCKING NUT |
| 32 | 2 | 9213085 | BOLT |
| 33 | 2 | 9313044 | SETSCREW |
| 34 | 2 | 9343023 | CAPSCREW |
| 35 | 2 | 8130104 | ADAPTOR RESTRICTOR |
| 36 | 8 | 8581341 | ADAPTOR - JIC build only |
| 37 | 2 | 8581221 | ADAPTOR - JIC build only |
| 38 | 1 | 8581170 | ADAPTOR - JIC build only |

ELECTRIC VALVE – Non Slew

Module:
7146742

AG46 Models



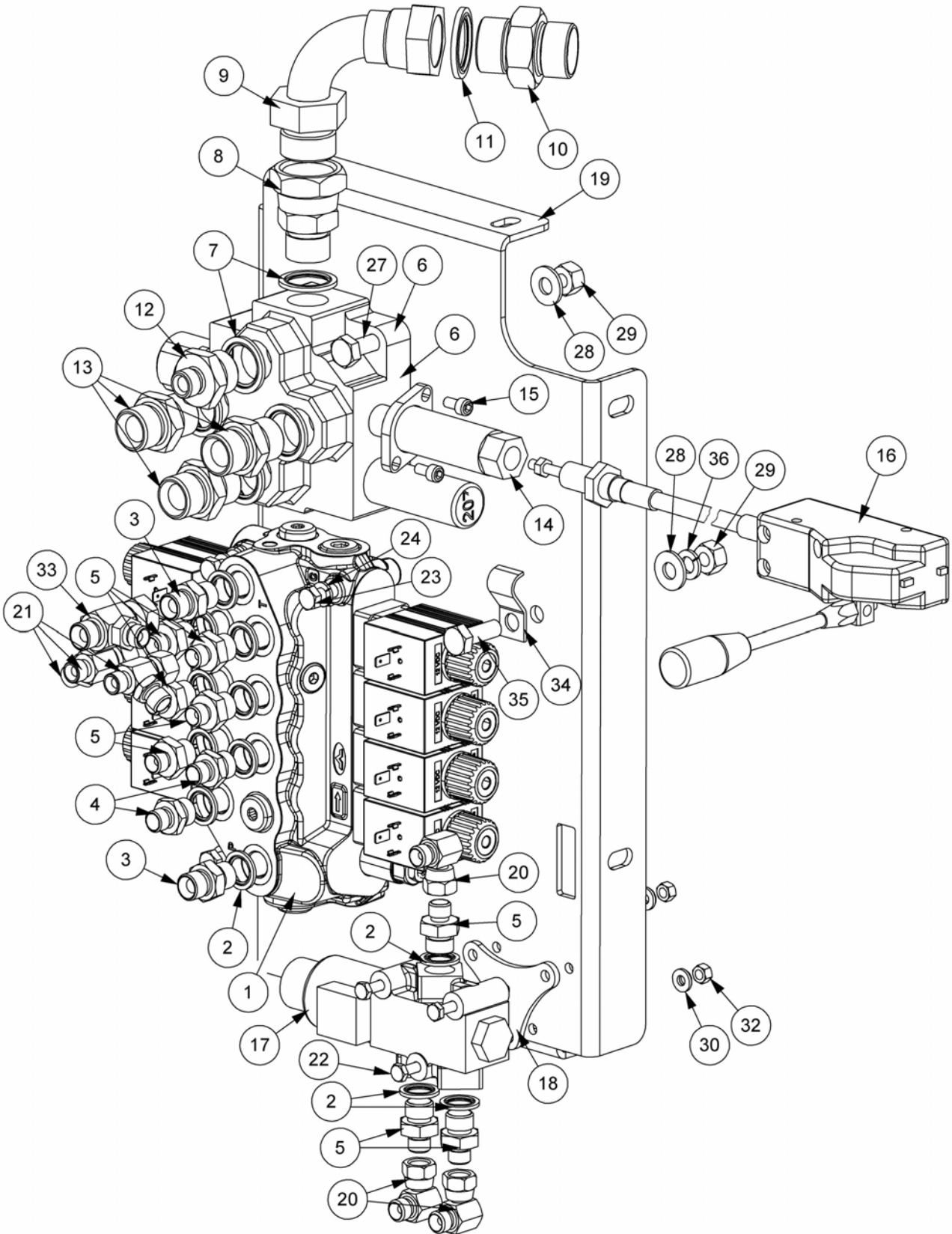
ELECTRIC VALVE – Non Slew

| REF. | QTY. | PART No. | DESCRIPTION |
|------|------|----------------|---|
| | | 7146742 | ELECTRIC VALVE ASSEMBLY - Non Slew |
| 1 | 1 | 21992.05 | ELECTRIC VALVE PLATE |
| 2 | 10 | 8650103 | BONDED SEAL |
| 3 | 2 | 6000113 | ADAPTOR |
| 4 | 2 | 8130047 | RESTRICTOR - 1.8 B |
| 5 | 6 | 01.099.01 | ADAPTOR |
| 6 | 1 | 8125355 | ROTOR CONTROL VALVE - R/H Build |
| 7 | 5 | 8650106 | BONDED SEAL |
| 8 | 1 | 02.714.05 | ADAPTOR SWIVEL |
| 9 | 1 | 8581264 | ADAPTOR - SWEPT 90° |
| 10 | 1 | 05.434.01 | ADAPTOR |
| 11 | 1 | 8650108 | BONDED SEAL |
| 12 | 1 | 8581131 | ADAPTOR |
| 13 | 3 | 8581136 | ADAPTOR |
| 14 | 1 | 47539.01 | CABLE FIXING KIT |
| 15 | 2 | 9343023 | CAPSCREW |
| 16 | 1 | 47531.07 | 2.5M CABLE (REV LOCK) - RED KNOB |
| 17 | 1 | 199.334 | SOLENOID DIVERTER - 3 WAY |
| 18 | 1 | 199.340 | PLATE |
| 19 | 3 | 8581190 | ADAPTOR ELBOW - 90° |
| 20 | 2 | 8581254 | ADAPTOR TEE |
| 21 | 3 | 9213123 | BOLT |
| 22 | 3 | 9213144 | BOLT |
| 23 | 3 | 9100204 | SPRING WASHER |
| 24 | 3 | 9143004 | SELF-LOCKING NUT |
| 25 | 3 | 9100104 | FLAT WASHER |
| 26 | 2 | 9213085 | BOLT |
| 27 | 3 | 9100105 | FLAT WASHER |
| 28 | 3 | 9143005 | SELF-LOCKING NUT |
| 29 | 3 | 9100103 | FLAT WASHER |
| 30 | 3 | 9100203 | SPRING WASHER |
| 31 | 3 | 9143003 | SELF-LOCKING NUT |
| 32 | 1 | 04.056.16 | ADAPTOR TEE |
| 33 | 1 | 7109151 | CABLE CLAMP |
| 34 | 1 | 9213065 | BOLT |
| 35 | 1 | 9100205 | SPRING WASHER |
| 36 | 1 | 41844.06 | MAIN LOOM - <i>not illustrated</i> |
| 37 | 1 | 8136262 | VALVE |

ELECTRIC VALVE – With Slew

Module:
7146743

AG46+ / AG50+ Models



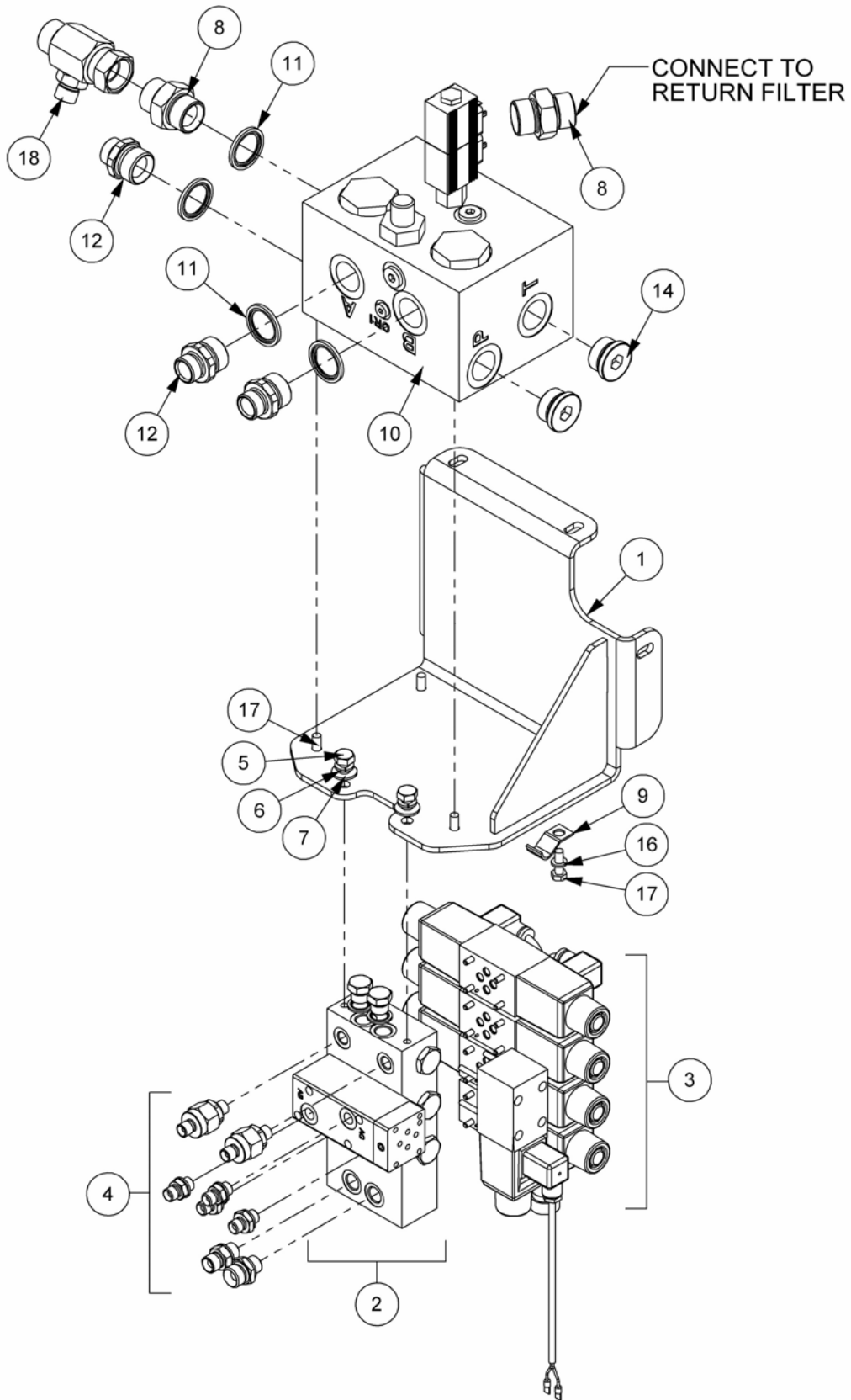
ELECTRIC VALVE – With Slew

| REF. | QTY. | PART No. | DESCRIPTION |
|------|------|----------------|------------------------------------|
| | | 7146743 | ELECTRIC VALVE ASSEMBLY |
| 1 | 1 | 8136261 | ELECTRIC VALVE |
| 2 | 12 | 8650103 | BONDED SEAL |
| 3 | 2 | 6000113 | ADAPTOR |
| 4 | 2 | 8130047 | RESTRICTOR - 1.8 B |
| 5 | 8 | 01.099.01 | ADAPTOR |
| 6 | 1 | 8125355 | ROTOR CONTROL VALVE - R/H Build |
| 7 | 5 | 8650106 | BONDED SEAL |
| 8 | 1 | 02.714.05 | ADAPTOR SWIVEL |
| 9 | 1 | 8581264 | ADAPTOR - SWEPT 90° |
| 10 | 1 | 05.434.01 | ADAPTOR |
| 11 | 1 | 8650108 | BONDED SEAL |
| 12 | 1 | 8581131 | ADAPTOR |
| 13 | 3 | 8581136 | ADAPTOR |
| 14 | 1 | 47539.01 | CABLE FIXING KIT |
| 15 | 2 | 9343023 | CAPSCREW |
| 16 | 1 | 47531.07 | 2.5M CABLE (REV LOCK) - RED KNOB |
| 17 | 1 | 199.334 | SOLENOID DIVERTER - 3 WAY |
| 18 | 1 | 199.340 | PLATE |
| 19 | 1 | 21992.05 | ELECTRIC VALVE PLATE |
| 20 | 3 | 8581190 | ADAPTOR ELBOW - 90° |
| 21 | 2 | 8581254 | ADAPTOR TEE |
| 22 | 3 | 9213123 | BOLT |
| 23 | 3 | 9213144 | BOLT |
| 24 | 3 | 9100204 | SPRING WASHER |
| 25 | 3 | 9143004 | SELF-LOCKING NUT |
| 26 | 3 | 9100104 | FLAT WASHER |
| 27 | 2 | 9213085 | BOLT |
| 28 | 3 | 9100105 | FLAT WASHER |
| 29 | 3 | 9143005 | SELF-LOCKING NUT |
| 30 | 3 | 9100103 | FLAT WASHER |
| 31 | 3 | 9100203 | SPRING WASHER |
| 32 | 3 | 9143003 | SELF-LOCKING NUT |
| 33 | 1 | 04.056.16 | ADAPTOR TEE |
| 34 | 1 | 7109151 | CABLE CLAMP |
| 35 | 1 | 9213065 | BOLT |
| 36 | 1 | 9100205 | SPRING WASHER |
| 37 | 1 | 41844.06 | MAIN LOOM - <i>not illustrated</i> |

XTC PROP. VALVE (Electric RCV)

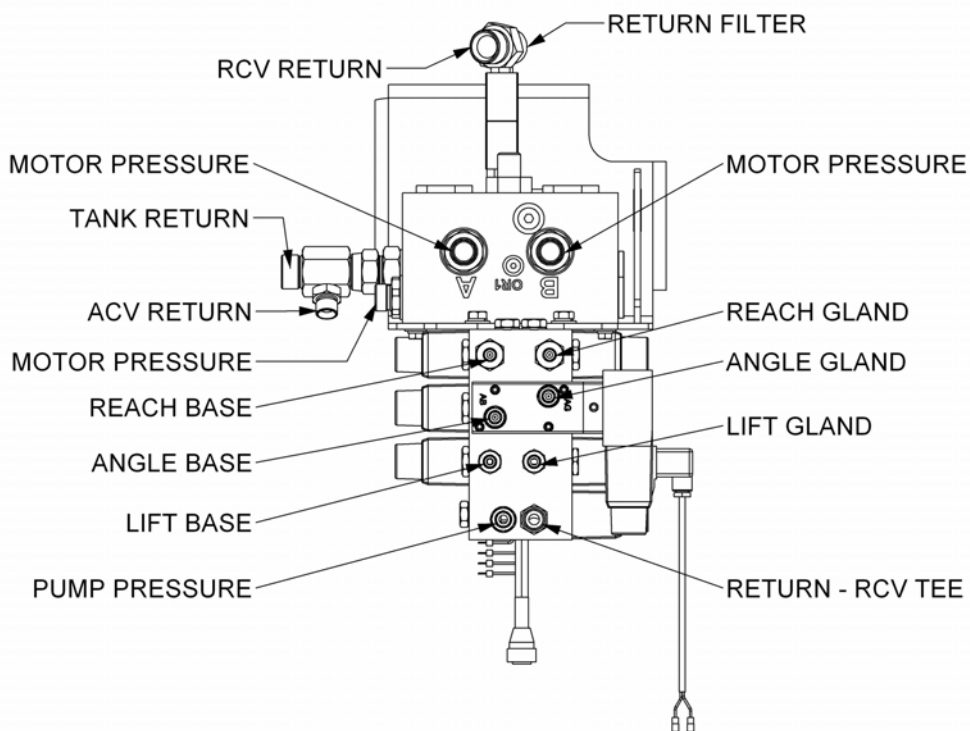
Module:
7146782

AG46 Models



XTC PROP. VALVE (Electric RCV)

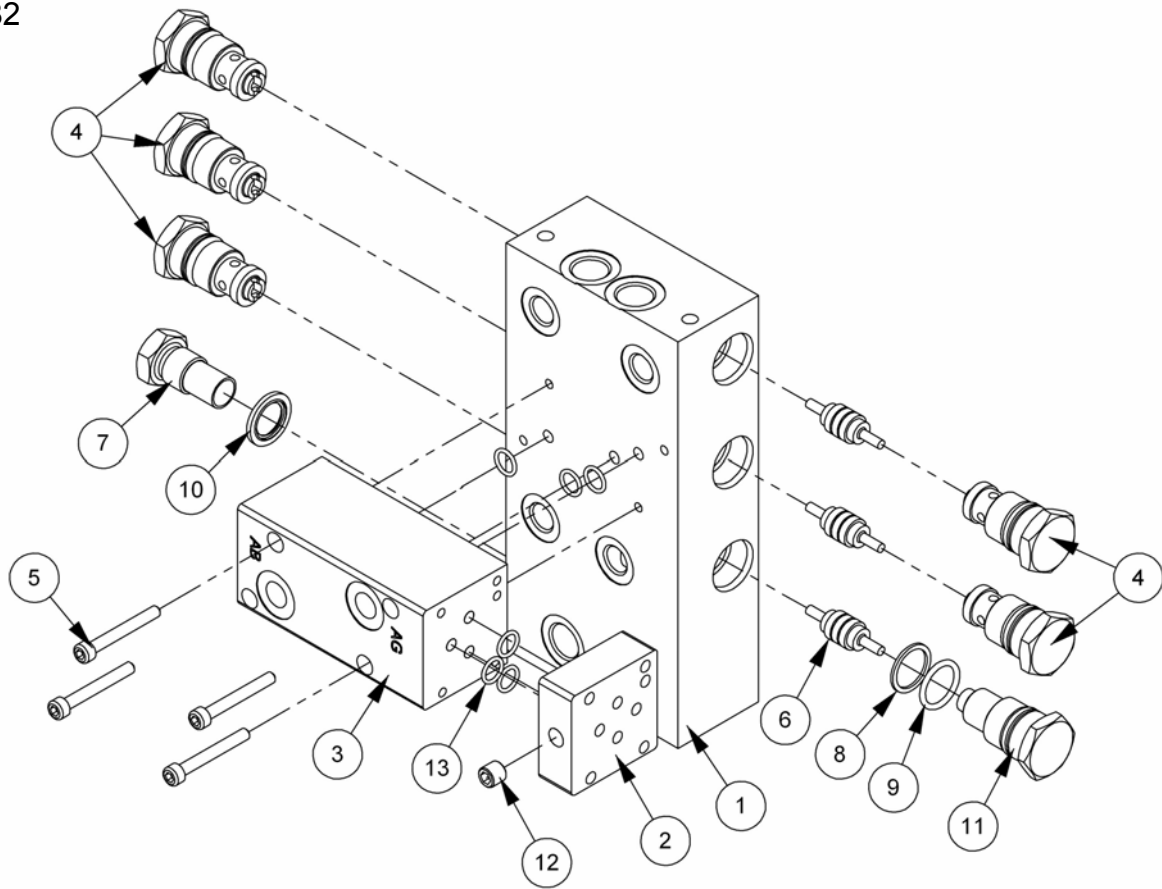
| REF. | QTY. | PART No. | DESCRIPTION |
|------|------|----------------|-------------------------------|
| | | 7146782 | XTC VALVE ASSEMBLY |
| 1 | 1 | 21992.07 | VALVE MOUNTING |
| 2 | 1 | 22523.05 | MANIFOLD ASSEMBLY - 3 BANK AF |
| 3 | 1 | 22525.08 | CONTROL SOLENOIDS ASSEMBLY |
| 4 | 1 | 22524.39 | ADAPTOR KIT |
| 5 | 2 | 9313045 | SETSCREW |
| 6 | 2 | 9100205 | SPRING WASHER |
| 7 | 2 | 9100105 | FLAT WASHER |
| 8 | 2 | 05.434.01 | ADAPTOR |
| 9 | 1 | 7109151 | CABLE CLAMP |
| 10 | 1 | 42768.01 | ELECTRIC RCV |
| 11 | 4 | 8650108 | BONDED SEAL |
| 12 | 3 | 8002086 | ADAPTOR |
| 13 | 1 | 43177.26 | LOOM - ROTOR REVERSE |
| 14 | 2 | 8581389 | PLUG |
| 15 | 3 | 9100104 | FLAT WASHER |
| 16 | 4 | 9100204 | SPRING WASHER |
| 17 | 4 | 9313054 | SETSCREW |
| 18 | 1 | 04.056.34 | ADAPTOR TEE |
| 19 | 1 | 8130124 | RELIEF VALVE (140BAR) |



XTC MANIFOLD (3 Bank AF)

Module:
7146782

AG46 Models

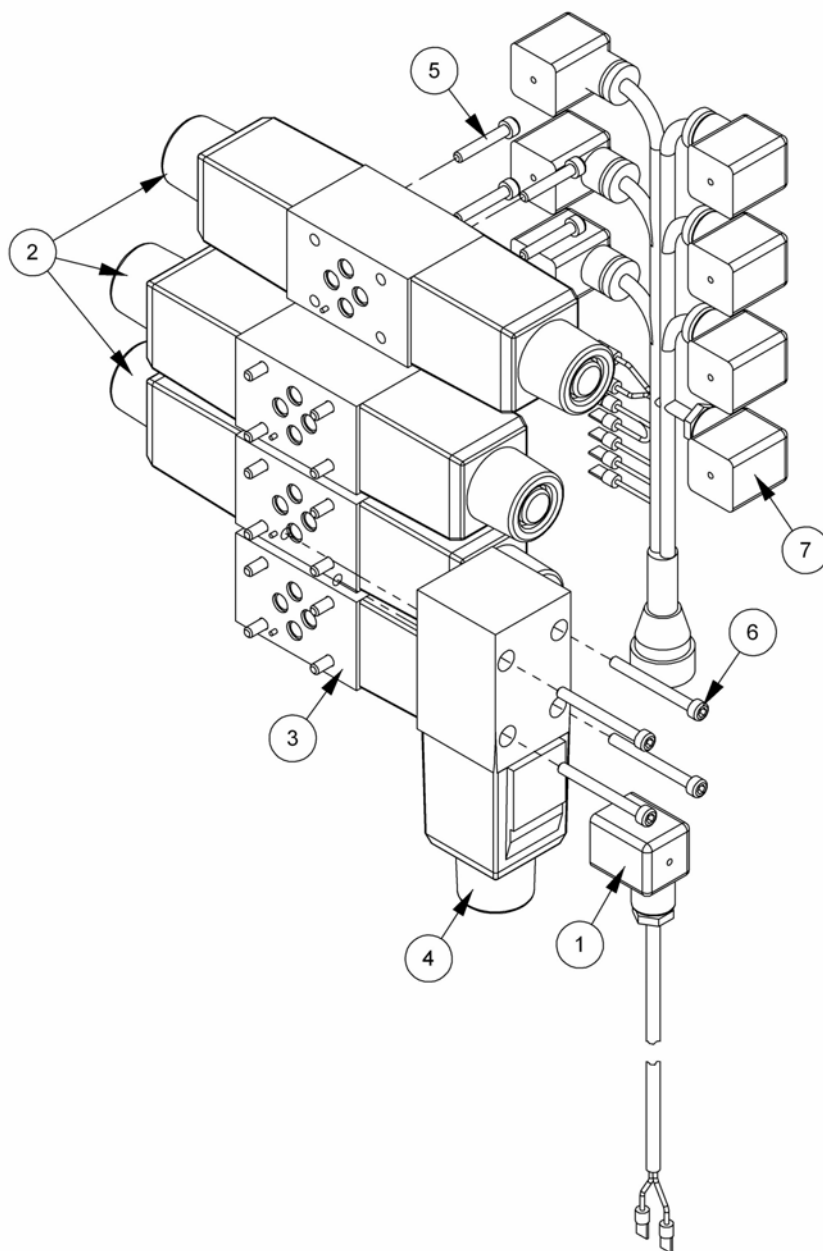


| REF. | QTY. | PART No. | DESCRIPTION |
|------|------|-----------------|--------------------------------------|
| | | 22523.05 | MANIFOLD ASSEMBLY (3 Bank AF) |
| 1 | 1 | 8130321 | MANIFOLD BLOCK (3 FUNCTION) |
| 2 | 1 | 8126334 | BRIDGING PLATE |
| 3 | 1 | 8126333 | FLOAT VALVE BLOCK |
| 4 | 5 | 8130090 | CHECK VALVE ASSEMBLY |
| | 1 | 8130025 | CHECK VALVE CAP |
| | 1 | 8114045 | SPRING |
| | 1 | 8130089 | SPRING GUIDE |
| | 1 | 0905509 | STEEL BALL |
| | 1 | 8700644 | O RING |
| | 1 | 8130088 | CHECK VALVE SEAT |
| | 1 | 8709644 | BACK-UP RING |
| 5 | 4 | 9243082 | CAPSCREW |
| 6 | 3 | 8130087 | ACTUATOR |
| 7 | 1 | 8130032 | RELIEF VALVE CAP |
| 8 | 1 | 8709644 | BACK UP RING |
| 9 | 1 | 8700644 | O RING |
| 10 | 1 | 8650103 | BONDED SEAL |
| 11 | 1 | 8130078 | CHECK VALVE CAP |
| 12 | 1 | 8582041 | TAPER PLUG |
| 13 | 6 | 8700511 | O RING |

CONTROL SOLENOIDS (XTC)

Module:
7146782

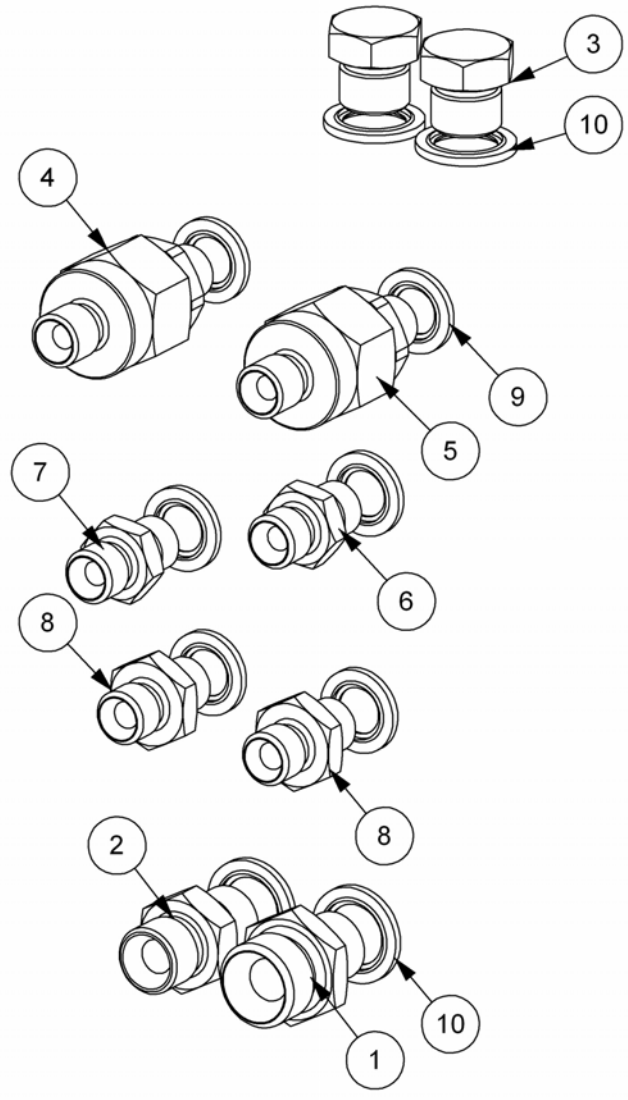
AG46 Models



| REF. | QTY. | PART No. | DESCRIPTION |
|------|------|-----------------|---------------------------------------|
| | | 22525.08 | CONTROL SOLENOIDS (XTC 3 Bank) |
| 1 | 1 | 8402338 | LOOM - ANGLE FLOAT |
| 2 | 3 | 41784.48 | DOUBLE SOLENOID PROP. VALVE |
| 3 | 1 | 8130456 | CUT OFF SOLENOID VALVE |
| 4 | 1 | 8130457 | SINGLE SOLENOID VALVE |
| 5 | 16 | 9243062 | CAPSCREW |
| 6 | 4 | 9243102 | CAPSCREW |
| 7 | 1 | 41844.02 | LOOM - 14 CORE PLUG IN |

ADAPTOR MODULE

Module:
22524.39



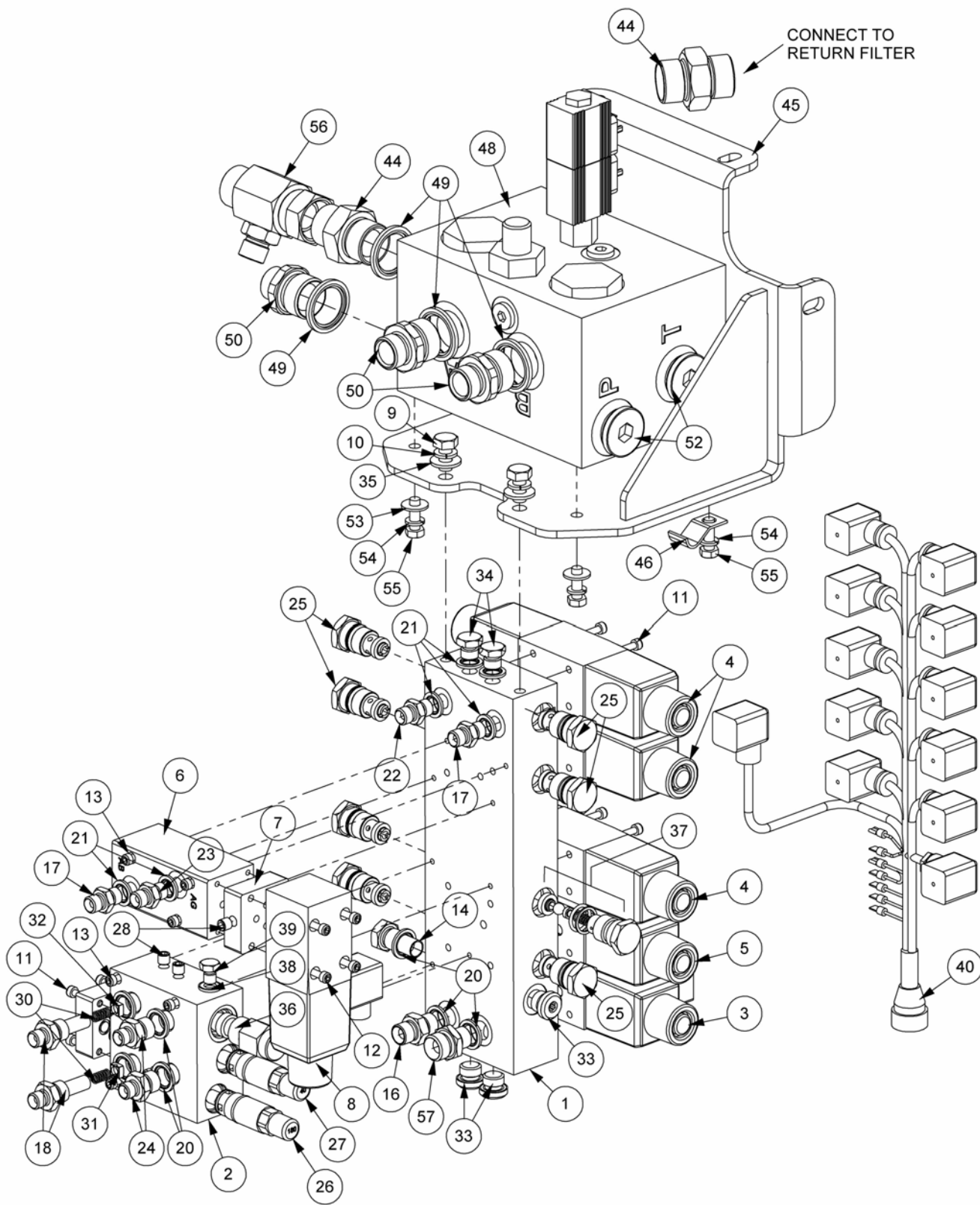
| REF. | QTY. | PART No. | DESCRIPTION |
|------|------|-----------------|------------------------------|
| | | 22524.39 | ADAPTOR MODULE |
| 1 | 1 | 6000112 | ADAPTOR |
| 2 | 1 | 6000113 | ADAPTOR |
| 3 | 2 | 8003001 | ADAPTOR PLUG |
| 4 | 1 | 8123090 | RESTRICTOR UNION - 1.6 |
| 5 | 1 | 8123088 | RESTRICTOR UNION - 1.4 |
| 6 | 1 | 8130038 | ADAPTOR RESTRICTOR - 1.4 'L' |
| 7 | 1 | 8130105 | ADAPTOR RESTRICTOR - 1.6 'H' |
| 8 | 2 | 8581169 | ADAPTOR |
| 9 | 6 | 8650102 | BONDED SEAL |
| 10 | 4 | 8650103 | BONDED SEAL |



This page is intentionally blank

Module:
7146753

AG46+ / AG50+ Models



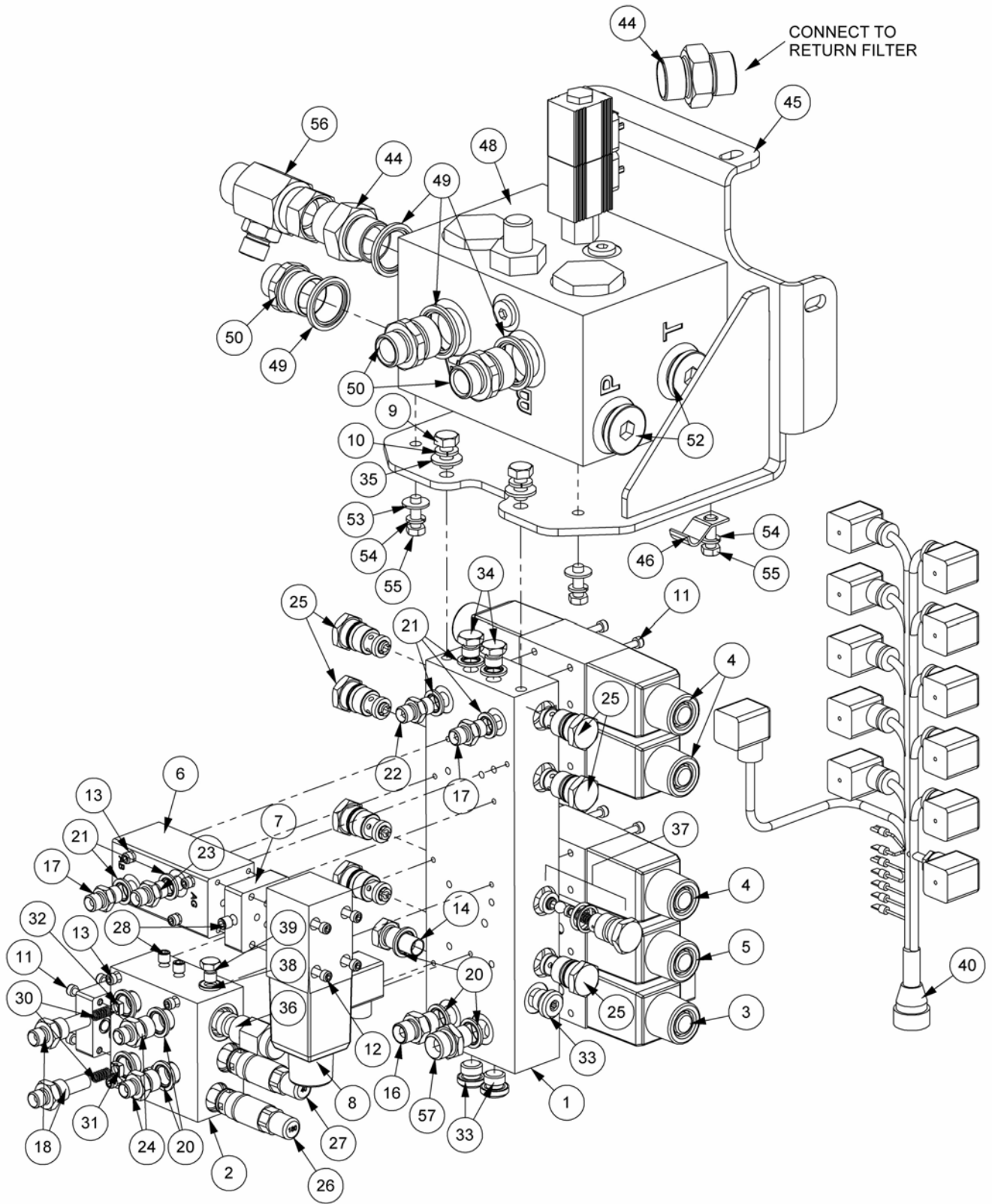
ELEC. XTC ACV & RCV (Slew)

| REF. | QTY. | PART No. | DESCRIPTION |
|------|------|----------------|---|
| | | 7146753 | XTC ELEC. ACV & RCV (AG+ Models) |
| 1 | 1 | 8132280 | MANIFOLD BLOCK |
| 2 | 1 | 8132288 | AUTO RESET BLOCK |
| 3 | 1 | 8130456 | CUT OFF SOLENOID VALVE |
| 4 | 3 | 41784.48 | DOUBLE SOLENOID PROP. VALVE |
| 5 | 1 | 8130629 | DOUBLE SOLENOID VALVE |
| 6 | 1 | 8126333 | FLOAT VALVE BLOCK |
| 7 | 1 | 8126334 | BRIDGING PLATE |
| 8 | 1 | 8130457 | SINGLE SOLENOID VALVE |
| 9 | 2 | 9313045 | SETSCREW |
| 10 | 2 | 9100205 | SPRING WASHER |
| 11 | 24 | 9243062 | CAPSCREW |
| 12 | 4 | 9243102 | CAPSCREW |
| 13 | 8 | 9243082 | CAPSCREW |
| 14 | 1 | 8130032 | RELIEF VALVE CAP |
| 15 | 4 | 8130087 | ACTUATOR |
| 16 | 1 | 6000113 | ADAPTOR |
| 17 | 2 | 8130105 | ADAPTOR RESTRICTOR - 1.6 'H' |
| 18 | 2 | 8581210 | SPECIAL ADAPTOR |
| 19 | 1 | 8130092 | RELIEF VALVE - 190BAR |
| 20 | 7 | 8650103 | BONDED SEAL |
| 21 | 6 | 8650102 | BONDED SEAL |
| 22 | 1 | 8130104 | ADAPTOR RESTRICTOR - 1.8 'G' |
| 23 | 1 | 8130038 | ADAPTOR RESTRICTOR - 1.4 'L' |
| 24 | 2 | 8581115 | ADAPTOR |
| 25 | 7 | 8130090 | CHECK VALVE ASSEMBLY |
| 26 | 1 | G3812541 | RELIEF VALVE - 180BAR |
| 27 | 1 | 8130150 | RELIEF VALVE - 40BAR |
| 28 | 4 | 8582041 | TAPER PLUG |
| 29 | 9 | 8700511 | O RING |
| 30 | 2 | 8116011 | SPRING |
| 31 | 1 | 8123041 | RESTRICTOR DISC - 1.15 RED |
| 32 | 1 | 8123043 | RESTRICTOR DISC - 1.6 GREEN |
| 33 | 3 | 8581436 | PLUG |
| 34 | 2 | 520378 | ADAPTOR PLUG |
| 35 | 2 | 9100105 | FLAT WASHER |
| 36 | 1 | 8130204 | CARTRIDGE SPOOL VALVE |
| 37 | 1 | 8130354 | CHECK VALVE ASSEMBLY c/o: |
| | 1 | 8130209 | CHECK VALVE CAP RESTRICTOR |
| | 1 | 8114045 | SPRING |
| | 1 | 8130089 | SPRING GUIDE |
| | 1 | 0905509 | STEEL BALL |
| | 1 | 8700644 | O RING |
| | 1 | 8130088 | CHECK VALVE SEAT |
| | 1 | 8709644 | BACKUP RING |

cont'd...

Module:
7146753

AG46+ / AG50+ Models



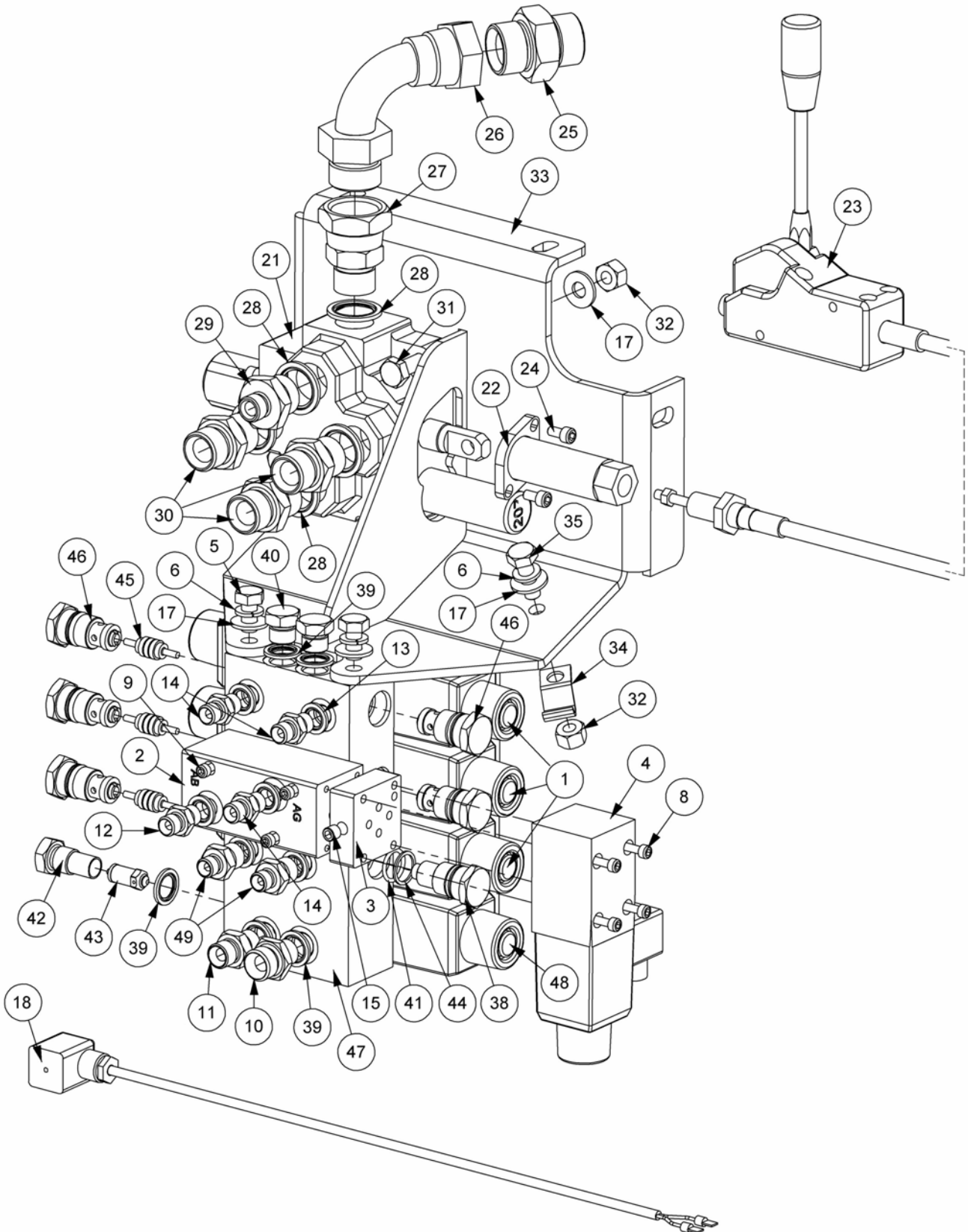
ELEC. XTC ACV & RCV (Slew)

| REF. | QTY. | PART No. | DESCRIPTION |
|------|------|----------------|---|
| | | 7146753 | XTC ELEC. ACV & RCV (AG+ Models) |
| 38 | 1 | 05.290.01 | BONDED SEAL |
| 39 | 1 | 8581444 | BLANKING PLUG |
| 40 | 2 | 41844.01 | LOOM - 19 CORE |
| 41 | 2 | 8402338 | LOOM - ANGLE FLOAT |
| 42 | 1 | 8700525 | O RING |
| 43 | 1 | 8700522 | O RING |
| 44 | 2 | 05.434.01 | ADAPTOR |
| 45 | 1 | 21992.07 | VALVE MOUNTING |
| 46 | 1 | 7109151 | CABLE CLAMP |
| 47 | 1 | 8130139 | BLANKING PLATE |
| 48 | 1 | 42768.01 | ELECTRIC RCV |
| 49 | 4 | 8650108 | BONDED SEAL |
| 50 | 3 | 8002086 | ADAPTOR |
| 51 | 1 | 43177.26 | LOOM - ROTOR REVERSE |
| 52 | 2 | 8581389 | PLUG |
| 53 | 3 | 9100104 | FLAT WASHER |
| 54 | 4 | 9100204 | SPRING WASHER |
| 55 | 4 | 9313054 | SETSCREW |
| 56 | 1 | 04.056.34 | ADAPTOR TEE |
| 57 | 1 | 6000112 | ADAPTOR |

PROP. VALVE - Non Slew

Module:
7146744

AG46 Models



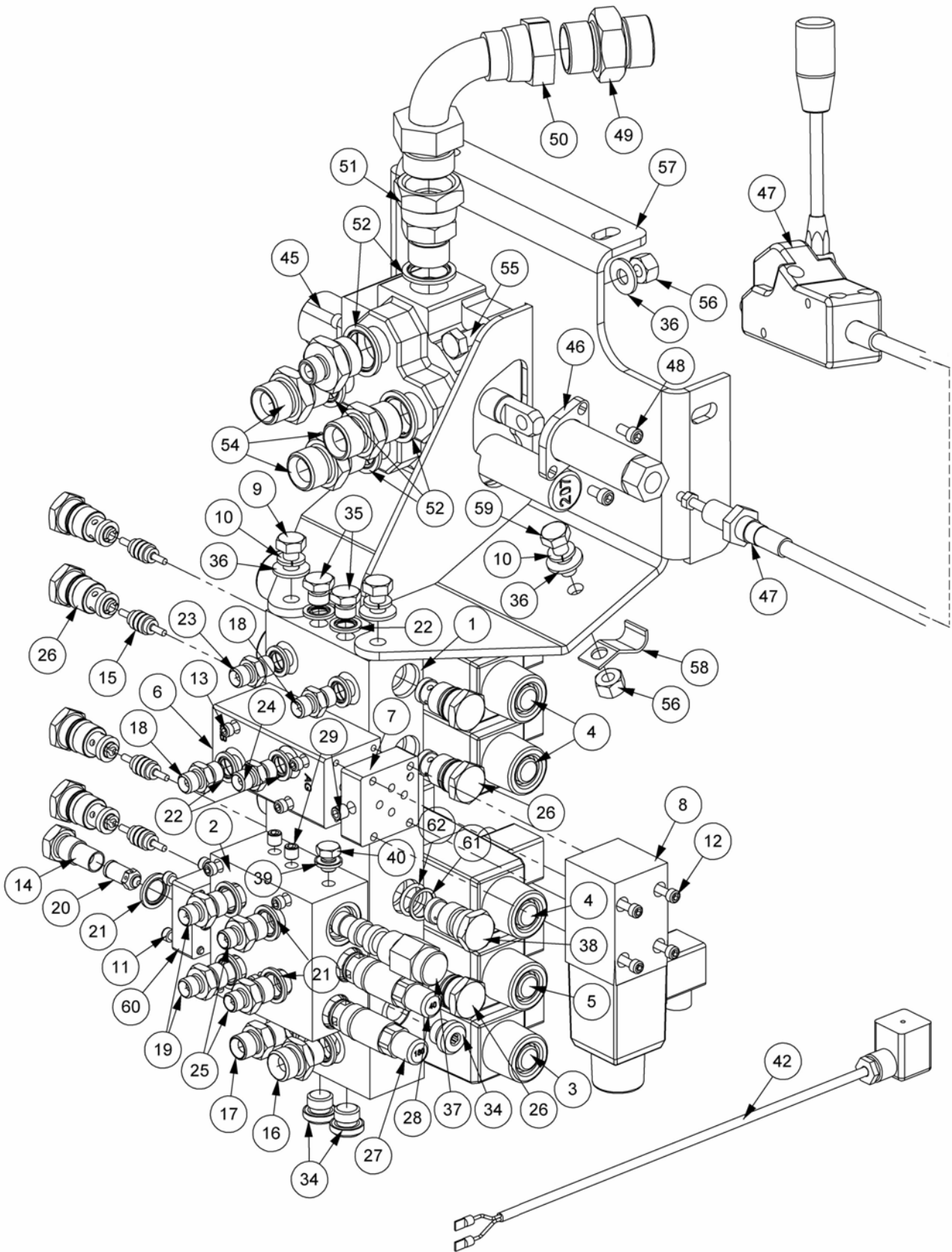
PROP. VALVE - Non Slew

| REF. | QTY. | PART No. | DESCRIPTION |
|------|------|----------------|--|
| | | 7146744 | PROP. VALVE ASSEMBLY - Non Slew |
| 1 | 3 | 41784.48 | DOUBLE SOLENOID PROP. VALVE |
| 2 | 1 | 8126333 | FLOAT VALVE BLOCK |
| 3 | 1 | 8126334 | BRIDGING PLATE |
| 4 | 1 | 8130457 | SINGLE SOLENOID VALVE |
| 5 | 2 | 9313045 | SETSCREW |
| 6 | 3 | 9100205 | SPRING WASHER |
| 7 | 16 | 9243062 | CAPSCREW |
| 8 | 4 | 9243102 | CAPSCREW |
| 9 | 4 | 9243082 | CAPSCREW |
| 10 | 1 | 6000112 | ADAPTOR |
| 11 | 1 | 6000113 | ADAPTOR |
| 12 | 1 | 8130105 | ADAPTOR RESTRICTOR - 1.6 'H' |
| 13 | 6 | 8650102 | BONDED SEAL |
| 14 | 3 | 8130038 | ADAPTOR RESTRICTOR - 1.4 'L' |
| 15 | 1 | 8582041 | TAPER PLUG |
| 16 | 11 | 8700511 | O RING |
| 17 | 5 | 9100105 | FLAT WASHER |
| 18 | 2 | 8402338 | LOOM - ANGLE FLOAT |
| 19 | 1 | 8700525 | O RING |
| 20 | 1 | 8700522 | O RING |
| 21 | 1 | 8125355 | ROTOR CONTROL VALVE - R/H Build |
| 22 | 1 | 47539.01 | CABLE FIXING KIT |
| 23 | 1 | 47531.07 | 2.5M CABLE (REV LOCK) - RED KNOB |
| 24 | 2 | 9343023 | CAPSCREW |
| 25 | 1 | 05.434.01 | ADAPTOR |
| 26 | 1 | 8581264 | ADAPTOR - SWEPT 90° |
| 27 | 1 | 02.714.05 | SWIVEL ADAPTOR |
| 28 | 5 | 8650106 | BONDED SEAL |
| 29 | 1 | 8581131 | ADAPTOR |
| 30 | 3 | 8581136 | ADAPTOR |
| 31 | 2 | 9213085 | BOLT |
| 32 | 3 | 9143005 | SELF-LOCKING NUT |
| 33 | 1 | 21992.06 | VALVE BRACKET |
| 34 | 1 | 7109151 | CABLE CLAMP |
| 35 | 1 | 9213065 | BOLT |
| 36 | 1 | 41844.02 | MAIN LOOM - <i>not illustrated</i> |
| 37 | 1 | 7313282 | CAB MOUNTING KIT |
| 38 | 1 | 8130078 | CHECK VALVE CAP |
| 39 | 5 | 8650103 | BONDED SEAL |
| 40 | 2 | 8003001 | ADAPTOR PLUG |
| 41 | 1 | 8700644 | O RING |
| 42 | 1 | 8130032 | RELIEF VALVE CAP |
| 43 | 1 | 8130124 | RELIEF VALVE - 140BAR |
| 44 | 1 | 8709644 | BACK UP RING |
| 45 | 3 | 8130087 | ACTUATOR |
| 46 | 5 | 8130090 | CHECK VALVE ASSEMBLY |
| 47 | 1 | 8130321 | MANIFOLD BLOCK - 3 FUNCTION |
| 48 | 1 | 8130456 | CUT OFF SOLENOID VALVE |
| 49 | 2 | 8581115 | ADAPTOR |

PROP. VALVE - With Slew

Module:
7146745

AG46+ / AG50+ Models



PROP. VALVE - With Slew

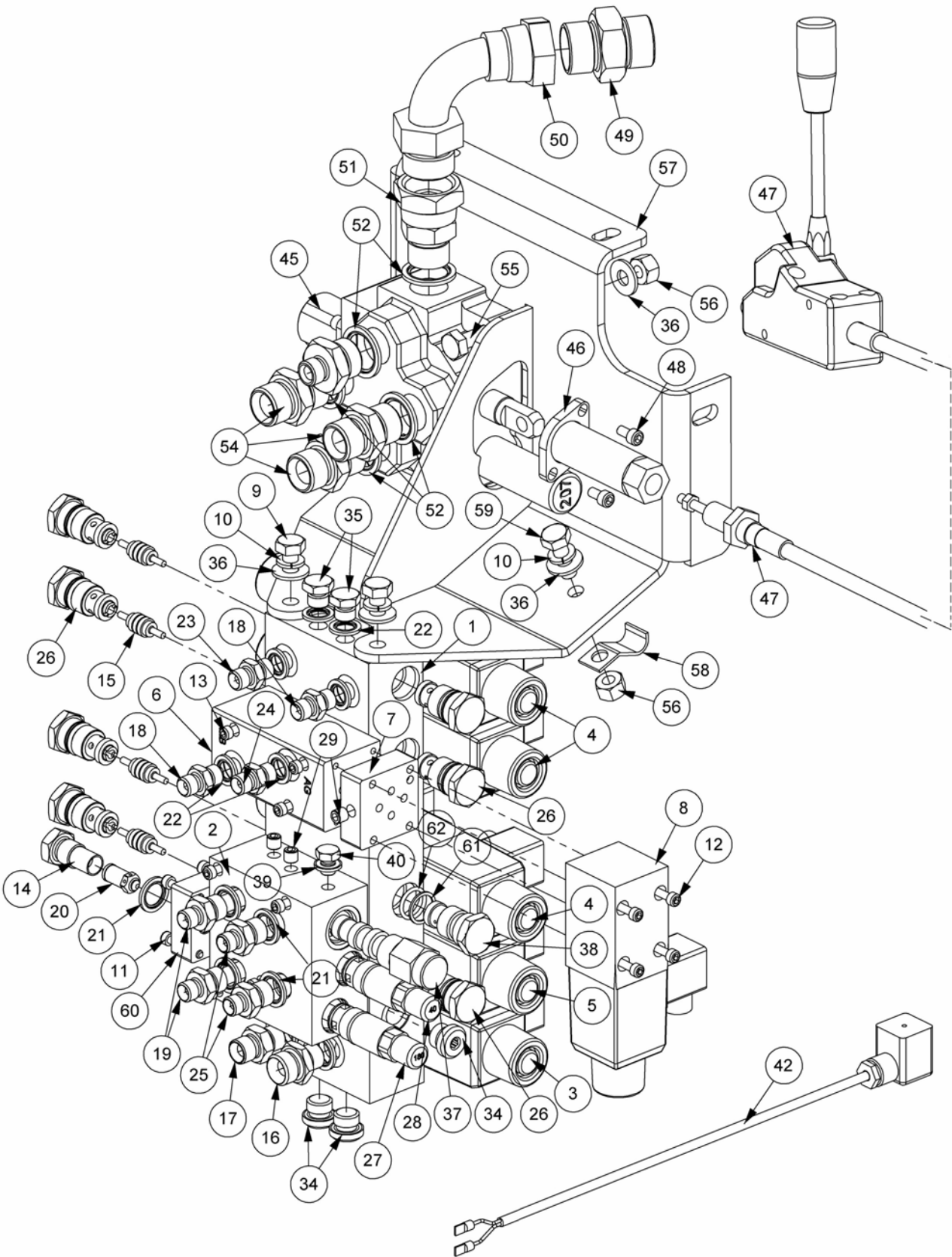
| REF. | QTY. | PART No. | DESCRIPTION |
|------|------|----------------|---|
| | | 7146745 | PROP. VALVE ASSEMBLY - with Slew |
| 1 | 1 | 8132280 | MANIFOLD BLOCK |
| 2 | 1 | 8132288 | AUTO RESET BLOCK |
| 3 | 1 | 8130456 | CUT OFF SOLENOID VALVE |
| 4 | 3 | 41784.48 | DOUBLE SOLENOID PROP. VALVE |
| 5 | 1 | 8130629 | VALVE - DOUBLE SOLENOID |
| 6 | 1 | 8126333 | FLOAT VALVE BLOCK |
| 7 | 1 | 8126334 | BRIDGING PLATE |
| 8 | 1 | 8130457 | SOLENOID VALVE - SINGLE |
| 9 | 2 | 9313045 | SETSCREW |
| 10 | 3 | 9100205 | SPRING WASHER |
| 11 | 24 | 9243062 | CAPSCREW |
| 12 | 4 | 9243102 | CAPSCREW |
| 13 | 8 | 9243082 | CAPSCREW |
| 14 | 1 | 8130032 | RELIEF VALVE CAP |
| 15 | 4 | 8130087 | ACTUATOR |
| 16 | 1 | 6000112 | ADAPTOR |
| 17 | 1 | 6000113 | ADAPTOR |
| 18 | 2 | 8130105 | ADAPTOR RESTRICTOR - 1.6 'H' |
| 19 | 2 | 8581210 | ADAPTOR - SPECIAL |
| 20 | 1 | 8130092 | RELIEF VALVE - 190BAR |
| 21 | 7 | 8650103 | BONDED SEAL |
| 22 | 6 | 8650102 | BONDED SEAL |
| 23 | 1 | 8130104 | ADAPTOR RESTRICTOR - 1.8 'G' |
| 24 | 1 | 8130038 | ADAPTOR RESTRICTOR - 1.4 'L' |
| 25 | 2 | 8581115 | ADAPTOR |
| 26 | 7 | 8130090 | CHECK VALVE ASSEMBLY |
| 27 | 1 | G3812541 | RELIEF VALVE - 180BAR |
| 28 | 1 | 8130150 | RELIEF VALVE - 40BAR |
| 29 | 3 | 8582041 | TAPER PLUG |
| 30 | 11 | 8700511 | O RING |
| 31 | 2 | 8116011 | SPRING |
| 32 | 1 | 8123041 | RESTRICTOR DISC - 1.15 RED |
| 33 | 1 | 8123043 | RESTRICTOR DISC - 1.6 GREEN |
| 34 | 3 | 8581436 | PLUG - SOFT SEAL |
| 35 | 2 | 520378 | ADAPTOR PLUG |
| 36 | 5 | 9100105 | FLAT WASHER |
| 37 | 1 | 8130204 | CARTRIDGE SPOOL VALVE |
| 38 | 1 | 8130354 | CHECK VALVE ASSEMBLY |
| 39 | 1 | 05.290.01 | BONDED SEAL |
| 40 | 1 | 8581444 | BLANKING PLUG |
| 41 | 2 | 41844.01 | MAIN LOOM - <i>not illustrated</i> |
| 42 | 2 | 8402338 | LOOM - ANGLE FLOAT |
| 43 | 1 | 8700525 | O RING |
| 44 | 1 | 8700522 | O RING |
| 45 | 1 | 8125355 | ROTOR CONTROL VALVE - R/H |
| 46 | 1 | 47539.01 | CABLE FIXING KIT |
| 47 | 1 | 47531.07 | 2.5M CABLE (REV LOCK) - RED KNOB |

continued...

PROP. VALVE - With Slew

Module:
7146745

AG46+ / AG50+ Models



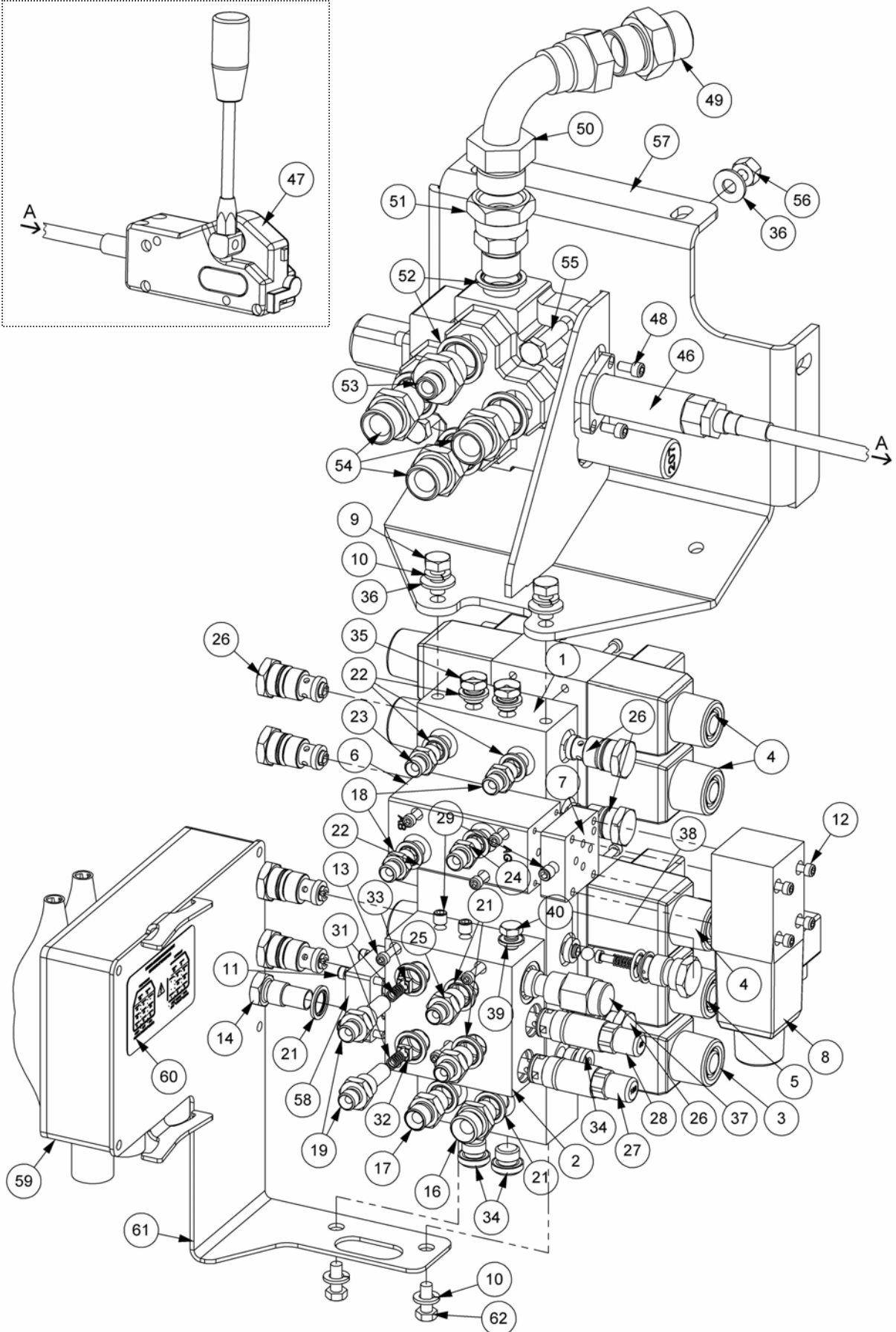
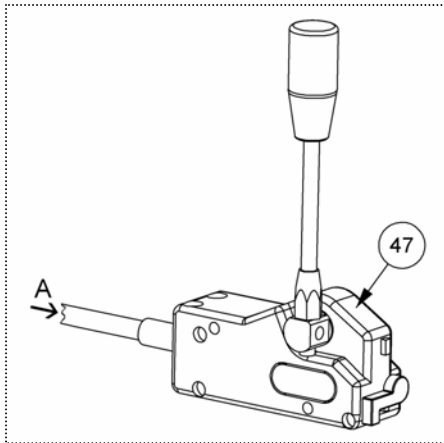
**PROP. VALVE - With Slew**

| REF. | QTY. | PART No. | DESCRIPTION |
|------|------|----------------|---|
| | | 7146745 | PROP. VALVE ASSEMBLY - with Slew |
| 48 | 2 | 9343023 | CAPSCREW |
| 49 | 1 | 05.434.01 | ADAPTOR |
| 50 | 1 | 8581264 | ADAPTOR - SWEPT 90° |
| 51 | 1 | 02.714.05 | SWIVEL ADAPTOR |
| 52 | 5 | 8650106 | BONDED SEAL |
| 53 | 1 | 8581131 | ADAPTOR |
| 54 | 3 | 8581136 | ADAPTOR |
| 55 | 2 | 9213085 | BOLT |
| 56 | 3 | 9143005 | SELF-LOCKING NUT |
| 57 | 1 | 21992.06 | VALVE BRACKET |
| 58 | 1 | 7109151 | CABLE CLAMP |
| 59 | 1 | 9213065 | BOLT |
| 60 | 1 | 8130139 | BLANKING PLATE |
| 61 | 1 | 8709644 | AE RING |
| 62 | 1 | 8700644 | O RING |

V3 PROP. VALVE – With Slew

Module:
7146752

AG50+ Model



V3 PROP. VALVE – With Slew

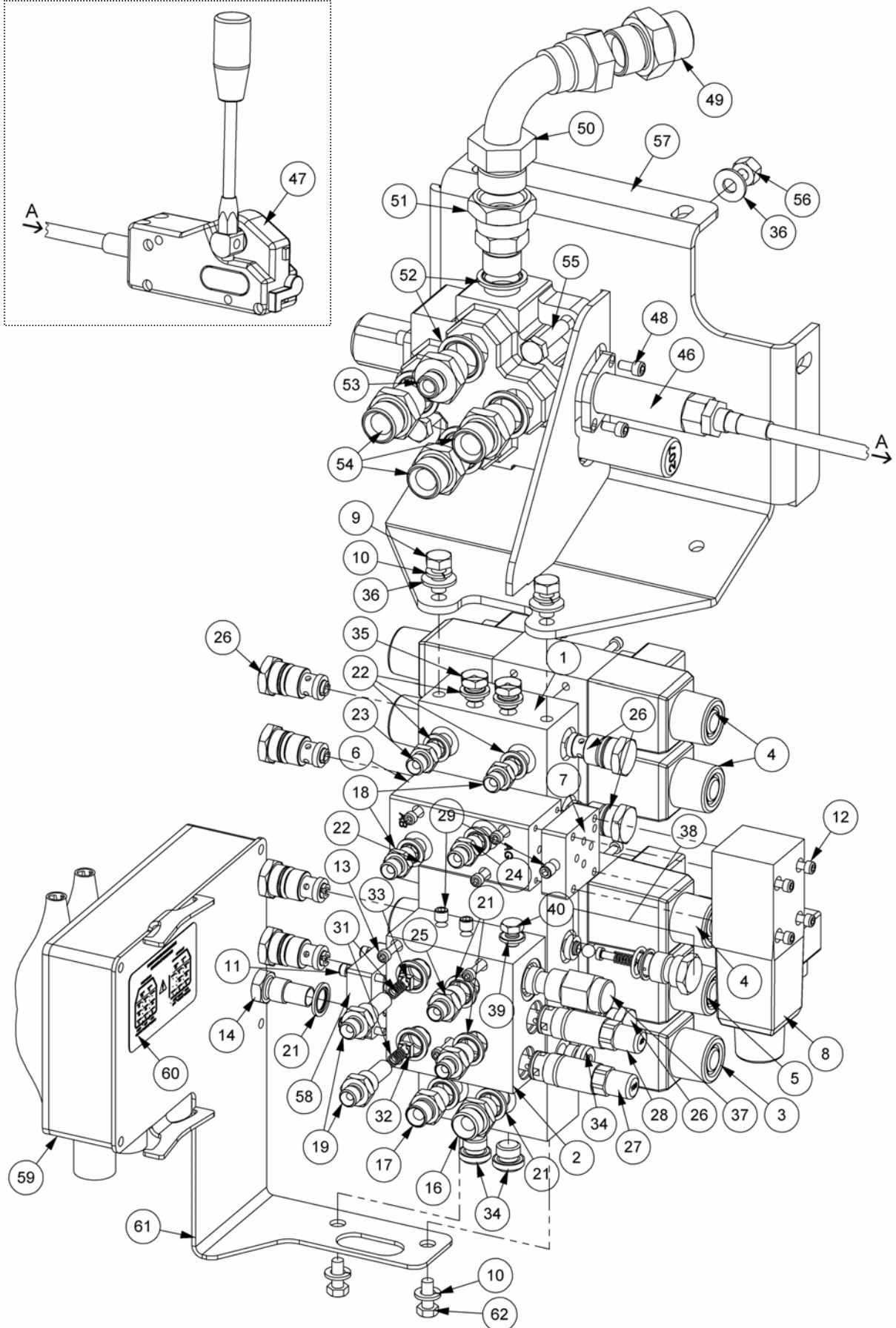
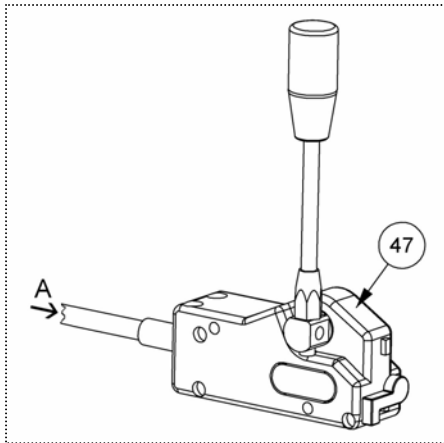
| REF. | QTY. | PART No. | DESCRIPTION |
|------|------|----------------|---------------------------------------|
| | | 7146752 | V3 CONTROL VALVE - AG50+ Model |
| 1 | 1 | 8132280 | MANIFOLD BLOCK |
| 2 | 1 | 8132288 | AUTO RESET BLOCK |
| 3 | 1 | 8130456 | CUT OFF SOLENOID VALVE |
| 4 | 3 | 41784.48 | DOUBLE SOLENOID PROP. VALVE |
| 5 | 1 | 8130629 | DOUBLE SOLENOID VALVE |
| 6 | 1 | 8126333 | FLOAT VALVE BLOCK |
| 7 | 1 | 8126334 | BRIDGING PLATE |
| 8 | 1 | 8130457 | SINGLE SOLENOID VALVE |
| 9 | 2 | 9313045 | SETSCREW |
| 10 | 4 | 9100205 | SPRING WASHER |
| 11 | 24 | 9243062 | CAPSCREW |
| 12 | 4 | 9243102 | CAPSCREW |
| 13 | 8 | 9243082 | CAPSCREW |
| 14 | 1 | 8130032 | RELIEF VALVE CAP |
| 15 | 4 | 8130087 | ACTUATOR |
| 16 | 1 | 6000112 | ADAPTOR |
| 17 | 1 | 6000113 | ADAPTOR |
| 18 | 2 | 8130105 | ADAPTOR RESTRICTOR - 1.6 'H' |
| 19 | 2 | 8581210 | ADAPTOR |
| 20 | 1 | 8130092 | RELIEF VALVE - 190BAR |
| 21 | 7 | 8650103 | BONDED SEAL |
| 22 | 6 | 8650102 | BONDED SEAL |
| 23 | 1 | 8130104 | ADAPTOR RESTRICTOR - 1.8 'G' |
| 24 | 1 | 8130038 | ADAPTOR RESTRICTOR - 1.4 'L' |
| 25 | 2 | 8581115 | ADAPTOR |
| 26 | 7 | 8130090 | CHECK VALVE ASSEMBLY |
| 27 | 1 | G3812541 | RELIEF VALVE - 180BAR |
| 28 | 1 | 8130150 | RELIEF VALVE - 40BAR |
| 29 | 4 | 8582041 | TAPER PLUG |
| 30 | 9 | 8700511 | O RING |
| 31 | 2 | 8116011 | SPRING |
| 32 | 1 | 8123041 | RESTRICTOR DISC - 1.15 RED |
| 33 | 1 | 8123043 | RESTRICTOR DISC - 1.6 GREEN |
| 34 | 3 | 8581436 | PLUG |
| 35 | 2 | 520378 | ADAPTOR PLUG |
| 36 | 4 | 9100105 | FLAT WASHER |
| 37 | 1 | 8130204 | CARTRIDGE SPOOL VALVE |
| 38 | 1 | 8130354 | CHECK VALVE ASSEMBLY c/o: |
| | 1 | 8130209 | CHECK VALVE CAP RESTRICTOR |
| | 1 | 8114045 | SPRING |
| | 1 | 8130089 | SPRING GUIDE |
| | 1 | 0905509 | STEEL BALL |
| | 1 | 8700644 | O RING |
| | 1 | 8130088 | CHECK VALVE SEAT |
| | 1 | 8709644 | BACKUP RING |

cont'd...

V3 PROP. VALVE – With Slew

Module:
7146752

AG50+ Model



**V3 PROP. VALVE – With Slew**

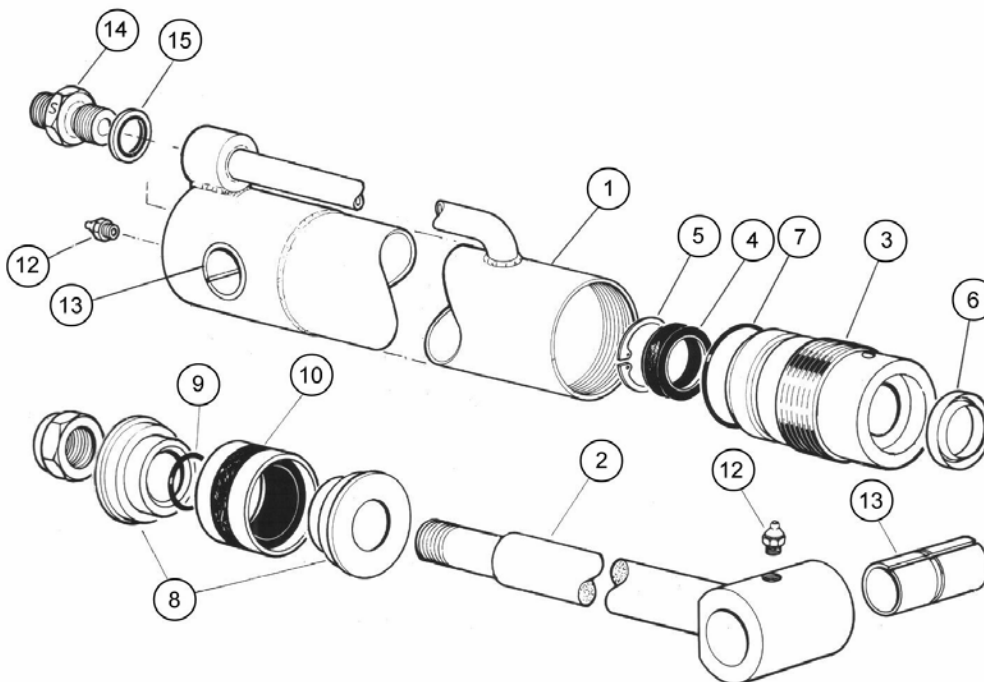
| REF. | QTY. | PART No. | DESCRIPTION |
|------|------|----------------|---------------------------------------|
| | | 7146752 | V3 CONTROL VALVE - AG50+ Model |
| 39 | 1 | 05.290.01 | BONDED SEAL |
| 40 | 1 | 8581444 | BLANKING PLUG |
| 41 | 1 | 41844.01 | LOOM - 19 CORE |
| 42 | 1 | 8402338 | LOOM - ANGLE FLOAT |
| 43 | 1 | 8700525 | O RING |
| 44 | 1 | 8700522 | O RING |
| 45 | 1 | 8125355 | ROTOR CONTROL VALVE - R/H Build |
| 46 | 1 | 47539.01 | CABLE FIXING KIT |
| 47 | 1 | 47531.07 | CABLE - 2.5M |
| 48 | 2 | 9343023 | CAPSCREW |
| 49 | 1 | 05.434.01 | ADAPTOR |
| 50 | 1 | 8581264 | ADAPTOR - SWEPT 90° |
| 51 | 1 | 02.714.05 | ADAPTOR SWIVEL |
| 52 | 5 | 8650106 | BONDED SEAL |
| 53 | 1 | 8581131 | ADAPTOR |
| 54 | 3 | 8581136 | ADAPTOR |
| 55 | 2 | 9213085 | BOLT |
| 56 | 2 | 9143005 | SELF-LOCKING NUT |
| 57 | 1 | 21992.06 | VALVE BRACKET |
| 58 | 1 | 8130139 | BLANKING PLATE |
| 59 | 1 | 21164.03 | CONTROLLER ASSEMBLY - V3 |
| 60 | 1 | 1290675 | DECAL - ACB WIRING |
| 61 | 1 | 21170.08 | COMPACT ACV BRACKET |
| 62 | 2 | 9300114 | SETSCREW |

ANGLING RAM ASSEMBLIES

Modules:

7191072 – Std. Build

7442258 – JIC Build



| REF. | QTY. | PART No. | DESCRIPTION |
|------|------|----------------|-------------------------------------|
| | | 7191072 | ANGLING RAM ASSEMBLY (Std.) |
| | | 7442258 | ANGLING RAM ASSEMBLY (JIC) |
| | 1 | 7191295 | BASIC RAM - <i>Comprising of:</i> |
| 1 | 1 | 7191296 | CYLINDER |
| 2 | 1 | 1090031 | PISTON ROD |
| 3 | 1 | 1090273 | GLAND NUT |
| 4 | 1 | 8629162 | GLAND SEAL |
| 5 | 1 | 0416234 | CIRCLIP |
| 6 | 1 | 8629161 | WIPER RING |
| 7 | 1 | 8600123 | O RING |
| 8 | 2 | 1090034 | PISTON |
| 9 | 1 | 8600112 | O RING |
| 10 | 1 | 8629160 | PISTON SEAL |
| 11 | 1 | 0141007 | SELF-LOCKING NUT |
| 12 | 1 | 0901121 | GREASER |
| 13 | 2 | 1090005 | BUSH |
| 14 | 2 | 8130037 | RESTRICTOR UNION - <i>Std build</i> |
| | 2 | 8124115 | RESTRICTOR UNION - <i>JIC build</i> |
| 15 | 2 | 8650102 | BONDED SEAL |
| | | 8699202 | SEAL KIT |

Assembly Note:

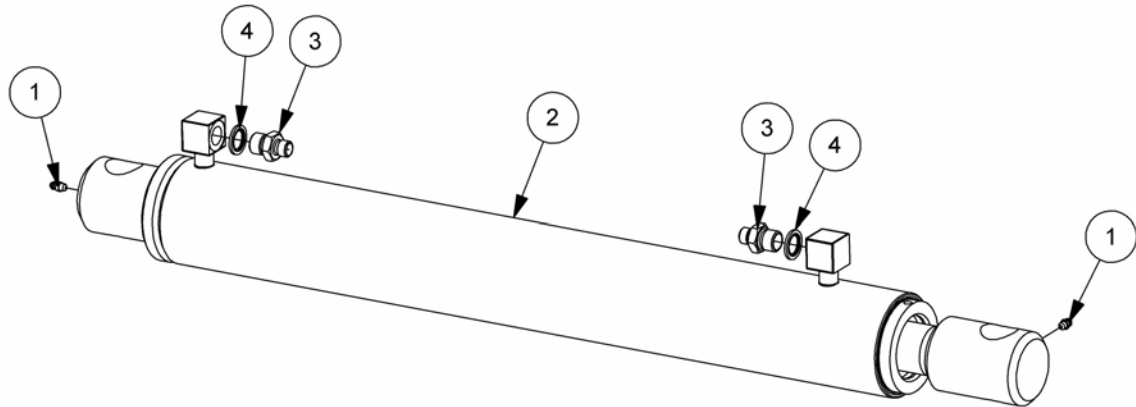
Assemble locknut onto rod using 'Permabond A113' or similar medium strength thread locking compound.

LIFT / REACH RAM ASSEMBLIES

Modules:

22006.01 – Std. Build

22006.02 – JIC Build



| REF. | QTY. | PART No. | DESCRIPTION |
|------|------|-----------------|---|
| | | 22006.01 | RAM ASSEMBLY - REACH / LIFT (Std.) |
| | | 22006.02 | RAM ASSEMBLY - REACH / LIFT (JIC) |
| 1 | 2 | 05.953.01 | GREASE NIPPLE |
| 2 | 1 | 41.099.04 | RAM ASSEMBLY |
| 3 | 2 | 8581115 | ADAPTOR - <i>Std. build</i> |
| | 2 | 08.995.06 | ADAPTOR - <i>JIC build</i> |
| 4 | 2 | 8650103 | BONDED SEAL |
| | | 48079.01 | SEAL KIT |

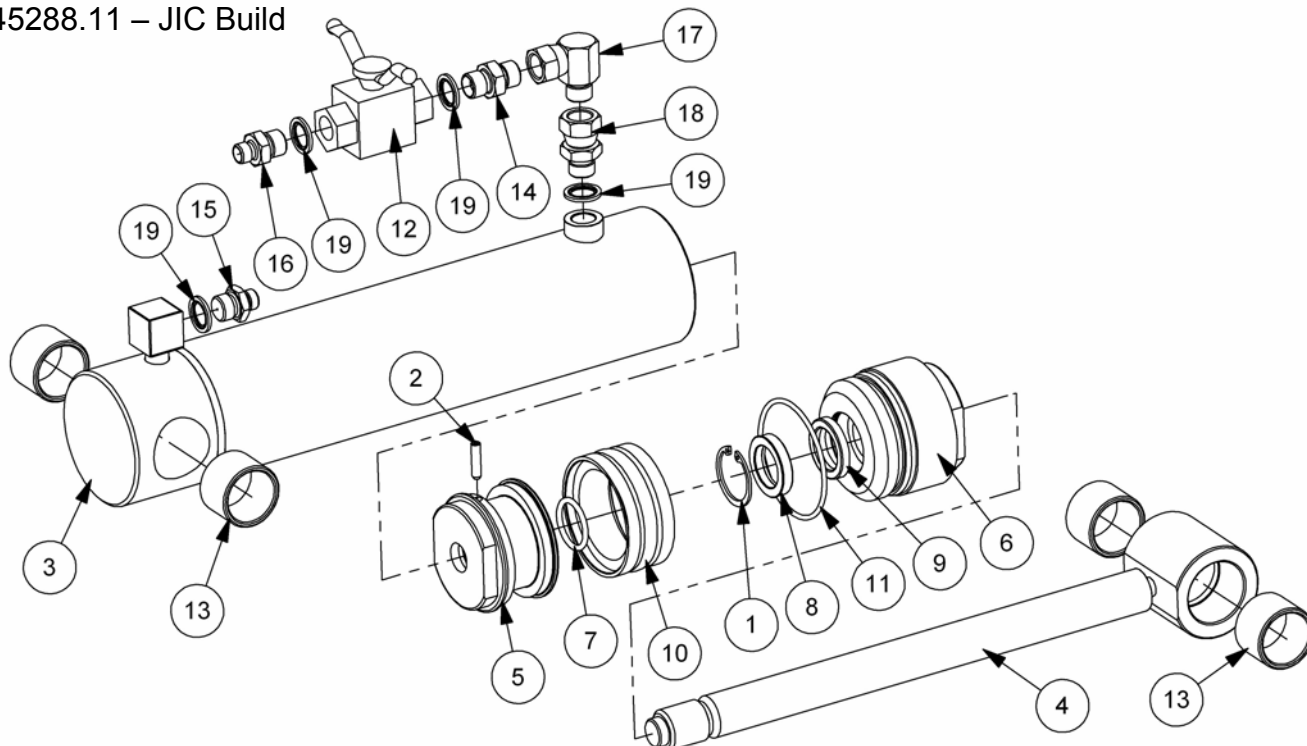
SLEW RAM ASSEMBLIES

Modules:

45288.07 – Std. Build

45288.11 – JIC Build

AG46+ / AG50+ Models



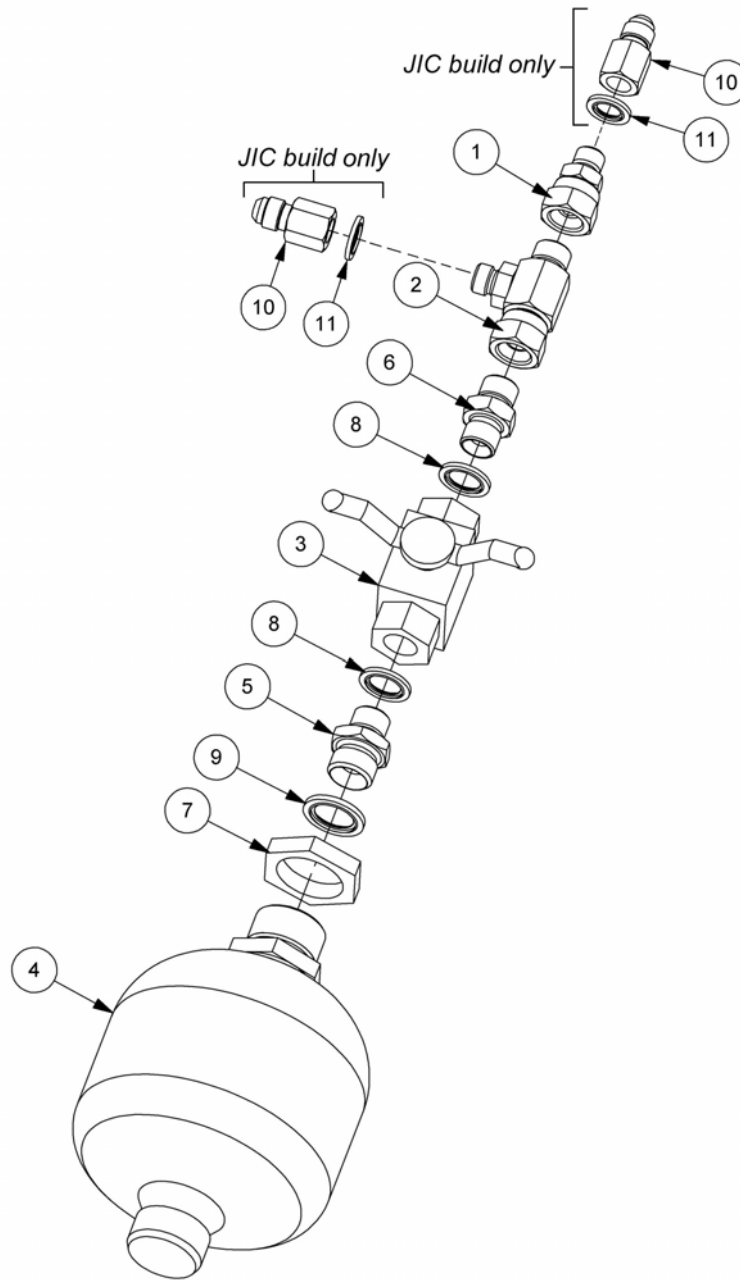
| REF. | QTY. | PART NO. | DESCRIPTION |
|------|------|-----------------|---|
| | | 45288.07 | SLEW RAM ASSEMBLY (Std.) |
| | | 45288.11 | SLEW RAM ASSEMBLY (JIC) |
| 1 | 1 | 0416240 | INTERNAL CIRCLIP |
| 2 | 1 | 42775.01 | DOWEL |
| 3 | 1 | 45273.05 | BARREL |
| 4 | 1 | 45275.01 | PISTON ROD |
| 5 | 1 | 45276.01 | PISTON |
| 6 | 1 | 45283.01 | GLAND HOUSING |
| 7 | 1 | 8600121 | O RING |
| 8 | 1 | 8629148 | GLAND SEAL |
| 9 | 1 | 8629149 | SCRAPER RING |
| 10 | 1 | 8638740 | PISTON SEAL |
| 11 | 1 | 8700740 | O RING |
| 12 | 1 | 08.200.01 | ISOLATING VALVE |
| 13 | 4 | 08.297.05 | BUSH |
| 14 | 1 | 6000113 | ADAPTOR |
| 15 | 1 | 8130066 | ADAPTOR RESTRICTOR (1.15 'M') - <i>Std. build</i> |
| | 1 | 8124121 | ADAPTOR RESTRICTOR (1.15 'M') - <i>JIC build</i> |
| 16 | 1 | 8581115 | ADAPTOR - <i>Std. build</i> |
| | 1 | 08.955.06 | ADAPTOR - <i>JIC build</i> |
| 17 | 1 | 8581117 | ADAPTOR ELBOW |
| 18 | 1 | 8581178 | SWIVEL ADAPTOR |
| 19 | 4 | 8650103 | BONDED SEAL |
| | | 8699525 | SEAL KIT |

LIFT FLOAT ASSEMBLIES

Modules:

7146723 – Std. Build

7146749 – JIC Build



| REF. | QTY. | PART No. | DESCRIPTION |
|------|------|----------------|--|
| | | 7146723 | LIFT FLOAT ASSEMBLY |
| | | 7146749 | LIFT FLOAT ASSEMBLY (JIC Build) |
| 1 | 1 | 02.714.10 | ADAPTOR |
| 2 | 1 | 04.056.16 | ADAPTOR TEE |
| 3 | 1 | 08.200.01 | ISOLATING VALVE |
| 4 | 1 | 41451.02 | ACCUMULATOR |
| 5 | 1 | 6000112 | ADAPTOR |
| 6 | 1 | 6000113 | ADAPTOR |
| 7 | 1 | 8126035 | NUT |
| 8 | 2 | 8650103 | BONDED SEAL |
| 9 | 1 | 8650104 | BONDED SEAL |
| 10 | 2 | 8581341 | ADAPTOR - <i>JIC build only</i> |
| 11 | 2 | 8650102 | BONDED SEAL - <i>JIC build only</i> |

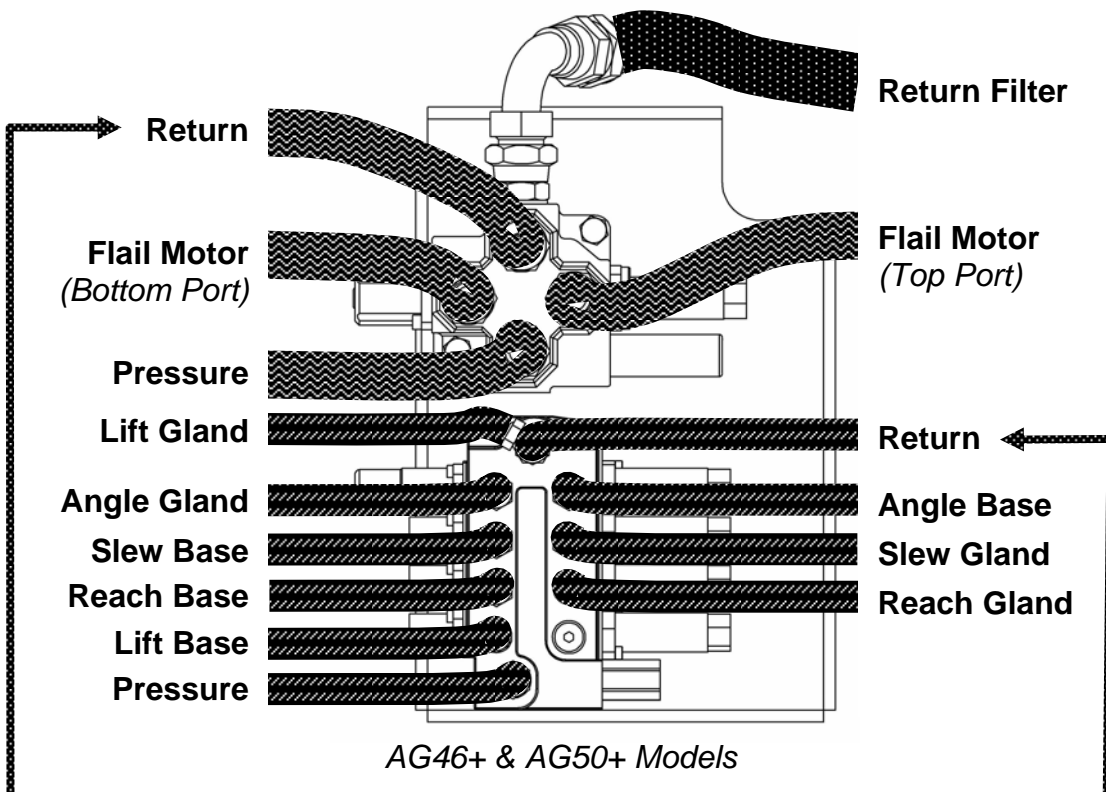
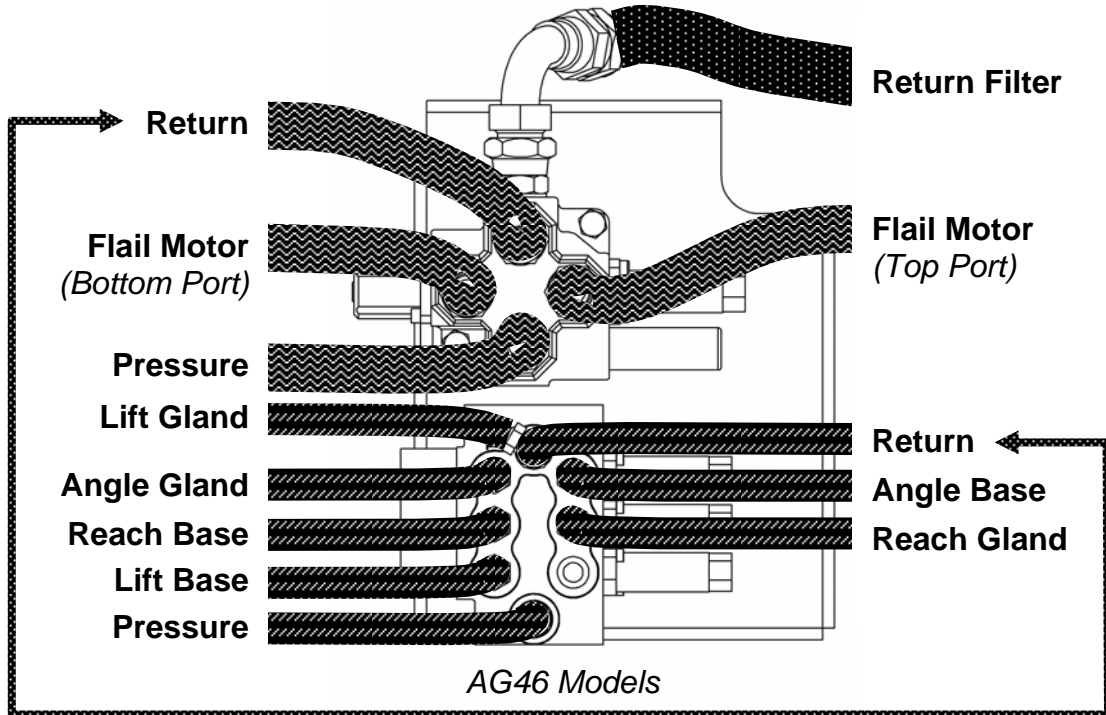
HOSE INSTALLATION - Valves

Modules:

Hose Kit 71467224 – AG46 Model (*Armhead Valve 8136250 / RCV 8125355*)

Hose Kit 714672214 – AG46+ Model (*Armhead Valve 8136260 / RCV 8125355*)

Hose Kit 714672224 – AG50+ Model (*Armhead Valve 8136260 / RCV 8125355*)





HOSE INSTALLATION

| REF. | QTY. | PART No. | DESCRIPTION |
|------|-------------|-----------|--------------------------------------|
| | | 71467224 | HYDRAULIC HOSE KIT - AG46 |
| | | 714672214 | HYDRAULIC HOSE KIT - AG46+ |
| | | 714672224 | HYDRAULIC HOSE KIT - AG50+ |
| | | 714672232 | HYDRAULIC HOSE KIT - AG+ XTC |
| | | 71467226 | HYDRAULIC HOSE KIT - AG+ XTC (E/RCV) |
| | | 714672231 | HYDRAULIC HOSE KIT - AG50+ v3 |
| 1 | 1 - - - - - | 10.009.11 | HOSE - 3/4" BSP FS/FS x 550mm |
| | - 1 1 1 1 - | 10.009.12 | HOSE - 3/4" BSP FS/FS x 600mm |
| | - - - - - 1 | 10.021.12 | HOSE - 3/4" BSP FS/F135 x 600mm |
| 2 | 1 1 1 - 1 1 | 10.003.12 | HOSE - 3/4" BSP FS/FS x 600mm |
| | - - - 1 - 1 | 10.003.10 | HOSE - 3/4" BSP FS/FS x 500mm |
| 3 | 1 1 1 - - - | 10.003.08 | HOSE - 3/4" BSP FS/FS x 400mm |
| 4 | 2 - - - - - | 10.009.69 | HOSE - 3/4" BSP FS/FS x 5900mm |
| | - 2 - - 2 - | 10.009.68 | HOSE - 3/4" BSP FS/FS x 5800mm |
| | - - 2 - - 2 | 10.009.71 | HOSE - 3/4" BSP FS/FS x 6100mm |
| | - - - 2 - - | 10.009.70 | HOSE - 3/4" BSP FS/FS x 6000mm |
| 5 | 1 - - - 1 - | 10.002.26 | HOSE - 1/4" BSP FS/F90 x 1600mm |
| | - 1 1 - 1 - | 10.002.29 | HOSE - 1/4" BSP FS/F90 x 1900mm |
| | - - - 1 - 1 | 10.002.28 | HOSE - 1/4" BSP FS/F90 x 1800mm |
| 6 | 1 1 1 - - - | 10.002.25 | HOSE - 1/4" BSP FS/F90 x 1500mm |
| | - - - 1 - 1 | 10.002.24 | HOSE - 1/4" BSP FS/F90 x 1400mm |
| 7 | 1 1 1 - 1 - | 10.002.18 | HOSE - 1/4" BSP FS/F90 x 900mm |
| | - - - 1 - 1 | 10.002.17 | HOSE - 1/4" BSP FS/F90 x 850mm |
| 8 | 2 - - - 2 - | 10.001.34 | HOSE - 1/4" BSP FS/FS x 2400mm |
| | - 2 - - - - | 10.001.35 | HOSE - 1/4" BSP FS/FS x 2500mm |
| | - - 2 - - - | 10.001.37 | HOSE - 1/4" BSP FS/FS x 2700mm |
| | - - - 2 - 2 | 10.001.36 | HOSE - 1/4" BSP FS/FS x 2600mm |
| 9 | 2 2 - - 2 - | 10.001.49 | HOSE - 1/4" BSP FS/FS x 3900mm |
| | - - 2 - - - | 10.001.52 | HOSE - 1/4" BSP FS/FS x 4200mm |
| | - - - 2 - 2 | 10.001.51 | HOSE - 1/4" BSP FS/FS x 4100mm |
| 10 | - 1 1 1 - 1 | 10.002.14 | HOSE - 1/4" BSP FS/F90 x 700mm |
| 11 | - 1 1 1 - 1 | 10.002.16 | HOSE - 1/4" BSP FS/F90 x 800mm |
| 12 | - - - - 1 - | 10.005.12 | HOSE - 1/2" BSP FS/FS x 600mm |
| 13 | - - - - 1 - | 10.012.16 | HOSE - 1" BSP FS/F90 x 800mm |

Connection Reference (Standard Models)

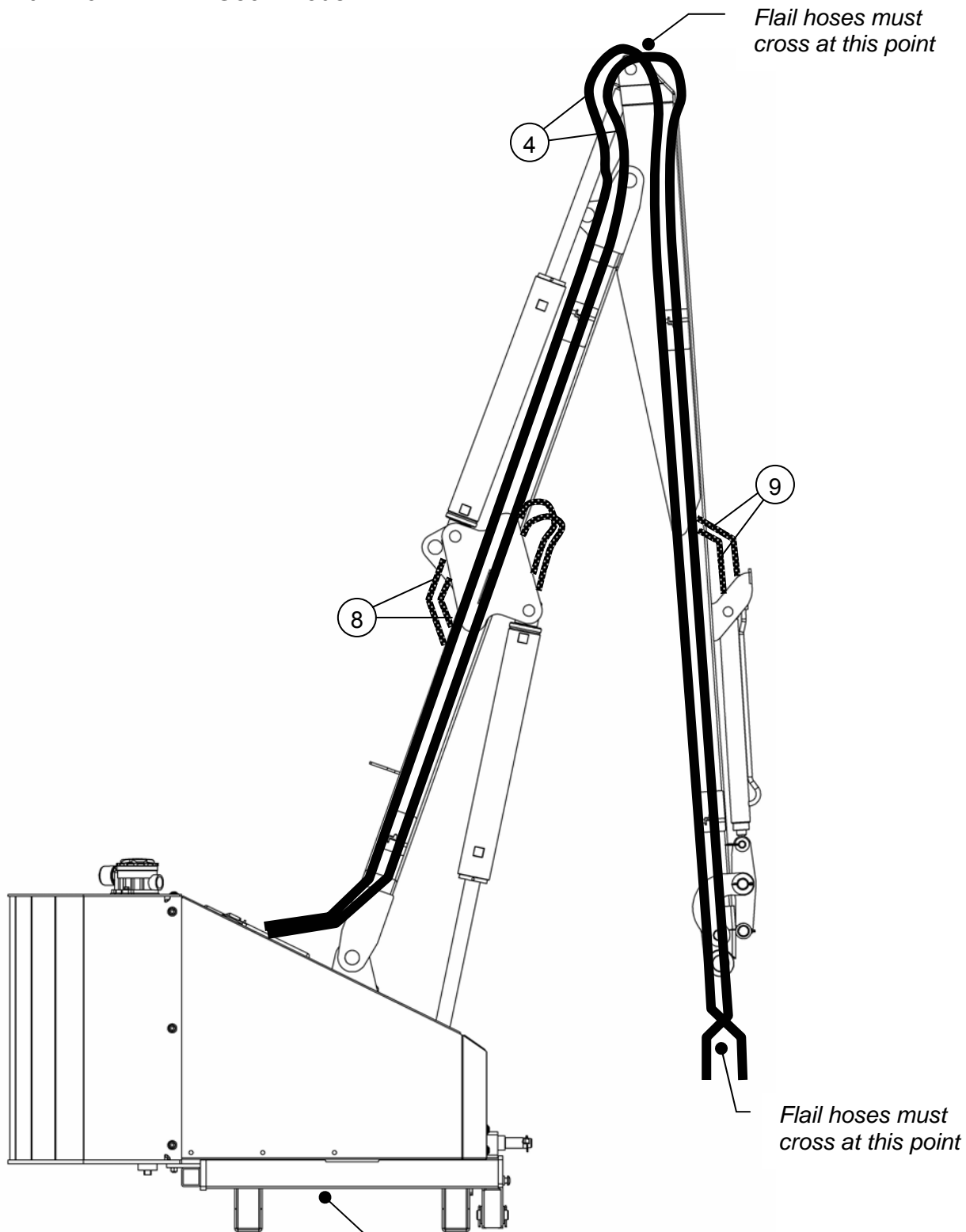
- | | |
|--|---------------------------------------|
| 1 Flail Pump to RCV | 8 Armhead Valve to Reach Base & Gland |
| 2 Control Pump to Armhead Valve | 9 Armhead Valve to Angle Base & Gland |
| 3 Armhead Valve to RCV | 10 Armhead Valve to Slew Base |
| 4 RCV to Flail Head | 11 Armhead Valve to Slew Gland |
| 5 Armhead Valve to Lift Gland | 12 Armhead Valve to RCV (Return) |
| 6 Armhead Valve (Lift Base) to Float Tee | 13 RCV to Return Filter |
| 7 Float to Lift Base | |

HOSE INSTALLATION - ARMS

Module:

- Hose Kit 71467224 – AG46 Model
- Hose Kit 714672214 – AG46+ Model
- Hose Kit 714672224 – AG50+ Model

AG46 model illustrated



Slewing models will have additional hoses 10 & 11.



HOSE INSTALLATION

| REF. | QTY. | PART No. | DESCRIPTION |
|------|-------------|-----------|--------------------------------------|
| | | 71467224 | HYDRAULIC HOSE KIT - AG46 |
| | | 714672214 | HYDRAULIC HOSE KIT - AG46+ |
| | | 714672224 | HYDRAULIC HOSE KIT - AG50+ |
| | | 714672232 | HYDRAULIC HOSE KIT - AG+ XTC |
| | | 71467226 | HYDRAULIC HOSE KIT - AG+ XTC (E/RCV) |
| | | 714672231 | HYDRAULIC HOSE KIT - AG50+ v3 |
| 1 | 1 - - - - - | 10.009.11 | HOSE - 3/4" BSP FS/FS x 550mm |
| | - 1 1 1 1 - | 10.009.12 | HOSE - 3/4" BSP FS/FS x 600mm |
| | - - - - - 1 | 10.021.12 | HOSE - 3/4" BSP FS/F135 x 600mm |
| 2 | 1 1 1 - 1 1 | 10.003.12 | HOSE - 3/4" BSP FS/FS x 600mm |
| | - - - 1 - 1 | 10.003.10 | HOSE - 3/4" BSP FS/FS x 500mm |
| 3 | 1 1 1 - - - | 10.003.08 | HOSE - 3/4" BSP FS/FS x 400mm |
| 4 | 2 - - - - - | 10.009.69 | HOSE - 3/4" BSP FS/FS x 5900mm |
| | - 2 - - 2 - | 10.009.68 | HOSE - 3/4" BSP FS/FS x 5800mm |
| | - - 2 - - 2 | 10.009.71 | HOSE - 3/4" BSP FS/FS x 6100mm |
| | - - - 2 - - | 10.009.70 | HOSE - 3/4" BSP FS/FS x 6000mm |
| 5 | 1 - - - 1 - | 10.002.26 | HOSE - 1/4" BSP FS/F90 x 1600mm |
| | - 1 1 - 1 - | 10.002.29 | HOSE - 1/4" BSP FS/F90 x 1900mm |
| | - - - 1 - 1 | 10.002.28 | HOSE - 1/4" BSP FS/F90 x 1800mm |
| 6 | 1 1 1 - - - | 10.002.25 | HOSE - 1/4" BSP FS/F90 x 1500mm |
| | - - - 1 - 1 | 10.002.24 | HOSE - 1/4" BSP FS/F90 x 1400mm |
| 7 | 1 1 1 - 1 - | 10.002.18 | HOSE - 1/4" BSP FS/F90 x 900mm |
| | - - - 1 - 1 | 10.002.17 | HOSE - 1/4" BSP FS/F90 x 850mm |
| 8 | 2 - - - 2 - | 10.001.34 | HOSE - 1/4" BSP FS/FS x 2400mm |
| | - 2 - - - - | 10.001.35 | HOSE - 1/4" BSP FS/FS x 2500mm |
| | - - 2 - - - | 10.001.37 | HOSE - 1/4" BSP FS/FS x 2700mm |
| | - - - 2 - 2 | 10.001.36 | HOSE - 1/4" BSP FS/FS x 2600mm |
| 9 | 2 2 - - 2 - | 10.001.49 | HOSE - 1/4" BSP FS/FS x 3900mm |
| | - - 2 - - - | 10.001.52 | HOSE - 1/4" BSP FS/FS x 4200mm |
| | - - - 2 - 2 | 10.001.51 | HOSE - 1/4" BSP FS/FS x 4100mm |
| 10 | - 1 1 1 - 1 | 10.002.14 | HOSE - 1/4" BSP FS/F90 x 700mm |
| 11 | - 1 1 1 - 1 | 10.002.16 | HOSE - 1/4" BSP FS/F90 x 800mm |
| 12 | - - - - 1 - | 10.005.12 | HOSE - 1/2" BSP FS/FS x 600mm |
| 13 | - - - - 1 - | 10.012.16 | HOSE - 1" BSP FS/F90 x 800mm |

Connection Reference (Standard Models)

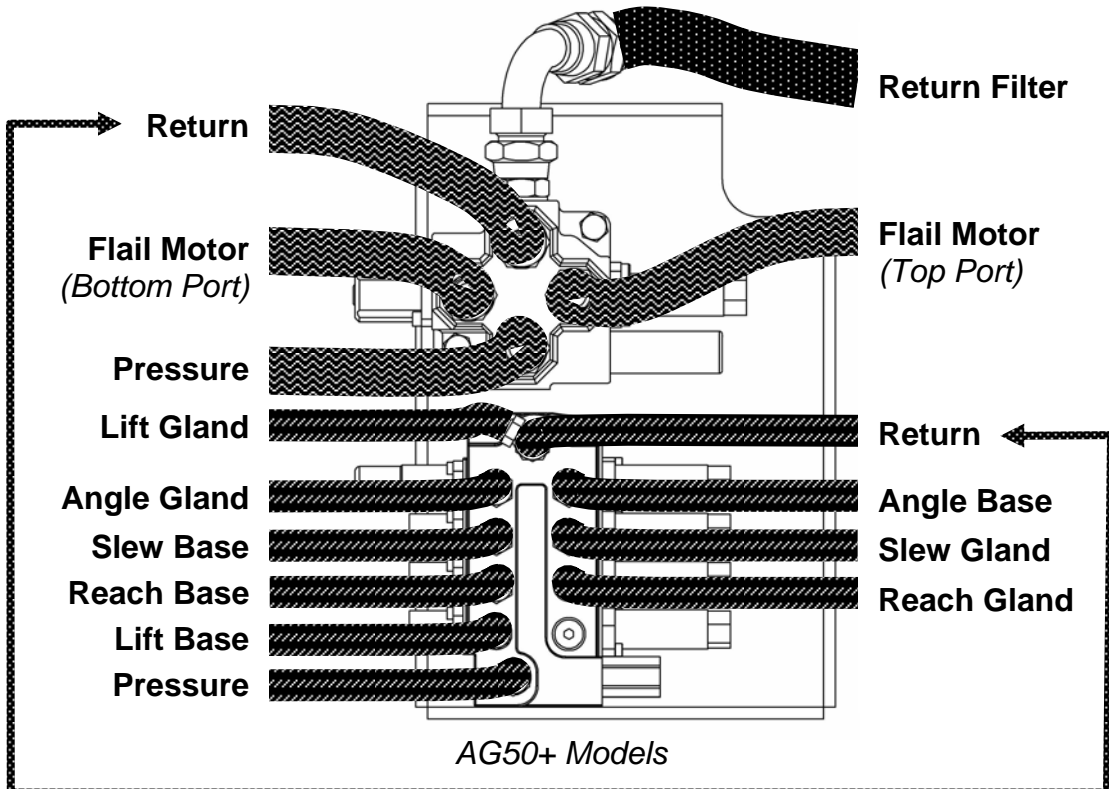
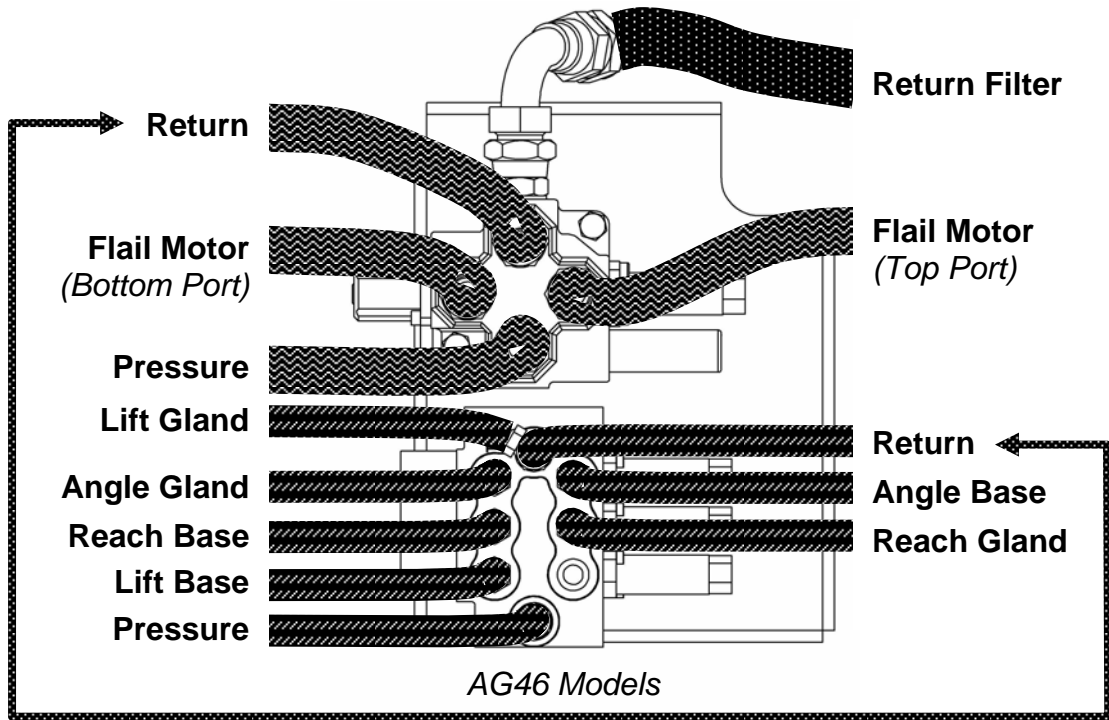
- | | |
|--|---------------------------------------|
| 1 Flail Pump to RCV | 8 Armhead Valve to Reach Base & Gland |
| 2 Control Pump to Armhead Valve | 9 Armhead Valve to Angle Base & Gland |
| 3 Armhead Valve to RCV | 10 Armhead Valve to Slew Base |
| 4 RCV to Flail Head | 11 Armhead Valve to Slew Gland |
| 5 Armhead Valve to Lift Gland | 12 Armhead Valve to RCV (Return) |
| 6 Armhead Valve (Lift Base) to Float Tee | 13 RCV to Return Filter |
| 7 Float to Lift Base | |

JIC HOSE INSTALLATION - Valves

Modules:

JIC Hose Kit 714672229 – AG46 Model (*Armhead Valve 8136250 / RCV 8125355*)

JIC Hose Kit 714672230 – AG50+ Model (*Armhead Valve 8136260 / RCV 8125355*)





JIC HOSE INSTALLATION - Valves

| REF. | QTY. | PART No. | DESCRIPTION |
|------|------|-----------|-----------------------------------|
| | | 714672229 | JIC HOSE KIT - AG46 Cable Model |
| | | 714672230 | JIC HOSE KIT - AG50+ Cable Model |
| 1 | 1 - | 08.960.02 | HOSE - 1.1/16" JIC FS/FS x 550mm |
| | - 1 | 08.960.03 | HOSE - 1.1/16" JIC FS/FS x 600mm |
| 2 | 1 1 | 41658.10 | HOSE - 3/4" JIC FS/FS x 600mm |
| 3 | 1 1 | 41658.06 | HOSE - 3/4" JIC FS/FS x 400mm |
| 4 | 2 - | 08.960.70 | HOSE - 1.1/16" JIC FS/FS x 5900mm |
| | - 2 | 08.960.72 | HOSE - 1.1/16" JIC FS/FS x 6100mm |
| 5 | 1 - | 08.957.24 | HOSE - 9/16" JIC FS/F90 x 1600mm |
| | - 1 | 08.957.27 | HOSE - 9/16" JIC FS/F90 x 1900mm |
| 6 | 1 1 | 08.957.23 | HOSE - 9/16" JIC FS/F90 x 1500mm |
| 7 | 1 1 | 08.957.16 | HOSE - 9/16" JIC FS/F90 x 900mm |
| 8 | 2 - | 41721.34 | HOSE - 9/16" JIC FS/FS x 2400mm |
| | - 2 | 41721.37 | HOSE - 9/16" JIC FS/FS x 2700mm |
| 9 | 2 - | 41721.49 | HOSE - 9/16" JIC FS/FS x 3900mm |
| | - 2 | 41721.52 | HOSE - 9/16" JIC FS/FS x 4200mm |
| 10 | - 1 | 08.957.12 | HOSE - 9/16" JIC FS/F90 x 700mm |
| 11 | - 1 | 08.957.14 | HOSE - 9/16" JIC FS/F90 x 800mm |

Connection reference

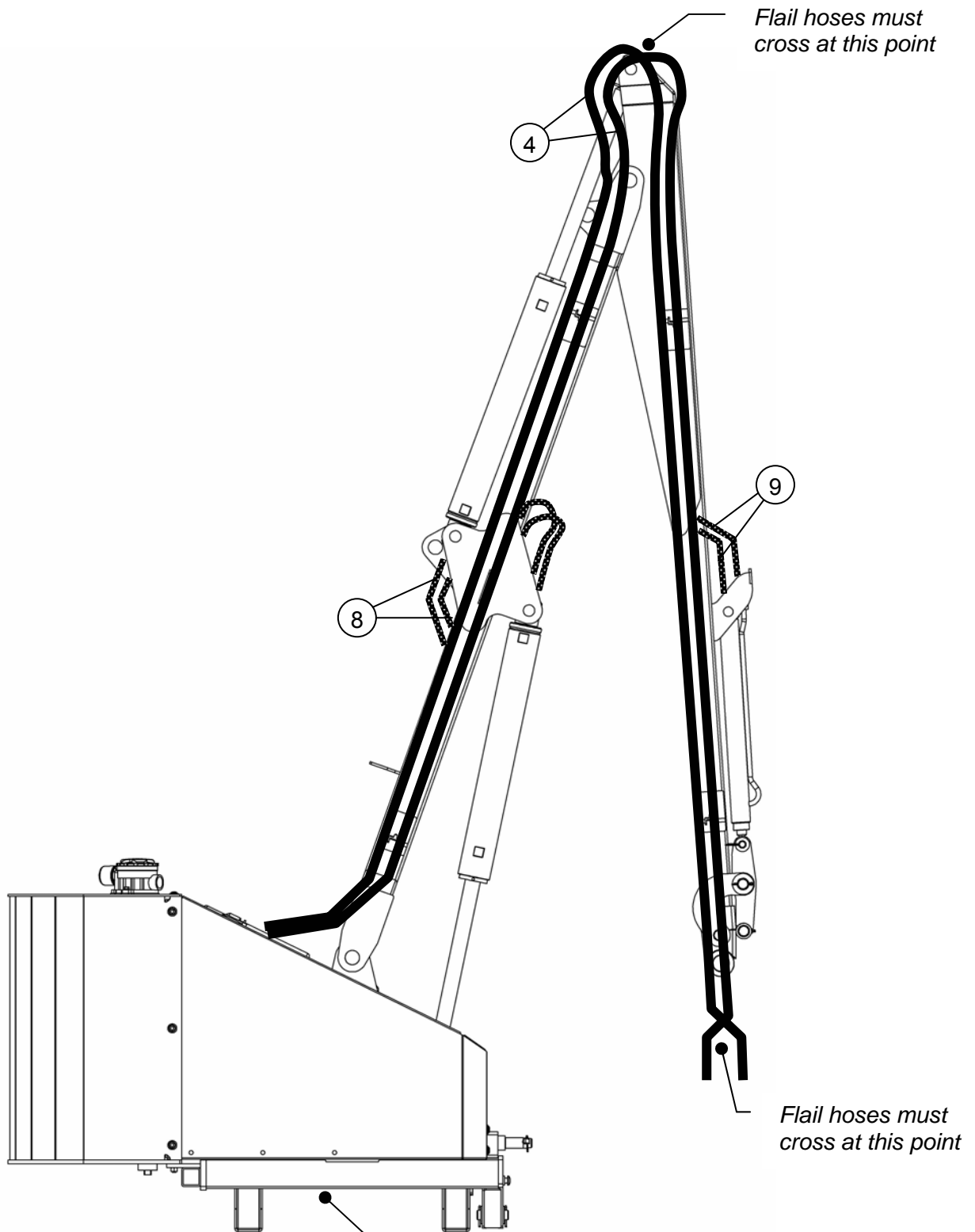
- | | |
|--|---------------------------------------|
| 1 Flail Pump to RCV | 7 Float to Lift Base |
| 2 Control Pump to Armhead Valve | 8 Armhead Valve to Reach Base & Gland |
| 3 Armhead Valve to RCV | 9 Armhead Valve to Angle Base & Gland |
| 4 RCV to Flail Head | 10 Armhead Valve to Slew Base |
| 5 Armhead Valve to Lift Gland | 11 Armhead Valve to Slew Gland |
| 6 Armhead Valve (Lift Base) to Float Tee | |

JIC HOSE INSTALLATION - ARMS

Module:

JIC Hose Kit 714672229 – AG46 Model
JIC Hose Kit 714672230 – AG50+ Model

AG46 model illustrated





JIC HOSE INSTALLATION - Valves

| REF. | QTY. | PART No. | DESCRIPTION |
|------|------|-----------|-----------------------------------|
| | | 714672229 | JIC HOSE KIT - AG46 Cable Model |
| | | 714672230 | JIC HOSE KIT - AG50+ Cable Model |
| 1 | 1 - | 08.960.02 | HOSE - 1.1/16" JIC FS/FS x 550mm |
| | - 1 | 08.960.03 | HOSE - 1.1/16" JIC FS/FS x 600mm |
| 2 | 1 1 | 41658.10 | HOSE - 3/4" JIC FS/FS x 600mm |
| 3 | 1 1 | 41658.06 | HOSE - 3/4" JIC FS/FS x 400mm |
| 4 | 2 - | 08.960.70 | HOSE - 1.1/16" JIC FS/FS x 5900mm |
| | - 2 | 08.960.72 | HOSE - 1.1/16" JIC FS/FS x 6100mm |
| 5 | 1 - | 08.957.24 | HOSE - 9/16" JIC FS/F90 x 1600mm |
| | - 1 | 08.957.27 | HOSE - 9/16" JIC FS/F90 x 1900mm |
| 6 | 1 1 | 08.957.23 | HOSE - 9/16" JIC FS/F90 x 1500mm |
| 7 | 1 1 | 08.957.16 | HOSE - 9/16" JIC FS/F90 x 900mm |
| 8 | 2 - | 41721.34 | HOSE - 9/16" JIC FS/FS x 2400mm |
| | - 2 | 41721.37 | HOSE - 9/16" JIC FS/FS x 2700mm |
| 9 | 2 - | 41721.49 | HOSE - 9/16" JIC FS/FS x 3900mm |
| | - 2 | 41721.52 | HOSE - 9/16" JIC FS/FS x 4200mm |
| 10 | - 1 | 08.957.12 | HOSE - 9/16" JIC FS/F90 x 700mm |
| 11 | - 1 | 08.957.14 | HOSE - 9/16" JIC FS/F90 x 800mm |

Connection reference

- | | |
|--|---------------------------------------|
| 1 Flail Pump to RCV | 7 Float to Lift Base |
| 2 Control Pump to Armhead Valve | 8 Armhead Valve to Reach Base & Gland |
| 3 Armhead Valve to RCV | 9 Armhead Valve to Angle Base & Gland |
| 4 RCV to Flail Head | 10 Armhead Valve to Slew Base |
| 5 Armhead Valve to Lift Gland | 11 Armhead Valve to Slew Gland |
| 6 Armhead Valve (Lift Base) to Float Tee | |

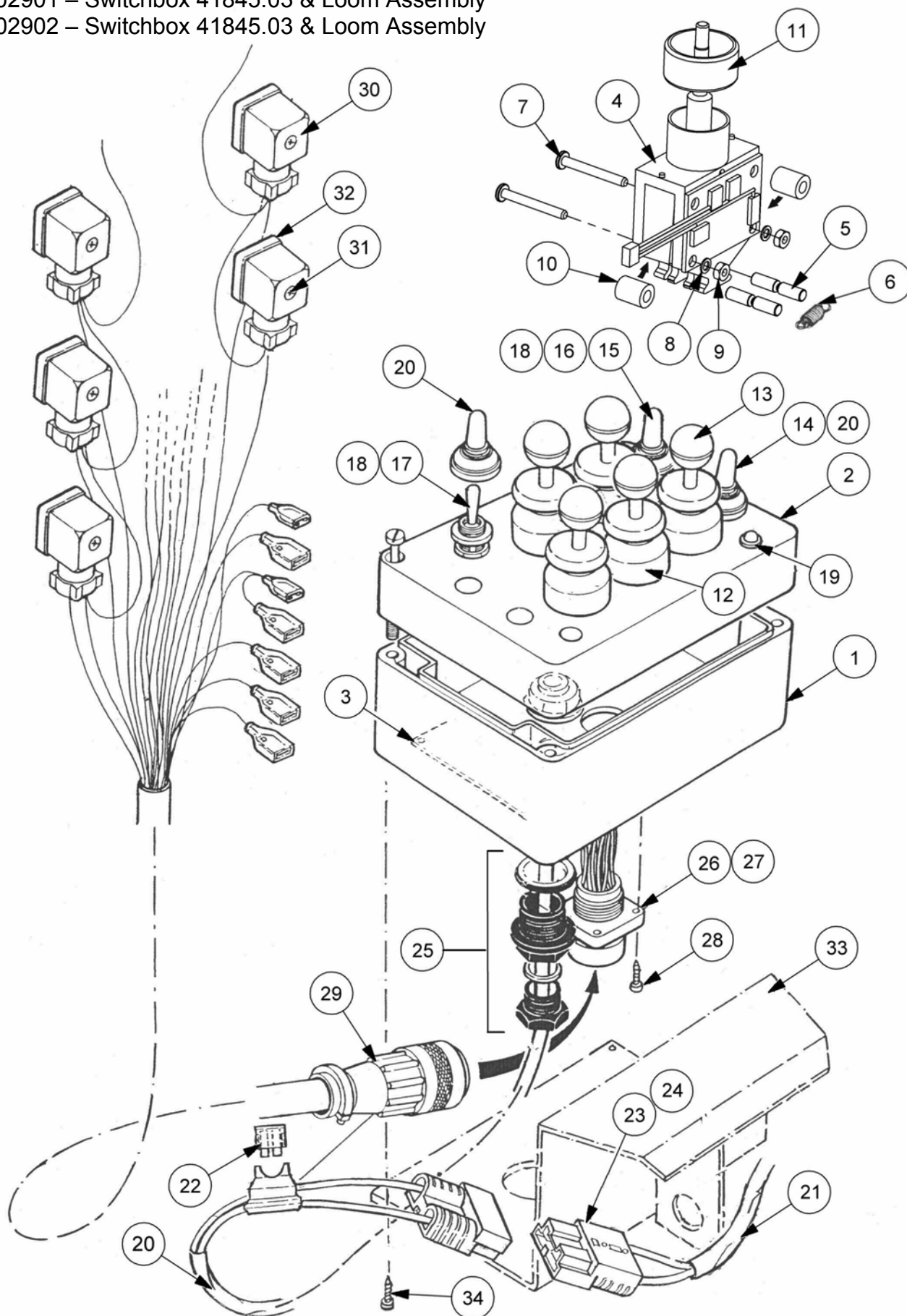

SWITCHBOX CONTROLS & LOOM

| REF. | QTY. | PART NO. | DESCRIPTION |
|------|------|-----------------|---|
| | | 8402900 | SWITCHBOX & LOOM ASSEMBLY |
| | | 41845.01 | MULTI 3 LEVER SWITCHBOX |
| 1 | 1 | 41845.32 | BOX |
| 2 | 1 | 41845.31 | LID c/w SCREWS |
| 3 | 1 | 41845.33 | CIRCUIT BOARD |
| | | | LEVER SWITCH UNIT - <i>comprising of:</i> |
| 4 | 3 | 8402133 | SWITCH BODY/LEVER/CIRCUIT BOARD c/w |
| 5 | 2 | 8402111 | BAR |
| 6 | 1 | 8402101 | SPRING |
| 7 | 2 | 9200006 | SCREW - POSIDRIVE PANHEAD |
| 8 | 2 | 8402120 | PLAIN WASHER |
| 9 | 2 | 9113000 | NUT - PLATED |
| 10 | 1 | 8402051 | BEZEL RING |
| 11 | 1 | 8402022 | LEVER GAITER |
| 12 | 5 | 8402056 | KNOB - BLACK |
| 13 | 1 | 8402023 | SWITCH - POWER ON/OFF |
| 14 | 4 | 2800243 | SELF-TAPPING SCREW |
| 15 | 1 | 8402193 | SPECIAL TOOL - <i>not illustrated</i> |
| 16 | 1 | 8402197 | SWITCH - FLOAT |
| 17 | 1 | 41845.37 | LOOM - FLOAT SWITCH |
| 18 | 1 | 41845.41 | L.E.D. AND LOOM |
| 19 | 2 | 8402024 | WEATHER GAITER |
| 20 | 1 | 8402232 | POWER LOOM - <i>including:</i> |
| 21 | 1 | 43034.02 | FUSE |
| 22 | 2 | 8402230 | CONTACTS HOUSING |
| 23 | 4 | 8402229 | CONTACTS |
| 24 | 1 | 8402042 | GLAND |
| 25 | 1 | 8402189 | SOCKET SHELL |
| 26 | 19 | 8402192 | PIN SOCKET |
| 27 | 4 | 2800203 | SCREW |
| 28 | 1 | 41844.06 | WIRING LOOM - <i>including:</i> |
| 29 | 12 | 07.835.04 | PLUG - INCLUDING SCREW & GASKET |
| 30 | 1 | 07.835.03 | SCREW |
| 31 | 1 | 07.835.02 | GASKET |
| 32 | 1 | 8402345 | MOUNTING BRACKET |

Modules:

8402901 – Switchbox 41845.03 & Loom Assembly

8402902 – Switchbox 41845.03 & Loom Assembly





SWITCHBOX CONTROLS & LOOM

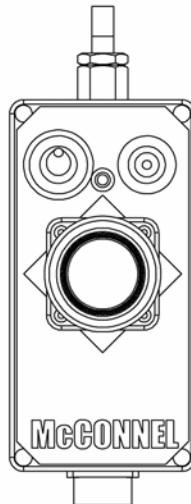
| REF. | QTY. | PART NO. | DESCRIPTION |
|------|------|-----------------|---|
| | | 8402901 | SWITCHBOX & LOOM ASSEMBLY |
| | | 8402902 | SWITCHBOX & LOOM ASSEMBLY (Electric RCV) |
| | | 41845.03 | MULTI 5 LEVER SWITCHBOX |
| | | 41845.04 | MULTI 5 LEVER SWITCHBOX (Electric RCV) |
| 1 | 1 | 41845.32 | BOX |
| 2 | 1 | 41845.31 | LID c/w SCREWS |
| 3 | 1 | 41845.33 | CIRCUIT BOARD |
| | | | LEVER SWITCH UNIT - <i>comprising of:</i> |
| 4 | 5 | 8402133 | SWITCH BODY/LEVER/CIRCUIT BOARD c/w |
| 5 | 2 | 8402111 | BAR |
| 6 | 1 | 8402101 | SPRING |
| 7 | 2 | 9200006 | SCREW - POSIDRIVE PANHEAD |
| 8 | 2 | 8402120 | PLAIN WASHER |
| 9 | 2 | 9113000 | NUT - PLATED |
| 10 | 2 | 8402334 | SPACER |
| 11 | 1 | 8402051 | BEZEL RING |
| 12 | 1 | 8402022 | LEVER GAITER |
| 13 | 5 | 8402056 | KNOB - BLACK |
| 14 | 1 | 8402023 | SWITCH - POWER ON/OFF |
| 15 | 1 | 8402182 | SWITCH - SLEW/AUTO RESET |
| 16 | 1 | 41845.35 | LOOM - SLEW/AUTO RESET SWITCH |
| 17 | 1 | 8402197 | SWITCH - FLOAT |
| 18 | 1 | 41845.37 | LOOM - FLOAT SWITCH |
| 19 | 1 | 41845.41 | L.E.D. AND LOOM |
| 20 | 5 | 8402024 | WEATHER GAITER |
| 21 | 1 | 8402232 | POWER LOOM - <i>including:</i> |
| 22 | 1 | 43034.02 | FUSE |
| 23 | 2 | 8402230 | CONTACTS HOUSING |
| 24 | 4 | 8402229 | CONTACTS |
| 25 | 1 | 8402042 | GLAND |
| 26 | 1 | 8402186 | SOCKET SHELL |
| 27 | 19 | 8402192 | PIN SOCKET |
| 28 | 4 | 2800203 | SCREW |
| 29 | 1 | 41844.01 | WIRING LOOM - <i>including:</i> |
| 30 | 12 | 07.835.04 | PLUG - INCLUDING SCREW & GASKET |
| 31 | 1 | 07.835.03 | SCREW |
| 32 | 1 | 07.835.02 | GASKET |
| 33 | 1 | 8402345 | MOUNTING BRACKET |
| 34 | 4 | 2800243 | SELF-TAPPING SCREW |
| 35 | 1 | 8402193 | SPECIAL TOOL - <i>not illustrated</i> |

CONTROL BOX - Mini Single Lever

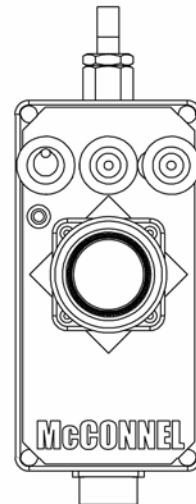
8402393 Illustrated

Modules:

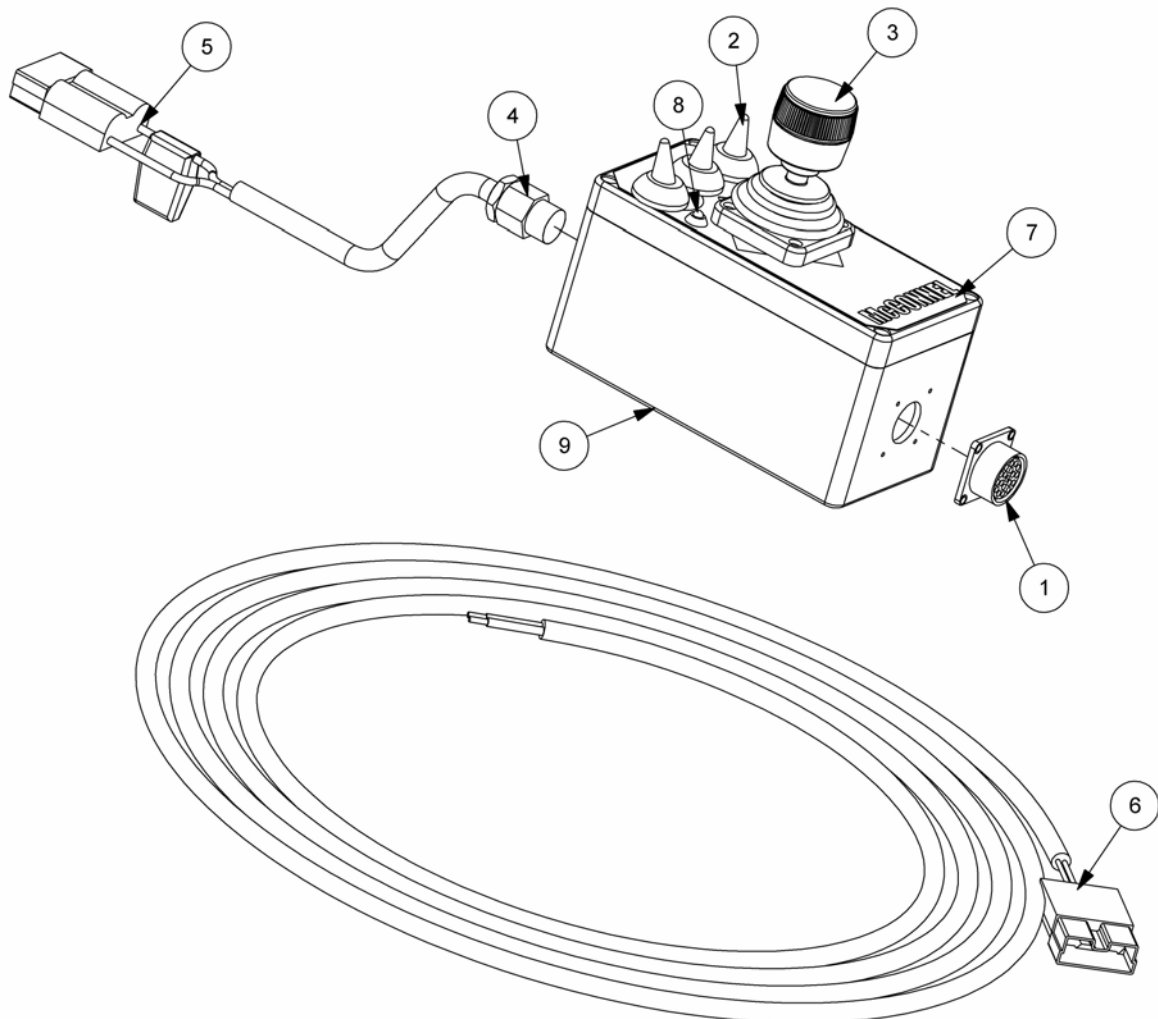
- 8402390 – 3 Service B/B 2 Switch
- 8402391 – 3 Service Prop. B/B 2 Switch
- 8402392 – 3 Service Prop. B/B 3 Switch
- 8402393 – 3 Service Prop. 3 Switch



8402390 & 8402391



8402392 & 8402393



**CONTROL BOX - Mini Single Lever**

| REF. | QTY. | PART No. | DESCRIPTION |
|------|------|----------------|---|
| | | 8402390 | CONTROL BOX - B/B 2 Switch |
| | | 8402391 | CONTROL BOX - Prop. B/B 2 Switch |
| | | 8402392 | CONTROL BOX - Prop. B/B 3 Switch |
| | | 8402393 | CONTROL BOX - Prop. 3 Switch |
| 1 | 1 | 8402189 | PANEL MTG SHELL |
| 2 | 3* | 8402024 | SWITCH COVER |
| 3 | 1 | 8402246 | JOYSTICK (4 AXIS) |
| 4 | 1 | 8402149 | GLAND - PLASTIC |
| 5 | 1 | 43022.47 | CONNECTOR |
| 6 | 1 | 8402237 | LOOM POWER SUPPLY |
| 7 | 1 | 1290494 | DECAL - SWITCH BOX |
| 8 | 1 | 41845.41 | LED |
| 9 | 1 | 8402349 | CONTROL BOX |
| 10 | 1 | 43034.02 | BLADE FUSE - 20 amp |

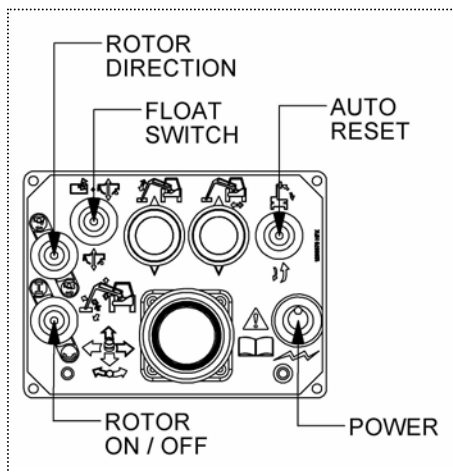
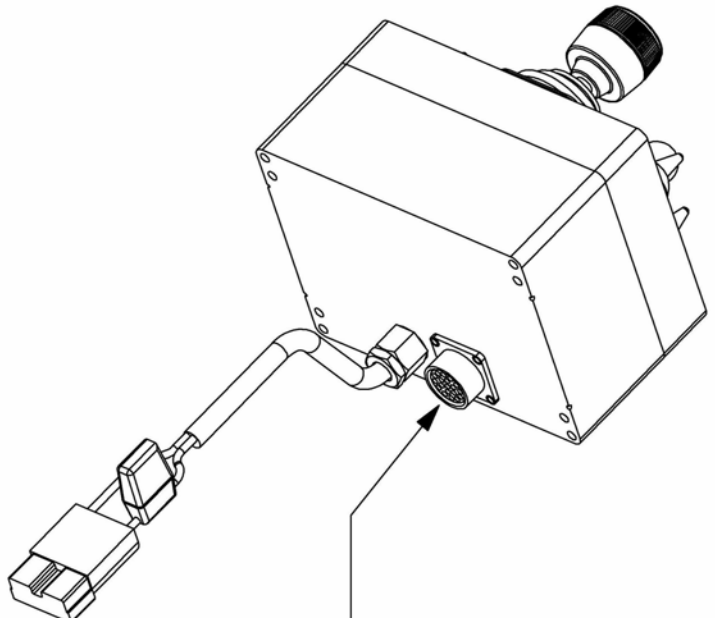
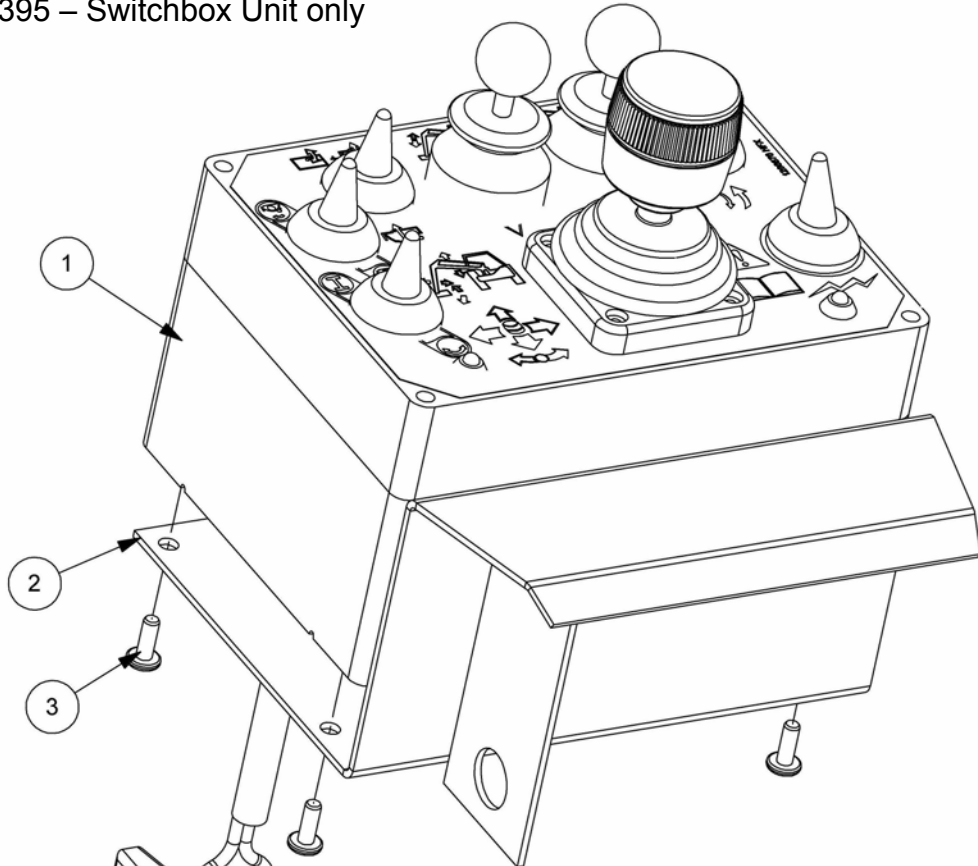
* *Control Boxes 8402390 & 8402391 use 2 off only*

XTC PROPORTIONAL CONTROLS

Modules:

8402911 – Switchbox Unit c/w Mounting Bracket & Screws

8402395 – Switchbox Unit only



- A - COMMON
- B - REACH IN
- C - REACH OUT
- D - LIFT UP
- E - LIFT DOWN
- F - COMMON
- G - TELE IN
- H - TELE OUT
- J - ANGLE DOWN
- K - ANGLE UP

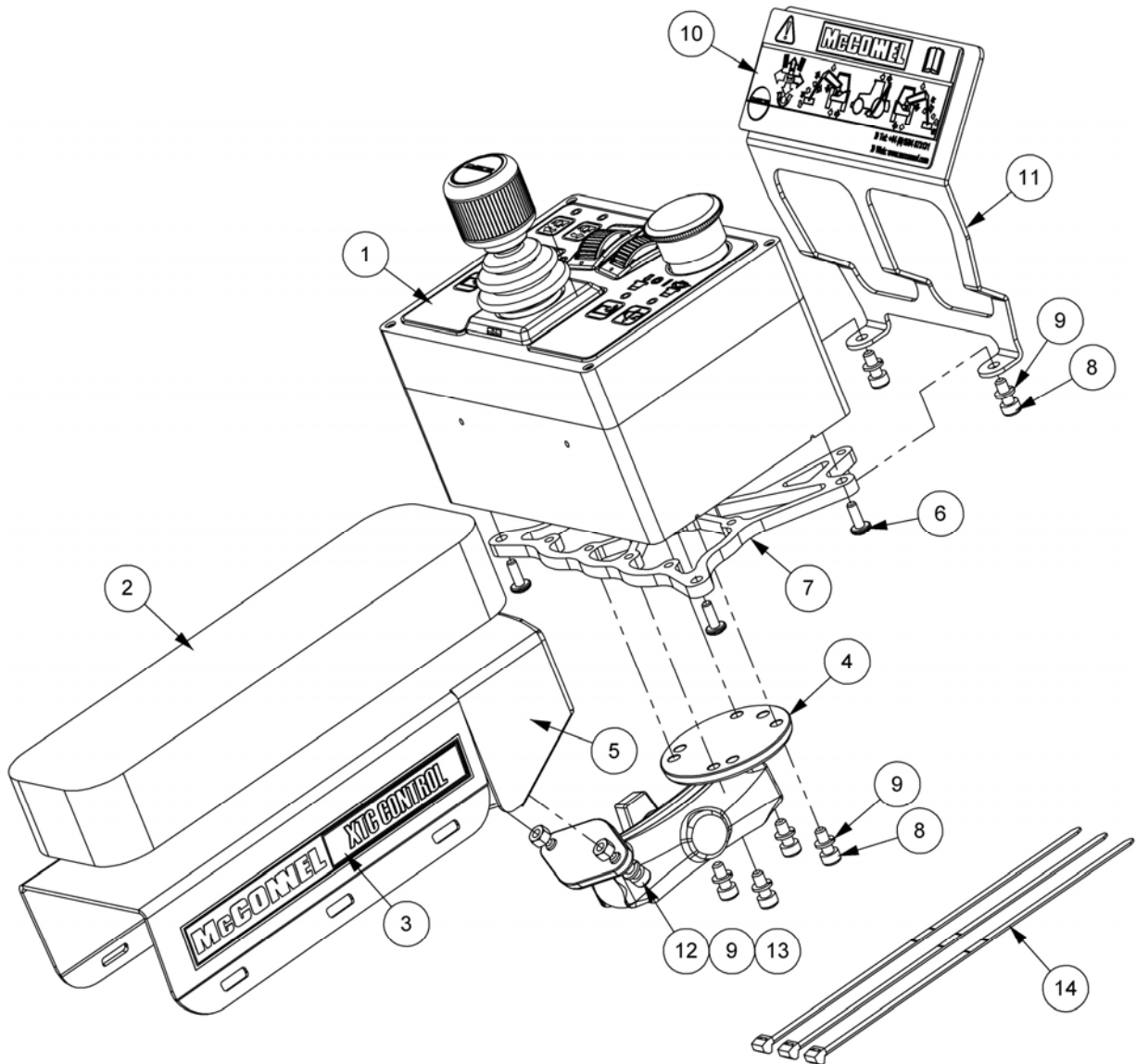


- L - SLEW OUT
- M - SLEW IN
- N - COMMON
- P - ANGLE FLOAT
- R - LIFT FLOAT
- S - PUMP 1
- T - PUMP 2
- U - AUTO RESET
- V - CUT OFF

**XTC PROPORTIONAL CONTROLS**

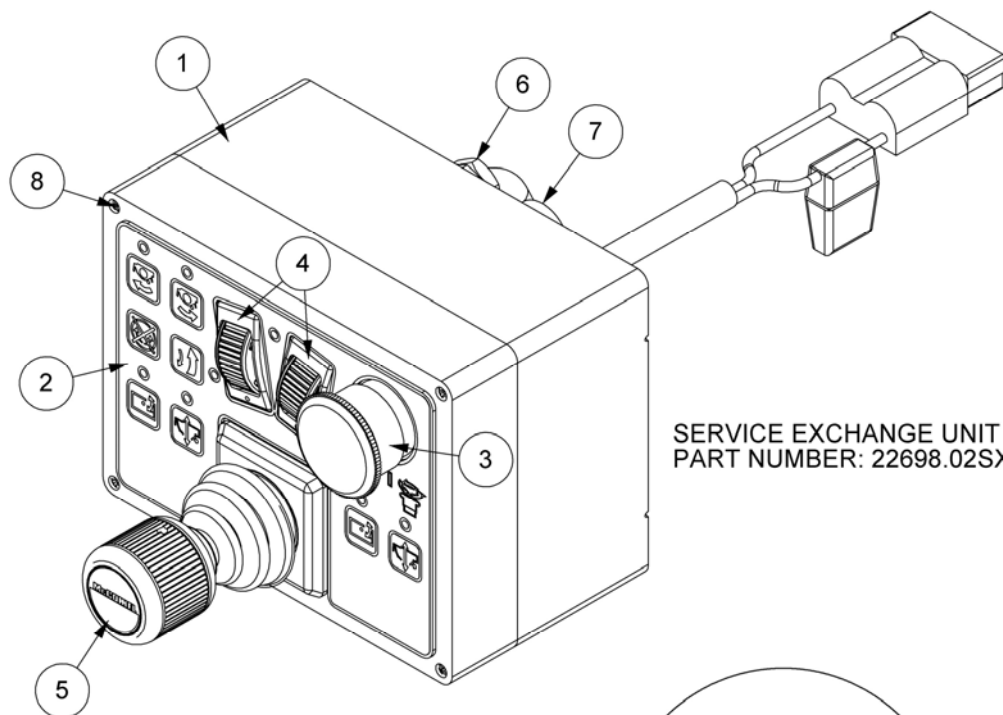
| REF. | QTY. | PART NO. | DESCRIPTION |
|------|------|----------------|---|
| | | 8402911 | PROPORTIONAL SWITCHBOX CONTROLS |
| 1 | 1 | 8402395 | PROPORTIONAL SWITCHBOX UNIT - <i>comprising of:</i> |
| | 1 | 41845.44 | BOX BASE |
| | 1 | 41845.45 | BOX LID |
| | 1 | 41845.47 | CIRCUIT BOARD |
| | 2 | 41845.34 | LOOM - SWITCH UNIT |
| | 1 | 41845.37 | LOOM - FLOAT SWITCH |
| | 1 | 43022.49 | CONNECTOR - SINGLE FUSE |
| | 1 | 8402189 | PANEL MOUNTING SHELL |
| | 1 | 8402149 | GLAND - PLASTIC |
| | 4 | 2800203 | SCREW |
| | 2 | 8402122 | SWITCH UNIT |
| | 1 | 8402023 | TOGGLE SWITCH |
| | 1 | 8402197 | SWITCH - FLOAT SELECTION |
| | 2 | 41845.41 | LED |
| | 5 | 8402024 | SWITCH COVER |
| | 1 | 8402198 | KNOB - BLUE |
| | 1 | 8402056 | KNOB - BLACK |
| | 1 | 8402237 | LOOM - POWER SUPPLY |
| | 19 | 8402192 | SOCKET CONTACT |
| | 1 | 8402173 | SWITCH - PUMP POWER / RESET |
| | 1 | 8402182 | SWITCH - AUTO RESET |
| | 1 | 8402185 | SWITCH - ROTOR DIRECTION |
| | 1 | 1290670 | DECAL - PROPORTIONAL SWITCHBOX |
| | 1 | 41845.36 | LOOM - PUMP CONTROL |
| | 1 | 41845.35 | LOOM - RESET |
| | 1 | 8402246 | JOYSTICK - 3 AXIS |
| 2 | 1 | 8402345 | SWITCHBOX MOUNTING BRACKET |
| 3 | 4 | 2800243 | SELF TAPPING SCREW |

XTC Mk2 PROP. CONTROLS



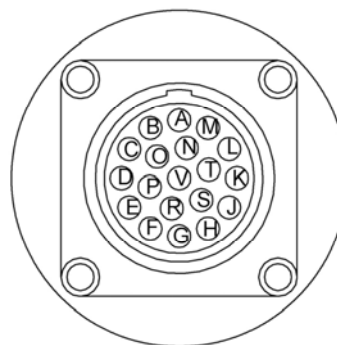
| REF. | QTY. | PART No. | DESCRIPTION |
|------|------|-----------------|--------------------------------------|
| | | 22698.04 | XTC Mk2 PROPORTIONAL CONTROLS |
| 1 | 1 | 22698.02 | XTC CONTROLS 5 SERVICE |
| 2 | 1 | 22073.45 | ARMREST FOAM |
| 3 | 2 | 1290847 | DECAL - XTC CONTROL |
| 4 | 1 | 22073.08 | SCREEN MOUNT |
| 5 | 1 | 22698.12 | XTC ARMREST |
| 6 | 4 | 2800243 | SELF TAPPING SCREW |
| 7 | 1 | 22698.41 | XTC MOUNTING PLATE |
| 8 | 6 | 9343022 | CAPSCREW |
| 9 | 8 | 9100202 | SPRING WASHER |
| 10 | 1 | 1290848 | DECAL - XTC OPERATIONS |
| 11 | 1 | 22698.42 | DECAL MOUNTING PLATE |
| 12 | 2 | 9343032 | CAPSCREW |
| 13 | 2 | 05.287.09 | CLEVELOC |
| 14 | 3 | 7135084 | CABLE TIE |

XTC Mk2 PROP. CONTROL UNIT



SERVICE EXCHANGE UNIT
PART NUMBER: 22698.02SX

- | | | | |
|---|------------|---|-------------|
| A | COMMON | L | SLEW OUT |
| B | REACH IN | M | SLEW IN |
| C | REACH OUT | N | COMMON |
| D | LIFT UP | P | ANGLE FLOAT |
| E | LIFT DOWN | R | LIFT FLOAT |
| F | COMMON | S | PUMP 1 |
| G | TELE IN | T | PUMP 2 |
| H | TELE OUT | U | AUTO RESET |
| J | ANGLE DOWN | V | CUT OFF |
| K | ANGLE UP | | |



| REF. | QTY. | PART No. | DESCRIPTION |
|------|------|-----------------|-----------------------------|
| | | 22698.02 | XTC Mk2 CONTROL UNIT |
| 1 | 1 | 22698.10 | XTC ENCLOSURE |
| 2 | 1 | 22698.32 | XTC 5 SERVICE KEYPAD |
| 3 | 1 | 41786.33 | SWITCH E/STOP |
| 4 | 2 | 22698.35 | XTC THUMB WHEEL |
| 5 | 1 | 22698.46 | JOYSTICK |
| 6 | 1 | 8402149 | GLAND |
| 7 | 1 | 8402189 | PANEL MOUNTING SHELL |
| 8 | 1 | 22698.43 | TURN FASTNER (PACK OF 4) |

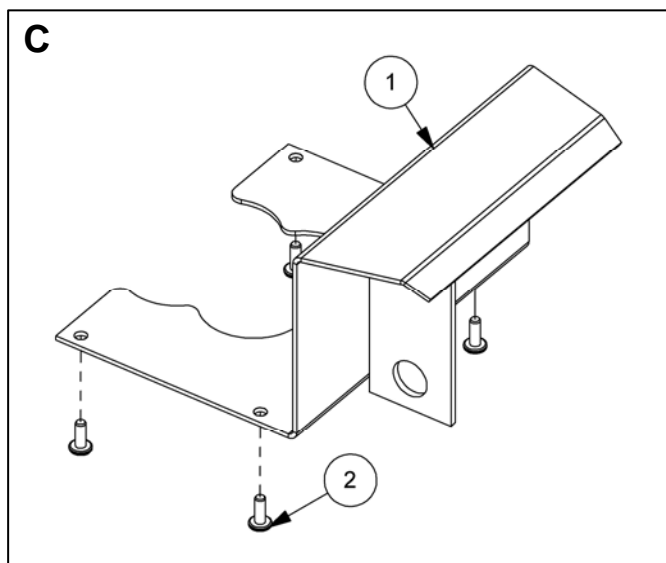
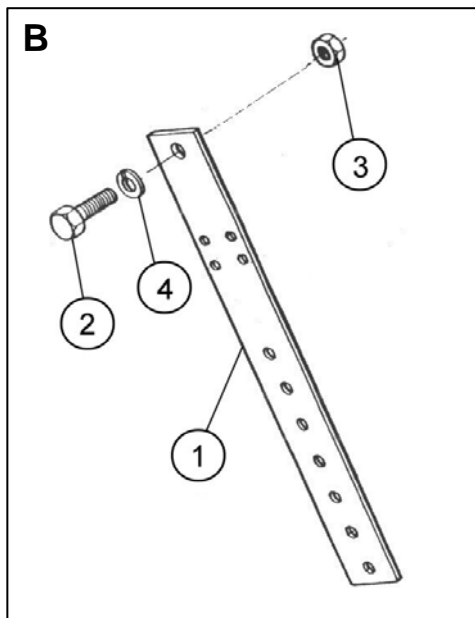
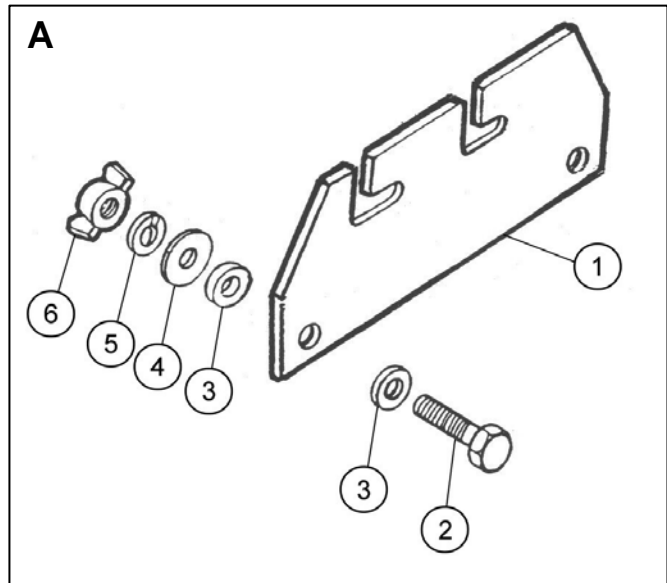
CONTROL MOUNTINGS

Modules:

7313282 – Cable Controls (A)

7109319 – Electric Switchbox (B)

8402345 – Electric Switchbox (C)





CONTROL MOUNTINGS

| REF. | QTY. | PART NO. | DESCRIPTION |
|----------|------|----------------|------------------------------------|
| A | | 7313282 | CABLE CONTROL UNIT MOUNTING |
| 1 | 1 | 42491.01 | BRACKET |
| 2 | 2 | 9313094 | SETSCREW |
| 3 | 4 | 03.152.01 | RUBBER WASHER |
| 4 | 2 | 9100104 | PLAIN WASHER |
| 5 | 2 | 9100204 | SPRING WASHER |
| 6 | 2 | 9193004 | WINGNUT |

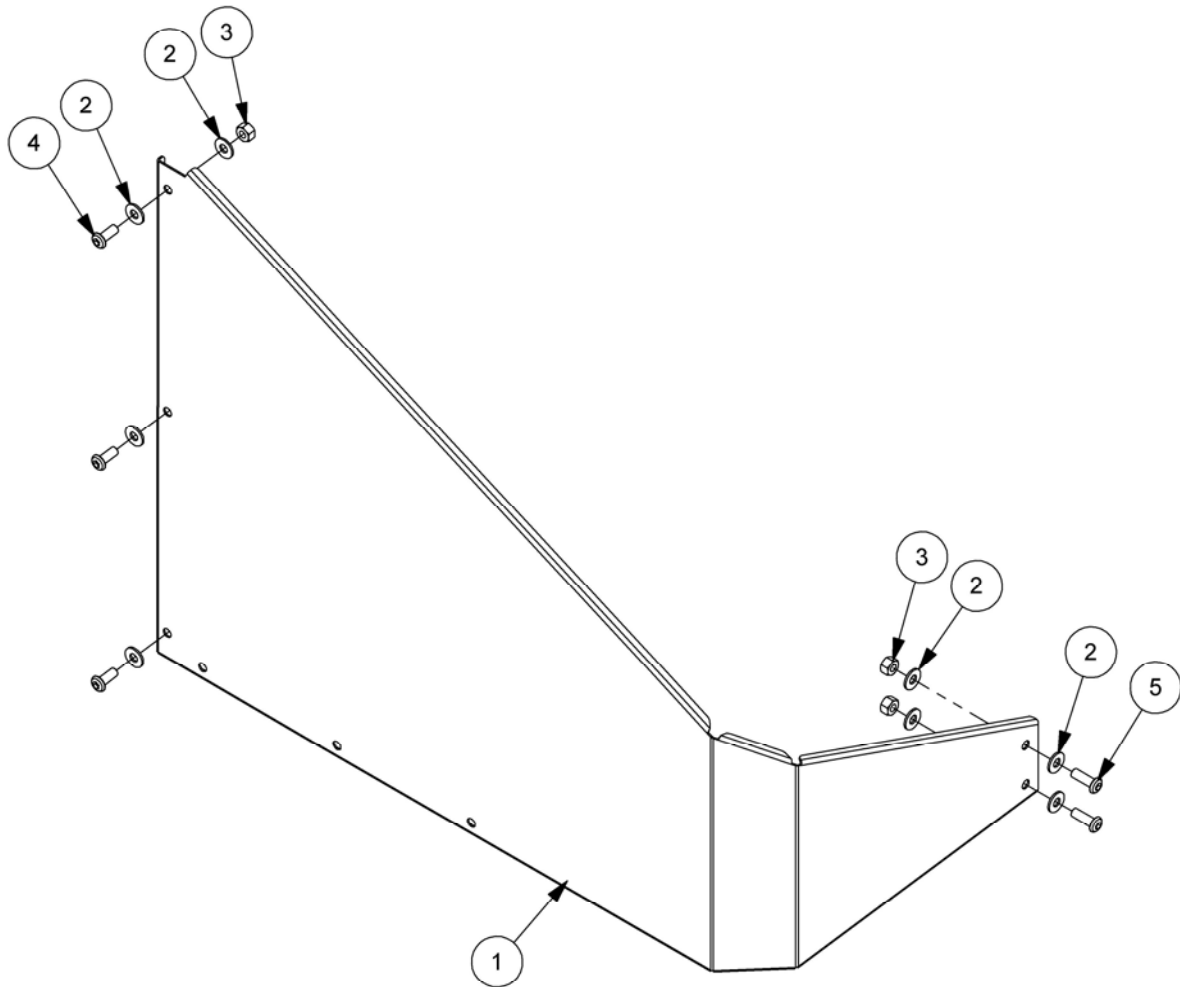
| REF. | QTY. | PART NO. | DESCRIPTION |
|----------|------|----------------|--|
| B | | 7109319 | ELECTRIC SWITCHBOX CONTROL MOUNTING |
| 1 | 1 | 7109146 | PILLAR |
| 2 | 1 | 9311086 | SETSCREW |
| 3 | 1 | 0111006 | NUT |
| 4 | 1 | 0100206 | SPRING WASHER |

| REF. | QTY. | PART No. | DESCRIPTION |
|----------|------|----------------|--|
| C | | 8402345 | ELECTRIC SWITCHBOX CONTROL MOUNTING |
| 1 | 1 | 8402345 | MOUNTING BRACKET |
| 2 | 4 | 2800243 | SELF TAPPING SCREW |

COVER ASSEMBLY

Module:
7146705

AG46 Model

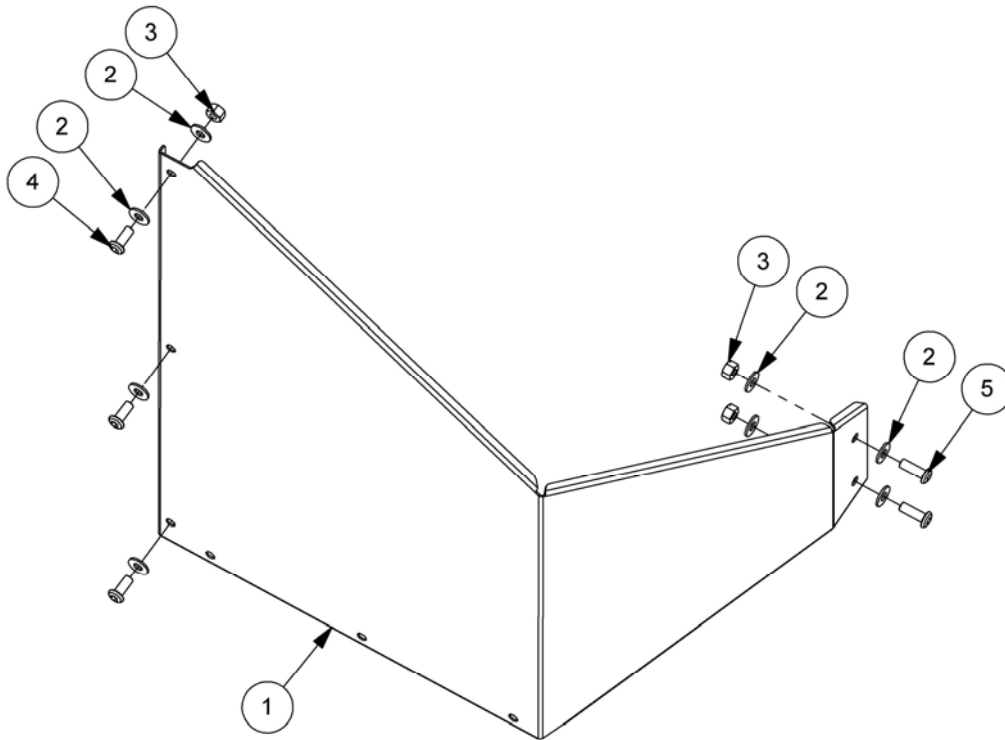


| REF. | QTY. | PART No. | DESCRIPTION |
|------|------|----------------|------------------------------|
| | | 7146705 | COVER ASSEMBLY - AG46 |
| 1 | 1 | 21994.02 | REAR COVER - R/H Build |
| 2 | 10 | 9100105 | FLAT WASHER |
| 3 | 5 | 9143005 | SELF-LOCKING NUT |
| 4 | 3 | 9300154 | SCREW |
| 5 | 2 | 9300166 | SCREW |

COVER ASSEMBLY

Module:
7146715

AG46+ / AG50+ Models



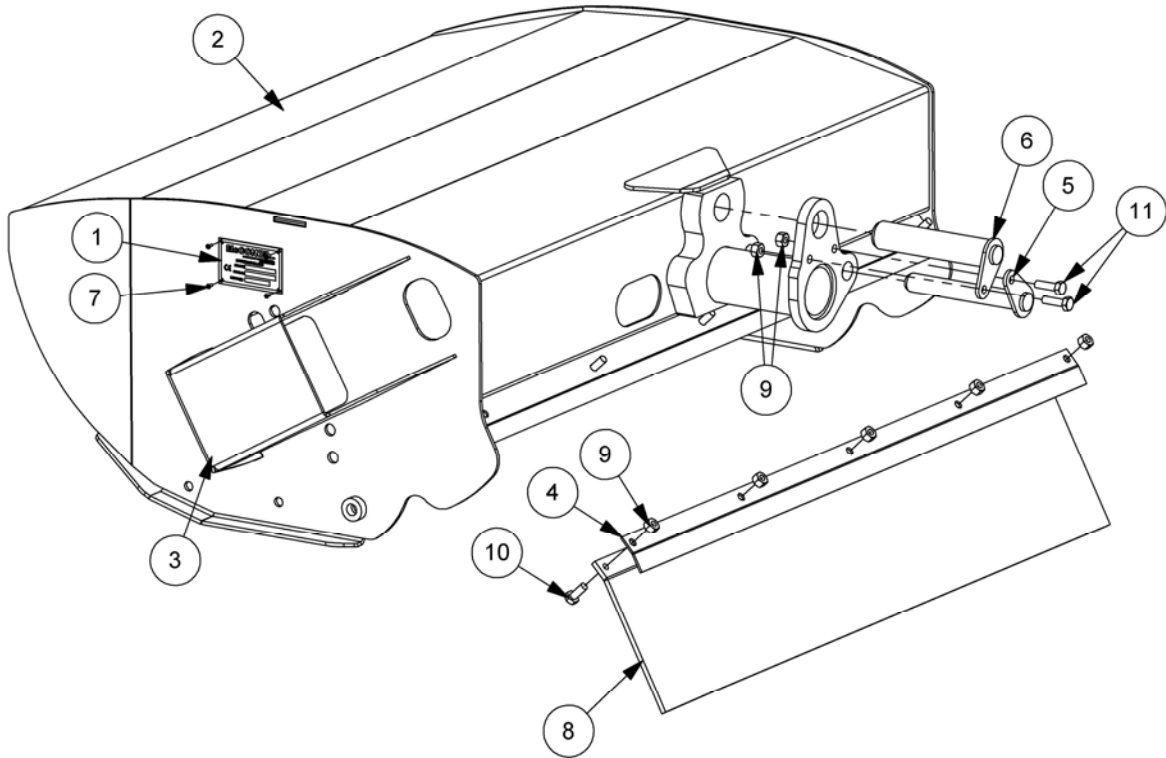
| REF. | QTY. | PART No. | DESCRIPTION |
|------|------|----------------|---|
| | | 7146715 | COVER ASSEMBLY - AG46+ & AG50+ |
| 1 | 1 | 21994.04 | REAR COVER - R/H Build |
| 2 | 10 | 9100105 | FLAT WASHER |
| 3 | 5 | 9143005 | SELF-LOCKING NUT |
| 4 | 3 | 9300154 | SCREW |
| 5 | 2 | 9300166 | SCREW |

FLAIL HEAD CASING ASSEMBLY

Modules:

21969.01 – 1.0m Build

21969.02 – 1.2m Build



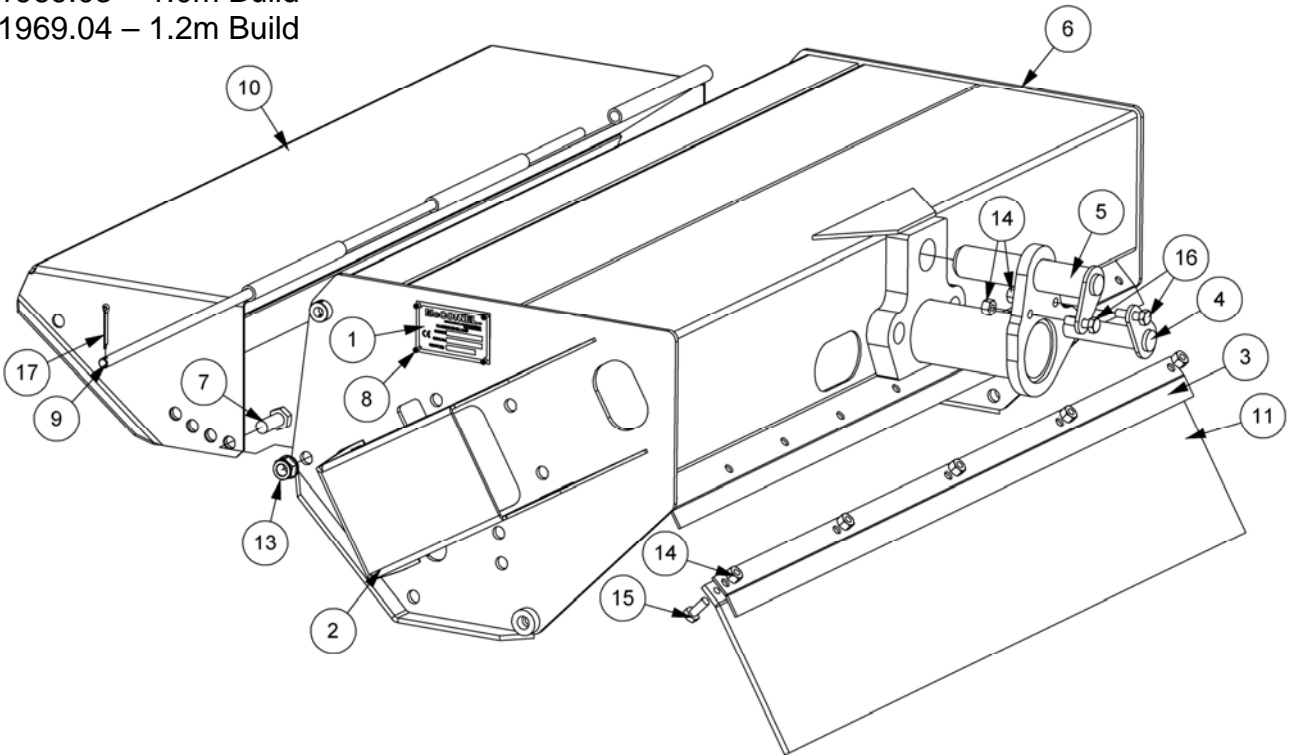
| REF. | QTY. | | PART No. | DESCRIPTION |
|------|-------------|-------------|-----------------|---------------------------------------|
| | | | 21969.01 | 1.0M FLAILHEAD CASING ASSEMBLY |
| | | | 21969.02 | 1.2M FLAILHEAD CASING ASSEMBLY |
| | <i>1.0M</i> | <i>1.2M</i> | | |
| 1 | 1 | 1 | 1335246 | SERIAL No. PLATE |
| 2 | 1 | - | 21962.01 | FLAIL HEAD CASING - 1.0M Build |
| | - | 1 | 21962.02 | FLAIL HEAD CASING - 1.2M Build |
| 3 | 1 | 1 | 21966.01 | MOTOR COVER |
| 4 | 1 | - | 21968.01 | CLAMP STRIP - 1.0M Build |
| | - | 1 | 21968.02 | CLAMP STRIP - 1.2M Build |
| 5 | 1 | 1 | 21970.01 | SLAVE LINK PIN |
| 6 | 1 | 1 | 21971.01 | HEAD PIVOT PIN |
| 7 | 4 | 4 | 7103230 | POP RIVET |
| 8 | 1 | - | 7191300 | REAR FLAP - 1.0M Build |
| | - | 1 | 7191361 | REAR FLAP - 1.2M Build |
| 9 | 7 | 8 | 9143005 | SELF-LOCKING NUT |
| 10 | 5 | 6 | 9313055 | SETSCREW |
| 11 | 2 | 2 | 9313075 | SETSCREW |
| 12 | 2 | 2 | 7196045 | HOSE TIE |

FLAIL HEAD CASING ASSEMBLY

Modules:

21969.03 – 1.0m Build

21969.04 – 1.2m Build



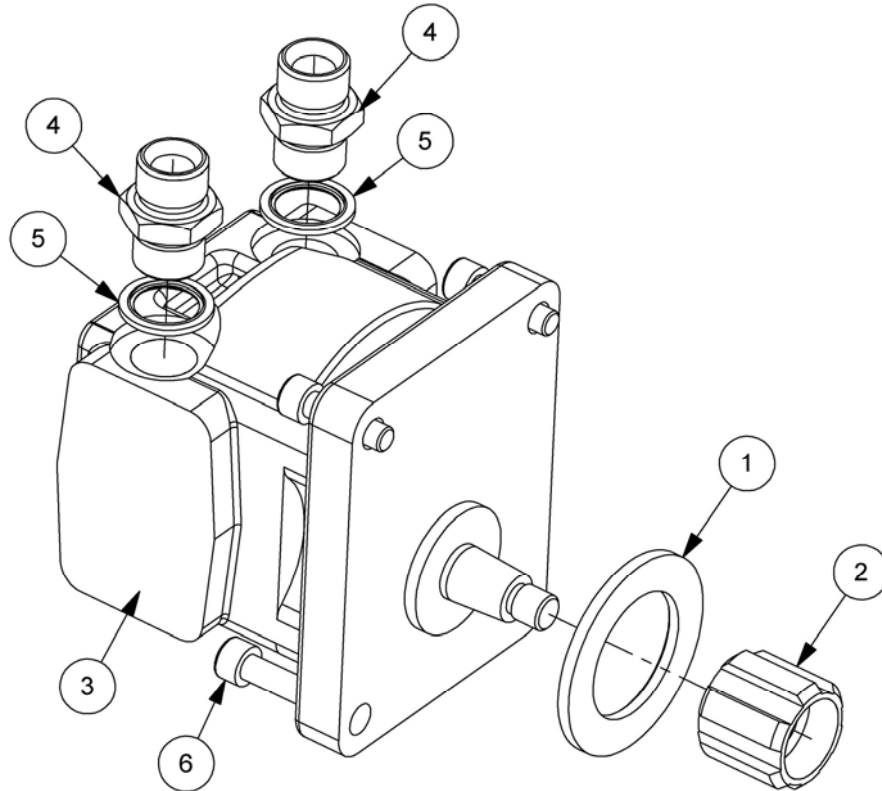
| REF. | QTY. | | PART No. | DESCRIPTION |
|------|-------------|-------------|-----------------|---------------------------------------|
| | | | 21969.03 | 1.0M FLAILHEAD CASING ASSEMBLY |
| | | | 21969.04 | 1.2M FLAILHEAD CASING ASSEMBLY |
| | <i>1.0M</i> | <i>1.2M</i> | | |
| 1 | 1 | 1 | 1335246 | SERIAL No. PLATE |
| 2 | 1 | 1 | 21966.01 | MOTOR COVER |
| 3 | 1 | 1 | 21968.01 | CLAMP STRIP - 1.0M Build |
| | - | 1 | 21968.02 | CLAMP STRIP - 1.2M Build |
| 4 | 1 | 1 | 21970.01 | SLAVE LINK PIN |
| 5 | 1 | 1 | 21971.01 | HEAD PIVOT PIN |
| 6 | 1 | - | 22459.01 | FLAIL HEAD CASING - 1.0M Build |
| | - | 1 | 22459.02 | FLAIL HEAD CASING - 1.2M Build |
| 7 | 2 | 2 | 30.073.25 | SETSCREW |
| 8 | 4 | 4 | 7103230 | POP RIVET |
| 9 | 1 | - | 7191094 | HOOD PIVOT PIN - 1.0M Build |
| | - | 1 | 7191116 | HOOD PIVOT PIN - 1.2M Build |
| 10 | 1 | - | 7191279 | FRONT HOOD - 1.0M Build |
| | - | 1 | 7191352 | FRONT HOOD - 1.2M Build |
| 11 | 1 | - | 7191300 | REAR FLAP - 1.0M Build |
| | - | 1 | 7191361 | REAR FLAP - 1.2M Build |
| 12 | 2 | 2 | 7196045 | HOSE TIE |
| 13 | 2 | 2 | 9100024 | SELF-LOCKING FLANGE NUT |
| 14 | 7 | 8 | 9143005 | SELF-LOCKING NUT |
| 15 | 5 | 6 | 9313055 | SETSCREW |
| 16 | 2 | 2 | 9313075 | SETSCREW |
| 17 | 1 | 1 | 9501406 | SPLIT PIN |

FLAILHEAD MOTORS

Modules:

21965.01 – Std. Build

21965.02 – JIC Build





FLAILHEAD MOTORS

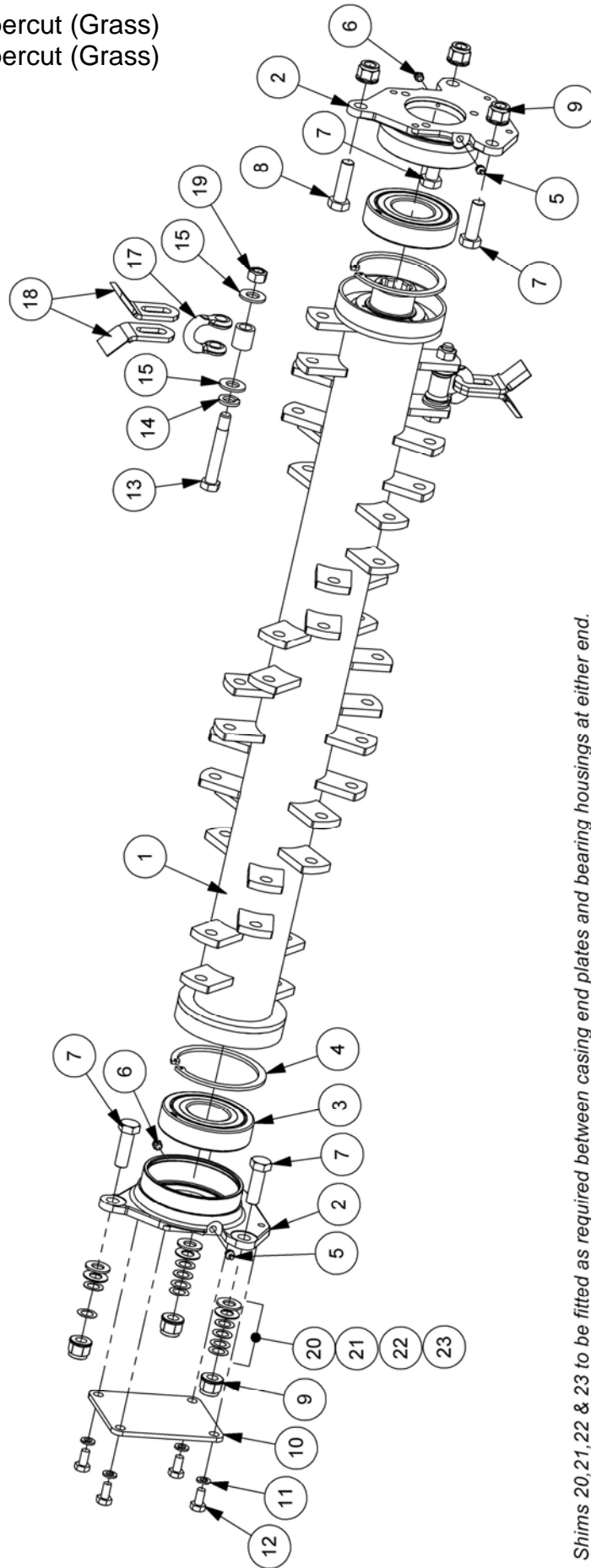
| REF. | QTY. | PART No. | DESCRIPTION |
|------|------|-----------------|--|
| | | 21965.01 | FLAILHEAD MOTOR ASSEMBLY (Std.) |
| | | 21965.02 | FLAILHEAD MOTOR ASSEMBLY (JIC) |
| 1 | 1 | 7190015 | LOCATING WASHER |
| 2 | 1 | 7190573 | DRIVE COUPLING - 6 SPLINE |
| 3 | 1 | 8301303 | MOTOR (BACK PORTED) |
| 4 | 2 | 8581136 | ADAPTOR - <i>Std. build</i> |
| | 2 | 8581167 | ADAPTOR - <i>JIC build</i> |
| 5 | 2 | 8650106 | BONDED SEAL |
| 6 | 4 | 9300144 | CAPSCREW |
| | | 8699236 | SEAL KIT |
| | | 8629209 | SHAFT SEAL |

ROTOR ASSEMBLY

Modules:

21959.02 – 1.0M Supercut (Grass)

21959.05 – 1.2M Supercut (Grass)



Shims 20,21,22 & 23 to be fitted as required between casing end plates and bearing housings at either end.



ROTOR ASSEMBLY

| REF. | QTY. | | PART No. | DESCRIPTION |
|------|------|------|-----------------|--|
| | 1.0M | 1.2M | | |
| | | | 21959.02 | 1.0M ROTOR ASSEMBLY - S/CUT GRASS |
| | | | 21959.05 | 1.2M ROTOR ASSEMBLY - S/CUT GRASS |
| 1 | 1 | - | 7198345 | SUPERCUT ROTOR - 1.0M Build |
| | - | 1 | 7198346 | SUPERCUT ROTOR - 1.2M Build |
| 2 | 2 | 2 | 7190261 | BEARING HOUSING |
| 3 | 2 | 2 | 0600018 | BALL BEARING |
| 4 | 2 | 2 | 7190022 | CIRCLIP - INTERNAL |
| 5 | 2 | 2 | 0901121 | GREASE NIPPLE - STRAIGHT |
| 6 | 2 | 2 | 0901125 | GREASE NIPPLE - 45° |
| 7 | 5 | 5 | 9200025 | BOLT |
| 8 | 1 | 1 | 9200023 | BOLT |
| 9 | 6 | 6 | 9100024 | SELF-LOCKING FLANGE NUT |
| 10 | 1 | 1 | 7190444 | COVER PLATE |
| 11 | 4 | 4 | 9100205 | SPRING WASHER |
| 12 | 4 | 4 | 9313045 | SETSCREW |
| 13 | 20 | 24 | 05.775.10 | BOLT - SPECIAL |
| 14 | 20 | 24 | 9100207 | SPRING WASHER |
| 15 | 40 | 48 | 05.281.04 | FLAT WASHER |
| 16 | 20 | 24 | 02.807.01 | SPACER |
| 17 | 20 | 24 | 05.895.01 | SHACKLE |
| 18 | 40 | 48 | 7190166 | GRASS FLAIL |
| 19 | 20 | 24 | 05.968.06 | SELF LOCKING NUT - THIN |
| 20 | 3 | 3 | 7191098 | * SHIM - 1.5mm |
| 21 | 3 | 3 | 7191099 | * SHIM - 2.5mm |
| 22 | 5 | 5 | 8121043 | * SHIM - 0.4mm |
| 23 | 5 | 5 | 8121044 | * SHIM - 0.6mm |

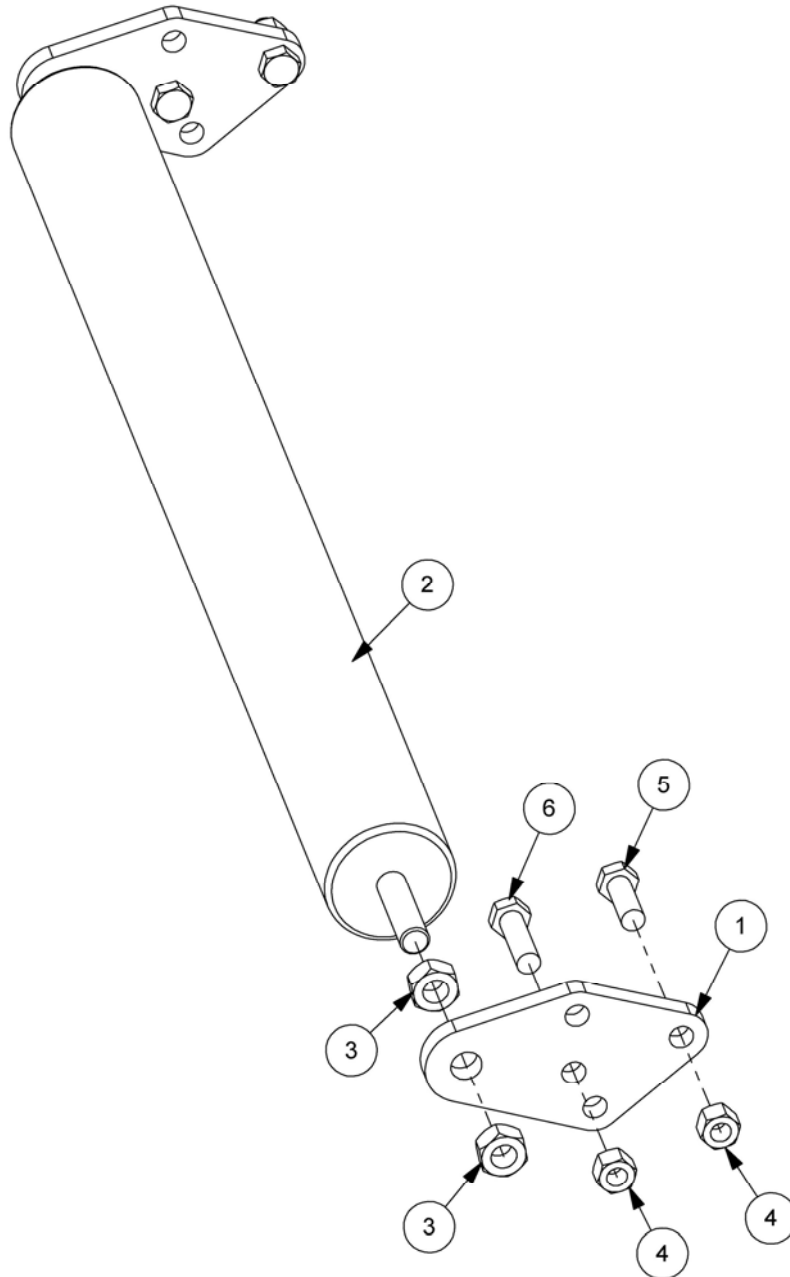
* *Fit as required*

ROLLER ASSEMBLIES

Modules:

21960.01 – 1.0M Roller

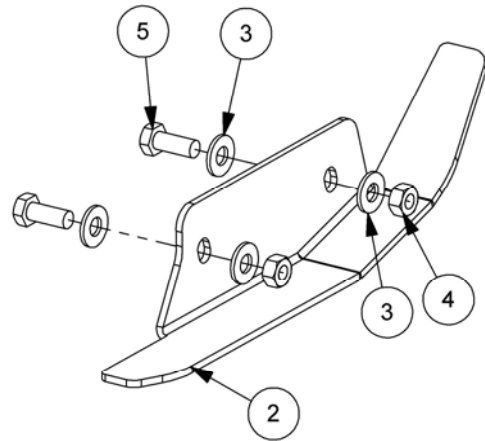
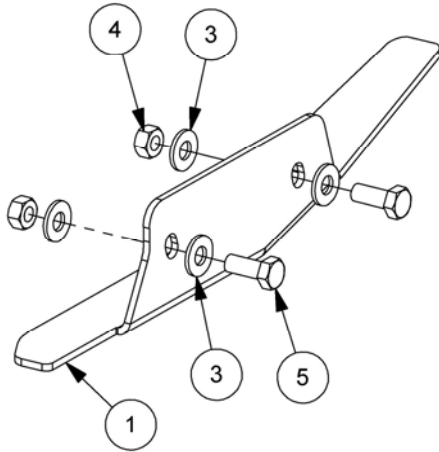
21960.02 – 1.2M Roller



| REF. | QTY. | PART No. | DESCRIPTION |
|------|------|-----------------|-----------------------------|
| | | 21960.01 | 1.0M ROLLER ASSEMBLY |
| | | 21960.02 | 1.2M ROLLER ASSEMBLY |
| 1 | 2 | 21967.01 | ROLLER BRACKET |
| 2 | 1 | 41301.02 | ROLLER - 1.0M Build |
| | 1 | 41301.03 | ROLLER - 1.2M Build |
| 3 | 4 | 9113008 | NUT |
| 4 | 4 | 9143007 | SELF-LOCKING NUT |
| 5 | 2 | 9313097 | SETSCREW |
| 6 | 2 | 9313117 | SETSCREW |

SKID KIT (Optional Extra)

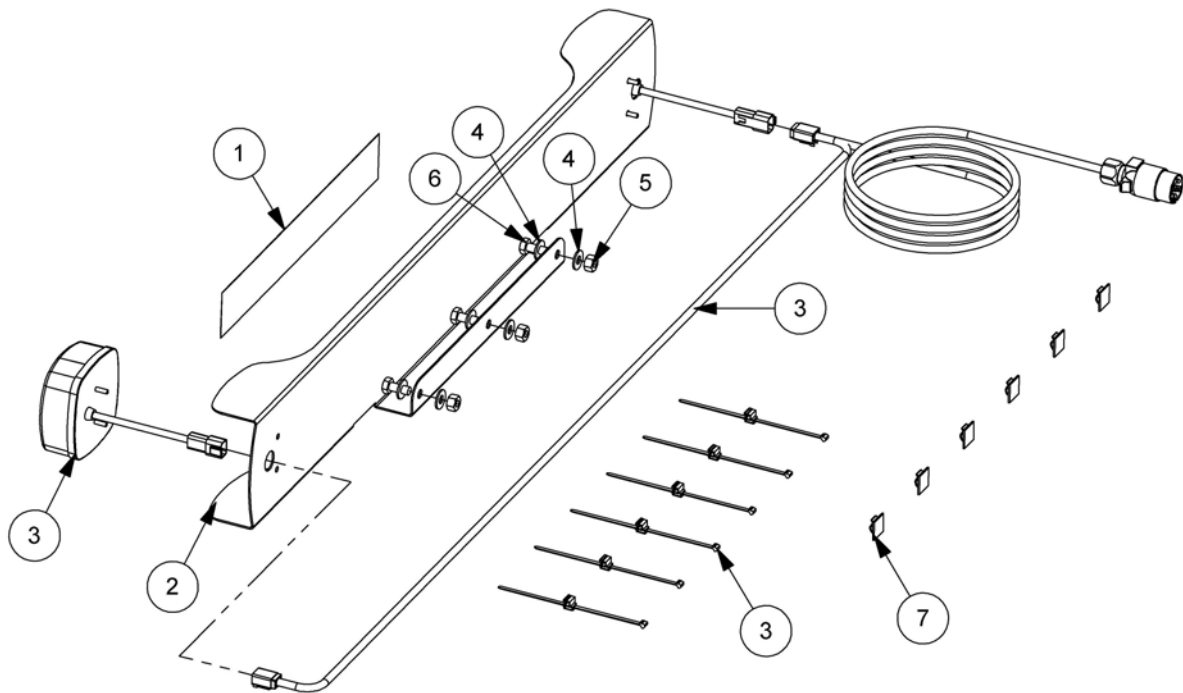
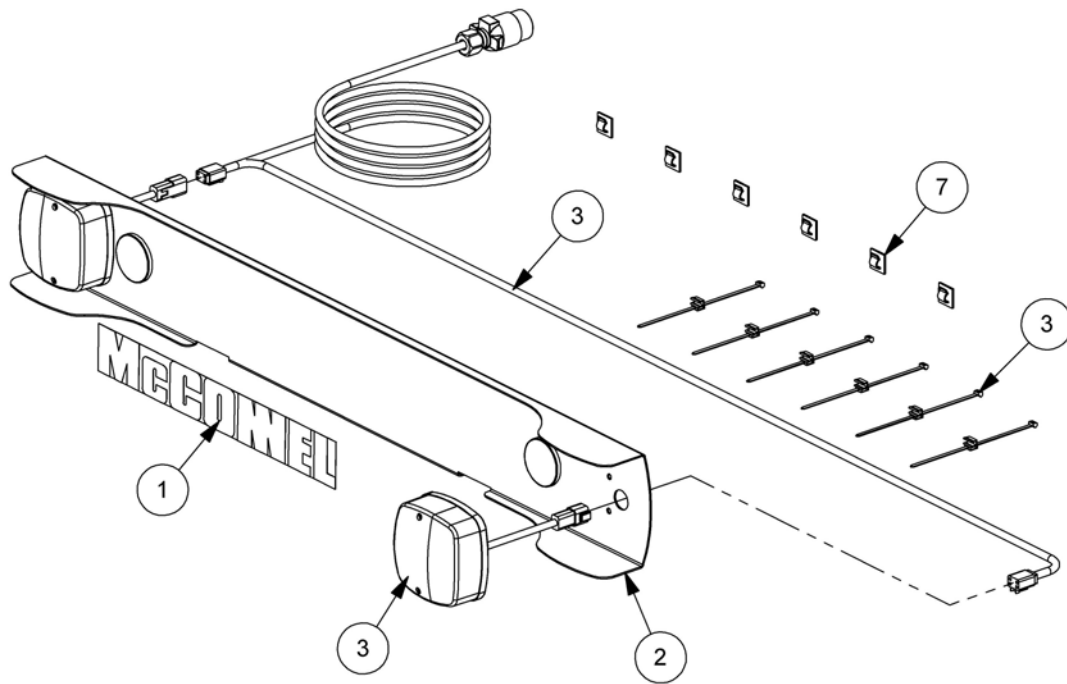
Module:
7146751



| REF. | QTY. | PART No. | DESCRIPTION |
|------|------|----------------|----------------------------------|
| | | 7146751 | SKID KIT (Optional Extra) |
| 1 | 1 | 22069.01 | SKID - L/H |
| 2 | 1 | 22069.02 | SKID - R/H |
| 3 | 8 | 9100106 | FLAT WASHER |
| 4 | 4 | 9143006 | SELF-LOCKING NUT |
| 5 | 4 | 9313066 | SETSCREW |

LIGHTING KIT

Module:
7146750



**LIGHTING KIT**

| REF. | QTY. | PART No. | DESCRIPTION |
|------|------|----------------|--------------------------|
| | | 7146750 | LIGHTING KIT |
| 1 | 1 | 1290255 | DECAL - McCONNEL |
| 2 | 1 | 45828.02 | LIGHT BAR |
| 3 | 1 | 45900.02 | LIGHTING KIT |
| 4 | 6 | 9100105 | FLAT WASHER |
| 5 | 3 | 9143005 | SELF-LOCKING NUT |
| 6 | 3 | 9313055 | SETSCREW |
| 7 | 6 | 43357.01 | CLIP - SELF ADHESIVE PAD |

MACHINE DECAL KITS

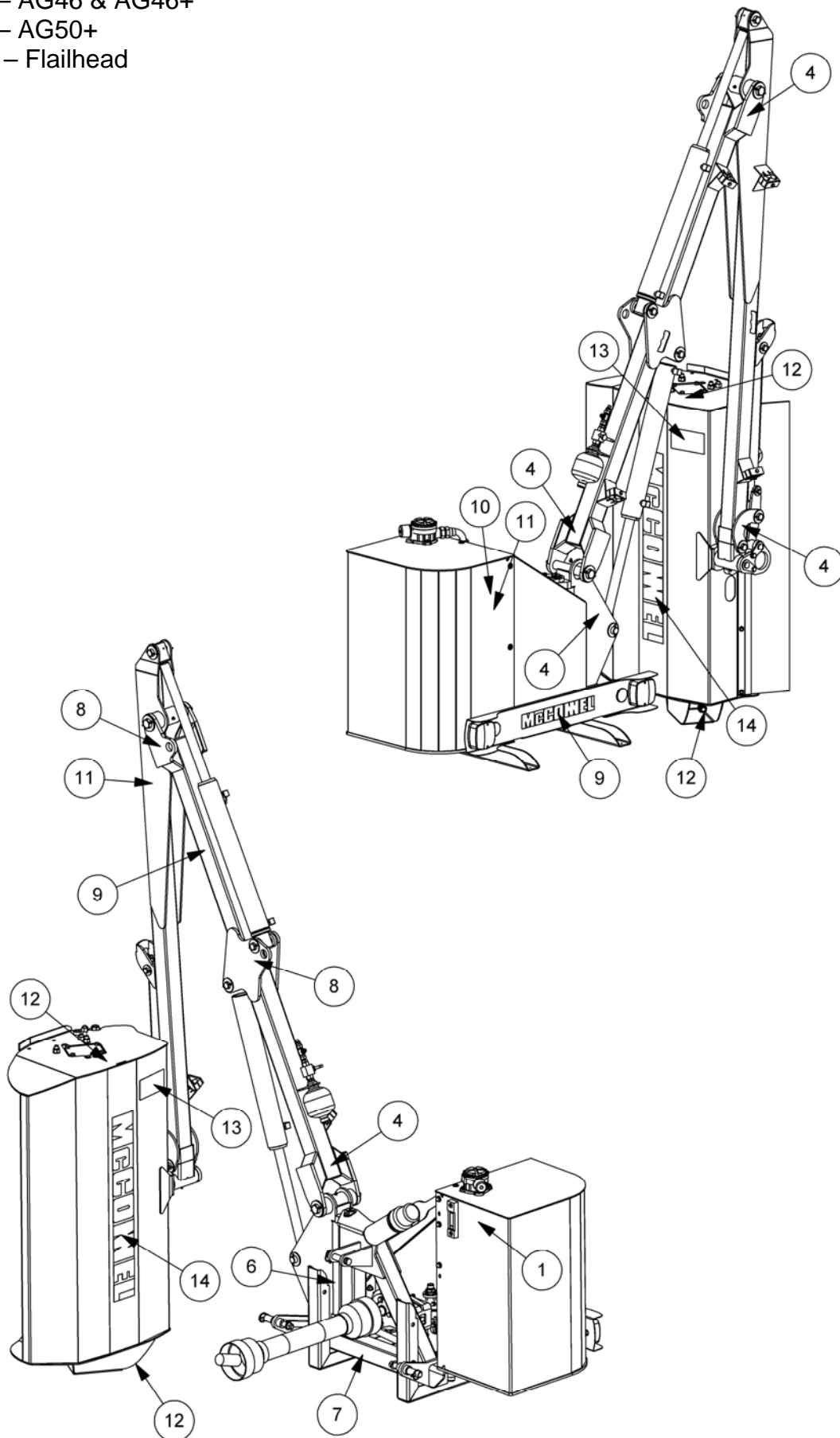
Modules:

7146776 – AG46 & AG46+

7146778 – AG50+

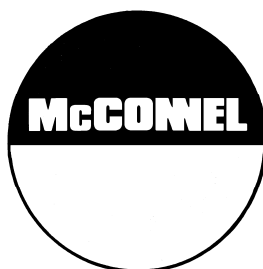
21978.01 – Flailhead

AG50+ Model illustrated



**MACHINE DECAL KITS**

| REF. | QTY. | PART No. | DESCRIPTION |
|------|------|-----------------|------------------------------------|
| | | 7146776 | DECAL KIT - AG46 |
| | | 7146777 | DECAL KIT - AG46+ |
| | | 7146778 | DECAL KIT - AG50+ |
| 1 | 1 | 09.821.35 | DECAL - COMBINED EURO |
| 2 | 1 | 1290352 | DECAL - CAB (ENGLISH / FRENCH) |
| 3 | 1 | 09.821.20 | DECAL - SHAFT ENTANGLEMENT WARNING |
| 4 | 2 | 02962764 | DECAL - SPECIFIC PINCH POINT |
| 5 | 1 | 1290571 | DECAL - QUEENS AWARD |
| 6 | 1 | 09.811.03 | DECAL - 500RPM PTO SPEED |
| 7 | 1 | 7135295 | DECAL - TIGHTEN CHECK CHAINS |
| 8 | 2 | 1290074 | DECAL - SLING HERE |
| 9 | 2 | 1290255 | DECAL - McCONNEL |
| 10 | 1 | 1290365 | DECAL - TANK |
| 11 | 2 | 1290710 | DECAL - AG46 |
| | 2 | 1290716 | DECAL - AG46+ |
| | 2 | 1290711 | DECAL - AG50+ |
| | | 21978.01 | DECAL KIT - FLAILHEAD |
| 12 | 2 | 09.810.01 | DECAL - GREASE POINT (8 HOURS) |
| 13 | 1 | 09.821.35 | DECAL - COMBINED EURO |
| 14 | 1 | 1290527 | DECAL - McCONNEL |



McConnel Limited, Temeside Works, Ludlow, Shropshire SY8 1JL. England.
Telephone: 01584 873131. Facsimile: 01584 876463. www.mcconnel.com