

BARRIER MOWER Parts Manual

Machines up to 12/12
(To Serial No. AE-RT0041)

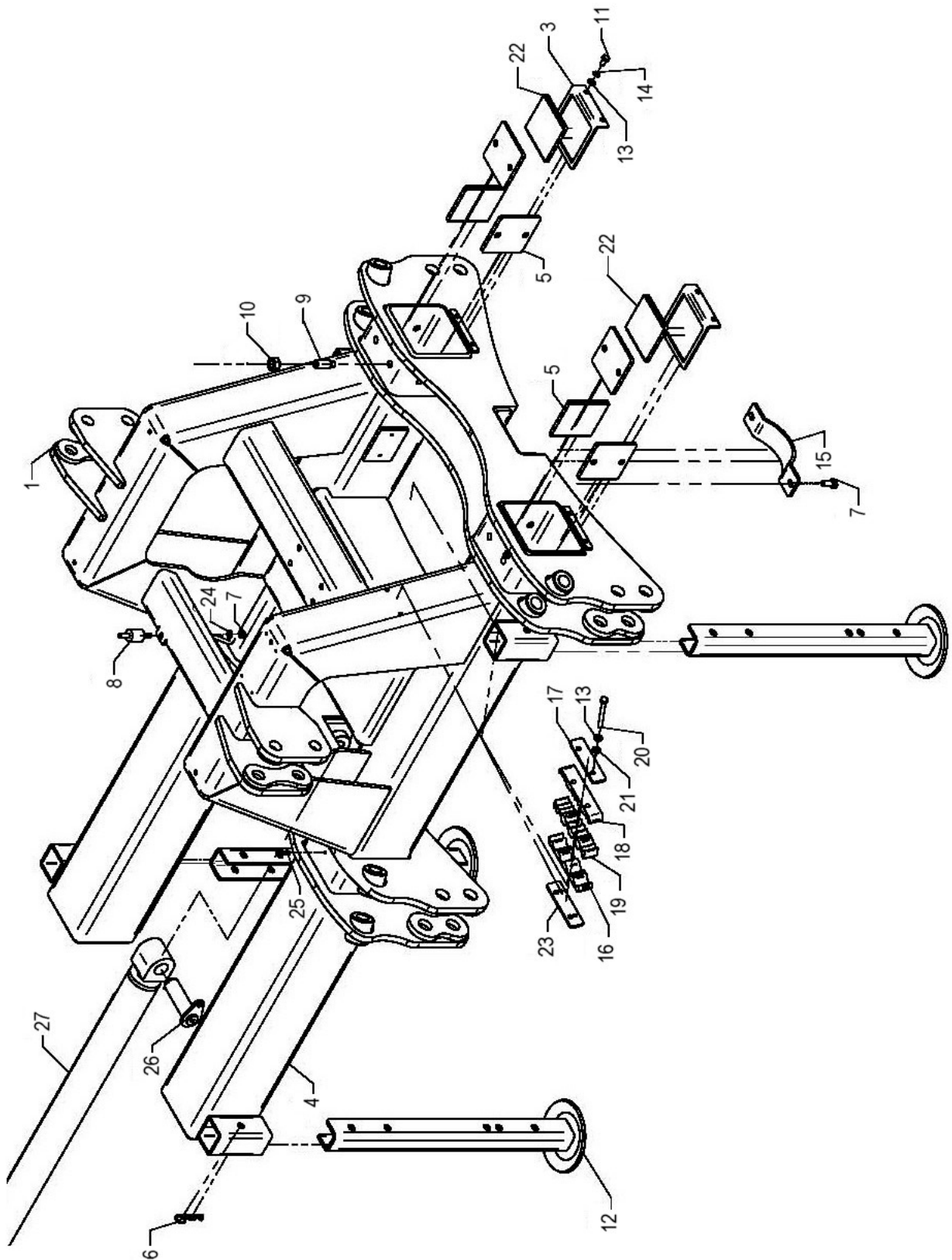
CONTENTS

| | |
|----------------------------|----|
| Main Chassis Assembly | 2 |
| Slide Chassis Assembly | 4 |
| Tank Assembly | 8 |
| Control Valve Assembly | 10 |
| Arm Connection Assembly | 12 |
| Arm Set Assembly | 14 |
| Inner Arm Assembly | 16 |
| Lower Inner Arm Assembly | 18 |
| Outer Arm Assembly | 20 |
| Lower Outer Arm Assembly | 22 |
| Right Rotor Assembly | 24 |
| Left Rotor Assembly | 26 |
| Cooler Cover Assembly | 28 |
| Guarding Assembly | 30 |
| Gearbox & Pump Assembly | 32 |
| Hydraulic Intake Circuit | 34 |
| Hydraulic Delivery Circuit | 36 |
| Hydraulic Ram Circuit | 38 |
| Motor Circuit | 40 |
| Hydraulic Rams Assembly | 42 |
| Switchbox Assembly | 44 |
| Electrical Box Assembly | 46 |
| Hydraulic Ram Assemblies | 48 |
| Hydraulic Motor Assembly | 54 |
| Decal Kit | 55 |

MAIN CHASSIS ASSEMBLY

Module(s): 7315701

McCONEL



MAIN CHASSIS ASSEMBLY**McCONNEL**

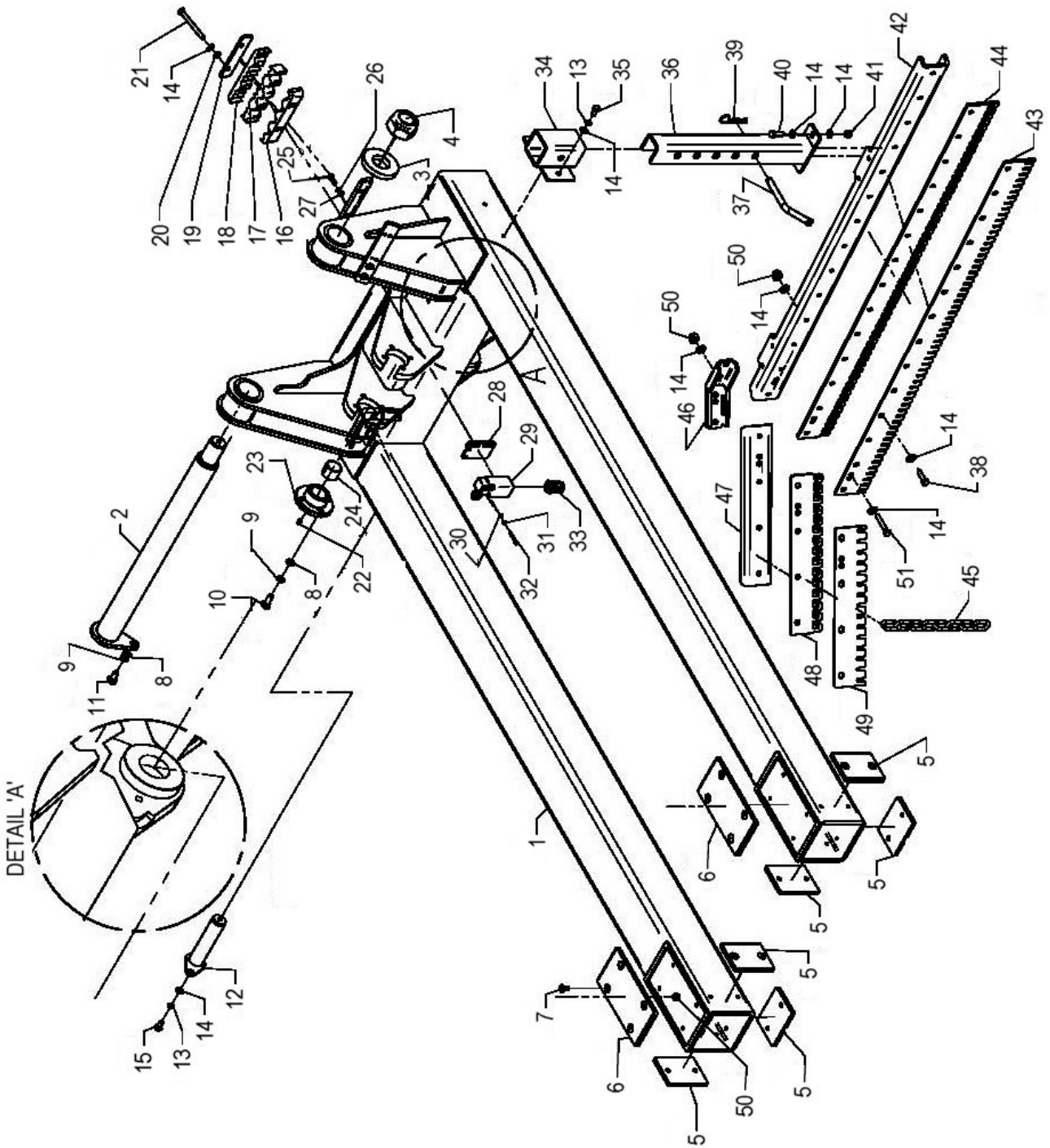
Module(s): 7315701

| REF. | QTY. | PART No. | DESCRIPTION |
|-------------|-------------|-----------------|------------------------------|
| | | 7315701 | MAIN CHASSIS ASSEMBLY |
| 1 | 1 | 7315543 | MAIN CHASSIS FRAME |
| 2 | 1 | 7315544 | BOLT |
| 3 | 1 | 7315545 | PLATE |
| 4 | 1 | 7315546 | PIN |
| 5 | 1 | 7315547 | PLATE |
| 6 | 1 | 7315548 | R-CLIP |
| 7 | 1 | 7315750 | FLANGED HEAD SCREW |
| 8 | 1 | 7315550 | ANTI-VIBRATION BLOCK |
| 9 | 1 | 7315551 | SCREW |
| 10 | 1 | 9113007 | NUT |
| 11 | 1 | 7315552 | BOLT |
| 12 | 1 | 7315553 | SUPPORT LEG |
| 13 | 1 | 9100104 | WASHER |
| 14 | 1 | 9100204 | SPRING WASHER |
| 15 | 1 | 7315554 | CLAMP |
| 16 | 1 | 7315555 | CLAMP |
| 17 | 1 | 7315556 | CLAMP SUPPORT |
| 18 | 1 | 7315557 | CLAMP |
| 19 | 1 | 7315558 | CLAMP |
| 20 | 2 | 9213164 | BOLT |
| 21 | 2 | 7315559 | WASHER |
| 22 | 2 | 7315560 | PLATE |
| 23 | 1 | 7315749 | CLAMP PLATE |
| 24 | 1 | 7315561 | WIDE WASHER |
| 25 | 8 | 0901161 | GREASE NIPPLE |
| 26 | 2 | 7315562 | PIVOT PIN |
| 27 | 1 | 7315563 | HYDRAULIC RAM |

SLIDE CHASSIS ASSEMBLY

McCONEL

Module(s): 7315702



SLIDE CHASSIS ASSEMBLY

McCONNEL

Module(s): 7315702

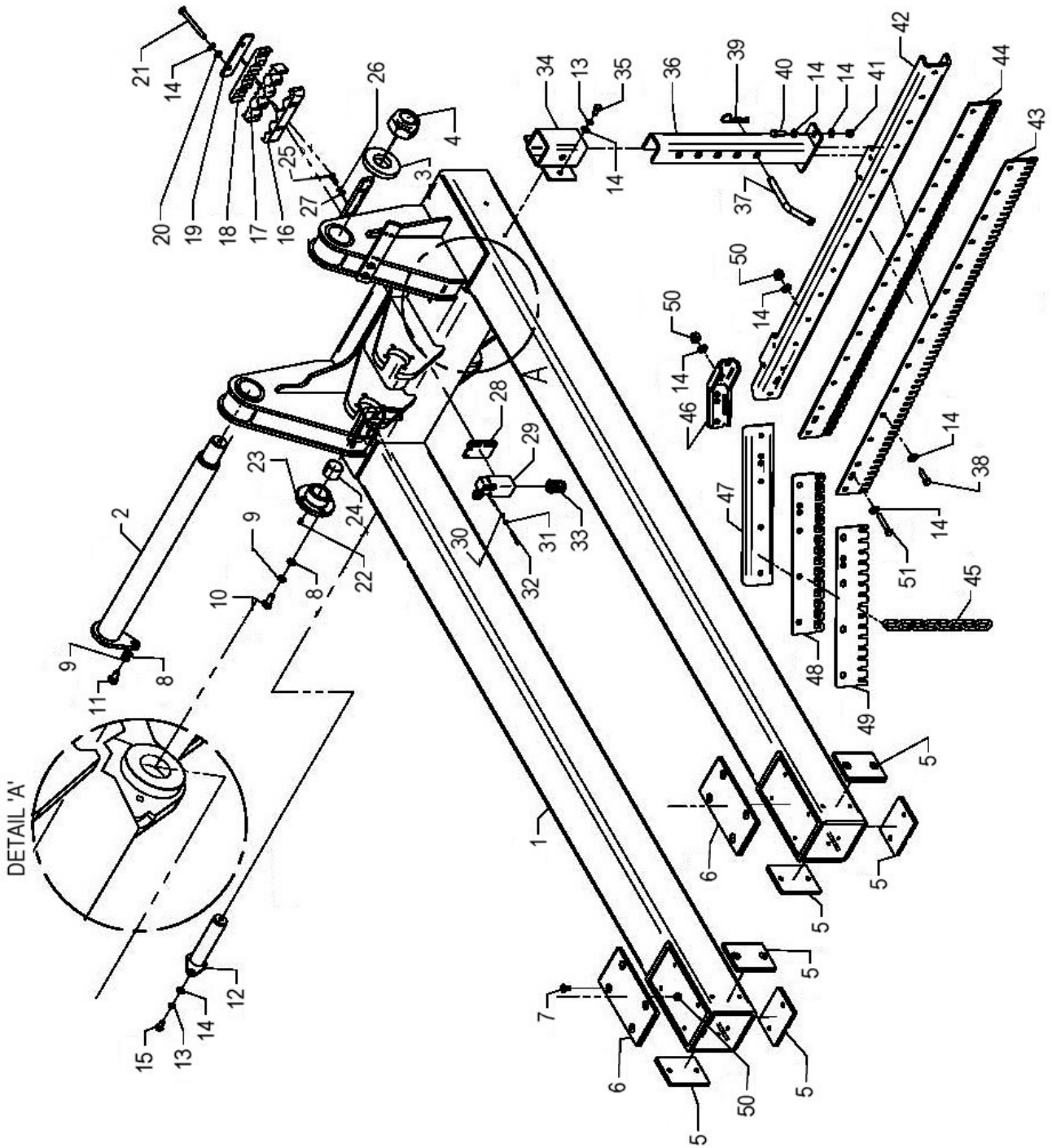
| REF. | QTY. | PART No. | DESCRIPTION |
|------|------|----------------|-------------------------------|
| | | 7315702 | SLIDE CHASSIS ASSEMBLY |
| 1 | 1 | 7315564 | SLIDE CHASSIS FRAME |
| 2 | 1 | 7315565 | PIVOT PIN |
| 3 | 1 | 7315566 | WASHER |
| 4 | 1 | 7315567 | LOCKNUT |
| 5 | 6 | 7315568 | REAR PLATE |
| 6 | 2 | 7315569 | UPPER PLATE |
| 7 | 20 | 9343044 | CAPSCREW |
| 8 | 9 | 9100105 | WASHER |
| 9 | 9 | 9100205 | SPRING WASHER |
| 10 | 8 | 4000210 | BOLT |
| 11 | 1 | 4000038 | BOLT |
| 12 | 1 | 7315570 | PIVOT PIN |
| 13 | 5 | 9100204 | SPRING WASHER |
| 14 | 65 | 9100104 | WASHER |
| 15 | 1 | 9313034 | BOLT |
| 16 | 2 | 7315555 | CLAMP |
| 17 | 2 | 7315558 | CLAMP |
| 18 | 2 | 7315557 | CLAMP |
| 19 | 2 | 7315556 | CLAMP SUPPORT |
| 20 | 4 | 7315559 | WASHER |
| 21 | 4 | 9213164 | BOLT |
| 22 | 2 | 0901161 | GREASE NIPPLE |
| 23 | 2 | 7315571 | STEEL BUSH |
| 24 | 2 | 7315572 | BEARING |
| 25 | 2 | 7315573 | BOLT |
| 26 | 2 | 9100203 | SPRING WASHER |
| 27 | 2 | 9100103 | WASHER |
| 28 | 1 | 7315574 | SUPPORT |
| 29 | 1 | 7315575 | SWITCH |
| 30 | 2 | 9100101 | WASHER |
| 31 | 2 | 4000113 | SPRING WASHER |
| 32 | 2 | 9343201 | CAPSCREW |
| 33 | 1 | 7315576 | CABLE GLAND |
| 34 | 2 | 7315577 | SUPPORT BRACKET |
| 35 | 4 | 7315552 | BOLT |
| 36 | 2 | 7315578 | SUPPORT LEG |
| 37 | 2 | 1090051 | LEG PIN |
| 38 | 20 | 9213064 | BOLT |
| 39 | 2 | 7315548 | R-CLIP |
| 40 | 4 | 7315579 | BOLT |
| 41 | 28 | 7315549 | BOLT |

...Continued

SLIDE CHASSIS ASSEMBLY (Continued)

McCONEL

Module(s): 7315702



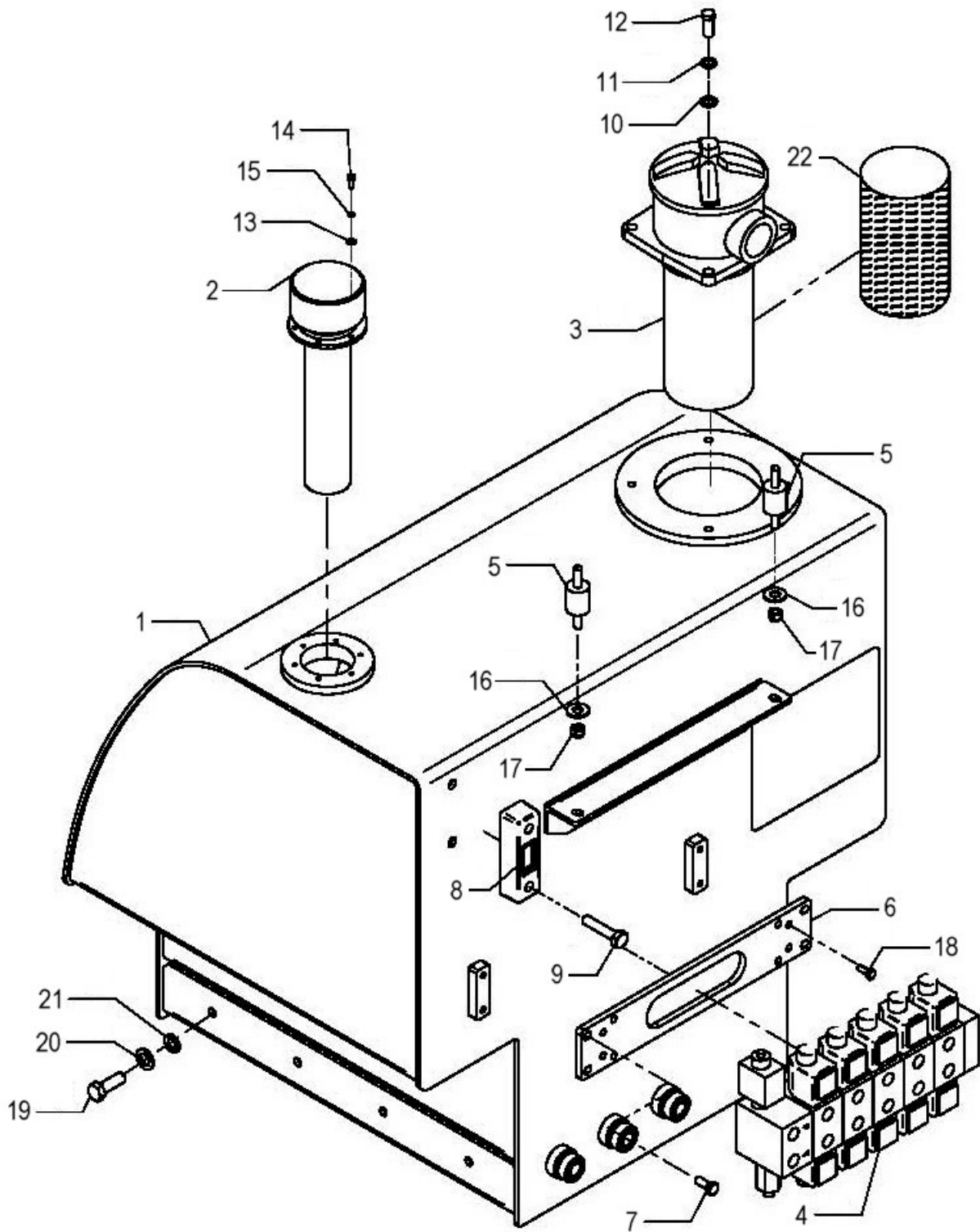
Module(s): 7315702

| REF. | QTY. | PART No. | DESCRIPTION |
|-------------|-------------|-----------------|---|
| | | 7315702 | SLIDE CHASSIS ASSEMBLY (Continued) |
| 42 | 1 | 7315580 | CHAIN SUPPORT - LONG |
| 43 | 1 | 7315581 | CHAIN SUPPORT - OUTER |
| 44 | 1 | 7315582 | CHAIN SUPPORT - INNER |
| 45 | 73 | 7315583 | CHAIN SET (SINGLE) |
| 46 | 1 | 7315584 | ANGLED BRACKET |
| 47 | 1 | 7315585 | CHAIN SUPPORT - SHORT |
| 48 | 1 | 7315586 | CHAIN SUPPORT OUTER |
| 49 | 1 | 7315587 | CHAIN SUPPORT - INNER |
| 50 | 44 | 9163004 | NYLOC NUT |
| 51 | 4 | 9213114 | BOLT |

TANK ASSEMBLY

Module(s): 7315703

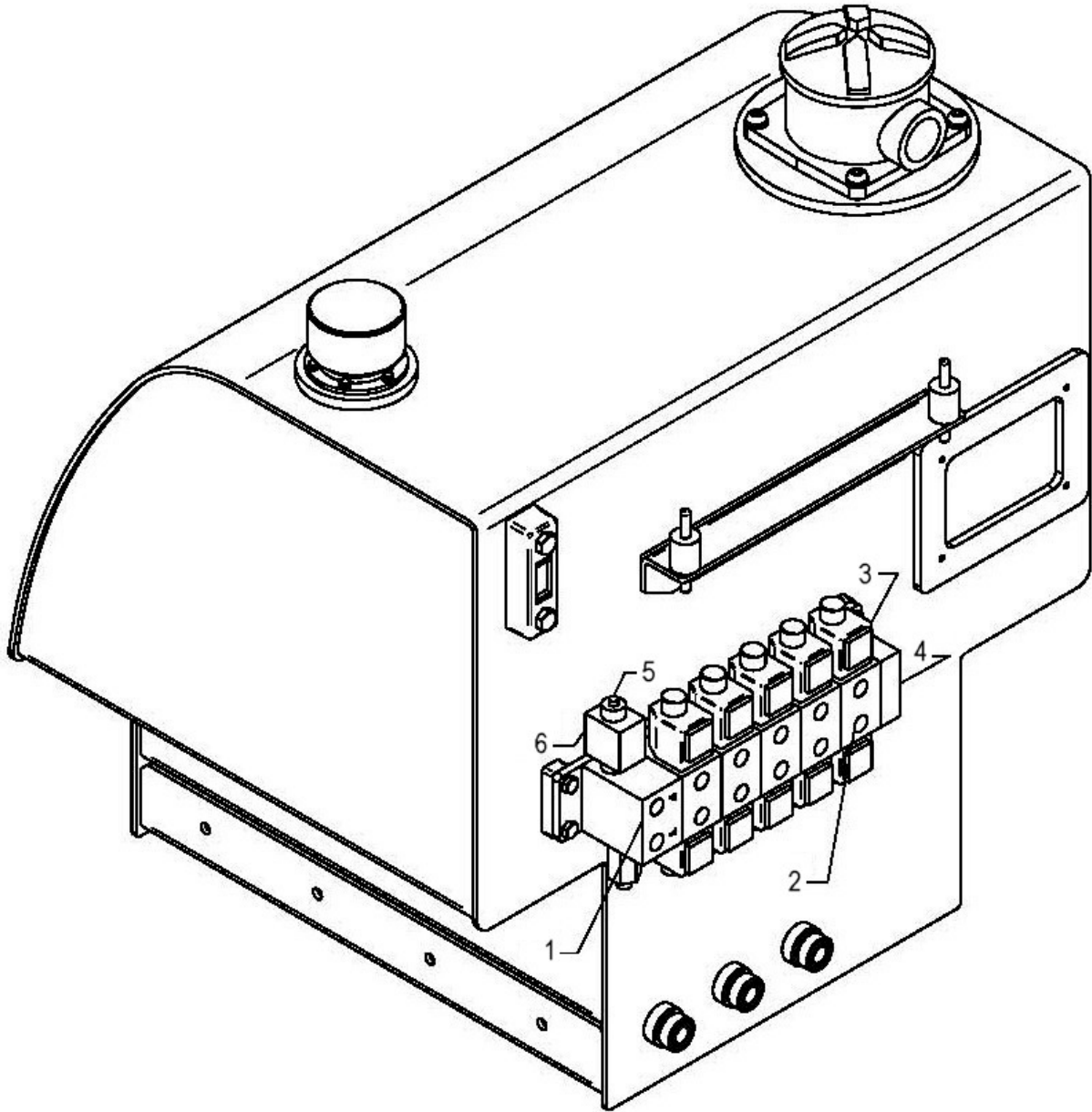
McCONNEL



TANK ASSEMBLY**McCONNEL**

Module(s): 7315703

| REF. | QTY. | PART No. | DESCRIPTION |
|-------------|-------------|-----------------|----------------------|
| | | 7315703 | TANK ASSEMBLY |
| 1 | 1 | 7315588 | HYDRAULIC OIL TANK |
| 2 | 1 | 7315589 | OIL FILLER CAP |
| 3 | 1 | 7315590 | FILTER |
| 4 | 1 | 7315591 | CONTROL VALVE |
| 5 | 2 | 7315550 | ANTI-VIBRATION BLOCK |
| 6 | 1 | 7315592 | SUPPORT BRACKET |
| 7 | 4 | 7315544 | BOLT |
| 8 | 1 | 7315593 | OIL LEVEL GAUGE |
| 9 | 2 | 7315594 | BOLT |
| 10 | 4 | 9100105 | WASHER |
| 11 | 4 | 9100205 | SPRING WASHER |
| 12 | 4 | 9213055 | BOLT |
| 13 | 6 | 9100101 | WASHER |
| 14 | 6 | 7315595 | BOLT |
| 15 | 6 | 4000113 | SPRING WASHER |
| 16 | 2 | 9100104 | WASHER |
| 17 | 2 | 9163004 | NYLOC NUT |
| 18 | 4 | 9313043 | BOLT |
| 19 | 4 | 9313076 | BOLT |
| 20 | 4 | 9100106 | WASHER |
| 21 | 4 | 9100206 | SPRING WASHER |
| 22 | 1 | 7315536 | FILTER CARTRIDGE |



CONTROL VALVE ASSEMBLY**McCONNEL**

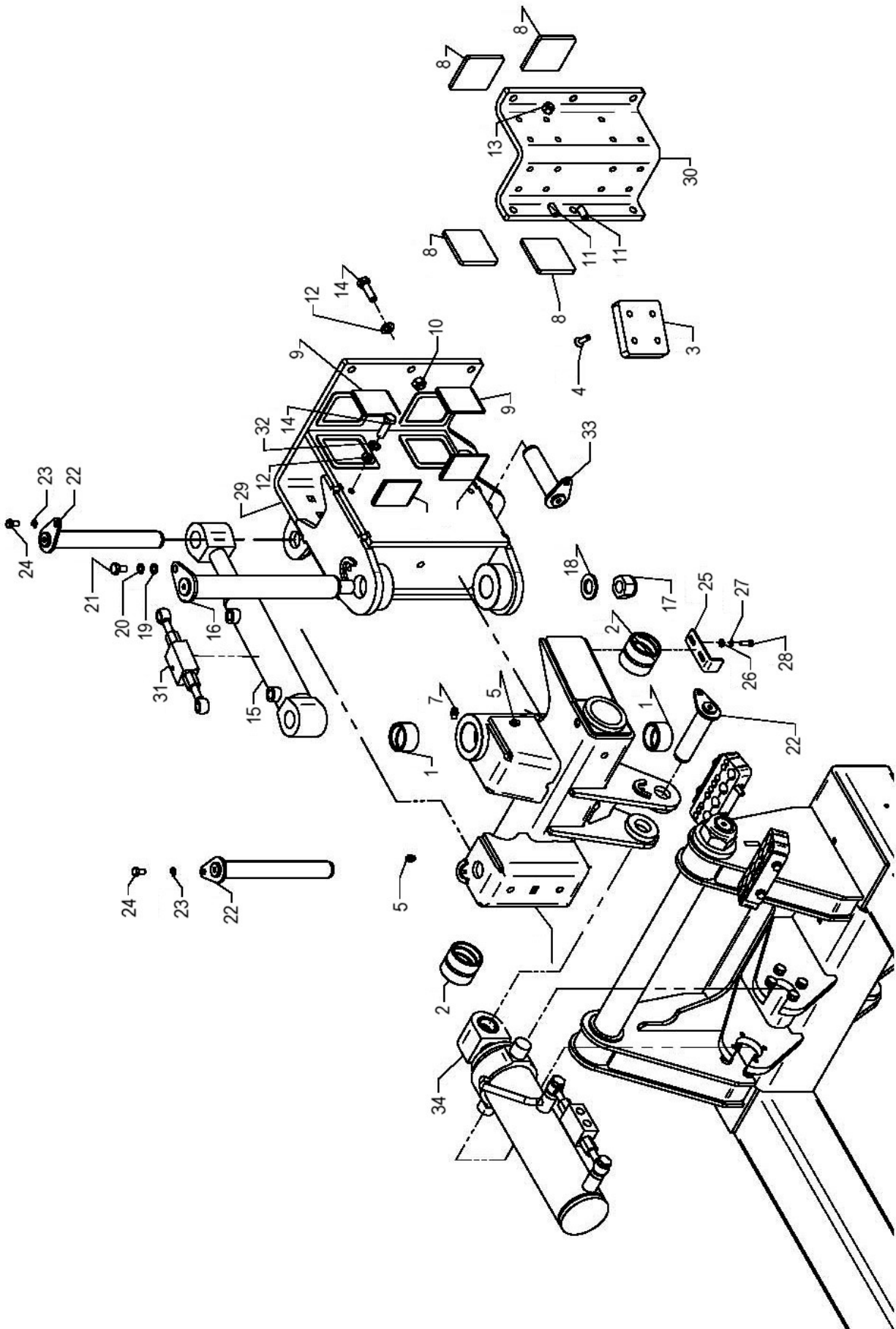
Module(s): 7315704

| REF. | QTY. | PART No. | DESCRIPTION |
|-------------|-------------|-----------------|-------------------------------|
| | | 7315704 | CONTROL VALVE ASSEMBLY |
| 1 | 1 | 7315596 | INLET PLATE |
| 2 | 5 | 7315597 | BANKABLE VALVE |
| 3 | 10 | 7315598 | SOLENOID |
| 4 | 1 | 7315599 | OUTLET PLATE |
| 5 | 1 | 7315600 | 2 WAY PILOTED VALVE |
| 6 | 1 | 7315601 | COIL PILOTED SOLENOID |

ARM CONNECTION ASSEMBLY

McCONEL

Module(s): 7315705



ARM CONNECTION ASSEMBLY

McCONNEL

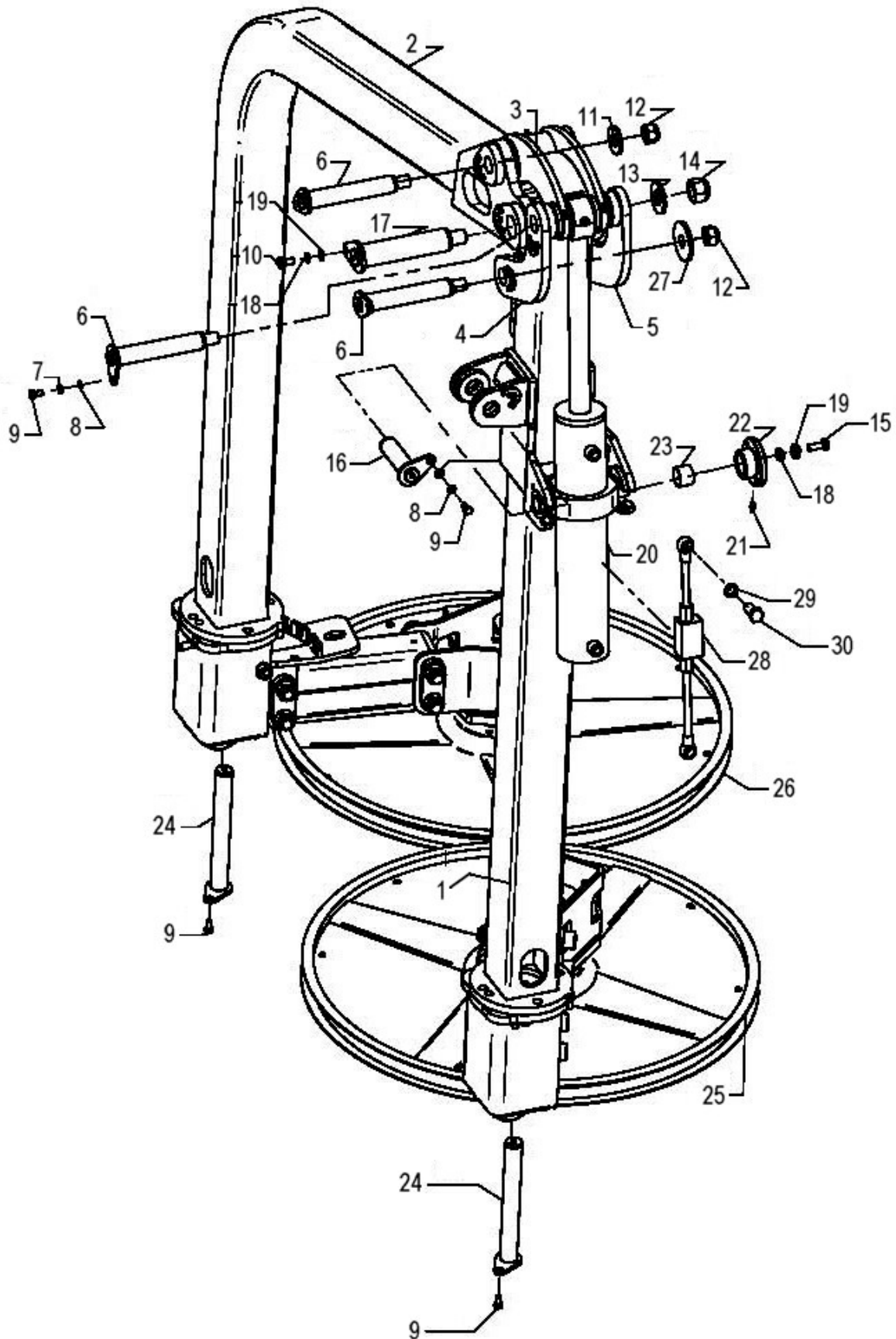
Module(s): 7315705

| REF. | QTY. | PART No. | DESCRIPTION |
|------|------|----------------|--------------------------------|
| | | 7315705 | ARM CONNECTION ASSEMBLY |
| 1 | 2 | 7315602 | STEEL BUSH |
| 2 | 2 | 7315603 | STEEL BUSH |
| 3 | 1 | 7315604 | PLATE |
| 4 | 4 | 9343064 | CAPSCREW |
| 5 | 2 | 4000224 | GREASE NIPPLE |
| 6 | 1 | 7315605 | CHASSIS |
| 7 | 1 | 7315606 | GREASE NIPPLE |
| 8 | 4 | 7315607 | PLATE |
| 9 | 4 | 7315608 | PLATE |
| 10 | 3 | 7315609 | LOCKNUT |
| 11 | 16 | 7315610 | SETSCREW |
| 12 | 22 | 9100106 | WASHER |
| 13 | 16 | 9163006 | NYLOC NUT |
| 14 | 6 | 7315611 | BOLT |
| 15 | 1 | 7315612 | HYDRAULIC RAM |
| 16 | 1 | 7315613 | PIVOT PIN |
| 17 | 1 | 7315614 | LOCKNUT |
| 18 | 1 | 9100109 | WASHER |
| 19 | 1 | 9100105 | WASHER |
| 20 | 1 | 9100205 | SPRING WASHER |
| 21 | 1 | 4000038 | BOLT |
| 22 | 3 | 7315615 | PIVOT PIN |
| 23 | 2 | 9100204 | SPRING WASHER |
| 24 | 2 | 9313034 | BOLT |
| 25 | 1 | 7315616 | SWITCH BRACKET |
| 26 | 2 | 9100103 | WASHER |
| 27 | 2 | 9100203 | SPRING WASHER |
| 28 | 2 | 7315573 | BOLT |
| 29 | 1 | 7315574 | SUPPORT |
| 30 | 1 | 7315617 | BRACKET |
| 31 | 1 | 7315618 | CHECK VALVE |
| 32 | 3 | 9100206 | SPRING WASHER |
| 33 | 1 | 7315619 | PIVOT PIN |
| 34 | 1 | 7315620 | HYDRAULIC RAM |

ARM SET ASSEMBLY

Module(s): 7315706

McCONNEL

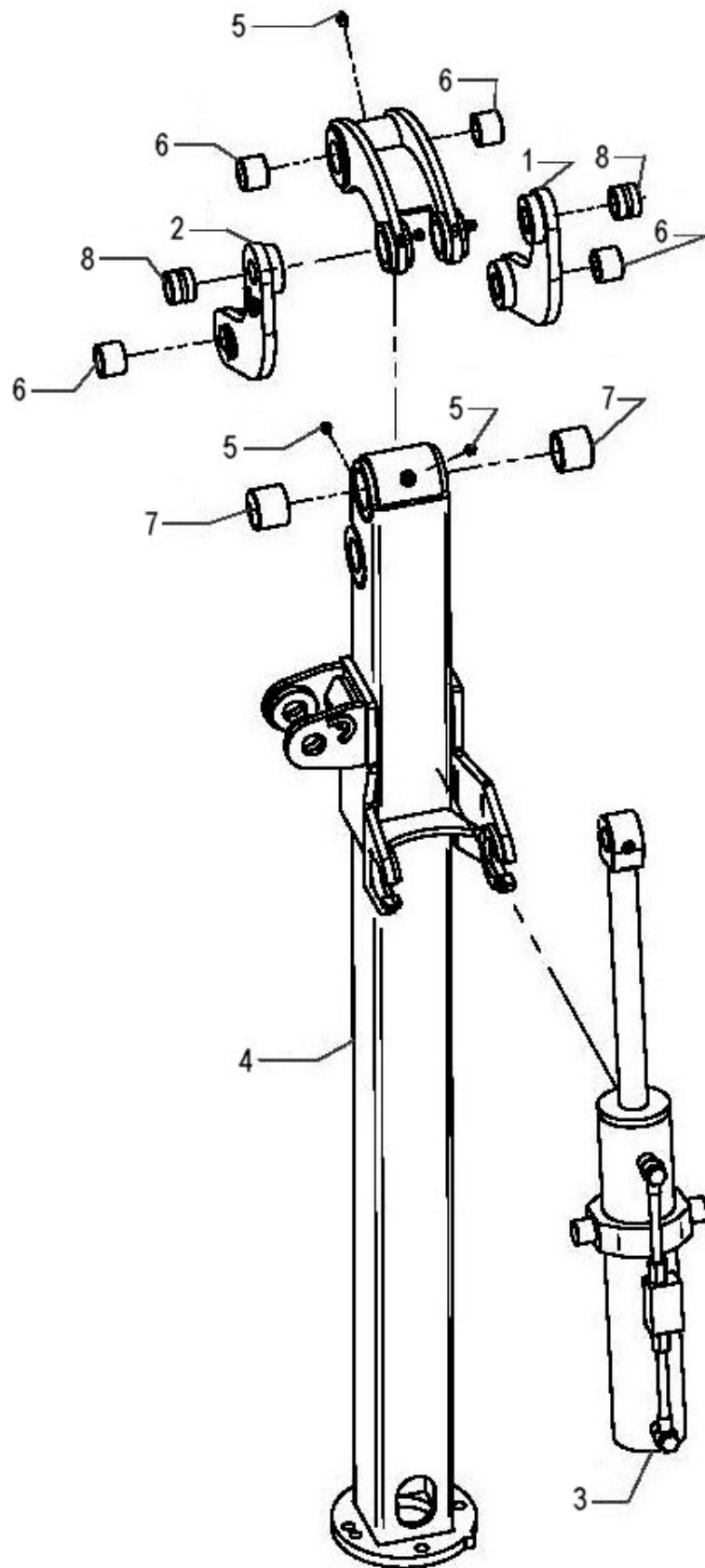


ARM SET ASSEMBLY

McCONNEL

Module(s): 7315706

| REF. | QTY. | PART No. | DESCRIPTION |
|------|------|----------------|--|
| | | 7315706 | ARM SET ASSEMBLY |
| 1 | 1 | 7315621 | INNER ARM |
| 2 | 1 | 7315622 | OUTER ARM |
| 3 | 1 | 7315623 | TIE ROD |
| 4 | 1 | 7315624 | RIGHT CONTROL LINK |
| 5 | 1 | 7315625 | LEFT CONTROL LINK |
| 6 | 3 | 7315626 | PIVOT PIN |
| 7 | 4 | 9100104 | FLAT WASHER |
| 8 | 4 | 9100204 | SPRING WASHER |
| 9 | 4 | 9313034 | BOLT |
| 10 | 1 | 4000038 | BOLT |
| 11 | 2 | 7315627 | WASHER |
| 12 | 3 | 7315628 | HEXAGON LOCKNUT |
| 13 | 1 | 7315629 | WASHER |
| 14 | 1 | 7315630 | HEXAGON LOCKNUT |
| 15 | 8 | 9313075 | BOLT |
| 16 | 1 | 7315563 | HYDRAULIC RAM |
| 17 | 1 | 7315631 | PIVOT PIN |
| 18 | 9 | 9100205 | SPRING WASHER |
| 19 | 9 | 9100105 | FLAT WASHER |
| 20 | 1 | 7315632 | HYDRAULIC RAM |
| 21 | 2 | 901161 | GREASE NIPPLE |
| 22 | 2 | 7315571 | STEEL BUSH |
| 23 | 2 | 7315572 | BEARING |
| 24 | 2 | 7315633 | PIVOT PIN |
| 25 | 1 | 7315634 | LEFT PLATE |
| 26 | 1 | 7315635 | RIGHT PLATE |
| 27 | 1 | 7315636 | WASHER |
| 28 | 1 | 7315637 | CHECK VALVE ASSEMBLY - <i>Comprising of:</i> |
| | 1 | 7315815 | CHECK VALVE |
| | 1 | 7315851 | EYE PIPE (100MM) |
| | 1 | 7315852 | EYE PIPE (200MM) |
| 29 | 4 | 7315638 | BOLT SEAL |
| 30 | 2 | 7315639 | DRILLED SCREW |



INNER ARM ASSEMBLY**McCONNEL**

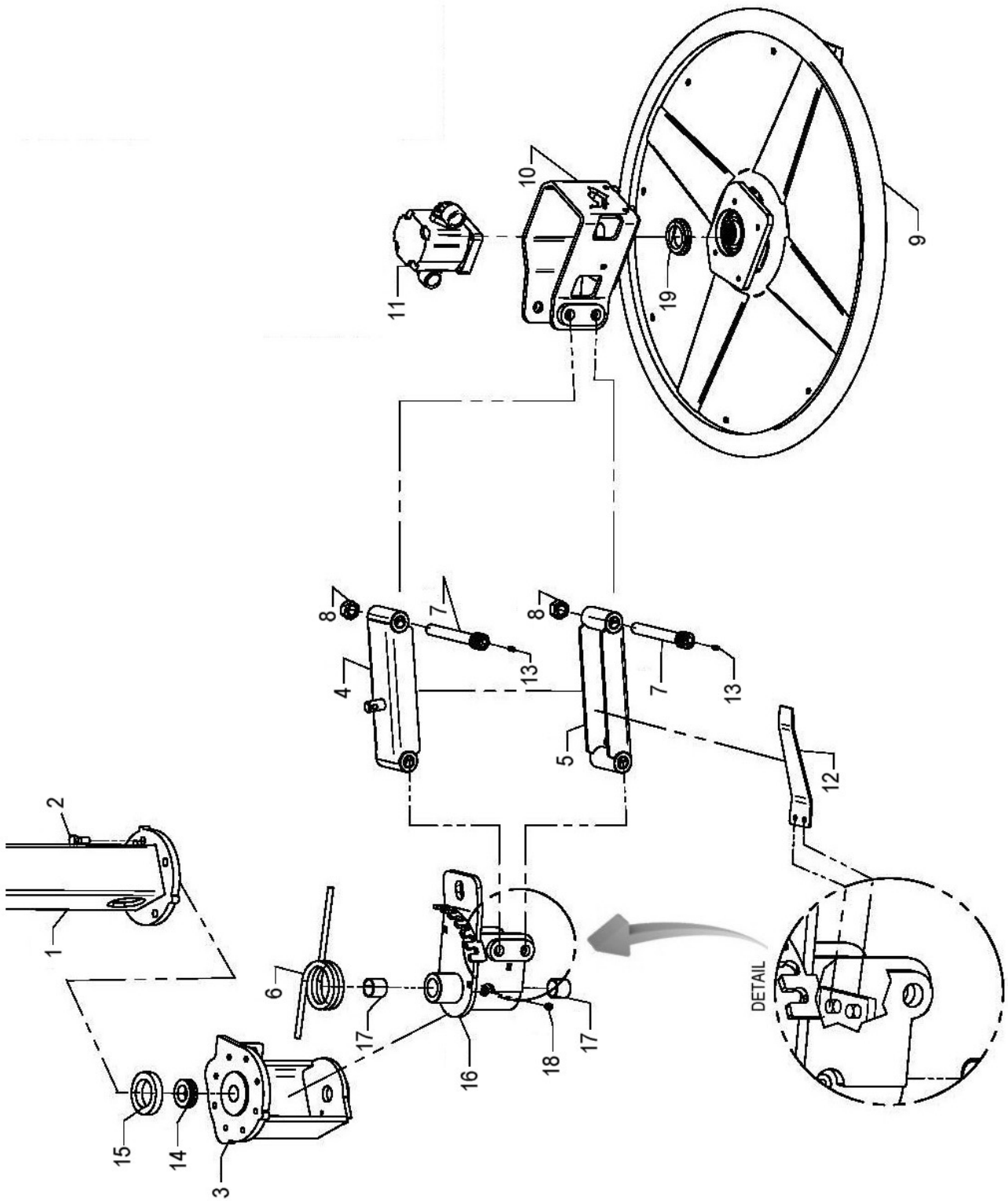
Module(s): 7315707

| REF. | QTY. | PART No. | DESCRIPTION |
|-------------|-------------|-----------------|---------------------------|
| | | 7315707 | INNER ARM ASSEMBLY |
| 1 | 1 | 7315625 | LEFT CONTROL LINK |
| 2 | 1 | 7315624 | RIGHT CONTROL LINK |
| 3 | 1 | 7315632 | HYDRAULIC RAM |
| 4 | 1 | 7315640 | ARM |
| 5 | 5 | 4000224 | GREASER |
| 6 | 4 | 7315641 | STEEL BUSH |
| 7 | 2 | 7315642 | STEEL BUSH |
| 8 | 2 | 7315643 | STEEL BUSH |

LOWER INNER ARM ASSEMBLY

McCONNEL

Module(s): 7315722



LOWER INNER ARM ASSEMBLY**McCONNEL**

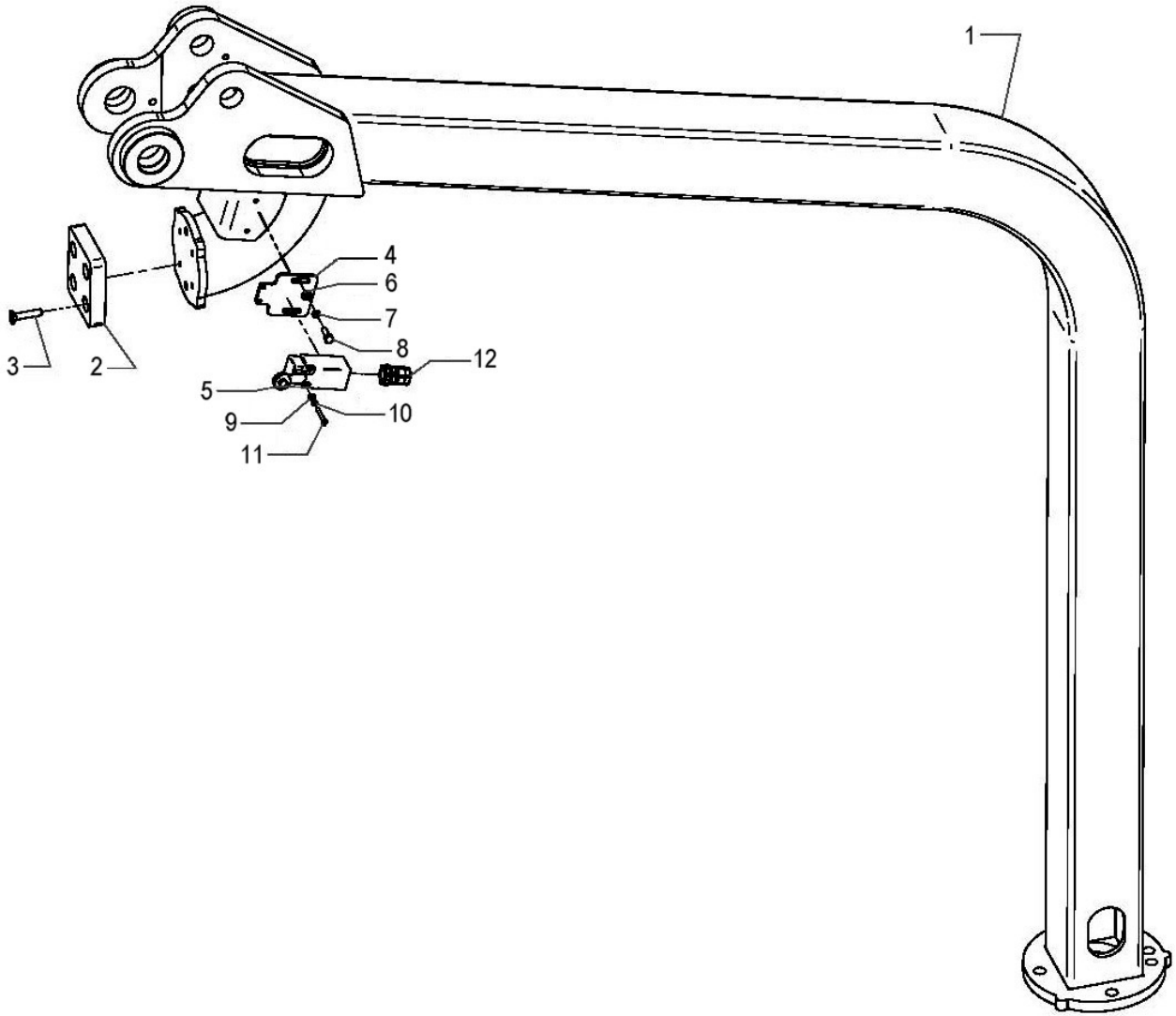
Module(s): 7315722

| REF. | QTY. | PART No. | DESCRIPTION |
|-------------|-------------|-----------------|---------------------------------|
| | | 7315722 | LOWER INNER ARM ASSEMBLY |
| 1 | 1 | 7315621 | INNER ARM |
| 2 | 1 | 7315644 | HEXAGON BOLT |
| 3 | 1 | 7315645 | LEFT DISC CONNECTION |
| 4 | 1 | 7315646 | UPPER CONNECTION COMPLETE |
| 5 | 1 | 7315647 | LOWER CONNECTION COMPLETE |
| 6 | 1 | 7315531 | LEFT PLATE SPRING |
| 7 | 4 | 7315648 | PIVOT |
| 8 | 4 | 7315649 | HEXAGON LOCKNUT |
| 9 | 1 | 7315634 | LEFT PLATE |
| 10 | 1 | 7315650 | MOTOR SUPPORT |
| 11 | 1 | 7315651 | HYDRAULIC MOTOR ASSEMBLY |
| 12 | 1 | 7315656 | SPRING |
| 13 | 4 | 0901161 | GREASE NIPPLE |
| 14 | 1 | 7315657 | BEARING |
| 15 | 1 | 7315658 | DUST SEAL |
| 16 | 1 | 7315659 | SUPPORT |
| 17 | 2 | 7315660 | BEARING |
| 18 | 1 | 4000224 | GREASER |
| 19 | 1 | 7315661 | GEAR |

OUTER ARM ASSEMBLY

McCONNEL

Module(s): 7315708



OUTER ARM ASSEMBLY**McCONNEL**

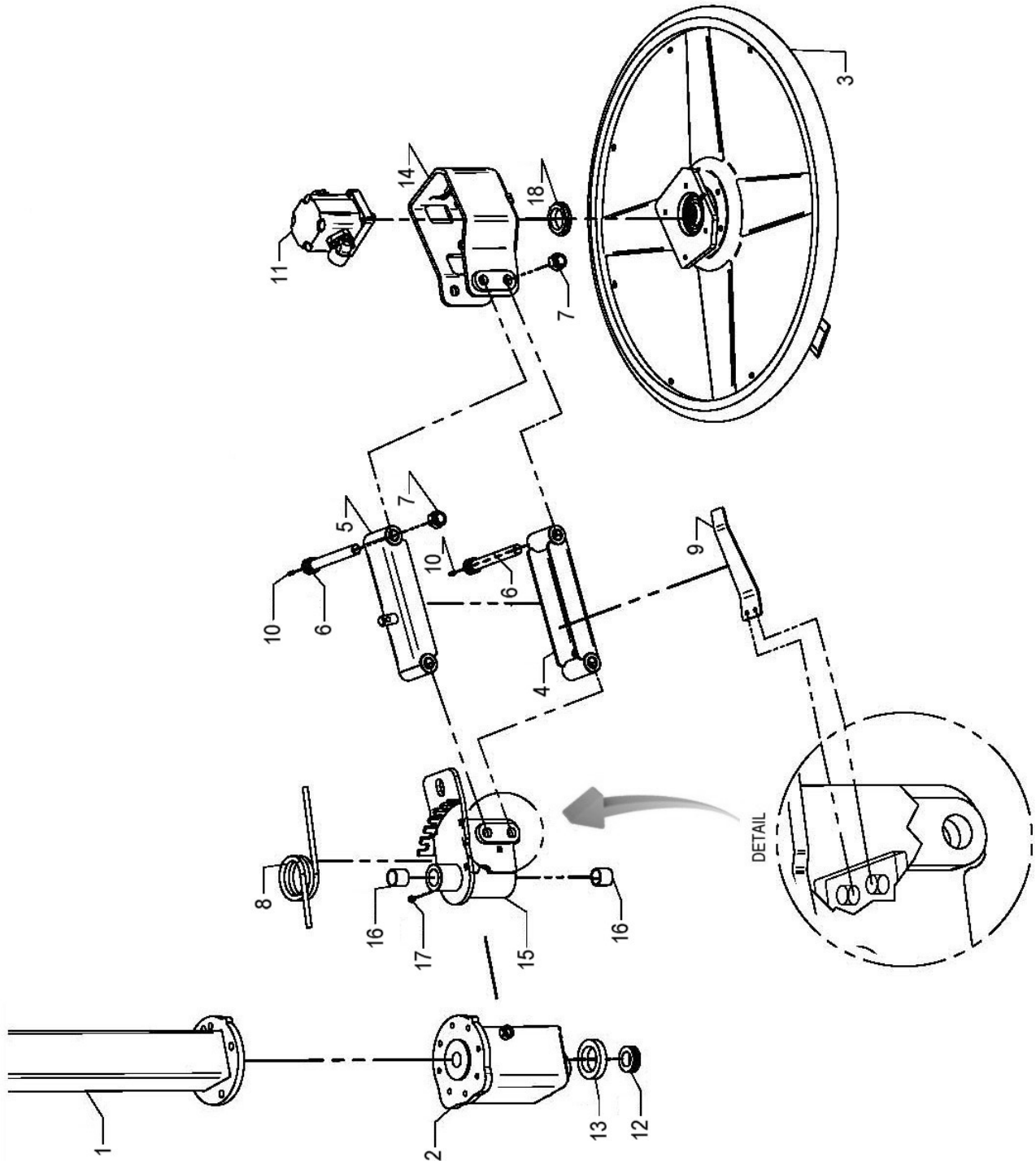
Module(s): 7315708

| REF. | QTY. | PART No. | DESCRIPTION |
|-------------|-------------|-----------------|---------------------------|
| | | 7315708 | OUTER ARM ASSEMBLY |
| 1 | 1 | 7315665 | ARM |
| 2 | 1 | 7315604 | PLATE |
| 3 | 4 | 9353084 | SCREW |
| 4 | 1 | 7315666 | RELAY SUPPORT BRACKET |
| 5 | 1 | 7315575 | SWITCH |
| 6 | 2 | 9100103 | FLAT WASHER |
| 7 | 2 | 9100203 | SPRING WASHER |
| 8 | 2 | 7315573 | HEXAGON BOLT |
| 9 | 2 | 9100101 | FLAT WASHER |
| 10 | 2 | 4000113 | SPRING WASHER |
| 11 | 2 | 9343201 | CAPSCREW |
| 12 | 1 | 7315576 | CABLE GLAND |

LOWER OUTER ARM ASSEMBLY

McCONNEL

Module(s): 7315722



LOWER OUTER ARM ASSEMBLY**McCONNEL**

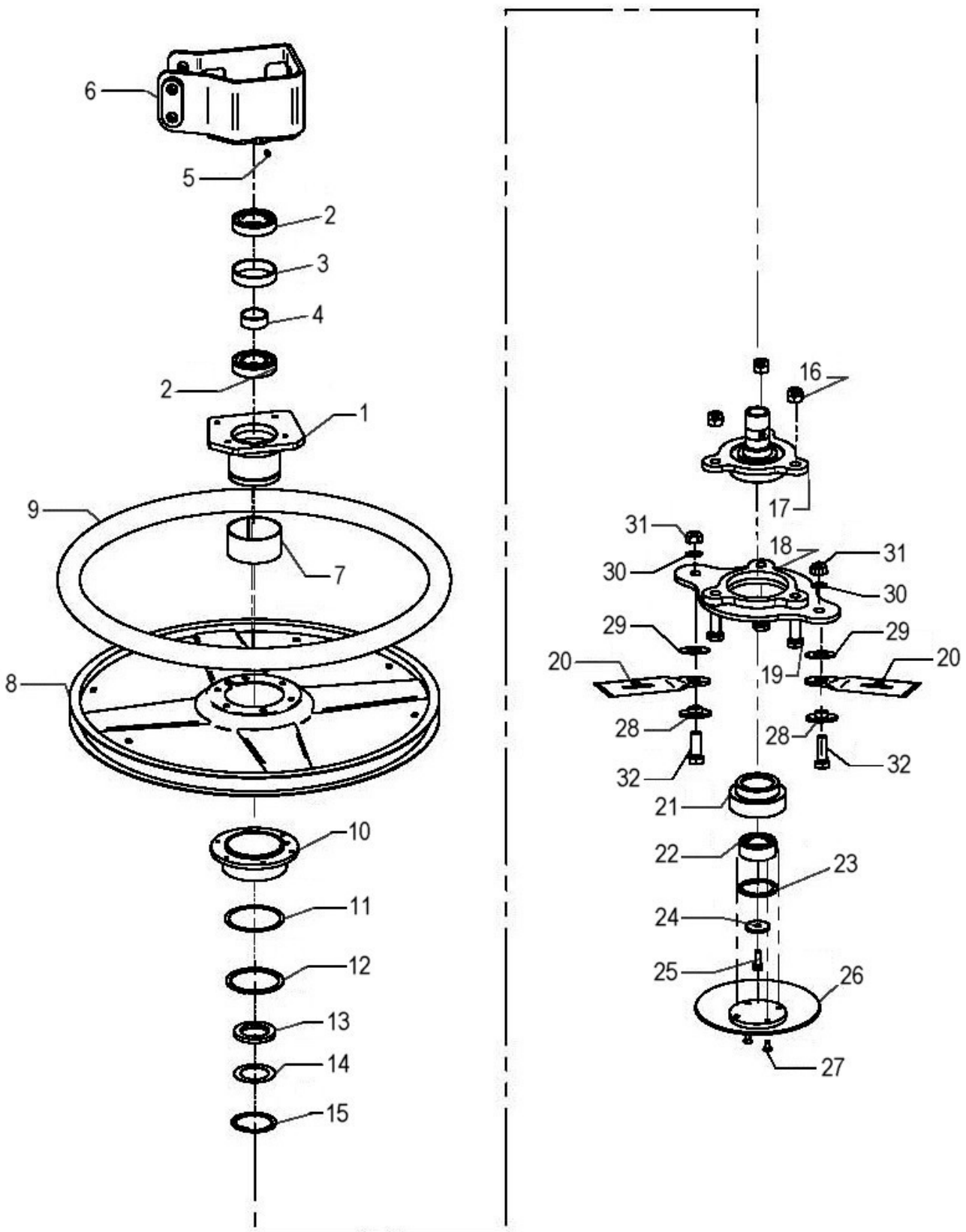
Module(s): 7315722

| REF. | QTY. | PART No. | DESCRIPTION |
|-------------|-------------|-----------------|---------------------------------|
| | | 7315722 | LOWER OUTER ARM ASSEMBLY |
| 1 | 1 | 7315622 | OUTER ARM |
| 2 | 1 | 7315662 | RIGHT DISC CONNECTION |
| 3 | 1 | 7315635 | RIGHT PLATE |
| 4 | 1 | 7315647 | LOWER CONNECTION COMPLETE |
| 5 | 1 | 7315646 | UPPER CONNECTION COMPLETE |
| 6 | 4 | 7315648 | PIVOT |
| 7 | 4 | 7315649 | HEXAGON LOCKNUT |
| 8 | 1 | 7315532 | RIGHT PLATE SPRING |
| 9 | 1 | 7315656 | SPRING |
| 10 | 4 | 0901161 | GREASE NIPPLE |
| 11 | 1 | 7315651 | HYDRAULIC MOTOR ASSEMBLY |
| 12 | 1 | 7315657 | BEARING |
| 13 | 1 | 7315658 | DUST SEAL |
| 14 | 1 | 7315663 | MOTOR SUPPORT |
| 15 | 1 | 7315664 | SUPPORT |
| 16 | 2 | 7315660 | BEARING |
| 17 | 1 | 4000224 | GREASER |
| 18 | 1 | 7315661 | GEAR |

RIGHT ROTOR ASSEMBLY

McCONNEL

Module(s): 7315710



RIGHT ROTOR ASSEMBLY



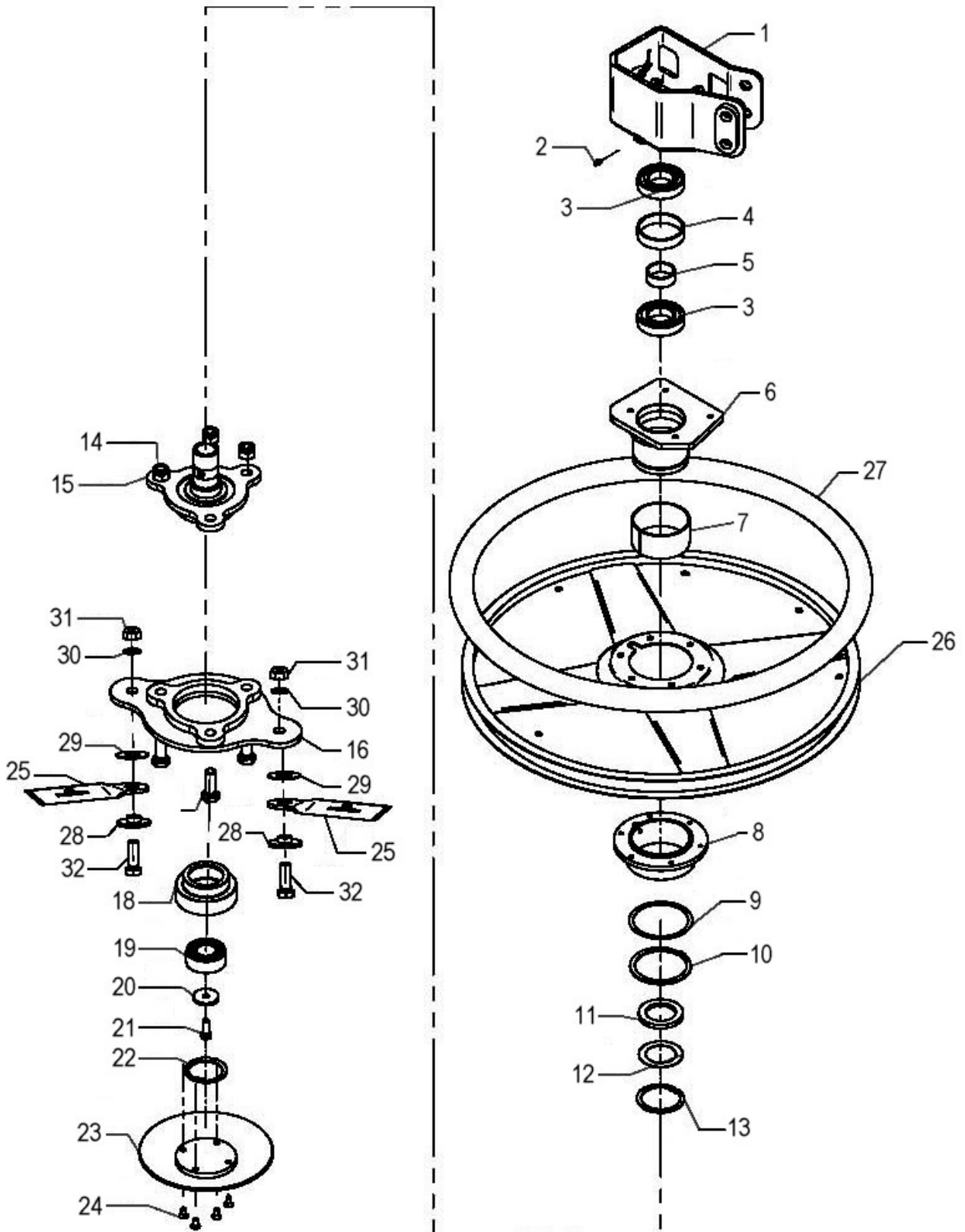
Module(s): 7315710

| REF. | QTY. | PART No. | DESCRIPTION |
|-------------|-------------|-----------------|-----------------------------|
| | | 7315710 | RIGHT ROTOR ASSEMBLY |
| 1 | 1 | 7315667 | BEARING HOUSING |
| 2 | 2 | 7315668 | BEARING |
| 3 | 1 | 7315669 | SPACER |
| 4 | 1 | 7315670 | SPACER |
| 5 | 1 | 0901161 | GREASE NIPPLE |
| 6 | 1 | 7315663 | MOTOR SUPPORT |
| 7 | 1 | 7315671 | STEEL BUSH |
| 8 | 1 | 7315672 | COVER |
| 9 | 1 | 7315535 | RUBBER PROTECTION DISC |
| 10 | 1 | 7315673 | FLANGE |
| 11 | 1 | 7315674 | SHIM |
| 12 | 1 | 7315675 | CIRCLIP |
| 13 | 1 | 4001382 | OIL SEAL |
| 14 | 1 | 7315677 | RING |
| 15 | 1 | 7315678 | CIRCLIP |
| 16 | 3 | 7315679 | HEXAGON LOCKNUT |
| 17 | 1 | 7315680 | SHAFT |
| 18 | 1 | 7315681 | BLADE HUB |
| 19 | 3 | 7315682 | HEXAGON BOLT |
| 20 | 2 | 7315540 | KNIFE / BLADE |
| 21 | 1 | 7315683 | BOTTOM CONNECTION |
| 22 | 1 | 7315684 | BEARING |
| 23 | 1 | 7315685 | SEEGER RING |
| 24 | 1 | 7315686 | WASHER |
| 25 | 1 | 4000210 | HEXAGON BOLT |
| 26 | 1 | 7315534 | LOWER DISC |
| 27 | 4 | 9343044 | SKT HEAD CAP |
| 28 | 2 | 7315687 | WASHER |
| 29 | 2 | 7315537 | WASHER |
| 30 | 2 | 7315538 | WASHER |
| 31 | 2 | 7315688 | LOCKNUT |
| 32 | 2 | 7315689 | HEXAGON BOLT |

LEFT ROTOR ASSEMBLY

McCONNEL

Module(s): 7315711

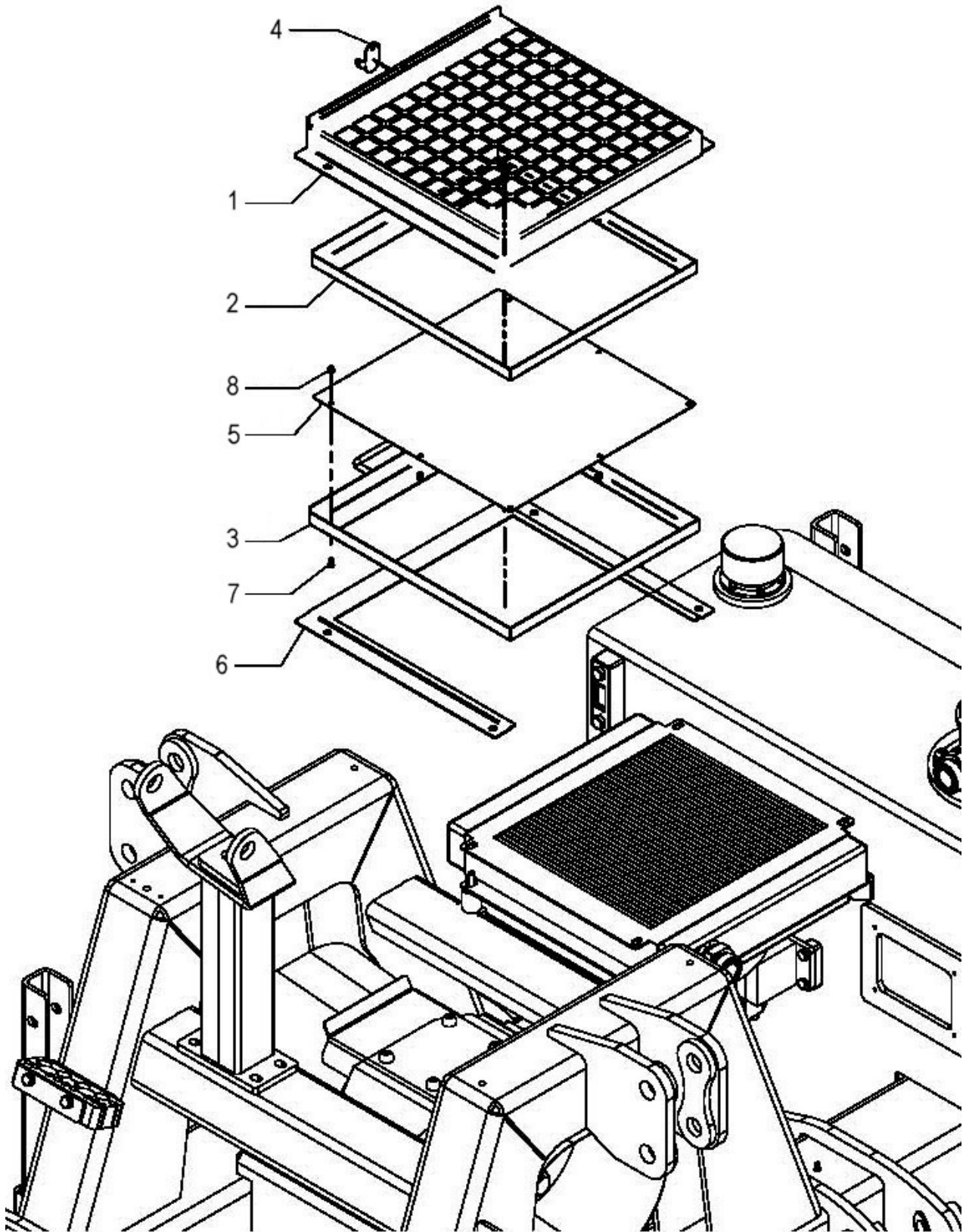


LEFT ROTOR ASSEMBLY

McCONNEL

Module(s): 7315711

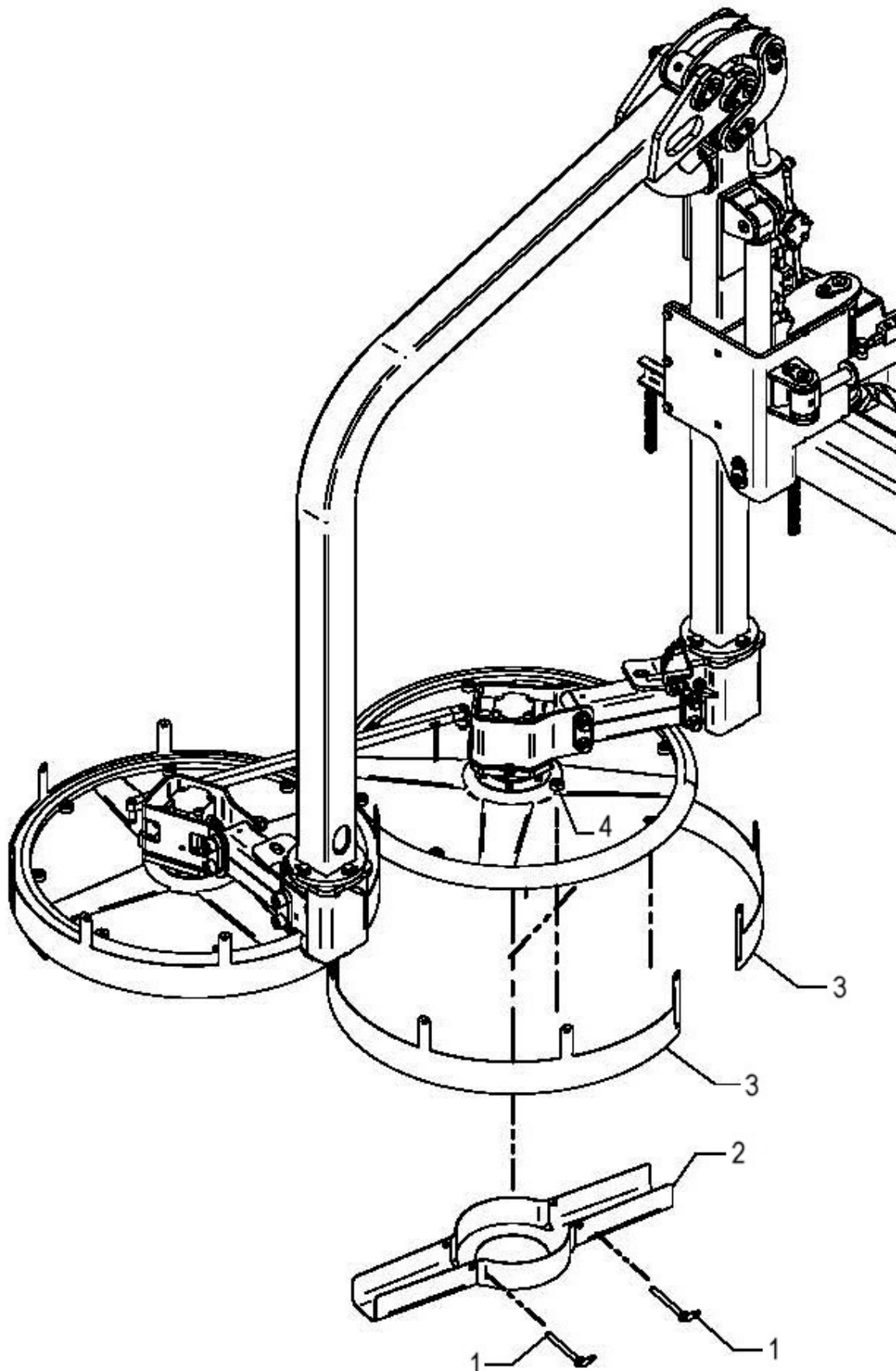
| REF. | QTY. | PART No. | DESCRIPTION |
|------|------|----------------|----------------------------|
| | | 7315711 | LEFT ROTOR ASSEMBLY |
| 1 | 1 | 7315650 | MOTOR SUPPORT |
| 2 | 1 | 0901161 | GREASE NIPPLE |
| 3 | 2 | 7315668 | BEARING |
| 4 | 1 | 7315669 | SPACER |
| 5 | 1 | 7315670 | SPACER |
| 6 | 1 | 7315690 | BEARING HOUSING |
| 7 | 1 | 7315671 | STEEL BUSH |
| 8 | 1 | 7315673 | FLANGE |
| 9 | 1 | 7315674 | SHIM |
| 10 | 1 | 7315675 | CIRCLIP |
| 11 | 1 | 4001382 | OIL SEAL |
| 12 | 1 | 7315677 | RING |
| 13 | 1 | 7315678 | CIRCLIP |
| 14 | 3 | 7315691 | HEXAGON LOCKNUT |
| 15 | 1 | 7315680 | SHAFT |
| 16 | 1 | 7315681 | BLADE HUB |
| 17 | 3 | 7315692 | HEXAGON BOLT |
| 18 | 1 | 7315683 | BOTTOM CONNECTION |
| 19 | 1 | 7315684 | BEARING |
| 20 | 1 | 7315686 | WASHER |
| 21 | 1 | 4000210 | HEXAGON BOLT |
| 22 | 1 | 7315685 | SEEGER RING |
| 23 | 1 | 7315534 | LOWER DISC |
| 24 | 4 | 9343044 | SKT HEAD CAP |
| 25 | 2 | 7315693 | KNIFE/BLADE |
| 26 | 1 | 7315672 | COVER |
| 27 | 1 | 7315535 | RUBBER PROTECTION DISC |
| 28 | 2 | 7315687 | WASHER |
| 29 | 2 | 7315537 | WASHER |
| 30 | 2 | 7315539 | WASHER |
| 31 | 2 | 7315688 | LOCKNUT |
| 32 | 2 | 7315689 | HEXAGON BOLT |



COOLER COVER ASSEMBLY**McCONNEL**

Module(s): 7315712

| REF. | QTY. | PART No. | DESCRIPTION |
|-------------|-------------|-----------------|------------------------------|
| | | 7315712 | COOLER COVER ASSEMBLY |
| 1 | 1 | 7315697 | COOLER COVER |
| 2 | 1 | 7315698 | UPPER FRAME |
| 3 | 1 | 7315699 | LOWER FRAME |
| 4 | 1 | 7315694 | LOCK |
| 5 | 1 | 7315695 | FILTER |
| 6 | 1 | 7315696 | GUIDE |
| 7 | 8 | 7315700 | SKT F/HEAD CUP SCREW |
| 8 | 8 | 9163001 | NYLOC NUT |

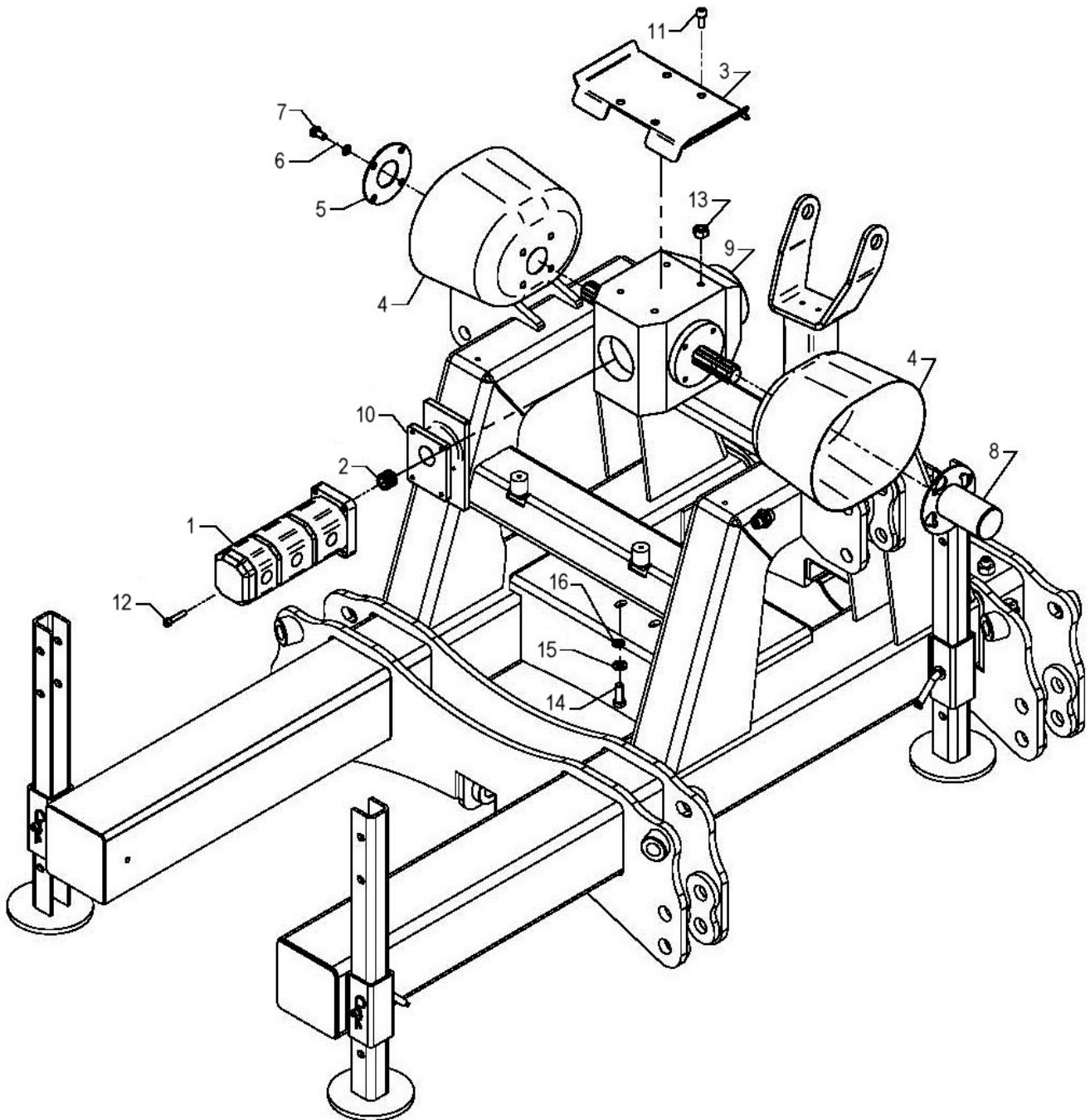


GUARDING ASSEMBLY



Module(s): 7315713

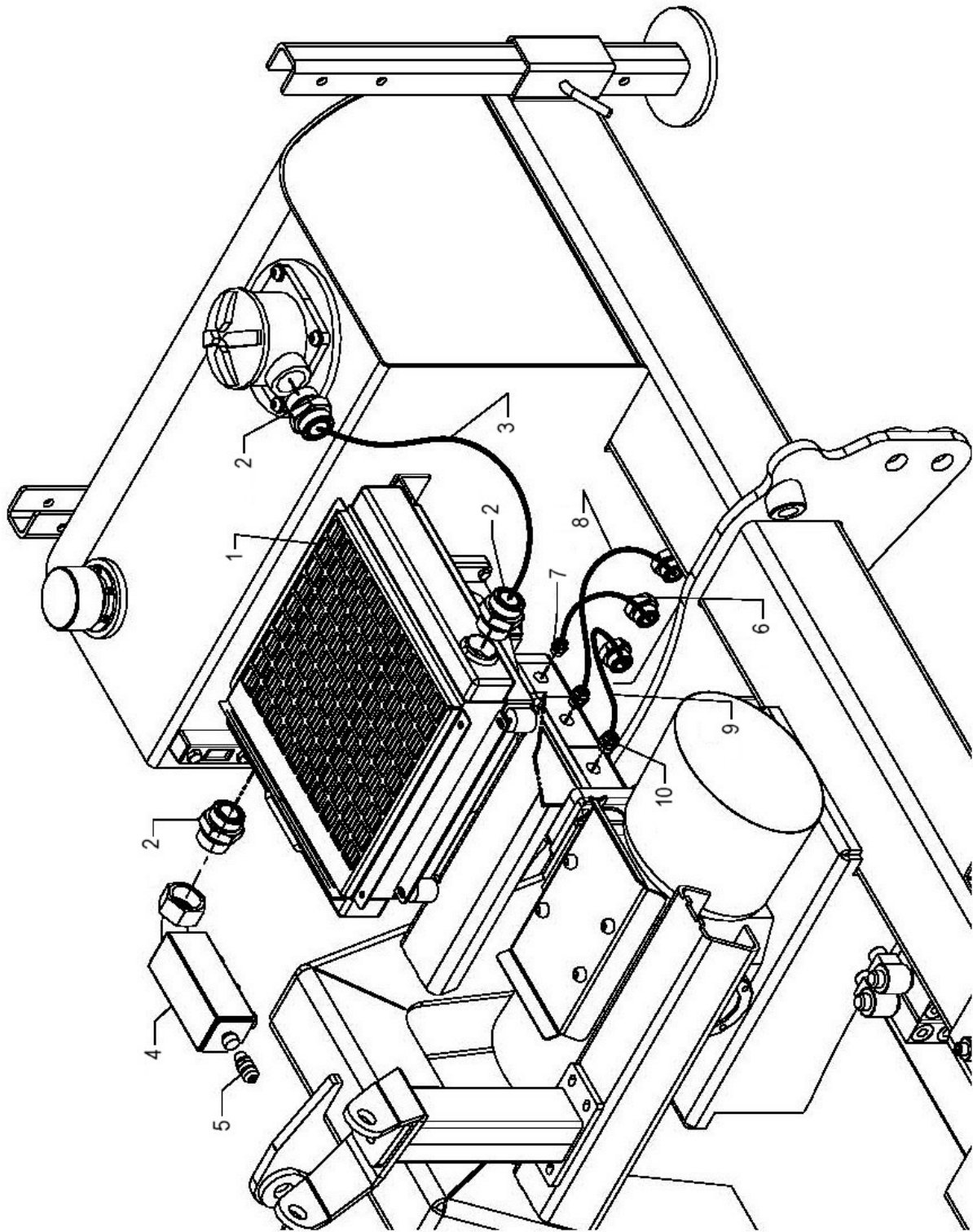
| REF. | QTY. | PART No. | DESCRIPTION |
|-------------|-------------|-----------------|--------------------------|
| | | 7315713 | GUARDING ASSEMBLY |
| 1 | 4 | 7315751 | PIN |
| 2 | 2 | 7315752 | BLADE COVER |
| 3 | 4 | 7315753 | DISC COVER |
| 4 | 16 | 7315754 | SPACER |



GEARBOX & PUMP ASSEMBLY**McCONNEL**

Module(s): 7315714

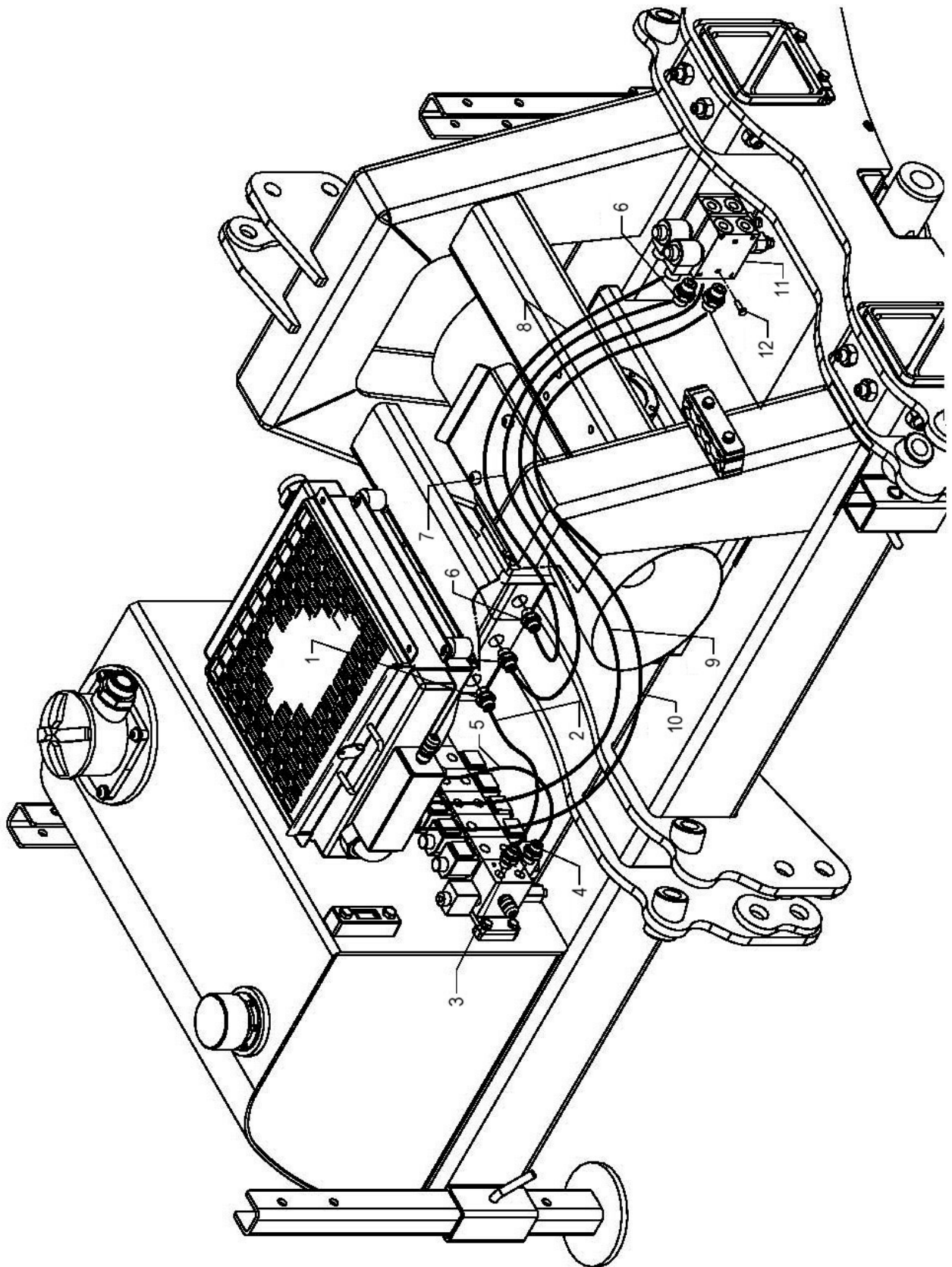
| REF. | QTY. | PART No. | DESCRIPTION |
|-------------|-------------|-----------------|------------------------------------|
| | | 7315714 | GEARBOX & PUMP ASSEMBLY |
| 1 | 1 | 7315755 | GEAR PUMP |
| 2 | 1 | 7315756 | MALE COUPLING |
| 3 | 1 | 7315757 | GEARBOX COVER |
| 4 | 2 | 7315758 | PTO GUARD |
| 5 | 1 | 7315759 | GUARD FLANGE |
| 6 | 6 | 9100105 | FLAT WASHER |
| 7 | 8 | 05.264.11 | SETSCREW |
| 8 | 1 | 7315760 | SHAFT END COVER |
| 9 | 1 | 7315761 | GEARBOX |
| 10 | 1 | 7315762 | GEARBOX SUPPORT |
| 11 | 4 | 7315763 | HEX SKT B/H'D SCREW |
| 12 | 4 | 9343064 | SOCKET CAPSCREW |
| 13 | 4 | 7315764 | NUT |
| 14 | 4 | 9313076 | BOLT |
| 15 | 4 | 0100106 | FLAT WASHER |
| 16 | 4 | 9100206 | SPRING WASHER |



HYDRAULIC INTAKE CIRCUIT**McCONNEL**

Module(s): 7315715

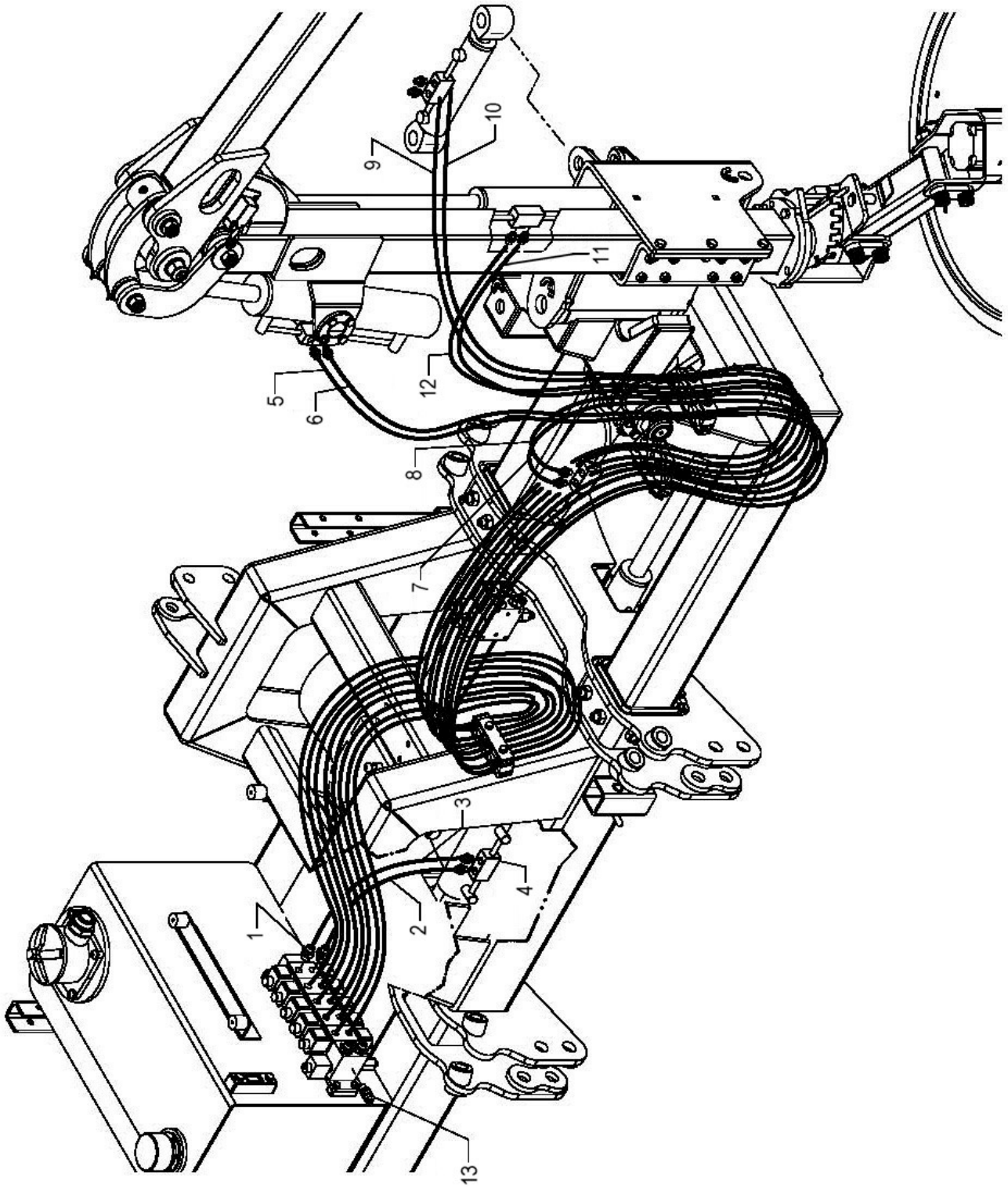
| REF. | QTY. | PART No. | DESCRIPTION |
|-------------|-------------|-----------------|---------------------------------|
| | | 7315715 | HYDRAULIC INTAKE CIRCUIT |
| 1 | 1 | 7315765 | OIL COOLER |
| 2 | 3 | 7315766 | HYDRAULIC CONNECTION |
| 3 | 1 | 7315767 | HOSE SAE100 1.1/4X420 F90/F45 |
| 4 | 1 | 7315768 | MANIFOLD |
| 5 | 1 | 7315769 | CHECK VALVE |
| 6 | 1 | 7315770 | HOSE SAE100 R4 3/4X410 F90/F90 |
| 7 | 1 | 7315771 | CONNECTOR |
| 8 | 1 | 7315772 | HOSE SAE100 R4 3/4X490 F90/F90 |
| 9 | 1 | 7315773 | HOSE SAE100 R4 3/4X610 F90/F90 |
| 10 | 2 | 7315774 | CONNECTOR |



HYDRAULIC DELIVERY CIRCUIT**McCONNEL**

Module(s): 7315716

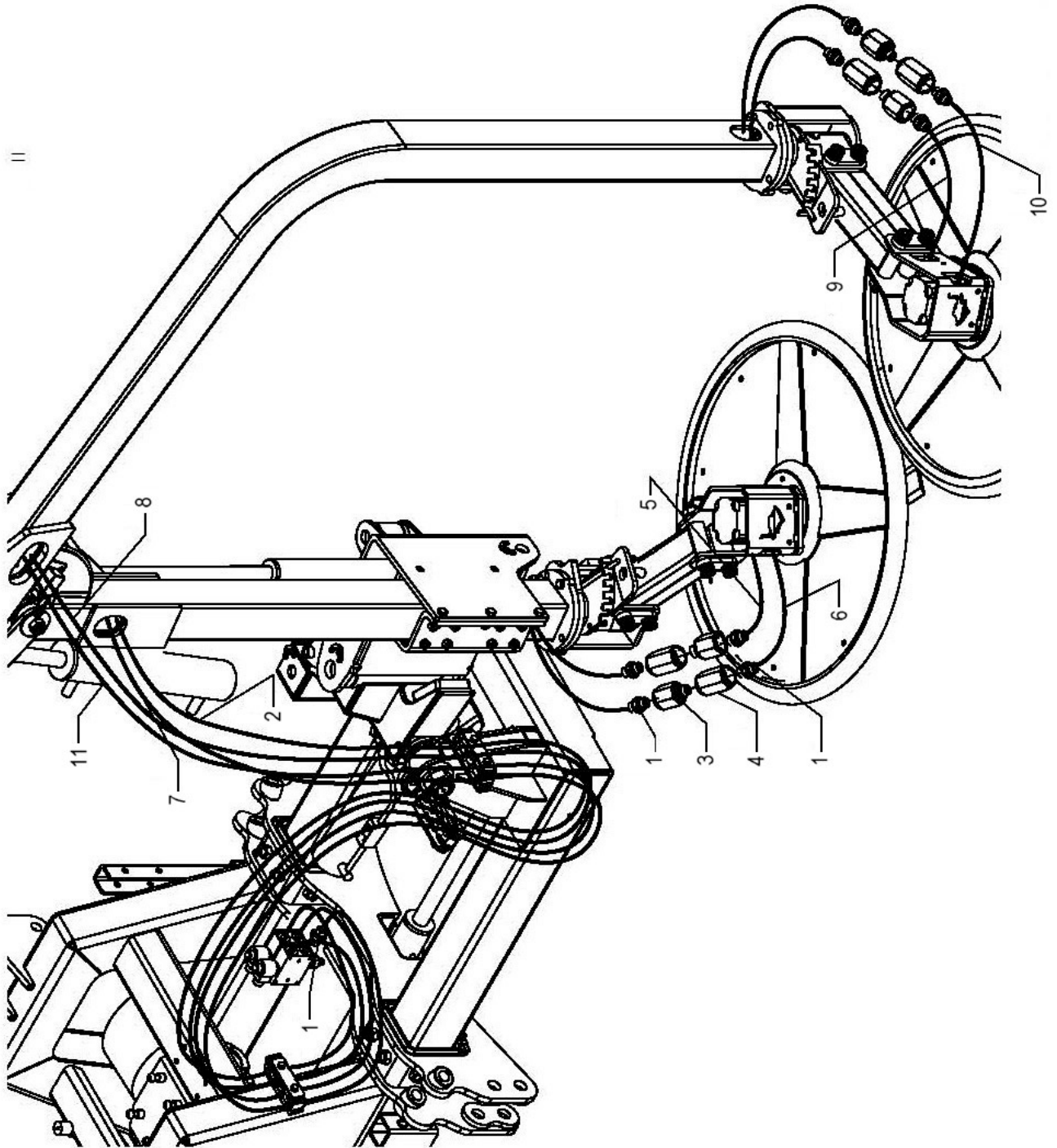
| REF. | QTY. | PART No. | DESCRIPTION |
|-------------|-------------|-----------------|-----------------------------------|
| | | 7315716 | HYDRAULIC DELIVERY CIRCUIT |
| 1 | 1 | 7315775 | CONNECTOR |
| 2 | 1 | 7315776 | HOSE 3/8X360 FS/FS |
| 3 | 1 | 7315777 | CONNECTOR |
| 4 | 1 | 7315778 | CONNECTOR |
| 5 | 1 | 7315779 | HOSE 1/2X315 FS/FS |
| 6 | 6 | 7315771 | CONNECTOR |
| 7 | 1 | 7315780 | HOSE SAE100R16 1/2X840 F90/F90 |
| 8 | 1 | 7315781 | HOSE SAE100R16 1/2X770 F90/F90 |
| 9 | 1 | 7315782 | HOSE SAE100R16 1/2X1580 F90/FS |
| 10 | 1 | 7315783 | HOSE SAE100R16 1/2X1580 F90/FS |
| 11 | 2 | 7315784 | DIRECTIONAL CONTROL VALVE |
| 12 | 2 | 9213163 | BOLT |



HYDRAULIC RAM CIRCUIT**McCONNEL**

Module(s): 7315717

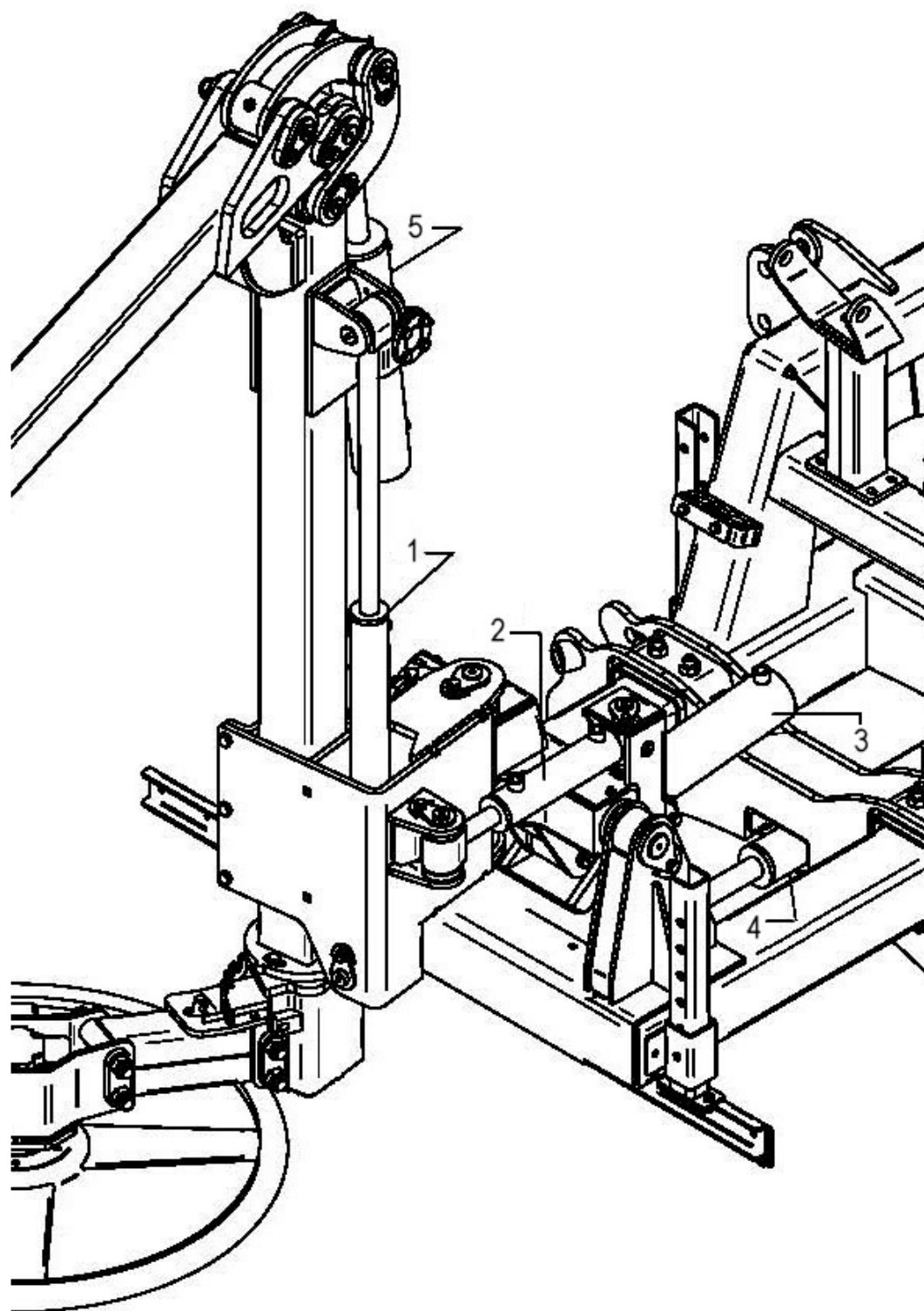
| REF. | QTY. | PART No. | DESCRIPTION |
|-------------|-------------|-----------------|------------------------------|
| | | 7315717 | HYDRAULIC RAM CIRCUIT |
| 1 | 20 | 7315777 | CONNECTOR |
| 2 | 1 | 7315785 | HOSE 1/4X425 F45/FS |
| 3 | 1 | 7315786 | HOSE 1/4X465 F45/FS |
| 4 | 5 | 7315787 | RELIEF VALVE |
| 5 | 1 | 7315788 | HOSE 1/4X4670 F90/FS |
| 6 | 1 | 7315789 | HOSE 1/4X4670 F90/FS |
| 7 | 1 | 7315790 | HOSE 1/4X4370 F90/FS |
| 8 | 1 | 7315791 | HOSE 1/4X4370 F90/FS |
| 9 | 1 | 7315792 | HOSE 1/4X4310 FS/F90 |
| 10 | 1 | 7315793 | HOSE 1/4X4235 FS/F90 |
| 11 | 1 | 7315794 | HOSE 1/4X4400 FS/F90 |
| 12 | 1 | 7315795 | HOSE 1/4X4320 F90/FS |
| 13 | 1 | 7315796 | CHECK COUPLING C/W CAP |



MOTOR CIRCUIT**McCONNEL**

Module(s): 7315718

| REF. | QTY. | PART No. | DESCRIPTION |
|-------------|-------------|-----------------|--------------------------------|
| | | 7315718 | MOTOR CIRCUIT |
| 1 | 10 | 7315797 | CONNECTOR ORFS |
| 2 | 1 | 7315798 | HOSE SAE100R16 1/2X58000F90/FS |
| 3 | 2 | 7315799 | QUICK COUPLER - MALE |
| 4 | 2 | 7315800 | QUICK COUPLER - FEMALE |
| 5 | 1 | 7315801 | HOSE SAE100R16 1/2X160 FS/F45 |
| 6 | 1 | 7315802 | HOSE SAE100R16 1/2X240 FS/F90 |
| 7 | 1 | 7315803 | HOSE SAE100R16 1/2X5870 F90/FS |
| 8 | 1 | 7315804 | HOSE SAE100R16 1/2X7250 F90/FS |
| 9 | 1 | 7315805 | HOSE SAE100R16 1/2X160 FS/F45 |
| 10 | 1 | 7315806 | HOSE SAE100R16 1/2X240 FS/F90 |
| 11 | 1 | 7315807 | HOSE SAE100R16 1/2X7275 F90/FS |



HYDRAULIC RAMS ASSEMBLY



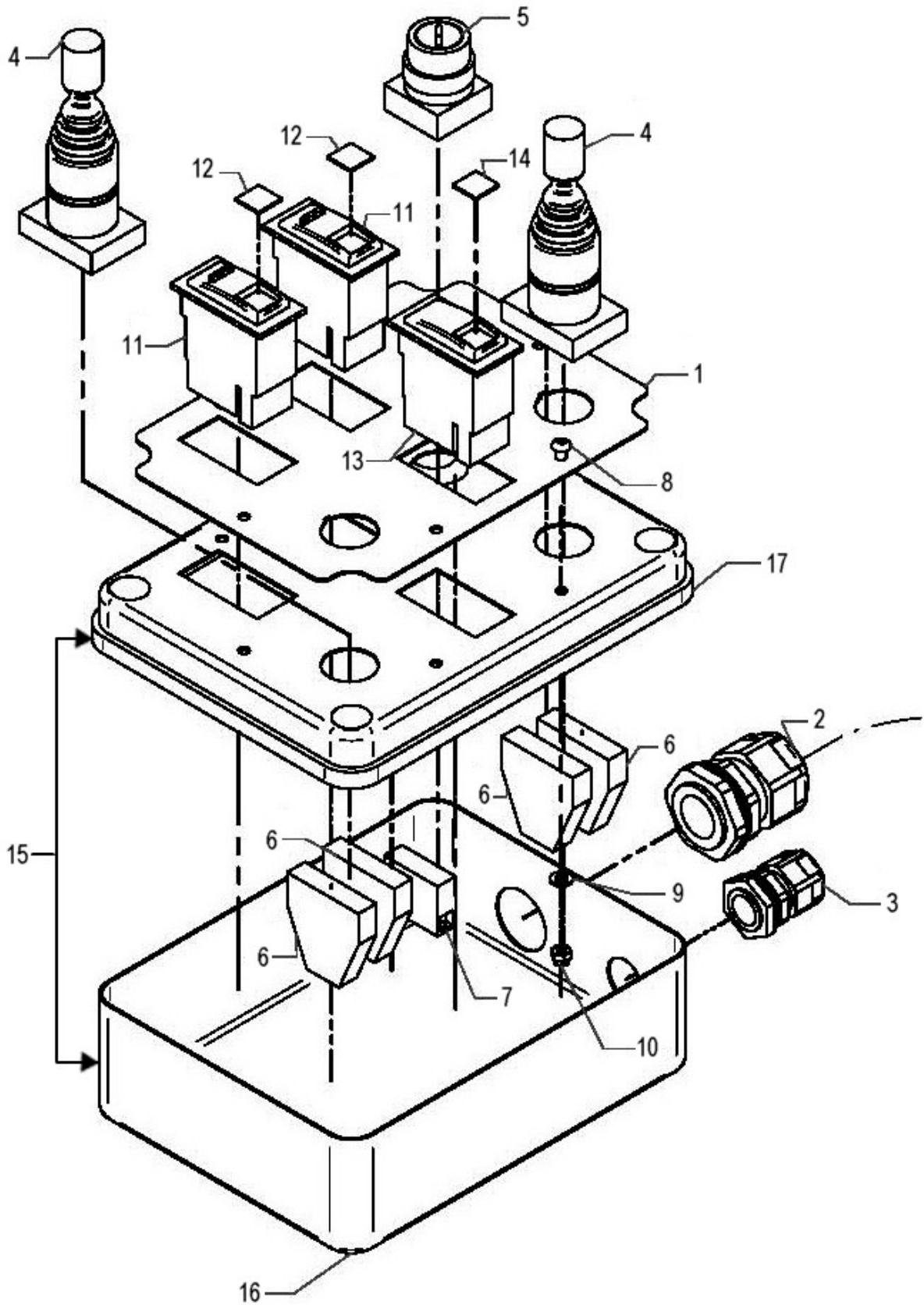
Module(s): 7315719

| REF. | QTY. | PART No. | DESCRIPTION |
|------|------|----------------|--------------------------------|
| | | 7315719 | HYDRAULIC RAMS ASSEMBLY |
| 1 | 1 | 7315808 | HYDRAULIC RAM |
| 2 | 1 | 7315612 | HYDRAULIC RAM |
| 3 | 1 | 7315809 | HYDRAULIC RAM |
| 4 | 1 | 7315563 | HYDRAULIC RAM |
| 5 | 1 | 7315632 | HYDRAULIC RAM |

SWITCHBOX ASSEMBLY

McCONEL

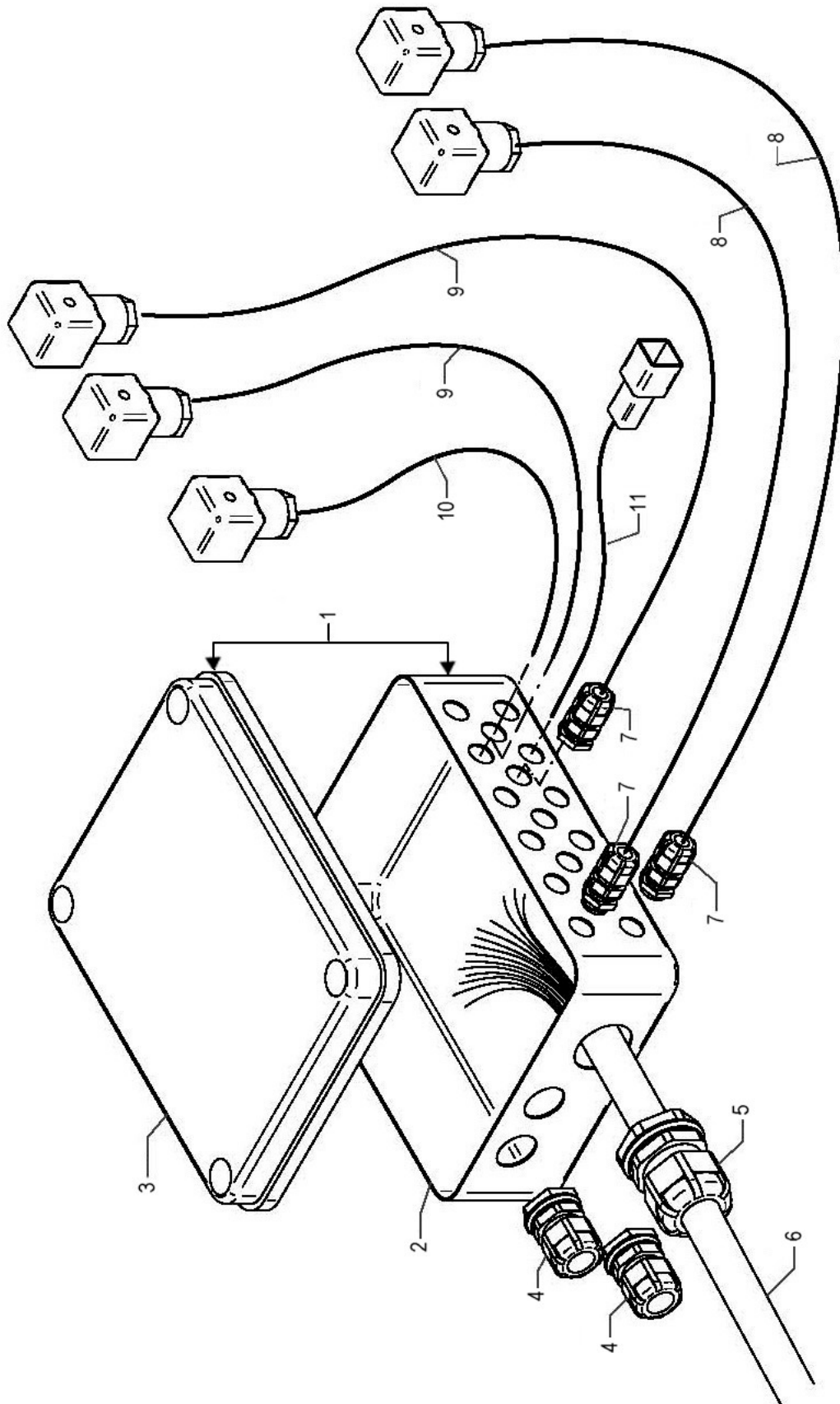
Module(s): 7315720



SWITCHBOX ASSEMBLY**McCONNEL**

Module(s): 7315720

| REF. | QTY. | PART No. | DESCRIPTION |
|-------------|-------------|-----------------|---------------------------|
| | | 7315720 | SWITCHBOX ASSEMBLY |
| 1 | 1 | 7315827 | SWITCH PLATE |
| 2 | 1 | 7315828 | CABLE GLAND |
| 3 | 1 | 7315576 | CABLE GLAND |
| 4 | 2 | 7315829 | JOYSTICK |
| 5 | 1 | 7315830 | KEY SWITCH |
| 6 | 4 | 7315831 | ELECTRICAL CONTACT |
| 7 | 1 | 7315832 | ELECTRICAL CONTACT (KEY) |
| 8 | 1 | 7315833 | HEX SKT BUT HD SCREW |
| 9 | 1 | 9100101 | FLAT WASHER |
| 10 | 1 | 9163001 | NYLOC NUT |
| 11 | 2 | 7315834 | SWITCH BLOCK |
| 12 | 2 | 7315835 | RED LENS |
| 13 | 1 | 7315837 | SWITCH |
| 14 | 1 | 7315836 | GREEN LENS |
| 15 | 1 | 7315838 | ELECTRICAL BOX COMPLETE |
| 16 | 1 | 7315839 | ELECTRICAL BOX BOTTOM |
| 17 | 1 | 7315840 | ELECTRICAL BOX COVER |



ELECTRICAL BOX ASSEMBLY**McCONNEL**

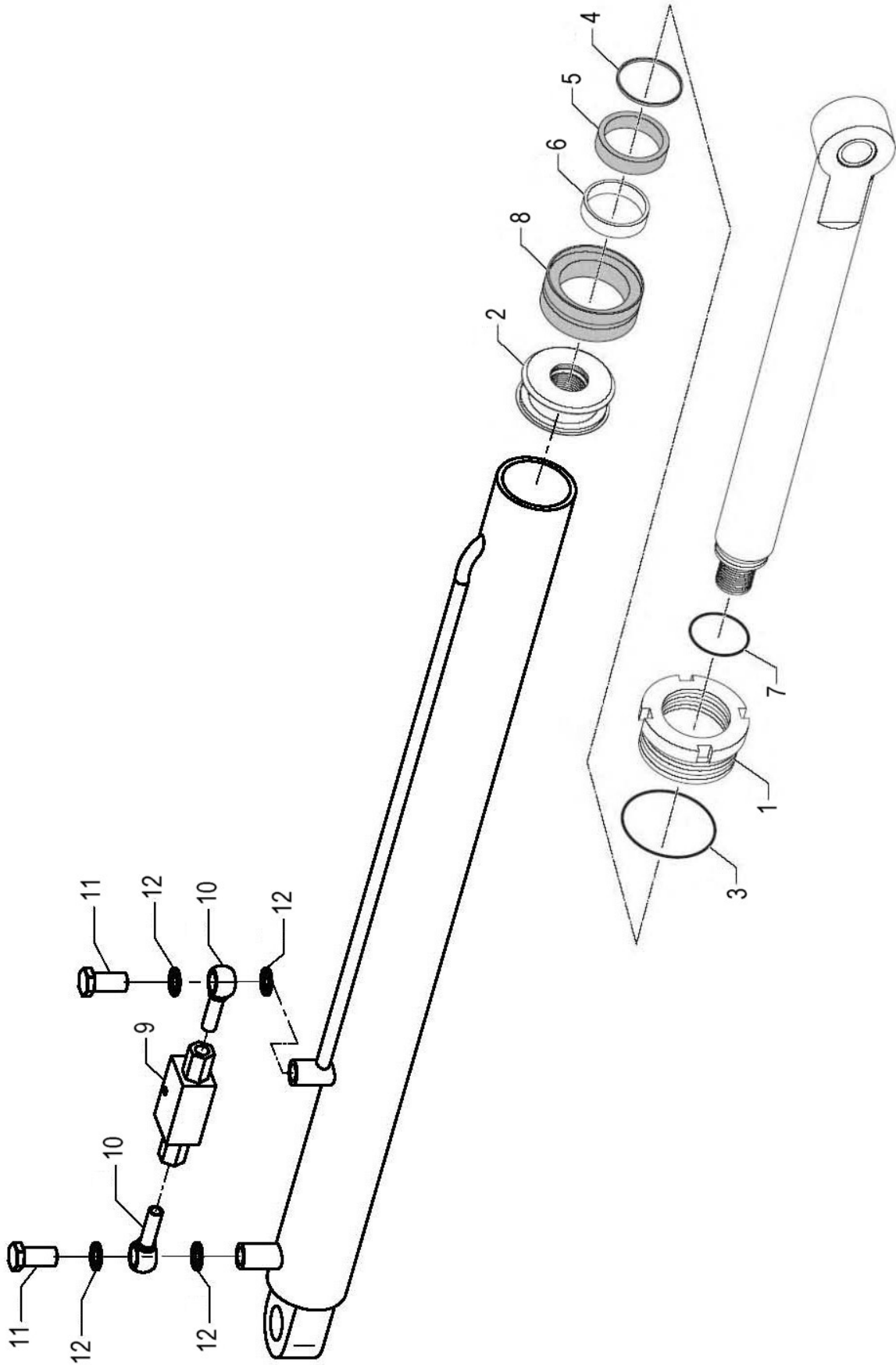
Module(s): 7315721

| REF. | QTY. | PART No. | DESCRIPTION |
|-------------|-------------|-----------------|--------------------------------|
| | | 7315721 | ELECTRICAL BOX ASSEMBLY |
| 1 | 1 | 7315841 | ELECTRICAL BOX COMPLETE |
| 2 | 1 | 7315842 | ELECTRICAL BOX BOTTOM |
| 3 | 1 | 7315843 | ELECTRICAL BOX COVER |
| 4 | 2 | 7315576 | CABLE GLAND |
| 5 | 1 | 7315828 | CABLE GLAND |
| 6 | 1 | 7315844 | CABLE (6000MM) |
| 7 | 15 | 7315845 | CABLE GLAND |
| 8 | 2 | 7315846 | CABLE (1200MM) |
| 9 | 11 | 7315847 | CABLE (1000MM) |
| 10 | 1 | 7315848 | CABLE (650MM) |
| 11 | 1 | 7315849 | CABLE (180MM) |

HYDRAULIC RAM ASSEMBLY

Module(s): 7315563

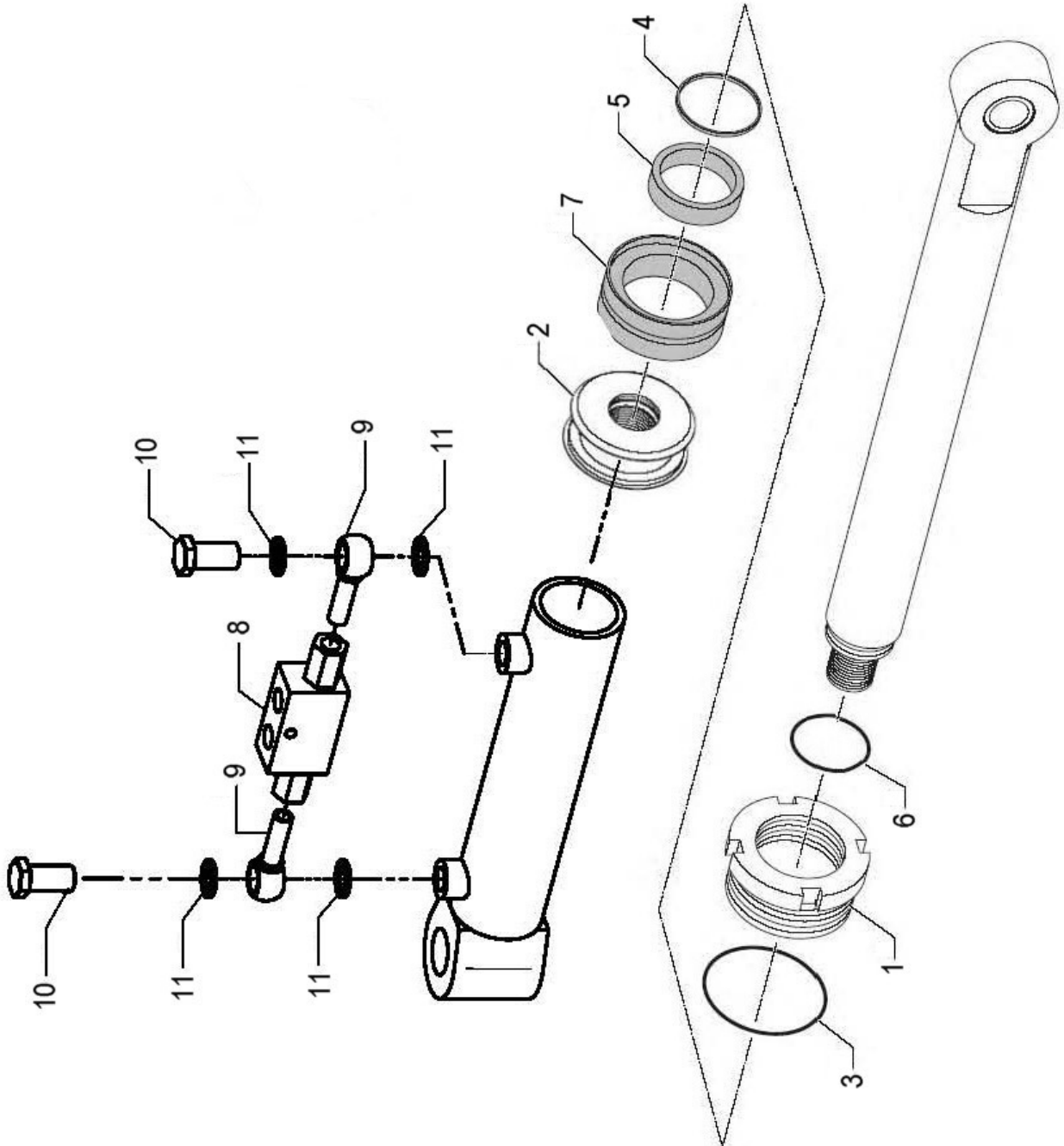
McCONEL



HYDRAULIC RAM ASSEMBLY**McCONNEL**

Module(s): 7315563

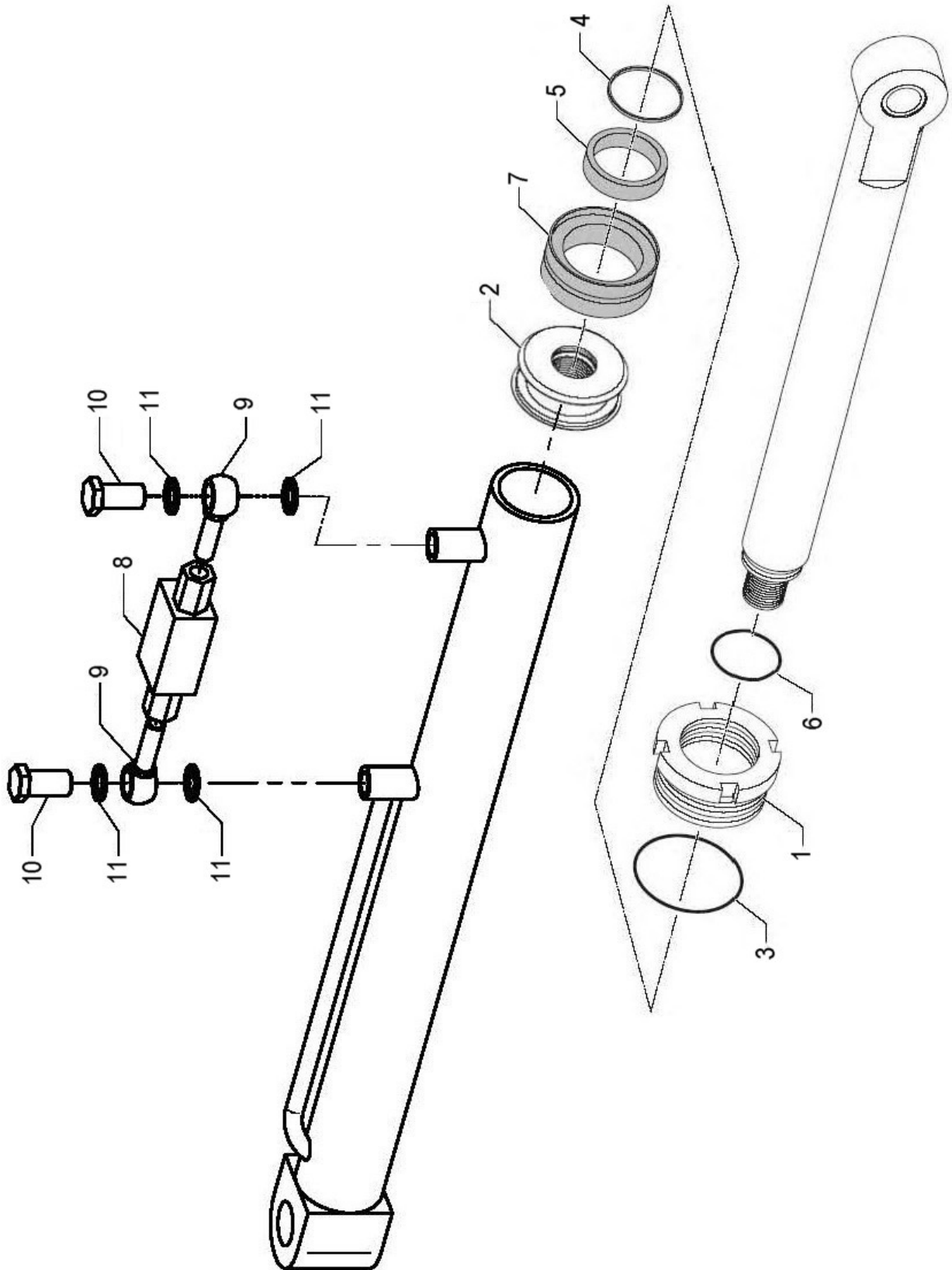
| REF. | QTY. | PART No. | DESCRIPTION |
|-------------|-------------|-----------------|----------------------|
| | | 7315563 | HYDRAULIC RAM |
| 1 | 1 | 7315819 | GLAND HOUSING |
| 2 | 1 | 7315820 | PISTON |
| 3 | 1 | 7315821 | O RING |
| 4 | 1 | 7315822 | WIPER SEAL |
| 5 | 1 | 7315823 | ROD SEAL |
| 6 | 2 | 7315824 | INTERNAL GUIDE |
| 7 | 1 | 7315825 | O RING |
| 8 | 1 | 7315826 | PISTON SEAL |
| 9 | 1 | 7315815 | CHECK VALVE |
| 10 | 2 | 7315816 | BANJO BODY |
| 11 | 2 | 7315817 | BANJO BOLT |
| 12 | 4 | 7315818 | BONDED SEAL |



HYDRAULIC RAM ASSEMBLY**McCONNEL**

Module(s): 7315612

| REF. | QTY. | PART No. | DESCRIPTION |
|-------------|-------------|-----------------|----------------------|
| | | 7315612 | HYDRAULIC RAM |
| 1 | 1 | 7315810 | GLAND HOUSING |
| 2 | 1 | 7315811 | PISTON |
| 3 | 1 | 8600302 | O RING |
| 4 | 1 | 7315812 | WIPER SEAL |
| 5 | 1 | 7315813 | ROD SEAL |
| 6 | 1 | 8600114 | O RING |
| 7 | 1 | 7315814 | PISTON SEAL |
| 8 | 1 | 7315815 | CHECK VALVE |
| 9 | 2 | 7315816 | BANJO BODY |
| 10 | 2 | 7315817 | BANJO BOLT |
| 11 | 4 | 7315819 | GLAND HOUSING |

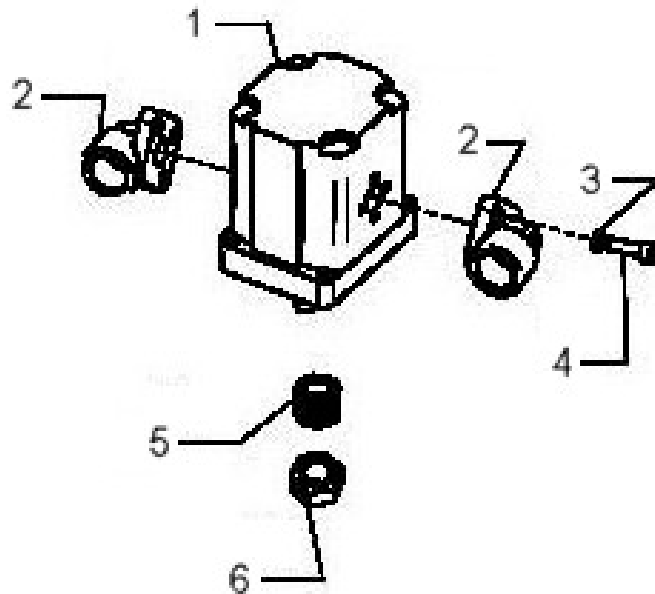


HYDRAULIC RAM ASSEMBLY**McCONNEL**

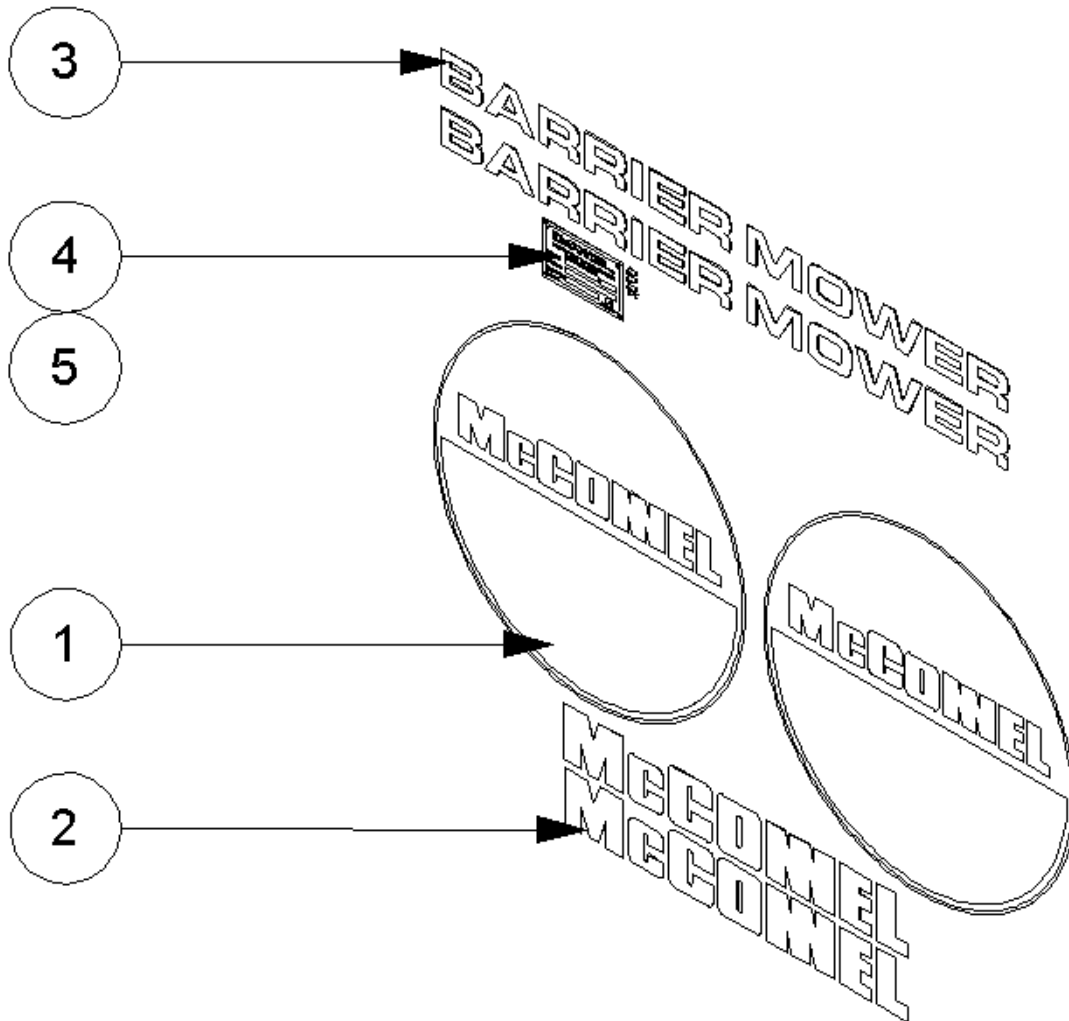
Module(s): 7315808

| REF. | QTY. | PART No. | DESCRIPTION |
|-------------|-------------|-----------------|----------------------|
| | | 7315808 | HYDRAULIC RAM |
| 1 | 1 | 7315810 | GLAND HOUSING |
| 2 | 1 | 7315811 | PISTON |
| 3 | 1 | 8600302 | O RING |
| 4 | 1 | 7315812 | WIPER SEAL |
| 5 | 1 | 7315813 | ROD SEAL |
| 6 | 1 | 8600114 | O RING |
| 7 | 1 | 7315814 | PISTON SEAL |
| 8 | 1 | 7315815 | CHECK VALVE |
| 9 | 2 | 7315816 | BANJO BODY |
| 10 | 2 | 7315817 | BANJO BOLT |
| 11 | 4 | 7315818 | BONDED SEAL |

Module(s): 7315651



| REF. | QTY. | PART No. | DESCRIPTION |
|------|------|----------------|---------------------------------|
| | | 7315651 | HYDRAULIC MOTOR ASSEMBLY |
| 1 | 1 | 7315652 | HYDRAULIC MOTOR (15CC) |
| 2 | 2 | 7315653 | PUMP CONNECTOR |
| 3 | 6 | 9100204 | SPRING WASHER |
| 4 | 6 | 9343054 | SOCKET HEAD CAP |
| 5 | 1 | 7315654 | MALE COUPLING |
| 6 | 1 | 7315655 | MOTOR SHAFT NUT |



| REF. | QTY. | PART No. | DESCRIPTION |
|------|------|----------------|--------------------------|
| | | 7315709 | DECAL KIT |
| 1 | 2 | 1290870 | DECAL - McCONNEL ROUNDAL |
| 2 | 2 | 1290255 | DECAL - McCONNEL |
| 3 | 2 | 1291024 | DECAL - BARRIER MOWER |
| 4 | 1 | 41.094.07 | SERIAL No. PLATE |
| 5 | 4 | 7103230 | POP RIVET |



McConnel Limited, Temeside Works, Ludlow, Shropshire SY8 1JL. England.
Telephone: 01584 873131. Facsimile: 01584 876463. www.mcconnel.com