

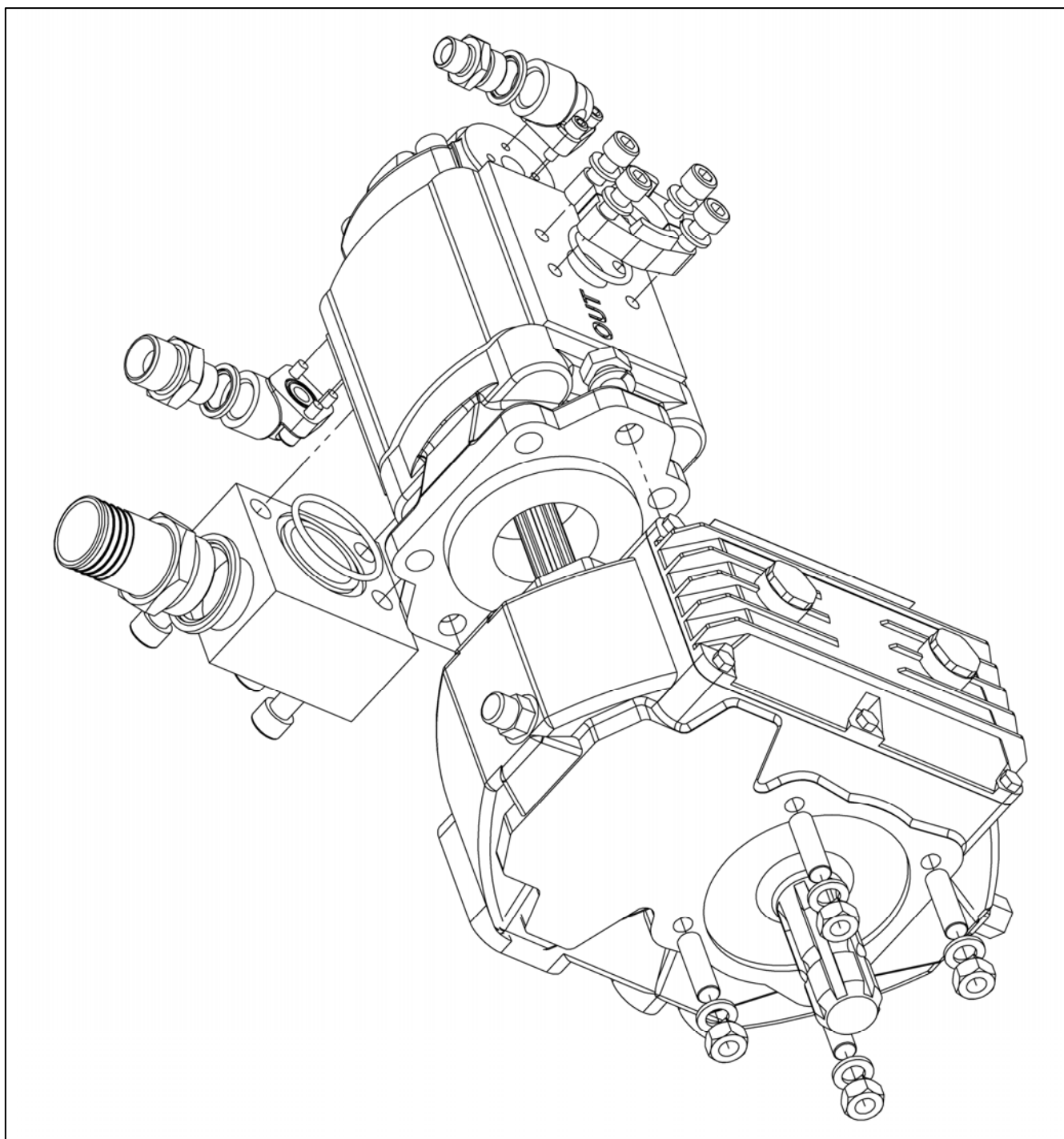
Publication 463  
August 2004  
Part No. 41570.63  
Revision: 04.01.12



# PA5600/M PA6400/M PA6500T PA7700T

Includes Tele-Midcut & VFR Builds

Parts Manual





*For best performance...*

**USE ONLY McCONNEL SERVICE PARTS**

*To be assured of the latest design improvements purchase your  
'Genuine Replacements' from the Original Equipment Manufacturer:*

**McCONNEL LIMITED**

*through your Local Dealer or Stockist.*

**Always quote:**

- ***Machine Type***
- ***Serial Number***
- ***Part Number***

*Design Improvements may have altered some of the parts listed in this manual –  
The latest part will always be supplied when it is interchangeable with an earlier one.*



# CONTENTS

---

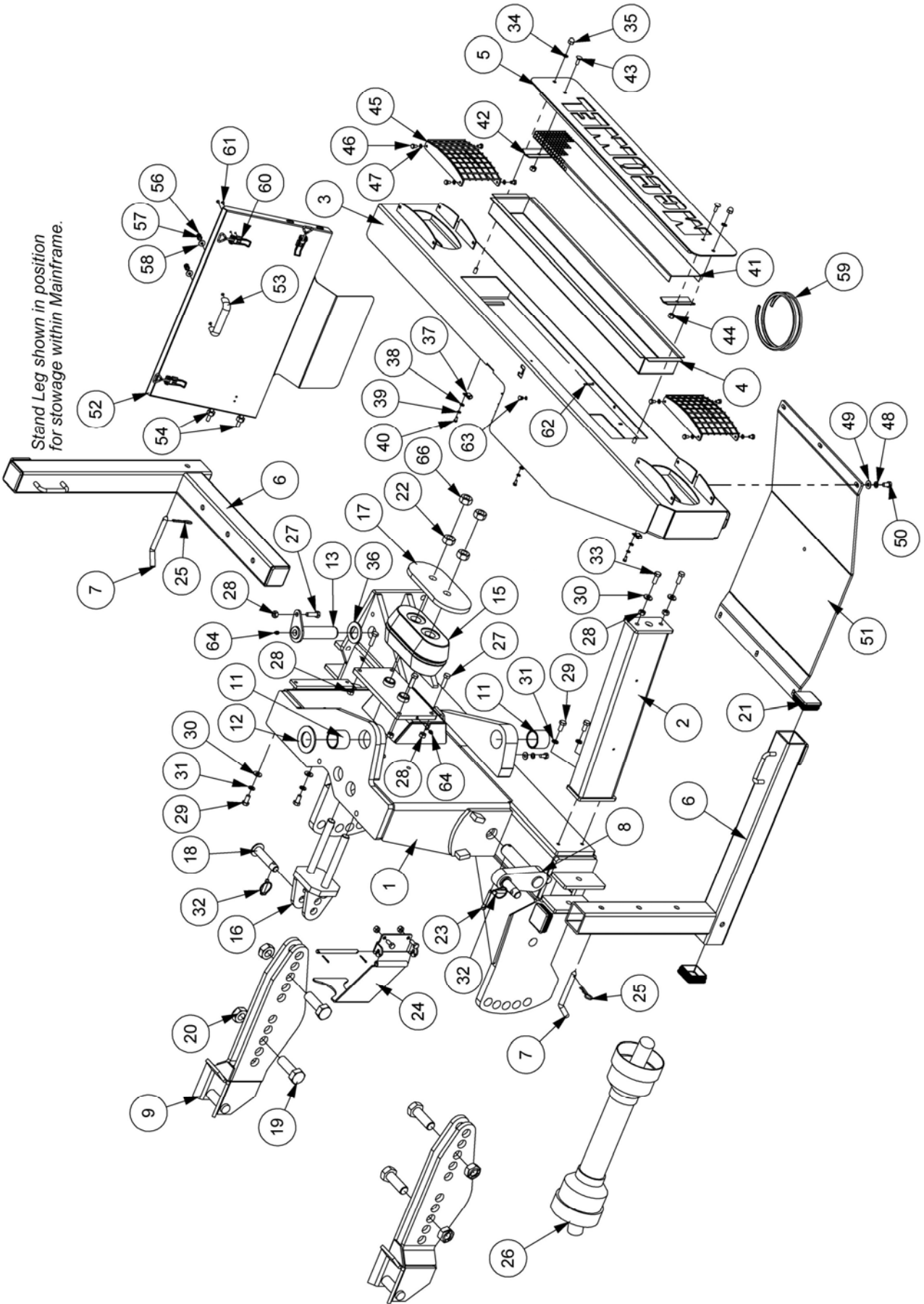
Main Frame Assembly	1
Pillar	5
Rocker Assemblies	7
Main Arm	13
Standard Dipper Arm	21
1.0m Midcut Dipper Arm & Forward Extension Assemblies	23
1.5m Midcut Dipper Arm & Forward Extension Assemblies	27
VFR Dipper Arm Assemblies	31
Tele Dipper Arm Assemblies	35
Midcut Tele Dipper Arm & Forward Extension Assemblies	41
Head Angling Mechanism	47
Hydraulic Oil Tank Assemblies (▶08/10)	49
Tank Fittings (▶08/10)	51
Hydraulic Oil Tank Assemblies (08/10▶)	53
Tank Fittings (08/10▶)	55
Gear Pump & Gearbox Assemblies	59
Piston Pump & Gearbox Assemblies	67
Rotor Control Valve Assemblies (RCV)	73
Cable Control Valve Assembly	79
Electric Control Valve Assemblies - Standard Arm Models	81
Proportional Control Valve Assemblies - Standard Arm Models	85
Electric Control Valve Assemblies – Midcut / Tele / VFR Models	97
Proportional Control Valve Assemblies – Midcut / Tele / VFR Models	101
Check Valve Assemblies	123
Solenoid Restrictors	125
Control Unit Mounting Kits	128
Electric Switchbox Control Unit	129
Electric Monolever Control Unit	131
XTC Mk1 Proportional Control Unit	133
XTC Mk2 Proportional Control Unit	135
V4 Proportional Control Unit	137
Revolution Proportional Control Unit	144
Hydraulic Hose Installations	147
Hydraulic Ram Assemblies	162
Lift Gland Lock Tap (Option)	172
Lift Float Kits (Option)	173
Midcut Rotor Relief Assemblies	175
Midcut Relief & Diverter – Tele Midcut Models	177
Charge Filter Assembly	181
By-Pass Assembly	182
Flail Accumulator Kit (Option)	183
Power Monitor Kits	185
Sensor Kits – PTO & EDS	187
Cooler Assemblies	189
Cooler By-Pass Kit	191
Cover Assemblies	193
Rear Lighting Kit	195
Cab Guard Kit	196
Machine Decals	197
Debris Blower Mounting Kit	201



# MAIN FRAME ASSEMBLY

Module(s): 7756500 (illustrated), 7756501

# McCONEL



# MAIN FRAME ASSEMBLY

# McCONNEL

Module(s): 7756500 (illustrated), 7756501

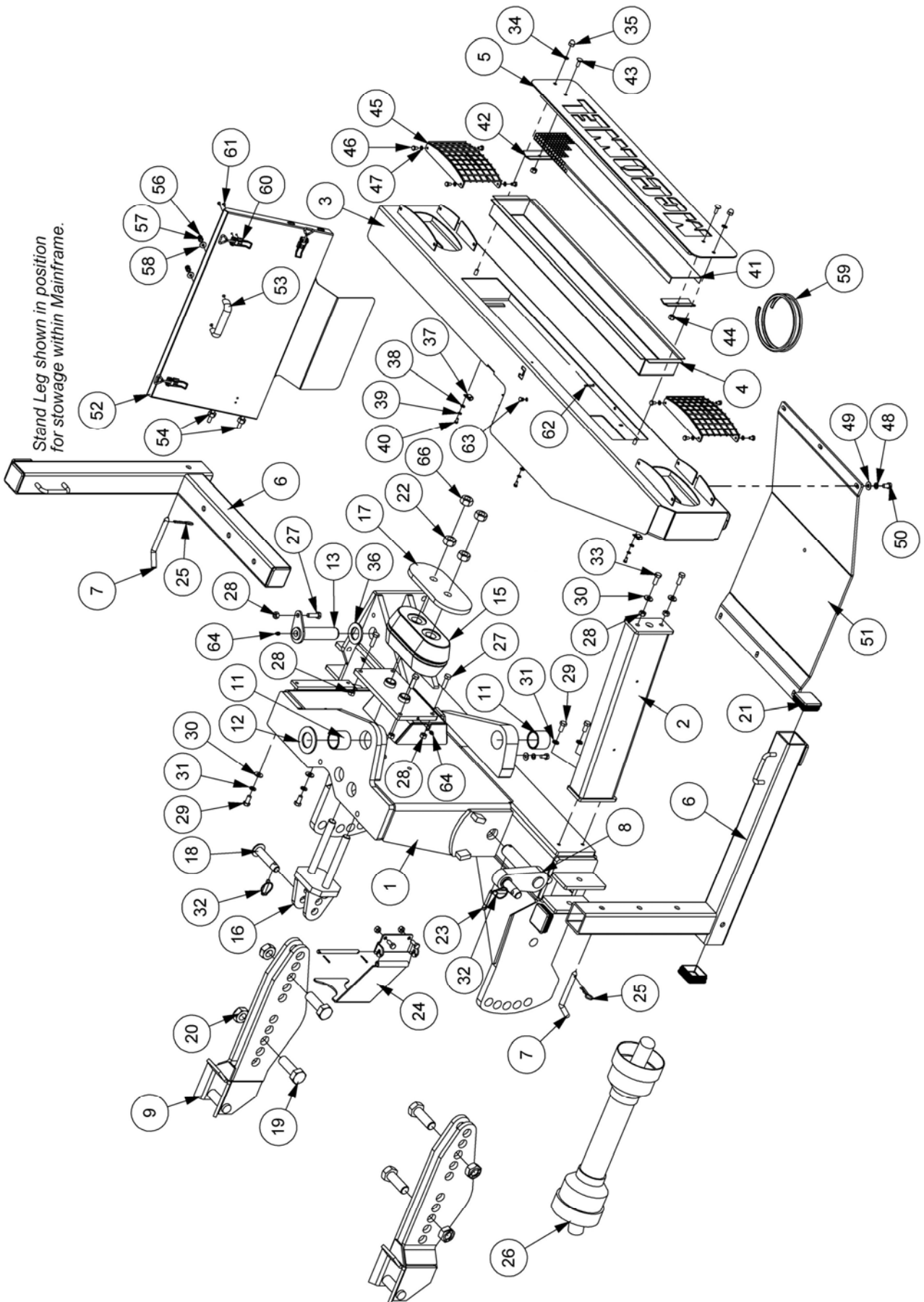
REF.	QTY.	PART No.	DESCRIPTION
		<b>7756500</b>	<b>MAIN FRAME ASSEMBLY - L/H Build</b>
		<b>7756501</b>	<b>MAIN FRAME ASSEMBLY - R/H Build</b>
1	1	21377.01	MAIN FRAME - L/H Build
	1	21377.02	MAIN FRAME - R/H Build
2	1	21391.02	OUTRIGGER - L/H Build
	1	21391.04	OUTRIGGER - R/H Build
3	1	21390.02	REAR BAR - L/H Build
	1	21390.03	REAR BAR - R/H Build
4	1	21387.01	COOLER BASKET
5	1	21386.01	COOLER BASKET CLAMP
6	2	21068.03	STAND LEG
7	2	43327.02	LEG PIN
8	2	43319.01	LIFT LINK
9	1	21105.01	MOUNTING ARM - TYPE 1
10	1	21105.02	MOUNTING ARM - TYPE 2
11	2	08.297.01	PLASTIC BUSH
12	1	7560056	THRUST WASHER
13	1	21098.05	PIN - SLEW BASE
14	1	45807.01	REACTION PLATE
15	1	7560141	RUBBER SPRING
16	1	7560398	TOP HITCH BRACKET
17	1	7560130	REACTION PLATE
18	1	7560144	TOP LINK PIN
19	4	9200035	BOLT
20	4	9100023	BINX NUT
21	6	41580.01	PLASTIC PLUG
22	2	9113009	NUT
23	2	9501509	SPLIT PIN
24	1	21187.02	PTO SUPPORT - <i>Comprising of:</i>
	1	21184.02	BRACKET
	1	21186.01	PIN
	1	21183.02	SUPPORT BRACKET
	2	9313055	BOLT
	2	9143005	SELF-LOCKING NUT
	2	9501255	SPLIT PIN
25	2	0431105	SPRING COTTER
26	1	7650250	PTO SHAFT
27	5	9213086	BOLT
28	7	9143006	SELF-LOCKING NUT
29	4	9313056	SETSCREW
30	4	9100106	FLAT WASHER
31	4	9100206	SPRING WASHER
32	3	0431217	LINCH PIN
33	2	9313066	SETSCREW
34	2	9100405	SHAKEPROOF WASHER
35	2	9100025	DOME NUT

...continued

# MAIN FRAME ASSEMBLY

Module(s): 7756500 (illustrated), 7756501

# McCONEL



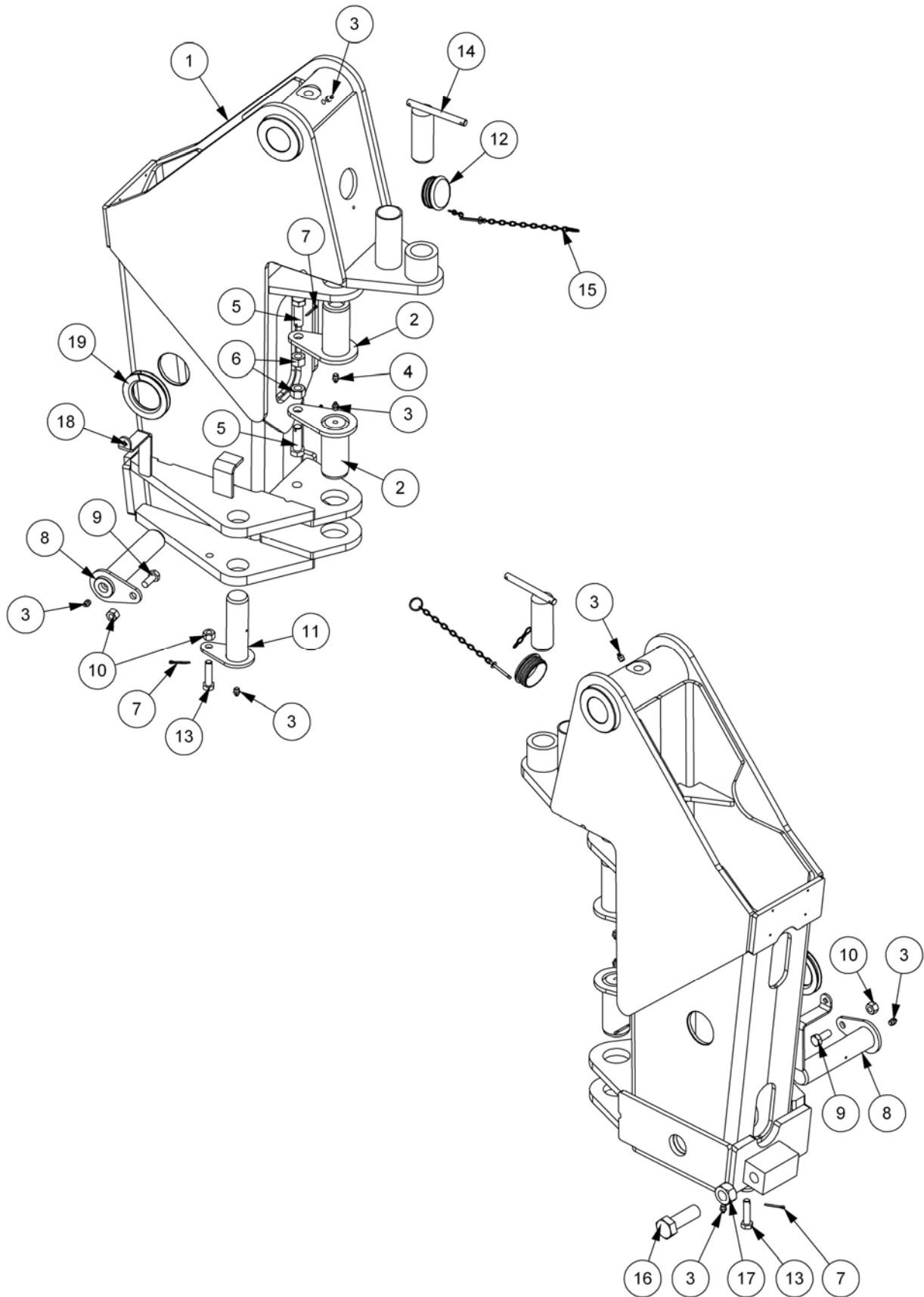
**MAIN FRAME ASSEMBLY****McCONNEL**Module(s): 7756500 (*illustrated*), 7756501

<b>REF.</b>	<b>QTY.</b>	<b>PART No.</b>	<b>DESCRIPTION</b>
		<b>7756500</b>	<b>MAIN FRAME ASSEMBLY - L/H Build</b>
		<b>7756501</b>	<b>MAIN FRAME ASSEMBLY - R/H Build</b>
36	1	45905.02	RAM SPACER
37	5	21151.01	D CLIP
38	5	9100103	FLAT WASHER
39	5	9100203	SPRING WASHER
40	5	9313023	SETSCREW
41	1	21465.01	DEBRIS SCREEN
42	2	21466.01	DEBRIS SCREEN CLAMP
43	2	9293054	CUP HEAD SCREW
44	2	9143005	SELF-LOCKING NUT
45	2	21469.01	LAMP GUARD
46	8	9313024	SETSCREW
47	8	9100404	SHAKEPROOF WASHER
48	4	9100205	SPRING WASHER
49	4	9100105	FLAT WASHER
50	2	9313045	SETSCREW
51	1	21470.01	BASH PLATE
52	1	21484.01	PUMP COVER
53	1	21313.01	HANDLE
54	2	21485.01	COVER LOCATING PEG
55	2	9113005	PLAIN NUT
56	2	9313044	SETSCREW
57	2	9100204	SPRING WASHER
58	2	9100104	FLAT WASHER
59	1	43468.12	EDGING
60	3	43449.02	OVERCENTRE FASTENER
61	6	1069088	POP RIVET
62	1	9501326	SPLIT PIN
63	1	21388.02	PLASTIC INSERT
64	2	0901121	GREASE NIPPLE -STRAIGHT
65	1	0901125	GREASE NIPPLE - 45°
66	2	9143009	SELF-LOCKING NUT

# PILLAR ASSEMBLY

Module(s): 7880504 (illustrated), 7880505

# McCONEL



**PILLAR ASSEMBLY****McCONNEL**Module(s): 7880504 (*illustrated*), 7880505

<b>REF.</b>	<b>QTY.</b>	<b>PART No.</b>	<b>DESCRIPTION</b>
		<b>7880504</b>	<b>PILLAR ASSEMBLY - L/H Build</b>
		<b>7880505</b>	<b>PILLAR ASSEMBLY - R/H Build</b>
1	1	43279.07	PILLAR - L/H Build
	1	43279.08	PILLAR - R/H Build
2	2	43322.01	SLEW PIN
3	4	0901121	GREASE NIPPLE - STRAIGHT
4	1	0901124	GREASE NIPPLE - 67°
5	2	42269.03	SPECIAL BOLT
6	2	9143007	SELF-LOCKING NUT
7	3	9501255	SPLIT PIN
8	1	43324.01	PIN (LIFT BASE)
9	1	9313066	SETSCREW
10	2	9143006	SELF-LOCKING NUT
11	1	43324.02	PIN
12	1	43358.01	PLASTIC PLUG
13	1	42269.04	SPECIAL BOLT
14	1	43323.01	SLEW LOCK PIN
15	1	03.255.05	CHAIN/RING ASSEMBLY
16	1	9313359	SETSCREW
17	1	9113009	NUT
18	1	21193.01	TAP HANDLE
19	1	22277.31	EDGING STRIP

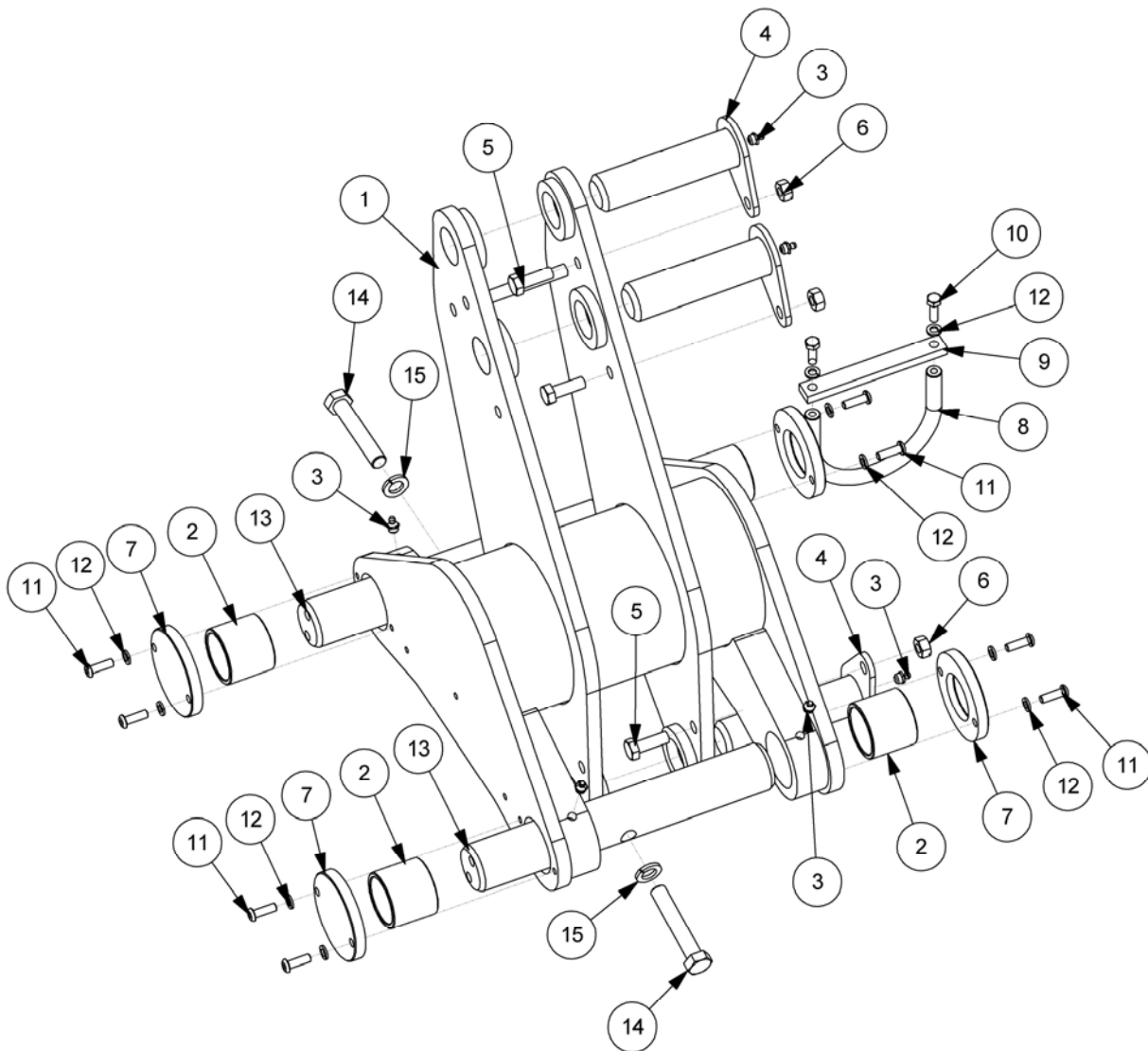


# STANDARD ROCKER ASSEMBLY – Early Models

**McCONEL**

Module(s): 7455707

Serial No. M0814588



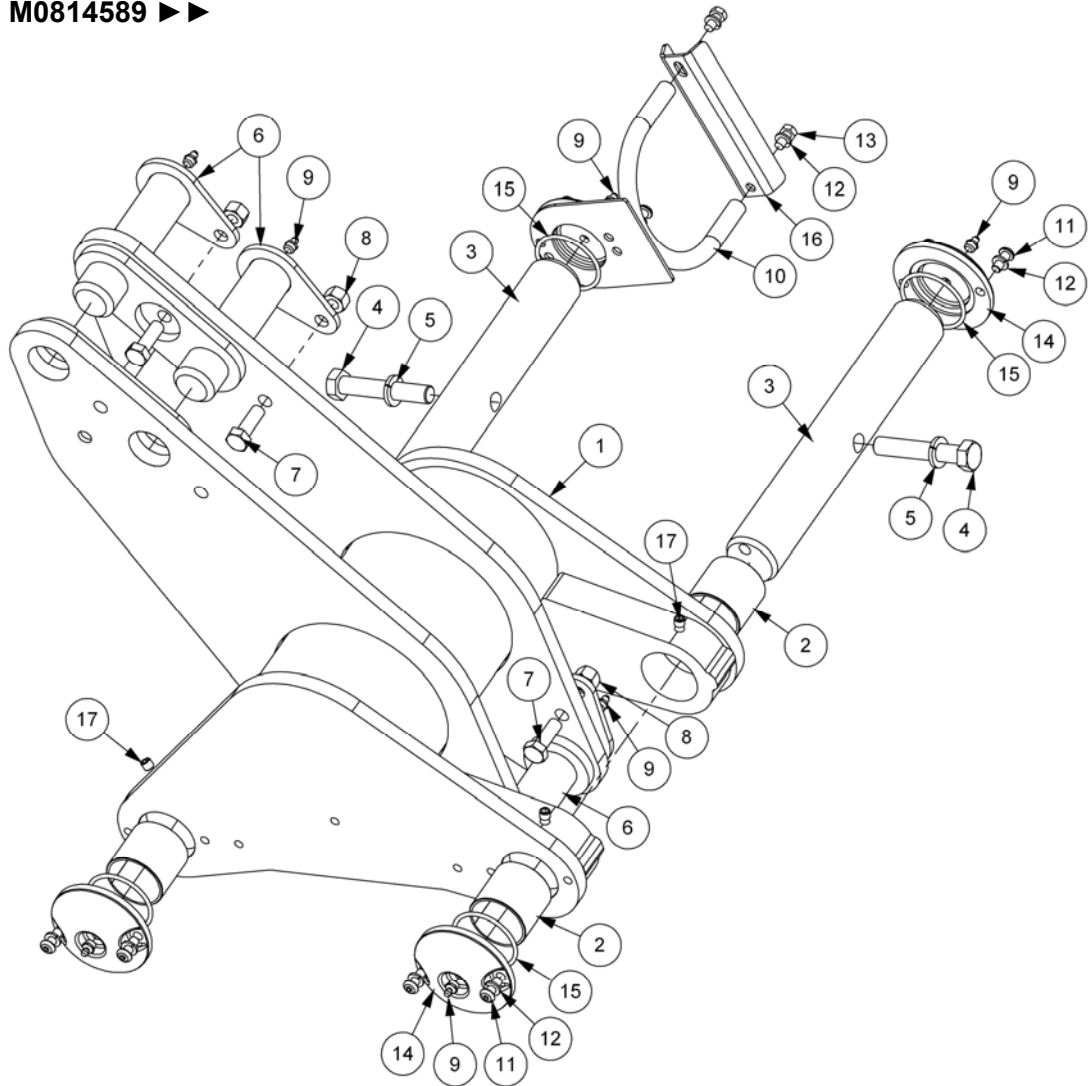
REF.	QTY.	PART No.	DESCRIPTION
		<b>7455707</b>	<b>STANDARD ROCKER ASSEMBLY</b>
1	1	43280.01	ROCKER
2	4	08.297.01	BUSH
3	7	0901121	GREASE NIPPLE
4	3	43324.03	PIN - LIFT ROD
5	3	9313076	SETSCREW
6	3	9143006	SELF-LOCKING NUT
7	3	43048.01	PIN END COVER
8	1	43048.03	HOSE HOOK
9	1	43048.04	RETAINING BAR
10	2	9313054	SETSCREW
11	8	9300158	BUTTON HEAD CAP SCREW
12	10	9100204	SPRING WASHER
13	2	43013.02	PIVOT PIN
14	2	9213187	BOLT
15	2	9100207	SPRING WASHER

# STANDARD ROCKER ASSEMBLY – Current Models

# McCONEL

Module(s): 7157707

Serial No. M0814589 ▶▶

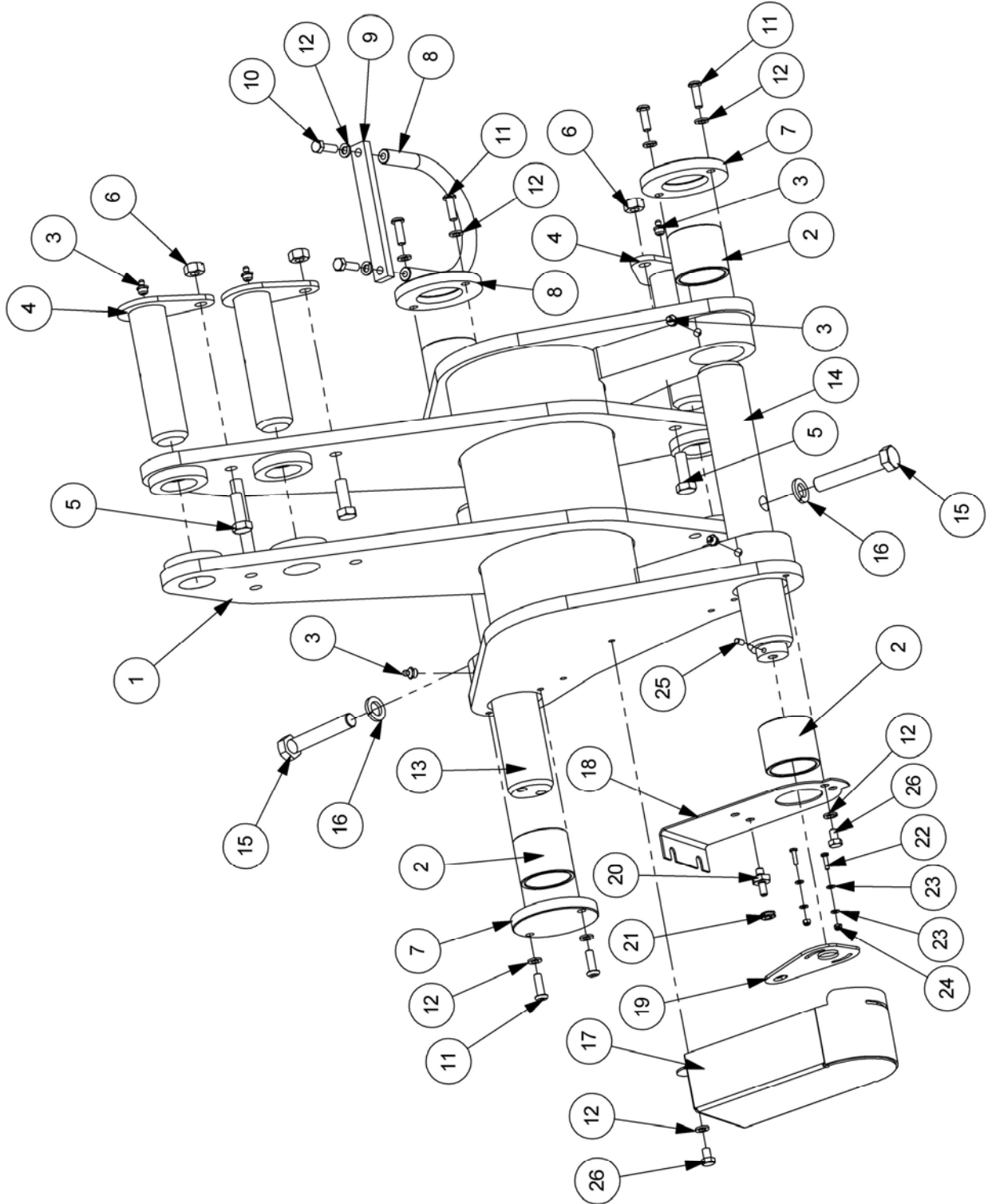


REF.	QTY.	PART No.	DESCRIPTION
		<b>7157707</b>	<b>STANDARD ROCKER ASSEMBLY</b>
1	1	43280.02	ROCKER
2	4	7560050	GLACIER BUSH
3	2	43013.02	PIVOT PIN
4	2	9213187	BOLT
5	2	9100207	SPRING WASHER
6	3	43324.03	PIN
7	3	9313076	SETSCREW
8	3	9143006	SELF-LOCKING NUT
9	7	0901121	GREASE NIPPLE
10	1	43048.11	HOSE LOOP BRACKET
11	8	9300161	SOCKET BUTTON SCREW
12	10	9100204	SPRING WASHER
13	2	9313034	SETSCREW
14	4	45266.02	PIN CAP
15	4	8600306	O RING
16	1	43048.10	HOSE RETAINER
17	4	8582041	TAPER PLUG



Module(s): 7455740

►► Serial No. M0814588

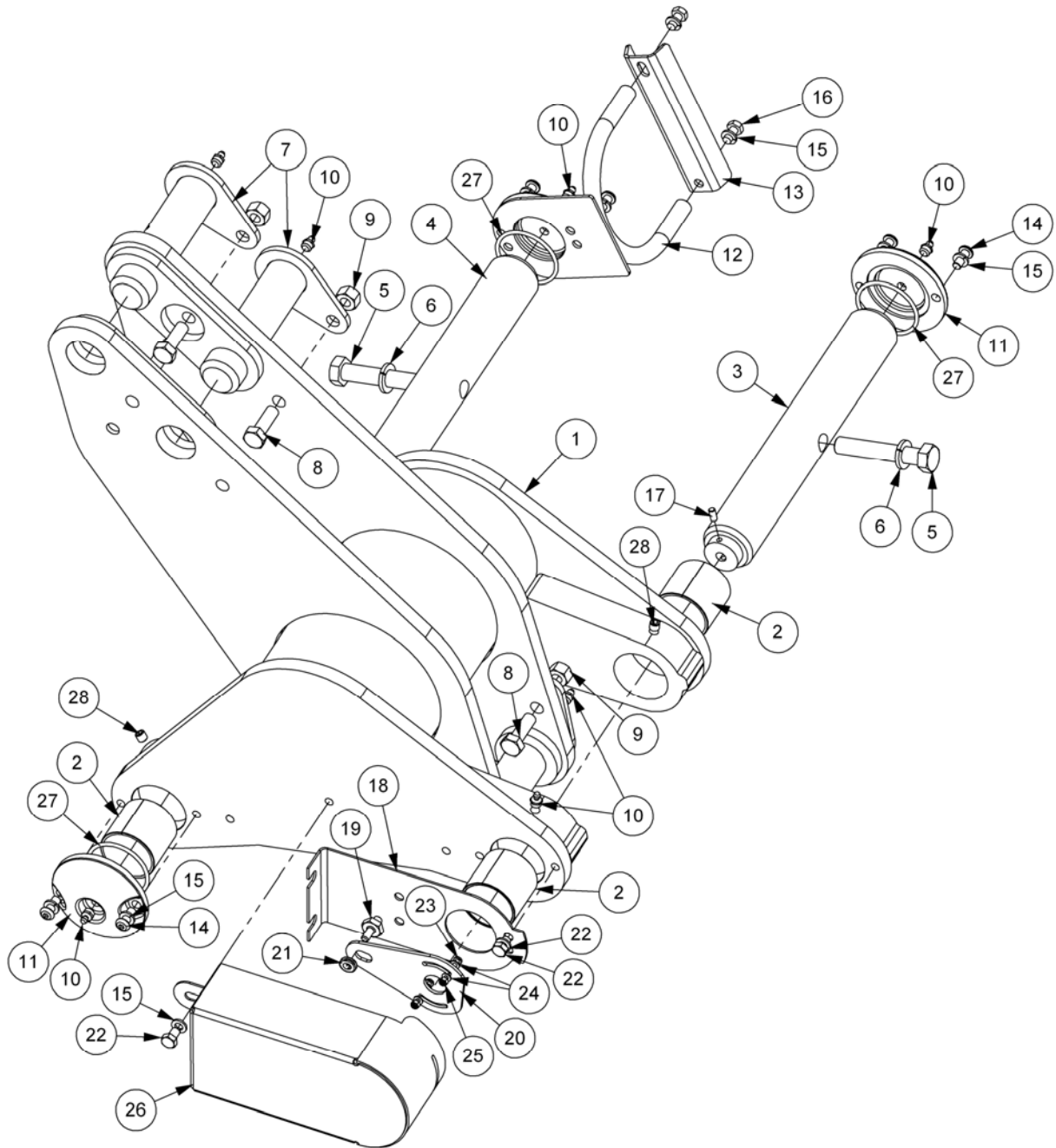


Module(s): 7455740

REF.	QTY.	PART No.	DESCRIPTION
		<b>7455740</b>	<b>EDS ROCKER ASSEMBLY</b>
1	1	43280.01	ROCKER
2	4	08.297.01	BUSH
3	7	0901121	GREASE NIPPLE
4	3	43324.03	PIN - LIFT ROD
5	3	9313076	SETSCREW
6	3	9143006	SELF-LOCKING NUT
7	2	43048.01	PIN END COVER
8	1	43048.03	HOSE HOOK
9	1	43048.04	RETAINING BAR
10	2	9313054	SETSCREW
11	6	9300158	BUTTON HEAD CAP SCREW
12	10	9100204	SPRING WASHER
13	1	43013.02	PIVOT PIN
14	1	43013.08	PIVOT PIN - EDS
15	2	9213187	BOLT
16	2	9100207	SPRING WASHER
17	1	45425.03	COVER
18	1	45425.02	LOCATION PLATE
19	1	45425.06	SENSOR BRACKET
20	1	43014.02	LOCATING STUD
21	1	43356.01	GROMMET
22	2	9300162	POSI PANHEAD SCREW
23	4	9100101	FLAT WASHER
24	2	05.948.33	SELF-LOCKING NUT
25	1	9363023	GRUB SCREW
26	2	9313024	SETSCREW

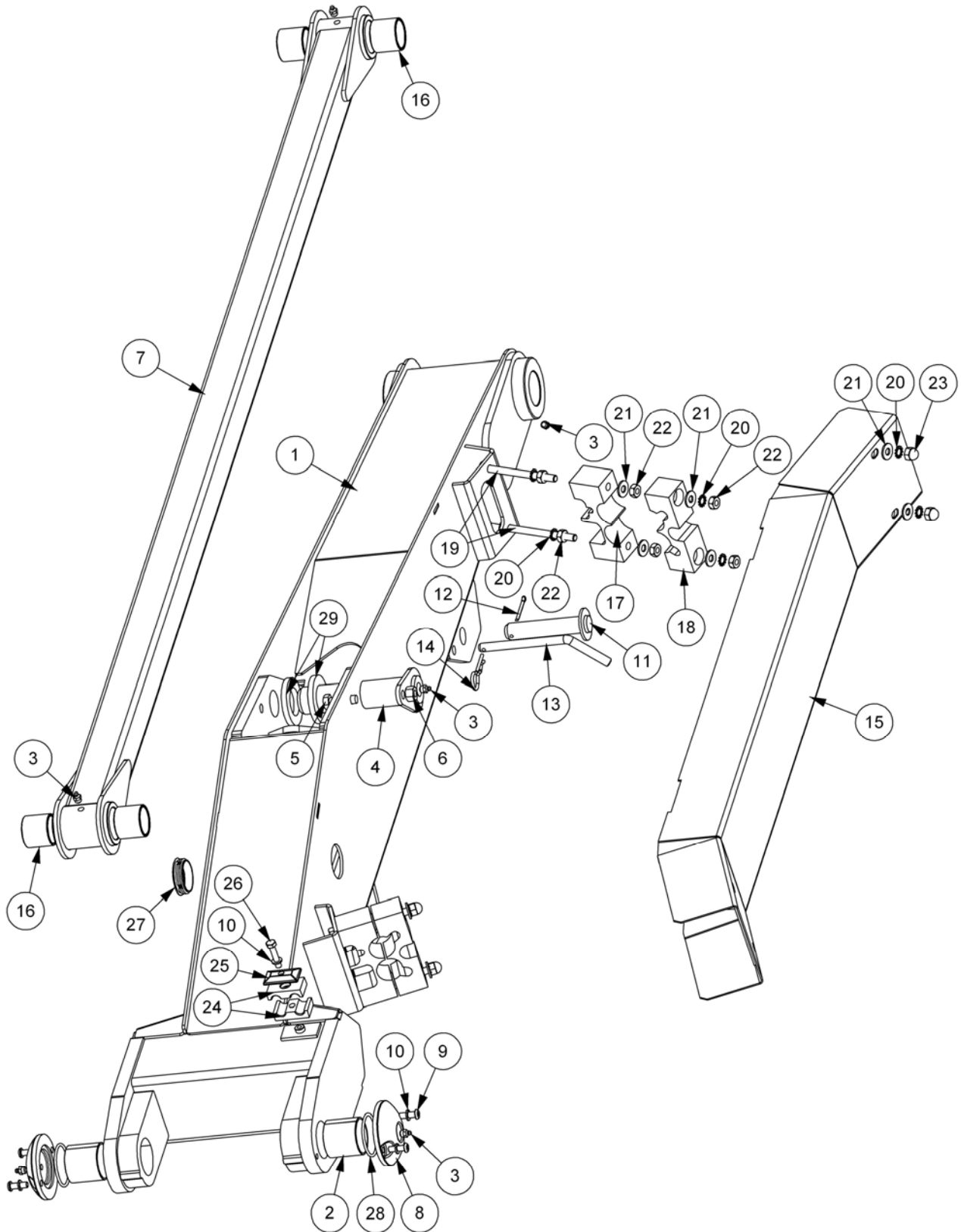
Module(s): 7157708

Serial No. M0814589 ▶▶



Module(s): 7157708

REF.	QTY.	PART No.	DESCRIPTION
		<b>7157708</b>	<b>EDS ROCKER ASSEMBLY</b>
1	1	43280.02	ROCKER
2	4	7560050	GLACIER BUSH
3	1	43013.08	PIVOT PIN (EDS V2)
4	1	43013.02	PIVOT PIN
5	2	9213187	BOLT
6	2	9100207	SPRING WASHER
7	3	43324.03	PIN (LIFT ROD)
8	3	9313076	SETSCREW
9	3	9143006	SELF-LOCKING NUT
10	7	0901121	GREASE NIPPLE
11	3	45266.02	PIN CAP
12	1	43048.11	HOSE LOOP BRACKET
13	1	43048.10	HOSE RETAINER
14	6	9300161	SOCKET BUTTON SCREW
15	10	9100204	SPRING WASHER
16	2	9313034	SETSCREW
17	1	9363023	GRUB SCREW
18	1	45425.02	LOCATION PLATE
19	1	43014.02	LOCATING STUD
20	1	45425.06	SENSOR BRACKET
21	1	43356.01	GROMMET
22	2	9313024	SETSCREW
23	2	9300162	POSI PANHEAD SCREW
24	4	9100101	FLAT WASHER
25	2	05.948.33	SELF-LOCKING NUT
26	1	45425.03	COVER
27	3	8600306	O RING
28	3	8582041	TAPER PLUG



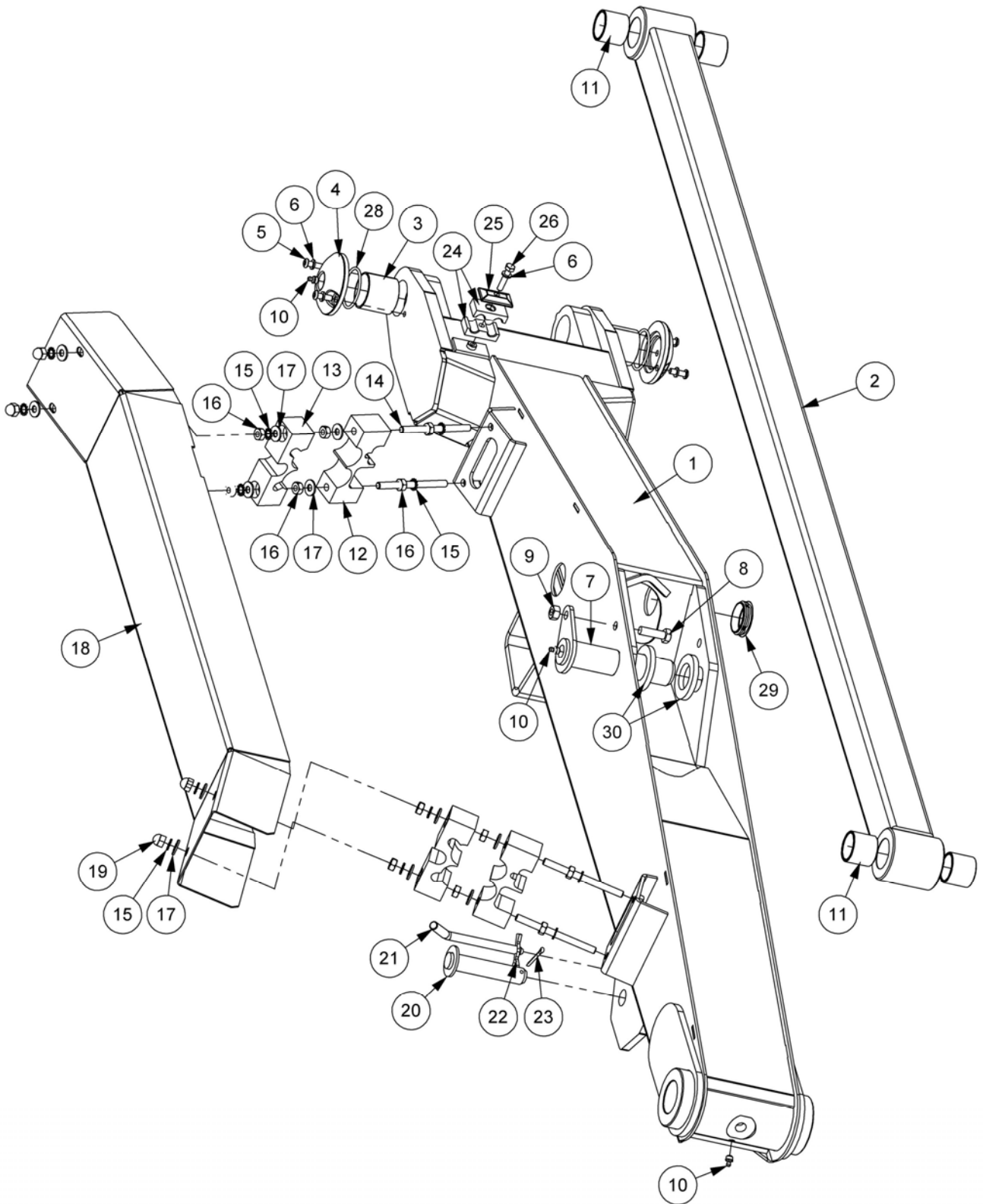
Module(s): 7765503 – L/H (illustrated), 7765507 – R/H

REF.	QTY.	PART No.	DESCRIPTION
		<b>7765503</b>	<b>MAIN ARM ASSEMBLY - L/H Build</b>
		<b>7765507</b>	<b>MAIN ARM ASSEMBLY - R/H Build</b>
1	1	21407.03	MAIN ARM - L/H Build
	1	21407.04	MAIN ARM - R/H Build
2	2	7560050	GLACIER BUSH
3	6	0901121	GREASE NIPPLE
4	1	43324.05	PIN
5	1	9313086	SETSCREW
6	1	9143006	SELF-LOCKING NUT
7	1	41662.05	TENSION LINK
8	2	45266.02	PIN CAP
9	4	9300158	BUTTON HEAD CAPSCREW
10	5	9100204	SPRING WASHER
11	1	43023.01	PIN (TRANSPORT PROP)
12	1	9501406	SPLIT PIN
13	1	43074.01	LOCK PIN
14	1	0431105	SPRING COTTER
15	1	41665.18	HOSE COVER
16	4	08.297.02	BUSH
17	2	42024.15	MULTI CLAMP
18	2	42024.28	MULTI CLAMP (UPPER)
19	4	42198.01	STUD
20	12	9100405	SHAKEPROOF WASHER
21	12	9100105	FLAT WASHER
22	12	9113005	PLAIN NUT
23	4	9100025	DOME NUT
24	2	7193065	HOSE CLAMP (HALF)
25	1	7193066	CLAMP PLATE
26	1	9213084	BOLT
27	1	21388.05	PLASIC INSERT
28	2	8600306	O RING
29	2	43315.40	RAM SPACER

MAIN ARM - PA5600VFR

Module(s): 7157709 - L/H Build (illustrated), 7157710 - R/H Build

**McCONEL**





Module(s): 7157709 - L/H Build (*illustrated*), 7157710 - R/H Build

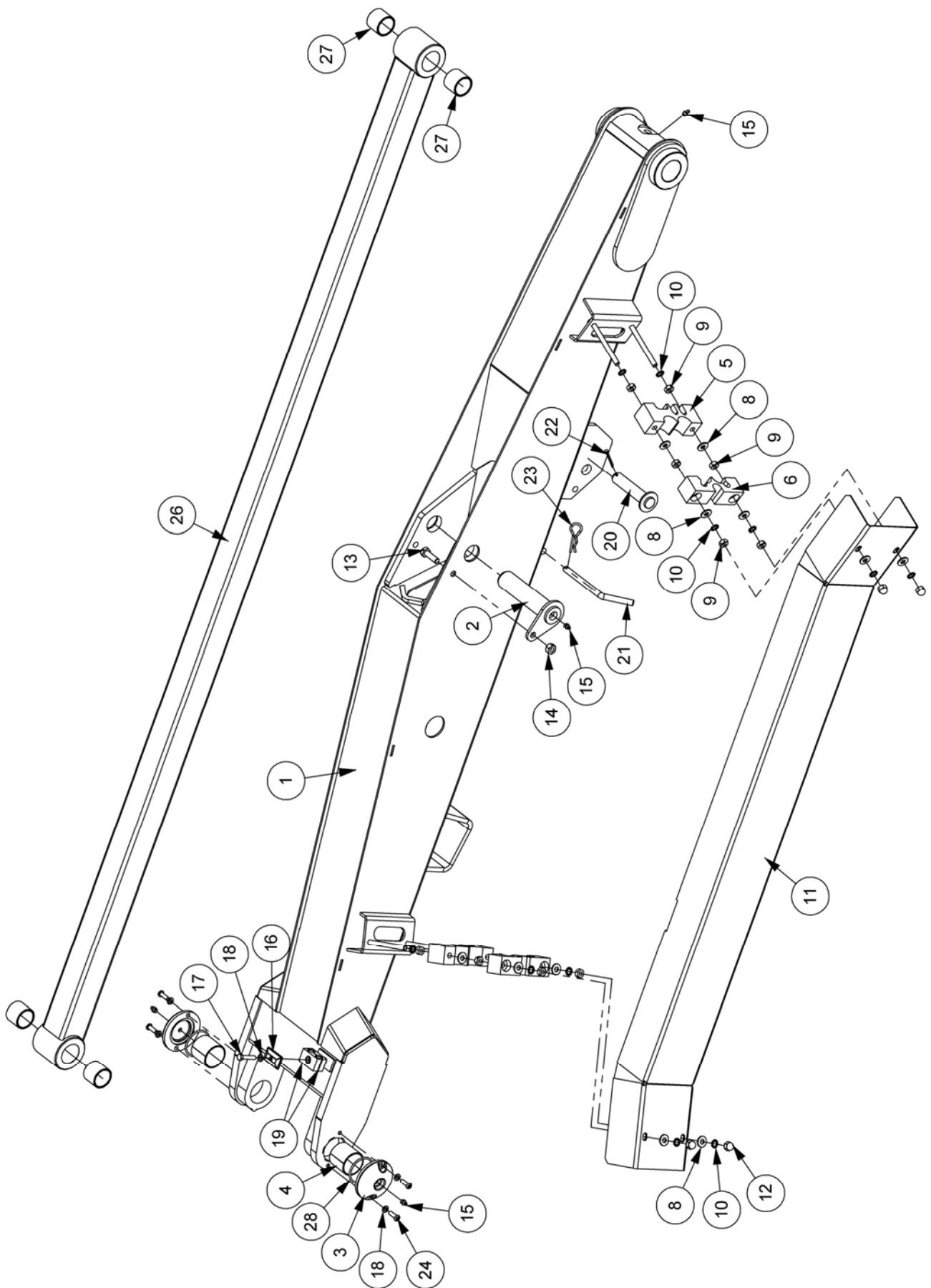
REF.	QTY.	PART No.	DESCRIPTION
		<b>7157709</b>	<b>STANDARD MAIN ARM - L/H Build</b>
		<b>7157710</b>	<b>STANDARD MAIN ARM - R/H Build</b>
1	1	21407.05	MAIN ARM - L/H Build
	1	21407.06	MAIN ARM - R/H Build
2	1	21027.03	TENSION LINK
3	2	7560050	GLACIER BUSH
4	2	45266.02	PIN CAP
5	4	9300158	BUTTON HEAD CAP SCREW
6	5	9100204	SPRING WASHER
7	1	43324.05	PIN
8	1	9313086	SETSCREW
9	1	9143006	SELF-LOCKING NUT
10	3	0901121	GREASE NIPPLE
11	4	08.297.02	BUSH
12	2	42024.15	MULTI CLAMP
13	2	42024.28	MULTI CLAMP UPPER
14	4	42198.01	STUD
15	12	9100405	SHAKEPROOF WASHER
16	12	9113005	PLAIN NUT
17	12	9100105	FLAT WASHER
18	1	41665.15	HOSE COVER
19	4	9100025	DOME NUT
20	1	43023.01	PIN (TRANSPORT PROP)
21	1	43020.01	CRADLE STOWAGE PIN
22	1	0431105	SPRING COTTER
23	1	9501406	SPLIT PIN
24	2	7193065	HOSE CLAMP (HALF)
25	1	7193066	CLAMP PLATE
26	1	9213084	BOLT
27	1	42964.02	PLASTIC PLUG
28	2	8600306	O RING
29	1	21388.05	PLASTIC INSERT
30	2	43315.40	RAM SPACER



MAIN ARM - PA6400 / PA6400M / PA6400VFR / PA7700T

Module(s): 7777500 - L/H Build (illustrated), 7777501 - R/H Build

**McCONNEL**

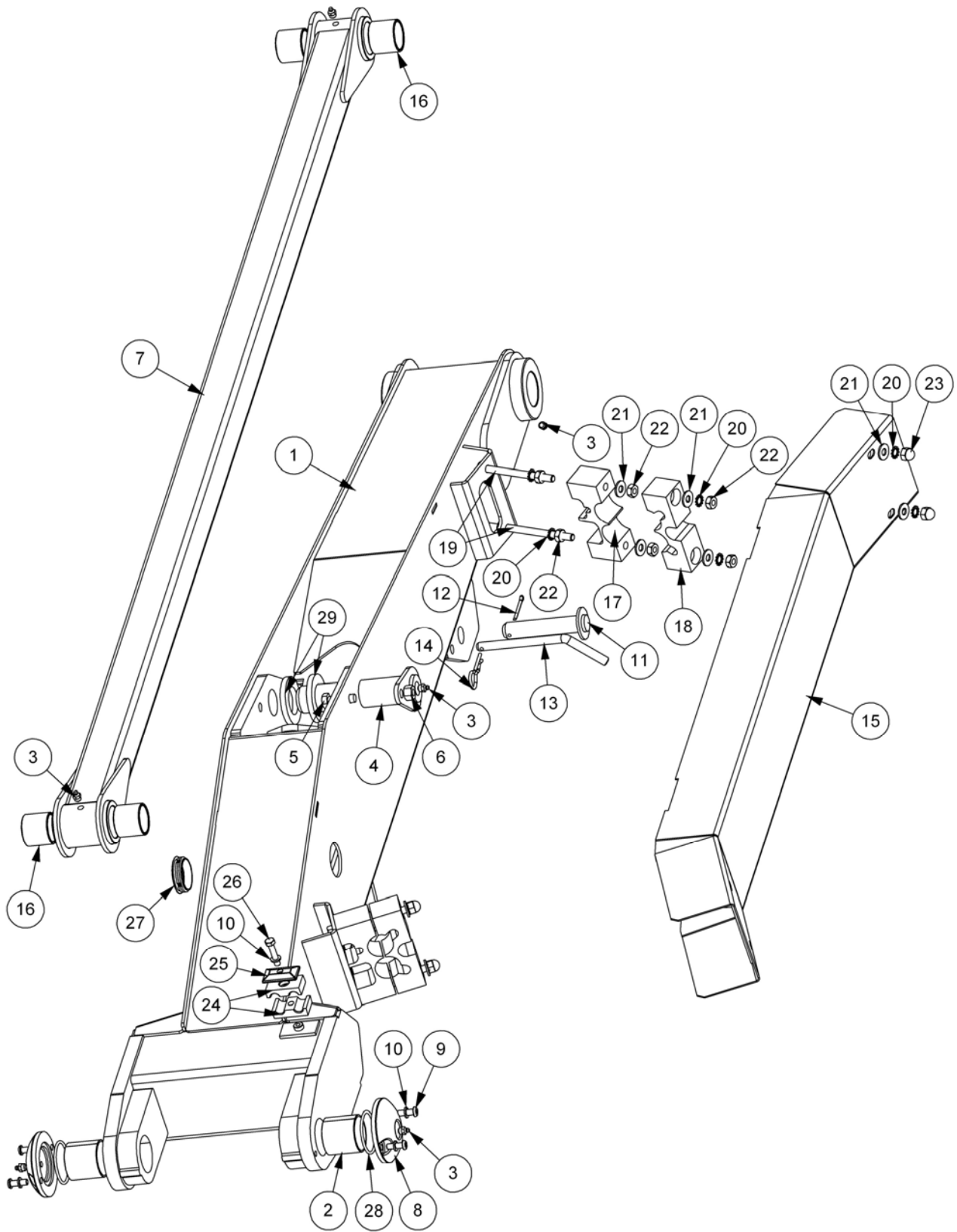


REF.	QTY.	PART No.	DESCRIPTION
		<b>7777500</b>	<b>MAIN ARM ASSEMBLY - L/H Build</b>
		<b>7777501</b>	<b>MAIN ARM ASSEMBLY - R/H Build</b>
1	1	21407.01	MAIN ARM - L/H Build
	1	21407.02	MAIN ARM - R/H Build
2	1	43324.05	PIN - REACH BASE
3	2	45266.02	PIN CAP
4	2	7560050	GLACIER BUSH
5	2	42024.27	HOSE CLAMP
6	2	42024.28	MULTI CLAMP - UPPER
7	4	42198.01	STUD
8	12	9100105	FLAT WASHER
9	12	9113005	PLAIN NUT
10	12	9100405	EXTERNAL SHAKEPROOF WASHER
11	1	41665.29	HOSE COVER
12	4	9100025	DOME NUT
13	1	9213086	BOLT
14	1	9143006	SELF-LOCKING NUT
15	4	0901121	GREASE NIPPLE
16	1	7193066	CLAMP PLATE
17	1	9213084	BOLT
18	5	9100204	SPRING WASHER
19	1	42024.26	TWIN HOSE CLAMP
20	1	43023.01	PIN - TRANSPORT PROP
21	1	43074.01	LOCK PIN - TRANSPORT PROP
22	1	9501406	SPLIT PIN
23	1	0431105	SPRING COTTER
24	4	9300158	BUTTON HEAD CAP SCREW
25	1	42964.02	PLASTIC PLUG
26	1	21027.02	TENSION LINK
27	4	08.297.02	BUSH
28	2	8600306	O RING
29	1	21388.05	PLASIC INSERT
30	1	03.231.01	RUBBER EDGING (160mm) - <i>Not illustrated</i>

MAIN ARM - PA6500

Module(s): 7765503 - L/H (illustrated), 7765507 - R/H

**McCONEL**

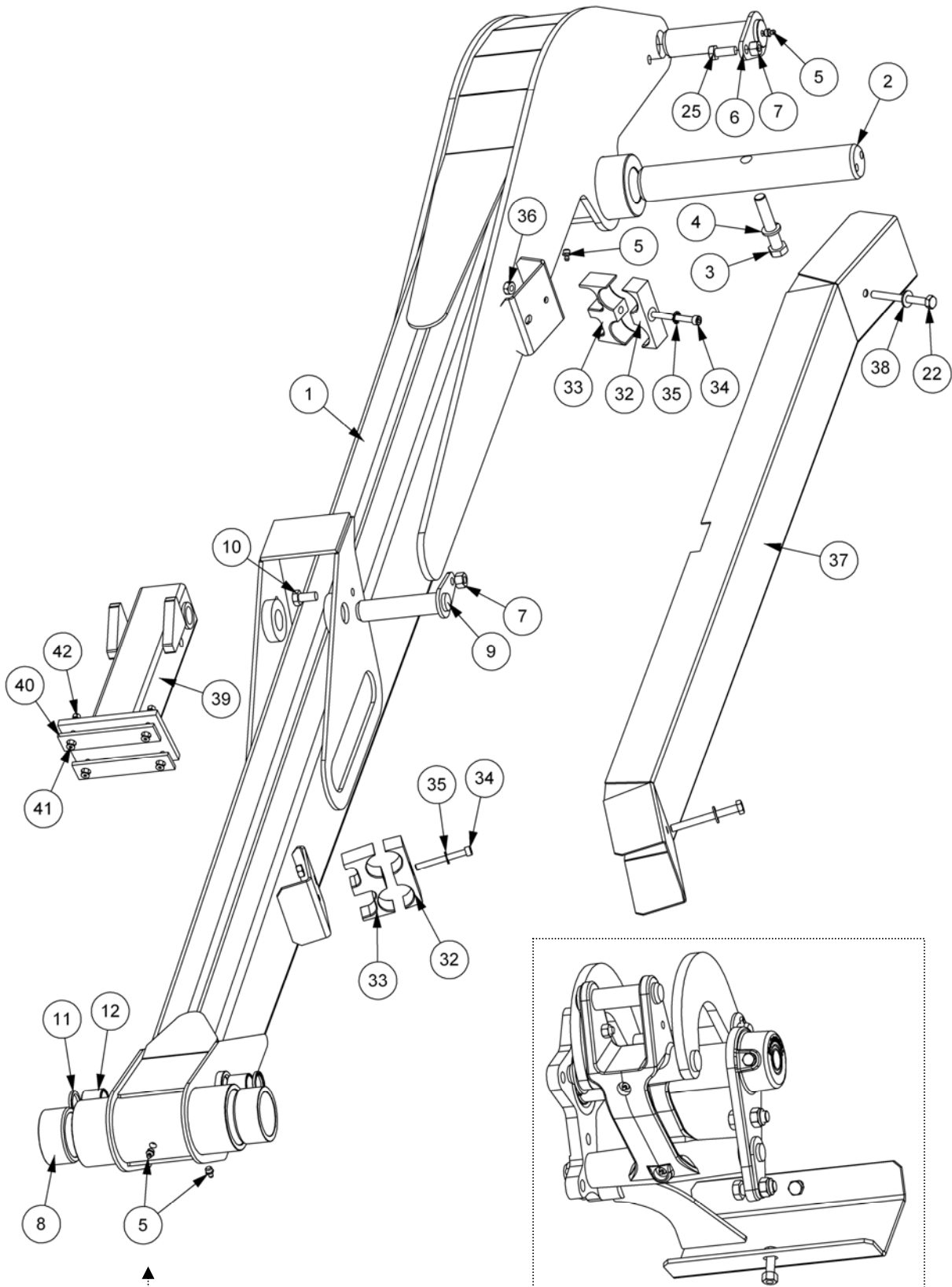


REF.	QTY.	PART No.	DESCRIPTION
		<b>7765503</b>	<b>MAIN ARM ASSEMBLY - L/H Build</b>
		<b>7765507</b>	<b>MAIN ARM ASSEMBLY - R/H Build</b>
1	1	21407.03	MAIN ARM - L/H Build
	1	21407.04	MAIN ARM - R/H Build
2	2	7560050	GLACIER BUSH
3	6	0901121	GREASE NIPPLE
4	1	43324.05	PIN
5	1	9313086	SETSCREW
6	1	9143006	SELF-LOCKING NUT
7	1	41662.05	TENSION LINK
8	2	45266.02	PIN CAP
9	4	9300158	BUTTON HEAD CAPSCREW
10	5	9100204	SPRING WASHER
11	1	43023.01	PIN (TRANSPORT PROP)
12	1	9501406	SPLIT PIN
13	1	43074.01	LOCK PIN
14	1	0431105	SPRING COTTER
15	1	41665.18	HOSE COVER
16	4	08.297.02	BUSH
17	2	42024.15	MULTI CLAMP
18	2	42024.28	MULTI CLAMP (UPPER)
19	4	42198.01	STUD
20	12	9100405	SHAKEPROOF WASHER
21	12	9100105	FLAT WASHER
22	12	9113005	PLAIN NUT
23	4	9100025	DOME NUT
24	2	7193065	HOSE CLAMP (HALF)
25	1	7193066	CLAMP PLATE
26	1	9213084	BOLT
27	1	21388.05	PLASIC INSERT
28	2	8600306	O RING
29	2	43315.40	RAM SPACER

STANDARD DIPPER ARM – PA5600 / PA6400

Module(s): 7756508 (illustrated), 7756509, 7764500, 7764501

**McCONEL**



Refer to Head Angling Mechanism page for exploded view of this component

Module(s): 7756508 (*illustrated*), 7756509, 7764500, 7764501

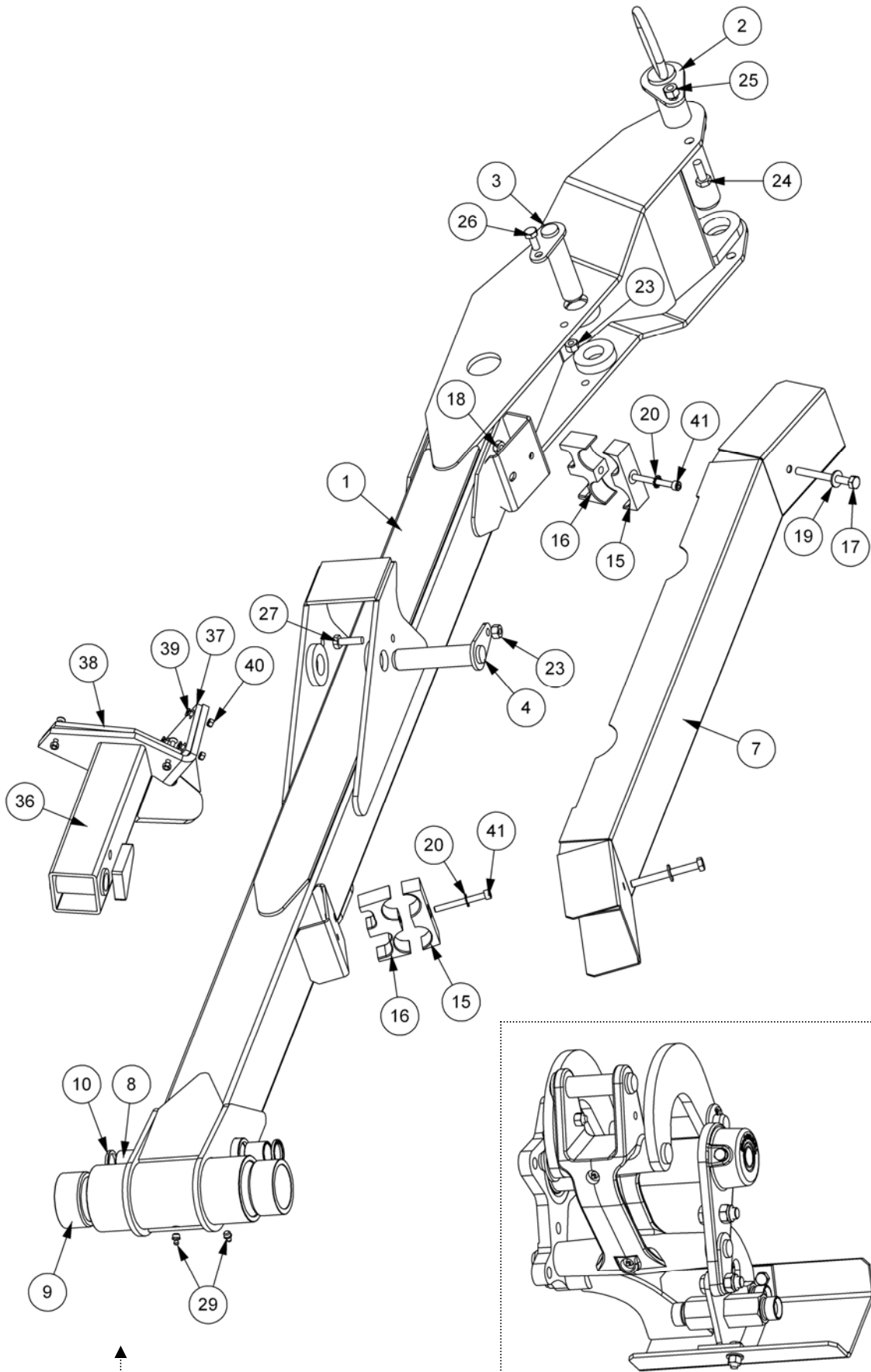
REF.	QTY.	PART No.	DESCRIPTION
		<b>7756508</b>	<b>DIPPER ARM ASSEMBLY - PA5600 L/H Build</b>
		<b>7756509</b>	<b>DIPPER ARM ASSEMBLY - PA5600 R/H Build</b>
		<b>7764500</b>	<b>DIPPER ARM ASSEMBLY - PA6400 L/H Build</b>
		<b>7764501</b>	<b>DIPPER ARM ASSEMBLY - PA6400 R/H Build</b>
1	1	21406.01	DIPPER ARM - PA5600 L/H Build
	1	21406.02	DIPPER ARM - PA5600 R/H Build
	1	21406.03	DIPPER ARM - PA6400 L/H Build
	1	21406.04	DIPPER ARM - PA6400 R/H Build
2	1	43013.02	PIVOT PIN
3	1	9213187	BOLT
4	1	9100207	SPRING WASHER
5	6	0901121	GREASE NIPPLE
6	1	43324.02	PIN
7	4	9143006	SELF-LOCKING NUT
8	2	7136035	PLASTIC BUSH
9	1	42684.07	PIN
10	1	9313056	SETSCREW
11	6	8629218	LIP SEAL
12	6	08.297.04	BUSH
13	1	21263.01	PIVOT TUBE
14	1	42648.01C	JAW PLATE (CAST)
15	1	42646.04	RADIUS ARM - TYPE 2
16	1	42646.03	RADIUS ARM - TYPE 1
17	1	21801.01	SLAVE LINK (CAST)
18	1	42684.01	PIN - SLAVE LINK
19	1	21262.01	HOSE TRAY
20	1	42684.05	PIN
21	1	0423556	SPRING DOWEL
22	3	9213205	BOLT
23	2	9143005	SELF-LOCKING NUT
24	3	9100028	SELF-LOCKING NUT
25	3	9313066	SETSCREW
26	1	9200025	BOLT
27	1	9200028	BOLT
28	1	9313075	SETSCREW
29	2	05.281.18	FLAT WASHER
30	2	9501406	SPLIT PIN
31	1	9501507	SPLIT PIN
32	2	06.430.28	HOSE CLAMP - UPPER
33	2	06.430.18	HOSE CLAMP - LOWER
34	2	9243154	CAPSCREW
35	2	9100405	SHAKEPROOF WASHER
36	2	9113005	PLAIN NUT
37	1	22597.04	HOSE COVER - PA5600 Models
	1	22597.01	HOSE COVER - PA6400 Models
38	2	9100105	FLAT WASHER
39	1	43021.16	TRANSPORT PROP
40	2	43091.03	PAD (TRANSPORT PROP)
41	4	9353053	CAPSCREW
42	4	9143003	SELF-LOCKING NUT



# 1.0M MIDCUT DIPPER ARM - PA5600M / PA6400M

Module(s): 7756516 (illustrated), 7756517, 7764502, 7764503

# McCONEL



Refer to Head Angling Mechanism page for exploded view of this component

1.0M MIDCUT DIPPER ARM – PA5600M / PA6400M

**McCONNEL**

Module(s): 7756516 (illustrated), 7756517, 7764502, 7764503

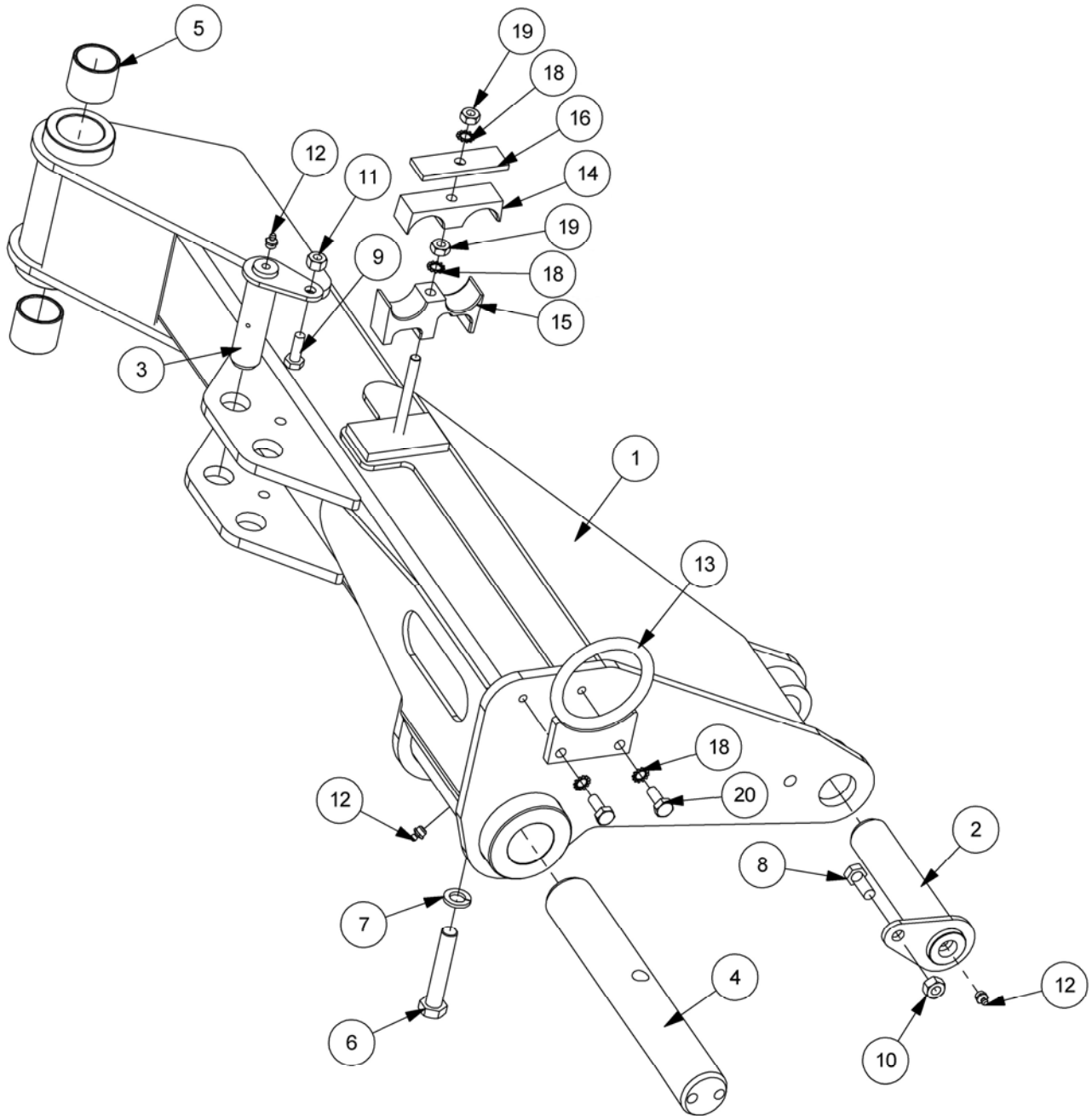
REF.	QTY.	PART No.	DESCRIPTION
		<b>7756516</b>	<b>1.0M MIDCUT DIPPER ASSEMBLY - PA5600 L/H Build</b>
		<b>7756517</b>	<b>1.0M MIDCUT DIPPER ASSEMBLY - PA5600 R/H Build</b>
		<b>7764502</b>	<b>1.0M MIDCUT DIPPER ASSEMBLY - PA6400 L/H Build</b>
		<b>7764503</b>	<b>1.0M MIDCUT DIPPER ASSEMBLY - PA6400 R/H Build</b>
1	1	46048.15	1.0M MIDCUT DIPPER ARM - PA5600 L/H Build
	1	46048.16	1.0M MIDCUT DIPPER ARM - PA5600 R/H Build
	1	46048.10	1.0M MIDCUT DIPPER ARM - PA6400 L/H Build
	1	46048.12	1.0M MIDCUT DIPPER ARM - PA6400 R/H Build
2	1	45609.01	PIN
3	2	42684.05	PIN
4	1	42684.03	PIN
5	1	42646.03	RADIUS ARM - TYPE 1
6	1	42646.04	RADIUS ARM - TYPE 2
7	1	22597.03	HOSE COVER - PA5600 Builds
	1	22597.02	HOSE COVER - PA6400 Builds
8	6	08.297.04	BUSH
9	2	7136035	PLASTIC BUSH
10	6	8629218	LIP SEAL
11	1	21801.01	SLAVE LINK (CAST)
12	1	21263.01	PIVOT TUBE
13	1	42648.01C	JAW PLATE (CAST)
14	1	42684.01	PIN (SLAVE LINK)
15	2	06.430.28	HOSE CLAMP - UPPER
16	2	06.430.18	HOSE CLAMP - LOWER
17	3	9213205	BOLT
18	2	9113005	PLAIN NUT
19	4	9100105	FLAT WASHER
20	2	9100405	SHAKEPROOF WASHER
21	2	05.281.18	FLAT WASHER
22	1	0423556	SPRING DOWEL
23	6	9143005	SELF-LOCKING NUT
24	1	9313066	SETSCREW
25	1	9143006	SELF-LOCKING NUT
26	1	9313055	SETSCREW
27	2	9313075	SETSCREW
28	3	9501406	SPLIT PIN
29	4	0901121	GREASE NIPPLE
30	1	21262.01	HOSE TRAY
31	1	21261.02	JUNCTION BRACKET
32	3	9100028	SELF-LOCKING NUT
33	2	9313065	SETSCREW
34	1	9200025	BOLT
35	1	9200028	BOLT
36	1	43021.17	TRANSPORT PROP - L/H Build
	1	43021.18	TRANSPORT PROP - R/H Build
37	1	43091.02	SIDE PAD
38	1	43091.01	MAIN PAD
39	7	9353053	CAPSCREW
40	7	9143003	SELF-LOCKING NUT
41	2	9243154	CAPSCREW



# 1.0M MIDCUT FORWARD EXTENSION

Module(s): 7756514 - L/H Build (*illustrated*), 7756515 - R/H Build

**McCONNEL**



# 1.0M MIDCUT FORWARD EXTENSION

**McCONNEL**

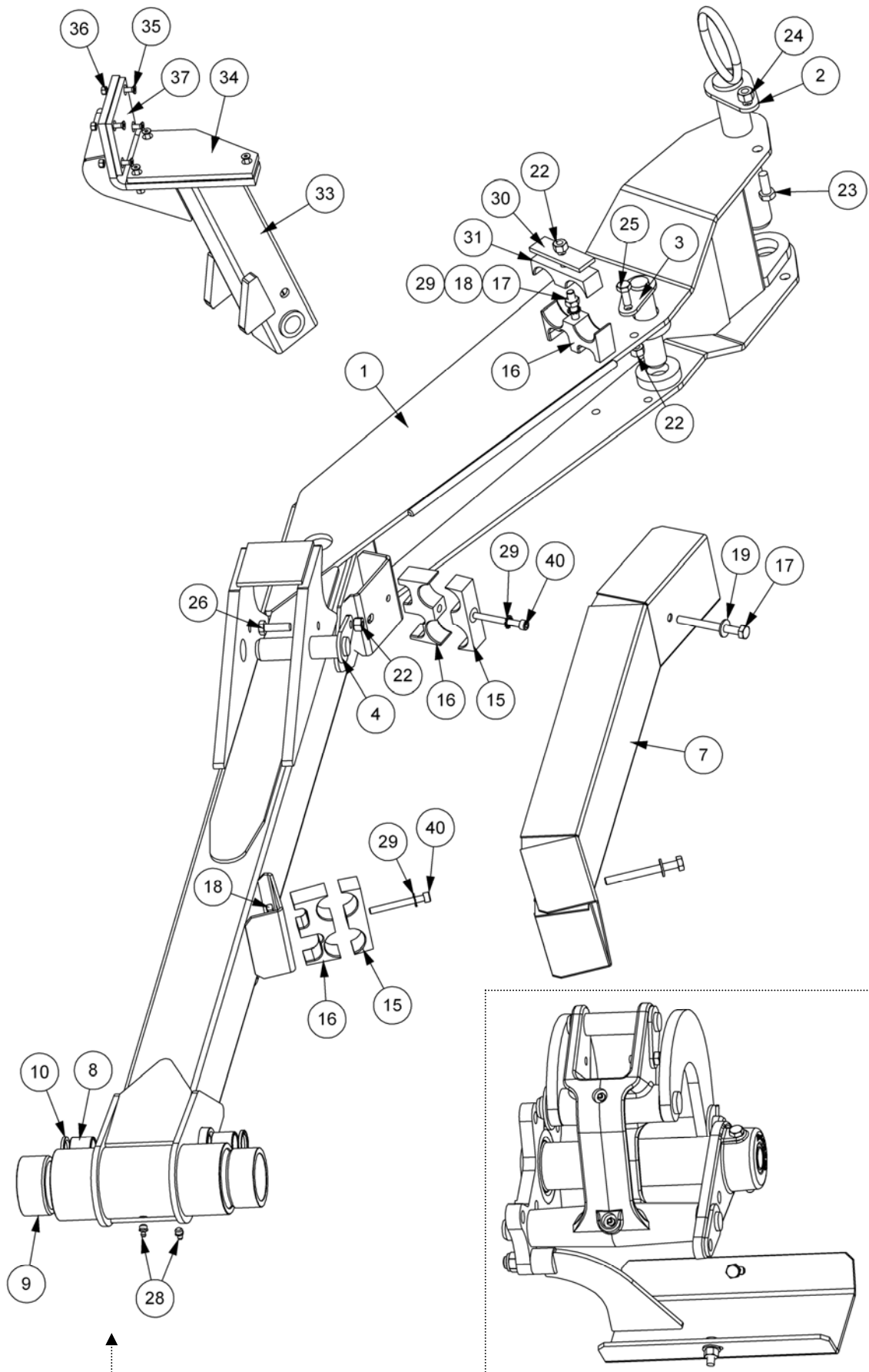
Module(s): 7756514 - L/H Build (*illustrated*), 7756515 - R/H Build

REF.	QTY.	PART No.	DESCRIPTION
		<b>7756514</b>	<b>1.0M MIDCUT FORWARD EXTENSION - L/H Build</b>
		<b>7756515</b>	<b>1.0M MIDCUT FORWARD EXTENSION - R/H Build</b>
1	1	45502.04	1.0M FORWARD EXTENSION - L/H Build
	1	45502.06	1.0M FORWARD EXTENSION - R/H Build
2	1	43324.01	PIN - LIFT BASE
3	1	42684.02	PIN - RAM BASE
4	1	43013.02	PIVOT PIN
5	2	08.297.02	BUSH
6	1	9213187	BOLT
7	1	9100207	SPRING WASHER
8	1	9313066	SETSCREW
9	1	9313065	SETSCREW
10	1	9143006	SELF-LOCKING NUT
11	1	9143005	SELF-LOCKING NUT
12	4	0901121	GREASE NIPPLE
13	1	45974.01	HOSE LOOP
14	1	06.430.17	HOSE CLAMP (UPPER)
15	1	06.430.18	HOSE CLAMP (LOWER)
16	1	06.418.05	CLAMP PLATE
17	1	04.282.69	STUD
18	4	9100405	SHAKEPROOF WASHER
19	2	9113005	NUT
20	2	9313055	SETSCREW

1.5M MIDCUT DIPPER ARM - PA5600M / PA6400M

**McCONEL**

Module(s): 7756520 (illustrated), 7756521, 7764511, 7764507



Refer to Head Angling Mechanism page for exploded view of this component

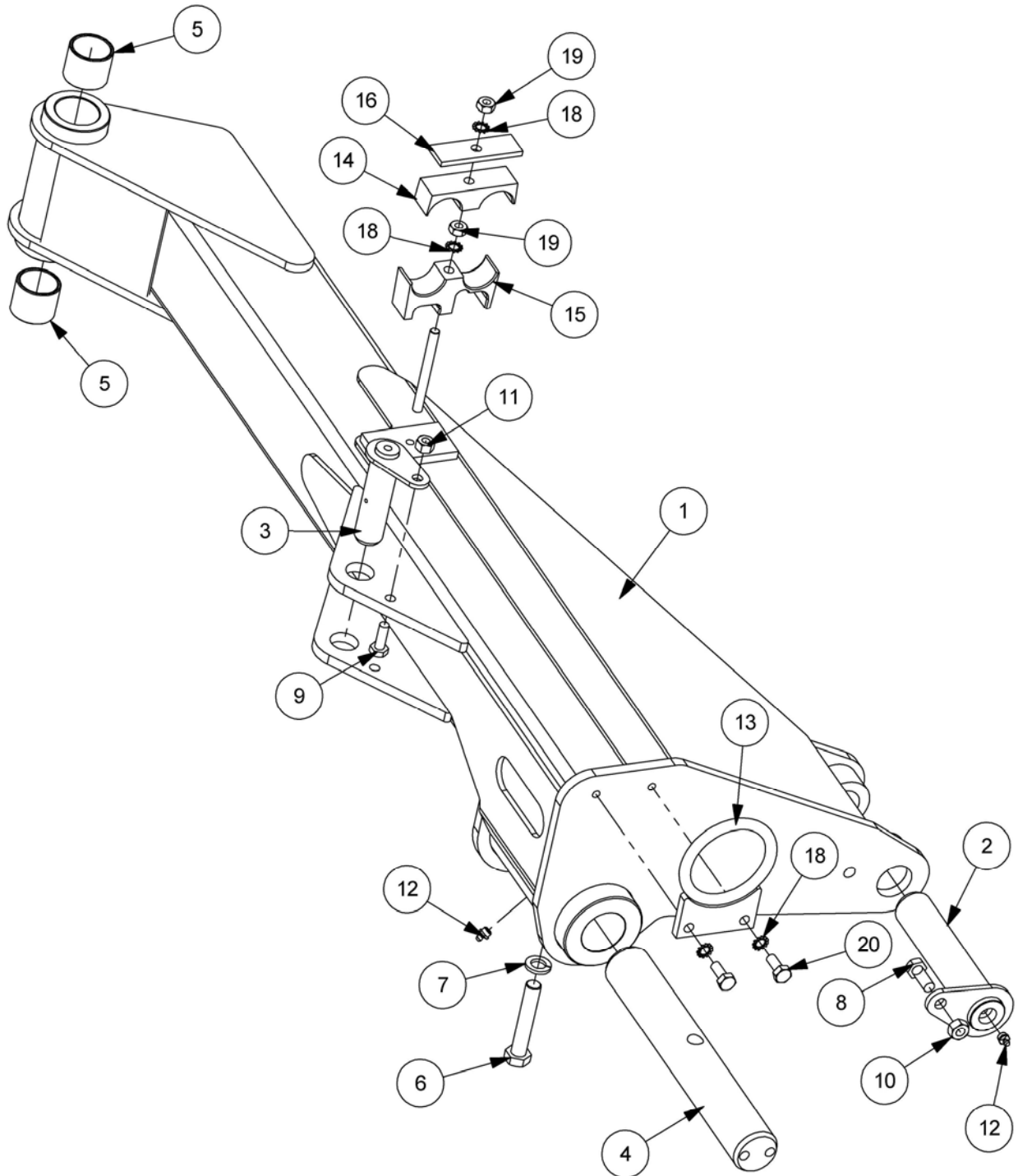
Module(s): 7756520 (illustrated), 7756521, 7764511, 7764507

REF.	QTY.	PART No.	DESCRIPTION
		<b>7756520</b>	<b>1.5M MIDCUT DIPPER ARM - PA5600 L/H Build</b>
		<b>7756521</b>	<b>1.5M MIDCUT DIPPER ARM - PA5600 R/H Build</b>
		<b>7764511</b>	<b>1.5M MIDCUT DIPPER ARM - PA6400 L/H Build</b>
		<b>7764507</b>	<b>1.5M MIDCUT DIPPER ARM - PA6400 R/H Build</b>
1	1	45602.09	1.5M MIDCUT DIPPER ARM - PA5600 L/H Build
	1	45602.08	1.5M MIDCUT DIPPER ARM - PA5600 R/H Build
	1	45602.03	1.5M MIDCUT DIPPER ARM - PA6400 L/H Build
	1	45602.04	1.5M MIDCUT DIPPER ARM - PA6400 R/H Build
2	1	45609.01	PIN
3	1	42684.03	PIN
4	2	42684.05	PIN
5	1	42646.03	RADIUS ARM - TYPE 1
6	1	42646.04	RADIUS ARM - TYPE 2
7	1	22597.07	HOSE COVER - PA5600 Builds
	1	22597.03	HOSE COVER - PA6400 Builds
8	6	08.297.04	BUSH
9	2	7136035	PLASTIC BUSH
10	6	8629218	LIP SEAL
11	1	21801.01	SLAVE LINK (CAST)
12	1	21263.01	PIVOT TUBE
13	1	42648.01C	JAW PLATE (CAST)
14	1	42684.01	SLAVE LINK
15	2	06.430.28	HOSE CLAMP - UPPER
16	3	06.430.18	HOSE CLAMP - LOWER
17	4	9213205	BOLT
18	3	9113005	PLAIN NUT
19	4	9100105	FLAT WASHER
20	2	05.281.18	FLAT WASHER
21	1	0423556	SPRING DOWEL
22	7	9143005	SELF-LOCKING NUT
23	1	9313066	SETSCREW
24	1	9143006	SELF-LOCKING NUT
25	1	9313055	SETSCREW
26	2	9313075	SETSCREW
27	3	9501406	SPLIT PIN
28	4	0901121	GREASE NIPPLE
29	3	9100405	SHAKEPROOF WASHER
30	1	06.418.05	CLAMP PLATE
31	1	06.430.17	HOSE CLAMP - UPPER
32	1	21262.01	HOSE TRAY
33	1	43021.20	MIDCUT CRADLE - L/H Build
	1	43021.19	MIDCUT CRADLE - R/H Build
34	1	43091.01	MAIN PAD
35	7	9353063	CAPSCREW
36	7	9143003	SELF-LOCKING NUT
37	1	43091.02	SIDE PAD
38	1	9100028	SELF-LOCKING NUT
39	2	9313065	SETSCREW
40	2	9243154	CAPSCREW

# 1.5M MIDCUT FORWARD EXTENSION

Module(s): 7455804 - L/H Build (illustrated), 7455805 - R/H Build

**McCONEL**

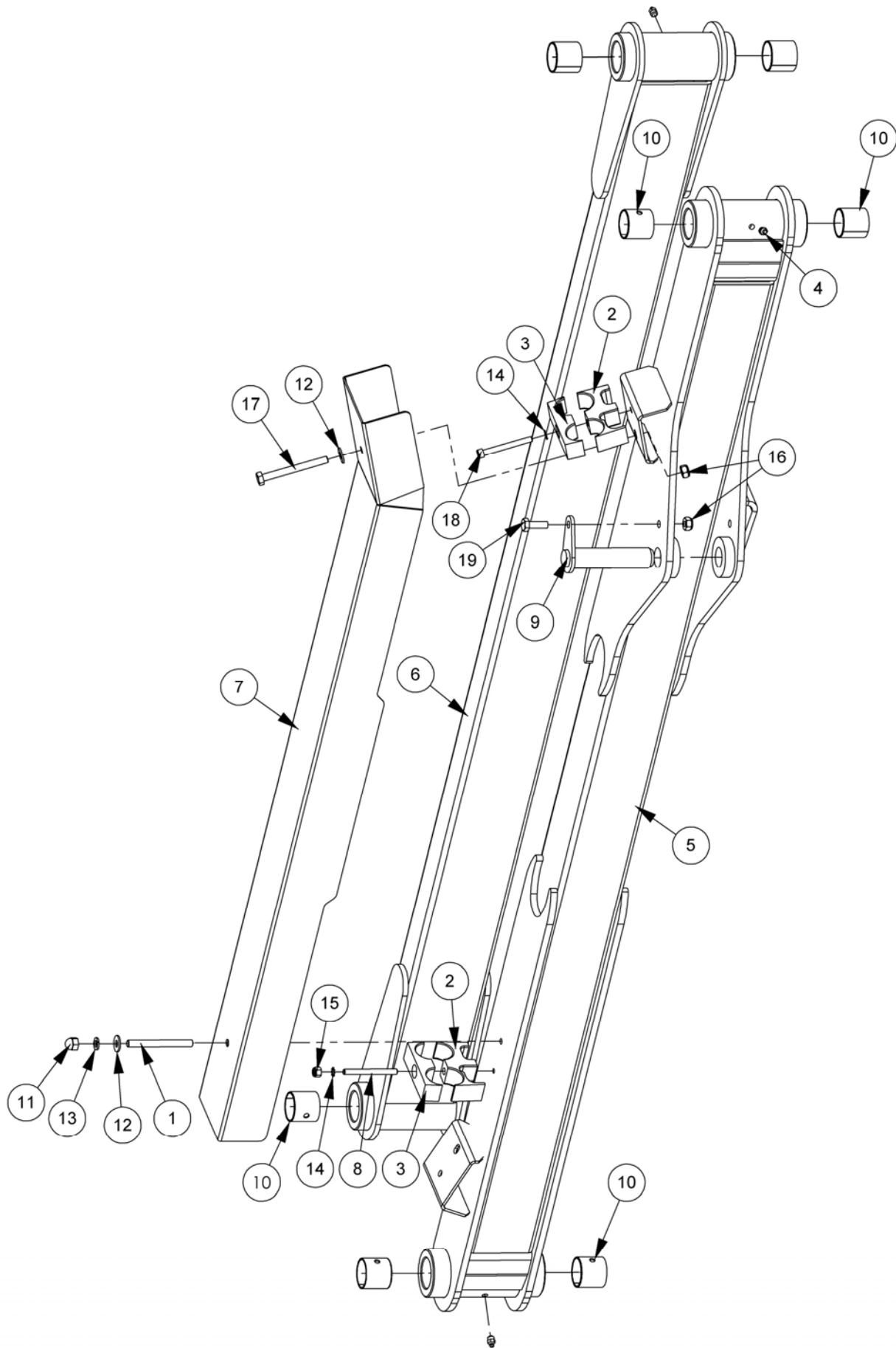


# 1.5M MIDCUT FORWARD EXTENSION

**McCONNEL**

Module(s): 7455804 - L/H Build (*illustrated*), 7455805 - R/H Build

REF.	QTY.	PART No.	DESCRIPTION
		<b>7455804</b>	<b>MIDCUT FORWARD EXTENSION - L/H Build</b>
		<b>7455805</b>	<b>MIDCUT FORWARD EXTENSION - R/H Build</b>
1	1	45502.01	FORWARD EXTENSION - L/H Build
	1	45502.02	FORWARD EXTENSION - R/H Build
2	1	43324.01	PIN - LIFT BASE
3	1	42684.02	PIN - RAM BASE
4	1	43013.02	PIVOT PIN
5	2	08.297.02	BUSH
6	1	9213187	BOLT
7	1	9100207	SPRING WASHER
8	1	9313066	SETSCREW
9	1	9313065	SETSCREW
10	1	9143006	SELF-LOCKING NUT
11	1	9143005	SELF-LOCKING NUT
12	3	0901121	GREASE NIPPLE
13	1	45974.01	HOSE LOOP
14	1	06.430.17	HOSE CLAMP - UPPER
15	1	06.430.18	HOSE CLAMP - LOWER
16	1	06.418.05	CLAMP PLATE - PIPE CLAMP
17	1	04.282.69	STUD
18	4	9100405	SHAKEPROOF WASHER
19	2	9113005	NUT
20	2	9313055	SETSCREW

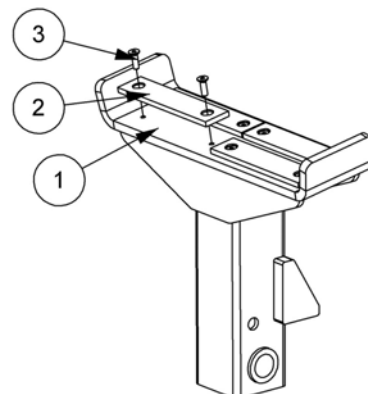




Module(s): 7756824 (illustrated), 7756825, 7764700, 7764701

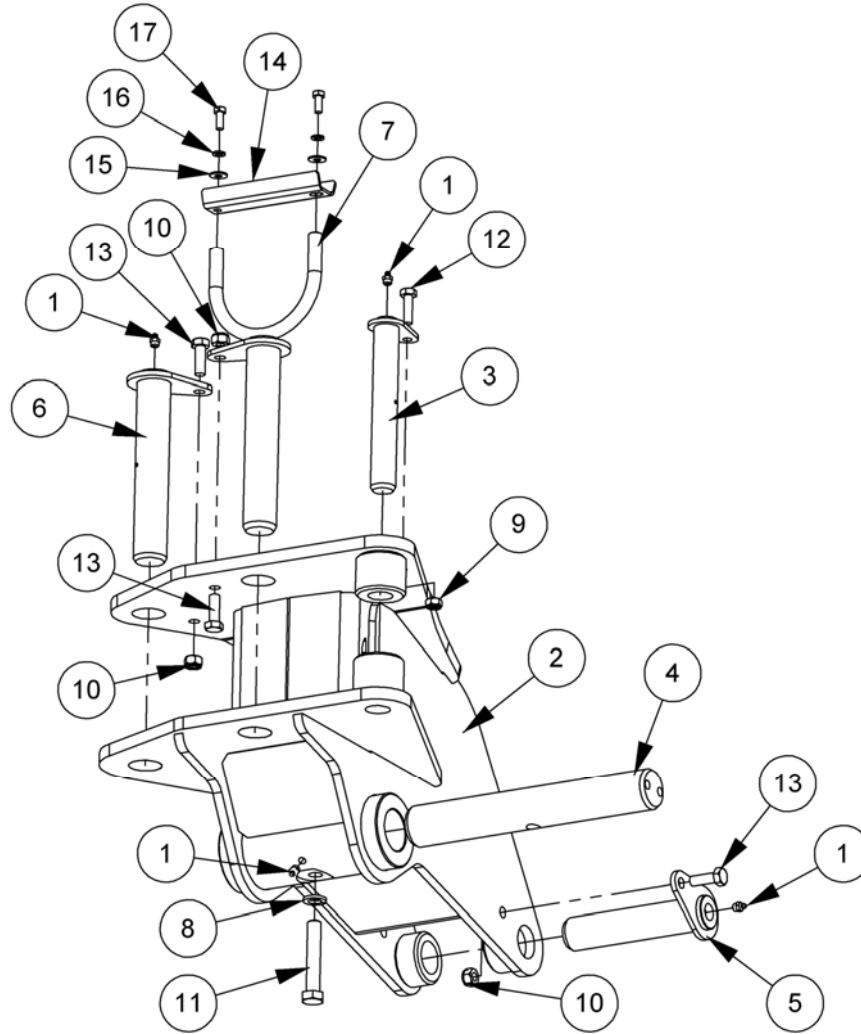
REF.	QTY.	PART No.	DESCRIPTION
		<b>7756824</b>	<b>VFR CENTRE DIPPER ARM - PA5600 L/H Build</b>
		<b>7756825</b>	<b>VFR CENTRE DIPPER ARM - PA5600 R/H Build</b>
		<b>7764700</b>	<b>VFR CENTRE DIPPER ARM - PA6400 L/H Build</b>
		<b>7764701</b>	<b>VFR CENTRE DIPPER ARM - PA6400 R/H Build</b>
1	1	04.282.10	STUD
2	2	06.430.18	HOSE CLAMP - LOWER
3	2	06.430.28	HOSE CLAMP - UPPER
4	4	0901121	GREASE NIPPLE
5	1	22465.07	CENTRE DIPPER SECTION - PA5600 L/H Build
	1	22465.08	CENTRE DIPPER SECTION - PA5600 R/H Build
	1	22465.09	CENTRE DIPPER SECTION - PA6400 L/H Build
	1	22465.12	CENTRE DIPPER SECTION - PA6400 R/H Build
6	1	22466.04	DIPPER PARALLEL LINK - PA5600 Builds
	1	22466.05	DIPPER PARALLEL LINK - PA6400 Builds
7	1	22468.04	HOSE COVER - PA5600 Builds
	1	22468.05	HOSE COVER - PA6400 Builds
8	1	22654.01	STUD
9	1	42684.07	PIN
10	8	7115208	BUSH
11	1	9100025	DOME NUT
12	2	9100105	FLAT WASHER
13	1	9100205	SPRING WASHER
14	2	9100404	SHAKEPROOF WASHER
15	1	9163004	NYLOC NUT
16	2	9163005	NYLOC NUT
17	1	9213205	BOLT
18	1	9243154	CAPSCREW
19	1	9313065	SETSCREW

REF.	QTY.	PART No.	DESCRIPTION
		<b>7157778</b>	<b>TRANSPORT PROP ASSEMBLY</b>
1	1	43021.22	TRANSPORT PROP
2	4	43091.03	PAD
3	8	9353043	CAPSCREW

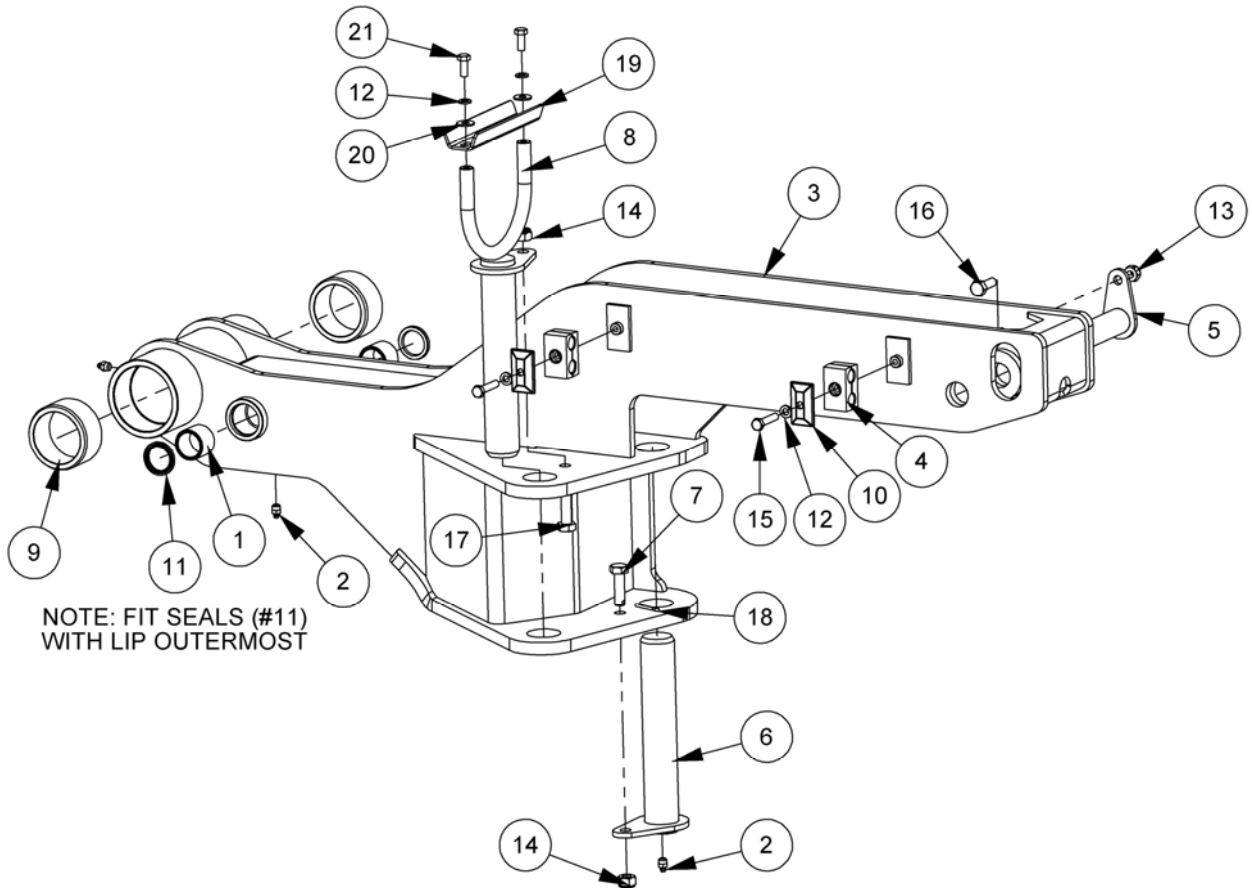


TRANSPORT PROP (7157778)





REF.	QTY.	PART No.	DESCRIPTION
		<b>7157771</b>	<b>VFR UPPER DIPPER MODULE - L/H Build</b>
		<b>7157775</b>	<b>VFR UPPER DIPPER MODULE - R/H Build</b>
1	4	0901121	GREASE NIPPLE
2	1	22464.01	UPPER DIPPER SECTION - L/H Build
	1	22464.02	UPPER DIPPER SECTION - R/H Build
3	1	42684.13	PIN
4	1	43013.02	PIVOT PIN
5	1	43324.01	PIN - LIFT BASE
6	1	43324.08	PIN
7	1	45609.02	PIN C/W HOSE GUIDE
8	1	9100207	SPRING WASHER
9	1	9163005	NYLOC NUT
10	3	9163006	NYLOC NUT
11	1	9213187	BOLT
12	1	9313075	SETSCREW
13	3	9313076	SETSCREW
14	1	43048.10	HOSE RETAINER
15	2	9100104	FLAT WASHER
16	2	9100204	SPRING WASHER
17	2	9313044	SETSCREW

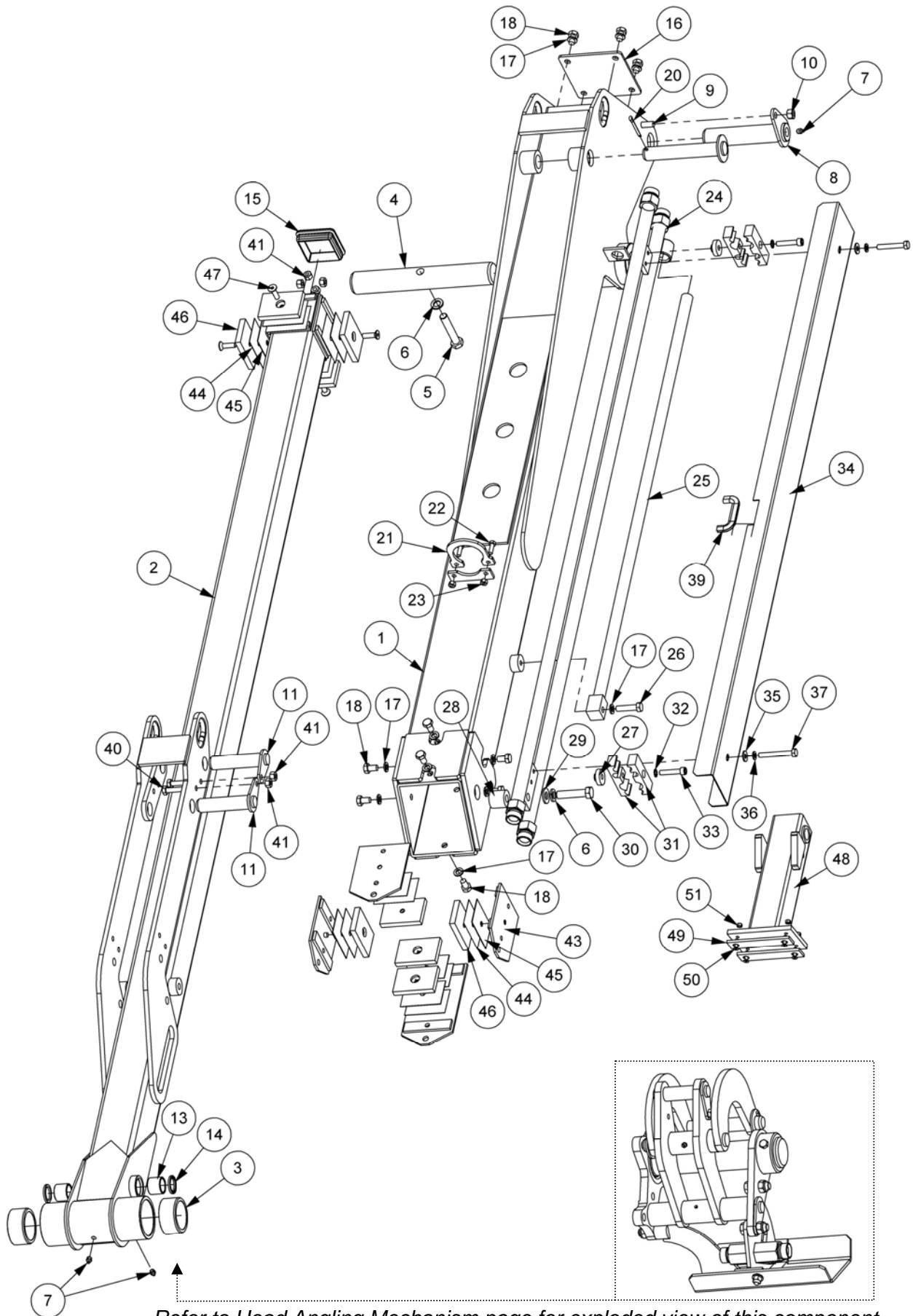


NOTE: FIT SEALS (#11)  
WITH LIP OUTERMOST

REF.	QTY.	PART No.	DESCRIPTION
		<b>7157773</b>	<b>VFR LOWER DIPPER MODULE - L/H Build</b>
		<b>7157777</b>	<b>VFR LOWER DIPPER MODULE - R/H Build</b>
1	2	08.297.04	BUSH
2	3	0901121	GREASE NIPPLE
3	1	22463.01	LOWER DIPPER SECTION - L/H Build
	1	22463.02	LOWER DIPPER SECTION - R/H Build
4	2	42024.26	TWIN HOSE CLAMP
5	1	42684.07	PIN
6	1	43324.08	PIN
7	1	45416.01	SPECIAL SETSCREW
8	1	45609.02	PIN C/W HOSE GUIDE
9	2	7136035	PLASTIC BUSH
10	2	7193066	CLAMP PLATE
11	2	8629218	LIP SEAL
12	4	9100204	SPRING WASHER
13	1	9163005	NYLOC NUT
14	2	9163006	NYLOC NUT
15	2	9213084	BOLT
16	1	9313065	SETSCREW
17	1	9313076	SETSCREW
18	1	9501255	SPLIT PIN
19	1	43048.10	HOSE RETAINER
20	2	9100104	FLAT WASHER
21	2	9313044	SETSCREW

Module(s): 7457723

*L/H & R/H builds use identical components - builds differ only in the location of the assembled parts.*



*Refer to Head Angling Mechanism page for exploded view of this component*

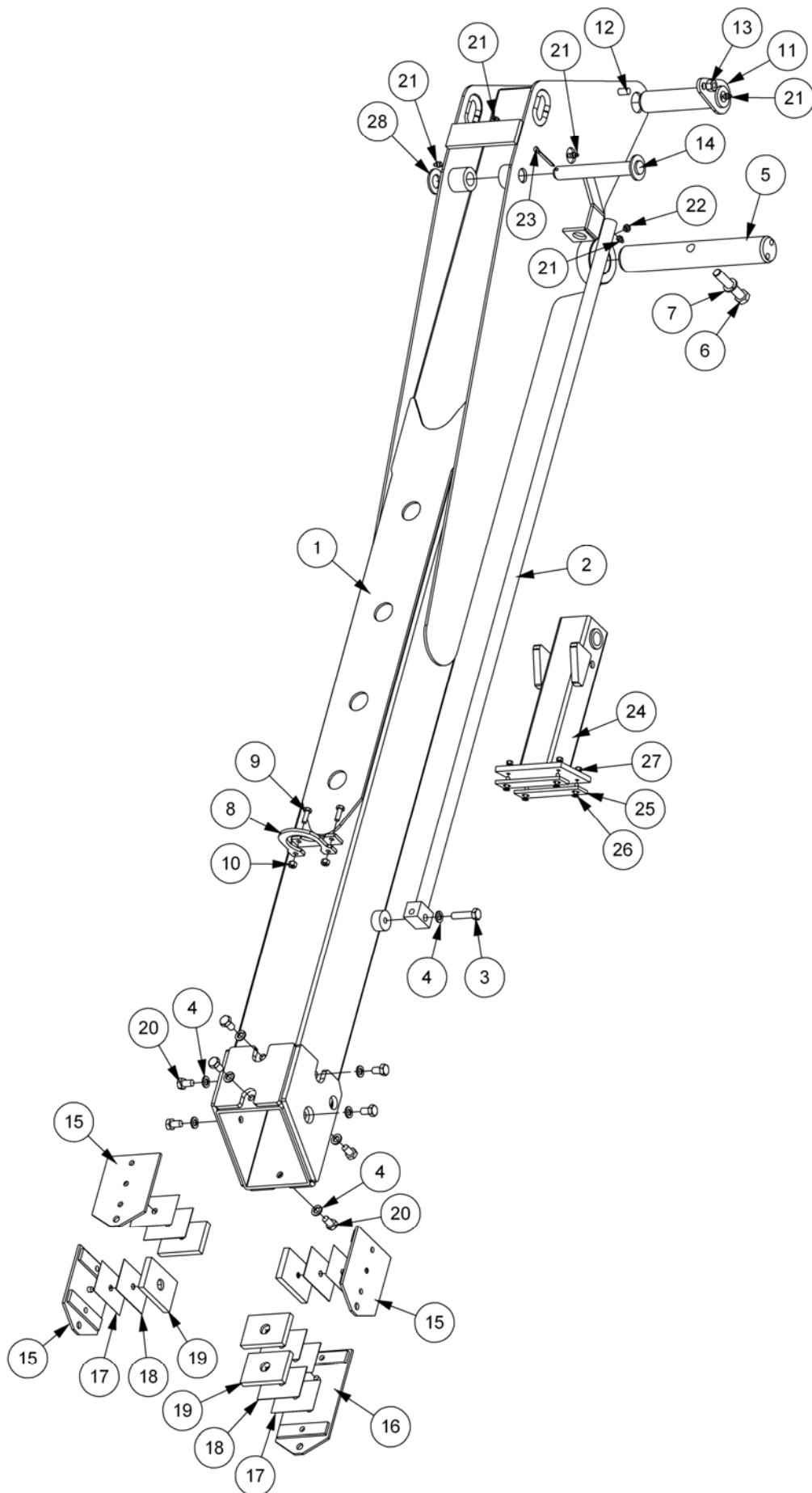
Module(s): 7457723

REF.	QTY.	PART No.	DESCRIPTION
		<b>7457723</b>	<b>TELE DIPPER ARM - PA6500T L/H &amp; R/H Builds</b>
1	1	42217.02	TELE DIPPER SOCKET
2	1	43343.03	TELE DIPPER
3	2	7136035	PLASTIC BUSH
4	1	43013.02	PIVOT PIN
5	1	9213187	BOLT
6	2	9100207	SPRING WASHER
7	5	0901121	GREASE NIPPLE
8	1	43324.01	PIN
9	1	9313076	SETSCREW
10	1	9143006	SELF-LOCKING NUT
11	2	42684.03	PIN
12	1	42684.05	PIN
13	2	08.297.04	BUSH
14	2	8629218	LIP SEAL
15	1	41580.02	PLASTIC PLUG
16	1	7136069	COVER - TELE DIPPER SOCKET
17	13	9100206	SPRING WASHER
18	12	9313046	SETSCREW
19	1	43381.01	PIN - TELE RAM BASE
20	1	9501507	SPLIT PIN
21	1	43457.01	TELE RAM RESTRAINT
22	2	9313054	SETSCREW
23	2	9143004	SELF-LOCKING NUT
24	1	42211.04	RIGID PIPE
25	1	43347.01	GUIDE TUBE
26	1	9213106	BOLT
27	2	42215.01	SPACER
28	1	22563.01	SPACER
29	1	0100106	WASHER
30	1	9213147	BOLT
31	4	42024.29	HOSE CLAMP
32	2	9100405	EXTERNAL SHAKEPROOF WASHER
33	2	9343105	CAPSCREW
34	1	42205.05	HOSE COVER
35	2	9100105	FLAT WASHER
36	2	9100205	SPRING WASHER
37	1	9213165	BOLT
38	1	9213135	BOLT
39	1	41741.01	EDGING STRIP
40	2	9313085	SETSCREW
41	6	9143005	SELF-LOCKING NUT
42	1	43463.01	PAD (BOTTOM)
43	3	43463.02	PAD (SIDE/TOP)
44	9	7136058	SHIM - 0.25mm
45	as req'd	7136059	SHIM - 1.0mm
46	9	7136001	DIPPER WEAR STRIP
47	4	9353075	CAPSCREW
48	1	43021.16	TRANSPORT PROP-PA600
49	2	43091.03	PAD - TRANSPORT PROP
50	4	9353053	CAPSCREW
51	4	9143003	SELF-LOCKING NUT

# TELE DIPPER SOCKET - PA7700T

Module(s): 7777502, 7777503

# McCONEL

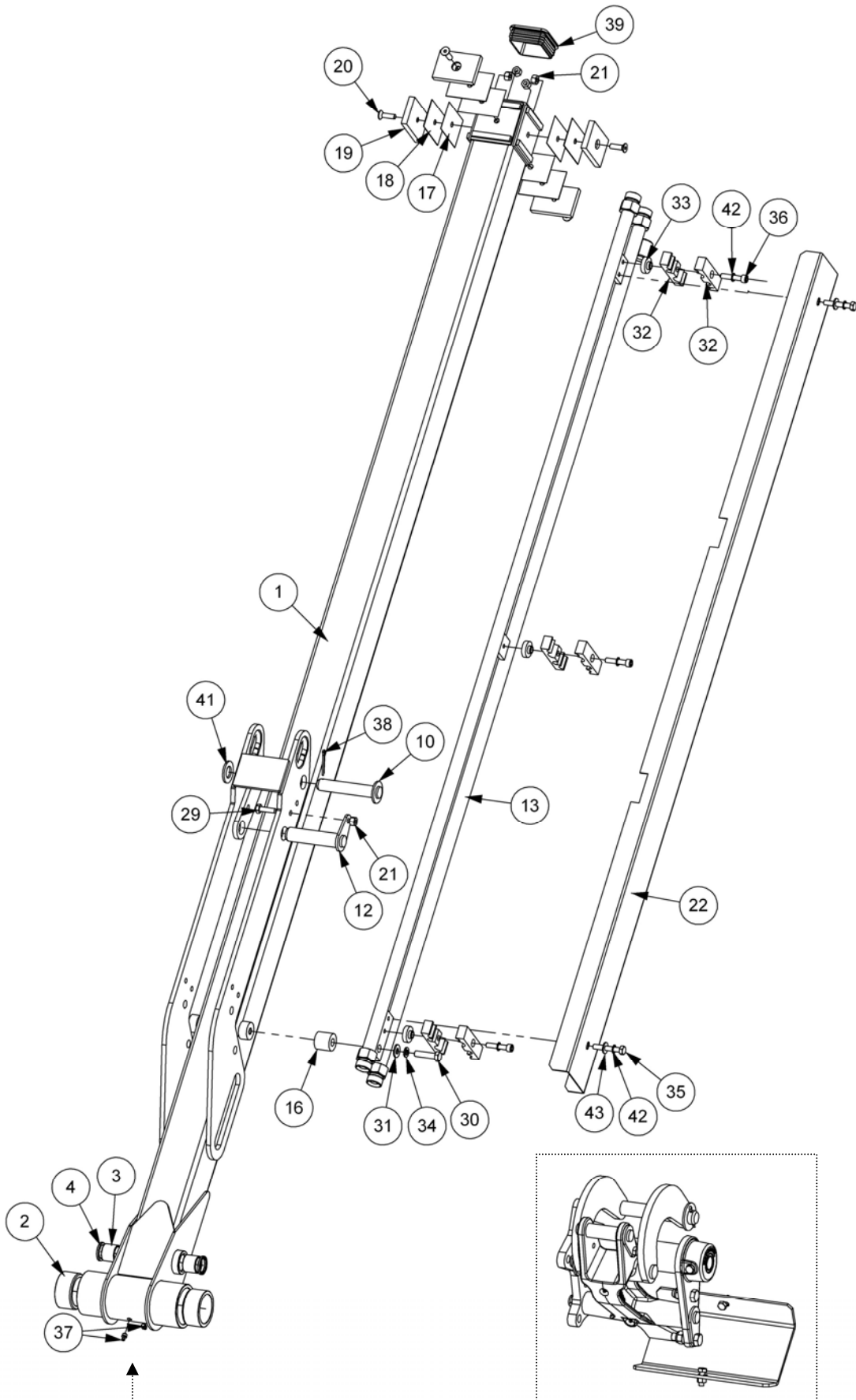


Module(s): 7777502, 7777503

REF.	QTY.	PART No.	DESCRIPTION
		<b>7777502</b>	<b>TELE DIPPER SOCKET - PA7700T L/H Build</b>
		<b>7777503</b>	<b>TELE DIPPER SOCKET - PA7700T R/H Build</b>
1	1	21409.01	TELE DIPPER SOCKET - L/H Build
	1	21409.02	TELE DIPPER SOCKET - R/H Build
2	9	7570316	GUIDE ROD
3	1	9213106	BOLT
4	1	9100206	SPRING WASHER
5	1	43013.02	PIVOT PIN
6	1	9213187	BOLT
7	2	9100207	SPRING WASHER
8	2	43457.01	TELE RAM RESTRAINT
9	1	9313054	SETSCREW
10	1	9143004	SELF-LOCKING NUT
11	1	43324.05	PIN
12	1	9313056	SETSCREW
13	3	9143006	SELF-LOCKING NUT
14	1	7570006	PIN
15	5	43463.02	PAD CARRIER (SIDE/TOP)
16	6	43463.01	PAD CARRIER (BOTTOM)
17	5	7136058	SHIM - 0.25mm
18	8	7136059	SHIM - 1.0mm
19	5	7136001	DIPPER WEAR STRIP
20	1	9313046	SETSCREW
21	1	0901121	GREASE NIPPLE
22	1	42964.02	PLASTIC PLUG
23	2	9501507	SPLIT PIN
24	4	43021.16	TRANSPORT PROP
25	4	43091.03	PAD
26	1	9353053	CAPSCREW
27		9143003	SELF-LOCKING NUT M6
28	4	0100109	FLAT WASHER



*L/H & R/H builds use identical components - builds differ only in the location of the assembled parts*



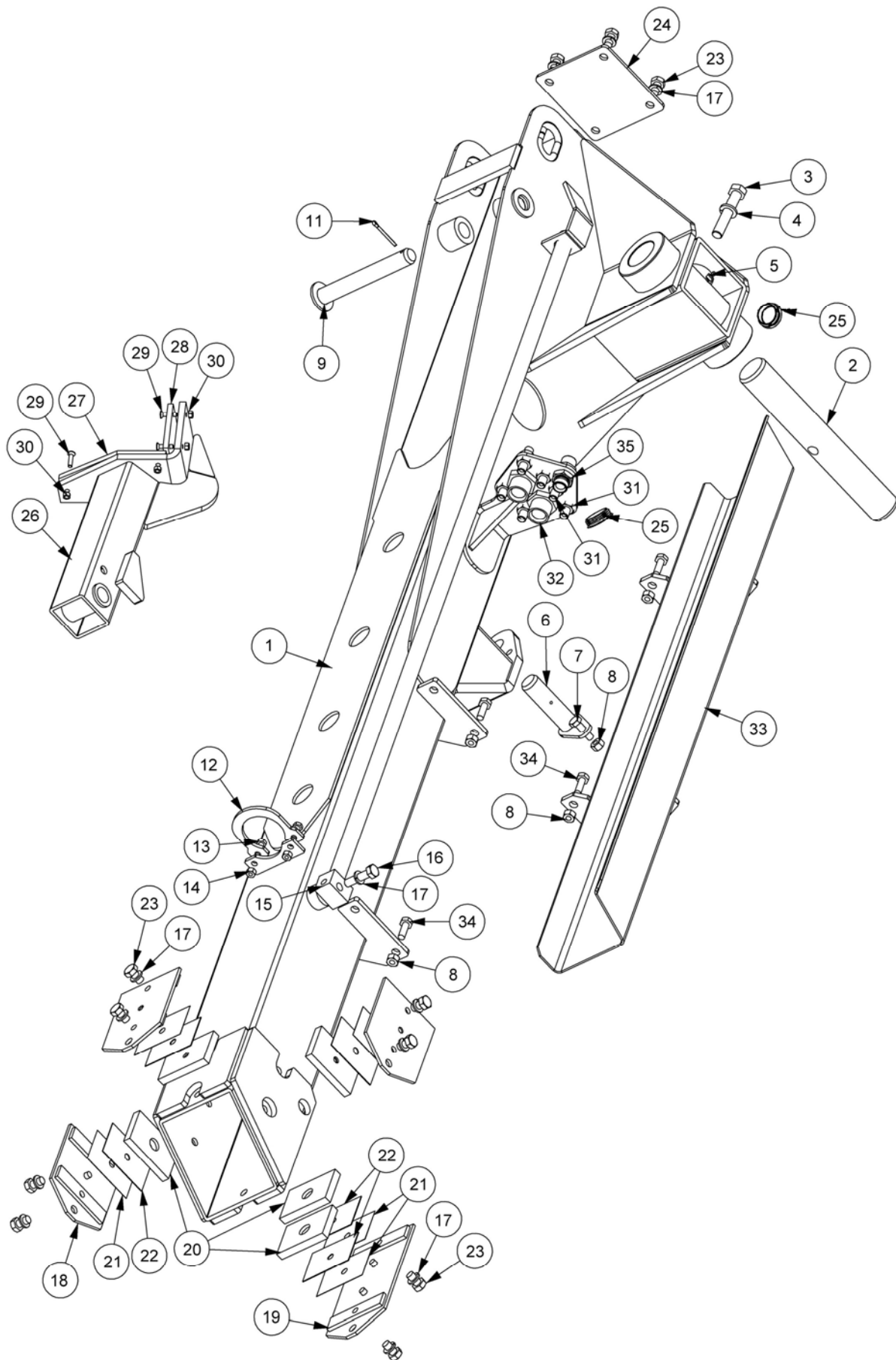
Refer to Head Angling Mechanism page for exploded view of this component



Module(s): 7777504

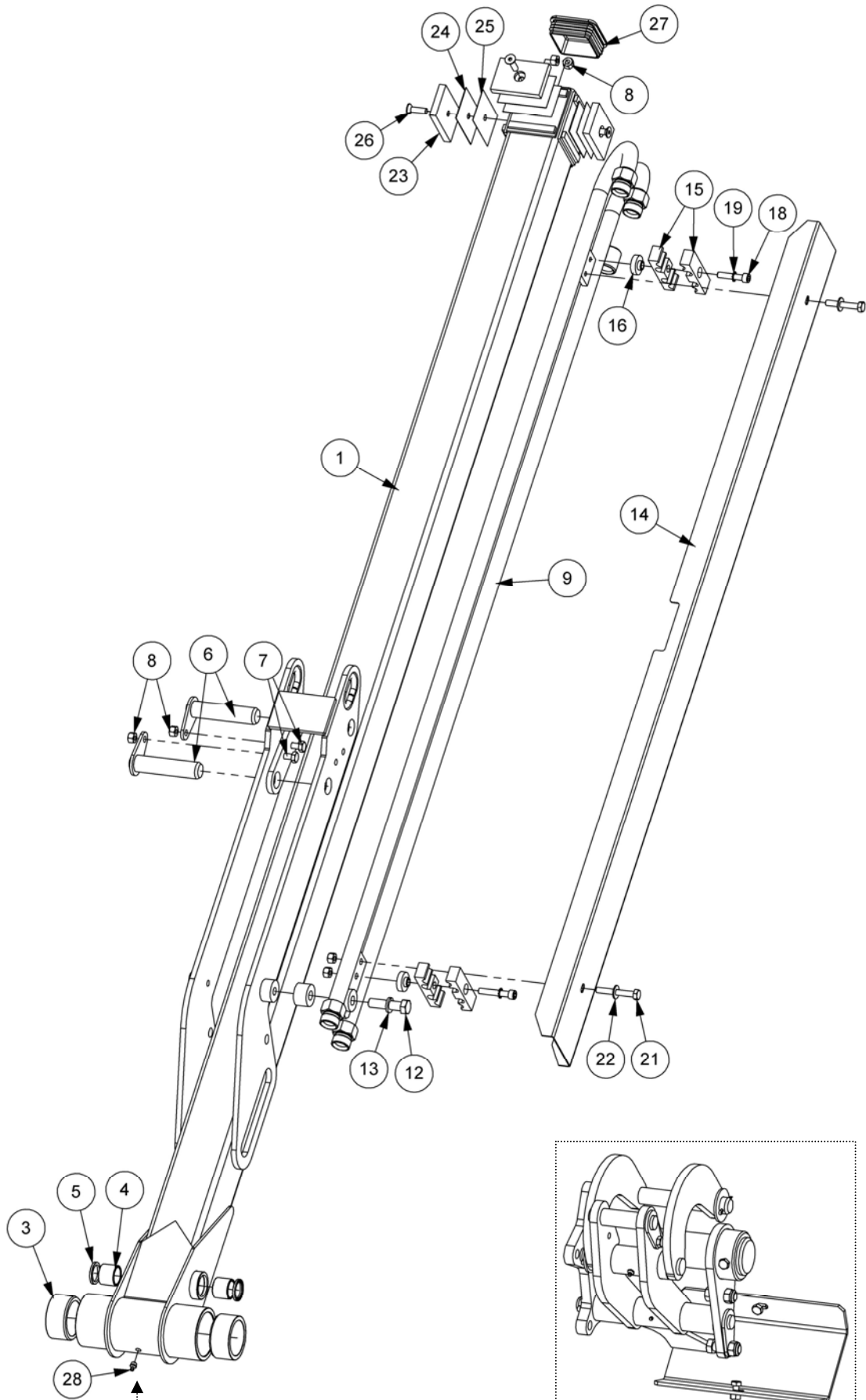
REF.	QTY.	PART No.	DESCRIPTION
		<b>7777504</b>	<b>TELE DIPPER ARM - PA7700T</b>
1	1	21410.01	TELE DIPPER ARM
2	2	7136035	PLASTIC BUSH
3	6	08.297.04	BUSH
4	6	8629218	LIP SEAL
5	1	21263.01	PIVOT TUBE
6	1	42646.03	RADIUS ARM-TYPE 1
7	1	42646.04	RADIUS ARM-TYPE 2
8	1	21801.01	SLAVE LINK (CAST)
9	1	42648.01C	JAW PLATE (CAST)
10	1	42038.02	PIN
11	1	42684.01	PIN
12	1	42684.03	PIN
13	1	42211.01	RIGID PIPES
14	1	42684.05	PIN
15	1	21262.01	HOSE TRAY
16	1	22563.01	SPACER
17	4	7136058	SHIM - 0.25mm
18	4	7136059	SHIM - 1.0mm
19	4	7136001	DIPPER WEAR STRIP
20	4	9353075	CAPSCREW
21	9	9143005	SELF-LOCKING NUT
22	1	42205.01	HOSE COVER
23	1	0423556	SPRING DOWEL
24	1	9213205	BOLT
25	3	9100028	SELF-LOCKING NUT
26	2	9313065	SETSCREW
27	1	9200023	BOLT
28	1	9200028	BOLT
29	2	9313075	SETSCREW
30	1	9213106	BOLT
31	1	9100106	FLAT WASHER
32	6	42024.29	HOSE CLAMP
33	3	42215.01	SPACER
34	1	9100206	SPRING WASHER
35	2	9213135	BOLT
36	3	9343105	CAPSCREW
37	4	0901121	GREASE NIPPLE
38	4	9501406	SPLIT PIN
39	1	45210.02	PLASTIC PLUG
40	2	05.281.18	FLAT WASHER
41	1	0100109	FLAT WASHER
42	5	9100405	SHAKEPROOF WASHER
43	2	9100105	FLAT WASHER

Module(s): 7765505, 777510 (illustrated), 777506,



Module(s): 7765505

REF.	QTY.	PART No.	DESCRIPTION
		<b>7765505</b>	<b>TELE DIPPER SOCKET - PA6500TM L/H Build</b>
		<b>7777510</b>	<b>TELE DIPPER SOCKET - PA7700TM L/H Build</b>
		<b>7777506</b>	<b>TELE DIPPER SOCKET - PA7700TM R/H Build</b>
1	1	22021.03	TELE DIPPER SOCKET - PA6500TM L/H Build
	1	22021.02	TELE DIPPER SOCKET - PA7700TM L/H Build
	1	22021.01	TELE DIPPER SOCKET - PA7700TM R/H Build
2	1	43013.02	PIVOT PIN
3	1	9213187	BOLT
4	1	9100207	SPRING WASHER
5	1	0901124	GREASE NIPPLE
6	1	42684.10	PIN
7	1	9313075	SETSCREW
8	5	9143005	SELF-LOCKING NUT
9	1	7570006	PIN
10	1	0100109	FLAT WASHER
11	1	9501406	SPLIT PIN
12	1	43457.01	TELE RAM RESTRAINT
13	2	9313054	SETSCREW
14	2	9143004	SELF-LOCKING NUT
15	1	7570316	GUIDE ROD
16	1	9213106	BOLT
17	13	9100206	SPRING WASHER
18	3	43463.02	PAD (SIDE/TOP)
19	1	43463.01	PAD (BOTTOM)
20	5	7136001	DIPPER WEAR STRIP
21	5	7136058	SHIM - 0.25mm
22	11	7136059	SHIM - 1.0mm
23	12	9313046	SETSCREW
24	1	7136069	COVER
25	2	21388.01	ROUND PLASTIC INSERT
26	1	43021.20	TRANSPORT PROP - PA6500TM L/H Build
	1	43021.03	TRANSPORT PROP - PA7700TM L/H Build
	1	43021.18	TRANSPORT PROP - PA7700TM R/H Build
27	1	43091.01	MAIN PAD
28	1	43091.02	SIDE PAD
29	7	9353053	CAPSCREW
30	7	9143003	SELF-LOCKING NUT
31	6	7105153	ADAPTOR BULKHEAD
32	2	08.128.03	BULKHEAD FITTING
33	1	22337.01	HOSE TRAY - PA6500TM L/H Build
	1	22337.03	HOSE TRAY - PA7700TM L/H Build
	1	22337.02	HOSE TRAY - PA7700TM R/H Build
34	4	9313065	SETSCREW
35	1	08.128.16	BULKHEAD FITTING C/W LOCKNUT



Refer to Head Angling Mechanism page for exploded view of this component

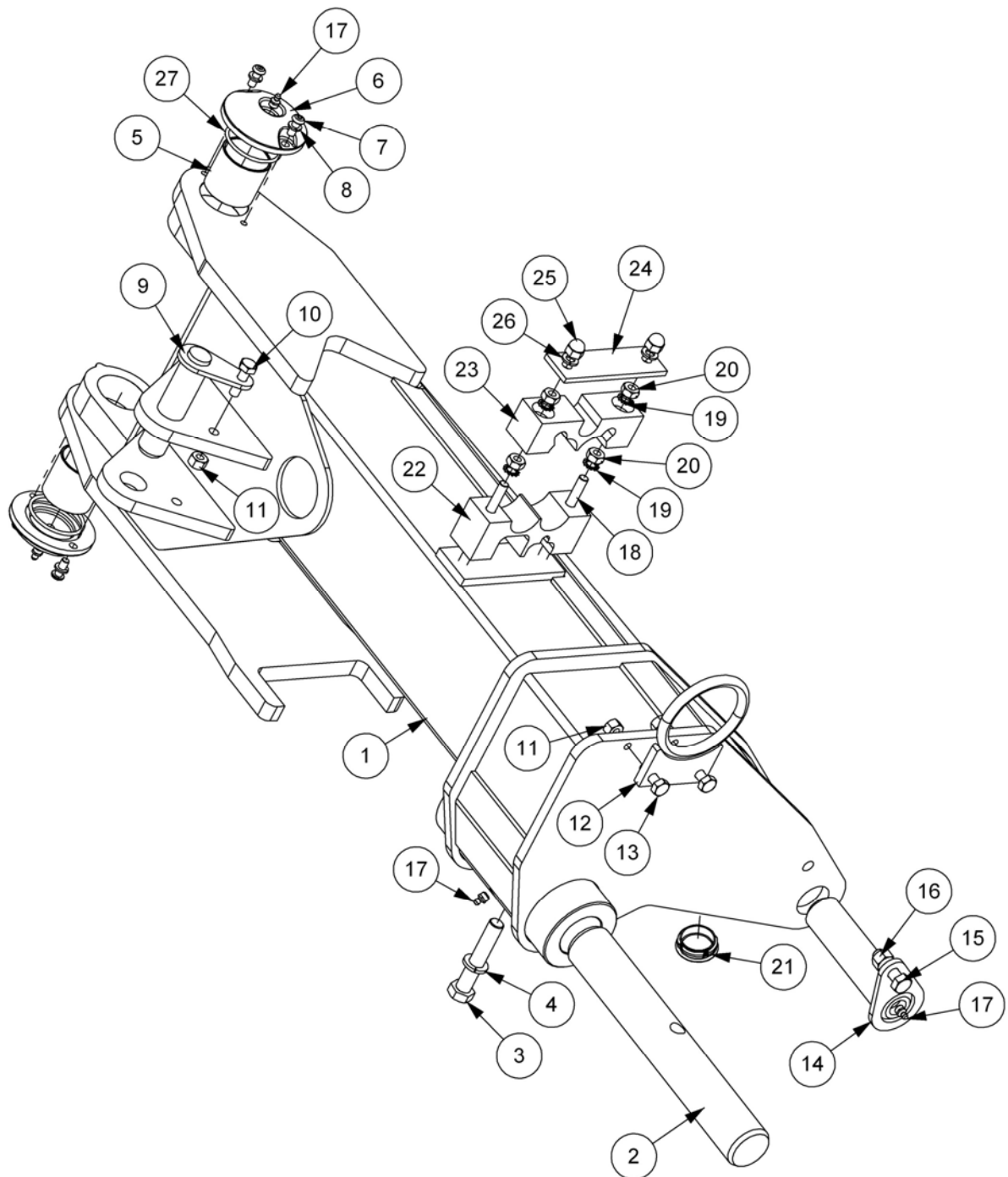
Module(s): 7765506 (illustrated), 7777507, 7777509

REF.	QTY.	PART No.	DESCRIPTION
		<b>7765506</b>	<b>MIDCUT TELE DIPPER - PA6500TM L/H Build</b>
		<b>7777509</b>	<b>MIDCUT TELE DIPPER - PA7700TM L/H Build</b>
		<b>7777507</b>	<b>MIDCUT TELE DIPPER - PA7700TM R/H Build</b>
1	1	21410.03	TELE DIPPER ARM - PA6500 Builds
	1	21410.02	TELE DIPPER ARM - PA7700 Builds
2	1	7458500	HEAD ANGLING MECHANISM
3	2	7136035	PLASTIC BUSH
4	2	08.297.04	BUSH
5	2	8629218	LIP SEAL
6	2	42684.03	PIN (ANGLE & TELE RAMS) - PA6500 Builds
	1	42684.03	PIN (ANGLE RAM) - PA7700 Builds
	1	42038.02	PIN (TELE RAM) - PA7700 Builds
	1	9501406	SPLIT PIN ( <i>Secures pin 42038.02 above</i> )
7	2	9313085	SETSCREW
8	8	9143005	SELF-LOCKING NUT
9	1	42211.07	RIGID PIPE
10	1	21946.02	SPACER-RIGID PIPE
11	1	21951.01	CLAMP WASHER
12	1	9213137	BOLT
13	1	9100207	SPRING WASHER
14	1	42205.06	HOSE COVER - PA6500 Builds
	1	42205.01	HOSE COVER - PA7700 Builds
15	4	42024.04	HOSE CLAMP - PA6500 Builds
	6	42024.29	HOSE CLAMP - PA7700 Builds
16	2	42215.01	SPACER
17	1	9243125	CAPSCREW
18	1	9343105	CAPSCREW
19	2	9100405	EXTERNAL SHAKEPROOF WASHER
20	1	9213135	BOLT
21	1	9213155	BOLT
22	2	9100105	FLAT WASHER
23	4	7136001	DIPPER WEAR STRIP
24	10	7136059	SHIM - 1.00mm
25	4	7136058	SHIM - 0.25mm
26	4	9353075	CAPSCREW
27	1	45210.02	PLASTIC PLUG
28	1	0901121	GREASE NIPPLE

TELE MIDCUT FORWARD EXTENSION - 1.0M & 1.5M

**McCONEL**

Module(s): 7777508 (illustrated), 7777511



Module(s): 7777508 (illustrated), 7777511

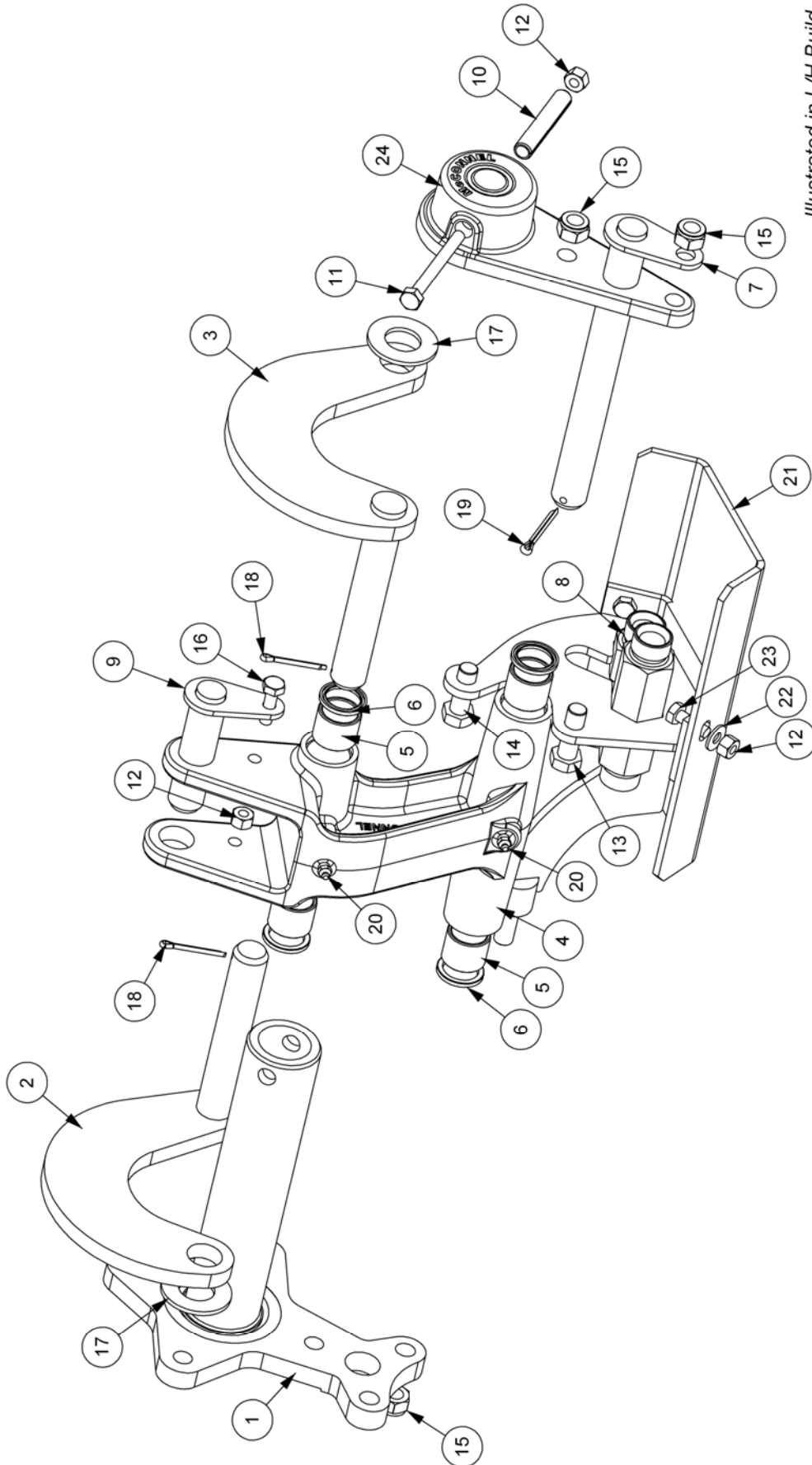
REF.	QTY.	PART No.	DESCRIPTION
		<b>7777508</b>	<b>1.0M FORWARD EXTENSION - L/H Build</b>
		<b>7777511</b>	<b>1.5M FORWARD EXTENSION - L/H Build</b>
1	1	22022.06	FORWARD EXTENSION - 1.0M L/H Build
	1	22022.08	FORWARD EXTENSION - 1.5M L/H Build
2	1	43013.02	PIVOT PIN
3	1	9213187	BOLT
4	1	9100207	SPRING WASHER
5	2	7560050	GLACIER BUSH
6	2	45266.02	PIN CAP
7	4	9300161	SOCKET BUTTON SCREW
8	4	9100204	SPRING WASHER
9	1	42684.03	PIN
10	1	9313075	SETSCREW
11	3	9143005	SELF-LOCKING NUT
12	1	45974.01	HOSE LOOP
13	2	9313065	SETSCREW
14	1	43324.03	PIN
15	1	9213096	BOLT
16	1	9143006	SELF-LOCKING NUT
17	4	0901121	GREASE NIPPLE
18	2	04.282.15	STUD
19	4	9100405	SHAKEPROOF WASHER
20	4	9113005	PLAIN NUT
21	1	21388.01	ROUND PLASTIC INSERT
22	1	42024.15	HOSE MULTI CLAMP
23	1	42024.28	HOSE MULTI CLAMP
24	1	21049.01	CLAMP PLATE
25	2	9100025	DOME NUT
26	2	9100205	SPRING WASHER
27	2	8600306	O RING



# HEAD ANGLING MECHANISM

Module(s): 7458500

**McCONEL**



*Illustrated in L/H Build*

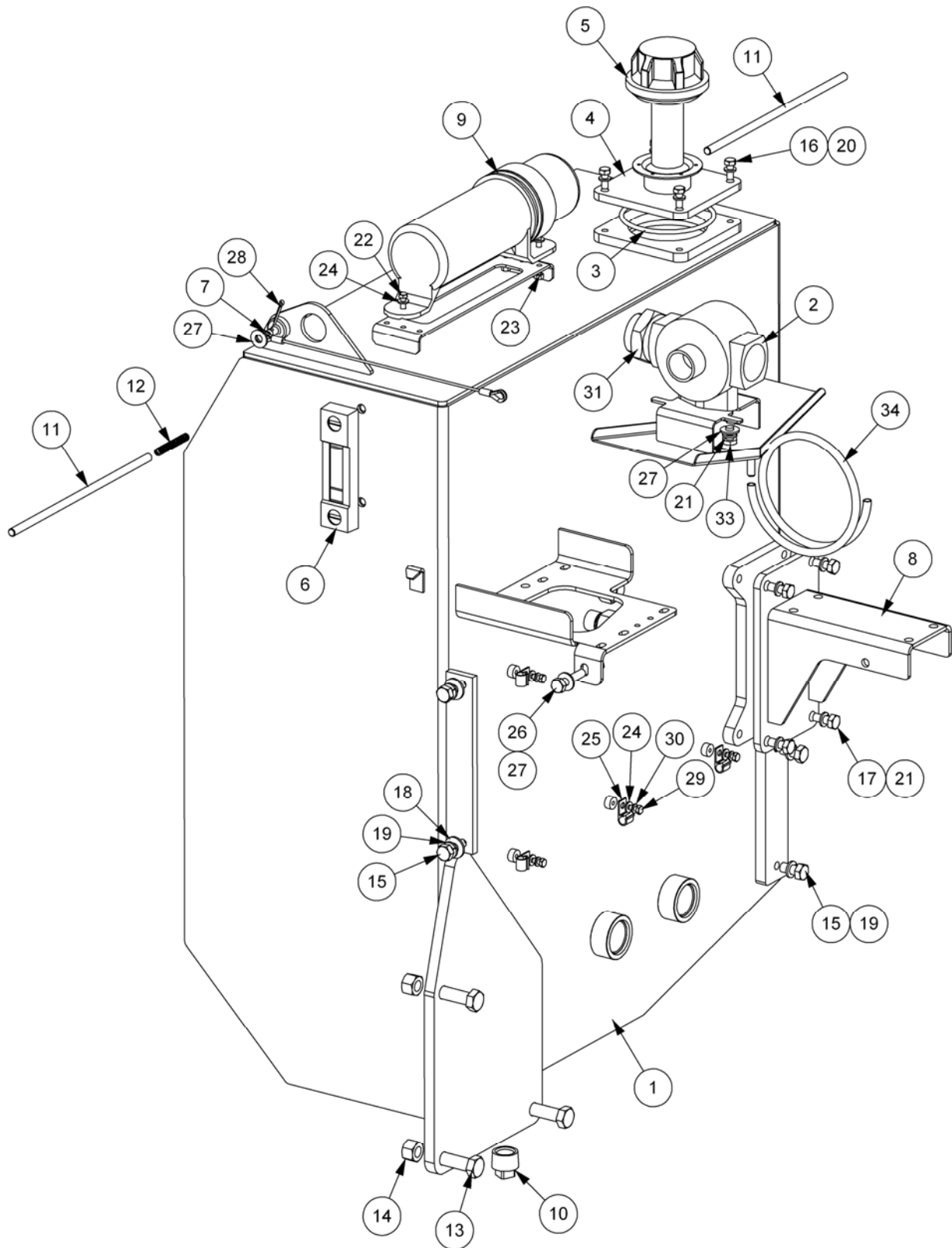
HEAD ANGLING MECHANISM

**McCONNEL**

Module(s): 7458500

REF.	QTY.	PART No.	DESCRIPTION
		<b>7458500</b>	<b>HEAD ANGLING MECHANISM</b>
1	1	21263.01	PIVOT TUBE
2	1	42646.03	RADIUS ARM - TYPE 1
3	1	42646.04	RADIUS ARM - TYPE 2
4	1	21801.01	SLAVE LINK (CAST)
5	4	08.297.04	BUSH
6	4	8629218	LIP SEAL
7	1	42684.01	PIN (SLAVE LINK)
8	1	21261.02	JUNCTION BRACKET
9	1	42684.05	PIN
10	1	0423556	SPRING DOWEL
11	1	9213205	BOLT
12	4	9143005	SELF-LOCKING NUT
13	1	9200025	BOLT
14	1	9200028	BOLT
15	3	9100028	SELF-LOCKING NUT
16	1	9313075	SETSCREW
17	2	05.281.18	FLAT WASHER
18	2	9501406	SPLIT PIN
19	1	9501507	SPLIT PIN
20	2	0901121	GREASE NIPPLE
21	1	21262.01	HOSE TRAY
22	2	9100105	FLAT WASHER
23	2	9313065	SETSCREW
24	1	42648.01C	JAW PLATE (CAST)

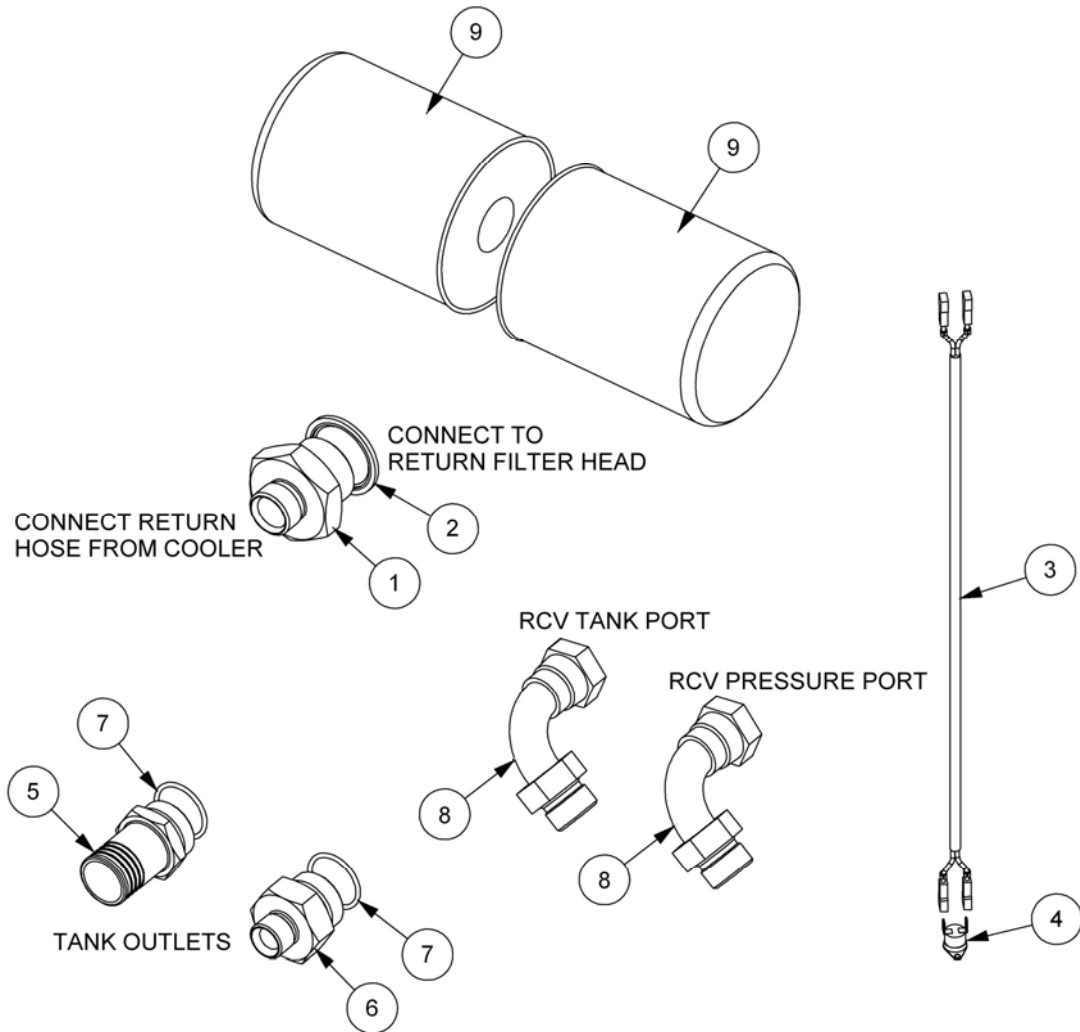
Fitted to machines manufactured up to 08/10



Module(s): 7756504 (*illustrated*), 7756505

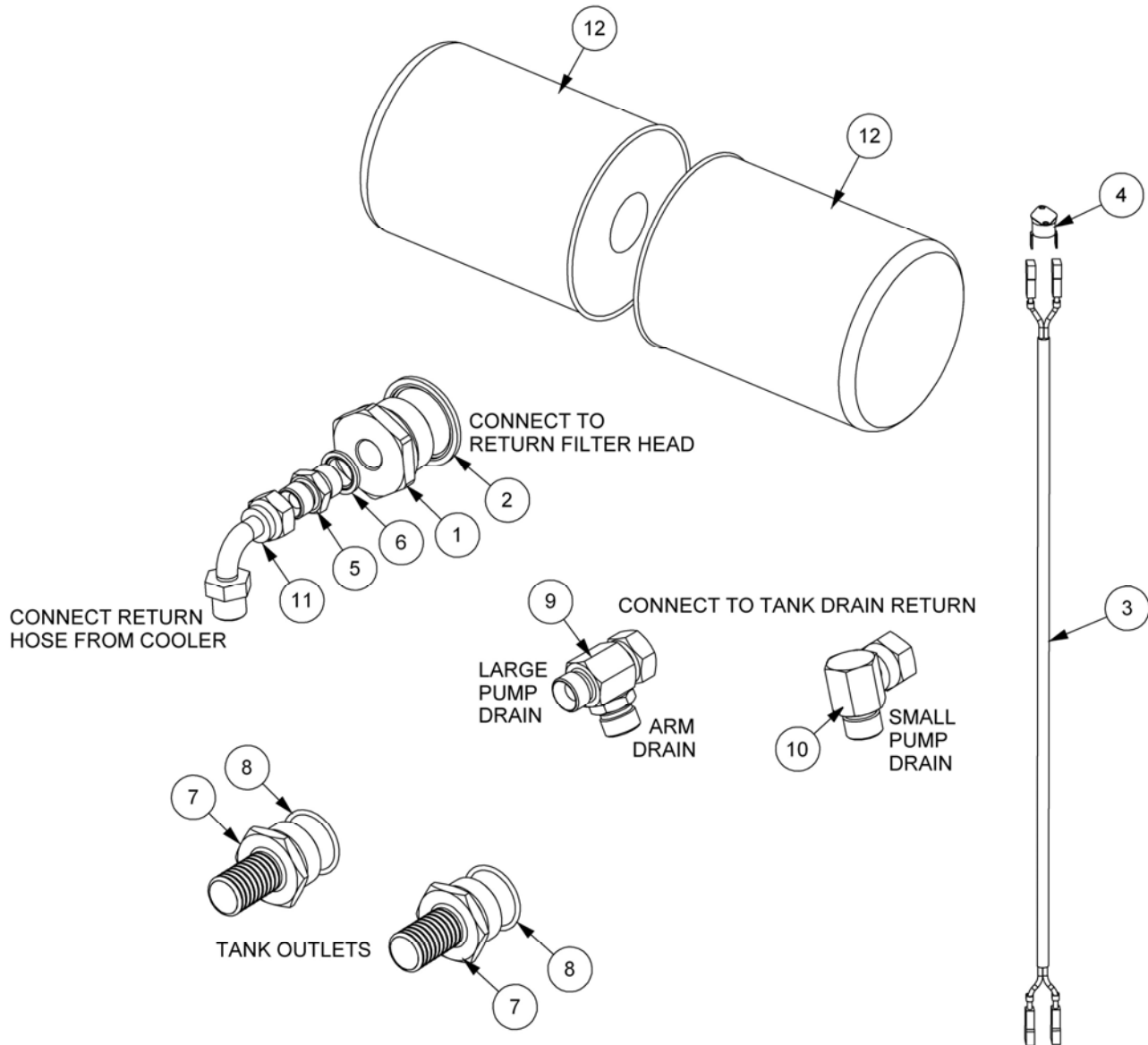
REF.	QTY.	PART No.	DESCRIPTION
		<b>7756504</b>	<b>HYDRAULIC TANK ASSEMBLY - L/H Build</b>
		<b>7756505</b>	<b>HYDRAULIC TANK ASSEMBLY - R/H Build</b>
1	1	21066.06	TANK - L/H Build
	1	21066.07	TANK - R/H Build
2	1	8401060	RETURN FILTER HEAD
3	1	8600151	O RING
4	1	43175.01	COVER PLATE
5	1	8401074	FILLER / BREATHER
6	1	8401048	LEVEL GAUGE
7	1	45444.02	RESTRAINT CABLE
8	1	21104.03	VALVE BRACKET
9	1	46505.01	LITERATURE HOLDER
10	1	8581203	TAPER PLUG
11	2	21325.03	COVER PIVOT ROD
12	1	21326.01	COMPRESSION SPRING
13	3	9213107	BOLT
14	3	9143007	SELF-LOCKING NUT
15	4	9313056	SETSCREW
16	4	9313044	SETSCREW
17	4	9313055	SETSCREW
18	2	9100106	FLAT WASHER
19	4	9100206	SPRING WASHER
20	4	9100204	SPRING WASHER
21	6	9100205	SPRING WASHER
22	3	9313043	SETSCREW
23	3	9143003	SELF-LOCKING NUT
24	7	9100103	FLAT WASHER
25	4	21151.01	D CLIP
26	1	9213105	BOLT
27	4	9100105	FLAT WASHER
28	1	9501255	SPLIT PIN
29	4	9313023	SETSCREW
30	4	9100203	SPRING WASHER
31	1	8581422	ADAPTOR BACKNUT
32	1	21416.01	FILTER TRAY
33	2	9313035	SETSCREW
34	1	21475.15	DRAIN HOSE

**Used on Hydraulic Tank Assemblies 7756504 & 7756505 (Gear Builds)**



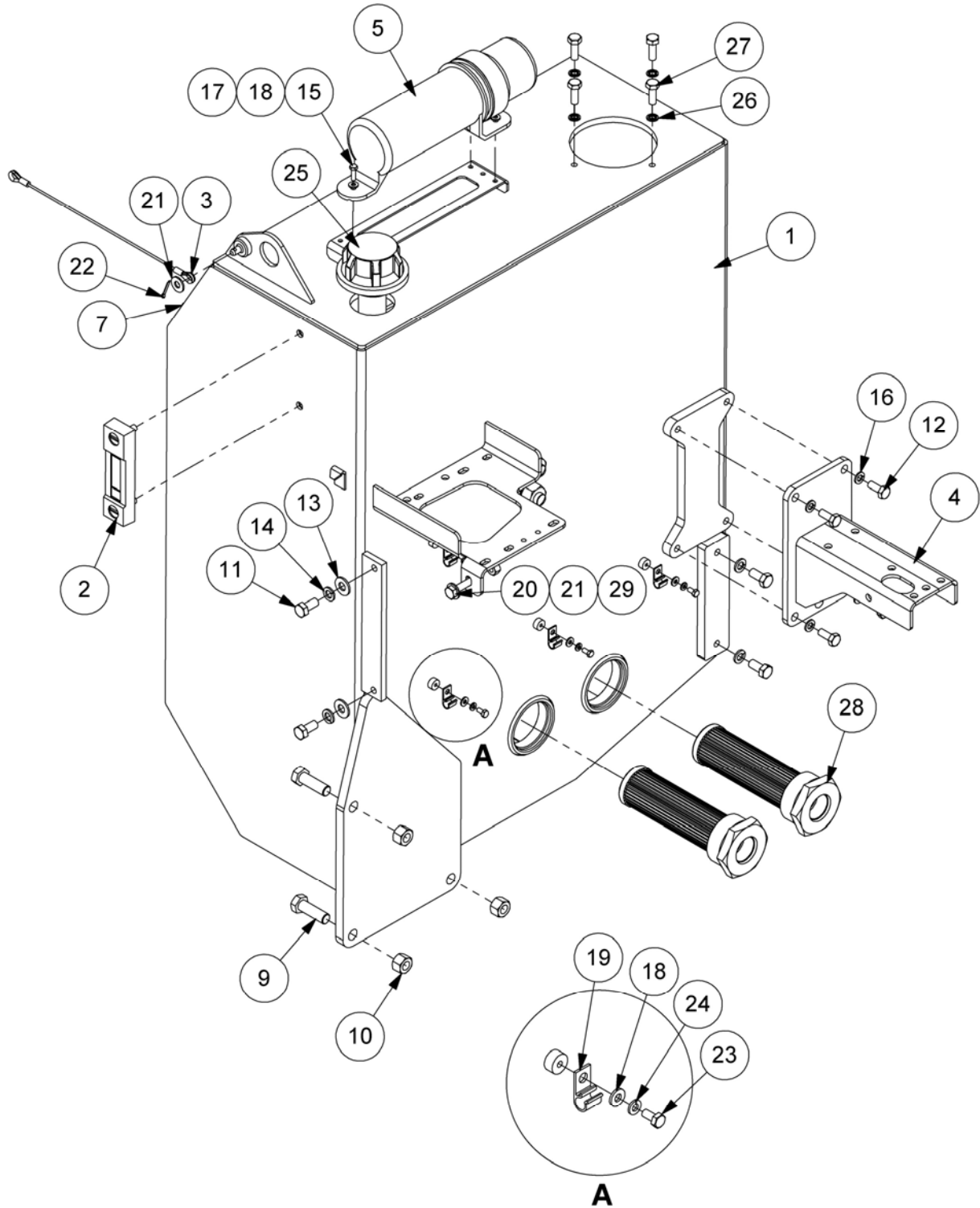
REF.	QTY.	PART No.	DESCRIPTION
		<b>7756728</b>	<b>TANK FITTINGS - Gear Models</b>
1	1	8581291	ADAPTOR
2	1	8650224	BONDED SEAL
3	1	43177.30	LOOM (THERMAL CUTOUT/FILTERS)
4	1	8402236	THERMAL CUTOUT
5	1	8581260	ADAPTOR (LP)
6	1	T5342	ADAPTOR
7	2	8700784	O RING
8	2	8581264	90° SWEEP ADAPTOR
9	2	8401041	FILTER ELEMENT

**Used on Hydraulic Tank Assemblies 7756504 & 7756505 (Piston Builds)**



REF.	QTY.	PART No.	DESCRIPTION
		<b>7756729</b>	<b>TANK FITTINGS - Piston Models</b>
1	1	8581401	ADAPTOR
2	1	8650224	BONDED SEAL
3	1	43177.30	LOOM (THERMAL CUTOUT/FILTERS)
4	1	8402236	THERMAL CUTOUT
5	1	8581110	ADAPTOR
6	1	8650104	BONDED SEAL
7	2	8581383	SUCTION ADAPTOR
8	2	8700784	O RING
9	1	8581460	ADAPTOR TEE
10	1	8581338	90° ADAPTOR
11	1	8581215	90° SWEPT ADAPTOR
12	2	8401070	FILTER (10 MICRON)

Fitted to machines manufactured from 08/10 onwards

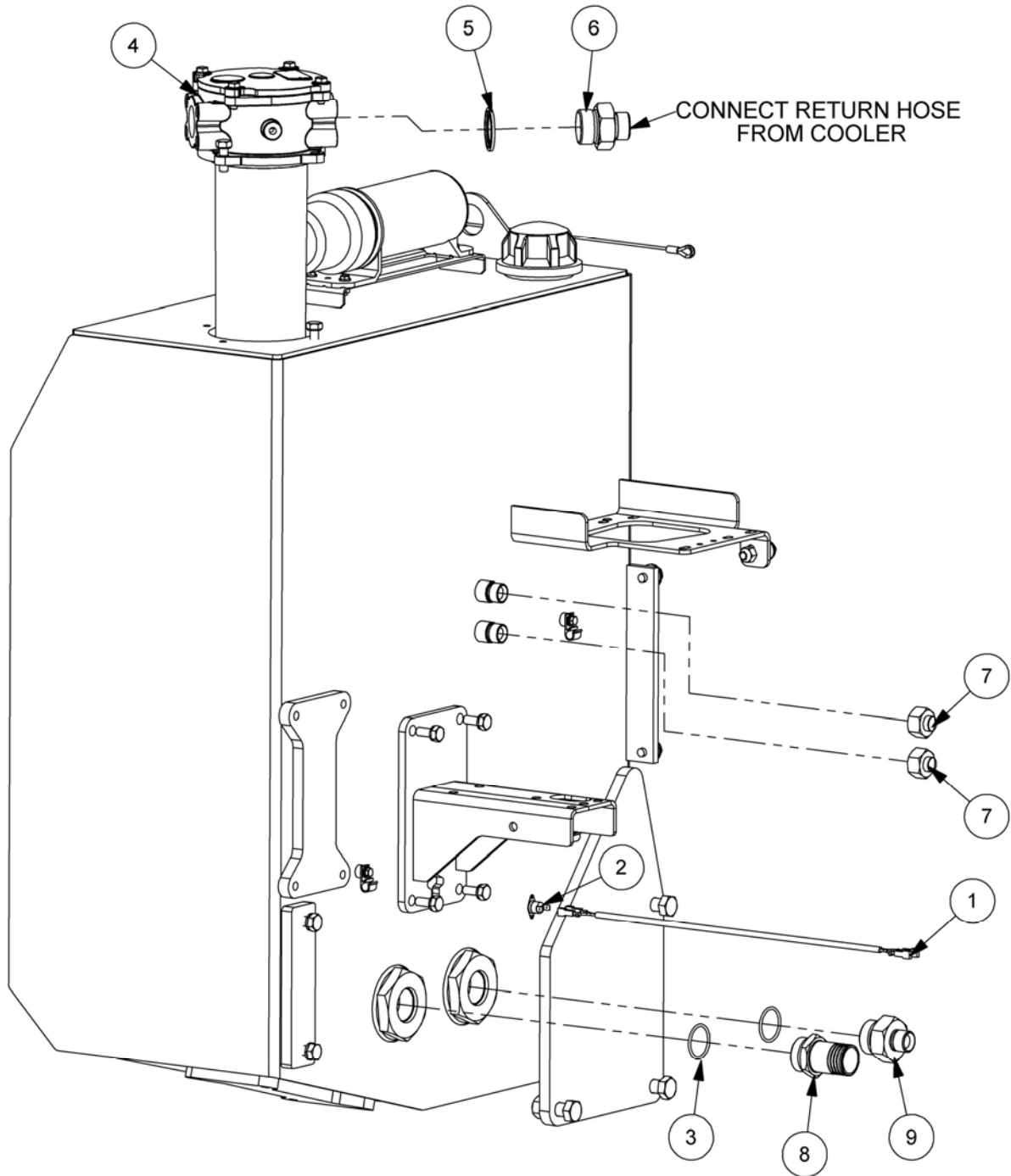




Module(s): 7880506 (*illustrated*), 7880507

REF.	QTY.	PART No.	DESCRIPTION
		<b>7880506</b>	<b>HYDRAULIC TANK ASSEMBLY - L/H Build</b>
		<b>7880507</b>	<b>HYDRAULIC TANK ASSEMBLY - R/H Build</b>
1	1	21066.10	TANK - L/H Build
	1	21066.09	TANK - R/H Build
2	1	8401048	LEVEL GAUGE
3	1	45444.02	RESTRAINT CABLE
4	1	21104.05	VALVE MOUNTING PLATE - L/H Build
	1	21104.04	VALVE MOUNTING PLATE - R/H Build
5	1	46505.01	LITERATURE HOLDER
6	1	8581203	TAPER PLUG
7	2	21325.03	COVER PIVOT ROD
8	1	21326.01	COMPRESSION SPRING
9	3	9213107	BOLT
10	3	9163007	NYLOC NUT
11	4	9313056	SETSCREW
12	4	9313055	SETSCREW
13	2	9100106	FLAT WASHER
14	4	9100206	SPRING WASHER
15	3	9313043	SETSCREW
16	4	9100205	SPRING WASHER
17	3	9163003	NYLOC NUT
18	7	9100103	FLAT WASHER
19	4	21151.01	D CLIP
20	1	9213105	BOLT
21	2	9100105	FLAT WASHER
22	1	9501255	SPLIT PIN
23	4	9313023	SETSCREW
24	4	9100203	SPRING WASHER
25	1	8401050	BREATHER
26	4	8650310	BONDED SEAL
27	4	9313065	SETSCREW
28	2	8401097	SUCTION STRAINER
29	1	9163005	NYLOC NUT

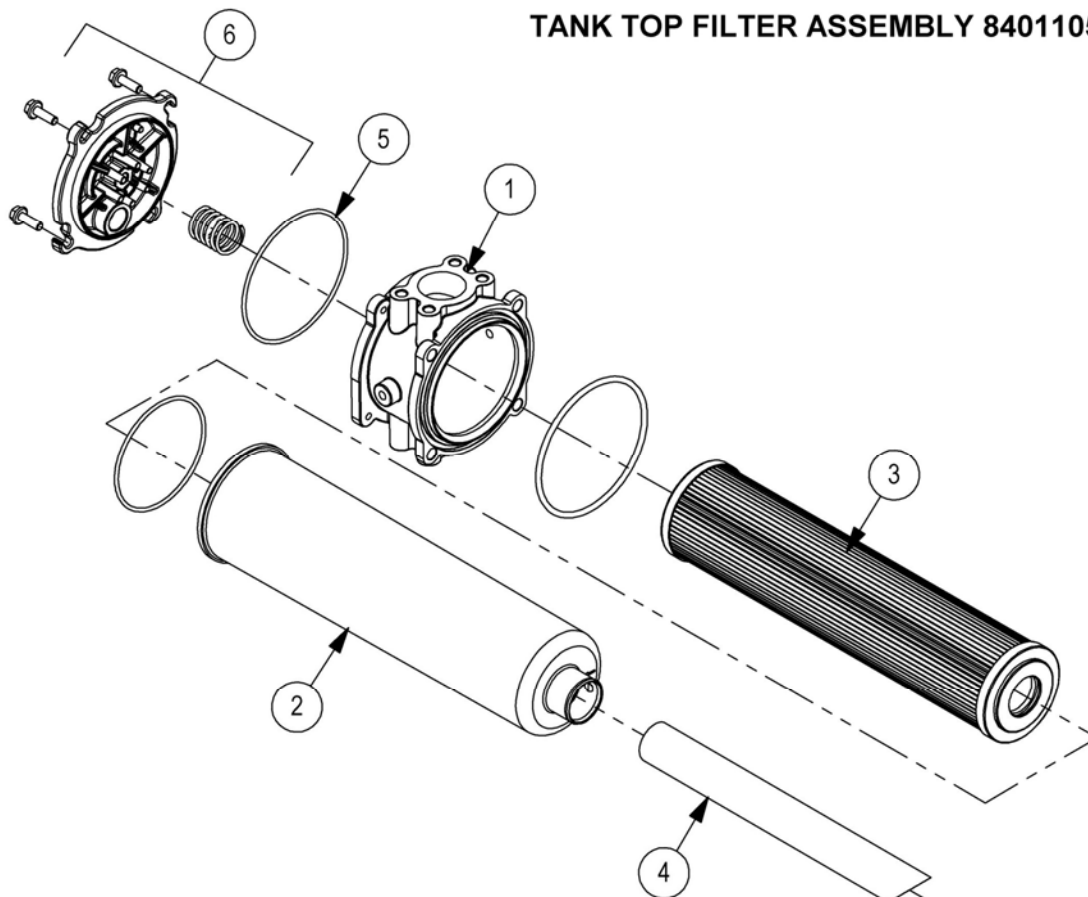
Used on Hydraulic Tank Assemblies 7880506 & 7880507 (Gear Builds)



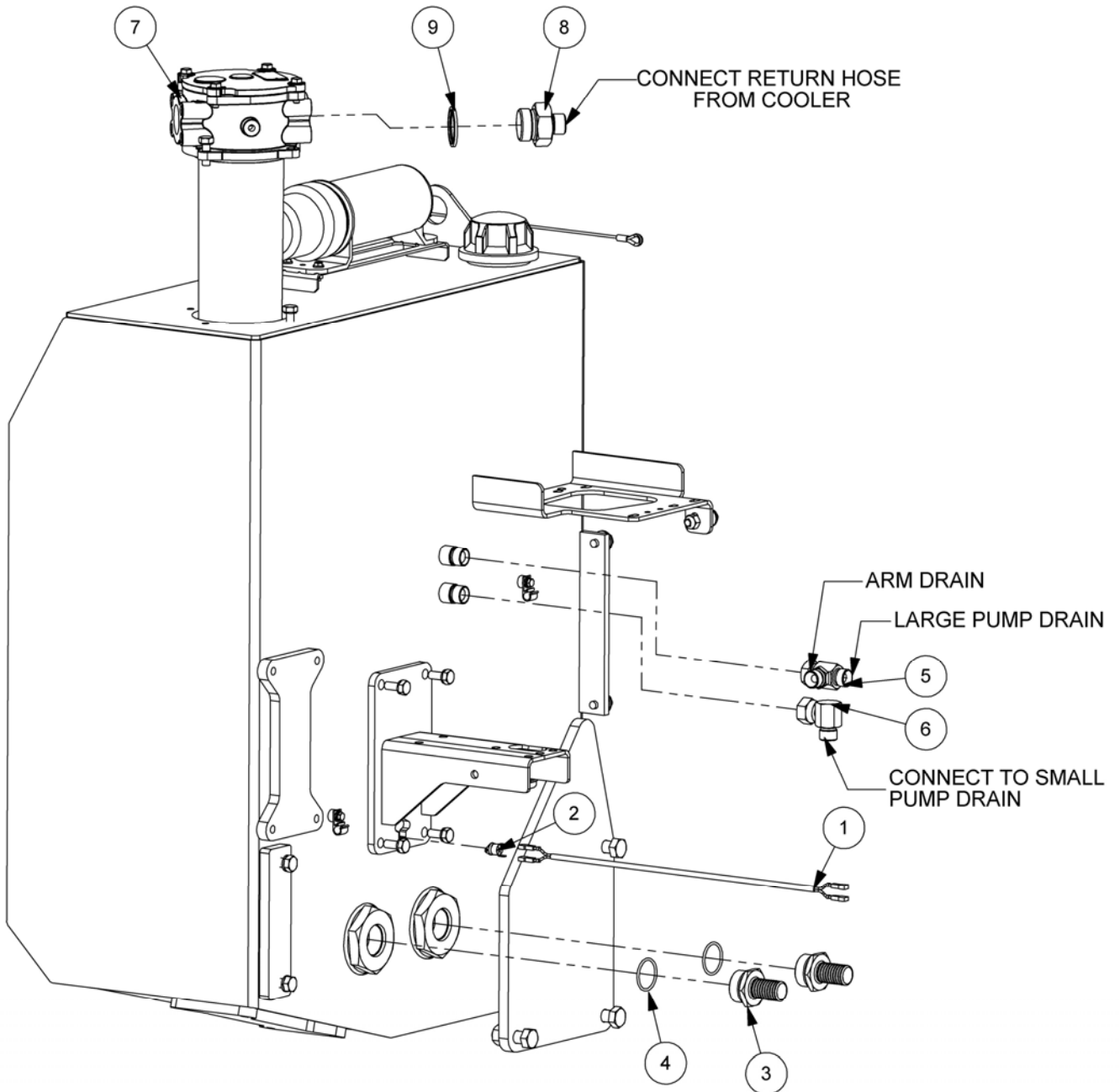
REF.	QTY.	PART No.	DESCRIPTION
		<b>7880518</b>	<b>TANK FITTINGS - Gear Models</b>
1	1	43177.30	LOOM - THERMAL CUTOUT / FILTERS
2	1	8402236	THERMAL CUTOUT
3	2	8700784	O RING
4	1	8401105	TANK TOP FILTER (10 MICRON)
5	1	8650109	BONDED SEAL
6	1	T5241	ADAPTOR
7	2	3812119	BLANKING CAP
8	1	8581260	ADAPTOR
9	1	T5342	ADAPTOR

REF.	QTY.	PART No.	DESCRIPTION
		<b>8401105</b>	<b>FILTER ASSEMBLY</b>
1	1	8401107	FILTER HOUSING
2	1	8401108	FILTER BOWL
3	1	8401106	FILTER ELEMENT (10 MICRON)
4	1	8401115	FILTER EXTENSION TUBE
5	1	8699282	FILTER SEAL KIT
6	1	8401127	FILTER LID c/w SPRING & BOLTS

**TANK TOP FILTER ASSEMBLY 8401105**



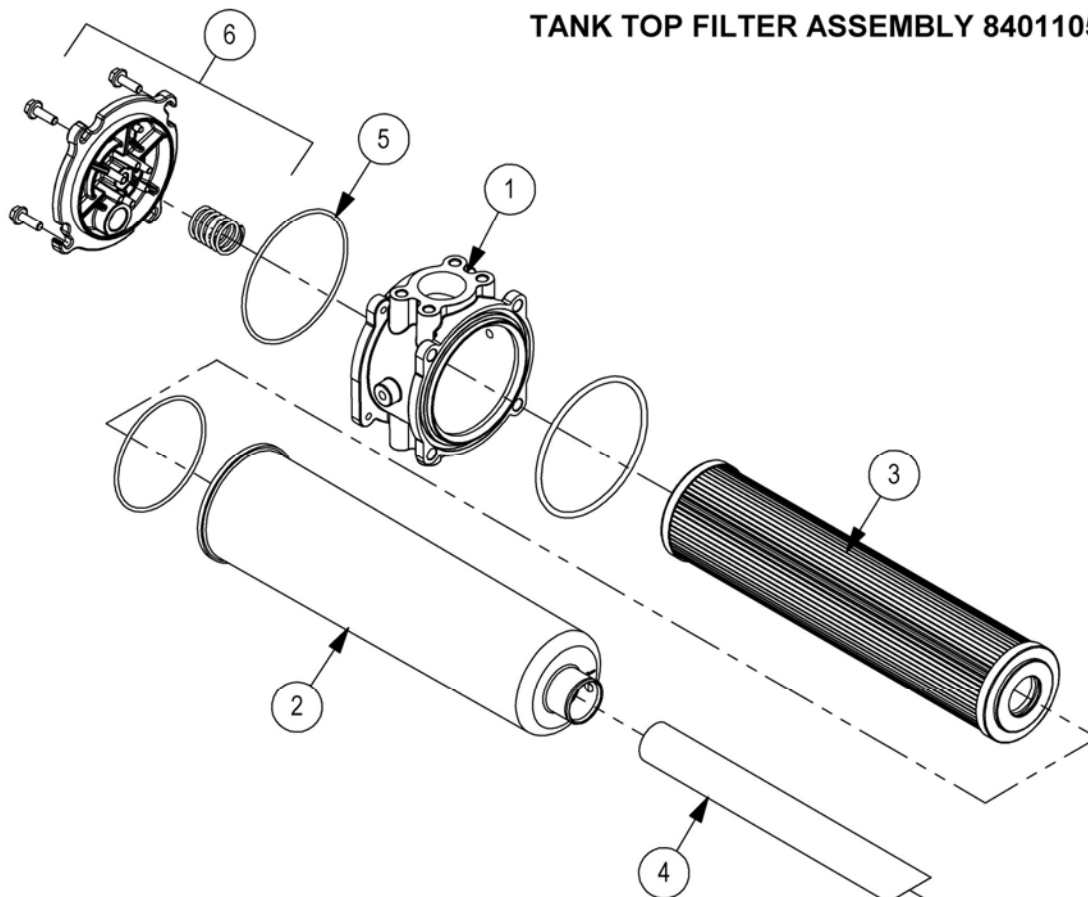
Used on Hydraulic Tank Assemblies 7880506 & 7880507 (Piston Builds)



REF.	QTY.	PART No.	DESCRIPTION
		<b>7880519</b>	<b>TANK FITTINGS - Piston Models</b>
1	1	43177.30	LOOM - THERMAL CUTOUT / FILTERS
2	1	8402236	THERMAL CUTOUT
3	2	8581383	SUCTION ADAPTOR
4	2	8700784	O RING
5	1	8581460	ADAPTOR TEE
6	1	8581338	ADAPTOR
7	1	8401105	TANK TOP FILTER (10 MICRON)
8	1	T5342	ADAPTOR
9	1	8650109	BONDED SEAL

REF.	QTY.	PART No.	DESCRIPTION
		<b>8401105</b>	<b>FILTER ASSEMBLY</b>
1	1	8401107	FILTER HOUSING
2	1	8401108	FILTER BOWL
3	1	8401106	FILTER ELEMENT (10 MICRON)
4	1	8401115	FILTER EXTENSION TUBE
5	1	8699282	FILTER SEAL KIT
6	1	8401127	FILTER LID c/w SPRING & BOLTS

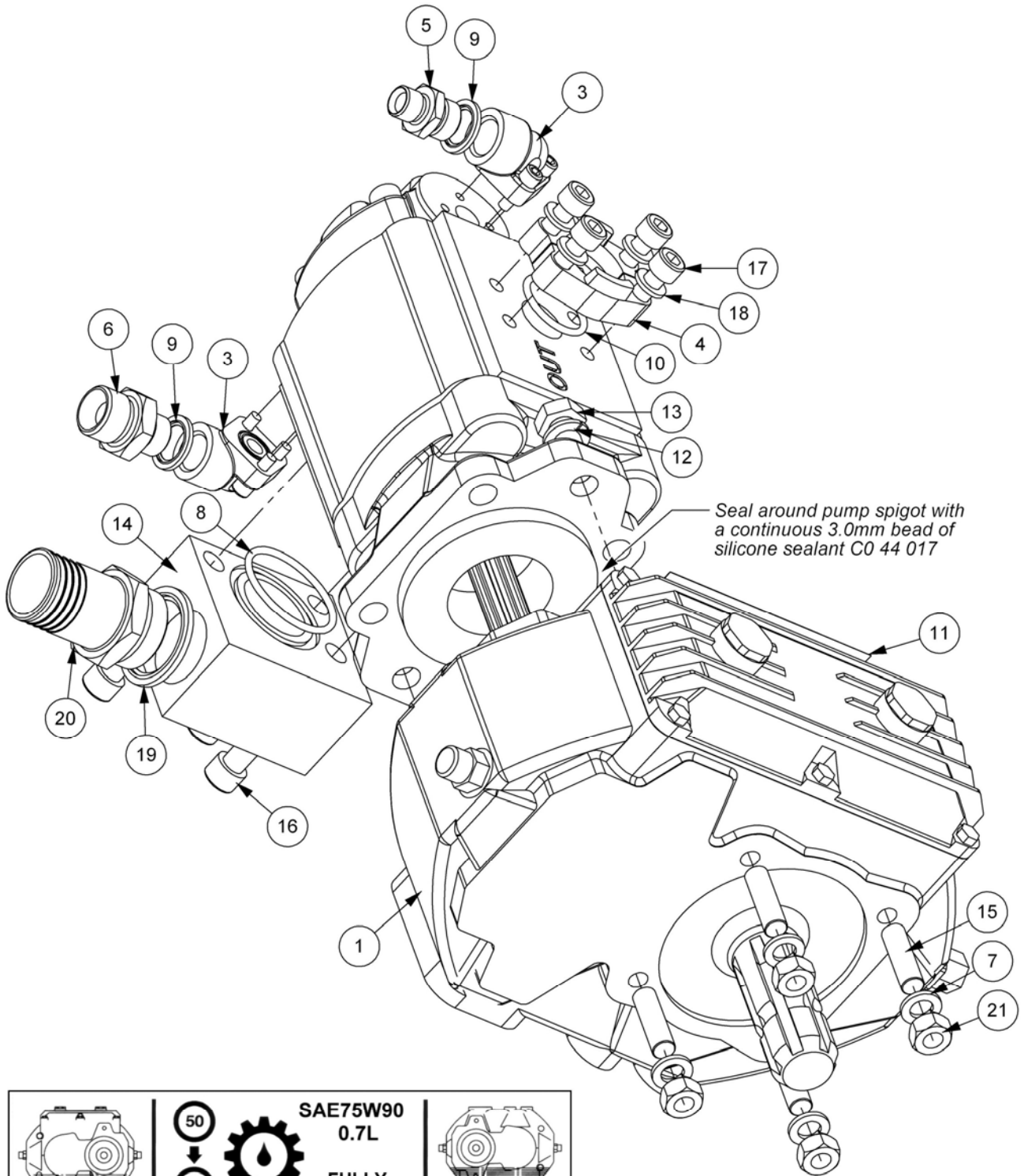
**TANK TOP FILTER ASSEMBLY 8401105**

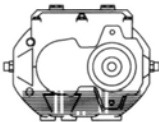
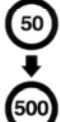

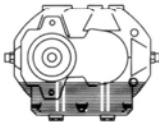


# TI GEAR PUMP & GEARBOX ASSEMBLY

# McCONEL

Module(s): 7756700 (illustrated), 7756701



			<b>SAE75W90</b> <b>0.7L</b> <b>FULLY</b> <b>SYNTHETIC</b>	
---	---	---	--	---

TI GEAR PUMP & GEARBOX ASSEMBLY



Module(s): 7756700 (illustrated), 7756701

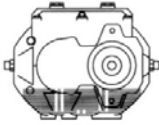


REF.	QTY.	PART No.	DESCRIPTION
		<b>7756700</b>	<b>TI GEAR PUMP &amp; GEARBOX - L/H Build</b>
		<b>7756701</b>	<b>TI GEAR PUMP &amp; GEARBOX - R/H Build</b>
1	1	21930.01	CAST IRON GEARBOX 1:4.25 13T SPLINE
2	1	8201732	PUMP (HIGH FLOW) - <i>Consisting of:</i>
	1	8201251	PUMP HALF - FRONT
	1	8201734	PUMP HALF - REAR
3	2	8301045	ELBOW c/w CAPSCREWS & O RING
4	1	01.697.03	SPLIT FLANGE
5	1	6000112	ADAPTOR
6	1	8581130	ADAPTOR
7	4	9100206	SPRING WASHER
8	1	8600304	O RING
9	2	8650104	BONDED SEAL
10	1	8600124	O RING
11	1	1290092	GEARBOX DECAL
12	2	05.282.08	SPRING WASHER
13	2	05.839.01	BOLT
14	1	42142.01	SUCTION BLOCK
15	4	04.282.17	STUD
16	3	9243126	CAPSCREW
17	4	9343065	CAPSCREW
18	4	9100205	SPRING WASHER
19	1	8650109	BONDED SEAL
20	1	8581260	ADAPTOR (LP)
21	4	9113006	NUT

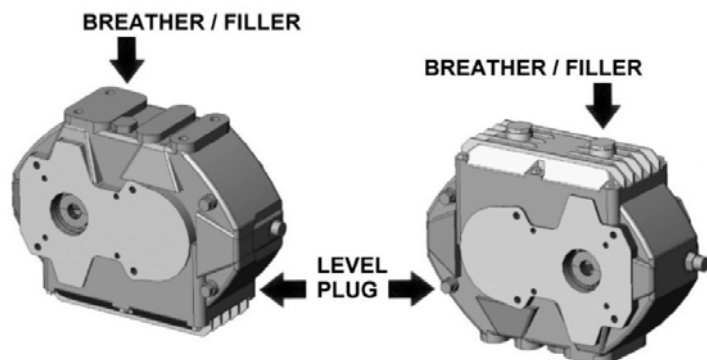
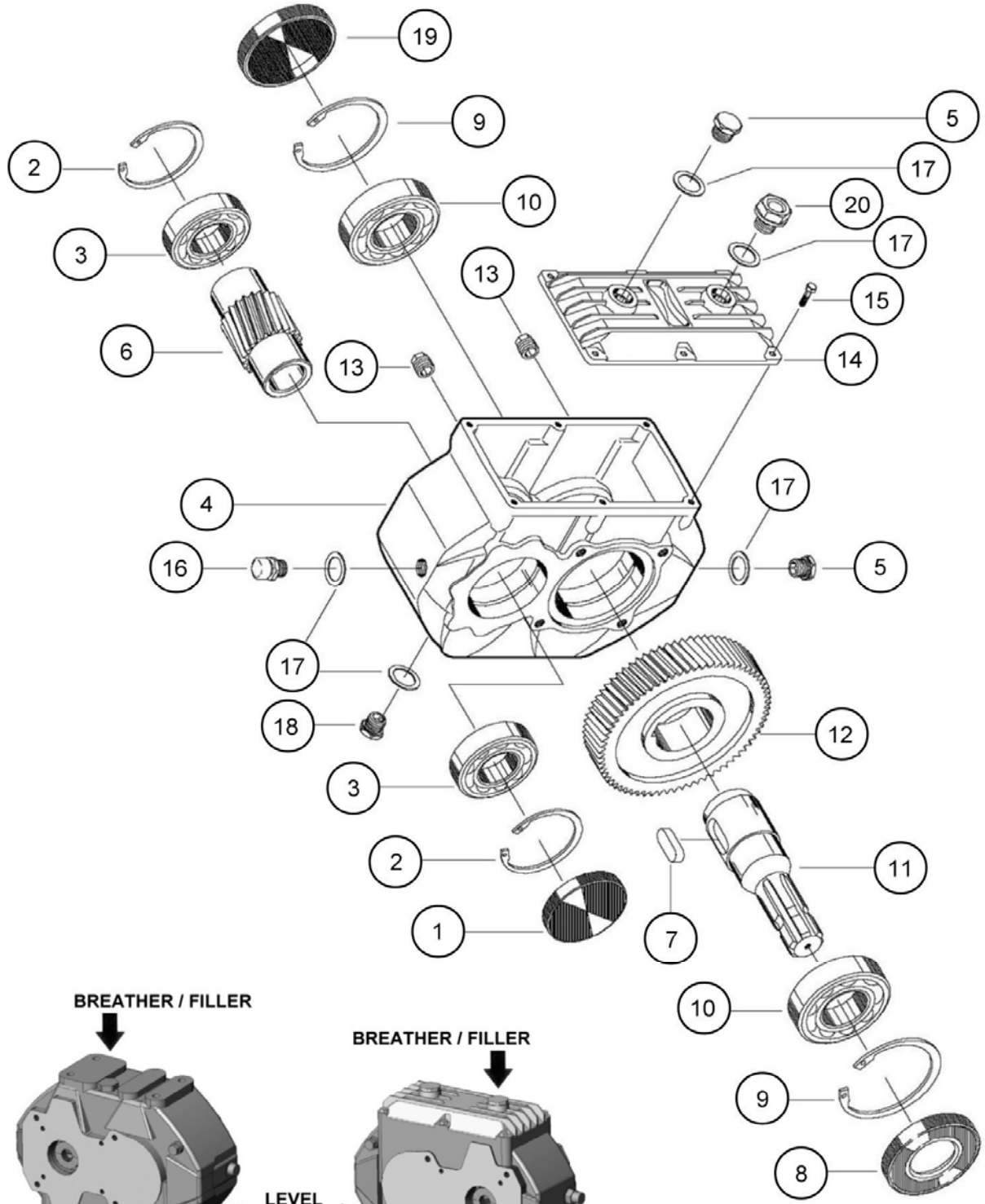


# GEARBOX ASSEMBLY - Ratio 1:4.25 / 13T Spline

Module(s): 21930.01

# McCONEL

	<div style="display: flex; align-items: center; justify-content: center;"> <div style="text-align: center; margin-right: 10px;"> <span style="border: 1px solid black; border-radius: 50%; padding: 2px;">50</span> ↓ <span style="border: 1px solid black; border-radius: 50%; padding: 2px;">500</span> </div> <div style="text-align: center; margin-right: 10px;">  </div> <div style="text-align: center;"> <p><b>SAE75W90</b> <b>0.7L</b></p> <p><b>FULLY</b> <b>SYNTHETIC</b></p> </div> </div>	
---	--	---



*NOTE: Plug positions are dependent on gearbox orientation*

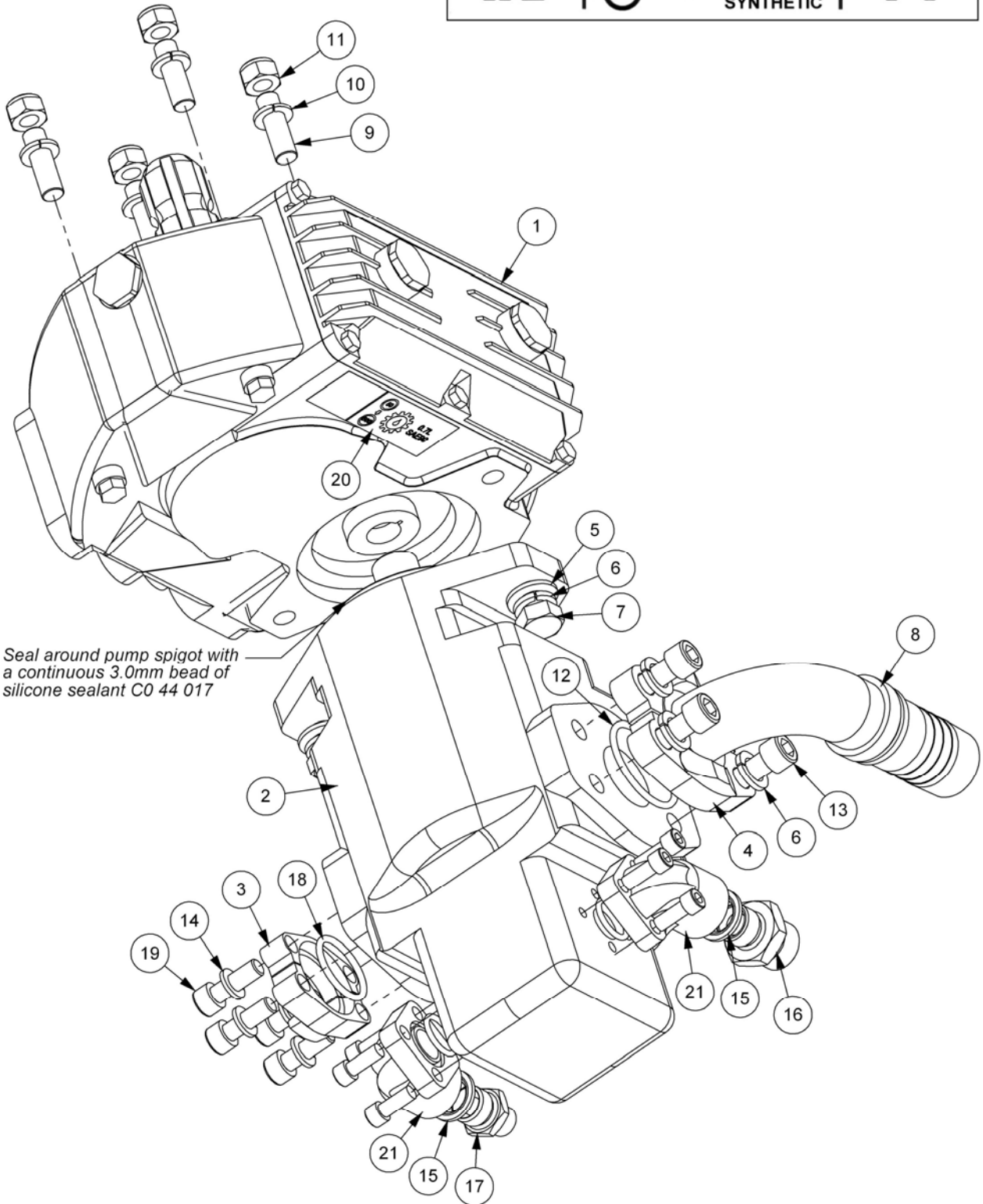
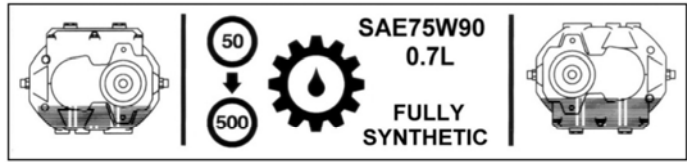
Module(s): 21930.01

REF.	QTY.	PART No.	DESCRIPTION
		<b>21930.01</b>	<b>GEARBOX ASSEMBLY (Cast Iron)</b>
			<i>Specification: Ratio 1:4.25 with 13 tooth spline</i>
1	1	8013530	CAP
2	2	8013529	CIRCLIP
3	2	8013528	BEARING
4	1	8013598	HOUSING
5	2	8013533	OIL PLUG
6	1	8013600	SHAFT
7	1	8013586	KEY
8	1	8013526	OIL SEAL
9	2	8013525	CIRCLIP
10	2	8013524	BEARING
11	1	8013522	INPUT SHAFT
12	1	8013601	GEAR
13	2	8013588	OIL PLUG
14	1	8013589	COVER
15	6	9313033	SCREW
16	1	8013590	OIL PLUG
17	5	8013591	WASHER
18	1	8013593	OIL PLUG
19	1	8013527	CAP
20	1	8013599	OIL PLUG

# 85HP TI GEAR PUMP & GEARBOX ASSEMBLY

# McCONEL

Module(s): 7756821 - R/H Build

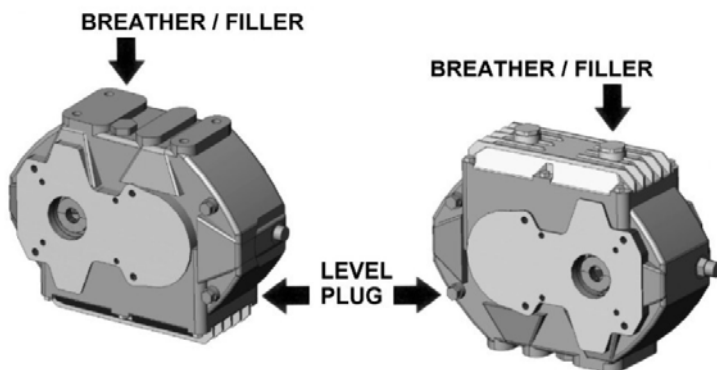
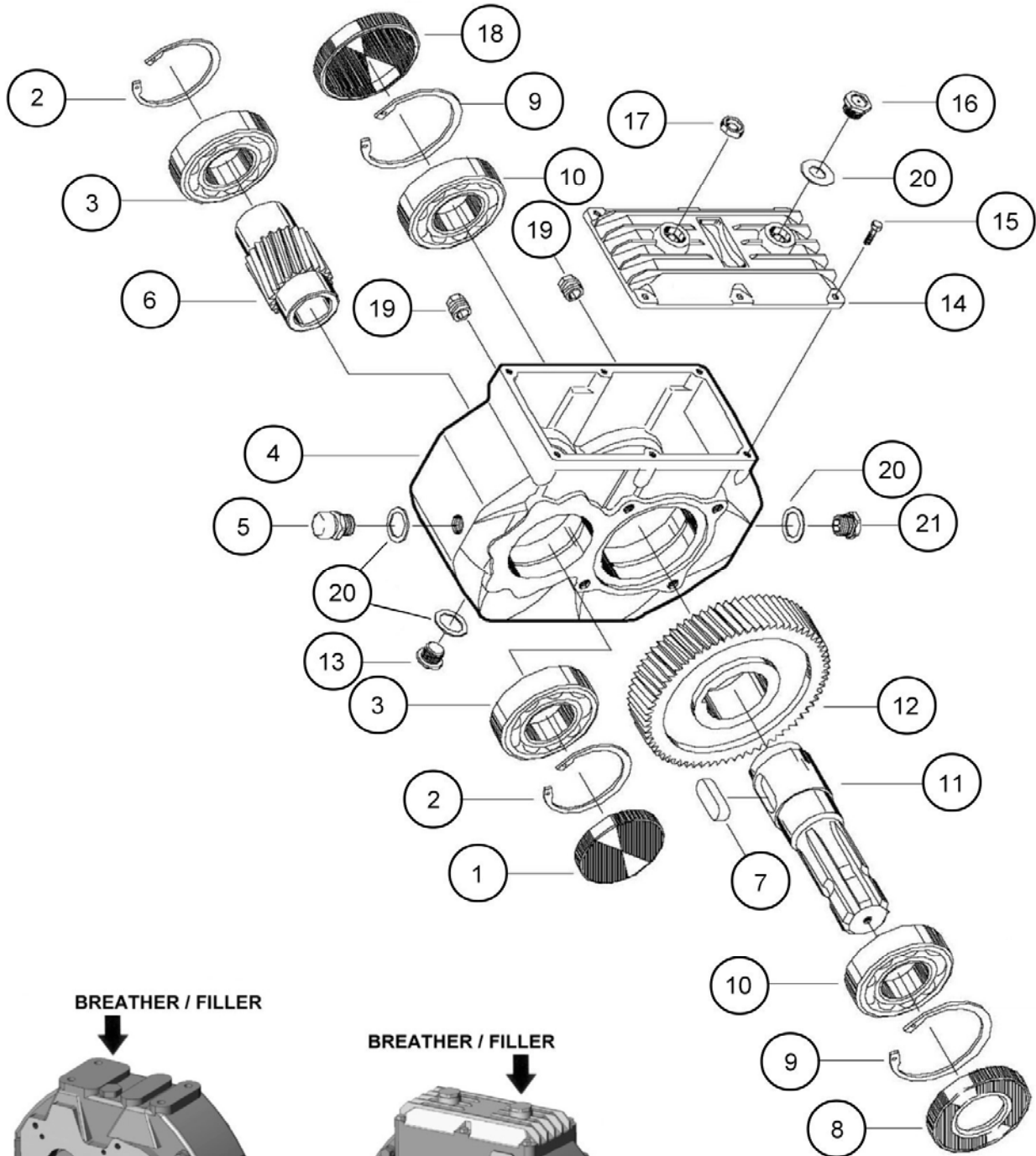


**85HP TI GEAR PUMP & GEARBOX ASSEMBLY****McCONNEL**

Module(s): 7756821 – R/H Build

<b>REF.</b>	<b>QTY.</b>	<b>PART No.</b>	<b>DESCRIPTION</b>
		<b>7756821</b>	<b>85HP PUMP &amp; GEARBOX ASSEMBLY - R/H Build</b>
1	1	21930.02	CAST IRON GEARBOX 1:4.25 15T SPLINE
2	1	8201735	HIGH PRESSURE PUMP 310 BAR
3	1	01.697.03	SPLIT FLANGE
4	1	41.294.01	SPLIT FLANGE PAIR
5	2	05.281.14	FLAT WASHER
6	6	05.282.08	SPRING WASHER
7	2	05.839.01	BOLT
8	1	8581489	ADAPTOR (LP)
9	4	04.282.17	STUD
10	4	9100206	SPRING WASHER
11	4	05.968.03	SELF-LOCKING NUT
12	1	8600303	O RING
13	4	9243066	CAPSCREW
14	4	9100205	SPRING WASHER
15	2	8650104	BONDED SEAL
16	1	8581130	ADAPTOR
17	1	T0914	ADAPTOR
18	1	8600124	O RING
19	4	9343065	CAPSCREW
20	1	1290092	GEARBOX DECAL
21	2	199.358	ADAPTOR KIT INC. BOLTS & O RING

	<p>50 ↓ 500</p> 	<p>SAE75W90 0.7L  FULLY SYNTHETIC</p>	
---	--	---	---



NOTE: Plug positions are dependent on gearbox orientation

Module(s): 21930.02

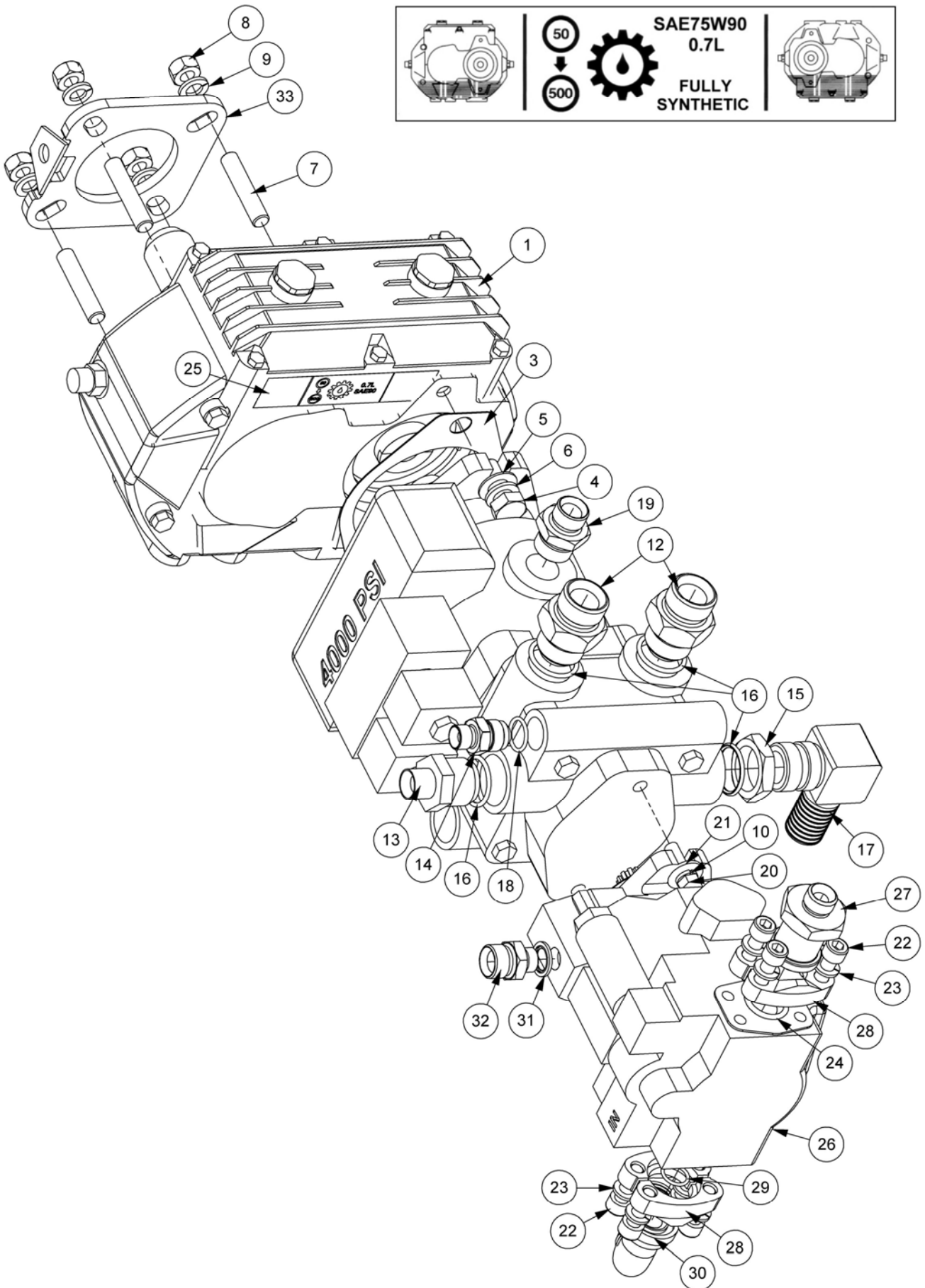
REF.	QTY.	PART No.	DESCRIPTION
		<b>21930.02</b>	<b>GEARBOX ASSEMBLY (Cast Iron)</b>
			<i>Specification: Ratio 1:4.25 with 15 tooth spline</i>
1	1	8013530	CAP
2	2	8013529	CIRCLIP
3	2	8013528	BEARING
4	1	8013598	HOUSING
5	1	8013590	OIL PLUG
6	1	8013602	SHAFT
7	1	8013586	KEY
8	1	8013526	OIL SEAL
9	2	8013525	CIRCLIP
10	2	8013524	BEARING
11	1	8013522	INPUT SHAFT
12	1	8013587	GEAR
13	1	8013593	OIL PLUG
14	1	8013521	COVER
15	6	9313033	SCREW
16	1	8013599	OIL PLUG
17	1	8013535	OIL PLUG
18	1	8013527	CAP
19	2	8013588	OIL PLUG
20	4	8013591	WASHER
21	1	8013533	OIL PLUG



# PISTON PUMP & GEARBOX ASSEMBLY

# McCONEL

Module(s): 7756765 – L/H Build (*illustrated*), 7756766 – R/H Build





**PISTON PUMP & GEARBOX ASSEMBLY**

**McCONNEL**

Module(s): 7756765 – L/H Build (*illustrated*), 7756766 – R/H Build

REF.	QTY.	PART No.	DESCRIPTION
		<b>7756765</b>	<b>PISTON PUMP &amp; GEARBOX - L/H Build</b>
		<b>7756766</b>	<b>PISTON PUMP &amp; GEARBOX - R/H Build</b>
1	1	8013514	CAST IRON GEARBOX 3.6:1 15T
2	1	8201699	PISTON PUMP
3	1	7550048	GASKET
4	2	05.839.01	BOLT
5	2	9100020	FLAT WASHER
6	2	05.282.08	SPRING WASHER
7	4	04.282.65	STUD
8	4	9113006	NUT
9	4	9100206	SPRING WASHER
10	4	0100203	SPRING WASHER
11	1	43177.27	LOOM - PISTON ROTOR CONTROL
12	2	8581256	ADAPTOR
13	1	8581321	ADAPTOR
14	1	520622	ADAPTOR
15	1	7550047	LOCKNUT
16	4	8600916	O RING
17	1	8581316	ELBOW (LOW PRESSURE)
18	1	8600910	O RING
19	1	8581459	ADAPTOR
20	2	0312103	HEX SCREW
21	2	0100103	FLAT WASHER
22	8	9343065	CAPSCREW
23	8	9100205	SPRING WASHER
24	1	8600119	O RING
25	1	1290092	GEARBOX DECAL
26	1	8201707	PISTON PUMP
27	1	8581461	ADAPTOR
28	2	41.294.02	SPLIT FLANGE
29	1	8600908	O RING
30	1	8581464	ADAPTOR
31	1	8650103	BONDED SEAL
32	1	8581175	ADAPTOR
33	1	21208.01	BACKING PLATE

**NOTE:**

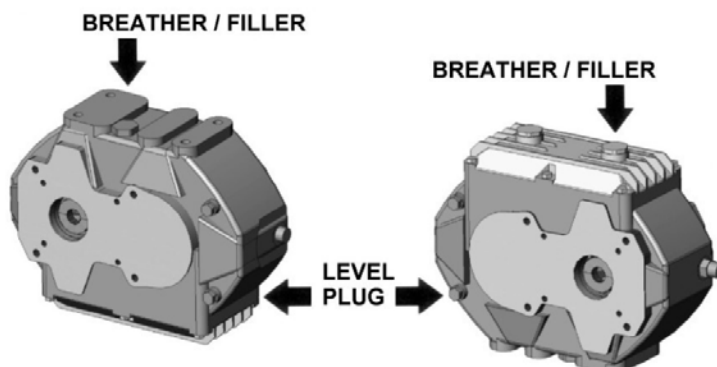
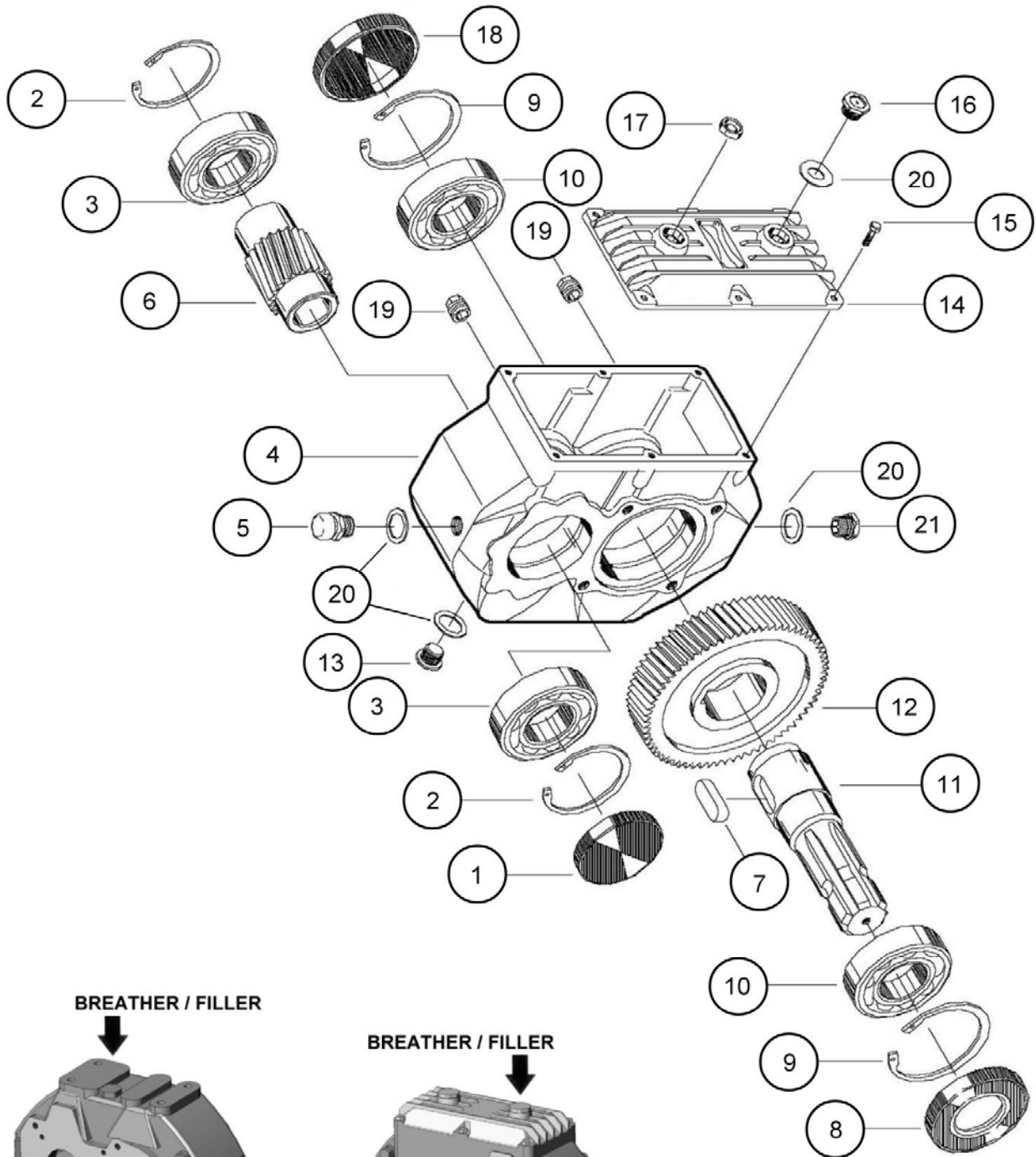
Components for L/H & R/H Builds are identical they differ only in component orientation

# GEARBOX ASSEMBLY - 15T Spline / Ratio 1:3.6

Module(s): 8013514

# McCONNEL

			<b>SAE75W90 0.7L FULLY SYNTHETIC</b>	
---	---	--	--	---



NOTE: Plug positions are dependent on gearbox orientation

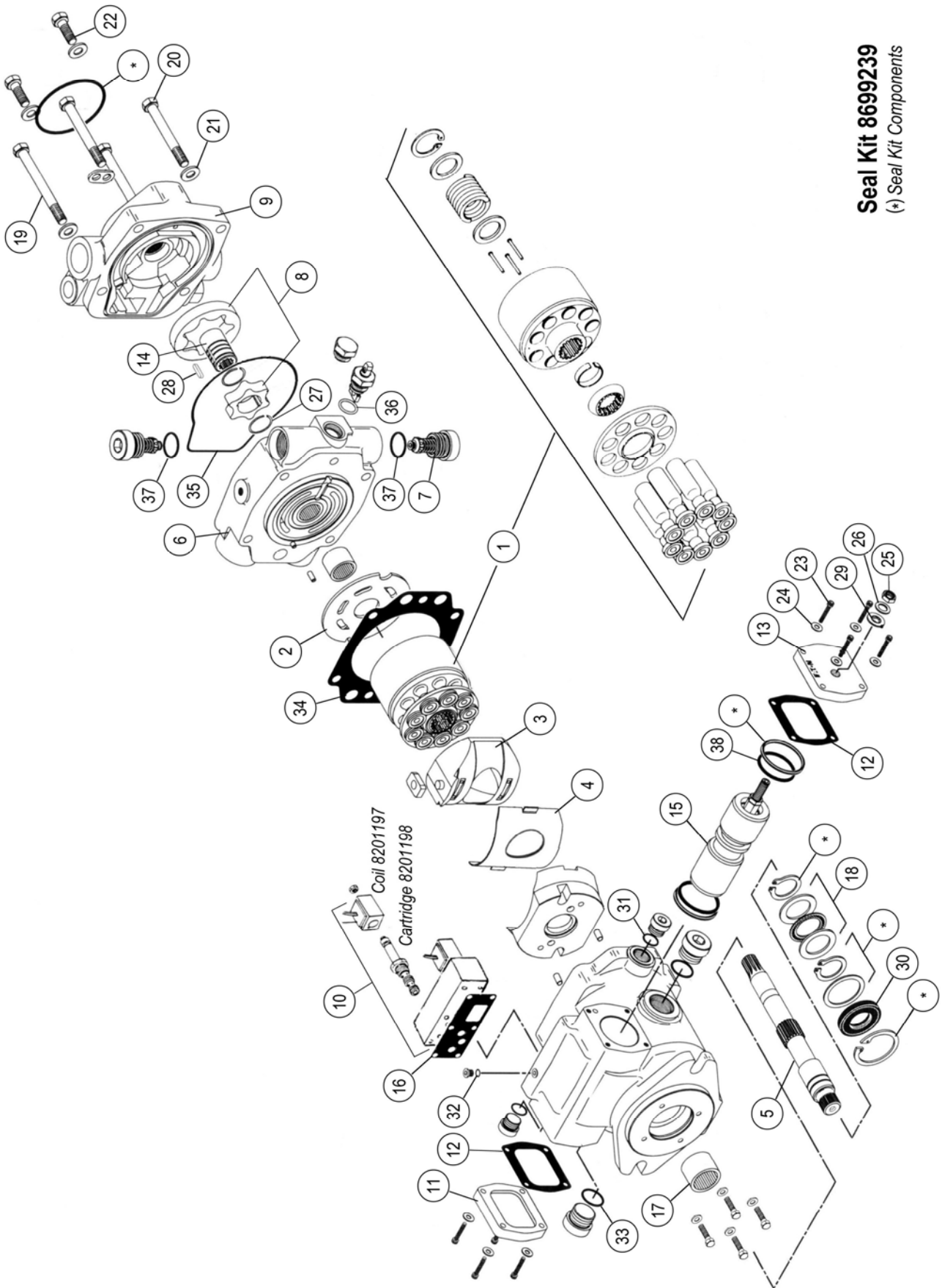
Module(s): 8013514

REF.	QTY.	PART No.	DESCRIPTION
		<b>8013514</b>	<b>GEARBOX ASSEMBLY (Cast Iron)</b>
			<i>Specification: Ratio 1:3.6 with 15 tooth spline</i>
1	1	8013530	CAP
2	2	8013529	CIRCLIP
3	2	8013528	BEARING
4	1	8013598	HOUSING
5	1	8013590	OIL PLUG
6	1	8013614	SHAFT
7	1	8013586	KEY
8	1	8013526	OIL SEAL
9	2	8013525	CIRCLIP
10	2	8013524	BEARING
11	1	8013522	INPUT SHAFT
12	1	8013615	GEAR
13	1	8013593	OIL PLUG
14	1	8013521	COVER
15	6	9313033	SCREW
16	1	8013599	OIL PLUG
17	1	8013535	OIL PLUG
18	1	8013527	CAP
19	2	8013588	OIL PLUG
20	4	8013591	WASHER
21	1	8013533	OIL PLUG

# PISTON PUMP ASSEMBLY

Module(s): 8201699

# McCONEL



**Seal Kit 8699239**  
(\* Seal Kit Components)

# PISTON PUMP ASSEMBLY

# McCONNEL

Module(s): 8201699

REF.	QTY.	PART No.	DESCRIPTION
		<b>8201699</b>	<b>PISTON PUMP ASSEMBLY</b>
1	1	8201169	ROTATING KIT
2	1	8201170	VALVE PLATE
3	1	8201171	CAM PLATE
4	1	8201172	CAM BUSHING
5	1	8201173	SHAFT
6	1	8201174	BACK PLATE ASSEMBLY
7	2	8201175	RELIEF VALVE
8	1	8201176	GEROTOR (INNER & OUTER RING)
9	1	8201178	CHARGE ASSEMBLY
10	1	8201192	PUMP / ROTOR CONTROL - <i>includes:</i>
	2	8201197	COIL
	2	8201198	CARTRIDGE
11	1	8201181	COVER PLATE
12	2	* 8201182	GASKET
13	1	8201183	COVER PLATE
14	1	8201185	COUPLER
15	1	8201180	SERVO PISTON ASSEMBLY
16	1	* 8201187	GASKET
17	1	8301038	NEEDLE BEARING
18	1	8301039	THRUST WASHER
19	2	0212323	BOLT
20	2	0212283	BOLT
21	8	0100103	WASHER
22	2	0311103	SETSCREW
23	8	0342080	CAPSCREW
24	8	0100100	WASHER
25	1	0112003	NUT
26	1	8201745	COUNTERSUNK WASHER
27	1	8201209	RETAINING RING
28	1	8201208	KEY - CHARGE PUMP
29	1	* 8201184	SEAL WASHER
30	1	* 8629200	ROTARY SHAFT SEAL
31	1	* 8600908	O RING
32	1	* 8600105	O RING
33	1	* 8600912	O RING GASKET
34	1	* 8201179	GASKET
35	1	* 8201189	MOULDED O RING
36	1	* 8600506	O RING
37	2	* 8600910	O RING
38	2	* 8600409	O RING

**8699239 SEAL KIT**

\* *Component items of Seal Kit 8699239*

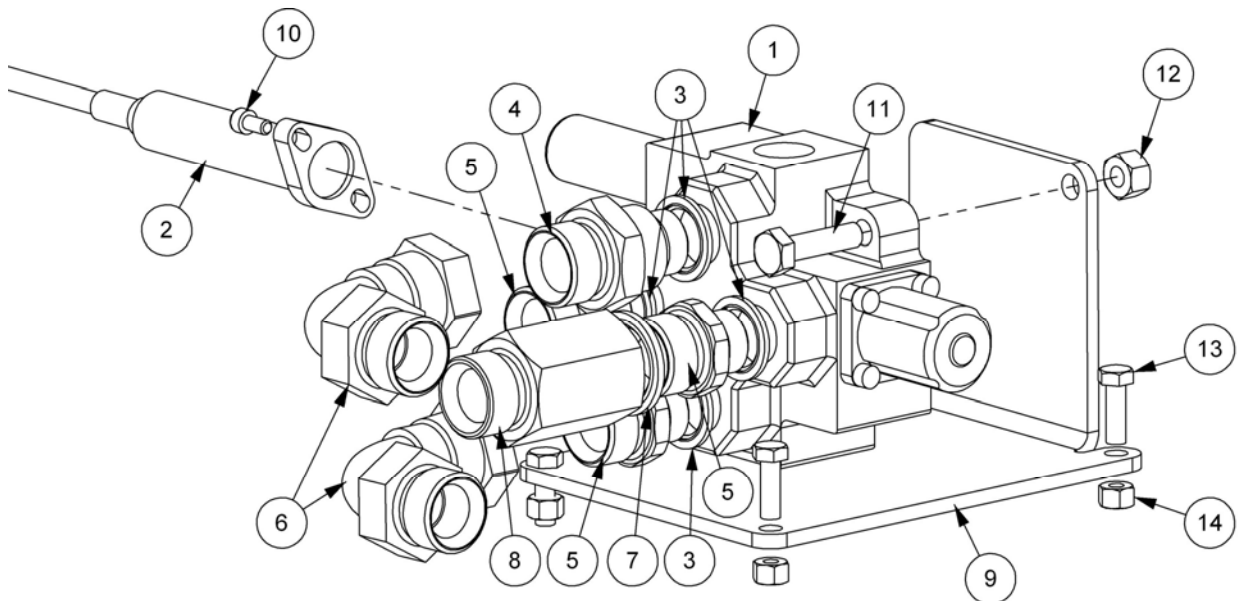
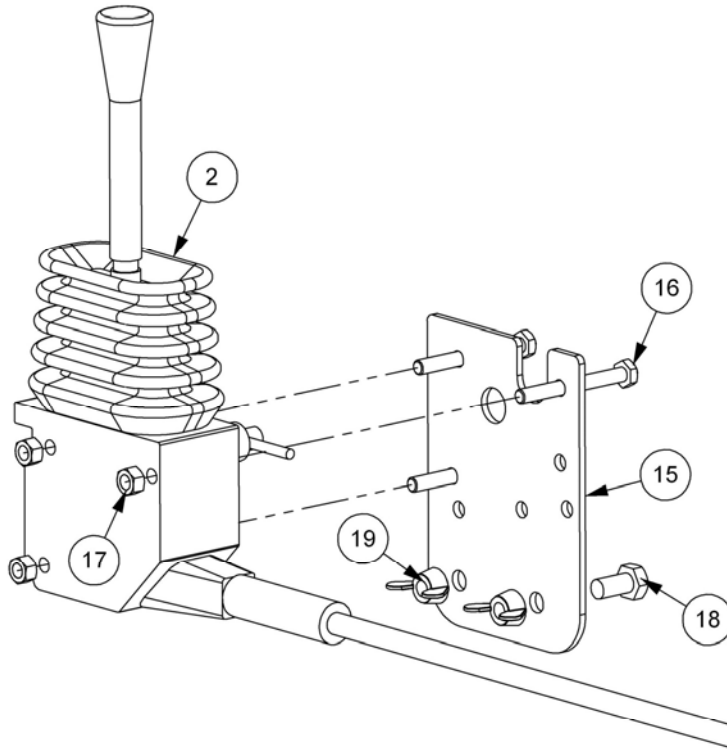
**Service Note**

Piston Pumps are manufactured to very fine tolerances - with the exception of Item 7 (Relief Valve) any service work must be carried out by a qualified specialist technician working in a clean, dust free environment. If in doubt contact the McConnell Service Dept. for advice.

# CABLE ROTOR CONTROL VALVE ASSEMBLY

Module(s): 7756743 - L/H Build

**McCONEL**



**CABLE ROTOR CONTROL VALVE ASSEMBLY****McCONNEL**

Module(s): 7756743 – L/H Build

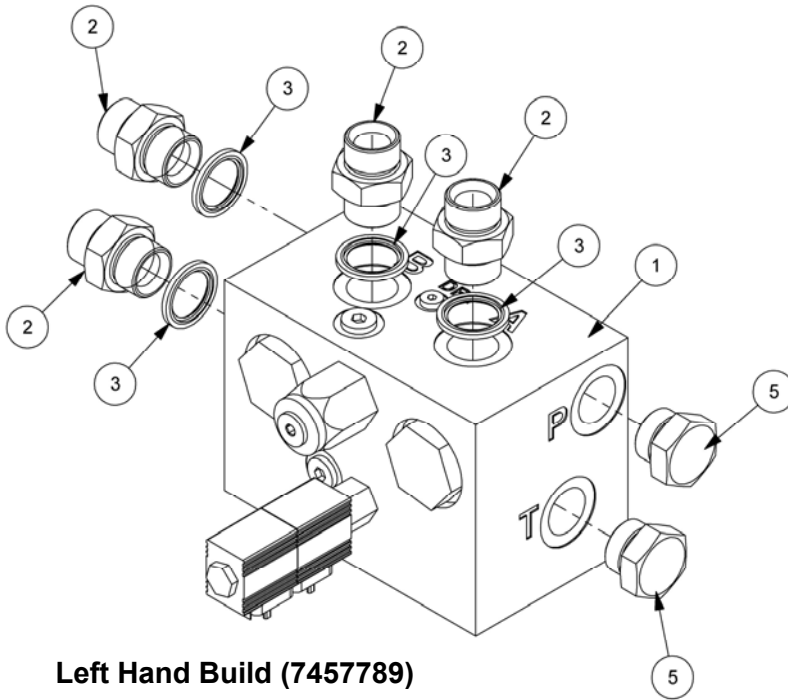
<b>REF.</b>	<b>QTY.</b>	<b>PART No.</b>	<b>DESCRIPTION</b>
		<b>7756743</b>	<b>CABLE ROTOR VALVE - L/H Build</b>
1	1	8125355	ROTOR CONTROL VALVE
2	1	8017065	CONTROL HEAD & CABLE (2.5m)
3	4	8650106	BONDED SEAL
4	1	8581295	ADAPTOR
5	3	8002086	ADAPTOR
6	2	8581264	SWEPT ADAPTOR
7	1	8650108	BONDED SEAL
8	1	8581211	EXTENSION ADAPTOR
9	1	21570.01	RCV BRACKET
10	2	9343023	CAPSCREW
11	2	9213085	BOLT
12	2	9143005	SELF-LOCKING NUT
13	3	9313054	SETSCREW
14	3	9143004	SELF-LOCKING NUT
15	1	7650282	CONTROL BRACKET
16	3	9213113	BOLT
17	3	9143003	SELF-LOCKING NUT
18	2	9313034	SETSCREW
19	2	9193004	WING NUT



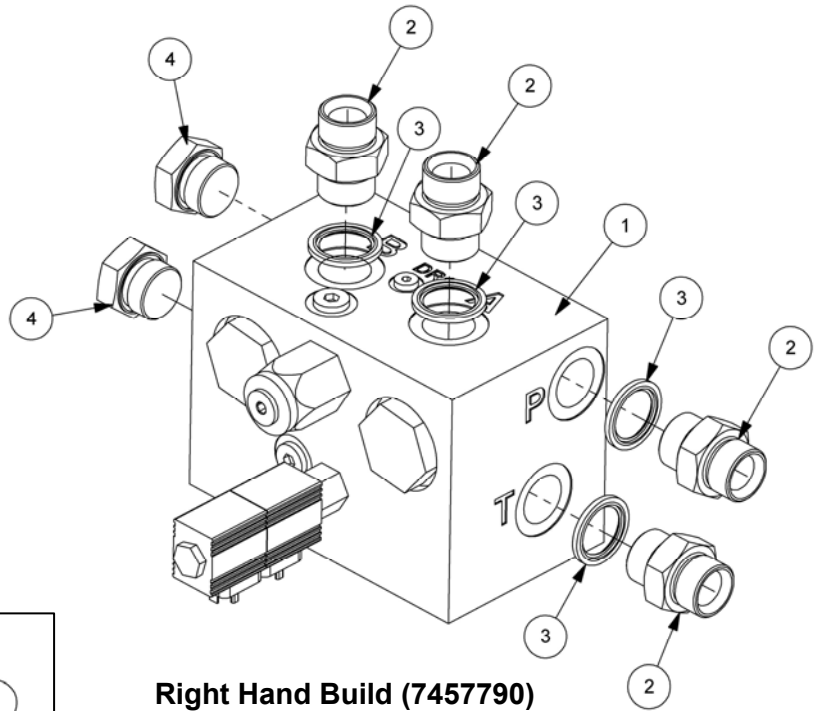
# ELECTRIC ROTOR CONTROL VALVE ASSEMBLY

**McCONEL**

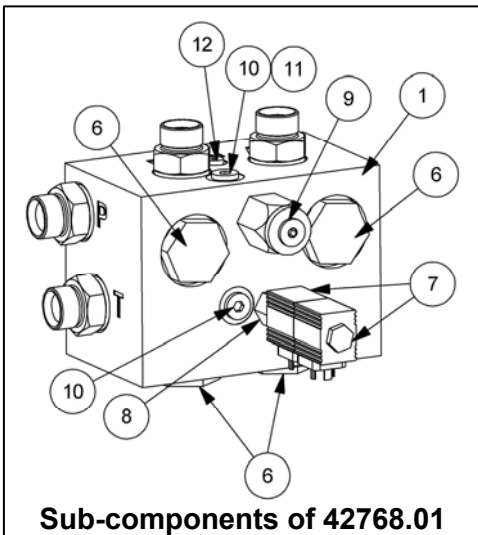
Module(s): 7457789 – L/H Build, 7457790 – R/H Build



**Left Hand Build (7457789)**



**Right Hand Build (7457790)**



**Sub-components of 42768.01**

## ELECTRIC ROTOR CONTROL VALVE ASSEMBLY

**McCONNEL**

Module(s): 7457789 – L/H Build, 7457790 – R/H Build

REF.	QTY.	PART No.	DESCRIPTION
		<b>7457789</b>	<b>ELECTRIC ROTOR VALVE - L/H Build</b>
		<b>7457790</b>	<b>ELECTRIC ROTOR VALVE - R/H Build</b>
1	1	42768.01	ELECTRIC REVERSING VALVE
2	4	05.434.01	ADAPTOR
3	4	8650108	BONDED SEAL
4	1	43177.26	LOOM - ROTOR REVERSE ( <i>not shown</i> )
5	2	8581389	ADAPTOR PLUG

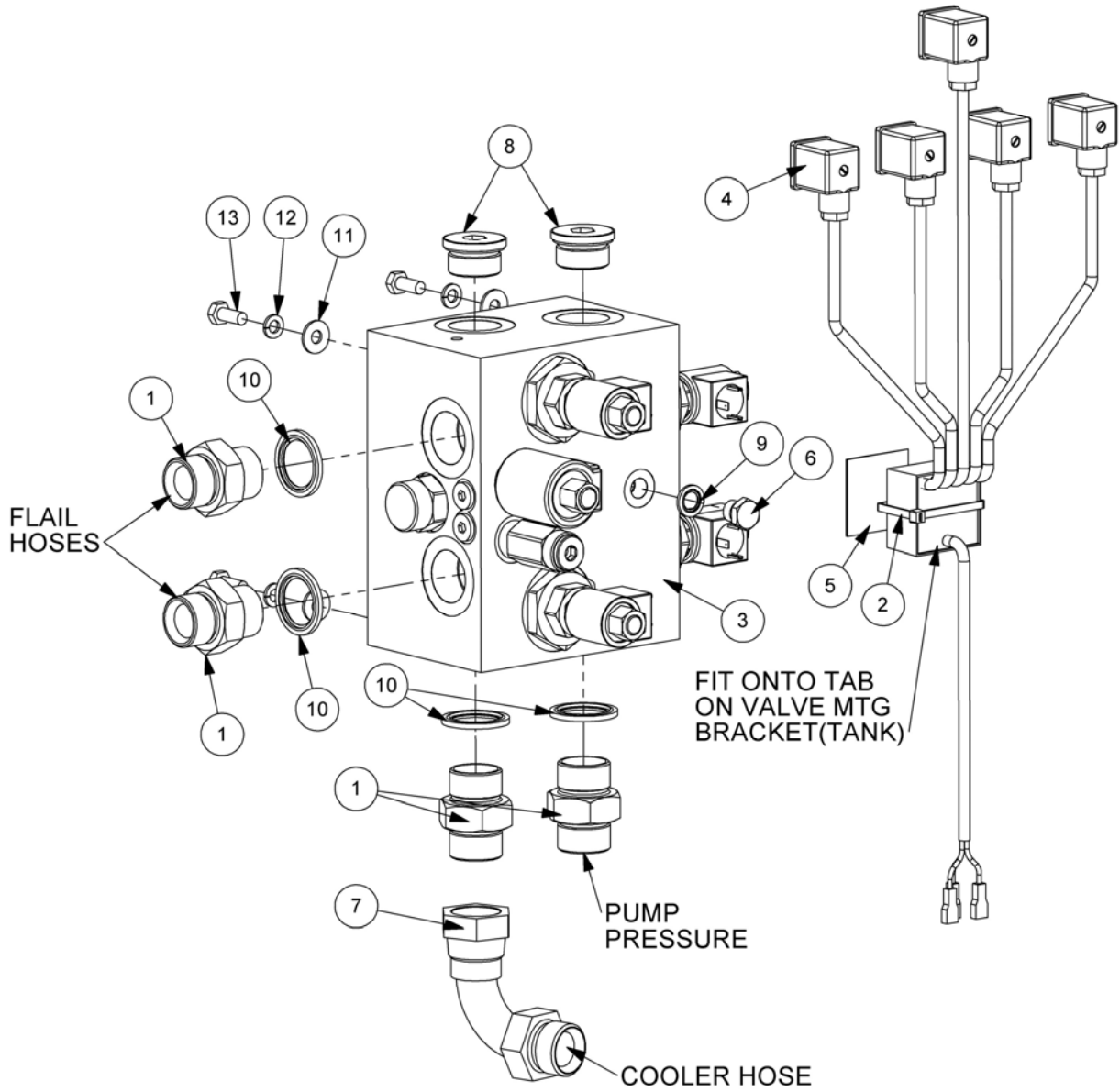
**Sub-components of Valve 42768.01**

6	4	42768.32	LOGIC ELEMENT
7	2	42768.35	SOLENOID
8	1	42768.34	SPOOL - OPEN CENTRE
9	1	42768.41	RELIEF VALVE (207BAR)
10	2	42768.36	ORIFICE PLUG
11	1	42768.39	PLUG
12	1	42768.42	ORIFICE PLUG

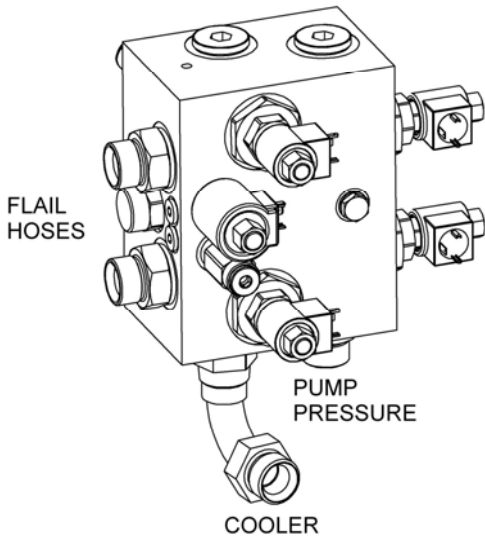
# ROTOR CONTROL VALVE (SOFT START)

**McCONEL**

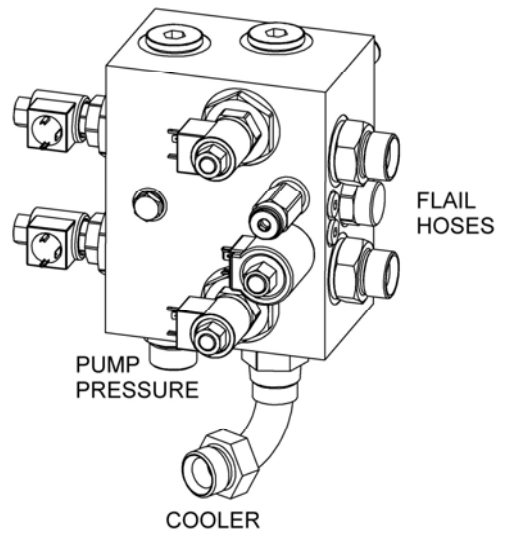
Module(s): 5570724 - L/H Build (illustrated), 5570725 - R/H Build



5570724 - L/H Build



5570725 - R/H Build



**ROTOR CONTROL VALVE (SOFT START)****McCONNEL**Module(s): 5570724 – L/H Build (*illustrated*), 5570725 – R/H Build

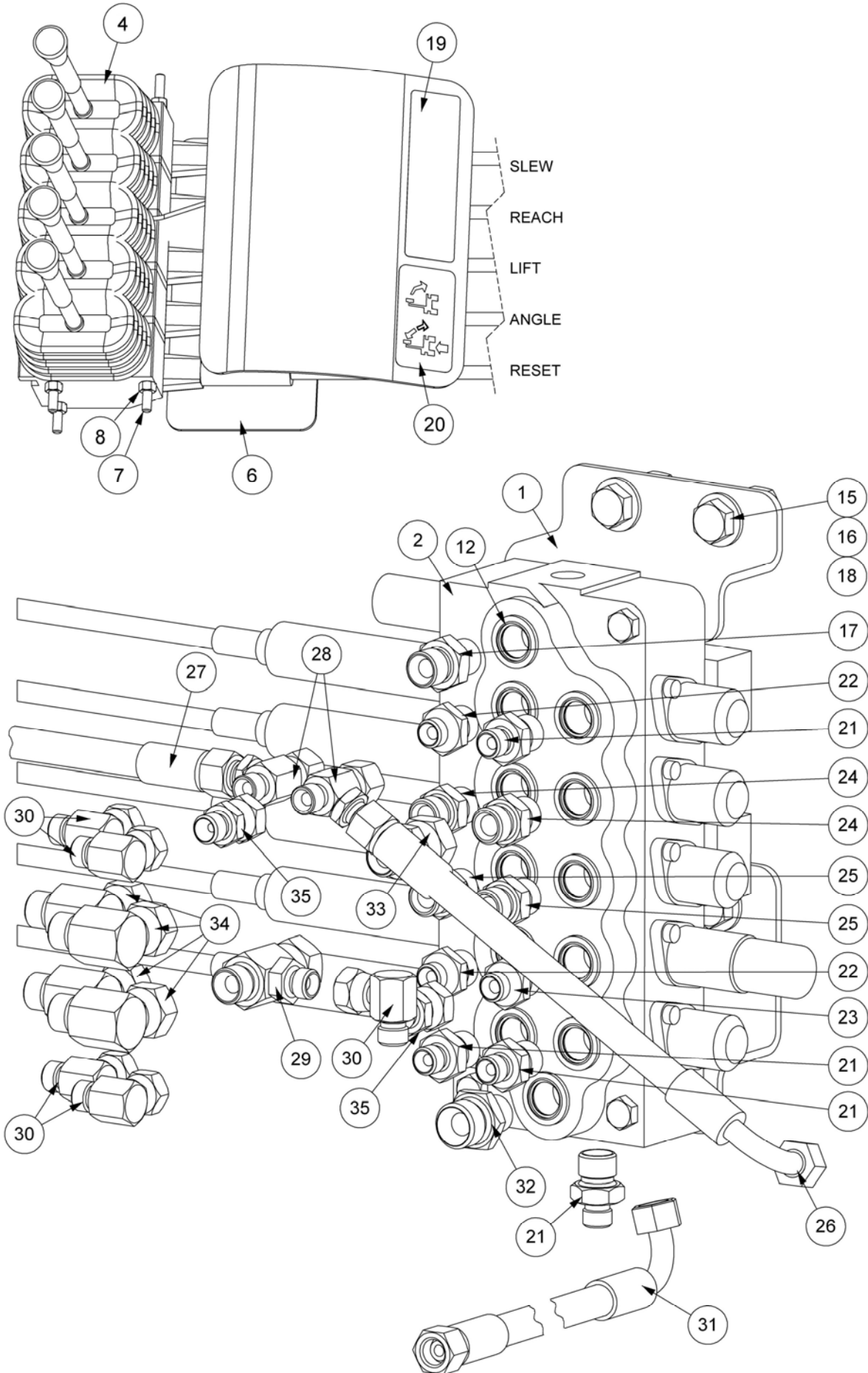
<b>REF.</b>	<b>QTY.</b>	<b>PART No.</b>	<b>DESCRIPTION</b>
		<b>8870724</b>	<b>SOFT START RCV ASSEMBLY - L/H Build</b>
		<b>8870725</b>	<b>SOFT START RCV ASSEMBLY - R/H Build</b>
1	4	05.434.01	ADAPTOR
2	1	22342.02	CABLE TIE
3	1	22677.03	RCV ASSEMBLY
4	1	43177.72	PROPORTIONAL RCV LOOM
5	1	45831.02	SELF ADHESIVE PAD
6	1	520378	ADAPTOR PLUG
7	1	8581264	ADAPTOR (SWEPT 90°)
8	2	8581389	PLUG
9	1	8650102	BONDED SEAL
10	4	8650108	BONDED SEAL
11	4	9100104	FLAT WASHER
12	4	9100204	SPRING WASHER
13	4	9313044	SETSCREW

**Note: L/H & R/H builds comprise of identical components but differ in their assembled location.**

# CABLE CONTROL VALVE ASSEMBLY (5 Bank)

Module(s): 7756739 - L/H Build

**McCONEL**



CABLE CONTROL VALVE ASSEMBLY (5 Bank)

**McCONNEL**

Module(s): 7756739 – L/H Build

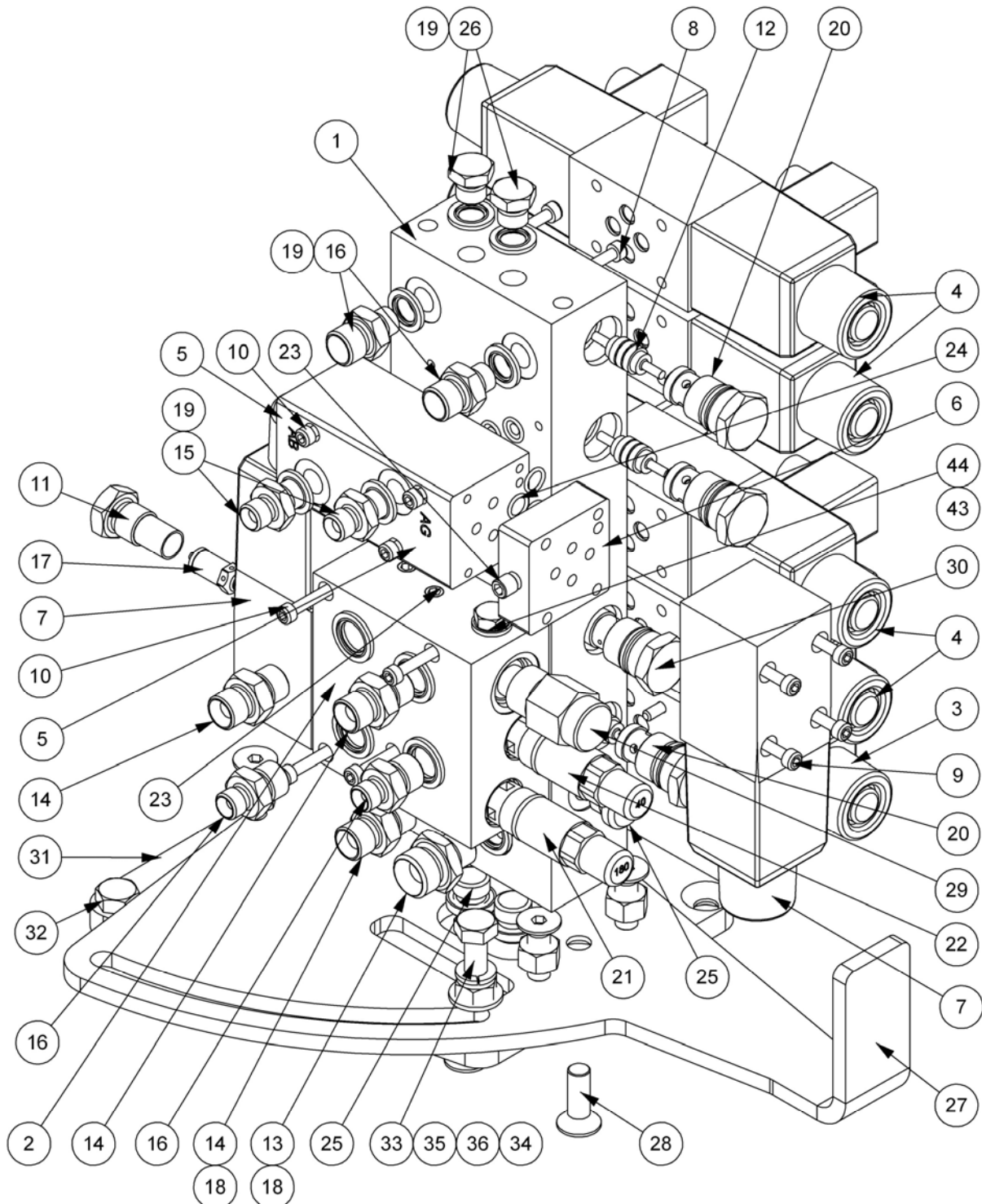
REF.	QTY.	PART No.	DESCRIPTION
		<b>7756739</b>	<b>CABLE CONTROL VALVE - L/H Build</b>
1	1	21560.01	VALVE BRACKET
2	1	8130677	CABLE VALVE
3	1	21560.02	VALVE BRACKET
4	5	8017066	CONTROL HEAD & CABLE (3.0m)
5	10	9343032	CAPSCREW
6	1	7650307	CABLE ARMREST (5 LEVER)
7	3	04.282.71	STUD
8	6	9143003	SELF-LOCKING NUT
9	1	09.968.99	CONTROL KNOB - RED
10	1	8017067	CONTROL KNOB - GREEN
11	1	8017068	CONTROL KNOB - YELLOW
12	13	8650103	BONDED SEAL
13	3	9213134	BOLT
14	3	9143004	SELF-LOCKING NUT
15	4	9313055	SETSCREW
16	4	9143005	SELF-LOCKING NUT
17	1	6000113	ADAPTOR
18	4	9100105	FLAT WASHER
19	1	1290368	DECAL - REACH / ANGLE / LIFT
20	1	1290357	DECAL - SLEW / AUTO RESET
21	4	8581115	ADAPTOR
22	2	8130048	ADAPTOR RESTRICTOR - 1.3 'C'
23	1	8130066	ADAPTOR RESTRICTOR - 1.15 'M'
24	2	1066028	ADAPTOR RESTRICTOR - 1.6
25	2	6001125	ADAPTOR RESTRICTOR - 1.8
26	1	10.002.04	HOSE - 1/4" BSP FS/F90 x 200mm
27	1	10.002.09	HOSE - 1/4" BSP FS/F90 x 450mm
28	2	8581254	ADAPTOR TEE
29	1	04.056.16	ADAPTOR TEE
30	5	8581190	90° ADAPTOR ELBOW
31	1	10.002.08	HOSE - 1/4" BSP FS/F90 x 400mm
32	1	6000112	ADAPTOR
33	1	8581178	SWIVEL ADAPTOR
34	4	8581117	ADAPTOR ELBOW
35	2	8581309	SWIVEL ADAPTOR



# ELECTRIC ACV – Standard Arm (Gear)

**McCONEL**

Module(s): 7756737 – L/H Build (*illustrated*), 7756738 – R/H Build



HIRSCHMANN ON ANGLE FLOAT LOOM 8402338 TO BE ADJUSTED TO FIT WITH CABLE POINTING DOWNWARDS

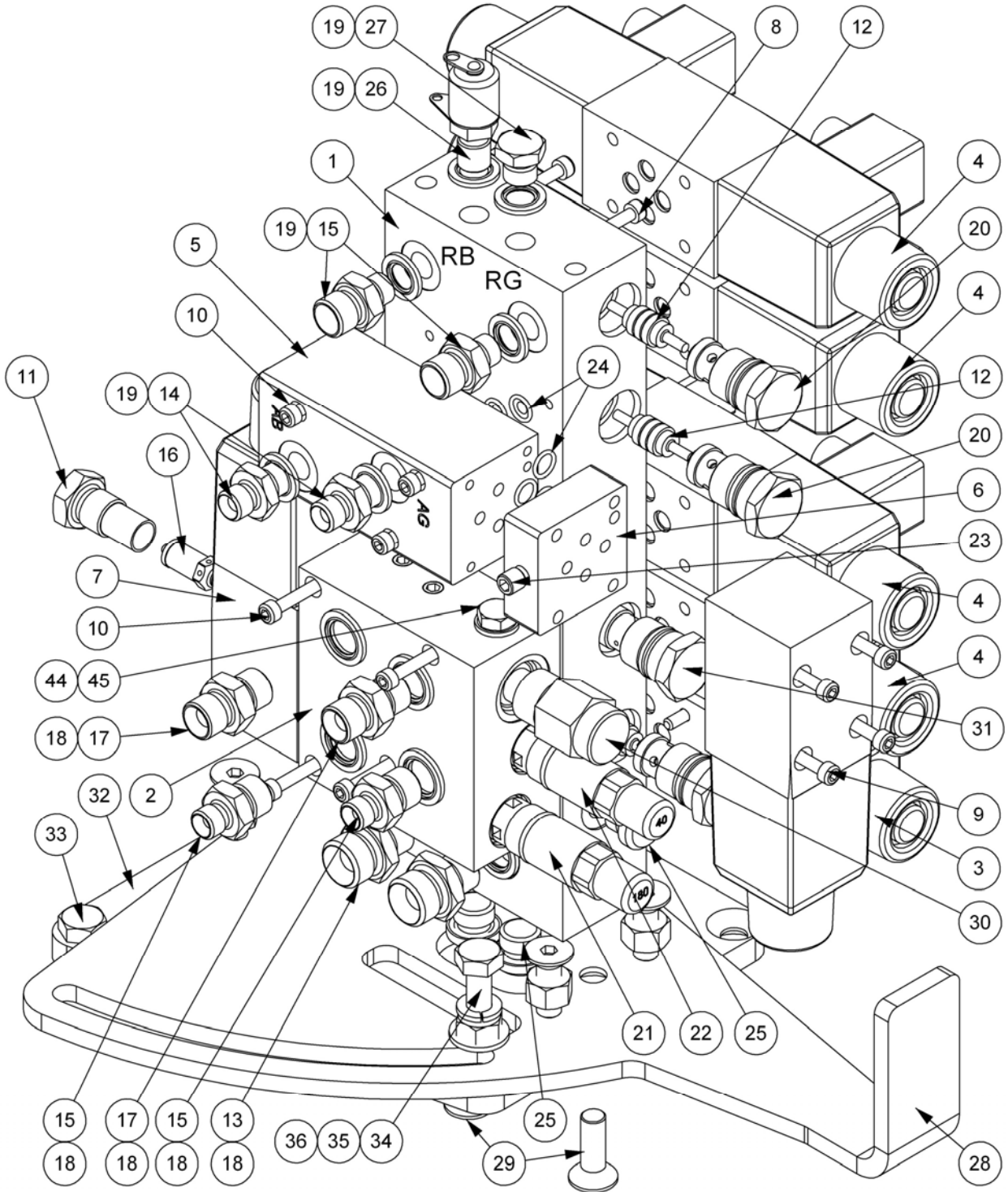


REF.	QTY.	PART No.	DESCRIPTION
		<b>7756737</b>	<b>ELECTRIC CONTROL VALVE (Gear) - L/H Build</b>
		<b>7756738</b>	<b>ELECTRIC CONTROL VALVE (Gear) - R/H Build</b>
6	1	8126334	BRIDGING PLATE
7	2	8130457	SINGLE SOLENOID VALVE
8	24	9243062	CAPSCREW
9	4	9243102	CAPSCREW
10	8	9243082	CAPSCREW
11	1	8130032	RELIEF VALVE CAP
12	4	8130087	ACTUATOR
13	1	6000112	ADAPTOR
14	3	6000113	ADAPTOR
15	2	8581169	ADAPTOR
16	4	8581115	ADAPTOR
17	1	8130092	RELIEF VALVE - 190BAR
18	7	8650103	BONDED SEAL
19	6	8650102	BONDED SEAL
20	7	8130090	CHECK VALVE ASSEMBLY
21	1	G3812541	RELIEF VALVE - 180BAR
22	1	8130150	RELIEF VALVE - 40BAR
23	3	8582041	TAPER PLUG
24	9	8700511	O RING
25	3	8581436	PLUG (SOFT SEAL)
26	2	520378	ADAPTOR PLUG
27	1	21351.01	VALVE MOUNTING PLATE - L/H Build
	1	21351.02	VALVE MOUNTING PLATE - R/H Build
28	6	9353065	CAPSCREW
29	1	8130204	CARTRIDGE SPOOL VALVE
30	1	8130354	CHECK VALVE ASSEMBLY
31	1	21350.01	VALVE SPACER PLATE
32	1	9313065	SETSCREW
33	2	9213085	BOLT
34	1	9100105	FLAT WASHER
35	1	9100205	SPRING WASHER
36	7	9143005	SELF-LOCKING NUT
37	1	41844.01	LOOM - 19CORE HIR
38	1	8402338	LOOM - ANGLE FLOAT
39	3	42989.04	RESTRICTOR - 1.3mm
40	2	42989.08	RESTRICTOR - 1.8mm
41	1	42989.07	RESTRICTOR - 1.6mm
42	1	42989.03	RESTRICTOR - 1.15mm
43	1	05.290.01	BONDED SEAL
44	1	8581444	BLANKING PLUG
45	1	8700522	O RING
46	1	8700525	O RING

# ELECTRIC ACV – Standard Arm (Piston)

**McCONEL**

Module(s): 7756757 – L/H Build (*illustrated*), 7756758 – R/H Build



HIRSCHMANN ON ANGLE FLOAT LOOM 8402338 TO BE ADJUSTED TO FIT WITH CABLE POINTING DOWNWARDS

REF.	QTY.	PART No.	DESCRIPTION
		<b>7756757</b>	<b>ELECTRIC CONTROL VALVE (Piston) - L/H Build</b>
		<b>7756758</b>	<b>ELECTRIC CONTROL VALVE (Piston) - R/H Build</b>
1	1	8132280	MANIFOLD BLOCK
2	1	8132288	AUTO RESET BLOCK
3	1	8130678	CUT OFF SOLENOID VALVE
4	4	8130629	DOUBLE SOLENOID VALVE
5	1	8126333	FLOAT VALVE BLOCK

## ELECTRIC ACV – Standard Arm (Piston)

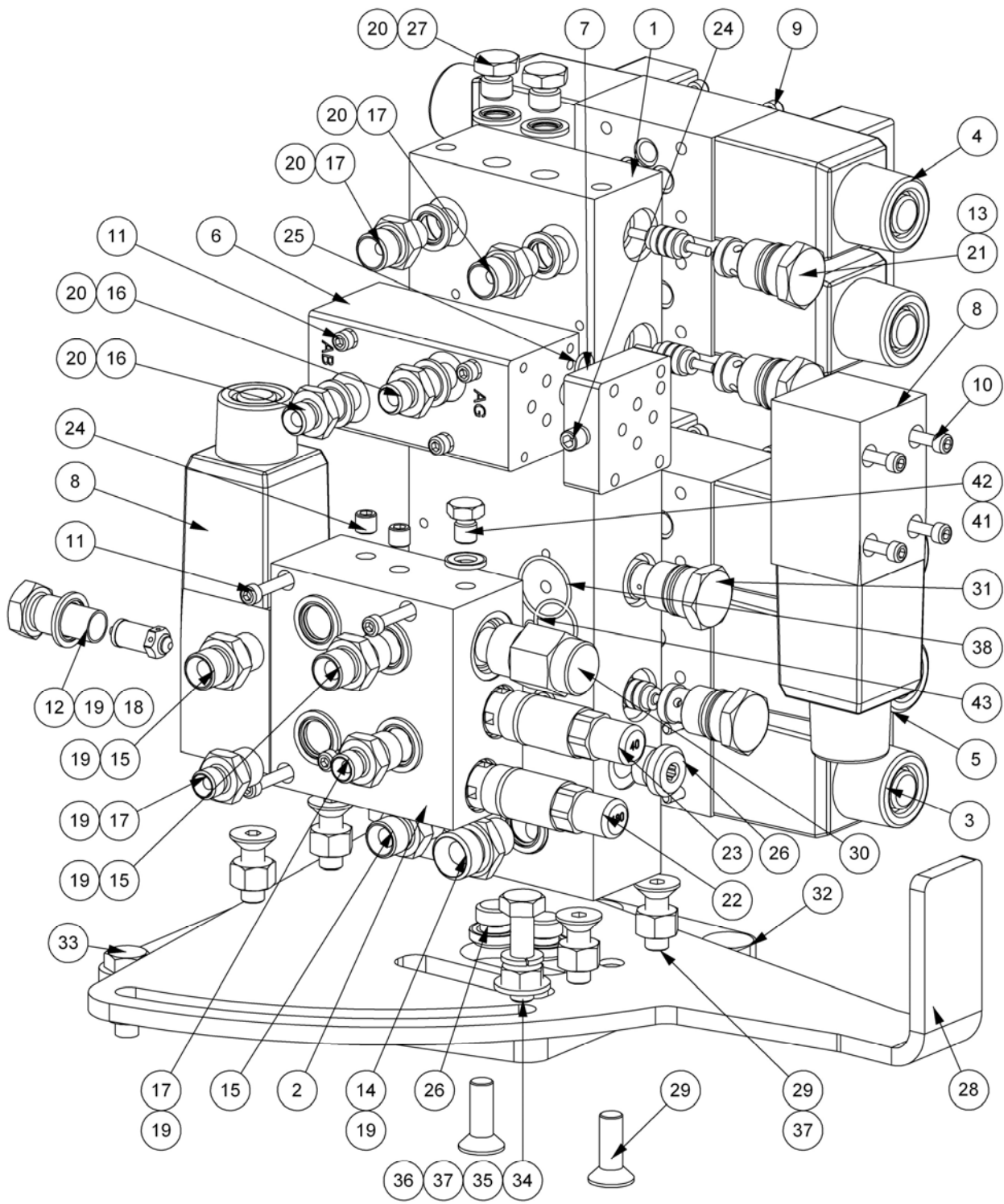
**McCONNEL**Module(s): 7756757 – L/H Build (*illustrated*), 7756758 – R/H Build

REF.	QTY.	PART No.	DESCRIPTION
		<b>7756757</b>	<b>ELECTRIC CONTROL VALVE (Piston) - L/H Build</b>
		<b>7756758</b>	<b>ELECTRIC CONTROL VALVE (Piston) - R/H Build</b>
6	1	8126334	BRIDGING PLATE
7	2	8130457	SINGLE SOLENOID VALVE
8	24	9243062	CAPSCREW
9	4	9243102	CAPSCREW
10	8	9243082	CAPSCREW
11	1	8130032	RELIEF VALVE CAP
12	4	8130087	ACTUATOR
13	2	6000112	ADAPTOR
14	2	8581169	ADAPTOR
15	4	8581115	ADAPTOR
16	1	8130206	RELIEF VALVE - 250BAR
17	2	6000113	ADAPTOR
18	7	8650103	BONDED SEAL
19	6	8650102	BONDED SEAL
20	7	8130090	CHECK VALVE ASSEMBLY
21	1	G3812541	RELIEF VALVE - 180BAR
22	1	8130150	RELIEF VALVE - 40BAR
23	3	8582041	TAPER PLUG
24	9	8700511	O RING
25	3	8581436	PLUG (SOFT SEAL)
26	1	8131008	TEST POINT
27	1	520378	ADAPTOR PLUG
28	1	21351.01	VALVE MOUNTING PLATE - L/H Build
	1	21351.02	VALVE MOUNTING PLATE - R/H Build
29	6	9353065	CAPSCREW
30	1	8130204	CARTRIDGE SPOOL VALVE
31	1	8130354	CHECK VALVE ASSEMBLY
32	1	21350.01	VALVE SPACER PLATE
33	1	9313065	SETSCREW
34	2	9213085	BOLT
35	1	9100105	FLAT WASHER
36	1	9100205	SPRING WASHER
37	7	9143005	SELF-LOCKING NUT
38	1	41844.01	LOOM - 19 CORE
39	1	8402338	LOOM - ANGLE FLOAT
40	3	42989.04	RESTRICTOR - 1.3mm
41	2	42989.08	RESTRICTOR - 1.8mm
42	1	42989.07	RESTRICTOR - 1.6mm
43	1	42989.03	RESTRICTOR - 1.15mm
44	1	05.290.01	BONDED SEAL
45	1	8581444	BLANKING PLUG
46	1	8700525	O RING
47	1	8700522	O RING

# XTC PROP. ACV – Standard Arm (Gear)

# McCONEL

Module(s): 7756746 – L/H Build (illustrated), 7756747 – R/H Build



NOTE: HIRSCHMANN ON ANGLE FLOAT LOOM (8402338)  
TO BE ADJUSTED TO FIT WITH CABLE POINTING DOWN

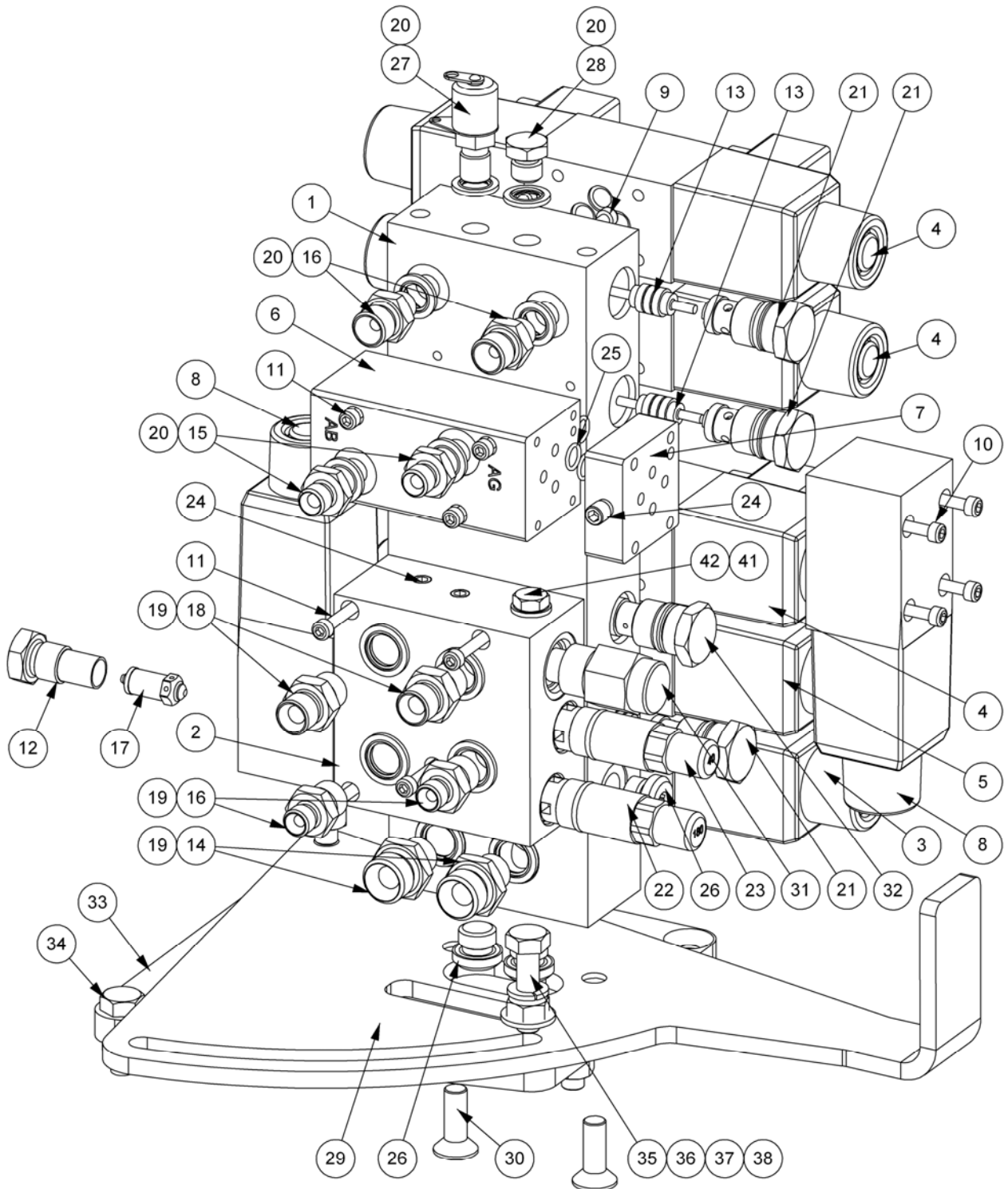
REF.	QTY.	PART No.	DESCRIPTION
		<b>7756746</b>	<b>XTC PROP. CONTROL VALVE (Gear) - L/H Build</b>
		<b>7756747</b>	<b>XTC PROP. CONTROL VALVE (Gear) - R/H Build</b>
1	1	8132280	MANIFOLD BLOCK
2	1	8132288	AUTO RESET BLOCK
3	1	8130456	CUT OFF SOLENOID VALVE
4	3	41784.46	DOUBLE SOLENOID PROPORTIONAL VALVE
5	1	8130629	DOUBLE SOLENOID VALVE
6	1	8126333	FLOAT VALVE BLOCK
7	1	8126334	BRIDGING PLATE
8	2	8130457	SINGLE SOLENOID VALVE
9	24	9243062	CAPSCREW
10	4	9243102	CAPSCREW
11	8	9243082	CAPSCREW
12	1	8130032	RELIEF VALVE CAP
13	4	8130087	ACTUATOR
14	1	6000112	ADAPTOR
15	3	6000113	ADAPTOR
16	2	8581169	ADAPTOR
17	4	8581115	ADAPTOR
18	1	8130092	RELIEF VALVE (190BAR)
19	7	8650103	BONDED SEAL
20	6	8650102	BONDED SEAL
21	7	8130090	CHECK VALVE ASSEMBLY
22	1	G381254	RELIEF VALVE (180BAR)
23	1	8130150	RELIEF VALVE (40BAR)
24	3	8582041	TAPER PLUG
25	9	8700511	O RING
26	3	8581436	PLUG
27	2	520378	ADAPTOR PLUG
28	1	21351.01	VALVE MOUNTING PLATE - L/H Build
	1	21351.02	VALVE MOUNTING PLATE - R/H Build
29	6	9353065	CAPSCREW
30	1	8130204	CARTRIDGE SPOOL VALVE
31	1	8130354	CHECK VALVE ASSEMBLY
32	1	21350.01	VALVE SPACER PLATE
33	1	9313065	SETSCREW
34	2	9213085	BOLT
35	1	9100105	FLAT WASHER
36	1	9100205	SPRING WASHER
37	7	9143005	SELF-LOCKING NUT
38	1	8700525	O RING
39	2	42989.05	RESTRICTOR - 1.4mm
40	1	42989.08	RESTRICTOR - 1.8mm
41	1	05.290.01	BONDED SEAL
42	1	8581444	BLANKING PLUG
43	1	8700522	O RING
44	1	8402338	LOOM - ANGLE FLOAT
45	1	41844.01	LOOM - 19CORE



# XTC PROP. ACV – Standard Arm (Piston)

# McCONEL

Module(s): 7756772 – L/H Build (*illustrated*), 7756773 – R/H Build



HIRSCHMANN ON ANGLE FLOAT LOOM 8402338 TO BE ADJUSTED TO FIT WITH CABLE POINTING DOWNWARDS

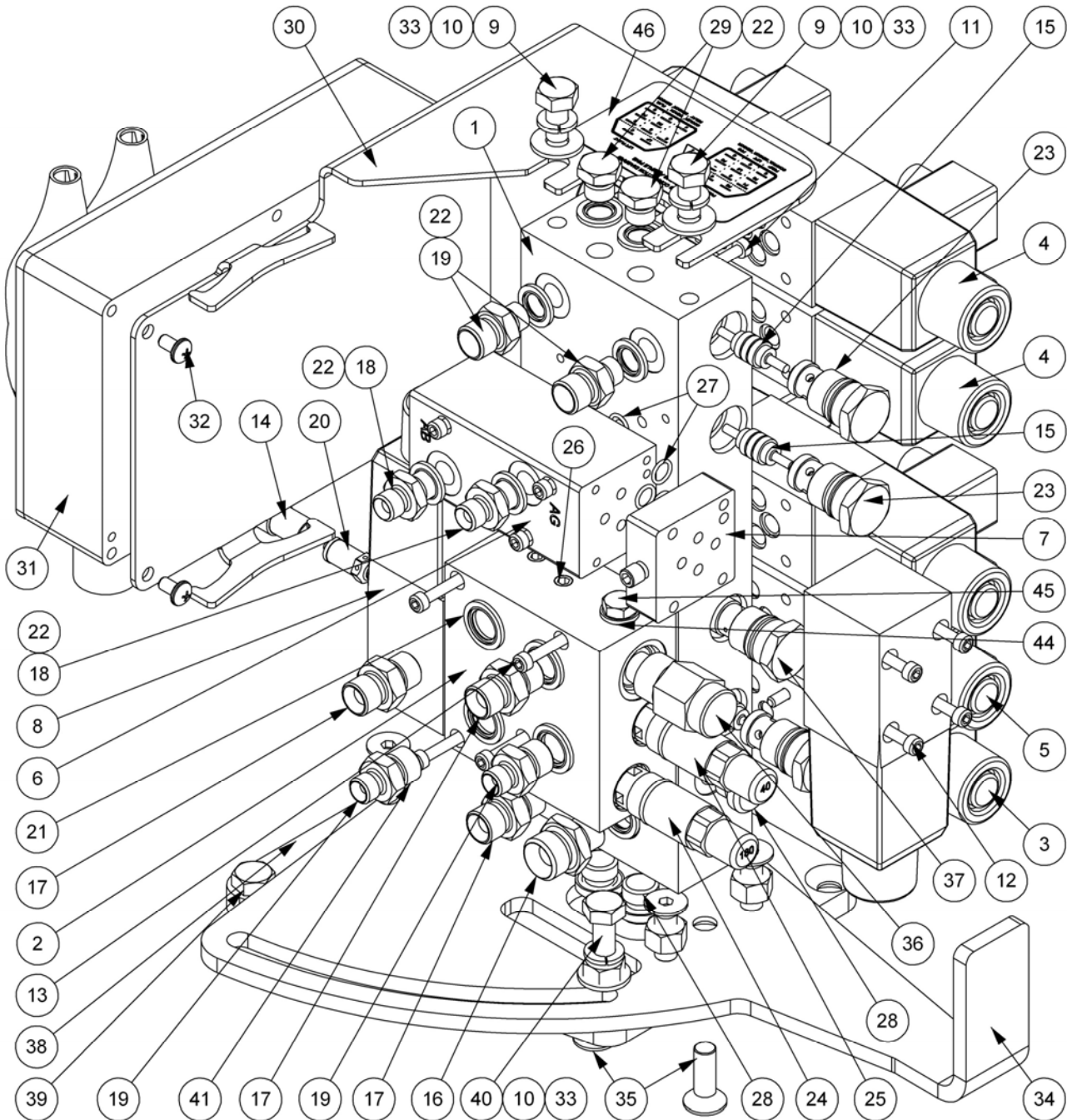
REF.	QTY.	PART No.	DESCRIPTION
		<b>7756772</b>	<b>XTC PROP. CONTROL VALVE (Piston) - L/H Build</b>
		<b>7756773</b>	<b>XTC PROP. CONTROL VALVE (Piston) - R/H Build</b>
1	1	8132280	MANIFOLD BLOCK
2	1	8132288	AUTO RESET BLOCK
3	1	8130678	CUT OFF SOLENOID VALVE
4	3	41784.46	DOUBLE SOLENOID PROPORTIONAL VALVE
5	1	8130629	DOUBLE SOLENOID VALVE
6	1	8126333	FLOAT VALVE BLOCK
7	1	8126334	BRIDGING PLATE
8	2	8130457	SINGLE SOLENOID VALVE
9	24	9243062	CAPSCREW
10	4	9243102	CAPSCREW
11	8	9243082	CAPSCREW
12	1	8130032	RELIEF VALVE CAP
13	4	8130087	ACTUATOR
14	2	6000112	ADAPTOR
15	2	8581169	ADAPTOR
16	4	8581115	ADAPTOR
17	1	8130206	RELIEF VALVE (250BAR)
18	2	6000113	ADAPTOR
19	7	8650103	BONDED SEAL
20	6	8650102	BONDED SEAL
21	7	8130090	CHECK VALVE ASSEMBLY
22	1	G3812541	RELIEF VALVE (180BAR)
23	1	8130150	RELIEF VALVE (40BAR)
24	3	8582041	TAPER PLUG
25	9	8700511	O RING
26	3	8581436	PLUG
27	1	8131008	TEST POINT
28	1	520378	ADAPTOR PLUG
29	1	21351.01	VALVE MOUNTING PLATE - L/H Build
	1	21351.02	VALVE MOUNTING PLATE - R/H Build
30	6	9353065	CAPSCREW
31	1	8130204	CARTRIDGE SPOOL VALVE
32	1	8130354	CHECK VALVE ASSEMBLY
33	1	21350.01	VALVE SPACER PLATE
34	1	9313065	SETSCREW
35	2	9213085	BOLT
36	1	9100105	FLAT WASHER
37	1	9100205	SPRING WASHER
38	7	9143005	SELF-LOCKING NUT
39	2	42989.05	RESTRICTOR - 1.4mm
40	1	42989.08	RESTRICTOR - 1.8mm
41	1	05.290.01	BONDED SEAL
42	1	8581444	BLANKING PLUG
43	1	8700522	O RING
44	1	41844.01	LOOM - 19CORE
45	1	8700525	O RING
46	1	8402338	LOOM - ANGLE FLOAT



# V3 PROP. ACV – Standard Arm (Gear)

# McCONEL

Module(s): 7756733 – L/H Build (*illustrated*), 7756734 – R/H Build



HIRSCHMANN ON ANGLE FLOAT LOOM 8402338 TO BE ADJUSTED TO FIT WITH CABLE POINTING DOWNWARDS

REF.	QTY.	PART No.	DESCRIPTION
		<b>7756733</b>	<b>V3 PROP. CONTROL VALVE (Gear) - L/H Build</b>
		<b>7756734</b>	<b>V3 PROP. CONTROL VALVE (Gear) - R/H Build</b>
1	1	8132280	MANIFOLD BLOCK
2	1	8132288	AUTO RESET BLOCK
3	1	8130456	CUT OFF SOLENOID VALVE
4	3	41784.46	DOUBLE SOLENOID PROP. VALVE
5	1	8130629	DOUBLE SOLENOID VALVE
6	1	8126333	FLOAT VALVE BLOCK
7	1	8126334	BRIDGING PLATE
8	2	8130457	SINGLE SOLENOID VALVE

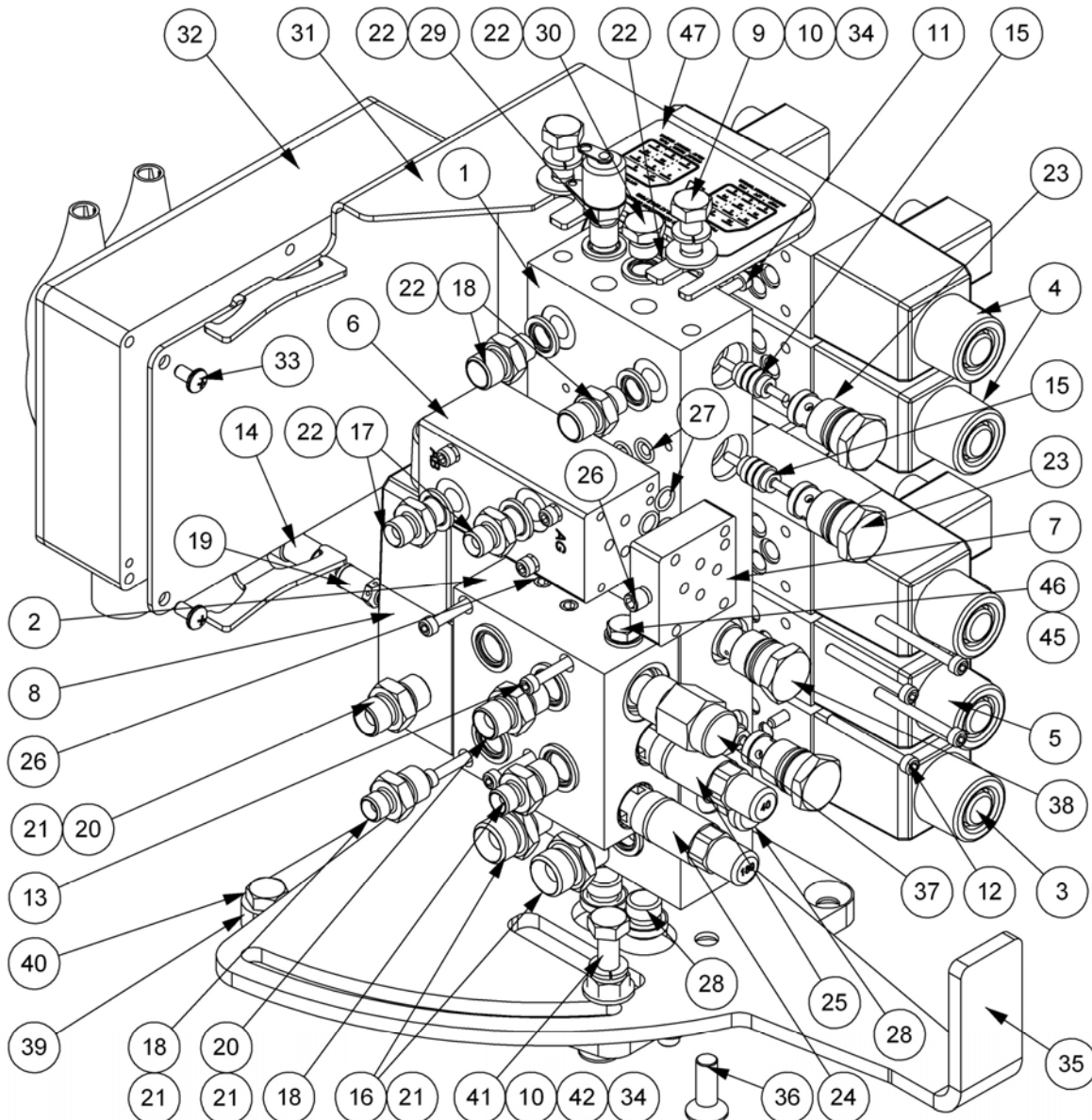
Module(s): 7756733 – L/H Build (*illustrated*), 7756734 – R/H Build

REF.	QTY.	PART No.	DESCRIPTION
		<b>7756733</b>	<b>V3 PROP. CONTROL VALVE (Gear) - L/H Build</b>
		<b>7756734</b>	<b>V3 PROP. CONTROL VALVE (Gear) - R/H Build</b>
9	2	9313045	SETSCREW
10	3	9100205	SPRING WASHER
11	24	9243062	CAPSCREW
12	4	9243102	CAPSCREW
13	8	9243082	CAPSCREW
14	1	8130032	RELIEF VALVE CAP
15	4	8130087	ACTUATOR
16	1	6000112	ADAPTOR
17	3	6000113	ADAPTOR
18	2	8581169	ADAPTOR
19	4	8581115	ADAPTOR
20	1	8130092	RELIEF VALVE - 190BAR
21	7	8650103	BONDED SEAL
22	6	8650102	BONDED SEAL
23	7	8130090	CHECK VALVE ASSEMBLY
24	1	G3812541	RELIEF VALVE - 180BAR
25	1	8130150	RELIEF VALVE - 40BAR
26	3	8582041	TAPER PLUG
27	9	8700511	O RING
28	3	8581436	PLUG (SOFT SEAL)
29	2	520378	ADAPTOR PLUG
30	1	21170.01	CONTROLLER MOUNT BRACKET - L/H Build
	1	21170.03	CONTROLLER MOUNT BRACKET - R/H Build
31	1	21164.03	CONTROLLER ASSEMBLY
32	4	9300164	TAPTITE
33	3	9100105	FLAT WASHER M10
34	1	21351.01	VALVE MOUNTING PLATE - L/H Build
	1	21351.02	VALVE MOUNTING PLATE - R/H Build
35	6	9353065	CAPSCREW
36	1	8130204	CARTRIDGE SPOOL VALVE
37	1	8130354	CHECK VALVE ASSEMBLY
38	1	21350.01	VALVE SPACER PLATE
39	1	9313065	SETSCREW
40	2	9213085	BOLT
41	7	9143005	SELF-LOCKING NUT
42	2	42989.05	RESTRICTOR - 1.4mm
43	1	42989.08	RESTRICTOR - 1.8mm
44	1	05.290.01	BONDED SEAL
45	1	8581444	BLANKING PLUG
46	1	1290675	DECAL - ACB WIRING
47	1	8700522	O RING
48	1	8700525	O RING

# V3 PROP. ACV – Standard Arm (Piston)

# McCONEL

Module(s): 7756763 – L/H Build (*illustrated*), 7756764 – R/H Build



HIRSCHMANN ON ANGLE FLOAT LOOM 8402338 TO BE ADJUSTED TO FIT WITH CABLE POINTING DOWNWARDS

REF.	QTY.	PART No.	DESCRIPTION
		<b>7756763</b>	<b>PROP. CONTROL VALVE (Piston) - L/H Build</b>
		<b>7756764</b>	<b>PROP. CONTROL VALVE (Piston) - R/H Build</b>
1	1	8132280	MANIFOLD BLOCK
2	1	8132288	AUTO RESET BLOCK
3	1	8130678	CUT OFF SOLENOID VALVE
4	3	41784.46	DOUBLE SOLENOID PROP. VALVE
5	1	8130629	DOUBLE SOLENOID VALVE
6	1	8126333	FLOAT VALVE BLOCK
7	1	8126334	BRIDGING PLATE
8	2	8130457	SINGLE SOLENOID VALVE

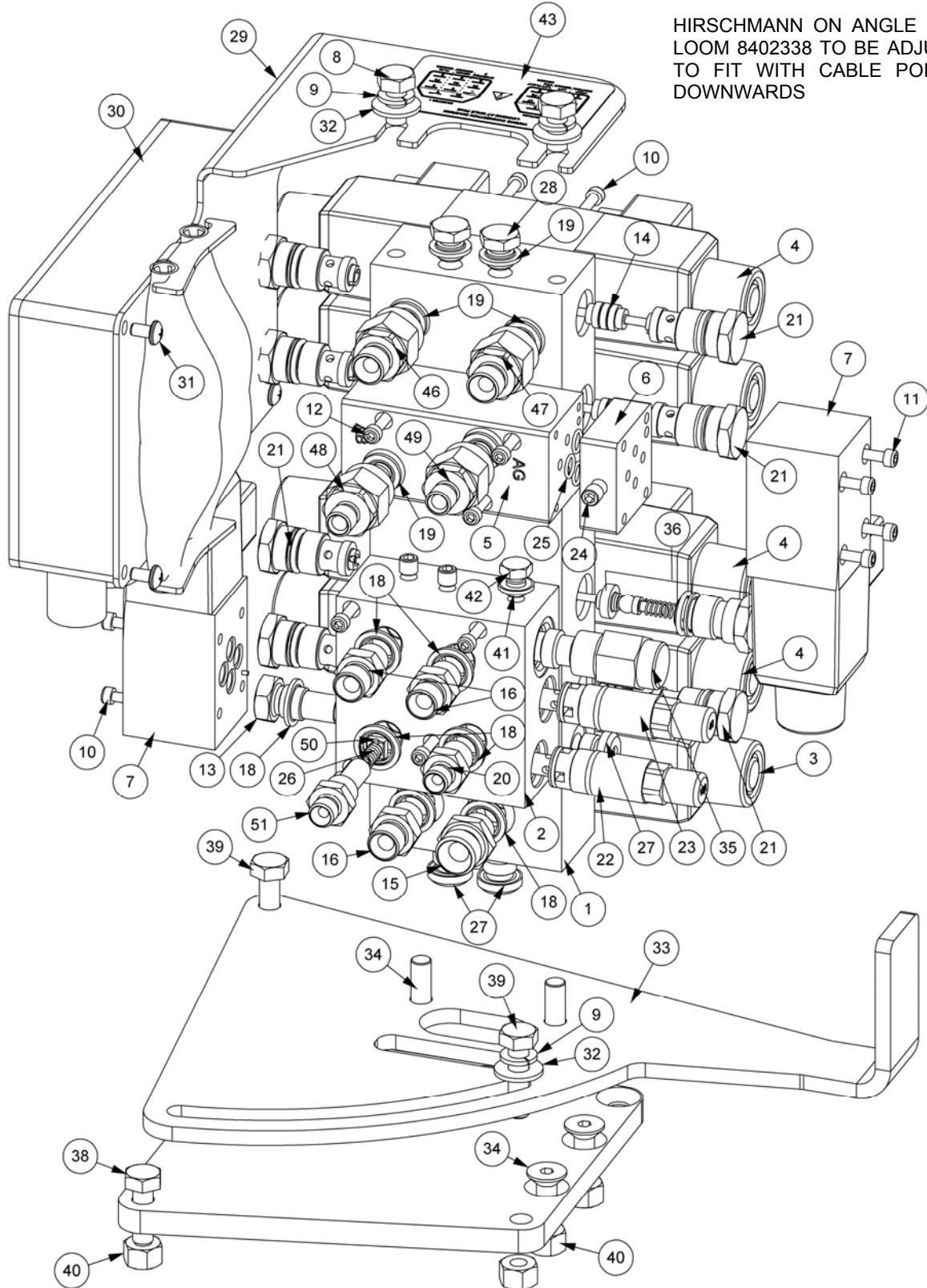
REF.	QTY.	PART No.	DESCRIPTION
		<b>7756763</b>	<b>PROP. CONTROL VALVE (Piston) - L/H Build</b>
		<b>7756764</b>	<b>PROP. CONTROL VALVE (Piston) - R/H Build</b>
9	2	9313045	SETSCREW
10	3	9100205	SPRING WASHER
11	24	9243062	CAPSCREW
12	4	9243102	CAPSCREW
13	8	9243082	CAPSCREW
14	1	8130032	RELIEF VALVE CAP
15	4	8130087	ACTUATOR
16	2	6000112	ADAPTOR
17	2	8581169	ADAPTOR
18	4	8581115	ADAPTOR
19	1	8130206	RELIEF VALVE - 250BAR
20	2	6000113	ADAPTOR
21	7	8650103	BONDED SEAL
22	6	8650102	BONDED SEAL
23	7	8130090	CHECK VALVE ASSEMBLY
24	1	G3812541	RELIEF VALVE - 180BAR
25	1	8130150	RELIEF VALVE - 40BAR
26	3	8582041	TAPER PLUG
27	9	8700511	O RING
28	3	8581436	PLUG (SOFT SEAL)
29	1	8131008	TEST POINT
30	1	520378	ADAPTOR PLUG
31	1	21170.01	CONTROLLER MOUNT BRACKET - L/H Build
	1	21170.03	CONTROLLER MOUNT BRACKET - R/H Build
32	1	21164.03	V3 CONTROLLER ASSEMBLY
33	4	9300164	TAPTITE
34	3	9100105	FLAT WASHER
35	1	21351.01	VALVE MOUNTING PLATE - L/H Build
	1	21351.02	VALVE MOUNTING PLATE - R/H Build
36	6	9353065	CAPSCREW
37	1	8130204	CARTRIDGE SPOOL VALVE
38	1	8130354	CHECK VALVE ASSEMBLY
39	1	21350.01	VALVE SPACER PLATE
40	1	9313065	SETSCREW
41	2	9213085	BOLT
42	7	9143005	SELF-LOCKING NUT
43	2	42989.05	RESTRICTOR - 1.4mm
44	1	42989.08	RESTRICTOR - 1.8mm
45	1	05.290.01	BONDED SEAL
46	1	8581444	BLANKING PLUG
47	1	1290675	DECAL - ACB WIRING
48	1	8700522	O RING
49	1	8700525	O RING



# V4 PROP. ACV – Standard Arm (Gear)

**McCONEL**

Module(s): 7756805 – L/H Build (*illustrated*), 7756806 – R/H Build



HIRSCHMANN ON ANGLE FLOAT LOOM 8402338 TO BE ADJUSTED TO FIT WITH CABLE POINTING DOWNWARDS

REF.	QTY.	PART No.	DESCRIPTION
		<b>7756805</b>	<b>V4 PROP. CONTROL VALVE (Gear) - L/H Build</b>
		<b>7756806</b>	<b>V4 PROP. CONTROL VALVE (Gear) - R/H Build</b>
1	1	8132280	MANIFOLD BLOCK
2	1	8132288	AUTO RESET BLOCK
3	1	8130456	CUT OFF SOLENOID VALVE
4	4	41784.48	DOUBLE SOLENOID PROPORTIONAL VALVE
5	1	8126333	FLOAT VALVE BLOCK

V4 PROP. ACV – Standard Arm (Gear)

**McCONNEL**

Module(s): 7756805 – L/H Build (*illustrated*), 7756806 – R/H Build

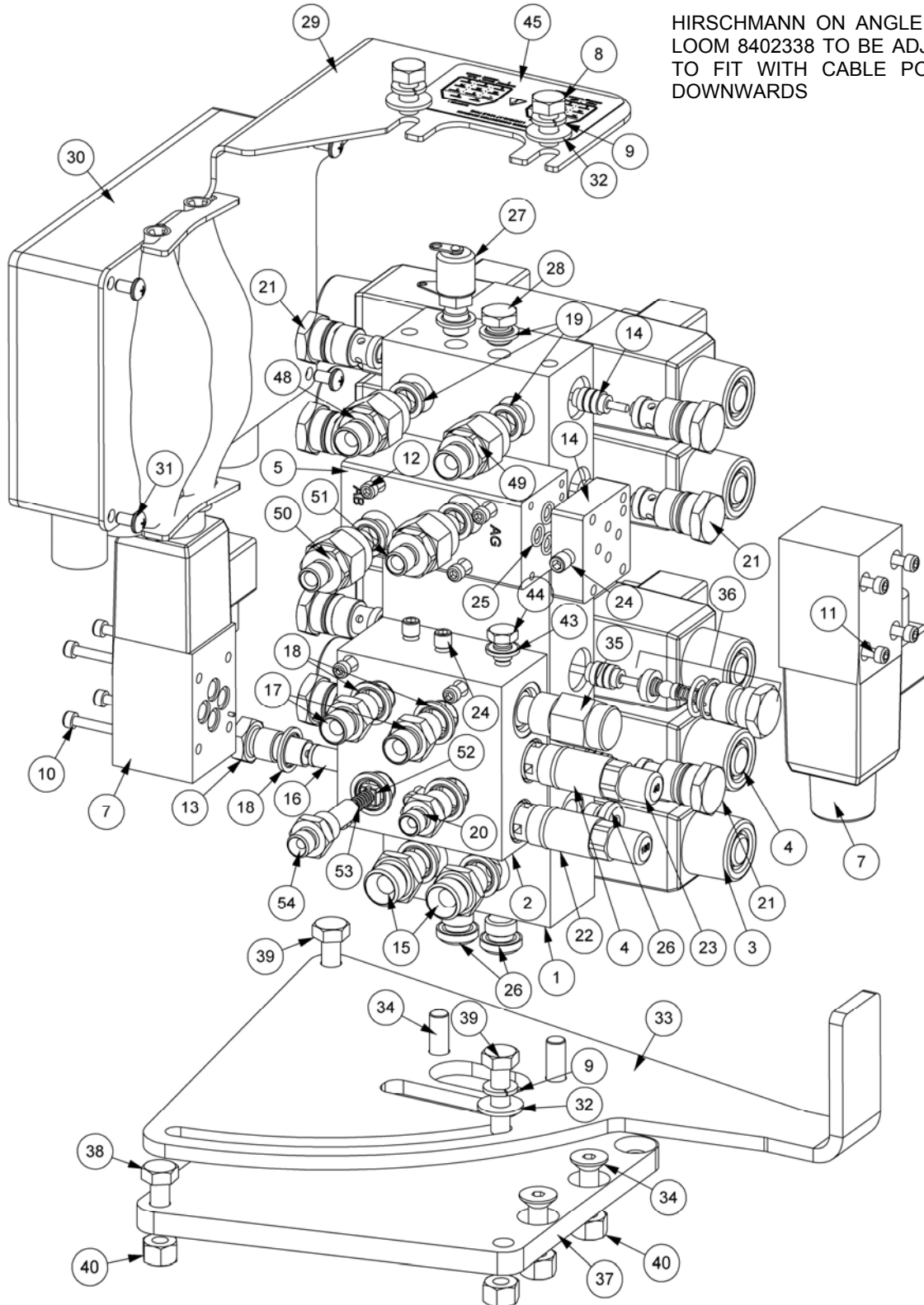
REF.	QTY.	PART No.	DESCRIPTION
		<b>7756805</b>	<b>V4 PROP. CONTROL VALVE (Gear) - L/H Build</b>
		<b>7756806</b>	<b>V4 PROP. CONTROL VALVE (Gear) - R/H Build</b>
6	1	8126334	BRIDGING PLATE
7	2	8130457	SINGLE SOLENOID VALVE
8	2	9313045	SETSCREW
9	3	9100205	SPRING WASHER
10	24	9243062	CAPSCREW
11	4	9243102	CAPSCREW
12	8	9243082	CAPSCREW
13	1	8130032	RELIEF VALVE CAP
14	4	8130087	ACTUATOR
15	1	6000112	ADAPTOR
16	3	6000113	ADAPTOR
17	1	8130092	RELIEF VALVE - 190BAR
18	7	8650103	BONDED SEAL
19	6	8650102	BONDED SEAL
20	1	8581115	ADAPTOR
21	7	8130090	CHECK VALVE ASSEMBLY
22	1	G3812541	RELIEF VALVE - 180BAR
23	1	8130150	RELIEF VALVE - 40BAR
24	3	8582041	TAPER PLUG
25	9	8700511	O RING
26	1	8116011	SPRING
27	3	8581436	PLUG
28	2	520378	ADAPTOR PLUG
29	1	21170.01	CONTROLLER MOUNT BRACKET - L/H Build
	1	21170.03	CONTROLLER MOUNT BRACKET - R/H Build
30	1	21164.07	V4 ACB CONTROLLER MK2
31	4	9300164	TAPTITE
32	3	9100105	FLAT WASHER
33	1	21351.01	VALVE MOUNTING PLATE - L/H Build
	1	21351.02	VALVE MOUNTING PLATE - R/H Build
34	6	9353065	CAPSCREW
35	1	8130204	CARTRIDGE SPOOL VALVE
36	1	8130354	CHECK VALVE ASSEMBLY
37	1	21350.01	VALVE SPACER PLATE
38	1	9313065	SETSCREW
39	2	9213085	BOLT
40	7	9143005	SELF-LOCKING NUT
41	1	05.290.01	BONDED SEAL
42	1	8581444	BLANKING PLUG
43	1	1290724	DECAL -V4 ACB WIRING
44	1	8700522	O RING
45	1	8700525	O RING
46	1	8123112	RESTRICTOR UNION - 2.2
47	1	8123111	RESTRICTOR UNION - 1.8
48	1	8123087	RESTRICTOR UNION - 1.3
49	1	8123086	RESTRICTOR UNION - 1.15
50	1	8123043	RESTRICTOR DISC - 1.6 GREEN
51	1	8581210	SPECIAL ADAPTOR
52	1	8402338	LOOM - ANGLE FLOAT

# V4 PROP. ACV – Standard Arm (Piston)

**McCONEL**

Module(s): 7756807 – L/H Build (illustrated), 7756808 – R/H Build

HIRSCHMANN ON ANGLE FLOAT LOOM 8402338 TO BE ADJUSTED TO FIT WITH CABLE POINTING DOWNWARDS



REF.	QTY.	PART No.	DESCRIPTION
		<b>7756807</b>	<b>V4 PROP. CONTROL VALVE (Piston) - L/H Build</b>
		<b>7756808</b>	<b>V4 PROP. CONTROL VALVE (Piston) - R/H Build</b>
1	1	8132280	MANIFOLD BLOCK
2	1	8132288	AUTO RESET BLOCK
3	1	8130678	CUT OFF SOLENOID VALVE
4	4	41784.48	DOUBLE SOLENOID PROPORTIONAL VALVE
5	1	8126333	FLOAT VALVE BLOCK



## V4 PROP. ACV – Standard Arm (Piston)

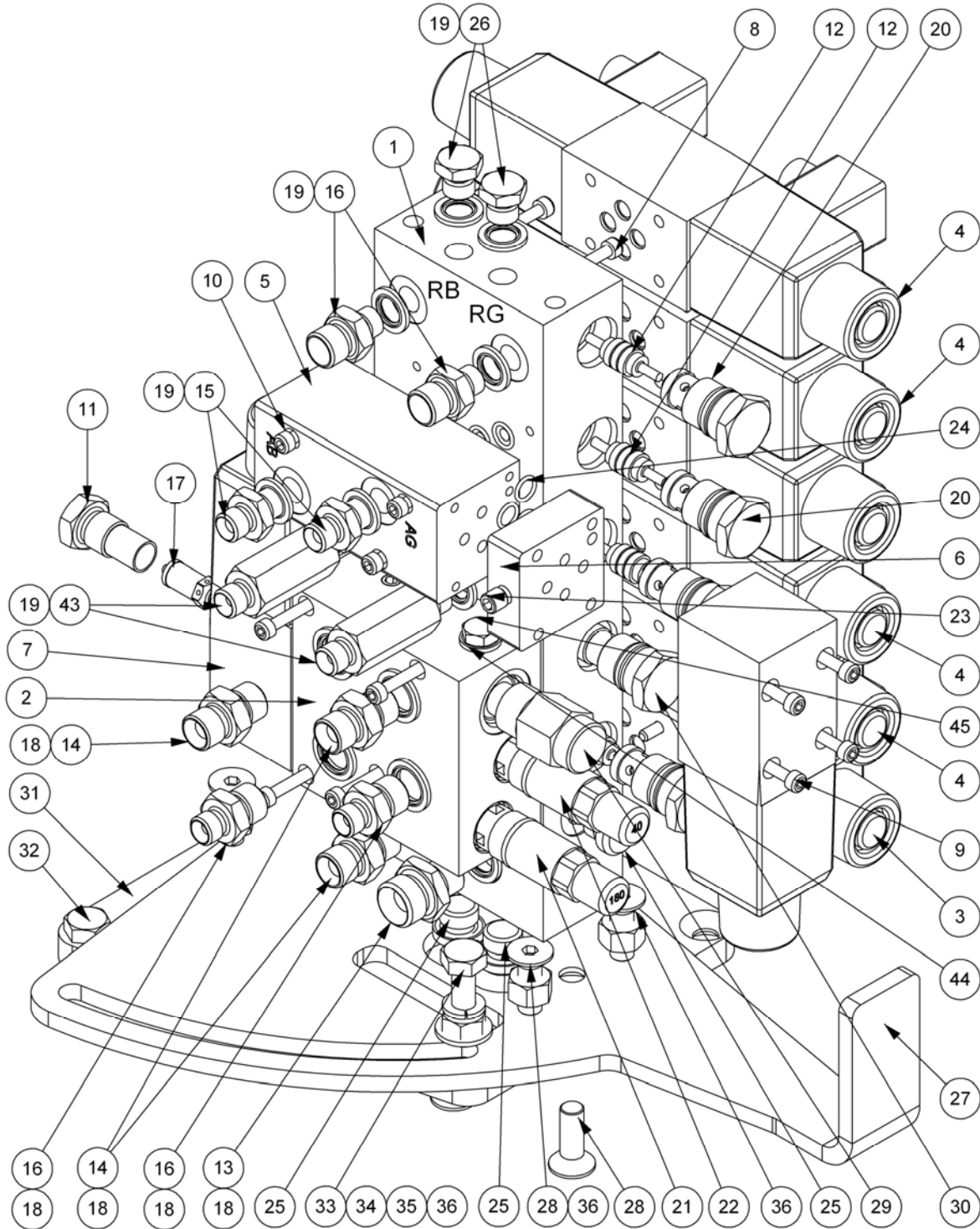
**McCONNEL**Module(s): 7756807 – L/H Build (*illustrated*), 7756808 – R/H Build

REF.	QTY.	PART No.	DESCRIPTION
		<b>7756807</b>	<b>V4 PROP. CONTROL VALVE (Piston) - L/H Build</b>
		<b>7756808</b>	<b>V4 PROP. CONTROL VALVE (Piston) - R/H Build</b>
6	1	8126334	BRIDGING PLATE
7	2	8130457	SINGLE SOLENOID VALVE
8	2	9313045	SETSCREW
9	3	9100205	SPRING WASHER
10	24	9243062	CAPSCREW
11	4	9243102	CAPSCREW
12	8	9243082	CAPSCREW
13	1	8130032	RELIEF VALVE CAP
14	4	8130087	ACTUATOR
15	2	6000112	ADAPTOR
16	1	8130206	RELIEF VALVE - 250BAR
17	2	6000113	ADAPTOR
18	7	8650103	BONDED SEAL
19	6	8650102	BONDED SEAL
20	1	8581115	ADAPTOR
21	7	8130090	CHECK VALVE ASSEMBLY
22	1	G3812541	RELIEF VALVE - 180BAR
23	1	8130150	RELIEF VALVE - 40BAR
24	3	8582041	TAPER PLUG
25	9	8700511	O RING
26	3	8581436	PLUG
27	1	8131008	TEST POINT
28	1	520378	ADAPTOR PLUG
29	1	21170.01	CONTROLLER MOUNT BRACKET - L/H Build
	1	21170.03	CONTROLLER MOUNT BRACKET - R/H Build
30	1	21164.07	V4 ACB CONTROLLER MK2
31	4	9300164	TAPTITE
32	3	9100105	FLAT WASHER
33	1	21351.01	VALVE MOUNTING PLATE - L/H Build
	1	21351.02	VALVE MOUNTING PLATE - R/H Build
34	6	9353065	CAPSCREW
35	1	8130204	CARTRIDGE SPOOL VALVE
36	1	8130354	CHECK VALVE ASSEMBLY
37	1	21350.01	VALVE SPACER PLATE
38	1	9313065	SETSCREW
39	2	9213085	BOLT
40	7	9143005	SELF-LOCKING NUT
41	2	42989.05	RESTRICTOR - 1.4mm
42	1	42989.08	RESTRICTOR - 1.8mm
43	1	05.290.01	BONDED SEAL
44	1	8581444	BLANKING PLUG
45	1	1290724	DECAL - V4 ACB WIRING
46	1	8700522	O RING
47	1	8700525	O RING
48	1	8123112	RESTRICTOR UNION - 2.2
49	1	8123111	RESTRICTOR UNION - 1.8
50	1	8123087	RESTRICTOR UNION - 1.3
51	1	8123086	RESTRICTOR UNION - 1.15
52	1	8123043	RESTRICTOR DISC - 1.6 GREEN
53	1	8116011	SPRING
54	1	8581210	SPECIAL ADAPTOR
55	1	8402338	LOOM - ANGLE FLOAT

**ELECTRIC ACV – Midcut / VFR / Tele Arm (Gear)**

**McCONEL**

Module(s): 7756731 – L/H Build (*illustrated*), 7756732 – R/H Build



HIRSCHMANN ON ANGLE FLOAT LOOM 8402338 TO BE ADJUSTED TO FIT WITH CABLE POINTING DOWNWARDS

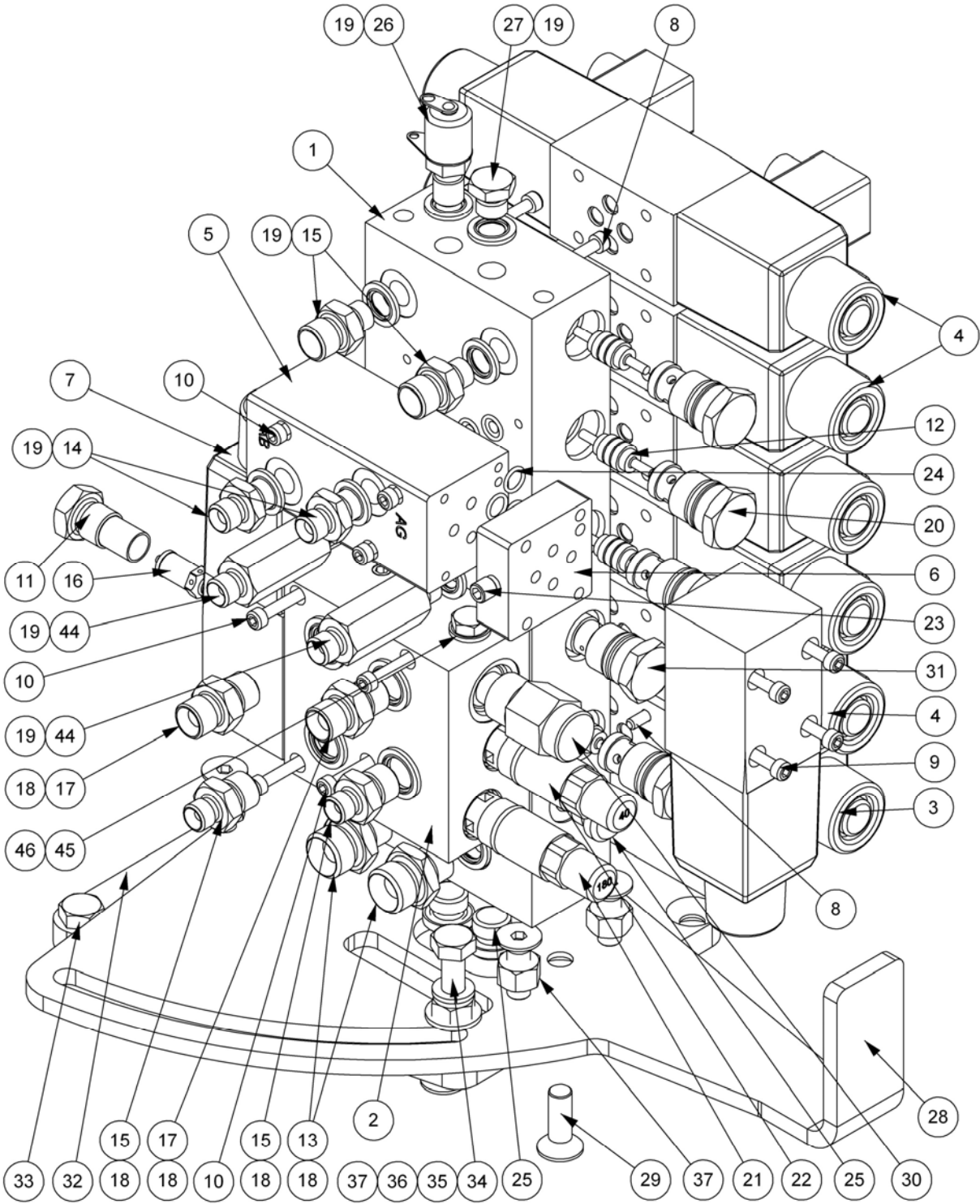
REF.	QTY.	PART No.	DESCRIPTION
		<b>7756731</b>	<b>ELECTRIC CONTROL VALVE (Gear) - L/H Build</b>
		<b>7756732</b>	<b>ELECTRIC CONTROL VALVE (Gear) - R/H Build</b>
1	1	8132281	MANIFOLD BLOCK (5 SERVICE)
2	1	8132288	AUTO RESET BLOCK
3	1	8130456	CUT OFF SOLENOID VALVE
4	5	8130629	DOUBLE SOLENOID VALVE
5	1	8126333	FLOAT VALVE BLOCK

REF.	QTY.	PART No.	DESCRIPTION
		<b>7756731</b>	<b>ELECTRIC CONTROL VALVE (Gear) - L/H Build</b>
		<b>7756732</b>	<b>ELECTRIC CONTROL VALVE (Gear) - R/H Build</b>
6	1	8126334	BRIDGING PLATE
7	2	8130457	SINGLE SOLENOID VALVE
8	28	9243062	CAPSCREW
9	4	9243102	CAPSCREW
10	8	9243082	CAPSCREW
11	1	8130032	RELIEF VALVE CAP
12	5	8130087	ACTUATOR
13	1	6000112	ADAPTOR
14	3	6000113	ADAPTOR
15	2	8581169	ADAPTOR
16	4	8581115	ADAPTOR
17	1	8130092	RELIEF VALVE - 190BAR
18	7	8650103	BONDED SEAL
19	8	8650102	BONDED SEAL
20	9	8130090	CHECK VALVE ASSEMBLY
21	1	G3812541	RELIEF VALVE - 180BAR
22	1	8130150	RELIEF VALVE - 40BAR
23	3	8582041	TAPER PLUG
24	9	8700511	O RING
25	3	8581436	PLUG (SOFT SEAL)
26	2	520378	ADAPTOR PLUG
27	1	21351.01	VALVE MOUNTING PLATE - L/H Build
	1	21351.02	VALVE MOUNTING PLATE - R/H Build
28	6	9353065	CAPSCREW
29	1	8130204	CARTRIDGE SPOOL VALVE
30	1	8130354	CHECK VALVE ASSEMBLY
31	1	21350.01	VALVE SPACER PLATE
32	1	9313065	SETSCREW
33	2	9213085	BOLT
34	1	9100105	FLAT WASHER
35	1	9100205	SPRING WASHER
36	7	9143005	SELF-LOCKING NUT
37	1	41844.01	LOOM - 19CORE
38	1	8402338	LOOM - ANGLE FLOAT
39	4	42989.04	RESTRICTOR - 1.3mm
40	2	42989.08	RESTRICTOR - 1.8mm
41	1	42989.07	RESTRICTOR - 1.6mm
42	1	42989.03	RESTRICTOR - 1.15mm
43	2	8581279	ADAPTOR EXTENSION
44	1	05.290.01	BONDED SEAL
45	1	8581444	BLANKING PLUG
46	1	8700522	O RING
47	1	8700525	O RING

**ELECTRIC ACV – Midcut / VFR / Tele Arm (Piston)**

**McCONEL**

Module(s): 7756762 – L/H Build (*illustrated*), 7756761 – R/H Build



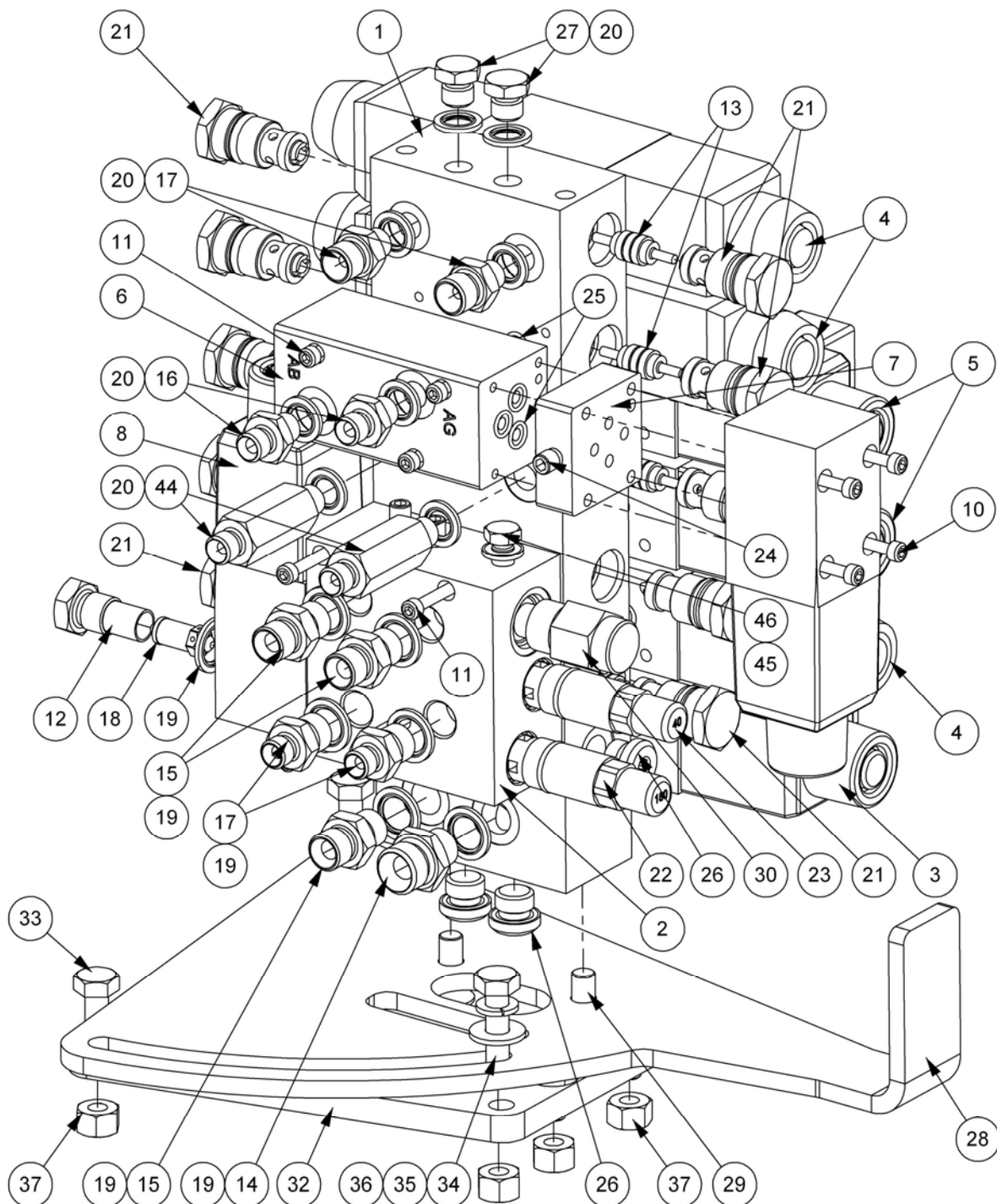
HIRSCHMANN ON ANGLE FLOAT LOOM 8402338 TO BE ADJUSTED TO FIT WITH CABLE POINTING DOWNWARDS

REF.	QTY.	PART No.	DESCRIPTION
		<b>7756762</b>	<b>ELECTRIC CONTROL VALVE (Piston) - L/H Build</b>
		<b>7756761</b>	<b>ELECTRIC CONTROL VALVE (Piston) - R/H Build</b>
1	1	8132281	MANIFOLD BLOCK (5 SERVICE)
2	1	8132288	AUTO RESET BLOCK
3	1	8130678	CUT OFF SOLENOID VALVE
4	5	8130629	DOUBLE SOLENOID VALVE
5	1	8126333	FLOAT VALVE BLOCK
6	1	8126334	BRIDGING PLATE



Module(s): 7756762 – L/H Build (*illustrated*), 7756761 – R/H Build

REF.	QTY.	PART No.	DESCRIPTION
		<b>7756762</b>	<b>ELECTRIC CONTROL VALVE (Piston) - L/H Build</b>
		<b>7756761</b>	<b>ELECTRIC CONTROL VALVE (Piston) - R/H Build</b>
7	2	8130457	SINGLE SOLENOID VALVE
8	28	9243062	CAPSCREW
9	4	9243102	CAPSCREW
10	8	9243082	CAPSCREW
11	1	8130032	RELIEF VALVE CAP
12	5	8130087	ACTUATOR
13	2	6000112	ADAPTOR
14	2	8581169	ADAPTOR
15	4	8581115	ADAPTOR
16	1	8130206	RELIEF VALVE - 250BAR
17	2	6000113	ADAPTOR
18	7	8650103	BONDED SEAL
19	8	8650102	BONDED SEAL
20	9	8130090	CHECK VALVE ASSEMBLY
21	1	G3812541	RELIEF VALVE - 180BAR
22	1	8130150	RELIEF VALVE - 40BAR
23	3	8582041	TAPER PLUG
24	9	8700511	O RING
25	3	8581436	PLUG (SOFT SEAL)
26	1	8131008	TEST POINT
27	1	520378	ADAPTOR PLUG
28	1	21351.01	VALVE MOUNTING PLATE - L/H Build
		21351.02	VALVE MOUNTING PLATE - R/H Build
29	6	9353065	CAPSCREW
30	1	8130204	CARTRIDGE SPOOL VALVE
31	1	8130354	CHECK VALVE ASSEMBLY
32	1	21350.01	VALVE SPACER PLATE
33	1	9313065	SETSCREW
34	2	9213085	BOLT
35	1	9100105	FLAT WASHER
36	1	9100205	SPRING WASHER
37	7	9143005	SELF-LOCKING NUT
38	1	41844.01	LOOM - 19CORE
39	1	8402338	LOOM - ANGLE FLOAT
40	4	42989.04	RESTRICTOR - 1.3mm
41	2	42989.08	RESTRICTOR - 1.8mm
42	1	42989.07	RESTRICTOR - 1.6mm
43	1	42989.03	RESTRICTOR - 1.15mm
44	2	8581279	ADAPTOR EXTENSION
45	1	05.290.01	BONDED SEAL
46	1	8581444	BLANKING PLUG
47	1	8700522	O RING
48	1	8700525	O RING

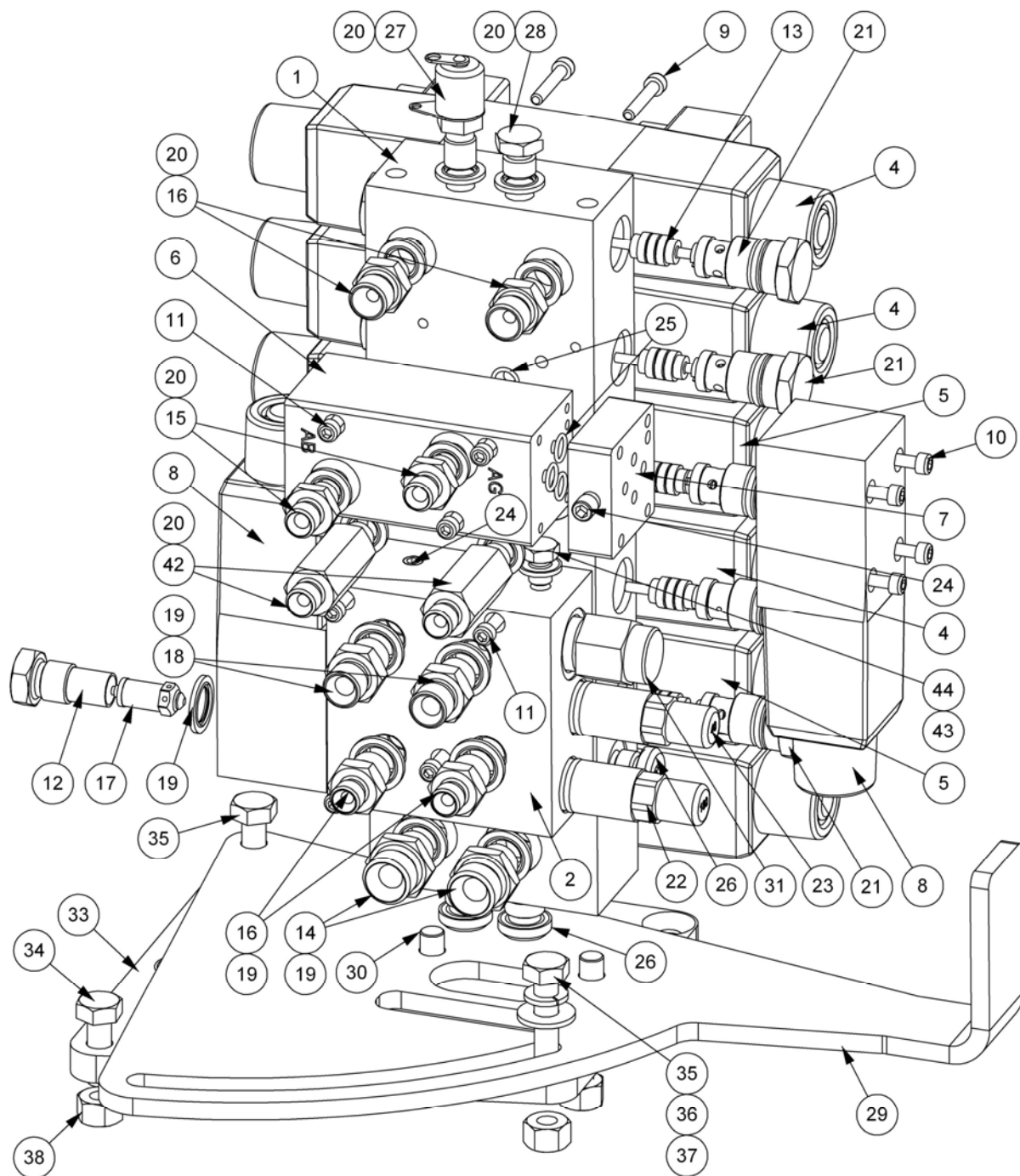


HIRSCHMANN ON ANGLE FLOAT LOOM 8402338 TO BE ADJUSTED TO FIT WITH CABLE POINTING DOWNWARDS

REF.	QTY.	PART No.	DESCRIPTION
		<b>7756767</b>	<b>XTC PROP. CONTROL VALVE (Gear) - L/H Build</b>
		<b>7756768</b>	<b>XTC PROP. CONTROL VALVE (Gear) - R/H Build</b>
1	1	8132281	MANIFOLD BLOCK (5 SERVICE)
2	1	8132288	AUTO RESET BLOCK
3	1	8130456	CUT OFF SOLENOID VALVE
4	3	41784.31	PROPORTIONAL SPOOL VALVE
5	2	8130629	DOUBLE SOLENOID VALVE
6	1	8126333	FLOAT VALVE BLOCK

REF.	QTY.	PART No.	DESCRIPTION
		<b>7756767</b>	<b>XTC PROP. CONTROL VALVE (Gear) - L/H Build</b>
		<b>7756768</b>	<b>XTC PROP. CONTROL VALVE (Gear) - R/H Build</b>
7	1	8126334	BRIDGING PLATE
8	2	8130457	SINGLE SOLENOID VALVE
9	28	9243062	CAPSCREW
10	4	9243102	CAPSCREW
11	8	9243082	CAPSCREW
12	1	8130032	RELIEF VALVE CAP
13	5	8130087	ACTUATOR
14	1	6000112	ADAPTOR
15	3	6000113	ADAPTOR
16	2	8581169	ADAPTOR
17	4	8581115	ADAPTOR
18	1	8130092	RELIEF VALVE - 190BAR
19	7	8650103	BONDED SEAL
20	8	8650102	BONDED SEAL
21	9	8130090	CHECK VALVE ASSEMBLY
22	1	G3812541	RELIEF VALVE - 180BAR
23	1	8130150	RELIEF VALVE - 40BAR
24	3	8582041	TAPER PLUG
25	9	8700511	O RING
26	3	8581436	PLUG (SOFT SEAL)
27	2	520378	ADAPTOR PLUG
28	1	21351.01	VALVE MOUNTING PLATE - L/H Build
	1	21351.02	VALVE MOUNTING PLATE - R/H Build
29	6	9353065	CAPSCREW
30	1	8130204	CARTRIDGE SPOOL VALVE
31	1	8130354	CHECK VALVE ASSEMBLY
32	1	21350.01	VALVE SPACER PLATE
33	1	9313065	SETSCREW
34	2	9213085	BOLT
35	1	9100105	FLAT WASHER
36	1	9100205	SPRING WASHER
37	7	9143005	SELF-LOCKING NUT
38	1	41844.01	LOOM - 19CORE
39	1	8402338	LOOM - ANGLE FLOAT
40	4	42989.04	RESTRICTOR - 1.3mm
41	2	42989.08	RESTRICTOR - 1.8mm
42	1	42989.07	RESTRICTOR - 1.6mm
43	1	42989.03	RESTRICTOR - 1.15mm
44	2	8581279	ADAPTOR EXTENSION
45	1	05.290.01	BONDED SEAL
46	1	8581444	BLANKING PLUG
47	1	8700525	O RING





HIRSCHMANN ON ANGLE FLOAT LOOM 8402338 TO BE ADJUSTED TO FIT WITH CABLE POINTING DOWNWARDS

REF.	QTY.	PART No.	DESCRIPTION
		<b>7756774</b>	<b>XTC PROP. CONTROL VALVE (Piston) - L/H Build</b>
		<b>7756775</b>	<b>XTC PROP. CONTROL VALVE (Piston) - R/H Build</b>
1	1	8132281	MANIFOLD BLOCK (5 SERVICE)
2	1	8132288	AUTO RESET BLOCK
3	1	8130678	CUT OFF SOLENOID VALVE
4	3	41784.46	DOUBLE SOLENOID PROP. VALVE
5	2	8130629	DOUBLE SOLENOID VALVE
6	1	8126333	FLOAT VALVE BLOCK

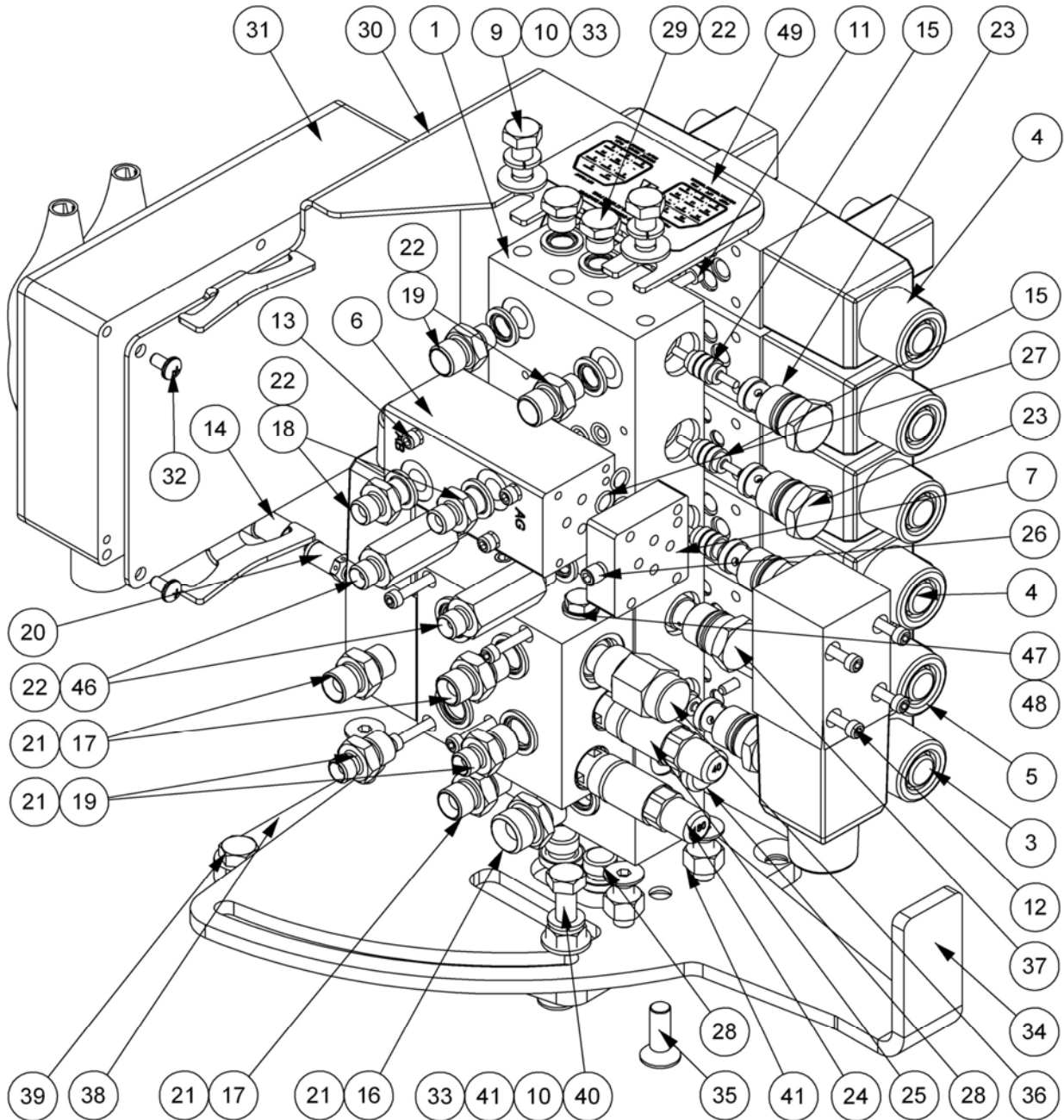
Module(s): 7756774 – L/H Build (*illustrated*), 7756775 – R/H Build

REF.	QTY.	PART No.	DESCRIPTION
		<b>7756774</b>	<b>XTC PROP. CONTROL VALVE (Piston) - L/H Build</b>
		<b>7756775</b>	<b>XTC PROP. CONTROL VALVE (Piston) - R/H Build</b>
7	1	8126334	BRIDGING PLATE
8	2	8130457	SINGLE SOLENOID VALVE
9	28	9243062	CAPSCREW
10	4	9243102	CAPSCREW
11	8	9243082	CAPSCREW
12	1	8130032	RELIEF VALVE CAP
13	5	8130087	ACTUATOR
14	2	6000112	ADAPTOR
15	2	8581169	ADAPTOR
16	4	8581115	ADAPTOR
17	1	8130206	RELIEF VALVE - 250BAR
18	2	6000113	ADAPTOR
19	7	8650103	BONDED SEAL
20	8	8650102	BONDED SEAL
21	9	8130090	CHECK VALVE ASSEMBLY
22	1	G3812541	RELIEF VALVE - 180BAR
23	1	8130150	RELIEF VALVE - 40BAR
24	3	8582041	TAPER PLUG
25	9	8700511	O RING
26	3	8581436	PLUG (SOFT SEAL)
27	1	8131008	TEST POINT
28	1	520378	ADAPTOR PLUG
29	1	21351.01	VALVE MOUNTING PLATE - L/H Build
	1	21351.02	VALVE MOUNTING PLATE - R/H Build
30	6	9353065	CAPSCREW
31	1	8130204	CARTRIDGE SPOOL VALVE
32	1	8130354	CHECK VALVE ASSEMBLY
33	1	21350.01	VALVE SPACER PLATE
34	1	9313065	SETSCREW
35	2	9213085	BOLT
36	1	9100105	FLAT WASHER
37	1	9100205	SPRING WASHER
38	7	9143005	SELF-LOCKING NUT
39	2	42989.05	RESTRICTOR - 1.4mm
40	1	42989.08	RESTRICTOR - 1.8mm
41	1	42989.09	RESTRICTOR - 2.2mm
42	2	8581279	ADAPTOR EXTENSION
43	1	05.290.01	BONDED SEAL
44	1	8581444	BLANKING PLUG
45	1	8700522	O RING
46	1	41844.01	LOOM - 19CORE
47	1	8700525	O RING

# V3 PROP. ACV – Midcut / VFR / Tele Arm (Gear)

# McCONEL

Module(s): 7756735 – L/H Build (illustrated), 7756736 – R/H Build



HIRSCHMANN ON ANGLE FLOAT LOOM 8402338 TO BE ADJUSTED TO FIT WITH CABLE POINTING DOWNWARDS

REF.	QTY.	PART No.	DESCRIPTION
		<b>7756735</b>	<b>V3 PROP. CONTROL VALVE (Gear) - L/H Build</b>
		<b>7756736</b>	<b>V3 PROP. CONTROL VALVE (Gear) - R/H Build</b>
1	1	8132281	MANIFOLD BLOCK (5 SERVICE)
2	1	8132288	AUTO RESET BLOCK
3	1	8130456	CUT OFF SOLENOID VALVE
4	3	41784.46	DOUBLE SOLENOID PROP. VALVE
5	2	8130629	DOUBLE SOLENOID VALVE
6	1	8126333	FLOAT VALVE BLOCK
7	1	8126334	BRIDGING PLATE
8	2	8130457	SINGLE SOLENOID VALVE
9	2	9313045	SETSCREW
10	3	9100205	SPRING WASHER

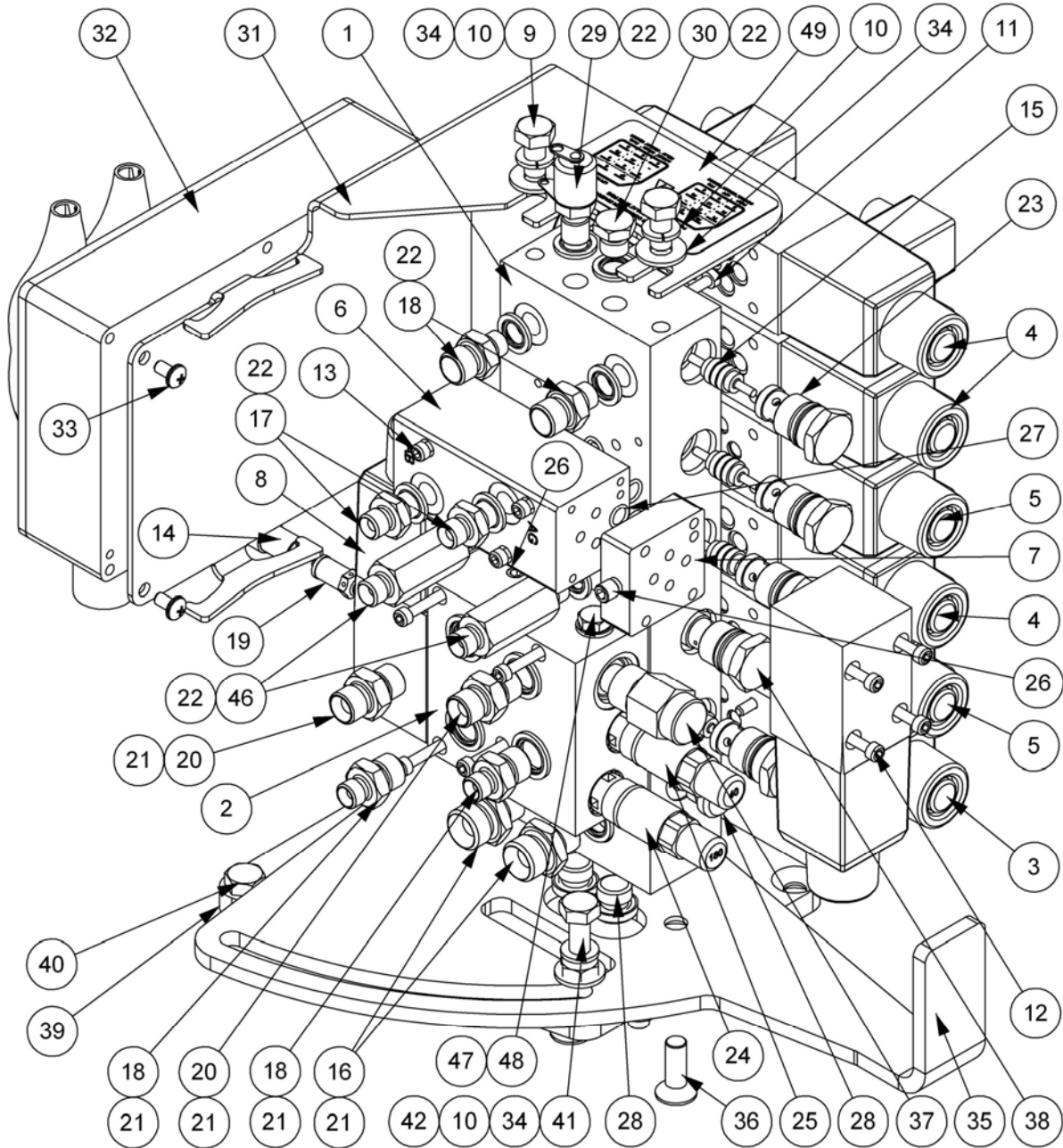
REF.	QTY.	PART No.	DESCRIPTION
		<b>7756735</b>	<b>V3 PROP. CONTROL VALVE (Gear) - L/H Build</b>
		<b>7756736</b>	<b>V3 PROP. CONTROL VALVE (Gear) - R/H Build</b>
11	28	9243062	CAPSCREW
12	4	9243102	CAPSCREW
13	8	9243082	CAPSCREW
14	1	8130032	RELIEF VALVE CAP
15	5	8130087	ACTUATOR
16	1	6000112	ADAPTOR
17	3	6000113	ADAPTOR
18	2	8581169	ADAPTOR
19	4	8581115	ADAPTOR
20	1	8130092	RELIEF VALVE - 190BAR
21	7	8650103	BONDED SEAL
22	8	8650102	BONDED SEAL
23	9	8130090	CHECK VALVE ASSEMBLY
24	1	G3812541	RELIEF VALVE - 180BAR
25	1	8130150	RELIEF VALVE - 40BAR
26	3	8582041	TAPER PLUG
27	9	8700511	O RING
28	3	8581436	PLUG (SOFT SEAL)
29	2	520378	ADAPTOR PLUG
30	1	21170.01	CONTROLLER MOUNT BRACKET - L/H Build
	1	21170.03	CONTROLLER MOUNT BRACKET - R/H Build
31	1	21164.03	CONTROLLER ASSEMBLY
32	4	9300164	TAPTITE
33	3	9100105	FLAT WASHER M10
34	1	21351.01	VALVE MOUNTING PLATE - L/H Build
	1	21351.02	VALVE MOUNTING PLATE - R/H Build
35	6	9353065	CAPSCREW
36	1	8130204	CARTRIDGE SPOOL VALVE
37	1	8130354	CHECK VALVE ASSEMBLY
38	1	21350.01	VALVE SPACER PLATE
39	1	9313065	SETSCREW
40	2	9213085	BOLT
41	7	9143005	SELF-LOCKING NUT
42	2	42989.05	RESTRICTOR - 1.4mm
43	1	42989.08	RESTRICTOR - 1.8mm
44	1	8700525	O RING
45	1	42989.09	RESTRICTOR - 2.2mm
46	2	8581279	ADAPTOR EXTENSION
47	1	05.290.01	BONDED SEAL
48	1	8581444	BLANKING PLUG
49	1	1290675	DECAL - ACB WIRING
50	1	8700522	O RING



# V3 PROP. ACV – Midcut / VFR / Tele Arm (Piston)

# McCONEL

Module(s): 7756759 – L/H Build (illustrated), 7756760 – R/H Build



HIRSCHMANN ON ANGLE FLOAT LOOM 8402338 TO BE ADJUSTED TO FIT WITH CABLE POINTING DOWNWARDS

REF.	QTY.	PART No.	DESCRIPTION
		<b>7756759</b>	<b>V3 PROP. CONTROL VALVE (Piston) - L/H Build</b>
		<b>7756760</b>	<b>V3 PROP. CONTROL VALVE (Piston) - R/H Build</b>
1	1	8132281	MANIFOLD BLOCK (5 SERVICE)
2	1	8132288	AUTO RESET BLOCK
3	1	8130678	CUT OFF SOLENOID VALVE
4	3	41784.46	DOUBLE SOLENOID PROP. VALVE
5	2	8130629	DOUBLE SOLENOID VALVE
6	1	8126333	FLOAT VALVE BLOCK
7	1	8126334	BRIDGING PLATE
8	2	8130457	SINGLE SOLENOID VALVE
9	2	9313045	SETSCREW
10	3	9100205	SPRING WASHER

REF.	QTY.	PART No.	DESCRIPTION
		<b>7756759</b>	<b>V3 PROP. CONTROL VALVE (Piston) - L/H Build</b>
		<b>7756760</b>	<b>V3 PROP. CONTROL VALVE (Piston) - R/H Build</b>
11	28	9243062	CAPSCREW
12	4	9243102	CAPSCREW
13	8	9243082	CAPSCREW
14	1	8130032	RELIEF VALVE CAP
15	5	8130087	ACTUATOR
16	2	6000112	ADAPTOR
17	2	8581169	ADAPTOR
18	4	8581115	ADAPTOR
19	1	8130206	RELIEF VALVE - 250BAR
20	2	6000113	ADAPTOR
21	7	8650103	BONDED SEAL
22	8	8650102	BONDED SEAL
23	9	8130090	CHECK VALVE ASSEMBLY
24	1	G3812541	RELIEF VALVE - 180BAR
25	1	8130150	RELIEF VALVE - 40BAR
26	3	8582041	TAPER PLUG
27	9	8700511	O RING
28	3	8581436	PLUG (SOFT SEAL)
29	1	8131008	TEST POINT
30	1	520378	ADAPTOR PLUG
31	1	21170.01	CONTROLLER MOUNT BRACKET - L/H Build
	1	21170.03	CONTROLLER MOUNT BRACKET - R/H Build
32	1	21164.03	V3 CONTROLLER ASSEMBLY
33	4	9300164	TAPTITE
34	3	9100105	FLAT WASHER
35	1	21351.01	VALVE MOUNTING PLATE - L/H Build
	1	21351.02	VALVE MOUNTING PLATE - R/H Build
36	6	9353065	CAPSCREW
37	1	8130204	CARTRIDGE SPOOL VALVE
38	1	8130354	CHECK VALVE ASSEMBLY
39	1	21350.01	VALVE SPACER PLATE
40	1	9313065	SETSCREW
41	2	9213085	BOLT
42	7	9143005	SELF-LOCKING NUT
43	2	42989.05	RESTRICTOR - 1.4mm
44	1	42989.08	RESTRICTOR - 1.8mm
45	1	42989.09	RESTRICTOR - 2.2mm
46	2	8581279	ADAPTOR EXTENSION
47	1	05.290.01	BONDED SEAL
48	1	8581444	BLANKING PLUG
49	1	1290675	DECAL - ACB WIRING
50	1	8700522	O RING
51	1	8700525	O RING

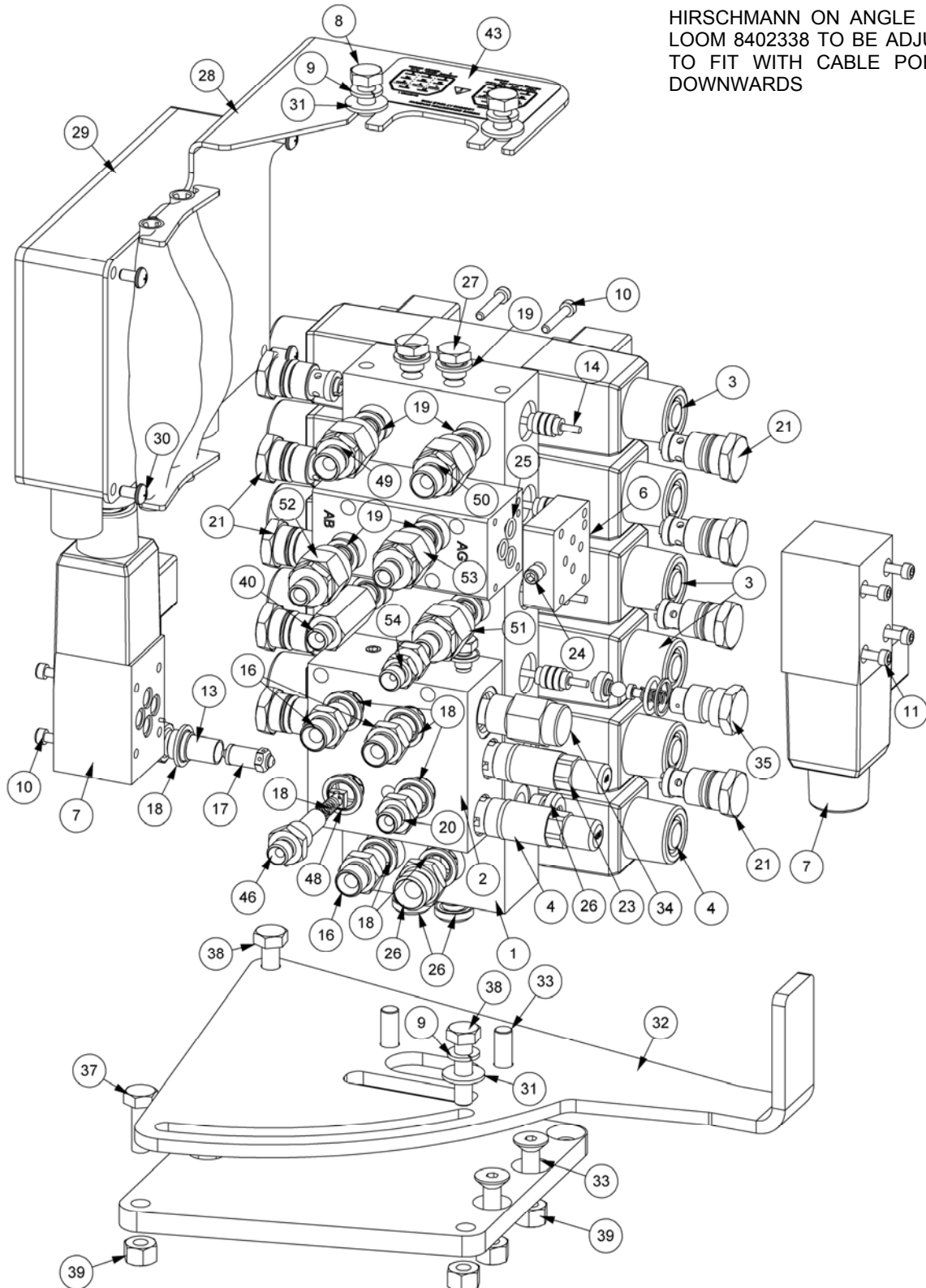


# V4 PROP. ACV – Midcut / VFR Arm (Gear)

# McCONEL

Module(s): 7756809 – L/H Build (*illustrated*), 7756810 – R/H Build

HIRSCHMANN ON ANGLE FLOAT LOOM 8402338 TO BE ADJUSTED TO FIT WITH CABLE POINTING DOWNWARDS



REF.	QTY.	PART No.	DESCRIPTION
		<b>7756809</b>	<b>V4 PROP. CONTROL VALVE (Gear) - L/H Build</b>
		<b>7756810</b>	<b>V4 PROP. CONTROL VALVE (Gear) - R/H Build</b>
1	1	8132281	MANIFOLD BLOCK (5 SERVICE)
2	1	8132288	AUTO RESET BLOCK
3	5	41784.48	DOUBLE SOLENOID PROPORTIONAL VALVE
4	1	8130456	CUT OFF SOLENOID VALVE
5	1	8126333	FLOAT VALVE BLOCK

V4 PROP. ACV – Midcut / VFR Arm (Gear)

**McCONNEL**

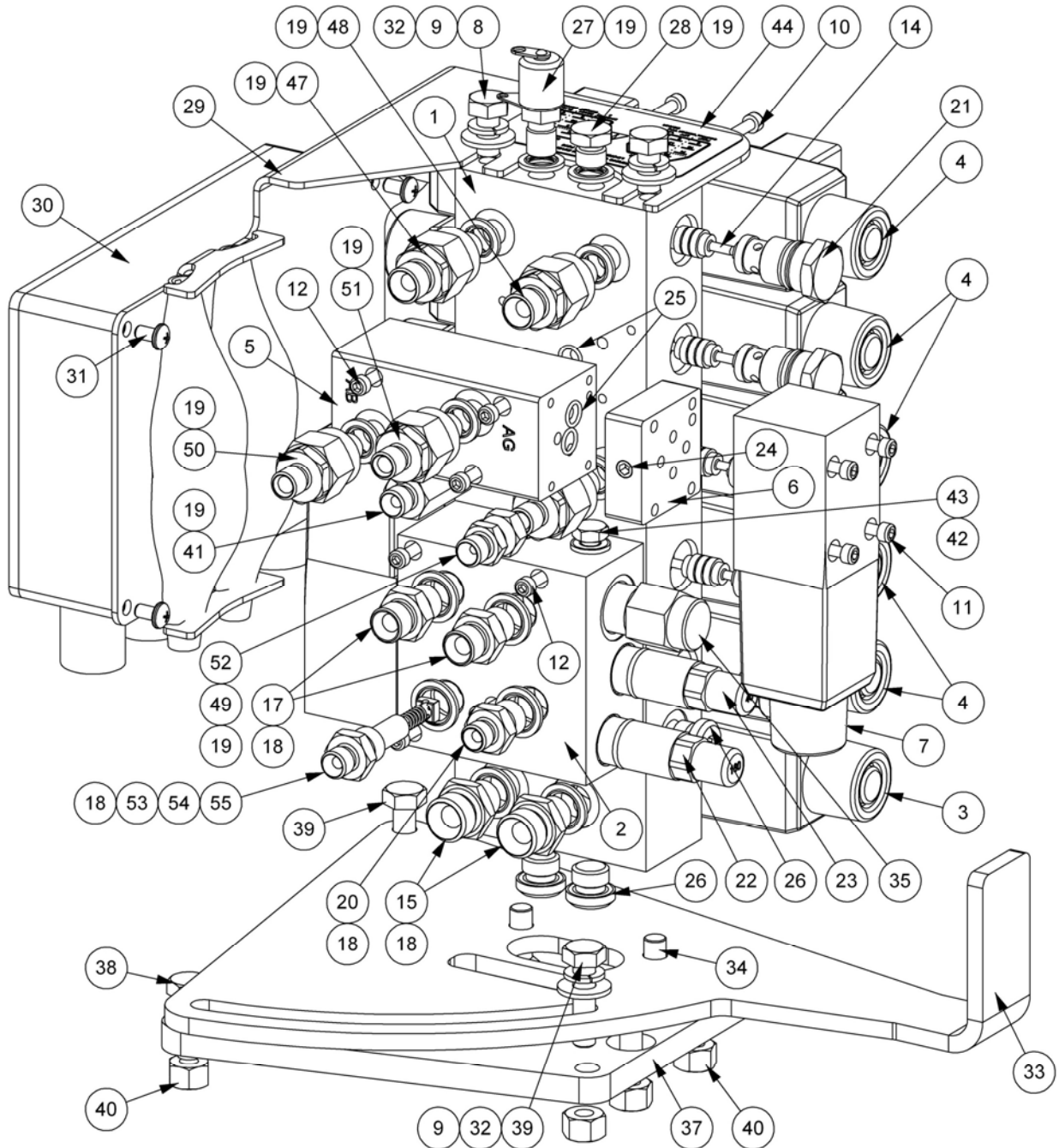
Module(s): 7756809 – L/H Build (*illustrated*), 7756810 – R/H Build

REF.	QTY.	PART No.	DESCRIPTION
		<b>7756809</b>	<b>V4 PROP. CONTROL VALVE (Gear) - L/H Build</b>
		<b>7756810</b>	<b>V4 PROP. CONTROL VALVE (Gear) - R/H Build</b>
6	1	8126334	BRIDGING PLATE
7	2	8130457	SINGLE SOLENOID VALVE
8	2	9313045	SETSCREW
9	3	9100205	SPRING WASHER
10	28	9243062	CAPSCREW
11	4	9243102	CAPSCREW
12	8	9243082	CAPSCREW
13	1	8130032	RELIEF VALVE CAP
14	5	8130087	ACTUATOR
15	1	6000112	ADAPTOR
16	3	6000113	ADAPTOR
17	1	8130092	RELIEF VALVE - 190BAR
18	7	8650103	BONDED SEAL
19	8	8650102	BONDED SEAL
20	1	8581115	ADAPTOR
21	9	8130090	CHECK VALVE ASSEMBLY
22	1	G3812541	RELIEF VALVE - 180BAR
23	1	8130150	RELIEF VALVE - 40BAR
24	3	8582041	TAPER PLUG
25	9	8700511	O RING
26	3	8581436	PLUG
27	2	520378	ADAPTOR PLUG
28	1	21170.01	CONTROLLER MOUNT BRACKET - L/H Build
	1	21170.03	CONTROLLER MOUNT BRACKET - R/H Build
29	1	21164.07	V4 ACB CONTROLLER MK2
30	4	9300164	TAPTITE
31	3	9100105	FLAT WASHER
32	1	21351.01	VALVE MOUNTING PLATE - L/H Build
	1	21351.02	VALVE MOUNTING PLATE - R/H Build
33	6	9353065	CAPSCREW
34	1	8130204	CARTRIDGE SPOOL VALVE
35	1	8130354	CHECK VALVE ASSEMBLY
36	1	21350.01	VALVE SPACER PLATE
37	1	9313065	SETSCREW
38	2	9213085	BOLT
39	7	9143005	SELF-LOCKING NUT
40	1	8581279	ADAPTOR EXTENSION
41	1	05.290.01	BONDED SEAL
42	1	8581444	BLANKING PLUG
43	1	1290724	DECAL - V4 ACB WIRING
44	1	8700522	O RING
45	1	8700525	O RING
46	1	8581210	SPECIAL ADAPTOR
47	1	8116011	SPRING
48	1	8123043	RESTRICTOR DISC - 1.6 GREEN
49	1	8123112	RESTRICTOR UNION - 2.2
50	1	8123111	RESTRICTOR UNION - 1.8
51	1	8123088	RESTRICTOR UNION - 1.4
52	1	8123087	RESTRICTOR UNION - 1.3
53	1	8123086	RESTRICTOR UNION - 1.15
54	1	8581309	SWIVEL ADAPTOR
55	1	8402338	LOOM - ANGLE FLOAT

# V4 PROP. ACV – Midcut / VFR Arm (Piston)

# McCONEL

Module(s): 7756811 – L/H Build (illustrated), 7756812 – R/H Build



HIRSCHMANN ON ANGLE FLOAT LOOM 8402338 TO BE ADJUSTED TO FIT WITH CABLE POINTING DOWNWARDS

REF.	QTY.	PART No.	DESCRIPTION
		<b>7756811</b>	<b>V4 PROP. CONTROL VALVE (Piston) - L/H Build</b>
		<b>7756812</b>	<b>V4 PROP. CONTROL VALVE (Piston) - R/H Build</b>
1	1	8132281	MANIFOLD BLOCK (5 SERVICE)
2	1	8132288	AUTO RESET BLOCK
3	1	8130678	CUT OFF SOLENOID VALVE
4	5	41784.48	DOUBLE SOLENOID PROP. VALVE
5	1	8126333	FLOAT VALVE BLOCK
6	1	8126334	BRIDGING PLATE
7	2	8130457	SINGLE SOLENOID VALVE
8	2	9313045	SETSCREW
9	3	9100205	SPRING WASHER
10	28	9243062	CAPSCREW

REF.	QTY.	PART No.	DESCRIPTION
		<b>7756811</b>	<b>V4 PROP. CONTROL VALVE (Piston) - L/H Build</b>
		<b>7756812</b>	<b>V4 PROP. CONTROL VALVE (Piston) - R/H Build</b>
11	4	9243102	CAPSCREW
12	8	9243082	CAPSCREW
13	1	8130032	RELIEF VALVE CAP
14	5	8130087	ACTUATOR
15	2	6000112	ADAPTOR
16	1	8130206	RELIEF VALVE - 250BAR
17	2	6000113	ADAPTOR
18	7	8650103	BONDED SEAL
19	8	8650102	BONDED SEAL
20	1	8581115	ADAPTOR
21	9	8130090	CHECK VALVE ASSEMBLY
22	1	G3812541	RELIEF VALVE - 180BAR
23	1	8130150	RELIEF VALVE - 40BAR
24	3	8582041	TAPER PLUG
25	9	8700511	O RING
26	3	8581436	PLUG (SOFT SEAL)
27	1	8131008	TEST POINT
28	1	520378	ADAPTOR PLUG
29	1	21170.01	CONTROLLER MOUNT BRACKET - L/H Build
	1	21170.03	CONTROLLER MOUNT BRACKET - R/H Build
30	1	21164.07	V4 ACB CONTROLLER MK2
31	4	9300164	TAPTITE
32	3	9100105	FLAT WASHER
33	1	21351.01	VALVE MOUNTING PLATE - L/H Build
	1	21351.02	VALVE MOUNTING PLATE - R/H Build
34	6	9353065	CAPSCREW
35	1	8130204	CARTRIDGE SPOOL VALVE
36	1	8130354	CHECK VALVE ASSEMBLY
37	1	21350.01	VALVE SPACER PLATE
38	1	9313065	SETSCREW
39	2	9213085	BOLT
40	7	9143005	SELF-LOCKING NUT
41	1	8581279	ADAPTOR EXTENSION
42	1	05.290.01	BONDED SEAL
43	1	8581444	BLANKING PLUG
44	1	1290724	DECAL - ACB WIRING V4
45	1	8700522	O RING
46	1	8700525	O RING
47	1	8123112	RESTRICTOR UNION - 2.2
48	1	8123111	RESTRICTOR UNION 1/4"BSPM - 1.8
49	1	8123088	RESTRICTOR UNION - 1.4
50	1	8123087	RESTRICTOR UNION - 1.3
51	1	8123086	RESTRICTOR UNION - 1.15
52	1	8581309	SWIVE ADAPTOR
53	1	8123043	RESTRICTOR DISC - 1.6 GREEN
54	1	8116011	SPRING
55	1	8581210	SPECIAL ADAPTOR

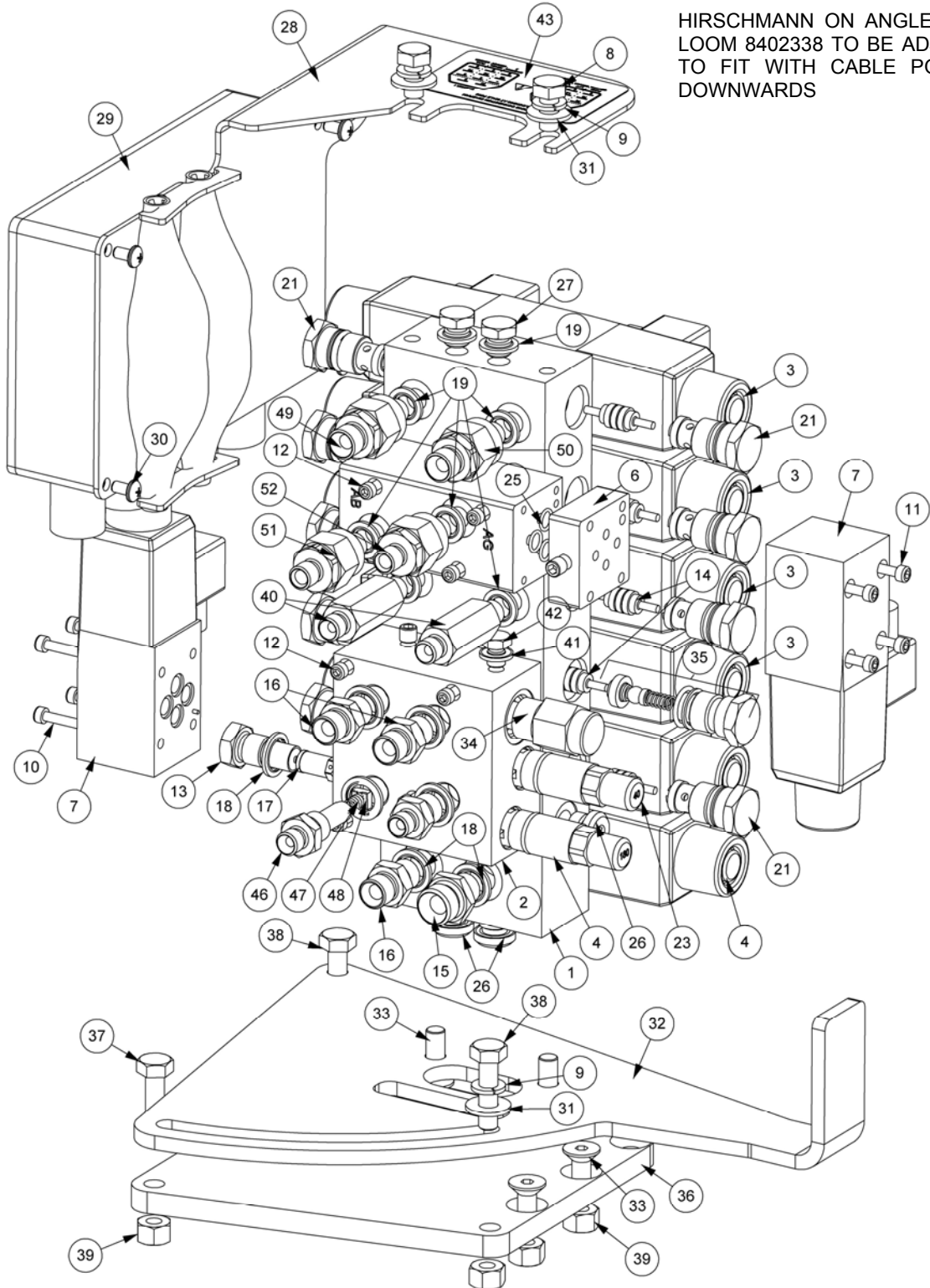


# V4 PROP. ACV – Tele Arm (Gear)

Module(s): 7756813 – L/H (Illustrated), 7756814 – R/H

# McCONEL

HIRSCHMANN ON ANGLE FLOAT LOOM 8402338 TO BE ADJUSTED TO FIT WITH CABLE POINTING DOWNWARDS



REF.	QTY.	PART No.	DESCRIPTION
		<b>7756813</b>	<b>V4 PROP. CONTROL VALVE (Gear) - L/H Build</b>
		<b>7756814</b>	<b>V4 PROP. CONTROL VALVE (Gear) - R/H Build</b>
1	1	8132281	MANIFOLD BLOCK (5 SERVICE)
2	1	8132288	AUTO RESET BLOCK
3	5	41784.48	DOUBLE SOLENOID PROP. VALVE
4	1	8130456	CUT OFF SOLENOID VALVE
5	1	8126333	FLOAT VALVE BLOCK
6	1	8126334	BRIDGING PLATE

Module(s): 7756813 – L/H (*Illustrated*), 7756814 – R/H

REF.	QTY.	PART No.	DESCRIPTION
		<b>7756813</b>	<b>V4 PROP. CONTROL VALVE (Gear) - L/H Build</b>
		<b>7756814</b>	<b>V4 PROP. CONTROL VALVE (Gear) - R/H Build</b>
7	2	8130457	SINGLE SOLENOID VALVE
8	2	9313045	SETSCREW
9	3	9100205	SPRING WASHER
10	28	9243062	CAPSCREW
11	4	9243102	CAPSCREW
12	8	9243082	CAPSCREW
13	1	8130032	RELIEF VALVE CAP
14	5	8130087	ACTUATOR
15	1	6000112	ADAPTOR
16	3	6000113	ADAPTOR
17	1	8130092	RELIEF VALVE - 190BAR
18	7	8650103	BONDED SEAL
19	8	8650102	BONDED SEAL
20	1	8581115	ADAPTOR
21	9	8130090	CHECK VALVE ASSEMBLY
22	1	G3812541	RELIEF VALVE - 180BAR
23	1	8130150	RELIEF VALVE - 40BAR
24	3	8582041	TAPER PLUG
25	9	8700511	O RING
26	3	8581436	PLUG
27	2	520378	ADAPTOR PLUG
28	1	21170.01	CONTROLLER MOUNT BRACKET - L/H Build
	1	21170.03	CONTROLLER MOUNT BRACKET - R/H Build
29	1	21164.07	V4 ACB CONTROLLER MK2
30	4	9300164	TAPTITE
31	3	9100105	FLAT WASHER
32	1	21351.01	VALVE MOUNTING PLATE - L/H Build
	1	21351.02	VALVE MOUNTING PLATE - R/H Build
33	6	9353065	CAPSCREW
34	1	8130204	CARTRIDGE SPOOL VALVE
35	1	8130354	CHECK VALVE ASSEMBLY
36	1	21350.01	VALVE SPACER PLATE
37	1	9313065	SETSCREW
38	2	9213085	BOLT
39	7	9143005	SELF-LOCKING NUT
40	2	8581279	ADAPTOR EXTENSION
41	1	05.290.01	BONDED SEAL
42	1	8581444	BLANKING PLUG
43	1	1290724	DECAL - V4 ACB WIRING
44	1	8700522	O RING
45	1	8700525	O RING
46	1	8581210	SPECIAL ADAPTOR
47	1	8116011	SPRING
48	1	8123043	RESTRICTOR DISC - 1.6 GREEN
49	1	8123112	RESTRICTOR UNION - 2.2
50	1	8123111	RESTRICTOR UNION - 1.8
51	1	8123087	RESTRICTOR UNION - 1.3
52	1	8123086	RESTRICTOR UNION - 1.15
53	1	8402338	LOOM - ANGLE FLOAT

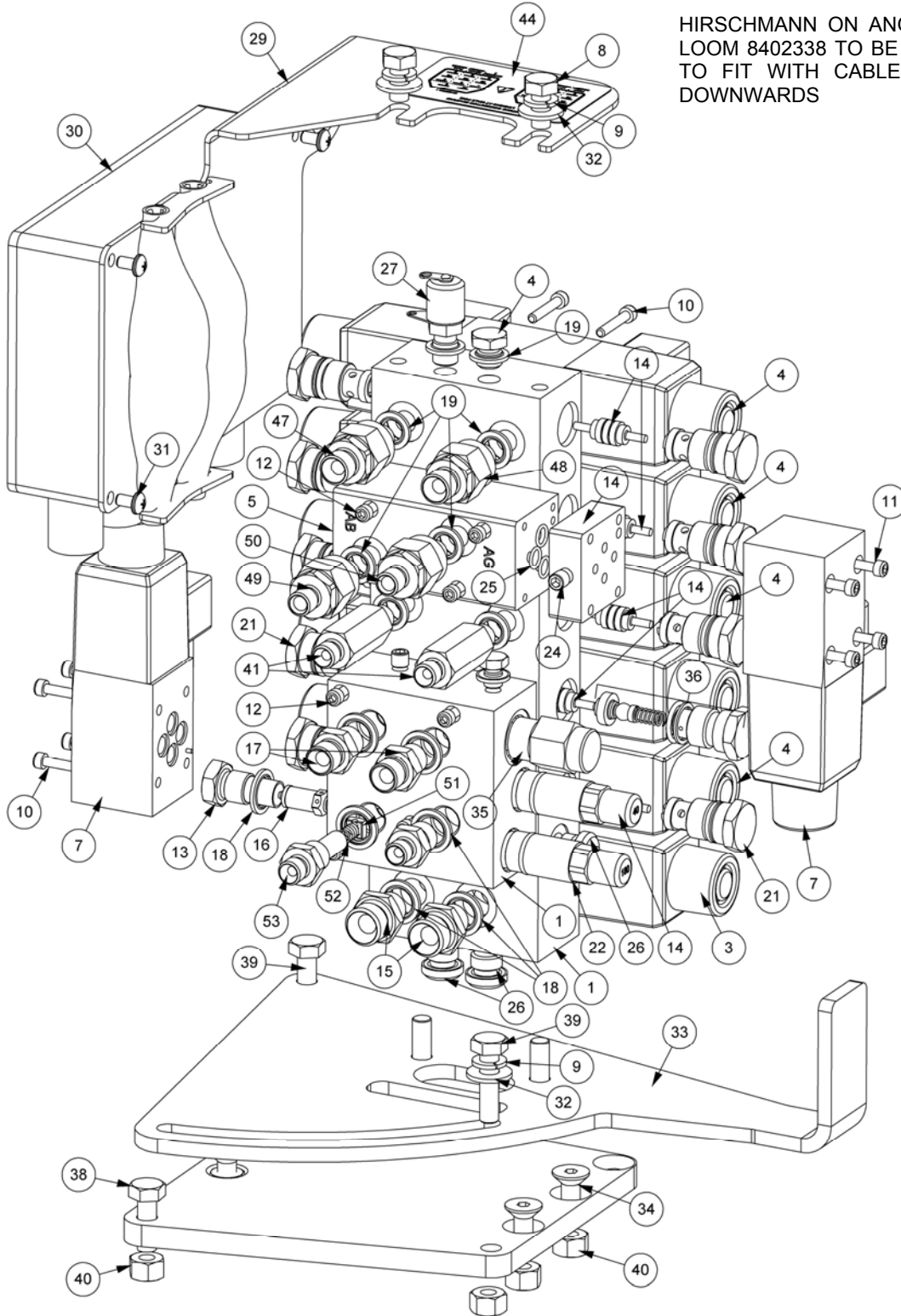


# V4 PROP. ACV – Tele Arm (Piston)

Module(s): 7756815 – L/H (Illustrated), 7756816 – R/H

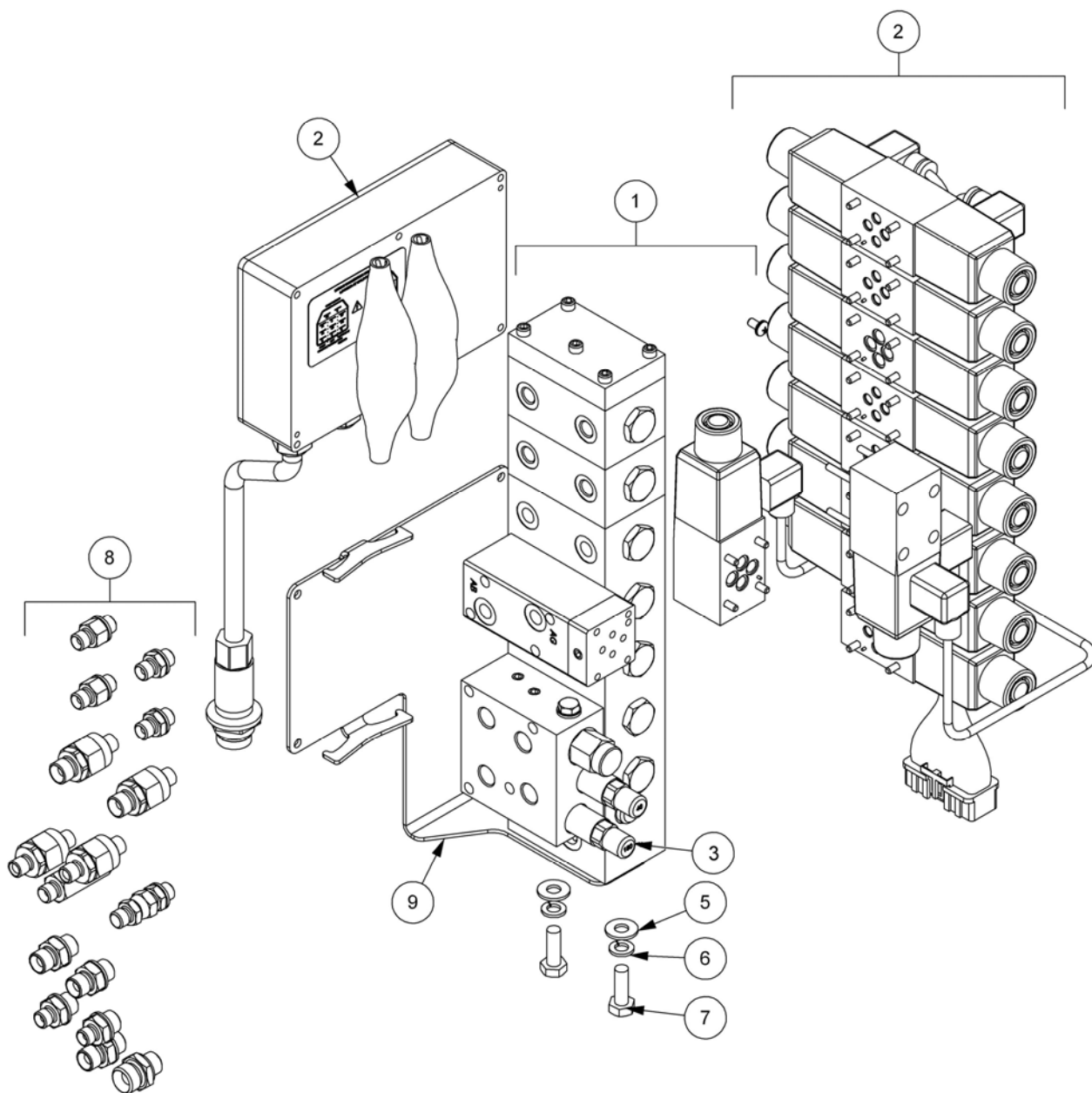
# McCONEL

HIRSCHMANN ON ANGLE FLOAT LOOM 8402338 TO BE ADJUSTED TO FIT WITH CABLE POINTING DOWNWARDS



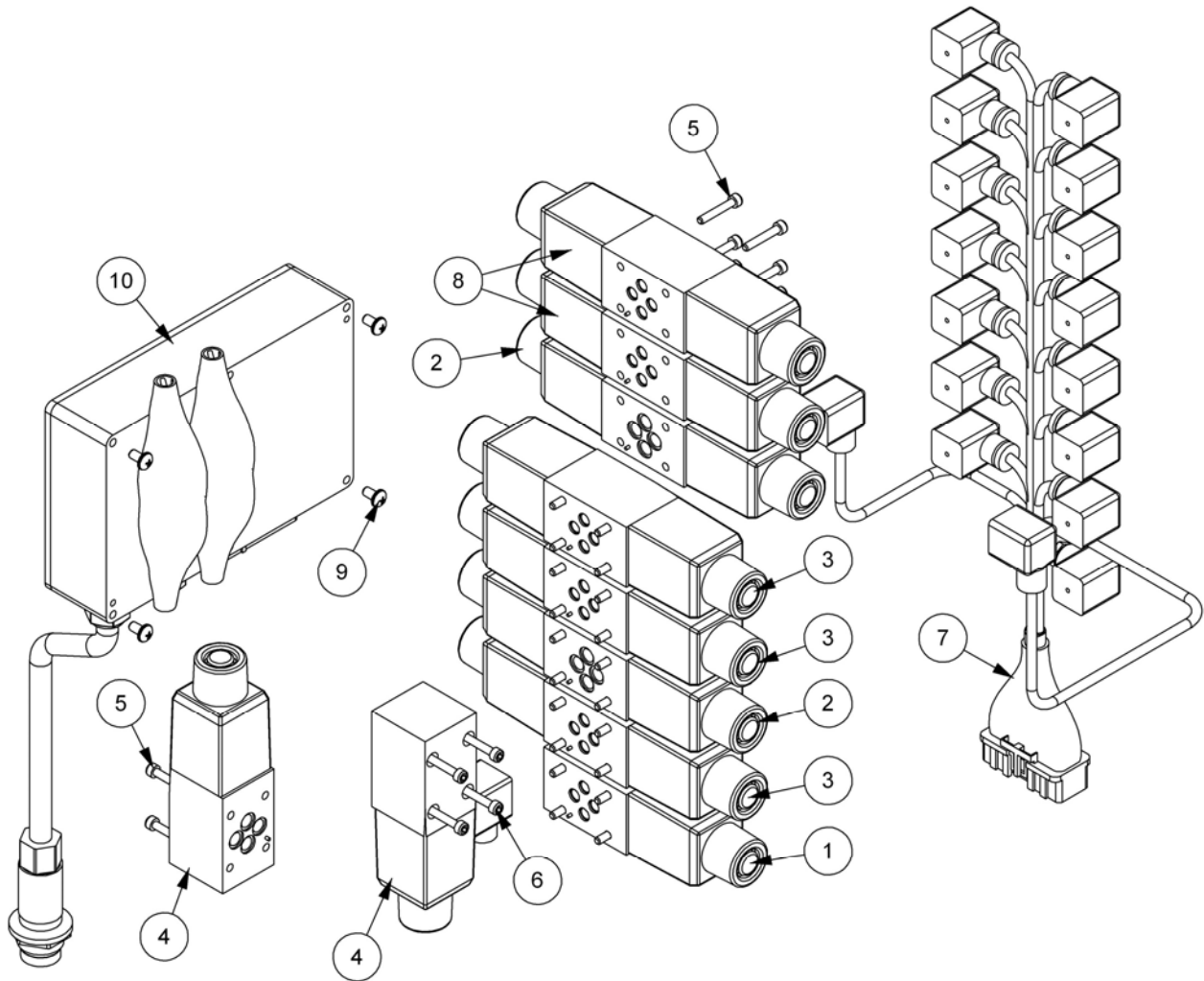
REF.	QTY.	PART No.	DESCRIPTION
		<b>7756815</b>	<b>V4 PROP. CONTROL VALVE (Piston) - L/H Build</b>
		<b>7756816</b>	<b>V4 PROP. CONTROL VALVE (Piston) - R/H Build</b>
1	1	8132281	MANIFOLD BLOCK (5 SERVICE)
2	1	8132288	AUTO RESET BLOCK
3	1	8130678	CUT OFF SOLENOID VALVE
4	5	41784.48	DOUBLE SOLENOID PROP. VALVE
5	1	8126333	FLOAT VALVE BLOCK
6	1	8126334	BRIDGING PLATE

REF.	QTY.	PART No.	DESCRIPTION
		<b>7756815</b>	<b>V4 PROP. CONTROL VALVE (Piston) - L/H Build</b>
		<b>7756816</b>	<b>V4 PROP. CONTROL VALVE (Piston) - R/H Build</b>
7	2	8130457	SINGLE SOLENOID VALVE
8	2	9313045	SETSCREW
9	3	9100205	SPRING WASHER
10	28	9243062	CAPSCREW
11	4	9243102	CAPSCREW
12	8	9243082	CAPSCREW
13	1	8130032	RELIEF VALVE CAP
14	5	8130087	ACTUATOR
15	2	6000112	ADAPTOR
16	1	8130206	RELIEF VALVE - 250BAR
17	2	6000113	ADAPTOR
18	7	8650103	BONDED SEAL
19	8	8650102	BONDED SEAL
20	1	8581115	ADAPTOR
21	9	8130090	CHECK VALVE ASSEMBLY
22	1	G3812541	RELIEF VALVE - 180BAR
23	1	8130150	RELIEF VALVE - 40BAR
24	3	8582041	TAPER PLUG
25	9	8700511	O RING
26	3	8581436	PLUG
27	1	8131008	TEST POINT
28	1	520378	ADAPTOR PLUG
29	1	21170.01	CONTROLLER MOUNT BRACKET - L/H Build
	1	21170.03	CONTROLLER MOUNT BRACKET - R/H Build
30	1	21164.07	V4 ACB CONTROLLER MK2
31	4	9300164	TAPTITE
32	3	9100105	FLAT WASHER
33	1	21351.01	VALVE MOUNTING PLATE - L/H Build
	1	21351.02	VALVE MOUNTING PLATE - R/H Build
34	6	9353065	CAPSCREW
35	1	8130204	CARTRIDGE SPOOL VALVE
36	1	8130354	CHECK VALVE ASSEMBLY
37	1	21350.01	VALVE SPACER PLATE
38	1	9313065	SETSCREW
39	2	9213085	BOLT
40	7	9143005	SELF-LOCKING NUT
41	2	8581279	ADAPTOR EXTENSION
42	1	05.290.01	BONDED SEAL
43	1	8581444	BLANKING PLUG
44	1	1290724	DECAL - V4 ACB WIRING
45	1	8700522	O RING
46	1	8700525	O RING
47	1	8123112	RESTRICTOR UNION - 2.2
48	1	8123111	RESTRICTOR UNION - 1.8
49	1	8123087	RESTRICTOR UNION - 1.3
50	1	8123086	RESTRICTOR UNION - 1.15
51	1	8123043	RESTRICTOR DISC - 1.6 GREEN
52	1	8116011	SPRING
53	1	8581210	SPECIAL ADAPTOR



REF.	QTY.	PART No.	DESCRIPTION
		<b>7756781</b>	<b>V4 VALVE ASSEMBLY - 7 SERVICE (GEAR)</b>
1	1	22523.10	MANIFOLD MODULE - 7 BANK AF/AR
2	1	22525.27	CONTROL/SOLENOID MODULE
3	1	8130030	RELIEF VALVE - 210BAR
4	1	1290724	V4 ACB WIRING DECAL
5	2	9100105	FLAT WASHER
6	2	9100205	SPRING WASHER
7	2	9313065	SETScrew
8	1	22524.35	ADAPTOR MODULE
9	1	21170.15	ACB BRACKET - L/H Build

Module(s): 22525.27



REF.	QTY.	PART No.	DESCRIPTION
		<b>22525.27</b>	<b>CONTROLS / SOLENOID MODULE</b>
1	1	8130456	CUT OFF SOLENOID VALVE
2	2	41784.31	PROPORTIONAL SPOOL VALVE
3	3	41784.48	DOUBLE SOLENOID PROP. VALVE - 8L/Min
4	2	8130457	SINGLE SOLENOID VALVE
5	36	9243062	CAPSCREW
6	4	9243102	CAPSCREW
7	1	41844.11	V4 LOOM (36 WAY CONNECTOR - 7 SERVICE)
8	2	8130629	DOUBLE SOLENOID VALVE
9	4	9300164	TAPTITE
10	1	21164.08	V4 ACB (36 WAY CONNECTOR - 7 SERVICE)

**Service Parts for Solenoid Valves**

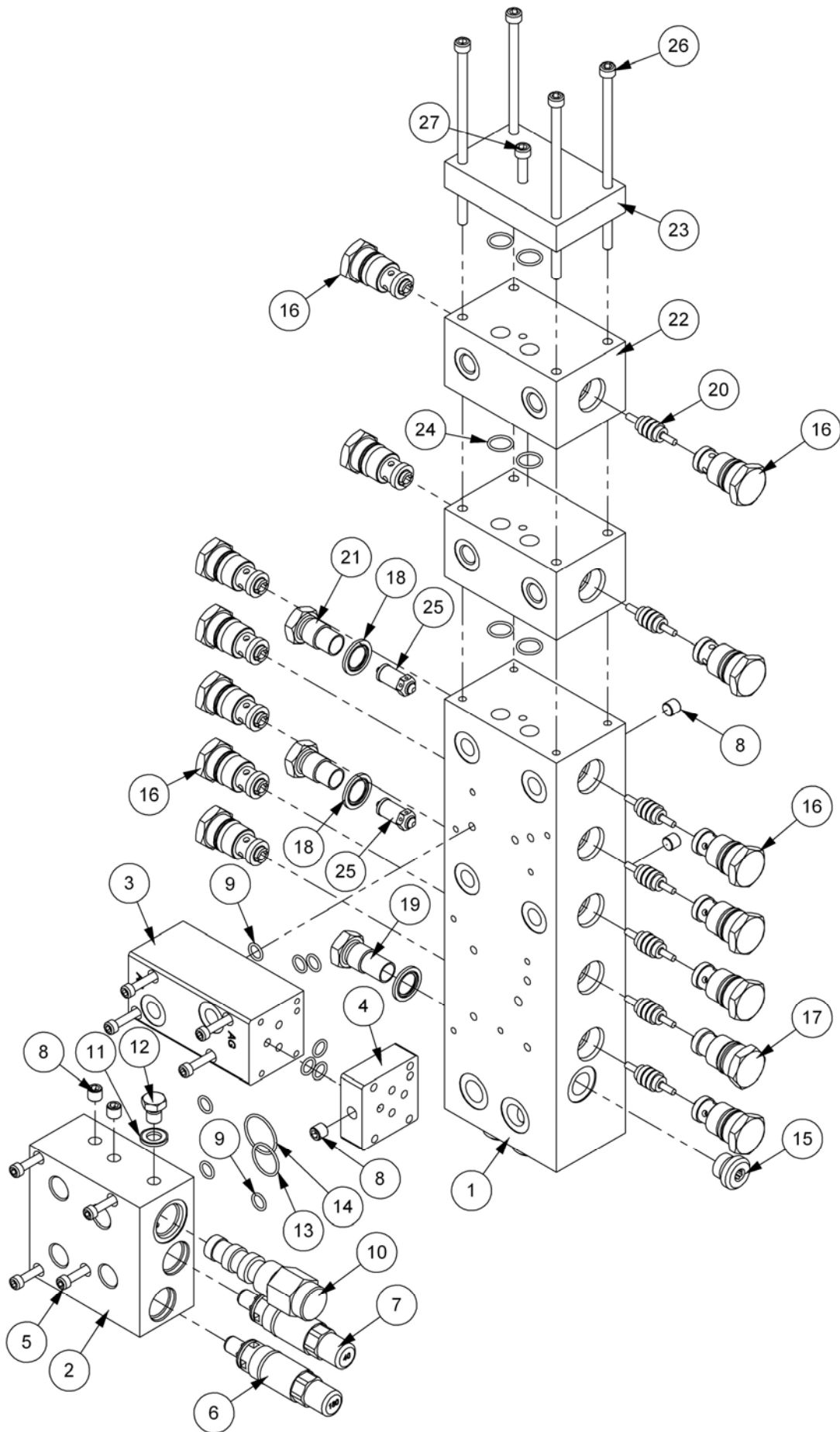
- 41784.99** \* Prop. Coil
- 8130175** 18W Coil
- 8699224** Seal Kit

\* NOTE: Double Prop. Solenoid Valve 41784.48 contains 2x coils 41784.99

# MANIFOLD MODULE

Module(s): 22523.10

# McCONEL





MANIFOLD MODULE

**McCONNEL**

Module(s): 22523.10

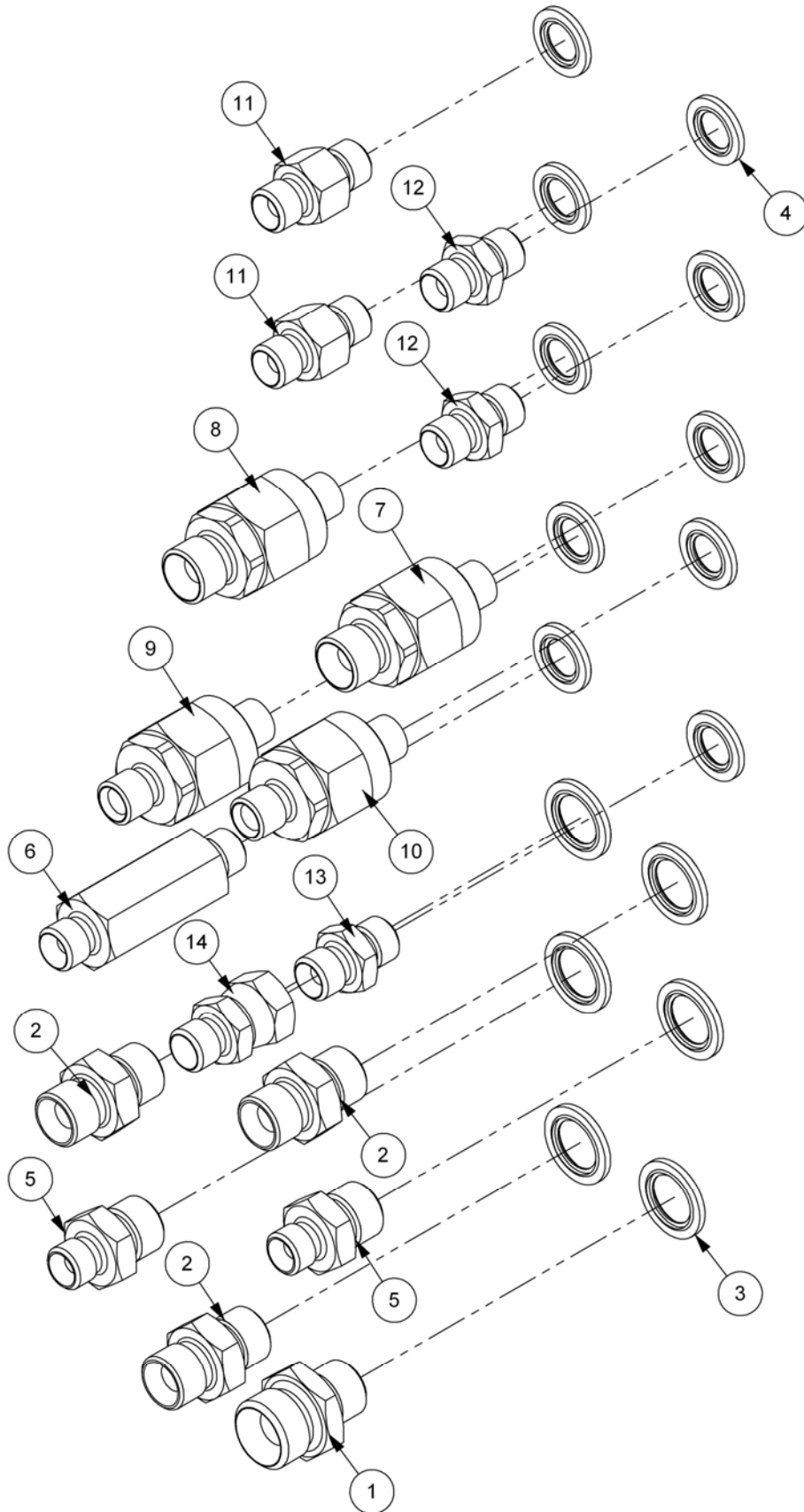
REF.	QTY.	PART No.	DESCRIPTION
		<b>22523.10</b>	<b>MANIFOLD MODULE - 7 BANK AF/AR</b>
1	1	8132293	5 SERVICE MANIFOLD BLOCK (STACKABLE)
2	1	8132288	AUTO RESET BLOCK
3	1	8126333	FLOAT VALVE BLOCK
4	1	8126334	BRIDGING PLATE
5	8	9243082	CAPSCREW
6	1	G3812541	RELIEF VALVE - 180BAR
7	1	8130150	RELIEF VALVE - 40BAR
8	5	8582041	TAPER PLUG
9	9	8700511	O RING
10	1	8130204	* CARTRIDGE SPOOL VALVE
11	1	05.290.01	BONDED SEAL
12	1	8581444	BLANKING PLUG
13	1	8700522	O RING
14	1	8700525	O RING
15	3	8581436	PLUG
16	13	8130090	CHECK VALVE ASSEMBLY c/o:
	1	8130025	CHECK VALVE CAP
	1	8114045	SPRING
	1	8130089	SPRING GUIDE
	1	905509	9MM STEEL BALL
	1	8700644	O-RING
	1	8130088	CHECK VALVE SEAT
	1	8709644	BACK UP RING
17	1	8130354	CHECK VALVE ASSEMBLY c/o:
	1	8130209	CHECK VALVE CAP
	1	8114045	SPRING
	1	8130089	SPRING GUIDE
	1	0905509	9MM STEEL BALL
	1	8700644	O RING
	1	8130088	CHECK VALVE SEAT
	1	8709644	BACK UP RING
18	3	8650103	BONDED SEAL
19	1	8130032	RELIEF VALVE CAP
20	7	8130087	ACTUATOR
21	2	8130710	RELIEF VALVE CAP
22	2	8132294	BOLT ON SERVICE MANIFOLD
23	1	8132295	END PLATE
24	6	8700517	O RING
25	2	8130092	RELIEF VALVE - 190BAR
26	4	9343273	CAPSCREW
27	1	9343063	CAPSCREW
		<b>8699267</b>	* <b>SPOOL VALVE SEAL KIT</b>



# ADAPTOR MODULE

Module(s): 22524.35

**McCONEL**

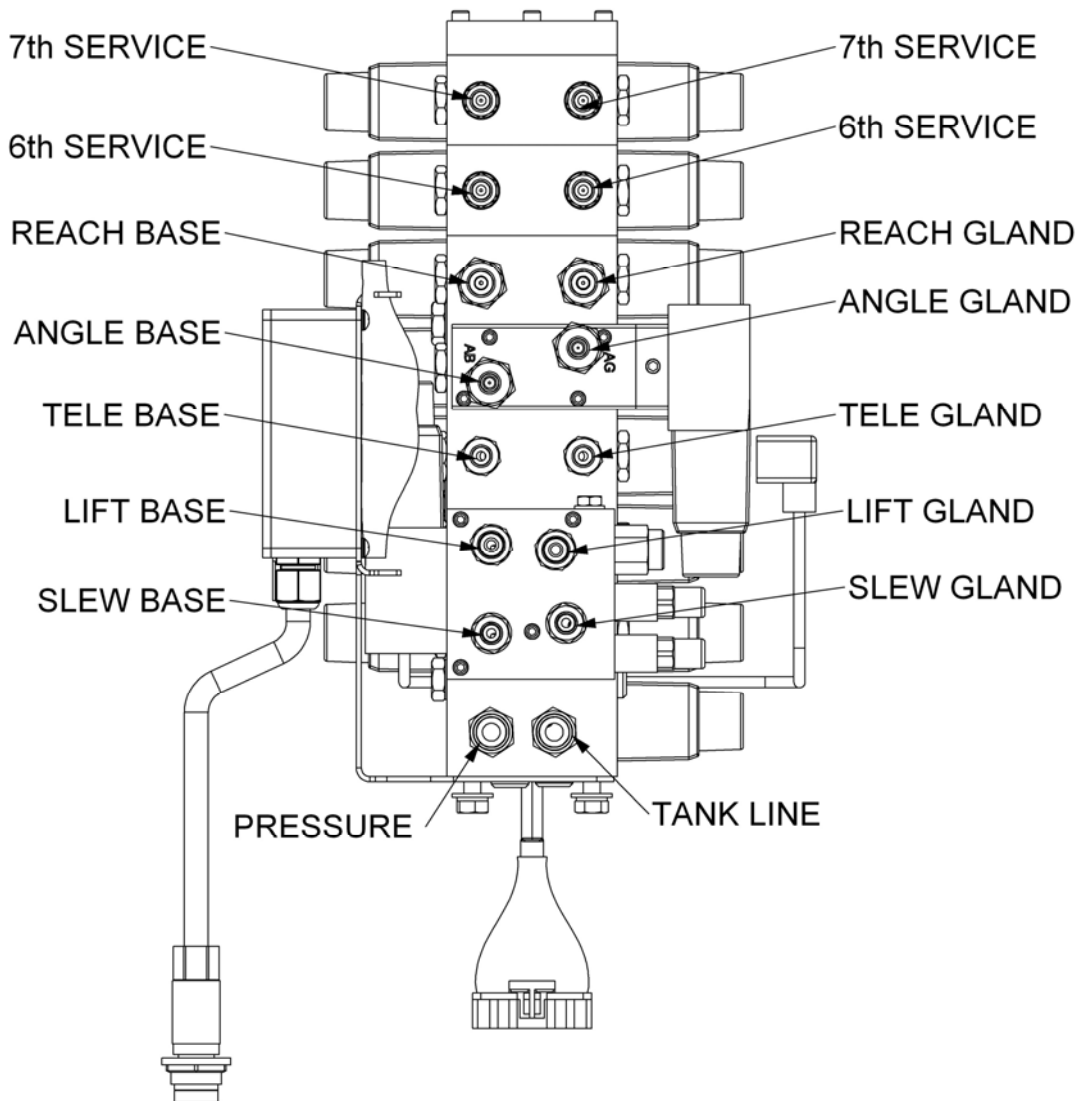


# ADAPTOR MODULE

# McCONNEL

Module(s): 22524.35

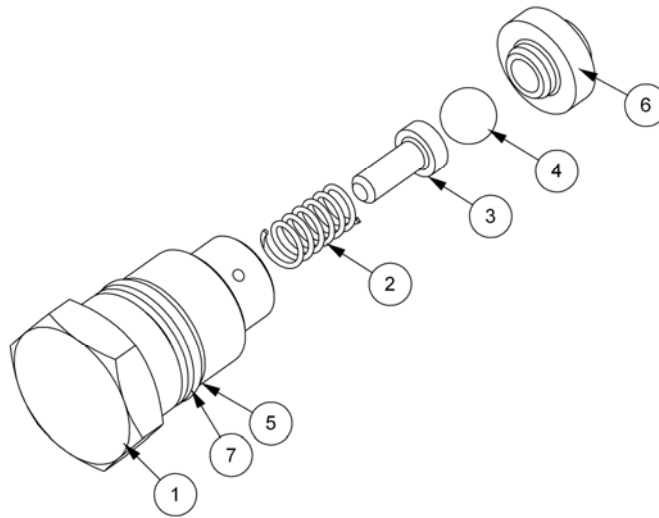
REF.	QTY.	PART No.	DESCRIPTION
		<b>22524.35</b>	<b>ADAPTORS MODULE</b>
1	1	6000112	ADAPTOR
2	3	6000113	ADAPTOR
3	6	8650103	BONDED SEAL
4	10	8650102	BONDED SEAL
5	2	8581115	ADAPTOR
6	1	8581279	ADAPTOR EXTENSION
7	1	8123111	RESTRICTOR UNION - 1.8
8	1	8123112	RESTRICTOR UNION - 2.2
9	1	8123087	RESTRICTOR UNION - 1.3
10	1	8123086	RESTRICTOR UNION - 1.15
11	2	8130037	ADAPTOR RESTRICTOR - 1.15 'S'
12	2	8130103	ADAPTOR RESTRICTOR - 0.9 'T'
13	1	8130038	ADAPTOR RESTRICTOR - 1.4 'L'
14	1	8581309	SWIVEL ADAPTOR



# CHECK VALVE ASSEMBLY

**McCONNEL**

Module(s): 8130090

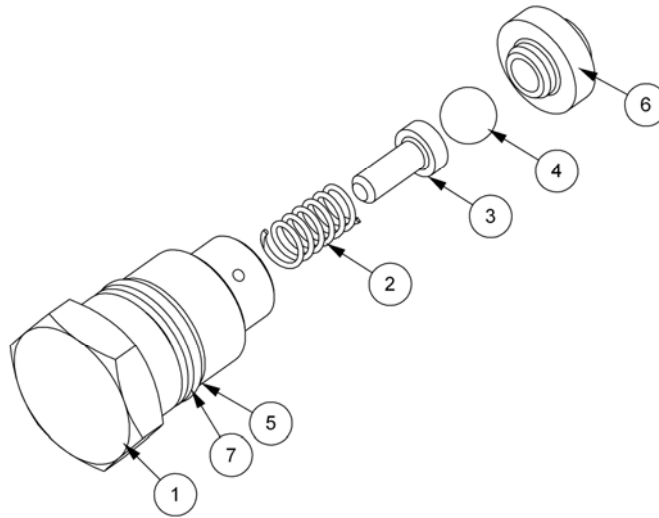


REF.	QTY.	PART No.	DESCRIPTION
		<b>8130090</b>	<b>CHECK VALVE ASSEMBLY</b>
1	1	8130025	CHECK VALVE CAP
2	1	8114045	SPRING
3	1	8130089	SPRING GUIDE
4	1	0905509	STEEL BALL
5	1	8700644	O RING
6	1	8130088	CHECK VALVE SEAT
7	1	8709644	BACK-UP RING

# CHECK VALVE ASSEMBLY

# McCONNEL

Module(s): 8130354

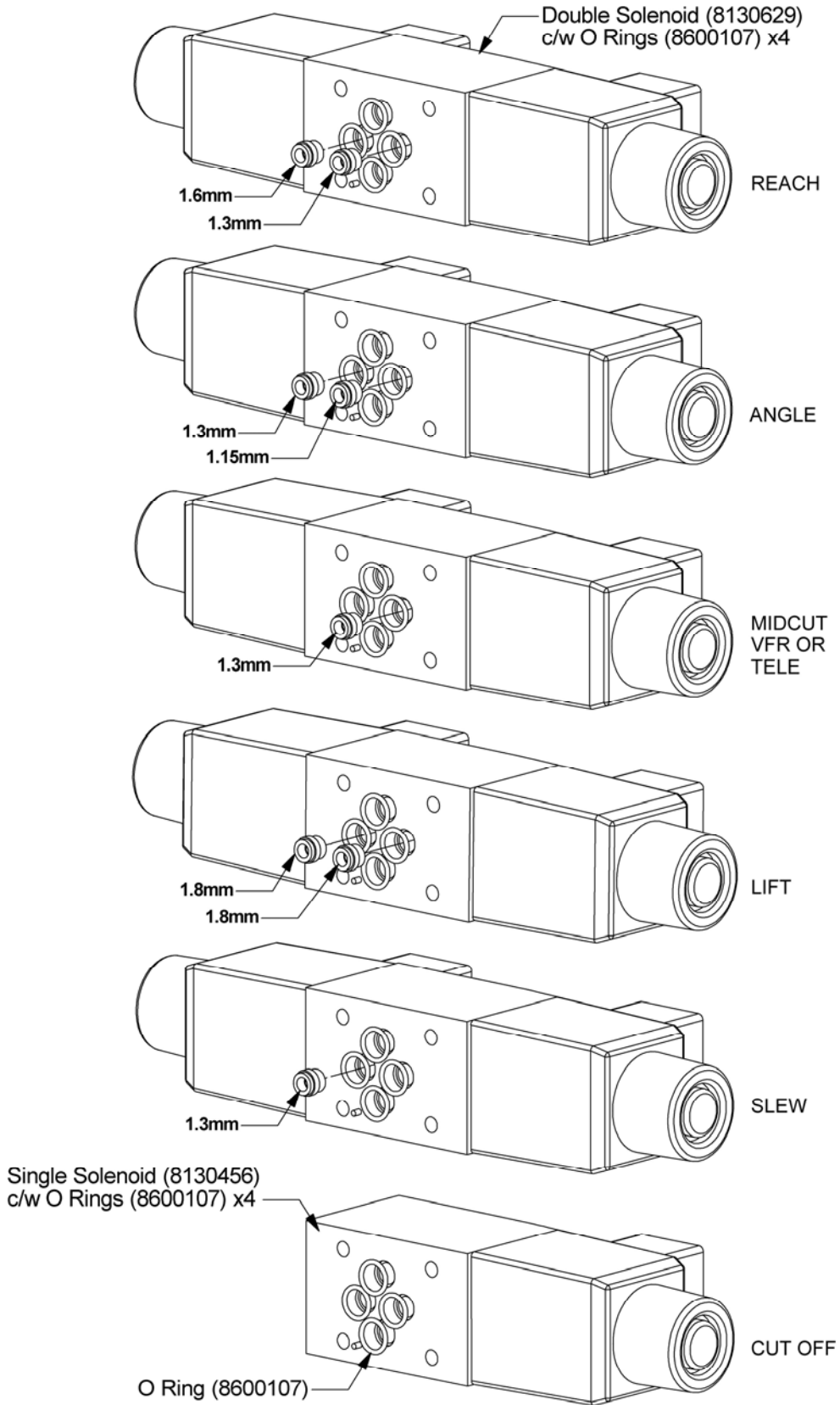


REF.	QTY.	PART No.	DESCRIPTION
		<b>8130354</b>	<b>CHECK VALVE ASSEMBLY</b>
1	1	8130209	RESTRICTED CHECK VALVE CAP
2	1	8114045	SPRING
3	1	8130089	SPRING GUIDE
4	1	0905509	STEEL BALL
5	1	8700644	O RING
6	1	8130088	CHECK VALVE SEAT
7	1	8709644	BACK-UP RING

# SOLENOID RESTRICTORS

**McCONEL**

Module(s): Electric 5 Service illustrated, refer to chart for other applications.



# SOLENOID RESTRICTORS

# McCONEL

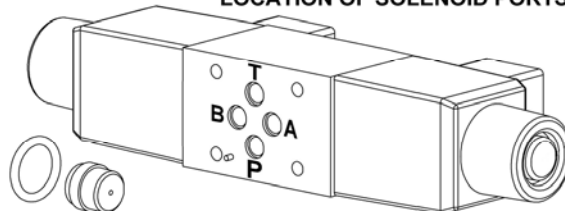
Module(s): Refer to chart below for specific applications.

## SOLENOID RESTRICTOR IDENTIFICATION AND LOCATION ON PA5600 - 7700T SERIES MACHINES

SOLENOID FUNCTION	PORT POS.	4 Service Electric	4 Service XTC Prop.	4 Service V3 Prop.	4 Service V4 Prop.	5 Service Electric	5 Service XTC Prop.	5 Service V3 Prop.	5 Service V4 Prop.	7 Service V4 Prop.
Reach	T	-	-	-	-	-	-	-	-	-
Reach	B	1.6	1.8	-	-	1.6	2.2	2.2	-	-
Reach	A	1.3	-	1.4	-	1.3	1.8	1.8	-	-
Reach	P	-	-	-	-	-	-	-	-	-
Angle	T	-	-	-	-	-	-	-	-	-
Angle	B	1.3	1.4	-	-	1.3	-	-	-	-
Angle	A	1.15	-	-	-	1.15	-	-	-	-
Angle	P	-	-	1.4	-	-	1.4	1.4	-	-
Midcut / VFR / Tele	T	n/a	n/a	n/a	n/a	-	-	-	-	-
Midcut / VFR / Tele	B	n/a	n/a	n/a	n/a	-	-	-	-	-
Midcut / VFR / Tele	A	n/a	n/a	n/a	n/a	1.3	-	-	-	-
Midcut / VFR / Tele	P	n/a	n/a	n/a	n/a	-	-	-	-	-
Lift	T	-	-	-	-	-	-	-	-	-
Lift	B	1.8	-	-	-	1.8	-	-	-	-
Lift	A	1.8	-	-	-	1.8	-	-	-	-
Lift	P	-	-	-	-	-	-	-	-	-
Slew	T	-	-	-	-	-	-	-	-	-
Slew	B	1.3	1.4	-	-	1.3	-	-	-	-
Slew	A	-	-	-	-	-	-	-	-	-
Slew	P	-	-	1.8	-	-	1.4	1.4	-	-
Cut Off	T	-	-	-	-	-	-	-	-	-
Cut Off	B	-	-	-	-	-	-	-	-	-
Cut Off	A	-	-	-	-	-	-	-	-	-
Cut Off	P	-	-	-	-	-	-	-	-	-

- 7756737 & 738 Electric Standard Arm Valves (Gear)
- 7756757 & 758 Electric Standard Arm Valves (Piston)
- 7756746 & 747 XTC Prop. Standard Arm Valves (Gear)
- 7756772 & 773 XTC Prop. Standard Arm Valves (Piston)
- 7756733 & 734 V3 Prop. Standard Arm Valves (Gear)
- 7756763 & 764 V3 Prop. Standard Arm Valves (Piston)
- 7756805 & 806 V4 Prop. Standard Arm Valves (Gear)
- 7756807 & 808 V4 Prop. Standard Arm Valves (Piston)
- 7756731 & 732 Electric Midcut / VFR / Tele Arm Valves (Gear)
- 7756761 & 762 Electric Midcut / VFR / Tele Arm Valves (Piston)
- 7756767 & 768 XTC Prop. Midcut / VFR / Tele Arm Valves (Gear)
- 7756774 & 775 XTC Prop. Midcut / VFR / Tele Arm Valves (Piston)
- 7756735 & 736 V3 Prop. Midcut / VFR / Tele Arm Valves (Gear)
- 7756759 & 760 V3 Prop. Midcut / VFR / Tele Arm Valves (Piston)
- 7756809 & 810 V4 Prop. Midcut / VFR Arm Valves (Gear)
- 7756811 & 812 V4 Prop. Midcut / VFR Arm Valves (Piston)
- 7756813 & 814 V4 Prop. Tele Arm Valves (Gear)
- 7756815 & 816 V4 Prop. Tele Arm Valves (Piston)
- 7756817 V4 7 Service Valve (Gear)

### LOCATION OF SOLENOID PORTS



When replacing restrictors ensure that the restrictor's aperture is located innermost in the solenoid block and that O rings (Part No 8600107) are located and seated correctly in each of the 4 ports of the block. This task must always be performed in a clean dust free environment.

### Restrictor Part Numbers

<b>42989.03</b>	<b>1.15mm</b>	<b>42989.07</b>	<b>1.6mm</b>
<b>42989.04</b>	<b>1.3mm</b>	<b>42989.08</b>	<b>1.8mm</b>
<b>42989.05</b>	<b>1.4mm</b>	<b>42989.09</b>	<b>2.2mm</b>

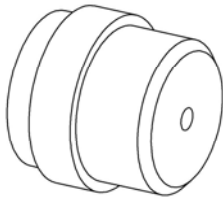
**NOTE:**  
V4 Control Valves are fitted with restricted adaptors and therefore do not require solenoid restriction.



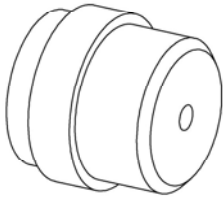
## RESTRICTOR PART NUMBERS

**McCONEL**

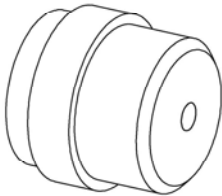
Module(s):



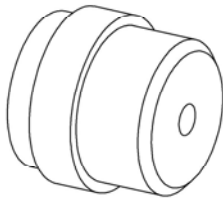
1.15mm Restrictor - Part No.42989.03



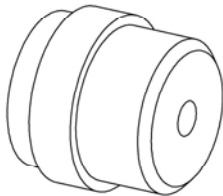
1.3mm Restrictor - Part No.42989.04



1.4mm Restrictor - Part No.42989.05



1.6mm Restrictor - Part No.42989.07



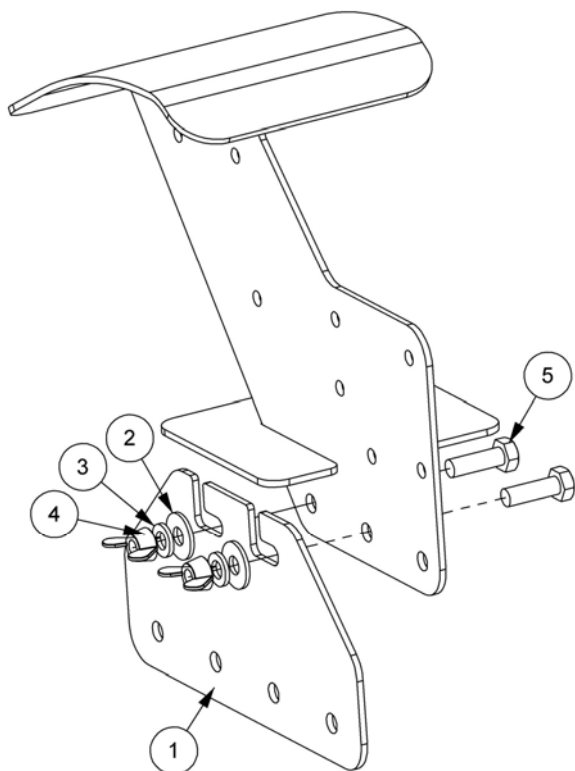
1.8mm Restrictor - Part No.42989.08

When replacing restrictors ensure that the restrictor aperture is located innermost in the solenoid block. This task should always be performed in a clean dust free environment.

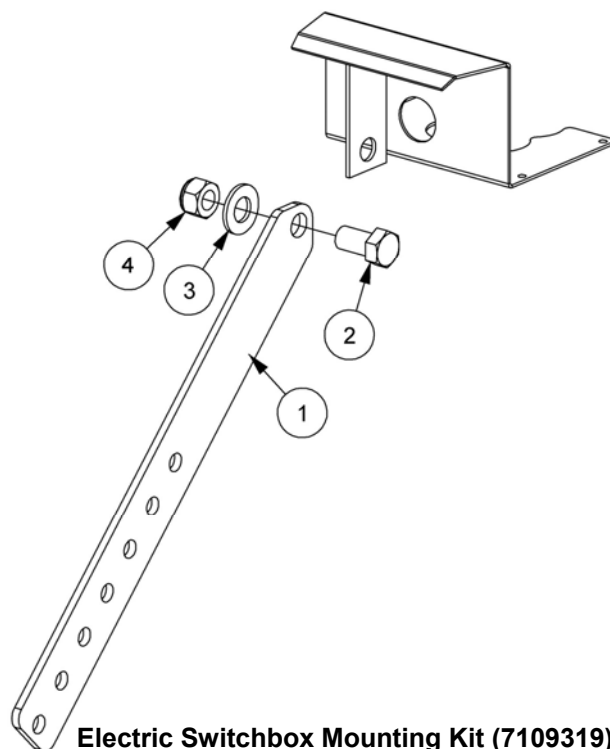
# CONTROL UNIT MOUNTING KITS

**McCONNEL**

Module(s): 7109319, 7313282



**Cable Control Mounting Kit (7313282)**



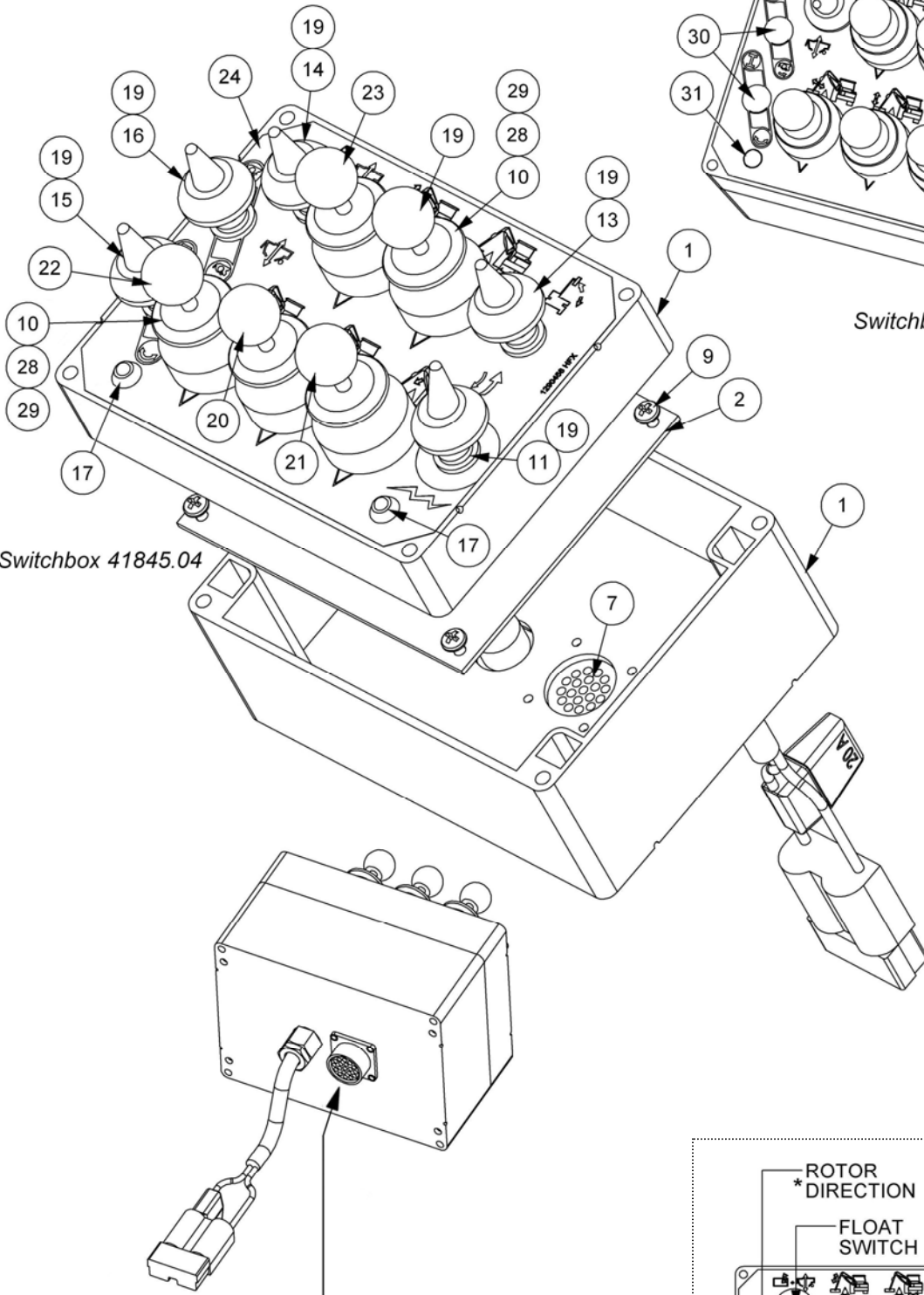
**Electric Switchbox Mounting Kit (7109319)**

REF.	QTY.	PART No.	DESCRIPTION
		<b>7313282</b>	<b>CABLE CONTROL MOUNTING KIT</b>
1	1	42491.01	CAB MOUNTING BRACKET
2	2	9100104	FLAT WASHER
3	2	9100204	SPRING WASHER
4	2	9193004	WING NUT
5	2	9313054	SETSCREW
		<b>7109319</b>	<b>ELECTRIC SWITCHBOX MOUNTING KIT</b>
1	1	7109146	CONTROL MOUNTING PILLAR
2	1	9313067	SETSCREW
3	1	0100106	FLAT WASHER
4	1	9163007	NYLOC NUT

# SWITCHBOX CONTROLS – 5 LEVER

**McCONEL**

Module(s): 41845.03 (Cable RCV), 41845.04 (Electric RCV)



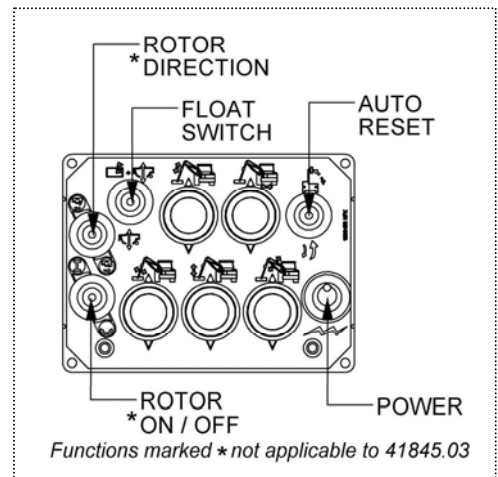
Switchbox 41845.03

Switchbox 41845.04

- A - COMMON
- B - REACH IN
- C - REACH OUT
- D - LIFT UP
- E - LIFT DOWN
- F - COMMON
- G - TELE IN
- H - TELE OUT
- J - ANGLE DOWN
- K - ANGLE UP



- L - SLEW OUT
- M - SLEW IN
- N - COMMON
- P - ANGLE FLOAT
- R - LIFT FLOAT
- S - PUMP 1
- T - PUMP 2
- U - AUTO RESET
- V - CUT OFF



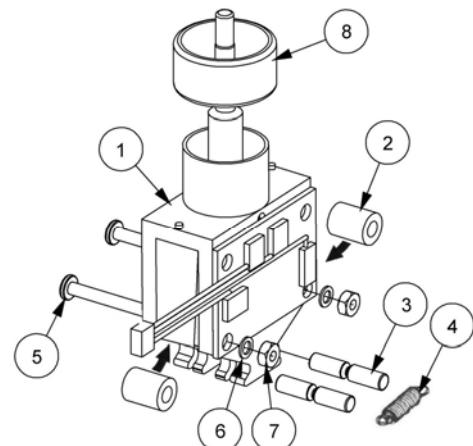
# SWITCHBOX CONTROLS – 5 LEVER

# McCONNEL

Module(s): 41845.03 (Cable RCV), 41845.04 (Electric RCV)

REF.	QTY.	PART No.	DESCRIPTION
		<b>41845.03</b>	<b>SWITCHBOX CONTROLS - 5 LEVER (C/RCV)</b>
		<b>41845.04</b>	<b>SWITCHBOX CONTROLS - 5 LEVER (E/RCV)</b>
1	1	41845.31	BOX & LID C/W SCREWS
2	1	41845.33	CIRCUIT BOARD
3	5	41845.34	LOOM (SWITCH UNIT)
4	1	41845.36	LOOM (PUMP CONTROL) - <i>41845.04 only</i>
5	1	41845.37	LOOM (FLOAT SWITCH)
6	1	8402232	POWER HARNESS
7	1	8402189	PANEL MOUNTING SHELL
8	19	8402192	SOCKET CONTACT
9	4	2800203	SCREW
10	5	8402133	SWITCH UNIT
11	1	8402023	SWITCH (POWER ON/OFF)
12	1	8402182	SWITCH (AUTO RESET)
13	1	8402197	SWITCH (FLOAT SELECTION)
14	1	8402173	SWITCH (ROTOR ON/OFF) - <i>41845.04 only</i>
15	1	8402185	SWITCH (ROTOR DIRECTION) - <i>41845.04 only</i>
16	1	8402025	DIODE
17	2	41845.41	LED - <i>Qty 1 on 41845.03</i>
18	5	8402024	SWITCH COVER
19	1	8402056	KNOB - BLACK
20	1	8402027	KNOB - GREEN
21	1	8402028	KNOB - YELLOW
22	1	8402026	KNOB - RED
23	1	8402198	KNOB - BLUE
24	1	1290458	DECAL - SWITCHBOX (5 LEVER)
25	4	8402299	POWER CONTACT
26	2	8402230	RED CONTACTS HOUSING
27	1	43034.02	20 AMP BLADE FUSE
28	5	8402286	RUBBER BOOT (INTERNAL PROTECTOR)
29	5	8402022	LEVER GAITER
30	2	41845.38	BLANKING PLUG - <i>41845.03 only</i>
31	1	41845.40	BLANKING PLUG - <i>41845.03 only</i>

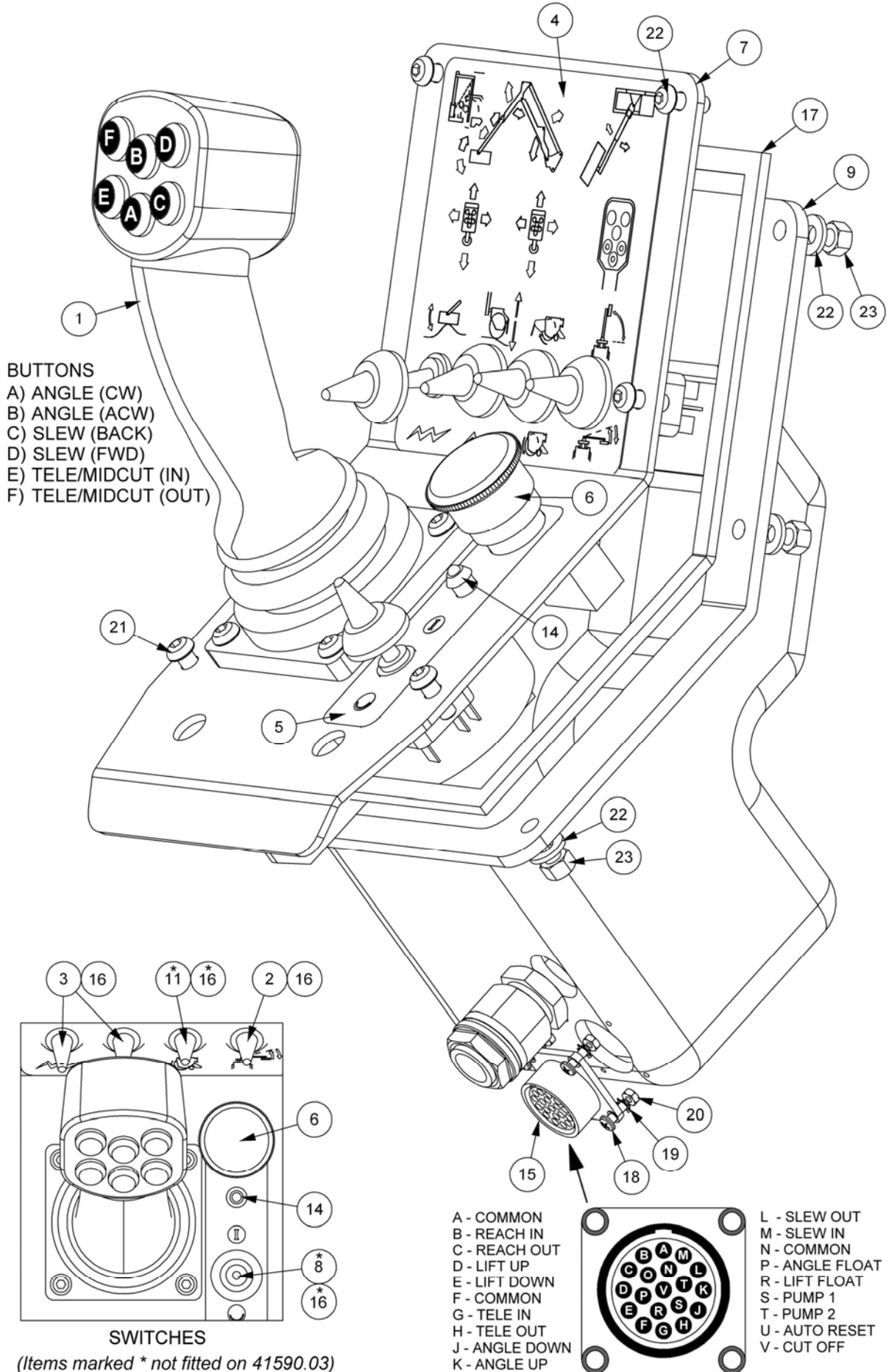
REF.	QTY.	PART No.	DESCRIPTION
1		<b>8402133</b>	<b>SWITCH BODY / LEVER / CIRCUITBOARD</b> <i>c/w:</i>
2		8402334	SPACER
3		8402111	BAR
4		8402101	SPRING
5		9200006	SCREW
6		8402120	PLAIN WASHER
7		9113000	NUT
8		8402051	BEZEL RING



# MONOLEVER CONTROLS (5 FUNCTION)

# McCONEL

Module(s): 41590.03 (Cable RCV), 41590.05 (Electric RCV)





**MONOLEVER CONTROLS (5 FUNCTION)**

**McCONNEL**

Module(s): 41590.03 (Cable RCV), 41590.05 (Electric RCV)

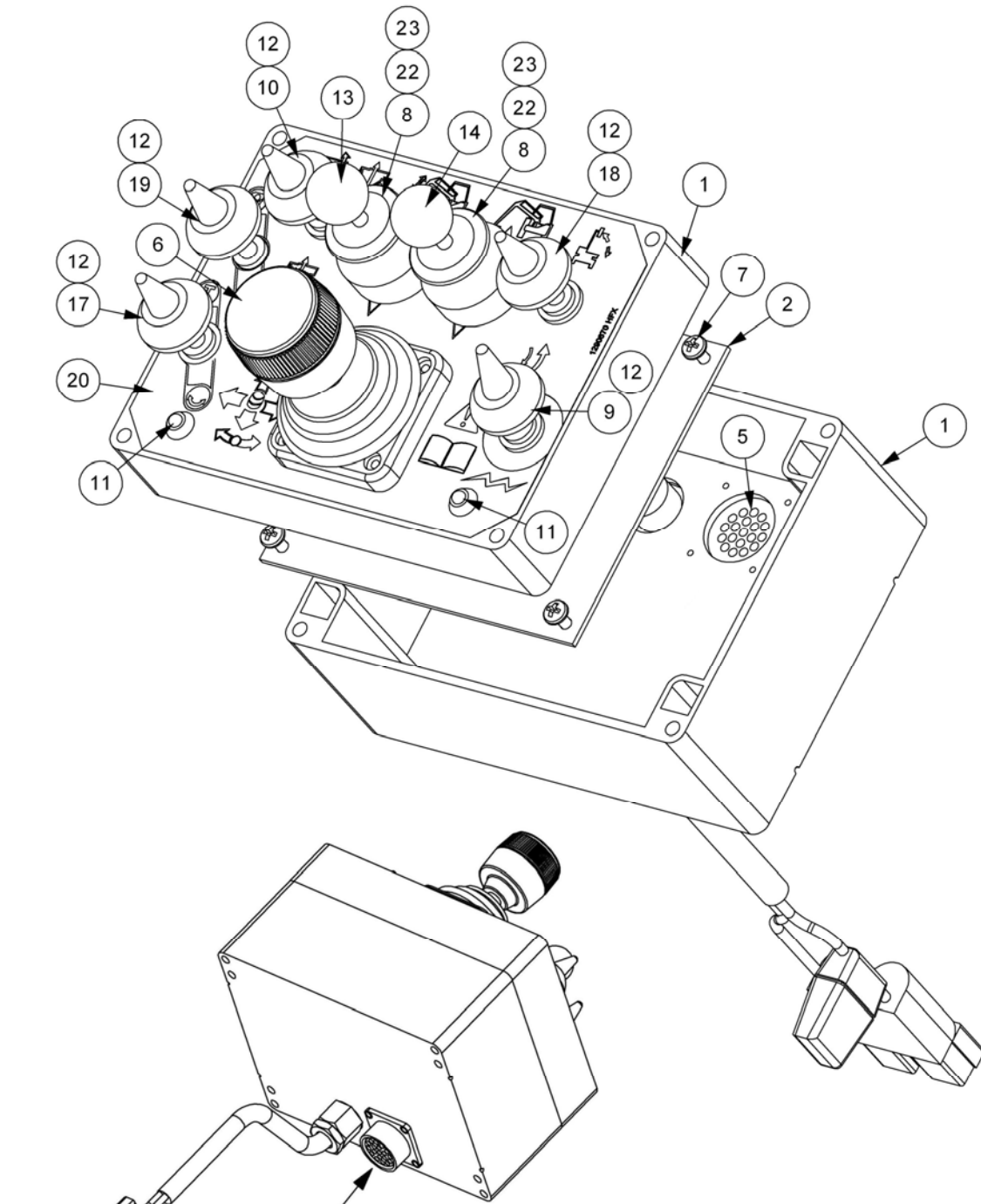
REF.	QTY.	PART No.	DESCRIPTION
		<b>41590.03</b>	<b>JOYSTICK CONTROLS - 5 FUNCTION (C/RCV)</b>
		<b>41590.05</b>	<b>JOYSTICK CONTROLS - 5 FUNCTION (E/RCV)</b>
1	1	41590.33	JOYSTICK (B/B) - 6 BUTTON
		8402203	CONTROL BUTTON ( <i>Replacement</i> )
2	1	8402182	SWITCH (AUTO RESET)
3	2	8402023	TOGGLE SWITCH (FLOAT SELECTION)
4	1	1290451	CONTROL STICKER
5	1	1290080	POWER STICKER
6	1	8402184	POWER / EMERGENCY STOP BUTTON
7	1	7550339	TOP PLATE
8	1	8402173	SWITCH (ROTOR ON/OFF) - <i>n/a on 41590.03</i>
9	1	7550300	COVER POD
10	4	8402299	POWER CONTACT
11	1	8402185	SWITCH (ROTOR DIRECTION) - <i>n/a on 41590.03</i>
12	2	8402230	RED HOUSING
13	1	43034.02	20 AMP BLADE FUSE
14	1	41845.41	LED
15	1	8402189	PANEL MOUNTING SHELL
16	5	8402024	SWITCH WEATHER COVER ( <i>Qty 3 on 41590.03</i> )
17	1	7290052	SEALING STRIP ( <i>Cut to suit</i> )
18	4	9200007	SCREW
19	4	9100400	SHAKEPROOF WASHER
20	4	9113000	NUT
21	6	9300125	BUTTON HEAD CAPSCREW
22	6	9100103	FLAT WASHER
23	6	9143003	SELF-LOCKING NUT



# XTC Mk1 PROPORTIONAL CONTROLS

**McCONEL**

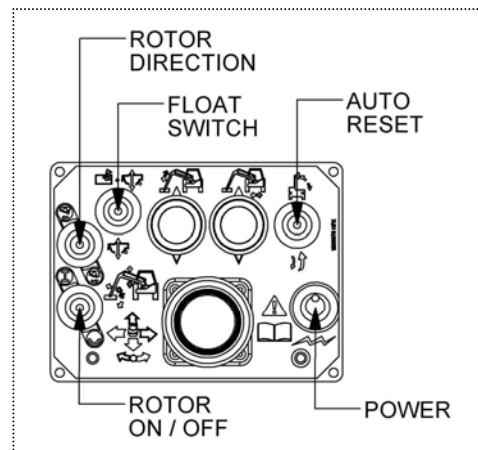
Module(s): 8402395



- A - COMMON
- B - REACH IN
- C - REACH OUT
- D - LIFT UP
- E - LIFT DOWN
- F - COMMON
- G - TELE IN
- H - TELE OUT
- J - ANGLE DOWN
- K - ANGLE UP



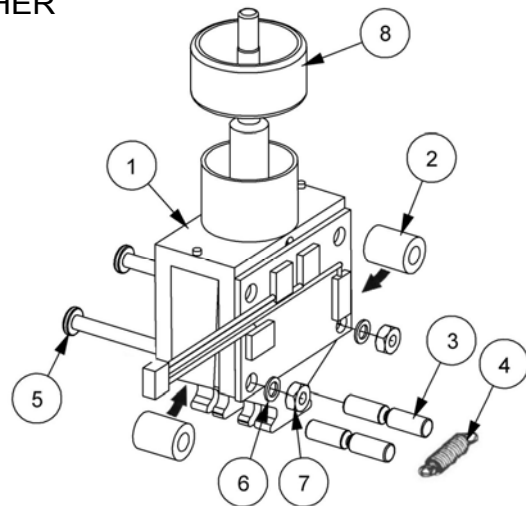
- L - SLEW OUT
- M - SLEW IN
- N - COMMON
- P - ANGLE FLOAT
- R - LIFT FLOAT
- S - PUMP 1
- T - PUMP 2
- U - AUTO RESET
- V - CUT OFF

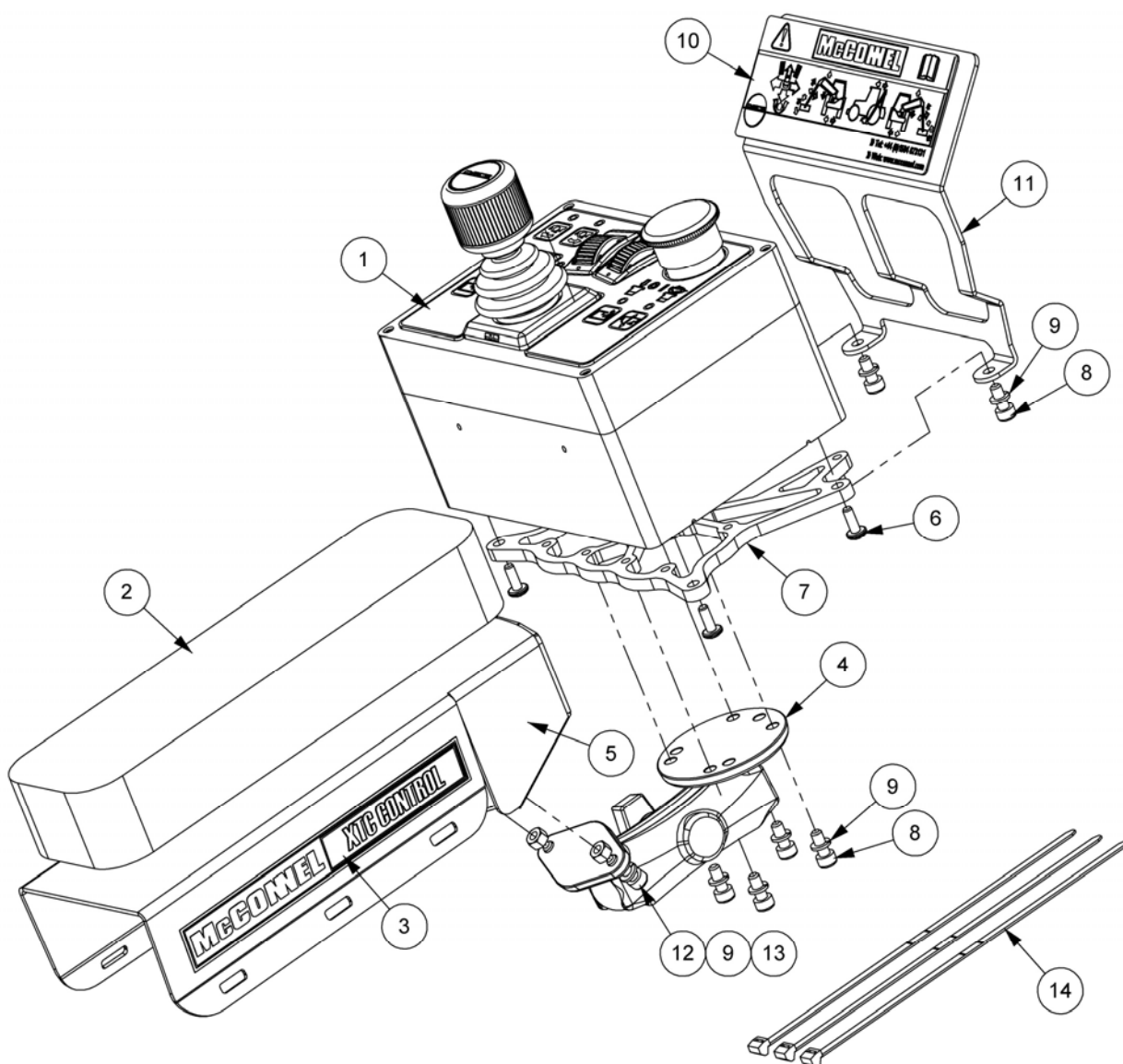


Module(s): 8402395

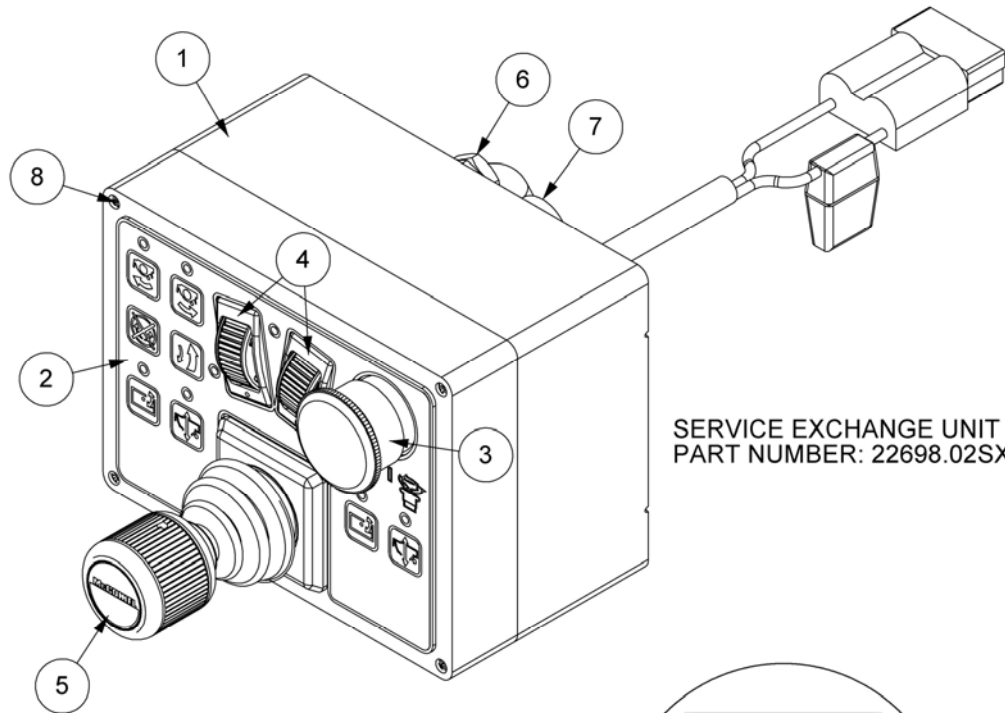
REF.	QTY.	PART No.	DESCRIPTION
		<b>8402395</b>	<b>XTC PROP. SWITCHBOX CONTROLS</b>
1	1	41845.30	XTC ENCLOSURE
2	1	41845.47	CIRCUIT BOARD
3	2	41845.34	LOOM (SWITCH UNIT)
4	1	41845.37	LOOM (FLOAT SWITCH)
5	1	8402189	PANEL MOUNTING SHELL
6	1	8402246	JOYSTICK (3 AXIS)
7	4	2800203	SCREW
8	2	8402133	SWITCH UNIT
9	1	8402023	SWITCH (POWER ON/OFF)
10	1	8402197	SWITCH (FLOAT SELECTION)
11	2	41845.41	LED
12	5	8402024	SWITCH WEATHER COVER
13	1	8402198	KNOB - BLUE
14	1	8402056	KNOB - BLACK
15	1	8402237	LOOM POWER SUPPLY
16	19	8402192	SOCKET CONTACT
17	1	8402173	SWITCH (ROTOR ON/OFF)
18	1	8402182	SWITCH (AUTO RESET)
19	1	8402185	SWITCH (ROTOR DIRECTION)
20	1	1290670	DECAL - PROP SWITCHBOX
21	1	41845.36	LOOM (PUMP CONTROL)
22	2	8402022	LEVER GAITER
23	2	8402286	RUBBER BOOT (INTERNAL PROTECTOR)

REF.	QTY.	PART No.	DESCRIPTION
1		<b>8402133</b>	<b>SWITCH BODY / LEVER / CIRCUITBOARD <i>c/w:</i></b>
2		8402334	SPACER
3		8402111	BAR
4		8402101	SPRING
5		9200006	SCREW
6		8402120	PLAIN WASHER
7		9113000	NUT
8		8402051	BEZEL RING



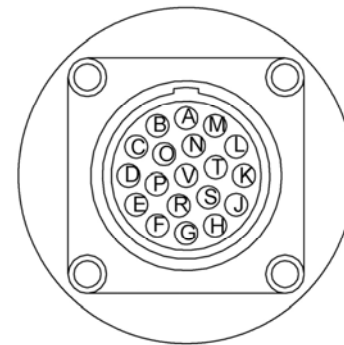


REF.	QTY.	PART No.	DESCRIPTION
		<b>22698.04</b>	<b>XTC Mk2 PROPORTIONAL CONTROLS</b>
1	1	22698.02	XTC CONTROLS 5 SERVICE
2	1	22073.45	ARMREST FOAM
3	2	1290847	DECAL - XTC CONTROL
4	1	22073.08	SCREEN MOUNT
5	1	22698.12	XTC ARMREST
6	4	2800243	SELF TAPPING SCREW
7	1	22698.41	XTC MOUNTING PLATE
8	6	9343022	CAPSCREW
9	8	9100202	SPRING WASHER
10	1	1290848	DECAL - XTC OPERATIONS
11	1	22698.42	DECAL MOUNTING PLATE
12	2	9343032	CAPSCREW
13	2	05.287.09	CLEVELOC
14	3	7135084	CABLE TIE



SERVICE EXCHANGE UNIT  
PART NUMBER: 22698.02SX

- |   |            |   |             |
|---|------------|---|-------------|
| A | COMMON     | L | SLEW OUT    |
| B | REACH IN   | M | SLEW IN     |
| C | REACH OUT  | N | COMMON      |
| D | LIFT UP    | P | ANGLE FLOAT |
| E | LIFT DOWN  | R | LIFT FLOAT  |
| F | COMMON     | S | PUMP 1      |
| G | TELE IN    | T | PUMP 2      |
| H | TELE OUT   | U | AUTO RESET  |
| J | ANGLE DOWN | V | CUT OFF     |
| K | ANGLE UP   |   |             |

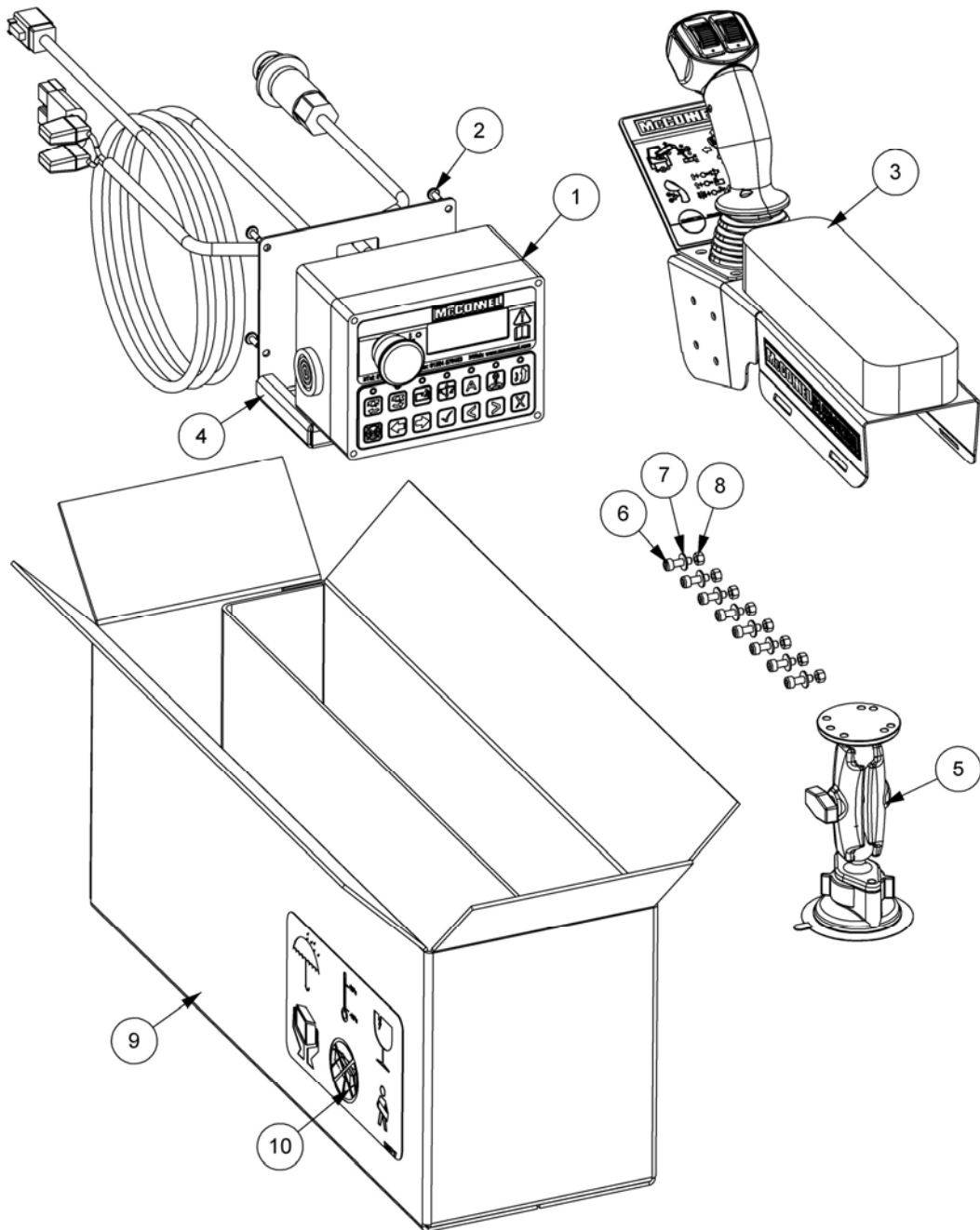


REF.	QTY.	PART No.	DESCRIPTION
		<b>22698.02</b>	<b>XTC Mk2 CONTROL UNIT</b>
1	1	22698.10	XTC ENCLOSURE
2	1	22698.32	XTC 5 SERVICE KEYPAD
3	1	41786.33	SWITCH E/STOP
4	2	22698.35	XTC THUMB WHEEL
5	1	22698.46	JOYSTICK
6	1	8402149	GLAND
7	1	8402189	PANEL MOUNTING SHELL
8	1	22698.43	TURN FASTNER (PACK OF 4)

# V4 PROPORTIONAL CONTROLS

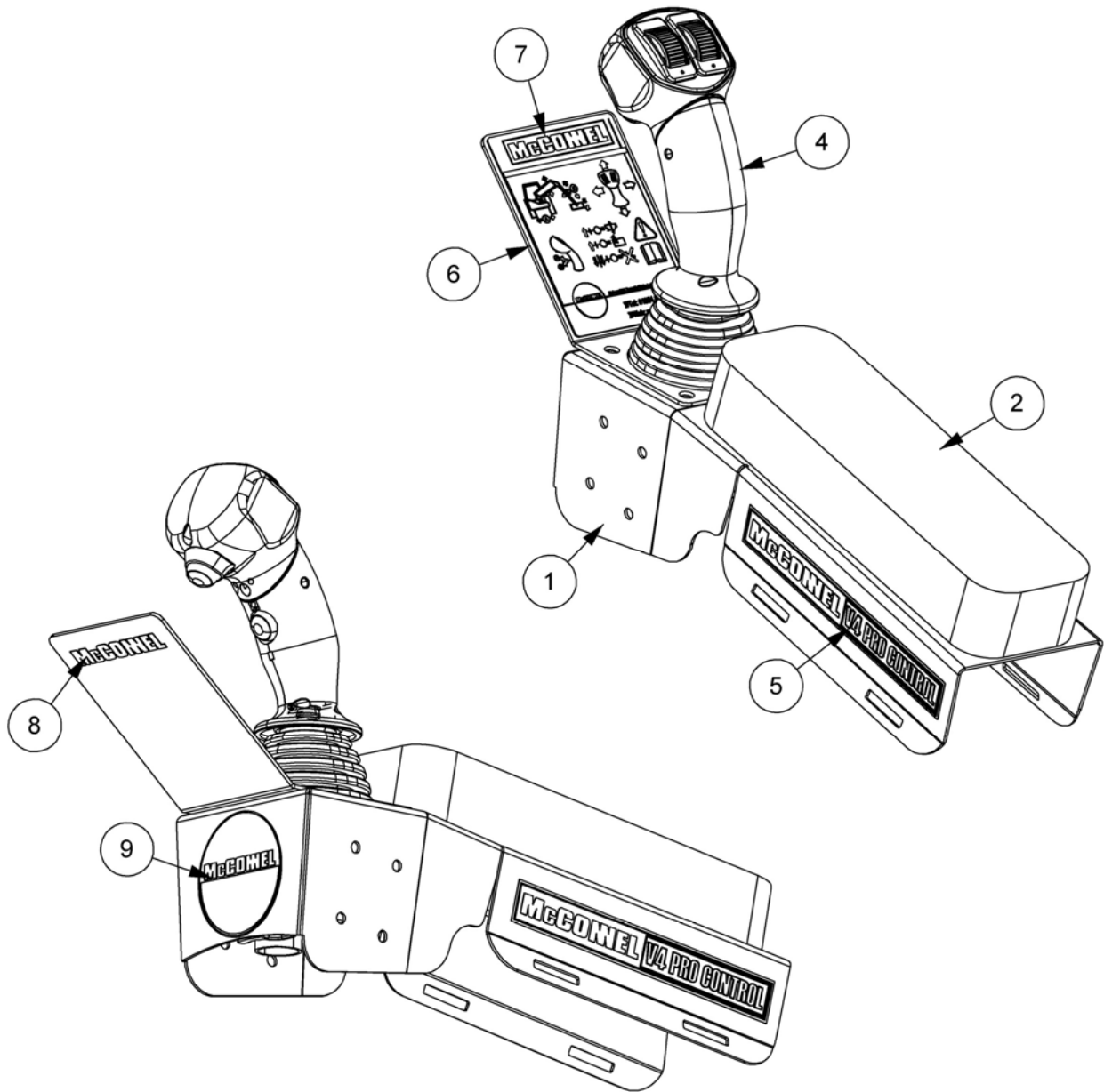
**McCONEL**

Module(s): 22073.01



REF.	QTY.	PART No.	DESCRIPTION
		<b>22073.01</b>	<b>V4 CONTROLS WITH JC6000</b>
1	1	22073.14	V4 CONTROL BOX (MK2)
2	4	2800243	SELF TAPPING SCREW
3	1	22073.03	V4 JOYSTICK ARMREST ASSEMBLY
4	1	22073.58	SCREEN MOUNT
5	1	22073.09	V4 SCREEN MOUNT KIT
6	8	9343032	CAPSCREW
7	8	9100102	FLAT WASHER
8	8	9143002	SELF-LOCKING NUT
9	1	8402700	WATER PROOF CARDBOARD BOX
10	1	1290717	BOX DECAL





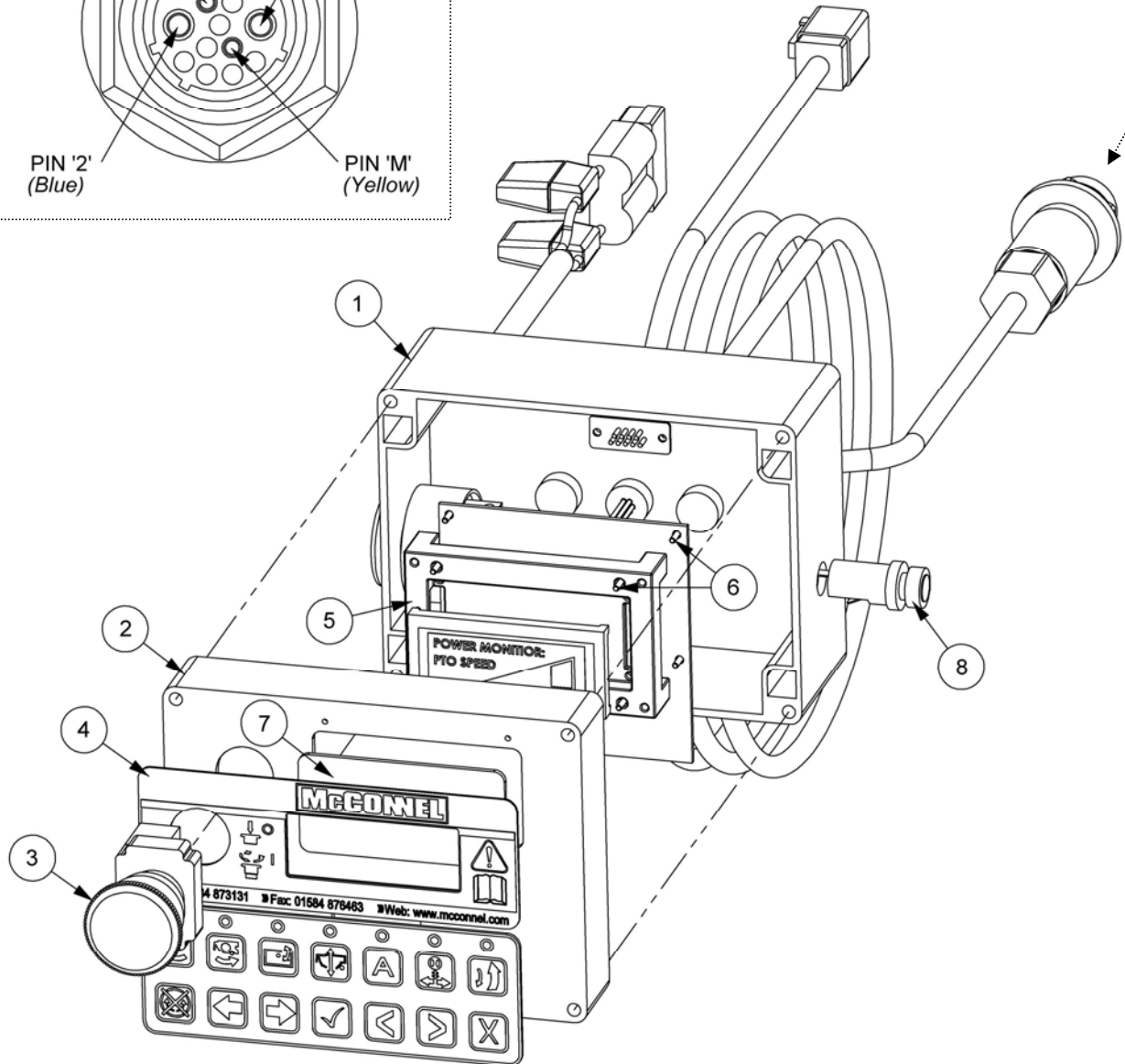
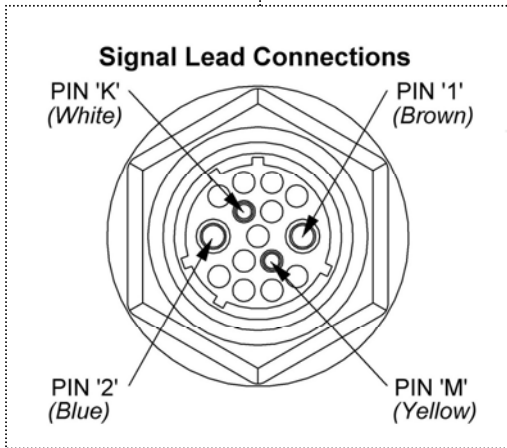
REF.	QTY.	PART No.	DESCRIPTION
		<b>22073.03</b>	<b>V4 JOYSTICK ARMREST ASSEMBLY</b>
1	1	22073.44	JOYSTICK ARMREST MOUNT
2	1	22073.45	ARM REST FOAM
3	2	7106187	NYLON STRAP <i>(Not Illustrated)</i>
4	1	22073.16	JOYSTICK c/w THUMB SWITCHES
5	2	1290740	DECAL - V4 PRO CONTROL
6	1	22073.59	DECAL MOUNT
7	1	1290739	DECAL - V4 OPERATIONS
8	1	1290741	DECAL - McCONNEL
9	1	1290742	DECAL - McCONNEL ROUNDEL



# V4 PROPORTIONAL CONTROL BOX (Mk2)

**McCONNEL**

Module(s): 22073.14

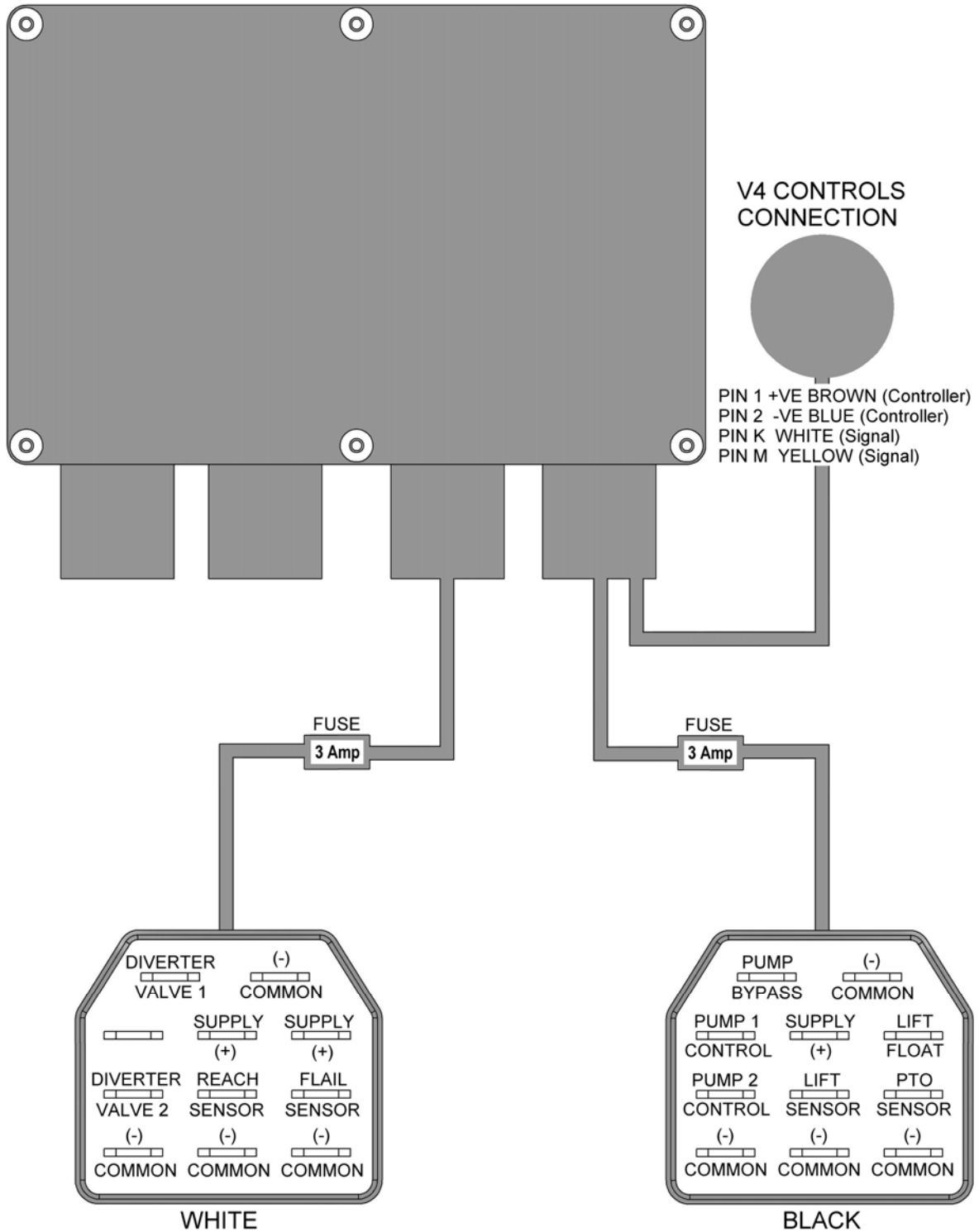


REF.	QTY.	PART No.	DESCRIPTION
		<b>22073.14</b>	<b>V4 CONTROL BOX ASSEMBLY (Mk2)</b>
1	1	22073.62	V4 CONTROL BOX
2	1	22073.32	BOX LID
3	1	41786.33	SWITCH / EMERGENCY STOP
4	1	22073.35	V4 DECAL
5	1	22073.39	V4 SCREEN MOUNT
6	8	22073.42	SELF-TAPPING SCREW
7	1	22073.40	SCREEN COVER
8	1	22073.41	FUSE HOLDER - BAYONET CAP (10A)

# V4 ACB CONTROLLER (Mk2)

**McCONNEL**

Module(s): 21164.07



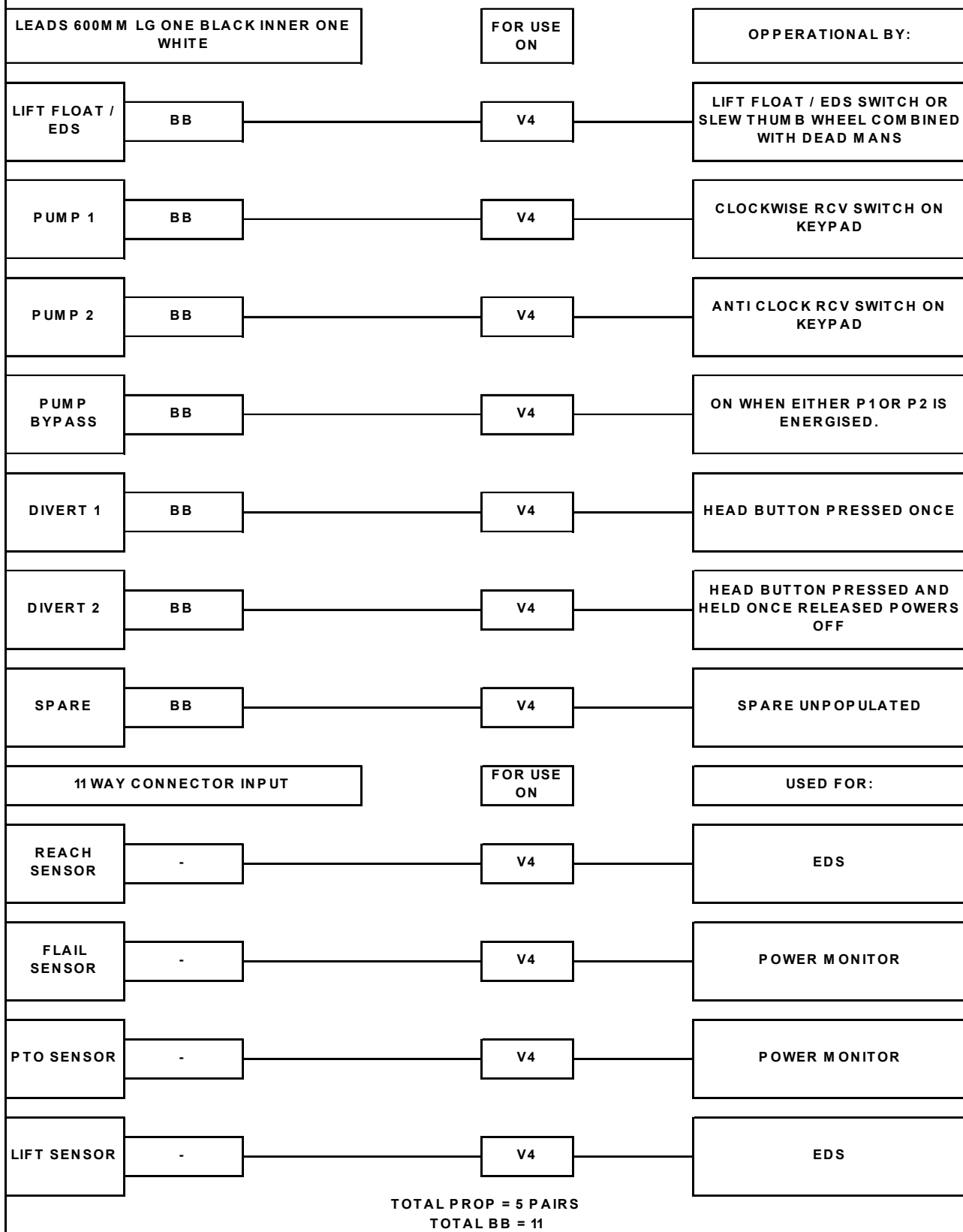
Module(s):

**HIRSCHMANN CONNECTOR BB OR PROP**

GRAY	TYPE AND LEAD LENGTH	BLACK	FOR USE ON	OPERATIONAL BY:
REACH	PROP 600LG	REACH	V4	JOYSTICK LEFT AND RIGHT
ANGLE	PROP 550LG	ANGLE	V4	LEFT THUMB WHEEL
TELE/MID	PROP 500LG	TELE/MID	V4	RIGHT THUMB WHEEL AFTER SLEW TELE SWAP ACTIVE
LIFT	PROP 450LG	LIFT	V4	JOYSTICK FORWARD AND BACKWARDS
SLEW	PROP 400LG	SLEW	V4	RIGHTHAND THUMB WHEEL
ANGLE FLOAT	BB 350LG	ANGLE FLOAT	ECON	OPERATES FROM ANGLE FLOAT SWITCH AND ANGLE ROCKER COMBINED WITH DEAD MANS
SPARE	PROP	SPARE	V4	SPARE UNPOPULATED
SPARE	PROP	SPARE	V4	SPARE UNPOPULATED
CUT OFF	BB 600LG		V4	COPERATES WHEN ANY VALVE SERVICE IS ACTIVATED
AUTO RESET	BB 500LG		V4	OPERATES FROM AUTO RESET ON KEYPAD
LIFT CHECK VALVE	BB 550LG		ECON	OPERATES WHEN LIFT SERVICE IS ACTIVATED
ANGLE FLOAT	BB 550LG		V4	OPERATES FROM ANGLE FLOAT SWITCH AND ANGLE ROCKER COMBINED WITH DEAD MANS

Module(s):

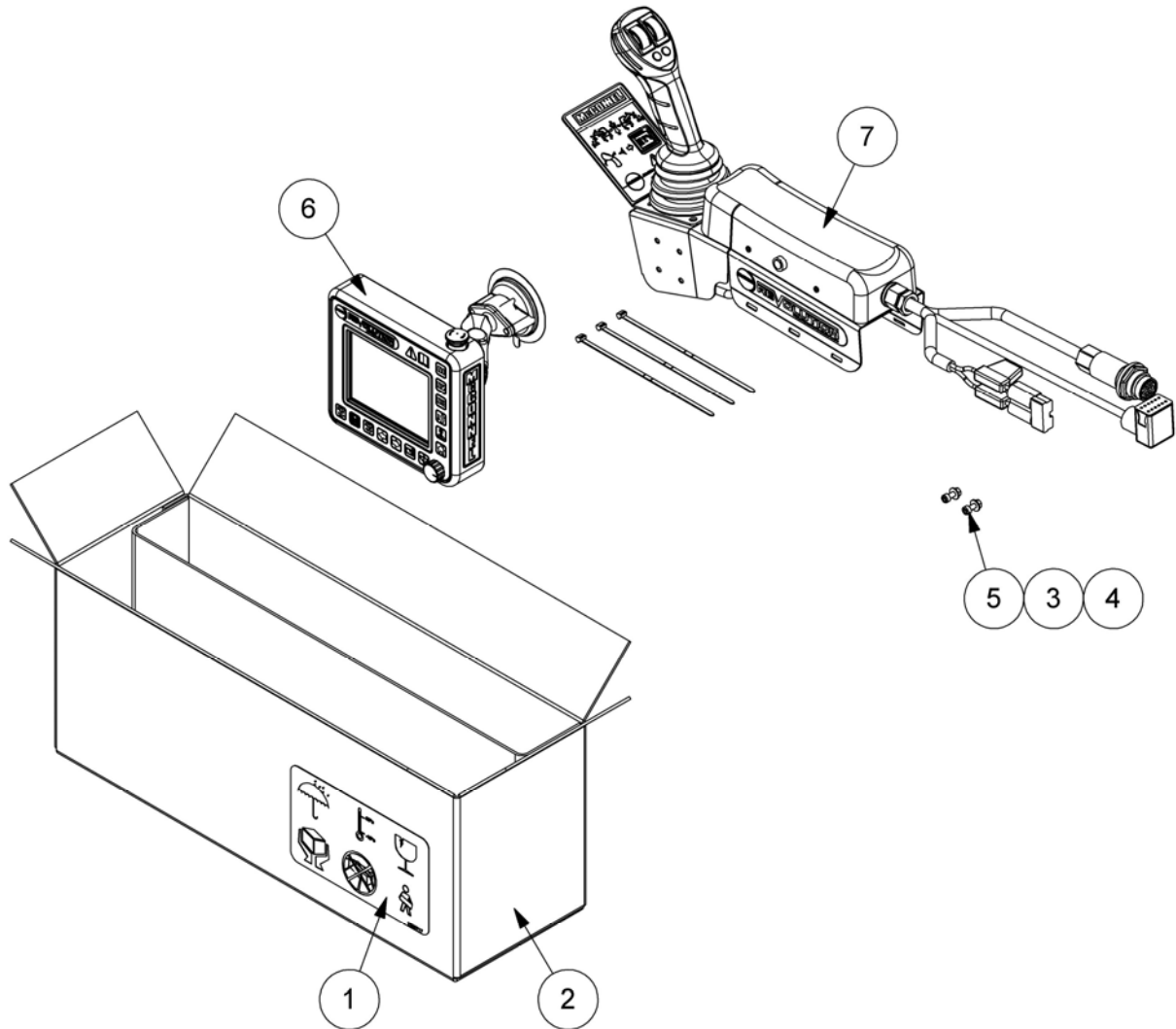
**11 WAY CONNECTOR OUTPUTS BB**



Module(s):

*This page is intentionally blank*

Module(s): 22945.01



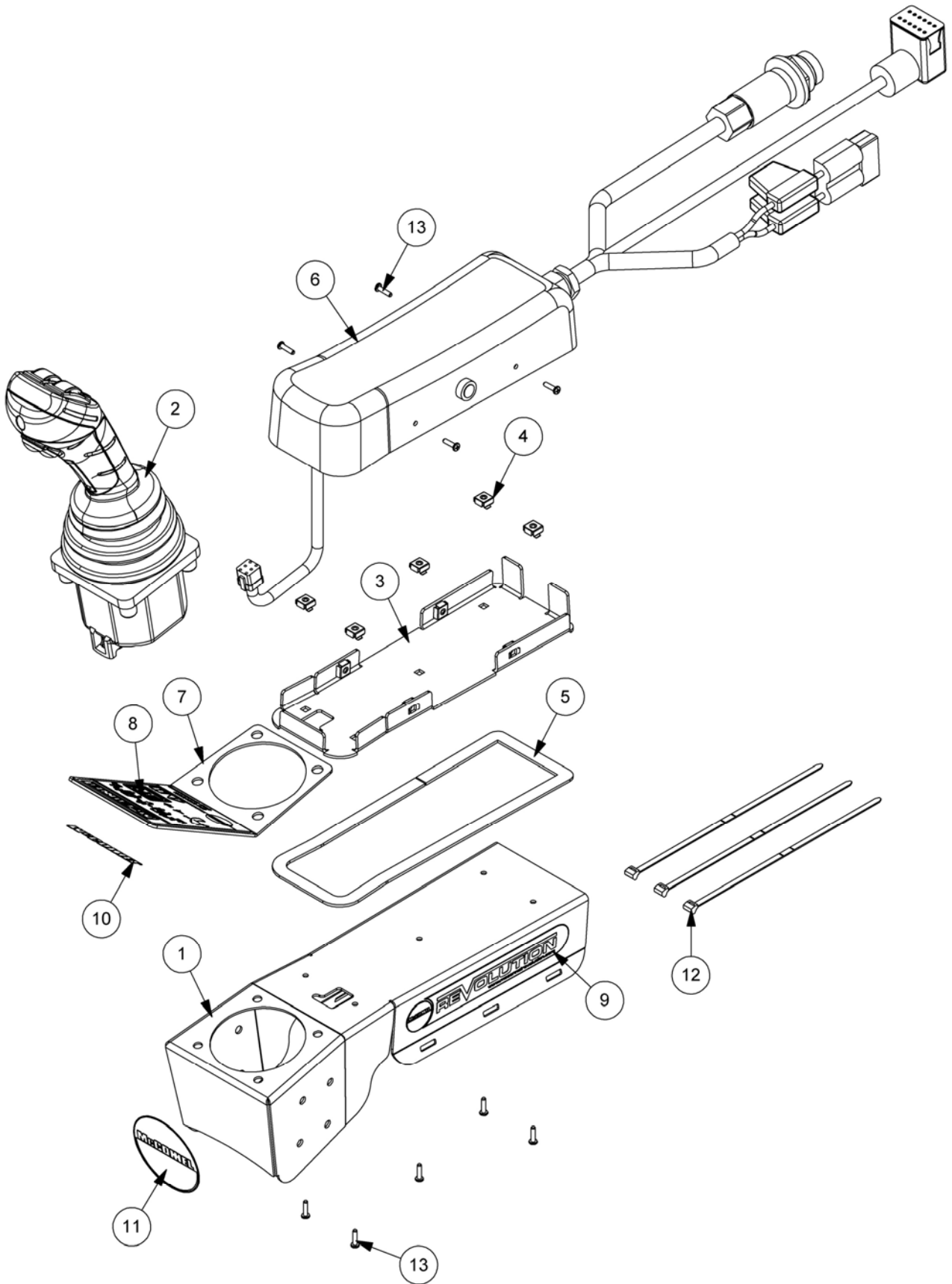
REF.	QTY.	PART No.	DESCRIPTION
		<b>22945.01</b>	<b>REVOLUTION PROPORTIONAL CONTROLS</b>
1	1	1290717	BOX DECAL
2	1	8402700	WATER PROOF CARDBOARD BOX
3	2	9100102	FLAT WASHER
4	2	05.287.09	LOCKNUT
5	2	9343032	CAPSCREW
6	1	22991.1	REVOLUTION SCREEN
7	1	22991.12	ARMREST ASSEMBLY



# REVOLUTION ARMREST ASSEMBLY

**McCONEL**

Module(s): 22991.12



REVOLUTION ARMREST ASSEMBLY

**McCONNEL**

Module(s): 22991.12

REF.	QTY.	PART No.	DESCRIPTION
		<b>22991.12</b>	<b>REVOLUTION ARMREST ASSEMBLY</b>
1	1	22991.64	ARMREST PRESSING
2	1	22991.30	JOYSTICK
3	1	22991.63	ARMREST BASE PLATE
4	9	22991.62	CAGED NUT
5	1	22991.55	FOAM STRIP
6	1	22991.11	MOULDED ARMREST
7	1	22073.59	DECAL MOUNT
8	1	1290931	OPERATIONS DECAL
9	2	1290932	DECAL - McCONNEL ARMREST
10	1	1290741	DECAL - McCONNEL
11	1	1290742	DECAL - McCONNEL ROUNDEL
12	3	7135084	CABLE TIE
13	9	9200064	POZI DRIVE

Module(s): Refer to parts list

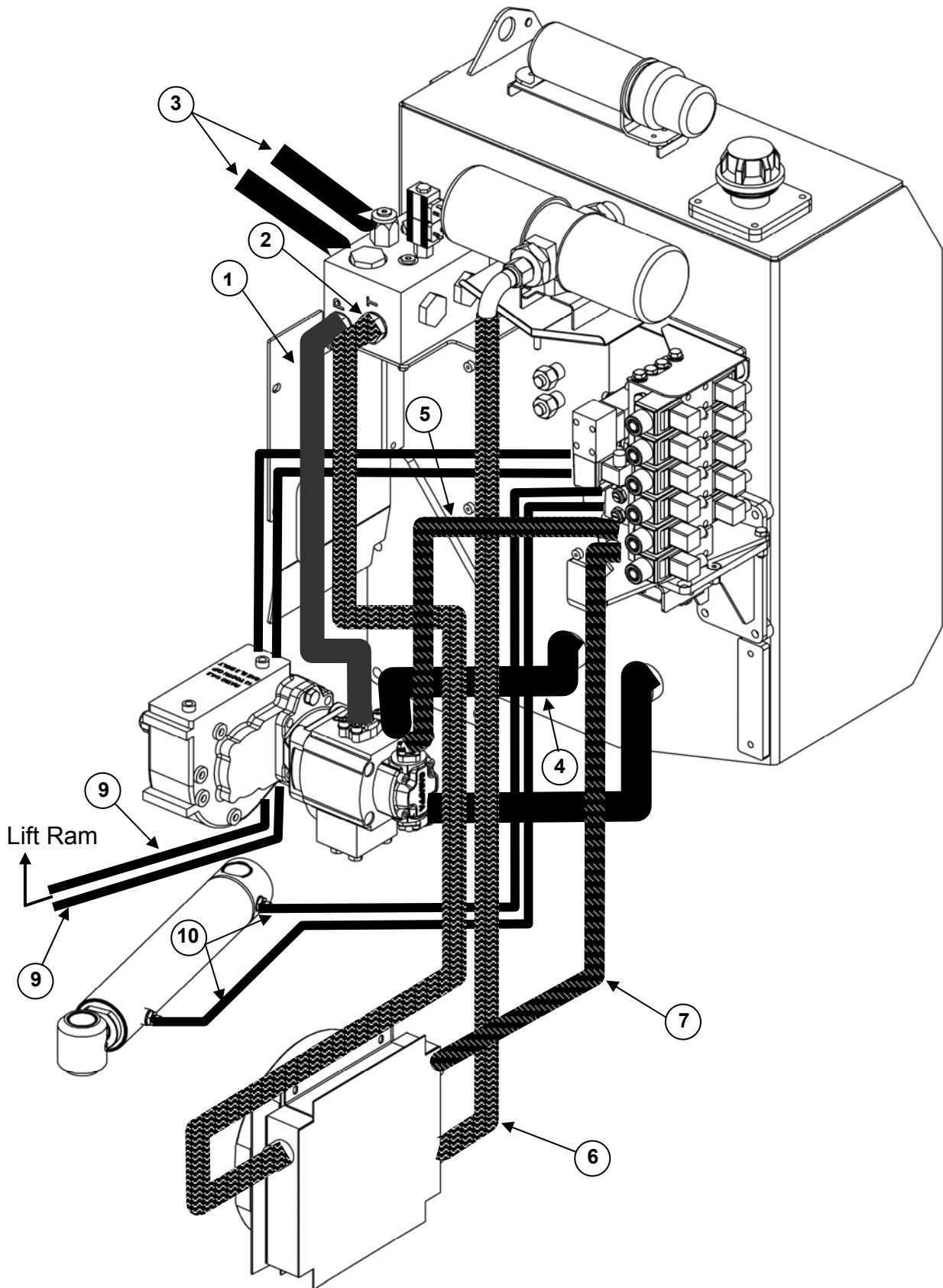


Illustration is a general guide only to the location of hoses. It is recommended when replacing a hose to run the new one alongside the old one prior to removal to ensure the correct routing is achieved. Part numbers of the hoses are stamped on their connection ends.

FRAME HOSES – Gear Models



Module(s): See below

REF.	QTY.						PART No.	DESCRIPTION	
							• 77567226	PA5600 GEAR CABLE - L/H Build	
							• 77567227	PA5600 GEAR CABLE - R/H Build	
							• 77567228	PA5600 GEAR - L/H Build	
							• 77567229	PA5600 GEAR - R/H Build	
							• 775672215	PA7700T MIDCUT GEAR - R/H Build	
							• 776572215	PA6500T MIDCUT GEAR - L/H Build	
1	-	-	1	1	1	1	8501382	HOSE - 1" SAE F135 x 1" BSP FS x 435mm	<b>A</b>
	1	1	-	-	-	-	8501328	HOSE - 1" SAE F135 x 1" BSP FS x 750mm	<b>A</b>
2	1	1	1	1	1	1	10.012.27	HOSE - 1" BSP FS/F90 x 1700mm	<b>B</b>
3	-	-	2	2	2	2	10.011.36	HOSE - 1" BSP FS/FS x 2600mm	<b>C</b>
	2	2	-	-	-	-	10.012.36	HOSE - 1" BSP FS/F90 x 2600mm	<b>C</b>
4	1	1	1	1	1	1	8501381	HOSE - 3/4" BSP FS/F135 x 365mm	<b>D</b>
5	1	1	-	-	-	-	10.004.14	HOSE - 3/8" BSP FS/F90 x 700mm	<b>E</b>
	-	-	1	1	1	1	10.004.09	HOSE - 3/8" BSP FS/F90 x 450mm	<b>E</b>
6	1	1	1	1	1	1	10.012.21	HOSE - 1" BSP FS/F90 x 1100mm	<b>F</b>
7	-	-	1	1	1	1	10.005.18	HOSE - 1/2" BSP FS/FS x 900mm	<b>G</b>
	1	1	-	-	-	-	10.006.12	HOSE - 1/2" BSP FS/F90 x 600mm	<b>G</b>
8	-	-	-	-	2	2	10.002.12	HOSE - 1/4" BSP FS/F90 x 600mm	<b>H</b>
9	2	2	2	2	2	2	10.003.29	HOSE - 3/8" BSP FS/FS x 1900mm	<b>I</b>
10	2	2	2	2	-	-	10.002.19	HOSE - 1/4" BSP FS/F90 x 950mm	<b>J</b>
11	-	-	-	-	2	-	10.002.14	HOSE - 1/4" BSP FS/F90 x 700mm	<b>K</b>

LOCATION REFERENCE

- |  |                            |
|--|----------------------------|
| <b>A</b> Pump to RCV                   | <b>G</b> Valve to Cooler   |
| <b>B</b> RCV to Cooler                 | <b>H</b> Slew DCV to Rams  |
| <b>C</b> RCV to Main Arm               | <b>I</b> Lift Base/Gland   |
| <b>D</b> Tank to Gear Pump             | <b>J</b> Slew              |
| <b>E</b> Control Pump to Control Valve | <b>K</b> Slew Valve to DCV |
| <b>F</b> Cooler to Tank                |                            |

Module(s): Refer to parts list

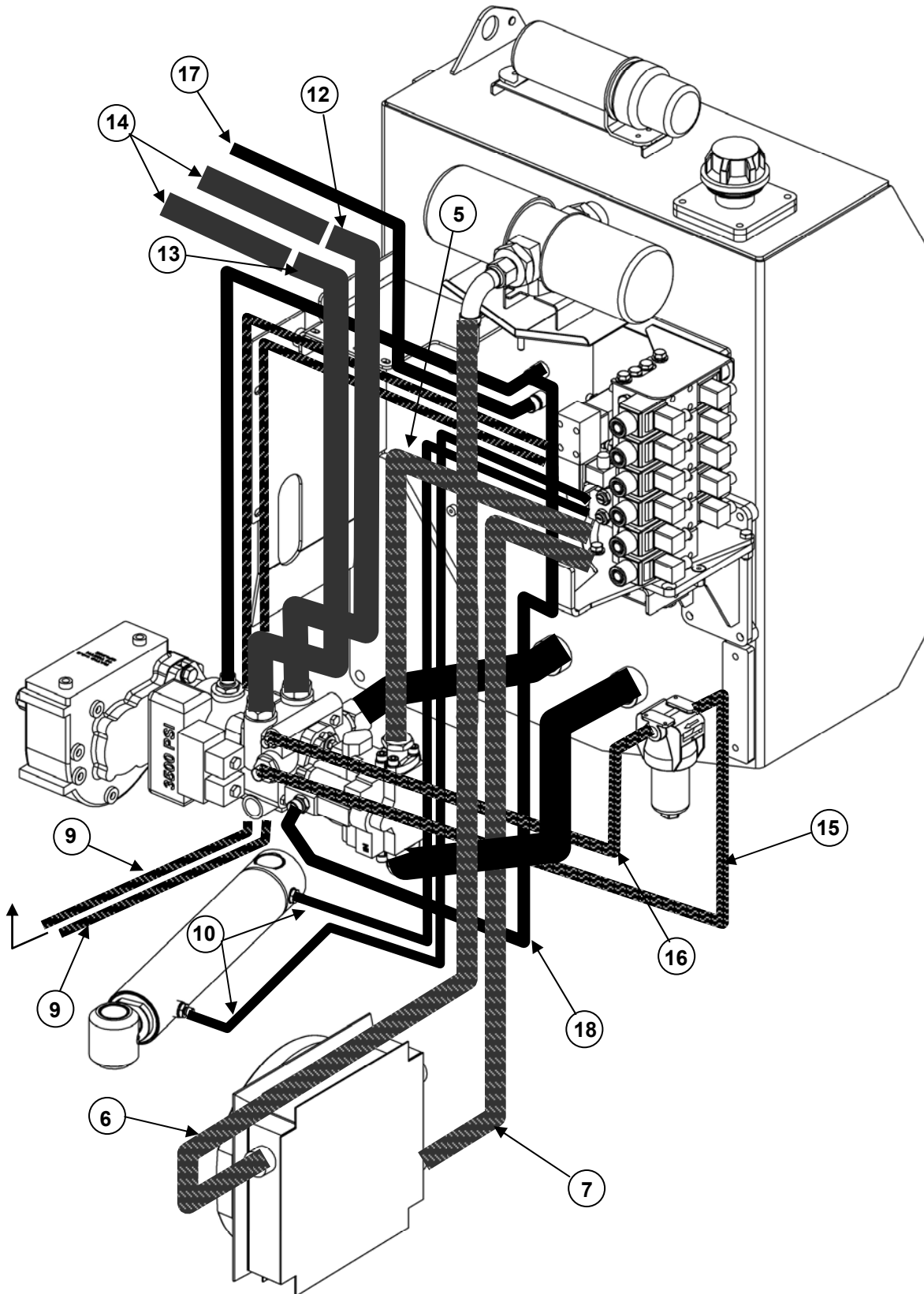


Illustration is a general guide only to the location of hoses. It is recommended when replacing a hose to run the new one alongside the old one prior to removal to ensure the correct routing is achieved. Part numbers of the hoses are stamped on their connection ends.

Module(s): See below

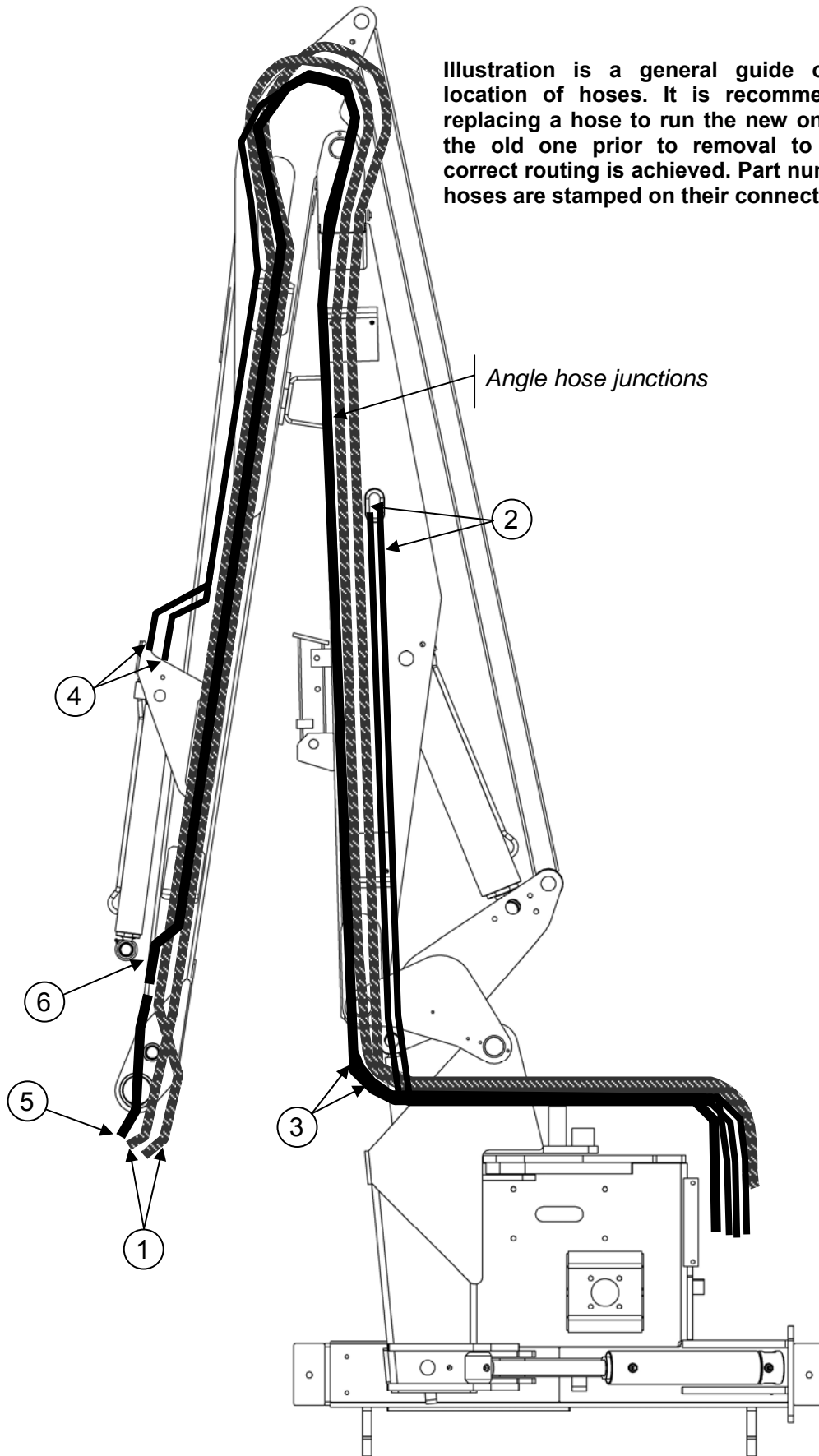
REF.	QTY.			PART No.	DESCRIPTION	
				• 775672210	PA5600 PISTON - L/H Build	
				• 775672211	PA5600 PISTON - R/H Build	
				• 77777227	PA7700T MIDCUT PISTON - R/H Build	
1	-	-	-	8501382	HOSE - 1" SAE F135 x 1" BSP FS x 435mm	A
	-	-	-	8501328	HOSE - 1" SAE F135 x 1" BSP FS x 750mm	A
2	-	-	-	10.012.27	HOSE - 1" BSP FS/F90 x 1700mm	B
3	-	-	-	10.011.36	HOSE - 1" BSP FS/FS x 2600mm	C
	-	-	-	10.012.36	HOSE - 1" BSP FS/F90 x 2600mm	C
4	-	-	-	8501381	HOSE - 3/4" BSP FS/F135 x 365mm	D
5	1	1	1	10.006.14	HOSE - 1/2" BSP FS/F90 x 700mm	E
	-	-	-	10.004.09	HOSE - 3/8" BSP FS/F90 x 450mm	E
6	1	1	1	10.006.26	HOSE - 1/2" BSP FS/F90 x 1600mm	F
7	1	1	1	10.005.18	HOSE - 1/2" BSP FS/FS x 900mm	G
	-	-	-	10.006.12	HOSE - 1/2" BSP FS/F90 x 600mm	G
8	-	-	2	10.002.12	HOSE - 1/4" BSP FS/F90 x 600mm	H
9	2	2	2	10.003.29	HOSE - 3/8" BSP FS/FS x 1900mm	I
10	2	2	-	10.002.19	HOSE - 1/4" BSP FS/F90 x 950mm	J
11	-	-	2	10.002.14	HOSE - 1/4" BSP FS/F90 x 700mm	K
12	1	1	1	41350.11	HOSE - 1" BSP FS/F135 x 550mm HP	L
13	1	1	1	41350.13	HOSE - 1" BSP FS/F135 x 650mm HP	M
14	2	2	2	41348.36	HOSE - 1" BSP FS/FS x 2600mm HP	N
15	1	-	-	10.006.16	HOSE - 1/2" BSP FS/F90 x 800mm	O
	-	1	1	10.006.07	HOSE - 1/2" BSP FS/F90 x 350mm	O
16	1	-	-	10.004.11	HOSE - 3/8" BSP FS/F90 x 550mm	P
	-	1	1	10.004.06	HOSE - 3/8" BSP FS/F90 x 300mm	P
17	1	1	1	10.007.10	HOSE - 5/8" BSP FS/FS x 500mm	Q
18	1	-	-	10.008.19	HOSE - 5/8" BSP FS/F90 x 950mm	R
	-	1	1	10.008.16	HOSE - 5/8" BSP FS/F90 x 800mm	R

LOCATION REFERENCE

- |  |  |
|--|--|
| <b>A</b> Pump to RCV                   | <b>J</b> Slew                                  |
| <b>B</b> RCV to Cooler                 | <b>K</b> Slew Valve to DCV                     |
| <b>C</b> RCV to Main Arm               | <b>L</b> Pump (Tank Side) to Bulkhead (Bottom) |
| <b>D</b> Tank to Gear Pump             | <b>M</b> Pump (Arm Side) to Bulkhead (Top)     |
| <b>E</b> Control Pump to Control Valve | <b>N</b> Bulkhead to Main Arm                  |
| <b>F</b> Cooler to Tank                | <b>O</b> Pump to Charge Filter                 |
| <b>G</b> Valve to Cooler               | <b>P</b> Charge Filter to Pump                 |
| <b>H</b> Slew DCV to Rams              | <b>Q</b> Large Pump to Tank                    |
| <b>I</b> Lift Base/Gland               | <b>R</b> Small Pump to Tank                    |



Illustration is a general guide only to the location of hoses. It is recommended when replacing a hose to run the new one alongside the old one prior to removal to ensure the correct routing is achieved. Part numbers of the hoses are stamped on their connection ends.



# ARM HOSES – Standard Arm Models

**McCONNEL**

Module(s): 77567224, 775672214, 77647224, 776472214

REF.	QTY.	PART No.	DESCRIPTION	
		• <b>77567224</b>	<b>PA5600 STANDARD ARM HOSE KIT - Gear Models</b>	
		• <b>775672214</b>	<b>PA5600 STANDARD ARM HOSE KIT - Piston Models</b>	
1	2	- 10.050.45	HOSE - 1" BSP FS/F90 x 3500mm	<b>A</b>
	-	2 41349.45	HOSE - 1" BSP FS/F90 x 3500mm (HP)	<b>A</b>
2	2	2 10.003.48	HOSE - 3/8" BSP FS/FS x 3800mm	<b>B</b>
3	2	2 10.001.40	HOSE - 1/4" BSP FS/FS x 3000mm	<b>C</b>
4	2	2 10.001.35	HOSE - 1/4" BSP FS/FS x 2500mm	<b>D</b>
5	-	1 10.008.25	HOSE - 5/8" BSP FS/F90 x 1500mm	<b>E</b>
6	-	1 10.008.60	HOSE - 5/8" BSP FS/F90 x 5000mm	<b>F</b>
		• <b>77647224</b>	<b>PA6400 STANDARD ARM HOSE KIT - Gear Models</b>	
		• <b>776472214</b>	<b>PA6400 STANDARD ARM HOSE KIT - Piston Models</b>	
1	2	- 10.050.54	HOSE - 1" BSP FS/F90 x 4400mm	<b>A</b>
	-	2 41349.54	HOSE - 1" BSP FS/F90 x 4400mm (HP)	<b>A</b>
2	2	2 10.003.52	HOSE - 3/8" BSP FS/FS x 4200mm	<b>B</b>
3	2	2 10.001.44	HOSE - 1/4" BSP FS/FS x 3400mm	<b>C</b>
4	2	2 10.001.40	HOSE - 1/4" BSP FS/FS x 3000mm	<b>D</b>
5	-	1 10.008.25	HOSE - 5/8" BSP FS/F90 x 1500mm	<b>E</b>
6	-	1 10.008.68	HOSE - 5/8" BSP FS/F90 x 5800mm	<b>F</b>

**LOCATION REFERENCE**

- A** Flail - Main Arm to Head
- B** Reach Ram
- C** Angle - Valve to Arm

- D** Angle - Arm to Ram
- E** Drain - Dipper to Head
- F** Drain - Tank to Dipper

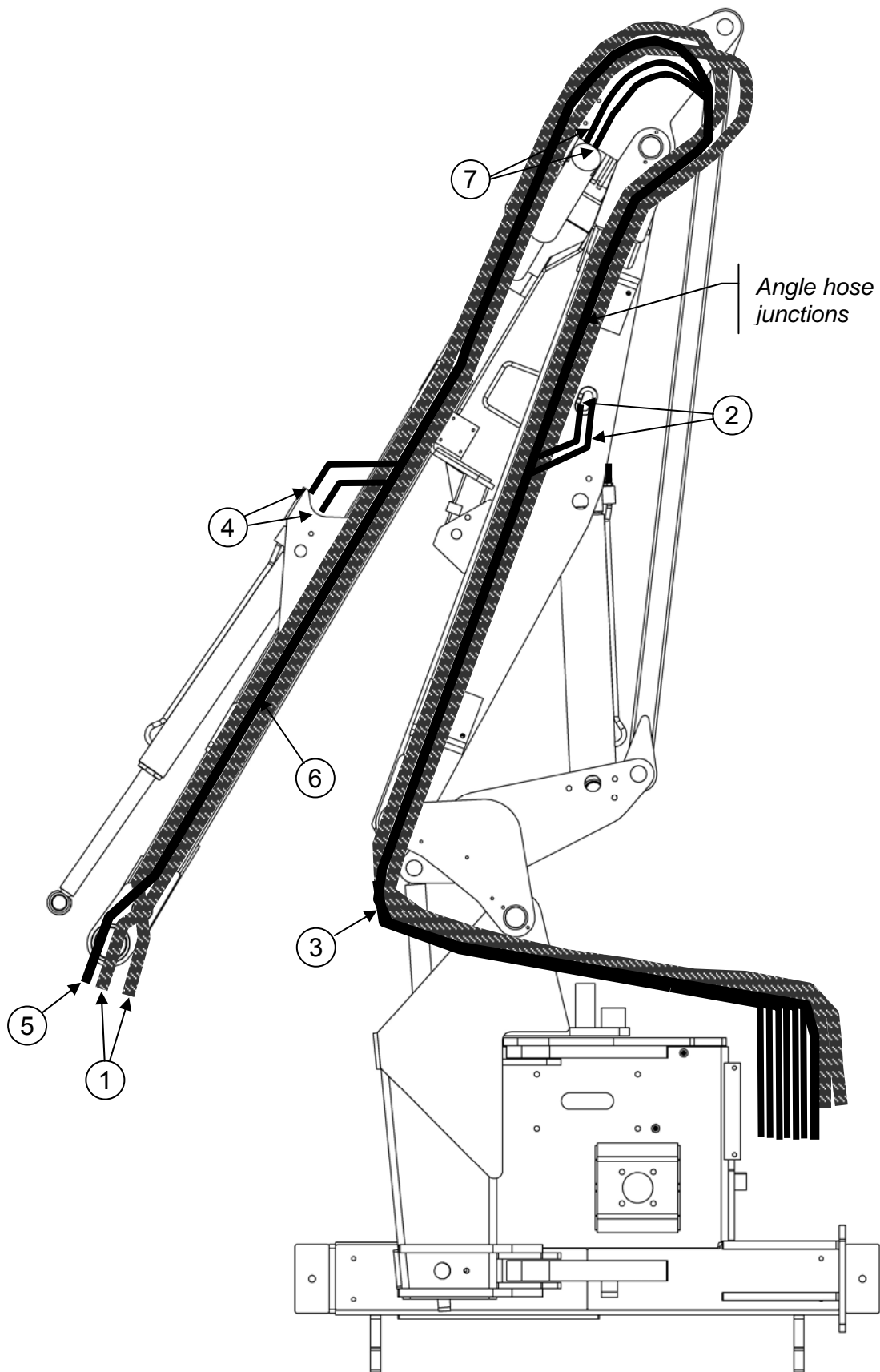


Illustration is a general guide only to the location of hoses. It is recommended when replacing a hose to run the new one alongside the old one prior to removal to ensure the correct routing is achieved. Part numbers of the hoses are stamped on their connection ends.

**ARM HOSES – 1.0M Midcut Models**



M Module(s): 775672224, 775672234, 77642224, 776472234

REF.	QTY.	PART No.	DESCRIPTION	
		• 775672224	<b>PA5600 1.0M MIDCUT ARM HOSE KIT - Gear Models</b>	
		• 775672234	<b>PA5600 1.0M MIDCUT ARM HOSE KIT - Piston Models</b>	
1	2	- 10.050.57	HOSE - 1" BSP FS/F90 x 4700mm	<b>A</b>
	-	2 41349.57	HOSE - 1" BSP FS/F90 x 4700mm (HP)	<b>A</b>
2	2	2 10.003.49	HOSE - 3/8" BSP FS/FS x 3900mm	<b>B</b>
3	2	2 10.001.40	HOSE - 1/4" BSP FS/FS x 3000mm	<b>C</b>
4	2	2 10.001.46	HOSE - 1/4" BSP FS/FS x 3600mm	<b>D</b>
5	-	1 10.008.25	HOSE - 5/8" BSP FS/F90 x 1500mm	<b>E</b>
6	-	1 10.008.71	HOSE - 5/8" BSP FS/F90 x 6100mm	<b>F</b>
7	2	2 10.001.60	HOSE - 1/4" BSP FS/FS x 5000mm	<b>G</b>
		• 776472224	<b>PA6400 1.0M MIDCUT ARM HOSE KIT - Gear Models</b>	
		• 776472234	<b>PA6400 1.0M MIDCUT ARM HOSE KIT - Piston Models</b>	
1	2	- 10.050.65	HOSE - 1" BSP FS/F90 x 5500mm	<b>A</b>
	-	2 41349.65	HOSE - 1" BSP FS/F90 x 5500mm (HP)	<b>A</b>
2	2	2 10.003.53	HOSE - 3/8" BSP FS/FS x 4300mm	<b>B</b>
3	2	2 10.001.44	HOSE - 1/4" BSP FS/FS x 3400mm	<b>C</b>
4	2	2 10.001.51	HOSE - 1/4" BSP FS/FS x 4100mm	<b>D</b>
5	-	1 10.008.25	HOSE - 5/8" BSP FS/F90 x 1500mm	<b>E</b>
6	-	1 10.008.79	HOSE - 5/8" BSP FS/F90 x 6900mm	<b>F</b>
7	2	2 10.001.66	HOSE - 1/4" BSP FS/FS x 5600mm	<b>G</b>

**LOCATION REFERENCE**

- |                                   |                                 |
|-----------------------------------|---------------------------------|
| <b>A</b> Flail - Main Arm to Head | <b>E</b> Drain - Dipper to Head |
| <b>B</b> Reach Ram                | <b>F</b> Drain - Tank to Dipper |
| <b>C</b> Angle - Valve to Arm     | <b>G</b> Midcut Fold Ram        |
| <b>D</b> Angle - Arm to Ram       |                                 |

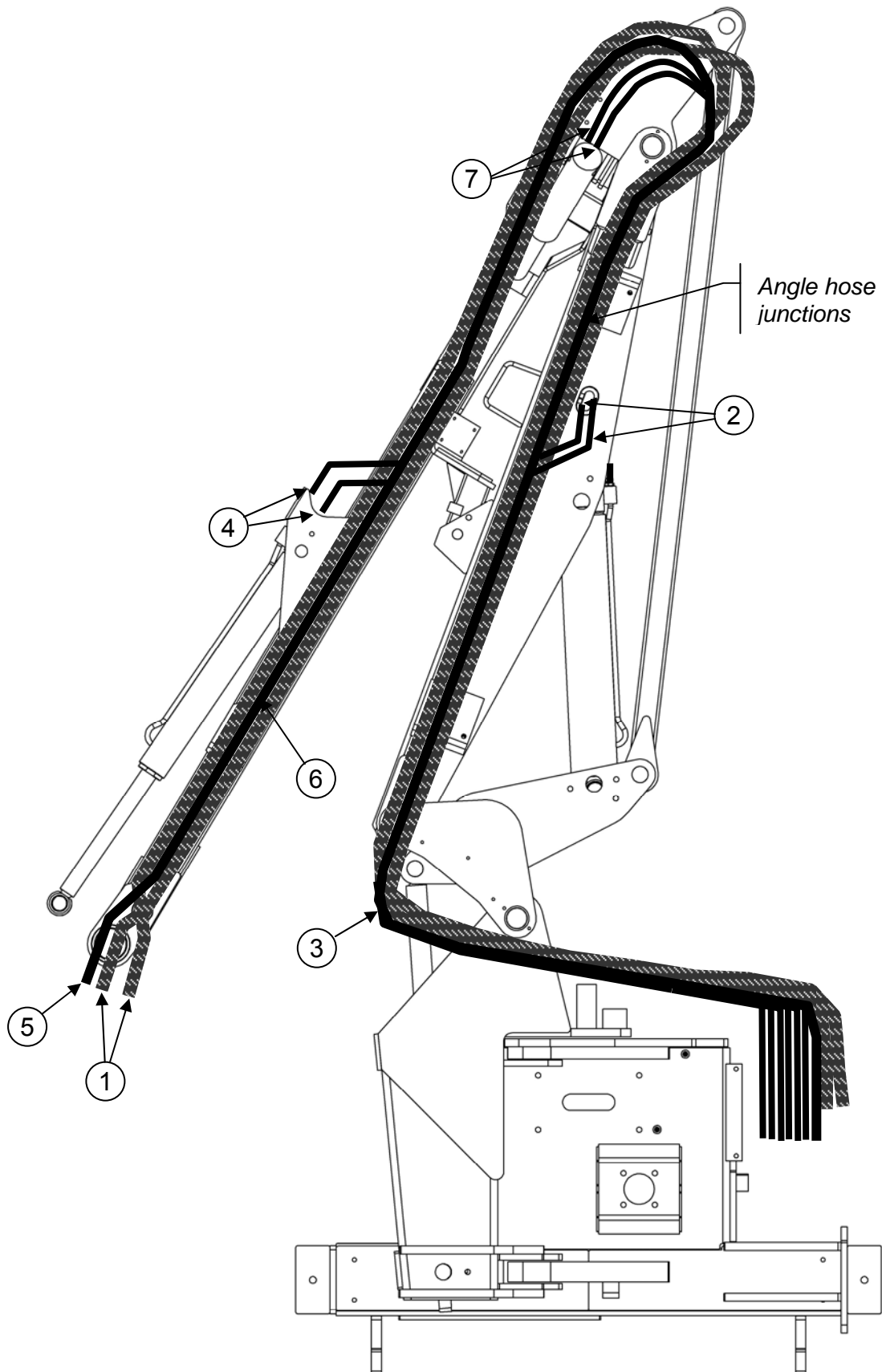


Illustration is a general guide only to the location of hoses. It is recommended when replacing a hose to run the new one alongside the old one prior to removal to ensure the correct routing is achieved. Part numbers of the hoses are stamped on their connection ends.

**ARM HOSES – 1.5M Midcut Models**



Module(s): 775672244, 775672254, 776472244, 776472254

REF.	QTY.	PART No.	DESCRIPTION	
		• <b>775672244</b>	<b>PA5600 1.5M MIDCUT ARM HOSE KIT - Gear Models</b>	
		• <b>775672254</b>	<b>PA5600 1.5M MIDCUT ARM HOSE KIT - Piston Models</b>	
1	2	- 10.050.63	HOSE - 1" BSP FS/F90 x 5300mm	<b>A</b>
	-	2 41349.63	HOSE - 1" BSP FS/F90 x 5300mm (HP)	<b>A</b>
2	2	2 10.003.47	HOSE - 3/8" BSP FS/FS x 3700mm	<b>B</b>
3	2	2 10.001.39	HOSE - 1/4" BSP FS/FS x 2900mm	<b>C</b>
4	2	2 10.001.51	HOSE - 1/4" BSP FS/FS x 4100mm	<b>D</b>
5	-	1 10.008.25	HOSE - 5/8" BSP FS/F90 x 1500mm	<b>E</b>
6	-	1 10.008.76	HOSE - 5/8" BSP FS/F90 x 6600mm	<b>F</b>
7	2	2 10.001.58	HOSE - 1/4" BSP FS/FS x 4800mm	<b>G</b>

		• <b>776472244</b>	<b>PA6400 1.5M MIDCUT ARM HOSE KIT - Gear Models</b>	
		• <b>776472254</b>	<b>PA6400 1.5M MIDCUT ARM HOSE KIT - Piston Models</b>	
1	2	- 10.050.70	HOSE - 1/2" BSP FS/F90 x 6000mm	<b>A</b>
	-	2 41349.70	HOSE - 1" BSP FS/F90 x 6000mm (HP)	<b>A</b>
2	2	2 10.003.51	HOSE - 3/8" BSP FS/FS x 4100mm	<b>B</b>
3	2	2 10.001.43	HOSE - 1/4" BSP FS/FS x 3300mm	<b>C</b>
4	2	2 10.001.56	HOSE - 1/4" BSP FS/FS x 4600mm	<b>D</b>
5	-	1 10.008.25	HOSE - 5/8" BSP FS/F90 x 1500mm	<b>E</b>
6	-	1 10.008.84	HOSE - 5/8" BSP FS/F90 x 7400mm	<b>F</b>
7	2	2 10.001.64	HOSE - 1/4" BSP FS/FS x 5400mm	<b>G</b>

**LOCATION REFERENCE**

- |                                   |                                 |
|-----------------------------------|---------------------------------|
| <b>A</b> Flail - Main Arm to Head | <b>E</b> Drain - Dipper to Head |
| <b>B</b> Reach Ram                | <b>F</b> Drain - Tank to Dipper |
| <b>C</b> Angle - Valve to Arm     | <b>G</b> Midcut Fold Ram        |
| <b>D</b> Angle - Arm to Ram       |                                 |



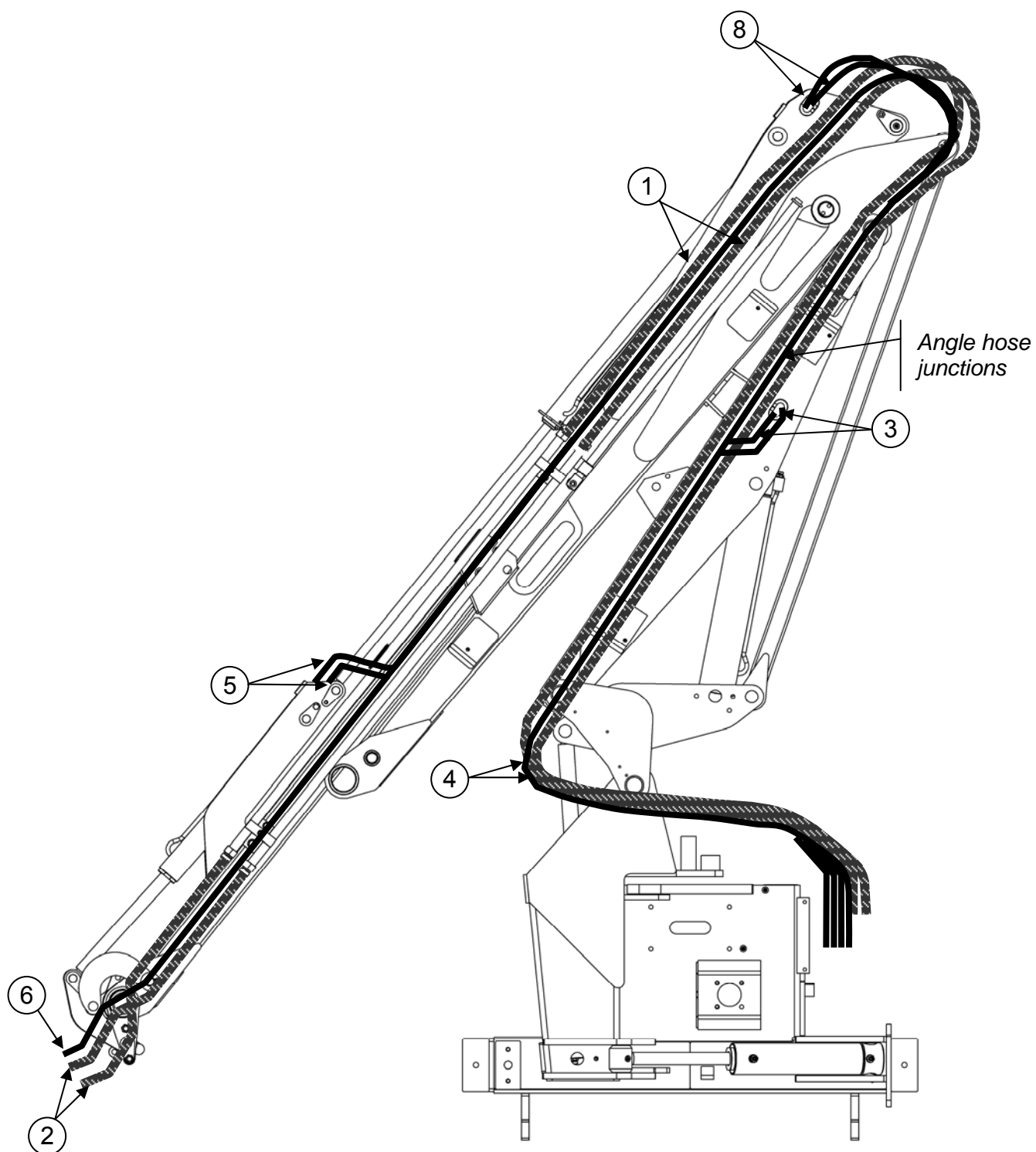


Illustration is a general guide only to the location of hoses. It is recommended when replacing a hose to run the new one alongside the old one prior to removal to ensure the correct routing is achieved. Part numbers of the hoses are stamped on their connection ends.

**ARM HOSES – Tele Arm Models**



Module(s): 77657224, 776572214, 77777224, 777772214

REF.	QTY.	PART No.	DESCRIPTION	
		• 77657224	<b>PA6500 TELE ARM HOSE KIT - Gear Models</b>	
		• 776572214	<b>PA6500 TELE ARM HOSE KIT - Piston Models</b>	
1	2 -	10.025.30	HOSE - 1" BSP FS/F135 x 2000mm	<b>A</b>
	- 2	41350.30	HOSE - 1" BSP FS/F135 x 2000mm (HP)	<b>A</b>
2	2 -	10.050.16	HOSE - 1" BSP FS/F90 x 800mm	<b>B</b>
	- 2	41349.16	HOSE - 1" BSP FS/F90 x 800mm (HP)	<b>B</b>
3	2 2	10.003.50	HOSE - 3/8" BSP FS/FS x 4000mm	<b>C</b>
4	2 2	10.001.42	HOSE - 1/4" BSP ST/ST x 3200mm	<b>D</b>
5	2 2	10.001.45	HOSE - 1/4" BSP FS/FS x 3500mm	<b>E</b>
6	- 1	10.008.25	HOSE - 5/8" BSP FS/F90 x 1500mm	<b>F</b>
7	- 1	10.008.69	HOSE - 5/8" BSP FS/F90 x 5900mm	<b>G</b>
8	2 2	10.001.60	HOSE - 1/4" BSP FS/FS 5000mm	<b>H</b>
		• 77777224	<b>PA7700 TELE ARM HOSE KIT - Gear Models</b>	
		• 777772214	<b>PA7700 TELE ARM HOSE KIT - Piston Models</b>	
1	2 -	10.025.39	HOSE - 1" BSP FS/F135 x 2900mm	<b>A</b>
	- 2	41350.39	HOSE - 1" BSP FS/F135 x 2900mm (HP)	<b>A</b>
2	2 -	10.050.17	HOSE - 1" BSP FS/F90 x 850mm	<b>B</b>
	- 2	41349.17	HOSE - 1" BSP FS/F90 x 850mm (HP)	<b>B</b>
3	2 2	10.003.53	HOSE - 3/8" BSP FS/FS x 4300mm	<b>C</b>
4	2 2	10.001.46	HOSE - 1/4" BSP ST/ST x 3600mm	<b>D</b>
5	2 2	10.001.53	HOSE - 1/4" BSP FS/FS x 4300mm	<b>E</b>
6	- 1	10.008.25	HOSE - 5/8" BSP FS/F90 x 1500mm	<b>F</b>
7	- 1	10.008.81	HOSE - 5/8" BSP FS/F90 x 7100mm	<b>G</b>
8	2 2	10.001.64	HOSE - 1/4" BSP FS/FS x 5400mm	<b>H</b>

**LOCATION REFERENCE**

- |                                       |                                      |
|---------------------------------------|--------------------------------------|
| <b>A</b> Flail - Main Arm to Dipper   | <b>E</b> Angle - Arm to Ram          |
| <b>B</b> Flail - Dipper to Head       | <b>F</b> Drain - Dipper Join to Head |
| <b>C</b> Reach Ram                    | <b>G</b> Drain - Tank to Dipper Join |
| <b>D</b> Angle - Control Valve to Arm | <b>H</b> Tele Ram                    |

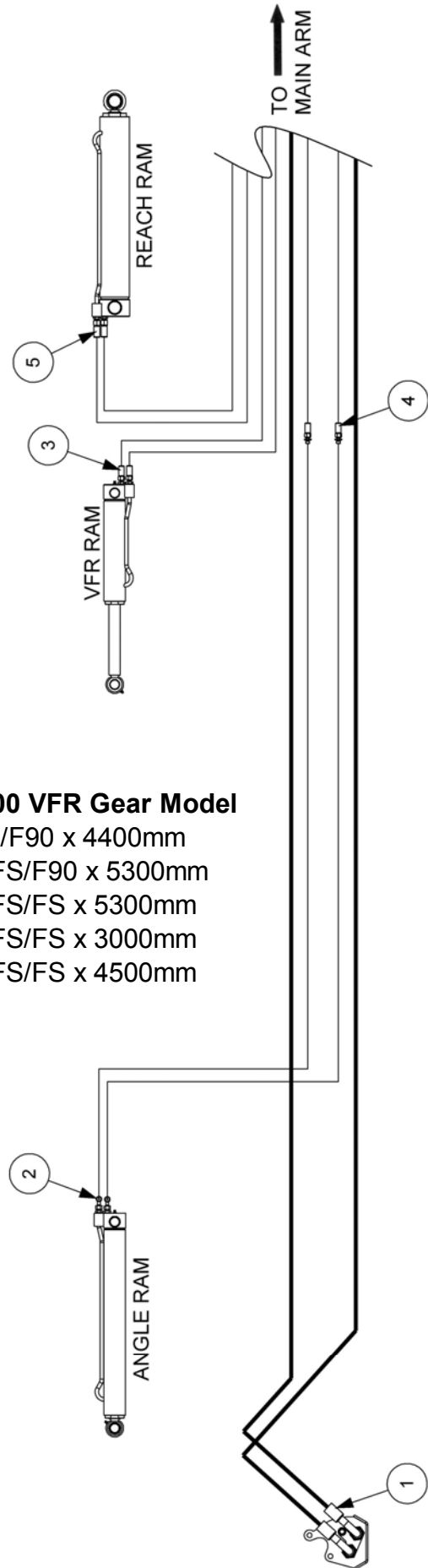
Module(s): 776572216 / 217 / 221 / 223, 77777225, 226, 228

REF.	QTY.	PART No.	DESCRIPTION	
		• <b>776572216</b>	<b>PA6500T 1.0M MIDCUT ARM HOSE KIT - Gear Models</b>	
		• <b>776572217</b>	<b>PA6500T 1.0M MIDCUT ARM HOSE KIT - Piston Models</b>	
		• <b>776572221</b>	<b>PA6500T 1.5M MIDCUT ARM HOSE KIT - Gear Models</b>	
		• <b>776572223</b>	<b>PA6500T 1.5M MIDCUT ARM HOSE KIT - Piston Models</b>	
1	2 - - -	10.025.39	HOSE - 1" BSP FS/FS x 2900mm	A
	- 2 - -	41348.39	HOSE - 1" BSP FS/FS x 2900mm (HP)	A
	- - 2 -	10.011.44	HOSE - 1" BSP FS/FS x 3400mm	A
	- - - 2	41348.44	HOSE - 1" BSP FS/FS x 3400mm (HP)	A
	- 2 - 2	41350.39	HOSE - 1" BSP FS/F135 x 2900mm (HP)	A
2	2 - 2 -	10.025.23	HOSE - 1" BSP FS/F135 x 1300mm	B
	- 2 - 2	41350.23	HOSE - 1" BSP FS/F135 x 1300mm	B
3	2 - 2 -	10.050.17	HOSE - 1" BSP FS/F90 x 850mm	C
	- 2 - 2	41349.17	HOSE - 1" BSP FS/F90 x 850mm (HP)	C
4	2 2 2 2	10.003.52	HOSE - 3/8" BSP FS/FS x 4200mm	D
5	2 2 2 2	10.001.43	HOSE - 1/4" BSP FS/FS x 3300mm	E
6	2 2 - -	10.001.40	HOSE - 1/4" BSP FS/FS x 3000mm	F
	- - 2 2	10.001.45	HOSE - 1/4" BSP FS/FS x 3500mm	F
7	2 2 2 2	10.001.40	HOSE - 1/4" BSP FS/FS x 3000mm	G
8	2 2 2 2	10.001.74	HOSE - 1/4" BSP FS/FS x 6400mm	H
9	2 2 2 2	10.001.67	HOSE - 1/4" BSP FS/FS x 5700mm	I
10	- 1 - 1	10.008.40	HOSE - 5/8" BSP FS/F90 x 3000mm	J
11	- 1 - 1	10.008.49	HOSE - 5/8" BSP FS/F90 x 3900mm	K
12	- 1 - -	10.007.39	HOSE - 5/8" BSP FS/FS x 2900mm	L
13	- - - 1	10.007.44	HOSE - 5/8" BSP FS/FS x 3400mm	L

		• <b>77777225</b>	<b>PA7700T MIDCUT ARM HOSE KIT - Gear Models</b>	
		• <b>77777226</b>	<b>PA7700T MIDCUT ARM HOSE KIT - Piston Models</b>	
		• <b>77777228</b>	<b>PA7700T MIDCUT ARM HOSE KIT - Gear Models (CD)</b>	
1	2 - 2	10.025.43	HOSE - 1" BSP FS/F135 x 3300mm	A
	- 2	41350.43	HOSE - 1" BSP FS/F135 x 3300mm (HP)	A
2	2 - 2	10.025.29	HOSE - 1" BSP FS/F135 x 1900mm	B
	- 2	41350.29	HOSE - 1" BSP FS/F135 x 1900mm (HP)	B
3	2 - 2	10.050.17	HOSE - 1" BSP FS/F90 x 850mm	C
	- 2	41349.17	HOSE - 1" BSP FS/F90 x 850mm (HP)	C
4	2 2 2	10.003.53	HOSE - 3/8" BSP FS/FS x 4300mm	D
5	2 2 2	10.001.78	HOSE - 1/4" BSP FS/FS x 6800mm	E
6	2 2 2	10.001.45	HOSE - 1/4" BSP FS/FS x 3500mm	F
7	2 2 2	10.001.44	HOSE - 1/4" BSP FS/FS x 3400mm	G
8	2 2 2	10.001.76	HOSE - 1/4" BSP FS/FS x 6600mm	H
9	2 2 2	10.001.69	HOSE - 1/4" BSP FS/FS x 5900mm	I
10	- 1 1	10.008.32	HOSE - 5/8" BSP FS/F90 x 2200mm	J
11	- 1 1	10.008.61	HOSE - 5/8" BSP FS/F90 x 5100mm	K
12	- 1 1	10.007.39	HOSE - 5/8" BSP FS/FS x 2900mm	L

LOCATION REFERENCE

<b>A</b> Flail - Main Arm to Dipper Bulkhead	<b>G</b> Angle - Main Arm to Bulkhead
<b>B</b> Flail - Bulkhead to Tele Arm	<b>H</b> Tele Ram
<b>C</b> Flail - Dipper to Head	<b>I</b> Midcut Fold Ram
<b>D</b> Reach Ram	<b>J</b> Drain - Tank to Main Arm
<b>E</b> Angle - Control Valve to Arm	<b>K</b> Drain - Dipper to Head
<b>F</b> Angle - Arm to Ram	<b>L</b> Drain - Main Arm to Dipper



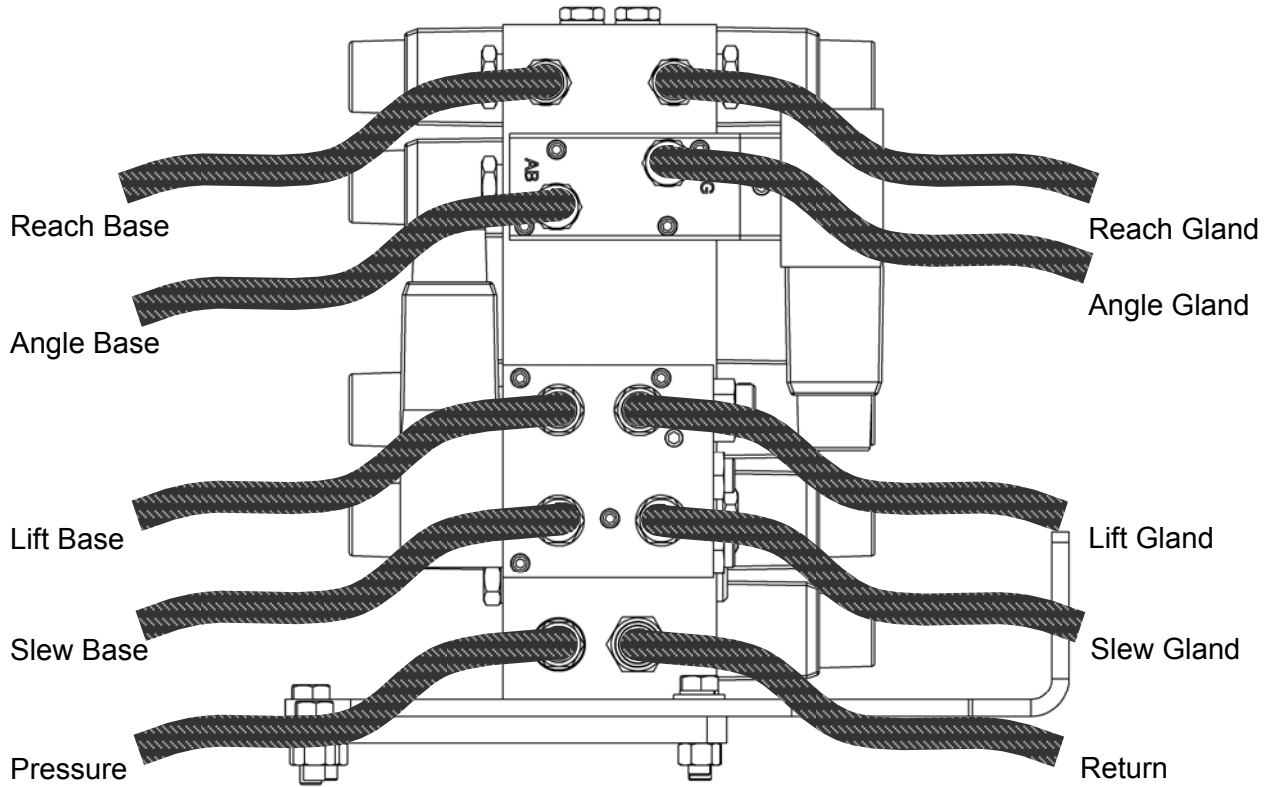
REF.	QTY.	PART No.	DESCRIPTION
		<b>77567225</b>	<b>HOSE KIT - PA5600 VFR Gear Model</b>
1	2	10.012.54	HOSE - 1" BSP FS/F90 x 4400mm
2	2	10.002.63	HOSE - 1/4" BSP FS/F90 x 5300mm
3	2	10.001.63	HOSE - 1/4" BSP FS/FS x 5300mm
4	2	10.001.40	HOSE - 1/4" BSP FS/FS x 3000mm
5	2	10.003.54	HOSE - 3/8" BSP FS/FS x 4500mm

# CONTROL VALVES HOSE INSTALLATION

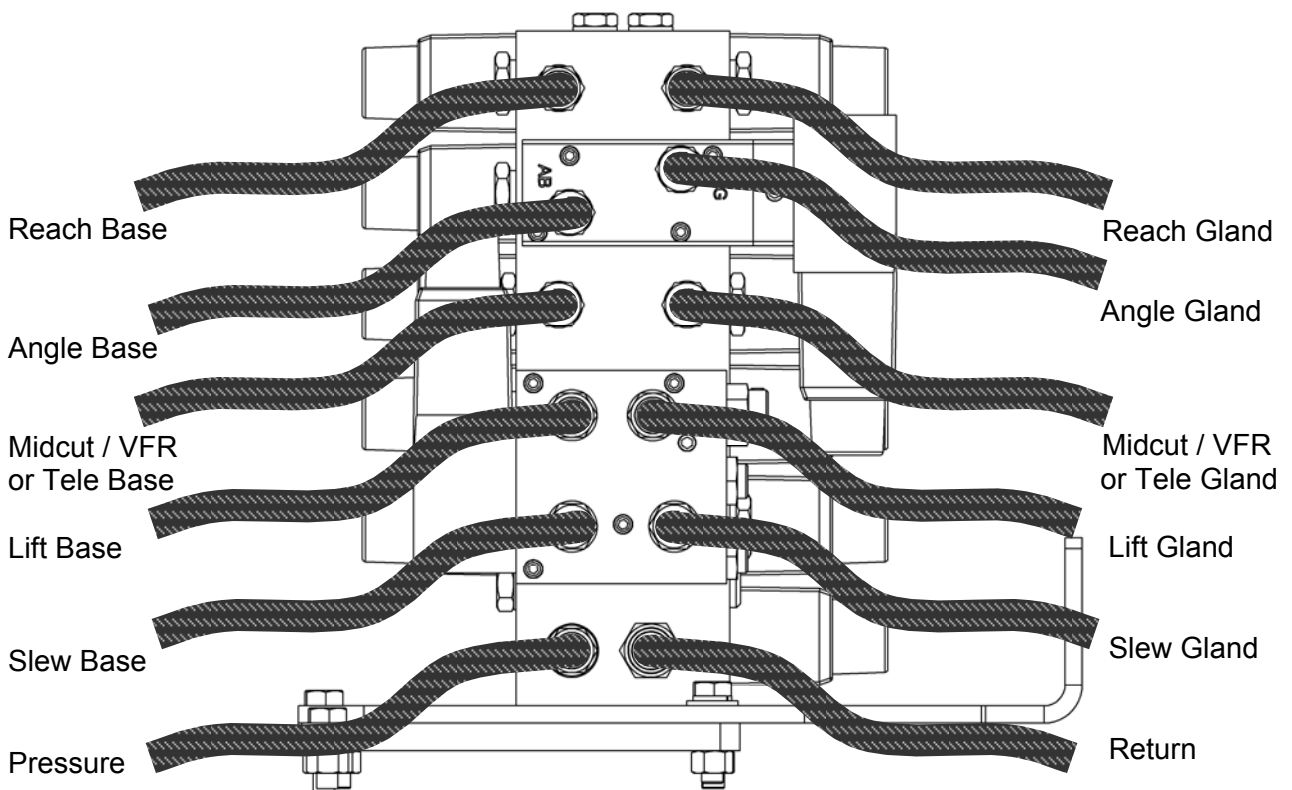
**McCONEL**

Module(s): Refer to hose kit parts lists for hose part numbers

## STANDARD ARM MODELS



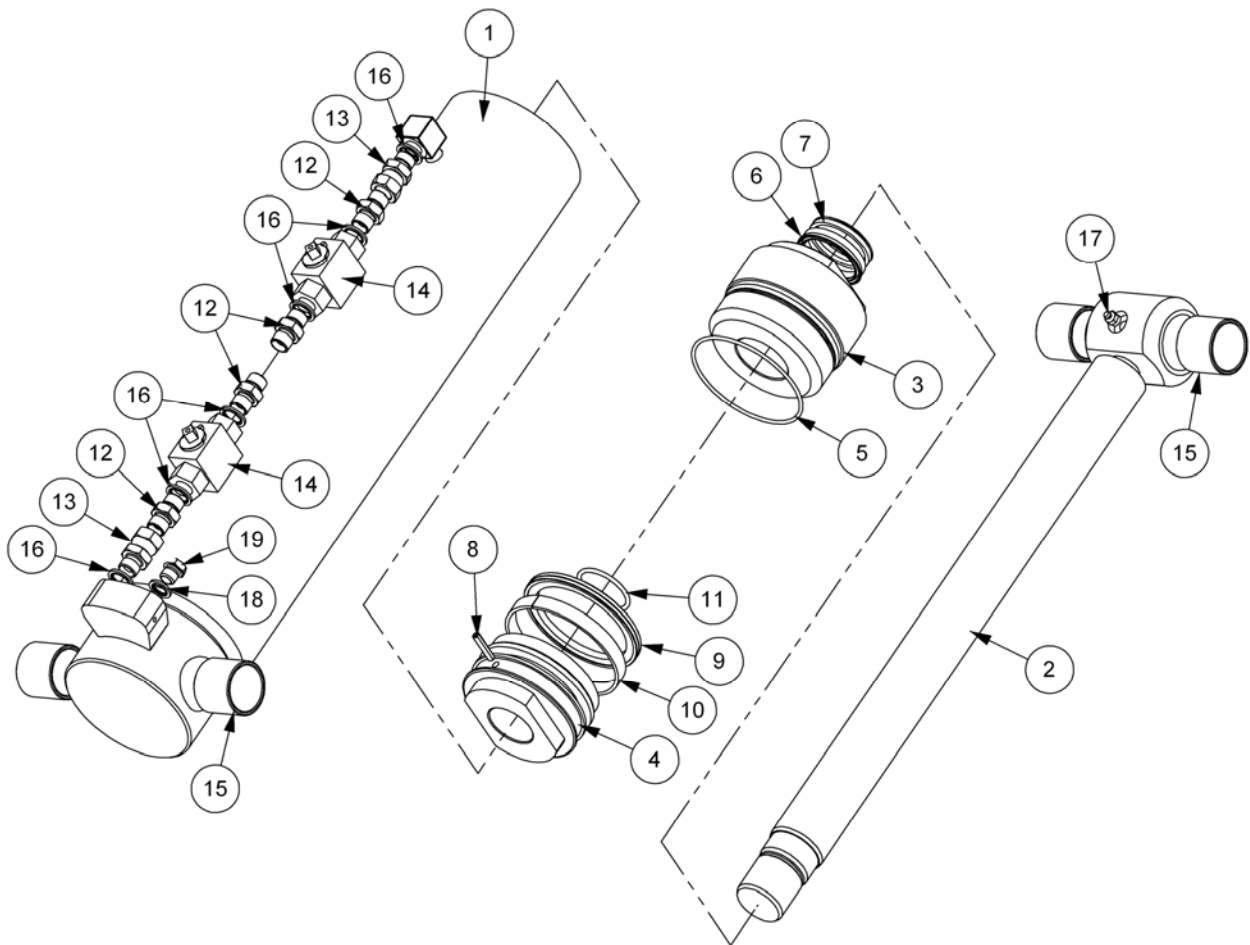
## MIDCUT / VFR / TELE ARM MODELS



# LIFT RAM ASSEMBLY

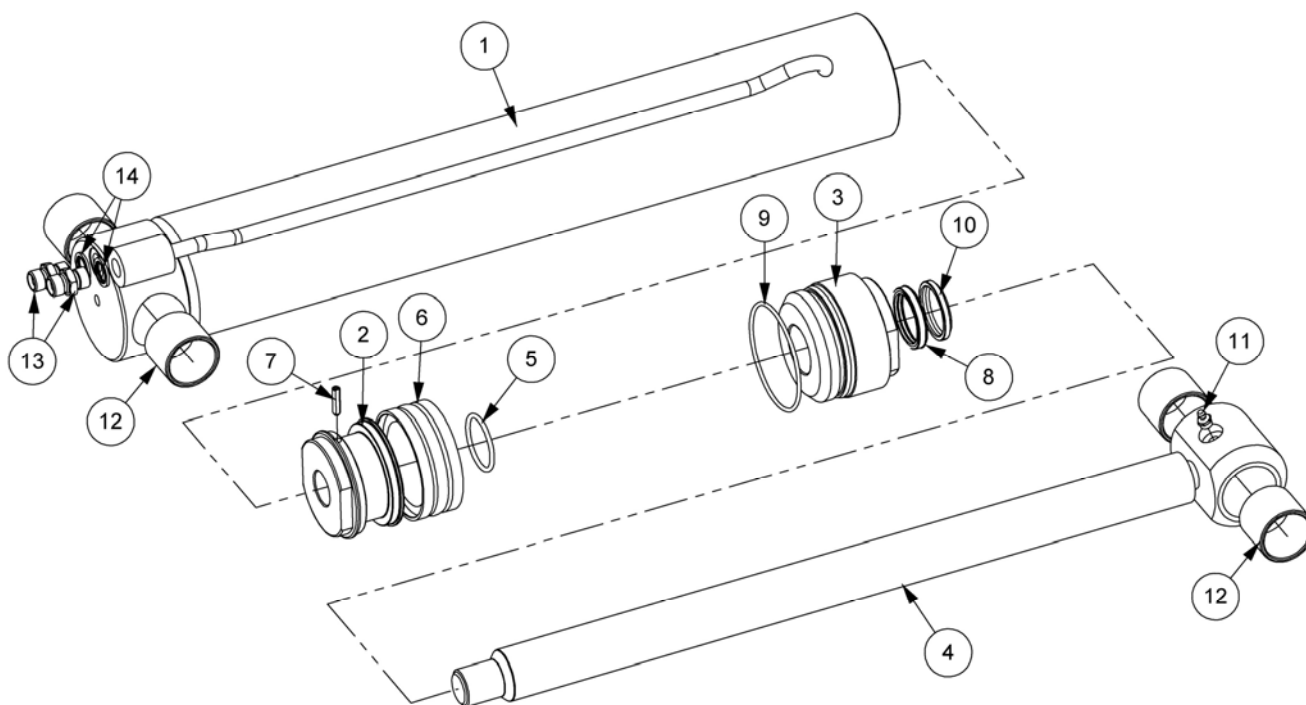
Module(s): 42655.06

# McCONNEL



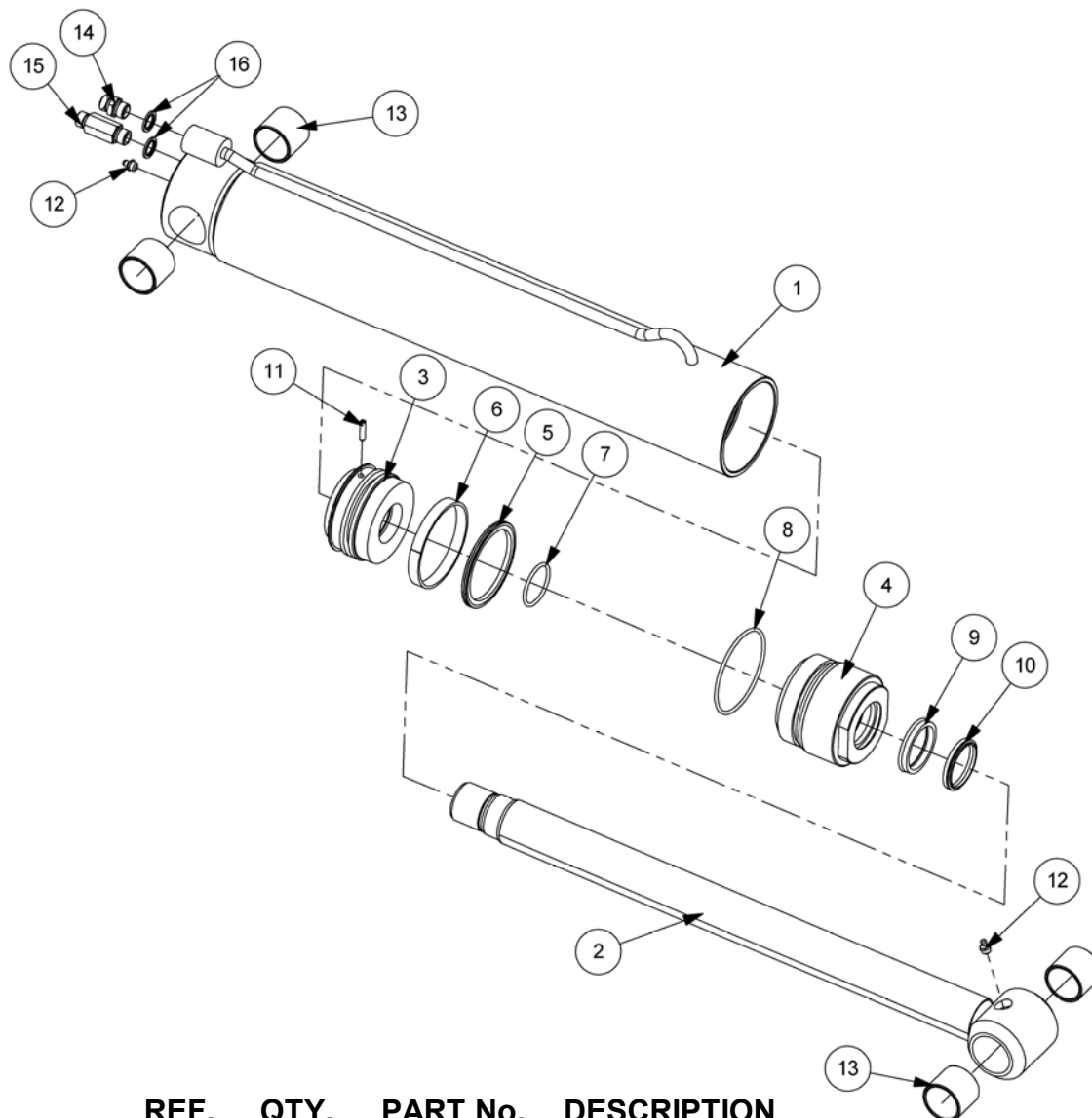
REF.	QTY.	PART No.	DESCRIPTION
		<b>42655.06</b>	<b>LIFT RAM ASSEMBLY</b>
1	1	42655.54	BARREL
2	1	42655.45	PISTON ROD
3	1	42655.55	GLAND HOUSING
4	1	42655.56	PISTON
5	1	8700746	O RING
6	1	8629184	SEAL
7	1	8629227	SEAL
8	1	42775.04	DOWEL
9	1	8629252	PISTON SEAL
10	1	8629253	WEAR RING
11	1	8600302	O RING
12	4	6000113	ADAPTOR
13	2	8581178	SWIVEL ADAPTOR
14	2	08.200.01	ISOLATING VALVE
15	4	08.297.02	BUSH
16	6	8650103	BONDED SEAL
17	1	0901121	GREASE NIPPLE
18	1	8650102	BONDED SEAL
19	1	520378	ADAPTOR PLUG
		<b>42655.08</b>	<b>SEAL KIT</b>





REF.	QTY.	PART No.	DESCRIPTION
		<b>43315.03</b>	<b>REACH RAM ASSEMBLY</b>
1	1	43315.36	RAM BARREL
2	1	43315.31	PISTON
3	1	43315.32	GLAND HOUSING
4	1	43315.33	PISTON ROD
5	1	8600301	O RING
6	1	8638742	PISTON SEAL
7	1	42775.01	DOWEL
8	1	8629225	GLAND SEAL
9	1	8600742	O RING
10	1	8629208	SCRAPER RING
11	1	0901121	GREASE NIPPLE
12	4	08.297.02	BUSH
13	2	8581209	ADAPTOR
14	2	8650103	BONDED SEAL
		<b>43315.01</b>	<b>SEAL KIT</b>

Module(s): 21094.03

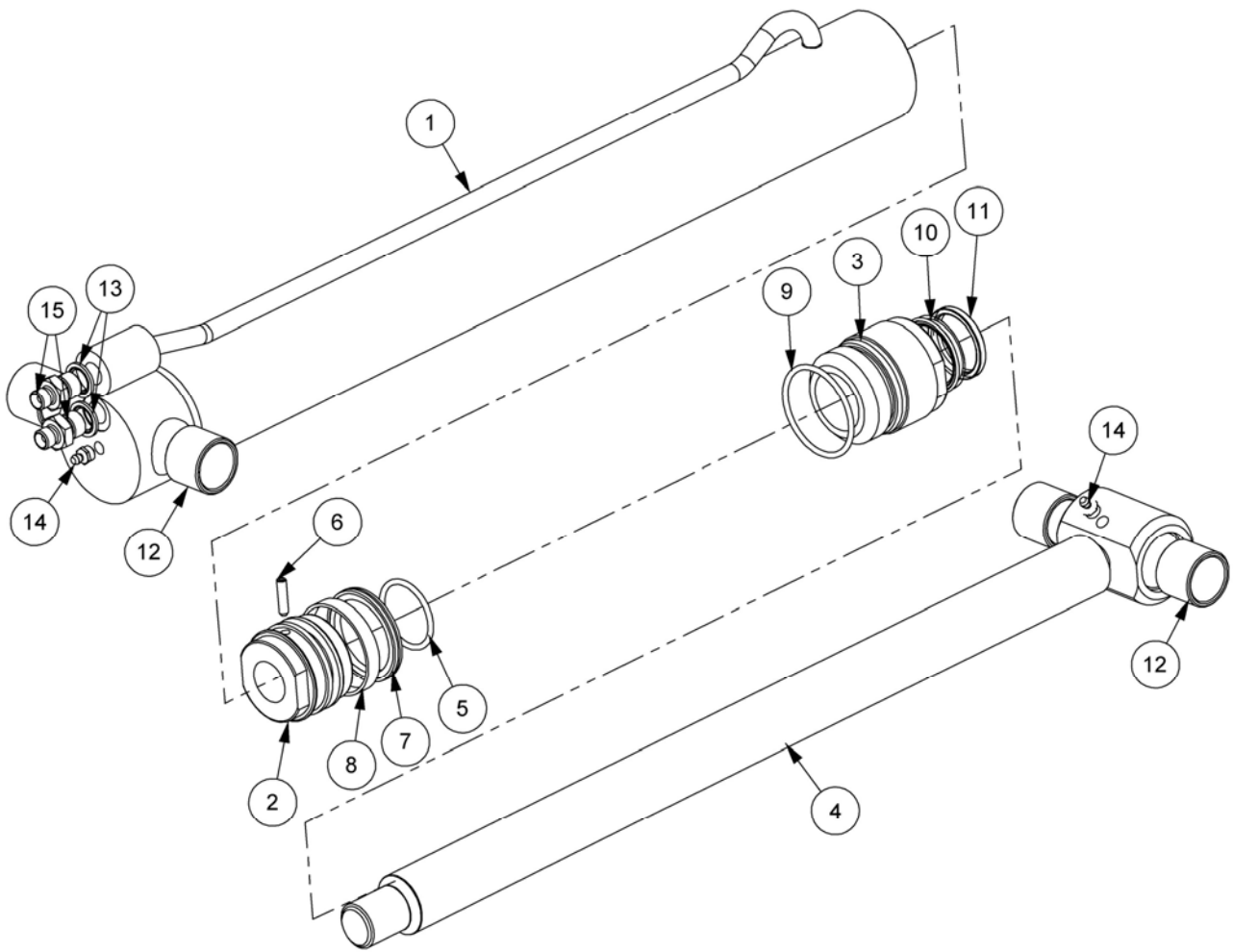


REF.	QTY.	PART No.	DESCRIPTION
		<b>21094.03</b>	<b>REACH RAM ASSEMBLY</b>
1	1	21095.02	RAM BARREL
2	1	21096.02	PISTON ROD
3	1	42655.31	PISTON
4	1	42655.48	GLAND HOUSING
5	1	8629182	PISTON SEAL
6	1	8629183	BEARING RING
7	1	8600302	O RING
8	1	8600317	O RING
9	1	8629184	SEAL
10	1	8629227	SEAL - ROD SCRAPER
11	1	42775.01	DOWEL
12	2	0901121	GREASE NIPPLE
13	4	08.297.02	BUSH
14	1	6000113	ADAPTOR
15	1	8581236	ADAPTOR - EXTERNAL
16	2	8650103	BONDED SEAL
		<b>21094.02</b>	<b>SEAL KIT</b>

# ANGLING RAM ASSEMBLY

**McCONNEL**

Module(s): 43317.07

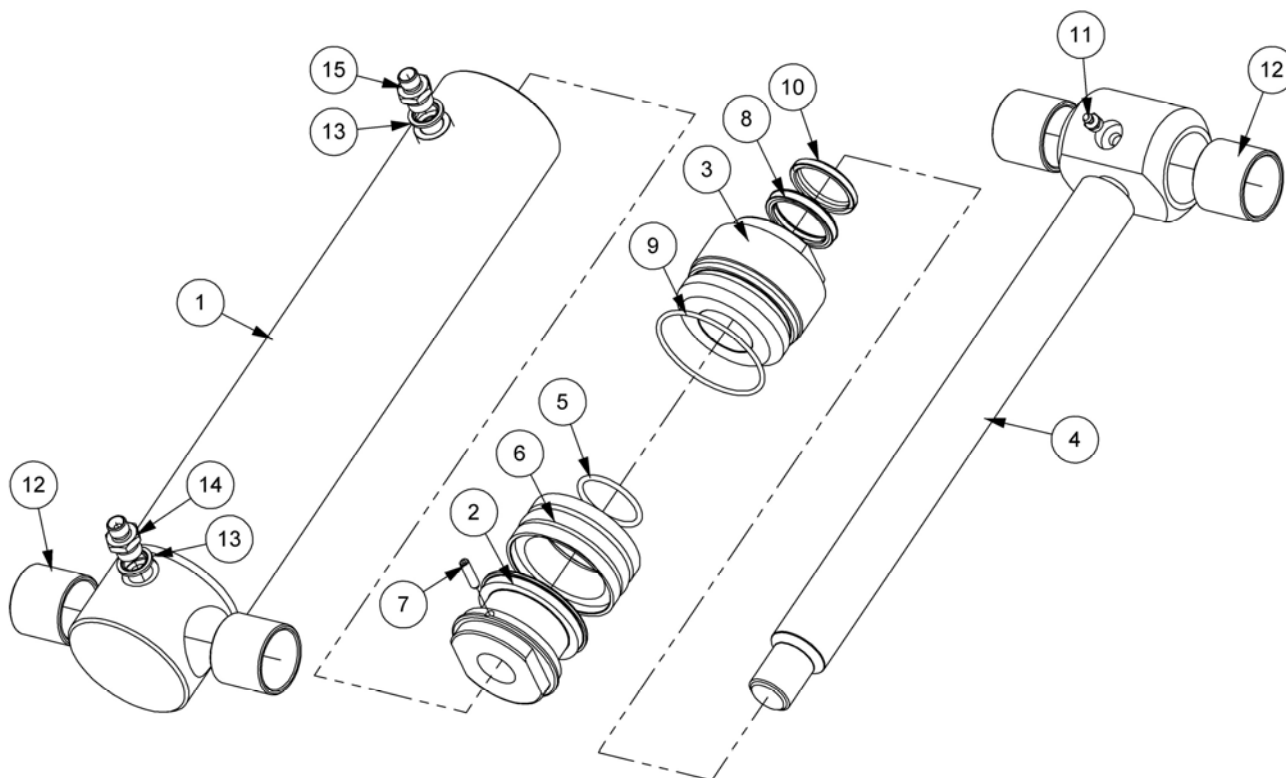


REF.	QTY.	PART No.	DESCRIPTION
		<b>43317.07</b>	<b>ANGLING RAM ASSEMBLY</b>
1	1	43317.33	RAM BARREL
2	1	43317.31	PISTON
3	1	43317.32	GLAND HOUSING
4	1	43317.35	PISTON ROD
5	1	8600301	O RING
6	1	42775.01	DOWEL
7	1	8629156	PISTON SEAL
8	1	8629157	PISTON GUIDE RING
9	1	8600306	O RING
10	1	8629225	ROD GLAND SEAL
11	1	8629208	ROD SCRAPER RING
12	4	08.297.04	BUSH
13	2	8650103	BONDED SEAL
14	2	0901121	GREASER
15	2	8581115	ADAPTOR
		<b>43317.01</b>	<b>SEAL KIT</b>

# SLEW RAM ASSEMBLY

**McCONNEL**

Module(s): 43316.03



REF.	QTY.	PART No.	DESCRIPTION
		<b>43316.03</b>	<b>SLEW RAM ASSEMBLY</b>
1	1	43316.36	RAM BARREL
2	1	43316.31	PISTON
3	1	43316.32	GLAND HOUSING
4	1	43316.33	PISTON ROD
5	1	8600301	O RING
6	1	8638740	PISTON SEAL
7	1	42775.01	DOWEL
8	1	8629225	GLAND SEAL
9	1	8700740	O RING
10	1	8629208	SCRAPER RING
11	1	0901121	GREASE NIPPLE
12	4	08.297.02	BUSH
13	2	8650103	BONDED SEAL
14	1	8581145	ADAPTOR
15	1	8130066	RESTRICTOR
		<b>43316.01</b>	<b>SEAL KIT</b>

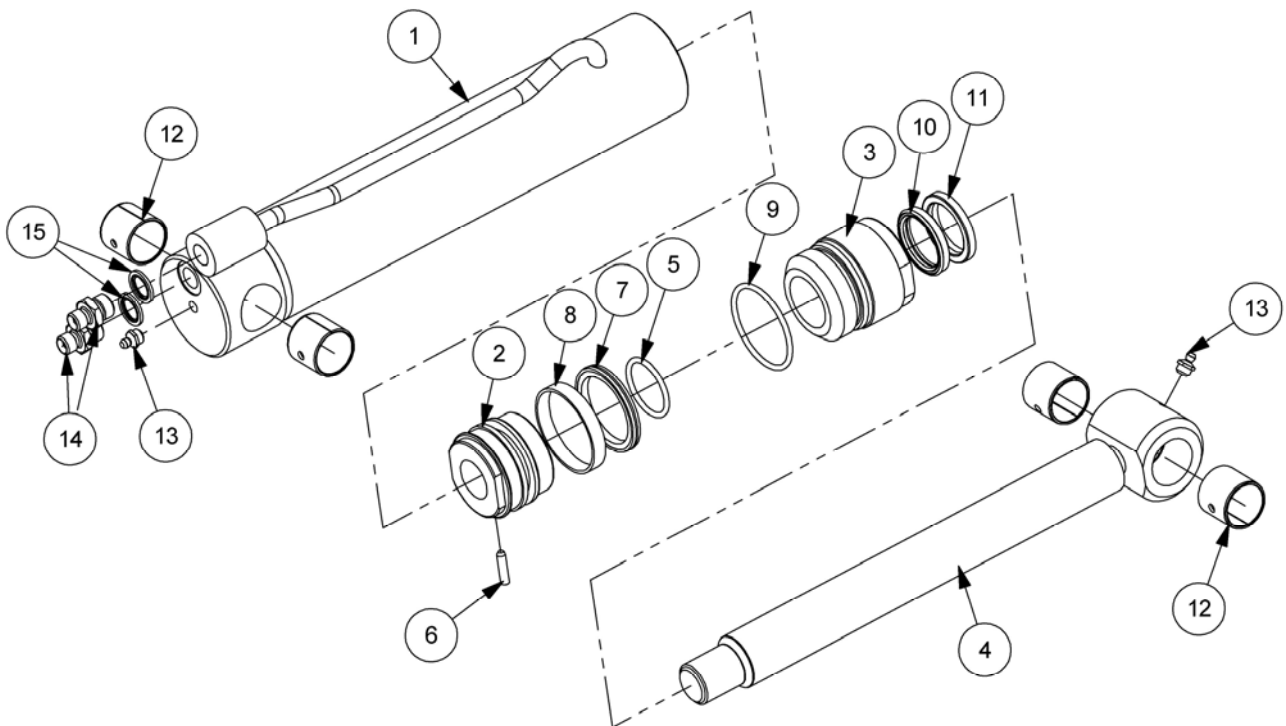
# FOLD RAM ASSEMBLY

**McCONNEL**

Module(s): 42664.06

PA5600M / PA6400M (1.0m forward extension models)

PA5600VFR / PA6400VFR



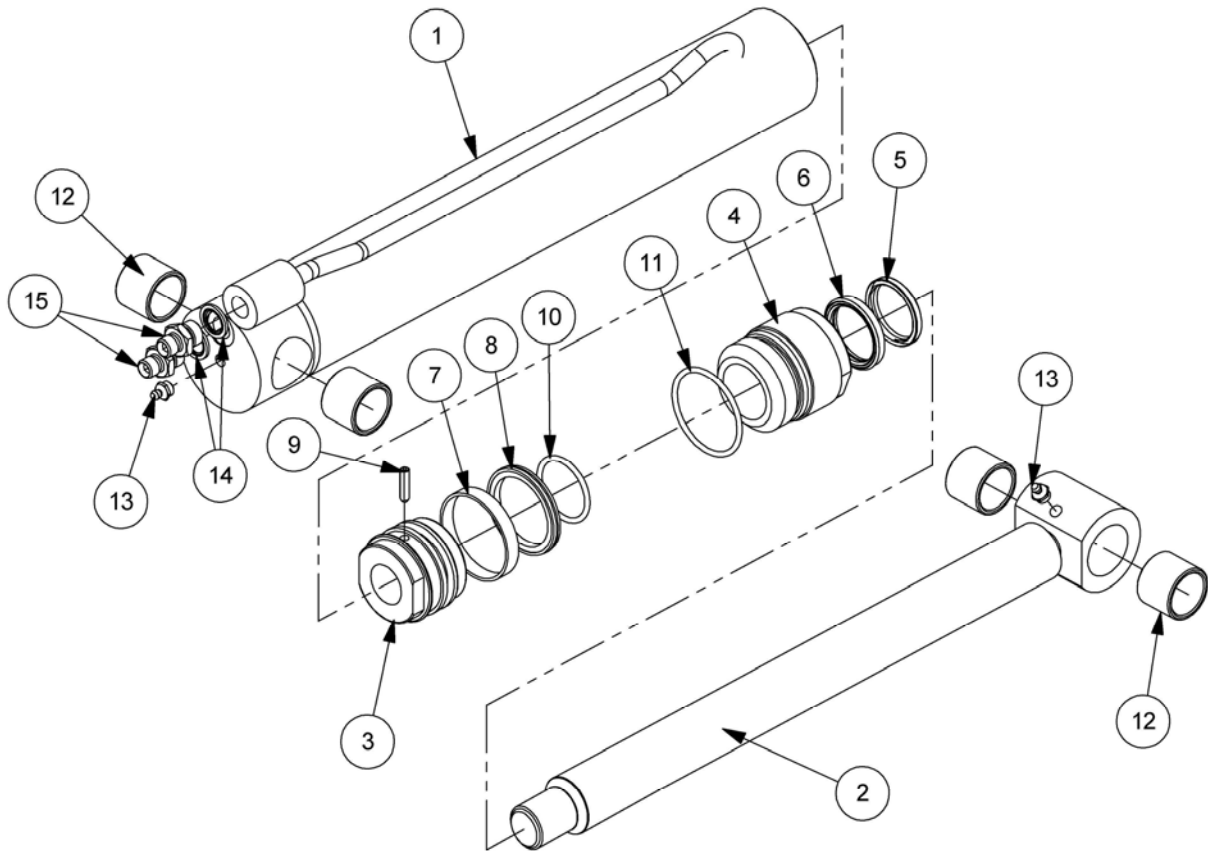
REF.	QTY.	PART No.	DESCRIPTION
		<b>42664.06</b>	<b>FOLD RAM ASSEMBLY</b>
1	1	42664.42	RAM BARREL
2	1	42664.31	PISTON
3	1	42664.32	GLAND HOUSING
4	1	42664.39	PISTON ROD
5	1	8600127	O RING
6	1	42775.01	DOWEL
7	1	8629156	PISTON SEAL
8	1	8629157	GUIDE RING
9	1	8600306	O RING
10	1	8629222	GLAND SEAL
11	1	8629147	SCRAPER RING
12	4	42654.01	GLACIER BUSH
13	2	0901121	GREASE NIPPLE
14	2	8581115	ADAPTOR
15	2	8650103	BONDED SEAL
		<b>42664.08</b>	<b>SEAL KIT</b>

# FOLD RAM ASSEMBLY

**McCONNEL**

Module(s): 43317.08

PA5600M / PA6400M (1.5m forward extension models)



REF.	QTY.	PART No.	DESCRIPTION
		<b>43317.08</b>	<b>FOLD RAM ASSEMBLY</b>
1	1	43317.40	BARREL
2	1	43317.43	PISTON ROD
3	1	43317.31	PISTON
4	1	43317.32	GLAND HOUSING
5	1	8629208	SCRAPER RING
6	1	8629225	GLAND SEAL
7	1	8629157	GUIDE RING
8	1	8629156	PISTON SEAL
9	1	42775.01	DOWEL
10	1	8600301	O RING
11	1	8600306	O RING
12	4	08.297.04	BUSH
13	2	0901121	GREASE NIPPLE
14	2	8650103	BONDED SEAL
15	2	8581115	ADAPTOR
		<b>43317.01</b>	<b>SEAL KIT</b>



# FOLD RAM ASSEMBLIES

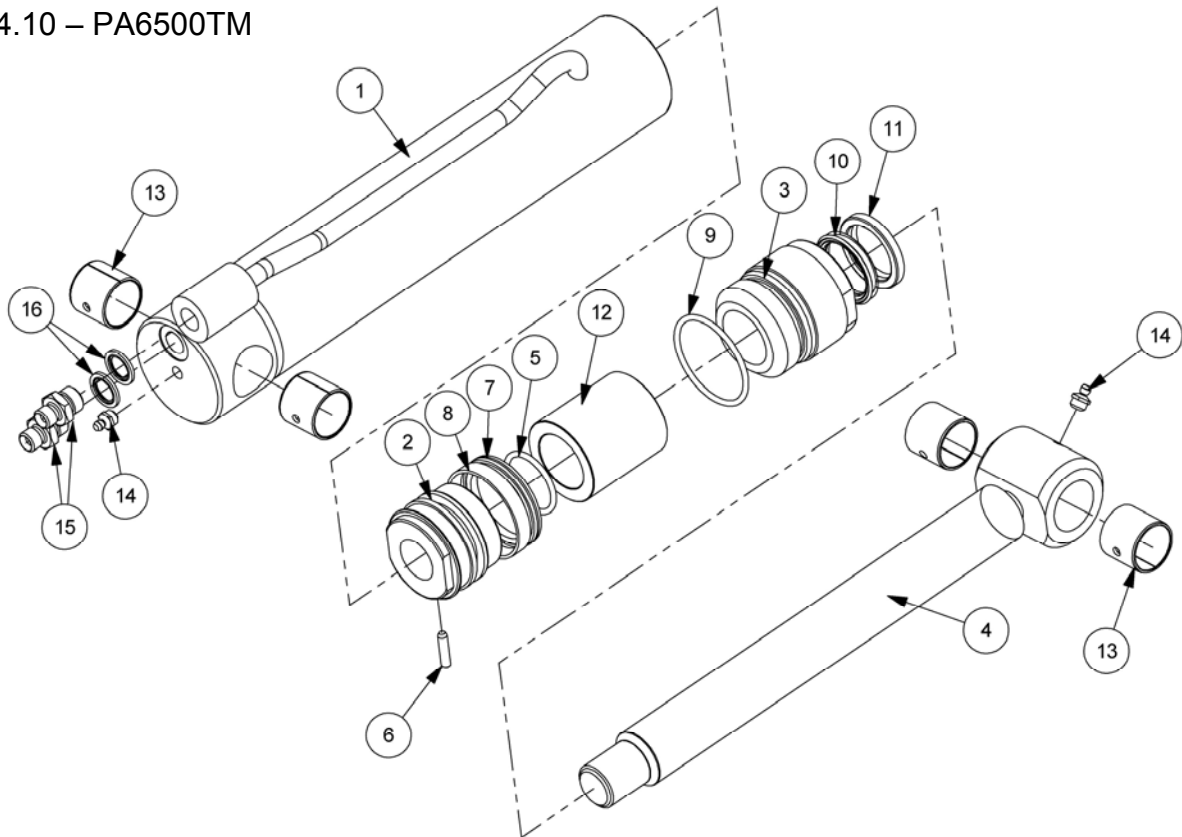
# McCONNEL

Module(s): 42664.07, 42664.09, 42664.10

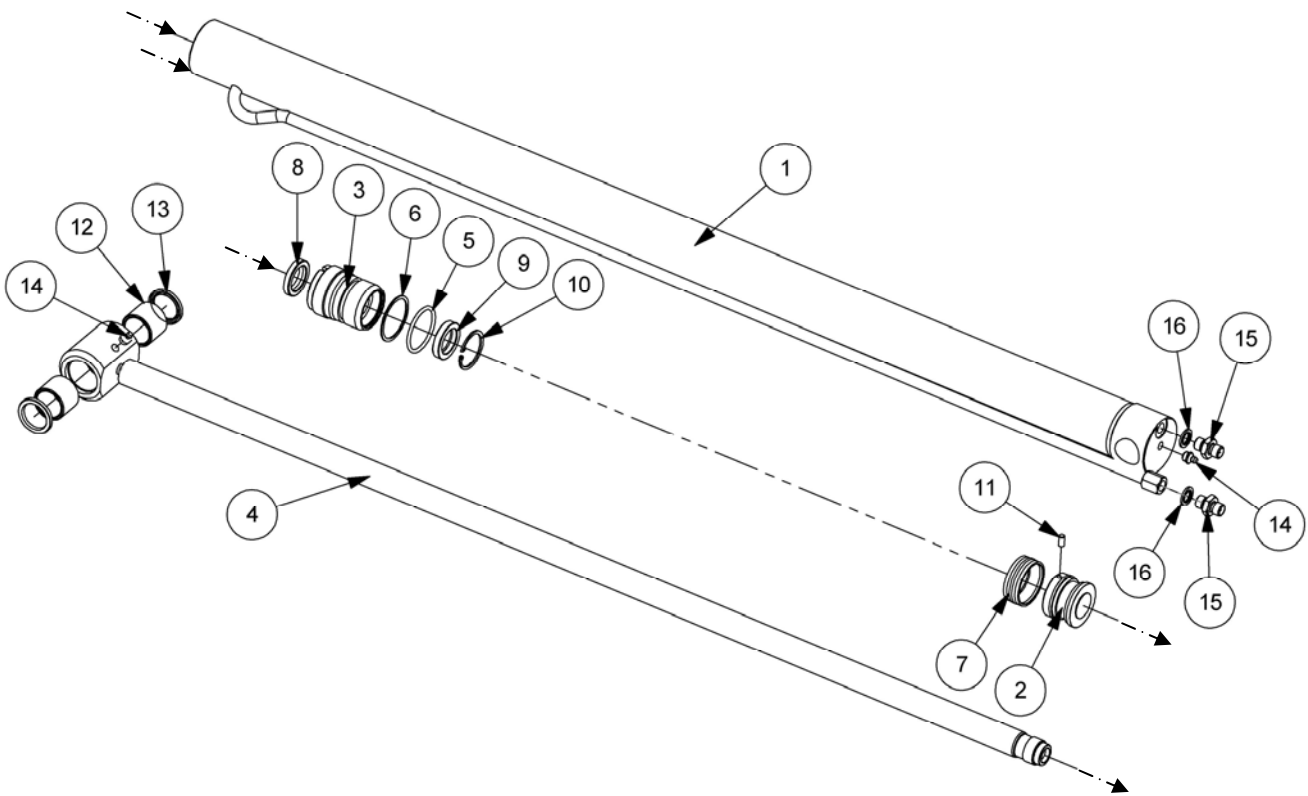
42664.07 – PA6400M (1.0m forward extension models)

42664.09 – PA7700TM

42664.10 – PA6500TM

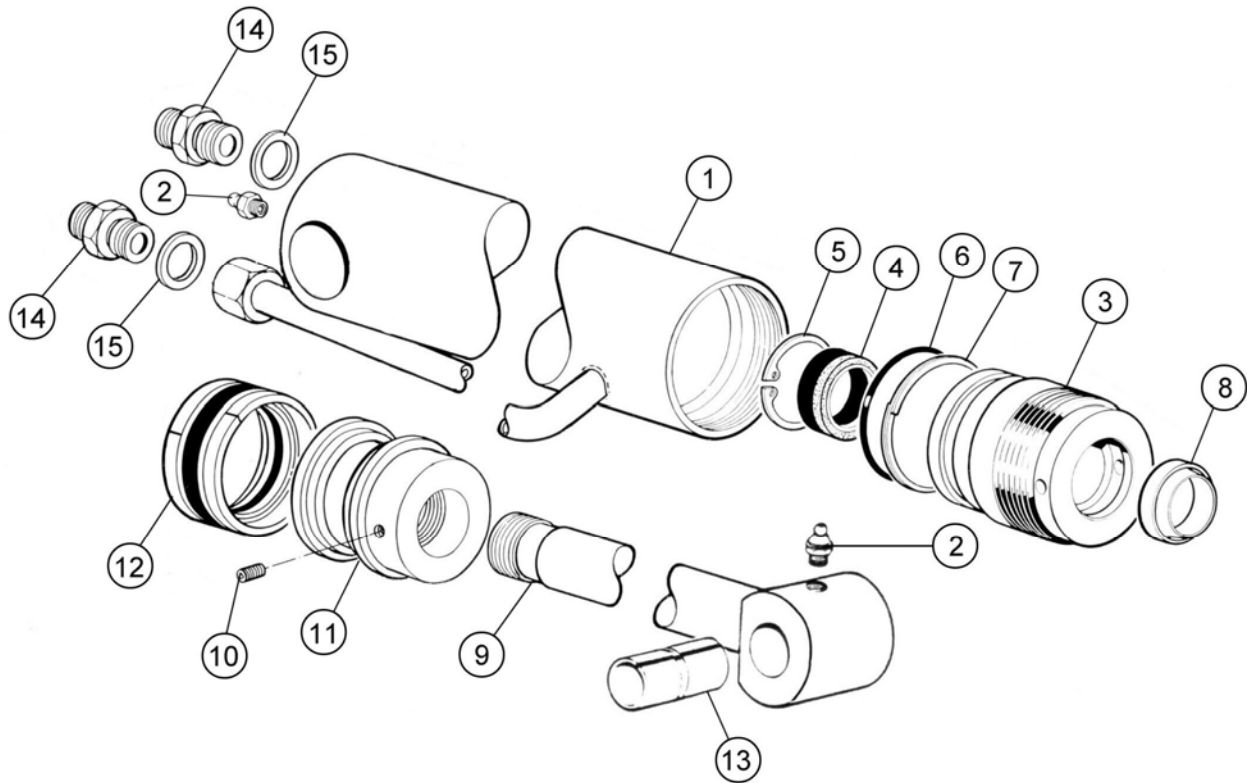


REF.	QTY.	PART No.	DESCRIPTION
		<b>42664.07</b>	<b>FOLD RAM ASSEMBLY</b>
		<b>42664.09</b>	<b>FOLD RAM ASSEMBLY</b>
		<b>42664.10</b>	<b>FOLD RAM ASSEMBLY</b>
1	1	42664.42	RAM BARREL - <i>Assemblies 42664.07 &amp; 42664.09</i>
	1	42664.52	RAM BARREL - <i>Assembly 42664.10</i>
2	1	42664.31	PISTON
3	1	42664.32	GLAND HOUSING
4	1	42664.39	PISTON ROD
5	1	8600127	O RING
6	1	42775.01	DOWEL
7	1	8629156	PISTON SEAL
8	1	8629157	GUIDE RING
9	1	8600306	O RING
10	1	8629222	GLAND SEAL
11	1	8629147	SCRAPER RING
12	1	43062.02	RAM SPACER - <i>Assembly 42664.07</i>
	1	43062.03	RAM SPACER - <i>Assembly 42664.09</i>
	1	43062.04	RAM SPACER - <i>Assembly 42664.10</i>
13	4	42654.01	GLACIER BUSH
14	2	0901121	GREASE NIPPLE
15	2	8581115	ADAPTOR
16	2	8650103	BONDED SEAL
		<b>42664.08</b>	<b>SEAL KIT</b>

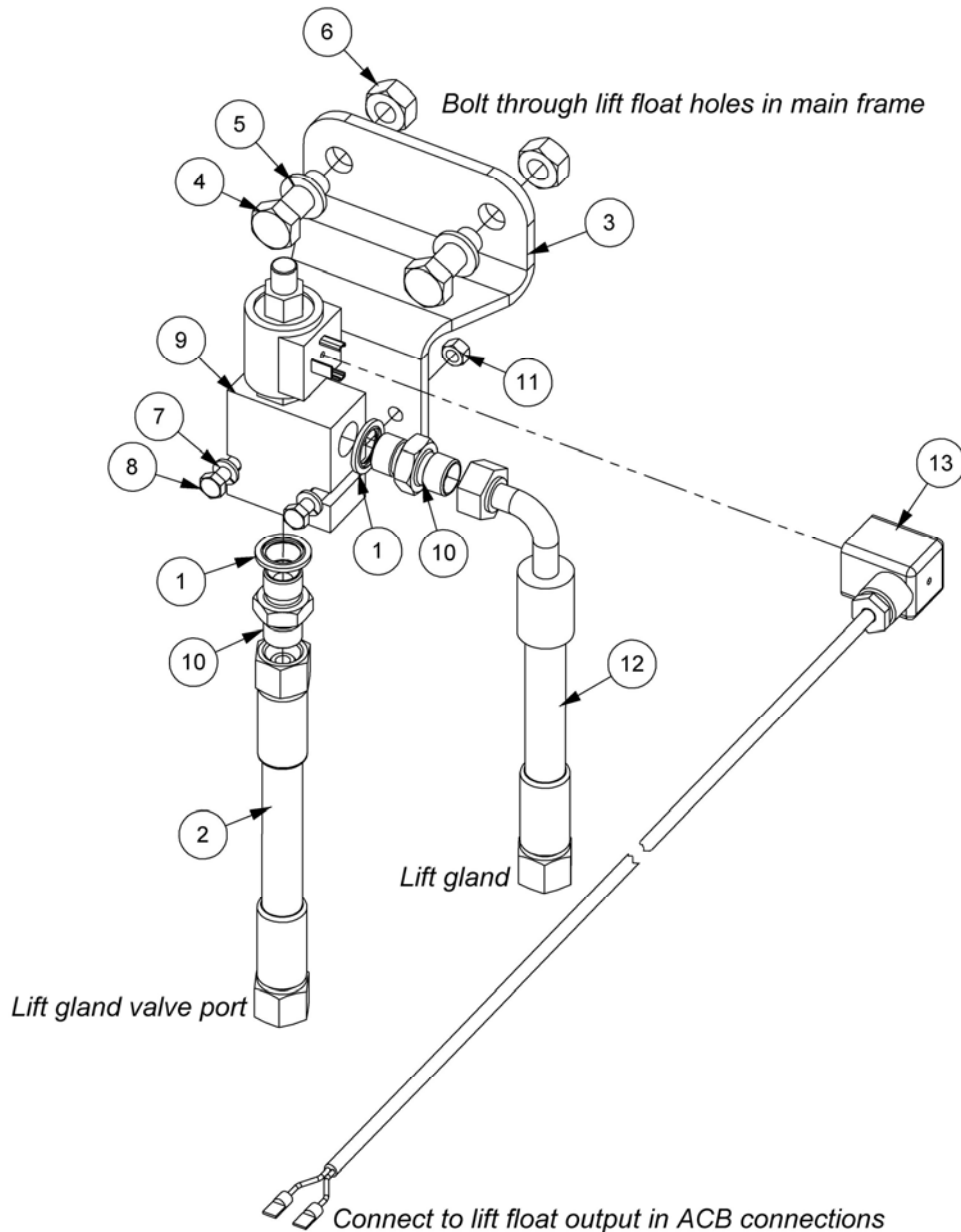


REF.	QTY.	PART No.	DESCRIPTION
		<b>43377.04</b>	<b>TELE RAM ASSEMBLY</b>
1	1	43377.31	BARREL
2	1	7135008	PISTON
3	1	7135291	GLAND HOUSING
4	1	43377.33	PISTON ROD
5	1	8600302	O RING
6	1	8609302	AE RING
7	1	8638788	PISTON SEAL
8	1	8629149	SCRAPER RING
9	1	8629148	GLAND SEAL
10	1	0416240	CIRCLIP - INTERNAL
11	1	9363023	GRUB SCREW
12	2	08.297.04	BUSH
13	2	8629218	LIP SEAL
14	2	0901121	GREASE NIPPLE
15	2	8581169	ADAPTOR
16	2	8650102	BONDED SEAL
		<b>43377.01</b>	<b>SEAL KIT</b>

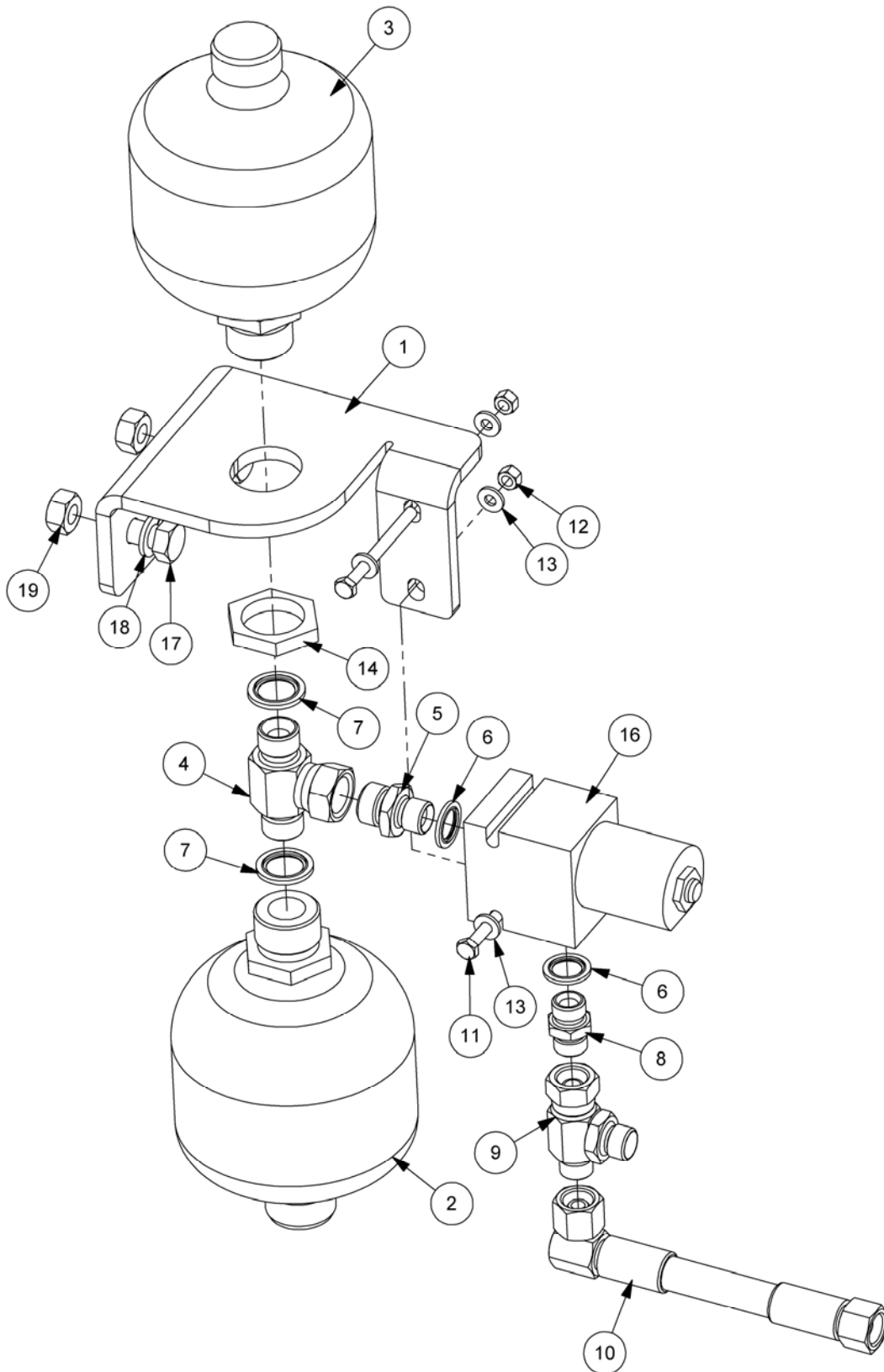
Module(s): 7570318



REF.	QTY.	PART No.	DESCRIPTION
		<b>7570318</b>	<b>TELE RAM ASSEMBLY</b>
1	1	7570319	RAM CYLINDER
2	2	0901121	GREASER
3	1	7135291	GLAND HOUSING
4	1	8629148	GLAND SEAL
5	1	0416240	INTERNAL CIRCLIP
6	1	8600302	O RING
7	1	8609302	ANTI EXTRUSION RING
8	1	8629149	PISTON ROD WIPER SEAL
9	1	7570008	PISTON ROD
10	1	9363023	GRUBSCREW
11	1	7135008	PISTON
12	1	8638788	PISTON SEAL
13	1	7105050	BUSH
14	2	8581169	UNION
15	2	8650102	BONDED SEAL
		<b>8699188</b>	<b>SEAL KIT</b>



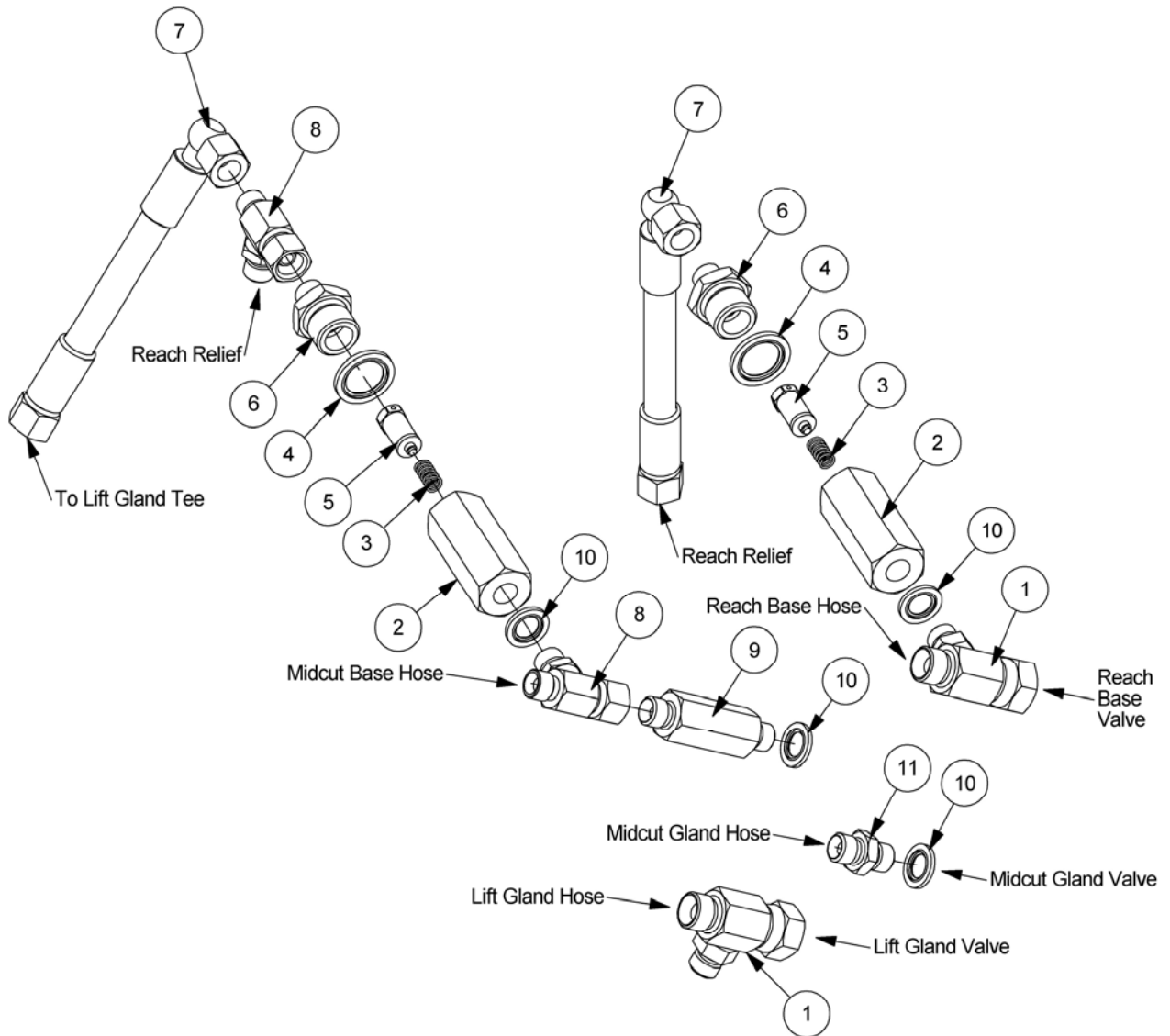
REF.	QTY.	PART No.	DESCRIPTION
		<b>8132292</b>	<b>LIFT GLAND TAP LOCK</b>
1	2	8650103	BONDED SEAL
2	1	10.003.18	HOSE - 3/8" BSP FS/FS x 900mm
3	1	43488.05	MOUNTING BRACKET
4	2	9313066	SETSCREW
5	2	9100206	SPRING WASHER
6	2	9143006	SELF-LOCKING NUT
7	2	9100203	SPRING WASHER
8	2	30.068.88	BOLT
9	1	8130702	POPPET VALVE
10	2	6000113	ADAPTOR
11	2	9143003	SELF-LOCKING NUT
12	1	10.004.26	HOSE - 3/8" BSP FS/F90 x 1600mm
13	1	8402389	DVERTER VALVE LOOM



Module(s): 8126338

REF.	QTY.	PART No.	DESCRIPTION
		<b>8126338</b>	<b>LIFT FLOAT KIT</b>
1	1	43488.02	ACCUMULATOR BRACKET
2	1	41451.02	ACCUMULATOR
3	1	41451.05	ACCUMULATOR
4	1	04.056.13	ADAPTOR TEE
5	1	6000112	ADAPTOR
6	2	8650103	BONDED SEAL
7	2	8650104	BONDED SEAL
8	1	6000113	ADAPTOR
9	1	11.068.69	ADAPTOR TEE
10	1	10.004.10	HOSE - 3/8" BSP FS/F90 x 500mm
11	2	9213143	BOLT
12	2	9143003	SELF-LOCKING NUT
13	4	9100103	FLAT WASHER
14	1	8126035	NUT
15	1	43177.28	LOOM - LIFT FLOAT
16	1	08.619.09	VALVE - MODULAR
17	2	9313066	SETSCREW
18	2	9100206	SPRING WASHER
19	2	9143006	SELF-LOCKING NUT

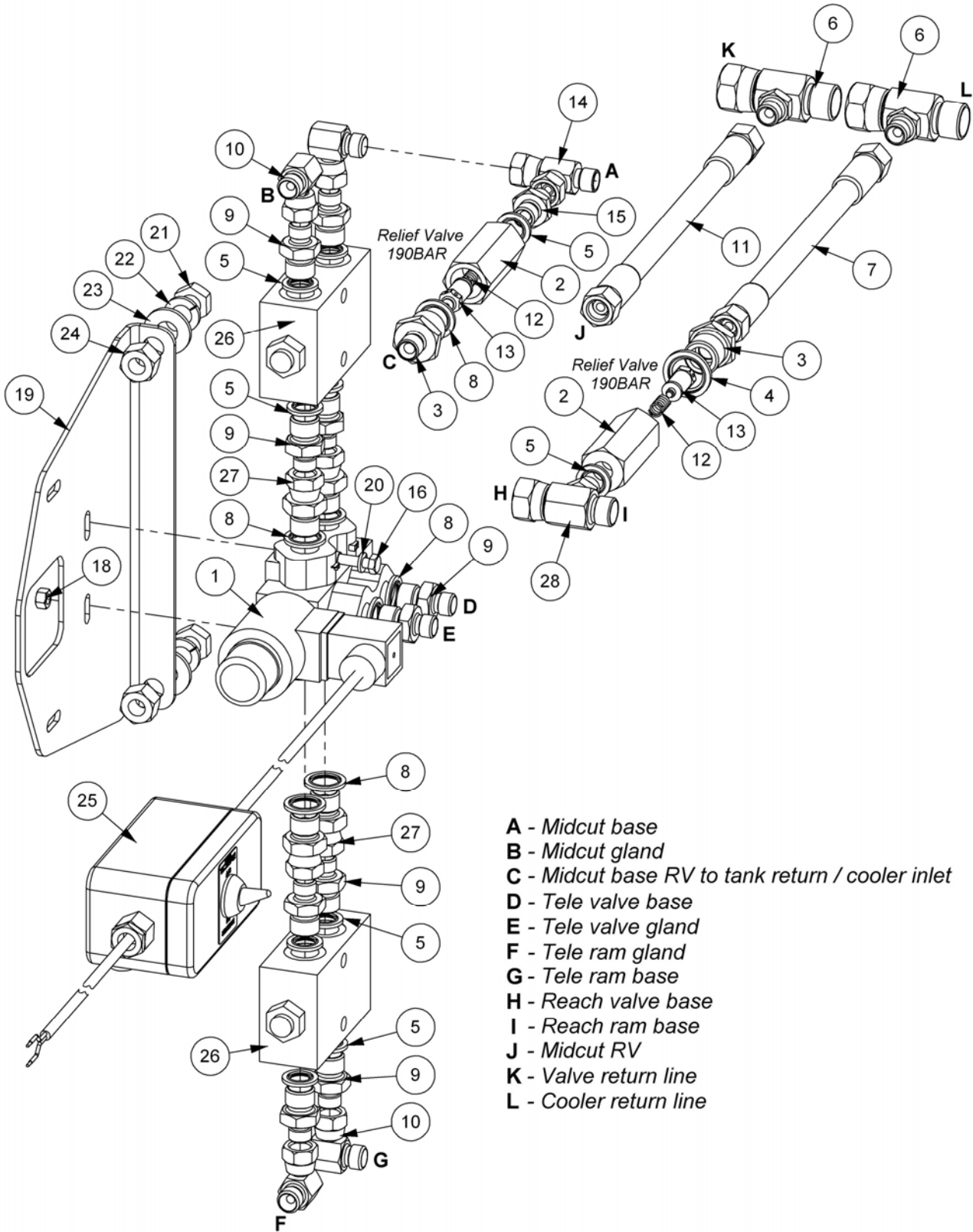




**MIDCUT ROTOR RELIEF****McCONNEL**

Module(s): 7457810

<b>REF.</b>	<b>QTY.</b>	<b>PART No.</b>	<b>DESCRIPTION</b>
		<b>7457810</b>	<b>MIDCUT ROTOR RELIEF</b>
1	2	04.056.16	ADAPTOR TEE
2	2	8130156	RELIEF VALVE HOUSING
3	2	8116011	SPRING
4	2	8650104	BONDED SEAL
5	2	8130092	RELIEF VALVE 190BAR
6	2	8130083	ADAPTOR RELIEF BODY
7	2	10.002.08	HOSE - 1/4" BSP FS/F90 x 400mm
8	2	8581254	ADAPTOR TEE
9	1	8581279	ADAPTOR EXTENTION
10	4	8650102	BONDED SEAL
11	1	8130103	ADAPTOR RESTRICTOR
12	1	7457810FS	FITTING SHEET

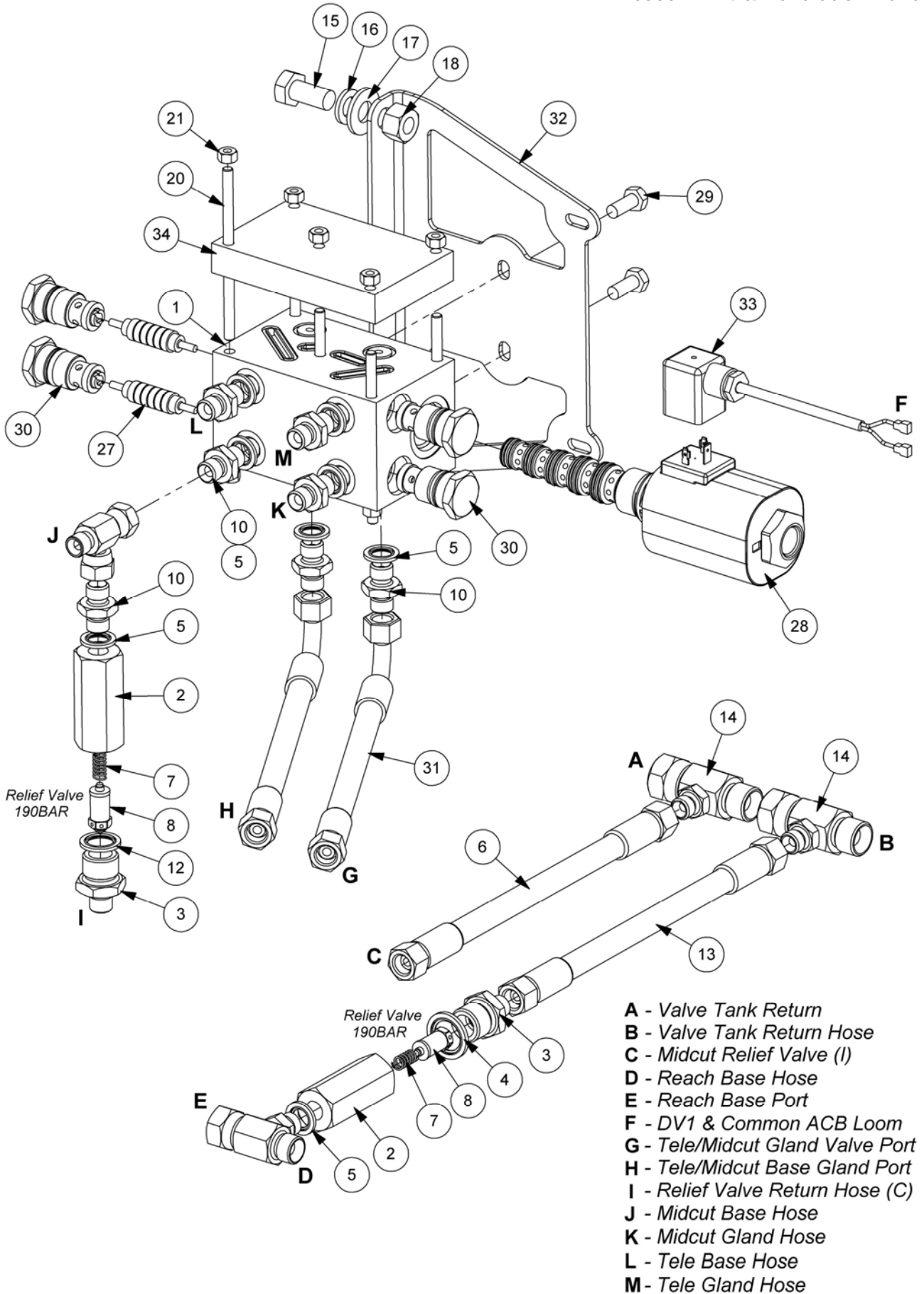


- A - Midcut base
- B - Midcut gland
- C - Midcut base RV to tank return / cooler inlet
- D - Tele valve base
- E - Tele valve gland
- F - Tele ram gland
- G - Tele ram base
- H - Reach valve base
- I - Reach ram base
- J - Midcut RV
- K - Valve return line
- L - Cooler return line

Module(s): 7756548, 777720

REF.	QTY.	PART No.	DESCRIPTION
		<b>7756548</b>	<b>MIDCUT RELIEF / DIVERTER VALVE - PA6500TM</b>
		<b>7777720</b>	<b>MIDCUT RELIEF / DIVERTER VALVE - PA7700TM</b>
1	1	41605.01	DIVERTER VALVE
2	2	8130156	RELIEF VALVE HOUSING
3	2	8130083	ADAPTOR RELIEF BODY
4	1	8650104	BONDED SEAL
5	10	8650102	BONDED SEAL
6	2	04.056.25	ADAPTOR TEE
7	1	10.001.06	HOSE - 1/4" BSP FS/FS x 300mm
8	7	8650103	BONDED SEAL
9	10	8581115	ADAPTOR
10	4	8581190	ADAPTOR ELBOW (90°)
11	1	10.001.20	HOSE - 1/4" BSP FS/FS x 1000mm
12	2	8116011	SPRING
13	2	8130092	RELIEF VALVE (190BAR)
14	1	8581288	ADAPTOR TEE
15	1	8581169	ADAPTOR
16	2	9213113	BOLT
17	2	9100103	FLAT WASHER
18	4	9143003	SELF-LOCKING NUT
19	1	21999.38	VALVE MOUNTING PLATE - <i>PA6500TM Models</i>
	1	21999.32	VALVE MOUNTING PLATE - <i>PA7700TM Models</i>
20	2	9100203	SPRING WASHER
21	2	9313056	SETSCREW
22	2	9100206	SPRING WASHER
23	2	9100106	FLAT WASHER
24	2	9143006	SELF-LOCKING NUT
25	1	22073.04 *	ADDITIONAL SERVICE SWITCH BOX
26	2	8132299	DOUBLE PO CHECK VALVE
27	4	8581259	ADAPTOR
28	1	04.056.16	ADAPTOR TEE

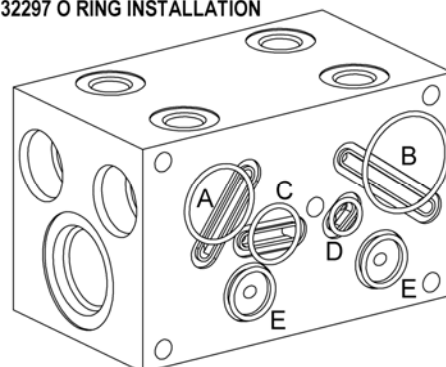
\* *PA6500TM Models only*



Module(s): 7756549

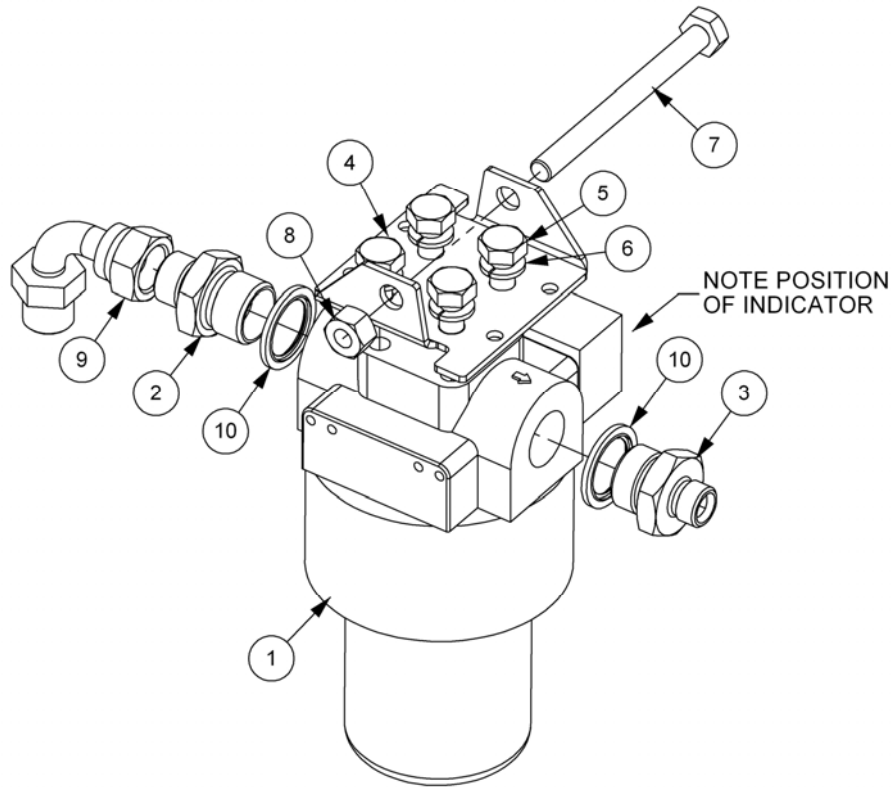
REF.	QTY.	PART No.	DESCRIPTION
		<b>7756549</b>	<b>MIDCUT RELIEF / DIVERTER VALVE - PA6500TM</b>
1	1	8132297	DIVERTER VALVE BLOCK
2	2	8130156	RELIEF VALVE HOUSING
3	2	8130083	ADAPTOR RELIEF BODY
4	1	8650104	BONDED SEAL
5	8	8650102	BONDED SEAL
6	1	10.001.20	HOSE - 1/4" BSP FS/FS x 1000mm
7	2	8116011	SPRING
8	2	8130092	RELIEF VALVE (190BAR)
9	1	8581288	ADAPTOR TEE
10	7	8581169	ADAPTOR
11	1	9100103	FLAT WASHER
12	1	8650103	BONDED SEAL
13	1	10.001.06	HOSE - 1/4" BSP FS/FS x 300mm
14	2	04.056.25	ADAPTOR TEE
15	2	9313056	SETSCREW
16	2	9100206	SPRING WASHER
17	2	9100106	FLAT WASHER
18	2	9163006	NYLOC NUT
19	1	04.056.16	ADAPTOR TEE
20	5	9393223	STUD
21	10	9163003	NYLOC NUT
22	2	8700518	O RING
23	1	8700528	O RING
24	1	8700513	O RING
25	1	8700520	O RING
26	1	8700525	O RING
27	2	8130716	VALVE ACTUATOR
28	1	8130720	DIVERTER VALVE SPOOL
29	2	9313044	SETSCREW
30	4	8130090	CHECK VALVE ASSEMBLY
31	2	10.002.16	HOSE - 1/4" BSP FS/F90 x 800mm
32	1	21999.40	DIVERTER VALVE MOUNTING PLATE
33	1	8402389	DIVERTER VALVE LOOM
34	1	8132298	DIVERTER VALVE END PLATE

8132297 O RING INSTALLATION

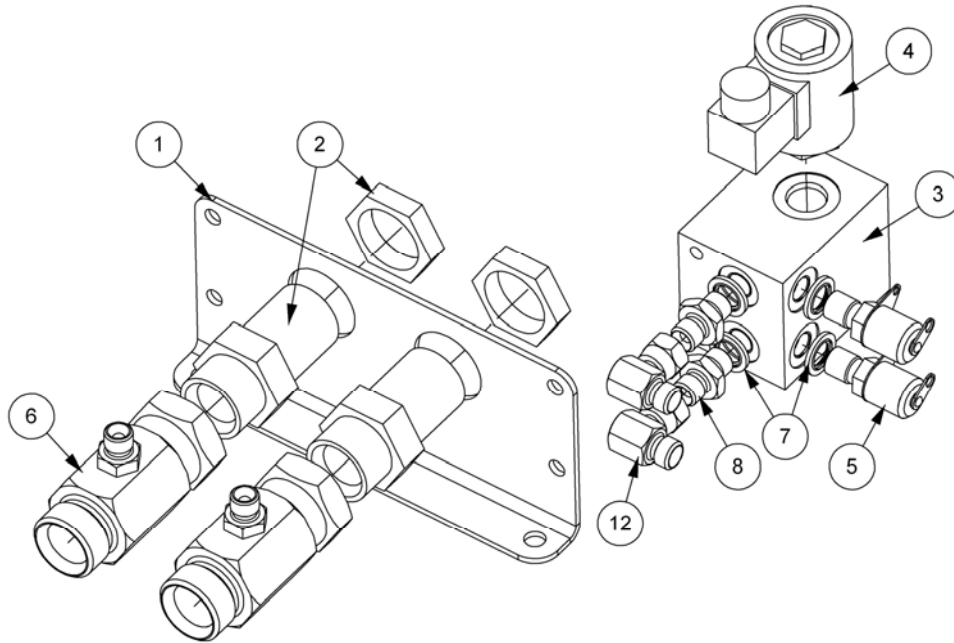


A - 8700525  
 B - 8700528  
 C - 8700520  
 D - 8700513  
 E - 8700518





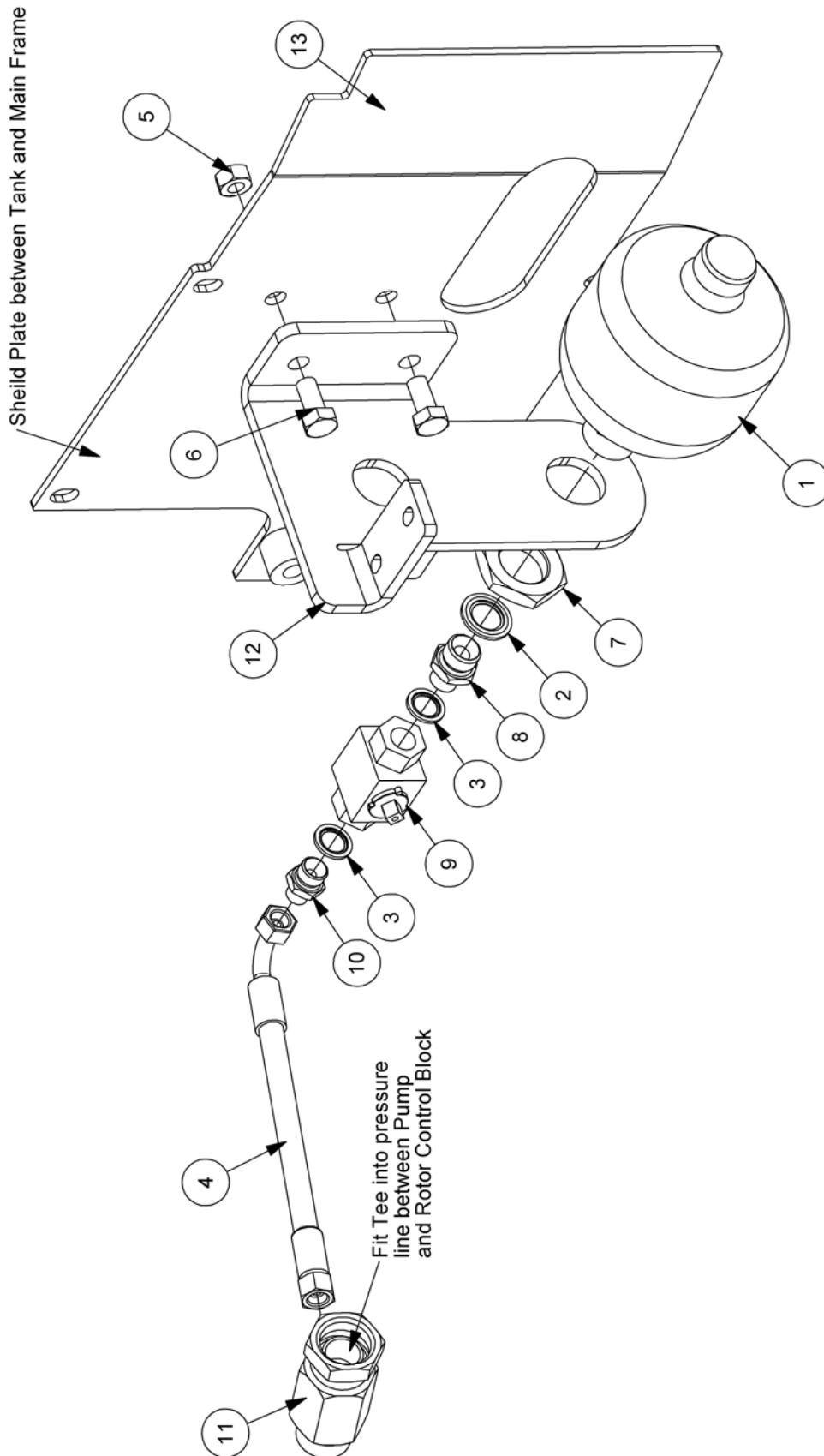
REF.	QTY.	PART No.	DESCRIPTION
		<b>42782.03</b>	<b>CHARGE FILTER ASSEMBLY</b>
1	1	8401084	FILTER (MED PRESSURE)
2	1	8581130	ADAPTOR
3	1	8581131	ADAPTOR
4	1	43388.35	CHARGE FILTER BRACKET
5	4	9313035	SETSCREW
6	4	9100205	SPRING WASHER
7	1	9213225	BOLT
8	1	9143005	SELF-LOCKING NUT
9	1	8581215	ADAPTOR ELBOW - 90° SWEPT
10	2	8650106	BONDED SEAL



REF.	QTY.	PART No.	DESCRIPTION
		<b>42783.06</b>	<b>BYPASS ASSEMBLY - Piston Electric</b>
		<b>42783.07</b>	<b>BYPASS ASSEMBLY - Piston Proportional</b>
1	1	43386.01	PLATE
2	2	08.128.03	BULKHEAD FITTING
3	1	8132270	BLOCK - PUMP BYPASS
4	1	8130192	CARTRIDGE VALVE - 2 WAY
5	2	8131008	TEST POINT
6	2	04.056.33	ADAPTOR TEE
7	4	8650102	BONDED SEAL
8	2	8581169	ADAPTOR
9	2	10.002.06 *	HOSE - 1/4" BSP FS/F90 x 300mm ( <i>not illustrated</i> )
	2	10.002.10 **	HOSE - 1/4" BSP FS/F90 x 500mm ( <i>not illustrated</i> )
10	1	43177.31 *	LOOM ( <i>not illustrated</i> )
	1	43177.29 **	LOOM ( <i>not illustrated</i> )
11	1	8402373 *	CUT-OFF UNIT ( <i>not illustrated</i> )
12	2	8581190	ADAPTOR ELBOW

\* Piston Electric Models only

\*\* Piston Proportional Models only



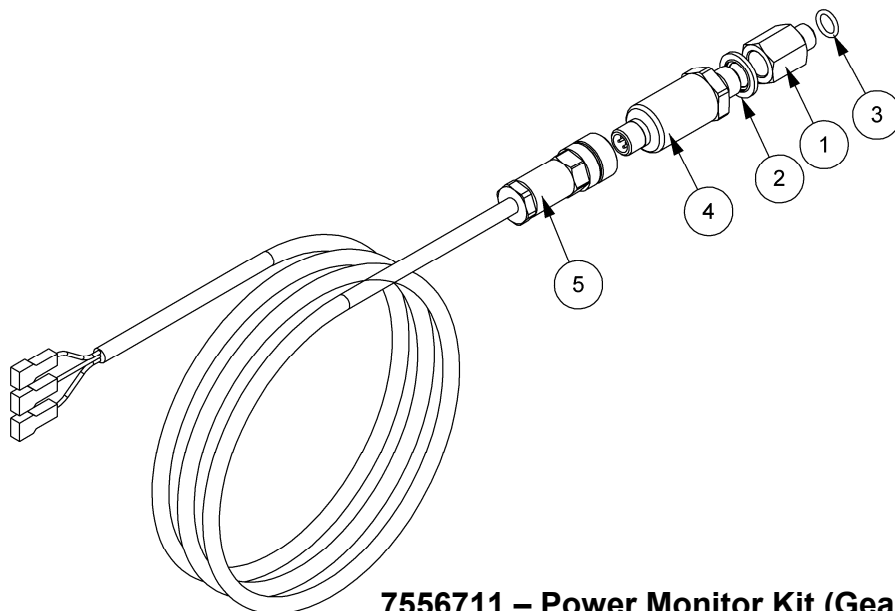
FLAIL ACCUMULATOR KIT (Option)

**McCONNEL**

Module(s): 8126342

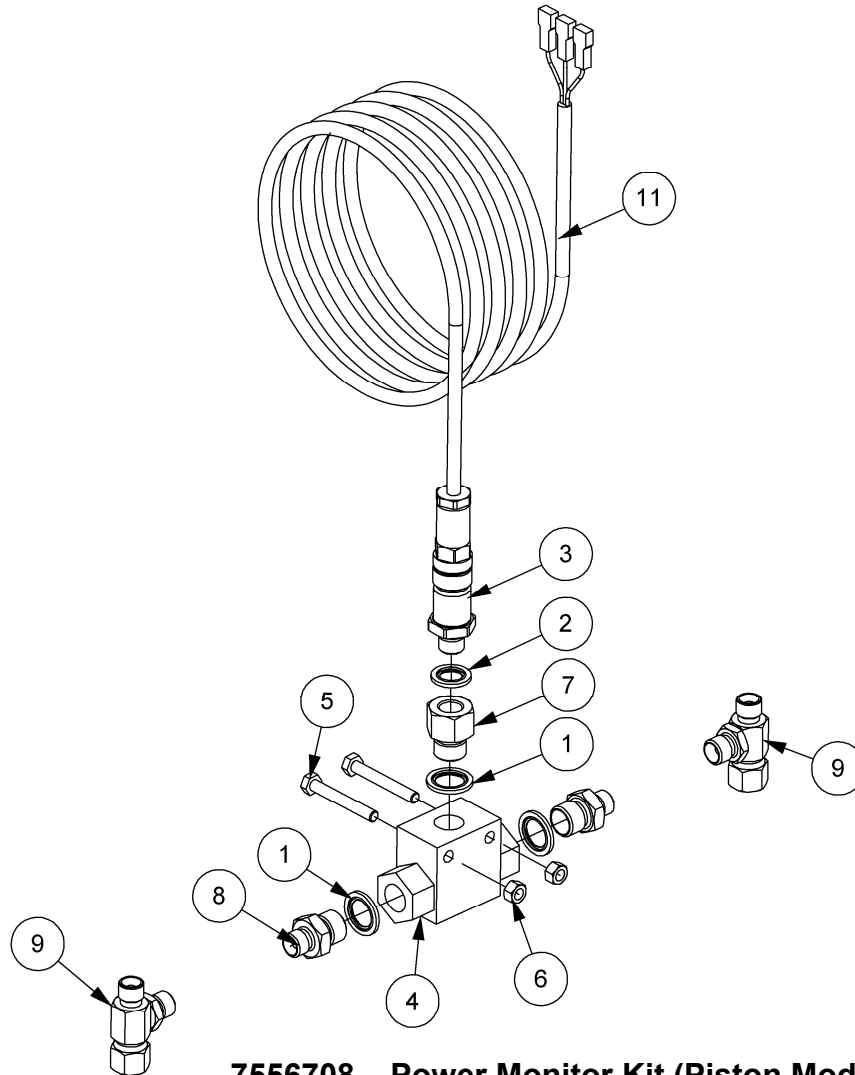
REF.	QTY.	PART No.	DESCRIPTION
		<b>8126342</b>	<b>FLAIL ACCUMULATOR KIT</b>
1	1	41451.02	ACCUMULATOR
2	1	8650322	BONDED SEAL
3	2	8650103	BONDED SEAL
4	1	10.002.11	HOSE - 1/4" BSP FS/F90 x 550mm
5	2	9143006	SELF-LOCKING NUT
6	2	9313056	SETSCREW
7	1	42244.01	LOCKNUT
8	1	6000112	ADAPTOR
9	1	08.200.01	VALVE - ISOLATING
10	1	8581115	ADAPTOR
11	1	04.056.33	ADAPTOR TEE
12	1	43488.03	ACCUMULATOR BRACKET
13	1	21074.01	SHIELD PLATE - L/H Build
	1	21074.02	SHIELD PLATE - R/H Build

Module(s): 7556711



**7556711 – Power Monitor Kit (Gear Models)**

REF.	QTY.	PART No.	DESCRIPTION
		<b>7556711</b>	<b>POWER MONITOR KIT - Gear Models</b>
1	1	8581458	ADAPTOR
2	1	8650102	BONDED SEAL
3	1	8600904	O RING
4	1	8402253	PRESSURE SENSOR (0 TO 250 BAR)
5	1	43177.53	LOOM - PRESSURE SENSOR



**7556708 – Power Monitor Kit (Piston Models)**

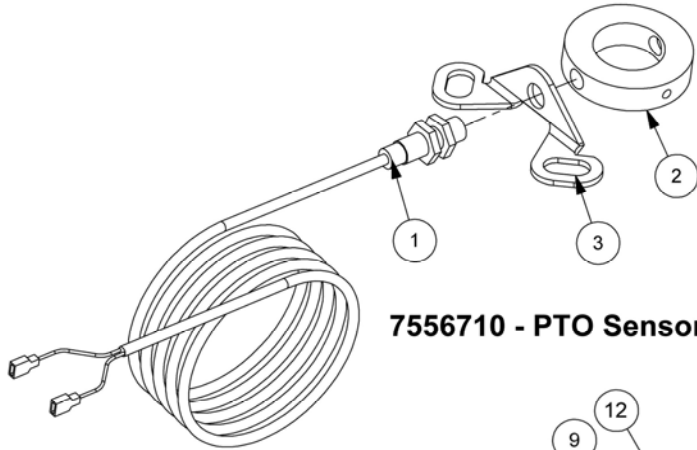
REF.	QTY.	PART No.	DESCRIPTION
		<b>7556708</b>	<b>POWER MONITOR KIT - Piston Models</b>
1	3	8650103	BONDED SEAL
2	1	8650102	BONDED SEAL
3	1	8402254	PRESSURE SENSOR (0 TO 400 BAR)
4	1	09.820.01	SHUTTLE VALVE
5	2	30.068.88	BOLT
6	2	9143003	SELF-LOCKING NUT
7	1	8103005	ADAPTOR
8	2	8581115	ADAPTOR
9	2	8581254	ADAPTOR TEE
10	2	10.002.10	HOSE - 1/4" BSP FS/F90 x 500mm
11	1	43177.52	LOOM - PRESSURE TRANSDUCER



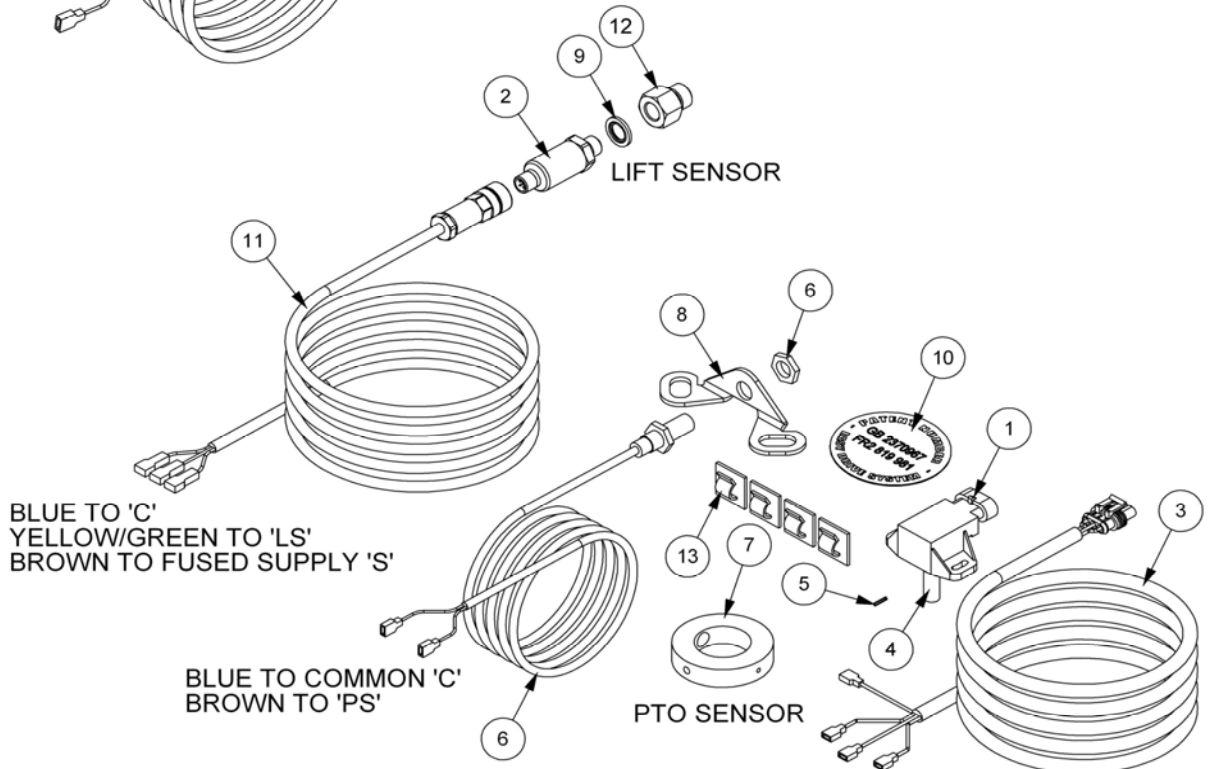
**SENSOR KITS – PTO & EDS**

**McCONEL**

Module(s): 7556703, 7556706, 7556710, 7556713



**7556710 - PTO Sensor Kit (Proportional Models)**



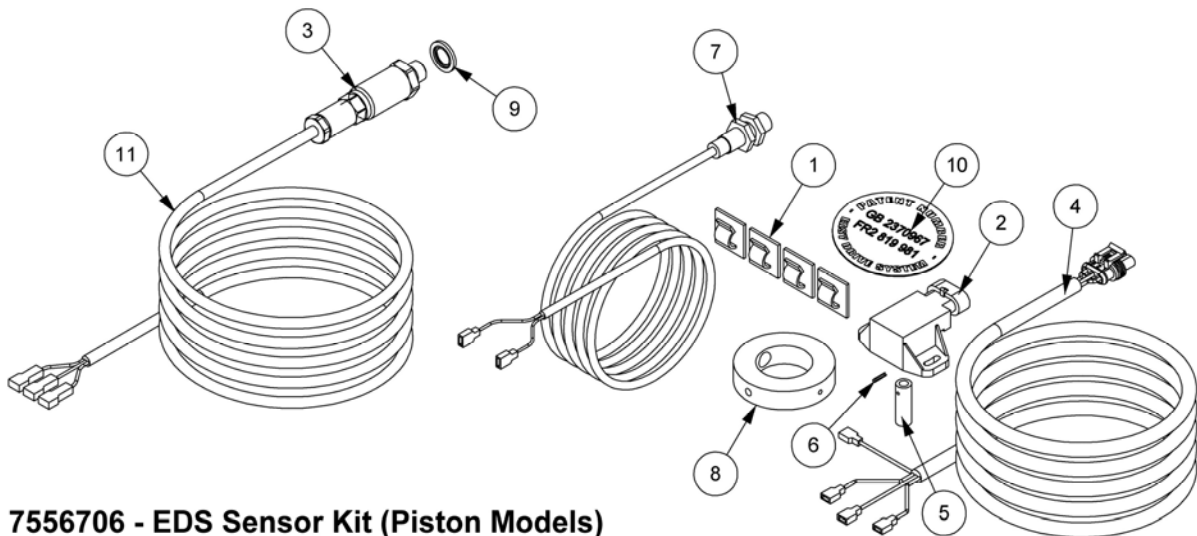
BLUE TO 'C'  
YELLOW/GREEN TO 'LS'  
BROWN TO FUSED SUPPLY 'S'

BLUE TO COMMON 'C'  
BROWN TO 'PS'

SCREENING TO COMMON 'C'  
BLUE TO COMMON 'C'  
BROWN TO FUSED SUPPLY 'S'  
GREEN/YELLOW TO 'RS'

REACH SENSOR  
LOOM

**7556703 - EDS Sensor Kit (Gear Models)**



**7556706 - EDS Sensor Kit (Piston Models)**

**SENSOR KITS – PTO & EDS**

**McCONNEL**

Module(s): 7556703, 7556706, 7556710

REF.	QTY.	PART No.	DESCRIPTION
		<b>7556710</b>	<b>PTO SENSOR KIT - Gear Models</b>
1	1	8402251	PTO SENSOR
2	1	8402252	PTO MAGNETIC RING
3	1	21170.04	PTO SENSOR BRACKET

REF.	QTY.	PART No.	DESCRIPTION
		<b>7556713</b>	<b>PTO SENSOR KIT - Piston Models</b>
1	1	8402251	PTO SENSOR
2	1	8402252	PTO MAGNETIC RING

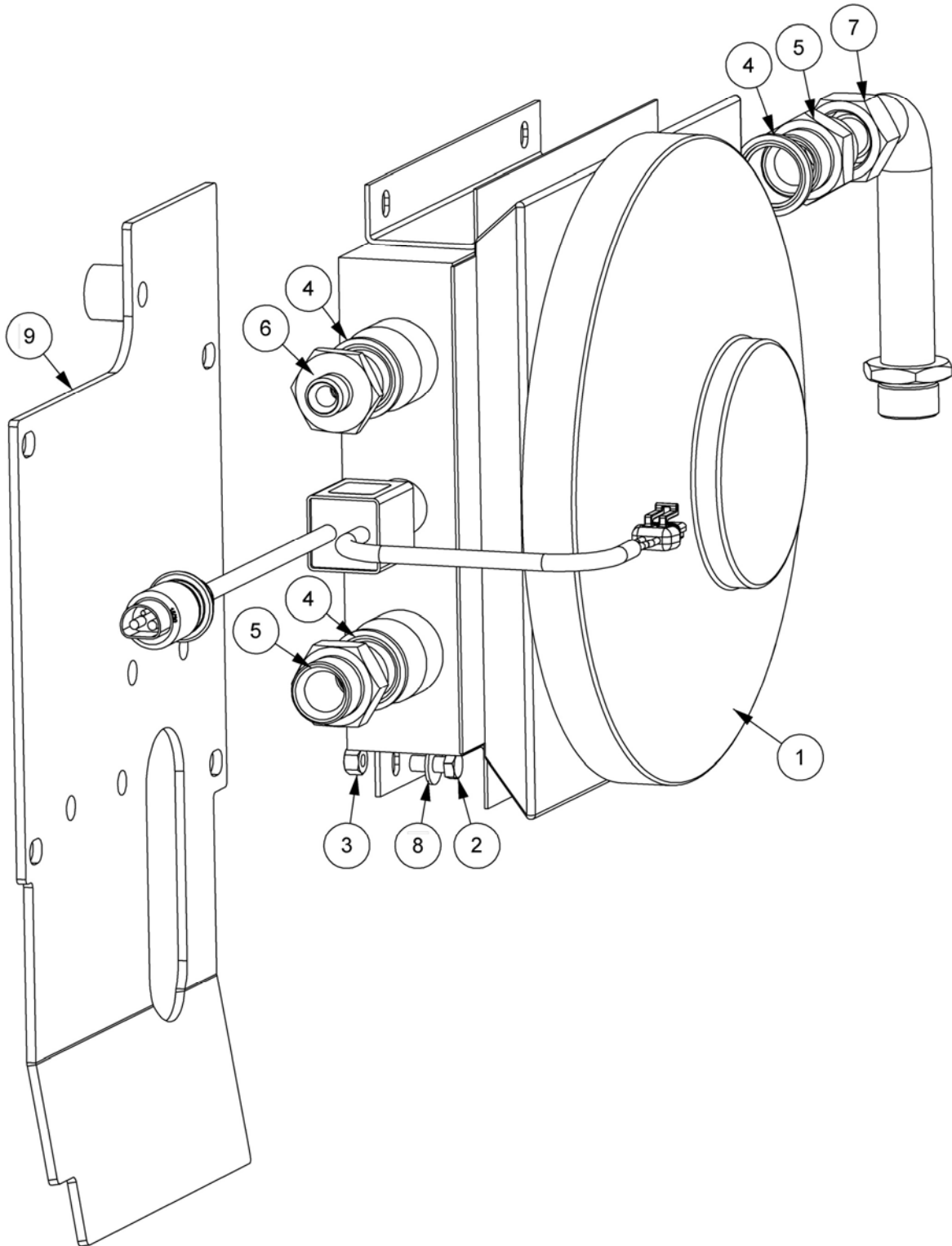
REF.	QTY.	PART No.	DESCRIPTION
		<b>7556703</b>	<b>EDS SENSOR KIT - Gear Models</b>
1	4	43357.01	CLIP (SELF ADHESIVE PAD)
2	1	8402235	REACH SENSOR
3	1	8402253	PRESSURE SENSOR (0 TO 250 BAR)
4	1	21163.01	REACH SENSOR LOOM
5	1	45425.07	SENSOR EXTENSION
6	1	0430110	SPRING DOWEL
7	1	8402251	PTO SENSOR
8	1	8402252	PTO MAGNETIC RING
9	1	21170.04	PTO SENSOR BRACKET
10	1	8650102	BONDED SEAL
11	1	21365.01	PATENT DECAL
12	1	43177.52	LOOM - PRESSURE TRANSDUCER

REF.	QTY.	PART No.	DESCRIPTION
		<b>7556706</b>	<b>EDS SENSOR KIT - Piston Models</b>
1	4	43357.01	CLIP (SELF ADHESIVE PAD)
2	1	8402235	REACH SENSOR
3	1	8402253	PRESSURE SENSOR (0 TO 250 BAR)
4	1	21163.01	REACH SENSOR LOOM
5	1	45425.07	SENSOR EXTENSION
6	1	0430110	SPRING DOWEL
7	1	8402251	PTO SENSOR
8	1	8402252	PTO MAGNETIC RING
9	1	8650102	BONDED SEAL
10	1	21365.01	PATENT DECAL
11	1	43177.52	LOOM - PRESSURE TRANSDUCER

# COOLER ASSEMBLIES

**McCONEL**

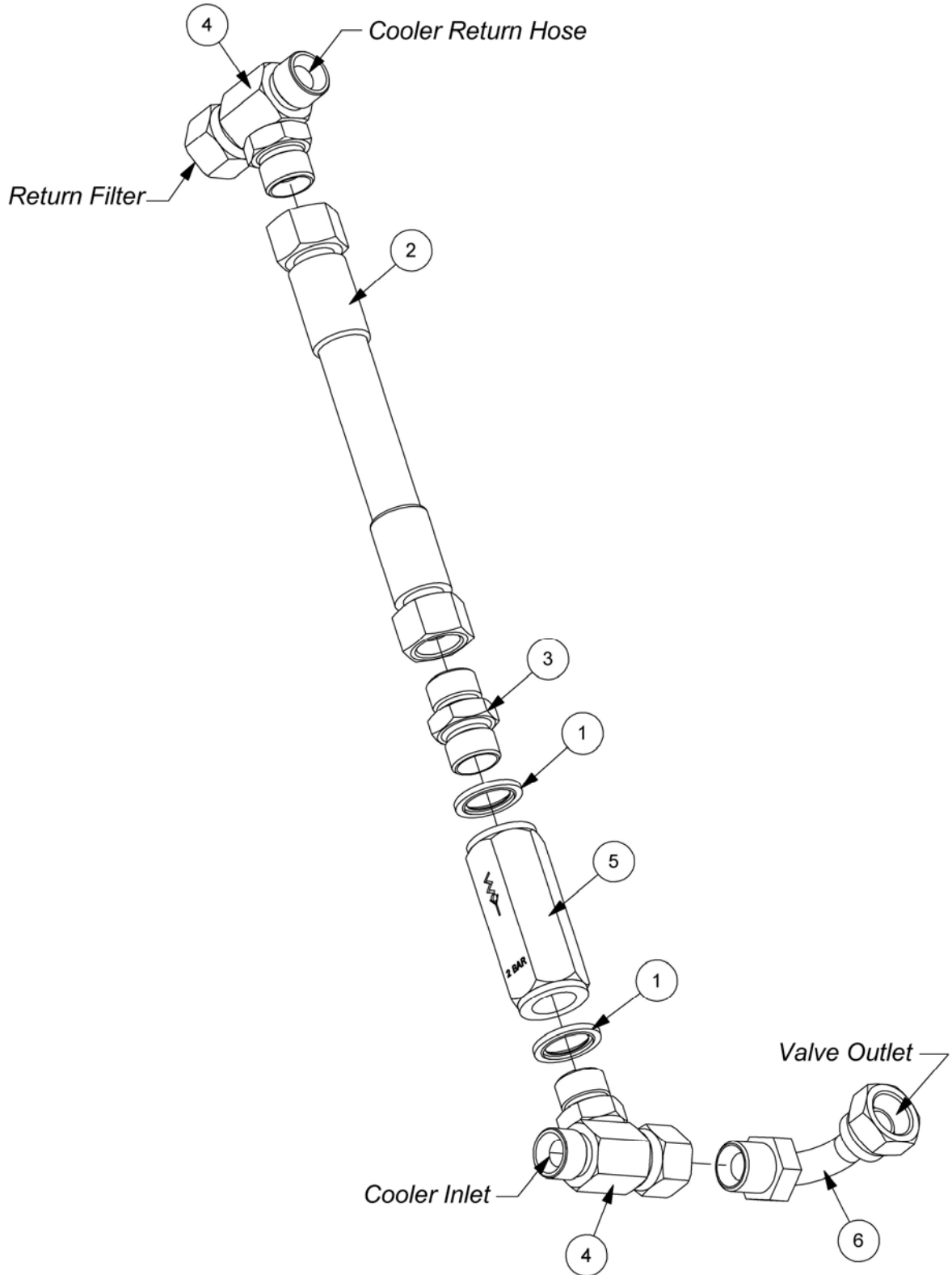
Module(s): 7756800 (illustrated), 7756801, 7756802, 7756803



**COOLER ASSEMBLIES****McCONNEL**Module(s): 7756800 (*illustrated*), 7756801, 7756802, 7756803

<b>REF.</b>	<b>QTY.</b>	<b>PART No.</b>	<b>DESCRIPTION</b>
		<b>7756800</b>	<b>COOLER ASSEMBLY - L/H Gear Models</b>
		<b>7756801</b>	<b>COOLER ASSEMBLY - R/H Gear Models</b>
		<b>7756802</b>	<b>COOLER ASSEMBLY - L/H Piston Models</b>
		<b>7756803</b>	<b>COOLER ASSEMBLY - R/H Piston Models</b>
1	1	8402379	OIL COOLER c/w THERMO SWITCH AND LOOM
2	2	9313044	SETSCREW
3	2	9143004	SELF-LOCKING NUT
4	3	8650108	BONDED SEAL
5	2	05.434.01	ADAPTOR
6	1	8581129	ADAPTOR
7	1	8581474	SWEPT 90° ADAPTOR - Gear Models
	1	8581473	SWEPT 90° ADAPTOR - Piston Models
8	2	9100104	FLAT WASHER
9	1	21074.01	SHIELD PLATE - L/H Gear Models
	1	21074.02	SHIELD PLATE - R/H Gear Models
	1	21074.03	SHIELD PLATE - L/H Piston Models
	1	21074.04	SHIELD PLATE - R/H Piston Models

**NOTE: Other than item #9 L/H & R/H builds differ only in the positions of the assembled parts**



**COOLER BY-PASS KIT – Piston Models****McCONNEL**

Module(s): 7756529

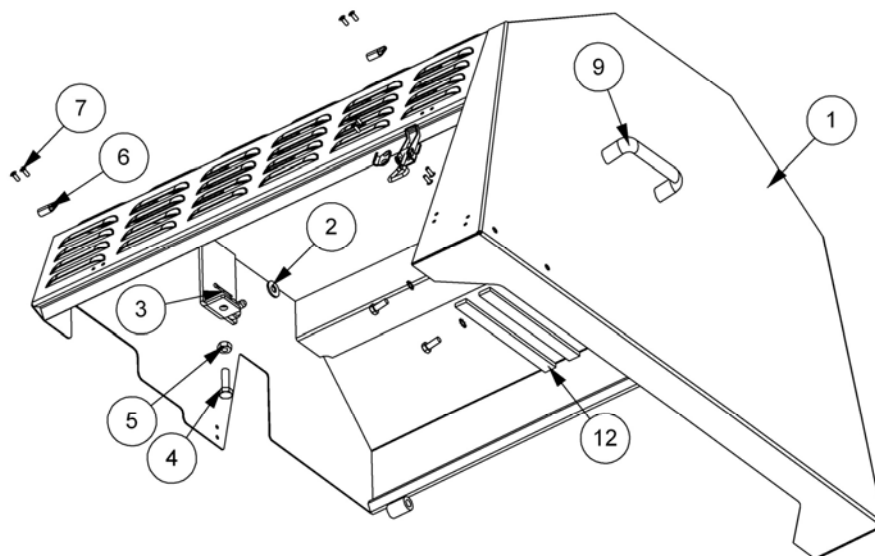
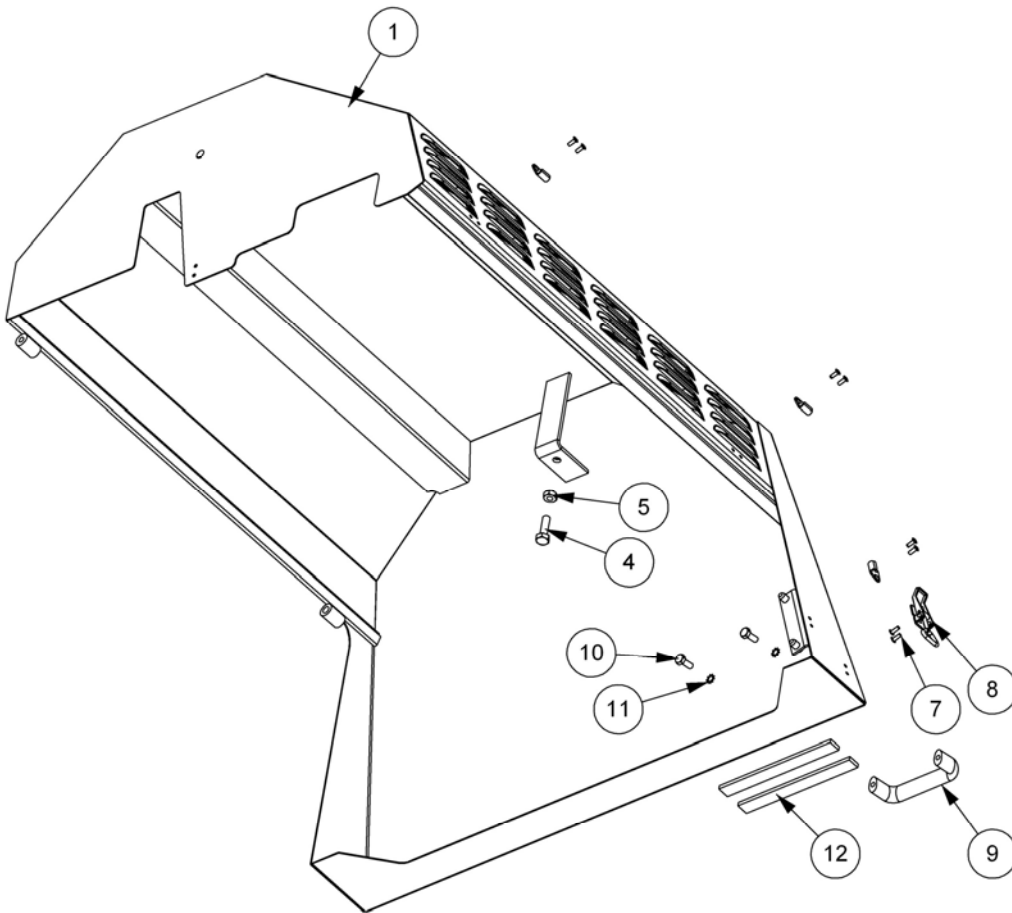
<b>REF.</b>	<b>QTY.</b>	<b>PART NO.</b>	<b>DESCRIPTION</b>
		<b>7756529</b>	<b>COOLER BYPASS KIT - Piston Machines</b>
1	2	8650104	BONDED SEAL
2	1	10.005.06	HOSE - 1/2" BSP FS/FS x 300mm
3	1	8581110	ADAPTOR
4	2	8581296	TEE ADAPTOR
5	1	8130694	CHECK VALVE - 2.0 BAR
6	1	8581215	SWEPT ADAPTOR - 90°



# COVERS ASSEMBLY

Module(s): 7756506 – L/H Build (*illustrated*), 7756507 – R/H Build

# McCONNEL



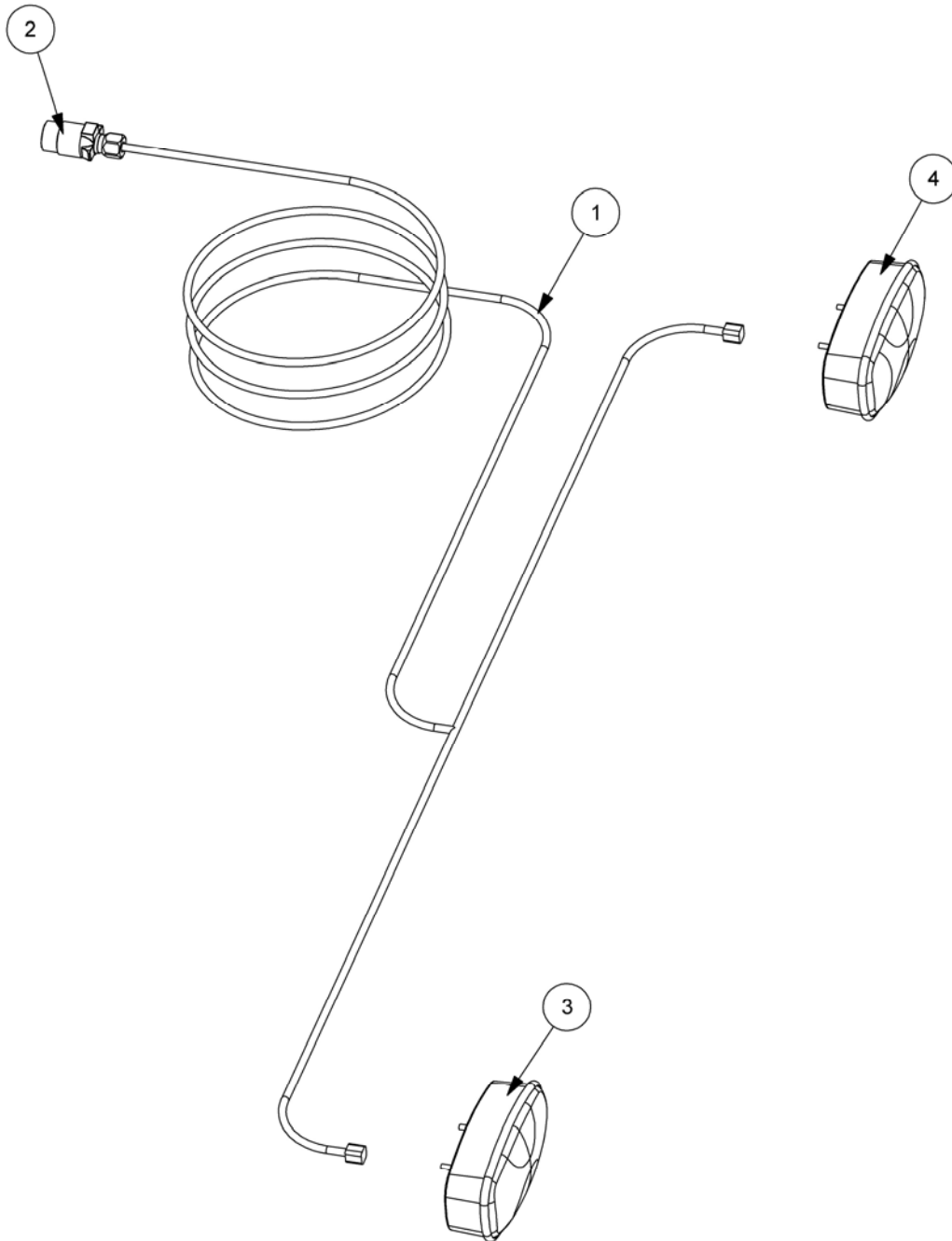
**COVERS ASSEMBLY****McCONNEL**Module(s): 7756506 – L/H Build (*illustrated*), 7756507 – R/H Build

<b>REF.</b>	<b>QTY.</b>	<b>PART No.</b>	<b>DESCRIPTION</b>
		<b>7756506</b>	<b>COVER ASSEMBLY - L/H Build</b>
		<b>7756507</b>	<b>COVER ASSEMBLY - R/H Build</b>
1	1	21417.01	TANK COVER - L/H Build
	1	21417.02	TANK COVER - R/H Build
2	1	9100104	FLAT WASHER
3	1	9501255	SPLIT PIN
4	2	9313075	SETSCREW
5	2	9113005	PLAIN NUT
6	3	46007.01	HOOK (OVERCENTRE FASTENER)
7	8	1069088	POP RIVET
8	1	43449.02	OVERCENTRE FASTENER
9	1	21313.01	HANDLE
10	2	9313044	SETSCREW
11	2	9100404	SHAKEPROOF WASHER
12	2	21726.32	FOAM STRIP - 200mm

# REAR LIGHTING KIT

**McCONNEL**

Module(s): 45656.07

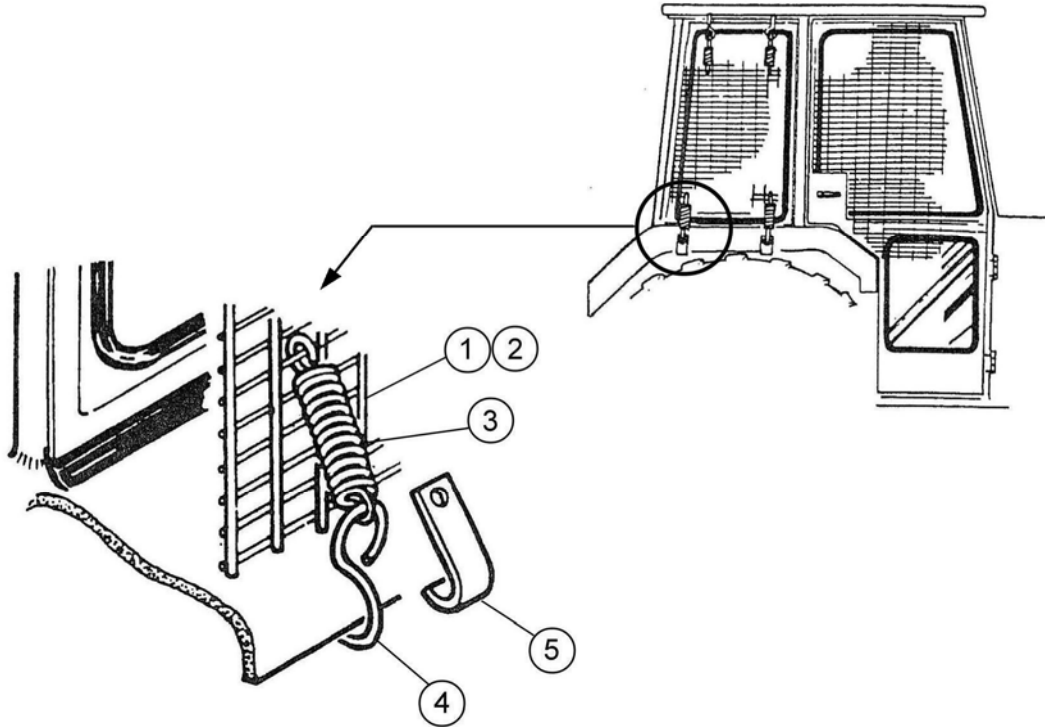


REF.	QTY.	PART No.	DESCRIPTION
		<b>45656.07</b>	<b>REAR LIGHTING KIT</b>
1	1	45656.37	HARNESS - 7 CORE
2	1	7560089	7 PIN PLUG
3	1	21392.01	REAR LAMP - L/H
4	1	21392.02	REAR LAMP - R/H

# CAB GUARD KIT

**McCONNEL**

Module(s): 7313324

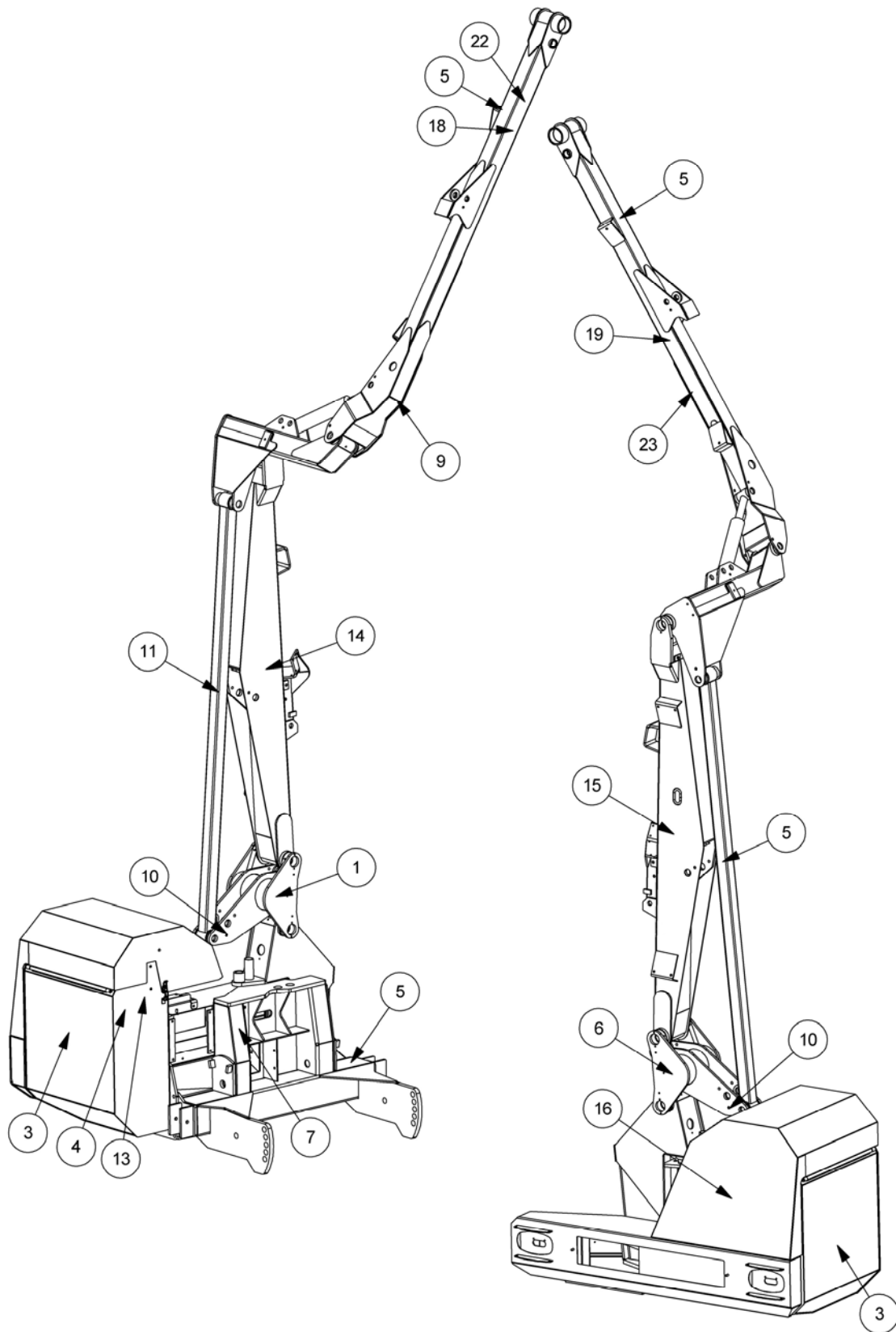


REF.	QTY.	PART No.	DESCRIPTION
		<b>7313324</b>	<b>CAB GUARD &amp; MOUNTING KIT</b>
1	1	7313049	GUARD PANEL - LARGE
2	1	7313050	GUARD PANEL - SMALL
3	12	6001064	SPRING
4	6	6001065	HOOK
5	6	7313051	HOOK

# MACHINE DECALS

Module(s): 7756780 – Basic Decals, 7756782 to 7756788 – Specific Decals

# McCONEL



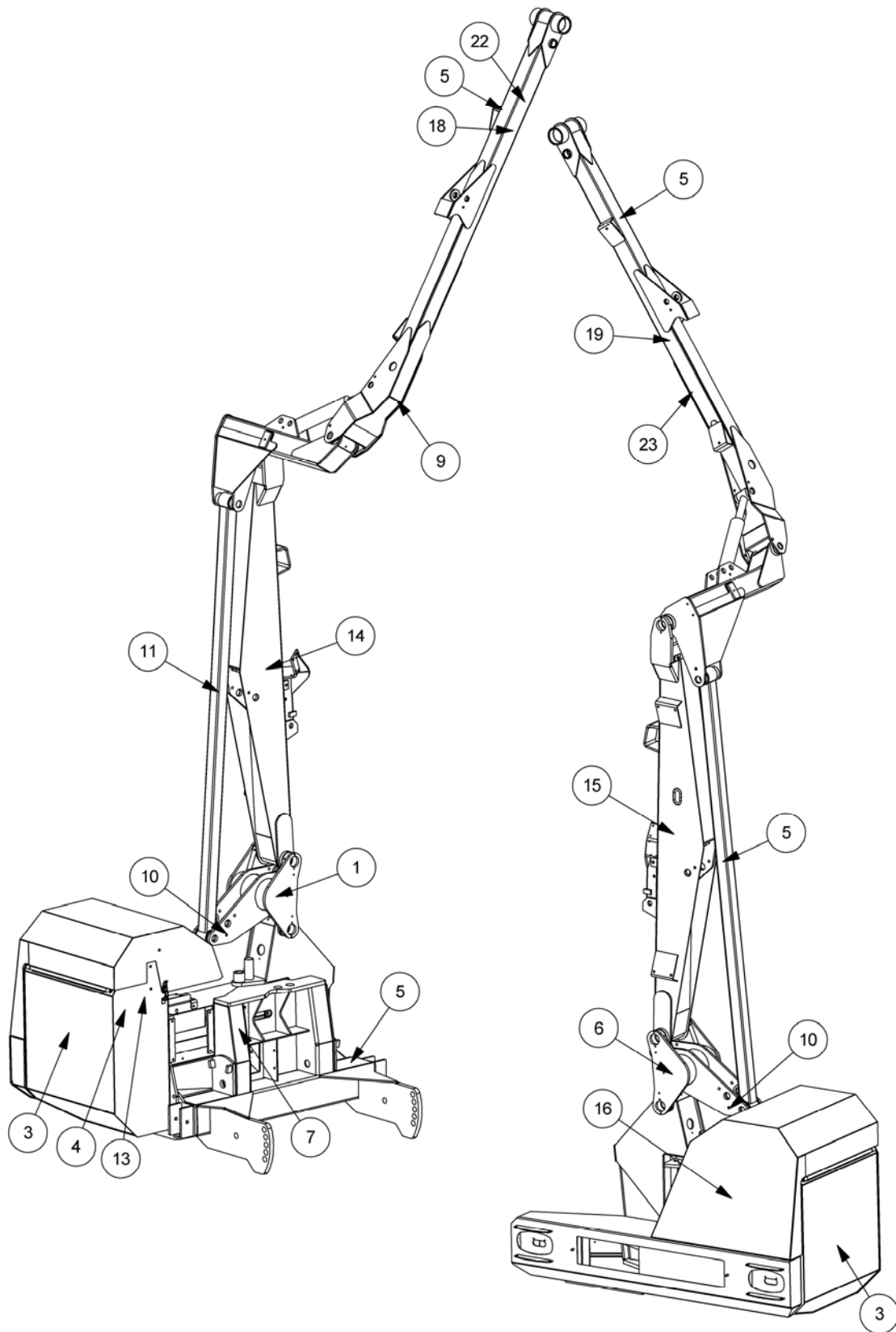
MACHINE DECALS

**McCONNEL**

Module(s): 7756780 – Basic Decals, 7756782 to 7756788 – Specific Decals

REF.	QTY.	PART No.	DESCRIPTION
		<b>7756780</b>	<b>DECAL KIT - BASIC</b>
1	1	7105130	DECAL - READ INSTRUCTION BOOK FIRST
2	1	1290352	DECAL - CAB (ENGLISH / FRENCH)
3	1	1290391	DECAL - GENERAL SAFETY
4	1	00756494	DECAL - DRIVELINE HAZARD
5	6	02962764	DECAL - SPECIFIC PINCH POINT
6	1	1290296	DECAL - LOGO
7	1	09.811.01	DECAL - 540 RPM
8	1	7135295	DECAL - TIGHTEN CHECK CHAINS
9	1	1290403	DECAL - BREAKAWAY WARNING
10	2	1290074	DECAL - SLING HERE
11	1	1290406	DECAL - TRANSPORT WARNING
12	1	8402135	DECAL - SLEW WARNING
13	1	1290023	DECAL - OIL FILTER
14	1	1290255	DECAL - McCONNEL (BLACK)
15	1	1290614	DECAL - McCONNEL (WHITE)
16	1	1290648	DECAL - McCONNEL ROUNDEL (REFLECTIVE)
17	1	21360.01	DECAL - MAGNETIC
		<b>7756782</b>	<b>DECAL KIT - PA5600</b>
18	1	1290616	DECAL - PA5600 (BLACK)
19	1	1290622	DECAL - PA5600 (WHITE)
		<b>7756783</b>	<b>DECAL KIT - PA5600M</b>
18	1	1290617	DECAL - PA5600M (BLACK)
19	1	1290623	DECAL - PA5600M (WHITE)
		<b>7756784</b>	<b>DECAL KIT - PA6400</b>
18	1	1290618	DECAL - PA6400 (BLACK)
19	1	1290624	DECAL - PA6400 (WHITE)
		<b>7756785</b>	<b>DECAL KIT - PA6400M</b>
18	1	1290619	DECAL - PA6400M (BLACK)
19	1	1290625	DECAL - PA6400M (WHITE)
		<b>7756786</b>	<b>DECAL KIT - PA6500T</b>
18	1	1290620	DECAL - PA6500T (BLACK)
19	1	1290626	DECAL - PA6500T (WHITE)
20	3	02962764	DECAL - PINCH POINT
21	1	1290005	DECAL - GREASE SOCKET
		<b>7756787</b>	<b>DECAL KIT - PA7700T</b>
18	1	1290621	DECAL - PA7700T (BLACK)
19	1	1290627	DECAL - PA7700T (WHITE)
20	3	02962764	DECAL - PINCH POINT
21	1	1290005	DECAL - GREASE SOCKET
		<b>7756788</b>	<b>DECAL KIT - EDS Models</b>
22	1	1290518	DECAL - EDS (BLACK)
23	1	1290700	DECAL - EDS (WHITE)





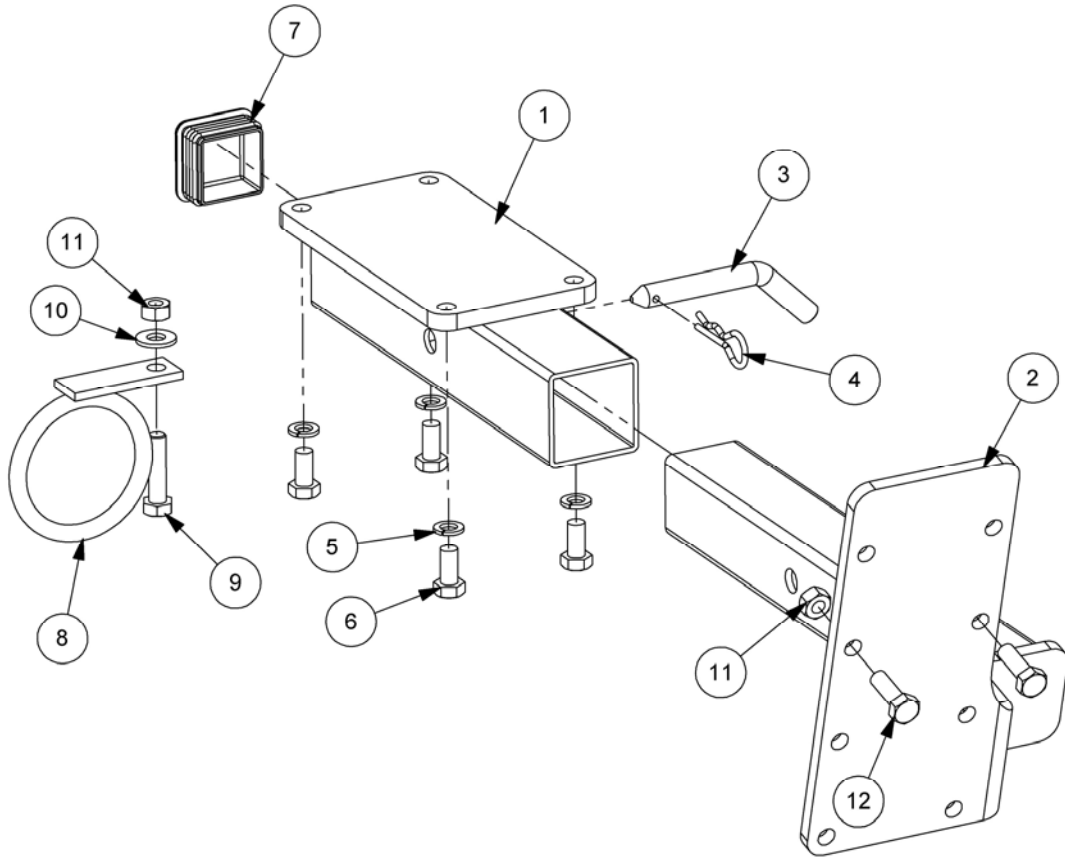
Module(s): 7756781 – Basic Decals, 7756782 to 7756788 – Specific Decals

REF.	QTY.	PART No.	DESCRIPTION
		<b>7756781</b>	<b>DECAL KIT - BASIC (FRENCH BUILDS)</b>
1	1	7105130	DECAL - READ INSTRUCTION BOOK FIRST
2	1	1290352	DECAL - CAB (ENGLISH / FRENCH)
3	-	-	-
4	1	00756494	DECAL - DRIVELINE HAZARD
5	6	02962764	DECAL - SPECIFIC PINCH POINT
6	1	1290296	DECAL - LOGO
7	1	09.811.03	DECAL - 500 RPM
8	1	7135295	DECAL - TIGHTEN CHECK CHAINS
9	1	1290450	DECAL - BREAKAWAY WARNING
10	2	1290074	DECAL - SLING HERE
11	1	09.821.12	DECAL - TRANSPORT WARNING
12	1	8402138	DECAL - SLEW WARNING
13	1	1290023	DECAL - OIL FILTER
14	1	1290255	DECAL - McCONNEL (BLACK)
15	1	1290614	DECAL - McCONNEL (WHITE)
16	1	1290582	DECAL - McCONNEL ROUNDEL
17	-	-	-
		<b>7756782</b>	<b>DECAL KIT - PA5600</b>
18	1	1290616	DECAL - PA5600 (BLACK)
19	1	1290622	DECAL - PA5600 (WHITE)
		<b>7756783</b>	<b>DECAL KIT - PA5600M</b>
18	1	1290617	DECAL - PA5600M (BLACK)
19	1	1290623	DECAL - PA5600M (WHITE)
		<b>7756784</b>	<b>DECAL KIT - PA6400</b>
18	1	1290618	DECAL - PA6400 (BLACK)
19	1	1290624	DECAL - PA6400 (WHITE)
		<b>7756785</b>	<b>DECAL KIT - PA6400M</b>
18	1	1290619	DECAL - PA6400M (BLACK)
19	1	1290625	DECAL - PA6400M (WHITE)
		<b>7756786</b>	<b>DECAL KIT - PA6500T</b>
18	1	1290620	DECAL - PA6500T (BLACK)
19	1	1290626	DECAL - PA6500T (WHITE)
20	3	02962764	DECAL - PINCH POINT
21	1	1290005	DECAL - GREASE SOCKET
		<b>7756787</b>	<b>DECAL KIT - PA7700T</b>
18	1	1290621	DECAL - PA7700T (BLACK)
19	1	1290627	DECAL - PA7700T (WHITE)
20	3	02962764	DECAL - PINCH POINT
21	1	1290005	DECAL - GREASE SOCKET
		<b>7756788</b>	<b>DECAL KIT - EDS Models</b>
22	1	1290518	DECAL - EDS (BLACK)
23	1	1290700	DECAL - EDS (WHITE)

# DEBRIS BLOWER MOUNTING KIT

**McCONEL**

Module(s): 7756770 (illustrated), 7756771



REF.	QTY.	PART No.	DESCRIPTION
		<b>7756770</b>	<b>DEBRIS BLOWER MOUNTING KIT - L/H Machines</b>
		<b>7756771</b>	<b>DEBRIS BLOWER MOUNTING KIT - R/H Machines</b>
1	1	43492.01	BLOWER BRACKET
2	1	43492.03	BLOWER BRACKET - L/H Build
	1	43492.04	BLOWER BRACKET - R/H Build
3	1	7192023	LEG PIN
4	1	0431105	SPRING COTTER
5	4	9100206	SPRING WASHER
6	4	9313056	SETSCREW
7	1	7191108	PLASTIC PLUG
8	1	7319282	HOSE RING
9	1	9213106	BOLT
10	1	9100106	FLAT WASHER
11	3	9143006	SELF-LOCKING NUT
12	2	9313076	SETSCREW

Suitable for the following machines: PA5600(M), PA6400(M), PA6500T, PA7700T.



McConnel Limited, Temeside Works, Ludlow, Shropshire SY8 1JL. England.  
Telephone: 01584 873131. Facsimile: 01584 876463. [www.mcconnel.com](http://www.mcconnel.com)