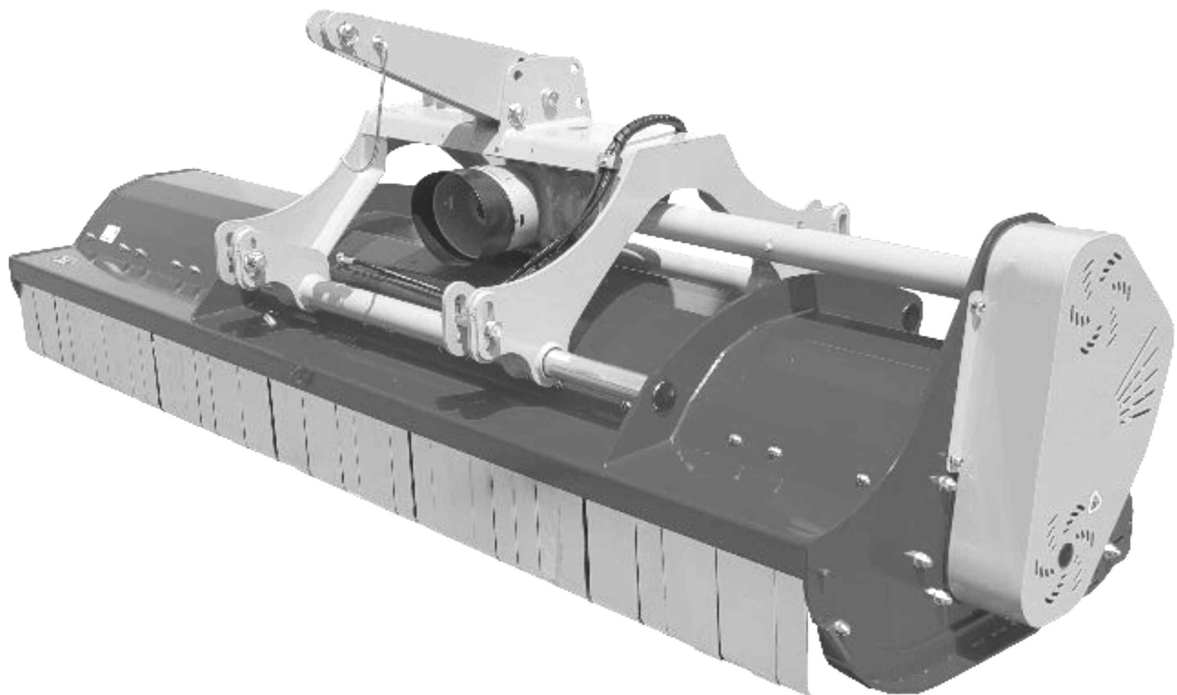


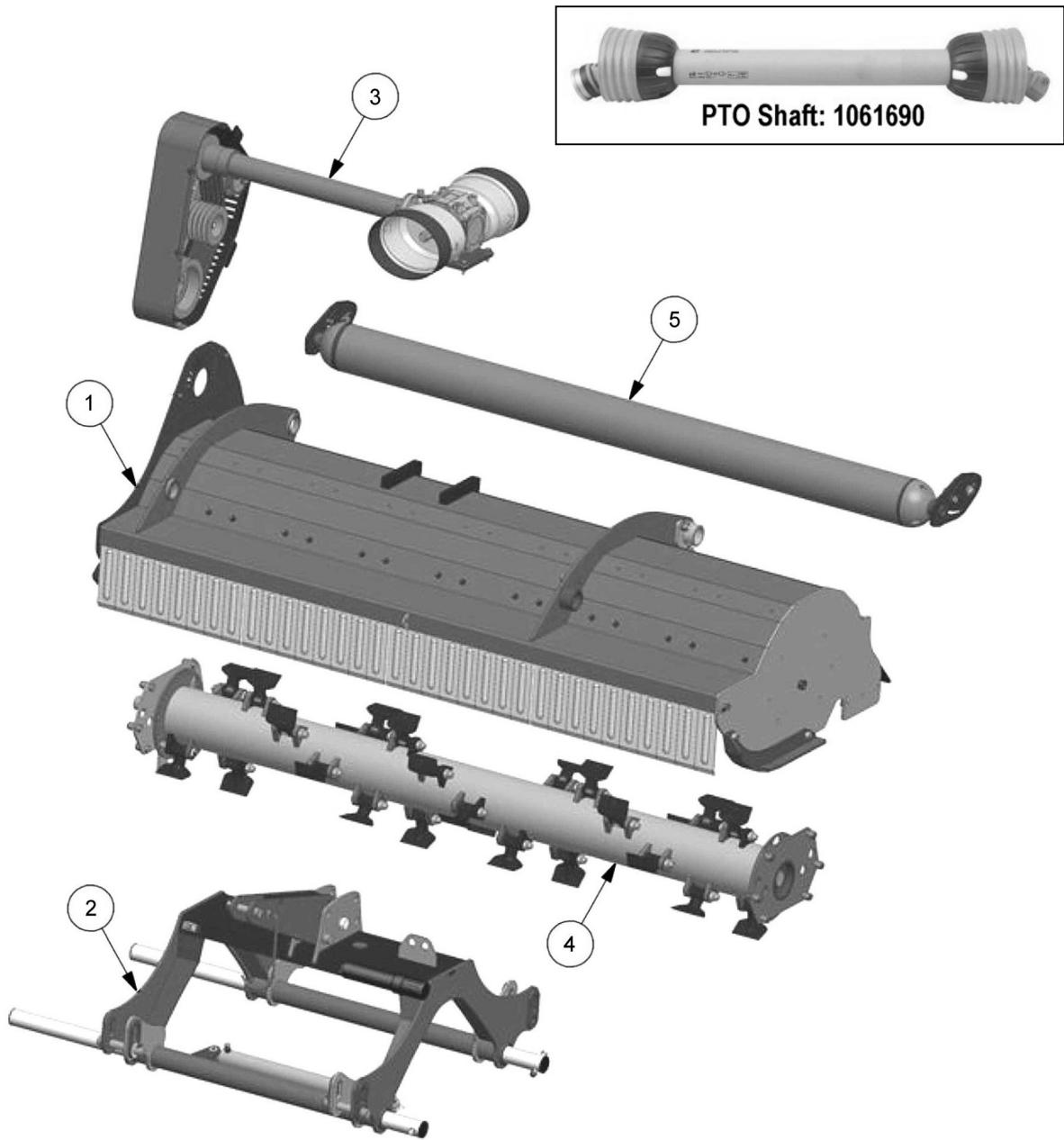
TORNADO DOMINATOR

Models: 250 / 280 / 310
(2020 & 2021 Builds)

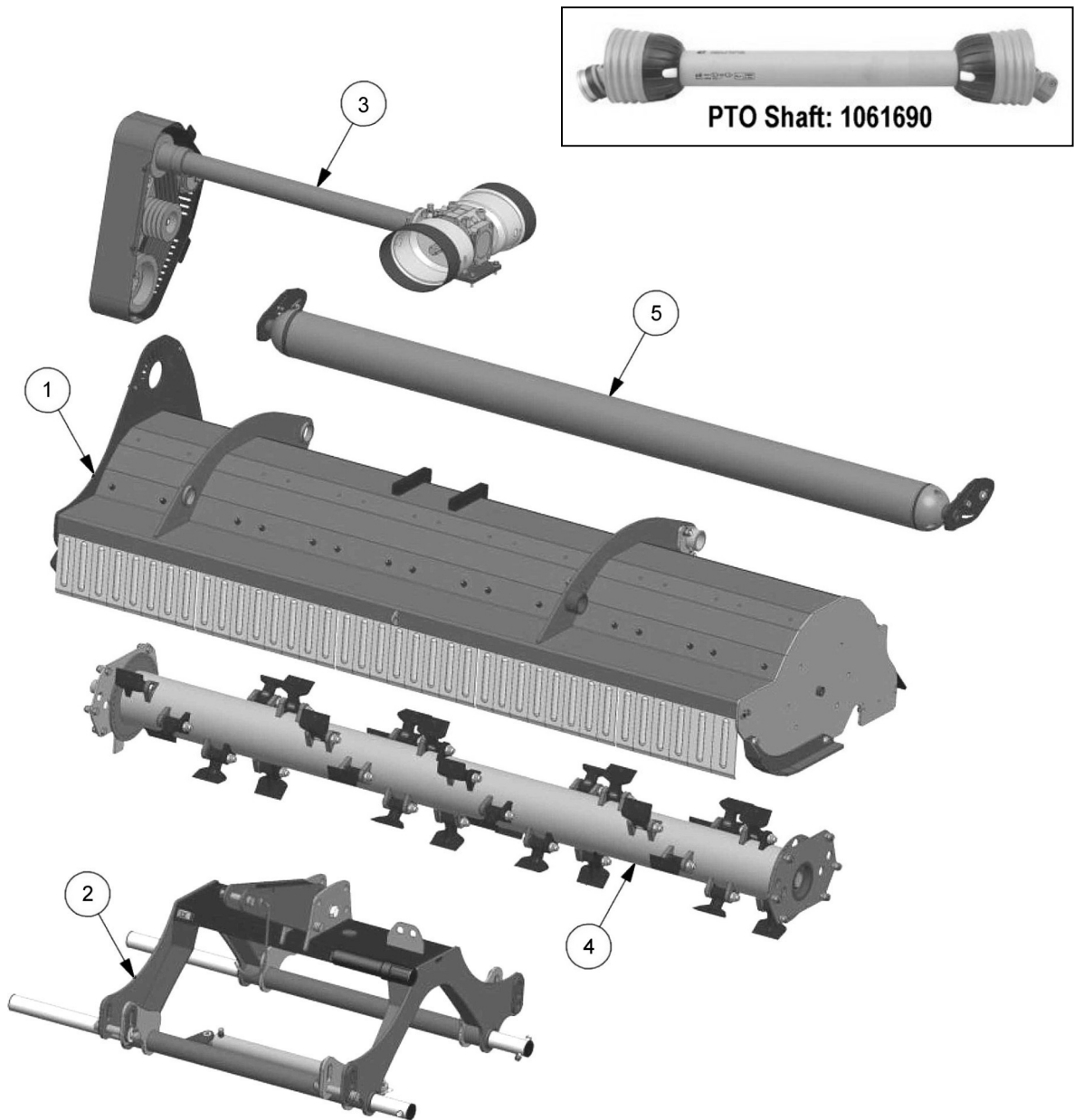
Parts Manual



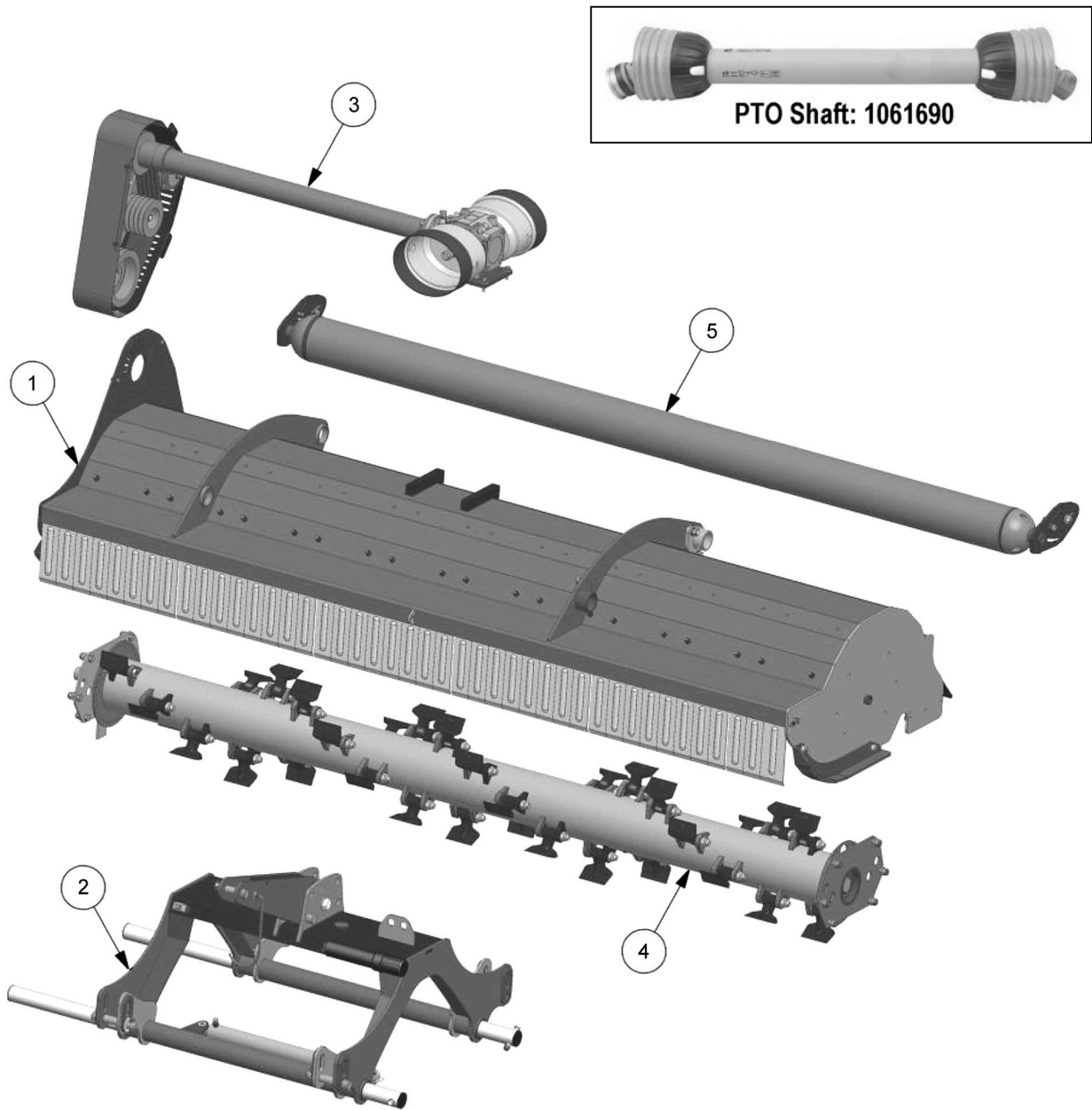
In line with our policy of constant improvement, some parts shown in this manual may alter or change; to ensure you have access to the correct parts for your machine, please visit the interactive parts database on our website via the following link; <https://my.mcconnel.com/parts/public-interactive-parts-database/>, this will allow you to identify the parts for your specific machine using its unique serial number.



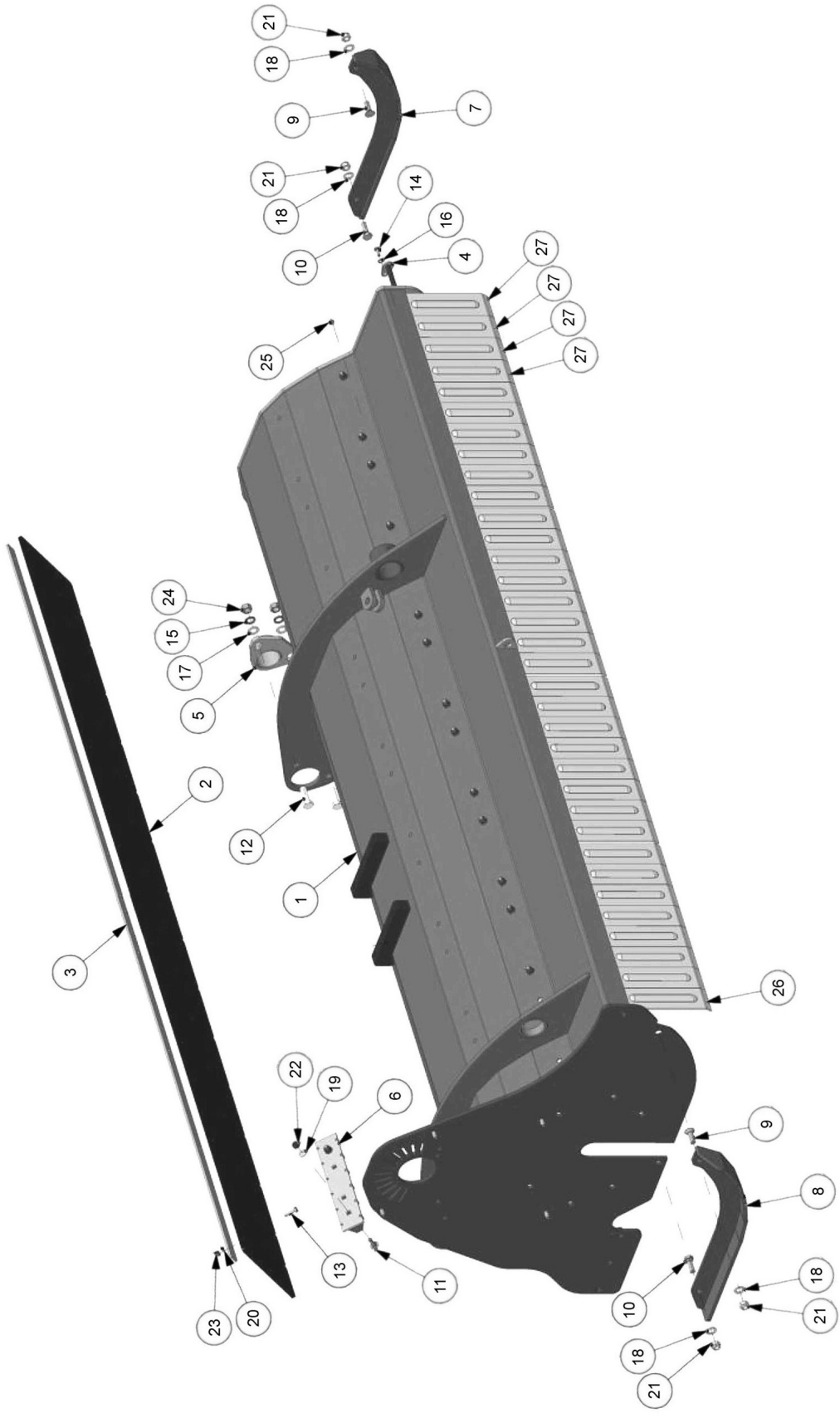
REF.	QTY.	PART No.	DESCRIPTION
		1062925T	TORNADO DOMINATOR 250 LH
1	1	1062498T	FRAME ASSEMBLY - 250
2	1	1062501	LINKAGE ASSEMBLY - LH
3	1	1062502	DRIVE ASSEMBLY - 250
4	1	1062505	ROTOR ASSEMBLY - 250
5	1	1062508	REAR ROLLER ASSEMBLY - 250
6	1	1061690	PTO SHAFT
7	1	1062611	DECAL KIT - DOMINATOR 250



REF.	QTY.	PART No.	DESCRIPTION
		1062926T	TORNADO DOMINATOR 280 LH
1	1	1062499T	FRAME ASSEMBLY - 280
2	1	1062501	LINKAGE ASSEMBLY - LH
3	1	1062503	DRIVE ASSEMBLY - 280
4	1	1062506	ROTOR ASSEMBLY - 280
5	1	1062509	REAR ROLLER ASSEMBLY - 280
6	1	1061690	PTO SHAFT
7	1	1062612	DECAL KIT - DOMINATOR 280

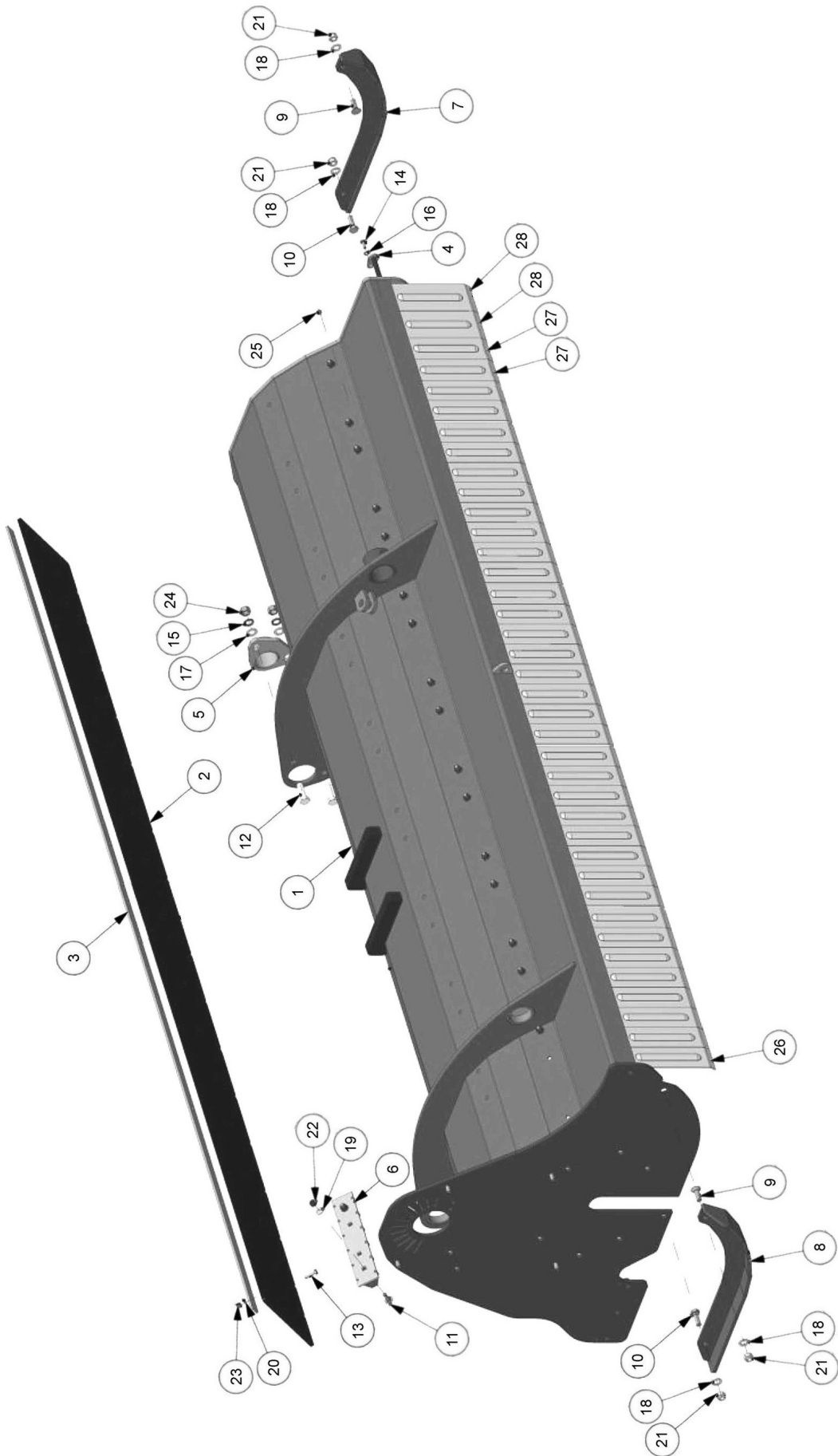


REF.	QTY.	PART No.	DESCRIPTION
		1062927T	TORNADO DOMINATOR 310 LH
1	1	1062500T	FRAME ASSEMBLY - 310
2	1	1062501	LINKAGE ASSEMBLY - LH
3	1	1062504	DRIVE ASSEMBLY - 310
4	1	1062507	ROTOR ASSEMBLY - 310
5	1	1062510	REAR ROLLER ASSEMBLY - 310
6	1	1061690	PTO SHAFT
7	1	1062613	DECAL KIT - DOMINATOR 310



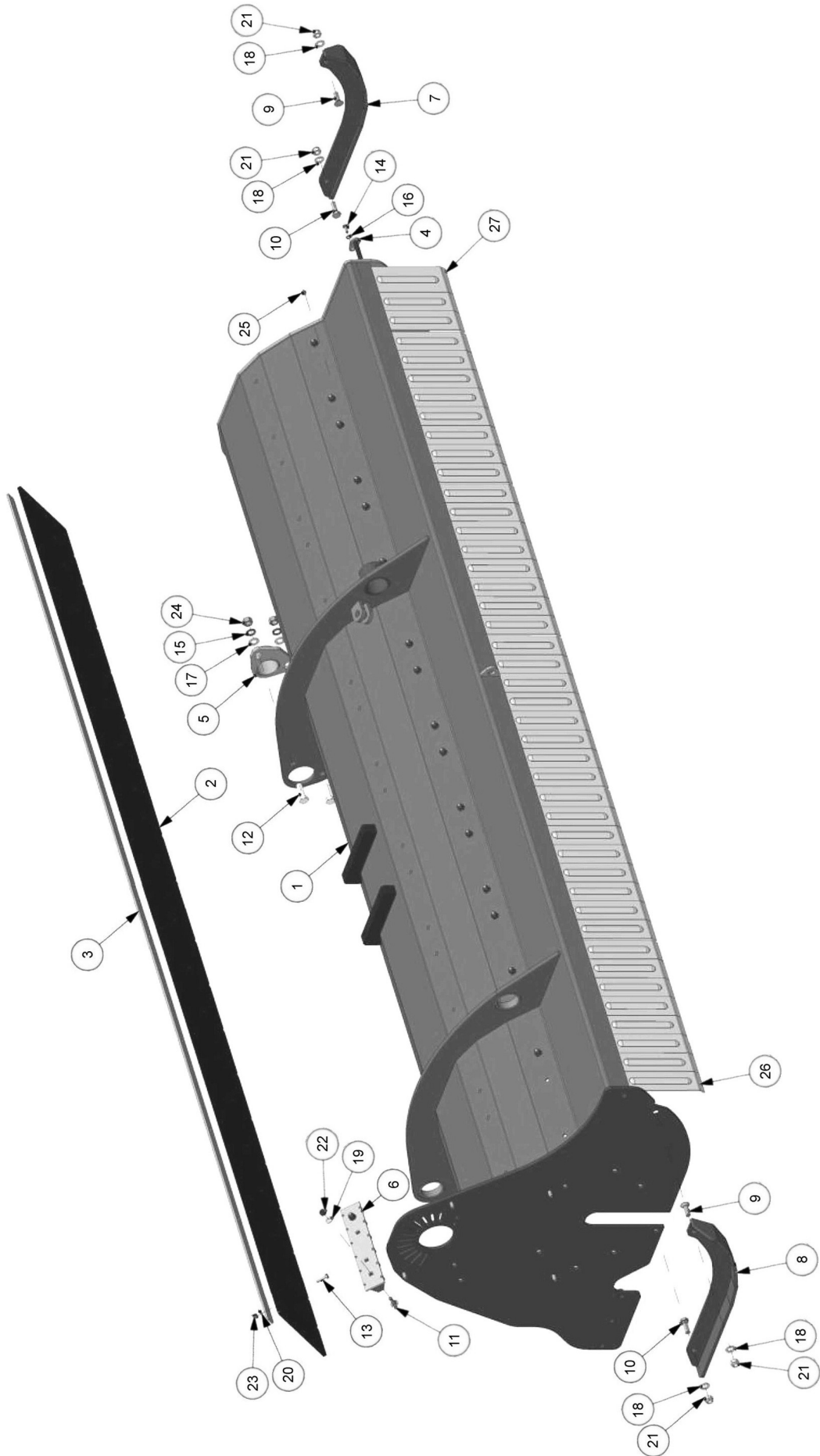
FRAME ASSEMBLY – Dominator 250 (LH Build)

REF.	QTY.	PART No.	DESCRIPTION
		1062498T	FRAME ASSEMBLY - 250 LH
1	1	1062480T	FRAME - 250
2	1	1062483	RUBBER GUARD - 250
3	1	1061519	GUARD BAR - 250
4	1	1061513	FLAP BAR - 250
5	1	1061572	BUSHING - LH
6	8	1062479	COUNTER BLADE
7	1	1062477	SKID - LEFT
8	1	1062478	SKID - RIGHT
9	2	1062491	C/SUNK CAPSCREW
10	2	1061092	BOLT
11	16	9313065	BOLT
12	2	9313107	BOLT
13	8	9313064	BOLT
14	1	9313044	BOLT
15	2	9100207	SPRING WASHER
16	1	9100204	SPRING WASHER
17	2	0100106	WASHER
18	4	05.281.14	WASHER
19	16	9100105	WASHER
20	8	9100104	WASHER
21	4	1061042	LOCK NUT
22	16	9163005	LOCK NUT
23	8	9163004	LOCK NUT
24	2	9163007	LOCK NUT
25	1	1061079	GREASE NIPPLE
26	30	1062488	FLAP 70
27	4	1062489	FLAP 75



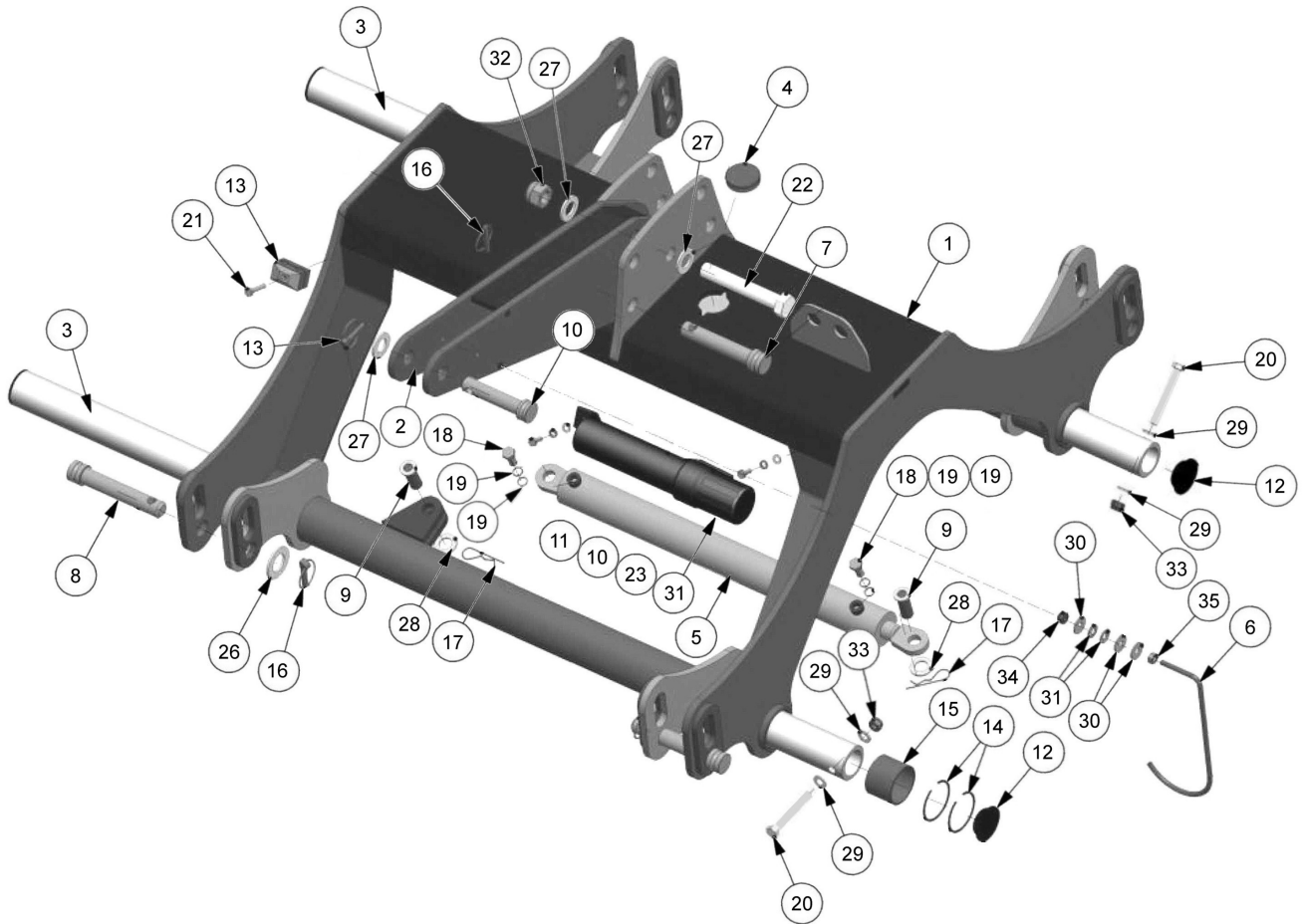
FRAME ASSEMBLY – Dominator 280 (LH Build)

REF.	QTY.	PART No.	DESCRIPTION
		1062499T	FRAME ASSEMBLY - 280 LH
1	1	1062481T	FRAME - 280
2	1	1062484	RUBBER GUARD - 280
3	1	1061520	GUARD BAR - 280
4	1	1061514	FLAP BAR - 280
5	1	1061572	BUSHING - LH
6	9	1062479	COUNTER BLADE
7	1	1062477	SKID - LEFT
8	1	1062478	SKID - RIGHT
9	2	1062491	C/SUNK CAPSCREW
10	2	1061092	BOLT
11	18	9313065	BOLT
12	2	9313107	BOLT
13	9	9313064	BOLT
14	1	9313044	BOLT
15	2	9100207	SPRING WASHER
16	1	9100204	SPRING WASHER
17	2	0100106	WASHER
18	4	05.281.14	WASHER
19	18	9100105	WASHER
20	9	9100104	WASHER
21	4	1061042	LOCK NUT
22	18	9163005	LOCK NUT
23	9	9163004	LOCK NUT
24	2	9163007	LOCK NUT
25	1	1061079	GREASE NIPPLE
26	34	1062488	FLAP 70
27	2	1062489	FLAP 75
28	2	1062490	FLAP 95



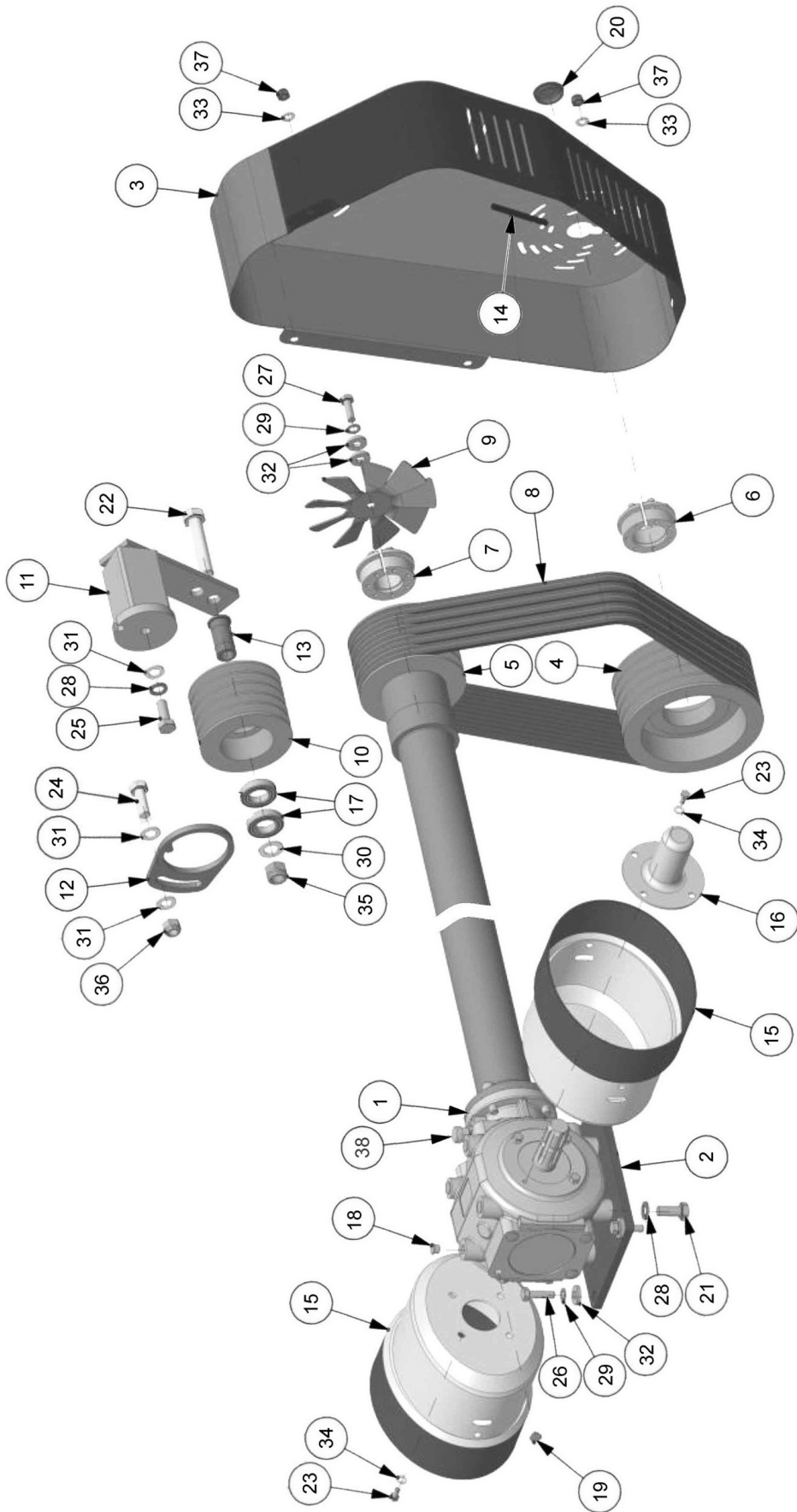
FRAME ASSEMBLY – Dominator 310 (LH Build)

REF.	QTY.	PART No.	DESCRIPTION
		1062500T	FRAME ASSEMBLY - 310 LH
1	1	1062482T	FRAME - 310
2	1	1062485	RUBBER GUARD - 310
3	1	1062486	GUARD BAR - 310
4	1	1062487	FLAP BAR - 310
5	1	1061572	BUSHING - LH
6	10	1062479	COUNTER BLADE
7	1	1062477	SKID - LEFT
8	1	1062478	SKID - RIGHT
9	2	1062491	C/SUNK CAPSCREW
10	2	1061092	BOLT
11	20	9313065	BOLT
12	2	9313107	BOLT
13	10	9313064	BOLT
14	1	9313044	BOLT
15	2	9100207	SPRING WASHER
16	1	9100204	SPRING WASHER
17	2	0100106	WASHER
18	4	05.281.14	WASHER
19	20	9100105	WASHER
20	10	9100104	WASHER
21	4	1061042	LOCK NUT
22	20	9163005	LOCK NUT
23	10	9163004	LOCK NUT
24	2	9163007	LOCK NUT
25	1	1061079	GREASE NIPPLE
26	42	1062488	FLAP 70
27	1	1062490	FLAP 95



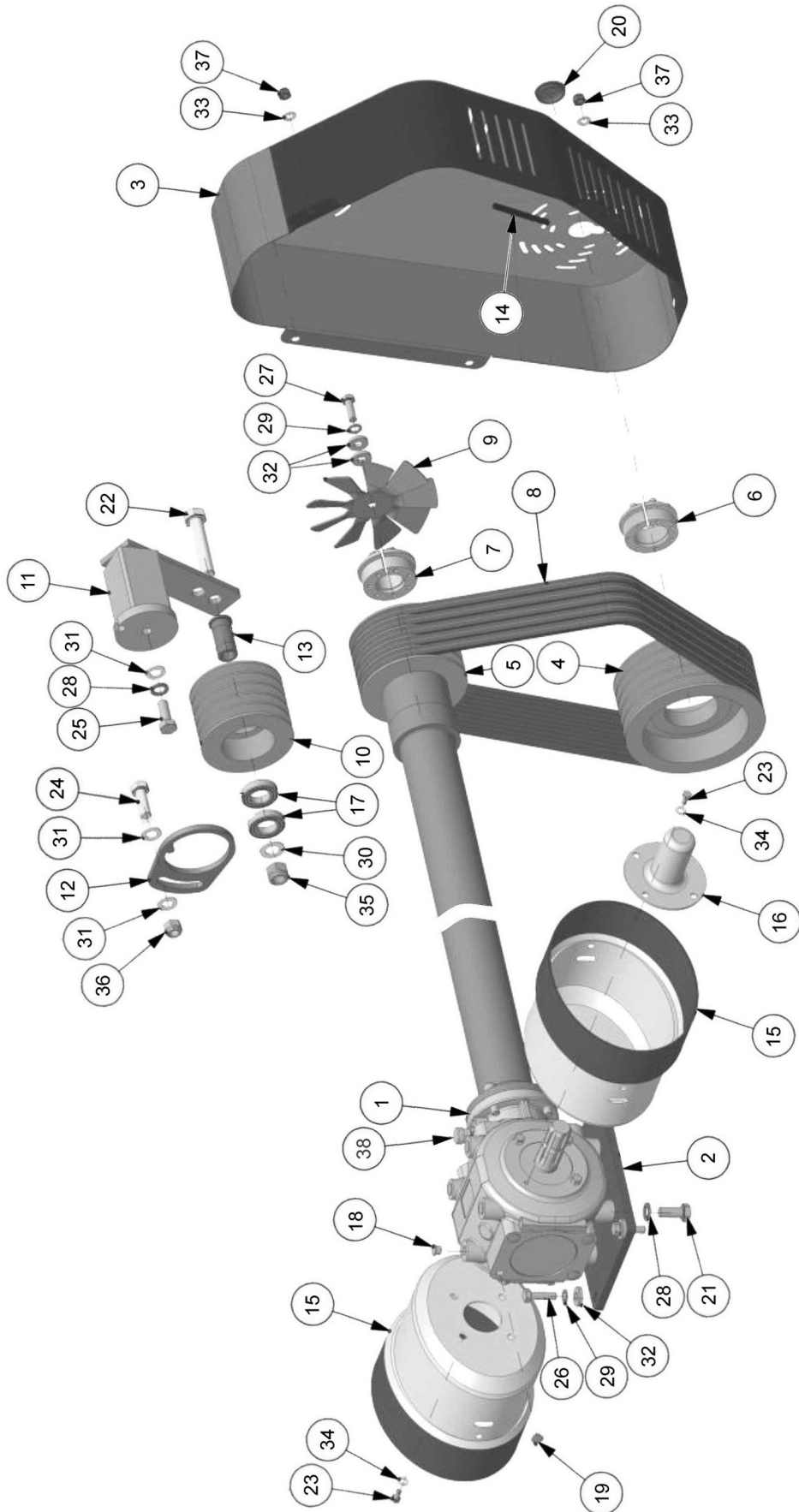
LINKAGE ASSEMBLY – Dominator 250 / 280 / 310

REF.	QTY.	PART No.	DESCRIPTION
		1062501	LINKAGE ASSEMBLY - LH
1	1	1062473	LINKAGE LH
2	1	1062474	CONNECTION BAR
3	2	1062475	SLIDING TUBE
4	1	1062476	CAP
5	1	1062469	HYDRAULIC RAM
6	1	1062327	PTO HOOK
7	1	1062472	PIVOT PIN
8	2	1062316	PIVOT PIN
9	2	1061532	PIVOT PIN
10	1	1062471	PIN
11	1	1062267	DOCUMENT HOLDER
12	4	1061561	CAP
13	1	1061559	CLAMP
14	8	1061494	SPRING RING
15	4	1061493	SLEEVE
16	4	1061097	LYNCH PIN
17	2	1062197	R-CLIP
18	2	1062019	HOLLOW BOLT
19	4	1062069	COPPER WASHER
20	2	1062470	BOLT
21	1	9213084	BOLT
22	1	9213309	BOLT
23	2	9313044	BOLT
24	2	9100205	SPRING WASHER
25	2	9100204	SPRING WASHER
26	2	05.281.18	WASHER
27	3	9100109	WASHER
28	2	9100108	WASHER
29	4	9100106	WASHER
30	3	1061607	WASHER
31	2	9100104	WASHER
32	1	9163009	LOCK NUT
33	2	9163006	LOCK NUT
34	1	9163005	LOCK NUT
35	1	9113005	NUT



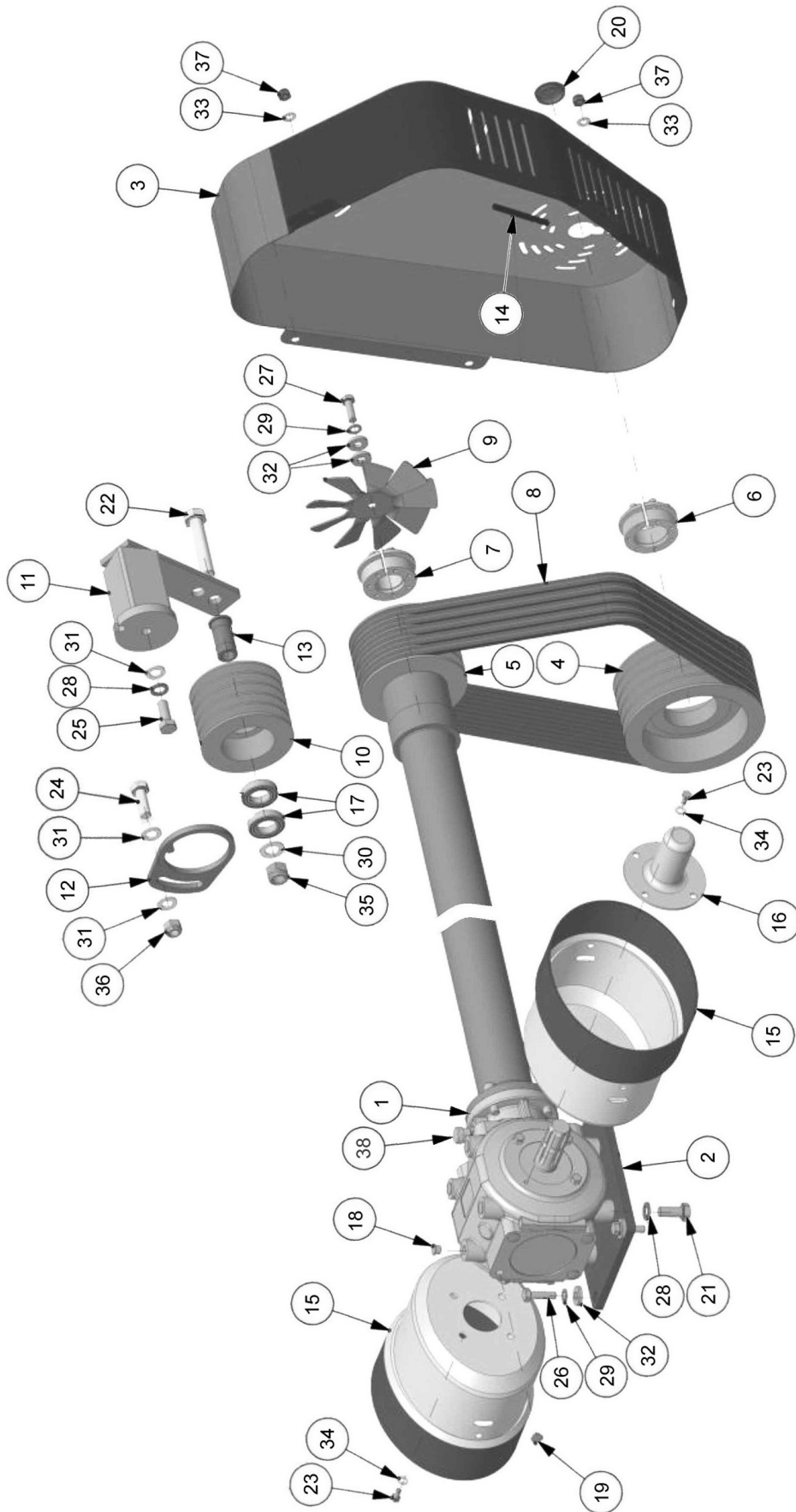
DRIVE ASSEMBLY – Dominator 250 (LH Build)

REF.	QTY.	PART No.	DESCRIPTION
		1062502	DRIVE ASSEMBLY - 250
1	1	1061629	GEARBOX 312-950 LH
2	1	1062464	GEARBOX PLATE
3	1	1062465	BELT SHIELD
4	1	1062463	PULLEY 200
5	1	1062462	PULLEY 150
6	1	1061490	TAPERLOCK
7	1	1061165	TAPERLOCK
8	5	1062346	BELT
9	1	1061128	FAN
10	1	1061335	PULLEY 130
11	1	1061539	STRAINER
12	1	1062174	FLANGE
13	1	1061565	BUSHING
14	1	1062461	RUBBER STRIP
15	2	1061046	PTO SHAFT SHIELD
16	1	1061552	SHIELD
17	2	1061336	BEARING
18	4	1062460	CAP
19	4	1062459	CAP
20	1	1062046	CAP
21	4	1061686	BOLT
22	1	1061555	BOLT
23	8	1061531	BOLT
24	1	1061672	BOLT
25	1	1061047	BOLT
26	4	9313086	BOLT
27	1	9313076	BOLT
28	5	9100207	SPRING WASHER
29	5	9100206	SPRING WASHER
30	1	9100108	WASHER
31	3	0100106	WASHER
32	6	1062112	WASHER
33	4	9100105	WASHER
34	8	9100104	WASHER
35	1	9163008	LOCK NUT
36	1	9163007	LOCK NUT
37	4	9113005	NUT
38	1	1062747	BREATHER



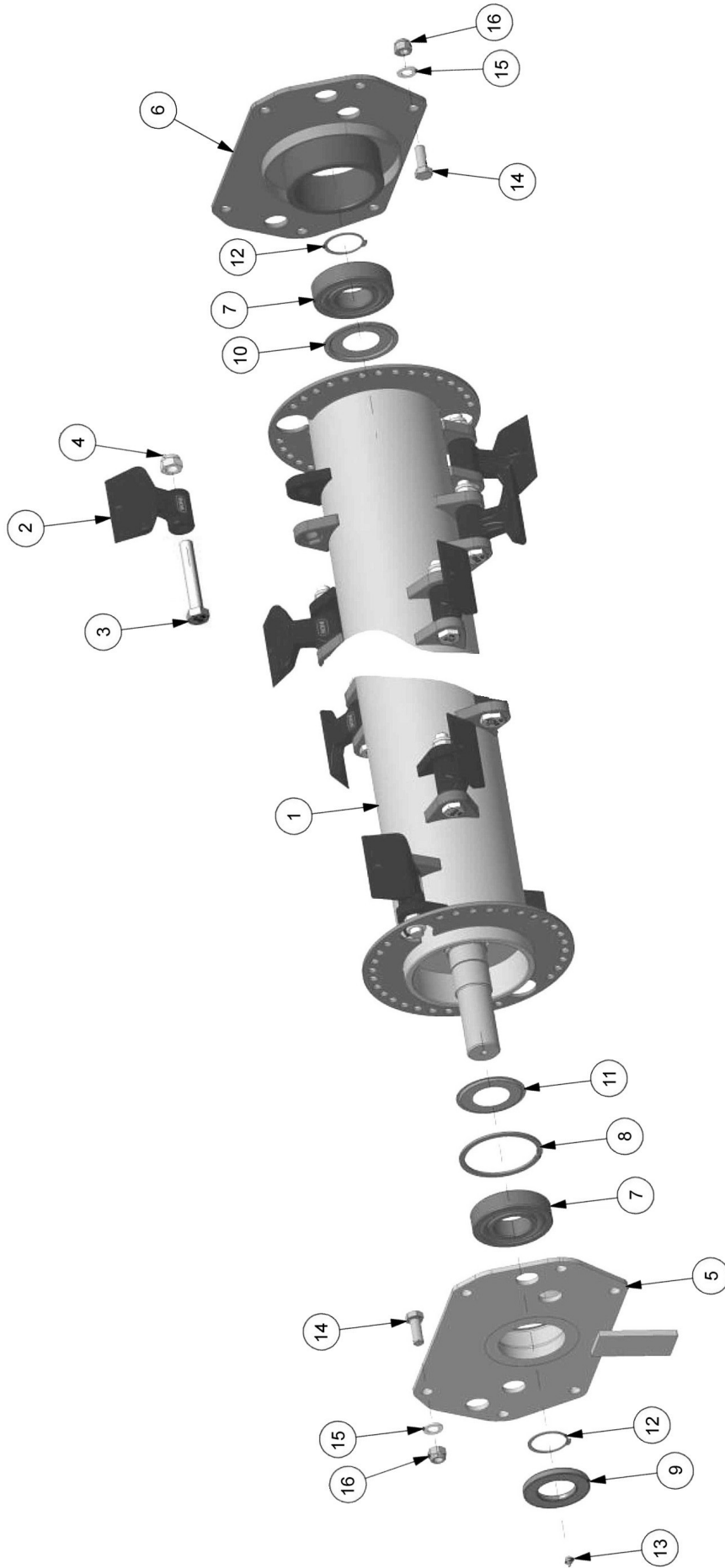
DRIVE ASSEMBLY – Dominator 280 (LH Build)

REF.	QTY.	PART No.	DESCRIPTION
		1062503	DRIVE ASSEMBLY - 280
1	1	1062466	GEARBOX 312-1200 LH
2	1	1062464	GEARBOX PLATE
3	1	1062465	BELT SHIELD
4	1	1062463	PULLEY 200
5	1	1062462	PULLEY 150
6	1	1061490	TAPERLOCK
7	1	1061165	TAPERLOCK
8	5	1062346	BELT
9	1	1061128	FAN
10	1	1061335	PULLEY 130
11	1	1061539	STRAINER
12	1	1062174	FLANGE
13	1	1061565	BUSHING
14	1	1062461	RUBBER STRIP
15	2	1061046	PTO SHAFT SHIELD
16	1	1061552	SHIELD
17	2	1061336	BEARING
18	4	1062460	CAP
19	4	1062459	CAP
20	1	1062046	CAP
21	4	1061686	BOLT
22	1	1061555	BOLT
23	8	1061531	BOLT
24	1	1061672	BOLT
25	1	1061047	BOLT
26	4	9313086	BOLT
27	1	9313076	BOLT
28	5	9100207	SPRING WASHER
29	5	9100206	SPRING WASHER
30	1	9100108	WASHER
31	3	0100106	WASHER
32	6	1062112	WASHER
33	4	9100105	WASHER
34	8	9100104	WASHER
35	1	9163008	LOCK NUT
36	1	9163007	LOCK NUT
37	4	9113005	NUT
38	1	1062747	BREATHER



DRIVE ASSEMBLY – Dominator 310 (LH Build)

REF.	QTY.	PART No.	DESCRIPTION
		1062504	DRIVE ASSEMBLY - 310
1	1	1062467	GEARBOX 312-1350 LH
2	1	1062464	GEARBOX PLATE
3	1	1062465	BELT SHIELD
4	1	1062463	PULLEY 200
5	1	1062462	PULLEY 150
6	1	1061490	TAPERLOCK
7	1	1061165	TAPERLOCK
8	5	1062346	BELT
9	1	1061128	FAN
10	1	1061335	PULLEY 130
11	1	1061539	STRAINER
12	1	1062174	FLANGE
13	1	1061565	BUSHING
14	1	1062461	RUBBER STRIP
15	2	1061046	PTO SHAFT SHIELD
16	1	1061552	SHIELD
17	2	1061336	BEARING
18	4	1062460	CAP
19	4	1062459	CAP
20	1	1062046	CAP
21	4	1061686	BOLT
22	1	1061555	BOLT
23	8	1061531	BOLT
24	1	1061672	BOLT
25	1	1061047	BOLT
26	4	9313086	BOLT
27	1	9313076	BOLT
28	5	9100207	SPRING WASHER
29	5	9100206	SPRING WASHER
30	1	9100108	WASHER
31	3	0100106	WASHER
32	6	1062112	WASHER
33	4	9100105	WASHER
34	8	9100104	WASHER
35	1	9163008	LOCK NUT
36	1	9163007	LOCK NUT
37	4	9113005	NUT
38	1	1062747	BREATHER

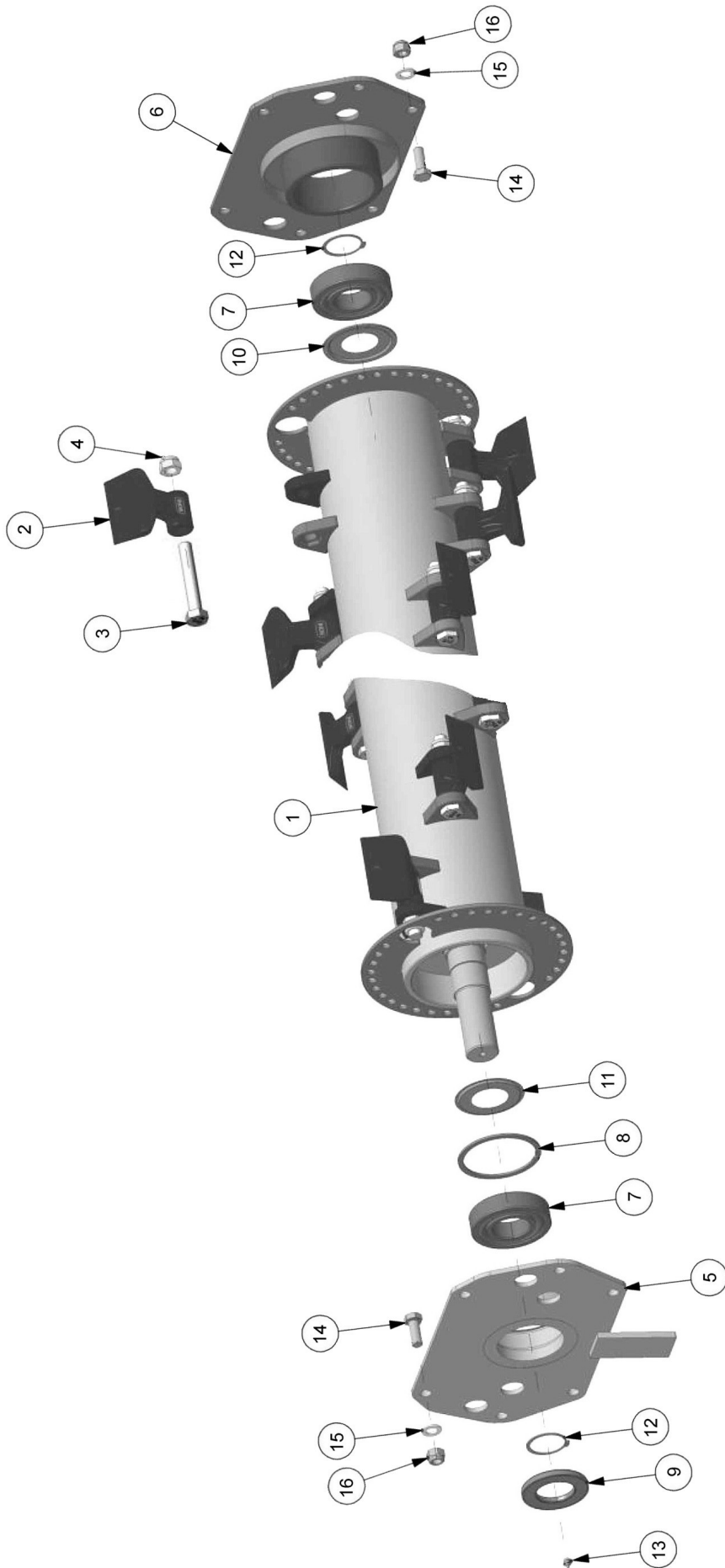


ROTOR ASSEMBLY – Dominator 250 (LH Build)

REF.	QTY.	PART No.	DESCRIPTION
		1062505	ROTOR ASSEMBLY - 250
1	1	1062293	ROTOR - 250
2	28	1062286	HAMMER FLAIL
3	28	1062305	BOLT
4	28	1062306	LOCK NUT
5	1	1062176	BEARING CASING (DRIVE END)
6	1	1062177	BEARING CASING (FREE END)
7	2	1062181	BEARING
8	1	1062182	CIRCLIP
9	1	1062183	OIL WASHER
10	1	1062184	WASHER
11	1	1062185	WASHER
12	2	1062175	EXTERNAL CIRCLIP
13	1	1061079	GREASE NIPPLE
14	12	9313087	BOLT
15	12	0100106	WASHER
16	12	9163007	LOCK NUT

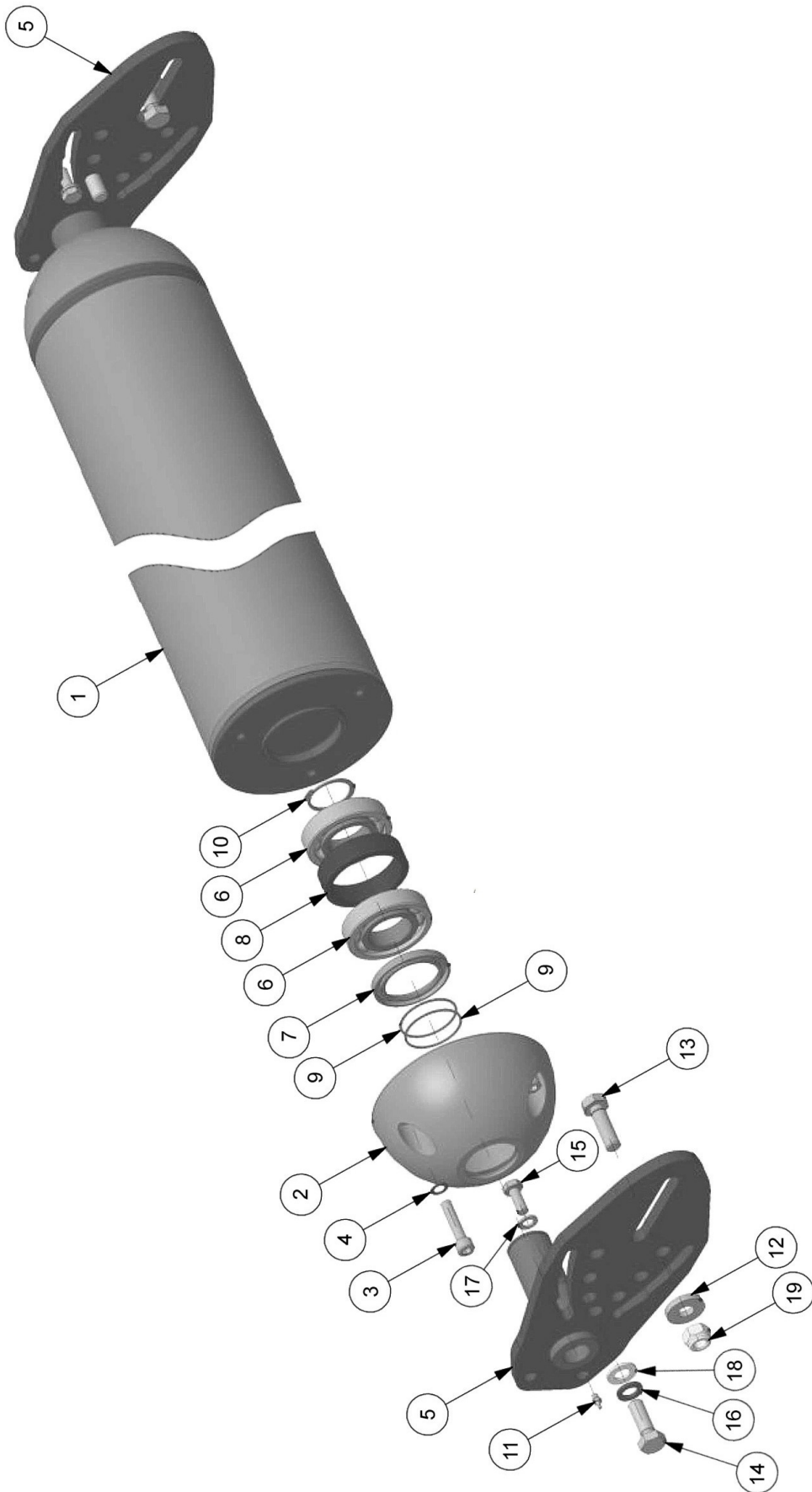
ROTOR ASSEMBLY – Dominator 280 (LH Build)

REF.	QTY.	PART No.	DESCRIPTION
		1062506	ROTOR ASSEMBLY - 280
1	1	1062294	ROTOR - 280
2	32	1062286	HAMMER FLAIL
3	32	1062305	BOLT
4	32	1062306	LOCK NUT
5	1	1062176	BEARING CASING (DRIVE END)
6	1	1062177	BEARING CASING (FREE END)
7	2	1062181	BEARING
8	1	1062182	CIRCLIP
9	1	1062183	OIL WASHER
10	1	1062184	WASHER
11	1	1062185	WASHER
12	2	1062175	EXTERNAL CIRCLIP
13	1	1061079	GREASE NIPPLE
14	12	9313087	BOLT
15	12	0100106	WASHER
16	12	9163007	LOCK NUT



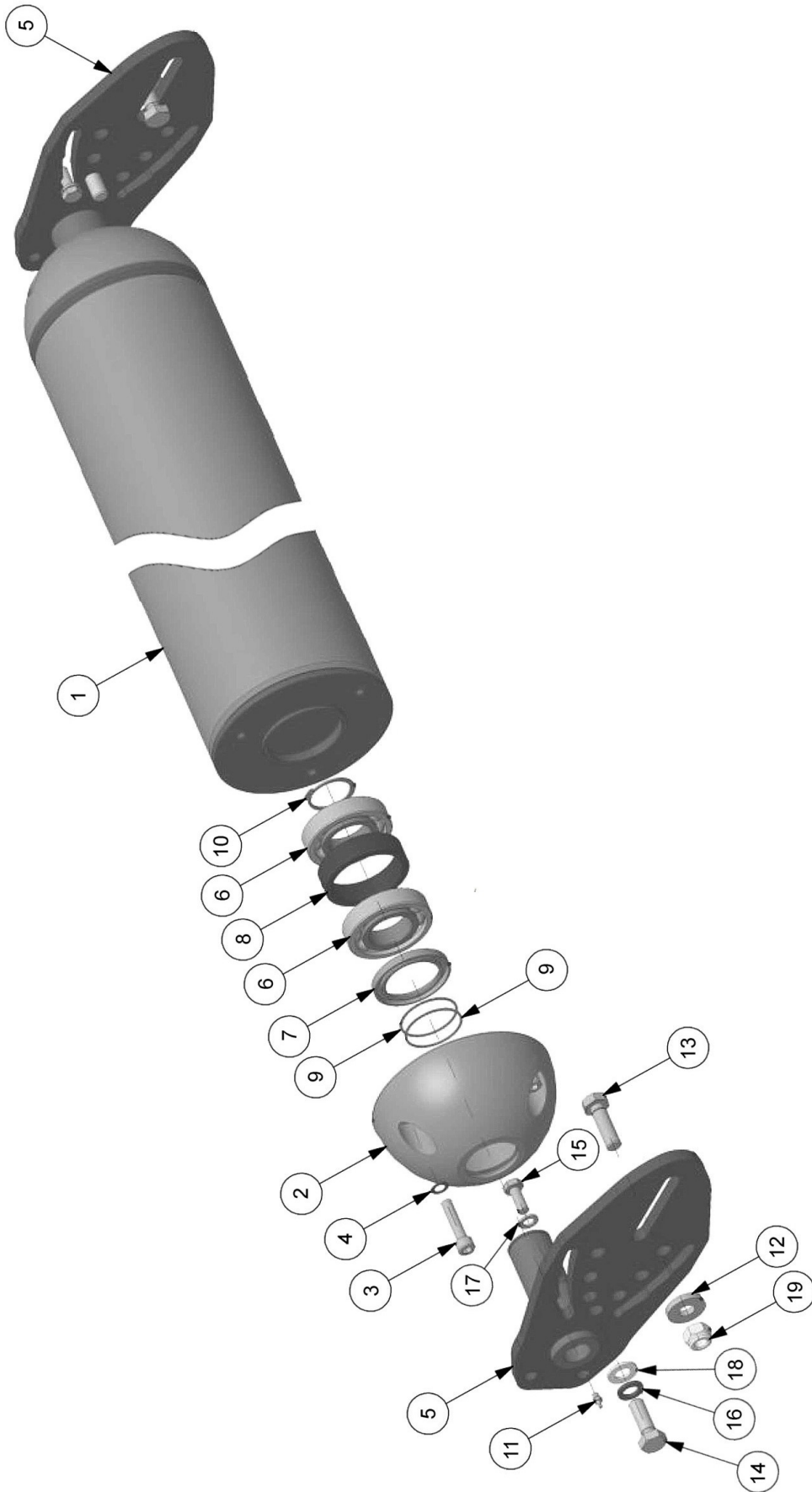
ROTOR ASSEMBLY – Dominator 310 (LH Build)

REF.	QTY.	PART No.	DESCRIPTION
		1062507	ROTOR ASSEMBLY - 310
1	1	1062468	ROTOR - 310
2	36	1062286	HAMMER FLAIL
3	36	1062305	BOLT
4	36	1062306	LOCK NUT
5	1	1062176	BEARING CASING (DRIVE END)
6	1	1062177	BEARING CASING (FREE END)
7	2	1062181	BEARING
8	1	1062182	CIRCLIP
9	1	1062183	OIL WASHER
10	1	1062184	WASHER
11	1	1062185	WASHER
12	2	1062175	EXTERNAL CIRCLIP
13	1	1061079	GREASE NIPPLE
14	12	9313087	BOLT
15	12	0100106	WASHER
16	12	9163007	LOCK NUT



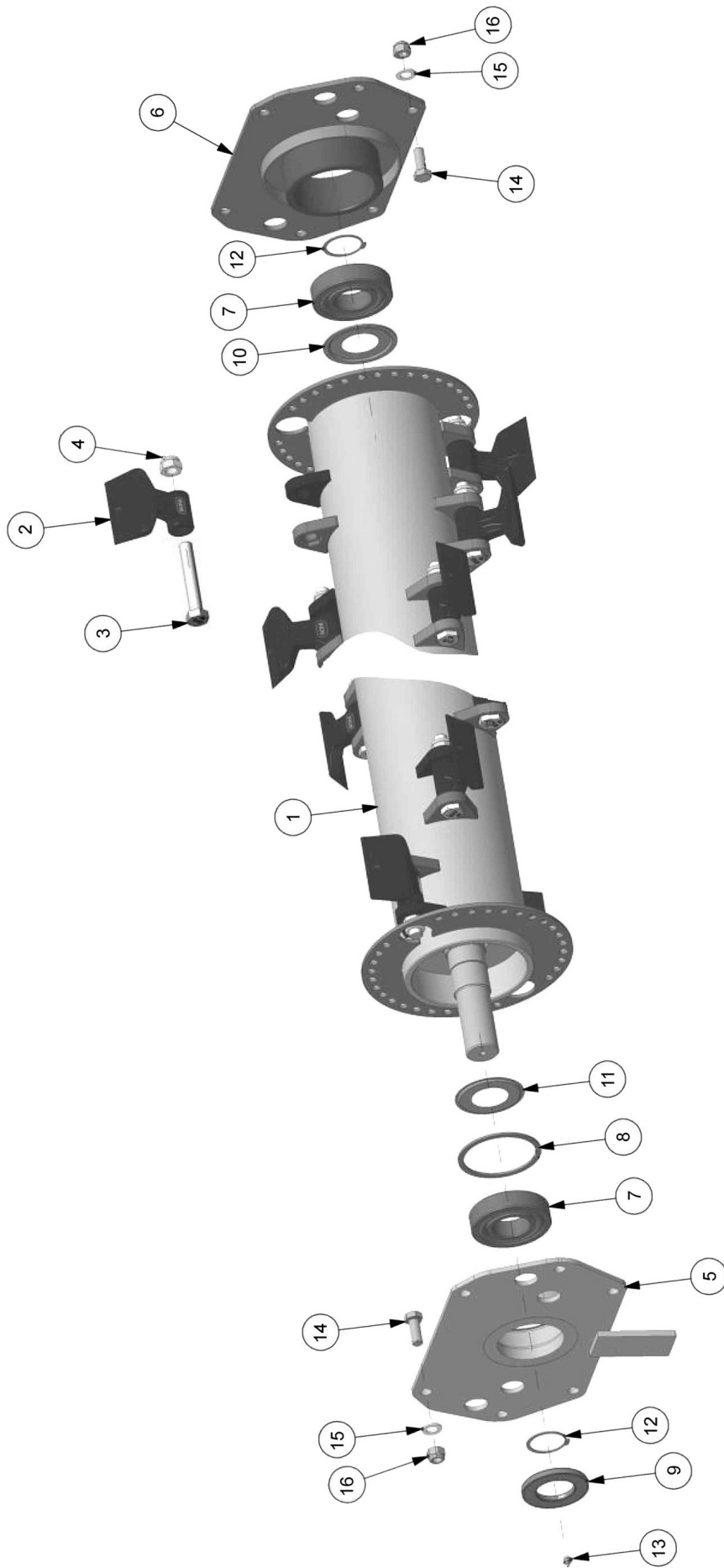
ROLLER ASSEMBLY – Dominator 250

REF.	QTY.	PART No.	DESCRIPTION
		1062508	REAR ROLLER ASSEMBLY - 250
1	1	1062495	ROLLER - 250
2	2	1062312	ROLLER END CAP
3	6	1062494	CAPSCREW
4	6	9100205	SPRING WASHER
5	2	1062493	ROLLER BRACKET
6	4	1062318	BEARING
7	2	1062315	OIL SEAL
8	2	1062311	BUSHING
9	4	1062307	GASKET
10	2	1062492	SPRING RING
11	2	1061554	GREASE NIPPLE
12	2	1061036	SPACER
13	2	1062140	BOLT
14	2	1061092	BOLT
15	2	9313055	BOLT
16	2	05.282.08	SPRING WASHER
17	2	9100205	SPRING WASHER
18	2	05.281.14	WASHER
19	2	1062304	NUT



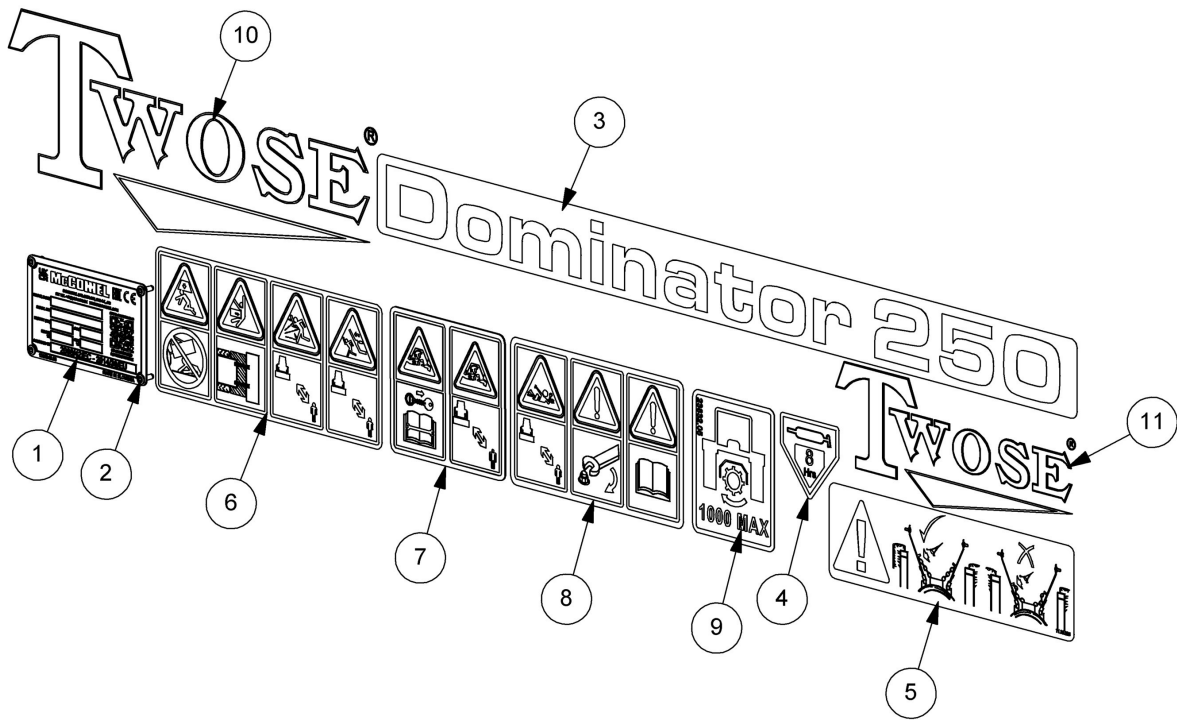
ROLLER ASSEMBLY – Dominator 280

REF.	QTY.	PART No.	DESCRIPTION
		1062509	REAR ROLLER ASSEMBLY - 280
1	1	1062496	ROLLER - 280
2	2	1062312	ROLLER END CAP
3	6	1062494	CAPSCREW
4	6	9100205	SPRING WASHER
5	2	1062493	ROLLER BRACKET
6	4	1062318	BEARING
7	2	1062315	OIL SEAL
8	2	1062311	BUSHING
9	4	1062307	GASKET
10	2	1062492	SPRING RING
11	2	1061554	GREASE NIPPLE
12	2	1061036	SPACER
13	2	1062140	BOLT
14	2	1061092	BOLT
15	2	9313055	BOLT
16	2	05.282.08	SPRING WASHER
17	2	9100205	SPRING WASHER
18	2	05.281.14	WASHER
19	2	1062304	NUT

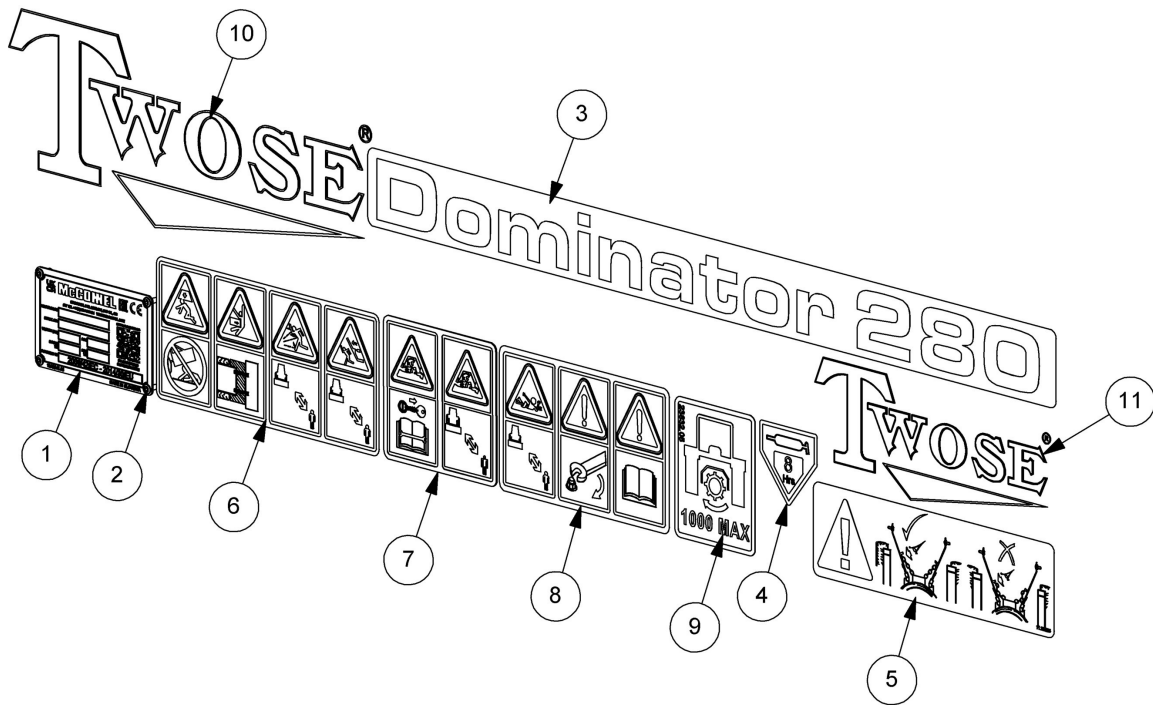


ROLLER ASSEMBLY – Dominator 310

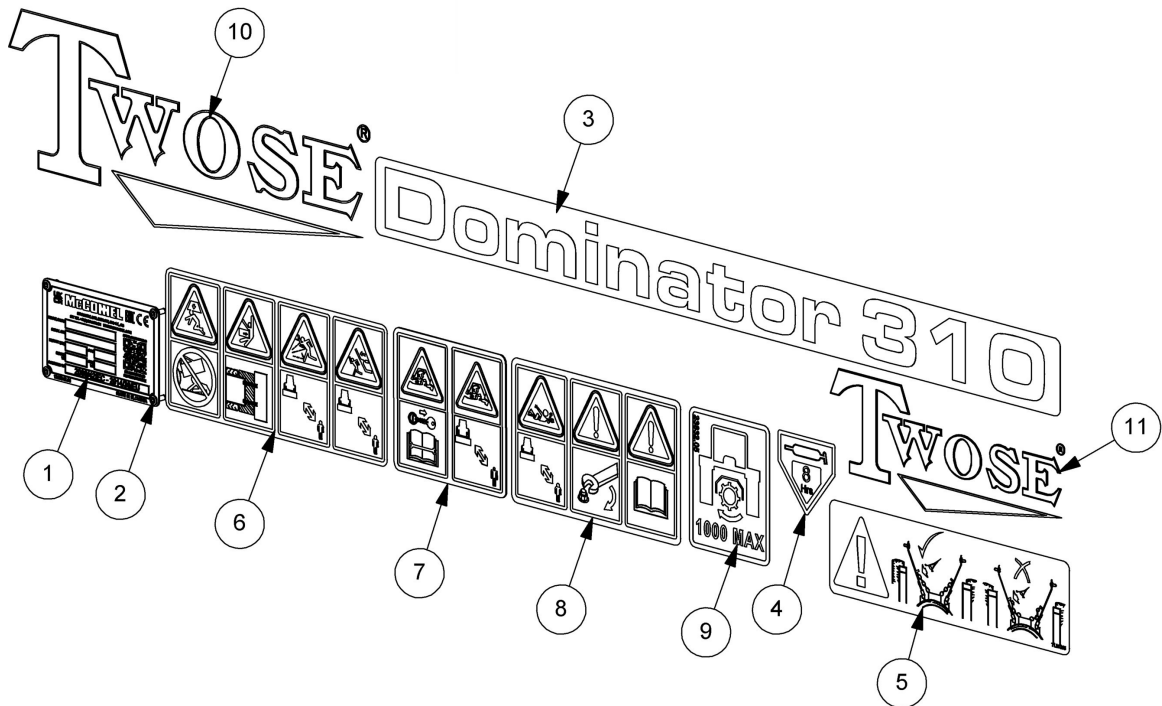
REF.	QTY.	PART No.	DESCRIPTION
		1062510	REAR ROLLER ASSEMBLY - 310
1	1	1062497	ROLLER - 310
2	2	1062312	ROLLER END CAP
3	6	1062494	CAPSCREW
4	6	9100205	SPRING WASHER
5	2	1062493	ROLLER BRACKET
6	4	1062318	BEARING
7	2	1062315	OIL SEAL
8	2	1062311	BUSHING
9	4	1062307	GASKET
10	2	1062492	SPRING RING
11	2	1061554	GREASE NIPPLE
12	2	1061036	SPACER
13	2	1062140	BOLT
14	2	1061092	BOLT
15	2	9313055	BOLT
16	2	05.282.08	SPRING WASHER
17	2	9100205	SPRING WASHER
18	2	05.281.14	WASHER
19	2	1062304	NUT



REF.	QTY.	PART No.	DESCRIPTION
		1062611	DECAL KIT - DOMINATOR 250
1	1	1335246	SERIAL NUMBER PLATE
2	4	7103230	POP RIVET
3	1	200.285.01	DECAL - DOMINATOR 250
4	4	09.810.01	DECAL - GREASE 8 HRS
5	1	7135295	DECAL - TIGHTEN CHECK CHAINS
6	1	09.821.29	DECAL - COMBINED EURODECAL
7	1	09.821.31	DECAL - COMBINED EURODECAL
8	1	09.821.34	DECAL - COMBINED EURODECAL
9	1	23832.05	DECAL - 1000 MAX (CW)
10	1	200.041	DECAL - TWOSE
11	1	200.040	DECAL - TWOSE



REF.	QTY.	PART No.	DESCRIPTION
		1062612	DECAL KIT - DOMINATOR 280
1	1	1335246	SERIAL NUMBER PLATE
2	4	7103230	POP RIVET
3	1	200.285.02	DECAL - DOMINATOR 280
4	4	09.810.01	DECAL - GREASE 8 HRS
5	1	7135295	DECAL - TIGHTEN CHECK CHAINS
6	1	09.821.29	DECAL - COMBINED EURODECAL
7	1	09.821.31	DECAL - COMBINED EURODECAL
8	1	09.821.34	DECAL - COMBINED EURODECAL
9	1	23832.05	DECAL - 1000 MAX (CW)
10	1	200.041	DECAL - TWOSE
11	1	200.040	DECAL - TWOSE



REF.	QTY.	PART No.	DESCRIPTION
		1062613	DECAL KIT - DOMINATOR 310
1	1	1335246	SERIAL NUMBER PLATE
2	4	7103230	POP RIVET
3	1	200.285.03	DECAL - DOMINATOR 310
4	4	09.810.01	DECAL - GREASE 8 HRS
5	1	7135295	DECAL - TIGHTEN CHECK CHAINS
6	1	09.821.29	DECAL - COMBINED EURODECAL
7	1	09.821.31	DECAL - COMBINED EURODECAL
8	1	09.821.34	DECAL - COMBINED EURODECAL
9	1	23832.05	DECAL - 1000 MAX (CW)
10	1	200.041	DECAL - TWOSE
11	1	200.040	DECAL - TWOSE



Twose, Temeside Works, Ludlow, Shropshire SY8 1JL. England.
Telephone: 01584 873131. Website: www.twose.com.