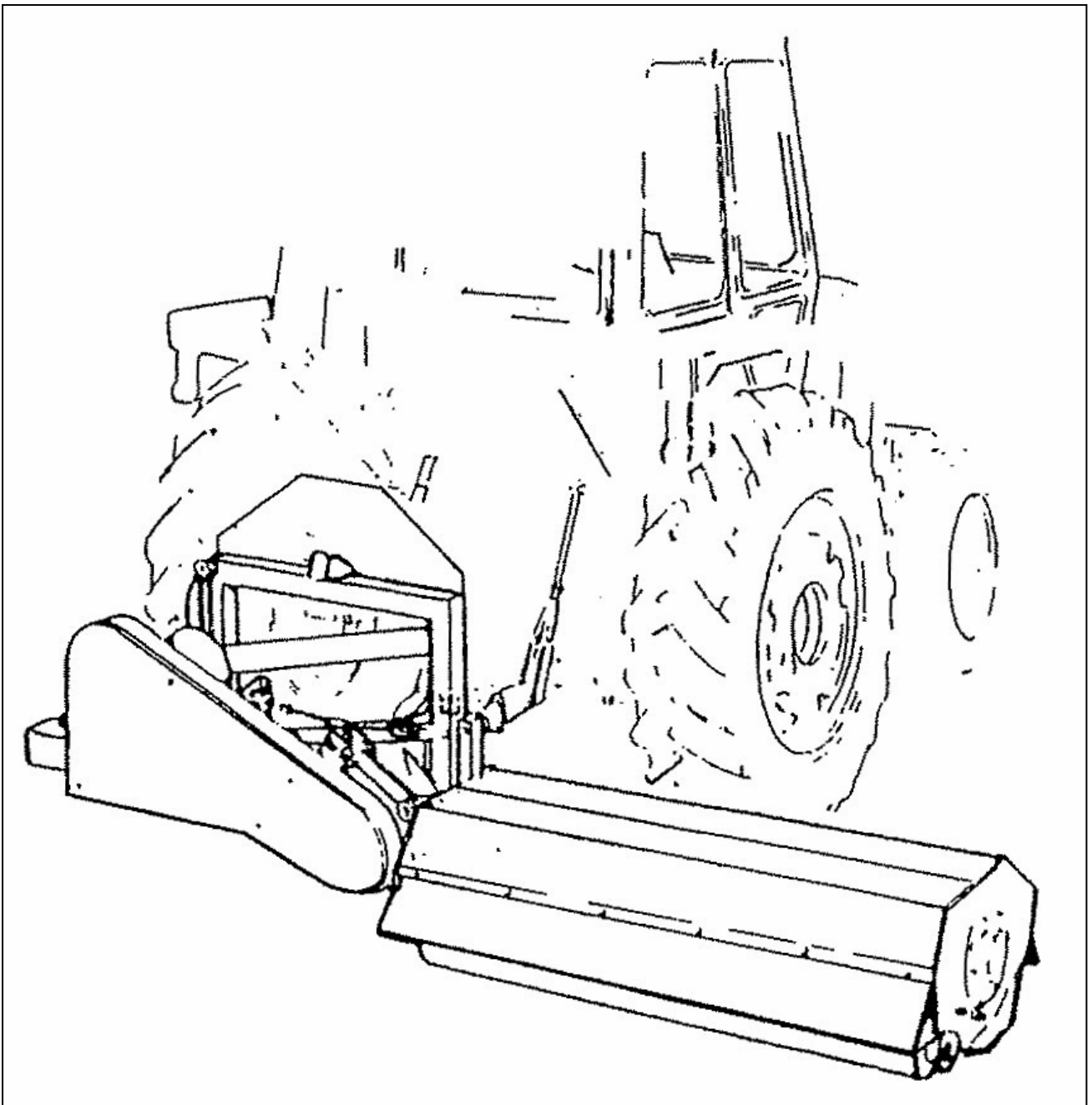


Publication 225
Revised: October 2008



TA1600 TA2000 VERGE MOWER

Parts Manual





For best performance ...

USE ONLY GENUINE McCONEL SERVICE PARTS

*To be assured of the latest design improvements purchase your
'Genuine Replacements' from the 'Original Equipment Manufacturer'*

McCONEL LIMITED

Through your local Dealer or Stockist

Always quote:

- ***Machine Type***
- ***Serial Number***
- ***Part Number***

*Design improvements may alter some of the parts listed in this manual –
the latest part will always be supplied when it is interchangeable with an earlier one.*

CONTENTS

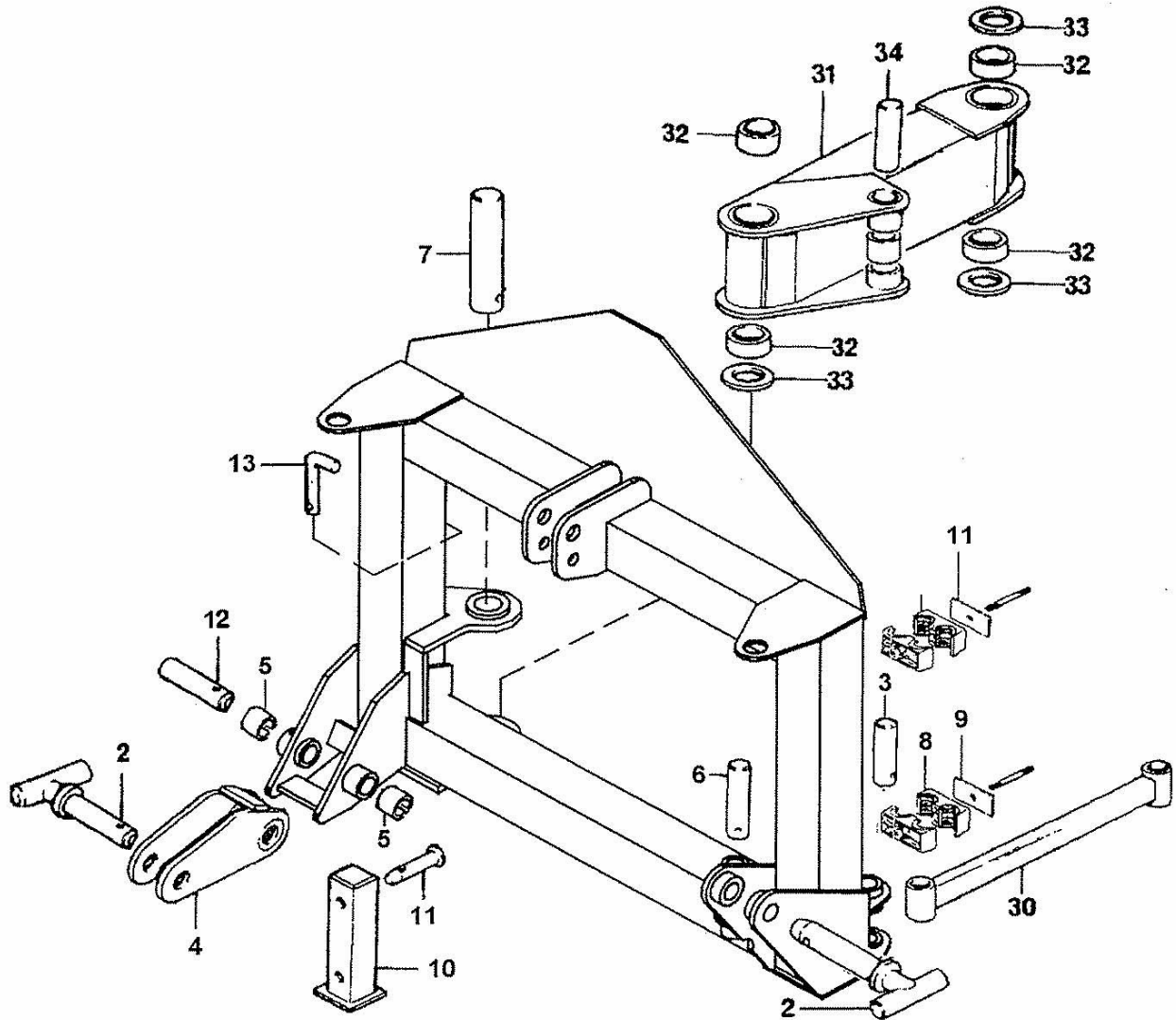
| | <i>Page No.</i> |
|--|-----------------|
| MAINFRAME – <i>Rear Mounted Models</i> | 1 |
| MAINFRAME – <i>Front Mounted Models</i> | 3 |
| ARM ASSEMBLY | 7 |
| GEARBOX ASSEMBLY | 11 |
| GEARBOX COMPONENTS | 15 |
| HYDRAULIC RAMS & HOSE KIT ASSEMBLY | 17 |
| HYDRAULIC RAM ASSEMBLY | 19 |
| FLOAT KIT ASSEMBLY | 21 |
| COWL ASSEMBLY – <i>TA1600</i> | 23 |
| COWL ASSEMBLY – <i>TA2000</i> | 25 |
| ROLLER ASSEMBLY – <i>TA1600</i> | 27 |
| ROLLER ASSEMBLY – <i>TA2000</i> | 29 |
| ROTOR & BEARING ASSEMBLY – <i>TA1600</i> | 31 |
| ROTOR & BEARING ASSEMBLY – <i>TA2000</i> | 33 |
| DECAL IDENTIFICATION | 35 |
| DECAL LOCATION & DECAL KITS | 37 |

Models: TA1600 / TA2000



MAINFRAME – R/H Rear Mount

Module:
76.004.02



MAINFRAME – R/H Rear Mount

| REF | QTY. | PART No. | DESCRIPTION |
|------|------|------------------|---|
| | | 76.004.02 | MAINFRAME - REAR MOUNTED R/H BUILD |
| 1 | 1 | 1335246 | SERIAL NUMBER PLATE |
| 1 * | 1 | 42146.01 | MAINFRAME - Rear Mounted R/H Build |
| 1 | 4 | 7103230 | POP RIVET |
| 2 | 2 | 00.372.01 | LINCH PIN |
| 2 * | 2 | 41.281.01 | PIN |
| 3 * | 1 | 03.654.19 | PIN |
| 3 | 1 | 05.201.07 | TENSION PIN |
| 3 | 1 | 05.953.01 | GREASE NIPPLE |
| 4 | 1 | 09.241.01 | LINK - BREAKOUT |
| 5 | 2 | 02.771.06 | TENSION BUSH |
| 6 * | 1 | 03.653.54 | PIN |
| 6 | 1 | 05.291.05 | BOLT |
| 6 | 1 | 05.287.01 | SELF-LOCKING NUT |
| 6 | 1 | 05.953.01 | GREASE NIPPLE |
| 7 * | 1 | 03.656.74 | PIN |
| 7 | 1 | 05.282.02 | SPRING WASHER |
| 7 | 1 | 05.286.02 | NUT |
| 7 | 1 | 05.292.11 | BOLT |
| 7 | 1 | 05.953.01 | GREASE NIPPLE |
| 8 | 2 | 04.282.30 | STUD |
| 8 | 2 | 05.281.01 | FLAT WASHER |
| 8 | 2 | 05.282.01 | SPRING WASHER |
| 8 | 2 | 05.286.01 | NUT |
| 8 * | 8 | 06.430.02 | HOSE CLAMP |
| 9 | 2 | 06.418.02 | CLAMP PLATE |
| 10 | 1 | 41332.01 | STAND |
| 11 | 1 | 00.372.01 | LINCH PIN |
| 11 * | 1 | 03.652.01 | PIN |
| 12 * | 1 | 03.654.71 | PIN |
| 12 | 1 | 05.201.07 | TENSION PIN |
| 12 | 1 | 05.953.01 | GREASE NIPPLE |
| 13 * | 1 | 03.651.18 | PIN |
| 13 | 1 | 05.964.01 | SPRING COTTER |
| 14 * | 1 | 03.652.23 | PIN |
| 14 | 1 | 05.284.14 | SPLIT COTTER |
| 15 | 1 | 42130.01 | TRANSPORT STRAP |
| | | 74.992.02 | SWING LINKS |
| 30 | 1 | 09.237.01 | LINK - SWING |
| 31 | 1 | 41.246.02 | LINK - SWING RAM |
| 32 | 4 | 08.297.02 | BUSH |
| 33 | 3 | 09.232.01 | THRUST WASHER |
| 34 * | 1 | 03.653.71 | PIN |
| 34 | 1 | 05.201.07 | TENSION PIN |
| 34 | 1 | 05.953.01 | GREASE NIPPLE |
| 35 | 1 | 09.235.02 | SPACER |

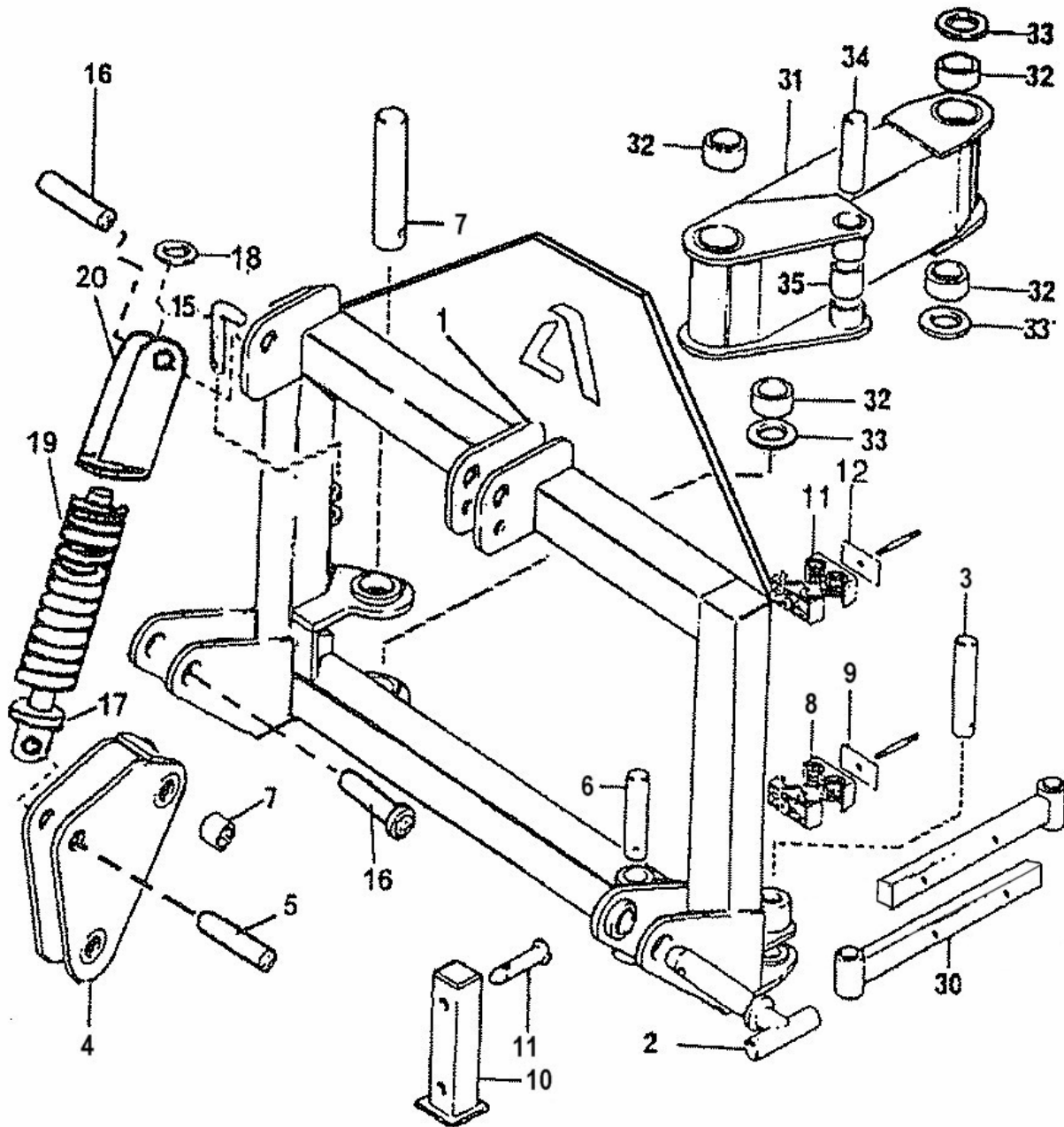
* Main part in group - related parts have same reference number

Models: TA1600 / TA2000



MAINFRAME – R/H Front Mount

Module:
76.004.03



MAINFRAME – R/H Front Mount

| REF | QTY. | PART No. | DESCRIPTION |
|-----|------|------------------|--|
| | | 76.004.02 | MAINFRAME - FRONT MOUNTED R/H BUILD |
| 1 | 1 | 1335246 | SERIAL NUMBER PLATE |
| 1 | * | 42146.03 | MAINFRAME - Front Mounted R/H Build |
| 1 | 4 | 7103230 | POP RIVET |
| 2 | 2 | 00.372.01 | LINCH PIN |
| 2 | * | 41.281.01 | PIN |
| 3 | * | 03.654.19 | PIN |
| 3 | 1 | 05.201.07 | TENSION PIN |
| 3 | 1 | 05.953.01 | GREASE NIPPLE |
| 4 | 1 | 41868.01 | LINK - BREAKOUT |
| 5 | 2 | 02.771.06 | TENSION BUSH |
| 6 | * | 03.653.54 | PIN |
| 6 | 1 | 05.291.05 | BOLT |
| 6 | 1 | 05.287.01 | SELF-LOCKING NUT |
| 6 | 1 | 05.953.01 | GREASE NIPPLE |
| 7 | * | 03.656.74 | PIN |
| 7 | 1 | 05.282.02 | SPRING WASHER |
| 7 | 1 | 05.286.02 | NUT |
| 7 | 1 | 05.292.11 | BOLT |
| 7 | 1 | 05.953.01 | GREASE NIPPLE |
| 8 | 2 | 04.282.30 | STUD |
| 8 | 2 | 05.281.01 | FLAT WASHER |
| 8 | 2 | 05.282.01 | SPRING WASHER |
| 8 | 2 | 05.286.01 | NUT |
| 8 | * | 06.430.02 | HOSE CLAMP |
| 9 | 2 | 06.418.02 | CLAMP PLATE |
| 10 | 1 | 41803.01 | STAND |
| 11 | 1 | 00.372.01 | LINCH PIN |
| 11 | * | 03.652.01 | PIN |
| 12 | * | 03.654.71 | PIN |
| 12 | 1 | 05.201.07 | TENSION PIN |
| 12 | 1 | 05.953.01 | GREASE NIPPLE |
| 13 | * | 03.651.18 | PIN |
| 13 | 1 | 05.964.01 | SPRING COTTER |
| 14 | * | 03.652.23 | PIN |
| 14 | 1 | 05.284.14 | SPLIT COTTER |
| 15 | 1 | 42130.01 | TRANSPORT STRAP |
| 16 | 2 | 03.653.24 | PIN |
| 16 | 2 | 05.287.01 | NUT |
| 16 | 2 | 05.291.05 | BOLT |
| 16 | 2 | 05.953.01 | GREASER |
| 17 | 1 | 41866.01 | ROD |
| 18 | 1 | 41865.01 | RETAINER |
| 19 | 1 | 03.865.02 | SPRING |
| 20 | 1 | 41867.01 | BRACKET |
| 21 | 1 | 05.286.06 | NUT |

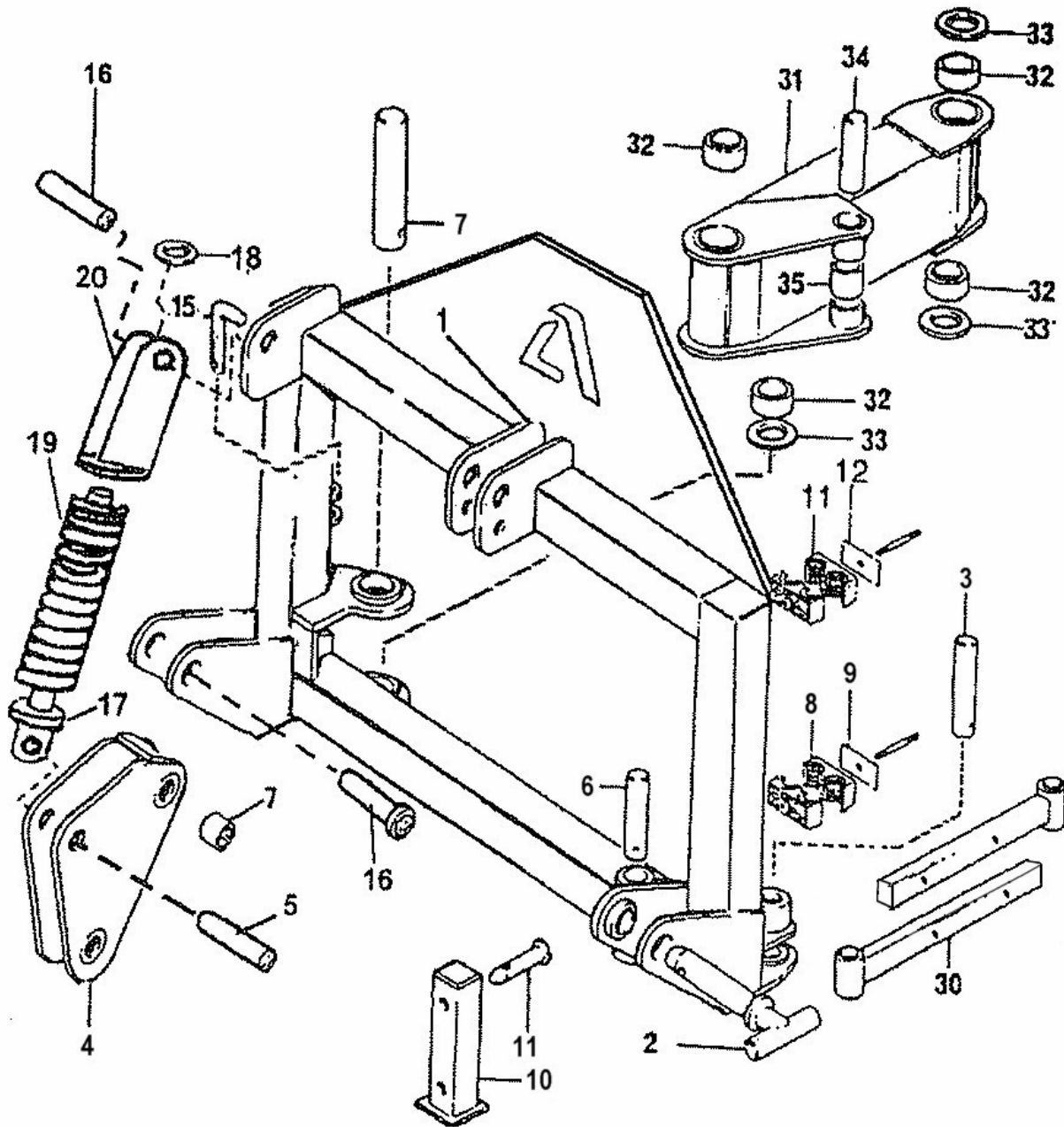
* Main part in group - related parts have same reference number

Models: TA1600 / TA2000



MAINFRAME – R/H Front Mount

Module:
76.004.03



MAINFRAME – R/H Front Mount

| REF | QTY. | PART No. | DESCRIPTION |
|------|------|------------------|--------------------|
| | | 74.992.03 | SWING LINKS |
| 30 * | 1 | 42318.01 | LINK - SWING |
| 30 | 4 | 05.291.01 | BOLT |
| 30 | 4 | 05.282.01 | SPRING WASHER |
| 30 | 4 | 05.286.01 | NUT |
| 31 | 1 | 41.246.02 | LINK - SWING RAM |
| 32 | 4 | 08.297.02 | BUSH |
| 33 | 3 | 09.232.01 | THRUST WASHER |
| 34 * | 1 | 03.653.71 | PIN |
| 34 | 1 | 05.201.07 | TENSION PIN |
| 34 | 1 | 05.953.01 | GREASE NIPPLE |
| 35 | 1 | 09.235.02 | SPACER |

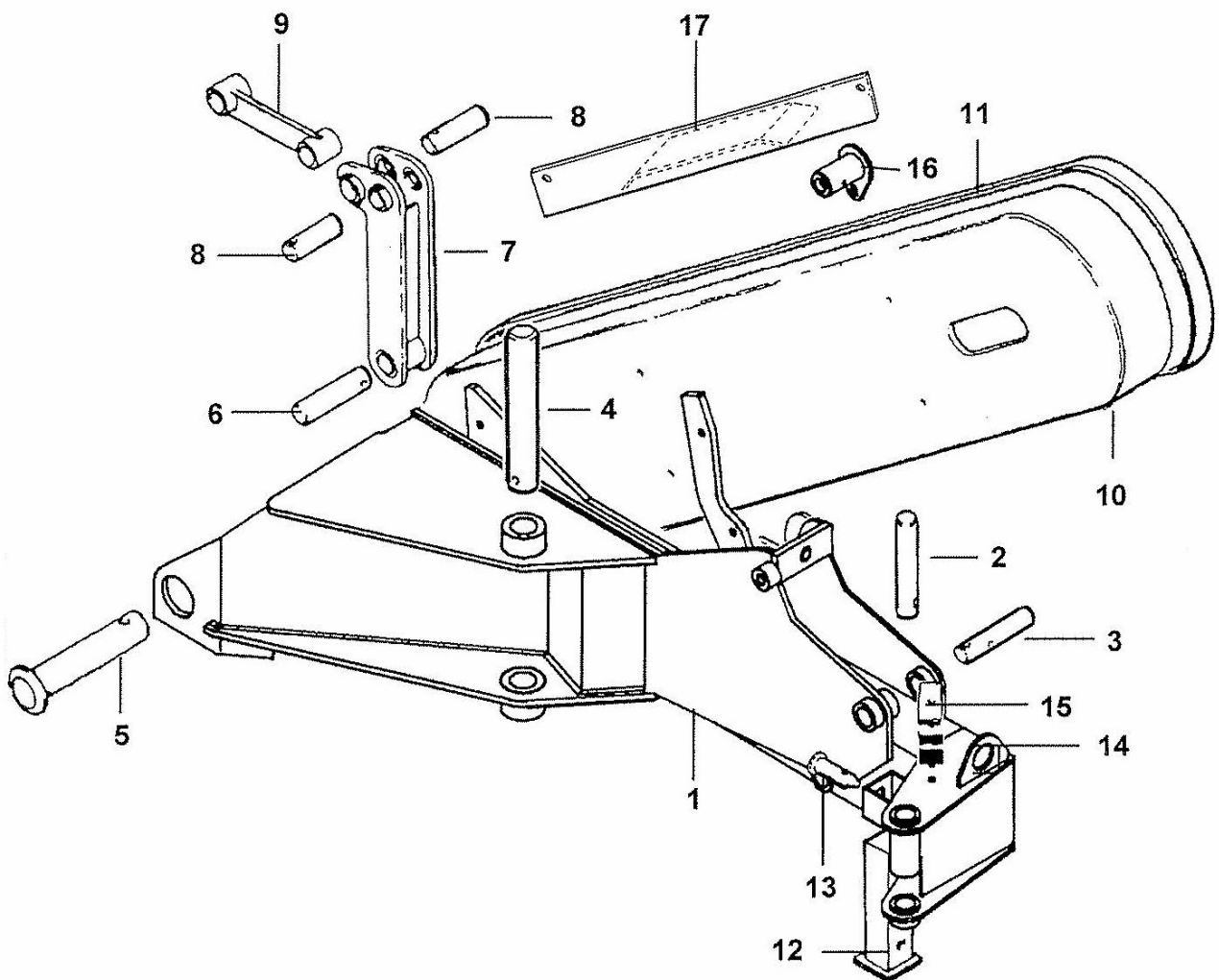
* Main part in group - related parts have same reference number

ARM ASSEMBLIES

Module:

76.005.01 – Rear Mounted R/H Build

76.005.02 – Front Mounted R/H Build



ARM ASSEMBLIES

| REF | QTY. | PART No. | DESCRIPTION |
|-----|------|------------------|---|
| | | 76.005.01 | ARM ASSEMBLY - REAR MOUNT R/H BUILD |
| | | 76.005.02 | ARM ASSEMBLY - FRONT MOUNT R/H BUILD |
| 1 | 1 | 41.256.04 | ARM - Rear Mounted R/H Build |
| 1 | 1 | 41.256.03 | ARM - Front Mounted R/H Build |
| 2 | * | 03.654.70 | PIN |
| 2 | 1 | 05.201.07 | TENSION PIN |
| 2 | 1 | 05.953.01 | GREASE NIPPLE |
| 3 | * | 03.654.69 | PIN |
| 3 | 1 | 05.282.01 | SPRING WASHER |
| 3 | 1 | 05.286.01 | NUT |
| 3 | 1 | 05.291.06 | BOLT |
| 4 | * | 03.656.75 | PIN |
| 4 | 1 | 05.282.02 | SPRING WASHER |
| 4 | 1 | 05.286.02 | NUT |
| 4 | 1 | 05.292.11 | BOLT |
| 4 | 1 | 05.953.03 | GREASE NIPPLE |
| 5 | * | 03.656.73 | PIN |
| 5 | 1 | 05.282.02 | SPRING WASHER |
| 5 | 1 | 05.286.02 | NUT |
| 5 | 1 | 05.292.11 | BOLT |
| 5 | 1 | 05.953.01 | GREASE NIPPLE |
| 6 | * | 02.837.01 | PIN |
| 6 | 1 | 04.175.01 | STUD |
| 6 | 1 | 05.281.02 | FLAT WASHER |
| 6 | 1 | 05.968.02 | SELF LOCKING NUT |
| 7 | 1 | 05.953.01 | GREASE NIPPLE |
| 7 | * | 41.241.01 | LINK - RAM |
| 8 | * | 03.654.53 | PIN |
| 8 | 2 | 05.201.11 | TENSION PIN |
| 9 | 2 | 05.953.01 | GREASE NIPPLE |
| 9 | * | 41.060.01 | LINK - COWL |
| 10 | 2 | 05.264.12 | SETSCREW |
| 10 | 2 | 05.264.13 | SETSCREW |
| 10 | 4 | 05.282.02 | SPRING WASHER |
| 10 | * | 41764.02 | GUARD - Rear Mounted R/H Build |
| 10 | * | 41764.01 | GUARD - Front Mounted R/H Build |
| 11 | 4 | 05.264.11 | SETSCREW |
| 11 | 4 | 05.282.02 | SPRING WASHER |
| 11 | * | 41767.02 | GUARD COVER - Rear Mounted R/H Build |
| 11 | * | 41767.01 | GUARD COVER - Front Mounted R/H Build |

* Main part in group - related parts have same reference number

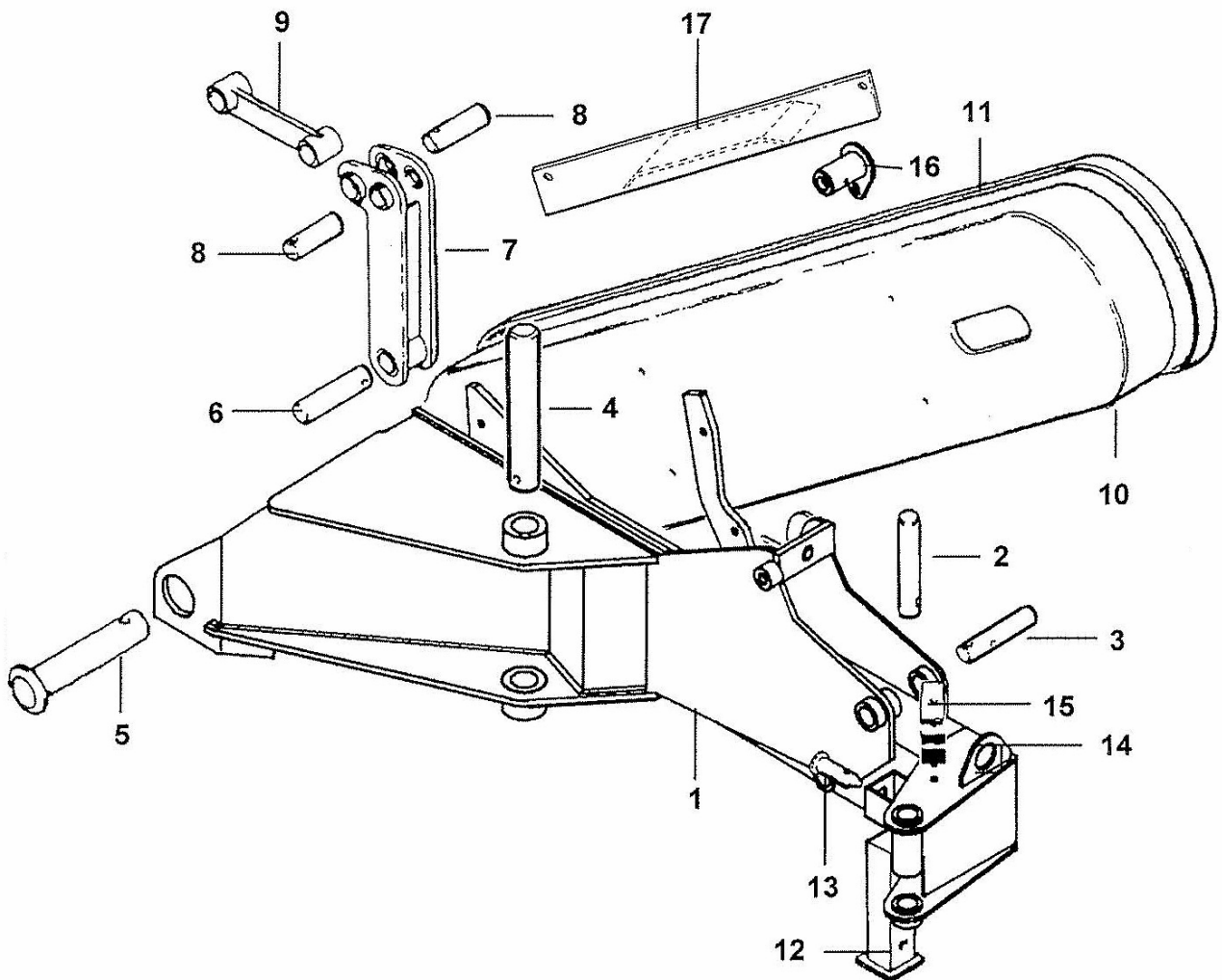
....continued

ARM ASSEMBLIES

Module:

76.005.01 – Rear Mounted R/H Build

76.005.02 – Front Mounted R/H Build



ARM ASSEMBLIES

| REF | QTY. | PART No. | DESCRIPTION |
|------|------|-----------|------------------------------|
| 12 | 1 | 41332.01 | STAND - Rear Mounted Builds |
| 12 | 1 | 41803.01 | STAND - Front Mounted Builds |
| 13 | 1 | 00.372.01 | LINCH PIN |
| 13 * | 1 | 03.652.01 | PIN |
| 14 | 1 | 04.282.32 | STUD |
| 14 | 1 | 05.281.01 | FLAT WASHER |
| 14 | 1 | 05.282.01 | SPRING WASHER |
| 14 | 1 | 05.286.01 | NUT |
| 14 * | 2 | 06.430.02 | HOSE CLAMP |
| 15 | 1 | 06.418.02 | CLAMP PLATE |
| 16 * | 1 | 42652.04 | PIN |
| 16 | 1 | 05.953.01 | GREASE NIPPLE |
| 16 | 1 | 05.282.03 | SPRING WASHER |
| 16 | 1 | 05.281.03 | FLAT WASHER |
| 16 | 1 | 05.264.21 | SETSCREW |
| 17 | 1 | 43008.01 | BELT SUPPORT BRACKET |

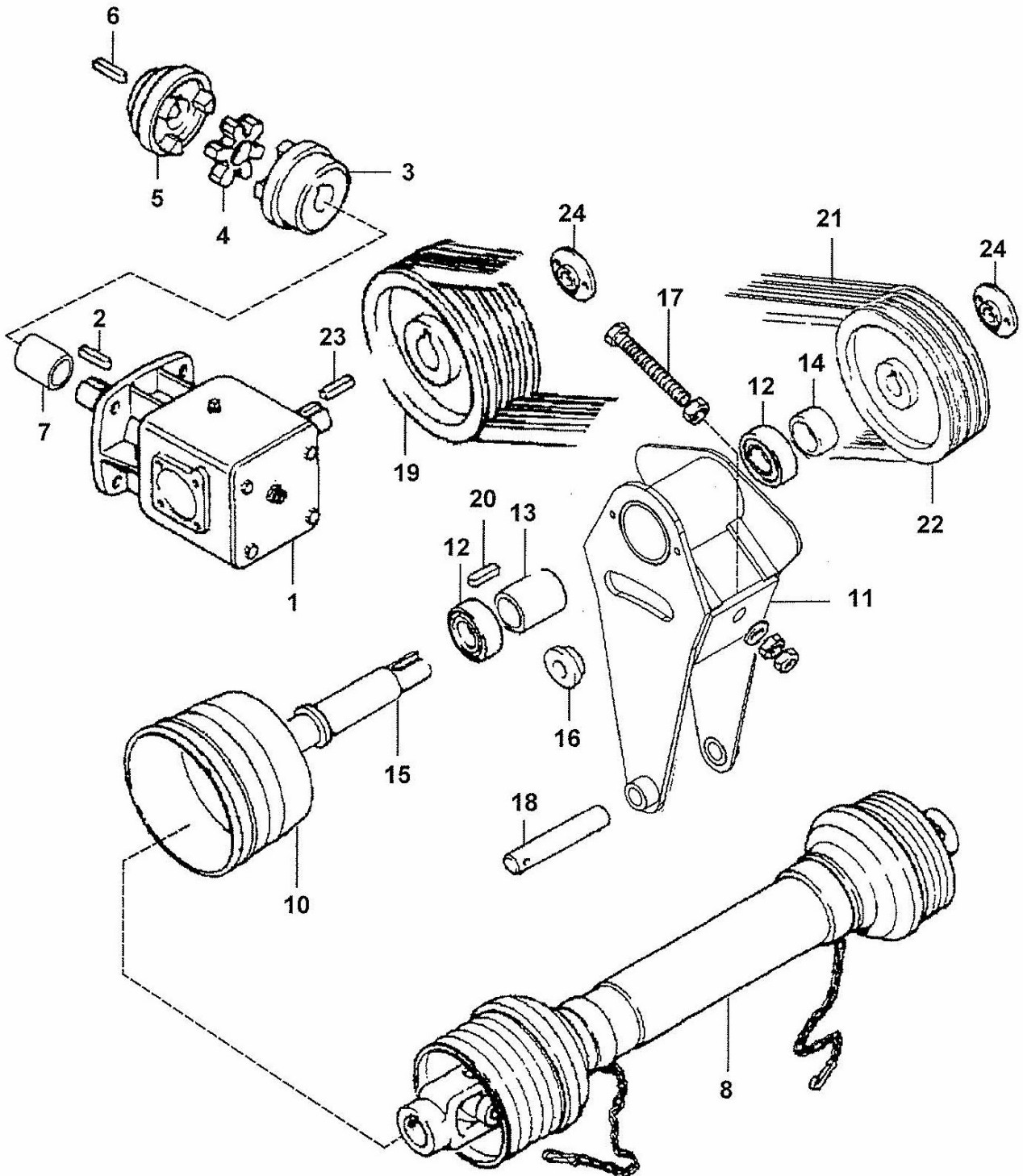
* Main part in group - related parts have same reference number

GEARBOX ASSEMBLIES

Modules:

74.993.01 – R/H Rear Mount & R/H Front Mount (ACW) Builds

74.993.02 – R/H Front Mount (CW) Build



GEARBOX ASSEMBLIES

| REF | QTY. | PART No. | DESCRIPTION |
|-----|------|------------------|---|
| | | 74.993.01 | GEARBOX ASSEMBLY - RM & ACW FM BUILD |
| | | 74.993.02 | GEARBOX ASSEMBLY - CW FM BUILD |
| 1 | 1 | 02.824.01 | WASHER |
| 1 | 1 | 05.264.24 | SETSCREW |
| 1 | 1 | 05.282.03 | SPRING WASHER |
| 1 | * | 09.250.04 | GEARBOX - Rear & ACW Front Mount Builds |
| 1 | * | 09.250.03 | GEARBOX - CW Front Mount Build |
| 2 | 1 | 05.960.22 | KEY |
| 3 | 2 | 05.388.01 | GRUBSCREW |
| 3 | * | 41.250.02 | HUB COUPLING |
| 4 | 1 | 41.250.04 | DRIVE COUPLING |
| 5 | 1 | 41.250.03 | HUB COUPLING |
| 6 | 1 | 05.960.13 | KEY |
| 7 | 1 | 42613.02 | SPACER |
| | | 72.478.01 | PTO SHAFT ASSEMBLY - RM & ACW FM BUILD |
| | | 72.478.03 | PTO SHAFT ASSEMBLY - CW FM BUILD |
| 8 | * | 41624.06 | PTO SHAFT - Rear & ACW Front Mount Builds |
| 8 | * | 41624.07 | PTO SHAFT - CW Front Mount Build |
| 8 | - | 41624.31 | CROSS JOURNAL SET |
| 8 | - | 41624.34 | COMPLETE SHIELD |
| | | 74.996.01 | DRIVE BRACKET, PULLEYS & BELTS REAR MOUNT BUILD |
| | | 74.996.02 | DRIVE BRACKET, PULLEYS & BELTS FRONT MOUNT BUILD |
| 10 | 2 | 05.264.11 | SETSCREW |
| 10 | 2 | 05.281.02 | FLAT WASHER |
| 10 | 2 | 05.282.02 | SPRING WASHER |
| 10 | * | 09.236.01 | PLASTIC PTO GUARD |
| 11 | 1 | 41768.06 | BRACKET - Rear Mount Build |
| 11 | 1 | 41768.07 | BRACKET - Front Mount Build |
| 12 | 2 | 03.007.06 | BEARING |
| 13 | 1 | 41.258.01 | SPACER |
| 14 | 1 | 09.264.01 | SPACER |
| 15 | 1 | 05.264.24 | SETSCREW |
| 15 | 1 | 05.282.03 | SPRING WASHER |
| 15 | * | 41730.01 | SHAFT - PULLEY/PTO |
| 16 | 1 | 05.264.34 | SETSCREW |
| 16 | 1 | 05.282.04 | SPRING WASHER |
| 16 | * | 09.263.01 | COLLAR - CLAMP |

* Main part in group - related parts have same reference number

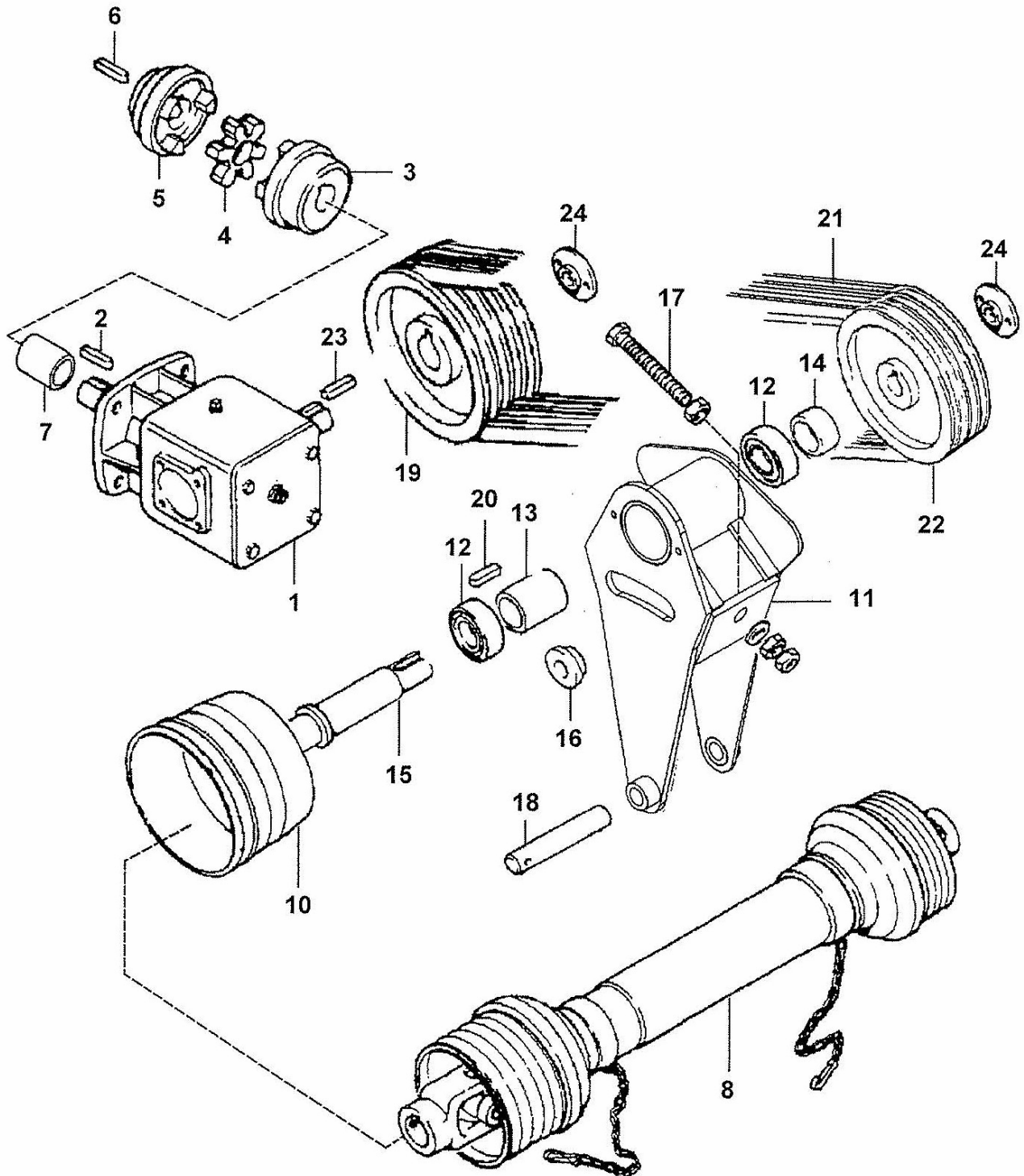
...continued

GEARBOX ASSEMBLIES

Modules:

74.993.01 – R/H Rear Mount & R/H Front Mount (ACW) Builds

74.993.02 – R/H Front Mount (CW) Build

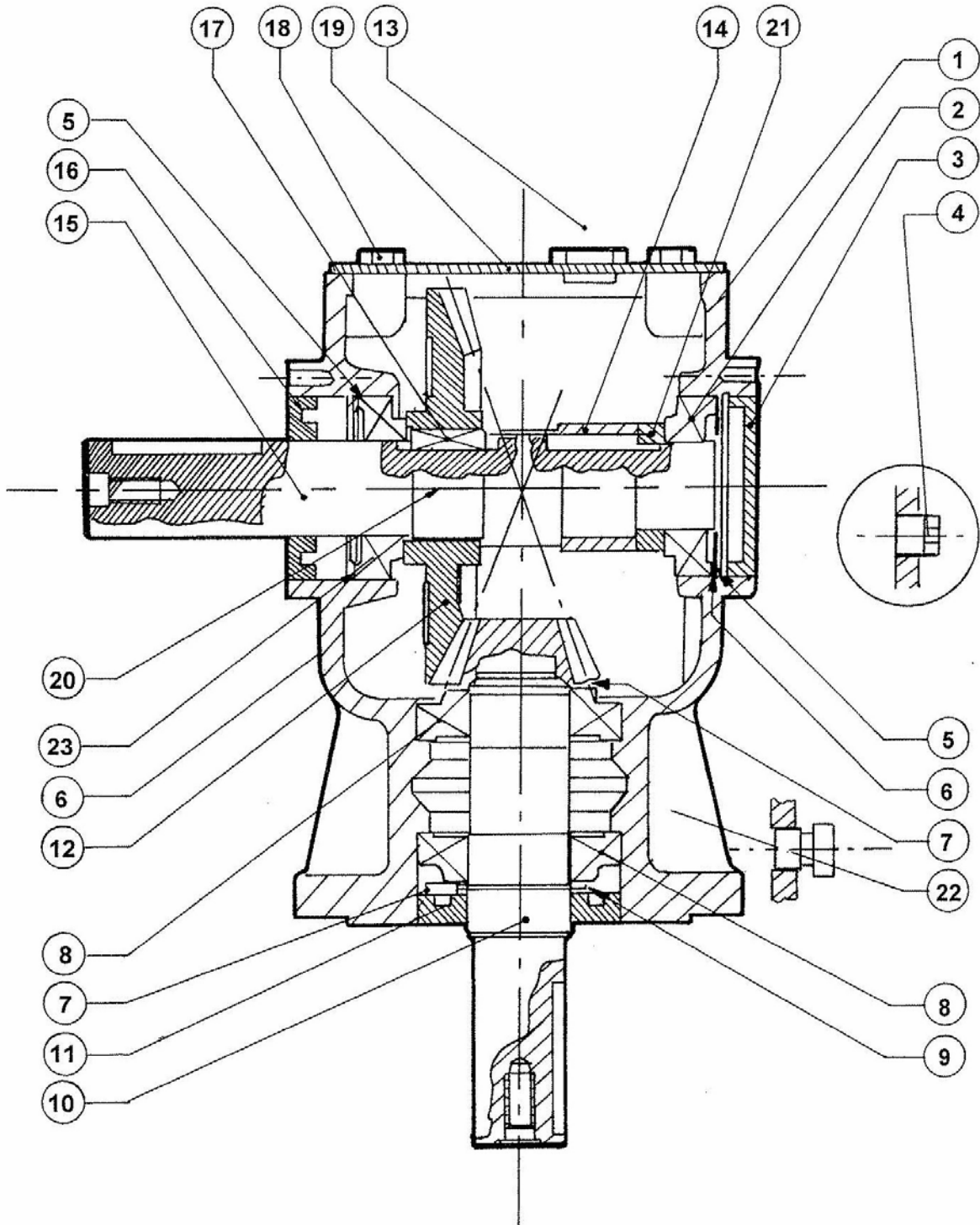


GEARBOX ASSEMBLIES

| REF | QTY. | PART No. | DESCRIPTION |
|------|------|-----------|------------------|
| 17 | 4 | 05.281.04 | FLAT WASHER |
| 17 | 3 | 05.286.04 | NUT |
| 17 * | 1 | 41769.01 | ADJUSTMENT BOLT |
| 18 * | 1 | 03.653.66 | PIN |
| 18 | 1 | 05.201.07 | TENSION PIN |
| 18 | 1 | 05.264.11 | SETSCREW |
| 18 | 1 | 05.281.02 | FLAT WASHER |
| 18 | 1 | 05.282.02 | SPRING WASHER |
| 19 * | 1 | 41.245.01 | PULLEY |
| 19 | 1 | 05.388.01 | SOCKET GRUBSCREW |
| 20 | 1 | 05.960.03 | KEY |
| 21 | 4 | 05.299.51 | BELT |
| 22 * | 1 | 41.244.01 | PULLEY |
| 22 | 1 | 05.388.01 | SOCKET GRUBSCREW |
| 23 | 1 | 05.960.22 | KEY |
| 24 | 4 | 05.264.02 | SETSCREW |
| 24 | 4 | 05.282.01 | SPRING WASHER |
| 24 * | 2 | 09.297.01 | WASHER |

* Main part in group - related parts have same reference number

GEARBOX COMPONENTS



GEARBOX COMPONENTS

| REF | QTY. | PART No. | DESCRIPTION |
|-----|------|-----------|--------------|
| 1 | 1 | 09.250.31 | CASING |
| 2 | 2 | 09.250.32 | BEARING |
| 3 | 1 | 09.250.33 | CAP |
| 4 | 1 | 09.250.34 | PLUG |
| 5 | 2 | 09.250.35 | SNAP RING |
| 6 | 1 | 09.250.36 | SHIM SET |
| 7 | 1 | 09.250.37 | SHIM SET |
| 8 | 2 | 09.250.38 | BEARING |
| 9 | 1 | 09.250.39 | SNAP RING |
| 10 | 1 | 09.250.40 | PINION SHAFT |
| 11 | 1 | 09.250.41 | OIL SEAL |
| 12 | 1 | 09.250.42 | GEAR |
| 13 | 1 | 09.250.52 | GAS PLUG |
| 14 | 1 | 09.250.44 | SPACER |
| 15 | 1 | 09.250.45 | SHAFT |
| 16 | 1 | 09.250.46 | OIL SEAL |
| 17 | 1 | 09.250.47 | PARALLEL KEY |
| 18 | 4 | 09.250.48 | BOLT |
| 19 | 1 | 09.250.49 | COVER |
| 20 | 1 | 09.250.50 | PLATE |
| 21 | 1 | 09.250.51 | SPACER |
| 22 | 1 | 09.250.53 | GAS BREATHER |
| 23 | 1 | 09.250.54 | BEARING |

Models: TA1600 / TA2000

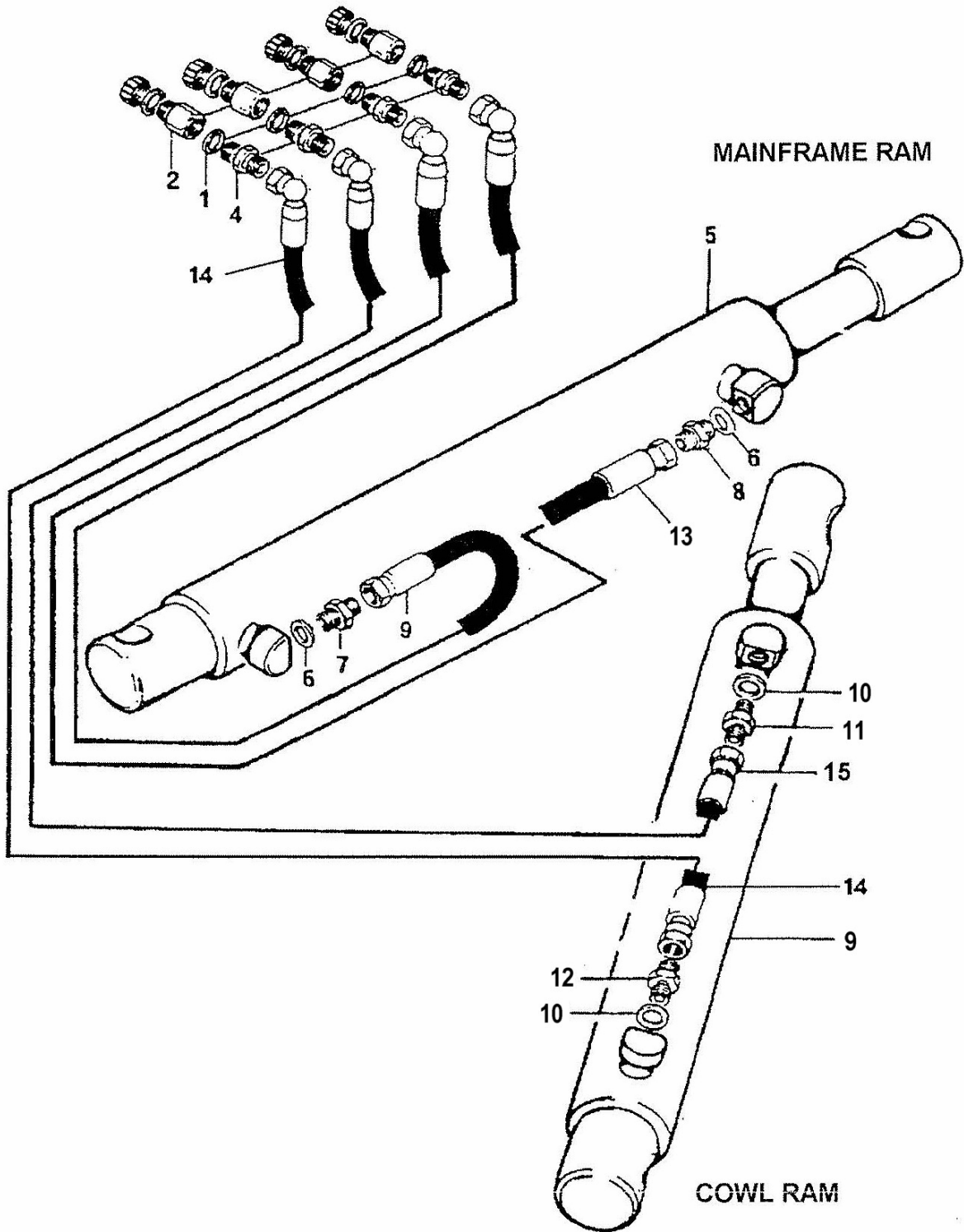


HYDRAULIC RAMS & HOSE KIT

Modules:

74.984.03 – Rams Assembly

72.487.01 – Hose Kit



HYDRAULIC RAMS & HOSE KIT

| REF | QTY. | PART No. | DESCRIPTION |
|-----|------|------------------|---------------------------------------|
| | | 74.984.03 | HYDRAULIC RAMS ASSEMBLY |
| 1 | 4 | 05.290.05 | BONDED SEAL |
| 2 | 4 | 05.146.01 | QUICK RELEASE COUPLING |
| 4 | 4 | 01.099.03 | ADAPTOR |
| 5 * | 1 | 48200.01 | RAM ASSEMBLY |
| 6 | 2 | 05.290.04 | BONDED SEAL |
| 7 | 1 | 46518.12 | RESTRICTOR |
| 8 | 1 | 46518.08 | RESTRICTOR |
| 9 | 2 | 05.953.01 | GREASE NIPPLE |
| 9 * | 1 | 09.993.04 | RAM ASSEMBLY |
| 10 | 2 | 05.290.04 | BONDED SEAL |
| 11 | 1 | 46518.16 | RESTRICTOR |
| 12 | 1 | 01.099.01 | ADAPTOR |
| | | 72.487.01 | HOSE KIT |
| 13 | 1 | 10.002.34 | HOSE - 1/4" BSP ST/90 S.SEAL x 2400mm |
| 14 | 1 | 10.002.39 | HOSE - 1/4" BSP ST/90 S.SEAL x 2900mm |
| 15 | 1 | 10.002.44 | HOSE - 1/4" BSP ST/90 S.SEAL x 3400mm |

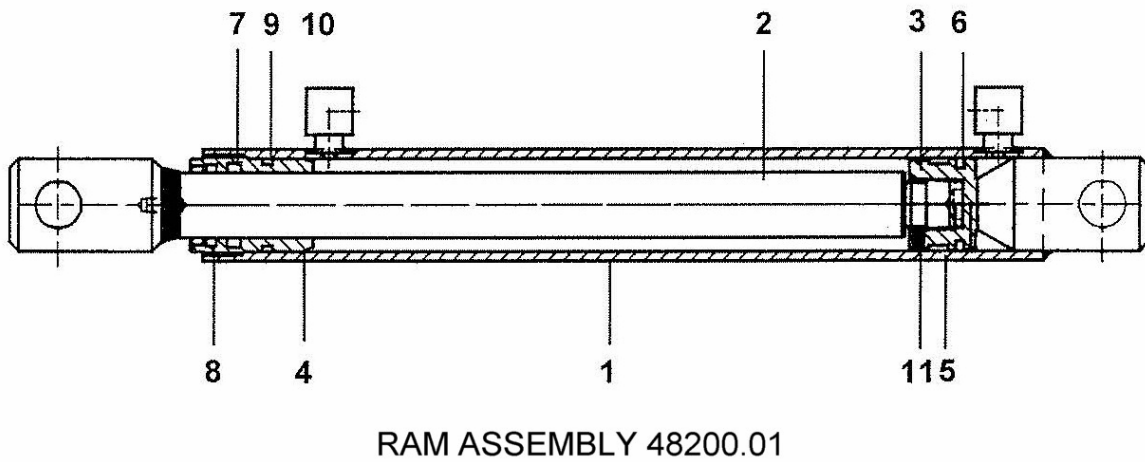
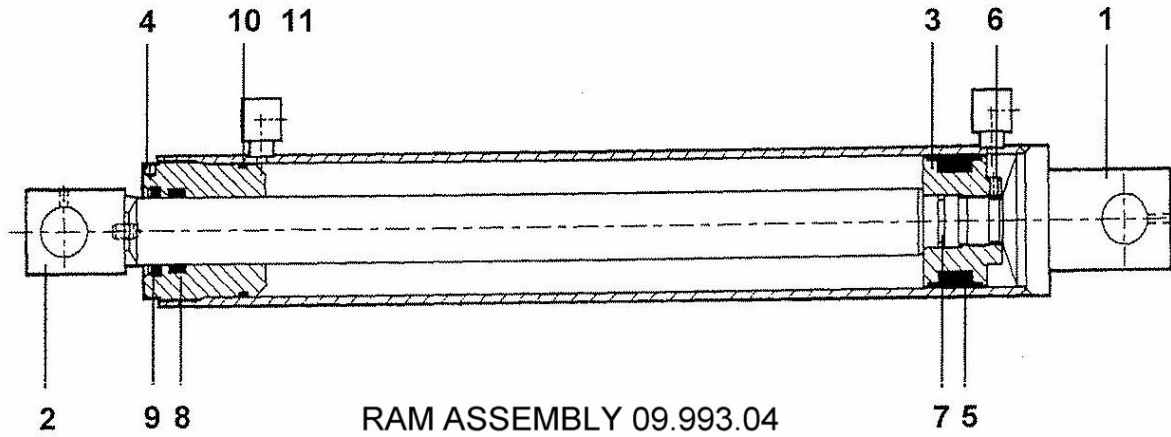
* Main part in group - related parts have same reference number

HYDRAULIC RAM ASSEMBLIES

Modules:

09.993.04 – Ram Assembly

48200.01 – Ram Assembly





HYDRAULIC RAM ASSEMBLIES

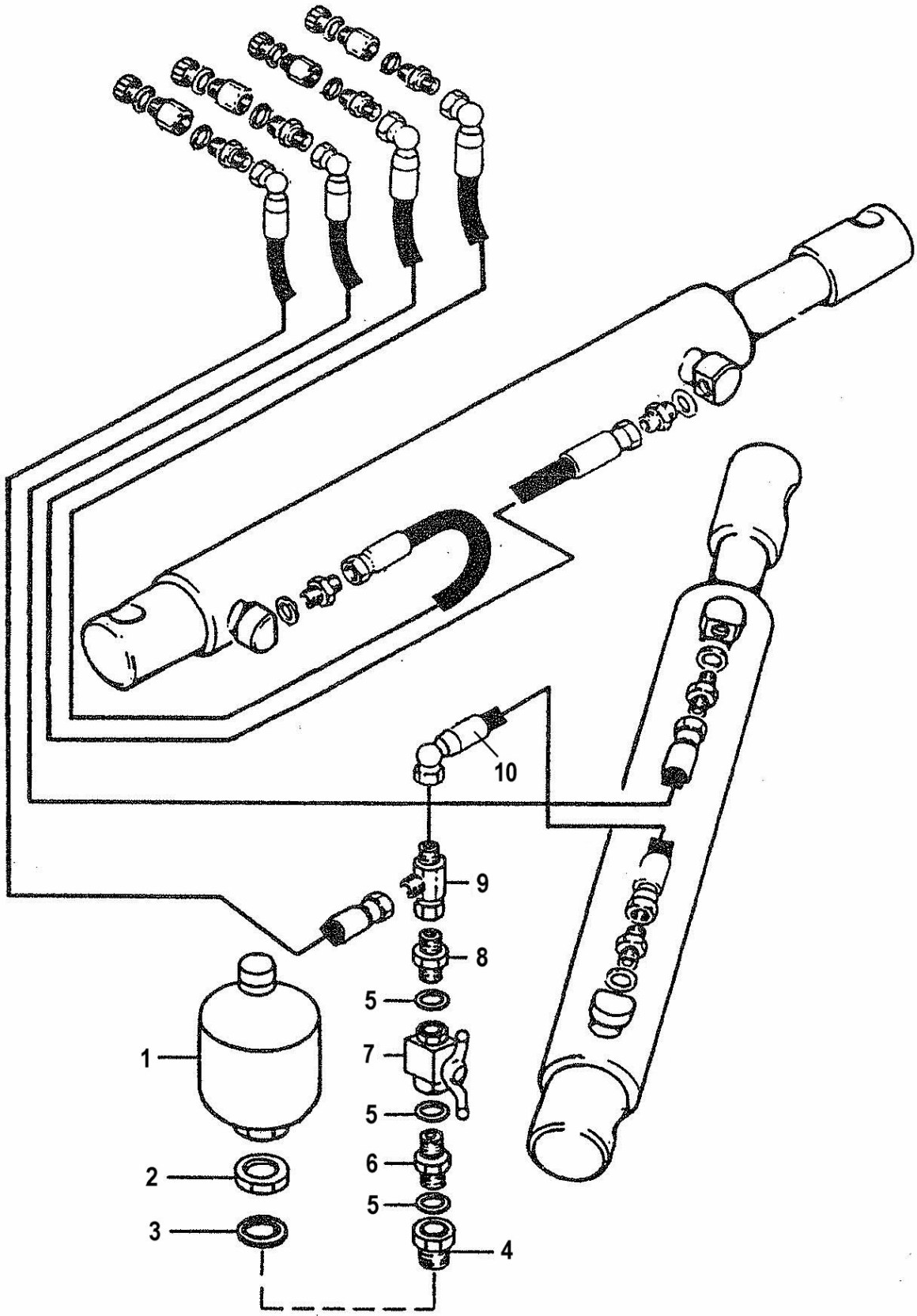
| REF | QTY. | PART No. | DESCRIPTION |
|-----|------|------------------|---------------------|
| | | 09.993.04 | RAM ASSEMBLY |
| 1 | 1 | 09.993.64 | CYLINDER BARREL |
| 2 | 1 | 09.993.67 | PISTON ROD |
| 3 | 1 | 71.35 004 | PISTON |
| 4 | 1 | 09.993.59 | GLAND HOUSING |
| 5 | 1 | 86 38 740 | PISTON SEAL |
| 6 | 1 | 93 63 023 | GRUBSCREW |
| 7 | 1 | 86 00 119 | O RING |
| 8 | 1 | 86 29 204 | ROD SEAL |
| 9 | 1 | 86 29 205 | SCRAPER RING |
| 10 | 1 | 87 00 740 | O RING |
| 11 | 1 | 87 09 740 | AE RING |
| 12 | 2 | 09 01 161 | GREASER |
| | | 09.993.01 | SEAL KIT |
| | | 41.042.03 | RAM ASSEMBLY |
| 1 | 1 | 41.043.02 | CYLINDER BARREL |
| 2 | 1 | 41.044.02 | PISTON ROD |
| 3 | 1 | 75 60 095 | PISTON |
| 4 | 1 | 41.045.01 | GLAND HOUSING |
| 5 | 1 | 86 29 187 | PISTON SEAL |
| 6 | 1 | 85 29 188 | GUIDE RING |
| 7 | 1 | 86 29 210 | GLAND SEAL |
| 8 | 1 | 86 29 211 | ROD WIPER |
| 9 | 1 | 86 00 302 | O RING |
| 10 | 1 | 86 09 302 | AE RING |
| 11 | 1 | 93 63 023 | GRUBSCREW |
| | | 41042.01 | SEAL KIT |

Models: TA1600 / TA2000



FLOAT KIT

Module:
76.006.01



**FLOAT KIT**

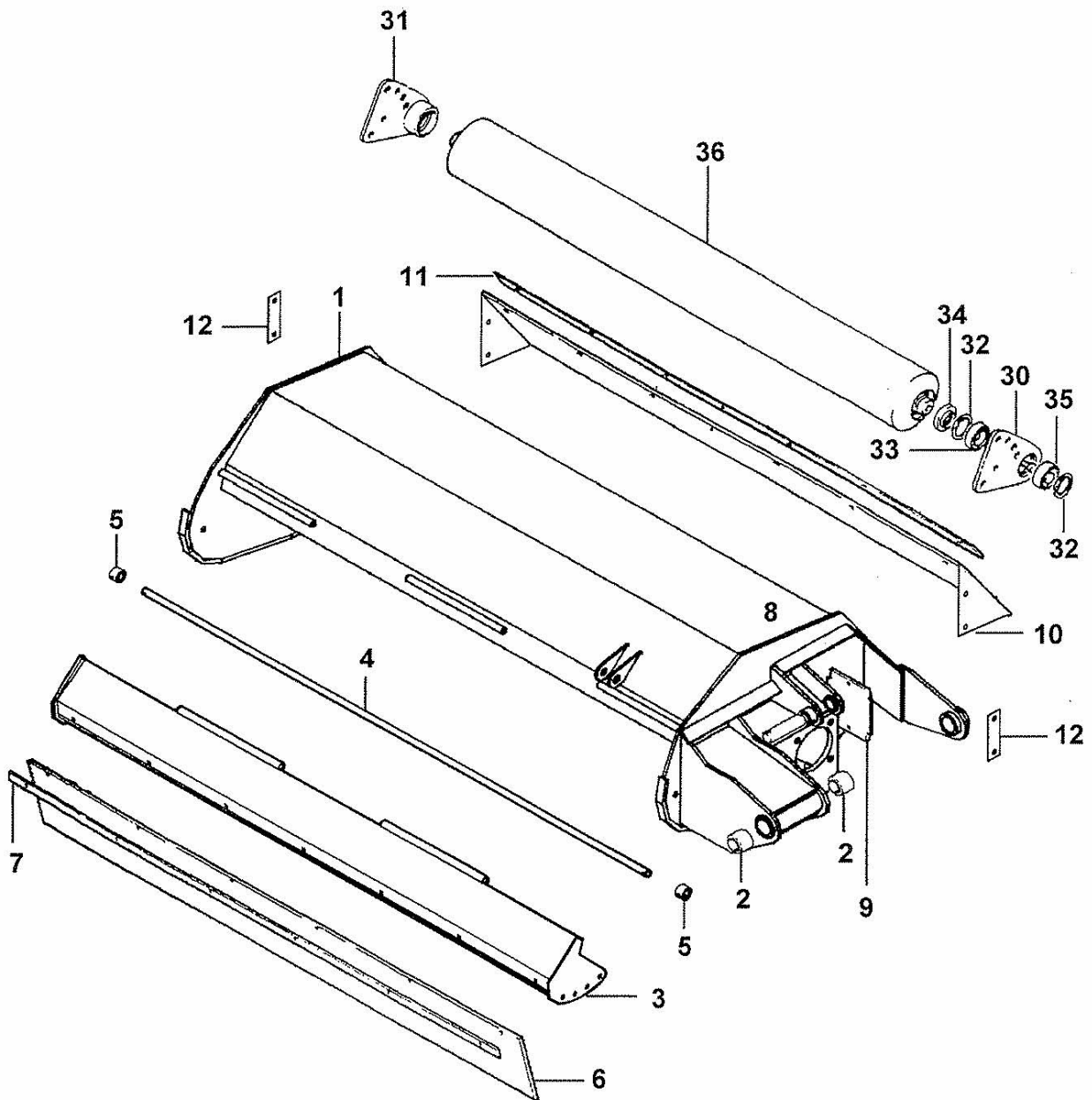
| REF | QTY. | PART No. | DESCRIPTION |
|-----|------|------------------|--------------------------|
| | | 76.006.01 | FLOAT KIT |
| 1 | 1 | 8126042 | ACCUMULATOR |
| 2 | 1 | 8126035 | NUT |
| 3 | 1 | 8650322 | BONDED SEAL |
| 4 | 1 | 8581284 | ADAPTOR |
| 5 | 2 | 0529004 | BONDED SEAL |
| 6 | 1 | 0512401 | UNION |
| 7 | 1 | 08.200.01 | ISOLATING VALVE |
| 8 | 1 | 0109901 | ADAPTOR |
| 9 | 1 | 0405610 | TEE ADAPTOR |
| 10 | 1 | 1000222 | HOSE - 1/4" BSP x 1200mm |

COWL ASSEMBLY – TA1600

Modules:

74.986.02 – TA1600 R/H Rear Mount Build

74.986.04 – TA1600 R/H Front Mount Build



COWL ASSEMBLY – TA1600

| REF | QTY. | PART No. | DESCRIPTION |
|-----|------|------------------|---|
| | | 74.986.02 | COWL ASSEMBLY - TA1600 R/H REAR MOUNT |
| | | 74.986.04 | COWL ASSEMBLY - TA1600 R/H FRONT MOUNT |
| 1 | 4 | 03.886.01 | STUD |
| 1 | 4 | 05.281.04 | FLAT WASHER |
| 1 | 4 | 05.282.04 | SPRING WASHER |
| 1 | 4 | 05.286.04 | NUT |
| 1 | * | 42128.03 | COWL - TA1600 R/H Rear Mount Build |
| 1 | * | 42128.04 | COWL - TA1600 R/H Front Mount Build |
| 2 | 3 | 08.297.02 | BUSH |
| 3 | 2 | 05.282.03 | SPRING WASHER |
| 3 | 2 | 05.286.03 | NUT |
| 3 | 2 | 05.839.26 | BOLT - CUP SQUARE |
| 3 | * | 42125.01 | GUARD |
| 4 | 2 | 05.201.17 | TENSION PIN |
| 4 | * | 42129.04 | PIN - PIVOT FRONT GUARD 1600 |
| 5 | 2 | 41436.02 | SPACER - PIVOT FRONT GUARD |
| 6 | 1 | 42126.01 | GUARD - FLEXIBLE |
| 7 | * | 10.120.01 | BACKING STRIP |
| 7 | 7 | 05.287.01 | SELF LOCKING NUT |
| 7 | 7 | 9293054 | BOLT - CUP SQUARE |
| 8 | * | 03.654.54 | PIN |
| 8 | 1 | 05.282.01 | SPRING WASHER |
| 8 | 1 | 05.286.01 | NUT |
| 8 | 1 | 05.291.06 | BOLT |
| 9 | 2 | 05.282.01 | SPRING WASHER |
| 9 | 2 | 30.068.95 | SCREW |
| 9 | * | 41.070.01 | COVER - COWL DRIVE |
| 10 | 1 | 42127.01 | GUARD - FLEXIBLE |
| 11 | 7 | 05.287.01 | SELF-LOCKING NUT |
| 11 | * | 10.120.01 | BACKING STRIP |
| 11 | 7 | 9293054 | BOLT - CUP SQUARE |
| 12 | 4 | 05.282.03 | SPRING WASHER |
| 12 | 4 | 05.286.03 | NUT |
| 12 | 4 | 05.839.26 | BOLT - CUP SQUARE |
| 12 | * | 41418.01 | CLAMP - TA1600 R/H Rear Mount Build |
| 12 | * | 41418.02 | CLAMP - TA1600 R/H Front Mount Build |

* Main part in group - related parts have same reference number

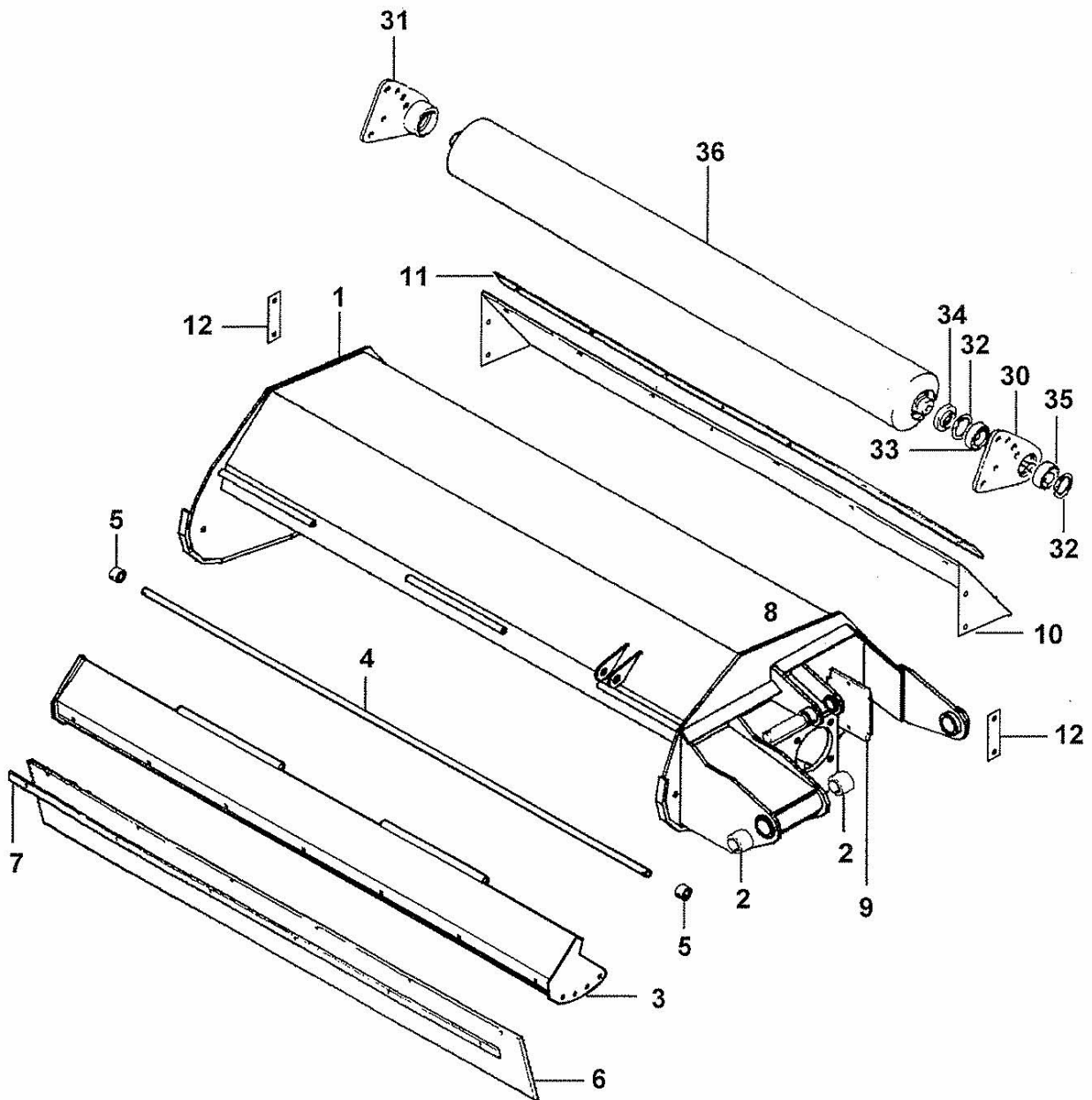
Models: TA1600 / TA2000



COWL ASSEMBLY – TA2000

Module:

74.986.03 – TA2000 R/H Rear Mount Build



COWL ASSEMBLY – TA2000

| REF | QTY. | PART No. | DESCRIPTION |
|------|------|------------------|--|
| | | 74.986.03 | COWL ASSEMBLY - TA2000 R/H REAR MOUNT |
| 1 | 4 | 03.886.01 | STUD |
| 1 | 4 | 05.281.04 | FLAT WASHER |
| 1 | 4 | 05.282.04 | SPRING WASHER |
| 1 | 4 | 05.286.04 | NUT |
| 1 * | 1 | 42128.02 | COWL - TA2000 R/H Rear Mount Build |
| 2 | 3 | 08.297.02 | BUSH |
| 3 | 2 | 05.282.03 | SPRING WASHER |
| 3 | 2 | 05.286.03 | NUT |
| 3 | 2 | 05.839.26 | BOLT - CUP SQUARE |
| 3 * | 1 | 42143.01 | GUARD |
| 4 | 2 | 05.201.17 | TENSION PIN |
| 4 * | 1 | 42129.05 | PIN - PIVOT FRONT GUARD 2000 |
| 5 | 2 | 41436.02 | SPACER - PIVOT FRONT GUARD |
| 6 | 1 | 42126.02 | GUARD - FLEXIBLE |
| 7 * | 1 | 10.120.01 | BACKING STRIP |
| 7 | 8 | 05.287.01 | SELF LOCKING NUT |
| 7 | 8 | 9293054 | BOLT - CUP SQUARE |
| 8 * | 1 | 03.654.54 | PIN |
| 8 | 1 | 05.282.01 | SPRING WASHER |
| 8 | 1 | 05.286.01 | NUT |
| 8 | 1 | 05.291.06 | BOLT |
| 9 | 2 | 05.282.01 | SPRING WASHER |
| 9 | 2 | 30.068.95 | SCREW |
| 9 * | 1 | 41.070.01 | COVER - COWL DRIVE |
| 10 | 1 | 42127.01 | GUARD - FLEXIBLE |
| 11 | 8 | 05.287.01 | SELF-LOCKING NUT |
| 11 * | 1 | 10.120.01 | BACKING STRIP |
| 11 | 8 | 9293054 | BOLT - CUP SQUARE |
| 12 | 4 | 05.282.03 | SPRING WASHER |
| 12 | 4 | 05.286.03 | NUT |
| 12 | 4 | 05.839.26 | BOLT - CUP SQUARE |
| 12 * | 2 | 41418.01 | CLAMP - TA2000 R/H Rear Mount Build |

* Main part in group - related parts have same reference number

Models: TA1600 / TA2000

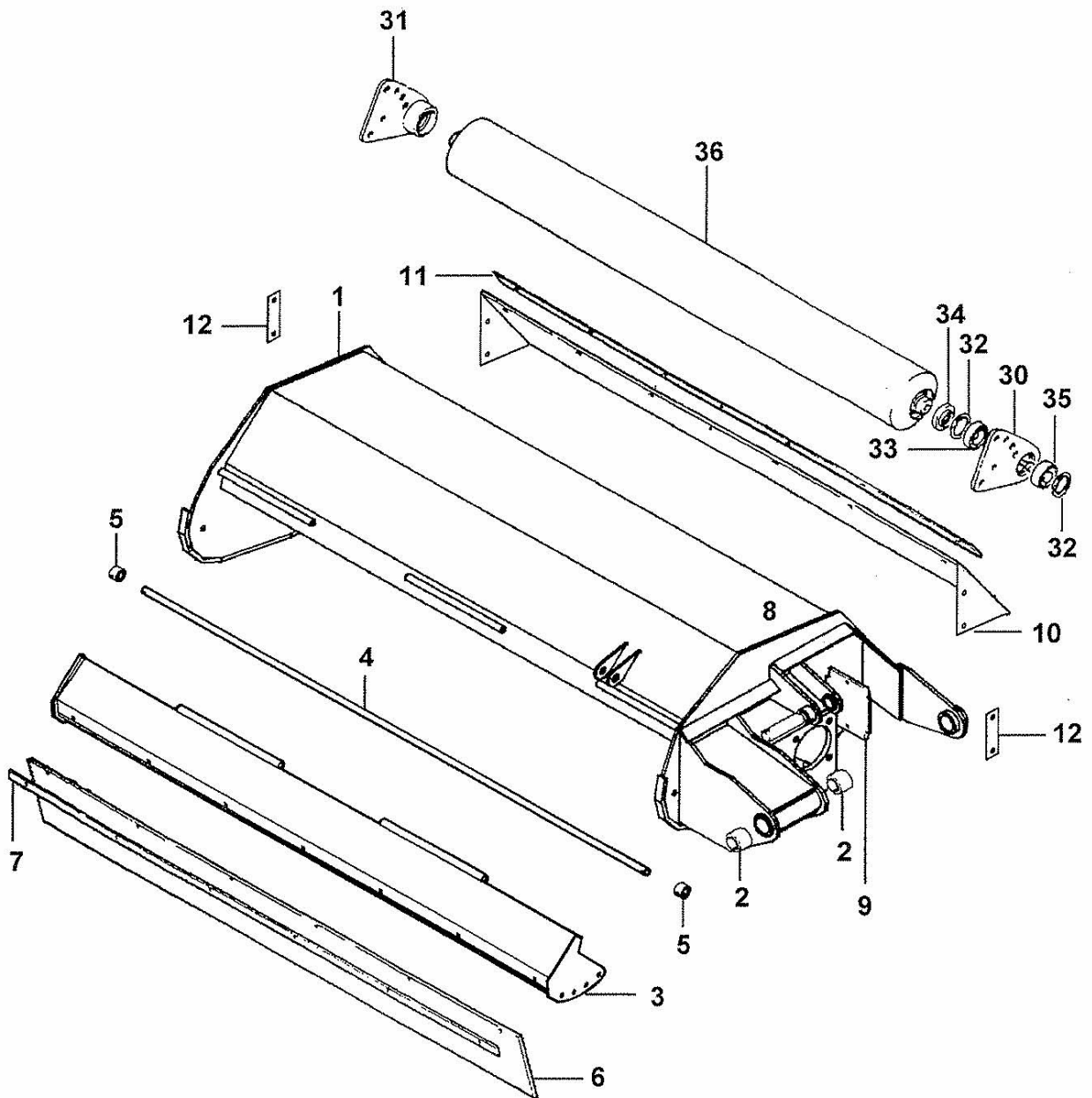


ROLLER ASSEMBLIES – TA1600

Modules:

74.985.02 – TA1600 Rear Mount Build

74.985.04 – TA1600 Front Mount Build



ROLLER ASSEMBLIES – TA1600

| REF | QTY. | PART No. | DESCRIPTION |
|------|------|------------------|---|
| | | 74.985.02 | ROLLER ASSEMBLY - TA1600 REAR MOUNT |
| | | 74.985.04 | ROLLER ASSEMBLY - TA1600 FRONT MOUNT |
| 30 | 3 | 05.282.03 | SPRING WASHER |
| 30 | 3 | 05.286.03 | NUT |
| 30 | 2 | 05.839.34 | BOLT - CUP SQUARE |
| 30 * | 1 | 42144.01 | ROLLER BRACKET - TA1600 Rear Mount |
| 30 * | 1 | 42144.03 | ROLLER BRACKET - TA1600 Front Mount |
| 30 | 1 | 05.839.35 | BOLT - CUP SQUARE |
| 31 | 3 | 05.282.03 | SPRING WASHER |
| 31 | 3 | 05.286.03 | NUT |
| 31 | 3 | 05.625.10 | CAPSCREW |
| 31 * | 1 | 42144.02 | ROLLER BRACKET |
| 32 | 4 | 05.959.05 | CIRCLIP - INTERNAL |
| 33 | 2 | 42954.01 | BEARING |
| 34 | 2 | 04.164.04 | SEAL |
| 35 | 4 | 05.953.01 | GREASE NIPPLE |
| 35 * | 2 | 41851.01 | CAP - BEARING RETAINER |
| 36 | 2 | 05.234.01 | WASHER |
| 36 | 2 | 05.282.03 | SPRING WASHER |
| 36 | 2 | 05.625.10 | CAPSCREW |
| 36 * | 1 | 42955.08 | ROLLER |

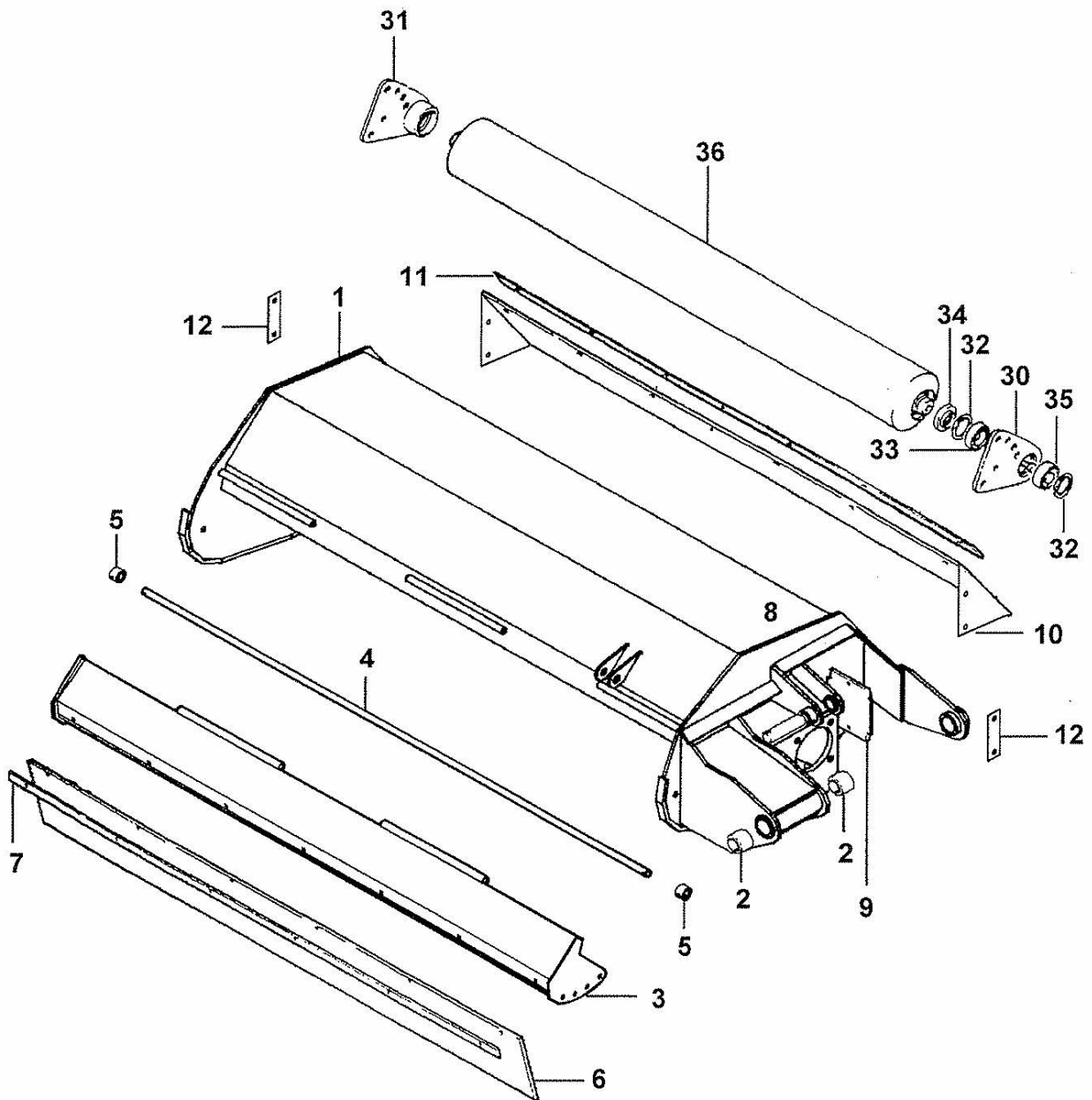
* Main part in group - related parts have same reference number

Models: TA1600 / TA2000



ROLLER ASSEMBLY – TA2000

Module:
74.985.03 – TA2000 Rear Mount Build



ROLLER ASSEMBLY – TA2000

| REF | QTY. | PART No. | DESCRIPTION |
|------|------|------------------|--|
| | | 74.985.03 | ROLLER ASSEMBLY - TA2000 REAR MOUNT |
| 30 | 3 | 05.282.03 | SPRING WASHER |
| 30 | 3 | 05.286.03 | NUT |
| 30 | 2 | 05.839.34 | BOLT - CUP SQUARE |
| 30 * | 1 | 42144.01 | ROLLER BRACKET - TA2000 Rear Mount |
| 30 | 1 | 05.839.35 | BOLT - CUP SQUARE |
| 31 | 3 | 05.282.03 | SPRING WASHER |
| 31 | 3 | 05.286.03 | NUT |
| 31 | 3 | 05.625.10 | CAPSCREW |
| 31 * | 1 | 42144.02 | ROLLER BRACKET |
| 32 | 4 | 05.959.05 | CIRCLIP - INTERNAL |
| 33 | 2 | 42954.01 | BEARING |
| 34 | 2 | 04.164.04 | SEAL |
| 35 | 4 | 05.953.01 | GREASE NIPPLE |
| 35 * | 2 | 41851.01 | CAP - BEARING RETAINER |
| 36 | 2 | 05.234.01 | WASHER |
| 36 | 2 | 05.282.03 | SPRING WASHER |
| 36 | 2 | 05.625.10 | CAPSCREW |
| 36 * | 1 | 42955.07 | ROLLER |

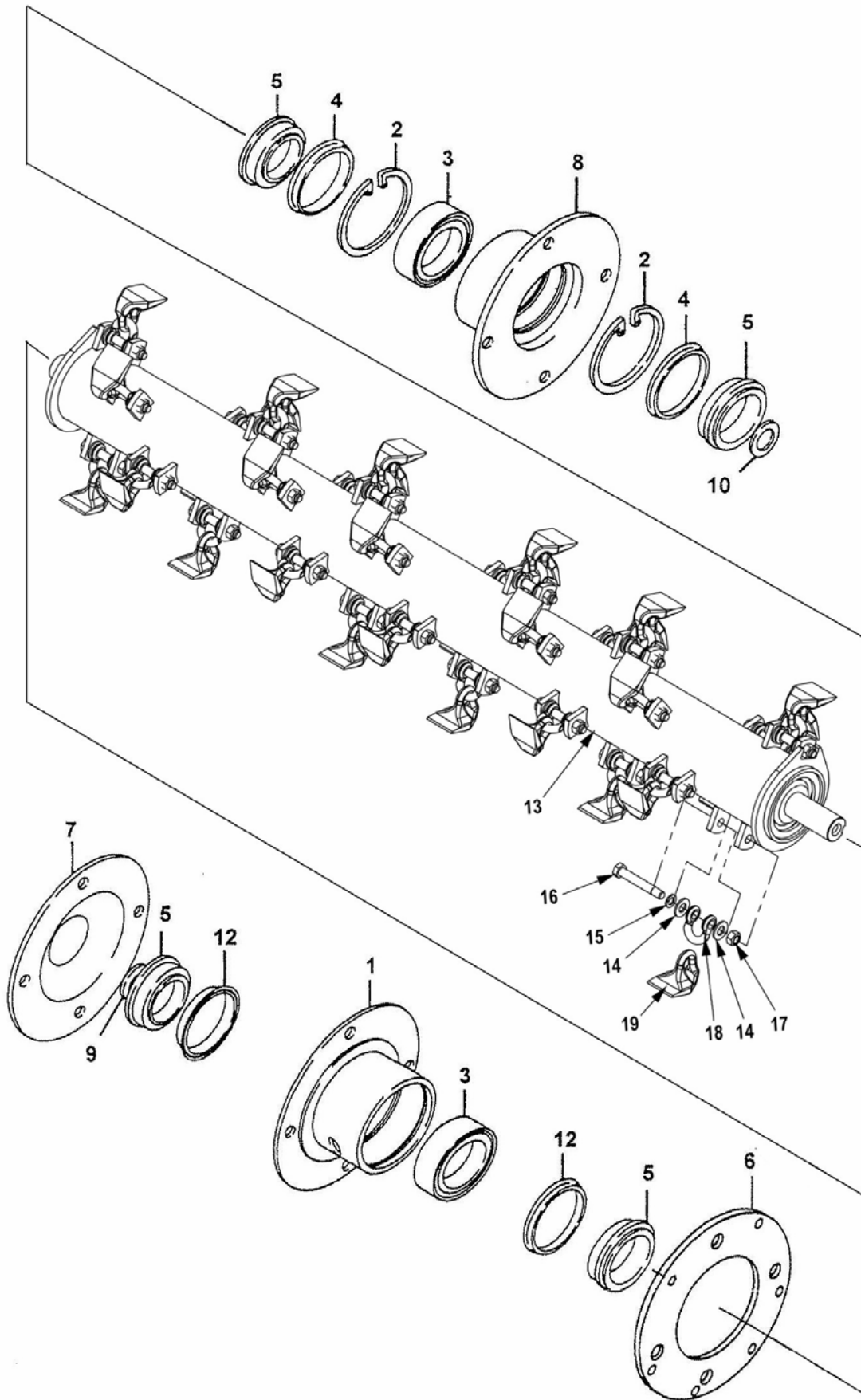
* Main part in group - related parts have same reference number

ROTOR & BEARING – TA1600

Modules:

21752.01 – TA1600 Rotor Assembly

74.994.01 – Bearing Assembly



ROTOR & BEARING – TA1600

| REF | QTY. | PART No. | DESCRIPTION |
|------|------|------------------|--|
| | | 74.994.01 | BEARING ASSEMBLY - ALL BUILDS |
| 1 * | 1 | 04.268.02 | HOUSING BEARING |
| 1 | 4 | 05.264.24 | SETSCREW |
| 1 | 4 | 05.282.03 | SPRING WASHER |
| 1 | 4 | 05.286.03 | NUT |
| 1 | 1 | 05.953.03 | GREASE NIPPLE |
| 2 | 2 | 05.959.07 | CIRCLIP - INTERNAL |
| 3 | 2 | 04.163.04 | BEARING |
| 4 | 2 | 06.909.01 | SPACER SEAL |
| 5 | 4 | 06.910.01 | COLLAR SEAL |
| 6 | 5 | 05.264.23 | SETSCREW |
| 6 | 5 | 05.282.03 | SPRING WASHER |
| 6 | 5 | 05.286.03 | NUT |
| 6 * | 1 | 41.238.01 | PLATE |
| 7 | 1 | 00.876.02 | BEARING COVER |
| 8 | 4 | 05.264.24 | SETSCREW |
| 8 | 4 | 05.282.03 | SPRING WASHER |
| 8 | 4 | 05.286.03 | NUT |
| 8 * | 1 | 41.240.01 | BEARING HOUSING |
| 9 * | 1 | 04.252.01 | WASHER |
| 9 | 1 | 9313067 | SETSCREW |
| 9 | 1 | 05.283.04 | SHAKEPROOF WASHER |
| 10 | 1 | 05.345.08 | SOCKET SCREW |
| 10 * | 1 | 41.257.01 | WASHER |
| 12 | 2 | 43272.01 | SPACER |
| | | 74.995.01 | ROTOR SHAFT ASSEMBLY - TA2000 BUILD |
| | | 41.271.01 | ROTOR ASSEMBLY c/o: |
| 31 | 40 | 05.775.10 | SPECIAL BOLT |
| 32 | 40 | 05.282.08 | SPRING WASHER |
| 33 | 40 | 05.968.06 | SELF-LOCKING NUT (FINE) |
| 34 | 40 | 09.518.01 | SHACKLE - LONG |
| 35 | 40 | 09.902.01 | FLAIL - FORGED |
| 40 | 1 | 41.271.01 | ROTOR SHAFT ASSEMBLY |
| 43 | 40 | 41725.01 | SPACER |

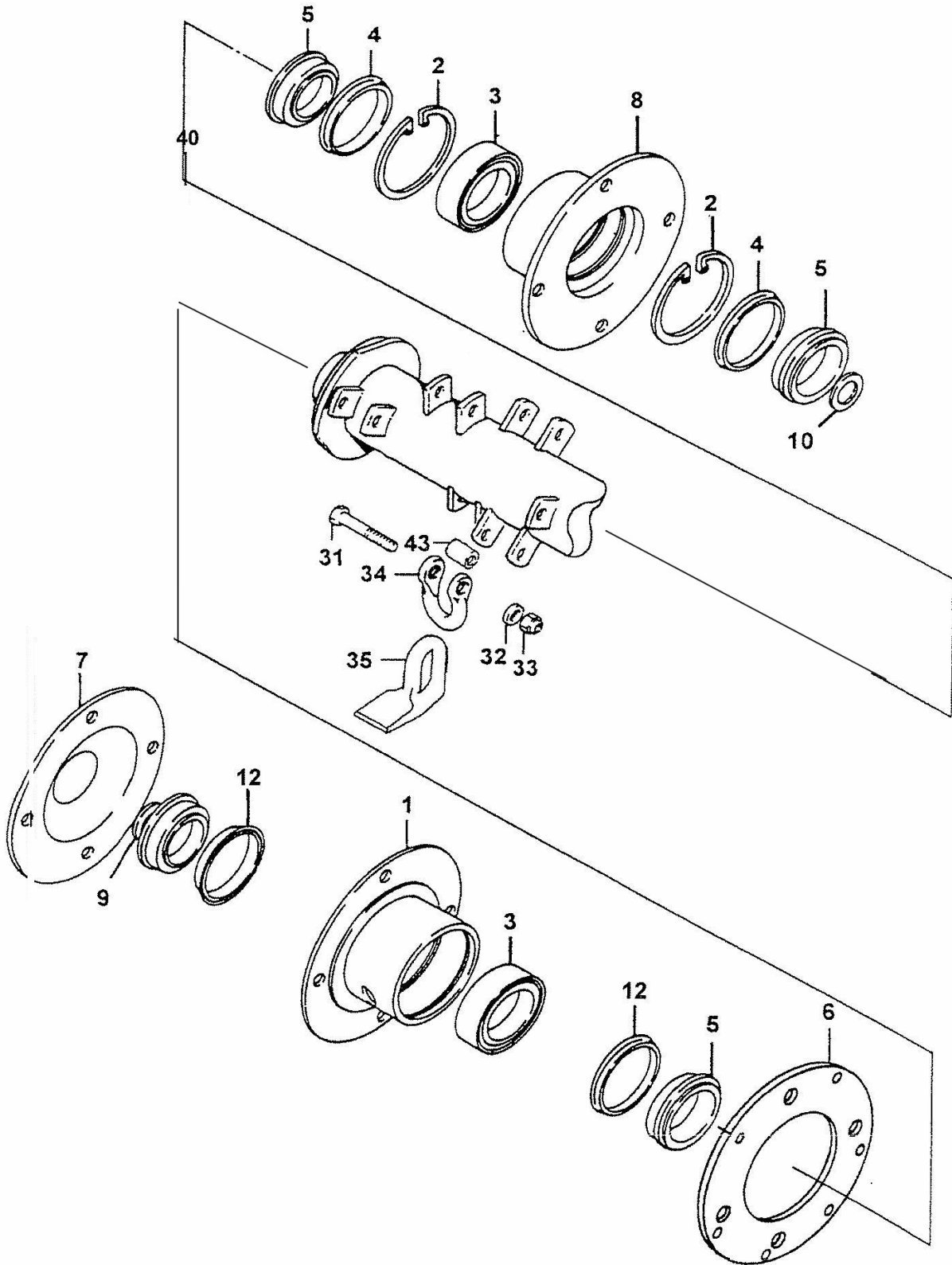
* Main part in group - related parts have same reference number

ROTOR & BEARING – TA2000

Modules:

74.994.01 – TA1600 Rotor Assembly

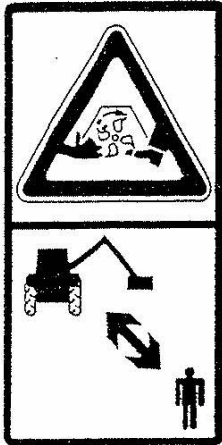
74.994.01 – Bearing Assembly



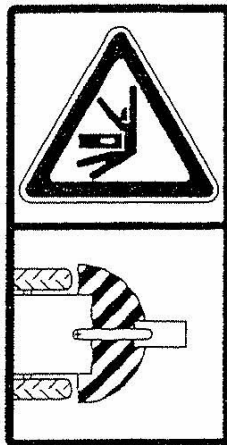
ROTOR & BEARING – TA2000

| REF | QTY. | PART No. | DESCRIPTION |
|------|------|------------------|--|
| | | 74.994.01 | BEARING ASSEMBLY - ALL BUILDS |
| 1 * | 1 | 04.268.02 | HOUSING BEARING |
| 1 | 4 | 05.264.24 | SETSCREW |
| 1 | 4 | 05.282.03 | SPRING WASHER |
| 1 | 4 | 05.286.03 | NUT |
| 1 | 1 | 05.953.03 | GREASE NIPPLE |
| 2 | 2 | 05.959.07 | CIRCLIP - INTERNAL |
| 3 | 2 | 04.163.04 | BEARING |
| 4 | 2 | 06.909.01 | SPACER SEAL |
| 5 | 4 | 06.910.01 | COLLAR SEAL |
| 6 | 5 | 05.264.23 | SETSCREW |
| 6 | 5 | 05.282.03 | SPRING WASHER |
| 6 | 5 | 05.286.03 | NUT |
| 6 * | 1 | 41.238.01 | PLATE |
| 7 | 1 | 00.876.02 | BEARING COVER |
| 8 | 4 | 05.264.24 | SETSCREW |
| 8 | 4 | 05.282.03 | SPRING WASHER |
| 8 | 4 | 05.286.03 | NUT |
| 8 * | 1 | 41.240.01 | BEARING HOUSING |
| 9 * | 1 | 04.252.01 | WASHER |
| 9 | 1 | 05.264.33 | SETSCREW |
| 9 | 1 | 05.283.04 | SHAKEPROOF WASHER |
| 10 | 1 | 05.345.08 | SOCKET SCREW |
| 10 * | 1 | 41.257.01 | WASHER |
| 12 | 2 | 43242.01 | SPACER |
| | | 74.995.01 | ROTOR SHAFT ASSEMBLY - TA2000 BUILD |
| | | 41.271.01 | ROTOR ASSEMBLY c/o: |
| 31 | 40 | 05.775.10 | SPECIAL BOLT |
| 32 | 40 | 05.282.08 | SPRING WASHER |
| 33 | 40 | 05.968.06 | SELF-LOCKING NUT (FINE) |
| 34 | 40 | 09.518.01 | SHACKLE - LONG |
| 35 | 40 | 09.902.01 | FLAIL - FORGED |
| 40 | 1 | 41.271.01 | ROTOR SHAFT ASSEMBLY |
| 43 | 40 | 41725.01 | SPACER |

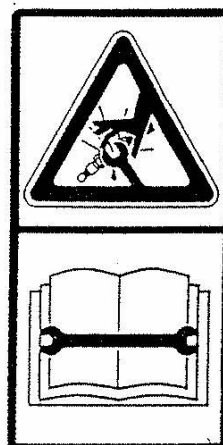
* Main part in group - related parts have same reference number



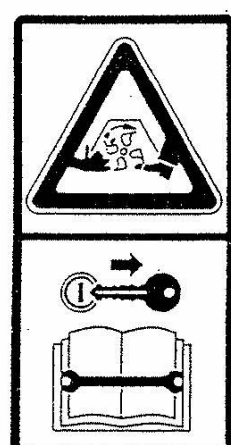
09.821.05



09.821.06



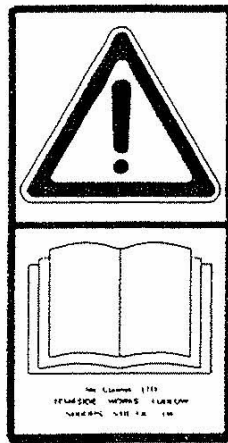
09.821.07



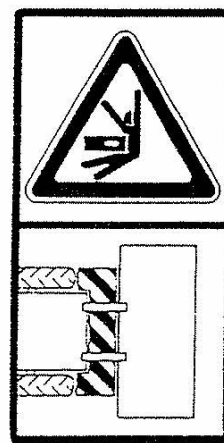
09.821.08



09.821.10



09.821.15



09.821.16



09.821.17



09.821.18



09.821.20



09.821.21



DECAL KITS

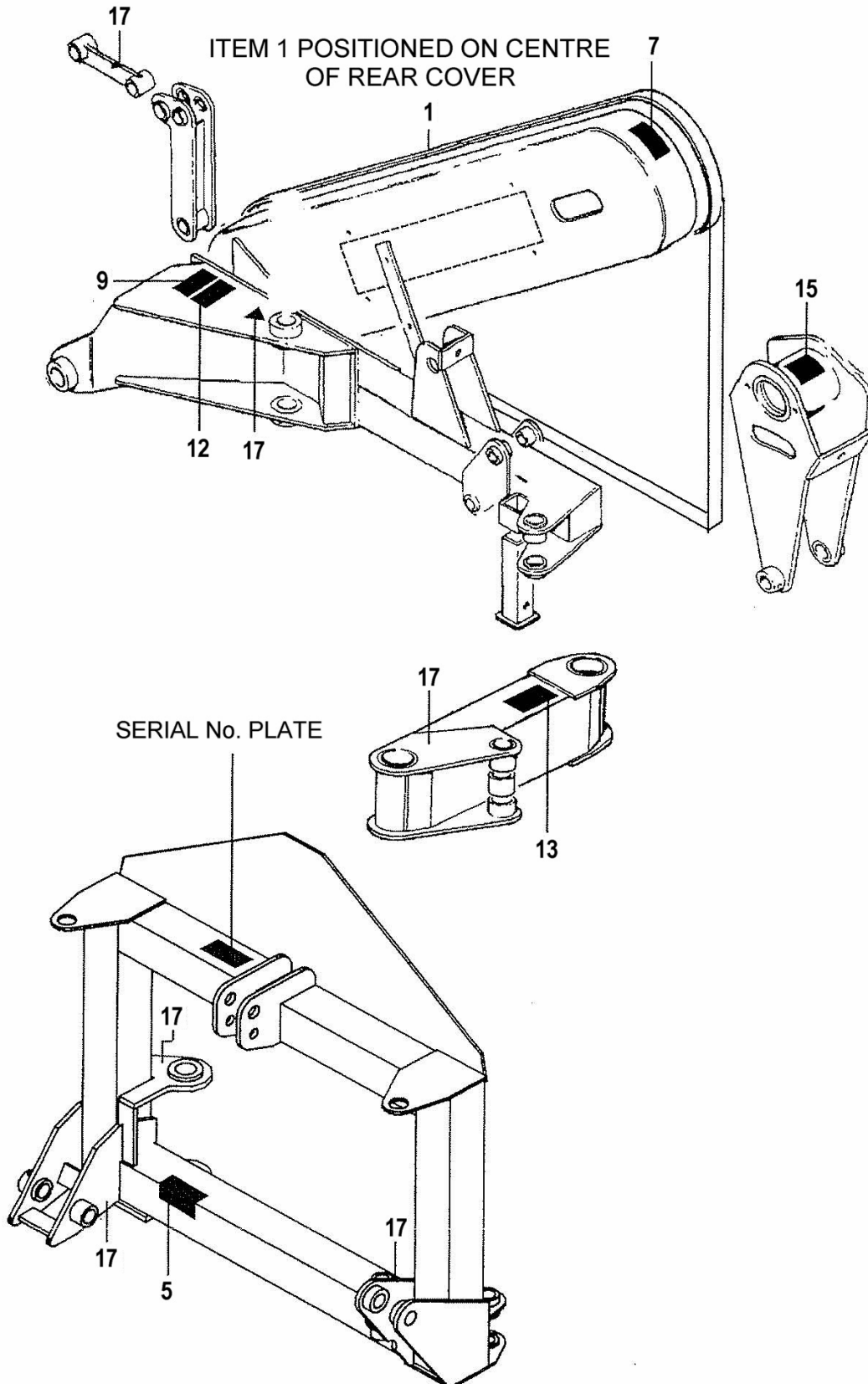
| REF | QTY. | PART No. | DESCRIPTION |
|-----|------|------------------|--------------------------------|
| | | 74.738.03 | DECALS - TA1600 BUILDS |
| | | 74.738.04 | DECALS - TA2000 BUILDS |
| 1 | 1 | 1290255 | DECAL - McCONNEL (BLACK) |
| 2 | 1 | 09.852.01 | DECAL - ARM FLOAT |
| 3 | 1 | 09.843.04 | DECAL - LIFT POINT 750 KG |
| 4 | 1 | 09.821.21 | DECAL - FALLING WING |
| 5 | 1 | 09.821.20 | DECAL - SHAFT ENTANGLEMENT |
| 6 | 1 | 09.821.18 | DECAL - THROWN DEBRIS |
| 7 | 1 | 09.821.17 | DECAL - UNSUPPORTED MACHINE |
| 8 | 1 | 09.821.16 | DECAL - KEEP OUT ZONE |
| 9 | 1 | 09.821.15 | DECAL - READ INST.MAN.McCONNEL |
| 10 | 1 | 09.821.10 | DECAL - KEEP NUTS TIGHT |
| 11 | 1 | 09.821.08 | DECAL - SAFE WORKING ON HEAD |
| 12 | 1 | 09.821.07 | DECAL - RESIDUAL PRESSURE |
| 13 | 1 | 09.821.06 | DECAL - SLEW DANGER |
| 14 | 1 | 09.821.05 | DECAL - CUTTING HEAD DANGER |
| 15 | 1 | 09.811.05 | DECAL - MAX PTO SPEED 1000 |
| 16 | 4 | 09.810.02 | DECAL - GREASE (40 HOURS) |
| 17 | 9 | 09.810.01 | DECAL - GREASE (8 HOURS) |
| 18 | 2 | 1290467 | DECAL - TA 1600 |
| | 2 | 1290468 | DECAL - TA 2000 |

DECAL LOCATION

Modules:

74.738.03 – TA1600 Models

74.738.04 – TA2000 Models



**DECAL KITS**

| REF | QTY. | PART No. | DESCRIPTION |
|-----|------|------------------|--------------------------------|
| | | 74.738.03 | DECALS - TA1600 BUILDS |
| | | 74.738.04 | DECALS - TA2000 BUILDS |
| 1 | 1 | 1290255 | DECAL - McCONNEL (BLACK) |
| 2 | 1 | 09.852.01 | DECAL - ARM FLOAT |
| 3 | 1 | 09.843.04 | DECAL - LIFT POINT 750 KG |
| 4 | 1 | 09.821.21 | DECAL - FALLING WING |
| 5 | 1 | 09.821.20 | DECAL - SHAFT ENTANGLEMENT |
| 6 | 1 | 09.821.18 | DECAL - THROWN DEBRIS |
| 7 | 1 | 09.821.17 | DECAL - UNSUPPORTED MACHINE |
| 8 | 1 | 09.821.16 | DECAL - KEEP OUT ZONE |
| 9 | 1 | 09.821.15 | DECAL - READ INST.MAN.McCONNEL |
| 10 | 1 | 09.821.10 | DECAL - KEEP NUTS TIGHT |
| 11 | 1 | 09.821.08 | DECAL - SAFE WORKING ON HEAD |
| 12 | 1 | 09.821.07 | DECAL - RESIDUAL PRESSURE |
| 13 | 1 | 09.821.06 | DECAL - SLEW DANGER |
| 14 | 1 | 09.821.05 | DECAL - CUTTING HEAD DANGER |
| 15 | 1 | 09.811.05 | DECAL - MAX PTO SPEED 1000 |
| 16 | 4 | 09.810.02 | DECAL - GREASE (40 HOURS) |
| 17 | 9 | 09.810.01 | DECAL - GREASE (8 HOURS) |
| 18 | 2 | 1290467 | DECAL - TA 1600 |
| | 2 | 1290468 | DECAL - TA 2000 |



McConnel Limited, Temeside Works, Ludlow, Shropshire SY8 1JL. England.
Telephone: 01584 873131. Facsimile: 01584 876463. www.mcconnel.com