

Publication: 530
January 2008
Part No. 41571.30
Revision: 2€0Ā .1Ī

MAGNUM ELITE

FLAIL MOWER/SHREDDER

Models 190, 225, 245 & 270

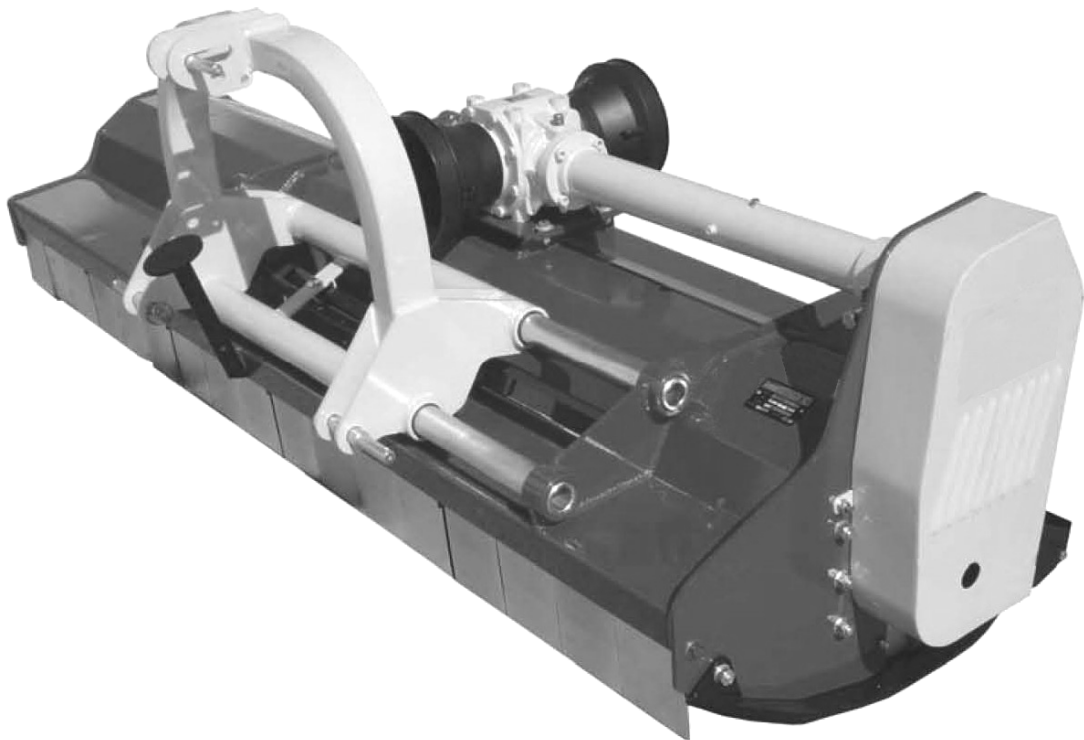


PARTS MANUAL



MAGNUM ELITE

Models 190, 225, 245 & 270
Parts Manual



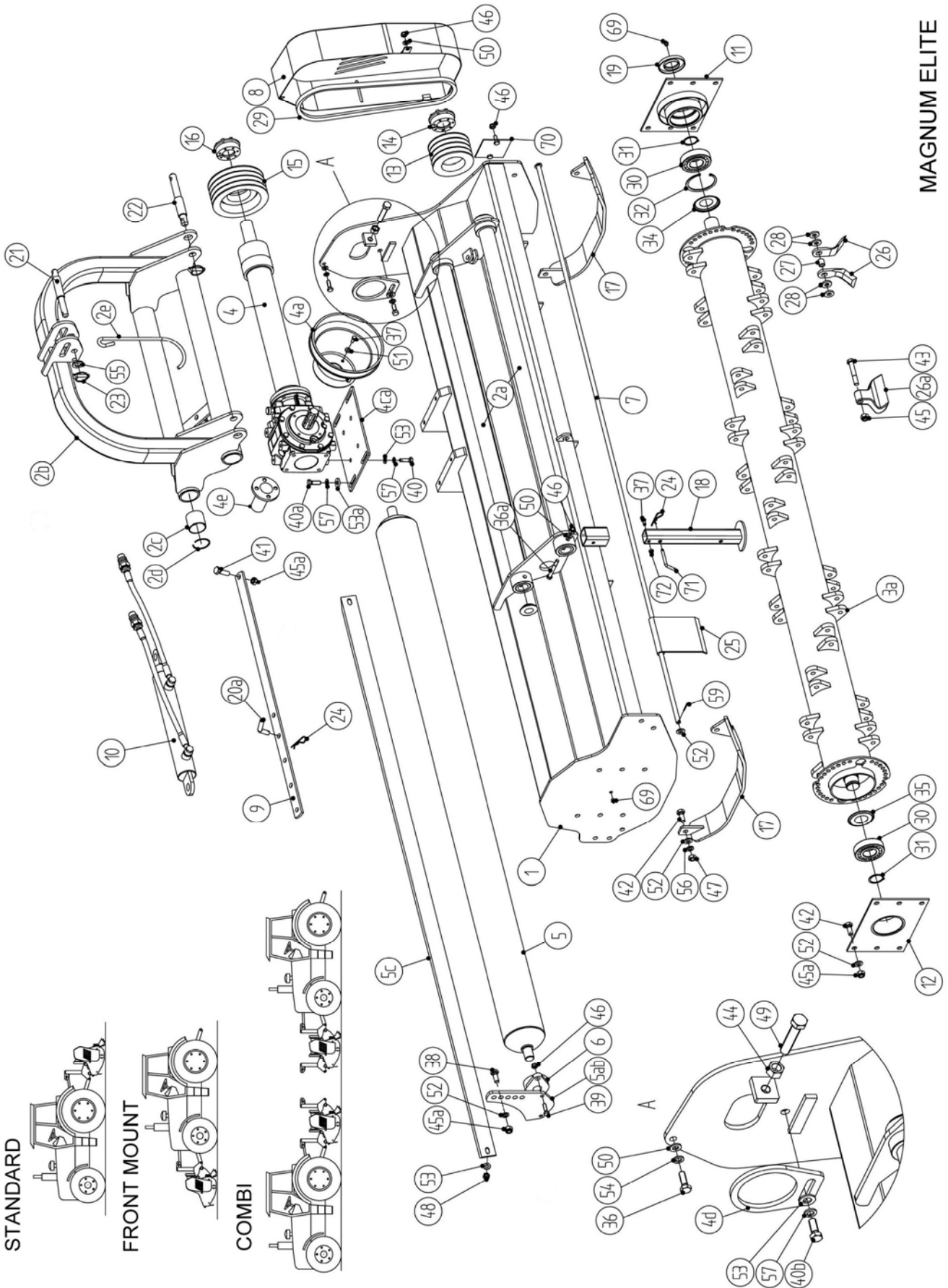
MACHINE ASSEMBLY

Models: MAGNUM ELITE 190 / 225 / 245 / 270

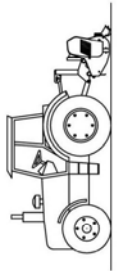
McCONEL

Taper Lock torque setting = 45Nm

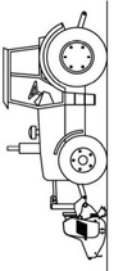
MAGNUM ELITE



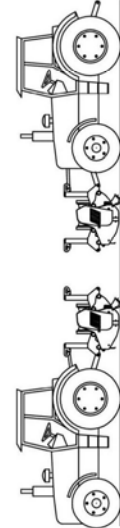
STANDARD



FRONT MOUNT



COMBI



MACHINE ASSEMBLY

McCONNEL

Models: MAGNUM ELITE 190 / 225 / 245 / 270

REF	DESCRIPTION	PART No.	QUANTITY			
			190	225	245	270
1	FRAME 190	1061435	1	-	-	-
1	FRAME 190 LH	1061444	1	-	-	-
1	FRAME 225	1061436	-	1	-	-
1	FRAME 225 LH	1061447	-	1	-	-
1	FRAME 245	1061437	-	-	1	-
1	FRAME 245 LH	1061463	-	-	1	-
1	FRAME 270	1061438	-	-	-	1
1	FRAME 270 LH	1061464	-	-	-	1
1a	FRAME 190 FRONT	1061440	1	-	-	-
1a	FRAME 190 FRONT LH	1061445	1	-	-	-
1a	FRAME 225 FRONT	1061442	-	1	-	-
1a	FRAME 225 LH FRONT	1061448	-	1	-	-
1a	FRAME 245 FRONT	1061465	-	-	1	-
1a	FRAME 245 LH FRONT	1061466	-	-	1	-
1a	FRAME 270 FRONT	1061467	-	-	-	1
1a	FRAME 270 LH FRONT	1061468	-	-	-	1
1b	FRAME 190 COMBI	1061441	1	-	-	-
1b	FRAME 190 LH COMBI	1061446	1	-	-	-
1b	FRAME 225 COMBI	1061443	-	1	-	-
1b	FRAME 225 LH COMBI	1061449	-	1	-	-
1b	FRAME 245 COMBI	1061450	-	-	1	-
1b	FRAME 245 LH COMBI	1061469	-	-	1	-
1b	FRAME 270 COMBI	1061451	-	-	-	1
1b	FRAME 270 LH COMBI	1061470	-	-	-	1
2a	SLIDING TUBE	1061424	2	-	-	-
2a	SLIDING TUBE	1061425	-	2	2	2
2b	LINKAGE	1061430	1	1	1	1
2b	LINKAGE LEFT	1061241	1	1	1	1
2c	SLEEVE	1061423	4	4	4	4
2d	SPRING RING	1061431	4	4	4	4
2e	HOOK FOR PTO SHAFT	1061551	1	1	1	1
3a	ROTOR SHAFT 190 H <i>with bearings,</i>	1061543	1	-	-	-
3a	ROTOR SHAFT 190 Y <i>with bearings,</i>	1061544	1	-	-	-
3a	ROTOR SHAFT 225 H <i>with bearings,</i>	1061545	-	1	-	-
3a	ROTOR SHAFT 225 Y <i>with bearings,</i>	1061546	-	1	-	-
3a	ROTOR SHAFT 245 H <i>with bearings,</i>	1061547	-	-	1	-
3a	ROTOR SHAFT 245 Y <i>with bearings,</i>	1061548	-	-	1	-
3a	ROTOR SHAFT 270 H <i>with bearings,</i>	1061549	-	-	-	1
3a	ROTOR SHAFT 270 Y <i>with bearings,</i>	1061550	-	-	-	1
4	GEARBOX 311-615	1061623	1	-	-	-
4	GEARBOX 311-780	1061624	-	1	-	-
4	GEARBOX 311-615 LH	1061625	1	-	-	-
4	GEARBOX 311-780 LH	1061626	-	1	-	-
4	GEARBOX 311-615 (2-EXIT)	1061627	1	-	-	-
4	GEARBOX 311-780 (2-EXIT)	1061628	-	1	-	-
4	GEARBOX 312-950 LH	1061629	-	-	1	1
4	GEARBOX 312-950 (2-EXIT)	1061630	-	-	1	1

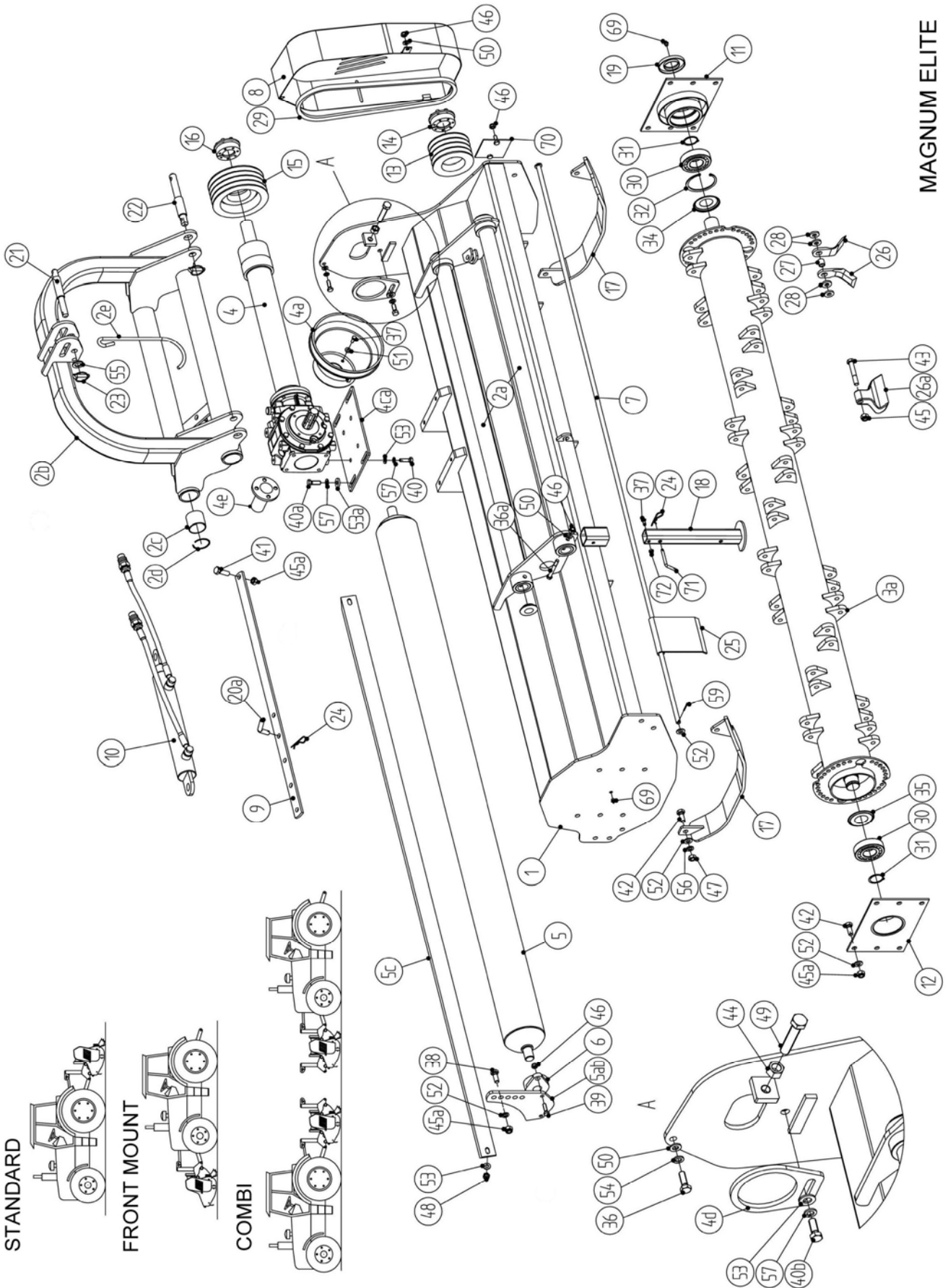
MACHINE ASSEMBLY

Models: MAGNUM ELITE 190 / 225 / 245 / 270

McCONEL

Taper Lock torque setting = 45Nm

MAGNUM ELITE



MACHINE ASSEMBLY

McCONEL

Models: MAGNUM ELITE 190 / 225 / 245 / 270

REF	DESCRIPTION	PART No.	QUANTITY			
			190	225	245	270
4a	PTO SHAFT SHIELD PVC	1061484	1(2)	1(2)	-	-
4a	PTO SHAFT SHIELD PVC	1061246	-	-	1(2)	1(2)
4b	UNDERLAYING PLATE	1061106	2	2	-	-
4c	PLATE 312	1061462	-	-	1	1
4ca	PLATE 311	1061533	1	1	-	-
4d	GEARBOX FLANGE	1061142	1	1	1	1
4e	SHIELD	1061439	1	1	1	1
4e	SHIELD 2006	1061552	1	1	1	1
5	REAR ROLLER - 190	1061153	1	-	-	-
5	REAR ROLLER - 225	1061107	-	1	-	-
5	REAR ROLLER - 245	1061433	-	-	1	-
5	REAR ROLLER - 270	1061434	-	-	-	1
5a	REAR ROLLER BRACKET - LEFT	1061143	1	1	1	1
5b	REAR ROLLER BRACKET - RIGHT	1061155	1	1	1	1
5c	SCRAPER - 190	1061452	1	-	-	-
5c	SCRAPER - 225	1061453	-	1	-	-
5c	SCRAPER - 245	1061454	-	-	1	-
5c	SCRAPER - 270	1061455	-	-	-	1
6	BEARING WITH CASING	1061415	2	2	2	2
7	FLAP BAR - 190	1061158	1	-	-	-
7	FLAP BAR - 225	1061109	-	1	-	-
7	FLAP BAR - 245	1061458	-	-	1	-
7	FLAP BAR - 270	1061459	-	-	-	1
8	BELT SHIELD	1061159	1	1	1	1
8	BELT SHIELD LH	1061133	1	1	1	1
9	OFFSETTING (MECHANICAL)	1061111	1	1	1	1
10	OFFSETTING HYDRAULIC)	91.013.51	1	1	1	1
11	BEARING CASING - LEFT	1061160	1	1	1	1
12	BEARING CASING - RIGHT	1061161	1	1	1	1
13	PULLEY 130/4	1061113	1	1	-	-
13	PULLEY 130/5	1061479	-	-	1	1
14	ELVE CLUTCH 80/45	1061163	1	1	1	1
15	PULLEY 180/4	1061114	1	1	-	-
15	PULLEY 180/5	1061414	-	-	1	1
16	ELVE CLUTCH 80/40	1061165	1	1	1	1
17	SKID - LEFT	1061418	1	1	1	1
17	SKID - RIGHT	1061417	1	1	1	1
17a	SIDE SHIELD (if no skid)	1061413	2	2	2	2
18	SUPPORT FOOT	1061632	1	1	1	1
19	OIL WASHER	1061402	1	1	1	1
20	PIN	1061082	1	1	1	1
21	PIVOT PIN CONNECT 19/25	1061168	1	1	1	1
22	PIVOT PIN CONNECT 22/28	1061169	2	2	2	2
23	PIN	1061097	3	3	3	3
24	PIN	1061076	2	2	2	2
25	FLAP 70	1061170	1	-	-	-
25	FLAP 130	1061098	1	1	2	-
25	FLAP 140	1061171	12	15	15	19

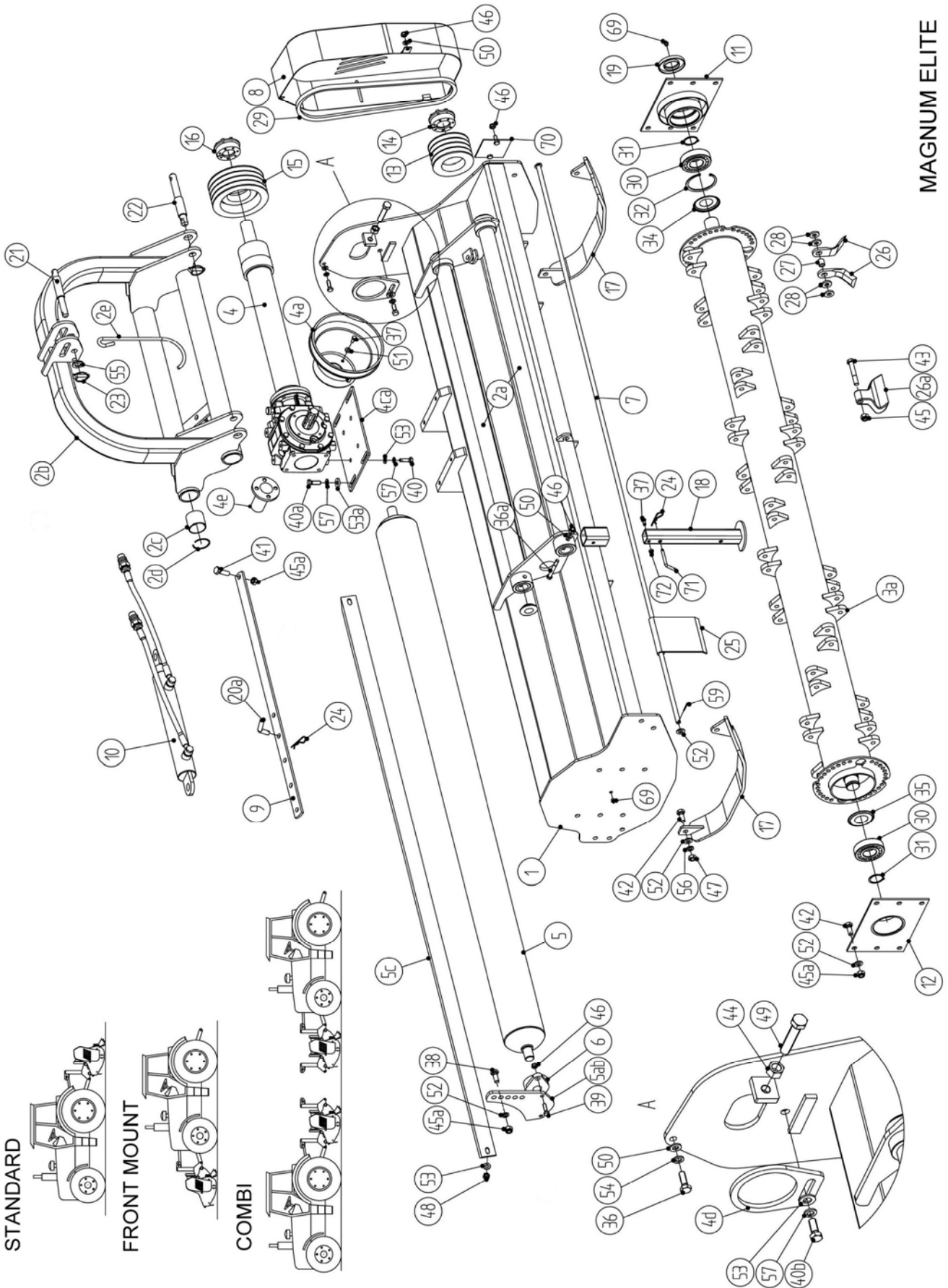
MACHINE ASSEMBLY

Models: MAGNUM ELITE 190 / 225 / 245 / 270

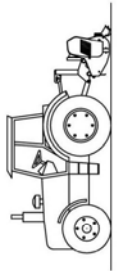
McCONEL

Taper Lock torque setting = 45Nm

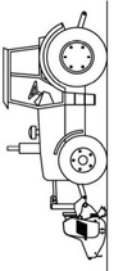
MAGNUM ELITE



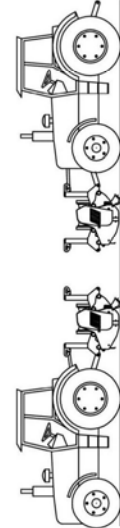
STANDARD



FRONT MOUNT



COMBI

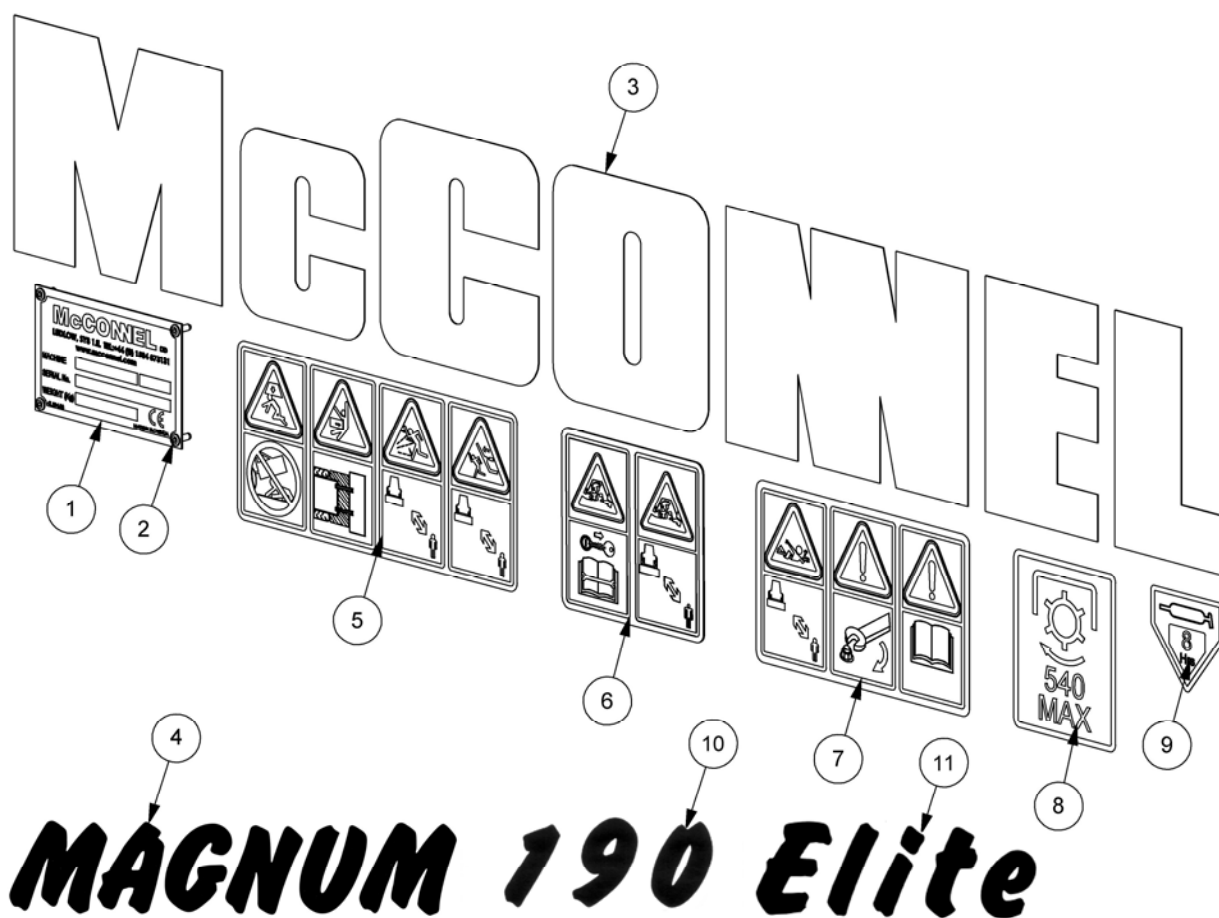


MACHINE ASSEMBLY

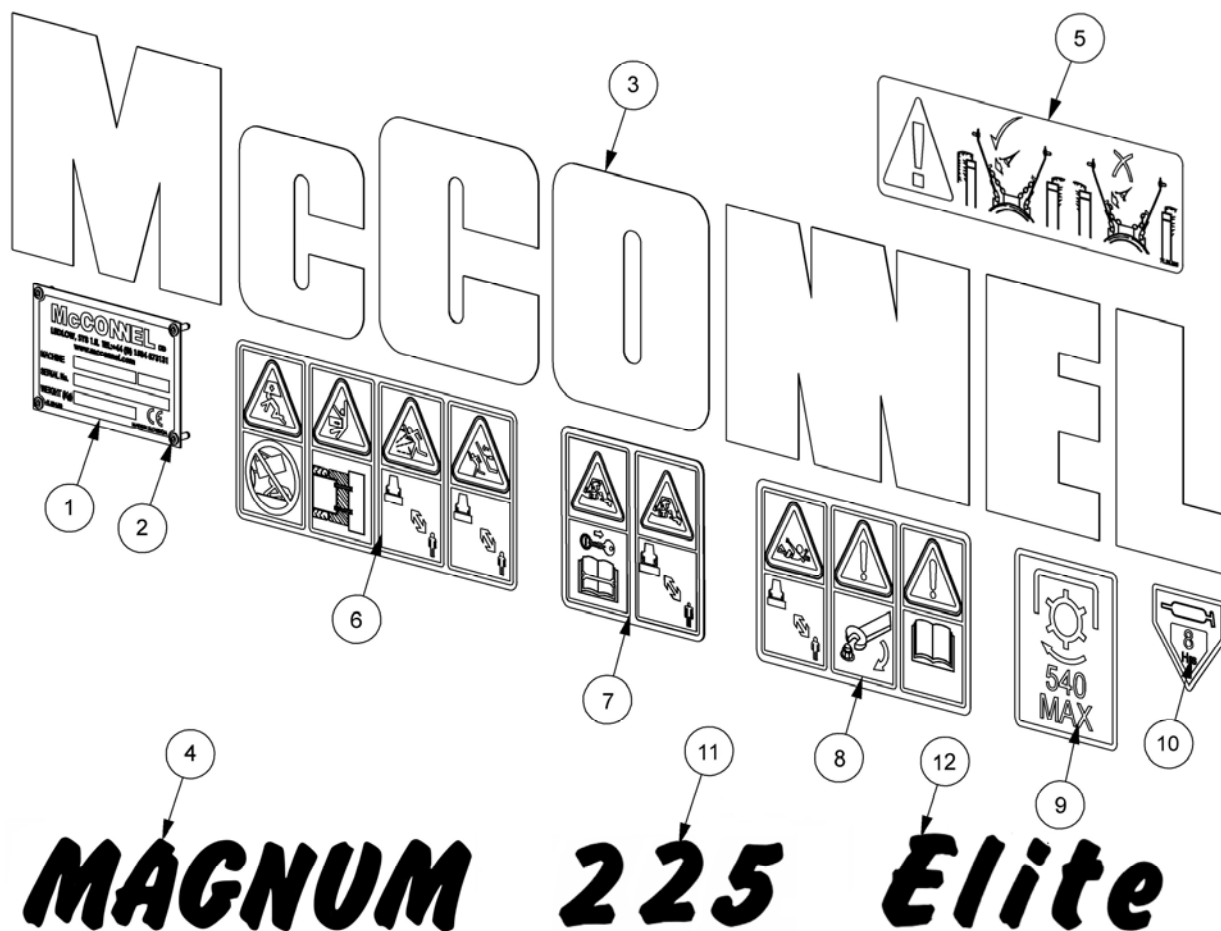
McCONNEL

Models: MAGNUM ELITE 190 / 225 / 245 / 270

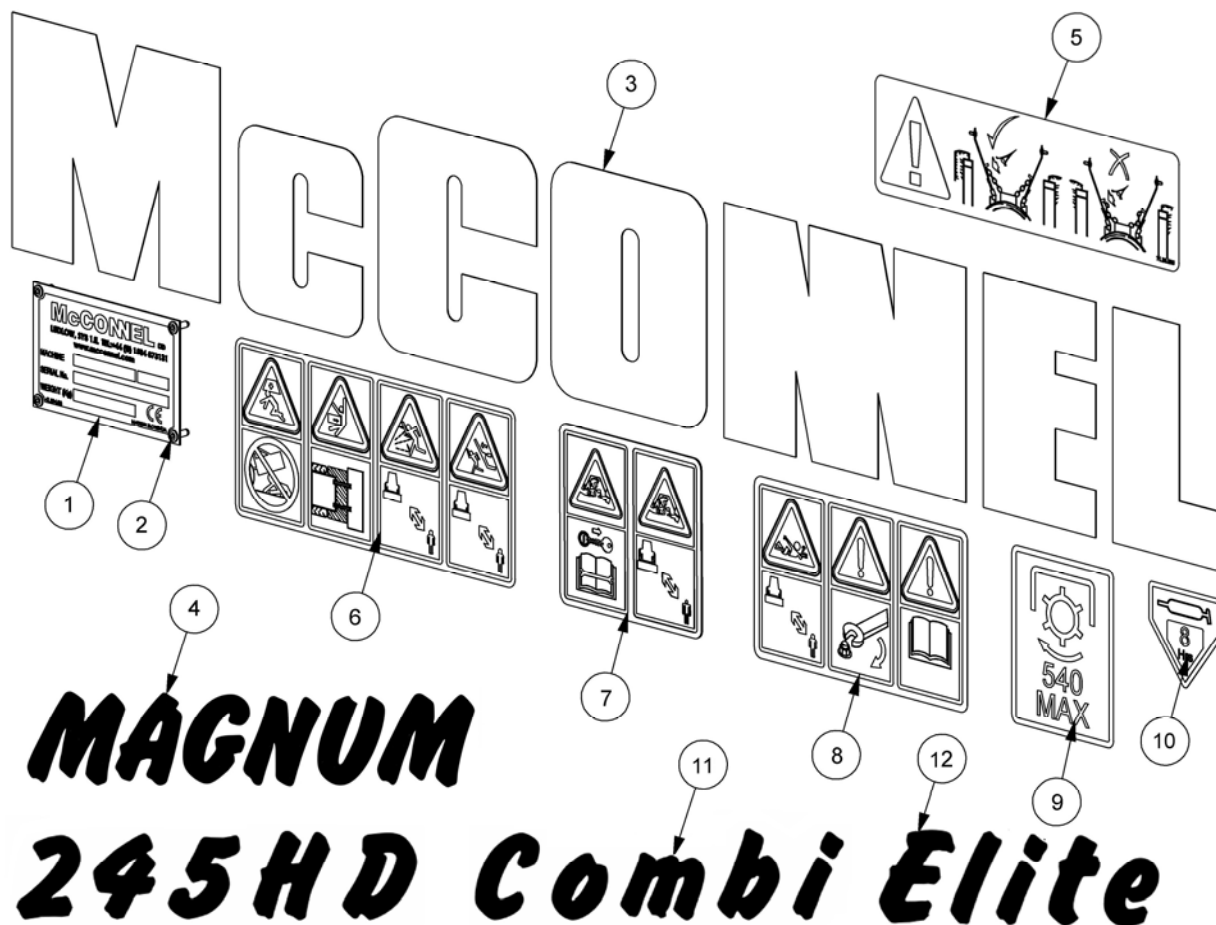
REF	DESCRIPTION	PART No.	QUANTITY			
			190	225	245	270
26	Y-BLADE	1061034	48	56	60	68
26a	HAMMER	1061100	24	28	30	34
27	Y SLEEVE	1061416	24	28	30	34
28	Y SPACER	1061036	96	112	120	136
29	BELT XPB 1250	21233.01	4	4	5	5
30	BEARING	1061173	2	2	2	2
31	SLIDE PC - EXT 45	1061174	2	2	2	2
32	SLIDE PC - INT 100	1061175	1	1	1	1
34	BEARING CASING	1061176	1	1	1	1
35	BEARING CASING	1061177	1	1	1	1
36	BOLT	9313065	1	1	1	1
36a	BOLT	9213185	2	2	2	2
37	BOLT	9313034	4	4	4	4
38	BOLT	1061092	4	4	4	4
39	BOLT	9213075	4	4	4	4
40	BOLT	9300139	4	4	-	-
40	BOLT	9313067	-	-	4	4
40a	BOLT	9313076	5	5	5	5
41	BOLT	1061412	1	1	1	1
42	BOLT	9313148	16	16	16	16
43	BOLT	1062302	24	28	30	34
44	BOLT	9213167	1	1	1	1
45	LOCKNUT	1062304	24	28	30	34
45a	LOCKNUT	1061042	7	7	7	7
46	LOCKNUT	9143005	10	10	10	10
47	NUT	1061121	4	4	4	4
48	LOCKNUT	9143006	2	2	6	6
49	NUT	9113007	1	1	1	1
50	WASHER	9100105	5	5	5	5
51	WASHER	9100104	4(8)	4(8)	4(8)	4(8)
52	WASHER	05.281.14	21	21	21	21
53	WASHER	9100106	9	9	5	5
53	WASHER	1061337	-	-	4	4
54	SPRING WASHER	9100205	1	1	1	1
55	WASHER	9100108	1	1	1	1
56	SPRING WASHER	05.282.08	4	4	4	4
57	SPRING WASHER	9100206	5	5	1	1
57	SPRING WASHER	9100207	-	-	4	4
59	SPLIT PIN	1061077	1	1	1	1
69	GREASE NIPPLE	1061079	2	2	2	2
70	CLOSING PLATE	1061144	1	1	1	1
71	PIN	1061631	1	1	1	1
72	LOCKNUT	9143004	1	1	1	1
73	PTO SHAFT	1062246	1	1	-	-
	PTO SHAFT	1061690	-	-	1	1



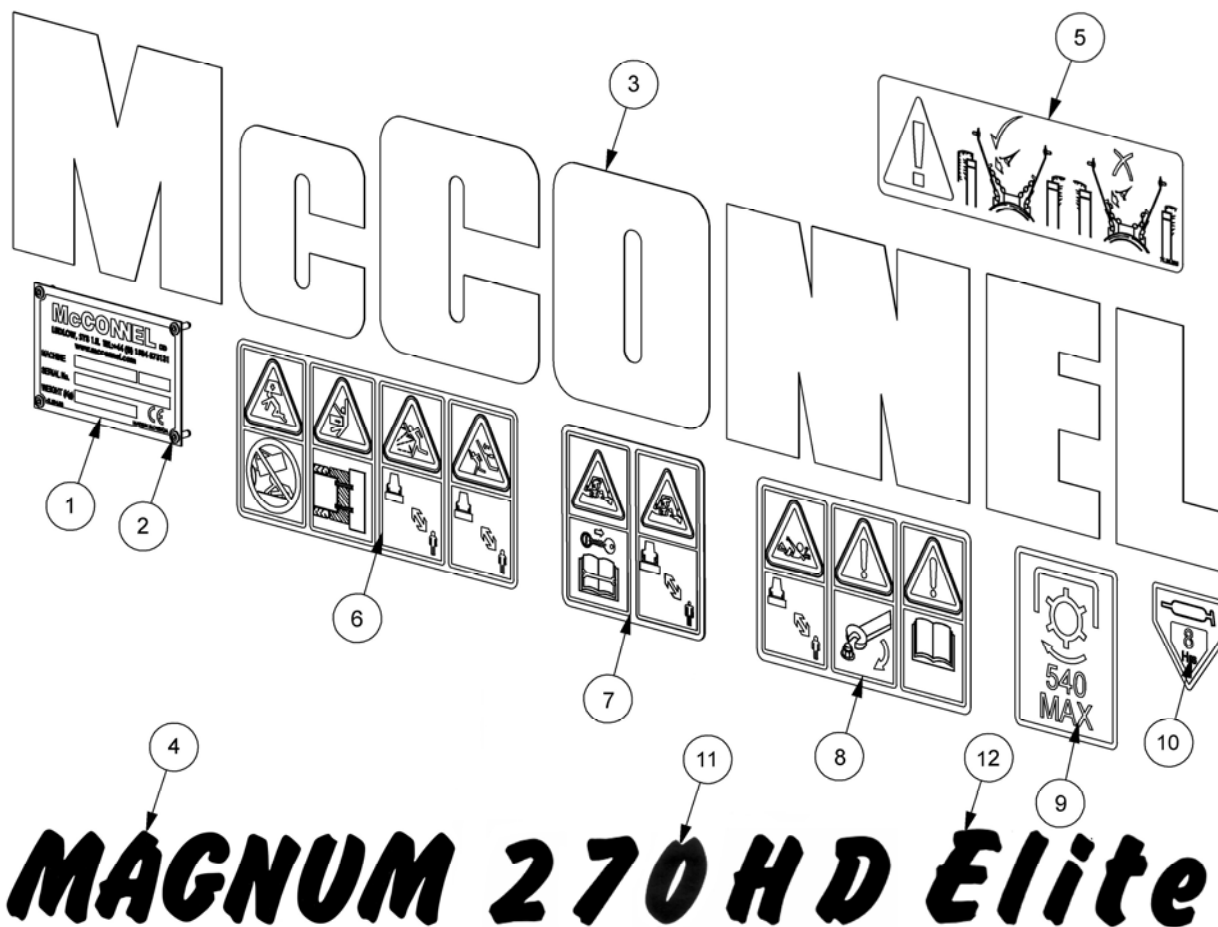
REF.	QTY.	PART No.	DESCRIPTION
		1061700	DECAL KIT - MAGNUM 190 ELITE
1	1	41.094.03	SERIAL NUMBER PLATE
2	4	7103230	POP RIVET
3	1	1290527	DECAL - McCONNEL (BLACK)
4	1	1290558	DECAL - MAGNUM (BLACK)
5	1	09.821.29	DECAL - COMBINED EURODECAL
6	1	09.821.31	DECAL - COMBINED EURODECAL
7	1	09.821.34	DECAL - COMBINED EURODECAL
8	1	09.811.01	DECAL - 540 MAX (CW)
9	1	09.810.01	DECAL - GREASE 8 HRS
10	1	1290635	DECAL - 190 (BLACK)
11	1	1290677	DECAL - ELITE (BLACK)



REF.	QTY.	PART No.	DESCRIPTION
		1061701	DECAL KIT - MAGNUM 225 ELITE
1	1	41.094.03	SERIAL NUMBER PLATE
2	4	7103230	POP RIVET
3	1	1290527	DECAL - McCONNEL (BLACK)
4	1	1290558	DECAL - MAGNUM (BLACK)
5	1	7135295	DECAL - TIGHTEN CHECK CHAINS
6	1	09.821.29	DECAL - COMBINED EURODECAL
7	1	09.821.31	DECAL - COMBINED EURODECAL
8	1	09.821.34	DECAL - COMBINED EURODECAL
9	1	09.811.01	DECAL - 540 MAX (CW)
10	1	09.810.01	DECAL - GREASE 8 HRS
11	1	1290636	DECAL - 225 (BLACK)
12	1	1290677	DECAL - ELITE (BLACK)



REF.	QTY.	PART No.	DESCRIPTION
		1061702	DECAL KIT - MAGNUM 245HD ELITE
1	1	41.094.03	SERIAL NUMBER PLATE
2	4	7103230	POP RIVET
3	1	1290527	DECAL - McCONNEL (BLACK)
4	1	1290558	DECAL - MAGNUM (BLACK)
5	1	7135295	DECAL - TIGHTEN CHECK CHAINS
6	1	09.821.29	DECAL - COMBINED EURODECAL
7	1	09.821.31	DECAL - COMBINED EURODECAL
8	1	09.821.34	DECAL - COMBINED EURODECAL
9	1	09.811.01	DECAL - 540 MAX (CW)
10	1	09.810.01	DECAL - GREASE 8 HRS
11	1	1290639	DECAL - 245HD COMBI (BLACK)
12	1	1290677	DECAL - ELITE (BLACK)



REF.	QTY.	PART No.	DESCRIPTION
		1061703	DECAL KIT - MAGNUM 270HD ELITE
1	1	41.094.03	SERIAL NUMBER PLATE
2	4	7103230	POP RIVET
3	1	1290527	DECAL - McCONNEL (BLACK)
4	1	1290558	DECAL - MAGNUM (BLACK)
5	1	7135295	DECAL - TIGHTEN CHECK CHAINS
6	1	09.821.29	DECAL - COMBINED EURODECAL
7	1	09.821.31	DECAL - COMBINED EURODECAL
8	1	09.821.34	DECAL - COMBINED EURODECAL
9	1	09.811.01	DECAL - 540 MAX (CW)
10	1	09.810.01	DECAL - GREASE 8 HRS
11	1	1290637	DECAL - 270HD (BLACK)
12	1	1290677	DECAL - ELITE (BLACK)



McConnel Limited, Temeside Works, Ludlow, Shropshire SY8 1JL. England.
Telephone: 01584 873131. Facsimile: 01584 876463. www.mcconnel.com