



MAGNUM

FLAIL MOWER/SHREDDER

Models 245, 270 & 300

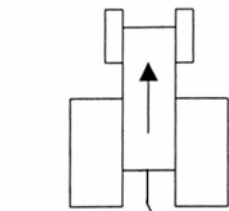
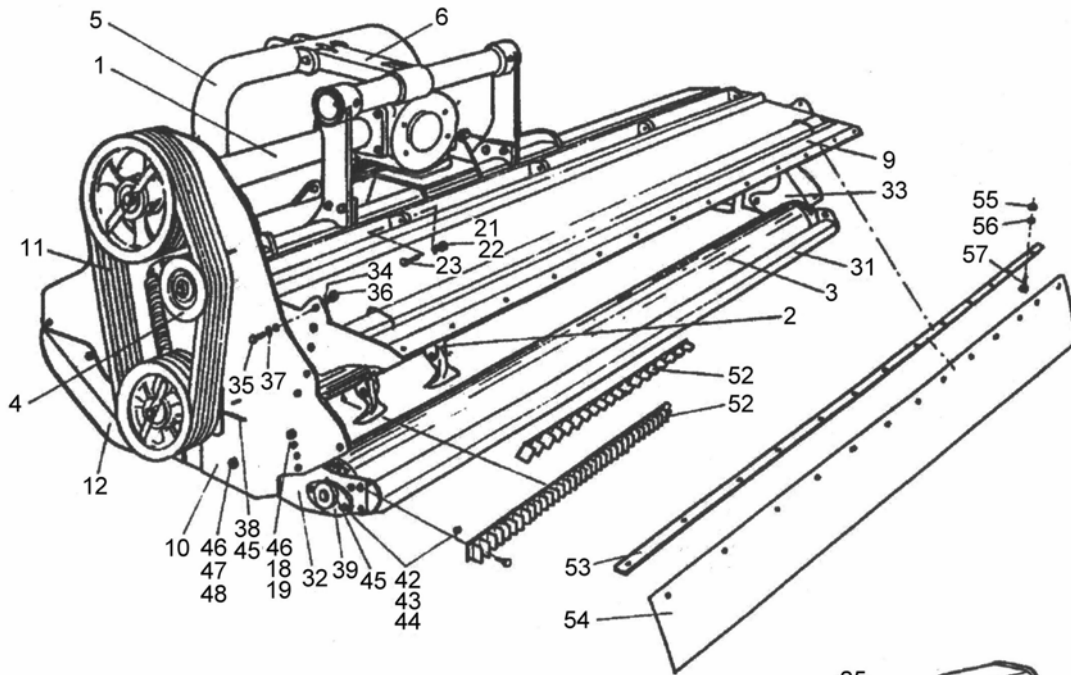
Pre 2008 models

Parts Manual

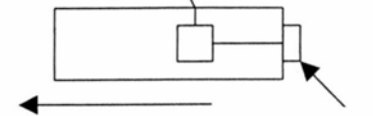
Publication 427
November 2002
Part No. 41570.27
Revision: 07.02.08



MAGNUM
245 / 270 /300 Models
Parts Manual



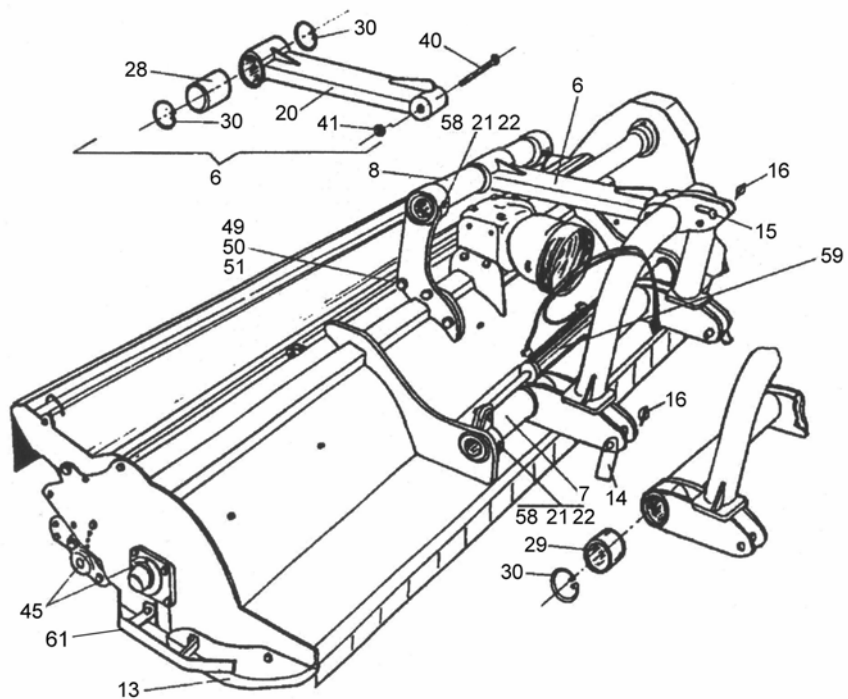
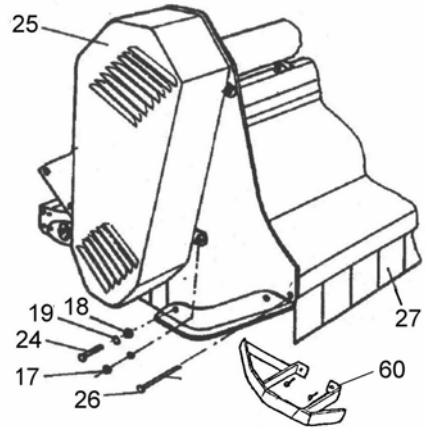
L/H Model



R/H Model

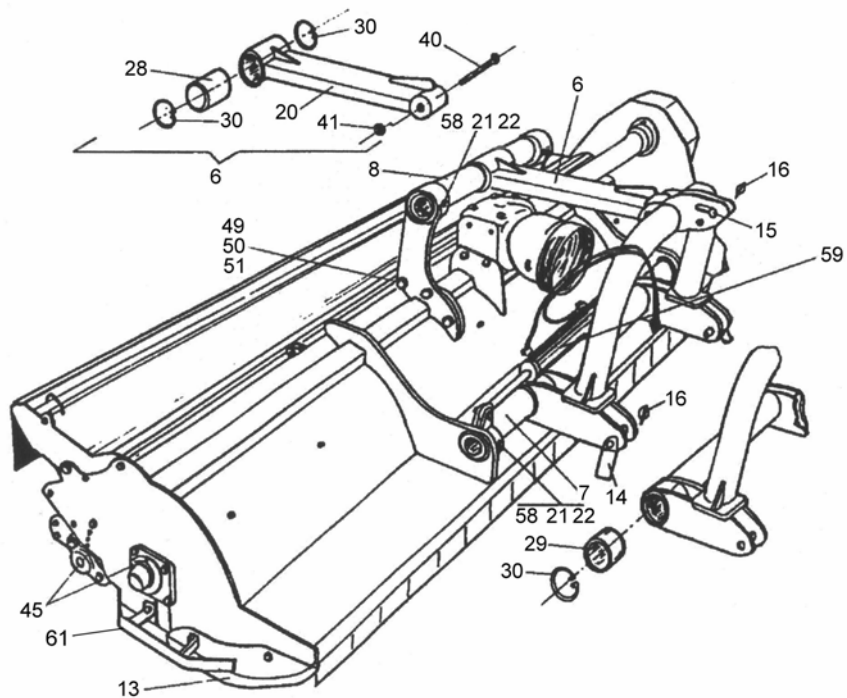
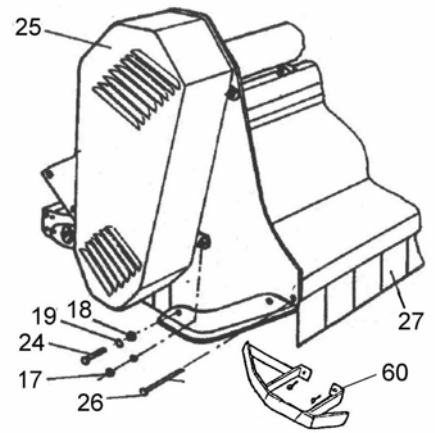
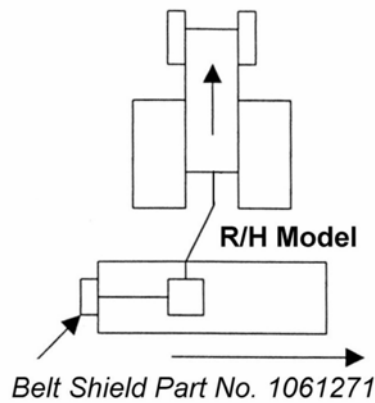
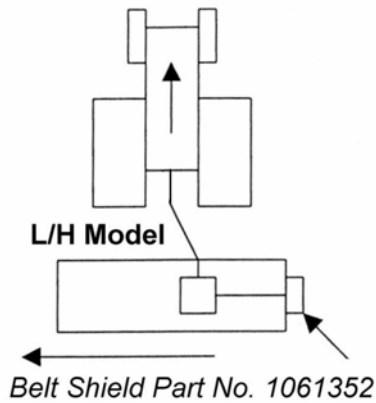
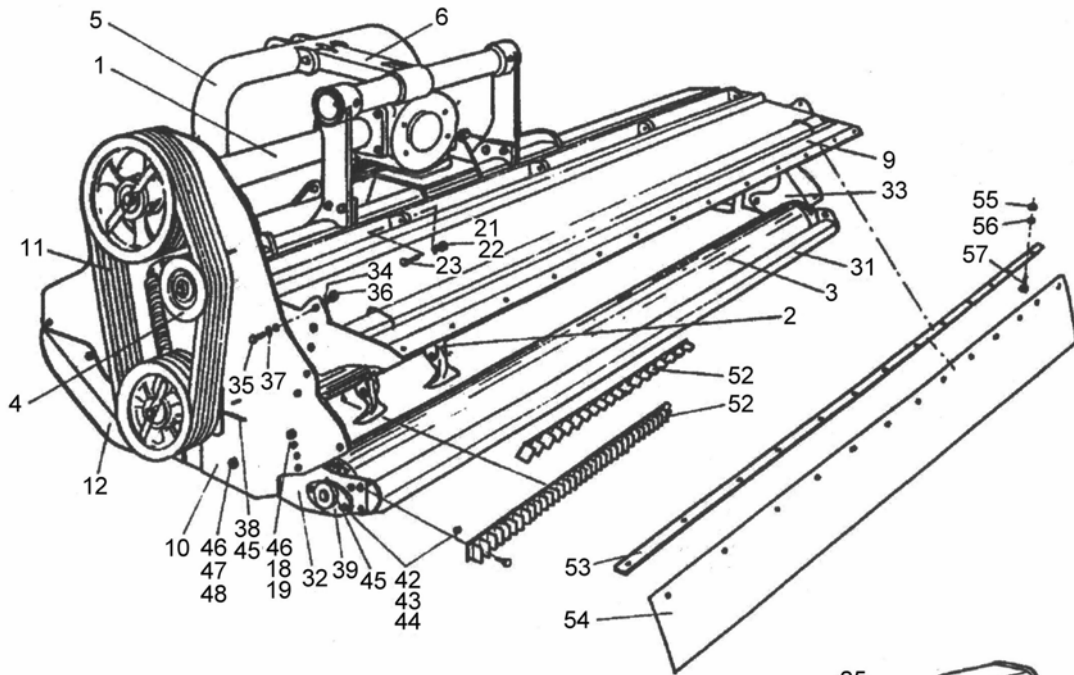
Belt Shield Part No. 1061352

Belt Shield Part No. 1061271



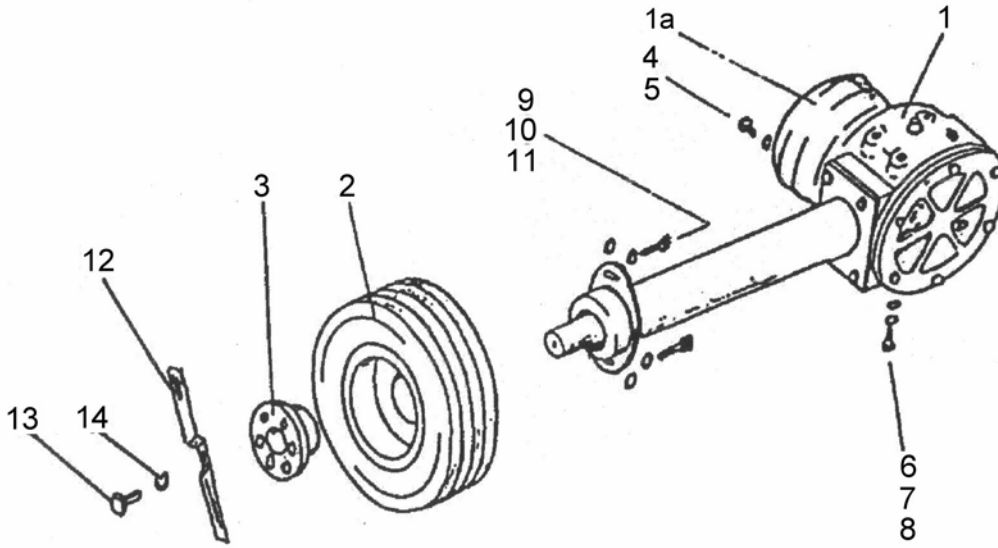
MAIN ASSEMBLY

Ref.	Description	Part No.	Model/Quantity		
			245	270	300
1	Gearbox 990 - L/H Build	1061250	1	1	n/a
	Gearbox 990 - R/H Build	1061619	1	1	n/a
1	Gearbox 1400 - L/H Build	1061251	n/a	n/a	1
2	Rotor 245	1061358	1	n/a	n/a
2	Rotor 270	1061252	n/a	1	n/a
2	Rotor 300	1061253	n/a	n/a	1
3	Roller rear 245	1061146	1	n/a	n/a
3	Roller rear 270	1061254	n/a	1	n/a
3	Roller rear 300	1061255	n/a	n/a	1
4	Strain pulley cpl	1061359	1	n/a	n/a
4	Strain pulley cpl	1061256	n/a	1	1
5	Connecting bow	1061257	1	1	1
6	Connecting bar cpl	1061258	1	1	1
7	Guidance 1600	1061259	1	1	1
8	Guidance 800	1061260	1	1	1
9	Flap rear 245	1061147	1	n/a	n/a
9	Flap rear 270	1061261	n/a	1	n/a
9	Flap rear 300	1061262	n/a	n/a	1
10	Frame 245	1061360	1	n/a	n/a
10	Frame 270 - L/H Build	1061361	n/a	1	n/a
	Frame 270 - R/H Build	1061263	n/a	1	n/a
10	Frame 300	1061362	n/a	n/a	1
11	Belt SPB 1800	1061265	4	5	5
12	Skid left	1061266	1	1	1
13	Skid right	1061267	1	1	1
14	Pivot pin 28	1061268	2	2	2
15	Pivot pin 19/25	1061168	1	1	1
16	Safety pin 10	1061269	3	3	3
17	Locknut M10	9143005	4	4	4
18	Nut M16	9113007	6	6	6
19	Spring washer 16	9100207	6	6	6
20	Connecting bar	1061270	1	1	1
21	Locknut M12	9143006	9	9	9
22	Washer 12	9100106	9	9	9
23	Bolt M12x55	9213116	5	5	5
24	Bolt M16x40	1061047	4	4	4
25	Belt shield (for L/H Machines)	1061352	1	1	1
	Belt shield (for R/H Machines)	1061271	1	1	1
26	Flap rod 245	1061148	1	n/a	n/a
26	Flap rod 270	1061272	n/a	1	n/a
26	Flap rod 300	1061273	n/a	n/a	1
27	Flap 140	1061274	16	18	20
27	Flap 55	1061275	n/a	1	n/a

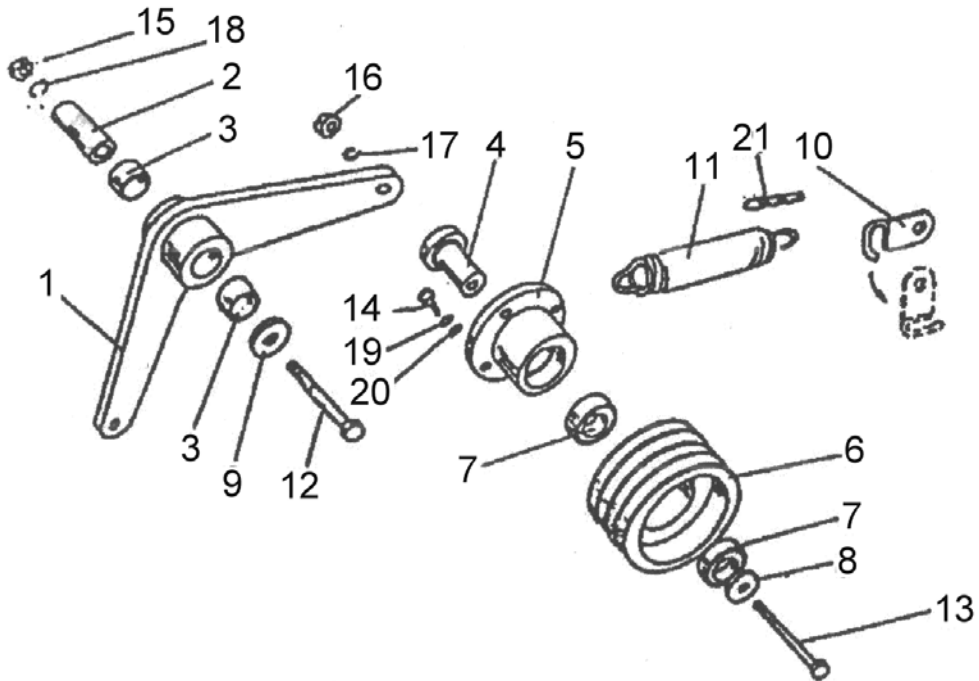


MAIN ASSEMBLY

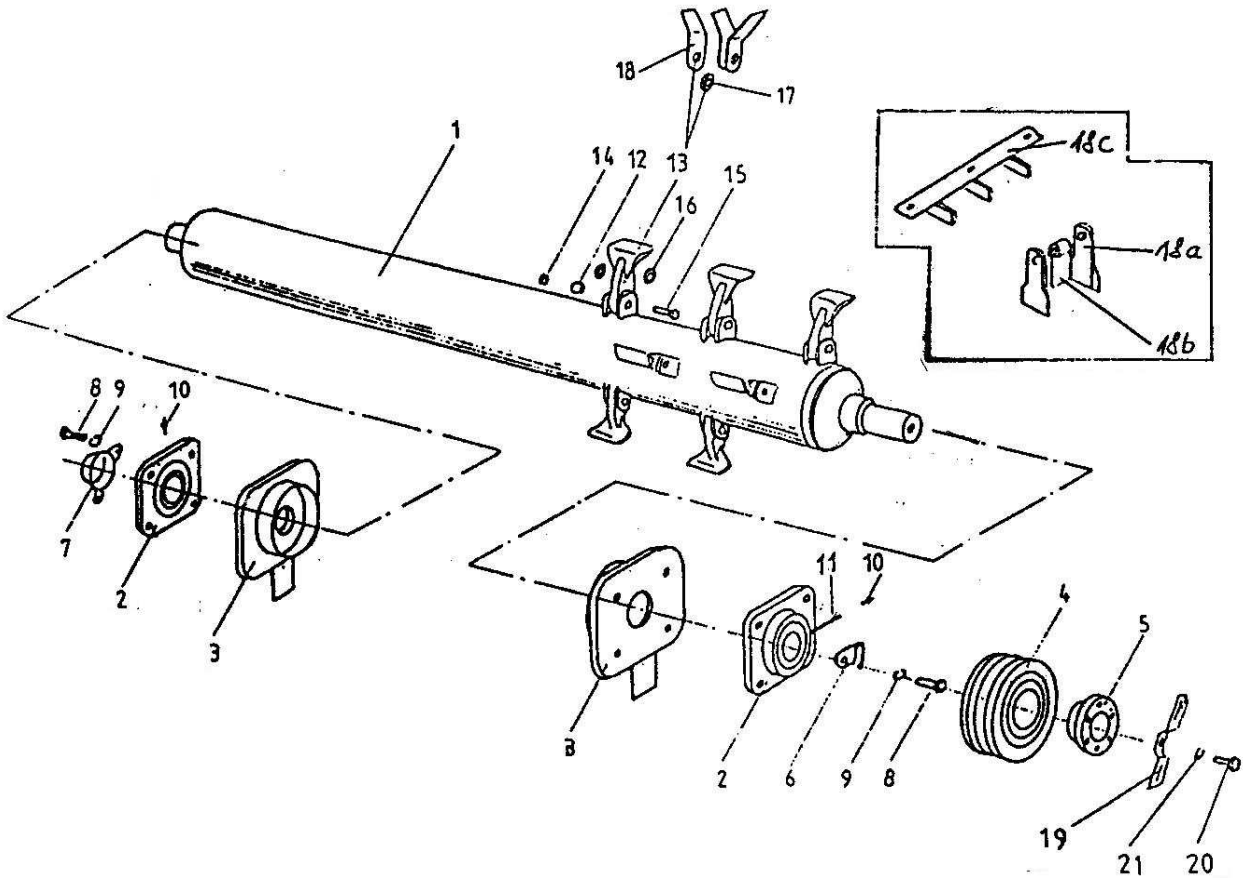
Ref.	Description	Part No.	Model/Quantity		
			245	270	300
28	Bushing 45	1061276	2	2	2
29	Bushing 100	1061277	2	2	2
30	Slide piece 100	1061175	4	4	4
31	Scraper 245	1061149	1	n/a	n/a
31	Scraper 270	1061278	n/a	1	n/a
31	Scraper 300	1061279	n/a	n/a	1
32	Roller bracket left	1061280	1	1	1
33	Roller bracket right	1061281	1	1	1
34	Spring washer 14	05.282.08	2	2	2
35	Bolt M14x35	9300163	2	2	2
36	Nut M14	1061121	2	2	2
37	Washer 14	05.281.14	2	2	2
38	Grease tube	1061282	1	1	1
39	Roller bearing 16208	1061283	2	2	2
40	Bolt M24x190	9213389	1	1	1
41	Locknut M24	9143009	1	1	1
42	Bolt M12x40	9213086	8	8	8
43	Nut M12	9113006	8	8	8
44	Spring washer 12	9100206	8	8	8
45	Grease nipple	0901161	4	4	4
46	Bolt M16x45	9313097	4	4	4
47	Locknut M16	9143007	2	2	2
48	Washer 16	9100107	2	2	2
49	Bolt M20x75	9213158	6	6	6
50	Locknut M20	9143008	6	6	6
51	Washer 20	9100108	6	6	6
52	Counter blades 245	1061284	2	n/a	n/a
52	Counter blades 270	1061285	n/a	2	n/a
52	Counter blades 300	1061286	n/a	n/a	2
53	Bar 245	1061287	1	n/a	n/a
53	Bar 270	1061288	n/a	1	n/a
53	Bar 300	1061289	n/a	n/a	1
54	Rubber flap 245	1061290	1	n/a	n/a
54	Rubber flap 270	1061291	n/a	1	n/a
54	Rubber flap 300	1061292	n/a	n/a	1
55	Locknut M8	9143004	9	9	9
56	Washer 8	9100104	9	9	9
57	Bolt M8x40	9213084	9	9	9
58	Bolt M12x1402	1061293	2	2	2
59	Hydraulic Ram	1061294	1	1	1
60	Side guard - (Drive end)	1061353	1	1	1
61	Side Guard - (Non Drive end)	1061354	1	1	1



Ref.	Description	Part No.	Model/Quantity		
			245	270	300
1	Gearbox 990 - L/H Build	1061250	1	1	n/a
1	Gearbox 990 - R/H Build	1061619	1	1	n/a
1	Gearbox 1400	1061251	n/a	n/a	1
1a	PTO Shaft shield	1061046	1	1	1
2	Pulley 300-4	1061045	1	n/a	n/a
2	Pulley 300-5	1061348	n/a	1	1
3	Elve clutch 80/45	1061163	1	1	1
4	Bolt	1061090	4	4	4
5	Washer	9100104	4	4	4
6	Washer	1000106	2	2	2
7	Spring washer	05.282.08	2	2	2
8	Bolt	1061047	2	2	2
9	Bolt	1061239	2	2	2
10	Spring washer	05.282.08	2	2	2
11	Washer	05.281.14	2	2	2
12	Propeller blade	1061349	1	1	1
13	Bolt	1061048	1	1	1
14	Spring washer	9100206	3	3	3

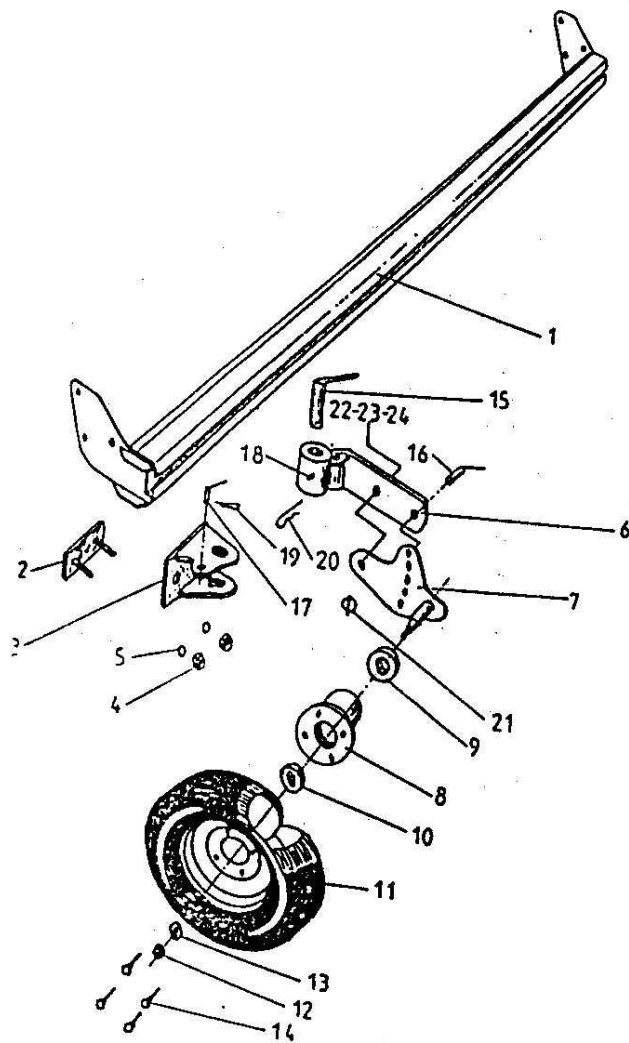
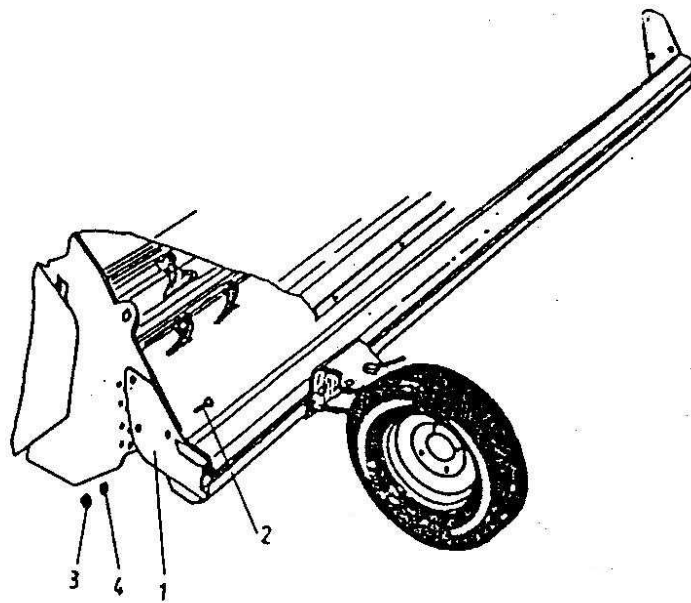


Ref.	Description	Part No.	Model/Quantity		
			245	270	300
1	Lever	1061330	1	1	1
2	Bushing	1061331	1	1	1
3	Bearing sleeve	1061332	2	2	2
4	Pivot	1061333	1	1	1
5	Bearing casing	1061334	1	1	1
6	Pulley 130/4	1061049	1	n/a	n/a
6	Pulley 130/5	1061335	n/a	1	1
7	Bearing 6006 2RS	1061336	2	2	2
8	Washer	1061337	1	1	1
9	Washer	1061338	1	1	1
10	Hook	1061339	1	1	1
11	Spring	1061340	1	1	1
12	Bolt M16x80	9313167	1	1	1
13	Bolt M12x110	9213226	1	1	1
14	Bolt M8x20	9313044	1	1	1
15	Nut M16	9113007	1	1	1
16	Nut M12	9113006	1	1	1
17	Spring washer M12	9100206	1	1	1
18	Spring washer M16	9100207	1	1	1
19	Spring washer M8	9100204	1	1	1
20	Washer M8	9100104	1	1	1
21	Chain	1061341	1	1	1



ROTOR ASSEMBLY

Ref.	Description	Part No.	Model/Quantity		
			245	270	300
1	Rotor shaft (hammer blades)	1061358	1	n/a	n/a
1	Rotor shaft (hammer blades)	1061252	n/a	1	n/a
1	Rotor shaft (hammer blades)	1061253	n/a	n/a	1
1	Rotor shaft	1061355	1	n/a	n/a
1	Rotor shaft	1061356	n/a	1	n/a
1	Rotor shaft	1061357	n/a	n/a	1
2	Bearing SKF FY 55W	1061315	2	2	2
3	Bearing plate	1061316	2	2	2
4	Pulley 300-4	1061045	1	n/a	n/a
4	Pulley 300-5	1061348	n/a	1	1
5	Elve clutch 80/45	1061163	1	1	1
6	Hook	1061319	1	1	1
7	Bearing lid	1061320	1	1	1
8	Bolt M16x50	9213107	1	1	1
8a	Bolt M16x45	9213097	7	7	7
9	Spring washer M16	9100207	8	8	8
10	Grease nipple	1061079	1	1	1
10	Grease nipple (for bearing)	1061321	1	1	1
11	Grease nipple extension	1061282	1	1	1
12	Bushing	1061323	24	28	32
13	Hammer	1061324	24	28	32
14	Locknut M20	9143008	24	28	32
15	Bolt M20x90	1061342	24	28	32
16	Hammer distant sleeve	1061036	72	84	96
17	Y - washer	9100108	24	28	32
18	Y - blades	1061325	72	84	96
18a	Flat blades	1061326	48	56	64
18b	Ventilation pallet blades	1061327	24	28	32
18c	Counter blades for cereals	1061328	1	1	1
19	Propeller blade	1061329	1	1	1
20	Bolt M 12x20	9313046	1	1	1
21	Spring washer 12	9100206	1	1	1





Ref.	Description	Part No.	Model/Quantity		
			245	270	300
1	Wheel support	595600	1	1	1
2	Bolt M16x50	9213107	6	6	6
3	Locknut	9143007	6	6	6
4	Spring washer	9100207	6	6	6

Ref.	Description	Part No.	Model/Quantity		
			245	270	300
1	Support bar	1061295	1	1	1
2	Fixing plate	1061296	2	2	2
3	Rear fork - left and right	1061297	1+1	1+1	1+1
4	Locknut M 20	9143008	4	4	4
5	Washer fi 20	9100108	4	4	4
6	Bracket right	1061298	1	1	1
6	Bracket left	1061299	1	1	1
7	Wheel bracket - left and right	1061300	1+1	1+1	1+1
8	Wheel sleeve	1061301	2	2	2
9	Bearing 6207 2RS	1061302	2	2	2
10	Bearing 6205 2RS	1061303	2	2	2
11	Wheel	1061304	2	2	2
12	Locknut M 16	9143007	2	2	2
13	Ring fi 16/fi 52	1061305	2	2	2
14	Bolt M 12x1,25	1061306	8	8	8
15	Pivot pin fi 36	1061307	2	2	2
16	Pivot pin fi 25	1061308	2	2	2
17	Pivot pin fi 16	1061309	2	2	2
18	Grease nipple M 8x1	1061310	2	2	2
19	Safety pin R3	1061076	2	2	2
20	Safety pin R5	1061311	2	2	2
21	Safety pin fi 7	1061312	2	2	2
22	Bolt M 12x20	9313046	2	2	2
23	Ring fi 20/fi 30	1061313	2	2	2
24	Spring washer M 12	9100206	2	2	2



McConnel Limited, Temeside Works, Ludlow, Shropshire SY8 1JL. England.
Telephone: 01584 873131. Facsimile: 01584 876463. www.mcconnel.com